

TO: PARTS MANAGER
SERVICE MANAGER

No. 91-4

A. V8 ENGINE MOUNT BASE ASSEMBLY PARTS

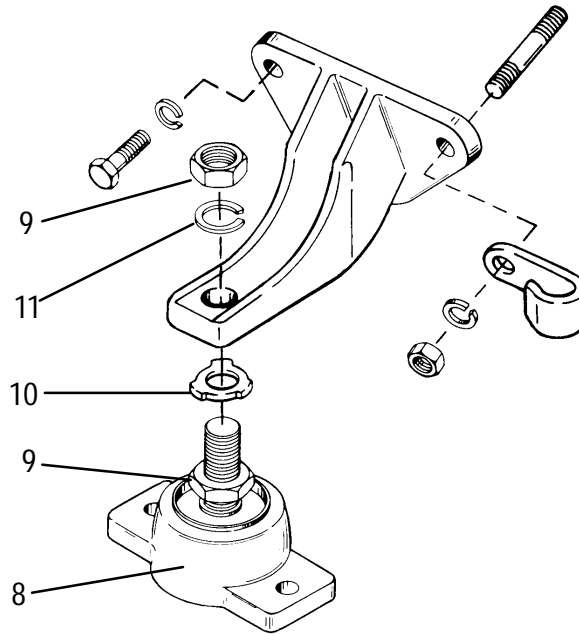
Change

Please make note of these changes to the parts lists. Parts lists will be corrected the next time they are updated.

MCM 200-5.0L/230-5.0L/260-5.7L

Fiche: Card 41 (Rev. 1/1991) Grid E-12

Paper: 90-816596 (Rev. 1/1991) Page 65



PART NO.	REF. NO.	DESCRIPTION	QUAN.
66284A2	8	BASE ASSEMBLY	2
11-20739	9	NUT	4
14-12657	10	TAB WASHER	2
13-68102	11	LOCK WASHER	2

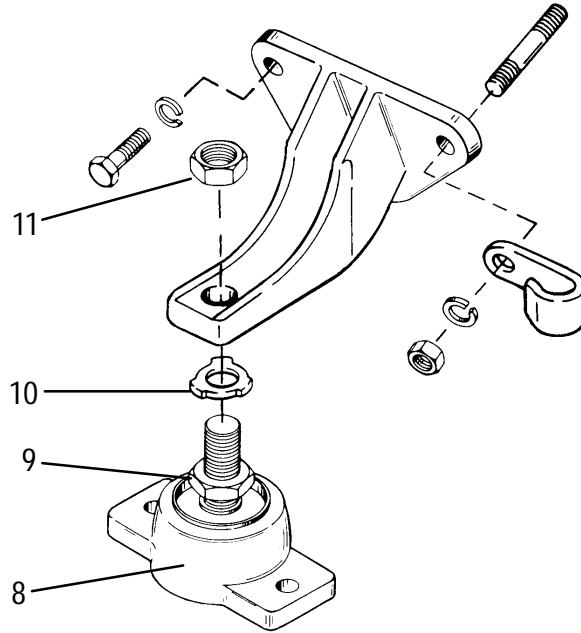
MCM 350 Magnum/5.7L Bravo

Fiche: Card 41 (Rev. 1/1991) Grid E-12

Fiche: Card 38 (Rev. 2/1989) Grid G-8

Paper: 90-816596 (Rev. 1/1991) Page 65

Paper: 90-14295 (Feb/1987) Page 39



PART NO.	REF. NO.	DESCRIPTION	QUAN.
814263A1	8	BASE ASSEMBLY	2
11-816331	9	NUT	2
14-12657	10	TAB WASHER	2
11-49252	11	NUT, ELASTIC	2

MCM 454 Magnum Alpha

Fiche: Card 51 (2/1989) Grid C-14

Paper: 90-14296 (Rev. 2/1989) Page 39

MCM 7.4L Bravo

Fiche: Card 45 (Rev. 1/1991) Grid D-4

Paper: 90-19013 (Rev. 1/1991) Page 43

MCM 330 (B-W)

Fiche: Card 32 (Rev. 10/1987) Grid D-6

Paper: 90-43075 (April/1987) Page 45

MCM 454 Magnum Bravo

Fiche: Card 52 (Rev. 1/1991) Grid D-11

Paper: 90-19378 (Rev. 1/1991) Page 50

MCM 502 Magnum Bravo

Fiche: Card 55 (Rev. 1/1991) Grid C-13

Paper: 90-816935-90 (Rev. 1/1991) Page 40

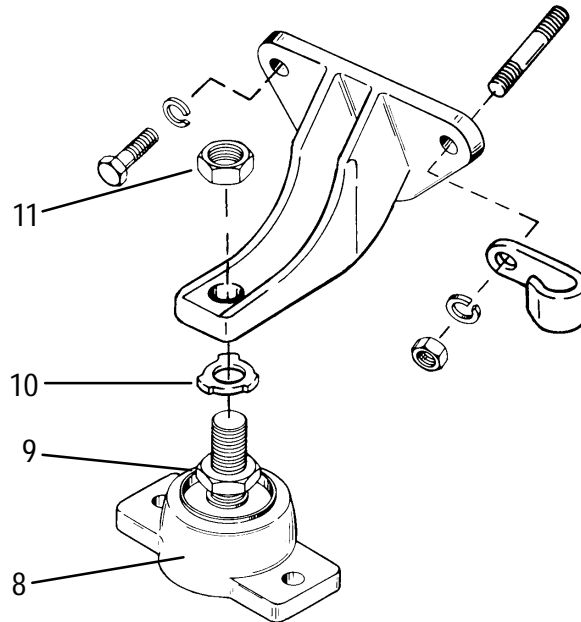
MCM 320 EFI

Fiche: Card 39 (Rev. 2/1989) Grid A-4

Fiche: Card 53 (Rev. 2/1989) Grid D-6

Paper: 90-15399 (Rev. 10/1987) Page 41

Paper: 90-19283 (Rev. 2/1989) Page 45



PART NO.	REF. NO.	DESCRIPTION	QUAN.
814263A1	8	BASE ASSEMBLY	2
11-816331	9	NUT	2
14-12657	10	TAB WASHER	2
11-49252	11	NUT, ELASTIC	2

MIE 7.4L w/Hurth Transmission

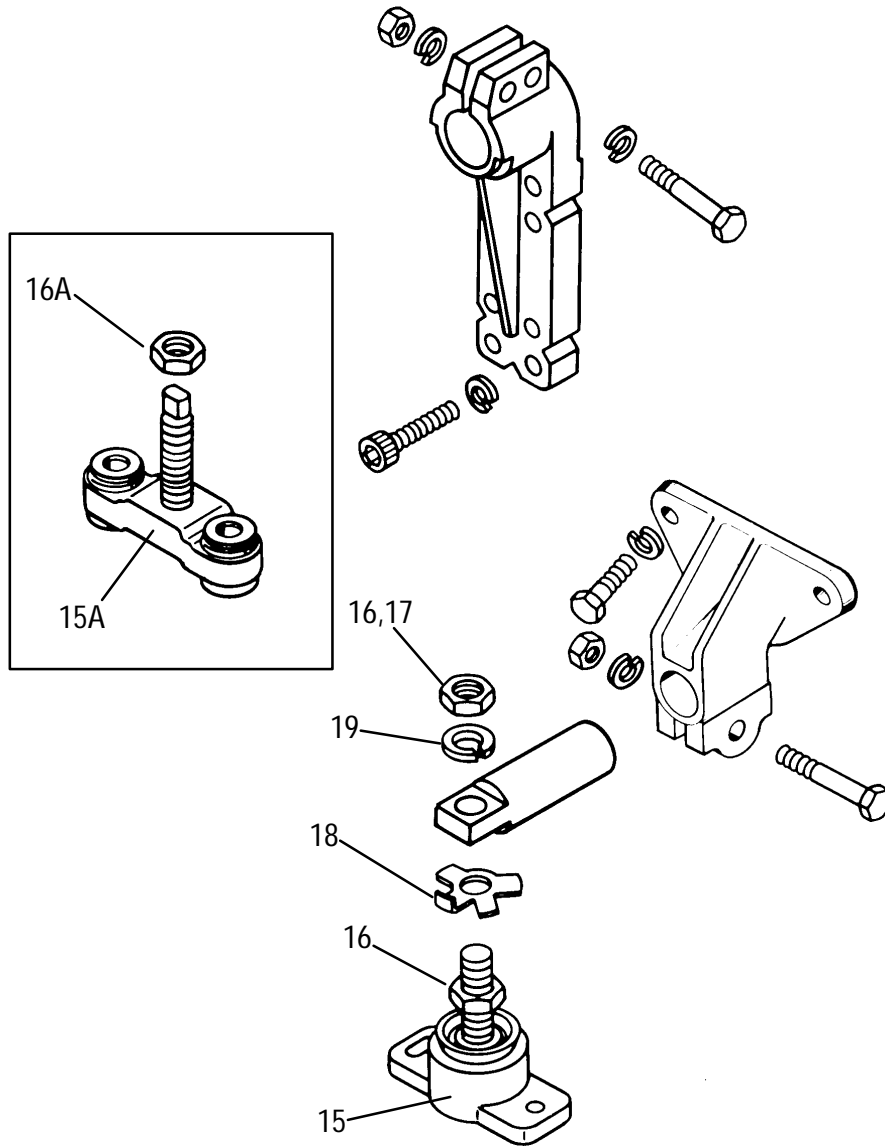
Fiche: Card 48 (Rev. 3/1991) Grid D-3,4

Paper: 90-814268 (Rev. 3/1991) Page 42,43

MIE 8.2L w/Hurth Transmission

Fiche: Card 56 (Rev. 3/1991) Grid D-7,8

Paper: 90-816713-90 (Rev. 3/1991) Page 46, 47



PART NO.	REF. NO.	DESCRIPTION	QUAN.
66284A2	15	BASE ASSEMBLY, ENGINE	2
11-20739	16	NUT	4
816326A2	15A	BASE ASSEMBLY, TRANSMISSION	2
11-816331	16A	NUT	2
11-20739	17	NUT, TRANSMISSION	2
14-66658	18	TAB WASHER	4
13-68102	19	LOCK WASHER	4