

TO: PARTS MANAGER   
SERVICE MANAGER

**QUICKSILVER**  
MARINE PARTS AND ACCESSORIES

No. 95-11

Revised November 1997

## Shift spool for Alpha One & Alpha One Generation II

### Models

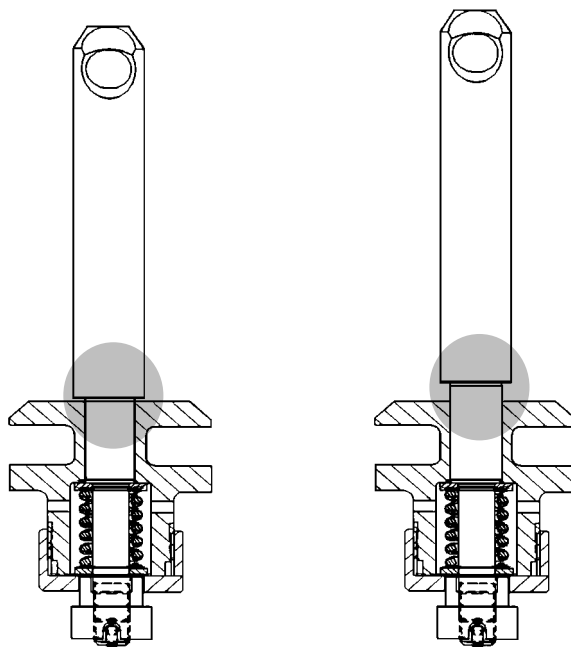
All Alpha One / Alpha One Generation II Standard and Counter Rotation Drives

### Changes

The Alpha One Generation II counter rotation drive has been changed to allow the propeller to ratchet while in forward gear. The new style shift spool assembly (818349A1) is a dual acting shift spool that allows the propeller to ratchet upon deceleration while in forward gear like the standard rotation drive does. This eliminates the possibility of the engine stalling when the boat is rapidly decelerated to an idle speed without shifting into neutral.

The new shift spool assembly will be utilized in the following applications:

- All Alpha One and Alpha One Generation II counter rotation service replacement drives.
- All Alpha One and Alpha One Generation II counter rotation lower units complete.
- The old style shift spool (19755A2) will supersede to the new (818349A1) shift spool.



75219

OLD STYLE SHIFT SPOOL  
19755A2

NEW STYLE SHIFT SPOOL  
818349A1