



PARTS CATALOG

370 H.P. TRS ENGINE (CARD 37)

SERIAL NUMBER

370 TRS GM 454 V-8 1985-19876721528 THRU 0B714586

REPLACEMENT PARTS ! WARNING !

Electrical, ignition and fuel system components on MerCruiser Engines and Stern Drives are designed and manufactured to comply with U.S. Coast Guard Rules and Regulations to minimize risks of fire or explosion. Use of replacement electrical, ignition or fuel system components, which do not comply to these rules and regulations, could result in a fire or explosion hazard and should be voided.

When servicing the electrical, ignition and fuel systems, it is extremely important that all components are properly installed and tightened. If not, any electrical or ignition component opening would permit sparks to ignite fuel vapors from fuel system leaks, if they existed.

ENGINE MECHANICAL COMPONENTS

Many of the engine mechanical components are designed for marine applications. Unlike automotive engines, marine engines are subjected to extended periods of heavy load and wide- open-throttle operation, therefore, require heavy-duty components. Special marine engine parts have design and manufacturing specifications, which are required to provide long life and dependable performance. Marine engine parts also must be able to resist the corrosive action of salt or brackish water that will rust or corrode standard automotive parts within a short period of time.

Failure to use recommended Mercury Precision Parts OR Quicksilver service replacement parts can result in poor engine performance and/or durability, rapid corrosion of parts subjected to salt water and possibly complete failure of the engine.

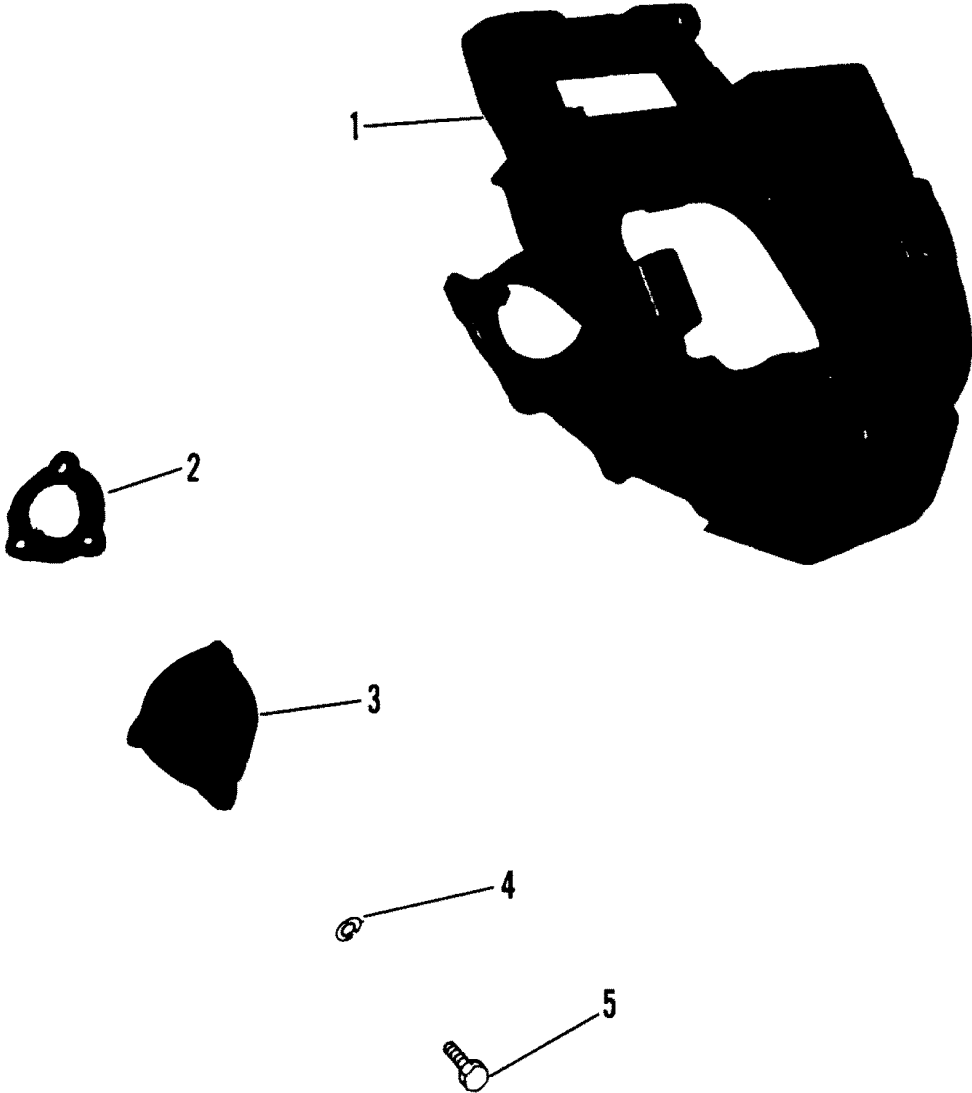
Use of parts other than recommended service replacement parts will void the warranty on those parts which are damaged as a result of the use of other than recommended parts.

MISCELLANEOUS PARTS/ ACCESSORIES

REF. NO.	PART NO.	SYM.	QTY.	DESCRIPTION
-	90-14019		1	PARTS MANUAL
-	90-14499--1		1	SERVICE MANUAL
-	90-12735870		1	OWNER'S GUIDE

THIS PAGE INTENTIONALLY LEFT BLANK

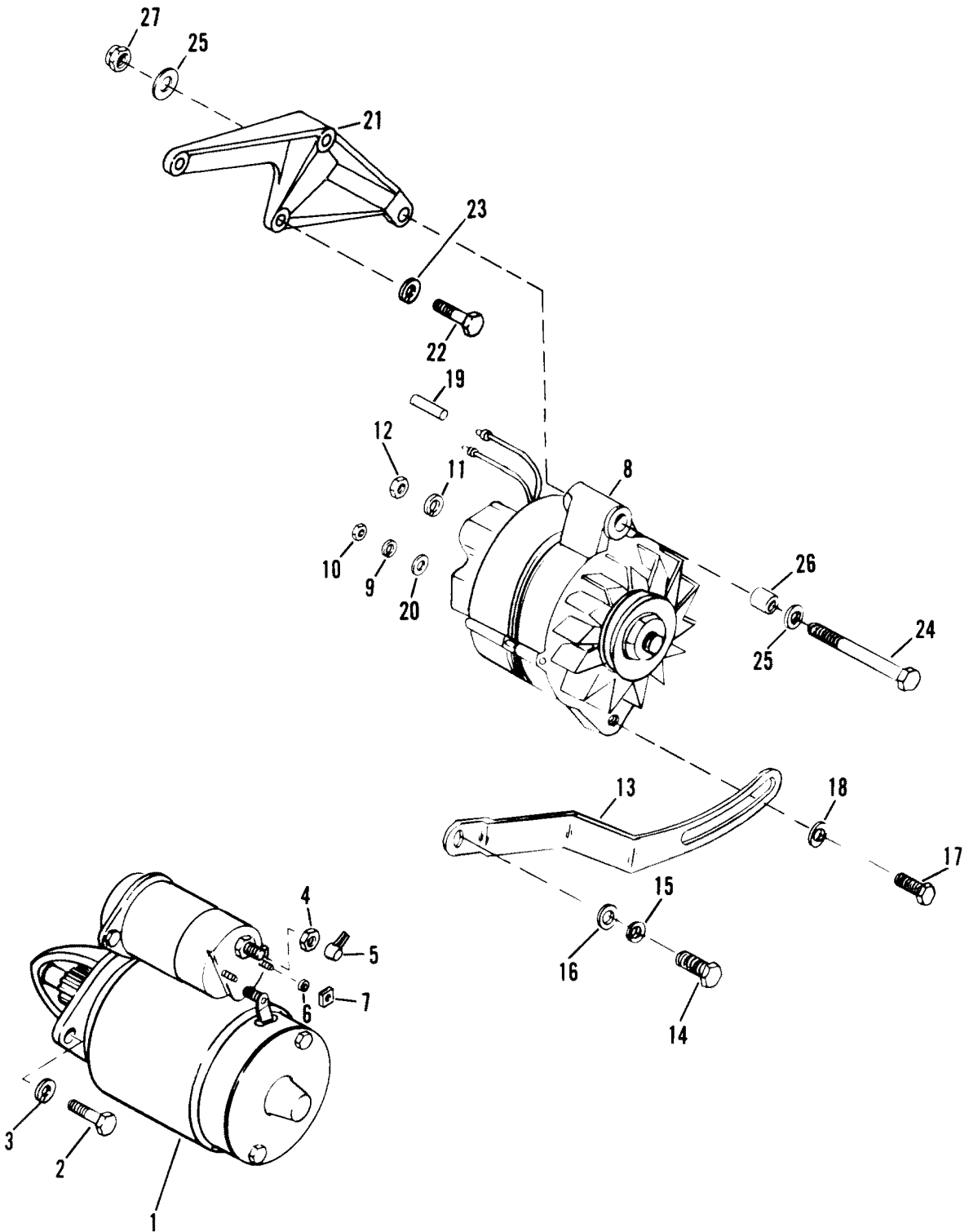
TRANSOM PLATE



TRANSOM PLATE

REF. NO.	PART NO.	SYM.	QTY.	DESCRIPTION
1	62952T		1	TRANSOM PLATE
	86693		1	TRANSOM PLATE (LH-STAGGERED ONLY)
2	27-68483		2	GASKET, EXHAUST COVER
3	79430		2	COVER, EXHAUST
4	13-35048		6	LOCKWASHER, EXHAUSE COVER SCREW
5	10-34353		6	SCREW, EXHAUST COVER (1")

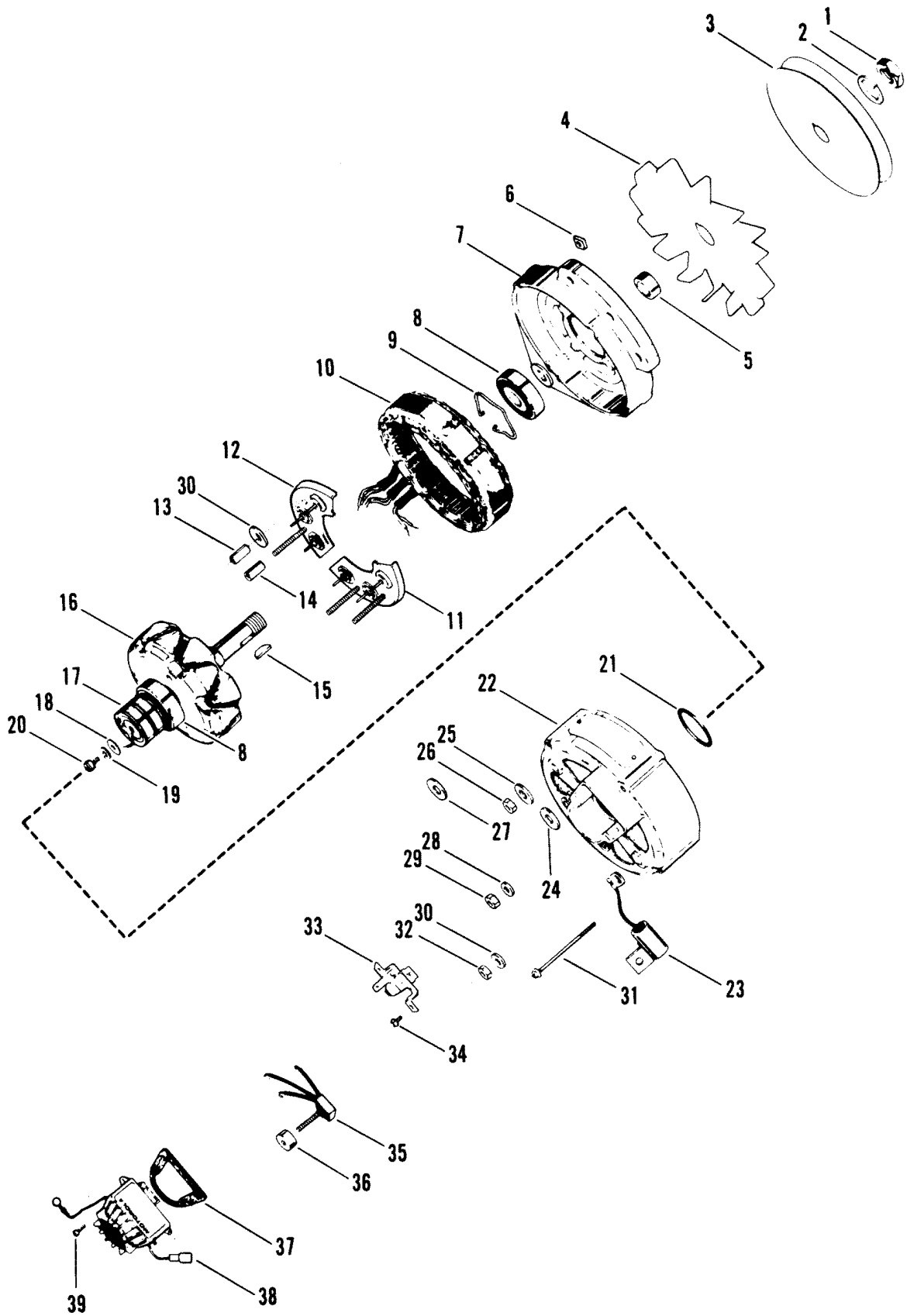
STARTER AND ALTERNATOR



STARTER AND ALTERNATOR

REF. NO.	PART NO.	SYM.	QTY.	DESCRIPTION
1	50-99419A3		1	STARTER MOTOR
2	10-47462		2	SCREW, STARTER MOTOR (1-1/4")
3	13-32993		2	LOCKWASHER, STARTER MOTOR SCREW
4	11-86226		1	NUT, STARTER TERMINAL (3/8-16)
5	85-79695		1	BOOT, INSULATOR-STARTER TERMINAL
6	13-26995		2	LOCKWASHER, STARTER TERMINAL
7	11-26419		2	NUT, STARTER TERMINAL (#8-32)
8	92497A3		1	ALTERNATOR
9	13-26996		1	LOCKWASHER, ALTERNATOR TERMINAL
10	11-30968		1	NUT, ALTERNATOR TERMINAL (10-24)
11	13-21272		1	LOCKWASHER, ALTERNATOR TERMINAL
12	11-64015		1	NUT, ALTERNATOR TERMINAL (1/4-20)
13	85013		1	BRACE, ALTERNATOR ADJUSTING
14	10-47461		1	SCREW, ALTERNATOR BRACE (1")
15	13-32993		1	LOCKWASHER, ALTERNATOR BRACE SCREW
16	12-30315		1	WASHER, ALTERNATOR BRACE SCREW
17	10-29198		1	SCREW, ALTERNATOR BRACE (7/8")
18	12-26168		1	WASHER, ALTERNATOR BRACE SCREW
19	57908-11		2	TUBING, ALTERNATOR LEADS
20	12-96457		1	WASHER, ALTERNATOR TERMINAL
21	96116A1		1	BRACKET, ALTERNATOR
22	10-34353		2	SCREW, ALTERNATOR BRACKET (1")
	10-37612		1	SCREW, ALTERNATOR BRACKET (1-1/4")
23	13-35048		3	LOCKWASHER, ALTERNATOR BRACKET SCREW
24	10-48308		1	SCREW, ALTERNATOR (3-3/4")
25	12-20553		2	WASHER, ALTERNATOR BRACKET SCREW
26	23-33186		1	BUSHING, ALTERNATOR BRACKET SCREW
27	11-23161		1	NUT, ALTERNATOR BRACKET SCREW

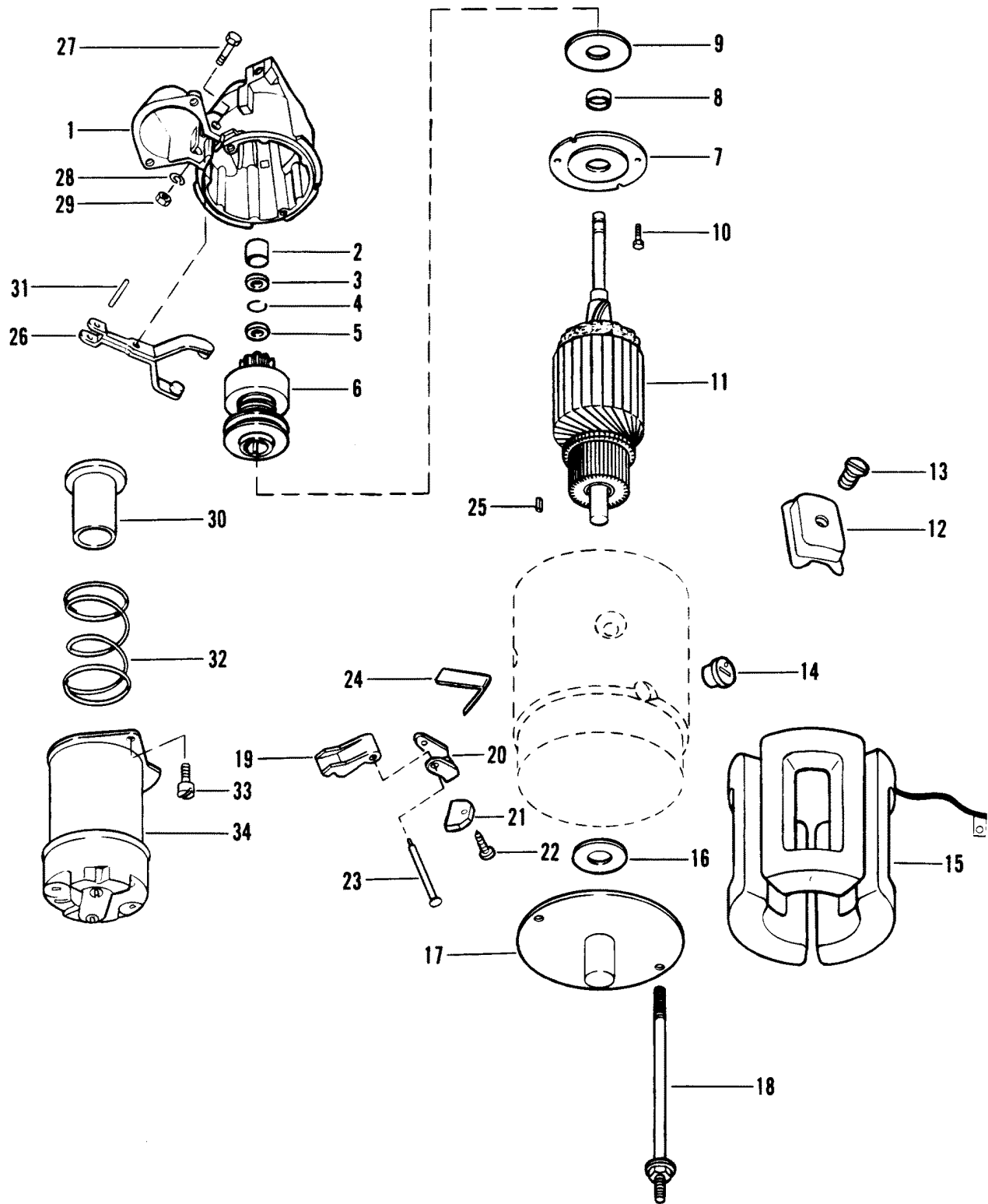
ALTERNATOR (55 AMP)



ALTERNATOR (55 AMP)

REF. NO.	PART NO.	SYM.	QTY.	DESCRIPTION
-	92497A3		1	ALTERNATOR ASSEMBLY (55 AMP)
1	390-7027		1	NUT, FAN AND PULLEY TO ROTOR
2	390-7033		1	LOCKWASHER, FAN AND PULLEY NUT
3	390-8637		1	PULLEY, DRIVE END FRAME
4	390-7004		1	FAN, DRIVE END FRAME
5	390-7012		1	SPACER, FAN TO DRIVE END FRAME
6	390-7028		4	NUT, THRU BOLT ATTACHING
7	390-7000		1	COVER ASSEMBLY, FRONT
8	390-7005		2	BALL BEARING, DRIVE END
9	390-7006		1	RETAINER, DRIVE END BALL BEARING
10	390-8636		1	STATOR ASSEMBLY
11	390-7009		1	DIODE RECTIFIER, NEGATIVE
12	390-7010		1	HEAT SINK, POSITIVE
13	390-7020		1	SLEEVE, INSULATOR
14	390-7018		1	SLEEVE, INSULATOR
15	390-7034		1	KEY, ROTOR
16	390-8635		1	ROTOR ASSEMBLY
17	390-7014		1	SLIP RING
18	390-7026		1	WASHER, ROTOR SCREW
19	390-7207		1	LOCKWASHER, ROTOR SCREW
20	390-7029		1	SCREW, ROTOR SHAFT (5/8")
21	390-7007		1	RETAINER, ROTER SHAFT BEARING
22	390-7003		1	COVER ASSEMBLY, REAR
23	390-7035		1	CONDENSOR
24	390-7023		1	WASHER, REGULATOR TERMINAL STUD
25	390-7024		1	WASHER, CONDENSOR TERMINAL STUD
26	390-7025		1	NUT, TERMINAL STUD
27	390-7208		1	WASHER, TERMINAL STUD
28	390-7032		2	LOCKWASHER, TERMINAL STUD
29	390-7026		1	NUT, TERMINAL ATTACHING
30	390-7022		1	WASHER, CONDENSOR TERMINAL STUD
31	390-8638		4	THRU BOLT
32	390-7021		1	NUT, CONDENSOR TERMINAL ATTACHING
33	390-7011		1	BRUSH HOLDER ASSEMBLY
34	390-7030		2	SCREW, BRUSH HOLDER (1/2")
35	390-7008		1	DIODE TRIO
36	390-7019		1	SPACER, DIODE TRIO
37	390-7013		1	GASKET, VOLTAGE REGULATOR
38	390-7036		1	VOLTAGE REGULATOR
39	390-7015		4	SCREW, VOLTAGE REGULATOR ATTACHING

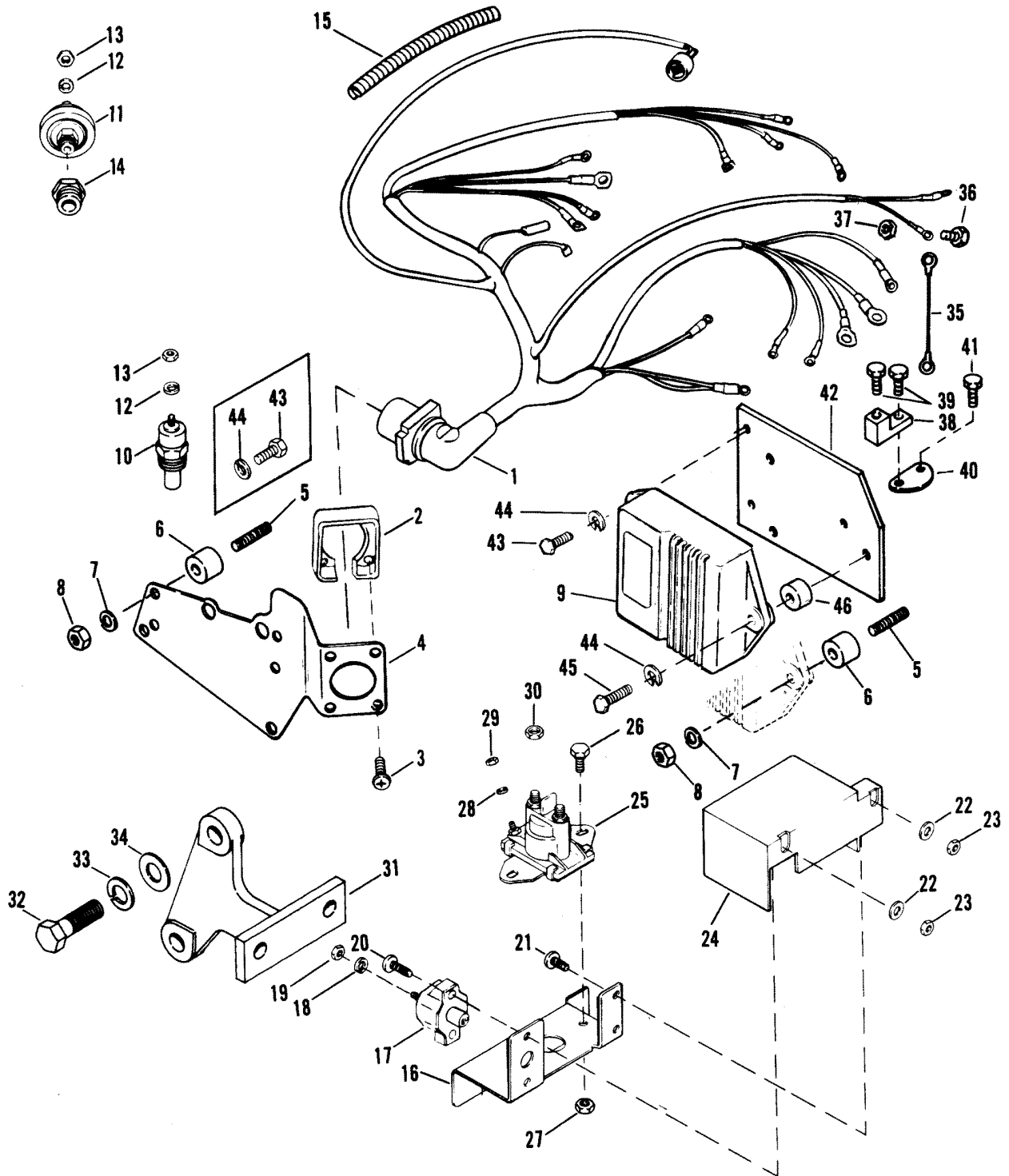
STARTER MOTOR ASSEMBLY



STARTER MOTOR ASSEMBLY

REF. NO.	PART NO.	SYM.	QTY.	DESCRIPTION
-	50-99419A3		1	STARTER MOTOR ASSEMBLY
1	79206		1	HOUSING, DRIVE END
2	23-33369		1	BUSHING, DRIVE END HOUSING
3	33292		1	COLLAR, THRUST
4	53-33290		1	RING, RETAINING-PINION STOP COLLAR
5	33291		1	COLLAR, PINION STOP
6	79205		1	DRIVE ASSEMBLY, CLUTCH
7	N.S.S.		1	PLATE, BEARING (DELCO REMY #1956939)
8	23-71694		1	BUSHING, BEARING PLATE
9	12-68614		1	WASHER, BEARING PLATE
10	10-79209		2	SCREW, BEARING PLATE
11	75665		1	ARMATURE
12	N.S.S.		4	SHOE, POLE-FIELD COIL (DELCO REMY #810601)
13	N.S.S.		4	SCREW, POLE SHOE TO FIELD COIL (DELCO REMY #1968396)
14	25-79208		1	GROMMET, FIELD COIL-FIELD FRAME
15	75664		1	FIELD COIL ASSEMBLY
16	12-33258		1	WASHER, LEATHER-COMMUTATOR END FRAME
17	79211		1	FRAME, COMMUTATOR END-LOWER
18	N.S.S.		1	BOLT, THRU (DELCO REMY #1941111)
	N.S.S.		1	BOLT, THRU (DELCO REMY #1939970)
19	33284		2	HOLDER, INSULATED-FIELD FRAME BRUSH
20	33283		2	HOLDER, FIELD FRAME BRUSH GROUND
21	33270		4	BRUSH, FIELD FRAME
22	N.S.S.		2	SCREW, BRUSH LEAD (DELCO REMY #1967747)
	N.S.S.		2	SCREW, BRUSH LEAD (DELCO REMY #443527)
23	33294		2	SUPPORT PACKAGE, GROUND AND INSULATED HOLDERS
24	24-33285		4	SPRING, FIELD FRAME BRUSH
25	N.S.S.		1	PIN, DOWEL-FIELD FRAME (DELCO REMY #809593)
26	33297		1	LEVER, SHIFT
27	N.S.S.		1	STUD, SHIFT LEVER (DELCO REMY #1814529)
28	12-68615		1	WASHER, SHIFT LEVER STUD
29	11-26484		1	NUT, SHIFT LEVER STUD
30	33317		1	PLUNGER, SHIFT LEVER
31	17-79207		1	PIN, PLUNGER TO SHIFT LEVER
32	N.S.S.		1	SPRING, PLUNGER RETURN (DELCO REMY #1958679)
33	N.S.S.		2	SCREW, SOLENOID SWITCH (DELCO REMY #9413260)
34	13037		1	SOLENOID SWITCH ASSEMBLY

WIRING HARNESS, ELECTRICAL AND IGNITION

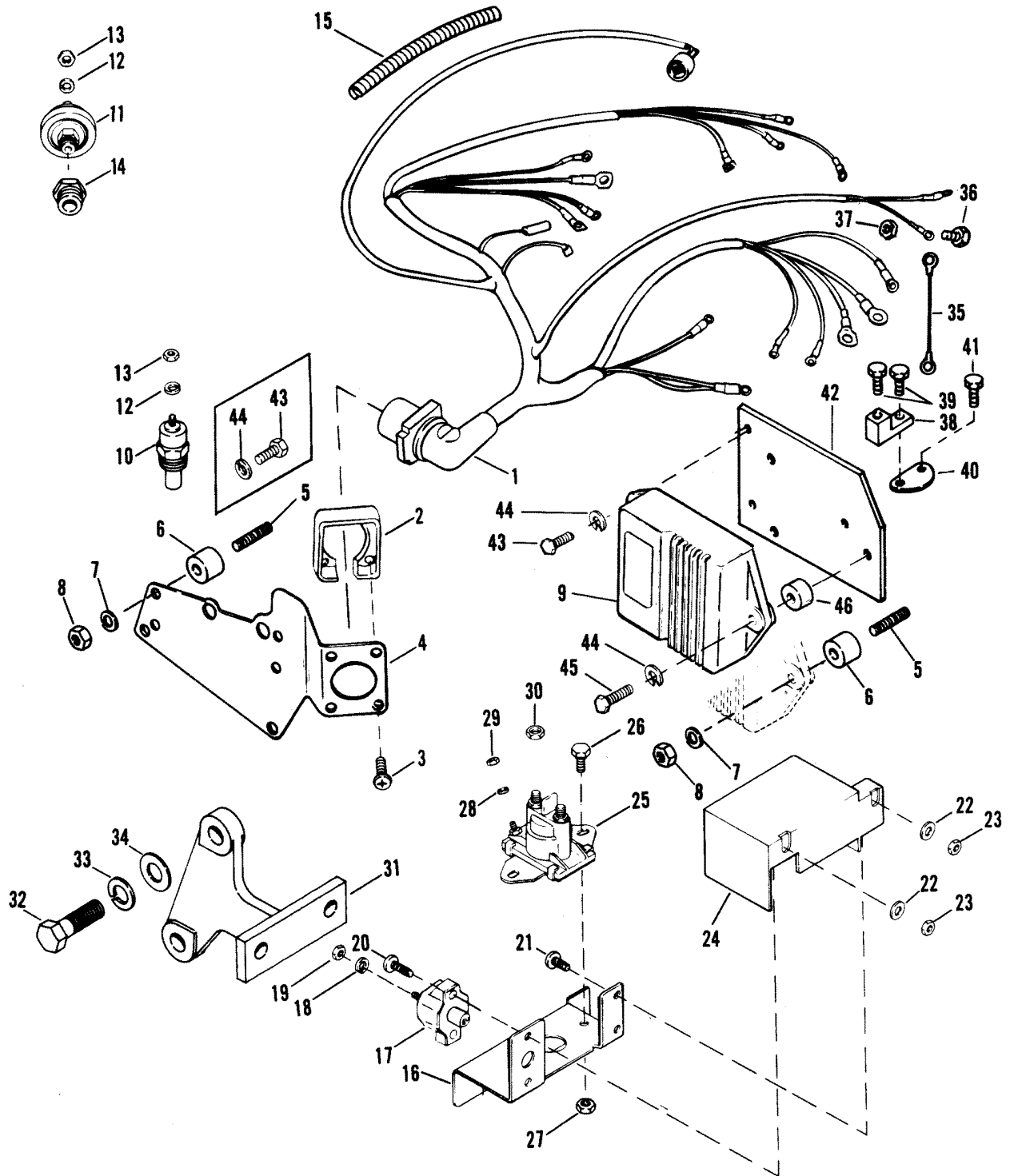


WIRING HARNESS, ELECTRICAL AND IGNITION

REF. NO.	PART NO.	SYM.	QTY.	DESCRIPTION
1	84-94111A3		1	WIRING HARNESS
2	26079		1	PLATE, WIRING HARNESS METAL
3	10-34696		4	SCREW, PLATE (3/4") METAL
2	26079A2		1	PLATE, WIRING HARNESS PLASTIC
3	10-15001		4	SCREW, PLATE PLASTIC
4	98493A2		1	BRACKET, MOUNTING
5	16-66021		4	STUD, BRACKET (1-3/8") ATTACH WITH STUDS
	15-20353		3	STUD, BRACKET AND AMPLIFIER (1-3/4") ATTACH WITH STUDS
6	23-92152		7	SPACER, STUD ATTACH WITH STUDS
7	13-26992		7	LOCKWASHER, STUD ATTACH WITH STUDS
8	11-29598		7	NUT, STUD ATTACH WITH STUDS
9	390-7804A3		1	IGNITION AMPLIFER
10	97257A1		1	WATER TEMPERATURE SENDER
	49734A1		OPT	WATER TEMPERATURE SENDER (DUAL)
11	90806		1	OIL PRESSURE SENDER
	37293		OPT	OIL PRESSURE SENDER (DUAL)
12	13-26996		2	LOCKWASHER, SENDER TERMINAL (#10)
13	11-68219		2	NUT, SENDER TERMINAL (#10)
14	22-12986		1	REDUCER, OIL PRESSURE SENDER
15	32-77690		3	WRAPPING, PLASTIC (1/4 DIA)
16	97163		1	BRACKET, MOUNTING
17	88-11178		1	CIRCUIT BREAKER (50 AMP)
18	13-26996		2	LOCKWASHER, CIRCUIT BREAKER TERMINAL
19	11-68219		2	NUT, CIRCUIT BREAKER TERMINAL
20	10-45862		2	SCREW, CIRCUIT BREAKER (7/8")
21	10-71405		1	SCREW, INSULATOR (7/16")
22	12-56681		3	WASHER, CIRCUIT BREAKER SCREW
23	11-46438		3	NUT, INSULATOR SCREW
24	85-96819		1	INSULATOR, CIRCUIT BREAKER
25	89-96054		1	STARTER SOLENOID
26	10-47910		2	SCREW, STARTER SOLENOID (5/8")
27	11-20361		2	NUT, STARTER SOLENOID SCREW
28	13-26992		2	LOCKWASHER, STARTER SOLENOID TERMINAL
29	11-26419		2	NUT, STARTER SOLENOID TERMINAL (10-32)
30	11-94330		2	NUT, STARTER SOLENOID TERMINAL (1/4-20)
31	96940		1	BRACKET, ADAPTOR
32	10-37612		1	SCREW, ADAPTOR BRACKET TO ENGINE (1-1/4") 3/8-16 THREAD
33	13-35048		1	LOCKWASHER, ADAPTOR BRACKET SCREW 3/8-16 THREAD
34	12-20553		1	WASHER, ADAPTOR BRACKET SCREW 3/8-16 THREAD
32	10-47462		1	SCREW, ADAPTOR BRACKET TO ENGINE (1-1/4") 7/16-14 THREAD
33	13-32993		1	LOCKWASHER, ADAPTOR BRACKET SCREW 7/16-14 THREAD

CONTINUED ON NEXT PAGE ➡

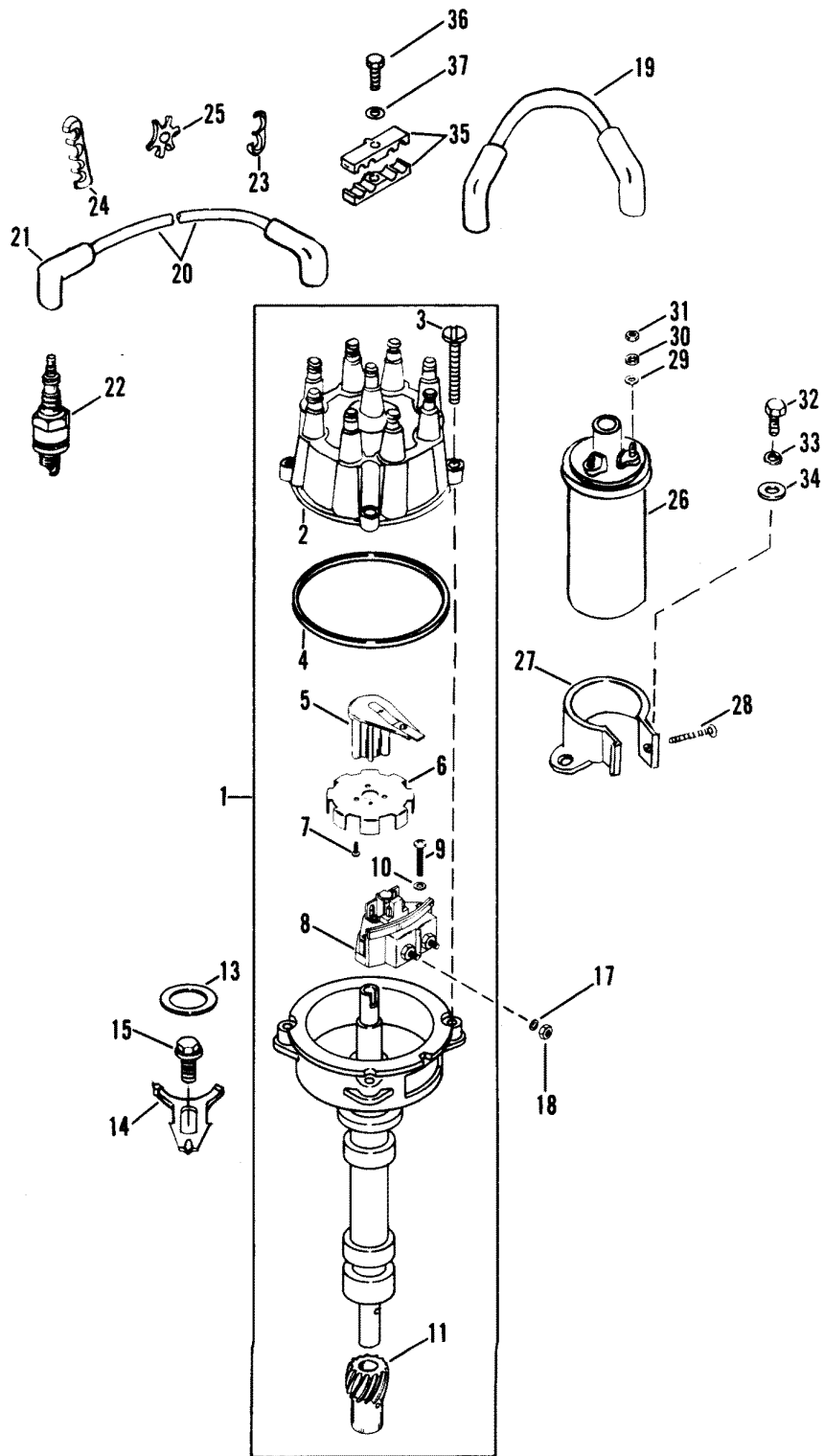
WIRING HARNESS, ELECTRICAL AND IGNITION



WIRING HARNESS, ELECTRICAL AND IGNITION

REF. NO.	PART NO.	SYM.	QTY.	DESCRIPTION
34	12-22248		1	WASHER, ADAPTOR BRACKET SCREW 7/16-14 THREAD
35	84-88537A6		1	CABLE ASSEMBLY (BROWN/WHITE)
36	10-24231		1	SCREW, CABLE TO HARNESS
37	11-27164		1	NUT, CABLE SCREW
38	45915		1	TERMINAL BLOCK, WIRING HARNESS
39	10-69079		2	SCREW, WIRING HARNESS LEADS
40	26551		1	BRACKET, TERMINAL BLOCK
41	10-41508		1	SCREW, BRACKET TO FLYWHEEL HOUSING
42	12500--1		1	PLATE, IGNITION AMPLIFIER ATTACH WITH SCREWS
43	10-54615		7	SCREW ATTACH WITH SCREWS
44	13-26992		10	LOCKWASHER ATTACH WITH SCREWS
45	10-76596		3	SCREW ATTACH WITH SCREWS
46	23-92152		3	SPACER ATTACH WITH SCREWS

DISTRIBUTOR AND IGNITION COMPONENTS

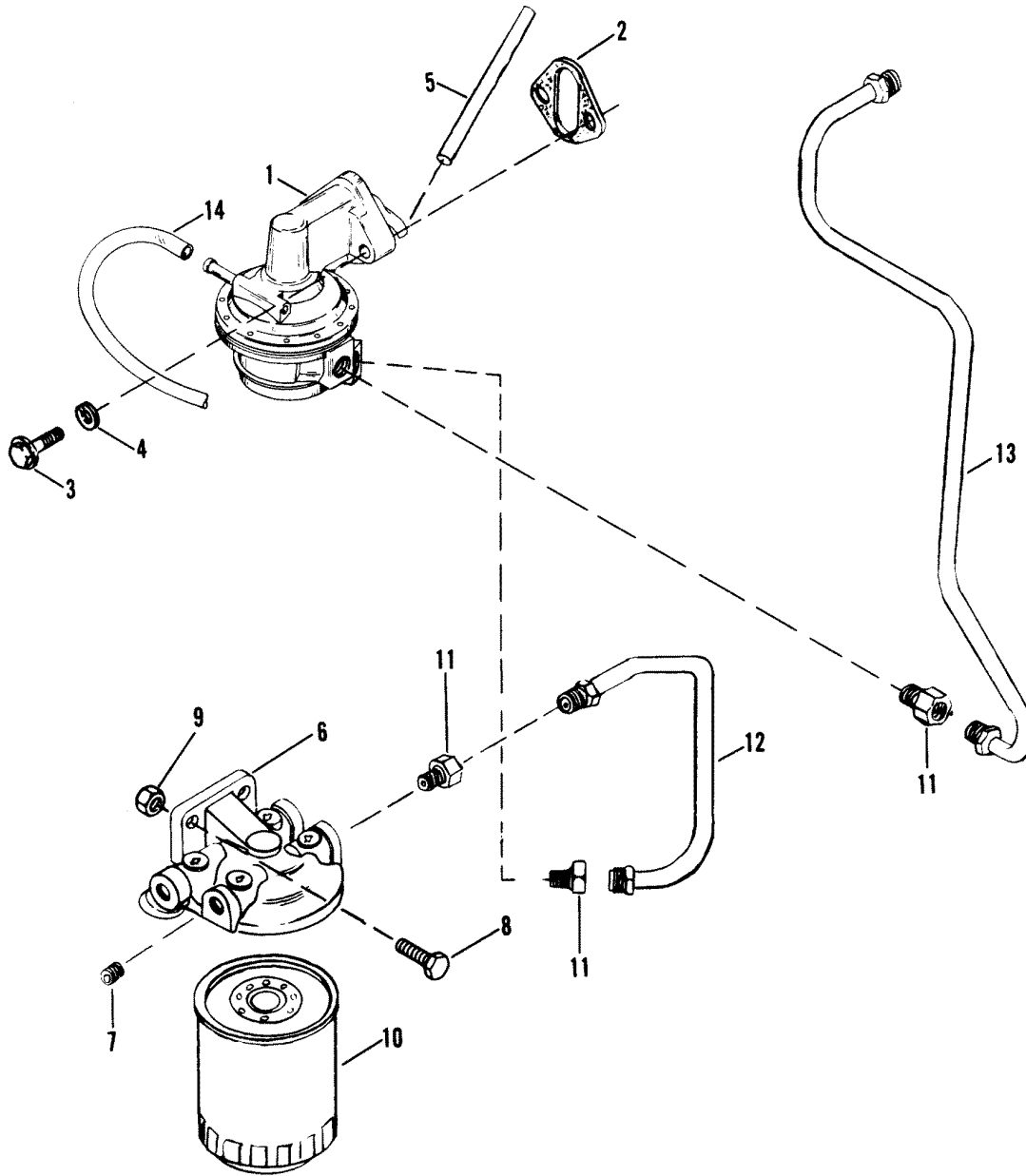


DISTRIBUTOR AND IGNITION COMPONENTS

REF. NO.	PART NO.	SYM.	QTY.	DESCRIPTION
1	90747A3		1	DISTRIBUTOR ASSEMBLY
2	43557A1		1	CAP, DISTRIBUTOR
3	10-90926		4	SCREW, DISTRIBUTOR CAP
4	27-98242		1	GASKET, DISTRIBUTOR CAP
5	13524A3		1	ROTOR
6	42862		1	SENSOR WHEEL
7	10-11252		3	SCREW, SENSOR WHEEL
8	87-91019A3		1	SENSOR ASSEMBLY
9	10-47618		1	SCREW, SENSOR
10	12-27736		2	WASHER, SENSOR SCREW
11	43-47619--1		1	GEAR, DRIVE
13	27-34486--1	◇	1	GASKET, DISTRIBUTOR
14	52185		1	CLAMP, DISTRIBUTOR TO INTAKE MANIFOLD
15	10-27165		1	SCREW, DISTRIBUTOR CLAMP
17	13-26996		2	LOCKWASHER, DISTRIBUTOR TERMINAL
18	11-68219		2	NUT, DISTRIBUTOR TERMINAL (10-32)
19	84-42841A10		1	LEAD ASSEMBLY, DISTRIBUTOR TO COIL
20	84-43376A2		1	SPARK PLUG WIRE KIT
21	85-63709A1		8	BOOT ASSEMBLY, SPARK PLUG
22	33-59571		8	SPARK PLUG *NGK-BR6FS)
23	54676		2	RETAINER, HIGH TENSION LEADS (2 WIRE)
24	32783		2	RETAINER, HIGH TENSION LEADS (3 WIRE)
25	32784		2	RETAINER, HIGH TENSION LEADS (4 WIRE)
26	392-7803A4		1	COIL, IGNITION
27	77294		1	BRACKET, IGNITION COIL
28	10-41408		1	SCREW, BRACKET (1-1/2")
29	12-30164		2	WASHER, IGNITION COIL TERMINAL
30	13-26996		2	LOCKWASHER, IGNITION COIL TERMINAL
31	11-68219		2	NUT, IGNITION COIL TERMINAL (#10-32)
32	10-25299		2	SCREW, IGNITION COIL (3/4")
33	13-26993		2	LOCKWASHER, IGNITION COIL SCREW
34	12-20084		2	WASHER, IGNITION COIL SCREW
35	63192		4	RETAINER, HIGH TENSION LEAD
36	10-37612		2	SCREW
37	12-25909		2	WASHER, RETAINER SCREW

◇ = PARTS INCLUDED WITH [1397-5635] OFF ENGINE KIT.

FUEL PUMP AND FUEL FILTER

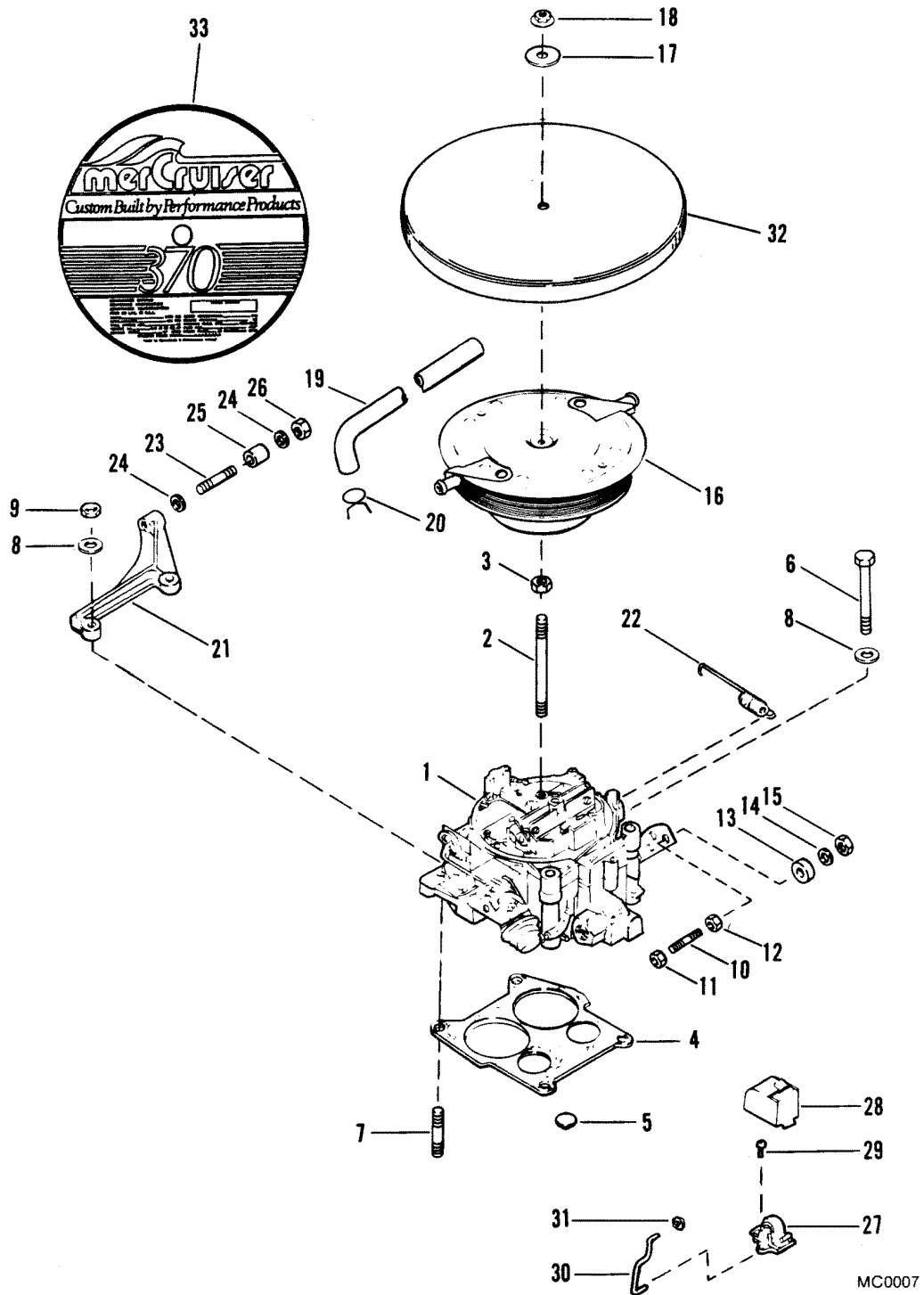


FUEL PUMP AND FUEL FILTER

REF. NO.	PART NO.	SYM.	QTY.	DESCRIPTION
1	97399A2		1	FUEL PUMP
2	27-34213	◇	1	GASKET, FUEL PUMP TO CYLINDER BLOCK
3	10-34354		2	SCREW, FUEL PUMP
4	13-35048		2	LOCKWASHER, FUEL PUMP SCREW
5	35377		1	ROD, PUSH-FUEL PUMP
6	89876A3		1	BASE, FUEL FILTER
7	22-73379		3	PLUG, PIPE-FUEL FILTER (SLOTTED)
8	10-26066		2	SCREW, FUEL FILTER TO MOUNTING BRACKET (1-1/4")
9	11-35814		2	NUT, FUEL FILTER SCREW
10	35-60494--1		1	FUEL FILTER
11	22-33821		3	ELBOW, FUEL LINE TO FUEL PUMP AND FUEL FILTER
12	32-96082A1		1	FUEL LINE, FUEL FILTER TO FUEL PUMP
13	32-12866		1	FUEL LINE, FUEL PUMP TO CARBURETOR
14	32-93370-70		1	HOSE, PLASTIC-FUEL PUMP TO CARBURETOR

◇ = PARTS INCLUDED WITH [1397-5635] OFF ENGINE KIT.

CARBURETOR AND THROTTLE LINKAGE

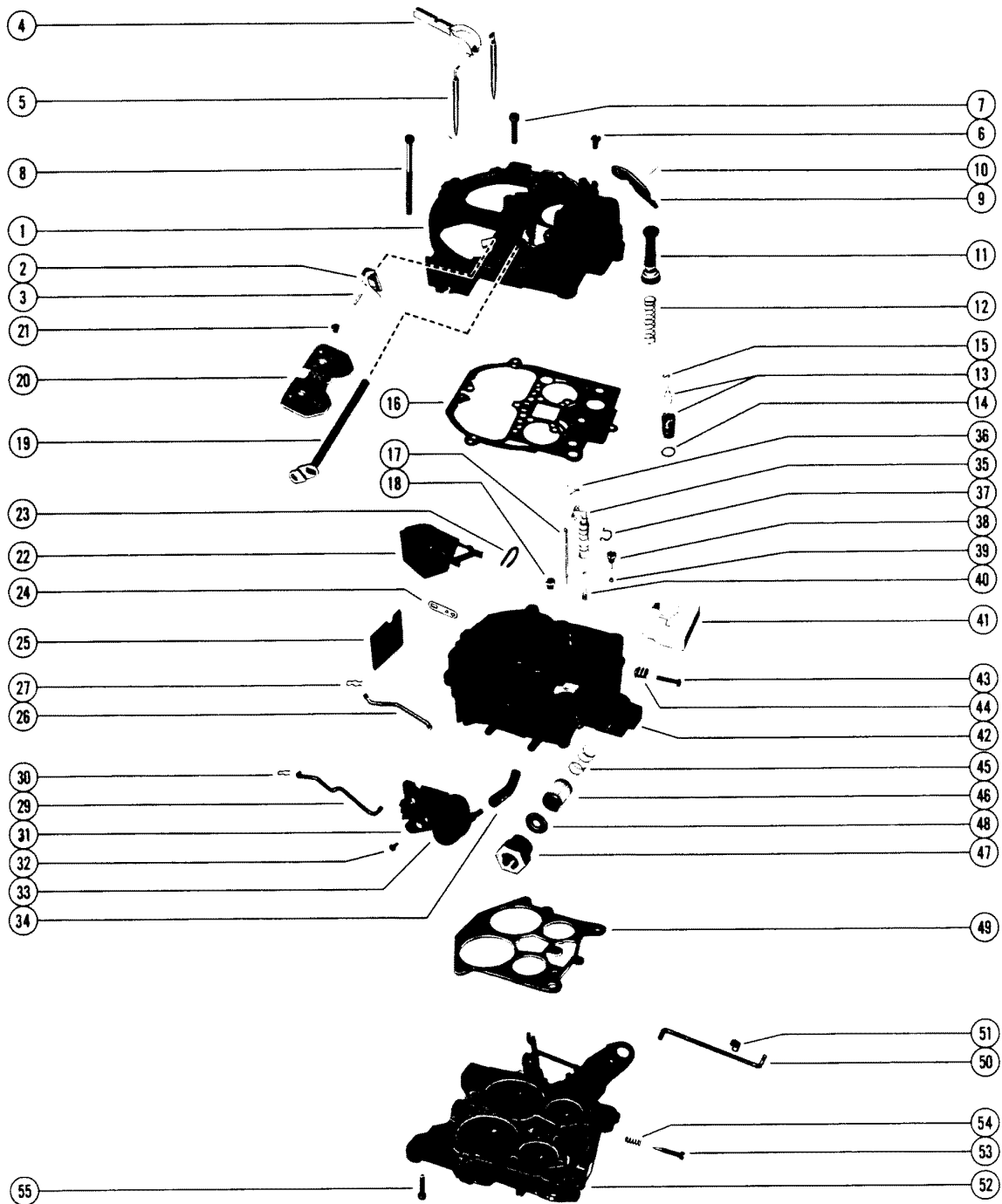


CARBURETOR AND THROTTLE LINKAGE

REF. NO.	PART NO.	SYM.	QTY.	DESCRIPTION
1	1347-7498A2		1	CARBURETOR ASSEMBLY
2	16-95117		1	STUD, FLAME ARRESTOR (5.40")
3	11-28941		1	NUT, JAM-FLAME ARRESTOR
4	27-52457--1	◇	1	GASKET, CARBURETOR
5	22-36373		1	PLUG, INTAKE MANIFOLD VACUUM HOLE
6	10-28701		2	SCREW, CARBURETOR MOUNTING (3-1/2")
7	16-46857		2	STUD, CARBURETOR MOUNTING (1-7/8")
8	12-20084		4	WASHER, CARBURETOR MOUNTING
9	11-29250		2	NUT, CARBURETOR MOUNTING STUD
10	16-72809		1	STUD, THROTTLE CABLE TO CARBURETOR
11	11-20586		1	NUT, STUD TO THROTTLE LEVER
12	11-21825		1	NUT, STUD TO THROTTLE LEVER
13	23-53811		1	SPACER, THROTTLE CABLE STUD
14	12-29245		2	WASHER, THROTTLE CABLE STUD
15	11-56374		1	NUT, THROTTLE CABLE STUD
16	95950		1	FLAME ARRESTOR
17	12-86400		1	WASHER, FLAME ARRESTOR STUD
18	11-20586		1	NUT, FLAME ARRESTOR STUD
19	32-93315-12		2	HOSE, VENT-CARBURETOR (11")
20	69355		4	CLAMP, VENT HOSE
21	47502A2		1	BRACKET, MOUNTING-THROTTLE CABLE
22	24-32817		1	SPRING, THROTTLE RETURN
23	16-35897		1	STUD, THROTTLE CABLE TO MOUNTING BRACKET (1-11/16")
24	12-21631		2	WASHER, THROTTLE CABLE STUD
25	23-31866		1	SPACER, THROTTLE CABLE STUD
26	11-20586		1	NUT, THROTTLE CABLE STUD
27	66205		1	CHOKE, AUTOMATIC-CARBURETOR
28	66198		1	COVER, AUTOMATIC CHOKE
29	10-59994		1	SCREW, AUTOMATIC CHOKE THERMOSTATE (5/8")
30	72468		1	ROD, AUTOMATIC CHOKE
31	54-49290		1	CLIP, AUTOMATIC CHOKE ROD
32	12608		1	COVER, CARBURETOR
33	37-13723T24		1	DECAL

◇ = PARTS INCLUDED WITH [1397-5635] OFF ENGINE KIT.

CARBURETOR ASSEMBLY



CARBURETOR ASSEMBLY

REF. NO.	PART NO.	SYM.	QTY.	DESCRIPTION
-	1347-7498A2		1	CARBURETOR ASSEMBLY, COMPLETE
1	N.S.S.		1	AIR HORN ASSEMBLY (ROCHESTER #17051603)
2	N.S.S.		1	LEVER, AIR VALVE LOCKOUT (ROCHESTER #7037968)
3		+◇	1	ROLL PIN, LOCKOUT LEVER
4	N.S.S.		1	HOLDER KIT, SEC. METERING ROD (ROCHESTER #7034522)
5	N.S.S.		2	METERING ROD, SECONDARY (ROCHESTER #7046010)
6	N.S.S.		2	CREW, AIR HORN TO FLOAT BOWL (3/8") -ROCHESTER #7031105
7	N.S.S.		5	SCREW, AIR HORN TO FLOAT BOWL (1") -ROCHESTER #7014699
8	N.S.S.		2	SCREW, AIR HORN TO FLOAT BOWL (3") -ROCHESTER #7029912
9	N.S.S.		1	LEVER, ACTUATING-PUMP (ROCHESTER #7048169)
10			1	ROLL PIN, HINGE-PUMP LEVER
11		†+	1	PUMP ASSEMBLY
12		+	1	SPRING, PUMP RETURN
13		+◇	1	NEEDLE AND SEAT ASSEMBLY
14		+◇	1	GASKET, NEEDLE AND SEAT
15		+	1	PULL CLIP, FLOAT NEEDLE
16		+◇♣	1	GASKET, AIR HORN
17		+	2	METERING ROD, PRIMARY
18		+	2	JET, PRIMARY
19	N.S.S.		1	CHOKE SHAFT & LEVER ASS'Y (ROCHESTER #7036059)
20	N.S.S.		1	VALVE, CHOKE-CHOKE SHAFT (ROCHESTER #7036021)
21	N.S.S.		2	SCREW, CHOKE VALVE TO CHOKE SHAFT (ROCHESTER #7029866)
22	1397-3327		1	FLOAT ASSEMBLY
23	N.S.S.		1	PIN, HINGE-FLOAT (ROCHESTER #7029856)
24	N.S.S.		1	LEVER, INTERMEDIATE CHOKE (ROCHESTER #7031231)
25	N.S.S.		1	BAFFLE, FLOAT BOWL (ROCHESTER #7031365)
26	N.S.S.		1	ROD, CHOKE (ROCHESTER #7031394)
27		+◇	1	CLIP, CHOKE ROD
29	N.S.S.		1	ROD, VACUUM CONTROL (ROCHESTER #7038167)
30		+◇	1	CLIP, VACUUM CONTROL ROD
31	N.S.S.		1	BRACKET ASS'Y, VACUUM CONTROL (ROCHESTER #17060265)
32	N.S.S.		1	SCREW, VAC. CONT.BRCK./FLOAT BOWL (ROCHESTER #7031925)
33	1397-3317		1	CONTROL ASSEMBLY, VACUUM
34	N.S.S.		1	HOSE, VACUUM (ROCHESTER #7026339)
35	N.S.S.		1	POWER PISTON ASSEMBLY (ROCHESTER #7034637)

◇ = PARTS INCLUDED WITH [1397-5635] OFF ENGINE KIT.

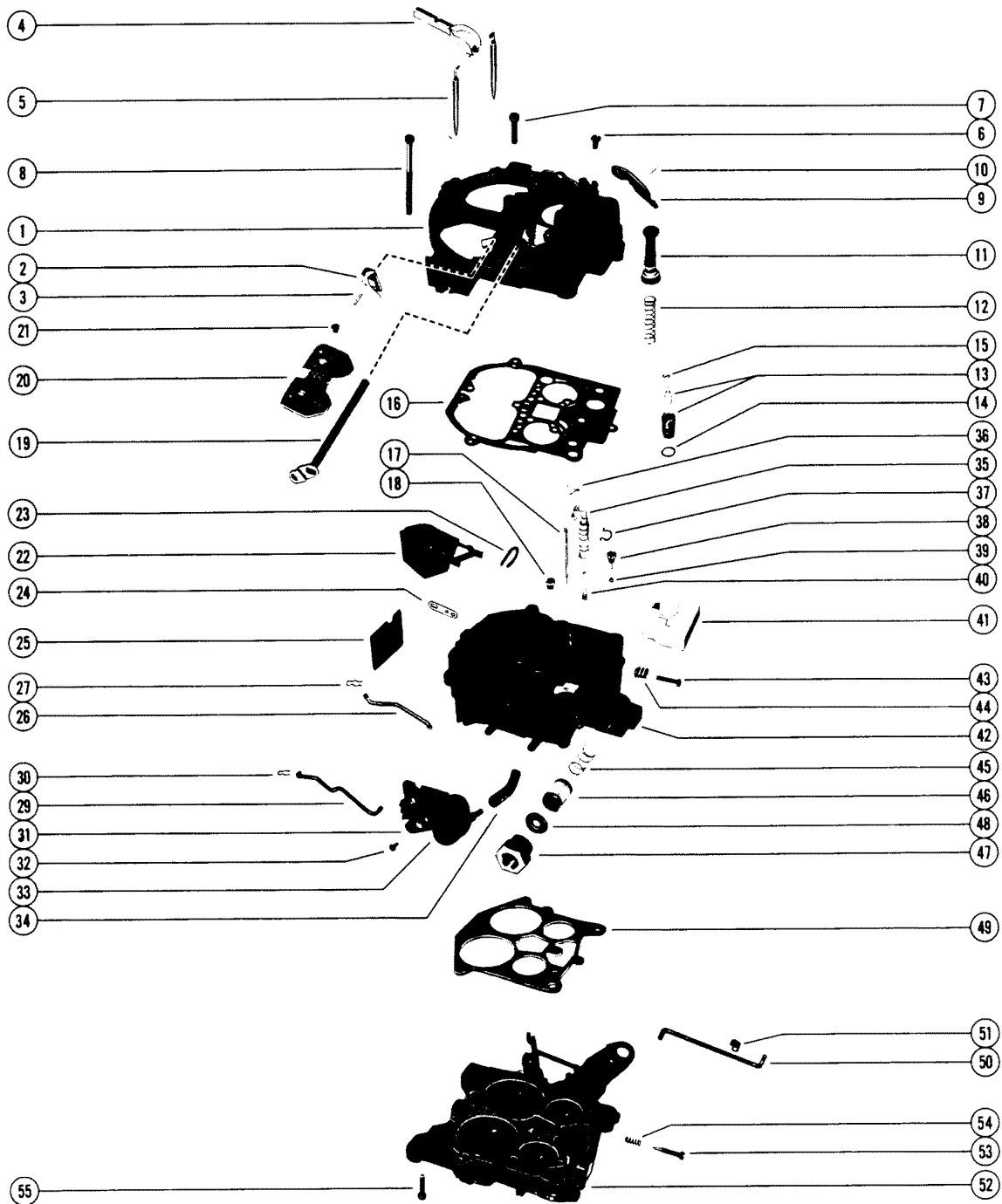
⊕ = PARTS INCLUDED WITH [1397-7539] OVERHAUL KIT.

† = GASKET SET, COMPLETE [27-47410A2]

♣ = PARTS INCLUDED WITH [1397-3309] GASKET KIT.

CONTINUED ON NEXT PAGE ➡

CARBURETOR ASSEMBLY



CARBURETOR ASSEMBLY

REF. NO.	PART NO.	SYM.	QTY.	DESCRIPTION
36	N.S.S.		1	SPRING, METERING ROD-PRIMARY (ROCHESTER #7029862)
37	N.S.S.		1	RETAINER, POWER PISTON (ROCHESTER #7034339)
38	N.S.S.		1	RETAINER, PUMP DISCHARGE BALL (ROCHESTER #7029849)
39		+◇	1	BALL, PUMP DISCHARGE
40	N.S.S.		1	SPRING, POWER PISTON (ROCHESTER #7034361)
41	N.S.S.		1	INSERT, FLOAT BOWL (ROCHESTER #7034361)
42	N.S.S.		1	FLOAT BOWL ASSEMBLY (ROCHESTER #7041584)
43	N.S.S.		1	SCREW, IDLE STOP (ROCHESTER #7002121)
44	N.S.S.		1	SPRING, IDLE STOP SCREW (ROCHESTER #7003176)
45	24-48143		1	SPRING, FILTER NUT
46	35-53336		1	FILTER, FUEL INLET
47	1397-3330		1	NUT, FILTER-FUEL INLET
48		+◇	1	GASKET, FILTER NUT
49		+◇♣	1	GASKET, THROTTLE BODY
50	N.S.S.		1	ROD, PUMP (ROCHESTER #7026138)
51		+	1	CLIP, PUMP ROD
52	N.S.S.		1	THROTTLE BODY ASSEMBLY (ROCHESTER #7044819)
53		+	2	IDLE NEEDLE, THROTTLE BODY
54	24-87734		2	SPRING, IDLE NEEDLE
55	N.S.S.		3	SCREW, THROTTLE BODY TO FLOAT BOWL (ROCHESTER #7035790)
-	N.S.S.		1	SPRING AND CAM KIT, AIR VALVE (ROCHESTER #7035344)
-	1397-7539		1	OVERHAUL KIT
-	1397-3309		1	GASKET SET

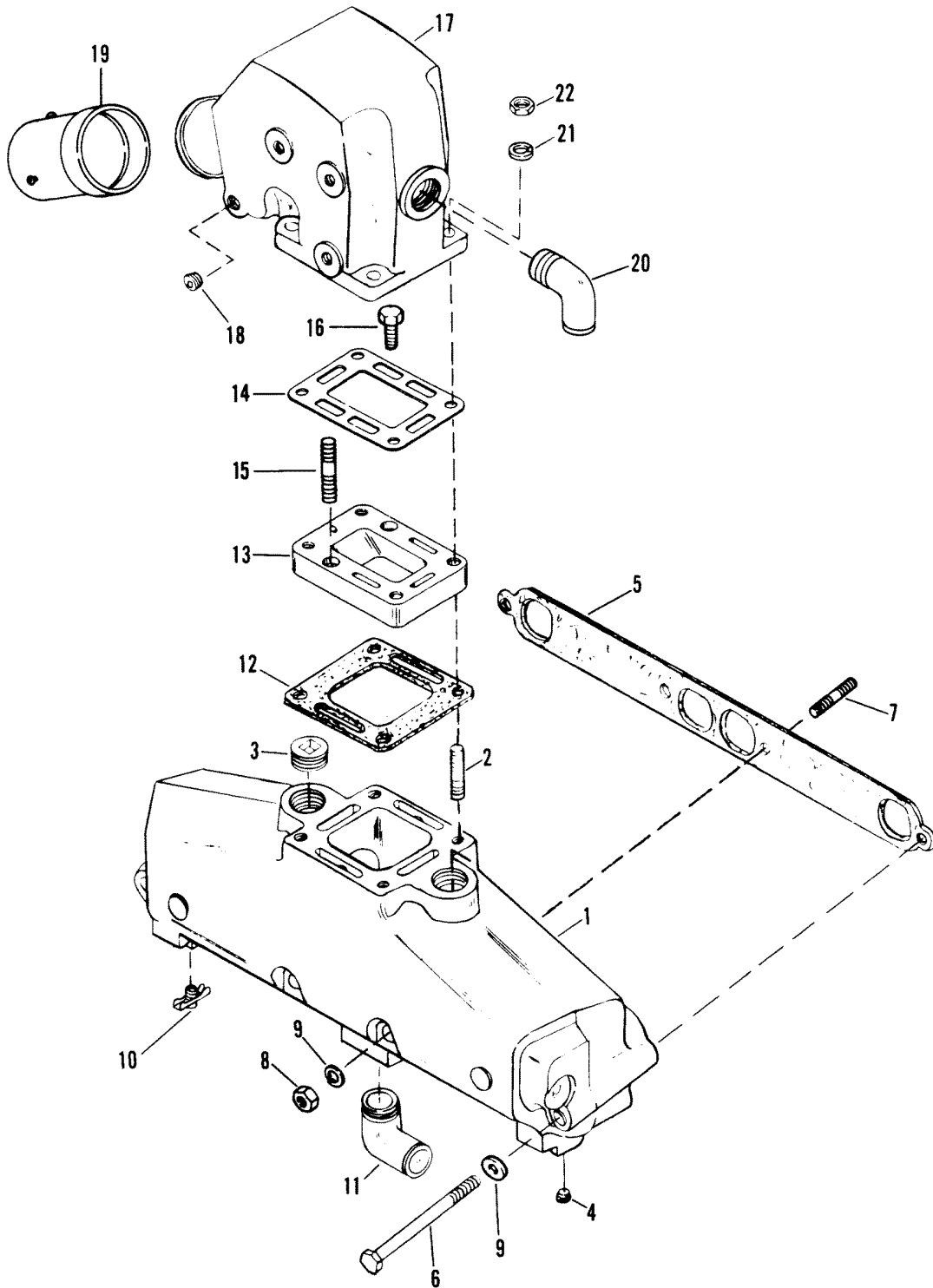
PARTS WHICH ARE LISTED NOT SOLD SEPARATELY SHOULD BE ORDERED FROM YOUR LOCAL ROCHESTER USING THE APPROPRIATE ROCHESTER PART NUMBER

◇ = PARTS INCLUDED WITH [1397-5635] OFF ENGINE KIT.

⊕ = PARTS INCLUDED WITH [1397-7539] OVERHAUL KIT.

♣ = PARTS INCLUDED WITH [1397-3309] GASKET KIT.

EXHAUST MANIFOLD AND EXHAUST ELBOW (EXHAUST ELBOW 3" O.D.)

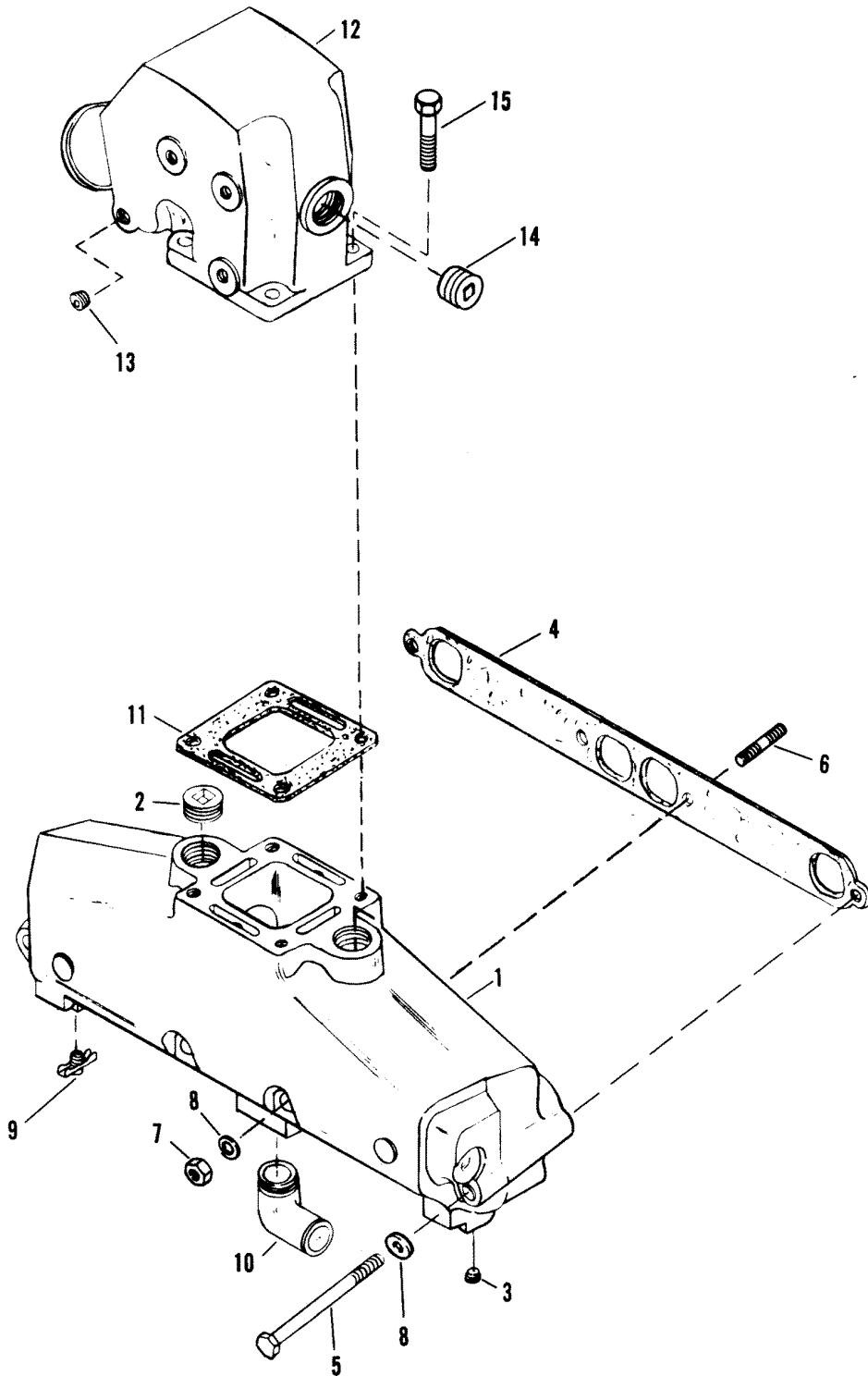


EXHAUST MANIFOLD AND EXHAUST ELBOW (EXHAUST ELBOW 3" O.D.)

REF. NO.	PART NO.	SYM.	QTY.	DESCRIPTION
1	89011A8		2	EXHAUST MANIFOLD ASSEMBLY
2	16-49545		4	STUD, EXHAUST MANIFOLD TO ADAPTOR (1-3/4")
3	22-33198A1		4	PLUG, EXHAUST MANIFOLD
4	22-73379		4	PLUG, PIPE-EXHAUST MANIFOLD
5	27-46820	◇	2	GASKET, EXHAUST MANIFOLD TO CYLINDER HEAD
6	10-37612		4	SCREW, EXHAUST MANIFOLD (1-1/4")
	10-48424		8	SCREW, EXHAUST MANIFOLD (1-5/8")
7	16-49545		4	STUD, EXHAUST MANIFOLD
8	11-20553		4	NUT, EXHAUST MANIFOLD STUD
9	12-20553		16	WASHER, EXHAUST MANIFOLD SCREW
10	22-87238		2	DRAIN COCK, EXHAUST MANIFOLD
11	22-36305		2	ELBOW, EXHAUST MANIFOLD (90 DEGREES)
12	27-87105	◇	2	GASKET, ELBOW
14	44194		2	ADAPTOR, EXHAUST ELBOW
15	16-93431	◇	2	STUD, ADAPTOR TO EXHAUST ELBOW (4-1/2")
	16-57981		2	STUD, ADAPTOR TO EXHAUST ELBOW (3")
16	10-60992		4	SCREW, ADAPTOR
17	72963A7		1	EXHAUST ELBOW ASSEMBLY (PORT)
	72963A8		1	EXHAUST ELBOW ASSEMBLY (STARBOARD)
18	22-32802		2	PLUG, PIPE-EXHAUST ELBOW
19	32-58616A2		2	TUBE, WATER SEPARATION
20	22-36305		2	FITTING, EXHAUST ELBOW (90 DEGREES)
21	13-35048		8	LOCKWASHER, EXHAUST MANIFOLD STUD
22	11-49838		8	NUT, EXHAUST MANIFOLD STUD

◇ = PARTS INCLUDED WITH [1397-5635] OFF ENGINE KIT.

EXHAUST MANIFOLD AND EXHAUST ELBOW (EXHAUST ELBOW 4" O.D.)

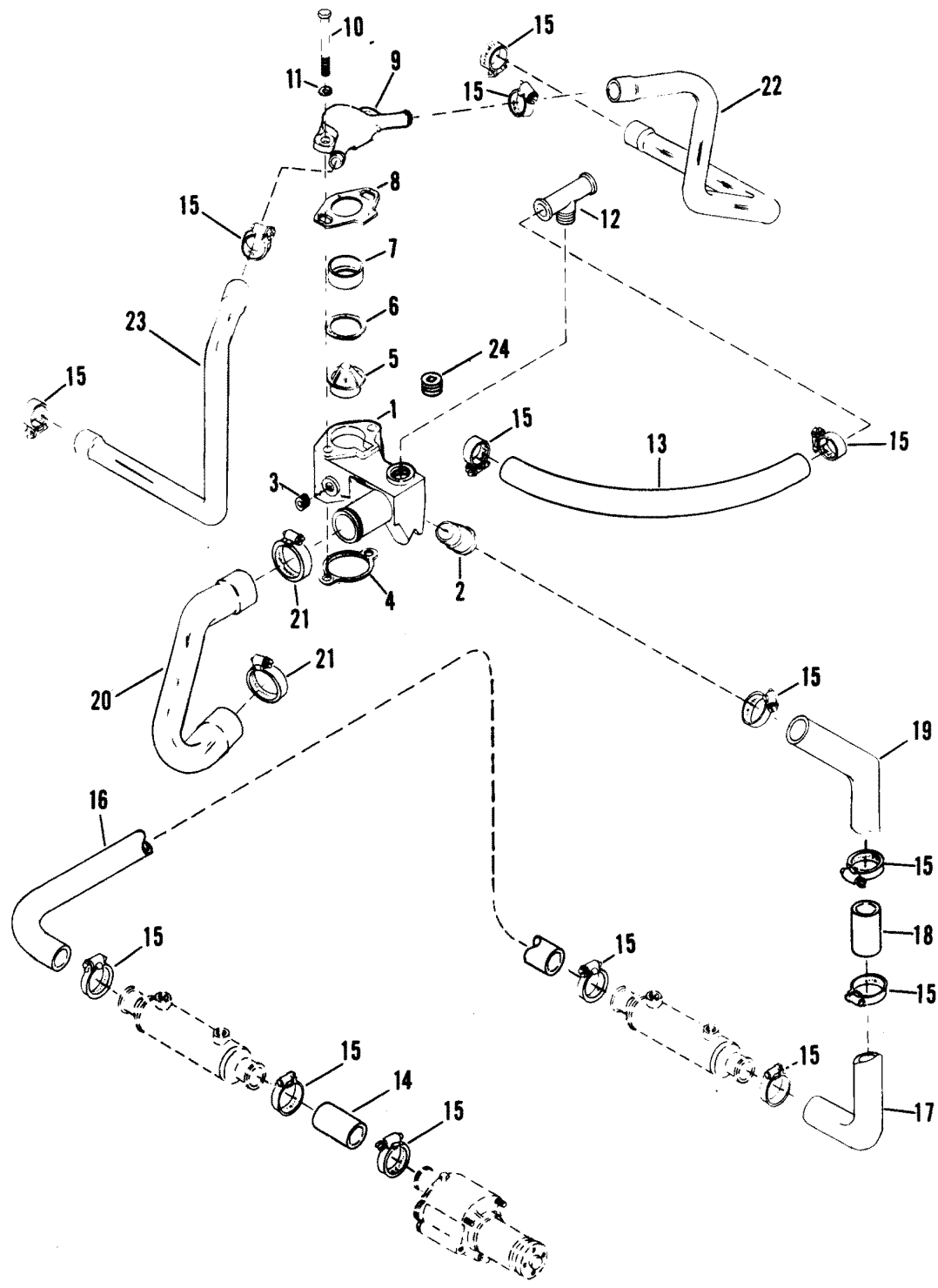


EXHAUST MANIFOLD AND EXHAUST ELBOW (EXHAUST ELBOW 4" O.D.)

REF. NO.	PART NO.	SYM.	QTY.	DESCRIPTION
1	89011A8		2	EXHAUST MANIFOLD ASSEMBLY
2	22-33198A1		4	PLUG, EXHAUST MANIFOLD
3	22-73379		4	PLUG, PIPE-EXHAUST MANIFOLD
4	27-46820	◇	2	GASKET, EXHAUST MANIFOLD TO CYLINDER HEAD
5	10-37612		4	SCREW, EXHAUST MANIFOLD (1-1/4")
	10-48424		8	SCREW, EXHAUST MANIFOLD (1/5/8")
6	16-49545		4	STUD, EXHAUST MANIFOLD
7	11-25269		4	NUT, EXHAUST MANIFOLD STUD
8	12-20553		16	WASHER, EXHAUST MANIFOLD SCREW
9	22-87238		2	DRAIN COCK, EXHAUST MANIFOLD
10	22-36305		2	ELBOW, EXHAUST MANIFOLD (90 DEGREE)
11	27-87105	◇	2	GASKET, ELBOW
12	44354A3		2	EXHAUST ELBOW ASSEMBLY
13	22-36382		2	PLUG, PIPE-EXHAUST ELBOW
14	22-33198A1		2	PIPE PLUG
15	10-44387		2	SCREW, EXHAUST ELBOW (6-3/4")
	10-43749		6	SCREW, EXHAUST ELBOW (5-3/4")

◇ = PARTS INCLUDED WITH [1397-5635] OFF ENGINE KIT.

THERMOSTAT HOUSING (STANDARD COOLING)



THERMOSTAT HOUSING (STANDARD COOLING)

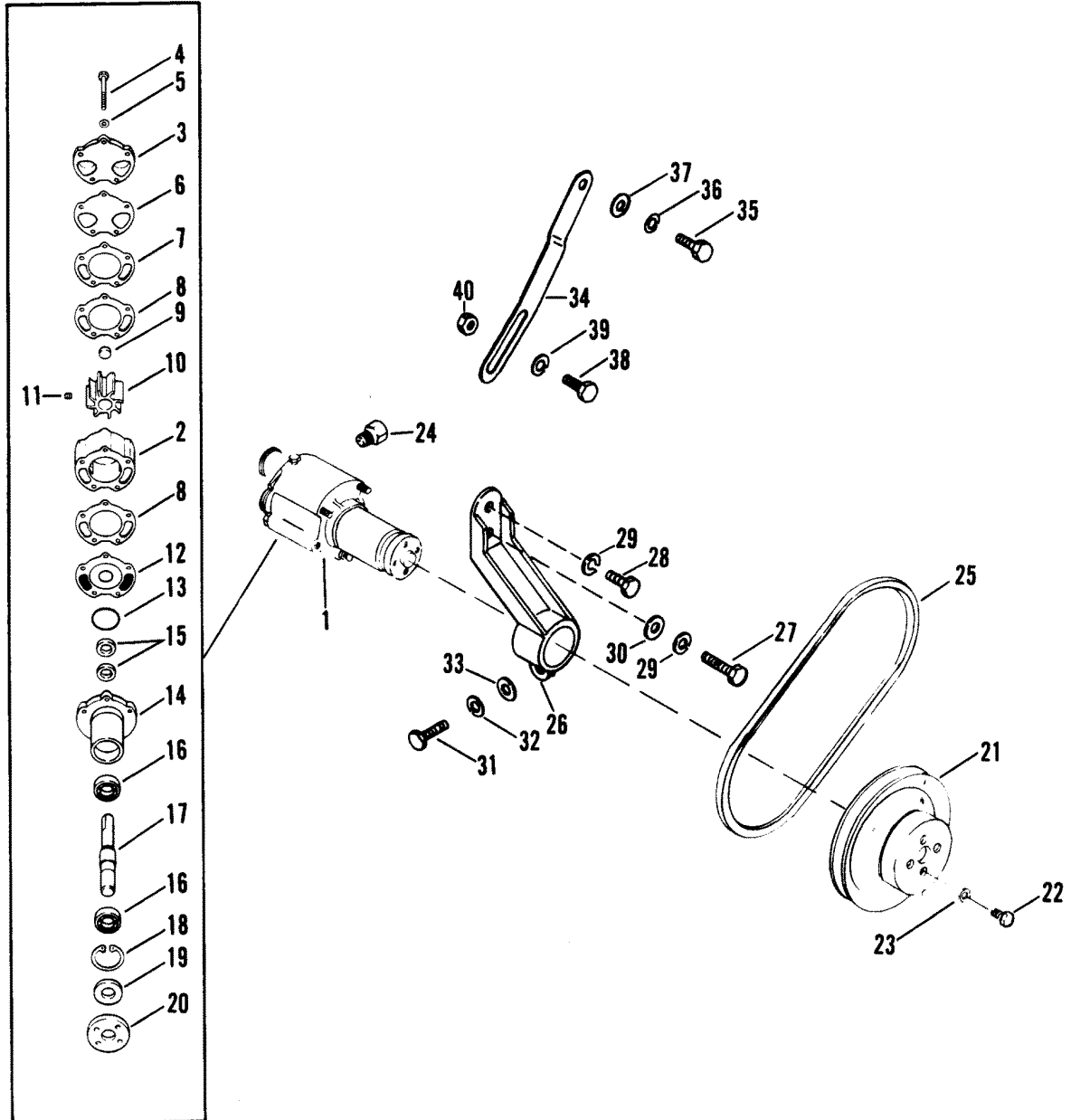
REF. NO.	PART NO.	SYM.	QTY.	DESCRIPTION
1	90736A4		1	THERMOSTAT HOUSING ASSEMBLY
2	23-47511		1	SLEEVE, THERMOSTATE HOUSING
3	22-32803		2	PIPE PLUG
4	27-53045	◇	1	GASKET, THERMOSTATE HOUSING
5	59137		1	THERMOSTATE (143 DEGREE)
6	27-47510	◇	1	GASKET, THERMOSTAT
7	23-47508		1	SLEEVE, THERMOSTAT
8	27-41812	◇■	1	GASKET, THERMOSTAT COVER
	27-48818	▲	1	GASKET, THERMOSTAT COVER
9	47442A1		1	COVER, THERMOSTAT
10	10-60410		2	SCREW, THERMOSTAT HOUSING INTAKE MONIFOLD (4-1/4")
11	12-20553		2	WASHER, THERMOSTAT HOUSING SCREW
12	22-98477A2	■	1	TEE, THERMOSTAT HOUSING
13	32-33220-70	■	2	HOSE, TEE TO EXHAUST ELBOWS (19')
14	32-53461-70		1	HOSE, WATER PUMP TO OIL COOLER (7")
15	54-32780		16	CLAMP, HOSE ATTACHING
16	32-12817		1	HOSE, OIL COOLER TO OIL COOLER
17	32-12818		1	HOSE, OIL COOLER TO TUBE
18	22-13177		1	TUBE, WATER HOSE
19	32-64346		1	HOSE, OIL COOLER TO THERMOSTAT HOUSING
20	32-89718		1	HOSE, THERMOSTAT HOUSING TO WATER PUMP
21	54-87268		2	CLAMP, HOSE ATTACHING
22	32-89749		0	HOSE, THERMOSTAT COVER TO EXHAUST MANIFOLD (PORT)
23	32-89730		1	HOSE, THERMOSTAT COVER
24	22-33198A1	■	1	PLUG, THERMOSTAT HOUSING

■ = PARTS USED WITH 0 DEGREES EXHAUST ELBOW

◇ = PARTS INCLUDED WITH [1397-5635] OFF ENGINE KIT.

▲ = PARTS USED WITH 9 DEGREES EXHAUST ELBOW

SEA WATER PUMP ASSEMBLY

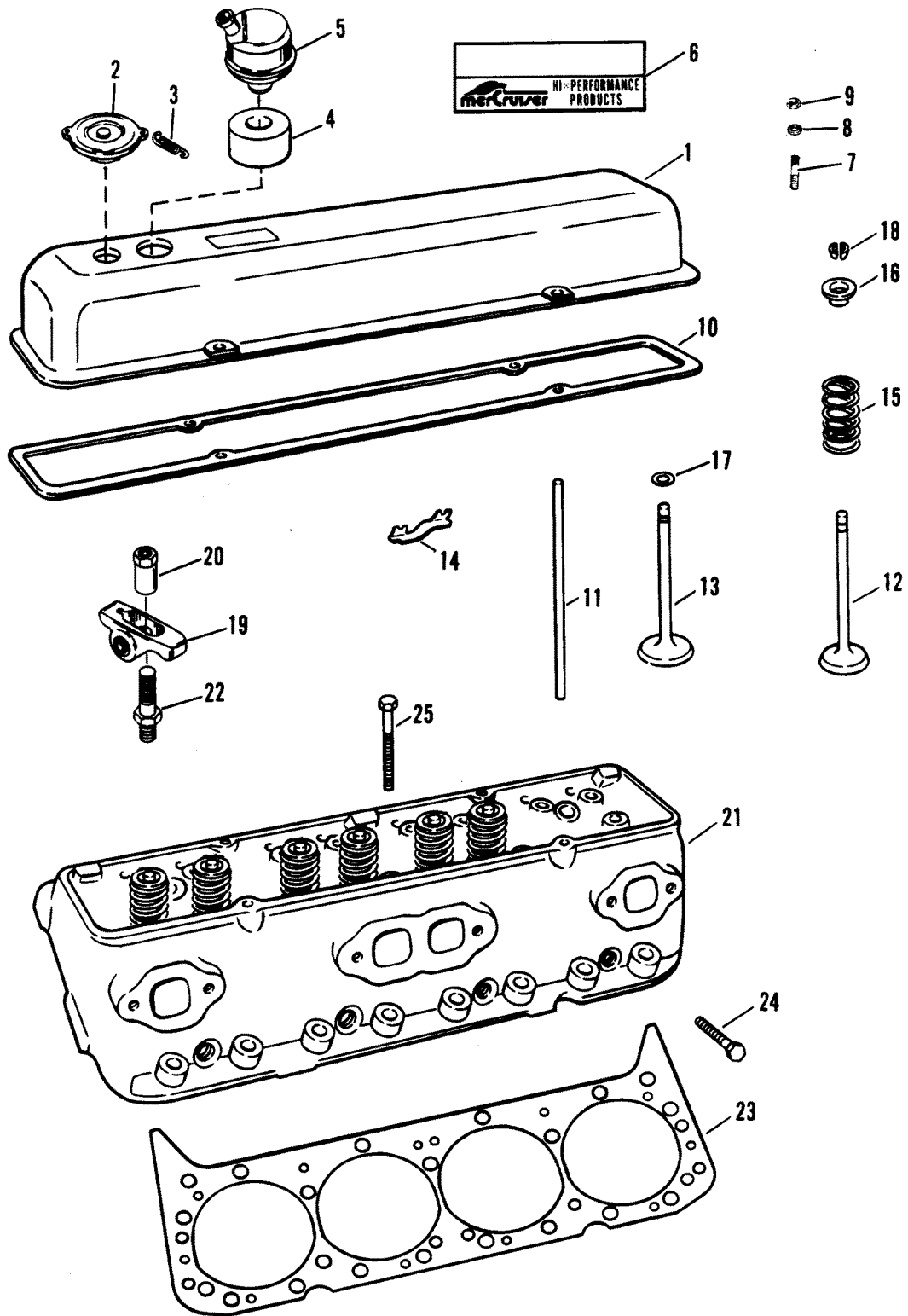


SEA WATER PUMP ASSEMBLY

REF. NO.	PART NO.	SYM.	QTY.	DESCRIPTION
1	46-72774A32		1	WATER PUMP ASSEMBLY
2	46-72774A40		1	BODY, WATER PUMP
3	87631A1		1	COVER, WATER PUMP
4	10-73275		5	SCREW, WATER PUMP
5	12-20084		5	WASHER, COVER SCREW
6	27-94915		1	GASKET, COVER TO OUTER WEAR PLATE
7	94916		1	WEAR PLATE, OUTER
8	27-94914		2	GASKET, BODY TO WEAR PLATE
9	19-59504		1	PLUG, IMPELLER
10	47-59362		1	IMPELLER
11	28-56662		1	KEY, IMPELLER DRIVE
12	94576		1	WEAR PLATE, INNER
13	25-94288		1	QUAD RING, PUMP HOUSING
14	46-94913A1		1	PUMP HOUSING ASSEMBLY
15	26-90562		2	OIL SEAL, WATER PUMP SHAFT
16	30-72961		2	BALL BEARING, WATER PUMP SHAFT
17	59501A1		1	SHAFT WATER PUMP
18	53-23720		1	SNAP RING, BALL BEARING RETAINING
19	26-72785		1	OIL SEAL, WATER PUMP SHAFT
20	47530		1	HUB, WATER PUMP PULLEY
21	73798A1		1	PULLEY, WATER PUMP
22	10-47277		4	SCREW, PULLEY (3/4")
23	13-39107	◇	4	LOCKWASHER, PULLEY SCREW
24	22-32802		1	PLUG, PIPE (FOR WATER PUMP BODY)
25	57-74271		1	BELT, WATER PUMP (35")
26	47489A1		1	BRACKET ASSEMBLY, WATER PUMP
27	10-47462		1	SCREW, WATER PUMP BRACKET (1")
28	10-48948		1	SCREW, WATER PUMP BRACKET (7/8")
29	13-32993		2	LOCKWASHER, BRACKET SCREW
30	12-30315		1	WASHER, BRACKET SCREW
31	10-34354		1	SCREW, WATER PUMP BRACKET (1-1/2")
32	13-35048		1	LOCKWASHER, BRACKET SCREW
33	12-29330		1	WASHER, WATER PUMP SCREW (FOR SLOT)
34	64177		1	BRACE, WATER PUMP
35	10-47461		1	SCREW, BRACE TO ENGINE (1")
36	13-32993		1	LOCKWASHER, BRACE SCREW
37	12-30315		1	WASHER, BRACE SCREW
38	10-35786		1	SCREW, WATER PUMP BRACE (1")
39	13-35048		1	LOCKWASHER, BRACE SCREW
40	11-24883		1	NUT, BRACE SCREW

◇ = PARTS INCLUDED WITH [1397-5635] OFF ENGINE KIT.

CYLINDER HEAD AND ROCKER COVER



CYLINDER HEAD AND ROCKER COVER

REF. NO.	PART NO.	SYM.	QTY.	DESCRIPTION
1	77679		2	ROCKER COVER
2	42336		2	CAP, OIL FILLER
3	24-70086		2	SPRING, FILLER CAP
4	25-49767		2	GROMMET, ROCKER COVER
5	41598		2	BREATHER, ROCKER COVER
6	37-16592--1		2	DECAL
7	16-56766		14	STUD, ROCKER COVER
8	12-39143		14	WASHER, ROCKER COVER STUD
9	11-20361		14	NUT, ROCKER COVER STUD
10	27-91831	◇	0	GASKET, ROCKER COVER
11	98582		8	ROD, VALVE PUSH (INLET)
	98581		8	ROD, VALVE PUSH (EXHAUST)
12	49774		8	VALVE, EXHAUST (STANDARD)
	N.S.S.		AR	VALVE, EXHAUST (.0015) (GM #3947873)
	N.S.S.		AR	VALVE, EXHAUST (.0030) (GM #3947874)
13	58048		8	VALVE, INLET (STANDARD)
	N.S.S.		AR	VALVE, INLET (.0015) (GM #14095170)
	89817		AR	VALVE, INLET (.0030)
14	49132		8	GUIDE, PUSH ROD
15	24-88154		16	SPRING, VALVE
16	88155		16	CAP, VALVE SPRING (INCLUDES SEAL)
17	15-54531		8	SHIM, INLET VALVE SPRING
18	28-54530		32	KEY, VALVE STEM
19	69304		16	ARM, VALVE ROCKER
20	11-44481		16	NUT, VALVE ROCKER ARM
21	938-5924		2	CYLINDER HEAD ASSEMBLY
22	95820		16	STUD, VALVE ROCKER ARM
23	27-61224	◇	2	GASKET, CYLINDER HEAD
24	10-49106		8	BOLT, CYLINDER HEAD (2")
25	10-49105		24	BILT, CYLINDER HEAD (4-1/8")

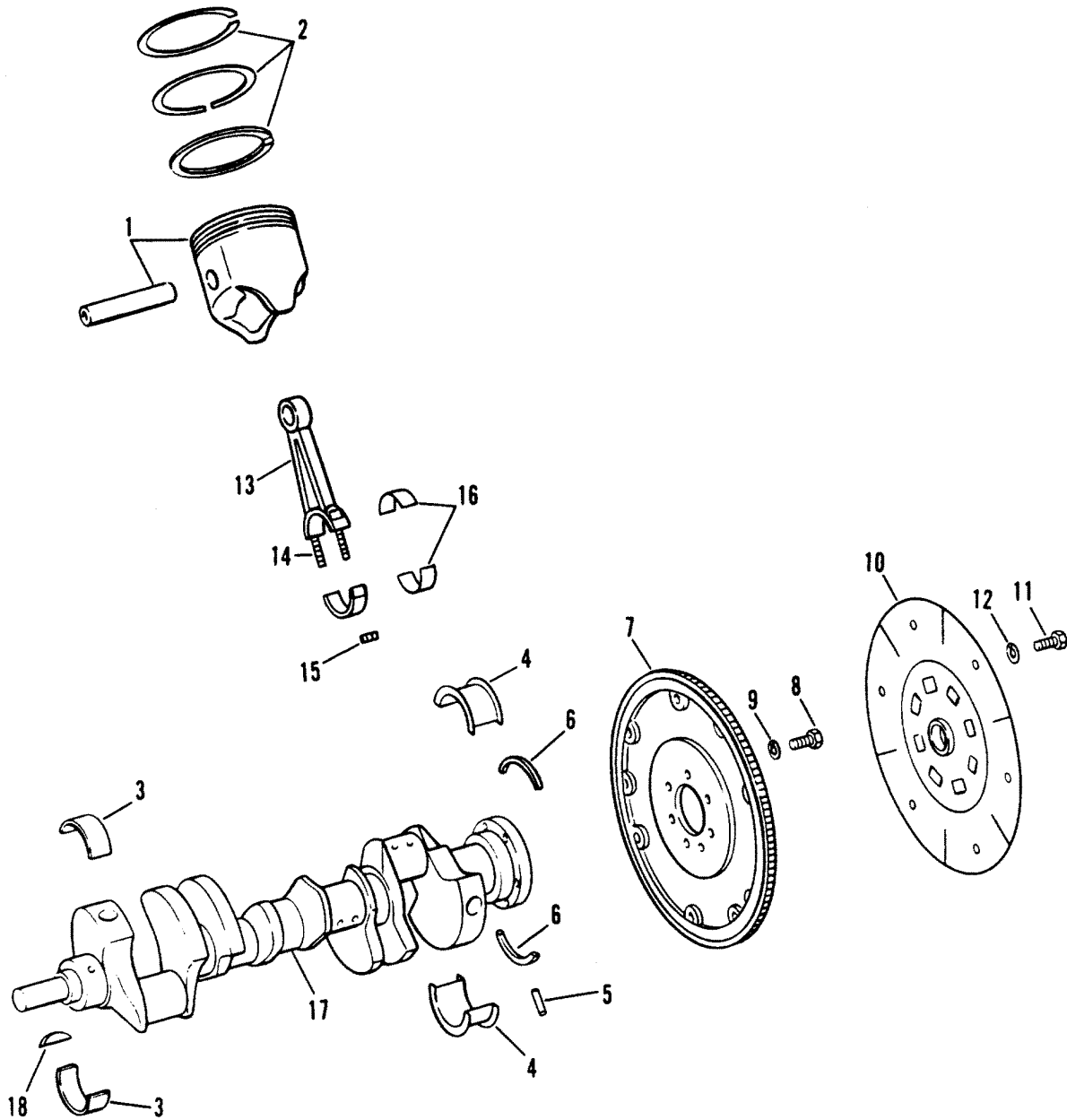
◇ = PARTS INCLUDED WITH [1397-5635] OFF ENGINE KIT.

CYLINDER BLOCK AND CAMSHAFT

REF. NO.	PART NO.	SYM.	QTY.	DESCRIPTION
1	N.S.S.		1	CYLINDER BLOCK ASSEMBLY (GM #14024457)
2	22-48340		4	PLUG (1/4")
	22-48358		2	PLUG (3/8")
3	22-36382		2	PLUG
4	19-37478		8	PLUG, EXPANSION -BLOCK
5	17-52190		4	PIN, DOWEL CYLINDER HEAD
6	19-94140		1	PLUG, EXPANSION-CAM
7	23-61272		1	BEARING, UNIT-CAM
8	72638		16	LIFTER, HYDRAULIC VALVE
9	431-5923		1	CAMSHAFT
10	61728		1	CHAIN, TIMING
11	43-61726		1	SPROCKET, CAMSHAFT
12	43-61727		1	SPROCKET, CRANKSHAFT
13	10-34505		3	BOLT, CAMSHAFT SPROCKET (3/4")
14	12-39167		3	WASHER, CAMSHAFT SPROCKET SCREW
15	17-35312		1	PIN, DOWEL-CAMSHAFT SPROCKET

SHORT BLOCK 41618A13

CRANKSHAFT, PISTONS AND CONNECTING RODS

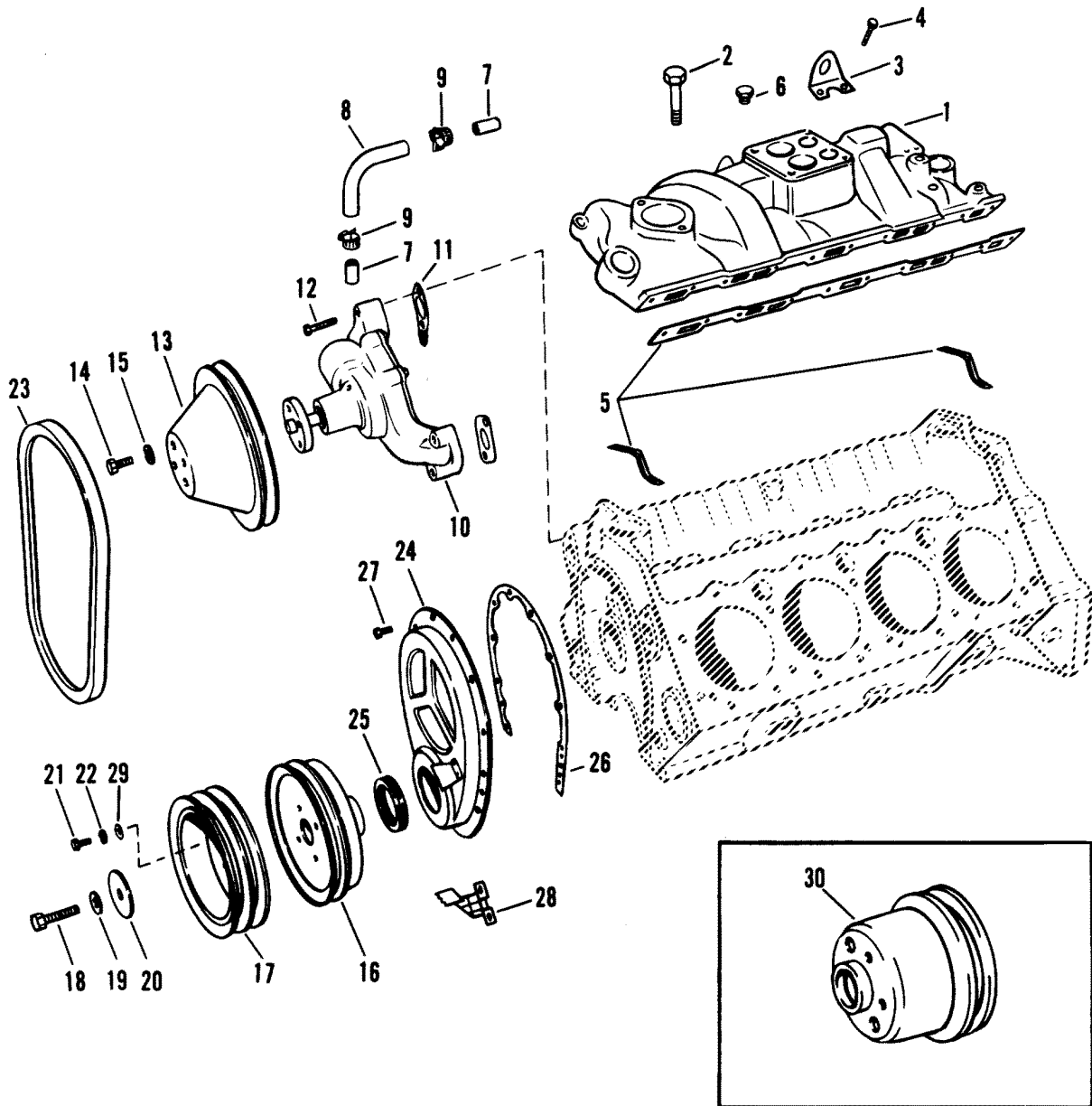


CRANKSHAFT, PISTONS AND CONNECTING RODS

REF. NO.	PART NO.	SYM.	QTY.	DESCRIPTION
1	737-5536		AR	PISTON & PISTON PIN (.001 O.S.)
	737-5537		AR	PISTON & PISTON PIN (.003 O.S.)
2	39-67127		8	RING, PISTON -8 SETS (STANDARD)
	39-67128		AR	RING, PISTON -8 SETS (.030 O.S.)
3	23-85721		4	BEARING UNIT, (PAIR) CRANKSHAFT STANDARD
	23-85685		AR	BEARING UNIT, (PAIR) CRANKSHAFT) .001 U.S.
	23-85723		AR	BEARING UNIT, CRANKSHAFT MAIN .002 U.S.
	23-85724		AR	BEARING UNIT, CRANKSHAFT MAIN .010 U.S.
	23-85725		AR	BEARING UNIT, CRANKSHAFT MAIN .020 U.S.
4	23-85686		1	BEARING UNIT, CRANKSHAFT MAIN -REAR STANDARD
	23-85687		AR	BEARING UNIT, CRANKSHAFT MAIN -REAR .001 U.S.
	23-85688		AR	BEARING UNIT, CRANKSHAFT MAIN - REAR .002 U.S.
	23-85689		AR	BEARING UNIT, CRANKSHAFT MAIN -REAR .010 U.S.
	23-85690		AR	BEARING UNIT, CRANKSHAFT MAIN -REAR .020 U.S.
5	17-35312		1	PIN, DOWEL -REAR CRANKSHAFT BEARING CAP 1/4" DIA.
6	26-14756	◇	1	OIL SEAL, REAR -CRANKSHAFT BEARING CAP
7	230-5534		1	FLYWHEEL
8	10-49845		6	SCREW, FLYWHEEL TO CRANKSHAFT
9	13-39131		6	LOCKWASHER, FLYWHEEL SCREW
10	47607A1		1	DRIVE PLATE
11	10-35091		6	SCREW, DRIVE PLATE
12	13-35048		6	LOCKWASHER, DRIVE PLATE SCREW
13	614-5538		8	CONNECTING ROD
14	N.S.S.		16	BOLT, CONNECTING ROD CAP (GM #3981092)
15	N.S.S.		16	NUT, CONNECTING ROD CAP BOLT (GM #3942410)
16	23-85726		8	BEARING SET, (4 PAIR) CONNECTING ROD STANDARD
	23-85727		AR	BEARING UNIT, (PAIR) CONNECTING ROD .001 U.S.
	23-85728		AR	BEARING UNIT, (PAIR) CONNECTING ROD .002 U.S.
	23-85691		AR	BEARING UNIT, (PAIR) CONNECTING ROD .010 U.S.
	23-85729		AR	BEARING UNIT, (PAIR) CONNECTING ROD .020 U.S.
17	429-5880		1	CRANKSHAFT
18	28-34466		2	KEY, CRANKSHAFT

◇ = PARTS INCLUDED WITH [1397-5635] OFF ENGINE KIT.

INTAKE MANIFOLD AND FRONT COVER

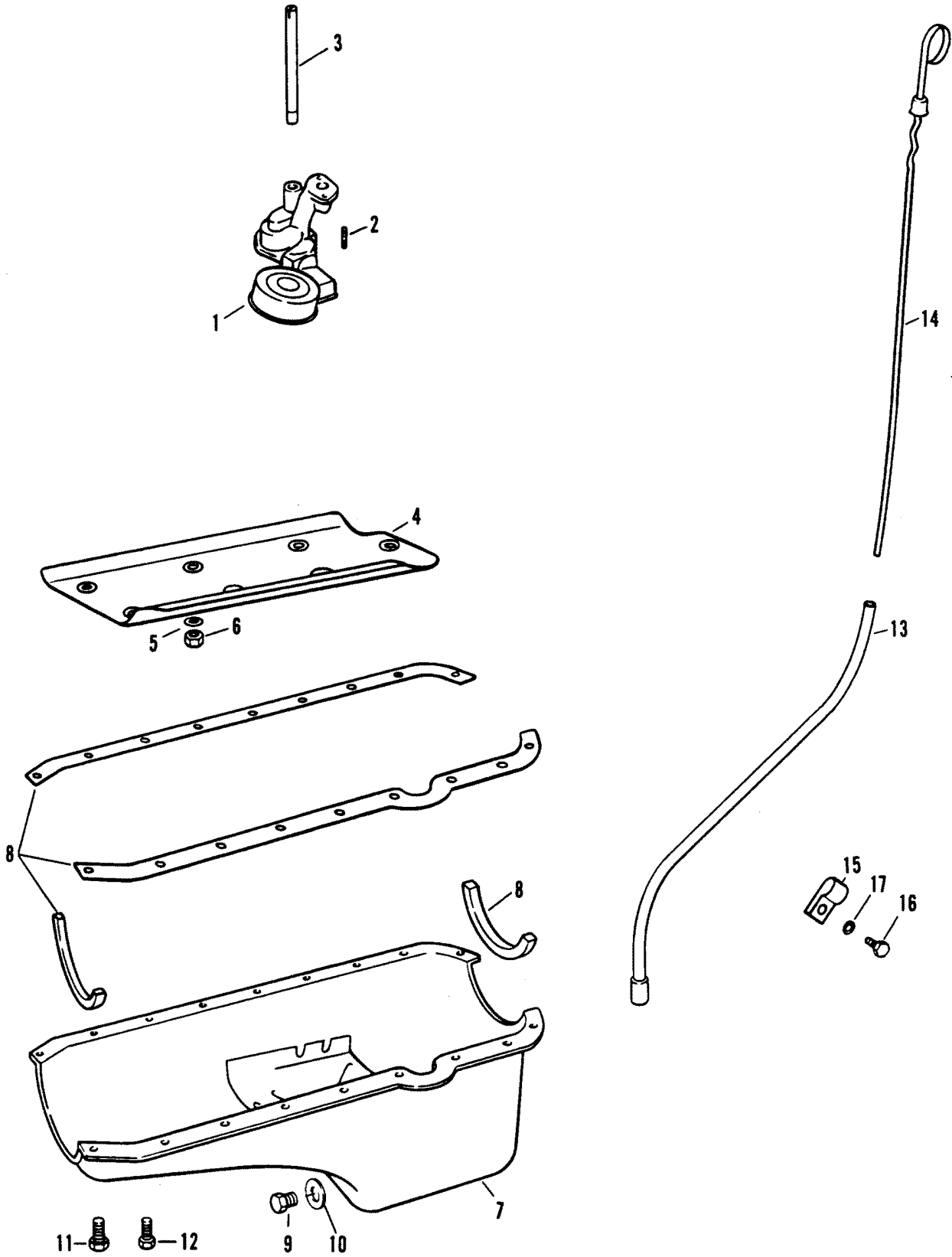


INTAKE MANIFOLD AND FRONT COVER

REF. NO.	PART NO.	SYM.	QTY.	DESCRIPTION
1	72608		1	INTAKE MANIFOLD
2	N.S.S.		10	BOLT, INTAKE MANIFOLD (GM #3736035)
	N.S.S.		4	BOLT, INTAKE MANIFOLD (GM #454467)
3	54-64628		2	LIFTING EYE
4	10-45754		2	BOLT, LIFTING EYE
5	27-61782	◇	1	GASKET SET, INTAKE MANIFOLD
6	10-64422		4	SCREW, INTAKE MANIFOLD
7	22-66201		2	CONNECTOR, INATEK PUMP/INTAKE MANIFOLD
8	32-66206		1	HOSE, BY-PASS -WATER PUMP/INTAKE MANIFOLD
9	54-43510		2	CLAMP, BY-PASS HOSE
10	67859		1	WATER PUMP
11	27-49110	◇	2	GASKET, WATER PUMP MOUNTING
12	10-32132		4	SCREW, WATER PUMP TO CYLINDER BLOCK (1-3/4")
13	52349		1	PULLEY, WATER PUMP
14	10-47277		4	SCREW, PULLEY TO WATER PUMP (3/4")
15	13-39107		4	LOCKWASHER, WATER PUMP PULLEY SCREW
16	72605		1	BLANACER, HARMONIC - CRANKSHAFT
17	52181		1	PULLEY, HARMONIC BALANCER
18	10-49101		1	BOLT, PULLEY AND HARMONIC BALANCER
19	13-49102		1	LOCKWASHER, PULLEY AND HARMONIC BALANCER BOLT
20	12-49103		1	WASHER, PULLEY AND BALANCER BOLT
21	10-34353		3	BOLT, PULLEY (1")
22	13-35048		3	LOCKWASHER, PULLEY BOLT
23	57-48122		1	BELT, ALTERNATOR DRIVE (48")
24	66215		1	COVER, CRANKCASE
25	26-49154	◇	1	OIL SEAL, CRANKCASE COVER
26	27-54529	◇	1	GASKET, CRANKCASE COVER
27	10-35366		10	SCREW, CRANKCASE COVER TO BLOCK
28	59966		1	POINTER, TIMING (L.H. ROTATION)
29	12-20553		3	WASHER, PULLEY BOLT
30	77244A1		1	PULLEY, CRANKSHAFT (W/POWER STEERING)

◇ = PARTS INCLUDED WITH [1397-5635] OFF ENGINE KIT.

OIL PAN AND OIL PUMP

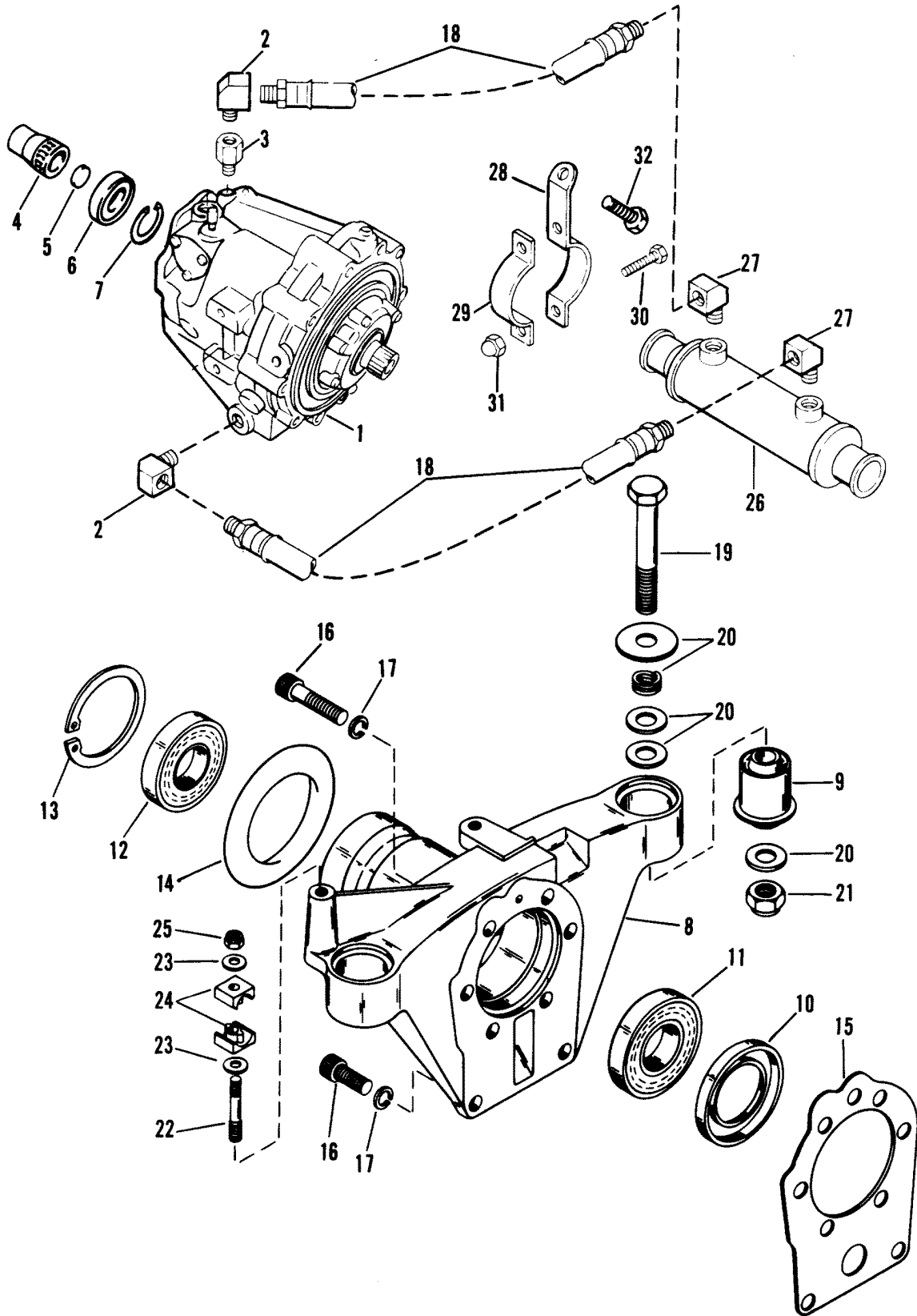


OIL PAN AND OIL PUMP

REF. NO.	PART NO.	SYM.	QTY.	DESCRIPTION
1	85805		1	OIL PUMP (w/pick-up tube)
	808693A1		1	OIL PUMP (w/o pick-up tube)
NS	809772T		1	PICK-UP TUBE (Used with 808693A1)
2	16-49108		1	STUD, OIL PUMP TO CYLINDER BLOCK
3	49149		1	SHAFT, OIL PUMP TO DISTRIBUTOR
4	N.S.S.		1	BAFFLE, OIL PAN (CYLINDER BLOCK) - GM #3967854
5	12-49112		5	WASHER, OIL PAN BAFFLE/OIL PUMP STUD
6	11-37500		5	NUT, OIL PAN BAFFLE/OIL PUMP STUD
7	13800		1	OIL PAN
8	27-52550	◇	1	GASKET SET, OIL PAN
9	10-49956		1	PLUG, PIPE - OIL PAN DRAIN
10	27-49955		1	GASKET, OIL PAN SCREW
11	10-34500		20	SCREW, OIL PAN
12	10-72607		2	SCREW, OIL PAN
13	68035		1	TUBE, OIL LEVEL GAUGE
14	74054		1	GAUGE, OIL LEVEL (DIPSTICK)
15	54-71982		1	CLIP, OIL LEVEL TUBE
16	10-98253		1	SCREW, CLIP TO BRACKET
17	13-26992		1	LOCKWASHER, CLIP SCREW

◇ = PARTS INCLUDED WITH [1397-5635] OFF ENGINE KIT.

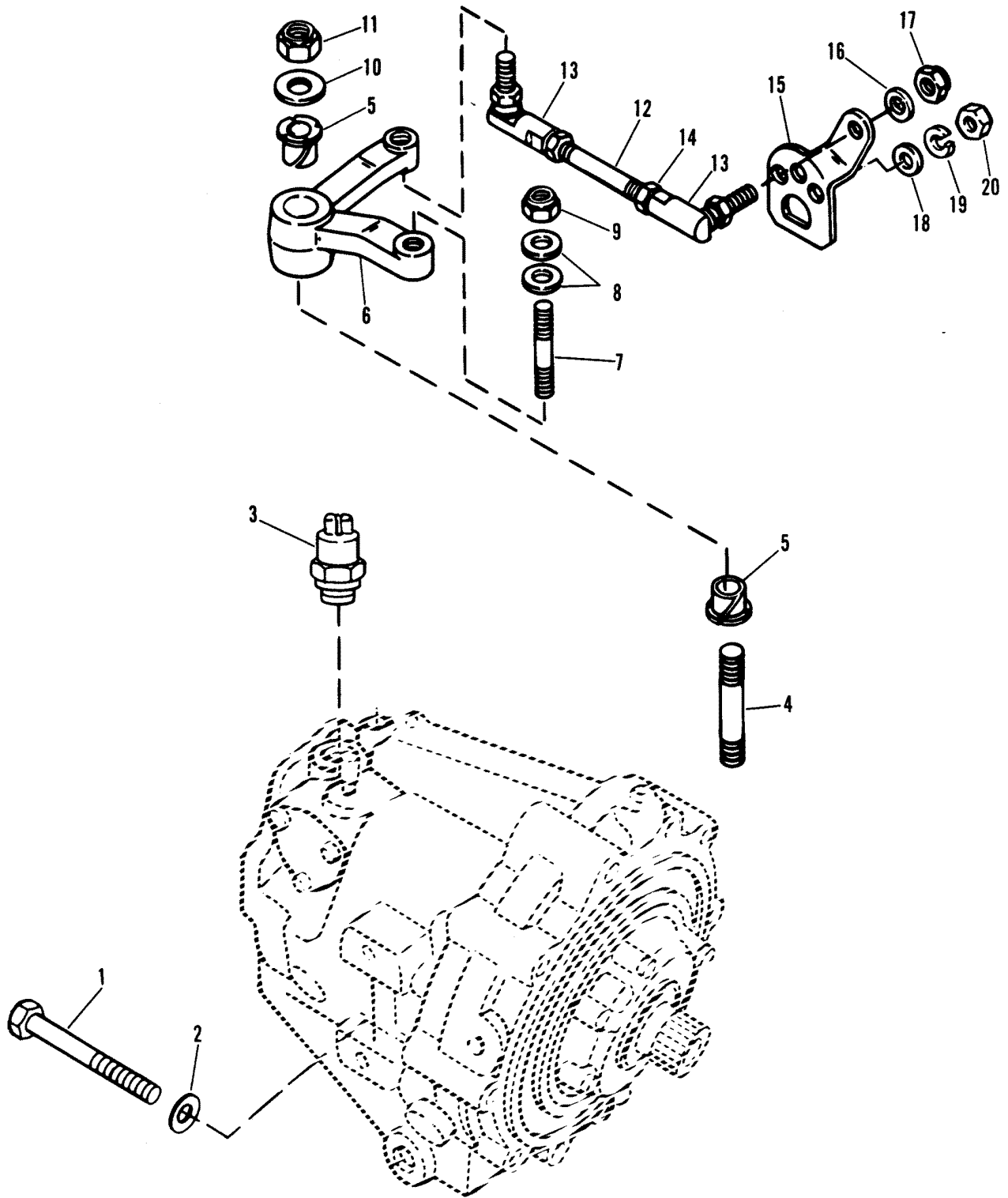
TRANSMISSION AND TAILSTOCK



TRANSMISSION AND TAILSTOCK

REF. NO.	PART NO.	SYM.	QTY.	DESCRIPTION
1	47753A7		1	TRANSMISSION ASSEMBLY (10-17 SERIES)
2	22-47629		2	ELBOW, TRANSMISSION TO OIL HOSE
3	22-88517		1	BUSHING, TRANSMISSION ELBOW
4	57758A2		1	ENGINE COUPLING ASSEMBLY
5	19-47463		1	PLUG, EXPANSION - ENGINE COUPLING
6	30-47470		1	BALL BEARING, ENGINE COUPLING
7	53-47469		1	SNAP RING, BALL BEARING
8	98322A2		1	TAILSTOCK ASSEMBLY, BEARING SUPPORT
9	35852		2	MOUNT, RUBBER - TAILSTOCK
10	26-47465		1	OIL SEAL, TAILSTOCK
11	30-57762		1	BALL BEARING, TAILSTOCK (3-5/32" O.D.)
12	30-32537		1	BALL BEARING, TAILSTOCK (2-27/32" O.D.)
13	53-54481		1	SNAP RING, BALL BEARING TO TAILSTOCK
14	25-54067		1	SEAL, TAILSTOCK
15	27-47903		1	GASKET, TAILSTOCK
16	10-29081		6	SCREW, TAILSTOCK TO TRANSMISSION (1-1/4")
	10-99524		2	SCREW, TAILSTOCK TO TRANSMISSION (2")
17	13-30381		8	LOCKWASHER, TAILSTOCK SCREW
18	32-47516--6		2	HOSE, TRANSMISSION TO OIL COOLER (30")
19	10-47467		2	SCREW, TAILSTOCK TO INNER TRANSOM PLATE (5-1/2")
20	12-47475		2	WASHER, TAILSTOCK SCREWS
	12-47466		4	WASHER, TAILSTOCK SCREWS (NEOPRENE)
	12-33171		2	WASHER, TAILSTOCK SCREWS
	13-34846		2	LOCKWASHER, TAILSTOCK SCREWS
21	11-22339		2	NUT, TAILSTOCK SCREWS
22	16-99801		1	STUD, CLAMP BLOCK
23	12-69056		2	WASHER, CLAMP BLOCK STUD
24	41058		2	CLAMP BLOCK, SHIFT CABLE
25	11-20361		1	NUT, CLAMP BLOCK STUD
26	63832A1		AR	OIL COOLER, TRANSMISSION (9")
	63832T		AR	OIL COOLER, TRANSMISSION (12")
27	22-63835		1	ELBOW, OIL COOLER (45 DEGREES)
	22-47629		1	ELBOW, OIL COOLER (90 DEGREES)
28	63820--4		1	BRACKET, OIL COOLER (LONG)
29	56328A1		1	BRACKET, OIL COOLER (SHORT)
30	10-60300		2	SCREW, OIL COOLER BRACKET
31	11-30506		2	NUT, OIL COOLER BRACKET SCREW
32	10-35765		1	SCREW, OIL COOLER BRACKET TO ENGINE

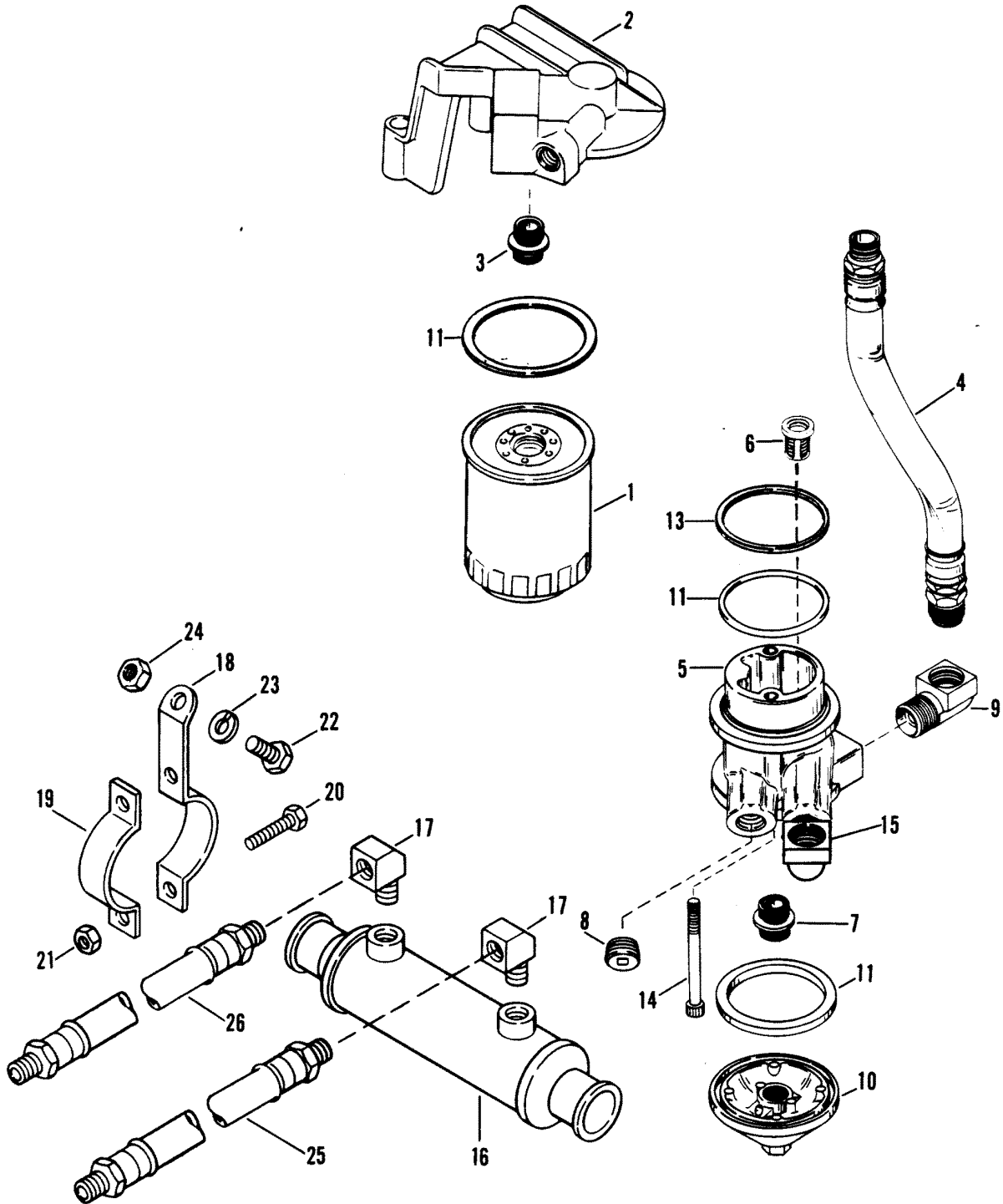
TRANSMISSION AND SHIFT LINKAGE



TRANSMISSION AND SHIFT LINKAGE

REF. NO.	PART NO.	SYM.	QTY.	DESCRIPTION
1	10-60179		6	SCREW, TRANSMISSION TO ENGINE (3-1/2")
2	13-32993		6	LOCKWASHER, TRANSMISSION SCREW
3	87-88031		1	SWITCH, TEMPERATURE
4	16-87163		1	STUD, SHIFT CRANK TO TAILSTOCK
5	23-26954		2	BUSHING, SHIFT CRANK STUD
6	98301A3		1	SHIFT CRANK ASSEMBLY
7	16-72809		1	STUD, SHIFT CRANK
8	12-69056		3	WASHER, SHIFT CRANK STUD
9	11-35888		1	NUT, SHIFT CRANK STUD
10	12-34931		1	WASHER, SHIFT CRANK STUD
11	11-34932		1	NUT, SHIFT CRANK STUD
12	98299A2		1	SHIFT ROD ASSEMBLY
13	73393		2	BALL JOINT
14	11-25168		2	LOCKNUT, SHIFT ROD
15	43325		1	LEVER, SHIFT-TRANSMISSION
16	12-29245		1	WASHER, SHIFT ROD
17	11-35888		1	NUT, SHIFT ROD
18	12-20722		1	WASHER, SHIFT LEVER TO TRANSMISSION
19	13-26933		1	LOCKWASHER, SHIFT LEVER TO TRANSMISSION
20	11-20083		1	NUT, SHIFT LEVER TO TRANSMISSION

OIL FILTER AND ADAPTER

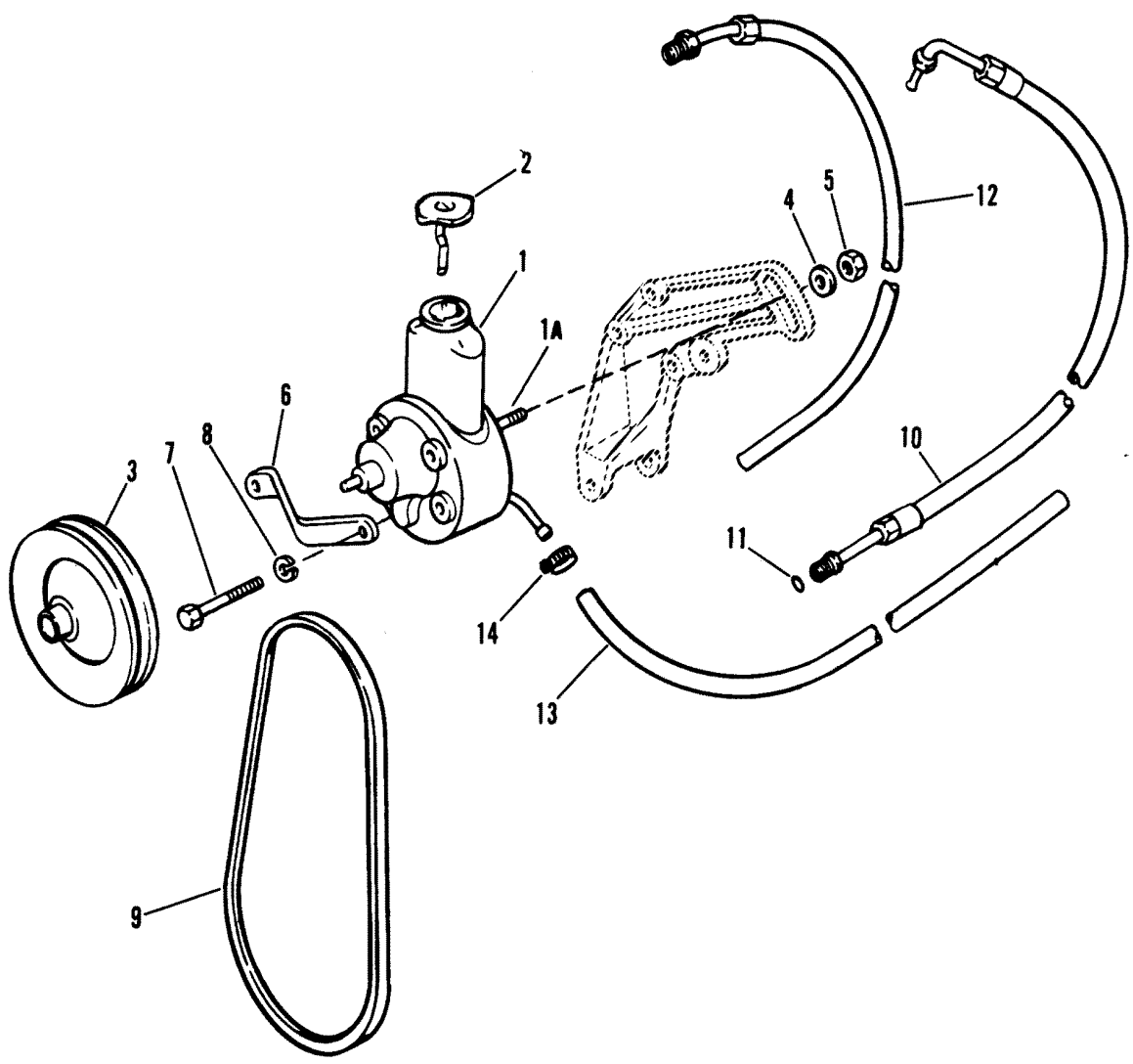


OIL FILTER AND ADAPTER

REF. NO.	PART NO.	SYM.	QTY.	DESCRIPTION
1	54111		1	OIL FILTER
2	92043A3	■	1	BRACKET, OIL FILTER
	44393A2	▲	1	BRACKET, OIL FILTER
3	32720		1	ADAPTER
4	32-92357-69		1	HOSE, OIL-ADAPTER TO BRACKET (37")
5	90783A13		1	ADAPTER ASSEMBLY, OIL FILTER
6	34344		1	VALVE, BY-PASS
7	32720		1	ADAPTER
8	22-32802		1	PIPE PLUG
9	22-48246		1	ELBOW, OIL HOSE (90 DEGREES)
10	91830		1	COVER, ADAPTER
11	27-91892	◇	3	GASKET, ADAPTER COVER
13	27-99893	◇	1	GASKET, OIL FILTER ADAPTER
14	10-91966		1	SCREW, OIL FILTER ADAPTER (4")
	10-91967		1	SCREW, OIL FILTER ADAPTER (3-1/4")
15	22-63825		1	ELBOW, OIL HOSE (90 DEGREES)
16	63831A3		2	OIL COOLER, ENGINE WITHOUT POWER STEERING
17	22-63825		2	ELBOW, ENGINE OIL COOLER (90 DEGREES) WITHOUT POWER STEERING
16	89690T		1	OIL COOLER, ENGINE WITH POWER STEERING
17	22-63825		2	ELBOW, ENGINE OIL COOLER (90 DEGREES) WITH POWER STEERING
18	12820		2	BRACKET, OIL COOLER (LONG)
19	56328A1		2	BRACKET, OIL COOLER (SHORT)
20	10-60300		4	SCREW, OIL COOLER BRACKET (3/4")
21	11-30506		4	NUT, OIL COOLER BRACKET SCREW
22	10-37612		2	SCREW, OIL COOLER BRACKET TO ENGINE
23	12-20553		4	WASHER, OIL COOLER BRACKET SCREW
24	11-99405		2	NUT, OIL COOLER BRACKET SCREW
25	32-92357-59		1	HOSE, OIL - OIL COOLER TO BRACKET WITH POWER STEERING
26	32-92357-38		1	HOSE, OIL - OIL COOLER TO ADAPTER WITH POWER STEERING

- = PARTS USED WITH 0 DEGREES EXHAUST ELBOW
- ◇ = PARTS INCLUDED WITH [1397-5635] OFF ENGINE KIT.
- ▲ = PARTS USED WITH 9 DEGREES EXHAUST ELBOW

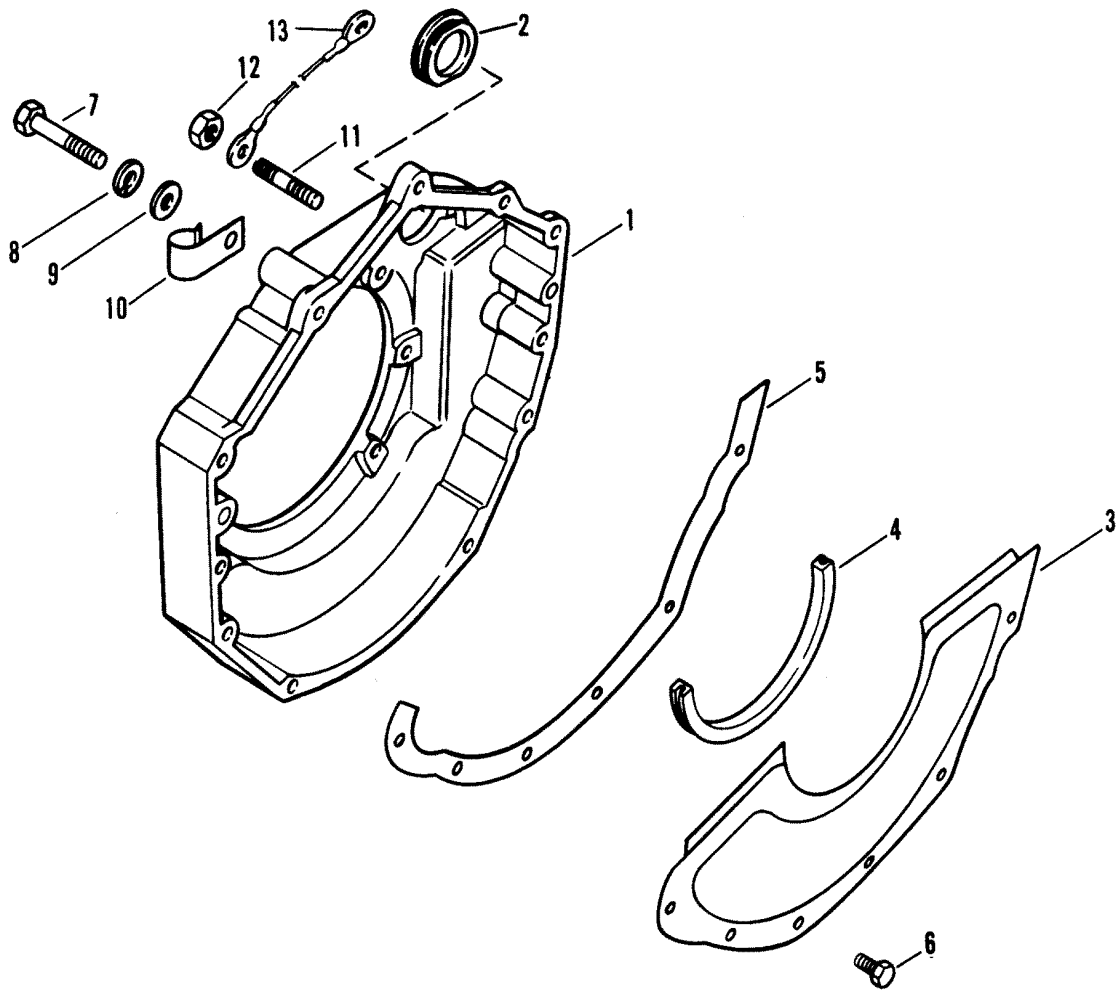
POWER STEERING COMPONENTS (M0042-X18)



POWER STEERING COMPONENTS (M0042-X18)

REF. NO.	PART NO.	SYM.	QTY.	DESCRIPTION
1	90496A5		1	PUMP ASSEMBLY, POWER STEERING
1A	16-41877		1	STUD, POWER STEERING PUMP
2	36-95805		1	CAP, POWER STEERING PUMP
3	73873A1		1	PULLEY, POWER STEERING PUMP
4	12-34567		3	WASHER, PUMP STUD (BRACE SLOT)
5	11-90517		2	NUT, MOUNTING STUD
6	98813A1		1	BRACE, PUMP MOUNTING
7	10-40001188		1	SCREW, PUMP MOUNTING BRACE
8	13-40024--8		1	LOCKWASHER, BRACE SCREW
9	57-96834		1	V-BELT, POWER STEERING PUMP (50")
10	32-98494		1	HOSE, PRESSURE (FITTINGS ON BOTH ENDS)
11	25-89879		1	"O" RING, PRESSURE HOSE END
12	32-98843-39		1	HOSE, RETURN (FITTINGS ON ONE END)
13	32-52519-14		1	HOSE, PUMP TO OIL COOLER
14	54-35830		3	CLAMP, HOSE ATTACHING

FLYWHEEL HOUSING



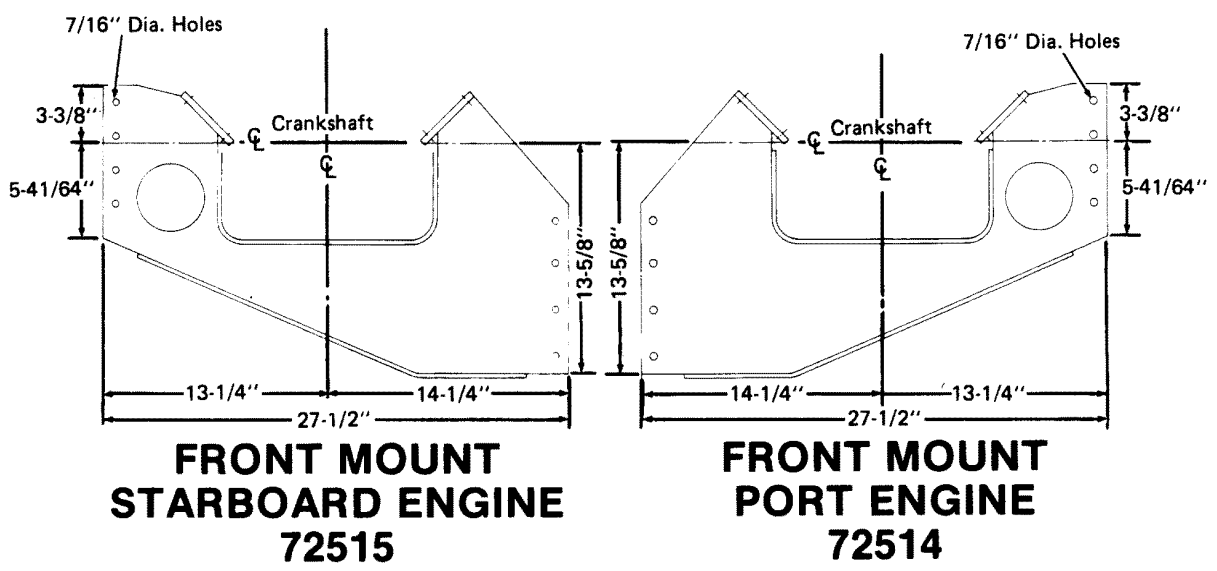
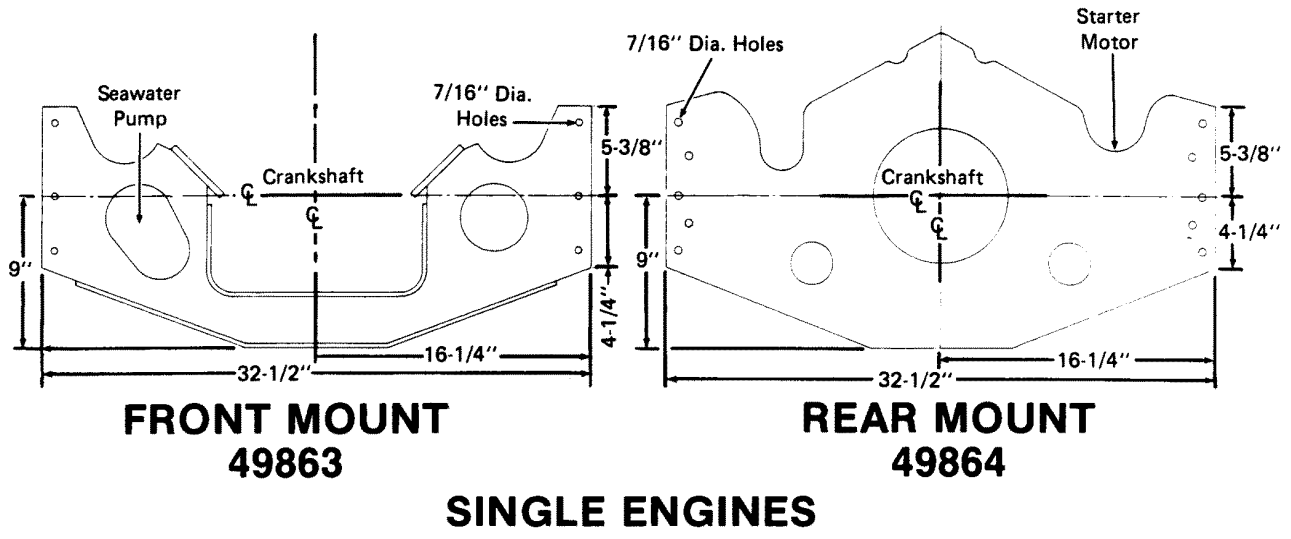
FLYWHEEL HOUSING

REF. NO.	PART NO.	SYM.	QTY.	DESCRIPTION
1	44187--1		1	HOUSING, FLYWHEEL (W/REAR PLATE MOUNT)
	44187A1		1	HOUSING, FLYWHEEL (W/O REAR PLATE MOUNT)
2	19-12304		1	PLUG, TIMING WINDOW
3	14043A5		1	COVER ASSEMBLY, FLYWHEEL HOUSING NOT USED ON STAFFERED INSTALLATIONS
4	87690		1	SEAL, FLYWHEEL HOUSING COVER NOT USED ON STAFFERED INSTALLATIONS
5	27-86015		1	GASKET, FLYWHEEL HOUSING COVER NOT USED ON STAFFERED INSTALLATIONS
6	10-41508		8	SCREW, COVER TO FLYWHEEL HOUSING (3/8") NOT USED ON STAFFERED INSTALLATIONS
7	10-37612		2	SCREW, FLYWHEEL HOUSING (1-1/4")
	10-47688		2	SCREW, FLYWHEEL HOUSING (2-3/4")
	10-34353		1	SCREW, FLYWHEEL HOUSING (1")
8	13-35048		6	LOCKWASHER, FLYWHEEL HOUSING SCREW AND STUD
9	12-20553		5	WASHER, FLYWHEEL HOUSING SCREW
	12-20572		1	WASHER, FLYWHEEL HOSUING SCREW (FOR SLOT)
10	54-62494		1	CLAMP, FLYWHEEL HOUSING SCREW
11	16-64066		1	STUD, FLYWHEEL HOUSING (2-1/4")
12	11-32219		1	NUT, FLYWHEEL HOUSING STUD
13	84-62826A7		1	WIRE ASSEMBLY, GROUND

MOUNTING PLATES (SIDE BY SIDE ENGINES)

Mounting Hardware

10-86518	Screw (6)
12-20553	Washer (6)



SIDE BY SIDE ENGINES

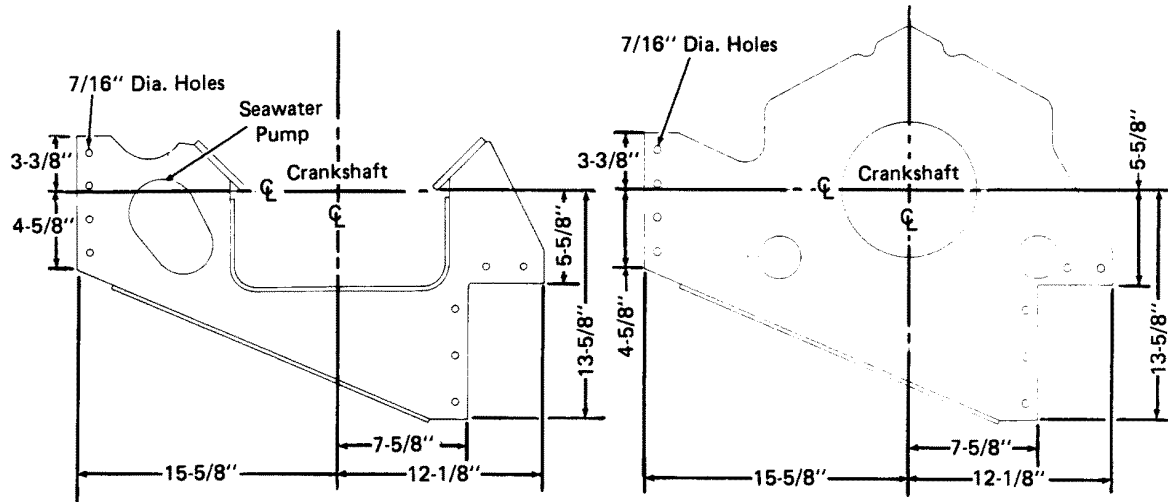
MOUNTING PLATES (SIDE BY SIDE ENGINES)

REF. NO.	PART NO.	SYM.	QTY.	DESCRIPTION
-	10-86518		6	SCREW MOUNTING HARDWARE
-	12-20553		6	WASHER MOUNTING HARDWARE
-	49863		0	FRONT MOUNT SINGLE ENGINE
-	49864		0	REAR MOUNT SINGLE ENGINE
-	72515		0	FRONT MOUNT STARBOARD ENGINE SIDE BY SIDE ENGINE
-	72514		0	FRONT MOUNT PORT ENGINE SIDE BY SIDE ENGINE

MOUNTING PLATES (STAGGERED ENGINE PORT)

Mounting Hardware

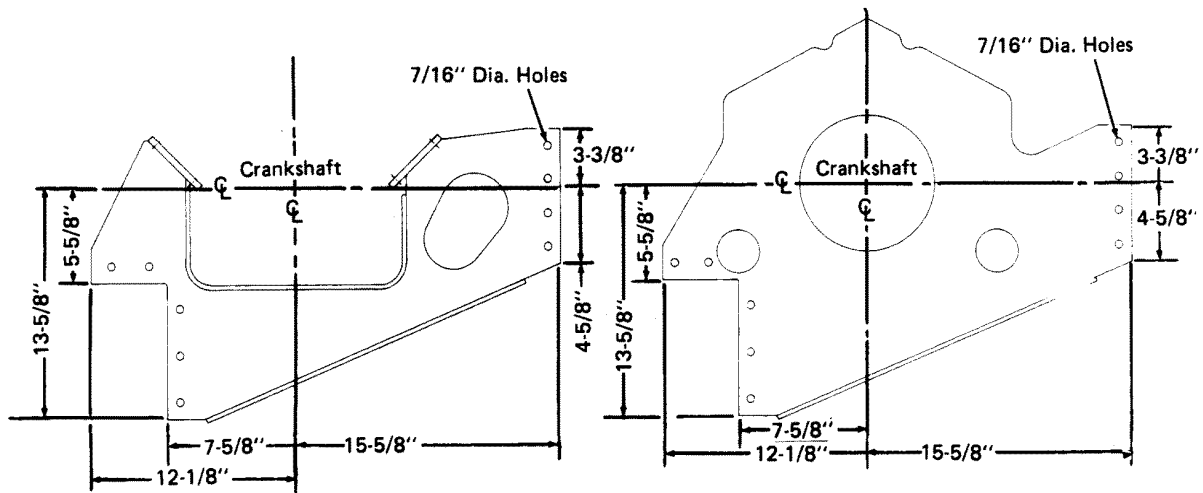
10-86518	Screw (6)
12-20553	Washer (6)



**FRONT MOUNT
49865**

**REAR MOUNT
49866**

STAGGERED ENGINE (STARBOARD)



**FRONT MOUNT
88665**

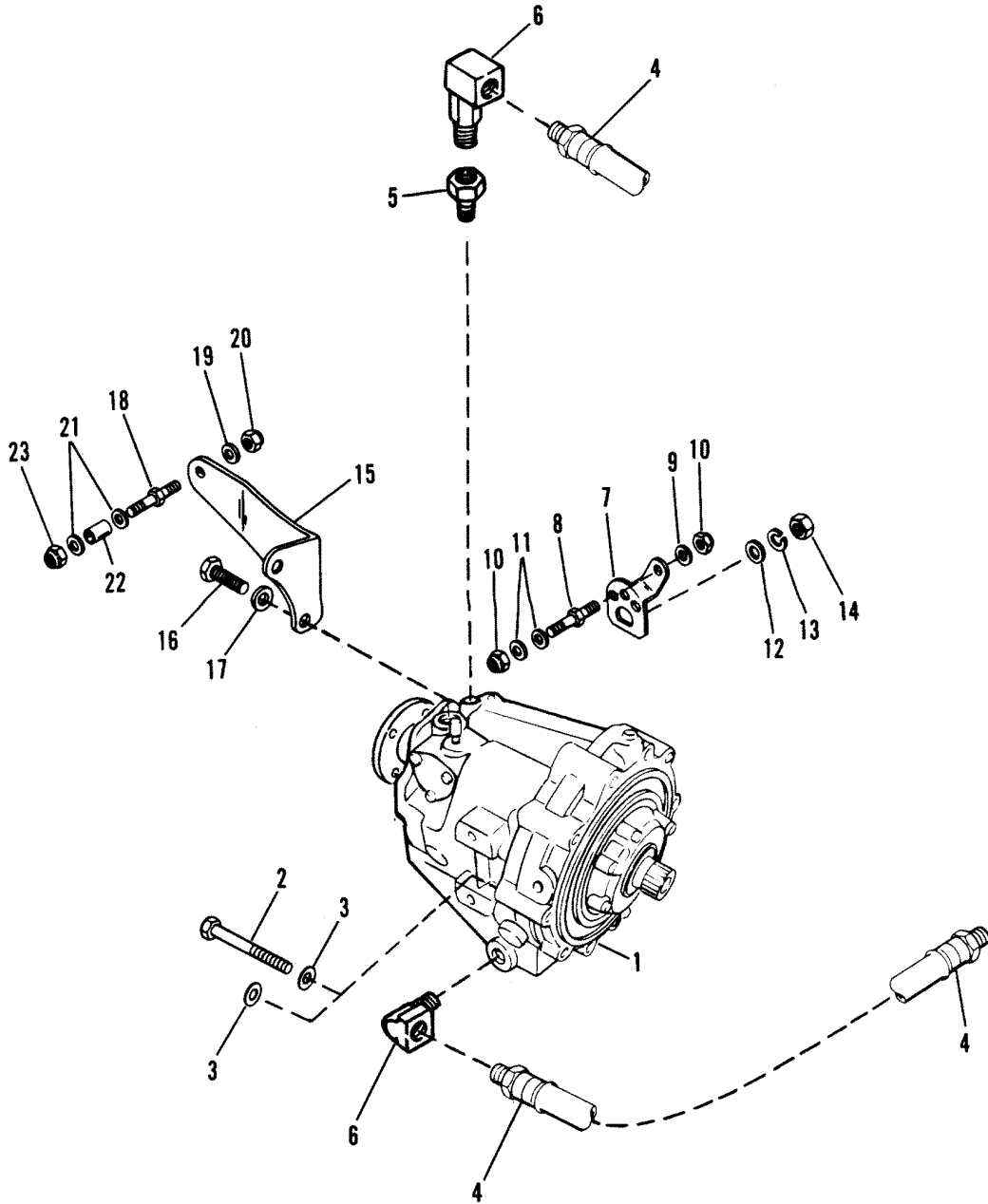
**REAR MOUNT
49866**

STAGGERED ENGINE (PORT)

MOUNTING PLATES (STAGGERED ENGINE PORT)

REF. NO.	PART NO.	SYM.	QTY.	DESCRIPTION
-	10-86518		6	SCREW
-	12-20553		6	WASHER
-	49865		0	FRONT MOUNT STAGGERED ENGINE(STARBOARD)
-	49866		0	REAR MOUNT STAGGERED ENGINE(STARBOARD)
-	88665		0	FRONT MOUNT STAGGERED ENGINE(PORT)
-	49866		0	REAR MOUNT STAGGERED ENGINE(PORT)

TRANSMISSION AND RELATED PARTS

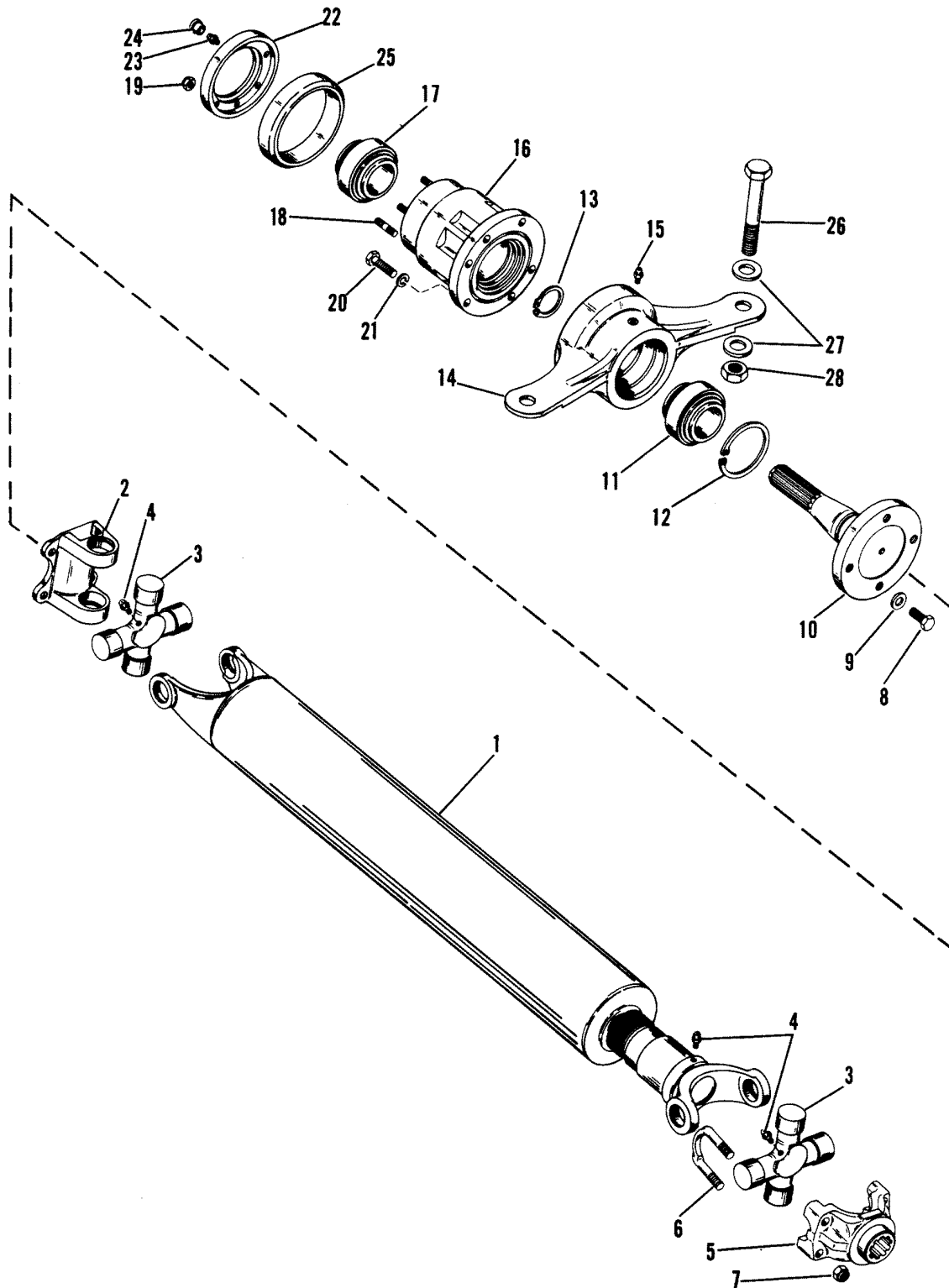


TRANSMISSION AND RELATED PARTS

REF. NO.	PART NO.	SYM.	QTY.	DESCRIPTION
1	47805A7		1	TRANSMISSION (DIRECT DRIVE)
2	10-60179		6	SCREW, TRANSMISSION (3-1/2")
3	13-32993		6	LOCKWASHER, SCREW AND STUD
4	32-47516--6		2	HOSE, TRANSMISSION/COOLER (30")
5	22-88517		1	BUSHING, TRANSMISSION ELBOW
6	22-47629		2	ELBOW, HOSE (90 DEGREES)
7	12128		1	LEVER, SHIFT TRANSMISSION
8	16-63335		1	STUD, SHIFT LEVER
9	12-39143		1	WASHER, SHIFT LEVER STUD
10	11-20361		2	NUT, SHIFT LEVER STUD
11	12-29245		2	WASHER, SHIFT
12	12-20722		1	WASHER, TRANSMISSION LEVER STUD
13	13-26993		1	LOCKWASHER, TRANSMISSION LEVER STUD
14	11-20083		1	NUT, TRANSMISSION LEVER STUD
15	41603		1	BRACKET, SHIFT
16	10-34350		2	SCREW, SHIFT BRACKET TO TRANSMISSION
17	12-45176		2	WASHER, SHIFT BRACKET SCREW
18	16-63335		1	STUD, SHIFT BRACKET
19	12-39143		1	WASHER, SHIFT BRACKET STUD
20	11-20361		1	NUT, SHIFT BRACKET STUD
21	12-21631		2	WASHER, SHIFT BRACKET STUD
22	23-31866		1	SPACER, SHIFT BRACKET STUD
23	11-20586		1	NUT, SHIFT BRACKET STUD

LEFT HAND STAGGERED INSTALLATION

DRIVE SHAFT AND TAILSTOCK

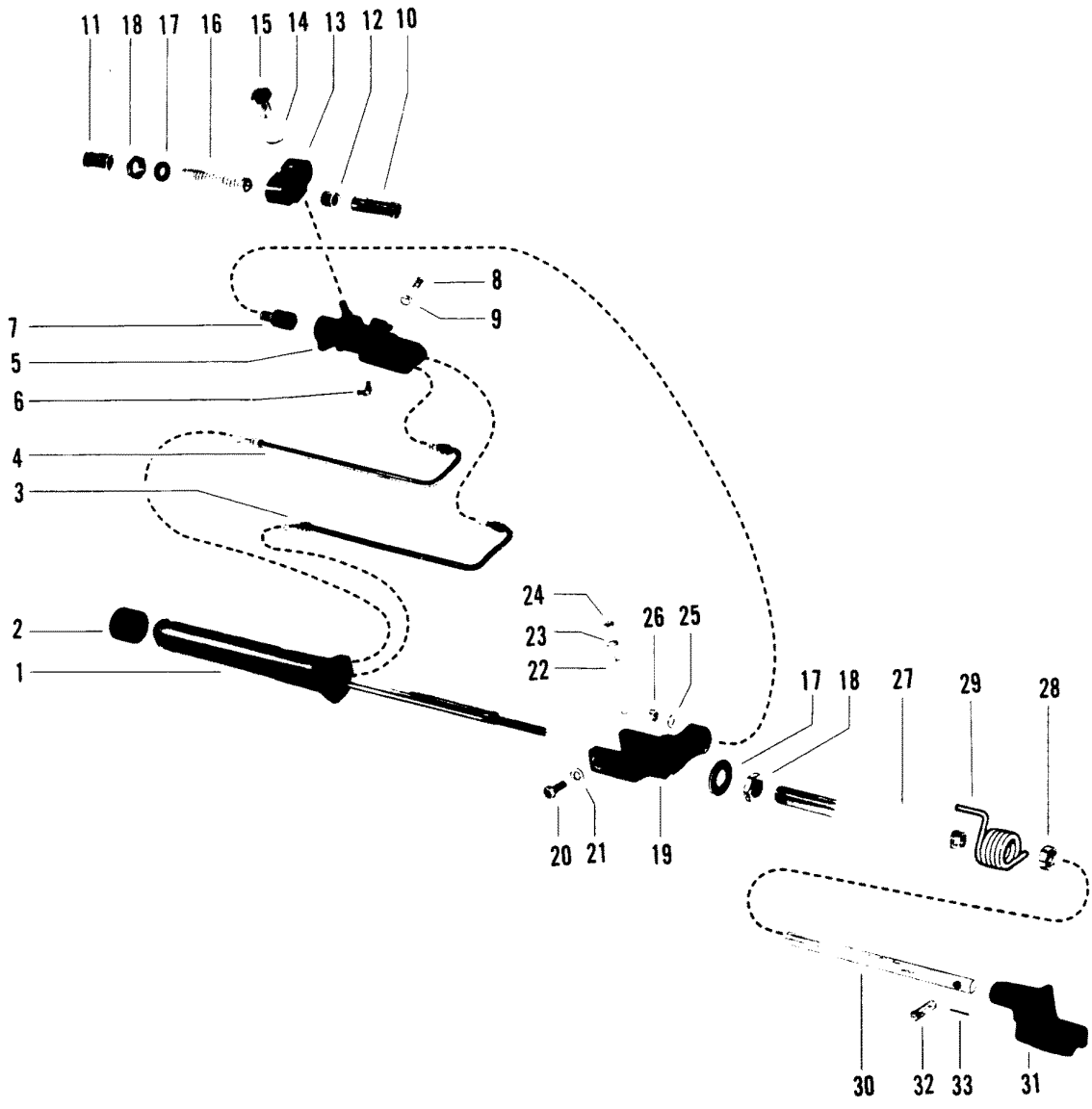


DRIVE SHAFT AND TAILSTOCK

REF. NO.	PART NO.	SYM.	QTY.	DESCRIPTION
1	45-86978A1		1	DRIVE SHAFT ASSEMBLY
2	61218		1	FLANGE DRIVE SHAFT
3	61221		2	CROSS AND BEARING
4	22-74036		2	GREASE FITTING
5	86692		1	YOKE
6	61219		2	U-BOLT, DRIVE SHAFT TO TRANSMISSION
7	11-23161		4	NUT, U-BOLT
8	10-92154		4	SCREW, DRIVE SHAFT TO TAILSTOCK
9	12-45176		4	WASHER, DRIVE SHAFT SCREW
10	68488		1	SHAFT, TAILSTOCK
11	30-62780A1		1	BALL BEARING
12	53-68487		1	SNAP RING
13	53-68486		1	SNAP RING
14	68485A2		1	TAILSTOCK HOUSING
15	22-74036		1	GREASE FITTING
16	62739A2		1	HOUSING, OUTPUT
17	30-62780A1		1	BALL BEARING
18	16-32027		6	STUD
19	11-24652		6	NUT
20	10-74824		6	SCREW
21	13-39107		6	LOCKWASHER
22	65989		1	RETAINER, BALL BEARING
23	22-74036		1	GREASE FITTING
24	19-77633		1	LUBRICAP, GREASE FITTING
25	62734		1	MOUNT, RUBBER - OUTPUT HOUSING
26	10-67630		2	SCREW, TAILSTOCK TO TRANSOM PLATE
27	12-36258		4	WASHER, TAILSTOCK SCREW
28	11-52901		2	NUT, TAILSTOCK SCREW

LEFT HAND STAGGERED INSTALLATION

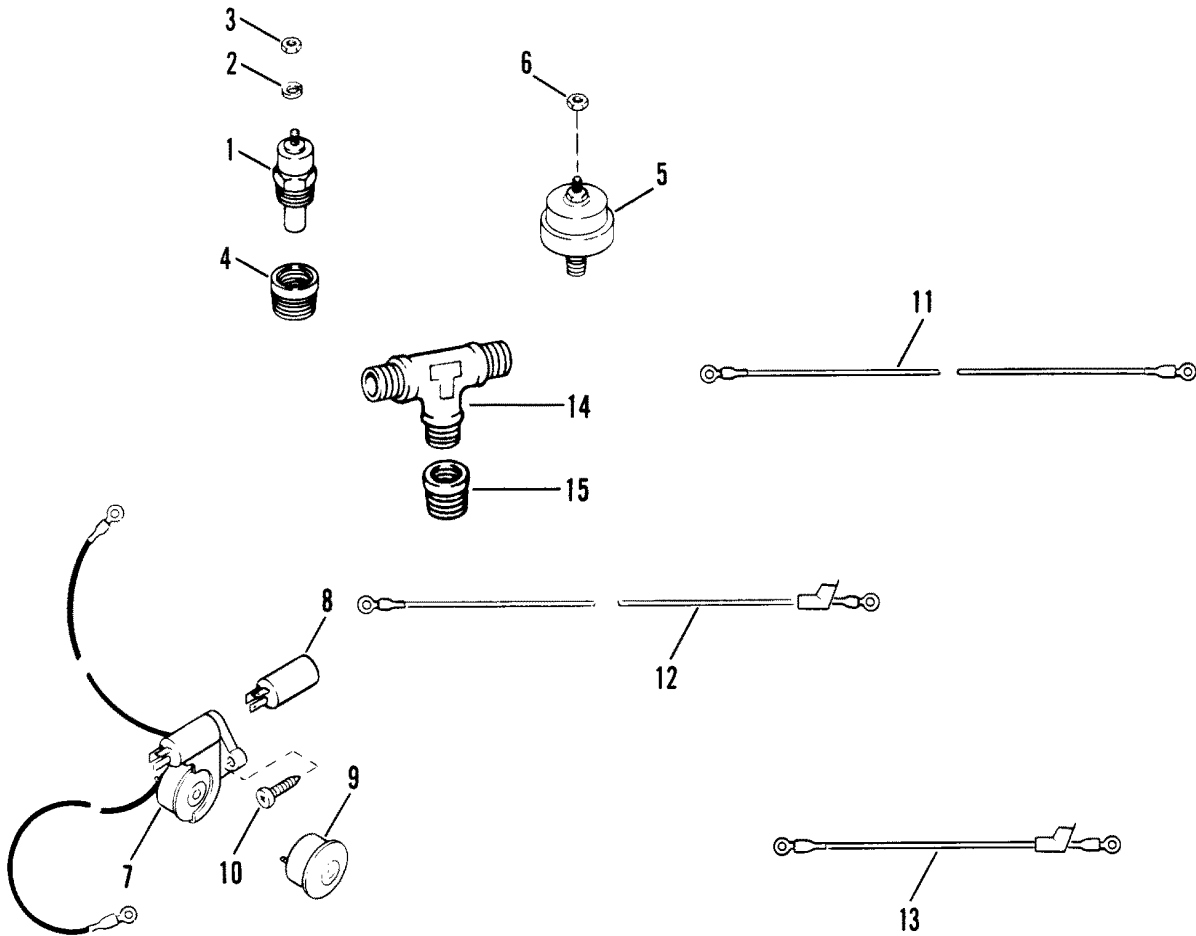
POWER STEERING COMPONENTS (M0051-A19)



POWER STEERING COMPONENTS (M0051-A19)

REF. NO.	PART NO.	SYM.	QTY.	DESCRIPTION
1	57969A12		1	CYLINDER, BOOSTER-POWER STEERING
2	26059		1	CAP, RUBBER - BOOSTER CYLINDER
3	32-57633		1	TUBE, EXTENDING - POWER STEERING
4	32-57634		1	TUBE, RETRACTING - POWER STEERING
5	52779A2		1	VALVE, POWER STEERING
6	22-67305		1	FITTING, GREASE - POWER VALVE
7	16-55109T		1	STUD, ADAPTER - POWER STEERING VALVE
8	10-37612		1	SCREW, CLAMPING (1-1/4")
9	13-35048		1	LOCKWASHER, CLAMPING SCREW
10	23-60652		1	SLEEVE, ADJUSTING - CABLE GUIDE TUBE
11	64414		1	GUIDE, CABLE GUIDE TUBE
12	23-60773		1	SLEEVE, CABLE GUIDE TUBE
13	55110		1	ADAPTER, CABLE GUIDE TUBE (DUAL)
14	13-20897		1	LOCKWASHER, DUAL ADAPTER NUT
15	11-55111		0	NUT, DUAL ADAPTER TO POWER STEERING VALVE 1
16	32-55112		1	TUBE, CABLE GUIDE
17	12-37985		2	WASHER CABLE GUIDE TUBE AND MOUNTING TUBE
18	11-37984		2	NUT, CABLE GUIDE TUBE AND MOUNTING TUBE
19	57286		1	BRACKET, MOUNTING - TRANSOM PLATE
20	10-31832		2	SCREW, MOUNTING BRACKET TO TRANSOM PLATE (1")
21	13-31848		2	LOCKWASHER, MOUNTING BRACKET SCREW
22	10-57968		1	SCREW, ADJUSTING - MOUNTING BRACKET (3")
23	13-35048		1	LOCKWASHER, ADJUSTING SCREW
24	11-24883		1	NUT, ADJUSTING SCREW
25	12-20959		1	WASHER, VALVE ADAPTER STUD
26	11-28040		1	NUT, VALVE ADAPTER STUD
27	57971		1	TUBE, MOUNTING - BOOSTER ROD EXTENSION
28	11-55983		1	NUT, JAM - MOUNTING TUBE
29	24-78498		1	SPRING, TORSION - MOUNTING TUBE
30	57970T		1	EXTENSION, CYLINDER BOOSTER ROD
31	87854		1	ADAPTER, ROD END
32	17-52798		2	PIN, CLEVIS STEERING CABLE AND CLEVIS ATTACHING
33	18-46950		2	COTTER PIN, CLEVIS PIN RETAINING

AUDIO WARNING SYSTEM



AUDIO WARNING SYSTEM

REF. NO.	PART NO.	SYM.	QTY.	DESCRIPTION
1	48952		1	SWITCH, WATER TEMPERATURE
2	13-26996		1	LOCKWASHER, TEMPERATURE SWITCH (#10)
3	11-45076		1	NUT, TEMPERATURE SWITCH (10-32)
4	22-48556		1	BUSHING, REDUCER - TEMPERATURE SWITCH
5	38559		1	SWITCH PRESSURE
6	11-45076		1	NUT, PRESSURE SWITCH TERMINAL (10-32)
7	86047A11		1	BUZZER HOUSING ASSEMBLY
8	86045		1	TIMER, TEMPERATURE BUZZER
9	68878A2		1	HORN
10	10-69013		2	SCREW, HORN ATTACHING
11	84-86044A4		1	WIRE ASSEMBLY, TAN/BLUE (36")
12	84-88032A1		1	WIRE ASSEMBLY, TAN/BLUE (20")
13	84-86322A8		1	WIRE ASSEMBLY, BLACK (8")
14	22-52930		1	TEE
15	22-38992		1	BUSHING, TEMPERATURE SWITCH

PARTS INDEX

Part Number	Description	Pg.	Ref. No.	Part Number	Description	Pg.	Ref. No.
12128	LEVER, SHIFT			44354A3	EXHAUST ELBOW		
	TRANSMISSION	59	7		ASSEMBLY	29	12
12500--1	PLATE, IGNITION			44393A2	BRACKET, OIL FILTER	49	2
	AMPLIFIER	15	42	45915	TERMINAL BLOCK, WIRING		
12608	COVER, CARBURETOR	21	32		HARNESS	15	38
12820	BRACKET, OIL COOLER			47442A1	COVER, THERMOSTAT	31	9
	(LONG)	49	18	47489A1	BRACKET ASSEMBLY,		
13037	SOLENOID SWITCH				WATER PUMP	33	26
	ASSEMBLY	11	34	47502A2	BRACKET, MOUNTING-		
13524A3	ROTOR	17	5		THROTTLE CABLE	21	21
13800	OIL PAN	43	7	47530	HUB, WATER PUMP PULLEY	33	20
14043A5	COVER ASSEMBLY,			47607A1	DRIVE PLATE	39	10
	FLYWHEEL HOUSING ...	53	3	47753A7	TRANSMISSION ASSEMBLY		
26059	CAP, RUBBER - BOOSTER				(10-17 SERIES)	45	1
	CYLINDER	63	2	47805A7	TRANSMISSION (DIRECT		
26079	PLATE, WIRING HARNESS .	13	2		DRIVE)	59	1
26079A2	PLATE, WIRING HARNESS .	13	2	48952	SWITCH, WATER		
26551	BRACKET, TERMINAL				TEMPERATURE	65	1
	BLOCK	15	40	49132	GUIDE, PUSH ROD	35	14
32720	ADAPTER	49	3	49149	SHAFT, OIL PUMP TO		
32720	ADAPTER	49	7		DISTRIBUTOR	43	3
32783	RETAINER, HIGH TENSION			49734A1	WATER TEMPERATURE		
	LEADS (3 WIRE)	17	24		SENDER (DUAL)	13	10
32784	RETAINER, HIGH TENSION			49774	VALVE, EXHAUST		
	LEADS (4 WIRE)	17	25		(STANDARD)	35	12
33270	BRUSH, FIELD FRAME	11	21	49863	FRONT MOUNT	55	-
33283	HOLDER, FIELD FRAME			49864	REAR MOUNT	55	-
	BRUSH GROUND	11	20	49865	FRONT MOUNT	57	-
33284	HOLDER, INSULATED-FIELD			49866	REAR MOUNT	57	-
	FRAME BRUSH	11	19	49866	REAR MOUNT	57	-
33291	COLLAR, PINION STOP	11	5	52181	PULLEY, HARMONIC		
33292	COLLAR, THRUST	11	3		BALANCER	41	17
33294	SUPPORT PACKAGE,			52185	CLAMP, DISTRIBUTOR TO		
	GROUND AND				INTAKE MANIFOLD	17	14
	INSULATED HOLDERS ..	11	23	52349	PULLEY, WATER PUMP ...	41	13
33297	LEVER, SHIFT	11	26	52779A2	VALVE, POWER STEERING	63	5
33317	PLUNGER, SHIFT LEVER ..	11	30	54111	OIL FILTER	49	1
34344	VALVE, BY-PASS	49	6	54676	RETAINER, HIGH TENSION		
35377	ROD, PUSH-FUEL PUMP ...	19	5		LEADS (2 WIRE)	17	23
35852	MOUNT, RUBBER -			55110	ADAPTER, CABLE GUIDE		
	TAILSTOCK	45	9		TUBE (DUAL)	63	13
37293	IOL PRESSURE SENDER			56328A1	BRACKET, OIL COOLER		
	(DUAL)	13	11		(SHORT)	45	29
38559	SWITCH PRESSURE	65	5	56328A1	BRACKET, OIL COOLER		
41058	CLAMP BLOCK, SHIFT				(SHORT)	49	19
	CABLE	45	24	57286	BRACKET, MOUNTING -		
41598	BREATHER, ROCKER				TRANSOM PLATE	63	19
	COVER	35	5	57758A2	ENGINE COUPLING		
41603	BRACKET, SHIFT	59	15		ASSEMBLY	45	4
42336	CAP, OIL FILLER	35	2	57908-11	TUBING, ALTERNATOR		
42862	SENSOR WHEEL	17	6		LEADS	7	19
43325	LEVER, SHIFT-			57969A12	CYLINDER, BOOSTER-		
	TRANSMISSION	47	15		POWER STEERING	63	1
43557A1	CAP, DISTRIBUTOR	17	2	57970T	EXTENSION, CYLINDER		
44187--1	HOUSING, FLYWHEEL				BOOSTER ROD	63	30
	(W/REAR PLATE MOUNT)	53	1	57971	TUBE, MOUNTING -		
44187A1	HOUSING, FLYWHEEL (W/O				BOOSTER ROD		
	REAR PLATE MOUNT) ...	53	1		EXTENSION	63	27
44194	ADAPTOR, EXHAUST			58048	VALVE, INLET (STANDARD)	35	13
	ELBOW	27	14				

PARTS INDEX

Part Number	Description	Pg.	Ref. No.	Part Number	Description	Pg.	Ref. No.
59501A1	SHAFT WATER PUMP	33	17	77294	BRACKET, IGNITION COIL ..	17	27
59966	POINTER, TIMING (L.H. ROTATION)	41	28	77679	ROCKER COVER	35	1
61218	FLANGE DRIVE SHAFT	61	2	79205	DRIVE ASSEMBLY, CLUTCH	11	6
61219	U-BOLT, DRIVE SHAFT TO TRANSMISSION	61	6	79206	HOUSING, DRIVE END	11	1
61221	CROSS AND BEARING	61	3	79211	FRAME, COMMUTATOR END-LOWER	11	17
61728	CHAIN, TIMING	37	10	79430	COVER, EXHAUST	5	3
62734	MOUNT, RUBBER - OUTPUT HOUSING	61	25	808693A1	OIL PUMP	43	1
62739A2	HOUSING, OUTPUT	61	16	809772T	PICK-UP TUBE	43	NS
62952T	TRANSOM PLATE	5	1	85013	BRACE, ALTERNATOR ADJUSTING	7	13
63192	RETAINER, HIGH TENSION LEAD	17	35	85805	OIL PUMP	43	1
63820--4	BRACKET, OIL COOLER (LONG)	45	28	86045	TIMER, TEMPERATURE BUZZER	65	8
63831A3	OIL COOLER, ENGINE	49	16	86047A11	BUZZER HOUSING ASSEMBLY	65	7
63832A1	OIL COOLER, TRANSMISSION (9")	45	26	86692	YOKE	61	5
63832T	OIL COOLER, TRANSMISSION (12") ...	45	26	86693	TRANSOM PLATE (LH-STAGGERED ONLY)	5	1
64177	BRACE, WATER PUMP	33	34	87631A1	COVER, WATER PUMP	33	3
64414	GUIDE, CABLE GUIDE TUBE	63	11	87690	SEAL, FLYWHEEL HOUSING COVER	53	4
65989	RETAINER, BALL BEARING .	61	22	87854	ADAPTER, ROD END	63	31
66198	COVER, AUTOMATIC CHOKE	21	28	88155	CAP, VALVE SPRING (INCLUDES SEAL)	35	16
66205	CHOKE, AUTOMATIC-CARBURETOR	21	27	88665	FRONT MOUNT	57	-
66215	COVER, CRANKCASE	41	24	89011A8	EXHAUST MANIFOLD ASSEMBLY	27	1
67859	WATER PUMP	41	10	89011A8	EXHAUST MANIFOLD ASSEMBLY	29	1
68035	TUBE, OIL LEVEL GAUGE ..	43	13	89690T	OIL COOLER, ENGINE	49	16
68485A2	TAILSTOCK HOUSING	61	14	89817	VALVE, INLET (.0030)	35	13
68488	SHAFT, TAILSTOCK	61	10	89876A3	BASE, FUEL FILTER	19	6
68878A2	HORN	65	9	90496A5	PUMP ASSEMBLY, POWER STEERING	51	1
69304	ARM, VALVE ROCKER	35	19	90736A4	THERMOSTAT HOUSING ASSEMBLY	31	1
69355	CLAMP, VENT HOSE	21	20	90747A3	DISTRIBUTOR ASSEMBLY .	17	1
72468	ROD, AUTOMATIC CHOKE .	21	30	90783A13	ADAPTER ASSEMBLY, OIL FILTER	49	5
72514	FRONT MOUNT PORT ENGINE	55	-	90806	OIL PRESSURE SENDER ..	13	11
72515	FRONT MOUNT STARBOARD ENGINE ...	55	-	91830	COVER, ADAPTER	49	10
72605	BLANACER, HARMONIC - CRANKSHAFT	41	16	92043A3	BRACKET, OIL FILTER	49	2
72608	INTAKE MANIFOLD	41	1	92497A3	ALTERNATOR	7	8
72638	LIFTER, HYDRAULIC VALVE	37	8	92497A3	ALTERNATOR ASSEMBLY (55 AMP)	9	-
72963A7	EXHAUST ELBOW ASSEMBLY (PORT)	27	17	94576	WEAR PLATE, INNER	33	12
72963A8	EXHAUST ELBOW ASSEMBLY (STARBOARD)	27	17	94916	WEAR PLATE, OUTER	33	7
73393	BALL JOINT	47	13	95820	STUD, VALVE ROCKER ARM	35	22
73798A1	PULLEY, WATER PUMP ...	33	21	95950	FLAME ARRESTOR	21	16
73873A1	PULLEY, POWER STEERING PUMP	51	3	96116A1	BRACKET, ALTERNATOR ..	7	21
74054	GAUGE, OIL LEVEL (DIPSTICK)	43	14	96940	BRACKET, ADAPTOR	13	31
75664	FIELD COIL ASSEMBLY ...	11	15	97163	BRACKET, MOUNTING	13	16
75665	ARMATURE	11	11	97257A1	WATER TEMPERATURE SENDER	13	10
77244A1	PULLEY, CRANKSHAFT (W/POWER STEERING) ..	41	30	97399A2	FUEL PUMP	19	1
				98299A2	SHIFT ROD ASSEMBLY	47	12
				98301A3	SHIFT CRANK ASSEMBLY .	47	6
				98322A2	TAILSTOCK ASSEMBLY, BEARING SUPPORT	45	8

PARTS INDEX

Part Number	Description	Pg.	Ref. No.	Part Number	Description	Pg.	Ref. No.
98493A2	BRACKET, MOUNTING	13	4	N.S.S.	RETAINER, POWER PISTON (ROCHESTER #7034339) .	25	37
98581	ROD, VALVE PUSH (EXHAUST)	35	11	N.S.S.	RETAINER, PUMP DISCHARGE BALL (ROCHESTER #7029849) .	25	38
98582	ROD, VALVE PUSH (INLET)	35	11				
98813A1	BRACE, PUMP MOUNTING .	51	6	N.S.S.	ROD, CHOKE (ROCHESTER #7031394)	23	26
N.S.S.	AIR HRON ASSEMBLY (ROCHESTER #17051603)	23	1	N.S.S.	ROD, PUMP (ROCHESTER #7026138)	25	50
N.S.S.	BAFFLE, FLOAT BOWL (ROCHESTER #7031365) .	23	25	N.S.S.	ROD, VACUUM CONTROL (ROCHESTER #7038167) .	23	29
N.S.S.	BAFFLE, OIL PAN (CYLINDER BLOCK) - GM #3967854	43	4	N.S.S.	SCREW, AIR HORN TO FLOAT BOWL (1") -ROCHESTER #7014699 .	23	7
N.S.S.	BOLT, CONNECTING ROD CAP (GM #3981092)	39	14	N.S.S.	SCREW, AIR HORN TO FLOAT BOWL (3") -ROCHESTER #7029912 .	23	8
N.S.S.	BOLT, INTAKE MANIFOLD (GM #3736035)	41	2	N.S.S.	SCREW, BRUSH LEAD	11	22
N.S.S.	BOLT, INTAKE MANIFOLD (GM #454467)	41	2	N.S.S.	SCREW, BRUSH LEAD	11	22
N.S.S.	BOLT, THRU	11	18	N.S.S.	SCREW, CHOKE VALVE TO CHOKE STAFF (ROCHESTER #7029866) .	23	21
N.S.S.	BOLT, THRU	11	18	N.S.S.	SCREW, IDLE STOP (ROCHESTER #7002121) .	25	43
N.S.S.	BRACKET ASS'Y, VACCUM CONTROL (ROCHESTER #17060265)	23	31	N.S.S.	SCREW, POLE SHOE TO FIELD COIL	11	13
N.S.S.	CHOKE SHAFT & LEVER ASS'Y (ROCHESTER #7036059)	23	19	N.S.S.	SCREW, SOLENOID SWITCH	11	33
N.S.S.	CREW, AIR HORN TO FLOAT BOWL (3/8") -ROCHESTER #7031105	23	6	N.S.S.	SCREW, THROTTLE BODY TO FLOAT BOWL (ROCHESTER #7035790) .	25	55
N.S.S.	CYLINDER BLOCK ASSEMBLY (GM #14024457)	37	1	N.S.S.	SCREW, VAC. CONT.BRCK./FLOAT BOWL (ROCHESTER #7031925)	23	32
N.S.S.	FLOAT BOWL ASSEMBLY (ROCHESTER #7041584) .	25	42	N.S.S.	SHOE, POLE-FIELD COIL . .	11	12
N.S.S.	HOLDER KIT, SEC. METERING ROD (ROCHESTER #7034522) .	23	4	N.S.S.	SPRING AND CAM KIT, AIR VALVE (ROCHESTER #7035344)	25	--
N.S.S.	HOSE, VACUUM (ROCHESTER #7026339) .	23	34	N.S.S.	SPRING, IDLE STOP SCREW (ROCHESTER #7003176) .	25	44
N.S.S.	INSERT, FLOAT BOWL (ROCHESTER #7034361) .	25	41	N.S.S.	SPRING, METERING ROD- PRIMARY (ROCHESTER #7029862)	25	36
N.S.S.	LEVER, ACTUATING-PUMP (ROCHESTER #7048169) .	23	9	N.S.S.	SPRING, PLUNGER RETURN	11	32
N.S.S.	LEVER, AIR VALVE LOCKOUT (ROCHESTER #7037968)	23	2	N.S.S.	SPRING, POWER PISTON (ROCHESTER #7034361) .	25	40
N.S.S.	LEVER, INTERMEDIATE CHOKE (ROCHESTER #7031231)	23	24	N.S.S.	STUD, SHIFT LEVER	11	27
N.S.S.	METERING ROD, SECONDARY (ROCHESTER #7046010) .	23	5	N.S.S.	THROTTLE BODY ASSEMBLY (ROCHESTER #7044819)	25	52
N.S.S.	NUT, CONNECTING ROD CAP BOLT (GM #3942410)	39	15	N.S.S.	VALVE, CHOKE-CHOKE SHAFT (ROCHESTER #7036021)	23	20
N.S.S.	PIN, DOWEL-FIELD FRAME .	11	25	N.S.S.	VALVE, EXHAUST (.0015) (GM #3947873)	35	12
N.S.S.	PIN, HINGE-FLOAT (ROCHESTER #7029856) .	23	23	N.S.S.	VALVE, EXHAUST (.0030) (GM #3947874)	35	12
N.S.S.	PLATE, BEARING	11	7	N.S.S.	VALVE, INLET (.0015) (GM #14095170)	35	13
N.S.S.	POWER PISTON ASSEMBLY (ROCHESTER #7034637) .	23	35	10-11252	SCREW, SENSOR WHEEL .	17	7

PARTS INDEX

Part Number	Description	Pg.	Ref. No.	Part Number	Description	Pg.	Ref. No.
10-15001	SCREW, PLATE	13	3	10-41408	SCREW, BRACKET (1-1/2")	17	28
10-24231	SCREW, CABLE TO HARNESS	15	36	10-41508	SCREW, BRACKET TO FLYWHEEL HOUSING	15	41
10-25299	SCREW, IGNITION COIL (3/4")	17	32	10-41508	SCREW, COVER TO FLYWHEEL HOUSING (3/8")	53	6
10-26066	SCREW, FUEL FILTER TO MOUNTING BRACKET	19	8	10-43749	SCREW, EXHAUST ELBOW (5-3/4")	29	15
10-27165	SCREW, DISTRIBUTOR CLAMP	17	15	10-44387	SCREW, EXHAUST ELBOW (6-3/4")	29	15
10-28701	SCREW, CARBURETOR MOUNTING (3-1/2")	21	6	10-45754	BOLT, LIFTING EYE	41	4
10-29081	SCREW, TAILSTOCK TO TRANSMISSION (1-1/4")	45	16	10-45862	SCREW, CIRCUIT BREAKER (7/8")	13	20
10-29198	SCREW, ALTERNATOR BRACE (7/8")	7	17	10-47277	SCREW, PULLEY (3/4")	33	22
10-31832	SCREW, MOUNTING BRACKET TO TRANSOM PLATE	63	20	10-47277	SCREW, PULLEY TO WATER PUMP (3/4")	41	14
10-32132	SCREW, WATER PUMP TO CYLINDER BLOCK	41	12	10-47461	SCREW, ALTERNATOR BRACE (1")	7	14
10-34350	SCREW, SHIFT BRACKET TO TRANSMISSION	59	16	10-47461	SCREW, BRACE TO ENGINE (1")	33	35
10-34353	BOLT, PULLEY (1")	41	21	10-47462	SCREW, ADAPTOR BRACKET TO ENGINE (1-1/4")	13	32
10-34353	SCREW, ALTERNATOR BRACKET (1")	7	22	10-47462	SCREW, STARTER MOTOR (1-1/4")	7	2
10-34353	SCREW, EXHAUST COVER (1")	5	5	10-47462	SCREW, WATER PUMP BRACKET (1")	33	27
10-34353	SCREW, FLYWHEEL HOUSING (1")	53	7	10-47467	SCREW, TAILSTOCK TO INNER TRANSOM PLATE	45	19
10-34354	SCREW, FUEL PUMP	19	3	10-47618	SCREW, SENSOR	17	9
10-34354	SCREW, WATER PUMP BRACKET (1-1/2")	33	31	10-47688	SCREW, FLYWHEEL HOUSING (2-3/4")	53	7
10-34500	SCREW, OIL PAN	43	11	10-47910	SCREW, STARTER SOLENOID (5/8")	13	26
10-34505	BOLT, CAMSHAFT SPROCKET (3/4")	37	13	10-48308	SCREW, ALTERNATOR (3-3/4")	7	24
10-34696	SCREW, PLATE (3/4")	13	3	10-48424	SCREW, EXHAUST MANIFOLD (1-5/8")	27	6
10-35091	SCREW, DRIVE PLATE	39	11	10-48424	SCREW, EXHAUST MANIFOLD (1/5/8")	29	5
10-35366	SCREW, CRANKCASE COVER TO BLOCK	41	27	10-48948	SCREW, WATER PUMP BRACKET (7/8")	33	28
10-35765	SCREW, OIL COOLER BRACKET TO ENGINE	45	32	10-49101	BOLT, PULLEY AND HARMONIC BALANCER	41	18
10-35786	SCREW, WATER PUMP BRACE (1")	33	38	10-49105	BILT, CYLINDER HEAD (4-1/8")	35	25
10-37612	SCREW	17	36	10-49106	BOLT, CYLINDER HEAD (2")	35	24
10-37612	SCREW, ADAPTOR BRACKET TO ENGINE (1-1/4")	13	32	10-49845	SCREW, FLYWHEEL TO CRANKSHAFT	39	8
10-37612	SCREW, ALTERNATOR BRACKET (1-1/4")	7	22	10-49956	PLUG, PIPE - OIL PAN DRAIN	43	9
10-37612	SCREW, CLAMPING (1-1/4")	63	8	10-54615	SCREW	15	43
10-37612	SCREW, EXHAUST MANIFOLD (1-1/4")	27	6	10-57968	SCREW, ADJUSTING - MOUNTING BRACKET (3")	63	22
10-37612	SCREW, EXHAUST MANIFOLD (1-1/4")	29	5	10-59994	SCREW, AUTOMATIC CHOKE THERMOSTATE (5/8")	21	29
10-37612	SCREW, FLYWHEEL HOUSING (1-1/4")	53	7	10-60179	SCREW, TRANSMISSION TO ENGINE (3-1/2")	47	1
10-37612	SCREW, OIL COOLER BRACKET TO ENGINE	49	22				
10-40001188	SCREW, PUMP MOUNTING BRACE	51	7				

PARTS INDEX

Part Number	Description	Pg.	Ref. No.	Part Number	Description	Pg.	Ref. No.
10-60300	SCREW, OIL COOLER BRACKET	45	30	11-25269	NUT, EXHAUST MANIFOLD STUD	29	7
10-60300	SCREW, OIL COOLER BRACKET (3/4")	49	20	11-26419	NUT, STARTER SOLENOID TERMINAL (10-32)	13	29
10-60410	SCREW, THERMOSTAT HOUSING	31	10	11-26419	NUT, STARTER TERMINAL (#8-32)	7	7
10-60992	SCREW, ADAPTOR	27	16	11-26484	NUT, SHIFT LEVER STUD	11	29
10-64422	SCREW, INTAKE MANIFOLD	41	6	11-27164	NUT, CABLE SCREW	15	37
10-67630	SCREW, TAILSTOCK TO TRANSOM PLATE	61	26	11-28040	NUT, VALVE ADAPTER STUD	63	26
10-69013	SCREW, HORN ATTACHING	65	10	11-28941	NUT, JAM-FLAME ARRESTOR	21	3
10-69079	SCREW, WIRING HARNESS LEADS	15	39	11-29250	NUT, CARBURETOR MOUNTING STUD	21	9
10-71405	SCREW, INSULATOR (7/16")	13	21	11-29598	NUT, STUD ATTACH WITH STUDS	13	8
10-72607	SCREW, OIL PAN	43	12	11-30506	NUT, OIL COOLER BRACKET SCREW	45	31
10-73275	SCREW, WATER PUMP	33	4	11-30506	NUT, OIL COOLER BRACKET SCREW	49	21
10-74824	SCREW	61	20	11-30506	NUT, OIL COOLER BRACKET SCREW	49	21
10-76596	SCREW	15	45	11-30968	NUT, ALTERNATOR TERMINAL (10-24)	7	10
10-79209	SCREW, BEARING PLATE	11	10	11-32219	NUT, FLYWHEEL HOUSING STUD	53	12
10-86518	SCREW	55	-	11-34932	NUT, SHIFT CRANK STUD	47	11
10-86518	SCREW	57	-	11-35814	NUT, FUEL FILTER SCREW	19	9
10-90926	SCREW, DISTRIBUTOR CAP	17	3	11-35888	NUT, SHIFT CRANK STUD	47	9
10-91966	SCREW, OIL FILTER ADAPTER (4")	49	14	11-35888	NUT, SHIFT ROD	47	17
10-91967	SCREW, OIL FILTER ADAPTER (3-1/4")	49	14	11-37500	NUT, OIL PAN BAFFLE/OIL PUMP STUD	43	6
10-92154	SCREW, DRIVE SHAFT TO TAILSTOCK	61	8	11-37984	NUT, CABLE GUIDE TUBE AND MOUNTING TUBE	63	18
10-98253	SCREW, CLIP TO BRACKET	43	16	11-44481	NUT, VALVE ROCKER ARM	35	20
10-99524	SCREW, TAILSTOCK TO TRANSMISSION (2")	45	16	11-45076	NUT, PRESSURE SWITCH TERMINAL (10-32)	65	6
11-20083	NUT, SHIFT LEVER TO TRANSMISSION	47	20	11-45076	NUT, TEMPERATURE SWITCH (10-32)	65	3
11-20083	NUT, TRANSMISSION LEVER STUD	59	14	11-46438	NUT, INSULATOR SCREW	13	23
11-20361	NUT, CLAMP BLOCK STUD	45	25	11-49838	NUT, EXHAUST MANIFOLD STUD	27	22
11-20361	NUT, ROCKER COVER STUD	35	9	11-52901	NUT, TAILSTOCK SCREW	61	28
11-20361	NUT, SHIFT BRACKET STUD	59	20	11-55111	NUT, DUAL ADAPTER TO POWER STEERING VALVE 1	63	15
11-20361	NUT, SHIFT LEVER STUD	59	10	11-55983	NUT, JAM - MOUNTING TUBE	63	28
11-20361	NUT, STARTER SOLENOID SCREW	13	27	11-56374	NUT, THROTTLE CABLE STUD	21	15
11-20553	NUT, EXHAUST MANIFOLD STUD	27	8	11-64015	NUT, ALTERNATOR TERMINAL (1/4-20)	7	12
11-20586	NUT, FLAME ARRESTOR STUD	21	18	11-68219	NUT, CIRCUIT BREAKER TERMINAL	13	19
11-20586	NUT, SHIFT BRACKET STUD	59	23	11-68219	NUT, DISTRIBUTOR TERMINAL (10-32)	17	18
11-20586	NUT, STUD TO THROTTLE LEVER	21	11	11-68219	NUT, IGNITION COIL TERMINAL (#10-32)	17	31
11-20586	NUT, THROTTLE CABLE STUD	21	26	11-68219	NUT, SENDER TERMINAL (#10)	13	13
11-21825	NUT, STUD TO THROTTLE LEVER	21	12	11-86226	NUT, STARTER TERMINAL (3/8-16)	7	4
11-22339	NUT, TAILSTOCK SCREWS	45	21				
11-23161	NUT, ALTERNATOR BRACKET SCREW	7	27				
11-23161	NUT, U-BOLT	61	7				
11-24652	NUT	61	19				
11-24883	NUT, ADJUSTING SCREW	63	24				
11-24883	NUT, BRACE SCREW	33	40				
11-25168	LOCKNUT, SHIFT ROD	47	14				

PARTS INDEX

Part Number	Description	Pg.	Ref. No.	Part Number	Description	Pg.	Ref. No.
11-90517	NUT, MOUNTING STUD	51	5	12-33258	WASHER, LEATHER-COMMUTATOR END FRAME	11	16
11-94330	NUT, STARTER SOLENOID TERMINAL (1/4-20)	13	30	12-34567	WASHER, PUMP STUD (BRACE SLOT)	51	4
11-99405	NUT, OIL COOLER BRACKET SCREW	49	24	12-34931	WASHER, SHIFT CRANK STUD	47	10
12-20084	WASHER, CARBURETOR MOUNTING	21	8	12-36258	WASHER, TAILSTOCK SCREW	61	27
12-20084	WASHER, COVER SCREW	33	5	12-37985	WASHER	63	17
12-20084	WASHER, IGNITION COIL SCREW	17	34	12-39143	WASHER, ROCKER COVER STUD	35	8
12-20553	WASHER	55	-	12-39143	WASHER, SHIFT BRACKET STUD	59	19
12-20553	WASHER	57	-	12-39143	WASHER, SHIFT LEVER STUD	59	9
12-20553	WASHER, ADAPTOR BRACKET SCREW	13	34	12-39167	WASHER, CAMSHAFT SPROCKET SCREW	37	14
12-20553	WASHER, ALTERNATOR BRACKET SCREW	7	25	12-45176	WASHER, DRIVE SHAFT SCREW	61	9
12-20553	WASHER, EXHAUST MANIFOLD SCREW	27	9	12-45176	WASHER, SHIFT BRACKET SCREW	59	17
12-20553	WASHER, EXHAUST MANIFOLD SCREW	29	8	12-47466	WASHER, TAILSTOCK SCREWS (NEOPRENE)	45	20
12-20553	WASHER, FLYWHEEL HOUSING SCREW	53	9	12-47475	WASHER, TAILSTOCK SCREWS	45	20
12-20553	WASHER, OIL COOLER BRACKET SCREW	49	23	12-49103	WASHER, PULLEY AND BALANCER BOLT	41	20
12-20553	WASHER, PULLEY BOLT	41	29	12-49112	WASHER, OIL PAN BAFFLE/OIL PUMP STUD	43	5
12-20553	WASHER, THERMOSTAT HOUSING SCREW	31	11	12-56681	WASHER, CIRCUIT BREAKER SCREW	13	22
12-20572	WASHER, FLYWHEEL HOUSING SCREW (FOR SLOT)	53	9	12-68614	WASHER, BEARING PLATE	11	9
12-20722	WASHER, SHIFT LEVER TO TRANSMISSION	47	18	12-68615	WASHER, SHIFT LEVER STUD	11	28
12-20722	WASHER, TRANSMISSION LEVER STUD	59	12	12-69056	WASHER, CLAMP BLOCK STUD	45	23
12-20959	WASHER, VALVE ADAPTER STUD	63	25	12-69056	WASHER, SHIFT CRANK STUD	47	8
12-21631	WASHER, SHIFT BRACKET STUD	59	21	12-86400	WASHER, FLAME ARRESTOR STUD	21	17
12-21631	WASHER, THROTTLE CABLE STUD	21	24	12-96457	WASHER, ALTERNATOR TERMINAL	7	20
12-22248	WASHER, ADAPTOR BRACKET SCREW	15	34	13-20897	LOCKWASHER, DUAL ADAPTER NUT	63	14
12-25909	WASHER, RETAINER SCREW	17	37	13-21272	LOCKWASHER, ALTERNATOR TERMINAL	7	11
12-26168	WASHER, ALTERNATOR BRACE SCREW	7	18	13-26933	LOCKWASHER, SHIFT LEVER TO TRANSMISSION	47	19
12-27736	WASHER, SENSOR SCREW	17	10	13-26992	LOCKWASHER, STARTER SOLENOID TERMINAL	13	28
12-29245	WASHER, SHIFT	59	11	13-26992	LOCKWASHER	15	44
12-29245	WASHER, SHIFT ROD	47	16	13-26992	LOCKWASHER, CLIP SCREW	43	17
12-29245	WASHER, THROTTLE CABLE STUD	21	14	13-26992	LOCKWASHER, STUD ATTACH WITH STUDS	13	7
12-29330	WASHER, WATER PUMP SCREW (FOR SLOT)	33	33	13-26993	LOCKWASHER, IGNITION COIL SCREW	17	33
12-30164	WASHER, IGNITION COIL TERMINAL	17	29				
12-30315	WASHER, ALTERNATOR BRACE SCREW	7	16				
12-30315	WASHER, BRACE SCREW	33	37				
12-30315	WASHER, BRACKET SCREW	33	30				

PARTS INDEX

Part Number	Description	Pg.	Ref. No.	Part Number	Description	Pg.	Ref. No.
13-26995	LOCKWASHER, STARTER TERMINAL	7	6	13-35048	LOCKWASHER, PULLEY BOLT	41	22
13-26996	LOCKWASHER, ALTERNATOR TERMINAL	7	9	13-39107	LOCKWASHER	61	21
13-26996	LOCKWASHER, CIRCUIT BREAKER TERMINAL ...	13	18	13-39107	LOCKWASHER, PULLEY SCREW	33	23
13-26996	LOCKWASHER, DISTRIBUTOR TERMINAL	17	17	13-39107	LOCKWASHER, WATER PUMP PULLEY SCREW ..	41	15
13-26996	LOCKWASHER, IGNITION COIL TERMINAL	17	30	13-39131	LOCKWASHER, FLYWHEEL SCREW	39	9
13-26996	LOCKWASHER, SENDER TERMINAL (#10)	13	12	13-40024--8	LOCKWASHER, BRACE SCREW	51	8
13-26996	LOCKWASHER, TEMPERATURE SWITCH (#10)	65	2	13-49102	LOCKWASHER, PULLEY ...	41	19
13-30381	LOCKWASHER, TAILSTOCK SCREW	45	17	15-20353	STUD, BRACKET AND AMPLIFIER (1-3/4")	13	5
13-31848	LOCKWASHER, MOUNTING BRACKET SCREW	63	21	15-54531	SHIM, INLET VALVE SPRING	35	17
13-32993	LOCKWASHER, ADAPTOR BRACKET SCREW	13	33	16-32027	STUD	61	18
13-32993	LOCKWASHER, ALTERNATOR BRACE SCREW	7	15	16-35897	STUD, THROTTLE CABLE TO MOUNTING BRACKET	21	23
13-32993	LOCKWASHER, BRACE SCREW	33	36	16-41877	STUD, POWER STEERING PUMP	51	1A
13-32993	LOCKWASHER, BRACKET SCREW	33	29	16-46857	STUD, CARBURETOR MOUNTING (1-7/8")	21	7
13-32993	LOCKWASHER, SCREW AND STUD	59	3	16-49108	STUD, OIL PUMP TO CYLINDER BLOCK	43	2
13-32993	LOCKWASHER, STARTER MOTOR SCREW	7	3	16-49545	STUD, EXHAUST MANIFOLD	27	7
13-32993	LOCKWASHER, TRANSMISSION SCREW .	47	2	16-49545	STUD, EXHAUST MANIFOLD	29	6
13-34846	LOCKWASHER, TAILSTOCK SCREWS	45	20	16-49545	STUD, EXHAUST MANIFOLD TO ADAPTOR (1-3/4") ...	27	2
13-35048	LOCKWASHER, ADAPTOR BRACKET SCREW	13	33	16-55109T	STUD, ADAPTER - POWER STEERING VALVE	63	7
13-35048	LOCKWASHER, ADJUSTING SCREW	63	23	16-56766	STUD, ROCKER COVER ...	35	7
13-35048	LOCKWASHER, ALTERNATOR BRACKET SCREW	7	23	16-57981	STUD, ADAPTOR TO EXHAUST ELBOW (3") ...	27	15
13-35048	LOCKWASHER, BRACE SCREW	33	39	16-63335	STUD, SHIFT BRACKET ...	59	18
13-35048	LOCKWASHER, BRACKET SCREW	33	32	16-63335	STUD, SHIFT LEVER	59	8
13-35048	LOCKWASHER, CLAMPING SCREW	63	9	16-64066	STUD, FLYWHEEL HOUSING (2-1/4")	53	11
13-35048	LOCKWASHER, DRIVE PLATE SCREW	39	12	16-66021	STUD, BRACKET (1-3/8") ...	13	5
13-35048	LOCKWASHER, EXHAUSE COVER SCREW	5	4	16-72809	STUD, SHIFT CRANK	47	7
13-35048	LOCKWASHER, EXHAUST MANIFOLD STUD	27	21	16-72809	STUD, THROTTLE CABLE TO CARBURETOR	21	10
13-35048	LOCKWASHER, FLYWHEEL HOUSING SCREW AND STUD	53	8	16-87163	STUD, SHIFT CRANK TO TAILSTOCK	47	4
13-35048	LOCKWASHER, FUEL PUMP SCREW	19	4	16-93431	STUD, ADAPTOR TO EXHAUST ELBOW (4-1/2")	27	15
				16-95117	STUD, FLAME ARRESTOR (5.40")	21	2
				16-99801	STUD, CLAMP BLOCK	45	22
				17-35312	PIN, DOWEL -REAR CRANKSHAFT BEARING CAP	39	5
				17-35312	PIN, DOWEL-CAMSHAFT SPROCKET	37	15
				17-52190	PIN, DOWEL CYLINDER HEAD	37	5
				17-52798	PIN, CLEVIS	63	32
				17-79207	PIN, PLUNGER TO SHIFT LEVER	11	31
				18-46950	COTTER PIN, CLEVIS PIN RETAINING	63	33

PARTS INDEX

Part Number	Description	Pg.	Ref. No.	Part Number	Description	Pg.	Ref. No.
19-12304	PLUG, TIMING WINDOW . . .	53	2	22-67305	FITTING, GREASE - POWER VALVE	63	6
19-37478	PLUG, EXPANSION -BLOCK	37	4	22-73379	PLUG, PIPE-EXHAUST MANIFOLD	27	4
19-47463	PLUG, EXPANSION - ENGINE COUPLING	45	5	22-73379	PLUG, PIPE-EXHAUST MANIFOLD	29	3
19-59504	PLUG, IMPELLER	33	9	22-73379	PLUG, PIPE-FUEL FILTER (SLOTTED)	19	7
19-77633	LUBRICAP, GREASE FITTING	61	24	22-74036	GREASE FITTING	61	15
19-94140	PLUG, EXPANSION-CAM . . .	37	6	22-74036	GREASE FITTING	61	23
22-12986	REDUCER, OIL PRESSURE SENDER	13	14	22-74036	GREASE FITTING	61	4
22-13177	TUBE, WATER HOSE	31	18	22-87238	DRAIN COCK, EXHAUST MANIFOLD	27	10
22-32802	PIPE PLUG	49	8	22-87238	DRAIN COCK, EXHAUST MANIFOLD	29	9
22-32802	PLUG, PIPE (FOR WATER PUMP BODY)	33	24	22-88517	BUSHING, TRANSMISSION ELBOW	45	3
22-32802	PLUG, PIPE-EXHAUST ELBOW	27	18	22-88517	BUSHING, TRANSMISSION ELBOW	59	5
22-32803	PIPE PLUG	31	3	22-98477A2	TEE, THERMOSTAT HOUSING	31	12
22-33198A1	PIPE PLUG	29	14	23-26954	BUSHING, SHIFT CRANK STUD	47	5
22-33198A1	PLUG, EXHAUST MANIFOLD	27	3	23-31866	SPACER, SHIFT BRACKET STUD	59	22
22-33198A1	PLUG, EXHAUST MANIFOLD	29	2	23-31866	SPACER, THROTTLE CABLE STUD	21	25
22-33198A1	PLUG, THERMOSTAT HOUSING	31	24	23-33186	BUSHING, ALTERNATOR BRACKET SCREW	7	26
22-33821	ELBOW, FUEL LINE TO FUEL PUMP	19	11	23-33369	BUSHING, DRIVE END HOUSING	11	2
22-36305	ELBOW, EXHAUST MANIFOLD (90 DEGREE)	29	10	23-47508	SLEEVE, THERMOSTAT . . .	31	7
22-36305	ELBOW, EXHAUST MANIFOLD (90 DEGREES)	27	11	23-47511	SLEEVE, THERMOSTATE HOUSING	31	2
22-36305	FITTING, EXHAUST ELBOW (90 DEGREES)	27	20	23-53811	SPACER, THROTTLE CABLE STUD	21	13
22-36373	PLUG, INTAKE MANIFOLD VACUUM HOLE	21	5	23-60652	SLEEVE, ADJUSTING - CABLE GUIDE TUBE	63	10
22-36382	PLUG	37	3	23-60773	SLEEVE, CABLE GUIDE TUBE	63	12
22-36382	PLUG, PIPE-EXHAUST ELBOW	29	13	23-61272	BEARING, UNIT-CAM	37	7
22-38992	BUSHING, TEMPERATURE SWITCH	65	15	23-71694	BUSHING, BEARING PLATE	11	8
22-47629	ELBOW, HOSE (90 DEGREES)	59	6	23-85685	BEARING UNIT, (PAIR) CRANKSHAFT)	39	3
22-47629	ELBOW, OIL COOLER (90 DEGREES)	45	27	23-85686	BEARING UNIT, CRANKSHAFT MAIN -REAR	39	4
22-47629	ELBOW, TRANSMISSION TO OIL HOSE	45	2	23-85687	BEARING UNIT, CRANKSHAFT MAIN -REAR	39	4
22-48246	ELBOW, OIL HOSE (90 DEGREES)	49	9	23-85688	BEARING UNIT, CRANKSHAFT MAIN - REAR	39	4
22-48340	PLUG (1/4")	37	2	23-85689	BEARING UNIT, CRANKSHAFT MAIN -REAR	39	4
22-48358	PLUG (3/8")	37	2	23-85690	BEARING UNIT, CRANKSHAFT MAIN -REAR	39	4
22-48556	BUSHING, REDUCER - TEMPERATURE SWITCH	65	4				
22-52930	TEE	65	14				
22-63825	ELBOW, ENGINE OIL COOLER (90 DEGREES)	49	17				
22-63825	ELBOW, ENGINE OIL COOLER (90 DEGREES)	49	17				
22-63825	ELBOW, OIL HOSE (90 DEGREES)	49	15				
22-63835	ELBOW, OIL COOLER (45 DEGREES)	45	27				
22-66201	CONNECTOR, INATEK PUMP/INTAKE MANIFOLD	41	7				

PARTS INDEX

Part Number	Description	Pg.	Ref. No.	Part Number	Description	Pg.	Ref. No.
23-85721	BEARING UNIT, (PAIR) CRANKSHAFT	39	3	27-48818	GASKET, THERMOSTAT COVER	31	8
23-85723	BEARING UNIT, CRANKSHAFT MAIN	39	3	27-49110	GASKET, WATER PUMP MOUNTING	41	11
23-85724	BEARING UNIT, CRANKSHAFT MAIN	39	3	27-49955	GASKET, OIL PAN SCREW	43	10
23-85725	BEARING UNIT, CRANKSHAFT MAIN	39	3	27-52457--1	GASKET, CARBURETOR	21	4
23-85726	BEARING SET, (4 PAIR) CONNECTING ROD	39	16	27-52550	GASKET SET, OIL PAN	43	8
23-85727	BEARING UNIT, (PAIR) CONNECTING ROD	39	16	27-53045	GASKET, THERMOSTATE HOUSING	31	4
23-85728	BEARING UNIT, (PAIR) CONNECTING ROD	39	16	27-54529	GASKET, CRANKCASE COVER	41	26
23-85729	BEARING UNIT, (PAIR) CONNECTING ROD	39	16	27-61224	GASKET, CYLINDER HEAD	35	23
23-92152	SPACER	15	46	27-61782	GASKET SET, INTAKE MANIFOLD	41	5
23-92152	SPACER, STUD	13	6	27-68483	GASKET, EXHAUST COVER	5	2
24-32817	SPRING, THROTTLE RETURN	21	22	27-86015	GASKET, FLYWHEEL HOUSING COVER	53	5
24-33285	SPRING, FIELD FRAME BRUSH	11	24	27-87105	GASKET, ELBOW	27	12
24-48143	SPRING, FILTER NUT	25	45	27-87105	GASKET, ELBOW	29	11
24-70086	SPRING, FILLER CAP	35	3	27-91831	GASKET, ROCKER COVER	35	10
24-78498	SPRING, TORSION - MOUNTING TUBE	63	29	27-91892	GASKET, ADAPTER COVER	49	11
24-87734	SPRING, IDLE NEEDLE	25	54	27-94914	GASKET, BODY TO WEAR PLATE	33	8
24-88154	SPRING, VALVE	35	15	27-94915	GASKET, COVER TO OUTER WEAR PLATE	33	6
25-49767	GROMMET, ROCKER COVER	35	4	27-98242	GASKET, DISTRIBUTOR CAP	17	4
25-54067	SEAL, TAILSTOCK	45	14	27-99893	GASKET, OIL FILTER ADAPTER	49	13
25-79208	GROMMET, FIELD COIL- FIELD FRAME	11	14	28-34466	KEY, CRANKSHAFT	39	18
25-89879	"O" RING, PRESSURE HOSE END	51	11	28-54530	KEY, VALVE STEM	35	18
25-94288	QUAD RING, PUMP HOUSING	33	13	28-56662	KEY, IMPELLER DRIVE	33	11
26-14756	OIL SEAL, REAR -CRANKSHAFT BEARING CAP	39	6	30-32537	BALL BEARING, TAILSTOCK (2-27/32" O.D.)	45	12
26-47465	OIL SEAL, TAILSTOCK	45	10	30-47470	BALL BEARING, ENGINE COUPLING	45	6
26-49154	OIL SEAL, CRANKCASE COVER	41	25	30-57762	BALL BEARING, TAILSTOCK (3-5/32" O.D.)	45	11
26-72785	OIL SEAL, WATER PUMP SHAFT	33	19	30-62780A1	BALL BEARING	61	11
26-90562	OIL SEAL, WATER PUMP SHAFT	33	15	30-62780A1	BALL BEARING	61	17
27-34213	GASKET, FUEL PUMP TO CYLINDER BLOCK	19	2	30-72961	BALL BEARING, WATER PUMP SHAFT	33	16
27-34486--1	GASKET, DISTRIBUTOR	17	13	32-12817	HOSE, OIL COOLER TO OIL COOLER	31	16
27-41812	GASKET, THERMOSTAT COVER	31	8	32-12818	HOSE, OIL COOLER TO TUBE	31	17
27-46820	GASKET, EXHAUST MANIFOLD TO CYLINDER HEAD	27	5	32-12866	FUEL LINE, FUEL PUMP TO CARBURETOR	19	13
27-46820	GASKET, EXHAUST MANIFOLD TO CYLINDER HEAD	29	4	32-33220-70	HOSE, TEE TO EXHAUST ELBOWS (19')	31	13
27-47510	GASKET, THERMOSTAT	31	6	32-47516--6	HOSE, TRANSMISSION TO OIL COOLER (30")	45	18
27-47903	GASKET, TAILSTOCK	45	15	32-47516--6	HOSE, TRANSMISSION/COOLER (30")	59	4
				32-52519-14	HOSE, PUMP TO OIL COOLER	51	13
				32-53461-70	HOSE, WATER PUMP TO OIL COOLER (7")	31	14
				32-55112	TUBE, CABLE GUIDE	63	16

PARTS INDEX

Part Number	Description	Pg.	Ref. No.	Part Number	Description	Pg.	Ref. No.
32-57634	TUBE, RETRACTING - POWER STEERING	63	4	53-54481	SNAP RING, BALL BEARING TO TAILSTOCK	45	13
32-58616A2	TUBE, WATER SEPARATION	27	19	53-68486	SNAP RING	61	13
32-64346	HOSE, OIL COOLER TO THERMOSTAT HOUSING	31	19	53-68487	SNAP RING	61	12
32-66206	HOSE, BY-PASS -WATER PUMP/INTAKE MANIFOLD	41	8	54-32780	CLAMP, HOSE ATTACHING	31	15
32-77690	WRAPPING, PLASTIC (1/4 DIA)	13	15	54-35830	CLAMP, HOSE ATTACHING	51	14
32-89718	HOSE, THERMOSTAT HOUSING TO WATER PUMP	31	20	54-43510	CLAMP, BY-PASS HOSE	41	9
32-89730	HOSE, THERMOSTAT COVER	31	23	54-49290	CLIP, AUTOMATIC CHOKE ROD	21	31
32-89749	HOSE, THERMOSTAT COVER	31	22	54-62494	CLAMP, FLYWHEEL HOUSING SCREW	53	10
32-92357-38	HOSE, OIL - OIL COOLER TO ADAPTER	49	26	54-64628	LIFTING EYE	41	3
32-92357-59	HOSE, OIL - OIL COOLER TO BRACKET	49	25	54-71982	CLIP, OIL LEVEL TUBE	43	15
32-92357-69	HOSE, OIL-ADAPTER TO BRACKET (37")	49	4	54-87268	CLAMP, HOSE ATTACHING	31	21
32-93315-12	HOSE, VENT-CARBURETOR (11")	21	19	57-48122	BELT, ALTERNATOR DRIVE (48")	41	23
32-93370-70	HOSE, PLASTIC-FUEL PUMP TO CARBURETOR	19	14	57-74271	BELT, WATER PUMP (35")	33	25
32-96082A1	FUEL LINE, FUEL FILTER TO FUEL PUMP	19	12	57-96834	V-BELT, POWER STEERING PUMP (50")	51	9
32-98494	HOSE, PRESSURE (FITTINGS ON BOTH ENDS)	51	10	84-42841A10	LEAD ASSEMBLY, DISTRIBUTOR TO COIL	17	19
32-98843-39	HOSE, RETURN (FITTINGS ON ONE END)	51	12	84-43376A2	SPARK PLUG WIRE KIT	17	20
33-59571	SPARK PLUG *NGK-BR6FS)	17	22	84-62826A7	WIRE ASSEMBLY, GROUND	53	13
35-53336	FILTER, FUEL INLET	25	46	84-86044A4	WIRE ASSEMBLY, TAN/BLUE (36")	65	11
35-60494--1	FUEL FILTER	19	10	84-86322A8	WIRE ASSEMBLY, BLACK (8")	65	13
36-95805	CAP, POWER STEERING PUMP	51	2	84-88032A1	WIRE ASSEMBLY, TAN/BLUE (20")	65	12
37-13723T24	DECAL	21	33	84-88537A6	CABLE ASSEMBLY (BROWN/WHITE)	15	35
37-16592--1	DECAL	35	6	84-94111A3	WIRING HARNESS	13	1
39-67127	RING, PISTON -8 SETS (STANDARD)	39	2	85-63709A1	BOOT ASSEMBLY, SPARK PLUG	17	21
39-67128	RING, PISTON -8 SETS (.030 O.S.)	39	2	85-79695	BOOT, INSULATOR-STARTER TERMINAL	7	5
43-47619--1	GEAR, DRIVE	17	11	85-96819	INSULATOR, CIRCUIT BREAKER	13	24
43-61726	SPROCKET, CAMSHAFT	37	11	87-88031	SWITCH, TEMPERATURE	47	3
43-61727	SPROCKET, CRANKSHAFT	37	12	87-91019A3	SENSOR ASSEMBLY	17	8
45-86978A1	DRIVE SHAFT ASSEMBLY	61	1	88-11178	CIRCUIT BREAKER (50 AMP)	13	17
46-72774A32	WATER PUMP ASSEMBLY	33	1	89-96054	STARTER SOLENOID	13	25
46-72774A40	BODY, WATER PUMP	33	2	90-12735870	OWNER'S GUIDE	2	-
46-94913A1	PUMP HOUSING ASSEMBLY	33	14	90-14019	PARTS MANUAL	2	-
47-59362	IMPELLER	33	10	90-14499--1	SERVICE MANUAL	2	-
50-99419A3	STARTER MOTOR	7	1	230-5534	FLYWHEEL	39	7
50-99419A3	STARTER MOTOR ASSEMBLY	11	-	390-7000	COVER ASSEMBLY, FRONT	9	7
53-23720	SNAP RING, BALL BEARING RETAINING	33	18	390-7003	COVER ASSEMBLY, REAR	9	22
53-33290	RING, RETAINING-PINION STOP COLLAR	11	4	390-7004	FAN, DRIVE END FRAME	9	4
53-47469	SNAP RING, BALL BEARING	45	7	390-7005	BALL BEARING, DRIVE END	9	8
				390-7006	RETAINER, DRIVE END BALL BEARING	9	9
				390-7007	RETAINER, ROTER SHAFT BEARING	9	21
				390-7008	DIODE TRIO	9	35
				390-7009	DIODE RECTIFIER, NEGATIVE	9	11
				390-7010	HEAT SINK, POSITIVE	9	12
				390-7011	BRUSH HOLDER ASSEMBLY	9	33

PARTS INDEX

Part Number	Description	Pg.	Ref. No.	Part Number	Description	Pg.	Ref. No.
390-7013	GASKET, VOLTAGE REGULATOR	9	37				
390-7014	SLIP RING	9	17				
390-7015	SCREW, VOLTAGE REGULATOR ATTACHING	9	39				
390-7018	SLEEVE, INSULATOR	9	14				
390-7019	SPACER, DIODE TRIO	9	36				
390-7020	SLEEVE, INSULATOR	9	13				
390-7021	NUT, CONDENSOR TERMINAL ATTACHING ..	9	32				
390-7022	WASHER, CONDENSOR TERMINAL STUD	9	30				
390-7023	WASHER, REGULATOR TERMINAL STUD	9	24				
390-7024	WASHER, CONDENSOR TERMINAL STUD	9	25				
390-7025	NUT, TERMINAL STUD	9	26				
390-7026	NUT, TERMINAL ATTACHING	9	29				
390-7026	WASHER, ROTOR SCREW .	9	18				
390-7027	NUT, FAN AND PULLEY TO ROTOR	9	1				
390-7028	NUT, THRU BOLT ATTACHING	9	6				
390-7029	SCREW, ROTOR SHAFT (5/8")	9	20				
390-7030	SCREW, BRUSH HOLDER (1/2")	9	34				
390-7032	LOCKWASHER, TERMINAL STUD	9	28				
390-7033	LOCKWASHER, FAN AND PULLEY NUT	9	2				
390-7034	KEY, ROTOR	9	15				
390-7035	CONDENSOR	9	23				
390-7036	VOLTAGE REGULATOR ...	9	38				
390-7207	LOCKWASHER, ROTOR SCREW	9	19				
390-7208	WASHER, TERMINAL STUD	9	27				
390-7804A3	IGNITION AMPLIFER	13	9				
390-8635	ROTOR ASSEMBLY	9	16				
390-8636	STATOR ASSEMBLY	9	10				
390-8637	PULLEY, DRIVE END FRAME	9	3				
390-8638	THRU BOLT	9	31				
392-7803A4	COIL, IGNITION	17	26				
429-5880	CRANKSHAFT	39	17				
431-5923	CAMSHAFT	37	9				
614-5538	CONNECTING ROD	39	13				
737-5536	PISTON & PISTON PIN (.001 O.S.)	39	1				
737-5537	PISTON & PISTON PIN (.003 O.S.)	39	1				
938-5924	CYLINDER HEAD ASSEMBLY	35	21				
1347-7498A2	CARBURETOR ASSEMBLY .	21	1				
1347-7498A2	CARBURETOR ASSEMBNLY, COMPLETE	23	-				
1397-3309	GASKET SET	25	--				
1397-3317	CONTROL ASSEMBLY, VACCUM	23	33				
1397-3327	FLOAT ASSEMBLY	23	22				
1397-3330	NUT, FILTER-FUEL INLET ..	25	47				
1397-7539	OVERHAUL KIT	25	--				