



PARTS CATALOG

SST-140 (CARBURETOR)

SERIAL NUMBER

MERC SST-140 A953207 AND UP

TABLE OF CONTENTS:

CARBURETOR ASSEMBLY	14
COWLS	2
CRANKSHAFT, PISTONS AND CONNECTING RODS	22
CYLINDER BLOCK AND END CAPS	16
DRIVE SHAFTING HOUSING	28
EXHAUST MANIFOLD	20
FLYWHEEL, STARTER MOTOR AND IGNITION COILS	4
FUEL PUMP AND CARBURETOR	12
GEAR HOUSING (DRIVE SHAFT)	32
GEAR HOUSING (PROPELLER SHAFT)	36
HYDRAULIC PUMP AND BRACKET	38
HYDRAULIC PUMP ASSEMBLY (PLASTIC RESERVOIR)	40
MISCELLANEOUS PARTS/ACCESSORIES	1
PARTS INDEX	44
PRIMER SOLENOID	24
REED BLOCK AND CYLINDER HEAD	18
REV LIMITER	26
STEERING PLATES	42
THROTTLE LEVER AND LINKAGE	10
WIRING HARNESS, STARTER SOLENOID AND RECTIFIER	6

NOTE: Indented description indicate that these parts are included in preceeding assembly.

AR = As Required

NSS = Not Sold Separate

OPT = Optional

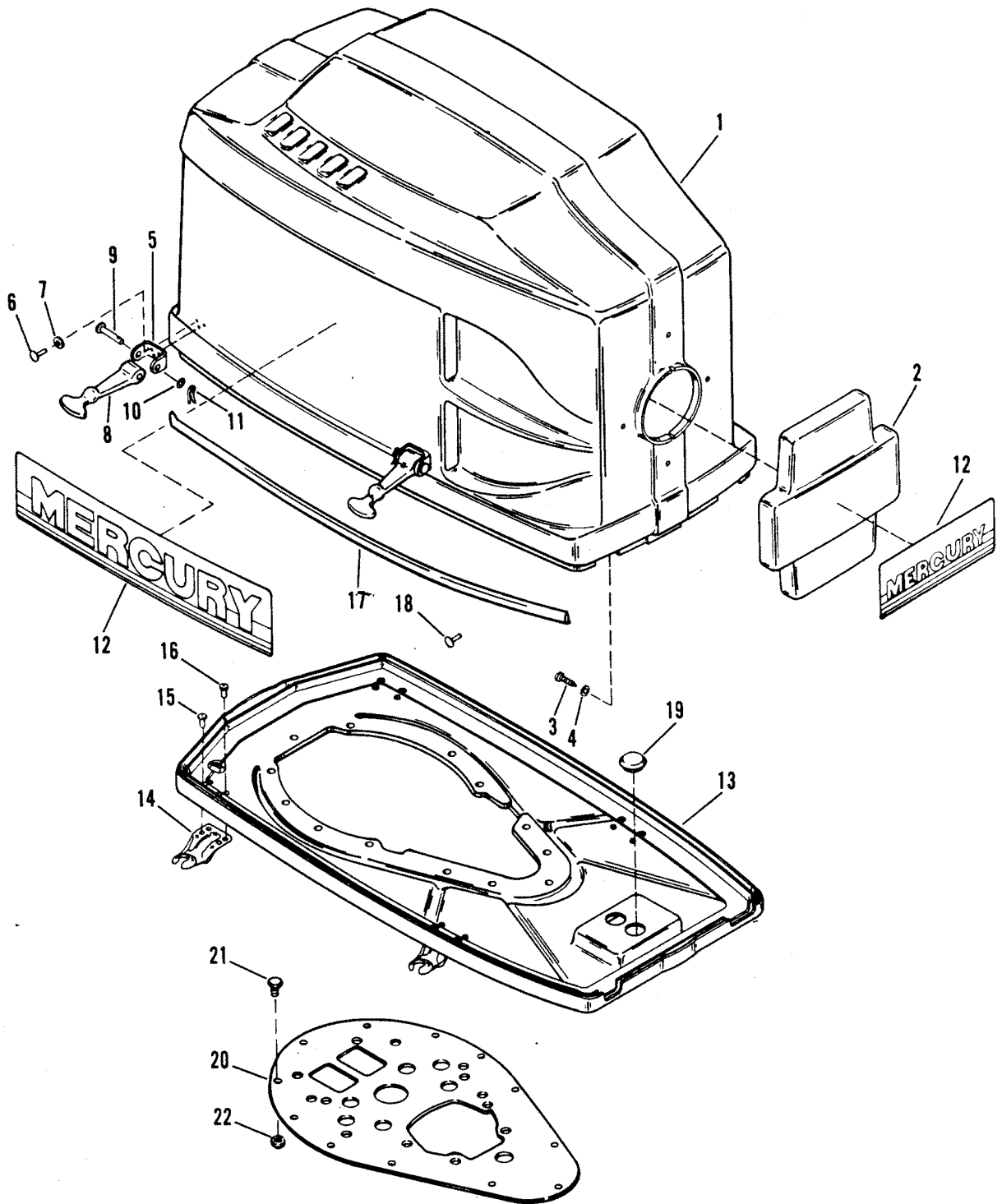
NS = Not Shown

THESE PARTS BOOKS/FICHE CARD ARE COPYRIGHTED AND MAY NOT BE DISTRIBUTED OR REPRODUCED IN ANY OTHER FORMAT BY ANYONE OTHER THAN MERCURY MARINE WITHOUT THE PRIOR WRITTEN CONSENT OF MERCURY MARINE.

MISCELLANEOUS PARTS/ACCESSORIES

REF. NO.	PART NO.	SYM.	QTY.	DESCRIPTION
-	90-15978		0	PARTS MANUEL
-	27-14830A86		0	GASKET SET
-	90-15804860		0	OWNER'S GUIDE

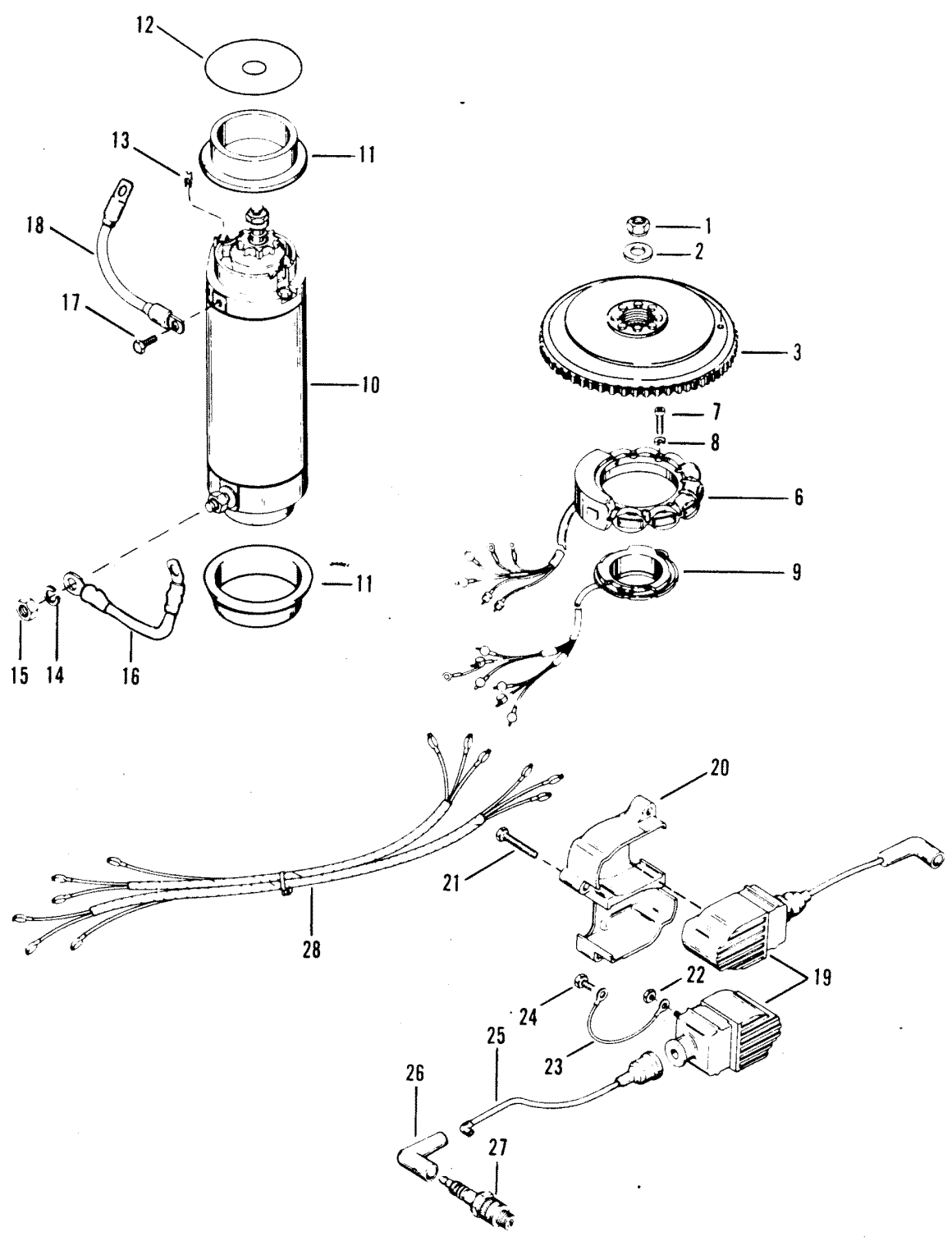
COWLS



COWLS

REF. NO.	PART NO.	SYM.	QTY.	DESCRIPTION
1	2167-9442A5		1	TOP COWL ASSEMBLY
2	14410A1		1	FRONT COVER
3	10-69570		4	SCREW, FRONT COVER
4	12-22887		4	WASHER, FRONT COVER SCREW
5	71602		4	YOKE, COWL HOLD DOWN
6	17-12146		12	RIVET, YOKE TO COWL
7	12-20128		12	WASHER, YOKE RIVET
8	58707		4	HOLD DOWN (BUNGY CORD)
9	17-58712		4	CLEVIS PIN
10	12-20128		4	WASHER
11	18-21071		4	COTTER PIN
12	37-13813A3		1	DECAL SET
13	12955A3		1	BOTTOM COWL ASSEMBLY
14	13734		4	RETAINER, HOLD DOWN
15	17-12148		8	RIVET, RETAINER
16	17-14908		8	RIVET, RETAINER
17	58809--6		1	TRIM MOULDING
18	17-12147		10	RIVET, TRIM MOULDING
19	22-14685		2	PLUG, BOTTOM COWL
20	99264		1	PLATE, COWL BASE
21	10-38601		14	SCREW, PLATE TO BOTTOM COWL
22	11-36069		14	NUT, PLATE SCREW

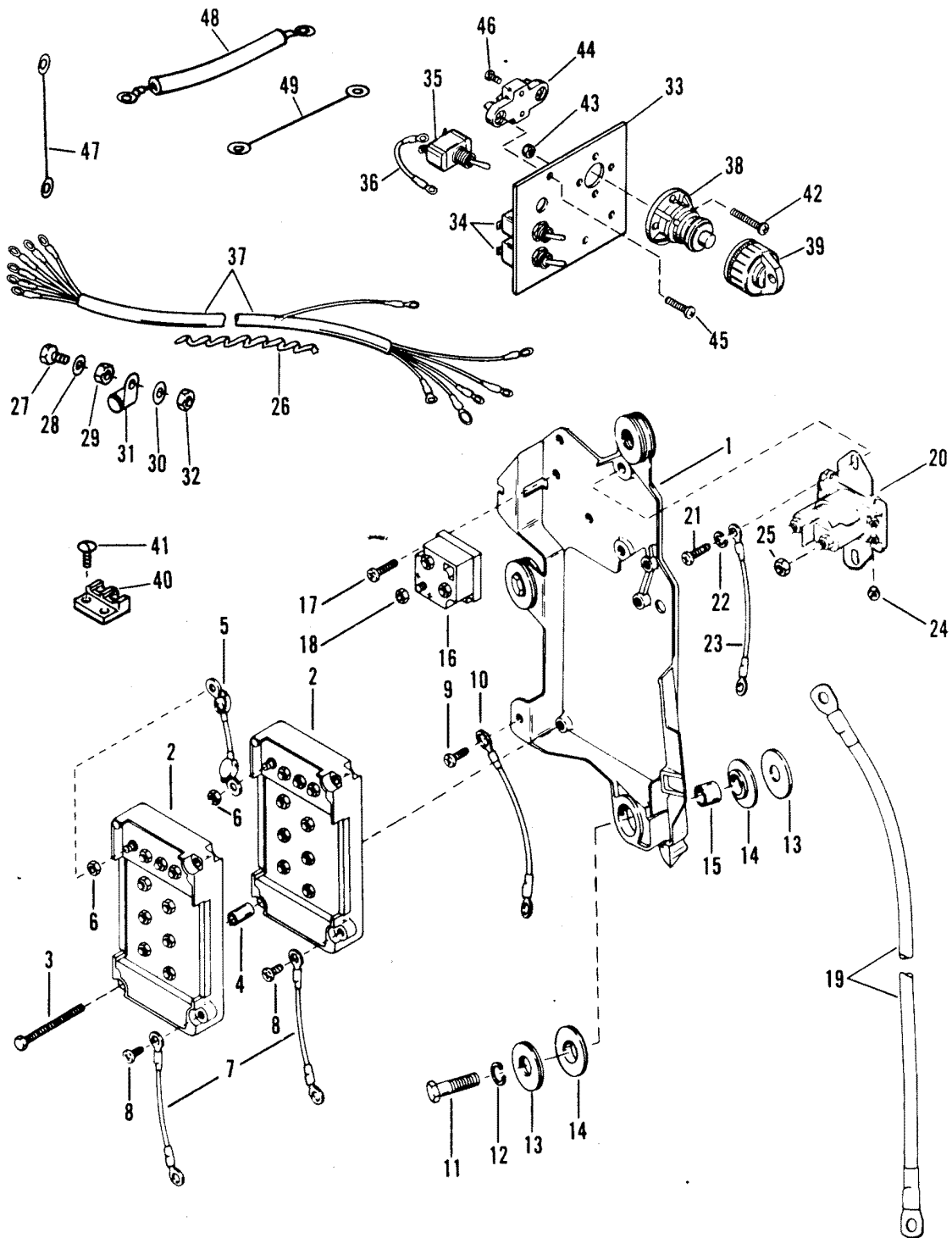
FLYWHEEL, STARTER MOTOR AND IGNITION COILS



FLYWHEEL, STARTER MOTOR AND IGNITION COILS

REF. NO.	PART NO.	SYM.	QTY.	DESCRIPTION
1	11-52901		1	NUT, FLYWHEEL
2	12-68229		1	WASHER, FLYWHEEL
3	249-6080A6		1	FLYWHEEL ASSEMBLY, COMPLETE
6	398-5454A55		1	STATOR ASSEMBLY
7	10-90417		4	SCREW, STATOR
8	13-26996		4	LOCKWASHER, STATOR SCREW
9	96455A9		1	TRIGGER PLATE ASSEMBLY
10	50-60594A1		1	STARTER MOTOR
11	56703		2	COLLAR, STARTER MOTOR
12	23-56774		AR	SPACER, STARTER MOTOR
13	68042		2	STOP, RUBBER -STARTER MOTOR
14	13-26992		1	LOCKWASHER, STARTER MOTOR TERMINAL
15	11-20890		1	NUT, STARTER MOTOR TERMINAL
16	84-93389A5		1	WIRE, SOLENOID TO STARTER MOTOR (YELLOW)
17	10-69035		1	SCREW, CABLE TO STARTER MOTOR
18	84-93388A1		1	WIRE, PLATE TO STARTER MOTOR (BLACK)
19	339-7370A13		6	COIL ASSEMBLY, IGNITION
20	67614		3	COVER, IGNITION COIL
21	10-88447		12	SCREW, IGNITION COIL COVER (1-5/8")
22	11-45076		12	NUT, IGNITION COIL TERMINAL
23	84-88807A6		6	GROUND STRAP, IGNITION COIL (BLACK)
24	10-68513		6	SCREW, GROUND STRAP
25	84-99215A25		6	CABLE, HIGH TENSION
26	85-63709A1		6	PROTECTOR, HIGH TENSION CABLE
27	33-97180		6	SPARK PLUG (NGK-BUHW)
28	84-69738A1		1	HARNESS ASSEMBLY, COIL TO SWITCH BOX (#2, 4 AND 6)
	84-69739A2		1	HARNESS ASSEMBLY, COILD TO SWITCH BOX (#1, 3 AND 5)

WIRING HARNESS, STARTER SOLENOID AND RECTIFIER

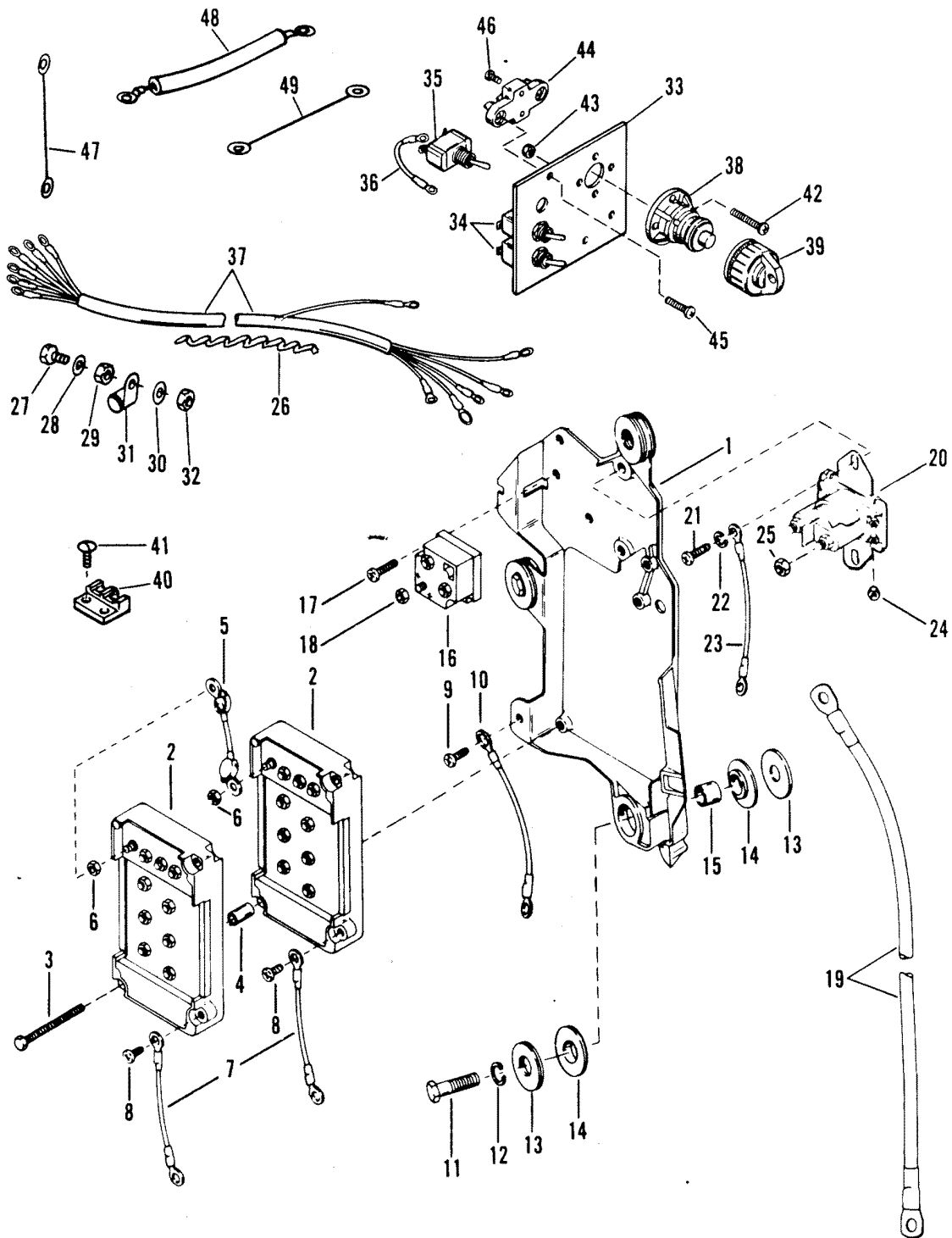


WIRING HARNESS, STARTER SOLENOID AND RECTIFIER

REF. NO.	PART NO.	SYM.	QTY.	DESCRIPTION
1	13624		1	PLATE, IGNITION
2	332-7778A4		2	SWITCH BOX
3	10-12666		2	SCREW, SWITCH BOX TO IGNITION PLATE
4	23-94453		2	BUSHING, SWITCH BOX SCREW
5	84-62310A2		1	CABLE ASSEMBLY, SWITCH BOX TO SWITCH BOX
6	11-45076		8	NUT, SWITCH BOX TERMINAL
7	84-60871A10		2	WIRE, SWITCH BOX
8	10-69079		2	SCREW, WIRE ATTACHING
9	10-20646		1	SCREW, CABLE TO IGNITION PLATE (5/8")
10	84-65999A3		1	CABLE ASSEMBLY, BLACK
11	10-69092		3	SCREW, IGNITION PLATE (1-1/4")
12	13-26993		3	LOCKWASHER, IGNITION PLATE SCREW
13	12-36042		6	WASHER, IGNITION PLATE SCREW
14	12-67264		6	WASHER, IGNITION PLATE SCREW (RUBBER)
15	23-67268		3	BUSHING, IGNITION PLATE SCREW
16	62351A2		1	RECTIFIER
17	10-20646		2	SCREW, RECTIFIER TO IGNITION PLATE (5/8")
18	11-45076		3	NUT, RECTIFIER TERMINALS
19	84-88439A14		1	BATTERY CABLE (POSITIVE)
	84-88439A2		1	BATTERY CABLE (NEGATIVE)
20	89-68258A4		1	STARTER SOLENOID
21	10-90198		2	SCREW, SOLENOID TO IGNITION PLATE (5/8")
22	13-26992		2	LOCKWASHER, SOLENOID TO IGNITION PLATE SCREW
23	84-65999A2		1	CABLE ASSEMBLY, UPPER MOUNT (BLACK)
24	11-68219		2	NUT, SOLENOID TERMINALS (10-32)
25	11-26484		2	NUT, SOLENOID TERMINALS (5/16-18)
26	32-77690		1	WRAPPING (1/4")
27	10-59702		1	SCREW, HARNESS CLAMP
28	13-26992		1	LOCKWASHER, CLAMP SCREW
29	11-28941		1	NUT, CLAMP SCREW
30	12-69056		2	WASHER, CLAMP SCREW
31	54-13637		1	CLAMP, HARNESS
32	11-35888		1	NUT
33	76366		1	PLATE, IGNITION PANEL
34	87-66582		2	SWITCH, STARTER AND PRIMER
35	87-66581		1	SWITCH, IGNITION
36	84-61393A8		2	WIRE ASSEMBLY, SWITCH TO SWITCH
37	84-93940A1		1	HARNESS ASSEMBLY, IGNITION PANEL
38	65503A4		1	HOUSING ASSEMBLY, STOP SWITCH
39	75095A1		1	CAP ASSEMBLY, STOP SWITCH
40	45559		1	TERMINAL BLOCK
41	10-62568		2	SCREW, TERMINAL BLOCK
42	10-29072		3	SCREW, STOP SWITCH HOUSING (5/8")

CONTINUED ON NEXT PAGE ➡

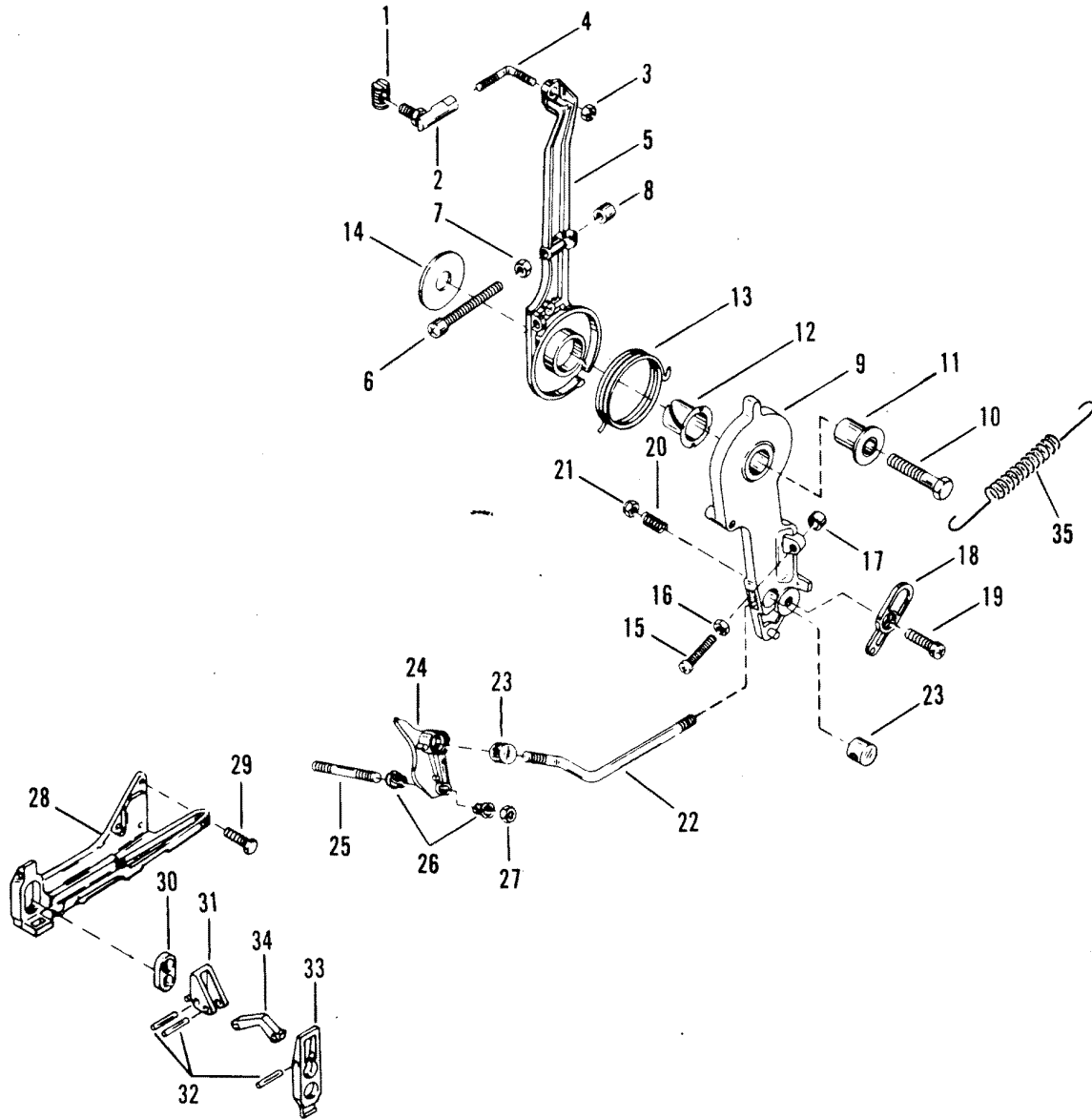
WIRING HARNESS, STARTER SOLENOID AND RECTIFIER



WIRING HARNESS, STARTER SOLENOID AND RECTIFIER

REF. NO.	PART NO.	SYM.	QTY.	DESCRIPTION
42	10-24637		1	SCREW, STOP SWITCH HOUSING (7/8")
43	11-45812		3	NUT, HOUSING SCREW (NYLON INSERT)
	11-68219		1	NUT, HOUSING SCREW
44	86-66986		1	TERMINAL BLOCK
45	10-22523		1	SCREW, TERMINAL BLOCK TO PLATE (3/4")
46	10-22028		1	SCREW, LEAD TO TERMINAL BLOCK
47	84-60466A10		1	WIRE ASSEMBLY (BLACK)
48	84-62824A1		1	CABLE, SOLENOID TO RECTIFIER (RED)
49	84-62189A1		2	WIRE, TERMINAL BLOCK TO SWITCH BOX (SALMON)

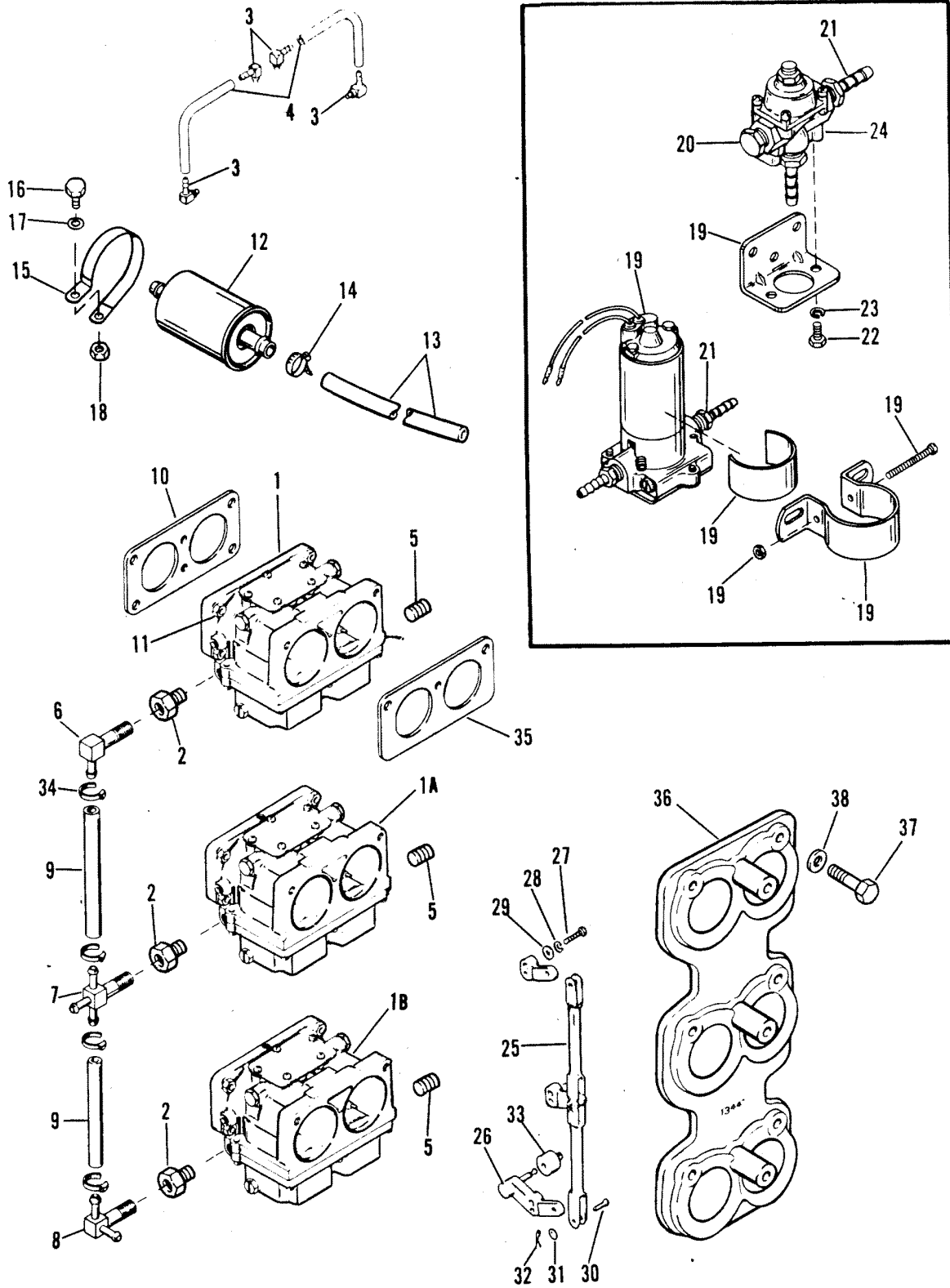
THROTTLE LEVER AND LINKAGE



THROTTLE LEVER AND LINKAGE

REF. NO.	PART NO.	SYM.	QTY.	DESCRIPTION
1	74897		1	PIVOT, TRIGGER PLATE
2	89279		1	SWIVEL, TRIGGER PLATE
3	11-68219		1	NUT, LINK ROD
4	76035		1	LINK ROD, TRIGGER PLATE
5	78441		1	LEVER, SPARK ADVANCE
6	10-64022		1	SCREW, SPARK ADVANCE LEVER - STOP
7	11-64015		1	NUT, SPARK ADVANCE STOP SCREW
8	52023		1	CAP, SPARK ADVANCE LEVER STOP SCREW
9	41095T		1	LEVER, THROTTLE CONTROL
10	10-55337		1	SCREW, THROTTLE LEVER/ADVANCE LEVER (1-3/4")
11	23-55164		1	BUSHING, THROTTLE LEVER
12	23-55171		1	BUSHING, SPARK ADVANCE LEVER
13	24-68784		1	SPRING, THROTTLE AND SPARK ADVANCE LEVER
14	12-68410		1	WASHER, SPARK ADVANCE LEVER
15	10-64022		1	SCREW, THROTTLE LEVER - STOP (2-1/8")
16	11-64015		1	NUT, THROTTLE LEVER STOP SCREW
17	52023		1	CAP, THROTTLE LEVER STOP SCREW
18	39483		1	LATCH, CABLE
19	10-22486		1	SCREW, CABLE LATCH TO THROTTLE LEVER
20	24-20099		1	SPRING, CABLE LATCH TO THROTTLE LEVER
21	11-20586		1	NUT, CABLE LATCH SCREW
22	95829		1	ROD, THROTTLE CONTROL
23	60572		2	BARREL, THROTTLE CONTROL ROD
24	78442		1	THROTTLE CAM
25	16-20353		1	STUD, THROTTLE CAM ATTACHING
26	23-26856		2	BUSHING, THROTTLE CAM
27	11-20586		1	NUT, THROTTLE CAM STUD
28	13623		1	BRACKET, ANCHOR - CONTROL CABLES
29	10-53167		3	SCREW, ANCHOR BRACKET ATTACHING
30	39519		1	CAP, BARREL RETAINER - ANCHOR BAR
31	87609		1	LEVER, NYLON - SHIFT CABLE LOCKING
32	17-47175		3	LOCATING PIN, LEVER AND COVER FASTENING
33	90211		1	COVER, NYLON - SHIFT CABLE
34	65799T		1	LINK, LOCKING LEVER TO COVER
35	24-91821		1	SPRING, THROTTLE RETURN

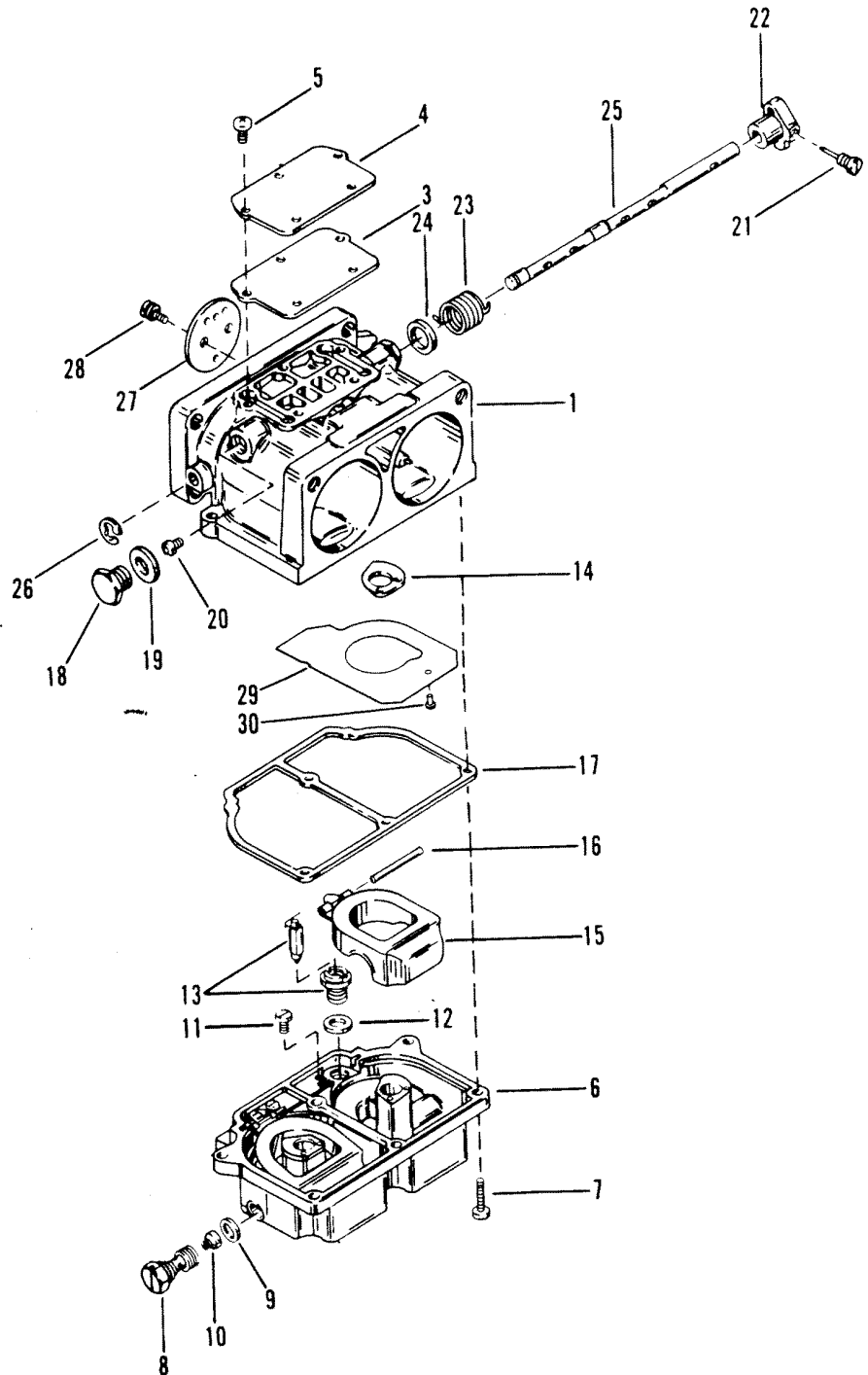
FUEL PUMP AND CARBURETOR



FUEL PUMP AND CARBURETOR

REF. NO.	PART NO.	SYM.	QTY.	DESCRIPTION
1	1374-9242A16		1	CARBURETOR ASSEMBLY (TOP)
1A	1374-9242A17		1	CARBURETOR ASSEMBLY (CENTER)
1B	1374-9242A18		1	CARBURETOR ASSEMBLY (BOTTOM)
2	22-28586		3	FITTING, STRAIGHT
3	22-94090		12	ELBOW (90 DEGREES)
4	32-66285--4		1	HOSE, OVERFLOW
5	22-47945		3	PIPE PLUG
6	22-15814		1	ELBOW, CARBURETOR (UPPER)
7	22-53492		1	TEE, CARBURETOR (CENTER)
8	22-94282		1	ELBOW, CARBURETOR (BOTTOM)
9	32-49471		1	FUEL LINE, CARBURETOR (BOTTOM)
10	27-90430		3	GASKET, CARBURETOR
11	11-F10184		12	NUT, CARBURETOR STUD
12	35-93011		1	FUEL FILTER
13	32-68894--1		1	FUEL LINE
14	54-54428		2	CLAMP, FUEL LINE
15	54-53020		1	CLIP, FUEL FILTER
16	10-60300		1	SCREW, SLIP TO BOTTOM COWL
17	12-29245		1	WASHER, CLIP SCREW
18	11-20361		1	NUT, CLIP SCREW
19	70844A1		1	FUEL PUMP KIT
20	22-32803		1	PIPE PLUG
21	22-70834		4	BAYONET
22	10-98253		2	SCREW
23	13-26992		2	LOCKWASHER
24	77604A1		1	REGULATOR
25	87604		1	THROTTLE LINK
26	93332A1		1	THROTTLE LEVER
27	10-92501		3	SCREW, THROTTLE LEVERS TO THROTTLE LINK (3/4")
28	13-26996		3	LOCKWASHER, THROTTLE LEVERS SCREW
29	12-24676		3	WASHER, THROTTLE LEVERS SCREW
30	17-67297		3	CLEVIS PIN, THROTTLE LEVERS TO THROTTLE LINK
31	12-27736		3	WASHER, CLEVIS PIN
32	18-26953		3	COTTER PIN, CLEVIS PIN
33	67748		1	ROLLER, LOWER THROTTLE LEVER
34	73498		4	CLAMP, FUEL LINE
35	27-89221		3	GASKET, CARBURETOR PLATE
36	13443A1		1	PLATE ASSEMBLY, CARBURETOR
37	10-65027		6	SCREW
38	12-20533		6	WASHER

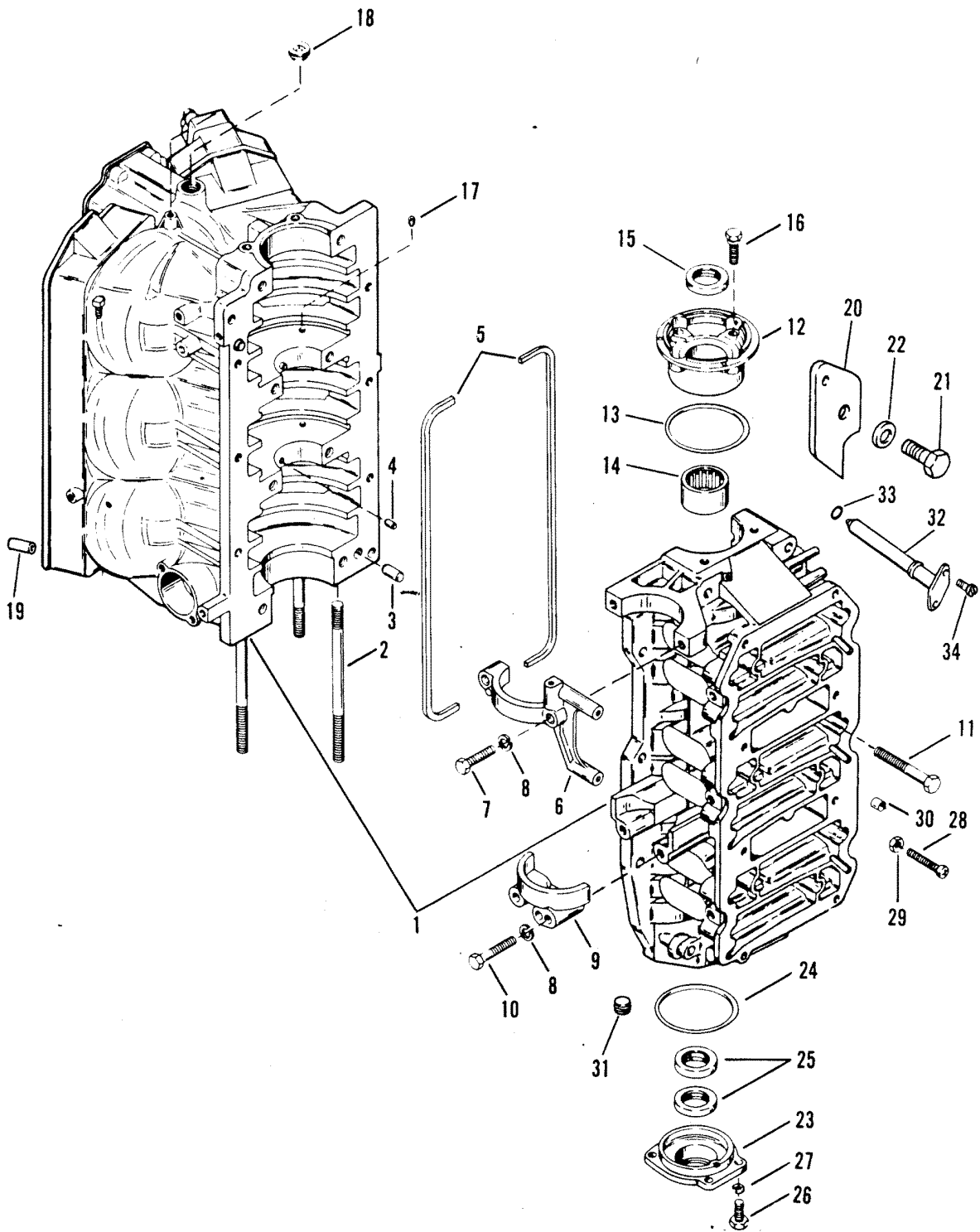
CARBURETOR ASSEMBLY



CARBURETOR ASSEMBLY

REF. NO.	PART NO.	SYM.	QTY.	DESCRIPTION
1	1374-9242A16		1	CARBURETOR ASSEMBLY (TOP)
	1374-9242A17		1	CARBURETOR ASSEMBLY (CENTER)
	1374-9242A18		1	CARBURETOR ASSEMBLY (BOTTOM)
3			3	GASKET, COVER PLATE
4	N.S.S.		3	PLATE, COVER
5			15	SCREW, COVER PLATE
6	1395-7822		3	FUEL BOWL
7			18	SCREW, FUEL BOWL
8	1395-6025		6	PLUG, MAIN JET
9			6	GASKET, MAIN JET
10	1395-6680		6	JET, MAIN FUEL (.078)
11			6	SCREW, FLOAT PIN
12			6	GASKET, INLET NEEDLE AND SEAT
13	1395-7824		6	INLET NEEDLE AND SEAT ASSEMBLY
14			6	GASKET, NOZZLE BOSS
15	1395-9267		6	FLOAT
16			6	PIN, FLOAT LEVER
17			3	GASKET, FUEL BOWL
18	1395-4541		6	PLUG, IDLE AIR BLEED JET
19			6	GASKET, BLEED JET PLUG
20	1399-5213		6	JET, IDLE AIR BLEED (.056)
21	1395-6027		3	SCREW, THROTTLE LEVER
22	87607		3	LEVER, THROTTLE
23			3	SPTING, THROTTLE RETURN
24	1395-6031		3	SPACER, THROTTLE LEVER
25	1395-602		3	SHAFT, THROTTLE
26			3	RING, RETAINER-THROTTLE SHAFT
27	1395-9416		6	THROTTLE VALVE
28			12	SCREW, THROTTLE VALVE
29	88369		6	BAFFLE
30	17-88457		6	RIVET, BAFFLE

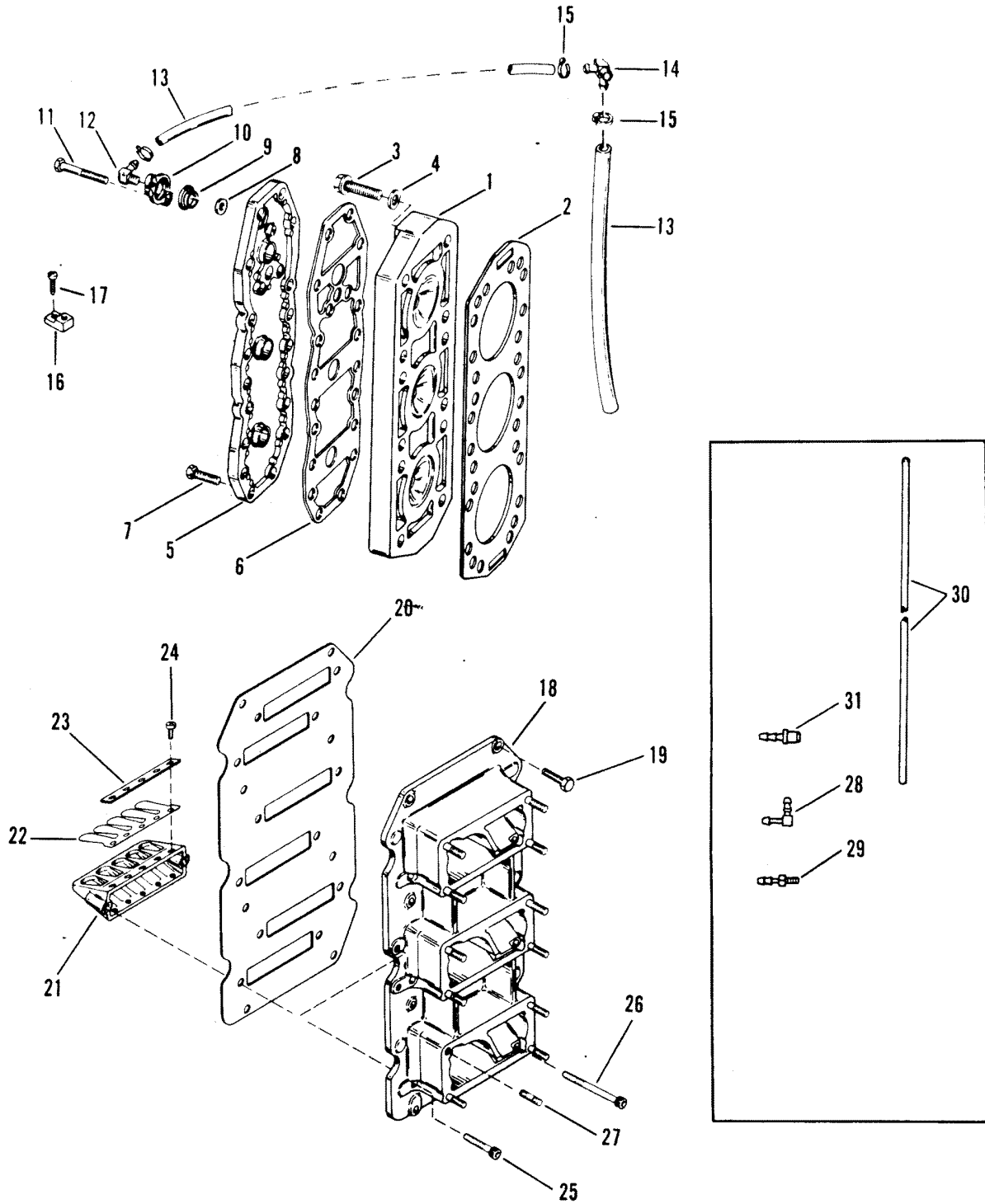
CYLINDER BLOCK AND END CAPS



CYLINDER BLOCK AND END CAPS

REF. NO.	PART NO.	SYM.	QTY.	DESCRIPTION
1	858-8712A9		1	CYLINDER BLOCK & CRANKCASE ASSEMBLY
2	16-37653		8	STUD. POWERHEAD
3	17-20033		2	DOWELL PIN, LOCATING
4	17-67296		2	DOWEL PIN, CYLINDER BLOCK (BEARING RACE)
5	27-11338		2	GASKET, SEALING
6	42249		1	COVER, STARTER MOTOR (UPPER)
7	10-73657		2	SCREW, COVER TO CRANKCASE (1-1/2")
8	13-26993		4	LOCKWASHER STARTER MOTOR COVER SCREW
9	76867		1	COVER, STARTER MOTOR (LOWER)
10	10-77065		2	SCREW, COVER TO CRANKCASE (2")
11	10-66717		8	SCREW, CRANKCASE TO CYLINDER BLOCK (3-1/4")
	10-74824		6	SCREW, CRANKCASE TO CYLINDER BLOCK (1-1/4")
12	1159-8454A2		1	END CAP ASSEMBLY, UPPER
13	25-54029		1	"O" RING, END CAP
14	31-93496		1	ROLLER BEARING, END CAP
15	26-41953		1	OIL SEAL, END CAP
16	10-69034		4	SCREW, UPPER END CAP TO CYLINDER BLOCK (1")
17	10-24220		2	SCREW, SET-CYLINDER BLOCK (3/16")
18	22-38407		1	PLUG, CYLINDER BLOCK (WATER JACKET)
19	32-11635		1	TUBE, WATER BLOCK-OFF
20	86985		1	BRACKET TIMING
21	10-28636		2	SCREW, TIMING BRACKET
22	13-26992		2	WSHER, BRACKET SCREW
23	1156-8120A1		1	END CAP ASSEMBLY, LOWER
24	25-62700		1	"O" RING, END CAP (3-1/4" I.D.)
25	26-41953		2	OIL SEAL, END CAP
26	10-28636		2	SCREW, LOWER END CAP TO CYLINDER BLOCK
	10-39669		2	SCREW, LOWER END CAP TO DYLINDER BLOCK
27	13-26992		2	LOCKWASHER, LOWER END CAP SCREW
28	10-64022		1	SCREW, ADJUSTING-CYLINDER BLOCK
29	11-64015		1	NUT, JAM-ADJUSTING SCREW
30	26852		1	CAP, NYLON-ADJUSTING SCREW
31	22-32561		1	PIPE PLUG, CRANKCASE
32	43453		1	PLUG, CRANKCASE
33	25-32509		1	"O" RING, CRANKCASE PLUG
34	10-41506		2	SCREW, PLUG TO CRANKCASE

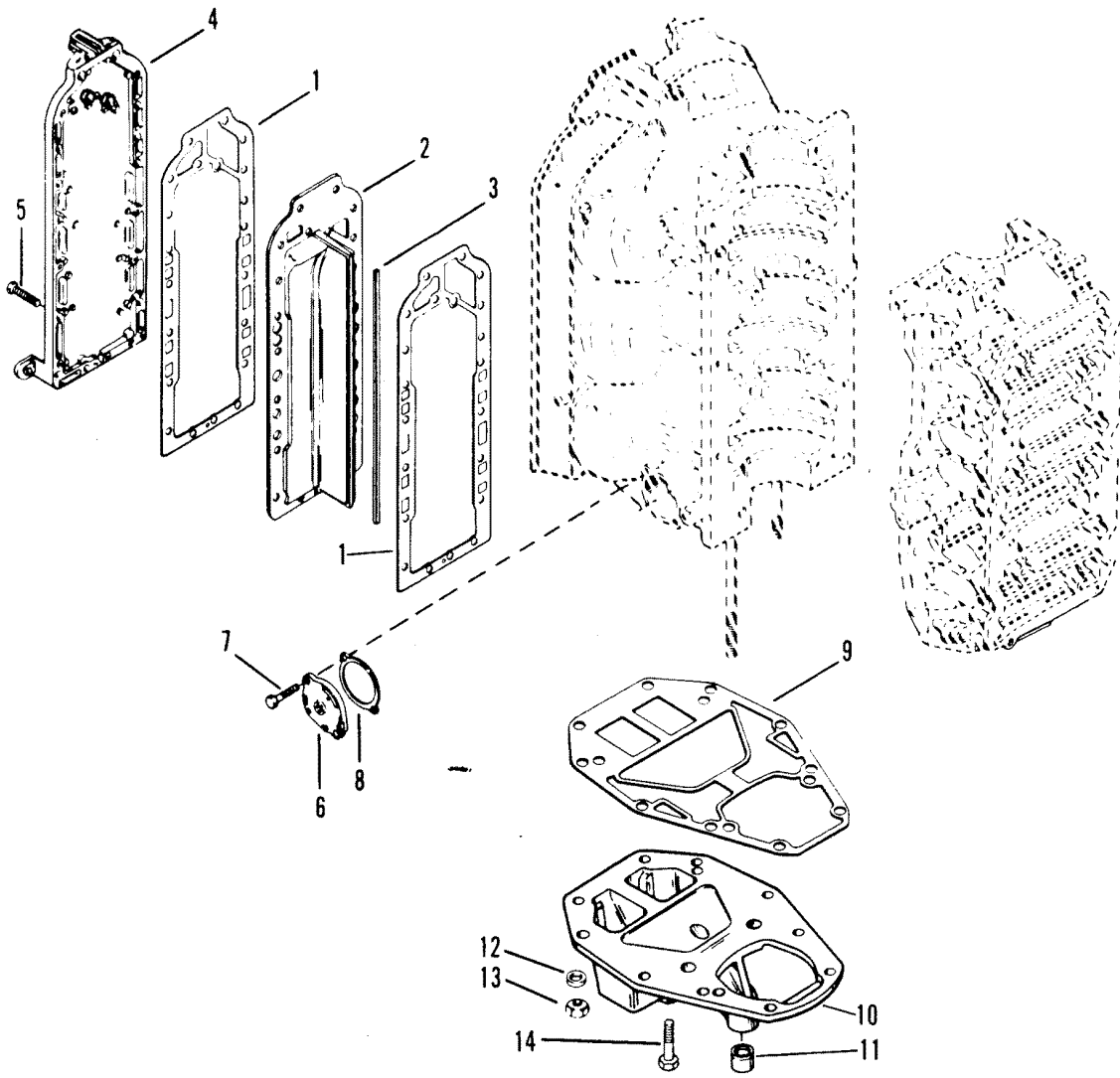
REED BLOCK AND CYLINDER HEAD



REED BLOCK AND CYLINDER HEAD

REF. NO.	PART NO.	SYM.	QTY.	DESCRIPTION
1	96532		2	CYLINDER HEAD
2	27-14830		2	GASKET, CYLINDER HEAD
3	10-98534		24	SCREW, CYLINDER HEAD (2")
4	12-25909		24	WASHER, CYLINDER HEAD SCREW
5	96283		2	COVER, CYLINDER
6	27-96278		2	GASKET, CYLINDER COVER
7	10-74824		40	SCREW, CYLINDER COVER TO CYLINDER HEAD (1-1/4")
8	12-47533		2	WASHER, SUBSTITUTE FOR THERMOSTAT
9	27-62386		2	GASKET, THERMOSTAT
10	90390A1		2	COVER, THERMOSTAT
11	10-77065		2	SCREW, THERMOSTAT COVER (2")
	10-35386		2	SCREW, THERMOSTAT COVER (1")
12	22-68727		1	FITTING, ELBOW-WATER HOSES
13	32-61649--3		2	HOSE, WATER DISTRIBUTION
14	22-68728		1	FITTING, THERMOSTAT COVER TO WATER HOSES
15	61990		4	STA-STRAP, WATER HOSES
16	45915		1	TERMIINAL BLOCK
17	10-35519		2	SCREW, TERMINAL BLOCK TO CYLINDER BLOCK
18	43517T		1	HOUSING, REED BLOCK
19	10-28668		8	SCREW, REED BLOCK HOUSING (7/8")
20	27-96761		1	GASKET, REED BLOCK HOUSING
21	75953		6	REED BLOCK
22	34-77887A1		6	REED ASSEMBLY
23	96183		12	REED CLAMP
24	10-99272		60	SCREW, REEDS TO REED BLOCK
25	10-21558		6	SCREW, REED BLOCK ATTACHING (3/4")
26	10-96529		6	SCREW, REED BLOCK ATTACHING (2")
27	16-27037		12	STUD, CARBURETOR MOUNTING
28	22-71191		6	ELBOW, BLEED HOSE (PRESS IN)
29	22-56759		4	FITTING, BLEED HOSE (PRESS IN)
30	32-66285--4		1	HOSE, BLEED
31	21-42623		1	CHECH VALVE, BLEED HOSE (PRESS-IN-11/16" LONG)
	21-42698		7	CHECK VALVE, BLEED HOSE (PRESS-IN-13/16" LONG)

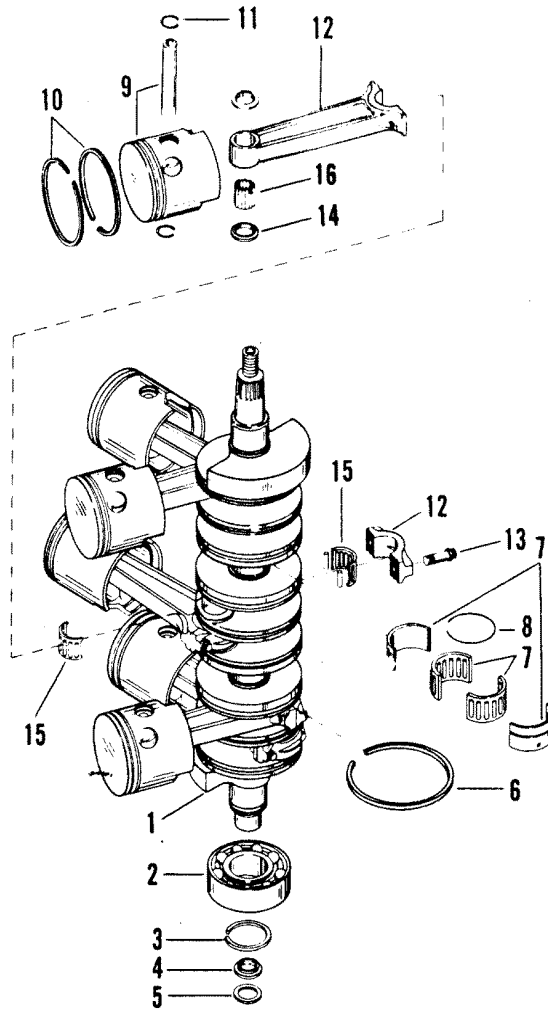
EXHAUST MANIFOLD



EXHAUST MANIFOLD

REF. NO.	PART NO.	SYM.	QTY.	DESCRIPTION
1	27-90484		2	GASKET, DIVIDER PLATE
2	99169		1	PLATE, DIVIDER
3	69668		1	SEAL, DIVIDER PLATE
4	95067		1	COVER, EXHAUST MANIFOLD
5	10-74824		21	SCREW, COVER AND PLATE TO CYLINDER BLOCK (1-1/4")
6	99193		1	COVER, RELIEF VALVE
7	10-37562		2	SCREW, COVER TO CYLINDER BLOCK (1")
8	27-88907		1	GASKET, RELIEF VALVE PLATE
9	27-78069		2	GASKET, EXHAUST PLATE
10	13225A1		1	PLATE ASSEMBLY, EXHAUST
11	26-38970		1	SEAL, WATER TUBE
12	12-25970		8	WASHER, POWERHEAD STUDS
13	11-23161		8	NUT, POWERHEAD STUDS
14	10-77256		2	SCREW

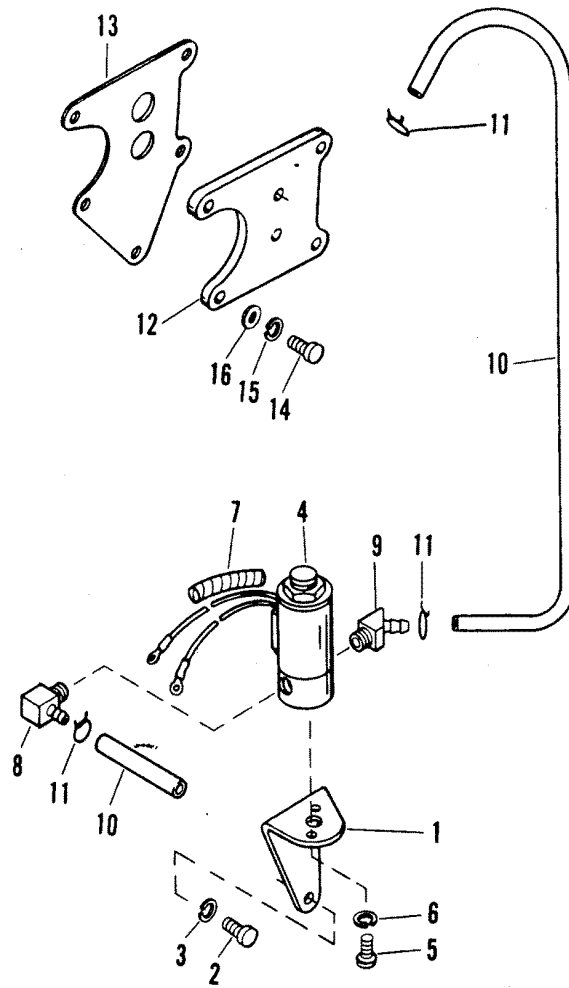
CRANKSHAFT, PISTONS AND CONNECTING RODS



CRANKSHAFT, PISTONS AND CONNECTING RODS

REF. NO.	PART NO.	SYM.	QTY.	DESCRIPTION
1	455-7666A4		1	CRANKSHAFT ASSEMBLY
2	30-41421		1	BALL BEARING, CRANKSHAFT (LOWER)
3	53-67446		1	RETAINING RING, BALL BEARING
5	54196A6		1	CARRIER ASSEMBLY, SEAL
	65800		1	SEAL, CARRIER
6	39-67377		AR	RING, SEALING - CRANKSHAFT (.124 THICK)
8	31-93495		2	ROLLER BEARING, CRANKSHAFT
9	53-67444		2	RETAINING RING, ROLLER BEARING
	766-8666A11		3	PISTON ASSEMBLY (STARBOARD)
	766-8667A11		3	PISTON ASSEMBLY (PORT)
10	39-44395A12		1	PISTON RING ASSEMBLY
11	40-52035		12	LOCK RING, PISTON
12	636-8119A3		6	CONNECTING ROD ASSEMBLY
13	10-93886		12	SCREW, CONNECTING ROD
14	12-47247		12	WASHER, NEEDLE LOCATING
15	31-67526A1		6	ROLLER BEARING ASSEMBLY, CRANKSHAFT END
16	29-67483		174	NEEDLE BEARING, PISTON END

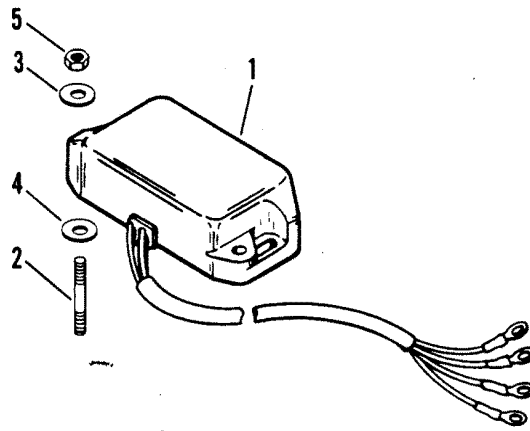
PRIMER SOLENOID



PRIMER SOLENOID

REF. NO.	PART NO.	SYM.	QTY.	DESCRIPTION
1	90345		1	BRACKET, PRIMER SOLENOID
2	10-98253		2	SCREW, SOLENOID BRACKET
3	13-26992		2	LOCKWASHER, BRACKET SCREW
4	89-76886A2		1	PRIMER SOLENOID ASSEMBLY
5	10-86509		2	SCREW, SOLENOID TO BRACKET
6	13-26995		2	LOCKWASHER, SOLENOID SCREW
7	32-77690		1	WRAPPING (1/4")
8	22-62006		1	ELBOW, SOLENOID (90 DEGREE)
9	22-77059		1	FITTING, SOLENOID (45 DEGREE)
10	32-66285--4		1	HOSE, SOLENOID
11	54-60564		3	CLAMP, HOSE
12	87545A1		1	COVER PLATE ASSEMBLY
13	27-77053		1	GASKET, COVER PLATE
14	10-32228		4	SCREW, PLATE TO CRANKCASE
15	13-26996		4	LOCKWASHER, PLATE SCREW
16	12-24676		4	WASHER, PLATE SCREW

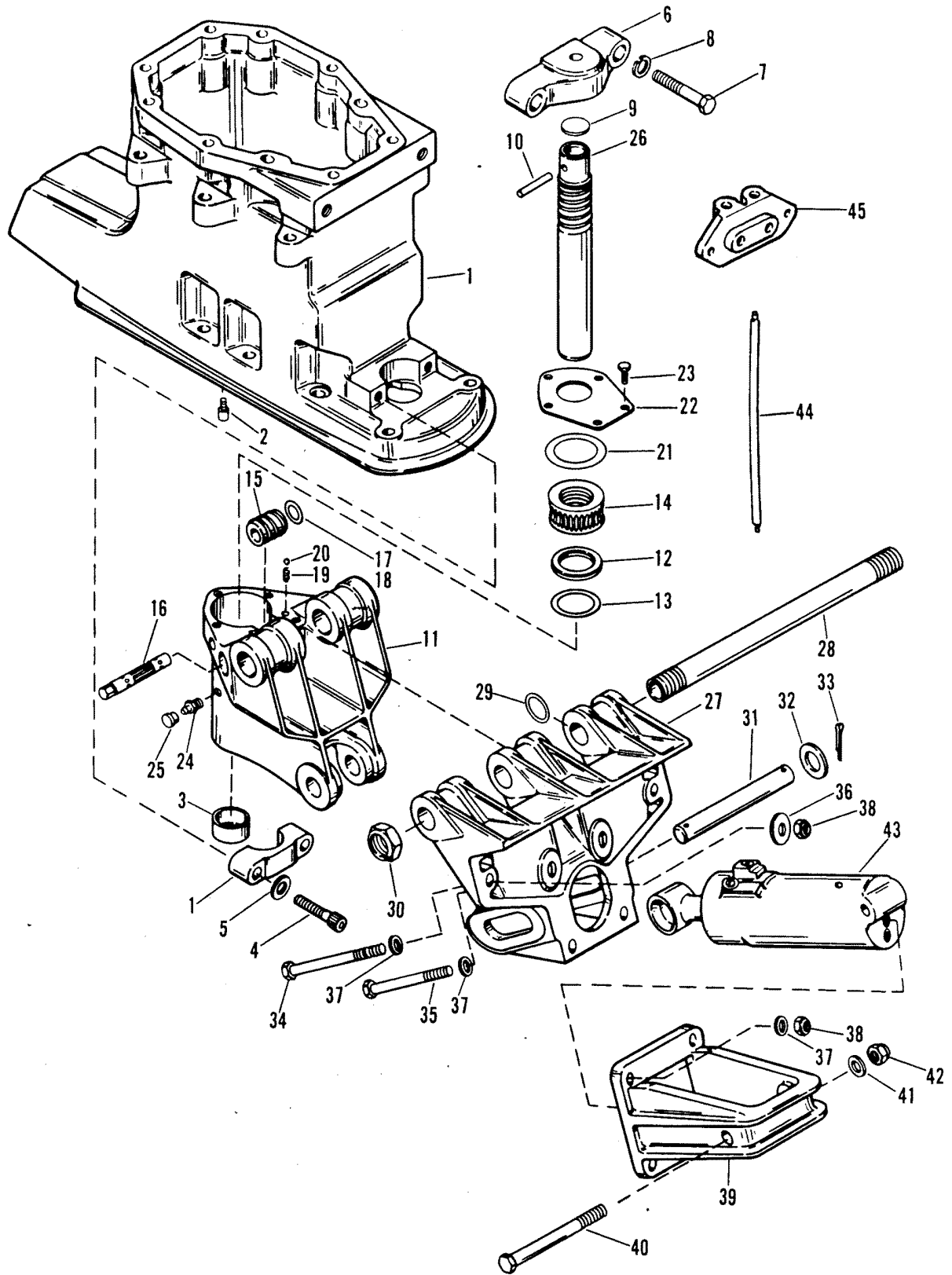
REV LIMITER



REV LIMITER

REF. NO.	PART NO.	SYM.	QTY.	DESCRIPTION
1	86926A4		1	REV LIMITER ASSEMBLY
2	16-30172		2	STUD, REV LIMITER
3	12-21273		4	WASHER, METAL
4	12-49221--1		4	WASHER, RUBBER
5	11-20110		2	NUT, REV LIMITER STUD

DRIVE SHAFTING HOUSING

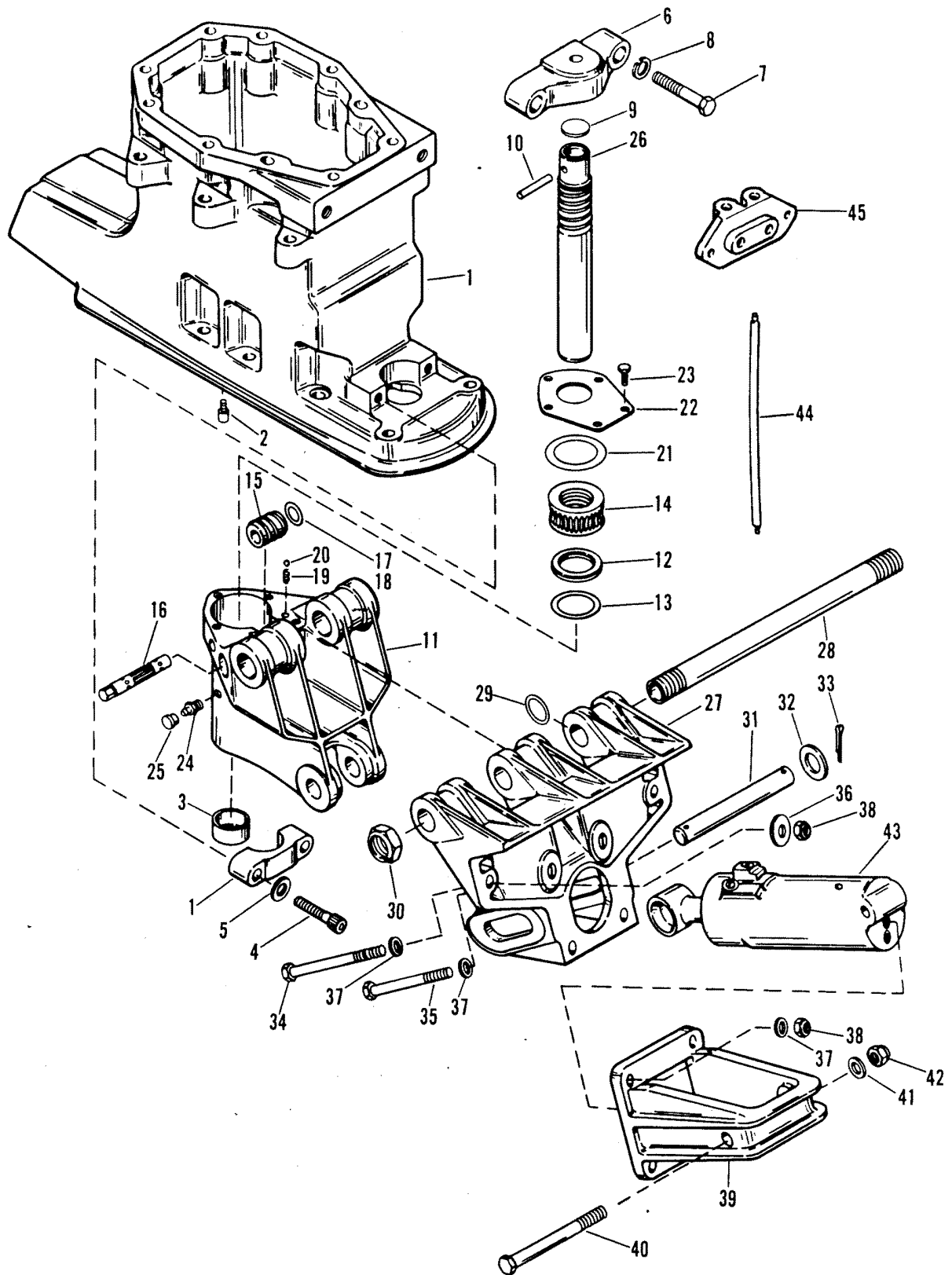


DRIVE SHAFTING HOUSING

REF. NO.	PART NO.	SYM.	QTY.	DESCRIPTION
1	1581-7320A9		1	DRIVE SHAFT HOUSING ASSEMBLY
2	17-85993		2	DOWEL PIN
3	23-71583		1	SLEEVE (BOTTOM)
4	10-99524		2	SCREW
5	12-27025		2	WASHER
6	74768		1	TOP YOKE
7	10-71582		2	SCREW
8	13-71580		2	LOCKWASHER
9	23-77743		1	SPACER (DISC)
10	17-85755		1	PIN
11	71609		1	SWIVEL BRACKET
12	12-71586		1	THRUST BEARING
13	15-71585A1		1	SHIM ASSEMBLY
14	43-71601		1	WORM GEAR
15	43-71584		1	WORM
16	71591		1	WORM SHAFT
17	12-92721		1	WASHER
18	12-28121		2	WASHER
19	24-48917		2	SPRING,DETENT
20	38204		2	BALL
21	15-67831A1		AR	SHIM ASSEMBLY
22	71590		1	COVER
23	10-98253		5	SCREW
24	22-23612		2	GREASE FITTING
25	19-77633		2	LUBRICAP
26	17-71598		1	SWIVEL PIN
27	71608		1	TRANSOM BRACKET
28	71599		1	TILT TUBE
29	15-21158A1		AR	SHIM ASSEMBLY
30	11-34862		2	NUT
31	17-71592		1	TRIM PIN
32	12-59378		2	WASHER
33	18-34212		2	COTTER PIN
34	10-46196		4	SCREW
35	10-70832		2	SCREW
36	12-70833		2	WASHER
37	12-45176		10	WASHER
38	11-34933		6	NUT
39	69337--3		1	BRACKET, TRIM CYLINDER
40	10-97934		1	SCREW, TRIM CYLINDER
41	12-20959		1	WASHER

CONTINUED ON NEXT PAGE ➡

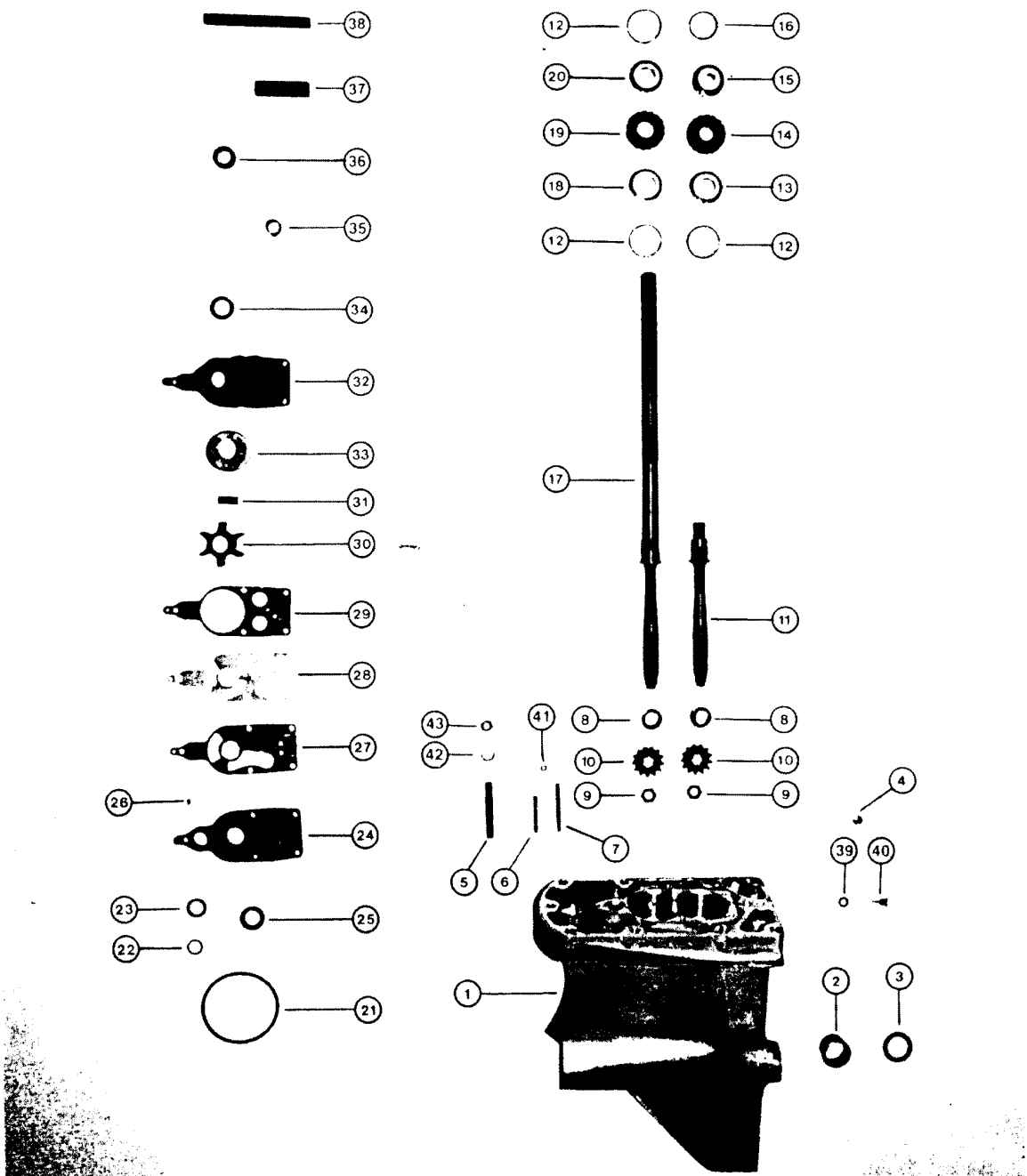
DRIVE SHAFTING HOUSING



DRIVE SHAFTING HOUSING

REF. NO.	PART NO.	SYM.	QTY.	DESCRIPTION
42	11-35000		1	NUT
43	45194A20		1	TRIM CYLINDER ASSEMBLY
44	32-70069		2	TRIM HOSE (18")
	32-67033		2	TRIM HOSE (8")
45	47347		1	CONNECTOR, TRIM HOSE

GEAR HOUSING (DRIVE SHAFT)

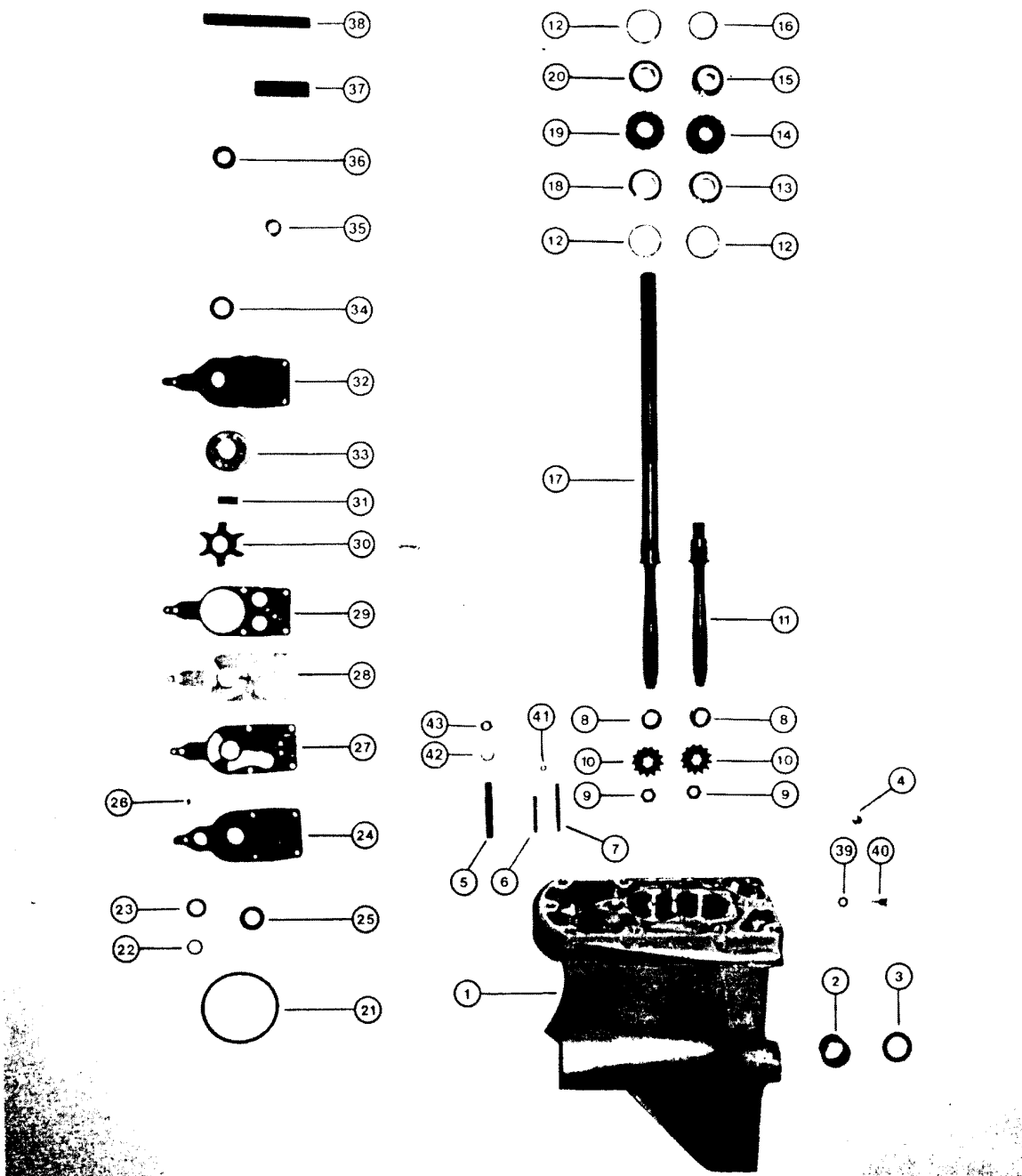


GEAR HOUSING (DRIVE SHAFT)

REF. NO.	PART NO.	SYM.	QTY.	DESCRIPTION
-	1657-7461A11		1	GEAR HOUSING ASSEMBLY, COMPLETE
1	1657-7461A1		1	GEAR HOUSING ASSEMBLY
2	31-87013		1	ROLLING BEARING, PROPELLER SHAFT
3	26-96435		2	OIL SEAL, PROPELLER SHAFT
4	22-73379		AR	PLUG, BRASS
	21-44546		AR	PRESSURE RELIEF VALVE
5	16-57935		8	STUD, GEARCASE TO DRIVE SHAFT HOUSING (7/16")
6	16-20990		3	STUD, WATER PUMP (1/4 X 1-13/16)
7	16-33778		2	STUD, WATER PUMP (1/4 X 2-5/8)
8	31-31524		2	ROLLING BEARING, DRIVE SHAFT
9	11-30932		2	NUT, PINION GEAR
10	43-62943A1		2	PINION GEAR (14 TOOTH)
11	45-87015		1	DRIVE SHAFT, REAR
12	15-38657A1		AR	SHIM ASSEMBLY, DRIVE SHAFT BEARING
13	31-38678A1		1	BEARING ASSEMBLY, DRIVE SHAFT (LOWER)
14	43-60928		1	GEAR, HELICAL (DRIVE SHAFT)
15	31-38681A1		1	BEARING ASSEMBLY, DRIVE SHAFT (UPPER)
16	15-38668A1		AR	SHIM ASSEMBLY, DRIVE SHAFT BEARING
17	45-87014		1	DRIVE SHAFT, FRONT
18	31-38680A1		1	BEARING ASSEMBLY, DRIVE SHAFT (LOWER)
19	43-60929		1	GEAR, HELICAL (DRIVE SHAFT)
20	31-38678A1		1	BEARING ASSEMBLY, DRIVE SHAFT (UPPER)
21	25-32069		1	"O" RING, WATER PUMP BASE TO GEARCASE (LARGE)
22	23-59386		1	SPACER, "O" RING - WATER PUMP
23	25-35276		1	"O" RING, WATER PUMP BASE TO GEARCASE (SMALL)
24	46-38631A1		1	WATER PUMP BASE ASSEMBLY
25	26-55905		2	OIL SEAL, WATER PUMP BASE
26	17-29596		2	DOWEL PIN, WATER PUMP BASE
27	27-60926		1	GASKET, WATER PUMP BASE TO FACE PLATE
28	60927		1	FACE PLATE, WATER PUMP
29	27-38659		1	GASKET, WATER PUMP BODY TO FACE PLATE
30	47-89984		1	IMPELLER, WATER PUMP
31	28-56654		1	KEY, WATER PUMP IMPELLER
32	46-70090A1		1	WATER PUMP BODY ASSEMBLY
33	30915		1	INSERT, WATER PUMP BODY
34	26-79884		1	OIL SEAL, WATER PUMP BODY
35	26-36557		1	SEAL, WATER INLET TUBE
36	25-30271		1	RING, RUBBER
37	23-29804		1	SLEEVE, WATER TUBE GUIDE
38	32-57456		1	WATER TUBE

CONTINUED ON NEXT PAGE ➡

GEAR HOUSING (DRIVE SHAFT)

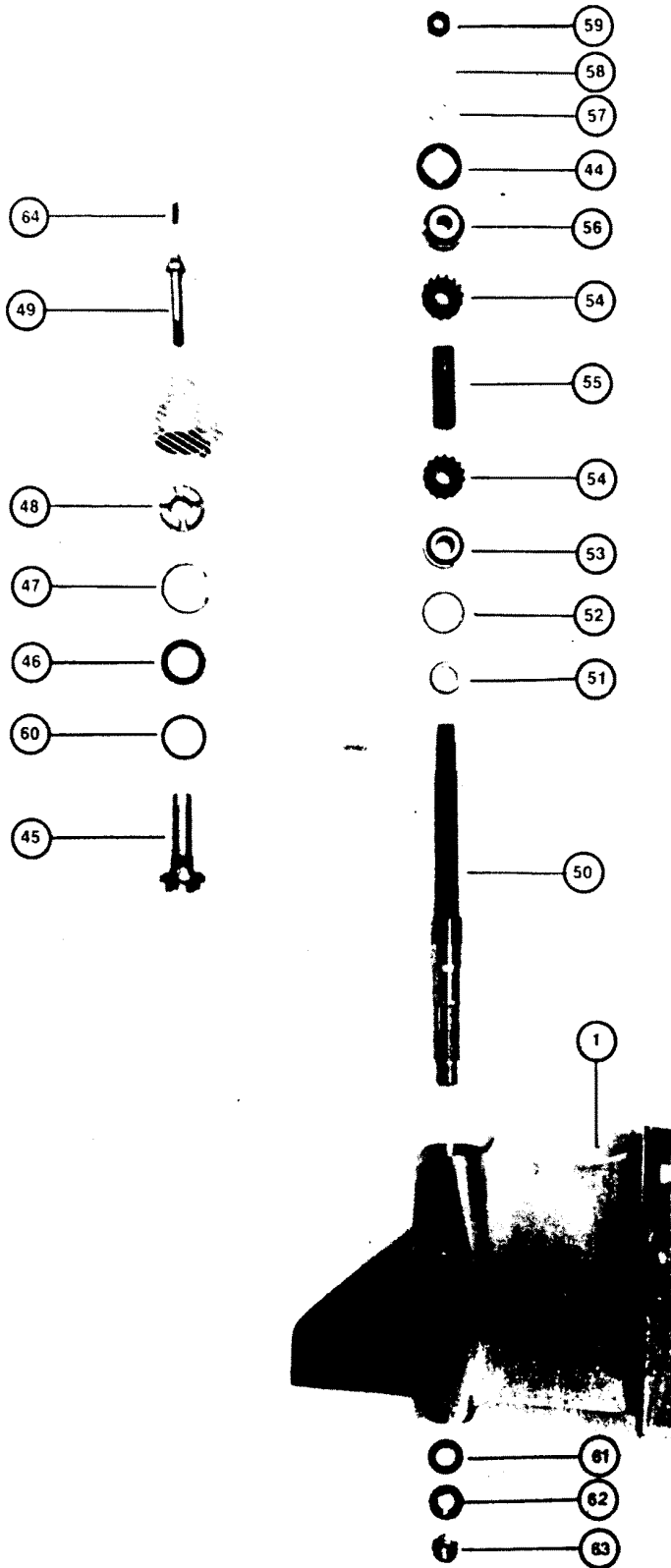


GEAR HOUSING (DRIVE SHAFT)

REF. NO.	PART NO.	SYM.	QTY.	DESCRIPTION
39	12-20260		2	WASHER, SEALING - FILLER SCREW
40	22-67892		2	SCREW, FILLER
41	11-30506		5	NUT, WATER PUMP STUD (1/4")
42	12-45176		8	WASHER, DRIVE SHAFT HOUSING STUD
43	11-34933		8	NUT, DRIVE SHAFT HOUSING (7/16")

GEAR HOUSING (PROPELLER SHAFT)

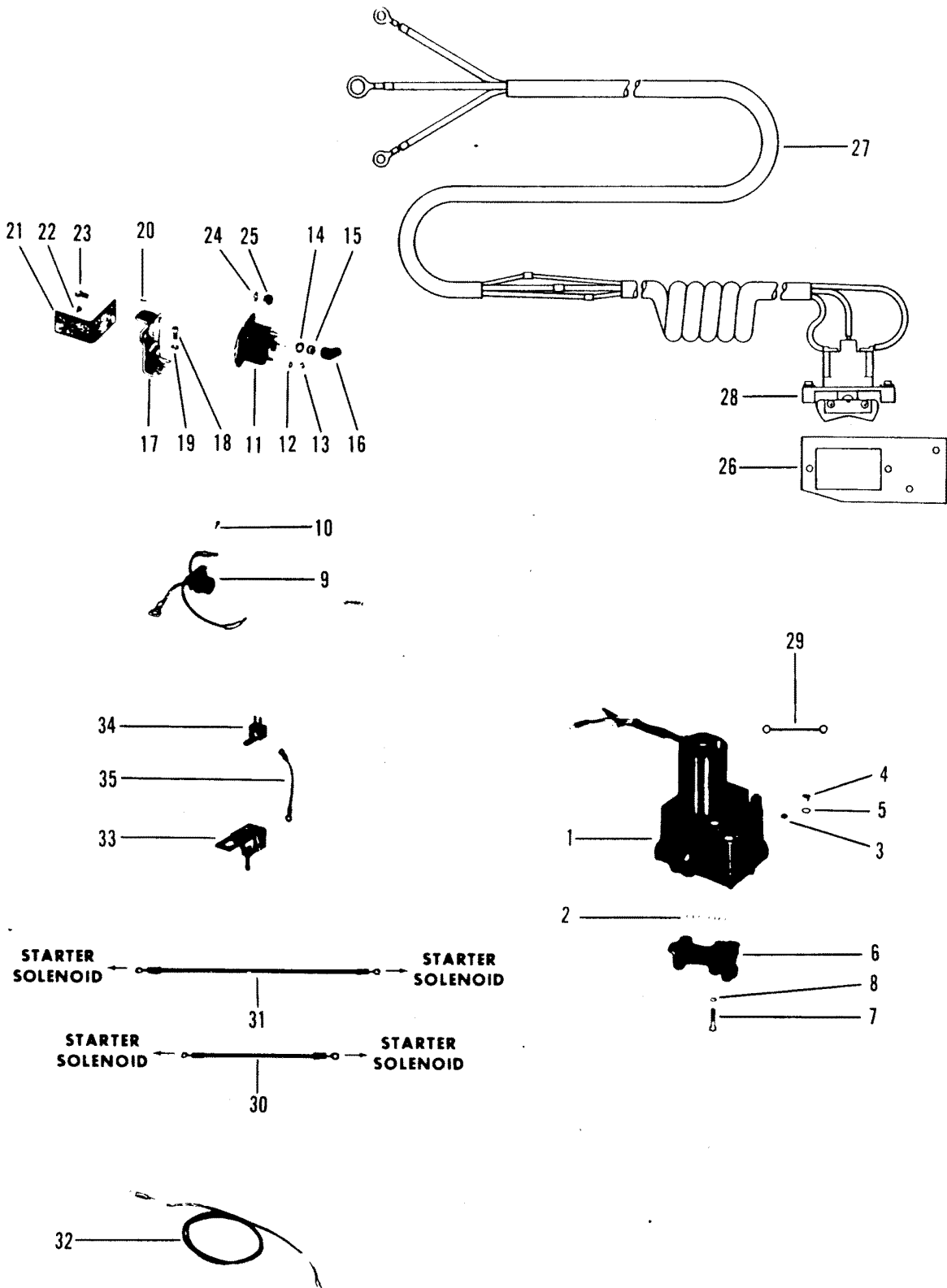
GEAR HOUSING (PROPELLER SHAFT)



GEAR HOUSING (PROPELLER SHAFT)

REF. NO.	PART NO.	SYM.	QTY.	DESCRIPTION
-	1657-7461A11		1	GEAR HOUSING ASSEMBLY, COMPLETE
1	1657-7461A1		1	GEAR HOUSING ASSEMBLY
44	53-28576		1	NUT, BEARING RETAINER
45	38652		1	ANCHOR STUD
46	12-28565		1	WASHER, SEALING
47	53-28562		1	SNAP RING
48	34195		1	COVER, GEARCASE
49	10-34150		1	SCREW, NOSE CONE RETAINING
50	44-78432		1	PROPELLER SHAFT
51	12-38688		1	WASHER, SPECIAL (PROPELLER SHAFT)
52	15-32563A1		AR	SHIM ASSEMBLY, REAR PROPELLER SHAFT BEARING
53	31-32575A1		1	BEARING ASSEMBLY, PROPELLER SHAFT (REAR)
54	N.S.S.		2	GEAR, PROPELLER SHAFT (PART OF 43-62943A1)
55	23-38661		1	SPACER, PROPELLER SHAFT GEAR
56	31-70087A1		1	BEARING ASSEMBLY, PROPELLER SHAFT (FRONT)
57	12-90405		1	WASHER, CONVEX
58	12-90404		1	WASHER, CONCAVE
59	11-22339		1	NUT, PROPELLER SHAFT RETAINING
60	25-26855		1	"O" RING
61	12-39701		1	WASHER, PROPELLER SHAFT (SPLINED)
62	12-39698		1	WASHER, PROPELLER SHAFT (PLAIN)
63	11-52707A1		1	NUT, PROPELLER SHAFT
64	65700		1	PLUG, NOSE CONE SCREW

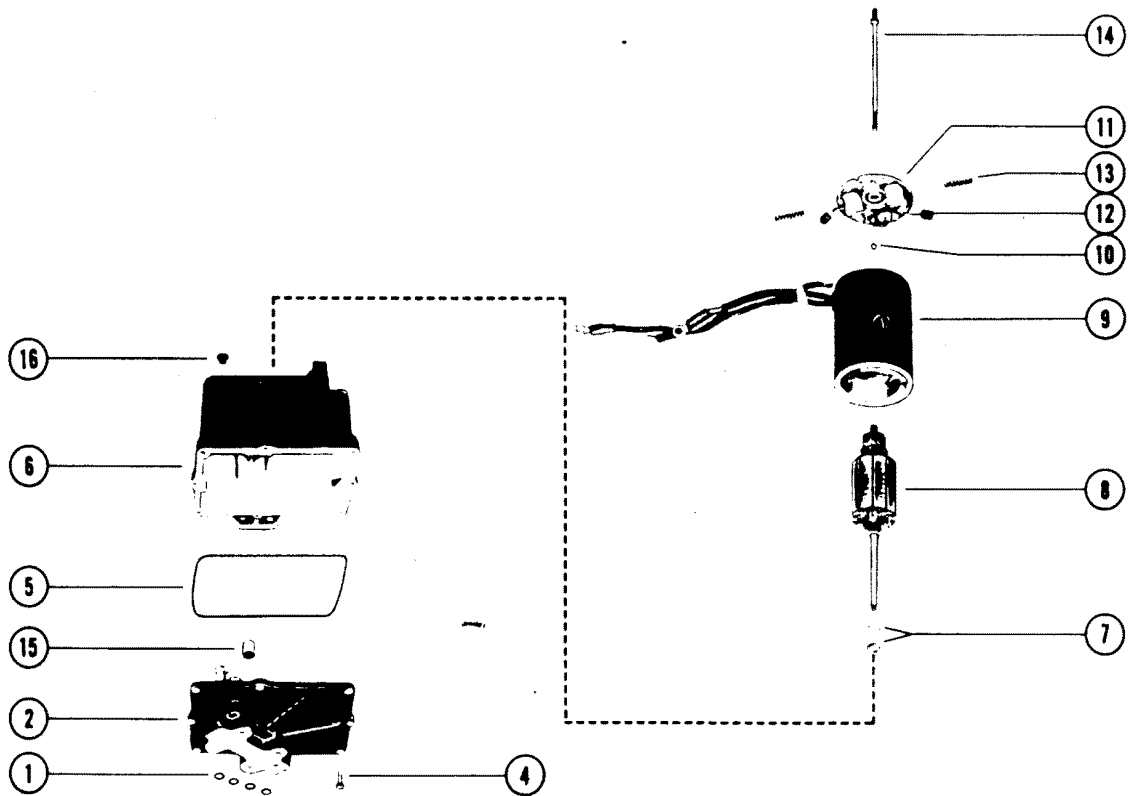
HYDRAULIC PUMP AND BRACKET



HYDRAULIC PUMP AND BRACKET

REF. NO.	PART NO.	SYM.	QTY.	DESCRIPTION
1	92975A6		1	HYDRAULIC PUMP ASSEMBLY
2	25-48171		4	"O" RING, HYDRAULIC PUMP
3	10-62269		1	VENT SCREW
4	10-79953		1	SCREW, FILTER
5	12-20260		1	SEALING WASHER
6	90762A2		1	CONTROL VALVE ASSEMBLY
-	25-48171		4	"O" RING (SAME AS REF.NO.2)
7	10-21091		4	SCREW, CONTROL VALVE TO PUMP
8	13-26992		4	LOCKWASHER, CONTROL VALVE SCREW
9	84-74023A1		1	CONNECTOR AND HARNESS (W/O FUSE)
	84-79147A3		1	CONNECTOR AND HARNESS (WITH FUSE)
10	10-62568		1	SCREW, HARNESS ATTACHING
11	89-68258A4		2	STARTER SOLENOID
12	13-26996		4	LOCKWASHER (#10)
13	11-20110		4	NUT (#10)
14	12-22753		4	WASHER (5/16")
15	11-26484		4	NUT (5/16")
16	46265		3	BOOT, RUBBER
17	74407T		1	BVRACKET, MOUNTING-SOLENOID
18	10-48063		2	SCREW, BRACKET TO PUMP
19	13-26992		2	LOCKWASHER, MOUNTING SCREW
20	11-20110		1	NUT, PUMP BOLT
21	74406		1	BRACKET, SOLENOID MOUNTING
22	26901		1	BUMPER, PUMP TO BRACKET
23	10-32417		2	SCREW, SOLENOID TO BRACKET (5/8")
	10-60300		2	SCREW, SOLENOID TO BRACKET (3/4")
24	13-26992		4	LOCKWASHER, SOLENOID SCREW
25	11-20361		4	NUT, SOLENOID SCREW
26	61626A1		1	PLATE ASSEMBLY, TRIM SWITCH
27	84-61703A4		1	HARNESS ASSEMBLY, TRIM SWITCH
28	87-61691		1	ROCKER SWITCH
29	84-65999A4		1	CABLE ASSEMBLY (BLACK-SHORT)
	84-65999A10		1	CABLE ASSEMBLY (BLACK-LONG)
30	84-79139A2		1	JUMPER WIRE, SOLENOID (RED)
31	84-65999A6		1	JUMPER WIRE, SOLENOID (BLACK)
32	84-79139A9		1	BATTERY LEAD (POSITIVE)
	84-79138A1		1	BATTERY LEAD (NEGATIVE)
33	88-79023A90		1	FUSE ASSEMBLY (90 AMP)
34	88-79137--1		1	CIRCUIT BREAKER
35	84-79148A1		1	JUMPER WIRE (RED)

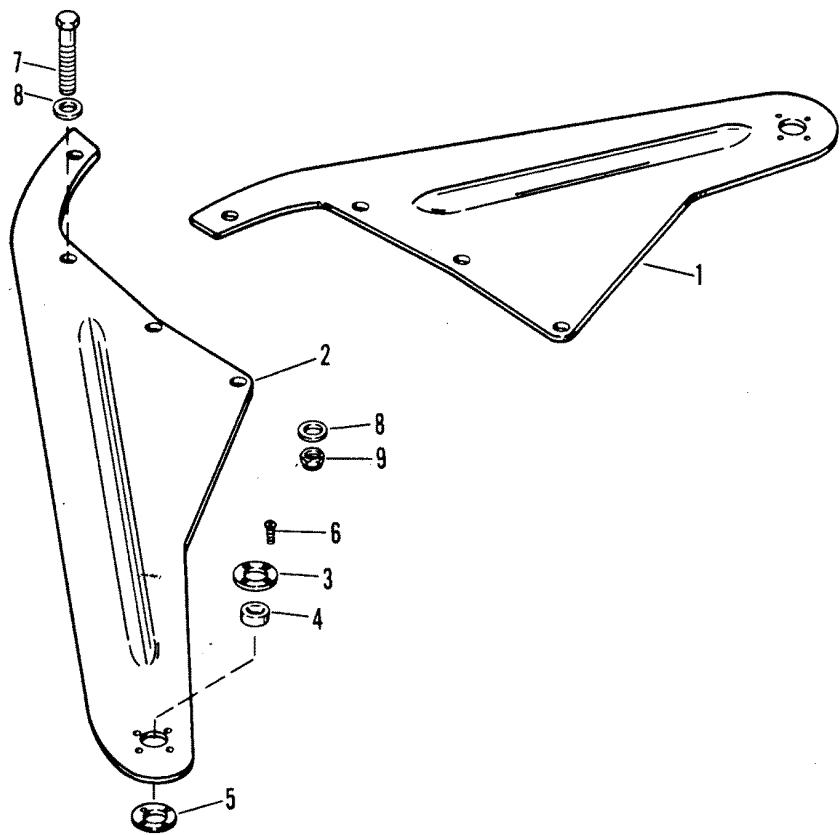
HYDRAULIC PUMP ASSEMBLY (PLASTIC RESERVOIR)



HYDRAULIC PUMP ASSEMBLY (PLASTIC RESERVOIR)

REF. NO.	PART NO.	SYM.	QTY.	DESCRIPTION
-	92975A6		1	HYDRAULIC PUMP ASSEMBLY
1	25-48171		4	"O" RING, HYDRAULIC PUMP
2	392-8317		1	VALVE BODY AND GEAR ASSEMBLY
4	10-69570		8	SCREW, VALVE BODY TO RESERVOIR
5	392-7735		1	SEAL, RESERVOIR TO VALVE BODY AND GEAR
6	392-7731		1	RESERVOIR ASSEMBLY (PLASTIC)
7	392-7732		AR	WASHER, THRUST - ARMATURE
8	392-7729		1	ARMATURE, FIELD AND FRAME
9	392-8261		1	FIELD AND FRAME ASSEMBLY
10	392-7730		1	BALL, COMMUTATOR END PLATE
11	392-8262		1	PLATE ASSEMBLY, COMMUTATOR END
12	392-2941		1	BRUSH SET, COMMUTATOR END PLATE
13	392-2529		1	SPRING SET, BRUSH TENSION
14	392-7733		1	BOLT SET, THRU - PLATE AND FRAME TO RESERVOIR
15	392-7727		1	COUPLER AND SHAFT
16	392-7728		1	FILL PLUG, RESERVOIR

STEERING PLATES



STEERING PLATES

REF. NO.	PART NO.	SYM.	QTY.	DESCRIPTION
1	69333A1		1	STEERING PLATE ASSEMBLY (STARBOARD)
2	69332A1		1	STEERING PLATE ASSEMBLY (PORT)
3	67022		2	STEERING PLATE, UPPER
4	23-67023		2	BUSHING
5	67024		2	STEERING PLATE, LOWER
6	10-66676		8	SCREW
7	10-56393		8	SCREW, PLATE TO DRIVE SHAFT HOUSING
8	12-34567		16	WASHER, PLATE SCREW
9	11-35053		8	NUT, PLATE SCREW

PARTS INDEX

Part Number	Description	Pg.	Ref. No.	Part Number	Description	Pg.	Ref. No.
12955A3	BOTTOM COWL ASSEMBLY	3	13	68042	STOP, RUBBER -STARTER MOTOR	5	13
13225A1	PLATE ASSEMBLY, EXHAUST	21	10	69332A1	STEERING PLATE ASSEMBLY (PORT)	43	2
13443A1	PLATE ASSEMBLY, CARBURETOR	13	36	69333A1	STEERING PLATE ASSEMBLY (STARBOARD)	43	1
13623	BRACKET, ANCHOR - CONTROL CABLES	11	28	69337--3	BRACKET, TRIM CYLINDER	29	39
13624	PLATE, IGNITION	7	1	69668	SEAL, DIVIDER PLATE	21	3
13734	RETAINER, HOLD DOWN	3	14	70844A1	FUEL PUMP KIT	13	19
14410A1	FRONT COVER	3	2	71590	COVER	29	22
26852	CAP, NYLON-ADJUSTING SCREW	17	30	71591	WORM SHAFT	29	16
26901	BUMPER,PUMP TO BRACKET	39	22	71599	TILT TUBE	29	28
30915	INSERT, WATER PUMP BODY	33	33	71602	YOKE, COWL HOLD DOWN	3	5
34195	COVER, GEARCASE	37	48	71608	TRANSOM BRACKET	29	27
38204	BALL	29	20	71609	SWIVEL BRACKET	29	11
38652	ANCHOR STUD	37	45	73498	CLAMP, FUEL LINE	13	34
39483	LATCH, CABLE	11	18	74406	BRACKET,SOLENOID MOUNTING	39	21
39519	CAP, BARREL RETAINER - ANCHOR BAR	11	30	74407T	BVRACKET,MOUNTING-SOLENOID	39	17
41095T	LEVER, THROTTLE CONTROL	11	9	74768	TOP YOKE	29	6
42249	COVER, STARTER MOTOR (UPPER)	17	6	74897	PIVOT, TRIGGER PLATE	11	1
43453	PLUG, CRANKCASE	17	32	75095A1	CAP ASSEMBLY, STOP SWITCH	7	39
43517T	HOUSING, REED BLOCK	19	18	75953	REED BLOCK	19	21
45194A20	TRIM CYLINDER ASSEMBLY	31	43	76035	LINK ROD, TRIGGER PLATE	11	4
45559	TERMINAL BLOCK	7	40	76366	PLATE, IGNITION PANEL	7	33
45915	TERMINAL BLOCK	19	16	76867	COVER, STARTER MOTOR (LOWER)	17	9
46265	BOOT,RUBBER	39	16	77604A1	REGULATOR	13	24
47347	CONNECTOR, TRIM HOSE	31	45	78441	LEVER, SPARK ADVANCE	11	5
52023	CAP, SPARK ADVANCE LEVER STOP SCREW	11	8	78442	THROTTLE CAM	11	24
52023	CAP, THROTTLE LEVER STOP SCREW	11	17	86926A4	REV LIMITER ASSEMBLY	27	1
54196A6	CARRIER ASSEMBLY, SEAL	23	5	86985	BRACKET TIMING	17	20
56703	COLLAR, STARTER MOTOR	5	11	87545A1	COVER PLATE ASSEMBLY	25	12
58707	HOLD DOWN (BUNGY CORD)	3	8	87604	THROTTLE LINK	13	25
58809--6	TRIM MOULDING	3	17	87607	LEVER, THROTTLE	15	22
60572	BARREL, THROTTLE CONTROL ROD	11	23	87609	LEVER, NYLON - SHIFT CABLE LOCKING	11	31
60927	FACE PLATE, WATER PUMP	33	28	88369	BAFFLE	15	29
61626A1	PLATE ASSEMBLY,TRIM SWITCH	39	26	89279	SWIVEL, TRIGGER PLATE	11	2
61990	STA-STRAP, WATER HOSES	19	15	90211	COVER, NYLON - SHIFT CABLE	11	33
62351A2	RECTIFIER	7	16	90345	BRACKET, PRIMER SOLENOID	25	1
65503A4	HOUSING ASSEMBLY, STOP SWITCH	7	38	90390A1	COVER,THERMOSTAT	19	10
65700	PLUG, NOSE CONE SCREW	37	64	90762A2	CONTROL VALVE ASSEMBLY	39	6
65799T	LINK, LOCKING LEVER TO COVER	11	34	92975A6	HYDRAULIC PUMP ASSEMBLY	39	1
65800	SEAL, CARRIER	23	5	92975A6	HYDRAULIC PUMP ASSEMBLY	41	-
67022	STEERING PLATE, UPPER	43	3	93332A1	THROTTLE LEVER	13	26
67024	STEERING PLATE, LOWER	43	5	95067	COVER, EXHAUST MANIFOLD	21	4
67614	COVER, IGNITION COIL	5	20	95829	ROD, THROTTLE CONTROL	11	22
67748	ROLLER, LOWER THROTTLE LEVER	13	33	96183	REED CLAMP	19	23
				96283	COVER, CYLINDER	19	5
				96455A9	TRIGGER PLATE ASSEMBLY	5	9
				96532	CYLINDER HEAD	19	1

PARTS INDEX

Part Number	Description	Pg.	Ref. No.	Part Number	Description	Pg.	Ref. No.
99169	PLATE, DIVIDER	21	2	10-59702	SCREW, HARNESS CLAMP	7	27
99193	COVER, RELIEF VALVE	21	6	10-60300	SCREW, SLIP TO BOTTOM COWL	13	16
99264	PLATE, COWL BASE	3	20	10-60300	SCREW, SOLENOID TO BRACKET (3/4")	39	23
N.S.S.	GEAR, PROPELLER SHAFT (PART OF 43-62943A1)	37	54	10-62269	VENT SCREW	39	3
N.S.S.	PLATE, COVER	15	4	10-62568	SCREW, TERMINAL BLOCK	7	41
10-12666	SCREW, SWITCH BOX TO IGNITION PLATE	7	3	10-62568	SCREW, HARNESS ATTACHING	39	10
10-20646	SCREW, CABLE TO IGNITION PLATE (5/8")	7	9	10-64022	SCREW, ADJUSTING-CYLINDER BLOCK	17	28
10-20646	SCREW, RECTIFIER TO IGNITION PLATE (5/8")	7	17	10-64022	SCREW, SPARK ADVANCE LEVER - STOP	11	6
10-21091	SCREW, CONTROL VALVE TO PUMP	39	7	10-64022	SCREW, THROTTLE LEVER - STOP (2-1/8")	11	15
10-21558	SCREW, REED BLOCK ATTACHING (3/4")	19	25	10-65027	SCREW	13	37
10-22028	SCREW, LEAD TO TERMINAL BLOCK	9	46	10-66676	SCREW	43	6
10-22486	SCREW, CABLE LATCH TO THROTTLE LEVER	11	19	10-66717	SCREW, CRANKCASE TO CYLINDER BLOCK (3-1/4")	17	11
10-22523	SCREW, TERMINAL BLOCK TO PLATE (3/4")	9	45	10-68513	SCREW, GROUND STRAP	5	24
10-24220	SCREW, SET-CYLINDER BLOCK (3/16")	17	17	10-69034	SCREW, UPPER END CAP TO CYLINDER BLOCK (1")	17	16
10-24637	SCREW, STOP SWITCH HOUSING (7/8")	9	42	10-69035	SCREW, CABLE TO STARTER MOTOR	5	17
10-28636	SCREW, LOWER END CAP TO CYLINDER BLOCK	17	26	10-69079	SCREW, WIRE ATTACHING	7	8
10-28636	SCREW, TIMING BRACKET	17	21	10-69092	SCREW, IGNITION PLATE (1-1/4")	7	11
10-28668	SCREW, REED BLOCK HOUSING (7/8")	19	19	10-69570	SCREW, FRONT COVER	3	3
10-29072	SCREW, STOP SWITCH HOUSING (5/8")	7	42	10-69570	SCREW, VALVE BODY TO RESERVOIR	41	4
10-32228	SCREW, PLATE TO CRANKCASE	25	14	10-70832	SCREW	29	35
10-32417	SCREW, SOLENOID TO BRACKET (5/8")	39	23	10-71582	SCREW	29	7
10-34150	SCREW, NOSE CONE RETAINING	37	49	10-73657	SCREW, COVER TO CRANKCASE (1-1/2")	17	7
10-35386	SCREW, THERMOSTAT COVER (1")	19	11	10-74824	SCREW, COVER AND PLATE TO CYLINDER BLOCK (1-1/4")	21	5
10-35519	SCREW, TERMINAL BLOCK TO CYLINDER BLOCK	19	17	10-74824	SCREW, CRANKCASE TO CYLINDER BLOCK (1-1/4")	17	11
10-37562	SCREW, COVER TO CYLINDER BLOCK (1")	21	7	10-74824	SCREW, CYLINDER COVER TO CYLINDER HEAD (1-1/4")	19	7
10-38601	SCREW, PLATE TO BOTTOM COWL	3	21	10-77065	SCREW, COVER TO CRANKCASE (2")	17	10
10-39669	SCREW, LOWER END CAP TO DYLINDER BLOCK	17	26	10-77065	SCREW, THERMOSTAT COVER (2")	19	11
10-41506	SCREW, PLUG TO CRANKCASE	17	34	10-77256	SCREW	21	14
10-46196	SCREW	29	34	10-79953	SCREW, FILTER	39	4
10-48063	SCREW, BRACKET TO PUMP	39	18	10-86509	SCREW, SOLENOID TO BRACKET	25	5
10-53167	SCREW, ANCHOR BRACKET ATTACHING	11	29	10-88447	SCREW, IGNITION COIL COVER (1-5/8")	5	21
10-55337	SCREW, THROTTLE LEVER/ADVANCE LEVER (1-3/4")	11	10	10-90198	SCREW, SOLENOID TO IGNITION PLATE (5/8")	7	21
10-56393	SCREW, PLATE TO DRIVE SHAFT HOUSING	43	7	10-90417	SCREW, STATOR	5	7
				10-92501	SCREW, THROTTLE LEVERS TO THROTTLE LINK (3/4")	13	27
				10-93886	SCREW, CONNECTING ROD	23	13
				10-96529	SCREW, REED BLOCK ATTACHING (2")	19	26

PARTS INDEX

Part Number	Description	Pg.	Ref. No.	Part Number	Description	Pg.	Ref. No.
10-97934	SCREW, TRIM CYLINDER ..	29	40	12-20260	SEALING WASHER	39	5
10-98253	SCREW	13	22	12-20260	WASHER, SEALING - FILLER		
10-98253	SCREW	29	23		SCREW	35	39
10-98253	SCREW, SOLENOID			12-20533	WASHER	13	38
	BRACKET	25	2	12-20959	WASHER	29	41
10-98534	SCREW, CYLINDER HEAD			12-21273	WASHER, METAL	27	3
	(2")	19	3	12-22753	WASHER (5/16")	39	14
10-99272	SCREW, REEDS TO REED			12-22887	WASHER, FRONT COVER		
	BLOCK	19	24		SCREW	3	4
10-99524	SCREW	29	4	12-24676	WASHER, PLATE SCREW ..	25	16
11-20110	NUT (#10)	39	13	12-24676	WASHER, THROTTLE		
11-20110	NUT, REV LIMITER STUD ..	27	5		LEVERS SCREW	13	29
11-20110	NUT,PUMP BOLT	39	20	12-25909	WASHER, CYLINDER HEAD		
11-20361	NUT, CLIP SCREW	13	18		SCREW	19	4
11-20361	NUT,SOLENOID SCREW ...	39	25	12-25970	WASHER, POWERHEAD		
11-20586	NUT, CABLE LATCH SCREW	11	21		STUDS	21	12
11-20586	NUT, THROTTLE CAM STUD	11	27	12-27025	WASHER	29	5
11-20890	NUT, STARTER MOTOR			12-27736	WASHER, CLEVIS PIN	13	31
	TERMINAL	5	15	12-28121	WASHER	29	18
11-22339	NUT, PROPELLER SHAFT			12-28565	WASHER, SEALING	37	46
	RETAINING	37	59	12-29245	WASHER, CLIP SCREW ...	13	17
11-23161	NUT, POWERHEAD STUDS .	21	13	12-34567	WASHER, PLATE SCREW ..	43	8
11-26484	NUT (5/16")	39	15	12-36042	WASHER, IGNITION PLATE		
11-26484	NUT, SOLENOID TERMINALS				SCREW	7	13
	(5/16-18)	7	25	12-38688	WASHER, SPECIAL		
11-28941	NUT, CLAMP SCREW	7	29		(PROPELLER SHAFT) ...	37	51
11-30506	NUT, WATER PUMP STUD			12-39698	WASHER, PROPELLER		
	(1/4")	35	41		SHAFT (PLAIN)	37	62
11-30932	NUT, PINION GEAR	33	9	12-39701	WASHER, PROPELLER		
11-34862	NUT	29	30		SHAFT (SPLINED)	37	61
11-34933	NUT	29	38	12-45176	WASHER	29	37
11-34933	NUT, DRIVE SHAFT			12-45176	WASHER, DRIVE SHAFT		
	HOUSING (7/16")	35	43		HOUSING STUD	35	42
11-35000	NUT	31	42	12-47247	WASHER, NEEDLE		
11-35053	NUT, PLATE SCREW	43	9		LOCATING	23	14
11-35888	NUT	7	32	12-47533	WASHER, SUBSTITUTE FOR		
11-36069	NUT, PLATE SCREW	3	22		THERMOSTAT	19	8
11-45076	NUT, IGNITION COIL			12-49221--1	WASHER, RUBBER	27	4
	TERMINAL	5	22	12-59378	WASHER	29	32
11-45076	NUT, RECTIFIER			12-67264	WASHER, IGNITION PLATE		
	TERMINALS	7	18		SCREW (RUBBER)	7	14
11-45076	NUT, SWITCH BOX			12-68229	WASHER, FLYWHEEL	5	2
	TERMINAL	7	6	12-68410	WASHER, SPARK ADVANCE		
11-45812	NUT, HOUSING SCREW				LEVER	11	14
	(NYLON INSERT)	9	43	12-69056	WASHER, CLAMP SCREW .	7	30
11-52707A1	NUT, PROPELLER SHAFT ..	37	63	12-70833	WASHER	29	36
11-52901	NUT, FLYWHEEL	5	1	12-71586	THRUST BEARING	29	12
11-64015	NUT, JAM-ADJUSTING			12-90404	WASHER, CONCAVE	37	58
	SCREW	17	29	12-90405	WASHER, CONVEX	37	57
11-64015	NUT, SPARK ADVANCE			12-92721	WASHER	29	17
	STOP SCREW	11	7	13-26992	LOCKWASHER	13	23
11-64015	NUT, THROTTLE LEVER			13-26992	LOCKWASHER, BRACKET		
	STOP SCREW	11	16		SCREW	25	3
11-68219	NUT, HOUSING SCREW ...	9	43	13-26992	LOCKWASHER, CLAMP		
11-68219	NUT, LINK ROD	11	3		SCREW	7	28
11-68219	NUT, SOLENOID TERMINALS			13-26992	LOCKWASHER, LOWER END		
	(10-32)	7	24		CAP SCREW	17	27
11-F10184	NUT, CARBURETOR STUD .	13	11	13-26992	LOCKWASHER, SOLENOID		
12-20128	WASHER	3	10		TO IGNITION PLATE		
12-20128	WASHER, YOKE RIVET	3	7		SCREW	7	22

PARTS INDEX

Part Number	Description	Pg.	Ref. No.	Part Number	Description	Pg.	Ref. No.
13-26992	LOCKWASHER, STARTER MOTOR TERMINAL	5	14	17-71592	TRIM PIN	29	31
13-26992	LOCKWASHER, CONTROL VALVE SCREW	39	8	17-71598	SWIVEL PIN	29	26
13-26992	LOCKWASHER, MOUNTING SCREW	39	19	17-85755	PIN	29	10
13-26992	LOCKWASHER, SOLENOID SCREW	39	24	17-85993	DOWEL PIN	29	2
13-26992	WSHER, BRACKET SCREW	17	22	17-88457	RIVET, BAFFLE	15	30
13-26993	LOCKWASHER STARTER MOTOR COVER SCREW .	17	8	18-21071	COTTER PIN	3	11
13-26993	LOCKWASHER, IGNITION PLATE SCREW	7	12	18-26953	COTTER PIN, CLEVIS PIN .	13	32
13-26995	LOCKWASHER, SOLENOID SCREW	25	6	18-34212	COTTER PIN	29	33
13-26996	LOCKWASHER (#10)	39	12	19-77633	LUBRICAP	29	25
13-26996	LOCKWASHER, PLATE SCREW	25	15	21-42623	CHECH VALVE, BLEED HOSE (PRESS-IN-11/16" LONG)	19	31
13-26996	LOCKWASHER, STATOR SCREW	5	8	21-42698	CHECK VALVE, BLEED HOSE (PRESS-IN-13/16" LONG)	19	31
13-26996	LOCKWASHER, THROTTLE LEVERS SCREW	13	28	21-44546	PRESSURE RELIEF VALVE .	33	4
13-71580	LOCKWASHER	29	8	22-14685	PLUG, BOTTOM COWL	3	19
15-21158A1	SHIM ASSEMBLY	29	29	22-15814	ELBOW, CARBURETOR (UPPER)	13	6
15-32563A1	SHIM ASSEMBLY, REAR PROPELLER SHAFT BEARING	37	52	22-23612	GREASE FITTING	29	24
15-38657A1	SHIM ASSEMBLY, DRIVE SHAFT BEARING	33	12	22-28586	FITTING, STRAIGHT	13	2
15-38668A1	SHIM ASSEMBLY, DRIVE SHAFT BEARING	33	16	22-32561	PIPE PLUG, CRANKCASE . .	17	31
15-67831A1	SHIM ASSEMBLY	29	21	22-32803	PIPE PLUG	13	20
15-71585A1	SHIM ASSEMBLY	29	13	22-38407	PLUG, CYLINDER BLOCK (WATER JACKET)	17	18
16-20353	STUD, THROTTLE CAM ATTACHING	11	25	22-47945	PIPE PLUG	13	5
16-20990	STUD, WATER PUMP (1/4 X 1-13/16)	33	6	22-53492	TEE, CARBURETOR (CENTER)	13	7
16-27037	STUD, CARBURETOR MOUNTING	19	27	22-56759	FITTING, BLEED HOSE (PRESS IN)	19	29
16-30172	STUD, REV LIMITER	27	2	22-62006	ELBOW, SOLENOID (90 DEGREE)	25	8
16-33778	STUD, WATER PUMP (1/4 X 2-5/8)	33	7	22-67892	SCREW, FILLER	35	40
16-37653	STUD. POWERHEAD	17	2	22-68727	FITTING, ELBOW-WATER HOSES	19	12
16-57935	STUD, GEARCASE TO DRIVE SHAFT HOUSING (7/16")	33	5	22-68728	FITTING, THERMOSTAT COVER TO WATER HOSES	19	14
17-12146	RIVET, YOKE TO COWL . . .	3	6	22-70834	BAYONET	13	21
17-12147	RIVET, TRIM MOULDING . . .	3	18	22-71191	ELBOW, BLEED HOSE (PRESS IN)	19	28
17-12148	RIVET, RETAINER	3	15	22-73379	PLUG, BRASS	33	4
17-14908	RIVET, RETAINER	3	16	22-77059	FITTING, SOLENOID (45 DEGREE)	25	9
17-20033	DOWEL PIN, LOCATING . .	17	3	22-94090	ELBOW (90 DEGREES)	13	3
17-29596	DOWEL PIN, WATER PUMP BASE	33	26	22-94282	ELBOW, CARBURETOR (BOTTOM)	13	8
17-47175	LOCATING PIN, LEVER AND COVER FASTENING	11	32	23-26856	BUSHING, THROTTLE CAM	11	26
17-58712	CLEVIS PIN	3	9	23-29804	SLEEVE, WATER TUBE GUIDE	33	37
17-67296	DOWEL PIN, CYLINDER BLOCK (BEARING RACE)	17	4	23-38661	SPACER, PROPELLER SHAFT GEAR	37	55
				23-55164	BUSHING, THROTTLE LEVER	11	11
				23-55171	BUSHING, SPARK ADVANCE LEVER	11	12
				23-56774	SPACER, STARTER MOTOR	5	12
				23-59386	SPACER, "O" RING - WATER PUMP	33	22
				23-67023	BUSHING	43	4

PARTS INDEX

Part Number	Description	Pg.	Ref. No.	Part Number	Description	Pg.	Ref. No.
23-67268	BUSHING, IGNITION PLATE			28-56654	KEY, WATER PUMP		
	SCREW	7	15		IMPELLER	33	31
23-71583	SLEEVE (BOTTOM)	29	3	29-67483	NEEDLE BEARING, PISTON		
23-77743	SPACER (DISC)	29	9		END	23	16
23-94453	BUSHING, SWITCH BOX			30-41421	BALL BEARING,		
	SCREW	7	4		CRANKSHAFT (LOWER)	23	2
24-20099	SPRING, CABLE LATCH TO			31-31524	ROLLING BEARING, DRIVE		
	THROTTLE LEVER	11	20		SHAFT	33	8
24-48917	SPRING, DETENT	29	19	31-32575A1	BEARING ASSEMBLY,		
24-68784	SPRING, THROTTLE AND				PROPELLER SHAFT		
	SPARK ADVANCE LEVER	11	13		(REAR)	37	53
24-91821	SPRING, THROTTLE			31-38678A1	BEARING ASSEMBLY, DRIVE		
	RETURN	11	35		SHAFT (LOWER)	33	13
25-26855	"O" RING	37	60	31-38678A1	BEARING ASSEMBLY, DRIVE		
25-30271	RING, RUBBER	33	36		SHAFT (UPPER)	33	20
25-32069	"O" RING, WATER PUMP			31-38680A1	BEARING ASSEMBLY, DRIVE		
	BASE TO GEARCASE				SHAFT (LOWER)	33	18
	(LARGE)	33	21	31-38681A1	BEARING ASSEMBLY, DRIVE		
25-32509	"O" RING, CRANKCASE				SHAFT (UPPER)	33	15
	PLUG	17	33	31-67526A1	ROLLER BEARING		
25-35276	"O" RING, WATER PUMP				ASSEMBLY, CRANKSHAFT		
	BASE TO GEARCASE				END	23	15
	(SMALL)	33	23	31-70087A1	BEARING ASSEMBLY,		
25-48171	"O" RING (SAME AS				PROPELLER SHAFT		
	REF.NO.2)	39	-		(FRONT)	37	56
25-48171	"O" RING, HYDRAULIC			31-87013	ROLLING BEARING,		
	PUMP	41	1		PROPELLER SHAFT	33	2
25-48171	"O" RING, HYDRAULIC PUMP	39	2	31-93495	ROLLER BEARING,		
25-54029	"O" RING, END CAP	17	13		CRANKSHAFT	23	8
25-62700	"O" RING, END CAP (3-1/4"			31-93496	ROLLER BEARING, END		
	I.D.)	17	24		CAP	17	14
26-36557	SEAL, WATER INLET TUBE	33	35	32-11635	TUBE, WATER BLOCK-OFF	17	19
26-38970	SEAL, WATER TUBE	21	11	32-49471	FUEL LINE, CARBURETOR		
26-41953	OIL SEAL, END CAP	17	15		(BOTTOM)	13	9
26-41953	OIL SEAL, END CAP	17	25	32-57456	WATER TUBE	33	38
26-55905	OIL SEAL, WATER PUMP			32-61649--3	HOSE, WATER		
	BASE	33	25		DISTRIBUTION	19	13
26-79884	OIL SEAL, WATER PUMP			32-66285--4	HOSE, BLEED	19	30
	BODY	33	34	32-66285--4	HOSE, OVERFLOW	13	4
26-96435	OIL SEAL, PROPELLER			32-66285--4	HOSE, SOLENOID	25	10
	SHAFT	33	3	32-67033	TRIM HOSE (8")	31	44
27-11338	GASKET, SEALING	17	5	32-68894--1	FUEL LINE	13	13
27-14830	GASKET, CYLINDER HEAD	19	2	32-70069	TRIM HOSE (18")	31	44
27-14830A86	GASKET SET	1	-	32-77690	WRAPPING (1/4")	7	26
27-38659	GASKET, WATER PUMP			32-77690	WRAPPING (1/4")	25	7
	BODY TO FACE PLATE	33	29	33-97180	SPARK PLUG (NGK-BUHW)	5	27
27-60926	GASKET, WATER PUMP			34-77887A1	REED ASSEMBLY	19	22
	BASE TO FACE PLATE	33	27	35-93011	FUEL FILTER	13	12
27-62386	GASKET, THERMOSTAT	19	9	37-13813A3	DECAL SET	3	12
27-77053	GASKET, COVER PLATE	25	13	39-44395A12	PISTON RING ASSEMBLY	23	10
27-78069	GASKET, EXHAUST PLATE	21	9	39-67377	RING, SEALING -		
27-88907	GASKET, RELIEF VALVE				CRANKSHAFT (.124		
	PLATE	21	8		THICK)	23	6
27-89221	GASKET, CARBURETOR			40-52035	LOCK RING, PISTON	23	11
	PLATE	13	35	43-60928	GEAR, HELICAL (DRIVE		
27-90430	GASKET, CARBURETOR	13	10		SHAFT)	33	14
27-90484	GASKET, DIVIDER PLATE	21	1	43-60929	GEAR, HELICAL (DRIVE		
27-96278	GASKET, CYLINDER COVER	19	6		SHAFT)	33	19
27-96761	GASKET, REED BLOCK			43-62943A1	PINION GEAR (14 TOOTH)	33	10
	HOUSING	19	20	43-71584	WORM	29	15

PARTS INDEX

Part Number	Description	Pg.	Ref. No.	Part Number	Description	Pg.	Ref. No.
43-71601	WORM GEAR	29	14	84-93388A1	WIRE, PLATE TO STARTER MOTOR (BLACK)	5	18
44-78432	PROPELLER SHAFT	37	50	84-93389A5	WIRE, SOLENOID TO STARTER MOTOR (YELLOW)	5	16
45-87014	DRIVE SHAFT, FRONT	33	17	84-93940A1	HARNESS ASSEMBLY, IGNITION PANEL	7	37
45-87015	DRIVE SHAFT, REAR	33	11	84-99215A25	CABLE, HIGH TENSION	5	25
46-38631A1	WATER PUMP BASE ASSEMBLY	33	24	85-63709A1	PROTECTOR, HIGH TENSION CABLE	5	26
46-70090A1	WATER PUMP BODY ASSEMBLY	33	32	86-66986	TERMINAL BLOCK	9	44
47-89984	IMPELLER, WATER PUMP	33	30	87-61691	ROCKER SWITCH	39	28
50-60594A1	STARTER MOTOR	5	10	87-66581	SWITCH, IGNITION	7	35
53-28562	SNAP RING	37	47	87-66582	SWITCH, STARTER AND PRIMER	7	34
53-28576	NUT, BEARING RETAINER	37	44	88-79023A90	FUSE ASSEMBLY (90 AMP)	39	33
53-67444	RETAINING RING, ROLLER BEARING	23	9	88-79137--1	CIRCUIT BREAKER	39	34
53-67446	RETAINING RING, BALL BEARING	23	3	89-68258A4	STARTER SOLENOID	7	20
54-13637	CLAMP, HARNESS	7	31	89-68258A4	STARTER SOLENOID	39	11
54-53020	CLIP, FUEL FILTER	13	15	89-76886A2	PRIMER SOLENOID ASSEMBLY	25	4
54-54428	CLAMP, FUEL LINE	13	14	90-15804860	OWNER'S GUIDE	1	-
54-60564	CLAMP, HOSE	25	11	90-15978	PARTS MANUEL	1	-
84-60466A10	WIRE ASSEMBLY (BLACK)	9	47	249-6080A6	FLYWHEEL ASSEMBLY, COMPLETE	5	3
84-60871A10	WIRE, SWITCH BOX	7	7	332-7778A4	SWITCH BOX	7	2
84-61393A8	WIRE ASSEMBLY, SWITCH TO SWITCH	7	36	339-7370A13	COIL ASSEMBLY, IGNITION	5	19
84-61703A4	HARNESS ASSEMBLY, TRIM SWITCH	39	27	392-2529	SPRING SET, BRUSH TENSION	41	13
84-62189A1	WIRE, TERMINAL BLOCK TO SWITCH BOX (SALMON)	9	49	392-2941	BRUSH SET, COMMUTATOR END PLATE	41	12
84-62310A2	CABLE ASSEMBLY, SWITCH BOX TO SWITCH BOX	7	5	392-7727	COUPLER AND SHAFT	41	15
84-62824A1	CABLE, SOLENOID TO RECTIFIER (RED)	9	48	392-7728	FILL PLUG, RESERVOIR	41	16
84-65999A10	CABLE ASSEMBLY (BLACK-LONG)	39	29	392-7729	ARMATURE, FIELD AND FRAME	41	8
84-65999A2	CABLE ASSEMBLY, UPPER MOUNT (BLACK)	7	23	392-7730	BALL, COMMUTATOR END PLATE	41	10
84-65999A3	CABLE ASSEMBLY, BLACK	7	10	392-7731	RESERVOIR ASSEMBLY (PLASTIC)	41	6
84-65999A4	CABLE ASSEMBLY (BLACK-SHORT)	39	29	392-7732	WASHER, THRUST - ARMATURE	41	7
84-65999A6	JUMPER WIRE, SOLENOID (BLACK)	39	31	392-7733	BOLT SET, THRU - PLATE AND FRAME TO RESERVOIR	41	14
84-69738A1	HARNESS ASSEMBLY, COIL TO SWITCH BOX (#2, 4 AND 6)	5	28	392-7735	SEAL, RESERVOIR TO VALVE BODY AND GEAR	41	5
84-69739A2	HARNESS ASSEMBLY, COILD TO SWITCH BOX (#1, 3 AND 5)	5	28	392-8261	FIELD AND FRAME ASSEMBLY	41	9
84-74023A1	CONNECTOR AND HARNESS (W/O FUSE)	39	9	392-8262	PLATE ASSEMBLY, COMMUTATOR END	41	11
84-79138A1	BATTERY LEAD (NEGATIVE)	39	32	392-8317	VALVE BODY AND GEAR ASSEMBLY	41	2
84-79139A2	JUMPER WIRE, SOLENOID (RED)	39	30	398-5454A55	STATOR ASSEMBLY	5	6
84-79139A9	BATTERY LEAD (POSITIVE)	39	32	455-7666A4	CRANKSHAFT ASSEMBLY	23	1
84-79147A3	CONNECTOR AND HARNESS (WITH FUSE)	39	9	636-8119A3	CONNECTING ROD ASSEMBLY	23	12
84-79148A1	JUMPER WIRE (RED)	39	35	766-8666A11	PISTON ASSEMBLY (STARBOARD)	23	9
84-88439A14	BATTERY CABLE (POSITIVE)	7	19	766-8667A11	PISTON ASSEMBLY (PORT)	23	9
84-88439A2	BATTERY CABLE (NEGATIVE)	7	19				

PARTS INDEX

Part Number	Description	Pg.	Ref. No.	Part Number	Description	Pg.	Ref. No.
1156-8120A1	END CAP ASSEMBLY, LOWER	17	23				
1159-8454A2	END CAP ASSEMBLY, UPPER	17	12				
1374-9242A16	CARBURETOR ASSEMBLY (TOP)	13	1				
1374-9242A16	CARBURETOR ASSEMBLY (TOP)	15	1				
1374-9242A17	CARBURETOR ASSEMBLY (CENTER)	13	1A				
1374-9242A17	CARBURETOR ASSEMBLY (CENTER)	15	1				
1374-9242A18	CARBURETOR ASSEMBLY (BOTTOM)	13	1B				
1374-9242A18	CARBURETOR ASSEMBLY (BOTTOM)	15	1				
1395-4541	PLUG, IDLE AIR BLEED JET	15	18				
1395-602	SHAFT, THROTTLE	15	25				
1395-6025	PLUG, MAIN JET	15	8				
1395-6027	SCREW, THROTTLE LEVER	15	21				
1395-6031	SPACER, THROTTLE LEVER	15	24				
1395-6680	JET, MAIN FUEL (.078)	15	10				
1395-7822	FUEL BOWL	15	6				
1395-7824	INLET NEEDLE AND SEAT ASSEMBLY	15	13				
1395-9267	FLOAT	15	15				
1395-9416	THROTTLE VALVE	15	27				
1399-5213	JET, IDLE AIR BLEED (.056)	15	20				
1581-7320A9	DRIVE SHAFT HOUSING ASSEMBLY	29	1				
1657-7461A1	GEAR HOUSING ASSEMBLY	33	1				
1657-7461A1	GEAR HOUSING ASSEMBLY	37	1				
1657-7461A11	GEAR HOUSING ASSEMBLY, COMPLETE	33	-				
1657-7461A11	GEAR HOUSING ASSEMBLY, COMPLETE	37	-				
2167-9442A5	TOP COWL ASSEMBLY	3	1				