



PARTS CATALOG

320 HP EFI ALPHA 1/BRAVO

SERIAL NUMBER

320 (EFI) GM 350 V-8 1988-19890B157603 THRU 0C622418

TABLE OF CONTENTS:

ALTERNATOR (55 AMPS) (MOTOROLA #8MR2039K)	8
ALTERNATOR (MOTOROLA #8EM2003KA)	10
AUDIO WARNING SYSTEM	50
CRANKSHAFT, PISTONS AND CONN. RODS	38
CYLINDER BLOCK AND CAMSHAFT	36
CYLINDER HEAD AND ROCKER COVER	34
DISTRIBUTOR AND IGNITION COMPONENTS	16
ENGINE MOUNTING	58
EXHAUST MANIFOLD AND EXHAUST ELBOW	28
EXHAUST PLATE(ALPHA-ONE ENGINE)	32
EXHAUST PLATE(BRAVO ENGINE)	64
FLYWHEEL HOUSING	52
FUEL SYSTEMS	18
INTAKE MANIFOLD/FUEL INJECTORS	22
MISCELLANEOUS PARTS/ACCESSORIES	2
MUFFLER KIT	66
OIL FILTER AND ADAPTOR	44
OIL PAN AND OIL PUMP	42
PARTS INDEX	69
PLENUM ASSEMBLY	24
POWER STEERING COMPONENTS	56
POWER STEERING CYLINDER	54
SEA WATER PUMP ASSEMBLY (BRAVO ENGINE)	68
SHIFT BRACKET (USE WITH BRAVO DRIVE)	60
SHIFT BRACKET(NEW DESIGN WITH SPRING GUIDE)	48
SHIFT BRACKET(USE WITH ALPHA ONE DRIVE)	46
STARTER MOTOR	6
STARTER MOTOR AND ALTERNATOR	4
THERMOSTAT HOUSING (STANDARD COOLING)	30
THERMOSTAT HOUSING (STANDARD COOLING)	62
WATER PUMP AND FRONT COVER	40
WIRING HARNESS AND ELECTRICAL COMPONENTS	12

NOTE: Indented description indicate that these parts are included in preceeding assembly.

AR = As Required

NSS = Not Sold Separate

OPT = Optional

NS = Not Shown

NOTE: Following symbols are located in **SYM** column.

● = [27-13745A88] GASKET SET

▲ = USED ON ALPHA-ONE ENGINE

■ = NOTE: PARTS LISTED N.S.S (NOT SOLD SEPARATELY) SHOULD BE ORDERED FROM A

⊕ = USED ON BRAVO ENGINE

■ = LOCAL SUPPLIER USING THE APPROPRIATE MANUFACTURERS PART NUMBER.

THESE PARTS BOOKS/FICHE CARD ARE COPYRIGHTED AND MAY NOT BE DISTRIBUTED OR REPRODUCED IN ANY OTHER FORMAT BY ANYONE OTHER THAN MERCURY MARINE WITHOUT THE PRIOR WRITTEN CONSENT OF MERCURY MARINE.

REPLACEMENT PARTS ! WARNING !

Electrical, ignition and fuel system components on MerCruiser Engines and Stern Drives are designed and manufactured to comply with U.S. Coast Guard Rules and Regulations to minimize risks of fire or explosion. Use of replacement electrical, ignition or fuel system components, which do not comply to these rules and regulations, could result in a fire or explosion hazard and should be voided.

When servicing the electrical, ignition and fuel systems, it is extremely important that all components are properly installed and tightened. If not, any electrical or ignition component opening would permit sparks to ignite fuel vapors from fuel system leaks, if they existed.

ENGINE MECHANICAL COMPONENTS

Many of the engine mechanical components are designed for marine applications. Unlike automotive engines, marine engines are subjected to extended periods of heavy load and wide- open-throttle operation, therefore, require heavy-duty components. Special marine engine parts have design and manufacturing specifications, which are required to provide long life and dependable performance. Marine engine parts also must be able to resist the corrosive action of salt or brackish water that will rust or corrode standard automotive parts within a short period of time.

Failure to use recommended Mercury Precision Parts OR Quicksilver service replacement parts can result in poor engine performance and/or durability, rapid corrosion of parts subjected to salt water and possibly complete failure of the engine.

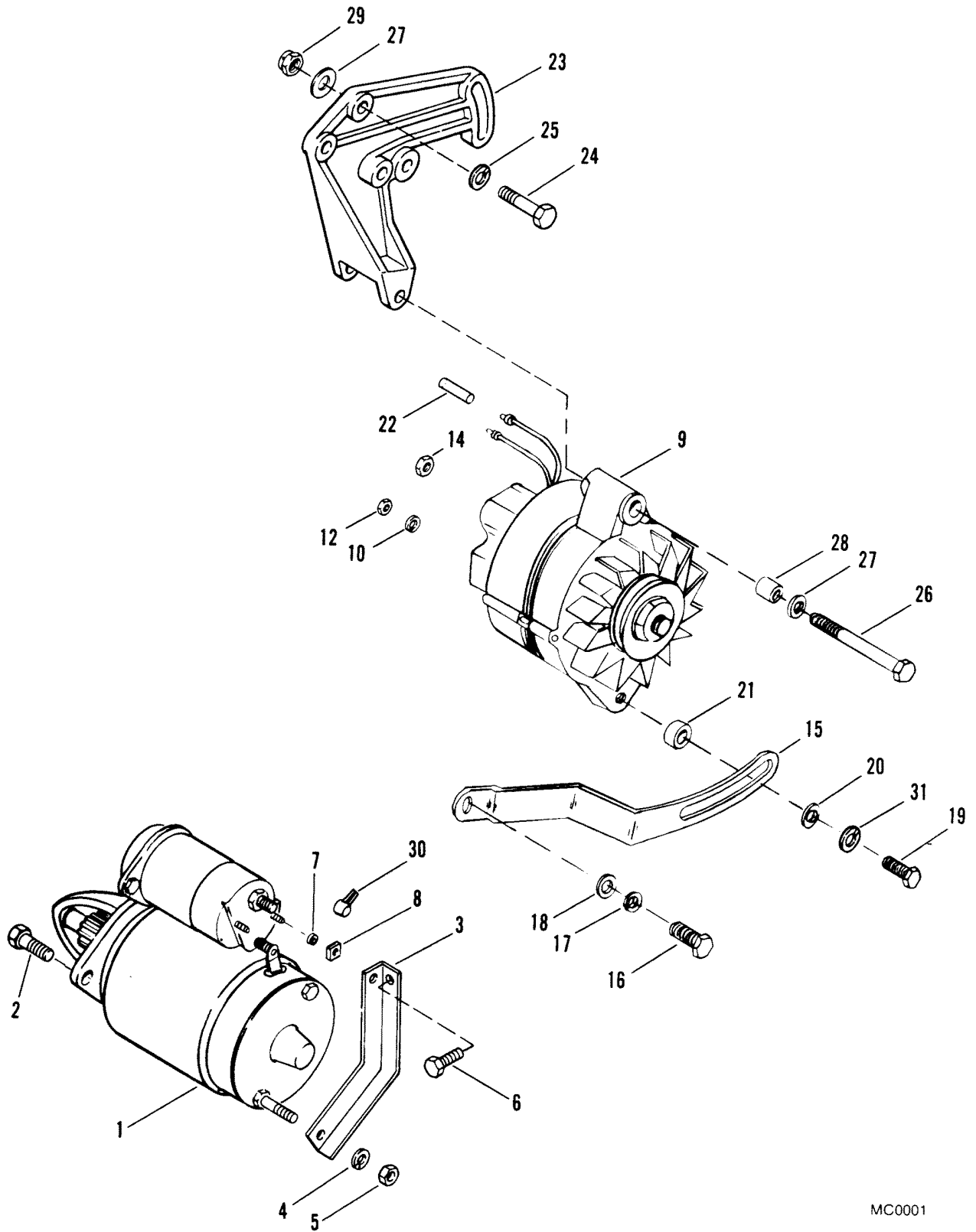
Use of parts other than recommended service replacement parts will void the warranty on those parts which are damaged as a result of the use of other than recommended parts.

MISCELLANEOUS PARTS/ACCESSORIES

REF. NO.	PART NO.	SYM.	QTY.	DESCRIPTION
-	90-19283		1	PARTS MANUAL
-	90-14350890		1	OWNERS GUIDE
-	90-14499--1		1	SERVICE MANUAL (1985-1988)
-	90-816463		1	SERVICE MANUAL (1989-1992)
-	27-13745A88		1	GASKET SET

THIS PAGE INTENTIONALLY LEFT BLANK

STARTER MOTOR AND ALTERNATOR

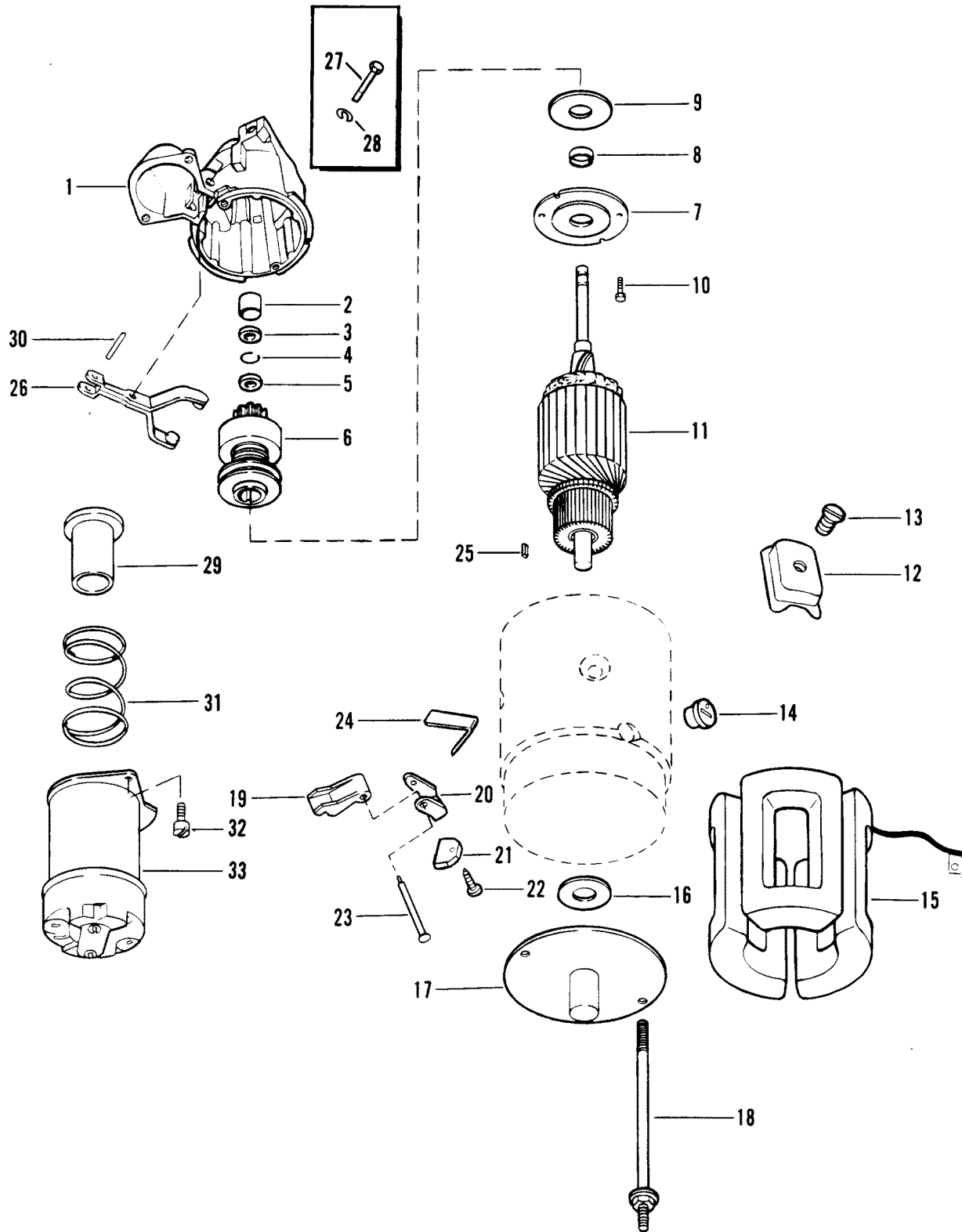


MC0001

STARTER MOTOR AND ALTERNATOR

REF. NO.	PART NO.	SYM.	QTY.	DESCRIPTION
1	50-12177A2		1	STARTER MOTOR ASSEMBLY
2	10-94435		2	SCREW, STARTER TO BLOCK (4-21/32")
3	12404		1	BRACE, STARTER MOTOR
4	12-29245		2	WASHER, STARTER MOTOR STUD
5	11-56374		1	NUT, STARTER MOTOR STUD
6	10-35765A1		1	SCREW, BRACE TO ENGINE (5/8")
7	13-26995		2	LOCKWASHER, STARTER TERMINAL #8 THREADS
8	11-26419		2	NUT, STARTER TERMINAL #8 THREADS
7	13-26996		1	LOCKWASHER, STARTER TERMINAL METRIC THREADS
8	11-40021--1		1	NUT, STARTER TERMINAL METRIC THREADS
7	12-20086		1	WASHER, STARTER TERMINAL METRIC THREADS
8	11-40026--6		1	NUT, STARTER TERMINAL METRIC THREADS
9	92497A3		1	ALTERNATOR (55 AMP)
10	13-26996		1	LOCKWASHER, ALTERNATOR TERMINAL
12	11-30968		1	NUT, ALTERNATOR TERMINAL (10-24)
14	11-20890		1	NUT, ALTERNATOR TERMINAL (1/4-20)
15	85013T		1	BRACE, ALTERNATOR ADJUSTING
16	10-26487		1	SCREW, ALTERNATOR BRACE
17	13-35048		1	LOCKWASHER, ALTERNATOR BRACE SCREW
18	12-34714		1	WASHER, ALTERNATOR BRACE SCREW
19	10-74824		1	SCREW, ALTERNATOR BRACE
20	12-26168		1	WASHER, ALTERNATOR BRACE SCREW
21	23-52095		1	SPACER, ALTERNATOR BRACE SCREW
22	57908-11		2	TUBING, ALTERNATOR LEADS
23	87115A1		1	BRACKET, ALTERNATOR
24	10-37612		3	SCREW, ALTERNATOR BRACKET (1-1/4")
25	13-35048		3	LOCKWASHER, ALTERNATOR BRACKET SCREW
26	10-48308		1	SCREW, ALTERNATOR (3-3/4")
27	12-25970		3	WASHER, ALTERNATOR BRACKET SCREW
28	23-33186		1	BUSHING, ALTERNATOR BRACKET SCREW
29	11-23161		1	NUT, ALTERNATOR BRACKET SCREW
30	85-79695		1	INSULATOR, BOOT - STARTER TERMINAL
31	13-39107		1	LOCKWASHER, ALTERNATOR BRACE SCREW

STARTER MOTOR



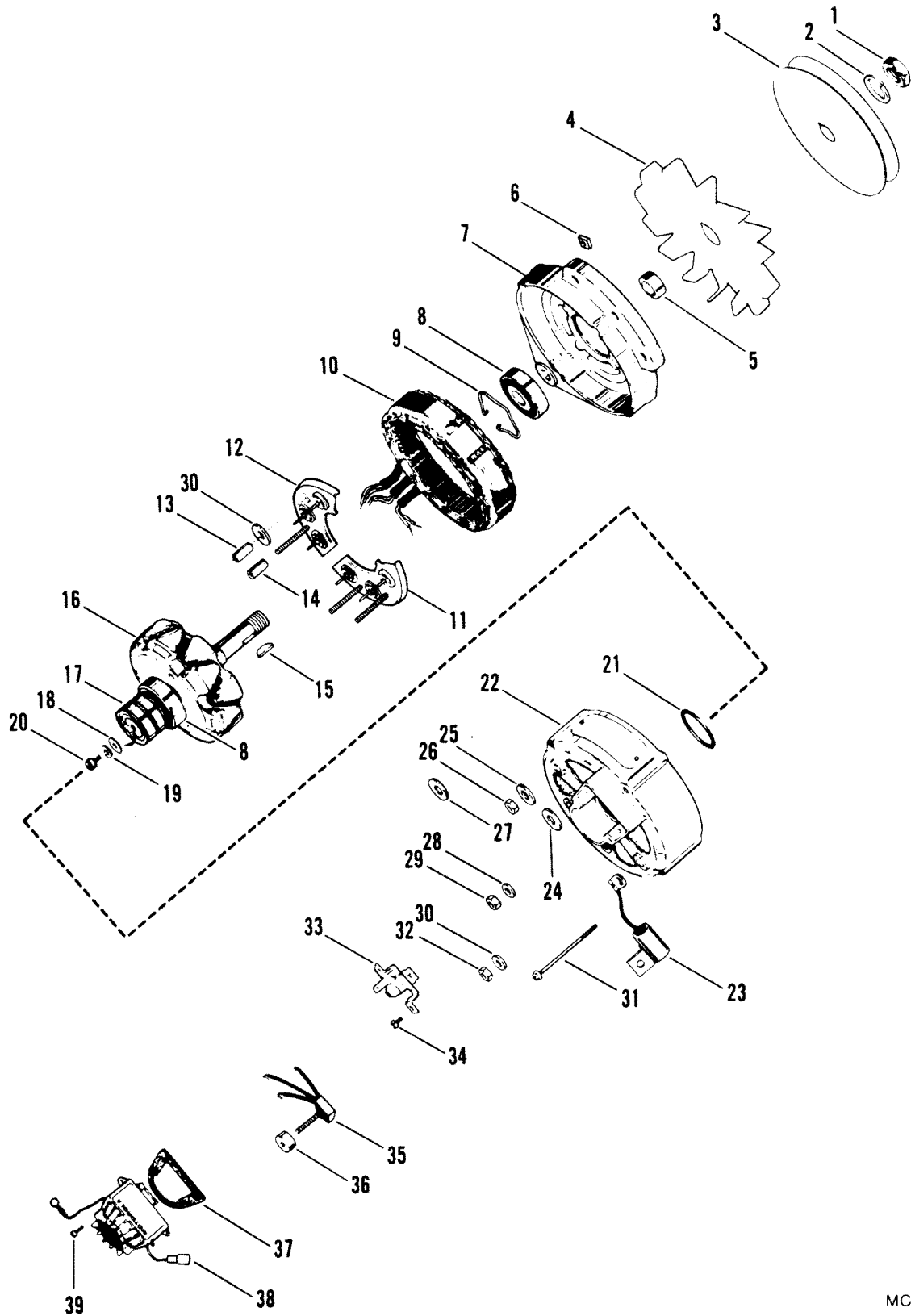
MC0002

STARTER MOTOR

REF. NO.	PART NO.	SYM.	QTY.	DESCRIPTION
-	50-12177A2		1	STARTER
1	13754		1	HOUSING, DRIVE END
2	23-33369		1	BUSHING, DRIVE END HOUSING
3	33292		1	COLLAR, THRUST
4	53-33290		1	RING, RETAINING - PINION STOP COLLAR
5	33291		1	COLLAR, PINION STOP
6	79205		1	DRIVE ASSEMBLY, CLUTCH
7	79396		1	PLATE, BEARING
8	23-71694		1	BUSHING, BEARING PLATE
9	12-68614		1	WASHER, BEARING PLATE
10	N.S.S.	■ ■	2	SCREW, BEARING PLATE (DELCO REMY #1984000)
11	75665		1	ARMATURE
12	N.S.S.	■ ■	4	SHOE, POLE - FIELD COIL (DELCO REMY #810601)
13	N.S.S.	■ ■	4	SCREW, POLE SHOE TO FIELD COIL (DELCO REMY #1968396)
14	25-79208		1	GROMMET, FIELD COIL
15	75664		1	FIELD COIL ASSEMBLY
16	12-33258		1	WASHER, LEATHER - COMMUTATOR END FRAME
17	79211		1	FRAME, COMMUTATOR END
18	N.S.S.	■ ■	1	BOLT, THRU (DELCO REMY #1941111)
	N.S.S.	■ ■	1	BOLT, THRU (DELCO REMY #1939970)
19	33284		2	HOLDER, INSULATED - FIELD FRAME BRUSH
20	33283		2	HOLDER, FIELD FRAME BRUSH GROUND
21	33270		4	BRUSH, FIELD FRAME
22	N.S.S.	■ ■	2	SCREW, BRUSH LEAD (DELCO REMY #1967747)
	N.S.S.	■ ■	2	SCREW, BRUSH LEAD (DELCO REMY #443527)
23	33294		2	SUPPORT PACKAGE, GROUND AND INSULATED HOLDERS
24	24-33285		4	SPRING, FIELD FRAME BRUSH
25	N.S.S.	■ ■	1	PIN, DOWL - FIELD FRAME (DELCO REMY #1985696)
26	71698		1	LEVER, SHIFT
27	N.S.S.	■ ■	1	STUD, SHIFT LEVER (DELCO REMY #1945804)
28	N.S.S.	■ ■	1	RETAINING RING, STUD (DELCO REMY #11505767)
29	33317		1	PLUNGER, SHIFT LEVER
30	N.S.S.	■ ■	1	PIN, PLUNGER TO SHIFT LEVER (DELCO REMY #1987049)
31	N.S.S.	■ ■	1	SPRING, PLUNGER RETURN (DELCO REMY #1978281)
32	N.S.S.	■ ■	2	SCREW, SOLENOID SWITCH (DELCO REMY #9413260)
33	13037		1	SOLENOID SWITCH (4-1/4" LONG)
	89-18080		1	SOLENOID SWITCH (3-5/8" LONG)

■ = NOTE: PARTS LISTED N.S.S (NOT SOLD SEPARATELY) SHOULD BE ORDERED FROM A
 ■ = LOCAL SUPPLIER USING THE APPROPRIATE MANUFACTURERS PART NUMBER.

ALTERNATOR (55 AMPS) (MOTOROLA #8MR2039K)

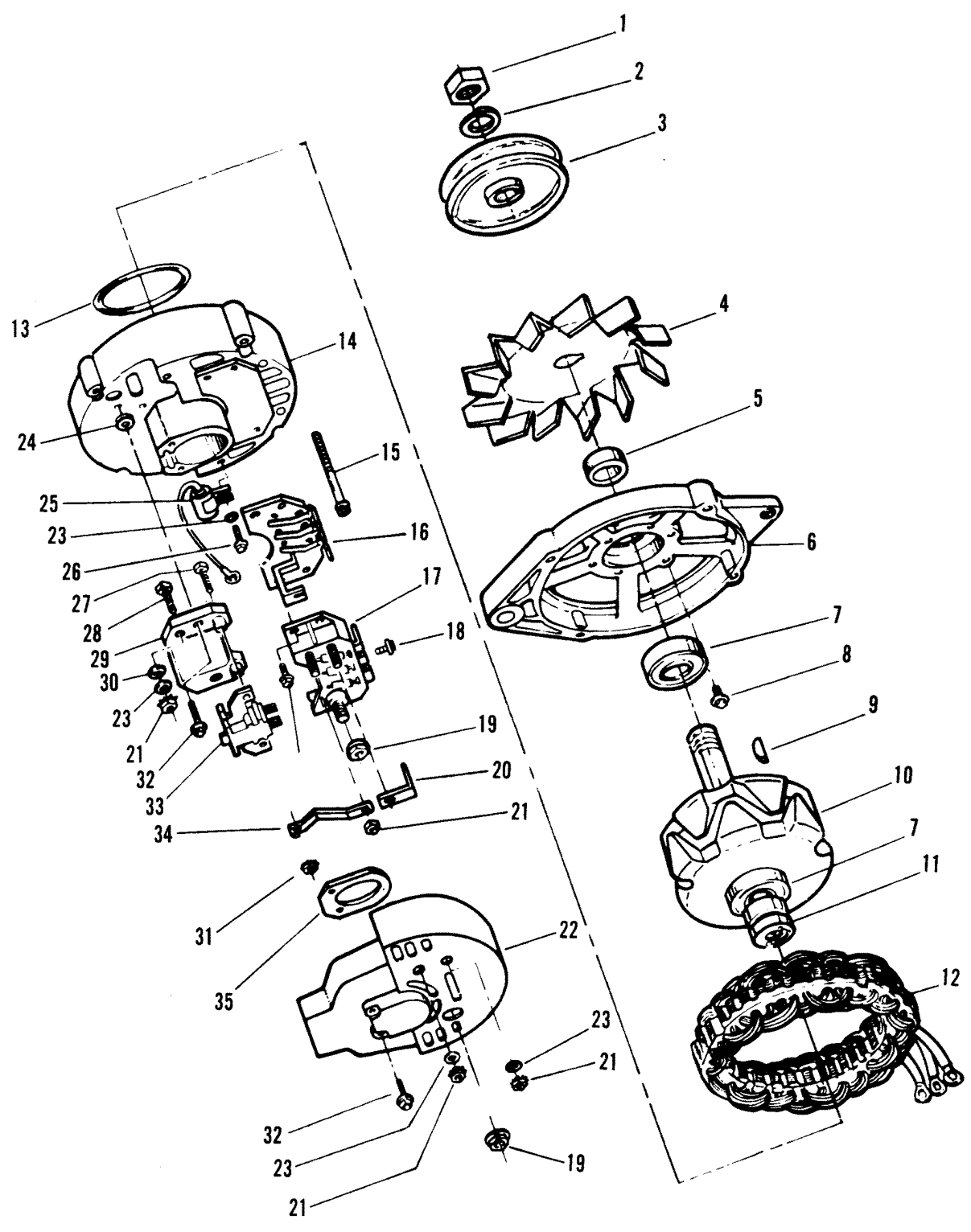


MC0003

ALTERNATOR (55 AMPS) (MOTOROLA #8MR2039K)

REF. NO.	PART NO.	SYM.	QTY.	DESCRIPTION
-	90497A3		1	ALTERNATOR ASSEMBLY (55 AMP)
1	390-7027		1	NUT, FAN AND PULLEY TO ROTOR
2	390-7033		1	LOCKWASHER, FAN AND PULLEY NUT
3	11637		1	PULLEY (MR)
4	390-7004		1	FAN, DRIVE END FRAME
5	390-7012		1	SPACER, FAN TO DRIVE END FRAME
6	390-7028		4	NUT, THRU BOLT ATTACHING
7	390-7000		1	COVER ASSEMBLY, FRONT
8	390-7005		2	BALL BEARING, DRIVE END
9	390-7006		1	RETAINER, DRIVE END BALL BEARING
10	390-8636		1	STATOR ASSEMBLY
11	390-7009		1	DIODE RECTIFIER, NEGATIVE
12	390-7010		1	HEAT SINK, POSITIVE
13	390-7020		1	SLEEVE, INSULATOR
14	390-7018		1	SLEEVE, INSULATOR
15	390-7034		1	KEY, ROTOR
16	390-8635		1	ROTOR ASSEMBLY
17	390-7014		1	SLIP RING
18	390-7206		1	WASHER, ROTOR SCREW
19	390-7207		1	LOCKWASHER, ROTOR SCREW
20	390-7029		1	SCREW, ROTOR SHAFT (5/8")
21	390-7007		1	RETAINER, ROTOR SHAFT BEARING
22	390-7003		1	COVER ASSEMBLY, REAR
23	390-7035		1	CONDENSOR
24	390-7023		1	WASHER, REGULATOR TERMINAL STUD
25	390-7024		1	WASHER, CONDENSOR TERMINAL STUD
26	390-7025		1	NUT, TERMINAL STUD
27	390-7208		1	WASHER, TERMINAL STUD
28	390-7032		2	LOCKWASHER, TERMINAL STUD
29	390-7026		1	NUT, TERMINAL ATTACHING
30	390-7022		1	WASHER, CONDENSOR TERMINAL STUD
31	390-8638		4	THRU BOLT
32	390-7021		1	NUT, CONDENSOR TERMINAL ATTACHING
33	390-7011		1	BRUSH HOLDER ASSEMBLY
34	390-7030		2	SCREW, BRUSH HOLDER (1/2")
35	390-7008		1	DIODE TRIO
36	390-7019		1	SPACER, DIODE TRIO
37	390-7013		1	GASKET, VOLTAGE REGULATOR
38	390-7036		1	VOLTAGE REGULATOR
39	390-7015		4	SCREW, VOLTAGE REGULATOR ATTACHING

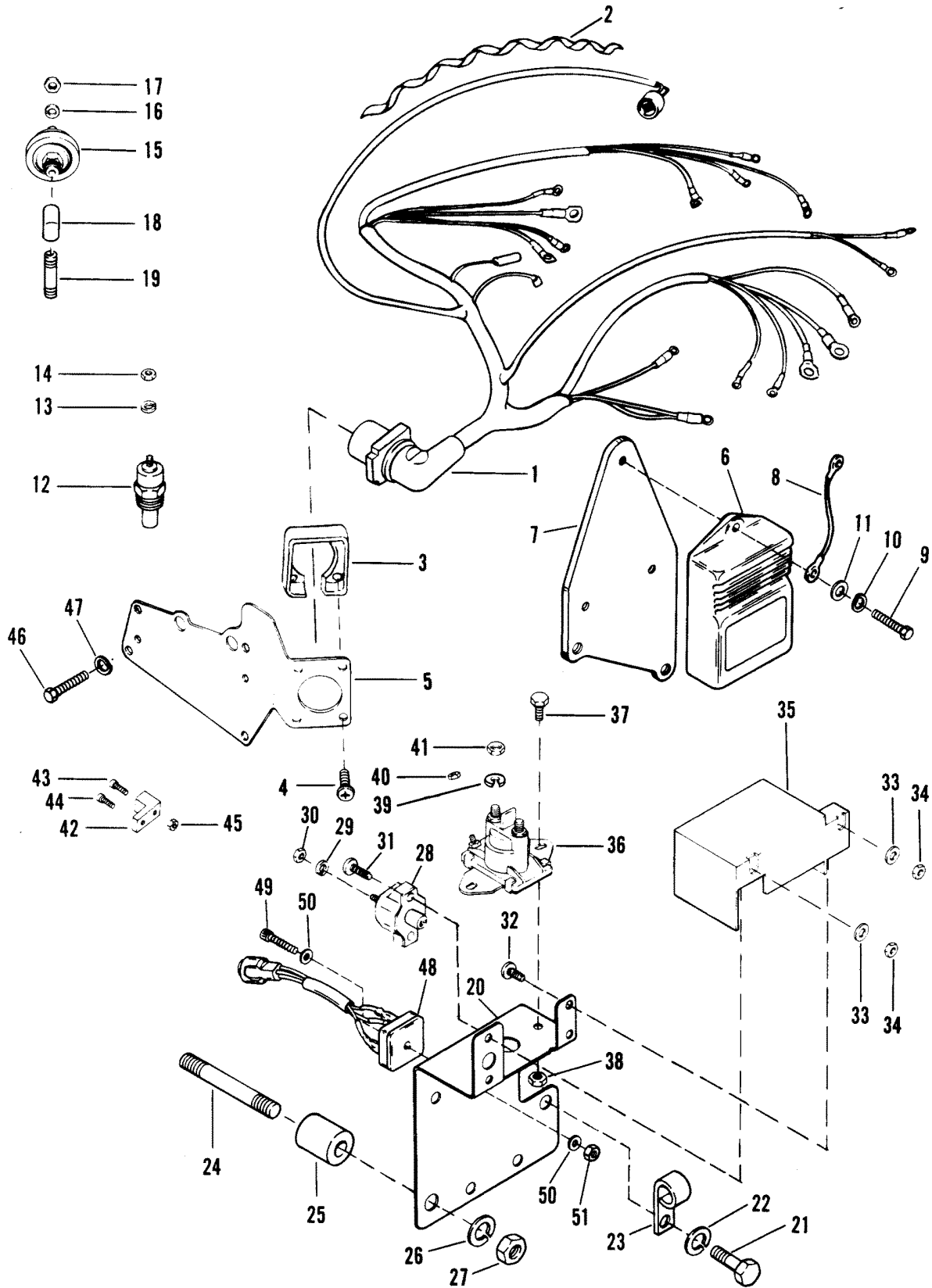
ALTERNATOR (MOTOROLA #8EM2003KA)



ALTERNATOR (MOTOROLA #8EM2003KA)

REF. NO.	PART NO.	SYM.	QTY.	DESCRIPTION
-	92497A3		1	ALTERNATOR ASSEMBLY (55 AMP)
1	390-7027		1	NUT
2	390-7033		1	LOCKWASHER
3	390-8637		1	PULLEY
4	390-7004		1	FAN
5	813969		1	SPACER
6	813961		1	HOUSING, FRONT
7	390-7005		2	BALL BEARING
8	10-813978		4	SCREW
9	390-7034		1	KEY
10	813962		1	ROTOR
11	390-7014		1	SLIP RING
12	813963		1	STATOR
13	390-7007		1	RETAINER
14	813964		1	HOUSING, REAR
15	10-813975		4	THRU BOLT
16	813966		1	DIODE BRIDGE
17	813965		1	DIODE FIELD
18	10-813981		3	SCREW
19	11-813976		2	NUT
20	813973		1	STRAP
21	390-7021		5	NUT
22	813971		1	COVER
23	12-813984		5	WASHER
24	390-7022		2	WASHER
25	813972		1	CAPACITOR
26	10-813982		1	SCREW
27	10-813979		2	SCREW
28	10-813983		2	SCREW
29	813974		1	VOLTAGE REGULATOR
30	12-813985		2	WASHER
31	11-813977		2	NUT
32	10-813980		8	SCREW
33	813968		1	BRUSH ASSEMBLY
34	813967		1	STRAP (D+)
35	27-813970		1	GASKET

WIRING HARNESS AND ELECTRICAL COMPONENTS

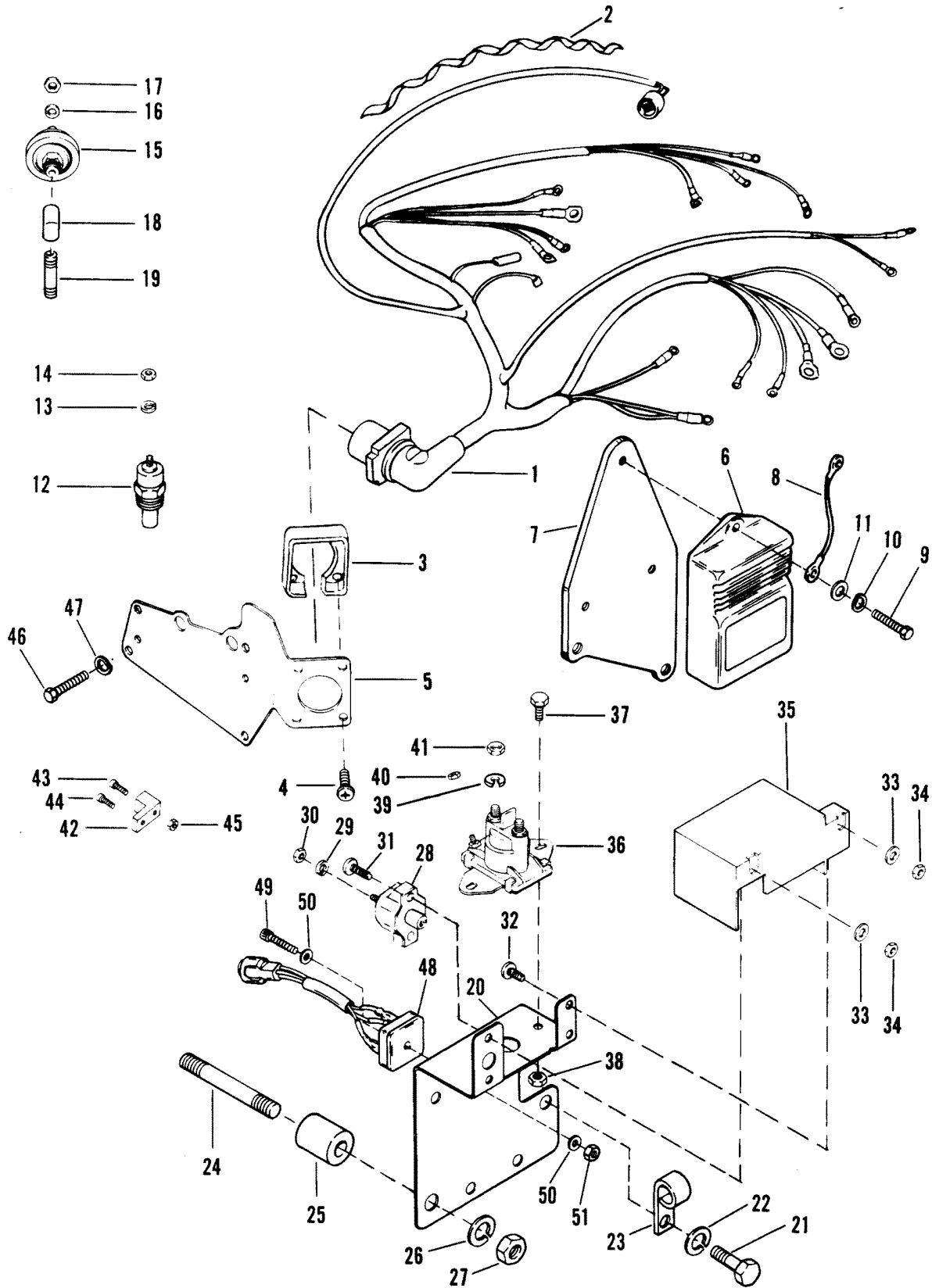


WIRING HARNESS AND ELECTRICAL COMPONENTS

REF. NO.	PART NO.	SYM.	QTY.	DESCRIPTION
1	84-98423A13		1	WIRING HARNESS (ALPHA I)
	84-98423A15		1	WIRING HARNESS (BRAVO)
2	32-77690		2	WRAPPING, PLASTIC (1/4")
3	26079A2		1	PLATE, WIRING HARNESS
4	10-15001		4	SCREW, PLATE (3/4")
5	98493A2		1	BRACKET, MOUNTING
6	15899A2		1	IGNITION AMPLIFIER (W/84-15275A2 HARNESS)
7	13406		1	BRACKET, IGNITION AMPLIFIER
8	84-60871A15		1	WIRE ASSEMBLY
9	10-28635		3	SCREW, IGNITION AMPLIFIER
10	13-26992		3	LOCKWASHER
11	12-20533		3	WASHER
12	97257A1		1	WATER TEMPERATURE SENDER
	49734A1		OPT.	WATER TEMPERATURE SENDER (DUAL)
13	13-26996		1	LOCKWASHER, WATER TEMPERATURE SENDER TERMINAL (#10)
14	11-68219		1	NUT, WATER TEMPERATURE SENDER TERMINAL (#10)
15	90806		1	OIL PRESSURE SENDER
	37293		OPT.	OIL PRESSURE SENDER (DUAL)
16	13-26996		1	LOCKWASHER, OIL PRESSURE SENDER TERMINAL (#10)
17	11-68219		1	NUT, OIL PRESSURE SENDER TERMINAL (#10)
18	22-46932		1	ELBOW, OIL PRESSURE SENDER
19	22-42554		1	NIPPLE, OIL PRESSURE SENDER
20	14464		1	BRACKET, MOUNTING
21	10-34353		1	SCREW, MOUNTING BRACKET
22	13-35048		1	LOCKWASHER, BRACKET SCREW
23	54-78945		1	CLAMP, BRACKET SCREW
24	16-24585--1		1	STUD, MOUNTING BRACKET
25	23-15895		1	SPACER, MOUNTING BRACKET STUD
26	13-35048		1	LOCKWASHER, MOUNTING BRACKET STUD
27	11-24883		1	NUT, MOUNTING BRACKET STUD
28	88-11178		1	CIRCUIT BREAKER (50 AMP)
29	13-26996		2	LOCKWASHER, CIRCUIT BREAKER TERMINAL
30	11-68219		2	NUT, CIRCUIT BREAKER TERMINAL
31	10-45862		2	SCREW, CIRCUIT BREAKER (7/8")
32	10-71405		1	SCREW, INSULATOR (3/8")
33	12-56681		2	WASHER, CIRCUIT BREAKER SCREW
34	11-46438		4	NUT, INSULATOR SCREW
35	89-96819T		1	INSULATOR, CIRCUIT BREAKER
36	89-96054		1	STARTER SOLENOID
37	10-47910		2	SCREW, STARTER SOLENOID (5/8")
38	11-35888		2	NUT, STARTER SOLENOID SCREW
39	13-26992		2	LOCKWASHER, STARTER SOLENOID TERMINAL

CONTINUED ON NEXT PAGE ➡

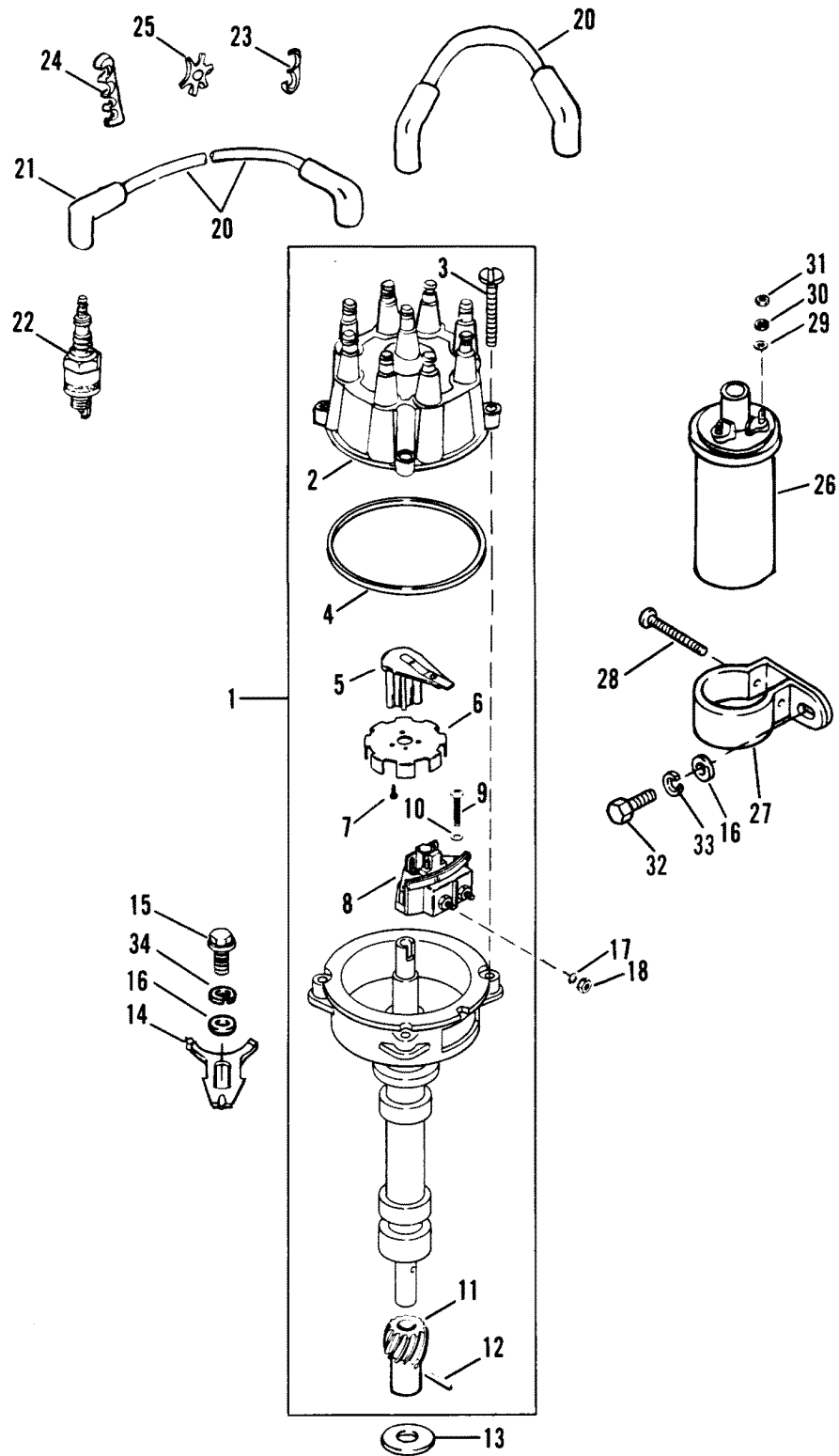
WIRING HARNESS AND ELECTRICAL COMPONENTS



WIRING HARNESS AND ELECTRICAL COMPONENTS

REF. NO.	PART NO.	SYM.	QTY.	DESCRIPTION
40	11-26419		2	NUT, STARTER SOLENOID TERMINAL (10-32)
41	11-94330		2	NUT, STARTER SOLENOID TERMINAL (1/4-20)
42	45915		1	TERMINAL BLOCK ALPHA I ONLY
43	10-62568		1	SCREW, TERMINAL BLOCK LEADS ALPHA I ONLY
44	10-87926		1	SCREW, TERMINAL BLOCK ALPHA I ONLY
45	11-46438		1	NUT, TERMINAL BLOCK SCREW ALPHA I ONLY
46	10-49668		3	SCREW, BRACKET AND SHIFT BRACKET (3/4")
	10-98253		1	SCREW, BRACKET AND SHIFT BRACKET (1/2")
47	13-26992		4	LOCKWASHER, BRACKET SCREW
48	83-14744		2	RECTIFIER/RELAY
49	10-99452		2	SCREW
50	12-27736		4	WASHER
51	11-20190		2	NUT

DISTRIBUTOR AND IGNITION COMPONENTS

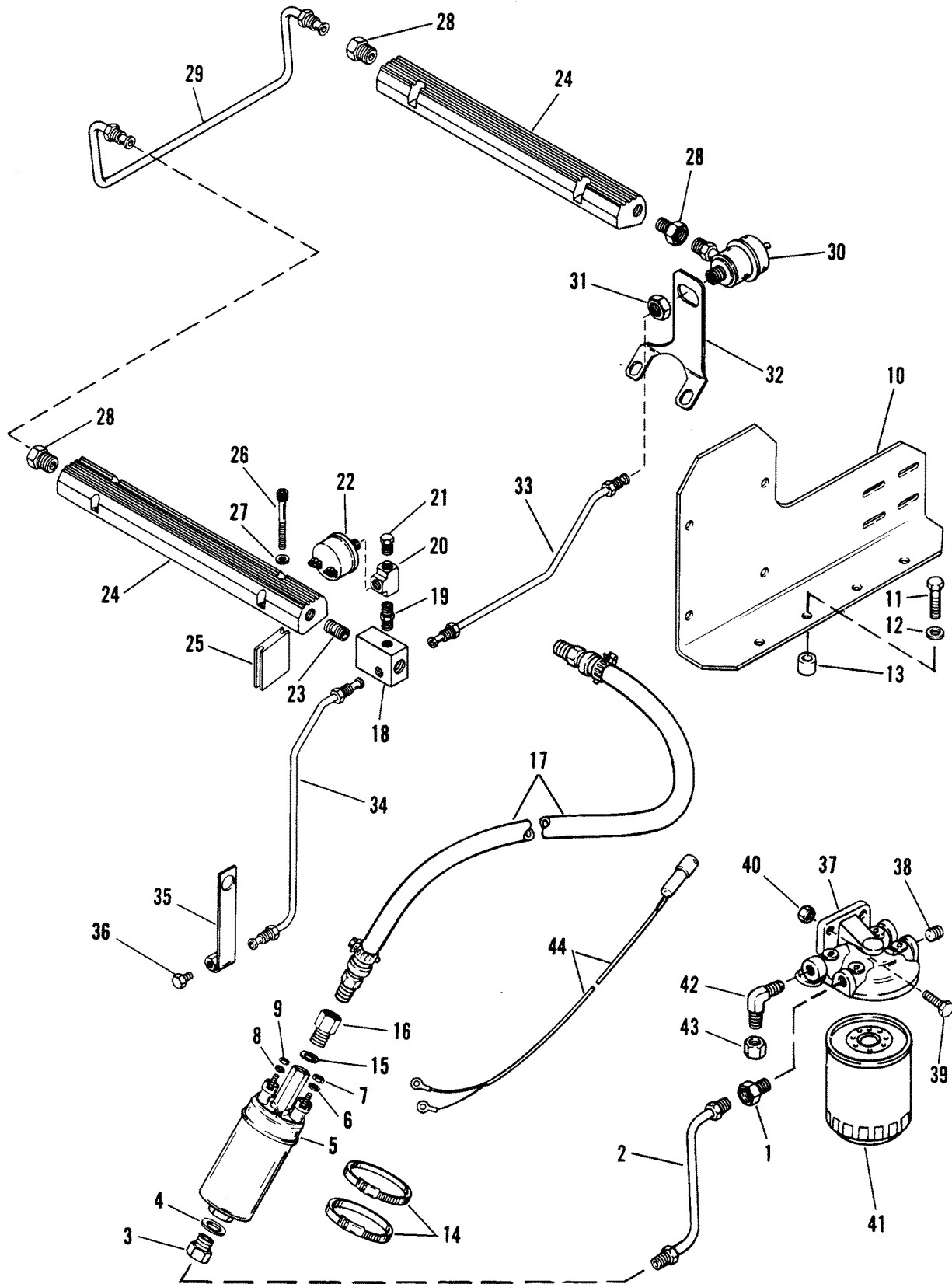


DISTRIBUTOR AND IGNITION COMPONENTS

REF. NO.	PART NO.	SYM.	QTY.	DESCRIPTION
1	90747A3		1	DISTRIBUTOR ASSEMBLY
2	16457A4		1	CAP, DISTRIBUTOR
3	10-90926		4	SCREW, DISTRIBUTOR CAP
4	27-98242--1		1	GASKET, DISTRIBUTOR CAP
5	13524A3		1	ROTOR
6	42862		1	SENSOR WHEEL
7	10-11252		3	SCREW, SENSOR WHEEL
8	87-91019A3		1	SENSOR ASSEMBLY
9	10-47618		2	SCREW, SENSOR
10	12-27736		2	WASHER, SENSOR SCREW
11	43-813776--1		1	GEAR, DRIVE
12	17-47617		1	PIN, DRIVE GEAR
13	27-34486--3	●	1	GASKET, DISTRIBUTOR
14	52185		1	CLAMP, DISTRIBUTOR TO INTAKE MANIFOLD
15	10-34353		1	SCREW, DISTRIBUTOR
16	12-20553		2	WASHER, DISTRIBUTOR AND BRACKET SCREW
17	13-26996		2	LOCKWASHER, DISTRIBUTOR TERMINAL
18	11-68219		2	NUT, DISTRIBUTOR TERMINAL (10-32)
20	84-813720A4		1	SPARK PLUG WIRE KIT
21	85-63709A1		8	BOOT ASSEMBLY, SPARK PLUG
22	33-59571		8	SPARK PLUG
23	54676		2	RETAINER, HIGH TENSION LEADS (2 WIRE)
24	32783		2	RETAINER, HIGH TENSION LEADS (3 WIRE)
25	32784		4	RETAINER, HIGH TENSION LEADS (4 WIRE)
26	392-7803A4		1	COIL, IGNITION
27	65970		1	BRACKET, IGNITION COIL
28	10-41408		1	SCREW, BRACKET (1-1/2")
29	12-30164		2	WASHER, IGNITION COIL TERMINAL
31	11-68219		2	NUT, IGNITION COIL TERMINAL (#10-32)
32	10-98261		1	SCREW, IGNITION COIL BRACKET
33	13-35048		1	LOCKWASHER, BRACKET SCREW
34	13-35048		1	LOCKWASHER, DISTRIBUTOR SCREW

● = [27-13745A88] GASKET SET

FUEL SYSTEMS

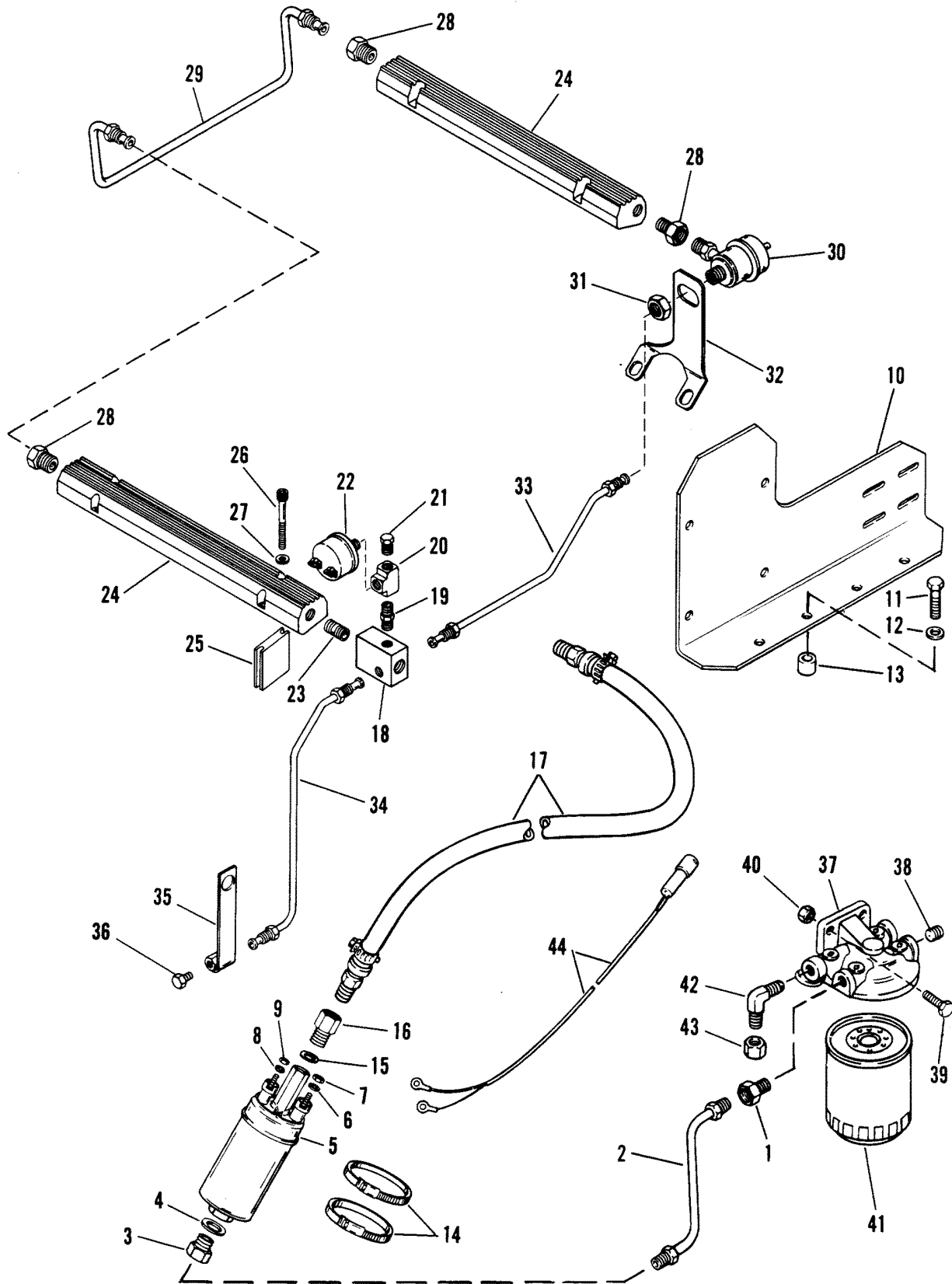


FUEL SYSTEMS

REF. NO.	PART NO.	SYM.	QTY.	DESCRIPTION
1	22-33821		1	CONNECTOR, FUEL LINE
2	32-15937		1	FUEL LINE, FILTER TO PUMP
3	22-14384		1	CONNECTOR, FUEL LINE TO FUEL PUMP
4	12-14470		1	WASHER, FUEL LINE CONNECTOR
5	14351		1	FUEL PUMP
6	12-20128		1	WASHER, FUEL PUMP STUD
7	11-40063--3		1	NUT, FUEL PUMP STUD (5 MM)
8	12-20670		1	WASHER, FUEL PUMP STUD
9	11-40063--2		1	NUT, FUEL PUMP STUD (4 MM)
10	15938		1	BRACKET, FILTER AND FUEL PUMP
11	10-42113		4	SCREW, BRACKET
12	12-26168		4	WASHER, BRACKET SCREW
13	23-90523		4	SPACER, BRACKET SCREW
14	54-18076--9		2	CLAMP, FUEL PUMP
15	12-22886		1	WASHER, FUEL LINE CONNECTOR
16	22-14383		1	CONNECTOR, FUEL LINE TO FUEL PUMP
17	32-15939A1		1	FUEL LINE (4')
18	22-14382A1		1	FUEL FITTING ASSEMBLY
19	22-32876		1	NIPPLE
20	22-52930		1	TEE
21	16516		1	TANK VALVE
22	87-14355		1	SWITCH, OIL PRESSURE
23	22-14475		1	NIPPLE
24	13516--1		2	FUEL RAIL
25	13518--1		4	SUPPORT, FUEL RAIL
26	10-13684		8	SCREW, FUEL RAIL
27	12-46101		8	WASHER, FUEL RAIL SCREW
28	22-33821		3	CONNECTOR
29	32-13601		1	FUEL LINE
30	12026		1	REGULATOR, FUEL PRESSURE
31	11-22339		1	NUT, FUEL PRESSURE REGULATOR
32	14302		1	BRACKET, REGULATOR
33	32-14474		1	FUEL LINE
34	32-14473		1	FUEL LINE
35	22-14472		1	FITTING
36	22-36382		1	PLUG
37	89876A3		1	BASE, FUEL FILTER
38	22-36382		2	PIPE PLUG, BASE
39	10-26065		2	SCREW, BASE

CONTINUED ON NEXT PAGE ➡

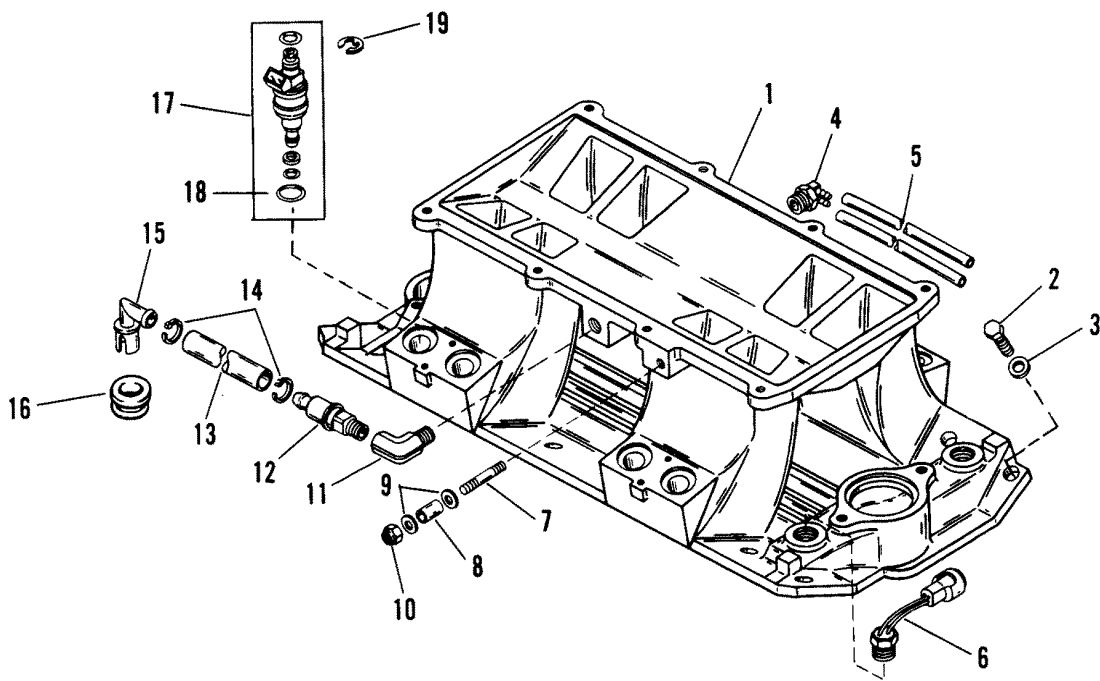
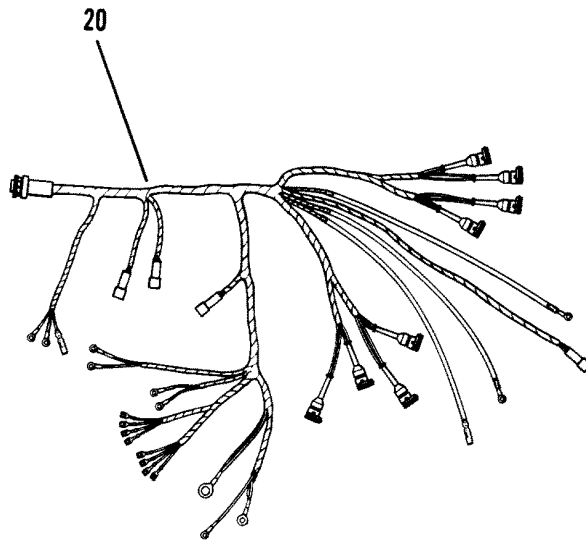
FUEL SYSTEMS



FUEL SYSTEMS

REF. NO.	PART NO.	SYM.	QTY.	DESCRIPTION
40	11-35814		2	NUT, BASE SCREW
41	35-60494--1		1	FUEL FILTER
42	22-69395		1	FITTING (90 DEGREES)
43	22-79484		1	CAP, FITTING
44	84-16278A1		1	HARNES ASSEMBLY, FUEL PUMP

INTAKE MANIFOLD/FUEL INJECTORS

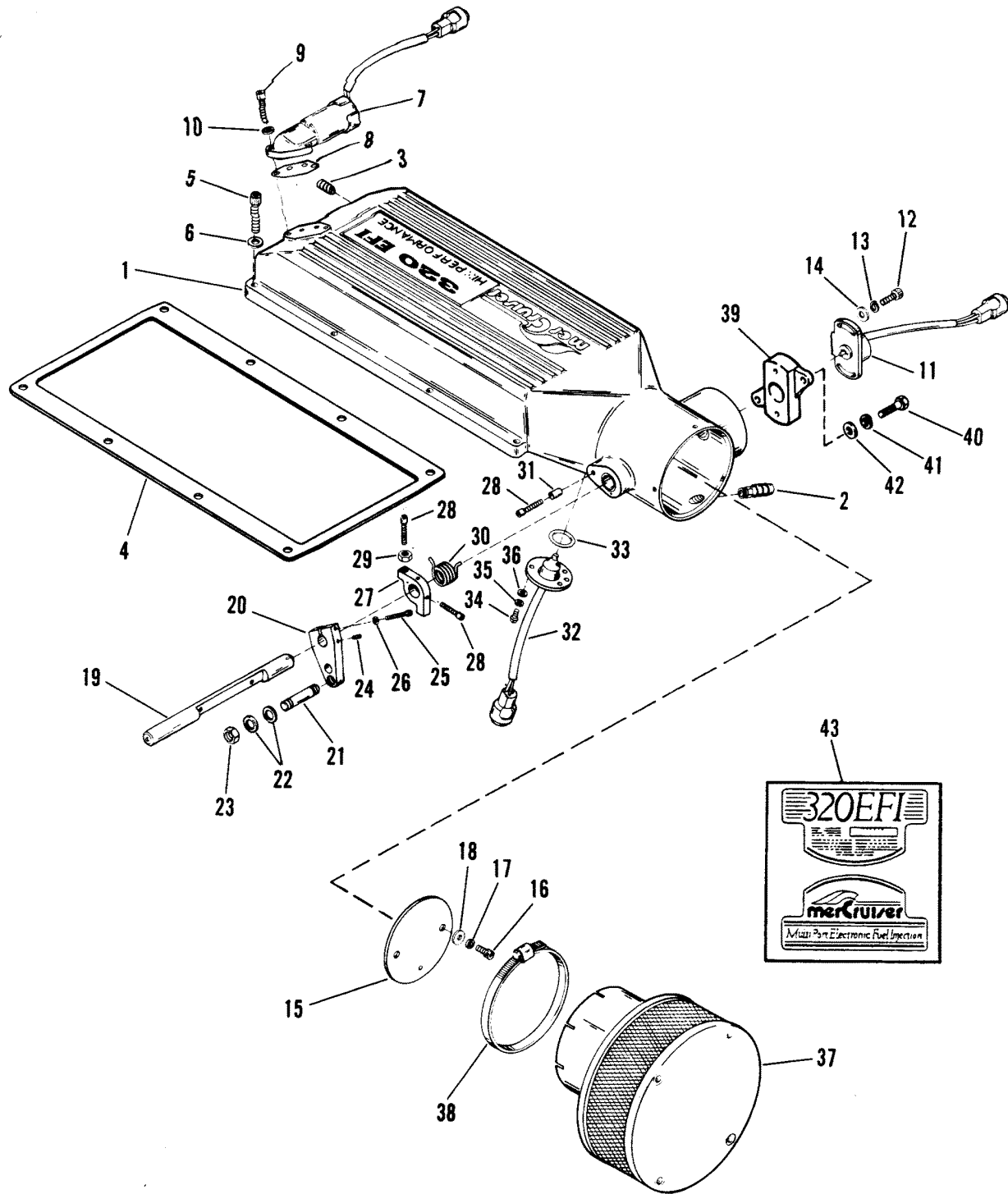


INTAKE MANIFOLD/FUEL INJECTORS

REF. NO.	PART NO.	SYM.	QTY.	DESCRIPTION
1	16542--1		1	INTAKE MANIFOLD
2	10-37612		2	SCREW, INTAKE MANIFOLD (1-1/4")
	10-26487		6	SCREW, INTAKE MANIFOLD (1-1/8")
	10-68101		4	SCREW, INTAKE MANIFOLD (1-3/8")
3	12-45175		12	WASHER, INTAKE MANIFOLD SCREW
4	22-36382A1		1	FITTING ASSEMBLY
5	32-66285--4		2	HOSE
6	87-14172A2		1	SENSOR ASSEMBLY
7	16-72809		1	STUD
8	23-21866		1	SPACER
9	12-21631		2	WASHER
10	20586		1	NUT
11	22-46982		1	ELBOW (90 DEGREES)
12	13712		1	PCV VALVE
13	32-93315-12		2	HOSE
14	54-53101		4	CLAMP
15	97850		2	ELBOW, BREATHER (90 DEGREES)
16	25-52188		2	GROMMET
17	13746		8	FUEL INJECTOR
18	25-45711	●	8	"O" RING, FUEL INJECTOR
19	53-90916		8	"E" RING, FUEL INJECTOR
20	84-13793A4		1	WIRING HARNESS, INJECTORS

● = [27-13745A88] GASKET SET

PLENUM ASSEMBLY



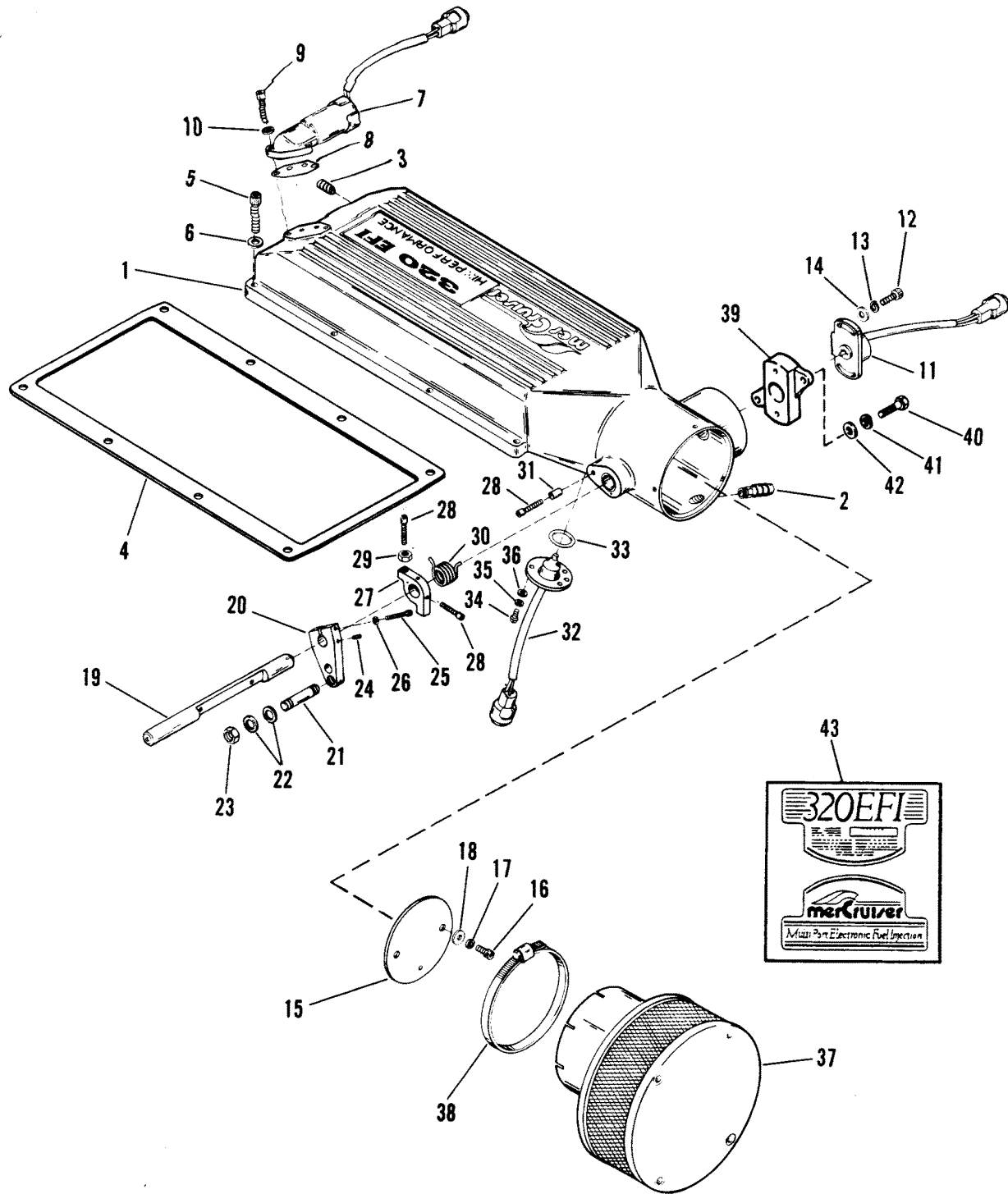
PLENUM ASSEMBLY

REF. NO.	PART NO.	SYM.	QTY.	DESCRIPTION
1	12987A2		1	PLENUM ASSEMBLY
2	22-13757		1	NIPPLE
3	22-32561		1	PLUG
4	27-13745	●	1	GASKET, PLENUM
5	10-70084		8	SCREW, PLENUM TO INTAKE MANIFOLD
6	12-29245		8	WASHER, PLENUM SCREW
7	89-14561A1		1	AIR VALVE
8	27-14527	●	1	GASKET
9	10-76566		2	SCREW
10	13-26996		2	LOCKWASHER
11	14882A2		1	INDICATOR, THROTTLE POSITION
12	10-86509		2	SCREW
13	13-26995		2	LOCKWASHER
14	12-30164		2	WASHER
15	13721		1	THROTTLE SHUTTER
16	10-41354		2	SCREW, THROTTLE SHUTTER TO SHAFT
17	13-26996		2	LOCKWASHER
18	12-24676		2	WASHER
19	13521		1	THROTTLE SHAFT
20	13520		1	PIVOT, SHUTTER SHAFT
21	16-98851		1	STUD
22	12-29245		2	WASHER
23	11-20361		1	NUT
24	10-41355		1	SET SCREW
25	10-41089		1	SCREW
26	13-26995		1	LOCKWASHER
27	13519		1	STOP, SHUTTER SHAFT
28	10-76566		3	SCREW
29	11-30968		1	NUT
30	24-13938		1	SPRING, THROTTLE RETURN
31	23-13720		1	BUSHING
32	96718A2		1	SENSOR ASSEMBLY
33	25-45711		1	"O" RING
34	10-57583		3	SCREW
35	13-26995		3	LOCKWASHER
36	12-20670		3	WASHER
37	15175		1	FLAME ARRESTOR
38	54-33683		1	CLAMP

● = [27-13745A88] GASKET SET

CONTINUED ON NEXT PAGE ➡

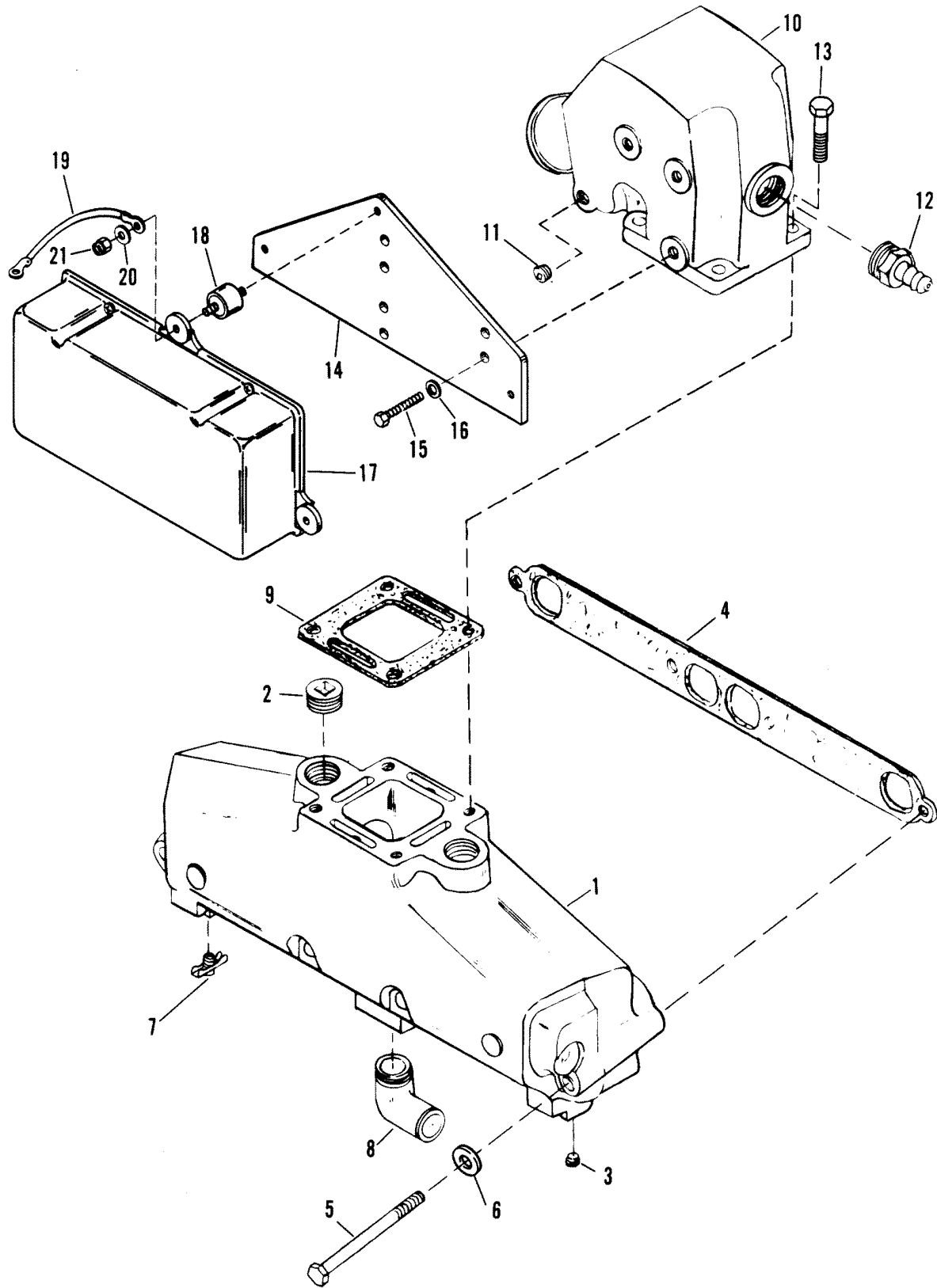
PLENUM ASSEMBLY



PLENUM ASSEMBLY

REF. NO.	PART NO.	SYM.	QTY.	DESCRIPTION
39	16435		1	ADAPTOR, THROTTLE POSITION INDICATOR
40	10-76290		2	SCREW, ADAPTOR
41	13-26996		2	LOCKWASHER, ADAPTOR SCREW
42	12-21273		2	WASHER, ADAPTOR SCREW
43	37-16672--3		1	DECAL SET

EXHAUST MANIFOLD AND EXHAUST ELBOW



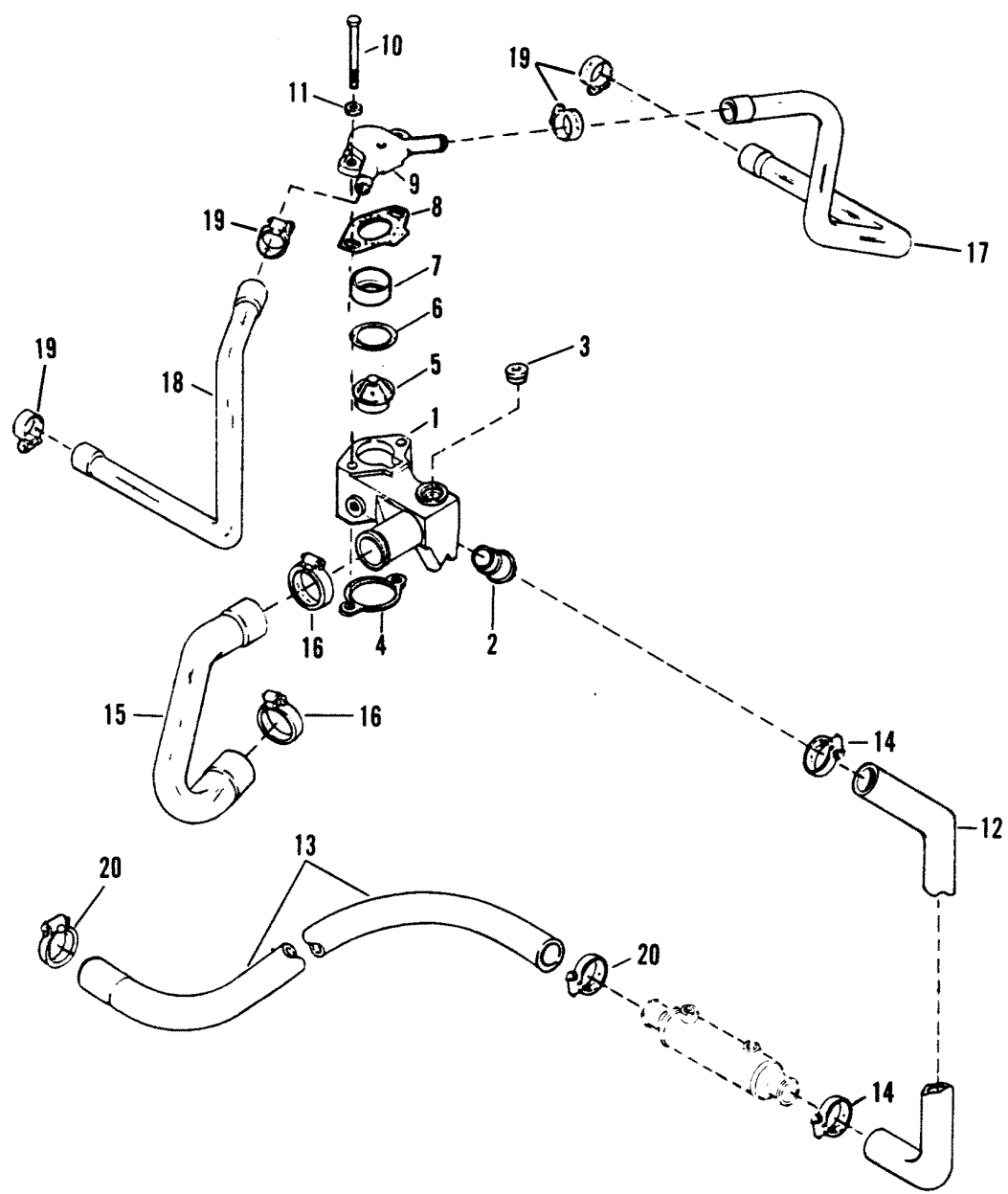
EXHAUST MANIFOLD AND EXHAUST ELBOW

REF. NO.	PART NO.	SYM.	QTY.	DESCRIPTION
1	87114A19		2	EXHAUST MANIFOLD ASSEMBLY
2	22-33198A1		AR	PLUG, EXHAUST MANIFOLD
3	22-36382		4	PLUG, PIPE - EXHAUST MANIFOLD
4	27-33395	●	2	GASKET, EXHAUST MANIFOLD TO CYLINDER HEAD
5	10-53728		8	SCREW, EXHAUST MANIFOLD
6	12-20553		8	WASHER, EXHAUST MANIFOLD SCREW
7	22-16951A1		2	DRAIN COCK, EXHAUST MANIFOLD
8	22-36305		2	ELBOW, EXHAUST MANIFOLD
9	27-87105--1	●	2	GASKET, ELBOW
10	44354A3		2	EXHAUST ELBOW ASSEMBLY (7 DEGREES)
11	22-36382		2	PLUG, PIPE - EXHAUST ELBOW
12	22-33198A1		2	PLUG, EXHAUST ELBOW
13	10-43749		6	SCREW, MANIFOLD
	10-44387		2	SCREW, MANIFOLD
14	13515		1	BRACKET, E.F.I. CONTROL BOX
15	10-49668		3	SCREW, BRACKET TO ELBOW
16	13-26992		3	LOCKWASHER, BRACKET SCREW
17	11350A8		1	E.F.I. CONTROL BOX ASSEMBLY
18	12234--1		3	MOUNT, RUBBER
19	84-65999A10		1	WIRE ASSEMBLY
20	12-21631		3	WASHER, RUBBER MOUNT
21	11-56374		3	NUT, RUBBERT MOUNT

NOTE: FOR EXHAUST ELBOW EXTENSION KITS, ORDER THE FOLLOWING: [9330A3] RISER KIT (3")- EACH KIT [93322A3] RISER KIT (6") - CONTAIN 2 RISERS

● = [27-13745A88] GASKET SET

THERMOSTAT HOUSING (STANDARD COOLING)

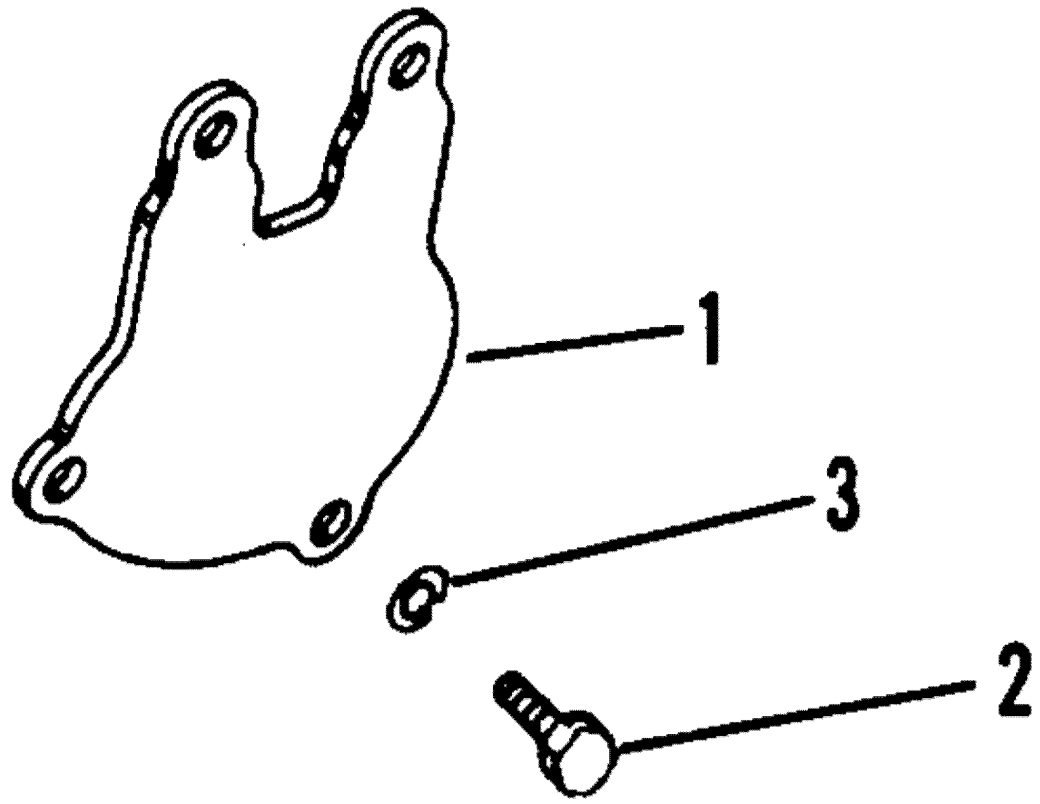


THERMOSTAT HOUSING (STANDARD COOLING)

REF. NO.	PART NO.	SYM.	QTY.	DESCRIPTION
1	87110A2		1	THERMOSTAT HOUSING ASSEMBLY
2	23-47511		1	SLEEVE, THERMOSTAT HOUSING
3	22-33198A1		1	PLUG, THERMOSTAT HOUSING
4	27-53045--1	●	1	GASKET, THERMOSTAT HOUSING
5	59137		1	THERMOSTAT (143 DEGREES)
6	27-47510	●	1	GASKET, THERMOSTAT
7	23-47508		1	SLEEVE, THERMOSTAT
8	27-48818--1	●	1	GASKET, THERMOSTAT COVER
9	47441A1		1	COVER, THERMOSTAT
10	10-72094		2	SCREW THERMOSTAT HOUSING TO INTAKE MANIFOLD
11	12-20553		2	WASHER, THERMOSTAT HOUSING SCREW
12	32-88794		1	HOSE, THERMOSTAT HOUSING TO OIL COOLER
13	32-96246A4		1	HOSE, FLUID COOLER TO DRIVE UNIT
14	54-18076--6		2	CLAMP, HOSE ATTACHING
15	32-87108		1	HOSE, THERMOSTAT HOUSING TO WATER PUMP
16	54-18076--8		2	CLAMP, HOSE ATTACHING
17	32-16021		1	HOSE, THERMOSTAT COVER TO EXHAUST MANIFOLD (PORT)
18	32-87117		1	HOSE, THERMOSTAT COVER TO EXHAUST MANIFOLD (STARBOARD)
19	54-18076--4		4	CLAMP, HOSE ATTACHING
20	54-32780		2	CLAMP, HOSE ATTACHING

● = [27-13745A88] GASKET SET

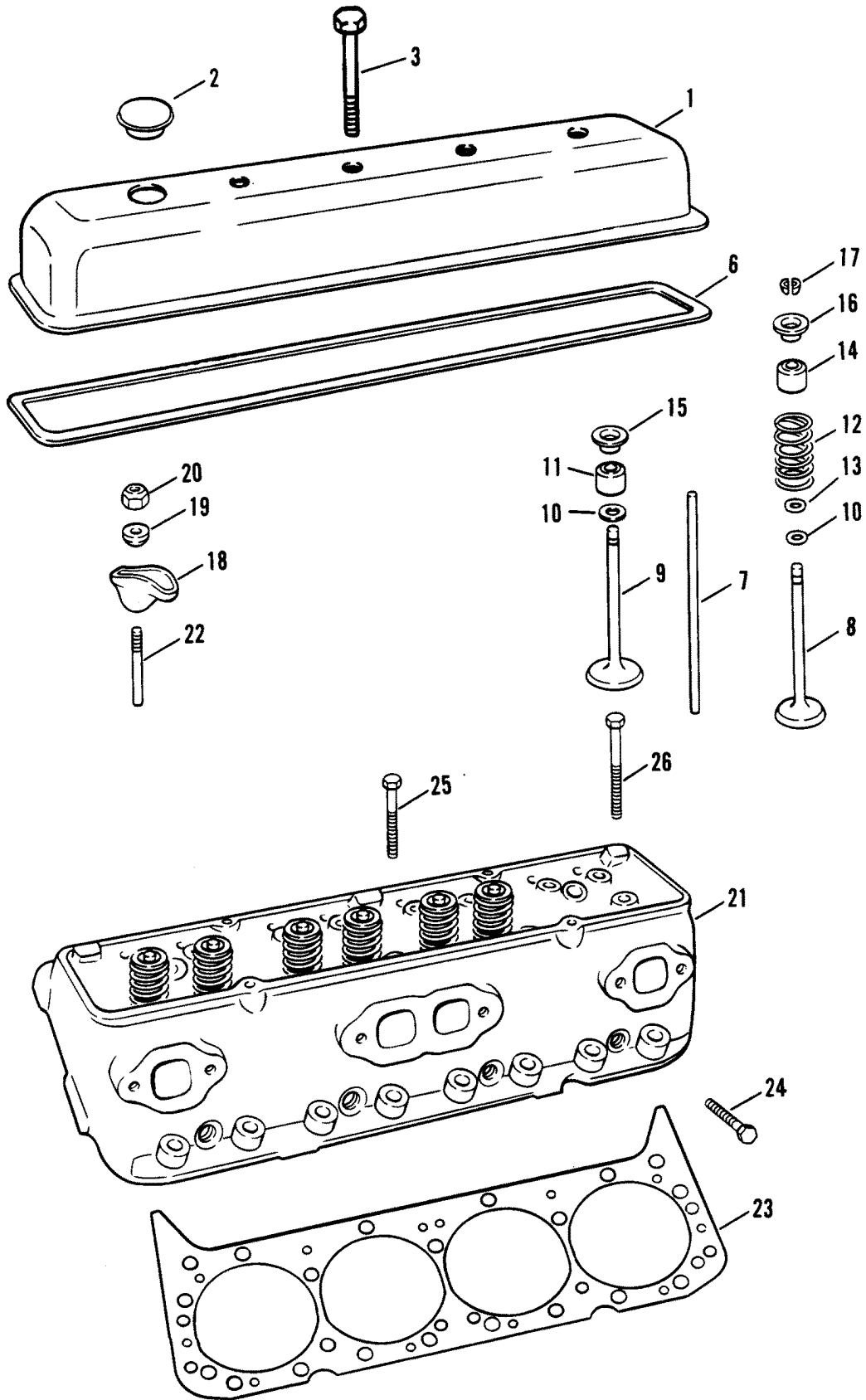
EXHAUST PLATE(ALPHA-ONE ENGINE)



EXHAUST PLATE(ALPHA-ONE ENGINE)

REF. NO.	PART NO.	SYM.	QTY.	DESCRIPTION
1	11395		1	PLATE, EXHAUST
2	10-98794		4	SCREW, EXHAUST PLATE
3	13-41471		4	LOCKWASHER, EXHAUST PLATE SCREW

CYLINDER HEAD AND ROCKER COVER

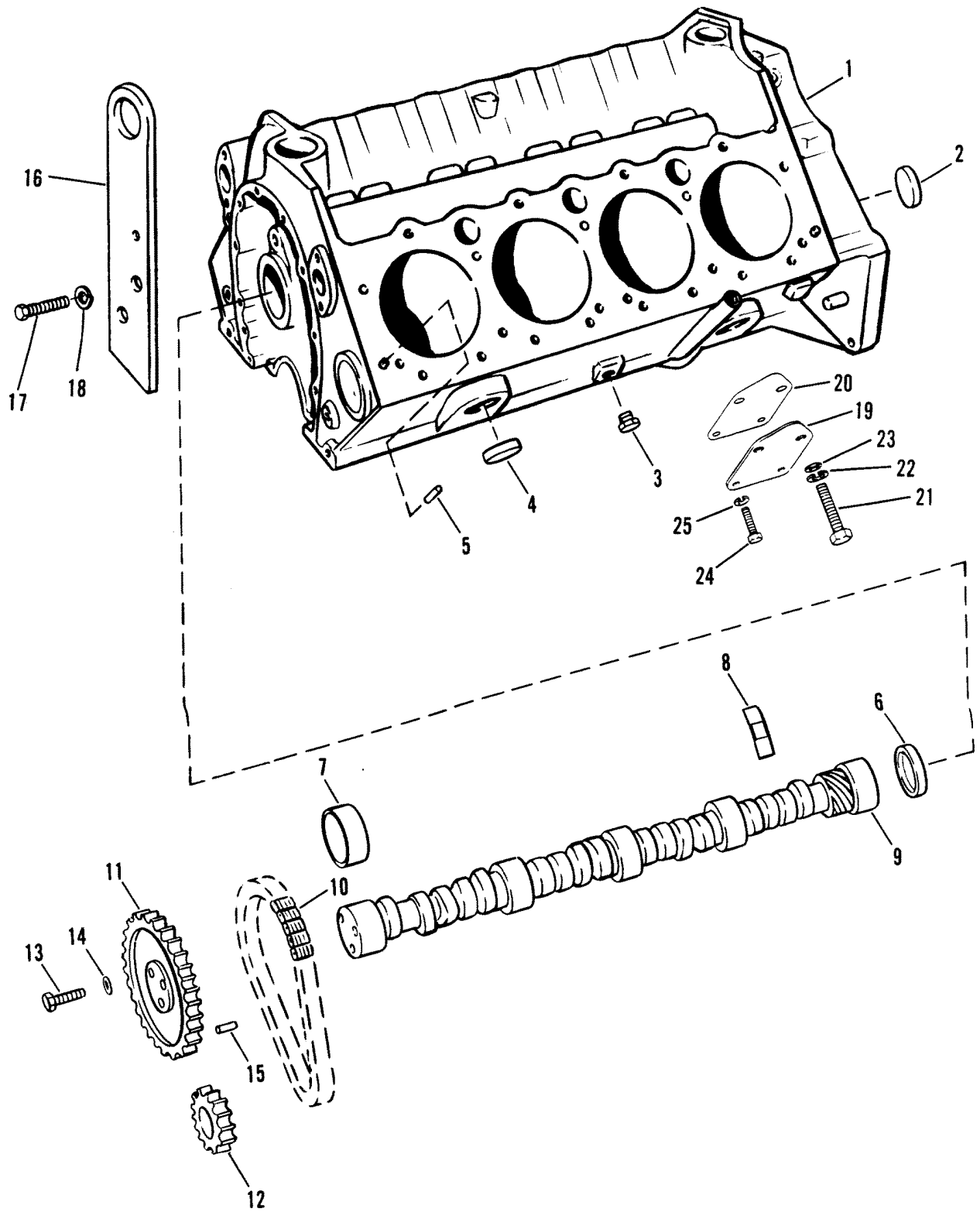


CYLINDER HEAD AND ROCKER COVER

REF. NO.	PART NO.	SYM.	QTY.	DESCRIPTION
1	18709A1		2	COVER, ROCKER
2	13468		1	CAP, OIL FILLER
3	10-17344		8	SCREW, ROCKER COVER
6	27-17745	●	2	GASKET, ROCKER VALVE COVER
7	99948		16	ROD, VALVE PUSH
8	87284		8	VALVE, EXHAUST (STANDARD)
	87301		AR	VALVE, EXHAUST (.015 O.S.)
9	97661		8	VALVE, INLET (STANDARD)
	97662		AR	VALVE, INLET (.015 O.S.)
10	26-34217	●	16	SEAL, VALVE (INLET AND EXHAUST)
11	26-97664	●	8	SEAL, INLET VALVE
12	24-48347		16	SPRING, VALVE (INLET AND EXHAUST)
13	N.S.S.		AR	SHIM, VALVE SPRING (GM #3731058)
14	34518		16	SHIELD, VALVE SPRING CAP
15	48348		8	CAP, INLET VALVE
16	11965		8	ROTATOR, VALVE SPRING - EXHAUST VALVE
17	28-54797		32	KEY, VALVE STERN
18	35329		16	ARM, ROCKER VALVE
19	35331		16	BALL UNIT, ROCKER VALVE ARM
20	11-34516		16	NUT, ROCKER VALVE ARM STUD
21	938-9718		2	CYLINDER ASSEMBLY
22	16-34522		AR	STUD, ROCKER VALVE (.003 O.S.)
	16-34521		AR	STUD, ROCKER VALVE ARM (.013 O.S.)
23	27-75611	●	2	GASKET, CYLINDER HEAD
24	10-11968		16	BOLT, CYLINDER HEAD TO CYLINDER BLOCK (1-3/4")
25	10-11967		4	BOLT, CYLINDER HEAD TO CYLINDER BLOCK (3")
26	10-11966		14	BOLT, CYLINDER HEAD TO CYLINDER BLOCK (3-3/4")
27	27-13745A88		-	GASKET SET

● = [27-13745A88] GASKET SET

CYLINDER BLOCK AND CAMSHAFT



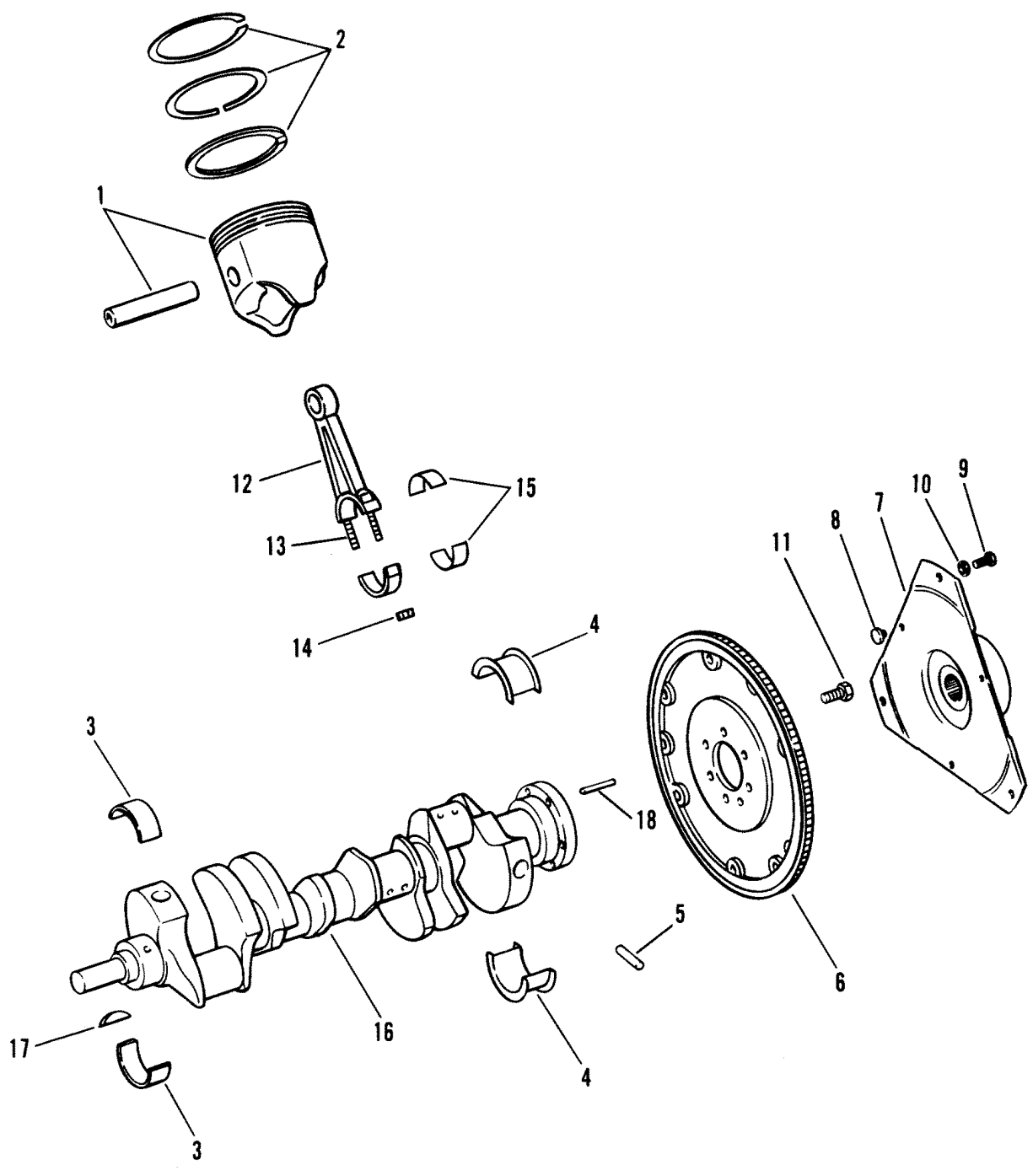
CYLINDER BLOCK AND CAMSHAFT

REF. NO.	PART NO.	SYM.	QTY.	DESCRIPTION
1	841-9845		1	CYLINDER BLOCK ASSEMBLY
2	22-48340		AR	PLUG, EXPANSION - CYLINDER BLOCK
3	22-16951A1		2	DRAIN COCK, CYLINDER BLOCK
4	19-34270		8	PLUG, EXPANSION - CYLINDER BLOCK (1-5/8" DIA.)
5	17-35465		4	PIN, DOWEL - BLOCK TO HEAD (5/16" DIA.)
6	22-72640		1	PLUG, EXPANSION - CAMSHAFT BEARING HOLE
7	23-85674		1	BEARING UNIT, CAMSHAFT (SET)
8	72638		16	LIFTER, HYDRAULIC VALVE - TAPPET
9	431-5952		1	CAMSHAFT
10	17161		1	CHAIN, CAMSHAFT TIMING
11	43-17159		1	SPROCKET, CAMSHAFT
12	43-17160		1	SPROCKET, CAMSHAFT TIMING
13	10-34505		3	BOLT, CAMSHAFT TIMING SPROCKETS (3/4")
14	12-39167		3	WASHER, CAMSHAFT TIMING SPROCKET BOLT
15	17-35312		1	PIN, DOWEL - CAMSHAFT SPROCKET (1/4" DIA.)
16	13405		2	LIFTING EYE
17	10-34354		4	SCREW, LIFTING EYE
18	13-35048		4	LOCKWASHER
19	14069		1	PLATE, FUEL PUMP BLOCK OFF
20	27-14613	●	1	GASKET, PLATE
21	10-98261		2	SCREW, PLATE (UPPER)
22	13-35048		2	LOCKWASHER, PLATE SCREW
23	12-20553		2	WASHER, PLATE SCREW
24	10-28635		2	SCREW, PLATE (LOWER)
25	13-26992		2	LOCKWASHER, PLATE
26	27-13745A88		-	GASKET SET
27	16558A1		-	MARINE 320 SHORT BLOCK

MARINE 320 SHORT BLOCK [16558A1]

● = [27-13745A88] GASKET SET

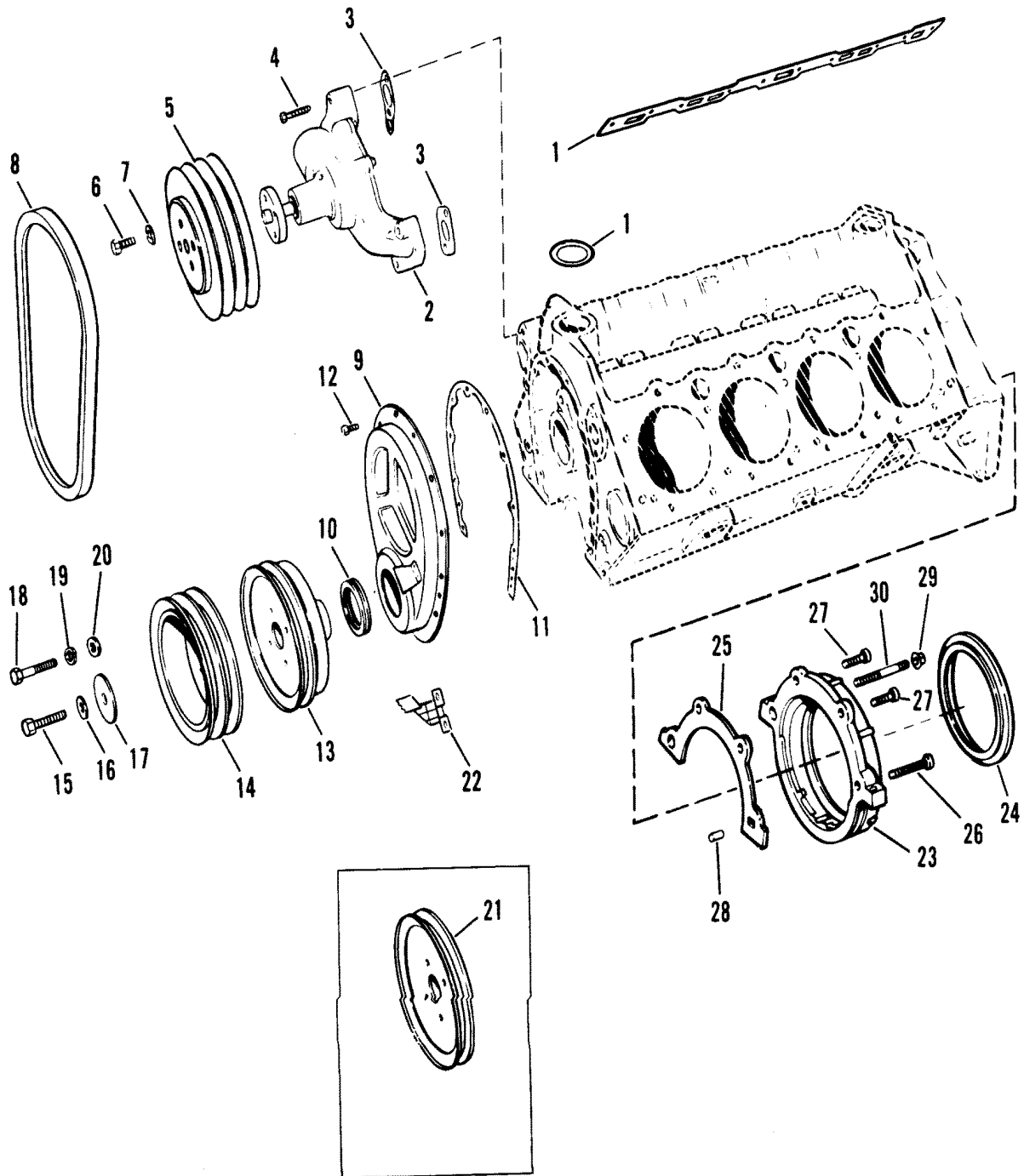
CRANKSHAFT, PISTONS AND CONN. RODS



CRANKSHAFT, PISTONS AND CONN. RODS

REF. NO.	PART NO.	SYM.	QTY.	DESCRIPTION
1	735-9846		8	PISTON AND PISTON PIN ASSEMBLY (.001 O.S.)
	735-9847		AR	PISTON AND PISTON PIN ASSEMBLY (.030 O.S.)
2	39-17464		8	RING, PISTON - 8 SETS (STANDARD)
	39-17465		AR	RING, PISTON - 8 SETS (.030 O.S.)
3/4	23-15960		1	BEARING SET, CRANKSHAFT (STD.)
	23-15960-10		1	BEARING SET, CRANKSHAFT (.010 U.S.)
	23-15960-20		1	BEARING SET, CRANKSHAFT (.020 U.S.)
5	17-35312		1	PIN, DOWEL - REAR BEARING CAP (1/4" DIA.)
6	222-9520		1	FLYWHEEL (14" DIA.)
7	18643A2		1	COUPLING ASSEMBLY
8	26901		3	RUBBER BUMPER - (OLD DESIGN)
	18644		3	RUBBER BUMPER - (NEW DESIGN)
9	10-14883		3	SCREW, COUPLING
10	12-13510		3	WASHER, COUPLING SCREW
11	10-49845		6	SCREW, FLYWHEEL TO CRANKSHAFT
12	614-5951		8	CONNECTING ROD ASSEMBLY
13	10-85802		16	BOLT, CONNECTING ROD CAP
14	11-37493		16	NUT, CONNECTING ROD CAP BOLT
15	23-15961		1	BEARING SET, CONNECTING ROD (STD.)
	23-15961-10		1	BEARING SET, CONNECTING ROD (.010 U.S.)
	23-15961-20		1	BEARING SET, CONNECTING ROD (.020 U.S.)
16	429-9601		1	CRANKSHAFT
17	28-34466		2	KEY, CRANKSHAFT PULLEY AND BALANCER
18	17-43504		1	DOWEL PIN, CRANKSHAFT

WATER PUMP AND FRONT COVER



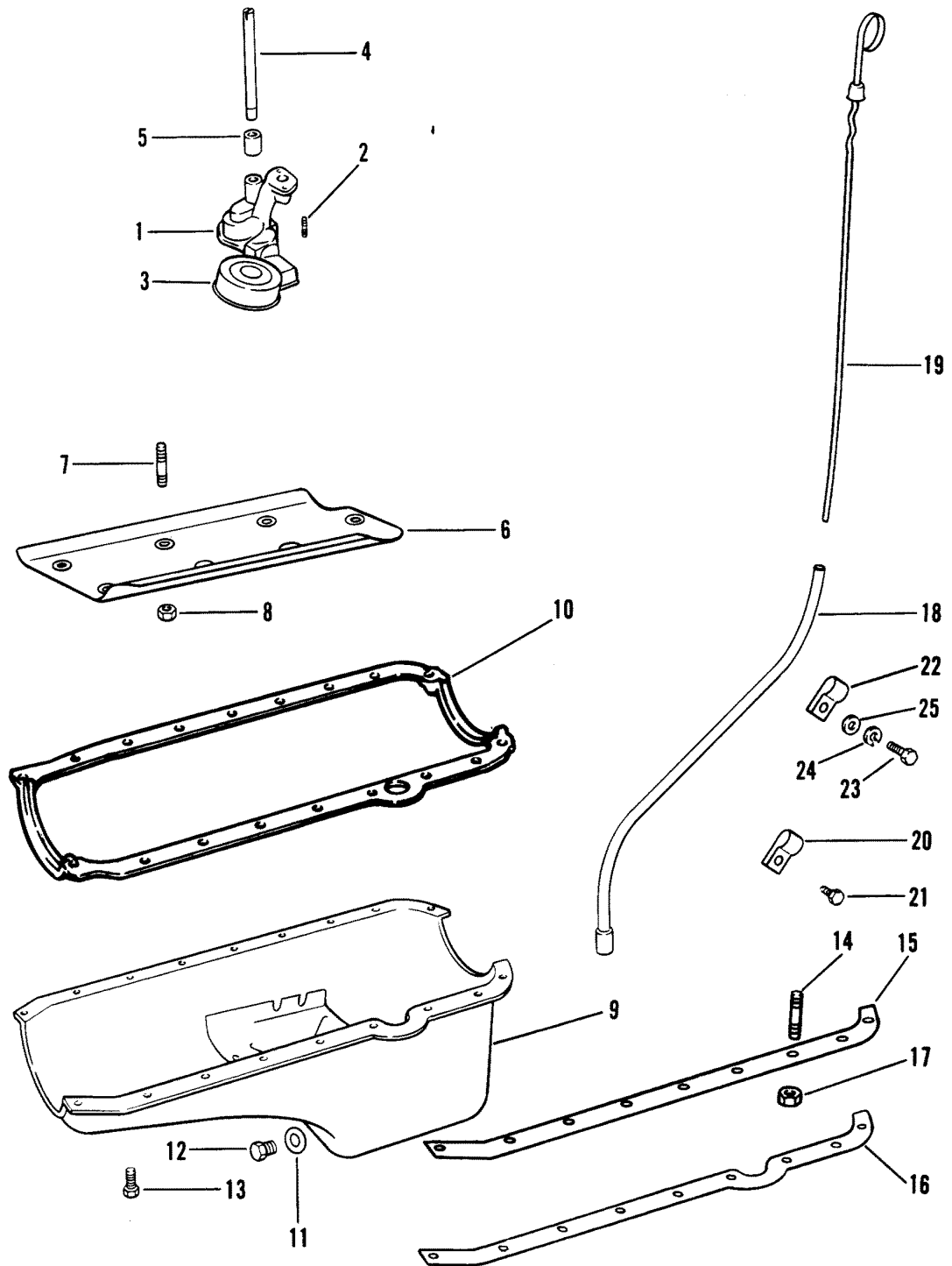
1500

WATER PUMP AND FRONT COVER

REF. NO.	PART NO.	SYM.	QTY.	DESCRIPTION
1	27-17145	●	1	GASKET SET, INTAKE MANIFOLD (Use RTV Silicone Sealant for end gasket - See Service Manual)
2	17437		1	WATER PUMP ASSEMBLY
3	27-34897	●	2	GASKET, WATER PUMP MOUNTING
4	10-32132		2	SCREW, WATER PUMP TO CYLINDER BLOCK (1-3/4")
	10-47688		1	SCREW, WATER PUMP TO CYLINDER BLOCK (2-3/4")
	10-52200		1	SCREW, WATER PUMP TO CYLINDER BLOCK (1-1/2")
5	15120T		1	PULLEY, WATER PUMP (3 GROOVE)
6	10-47277		4	SCREW, PULLEY TO WATER PUMP (3/4")
7	13-39107		4	LOCKWASHER, WATER PUMP PULLEY SCREW
8	57-49213A1		1	BELT, ALTERNATOR
9	14249A2		1	COVER, CRANKCASE FRONT
10	26-97335	●	1	OIL SEAL, COVER
11	27-14250	●	1	GASKET, COVER
12	10-35366		10	SCREW, COVER
13	72650		1	BALANCER, HARMONIC - CRANKSHAFT
14	33863	▲	1	PULLEY
	90081T1	+	1	PULLEY
15	10-72626	▲	1	BOLT, PULLEY AND HARMONIC BALANCER
	10-19211	+	1	BOLT, PULLEY AND HARMONIC BALANCER
16	13-39131		1	LOCKWASHER, PULLEY AND HARMONIC BALANCER BOLT
17	12-35332		1	WASHER, PULLEY AND HARMONIC BALANCER BOLT
18	10-34352	▲	3	SCREW, PULLEY
	10-53833	+	3	SCREW, PULLEY
19	13-35048	●	3	LOCKWASHER, PULLEY SCREW
20	12-20553	●	3	WASHER, PULLEY SCREW
21	90841A1		1	PULLEY (1 GROOVE) (W/POWER STEERING)
22	60661		1	POINTER, TIMING
23	14239		1	RETAINER, OIL SEAL (REAR)
24	26-14240		1	OIL SEAL, CRANKSHAFT (REAR)
25	27-14241		1	GASKET, OIL SEAL RETAINER
26	10-14243		1	BOLT, OIL SEAL RETAINER
27	10-14242		2	BOLT, OIL SEAL RETAINER
28	17-14263		1	DOWEL PIN
29	11-11996		1	NUT
30	16-14827		1	STUD

- = [27-13745A88] GASKET SET
- ▲ = USED ON ALPHA-ONE ENGINE
- ⊕ = USED ON BRAVO ENGINE

OIL PAN AND OIL PUMP

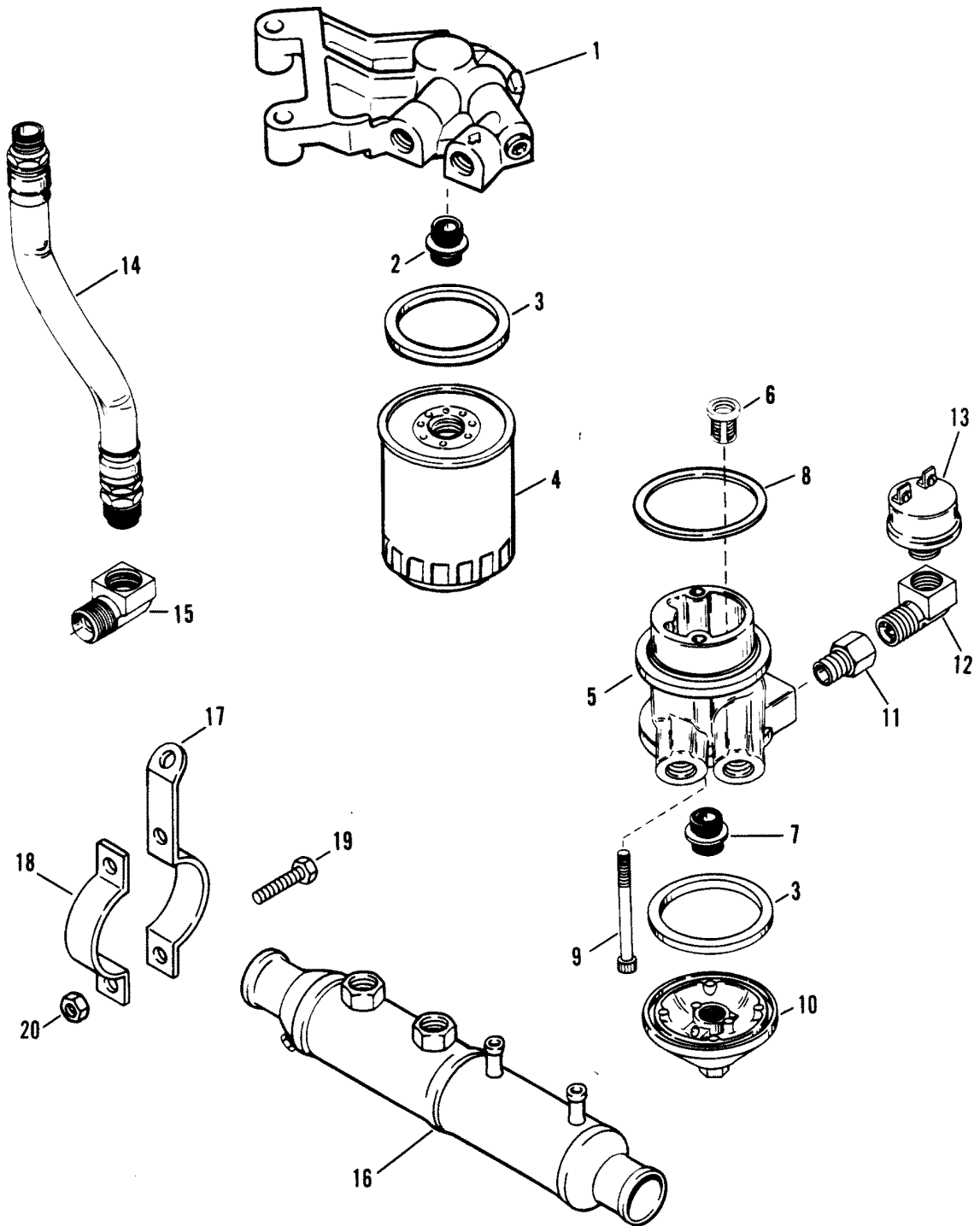


OIL PAN AND OIL PUMP

REF. NO.	PART NO.	SYM.	QTY.	DESCRIPTION
1	17617		1	OIL PUMP
2	10-17346		1	BOLT, OIL PUMP TO CYLINDER BLOCK
3	35354		1	SCREEN ASSEMBLY, OIL PUMP
4	36184		1	SHAFT, OIL PUMP TO DISTRIBUTOR
5	23-36183		1	RETAINER, OIL PUMP SHAFT
6	98602		1	BAFFLE, OIL PAN (CYLINDER BLOCK)
7	16-54790		5	STUD, OIL PAN BAFFLE
8	11-37500		5	NUT, OIL PAN BAFFLE STUD
9	14259		1	OIL PAN
10	27-13865	●	1	GASKET, OIL PAN
11	27-49955	●	1	GASKET, DRAIN SCREW
12	10-49956		1	SCREW, OIL PAN DRAIN
13	10-14070		14	SCREW, OIL PAN
	10-34505		2	SCREW, OIL PAN
14	16-11989		4	STUD, OIL PAN
15	14257		1	REINFORCEMENT, OIL PAN (PORT)
16	14256		1	REINFORCEMENT, OIL PAN (STBD.)
17	11-11971		4	NUT, OIL PAN STUD
18	15296A2		1	TUBE, OIL LEVEL GAUGE
19	15297T		1	GAUGE, OIL LEVEL (DIPSTICK)
20	54-43239		1	CLIP, OIL LEVEL TUBE
21	10-98253		1	SCREW, CLIP TO CYLINDER BLOCK
22	54-42046		1	CLIP, OIL LEVEL TUBE (UPPER)
23	10-98261		1	SCREW, CLIP
24	13-35048		1	LOCKWASHER, CLIP SCREW
25	12-20553		1	WASHER, CLIP SCREW

● = [27-13745A88] GASKET SET

OIL FILTER AND ADAPTOR

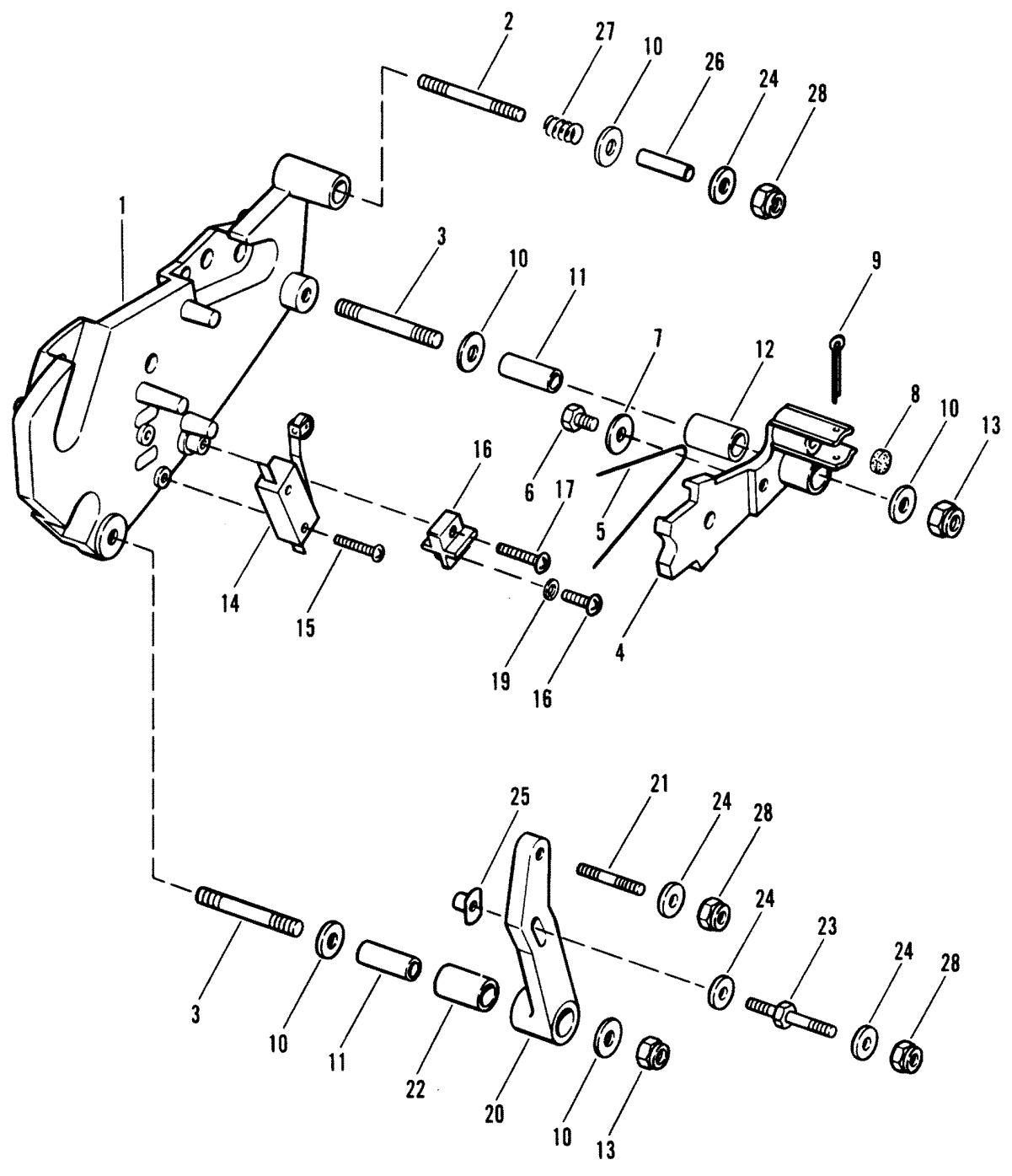


OIL FILTER AND ADAPTOR

REF. NO.	PART NO.	SYM.	QTY.	DESCRIPTION
1	44393A2		1	BRACKET, OIL FILTER
2	32720		1	ADAPTOR
3	27-91892	●	2	GASKET, ADAPTOR COVER AND OIL FILTER
4	14957		1	OIL FILTER
5	90783A22		1	ADAPTOR ASSEMBLY, OIL FILTER
6	99889		1	VALVE, BY-PASS
7	32720		1	ADAPTOR
8	27-99893	●	1	GASKET, OIL FILTER ADAPTOR
9	10-91966		1	SCREW, OIL FILTER ADAPTOR (4")
	10-91967		1	SCREW, OIL FILTER ADAPTOR
10	91830		1	COVER, ADAPTOR
11	22-15156		1	REDUCER
12	22-46982		1	ELBOW
13	87-14356		1	SWITCH, OIL PRESSURE
14	32-92357-70		1	HOSE, OIL - ADAPTOR (45") ALPHA I
	32-92357--9		1	HOSE, OIL - ADAPTOR (7") ALPHA I
	32-92357-61		1	HOSE, OIL - ADAPTOR (36") ALPHA I
15	22-63825		3	FITTING, HOSE TO OIL COOLER (90 DEGREES)
16	89690T		1	OIL COOLER, ENGINE ALPHA I
17	63820--1		1	BRACKET, OIL COOLER (LONG) ALPHA I
18	56328A1		1	BRACKET, OIL COOLER (SHORT) ALPHA I
19	10-60300		2	SCREW, OIL COOLER BRACKET (3/4") ALPHA I
20	11-30506		2	NUT, OIL COOLER BRACKET SCREW ALPHA I

● = [27-13745A88] GASKET SET

SHIFT BRACKET(USE WITH ALPHA ONE DRIVE)

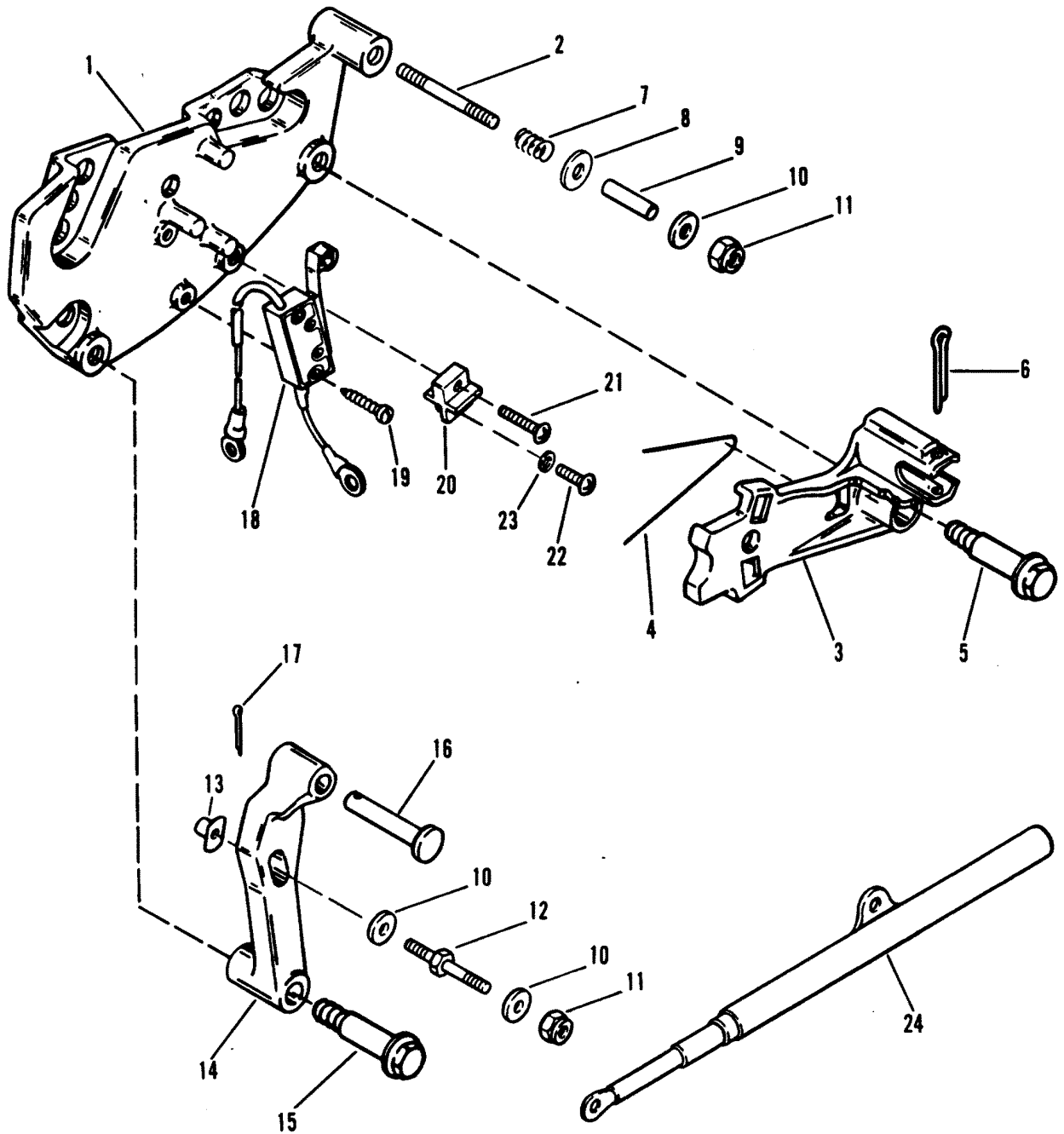


MC0018

SHIFT BRACKET(USE WITH ALPHA ONE DRIVE)

REF. NO.	PART NO.	SYM.	QTY.	DESCRIPTION
1	99237A10		1	SHIFT BRACKET ASSEMBLY
2	16-98798		1	STUD, SHIFT CABLE
3	16-96108		2	STUD, SHIFT BRACKET
4	13051A4		1	LEVER ASSEMBLY, ACTUATING
5	24-45599		1	SPRING, ACTUATING LEVER
6	10-88743		1	SCREW, SPRING TO LEVER
7	12-56720		1	WASHER, SPRING SCREW
8	23-98828		1	SPACER, RUBBER PAD
9	18-32857		1	COTTER PIN, SHIFT CABLE RETAINING
10	12-56720		5	WASHER, SHIFT BRACKET STUD
11	23-37981		2	SPACER, SHIFT BRACKET STUD
12	23-45600		1	SLEEVE, ACTUATING LEVER
13	11-35814		2	NUT, SHIFT BRACKET STUD
14	39670A28		1	SWITCH ASSEMBLY, CUT-OUT
15	10-30902		2	SCREW, SWITCH TO SHIFT BRACKET
16	86-66986		1	TERMINAL BLOCK
17	10-96113		1	SCREW, TERMINAL BLOCK (7/8")
18	10-73287		1	SCREW, TERMINAL BLOCK (3/8")
19	13-26996		2	LOCKWASHER, TERMINAL BLOCK SCREW
20	13898A3		1	SHIFT LEVER ASSEMBLY
21	16-98851		1	STUD, SHIFT CABLE
22	23-45600		1	SLEEVE, SHIFT LEVER
23	16-96112		1	STUD, SHIFT CABLE
24	12-35462		4	WASHER, SHIFT CABLE STUD
25	11-63341		1	TEE NUT, SHIFT CABLE STUD
26	23-98820		1	SPACER, SHIFT CABLE STUD
27	24-98880		1	SPRING, SHIFT CABLE STUD
28	11-35888		3	NUT, SHIFT CABLE STUD

SHIFT BRACKET (NEW DESIGN WITH SPRING GUIDE)

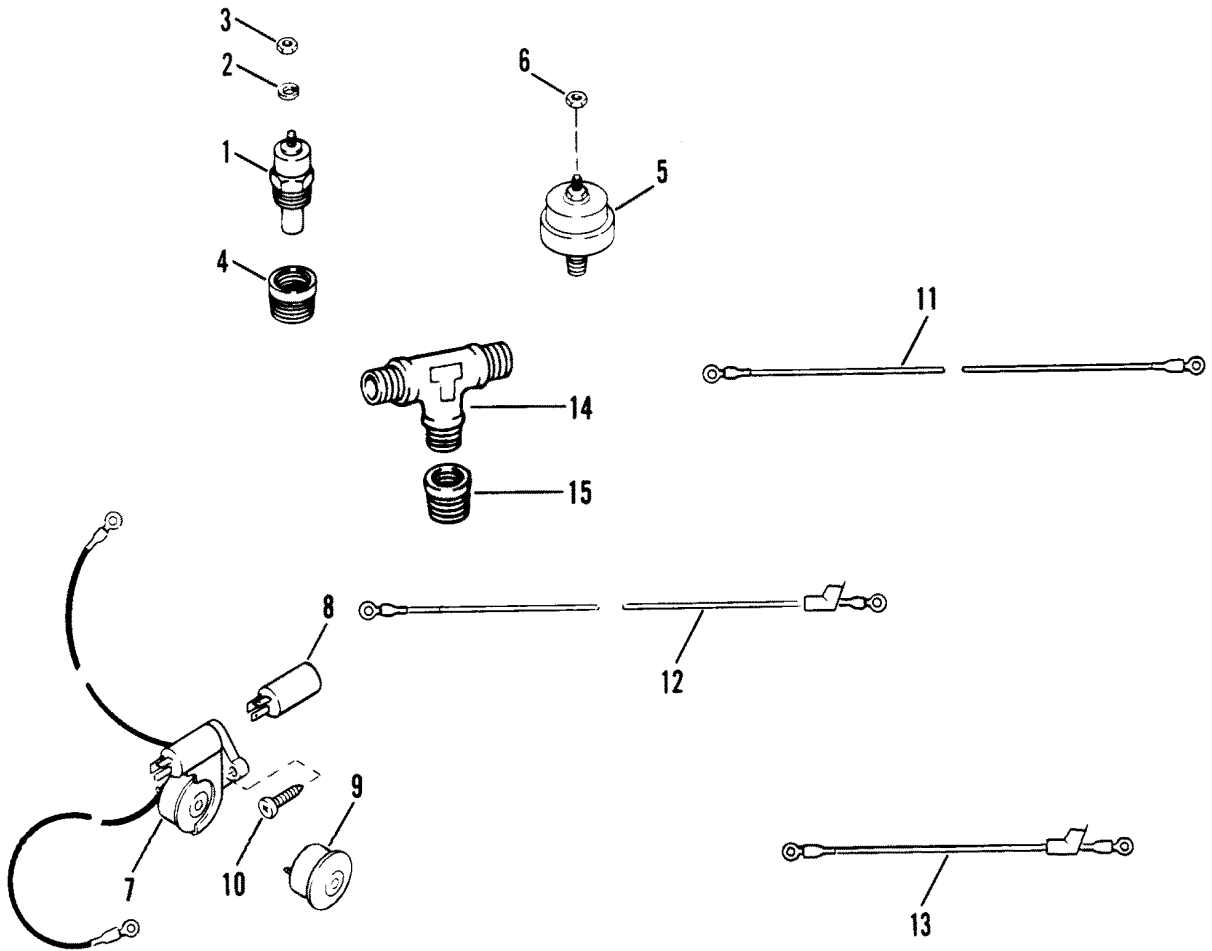


SHIFT BRACKET(NEW DESIGN WITH SPRING GUIDE)

REF. NO.	PART NO.	SYM.	QTY.	DESCRIPTION
1	99237A10		1	SHIFT BRACKET ASSEMBLY
2	16-814002		1	STUD, SHIFT CABLE
3	13051A4		1	LEVER ASSEMBLY, ACTUATING
4	24-45599		1	SPRING, ACTUATING LEVER
5	10-13743		1	SHOULDER SCREW, LEVER
6	18-32857		1	COTTER PIN, SHIFT CABLE RETAINING
7	24-98880		1	SPRING, SHIFT CABLE STUD
8	12-56720		1	WASHER, SHIFT BRACKET STUD
9	23-814003		1	SPACER, SHIFT CABLE STUD
10	12-35462		4	WASHER, SHIFT CABLE STUD
11	11-13438		2	NUT, SHIFT CABLE STUD
12	16-96112		1	STUD, SHIFT CABLE
13	11-63341		1	TEE NUT, SHIFT CABLE STUD
14	13898A3		1	SHIFT LEVER ASSEMBLY
15	10-13743		1	SHOULDER SCREW, SHIFT LEVER
16	17-814001		1	SHOULDER PIN, SHIFT LEVER
17	18-21071		1	COTTER PIN, SHIFT LEVER
18	39670A28		1	SWITCH ASSEMBLY, CUT-OUT
19	10-30902		2	SCREW, SWITCH TO SHIFT BRACKET
20	86-66986		1	TERMINAL BLOCK
21	10-96113		1	SCREW, TERMINAL BLOCK (7/8")
22	10-73287		1	SCREW, TERMINAL BLOCK (3/8")
23	13-26996		2	LOCKWASHER, TERMINAL BLOCK SCREW
24	813995A1		1	SPRING GUIDE ASSEMBLY

USE WITH ALPHA ONE DRIVE

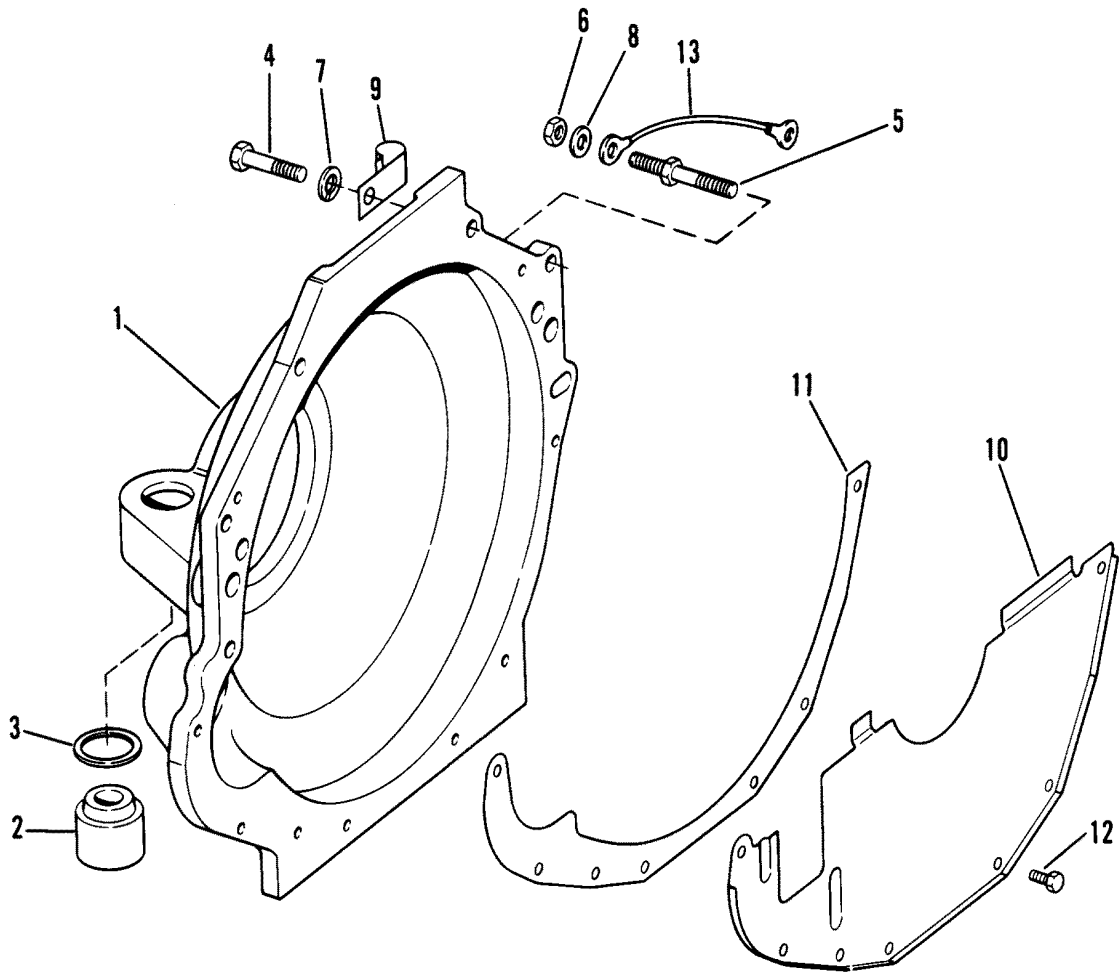
AUDIO WARNING SYSTEM



AUDIO WARNING SYSTEM

REF. NO.	PART NO.	SYM.	QTY.	DESCRIPTION
1	48952		1	SWITCH, WATER TEMPERATURE
2	13-26996		1	LOCKWASHER, TEMPERATURE SWITCH (#10)
3	11-45076		1	NUT, TEMPERATURE SWITCH (10-32)
4	22-92949		1	BUSHING, REDUCER - TEMPERATURE SWITCH
5	38559		1	SWITCH PRESSURE
6	11-45076		1	NUT, PRESSURE SWITCH TERMINAL (10-32)
7	86047A11		1	BUZZER HOUSING ASSEMBLY
8	86045		1	TIMER, TEMPERATURE BUZZER
9	68878A6		1	HORN
10	10-69013		2	SCREW, HORN ATTACHING
11	84-86044A4		1	WIRE ASSEMBLY, TAN/BLUE (36")
12	84-88032A1		1	WIRE ASSEMBLY, TAN/BLUE (20")
13	84-86322A8		1	WIRE ASSEMBLY, BLACK (8")
14	22-52930		1	TEE
15	22-38992		1	BUSHING, TEMPERATURE SWITCH

FLYWHEEL HOUSING

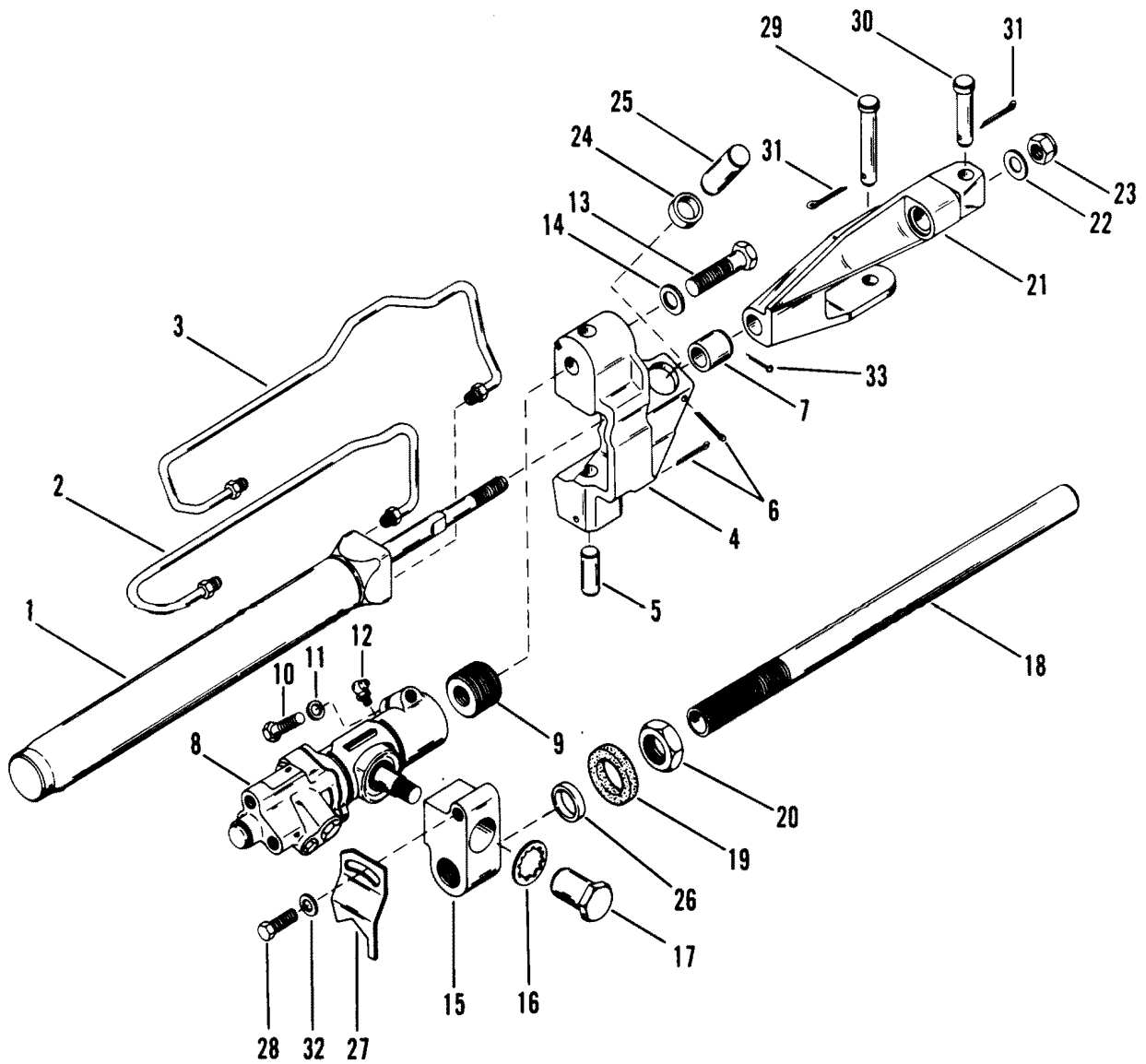


FLYWHEEL HOUSING

REF. NO.	PART NO.	SYM.	QTY.	DESCRIPTION
1	12675A7		1	FLYWHEEL HOUSING
2	99297A1		2	MOUNT, RUBBER - FLYWHEEL HOUSING
3	23-99322		2	SPACER, RUBBER MOUNT - FLYWHEEL HOUSING
4	10-37612		3	SCREW, FLYWHEEL HOUSING (1-1/4")
	10-34354		1	SCREW, FLYWHEEL HOUSING (1-1/2")
	10-32132		1	SCREW, FLYWHEEL HOUSING (1-3/4")
5	16-64066		1	STUD, FLYWHEEL HOUSING (2-1/4")
6	11-32219		1	NUT, FLYWHEEL HOUSING STUD
7	13-35048		7	LOCKWASHER, FLYWHEEL HOUSING SCREW (3/8")
8	12-20572		1	WASHER, FLYWHEEL HOUSING SCREW - SPECIAL (3/8")
10	13930A3		1	COVER ASSEMBLY
11	27-96274	●	1	GASKET, FLYWHEEL HOUSING SCREW
12	10-32773		7	SCREW, COVER TO FLYWHEEL HOUSING
13	84-62826A6		1	WIRE, FLYWHEEL HOUSING STUD

● = [27-13745A88] GASKET SET

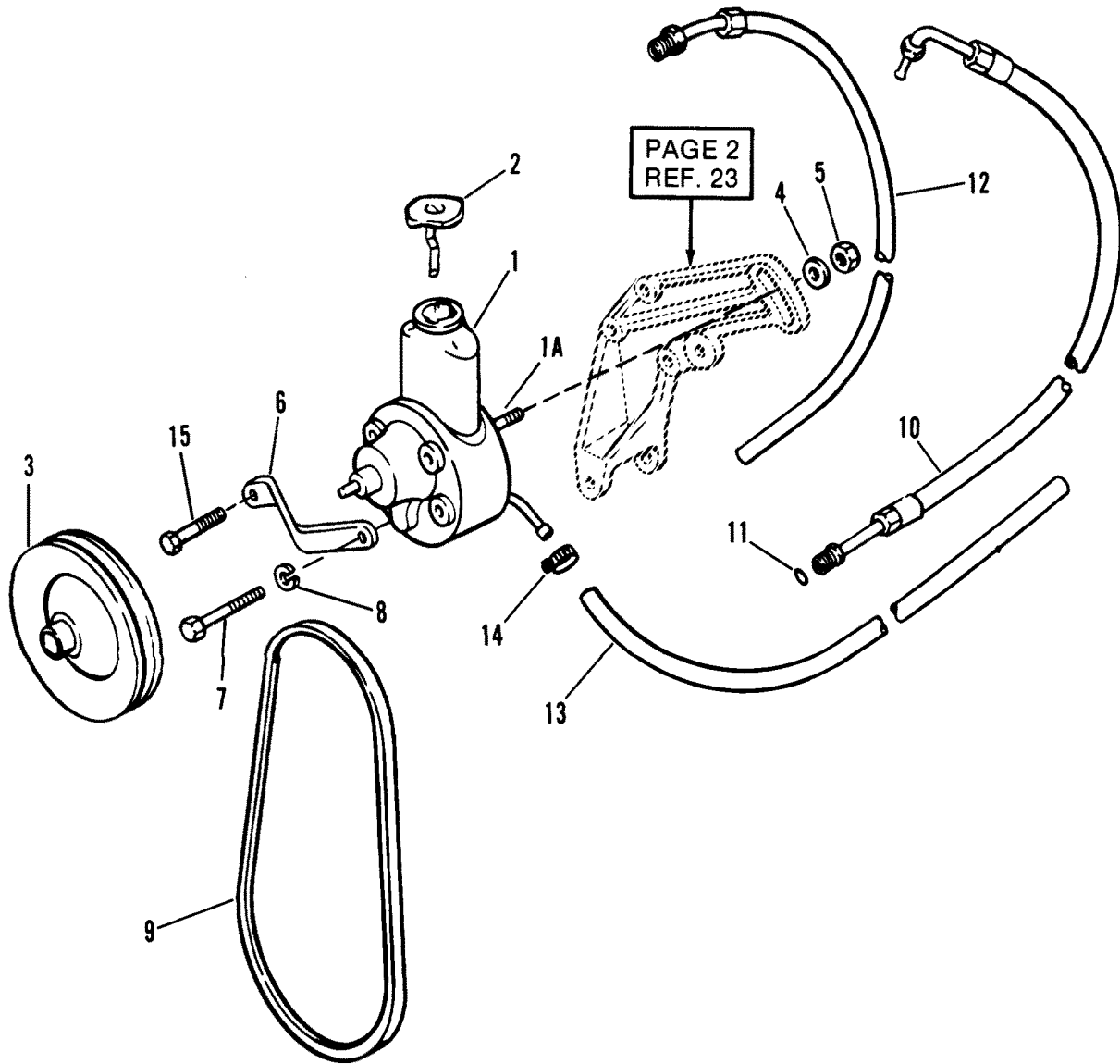
POWER STEERING CYLINDER



POWER STEERING CYLINDER

REF. NO.	PART NO.	SYM.	QTY.	DESCRIPTION
-	89645A15		1	POWER STEERING CYLINDER ASSEMBLY
1	57969A12		1	CYLINDER, BOOSTER (25-58224A1 SEAL REPAIR KIT)
2	32-92054		1	TUBE, EXTENDING
3	32-92055		1	TUBE, RETRACTING
4	94953A1		1	BRACKET ASSEMBLY, ADAPTOR
5	17-88283		2	RETAINING PIN, BOOSTER CYLINDER
6	18-36377		3	COTTER PIN, RETAINING PIN
7	23-88282		1	SLEEVE, ADAPTOR BRACKET
8	52779A2		1	VALVE, POWER STRG. (25-58226A1 SEAL REPAIR KIT)
9	88280		1	ADAPTOR, BOOSTER VALVE
10	10-37612		1	SCREW, CLAMPING
11	13-35048		1	LOCKWASHER, CLAMPING SCREW
12	22-67305		1	GREASE FITTING
13	10-88281		1	SCREW, ADAPTOR
14	12-20959		1	WASHER, ADAPTOR SCREW
15	88285		1	ADAPTOR, STEERING TUBE
16	13-76629		1	LOCKWASHER, STEERING TUBE ADAPTOR
17	11-55111		1	NUT, STEERING TUBE ADAPTOR
18	96511A1		1	TUBE ASSEMBLY, STEERING
19	88287		1	GUIDE, STEERING TUBE
20	11-32882		1	NUT, STEERING TUBE
21	95848A1		1	CLEVIS ASSEMBLY, ROD END
22	12-20086		1	WASHER, ROD END
23	11-53300		1	NUT, ROD END
24	23-95803		2	BUSHING, PIVOT
25	17-99938		2	PIN
26	23-88286		1	BUSHING, STEERING TUBE
27	92766		1	LOCK, COUPLER NUT
28	10-41209		1	SCREW, COUPLER NUT LOCK
29	17-89229		1	CLEVIS PIN
30	17-52798		1	CLEVIS PIN
31	18-46950		2	COTTER PIN, CLEVIS PIN
32	12-35462		1	WASHER, COUPLER NUT LOCK SCREW
33	18-34212		1	COTTER PIN, SLEEVE

POWER STEERING COMPONENTS

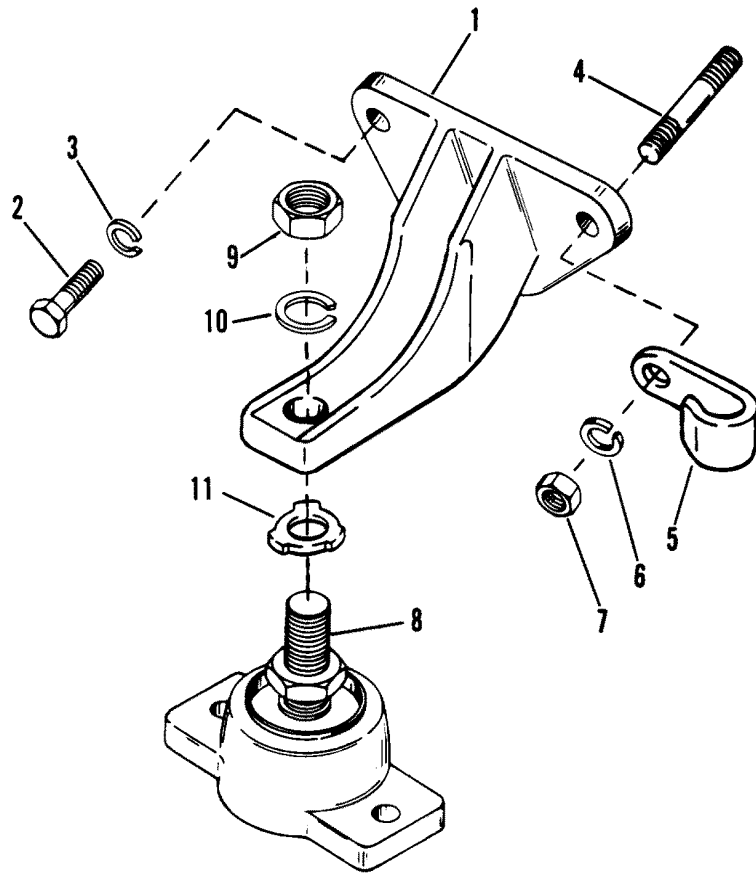


M0044-125

POWER STEERING COMPONENTS

REF. NO.	PART NO.	SYM.	QTY.	DESCRIPTION
1	16792A1		1	PUMP ASSEMBLY, POWER STEERING
1A	16-41877		1	STUD, POWER STEERING PUMP
2	36-95805		1	CAP, POWER STEERING PUMP
3	73873A1		1	PULLEY, POWER STEERING PUMP
4	12-34567		1	WASHER, PUMP STUD (BRACE SLOT)
5	11-90517		2	NUT, MOUNTING STUD
6	98644A1		1	BRACE, PUMP MOUNTING
7	10-40001192		1	SCREW, PUMP MOUNTING BRACE
8	13-40024--8		1	LOCKWASHER, BRACE SCREW
9	57-37619T		1	V-BELT, POWER STEERING PUMP
10	32-90494		1	HOSE, PRESSURE (FITTINGS ON BOTH ENDS)
11	25-89879		1	"O" RING, PRESSURE HOSE END
12	32-98843-39		1	HOSE, RETURN (FITTINGS ON ONE END)
13	32-68894--1		1	HOSE, PUMP TO OIL COOLER
14	54-18076--1		3	CLAMP, HOSE ATTACHING
15	10-32132		1	SCREW, BRACE TO BRACKET

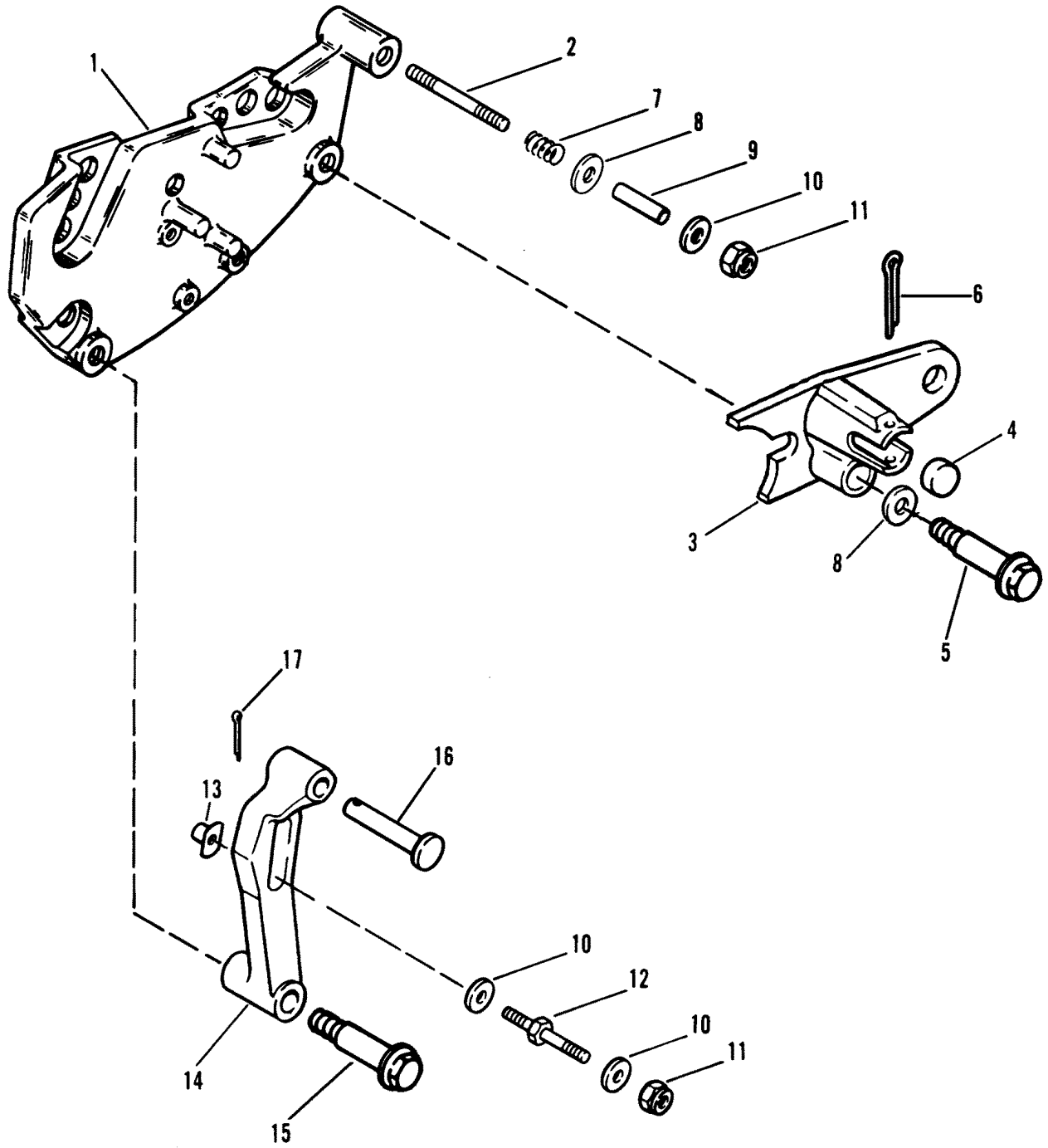
ENGINE MOUNTING



ENGINE MOUNTING

REF. NO.	PART NO.	SYM.	QTY.	DESCRIPTION
1	79550A1		2	BRACKET, MOUNTING - ENGINE (FRONT)
2	10-86517		3	SCREW, MOUNTING BRACKET TO ENGINE (1-1/4") PORT
3	13-35048		3	LOCKWASHER, MOUNTING BRACKET SCREW PORT
2	10-86517		2	SCREW, MOUNTING BRACKET TO ENGINE (1-1/4") STARBOARD
3	13-35048		3	LOCKWASHER, MOUNTING BRACKET SCREW STARBOARD
4	16-64066		1	STUD, MOUNTING BRACKET TO ENGINE STARBOARD
5	54-90204		1	CLIP, WIRING HARNESS STARBOARD
6	13-35048		1	LOCKWASHER, MOUNTING BRACKET STUD STARBOARD
7	11-32219		1	NUT, MOUNTING BRACKET STUD STARBOARD
8	814263A1		2	BASE, ENGINE MOUNT
9	11-25599		4	NUT, JAM - ENGINE MOUNT BASE
10	13-68102		2	LOCKWASHER, MOUNTING BRACKET
11	14-12657		2	TAB WASHER

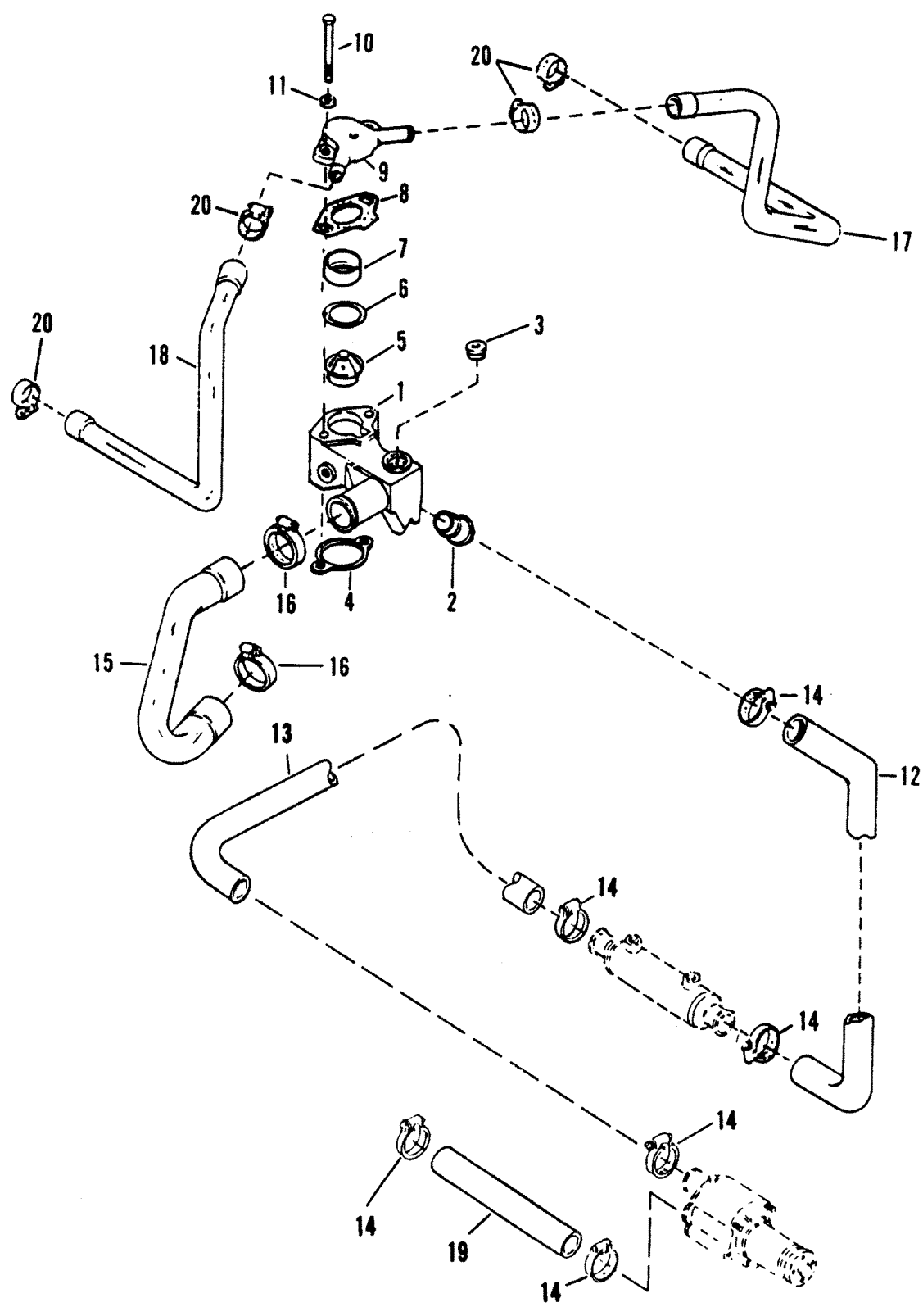
SHIFT BRACKET (USE WITH BRAVO DRIVE)



SHIFT BRACKET (USE WITH BRAVO DRIVE)

REF. NO.	PART NO.	SYM.	QTY.	DESCRIPTION
1	99237A10		1	SHIFT BRACKET ASSEMBLY
2	16-98798		1	STUD, SHIFT CABLE
3	12381--1		1	RETAINER, SHIFT CABLE
4	23-98828		1	SPACER
5	10-53167		1	SCREW
6	18-32857		1	COTTER PIN, SHIFT CABLE RETAINING
7	24-98880		1	SPRING, SHIFT CABLE STUD
8	12-56720		2	WASHER, SHIFT BRACKET STUD
9	23-98820		1	SPACER, SHIFT CABLE STUD
10	12-35462		5	WASHER, SHIFT CABLE STUD
11	11-13438		2	NUT, SHIFT CABLE STUD
12	16-96112		1	STUD, SHIFT CABLE
13	11-63341		1	TEE NUT, SHIFT CABLE STUD
14	13898--1		1	SHIFT LEVER
15	10-13743		1	SHOULDER SCREW, SHIFT LEVER
16	17-68402		1	SHOULDER PIN, SHIFT LEVER
17	18-21071		1	COTTER PIN, SHIFT LEVER

THERMOSTAT HOUSING (STANDARD COOLING)

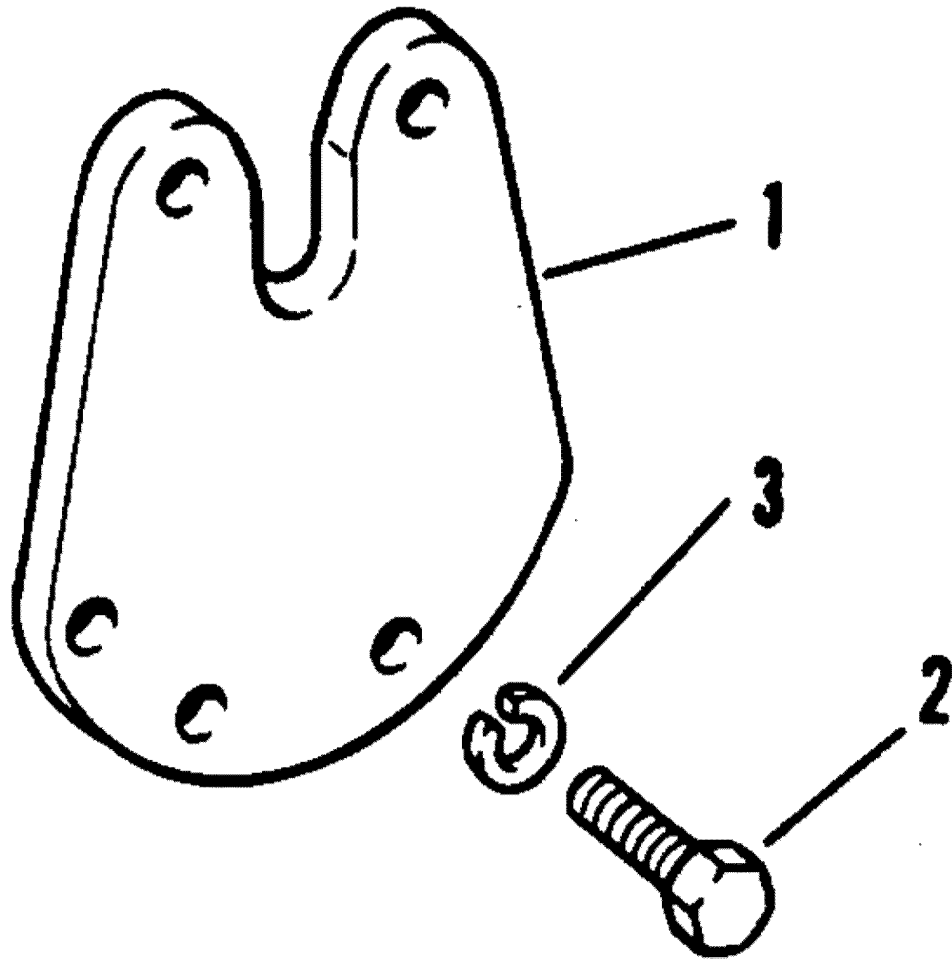


THERMOSTAT HOUSING (STANDARD COOLING)

REF. NO.	PART NO.	SYM.	QTY.	DESCRIPTION
1	87110A2		1	THERMOSTAT HOUSING ASSEMBLY
2	23-47511		1	SLEEVE, THERMOSTAT HOUSING
3	22-33198A1		1	PLUG, THERMOSTAT HOUSING
4	27-53045--1	●	1	GASKET, THERMOSTAT HOUSING
5	59137		1	THERMOSTAT (143)
6	27-47510	●	1	GASKET, THERMOSTAT
7	23-47508		1	SLEEVE, THERMOSTAT
8	27-48818--1	●	1	GASKET, THERMOSTAT COVER
9	47441A1		1	COVER, THERMOSTAT
10	10-72094		2	SCREW, THERMOSTAT HOUSING TO INTAKE MANIFOLD
11	12-20553		2	WASHER, THERMOSTAT HOUSING SCREW
12	32-88794		1	HOSE, THERMOSTAT HOUSING TO OIL COOLER
13	32-19015		1	HOSE, FLUID COOLER TO DRIVE UNIT
14	54-18076--6		AR	CLAMP, HOSE ATTACHING
15	32-87108		1	HOSE, THERMOSTAT HOUSING TO WATER PUMP
16	54-18076--8		2	CLAMP, HOSE ATTACHING
17	32-16021		1	HOSE, THERMOSTAT COVER TO EXHAUST MANIFOLD (PORT)
18	32-87117		1	HOSE, THERMOSTAT COVER TO EXHAUST MANIFOLD (STBD)
19	32-17435-70		1	HOSE, SEA PUMP TO DRIVE UNIT
20	54-18076--4		4	CLAMP, HOSE ATTACHING

● = [27-13745A88] GASKET SET

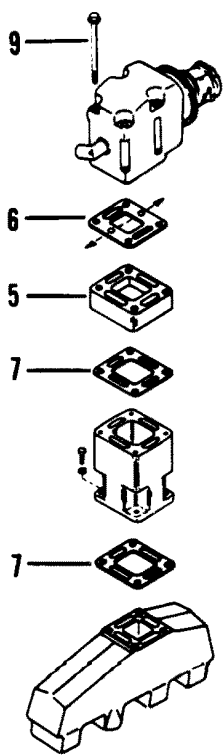
EXHAUST PLATE(BRAVO ENGINE)



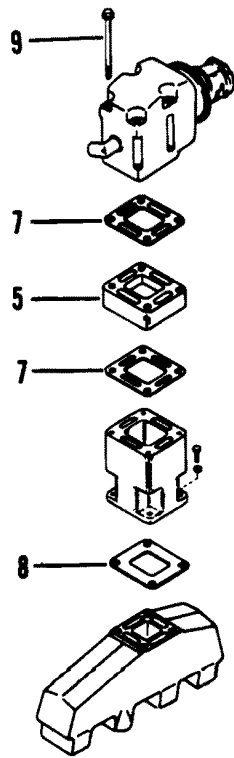
EXHAUST PLATE(BRAVO ENGINE)

REF. NO.	PART NO.	SYM.	QTY.	DESCRIPTION
1	97350T1		1	EXHAUST PLATE
2	10-98794		4	SCREW, EXHAUST PLATE
3	13-41471		4	LOCKWASHER, EXHAUST PLATE SCREW

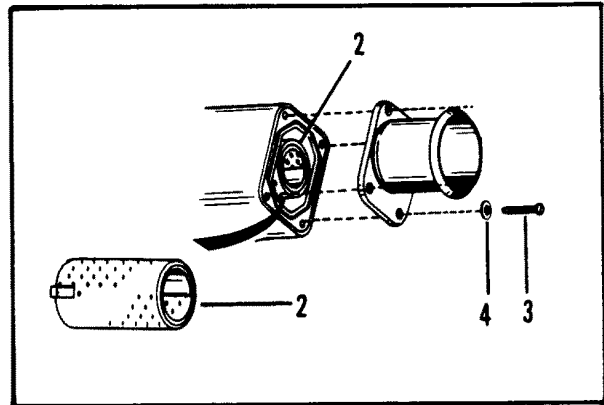
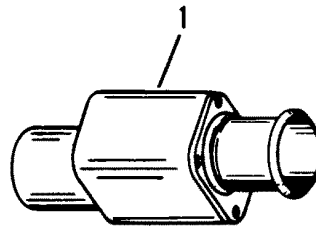
MUFFLER KIT



STANDARD COOLING



CLOSED COOLING



MUFFLER KIT

REF. NO.	PART NO.	SYM.	QTY.	DESCRIPTION
-	42-17705A3		1	MUFFLER KIT
1	32-		2	MUFFLER
2	42-17820A1		2	ELEMENT ASSEMBLY
3	10-28667		8	SCREW
4	13-26992		8	LOCKWASHER
5	17833A1		2	RISER ASSEMBLY
6	27-41813		2	GASKET
7	27-87105--1		4	GASKET
8	27-41811		2	GASKET
9	10-813722		8	SCREW (7")
	10-813721		2	SCREW (8")

SEA WATER PUMP ASSEMBLY (BRAVO ENGINE)

REF. NO.	PART NO.	SYM.	QTY.	DESCRIPTION
1	46-72774A32		1	WATER PUMP ASSEMBLY
2	46-72774A40		1	BODY, WATER PUMP
3	87631A1		1	COVER, WATER PUMP
4	10-73275		2	SCREW, WATER PUMP (2 -7/8")
	10-99347		3	SCREW, WATER PUMP (3 -3/4")
5	12-20084		5	WASHER, COVER SCREW
6	27-94915		1	GASKET, COVER TO OUTER WEAR PLATE
7	94916		1	WEAR PLATE, OUTER
8	27-94914		2	GASKET, BODY TO WEAR PLATE
9	19-59504		1	PLUG, IMPELLER
11	28-56662		1	KEY, IMPELLER DRIVE
12	94576		1	WEAR PLATE, INNER
13	25-94288		1	QUAD RING, PUMP HOUSING
14	46-94913A1		1	PUMP HOUSING ASSEMBLY
15	26-90562		2	OIL SEAL, WATER PUMP SHAFT
10	47-59362		1	IMPELLER
16	30-72961		2	BALL BEARING, WATER PUMP SHAFT
17	59501A1		1	SHAFT, WATER PUMP
18	53-23720		1	SNAP RING, BALL BEARING RETAINING
19	26-72785		1	OIL SEAL, WATER PUMP SHAFT
20	47530		1	HUB, WATER PUMP PULLEY
21	52822T		1	PULLEY, WATER PUMP
22	10-47277		4	SCREW, PULLEY (3/4")
23	13-39107		4	LOCKWASHER, PULLEY SCREW
24	13-39107		3	LOCKWASHER, WATER PUMP SCREW
25	11-21908		3	NUT, WATER PUMP SCREW
26	89535T1		1	BRACKET, WATER PUMP
27	10-34353		2	SCREW, WATER PUMP BRACKET (1")
28	13-35048		2	LOCKWASHER, WATER PUMP BRACKET SCREW
29	12-34714		1	WASHER, WATER PUMP BRACKET SCREW
30	89609--1		1	BRACE, WATER PUMP ADJUSTING
31	10-34353		1	SCREW, ADJUSTING BRACE (1")
32	13-35048		1	LOCKWASHER, ADJUSTING BRACE SCREW
33	12-34714		1	WASHER, ADJUSTING BRACE SCREW
34	10-35786		1	SCREW, ADJUSTING BRACE (1")
35	13-35048		1	LOCKWASHER, ADJUSTING BRACE SCREW
36	11-24883		1	NUT, ADJUSTING BRACE SCREW
37	22-32802		1	PLUG, PIPE (FOR WATER PUMP BODY)
38	57-13457T		1	BELT, WATER PUMP

PARTS INDEX

Part Number	Description	Pg.	Ref. No.	Part Number	Description	Pg.	Ref. No.
11350A8	E.F.I. CONTROL BOX ASSEMBLY	29	17	15297T	GAUGE, OIL LEVEL (DIPSTICK)	43	19
11395	PLATE, EXHAUST	33	1	15899A2	IGNITION AMPLIFIER (W/84-15275A2 HARNESS)	13	6
11637	PULLEY (MR)	9	3	15938	BRACKET, FILTER AND FUEL PUMP	19	10
11965	ROTATOR, VALVE SPRING - EXHAUST VALVE	35	16	16435	ADAPTOR, THROTTLE POSITION INDICATOR	27	39
12026	REGULATOR, FUEL PRESSURE	19	30	16457A4	CAP, DISTRIBUTOR	17	2
12234--1	MOUNT, RUBBER	29	18	16516	TANK VALVE	19	21
12381--1	RETAINER, SHIFT CABLE	61	3	16542--1	INTAKE MANIFOLD	23	1
12404	BRACE, STARTER MOTOR	5	3	16558A1	MARINE 320 SHORT BLOCK PUMP ASSEMBLY, POWER STEERING	57	1
12675A7	FLYWHEEL HOUSING	53	1	16792A1	CHAIN, CAMSHAFT TIMING	37	10
12987A2	PLENUM ASSEMBLY	25	1	17437	WATER PUMP ASSEMBLY	41	2
13037	SOLENOID SWITCH (4-1/4" LONG)	7	33	17617	OIL PUMP	43	1
13051A4	LEVER ASSEMBLY, ACTUATING	47	4	17833A1	RISER ASSEMBLY	67	5
13051A4	LEVER ASSEMBLY, ACTUATING	49	3	18643A2	COUPLING ASSEMBLY	39	7
13405	LIFTING EYE	37	16	18644	RUBBER BUMPER - (NEW DESIGN)	39	8
13406	BRACKET, IGNITION AMPLIFIER	13	7	18709A1	COVER, ROCKER	35	1
13468	CAP, OIL FILLER	35	2	20586	NUT	23	10
13515	BRACKET, E.F.I. CONTROL BOX	29	14	26079A2	PLATE, WIRING HARNESS	13	3
13516--1	FUEL RAIL	19	24	26901	RUBBER BUMPER - (OLD DESIGN)	39	8
13518--1	SUPPORT, FUEL RAIL	19	25	32720	ADAPTOR	45	2
13519	STOP, SHUTTER SHAFT	25	27	32720	ADAPTOR	45	7
13520	PIVOT, SHUTTER SHAFT	25	20	32783	RETAINER, HIGH TENSION LEADS (3 WIRE)	17	24
13521	THROTTLE SHAFT	25	19	32784	RETAINER, HIGH TENSION LEADS (4 WIRE)	17	25
13524A3	ROTOR	17	5	33270	BRUSH, FIELD FRAME	7	21
13712	PCV VALVE	23	12	33283	HOLDER, FIELD FRAME BRUSH GROUND	7	20
13721	THROTTLE SHUTTER	25	15	33284	HOLDER, INSULATED - FIELD FRAME BRUSH	7	19
13746	FUEL INJECTOR	23	17	33291	COLLAR, PINION STOP	7	5
13754	HOUSING, DRIVE END	7	1	33292	COLLAR, THRUST	7	3
13898--1	SHIFT LEVER	61	14	33294	SUPPORT PACKAGE,	7	23
13898A3	SHIFT LEVER ASSEMBLY	47	20	33317	PLUNGER, SHIFT LEVER	7	29
13898A3	SHIFT LEVER ASSEMBLY	49	14	33863	PULLEY	41	14
13930A3	COVER ASSEMBLY	53	10	34518	SHIELD, VALVE SPRING CAP	35	14
14069	PLATE, FUEL PUMP BLOCK OFF	37	19	35329	ARM, ROCKER VALVE	35	18
14239	RETAINER, OIL SEAL (REAR)	41	23	35331	BALL UNIT, ROCKER VALVE ARM	35	19
14249A2	COVER, CRANKCASE FRONT	41	9	35354	SCREEN ASSEMBLY, OIL PUMP	43	3
14256	REINFORCEMENT, OIL PAN (STBD.)	43	16	36184	SHAFT, OIL PUMP TO DISTRIBUTOR	43	4
14257	REINFORCEMENT, OIL PAN (PORT)	43	15	37293	OIL PRESSURE SENDER (DUAL)	13	15
14259	OIL PAN	43	9	38559	SWITCH PRESSURE	51	5
14302	BRACKET, REGULATOR	19	32	39670A28	SWITCH ASSEMBLY, CUT-OUT	47	14
14351	FUEL PUMP	19	5	39670A28	SWITCH ASSEMBLY, CUT-OUT	49	18
14464	BRACKET, MOUNTING	13	20	42862	SENSOR WHEEL	17	6
14882A2	INDICATOR, THROTTLE POSITION	25	11				
14957	OIL FILTER	45	4				
15120T	PULLEY, WATER PUMP (3 GROOVE)	41	5				
15175	FLAME ARRESTOR	25	37				
15296A2	TUBE, OIL LEVEL GAUGE	43	18				

PARTS INDEX

Part Number	Description	Pg.	Ref. No.	Part Number	Description	Pg.	Ref. No.
44393A2	BRACKET, OIL FILTER	45	1	813974	VOLTAGE REGULATOR . . .	11	29
45915	TERMINAL BLOCK	15	42	813995A1	SPRING GUIDE ASSEMBLY	49	24
47441A1	COVER, THERMOSTAT	31	9	814263A1	BASE, ENGINE MOUNT	59	8
47441A1	COVER, THERMOSTAT	63	9	85013T	BRACE, ALTERNATOR ADJUSTING	5	15
47530	HUB, WATER PUMP PULLEY	68	20	86045	TIMER, TEMPERATURE BUZZER	51	8
48348	CAP, INLET VALVE	35	15	86047A11	BUZZER HOUSING ASSEMBLY	51	7
48952	SWITCH, WATER TEMPERATURE	51	1	87110A2	THERMOSTAT HOUSING ASSEMBLY	31	1
49734A1	WATER TEMPERATURE SENDER (DUAL)	13	12	87110A2	THERMOSTAT HOUSING ASSEMBLY	63	1
52185	CLAMP, DISTRIBUTOR TO INTAKE MANIFOLD	17	14	87114A19	EXHAUST MANIFOLD ASSEMBLY	29	1
52779A2	VALVE, POWER STRG. (25- 58226A1 SEAL REPAIR KIT)	55	8	87115A1	BRACKET, ALTERNATOR . .	5	23
52822T	PULLEY, WATER PUMP . . .	68	21	87284	VALVE, EXHAUST (STANDARD)	35	8
54676	RETAINER, HIGH TENSION LEADS (2 WIRE)	17	23	87301	VALVE, EXHAUST (.015 O.S.)	35	8
56328A1	BRACKET, OIL COOLER (SHORT)	45	18	87631A1	COVER, WATER PUMP	68	3
57908-11	TUBING, ALTERNATOR LEADS	5	22	88280	ADAPTOR, BOOSTER VALVE	55	9
57969A12	CYLINDER, BOOSTER (25- 58224A1 SEAL REPAIR KIT)	55	1	88285	ADAPTOR, STEERING TUBE	55	15
59137	THERMOSTAT (143 DEGREES)	31	5	88287	GUIDE, STEERING TUBE . .	55	19
59137	THERMOSTAT (143)	63	5	89535T1	BRACKET, WATER PUMP . .	68	26
59501A1	SHAFT, WATER PUMP	68	17	89609--1	BRACE, WATER PUMP ADJUSTING	68	30
60661	POINTER, TIMING	41	22	89645A15	POWER STEERING CYLINDER ASSEMBLY . .	55	-
63820--1	BRACKET, OIL COOLER (LONG)	45	17	89690T	OIL COOLER, ENGINE	45	16
65970	BRACKET, IGNITION COIL .	17	27	89876A3	BASE, FUEL FILTER	19	37
68878A6	HORN	51	9	90081T1	PULLEY	41	14
71698	LEVER, SHIFT	7	26	90497A3	ALTERNATOR ASSEMBLY (55 AMP)	9	-
72638	LIFTER, HYDRAULIC VALVE - TAPPET	37	8	90747A3	DISTRIBUTOR ASSEMBLY .	17	1
72650	BALANCER, HARMONIC - CRANKSHAFT	41	13	90783A22	ADAPTOR ASSEMBLY, OIL FILTER	45	5
73873A1	PULLEY, POWER STEERING PUMP	57	3	90806	OIL PRESSURE SENDER . .	13	15
75664	FIELD COIL ASSEMBLY . . .	7	15	90841A1	PULLEY (1 GROOVE) (W/POWER STEERING) . .	41	21
75665	ARMATURE	7	11	91830	COVER, ADAPTOR	45	10
79205	DRIVE ASSEMBLY, CLUTCH	7	6	92497A3	ALTERNATOR (55 AMP) . . .	5	9
79211	FRAME, COMMUTATOR END	7	17	92497A3	ALTERNATOR ASSEMBLY (55 AMP)	11	-
79396	PLATE, BEARING	7	7	92766	LOCK, COUPLER NUT	55	27
79550A1	BRACKET, MOUNTING - ENGINE (FRONT)	59	1	94576	WEAR PLATE, INNER	68	12
813961	HOUSING, FRONT	11	6	94916	WEAR PLATE, OUTER	68	7
813962	ROTOR	11	10	94953A1	BRACKET ASSEMBLY, ADAPTOR	55	4
813963	STATOR	11	12	95848A1	CLEVIS ASSEMBLY, ROD END	55	21
813964	HOUSING, REAR	11	14	96511A1	TUBE ASSEMBLY, STEERING	55	18
813965	DIODE FIELD	11	17	96718A2	SENSOR ASSEMBLY	25	32
813966	DIODE BRIDGE	11	16	97257A1	WATER TEMPERATURE SENDER	13	12
813967	STRAP (D+)	11	34	97350T1	EXHAUST PLATE	65	1
813968	BRUSH ASSEMBLY	11	33	97661	VALVE, INLET (STANDARD)	35	9
813969	SPACER	11	5	97662	VALVE, INLET (.015 O.S.) .	35	9
813971	COVER	11	22	97850	ELBOW, BREATHER (90 DEGREES)	23	15
813972	CAPACITOR	11	25				
813973	STRAP	11	20				

PARTS INDEX

Part Number	Description	Pg.	Ref. No.	Part Number	Description	Pg.	Ref. No.
98493A2	BRACKET, MOUNTING	13	5	10-19211	BOLT, PULLEY AND		
98602	BAFFLE, OIL PAN				HARMONIC BALANCER . .	41	15
	(CYLINDER BLOCK)	43	6	10-26065	SCREW, BASE	19	39
98644A1	BRACE, PUMP MOUNTING .	57	6	10-26487	SCREW, ALTERNATOR		
99237A10	SHIFT BRACKET ASSEMBLY	47	1		BRACE	5	16
99237A10	SHIFT BRACKET ASSEMBLY	49	1	10-26487	SCREW, INTAKE MANIFOLD		
99237A10	SHIFT BRACKET ASSEMBLY	61	1		(1-1/8")	23	2
99297A1	MOUNT, RUBBER -			10-28635	SCREW, IGNITION		
	FLYWHEEL HOUSING . . .	53	2		AMPLIFIER	13	9
99889	VALVE, BY-PASS	45	6	10-28635	SCREW, PLATE (LOWER) . .	37	24
99948	ROD, VALVE PUSH	35	7	10-28667	SCREW	67	3
N.S.S.	BOLT, THRU (DELCO REMY			10-30902	SCREW, SWITCH TO SHIFT		
	#1939970)	7	18		BRACKET	47	15
N.S.S.	BOLT, THRU (DELCO REMY			10-30902	SCREW, SWITCH TO SHIFT		
	#1941111)	7	18		BRACKET	49	19
N.S.S.	PIN, DOWL - FIELD FRAME			10-32132	SCREW, BRACE TO		
	(DELCO REMY #1985696)	7	25		BRACKET	57	15
N.S.S.	PIN, PLUNGER TO SHIFT			10-32132	SCREW, FLYWHEEL		
	LEVER (DELCO REMY				HOUSING (1-3/4")	53	4
	#1987049)	7	30	10-32132	SCREW, WATER PUMP TO		
N.S.S.	RETAINING RING, STUD				CYLINDER BLOCK (1-3/4")	41	4
	(DELCO REMY #11505767)	7	28	10-32773	SCREW, COVER TO		
N.S.S.	SCREW, BEARING PLATE . .	7	10		FLYWHEEL HOUSING . . .	53	12
N.S.S.	SCREW, BRUSH LEAD			10-34352	SCREW, PULLEY	41	18
	(DELCO REMY #1967747)	7	22	10-34353	SCREW, ADJUSTING BRACE		
N.S.S.	SCREW, BRUSH LEAD				(1")	68	31
	(DELCO REMY #443527) .	7	22	10-34353	SCREW, DISTRIBUTOR	17	15
N.S.S.	SCREW, POLE SHOE TO			10-34353	SCREW, MOUNTING		
	FIELD COIL (DELCO				BRACKET	13	21
	REMY #1968396)	7	13	10-34353	SCREW, WATER PUMP		
N.S.S.	SCREW, SOLENOID SWITCH				BRACKET (1")	68	27
	(DELCO REMY #9413260)	7	32	10-34354	SCREW, FLYWHEEL		
N.S.S.	SHIM, VALVE SPRING (GM				HOUSING (1-1/2")	53	4
	#3731058)	35	13	10-34354	SCREW, LIFTING EYE	37	17
N.S.S.	SHOE, POLE - FIELD COIL			10-34505	BOLT, CAMSHAFT TIMING		
	(DELCO REMY #810601) .	7	12		SPROCKETS (3/4")	37	13
N.S.S.	SPRING, PLUNGER RETURN			10-34505	SCREW, OIL PAN	43	13
	(DELCO REMY #1978281)	7	31	10-35366	SCREW, COVER	41	12
N.S.S.	STUD, SHIFT LEVER			10-35765A1	SCREW, BRACE TO ENGINE		
	(DELCO REMY #1945804)	7	27		(5/8")	5	6
10-11252	SCREW, SENSOR WHEEL .	17	7	10-35786	SCREW, ADJUSTING BRACE		
10-11966	BOLT, CYLINDER HEAD TO				(1")	68	34
	CYLINDER BLOCK (3-3/4")	35	26	10-37612	SCREW, ALTERNATOR		
10-11967	BOLT, CYLINDER HEAD TO				BRACKET (1-1/4")	5	24
	CYLINDER BLOCK (3") . .	35	25	10-37612	SCREW, CLAMPING	55	10
10-11968	BOLT, CYLINDER HEAD TO			10-37612	SCREW, FLYWHEEL		
	CYLINDER BLOCK (1-3/4")	35	24		HOUSING (1-1/4")	53	4
10-13684	SCREW, FUEL RAIL	19	26	10-37612	SCREW, INTAKE MANIFOLD		
10-13743	SHOULDER SCREW, LEVER	49	5		(1-1/4")	23	2
10-13743	SHOULDER SCREW, SHIFT			10-40001192	SCREW, PUMP MOUNTING		
	LEVER	49	15		BRACE	57	7
10-13743	SHOULDER SCREW, SHIFT			10-41089	SCREW	25	25
	LEVER	61	15	10-41209	SCREW, COUPLER NUT		
10-14070	SCREW, OIL PAN	43	13		LOCK	55	28
10-14242	BOLT, OIL SEAL RETAINER	41	27	10-41354	SCREW, THROTTLE		
10-14243	BOLT, OIL SEAL RETAINER	41	26		SHUTTER TO SHAFT	25	16
10-14883	SCREW, COUPLING	39	9	10-41355	SET SCREW	25	24
10-15001	SCREW, PLATE (3/4")	13	4	10-41408	SCREW, BRACKET (1-1/2") .	17	28
10-17344	SCREW, ROCKER COVER .	35	3	10-42113	SCREW, BRACKET	19	11
				10-43749	SCREW, MANIFOLD	29	13

PARTS INDEX

Part Number	Description	Pg.	Ref. No.	Part Number	Description	Pg.	Ref. No.
10-44387	SCREW, MANIFOLD	29	13	10-813981	SCREW	11	18
10-45862	SCREW, CIRCUIT BREAKER (7/8")	13	31	10-813982	SCREW	11	26
10-47277	SCREW, PULLEY (3/4")	68	22	10-813983	SCREW	11	28
10-47277	SCREW, PULLEY TO WATER PUMP (3/4")	41	6	10-85802	BOLT, CONNECTING ROD CAP	39	13
10-47618	SCREW, SENSOR	17	9	10-86509	SCREW	25	12
10-47688	SCREW, WATER PUMP TO CYLINDER BLOCK (2-3/4")	41	4	10-86517	SCREW, MOUNTING BRACKET TO ENGINE (1- 1/4")	59	2
10-47910	SCREW, STARTER SOLENOID (5/8")	13	37	10-86517	SCREW, MOUNTING BRACKET TO ENGINE (1- 1/4")	59	2
10-48308	SCREW, ALTERNATOR (3- 3/4")	5	26	10-87926	SCREW, TERMINAL BLOCK	15	44
10-49668	SCREW, BRACKET AND SHIFT BRACKET (3/4")	15	46	10-88281	SCREW, ADAPTOR	55	13
10-49668	SCREW, BRACKET TO ELBOW	29	15	10-88743	SCREW, SPRING TO LEVER	47	6
10-49845	SCREW, FLYWHEEL TO CRANKSHAFT	39	11	10-90926	SCREW, DISTRIBUTOR CAP	17	3
10-49956	SCREW, OIL PAN DRAIN	43	12	10-91966	SCREW, OIL FILTER ADAPTOR (4")	45	9
10-52200	SCREW, WATER PUMP TO CYLINDER BLOCK (1-1/2")	41	4	10-91967	SCREW, OIL FILTER ADAPTOR	45	9
10-53167	SCREW	61	5	10-94435	SCREW, STARTER TO BLOCK (4-21/32")	5	2
10-53728	SCREW, EXHAUST MANIFOLD	29	5	10-96113	SCREW, TERMINAL BLOCK (7/8")	47	17
10-53833	SCREW, PULLEY	41	18	10-96113	SCREW, TERMINAL BLOCK (7/8")	49	21
10-57583	SCREW	25	34	10-98253	SCREW, BRACKET AND SHIFT BRACKET (1/2")	15	46
10-60300	SCREW, OIL COOLER BRACKET (3/4")	45	19	10-98253	SCREW, CLIP TO CYLINDER BLOCK	43	21
10-62568	SCREW, TERMINAL BLOCK LEADS	15	43	10-98261	SCREW, CLIP	43	23
10-68101	SCREW, INTAKE MANIFOLD (1-3/8")	23	2	10-98261	SCREW, IGNITION COIL BRACKET	17	32
10-69013	SCREW, HORN ATTACHING	51	10	10-98261	SCREW, PLATE (UPPER)	37	21
10-70084	SCREW, PLENUM TO INTAKE MANIFOLD	25	5	10-98794	SCREW, EXHAUST PLATE	33	2
10-71405	SCREW, INSULATOR (3/8")	13	32	10-98794	SCREW, EXHAUST PLATE	65	2
10-72094	SCREW	31	10	10-99347	SCREW, WATER PUMP (3 -3/4")	68	4
10-72094	SCREW, THERMOSTAT HOUSING TO INTAKE MANIFOLD	63	10	10-99452	SCREW	15	49
10-72626	BOLT, PULLEY AND HARMONIC BALANCER	41	15	11-11971	NUT, OIL PAN STUD	43	17
10-73275	SCREW, WATER PUMP (2 -7/8")	68	4	11-11996	NUT	41	29
10-73287	SCREW, TERMINAL BLOCK (3/8")	47	18	11-13438	NUT, SHIFT CABLE STUD	49	11
10-73287	SCREW, TERMINAL BLOCK (3/8")	49	22	11-13438	NUT, SHIFT CABLE STUD	61	11
10-74824	SCREW, ALTERNATOR BRACE	5	19	11-20190	NUT	15	51
10-76290	SCREW, ADAPTOR	27	40	11-20361	NUT	25	23
10-76566	SCREW	25	28	11-20890	NUT, ALTERNATOR TERMINAL (1/4-20)	5	14
10-76566	SCREW	25	9	11-21908	NUT, WATER PUMP SCREW	68	25
10-813721	SCREW (8")	67	9	11-22339	NUT, FUEL PRESSURE REGULATOR	19	31
10-813722	SCREW (7")	67	9	11-23161	NUT, ALTERNATOR BRACKET SCREW	5	29
10-813975	THRU BOLT	11	15	11-24883	NUT, ADJUSTING BRACE SCREW	68	36
10-813978	SCREW	11	8	11-24883	NUT, MOUNTING BRACKET STUD	13	27
10-813979	SCREW	11	27	11-25599	NUT, JAM - ENGINE MOUNT BASE	59	9
10-813980	SCREW	11	32	11-26419	NUT, STARTER SOLENOID TERMINAL (10-32)	15	40

PARTS INDEX

Part Number	Description	Pg.	Ref. No.	Part Number	Description	Pg.	Ref. No.
11-26419	NUT, STARTER TERMINAL	5	8	12-13510	WASHER, COUPLING SCREW	39	10
11-30506	NUT, OIL COOLER BRACKET SCREW	45	20	12-14470	WASHER, FUEL LINE CONNECTOR	19	4
11-30968	NUT	25	29	12-20084	WASHER, COVER SCREW	68	5
11-30968	NUT, ALTERNATOR TERMINAL (10-24)	5	12	12-20086	WASHER, ROD END	55	22
11-32219	NUT, FLYWHEEL HOUSING STUD	53	6	12-20086	WASHER, STARTER TERMINAL	5	7
11-32219	NUT, MOUNTING BRACKET STUD	59	7	12-20128	WASHER, FUEL PUMP STUD	19	6
11-32882	NUT, STEERING TUBE	55	20	12-20533	WASHER	13	11
11-34516	NUT, ROCKER VALVE ARM STUD	35	20	12-20553	WASHER, CLIP SCREW	43	25
11-35814	NUT, BASE SCREW	21	40	12-20553	WASHER, DISTRIBUTOR AND BRACKET SCREW	17	16
11-35814	NUT, SHIFT BRACKET STUD	47	13	12-20553	WASHER, EXHAUST MANIFOLD SCREW	29	6
11-35888	NUT, SHIFT CABLE STUD	47	28	12-20553	WASHER, PLATE SCREW	37	23
11-35888	NUT, STARTER SOLENOID SCREW	13	38	12-20553	WASHER, PULLEY SCREW	41	20
11-37493	NUT, CONNECTING ROD CAP BOLT	39	14	12-20553	WASHER, THERMOSTAT HOUSING SCREW	31	11
11-37500	NUT, OIL PAN BAFFLE STUD	43	8	12-20553	WASHER, THERMOSTAT HOUSING SCREW	63	11
11-40021--1	NUT, STARTER TERMINAL	5	8	12-20572	WASHER, FLYWHEEL HOUSING SCREW -	53	8
11-40026--6	NUT, STARTER TERMINAL	5	8	12-20670	WASHER	25	36
11-40063--2	NUT, FUEL PUMP STUD (4 MM)	19	9	12-20670	WASHER, FUEL PUMP STUD	19	8
11-40063--3	NUT, FUEL PUMP STUD (5 MM)	19	7	12-20959	WASHER, ADAPTOR SCREW	55	14
11-45076	NUT, PRESSURE SWITCH TERMINAL (10-32)	51	6	12-21273	WASHER, ADAPTOR SCREW	27	42
11-45076	NUT, TEMPERATURE SWITCH (10-32)	51	3	12-21631	WASHER	23	9
11-46438	NUT, INSULATOR SCREW	13	34	12-21631	WASHER, RUBBER MOUNT	29	20
11-46438	NUT, TERMINAL BLOCK SCREW	15	45	12-22886	WASHER, FUEL LINE CONNECTOR	19	15
11-53300	NUT, ROD END	55	23	12-24676	WASHER	25	18
11-55111	NUT, STEERING TUBE ADAPTOR	55	17	12-25970	WASHER, ALTERNATOR BRACKET SCREW	5	27
11-56374	NUT, RUBBERT MOUNT	29	21	12-26168	WASHER, ALTERNATOR BRACE SCREW	5	20
11-56374	NUT, STARTER MOTOR STUD	5	5	12-26168	WASHER, BRACKET SCREW	19	12
11-63341	TEE NUT, SHIFT CABLE STUD	47	25	12-27736	WASHER	15	50
11-63341	TEE NUT, SHIFT CABLE STUD	49	13	12-27736	WASHER, SENSOR SCREW	17	10
11-63341	TEE NUT, SHIFT CABLE STUD	61	13	12-29245	WASHER	25	22
11-68219	NUT, CIRCUIT BREAKER TERMINAL	13	30	12-29245	WASHER, PLENUM SCREW	25	6
11-68219	NUT, DISTRIBUTOR TERMINAL (10-32)	17	18	12-29245	WASHER, STARTER MOTOR STUD	5	4
11-68219	NUT, IGNITION COIL TERMINAL (#10-32)	17	31	12-30164	WASHER	25	14
11-68219	NUT, OIL PRESSURE	13	17	12-30164	WASHER, IGNITION COIL TERMINAL	17	29
11-68219	NUT, WATER TEMPERATURE	13	14	12-33258	WASHER, LEATHER - COMMUTATOR END FRAME	7	16
11-813976	NUT	11	19	12-34567	WASHER, PUMP STUD (BRACE SLOT)	57	4
11-813977	NUT	11	31	12-34714	WASHER, ADJUSTING BRACE SCREW	68	33
11-90517	NUT, MOUNTING STUD	57	5	12-34714	WASHER, ALTERNATOR BRACE SCREW	5	18
11-94330	NUT, STARTER SOLENOID TERMINAL (1/4-20)	15	41	12-34714	WASHER, WATER PUMP BRACKET SCREW	68	29
				12-35332	WASHER, PULLEY AND HARMONIC BALANCER BOLT	41	17

PARTS INDEX

Part Number	Description	Pg.	Ref. No.	Part Number	Description	Pg.	Ref. No.
12-35462	WASHER, COUPLER NUT LOCK SCREW	55	32	13-26996	LOCKWASHER, WATER TEMPERATURE	13	13
12-35462	WASHER, SHIFT CABLE STUD	47	24	13-35048	LOCKWASHER	37	18
12-35462	WASHER, SHIFT CABLE STUD	49	10	13-35048	LOCKWASHER, PLATE SCREW	37	22
12-35462	WASHER, SHIFT CABLE STUD	61	10	13-35048	LOCKWASHER, ADJUSTING BRACE SCREW	68	32
12-39167	WASHER, CAMSHAFT TIMING SPROCKET BOLT	37	14	13-35048	LOCKWASHER, ADJUSTING BRACE SCREW	68	35
12-45175	WASHER, INTAKE MANIFOLD SCREW	23	3	13-35048	LOCKWASHER, ALTERNATOR BRACE SCREW	5	17
12-46101	WASHER, FUEL RAIL SCREW	19	27	13-35048	LOCKWASHER, ALTERNATOR BRACKET SCREW	5	25
12-56681	WASHER, CIRCUIT BREAKER SCREW	13	33	13-35048	LOCKWASHER, BRACKET SCREW	13	22
12-56720	WASHER, SHIFT BRACKET STUD	47	10	13-35048	LOCKWASHER, BRACKET SCREW	17	33
12-56720	WASHER, SHIFT BRACKET STUD	49	8	13-35048	LOCKWASHER, CLAMPING SCREW	55	11
12-56720	WASHER, SHIFT BRACKET STUD	61	8	13-35048	LOCKWASHER, CLIP SCREW	43	24
12-56720	WASHER, SPRING SCREW .	47	7	13-35048	LOCKWASHER, DISTRIBUTOR SCREW . .	17	34
12-68614	WASHER, BEARING PLATE	7	9	13-35048	LOCKWASHER, FLYWHEEL HOUSING SCREW (3/8") .	53	7
12-813984	WASHER	11	23	13-35048	LOCKWASHER, MOUNTING BRACKET SCREW	59	3
12-813985	WASHER	11	30	13-35048	LOCKWASHER, MOUNTING BRACKET SCREW	59	3
13-26992	LOCKWASHER	13	10	13-35048	LOCKWASHER, MOUNTING BRACKET STUD	13	26
13-26992	LOCKWASHER	67	4	13-35048	LOCKWASHER, MOUNTING BRACKET STUD	59	6
13-26992	LOCKWASHER, BRACKET SCREW	15	47	13-35048	LOCKWASHER, PULLEY SCREW	41	19
13-26992	LOCKWASHER, BRACKET SCREW	29	16	13-35048	LOCKWASHER, WATER PUMP BRACKET SCREW	68	28
13-26992	LOCKWASHER, PLATE	37	25	13-39107	LOCKWASHER, ALTERNATOR BRACE SCREW	5	31
13-26992	LOCKWASHER, STARTER SOLENOID TERMINAL . . .	13	39	13-39107	LOCKWASHER, PULLEY SCREW	68	23
13-26995	LOCKWASHER	25	13	13-39107	LOCKWASHER, WATER PUMP PULLEY SCREW . .	41	7
13-26995	LOCKWASHER	25	26	13-39107	LOCKWASHER, WATER PUMP SCREW	68	24
13-26995	LOCKWASHER	25	35	13-39131	LOCKWASHER, PULLEY AND HARMONIC	41	16
13-26995	LOCKWASHER, STARTER TERMINAL	5	7	13-40024--8	LOCKWASHER, BRACE SCREW	57	8
13-26996	LOCKWASHER	25	10	13-41471	LOCKWASHER, EXHAUST PLATE SCREW	33	3
13-26996	LOCKWASHER	25	17	13-41471	LOCKWASHER, EXHAUST PLATE SCREW	65	3
13-26996	LOCKWASHER, ADAPTOR SCREW	27	41	13-68102	LOCKWASHER, MOUNTING BRACKET	59	10
13-26996	LOCKWASHER, ALTERNATOR TERMINAL	5	10	13-76629	LOCKWASHER, STEERING TUBE ADAPTOR	55	16
13-26996	LOCKWASHER, CIRCUIT BREAKER TERMINAL . . .	13	29				
13-26996	LOCKWASHER, DISTRIBUTOR TERMINAL	17	17				
13-26996	LOCKWASHER, OIL PRESSURE	13	16				
13-26996	LOCKWASHER, STARTER TERMINAL	5	7				
13-26996	LOCKWASHER, TEMPERATURE SWITCH (#10)	51	2				
13-26996	LOCKWASHER, TERMINAL BLOCK SCREW	47	19				

PARTS INDEX

Part Number	Description	Pg.	Ref. No.	Part Number	Description	Pg.	Ref. No.
14-12657	TAB WASHER	59	11	22-14382A1	FUEL FITTING ASSEMBLY	19	18
16-11989	STUD, OIL PAN	43	14	22-14383	CONNECTOR, FUEL LINE TO FUEL PUMP	19	16
16-14827	STUD	41	30	22-14384	CONNECTOR, FUEL LINE TO FUEL PUMP	19	3
16-24585--1	STUD, MOUNTING BRACKET	13	24	22-14472	FITTING	19	35
16-34521	STUD, ROCKER VALVE ARM (.013 O.S.)	35	22	22-14475	NIPPLE	19	23
16-34522	STUD, ROCKER VALVE (.003 O.S.)	35	22	22-15156	REDUCER	45	11
16-41877	STUD, POWER STEERING PUMP	57	1A	22-16951A1	DRAIN COCK, CYLINDER BLOCK	37	3
16-54790	STUD, OIL PAN BAFFLE	43	7	22-16951A1	DRAIN COCK, EXHAUST MANIFOLD	29	7
16-64066	STUD, FLYWHEEL HOUSING (2-1/4")	53	5	22-32561	PLUG	25	3
16-64066	STUD, MOUNTING BRACKET TO ENGINE	59	4	22-32802	PLUG, PIPE (FOR WATER PUMP BODY)	68	37
16-72809	STUD	23	7	22-32876	NIPPLE	19	19
16-814002	STUD, SHIFT CABLE	49	2	22-33198A1	PLUG, EXHAUST ELBOW	29	12
16-96108	STUD, SHIFT BRACKET	47	3	22-33198A1	PLUG, EXHAUST MANIFOLD	29	2
16-96112	STUD, SHIFT CABLE	47	23	22-33198A1	PLUG, THERMOSTAT HOUSING	31	3
16-96112	STUD, SHIFT CABLE	49	12	22-33198A1	PLUG, THERMOSTAT HOUSING	63	3
16-96112	STUD, SHIFT CABLE	61	12	22-33821	CONNECTOR	19	28
16-98798	STUD, SHIFT CABLE	47	2	22-33821	CONNECTOR, FUEL LINE	19	1
16-98798	STUD, SHIFT CABLE	61	2	22-36305	ELBOW, EXHAUST MANIFOLD	29	8
16-98851	STUD	25	21	22-36382	PIPE PLUG, BASE	19	38
16-98851	STUD, SHIFT CABLE	47	21	22-36382	PLUG	19	36
17-14263	DOWEL PIN	41	28	22-36382	PLUG, PIPE - EXHAUST ELBOW	29	11
17-35312	PIN, DOWEL - CAMSHAFT SPROCKET (1/4" DIA.)	37	15	22-36382	PLUG, PIPE - EXHAUST MANIFOLD	29	3
17-35312	PIN, DOWEL - REAR BEARING CAP (1/4" DIA.)	39	5	22-36382A1	FITTING ASSEMBLY	23	4
17-35465	PIN, DOWEL - BLOCK TO HEAD (5/16" DIA.)	37	5	22-38992	BUSHING, TEMPERATURE SWITCH	51	15
17-43504	DOWEL PIN, CRANKSHAFT	39	18	22-42554	NIPPLE, OIL PRESSURE SENDER	13	19
17-47617	PIN, DRIVE GEAR	17	12	22-46932	ELBOW, OIL PRESSURE SENDER	13	18
17-52798	CLEVIS PIN	55	30	22-46982	ELBOW	45	12
17-68402	SHOULDER PIN, SHIFT LEVER	61	16	22-46982	ELBOW (90 DEGREES)	23	11
17-814001	SHOULDER PIN, SHIFT LEVER	49	16	22-48340	PLUG, EXPANSION - CYLINDER BLOCK	37	2
17-88283	RETAINING PIN, BOOSTER CYLINDER	55	5	22-52930	TEE	19	20
17-89229	CLEVIS PIN	55	29	22-52930	TEE	51	14
17-99938	PIN	55	25	22-63825	FITTING, HOSE TO OIL COOLER	45	15
18-21071	COTTER PIN, SHIFT LEVER	49	17	22-67305	GREASE FITTING	55	12
18-21071	COTTER PIN, SHIFT LEVER	61	17	22-69395	FITTING (90 DEGREES)	21	42
18-32857	COTTER PIN, SHIFT CABLE RETAINING	47	9	22-72640	PLUG, EXPANSION - CAMSHAFT BEARING HOLE	37	6
18-32857	COTTER PIN, SHIFT CABLE RETAINING	49	6	22-79484	CAP, FITTING	21	43
18-32857	COTTER PIN, SHIFT CABLE RETAINING	61	6	22-92949	BUSHING, REDUCER - TEMPERATURE SWITCH	51	4
18-34212	COTTER PIN, SLEEVE	55	33	23-13720	BUSHING	25	31
18-36377	COTTER PIN, RETAINING PIN	55	6	23-15895	SPACER, MOUNTING BRACKET STUD	13	25
18-46950	COTTER PIN, CLEVIS PIN	55	31	23-15960	BEARING SET, CRANKSHAFT (STD.)	39	3/4
19-34270	PLUG, EXPANSION - CYLINDER BLOCK (1-5/8" DIA.)	37	4				
19-59504	PLUG, IMPELLER	68	9				
22-13757	NIPPLE	25	2				

PARTS INDEX

Part Number	Description	Pg.	Ref. No.	Part Number	Description	Pg.	Ref. No.
23-15960-10	BEARING SET, CRANKSHAFT (.010 U.S.)	39	3/4	24-98880	SPRING, SHIFT CABLE STUD	61	7
23-15960-20	BEARING SET, CRANKSHAFT (.020 U.S.)	39	3/4	25-45711	"O" RING	25	33
23-15961	BEARING SET, CONNECTING ROD (STD.)	39	15	25-45711	"O" RING, FUEL INJECTOR	23	18
23-15961-10	BEARING SET, CONNECTING ROD (.010 U.S.)	39	15	25-52188	GROMMET	23	16
23-15961-20	BEARING SET, CONNECTING ROD (.020 U.S.)	39	15	25-79208	GROMMET, FIELD COIL	7	14
23-21866	SPACER	23	8	25-89879	"O" RING, PRESSURE HOSE END	57	11
23-33186	BUSHING, ALTERNATOR BRACKET SCREW	5	28	25-94288	QUAD RING, PUMP HOUSING	68	13
23-33369	BUSHING, DRIVE END HOUSING	7	2	26-14240	OIL SEAL, CRANKSHAFT (REAR)	41	24
23-36183	RETAINER, OIL PUMP SHAFT	43	5	26-34217	SEAL, VALVE (INLET AND EXHAUST)	35	10
23-37981	SPACER, SHIFT BRACKET STUD	47	11	26-72785	OIL SEAL, WATER PUMP SHAFT	68	19
23-45600	SLEEVE, ACTUATING LEVER	47	12	26-90562	OIL SEAL, WATER PUMP SHAFT	68	15
23-45600	SLEEVE, SHIFT LEVER	47	22	26-97335	OIL SEAL, COVER	41	10
23-47508	SLEEVE, THERMOSTAT	31	7	26-97664	SEAL, INLET VALVE	35	11
23-47508	SLEEVE, THERMOSTAT	63	7	27-13745	GASKET, PLENUM	25	4
23-47511	SLEEVE, THERMOSTAT HOUSING	31	2	27-13745A88	GASKET SET	2	-
23-47511	SLEEVE, THERMOSTAT HOUSING	63	2	27-13745A88	GASKET SET	35	27
23-52095	SPACER, ALTERNATOR BRACE SCREW	5	21	27-13745A88	GASKET SET	37	26
23-71694	BUSHING, BEARING PLATE	7	8	27-13865	GASKET, OIL PAN	43	10
23-814003	SPACER, SHIFT CABLE STUD	49	9	27-14241	GASKET, OIL SEAL RETAINER	41	25
23-85674	BEARING UNIT, CAMSHAFT (SET)	37	7	27-14250	GASKET, COVER	41	11
23-88282	SLEEVE, ADAPTOR BRACKET	55	7	27-14527	GASKET	25	8
23-88286	BUSHING, STEERING TUBE	55	26	27-14613	GASKET, PLATE	37	20
23-90523	SPACER, BRACKET SCREW	19	13	27-17145	GASKET SET, INTAKE MANIFOLD	41	1
23-95803	BUSHING, PIVOT	55	24	27-17745	GASKET, ROCKER VALVE COVER	35	6
23-98820	SPACER, SHIFT CABLE STUD	47	26	27-33395	GASKET, EXHAUST MANIFOLD TO CYLINDER HEAD	29	4
23-98820	SPACER, SHIFT CABLE STUD	61	9	27-34486--3	GASKET, DISTRIBUTOR	17	13
23-98828	SPACER	61	4	27-34897	GASKET, WATER PUMP MOUNTING	41	3
23-98828	SPACER, RUBBER PAD	47	8	27-41811	GASKET	67	8
23-99322	SPACER, RUBBER MOUNT - FLYWHEEL HOUSING	53	3	27-41813	GASKET	67	6
24-13938	SPRING, THROTTLE RETURN	25	30	27-47510	GASKET, THERMOSTAT	31	6
24-33285	SPRING, FIELD FRAME BRUSH	7	24	27-47510	GASKET, THERMOSTAT	63	6
24-45599	SPRING, ACTUATING LEVER	47	5	27-48818--1	GASKET, THERMOSTAT COVER	31	8
24-45599	SPRING, ACTUATING LEVER	49	4	27-48818--1	GASKET, THERMOSTAT COVER	63	8
24-48347	SPRING, VALVE (INLET AND EXHAUST)	35	12	27-49955	GASKET, DRAIN SCREW	43	11
24-98880	SPRING, SHIFT CABLE STUD	47	27	27-53045--1	GASKET, THERMOSTAT HOUSING	31	4
				27-53045--1	GASKET, THERMOSTAT HOUSING	63	4
				27-75611	GASKET, CYLINDER HEAD	35	23
				27-813970	GASKET	11	35
				27-87105--1	GASKET	67	7
				27-87105--1	GASKET, ELBOW	29	9
				27-91892	GASKET, ADAPTOR COVER AND OIL FILTER	45	3

PARTS INDEX

Part Number	Description	Pg.	Ref. No.	Part Number	Description	Pg.	Ref. No.
27-94915	GASKET, COVER TO OUTER WEAR PLATE	68	6	32-93315-12	HOSE	23	13
27-96274	GASKET, FLYWHEEL HOUSING SCREW	53	11	32-96246A4	HOSE, FLUID COOLER TO DRIVE UNIT	31	13
27-98242--1	GASKET, DISTRIBUTOR CAP	17	4	32-98843-39	HOSE, RETURN (FITTINGS ON ONE END)	57	12
27-99893	GASKET, OIL FILTER ADAPTOR	45	8	33-59571	SPARK PLUG	17	22
28-34466	KEY, CRANKSHAFT PULLEY AND BALANCER	39	17	35-60494--1	FUEL FILTER	21	41
28-54797	KEY, VALVE STERN	35	17	36-95805	CAP, POWER STEERING PUMP	57	2
28-56662	KEY, IMPELLER DRIVE	68	11	37-16672--3	DECAL SET	27	43
30-72961	BALL BEARING, WATER PUMP SHAFT	68	16	39-17464	RING, PISTON - 8 SETS (STANDARD)	39	2
32-	MUFFLER	67	1	39-17465	RING, PISTON - 8 SETS (.030 O.S.)	39	2
32-13601	FUEL LINE	19	29	42-17705A3	MUFFLER KIT	67	-
32-14473	FUEL LINE	19	34	42-17820A1	ELEMENT ASSEMBLY	67	2
32-14474	FUEL LINE	19	33	43-17159	SPROCKET, CAMSHAFT	37	11
32-15937	FUEL LINE, FILTER TO PUMP	19	2	43-17160	SPROCKET, CAMSHAFT TIMING	37	12
32-15939A1	FUEL LINE (4')	19	17	43-813776--1	GEAR, DRIVE	17	11
32-16021	HOSE, THERMOSTAT COVER TO EXHAUST MANIFOLD	31	17	46-72774A32	WATER PUMP ASSEMBLY	68	1
32-16021	HOSE, THERMOSTAT COVER TO EXHAUST MANIFOLD (PORT)	63	17	46-72774A40	BODY, WATER PUMP	68	2
32-17435-70	HOSE, SEA PUMP TO DRIVE UNIT	63	19	46-94913A1	PUMP HOUSING ASSEMBLY	68	14
32-19015	HOSE, FLUID COOLER TO DRIVE UNIT	63	13	47-59362	IMPELLER	68	10
32-66285--4	HOSE	23	5	50-12177A2	STARTER	7	-
32-68894--1	HOSE, PUMP TO OIL COOLER	57	13	50-12177A2	STARTER MOTOR ASSEMBLY	5	1
32-77690	WRAPPING, PLASTIC (1/4")	13	2	53-23720	SNAP RING, BALL BEARING RETAINING	68	18
32-87108	HOSE, THERMOSTAT HOUSING TO WATER PUMP	31	15	53-33290	RING, RETAINING - PINION STOP COLLAR	7	4
32-87108	HOSE, THERMOSTAT HOUSING TO WATER PUMP	63	15	53-90916	"E" RING, FUEL INJECTOR	23	19
32-87117	HOSE, THERMOSTAT COVER TO EXHAUST MANIFOLD	31	18	54-18076--1	CLAMP, HOSE ATTACHING	57	14
32-87117	HOSE, THERMOSTAT COVER TO EXHAUST MANIFOLD (STBD)	63	18	54-18076--4	CLAMP, HOSE ATTACHING	31	19
32-88794	HOSE, THERMOSTAT HOUSING TO OIL COOLER	31	12	54-18076--4	CLAMP, HOSE ATTACHING	63	20
32-88794	HOSE, THERMOSTAT HOUSING TO OIL COOLER	63	12	54-18076--6	CLAMP, HOSE ATTACHING	31	14
32-90494	HOSE, PRESSURE (FITTINGS ON BOTH ENDS)	57	10	54-18076--6	CLAMP, HOSE ATTACHING	63	14
32-92054	TUBE, EXTENDING	55	2	54-18076--8	CLAMP, HOSE ATTACHING	31	16
32-92055	TUBE, RETRACTING	55	3	54-18076--8	CLAMP, HOSE ATTACHING	63	16
32-92357--9	HOSE, OIL - ADAPTOR (7")	45	14	54-18076--8	CLAMP, HOSE ATTACHING	63	16
32-92357-61	HOSE, OIL - ADAPTOR (36")	45	14	54-18076--9	CLAMP, FUEL PUMP	19	14
32-92357-70	HOSE, OIL - ADAPTOR (45")	45	14	54-32780	CLAMP, HOSE ATTACHING	31	20
				54-33683	CLAMP	25	38
				54-42046	CLIP, OIL LEVEL TUBE (UPPER)	43	22
				54-43239	CLIP, OIL LEVEL TUBE	43	20
				54-53101	CLAMP	23	14
				54-78945	CLAMP, BRACKET SCREW	13	23
				54-90204	CLIP, WIRING HARNESS	59	5
				57-13457T	BELT, WATER PUMP	68	38
				57-37619T	V-BELT, POWER STEERING PUMP	57	9
				57-49213A1	BELT, ALTERNATOR	41	8
				83-14744	RECTIFIER/RELAY	15	48
				84-13793A4	WIRING HARNESS, INJECTORS	23	20
				84-16278A1	HARNESS ASSEMBLY, FUEL PUMP	21	44
				84-60871A15	WIRE ASSEMBLY	13	8
				84-62826A6	WIRE, FLYWHEEL HOUSING STUD	53	13

PARTS INDEX

Part Number	Description	Pg.	Ref. No.	Part Number	Description	Pg.	Ref. No.
84-65999A10	WIRE ASSEMBLY	29	19	390-7021	NUT, CONDENSOR		
84-813720A4	SPARK PLUG WIRE KIT	17	20		TERMINAL ATTACHING	9	32
84-86044A4	WIRE ASSEMBLY, TAN/BLUE (36")	51	11	390-7022	WASHER	11	24
84-86322A8	WIRE ASSEMBLY, BLACK (8")	51	13	390-7022	WASHER, CONDENSOR		
84-88032A1	WIRE ASSEMBLY, TAN/BLUE (20")	51	12	390-7023	TERMINAL STUD	9	30
84-98423A13	WIRING HARNESS (ALPHA I)	13	1	390-7023	WASHER, REGULATOR		
84-98423A15	WIRING HARNESS (BRAVO)	13	1	390-7024	TERMINAL STUD	9	24
85-63709A1	BOOT ASSEMBLY, SPARK PLUG	17	21	390-7024	WASHER, CONDENSOR		
85-79695	INSULATOR, BOOT - STARTER TERMINAL	5	30	390-7025	TERMINAL STUD	9	25
86-66986	TERMINAL BLOCK	47	16	390-7025	NUT, TERMINAL STUD	9	26
86-66986	TERMINAL BLOCK	49	20	390-7026	NUT, TERMINAL ATTACHING	9	29
87-14172A2	SENSOR ASSEMBLY	23	6	390-7027	NUT	11	1
87-14355	SWITCH, OIL PRESSURE	19	22	390-7027	NUT, FAN AND PULLEY TO ROTOR	9	1
87-14356	SWITCH, OIL PRESSURE	45	13	390-7028	NUT, THRU BOLT		
87-91019A3	SENSOR ASSEMBLY	17	8	390-7028	ATTACHING	9	6
88-11178	CIRCUIT BREAKER (50 AMP)	13	28	390-7029	SCREW, ROTOR SHAFT (5/8")	9	20
89-14561A1	AIR VALVE	25	7	390-7030	SCREW, BRUSH HOLDER (1/2")	9	34
89-18080	SOLENOID SWITCH (3-5/8" LONG)	7	33	390-7032	LOCKWASHER, TERMINAL STUD	9	28
89-96054	STARTER SOLENOID	13	36	390-7033	LOCKWASHER	11	2
89-96819T	INSULATOR, CIRCUIT BREAKER	13	35	390-7033	LOCKWASHER, FAN AND PULLEY NUT	9	2
90-14350890	OWNERS GUIDE	2	-	390-7034	KEY	11	9
90-14499--1	SERVICE MANUAL	2	-	390-7034	KEY, ROTOR	9	15
90-19283	PARTS MANUAL	2	-	390-7035	CONDENSOR	9	23
90-816463	SERVICE MANUAL	2	-	390-7036	VOLTAGE REGULATOR	9	38
222-9520	FLYWHEEL (14" DIA.)	39	6	390-7206	WASHER, ROTOR SCREW	9	18
390-7000	COVER ASSEMBLY, FRONT	9	7	390-7207	LOCKWASHER, ROTOR SCREW	9	19
390-7003	COVER ASSEMBLY, REAR	9	22	390-7208	WASHER, TERMINAL STUD	9	27
390-7004	FAN	11	4	390-8635	ROTOR ASSEMBLY	9	16
390-7004	FAN, DRIVE END FRAME	9	4	390-8636	STATOR ASSEMBLY	9	10
390-7005	BALL BEARING	11	7	390-8637	PULLEY	11	3
390-7005	BALL BEARING, DRIVE END	9	8	390-8638	THRU BOLT	9	31
390-7006	RETAINER, DRIVE END BALL BEARING	9	9	392-7803A4	COIL, IGNITION	17	26
390-7007	RETAINER	11	13	429-9601	CRANKSHAFT	39	16
390-7007	RETAINER, ROTOR SHAFT BEARING	9	21	431-5952	CAMSHAFT	37	9
390-7008	DIODE TRIO	9	35	614-5951	CONNECTING ROD ASSEMBLY	39	12
390-7009	DIODE RECTIFIER, NEGATIVE	9	11	735-9846	PISTON AND PISTON PIN ASSEMBLY (.001 O.S.)	39	1
390-7010	HEAT SINK, POSITIVE	9	12	735-9847	PISTON AND PISTON PIN ASSEMBLY (.030 O.S.)	39	1
390-7011	BRUSH HOLDER ASSEMBLY	9	33	841-9845	CYLINDER BLOCK ASSEMBLY	37	1
390-7012	SPACER, FAN TO DRIVE END FRAME	9	5	938-9718	CYLINDER ASSEMBLY	35	21
390-7013	GASKET, VOLTAGE REGULATOR	9	37				
390-7014	SLIP RING	9	17				
390-7014	SLIP RING	11	11				
390-7015	SCREW, VOLTAGE REGULATOR ATTACHING	9	39				
390-7018	SLEEVE, INSULATOR	9	14				
390-7019	SPACER, DIODE TRIO	9	36				
390-7020	SLEEVE, INSULATOR	9	13				
390-7021	NUT	11	21				