



PARTS CATALOG

5.7 LITRE COMPETITION SKI ENGINE

SERIAL NUMBER

5.7L (SKI) GM 350 V-8 1985-19870A338533 THRU 0B514626

TABLE OF CONTENTS:

ALTERNATOR (MANDO)	12
ALTERNATOR (MOTOROLA)	10
CARBURETOR	22
CARBURETOR AND THROTTLE LINKAGE	20
CRANKSHAFT, PISTONS AND CONN. RODS	34
CYLINDER BLOCK AND CAMSHAFT	32
CYLINDER HEAD AND ROCKER COVER	30
DISTRIBUTOR AND IGNITION COMPONENTS	16
EXHAUST MANIFOLD AND EXHAUST ELBOW	24
FLYWHEEL HOUSING	48
FUEL PUMP	18
INTAKE MANIFOLD AND FRONT COVER	36
MISCELLANEOUS PARTS/ACCESSORIES	2
OIL PAN AND OIL PUMP	40
PARTS INDEX	50
SEA WATER PUMP ASSEMBLY	28
STARTER AND ALTERNATOR	4
STARTER MOTOR	6
THERMOSTAT HOUSING (STANDARD COOLING)	26
TRANSMISSION AND ENGINE MOUNTING (IN-LINE)	46
TRANSMISSION AND RELATED PARTS (IN-LINE)	42
WIRING HARNESS AND ELECTRICAL COMPONENTS	14

NOTE: *Indented description indicate that these parts are included in preceeding assembly.*

AR = As Required
OPT = Optional

NSS = Not Sold Seperate
NS = Not Shown

THESE PARTS BOOKS/FICHE CARD ARE COPYRIGHTED AND MAY NOT BE DISTRIBUTED OR REPRODUCED IN ANY OTHER FORMAT BY ANYONE OTHER THAN MERCURY MARINE WITHOUT THE PRIOR WRITTEN CONSENT OF MERCURY MARINE.

REPLACEMENT PARTS ! WARNING !

Electrical, ignition and fuel system components on MerCruiser Engines and Stern Drives are designed and manufactured to comply with U.S. Coast Guard Rules and Regulations to minimize risks of fire or explosion. Use of replacement electrical, ignition or fuel system components, which do not comply to these rules and regulations, could result in a fire or explosion hazard and should be voided.

When servicing the electrical, ignition and fuel systems, it is extremely important that all components are properly installed and tightened. If not, any electrical or ignition component opening would permit sparks to ignite fuel vapors from fuel system leaks, if they existed.

ENGINE MECHANICAL COMPONENTS

Many of the engine mechanical components are designed for marine applications. Unlike automotive engines, marine engines are subjected to extended periods of heavy load and wide- open-throttle operation, therefore, require heavy-duty components. Special marine engine parts have design and manufacturing specifications, which are required to provide long life and dependable performance. Marine engine parts also must be able to resist the corrosive action of salt or brackish water that will rust or corrode standard automotive parts within a short period of time.

Failure to use recommended Mercury Precision Parts OR Quicksilver service replacement parts can result in poor engine performance and/or durability, rapid corrosion of parts subjected to salt water and possibly complete failure of the engine.

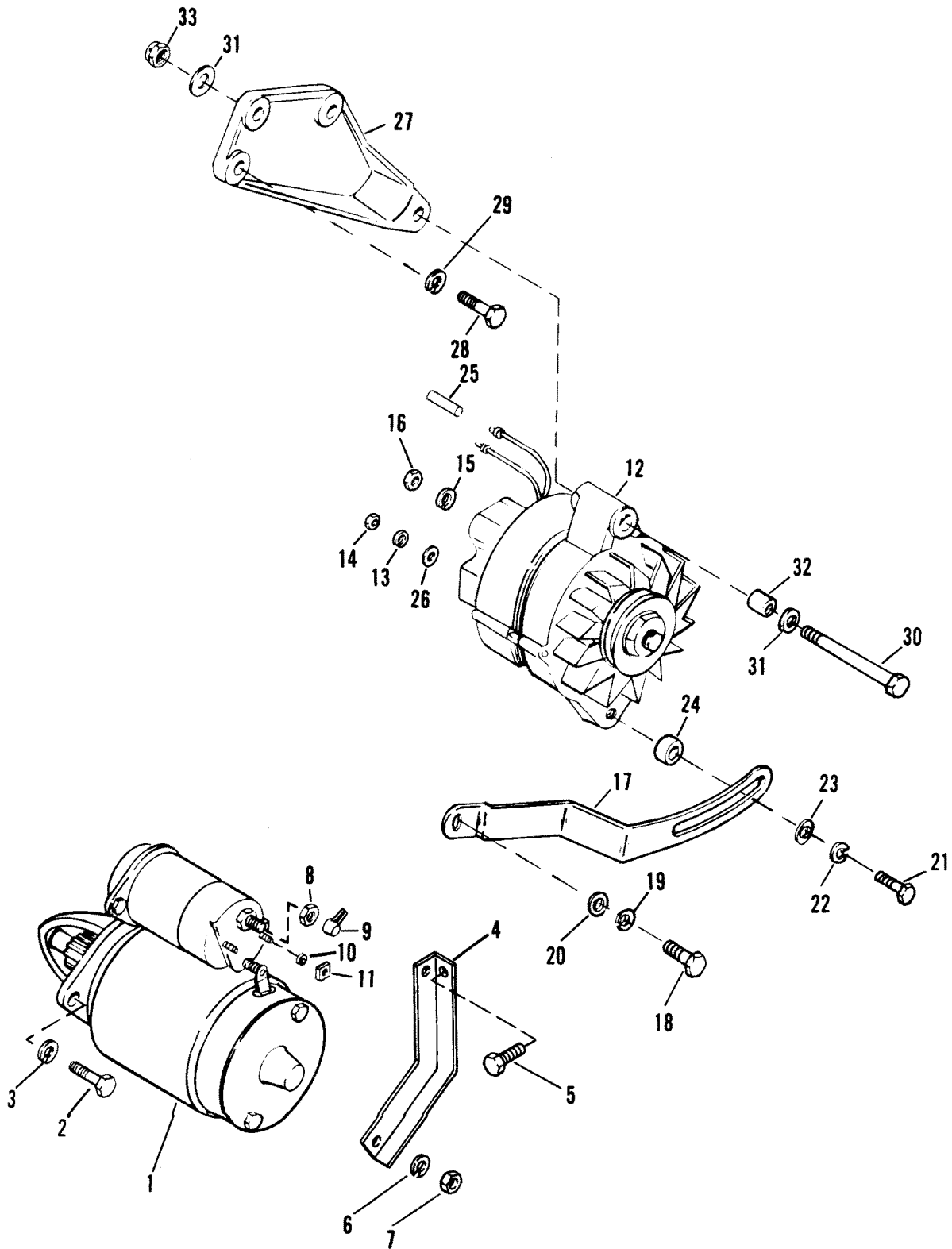
Use of parts other than recommended service replacement parts will void the warranty on those parts which are damaged as a result of the use of other than recommended parts.

MISCELLANEOUS PARTS\ACCESSORIES

REF. NO.	PART NO.	SYM.	QTY.	DESCRIPTION
-	90-12919			PARTS LIST
-	90-12230--3			OWNER'S GUIDE

THIS PAGE INTENTIONALLY LEFT BLANK

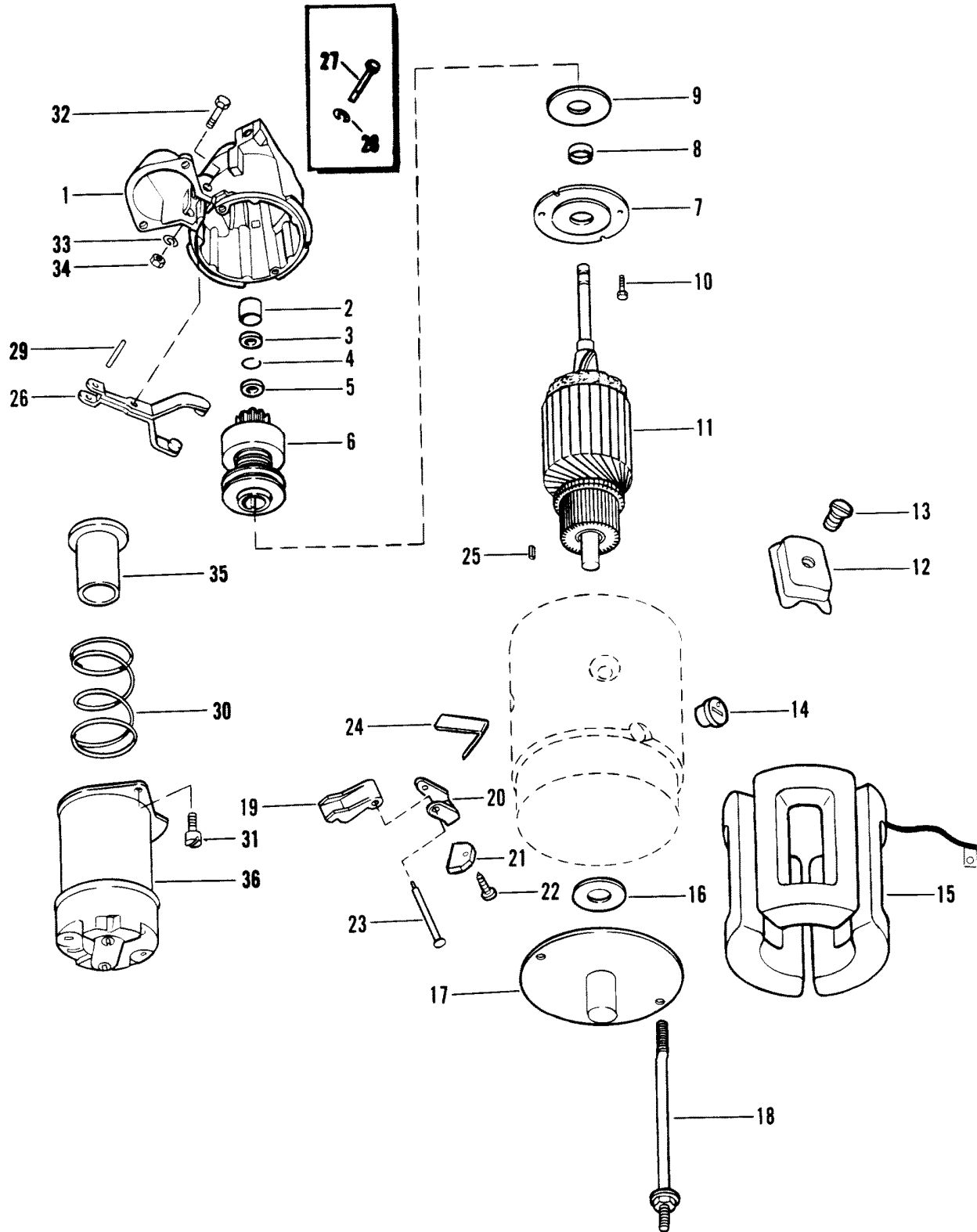
STARTER AND ALTERNATOR



STARTER AND ALTERNATOR

REF. NO.	PART NO.	SYM.	QTY.	DESCRIPTION
1	50-12177A2		1	STARTER, L.H. ROTATION
	50-79604A3		1	STARTER, R.H. ROTATION
2	10-47462		2	SCREW, STARTER MOTOR (1-1/4") - R.H. ROTATION
3	13-32993		2	LOCKWASHER, STARTER MOTOR SCREW -R.H. ROTATION
2	10-94435		2	SCREW, STARTER MOTOR TO CYL. BLOCK (4-21/32")- L.H. ROTATION
4	12404		1	BRACE, STARTER MOTOR - L.H. ROTATION
5	10-35765		1	SCREW, BRACE TO ENGINE (5/8") - L.H. ROTATION
6	12-29245		2	WASHER, STARTER MOTOR STUD - L.H. ROTATION
7	11-72008		2	NUT, STARTER MOTOR STUD - L.H. ROTATION
8	11-32219		1	NUT, STARTER TERMINAL (3/8-16)
9	85-79695		1	BOOT, INSULATOR - STARTER TERMINAL
10	13-26995		2	LOCKWASHER, STARTER TERMINAL
11	11-26419		2	NUT, STARTER TERMINAL (#8-32)
12	92497A3		1	ALTERNATOR (55 AMP.)
13	13-26996		1	LOCKWASHER, ALTERNATOR TERMINAL
14	11-79989		1	NUT, ALTERNATOR TERMINAL (10-24)
15	13-21272		1	LOCKWASHER, ALTERNATOR TERMINAL
16	11-64015		1	NUT, ALTERNATOR TERMINAL (1/4-20)
17	85013		1	BRACE, ALTERNATOR ADJUSTING
18	10-27165		1	SCREW, ALTERNATOR BRACE
19	13-35048		1	LOCKWASHER, ALTERNATOR BRACE SCREW
20	12-20553		1	WASHER, ALTERNATOR BRACE SCREW
21	10-74824		1	SCREW, ALTERNATOR BRACE (1-1/4")
22	13-39107		1	LOCKWASHER, ALTERNATOR BRACE SCREW
23	12-26168		1	WASHER, ALTERNATOR BRACE SCREW
24	23-52095		1	SPACER, ALTERNATOR BRACE SCREW
25	57908-11		2	TUBING, ALTERNATOR LEADS
26	12-96457		1	WASHER, ALTERNATOR TERMINAL
27	93175T		1	BRACKET, ALTERNATOR
28	10-37612		3	SCREW, ALTERNATOR BRACKET (1-1/4")
29	13-35048		3	LOCKWASHER, ALTERNATOR BRACKET SCREW
30	10-48308		1	SCREW, ALTERNATOR (3-3/4")
31	12-20553		2	WASHER, ALTERNATOR BRACKET SCREW
32	23-33186		1	BUSHING, ALTERNATOR BRACKET SCREW
33	11-23161		1	NUT, ALTERNATOR BRACKET SCREW

STARTER MOTOR



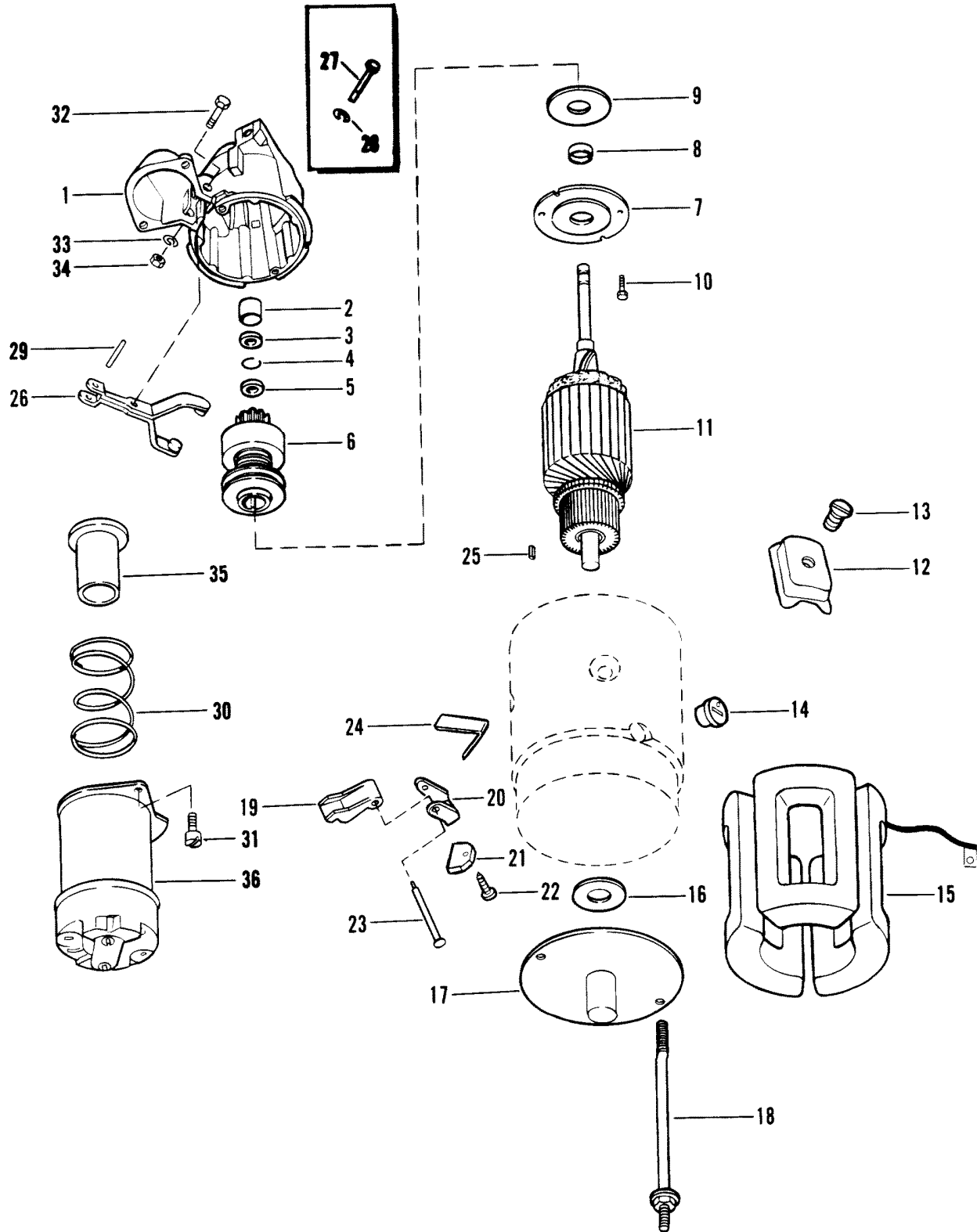
MC0002

STARTER MOTOR

REF. NO.	PART NO.	SYM.	QTY.	DESCRIPTION
-	50-12177A2		1	STARTER (L.H. ROTATION)
-	50-79604A3		1	STARTER (R.H. ROTATION)
1	75666		1	HOUSING, DRIVE END - L.H. ROTATION
	13754		1	HOUSING, DRIVE END - L.H. ROTATION
	79206		1	HOUSING, DRIVE END (R.H. ROTATION)
2	23-33369		1	BUSHING
3	33292		1	COLLAR, THRUST
4	53-33290		1	RING, RETAINING
5	33291		1	COLLAR
6	79205		1	DRIVE ASSEMBLY, CLUTCH (L.H. ROTATION)
	68609		1	DRIVE ASSEMBLY, CLUTCH (R.H. ROTATION)
7	79396		1	PLATE, BEARING
8	23-71694		1	BUSHING, BEARING PLATE
9	12-68614		1	WASHER, BEARING PLATE
10	N.S.S.		2	SCREW (DELCO REMY #1972786) - L.H. ROTATION
11	71693		1	ARMATURE - L.H. ROTATION
12	N.S.S.		4	SHOE, POLE (DELCO REMY #1931129) - L.H. ROTATION
10	N.S.S.		2	SCREW (DELCO REMY #1984000) - L.H. ROTATION
11	75665		1	ARMATURE - L.H. ROTATION
12	N.S.S.		4	SHOE, POLE (DELCO REMY #810601) - L.H. ROTATION
10	10-75659		2	SCREW - R.H. ROTATION
11	68607		1	ARMATURE - R.H. ROTATION
12	N.S.S.		4	SHOE, POLE (DELCO REMY #810601) - R.H. ROTATION
13	N.S.S.		4	SCREW, POLE SHOE TO FIELD COIL (DELCO REMY #1968396)
14	25-79208		1	GROMMET, FIELD FRAME (L.H. ROTATION)
	N.S.S.		1	GROMMET, FRAME (DELCO REMY #1846097) (R.H. ROTATION)
15	79212		1	FIELD COIL ASSEMBLY - L.H. ROTATION
	75664		1	FIELD COIL ASSEMBLY - L.H. ROTATION
	75664		1	FIELD COIL ASSEMBLY (R.H. ROTATION)
16	12-33258		1	WASHER, LEATHER - COMMUTATOR END FRAME
17	79211		1	FRAME, COMMUTATOR END - LOWER
18	N.S.S.		1	BOLT, THRU (DELCO REMY #1941111)
	N.S.S.		1	BOLT, THRU (DELCO REMY #1939970)
19	33284		2	HOLDER, INSULATED
20	33283		2	HOLDER, FIELD FRAME BRUSH GROUND
21	33270		4	BRUSH, FIELD FRAME
22	N.S.S.		2	SCREW, BRUSH LEAD (DELCO REMY #1967747)
	N.S.S.		2	SCREW, BRUSH LEAD (DELCO REMY #443527)
23	33294		2	SUPPORT PACKAGE, GROUND AND INSULATED HOLDERS
24	24-33285		4	SPRING, FIELD FRAME BRUSH
25	N.S.S.		1	PIN, DOWEL - FIELD FRAME 9DELCO REMY #1985696)
26	71698		1	LEVER, SHIFT L.H. ROTATION

CONTINUED ON NEXT PAGE ➡

STARTER MOTOR

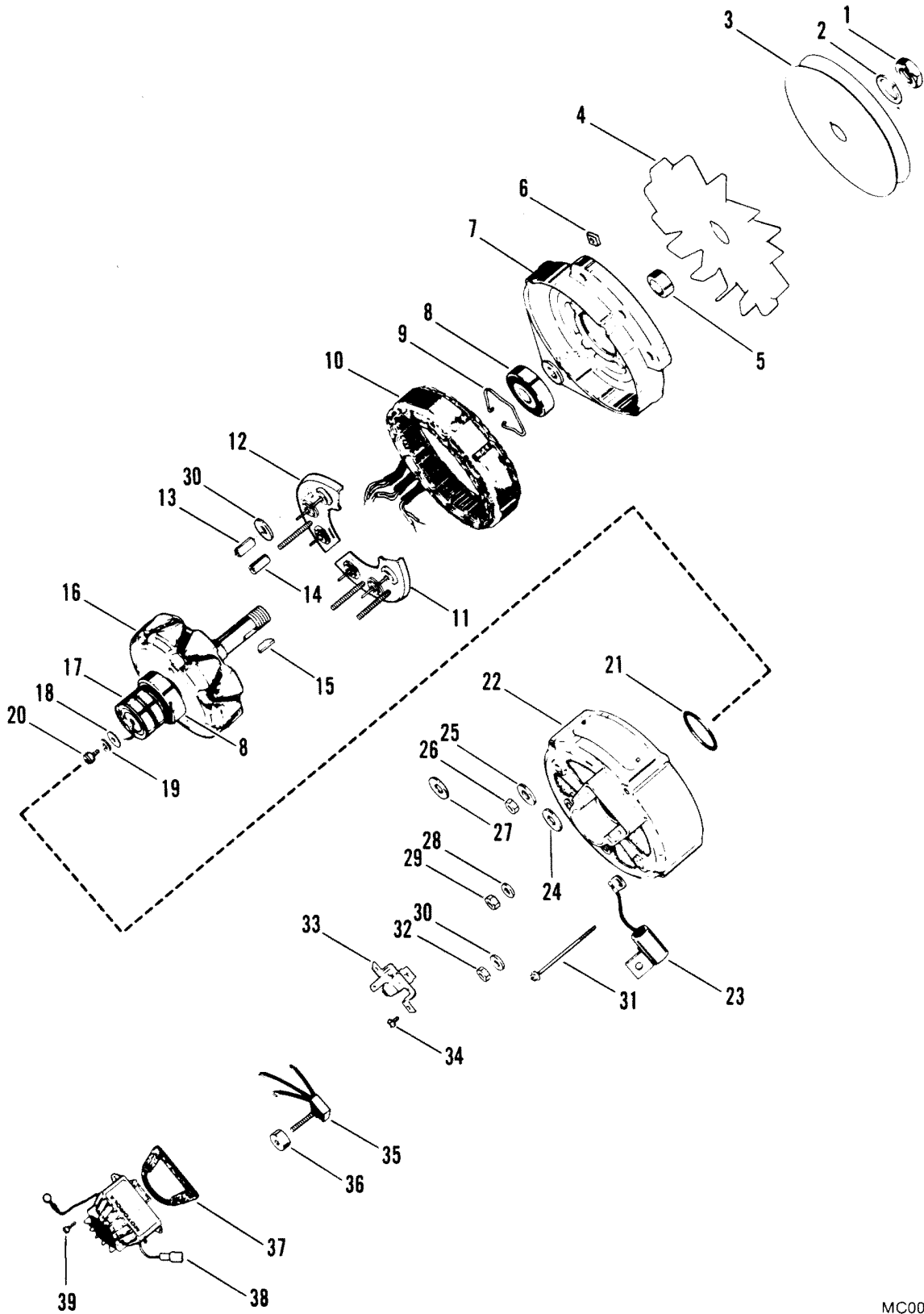


MC0002

STARTER MOTOR

REF. NO.	PART NO.	SYM.	QTY.	DESCRIPTION
27	N.S.S.		1	STUD, SHIFT LEVER (DELCO REMY #1945804) - L.H. ROTATION
28	N.S.S.		1	RETAINING RING (DELCO REMY #11505767) - L.H. ROTATION
29	N.S.S.		1	PIN, PLUNGER (DELCO REMY #1987049)
30	N.S.S.		1	SPRING, PLUNGER (DELCO REMY #1978281)
31	N.S.S.		2	SCREW, SWITCH (DELCO REMY #9413260)
26	33297		1	LEVER, SHIFT R.H. ROTATION
29	17-79207		1	PIN, PLUNGER - R.H. ROTATION
30	24-46889		1	SPRING, PLUNGER - R.H. ROTATION
31	N.S.S.		2	SCREW, SWITCH (DELCO REMY #132255) - R.H. ROTATION
32	N.S.S.		1	STUD, SHIFT LEVER (DELCO REMY #1814529) - R.H. ROTATION
33	12-68615		1	WASHER, SHIFT LEVER STUD - R.H. ROTATION
34	11-26484		1	NUT, SHIFT LEVER STUD - R.H. ROTATION
35	33317		1	PLUNGER, SHIFT LEVER
36	13037		1	SOLENOID SWITCH ASSEMBLY

ALTERNATOR (MOTOROLA)

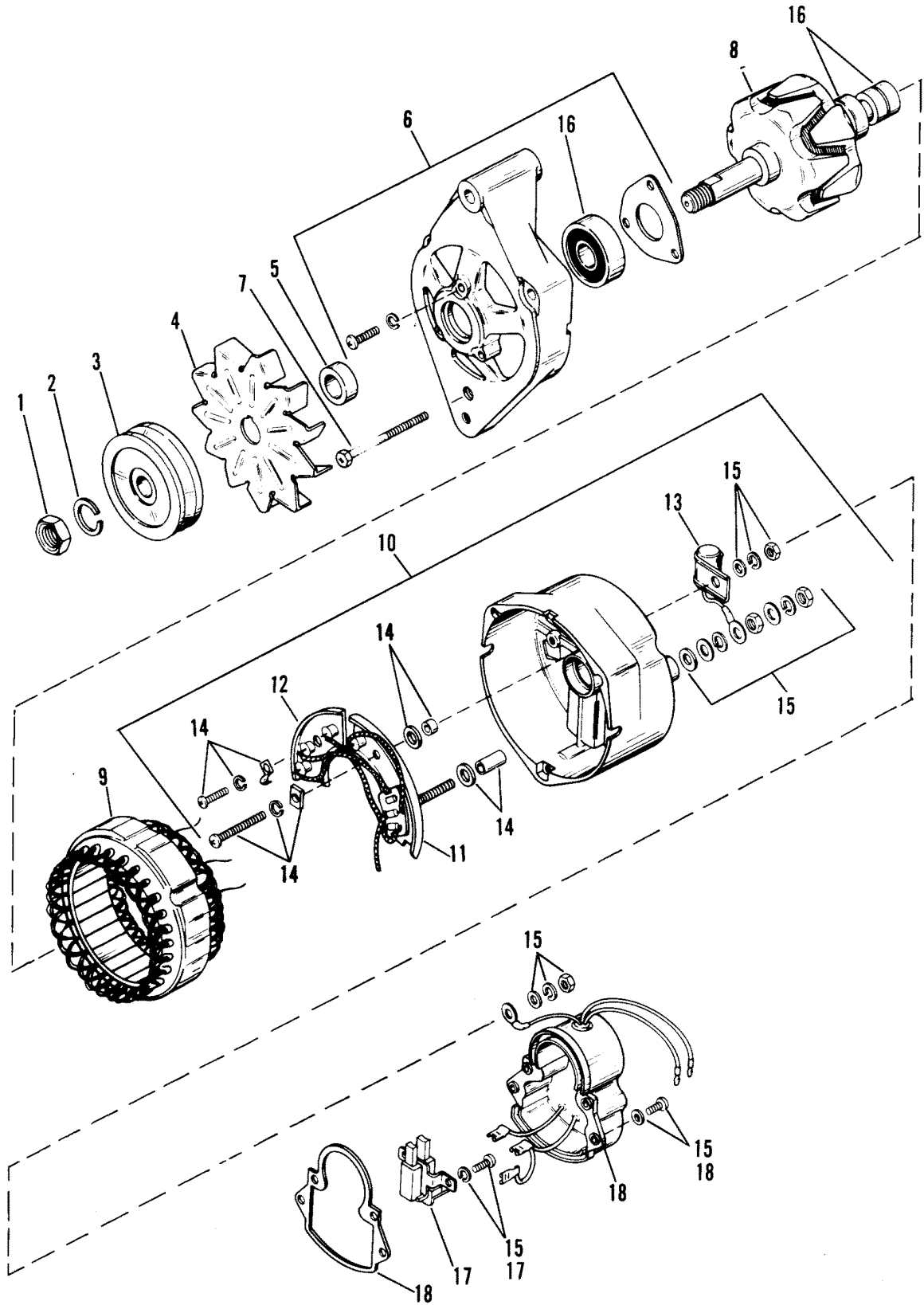


MC0003

ALTERNATOR (MOTOROLA)

REF. NO.	PART NO.	SYM.	QTY.	DESCRIPTION
-	92497A3		1	ALTERNATOR ASSEMBLY (55 AMP)
1	390-7027		1	NUT, FAN AND PULLEY TO ROTOR
2	390-7033		1	LOCKWASHER, FAN AND PULLEY NUT
3	390-8637		1	PULLEY, DRIVE END FRAME
4	390-7004		1	FAN, DRIVE END FRAME
5	390-7012		1	SPACER, FAN TO DRIVE END FRAME
6	390-7028		4	NUT, THRU BOLT ATTACHING
7	390-7000		1	COVER ASSEMBLY, FRONT
8	390-7005		2	BALL BEARING, DRIVE END
9	390-7006		1	RETAINER, DRIVE END BALL BEARING
10	390-8636		1	STATOR ASSEMBLY
11	390-7009		1	DIODE RECTIFIER, NEGATIVE
12	390-7010		1	HEAT SINK, POSITIVE
13	390-7020		1	SLEEVE, INSULATOR
14	39-7018		1	SLEEVE, INSULATOR
15	39-7034		1	KEY, ROTOR
16	390-8635		1	ROTOR ASSEMBLY
17	390-7014		1	SLIP RING
18	390-7206		1	WASHER, ROTOR SCREW
19	390-7207		1	LOCKWASHER, ROTOR SCREW
20	390-7029		1	SCREW, ROTOR SHAFT (5/8")
21	390-7007		1	RETAINER, ROTOR SHAFT BEARING
22	390-7003		1	COVER ASSEMBLY, REAR
23	390-7035		1	CONDENSOR
24	390-7023		1	WASHER, REGULATOR TERMINAL STUD
25	390-7024		1	WASHER, CONDENSOR TERMINAL STUD
26	390-7025		1	NUT, TERMINAL STUD
27	390-7208		1	WASHER, TERMINAL STUD
28	390-7032		2	LOCKWASHER, TERMINAL STUD
29	390-7026		1	NUT, TERMINAL ATTACHING
30	390-7022		1	WASHER, CONDENSOR TERMINAL STUD
31	390-8638		4	THRU BOLT
32	390-7021		1	NUT, CONDENSOR TERMINAL ATTACHING
33	390-7011		1	BRUSH HOLDER ASSEMBLY
34	390-7030		2	SCREW, BRUSH HOLDER (1/2")
35	390-7008		1	DIODE TRIO
36	390-7019		1	SPACER, DIODE TRIO
37	390-7013		1	GASKET, VOLTAGE REGULATOR
38	390-7036		1	VOLTAGE REGULATOR
39	390-7015		4	SCREW, VOLTAGE REGULATOR ATTACHING

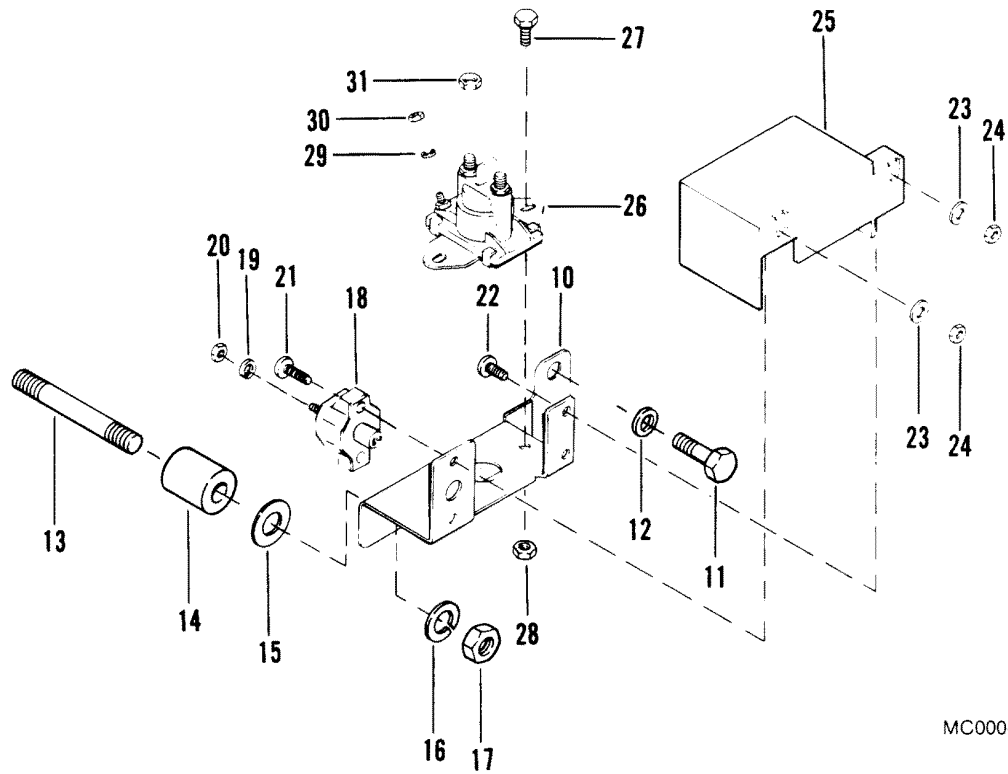
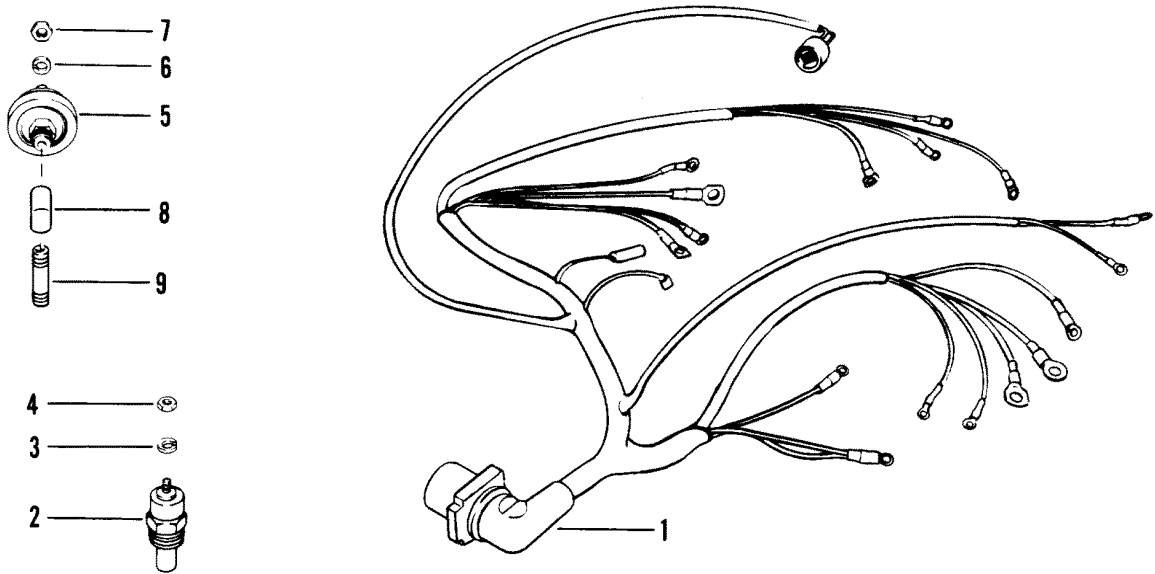
ALTERNATOR (MANDO)



ALTERNATOR (MANDO)

REF. NO.	PART NO.	SYM.	QTY.	DESCRIPTION
1	11-42768		1	NUT
2	13-42769		1	LOCKWASHER
3	42770		1	PULLEY
4	42771		1	FAN
5	23-42772		1	SPACER
6	42774		1	BRACKET ASSEMBLY, FRONT
7	10-42773		3	BOLT
8	42775		1	ROTOR (INCLUDES BEARINGS)
9	42776		1	STATOR
10	42777		1	BRACKET ASSEMBLY, REAR
11	42778		1	HEAT SINK (+)
12	42779		1	HEAT SINK (-)
13	42780		1	CONDENSER ASSEMBLY
14	42783		1	HARDWARE KIT, INTERNAL
15	42782		1	HARDWARE KIT, EXTERNAL
16	42781		1	BEARING KIT
17	42784		1	BRUSH HOLDER KIT (INCLUDES SPRINGS & BRUSHES)
18	42785		1	REGULATOR KIT

WIRING HARNESS AND ELECTRICAL COMPONENTS

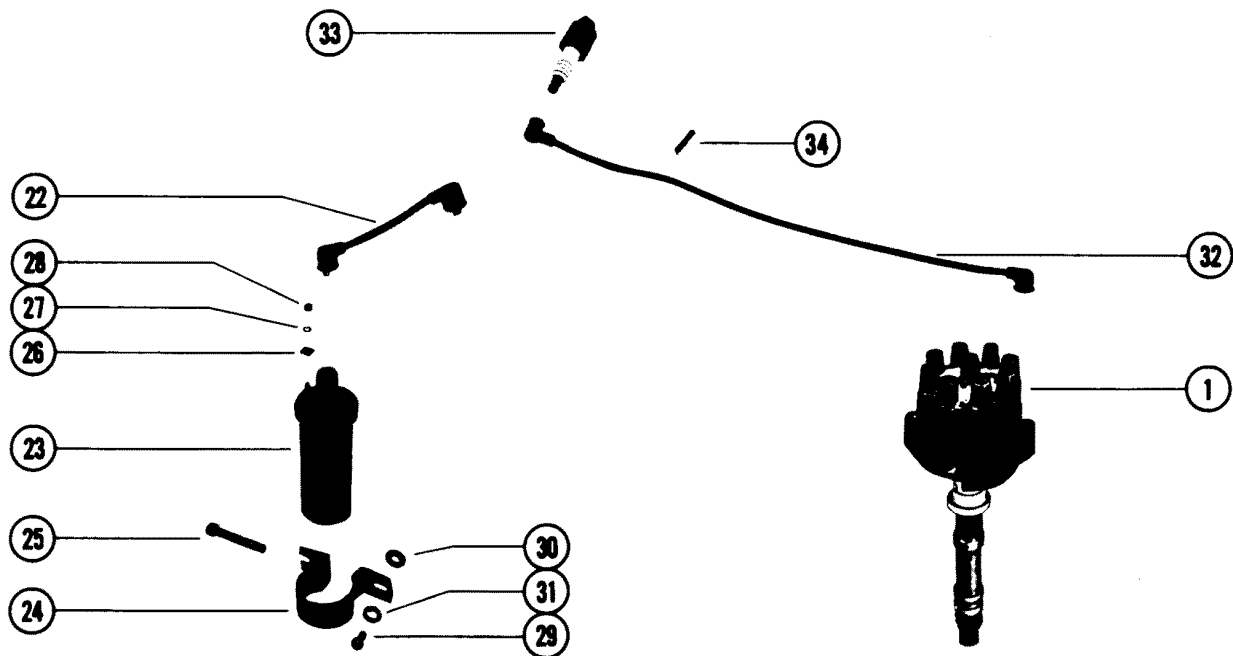
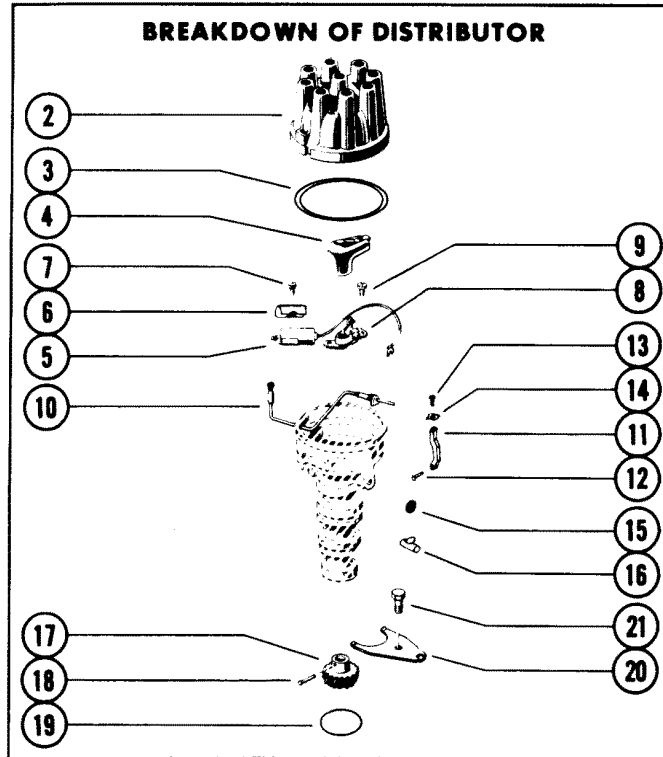


MC0004

WIRING HARNESS AND ELECTRICAL COMPONENTS

REF. NO.	PART NO.	SYM.	QTY.	DESCRIPTION
1	84-12307A2		1	WIRING HARNESS
2	97258A1		1	TEMPERATURE SENDER
	49734A1		OPT.	TEMPERATURE SENDER (DUAL)
3	13-26996		1	LOCKWASHER, WATER TEMPERATURE SENDER TERMINAL (#10)
4	11-68219		1	NUT, WATER TEMPERATURE SENDER TERMINAL (#10)
5	90806		1	OIL PRESSURE SENDER
	37293		OPT.	OIL PRESSURE SENDER (DUAL)
6	13-26996		1	LOCKWASHER, OIL PRESSURE SENDER TERMINAL (#10)
7	11-68219		1	NUT, OIL PRESSURE SENDER TERMINAL (#10)
8	22-46932		1	ELBOW, OIL PRESSURE SENDER
9	22-42554		1	NIPPLE, OIL PRESSURE SENDER
10	41170A2		1	BRACKET, MOUNTING
11	10-98260		1	SCREW, MOUNTING BRACKET (5/8")
12	13-35048		2	LOCKWASHER, MOUNTING BRACKET SCREW
13	16-24585--1		1	STUD, MOUNTING BRACKET
14	23-88275		1	SPACER, MOUNTING BRACKET STUD
15	12-20086		1	WASHER, MOUNTING BRACKET STUD
16	13-35048		1	LOCKWASHER, MOUNTING BRACKET STUD
17	11-24883		1	NUT, MOUNTING BRACKET STUD
18	88-11178		1	CIRCUIT BREAKER (50 AMP.)
19	13-26996		2	LOCKWASHER, CIRCUIT BREAKER TERMINAL
20	11-68219		2	NUT, CIRCUIT BREAKER TERMINAL
21	10-45862		2	SCREW, CIRCUIT BREAKER (7/8")
22	10-71405		1	SCREW, INSULATOR
23	12-56681		3	WASHER, CIRCUIT BREAKER SCREW
24	11-46438		3	NUT, INSULATOR SCREW
25	85-96819		1	INSULATOR, CIRCUIT BREAKER
26	89-96054		1	STARTER SOLENOID
27	10-47910		2	SCREW, STARTER SOLENOID (5/8")
28	11-20088		2	NUT, STARTER SOLENOID SCREW
29	13-26992		2	LOCKWASHER, STARTER SOLENOID TERMINAL
30	11-26419		2	NUT, STARTER SOLENOID TERMINAL (10-32)
31	11-94330		2	NUT, STARTER SOLENOID TERMINAL (1/4-20)

DISTRIBUTOR AND IGNITION COMPONENTS



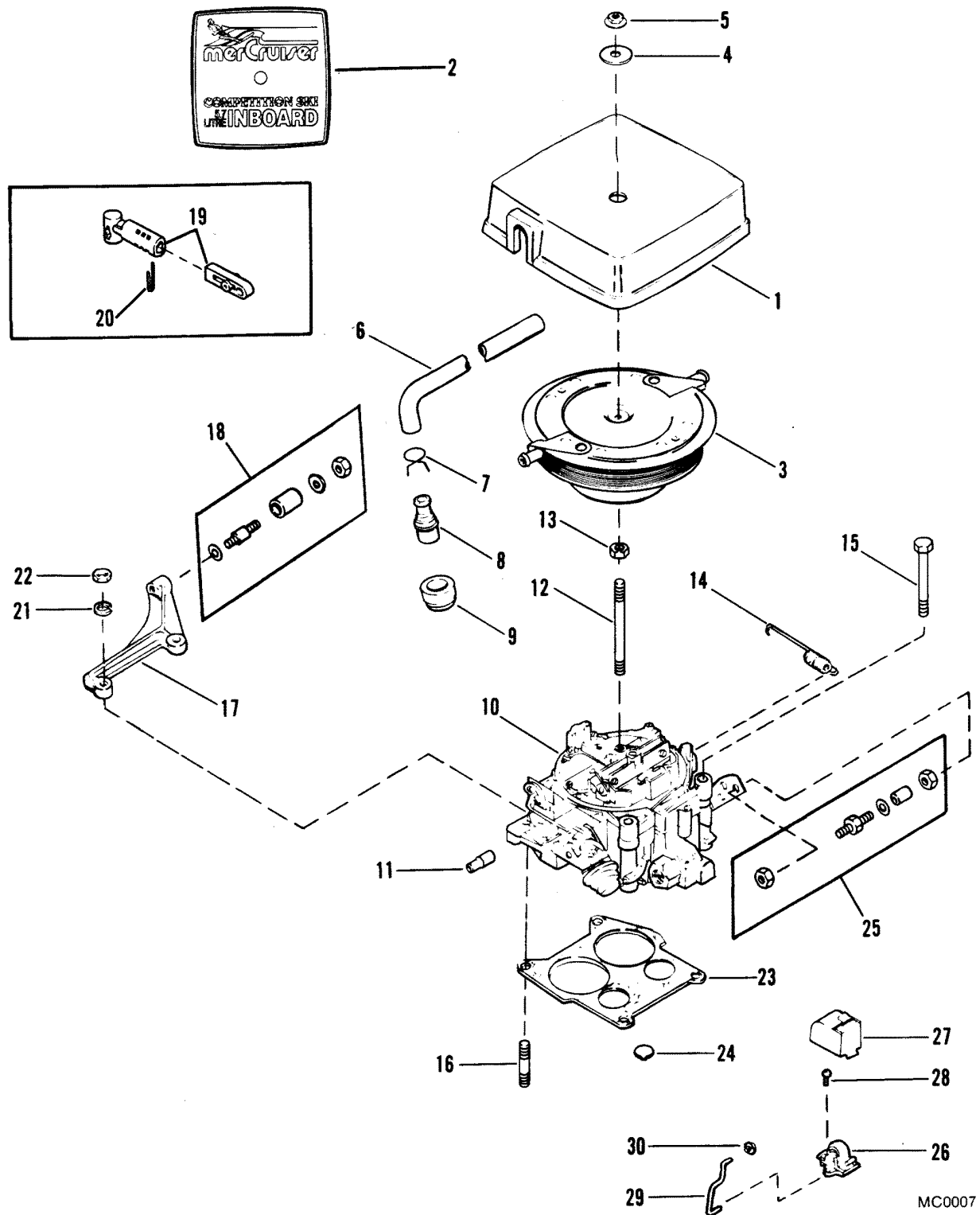
DISTRIBUTOR AND IGNITION COMPONENTS

REF. NO.	PART NO.	SYM.	QTY.	DESCRIPTION
1	13447A1		1	DISTRIBUTOR ASSEMBLY, COMPLETE
2	391-5075		1	CAP, DISTRIBUTOR
3	391-5076		1	GASKET, DISTRIBUTOR CAP
4	391-9454		1	ROTOR
5	391-5092		1	CONDENSER
6	391-5093		1	BRACKET, CONDENSER ATTACHING
7	391-5091		1	SCREW, CONDENSER BRACKET ATTACHING
8	391-5090		1	BREAKER ASSEMBLY
9	391-5089		1	SCREW, BREAKER ATTACHING
10	84-65773A6		1	LEAD ASSEMBLY, PRIMARY TERMINAL
11	391-5085		2	CLAMP, DISTRIBUTOR CAP ATTACHING
12	391-5084		2	PIN, CLAMP TO DISTRIBUTOR
13	391-5087		2	SCREW, DISTRIBUTOR CAP ATTACHING
14	391-5086		2	WASHER, DISTRIBUTOR CAP SCREW
15	391-5083		2	VENT, SCREEN
16	391-5080		1	OILER
17	391-6390		1	GEAR, DRIVE
18	391-6391		1	PIN, DRIVE GEAR
19	27-34486--1		1	GASKET, DISTRIBUTOR
20	52185		1	CLAMP, DISTRIBUTOR TO INTAKE MANIFOLD
21	10-35169		1	SCREW, DISTRIBUTOR CLAMP ATTACHING
22	84-42841A45		1	LEAD ASSEMBLY, DISTRIBUTOR TO COIL
23	32193A2		1	COIL, IGNITION
24	77294		1	BRACKET, IGNITION COIL MOUNTING
25	10-41408		1	SCREW, BRACKET TO IGNITION COIL (1-1/2")
26	12-30164		2	WASHER, IGNITION COIL TERMINAL
27	13-26996		2	LOCKWASHER, IGNITION COIL TERMINAL
28	11-68219		2	NUT, IGNITION COIL TERMINAL
29	10-59645		2	SCREW, IGNITION COIL ATTACHING (3/4")
30	12-20084		2	WASHER, IGNITION COIL ATTACHING SCREW
31	13-26993		2	LOCKWASHER, IGNITION COIL ATTACHING SCREW
32	84-43376A12		1	LEAD ASSEMBLY, HIGH TENSION
33	33-59571		8	SPARK PLUG (NGK-BR6FS)
34	54676		2	RETAINER, HIGH TENSION LEADS (2 WIRE)
	32783		2	RETAINER, HIGH TENSION LEADS (3 WIRE)
	32784		2	RETAINER, HIGH TENSION LEADS (4 WIRE)

FUEL PUMP

REF. NO.	PART NO.	SYM.	QTY.	DESCRIPTION
1	97401A2		1	FUEL PUMP
2	27-34213		1	GASKET, FUEL PUMP TO CYLINDER BLOCK
3	10-34354		2	SCREW, FUEL PUMP (1-1/2")
4	13-35048		2	LOCKWASHER, FUEL PUMP SCREW
5	35373		1	PLATE, FUEL PUMP MOUNTING
6	27-34898		1	GASKET, FUEL PUMP MOUNTING PLATE
7	10-35366		2	SCREW, FUEL PUMP MOUNTING PLATE
8	35377		1	ROD, PUSH - FUEL PUMP
9	22-33821		1	ELBOW, FUEL LINE TO FUEL PUMP AND FUEL FILTER
10	32-96081A1		1	FUEL LINE, PUMP TO CARBURETOR
11	32-73815-63		1	HOSE, PLASTIC - FUEL PUMP TO CARBURETOR

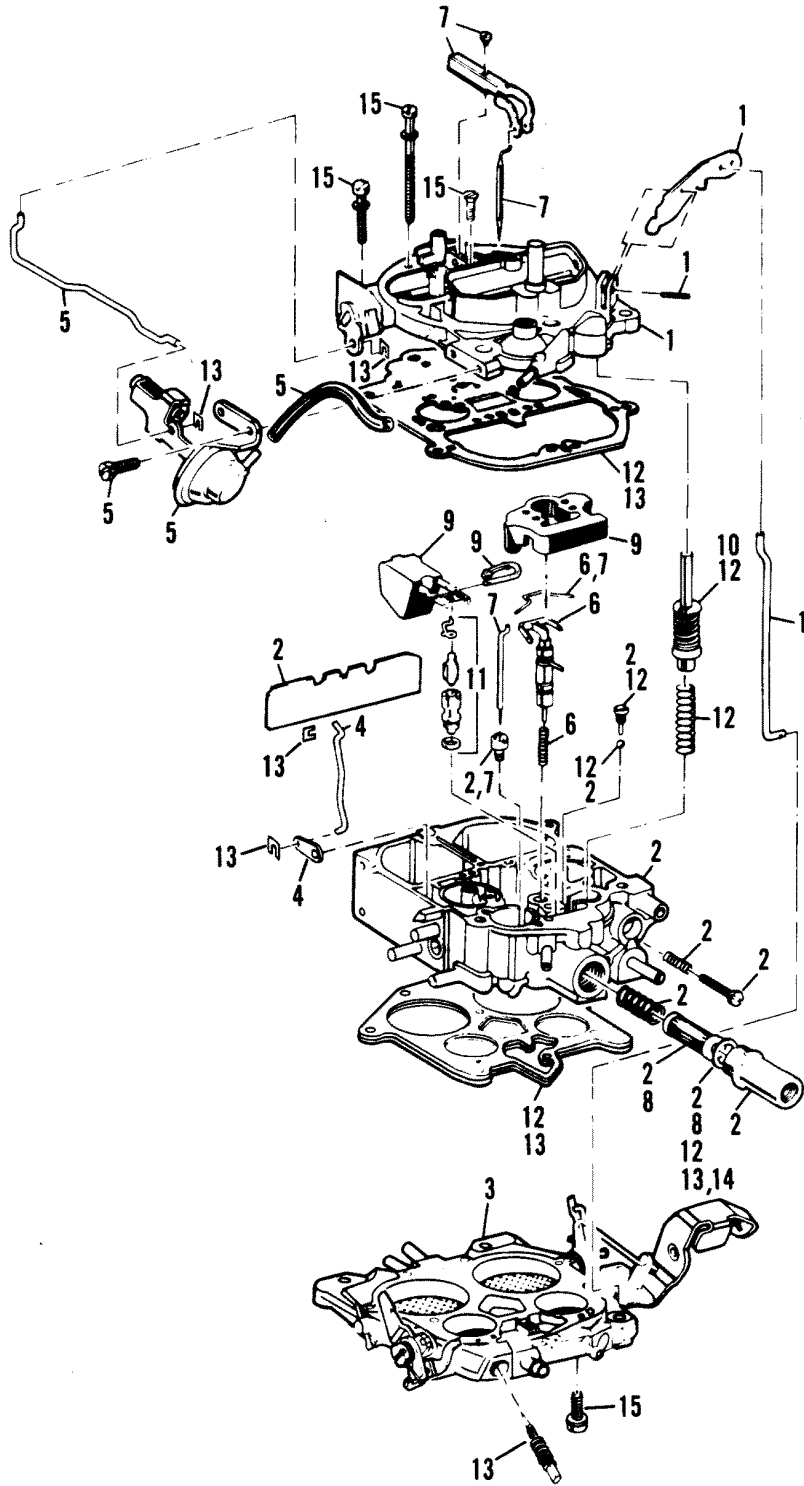
CARBURETOR AND THROTTLE LINKAGE



CARBURETOR AND THROTTLE LINKAGE

REF. NO.	PART NO.	SYM.	QTY.	DESCRIPTION
1	43560A5		1	COVER, CARBURETOR (PLASTIC)
2	37-12501		1	DECAL, CARBURETOR COVER
3	85785A2		1	FLAME ARRESTOR, CARBURETOR
4	12-86400		1	WASHER, SEALING
5	11-20586		1	NUT, SILENCER ADAPTER
6	32-93315-12		2	HOSE, VENT - CARBURETOR (11-1/4")
7	54-53101		4	CLAMP, VENT HOSE
8	47957		2	CONNECTOR, VENT HOSE TO ROCKER COVER
9	25-52188		2	GROMMET, ROCKER COVER
10	1347-9415T		1	CARBURETOR ASSEMBLY
11	22-97282		1	CONNECTOR, CARBURETOR
12	16-91842		1	STUD, FLAME ARRESTOR
13	11-28941		1	NUT, JAM - FLAME ARRESTOR
14	24-32817		1	SPRING, THROTTLE RETURN
15	10-74822		2	SCREW, CARBURETOR
16	16-53724		2	STUD, CARBURETOR
17	41329A5		1	BRACKET, THROTTLE CABLE
18	16-73563A1		1	STUD KIT, THROTTLE CABLE
19	12505A1		1	ADAPTOR ASSEMBLY
20	12506		1	CLIP, ADAPTOR
21	12-20084		4	WASHER, CARBURETOR STUD
22	11-25594		2	NUT, CARBURETOR STUD
23	27-52457--1		1	GASKET, CARBURETOR TO INTAKE MANIFOLD
24	22-48358		1	PLUG, INTAKE MANIFOLD VACUUM HOLE
25	16-97477A1		1	STUD KIT, THROTTLE CABLE
26	72625		1	CHOKE, AUTOMATIC - CARBURETOR
27	66198		1	COVER, AUTOMATIC CHOKE
28	10-59994		1	SCREW, AUTOMATIC CHOKE THERMOSTAT
29	61112		1	LEVER, CHOKE
30	54-59989		1	CLIP, AUTOMATIC CHOKE ROD

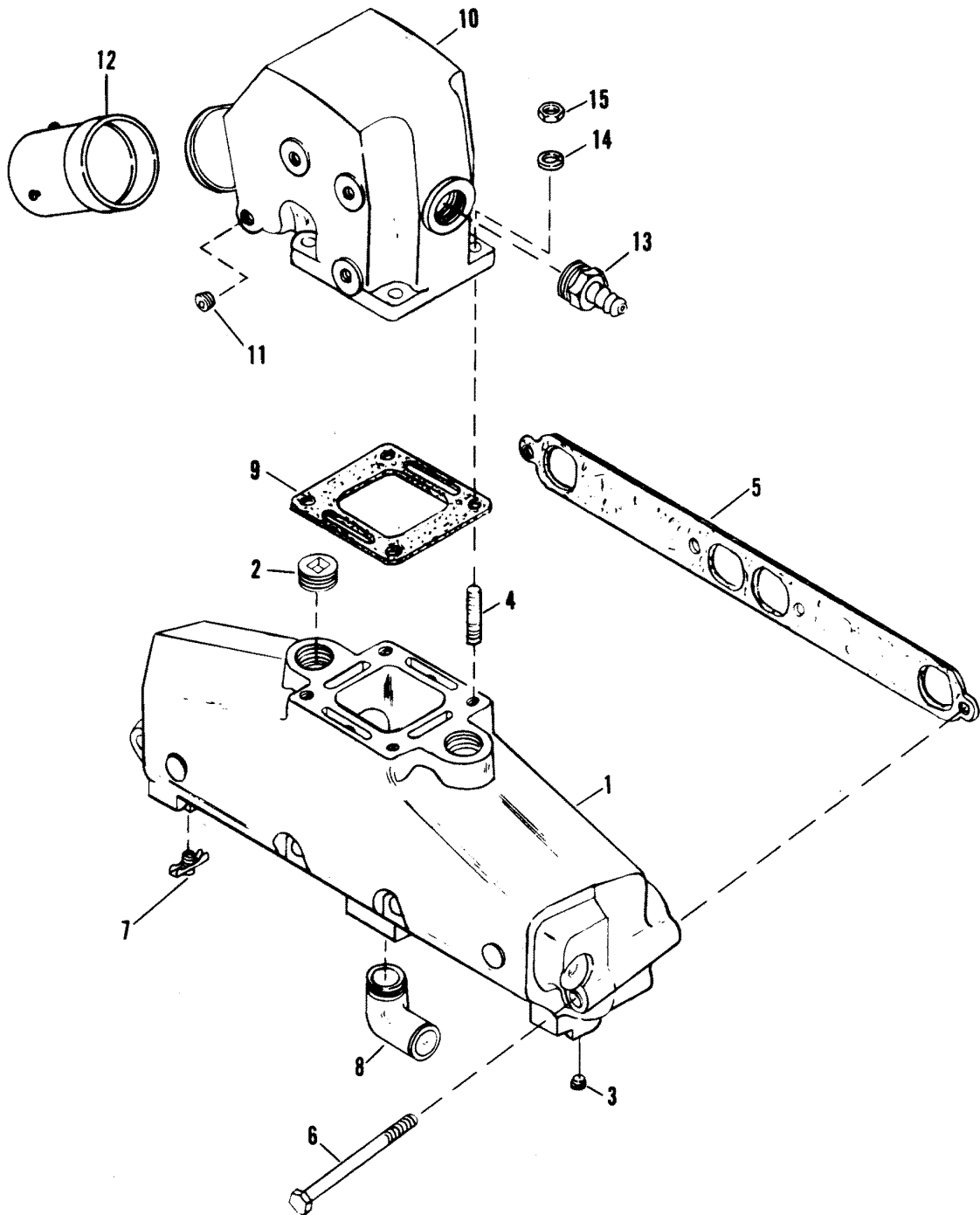
CARBURETOR



CARBURETOR

REF. NO.	PART NO.	SYM.	QTY.	DESCRIPTION
-	1347-9415T		1	CARBURETOR ASSEMBLY
1	1397-8538		1	AIR HORN KIT
2	1397-9112		1	FLOAT BOWL KIT
3	1397-8540		1	THROTTLE BODY KIT
4	1397-8541		1	CHOKE LINK AND LEVER KIT
5	1397-8542		1	PRIMARY VACUUM KIT
6	1397-8543		1	POWER PISTON KIT
7	1397-9439		1	METERING JET AND ROD KIT
8	1397-8545		1	FUEL FILTER KIT
9	1397-8546		1	FLOAT KIT
10	1397-9449		1	PUMP KIT
11	1397-8548		1	NEEDLE AND SEAT KIT
12	1397-8535		1	CARBURETOR REPAIR KIT SEE NOTE
13	1397-8536		1	GASKET KIT SEE NOTE
14	1397-8327		1	GASKET, INLET FILTER NUT
15	1397-8557		1	SCREW KIT, AIR HORN/THROTTLE BODY

EXHAUST MANIFOLD AND EXHAUST ELBOW



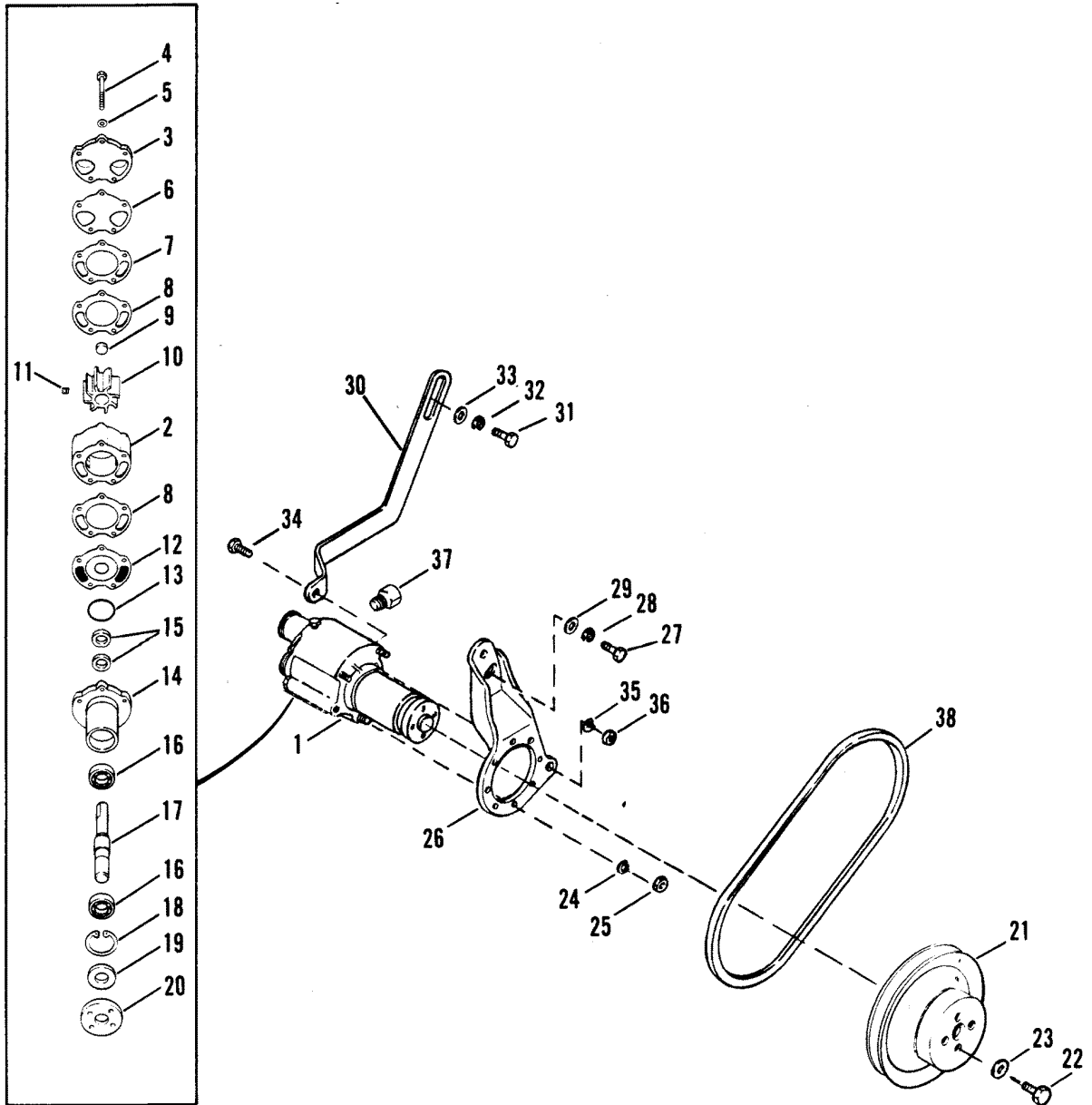
EXHAUST MANIFOLD AND EXHAUST ELBOW

REF. NO.	PART NO.	SYM.	QTY.	DESCRIPTION
1	87114A19		2	EXHAUST MANIFOLD ASSEMBLY
2	22-33198A1		4	PLUG, EXHAUST MANIFOLD (3/4")
3	22-48118		4	PLUG, PIPE - EXHAUST MANIFOLD (1")
4	16-49545		8	STUD, EXHAUST ELBOW
5	27-33395		2	GASKET, EXHAUST MANIFOLD TO CYLINDER HEAD
6	10-53728		8	SCREW, EXHAUST MANIFOLD (4-5/8")
7	22-87238		2	DRAIN COCK, EXHAUST MANIFOLD
8	22-36305		2	ELBOW, EXHAUST MANIFOLD
9	27-41813		2	GASKET, EXHAUST ELBOW
10	98504A3		2	EXHAUST ELBOW ASSEMBLY (15 - 3" O.D.)
11	22-36382		4	PLUG, PIPE - EXHAUST ELBOW
12	32-58616A2		2	TUBE ASSEMBLY
13	22-45084		2	FITTING, EXHAUST ELBOW (STRAIGHT)
14	13-35048		8	LOCKWASHER, EXHAUST ELBOW STUD
15	11-24883		8	NUT, EXHAUST ELBOW STUD

THERMOSTAT HOUSING (STANDARD COOLING)

REF. NO.	PART NO.	SYM.	QTY.	DESCRIPTION
1	87290A4		1	THERMOSTAT HOUSING ASSEMBLY
2	23-47511		1	SLEEVE, THERMOSTAT HOUSING
3	22-32803		2	PIPE PLUG
4	27-53045		1	GASKET, THERMOSTAT HOUSING
5	59137		1	THERMOSTAT (143)
6	27-47510		1	GASKET, THERMOSTAT
7	23-47508		1	SLEEVE, THERMOSTAT
8	27-41812		1	GASKET, THERMOSTAT COVER
9	47441A1		1	COVER, THERMOSTAT
10	10-33389		2	SCREW, THERMOSTAT HOUSING TO INTAKE MANIFOLD (4-1/4")
11	13-35048		2	LOCKWASHER, THERMOSTAT HOUSING SCREW
12	22-98477A2		1	TEE, THERMOSTAT HOUSING
13	32-33220-70		2	HOSE, TEE TO EXHAUST ELBOWS
14	54-32780		8	CLAMP, HOSE ATTACHING
15	32-88795		1	HOSE, WATER PUMP TO OIL COOLER
16	54-32780		4	CLAMP, HOSE ATTACHING
17	32-88794		1	HOSE, THERMOSTAT HOUSING TO OIL COOLER
18	54-47715		1	CLIP, HOSE ATTACHING
19	32-87108		1	HOSE, THERMOSTAT HOUSING TO WATER PUMP
20	54-32781		2	CLAMP, HOSE ATTACHING
21	32-87116		1	HOSE, THERMOSTAT COVER TO EXHAUST MANIFOLD (PORT)
22	32-87117		1	HOSE, THERMOSTAT COVER TO EXHAUST MANIFOLD (STARBOARD)

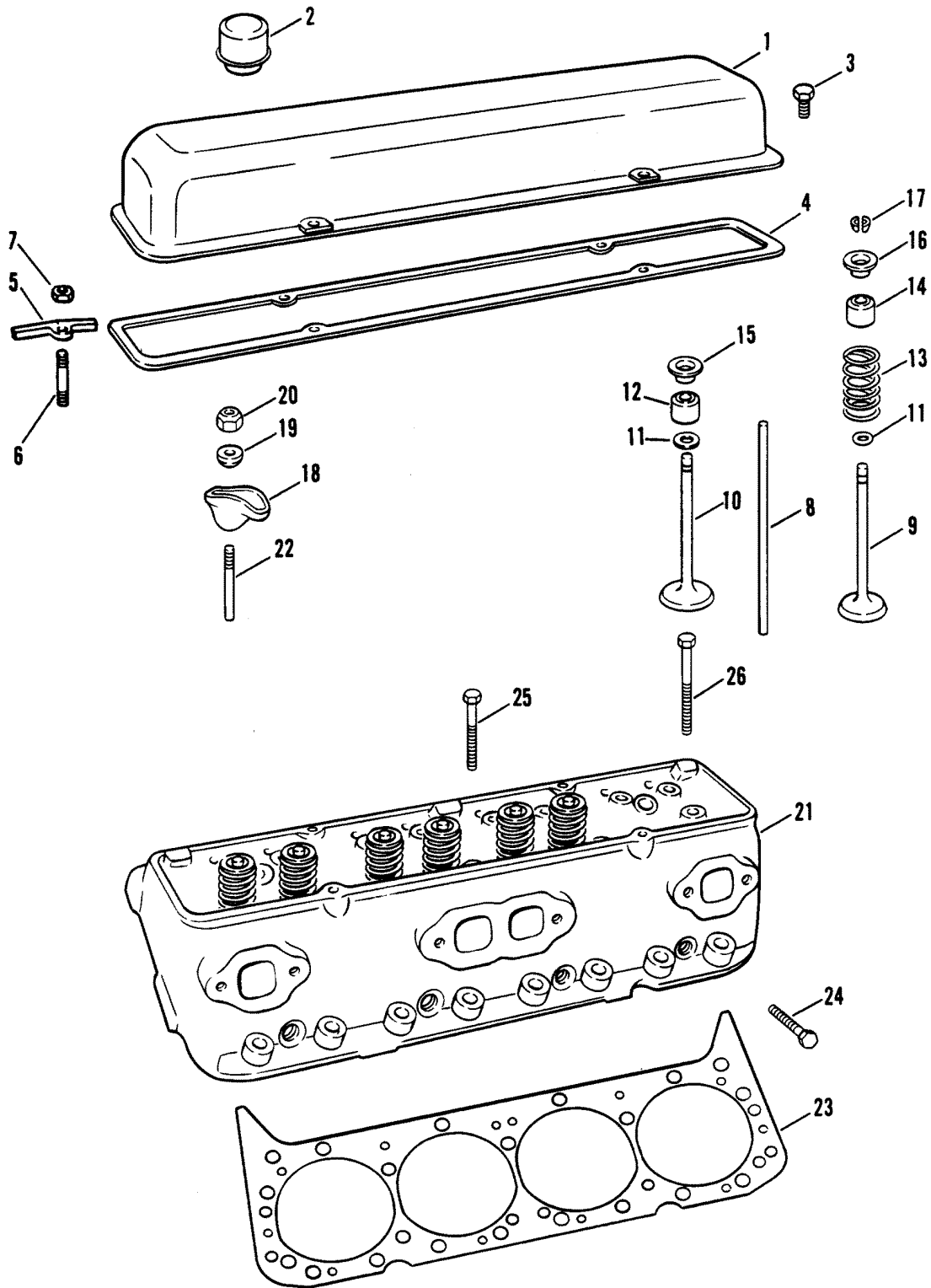
SEA WATER PUMP ASSEMBLY



SEA WATER PUMP ASSEMBLY

REF. NO.	PART NO.	SYM.	QTY.	DESCRIPTION
1	46-72774A32		1	WATER PUMP ASSEMBLY
2	46-72774A40		1	BODY, WATER PUMP
3	87631A1		1	COVER, WATER PUMP
4	10-73275		2	SCREW, WATER PUMP (2-7/8")
	10-52743		3	SCREW, WATER PUMP (3-3/4")
5	12-20084		5	WASHER, COVER SCREW
6	27-94915		1	GASKET, COVER TO OUTER WEAR PLATE
7	94916		1	WEAR PLATE, OUTER
8	27-94914		2	GASKET, BODY TO WEAR PLATE
9	19-59504		1	PLUG, IMPELLER
10	47-59362		1	IMPELLER
11	28-56662		1	KEY, IMPELLER DRIVE
12	94576		1	WEAR PLATE, INNER
13	25-94288		1	QUAD RING, PUMP HOUSING
14	46-94913A1		1	PUMP HOUSING ASSEMBLY
15	26-90562		2	OIL SEAL, WATER PUMP SHAFT
16	30-72961		2	BALL BEARING, WATER PUMP SHAFT
17	59501A1		1	SHAFT, WATER PUMP
18	53-23720		1	SNAP RING, BALL BEARING RETAINING
19	26-72785		1	OIL SEAL, WATER PUMP SHAFT
20	47530		1	HUB, WATER PUMP PULLEY
21	73798A1		1	PULLEY, WATER PUMP
22	10-47277		4	SCREW, PULLEY (3/4")
23	13-39107		4	LOCKWASHER, PULLEY SCREW
24	13-39107		3	LOCKWASHER, WATER PUMP SCREW
25	11-21908		3	NUT, WATER PUMP SCREW
26	89535T		1	BRACKET, WATER PUMP
27	10-34353		2	SCREW, WATER PUMP BRACKET (1")
28	13-35048		2	LOCKWASHER, WATER PUMP BRACKET SCREW
29	12-34714		1	WASHER, WATER PUMP BRACKET SCREW
30	89609		1	BRACE, WATER PUMP ADJUSTING
31	10-26487		1	SCREW, ADJUSTING BRACE (1")
32	13-35048		1	LOCKWASHER, ADJUSTING BRACE SCREW
33	12-34714		1	WASHER, AJUSTING BRACE SCREW
34	10-35786		1	SCREW, ADJUSTING BRACE (1")
35	13-35048		1	LOCKWASHER, ADJUSTING BRACE SCREW
36	11-24883		1	NUT, ADJUSTING BRACE SCREW
37	22-32802		1	PLUG, PIPE (FOR WATER PUMP BODY)
38	57-74271		1	BELT, WATER PUMP (35")

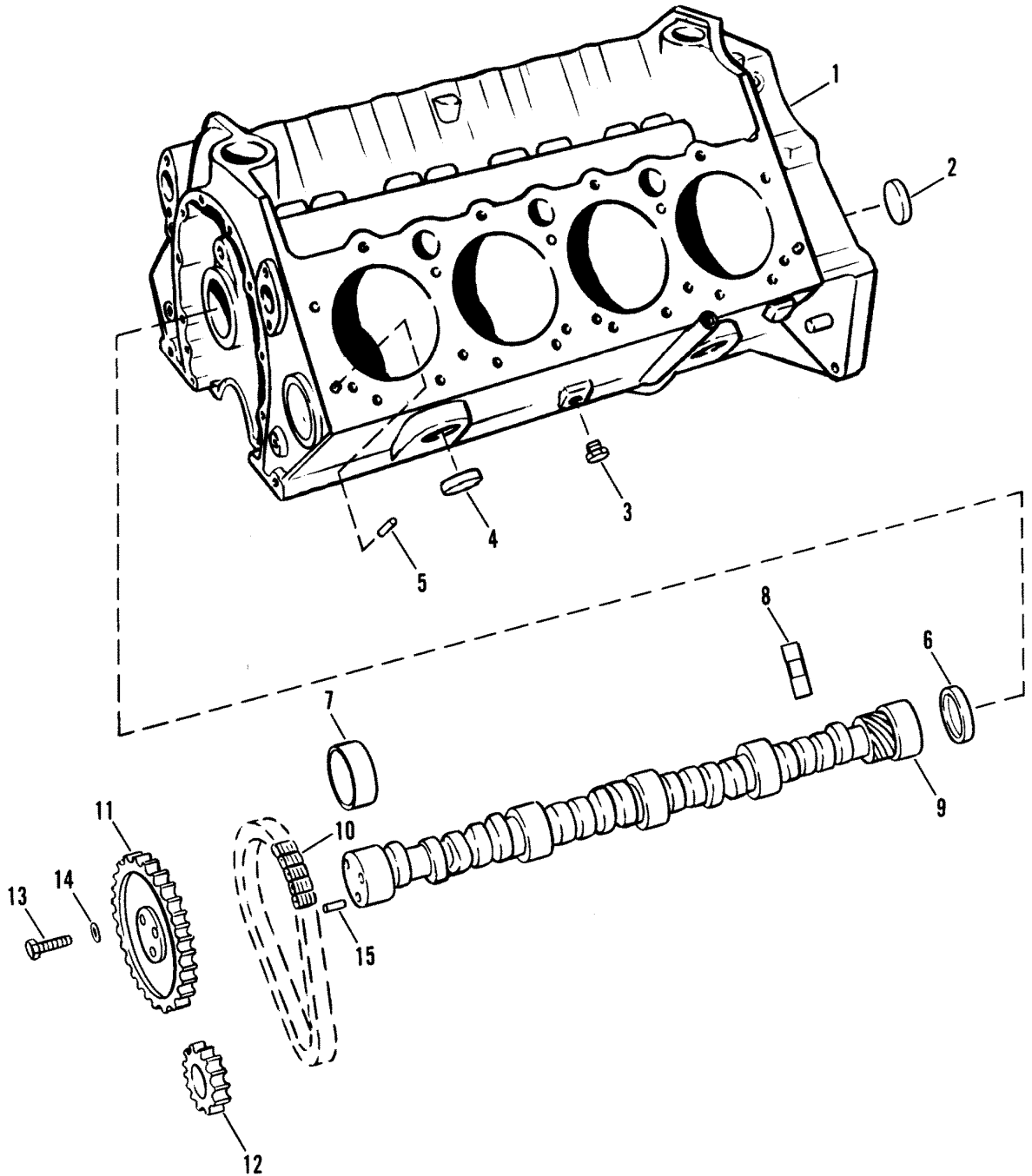
CYLINDER HEAD AND ROCKER COVER



CYLINDER HEAD AND ROCKER COVER

REF. NO.	PART NO.	SYM.	QTY.	DESCRIPTION
1	79961		2	COVER, ROCKER
2	49288		1	CAP, OIL FILLER
3	10-35366		8	SCREW, ROCKER COVER USE WITHOUT REINFORCEMENT
4	27-52202		2	GASKET, ROCKER COVER USE WITHOUT REINFORCEMENT
	27-11999		2	GASKET, ROCKER COVER USE WITH REINFORCEMENT
5	11994		8	REINFORCEMENT, ROCKER COVER STUD USE WITH REINFORCEMENT
6	16-11995		8	STUD, ROCKER COVER USE WITH REINFORCEMENT
7	11-11996		8	NUT, ROCKER COVER STUD USE WITH REINFORCEMENT
8	99948		16	ROD, VALVE PUSH (DOUBLE BALL END)
9	87284		8	VALVE, EXHAUST (STANDARD)
	87301		AR	VALVE, EXHAUST (.015 O.S.)
10	97661		8	VALVE, INLET (STANDARD)
	97662		AR	VALVE, INLET (.015 O.S.)
11	26-34217		16	SEAL, VALVE (INLET AND EXHAUST)
12	26-97664		AR	SEAL, VALVE (INLET)
13	24-48347		16	SPRING, VALVE (INLET AND EXHAUST)
14	34518		16	SHIELD, VALVE SPRING CAP
15	48348		8	CAP, INLET VALVE
16	11965		8	ROTATOR, VALVE SPRING - EXHAUST VALVE
17	28-54797		32	KEY, VALVE STEM
18	35329		16	ARM, ROCKER VALVE
19	35331		16	BALL UNIT, ROCKER VALVE ARM
20	11-34516		16	NUT, ROCKER VALVE ARM STUD
21	938-7499		2	CYLINDER HEAD ASSEMBLY
22	16-34522		AR	STUD, ROCKER VALVE ARM (.003 O.S.)
	16-34521		AR	STUD, ROCKER VALVE ARM (.013 O.S.)
23	27-75611		2	GASKET, CYLINDER HEAD
24	10-11968		16	BOLT, CYLINDER HEAD TO CYLINDER BLOCK (1-3/4")
25	10-11967		4	BOLT, CYLINDER HEAD TO CYLINDER BLOCK (3")
26	10-11966		14	BOLT, CYLINDER HEAD TO CYLINDER BLOCK (3-3/4")

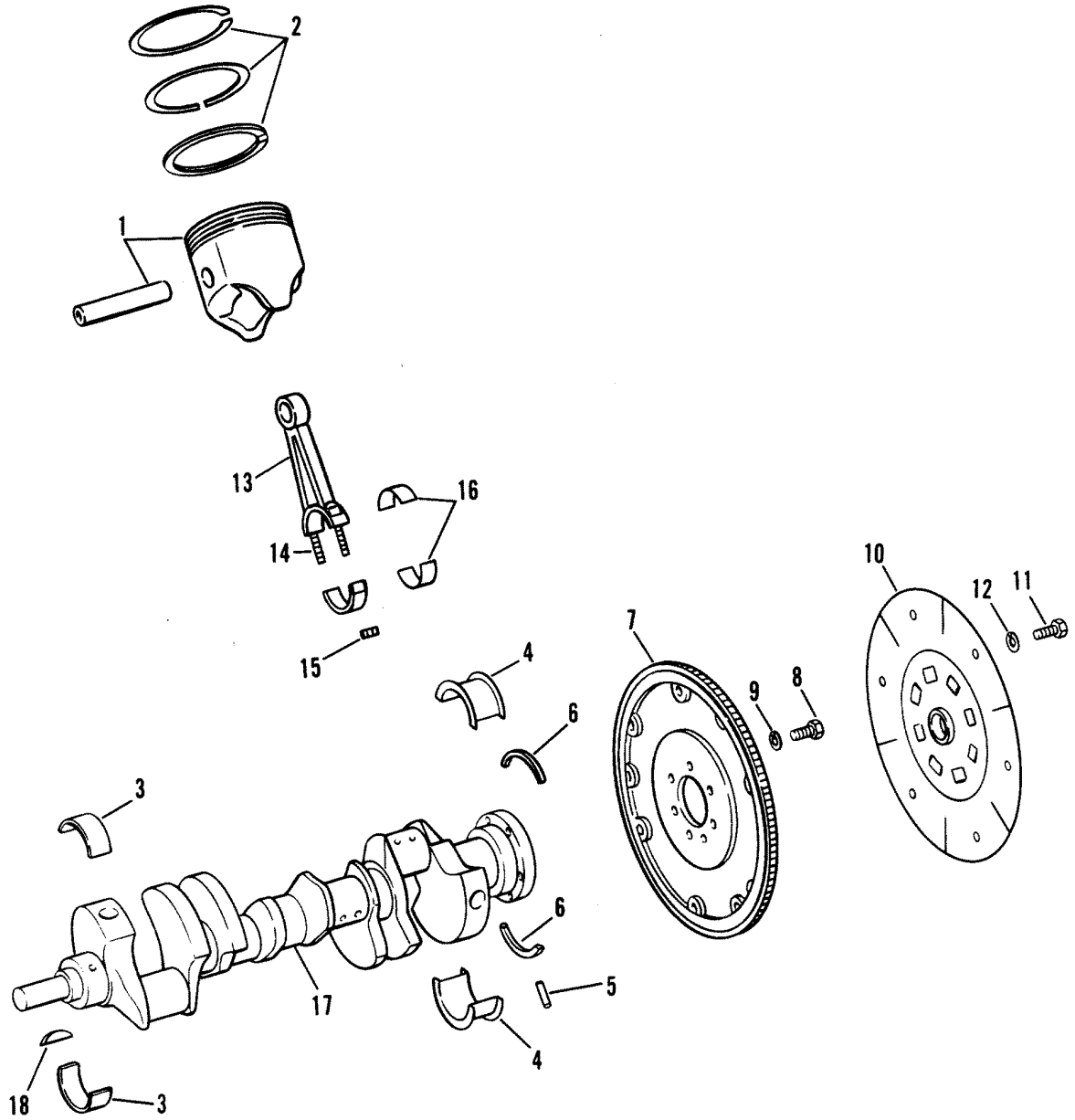
CYLINDER BLOCK AND CAMSHAFT



CYLINDER BLOCK AND CAMSHAFT

REF. NO.	PART NO.	SYM.	QTY.	DESCRIPTION
1	841-8163		1	CYLINDER BLOCK ASSEMBLY
	841-9549		1	CYLINDER BLOCK ASSEMBLY
2	48340		2	PLUG, EXPANSION - CYLINDER BLOCK (1-1/4")
3	22-87238		2	DRAIN COCK, CYLINDER BLOCK
4	19-34270		8	PLUG, EXPANSION - CYLINDER BLOCK (1-5/8" DIA)
5	17-35465		4	PIN, DOWEL - BLOCK TO HEAD (5/16" DIA.)
6	22-72640		1	PLUG, EXPANSION - CAMSHAFT BEARING HOLE
7	23-85674		1	BEARING UNIT, CAMSHAFT (SET)
8	72638		16	LIFTER, HYDRAULIC VALVE - TAPPET
9	431-5943		1	CAMSHAFT (L.H. ROTATION)
	431-3357		1	CAMSHAFT (R.H. ROTATION)
10	35378		1	CHAIN, CAMSHAFT TIMING (L.H. ROTATION)
11	43-35338		1	SPROCKET, CAMSHAFT (L.H. ROTATION)
11/12	43-14324		1	GEAR SET, CAMSHAFT/CRANKSHAFT (R.H. ROTATION)
12	43-48338		1	SPROCKET, CRANKSHAFT TIMING (L.H. ROTATION)
13	10-34505		3	BOLT, CAMSHAFT TIMING SPROCKETS (3/4")
14	12-39167		3	WASHER, CAMSHAFT TIMING SPROCKET BOLT
15	17-35312		1	PIN, DOWEL - CAMSHAFT SPROCKET (1/4" DIA.)

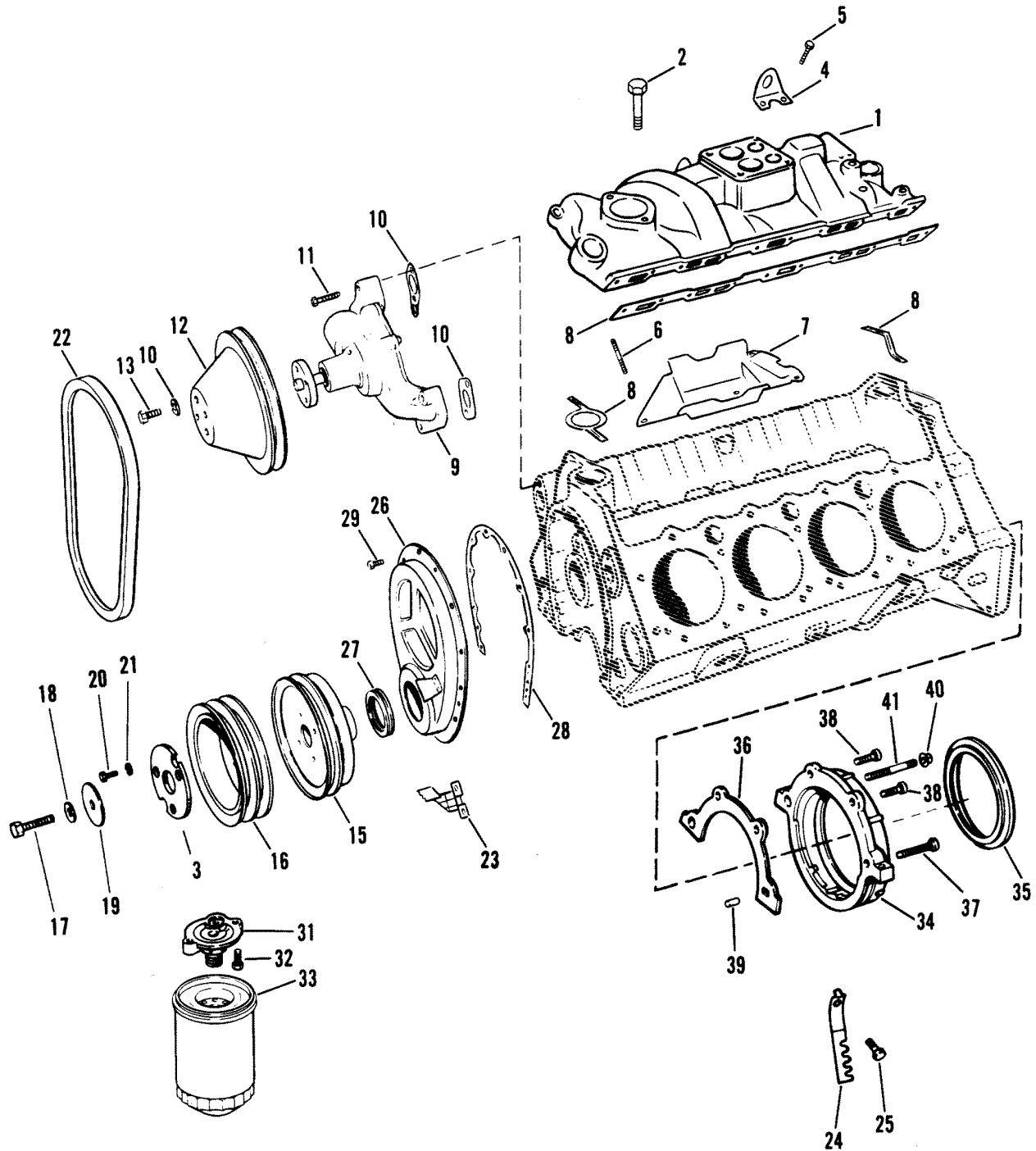
CRANKSHAFT, PISTONS AND CONN. RODS



CRANKSHAFT, PISTONS AND CONN. RODS

REF. NO.	PART NO.	SYM.	QTY.	DESCRIPTION
1	735-6370		AR	PISTON AND PISTON PIN ASSEMBLY (.001 O.S.)
	735-6371		AR	PISTON AND PISTON PIN ASSEMBLY (.030 O.S.)
2	39-65153		8	RING, PISTON - 8 SETS (STANDARD)
	39-67126		AR	RING, PISTON - 8 SETS (.030 O.S.)
3	23-85694		4	BEARING UNIT, CRANKSHAFT (STANDARD)
	23-85695		AR	BEARING UNIT, CRANKSHAFT MAIN (.001 U.S.)
	23-85696		AR	BEARING UNIT, CRANKSHAFT MAIN (.010 U.S.)
	23-85697		AR	BEARING UNIT, CRANKSHAFT MAIN (.020 U.S.)
4	23-85698		1	BEARING UNIT, CRANKSHAFT MAIN - REAR (STANDARD)
	23-85699		AR	BEARING UNIT, CRANKSHAFT MAIN - REAR (.001 U.S.)
	23-85699		AR	BEARING UNIT, CRANKSHAFT MAIN - REAR (.010 U.S.)
	23-85700		AR	BEARING UNIT, CRANKSHAFT MAIN - REAR (.010 U.S.)
	23-52216		AR	BEARING UNIT, CRANKSHAFT MAIN - RAR (.020 U.S.)
5	17-35312		1	PIN, DOWEL - REAR BEARING CAP (1/4" DIA.)
6	26-58203		2	OIL SEAL, REAR BEARING CAP (L.H. ROTATION) 2-PIECE
	26-35313		2	OIL SEAL, REAR BEARING CAP (R.H. ROTATION) 2-PIECE
7	230-9425		1	FLYWHEEL (L.H. ROTATION - 14"DIA)
	230-4614		1	FLYWHEEL (R.H. ROTATION - 12-3/4" DIA.)
	222-9520		1	FLYWHEEL (L.H. ROTATION - 14" DIA.)
	222-9558		1	FLYWHEEL (R.H. ROTATION - 14" DIA.)
8	10-49845		6	SCREW, FLYWHEEL TO CRANKSHAFT
9	13-39131		6	LOCKWASHER, FLYWHEEL SCREW
10	47608A1		1	DRIVE PLATE, FLYWHEEL
11	10-35091		6	SCREW, DRIVE PLATE TO FLYWHEEL
12	13-35048		6	LOCKWASHER, DRIVE PLATE SCREW
13	614-8164		8	CONNECTING ROD ASSEMBLY
14	10-85802		16	BOLT, CONNECTING ROD CAP
15	11-37493		16	NUT, CONNECTING ROD CAP BOLT
16	23-85701		8	BEARING SET, CONNECTING ROD (STANDARD)
	23-85702		AR	BEARING UNIT (PAIR), CONNECTING ROD (.001 U.S.)
	23-85703		AR	BEARING UNIT (PAIR), CONNECTING ROD (.002 U.S.)
	23-85704		AR	BEARING UNIT (PAIR), CONNECTING ROD (.010 U.S.)
	23-85705		AR	BEARING UNIT (PAIR), CONNECTING ROD (.020 U.S.)
17	429-6369		1	CRANKSHAFT (L.H. ROTATION)
	429-6372		1	CRANKSHAFT (R.H. ROTATION)
	429-9521		1	CRANKSHAFT (L.H. ROTATION)
	429-9526		1	CRANKSHAFT (R.H. ROTATION)
18	28-34466		2	KEY, CRANKSHAFT PULLEY AND BALANCER

INTAKE MANIFOLD AND FRONT COVER

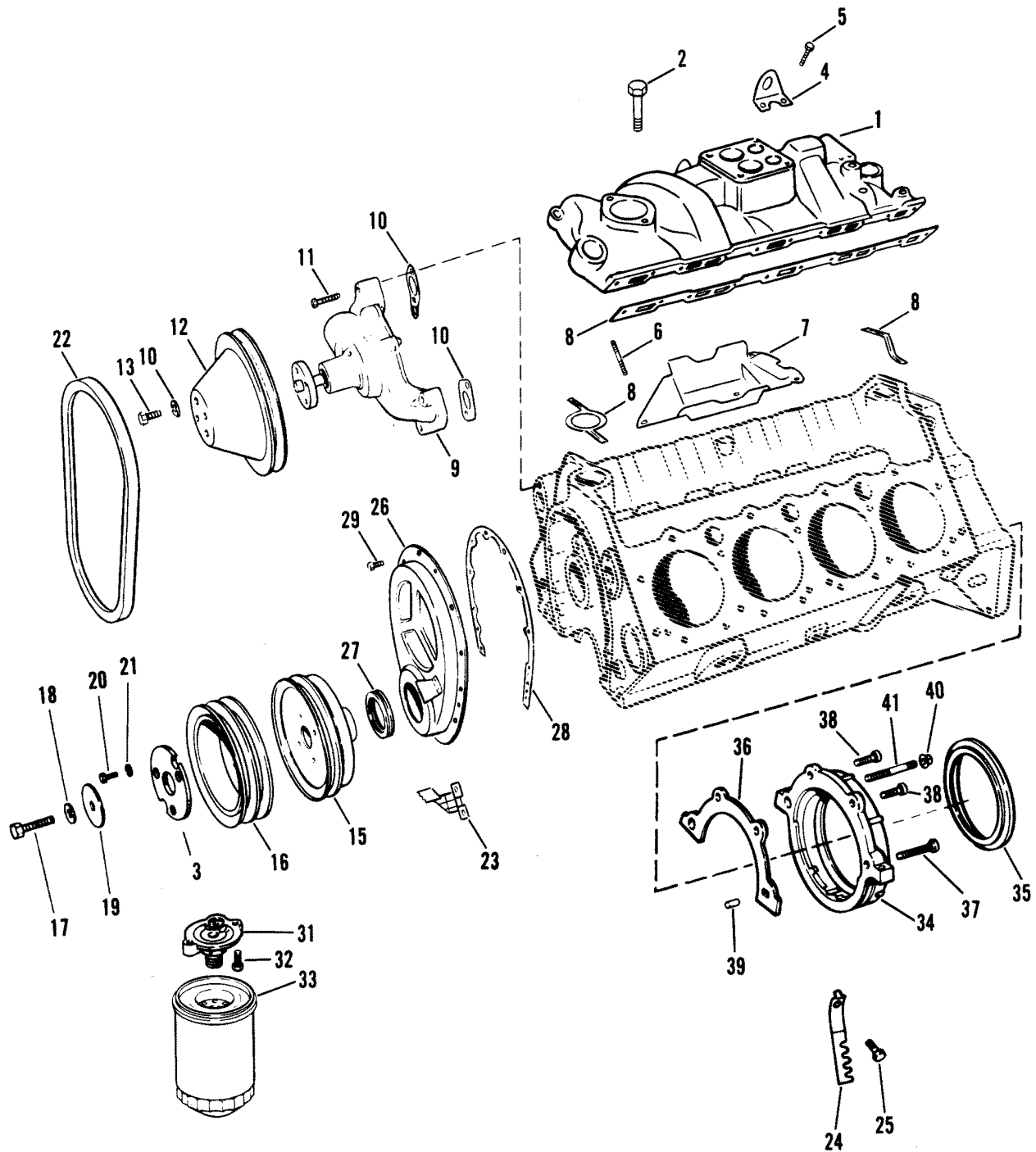


INTAKE MANIFOLD AND FRONT COVER

REF. NO.	PART NO.	SYM.	QTY.	DESCRIPTION
1	72646		1	INTAKE MANIFOLD
2	10-11976		9	BOLT, INTAKE MANIFOLD
	N.S.S.		3	BOLT, INTAKE MANIFOLD (GM #9439921)
3	42697		1	PLATE, PULLEY
4	54-47512		1	EYE, LIFTING
5	10-34354		2	SCREW, LIFTING EYE
6	N.S.S.		4	STUD, GUARD TO INTAKE MANIFOLD (GM #3959544)
7	72647		1	GUARD, INTAKE MANIFOLD
8	27-72637		1	GASKET SET, INTAKE MANIFOLD
9	60658		1	WATER PUMP ASSEMBLY
10	27-34897		2	GASKET, WATER PUMP MOUNTING
11	10-32132		2	SCREW, WATER PUMP TO CYLINDER BLOCK (1-3/4")
	10-47688		1	SCREW, WATER PUMP TO CYLINDER BLOCK (2-3/4")
	10-52200		1	SCREW, WATER PUMP TO CYLINDER BLOCK (1-1/2")
12	42799		1	PULLEY, WATER PUMP
13	10-47277		4	SCREW, PULLEY TO WATER PUMP (3/4")
14	13-39107		4	LOCKWASHER, WATER PUMP PULLEY SCREW
15	75420		1	BALANCER, HARMONIC - CRANKSHAFT
16	33863		1	PULLEY, HARMONIC BALANCER
17	10-72626		1	BOLT, PULLEY AND HARMONIC BALANCER (2")
18	13-39131		1	LOCKWASHER, PULLEY AND HARMONIC BALANCER BOLT
19	12-35332		1	WASHER, PULLEY AND HARMONIC BALANCER BOLT
20	10-34352		3	BOLT, PULLEY (7/8")
21	13-35048		3	LOCKWASHER, PULLEY BOLT
22	57-49213A1		1	BELT, ALTERNATOR DRIVE (44")
23	75435A1		1	POINTER, TIMING
24	35365		2	SUPPORT, SPARK PLUG LEAD WIRE
25	10-35366		2	SCREW, LEAD WIRE SUPPORT (2-1/2")
26	60660A1		1	COVER ASSEMBLY, CRANKCASE FRONT (L.H. ROTATION)
	13613		1	COVER ASSEMBLY, CRANKCASE FRONT (R.H. ROTATION)
27	26-97335		1	OIL SEAL, COVER
28	27-14250		1	GASKET, CRANKCASE FRONT END COVER
26	14249A1		1	COVER, CRANKCASE FRONT
27	26-97335		1	OIL SEAL, COVER
28	14249A1		1	GASKET, COVER
29	10-35366		10	SCREW, COVER
31	53338		1	FILTER VALVE
32	10-54786		2	SCREW, FILTER VALVE TO CYLINDER BLOCK
33	52731		1	OIL FILTER
34	14239		1	RETAINER, OIL SEAL (REAR) L.H. ROTATION
35	26-14240		1	OIL SEAL, CRANKSHAFT (REAR) L.H. ROTATION
34	15122		1	RETAINER, OIL SEAL (REAR) R.H. ROTATION
35	26-15123		1	OIL SEAL, CRANKSHAFT (REAR) R.H. ROTATION

CONTINUED ON NEXT PAGE ➡

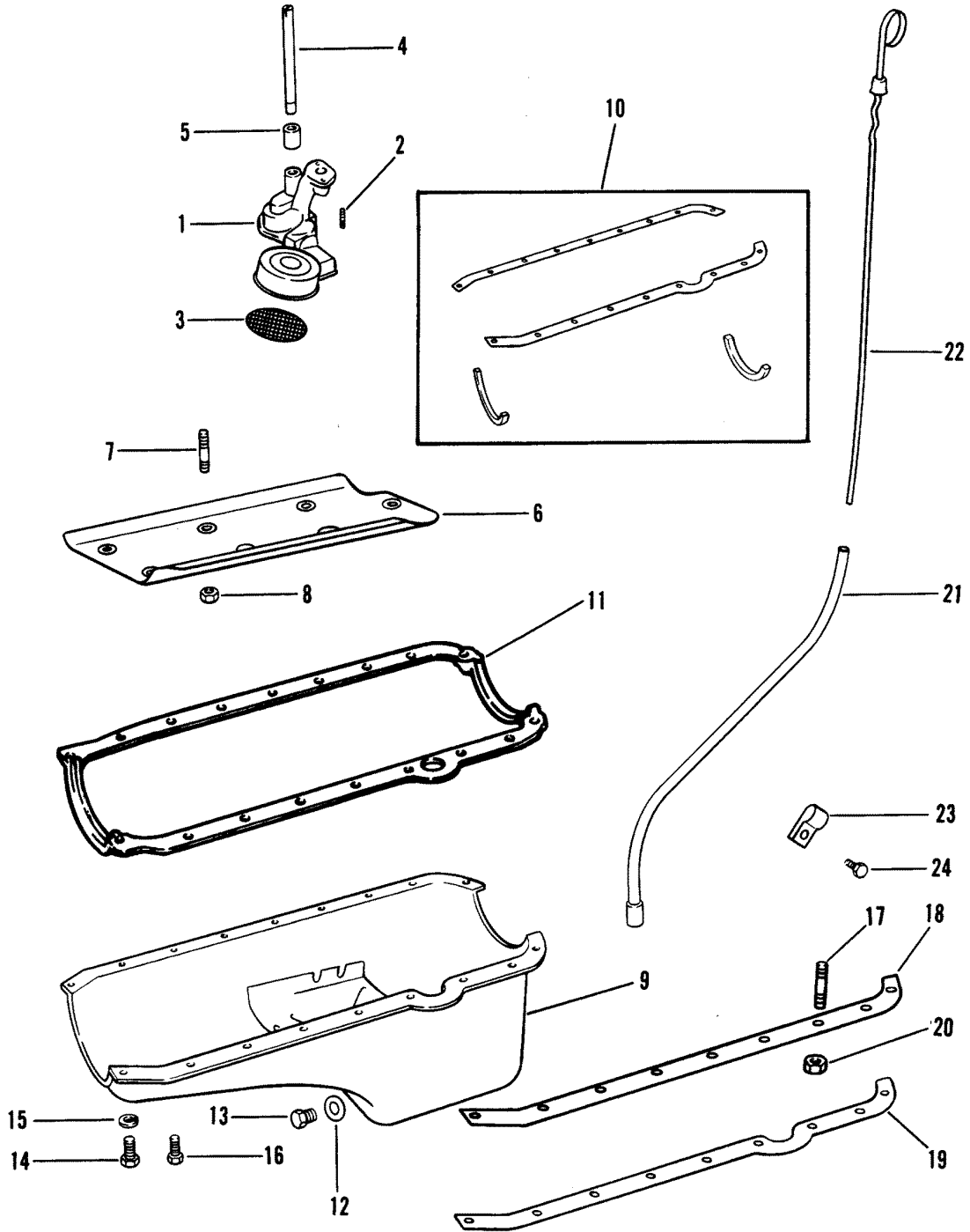
INTAKE MANIFOLD AND FRONT COVER



INTAKE MANIFOLD AND FRONT COVER

REF. NO.	PART NO.	SYM.	QTY.	DESCRIPTION
36	27-14241		1	GASKET, OIL SEAL RETAINER
37	10-14243		1	BOLT, OIL SEAL RETAINER
38	10-14242		1	BOLT, OIL SEAL RETAINER
39	17-14263		1	DOWEL PIN
40	11-11996		1	NUT
41	16-14827		1	STUD

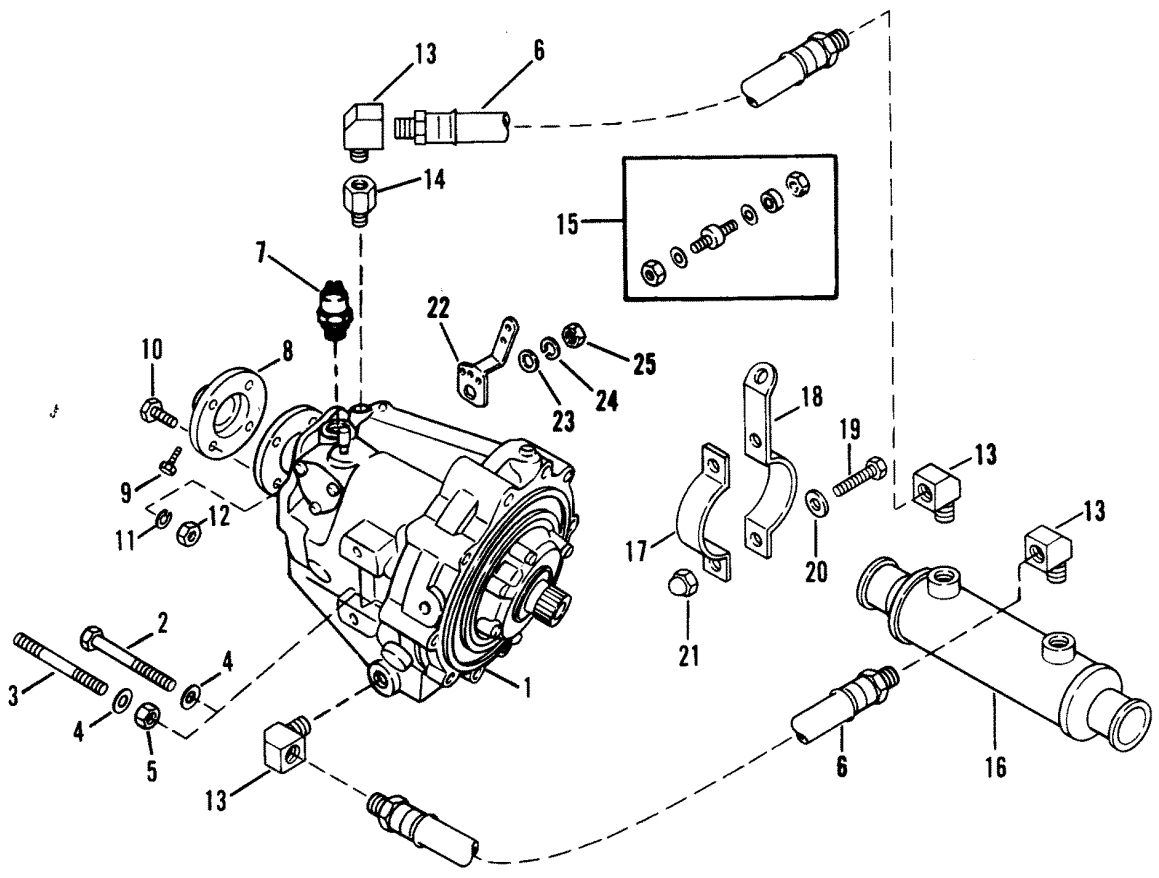
OIL PAN AND OIL PUMP



OIL PAN AND OIL PUMP

REF. NO.	PART NO.	SYM.	QTY.	DESCRIPTION
1	35352		1	OIL PUMP
2	N.S.S.		1	BOLT, OIL PUMP TO CYLINDER BLOCK (2") (GM #3892678)
3	35354		1	SCREEN ASSEMBLY, OIL PUMP
4	36184		1	SHAFT, OIL PUMP TO DISTRIBUTOR
5	23-36183		1	RETAINER, OIL PUMP SHAFT
6	98602		1	BAFFLE, OIL PAN (CYLINDER BLOCK)
7	16-54790		5	STUD, OIL PAN BAFFLE
8	11-37500		5	NUT, OIL PAN BAFFLE STUD
9	93476		1	OIL PAN
10	27-90458A1		1	GASKET SET, OIL PAN
9	14259		1	OIL PAN
11	27-13865		1	GASKET, OIL PAN - NOT INCLUDED WITH GASKET SET
12	27-49955		1	GASKET, DRAIN SCREW
13	10-49956		1	SCREW, OIL PAN DRAIN
14	10-72644		4	SCREW, OIL PAN (5/16-18 X 7/8") USE WITHOUT REINFORCEMENTS
15	13-39107		4	LOCKWASHER, OIL PAN SCREW USE WITHOUT REINFORCEMENTS
16	10-35366		14	SCREW, OIL PAN (1/4-20 X 7/8") USE WITHOUT REINFORCEMENTS
	10-14070		14	SCREW, OIL PAN USE WITH REINFORCEMENT
17	16-11989		4	STUD, OIL PAN USE WITH REINFORCEMENT
18	13277		1	REINFORCEMENT, OIL PAN (PORT) USE WITH REINFORCEMENT
19	13276		1	REINFORCEMENT, OIL PAN (STBD.) USE WITH REINFORCEMENT
18	14257		1	REINFORCEMENT, OIL PAN (PORT) USE WITH REINFORCEMENT
19	14256		1	REINFORCEMENT, OIL PAN (STBD.) USE WITH REINFORCEMENT
20	11-11971		4	NUT, OIL PAN STUD USE WITH REINFORCEMENT
21	92163A2		1	TUBE, OIL LEVEL GAUGE
22	12394		1	GAUGE, OIL LEVEL (DIPSTICK)
23	54-92084		1	CLIP, OIL LEVEL TUBE
24	10-98253		1	SCREW, CLIP TO CYLINDER BLOCK

TRANSMISSION AND RELATED PARTS (IN-LINE)

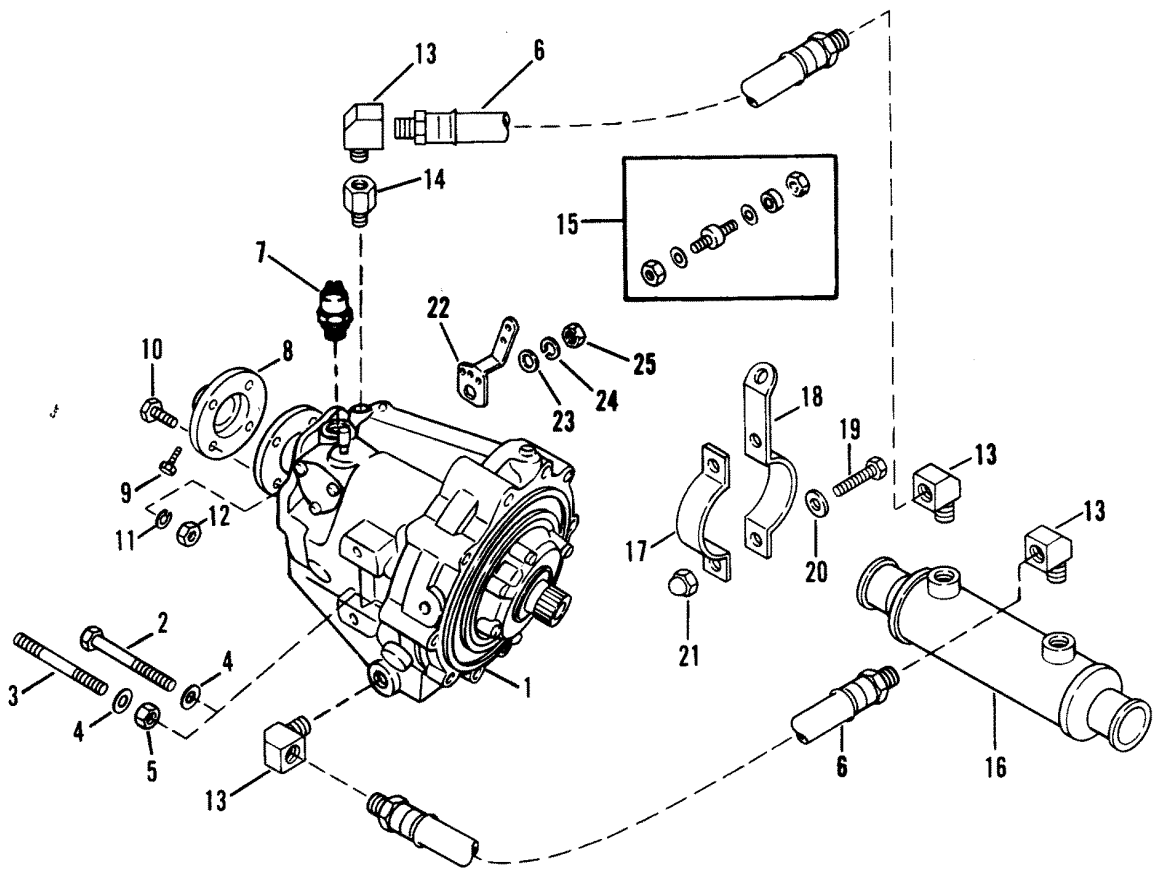


TRANSMISSION AND RELATED PARTS (IN-LINE)

REF. NO.	PART NO.	SYM.	QTY.	DESCRIPTION
1	47805A7		1,	TRANSMISSION (DIRET DRIVE)
	47806A7		,1	TRANSMISSION (1.523:1 REDUCTION)
2	10-60179		4,	SCREW, TRANSMISSION (3-1/2")
	10-60179		,6	SCREW, TRANSMISSION (3-1/2")
3	16-57921		2,	STUD, TRANSMISSION (4")
4	13-32993		6,6	LOCKWASHER, SCREW AND STUD
5	11-22024		2,	NUT, STUD
6	32-47516-14		1,1	HOSE, TRANSMISSION/COOLER 44"
	32-47516-13		1,1	HOSE, TRANSMISSION/COOLER 49"
7	87-88031		1,1	SWITCH, TEMPERATURE
8	87917A1		OPT,	FLANGE ASSY. (1") SEE NOTE A
	87917A2		OPT,	FLANGE ASSY. (1-1/8") SEE NOTE A
	87917A3		OPT,	FLANGE ASSY. (1-1/4") SEE NOTE A
	48384A1		OPT,	FLANGE ASSY. (1-3/8") SEE NOTE A
	87917A5		OPT,	FLANGE ASSY (1-1/2") SEE NOTE A
	79476A1		,OPT	FLANGE ASSY. (1") SEE NOTE B
	79476A2		,OPT	FLANGE ASSY. (1-1/8") SEE NOTE B
	79476A3		,OPT.	FLANGE ASSY. (1-1/4") - SEE NOTE B
	79476A3		,OPT	FLANGE ASSY. (1-3/8") SEE NOTE B
	79476A5		,OPT	FLANGE ASSY. (1-1/2") SEE NOTE B
9	10-60168		2,	SCREW, FLANGE (1-1/2") SEE NOTES A AND B
	10-60171		,2	SCREW, FLANGE (1-1/4") SEE NOTES A AND B
	10-60170		,2	SCREW, FLANGE (1") SEE NOTES A AND B
	10-60169		2,	SCREW, FLANGE (3/4") SEE NOTES A AND B
10	10-37909		4,	SCREW, FLANGE (1-1/8")
	10-60106		,4	SCREW, FLANGE (1-1/4")
11	13-35048		4,	LOCKWASHER, FLANGE SCREW
	13-32993		,4	LOCKWASHER, FLANGE SCREW
12	11-32219		4,	NUT, FLANGE SCREW
	11-22024		,4	NUT, FLANGE SCREW
13	22-47629		4,4	ELBOW, HOSE (90)
14	22-88517		,1	ADAPTER, ELBOW
15	16-97477A1		1,1	STUD, CABLE
16	63832A1		1,1	OIL COOLER, TRANSMISSION
17	56328A1		1,1	BRACKET, OIL COOLER (SHORT)
18	63820--1		1,1	BRACKET, OIL COOLER (LONG)
19	10-60300		2,2	SCREW, OIL COOLER BRACKET (3/4")
20	12-25909		2,2	WASHER, OIL COOLER BRACKET SCREW

CONTINUED ON NEXT PAGE ➡

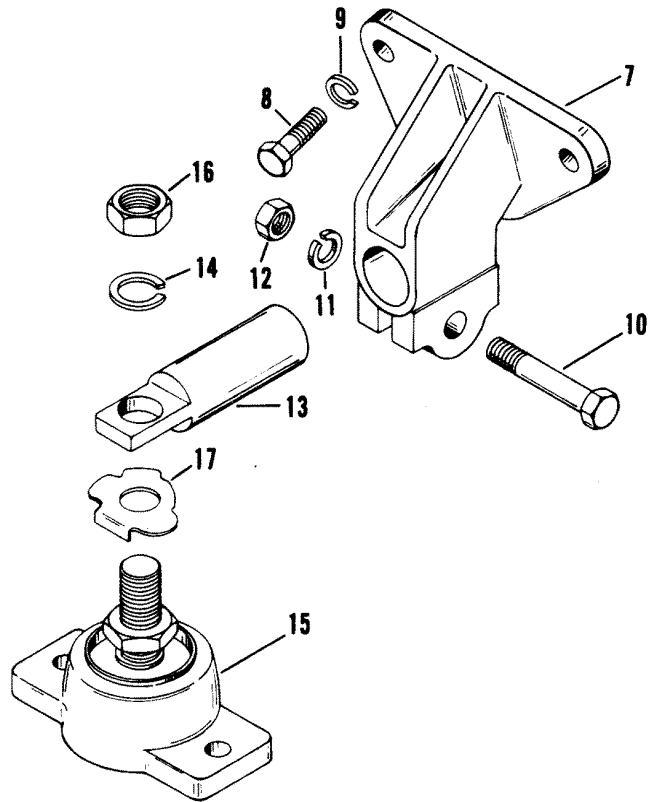
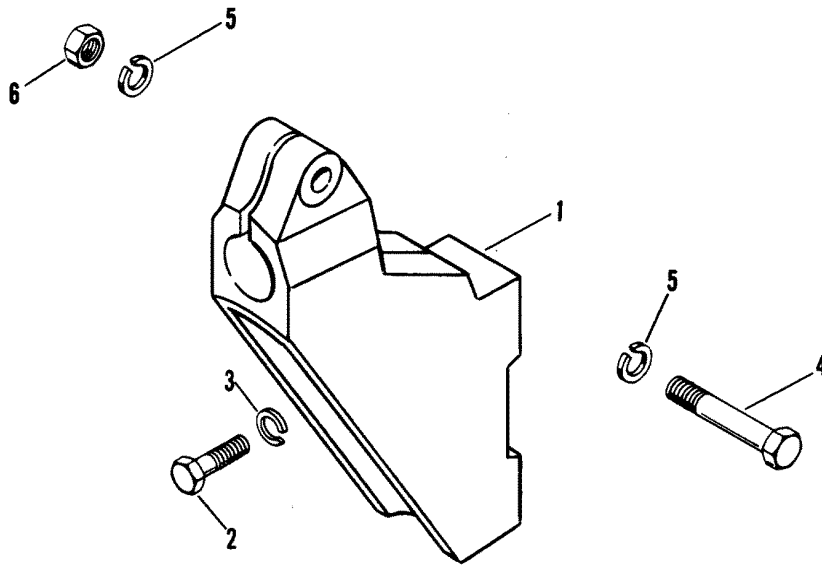
TRANSMISSION AND RELATED PARTS (IN-LINE)



TRANSMISSION AND RELATED PARTS (IN-LINE)

REF. NO.	PART NO.	SYM.	QTY.	DESCRIPTION
21	11-30506		2,2	NUT, OIL COOLER BRACKET SCREW
22	43325		1,1	SHIFT LEVER, TRANSMISSION
23	12-20722		1,1	WASHER, SHIFT LEVER
24	13-26993		1,1	LOCKWASHER, SHIFT LEVER
25	11-22053		1,1	NUT, SHIFT LEVER

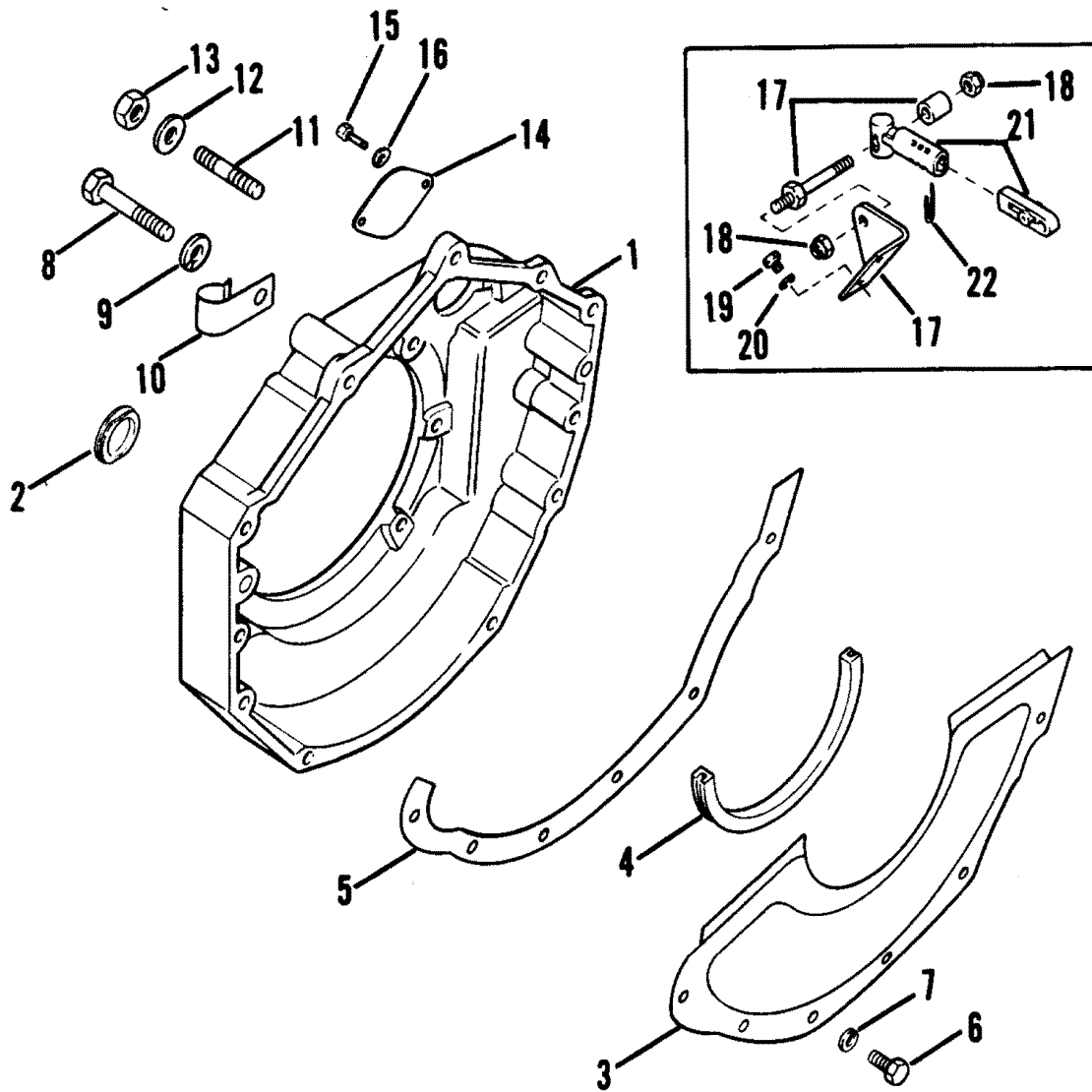
TRANSMISSION AND ENGINE MOUNTING (IN-LINE)



TRANSMISSION AND ENGINE MOUNTING (IN-LINE)

REF. NO.	PART NO.	SYM.	QTY.	DESCRIPTION
1	66417		2	BRACKET, TRANSMISSION (REAR)
2	10-37269		4	SCREW, BRACKET (2")
3	13-32993		4	LOCKWASHER, BRACKET SCREW
4	10-57357		2	SCREW, CLAMPING (2-1/4")
5	13-32993		2	LOCKWASHER, CLAMPING SCREW
6	11-29553		2	NUT, CLAMPING SCREW
7	71128A2		2	BRACKET, MOUNTING - ENGINE (FRONT)
8	10-68101		5	SCREW, MOUNTING BRACKET (1-3/8")
	10-34354		1	SCREW, MOUNTING BRACKET (1-1/2")
9	13-35048		6	LOCKWASHER, MOUNTING BRACKET SCREW
10	10-37269		2	SCREW, CLAMPING - MOUNTING BRACKET (2")
11	13-32993		2	LOCKWASHER, CLAMPING SCREW
12	11-29553		2	NUT, CLAMPING SCREW
13	66166A4		4	TRUNNION, ADJUSTING - MOUNTING BRACKET
14	13-68102		4	LOCKWASHER, MOUNTING BRACKET
15	66284A2		4	BASE, ENGINE MOUNT
16	11-20739		8	NUT, JAM - ENGINE MOUNT BASE
17	14-66658		4	TAB WASHER, BASE NUT

FLYWHEEL HOUSING



FLYWHEEL HOUSING

REF. NO.	PART NO.	SYM.	QTY.	DESCRIPTION
1	44187A1		1	HOUSING, FLYWHEEL
2	19-12304		1	PLUG, TIMING WINDOW
3	14043A4		1	COVER ASSY., FLYWHEEL HOUSING (L.H. ROTATION)
	14043A5		1	COVER ASSY., FLYWHEEL HOUSING- R.H. ROTAION
4	87690		1	SEAL, FLYWHEEL HOUSING COVER - R.H. ROTAION
5	27-86015		1	GASKET, FLYWHEEL HOUSING COVER
6	10-98253		8	SCREW, COVER TO FLYWHEEL HOUSING (1/2")
7	13-26992		8	LOCKWASHER, COVER SCREW
8	10-34353		4	SCREW, FLYWHEEL HOUSING (1")
	10-47688		2	SCREW, FLYWHEEL HOUSING (2-3/4")
	10-48424		2	SCREW, FLYWHEEL HOUSING (1-5/8")
9	13-35048		7	LOCKWASHER, FLYWHEEL HOUSING SCREW
10	54-78945		2	J CLAMP, FLYWHEEL HOUSING SCREW
11	16-64066		2	STUD, FLYWHELL HOUSING (2-1/4")
12	12-20572		2	WASHER, FLYWHEEL HOUSING STUD
13	11-32219		2	NUT, FLYWHEEL HOUSING STUD
14	93920		1	PLATE, FLYWHEEL HOUSING-L.H. ROTATION
15	10-33212		2	SCREW, PLATE -L.H. ROTATION
16	13-32993		2	LOCKWASHER, PLATE SCREW -L.H. ROTATION
17	12543A2		1	BRACKET ASSEMBLY, SHIFT CABLE
18	11-25594		2	NUT, SHIFT CABLE STUD
19	10-54615		2	SCREW, BRACKET TO FLYWHEEL HOUSING
20	13-26992		2	LOCKWASHER, BRACKET SCREW
21	12505A1		1	ADAPTOR ASSEMBLY
22	12506		1	CLIP, ADAPTOR

PARTS INDEX

Part Number	Description	Pg.	Ref. No.	Part Number	Description	Pg.	Ref. No.
11965	ROTATOR, VALVE SPRING - EXHAUST VALVE	31	16	33294	SUPPORT PACKAGE, GROUND AND INSULATED HOLDERS	7	23
11994	REINFORCEMENT, ROCKER COVER STUD USE WITH REINFORCEMENT	31	5	33297	LEVER, SHIFT R.H. ROTATION	9	26
12394	GAUGE, OIL LEVEL (DIPSTICK)	41	22	33317	PLUNGER, SHIFT LEVER	9	35
12404	BRACE, STARTER MOTOR - L.H. ROTATION	5	4	33863	PULLEY, HARMONIC BALANCER	37	16
12505A1	ADAPTOR ASSEMBLY	21	19	34518	SHIELD, VALVE SPRING CAP	31	14
12505A1	ADAPTOR ASSEMBLY	49	21	35329	ARM, ROCKER VALVE	31	18
12506	CLIP, ADAPTOR	21	20	35331	BALL UNIT, ROCKER VALVE ARM	31	19
12506	CLIP, ADAPTOR	49	22	35352	OIL PUMP	41	1
12543A2	BRACKET ASSEMBLY, SHIFT CABLE	49	17	35354	SCREEN ASSEMBLY, OIL PUMP	41	3
13037	SOLENOID SWITCH ASSEMBLY	9	36	35365	SUPPORT, SPARK PLUG LEAD WIRE	37	24
13276	REINFORCEMENT, OIL PAN (STBD.) USE WITH REINFORCEMENT	41	19	35373	PLATE, FUEL PUMP MOUNTING	19	5
13277	REINFORCEMENT, OIL PAN (PORT) USE WITH REINFORCEMENT	41	18	35377	ROD, PUSH - FUEL PUMP	19	8
13447A1	DISTRIBUTOR ASSEMBLY, COMPLETE	17	1	35378	CHAIN, CAMSHAFT TIMING (L.H. ROTATION)	33	10
13613	COVER ASSEMBLY, CRANKCASE FRONT (R.H. ROTATION)	37	26	36184	SHAFT, OIL PUMP TO DISTRIBUTOR	41	4
13754	HOUSING, DRIVE END - L.H. ROTATION	7	1	37293	OIL PRESSURE SENDER (DUAL)	15	5
14043A4	COVER ASSY., FLYWHEEL HOUSING (L.H. ROTATION)	49	3	41170A2	BRACKET, MOUNTING	15	10
14043A5	COVER ASSY., FLYWHEEL HOUSING- R.H. ROTATION	49	3	41329A5	BRACKET, THROTTLE CABLE	21	17
14239	RETAINER, OIL SEAL (REAR) L.H. ROTATION	37	34	42697	PLATE, PULLEY	37	3
14249A1	COVER, CRANKCASE FRONT	37	26	42770	PULLEY	13	3
14249A1	GASKET, COVER	37	28	42771	FAN	13	4
14256	REINFORCEMENT, OIL PAN (STBD.) USE WITH REINFORCEMENT	41	19	42774	BRACKET ASSEMBLY, FRONT	13	6
14257	REINFORCEMENT, OIL PAN (PORT) USE WITH REINFORCEMENT	41	18	42775	ROTOR (INCLUDES BEARINGS)	13	8
14259	OIL PAN	41	9	42776	STATOR	13	9
15122	RETAINER, OIL SEAL (REAR) R.H. ROTATION	37	34	42777	BRACKET ASSEMBLY, REAR	13	10
32193A2	COIL, IGNITION	17	23	42778	HEAT SINK (+)	13	11
32783	RETAINER, HIGH TENSION LEADS (3 WIRE)	17	34	42779	HEAT SINK (-)	13	12
32784	RETAINER, HIGH TENSION LEADS (4 WIRE)	17	34	42780	CONDENSER ASSEMBLY	13	13
33270	BRUSH, FIELD FRAME	7	21	42781	BEARING KIT	13	16
33283	HOLDER, FIELD FRAME BRUSH GROUND	7	20	42782	HARDWARE KIT, EXTERNAL	13	15
33284	HOLDER, INSULATED	7	19	42783	HARDWARE KIT, INTERNAL	13	14
33291	COLLAR	7	5	42784	BRUSH HOLDER KIT (INCLUDES SPRINGS & BRUSHES)	13	17
33292	COLLAR, THRUST	7	3	42785	REGULATOR KIT	13	18
				42799	PULLEY, WATER PUMP	37	12
				43325	SHIFT LEVER, TRANSMISSION	45	22
				43560A5	COVER, CARBURETOR (PLASTIC)	21	1
				44187A1	HOUSING, FLYWHEEL	49	1
				47441A1	COVER, THERMOSTAT	27	9
				47530	HUB, WATER PUMP PULLEY	29	20
				47608A1	DRIVE PLATE, FLYWHEEL	35	10
				47805A7	TRANSMISSION (DIRECT DRIVE)	43	1

PARTS INDEX

Part Number	Description	Pg.	Ref. No.	Part Number	Description	Pg.	Ref. No.
47806A7	TRANSMISSION (1.523:1 REDUCTION)	43	1	75664	FIELD COIL ASSEMBLY (R.H. ROTATION)	7	15
47957	CONNECTOR, VENT HOSE TO ROCKER COVER	21	8	75664	FIELD COIL ASSEMBLY - L.H. ROTATION	7	15
48340	PLUG, EXPANSION - CYLINDER BLOCK (1-1/4")	33	2	75665	ARMATURE - L.H. ROTATION	7	11
48348	CAP, INLET VALVE	31	15	75666	HOUSING, DRIVE END - L.H. ROTATION	7	1
48384A1	FLANGE ASSY. (1-3/8") SEE NOTE A	43	8	77294	BRACKET, IGNITION COIL MOUNTING	17	24
49288	CAP, OIL FILLER	31	2	79205	DRIVE ASSEMBLY, CLUTCH (L.H. ROTATION)	7	6
49734A1	TEMPERATURE SENDER (DUAL)	15	2	79206	HOUSING, DRIVE END (R.H. ROTATION)	7	1
52185	CLAMP, DISTRIBUTOR TO INTAKE MANIFOLD	17	20	79211	FRAME, COMMUTATOR END - LOWER	7	17
52731	OIL FILTER	37	33	79212	FIELD COIL ASSEMBLY - L.H. ROTATION	7	15
53338	FILTER VALVE	37	31	79396	PLATE, BEARING	7	7
54676	RETAINER, HIGH TENSION LEADS (2 WIRE)	17	34	79476A1	FLANGE ASSY. (1") SEE NOTE B	43	8
56328A1	BRACKET, OIL COOLER (SHORT)	43	17	79476A2	FLANGE ASSY. (1-1/8") SEE NOTE B	43	8
57908-11	TUBING, ALTERNATOR LEADS	5	25	79476A3	FLANGE ASSY. (1-1/4") - SEE NOTE B	43	8
59137	THERMOSTAT (143)	27	5	79476A3	FLANGE ASSY. (1-3/8") SEE NOTE B	43	8
59501A1	SHAFT, WATER PUMP	29	17	79476A5	FLANGE ASSY. (1-1/2") SEE NOTE B	43	8
60658	WATER PUMP ASSEMBLY . .	37	9	79961	COVER, ROCKER	31	1
60660A1	COVER ASSEMBLY, CRANKCASE FRONT (L.H. ROTATION)	37	26	85013	BRACE, ALTERNATOR ADJUSTING	5	17
61112	LEVER, CHOKE	21	29	85785A2	FLAME ARRESTOR, CARBURETOR	21	3
63820--1	BRACKET, OIL COOLER (LONG)	43	18	87114A19	EXHAUST MANIFOLD ASSEMBLY	25	1
63832A1	OIL COOLER, TRANSMISSION	43	16	87284	VALVE, EXHAUST (STANDARD)	31	9
66166A4	TRUNNION, ADJUSTING - MOUNTING BRACKET . . .	47	13	87290A4	THERMOSTAT HOUSING ASSEMBLY	27	1
66198	COVER, AUTOMATIC CHOKE	21	27	87301	VALVE, EXHAUST (.015 O.S.)	31	9
66284A2	BASE, ENGINE MOUNT	47	15	87631A1	COVER, WATER PUMP	29	3
66417	BRACKET, TRANSMISSION (REAR)	47	1	87690	SEAL, FLYWHEEL HOUSING COVER - R.H. ROTATION . .	49	4
68607	ARMATURE - R.H. ROTATION	7	11	87917A1	FLANGE ASSY. (1") SEE NOTE A	43	8
68609	DRIVE ASSEMBLY, CLUTCH (R.H. ROTATION)	7	6	87917A2	FLANGE ASSY. (1-1/8") SEE NOTE A	43	8
71128A2	BRACKET, MOUNTING - ENGINE (FRONT)	47	7	87917A3	FLANGE ASSY. (1-1/4") SEE NOTE A	43	8
71693	ARMATURE - L.H. ROTATION	7	11	87917A5	FLANGE ASSY (1-1/2") SEE NOTE A	43	8
71698	LEVER, SHIFT L.H. ROTATION	7	26	89535T	BRACKET, WATER PUMP . .	29	26
72625	CHOKE, AUTOMATIC - CARBURETOR	21	26	89609	BRACE, WATER PUMP ADJUSTING	29	30
72638	LIFTER, HYDRAULIC VALVE - TAPPET	33	8	90806	OIL PRESSURE SENDER . .	15	5
72646	INTAKE MANIFOLD	37	1	92163A2	TUBE, OIL LEVEL GAUGE . .	41	21
72647	GUARD, INTAKE MANIFOLD	37	7	92497A3	ALTERNATOR (55 AMP.) . . .	5	12
73798A1	PULLEY, WATER PUMP . . .	29	21	92497A3	ALTERNATOR ASSEMBLY (55 AMP)	11	-
75420	BALANCER, HARMONIC - CRANKSHAFT	37	15				
75435A1	POINTER, TIMING	37	23				

PARTS INDEX

Part Number	Description	Pg.	Ref. No.	Part Number	Description	Pg.	Ref. No.
93175T	BRACKET, ALTERNATOR	5	27	N.S.S.	SPRING, PLUNGER (DELCO		
93476	OIL PAN	41	9		REMY #1978281)	9	30
93920	PLATE, FLYWHEEL			N.S.S.	STUD, GUARD TO INTAKE		
	HOUSING-L.H. ROTATION	49	14		MANIFOLD (GM #3959544)	37	6
94576	WEAR PLATE, INNER	29	12	N.S.S.	STUD, SHIFT LEVER		
94916	WEAR PLATE, OUTER	29	7		(DELCO REMY #1814529) -		
97258A1	TEMPERATURE SENDER	15	2		R.H. ROTATION	9	32
97401A2	FUEL PUMP	19	1	N.S.S.	STUD, SHIFT LEVER		
97661	VALVE, INLET (STANDARD)	31	10		(DELCO REMY #1945804) -		
97662	VALVE, INLET (.015 O.S.)	31	10		L.H. ROTATION	9	27
98504A3	EXHAUST ELBOW			10-11966	BOLT, CYLINDER HEAD TO		
	ASSEMBLY (15 - 3" O.D.)	25	10		CYLINDER BLOCK (3-3/4")	31	26
98602	BAFFLE, OIL PAN			10-11967	BOLT, CYLINDER HEAD TO		
	(CYLINDER BLOCK)	41	6		CYLINDER BLOCK (3")	31	25
99948	ROD, VALVE PUSH			10-11968	BOLT, CYLINDER HEAD TO		
	(DOUBLE BALL END)	31	8		CYLINDER BLOCK (1-3/4")	31	24
N.S.S.	BOLT, INTAKE MANIFOLD			10-11976	BOLT, INTAKE MANIFOLD	37	2
	(GM #9439921)	37	2	10-14070	SCREW, OIL PAN USE WITH		
N.S.S.	BOLT, OIL PUMP TO				REINFORCEMENT	41	16
	CYLINDER BLOCK (2")			10-14242	BOLT, OIL SEAL RETAINER	39	38
	(GM #3892678)	41	2	10-14243	BOLT, OIL SEAL RETAINER	39	37
N.S.S.	BOLT, THRU (DELCO REMY			10-26487	SCREW, ADJUSTING BRACE		
	#1939970)	7	18		(1")	29	31
N.S.S.	BOLT, THRU (DELCO REMY			10-27165	SCREW, ALTERNATOR		
	#1941111)	7	18		BRACE	5	18
N.S.S.	GROMMET, FRAME (DELCO			10-32132	SCREW, WATER PUMP TO		
	REMY #1846097) (R.H.				CYLINDER BLOCK (1-3/4")	37	11
	ROTATION)	7	14	10-33212	SCREW, PLATE -L.H.		
N.S.S.	PIN, DOWEL - FIELD FRAME				ROTATION	49	15
	9DELCO REMY #1985696)	7	25	10-33389	SCREW, THERMOSTAT		
N.S.S.	PIN, PLUNGER (DELCO				HOUSING TO INTAKE		
	REMY #1987049)	9	29		MANIFOLD (4-1/4")	27	10
N.S.S.	RETAINING RING (DELCO			10-34352	BOLT, PULLEY (7/8")	37	20
	REMY #11505767) - L.H.			10-34353	SCREW, FLYWHEEL		
	ROTATION	9	28		HOUSING (1")	49	8
N.S.S.	SCREW (DELCO REMY			10-34353	SCREW, WATER PUMP		
	#1972786) - L.H.				BRACKET (1")	29	27
	ROTATION	7	10	10-34354	SCREW, FUEL PUMP (1-1/2")	19	3
N.S.S.	SCREW (DELCO REMY			10-34354	SCREW, LIFTING EYE	37	5
	#1984000) - L.H.			10-34354	SCREW, MOUNTING		
	ROTATION	7	10		BRACKET (1-1/2")	47	8
N.S.S.	SCREW, BRUSH LEAD			10-34505	BOLT, CAMSHAFT TIMING		
	(DELCO REMY #1967747)	7	22		SPROCKETS (3/4")	33	13
N.S.S.	SCREW, BRUSH LEAD			10-35091	SCREW, DRIVE PLATE TO		
	(DELCO REMY #443527)	7	22		FLYWHEEL	35	11
N.S.S.	SCREW, POLE SHOE TO			10-35169	SCREW, DISTRIBUTOR		
	FIELD COIL (DELCO				CLAMP ATTACHING	17	21
	REMY #1968396)	7	13	10-35366	SCREW, COVER	37	29
N.S.S.	SCREW, SWITCH (DELCO			10-35366	SCREW, FUEL PUMP		
	REMY #132255) - R.H.				MOUNTING PLATE	19	7
	ROTATION	9	31	10-35366	SCREW, LEAD WIRE		
N.S.S.	SCREW, SWITCH (DELCO				SUPPORT (2-1/2")	37	25
	REMY #9413260)	9	31	10-35366	SCREW, OIL PAN (1/4-20 X		
N.S.S.	SHOE, POLE (DELCO REMY				7/8") USE WITHOUT		
	#1931129) - L.H.				REINFORCEMENTS	41	16
	ROTATION	7	12	10-35366	SCREW, ROCKER COVER		
N.S.S.	SHOE, POLE (DELCO REMY				USE WITHOUT		
	#810601) - L.H. ROTATION	7	12		REINFORCEMENT	31	3
N.S.S.	SHOE, POLE (DELCO REMY			10-35765	SCREW, BRACE TO ENGINE		
	#810601) - R.H. ROTATION	7	12		(5/8") - L.H. ROTATION	5	5

PARTS INDEX

Part Number	Description	Pg.	Ref. No.	Part Number	Description	Pg.	Ref. No.
10-35786	SCREW, ADJUSTING BRACE (1")	29	34	10-68101	SCREW, MOUNTING BRACKET (1-3/8")	47	8
10-37269	SCREW, BRACKET (2")	47	2	10-71405	SCREW, INSULATOR	15	22
10-37269	SCREW, CLAMPING - MOUNTING BRACKET (2")	47	10	10-72626	BOLT, PULLEY AND HARMONIC BALANCER (2")	37	17
10-37612	SCREW, ALTERNATOR BRACKET (1-1/4")	5	28	10-72644	SCREW, OIL PAN (5/16-18 X 7/8") USE WITHOUT REINFORCEMENTS	41	14
10-37909	SCREW, FLANGE (1-1/8")	43	10	10-73275	SCREW, WATER PUMP (2-7/8")	29	4
10-41408	SCREW, BRACKET TO IGNITION COIL (1-1/2")	17	25	10-74822	SCREW, CARBURETOR	21	15
10-42773	BOLT	13	7	10-74824	SCREW, ALTERNATOR BRACE (1-1/4")	5	21
10-45862	SCREW, CIRCUIT BREAKER (7/8")	15	21	10-75659	SCREW - R.H. ROTATION	7	10
10-47277	SCREW, PULLEY (3/4")	29	22	10-85802	BOLT, CONNECTING ROD CAP	35	14
10-47277	SCREW, PULLEY TO WATER PUMP (3/4")	37	13	10-94435	SCREW, STARTER MOTOR TO CYL. BLOCK (4-21/32")-L.H. ROTATION	5	2
10-47462	SCREW, STARTER MOTOR (1-1/4") - R.H. ROTATION	5	2	10-98253	SCREW, CLIP TO CYLINDER BLOCK	41	24
10-47688	SCREW, FLYWHEEL HOUSING (2-3/4")	49	8	10-98253	SCREW, COVER TO FLYWHEEL HOUSING (1/2")	49	6
10-47688	SCREW, WATER PUMP TO CYLINDER BLOCK (2-3/4")	37	11	10-98260	SCREW, MOUNTING BRACKET (5/8")	15	11
10-47910	SCREW, STARTER SOLENOID (5/8")	15	27	11-11971	NUT, OIL PAN STUD USE WITH REINFORCEMENT	41	20
10-48308	SCREW, ALTERNATOR (3-3/4")	5	30	11-11996	NUT	39	40
10-48424	SCREW, FLYWHEEL HOUSING (1-5/8")	49	8	11-11996	NUT, ROCKER COVER STUD USE WITH REINFORCEMENT	31	7
10-49845	SCREW, FLYWHEEL TO CRANKSHAFT	35	8	11-20088	NUT, STARTER SOLENOID SCREW	15	28
10-49956	SCREW, OIL PAN DRAIN	41	13	11-20586	NUT, SILENCER ADAPTER	21	5
10-52200	SCREW, WATER PUMP TO CYLINDER BLOCK (1-1/2")	37	11	11-20739	NUT, JAM - ENGINE MOUNT BASE	47	16
10-52743	SCREW, WATER PUMP (3-3/4")	29	4	11-21908	NUT, WATER PUMP SCREW	29	25
10-53728	SCREW, EXHAUST MANIFOLD (4-5/8")	25	6	11-22024	NUT, FLANGE SCREW	43	12
10-54615	SCREW, BRACKET TO FLYWHEEL HOUSING	49	19	11-22024	NUT, STUD	43	5
10-54786	SCREW, FILTER VALVE TO CYLINDER BLOCK	37	32	11-22053	NUT, SHIFT LEVER	45	25
10-57357	SCREW, CLAMPING (2-1/4")	47	4	11-23161	NUT, ALTERNATOR BRACKET SCREW	5	33
10-59645	SCREW, IGNITION COIL ATTACHING (3/4")	17	29	11-24883	NUT, ADJUSTING BRACE SCREW	29	36
10-59994	SCREW, AUTOMATIC CHOKE THERMOSTAT	21	28	11-24883	NUT, EXHAUST ELBOW STUD	25	15
10-60106	SCREW, FLANGE (1-1/4")	43	10	11-24883	NUT, MOUNTING BRACKET STUD	15	17
10-60168	SCREW, FLANGE (1-1/2") SEE NOTES A AND B	43	9	11-25594	NUT, CARBURETOR STUD	21	22
10-60169	SCREW, FLANGE (3/4") SEE NOTES A AND B	43	9	11-25594	NUT, SHIFT CABLE STUD	49	18
10-60170	SCREW, FLANGE (1") SEE NOTES A AND B	43	9	11-26419	NUT, STARTER SOLENOID TERMINAL (10-32)	15	30
10-60171	SCREW, FLANGE (1-1/4") SEE NOTES A AND B	43	9	11-26419	NUT, STARTER TERMINAL (#8-32)	5	11
10-60179	SCREW, TRANSMISSION (3-1/2")	43	2	11-26484	NUT, SHIFT LEVER STUD - R.H. ROTATION	9	34
10-60179	SCREW, TRANSMISSION (3-1/2")	43	2	11-28941	NUT, JAM - FLAME ARRESTOR	21	13

PARTS INDEX

Part Number	Description	Pg.	Ref. No.	Part Number	Description	Pg.	Ref. No.
11-29553	NUT, CLAMPING SCREW ..	47	12	12-34714	WASHER, WATER PUMP		
11-29553	NUT, CLAMPING SCREW ..	47	6		BRACKET SCREW	29	29
11-30506	NUT, OIL COOLER BRACKET			12-35332	WASHER, PULLEY AND		
	SCREW	45	21		HARMONIC BALANCER		
11-32219	NUT, FLANGE SCREW	43	12		BOLT	37	19
11-32219	NUT, FLYWHEEL HOUSING			12-39167	WASHER, CAMSHAFT		
	STUD	49	13		TIMING SPROCKET BOLT	33	14
11-32219	NUT, STARTER TERMINAL			12-56681	WASHER, CIRCUIT		
	(3/8-16)	5	8		BREAKER SCREW	15	23
11-34516	NUT, ROCKER VALVE ARM			12-68614	WASHER, BEARING PLATE	7	9
	STUD	31	20	12-68615	WASHER, SHIFT LEVER		
11-37493	NUT, CONNECTING ROD				STUD - R.H. ROTATION ..	9	33
	CAP BOLT	35	15	12-86400	WASHER, SEALING	21	4
11-37500	NUT, OIL PAN BAFFLE STUD	41	8	12-96457	WASHER, ALTERNATOR		
11-42768	NUT	13	1		TERMINAL	5	26
11-46438	NUT, INSULATOR SCREW .	15	24	13-21272	LOCKWASHER,		
11-64015	NUT, ALTERNATOR				ALTERNATOR TERMINAL	5	15
	TERMINAL (1/4-20)	5	16	13-26992	LOCKWASHER, BRACKET		
11-68219	NUT, CIRCUIT BREAKER				SCREW	49	20
	TERMINAL	15	20	13-26992	LOCKWASHER, COVER		
11-68219	NUT, IGNITION COIL				SCREW	49	7
	TERMINAL	17	28	13-26992	LOCKWASHER, STARTER		
11-68219	NUT, OIL PRESSURE				SOLENOID TERMINAL ...	15	29
	SENDER TERMINAL (#10)	15	7	13-26993	LOCKWASHER, IGNITION		
11-68219	NUT, WATER				COIL ATTACHING SCREW	17	31
	TEMPERATURE SENDER			13-26993	LOCKWASHER, SHIFT		
	TERMINAL (#10)	15	4		LEVER	45	24
11-72008	NUT, STARTER MOTOR			13-26995	LOCKWASHER, STARTER		
	STUD - L.H. ROTATION ..	5	7		TERMINAL	5	10
11-79989	NUT, ALTERNATOR			13-26996	LOCKWASHER,		
	TERMINAL (10-24)	5	14		ALTERNATOR TERMINAL	5	13
11-94330	NUT, STARTER SOLENOID			13-26996	LOCKWASHER, CIRCUIT		
	TERMINAL (1/4-20)	15	31		BREAKER TERMINAL ...	15	19
12-20084	WASHER, CARBURETOR			13-26996	LOCKWASHER, IGNITION		
	STUD	21	21		COIL TERMINAL	17	27
12-20084	WASHER, COVER SCREW .	29	5	13-26996	LOCKWASHER, OIL		
12-20084	WASHER, IGNITION COIL				PRESSURE SENDER		
	ATTACHING SCREW	17	30	13-26996	TERMINAL (#10)	15	6
12-20086	WASHER, MOUNTING				LOCKWASHER, WATER		
	BRACKET STUD	15	15		TEMPERATURE SENDER		
12-20553	WASHER, ALTERNATOR				TERMINAL (#10)	15	3
	BRACE SCREW	5	20	13-32993	LOCKWASHER, BRACKET		
12-20553	WASHER, ALTERNATOR				SCREW	47	3
	BRACKET SCREW	5	31	13-32993	LOCKWASHER, CLAMPING		
12-20572	WASHER, FLYWHEEL				SCREW	47	11
	HOUSING STUD	49	12	13-32993	LOCKWASHER, CLAMPING		
12-20722	WASHER, SHIFT LEVER ...	45	23		SCREW	47	5
12-25909	WASHER, OIL COOLER			13-32993	LOCKWASHER, FLANGE		
	BRACKET SCREW	43	20		SCREW	43	11
12-26168	WASHER, ALTERNATOR			13-32993	LOCKWASHER, PLATE		
	BRACE SCREW	5	23		SCREW -L.H. ROTATION .	49	16
12-29245	WASHER, STARTER MOTOR			13-32993	LOCKWASHER, SCREW AND		
	STUD - L.H. ROTATION ..	5	6		STUD	43	4
12-30164	WASHER, IGNITION COIL			13-32993	LOCKWASHER, STARTER		
	TERMINAL	17	26		MOTOR SCREW -R.H.		
12-33258	WASHER, LEATHER -				ROTATION	5	3
	COMMUTATOR END			13-35048	LOCKWASHER, ADJUSTING		
	FRAME	7	16		BRACE SCREW	29	32
12-34714	WASHER, AJUSTING BRACE			13-35048	LOCKWASHER, ADJUSTING		
	SCREW	29	33		BRACE SCREW	29	35

PARTS INDEX

Part Number	Description	Pg.	Ref. No.	Part Number	Description	Pg.	Ref. No.
13-35048	LOCKWASHER, ALTERNATOR BRACE SCREW	5	19	16-49545	STUD, EXHAUST ELBOW	25	4
13-35048	LOCKWASHER, ALTERNATOR BRACKET SCREW	5	29	16-53724	STUD, CARBURETOR	21	16
13-35048	LOCKWASHER, DRIVE PLATE SCREW	35	12	16-54790	STUD, OIL PAN BAFFLE	41	7
13-35048	LOCKWASHER, EXHAUST ELBOW STUD	25	14	16-57921	STUD, TRANSMISSION (4")	43	3
13-35048	LOCKWASHER, FLANGE SCREW	43	11	16-64066	STUD, FLYWHELL HOUSING (2-1/4")	49	11
13-35048	LOCKWASHER, FLYWHEEL HOUSING SCREW	49	9	16-73563A1	STUD KIT, THROTTLE CABLE	21	18
13-35048	LOCKWASHER, FUEL PUMP SCREW	19	4	16-91842	STUD, FLAME ARRESTOR	21	12
13-35048	LOCKWASHER, MOUNTING BRACKET SCREW	15	12	16-97477A1	STUD KIT, THROTTLE CABLE	21	25
13-35048	LOCKWASHER, MOUNTING BRACKET SCREW	47	9	16-97477A1	STUD, CABLE	43	15
13-35048	LOCKWASHER, MOUNTING BRACKET STUD	15	16	17-14263	DOWEL PIN	39	39
13-35048	LOCKWASHER, PULLEY BOLT	37	21	17-35312	PIN, DOWEL - CAMSHAFT SPROCKET (1/4" DIA.)	33	15
13-35048	LOCKWASHER, THERMOSTAT HOUSING SCREW	27	11	17-35312	PIN, DOWEL - REAR BEARING CAP (1/4" DIA.)	35	5
13-35048	LOCKWASHER, WATER PUMP BRACKET SCREW	29	28	17-35465	PIN, DOWEL - BLOCK TO HEAD (5/16" DIA.)	33	5
13-39107	LOCKWASHER, ALTERNATOR BRACE SCREW	5	22	17-79207	PIN, PLUNGER - R.H. ROTATION	9	29
13-39107	LOCKWASHER, OIL PAN SCREW USE WITHOUT REINFORCEMENTS	41	15	19-12304	PLUG, TIMING WINDOW	49	2
13-39107	LOCKWASHER, PULLEY SCREW	29	23	19-34270	PLUG, EXPANSION - CYLINDER BLOCK (1-5/8" DIA)	33	4
13-39107	LOCKWASHER, WATER PUMP PULLEY SCREW	37	14	19-59504	PLUG, IMPELLER	29	9
13-39107	LOCKWASHER, WATER PUMP SCREW	29	24	22-32802	PLUG, PIPE (FOR WATER PUMP BODY)	29	37
13-39131	LOCKWASHER, FLYWHEEL SCREW	35	9	22-32803	PIPE PLUG	27	3
13-39131	LOCKWASHER, PULLEY AND HARMONIC BALANCER BOLT	37	18	22-33198A1	PLUG, EXHAUST MANIFOLD (3/4")	25	2
13-42769	LOCKWASHER	13	2	22-33821	ELBOW, FUEL LINE TO FUEL PUMP AND FUEL FILTER	19	9
13-68102	LOCKWASHER, MOUNTING BRACKET	47	14	22-36305	ELBOW, EXHAUST MANIFOLD	25	8
14-66658	TAB WASHER, BASE NUT	47	17	22-36382	PLUG, PIPE - EXHAUST ELBOW	25	11
16-11989	STUD, OIL PAN USE WITH REINFORCEMENT	41	17	22-42554	NIPPLE, OIL PRESSURE SENDER	15	9
16-11995	STUD, ROCKER COVER USE WITH REINFORCEMENT	31	6	22-45084	FITTING, EXHAUST ELBOW (STRAIGHT)	25	13
16-14827	STUD	39	41	22-46932	ELBOW, OIL PRESSURE SENDER	15	8
16-24585--1	STUD, MOUNTING BRACKET	15	13	22-47629	ELBOW, HOSE (90)	43	13
16-34521	STUD, ROCKER VALVE ARM (.013 O.S.)	31	22	22-48118	PLUG, PIPE - EXHAUST MANIFOLD (1")	25	3
16-34522	STUD, ROCKER VALVE ARM (.003 O.S.)	31	22	22-48358	PLUG, INTAKE MANIFOLD VACUUM HOLE	21	24
				22-72640	PLUG, EXPANSION - CAMSHAFT BEARING HOLE	33	6
				22-87238	DRAIN COCK, CYLINDER BLOCK	33	3
				22-87238	DRAIN COCK, EXHAUST MANIFOLD	25	7
				22-88517	ADAPTER, ELBOW	43	14
				22-97282	CONNECTOR, CARBURETOR	21	11

PARTS INDEX

Part Number	Description	Pg.	Ref. No.	Part Number	Description	Pg.	Ref. No.
23-33186	BUSHING, ALTERNATOR BRACKET SCREW	5	32	24-33285	SPRING, FIELD FRAME BRUSH	7	24
23-33369	BUSHING	7	2	24-46889	SPRING, PLUNGER - R.H. ROTATION	9	30
23-36183	RETAINER, OIL PUMP SHAFT	41	5	24-48347	SPRING, VALVE (INLET AND EXHAUST)	31	13
23-42772	SPACER	13	5	25-52188	GROMMET, ROCKER COVER	21	9
23-47508	SLEEVE, THERMOSTAT	27	7	25-79208	GROMMET, FIELD FRAME (L.H. ROTATION)	7	14
23-47511	SLEEVE, THERMOSTAT HOUSING	27	2	25-94288	QUAD RING, PUMP HOUSING	29	13
23-52095	SPACER, ALTERNATOR BRACE SCREW	5	24	26-14240	OIL SEAL, CRANKSHAFT (REAR) L.H. ROTATION	37	35
23-52216	BEARING UNIT, CRANKSHAFT MAIN - RAR (.020 U.S.)	35	4	26-15123	OIL SEAL, CRANKSHAFT (REAR) R.H. ROTATION	37	35
23-71694	BUSHING, BEARING PLATE	7	8	26-34217	SEAL, VALVE (INLET AND EXHAUST)	31	11
23-85674	BEARING UNIT, CAMSHAFT (SET)	33	7	26-35313	OIL SEAL, REAR BEARING CAP (R.H. ROTATION) 2-PIECE	35	6
23-85694	BEARING UNIT, CRANKSHAFT (STANDARD)	35	3	26-58203	OIL SEAL, REAR BEARING CAP (L.H. ROTATION) 2-PIECE	35	6
23-85695	BEARING UNIT, CRANKSHAFT MAIN (.001 U.S.)	35	3	26-72785	OIL SEAL, WATER PUMP SHAFT	29	19
23-85696	BEARING UNIT, CRANKSHAFT MAIN (.010 U.S.)	35	3	26-90562	OIL SEAL, WATER PUMP SHAFT	29	15
23-85697	BEARING UNIT, CRANKSHAFT MAIN (.020 U.S.)	35	3	26-97335	OIL SEAL, COVER	37	27
23-85698	BEARING UNIT, CRANKSHAFT MAIN - REAR (STANDARD)	35	4	26-97335	OIL SEAL, COVER	37	27
23-85699	BEARING UNIT, CRANKSHAFT MAIN - REAR (.001 U.S.)	35	4	26-97664	SEAL, VALVE (INLET)	31	12
23-85699	BEARING UNIT, CRANKSHAFT MAIN - REAR (.010 U.S.)	35	4	27-11999	GASKET, ROCKER COVER USE WITH REINFORCEMENT	31	4
23-85699	BEARING UNIT, CRANKSHAFT MAIN - REAR (.010 U.S.)	35	4	27-13865	GASKET, OIL PAN - NOT INCLUDED WITH GASKET SET	41	11
23-85700	BEARING UNIT, CRANKSHAFT MAIN - REAR (.010 U.S.)	35	4	27-14241	GASKET, OIL SEAL RETAINER	39	36
23-85701	BEARING SET, CONNECTING ROD (STANDARD)	35	16	27-14250	GASKET, CRANKCASE FRONT END COVER	37	28
23-85702	BEARING UNIT (PAIR), CONNECTING ROD (.001 U.S.)	35	16	27-33395	GASKET, EXHAUST MANIFOLD TO CYLINDER HEAD	25	5
23-85703	BEARING UNIT (PAIR), CONNECTING ROD (.002 U.S.)	35	16	27-34213	GASKET, FUEL PUMP TO CYLINDER BLOCK	19	2
23-85704	BEARING UNIT (PAIR), CONNECTING ROD (.010 U.S.)	35	16	27-34486--1	GASKET, DISTRIBUTOR	17	19
23-85705	BEARING UNIT (PAIR), CONNECTING ROD (.020 U.S.)	35	16	27-34897	GASKET, WATER PUMP MOUNTING	37	10
23-88275	SPACER, MOUNTING BRACKET STUD	15	14	27-34898	GASKET, FUEL PUMP MOUNTING PLATE	19	6
24-32817	SPRING, THROTTLE RETURN	21	14	27-41812	GASKET, THERMOSTAT COVER	27	8
				27-41813	GASKET, EXHAUST ELBOW	25	9
				27-47510	GASKET, THERMOSTAT	27	6
				27-49955	GASKET, DRAIN SCREW	41	12
				27-52202	GASKET, ROCKER COVER USE WITHOUT REINFORCEMENT	31	4

PARTS INDEX

Part Number	Description	Pg.	Ref. No.	Part Number	Description	Pg.	Ref. No.
27-53045	GASKET, THERMOSTAT HOUSING	27	4	43-48338	SPROCKET, CRANKSHAFT TIMING (L.H. ROTATION)	33	12
27-72637	GASKET SET, INTAKE MANIFOLD	37	8	46-72774A32	WATER PUMP ASSEMBLY	29	1
27-75611	GASKET, CYLINDER HEAD	31	23	46-72774A40	BODY, WATER PUMP	29	2
27-86015	GASKET, FLYWHEEL HOUSING COVER	49	5	46-94913A1	PUMP HOUSING ASSEMBLY	29	14
27-90458A1	GASKET SET, OIL PAN	41	10	47-59362	IMPELLER	29	10
27-94914	GASKET, BODY TO WEAR PLATE	29	8	50-12177A2	STARTER (L.H. ROTATION)	7	-
27-94915	GASKET, COVER TO OUTER WEAR PLATE	29	6	50-12177A2	STARTER, L.H. ROTATION	5	1
28-34466	KEY, CRANKSHAFT PULLEY AND BALANCER	35	18	50-79604A3	STARTER (R.H. ROTATION)	7	-
28-54797	KEY, VALVE STEM	31	17	50-79604A3	STARTER, R.H. ROTATION	5	1
28-56662	KEY, IMPELLER DRIVE	29	11	53-23720	SNAP RING, BALL BEARING RETAINING	29	18
30-72961	BALL BEARING, WATER PUMP SHAFT	29	16	53-33290	RING, RETAINING	7	4
32-33220-70	HOSE, TEE TO EXHAUST ELBOWS	27	13	54-32780	CLAMP, HOSE ATTACHING	27	14
32-47516-13	HOSE, TRANSMISSION/COOLER 49"	43	6	54-32780	CLAMP, HOSE ATTACHING	27	16
32-47516-14	HOSE, TRANSMISSION/COOLER 44"	43	6	54-32781	CLAMP, HOSE ATTACHING	27	20
32-58616A2	TUBE ASSEMBLY	25	12	54-47512	EYE, LIFTING	37	4
32-73815-63	HOSE, PLASTIC - FUEL PUMP TO CARBURETOR	19	11	54-47715	CLIP, HOSE ATTACHING	27	18
32-87108	HOSE, THERMOSTAT HOUSING TO WATER PUMP	27	19	54-53101	CLAMP, VENT HOSE	21	7
32-87116	HOSE, THERMOSTAT COVER TO EXHAUST MANIFOLD (PORT)	27	21	54-59989	CLIP, AUTOMATIC CHOKE ROD	21	30
32-87117	HOSE, THERMOSTAT COVER TO EXHAUST MANIFOLD (STARBOARD)	27	22	54-78945	J CLAMP, FLYWHEEL HOUSING SCREW	49	10
32-88794	HOSE, THERMOSTAT HOUSING TO OIL COOLER	27	17	54-92084	CLIP, OIL LEVEL TUBE	41	23
32-88795	HOSE, WATER PUMP TO OIL COOLER	27	15	57-49213A1	BELT, ALTERNATOR DRIVE (44")	37	22
32-93315-12	HOSE, VENT - CARBURETOR (11-1/4")	21	6	57-74271	BELT, WATER PUMP (35")	29	38
32-96081A1	FUEL LINE, PUMP TO CARBURETOR	19	10	84-12307A2	WIRING HARNESS	15	1
33-59571	SPARK PLUG (NGK-BR6FS)	17	33	84-42841A45	LEAD ASSEMBLY, DISTRIBUTOR TO COIL	17	22
37-12501	DECAL, CARBURETOR COVER	21	2	84-43376A12	LEAD ASSEMBLY, HIGH TENSION	17	32
39-65153	RING, PISTON - 8 SETS (STANDARD)	35	2	84-65773A6	LEAD ASSEMBLY, PRIMARY TERMINAL	17	10
39-67126	RING, PISTON - 8 SETS (.030 O.S.)	35	2	85-79695	BOOT, INSULATOR - STARTER TERMINAL	5	9
39-7018	SLEEVE, INSULATOR	11	14	85-96819	INSULATOR, CIRCUIT BREAKER	15	25
39-7034	KEY, ROTOR	11	15	87-88031	SWITCH, TEMPERATURE	43	7
43-14324	GEAR SET, CAMSHAFT/CRANKSHAFT (R.H. ROTATION)	33	11/12	88-11178	CIRCUIT BREAKER (50 AMP.)	15	18
				89-96054	STARTER SOLENOID	15	26
				90-12230--3	OWNER'S GUIDE	2	-
				90-12919	PARTS LIST	2	-
				222-9520	FLYWHEEL (L.H. ROTATION - 14" DIA.)	35	7
				222-9558	FLYWHEEL (R.H. ROTATION - 14" DIA.)	35	7
				230-4614	FLYWHEEL (R.H. ROTATION - 12-3/4" DIA.)	35	7
				230-9425	FLYWHEEL (L.H. ROTATION - 14"DIA)	35	7
				390-7000	COVER ASSEMBLY, FRONT	11	7
				390-7003	COVER ASSEMBLY, REAR	11	22
				390-7004	FAN, DRIVE END FRAME	11	4
				390-7005	BALL BEARING, DRIVE END	11	8
				390-7006	RETAINER, DRIVE END BALL BEARING	11	9
				390-7007	RETAINER, ROTOR SHAFT BEARING	11	21

PARTS INDEX

Part Number	Description	Pg.	Ref. No.	Part Number	Description	Pg.	Ref. No.
390-7008	DIODE TRIO	11	35	391-5090	BREAKER ASSEMBLY	17	8
390-7009	DIODE RECTIFIER, NEGATIVE	11	11	391-5091	SCREW, CONDENSER BRACKET ATTACHING . .	17	7
390-7010	HEAT SINK, POSITIVE	11	12	391-5092	CONDENSER	17	5
390-7011	BRUSH HOLDER ASSEMBLY	11	33	391-5093	BRACKET, CONDENSER ATTACHING	17	6
390-7012	SPACER, FAN TO DRIVE END FRAME	11	5	391-6390	GEAR, DRIVE	17	17
390-7013	GASKET, VOLTAGE REGULATOR	11	37	391-6391	PIN, DRIVE GEAR	17	18
390-7014	SLIP RING	11	17	391-9454	ROTOR	17	4
390-7015	SCREW, VOLTAGE REGULATOR ATTACHING	11	39	429-6369	CRANKSHAFT (L.H. ROTATION)	35	17
390-7019	SPACER, DIODE TRIO	11	36	429-6372	CRANKSHAFT (R.H. ROTATION)	35	17
390-7020	SLEEVE, INSULATOR	11	13	429-9521	CRANKSHAFT (L.H. ROTATION)	35	17
390-7021	NUT, CONDENSOR TERMINAL ATTACHING . .	11	32	429-9526	CRANKSHAFT (R.H. ROTATION)	35	17
390-7022	WASHER, CONDENSOR TERMINAL STUD	11	30	431-3357	CAMSHAFT (R.H. ROTATION)	33	9
390-7023	WASHER, REGULATOR TERMINAL STUD	11	24	431-5943	CAMSHAFT (L.H. ROTATION)	33	9
390-7024	WASHER, CONDENSOR TERMINAL STUD	11	25	614-8164	CONNECTING ROD ASSEMBLY	35	13
390-7025	NUT, TERMINAL STUD	11	26	735-6370	PISTON AND PISTON PIN ASSEMBLY (.001 O.S.) . . .	35	1
390-7026	NUT, TERMINAL ATTACHING	11	29	735-6371	PISTON AND PISTON PIN ASSEMBLY (.030 O.S.) . . .	35	1
390-7027	NUT, FAN AND PULLEY TO ROTOR	11	1	841-8163	CYLINDER BLOCK ASSEMBLY	33	1
390-7028	NUT, THRU BOLT ATTACHING	11	6	841-9549	CYLINDER BLOCK ASSEMBLY	33	1
390-7029	SCREW, ROTOR SHAFT (5/8")	11	20	938-7499	CYLINDER HEAD ASSEMBLY	31	21
390-7030	SCREW, BRUSH HOLDER (1/2")	11	34	1347-9415T	CARBURETOR ASSEMBLY .	23	-
390-7032	LOCKWASHER, TERMINAL STUD	11	28	1347-9415T	CARBURETOR ASSEMBLY .	23	-
390-7033	LOCKWASHER, FAN AND PULLEY NUT	11	2	1397-8327	GASKET, INLET FILTER NUT	23	14
390-7035	CONDENSOR	11	23	1397-8535	CARBURETOR REPAIR KIT .	23	12
390-7036	VOLTAGE REGULATOR . . .	11	38	1397-8536	GASKET KIT	23	13
390-7206	WASHER, ROTOR SCREW .	11	18	1397-8538	AIR HORN KIT	23	1
390-7207	LOCKWASHER, ROTOR SCREW	11	19	1397-8540	THROTTLE BODY KIT	23	3
390-7208	WASHER, TERMINAL STUD	11	27	1397-8541	CHOKE LINK AND LEVER KIT	23	4
390-8635	ROTOR ASSEMBLY	11	16	1397-8542	PRIMARY VACUUM KIT	23	5
390-8636	STATOR ASSEMBLY	11	10	1397-8543	POWER PISTON KIT	23	6
390-8637	PULLEY, DRIVE END FRAME	11	3	1397-8545	FUEL FILTER KIT	23	8
390-8638	THRU BOLT	11	31	1397-8546	FLOAT KIT	23	9
391-5075	CAP, DISTRIBUTOR	17	2	1397-8548	NEEDLE AND SEAT KIT . . .	23	11
391-5076	GASKET, DISTRIBUTOR CAP	17	3	1397-8557	SCREW KIT, AIR HORN/THROTTLE BODY .	23	15
391-5080	OILER	17	16	1397-9112	FLOAT BOWL KIT	23	2
391-5083	VENT, SCREEN	17	15	1397-9439	METERING JET AND ROD KIT	23	7
391-5084	PIN, CLAMP TO DISTRIBUTOR	17	12	1397-9449	PUMP KIT	23	10
391-5085	CLAMP, DISTRIBUTOR CAP ATTACHING	17	11				
391-5086	WASHER, DISTRIBUTOR CAP SCREW	17	14				
391-5087	SCREW, DISTRIBUTOR CAP ATTACHING	17	13				
391-5089	SCREW, BREAKER ATTACHING	17	9				