



PARTS CATALOG

MERC 400

SERIAL NUMBER

400 1279685 THRU 1476509

TABLE OF CONTENTS:

BOTTOM COWL ASSEMBLY	34
CARBURETOR ASSEMBLY	18
CARBURETOR LINKAGE AND CHOKE SOLENOID	22
CLAMP AND SWIVEL BRACKET	42
COWLING AND FRONT COVER	6
CRANKSHAFT, PISTON AND CONNECTING ROD	32
CYLINDER BLOCK AND CRANKCASE ASSEMBLY	28
DRIVE SHAFT HOUSING ASSEMBLY	38
FLYWHEEL ASSEMBLY AND STATOR	8
FUEL PUMP ASSEMBLY	26
GEAR HOUSING ASSEMBLY, COMPLETE(PAGE 1)	46
GEAR HOUSING ASSEMBLY, COMPLETE(PAGE 2)	48
MAGNETO ADAPTOR AND PILOT ASSEMBLY	10
MAGNETO ASSEMBLY	14
MERC 400ML AND MERC 400EL PARTS LIST	52
MERC 400S AND MERC 400SL PARTS LIST	53
MISCELLANEOUS PARTS/ACCESSORIES	1
PARTS INDEX	54
RECTIFIER, STARTER SOLENOID AND WIRING HARNESS	50
TOP COWL AND STARTER ASSEMBLY	2

NOTE: Indented description indicate that these parts are included in preceeding assembly.

AR = As Required

NSS = Not Sold Separate

OPT = Optional

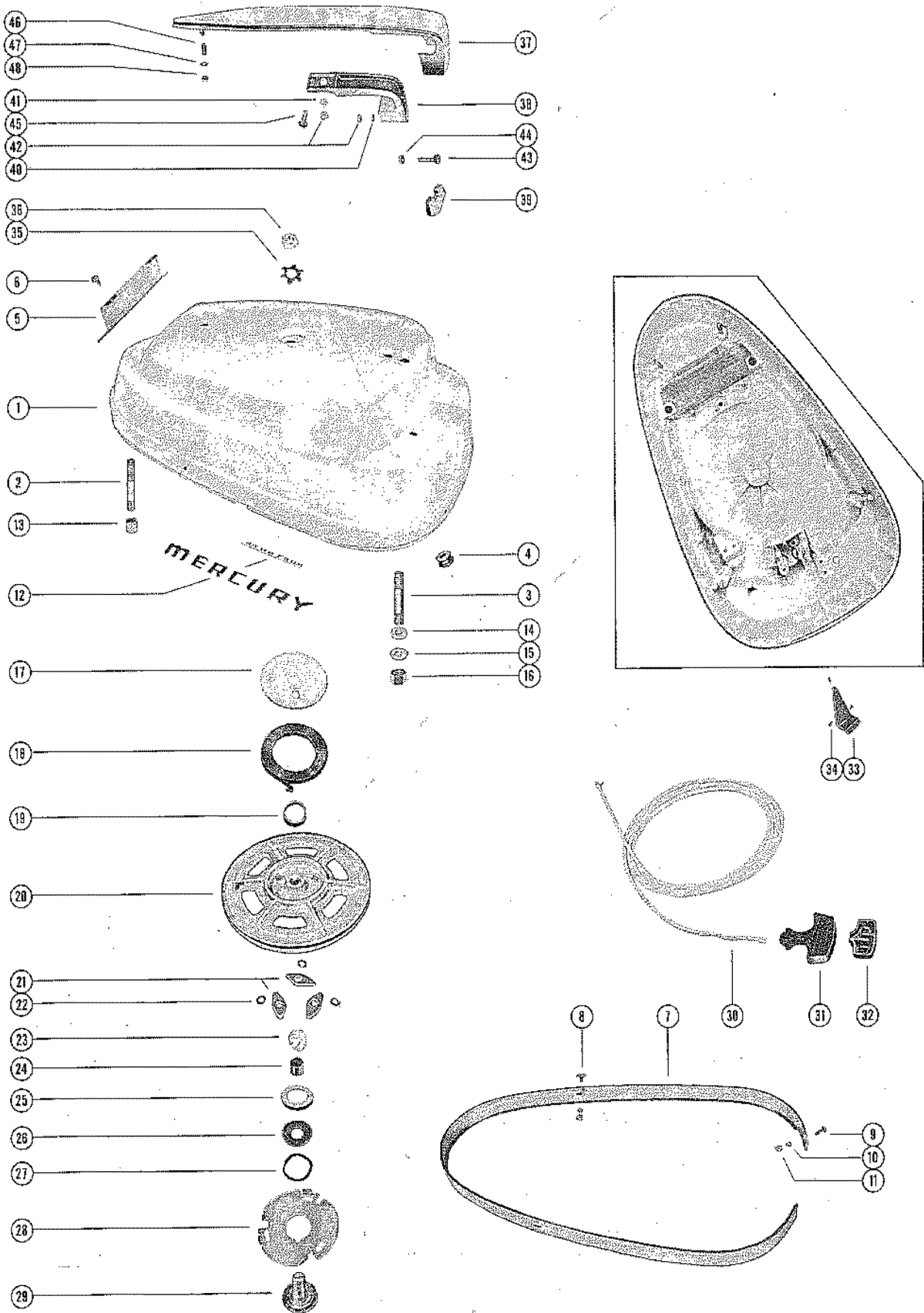
NS = Not Shown

THESE PARTS BOOKS/FICHE CARD ARE COPYRIGHTED AND MAY NOT BE DISTRIBUTED OR REPRODUCED IN ANY OTHER FORMAT BY ANYONE OTHER THAN MERCURY MARINE WITHOUT THE PRIOR WRITTEN CONSENT OF MERCURY MARINE.

MISCELLANEOUS PARTS/ACCESSORIES

REF. NO.	PART NO.	SYM.	QTY.	DESCRIPTION
-	90-45172		0	MERC 350-3, 350-4, 350-5 AND 350-6 PARTS LIST
-	27-37949A1		0	GASKET SET (MOTOR OVERHAUL)
-	37-39730A1		0	DECAL SET (ENGINE) MERC 350-3
-	37-46061A1		0	DECAL SET (ENGINE) MERC 350-4
-	37-47758A1		0	DECAL SET (ENGINE) MERC 350-5
-	37-52686A1		0	DECAL SET (ENGINE) MERC 350-6
-	94-39731		0	SHIPPING CARTON (MOTOR)

TOP COWL AND STARTER ASSEMBLY

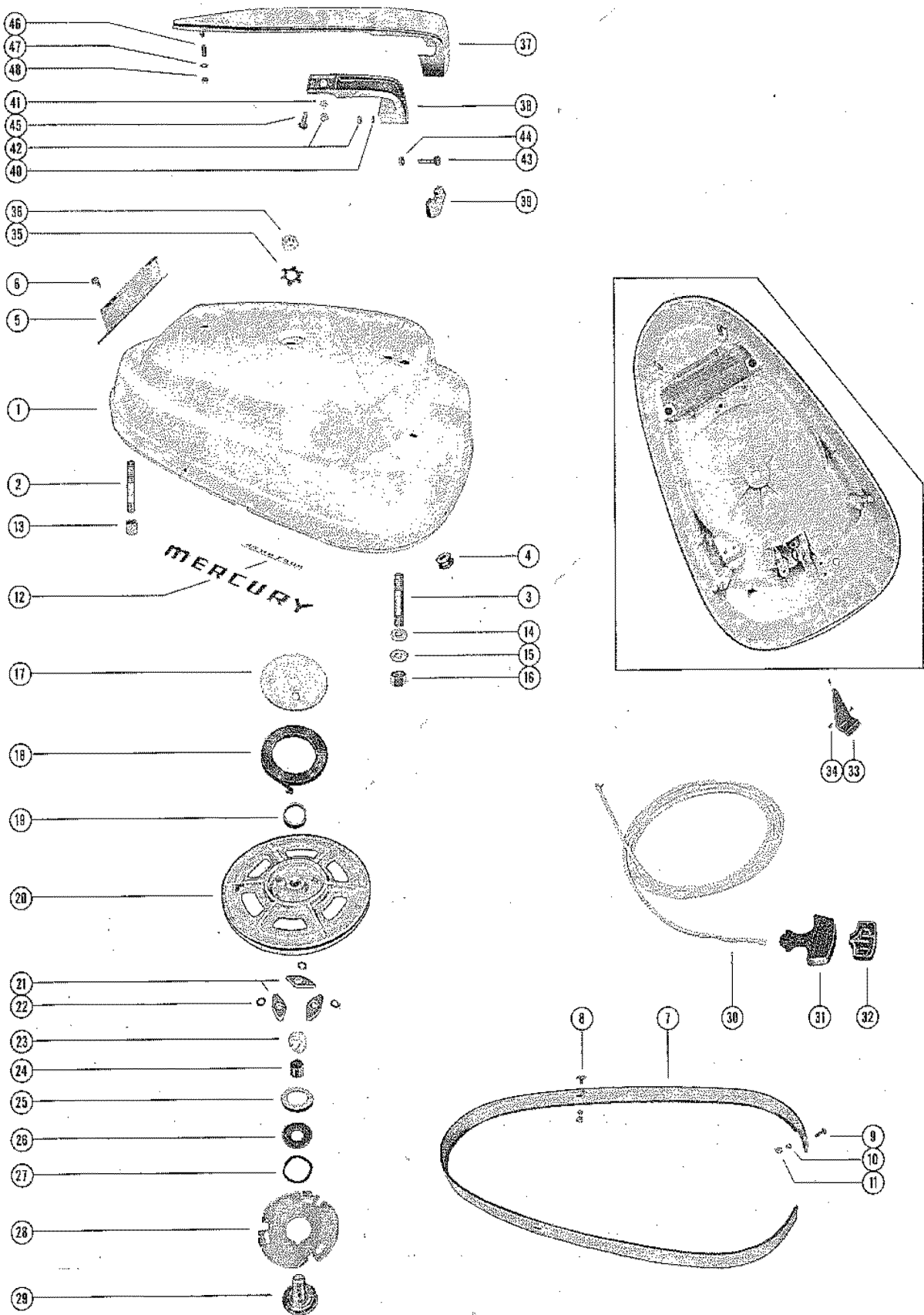


TOP COWL AND STARTER ASSEMBLY

REF. NO.	PART NO.	SYM.	QTY.	DESCRIPTION
1	177-1594A2		1,1,1,1	TOP COWL ASSEMBLY
2	16-20500		2,2,2,2	STUD, REAR - TOP COWL TO COVER
3	16-20353		2,2,2,2	STUD, FRONT - TOP COWL TO CRANKCASE
4	25-20116		1,1,1,1	GROMMET, CHOKE KNOB
5	28967		1,1,1,1	SCREEN, VENT - TOP COWL
6	10-29221		4,4,4,4	SCREW, VENT SCREEN TO TOP COWL
7	29228A1		1,1,1,1	TRIM MOULDING ASSEMBLY, TOP COWL
8	10-29226		2,2,2,2	SCREW, DECORATIVE - MOULDING TO TOP COWL
9	10-29227		2,2,2,2	SCREW, BRASS - MOULDING TO TOP COWL
10	13-26995		4,4,4,4	LOCKWASHER, MOULDING FASTENING SCREW
11	11-26419		4,4,4,4	NUT, MOULDING FASTENING SCREW
12	37-29834		1,1,,	DECAL SET, TOP COWL
	37-31008		,,1,1	DECAL SET, TOP COWL
13	23-20326		2,2,2,2	SPACER, TOP COWL STUD
14	12-20028		2,2,2,2	WASHER, TOP COWL STUD (1/16")
15	12-20346		4,4,4,4	WASHER, TOP COWL STUD (3/4" OD)
-	12-20583		4,4,4,4	WASHER, TOP COWL STUD (1/32")
16	11-20361		4,4,4,4	NUT, TOP COWL FASTENING
17	20155		1,1,1,1	RETAINER, STARTER SPRING
18	24-23714		1,1,1,1	SPRING, STARTER REWIND
19	23-28912		1,1,1,1	BUSHING, SPRING GUIDE
20	50-28908		1,1,,1	SHEAVE ASSEMBLY
	50-30994		,,1,	SHEAVE ASSEMBLY
21	20162		3,3,,3	PAWL, STARTER
	30596		,,3,	PAWL, STARTER
22	13-29402		3,3,,3	WASHER, WAVE - STARTER PAWL
	13-30597		,,3,	WASHER, WAVE - STARTER PAWL
23	23-28919		1,1,1,1	BUSHING, NYLON - SHEAVE SHAFT SPACER
24	23-28911		1,1,1,1	SPACER, SHEAVE SHAFT
25	26179		1,1,1,1	RETAINER, WAVE WASHER
26	12-26180		1,1,1,1	WASHER, WAVE WASHER RETAINER
27	13-20160		1,1,1,1	WASHER, WAVE - RETAINER TENSION
28	20164		1,1,,1	PLATE, RETAINER - STARTER PAWL
	30595		,,1,	PLATE, RETAINER - STARTER PAWL
29	28913		1,1,1,1	SHAFT, SHEAVE
30	50-28985A1		1,1,1,1	STARTER CABLE ASSEMBLY
31	28747		1,1,1,1	HANDLE, STARTER CABLE
32	28748		1,1,1,1	RETAINER, STARTER CABLE AND HANDLE
33	30045		1,1,1,1	PLATE, ROPE GUIDE
34	10-28642		3,3,3,3	SCREW, DRIVE, ROPE GUIDE PLATE TO TOP COWL
35	14-20165		1,1,1,1	TAB WASHER, SHEAVE SHAFT NUT
36	11-20166		1,1,1,1	NUT, SHEAVE SHAFT (LEFT HAND THREAD)
37	29274		1,1,1,1	HANDLE, CHROME - TOP COWL

CONTINUED ON NEXT PAGE ➡

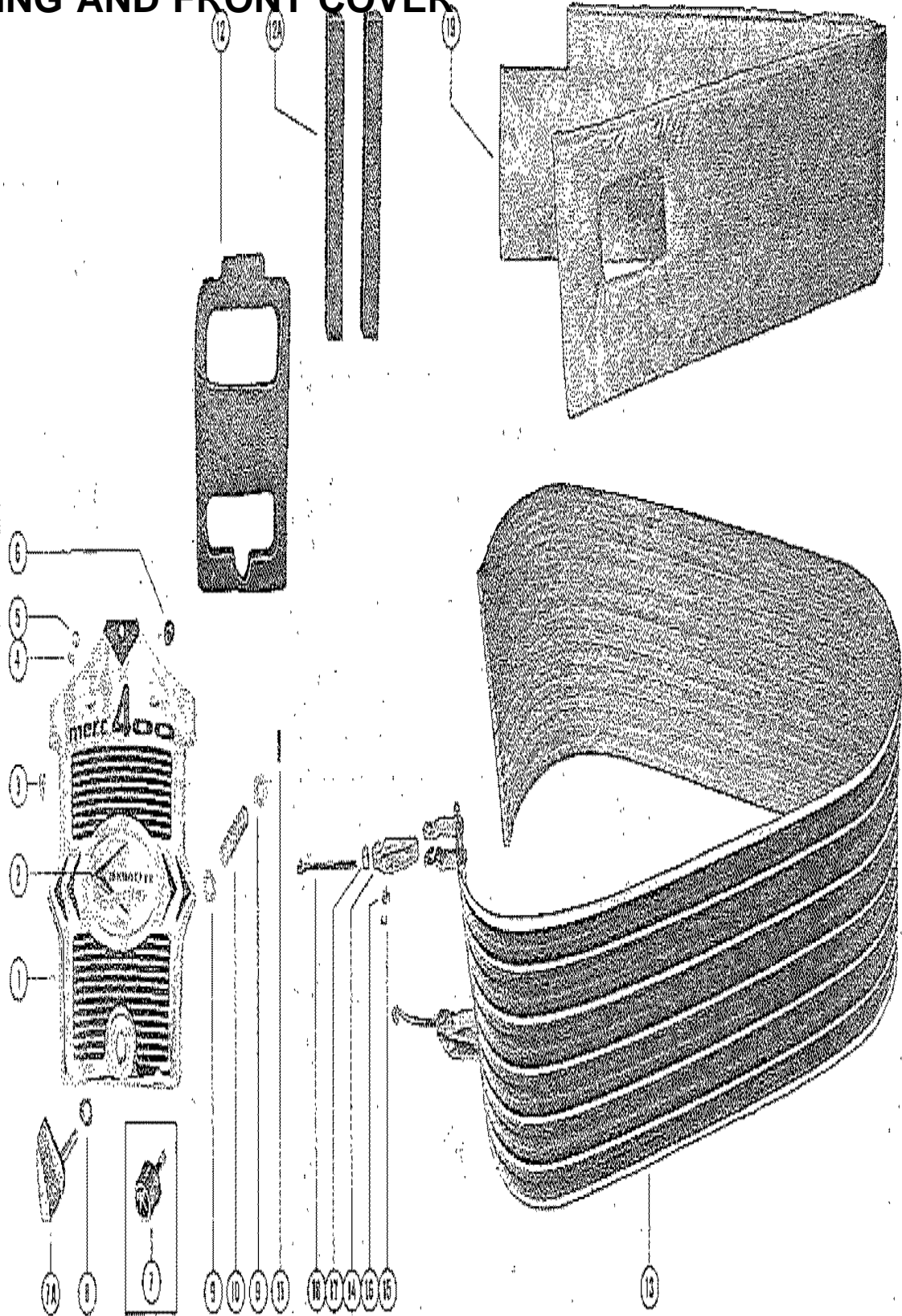
TOP COWL AND STARTER ASSEMBLY



TOP COWL AND STARTER ASSEMBLY

REF. NO.	PART NO.	SYM.	QTY.	DESCRIPTION
38	29276		1,1,,	HANDLE, INSIDE - TOP COWL
	31003		,,1,1	HANDLE, INSIDE - TOP COWL
39	39413		1,1,,	BUTTON, BUMPER - TOP COWL HANDLE
	3119		,,1,1	BUTTON, BUMPER - TOP COWL HANDLE
40	12-20346		1,1,1,1	WASHER, LOWER HANDLE STUD (3/4" OD)
41	12-29245		1,1,1,1	WASHER, CENTER HANDLE STUD (1/2" OD)
42	11-21825		2,2,2,2	NUT, INSIDE HANDLE TO CHROME HANDLE STUDS
43	10-22421		1,1,1,1	SCREW, FRONT - HANDLE TO TOP COWL (1 1/4")
44	11-20361		1,1,1,1	NUT, FRONT HANDLE FASTENING SCREW
45	10-29199		1,1,1,1	SCREW, CENTER - HANDLE TO TOP COWL (1")
46	23-29561		1,1,1,1	BUSHING, REAR HANDLE STUD
47	13-26992		1,1,1,1	LOCKWASHER, REAR HANDLE STUD
48	11-21825		1,1,1,1	NUT, REAR HANDLE STUD

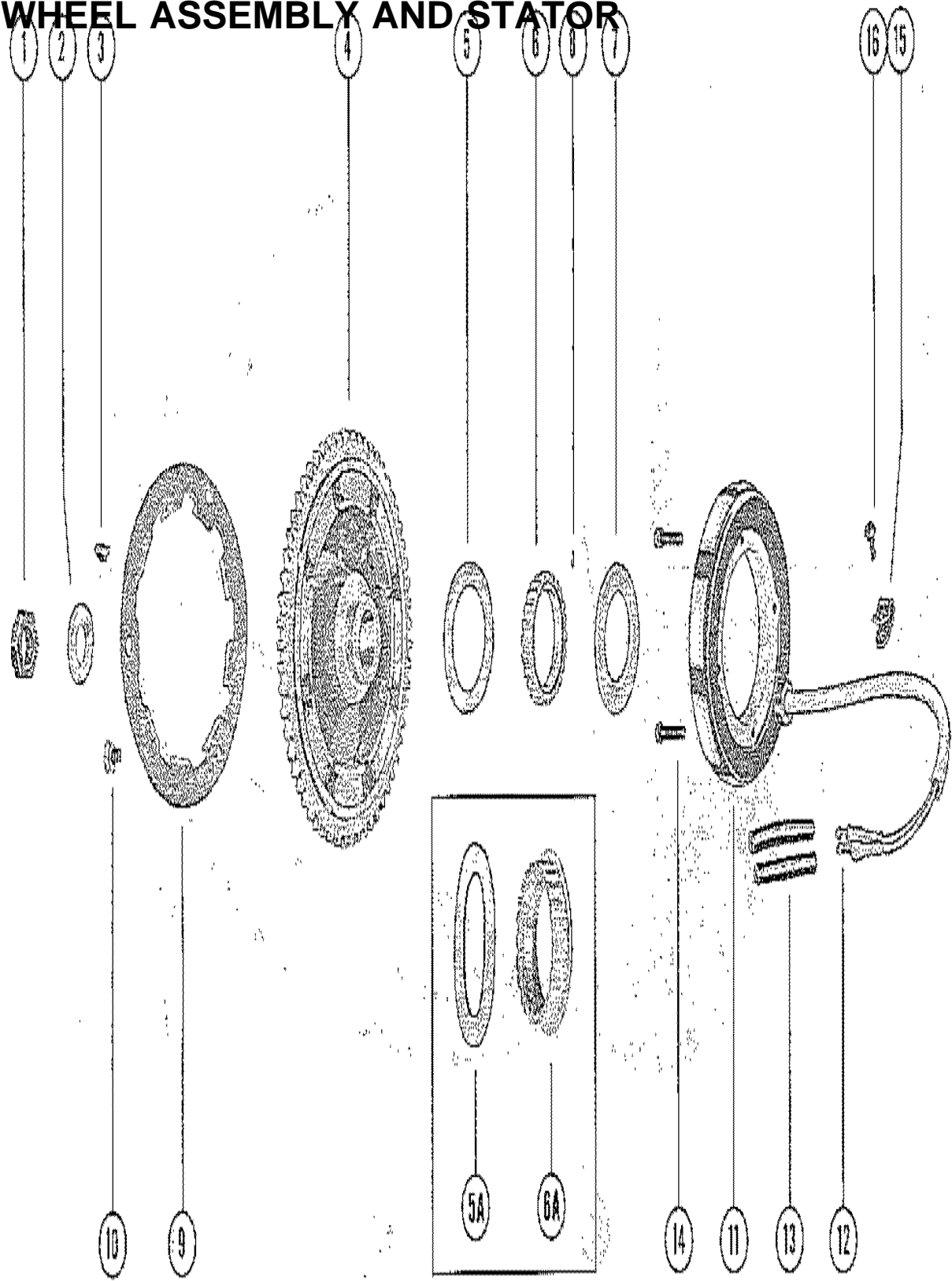
COWLING AND FRONT COVER



COWLING AND FRONT COVER

REF. NO.	PART NO.	SYM.	QTY.	DESCRIPTION
1	178-1645A2		1,1,,	COWL FRONT COVER ASSEMBLY
	178-1645A3		,,1,1	COWL FRONT COVER ASSEMBLY
2	26183A_		1,1,,	EMBLEM, FRONT COVER (SEE NOTE BELOW)
	26183A5		,,1,1	EMBLEM, FRONT COVER
3	10-29226		2,2,2,2	SCREW, BRACKET TO FRONT COVER
4	13-26995		2,2,2,2	LOCKWASHER, BRACKET FASTENING SCREW
5	11-26419		2,2,2,2	NUT, BRACKET FASTENING SCREW
6	29345		2,2,2,2	BUMPER, RUBBER - FRONT COVER BRACKET
7	10-29552		1,1,,	SCREW, COVER FASTENING
8	12-26162		1,1,,	WASHER, COVER FASTENING SCREW (RUBBER)
9	12-27897		1,1,,	WASHER, COVER FASTENING SCREW (NYLON)
7A	30884		,,1,1	KNOB, COWL FRONT COVER FASTENING
8	12-26702		,,1,1	WASHER, COVER FASTENING KNOB (NYLON)
9	12-26825		,,2,2	WASHER, COVER FASTENING KNOB (STEEL)
10	24-30772		,,1,1	SPRING, TENSION - FASTENING KNOB
11	17-29077		,,1,1	ROLL PIN, TENSION SPRING TO KNOB
12	29343		1,1,,	BLANKET, SOUND ABSORBING - FRONT COVER
12A	31095		,,2,2	STRIP, RUBBER - COWL FRONT COVER
13	107-144A2		1,1,1,1	WRAP AROUND COWL ASSEMBLY ORDER CORRECT REPLACEMENT HANDLE, SWIVEL OR HOOK ACCORDING TO THEIR SIZE (#8 OR #10). BOTH SIZES WERE USED
14	21060		2,2,2,2	HANDLE, COWL LATCH (#8)
	30412		,,2,2	HANDLE, COWL LATCH (#10)
15	53-21058		4,4,4,4	"E" RING, COWL LATCH HINGE PIN
16	17-21057		4,4,4,4	PIN, HINGE - COWL LATCH HANDLE
17	25690		2,2,2,2	SWIVEL, COWL LATCH (#8)
	30414		,,2,2	SWIVEL, COWL LATCH (#10)
18	25691		2,2,2,2	HOOK, COWL LATCH FASTENING (#8)
	30413		,,2,2	HOOK, COWL LATCH FASTENING (#10)
19	24825		1,1,1,1	BLANKET, SOUND ABSORBING - WRAP AROUND COWL
-	92-25234		1,1,1,1	GLUE, ADHESIVE - BLANKET FASTENING

FLYWHEEL ASSEMBLY AND STATOR

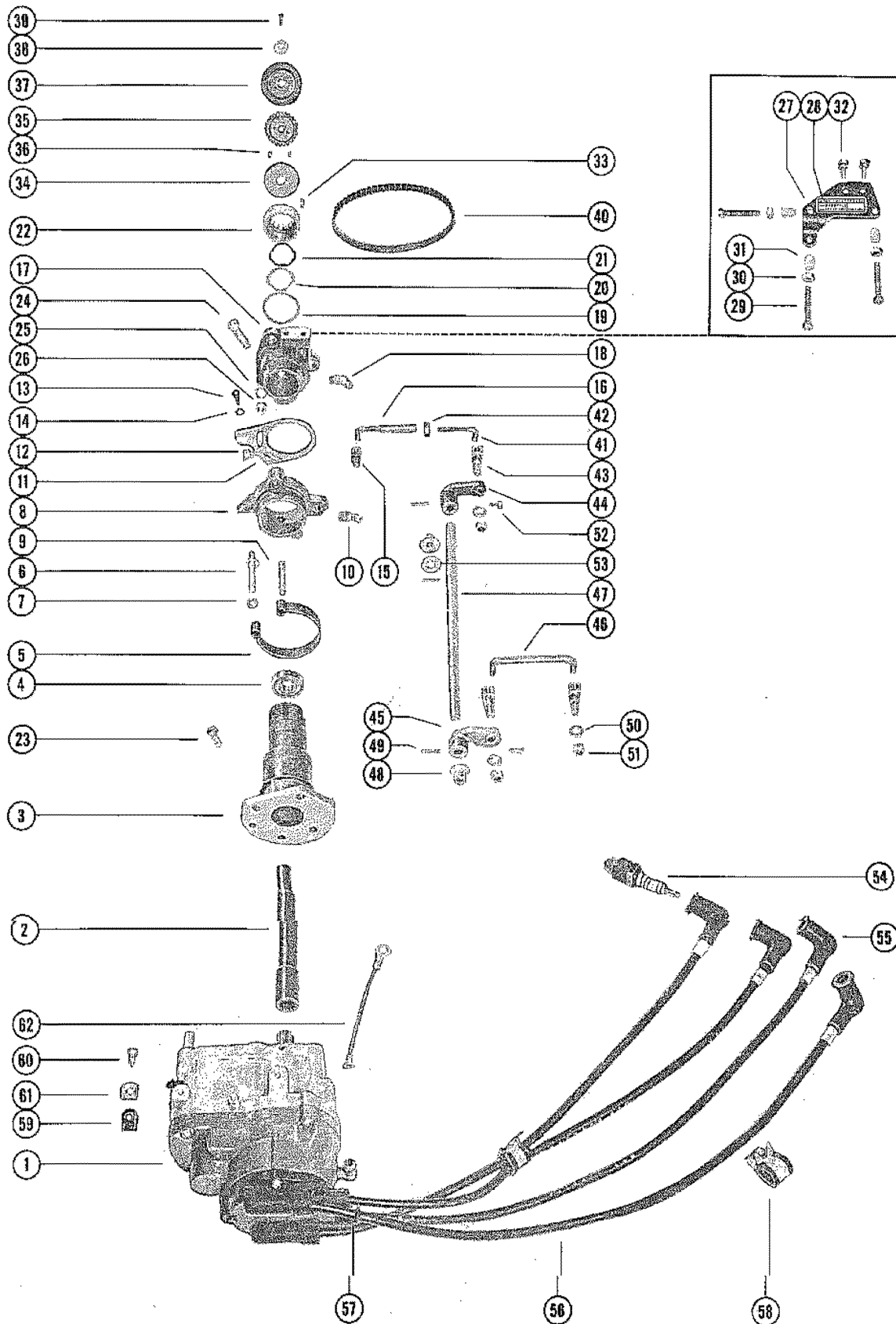


4261

FLYWHEEL ASSEMBLY AND STATOR

REF. NO.	PART NO.	SYM.	QTY.	DESCRIPTION
1	11-22339		1,1,1,1	NUT, FLYWHEEL
2	12-26617		1,1,1,1	WASHER, FLYWHEEL NUT
3	28-20094		1,1,1,1	KEY, FLYWHEEL DRIVE
4	208-1385A1		1,,1	FLYWHEEL ASSEMBLY
	211-1414A7		,1,,1	FLYWHEEL ASSEMBLY
5A	12-25293		1,1,,	WASHER, PULLY TO FLYWHEEL (SEE NOTE BELOW)
6A	22823		1,1,,	PULLEY, FLYWHEEL
5	29788		1,1,1,1	FLANGE, FLYWHEEL PULLEY (SEE NOTE BELOW)
6	30306		1,1,1,1	PULLEY, FLYWHEEL
7	29787		1,1,1,1	HUB, FLANGE - FLYWHEEL PULLEY
8	17-26618		1,1,1,1	DOWEL PIN, FLYWHEEL PULLEY
9	50-25263		,1,,1	RATCHET, FLYWHEEL
10	10-29238		,3,,3	SCREW, RATCHET TO FLYWHEEL
11	398-1455		,1,,1	STATOR, ALTERNATOR - FLYWHEEL
12	22647		,2,,2	DISCONNECT, KNIFE SPLICE - STATOR LEAD WIRE
13	32-29267		,2,,2	SLEEVE, RUBBER - STATOR LEAD WIRE
14	10-29249		,4,,4	SCREW, STATOR TO UPPER END CAP
15	54-24836		,1,,1	CLIP, STATOR LEAD TO CRANKCASE FLANGE
16	10-30009		,1,,1	SCREW, STATOR LEAD CLIP FASTENING

MAGNETO ADAPTOR AND PILOT ASSEMBLY



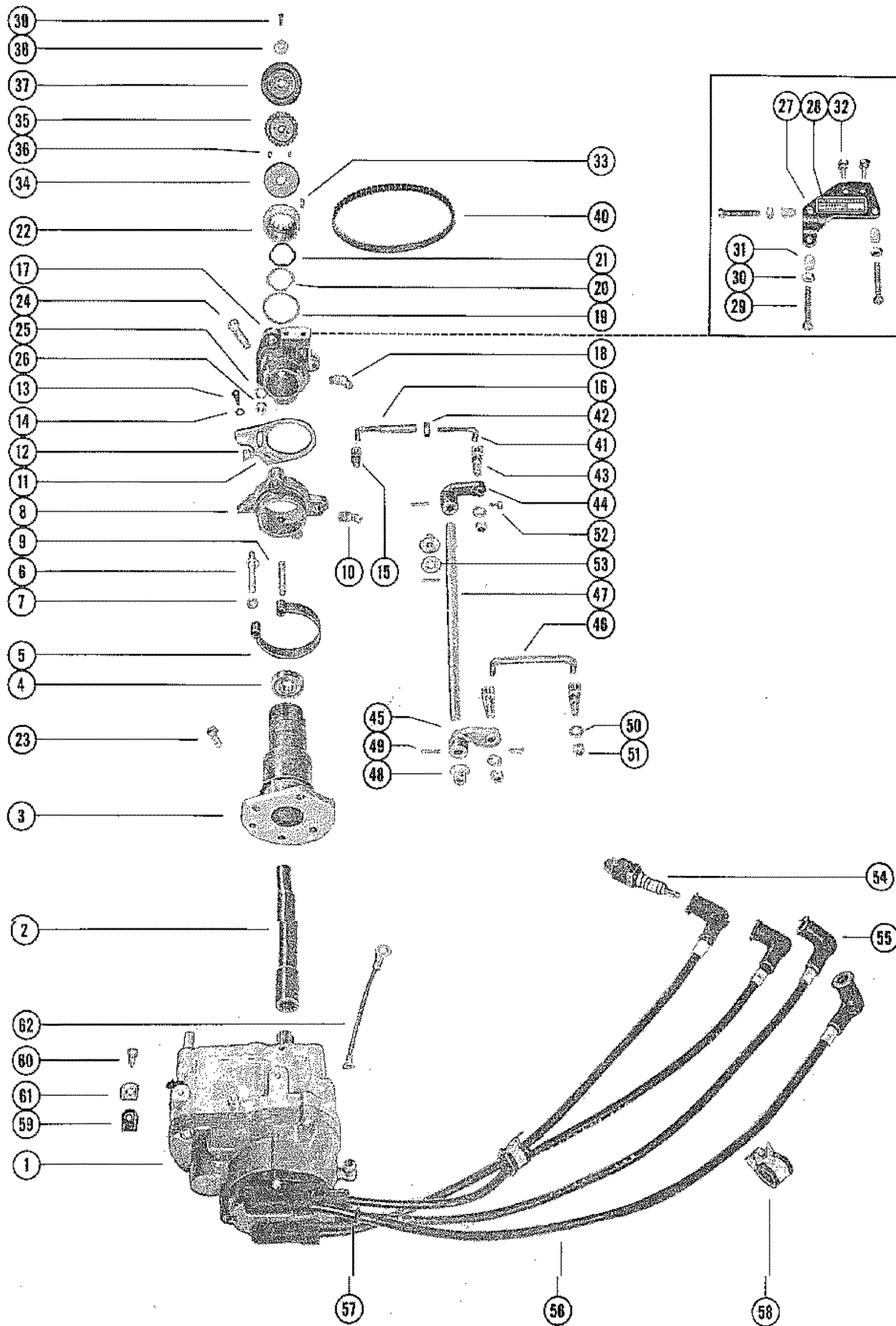
4261

MAGNETO ADAPTOR AND PILOT ASSEMBLY

REF. NO.	PART NO.	SYM.	QTY.	DESCRIPTION
1	394-1652A1		1,1,1,1	MAGNETO ASSEMBLY, COMPLETE (4D-3)
2	45-27951		1,1,1,1	SHAFT, MAGNETO DRIVE
-	29321A7		1,1,1,1	MAGNETO ADAPTOR AND PILOT ASSEMBLY, COMPLETE
3	29321A1		1,1,1,1	MAGNETO PILOT ASSEMBLY
4	30-20066		1,1,1,1	BEARING, BALL - MAGNETO PILOT
5	24-27944		1,1,1,1	SPRING, HORSESHOE - MAGNETO PILOT
6	17-27962		1,1,1,1	PIN, ANCHOR - HORSESHOE SPRING TO PILOT
7	12-29245		1,1,1,1	WASHER, HORSESHOE SPRING TO ANCHOR PIN
8	27946A1		1,1,1,1	ECONOMISER COLLAR AND PIN ASSEMBLY
9	17-27961		1,1,1,1	PIN, ECONOMISER COLLAR - SPRING RETAINER
10	22-25094		1,1,1,1	FITTING, GREASE - ECONOMISER COLLAR
11	29557A1		1,1,1,1	THROTTLE ACTUATOR ASSEMBLY
12	23-26602		1,1,1,1	BUSHING, NYLON - THROTTLE ACTUATOR
13	10-20665		2,2,2,2	SCREW, THROTTLE ACTUATOR TO ECONOMISER COLLAR
14	12-20128		2,2,2,2	WASHER, THROTTLE ACTUATOR SCREW
15	27947		1,1,1,1	SWIVEL, LINKAGE - ECONOMISER COLLAR
16	25996A1		1,1,1,1	SWIVEL, AND LINK ROD ASSEMBLY
17	30043		1,1,1,1	ADAPTOR, MAGNETO
18	22-25094		1,1,1,1	FITTING, GREASE - MAGNETO ADAPTOR
19	12-27939		1,1,1,1	WASHER, MAGNETO PILOT
20	14-27960		1,1,1,1	TAB WASHER, ADAPTOR CAP FASTENING
21	13-27959		1,1,1,1	WASHER, WAVE - MAGNETO BALL BEARING TENSION
23	10-30110		4,4,4,4	SCREW, ADAPTOR AND PILOT TO MAGNETO
24	10-22040		3,3,3,3	SCREW, ADAPTOR AND PILOT TO CRANKCASE
25	12-20084		3,3,3,3	WASHER, ADAPTOR AND PILOT TO CRANKCASE SCREW
26	11-20083		3,3,3,3	NUT, ADAPTOR AND PILOT TO CRANKCASE SCREW
27	29277		1,1,1,1	PLATE, THROTTLE STOP
28	37-29315		1,1,1,1	DECAL, THROTTLE STOP PLATE (STOP ADJUSTMENTS)
39	10-24933		3,3,3,3	SCREW, THROTTLE STOP ADJUSTING
30	11-20088		3,3,3,3	NUT, THROTTLE STOP ADJUSTING SCREW
31	26852		3,3,3,3	CAP, NYLON - ADJUSTING SCREW
32	10-29197		2,2,2,2	SCREW, THROTTLE STOP PLATE TO ADAPTOR
33	28-28657		1,1,1,1	KEY, MAGNETO DRIVING
-	23-27957		1,1,1,1	SPACER, PULLEY TO MAGNETO ADAPTOR CAP (OLD STYLE)
-	24807		1,1,1,1	PULLEY, DRIVEN (OLD STYLE)
-	20136		1,1,1,1	FLANGE, DRIVEN PULLEY (OLD STYLE)
34	29784		1,1,1,1	HUB, DRIVEN PULLEY (NEW STYLE - SEE NOTE BELOW)
35	29783A1		1,1,1,1	DRIVEN PULLEY ASSEMBLY (NEW STYLE - SEE NOTE BELOW)
36	17-24873		2,2,2,2	ROLL PIN, FLANGE LOCATING (NEW STYLE - SEE NOTE BELOW)
37	29785		1,1,1,1	FLANGE, DRIVEN PULLEY (NEW STYLE - SEE NOTE BELOW)
38	12-20138		1,1,1,1	WASHER, PULLEY CLAMPING SCREW

CONTINUED ON NEXT PAGE ➡

MAGNETO ADAPTOR AND PILOT ASSEMBLY

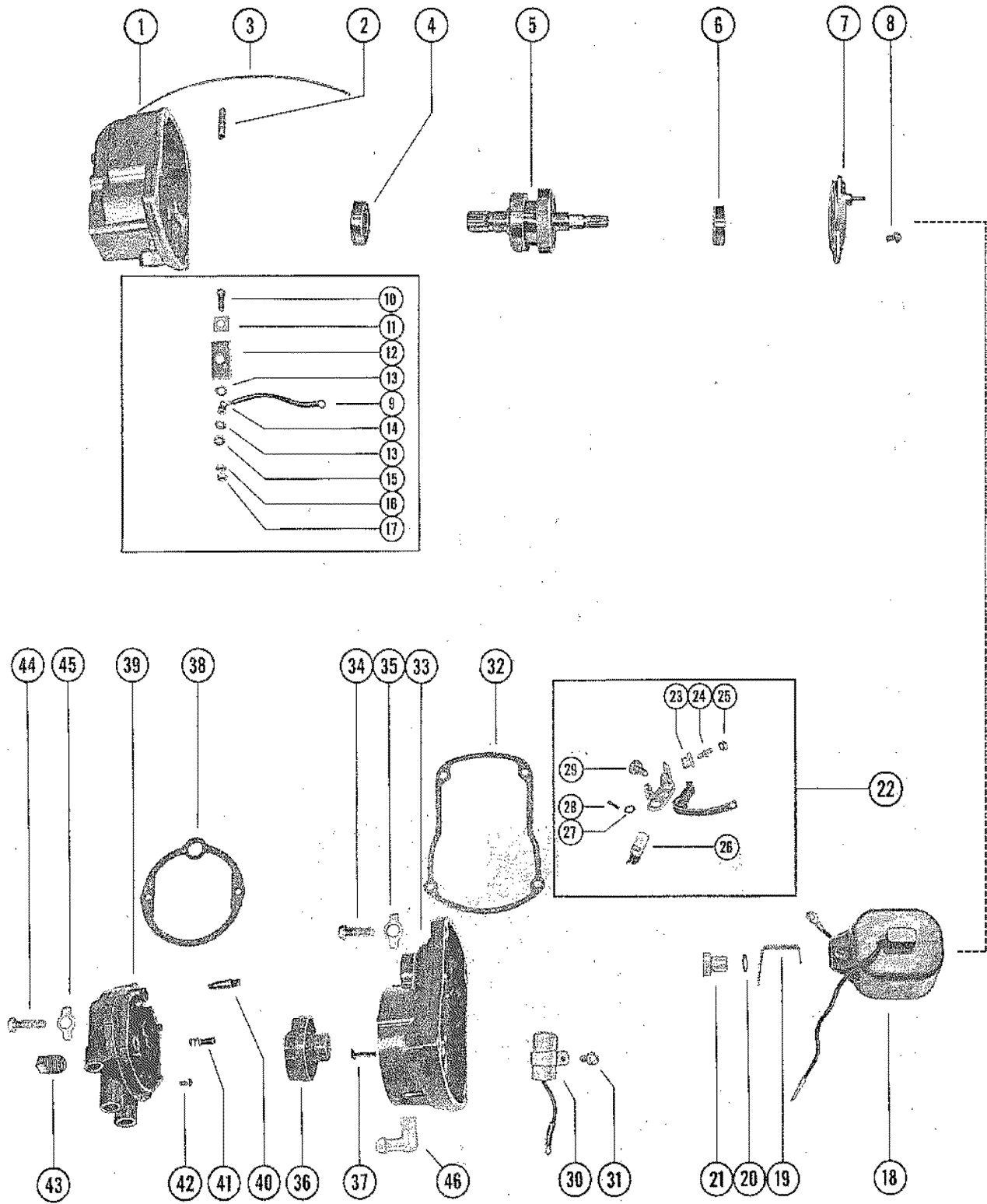


4261

MAGNETO ADAPTOR AND PILOT ASSEMBLY

REF. NO.	PART NO.	SYM.	QTY.	DESCRIPTION
39	10-29240		1,1,1,1	SCREW, PULLEY CLAMPING
40	20140		1,1,1,1	BELT, TIMING
41	27949		1,1,1,1	ROD, LINK - UPPER
42	11-25168		1,1,1,1	NUT, UPPER LINK ROD ADJUSTING
43	27948		3,3,3,3	SWIVEL, UPPER AND LOWER LINK RODS
44	28061		1,1,1,1	LEVER, LINKAGE - UPPER
45	27941		1,1,1,1	LEVER, LINKAGE - LOWER
46	F17950		1,1,1,1	ROD, LINK - LOWER
47	27940		1,1,1,1	SHAFT, VERTICAL
48	23-22981		2,2,2,2	BUSHING, NYLON - VERTICAL SHAFT
49	17-25870		3,3,3,3	ROLL PIN, VERTICAL SHAFT AND LINKAGE LEVERS
50	12-29245		3,3,3,3	WASHER, UPPER AND LOWER SWIVEL
51	11-20361		3,3,3,3	NUT, UPPER AND LOWER SWIVEL TO LEVER AND BRACKET
52	10-25781		2,2,2,2	SCREW, SET - LINKAGE LEVER
53	12-25866		1,1,1,1	WASHER, VERTICAL SHAFT - CENTER
54	33-20127		4,4,4,4	SPARK PLUG
55	20119		4,4,4,4	PROTECTOR, SPARK PLUG
57	25-25429		4,4,4,4	"O" RING, HIGH TENSION LEAD CABLE TO END CAP COVER
58	54-29425		2,2,2,2	CLIP, HIGH TENSION LEAD CABLE FASTENING
59	54-25231		2,2,2,2	CLIP, MERCURY SWITCH AND HARNESS LEADS TO MAGNETO
60	10-20401		2,2,2,2	SCREW, LEAD CLIP TO MAGNETO
61	22789		2,2,2,2	"D" WASHER, CLIP FASTENING SCREW
62	394-1134A1		1,1,1,1	GROUND STRAP ASSEMBLY, MAGNETO TO CRANKCASE

MAGNETO ASSEMBLY



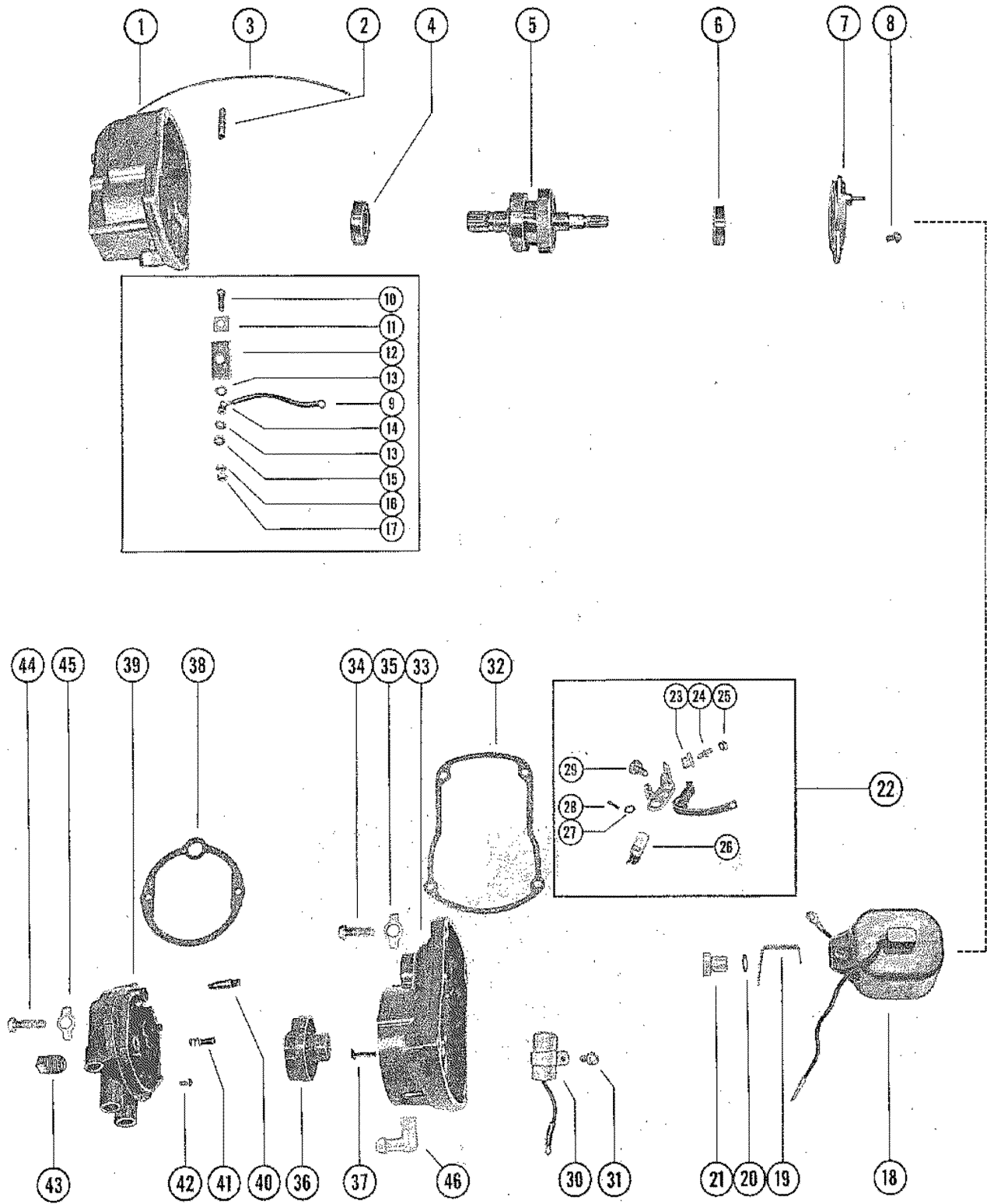
4261

MAGNETO ASSEMBLY

REF. NO.	PART NO.	SYM.	QTY.	DESCRIPTION
-	394-1652A1		1,1,1,1	MAGNETO ASSEMBLY, COMPLETE (4D-3)
1	394-1570		1,1,1,1	FRAME, MAGNETO HOUSING
2	10-25510		2,2,2,2	SCREW, SET - COIL BRIDGE
3	394-1051		1,1,1,1	LOCKWIRE, COIL BRIDGE SET SCREW
4	30-24998		1,1,1,1	BEARING, BALL (DRIVE END)
5	394-1067		1,1,1,1	MAGNETIC ROTOR AND SHAFT
6	30-24997		1,1,1,1	BEARING, BALL (OPPOSITE DRIVE END)
7	394-1637		1,1,1,1	SUPPORT, BALL BEARING
8	10-25509		3,3,3,3	SCREW AND LOCKWASHER, SUPPORT TO FRAME
9	394-1053A1		1,1,1,1	WIRE ASSEMBLY, PRIMARY GROUND LEAD
10	10-29182		1,1,1,1	SCREW, PRIMARY GROUND (#10)
11	12-30267		1,1,1,1	WASHER, PRIMARY GROUND TERMINAL HOLDING
12	394-1579		1,1,1,1	INSULATOR, PRIMARY GROUND TERMINAL
13	12-29099		1,1,1,1	WASHER, INSULATING - PRIMARY GROUND SCREW
14	23-29101		1,1,1,1	BUSHING, INSULATING - HOUSING FRAME
15	12-26014		1,1,1,1	WASHER, PRIMARY GROUND SCREW
16	11-24656		1,1,1,1	NUT, LOCK - PRIMARY GROUND SCREW
17	11-20645		1,1,1,1	NUT, PRIMARY GROUND SCREW
18	394-1128A1		1,1,1,1	COIL ASSEMBLY
19	394-1050		1,1,1,1	CLIP, COIL - HIGH TENSION
20	13-23836		1,1,1,1	LOCKWASHER, COIL TERMINAL
21	394-1131		1,1,1,1	NUT, COIL CLIP FASTENING
22	393-1504A6		1,1,1,1	BREAKER ASSEMBLY
23	393-1586		1,1,1,1	GROMMET, PLASTIC - BREAKER BRACKET
24	16-29230		1,1,1,1	STUD, PRIMARY LEAD AND TENSION SPRING FASTENING
25	11-29236		1,1,1,1	NUT, PRIMARY LEAD FASTENING
26	394-1106A1		1,1,1,1	HOLDER AND CAM WICK ASSMELBY
27	12-26439		1,1,1,1	WASHER, BREAKER PIVOT PIN
28	18-26953		1,1,1,1	COTTER PIN, BREAKER TO PIVOT PIN
29	10-20597		1,1,1,1	SCREW, BREAKER HOLDER TO HOUSING
30	394-1130		1,1,1,1	CONDENSER
31	10-25509		1,1,1,1	SCREW AND LOCKWASHER, CONDENSER FASTENING
32	27-29166		1,1,1,1	GASKET, MAGNETO COVER
33	394-1577		1,1,1,1	COVER, MAGNETO
34	10-29418		4,4,4,4	SCREW, COVER TO FRAME
35	14-29157		4,4,4,4	TAB WASHER, COVER FASTENING SCREW
36	394-1671A1		1,1,1,1	MAGNETO ROTOR ASSEMBLY
37	394-1110		1,1,1,1	CLIP, SPRING
38	27-25725		1,1,1,1	GASKET, END CAP OVER
39	394-1561A1		1,1,1,1	END CAP COVER ASSEMBLY
40	394-1065A1		1,1,1,1	LEAD ASSEMBLY, HIGH TENSION
41	394-1056A1		1,1,1,1	BRUSH AND SPRING ASSEMBLY

CONTINUED ON NEXT PAGE ➡

MAGNETO ASSEMBLY

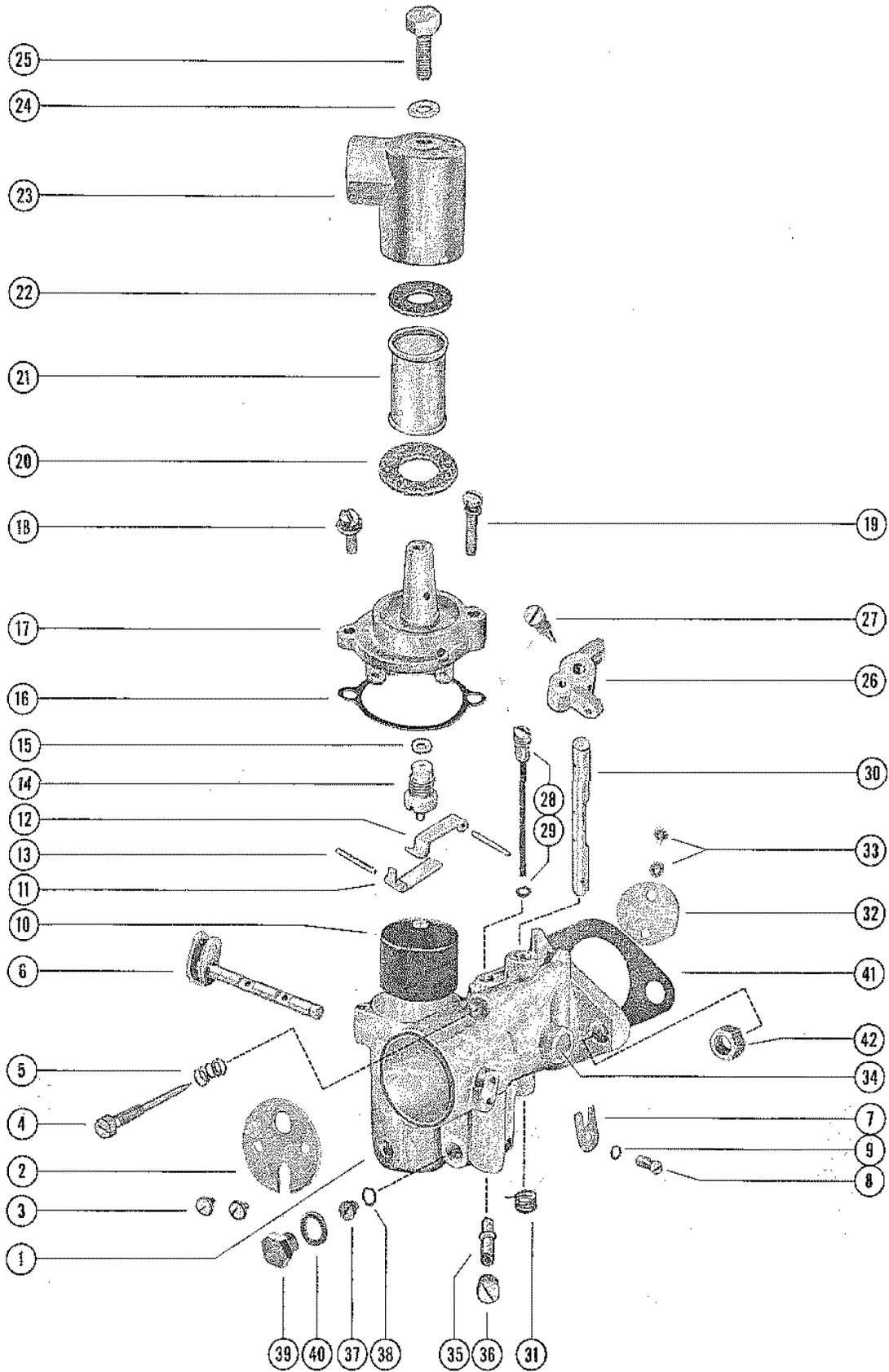


4261

MAGNETO ASSEMBLY

REF. NO.	PART NO.	SYM.	QTY.	DESCRIPTION
42	10-25517		4,4,4,4	SCREW, HIGH TENSION CABLE FASTENING
43	29121		1,1,1,1	PIPE PLUG, END CAP COVER
44	10-29418		2,2,2,2	SCREW, END CAP COVER TO MAGNETO COVER
45	14-29157		2,2,2,2	TAB WASHER, COVER FASTENING SCREW
46	22-25885		1,1,1,1	ELBOW, PLASTIC - MAGNETO COVER VENT

CARBURETOR ASSEMBLY



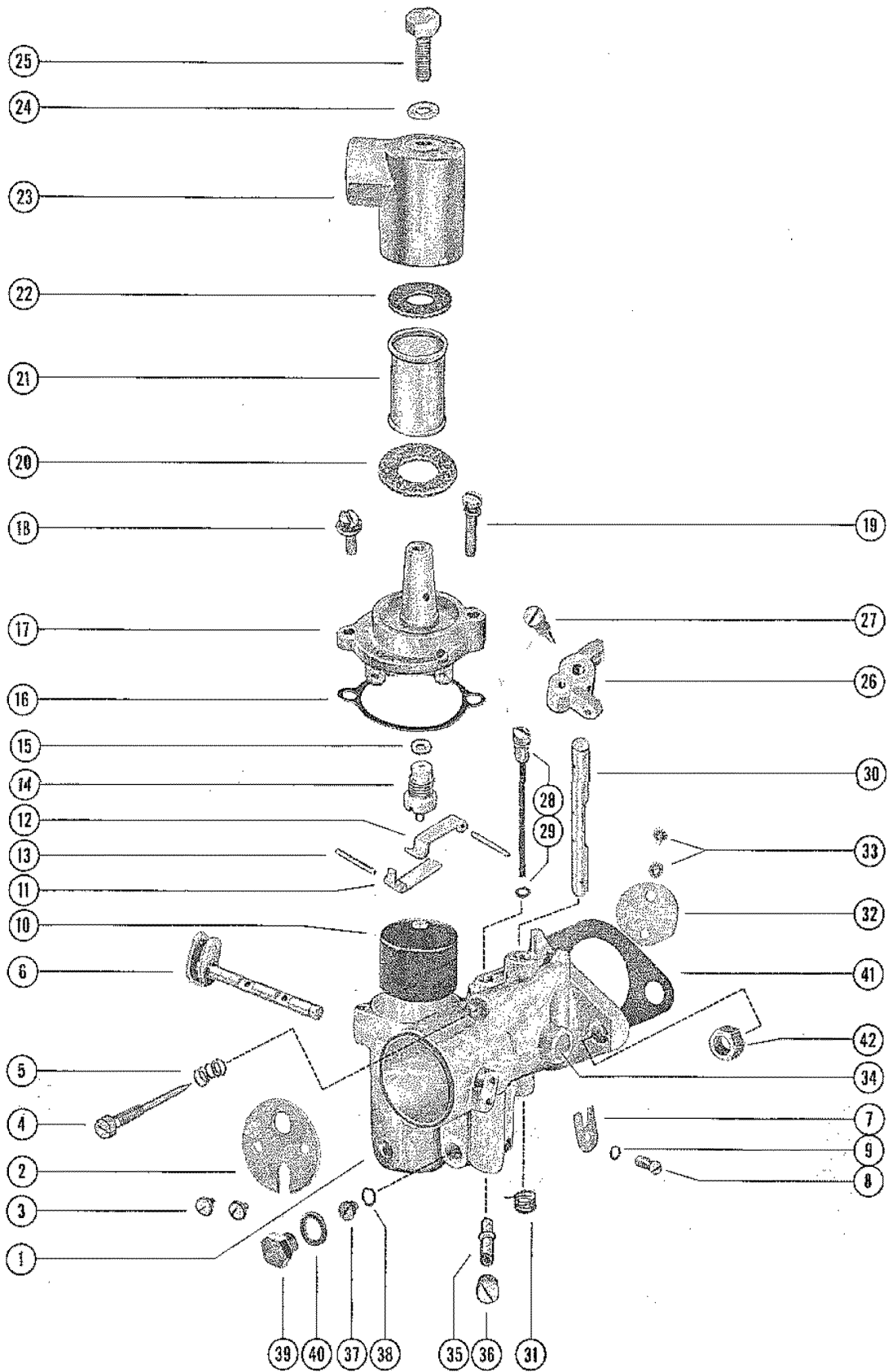
4261

CARBURETOR ASSEMBLY

REF. NO.	PART NO.	SYM.	QTY.	DESCRIPTION
1	1333-1387		2,,	CARBURETOR ASSEMBLY, COMPLETE (KA-2A) SERIAL 00000000-01307410
	1333-1700		,2,2,2	CARBURETOR ASSEMBLY, COMPLETE (KA-9A) SERIAL)1307411-09999999
2	1399-1470		2,2,2,2	SHUTTER, CHOKE
3	10-23035		4,4,4,4	SCREW AND LOCKWASHER, CHOKE SHUTTER
4	1399-1629		2,2,2,2	SCREW, IDLE ADJUSTMENT
5	24-27160		2,2,2,2	SPRING, IDLE ADJUSTMENT SCREW
6	1399-1469		2,2,2,2	CHOKE SHAFT AND LEVER
7	54-28407		2,2,2,2	CLIP, CHOKE SHAFT RETAINING
8	10-28408		2,2,2,2	SCREW, RETAINING CLIP TO LOWER CARBURETOR
9	13-26995		2,2,2,2	LOCKWASHER, RETAINING CLIP SCREW
10	1399-110A1		2,2,2,2	FLOAT ASSEMBLY
11	1399-102		2,2,2,2	LEVER, FLOAT (LOWER)
12	1399-101		2,2,2,2	LEVER, FLOAT (UPPER)
13	17-20853		4,4,4,4	PIN, FLOAT LEVER PINION
14	1399-1473		2,2,2,2	INLET NEEDLE, SEAT AND GASKET
15	27-25033		2,2,2,2	GASKET, INLET SEAT
16	1399-99		2,2,2,2	GASKET, FLOAT BOWL COVER
17	1399-1133		2,2,2,2	COVER, FLOAT BOWL
18	10-20854		2,2,2,2	SCREW, FLOAT BOWL COVER (SHORT)
19	10-25850		2,2,2,2	SCREW, FLOAT BOWL COVER (LONG)
20	27-25851		2,2,2,2	GASKET, STRAINER COVER (LARGE)
21	1399-1754		2,2,2,2	SCREEN, FILTER
22	27-25849		2,2,2,2	GASKET, STRAINER COVER (SMALL)
23	1399-1135		2,2,2,2	COVER, STRAINER
24	27-25848		2,2,2,2	GASKET, STRAINER COVER SCREW
25	10-25822		2,2,2,2	SCREW, STRAINER COVER FASTENING
26	1399-97		1,1,1,1	LEVER, THROTTLE STOP (SEE NOTE BELOW)
27	10-20847		2,2,2,2	SCREW, THROTTLE STOP LEVER
28	1399-1472		2,,	TUBE, IDLE
	1399-1710		,2,2,2	TUBE, IDLE
29	27-23180		2,2,2,2	GASKET, IDLE TUBE
30	1399-1475		2,2,2,2	SHAFT, THROTTLE
31	24-20869		1,1,1,1	SPRING, THROTTLE SHAFT RETURN (UPPER CARBURETOR)
	24-26890		1,1,1,1	SPRING, THROTTLE SHAFT RETURN (LOWER CARBURETOR)
32	1399-1476		2,,	SHUTTER, THROTTLE
	1399-1711		,2,2,2	SHUTTER, THROTTLE
33	10-23035		4,4,4,4	SCREW AND LOCKWASHER, THROTTLE SHUTTER
34	19-20011		2,2,2,2	WELCH PLUG, BODY CHANNEL
35	1399-1474		2,2,2,2	NOZZLE, MIAN
36	10-23178		2,2,2,2	SCREW, PLUG - MAIN NOZZLE

CONTINUED ON NEXT PAGE ➡

CARBURETOR ASSEMBLY

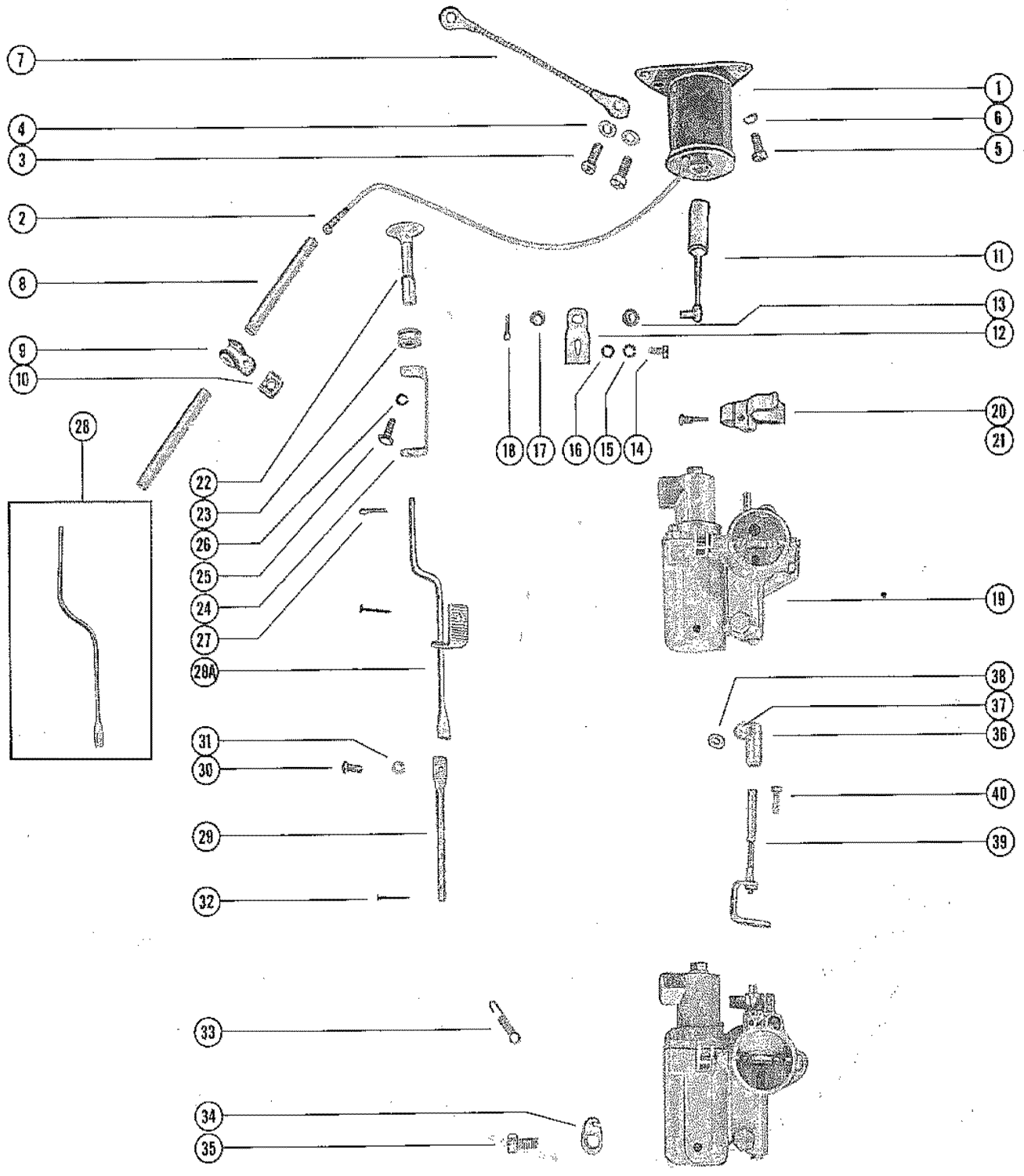


4261

CARBURETOR ASSEMBLY

REF. NO.	PART NO.	SYM.	QTY.	DESCRIPTION
37	1399-1655		,2,2,2	JET, MAIN FUEL (.055)
	1399-1457		OPT,OPT,OP	JET, MAIN FUEL (.057)
	1399-1459		OPT.,OPT.,	JET, MAIN FUEL (.059)
	1399-1461		OPT,,,	JET, MAIN FUEL (.061)
	1399-1461		2,2,2,2	JET, MAIN FUEL (.061)
	1399-1463		2,,,	JET, MAIN FUEL (.063)
	1399-1463		OPT,,,	JET, MAIN FUEL (.063)
	1399-1465		OPT,,,	JET, MAIN FUEL (.065)
	1399-1467		OPT,,,	JET, MAIN FUEL (.067(
38	27-28409		2,2,2,2	GASKET, MAIN FUEL JET
39	10-28405		2,2,2,2	SCREW, PLUG - BODY CHANNEL
40	27-28406		2,2,2,2	GASKET, BODY CHANNEL PLUG SCREW
-	1399-1477		2,2,2,2	GASKET AND PACKING SET (1 PER CARBURETOR)
-	1399-1478		2,,,	REPAIR PARTS KIT (1 PER CARBURETOR)
-	1399-1712		,2,2,2	REPAIR PARTS KIT (1 PER CARBURETOR)
41	27-26891		2,2,2,2	GASKET, CARBURETOR FLANGE
42	11-29250		4,4,4,4	NUT, CARBURETOR MOUNTING STUD

CARBURETOR LINKAGE AND CHOKE SOLENOID

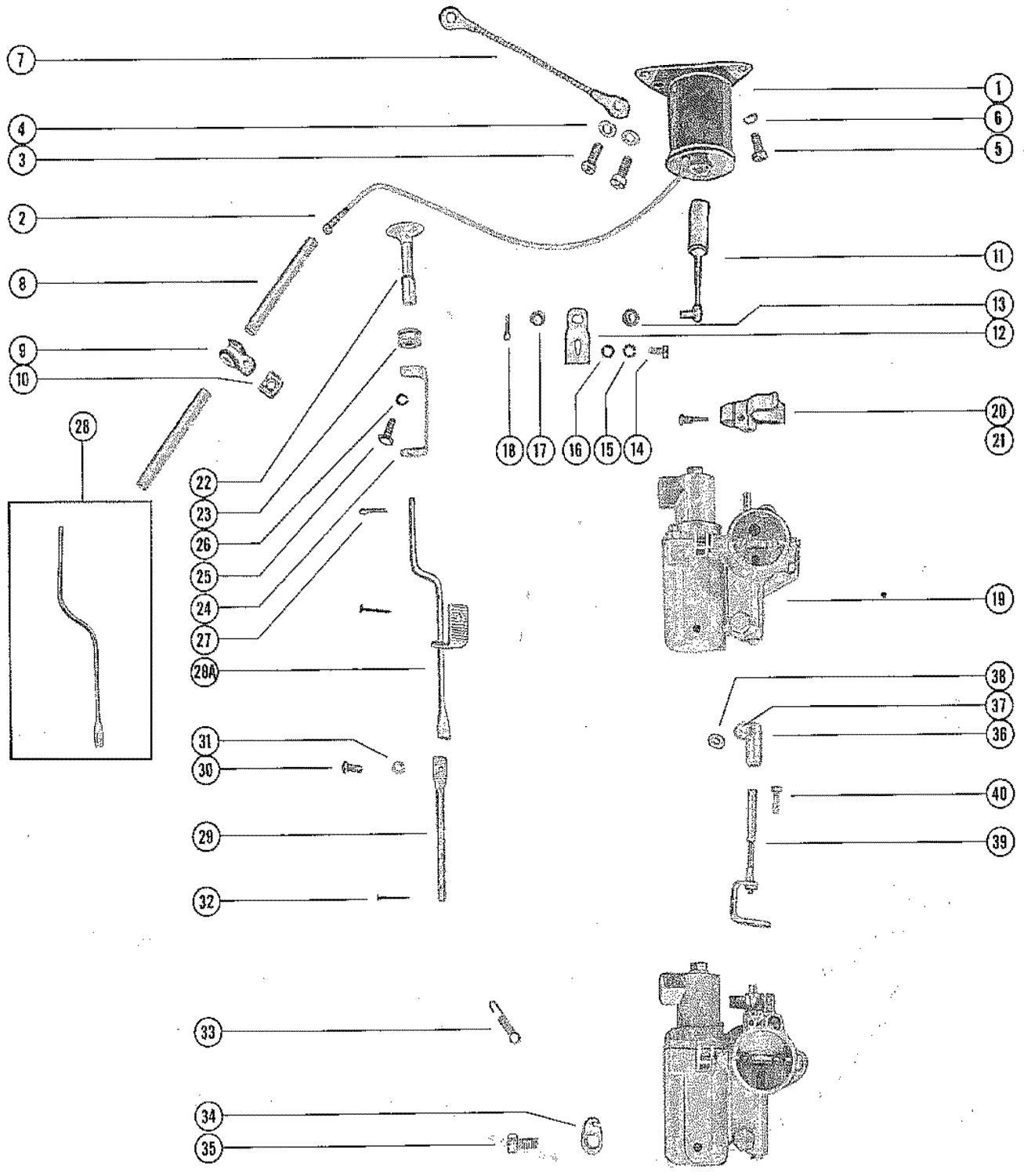


CARBURETOR LINKAGE AND CHOKE SOLENOID

REF. NO.	PART NO.	SYM.	QTY.	DESCRIPTION
1	27921		,1,,1	CHOKE SOLENOID, TOP COWL
2	22647		,1,,1	DISCONNECT, KNIFE SPLICE - CHOKE SOLENOID
3	10-20540		,2,,2	SCREW, CHOKE SOLENOID TO TOP COWL
4	13-26992		,2,,2	LOCKWASHER, CHOKE SOLENOID SCREW
5	10-24773		,1,,1	SCREW, CHOKE SOLENOID TO TOP COWL
6	13-26991		,1,,1	LOCKWASHER, CHOKE SOLENOID SCREW
7	26716A1		,1,,1	GROUND STRAP ASSEMBLY, CHOKE SOLENOID TO ADAPTOR
8	32-26693		,2,,2	SLEEVE, CHOKE SOLENOID WIRE AND HARNESS WIRE
9	54-24836		,1,,1	CLAMP, CHOKE WIRE TO STARTER SOLENOID
10	22789		,1,,1	"D" WASHER, CHOKE WIRE CLAMP
11	27031A1		,1,,1	PLUNGER ASSEMBLY, CHOKE SOLENOID
12	27710		,1,,1	ADAPTOR PLATE, CHOKE PLUNGER
13	25-26633		,1,,1	GROMMET, ADAPTOR PLATE
14	10-20055		,1,,1	SCREW, ADAPTOR PLATE TO CHOKE ROD BRACKET
15	13-26996		,1,,1	LOCKWASHER, ADAPTOR PLATE FASTENING SCREW
16	12-26014		,1,,1	WASHER, ADAPTOR PLATE FASTENING SCREW
17	12-26014		,1,,1	WASHER, CHOKE SOLENOID LINK
18	18-26953		,1,,1	COTTER PIN, CHOKE SOLENOID LINK FASTENING
19	333-1387		2,2,,	CARBURETOR ASSEMBLY, COMPLETE SERIAL 00000000-01307410
	33-1700		2,2,2,2	CARBURETOR ASSEMBLY, COMPLETE SERIAL 01307411-09999999
20	27917		1,1,1,1	CLUSTER, THROTTLE LEVER (UPPER CARBURETOR)
21	10-20847		1,1,1,1	SCREW, SET - CLUSTER TO THROTTLE LEVER
22	20663		1,,1	KNOB, CHOKE ROD
	22463		,1,,1	KNOB, CHOKE ROD
23	25-20116		1,1,1,1	GROMMET, CHOKE ROD
24	22462		,1,,1	"U" LINK, CHOKE KNOB TO CHOKE ROD
25	10-20100		,1,,1	SCREW, "U" LINK TO CHOKE KNOB
26	13-26996		,1,,1	LOCKWASHER, "U" LINK FASTENING SCREW
27	18-26953		,1,,1	COTTER PIN, CHOKE LEVER AND ROD FASTENING
28	28977		1,,1	CHOKE ROD - UPPER
28A	28972A1		,1,,1	CHOKE ROD AND BRACKET ASSEMBLY - UPPER
29	27918		1,1,1,1	CHOKE ROD - LOWER
30	10-30096		1,1,1,1	SCREW, UPPER CHOKE ROD TO LOWER CHOKE ROD
31	12-27882		1,1,1,1	WASHER, UPPER CHOKE ROD FASTENING SCREW
32	17-25391		2,2,2,2	RIVET, CHOKE ROD TO THROTTLE SHAFT
33	24-20649		1,,1	SPRING, CHOKE ROD TO RETAINER
	24-28965		,1,,1	SPRING, CHOKE ROD TO RETAINER
34	28651		1,,1	RETAINER, CHOKE RED SPRING
	27711		,1,,1	RETAINER, CHOKE ROD SPRING
35	10-28713		1,1,1,1	SCREW, RETAINER TO LOWER CARBURETOR

CONTINUED ON NEXT PAGE ➡

CARBURETOR LINKAGE AND CHOKE SOLENOID



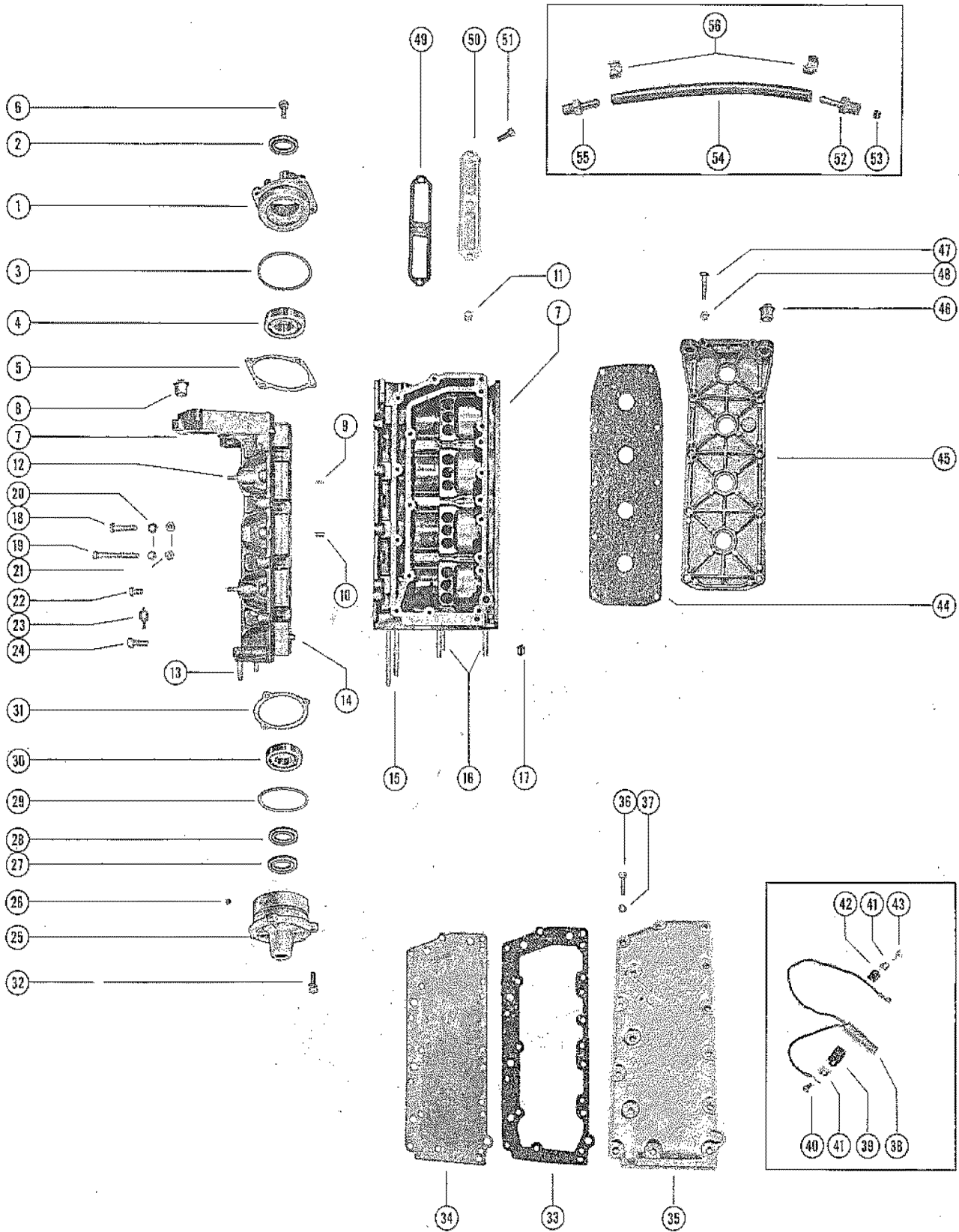
CARBURETOR LINKAGE AND CHOKE SOLENOID

REF. NO.	PART NO.	SYM.	QTY.	DESCRIPTION
36	27870		1,1,1,1	CLAMP, THROTTLE PICKUP BRACKET
37	10-20100		1,1,1,1	SCREW, CLAMP TO THROTTLE PICKUP BRACKET
38	12-30164		1,1,1,1	WAHSER, THROTTLE PICKUP BRACKET CLAMPING SCREW
39	28007A1		1,1,1,1	BRACKET ASSEMBLY, THROTTLE PICKUP
40	10-29239		1,1,1,1	SCREW, THROTTLE BRACKET MOUNTING

FUEL PUMP ASSEMBLY

REF. NO.	PART NO.	SYM.	QTY.	DESCRIPTION
1	29178A2		1,1,,	FUEL PUMP ASSEMBLY SERIAL 00000000-01362197
2	27-23005		2,2,,	GASKET, CHECK VALVE TO HOUSING
3	21-20963		2,2,,	VALVE, CHECK
4	23004		1,1,,	RETAINER, CHECK VALVE
5	10-20037		2,2,,	SCREW, RETAINER TO HOUSING
6	27-24863		2,2,,	GASKET, FUEL PUMP
7	23014		1,1,,	DIAPHRAGM, FUEL PUMP
-	22-29380		1,1,,	PLUG, PIPE - FUEL PUMP
1	30269A2		1,1,1,1	FUEL PUMP ASSEMBLY SERIAL 01362198-09999999
2	27-23005		2,2,2,2	GASKET, CHECK VALVE TO HOUSING
3	21-30430		2,2,2,2	VALVE, CHECK
4	23004		1,1,1,1	RETAINER, CHECK VALVE
5	10-20037		2,2,2,2	SCREW, RETAINER TO HOUSING
6	27-24863		2,2,2,2	GASKET, FUEL PUMP
7	23014		1,1,1,1	DIAPHRAGM, FUEL PUMP
8	23008		1,1,1,1	COVER, FUEL PUMP
9	27-30276		1,1,1,1	GASKET, FUEL PUMP COVER
10	10-29126		2,2,2,2	SCREW, FUEL PUMP MOUNTING (1 3/4")
11	10-29029		1,1,1,1	SCREW, FUEL PUMP MOUNTING (1 1/2")
12	22-22949		1,1,1,1	CONNECTOR, PUMP INLET TO FUEL LINE
13	22-22946		1,1,1,1	SLEEVE, RUBBER - CONNECTOR
14	11-22948		1,1,1,1	NUT, CONNECTOR TO FUELK LINE
15	32-30035		1,1,1,1	FUEL LINE, FUEL PUMP TO LOWER FILTER
16	22-22995		1,1,1,1	ELBOW, FUEL PUMP INLET
17	22-22946		1,1,1,1	SLEEVE, RUBBER
18	11-22948		1,1,1,1	NUT, ELBOW
19	32-30036		1,1,1,1	FUEL LINE, FUEL PUMP TO ADAPTOR
20	22833		1,1,1,1	ADAPTOR, CHECK UNIT (FUEL LINE)
21	23069		1,1,1,1	STEM, CHECK UNIT ADAPTOR
22	25-20415		1,1,1,1	"O" RING, ADAPTOR STEM
23	24-23067		1,1,1,1	SPRING, ADAPTOR STEM
24	23068		1,1,1,1	CUP WASHER, ADAPTOR
25	10-20784		2,2,2,2	SCREW, ADAPTOR TO BOTTOM COWL
26	11-24652		2,2,2,2	NUT, ADAPTOR SCREW
-	22-25443		1,1,,	ELBOW, UPPER FILTER TO FUEL LINE USE WITH 29178A2 FUEL PUMP
-	32-29194		1,1,,	FUEL LINE, UPPER TO LOWER FILTER USE WITH 29178A2 FUEL PUMP
27	32-30038		1,1,1,1	FUEL LINE, UPPER TO LOWER FILTER (USE WITH 30269A2 FUEL PUMP)
28	22-25956		1,1,1,1	TEE ASSEMBLY, LOWER FILTER (USE WITH 30269A2 FUEL PUMP)

CYLINDER BLOCK AND CRANKCASE ASSEMBLY

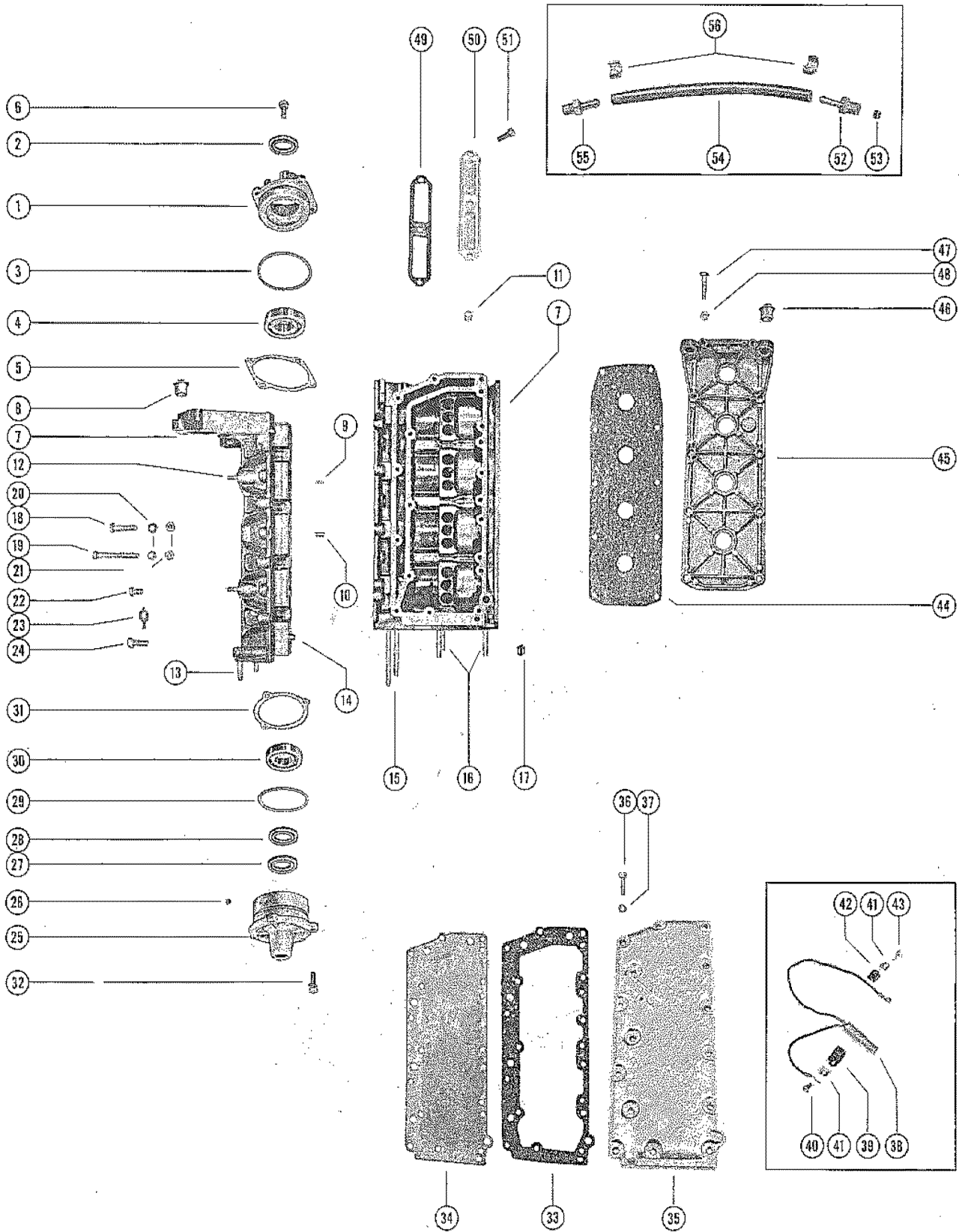


CYLINDER BLOCK AND CRANKCASE ASSEMBLY

REF. NO.	PART NO.	SYM.	QTY.	DESCRIPTION
1	100-339A1		1,1,1,1	END CAP ASSEMBLY, UPPER
2	26-29476		1,1,1,1	OIL SEAL
3	25-20081		1,1,1,1	"O" RING, UPPER END CAP
4	30-20080		1,1,1,1	BALL BEARING, UPPER END CAP
5	15-20082A1		AR,AR,AR,A	SHIM, UPPER END CAP TO CRANKCASE AND BLOCK (.002-3-5-10)
6	10-29198		4,4,4,4	SCREW, UPPER END CAP MOUNTING
7	31-1410A4		1,1,1,1	CYLINDER BLOCK AND CRANKCASE ASSEMBLY (SEE NOTE BELOW)
8	23-26348		2,2,2,2	BUSHING, CRANKCASE
9	17-20032		2,2,2,2	DOWEL PIN, CYLINDER BLOCK TO MAIN BEARING
10	17-20323		1,1,1,1	DOWEL PIN, CYLINDER BLOCK TO CENTER MAIN BEARING
11	22-30139		1,1,1,1	PLUG, PIPE - WATER PRESSURE HOLE
12	16-21831		4,4,4,4	STUD, CARBURETOR MOUNTING (1 1/4")
13	16-29988		2,2,2,2	STUD, CRANKCASE TO DRIVE SHAFT HOUSING (1 5/8")
14	17-20033		2,2,2,2	DOWEL PIN, CRANKCASE TO CYLINDER BLOCK
15	16-29990		2,2,2,2	STUD, CYLINDER BLOCK TO DRIVE SHAFT HOUSING (3 7/16")
16	16-29989		4,4,4,4	STUD, CYLINDER BLOCK TO DRIVE SHAFT HOUSING (1 15/16")
17	22-21290		1,1,1,1	PLUG, PIPE - UPPER OR LOWER BLEED HOLE
18	10-22040		14,14,14,1	SCREW, CRANKCASE TO CYLINDER BLOCK (1 1/2")
19	10-22039		4,4,4,4	SCREW, CRANKCASE TO CYLINDER BLOCK (2 3/4")
20	12-20084		2,2,2,2	WASHER, CRANKCASE SCREW
21	11-29250		18,18,18,1	NUT, CRANKCASE FASTENING SCREW
22	10-20089		2,2,,	SCREW, MAIN BEARING LOCKING
	10-26801		,,2,2	SCREW, MAIN BEARING LOCKING
23	14-20091		3,3,3,3	TAB WASHER, BEARING LOCKING SCREW
24	10-20359		1,1,1,1	SCREW, CENTER MAIN BEARING LOCKING
25	02-1484A1		1,1,1,1	END CAP ASSEMBLY, LOWER
26	21-28481A1		1,1,1,1	CHECK VALVE ASSEMBLY, LOWER END CAP
27	26-29477		1,1,1,1	OIL SEAL, LOWER
28	26-29476		1,1,1,1	OIL SEAL, UPPER
29	25-20081		1,1,1,1	"O" RING, LOWER END CAP
30	30-20080		1,1,1,1	BALL BEARING, LOWER END CAP
31	15-20085A1		AR,AR,AR,A	SHIM, LOWER END CAP TO CRANKCASE AND BLOCK (.002-3-5-10)
32	10-29198		3,3,3,3	SCREW, LOWER END CAP MOUNTING
33	27-26923		1,1,1,1	GASKET, CYLINDER BLOCK TO MANIFOLD PLATE
34	26922		1,1,1,1	PLATE, EXHAUST MANIFOLD
33	27-26923		1,1,1,1	GASKET, MANIFOLD PLATE TO EXHAUST COVER
35	28240		1,1,1,1	COVER, EXHAUST MANIFOLD
36	10-28668		13,13,13,1	SCREW, MANIFOLD COVER TO CYLINDER BLOCK

CONTINUED ON NEXT PAGE ➡

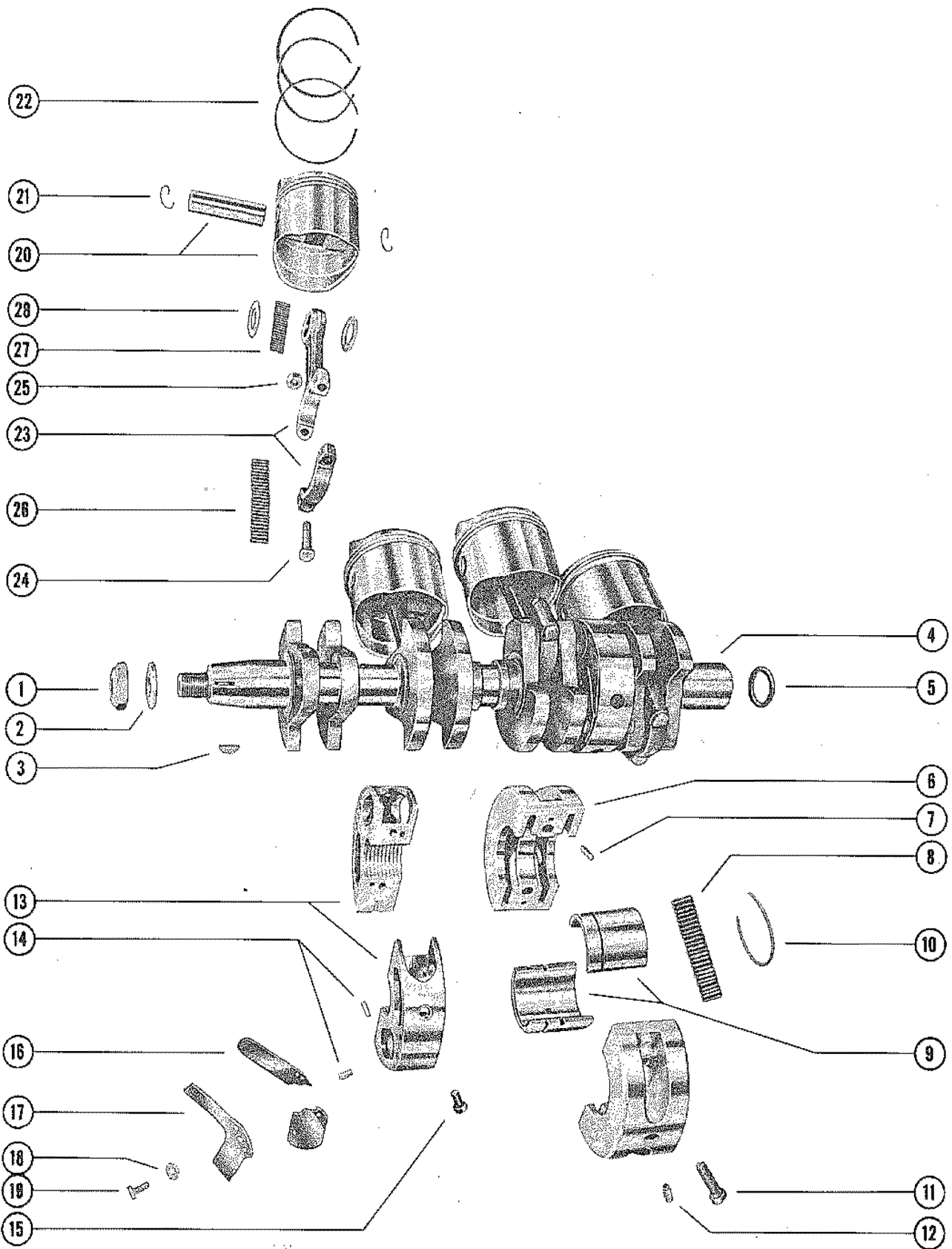
CYLINDER BLOCK AND CRANKCASE ASSEMBLY



CYLINDER BLOCK AND CRANKCASE ASSEMBLY

REF. NO.	PART NO.	SYM.	QTY.	DESCRIPTION
36	10-28666		2,2,2,2	SCREW, MANIFOLD COVER AND HIGH TENSION LEAD CLIP MOUNTING
37	12-20028		2,2,2,2	WASHER, MANIFOLD COVER AND HIGH TENSION LEAD CLIP SCREWS
38	28060		1,1,1,1	SWITCH, MERCURY EXHAUST MANIFOLD COVER
39	54-22875		1,1,1,1	CLAMP, MERCURY SWITCH TO MANIFOLD COVER
40	10-20401		1,1,1,1	SCREW, MERCURY SWITCH CLAMP FASTENING
41	22789		2,2,2,2	"D" WASHER, CLAMP AND CLIP FASTENING SCREW
42	54-25231		1,1,1,1	CLIP, MERCURY SWITCH LEAD WIRE TO MAGNETO
43	10-20401		1,1,1,1	SCREW, LEAD WIRE CLIP FASTENING
44	27-22333		1,1,1,1	GASKET, CYLINDER BLOCK COVER
45	00-1A1		1,1,1,1	CYLINDER BLOCK COVER ASSEMBLY (SEE NOTE BELOW)
46	23-26348		2,2,2,2	BUSHING, CYLINDER BLOCK COVER
47	10-20653		10,10,10,1	SCREW, CYLINDER BLOCK COVER MOUNTING
48	11-24652		10,10,10,1	NUT, COVER MOUNTING SCREW
49	27-27936		2,2,2,2	GASKET, TRANSFER PORT COVER
50	27935		2,2,2,2	COVER, TRANSFER PORT
51	10-20540		6,6,6,6	SCREW, TRANSFER PORT COVER MOUNTING
52	21-28483A1		1,1,1,1	CHECK VALVE ASSEMBLY, BLEED HOSE (UPPER)
53	21-28481A1		1,1,1,1	CHECK VALVE ASSEMBLY, BLEED HOSE VALVE
54	32-28654		1,1,1,1	HOSE, CYLINDER BLEED (6 1/2")
55	22-20445		1,1,1,1	CONNECTOR, CYLINDER BLEED HOSE (LOWER)
56	54-20387		2,2,2,2	CLAMP, BLEED HOSE TO CHECK VALVE AND CONNECTOR

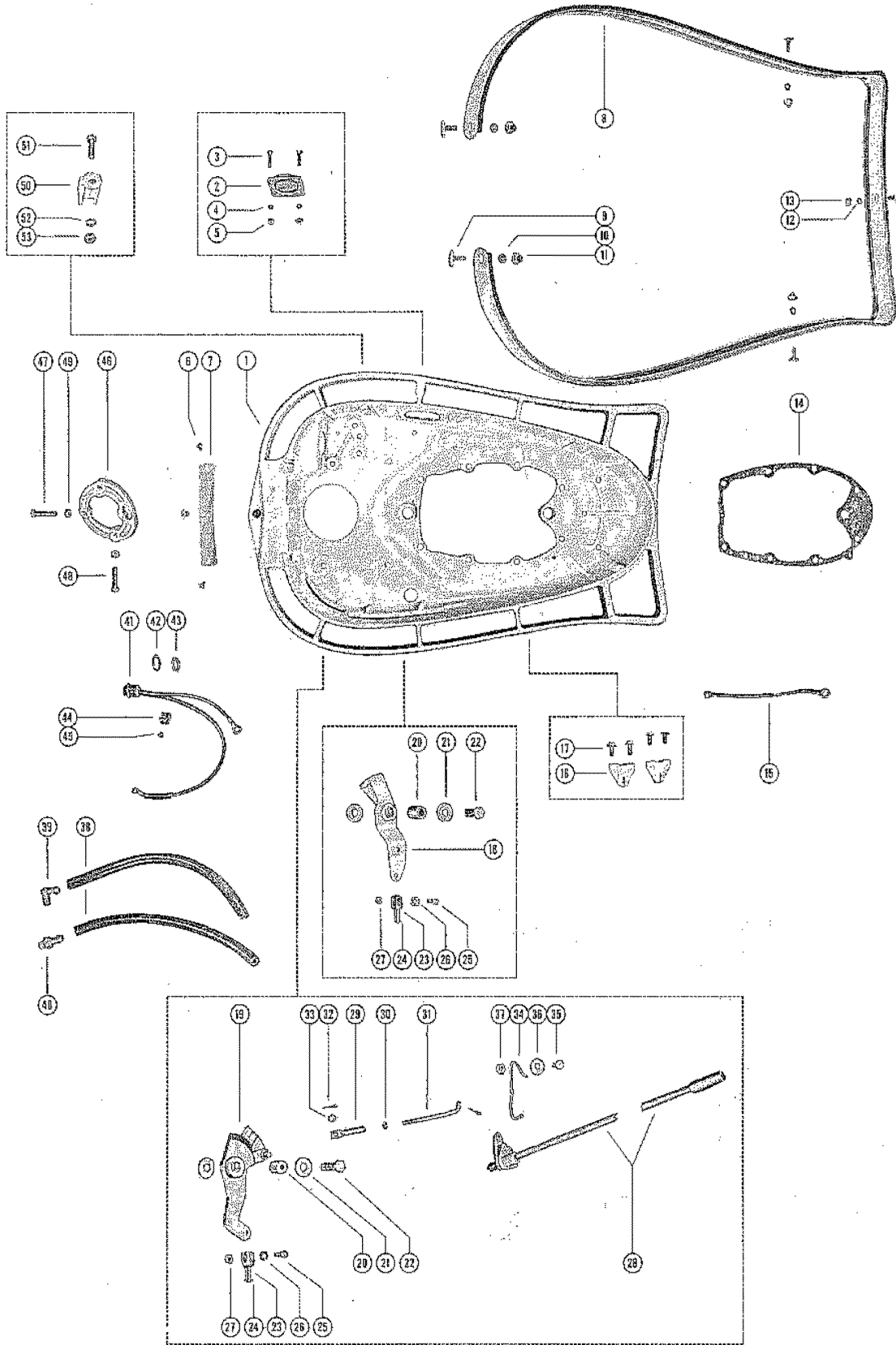
CRANKSHAFT, PISTON AND CONNECTING ROD



CRANKSHAFT, PISTON AND CONNECTING ROD

REF. NO.	PART NO.	SYM.	QTY.	DESCRIPTION
1	11-22339		1,1,1,1	NUT, FLYWHEEL
2	12-26617		1,1,1,1	WASHER, FLYWHEEL NUT
3	28-20094		1,1,1,1	KEY, FLYWHEEL DRIVE
4	400-1650		1,1,,	CRANKSHAFT SERIAL 00000000-01365967
	400-1730		1,1,1,1	CRANKSHAFT SERIAL 01365968-09999999
5	25-29619		1,1,1,1	"O" RING, DRIVE SHAFT SPLINE
6	500-1030A1		1,1,1,1	CENTER MAIN BEARING ASSEMBLY
7	17-20032		2,2,2,2	DOWEL PIN, CENTER MAIN BEARING
8	29-20046		56,56,,	BEARING, NEEDLE
	29-20046T		28,28,28,2	BEARING, NEEDLE
9	20047		1,1,1,1	RACE, OUTER
10	53-20048		1,1,1,1	RING, SNAP - OUTER RACE CLAMPING
11	10-20482		2,2,2,2	SCREW, CENTER MAIN BEARING CLAMPING
12	17-20379		1,1,1,1	DOWEL PIN (STEPPED)
13	526-1436A1		2,2,,	MAIN BEARING ASSEMBLY (VALVE TYPE)
14	17-20032		20,20,,	DOWEL PIN, MAIN BEARING
15	10-20049		4,4,,	SCREW, MAIN BEARING CLAMPING
13	527-1619A1		,,2,2	MAIN BEARING ASSEMBLY (VALVE TYPE)
14	17-20032		,,20,20	DOWEL PIN, MAIN BEARING
15	10-26184		,,4,4	SCREW, MAIN BEARING CLAMPING
-	11-24652		,,4,4	NUT, MAIN BEARING CLAMPING SCREW
16	34-20888		2,2,2,2	REED SET, MATCHED - MAIN BEARING
17	34-20053		8,8,8,8	REED STOP, MAIN BEARING REED VALVES
18	12-26014		8,8,,	WASHER, REED STOP MOUNTING SCREW
19	10-20055		8,8,,	SCREW, REED STOP MOUNTING
	10-29465		,,8,8	SCREW, REED STOP MOUNTING
-	11-29469		,,8,8	NUT, REED STOP MOUNTING SCREW
20	724-1631A2		4,4,4,4	PISTON AND PISTON PIN ASSEMBLY
21	40-20057		8,8,8,8	LOCK RING, PISTON PIN
22	39-27841		12,12,12,1	RING, PISTON
23	600-7A4		4,4,4,4	CONNECTING ROD AND CAP ASSEMBLY (SEE NOTE BELOW)
24	10-20060		8,8,8,8	SCREW, CAP TO CONNECTING ROD
25	11-20061		8,8,8,8	NUT, CONNECTING ROD SCREW
26	29-20046		100,100,10	BEARING, NEEDLE - CRANKPIN
27	29-20063		88,88,88,8	BEARING, NEEDLE - PISTON PIN
28	12-28121		8,8,8,8	WASHER, NEEDLE LOCATING
-	724-1663A1		4,4,4,4	PISTON AND PISTON PIN ASSEMBLY (.015)
-	39-28616		12,12,12,1	RING, PISTON (.015)

BOTTOM COWL ASSEMBLY



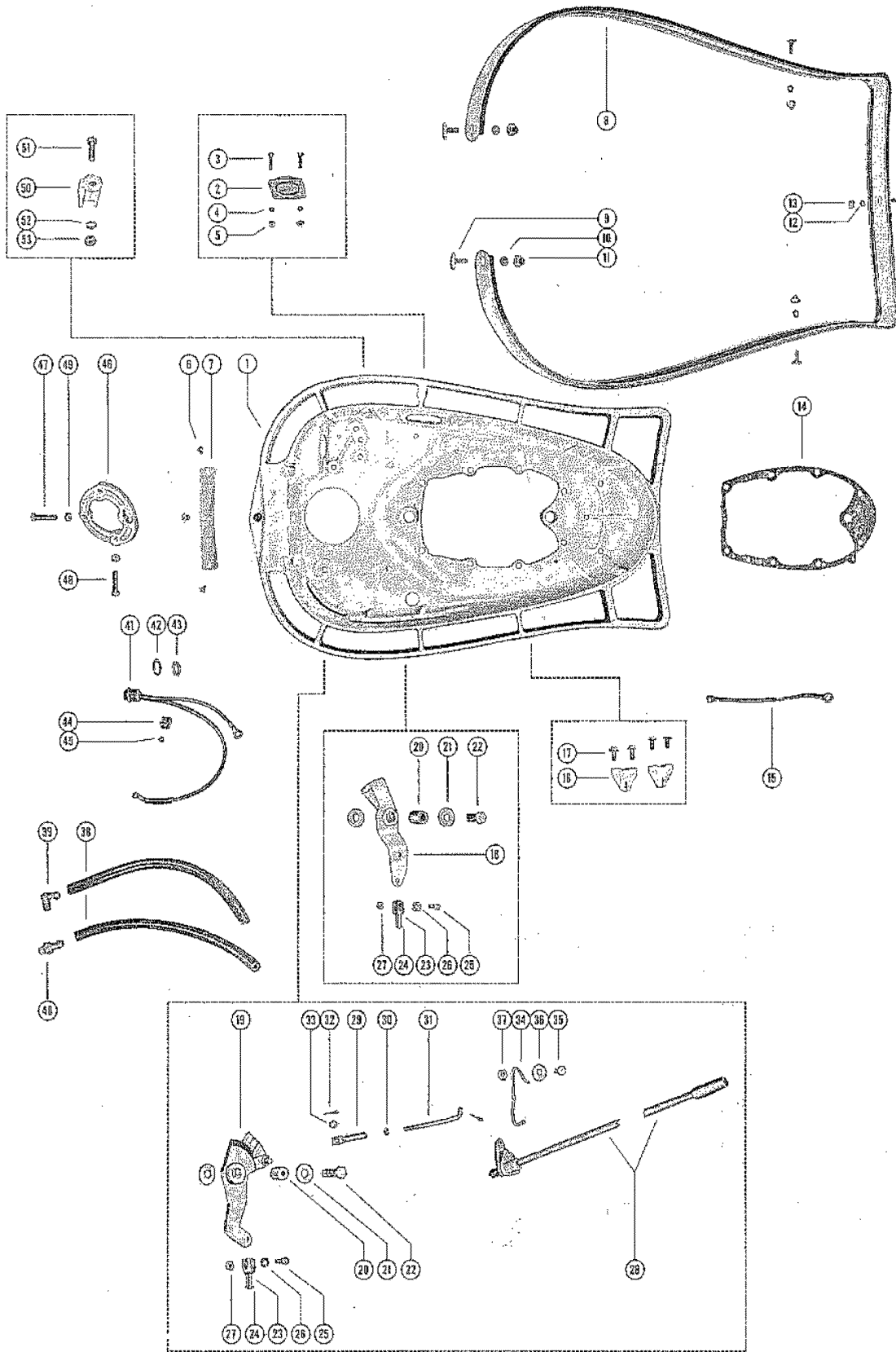
426

BOTTOM COWL ASSEMBLY

REF. NO.	PART NO.	SYM.	QTY.	DESCRIPTION
1	103-1597A3		1,1,,	BOTTOM COWL ASSEMBLY - NOT AS SHOWN
	103-1838A1		,,1,1	BOTTOM COWL ASSEMBLY
-	21041		1,1,,	INSERT, TOP LOCK - BOTTOM COWL
2	29206		1,,1,	COVER, PLUG - BOTTOM COWL HARNESS HOLE
	29206		0	COVER, PLUG - BOTTOM COWL HARNESS HOLE
3	10-26128		1,,1,	SCREW, PLUG COVER TO BOTTOM COWL
	10-45893		0	SCREW, PLUG COVER TO BOTTOM COWL
4	13-26995		4,,4,	LOCKWASHER, PLUG COVER FASTENING SCREW
	13-26995		0	LOCKWASHER, PLUG COVER FASTENING SCREW
5	11-26419		4,,4,	NUT, PLUG COVER FASTENING SCREW
	11-26419		0	NUT, PLUG COVER FASTENING SCREW
6	23760		1,1,1,1	BAFFLE, BOTTOM COWL
7	10-21106		3,3,3,3	SCREW, BAFFLE TO BOTTOM COWL
8	29229A1		1,1,1,1	TRIM MOULDING ASSEMBLY (CHROME) INCLUDED WITH 103-1597A3 BOTTOM COWL ASSEMBLY
9	10-29226		5,5,5,5	SCREW, DECORATIVE - MOULDING TO BOTTOM COWL INCLUDED WITH 103-1597A3 BOTTOM COWL ASSEMBLY
10	12-24671		4,4,4,4	WASHER, FIBRE - MOULDING FASTENING SCREW INCLUDED WITH 103-1597A3 BOTTOM COWL ASSEMBLY
11	11-29225		4,4,4,4	NUT, NYLON CAP - MOULDING FASTENING SCREW INCLUDED WITH 103-1597A3 BOTTOM COWL ASSEMBLY
12	13-26995		1,1,1,1	LOCKWASHER, MOULDING FASTENING SCREW INCLUDED WITH 103-1597A3 BOTTOM COWL ASSEMBLY
13	11-26419		1,1,1,1	NUT, BRASS - MOULDING FASTENING SCREW INCLUDED WITH 103-1597A3 BOTTOM COWL ASSEMBLY
14	27-20390		1,1,1,1	GASKET, POWERHEAD TO BOTTOM COWL
15	30109		1,1,1,1	GROUND STRAP, CYLINDER BLOCK TO BOTTOM COWL
16	20557		2,2,2,2	BRACKET, CABLE END ANCHOR
17	10-29200		4,4,4,4	SCREW, ANCHOR BRACKET TO BOTTOM COWL
18	29532		1,1,1,1	LEVER, THROTTLE CONTROL
19	29824		1,1,1,1	LEVER, SHIFT CONTROL
20	23-29529		2,2,2,2	BUSHING, THROTTLE AND SHIFT LEVER
21	12-29395		4,4,4,4	WASHER, THROTTLE AND SHIFT LEVER FASTENING SCREW
22	10-26632		2,2,2,2	SCREW, THROTTLE AND SHIFT LEVER FASTENING
23	17-30978A1		2,2,2,2	PIN ASSEMBLY, CLEVIS YOKE
24	17-23928		2,2,2,2	ROLL PIN, CLEVIS YOKE PIN
25	10-20584		2,2,2,2	SCREW, CLEVIS YOKE PIN TO LEVER
26	13-29402		2,2,2,2	WASHER, WAVE - CLEVIS PIN FASTENING SCREW
27	11-29488		2,2,2,2	NUT, CLEVIS PIN FASTENING SCREW
28	25180		1,1,1,1	SHIFT SHAFT ASSEMBLY, UPPER
29	27714		1,1,1,1	ROD (SLEEVE), SHIFT CONTROL END
30	11-25168		1,1,1,1	NUT, ADJUSTING - SHIFT SHAFT END
31	25134		1,1,1,1	ROD, LINK - SHIFT SHAFT END
32	18-20180		2,2,2,2	COTTER PIN, LINK ROD TO SHIFT SHAFT
33	12-20583		1,1,1,1	WASHER, SHIFT CONTROL END ROD

CONTINUED ON NEXT PAGE ➡

BOTTOM COWL ASSEMBLY

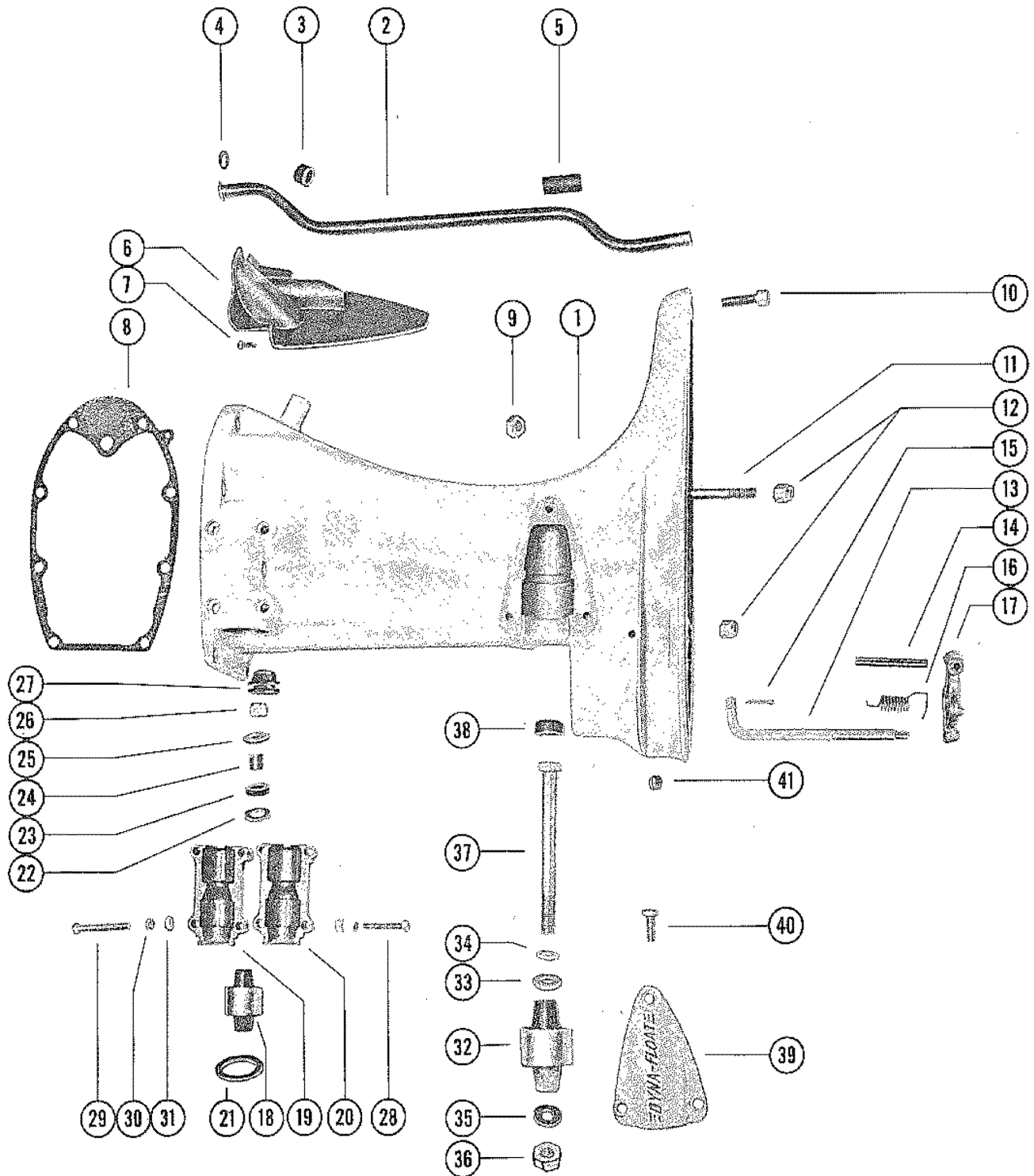


426

BOTTOM COWL ASSEMBLY

REF. NO.	PART NO.	SYM.	QTY.	DESCRIPTION
34	24-25065		1,1,1,1	SPRING, DETENT - SHIFT SHAFT
35	10-20776		1,1,1,1	SCREW, DETENT SPRING TO BOTTOM COWL
36	12-20346		1,1,1,1	WASHER, DETENT SPRING SCREW
37	11-20184		1,1,1,1	NUT, DETENT SPRING FASTENING SCREW
38	32-29164		2,2,2,2	TUBE, VENT - MAGNETO OUTLET (10 1/2")
39	22-25885		1,1,1,1	ELBOW, MAGNETO VENT TUBE
40	22-29111		1,1,1,1	NIPPLE, MAGNETO - VENT TUBE
41	21104A2		1,,1,	CONNECTOR BASE ASSEMBLY
42	13-21972		1,,1,	LOCKWASHER, CONNECTRO BASE
43	11-21971		1,,1,	NUT, CONNECTOR BASE TO BOTTOM COWL
44	54-25231		1,,1,	CLIP, CONNECTOR BASE LEAD WIRE
45	10-21106		1,,1,	SCREW, LEAD WIRE CLIP TO BOTTOM COWL
46	30999		,,1,1	BRACKET, LOCK KNOB - COWL FRONT COVER
47	10-21091		,,1,1	SCREW, BRACKET TO BOTTOM COWL (1 1/8")
-	12-28927		,,1,1	WASHER, BRACKET FASTENING SCREW
48	10-22421		,,2,2	SCREW, BRACKET TO BOTTOM COWL (1 1/4")
49	11-20184		,,3,3	NUT, BRACKET FASTENING SCREW
50	26552		,1,,1	SUPPORT, EXTERNAL WIRING HARNESS
51	10-20639		,1,,1	SCREW, HARNESS SUPPORT TO BOTTOM COWL
52	12-20084		,1,,1	WASHER, HARNESS SUPPORT FASTENING SCREW
53	11-29250		,1,,1	NUT, HARNESS SUPPORT FASTENING SCREW
-	38-28230		1,1,,	PLATE, TRADE MARK - BOTTOM COWL
-	53-25539		2,2,,	FASTNER, TRADE MARK PLATE TO BOTTOM COWL

DRIVE SHAFT HOUSING ASSEMBLY



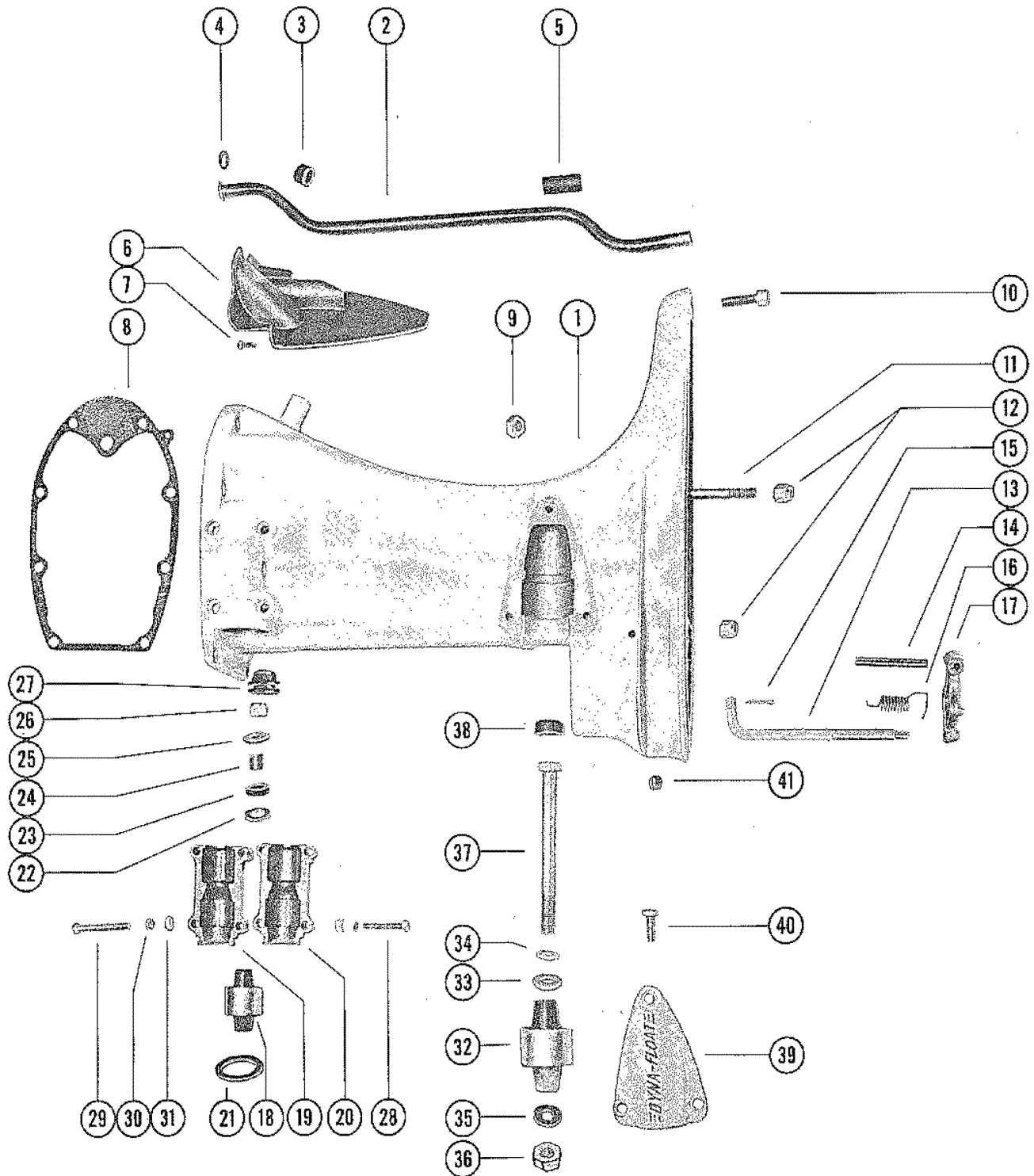
4261

DRIVE SHAFT HOUSING ASSEMBLY

REF. NO.	PART NO.	SYM.	QTY.	DESCRIPTION
1	1522-1567		1,1,1,1	DRIVE SHAFT HOUSING
2	32-25187		1,1,1,1	TUBE, WATER INLET
3	25-24961		1,1,1,1	RING, RUBBER - WATER INLET TUBE
4	26-25192		1,1,1,1	SEAL, WATER INLET TUBE
5	23-23651		1,1,1,1	SLEEVE, WATER INLET TUBE
6	24945		1,1,1,1	BAFFLE, EXHAUST RELIEF
7	10-25255		2,2,2,2	SCREW, BAFFLE TO DRIVE SHAFT HOUSING
8	27-24899		1,1,1,1	GASKET, DRIVE SHAFT HOUSING TO BOTTOM COWL
9	11-25594		8,8,8,8	NUT, POWERHEAD STUDS
10	10-25093		1,1,1,1	SCREW, GEAR HOUSING TO DRIVE SHAFT HOUSING
11	16-29103		1,1,1,1	STUD, DRIVE SHAFT HOUSING TO GEAR HOUSING
12	11-22178		3,3,3,3	NUT, GEAR HOUSING AND DRIVE SHAFT HOUSING STUDS
13	28470		1,1,1,1	ROD, PUSH - REVERSE LOCK
14	17-24887		1,1,1,1	PIN, REVERSE LOCK LEVER
15	18-25191		1,1,1,1	COTTER PIN, PUSH ROD
16	24-25122		1,1,1,1	SPRING, TENSION - PUSH ROD
17	25140		1,1,1,1	LEVER, REVERSE LOCK
18	24926		2,2,2,2	MOUNT, RUBBER - UPPER
19	24935		2,2,2,2	COVER, UPPER MOUNT - OUTSIDE HALF
20	24936		2,2,2,2	COVER, UPPER MOUNT - INSIDE HALF
21	24929		2,2,2,2	PACKING, "U" CUP
22	12-24889		2,2,2,2	WASHER, UPPER MOUNT STUD (17/32 ID)
23	12-24891		2,2,2,2	WASHER, RUBBER - UPPER MOUNT STUD
24	23-24892		2,2,,	SPACER, UPPER MOUNT STUD SERIAL 00000000-01363346
	23-30474		2,2,2,2	SPACER, UPPER MOUNT STUD SERIAL 01363347-09999999
25	12-24890		2,2,,	WASHER, UPPER MOUNT STUD (13/32 ID) SERIAL 00000000-01363346
	12-30473		2,2,2,2	WASHER, UPPER MOUNT STUD (25/64 ID) SERIAL 01363347-09999999
26	11-23161		2,2,2,2	NUT, UPPER MOUNT STUD
27	25305		2,2,2,2	CAP, RUBBER - UPPER MOUNT
28	10-28772		4,4,4,4	SCREW, UPPER MOUNT COVER (1 1/2")
29	10-29389		4,4,4,4	SCREW, UPPER MOUNT COVER (1 7/8")
30	12-29245		8,8,8,8	WASHER, MOUNTING COVER SCREW
31	11-29322		8,8,8,8	NUT, MOUNTING COVER SCREW
32	24925		2,2,2,2	MOUNT, RUBBER - LOWER
33	12-28053		2,2,2,2	WASHER, RUBBER - LOWER MOUNT
34	12-28051		2,2,2,2	WASHER, LOWER MOUNT
35	12-24872		2,2,,	WASHER, MOUNTING SCREW (1/16") USE WITH 28028 BOTTOM YOKE
	12-30119		2,2,2,2	WASHER, MOUNTING SCREW (1/8") USE WITH 30133A1 AND 30462A1 BOTTOM YOKE)
36	11-25096		2,2,2,2	NUT, MOUNTING SCREW
37	10-24874		2,2,,	SCREW, LOWER MOUNT (5 1/2") SERIAL 00000000-01365072

CONTINUED ON NEXT PAGE ➡

DRIVE SHAFT HOUSING ASSEMBLY

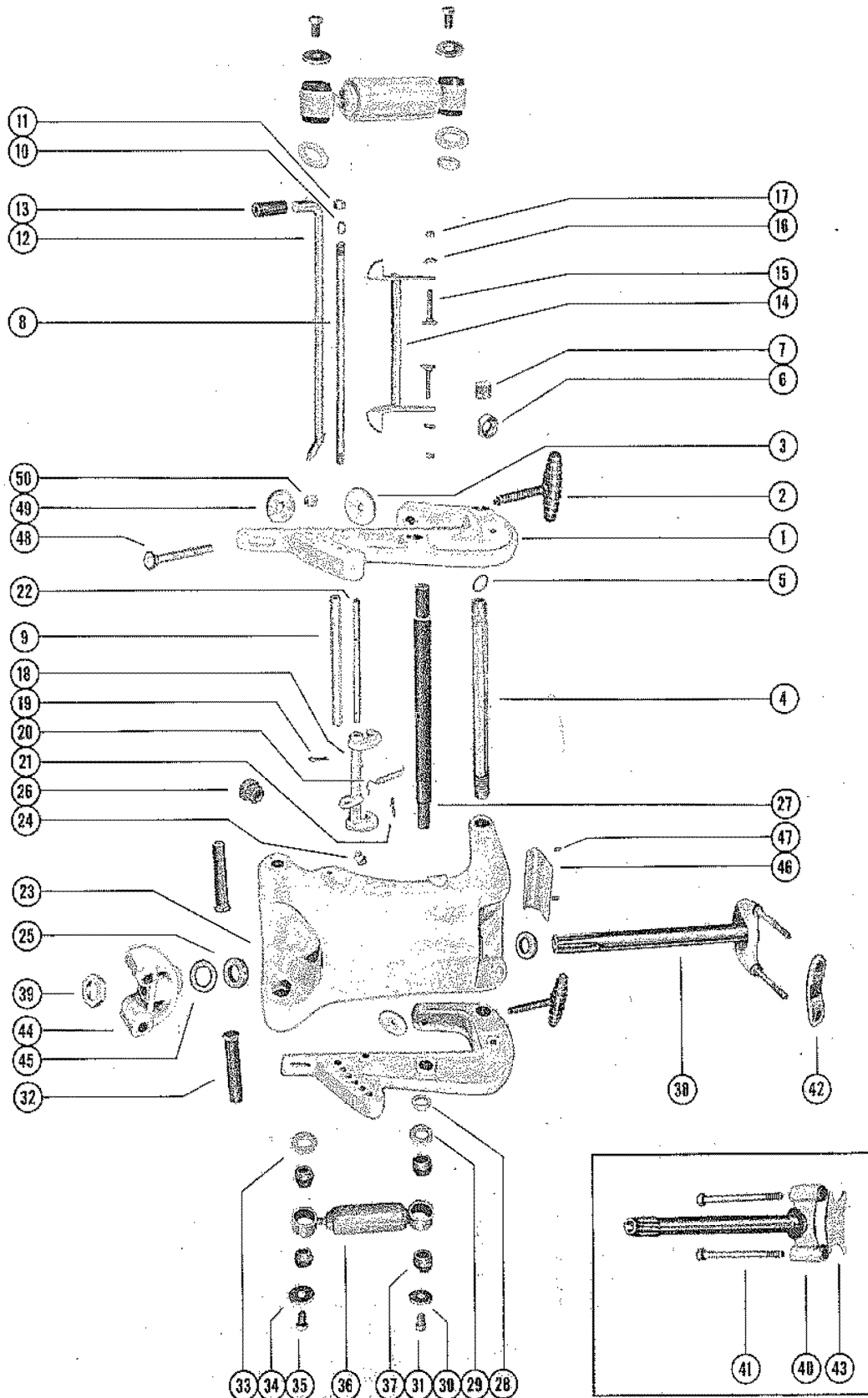


4261

DRIVE SHAFT HOUSING ASSEMBLY

REF. NO.	PART NO.	SYM.	QTY.	DESCRIPTION
37	10-30452		2,2,2,2	SCREW, LOWER MOUNT (5 1/2") SERIAL 01365073-09999999
38	25067		2,2,2,2	BUMPER, RUBBER - MOUNTING SCREW
39	28241		1,1,1,1	COVER, LOWER MOUNT (PORT SIDE)
	28242		1,1,1,1	COVER, LOWER MOUNT (STARBOARD SIDE)
40	10-29256		6,6,6,6	SCREW, LOWER MOUNT COVER FASTENING
41	22-21290		1,1,1,1	PLUG, GREASE - REVERSE LOCK HOLE

CLAMP AND SWIVEL BRACKET

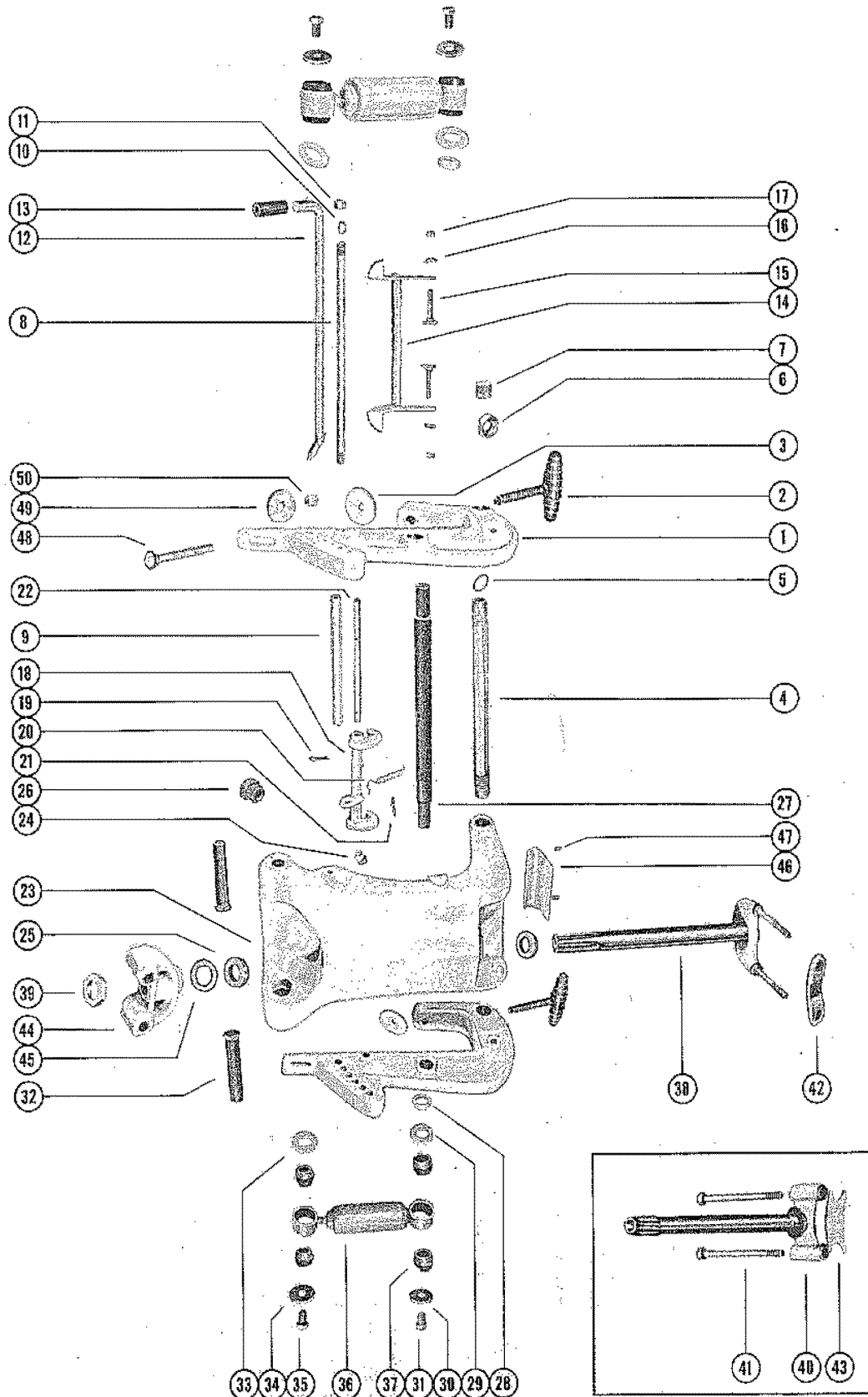


CLAMP AND SWIVEL BRACKET

REF. NO.	PART NO.	SYM.	QTY.	DESCRIPTION
1	440-1466A1		2,2,2,2	CLAMP BRACKET ASSEMBLY (SEE NOTE (1) BELOW)
2	28403A3		2,2,2,2	THUMB SCREW ASSEMBLY
3	12-28404		2,2,2,2	WASHER, THUMB SCREW
4	28122		1,1,1,1	TUBE, TILT - CLAMP BRACKET TO SWIVEL BRACKET
5	15-25600		2,2,2,2	SHIM, CLAMP BRACKET TO SWIVEL BRACKET
6	11-25599		2,2,2,2	NUT, TILT TUBE
7	25606		2,2,2,2	CAP, PLASTIC - TILT TUBE
8	16-20221		1,1,1,1	STUD, CLAMP BRACKET
9	23-20222		1,1,1,1	SPACER, CLAMP BRACKET STUD
10	13-26993		2,2,2,2	LOCKWASHER, CLAMP BRACKET STUD
11	11-20083		2,2,2,2	NUT, CLAMP BRACKET STUD
12	17-29219A1		1,1,1,1	TILT LOCK PIN ASSEMBLY
13	32-28052		1,1,1,1	SLEEVE, RUBBER - TILT LOCK PIN BUMPER
14	30200A1		1,1,1,1	TILT STOP LEVER ASSEMBLY
15	10-28339		2,2,2,2	SCREW, TILT STOP LEVER ANCHOR
16	13-20846		2,2,2,2	WASHER, WAVE - LEVER ANCHOR SCREW
17	11-24652		2,2,2,2	NUT, LEVER ANCHOR SCREW
18	26903A3		1,1,1,1	REVERSE LOCK ASSEMBLY
19	18-20209		1,1,1,1	COTTER PIN, REVERSE LOCK TO SHAFT
20	24-29821		1,1,1,1	SPRING, REVERSE LOCK TENSION
21	17-25598		1,1,1,1	PIN, REVERSE LOCK SPRING ATTACHING
22	20208		1,1,1,1	SHAFT, REVERSE LOCK TO SWIVEL BRACKET
23	444-1421A1		1,1,1,1	SWIVEL BRACKET ASSEMBLY
24	22-23612		1,1,1,1	FITTING, GREASE - SWIVEL BRACKET
25	26-26209		(2)1,(2)1,	OIL SEAL (2 OIL SEALS REQUIRED ON LATER PRODUCTION ENGINES)
	26-32911		,,2,2	OIL SEAL (2 OIL SEALS REQUIRED ON LATER PRODUCTION ENGINES)
26	29359		1,1,1,1	LUBRICAP, SWIVEL BRACKET GREASE FITTING
27	55-28415		1,1,1,1	PIN, UPPER SHOCK MOUNTING
28	23-28024		2,2,2,2	SPACER, UPPER BUSHING TO CLAMP BRACKET
29	12-28025		2,2,2,2	WASHER, UPPER BUSHING RETAINER (INNER)
30	12-28420		2,2,2,2	WASHER, UPPER BUSHING RETAINER (OUTER)
31	10-28449		2,2,2,2	BOLT, NYLOCK - UPPER SHOCK MOUNTING PIN
32	55-28413		2,2,2,2	LOWER SHOCK MOUNTING
33	23-28032		2,2,2,2	SPACER, LOWER BUSHING TO SWIVEL BRACKET
34	12-28420		2,2,2,2	WASHER, LOWER BUSHING RETAINER (OUTER)
35	10-28449		2,2,2,2	BOLT, NYLOCK - LOWER SHOCK MOUNTING PIN
36	55-28054		2,2,2,2	SHOCK ABSORBER
37	23-28055		8,8,8,8	BUSHING, RUBBER - SHOCK ABSORBER
38	17-28418A2		1,1,,	SWIVEL PIN AND TOP YOKE ASSEMBLY SERIAL 0000000-01363346
39	11-28202		1,1,,	NUT, SWIVEL PIN RETAINING

CONTINUED ON NEXT PAGE ➡

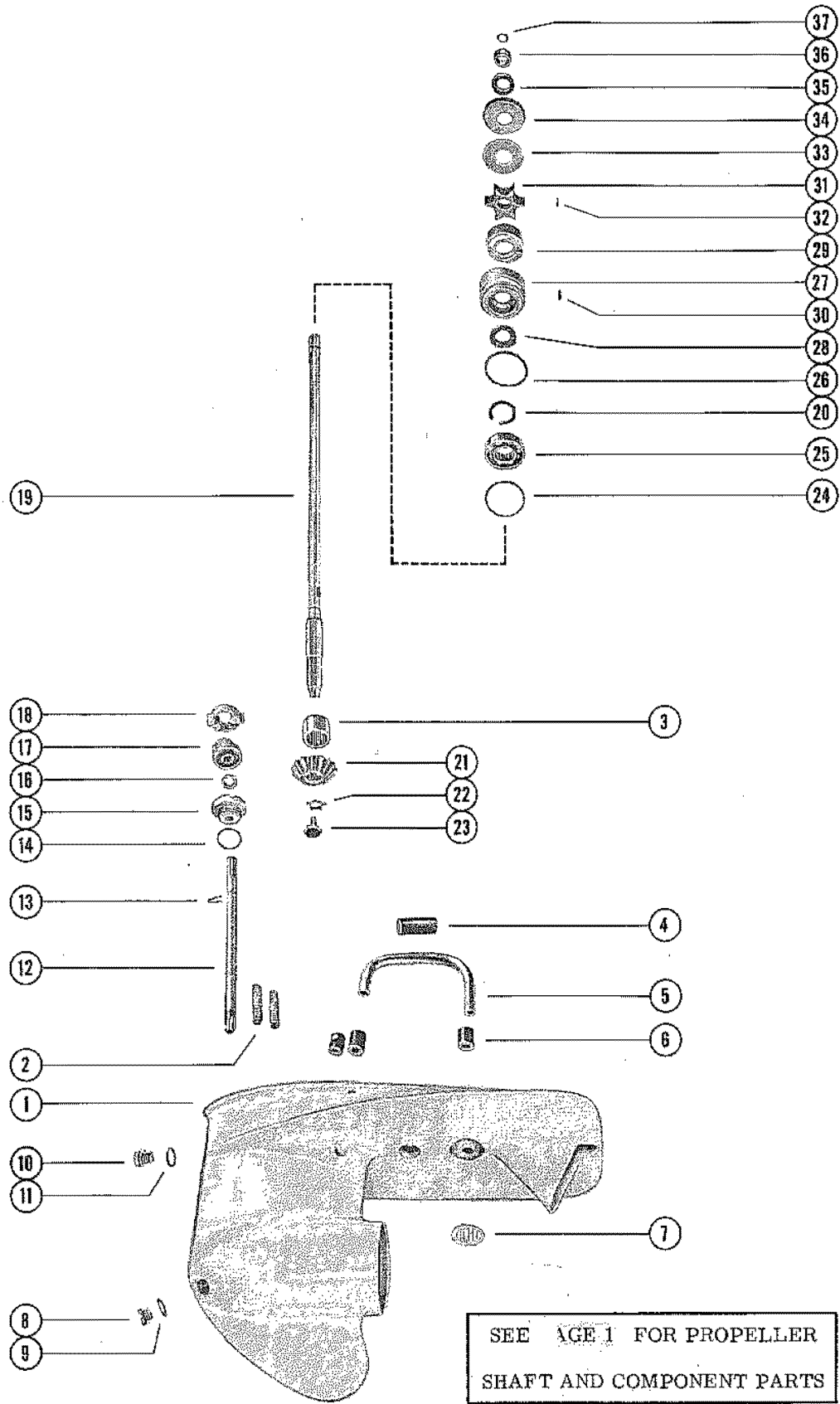
CLAMP AND SWIVEL BRACKET



CLAMP AND SWIVEL BRACKET

REF. NO.	PART NO.	SYM.	QTY.	DESCRIPTION
40	17-28418A4		1,1,1,1	SWIVEL PIN AND TOP YOKE ASSEMBLY SERIAL 01363347-09999999
39	11-28202		1,1,1,1	NUT, SWIVEL PIN RETAINING
41	10-30266		2,2,2,2	BOLT, UPPER MOUNTS TO SWIVEL PIN
42	28066		1,1,,	BUMPER, TOP YOKE
43	30711		,,1,1	BUMPER, TOP YOKE
44	30133A1		1,1,,	BOTTOM YOKE ASSEMBLY (SEE NOTE (2) BELOW SERIAL 00000000-01365072
	30462A1		1,1,1,1	BOTTOM YOKE ASSEMBLY SERIAL 01365072-09999999
45	12-25176		1,1,1,1	WASHER, SWIVEL PIN TO BOTTOM YOKE
46	38-29534		1,1,1,1	SERIAL PLATE
47	10-25612		4,4,4,4	SCREW, DRIVE - SERIAL PLATE TO SWIVEL BRACKET
48	10-28009		2,2,2,2	BOLT, CARRIAGE - CLAMP BRACKET TO BOAT TRANSOM
49	12-28008		2,2,2,2	WAHER, CARRIAGE BOLT
50	11-28010		2,2,2,2	NUT, CARRIAGE BOLT

GEAR HOUSING ASSEMBLY, COMPLETE(PAGE 1)

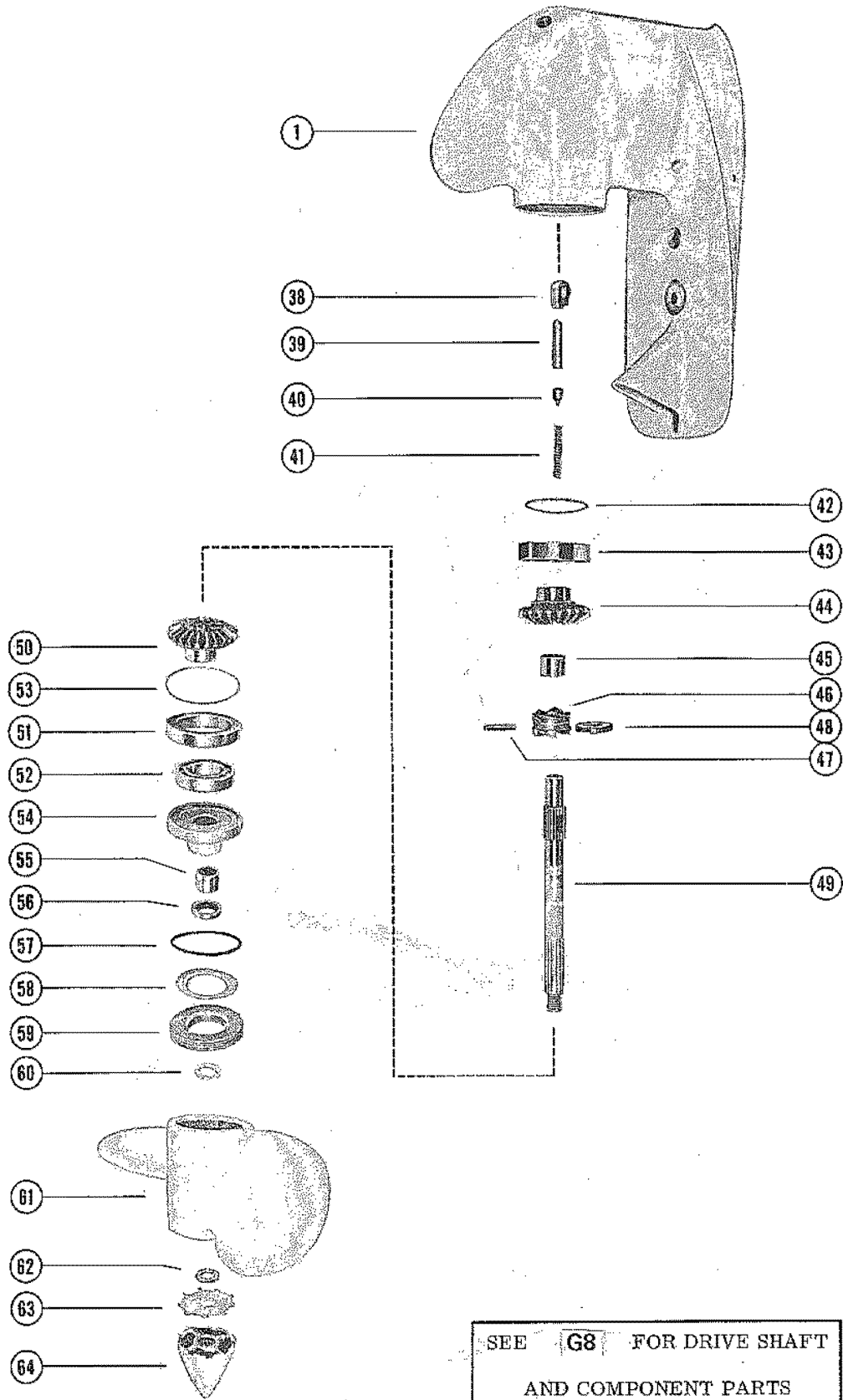


4261

GEAR HOUSING ASSEMBLY, COMPLETE(PAGE 1)

REF. NO.	PART NO.	SYM.	QTY.	DESCRIPTION
-	1603-1568A8		1,1,1,1	GEAR HOUSING ASSEMBLY, COMPLETE - SEE NOTE BELOW
1	1603-1568A3		1,1,1,1	GEAR HOUSING ASSEMBLY
2	16-29078		2,2,2,2	STUD, GEAR HOUSING TO DRIVE SHAFT HOUSING
3	31-20231		1,1,1,1	BEARING, ROLLER - DRIVE SHAFT
4	23-23651		1,1,1,1	SLEEVE, WATER INLET TUBE
5	32-23652		1,1,1,1	TUBE, WATER INLET - LOWER
6	26-20232		3,3,3,3	SEAL, WATER TUBE
7	35-23654		1,1,1,1	SCREEN, WATER INTAKE - GEAR HOUSING
-	27-31367		„1,1	GASKET, WATER INTAKE SCREEN TO HOUSING
8	10-28634		2,2,2,2	SCREW, GREASE FILLER AND FLUSHING HOLE
9	12-20260		2,2,2,2	WASHER, GREASE FILLER AND FLUSHING HOLE SCREW
10	10-28653		1,1,1,1	SCREW, GEAR HOUSING VENT
11	12-20262		1,1,1,1	WASHER, GEAR HOUSING VENT SCREW
12	25136		1,1,1,1	SHAFT, SHIFT - LOWER
13	18-20233		1,1,1,1	CLIP, RETAINING - SHIFT SHAFT
14	25-25439		1,1,1,1	"O" RING, SHAFT SHAFT BUSHING
15	23-28374A1		1,1,1,1	BUSHING ASSEMBLY, SHIFT SHAFT
16	26-31249		1,1,1,1	OIL SEAL
17	25138		1,1,1,1	CAM, LOWER - REVERSE LOCKING
18	29823		1,1,1,1	CAM, UPPER - REVERSE
19	45-29617A1		1,1,1,1	DRIVE SHAFT ASSEMBLY
20	53-29116		1,1,1,1	RING, RETAINING - BALL BEARING
21	43-20834		1,1,1,1	GEAR, PINION
22	14-29163		1,1,1,1	TAB WASHER, PINION GEAR SCREW
23	10-20925		1,1,1,1	SCREW, PINION GEAR TO DRIVE SHAFT
24	15-20929A1		AR,AR,AR,A	SHIM, DRIVE SHAFT BEARING TO HOUSING
25	30-20861		1,1,1,1	BEARING, BALL - DRIVE SHAFT
26	25-20266		1,1,1,1	"O" RING, WATER PUMP CARTRIDGE
27	46-29117A1		1,1,1,1	WATER PUMP CARTRIDGE ASSEMBLY
28	26-23300		1,1,1,1	OIL SEAL
29	28091		1,1,1,1	INSERT, WATER PUMP CARTRIDGE
30	28-28657		1,1,1,1	KEY, WATER PUMP CARTRIDGE
31	47-20268		1,1,1,1	IMPELLER, WATER PUMP
32	17-23733		1,1,1,1	PIN, IMPELLER DRIVE
33	20272		1,1,1,1	PLATE, OUTLET - WATER PUMP COVER
34	20270A2		1,1,1,1	WATER PUMP COVER ASSEMBLY
35	26-23517		1,1,1,1	OIL SEAL
36	25-20273		1,1,1,1	RING, RUBBER - CENTRIFUGAL SLINGER
37	25-29619		1,1,1,1	"O" RING, UPPER - DRIVE SHAFT

GEAR HOUSING ASSEMBLY, COMPLETE(PAGE 2)

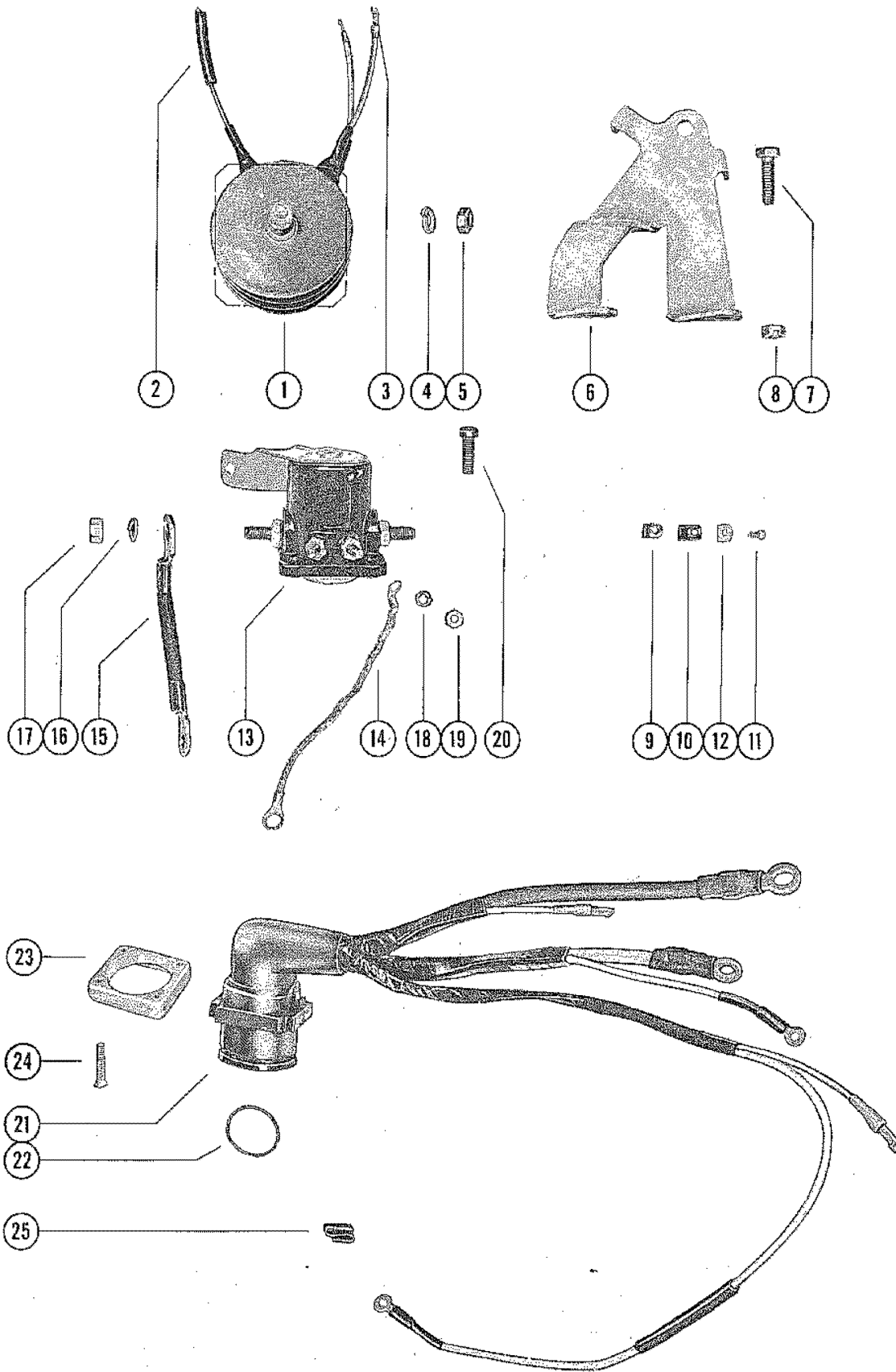


426

GEAR HOUSING ASSEMBLY, COMPLETE(PAGE 2)

REF. NO.	PART NO.	SYM.	QTY.	DESCRIPTION
-	603-1568A8		1,1,1,1	GEAR HOUSING ASSEMBLY, COMPLETE - SEE NOTE BELOW
1	603-1568A3		1,1,1,1	GEAR HOUSING ASSEMBLY (SEE PAGE 13 FOR PARTS BREAKDOWN)
38	30147		1,1,1,1	CAM, SHIFT
39	20930		1,1,1,1	FOLLOWER, CAM
40	20843		1,1,1,1	SLIDE, CROSS PIN
41	24-20254		1,1,1,1	SPRING, CAM FOLLOWER PIN
42	15-20928A1		AR,AR,AR,A	SHIM, BALL BEARING TO GEAR HOUSING
43	30-20840		1,1,1,1	BEARING, BALL - FORWARD GEAR
44	43-20975		1,1,1,1	FORWARD GEAR ASSEMBLY
45	31-20249		1,1,1,1	BEARING, ROLLER - FORWARD GEAR
46	20835		1,1,1,1	RATCHET, SLIDING CLUTCH
47	17-20841		1,1,1,1	PIN, CROSS - RATCHET TO PROPELLER SHAFT
48	53-20842		1,1,1,1	RING, RETAINING - CROSS PIN
49	44-25254		1,1,1,1	SHAFT, PROPELLER
50	43-20975		1,1,1,1	REVERSE GEAR ASSEMBLY
51	20864		1,1,1,1	RING, ADAPTOR - BALL BEARING
52	30-20839		1,1,1,1	BEARING, BALL - REVERSE GEAR
53	15-20927A1		AR,AR,AR,A	SHIM, ADAPTOR RING TO GEAR HOUSING
54	20862A1		1,1,1,1	BEARING CARRIER ASSEMBLY
55	31-20249		1,1,1,1	BEARING, ROLLER
56	26-23300		1,1,1,1	OIL SEAL
57	25-20863		1,1,1,1	"O" RING, BEARING CARRIER
58	12-22970		1,1,1,1	WASHER, GEAR HOUSING COVER
59	20865		1,1,1,1	COVER, GEAR HOUSING
60	12-25251		AR,AR,AR,A	WASHER, BACKING (1/8)
61	48-22914A2		1,1,1,1	PROPELLER ASSEMBLY (2 BLADE - ALUMINUM)
62	12-25252		1,1,1,1	WASHER, BACKING (1/32)
63	14-25250		1,1,1,1	TAB WASHER, PROPELLER NUT
64	11-20837		1,1,1,1	NUT, PROPELLER (ALUMINUM)
	11-29825		OPT,OPT,OP	NUT, PROPELLER (NYLON)

RECTIFIER, STARTER SOLENOID AND WIRING HARNESS



4261

RECTIFIER, STARTER SOLENOID AND WIRING HARNESS

REF. NO.	PART NO.	SYM.	QTY.	DESCRIPTION
1	25571A2		1,1	RECTIFIER ASSEMBLY
2	32-29267		1,1	SLEEVE, RECTIFIER LEAD (RED)
3	22647		3,3	DISCONNECT, KNIFE SPLICE - RECTIFIER LEAD WIRES
4	13-26993		1,1	LOCKWASHER, RECTIFIER MOUNTING SCREW
5	11-21929		1,1	NUT, RECTIFIER MOUNTING SCREW
6	28597		1,1	BRACKET, RECTIFIER MOUNTING
7	10-21091		2,2	SCREW, RECTIFIER BRACKET TO BOTTOM COWL
8	11-24652		2,2	NUT, BRACKET MOUNTING SCREW
9	54-24836		1,1	CLAMP, LEAD WIRE TO RECTIFIER BRACKET - UPPER (1/4)
10	54-22740		1,1	CLAMP, LEAD WIRE TO RECTIFIER BRACKET - LOWER (3/8)
11	10-30009		2,2	SCREW, LEAD WIRE CLAMP TO BRACKET
12	22789		2,2	"D" WASHER, CLAMP FASTENING SCREW
13	28062		1,1	SOLENOID, STARTER
14	28016A1		1,1	GROUND STRAP ASSEMBLY, SOLENOID TO STARTER
15	25596		1,1	WIRE, STARTER TO STARTER SOLENOID
16	13-26993		2,2	LOCKWASHER, SOLENOID TERMINAL (5/16)
17	11-20083		1,1	NUT, SOLENOID TERMINAL - INSIDE (5/16)
	11-26062		1,1	NUT, CAP - SOLENOID TERMINAL - OUTSIDE (5/16)
18	13-26996		2,2	LOCKWASHER, SOLENOID TERMINAL (#10)
19	11-20645		2,2	NUT, SOLENOID TERMINAL (#10)
20	10-29238		2,2	SCREW, SOLENOID TO STARTER MOTOR
21	28370		1,1	WIRING HARNESS (INTERNAL)
22	24-28975		1,1	SPRING, GARTER - INTERNAL WIRING HARNESS
23	26079		1,1	PLATE, BACKING - WIRING HARNESS
24	10-26128		4,4	SCREW, BACKING PLATE TO BOTTOM COWL
25	54-22783		2,2	"S" CLIP, WIRING HARNESS LEADS TO BOTTOM COWL

MERC 400ML AND MERC 400EL PARTS LIST

REF. NO.	PART NO.	SYM.	QTY.	DESCRIPTION
-	1535-1566		1,1	HOUSING< DRIVE SHAFT
-	32-25076		1,1	TUBE, WATER INLET
-	45-29618A1		1,1	DRIVE SHAFT ASSEMBLY
-	25163		1,1	SHAFT, SHIFT - UPPER
-	28593		1,1	ROD, PUSH - REVERSE LOCK
-	1448-1449A1		0	SWIVEL BRACKET ASSEMBLY
-	1448-1449A1		1,	SWIVEL PIN AND TOP YOKE ASSEMBLY SERIAL 00000000-01367174
-	17-28419A4		1,1	SWIVEL PIN AND TOP YOKE ASSEMBLY SERIAL 01367175-09999999
-	27898		1,1	BAFFLE, EXHAUST RELIEF
-	1603-1568A9		1,1	GEAR HOUSING ASS'Y, COMP.

MERC 400S AND MERC 400SL PARTS LIST

REF. NO.	PART NO.	SYM.	QTY.	DESCRIPTION
-	211-1414A4		1	FLYWHEEL ASSEMBLY, COMPLETE

PARTS INDEX

Part Number	Description	Pg.	Ref. No.	Part Number	Description	Pg.	Ref. No.
20047	RACE, OUTER	33	9	23068	CUP WASHER, ADAPTOR . .	27	24
20119	PROTECTOR, SPARK PLUG	13	55	23069	STEM, CHECK UNIT		
20136	FLANGE, DRIVEN PULLEY (OLD STYLE)	11	--	23760	ADAPTOR	27	21
20140	BELT, TIMING	13	40	24807	BAFFLE, BOTTOM COWL . .	35	6
20155	RETAINER, STARTER SPRING	3	17	24825	PULLEY, DRIVEN (OLD STYLE)	11	--
20162	PAWL, STARTER	3	21	24925	BLANKET, SOUND		
20164	PLATE, RETAINER - STARTER PAWL	3	28	24926	ABSORBING - WRAP		
20208	SHAFT, REVERSE LOCK TO SWIVEL BRACKET	43	22	24929	AROUND COWL	7	19
20270A2	WATER PUMP COVER ASSEMBLY	47	34	24935	MOUNT, RUBBER - LOWER	39	32
20272	PLATE, OUTLET - WATER PUMP COVER	47	33	24936	MOUNT, RUBBER - UPPER .	39	18
20557	BRACKET, CABLE END ANCHOR	35	16	24945	PACKING, "U" CUP	39	21
20663	KNOB, CHOKE ROD	23	22	25067	COVER, UPPER MOUNT - OUTSIDE HALF	39	19
20835	RATCHET, SLIDING CLUTCH	49	46	25134	COVER, UPPER MOUNT - INSIDE HALF	39	20
20843	SLIDE, CROSS PIN	49	40	25136	BAFFLE, EXHAUST RELIEF .	39	6
20862A1	BEARING CARRIER ASSEMBLY	49	54	25138	BUMPER, RUBBER - MOUNTING SCREW	41	38
20864	RING, ADAPTOR - BALL BEARING	49	51	25140	ROD, LINK - SHIFT SHAFT END	35	31
20865	COVER, GEAR HOUSING . .	49	59	25163	SHAFT, SHIFT - LOWER . . .	47	12
20930	FOLLOWER, CAM	49	39	25180	CAM, LOWER - REVERSE LOCKING	47	17
21041	INSERT, TOP LOCK - BOTTOM COWL	35	-	25305	LEVER, REVERSE LOCK . . .	39	17
21060	HANDLE, COWL LATCH (#8)	7	14	25571A2	SHAFT, SHIFT - UPPER . . .	52	-
21104A2	CONNECTOR BASE ASSEMBLY	37	41	25596	SHIFT SHAFT ASSEMBLY, UPPER	35	28
22462	"U" LINK, CHOKE KNOB TO CHOKE ROD	23	24	25606	CAP, RUBBER - UPPER MOUNT	39	27
22463	KNOB, CHOKE ROD	23	22	25690	RECTIFIER ASSEMBLY	51	1
22647	DISCONNECT, KNIFE SPLICE - CHOKE SOLENOID	23	2	25691	WIRE, STARTER TO STARTER SOLENOID	51	15
22647	DISCONNECT, KNIFE SPLICE - RECTIFIER LEAD WIRES	51	3	25996A1	CAP, PLASTIC - TILT TUBE .	43	7
22647	DISCONNECT, KNIFE SPLICE - STATOR LEAD WIRE	9	12	25996A1	SWIVEL, COWL LATCH (#8)	7	17
22789	"D" WASHER, CHOKE WIRE CLAMP	23	10	26079	HOOK, COWL LATCH FASTENING (#8)	7	18
22789	"D" WASHER, CLAMP AND CLIP FASTENING SCREW	31	41	26179	SWIVEL, AND LINK ROD ASSEMBLY	11	16
22789	"D" WASHER, CLAMP FASTENING SCREW	51	12	26183A5	PLATE, BACKING - WIRING HARNESS	51	23
22789	"D" WASHER, CLIP FASTENING SCREW	13	61	26183A_	RETAINER, WAVE WASHER	3	25
22823	PULLEY, FLYWHEEL	9	6A	26183A_	EMBLEM, FRONT COVER . .	7	2
22833	ADAPTOR, CHECK UNIT (FUEL LINE)	27	20	26552	EMBLEM, FRONT COVER (SEE NOTE BELOW)	7	2
23004	RETAINER, CHECK VALVE .	27	4	26716A1	SUPPORT, EXTERNAL WIRING HARNESS	37	50
23004	RETAINER, CHECK VALVE .	27	4	26852	GROUND STRAP ASSEMBLY, CHOKE SOLENOID TO ADAPTOR	23	7
23008	COVER, FUEL PUMP	27	8	26903A3	CAP, NYLON - ADJUSTING SCREW	11	31
23014	DIAPHRAGM, FUEL PUMP .	27	7	26922	REVERSE LOCK ASSEMBLY	43	18
23014	DIAPHRAGM, FUEL PUMP .	27	7	27031A1	PLATE, EXHAUST MANIFOLD	29	34
				27710	PLUNGER ASSEMBLY, CHOKE SOLENOID	23	11
					ADAPTOR PLATE, CHOKE PLUNGER	23	12

PARTS INDEX

Part Number	Description	Pg.	Ref. No.	Part Number	Description	Pg.	Ref. No.
27714	ROD (SLEEVE), SHIFT CONTROL END	35	29	28977	CHOKE ROD - UPPER	23	28
27870	CLAMP, THROTTLE PICKUP BRACKET	23	36	29121	PIPE PLUG, END CAP COVER	17	43
27898	BAFFLE, EXHAUST RELIEF	52	-	29178A2	FUEL PUMP ASSEMBLY	27	1
27917	CLUSTER, THROTTLE LEVER (UPPER CARBURETOR)	23	20	29206	COVER, PLUG - BOTTOM COWL HARNESS HOLE	35	2
27918	CHOKE ROD - LOWER	23	29	29206	COVER, PLUG - BOTTOM COWL HARNESS HOLE	35	2
27921	CHOKE SOLENOID, TOP COWL	23	1	29228A1	TRIM MOULDING ASSEMBLY, TOP COWL	3	7
27935	COVER, TRANSFER PORT	31	50	29229A1	TRIM MOULDING ASSEMBLY (CHROME)	35	8
27940	SHAFT, VERTICAL	13	47	29274	HANDLE, CHROME - TOP COWL	3	37
27941	LEVER, LINKAGE - LOWER	13	45	29276	HANDLE, INSIDE - TOP COWL	5	38
27946A1	ECONOMISER COLLAR AND PIN ASSEMBLY	11	8	29277	PLATE, THROTTLE STOP	11	27
27947	SWIVEL, LINKAGE - ECONOMISER COLLAR	11	15	29321A1	MAGNETO PILOT ASSEMBLY	11	3
27948	SWIVEL, UPPER AND LOWER LINK RODS	13	43	29321A7	MAGNETO ADAPTOR AND PILOT ASSEMBLY, COMPLETE	11	-
27949	ROD, LINK - UPPER	13	41	29343	BLANKET, SOUND ABSORBING - FRONT COVER	7	12
28007A1	BRACKET ASSEMBLY, THROTTLE PICKUP	25	39	29345	BUMPER, RUBBER - FRONT COVER BRACKET	7	6
28016A1	GROUND STRAP ASSEMBLY, SOLENOID TO STARTER	51	14	29359	LUBRICAP, SWIVEL BRACKET GREASE FITTING	43	26
28060	SWITCH, MERCURY EXHAUST MANIFOLD COVER	31	38	29532	LEVER, THROTTLE CONTROL	35	18
28061	LEVER, LINKAGE - UPPER	13	44	29557A1	THROTTLE ACTUATOR ASSEMBLY	11	11
28062	SOLENOID, STARTER	51	13	29783A1	DRIVEN PULLEY ASSEMBLY (NEW STYLE - SEE NOTE BELOW)	11	35
28066	BUMPER, TOP YOKE	45	42	29784	HUB, DRIVEN PULLEY (NEW STYLE - SEE NOTE BELOW)	11	34
28091	INSERT, WATER PUMP CARTRIDGE	47	29	29785	FLANGE, DRIVEN PULLEY (NEW STYLE - SEE NOTE BELOW)	11	37
28122	TUBE, TILT - CLAMP BRACKET TO SWIVEL BRACKET	43	4	29787	HUB, FLANGE - FLYWHEEL PULLEY	9	7
28240	COVER, EXHAUST MANIFOLD	29	35	29788	FLANGE, FLYWHEEL PULLEY (SEE NOTE BELOW)	9	5
28241	COVER, LOWER MOUNT (PORT SIDE)	41	39	29823	CAM, UPPER - REVERSE	47	18
28242	COVER, LOWER MOUNT (STARBOARD SIDE)	41	39	29824	LEVER, SHIFT CONTROL	35	19
28370	WIRING HARNESS (INTERNAL)	51	21	30043	ADAPTOR, MAGNETO	11	17
28403A3	THUMB SCREW ASSEMBLY	43	2	30045	PLATE, ROPE GUIDE	3	33
28470	ROD, PUSH - REVERSE LOCK	39	13	30109	GROUND STRAP, CYLINDER BLOCK TO BOTTOM COWL	35	15
28593	ROD, PUSH - REVERSE LOCK	52	-	30133A1	BOTTOM YOKE ASSEMBLY (SEE NOTE (2) BELOW)	45	44
28597	BRACKET, RECTIFIER MOUNTING	51	6	30147	CAM, SHIFT	49	38
28651	RETAINER, CHOKE RED SPRING	23	34	30200A1	TILT STOP LEVER ASSEMBLY	43	14
28747	HANDLE, STARTER CABLE	3	31				
28748	RETAINER, STARTER CABLE AND HANDLE	3	32				
28913	SHAFT, SHEAVE	3	29				
28967	SCREEN, VENT - TOP COWL	3	5				

PARTS INDEX

Part Number	Description	Pg.	Ref. No.	Part Number	Description	Pg.	Ref. No.
30269A2	FUEL PUMP ASSEMBLY . . .	27	1	10-20540	SCREW, CHOKE SOLENOID TO TOP COWL	23	3
30306	PULLEY, FLYWHEEL	9	6	10-20540	SCREW, TRANSFER PORT COVER MOUNTING	31	51
30412	HANDLE, COWL LATCH (#10)	7	14	10-20584	SCREW, CLEVIS YOKE PIN TO LEVER	35	25
30413	HOOK, COWL LATCH FASTENING (#10)	7	18	10-20597	SCREW, BREAKER HOLDER TO HOUSING	15	29
30414	SWIVEL, COWL LATCH (#10)	7	17	10-20639	SCREW, HARNESS SUPPORT TO BOTTOM COWL	37	51
30462A1	BOTTOM YOKE ASSEMBLY	45	44	10-20653	SCREW, CYLINDER BLOCK COVER MOUNTING	31	47
30595	PLATE, RETAINER - STARTER PAWL	3	28	10-20665	SCREW, THROTTLE ACTUATOR TO ECONOMISER COLLAR	11	13
30596	PAWL, STARTER	3	21	10-20776	SCREW, DETENT SPRING TO BOTTOM COWL	37	35
30711	BUMPER, TOP YOKE	45	43	10-20784	SCREW, ADAPTOR TO BOTTOM COWL	27	25
30884	KNOB, COWL FRONT COVER FASTENING	7	7A	10-20847	SCREW, SET - CLUSTER TO THROTTLE LEVER	23	21
30999	BRACKET, LOCK KNOB - COWL FRONT COVER	37	46	10-20847	SCREW, THROTTLE STOP LEVER	19	27
31003	HANDLE, INSIDE - TOP COWL	5	38	10-20854	SCREW, FLOAT BOWL COVER (SHORT)	19	18
31095	STRIP, RUBBER - COWL FRONT COVER	7	12A	10-20925	SCREW, PINION GEAR TO DRIVE SHAFT	47	23
3119	BUTTON, BUMPER - TOP COWL HANDLE	5	39	10-21091	SCREW, BRACKET TO BOTTOM COWL (1 1/8")	37	47
39413	BUTTON, BUMPER - TOP COWL HANDLE	5	39	10-21091	SCREW, RECTIFIER BRACKET TO BOTTOM COWL	51	7
F17950	ROD, LINK - LOWER	13	46	10-21106	SCREW, BAFFLE TO BOTTOM COWL	35	7
00-1A1	CYLINDER BLOCK COVER ASSEMBLY (SEE NOTE BELOW)	31	45	10-21106	SCREW, LEAD WIRE CLIP TO BOTTOM COWL	37	45
02-1484A1	END CAP ASSEMBLY, LOWER	29	25	10-22039	SCREW, CRANKCASE TO CYLINDER BLOCK (2 3/4")	29	19
10-20037	SCREW, RETAINER TO HOUSING	27	5	10-22040	SCREW, ADAPTOR AND PILOT TO CRANKCASE	11	24
10-20037	SCREW, RETAINER TO HOUSING	27	5	10-22040	SCREW, CRANKCASE TO CYLINDER BLOCK (1 1/2")	29	18
10-20049	SCREW, MAIN BEARING CLAMPING	33	15	10-22421	SCREW, BRACKET TO BOTTOM COWL (1 1/4")	37	48
10-20055	SCREW, ADAPTOR PLATE TO CHOKE ROD BRACKET	23	14	10-22421	SCREW, FRONT - HANDLE TO TOP COWL (1 1/4")	5	43
10-20055	SCREW, REED STOP MOUNTING	33	19	10-23035	SCREW AND LOCKWASHER, CHOKE SHUTTER	19	3
10-20060	SCREW, CAP TO CONNECTING ROD	33	24	10-23035	SCREW AND LOCKWASHER, THROTTLE SHUTTER	19	33
10-20089	SCREW, MAIN BEARING LOCKING	29	22	10-23178	SCREW, PLUG - MAIN NOZZLE	19	36
10-20100	SCREW, "U" LINK TO CHOKE KNOB	23	25	10-24773	SCREW, CHOKE SOLENOID TO TOP COWL	23	5
10-20100	SCREW, CLAMP TO THROTTLE PICKUP BRACKET	25	37	10-24874	SCREW, LOWER MOUNT (5 1/2")	39	37
10-20359	SCREW, CENTER MAIN BEARING LOCKING	29	24	10-24933	SCREW, THROTTLE STOP ADJUSTING	11	39
10-20401	SCREW, LEAD CLIP TO MAGNETO	13	60				
10-20401	SCREW, LEAD WIRE CLIP FASTENING	31	43				
10-20401	SCREW, MERCURY SWITCH CLAMP FASTENING	31	40				
10-20482	SCREW, CENTER MAIN BEARING CLAMPING	33	11				

PARTS INDEX

Part Number	Description	Pg.	Ref. No.	Part Number	Description	Pg.	Ref. No.
10-25255	SCREW, BAFFLE TO DRIVE SHAFT HOUSING	39	7	10-29182	SCREW, PRIMARY GROUND (#10)	15	10
10-25509	SCREW AND LOCKWASHER, CONDENSER FASTENING	15	31	10-29197	SCREW, THROTTLE STOP PLATE TO ADAPTOR	11	32
10-25509	SCREW AND LOCKWASHER, SUPPORT TO FRAME . . .	15	8	10-29198	SCREW, LOWER END CAP MOUNTING	29	32
10-25510	SCREW, SET - COIL BRIDGE	15	2	10-29198	SCREW, UPPER END CAP MOUNTING	29	6
10-25517	SCREW, HIGH TENSION CABLE FASTENING	17	42	10-29199	SCREW, CENTER - HANDLE TO TOP COWL (1")	5	45
10-25612	SCREW, DRIVE - SERIAL PLATE TO SWIVEL BRACKET	45	47	10-29200	SCREW, ANCHOR BRACKET TO BOTTOM COWL	35	17
10-25781	SCREW, SET - LINKAGE LEVER	13	52	10-29221	SCREW, VENT SCREEN TO TOP COWL	3	6
10-25822	SCREW, STRAINER COVER FASTENING	19	25	10-29226	SCREW, BRACKET TO FRONT COVER	7	3
10-25850	SCREW, FLOAT BOWL COVER (LONG)	19	19	10-29226	SCREW, DECORATIVE - MOULDING TO BOTTOM COWL	35	9
10-26128	SCREW, BACKING PLATE TO BOTTOM COWL	51	24	10-29226	SCREW, DECORATIVE - MOULDING TO TOP COWL	3	8
10-26128	SCREW, PLUG COVER TO BOTTOM COWL	35	3	10-29227	SCREW, BRASS - MOULDING TO TOP COWL	3	9
10-26184	SCREW, MAIN BEARING CLAMPING	33	15	10-29238	SCREW, RATCHET TO FLYWHEEL	9	10
10-26632	SCREW, THROTTLE AND SHIFT LEVER FASTENING	35	22	10-29238	SCREW, SOLENOID TO STARTER MOTOR	51	20
10-26801	SCREW, MAIN BEARING LOCKING	29	22	10-29239	SCREW, THROTTLE BRACKET MOUNTING . . .	25	40
10-28009	BOLT, CARRIAGE - CLAMP BRACKET TO BOAT TRANSOM	45	48	10-29240	SCREW, PULLEY CLAMPING	11	39
10-28339	SCREW, TILT STOP LEVER ANCHOR	43	15	10-29249	SCREW, STATOR TO UPPER END CAP	9	14
10-28405	SCREW, PLUG - BODY CHANNEL	21	39	10-29256	SCREW, LOWER MOUNT COVER FASTENING	41	40
10-28408	SCREW, RETAINING CLIP TO LOWER CARBURETOR	19	8	10-29389	SCREW, UPPER MOUNT COVER (1 7/8")	39	29
10-28449	BOLT, NYLOCK - LOWER SHOCK MOUNTING PIN .	43	35	10-29418	SCREW, COVER TO FRAME	15	34
10-28449	BOLT, NYLOCK - UPPER SHOCK MOUNTING PIN .	43	31	10-29418	SCREW, END CAP COVER TO MAGNETO COVER . . .	17	44
10-28634	SCREW, GREASE FILLER AND FLUSHING HOLE . . .	47	8	10-29465	SCREW, REED STOP MOUNTING	33	19
10-28642	SCREW, DRIVE, ROPE GUIDE PLATE TO TOP COWL	3	34	10-29552	SCREW, COVER FASTENING	7	7
10-28653	SCREW, GEAR HOUSING VENT	47	10	10-30009	SCREW, LEAD WIRE CLAMP TO BRACKET	51	11
10-28666	SCREW, MANIFOLD COVER AND HIGH TENSION LEAD CLIP MOUNTING	31	36	10-30009	SCREW, STATOR LEAD CLIP FASTENING	9	16
10-28668	SCREW, MANIFOLD COVER TO CYLINDER BLOCK . . .	29	36	10-30096	SCREW, UPPER CHOKE ROD TO LOWER CHOKE ROD	23	30
10-28713	SCREW, RETAINER TO LOWER CARBURETOR . .	23	35	10-30110	SCREW, ADAPTOR AND PILOT TO MAGNETO	11	23
10-28772	SCREW, UPPER MOUNT COVER (1 1/2")	39	28	10-30266	BOLT, UPPER MOUNTS TO SWIVEL PIN	45	41
10-29029	SCREW, FUEL PUMP MOUNTING (1 1/2")	27	11	10-30452	SCREW, LOWER MOUNT (5 1/2")	41	37
				10-45893	SCREW, PLUG COVER TO BOTTOM COWL	35	3

PARTS INDEX

Part Number	Description	Pg.	Ref. No.	Part Number	Description	Pg.	Ref. No.
11-20061	NUT, CONNECTING ROD SCREW	33	25	11-25594	NUT, POWERHEAD STUDS	39	9
11-20083	NUT, ADAPTOR AND PILOT TO CRANKCASE SCREW	11	26	11-25599	NUT, TILT TUBE	43	6
11-20083	NUT, CLAMP BRACKET STUD	43	11	11-26062	NUT, CAP - SOLENOID TERMINAL - OUTSIDE (5/16)	51	17
11-20083	NUT, SOLENOID TERMINAL - INSIDE (5/16)	51	17	11-26419	NUT, BRACKET FASTENING SCREW	7	5
11-20088	NUT, THROTTLE STOP ADJUSTING SCREW	11	30	11-26419	NUT, BRASS - MOULDING FASTENING SCREW	35	13
11-20166	NUT, SHEAVE SHAFT (LEFT HAND THREAD)	3	36	11-26419	NUT, MOULDING FASTENING SCREW	3	11
11-20184	NUT, BRACKET FASTENING SCREW	37	49	11-26419	NUT, PLUG COVER FASTENING SCREW	35	5
11-20184	NUT, DETENT SPRING FASTENING SCREW	37	37	11-26419	NUT, PLUG COVER FASTENING SCREW	35	5
11-20361	NUT, FRONT HANDLE FASTENING SCREW	5	44	11-28010	NUT, CARRIAGE BOLT	45	50
11-20361	NUT, TOP COWL FASTENING	3	16	11-28202	NUT, SWIVEL PIN RETAINING	43	39
11-20361	NUT, UPPER AND LOWER SWIVEL TO LEVER AND BRACKET	13	51	11-28202	NUT, SWIVEL PIN RETAINING	45	39
11-20645	NUT, PRIMARY GROUND SCREW	15	17	11-29225	NUT, NYLON CAP - MOULDING FASTENING SCREW	35	11
11-20645	NUT, SOLENOID TERMINAL (#10)	51	19	11-29236	NUT, PRIMARY LEAD FASTENING	15	25
11-20837	NUT, PROPELLER (ALUMINUM)	49	64	11-29250	NUT, CARBURETOR MOUNTING STUD	21	42
11-21825	NUT, INSIDE HANDLE TO CHROME HANDLE STUDS	5	42	11-29250	NUT, CRANKCASE FASTENING SCREW	29	21
11-21825	NUT, REAR HANDLE STUD	5	48	11-29250	NUT, HARNESS SUPPORT FASTENING SCREW	37	53
11-21929	NUT, RECTIFIER MOUNTING SCREW	51	5	11-29322	NUT, MOUNTING COVER SCREW	39	31
11-21971	NUT, CONNECTOR BASE TO BOTTOM COWL	37	43	11-29469	NUT, REED STOP MOUNTING SCREW	33	--
11-22178	NUT, GEAR HOUSING AND DRIVE SHAFT HOUSING STUDS	39	12	11-29488	NUT, CLEVIS PIN FASTENING SCREW	35	27
11-22339	NUT, FLYWHEEL	9	1	11-29825	NUT, PROPELLER (NYLON)	49	64
11-22339	NUT, FLYWHEEL	33	1	12-20028	WASHER, MANIFOLD COVER AND HIGH TENSION LEAD CLIP SCREWS	31	37
11-22948	NUT, CONNECTOR TO FUELK LINE	27	14	12-20028	WASHER, TOP COWL STUD (1/16")	3	14
11-22948	NUT, ELBOW	27	18	12-20084	WASHER, ADAPTOR AND PILOT TO CRANKCASE SCREW	11	25
11-23161	NUT, UPPER MOUNT STUD	39	26	12-20084	WASHER, CRANKCASE SCREW	29	20
11-24652	NUT, ADAPTOR SCREW	27	26	12-20084	WASHER, HARNESS SUPPORT FASTENING SCREW	37	52
11-24652	NUT, BRACKET MOUNTING SCREW	51	8	12-20128	WASHER, THROTTLE ACTUATOR SCREW	11	14
11-24652	NUT, COVER MOUNTING SCREW	31	48	12-20138	WASHER, PULLEY CLAMPING SCREW	11	38
11-24652	NUT, LEVER ANCHOR SCREW	43	17	12-20260	WASHER, GREASE FILLER AND FLUSHING HOLE SCREW	47	9
11-24652	NUT, MAIN BEARING CLAMPING SCREW	33	--				
11-24656	NUT, LOCK - PRIMARY GROUND SCREW	15	16				
11-25096	NUT, MOUNTING SCREW	39	36				
11-25168	NUT, ADJUSTING - SHIFT SHAFT END	35	30				

PARTS INDEX

Part Number	Description	Pg.	Ref. No.	Part Number	Description	Pg.	Ref. No.
12-20346	WASHER, DETENT SPRING SCREW	37	36	12-27939	WASHER, MAGNETO PILOT	11	19
12-20346	WASHER, LOWER HANDLE STUD (3/4" OD)	5	40	12-28008	WASHER, CARRIAGE BOLT	45	49
12-20346	WASHER, TOP COWL STUD (3/4" OD)	3	15	12-28025	WASHER, UPPER BUSHING RETAINER (INNER)	43	29
12-20583	WASHER, SHIFT CONTROL END ROD	35	33	12-28051	WASHER, LOWER MOUNT	39	34
12-20583	WASHER, TOP COWL STUD (1/32")	3	--	12-28053	WASHER, RUBBER - LOWER MOUNT	39	33
12-22970	WASHER, GEAR HOUSING COVER	49	58	12-28121	WASHER, NEEDLE LOCATING	33	28
12-24671	WASHER, FIBRE - MOULDING FASTENING SCREW	35	10	12-28404	WASHER, THUMB SCREW	43	3
12-24872	WASHER, MOUNTING SCREW (1/16")	39	35	12-28420	WASHER, UPPER BUSHING RETAINER (OUTER)	43	30
12-24889	WASHER, UPPER MOUNT STUD (17/32 ID)	39	22	12-28420	WASHER, LOWER BUSHING RETAINER (OUTER)	43	34
12-24890	WASHER, UPPER MOUNT STUD (13/32 ID)	39	25	12-28927	WASHER, BRACKET FASTENING SCREW	37	--
12-24891	WASHER, RUBBER - UPPER MOUNT STUD	39	23	12-29099	WASHER, INSULATING - PRIMARY GROUND SCREW	15	13
12-25176	WASHER, SWIVEL PIN TO BOTTOM YOKE	45	45	12-29245	WASHER, CENTER HANDLE STUD (1/2" OD)	5	41
12-25251	WASHER, BACKING (1/8)	49	60	12-29245	WASHER, HORSESHOE SPRING TO ANCHOR PIN	11	7
12-25252	WASHER, BACKING (1/32)	49	62	12-29245	WASHER, MOUNTING COVER SCREW	39	30
12-25293	WASHER, PULLY TO FLYWHEEL (SEE NOTE BELOW)	9	5A	12-29245	WASHER, UPPER AND LOWER SWIVEL	13	50
12-25866	WASHER, VERTICAL SHAFT - CENTER	13	53	12-29395	WASHER, THROTTLE AND SHIFT LEVER FASTENING SCREW	35	21
12-26014	WASHER, ADAPTOR PLATE FASTENING SCREW	23	16	12-30119	WASHER, MOUNTING SCREW (1/8")	39	35
12-26014	WASHER, CHOKE SOLENOID LINK	23	17	12-30164	WASHER, THROTTLE PICKUP BRACKET CLAMPING SCREW	25	38
12-26014	WASHER, PRIMARY GROUND SCREW	15	15	12-30267	WASHER, PRIMARY GROUND TERMINAL HOLDING	15	11
12-26014	WASHER, REED STOP MOUNTING SCREW	33	18	12-30473	WASHER, UPPER MOUNT STUD (25/64 ID)	39	25
12-26162	WASHER, COVER FASTENING SCREW (RUBBER)	7	8	13-20160	WASHER, WAVE - RETAINER TENSION	3	27
12-26180	WASHER, WAVE WASHER RETAINER	3	26	13-20846	WASHER, WAVE - LEVER ANCHOR SCREW	43	16
12-26439	WASHER, BREAKER PIVOT PIN	15	27	13-21972	LOCKWASHER, CONNECTRO BASE	37	42
12-26617	WASHER, FLYWHEEL NUT	9	2	13-23836	LOCKWASHER, COIL TERMINAL	15	20
12-26617	WASHER, FLYWHEEL NUT	33	2	13-26991	LOCKWASHER, CHOKE SOLENOID SCREW	23	6
12-26702	WASHER, COVER FASTENING KNOB (NYLON)	7	8	13-26992	LOCKWASHER, CHOKE SOLENOID SCREW	23	4
12-26825	WASHER, COVER FASTENING KNOB (STEEL)	7	9	13-26992	LOCKWASHER, REAR HANDLE STUD	5	47
12-27882	WASHER, UPPER CHOKE ROD FASTENING SCREW	23	31	13-26993	LOCKWASHER, CLAMP BRACKET STUD	43	10
12-27897	WASHER, COVER FASTENING SCREW (NYLON)	7	9	13-26993	LOCKWASHER, RECTIFIER MOUNTING SCREW	51	4
				13-26993	LOCKWASHER, SOLENOID TERMINAL (5/16)	51	16

PARTS INDEX

Part Number	Description	Pg.	Ref. No.	Part Number	Description	Pg.	Ref. No.
13-26995	LOCKWASHER, BRACKET FASTENING SCREW	7	4	16-20500	STUD, REAR - TOP COWL TO COVER	3	2
13-26995	LOCKWASHER, MOULDING FASTENING SCREW	3	10	16-21831	STUD, CARBURETOR MOUNTING (1 1/4")	29	12
13-26995	LOCKWASHER, MOULDING FASTENING SCREW	35	12	16-29078	STUD, GEAR HOUSING TO DRIVE SHAFT HOUSING .	47	2
13-26995	LOCKWASHER, PLUG COVER FASTENING SCREW	35	4	16-29103	STUD, DRIVE SHAFT HOUSING TO GEAR HOUSING	39	11
13-26995	LOCKWASHER, PLUG COVER FASTENING SCREW	35	4	16-29230	STUD, PRIMARY LEAD AND TENSION SPRING FASTENING	15	24
13-26995	LOCKWASHER, RETAINING CLIP SCREW	19	9	16-29988	STUD, CRANKCASE TO DRIVE SHAFT HOUSING (1 5/8")	29	13
13-26996	LOCKWASHER, "U" LINK FASTENING SCREW	23	26	16-29989	STUD, CYLINDER BLOCK TO DRIVE SHAFT HOUSING (1 15/16")	29	16
13-26996	LOCKWASHER, ADAPTOR PLATE FASTENING SCREW	23	15	16-29990	STUD, CYLINDER BLOCK TO DRIVE SHAFT HOUSING (3 7/16")	29	15
13-26996	LOCKWASHER, SOLENOID TERMINAL (#10)	51	18	17-20032	DOWEL PIN, CENTER MAIN BEARING	33	7
13-27959	WASHER, WAVE - MAGNETO BALL BEARING TENSION	11	21	17-20032	DOWEL PIN, CYLINDER BLOCK TO MAIN BEARING	29	9
13-29402	WASHER, WAVE - CLEVIS PIN FASTENING SCREW .	35	26	17-20032	DOWEL PIN, MAIN BEARING	33	14
13-29402	WASHER, WAVE - STARTER PAWL	3	22	17-20032	DOWEL PIN, MAIN BEARING	33	14
13-30597	WASHER, WAVE - STARTER PAWL	3	22	17-20033	DOWEL PIN, CRANKCASE TO CYLINDER BLOCK . . .	29	14
14-20091	TAB WASHER, BEARING LOCKING SCREW	29	23	17-20323	DOWEL PIN, CYLINDER BLOCK TO CENTER MAIN BEARING	29	10
14-20165	TAB WASHER, SHEAVE SHAFT NUT	3	35	17-20379	DOWEL PIN (STEPPED) . . .	33	12
14-25250	TAB WASHER, PROPELLER NUT	49	63	17-20841	PIN, CROSS - RATCHET TO PROPELLER SHAFT	49	47
14-27960	TAB WASHER, ADAPTOR CAP FASTENING	11	20	17-20853	PIN, FLOAT LEVER PINION .	19	13
14-29157	TAB WASHER, COVER FASTENING SCREW	15	35	17-21057	PIN, HINGE - COWL LATCH HANDLE	7	16
14-29157	TAB WASHER, COVER FASTENING SCREW	17	45	17-23733	PIN, IMPELLER DRIVE	47	32
14-29163	TAB WASHER, PINION GEAR SCREW	47	22	17-23928	ROLL PIN, CLEVIS YOKE PIN	35	24
15-20082A1	SHIM, UPPER END CAP TO CRANKCASE AND BLOCK (.002-3-5-10)	29	5	17-24873	ROLL PIN, FLANGE LOCATING (NEW STYLE - SEE NOTE BELOW)	11	36
15-20085A1	SHIM, LOWER END CAP TO CRANKCASE AND BLOCK (.002-3-5-10)	29	31	17-24887	PIN, REVERSE LOCK LEVER	39	14
15-20927A1	SHIM, ADAPTOR RING TO GEAR HOUSING	49	53	17-25391	RIVET, CHOKE ROD TO THROTTLE SHAFT	23	32
15-20928A1	SHIM, BALL BEARING TO GEAR HOUSING	49	42	17-25598	PIN, REVERSE LOCK SPRING ATTACHING	43	21
15-20929A1	SHIM, DRIVE SHAFT BEARING TO HOUSING . .	47	24	17-25870	ROLL PIN, VERTICAL SHAFT AND LINKAGE LEVERS . .	13	49
15-25600	SHIM, CLAMP BRACKET TO SWIVEL BRACKET	43	5	17-26618	DOWEL PIN, FLYWHEEL PULLEY	9	8
16-20221	STUD, CLAMP BRACKET . .	43	8	17-27961	PIN, ECONOMISER COLLAR - SPRING RETAINER	11	9
				17-27962	PIN, ANCHOR - HORSESHOE SPRING TO PILOT	11	6
				17-28418A2	SWIVEL PIN AND TOP YOKE ASSEMBLY	43	38

PARTS INDEX

Part Number	Description	Pg.	Ref. No.	Part Number	Description	Pg.	Ref. No.
17-28419A4	SWIVEL PIN AND TOP YOKE ASSEMBLY	52	-	22-30139	PLUG, PIPE - WATER PRESSURE HOLE	29	11
17-29077	ROLL PIN, TENSION SPRING TO KNOB	7	11	23-20222	SPACER, CLAMP BRACKET STUD	43	9
17-29219A1	TILT LOCK PIN ASSEMBLY	43	12	23-20326	SPACER, TOP COWL STUD	3	13
17-30978A1	PIN ASSEMBLY, CLEVIS YOKE	35	23	23-22981	BUSHING, NYLON - VERTICAL SHAFT	13	48
18-20180	COTTER PIN, LINK ROD TO SHIFT SHAFT	35	32	23-23651	SLEEVE, WATER INLET TUBE	39	5
18-20209	COTTER PIN, REVERSE LOCK TO SHAFT	43	19	23-23651	SLEEVE, WATER INLET TUBE	47	4
18-20233	CLIP, RETAINING - SHIFT SHAFT	47	13	23-24892	SPACER, UPPER MOUNT STUD	39	24
18-25191	COTTER PIN, PUSH ROD	39	15	23-26348	BUSHING, CRANKCASE	29	8
18-26953	COTTER PIN, BREAKER TO PIVOT PIN	15	28	23-26348	BUSHING, CYLINDER BLOCK COVER	31	46
18-26953	COTTER PIN, CHOKE LEVER AND ROD FASTENING	23	27	23-26602	BUSHING, NYLON - THROTTLE ACTUATOR	11	12
18-26953	COTTER PIN, CHOKE SOLENOID LINK FASTENING	23	18	23-27957	SPACER, PULLEY TO MAGNETO ADAPTOR CAP (OLD STYLE)	11	--
19-20011	WELCH PLUG, BODY CHANNEL	19	34	23-28024	SPACER, UPPER BUSHING TO CLAMP BRACKET	43	28
21-20963	VALVE, CHECK	27	3	23-28032	SPACER, LOWER BUSHING TO SWIVEL BRACKET	43	33
21-28481A1	CHECK VALVE ASSEMBLY, BLEED HOSE VALVE	31	53	23-28055	BUSHING, RUBBER - SHOCK ABSORBER	43	37
21-28481A1	CHECK VALVE ASSEMBLY, LOWER END CAP	29	26	23-28374A1	BUSHING ASSEMBLY, SHIFT SHAFT	47	15
21-28483A1	CHECK VALVE ASSEMBLY, BLEED HOSE (UPPER)	31	52	23-28911	SPACER, SHEAVE SHAFT	3	24
21-30430	VALVE, CHECK	27	3	23-28912	BUSHING, SPRING GUIDE	3	19
22-20445	CONNECTOR, CYLINDER BLEED HOSE (LOWER)	31	55	23-28919	BUSHING, NYLON - SHEAVE SHAFT SPACER	3	23
22-21290	PLUG, GREASE - REVERSE LOCK HOLE	41	41	23-29101	BUSHING, INSULATING - HOUSING FRAME	15	14
22-21290	PLUG, PIPE - UPPER OR LOWER BLEED HOLE	29	17	23-29529	BUSHING, THROTTLE AND SHIFT LEVER	35	20
22-22946	SLEEVE, RUBBER	27	17	23-29561	BUSHING, REAR HANDLE STUD	5	46
22-22946	SLEEVE, RUBBER - CONNECTOR	27	13	23-30474	SPACER, UPPER MOUNT STUD	39	24
22-22949	CONNECTOR, PUMP INLET TO FUEL LINE	27	12	24-20254	SPRING, CAM FOLLOWER PIN	49	41
22-22995	ELBOW, FUEL PUMP INLET	27	16	24-20649	SPRING, CHOKE ROD TO RETAINER	23	33
22-23612	FITTING, GREASE - SWIVEL BRACKET	43	24	24-20869	SPRING, THROTTLE SHAFT RETURN (UPPER CARBURETOR)	19	31
22-25094	FITTING, GREASE - ECONOMISER COLLAR	11	10	24-23067	SPRING, ADAPTOR STEM	27	23
22-25094	FITTING, GREASE - MAGNETO ADAPTOR	11	18	24-23714	SPRING, STARTER REWIND	3	18
22-25443	ELBOW, UPPER FILTER TO FUEL LINE	27	--	24-25065	SPRING, DETENT - SHIFT SHAFT	37	34
22-25885	ELBOW, MAGNETO VENT TUBE	37	39	24-25122	SPRING, TENSION - PUSH ROD	39	16
22-25885	ELBOW, PLASTIC - MAGNETO COVER VENT	17	46	24-26890	SPRING, THROTTLE SHAFT RETURN (LOWER CARBURETOR)	19	31
22-25956	TEE ASSEMBLY, LOWER FILTER	27	28	24-27160	SPRING, IDLE ADJUSTMENT SCREW	19	5
22-29111	NIPPLE, MAGNETO - VENT TUBE	37	40				
22-29380	PLUG, PIPE - FUEL PUMP	27	-				

PARTS INDEX

Part Number	Description	Pg.	Ref. No.	Part Number	Description	Pg.	Ref. No.
24-28965	SPRING, CHOKE ROD TO RETAINER	23	33	27-25033	GASKET, INLET SEAT	19	15
24-28975	SPRING, GARTER - INTERNAL WIRING HARNESS	51	22	27-25725	GASKET, END CAP OVER	15	38
24-29821	SPRING, REVERSE LOCK TENSION	43	20	27-25848	GASKET, STRAINER COVER SCREW	19	24
24-30772	SPRING, TENSION - FASTENING KNOB	7	10	27-25849	GASKET, STRAINER COVER (SMALL)	19	22
25-20081	"O" RING, LOWER END CAP	29	29	27-25851	GASKET, STRAINER COVER (LARGE)	19	20
25-20081	"O" RING, UPPER END CAP	29	3	27-26891	GASKET, CARBURETOR FLANGE	21	41
25-20116	GROMMET, CHOKE KNOB	3	4	27-26923	GASKET, CYLINDER BLOCK TO MANIFOLD PLATE	29	33
25-20116	GROMMET, CHOKE ROD	23	23	27-26923	GASKET, MANIFOLD PLATE TO EXHAUST COVER	29	33
25-20266	"O" RING, WATER PUMP CARTRIDGE	47	26	27-27936	GASKET, TRANSFER PORT COVER	31	49
25-20273	RING, RUBBER - CENTRIFUGAL SLINGER	47	36	27-28406	GASKET, BODY CHANNEL PLUG SCREW	21	40
25-20415	"O" RING, ADAPTOR STEM	27	22	27-28409	GASKET, MAIN FUEL JET	21	38
25-20863	"O" RING, BEARING CARRIER	49	57	27-29166	GASKET, MAGNETO COVER	15	32
25-24961	RING, RUBBER - WATER INLET TUBE	39	3	27-30276	GASKET, FUEL PUMP COVER	27	9
25-25429	"O" RING, HIGH TENSION LEAD CABLE TO END CAP COVER	13	57	27-31367	GASKET, WATER INTAKE SCREEN TO HOUSING	47	-
25-25439	"O" RING, SHAFT SHAFT BUSHING	47	14	27-37949A1	GASKET SET (MOTOR OVERHAUL)	1	-
25-26633	GROMMET, ADAPTOR PLATE	23	13	28-20094	KEY, FLYWHEEL DRIVE	9	3
25-29619	"O" RING, DRIVE SHAFT SPLINE	33	5	28-20094	KEY, FLYWHEEL DRIVE	33	3
25-29619	"O" RING, UPPER - DRIVE SHAFT	47	37	28-28657	KEY, MAGNETO DRIVING	11	33
26-20232	SEAL, WATER TUBE	47	6	28-28657	KEY, WATER PUMP CARTRIDGE	47	30
26-23300	OIL SEAL	47	28	29-20046	BEARING, NEEDLE - CRANKPIN	33	26
26-23300	OIL SEAL	49	56	29-20046	BEARING, NEEDLE	33	8
26-23517	OIL SEAL	47	35	29-20046T	BEARING, NEEDLE	33	8
26-25192	SEAL, WATER INLET TUBE	39	4	29-20063	BEARING, NEEDLE - PISTON PIN	33	27
26-26209	OIL SEAL (2 OIL SEALS REQUIRED ON LATER PRODUCTION ENGINES)	43	25	30-20066	BEARING, BALL - MAGNETO PILOT	11	4
26-29476	OIL SEAL	29	2	30-20080	BALL BEARING, LOWER END CAP	29	30
26-29476	OIL SEAL, UPPER	29	28	30-20080	BALL BEARING, UPPER END CAP	29	4
26-29477	OIL SEAL, LOWER	29	27	30-20839	BEARING, BALL - REVERSE GEAR	49	52
26-31249	OIL SEAL	47	16	30-20840	BEARING, BALL - FORWARD GEAR	49	43
26-32911	OIL SEAL (2 OIL SEALS REQUIRED ON LATER PRODUCTION ENGINES)	43	25	30-20861	BEARING, BALL - DRIVE SHAFT	47	25
27-20390	GASKET, POWERHEAD TO BOTTOM COWL	35	14	30-24997	BEARING, BALL (OPPOSITE DRIVE END)	15	6
27-22333	GASKET, CYLINDER BLOCK COVER	31	44	30-24998	BEARING, BALL (DRIVE END)	15	4
27-23005	GASKET, CHECK VALVE TO HOUSING	27	2	31-1410A4	CYLINDER BLOCK AND CRANKCASE ASSEMBLY (SEE NOTE BELOW)	29	7
27-23005	GASKET, CHECK VALVE TO HOUSING	27	2	31-20231	BEARING, ROLLER - DRIVE SHAFT	47	3
27-23180	GASKET, IDLE TUBE	19	29	31-20249	BEARING, ROLLER	49	55
27-24863	GASKET, FUEL PUMP	27	6				
27-24863	GASKET, FUEL PUMP	27	6				

PARTS INDEX

Part Number	Description	Pg.	Ref. No.	Part Number	Description	Pg.	Ref. No.
32-23652	TUBE, WATER INLET - LOWER	47	5	45-29618A1	DRIVE SHAFT ASSEMBLY	52	-
32-25076	TUBE, WATER INLET	52	-	46-29117A1	WATER PUMP CARTRIDGE ASSEMBLY	47	27
32-25187	TUBE, WATER INLET	39	2	47-20268	IMPELLER, WATER PUMP	47	31
32-26693	SLEEVE, CHOKE SOLENOID WIRE AND HARNESS	23	8	48-22914A2	PROPELLER ASSEMBLY (2 BLADE - ALUMINUM)	49	61
32-28052	SLEEVE, RUBBER - TILT LOCK PIN BUMPER	43	13	50-25263	RATCHET, FLYWHEEL	9	9
32-28654	HOSE, CYLINDER BLEED (6 1/2")	31	54	50-28908	SHEAVE ASSEMBLY	3	20
32-29164	TUBE, VENT - MAGNETO OUTLET (10 1/2")	37	38	50-28985A1	STARTER CABLE ASSEMBLY	3	30
32-29194	FUEL LINE, UPPER TO LOWER FILTER	27	--	50-30994	SHEAVE ASSEMBLY	3	20
32-29267	SLEEVE, RECTIFIER LEAD (RED)	51	2	53-20048	RING, SNAP - OUTER RACE CLAMPING	33	10
32-29267	SLEEVE, RUBBER - STATOR LEAD WIRE	9	13	53-20842	RING, RETAINING - CROSS PIN	49	48
32-30035	FUEL LINE, FUEL PUMP TO LOWER FILTER	27	15	53-21058	"E" RING, COWL LATCH HINGE PIN	7	15
32-30036	FUEL LINE, FUEL PUMP TO ADAPTOR	27	19	53-25539	FASTNER, TRADE MARK PLATE TO BOTTOM COWL	37	--
32-30038	FUEL LINE, UPPER TO LOWER FILTER	27	27	53-29116	RING, RETAINING - BALL BEARING	47	20
33-1700	CARBURETOR ASSEMBLY, COMPLETE	23	19	54-20387	CLAMP, BLEED HOSE TO CHECK VALVE AND CONNECTOR	31	56
33-20127	SPARK PLUG	13	54	54-22740	CLAMP, LEAD WIRE TO RECTIFIER BRACKET - LOWER (3/8)	51	10
34-20053	REED STOP, MAIN BEARING REED VALVES	33	17	54-22783	"S" CLIP, WIRING HARNESS LEADS TO BOTTOM COWL	51	25
34-20888	REED SET, MATCHED - MAIN BEARING	33	16	54-22875	CLAMP, MERCURY SWITCH TO MANIFOLD COVER	31	39
35-23654	SCREEN, WATER INTAKE - GEAR HOUSING	47	7	54-24836	CLAMP, CHOKE WIRE TO STARTER SOLENOID	23	9
37-29315	DECAL, THROTTLE STOP PLATE (STOP ADJUSTMENTS)	11	28	54-24836	CLAMP, LEAD WIRE TO RECTIFIER BRACKET - UPPER (1/4)	51	9
37-29834	DECAL SET, TOP COWL	3	12	54-24836	CLIP, STATOR LEAD TO CRANKCASE FLANGE	9	15
37-31008	DECAL SET, TOP COWL	3	12	54-25231	CLIP, CONNECTOR BASE LEAD WIRE	37	44
37-39730A1	DECAL SET (ENGINE) MERC 350-3	1	-	54-25231	CLIP, MERCURY SWITCH AND HARNESS LEADS TO MAGNETO	13	59
37-46061A1	DECAL SET (ENGINE) MERC 350-4	1	-	54-25231	CLIP, MERCURY SWITCH LEAD WIRE TO MAGNETO	31	42
37-47758A1	DECAL SET (ENGINE) MERC 350-5	1	-	54-28407	CLIP, CHOKE SHAFT RETAINING	19	7
37-52686A1	DECAL SET (ENGINE) MERC 350-6	1	-	54-29425	CLIP, HIGH TENSION LEAD CABLE FASTENING	13	58
38-28230	PLATE, TRADE MARK - BOTTOM COWL	37	--	55-28054	SHOCK ABSORBER	43	36
38-29534	SERIAL PLATE	45	46	55-28413	LOWER SHOCK MOUNTING PIN, UPPER SHOCK MOUNTING	43	32
39-27841	RING, PISTON	33	22	55-28415	MERC 350-3, 350-4, 350-5 AND 350-6 PARTS LIST	1	-
39-28616	RING, PISTON (.015)	33	--	90-45172	GLUE, ADHESIVE - BLANKET FASTENING	7	--
40-20057	LOCK RING, PISTON PIN	33	21				
43-20834	GEAR, PINION	47	21				
43-20975	FORWARD GEAR ASSEMBLY	49	44				
43-20975	REVERSE GEAR ASSEMBLY	49	50				
44-25254	SHAFT, PROPELLER	49	49				
45-27951	SHAFT, MAGNETO DRIVE	11	2				
45-29617A1	DRIVE SHAFT ASSEMBLY	47	19				

PARTS INDEX

Part Number	Description	Pg.	Ref. No.	Part Number	Description	Pg.	Ref. No.
100-339A1	END CAP ASSEMBLY, UPPER	29	1	444-1421A1	SWIVEL BRACKET ASSEMBLY	43	23
103-1597A3	BOTTOM COWL ASSEMBLY - NOT AS SHOWN	35	1	500-1030A1	CENTER MAIN BEARING ASSEMBLY	33	6
103-1838A1	BOTTOM COWL ASSEMBLY	35	1	526-1436A1	MAIN BEARING ASSEMBLY (VALVE TYPE)	33	13
107-144A2	WRAP AROUND COWL ASSEMBLY	7	13	527-1619A1	MAIN BEARING ASSEMBLY (VALVE TYPE)	33	13
177-1594A2	TOP COWL ASSEMBLY	3	1	600-7A4	CONNECTING ROD AND CAP ASSEMBLY (SEE NOTE BELOW)	33	23
178-1645A2	COWL FRONT COVER ASSEMBLY	7	1	603-1568A3	GEAR HOUSING ASSEMBLY (SEE PAGE 13 FOR PARTS BREAKDOWN)	49	1
178-1645A3	COWL FRONT COVER ASSEMBLY	7	1	603-1568A8	GEAR HOUSING ASSEMBLY, COMPLETE - SEE NOTE BELOW	49	-
208-1385A1	FLYWHEEL ASSEMBLY	9	4	724-1631A2	PISTON AND PISTON PIN ASSEMBLY	33	20
211-1414A4	FLYWHEEL ASSEMBLY, COMPLETE	53	-	724-1663A1	PISTON AND PISTON PIN ASSEMBLY (.015)	33	--
211-1414A7	FLYWHEEL ASSEMBLY	9	4	1333-1387	CARBURETOR ASSEMBLY, COMPLETE (KA-2A)	19	1
333-1387	CARBURETOR ASSEMBLY, COMPLETE	23	19	1333-1700	CARBURETOR ASSEMBLY, COMPLETE (KA-9A)	19	1
393-1504A6	BREAKER ASSEMBLY	15	22	1399-101	LEVER, FLOAT (UPPER)	19	12
393-1586	GROMMET, PLASTIC - BREAKER BRACKET	15	23	1399-102	LEVER, FLOAT (LOWER)	19	11
394-1050	CLIP, COIL - HIGH TENSION	15	19	1399-110A1	FLOAT ASSEMBLY	19	10
394-1051	LOCKWIRE, COIL BRIDGE SET SCREW	15	3	1399-1133	COVER, FLOAT BOWL	19	17
394-1053A1	WIRE ASSEMBLY, PRIMARY GROUND LEAD	15	9	1399-1135	COVER, STRAINER	19	23
394-1056A1	BRUSH AND SPRING ASSEMBLY	15	41	1399-1457	JET, MAIN FUEL (.057)	21	37
394-1065A1	LEAD ASSEMBLY, HIGH TENSION	15	40	1399-1459	JET, MAIN FUEL (.059)	21	37
394-1067	MAGNETIC ROTOR AND SHAFT	15	5	1399-1461	JET, MAIN FUEL (.061)	21	37
394-1106A1	HOLDER AND CAM WICK ASSMELBY	15	26	1399-1461	JET, MAIN FUEL (.061)	21	37
394-1110	CLIP, SPRING	15	37	1399-1463	JET, MAIN FUEL (.063)	21	37
394-1128A1	COIL ASSEMBLY	15	18	1399-1463	JET, MAIN FUEL (.063)	21	37
394-1130	CONDENSER	15	30	1399-1465	JET, MAIN FUEL (.065)	21	37
394-1131	NUT, COIL CLIP FASTENING	15	21	1399-1467	JET, MAIN FUEL (.067)	21	37
394-1134A1	GROUND STRAP ASSEMBLY, MAGNETO TO CRANKCASE	13	62	1399-1469	CHOKE SHAFT AND LEVER	19	6
394-1561A1	END CAP COVER ASSEMBLY	15	39	1399-1470	SHUTTER, CHOKE	19	2
394-1570	FRAME, MAGNETO HOUSING	15	1	1399-1472	TUBE, IDLE	19	28
394-1577	COVER, MAGNETO	15	33	1399-1473	INLET NEEDLE, SEAT AND GASKET	19	14
394-1579	INSULATOR, PRIMARY GROUND TERMINAL	15	12	1399-1474	NOZZLE, MIAN	19	35
394-1637	SUPPORT, BALL BEARING	15	7	1399-1475	SHAFT, THROTTLE	19	30
394-1652A1	MAGNETO ASSEMBLY, COMPLETE (4D-3)	11	1	1399-1476	SHUTTER, THROTTLE	19	32
394-1652A1	MAGNETO ASSEMBLY, COMPLETE (4D-3)	15	-	1399-1477	GASKET AND PACKING SET (1 PER CARBURETOR)	21	--
394-1671A1	MAGNETO ROTOR ASSEMBLY	15	36	1399-1478	REPAIR PARTS KIT (1 PER CARBURETOR)	21	--
398-1455	STATOR, ALTERNATOR - FLYWHEEL	9	11	1399-1629	SCREW, IDLE ADJUSTMENT	19	4
400-1650	CRANKSHAFT	33	4	1399-1655	JET, MAIN FUEL (.055)	21	37
400-1730	CRANKSHAFT	33	4	1399-1710	TUBE, IDLE	19	28
				1399-1711	SHUTTER, THROTTLE	19	32
				1399-1712	REPAIR PARTS KIT (1 PER CARBURETOR)	21	--
				1399-1754	SCREEN, FILTER	19	21
				1399-97	LEVER, THROTTLE STOP (SEE NOTE BELOW)	19	26

PARTS INDEX

Part Number	Description	Pg.	Ref. No.	Part Number	Description	Pg.	Ref. No.
1448-1449A1	SWIVEL BRACKET ASSEMBLY	52	-				
1448-1449A1	SWIVEL PIN AND TOP YOKE ASSEMBLY	52	-				
1522-1567	DRIVE SHAFT HOUSING ...	39	1				
1535-1566	HOUSING< DRIVE SHAFT ..	52	-				
1603-1568A3	GEAR HOUSING ASSEMBLY	47	1				
1603-1568A8	GEAR HOUSING ASSEMBLY, COMPLETE - SEE NOTE BELOW	47	-				
1603-1568A9	GEAR HOUSING ASS'Y, COMP.	52	-				