



PARTS CATALOG

MERC 650

SERIAL NUMBER

650 (4 CYL.) 1542745 THRU 1765043

TABLE OF CONTENTS:

BOTTOM COWL ASSEMBLY	36
CARBURETOR ASSEMBLY	24
CARBURETOR LINKAGE AND CHOKE SOLENOID	22
CLAMP AND SWIVEL BRACKET ASSEMBLY	40
COWLING AND FRONT COVER (650E)	6
COWLING AND FRONT COVER (650E-1)	8
CRANKSHAFT, PISTON AND CONNECTING ROD	34
CYLINDER BLOCK AND CRANKCASE ASSEMBLY	30
DRIVE SHAFT HOUSING ASSEMBLY	44
FLYWHEEL ASSEMBLY AND STATOR	12
FUEL PUMP AND FUEL LINE ASSEMBLY	28
GEAR HOUSING ASSEMBLY, COMPLETE (PAGE 1)	48
GEAR HOUSING ASSEMBLY, COMPLETE (PAGE 2)	52
MAGNETO ADAPTOR AND PILOT ASSEMBLY	10
MAGNETO ASSEMBLY (INTERNAL PARTS)	18
MAGNETO VERTICAL LINKAGE AND EXTERNAL PARTS	14
MERC 650EL PARTS LIST	54
PARTS INDEX	55
STARTER MOTOR, STARTER SOLENOID, RECTIFIER AND WIRING HARNES	16
TOP COWL AND STARTER ASSEMBLY	2

NOTE: *Indented description indicate that these parts are included in preceeding assembly.*

AR = As Required

NSS = Not Sold Separate

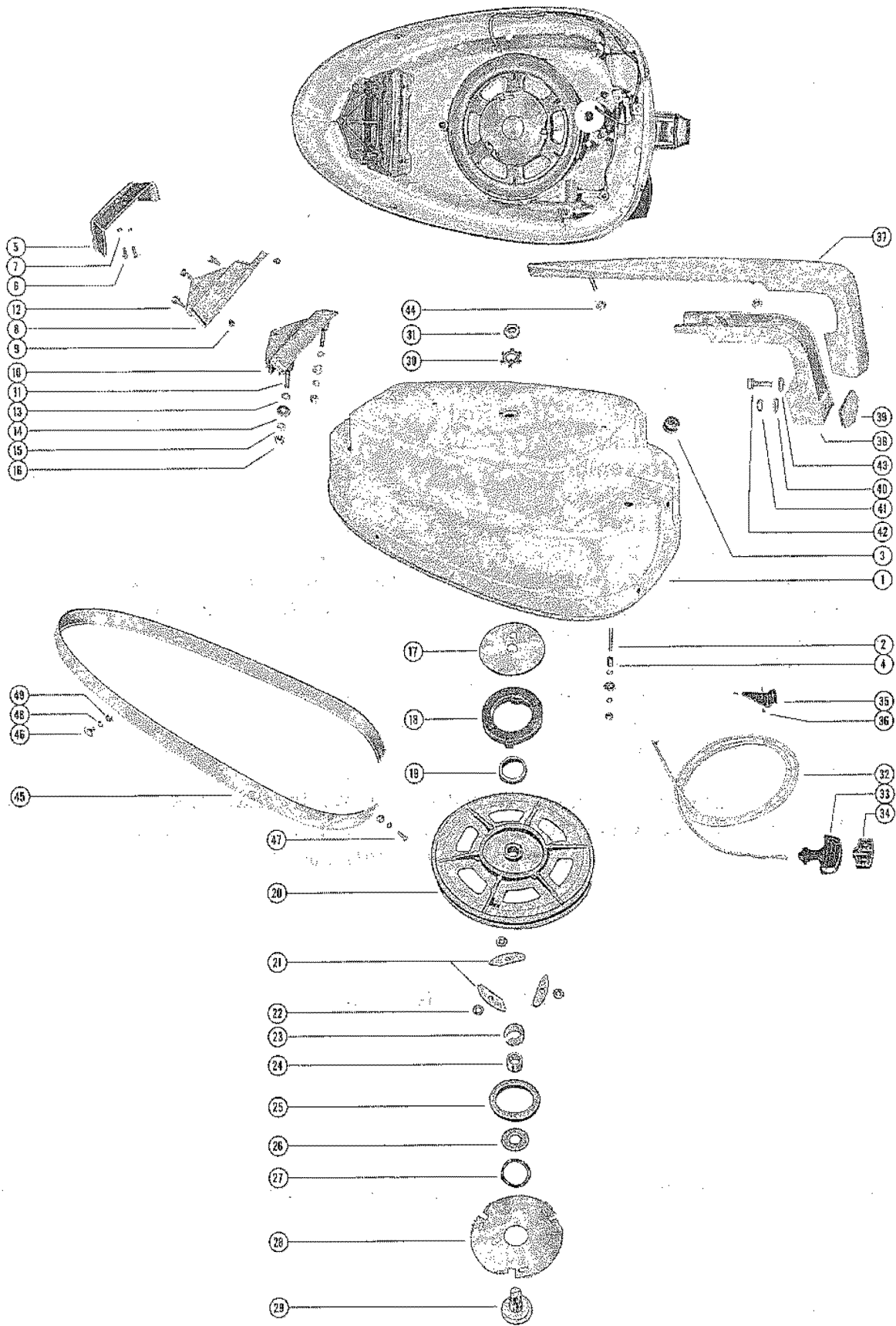
OPT = Optional

NS = Not Shown

THESE PARTS BOOKS/FICHE CARD ARE COPYRIGHTED AND MAY NOT BE DISTRIBUTED OR REPRODUCED IN ANY OTHER FORMAT BY ANYONE OTHER THAN MERCURY MARINE WITHOUT THE PRIOR WRITTEN CONSENT OF MERCURY MARINE.

THIS PAGE INTENTIONALLY LEFT BLANK

TOP COWL AND STARTER ASSEMBLY

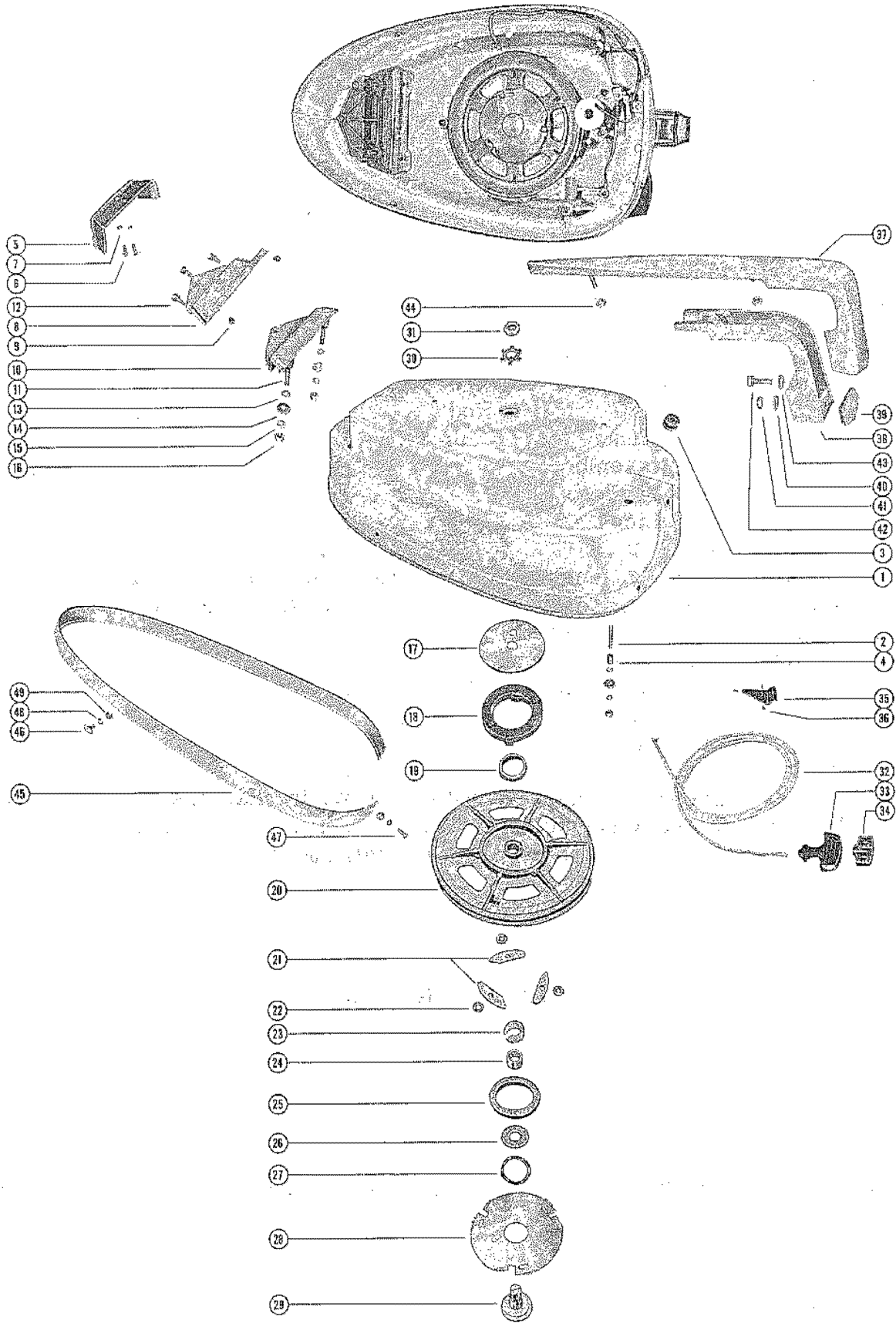


TOP COWL AND STARTER ASSEMBLY

REF. NO.	PART NO.	SYM.	QTY.	DESCRIPTION
1	182-1895A2		1,1	TOP COWL ASSEMBLY
2	16-33071		2,2	STUD, FRONT-TOP COWL TO CRANKCASE
3	25-20116		1,1	GROMMET, CHOKE KNOB
4	23-33070		2,2	SPACER, TOP COWL FRONT STUDS
5	31476		1,1	REVEAL, AIR INTAKE
6	10-30841		2,2	SCREW, REVEAL TO TOP COWL
7	13-26996		2,2	LOCKWASHER, REVEAL TO TOP COWL FASTENING SCREW
8	29947		1,1	SCREEN, VENT-TOP COWL
9	10-29221		2,2	SCREW, VENT SCREEN TO TOP COWL
10	31298A1		1,1	PLATE ASSEMBLY, COWL MOUNTING
11	16-20353		2,2	STUD, REAR-TOP COWL TO COVER
12	10-31299		3,3	SCREW, PLATE ASSEMBLY TO TOP COWL
13	12-20028		4,4	WASHER, TOP COWL STUD (1/16")
14	12-20346		4,4	WASHER, TOP COWL STUD (3/4" OD)
15	12-20583		AR,AR	WASHER, TOP COWL STUD (1/32")
16	11-20361		4,4	NUT, TOP COWL FASTENING
17	20155		1,1	RETAINER, STARTER SPRING
18	24-29340A1		1,1	SPRING, STARTER REWIND
19	23-28912		1,1	BUSHING, SPRING GUIDE
20	50-30994		1,1	SHEAVE ASSEMBLY
21	30596		3,3	PAWL, STARTER
22	13-30597		3,3	WASHER, WAVE-STARTER PAWL
23	23-28919		1,1	BUSHING, NYLON-SHEAVE SHAFT SPACER
24	23-28911		1,1	SPACER, SHEAVE SHAFT
25	26179		1,1	RETAINER, WAVE WASHER
26	12-26180		1,1	WASHER, SHEAVE SHAFT TO STARTER SHEAVE
27	13-20160		1,1	WASHER, WAVE-WASHER TENSION
28	30595		1,1	PLATE, RETAINER-STARTER PAWL
29	28913		1,1	SHAFT, SHEAVE
30	14-20165		1,1	TAB WASHER, SHEAVE SHAFT NUT
31	11-20166		1,1	NUT, SHEAVE SHAFT (LEFT HAND THREAD)
32	50-28985A1		1,1	STARTER CABLE ASSEMBLY
33	28747		1,1	HANDLE, STARTER CABLE
34	28748		1,1	RETAINER, STARTER CABLE AND HANDLE
35	30045		1,1	PLATE, ROPE GUIDE SEE NOTE BELOW REFERENCE NUMBERS 35 AND 36 ARE TO BE REPLACED ACCORDING TO SIZE OF TAPPED SCREW HOLES IN TOP COWL
36	10-28642		3,3	SCREW, DRIVE-ROPE GUIDE PLATE TO TOP COWL (#3-48) REFERENCE NUMBERS 35 AND 36 ARE TO BE REPLACED ACCORDING TO SIZE OF TAPPED SCREW HOLES IN TOP COWL
35	35800		,1	PLATE, ROPE GUIDE REFERENCE NUMBERS 35 AND 36 ARE TO BE REPLACED ACCORDING TO SIZE OF TAPPED SCREW HOLES IN TOP COWL

CONTINUED ON NEXT PAGE ➡

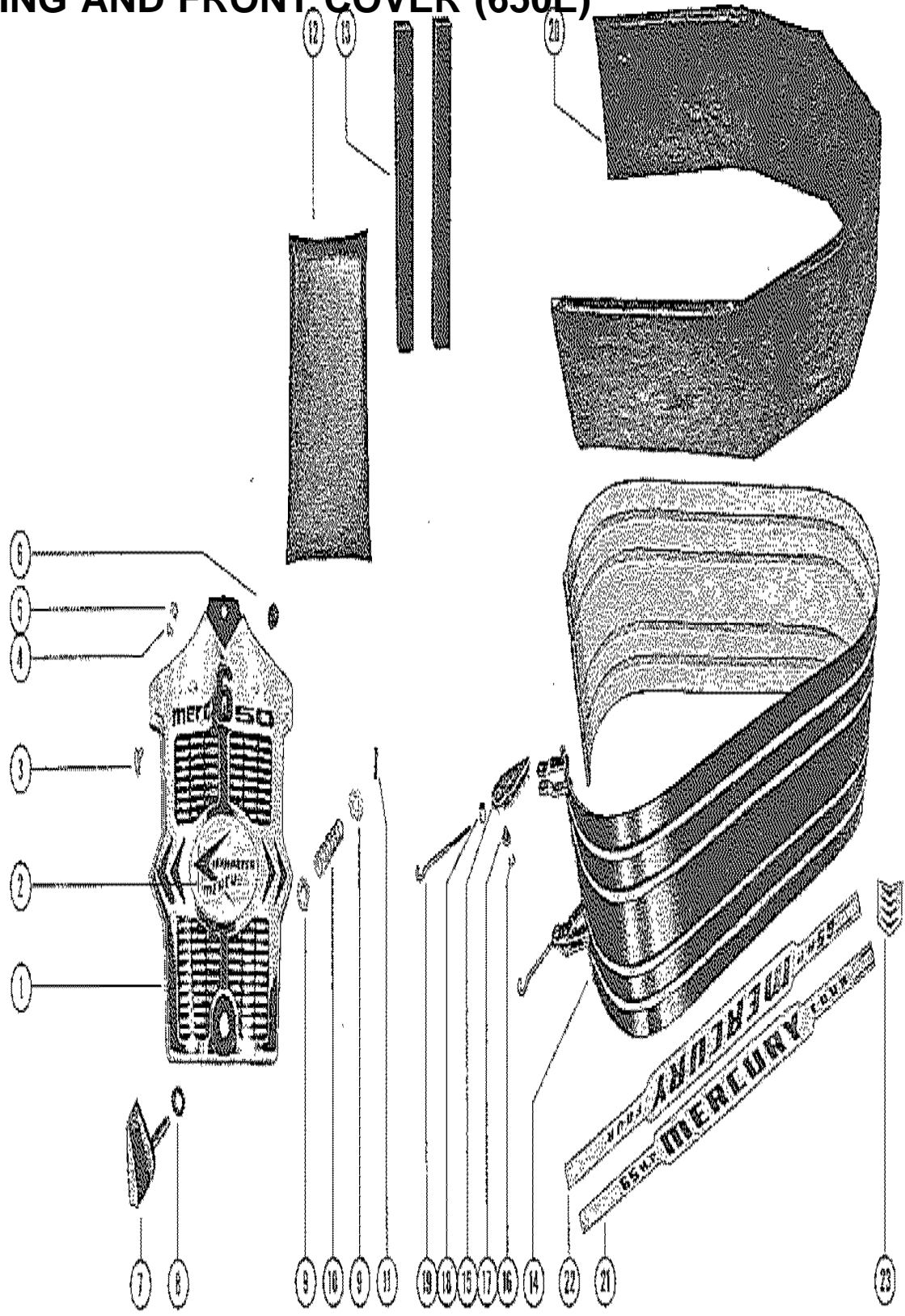
TOP COWL AND STARTER ASSEMBLY



TOP COWL AND STARTER ASSEMBLY

REF. NO.	PART NO.	SYM.	QTY.	DESCRIPTION
36	10-35881		,3	SCREW, DRIVE-ROPE GUIDE PLATE TO TOP COWL (#6-32) REFERENCE NUMBERS 35 AND 36 ARE TO BE REPLACED ACCORDING TO SIZE OF TAPPED SCREW HOLES IN TOP COWL
37	31463		1,1	HANDLE, CHROME-TOP COWL
38	31487		1,1	HANDLE ASSEMBLY, INSIDE-TOP COWL
39	30896		1,	PAD, BUMPER-TOP COWL HANDLE
	35496		,1	PAD, BUMPER-TOP COWL HANDLE
40	12-20533		2,2	WASHER, CHROME HANDLE TO INSIDE HANDLE STUD
41	11-20586		1,1	NUT, CHROME HANDLE TO INSIDE HANDLE FASTENING
42	10-29199		1,1	SCREW, FRONT-HANDLE TO TOP COWL (1")
43	12-20533		1,1	WASHER, FRONT SCREW-HANDLE TO TOP COWL
44	11-20586		2,2	NUT, HANDLE TO TOP COWL STUD
45	29980A1		1,1	TRIM MOULDING ASSEMBLY-TOP COWL
46	10-29226		2,2	SCREW, DECORATIVE-MOULDING TO TOP COWL
47	10-29227		2,2	SCREW, BRASS-MOULDING TO TOP COWL
48	13-26995		4,4	LOCKWASHER, MOULDING FASTENING SCREW
49	11-26419		4,4	NUT, MOULDING FASTENING SCREW

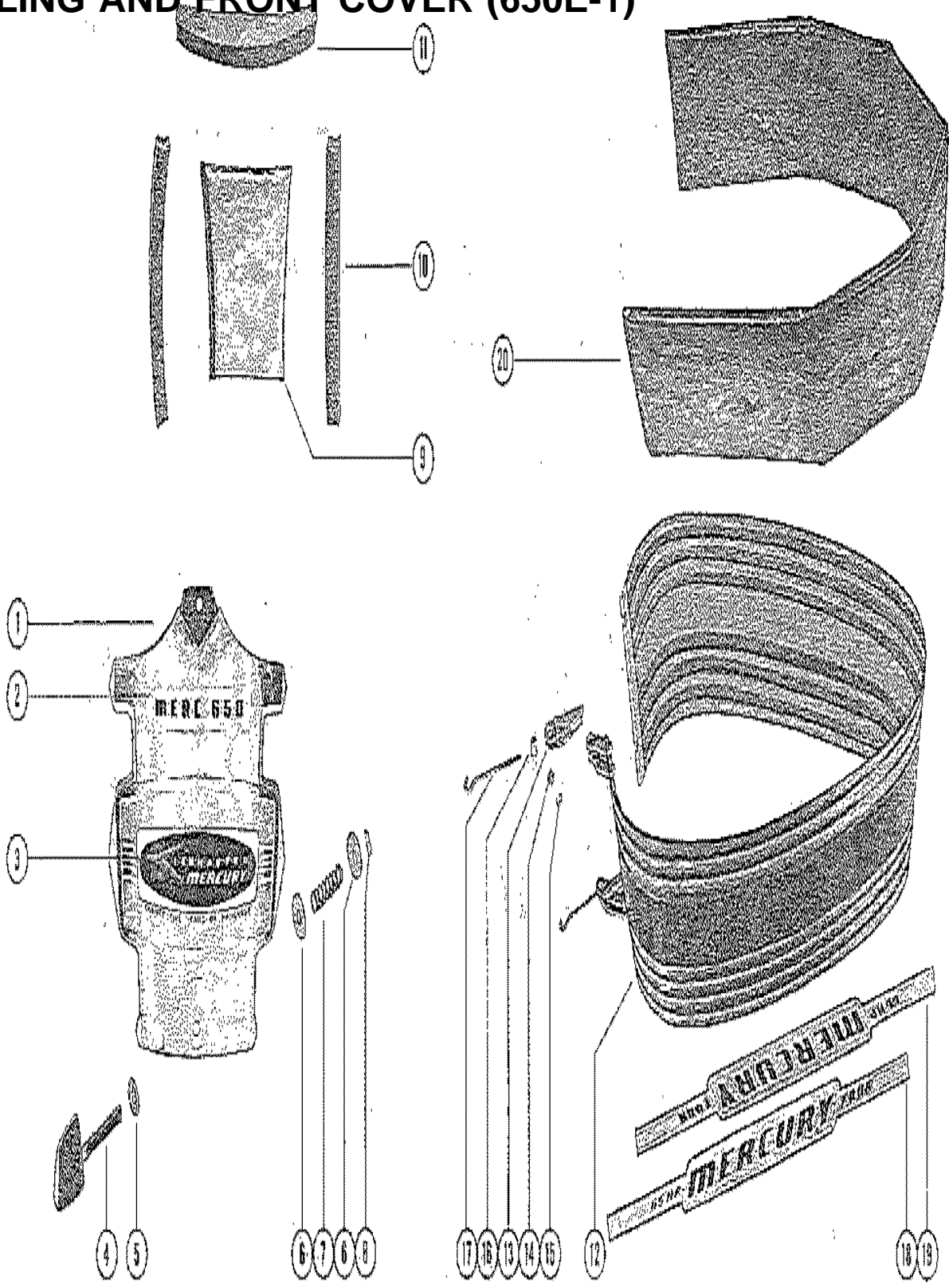
COWLING AND FRONT COVER (650E)



COWLING AND FRONT COVER (650E)

REF. NO.	PART NO.	SYM.	QTY.	DESCRIPTION
1	178-1970A2		1	COWL FRONT COVER ASSEMBLY
2	26183A5		1	EMBLEM, FRONT COVER
3	10-29226		2	SCREW, BRACKET TO FRONT COVER
4	13-26995		2	LOCKWASHER, BRACKET FASTENING SCREW
5	11-26419		2	NUT, BRACKET FASTENING SCREW
6	29345		2	BUMPER, RUBBER-FRONT COVER BRACKET
7	32361		1	KNOB, COWL FRONT COVER FASTENING
8	12-30771		1	WASHER, COVER FASTENING KNOB (RUBBER)
9	12-26825		2	WASHER, COVER FASTENING KNOB (STEEL)
10	24-32271		1	SPRING, TENSION-FASTENING KNOB
11	17-29077		1	ROLL PIN, TENSION SPRING TO KNOB
12	33551		1	BLANKET, SOUND ABSORBING-FRONT COVER
13	31095		2	STRIP, SOUND ABSORBING
14	197-1968A2		1	WRAP AROUND COWL ASSEMBLY
15	30412		2	HANDLE, COWL LATCH
16	53-21058		4	"E" RING, COWL LATCH HINGE PIN
17	17-21057		4	PIN, HINGE-COWL LATCH HANDLE
18	30414		2	SWIVEL, COWL LATCH
19	30413		2	HOOK, COWL LATCH FASTENING
20	31935		1	BLANKET, SOUND ABSORBING-WRAP AROUND COWL
21	37-31938		1	DECAL, WRAP AROUND COWL - PORT
22	37-31937		1	DECAL, WRAP AROUND COWL - STARBOARD
23	37-31936		1	DECAL, WRAP AROUND COWL - REAR
-	92-25234		1	GLUE, ADHESIVE - BLANKET FASTENING
-	92-27109		1	ADHESIVE COMPOUND (3 1/2 OUNCE KIT) EMBLEM FASTENING

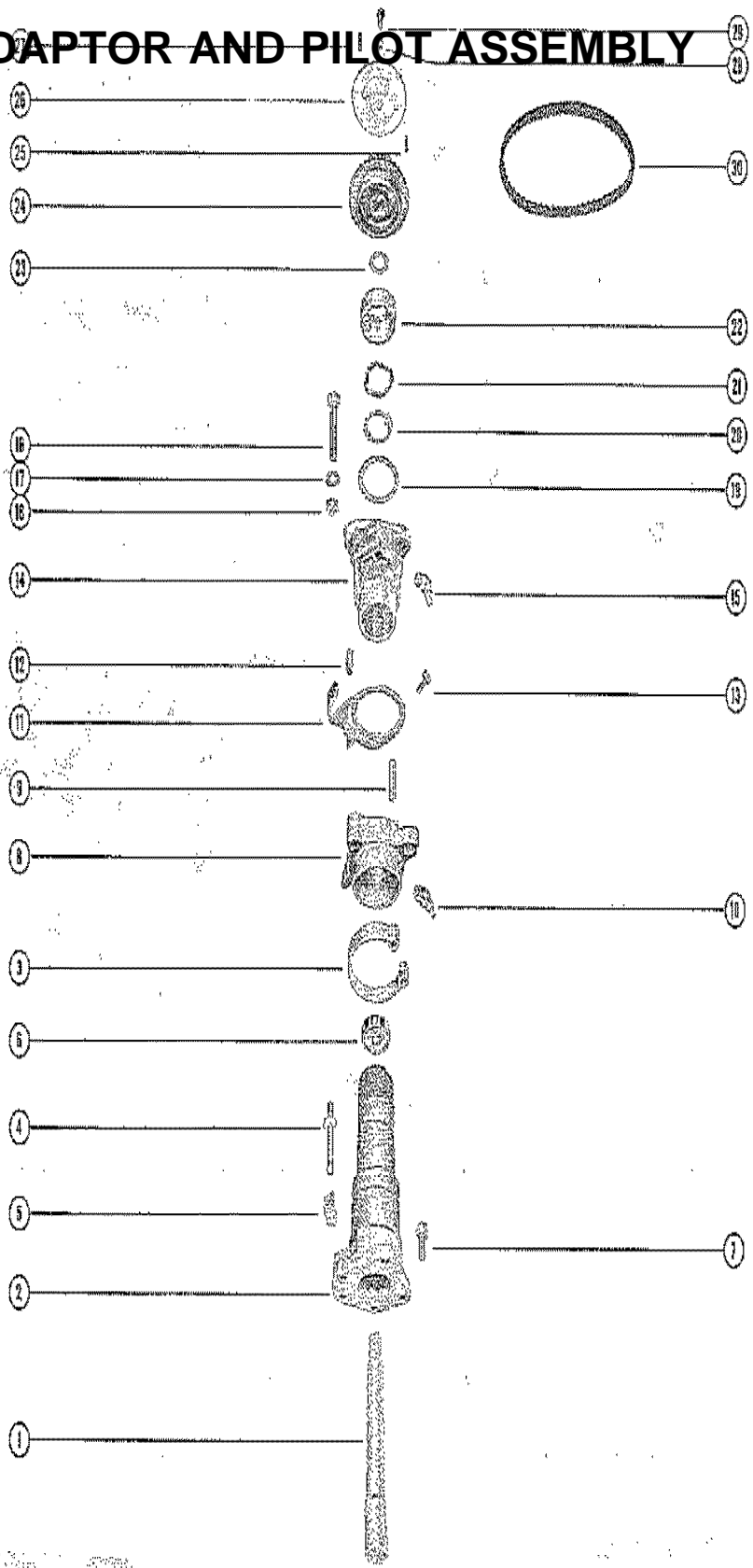
COWLING AND FRONT COVER (650E-1)



COWLING AND FRONT COVER (650E-1)

REF. NO.	PART NO.	SYM.	QTY.	DESCRIPTION
1	2104-2334A2		1	COWL FRONT COVER ASSEMBLY
2	37-35641		1	DECAL, "MERC 650"
3	37-35502		1	DECAL, FRONT COVER EMBLEM
4	32362		1	KNOB, COWL FRONT COVER FASTENING
5	12-30771		1	WASHER, COVER FASTENING KNOB (RUBBER)
6	12-27129		2	WASHER, COVER FASTENING KNOB (STEEL)
7	24-32271		1	SPRING, TENSION - COVER FASTENING KNOB
8	17-29077		1	ROLL PIN TENSION SPRING TO KNOB
9	35554		1	BLANKET, SOUND ABSORBING - FRONT COVER
10	31095		2	STRIP, SOUND - LOWER SECTION
11	35552		1	SEAL, SOUND - UPPER SECTION
12	2110-2383A2		1	WRAP AROUND COWL ASSEMBLY
13	30412		2	HANDLE, COWL LATCH
14	17-21057		4	PIN, HANGE - HANDLE TO COWL LATCH
15	53-21058		4	"E" RING, HANDLE TO COWL LATCH HINGE PIN
16	30414		2	SWIVEL, COWL LATCH
17	30413		2	HOOK, COWL LATCH FASTENING
18	37-35640		1	DECAL, WRAP AROUND COWL - STARBOARD
19	37-35639		1	DECAL, WRAP AROUND COWL - PORT
20	31935		1	BLANKET, SOUND ABSORBING - WRAP AROUND COWL
-	92-25234		1	GLUE, ADHESIVE - SOUND BLANKET FASTENING

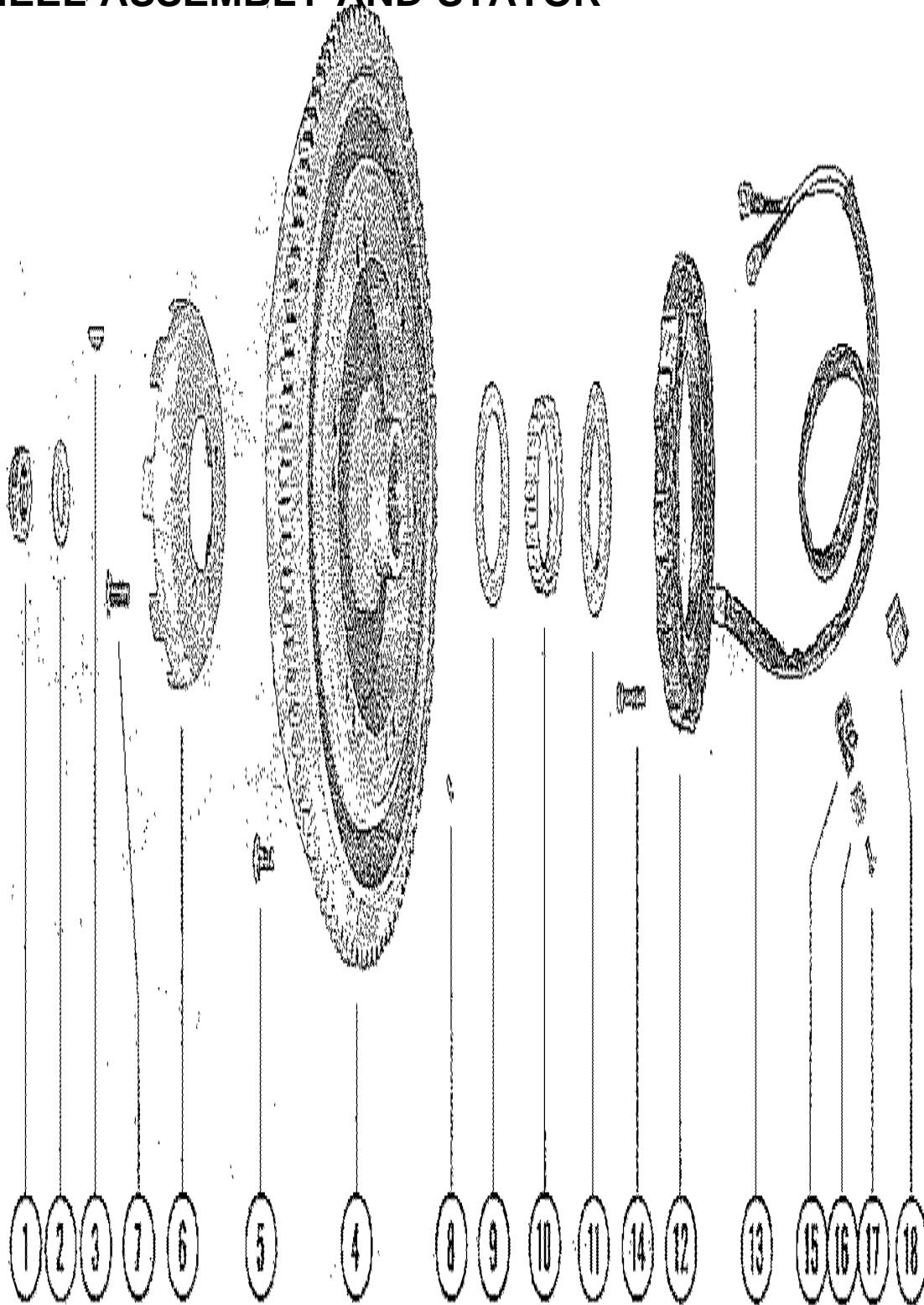
MAGNETO ADAPTOR AND PILOT ASSEMBLY



MAGNETO ADAPTOR AND PILOT ASSEMBLY

REF. NO.	PART NO.	SYM.	QTY.	DESCRIPTION
1	45-33007		1,1	SHAFT, DRIVE - MAGNETO
2	30434A1		1,1	MAGNETO PILOT ASSEMBLY
3	24-27944		1,1	SPRING, HORSESHOE - MAGNETO PILOT
4	17-27962		1,1	PIN, ANCHOR - HORSESHOE SPRING TO PILOT
5	33020		1,1	STOP, SPARK ADVANCE - MAGNETO PILOT
6	30-20066		1,1	BEARING, BALL - MAGNETO PILOT
7	10-30110		4,4	SCREW, PILOT ASSEMBLY TO MAGNETO
8	33870A1		1,	ECONOMISER COLLAR AND PIN ASSEMBLY
	35610A1		,1	ECONOMISER COLLAR AND PIN ASSEMBLY
9	17-27961		1,1	PIN, ECONOMISER COLLAR - SPRING RETAINER
10	22-25094		1,1	FITTING, GREASE - ECONOMISER COLLAR
11	33147A1		1,1	THROTTLE ACTUATOR ASSEMBLY
12	23-26602		1,1	BUSHING, NYLON - THROTTLE ACTUATOR
13	10-32078		2,2	SCREW, THROTTLE ACTUATOR TO ECONOMISER COLLAR
14	30408		1,1	ADAPTOR, MAGNETO
15	22-25094		1,1	FITTING, GREASE - MAGNETO ADAPTOR
16	10-22040		3,3	SCREW, MAGNETO ADAPTOR AND PILOT TO CRANKCASE
17	12-20084		3,3	WASHER, MAGNETO ADAPTOR AND PILOT FASTENING SCREW
18	11-20083		3,3	NUT, MAGNETO ADAPTOR AND PILOT FASTENING SCREW
19	12-27939		1,1	WASHER, MAGNETO PILOT
20	14-27960		1,1	TAB WASHER, ADAPTOR CAP FASTENING
21	13-27959		1,1	WASHER, WAVE - MAGNETO BALL BEARING TENSION
22	27955		1,1	CAP, MAGNETO ADAPTOR AND PILOT FASTENING
23	23-29909		1,1	SPACER, DRIVEN PULLEY
24	29906A1		1,1	DRIVEN PULLEY ASSEMBLY
25	17-29908		1,1	PIN, ROLL - FLANGE LOCATING
26	29907		1,1	FLANGE, DRIVEN PULLEY
27	28-29910		1,1	KEY, MAGNETO DRIVING
28	13-26996		1,1	LOCKWASHER, PULLEY CLAMPING SCREW
29	10-29911		1,1	SCREW, PULLEY CLAMPING
30	20140		1,1	BELT, TIMING

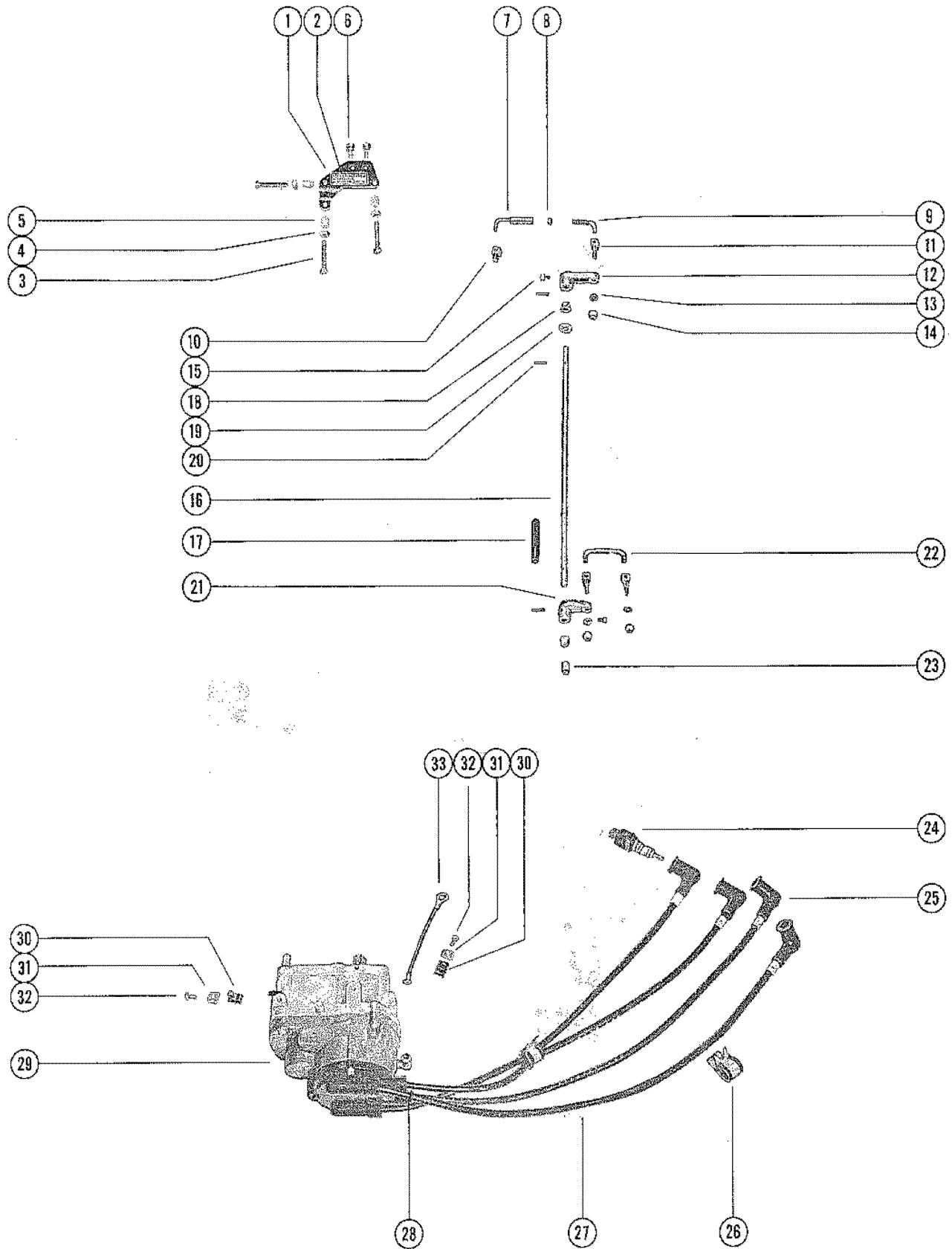
FLYWHEEL ASSEMBLY AND STATOR



FLYWHEEL ASSEMBLY AND STATOR

REF. NO.	PART NO.	SYM.	QTY.	DESCRIPTION
1	11-3002		1,1	NUT, FLYWHEEL
2	12-33001		1,1	WASHER, FLYWHEEL NUT
3	28-30250		1,1	KEY, FLYWHEEL DRIVE
4	216-2094A2		1,1	FLYWHEEL ASSEMBLY, COMPLETE
5	10-32156		8,8	SCREW, FLEXIBLE PLATE TO FLYWHEEL
6	50-33000A1		1,1	RATCHET ASSEMBLY
7	10-32417		8,8	SCREW, RATCHET TO FLYWHEEL
8	17-26618		1,1	PIN, DOWEL - PULLEY LOCATING
9	29788		1,1	FLANGE, FLYWHEEL PULLEY
10	30306		1,1	PULLEY, FLYWHEEL
11	29787		1,1	HUB, FLYWHEEL PULLEY
12	398-2171		1,1	STATOR, ALTERNATOR
13	30050		2,2	TERMINAL, STATOR LEAD WIRE
14	10-32614		4,4	SCREW, STATOR TO UPPER END CAP
15	54-26550		1,1	CLIP, STATOR LEAD TO CRANKCASE FLANGE
16	22789		1,1	"D" WASHER, CLIP FASTENING SCREW
17	10-26548		1,1	SCREW, STATOR LEAD CLIP TO CRANKCASE FLANGE
18	54-22783		3,3	"S" CLIP, STATOR LEAD TO BOTTOM COWL

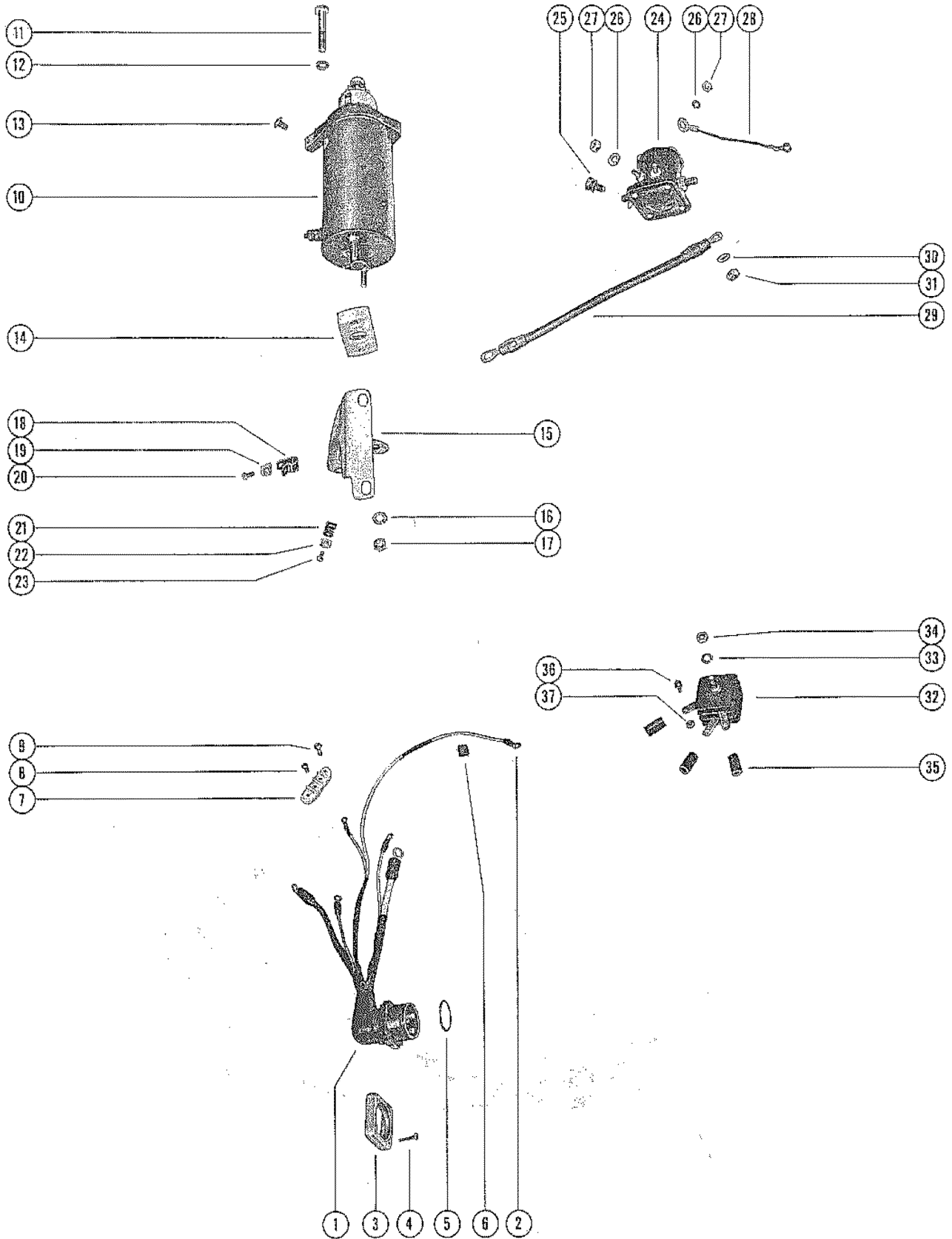
MAGNETO VERTICAL LINKAGE AND EXTERNAL PARTS



MAGNETO VERTICAL LINKAGE AND EXTERNAL PARTS

REF. NO.	PART NO.	SYM.	QTY.	DESCRIPTION
1	29277		1,1	PLATE, THROTTLE STOP
2	37-29315		1,1	DECAL, THROTTLE STOP PLATE (STOP ADJUSTMENTS)
3	10-24933		3,3	SCREW, ADJUSTING - THROTTLE STOP
4	11-20088		3,3	NUT, THROTTLE STOP ADJUSTING SCREW
5	26852		3,3	CAP, NYLON - ADJUSTING SCREW
6	10-29197		2,2	SCREW, THROTTLE STOP PLATE TO ADAPTER (5/8") SEE BLOCK COMMENTS
7	25996A1		1,1	SWIVEL AND LINK ROD ASSEMBLY
8	11-25168		1,1	NUT, ADJUSTING - UPPER LINK ROD
9	27949		1,	ROD, LINK - UPPER
	35626		,1	ROD, LINK - UPPER
10	27947		1,1	SWIVEL, LINKAGE - ECONOMISER COLLAR
11	27948		3,3	SWIVEL, UPPER AND LOWER LINK RODS
12	30582		1,1	LEVER, LINKAGE - UPPER
13	12-29245		3,3	WASHER, UPPER AND LOWER SWIVEL
14	11-20361		3,3	NUT, UPPER AND LOWER SWIVEL TO LEVER AND BRACKET
15	10-25781		2,2	SCREW, SET - LINKAGE LEVER
16	33019		1,1	SHAFT, VERTICAL
17	32-35899		1,1	TUBE, VERTICAL SHAFT
18	23-26954		2,2	BUSHING, NYLON - VERTICAL SHAFT
19	12-20553		1,1	WASHER, VERTICAL SHAFT - CENTER
20	17-25319		3,3	ROLL PIN, VERTICAL SHAFT AND LINKAGE LEVERS
21	30788		1,1	LEVER, LINKAGE - LOWER
22	33004		1,1	ROD, LINK - LOWER
23	23-33017		1,1	SPACER, VERTICAL SHAFT - LOWER
24	33-30578		4,4	SPARK PLUG
25	20119		4,4	PROTECTOR, SPARK PLUG
26	54-29425		2,2	CLIP, HIGH TENSION LEAD CABLE FASTENING
27	23564		4,4	CABLE, HIGH TENSION LEAD - SPARK PLUG
28	25-25429		4,4	"O" RING, HIGH TENSION LEAD CABLE TO END CAP COVER
29	394-2271A2		1,1	MAGNETO ASSEMBLY, COMPLETE (4D-4)
30	54-25231		2,2	CLIP, MERCURY SWITCH AND HARNESS LEADS TO MAGNETO
31	22789		2,2	"D" WASHER, CLIP FASTENING SCREW
32	10-20401		2,2	SCREW, LEAD CLIP TO MAGNETO
33	394-1134A1		1,1	GROUND STRAP ASSEMBLY, MAGNETO TO CRANKCASE

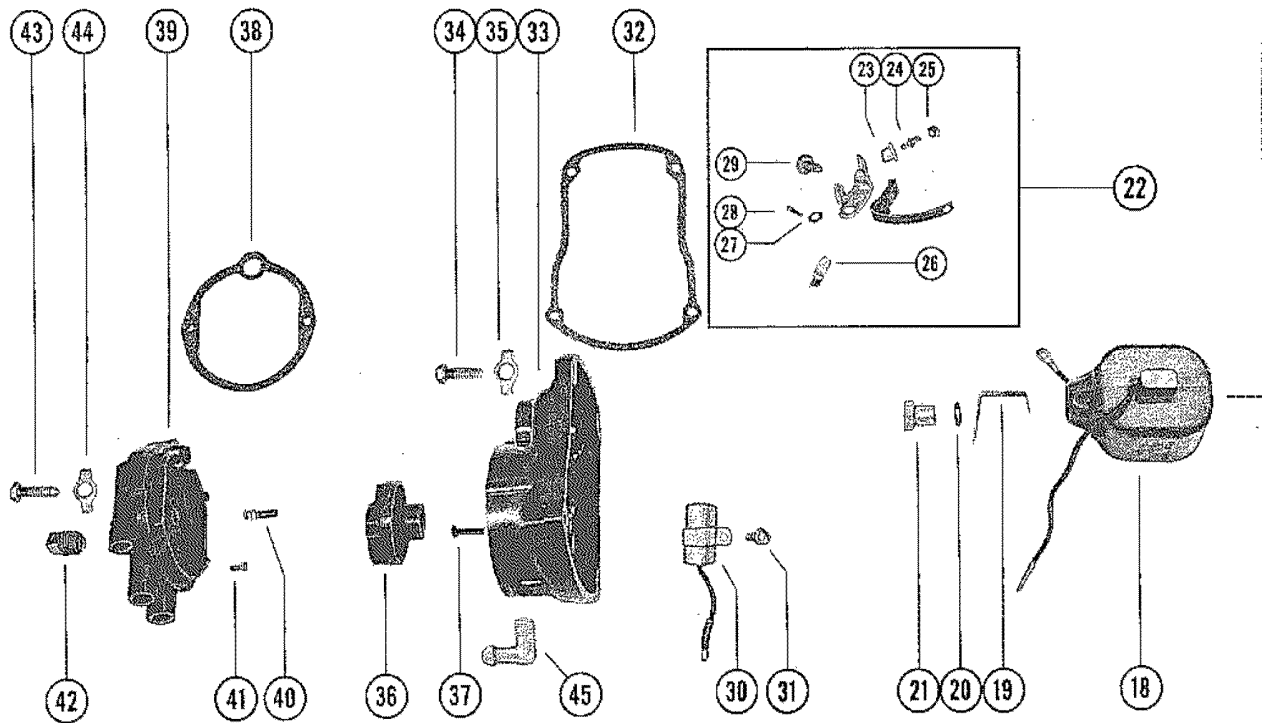
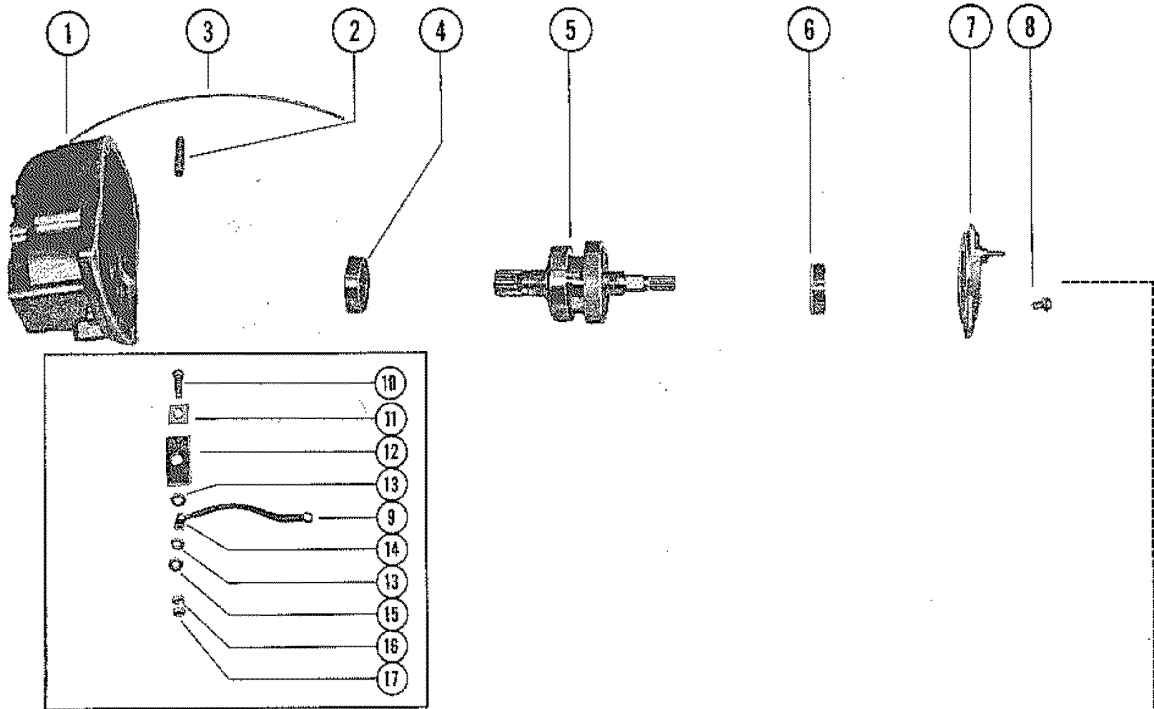
STARTER MOTOR, STARTER SOLENOID, RECTIFIER AND WIRING HARNESS



STARTER MOTOR, STARTER SOLENOID, RECTIFIER AND WIRING HARNES

REF. NO.	PART NO.	SYM.	QTY.	DESCRIPTION
1	33155		1,1	WIRING HARNESS, INTERNAL
2	30050		AR,AR	TERMINAL, HARNESS AND SWITCH LEADS
3	26079		1,1	PLATE, WIRING HARNESS TO BOTTOM COWL
4	10-26128		4,4	SCREW, WIRING HARNESS AND PLATE TO BOTTOM COWL
5	24-28975		1,1	SPRING, GARTER - INTERNAL WIRING HARNESS
6	54-22783		2,2	"S" CLIP, RECTIFIER HARNESS LEAD TO BOTTOM COWL
7	30212		1,1	BLOCK, TERMINAL - EXHAUST COVER
8	10-33152		2,2	SCREW, HARNESS LEADS TO TERMINAL BLOCK
9	10-30663		2,2	SCREW, TERMINAL BLOCK TO EXHAUSE COVER
10	50-31976		1,1	STARTER MOTOR ASSEMBLY (DELCO-REMY)
11	10-22698		2,2	SCREW, STARTER MOTOR TO CRANKCASE FLANGE
12	13-26993		2,2	LOCKWASHER, STARTER MOTOR FASTENING SCREW
13	10-29197		1,1	SCREW, WIRING HARNESS GROUND LEAD TO STARTER MOTOR
14	31057		1,1	PLATE, SPACER - STARTER MOTOR TO BRACKET
15	29930		1,1	BRACKET, SUPPORT - STARTER MOTOR
16	13-24669		2,2	LOCKWASHER, THRU BOLT - BRACKET TO STARTER MOTOR
17	11-20890		2,2	NUT, THRU BOLT - BRACKET TO STARTER MOTOR
18	54-22740		1,1	CLIP, HARNESS LEAD WIRES TO SUPPORT BRACKET (3/8-6)
19	22789		1,1	"D" WASHER, CLIP FASTENING SCREW
20	10-30009		1,1	SCREW, LEAD WIRE CLIP FASTENING
21	54-23567		1,1	CLIP, HARNESS LEAD WIRE TO SUPPORT BRACKET (9/16-6)
22	22789		1,1	"D" WASHER, CLIP FASTENING SCREW
23	10-30009		1,1	SCREW, LEAD WIRE CLIP FASTENING
24	32445		1,1	SOLENOID, STARTER
25	10-31208		2,2	SCREW, SOLENOID TO STARTER MOTOR
26	13-26996		2,2	LOCKWASHER, SOLENOID TERMINAL (#10)
27	11-20645		2,2	NUT, SOLENOID TERMINAL (#10)
28	28016A1		1,1	GROUND STRAP ASSEMBLY, SOLENOID TO STARTER MOTOR
29	25596		1,1	CABLE, WIRE - SOLENOID TO STARTER MOTOR
30	13-26993		2,2	LOCKWASHER, SOLENOID TERMINAL (5/16)
31	11-20083		2,2	NUT, SOLENOID TERMINAL (5/16)
32	32970		1,1	RECTIFIER ASSEMBLY
33	13-26993		1,1	LOCKWASHER, RECTIFIER MOUNTING SCREW
34	11-21929		1,1	NUT, RECTIFIER MOUNTING SCREW
35	32-28373		3,3	SLEEVE, RUBBER - RECTIFIER HARNESS LEAD
36	10-29852		3,3	SCREW, HARNESS AND STATOR LEADS TO RECTIFIER
37	11-29488		3,3	NUT, HARNESS AND STATOR LEAD FASTENING SCREW

MAGNETO ASSEMBLY (INTERNAL PARTS)

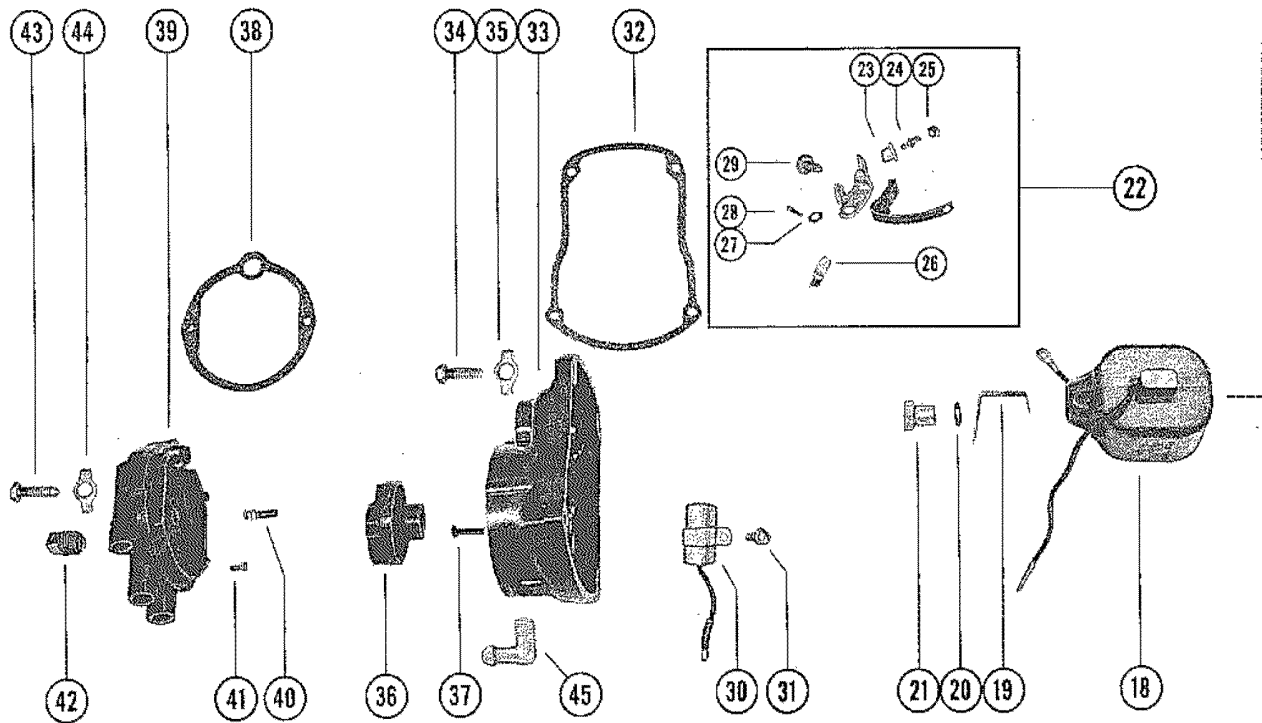
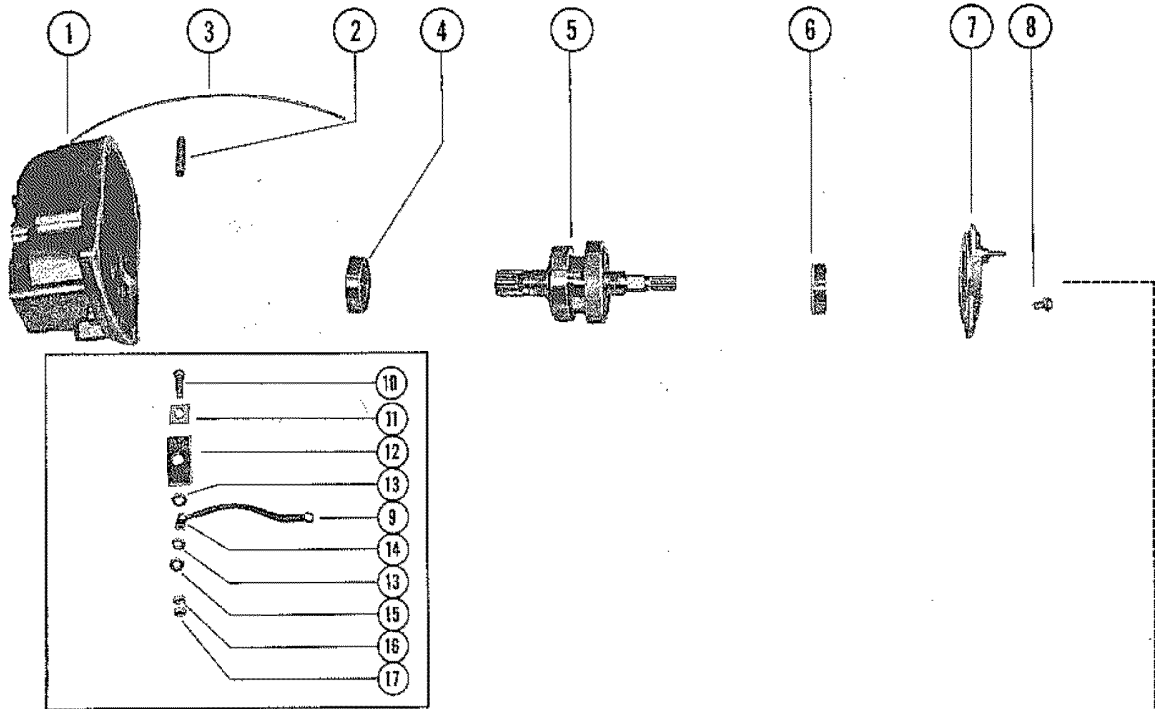


MAGNETO ASSEMBLY (INTERNAL PARTS)

REF. NO.	PART NO.	SYM.	QTY.	DESCRIPTION
-	394-2271A2		1,1	MAGNETO ASSEMBLY, COMPLETE (4D-4)
1	394-1570		1,1	FRAME, MAGNETO HOUSING
2	10-25510		2,2	SCREW, SET - COIL BRIDGE
3	394-1051		1,1	LOCKWIRE, COIL BRIDGE SET SCREW
4	30-24998		1,1	BEARING, BALL (DRIVE END)
5	394-1067		1,1	MAGNETIC ROTOR AND SHAFT
6	30-24997		1,1	BEARING, BALL (OPPOSITE DRIVE END)
7	394-1637		1,1	SUPPORT, BALL BEARING
8	10-25509		3,3	SCREW AND LOCKWASHER, SUPPORT TO FRAME
9	394-1053A1		1,1	WIRE ASSEMBLY, PRIMARY GROUND LEAD
10	10-29182		1,1	SCREW, PRIMARY GROUND (#10)
11	12-30267		1,1	WASHER, PRIMARY GROUND TERMINAL HOLDING
12	394-1579		1,1	INSULATOR, PRIMARY GROUND TERMINAL
13	12-29099		1,1	WASHER, INSULATING - PRIMARY GROUND SCREW
14	23-29101		1,1	BUSHING, INSULATING - HOUSING FRAME
15	12-26014		1,1	WASHER, PRIMARY GROUND SCREW
16	11-24656		1,1	NUT, LOCK - PRIMARY GROUND SCREW
17	11-20645		1,1	NUT, PRIMARY GROUND SCREW
18	394-1128A1		1,1	COIL ASSEMBLY
19	394-1050		1,1	CLIP, COIL - HIGH TENSION
20	13-23836		1,1	LOCKWASHER, COIL TERMINAL
21	394-1131		1,1	NUT, COIL CLIP FASTENING
22	393-1504A6		1,1	BREAKER ASSEMBLY
23	393-1586		1,1	GROMMET, PLASTIC - BREAKER BRACKET
24	16-29230		1,1	STUD, PRIMARY LEAD/TENSION SPRING FASTENING
25	11-29236		1,1	NUT, PRIMARY LEAD FASTENING
26	394-1106A1		1,1	HOLDER AND CAM WICK ASSEMBLY
27	12-26439		1,1	WASHER, BREAKER PIVOT PIN
28	18-26953		1,1	COTTER PIN, BREAKER TO PIVOT PIN
29	10-20597		1,1	SCREW, BREAKER HOLDER TO HOUSING
30	394-1130		1,1	CONDENSER
31	10-25509		1,1	SCREW AND LOCKWASHER, CONDENSER FASTENING
32	27-29166		1,1	GASKET, MAGNETO COVER
33	294-1577		1,1	COVER, MAGNETO
34	10-29418		4,4	SCREW, COVER TO FRAME
35	14-29157		4,4	TAB WASHER, COVER FASTENING SCREW
36	394-1560A1		1,1	MAGNETO ROTOR ASSEMBLY
37	394-1110		1,1	CLIP, SPRING
38	27-25725		1,1	GASKET, END CAP COVER
39	394-1561A2		1,1	END CAP COVER ASSEMBLY
40	394-1056A1		1,1	BRUSH AND SPRING ASSEMBLY

CONTINUED ON NEXT PAGE ➡

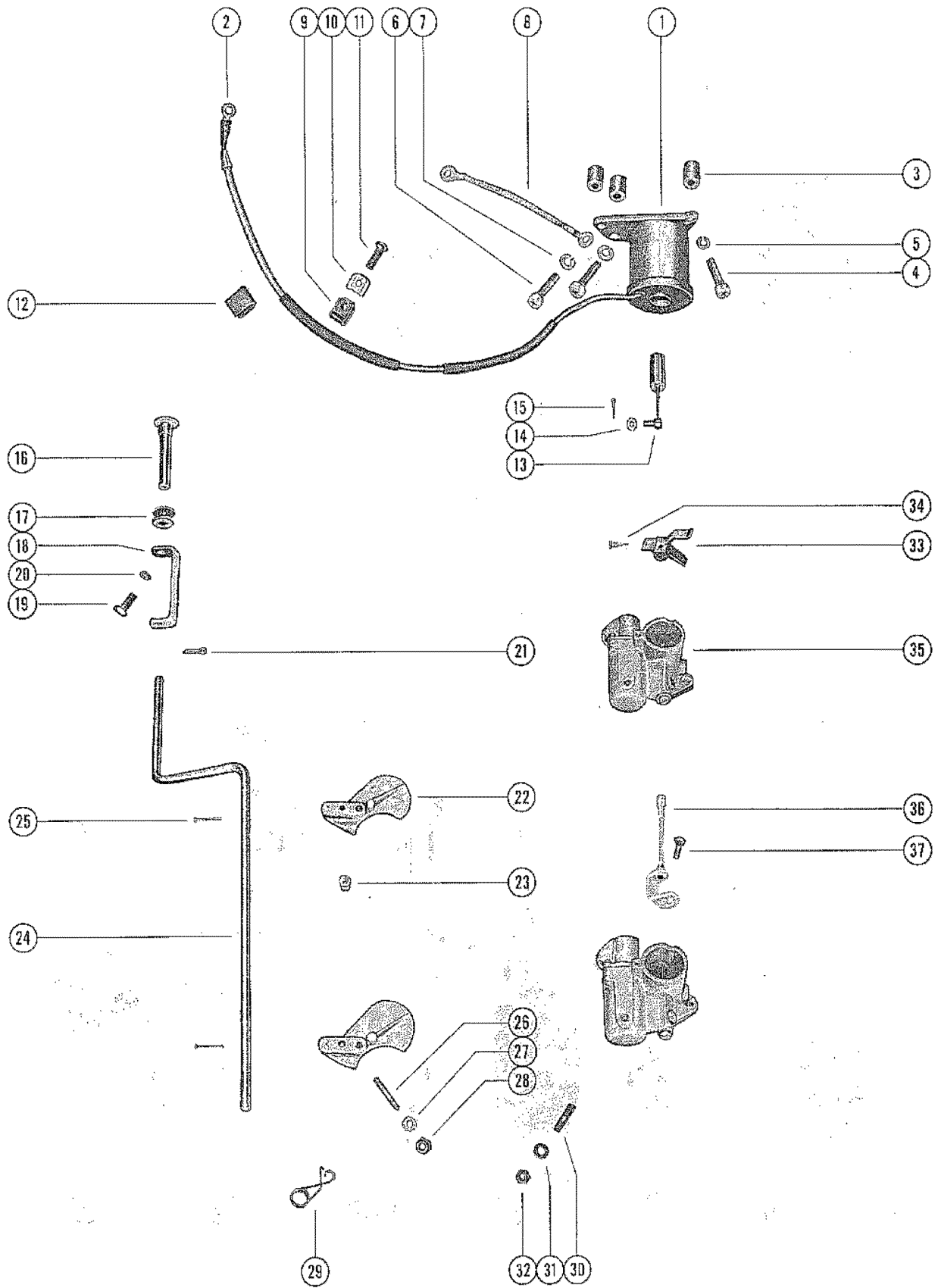
MAGNETO ASSEMBLY (INTERNAL PARTS)



MAGNETO ASSEMBLY (INTERNAL PARTS)

REF. NO.	PART NO.	SYM.	QTY.	DESCRIPTION
41	10-25517		4,4	SCREW, HIGH TENSION CABLE FASTENING
42	29121		1,	PIPE PLUG, END CAP COVER (NOT REQUIRED ON LATER MODELS)
43	10-29418		2,2	SCREW, END CAP COVER TO MAGNETO COVER
44	14-29157		2,2	TAB WASHER, COVER FASTENING SCREW
45	22-25885		1,1	ELBOW, PLASTIC - MAGNETO COVER VENT

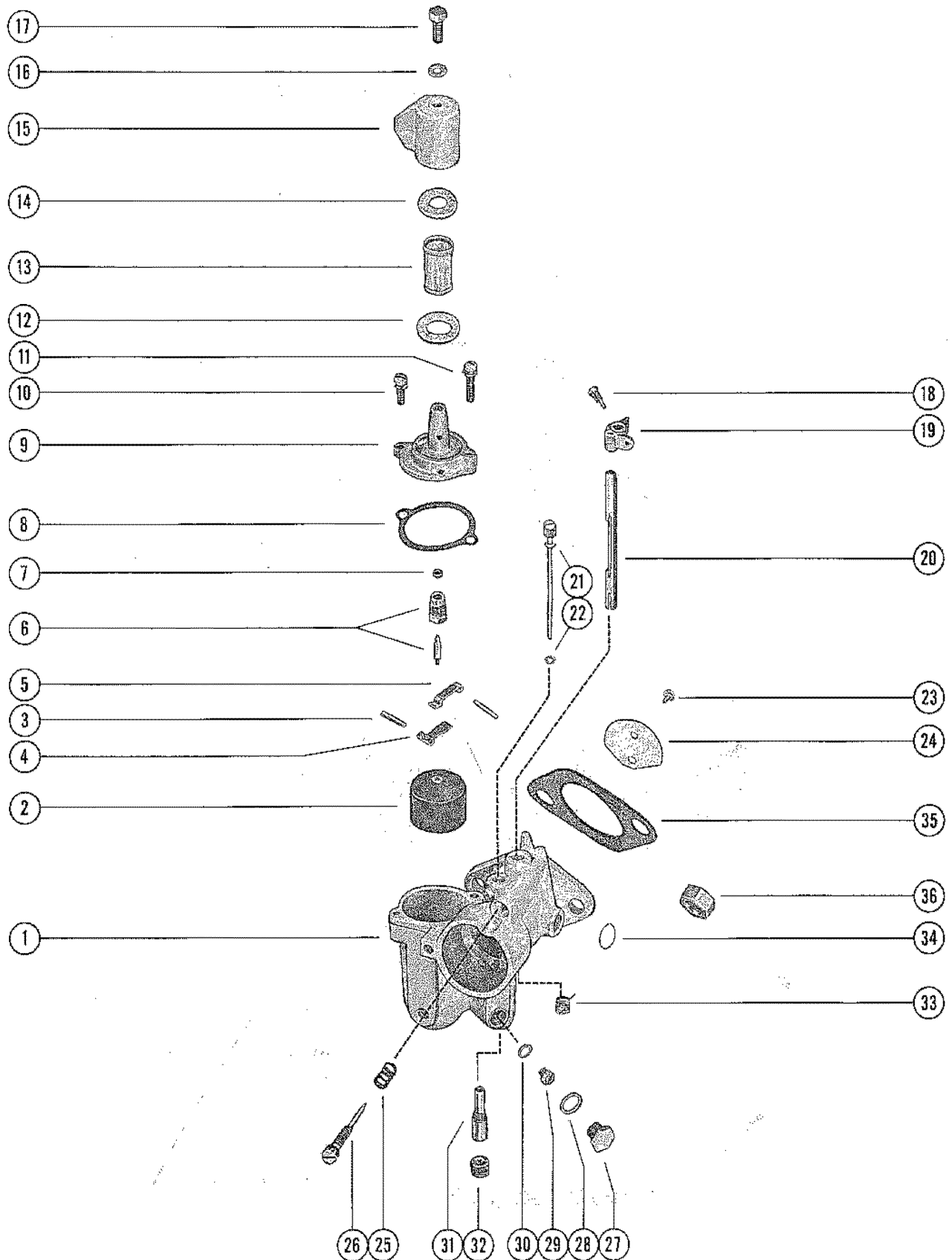
CARBURETOR LINKAGE AND CHOKE SOLENOID



CARBURETOR LINKAGE AND CHOKE SOLENOID

REF. NO.	PART NO.	SYM.	QTY.	DESCRIPTION
1	29690		1,1	CHOKE SOLENOID, TOP COWL
2	30050		1,1	TERMINAL, CHOKE SOLENOID LEAD
3	23-33018		3,3	SPACER, CHOKE SOLENOID SCREW
4	10-33024		1,1	SCREW, CHOKE SOLENOID TO TOP COWL (1 1/4")
5	13-26991		1,1	LOCKWASHER, CHOKE SOLENOID SCREW
6	10-24770		2,2	SCREW, CHOKE SOLENOID TO TOP COWL (1 3/8")
7	13-26992		2,2	LOCKWASHER, CHOKE SOLENOID SCREW
8	397-421A2		1,1	GROUND STRAP ASSEMBLY, CHOKE SOLENOID TO ADAPTOR
9	54-26538		1,1	CLIP, CHOKE SOLENOID WIRE
10	22789		1,1	"D" WASHER, WIRE CLIP FASTENING SCREW
11	10-24239		1,1	SCREW, WIRE CLIP TO TOP COWL
12	54-22783		2,2	"S" CLIP, CHOKE SOLENOID WIRE TO TOP COWL
13	27031A4		1,1	PLUNGER AND LINK ASSEMBLY, CHOKE SOLENOID
14	12-30164		1,1	WASHER, PLUNGER AND LINK
15	18-26953		1,1	COTTER PIN, LINK TO UPPER CHOKE LEVER
16	22463		1,1	KNOB, CHOKE ROD
17	25-20116		1,1	GROMMET, CHOKE ROD
18	22462		1,1	"U" LINK, CHOKE KNOB TO CHOKE ROD
19	10-20100		1,1	SCREW, "U" LINK TO CHOKE KNOB
20	13-26996		1,1	LOCKWASHER, "U" LINK SCREW
21	18-26953		1,1	COTTER PIN, "U" LINK TO CHOKE ROD
22	31404		2,2	SHUTTER, CHOKE - CARBURETOR
23	23-30438		1,1	BUSHING, NYLON - UPPER CHOKE SHUTTER
24	33003		1,1	ROD, CHOKE
25	17-25391		2,2	RIVET, CHOKE SHUTTER TO CHOKE ROD
26	16-30172		2,2	STUD, CARBURETOR - CHOKE SHUTTER PIVOT
27	12-30164		3,3	WASHER, CHOKE SHUTTER CARBURETOR STUD
28	11-20110		2,2	NUT, CHOKE SHUTTER TO CARBURETOR STUD
29	24-32428		1,1	SPRING, TENSION - CHOKE ROD 1
30	16-21723		1,1	STUD, CHOKE ROD SPRING TO CARBURETOR
31	23-32427		1,1	SPACER, CHOKE ROD SPRING STUD
32	11-20184		1,1	NUT, CHOKE ROD SPRING TO CARBURETOR STUD
33	33148		1,1	CLUSTER, THROTTLE LEVER (UPPER CARBURETOR)
34	10-20847		1,1	SCREW, CLUSTER TO THROTTLE LEVER
35	1335-2088		2,2	CARBURETOR ASSEMBLY, COMPLETE
36	28007A6		1,1	THORTTLE PICK-UP BRACKET ASSEMBLY
37	10-29239		1,1	SCREW, THROTTLE BRACKET MOUNTING

CARBURETOR ASSEMBLY

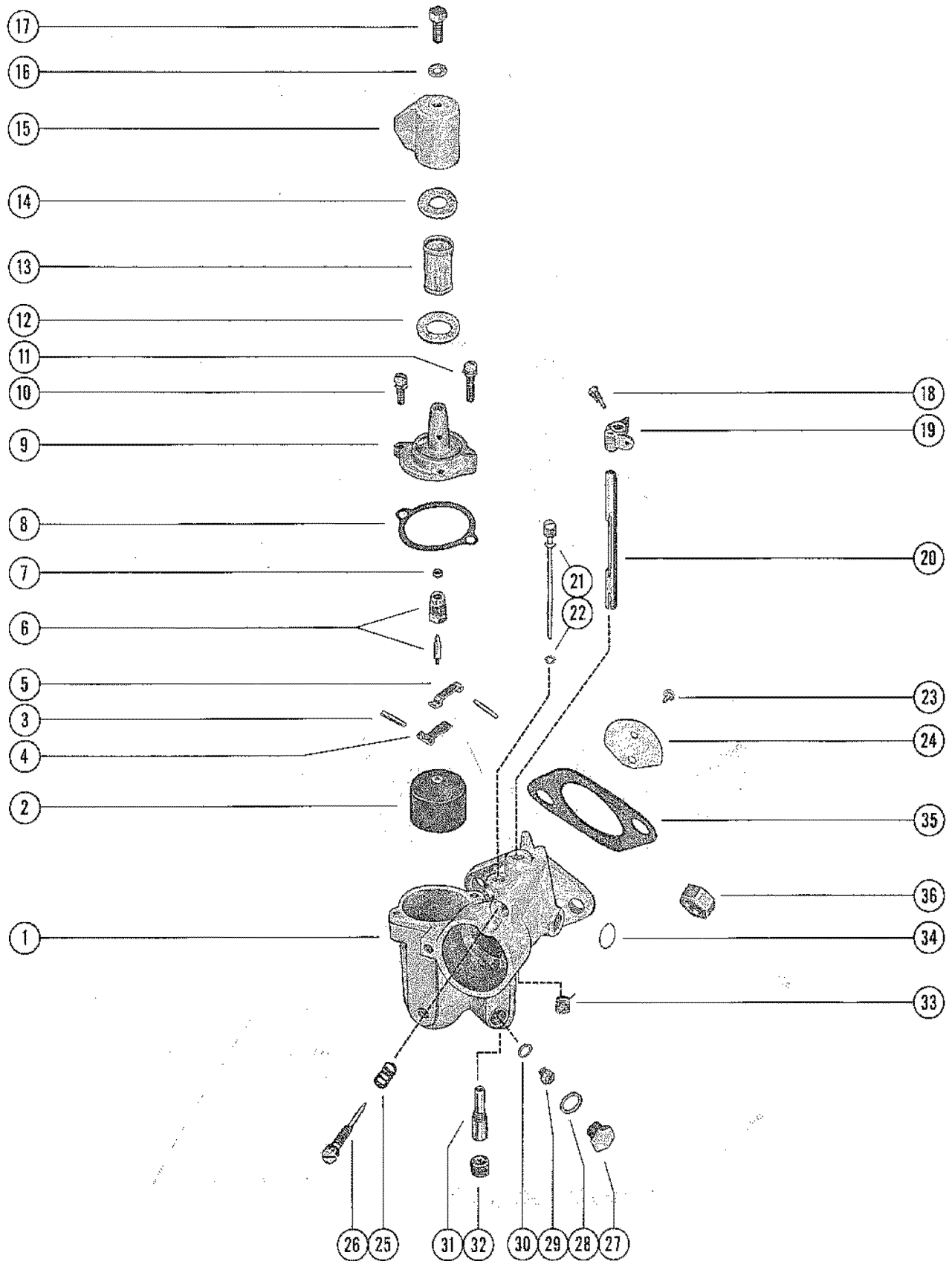


CARBURETOR ASSEMBLY

REF. NO.	PART NO.	SYM.	QTY.	DESCRIPTION
1	1335-2088		2,2	CARBURETOR ASSEMBLY, COMPLETE (KC-2A)
2	1399-110A1		2,2	FLOAT ASSEMBLY
3	17-20853		4,4	PIN, FLOAT LEVER PINION
4	1399-102		2,2	LEVER, FLOAT (LOWER)
5	1399-101		2,2	LEVER, FLOAT (UPPER)
6	1399-1473		2,2	INLET NEEDLE, SEAT AND GASKET
7	27-25033		2,2	GASKET, INLET SEAL
8	1399-99		2,2	GASKET, FLOAT BOWL COVER
9	1399-1133		2,2	COVER, FLOAT BOWL
10	10-20854		2,2	SCREW, FLOAT BOWL COVER (SHORT)
11	10-25850		2,2	SCREW, FLOAT BOWL COVER (LONG)
12	27-25851		2,2	GASKET, STRAINER COVER (LARGE)
13	1399-1754		2,2	SCREEN, FILTER
14	27-25849		2,2	GASKET, STRAINER COVER (SMALL)
15	1399-1930		2,2	COVER, STRAINER
16	27-25848		2,2	GASKET, STRAINER COVER SCREW
17	10-25822		2,2	SCREW, STRAINER COVER FASTENING
18	10-20847		2,2	SCREW, THROTTLE STOP LEVER
19	1399-97		2,2	LEVER, THROTTLE STOP USE ON LOWER CARBURETOR ONLY -- REPLACED WITH 33148 CLUSTER ON UPPER CARBURETOR
20	1399-2012		2,2	SHAFT, THROTTLE
21	1399-2178		2,2	TUBE, IDLE
22	27-23180		2,2	GASKET, IDLE TUBE
23	10-23035		4,4	SCREW AND LOCKWASHER, THROTTLE SHUTTER
24	1399-2180		2,2	SHUTTER, THROTTLE
25	24-27160		2,2	SPRING, IDLE ADJUSTMENT SCREW
26	1399-1713		2,2	SCREW, IDLE ADJUSTMENT
27	10-28405		2,2	SCREW, PLUG - MAIN FUEL JET CHANNEL
28	27-28406		2,2	GASKET, JET CHANNEL PLUG SCREW
29	1399-2013		OPT.,OPT.	JET, MAIN FUEL (.073)
	1399-2011		2,2	JET, MAIN FUEL (.071) - STANDARD
	1399-1962		OPT.,OPT.	JET, MAIN FUEL (.069)
	1399-1467		OPT.,OPT.	JET, MAIN FUEL (.067)
30	27-28409		2,2	GASKET, MAIN FUEL JET
31	1399-2179		2,2	NOZZLE, MAIN
32	10-28846		2,2	SCREW, PLUG - MAIN NOZZLE
33	24-26890		1,1	SPRING, THROTTLE SHAFT RETURN (LOWER CARBURETOR)
	24-20869		1,1	SPRING, THROTTLE SHAFT RETURN (UPPER CARBURETOR)

CONTINUED ON NEXT PAGE ➡

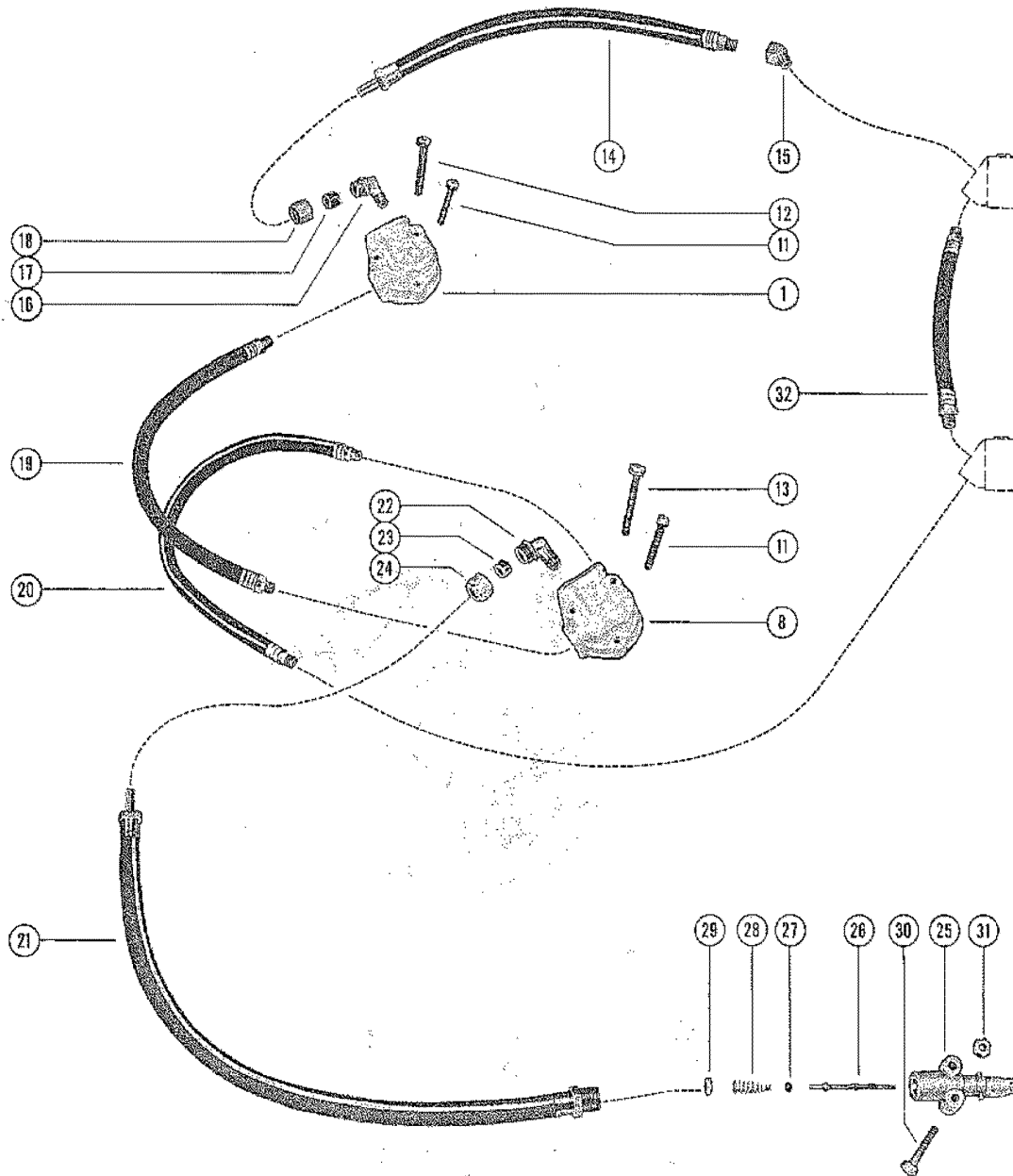
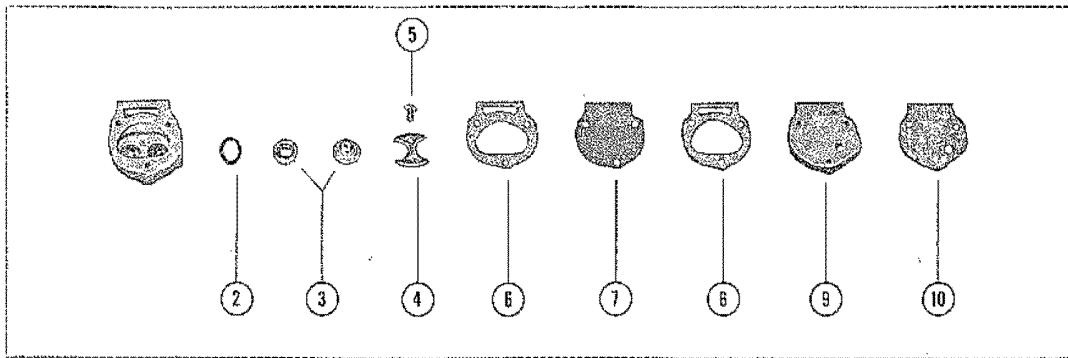
CARBURETOR ASSEMBLY



CARBURETOR ASSEMBLY

REF. NO.	PART NO.	SYM.	QTY.	DESCRIPTION
34	19-32299		2,2	WELCH PLUG, BODY CHANNEL
-	1399-2015		2,2	GASKET AND PACKING SET (1 PER CARBURETOR)
-	1399-2181		2,2	REPAIR PARTS KIT (1 PER CARBURETOR)
35	27-31402		2,2	GASKET, CARBURETOR FLANGE
36	11-29250		4,4	NUT, CARBURETOR MOUNTING STUD

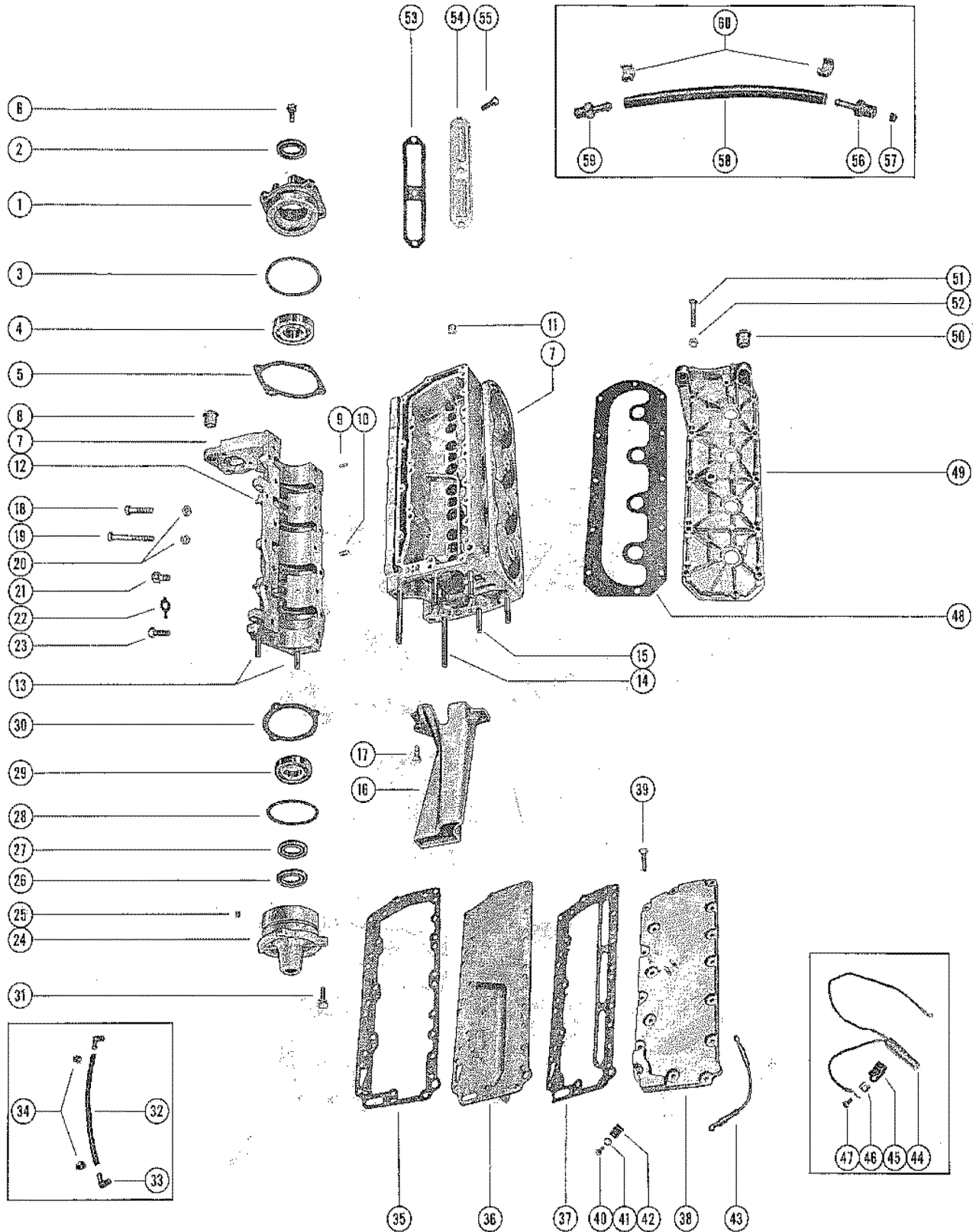
FUEL PUMP AND FUEL LINE ASSEMBLY



FUEL PUMP AND FUEL LINE ASSEMBLY

REF. NO.	PART NO.	SYM.	QTY.	DESCRIPTION
1	30269A2		1,1	FUEL PUMP ASSEMBLY - UPPER
2	27-23005		2,2	GASKET, CHECK VALVE TO HOUSING
3	21-30430		2,2	VALVE, CHECK - FUEL PUMP
4	23004		1,1	RETAINER, CHECK VALVE
5	10-20037		2,2	SCREW, RETAINER TO HOUSING
6	27-24863		2,2	GASKET, FUEL PUMP
7	23014		1,1	DIAPHRAGM, FUEL PUMP
8	30461A2		1,1	FUEL PUMP ASSEMBLY - LOWER
2	27-23005		2,2	GASKET, CHECK VALVE TO HOUSING
3	21-30430		2,2	VALVE, CHECK - FUEL PUMP
4	23004		1,1	RETAINER, CHECK VALVE
5	10-20037		2,2	SCREW, RETAINER TO HOUSING
6	27-24863		2,2	GASKET, FUEL PUMP
7	23014		1,1	DIAPHRAGM, FUEL PUMP
9	30275		2,2	COVER, FUEL PUMP
10	27-30276		2,2	GASKET, FUEL PUMP COVER
11	10-29878		2,2	SCREW, FUEL PUMP MOUNTING (1 1/2") - UPPER/LOWER PUMP
12	10-30274		2,2	SCREW, FUEL PUMP MOUNTING (1 3/4") - UPPER PUMP
13	10-30273		2,2	SCREW, FUEL PUMP MOUNTING (1 7/8") - LOWER PUMP
14	32-33154A1		1,1	FUEL LINE ASS'Y, UPPER PUMP TO UPPER CARBURETOR (13 1/2")
15	22-29085		1,1	ELBOW (45), UPPER CARBURETOR
16	22-30174		1,1	ELBOW, UPPER FUEL PUMP OUTLET
17	22-30175		1,1	SLEEVE, FUEL PUMP OUTLET ELBOW
18	22-30177		1,1	NUT, FUEL PUMP OUTLET ELBOW
19	32-31552A1		1,1	FUEL LINE ASS'Y, LOWER PUMP TO UPPER PUMP (12 3/8")
20	32-31553A1		1,1	FUEL LINE ASS'Y, LOWER PUMP TO LOWER CARBURETOR (19 3/4")
21	32-30176		1,1	FUEL LINE, ADAPTOR TO LOWER FUEL PUMP INLET
22	22-30174		1,1	ELBOW, LOWER FUEL PUMP INLET
23	22-30175		1,1	SLEEVE, FUEL PUMP INLET ELBOW
24	22-30177		1,1	NUT, FUEL PUMP INLET ELBOW
25	30186		1,1	ADAPTOR, CHECK UNIT (FUEL LINE)
26	30187		1,1	STEM, CHECK UNIT ADAPTOR
27	25-20415		1,1	"O" RING, ADAPTOR STEM
28	24-30189		1,1	SPRING, ADAPTOR STEM
29	30188		1,1	CUP WASHER, ADAPTOR
30	10-22421		2,2	SCREW, ADAPTOR TO BOTTOM COWL
31	11-20184		2,2	NUT, ADAPTOR FASTENING SCREW
32	32-31550A1		1,1	FUEL LINE ASSEMBLY, UPPER TO LOWER CARBURETOR (6")

CYLINDER BLOCK AND CRANKCASE ASSEMBLY

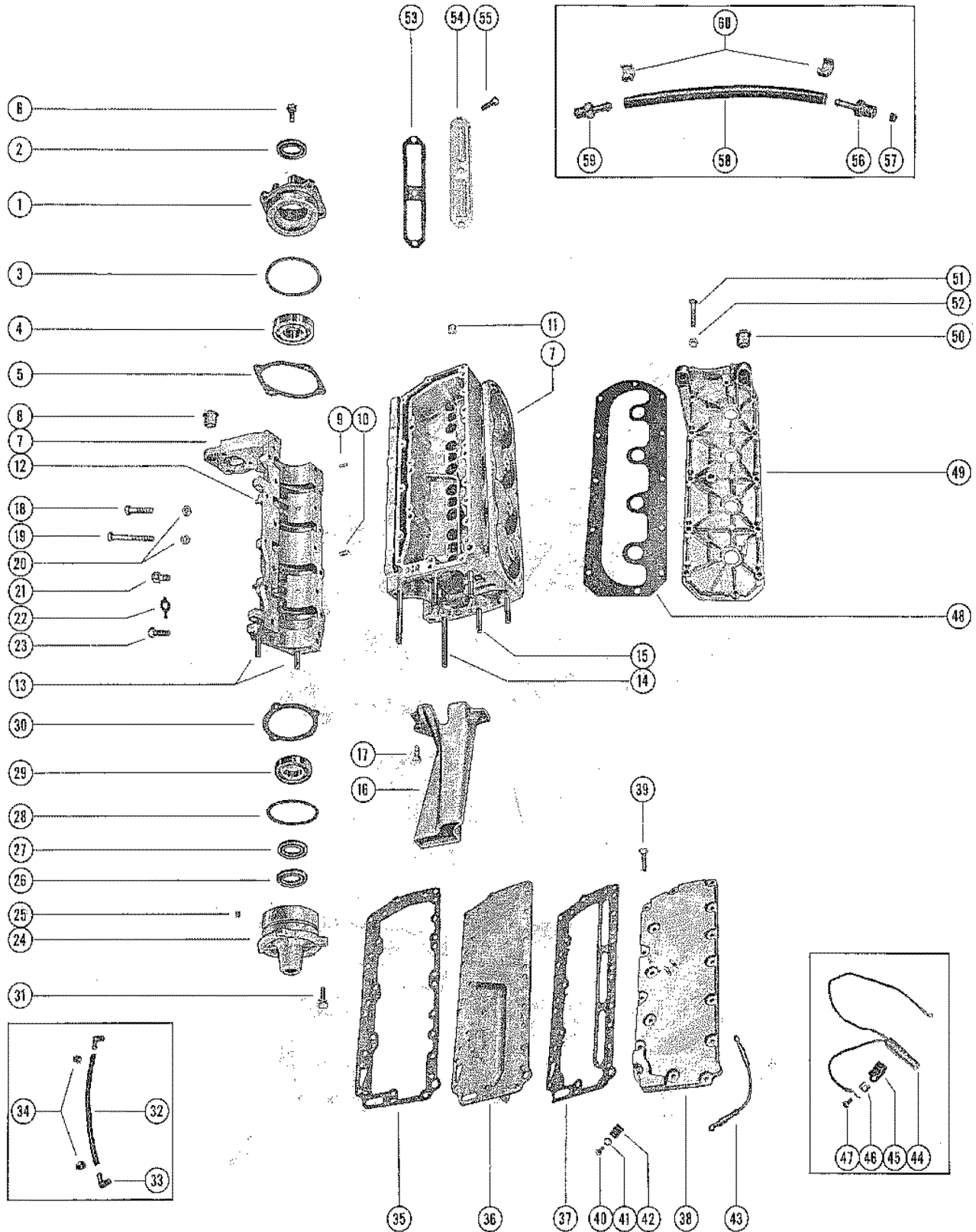


CYLINDER BLOCK AND CRANKCASE ASSEMBLY

REF. NO.	PART NO.	SYM.	QTY.	DESCRIPTION
1	1128-1890A1		1,1	END CAP ASSEMBLY, UPPER
2	26-29476		1,1	OIL SEAL
3	25-31305		1,1	"O" RING
4	30-32117		1,1	BALL BEARING
5	15-31283A1		AR,AR	SHIM, UPPER END CAP TO CRANKCASE (.002-3-5-10)
6	10-30225		4,4	SCREW, UPPER END CAP MOUNTING
7	834-2412A3		1,1	CYLINDER BLOCK AND CRANKCASE ASSEMBLY
8	23-26348		2,2	BUSHING, CRANKCASE - COWL MOUNTING STUD
9	17-20032		2,2	DOWEL PIN, CYLINDER BLOCK TO MAIN BEARING
10	17-20033		2,2	DOWEL PIN, CRANKCASE TO CYLINDER BLOCK
11	22-30139		1,1	PLUG, PIPE - WATER PRESSURE HOLE (CYLINDER BLOCK)
12	16-21831		4,4	STUD, CARBURETOR MOUNTING (1 1/4")
13	16-26133		2,2	STUD, CRANKCASE TO DRIVE SHAFT HOUSING (1 7/8")
14	16-26134		2,2	STUD, CYLINDER BLOCK TO DRIVE SHAFT HOUSING (4 1/16")
15	16-26135		4,4	STUD, CYLINDER BLOCK TO DRIVE SHAFT HOUSING (2 5/16")
16	33548		1,1	EXTENSION, EXHAUST - CYLINDER BLOCK N.L.A.-ORDER 36066A1 KIT
	36066		,1	EXTENSION, EXHAUST - CYLINDER BLOCK
-	27-36059		,1	GASKET, EXHAUST EXTENSION TO CYLINDER BLOCK
-	13-26993		,4	LOCKWASHER, EXHAUST EXTENSION FASTENING SCREW
17	10-25299		,4	SCREW, EXHAUST EXTENSION TO CYLINDER BLOCK (5/16 - 18 X 3/4)
	10-29282		4,4	SCREW, EXHAUST EXTENSION TO CYLINDER BLOCK (1/4 - 20 X 3/4)
18	10-26132		2,2	SCREW, CRANKCASE TO CYLINDER BLOCK (2 1/2")
	10-32293		13,13	SCREW, CRANKCASE TO CYLINDER BLOCK (1 3/4")
	10-33860		1,1	SCREW, CRANKCASE TO CYLINDER BLOCK (2")
19	10-33008		2,2	SCREW, CRANKCASE TO CYLINDER BLOCK (3 1/2")
-	12-20084		1,1	WASHER, GROUND STRAP AND CRANKCASE SCREW
20	11-29250		18,18	NUT, CRANKCASE TO CYLINDER BLOCK SCREW
21	10-33853		2,2	SCREW, MAIN BEARING LOCKING
22	14-20091		3,3	TAB WASHER, BEARING LOCKING SCREW
23	10-20359		1,1	SCREW, CENTER MAIN BEARING LOCKING
24	1126-1751A1		1,1	END CAP ASSEMBLY, LOWER
25	21-28481A1		1,1	CHECK VALVE ASSEMBLY, END CAP
26	26-29478		1,1	OIL SEAL, LOWER
27	26-29476		1,1	OIL SEAL, UPPER
28	25-20081		1,1	"O" RING
29	30-20080		1,1	BALL BEARING
30	15-20085A1		AR,AR	SHIM, LOWER END CAP TO CRANKCASE (.002-3-5-10)
31	10-30225		3,3	SCREW, LOWER END CAP MOUNTING

CONTINUED ON NEXT PAGE ➡

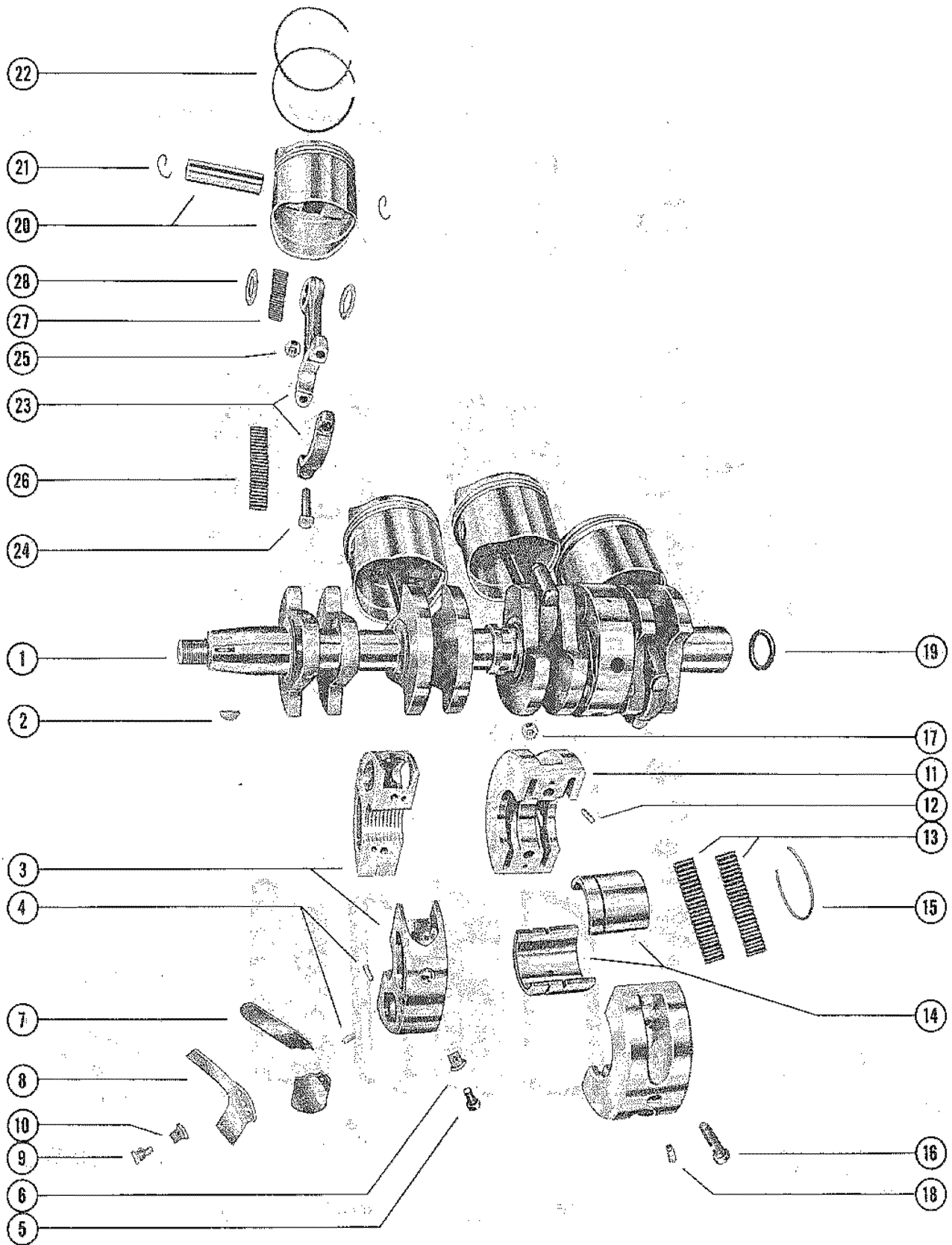
CYLINDER BLOCK AND CRANKCASE ASSEMBLY



CYLINDER BLOCK AND CRANKCASE ASSEMBLY

REF. NO.	PART NO.	SYM.	QTY.	DESCRIPTION
32	32-33729		1,1	TUBE, BALANCE - MAIN BEARING
33	22-25885		2,2	ELBOW, BALANCE TUBE TO MAIN BEARING SCREW
34	54-20386		2,2	CLAMP, BALANCE TUBE TO ELBOW
35	27-33529		1,1	GASKET, CYLINDER BLOCK TO MAINFOLD PLATE
36	33528		1,1	PLATE, EXHAUST MANIFOLD
37	27-33530		1,1	GASKET, MANIFOLD PLATE TO MAINFOLD COVER
38	30190		1,1	COVER, EXHAUST MAINFOLD
39	10-28667		15,15	SCREW, MANIFOLD PLATE AND COVER MOUNTING
40	10-28666		2,2	SCREW, MANIFOLD PLATE, COVER AND CLAMP MOUNTING
41	12-20028		2,2	WASHER, PLATE, COVER AND CLAMP MOUNTING SCREW
42	54-29425		2,2	CLAMP, SPARK PLUG LEADS TO COVER
43	30109		1,1	GROUND STRAP, CYLINDER BLOCK TO BOTTOM COWL
44	28060		1,	SWITCH, MERCURY
45	54-22875		1,	CLAMP, MERCURY SWITCH TO MANIFOLD COVER
46	22789		1,	"D" WASHER, CLAMP FASTENING SCREW
47	10-20401		1,	SCREW, MERCURY SWITCH CLAMP TO MAINFOLD COVER
44	33385A1		,1	SWITCH, MERCURY
47	10-28708		,1	SCREW, MERCURY SWITCH TO MANIFOLD COVER
48	27-33015		1,1	GASKET, CYLINDER BLOCK COVER
49	1012-2077A1		1,1	CYLINDER BLOCK COVER ASSEMBLY
50	23-26348		2,2	BUSHING, COVER - COWL MOUNTING STUD
51	10-21091		12,12	SCREW, CYLINDER BLOCK COVER MOUNTING
52	11-20184		12,12	NUT, COVER MOUNTING SCREW
53	27-31304		2,2	GASKET, TRANSFER PORT COVER
54	31288		2,2	COVER, TRANSFER PORT
55	10-20540		6,6	SCREW, TRANSFER PORT COVER TO CYLINDER BLOCK (5/8")
56	21-28483A1		1,1	CHECK VALVE ASSEMBLY, UPPER - BLEED HOSE
57	21-28481A1		1,1	CHECK VALVE ASSEMBLY
58	32-26060		1,1	HOSE, CYLINDER BLEED (8 1/2")
59	22-20445		1,1	CONNECTOR, LOWER - BLEED HOSE
60	54-20387		2,2	CLAMP, BLEED HOSE TO CHECK VALVE AND CONNECTOR

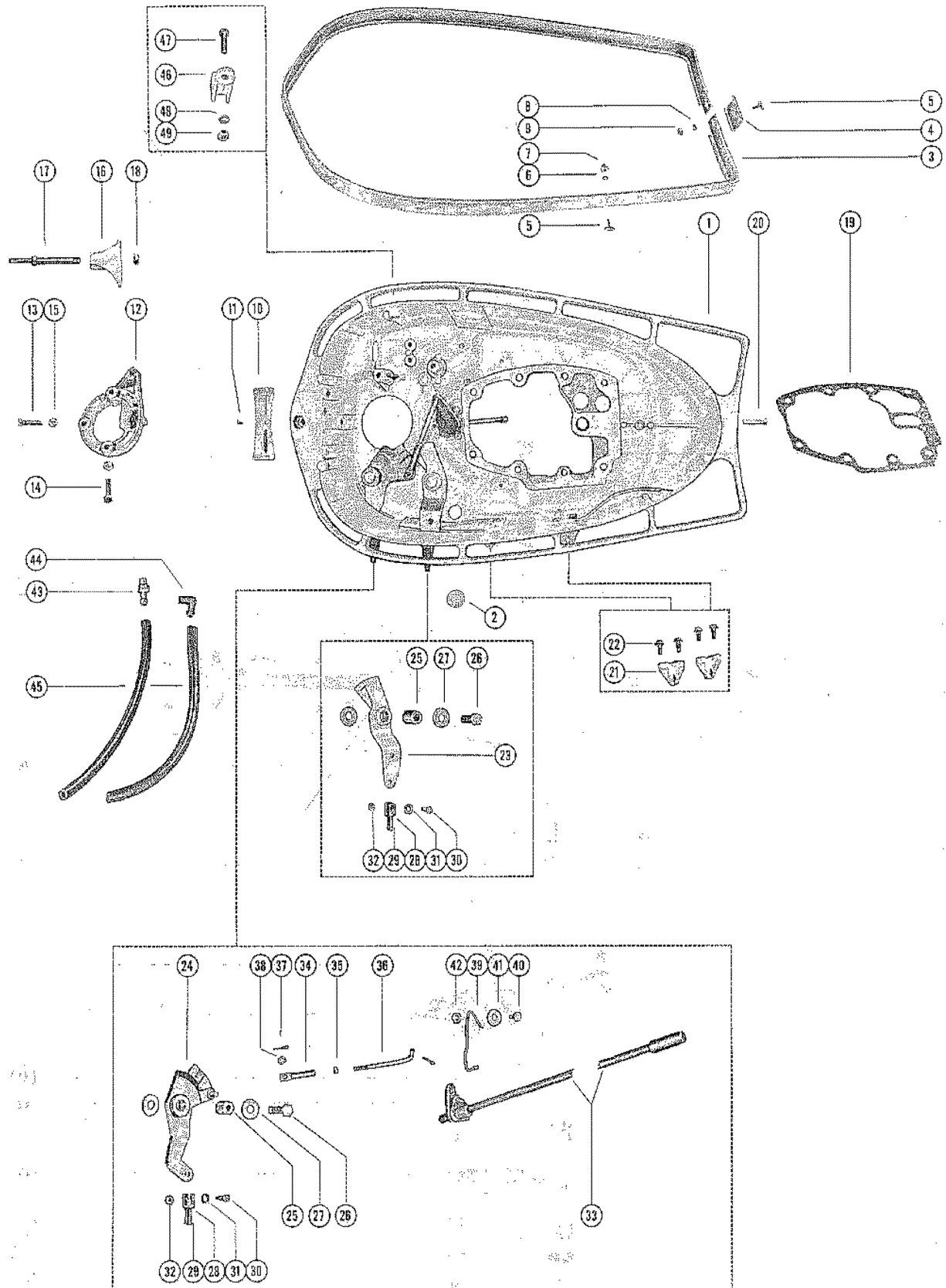
CRANKSHAFT, PISTON AND CONNECTING ROD



CRANKSHAFT, PISTON AND CONNECTING ROD

REF. NO.	PART NO.	SYM.	QTY.	DESCRIPTION
1	418-1898		1,1	CRANKSHAFT
2	28-30250		1,1	KEY, FLYWHEEL DRIVE
3	533-2034A2		2,2	MAIN BEARING ASSEMBLY (VALVE TYPE)
4	17-20032		20,20	DOWEL PIN, MAIN BEARING
5	10-25313		4,4	SCREW, MAIN BEARING CLAMPING
6	11-29469		4,4	NUT, MAIN BEARING CLAMPING SCREW
7	34-32203A1		2,2	REED SET, MATCHED - MAIN BEARING
8	34-31240		8,8	REED STOP, MAIN BEARING REED VALVES
9	10-29465		8,8	SCREW, REED STOP MOUNTING
10	11-29469		8,8	NUT, REED STOP MOUNTING SCREW
11	531-1884A2		1,1	CENTER MAIN BEARING ASSEMBLY
12	17-20032		2,2	DOWEL PIN, CENTER MAIN BEARING
13	29-26114		56,56	BEARING, NEEDLE
14	26113		1,1	RACE, OUTER (PAIR)
15	53-26933		1,1	RING, SNAP - OUTER RACE CLAMPING
16	10-22968		2,2	SCREW, CENTER MAIN BEARING CLAMPING
17	11-20184		2,2	NUT, MAIN BEARING CLAMPING SCREW
18	17-31245		1,1	DOWEL PIN (STEPPED)
19	25-30613		1,1	"O" RING, DRIVE SHAFT SPLINE
20	732-2045A4		4,4	PISTON AND PISTON PIN ASSEMBLY
21	40-32118		8,8	LOCK RING, PISTON PIN
22	39-32921		8,8	RING, PISTON
23	611-1885A2		4,4	CONNECTING ROD AND CAP ASSEMBLY
24	10-20060		8,8	SCREW, CAP TO CONNECTING ROD
25	11-20061		8,8	NUT, CONNECTING ROD SCREW
26	29-30403		128,128	BEARING, NEEDLE - CRANKPIN
27	29-30401		100,100	BEARING, NEEDLE - PISTON PIN
28	12-29681		8,8	WASHER, NEEDLE LOCATING
-	732-2194A1		4,4	PISTON AND PISTON PIN ASSEMBLY (.015) OVERSIZE PISTON AND RING
-	39-33945		8,8	RING, PISTON (.015) OVERSIZE PISTON AND RING

BOTTOM COWL ASSEMBLY

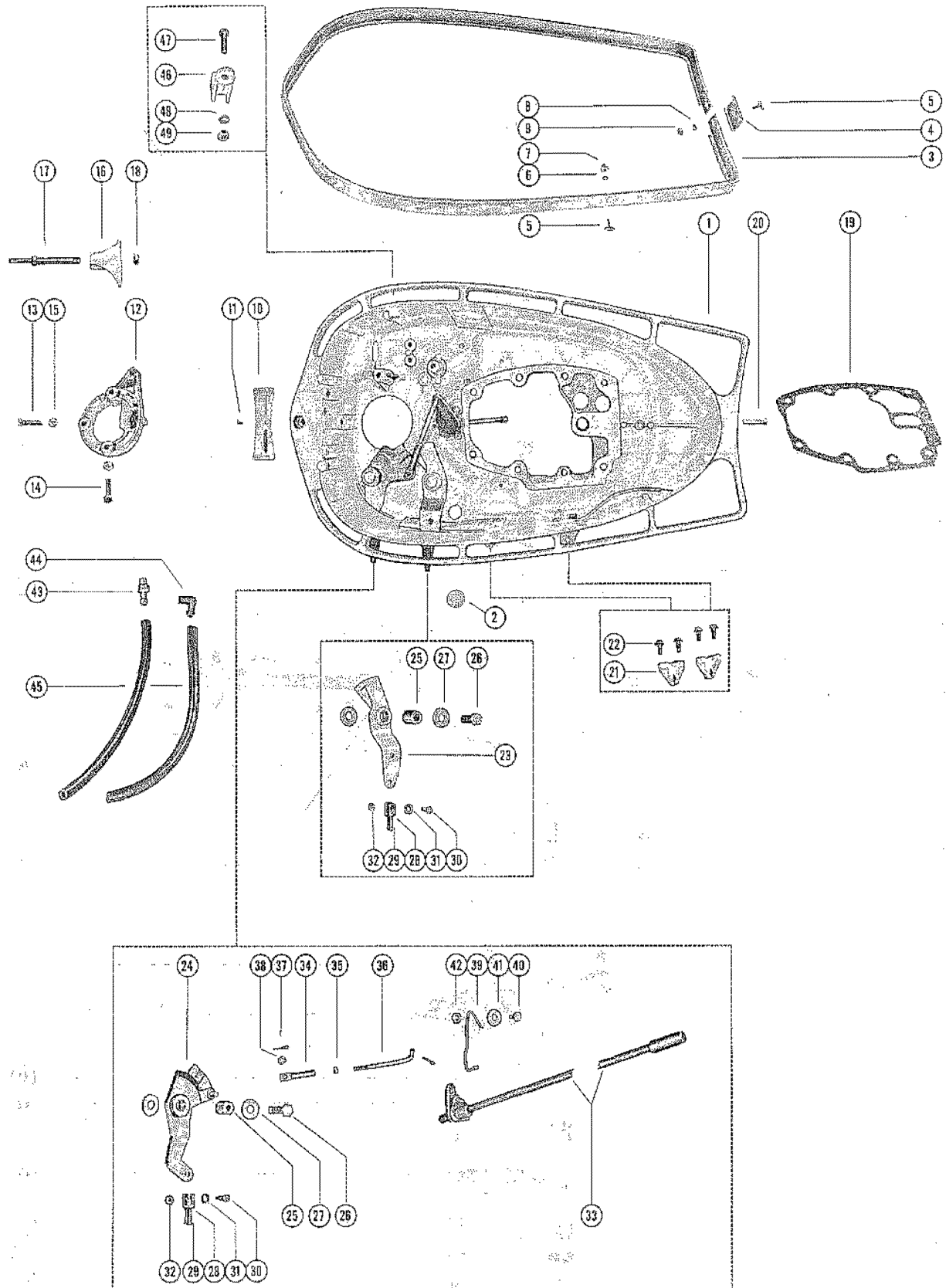


BOTTOM COWL ASSEMBLY

REF. NO.	PART NO.	SYM.	QTY.	DESCRIPTION
1	186-1781A2		1,1	BOTTOM COWL ASSEMBLY
2	19-32297		1,1	PLUG, HOLE - BOTTOM COWL (TO PLUG 3/4" HOLE IN BOTTOM COWL)
3	29997A1		1,1	TRIM MOULDING ASSEMBLY
4	29998		1,1	SPLICER, TRIM MOUNDING - REAR
5	10-29226		5,5	SCREW, DECORATIVE - MOULDING TO BOTTOM COWL
6	12-24671		4,4	WASHER, FIBER - MOULDING FASTENING SCREW
7	11-29225		4,4	NUT, NYLON CAP - MOULDING FASTENING SCREW
8	13-26995		1,1	LOCKWASHER, MOULDING FASTENING SCREW
9	11-26419		1,1	NUT, BRASS - MOULDING FASTENING SCREW
10	30005		1,1	BAFFLE, BOTTOM COWL
11	10-21106		3,3	SCREW, BAFFLE TO BOTTOM COWL
12	33016		1,1	BRACKET, RECTIFIER MOUNTING
13	10-21091		1,1	SCREW, BRACKET TO BOTTOM COWL (1 1/8")
14	10-22421		2,2	SCREW, BRACKET TO BOTTOM COWL (1 1/4")
15	11-20184		3,3	NUT, RECTIFIER BRACKET MOUNTING SCREW
16	30003		1,1	BRACKET, PIVOT PIN TO BOTTOM COWL
17	17-30004		1,1	PIN, PIVOT - BOTTOM COWL
18	11-20696		1,1	NUT, PIVOT PIN FASTENING
19	27-29914		1,1	GASKET, POWERHEAD TO BOTTOM COWL
20	10-24963		1,1	SCREW, BOTTOM COWL TO DRIVE SHAFT HOUSING
21	20557		2,2	BRACKET, CABLE END ANCHOR
22	10-29200		4,4	SCREW, ANCHOR BRACKET TO BOTTOM COWL
23	29532		1,1	LEVER, THROTTLE CONTROL
24	30612		1,1	LEVER, SHIFT CONTROL
25	23-29529		2,2	BUSHING, THROTTLE AND SHIFT LEVER
26	10-30620		2,2	SCREW, THROTTLE AND SHIFT LEVER FASTENING
27	12-29395		4,4	WASHER, THROTTLE AND SHIFT LEVER FASTENING SCREW
28	17-30978A1		2,2	PIN ASSEMBLY, CLEVIS YOKE
29	17-23928		2,2	ROLL PIN, CLEVIS YOKE PIN
30	10-20584		2,2	SCREW, CLEVIN PIN AND FASTENING
31	13-29402		2,2	WASHER, WAVE - PIN FASTENING SCREW
32	11-29488		2,2	NUT, PIN FASTENING SCREW
33	30789A1		1,1	SHIFT SHAFT ASSEMBLY, UPPER
34	27714		1,1	ROD (SLEEVE), SHIFT CONTROL END
35	11-25168		1,1	NUT, SHIFT SHAFT END ADJUSTING
36	30630		1,1	ROD, LINK - SHIFT SHAFT END
37	18-25191		2,2	COTTER PIN, LINK ROD TO SHIFT SHAFT
38	12-20583		2,2	WASHER, LINK ROD
39	24-30621		1,1	SPRING, DETENT
40	10-20776		1,1	SCREW, DETENT SPRING TO BOTTOM COWL
41	12-20346		1,1	WASHER, DETENT SPRING SCREW
42	11-20184		1,1	NUT, DETENT SPRING SCREW

CONTINUED ON NEXT PAGE ➡

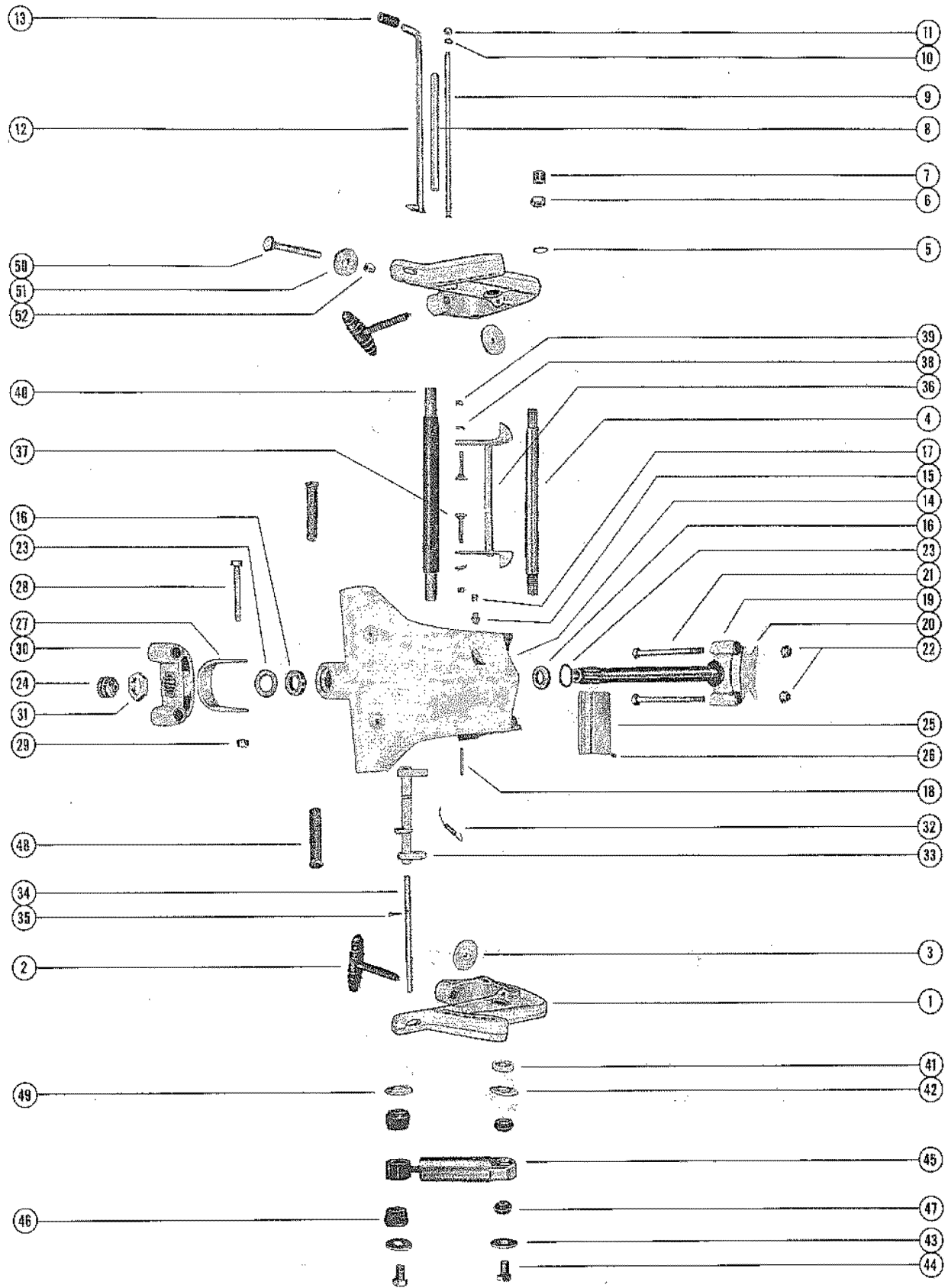
BOTTOM COWL ASSEMBLY



BOTTOM COWL ASSEMBLY

REF. NO.	PART NO.	SYM.	QTY.	DESCRIPTION
43	22-29111		(-) 1,	NIPPLE, MAGNETO VENT TUBE 2 ELBOWS (22-25885) WERE USED ON LATER PRODUCTION ENGINES
44	22-25885		(2) 1,	ELBOW, MAGNETO VENT TUBE 2 ELBOWS (22-25885) WERE USED ON LATER PRODUCTION ENGINES
	22-99664		,1	ELBOW, MAGNETO VENT TUBE 2 ELBOWS (22-25885) WERE USED ON LATER PRODUCTION ENGINES
45	32-29164		2,2	TUBE, VENT - MAGNETO OUTLET (10 1/2")
46	30238		1,1	SUPPORT, EXTERNAL WIRING HARNESS
47	10-26066		1,1	SCREW, HARNESS SUPPORT TO BOTTOM COWL
48	12-20084		1,1	WASHER, HARNESS SUPPORT FASTENING SCREW
49	11-29250		1,1	NUT, HARNESS SUPPORT FASTENING SCREW

CLAMP AND SWIVEL BRACKET ASSEMBLY

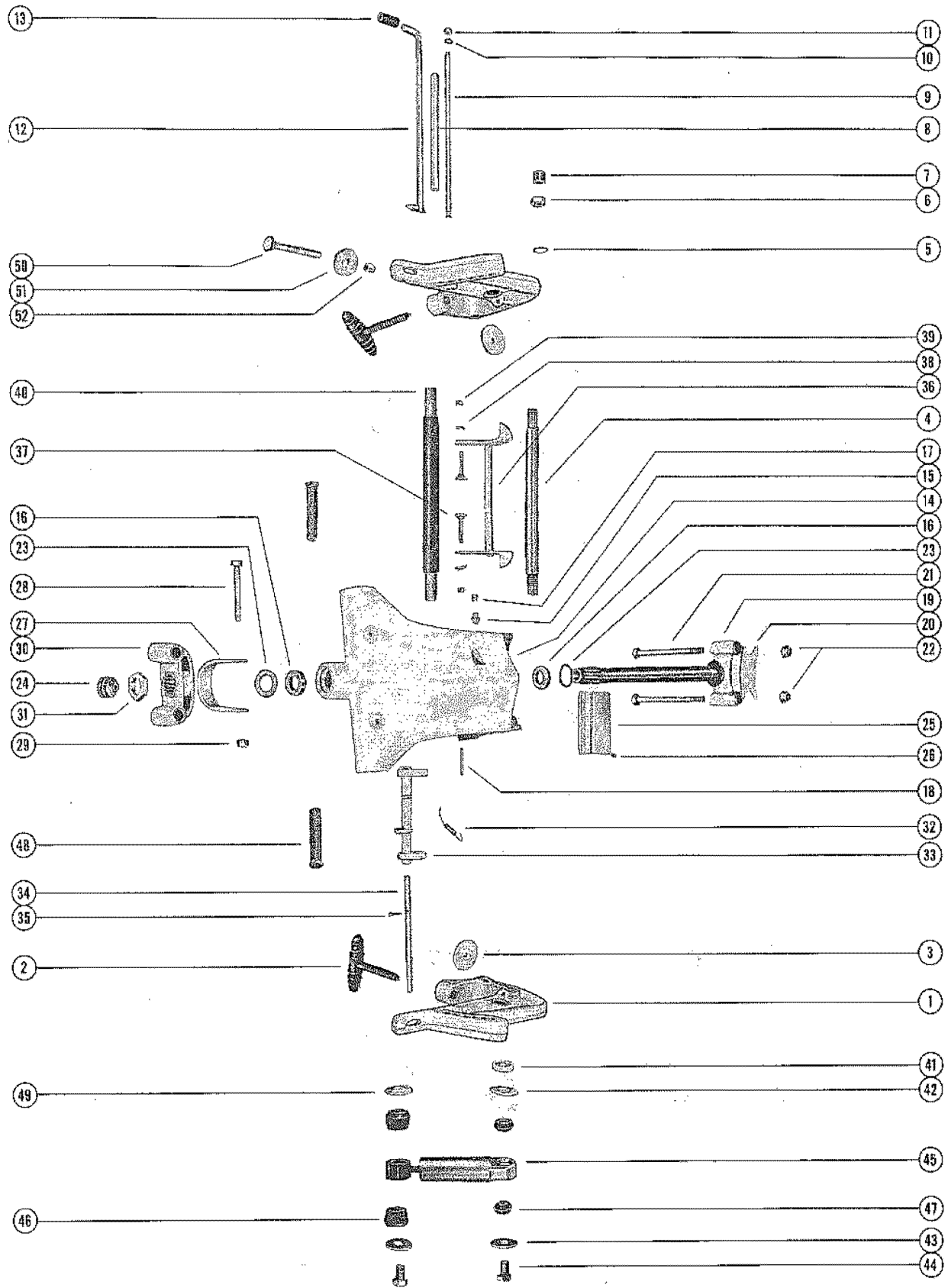


CLAMP AND SWIVEL BRACKET ASSEMBLY

REF. NO.	PART NO.	SYM.	QTY.	DESCRIPTION
1	1440-1796A1		2,2	CLAMP BRACKET ASSEMBLY
2	28403A3		2,2	THUMB SCREW ASSEMBLY
3	12-28404		2,2	WASHER, THUMB SCREW
4	30664		1,1	TUBE, TILT - CLAMP BRACKET TO SWIVEL BRACKET
5	15-30497A1		2,2	SHIM, CLAMP BRACKET TILT TUBE
6	11-30499		2,2	NUT, TILT TUBE FASTENING
7	30498		2,2	CAP, PLASTIC - TILT TUBE
8	23-20222		1,1	SPACER, CLAMP BRACKET STUD
9	16-20221		1,1	STUD, CLAMP BRACKET
10	13-26993		2,2	LOCKWASHER, CLAMP BRACKET STUD
11	11-20083		2,2	NUT, CLAMP BRACKET STUD
12	17-30687A1		1,1	TILT LOCK PIN ASSEMBLY
13	32-28052		1,1	SLEEVE, RUBBER - TILT LOCK PIN BUMPER 1
14	1453-1944A4		1,1	SWIVEL BRACKET ASSEMBLY
15	22-23612		1,1	FITTING, GREASE
16	26-31783		2,2	OIL SEAL
17	29359		1,1	LUBRICAP, SWIVEL BRACKET GREASE FITTING
18	17-25598		1,1	PIN, REVERSE LOCK SPRING ATTACHING
19	17-31772A1		1,1	SWIVEL PIN AND TOP YOKE ASSEMBLY
20	28203		1,1	BUMPER, TOP YOKE
21	10-30453		2,2	BOLT, TOP YOKE TO UPPER MOUNT
22	11-22178		2,2	NUT, TOP YOKE BOLT FASTENING
23	12-31815		1,1	WASHER, SWIVEL PIN - LOWER (TOP WASHER OPTIONAL)
24	31234		1,1	BOOT, RUBBER - UPPER SHIFT SHAFT
25	38-31061		1,1	SERIAL PLATE
26	10-25612		4,4	SCREW, DRIVE - SERIAL PLATE TO SWIVEL BRACKET
27	28205		1,1	STRAP STOP, DRIVE SHAFT HOUSING TO SWIVEL BRACKET
28	10-28200		1,1	SCREW, STRAP STOP TO DRIVE SHAFT HOUSING
29	11-25269		1,1	NUT, STRAP STOP FASTENING SCREW
30	31775		1,1	YOKE, BOTTOM
31	11-28202		1,1	NUT, SWIVEL PIN RETAINING
32	24-29821		1,1	SPRING, REVERSE LOCK TENSION
33	26903A4		1,1	REVERSE LOCK ASSEMBLY
34	20208		1,1	SHAFT, REVERSE LOCK PIVOT
35	18-20209		1,1	COTTER PIN, REVERSE LOCK TO SHAFT
36	30126A1		1,1	TILT STOP LEVER ASSEMBLY
37	10-30128		2,2	SCREW, TILT STOP LEVER ANCHOR
38	13-31030		2,2	WASHER, WAVE - LEVER ANCHOR SCREW
39	11-29250		2,2	NUT, LEVER ANCHOR SCREW
40	55-28416		1,1	PIN, UPPER SHOCK MOUNTING
41	23-28199		2,2	SPACER, UPPER SHOCK BUSHING TO CLAMP BRACKET
42	12-28196		2,2	WASHER, UPPER BUSHING RETAINER (INNER)
43	12-28421		4,4	WASHER, UPPER AND LOWER BUSHING RETAINER (OUTER)

CONTINUED ON NEXT PAGE ➡

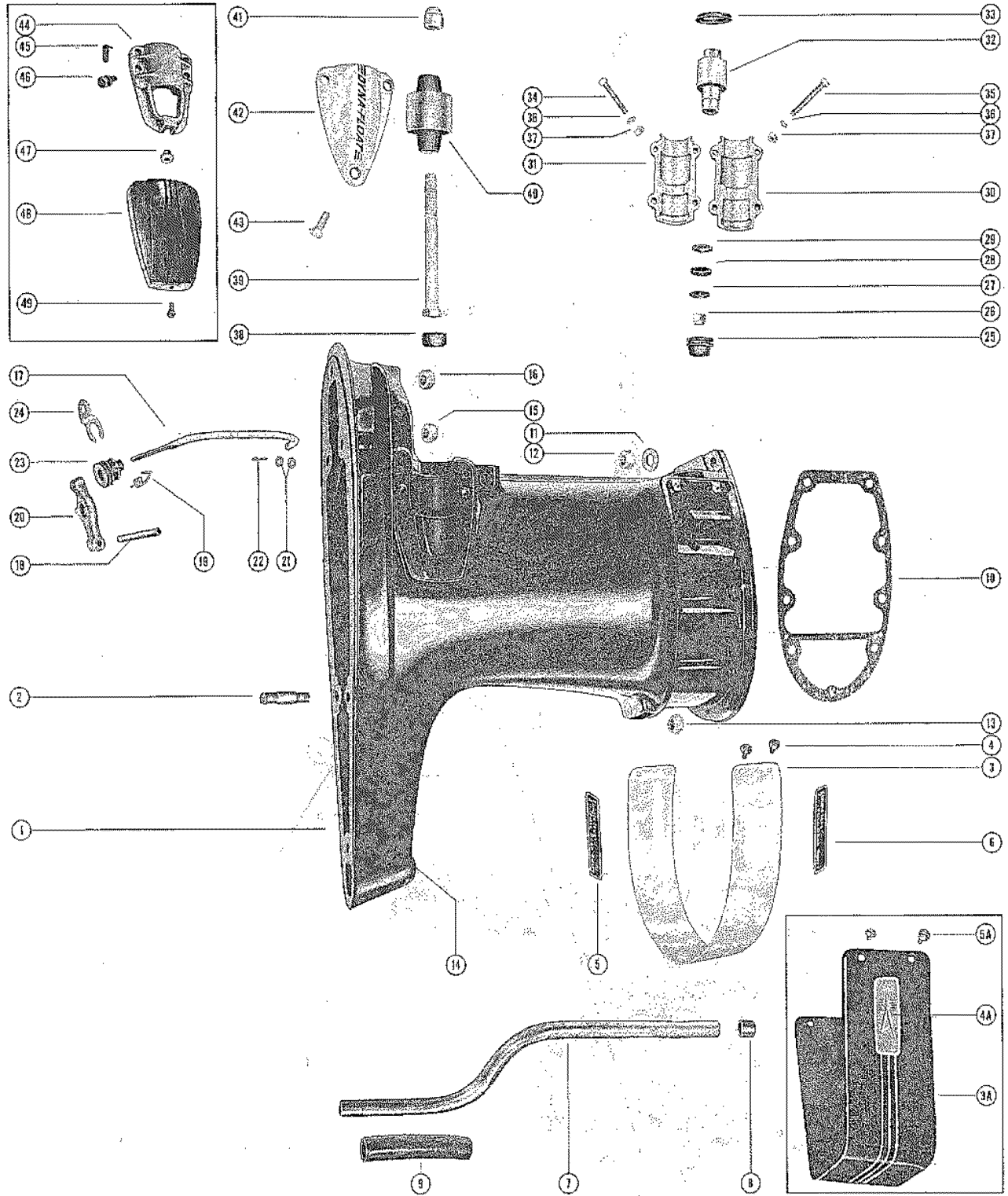
CLAMP AND SWIVEL BRACKET ASSEMBLY



CLAMP AND SWIVEL BRACKET ASSEMBLY

REF. NO.	PART NO.	SYM.	QTY.	DESCRIPTION
44	10-28450		4,4	SCREW, NYLOCK - UPPER AND LOWER SHOCK MOUNTING PIN
45	55-31933		2,2	SHOCK ABSORBER
46	23-28198		4,4	BUSHING, RUBBER - SHOCK ABSORBER (LOWER)
47	23-32171		4,4	BUSHING, RUBBER - SHOCK ABSORBER (UPPER)
48	55-29247		2,2	PIN, LOWER SHOCK MOUNTING
49	12-28264		2,2	WASHER, LOWER BUSHING RETAINER (INNER)
50	10-28009		2,2	BOLT, CLAMP BRACKET TO BOAT TRANSOM
51	12-28008		2,2	WASHER, CLAMP BRACKET BOLT
52	11-28010		2,2	NUT, CLAMP BRACKET BOLT

DRIVE SHAFT HOUSING ASSEMBLY

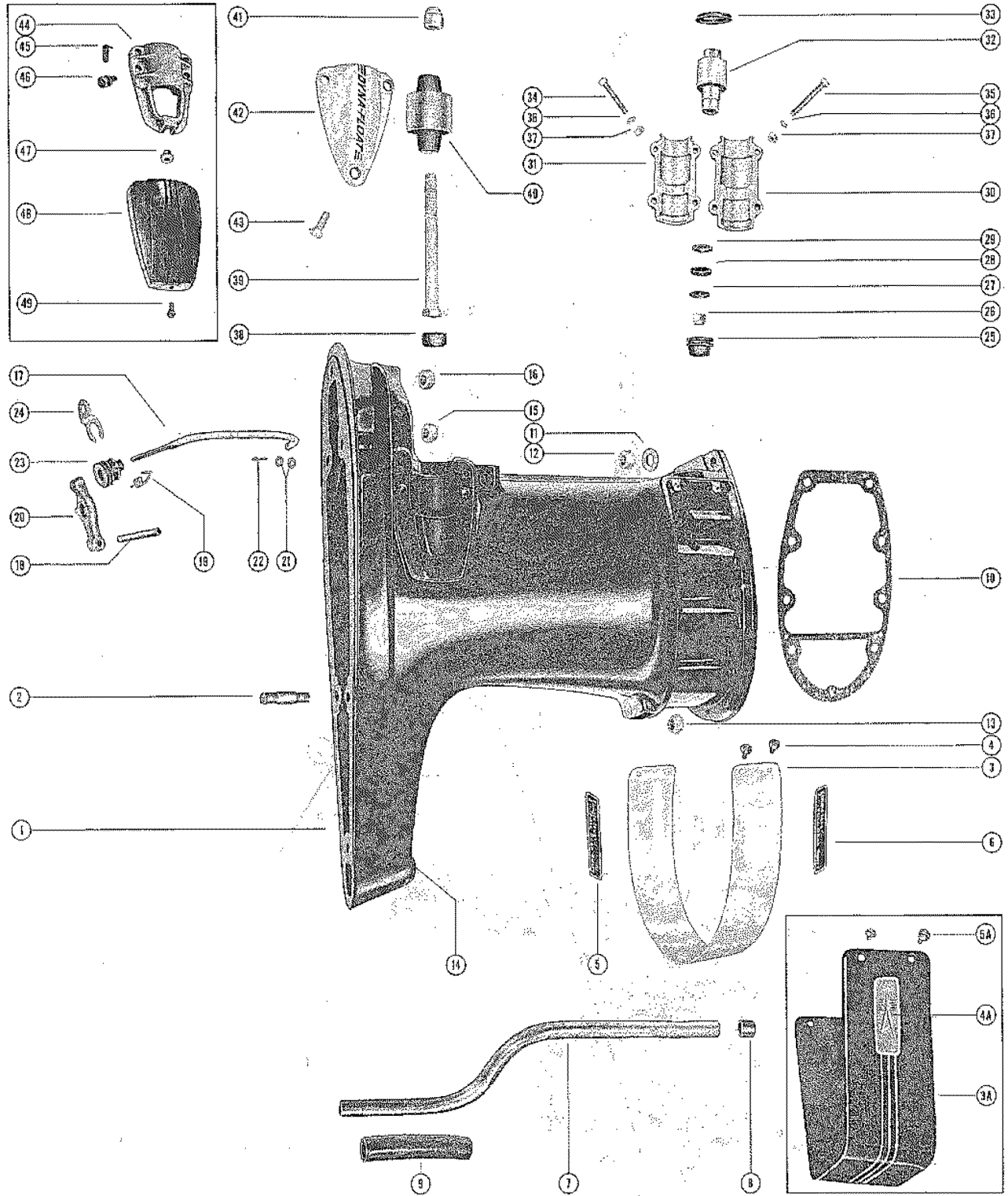


DRIVE SHAFT HOUSING ASSEMBLY

REF. NO.	PART NO.	SYM.	QTY.	DESCRIPTION
1	1540-1783A2		1,	DRIVE SHAFT ASSEMBLY
2	16-30929		2,	STUD, DRIVE SHAFT HOUSING TO GEAR HOUSING
3	30741		1,	COVER, TRIM - DRIVE SHAFT HOUSING
4	10-30742		4,	SCREW, TRIM COVER TO DRIVE SHAFT HOUSING
5	37-31924		1,	DECAL, "FULL GEAR SHIFT" - STARBOARD
6	37-31925		1,	DECAL, "FULL GEAR SHIFT" - PORT
1	1540-2384A2		,1	DRIVE SHAFT HOUSING ASSEMBLY
2	16-30929		,2	STUD, DRIVE SHAFT HOUSING TO GEAR HOUSING
3A	35638A1		,1	TRIM COVER ASSEMBLY, DRIVE SHAFT HOUSING
4A	37-35393		,2	DECAL, TRIM COVER - PORT AND STARBOARD
5A	10-30742		,4	SCREW, TRIM COVER TO DRIVE SHAFT HOUSING
7	32-33013		1,1	TUBE, WATER INLET
8	26-26207		1,1	SEAL, RUBBER - WATER INLET TUBE
9	23-29591		1,1	SLEEVE, RUBBER - WATER INLET TUBE
10	27-26198		1,1	GASKET, DRIVE SHAFT HOUSING TO BOTTOM COWL
11	12-20086		2,2	WASHER, POWERHEAD STUDS
12	11-20509		2,2	NUT, POWERHEAD STUDS
13	11-23161		6,6	NUT, POWERHEAD STUDS
14	19-32298		1,1	PLUG, PLASTIC - WATER PICK-UP SCREW HOLE
15	11-22178		4,4	NUT, GEAR HOUSING AND DRIVE SHAFT HOUSING STUDS
16	11-29489		1,1	NUT, GEAR HOUSING AND DRIVE SHAFT HOUSING STUDS
17	30721		1,1	ROD, PUSH - REVERSE LOCK
18	17-30615		1,1	PIN, REVERSE LOCK LEVER
19	24-30618		1,1	SPRING, TENSION - PUSH ROD
20	25140		1,1	LEVER, REVERSE LOCK
21	12-20546		2,2	WASHER, PUSH ROD
22	18-25191		1,1	COTTER PIN, PUSH ROD TO REVERSE LOCK
23	30614		1,1	BOOT, RUBBER - PUSH ROD
24	31039		1,1	RETAINER, PUSH ROD RUBBER BOLT
25	25305		2,2	CAP, RUBBER - UPPER MOUNT BOLT NUT
26	11-22178		2,2	NUT, UPPER MOUNT BOLT
27	12-30514		2,2	WASHER, UPPER MOUNT BOLT
28	12-30516		2,2	WASHER, RUBBER - UPPER MOUNT BOLT
29	12-30515		2,2	WASHER, UPPER MOUNT BOLT
30	26218		2,2	COVER, UPPER MOUNT - OUTSIDE HALF
31	26217		2,2	COVER, UPPER MOUNT - INSIDE HALF
32	30948		2,2	MOUNT, RUBBER - UPPER
33	24929		2,2	PACKING, "U" CUP
34	10-28773		4,4	SCREW, UPPER MOUNT COVER (1 5/8")
35	10-28775		4,4	SCREW, UPPER MOUNT COVER (2 1/8")
36	12-29245		8,8	WASHER, UPPER MOUNT COVER SCREWS
37	11-29322		8,8	NUT, UPPER MOUNT COVER SCREWS
38	25067		2,2	BUMPER, RUBBER - MOUNTING SCREW

CONTINUED ON NEXT PAGE ➡

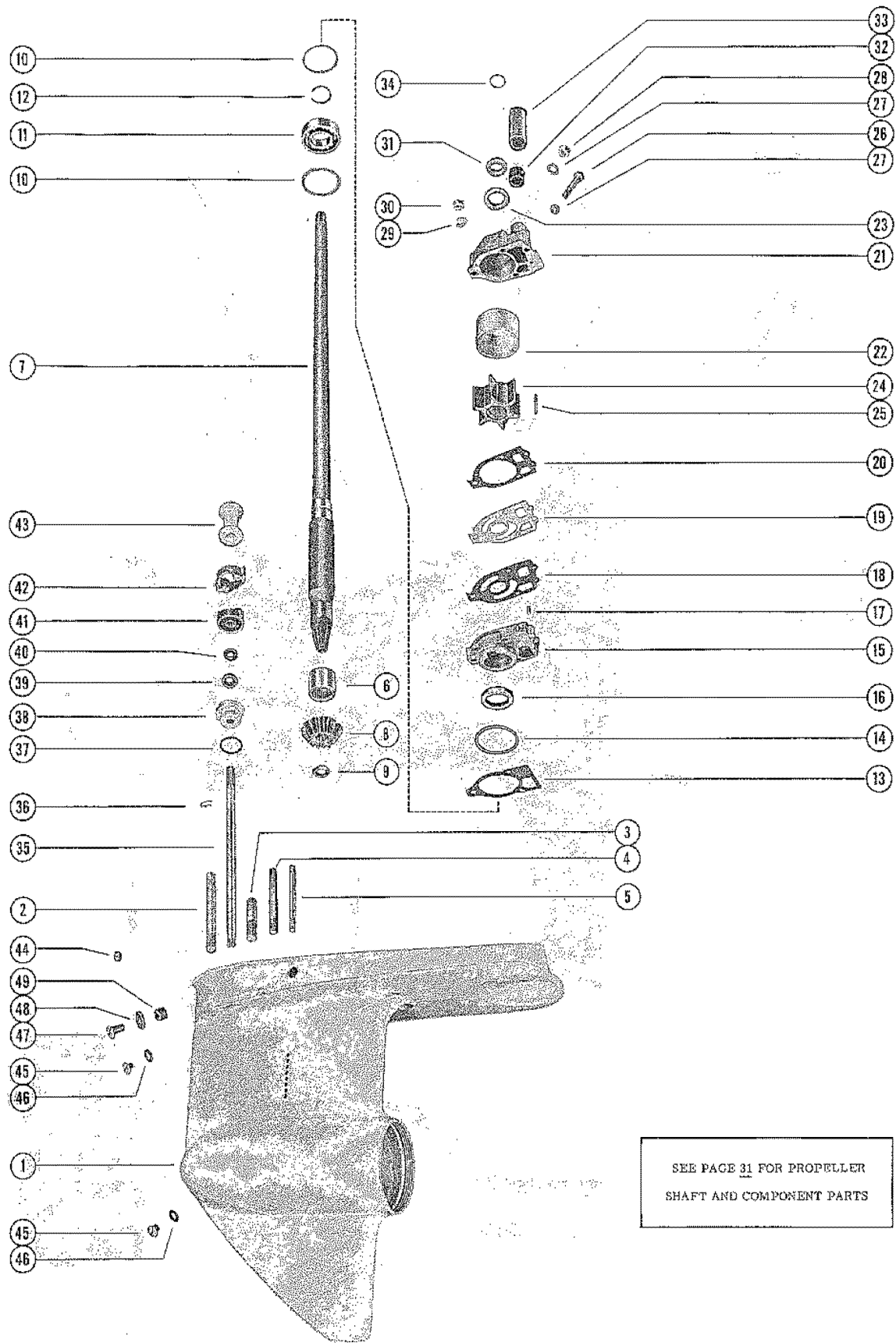
DRIVE SHAFT HOUSING ASSEMBLY



DRIVE SHAFT HOUSING ASSEMBLY

REF. NO.	PART NO.	SYM.	QTY.	DESCRIPTION
39	10-30452		2,2	SCREW, UPPER MOUNT (5 1/2")
40	30949		2,2	MOUNT, RUBBER - LOWER
41	11-25096		2,2	NUT, MOUNTING SCREW
42	26336		1,	COVER, LOWER MOUNT - PORT SIDE
	26337		1,	COVER, LOWER MOUNT - STARBOARD SIDE
43	10-29256		6,	SCREW, LOWER MOUNT COVER FASTENING
44	35608		,2	CLAMP, LOWER MOUNT TO DRIVE SHAFT HOUSING
45	24-35522		,4	SPRING, TENSION - LOWER MOUNT CLAMP
46	10-29256		,4	SCREW, LOWER MOUNT CLAMP TO DRIVE SHAFT HOUSING
47	11-35521		,2	NUT, LOWER MOUNT CLAMP COVER
48	35474		,2	COVER, LOWER MOUNT CLAMP
49	10-29722		,2	SCREW, COVER TO LOWER MOUNT CLAMP

GEAR HOUSING ASSEMBLY, COMPLETE (PAGE 1)

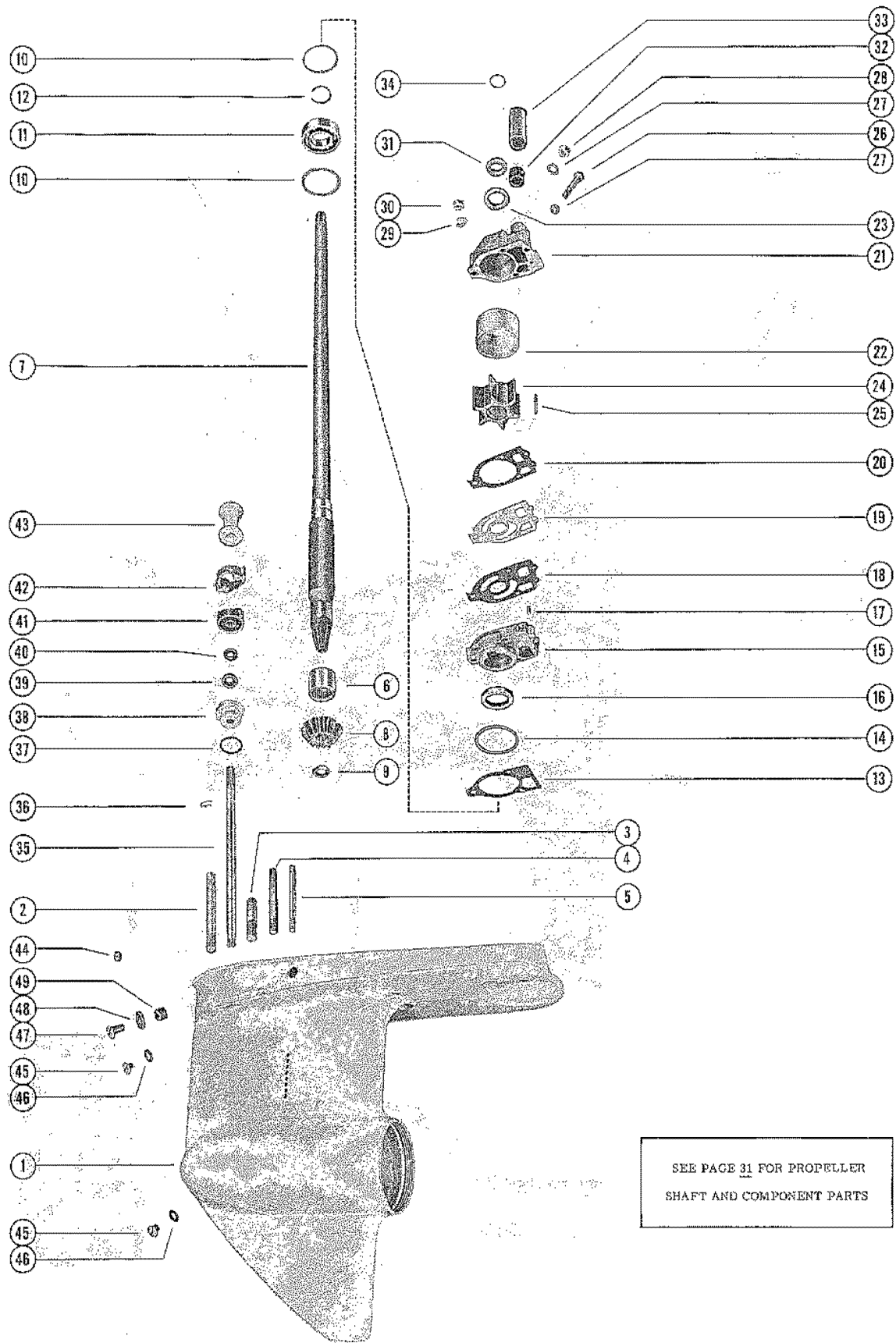


GEAR HOUSING ASSEMBLY, COMPLETE (PAGE 1)

REF. NO.	PART NO.	SYM.	QTY.	DESCRIPTION
-	1623-2022A5		1,1	GEAR HOUSING ASSEMBLY, COMPLETE (STANDARD) 1623-2022A5 GEAR HOUSING ASSEMBLY, COMPLETE INCLUDE ALL PARTS FROM REFERENCE #1 THRU REFERENCE #73 AS LISTED ON PAGES 30 AND 31
1	1623-2022A1		1,1	GEAR HOUSING ASSEMBLY
2	16-30661		1,1	STUD, GEAR HOUSING TO DRIVE SHAFT HOUSING (3 15/16")
3	16-29078		2,2	STUD, GEAR HOUSING TO DRIVE SHAFT HOUSING (2")
4	16-30669		1,1	STUD, WATER PUMP BASE AND BODY TO GEAR HOUSING (3 1/4")
5	16-30667		2,2	STUD, WATER PUMP BASE AND BODY TO GEAR HOUSING (3 1/8")
6	31-29982		1,1	BEARING, ROLLER - DRIVE SHAFT
7	45-30565		1,1	DRIVE SHAFT (STANDARD)
8	43-31419		1,1	GEAR, PINION - DRIVE SHAFT
9	11-30932		1,1	NUT, PINION GEAR TO DRIVE SHAFT
10	15-30278A1		AR,AR	SHIM, DRIVE SHAFT BALL BEARING TO GEAR HOUSING (.002-3-5-10
11	30-20464		1,1	BEARING, BALL - DRIVE SHAFT
12	53-30726		1,1	RING, RETAINING - BALL BEARING
13	27-32438		1,1	GASKET, WATER PUMP BASE TO GEAR HOUSING
14	25-30224		1,1	"O" RING, WATER PUMP BASE
15	46-32436A1		1,1	WATER PUMP ASSEMBLY
16	26-31489		1,1	OIL SEAL, WATER PUMP BASE
17	17-29596		2,2	DOWEL PIN, WATER PUMP BASE TO WATER PUMP BODY
18	27-32433		1,1	GASKET, LOWER - WATER PUMP BASE TO FACE PLATE
19	32435		1,1	PLATE, FACE - WATER PUMP BASE TO WATER PUMP BODY
20	27-32434		1,1	GASKET, UPPER - FACE PLATE TO WATER PUMP BODY
21	46-32437A1		1,1	WATER PUMP BODY ASSEMBLY
22	30915		1,1	INSERT, WATER PUMP BODY
23	26-31507		1,1	OIL SEAL, WATER PUMP BODY
24	47-30221		1,1	IMPELLER, WATER PUMP
25	17-29967		1,1	PIN, IMPELLER DRIVE
26	10-30720		1,1	SCREW, WATER PUMP BODY TO GEAR HOUSING (1/4)
27	13-26992		3,3	LOCKWASHER, WATER PUMP BODY FASTENING SCREW AND STUDS (1/4)
28	11-29598		2,2	NUT, WATER PUMP BODY FASTENING STUDS (1/4)
29	13-26993		1,1	LOCKWASHER, WATER PUMP BODY FASTENING STUD (5/16)
30	111-28770		1,1	NUT, WATER PUMP BODY FASTENING STUD (5/16)
31	25-30271		1,1	RING, RUBBER - CENTRIFUGAL SLINGER (DRIVE SHAFT)
32	26-29677		1,1	SEAL, RUBBER - WATER PUMP BODY
33	23-29804		1,1	SLEEVE, GUIDE - WATER INLET TUBE
34	25-30613		1,1	"O" RING, UPPER - DRIVE SHAFT

CONTINUED ON NEXT PAGE ➡

GEAR HOUSING ASSEMBLY, COMPLETE (PAGE 1)

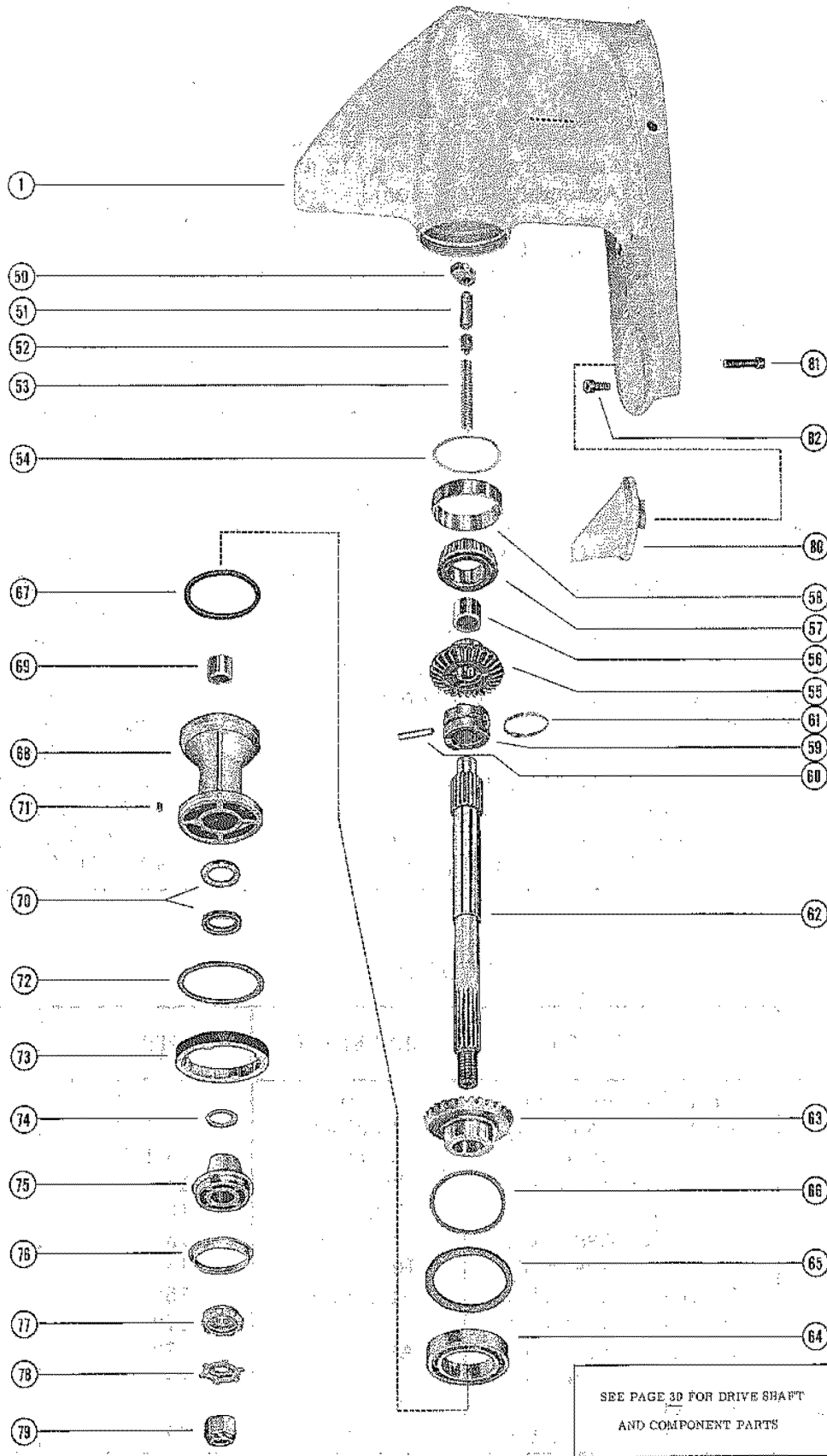


SEE PAGE 31 FOR PROPELLER
SHAFT AND COMPONENT PARTS

GEAR HOUSING ASSEMBLY, COMPLETE (PAGE 1)

REF. NO.	PART NO.	SYM.	QTY.	DESCRIPTION
35	25136		1,1	SHAFT, SHIFT - LOWER
36	18-20233		1,1	CLIP, RETAINING - SHIFT SHAFT
37	25-25439		1,1	"O" RING, SHIFT SHAFT BUSHING
38	23-30617A1		1,1	BUSHING ASSEMBLY, SHIFT SHAFT
39	26-31249		1,1	OIL SEAL, SHIFT SHAFT BUSHING
40	12-31266		1,1	WASHER, RUBBER - SHIFT SHAFT BUSHING
41	25138		1,1	CAM, LOWER - REVERSE LOCKING
42	29823		1,1	CAM, UPPER - REVERSE LOCKING
43	23-30607		1,1	SPACER, NYLON - REVERSE LOCKING CAM
44	22-21290		1,1	PLUG, PIPE - SHIFT SHAFT GREASE FILLER HOLE
45	10-28634		2,2	SCREW, GREASE FILLER AND VENT HOLE
46	12-20260		2,2	WASHER, GREASE FILLER AND VENT HOLE SCREW
47	10-29608		1,1	SCREW, GEAR HOUSING FLUSHING HOLE
48	27-29586		1,1	GASKET, GEAR HOUSING FLUSHING HOLE SCREW
49	26-29612		1,1	SEAL, GEAR HOUSING FLUSHING HOLE

GEAR HOUSING ASSEMBLY, COMPLETE (PAGE 2)



GEAR HOUSING ASSEMBLY, COMPLETE (PAGE 2)

REF. NO.	PART NO.	SYM.	QTY.	DESCRIPTION
-	1623-2022A5		1,1	GEAR HOUSING ASSEMBLY, COMPLETE (STANDARD) 1623-2022A5 GEAR HOUSING ASSEMBLY, COMPLETE INCLUDE ALL PARTS FROM REFERENCE #1 THRU REFERENCE #73 AS LISTED ON PAGES 30 AND 31
1	1623-2022A1		1,1	GEAR HOUSING ASSEMBLY (SEE PAGE 30 FOR PARTS BREAKDOWN)
50	30147		1,1	CAM, SHIFT
51	30625		1,1	FOLLOWER, CAM
52	30624		1,1	SLIDE, CROSS PIN
53	24-30622		1,1	SPRING, COMPRESSION - CAM FOLLOWER
54	15-30923A1		AR,AR	SHIM, BEARING OUTER RACE TO GEAR HSG. (.002-3-5-10)
55	43-31886		1,1	FORWARD GEAR ASSEMBLY
56	31-30895		1,1	BEARING, ROLLER - FORWARD GEAR
57	31-30894A1		1,1	TAPERED ROLLER BEARING ASSEMBLY
58	31-31092		1,1	CUP, TAPERED ROLLER BEARING
59	34239		1,1	RATCHET, SLIDING CLUTCH
60	17-30632		1,1	PIN, CROSS - RATCHET TO PROPELLER SHAFT
61	24-30893		1,1	SPRING, RETAINING - CROSS PIN
62	44-30944		1,1	SHAFT, PROPELLER
-	43-31887A1		1,1	REVERSE GEAR ASSEMBLY, COMPLETE
63	43-31887		1,1	REVERSE GEAR ASSEMBLY
64	30-31265		1,1	BEARING, BALL - REVERSE GEAR
65	12-30633		1,1	WASHER, THRUST - BEARING CARRIER TO GEAR HOUSING
66	15-29955A1		AR,AR	SHIM, THRUST WASHER TO GEAR HOUSING (.002-3-5-10)
67	25-29976		1,1	"O" RING, BEARING CARRIER
68	31284A1		1,1	BEARING CARRIER ASSEMBLY
69	31-30956		1,1	BEARING, ROLLER - BEARING CARRIER
70	26-30550		2,2	OIL SEAL, BEARING CARRIER
71	28-30281		1,1	KEY, LOCATING - BEARING CARRIER
72	12-29957		1,1	WASHER, GEAR HOUSING COVER
73	31037		1,1	COVER, GEAR HOUSING
74	12-31013		1,1	WASHER, THRUST - BEARING CARRIER
75	30581A1		1,1	THRUST HUB AND WASHER ASSEMBLY
76	12-29590		1,1	WASHER, CUPPED - THRUST HUB
77	12-31211		1,1	WASHER, SPLINED - PROPELLER SHAFT
78	14-31210		1,1	TAB WASHER, PROPELLER NUT
79	11-29594		1,1	NUT, PROPELLER
80	31640		1,1	TRIM TAB, GEAR HOUSING
81	10-32470		1,1	SCREW, TRIM TAB TO GEAR HOUSING (1 3/4")
82	10-30206		1,1	SCREW, GEAR HOUSING TO DRIVE SHAFT HOUSING (1")

MERC 650EL PARTS LIST

REF. NO.	PART NO.	SYM.	QTY.	DESCRIPTION
-	1447-1945A3		1,1	SWIVEL BRACKET ASSEMBLY
-	30790A1		1,1	SHIFT SHAFT ASSEMBLY
-	17-31773A1		1,1	SWIVEL PIN AND TOP YOKE ASSEMBLY
-	55-28414		2,2	PIN, LOWER SHOCK MOUNTING
-	10-28424		2,2	SCREW, LOWER SHOCK PIN
-	11-20361		2,2	NUT, LOWER SHOCK PIN SCREW
-	1541-1784A3		1,	DRIVE SHAFT HOUSING ASSEMBLY
-	1541-2385A4		,1	DRIVE SHAFT HOUSING ASSEMBLY
-	32-33014		1,1	TUBE, WATER INLET
-	30608		1,1	ROD, PUSH- REVERSE LOCK
-	45-30564		1,1	DRIVE SHAFT
-	94-33874		1,1	SHIPPING CARTON

PARTS INDEX

Part Number	Description	Pg.	Ref. No.	Part Number	Description	Pg.	Ref. No.
20119	PROTECTOR, SPARK PLUG	15	25	27714	ROD (SLEEVE), SHIFT		
20140	BELT, TIMING	11	30		CONTROL END	37	34
20155	RETAINER, STARTER			27947	SWIVEL, LINKAGE -		
	SPRING	3	17		ECONOMISER COLLAR	15	10
20208	SHAFT, REVERSE LOCK			27948	SWIVEL, UPPER AND		
	PIVOT	41	34		LOWER LINK RODS	15	11
20557	BRACKET, CABLE END			27949	ROD, LINK - UPPER	15	9
	ANCHOR	37	21	27955	CAP, MAGNETO ADAPTOR		
22462	"U" LINK, CHOKE KNOB TO				AND PILOT FASTENING	11	22
	CHOKE ROD	23	18	28007A6	THORTTLE PICK-UP		
22463	KNOB, CHOKE ROD	23	16		BRACKET ASSEMBLY	23	36
22789	"D" WASHER, CLAMP			28016A1	GROUND STRAP		
	FASTENING SCREW	33	46		ASSEMBLY, SOLENOID		
22789	"D" WASHER, CLIP				TO STARTER MOTOR	17	28
	FASTENING SCREW	13	16	28060	SWITCH, MERCURY	33	44
22789	"D" WASHER, CLIP			28203	BUMPER, TOP YOKE	41	20
	FASTENING SCREW	15	31	28205	STRAP STOP, DRIVE SHAFT		
22789	"D" WASHER, CLIP				HOUSING TO SWIVEL		
	FASTENING SCREW	17	19		BRACKET	41	27
22789	"D" WASHER, CLIP			28403A3	THUMB SCREW ASSEMBLY	41	2
	FASTENING SCREW	17	22	28747	HANDLE, STARTER CABLE	3	33
22789	"D" WASHER, WIRE CLIP			28748	RETAINER, STARTER		
	FASTENING SCREW	23	10		CABLE AND HANDLE	3	34
23004	RETAINER, CHECK VALVE	29	4	28913	SHAFT, SHEAVE	3	29
23004	RETAINER, CHECK VALVE	29	4	29121	PIPE PLUG, END CAP		
23014	DIAPHRAGM, FUEL PUMP	29	7		COVER (NOT REQUIRED		
23014	DIAPHRAGM, FUEL PUMP	29	7		ON LATER MODELS)	21	42
23564	CABLE, HIGH TENSION			29277	PLATE, THROTTLE STOP	15	1
	LEAD - SPARK PLUG	15	27	29345	BUMPER, RUBBER-FRONT		
24929	PACKING, "U" CUP	45	33		COVER BRACKET	7	6
25067	BUMPER, RUBBER -			29359	LUBRICAP, SWIVEL		
	MOUNTING SCREW	45	38		BRACKET GREASE		
25136	SHAFT, SHIFT - LOWER	51	35		FITTING	41	17
25138	CAM, LOWER - REVERSE			29532	LEVER, THROTTLE		
	LOCKING	51	41		CONTROL	37	23
25140	LEVER, REVERSE LOCK	45	20	29690	CHOKE SOLENOID, TOP		
25305	CAP, RUBBER - UPPER				COWL	23	1
	MOUNT BOLT NUT	45	25	29787	HUB, FLYWHEEL PULLEY	13	11
25596	CABLE, WIRE - SOLENOID			29788	FLANGE, FLYWHEEL		
	TO STARTER MOTOR	17	29		PULLEY	13	9
25996A1	SWIVEL AND LINK ROD			29823	CAM, UPPER - REVERSE		
	ASSEMBLY	15	7		LOCKING	51	42
26079	PLATE, WIRING HARNESS			29906A1	DRIVEN PULLEY ASSEMBLY	11	24
	TO BOTTOM COWL	17	3	29907	FLANGE, DRIVEN PULLEY	11	26
26113	RACE, OUTER (PAIR)	35	14	29930	BRACKET, SUPPORT -		
26179	RETAINER, WAVE WASHER	3	25		STARTER MOTOR	17	15
26183A5	EMBLEM, FRONT COVER	7	2	29947	SCREEN, VENT-TOP COWL	3	8
26217	COVER, UPPER MOUNT -			29980A1	TRIM MOULDING		
	INSIDE HALF	45	31		ASSEMBLY-TOP COWL	5	45
26218	COVER, UPPER MOUNT -			29997A1	TRIM MOULDING ASSEMBLY	37	3
	OUTSIDE HALF	45	30	29998	SPLICER, TRIM MOUNDING -		
26336	COVER, LOWER MOUNT -				REAR	37	4
	PORT SIDE	47	42	30003	BRACKET, PIVOT PIN TO		
26337	COVER, LOWER MOUNT -				BOTTOM COWL	37	16
	STARBOARD SIDE	47	42	30005	BAFFLE, BOTTOM COWL	37	10
26852	CAP, NYLON - ADJUSTING			30045	PLATE, ROPE GUIDE SEE		
	SCREW	15	5		NOTE BELOW	3	35
26903A4	REVERSE LOCK ASSEMBLY	41	33	30050	TERMINAL, CHOKE		
					SOLENOID LEAD	23	2

PARTS INDEX

Part Number	Description	Pg.	Ref. No.	Part Number	Description	Pg.	Ref. No.
30050	TERMINAL, STATOR LEAD WIRE	13	13	30789A1	SHIFT SHAFT ASSEMBLY, UPPER	37	33
30109	GROUND STRAP, CYLINDER BLOCK TO BOTTOM COWL	33	43	30790A1	SHIFT SHAFT ASSEMBLY	54	-
30126A1	TILT STOP LEVER ASSEMBLY	41	36	30896	PAD, BUMPER-TOP COWL HANDLE	5	39
30147	CAM, SHIFT	53	50	30915	INSERT, WATER PUMP BODY	49	22
30186	ADAPTOR, CHECK UNIT (FUEL LINE)	29	25	30948	MOUNT, RUBBER - UPPER	45	32
30187	STEM, CHECK UNIT ADAPTOR	29	26	30949	MOUNT, RUBBER - LOWER	47	40
30188	CUP WASHER, ADAPTOR	29	29	31037	COVER, GEAR HOUSING	53	73
30190	COVER, EXHAUST MAINFOLD	33	38	31039	RETAINER, PUSH ROD RUBBER BOLT	45	24
30212	BLOCK, TERMINAL - EXHAUST COVER	17	7	31057	PLATE, SPACER - STARTER MOTOR TO BRACKET	17	14
30238	SUPPORT, EXTERNAL WIRING HARNESS	39	46	31095	STRIP, SOUND - LOWER SECTION	9	10
30269A2	FUEL PUMP ASSEMBLY - UPPER	29	1	31095	STRIP, SOUND ABSORBING	7	13
30275	COVER, FUEL PUMP	29	9	31234	BOOT, RUBBER - UPPER SHIFT SHAFT	41	24
30306	PULLEY, FLYWHEEL	13	10	31284A1	BEARING CARRIER ASSEMBLY	53	68
30408	ADAPTOR, MAGNETO	11	14	31288	COVER, TRANSFER PORT	33	54
30412	HANDLE, COWL LATCH	7	15	31298A1	PLATE ASSEMBLY, COWL MOUNTING	3	10
30412	HANDLE, COWL LATCH	9	13	31404	SHUTTER, CHOKE - CARBURETOR	23	22
30413	HOOK, COWL LATCH FASTENING	7	19	31463	HANDLE, CHROME-TOP COWL	5	37
30413	HOOK, COWL LATCH FASTENING	9	17	31476	REVEAL, AIR INTAKE	3	5
30414	SWIVEL, COWL LATCH	7	18	31487	HANDLE ASSEMBLY, INSIDE-TOP COWL	5	38
30414	SWIVEL, COWL LATCH	9	16	31640	TRIM TAB, GEAR HOUSING	53	80
30434A1	MAGNETO PILOT ASSEMBLY	11	2	31775	YOKE, BOTTOM	41	30
30461A2	FUEL PUMP ASSEMBLY - LOWER	29	8	31935	BLANKET, SOUND ABSORBING - WRAP AROUND COWL	9	20
30498	CAP, PLASTIC - TILT TUBE	41	7	31935	BLANKET, SOUND ABSORBING-WRAP AROUND COWL	7	20
30581A1	THRUST HUB AND WASHER ASSEMBLY	53	75	32361	KNOB, COWL FRONT COVER FASTENING	7	7
30582	LEVER, LINKAGE - UPPER	15	12	32362	KNOB, COWL FRONT COVER FASTENING	9	4
30595	PLATE, RETAINER-STARTER PAWL	3	28	32435	PLATE, FACE - WATER PUMP BASE TO WATER PUMP BODY	49	19
30596	PAWL, STARTER	3	21	32445	SOLENOID, STARTER	17	24
30608	ROD, PUSH- REVERSE LOCK	54	-	32970	RECTIFIER ASSEMBLY	17	32
30612	LEVER, SHIFT CONTROL	37	24	33003	ROD, CHOKE	23	24
30614	BOOT, RUBBER - PUSH ROD	45	23	33004	ROD, LINK - LOWER	15	22
30624	SLIDE, CROSS PIN	53	52	33016	BRACKET, RECTIFIER MOUNTING	37	12
30625	FOLLOWER, CAM	53	51	33019	SHAFT, VERTICAL	15	16
30630	ROD, LINK - SHIFT SHAFT END	37	36	33020	STOP, SPARK ADVANCE - MAGNETO PILOT	11	5
30664	TUBE, TILT - CLAMP BRACKET TO SWIVEL BRACKET	41	4	33147A1	THROTTLE ACTUATOR ASSEMBLY	11	11
30721	ROD, PUSH - REVERSE LOCK	45	17	33148	CLUSTER, THROTTLE LEVER (UPPER CARBURETOR)	23	33
30741	COVER, TRIM - DRIVE SHAFT HOUSING	45	3				
30788	LEVER, LINKAGE - LOWER	15	21				

PARTS INDEX

Part Number	Description	Pg.	Ref. No.	Part Number	Description	Pg.	Ref. No.
33155	WIRING HARNESS, INTERNAL	17	1	10-20854	SCREW, FLOAT BOWL COVER (SHORT)	25	10
33385A1	SWITCH, MERCURY	33	44	10-21091	SCREW, BRACKET TO BOTTOM COWL (1 1/8")	37	13
33528	PLATE, EXHAUST MANIFOLD	33	36	10-21091	SCREW, CYLINDER BLOCK COVER MOUNTING	33	51
33548	EXTENSION, EXHAUST - CYLINDER BLOCK	31	16	10-21106	SCREW, BAFFLE TO BOTTOM COWL	37	11
33551	BLANKET, SOUND ABSORBING-FRONT COVER	7	12	10-22040	SCREW, MAGNETO ADAPTOR AND PILOT TO CRANKCASE	11	16
33870A1	ECONOMISER COLLAR AND PIN ASSEMBLY	11	8	10-22421	SCREW, ADAPTOR TO BOTTOM COWL	29	30
34239	RATCHET, SLIDING CLUTCH	53	59	10-22421	SCREW, BRACKET TO BOTTOM COWL (1 1/4")	37	14
35474	COVER, LOWER MOUNT CLAMP	47	48	10-22698	SCREW, STARTER MOTOR TO CRANKCASE FLANGE	17	11
35496	PAD, BUMPER-TOP COWL HANDLE	5	39	10-22968	SCREW, CENTER MAIN BEARING CLAMPING	35	16
35552	SEAL, SOUND - UPPER SECTION	9	11	10-23035	SCREW AND LOCKWASHER, THROTTLE SHUTTER	25	23
35554	BLANKET, SOUND ABSORBING - FRONT COVER	9	9	10-24239	SCREW, WIRE CLIP TO TOP COWL	23	11
35608	CLAMP, LOWER MOUNT TO DRIVE SHAFT HOUSING	47	44	10-24770	SCREW, CHOKE SOLENOID TO TOP COWL (1 3/8")	23	6
35610A1	ECONOMISER COLLAR AND PIN ASSEMBLY	11	8	10-24933	SCREW, ADJUSTING - THROTTLE STOP	15	3
35626	ROD, LINK - UPPER	15	9	10-24963	SCREW, BOTTOM COWL TO DRIVE SHAFT HOUSING	37	20
35638A1	TRIM COVER ASSEMBLY, DRIVE SHAFT HOUSING	45	3A	10-25299	SCREW, EXHAUST EXTENSION TO CYLINDER BLOCK (5/16 - 18 X 3/4)	31	17
35800	PLATE, ROPE GUIDE	3	35	10-25313	SCREW, MAIN BEARING CLAMPING	35	5
36066	EXTENSION, EXHAUST - CYLINDER BLOCK	31	16	10-25509	SCREW AND LOCKWASHER, CONDENSER FASTENING	19	31
10-20037	SCREW, RETAINER TO HOUSING	29	5	10-25509	SCREW AND LOCKWASHER, SUPPORT TO FRAME	19	8
10-20037	SCREW, RETAINER TO HOUSING	29	5	10-25510	SCREW, SET - COIL BRIDGE	19	2
10-20060	SCREW, CAP TO CONNECTING ROD	35	24	10-25517	SCREW, HIGH TENSION CABLE FASTENING	21	41
10-20100	SCREW, "U" LINK TO CHOKE KNOB	23	19	10-25612	SCREW, DRIVE - SERIAL PLATE TO SWIVEL BRACKET	41	26
10-20359	SCREW, CENTER MAIN BEARING LOCKING	31	23	10-25781	SCREW, SET - LINKAGE LEVER	15	15
10-20401	SCREW, LEAD CLIP TO MAGNETO	15	32	10-25822	SCREW, STRAINER COVER FASTENING	25	17
10-20401	SCREW, MERCURY SWITCH CLAMP TO MAINFOLD COVER	33	47	10-25850	SCREW, FLOAT BOWL COVER (LONG)	25	11
10-20540	SCREW, TRANSFER PORT COVER TO CYLINDER BLOCK (5/8")	33	55	10-26066	SCREW, HARNESS SUPPORT TO BOTTOM COWL	39	47
10-20584	SCREW, CLEVIN PIN AND FASTENING	37	30	10-26128	SCREW, WIRING HARNESS AND PLATE TO BOTTOM COWL	17	4
10-20597	SCREW, BREAKER HOLDER TO HOUSING	19	29	10-26132	SCREW, CRANKCASE TO CYLINDER BLOCK (2 1/2")	31	18
10-20776	SCREW, DETENT SPRING TO BOTTOM COWL	37	40				
10-20847	SCREW, CLUSTER TO THROTTLE LEVER	23	34				
10-20847	SCREW, THROTTLE STOP LEVER	25	18				

PARTS INDEX

Part Number	Description	Pg.	Ref. No.	Part Number	Description	Pg.	Ref. No.
10-28009	BOLT, CLAMP BRACKET TO BOAT TRANSOM	43	50	10-29418	SCREW, COVER TO FRAME	19	34
10-28200	SCREW, STRAP STOP TO DRIVE SHAFT HOUSING .	41	28	10-29418	SCREW, END CAP COVER TO MAGNETO COVER . . .	21	43
10-28405	SCREW, PLUG - MAIN FUEL JET CHANNEL	25	27	10-29465	SCREW, REED STOP MOUNTING	35	9
10-28424	SCREW, LOWER SHOCK PIN	54	-	10-29608	SCREW, GEAR HOUSING FLUSHING HOLE	51	47
10-28450	SCREW, NYLOCK - UPPER AND LOWER SHOCK MOUNTING PIN	43	44	10-29722	SCREW, COVER TO LOWER MOUNT CLAMP	47	49
10-28634	SCREW, GREASE FILLER AND VENT HOLE	51	45	10-29852	SCREW, HARNESS AND STATOR LEADS TO RECTIFIER	17	36
10-28642	SCREW, DRIVE-ROPE GUIDE PLATE TO TOP COWL (#3-48)	3	36	10-29878	SCREW, FUEL PUMP MOUNTING (1 1/2") - UPPER/LOWER PUMP . . .	29	11
10-28666	SCREW, MANIFOLD PLATE, COVER AND CLAMP MOUNTING	33	40	10-29911	SCREW, PULLEY CLAMPING	11	29
10-28667	SCREW, MANIFOLD PLATE AND COVER MOUNTING .	33	39	10-30009	SCREW, LEAD WIRE CLIP FASTENING	17	20
10-28708	SCREW, MERCURY SWITCH TO MANIFOLD COVER . .	33	47	10-30009	SCREW, LEAD WIRE CLIP FASTENING	17	23
10-28773	SCREW, UPPER MOUNT COVER (1 5/8")	45	34	10-30110	SCREW, PILOT ASSEMBLY TO MAGNETO	11	7
10-28775	SCREW, UPPER MOUNT COVER (2 1/8")	45	35	10-30128	SCREW, TILT STOP LEVER ANCHOR	41	37
10-28846	SCREW, PLUG - MAIN NOZZLE	25	32	10-30206	SCREW, GEAR HOUSING TO DRIVE SHAFT HOUSING (1")	53	82
10-29182	SCREW, PRIMARY GROUND (#10)	19	10	10-30225	SCREW, LOWER END CAP MOUNTING	31	31
10-29197	SCREW, THROTTLE STOP PLATE TO ADAPTER (5/8")	15	6	10-30225	SCREW, UPPER END CAP MOUNTING	31	6
10-29197	SCREW, WIRING HARNESS GROUND LEAD TO STARTER MOTOR	17	13	10-30273	SCREW, FUEL PUMP MOUNTING (1 7/8") - LOWER PUMP	29	13
10-29199	SCREW, FRONT-HANDLE TO TOP COWL (1")	5	42	10-30274	SCREW, FUEL PUMP MOUNTING (1 3/4") - UPPER PUMP	29	12
10-29200	SCREW, ANCHOR BRACKET TO BOTTOM COWL	37	22	10-30452	SCREW, UPPER MOUNT (5 1/2")	47	39
10-29221	SCREW, VENT SCREEN TO TOP COWL	3	9	10-30453	BOLT, TOP YOKE TO UPPER MOUNT	41	21
10-29226	SCREW, BRACKET TO FRONT COVER	7	3	10-30620	SCREW, THROTTLE AND SHIFT LEVER FASTENING	37	26
10-29226	SCREW, DECORATIVE - MOULDING TO BOTTOM COWL	37	5	10-30663	SCREW, TERMINAL BLOCK TO EXHAUSE COVER . . .	17	9
10-29226	SCREW, DECORATIVE-MOULDING TO TOP COWL	5	46	10-30720	SCREW, WATER PUMP BODY TO GEAR HOUSING (1/4)	49	26
10-29227	SCREW, BRASS-MOULDING TO TOP COWL	5	47	10-30742	SCREW, TRIM COVER TO DRIVE SHAFT HOUSING .	45	4
10-29239	SCREW, THROTTLE BRACKET MOUNTING . . .	23	37	10-30742	SCREW, TRIM COVER TO DRIVE SHAFT HOUSING .	45	5A
10-29256	SCREW, LOWER MOUNT CLAMP TO DRIVE SHAFT HOUSING	47	46	10-30841	SCREW, REVEAL TO TOP COWL	3	6
10-29256	SCREW, LOWER MOUNT COVER FASTENING	47	43	10-31208	SCREW, SOLENOID TO STARTER MOTOR	17	25
				10-31299	SCREW, PLATE ASSEMBLY TO TOP COWL	3	12

PARTS INDEX

Part Number	Description	Pg.	Ref. No.	Part Number	Description	Pg.	Ref. No.
10-32156	SCREW, FLEXIBLE PLATE TO FLYWHEEL	13	5	11-20586	NUT, HANDLE TO TOP COWL STUD	5	44
10-32293	SCREW, CRANKCASE TO CYLINDER BLOCK (1 3/4")	31	18	11-20645	NUT, PRIMARY GROUND SCREW	19	17
10-32417	SCREW, RATCHET TO FLYWHEEL	13	7	11-20645	NUT, SOLENOID TERMINAL (#10)	17	27
10-32470	SCREW, TRIM TAB TO GEAR HOUSING (1 3/4")	53	81	11-20696	NUT, PIVOT PIN FASTENING	37	18
10-32614	SCREW, STATOR TO UPPER END CAP	13	14	11-20890	NUT, THRU BOLT - BRACKET TO STARTER MOTOR	17	17
10-33008	SCREW, CRANKCASE TO CYLINDER BLOCK (3 1/2")	31	19	11-21929	NUT, RECTIFIER MOUNTING SCREW	17	34
10-33024	SCREW, CHOKE SOLENOID TO TOP COWL (1 1/4")	23	4	11-22178	NUT, GEAR HOUSING AND DRIVE SHAFT HOUSING STUDS	45	15
10-33152	SCREW, HARNESS LEADS TO TERMINAL BLOCK	17	8	11-22178	NUT, TOP YOKE BOLT FASTENING	41	22
10-33853	SCREW, MAIN BEARING LOCKING	31	21	11-22178	NUT, UPPER MOUNT BOLT	45	26
10-33860	SCREW, CRANKCASE TO CYLINDER BLOCK (2")	31	18	11-23161	NUT, POWERHEAD STUDS	45	13
10-35881	SCREW, DRIVE-ROPE GUIDE PLATE TO TOP COWL (#6-32)	5	36	11-24656	NUT, LOCK - PRIMARY GROUND SCREW	19	16
11-20061	NUT, CONNECTING ROD SCREW	35	25	11-25096	NUT, MOUNTING SCREW	47	41
11-20083	NUT, CLAMP BRACKET STUD	41	11	11-25168	NUT, ADJUSTING - UPPER LINK ROD	15	8
11-20083	NUT, MAGNETO ADAPTOR AND PILOT FASTENING SCREW	11	18	11-25168	NUT, SHIFT SHAFT END ADJUSTING	37	35
11-20083	NUT, SOLENOID TERMINAL (5/16)	17	31	11-25269	NUT, STRAP STOP FASTENING SCREW	41	29
11-20088	NUT, THROTTLE STOP ADJUSTING SCREW	15	4	11-26419	NUT, BRACKET FASTENING SCREW	7	5
11-20110	NUT, CHOKE SHUTTER TO CARBURETOR STUD	23	28	11-26419	NUT, BRASS - MOULDING FASTENING SCREW	37	9
11-20166	NUT, SHEAVE SHAFT (LEFT HAND THREAD)	3	31	11-26419	NUT, MOULDING FASTENING SCREW	5	49
11-20184	NUT, ADAPTOR FASTENING SCREW	29	31	11-28010	NUT, CLAMP BRACKET BOLT	43	52
11-20184	NUT, CHOKE ROD SPRING TO CARBURETOR STUD	23	32	11-28202	NUT, SWIVEL PIN RETAINING	41	31
11-20184	NUT, COVER MOUNTING SCREW	33	52	11-29225	NUT, NYLON CAP - MOULDING FASTENING SCREW	37	7
11-20184	NUT, DETENT SPRING SCREW	37	42	11-29236	NUT, PRIMARY LEAD FASTENING	19	25
11-20184	NUT, MAIN BEARING CLAMPING SCREW	35	17	11-29250	NUT, CARBURETOR MOUNTING STUD	27	36
11-20184	NUT, RECTIFIER BRACKET MOUNTING SCREW	37	15	11-29250	NUT, CRANKCASE TO CYLINDER BLOCK SCREW	31	20
11-20361	NUT, LOWER SHOCK PIN SCREW	54	-	11-29250	NUT, HARNESS SUPPORT FASTENING SCREW	39	49
11-20361	NUT, TOP COWL FASTENING	3	16	11-29250	NUT, LEVER ANCHOR SCREW	41	39
11-20361	NUT, UPPER AND LOWER SWIVEL TO LEVER AND BRACKET	15	14	11-29322	NUT, UPPER MOUNT COVER SCREWS	45	37
11-20509	NUT, POWERHEAD STUDS	45	12	11-29469	NUT, MAIN BEARING CLAMPING SCREW	35	6
				11-29469	NUT, REED STOP MOUNTING SCREW	35	10

PARTS INDEX

Part Number	Description	Pg.	Ref. No.	Part Number	Description	Pg.	Ref. No.
11-29488	NUT, PIN FASTENING SCREW	37	32	12-27939	WASHER, MAGNETO PILOT	11	19
11-29489	NUT, GEAR HOUSING AND DRIVE SHAFT HOUSING STUDS	45	16	12-28008	WASHER, CLAMP BRACKET BOLT	43	51
11-29594	NUT, PROPELLER	53	79	12-28196	WASHER, UPPER BUSHING RETAINER (INNER)	41	42
11-29598	NUT, WATER PUMP BODY FASTENING STUDS (1/4)	49	28	12-28264	WASHER, LOWER BUSHING RETAINER (INNER)	43	49
11-3002	NUT, FLYWHEEL	13	1	12-28404	WASHER, THUMB SCREW	41	3
11-30499	NUT, TILT TUBE FASTENING	41	6	12-28421	WASHER, UPPER AND LOWER BUSHING RETAINER (OUTER)	41	43
11-30932	NUT, PINION GEAR TO DRIVE SHAFT	49	9	12-29099	WASHER, INSULATING - PRIMARY GROUND SCREW	19	13
11-35521	NUT, LOWER MOUNT CLAMP COVER	47	47	12-29245	WASHER, UPPER AND LOWER SWIVEL	15	13
12-20028	WASHER, PLATE, COVER AND CLAMP MOUNTING SCREW	33	41	12-29245	WASHER, UPPER MOUNT COVER SCREWS	45	36
12-20028	WASHER, TOP COWL STUD (1/16")	3	13	12-29395	WASHER, THROTTLE AND SHIFT LEVER FASTENING SCREW	37	27
12-20084	WASHER, GROUND STRAP AND CRANKCASE SCREW	31	--	12-29590	WASHER, CUPPED - THRUST HUB	53	76
12-20084	WASHER, HARNESS SUPPORT FASTENING SCREW	39	48	12-29681	WASHER, NEEDLE LOCATING	35	28
12-20084	WASHER, MAGNETO ADAPTOR AND PILOT FASTENING SCREW	11	17	12-29957	WASHER, GEAR HOUSING COVER	53	72
12-20086	WASHER, POWERHEAD STUDS	45	11	12-30164	WASHER, CHOKE SHUTTER CARBURETOR STUD	23	27
12-20260	WASHER, GREASE FILLER AND VENT HOLE SCREW	51	46	12-30164	WASHER, PLUNGER AND LINK	23	14
12-20346	WASHER, DETENT SPRING SCREW	37	41	12-30267	WASHER, PRIMARY GROUND TERMINAL HOLDING	19	11
12-20346	WASHER, TOP COWL STUD (3/4" OD)	3	14	12-30514	WASHER, UPPER MOUNT BOLT	45	27
12-20533	WASHER, CHROME HANDLE TO INSIDE HANDLE STUD	5	40	12-30515	WASHER, UPPER MOUNT BOLT	45	29
12-20533	WASHER, FRONT SCREW-HANDLE TO TOP COWL	5	43	12-30516	WASHER, RUBBER - UPPER MOUNT BOLT	45	28
12-20546	WASHER, PUSH ROD	45	21	12-30633	WASHER, THRUST - BEARING CARRIER TO GEAR HOUSING	53	65
12-20553	WASHER, VERTICAL SHAFT - CENTER	15	19	12-30771	WASHER, COVER FASTENING KNOB (RUBBER)	7	8
12-20583	WASHER, LINK ROD	37	38	12-30771	WASHER, COVER FASTENING KNOB (RUBBER)	9	5
12-20583	WASHER, TOP COWL STUD (1/32")	3	15	12-31013	WASHER, THRUST - BEARING CARRIER	53	74
12-24671	WASHER, FIBER - MOULDING FASTENING SCREW	37	6	12-31211	WASHER, SPLINED - PROPELLER SHAFT	53	77
12-26014	WASHER, PRIMARY GROUND SCREW	19	15	12-31266	WASHER, RUBBER - SHIFT SHAFT BUSHING	51	40
12-26180	WASHER, SHEAVE SHAFT TO STARTER SHEAVE	3	26	12-31815	WASHER, SWIVEL PIN - LOWER (TOP WASHER OPTIONAL)	41	23
12-26439	WASHER, BREAKER PIVOT PIN	19	27	12-33001	WASHER, FLYWHEEL NUT	13	2
12-26825	WASHER, COVER FASTENING KNOB (STEEL)	7	9				
12-27129	WASHER, COVER FASTENING KNOB (STEEL)	9	6				

PARTS INDEX

Part Number	Description	Pg.	Ref. No.	Part Number	Description	Pg.	Ref. No.
13-23836	LOCKWASHER, COIL TERMINAL	19	20	14-31210	TAB WASHER, PROPELLER NUT	53	78
13-24669	LOCKWASHER, THRU BOLT - BRACKET TO STARTER MOTOR	17	16	15-20085A1	SHIM, LOWER END CAP TO CRANKCASE (.002-3-5-10)	31	30
13-26991	LOCKWASHER, CHOKE SOLENOID SCREW	23	5	15-29955A1	SHIM, THRUST WASHER TO GEAR HOUSING (.002-3-5- 10)	53	66
13-26992	LOCKWASHER, CHOKE SOLENOID SCREW	23	7	15-30278A1	SHIM, DRIVE SHAFT BALL BEARING TO GEAR HOUSING (.002-3-5-10 . . .	49	10
13-26992	LOCKWASHER, WATER PUMP BODY FASTENING SCREW AND STUDS (1/4)	49	27	15-30497A1	SHIM, CLAMP BRACKET TILT TUBE	41	5
13-26993	LOCKWASHER, CLAMP BRACKET STUD	41	10	15-30923A1	SHIM, BEARING OUTER RACE TO GEAR HSG. (.002-3-5-10)	53	54
13-26993	LOCKWASHER, EXHAUST EXTENSION FASTENING SCREW	31	--	15-31283A1	SHIM, UPPER END CAP TO CRANKCASE (.002-3-5-10)	31	5
13-26993	LOCKWASHER, RECTIFIER MOUNTING SCREW	17	33	16-20221	STUD, CLAMP BRACKET . .	41	9
13-26993	LOCKWASHER, SOLENOID TERMINAL (5/16)	17	30	16-20353	STUD, REAR-TOP COWL TO COVER	3	11
13-26993	LOCKWASHER, STARTER MOTOR FASTENING SCREW	17	12	16-21723	STUD, CHOKE ROD SPRING TO CARBURETOR	23	30
13-26993	LOCKWASHER, WATER PUMP BODY FASTENING STUD (5/16)	49	29	16-21831	STUD, CARBURETOR MOUNTING (1 1/4")	31	12
13-26995	LOCKWASHER, BRACKET FASTENING SCREW	7	4	16-26133	STUD, CRANKCASE TO DRIVE SHAFT HOUSING (1 7/8")	31	13
13-26995	LOCKWASHER, MOULDING FASTENING SCREW	5	48	16-26134	STUD, CYLINDER BLOCK TO DRIVE SHAFT HOUSING (4 1/16")	31	14
13-26995	LOCKWASHER, MOULDING FASTENING SCREW	37	8	16-26135	STUD, CYLINDER BLOCK TO DRIVE SHAFT HOUSING (2 5/16")	31	15
13-26996	LOCKWASHER, "U" LINK SCREW	23	20	16-29078	STUD, GEAR HOUSING TO DRIVE SHAFT HOUSING (2")	49	3
13-26996	LOCKWASHER, PULLEY CLAMPING SCREW	11	28	16-29230	STUD, PRIMARY LEAD/TENSION SPRING FASTENING	19	24
13-26996	LOCKWASHER, REVEAL TO TOP COWL FASTENING SCREW	3	7	16-30172	STUD, CARBURETOR - CHOKE SHUTTER PIVOT	23	26
13-26996	LOCKWASHER, SOLENOID TERMINAL (#10)	17	26	16-30661	STUD, GEAR HOUSING TO DRIVE SHAFT HOUSING (3 15/16")	49	2
13-27959	WASHER, WAVE - MAGNETO BALL BEARING TENSION	11	21	16-30667	STUD, WATER PUMP BASE AND BODY TO GEAR HOUSING (3 1/8")	49	5
13-29402	WASHER, WAVE - PIN FASTENING SCREW	37	31	16-30669	STUD, WATER PUMP BASE AND BODY TO GEAR HOUSING (3 1/4")	49	4
13-30597	WASHER, WAVE-STARTER PAWL	3	22	16-30929	STUD, DRIVE SHAFT HOUSING TO GEAR HOUSING	45	2
13-31030	WASHER, WAVE - LEVER ANCHOR SCREW	41	38	16-30929	STUD, DRIVE SHAFT HOUSING TO GEAR HOUSING	45	2
14-20091	TAB WASHER, BEARING LOCKING SCREW	31	22	16-33071	STUD, FRONT-TOP COWL TO CRANKCASE	3	2
14-20165	TAB WASHER, SHEAVE SHAFT NUT	3	30	17-20032	DOWEL PIN, CENTER MAIN BEARING	35	12
14-27960	TAB WASHER, ADAPTOR CAP FASTENING	11	20				
14-29157	TAB WASHER, COVER FASTENING SCREW	19	35				

PARTS INDEX

Part Number	Description	Pg.	Ref. No.	Part Number	Description	Pg.	Ref. No.
17-20032	DOWEL PIN, CYLINDER BLOCK TO MAIN BEARING	31	9	19-32297	PLUG, HOLE - BOTTOM COWL (TO PLUG 3/4" HOLE IN BOTTOM COWL)	37	2
17-20032	DOWEL PIN, MAIN BEARING	35	4	19-32298	PLUG, PLASTIC - WATER PICK-UP SCREW HOLE	45	14
17-20033	DOWEL PIN, CRANKCASE TO CYLINDER BLOCK	31	10	19-32299	WELCH PLUG, BODY CHANNEL	27	34
17-20853	PIN, FLOAT LEVER PINION	25	3	21-28481A1	CHECK VALVE ASSEMBLY	33	57
17-21057	PIN, HANGE - HANDLE TO COWL LATCH	9	14	21-28481A1	CHECK VALVE ASSEMBLY, END CAP	31	25
17-21057	PIN, HINGE-COWL LATCH HANDLE	7	17	21-28483A1	CHECK VALVE ASSEMBLY, UPPER - BLEED HOSE	33	56
17-23928	ROLL PIN, CLEVIS YOKE PIN	37	29	21-30430	VALVE, CHECK - FUEL PUMP	29	3
17-25319	ROLL PIN, VERTICAL SHAFT AND LINKAGE LEVERS	15	20	21-30430	VALVE, CHECK - FUEL PUMP	29	3
17-25391	RIVET, CHOKE SHUTTER TO CHOKE ROD	23	25	22-20445	CONNECTOR, LOWER - BLEED HOSE	33	59
17-25598	PIN, REVERSE LOCK SPRING ATTACHING	41	18	22-21290	PLUG, PIPE - SHIFT SHAFT GREASE FILLER HOLE	51	44
17-26618	PIN, DOWEL - PULLEY LOCATING	13	8	22-23612	FITTING, GREASE	41	15
17-27961	PIN, ECONOMISER COLLAR - SPRING RETAINER	11	9	22-25094	FITTING, GREASE - ECONOMISER COLLAR	11	10
17-27962	PIN, ANCHOR - HORSESHOE SPRING TO PILOT	11	4	22-25094	FITTING, GREASE - MAGNETO ADAPTOR	11	15
17-29077	ROLL PIN TENSION SPRING TO KNOB	9	8	22-25885	ELBOW, BALANCE TUBE TO MAIN BEARING SCREW	33	33
17-29077	ROLL PIN, TENSION SPRING TO KNOB	7	11	22-25885	ELBOW, MAGNETO VENT TUBE	39	44
17-29596	DOWEL PIN, WATER PUMP BASE TO WATER PUMP BODY	49	17	22-25885	ELBOW, PLASTIC - MAGNETO COVER VENT	21	45
17-29908	PIN, ROLL - FLANGE LOCATING	11	25	22-29085	ELBOW (45), UPPER CARBURETOR	29	15
17-29967	PIN, IMPELLER DRIVE	49	25	22-29111	NIPPLE, MAGNETO VENT TUBE	39	43
17-30004	PIN, PIVOT - BOTTOM COWL	37	17	22-30139	PLUG, PIPE - WATER PRESSURE HOLE (CYLINDER BLOCK)	31	11
17-30615	PIN, REVERSE LOCK LEVER	45	18	22-30174	ELBOW, LOWER FUEL PUMP INLET	29	22
17-30632	PIN, CROSS - RATCHET TO PROPELLER SHAFT	53	60	22-30174	ELBOW, UPPER FUEL PUMP OUTLET	29	16
17-30687A1	TILT LOCK PIN ASSEMBLY	41	12	22-30175	SLEEVE, FUEL PUMP INLET ELBOW	29	23
17-30978A1	PIN ASSEMBLY, CLEVIS YOKE	37	28	22-30175	SLEEVE, FUEL PUMP OUTLET ELBOW	29	17
17-31245	DOWEL PIN (STEPPED)	35	18	22-30177	NUT, FUEL PUMP INLET ELBOW	29	24
17-31772A1	SWIVEL PIN AND TOP YOKE ASSEMBLY	41	19	22-30177	NUT, FUEL PUMP OUTLET ELBOW	29	18
17-31773A1	SWIVEL PIN AND TOP YOKE ASSEMBLY	54	-	22-99664	ELBOW, MAGNETO VENT TUBE	39	44
18-20209	COTTER PIN, REVERSE LOCK TO SHAFT	41	35	23-20222	SPACER, CLAMP BRACKET STUD	41	8
18-20233	CLIP, RETAINING - SHIFT SHAFT	51	36	23-26348	BUSHING, COVER - COWL MOUNTING STUD	33	50
18-25191	COTTER PIN, LINK ROD TO SHIFT SHAFT	37	37	23-26348	BUSHING, CRANKCASE - COWL MOUNTING STUD	31	8
18-25191	COTTER PIN, PUSH ROD TO REVERSE LOCK	45	22	23-26602	BUSHING, NYLON - THROTTLE ACTUATOR	11	12
18-26953	COTTER PIN, "U" LINK TO CHOKE ROD	23	21				
18-26953	COTTER PIN, BREAKER TO PIVOT PIN	19	28				
18-26953	COTTER PIN, LINK TO UPPER CHOKE LEVER	23	15				

PARTS INDEX

Part Number	Description	Pg.	Ref. No.	Part Number	Description	Pg.	Ref. No.
23-26954	BUSHING, NYLON - VERTICAL SHAFT	15	18	24-32271	SPRING, TENSION - COVER FASTENING KNOB	9	7
23-28198	BUSHING, RUBBER - SHOCK ABSORBER (LOWER)	43	46	24-32271	SPRING, TENSION-FASTENING KNOB	7	10
23-28199	SPACER, UPPER SHOCK BUSHING TO CLAMP BRACKET	41	41	24-32428	SPRING, TENSION - CHOKE ROD 1	23	29
23-28911	SPACER, SHEAVE SHAFT	3	24	24-35522	SPRING, TENSION - LOWER MOUNT CLAMP	47	45
23-28912	BUSHING, SPRING GUIDE	3	19	25-20081	"O" RING	31	28
23-28919	BUSHING, NYLON-SHEAVE SHAFT SPACER	3	23	25-20116	GROMMET, CHOKE KNOB	3	3
23-29101	BUSHING, INSULATING - HOUSING FRAME	19	14	25-20116	GROMMET, CHOKE ROD	23	17
23-29529	BUSHING, THROTTLE AND SHIFT LEVER	37	25	25-20415	"O" RING, ADAPTOR STEM	29	27
23-29591	SLEEVE, RUBBER - WATER INLET TUBE	45	9	25-25429	"O" RING, HIGH TENSION LEAD CABLE TO END CAP COVER	15	28
23-29804	SLEEVE, GUIDE - WATER INLET TUBE	49	33	25-25439	"O" RING, SHIFT SHAFT BUSHING	51	37
23-29909	SPACER, DRIVEN PULLEY	11	23	25-29976	"O" RING, BEARING CARRIER	53	67
23-30438	BUSHING, NYLON - UPPER CHOKE SHUTTER	23	23	25-30224	"O" RING, WATER PUMP BASE	49	14
23-30607	SPACER, NYLON - REVERSE LOCKING CAM	51	43	25-30271	RING, RUBBER - CENTRIFUGAL SLINGER (DRIVE SHAFT)	49	31
23-30617A1	BUSHING ASSEMBLY, SHIFT SHAFT	51	38	25-30613	"O" RING, DRIVE SHAFT SPLINE	35	19
23-32171	BUSHING, RUBBER - SHOCK ABSORBER (UPPER)	43	47	25-30613	"O" RING, UPPER - DRIVE SHAFT	49	34
23-32427	SPACER, CHOKE ROD SPRING STUD	23	31	25-31305	"O" RING	31	3
23-33017	SPACER, VERTICAL SHAFT - LOWER	15	23	26-26207	SEAL, RUBBER - WATER INLET TUBE	45	8
23-33018	SPACER, CHOKE SOLENOID SCREW	23	3	26-29476	OIL SEAL	31	2
23-33070	SPACER, TOP COWL FRONT STUDS	3	4	26-29476	OIL SEAL, UPPER	31	27
24-20869	SPRING, THROTTLE SHAFT RETURN (UPPER CARBURETOR)	25	33	26-29478	OIL SEAL, LOWER	31	26
24-26890	SPRING, THROTTLE SHAFT RETURN (LOWER CARBURETOR)	25	33	26-29612	SEAL, GEAR HOUSING FLUSHING HOLE	51	49
24-27160	SPRING, IDLE ADJUSTMENT SCREW	25	25	26-29677	SEAL, RUBBER - WATER PUMP BODY	49	32
24-27944	SPRING, HORSESHOE - MAGNETO PILOT	11	3	26-30550	OIL SEAL, BEARING CARRIER	53	70
24-28975	SPRING, GARTER - INTERNAL WIRING HARNESS	17	5	26-31249	OIL SEAL, SHIFT SHAFT BUSHING	51	39
24-29340A1	SPRING, STARTER REWIND	3	18	26-31489	OIL SEAL, WATER PUMP BASE	49	16
24-29821	SPRING, REVERSE LOCK TENSION	41	32	26-31507	OIL SEAL, WATER PUMP BODY	49	23
24-30189	SPRING, ADAPTOR STEM	29	28	26-31783	OIL SEAL	41	16
24-30618	SPRING, TENSION - PUSH ROD	45	19	27-23005	GASKET, CHECK VALVE TO HOUSING	29	2
24-30621	SPRING, DETENT	37	39	27-23005	GASKET, CHECK VALVE TO HOUSING	29	2
24-30622	SPRING, COMPRESSION - CAM FOLLOWER	53	53	27-23180	GASKET, IDLE TUBE	25	22
24-30893	SPRING, RETAINING - CROSS PIN	53	61	27-24863	GASKET, FUEL PUMP	29	6
				27-24863	GASKET, FUEL PUMP	29	6
				27-25033	GASKET, INLET SEAL	25	7
				27-25725	GASKET, END CAP COVER	19	38
				27-25848	GASKET, STRAINER COVER SCREW	25	16
				27-25849	GASKET, STRAINER COVER (SMALL)	25	14

PARTS INDEX

Part Number	Description	Pg.	Ref. No.	Part Number	Description	Pg.	Ref. No.
27-25851	GASKET, STRAINER COVER (LARGE)	25	12	31-30894A1	TAPERED ROLLER BEARING ASSEMBLY	53	57
27-26198	GASKET, DRIVE SHAFT HOUSING TO BOTTOM COWL	45	10	31-30895	BEARING, ROLLER - FORWARD GEAR	53	56
27-28406	GASKET, JET CHANNEL PLUG SCREW	25	28	31-30956	BEARING, ROLLER - BEARING CARRIER	53	69
27-28409	GASKET, MAIN FUEL JET	25	30	31-31092	CUP, TAPERED ROLLER BEARING	53	58
27-29166	GASKET, MAGNETO COVER	19	32	32-26060	HOSE, CYLINDER BLEED (8 1/2")	33	58
27-29586	GASKET, GEAR HOUSING FLUSHING HOLE SCREW	51	48	32-28052	SLEEVE, RUBBER - TILT LOCK PIN BUMPER 1	41	13
27-29914	GASKET, POWERHEAD TO BOTTOM COWL	37	19	32-28373	SLEEVE, RUBBER - RECTIFIER HARNESS LEAD	17	35
27-30276	GASKET, FUEL PUMP COVER	29	10	32-29164	TUBE, VENT - MAGNETO OUTLET (10 1/2")	39	45
27-31304	GASKET, TRANSFER PORT COVER	33	53	32-30176	FUEL LINE, ADAPTOR TO LOWER FUEL PUMP INLET	29	21
27-31402	GASKET, CARBURETOR FLANGE	27	35	32-31550A1	FUEL LINE ASSEMBLY, UPPER TO LOWER CARBURETOR (6")	29	32
27-32433	GASKET, LOWER - WATER PUMP BASE TO FACE PLATE	49	18	32-31552A1	FUEL LINE ASS'Y, LOWER PUMP TO UPPER PUMP (12 3/8")	29	19
27-32434	GASKET, UPPER - FACE PLATE TO WATER PUMP BODY	49	20	32-31553A1	FUEL LINE ASS'Y, LOWER PUMP TO LOWER CARBURETOR (19 3/4")	29	20
27-32438	GASKET, WATER PUMP BASE TO GEAR HOUSING	49	13	32-33013	TUBE, WATER INLET	45	7
27-33015	GASKET, CYLINDER BLOCK COVER	33	48	32-33014	TUBE, WATER INLET	54	-
27-33529	GASKET, CYLINDER BLOCK TO MAINFOLD PLATE	33	35	32-33154A1	FUEL LINE ASS'Y, UPPER PUMP TO UPPER CARBURETOR (13 1/2")	29	14
27-33530	GASKET, MANIFOLD PLATE TO MAINFOLD COVER	33	37	32-33729	TUBE, BALANCE - MAIN BEARING	31	32
27-36059	GASKET, EXHAUST EXTENSION TO CYLINDER BLOCK	31	--	32-35899	TUBE, VERTICAL SHAFT	15	17
28-29910	KEY, MAGNETO DRIVING	11	27	33-30578	SPARK PLUG	15	24
28-30250	KEY, FLYWHEEL DRIVE	13	3	34-31240	REED STOP, MAIN BEARING REED VALVES	35	8
28-30250	KEY, FLYWHEEL DRIVE	35	2	34-32203A1	REED SET, MATCHED - MAIN BEARING	35	7
28-30281	KEY, LOCATING - BEARING CARRIER	53	71	37-29315	DECAL, THROTTLE STOP PLATE (STOP ADJUSTMENTS)	15	2
29-26114	BEARING, NEEDLE	35	13	37-31924	DECAL, "FULL GEAR SHIFT" - STARBOARD	45	5
29-30401	BEARING, NEEDLE - PISTON PIN	35	27	37-31925	DECAL, "FULL GEAR SHIFT" - PORT	45	6
29-30403	BEARING, NEEDLE - CRANKPIN	35	26	37-31936	DECAL, WRAP AROUND COWL - REAR	7	23
30-20066	BEARING, BALL - MAGNETO PILOT	11	6	37-31937	DECAL, WRAP AROUND COWL - STARBOARD	7	22
30-20080	BALL BEARING	31	29	37-31938	DECAL, WRAP AROUND COWL - PORT	7	21
30-20464	BEARING, BALL - DRIVE SHAFT	49	11	37-35393	DECAL, TRIM COVER - PORT AND STARBOARD	45	4A
30-24997	BEARING, BALL (OPPOSITE DRIVE END)	19	6	37-35502	DECAL, FRONT COVER EMBLEM	9	3
30-24998	BEARING, BALL (DRIVE END)	19	4				
30-31265	BEARING, BALL - REVERSE GEAR	53	64				
30-32117	BALL BEARING	31	4				
31-29982	BEARING, ROLLER - DRIVE SHAFT	49	6				

PARTS INDEX

Part Number	Description	Pg.	Ref. No.	Part Number	Description	Pg.	Ref. No.
37-35640	DECAL, WRAP AROUND COWL - STARBOARD . . .	9	18	54-26538	CLIP, CHOKE SOLENOID WIRE	23	9
37-35641	DECAL, "MERC 650"	9	2	54-26550	CLIP, STATOR LEAD TO CRANKCASE FLANGE . . .	13	15
38-31061	SERIAL PLATE	41	25	54-29425	CLAMP, SPARK PLUG LEADS TO COVER	33	42
39-32921	RING, PISTON	35	22	54-29425	CLIP, HIGH TENSION LEAD CABLE FASTENING	15	26
39-33945	RING, PISTON (.015)	35	--	55-28414	PIN, LOWER SHOCK MOUNTING	54	-
40-32118	LOCK RING, PISTON PIN . .	35	21	55-28416	PIN, UPPER SHOCK MOUNTING	41	40
43-31419	GEAR, PINION - DRIVE SHAFT	49	8	55-29247	PIN, LOWER SHOCK MOUNTING	43	48
43-31886	FORWARD GEAR ASSEMBLY	53	55	55-31933	SHOCK ABSORBER	43	45
43-31887	REVERSE GEAR ASSEMBLY	53	63	92-25234	GLUE, ADHESIVE - BLANKET FASTENING . . .	7	--
43-31887A1	REVERSE GEAR ASSEMBLY, COMPLETE . .	53	--	92-25234	GLUE, ADHESIVE - SOUND BLANKET FASTENING . . .	9	--
44-30944	SHAFT, PROPELLER	53	62	92-27109	ADHESIVE COMPOUND (3 1/2 OUNCE KIT) EMBLEM FASTENING	7	--
45-30564	DRIVE SHAFT	54	-	94-33874	SHIPPING CARTON	54	-
45-30565	DRIVE SHAFT (STANDARD)	49	7	111-28770	NUT, WATER PUMP BODY FASTENING STUD (5/16) .	49	30
45-33007	SHAFT, DRIVE - MAGNETO	11	1	178-1970A2	COWL FRONT COVER ASSEMBLY	7	1
46-32436A1	WATER PUMP ASSEMBLY . .	49	15	182-1895A2	TOP COWL ASSEMBLY	3	1
46-32437A1	WATER PUMP BODY ASSEMBLY	49	21	186-1781A2	BOTTOM COWL ASSEMBLY	37	1
47-30221	IMPELLER, WATER PUMP . .	49	24	197-1968A2	WRAP AROUND COWL ASSEMBLY	7	14
50-28985A1	STARTER CABLE ASSEMBLY	3	32	216-2094A2	FLYWHEEL ASSEMBLY, COMPLETE	13	4
50-30994	SHEAVE ASSEMBLY	3	20	294-1577	COVER, MAGNETO	19	33
50-31976	STARTER MOTOR ASSEMBLY (DELCO- REMY)	17	10	393-1504A6	BREAKER ASSEMBLY	19	22
50-33000A1	RATCHET ASSEMBLY	13	6	393-1586	GROMMET, PLASTIC - BREAKER BRACKET	19	23
53-21058	"E" RING, COWL LATCH HINGE PIN	7	16	394-1050	CLIP, COIL - HIGH TENSION	19	19
53-21058	"E" RING, HANDLE TO COWL LATCH HINGE PIN	9	15	394-1051	LOCKWIRE, COIL BRIDGE SET SCREW	19	3
53-26933	RING, SNAP - OUTER RACE CLAMPING	35	15	394-1053A1	WIRE ASSEMBLY, PRIMARY GROUND LEAD	19	9
53-30726	RING, RETAINING - BALL BEARING	49	12	394-1056A1	BRUSH AND SPRING ASSEMBLY	19	40
54-20386	CLAMP, BALANCE TUBE TO ELBOW	33	34	394-1067	MAGNETIC ROTOR AND SHAFT	19	5
54-20387	CLAMP, BLEED HOSE TO CHECK VALVE AND CONNECTOR	33	60	394-1106A1	HOLDER AND CAM WICK ASSEMBLY	19	26
54-22740	CLIP, HARNESS LEAD WIRES TO SUPPORT BRACKET (3/8-6)	17	18	394-1110	CLIP, SPRING	19	37
54-22783	"S" CLIP, CHOKE SOLENOID WIRE TO TOP COWL	23	12	394-1128A1	COIL ASSEMBLY	19	18
54-22783	"S" CLIP, RECTIFIER HARNESS LEAD TO BOTTOM COWL	17	6	394-1130	CONDENSER	19	30
54-22783	"S" CLIP, STATOR LEAD TO BOTTOM COWL	13	18	394-1131	NUT, COIL CLIP FASTENING	19	21
54-22875	CLAMP, MERCURY SWITCH TO MANIFOLD COVER . .	33	45	394-1134A1	GROUND STRAP ASSEMBLY, MAGNETO TO CRANKCASE	15	33
54-23567	CLIP, HARNESS LEAD WIRE TO SUPPORT BRACKET (9/16-6)	17	21	394-1560A1	MAGNETO ROTOR ASSEMBLY	19	36
54-25231	CLIP, MERCURY SWITCH AND HARNESS LEADS TO MAGNETO	15	30	394-1561A2	END CAP COVER ASSEMBLY	19	39

PARTS INDEX

Part Number	Description	Pg.	Ref. No.	Part Number	Description	Pg.	Ref. No.
394-1579	INSULATOR, PRIMARY GROUND TERMINAL	19	12	1440-1796A1	CLAMP BRACKET ASSEMBLY	41	1
394-1637	SUPPORT, BALL BEARING .	19	7	1447-1945A3	SWIVEL BRACKET ASSEMBLY	54	-
394-2271A2	MAGNETO ASSEMBLY, COMPLETE (4D-4)	15	29	1453-1944A4	SWIVEL BRACKET ASSEMBLY	41	14
394-2271A2	MAGNETO ASSEMBLY, COMPLETE (4D-4)UIRED ON LATER MODELS)	19	-	1540-1783A2	DRIVE SHAFT ASSEMBLY .	45	1
397-421A2	GROUND STRAP ASSEMBLY, CHOKE SOLENOID TO ADAPTOR	23	8	1540-2384A2	DRIVE SHAFT HOUSING ASSEMBLY	45	1
398-2171	STATOR, ALTERNATOR . . .	13	12	1541-1784A3	DRIVE SHAFT HOUSING ASSEMBLY	54	-
418-1898	CRANKSHAFT	35	1	1541-2385A4	DRIVE SHAFT HOUSING ASSEMBLY	54	-
531-1884A2	CENTER MAIN BEARING ASSEMBLY	35	11	1623-2022A1	GEAR HOUSING ASSEMBLY	49	1
533-2034A2	MAIN BEARING ASSEMBLY (VALVE TYPE)	35	3	1623-2022A1	GEAR HOUSING ASSEMBLY (SEE PAGE 30 FOR PARTS BREAKDOWN) . . .	53	1
611-1885A2	CONNECTING ROD AND CAP ASSEMBLY	35	23	1623-2022A5	GEAR HOUSING ASSEMBLY, COMPLETE (STANDARD)	49	-
732-2045A4	PISTON AND PISTON PIN ASSEMBLY	35	20	1623-2022A5	GEAR HOUSING ASSEMBLY, COMPLETE (STANDARD)	53	-
732-2194A1	PISTON AND PISTON PIN ASSEMBLY (.015)	35	--	2104-2334A2	COWL FRONT COVER ASSEMBLY	9	1
834-2412A3	CYLINDER BLOCK AND CRANKCASE ASSEMBLY	31	7	2110-2383A2	WRAP AROUND COWL ASSEMBLY	9	12
1012-2077A1	CYLINDER BLOCK COVER ASSEMBLY	33	49				
1126-1751A1	END CAP ASSEMBLY, LOWER	31	24				
1128-1890A1	END CAP ASSEMBLY, UPPER	31	1				
1335-2088	CARBURETOR ASSEMBLY, COMPLETE	23	35				
1335-2088	CARBURETOR ASSEMBLY, COMPLETE (KC-2A)	25	1				
1399-101	LEVER, FLOAT (UPPER) . . .	25	5				
1399-102	LEVER, FLOAT (LOWER) . . .	25	4				
1399-110A1	FLOAT ASSEMBLY	25	2				
1399-1133	COVER, FLOAT BOWL	25	9				
1399-1467	JET, MAIN FUEL (.067)	25	29				
1399-1473	INLET NEEDLE, SEAT AND GASKET	25	6				
1399-1713	SCREW, IDLE ADJUSTMENT	25	26				
1399-1754	SCREEN, FILTER	25	13				
1399-1930	COVER, STRAINER	25	15				
1399-1962	JET, MAIN FUEL (.069)	25	29				
1399-2011	JET, MAIN FUEL (.071) - STANDARD	25	29				
1399-2012	SHAFT, THROTTLE	25	20				
1399-2013	JET, MAIN FUEL (.073)	25	29				
1399-2015	GASKET AND PACKING SET (1 PER CARBURETOR) . .	27	--				
1399-2178	TUBE, IDLE	25	21				
1399-2179	NOZZLE, MAIN	25	31				
1399-2180	SHUTTER, THROTTLE	25	24				
1399-2181	REPAIR PARTS KIT (1 PER CARBURETOR)	27	--				
1399-97	LEVER, THROTTLE STOP . .	25	19				
1399-99	GASKET, FLOAT BOWL COVER	25	8				