



# PARTS CATALOG

## MERC 350

SERIAL NUMBER

350 ..... 1571114 THRU 1812753

# TABLE OF CONTENTS:

|  |    |
|--|----|
| BOTTOM COWL ASSEMBLY .....                               | 24 |
| CARBURETOR ASSEMBLY .....                                | 10 |
| CARBURETOR LINKAGE .....                                 | 8  |
| CLAMP AND SWIVEL BRACKET ASSEMBLY .....                  | 34 |
| COWLING AND FRONT COVER .....                            | 6  |
| CRANKSHAFT, PISTON AND CONNECTING ROD ASSEMBLY .....     | 22 |
| CYLINDER BLOCK AND CRANKCASE ASSEMBLY .....              | 18 |
| DRIVE SHAFT HOUSING ASSEMBLY .....                       | 30 |
| FLYWHEEL ASSEMBLY AND THROTTLE CONTROL LINKAGE .....     | 12 |
| FUEL PUMP ASSEMBLY .....                                 | 16 |
| GEAR HOUSING ASSEMBLY, COMPLETE (PAGE 1) .....           | 38 |
| GEAR HOUSING ASSEMBLY, COMPLETE (PAGE 2) .....           | 42 |
| MISCELLANEOUS PARTS/ACCESSORIES .....                    | 1  |
| PARTS INDEX .....  | 48 |
| STARTER MOTOR, STARTER SOLENOID AND WIRING HARNESS ..... | 44 |
| STATOR PLATE ASSEMBLY .....                              | 14 |
| THROTTLE AND SHIFT LINKAGE .....                         | 26 |
| TOP COWL AND STARTER ASSEMBLY .....                      | 2  |

**NOTE:** *Indented description indicate that these parts are included in preceeding assembly.*

**AR** = As Required

**NSS** = Not Sold Separate

**OPT** = Optional

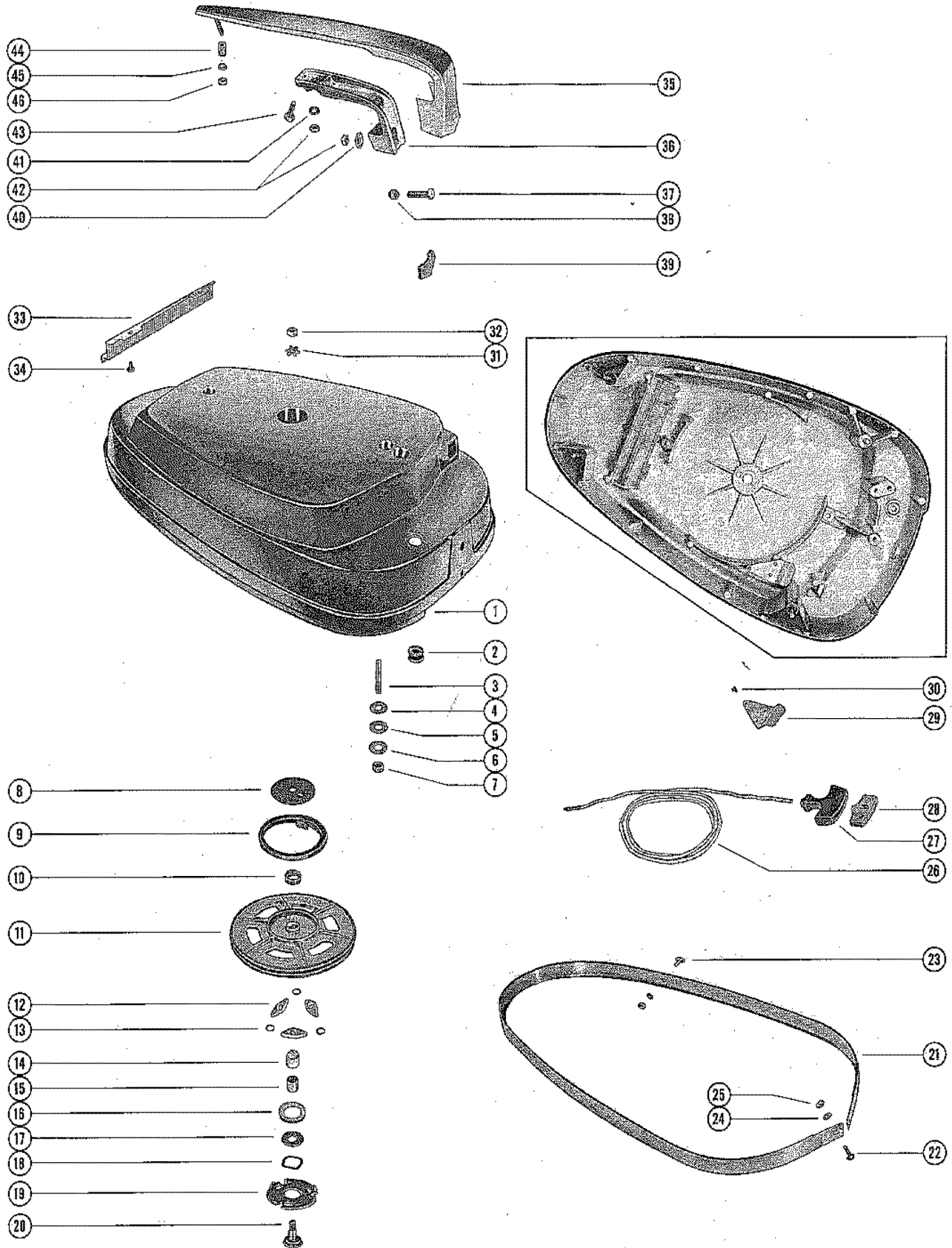
**NS** = Not Shown

**THESE PARTS BOOKS/FICHE CARD ARE COPYRIGHTED AND MAY NOT BE DISTRIBUTED OR REPRODUCED IN ANY OTHER FORMAT BY ANYONE OTHER THAN MERCURY MARINE WITHOUT THE PRIOR WRITTEN CONSENT OF MERCURY MARINE.**

## MISCELLANEOUS PARTS/ACCESSORIES

| REF. NO. | PART NO.   | SYM. | QTY. | DESCRIPTION                           |
|----------|------------|------|------|---------------------------------------|
| -        | 90-34164   |      | 0    | MERC 250 PARTS LIST, COMPLETE         |
| -        | 27-34161   |      | 0    | GASKET SET (MOTOR OVERHAUL)           |
| -        | 37-34163A1 |      | 0    | DECAL SET (MERC 350M)                 |
| -        | 92-25143   |      | 0    | DECAL SOLUTION (PINT BOTTLE)          |
| -        | 92-25234   |      | 0    | GLUE (BLANKET ADHESIVE)               |
| -        | 94-33998   |      | 0    | SHIPPING CARTON (MOTOR) - MERC 350M   |
| -        | 94-35679   |      | 0    | SHIPPING CARTON (MOTOR) - MERC 350M-1 |
| -        | 94-29616   |      | 0    | SHIPPING CARTON (FUEL TANK)           |
| -        | 1399-2015  |      | 0    | GASKET AND PACKING SET (CARBURETOR)   |
| -        | 1399-2238  |      | 0    | REPAIR PARTS KIT (CARBURETOR)         |

# TOP COWL AND STARTER ASSEMBLY

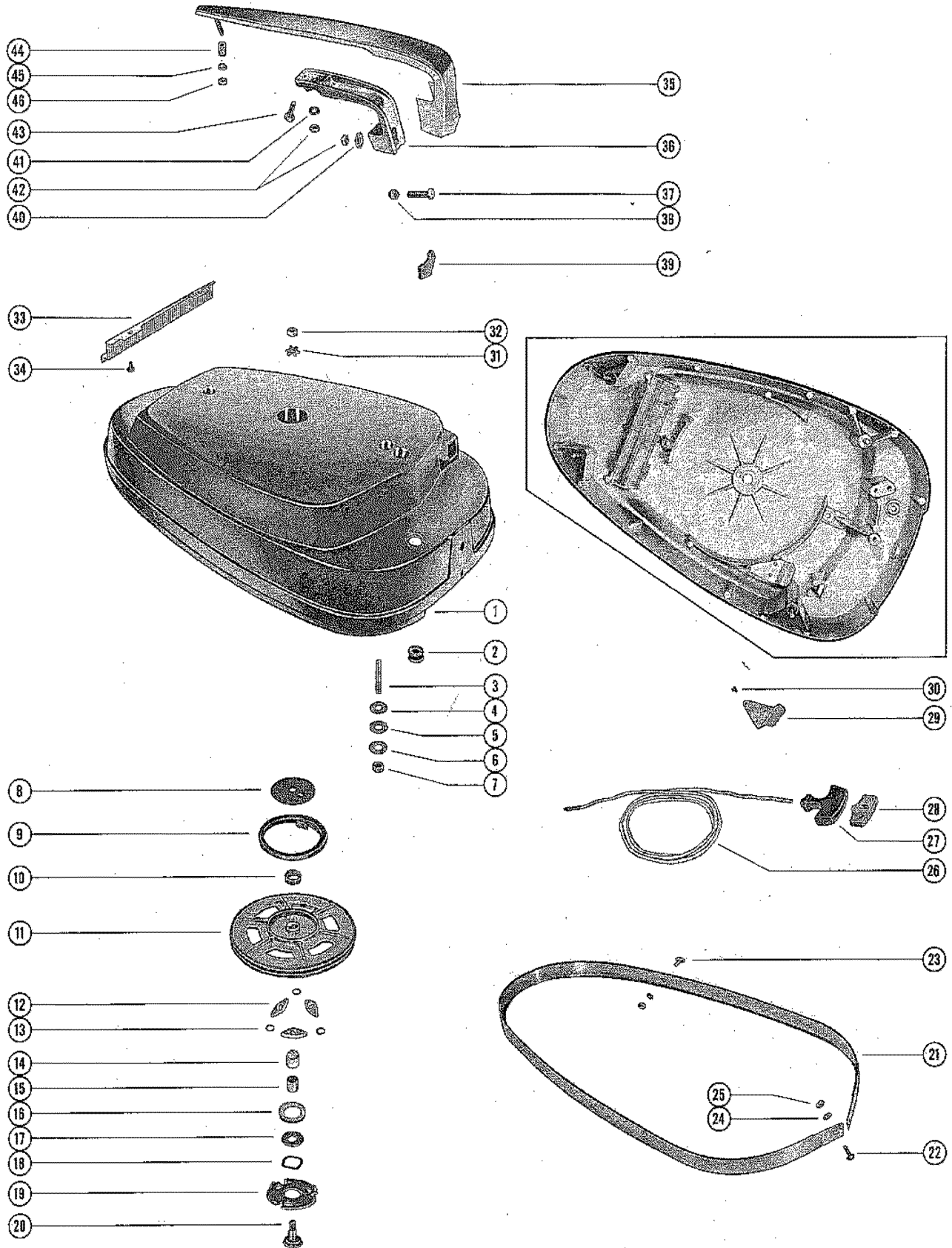


# TOP COWL AND STARTER ASSEMBLY

| REF. NO. | PART NO.     | SYM. | QTY.       | DESCRIPTION   |
|----------|--------------|------|------------|---|
| 1        | 2100-2172A2  |      | 1,1        | TOP COWL ASSEMBLY   |
| 2        | 25-20116     |      | 1,1        | GROMMET, CHOKE KNOB                                       |
| 3        | 16-20353     |      | 4,4        | STUD, FRONT AND REAR - TOP COWL TO CYLINDER BLOCK         |
| 4        | 12-20028     |      | 4,4        | WASHER, TOP COWL STUD (1/16")                             |
| 5        | 12-20346     |      | 4,4        | WASHER, TOP COWL STUD (3/4" OD)                           |
| 6        | 12-20583     |      | OPT,OPT    | WASHER, TOP COWL STUD (1/32")                             |
| 7        | 11-20361     |      | 4,4        | NUT, TOP COWL FASTENING STUD                              |
| 8        | 20155        |      | 1,1        | RETAINER, STARTER SPRING                                  |
| 9        | 24-29340A1   |      | 1,1        | SPRING, STARTER REWIND                                    |
| 10       | 23-28912     |      | 1,1        | BUSHING, SPRING GUIDE                                     |
| 11       | 50-30994     |      | 1,1        | SHEAVE ASSEMBLY   |
| 12       | 30596        |      | 3,3        | PAWL, STARTER   |
| 13       | 13-36206     |      | 3,3        | WASHER, WAVE - STARTER PAWL                               |
| 14       | 23-28919     |      | 1,1        | BUSHING, NYLON - SHEAVE SHAFT SPACER                      |
| 15       | 23-28911     |      | 1,1        | SPACER, SHEAVE SHAFT                                      |
| 16       | 26179        |      | 1,1        | RETAINER, WAVE WASHER                                     |
| 17       | 12-26180     |      | 1,1        | WASHER, WAVE WASHER RETAINER                              |
| 18       | 13-20160     |      | 1,1        | WASHER, WAVE - RETAINER TENSION                           |
| 19       | 30595        |      | 1,1        | PLATE, RETAINER - STARTER PAWL                            |
| 20       | 28913        |      | 1,1        | SHAFT, SHEAVE   |
| 21       | 33897A1      |      | 1,         | TRIM MOULDING ASSEMBLY, TOP COWL EARLY MODELS             |
| 22       | 10-29227     |      | 1,         | SCREW, BRASS - MOULDING TO TOP COWL EARLY MODELS          |
| 23       | 10-29226     |      | 2,         | SCREW, DECORATIVE - MOULDING TO TOP COWL EARLY MODELS     |
| 24       | 13-26995     |      | 3,         | LOCKWASHER, MOULDING TO TOP COWL SCREW EARLY MODELS       |
| 25       | 11-26419     |      | 3,         | NUT, MOULDING TO TOP COWL SCREW EARLY MODELS              |
| 21       | 34735A1      |      | 1,1        | TRIM MOULDING ASSEMBLY, TOP COWL -LATE MODELS             |
| -        | <b>34433</b> |      | <b>1,1</b> | <b>BRACKET, TRIM MOULDING TENSION -LATE MODELS</b>        |
| 22       | 10-23015     |      | 1,1        | SCREW, BRACKET AND MOULDING TO TOP COWL -LATE MODELS      |
| 24       | 12-34434     |      | 1,1        | WASHER, BRACKET AND MOULDING TO TOP COWL SCREW LATE MODEL |
| 25       | 11-20110     |      | 1,1        | NUT, BRACKET AND MOULDING TO TOP COWL SCREW -LATE MODELS  |
| 26       | 50-28985A1   |      | 1,1        | STARTER CABLE ASSEMBLY                                    |
| 27       | 28747        |      | 1,1        | HANDLE, STARTER CABLE                                     |
| 28       | 28748        |      | 1,1        | RETAINER, STARTER CABLE AND HANDLE                        |
| 29       | 30045        |      | 1,1        | PLATE, ROPE GUIDE   |
| 30       | 10-28642     |      | 3,3        | SCREW, DRIVE - ROPE GUIDE PLATE TO TOP COWL               |
| 31       | 14-20165     |      | 1,1        | TAB WASHER, SHEAVE SHAFT NUT                              |
| 32       | 11-20166     |      | 1,1        | NUT, SHEAVE SHAFT (LEFT HAND THREAD)                      |
| 33       | 33952        |      | 1,1        | SCREEN, VENT - TOP COWL                                   |

CONTINUED ON NEXT PAGE ➡

# TOP COWL AND STARTER ASSEMBLY



## TOP COWL AND STARTER ASSEMBLY

| REF. NO. | PART NO. | SYM. | QTY. | DESCRIPTION                                |
|----------|----------|------|------|--|
| 34       | 10-35193 |      | 4,4  | SCREW, VENT SCREEN TO TOP COWL             |
| 35       | 31875    |      | 1,1  | HANDLE, CHROME - TOP COWL                  |
| 36       | 31003    |      | 1,1  | HANDLE, INSIDE - TOP COWL                  |
| 37       | 10-22421 |      | 1,1  | SCREW, FRONT - HANDLE TO TOP COWL (1 1/4") |
| 38       | 11-20361 |      | 1,1  | NUT, FRONT HANDLE FASTENING SCREW          |
| 39       | 35496    |      | 1,1  | PAD, BUMPER - TOP COWL HANDLE              |
| 40       | 12-20346 |      | 1,1  | WASHER, LOWER HANDLE STUD (3/4" OD)        |
| 41       | 12-29245 |      | 1,1  | WASHER, CENTER HANDLE STUD (1/2" OD)       |
| 42       | 11-21825 |      | 2,2  | NUT, INSIDE HANDLE TO CHROME HANDLE STUDS  |
| 43       | 10-29199 |      | 1,1  | SCREW, CENTER - HANDLE TO TOP COWL (1")    |
| 44       | 23-29561 |      | 1,1  | BUSHING, REAR HANDLE STUD                  |
| 45       | 13-26992 |      | 1,1  | LOCKWASHER, REAR HANDLE STUD               |
| 46       | 11-21825 |      | 1,1  | NUT, REAR HANDLE STUD                      |

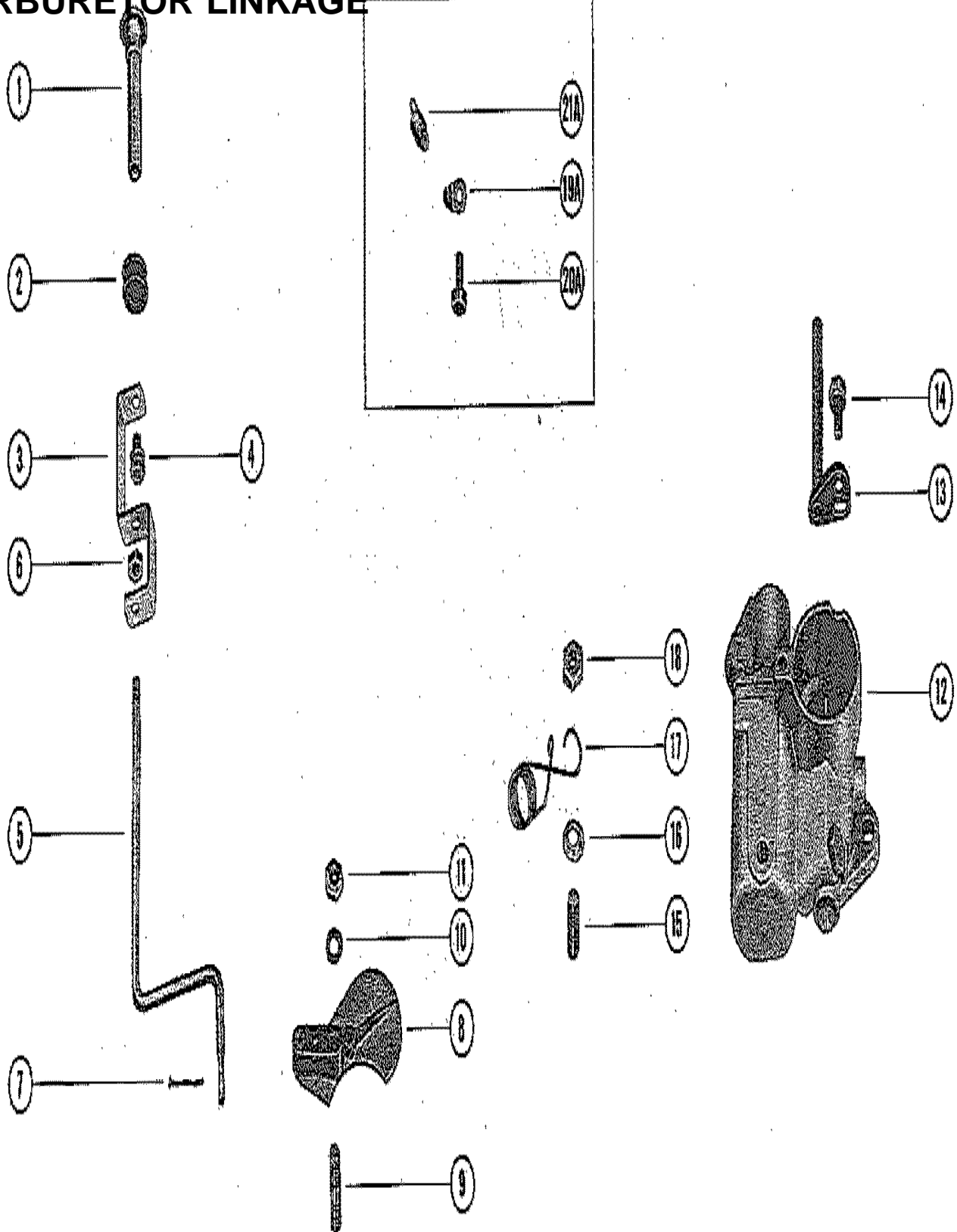




## COWLING AND FRONT COVER

| REF. NO. | PART NO.        | SYM. | QTY.       | DESCRIPTION   |
|----------|-----------------|------|------------|---|
| 1        | 2102-2191A1     |      | 1,         | COWL FRONT COVER ASSEMBLY   |
|          | 2102-2191A2     |      | ,1         | COWL FRONT COVER ASSEMBLY   |
| 2        | 32361           |      | 1,1        | KNOB, COWL FRONT COVER FASTENING  |
| 3        | 12-26702        |      | 1,1        | WASHER, COVER FASTENING KNOB (NYLON)                                    |
| 4        | 12-26825        |      | 2,2        | WASHER, COVER FASTENING KNOB (STEEL)                                    |
| 5        | 24-31353        |      | 1,1        | SPRING, TENSION - FASTENING KNOB  |
| 6        | 17-29077        |      | 1,1        | PIN, ROLL - TENSION SPRING TO KNOB                                      |
| 7        | 34242           |      | 1,1        | BLANKET, SOUND ABSORBING - COWL FRONT COVER                             |
| 8        | 37-33964        |      | 1,         | DECAL, COWL FRONT COVER   |
| 8A       | 37-35620        |      | ,1         | DECAL, COWL FRONT COVER   |
| 9        | 37-33971        |      | 1,         | DECAL, COWL FRONT COVER (UPPER)   |
| 9A       | 37-35621        |      | ,1         | DECAL, COWL FRONT COVER (UPPER)   |
| 10       | 2103-2200A2     |      | 1,         | WRAP AROUND COWL ASSEMBLY   |
|          | 2109-2363A2     |      | ,1         | WRAP AROUND COWL ASSEMBLY   |
| 11       | 21060           |      | 2,2        | HANDLE, COWL LATCH  |
| 12       | 53-21058        |      | 4,4        | "E" RING, COWL LATCH HINGE PIN  |
| 13       | 17-21057        |      | 4,4        | PIN, HINGE - COWL LATCH HANDLE  |
| 14       | 25690           |      | 2,2        | SWIVEL, COWL LATCH  |
| 15       | 25691           |      | 1,1        | HOOK, COWL LATCH FASTENING  |
| 16       | 33908           |      | 1,1        | BLANKET, SOUND ABSORBING - WRAP AROUND COWL                             |
| 17       | 37-33934        |      | 1,         | DECAL, WRAP AROUND COWL - STARBOARD <b>PART OF 37-34163A1 DECAL SET</b> |
| 18       | 37-33935        |      | 1,         | DECAL, WRAP AROUND COWL - PORT <b>PART OF 37-34163A1 DECAL SET</b>      |
| 19       | 37-33936        |      | 1,         | DECAL, WRAP AROUND COWL - REAR <b>PART OF 37-34163A1 DECAL SET</b>      |
| 17       | 37-35622        |      | ,1         | DECAL, WRAP AROUND COWL - STARBOARD                                     |
| 18       | 37-35623        |      | ,1         | DECAL, WRAP AROUND COWL - PORT  |
| -        | <b>92-25234</b> |      | <b>1,1</b> | <b>GLUE, ADHESIVE - BLANKET FASTENING</b>                               |

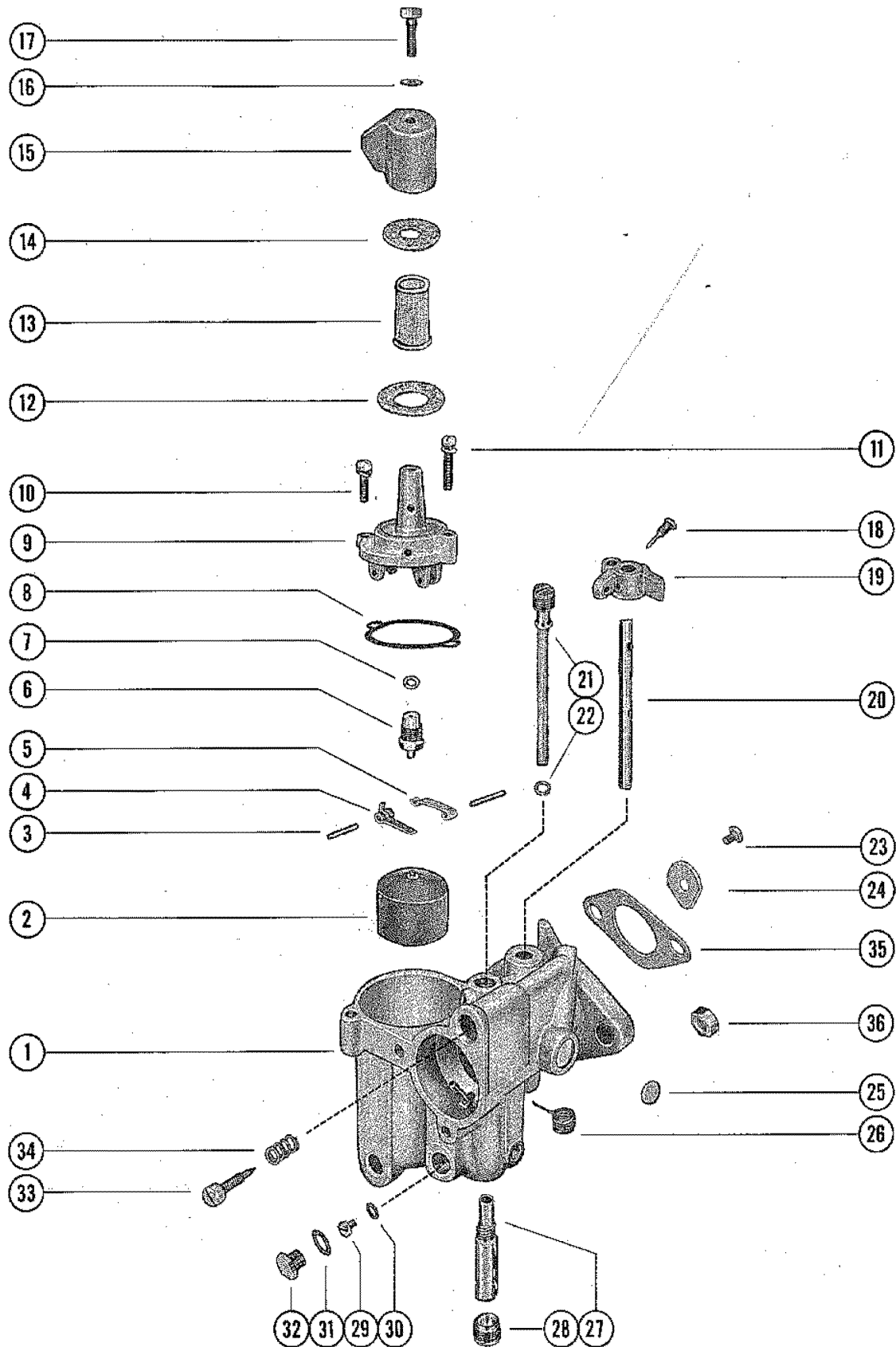
# CARBURETOR LINKAGE



# CARBURETOR LINKAGE

| REF. NO. | PART NO.  | SYM. | QTY. | DESCRIPTION   |
|----------|-----------|------|------|---|
| 1        | 22463     |      | 1,1  | KNOB, CHOKE ROD   |
| 2        | 25-20116  |      | 1,1  | GROMMET, CHOKE ROD  |
| 3        | 33954     |      | 1,1  | "S" LINK, CHOKE ROD TO CHOKE KNOB   |
| 4        | 10-30097  |      | 1,1  | SCREW, "S" LINK TO CHOKE KNOB   |
| 5        | 34000     |      | 1,1  | ROD, CHOKE  |
| 6        | 11-20110  |      | 1,1  | NUT, CHOKE ROD TO "S" LINK  |
| 7        | 17-25391  |      | 1,1  | RIVET, CHOKE ROD TO CHOKE SHUTTER   |
| 8        | 31403     |      | 1,1  | SHUTTER, CHOKE - CARBURETOR   |
| 9        | 16-30172  |      | 1,1  | STUD, CARBURETOR - CHOKE SHUTTER PIVOT  |
| 10       | 12-30164  |      | 1,1  | WASHER, CHOKE SHUTTER CARBURETOR STUD   |
| 11       | 11-20110  |      | 1,1  | NUT, CHOKE SHUTTER TO CARBURETOR STUD   |
| 12       | 1335-2210 |      | 1,1  | CARBURETOR ASSEMBLY, COMPLETE   |
| 13       | 33900A1   |      | 1,1  | THROTTLE LEVER ASSEMBLY   |
| 14       | 10-29239  |      | 1,1  | SCREW, THROTTLE LEVER TO CARBURETOR   |
| 15       | 16-21723  |      | 1,   | STUD, CHOKE ROD SPRING TO CARBURETOR <b>SERIAL 00000000-01584092</b>                        |
| 16       | 23-32427  |      | 1,   | SPACER, CHOKE ROD SPRING STUD <b>SERIAL 00000000-01584092</b>                               |
| 17       | 24-32428  |      | 1,   | SPRING, CHOKE ROD TENSION <b>SERIAL 00000000-01584092</b>                                   |
| 18       | 11-24652  |      | 1,   | NUT, CHOKE ROD SPRING TO CARBURETOR STUD <b>SERIAL 00000000-01584092</b>                    |
| 19A      | 27711     |      | 1,1  | RETAINER, CHOKE ROD SPRING STARTED WITH SERIAL #1584093 AND <b>SERIAL 01584093-09999999</b> |
| 20A      | 10-28713  |      | 1,1  | SCREW, RETAINER TO CARBURETOR <b>SERIAL 01584093-09999999</b>                               |
| 21A      | 24-28965  |      | 1,1  | SPRING, TENSION - CHOKE ROD <b>SERIAL 01584093-09999999</b>                                 |

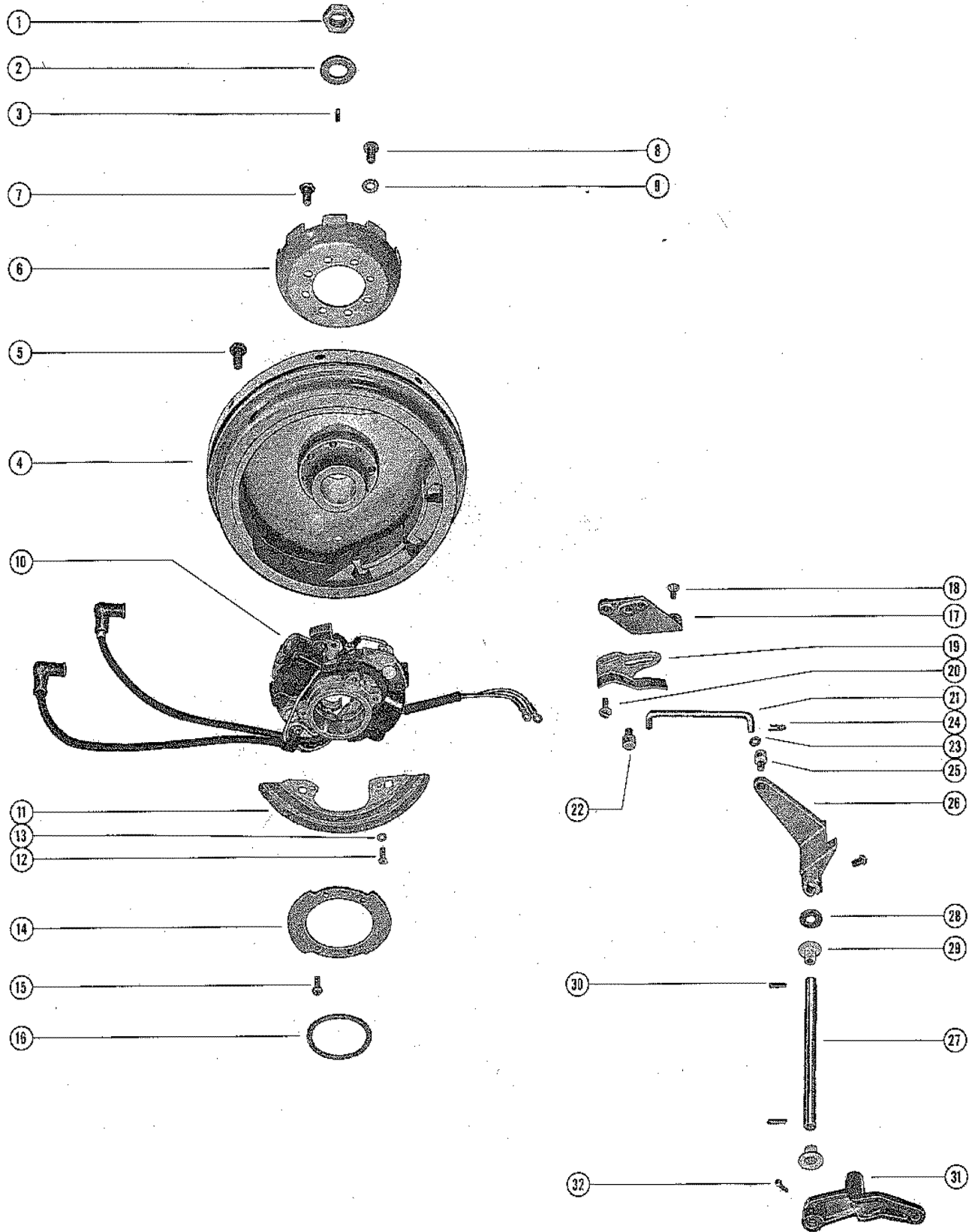
# CARBURETOR ASSEMBLY



# CARBURETOR ASSEMBLY

| REF. NO. | PART NO.         | SYM. | QTY.       | DESCRIPTION                            |
|----------|------------------|------|------------|--|
| 1        | 1335-2210        |      | 1,1        | CARBURETOR ASSEMBLY, COMPLETE (KC-4A)  |
| 2        | 1399-110A1       |      | 1,1        | FLOAT ASSEMBLY                         |
| 3        | 17-20853         |      | 2,2        | PIN, FLOAT LEVER PINION                |
| 4        | 1399-102         |      | 1,1        | LEVER, FLOAT (LOWER)                   |
| 5        | 1399-101         |      | 1,1        | LEVER, FLOAT (UPPER)                   |
| 6        | 1399-1473        |      | 1,1        | INLET NEEDLE, SEAT AND GASKET          |
| 7        | 27-25033         |      | 1,1        | GASKET, INLET SEAT                     |
| 8        | 1399-99          |      | 1,1        | GASKET, FLOAT BOWL COVER               |
| 9        | 1399-1133        |      | 1,1        | COVER, FLOAT BOWL                      |
| 10       | 10-20854         |      | 1,1        | SCREW, FLOAT BOWL COVER (SHORT)        |
| 11       | 10-25850         |      | 1,1        | SCREW, FLOAT BOWL COVER (LONG)         |
| 12       | 27-34614         |      | 1,1        | GASKET, STRAINER COVER (LARGE)         |
| 13       | 1399-1754        |      | 1,1        | SCREEN, FILTER                         |
| 14       | 27-25849         |      | 1,1        | GASKET, STRAINER COVER (SMALL)         |
| 15       | 1399-2371        |      | 1,1        | COVER, STRAINER                        |
| 16       | 27-25848         |      | 1,1        | GASKET, STRAINER COVER SCREW           |
| 17       | 10-25822         |      | 1,1        | SCREW, STRAINER COVER                  |
| 18       | 10-20847         |      | 1,1        | SCREW, THROTTLE STOP LEVER             |
| 19       | 1399-97          |      | 1,1        | LEVER, THROTTLE STOP                   |
| 20       | 1399-2012        |      | 1,1        | SHAFT, THROTTLE                        |
| 21       | 1399-2178        |      | 1,1        | TUBE, IDLE                             |
| 22       | 27-23180         |      | 1,1        | GASKET, IDLE TUBE                      |
| 23       | 10-23035         |      | 2,2        | SCREW AND LOCKWASHER, THROTTLE SHUTTER |
| 24       | 1399-2237        |      | 1,1        | SHUTTER, THROTTLE                      |
| 25       | 19-32299         |      | 1,1        | WELCH PLUG, BODY CHANNEL               |
| 26       | 24-26890         |      | 1,1        | SPRING, THROTTLE SHAFT RETURN          |
| 27       | 1399-2418        |      | 1,1        | MAIN NOZZLE                            |
| 28       | 10-28846         |      | 1,1        | SCREW, PLUG - MAIN NOZZLE              |
| 29       | 1399-2011        |      | OPT,OPT    | JET, MAIN FUEL (.071)                  |
|          | 1399-1962        |      | 1,1        | JET, MAIN FUEL (.069) - STANDARD       |
|          | 1399-1467        |      | OPT,OPT    | JET, MAIN FUEL (.067)                  |
|          | 1399-1465        |      | OPT,OPT    | JET, MAIN FUEL (.065)                  |
| 30       | 27-28409         |      | 1,1        | GASKET, MAIN FUEL JET                  |
| 31       | 27-28406         |      | 1,1        | GASKET, JET CHANNEL PLUG SCREW         |
| 32       | 10-28405         |      | 1,1        | SCREW, PLUG - MAIN FUEL JET CHANNEL    |
| 33       | 1399-1713        |      | 1,1        | SCREW, IDLE ADJUSTMENT                 |
| 34       | 24-27160         |      | 1,1        | SPRING, IDLE ADJUSTMENT SCREW          |
| -        | <b>1399-2015</b> |      | <b>1,1</b> | <b>GASKET AND PACKING SET</b>          |
| -        | <b>1399-2238</b> |      | <b>1,1</b> | <b>REAPIR PARTS KIT</b>                |
| 35       | 27-31402         |      | 1,1        | GASKET, CARBURETOR FLANGE              |
| 36       | 11-29250         |      | 2,2        | NUT, CARBURETOR MOUNTING STUDS         |

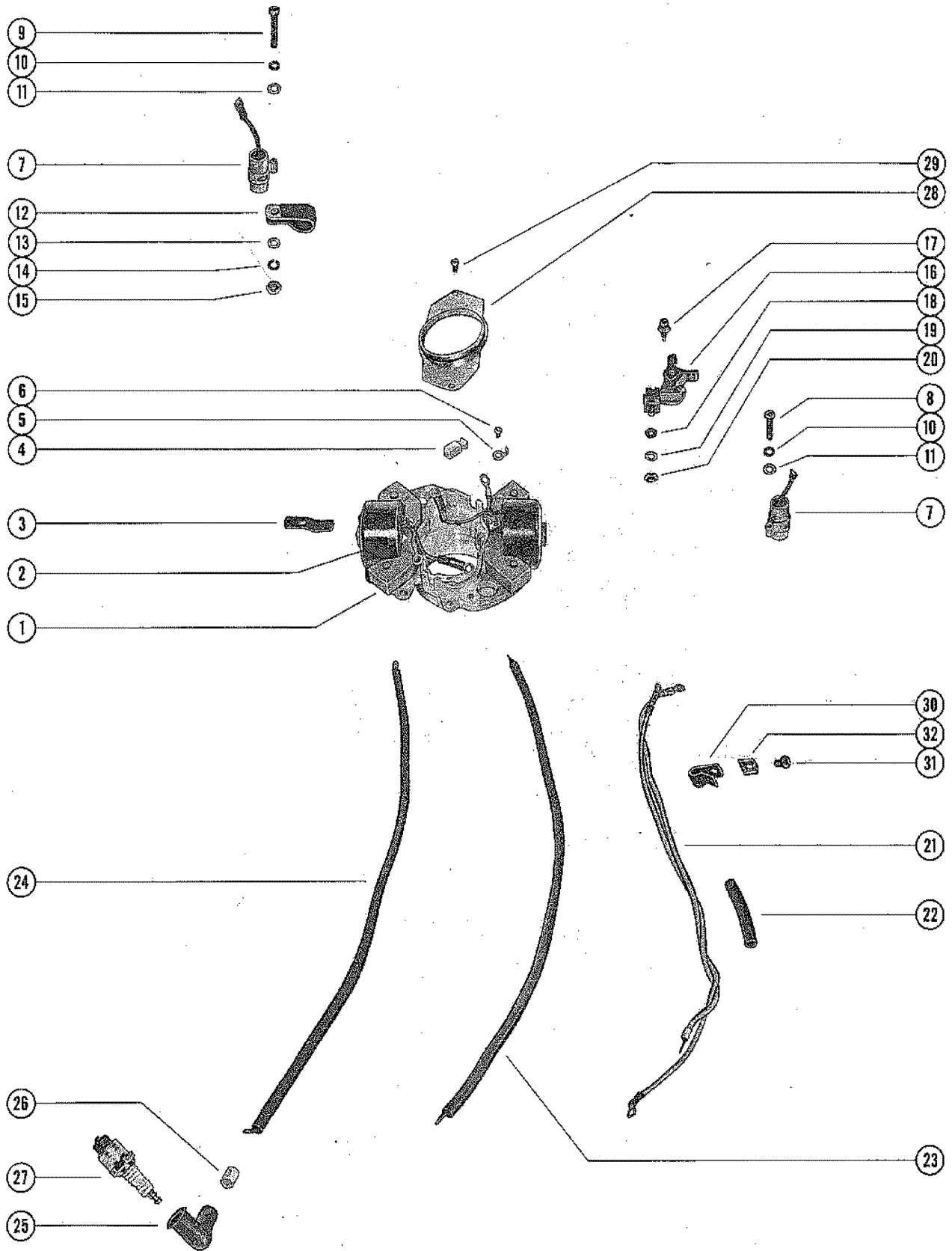
# FLYWHEEL ASSEMBLY AND THROTTLE CONTROL LINKAGE



# FLYWHEEL ASSEMBLY AND THROTTLE CONTROL LINKAGE

| REF. NO. | PART NO.        | SYM. | QTY.       | DESCRIPTION                                     |
|----------|-----------------|------|------------|---|
| 1        | 11-22339        |      | 1,1        | NUT, FLYWHEEL                                   |
| 2        | 12-26617        |      | 1,1        | WASHER, FLYWHEEL NUT                            |
|          | 12-36281        |      | 1,1        | WASHER, FLYWHEEL NUT                            |
| -        | <b>25-36283</b> |      | <b>1,1</b> | <b>"O" RING, FLYWHEEL HUB</b>                   |
| 3        | 28-30250        |      | 1,1        | KEY, FLYWHEEL DRIVE                             |
| 4        | 218-2241A1      |      | 1,1        | FLYWHEEL ASSEMBLY, COMPLETE                     |
| 5        | 10-35562        |      | 8,8        | SCREW, FLEXIBLE PLATE TO FLYWHEEL               |
| 6        | 50-33000A1      |      | 1,1        | RATCHET ASSEMBLY, FYWHEEL                       |
| 7        | 10-32417        |      | 6,6        | SCREW, RATCHET TO FLYWHEEL                      |
| 8        | 10-34290        |      | 2,2        | SCREW, RATCHET TO FLYWHEEL                      |
| 9        | 13-26992        |      | 2,2        | LOCKWASHER, RATCHET TO FLYWHEEL SCREW           |
| 10       | 398-2221A1      |      | 1,1        | STATOR PLATE ASSEMBLY, COMPLETE                 |
| 11       | 36442A1         |      | 1,1        | SHIELD ASSEMBLY, STATOR PLATE                   |
| 12       | 10-34695        |      | 2,2        | SCREW, SHIELD TO STATOR PLATE                   |
| 13       | 13-26996        |      | 2,2        | LOCKWASHER, SHIELD FASTENING SCREW              |
| 14       | 33904           |      | 1,1        | RING, HOLD DOWN - STATOR PLATE                  |
| 15       | 10-35400        |      | 4,4        | SCREW, HOLD DOWN RING TO STATOR PLATE           |
| 16       | 15-33910        |      | 1,1        | SHIM, STATOR PLATE TO UPPER END CAP (.015)      |
| 17       | 33974           |      | 1,1        | BRACKET, THROTTLE CAM                           |
| 18       | 10-34436        |      | 2,2        | SCREW, THROTTLE CAM BRACKET TO STATOR PLATE     |
| 19       | 34068           |      | 1,1        | CAM, ADJUSTING - THROTTLE                       |
| 20       | 10-31903        |      | 2,2        | SCREW, ADJUSTING CAM TO BRACKET                 |
| 21       | 33970           |      | 1,1        | ROD, THROTTLE CONTROL                           |
| 22       | 28232           |      | 1,1        | TOGGLE BOLT, THROTTLE CONTROL ROD               |
| 23       | 12-26014        |      | 1,1        | WASHER, THROTTLE CONTROL ROD                    |
| 24       | 18-27769        |      | 2,2        | COTTER PIN, THROTTLE CONTROL ROD                |
| 25       | 33973           |      | 1,1        | SWIVEL, THROTTLE CONTROL ROD TO ACTUATING LEVER |
| 26       | 33842           |      | 1,1        | LEVER, THROTTLE ACTUATING (UPPER)               |
| 27       | 33902           |      | 1,1        | ROD, VERTICAL                                   |
| 28       | 12-26825        |      | 1,1        | WASHER, VERTICAL ROD                            |
| 29       | 23-22981        |      | 2,2        | BUSHING, NYLON - VERTICAL ROD                   |
| 30       | 17-25870        |      | 2,2        | PIN, ROLL - VERTICAL ROD                        |
| 31       | 33833           |      | 1,1        | LEVER, THROTTLE ACTUATING (LOWER)               |
| 32       | 10-25781        |      | 2,2        | SCREW, SET - THROTTLE ACTUATING LEVERS          |

# STATOR PLATE ASSEMBLY

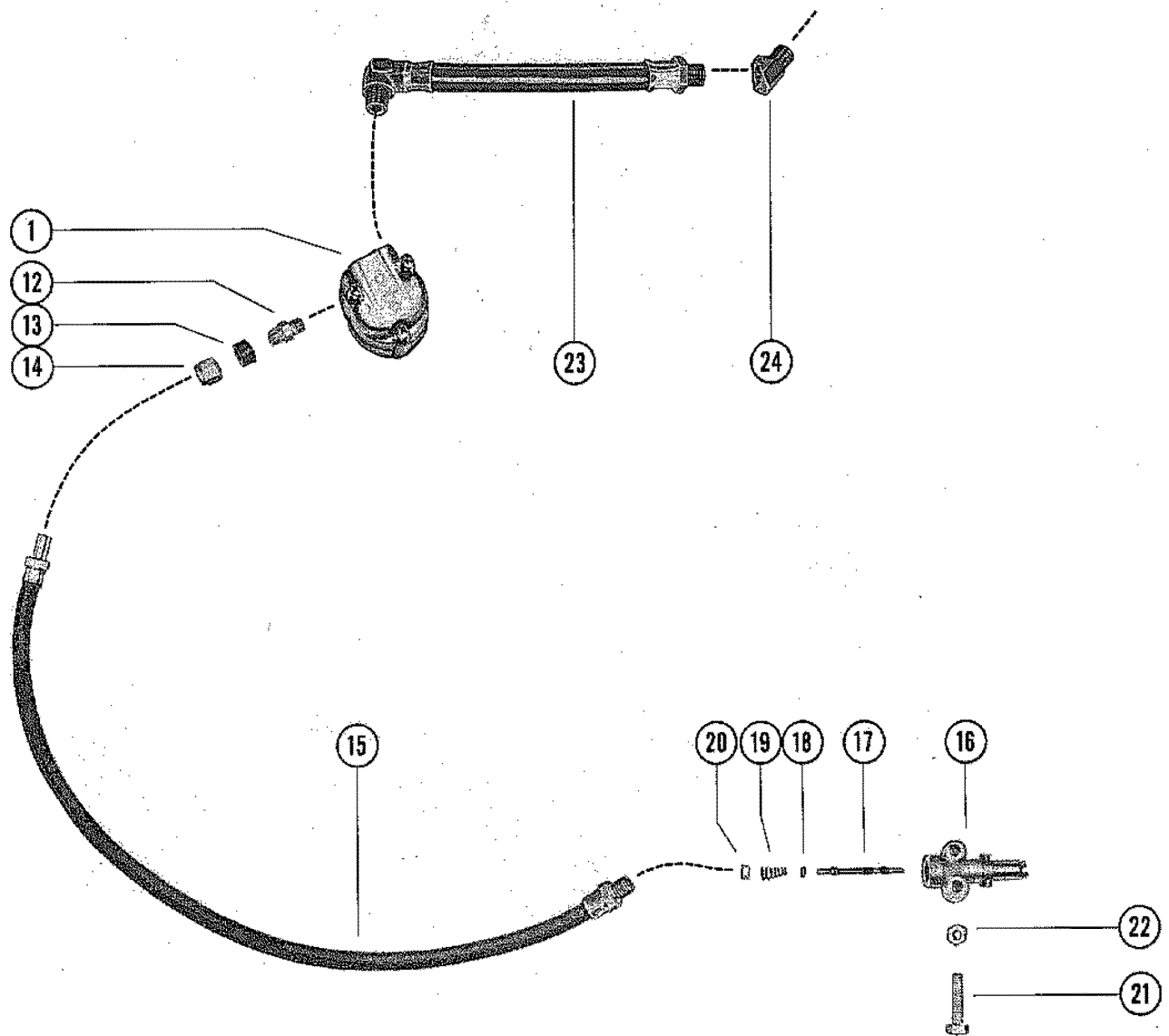
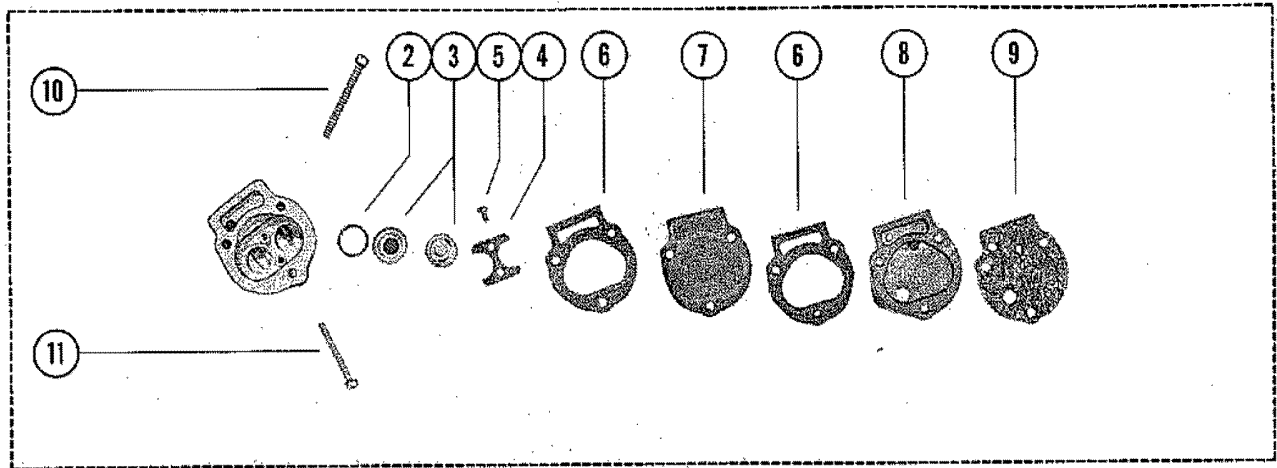




# STATOR PLATE ASSEMBLY

| REF. NO. | PART NO.   | SYM. | QTY. | DESCRIPTION                                  |
|----------|------------|------|------|--|
| -        | 398-2221A1 |      | 1,1  | STATOR PLATE ASSEMBLY, COMPLETE              |
| 1        | 398-2221   |      | 1,1  | STATOR PLATE AND CORE                        |
| 2        | 398-2201   |      | 2,2  | COIL ASSEMBLY                                |
| 3        | 54-31059   |      | 2,2  | CLIP, CORE AND COIL                          |
| 4        | 398-2207   |      | 1,1  | FELT, CAM - BREAKER                          |
| 5        | 398-732    |      | 2,2  | CLIP, GROUND WIRE LEAD                       |
| 6        | 10-21130   |      | 2,2  | SCREW, GROUND TERMINAL                       |
| 7        | 398-2203   |      | 2,2  | CONDENSER ASSEMBLY                           |
| 8        | 10-22649   |      | 1,1  | SCREW, CONDENSER FASTENING (3/4")            |
| 9        | 10-33990   |      | 1,1  | SCREW, CONDENSER FASTENING (1 1/4")          |
| 10       | 13-21134   |      | 2,2  | LOCKWASHER, CONDENSER FASTENING SCREW        |
| 11       | 12-21135   |      | 2,2  | WASHER, CONDENSER FASTENING SCREW            |
| 12       | 54-33992   |      | 1,1  | CLAMP, LEAD WIRE                             |
| 13       | 12-21135   |      | 1,1  | WASHER, LEAD WIRE CLAMP SCREW                |
| 14       | 13-21134   |      | 1,1  | LOCKWASHER, LEAD WIRE CLAMP SCREW            |
| 15       | 11-21923   |      | 1,1  | NUT, LEAD WIRE CLAMP SCREW                   |
| 16       | 398-2202   |      | 2,2  | BREAKER ASSEMBLY                             |
| 17       | 10-33988   |      | 2,2  | SCREW AND LOCKWASHER, BREAKER FASTENING      |
| 18       | 12-21135   |      | 2,2  | WASHER, TERMINAL SCREW                       |
| 19       | 13-21134   |      | 2,2  | LOCKWASHER, TERMINAL SCREW                   |
| 20       | 11-21923   |      | 2,2  | NUT, TERMINAL SCREW                          |
| 21       | 398-2206   |      | 1,1  | GROUND LEAD, STATOR TO TERMINAL BLOCK        |
| 22       | 23-30419   |      | 1,1  | SLEEVE, INSULATION - GROUND LEAD             |
| 23       | 398-2205   |      | 1,1  | LEAD WIRE                                    |
| 24       | 398-2204   |      | 1,1  | LEAD WIRE, TOP                               |
| 25       | 20119      |      | 2,2  | PROTECTOR, SPARK PLUG                        |
| 26       | 20623      |      | 1,1  | MARKER, "TOP" - LEAD WIRE                    |
| 27       | 33-20127   |      | 2,2  | SPARK PLUG (CHAMPION - J6J)                  |
| 28       | 398-2208   |      | 1,1  | COVER, DUST - STATOR PLATE                   |
| 29       | 10-21130   |      | 2,2  | SCREW, DUST COVER TO STATOR PLATE            |
| 30       | 54-24836   |      | 1,1  | CLIP, GROUND LEAD                            |
| 31       | 10-30009   |      | 1,1  | SCREW, GROUND LEAD CLIP TO EXTENSION BRACKET |
| 32       | 22789      |      | 1,1  | "D" WASHER, CLIP FASTENING SCREW             |

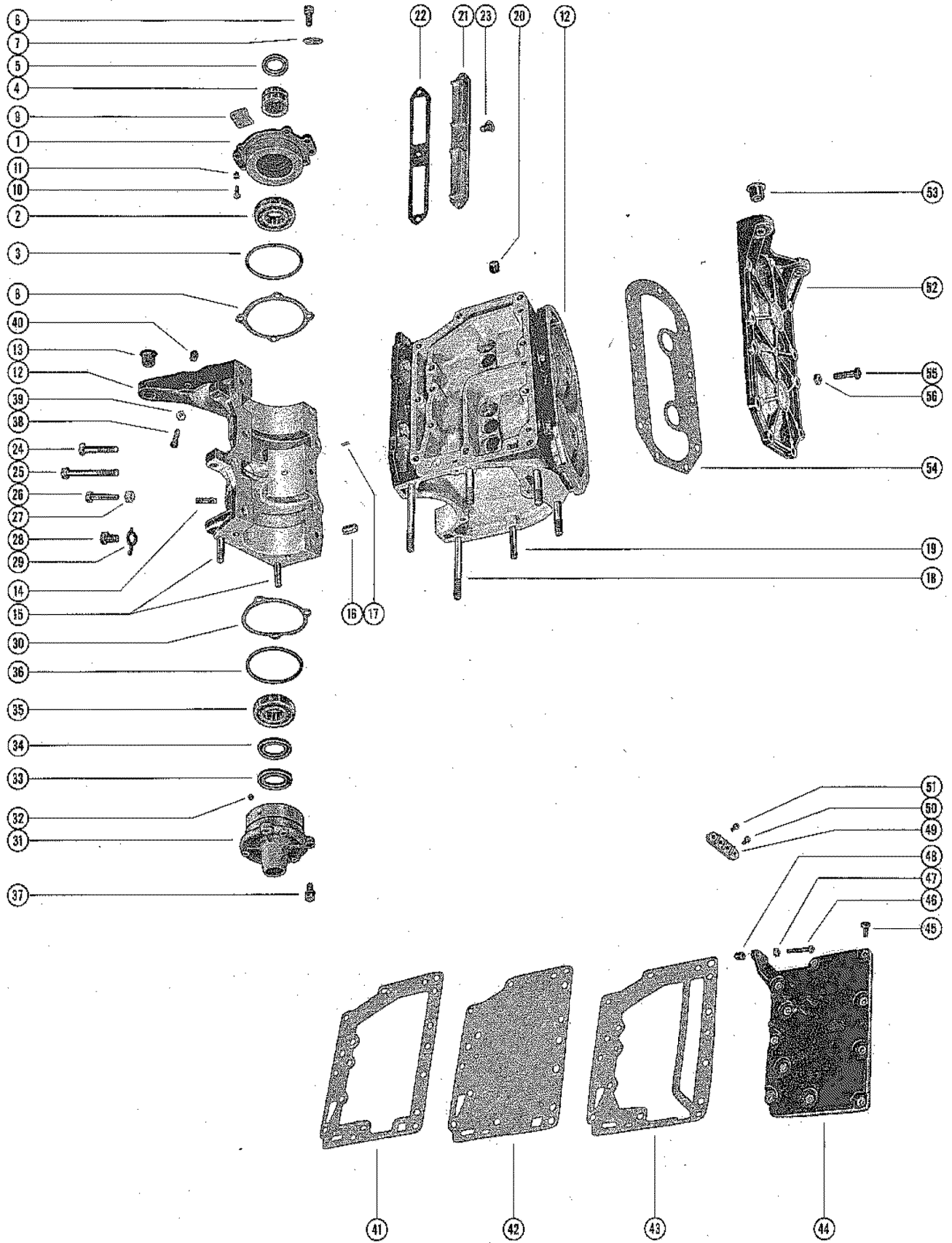
# FUEL PUMP ASSEMBLY



## FUEL PUMP ASSEMBLY

| REF. NO. | PART NO. | SYM. | QTY. | DESCRIPTION                                 |
|----------|----------|------|------|---|
| 1        | 30269A2  |      | 1,1  | FUEL PUMP ASSEMBLY                          |
| 2        | 27-23005 |      | 2,2  | GASKET, CHECK VALVE TO HOUSING              |
| 3        | 21-30430 |      | 2,2  | VALVE, CHECK                                |
| 4        | 23004    |      | 1,1  | RETAINER, CHECK VALVE                       |
| 5        | 10-20037 |      | 2,2  | SCREW, RETAINER TO HOUSING                  |
| 6        | 27-24863 |      | 2,2  | GASKET, FUEL PUMP                           |
| 7        | 23014    |      | 1,1  | DIAPHRAGM, FUEL PUMP                        |
| 8        | 30275    |      | 1,1  | COVER, FUEL PUMP                            |
| 9        | 27-30276 |      | 1,1  | GASKET, FUEL PUMP COVER                     |
| 10       | 10-30274 |      | 2,2  | SCREW, FUEL PUMP MOUNTING (1 3/4")          |
| 11       | 10-29878 |      | 1,1  | SCREW, FUEL PUMP MOUNTIN (1 1/2")           |
| 12       | 22-22949 |      | 1,1  | CONNECTOR, PUMP INLET TO FUEL LINE          |
| 13       | 22-22946 |      | 1,1  | SLEEVE, RUBBER - CONNECTOR                  |
| 14       | 11-22948 |      | 1,1  | NUT, CONNECTOR TO FUEL LINE                 |
| 15       | 32-34066 |      | 1,1  | FUEL LINE, FUEL PUMP TO ADAPTOR             |
| 16       | 22833    |      | 1,1  | ADAPTOR, CHECK UNIT (FUEL PUMP)             |
| 17       | 23069    |      | 1,1  | STEM, CHECK UNIT ADAPTOR                    |
| 18       | 25-20415 |      | 1,1  | "O" RING, ADAPTOR STEM                      |
| 19       | 24-23067 |      | 1,1  | SPRING, ADAPTOR STEM                        |
| 20       | 30188    |      | 1,1  | CUP WASHER, ADAPTOR                         |
| 21       | 10-22421 |      | 2,2  | SCREW, ADAPTOR TO BOTTOM COWL               |
| 22       | 11-24652 |      | 2,2  | NUT, ADAPTOR SCREW                          |
| 23       | 32-30038 |      | 1,   | FUEL LINE, FUEL PUMP TO CARBURETOR (5 7/8") |
|          | 32-34243 |      | 1,1  | FUEL LINE, FUEL PUMP TO CARBURETOR (7 1/8") |
| 24       | 22-29085 |      | 1,   | ELBOW, FUEL PUMP TO CARBURETOR FUEL LINE    |

# CYLINDER BLOCK AND CRANKCASE ASSEMBLY

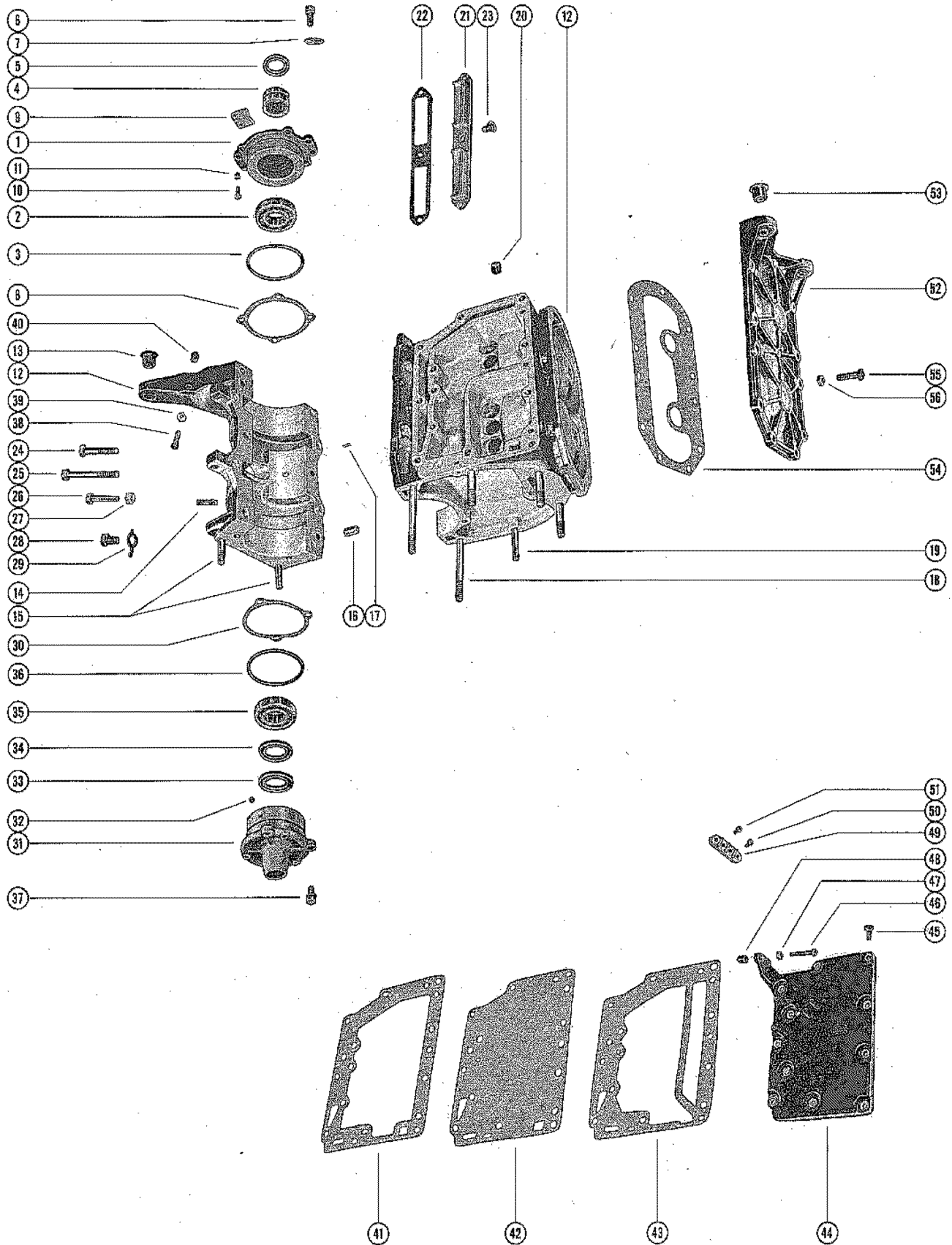


# CYLINDER BLOCK AND CRANKCASE ASSEMBLY

| REF. NO. | PART NO.    | SYM.  | QTY.  | DESCRIPTION  |
|----------|-------------|-------|-------|--|
| 1        | 1130-2177A2 |       | 1,1   | END CAP ASSEMBLY, UPPER                                  |
| 2        | 30-20080    |       | 1,1   | BALL BEARING, UPPER END CAP                              |
| 3        | 25-31305    |       | 1,1   | "O" RING, UPPER END CAP                                  |
| 4        | 31-33958    |       | 1,1   | BEARING, ROLLER - UPPER END CAP                          |
| 5        | 26-33995    |       | 1,1   | OIL SEAL   |
| 6        | 10-29198    |       | 4,4   | SCREW, UPPER END CAP MOUNTING                            |
| 7        | 26551       |       | 1,1   | BRACKET, EXTENSION - UPPER END CAP SCREW                 |
| 8        | 15-33903A1  | AR,AR |       | SHIM, UPPER END CAP TO CRANKCASE AND BLOCK (.002-3-5-10) |
| 9        | 33899       |       | 2,2   | CLAMP, HOLD DOWN RING - STATOR PLATE                     |
| 10       | 10-20456    |       | 4,4   | SCREW, HOLD DOWN RING CLAMP TO UPPER END CAP             |
| 11       | 24-27087    |       | 4,4   | SPRING, HOLD DOWN RING CLAMP SCREW                       |
| 12       | 838-2176A2  |       | 1,1   | CYLINDER BLOCK AND CRANKCASE ASSEMBLY                    |
| 13       | 23-26348    |       | 2,2   | BUSHING, CRANKCASE                                       |
| 14       | 16-35099    |       | 2,2   | STUD, CARBURETOR MOUNTING (1 3/16")                      |
| 15       | 16-29988    |       | 2,2   | STUD, CRANKCASE TO DRIVE SHAFT HOUSING (1 5/8")          |
| 16       | 17-23784    |       | 2,2   | DOWEL PIN, CRANKCASE TO CYLINDER BLOCK                   |
| 17       | 17-20032    |       | 1,1   | DOWEL PIN, CYLINDER BLOCK TO MAIN BEARING                |
| 18       | 16-29990    |       | 2,2   | STUD, CYLINDER BLOCK TO DRIVE SHAFT HOUSING (3 7/16")    |
| 19       | 16-29989    |       | 4,4   | STUD, CYLINDER BLOCK TO DRIVE SHAFT HOUSING (1 15/16")   |
| 20       | 22-30139    |       | 1,1   | PLUG, PIPE - WATER PRESSURE HOLE                         |
| 21       | 33758       |       | 1,1   | COVER, TRANSFER PORT                                     |
| 22       | 27-33955    |       | 1,1   | GASKET, TRANSFER PORT COVER                              |
| 23       | 10-20540    |       | 3,3   | SCREW, TRANSFER PORT COVER MOUNTING                      |
| 24       | 10-22040    |       | 7,7   | SCREW, CRANKCASE TO CYLINDER BLOCK (1 1/2")              |
| 25       | 10-22039    |       | 2,2   | SCREW, CRANKCASE TO CYLINDER BLOCK (2 3/4")              |
| 26       | 10-26066    |       | 1,1   | SCREW, CRANKCASE TO CYLINDER BLOCK (1 1/4")              |
| 27       | 11-29250    |       | 10,10 | NUT, CRANKCASE FASTENING SCREW                           |
| 28       | 10-26801    |       | 1,1   | SCREW, MAIN BEARING LOCKING                              |
| 29       | 14-20091    |       | 1,1   | TAB WASHER, BEARING LOCKING SCREW                        |
| 30       | 15-20085A1  | AR,AR |       | SHIM, LOWER END CAP TO CRANKCASE AND BLOCK (.002-3-5-10) |
| 31       | 1126-2187A1 |       | 1,1   | END CAP ASSEMBLY, LOWER                                  |
| 32       | 21-28481A1  |       | 1,1   | CHECK VALVE ASSEMBLY, LOWER END CAP                      |
| 33       | 26-29478    |       | 1,1   | OIL SEAL, LOWER  |
| 34       | 26-29476    |       | 1,1   | OIL SEAL, UPPER  |
| 35       | 30-20080    |       | 1,1   | BALL BEARING, LOWER END CAP                              |
| 36       | 25-20081    |       | 1,1   | "O" RING, LOWER END CAP                                  |
| 37       | 10-30225    |       | 3,3   | SCREW, LOWER END CAP MOUNTING                            |
| 38       | 10-21365    |       | 1,1   | SCREW, IDLE STOP - CRANKCASE                             |
| 39       | 11-20890    |       | 1,1   | NUT, IDLE STOP SCREW                                     |
| 40       | 26852       |       | 1,1   | CAP, NYLON - IDLE STOP SCREW                             |

CONTINUED ON NEXT PAGE ➡

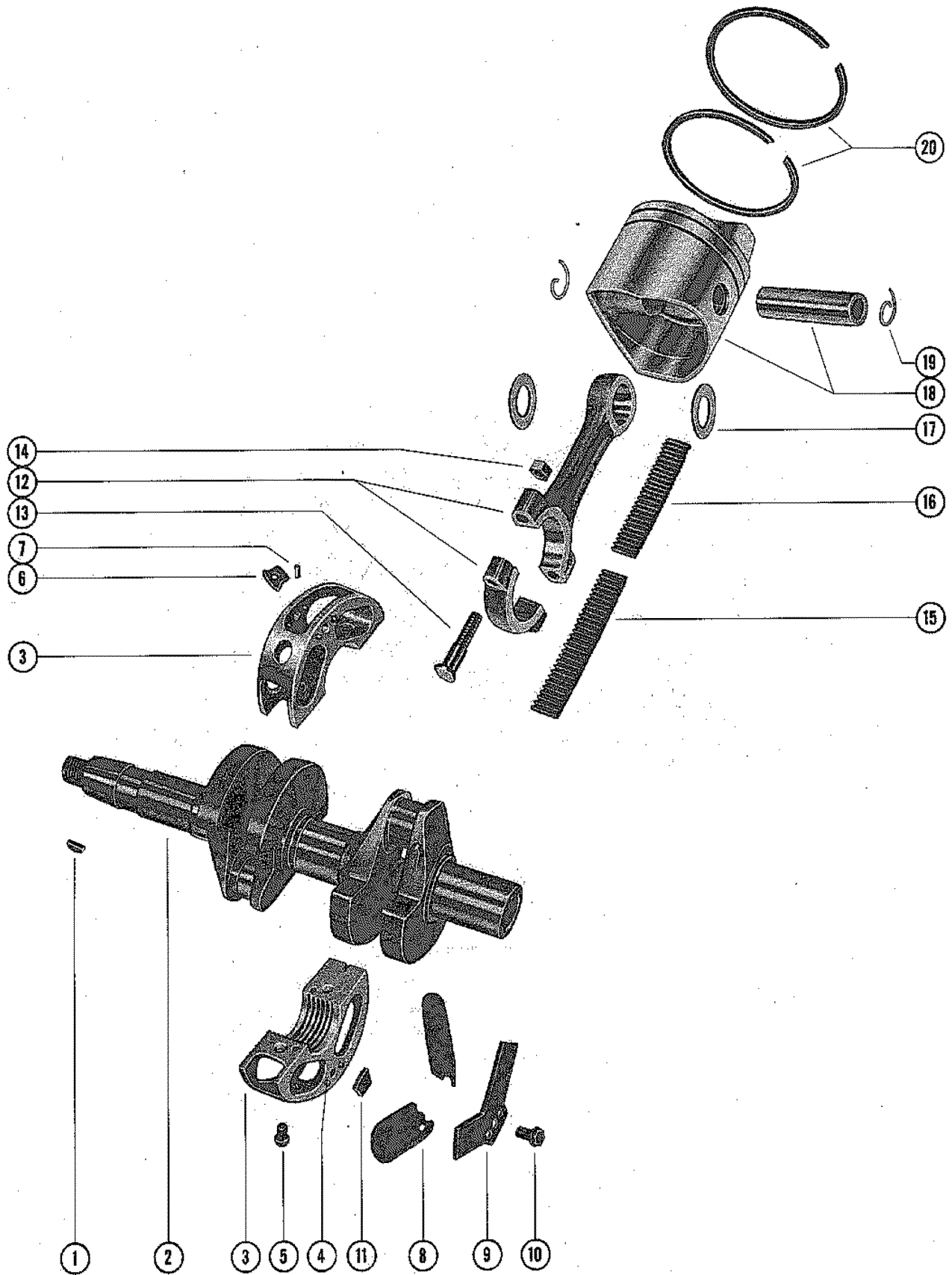
# CYLINDER BLOCK AND CRANKCASE ASSEMBLY



## CYLINDER BLOCK AND CRANKCASE ASSEMBLY

| REF. NO. | PART NO.    | SYM. | QTY.  | DESCRIPTION                                     |
|----------|-------------|------|-------|---|
| 41       | 27-33950    |      | 1,1   | GASKET, CYLINDER BLOCK TO MANIFOLD PLATE        |
| 42       | 33948       |      | 1,1   | PLATE, EXHAUST MANIFOLD                         |
| 43       | 27-33949    |      | 1,1   | GASKET, MANIFOLD PLATE TO EXHAUST COVER         |
| 44       | 33757       |      | 1,1   | COVER, EXHAUST MANIFOLD                         |
| 45       | 10-28636    |      | 11,11 | SCREW, MANIFOLD COVER TO CYLINDER BLOCK         |
| 46       | 10-21365    |      | 1,1   | SCREW< SPARK ADVANCE - EXHAUST COVER            |
| 47       | 11-20890    |      | 1,1   | NUT, SPARK ADVANCE SCREW                        |
| 48       | 26852       |      | 1,1   | CAP, NYLON - SPARK ADVANCE SCREW                |
| 49       | 30212       |      | 1,1   | TERMINAL BLOCK, EXHAUST MANIFOLD COVER          |
| 50       | 10-28192    |      | 2,2   | SCREW, TERMINAL BLOCK TO EXHAUST MANIFOLD COVER |
| 51       | 10-30663    |      | 2,2   | SCREW, HARNESS LEADS TO TERMINAL BLOCK          |
| 52       | 1015-2175A1 |      | 1,1   | CYLINDER BLOCK COVER ASSEMBLY                   |
| 53       | 23-26348    |      | 2,2   | BUSHING, CYLINDER BLOCK COVER                   |
| 54       | 27-33951    |      | 1,1   | GASKET, CYLINDER BLOCK COVER                    |
| 55       | 10-20653    |      | 11,11 | SCREW, CYLINDER BLOCK COVER MOUNTING            |
| 56       | 11-24652    |      | 11,11 | NUT, COVER MOUNTING SCREW                       |

# CRANKSHAFT, PISTON AND CONNECTING ROD ASSEMBLY

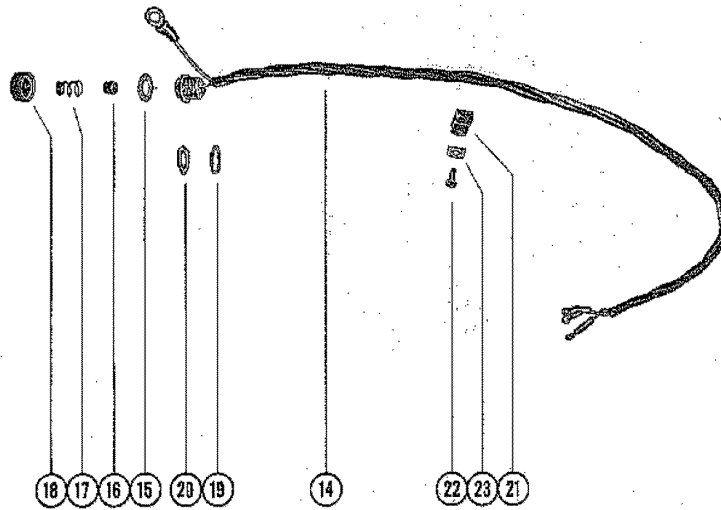
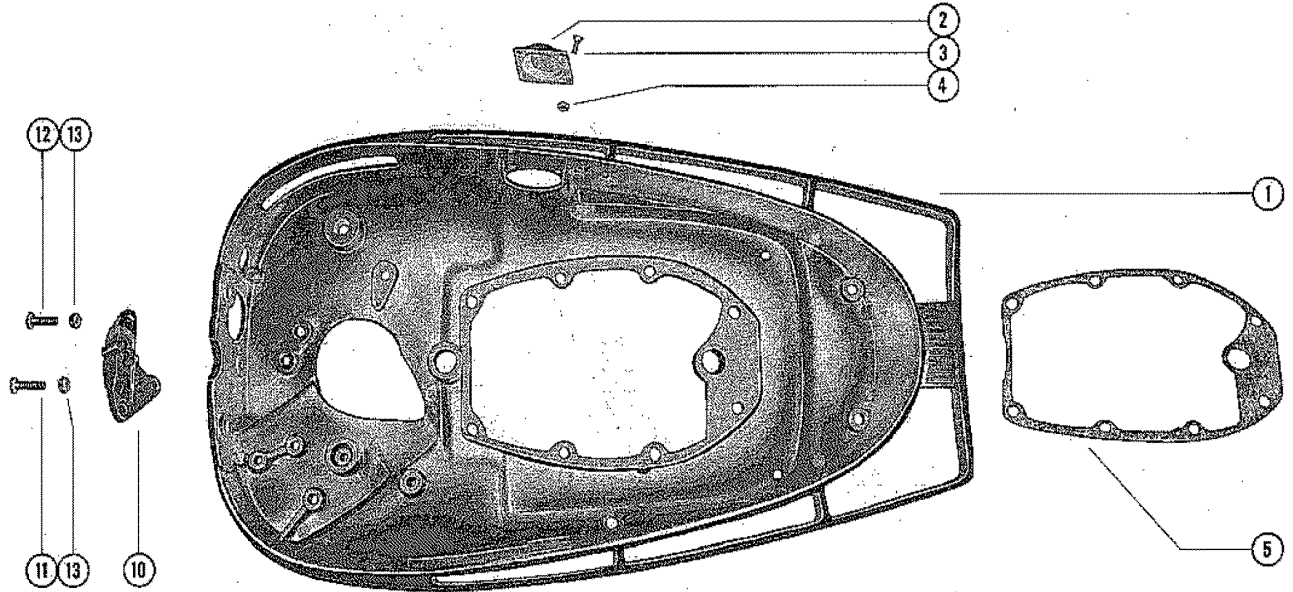
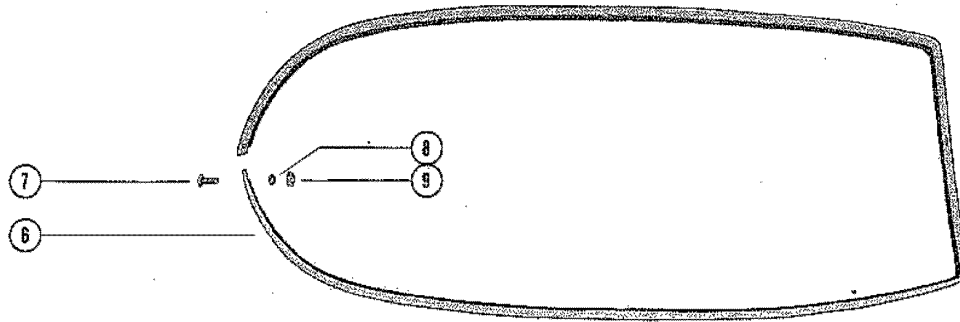




# CRANKSHAFT, PISTON AND CONNECTING ROD ASSEMBLY

| REF. NO. | PART NO.          | SYM. | QTY.       | DESCRIPTION                                       |
|----------|-------------------|------|------------|---|
| 1        | 28-30250          |      | 1,1        | KEY, FLYWHEEL                                     |
| 2        | 422-2186          |      | 1,1        | CRANKSHAFT  |
| 3        | 533-2034A2        |      | 1,1        | MAIN BEARING ASSEMBLY, VALVE TYPE                 |
| 4        | 17-20032          |      | 10,10      | DOWEL PIN, MAIN BEARING                           |
| 5        | 10-25313          |      | 2,2        | SCREW, MAIN BEARING CLAMPING                      |
| 6        | 11-29469          |      | 2,2        | NUT, MAIN BEARING CLAMPING SCREW                  |
| 7        | 17-20032          |      | 1,1        | DOWEL PIN, MAIN BEARING TO CYLINDER BLOCK         |
| 8        | 34-32203A1        |      | 1,1        | REED SET, MAIN BEARING (MATCHED)                  |
| 9        | 34-31240          |      | 4,4        | REED STOP, MAIN BEARING REED VALVES               |
| 10       | 10-29465          |      | 4,4        | SCREW, REED STOP MOUNTING                         |
| 11       | 11-29469          |      | 4,4        | NUT, REED STOP MOUNTING SCREW                     |
| 12       | 611-1885A2        |      | 2,2        | CONNECTING ROD ASSEMBLY                           |
| 13       | 10-20060          |      | 4,4        | SCREW, CONNECTING ROD                             |
| 14       | 11-20061          |      | 4,4        | NUT, CONNECTING ROD SCREW                         |
| 15       | 29-30403          |      | 64,64      | BEARING, NEEDLE - CRANKPIN                        |
| 16       | 29-30401          |      | 50,50      | BEARING NEEDLE - PISTON PIN                       |
| 17       | 12-29681          |      | 4,4        | WASHER, NEEDLE BEARING RETAINING                  |
| 18       | 732-2045A4        |      | 2,2        | PISTON AND PISTON PIN ASSEMBLY                    |
| 19       | 40-32118          |      | 4,4        | LOCK RING, PISTON PIN                             |
| 20       | 39-32921          |      | 4,4        | RING, PISTON                                      |
| -        | <b>732-2194A1</b> |      | <b>2,2</b> | <b>PISTON AND PISTON PIN ASSEMBLY - OVERSIZED</b> |
| -        | <b>39-33945</b>   |      | <b>4,4</b> | <b>RING, PISTON (.015 OVERSIZE) - OVERSIZED</b>   |

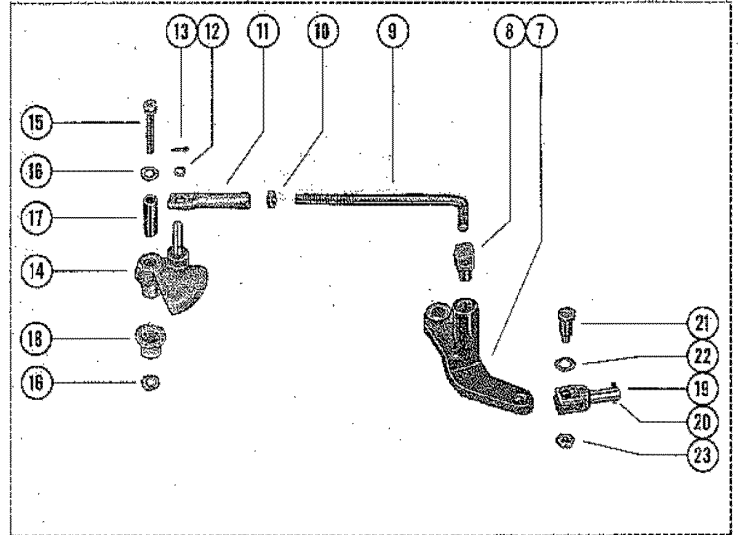
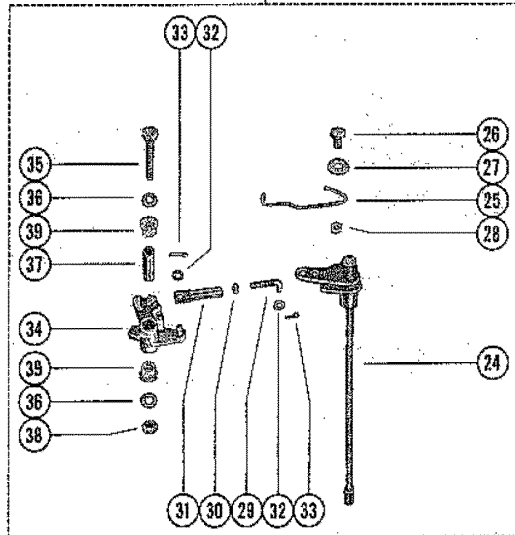
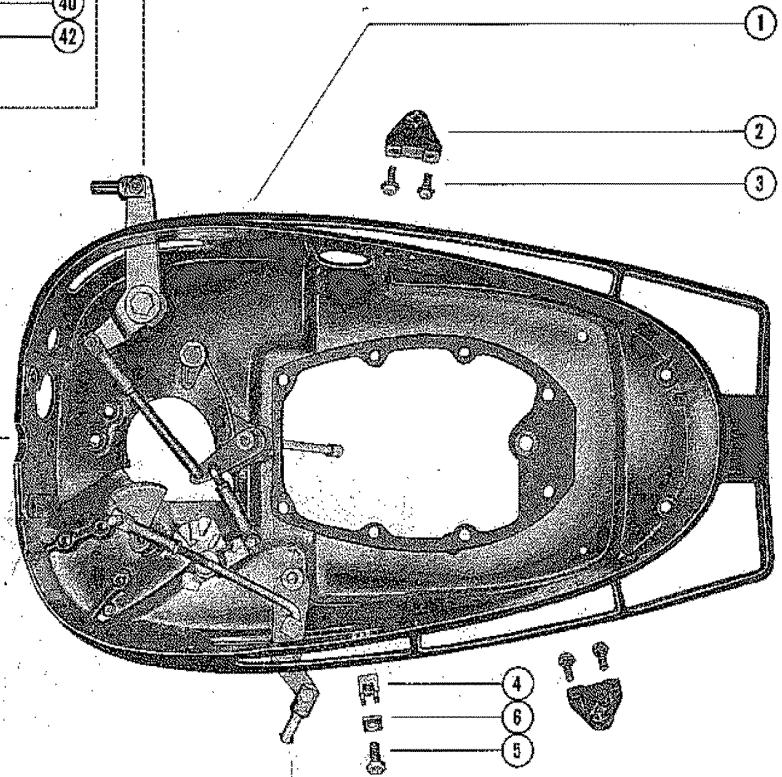
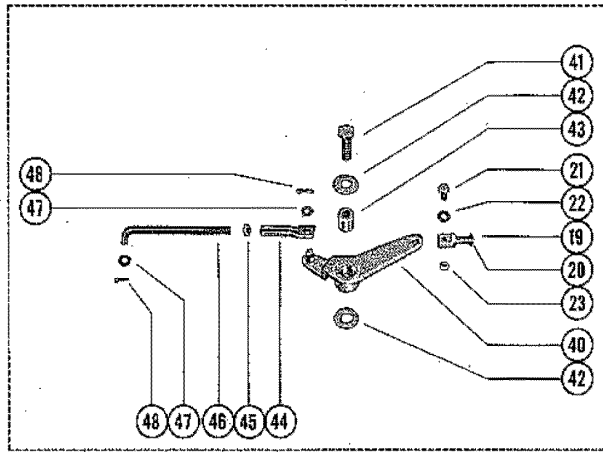
# BOTTOM COWL ASSEMBLY



## BOTTOM COWL ASSEMBLY

| REF. NO. | PART NO.       | SYM. | QTY.       | DESCRIPTION                                    |
|----------|----------------|------|------------|--|
| 1        | 2101-2173A2    |      | 1,1        | BOTTOM COWL ASSEMBLY                           |
| 2        | 29206          |      | 1,1        | COVER, PLUG - BOTTOM COWL HARNESS HOLE         |
| 3        | 10-34090       |      | 4,4        | SCREW, PLUG COVER TO BOTTOM COWL               |
| 4        | 11-28656       |      | 4,4        | NUT, PLUG COVER TO BOTTOM COWL SCREW           |
| 5        | 27-33947       |      | 1,1        | GASKET, POWERHEAD TO BOTTOM COWL               |
| 6        | 33896          |      | 1,1        | MOULDING, TRIM - BOTTOM COWL                   |
| 7        | 10-29226       |      | 1,1        | SCREW, DECORATIVE - MOULDING TO BOTTOM COWL    |
| 8        | 13-26995       |      | 1,1        | LOCKWASHER, MOULDING FASTENING SCREW           |
| 9        | 11-26419       |      | 1,1        | NUT, MOULDING FASTENING SCREW                  |
| 10       | 33946          |      | 1,1        | BRACKET, LOCK KNOB - COWL FRONT COVER          |
| 11       | 10-20653       |      | 2,2        | SCREW, BRACKET TO BOTTOM COWL (1")             |
| 12       | 10-22956       |      | 1,1        | SCREW, BRACKET TO BOTTOM COWL (7/8")           |
| 13       | 11-24652       |      | 3,3        | NUT, BRACKET TO BOTTOM COWL SCREW              |
| -        | <b>33474A1</b> |      | <b>1,1</b> | <b>STOP SWITCH ASSEMBLY</b>                    |
| 14       | 33474          |      | 1,1        | HARNESS, STOP SWITCH                           |
| 15       | 12-30856       |      | 1,1        | WASHER, SEALING - STOP SWITCH                  |
| 16       | 30859          |      | 1,1        | INSULATOR, SLEEVE - INNER SWITCH TERMINALS     |
| 17       | 24-30858A1     |      | 1,1        | SPRING AND CONTACT ASSEMBLY                    |
| 18       | 30854          |      | 1,1        | COVER, STOP SWITCH                             |
| 19       | 13-21972       |      | 1,1        | LOCKWASHER, STOP SWITCH CONNECTOR              |
| 20       | 11-21971       |      | 1,1        | NUT, STOP SWITCH CONNECTOR TO BOTTOM COWL      |
| 21       | 54-26550       |      | 2,2        | CLIP, STOP SWITCH LEADS TO EXHAUST COVER       |
| 22       | 10-28192       |      | 2,2        | SCREW, STOP SWITCH LEADS CLIP TO EXHAUST COVER |
| 23       | 22789          |      | 2,2        | "D" WASHER, STOP SWITCH LEADS CLIP SCREW       |

# THROTTLE AND SHIFT LINKAGE

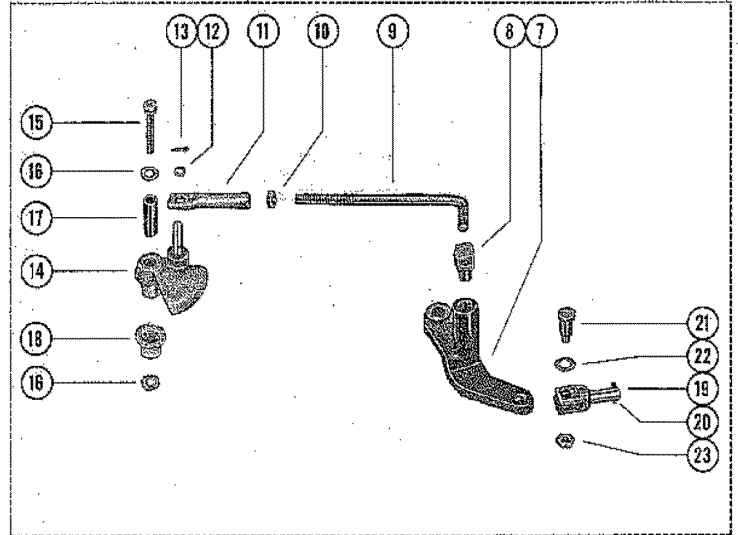
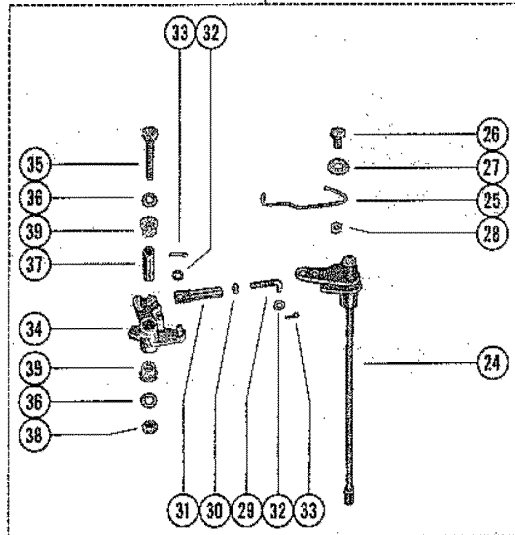
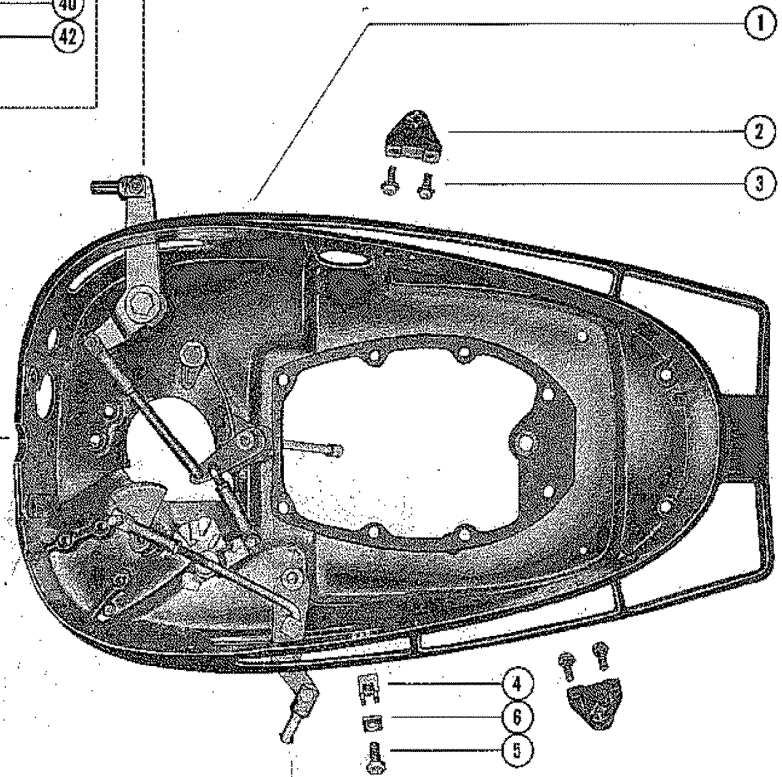
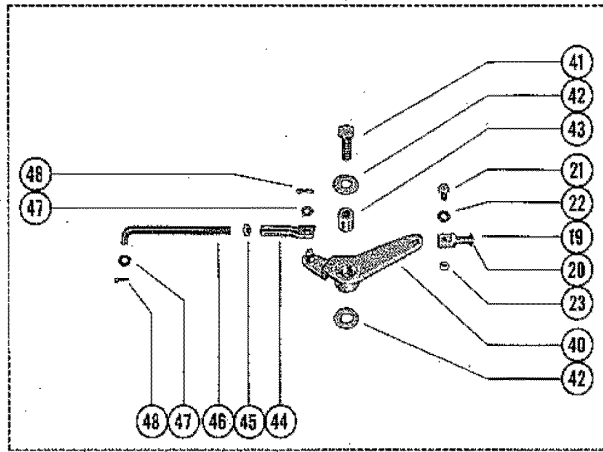


# THROTTLE AND SHIFT LINKAGE

| REF. NO. | PART NO.    | SYM. | QTY. | DESCRIPTION   |
|----------|-------------|------|------|---|
| 1        | 2101-2173A2 |      | 1,1  | BOTTOM COWL ASSEMBLY (SEE PAGE 18 FOR PARTS BREAKDOWN)                                |
| 2        | 20557       |      | 2,2  | BRACKET, CABLE END ANCHOR   |
| 3        | 10-29200    |      | 4,4  | SCREW, CABLE END ANCHOR BRACKET TO BOTTOM COWL  |
| 4        | 21968       |      | 1,1  | STOP BLOCK, THROTTLE LEVER  |
| 5        | 10-28636    |      | 1,1  | SCREW, STOP BLOCK TO BOTTOM COWL  |
| 6        | 12-21967    |      | 1,1  | WASHER, STOP BLOCK TO BOTTOM COWL SCREW   |
| 7        | 33833       |      | 1,1  | LEVER, THROTTLE ACTUATING - BOTTOM COWL   |
| 8        | 27947       |      | 1,1  | SWIVEL, THROTTLE ACTUATING LEVER  |
| 9        | 33898       |      | 1,1  | ROD, THROTTLE CONTROL   |
| 10       | 11-25168    |      | 1,1  | NUT, ADJUSTING - THROTTLE CONTROL ROD   |
| 11       | 33953       |      | 1,1  | ROD (SLEEVE), THROTTLE CONTROL ROD TO THROTTLE CONTROL LEVER                          |
| 12       | 12-20583    |      | 1,1  | WASHER, THROTTLE CONTROL LEVER  |
| 13       | 18-20180    |      | 1,1  | COTTER PIN, THROTTLE CONTROL LEVER  |
| 14       | 33835       |      | 1,1  | LEVER, THROTTLE CONTROL   |
| 15       | 10-29878    |      | 1,1  | SCREW, THROTTLE CONTROL LEVER TO BOTTOM COWL  |
| 16       | 12-24676    |      | 2,2  | WASHER, THROTTLE CONTROL LEVER FASTENING SCREW  |
| 17       | 23-33906    |      | 1,1  | SPACER, THROTTLE CONTROL LEVER FASTENING SCREW  |
| 18       | 23-26850    |      | 1,1  | BUSHING, THROTTLE CONTROL LEVER TO BOTTOM COWL  |
| 19       | 17-30978A1  |      | 2,2  | PIN ASSEMBLY, CLEVIS YOKE   |
| 20       | 17-23928    |      | 2,2  | ROLL PIN, CLEVIS YOKE PIN   |
| 21       | 10-20584    |      | 2,2  | SCREW, CLEVIS YOKE PIN FASTENING  |
| 22       | 13-29402    |      | 2,2  | WASHER, WAVE - CLEVIS YOKE PIN FASTENING SCREW  |
| 23       | 11-29488    |      | 2,2  | NUT, CLEVIS YOKE PIN FASTENING SCREW  |
| 24       | 33901A1     |      | 1,1  | SHIFT SHAFT ASSEMBLY, UPPER   |
| 25       | 24-30621    |      | 1,1  | SPRING, DETENT - SHIFT SHAFT  |
| 26       | 10-20776    |      | 1,1  | SCREW, DETNET SPRING TO BOTTOM COWL   |
| 27       | 12-20346    |      | 1,1  | WASHER, DETENT SPRING FASTENING SCREW   |
| 28       | 11-20013    |      | 1,1  | NUT, DETENT SPRING FASTENING SCREW  |
| 29       | 33837       |      | 1,1  | ROD, THROTTLE STOP CONTROL  |
| 30       | 11-25168    |      | 1,1  | NUT, ADJUSTING - THROTTLE STOP CONTROL ROD  |
| 31       | 33953       |      | 1,1  | ROD (SLEEVE), THROTTLE STOP CONTROL ROD TO THROTTLE STOP LEV                          |
| 32       | 12-20583    |      | 2,2  | WASHER, THROTTLE STOP LEVER   |
| 33       | 18-20180    |      | 2,2  | COTTER PIN, THROTTLE STOP LEVER   |
| 34       | 33834       |      | 1,1  | LEVER, THROTTLE STOP  |
| 35       | 10-33993    |      | 1,   | SCREW, THROTTLE STOP LEVER TO BOTTOM COWL (2 1/4")<br><b>SERIAL 00000000-01584092</b> |
| 36       | 12-20722    |      | 2,   | WASHER, THROTTLE SOTP LEVER FASTENING SCREW<br><b>SERIAL 00000000-01584092</b>        |
| 37       | 23-33905    |      | 1,   | BUSHING, THROTTLE STOP LEVER FASTENING SCREW<br><b>SERIAL 00000000-01584092</b>       |
| 35       | 10-34438    |      | 1,1  | SCREW, THROTTLE STOP LEVER TO BOTTOM COWL (2 3/8")<br><b>SERIAL 01584093-09999999</b> |

CONTINUED ON NEXT PAGE ➡

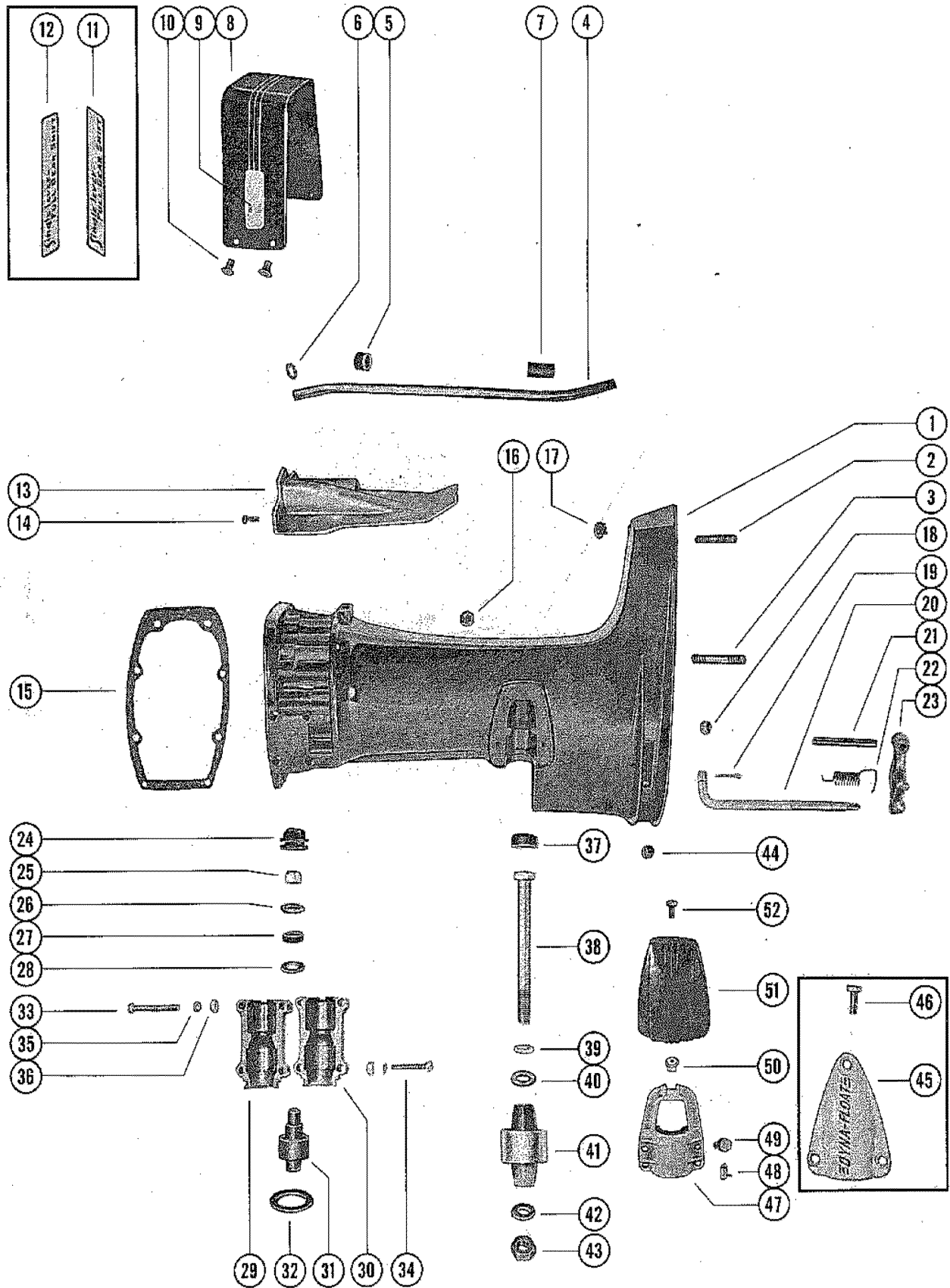
# THROTTLE AND SHIFT LINKAGE



## THROTTLE AND SHIFT LINKAGE

| REF. NO. | PART NO. | SYM. | QTY. | DESCRIPTION   |
|----------|----------|------|------|---|
| 36       | 12-34437 |      | 2,2  | WASHER, THROTTLE STOP LEVER FASTENING SCREW<br><b>SERIAL 01584093-09999999</b>  |
| 37       | 23-34440 |      | 1,1  | BUSHING, THROTTLE STOP LEVER FASTENING SCREW<br><b>SERIAL 01584093-09999999</b> |
| 38       | 11-29250 |      | 1,1  | NUT, THROTTLE STOP LEVER FASTENING SCREW <b>SERIAL 01584093-09999999</b>        |
| 39       | 23-34103 |      | 2,2  | BUSHING, NYLON - THROTTLE STOP LEVER FASTENING SCREW                            |
| 40       | 33841    |      | 1,1  | LEVER, SHIFT CONTROL  |
| 41       | 10-30620 |      | 1,1  | SCREW, SHIFT CONTROL LEVER TO BOTTOM COWL                                       |
| 42       | 12-29395 |      | 2,2  | WASHER, SHIFT CONTROL LEVER FASTENING SCREW                                     |
| 43       | 23-29529 |      | 1,1  | BUSHING, SHIFT CONTROL LEVER FASTENING SCREW                                    |
| 44       | 33953    |      | 1,1  | ROD (SLEEVE), SHIFT CONTROL END   |
| 45       | 11-25168 |      | 1,1  | NUT, ADJUSTING - SHIFT SHAFT END  |
| 46       | 33982    |      | 1,1  | ROD, LINK - SHIFT SHAFT END   |
| 47       | 12-20583 |      | 2,2  | WASHER, SHIFT CONTROL END ROD   |
| 48       | 18-20180 |      | 2,2  | COTTER PIN, SHIFT CONTROL END ROD   |

# DRIVE SHAFT HOUSING ASSEMBLY





# DRIVE SHAFT HOUSING ASSEMBLY

| REF. NO. | PART NO.    | SYM. | QTY. | DESCRIPTION  |
|----------|-------------|------|------|--|
| 1        | 1545-2337A4 |      | 1,1  | DRIVE SHAFT HOUSING ASSEMBLY   |
| 2        | 16-32028    |      | 1,1  | STUD, DRIVE SHAFT HOUSING TO GEAR HOUSING (1 3/4")                       |
| 3        | 16-29079    |      | 1,1  | STUD, DRIVE SHAFT HOUSING TO GEAR HOUSING (3")                           |
| 1        | 1545-1971   |      | 1,1  | HOUSING, DRIVE SHAFT   |
| 4        | 32-31998    |      | 1,1  | TUBE, WATER INLET  |
| 5        | 25-24961    |      | 1,1  | RING, RUBBER - WATER INLET TUBE  |
| 6        | 26-25192    |      | 1,1  | SEAL, WATER INLET TUBE   |
| 7        | 23-23651    |      | 1,1  | SLEEVE, WATER INLET TUBE   |
| 8        | 32123       |      | 1,   | COVER, TRIM - DRIVE SHAFT HOUSING  |
|          | 35394A1     |      | ,1   | COVER ASSEMBLY, TRIM - DRIVE SHAFT HOUSING                               |
| 9        | 37-35393    |      | ,2   | DECAL, TRIM COVER  |
| 10       | 10-30742    |      | 4,4  | SCREW, TRIM COVER TO DRIVE SHAFT HOUSING                                 |
| 11       | 37-33966    |      | 1,   | DECAL, "FULL GEAR SHIFT" - STARBOARD <b>PART OF 37-34163A1 DECAL SET</b> |
| 12       | 37-33967    |      | 1,   | DECAL, "FULL GEAR SHIFT" - PORT <b>PART OF 37-34163A1 DECAL SET</b>      |
| 13       | 32016       |      | 1,1  | BAFFLE, EXHAUST RELIEF   |
| 14       | 10-25255    |      | 2,2  | SCREW, RELIEF BAFFLE TO DRIVE SHAFT HOUSING                              |
| 15       | 27-31995    |      | 1,1  | GASKET, DRIVE SHAFT HOUSING TO BOTTOM COWL                               |
| 16       | 11-25594    |      | 8,8  | NUT, POWERHEAD STUDS   |
| 17       | 19-32298    |      | 1,1  | PLUG, PLASTIC - WATER PICK-UP SCREW HOLE                                 |
| 18       | 11-22178    |      | 2,2  | NUT, GEAR HOUSING TO DRIVE SHAFT HOUSING STUDS                           |
| 19       | 18-25191    |      | 1,1  | COTTER PIN, PUSH ROD TO REVERSE LOCK                                     |
| 20       | 32102       |      | 1,1  | ROD, PUSH - REVERSE LOCK   |
| 21       | 17-24887    |      | 1,1  | PIN, REVERSE LOCK LEVER  |
| 22       | 24-25122    |      | 1,1  | SPRING, TENSION - PUSH ROD   |
| 23       | 25140       |      | 1,1  | LEVER, REVERSE LOCK  |
| 24       | 25305       |      | 2,2  | CAP, RUBBER - UPPER MOUNT BOLT NUT                                       |
| 25       | 11-23161    |      | 2,2  | NUT, UPPER MOUNT BOLT  |
| 26       | 12-30519    |      | 2,2  | WASHER, UPPER MOUNT BOLT (3/8 ID)  |
| 27       | 12-30521    |      | 2,2  | WASHER, RUBBER - UPPER MOUNT BOLT  |
| 28       | 12-30520    |      | 2,2  | WASHER, UPPER MOUNT BOLT (37/64 ID)                                      |
| 29       | 24935       |      | 2,2  | COVER, UPPER MOUNT - OUTSIDE HALF  |
| 30       | 31120       |      | 2,2  | COVER, UPPER MOUNT - INSIDE HALF   |
| 31       | 34076       |      | 2,2  | MOUNT, RUBBER - UPPER  |
| 32       | 24929       |      | 2,2  | PACKING, "U" CUP - UPPER MOUNT COVERS                                    |
| 33       | 10-31114    |      | 4,4  | SCREW, UPPER MOUNT COVER - REAR (1 3/4")                                 |
| 34       | 10-28772    |      | 4,4  | SCREW, UPPER MOUNT COVER - FRONT (1 1/2")                                |
| 35       | 12-29245    |      | 8,8  | WASHER, MOUNT COVER FASTENING SCREW                                      |
| 36       | 11-29322    |      | 8,8  | NUT, UPPER MOUNT COVER FASTENING SCREW                                   |
| 37       | 25067       |      | 2,2  | BUMPER, RUBBER - LOWER MOUNT SCREW                                       |
| 38       | 10-30452    |      | 2,2  | SCREW, LOWER MOUNT (5 1/2")  |
| 39       | 12-28051    |      | 2,2  | WASHER, LOWER MOUNT SCREW  |
| 40       | 12-28053    |      | 2,2  | WASHER, RUBBER - LOWER MOUNT SCREW                                       |

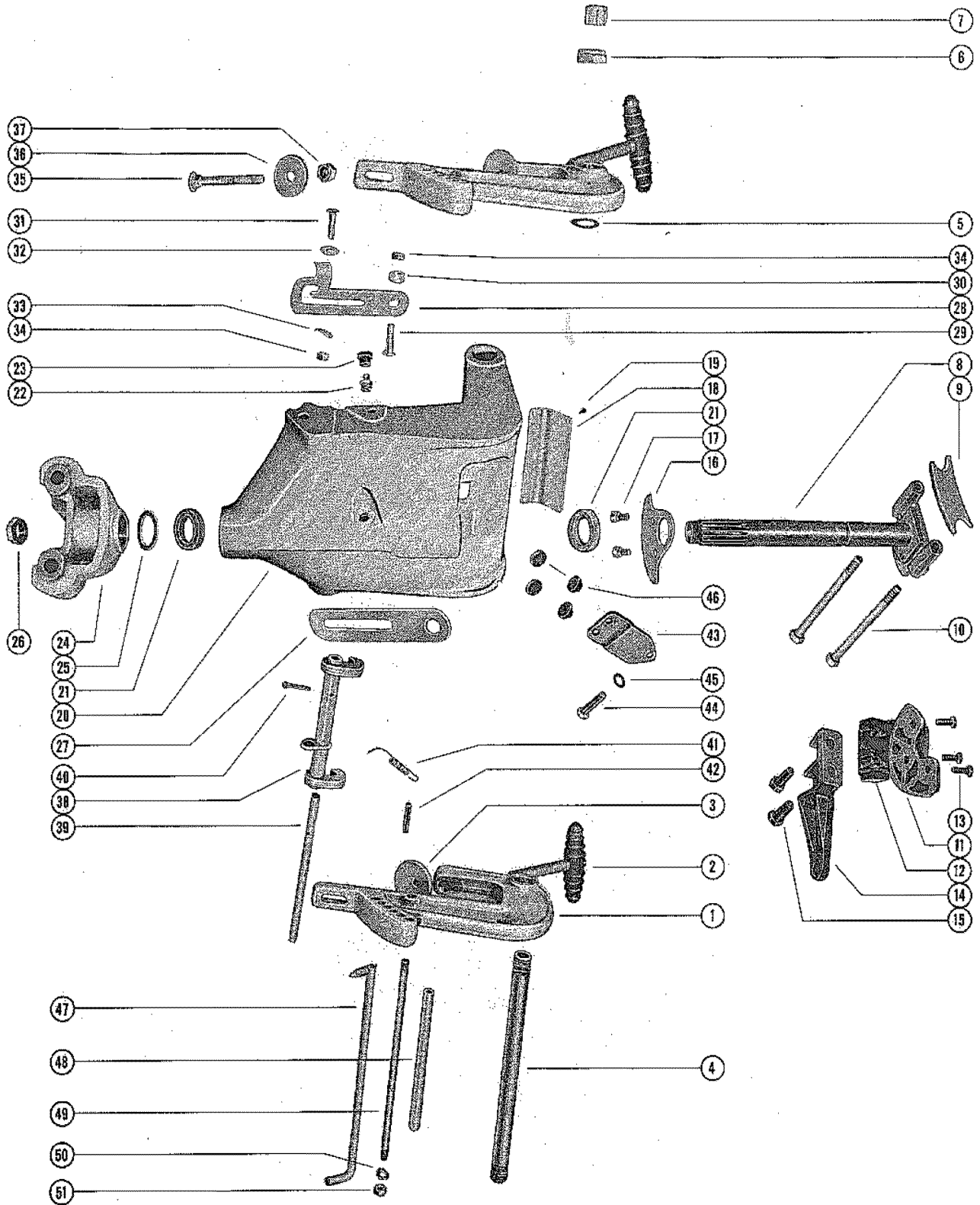
CONTINUED ON NEXT PAGE ➡



## DRIVE SHAFT HOUSING ASSEMBLY

| REF. NO. | PART NO. | SYM. | QTY. | DESCRIPTION                                     |
|----------|----------|------|------|---|
| 41       | 34077    |      | 2,2  | MOUNT, RUBBER - LOWER                           |
| 42       | 12-30119 |      | 2,2  | WASHER, LOWER MOUNT SCREW (1/8")                |
| 43       | 11-25096 |      | 2,2  | NUT, LOWER MOUNT SCREW                          |
| 44       | 22-21290 |      | 1,1  | PLUG, GREASE - REVERSE LOCK HOLE                |
| 45       | 28241    |      | 1,   | COVER, LOWER MOUNT (PORT SIDE)                  |
|          | 28242    |      | 1,   | COVER, LOWER MOUNT (STARBOARD SIDE)             |
| 46       | 10-29256 |      | 6,   | SCREW, LOWER MOUNT COVER TO DRIVE SHAFT HOUSING |
| 47       | 35473    |      | ,2   | CLAMP, LOWER MOUNT TO DRIVE SHAFT HOUSING       |
| 48       | 24-35522 |      | ,4   | SPRING, TENSION - LOWER MOUNT CLAMP             |
| 49       | 10-29256 |      | ,4   | SCREW, LOWER MOUNT CLAMP TO DRIVE SHAFT HOUSING |
| 50       | 11-35521 |      | ,2   | NUT, LOWER MOUNT CLAMP COVER                    |
| 51       | 35474    |      | ,2   | COVER, LOWER MOUNT CLAMP                        |
| 52       | 10-29722 |      | ,2   | SCREW, COVER TO LOWER MOUNT CLAMP               |

# CLAMP AND SWIVEL BRACKET ASSEMBLY

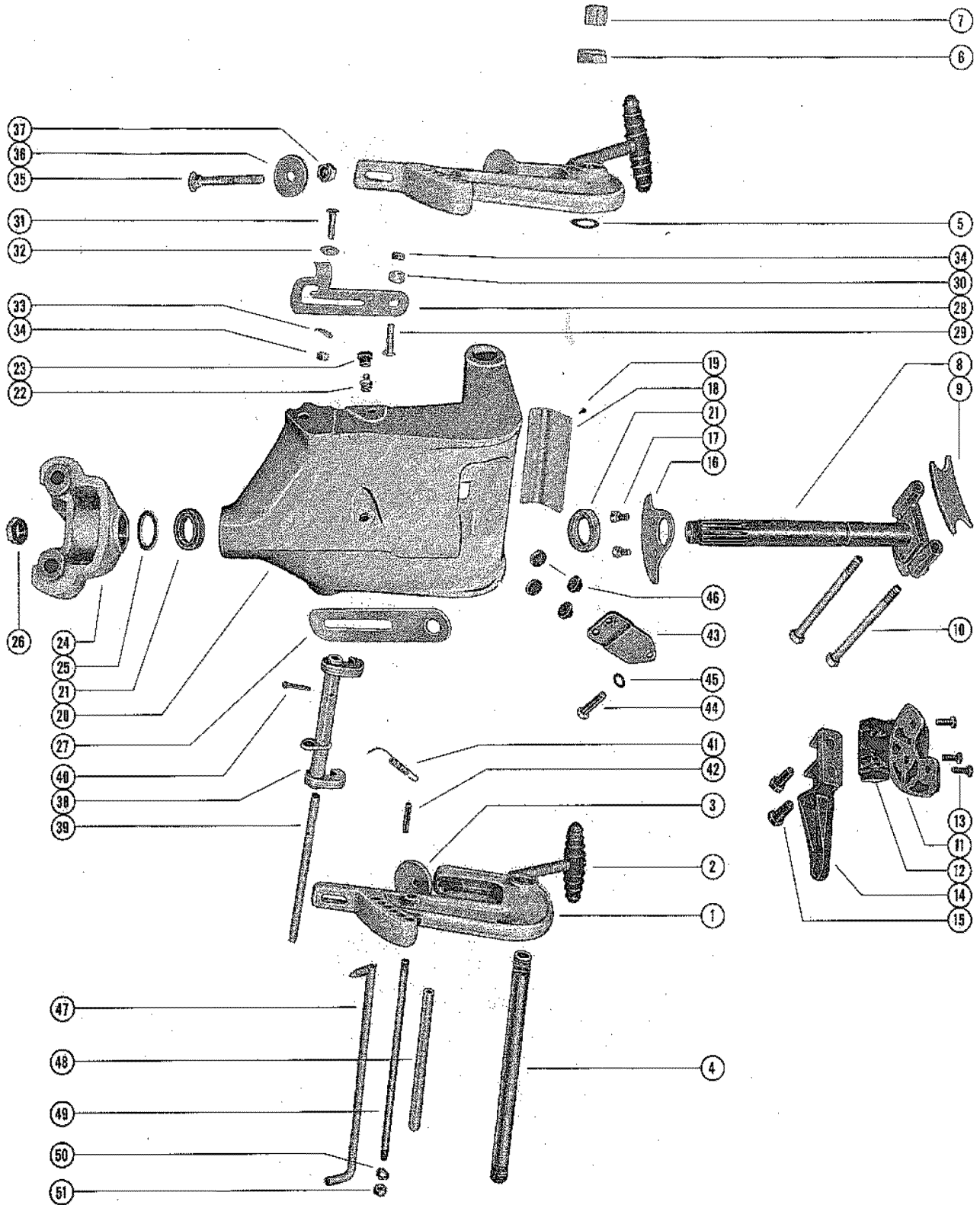


# CLAMP AND SWIVEL BRACKET ASSEMBLY

| REF. NO. | PART NO.    | SYM. | QTY.      | DESCRIPTION   |
|----------|-------------|------|-----------|---|
| 1        | 1427-1810A1 |      | 2,2       | CLAMP BRACKET ASSEMBLY  |
| 2        | 22477A1     |      | 2,2       | THUMB SCREW ASSEMBLY  |
| 3        | 12-26227    |      | 2,2       | WASHER, THUMB SCREW   |
| 4        | 30664       |      | 1,1       | TUBE, TILT - CLAMP BRACKET TO SWIVEL BRACKET  |
| 5        | 15-30497A1  |      | 2,2       | SHIM, CLAMP BRACKET TO SWIVEL BRACKET   |
| 6        | 11-30499    |      | 2,2       | NUT, TILT TUBE  |
| 7        | 30498       |      | 2,2       | CAP, PLASTIC - TILT TUBE  |
| 8        | 17-33985A1  |      | 1,1       | SWIVEL PIN AND TOP YOKE ASSEMBLY  |
| 9        | 30711       |      | 1,1       | BUMPER, TOP YOKE  |
| 10       | 10-33986    |      | 2,2       | SCREW, UPPER MOUNT TO SWIVEL PIN  |
| 11       | 33840       |      | 1,1       | BRACKET, STEERING ARM - SWIVEL PIN  |
| 12       | 34255       |      | 1,1       | BUMPER, STEERING ARM BRACKET  |
| 13       | 10-21625    |      | 3,3       | SCREW, STEERING ARM BRACKET TO SWIVEL PIN   |
| 14       | 33963       |      | 1,1       | BRACKET, REMOTE STEERING <b>ORDER REPLACEMENT SCREW ACCORDING TO LENGTH AS THICKNESS OF 33963 BRACKET WAS CHANGED ON LATER PRODUCTION ENGINES.</b>                      |
| 15       | 10-20359    |      | 2,2       | SCREW, REMOTE BRACKET TO ARM BRACKET (1") <b>ORDER REPLACEMENT SCREW ACCORDING TO LENGTH AS THICKNESS OF 33963 BRACKET WAS CHANGED ON LATER PRODUCTION ENGINES.</b>     |
|          | 10-26632    |      | ,2        | SCREW, REMOTE BRACKET TO ARM BRACKET (1 1/4") <b>ORDER REPLACEMENT SCREW ACCORDING TO LENGTH AS THICKNESS OF 33963 BRACKET WAS CHANGED ON LATER PRODUCTION ENGINES.</b> |
| 16       | 33969       |      | 1,1       | PLATE, FRICTION - CO-PILOT (SWIVEL BRACKET)   |
| 17       | 10-34439    |      | 2,2       | SCREW, FRICTION PLATE TO SWIVEL PIN   |
| 18       | 38-31061    |      | 1,1       | SERIAL PLATE  |
| 19       | 10-25612    |      | 4,4       | SCREW, DRIVE - SERIAL PLATE TO SWIVEL BRACKET   |
| 20       | 1455-2211A3 |      | 1,1       | SWIVEL BRACKET ASSEMBLY   |
| 21       | 26-32911    |      | 2,2       | OIL SEAL, SWIVEL BRACKET  |
| 22       | 22-23612    |      | 1,1       | FITTING, GREASE - SWIVEL BRACKET  |
| 23       | 29359       |      | 1,1       | LUBRICAP, SWIVEL BRACKET GREASE FITTING   |
| 24       | 30462       |      | 1,        | YOKE, BOTTOM  |
|          | 35402       |      | ,1        | YOKE, BOTTOM  |
| 25       | 12-25176    |      | 1,1       | WASHER, SWIVEL PIN TO BOTTOM YOKE (.060)  |
|          | 12-26837    |      | AR,AR     | WASHER, SWIVEL PIN TO BOTTOM YOKE (.065)  |
| 26       | 11-28202    |      | 1,1       | NUT, RETAINING - SWIVEL PIN   |
| 27       | 20215       |      | 1,1       | LEVER, TILT STOP - STARBOARD SIDE   |
| 28       | 26864       |      | 1,1       | LEVER, TILT STOP - PORT SIDE  |
| 29       | 10-20217    |      | 2,2       | SCREW, ANCHOR - TILT STOP LEVER   |
| 30       | 23-20216    |      | 2,2       | SPACER, TILT STOP LEVER   |
| 31       | 10-29237    |      | 2,2       | SCREW, RETAINING - TILT STOP LEVER  |
| 32       | 15-20473    |      | (-),(-)1  | SHIM, RETAINING SCREW - PORT SIDE SEE NOTE BELOW  |
| 33       | 13-20846    |      | (2)1,(2)1 | WASHER, WAVE - RETAINING SCREW - PORT SIDE SEE NOTE BELOW   |

CONTINUED ON NEXT PAGE ➡

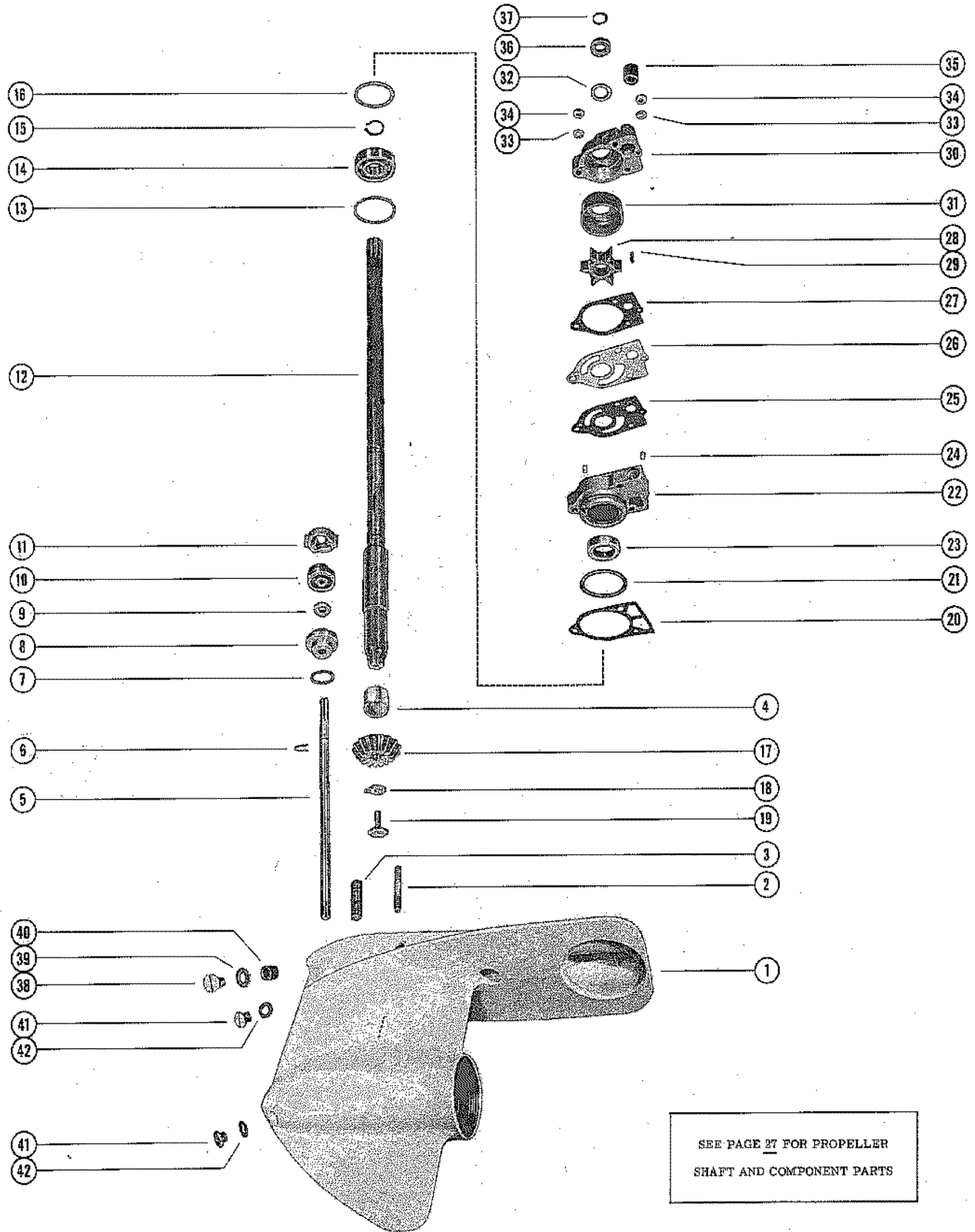
# CLAMP AND SWIVEL BRACKET ASSEMBLY



## CLAMP AND SWIVEL BRACKET ASSEMBLY

| REF. NO. | PART NO.   | SYM. | QTY. | DESCRIPTION  |
|----------|------------|------|------|--|
| 34       | 11-24652   |      | 4,4  | NUT, ANCHOR AND RETAINING SCREW  |
| 35       | 10-26483   |      | 2,2  | BOLT, CLAMP BRACKET TO BOAT TRANSOM  |
| 36       | 12-26485   |      | 2,2  | WASHER, CLAMP BRACKET BOLT   |
| 37       | 11-26484   |      | 2,2  | NUT, CLAMP BRACKET BOLT  |
| 38       | 26903A2    |      | 1,1  | REVERSE LOCK ASSEMBLY  |
| 39       | 20208      |      | 1,1  | SHAFT, REVERSE LOCK TO SWIVEL BRACKET  |
| 40       | 18-20209   |      | 1,1  | COTTER PIN, REVERSE LOCK TO SHAFT  |
| 41       | 24-29821   |      | 1,1  | SPRING, REVERSE LOCK TENSION   |
| 42       | 17-25598   |      | 1,1  | ROLL PIN, REVERSE LOCK SPRING ATTACHING  |
| 43       | 33984      |      | 1,   | PLATE, CLAMP <b>USE ON EARLY PRODUCTION ENGINES ONLY - NOW PART OF 34129A6 STEERING HANDLE ASSEMBLY</b>                            |
| 44       | 10-26065   |      | 1,   | SCREW, CLAMP PLATE TO SWIVEL BRACKET <b>USE ON EARLY PRODUCTION ENGINES ONLY - NOW PART OF 34129A6 STEERING HANDLE ASSEMBLY</b>    |
| 45       | 13-21804   |      | 1,   | LOCKWASHER, CLAMP PLATE FASTENING SCREW <b>USE ON EARLY PRODUCTION ENGINES ONLY - NOW PART OF 34129A6 STEERING HANDLE ASSEMBLY</b> |
| 46       | 23026      |      | 2,   | DISC, FRICTION - CLAMP PLATE <b>USE ON EARLY PRODUCTION ENGINES ONLY - NOW PART OF 34129A6 STEERING HANDLE ASSEMBLY</b>            |
|          | 23026      |      | 2,2  | DISC, FRICTION - SWIVEL BRACKET  |
| 47       | 17-30687A1 |      | 1,1  | TILT LOCK PIN ASSEMBLY   |
| 48       | 23-20222   |      | 1,1  | SPACER, CLAMP BRACKET STUD   |
| 49       | 16-20221   |      | 1,1  | STUD, CLAMP BRACKET  |
| 50       | 13-26993   |      | 2,2  | LOCKWASHER, CLAMP BRACKET STUD   |
| 51       | 11-20083   |      | 2,2  | NUT, CLAMP BRACKET STUD  |

# GEAR HOUSING ASSEMBLY, COMPLETE (PAGE 1)



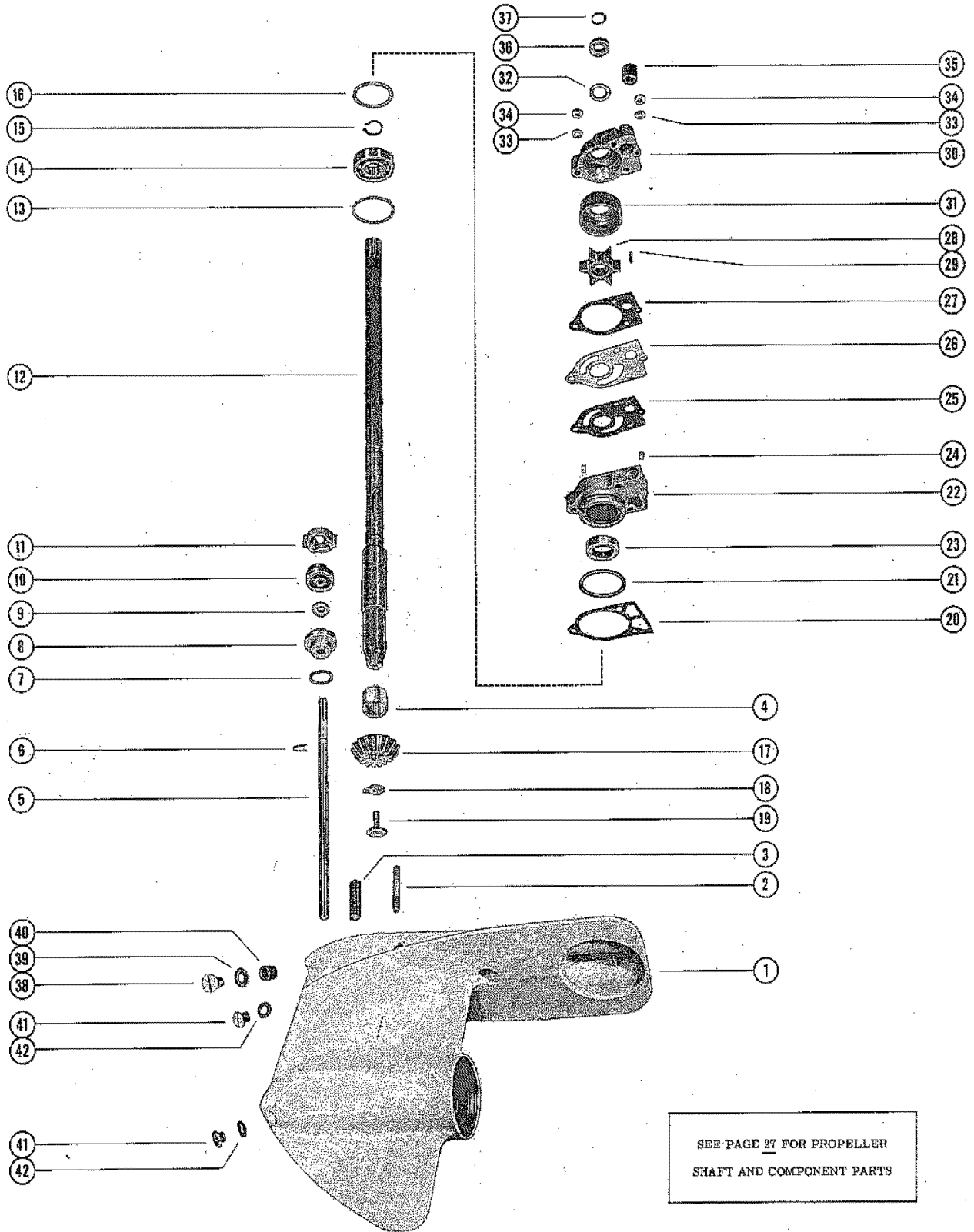


# GEAR HOUSING ASSEMBLY, COMPLETE (PAGE 1)

| REF. NO. | PART NO.    | SYM. | QTY.  | DESCRIPTION   |
|----------|-------------|------|-------|---|
| -        | 1626-2040A6 |      | 1,1   | GEAR HOUSING ASSEMBLY, COMPLETE (STANDARD) - SEE NOTE BELOW |
| 1        | 1626-2040A1 |      | 1,1   | GEAR HOUSING ASSEMBLY                                       |
| 2        | 16-32027    |      | 3,3   | STUD, WATER PUMP BODY AND BASE TO GEAR HOUSING              |
| 3        | 16-32017    |      | 2,2   | STUD, GEAR HOUSING TO DRIVE SHAFT HOUSING                   |
| 4        | 31-20231    |      | 1,1   | BEARING, ROLLER - DRIVE SHAFT                               |
| 5        | 32008       |      | 1,1   | SHAFT, SHIFT - LOWER  |
| 6        | 18-20233    |      | 1,1   | CLIP, RETAINING - SHIFT SHAFT                               |
| 7        | 25-25439    |      | 1,1   | "O" RING, SHIFT SHAFT BUSHING                               |
| 8        | 23-28374A1  |      | 1,1   | BUSHING ASSEMBLY, SHIFT SHAFT                               |
| 9        | 26-31249    |      | 1,1   | OIL SEAL, SHIFT SHAFT BUSHING                               |
| 10       | 25138       |      | 1,1   | CAM, LOWER - REVERSE LOCKING                                |
| 11       | 29823       |      | 1,1   | CAM, UPPER - REVERSE LOCKING                                |
| 12       | 45-31996    |      | 1,1   | /DRIVE SHAFT (STANDARD)                                     |
| 13       | 15-20929A1  |      | AR,AR | SHIM, DRIVE SHAFT BEARING TO GEAR HOUSING                   |
| 14       | 30-20861    |      | 1,1   | BEARING, BALL - DRIVE SHAFT                                 |
| 15       | 53-29116    |      | 1,1   | RING, SNAP - BALL BEARING RETAINING                         |
| 16       | 15-20929A1  |      | AR,AR | SHIM, DRIVE SHAFT BEARING TO WATER PUMP BASE                |
| 17       | 43-33843    |      | 1,1   | GEAR, PINION - DRIVE SHAFT                                  |
| 18       | 14-29163    |      | 1,1   | TAB WASHER, PINION GEAR FASTENING SCREW                     |
| 19       | 10-20925    |      | 1,1   | SCREW, PINION GEAR TO DRIVE SHAFT                           |
| 20       | 27-32771    |      | 1,1   | GASKET, WATER PUMP BASE TO GEAR HOUSING                     |
| 21       | 25-26855    |      | 1,1   | "O" RING, WATER PUMP BASE                                   |
| 22       | 46-32766A1  |      | 1,1   | WATER PUMP BASE ASSEMBLY                                    |
| 23       | 26-23300    |      | 1,1   | OIL SEAL, WATER PUMP BASE                                   |
| 24       | 17-29596    |      | 2,2   | DOWEL PIN, WATER PUMP BASE TO WATER PUMP BODY               |
| 25       | 27-32769    |      | 1,1   | GASKET, LOWER - WATER PUMP BASE TO FACE PLATE               |
| 26       | 32768       |      | 1,1   | PLATE, FACE - WATER PUMP BASE TO WATER PUMP BODY            |
| 27       | 27-32770    |      | 1,1   | GASKET, UPPER - FACE PLATE TO WATER PUMP BODY               |
| 28       | 47-20268    |      | 1,1   | IMPELLER, WATER PUMP  |
| 29       | 17-23733    |      | 1,1   | PIN, IMPELLER DRIVE   |
| 30       | 46-32767A1  |      | 1,1   | WATER PUMP BODY ASSEMBLY                                    |
| 31       | 32001       |      | 1,1   | INSERT, WATER PUMP BODY                                     |
| 32       | 26-32121    |      | 1,1   | OIL SEAL, WATER PUMP BODY                                   |
| 33       | 13-26992    |      | 3,3   | LOCKWASHER, WATER PUMP BODY AND BASE STUDS                  |
| 34       | 11-29598    |      | 3,3   | NUT, WATER PUMP BODY AND BASE FASTENING STUDS               |
| 35       | 26-25192    |      | 1,1   | SEAL, WATER PUMP BODY TO WATER INLET TUBE                   |
| 36       | 25-20273    |      | 1,1   | RING, RUBBER - CENTRIFUGAL SLINGER (DRIVE SHAFT)            |
| 37       | 25-29619    |      | 1,1   | "O" RING, UPPER - DRIVE SHAFT                               |

CONTINUED ON NEXT PAGE ➡

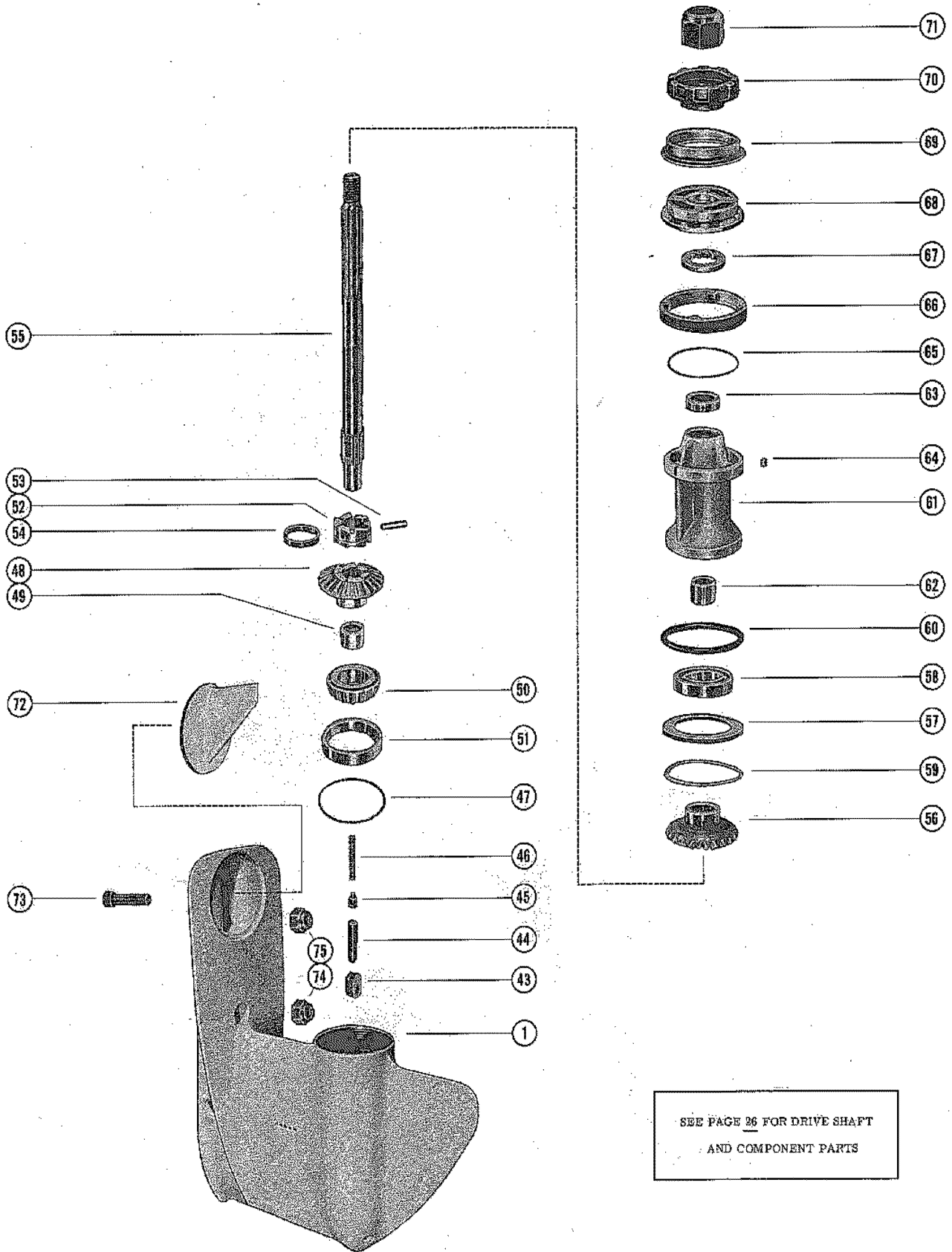
# GEAR HOUSING ASSEMBLY, COMPLETE (PAGE 1)



## GEAR HOUSING ASSEMBLY, COMPLETE (PAGE 1)

| REF. NO. | PART NO. | SYM. | QTY. | DESCRIPTION                               |
|----------|----------|------|------|---|
| 38       | 10-29608 |      | 1,1  | SCREW, GEAR HOUSING FLUSHING HOLE         |
| 39       | 27-29586 |      | 1,1  | GASKET, GEAR HOUSING FLUSHING HOLE SCREW  |
| 40       | 26-29612 |      | 1,1  | SEAL, GEAR HOUSING FLUSHING HOLE          |
| 41       | 10-28634 |      | 2,2  | SCREW, GREASE FILLER AND VENT HOLE        |
| 42       | 12-20260 |      | 2,2  | WASHER, GREASE FILLER AND VENT HOLE SCREW |

# GEAR HOUSING ASSEMBLY, COMPLETE (PAGE 2)

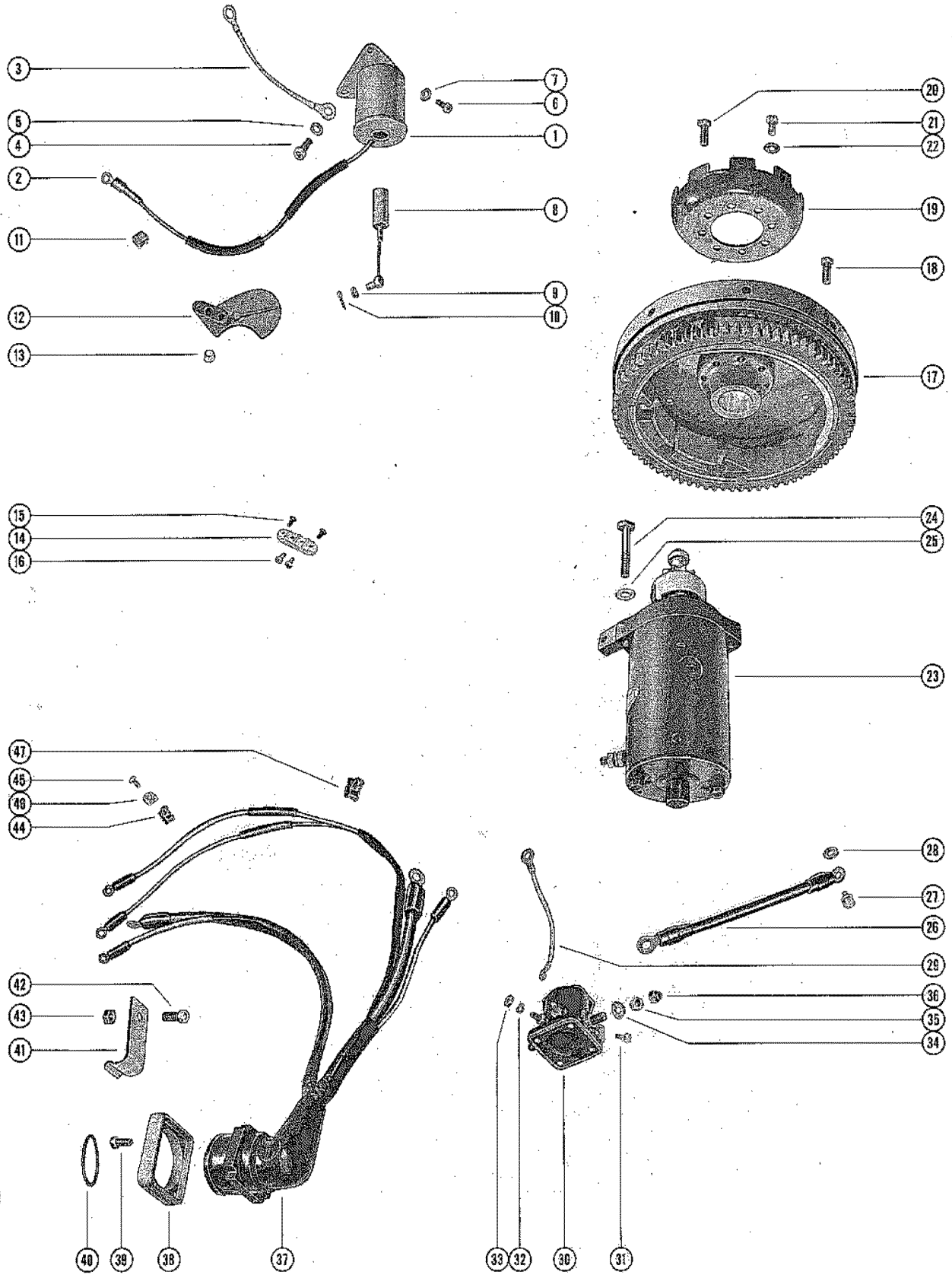


SEE PAGE 26 FOR DRIVE SHAFT  
AND COMPONENT PARTS

## GEAR HOUSING ASSEMBLY, COMPLETE (PAGE 2)

| REF. NO. | PART NO.          | SYM. | QTY.       | DESCRIPTION  |
|----------|-------------------|------|------------|--|
| -        | 1626-2040A6       |      | 1,1        | <b>GEAR HOUSING ASS'Y, COMP. (STANDARD) - SEE NOTE BELOW</b> |
| 1        | 1626-2040A1       |      | 1,1        | GEAR HOUSING ASSEMBLY (SEE PAGE 26 FOR PARTS BREAKDOWN)      |
| 43       | 30147             |      | 1,1        | CAM, SHIFT   |
| 44       | 20930             |      | 1,1        | FOLLOWER, CAM  |
| 45       | 20843             |      | 1,1        | SLIDE, CROSS PIN   |
| 46       | 24-20254          |      | 1,1        | SPRING, COMPRESSION - CAM FOLLOWER                           |
| 47       | 15-31154A1        |      | AR,AR      | SHIM BEARING CUP TO GEAR HOUSING                             |
| -        | <b>43-33844A1</b> |      | <b>1,1</b> | <b>FORWARD GEAR ASSEMBLY, COMPLETE</b>                       |
| 48       | 43-33844          |      | 1,1        | FORWARDING GEAR ASSEMBLY                                     |
| 49       | 31-20249          |      | 1,1        | BEARING, ROLLER - FORWARD GEAR ASSEMBLY                      |
| 50       | 31-31215A1        |      | 1,1        | TAPERED ROLLER BEARING ASSEMBLY                              |
| 51       | 31-31216          |      | 1,1        | CUP, TAPERED ROLLER BEARING                                  |
| 52       | 32189             |      | 1,1        | RATCHET, SLIDING CLUTCH                                      |
| 53       | 17-20841          |      | 1,1        | PIN, CROSS - RATCHET TO PROPELLER SHAFT                      |
| 54       | 53-20842          |      | 1,1        | RING, RETAINING - CROSS PIN                                  |
| 55       | 44-32000          |      | 1,1        | SHAFT, PROPELLER   |
| -        | <b>43-33844A2</b> |      | <b>1,1</b> | <b>REVERSE GEAR ASSEMBLY, COMPLETE</b>                       |
| 56       | 43-33844          |      | 1,1        | REVERSE GEAR ASSEMBLY  |
| 57       | 12-32004          |      | 1,1        | WASHER, THRUST - REVERSE GEAR                                |
| 58       | 30-20839          |      | 1,1        | BEARING, BALL - REVERSE GEAR                                 |
| 59       | 15-20927A1        |      | AR,AR      | SHIM, THRUST WASHER TO GEAR HOUSING                          |
| 60       | 25-31986          |      | 1,1        | "O" RING, BEARING CARRIER                                    |
| 61       | 32015A1           |      | 1,1        | BEARING CARRIER ASSEMBLY                                     |
| 62       | 31-20249          |      | 1,1        | BEARING, ROLLER - BEARING CARRIER                            |
| 63       | 26-23300          |      | 1,1        | OIL SEAL, BEARING CARRIER                                    |
| 64       | 28-30281          |      | 1,1        | KEY, LOCATING - BEARING CARRIER                              |
| 65       | 12-31993          |      | 1,1        | WASHER, GEAR HOUSING COVER                                   |
| 66       | 32014             |      | 1,1        | COVER, GEAR HOUSING  |
| 67       | 12-25251          |      | 1,1        | WASHER, BACKING - PROPELLER SHAFT (1/8)                      |
| 68       | 32002A1           |      | 1,1        | THRUST HUB AND WASHER ASSEMBLY                               |
| 69       | 12-31992          |      | 1,1        | WASHER, CUPPED - THRUST HUB                                  |
| 70       | 12-32007          |      | 1,1        | WASHER, SPLINED - PROPELLER SHAFT                            |
| 71       | 11-31990          |      | 1,1        | NUT, PROPELLER   |
| 72       | 31640             |      | 1,1        | TRIM TAB, GEAR HOUSING                                       |
| 73       | 10-32470          |      | 1,1        | SCREW, TRIM TAB TO GEAR HOUSING                              |
| 74       | 11-22178          |      | 1,1        | NUT, DRIVE SHAFT HOUSING TO GEAR HOUSING STUD (7/16)         |
| 75       | 11-23161          |      | 1,1        | NUT, DRIVE SHAFT HOUSING TO GEAR HOUSING STUD (3/8)          |

# STARTER MOTOR, STARTER SOLENOID AND WIRING HARNESS

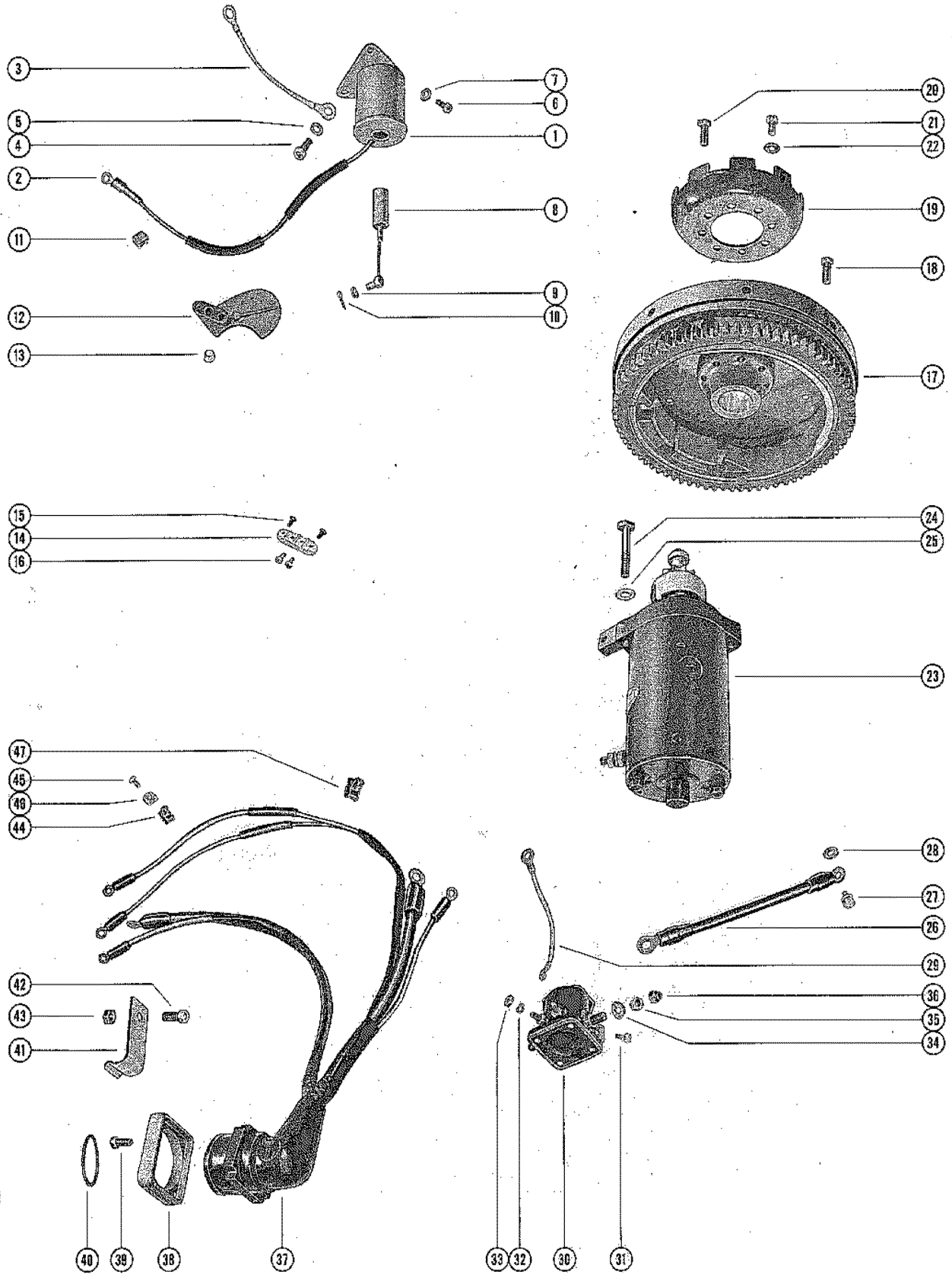


# STARTER MOTOR, STARTER SOLENOID AND WIRING HARNESS

| REF. NO. | PART NO.   | SYM. | QTY. | DESCRIPTION   |
|----------|------------|------|------|---|
| 1        | 31041      |      | 1,1  | CHOKE SOLENOID, TOP COWL                                |
| 2        | 30050      |      | 2,2  | DISCONNECT, CHOKE SOLENOID TERMINALS                    |
| 3        | 28016A1    |      | 1,1  | GROUND STRAP ASSEMBLY                                   |
| 4        | 10-20540   |      | 2,   | SCREW, CHOKE SOLENOID TO TOP COWL (5/8") EARLY MODELS   |
| 5        | 13-26992   |      | 2,   | LOCKWASHER, CHOKE SOLENOID SCREW (1/4") EARLY MODELS    |
| 6        | 10-24773   |      | 1,   | SCREW, CHOKE SOLENOID TO TOP COWL (1/2") EARLY MODELS   |
| 7        | 13-26991   |      | 1,   | LOCKWASHER, CHOKE SOLENOID SCREW (#12) EARLY MODELS     |
| 4 & 6    | 10-35194   |      | 3,3  | SCREW, CHOKE SOLENOID TO TOP COWL (5/8") LATE MODELS    |
| 8        | 27031A4    |      | 1,1  | PLUNGER ASSEMBLY, CHOKE SOLENOID                        |
| 9        | 12-30164   |      | 1,1  | WASHER, CHOKE SOLENOID LINK                             |
| 10       | 18-26953   |      | 1,1  | COTTER PIN, CHOKE SOLENOID LINK FASTENING               |
| 11       | 54-22783   |      | 3,3  | "S" CLIP, CHOKE SOLENOID LEADS TO TOP COWL              |
| 12       | 31404      |      | 1,1  | SHUTTER, CHOKE - CARBURETOR                             |
| 13       | 23-30438   |      | 1,1  | BUSHING, NYLON - CHOKE SHUTTER                          |
| 14       | 30212      |      | 1,1  | TERMINAL BLOCK, CYLINDER BLOCK                          |
| 15       | 10-28192   |      | 2,2  | SCREW, TERMINAL BLOCK TO CYLINDER BLOCK                 |
| 16       | 10-30663   |      | 2,2  | SCREW, WIRING HARNESS LEADS TO TERMINAL BLOCK           |
| 17       | 218-2242A1 |      | 1,1  | FLYWHEEL ASSEMBLY, COMPLETE                             |
| 18       | 10-35562   |      | 8,8  | SCREW, FLEXIBLE PLATE TO FLYWHEEL                       |
| 19       | 50-33000A1 |      | 1,1  | RATCHET ASSEMBLY, FLYWHEEL                              |
| 20       | 10-32417   |      | 6,6  | SCREW, RATCHEL TO FLYWHEEL                              |
| 21       | 10-34290   |      | 2,2  | SCREW, RATCHET TO FLYWHEEL                              |
| 22       | 13-26992   |      | 2,2  | LOCKWASHER, RATCHET TO FLYWHEEL SCREW                   |
| 23       | 50-30829   |      | 1,1  | STARTER MOTOR ASSEMBLY                                  |
| 24       | 10-22698   |      | 2,   | SCREW, STARTER MOTOR TO CRANKCASE EARLY MODELS          |
| 25       | 13-26993   |      | 2,   | LOCKWASHER, STARTER MOTOR FASTENING SCREW EARLY MODELS  |
| 24       | 10-35213   |      | 2,2  | SCREW, STARTER MOTOR TO CRANKCASE LATE MODELS           |
| 26       | 26511      |      | 1,1  | WIRE, STARTER MOTOR TO STARTER SOLENOID                 |
| 27       | 10-29197   |      | 1,1  | SCREW, GROUND WIRE TO STARTER MOTOR                     |
| 28       | 13-26992   |      | 1,1  | LOCKWASHER, GROUND WIRE FASTENING SCREW                 |
| 29       | 28016A1    |      | 2,2  | GROUND STRAP ASS'Y, STARTER SOLENOID AND CYLINDER BLOCK |
| 30       | 32445      |      | 1,1  | SOLENOID, STARTER                                       |
| 31       | 10-29238   |      | 2,2  | SCREW, STARTER SOLENOID TO STARTER MOTOR                |
| 32       | 13-26996   |      | 2,2  | LOCKWASHER, STARTER SOLENOID TERMINAL (#10)             |
| 33       | 11-20645   |      | 2,2  | NUT, STARTER SOLENOID TERMINAL (#10)                    |
| 34       | 13-26993   |      | 2,2  | LOCKWASHER, STARTER SOLENOID TERMINAL (5/16)            |
| 35       | 11-20083   |      | 1,1  | NUT, STARTER SOLENOID TERMINAL (5/16)                   |
| 36       | 11-26062   |      | 1,1  | NUT, CAP - STARTER SOLENOID TERMINAL - OUTSIDE (5/16)   |

CONTINUED ON NEXT PAGE ➡

# STARTER MOTOR, STARTER SOLENOID AND WIRING HARNESS





# STARTER MOTOR, STARTER SOLENOID AND WIRING HARNESS

| REF. NO. | PART NO. | SYM. | QTY. | DESCRIPTION                                     |
|----------|----------|------|------|---|
| 37       | 34229    |      | 1,1  | WIRING HARNESS (INTERNAL)                       |
| 38       | 26079    |      | 1,1  | PLATE, BACKING - WIRING HARNESS                 |
| 39       | 10-26128 |      | 4,4  | SCREW, BACKING PLATE TO BOTTOM COWL             |
| 40       | 24-28975 |      | 1,1  | SPRING, GARTER - INTERNAL WIRING HARNESS        |
| 41       | 34228    |      | 1,1  | SUPPORT, EXTERNAL WIRING HARNESS                |
| 42       | 10-35092 |      | 1,1  | SCREW, SUPPORT TO BOTTOM COWL                   |
| 43       | 11-24652 |      | 1,1  | NUT, SUPPORT FASTENING SCREW                    |
| 44       | 54-24836 |      | 1,1  | CLIP, WIRING HARNESS TO CRANKCASE BRACKET       |
| 45       | 10-20401 |      | 1,1  | SCREW, WIRING HARNESS CLIP TO CRANKCASE BRACKET |
| 46       | 22789    |      | 1,1  | "D" WASHER, WIRING HARNESS CLIP SCREW           |
| 47       | 54-22740 |      | 1,1  | CLIP, WIRING HARNESS LEADS                      |

# PARTS INDEX

| Part Number | Description                                 | Pg. | Ref. No. | Part Number | Description   | Pg. | Ref. No. |
|-------------|---|-----|----------|-------------|---|-----|----------|
| 20119       | PROTECTOR, SPARK PLUG                       | 15  | 25       | 26903A2     | REVERSE LOCK ASSEMBLY   | 37  | 38       |
| 20155       | RETAINER, STARTER<br>SPRING                 | 3   | 8        | 27031A4     | PLUNGER ASSEMBLY,<br>CHOKE SOLENOID                               | 45  | 8        |
| 20208       | SHAFT, REVERSE LOCK TO<br>SWIVEL BRACKET    | 37  | 39       | 27711       | RETAINER, CHOKE ROD<br>SPRING STARTED WITH<br>SERIAL #1584093 AND | 9   | 19A      |
| 20215       | LEVER, TILT STOP -<br>STARBOARD SIDE        | 35  | 27       | 27947       | SWIVEL, THROTTLE<br>ACTUATING LEVER                               | 27  | 8        |
| 20557       | BRACKET, CABLE END<br>ANCHOR                | 27  | 2        | 28016A1     | GROUND STRAP ASS'Y,<br>STARTER SOLENOID AND<br>CYLINDER BLOCK     | 45  | 29       |
| 20623       | MARKER, "TOP" - LEAD<br>WIRE                | 15  | 26       | 28016A1     | GROUND STRAP ASSEMBLY   | 45  | 3        |
| 20843       | SLIDE, CROSS PIN                            | 43  | 45       | 28232       | TOGGLE BOLT, THROTTLE<br>CONTROL ROD                              | 13  | 22       |
| 20930       | FOLLOWER, CAM                               | 43  | 44       | 28241       | COVER, LOWER MOUNT<br>(PORT SIDE)                                 | 33  | 45       |
| 21060       | HANDLE, COWL LATCH                          | 7   | 11       | 28242       | COVER, LOWER MOUNT<br>(STARBOARD SIDE)                            | 33  | 45       |
| 21968       | STOP BLOCK, THROTTLE<br>LEVER               | 27  | 4        | 28747       | HANDLE, STARTER CABLE   | 3   | 27       |
| 22463       | KNOB, CHOKE ROD                             | 9   | 1        | 28748       | RETAINER, STARTER<br>CABLE AND HANDLE                             | 3   | 28       |
| 22477A1     | THUMB SCREW ASSEMBLY                        | 35  | 2        | 28913       | SHAFT, SHEAVE   | 3   | 20       |
| 22789       | "D" WASHER, CLIP<br>FASTENING SCREW         | 15  | 32       | 29206       | COVER, PLUG - BOTTOM<br>COWL HARNESS HOLE                         | 25  | 2        |
| 22789       | "D" WASHER, STOP SWITCH<br>LEADS CLIP SCREW | 25  | 23       | 29359       | LUBRICAP, SWIVEL<br>BRACKET GREASE<br>FITTING                     | 35  | 23       |
| 22789       | "D" WASHER, WIRING<br>HARNES CLIP SCREW     | 47  | 46       | 29823       | CAM, UPPER - REVERSE<br>LOCKING                                   | 39  | 11       |
| 22833       | ADAPTOR, CHECK UNIT<br>(FUEL PUMP)          | 17  | 16       | 30045       | PLATE, ROPE GUIDE   | 3   | 29       |
| 23004       | RETAINER, CHECK VALVE                       | 17  | 4        | 30050       | DISCONNECT, CHOKE<br>SOLENOID TERMINALS                           | 45  | 2        |
| 23014       | DIAPHRAGM, FUEL PUMP                        | 17  | 7        | 30147       | CAM, SHIFT  | 43  | 43       |
| 23026       | DISC, FRICTION - CLAMP<br>PLATE             | 37  | 46       | 30188       | CUP WASHER, ADAPTOR   | 17  | 20       |
| 23026       | DISC, FRICTION - SWIVEL<br>BRACKET          | 37  | 46       | 30212       | TERMINAL BLOCK,<br>CYLINDER BLOCK                                 | 45  | 14       |
| 23069       | STEM, CHECK UNIT<br>ADAPTOR                 | 17  | 17       | 30212       | TERMINAL BLOCK,<br>EXHAUST MANIFOLD<br>COVER                      | 21  | 49       |
| 24929       | PACKING, "U" CUP - UPPER<br>MOUNT COVERS    | 31  | 32       | 30269A2     | FUEL PUMP ASSEMBLY  | 17  | 1        |
| 24935       | COVER, UPPER MOUNT -<br>OUTSIDE HALF        | 31  | 29       | 30275       | COVER, FUEL PUMP  | 17  | 8        |
| 25067       | BUMPER, RUBBER - LOWER<br>MOUNT SCREW       | 31  | 37       | 30462       | YOKE, BOTTOM  | 35  | 24       |
| 25138       | CAM, LOWER - REVERSE<br>LOCKING             | 39  | 10       | 30498       | CAP, PLASTIC - TILT TUBE  | 35  | 7        |
| 25140       | LEVER, REVERSE LOCK                         | 31  | 23       | 30595       | PLATE, RETAINER -<br>STARTER PAWL                                 | 3   | 19       |
| 25305       | CAP, RUBBER - UPPER<br>MOUNT BOLT NUT       | 31  | 24       | 30596       | PAWL, STARTER   | 3   | 12       |
| 25690       | SWIVEL, COWL LATCH                          | 7   | 14       | 30664       | TUBE, TILT - CLAMP<br>BRACKET TO SWIVEL<br>BRACKET                | 35  | 4        |
| 25691       | HOOK, COWL LATCH<br>FASTENING               | 7   | 15       | 30711       | BUMPER, TOP YOKE  | 35  | 9        |
| 26079       | PLATE, BACKING - WIRING<br>HARNES           | 47  | 38       | 30854       | COVER, STOP SWITCH  | 25  | 18       |
| 26179       | RETAINER, WAVE WASHER                       | 3   | 16       | 30859       | INSULATOR, SLEEVE -<br>INNER SWITCH<br>TERMINALS                  | 25  | 16       |
| 26511       | WIRE, STARTER MOTOR TO<br>STARTER SOLENOID  | 45  | 26       | 31003       | HANDLE, INSIDE - TOP<br>COWL                                      | 5   | 36       |
| 26551       | BRACKET, EXTENSION -<br>UPPER END CAP SCREW | 19  | 7        | 31041       | CHOKE SOLENOID, TOP<br>COWL                                       | 45  | 1        |
| 26852       | CAP, NYLON - IDLE STOP<br>SCREW             | 19  | 40       | 31120       | COVER, UPPER MOUNT -<br>INSIDE HALF                               | 31  | 30       |
| 26852       | CAP, NYLON - SPARK<br>ADVANCE SCREW         | 21  | 48       |             |   |     |          |

# PARTS INDEX

| Part Number | Description  | Pg. | Ref. No. | Part Number | Description   | Pg. | Ref. No. |
|-------------|--|-----|----------|-------------|---|-----|----------|
| 31403       | SHUTTER, CHOKE -<br>CARBURETOR .....                         | 9   | 8        | 33904       | RING, HOLD DOWN -<br>STATOR PLATE .....                                     | 13  | 14       |
| 31404       | SHUTTER, CHOKE -<br>CARBURETOR .....                         | 45  | 12       | 33908       | BLANKET, SOUND<br>ABSORBING - WRAP<br>AROUND COWL .....                     | 7   | 16       |
| 31640       | TRIM TAB, GEAR HOUSING                                       | 43  | 72       | 33946       | BRACKET, LOCK KNOB -<br>COWL FRONT COVER ...                                | 25  | 10       |
| 31875       | HANDLE, CHROME - TOP<br>COWL .....                           | 5   | 35       | 33948       | PLATE, EXHAUST<br>MANIFOLD .....  | 21  | 42       |
| 32001       | INSERT, WATER PUMP<br>BODY .....                             | 39  | 31       | 33952       | SCREEN, VENT - TOP COWL   | 3   | 33       |
| 32002A1     | THRUST HUB AND WASHER<br>ASSEMBLY .....                      | 43  | 68       | 33953       | ROD (SLEEVE), SHIFT<br>CONTROL END .....                                    | 29  | 44       |
| 32008       | SHAFT, SHIFT - LOWER ...                                     | 39  | 5        | 33953       | ROD (SLEEVE), THROTTLE<br>CONTROL ROD TO<br>THROTTLE CONTROL<br>LEVER ..... | 27  | 11       |
| 32014       | COVER, GEAR HOUSING ..                                       | 43  | 66       | 33953       | ROD (SLEEVE), THROTTLE<br>STOP CONTROL ROD TO<br>THROTTLE STOP LEV ...      | 27  | 31       |
| 32015A1     | BEARING CARRIER<br>ASSEMBLY .....                            | 43  | 61       | 33954       | "S" LINK, CHOKE ROD TO<br>CHOKE KNOB .....                                  | 9   | 3        |
| 32016       | BAFFLE, EXHAUST RELIEF .                                     | 31  | 13       | 33963       | BRACKET, REMOTE<br>STEERING .....   | 35  | 14       |
| 32102       | ROD, PUSH - REVERSE<br>LOCK .....                            | 31  | 20       | 33969       | PLATE, FRICTION - CO-<br>PILOT (SWIVEL BRACKET)                             | 35  | 16       |
| 32123       | COVER, TRIM - DRIVE<br>SHAFT HOUSING .....                   | 31  | 8        | 33970       | ROD, THROTTLE CONTROL   | 13  | 21       |
| 32189       | RATCHET, SLIDING CLUTCH                                      | 43  | 52       | 33973       | SWIVEL, THROTTLE<br>CONTROL ROD TO<br>ACTUATING LEVER .....                 | 13  | 25       |
| 32361       | KNOB, COWL FRONT<br>COVER FASTENING ....                     | 7   | 2        | 33974       | BRACKET, THROTTLE CAM   | 13  | 17       |
| 32445       | SOLENOID, STARTER .....                                      | 45  | 30       | 33982       | ROD, LINK - SHIFT SHAFT<br>END .....  | 29  | 46       |
| 32768       | PLATE, FACE - WATER<br>PUMP BASE TO WATER<br>PUMP BODY ..... | 39  | 26       | 33984       | PLATE, CLAMP .....  | 37  | 43       |
| 33474       | HARNESS, STOP SWITCH .                                       | 25  | 14       | 34000       | ROD, CHOKE .....  | 9   | 5        |
| 33474A1     | STOP SWITCH ASSEMBLY .                                       | 25  | --       | 34068       | CAM, ADJUSTING -<br>THROTTLE .....  | 13  | 19       |
| 33757       | COVER, EXHAUST<br>MANIFOLD .....                             | 21  | 44       | 34076       | MOUNT, RUBBER - UPPER .   | 31  | 31       |
| 33758       | COVER, TRANSFER PORT .                                       | 19  | 21       | 34077       | MOUNT, RUBBER - LOWER   | 33  | 41       |
| 33833       | LEVER, THROTTLE<br>ACTUATING (LOWER) ...                     | 13  | 31       | 34228       | SUPPORT, EXTERNAL<br>WIRING HARNESS .....                                   | 47  | 41       |
| 33833       | LEVER, THROTTLE<br>ACTUATING - BOTTOM<br>COWL .....          | 27  | 7        | 34229       | WIRING HARNESS<br>(INTERNAL) .....  | 47  | 37       |
| 33834       | LEVER, THROTTLE STOP ..                                      | 27  | 34       | 34242       | BLANKET, SOUND<br>ABSORBING - COWL<br>FRONT COVER .....                     | 7   | 7        |
| 33835       | LEVER, THROTTLE<br>CONTROL .....                             | 27  | 14       | 34255       | BUMPER, STEERING ARM<br>BRACKET .....                                       | 35  | 12       |
| 33837       | ROD, THROTTLE STOP<br>CONTROL .....                          | 27  | 29       | 34433       | BRACKET, TRIM MOULDING<br>TENSION -LATE MODELS                              | 3   | --       |
| 33840       | BRACKET, STEERING ARM -<br>SWIVEL PIN .....                  | 35  | 11       | 34735A1     | TRIM MOULDING<br>ASSEMBLY, TOP COWL<br>-LATE MODELS .....                   | 3   | 21       |
| 33841       | LEVER, SHIFT CONTROL ..                                      | 29  | 40       | 35394A1     | COVER ASSEMBLY, TRIM -<br>DRIVE SHAFT HOUSING .                             | 31  | 8        |
| 33842       | LEVER, THROTTLE<br>ACTUATING (UPPER) ...                     | 13  | 26       | 35402       | YOKE, BOTTOM .....  | 35  | 24       |
| 33896       | MOULDING, TRIM - BOTTOM<br>COWL .....                        | 25  | 6        | 35473       | CLAMP, LOWER MOUNT TO<br>DRIVE SHAFT HOUSING .                              | 33  | 47       |
| 33897A1     | TRIM MOULDING<br>ASSEMBLY, TOP COWL<br>EARLY MODELS .....    | 3   | 21       | 35474       | COVER, LOWER MOUNT<br>CLAMP .....   | 33  | 51       |
| 33898       | ROD, THROTTLE CONTROL  | 27  | 9        |             |   |     |          |
| 33899       | CLAMP, HOLD DOWN RING -<br>STATOR PLATE .....                | 19  | 9        |             |   |     |          |
| 33900A1     | THROTTLE LEVER<br>ASSEMBLY .....                             | 9   | 13       |             |   |     |          |
| 33901A1     | SHIFT SHAFT ASSEMBLY,<br>UPPER .....                         | 27  | 24       |             |   |     |          |
| 33902       | ROD, VERTICAL .....  | 13  | 27       |             |   |     |          |

# PARTS INDEX

| Part Number | Description   | Pg. | Ref. No. | Part Number | Description   | Pg. | Ref. No. |
|-------------|---|-----|----------|-------------|---|-----|----------|
| 36442A1     | SHIELD ASSEMBLY,<br>STATOR PLATE . . . . .                            | 13  | 11       | 10-23035    | SCREW AND LOCKWASHER,<br>THROTTLE SHUTTER . . .                       | 11  | 23       |
| 10-20037    | SCREW, RETAINER TO<br>HOUSING . . . . .                               | 17  | 5        | 10-24773    | SCREW, CHOKE SOLENOID<br>TO TOP COWL (1/2")<br>EARLY MODELS . . . . . | 45  | 6        |
| 10-20060    | SCREW, CONNECTING ROD   | 23  | 13       | 10-25255    | SCREW, RELIEF BAFFLE TO<br>DRIVE SHAFT HOUSING . .                    | 31  | 14       |
| 10-20217    | SCREW, ANCHOR - TILT<br>STOP LEVER . . . . .                          | 35  | 29       | 10-25313    | SCREW, MAIN BEARING<br>CLAMPING . . . . .                             | 23  | 5        |
| 10-20359    | SCREW, REMOTE BRACKET<br>TO ARM BRACKET (1") . .                      | 35  | 15       | 10-25612    | SCREW, DRIVE - SERIAL<br>PLATE TO SWIVEL<br>BRACKET . . . . .         | 35  | 19       |
| 10-20401    | SCREW, WIRING HARNESS<br>CLIP TO CRANKCASE<br>BRACKET . . . . .       | 47  | 45       | 10-25781    | SCREW, SET - THROTTLE<br>ACTUATING LEVERS . . . .                     | 13  | 32       |
| 10-20456    | SCREW, HOLD DOWN RING<br>CLAMP TO UPPER END<br>CAP . . . . .          | 19  | 10       | 10-25822    | SCREW, STRAINER COVER   | 11  | 17       |
| 10-20540    | SCREW, CHOKE SOLENOID<br>TO TOP COWL (5/8")<br>EARLY MODELS . . . . . | 45  | 4        | 10-25850    | SCREW, FLOAT BOWL<br>COVER (LONG) . . . . .                           | 11  | 11       |
| 10-20540    | SCREW, TRANSFER PORT<br>COVER MOUNTING . . . . .                      | 19  | 23       | 10-26065    | SCREW, CLAMP PLATE TO<br>SWIVEL BRACKET . . . . .                     | 37  | 44       |
| 10-20584    | SCREW, CLEVIS YOKE PIN<br>FASTENING . . . . .                         | 27  | 21       | 10-26066    | SCREW, CRANKCASE TO<br>CYLINDER BLOCK (1 1/4")                        | 19  | 26       |
| 10-20653    | SCREW, BRACKET TO<br>BOTTOM COWL (1") . . . .                         | 25  | 11       | 10-26128    | SCREW, BACKING PLATE<br>TO BOTTOM COWL . . . . .                      | 47  | 39       |
| 10-20653    | SCREW, CYLINDER BLOCK<br>COVER MOUNTING . . . . .                     | 21  | 55       | 10-26483    | BOLT, CLAMP BRACKET TO<br>BOAT TRANSOM . . . . .                      | 37  | 35       |
| 10-20776    | SCREW, DETNET SPRING<br>TO BOTTOM COWL . . . . .                      | 27  | 26       | 10-26632    | SCREW, REMOTE BRACKET<br>TO ARM BRACKET (1 1/4")                      | 35  | 15       |
| 10-20847    | SCREW, THROTTLE STOP<br>LEVER . . . . .                               | 11  | 18       | 10-26801    | SCREW, MAIN BEARING<br>LOCKING . . . . .                              | 19  | 28       |
| 10-20854    | SCREW, FLOAT BOWL<br>COVER (SHORT) . . . . .                          | 11  | 10       | 10-28192    | SCREW, STOP SWITCH<br>LEADS CLIP TO EXHAUST<br>COVER . . . . .        | 25  | 22       |
| 10-20925    | SCREW, PINION GEAR TO<br>DRIVE SHAFT . . . . .                        | 39  | 19       | 10-28192    | SCREW, TERMINAL BLOCK<br>TO CYLINDER BLOCK . . .                      | 45  | 15       |
| 10-21130    | SCREW, DUST COVER TO<br>STATOR PLATE . . . . .                        | 15  | 29       | 10-28192    | SCREW, TERMINAL BLOCK<br>TO EXHAUST MANIFOLD<br>COVER . . . . .       | 21  | 50       |
| 10-21130    | SCREW, GROUND<br>TERMINAL . . . . .                                   | 15  | 6        | 10-28405    | SCREW, PLUG - MAIN FUEL<br>JET CHANNEL . . . . .                      | 11  | 32       |
| 10-21365    | SCREW, IDLE STOP -<br>CRANKCASE . . . . .                             | 19  | 38       | 10-28634    | SCREW, GREASE FILLER<br>AND VENT HOLE . . . . .                       | 41  | 41       |
| 10-21365    | SCREW< SPARK ADVANCE -<br>EXHAUST COVER . . . . .                     | 21  | 46       | 10-28636    | SCREW, MANIFOLD COVER<br>TO CYLINDER BLOCK . . .                      | 21  | 45       |
| 10-21625    | SCREW, STEERING ARM<br>BRACKET TO SWIVEL PIN                          | 35  | 13       | 10-28636    | SCREW, STOP BLOCK TO<br>BOTTOM COWL . . . . .                         | 27  | 5        |
| 10-22039    | SCREW, CRANKCASE TO<br>CYLINDER BLOCK (2 3/4")                        | 19  | 25       | 10-28642    | SCREW, DRIVE - ROPE<br>GUIDE PLATE TO TOP<br>COWL . . . . .           | 3   | 30       |
| 10-22040    | SCREW, CRANKCASE TO<br>CYLINDER BLOCK (1 1/2")                        | 19  | 24       | 10-28713    | SCREW, RETAINER TO<br>CARBURETOR . . . . .                            | 9   | 20A      |
| 10-22421    | SCREW, ADAPTOR TO<br>BOTTOM COWL . . . . .                            | 17  | 21       | 10-28772    | SCREW, UPPER MOUNT<br>COVER - FRONT (1 1/2") .                        | 31  | 34       |
| 10-22421    | SCREW, FRONT - HANDLE<br>TO TOP COWL (1 1/4") . .                     | 5   | 37       | 10-28846    | SCREW, PLUG - MAIN<br>NOZZLE . . . . .                                | 11  | 28       |
| 10-22649    | SCREW, CONDENSER<br>FASTENING (3/4") . . . . .                        | 15  | 8        | 10-29197    | SCREW, GROUND WIRE TO<br>STARTER MOTOR . . . . .                      | 45  | 27       |
| 10-22698    | SCREW, STARTER MOTOR<br>TO CRANKCASE EARLY<br>MODELS . . . . .        | 45  | 24       | 10-29198    | SCREW, UPPER END CAP<br>MOUNTING . . . . .                            | 19  | 6        |
| 10-22956    | SCREW, BRACKET TO<br>BOTTOM COWL (7/8") . . .                         | 25  | 12       | 10-29199    | SCREW, CENTER - HANDLE<br>TO TOP COWL (1") . . . . .                  | 5   | 43       |

# PARTS INDEX

| Part Number | Description   | Pg. | Ref. No. | Part Number | Description  | Pg. | Ref. No. |
|-------------|---|-----|----------|-------------|--|-----|----------|
| 10-29200    | SCREW, CABLE END ANCHOR BRACKET TO BOTTOM COWL        | 27  | 3        | 10-32417    | SCREW, RATCHEL TO FLYWHEEL                               | 45  | 20       |
| 10-29226    | SCREW, DECORATIVE - MOULDING TO BOTTOM COWL           | 25  | 7        | 10-32417    | SCREW, RATCHET TO FLYWHEEL                               | 13  | 7        |
| 10-29226    | SCREW, DECORATIVE - MOULDING TO TOP COWL EARLY MODELS | 3   | 23       | 10-32470    | SCREW, TRIM TAB TO GEAR HOUSING                          | 43  | 73       |
| 10-29227    | SCREW, BRASS - MOULDING TO TOP COWL EARLY MODELS      | 3   | 22       | 10-33986    | SCREW, UPPER MOUNT TO SWIVEL PIN                         | 35  | 10       |
| 10-29237    | SCREW, RETAINING - TILT STOP LEVER                    | 35  | 31       | 10-33988    | SCREW AND LOCKWASHER, BREAKER FASTENING                  | 15  | 17       |
| 10-29238    | SCREW, STARTER SOLENOID TO STARTER MOTOR              | 45  | 31       | 10-33990    | SCREW, CONDENSER FASTENING (1 1/4")                      | 15  | 9        |
| 10-29239    | SCREW, THROTTLE LEVER TO CARBURETOR                   | 9   | 14       | 10-33993    | SCREW, THROTTLE STOP LEVER TO BOTTOM COWL (2 1/4")       | 27  | 35       |
| 10-29256    | SCREW, LOWER MOUNT CLAMP TO DRIVE SHAFT HOUSING       | 33  | 49       | 10-34090    | SCREW, PLUG COVER TO BOTTOM COWL                         | 25  | 3        |
| 10-29256    | SCREW, LOWER MOUNT COVER TO DRIVE SHAFT HOUSING       | 33  | 46       | 10-34290    | SCREW, RATCHET TO FLYWHEEL                               | 13  | 8        |
| 10-29465    | SCREW, REED STOP MOUNTING                             | 23  | 10       | 10-34290    | SCREW, RATCHET TO FLYWHEEL                               | 45  | 21       |
| 10-29608    | SCREW, GEAR HOUSING FLUSHING HOLE                     | 41  | 38       | 10-34436    | SCREW, THROTTLE CAM BRACKET TO STATOR PLATE              | 13  | 18       |
| 10-29722    | SCREW, COVER TO LOWER MOUNT CLAMP                     | 33  | 52       | 10-34438    | SCREW, THROTTLE STOP LEVER TO BOTTOM COWL (2 3/8")       | 27  | 35       |
| 10-29878    | SCREW, FUEL PUMP MOUNTIN (1 1/2")                     | 17  | 11       | 10-34439    | SCREW, FRICTION PLATE TO SWIVEL PIN                      | 35  | 17       |
| 10-29878    | SCREW, THROTTLE CONTROL LEVER TO BOTTOM COWL          | 27  | 15       | 10-34695    | SCREW, SHIELD TO STATOR PLATE                            | 13  | 12       |
| 10-30009    | SCREW, GROUND LEAD CLIP TO EXTENSION BRACKET          | 15  | 31       | 10-35092    | SCREW, SUPPORT TO BOTTOM COWL                            | 47  | 42       |
| 10-30097    | SCREW, "S" LINK TO CHOKE KNOB                         | 9   | 4        | 10-35193    | SCREW, VENT SCREEN TO TOP COWL                           | 5   | 34       |
| 10-30225    | SCREW, LOWER END CAP MOUNTING                         | 19  | 37       | 10-35194    | SCREW, CHOKE SOLENOID TO TOP COWL (5/8") LATE MODELS     | 45  | 4 & 6    |
| 10-30274    | SCREW, FUEL PUMP MOUNTING (1 3/4")                    | 17  | 10       | 10-35213    | SCREW, STARTER MOTOR TO CRANKCASE LATE MODELS            | 45  | 24       |
| 10-30452    | SCREW, LOWER MOUNT (5 1/2")                           | 31  | 38       | 10-35400    | SCREW, HOLD DOWN RING TO STATOR PLATE                    | 13  | 15       |
| 10-30620    | SCREW, SHIFT CONTROL LEVER TO BOTTOM COWL             | 29  | 41       | 10-35562    | SCREW, FLEXIBLE PLATE TO FLYWHEEL                        | 13  | 5        |
| 10-30663    | SCREW, HARNESS LEADS TO TERMINAL BLOCK                | 21  | 51       | 10-35562    | SCREW, FLEXIBLE PLATE TO FLYWHEEL                        | 45  | 18       |
| 10-30663    | SCREW, WIRING HARNESS LEADS TO TERMINAL BLOCK         | 45  | 16       | 11-20013    | NUT, DETENT SPRING FASTENING SCREW                       | 27  | 28       |
| 10-30742    | SCREW, TRIM COVER TO DRIVE SHAFT HOUSING              | 31  | 10       | 11-20061    | NUT, CONNECTING ROD SCREW                                | 23  | 14       |
| 10-31114    | SCREW, UPPER MOUNT COVER - REAR (1 3/4")              | 31  | 33       | 11-20083    | NUT, CLAMP BRACKET STUD                                  | 37  | 51       |
|             |   |     |          | 11-20083    | NUT, STARTER SOLENOID TERMINAL (5/16)                    | 45  | 35       |
|             |   |     |          | 11-20110    | NUT, BRACKET AND MOULDING TO TOP COWL SCREW -LATE MODELS | 3   | 25       |

# PARTS INDEX

| Part Number | Description   | Pg. | Ref. No. | Part Number | Description   | Pg. | Ref. No. |
|-------------|---|-----|----------|-------------|---|-----|----------|
| 11-20110    | NUT, CHOKE SHUTTER TO CARBURETOR STUD . . . .                   | 9   | 11       | 11-26419    | NUT, MOULDING FASTENING SCREW . . . .                   | 25  | 9        |
| 11-20166    | NUT, SHEAVE SHAFT (LEFT HAND THREAD) . . . . .                  | 3   | 32       | 11-26419    | NUT, MOULDING TO TOP COWL SCREW EARLY MODELS . . . . .  | 3   | 25       |
| 11-20361    | NUT, FRONT HANDLE FASTENING SCREW . . . .                       | 5   | 38       | 11-26484    | NUT, CLAMP BRACKET BOLT . . . . .                       | 37  | 37       |
| 11-20361    | NUT, TOP COWL FASTENING STUD . . . . .                          | 3   | 7        | 11-28202    | NUT, RETAINING - SWIVEL PIN . . . . .                   | 35  | 26       |
| 11-20645    | NUT, STARTER SOLENOID TERMINAL (#10) . . . . .                  | 45  | 33       | 11-28656    | NUT, PLUG COVER TO BOTTOM COWL SCREW .                  | 25  | 4        |
| 11-20890    | NUT, IDLE STOP SCREW . .  | 19  | 39       | 11-29250    | NUT, CARBURETOR MOUNTING STUDS . . . . .                | 11  | 36       |
| 11-20890    | NUT, SPARK ADVANCE SCREW . . . . .                              | 21  | 47       | 11-29250    | NUT, CRANKCASE FASTENING SCREW . . . .                  | 19  | 27       |
| 11-21825    | NUT, INSIDE HANDLE TO CHROME HANDLE STUDS .                     | 5   | 42       | 11-29250    | NUT, THROTTLE STOP LEVER FASTENING SCREW . . . . .      | 29  | 38       |
| 11-21825    | NUT, REAR HANDLE STUD .   | 5   | 46       | 11-29322    | NUT, UPPER MOUNT COVER FASTENING SCREW . . . . .        | 31  | 36       |
| 11-21923    | NUT, LEAD WIRE CLAMP SCREW . . . . .                            | 15  | 15       | 11-29469    | NUT, MAIN BEARING CLAMPING SCREW . . . . .              | 23  | 6        |
| 11-21923    | NUT, TERMINAL SCREW . . .                                       | 15  | 20       | 11-29469    | NUT, REED STOP MOUNTING SCREW . . . .                   | 23  | 11       |
| 11-21971    | NUT, STOP SWITCH CONNECTOR TO BOTTOM COWL . . . . .             | 25  | 20       | 11-29488    | NUT, CLEVIS YOKE PIN FASTENING SCREW . . . .            | 27  | 23       |
| 11-22178    | NUT, DRIVE SHAFT HOUSING TO GEAR HOUSING STUD (7/16) . . .      | 43  | 74       | 11-29598    | NUT, WATER PUMP BODY AND BASE FASTENING STUDS . . . . . | 39  | 34       |
| 11-22178    | NUT, GEAR HOUSING TO DRIVE SHAFT HOUSING STUDS . . . . .        | 31  | 18       | 11-30499    | NUT, TILT TUBE . . . . .                                | 35  | 6        |
| 11-22339    | NUT, FLYWHEEL . . . . .   | 13  | 1        | 11-31990    | NUT, PROPELLER . . . . .                                | 43  | 71       |
| 11-22948    | NUT, CONNECTOR TO FUEL LINE . . . . .                           | 17  | 14       | 11-35521    | NUT, LOWER MOUNT CLAMP COVER . . . . .                  | 33  | 50       |
| 11-23161    | NUT, DRIVE SHAFT HOUSING TO GEAR HOUSING STUD (3/8) . . .       | 43  | 75       | 12-20028    | WASHER, TOP COWL STUD (1/16") . . . . .                 | 3   | 4        |
| 11-23161    | NUT, UPPER MOUNT BOLT   | 31  | 25       | 12-20260    | WASHER, GREASE FILLER AND VENT HOLE SCREW               | 41  | 42       |
| 11-24652    | NUT, ADAPTOR SCREW . . .  | 17  | 22       | 12-20346    | WASHER, DETENT SPRING FASTENING SCREW . . . .           | 27  | 27       |
| 11-24652    | NUT, ANCHOR AND RETAINING SCREW . . . .                         | 37  | 34       | 12-20346    | WASHER, LOWER HANDLE STUD (3/4" OD) . . . . .           | 5   | 40       |
| 11-24652    | NUT, BRACKET TO BOTTOM COWL SCREW . . . . .                     | 25  | 13       | 12-20346    | WASHER, TOP COWL STUD (3/4" OD) . . . . .               | 3   | 5        |
| 11-24652    | NUT, CHOKE ROD SPRING TO CARBURETOR STUD .                      | 9   | 18       | 12-20583    | WASHER, SHIFT CONTROL END ROD . . . . .                 | 29  | 47       |
| 11-24652    | NUT, COVER MOUNTING SCREW . . . . .                             | 21  | 56       | 12-20583    | WASHER, THROTTLE CONTROL LEVER . . . . .                | 27  | 12       |
| 11-24652    | NUT, SUPPORT FASTENING SCREW . . . . .                          | 47  | 43       | 12-20583    | WASHER, THROTTLE STOP LEVER . . . . .                   | 27  | 32       |
| 11-25096    | NUT, LOWER MOUNT SCREW . . . . .                                | 33  | 43       | 12-20583    | WASHER, TOP COWL STUD (1/32") . . . . .                 | 3   | 6        |
| 11-25168    | NUT, ADJUSTING - SHIFT SHAFT END . . . . .                      | 29  | 45       | 12-20722    | WASHER, THROTTLE SOTP LEVER FASTENING SCREW . . . . .   | 27  | 36       |
| 11-25168    | NUT, ADJUSTING - THROTTLE CONTROL ROD . . . . .                 | 27  | 10       | 12-21135    | WASHER, CONDENSER FASTENING SCREW . . . .               | 15  | 11       |
| 11-25168    | NUT, ADJUSTING - THROTTLE STOP CONTROL ROD . . . . .            | 27  | 30       | 12-21135    | WASHER, LEAD WIRE CLAMP SCREW . . . . .                 | 15  | 13       |
| 11-25594    | NUT, POWERHEAD STUDS .  | 31  | 16       |             |   |     |          |
| 11-26062    | NUT, CAP - STARTER SOLENOID TERMINAL - OUTSIDE (5/16) . . . . . | 45  | 36       |             |   |     |          |

# PARTS INDEX

| Part Number | Description  | Pg. | Ref. No. | Part Number | Description  | Pg. | Ref. No. |
|-------------|--|-----|----------|-------------|--|-----|----------|
| 12-21967    | WASHER, STOP BLOCK TO<br>BOTTOM COWL SCREW .                 | 27  | 6        | 12-34434    | WASHER, BRACKET AND<br>MOULDING TO TOP<br>COWL SCREW LATE<br>MODEL . . . . . | 3   | 24       |
| 12-24676    | WASHER, THROTTLE<br>CONTROL LEVER<br>FASTENING SCREW . . . . | 27  | 16       | 12-34437    | WASHER, THROTTLE STOP<br>LEVER FASTENING<br>SCREW . . . . .                  | 29  | 36       |
| 12-25176    | WASHER, SWIVEL PIN TO<br>BOTTOM YOKE (.060) . . .            | 35  | 25       | 12-36281    | WASHER, FLYWHEEL NUT .   | 13  | 2        |
| 12-25251    | WASHER, BACKING -<br>PROPELLER SHAFT (1/8)                   | 43  | 67       | 13-20160    | WASHER, WAVE -<br>RETAINER TENSION . . . .                                   | 3   | 18       |
| 12-26014    | WASHER, THROTTLE<br>CONTROL ROD . . . . .                    | 13  | 23       | 13-20846    | WASHER, WAVE -<br>RETAINING SCREW -<br>PORT SIDE SEE NOTE<br>BELOW . . . . . | 35  | 33       |
| 12-26180    | WASHER, WAVE WASHER<br>RETAINER . . . . .                    | 3   | 17       | 13-21134    | LOCKWASHER,<br>CONDENSER FASTENING<br>SCREW . . . . .                        | 15  | 10       |
| 12-26227    | WASHER, THUMB SCREW .  | 35  | 3        | 13-21134    | LOCKWASHER, LEAD WIRE<br>CLAMP SCREW . . . . .                               | 15  | 14       |
| 12-26485    | WASHER, CLAMP BRACKET<br>BOLT . . . . .                      | 37  | 36       | 13-21134    | LOCKWASHER, TERMINAL<br>SCREW . . . . .                                      | 15  | 19       |
| 12-26617    | WASHER, FLYWHEEL NUT .                                       | 13  | 2        | 13-21804    | LOCKWASHER, CLAMP<br>PLATE FASTENING<br>SCREW . . . . .                      | 37  | 45       |
| 12-26702    | WASHER, COVER<br>FASTENING KNOB<br>(NYLON) . . . . .         | 7   | 3        | 13-21972    | LOCKWASHER, STOP<br>SWITCH CONNECTOR . .                                     | 25  | 19       |
| 12-26825    | WASHER, COVER<br>FASTENING KNOB<br>(STEEL) . . . . .         | 7   | 4        | 13-26991    | LOCKWASHER, CHOKE<br>SOLENOID SCREW (#12)<br>EARLY MODELS . . . . .          | 45  | 7        |
| 12-26825    | WASHER, VERTICAL ROD .                                       | 13  | 28       | 13-26992    | LOCKWASHER, CHOKE<br>SOLENOID SCREW (1/4")<br>EARLY MODELS . . . . .         | 45  | 5        |
| 12-26837    | WASHER, SWIVEL PIN TO<br>BOTTOM YOKE (.065) . . .            | 35  | 25       | 13-26992    | LOCKWASHER, GROUND<br>WIRE FASTENING SCREW                                   | 45  | 28       |
| 12-28051    | WASHER, LOWER MOUNT<br>SCREW . . . . .                       | 31  | 39       | 13-26992    | LOCKWASHER, RATCHET<br>TO FLYWHEEL SCREW . .                                 | 13  | 9        |
| 12-28053    | WASHER, RUBBER - LOWER<br>MOUNT SCREW . . . . .              | 31  | 40       | 13-26992    | LOCKWASHER, RATCHET<br>TO FLYWHEEL SCREW . .                                 | 45  | 22       |
| 12-29245    | WASHER, CENTER HANDLE<br>STUD (1/2" OD) . . . . .            | 5   | 41       | 13-26992    | LOCKWASHER, REAR<br>HANDLE STUD . . . . .                                    | 5   | 45       |
| 12-29245    | WASHER, MOUNT COVER<br>FASTENING SCREW . . . .               | 31  | 35       | 13-26992    | LOCKWASHER, WATER<br>PUMP BODY AND BASE<br>STUDS . . . . .                   | 39  | 33       |
| 12-29395    | WASHER, SHIFT CONTROL<br>LEVER FASTENING<br>SCREW . . . . .  | 29  | 42       | 13-26993    | LOCKWASHER, CLAMP<br>BRACKET STUD . . . . .                                  | 37  | 50       |
| 12-29681    | WASHER, NEEDLE BEARING<br>RETAINING . . . . .                | 23  | 17       | 13-26993    | LOCKWASHER, STARTER<br>MOTOR FASTENING<br>SCREW EARLY MODELS                 | 45  | 25       |
| 12-30119    | WASHER, LOWER MOUNT<br>SCREW (1/8") . . . . .                | 33  | 42       | 13-26993    | LOCKWASHER, STARTER<br>SOLENOID TERMINAL<br>(5/16) . . . . .                 | 45  | 34       |
| 12-30164    | WASHER, CHOKE SHUTTER<br>CARBURETOR STUD . . . .             | 9   | 10       | 13-26995    | LOCKWASHER, MOULDING<br>FASTENING SCREW . . . .                              | 25  | 8        |
| 12-30164    | WASHER, CHOKE<br>SOLENOID LINK . . . . .                     | 45  | 9        | 13-26995    | LOCKWASHER, MOULDING<br>TO TOP COWL SCREW<br>EARLY MODELS . . . . .          | 3   | 24       |
| 12-30519    | WASHER, UPPER MOUNT<br>BOLT (3/8 ID) . . . . .               | 31  | 26       | 13-26996    | LOCKWASHER, SHIELD<br>FASTENING SCREW . . . .                                | 13  | 13       |
| 12-30520    | WASHER, UPPER MOUNT<br>BOLT (37/64 ID) . . . . .             | 31  | 28       |             |  |     |          |
| 12-30521    | WASHER, RUBBER - UPPER<br>MOUNT BOLT . . . . .               | 31  | 27       |             |  |     |          |
| 12-30856    | WASHER, SEALING - STOP<br>SWITCH . . . . .                   | 25  | 15       |             |  |     |          |
| 12-31992    | WASHER, CUPPED -<br>THRUST HUB . . . . .                     | 43  | 69       |             |  |     |          |
| 12-31993    | WASHER, GEAR HOUSING<br>COVER . . . . .                      | 43  | 65       |             |  |     |          |
| 12-32004    | WASHER, THRUST -<br>REVERSE GEAR . . . . .                   | 43  | 57       |             |  |     |          |

# PARTS INDEX

| Part Number | Description  | Pg. | Ref. No. | Part Number | Description   | Pg. | Ref. No. |
|-------------|--|-----|----------|-------------|---|-----|----------|
| 13-29402    | WASHER, WAVE - CLEVIS<br>YOKE PIN FASTENING<br>SCREW . . . . .           | 27  | 22       | 16-35099    | STUD, CARBURETOR<br>MOUNTING (1 3/16") . . . . .              | 19  | 14       |
| 13-36206    | WASHER, WAVE - STARTER<br>PAWL . . . . .                                 | 3   | 13       | 17-20032    | DOWEL PIN, CYLINDER<br>BLOCK TO MAIN BEARING                  | 19  | 17       |
| 14-20091    | TAB WASHER, BEARING<br>LOCKING SCREW . . . . .                           | 19  | 29       | 17-20032    | DOWEL PIN, MAIN BEARING                                       | 23  | 4        |
| 14-20165    | TAB WASHER, SHEAVE<br>SHAFT NUT . . . . .                                | 3   | 31       | 17-20032    | DOWEL PIN, MAIN BEARING<br>TO CYLINDER BLOCK . . .            | 23  | 7        |
| 14-29163    | TAB WASHER, PINION GEAR<br>FASTENING SCREW . . . . .                     | 39  | 18       | 17-20841    | PIN, CROSS - RATCHET TO<br>PROPELLER SHAFT . . . . .          | 43  | 53       |
| 15-20085A1  | SHIM, LOWER END CAP TO<br>CRANKCASE AND BLOCK<br>(.002-3-5-10) . . . . . | 19  | 30       | 17-20853    | PIN, FLOAT LEVER PINION .                                     | 11  | 3        |
| 15-20473    | SHIM, RETAINING SCREW -<br>PORT SIDE SEE NOTE<br>BELOW . . . . .         | 35  | 32       | 17-21057    | PIN, HINGE - COWL LATCH<br>HANDLE . . . . .                   | 7   | 13       |
| 15-20927A1  | SHIM, THRUST WASHER TO<br>GEAR HOUSING . . . . .                         | 43  | 59       | 17-23733    | PIN, IMPELLER DRIVE . . . . .                                 | 39  | 29       |
| 15-20929A1  | SHIM, DRIVE SHAFT<br>BEARING TO GEAR<br>HOUSING . . . . .                | 39  | 13       | 17-23784    | DOWEL PIN, CRANKCASE<br>TO CYLINDER BLOCK . . .               | 19  | 16       |
| 15-20929A1  | SHIM, DRIVE SHAFT<br>BEARING TO WATER<br>PUMP BASE . . . . .             | 39  | 16       | 17-23928    | ROLL PIN, CLEVIS YOKE PIN                                     | 27  | 20       |
| 15-30497A1  | SHIM, CLAMP BRACKET TO<br>SWIVEL BRACKET . . . . .                       | 35  | 5        | 17-24887    | PIN, REVERSE LOCK LEVER                                       | 31  | 21       |
| 15-31154A1  | SHIM BEARING CUP TO<br>GEAR HOUSING . . . . .                            | 43  | 47       | 17-25391    | RIVET, CHOKE ROD TO<br>CHOKE SHUTTER . . . . .                | 9   | 7        |
| 15-33903A1  | SHIM, UPPER END CAP TO<br>CRANKCASE AND BLOCK<br>(.002-3-5-10) . . . . . | 19  | 8        | 17-25598    | ROLL PIN, REVERSE LOCK<br>SPRING ATTACHING . . . . .          | 37  | 42       |
| 15-33910    | SHIM, STATOR PLATE TO<br>UPPER END CAP (.015) . .                        | 13  | 16       | 17-25870    | PIN, ROLL - VERTICAL ROD                                      | 13  | 30       |
| 16-20221    | STUD, CLAMP BRACKET . .  | 37  | 49       | 17-29077    | PIN, ROLL - TENSION<br>SPRING TO KNOB . . . . .               | 7   | 6        |
| 16-20353    | STUD, FRONT AND REAR -<br>TOP COWL TO CYLINDER<br>BLOCK . . . . .        | 3   | 3        | 17-29596    | DOWEL PIN, WATER PUMP<br>BASE TO WATER PUMP<br>BODY . . . . . | 39  | 24       |
| 16-21723    | STUD, CHOKE ROD SPRING<br>TO CARBURETOR . . . . .                        | 9   | 15       | 17-30687A1  | TILT LOCK PIN ASSEMBLY .                                      | 37  | 47       |
| 16-29079    | STUD, DRIVE SHAFT<br>HOUSING TO GEAR<br>HOUSING (3") . . . . .           | 31  | 3        | 17-30978A1  | PIN ASSEMBLY, CLEVIS<br>YOKE . . . . .                        | 27  | 19       |
| 16-29988    | STUD, CRANKCASE TO<br>DRIVE SHAFT HOUSING<br>(1 5/8") . . . . .          | 19  | 15       | 17-33985A1  | SWIVEL PIN AND TOP YOKE<br>ASSEMBLY . . . . .                 | 35  | 8        |
| 16-29989    | STUD, CYLINDER BLOCK TO<br>DRIVE SHAFT HOUSING<br>(1 15/16") . . . . .   | 19  | 19       | 18-20180    | COTTER PIN, SHIFT<br>CONTROL END ROD . . . . .                | 29  | 48       |
| 16-29990    | STUD, CYLINDER BLOCK TO<br>DRIVE SHAFT HOUSING<br>(3 7/16") . . . . .    | 19  | 18       | 18-20180    | COTTER PIN, THROTTLE<br>CONTROL LEVER . . . . .               | 27  | 13       |
| 16-30172    | STUD, CARBURETOR -<br>CHOKE SHUTTER PIVOT                                | 9   | 9        | 18-20180    | COTTER PIN, THROTTLE<br>STOP LEVER . . . . .                  | 27  | 33       |
| 16-32017    | STUD, GEAR HOUSING TO<br>DRIVE SHAFT HOUSING .                           | 39  | 3        | 18-20209    | COTTER PIN, REVERSE<br>LOCK TO SHAFT . . . . .                | 37  | 40       |
| 16-32027    | STUD, WATER PUMP BODY<br>AND BASE TO GEAR<br>HOUSING . . . . .           | 39  | 2        | 18-20233    | CLIP, RETAINING - SHIFT<br>SHAFT . . . . .                    | 39  | 6        |
|             |  |     |          | 18-25191    | COTTER PIN, PUSH ROD TO<br>REVERSE LOCK . . . . .             | 31  | 19       |
|             |  |     |          | 18-26953    | COTTER PIN, CHOKE<br>SOLENOID LINK<br>FASTENING . . . . .     | 45  | 10       |
|             |  |     |          | 18-27769    | COTTER PIN, THROTTLE<br>CONTROL ROD . . . . .                 | 13  | 24       |
|             |  |     |          | 19-32298    | PLUG, PLASTIC - WATER<br>PICK-UP SCREW HOLE . .               | 31  | 17       |
|             |  |     |          | 19-32299    | WELCH PLUG, BODY<br>CHANNEL . . . . .                         | 11  | 25       |
|             |  |     |          | 21-28481A1  | CHECK VALVE ASSEMBLY,<br>LOWER END CAP . . . . .              | 19  | 32       |
|             |  |     |          | 21-30430    | VALVE, CHECK . . . . .  | 17  | 3        |
|             |  |     |          | 22-21290    | PLUG, GREASE - REVERSE<br>LOCK HOLE . . . . .                 | 33  | 44       |
|             |  |     |          | 22-22946    | SLEEVE, RUBBER -<br>CONNECTOR . . . . .                       | 17  | 13       |



# PARTS INDEX

| Part Number | Description  | Pg. | Ref. No. | Part Number | Description  | Pg. | Ref. No. |
|-------------|--|-----|----------|-------------|--|-----|----------|
| 22-22949    | CONNECTOR, PUMP INLET TO FUEL LINE . . . . .                   | 17  | 12       | 24-28965    | SPRING, TENSION - CHOKE ROD . . . . .                      | 9   | 21A      |
| 22-23612    | FITTING, GREASE - SWIVEL BRACKET . . . . .                     | 35  | 22       | 24-28975    | SPRING, GARTER - INTERNAL WIRING HARNESS . . . . .         | 47  | 40       |
| 22-29085    | ELBOW, FUEL PUMP TO CARBURETOR FUEL LINE                       | 17  | 24       | 24-29340A1  | SPRING, STARTER REWIND                                     | 3   | 9        |
| 22-30139    | PLUG, PIPE - WATER PRESSURE HOLE . . . . .                     | 19  | 20       | 24-29821    | SPRING, REVERSE LOCK TENSION . . . . .                     | 37  | 41       |
| 23-20216    | SPACER, TILT STOP LEVER  | 35  | 30       | 24-30621    | SPRING, DETENT - SHIFT SHAFT . . . . .                     | 27  | 25       |
| 23-20222    | SPACER, CLAMP BRACKET STUD . . . . .                           | 37  | 48       | 24-30858A1  | SPRING AND CONTACT ASSEMBLY . . . . .                      | 25  | 17       |
| 23-22981    | BUSHING, NYLON - VERTICAL ROD . . . . .                        | 13  | 29       | 24-31353    | SPRING, TENSION - FASTENING KNOB . . . . .                 | 7   | 5        |
| 23-23651    | SLEEVE, WATER INLET TUBE . . . . .                             | 31  | 7        | 24-32428    | SPRING, CHOKE ROD TENSION . . . . .                        | 9   | 17       |
| 23-26348    | BUSHING, CRANKCASE . . .                                       | 19  | 13       | 24-35522    | SPRING, TENSION - LOWER MOUNT CLAMP . . . . .              | 33  | 48       |
| 23-26348    | BUSHING, CYLINDER BLOCK COVER . . . . .                        | 21  | 53       | 25-20081    | "O" RING, LOWER END CAP                                    | 19  | 36       |
| 23-26850    | BUSHING, THROTTLE CONTROL LEVER TO BOTTOM COWL . . . . .       | 27  | 18       | 25-20116    | GROMMET, CHOKE KNOB . .                                    | 3   | 2        |
| 23-28374A1  | BUSHING ASSEMBLY, SHIFT SHAFT . . . . .                        | 39  | 8        | 25-20116    | GROMMET, CHOKE ROD . .                                     | 9   | 2        |
| 23-28911    | SPACER, SHEAVE SHAFT . .                                       | 3   | 15       | 25-20273    | RING, RUBBER - CENTRIFUGAL SLINGER (DRIVE SHAFT) . . . . . | 39  | 36       |
| 23-28912    | BUSHING, SPRING GUIDE . .                                      | 3   | 10       | 25-20415    | "O" RING, ADAPTOR STEM . .                                 | 17  | 18       |
| 23-28919    | BUSHING, NYLON - SHEAVE SHAFT SPACER . . . . .                 | 3   | 14       | 25-24961    | RING, RUBBER - WATER INLET TUBE . . . . .                  | 31  | 5        |
| 23-29529    | BUSHING, SHIFT CONTROL LEVER FASTENING SCREW . . . . .         | 29  | 43       | 25-25439    | "O" RING, SHIFT SHAFT BUSHING . . . . .                    | 39  | 7        |
| 23-29561    | BUSHING, REAR HANDLE STUD . . . . .                            | 5   | 44       | 25-26855    | "O" RING, WATER PUMP BASE . . . . .                        | 39  | 21       |
| 23-30419    | SLEEVE, INSULATION - GROUND LEAD . . . . .                     | 15  | 22       | 25-29619    | "O" RING, UPPER - DRIVE SHAFT . . . . .                    | 39  | 37       |
| 23-30438    | BUSHING, NYLON - CHOKE SHUTTER . . . . .                       | 45  | 13       | 25-31305    | "O" RING, UPPER END CAP                                    | 19  | 3        |
| 23-32427    | SPACER, CHOKE ROD SPRING STUD . . . . .                        | 9   | 16       | 25-31986    | "O" RING, BEARING CARRIER . . . . .                        | 43  | 60       |
| 23-33905    | BUSHING, THROTTLE STOP LEVER FASTENING SCREW . . . . .         | 27  | 37       | 25-36283    | "O" RING, FLYWHEEL HUB . .                                 | 13  | -        |
| 23-33906    | SPACER, THROTTLE CONTROL LEVER FASTENING SCREW . . . . .       | 27  | 17       | 26-23300    | OIL SEAL, BEARING CARRIER . . . . .                        | 43  | 63       |
| 23-34103    | BUSHING, NYLON - THROTTLE STOP LEVER FASTENING SCREW . . . . . | 29  | 39       | 26-23300    | OIL SEAL, WATER PUMP BASE . . . . .                        | 39  | 23       |
| 23-34440    | BUSHING, THROTTLE STOP LEVER FASTENING SCREW . . . . .         | 29  | 37       | 26-25192    | SEAL, WATER INLET TUBE . .                                 | 31  | 6        |
| 24-20254    | SPRING, COMPRESSION - CAM FOLLOWER . . . . .                   | 43  | 46       | 26-25192    | SEAL, WATER PUMP BODY TO WATER INLET TUBE . .              | 39  | 35       |
| 24-23067    | SPRING, ADAPTOR STEM . .                                       | 17  | 19       | 26-29476    | OIL SEAL, UPPER . . . . .                                  | 19  | 34       |
| 24-25122    | SPRING, TENSION - PUSH ROD . . . . .                           | 31  | 22       | 26-29478    | OIL SEAL, LOWER . . . . .                                  | 19  | 33       |
| 24-26890    | SPRING, THROTTLE SHAFT RETURN . . . . .                        | 11  | 26       | 26-29612    | SEAL, GEAR HOUSING FLUSHING HOLE . . . . .                 | 41  | 40       |
| 24-27087    | SPRING, HOLD DOWN RING CLAMP SCREW . . . . .                   | 19  | 11       | 26-31249    | OIL SEAL, SHIFT SHAFT BUSHING . . . . .                    | 39  | 9        |
|             |  |     |          | 26-32121    | OIL SEAL, WATER PUMP BODY . . . . .                        | 39  | 32       |
|             |  |     |          | 26-32911    | OIL SEAL, SWIVEL BRACKET . . . . .                         | 35  | 21       |
|             |  |     |          | 26-33995    | OIL SEAL . . . . .   | 19  | 5        |
|             |  |     |          | 27-23005    | GASKET, CHECK VALVE TO HOUSING . . . . .                   | 17  | 2        |
|             |  |     |          | 27-23180    | GASKET, IDLE TUBE . . . . .                                | 11  | 22       |
|             |  |     |          | 27-24863    | GASKET, FUEL PUMP . . . . .                                | 17  | 6        |
|             |  |     |          | 27-25033    | GASKET, INLET SEAT . . . . .                               | 11  | 7        |

# PARTS INDEX

| Part Number | Description   | Pg. | Ref. No. | Part Number | Description                                    | Pg. | Ref. No. |
|-------------|---|-----|----------|-------------|--|-----|----------|
| 27-25848    | GASKET, STRAINER COVER<br>SCREW                     | 11  | 16       | 31-31215A1  | TAPERED ROLLER BEARING<br>ASSEMBLY             | 43  | 50       |
| 27-25849    | GASKET, STRAINER COVER<br>(SMALL)                   | 11  | 14       | 31-31216    | CUP, TAPERED ROLLER<br>BEARING                 | 43  | 51       |
| 27-28406    | GASKET, JET CHANNEL<br>PLUG SCREW                   | 11  | 31       | 31-33958    | BEARING, ROLLER - UPPER<br>END CAP             | 19  | 4        |
| 27-28409    | GASKET, MAIN FUEL JET                               | 11  | 30       | 32-30038    | FUEL LINE, FUEL PUMP TO<br>CARBURETOR (5 7/8") | 17  | 23       |
| 27-29586    | GASKET, GEAR HOUSING<br>FLUSHING HOLE SCREW         | 41  | 39       | 32-31998    | TUBE, WATER INLET                              | 31  | 4        |
| 27-30276    | GASKET, FUEL PUMP<br>COVER                          | 17  | 9        | 32-34066    | FUEL LINE, FUEL PUMP TO<br>ADAPTOR             | 17  | 15       |
| 27-31402    | GASKET, CARBURETOR<br>FLANGE                        | 11  | 35       | 32-34243    | FUEL LINE, FUEL PUMP TO<br>CARBURETOR (7 1/8") | 17  | 23       |
| 27-31995    | GASKET, DRIVE SHAFT<br>HOUSING TO BOTTOM<br>COWL    | 31  | 15       | 33-20127    | SPARK PLUG (CHAMPION -<br>J6J)                 | 15  | 27       |
| 27-32769    | GASKET, LOWER - WATER<br>PUMP BASE TO FACE<br>PLATE | 39  | 25       | 34-31240    | REED STOP, MAIN BEARING<br>REED VALVES         | 23  | 9        |
| 27-32770    | GASKET, UPPER - FACE<br>PLATE TO WATER PUMP<br>BODY | 39  | 27       | 34-32203A1  | REED SET, MAIN BEARING<br>(MATCHED)            | 23  | 8        |
| 27-32771    | GASKET, WATER PUMP<br>BASE TO GEAR HOUSING          | 39  | 20       | 37-33934    | DECAL, WRAP AROUND<br>COWL - STARBOARD         | 7   | 17       |
| 27-33947    | GASKET, POWERHEAD TO<br>BOTTOM COWL                 | 25  | 5        | 37-33935    | DECAL, WRAP AROUND<br>COWL - PORT              | 7   | 18       |
| 27-33949    | GASKET, MANIFOLD PLATE<br>TO EXHAUST COVER          | 21  | 43       | 37-33936    | DECAL, WRAP AROUND<br>COWL - REAR              | 7   | 19       |
| 27-33950    | GASKET, CYLINDER BLOCK<br>TO MANIFOLD PLATE         | 21  | 41       | 37-33964    | DECAL, COWL FRONT<br>COVER                     | 7   | 8        |
| 27-33951    | GASKET, CYLINDER BLOCK<br>COVER                     | 21  | 54       | 37-33966    | DECAL, "FULL GEAR SHIFT"<br>- STARBOARD        | 31  | 11       |
| 27-33955    | GASKET, TRANSFER PORT<br>COVER                      | 19  | 22       | 37-33967    | DECAL, "FULL GEAR SHIFT"<br>- PORT             | 31  | 12       |
| 27-34161    | GASKET SET (MOTOR<br>OVERHAUL)                      | 1   | -        | 37-33971    | DECAL, COWL FRONT<br>COVER (UPPER)             | 7   | 9        |
| 27-34614    | GASKET, STRAINER COVER<br>(LARGE)                   | 11  | 12       | 37-34163A1  | DECAL SET (MERC 350M)                          | 1   | -        |
| 28-30250    | KEY, FLYWHEEL                                       | 23  | 1        | 37-35393    | DECAL, TRIM COVER                              | 31  | 9        |
| 28-30250    | KEY, FLYWHEEL DRIVE                                 | 13  | 3        | 37-35620    | DECAL, COWL FRONT<br>COVER                     | 7   | 8A       |
| 28-30281    | KEY, LOCATING - BEARING<br>CARRIER                  | 43  | 64       | 37-35621    | DECAL, COWL FRONT<br>COVER (UPPER)             | 7   | 9A       |
| 29-30401    | BEARING NEEDLE - PISTON<br>PIN                      | 23  | 16       | 37-35622    | DECAL, WRAP AROUND<br>COWL - STARBOARD         | 7   | 17       |
| 29-30403    | BEARING, NEEDLE -<br>CRANKPIN                       | 23  | 15       | 37-35623    | DECAL, WRAP AROUND<br>COWL - PORT              | 7   | 18       |
| 30-20080    | BALL BEARING, LOWER<br>END CAP                      | 19  | 35       | 38-31061    | SERIAL PLATE                                   | 35  | 18       |
| 30-20080    | BALL BEARING, UPPER END<br>CAP                      | 19  | 2        | 39-32921    | RING, PISTON                                   | 23  | 20       |
| 30-20839    | BEARING, BALL - REVERSE<br>GEAR                     | 43  | 58       | 39-33945    | RING, PISTON (.015<br>OVERSIZE) - OVERSIZED    | 23  | -        |
| 30-20861    | BEARING, BALL - DRIVE<br>SHAFT                      | 39  | 14       | 40-32118    | LOCK RING, PISTON PIN                          | 23  | 19       |
| 31-20231    | BEARING, ROLLER - DRIVE<br>SHAFT                    | 39  | 4        | 43-33843    | GEAR, PINION - DRIVE<br>SHAFT                  | 39  | 17       |
| 31-20249    | BEARING, ROLLER -<br>BEARING CARRIER                | 43  | 62       | 43-33844    | FORWARDING GEAR<br>ASSEMBLY                    | 43  | 48       |
|             |   |     |          | 43-33844    | REVERSE GEAR ASSEMBLY                          | 43  | 56       |
|             |   |     |          | 43-33844A1  | FORWARD GEAR<br>ASSEMBLY, COMPLETE             | 43  | --       |
|             |   |     |          | 43-33844A2  | REVERSE GEAR<br>ASSEMBLY, COMPLETE             | 43  | --       |
|             |   |     |          | 44-32000    | SHAFT, PROPELLER                               | 43  | 55       |
|             |   |     |          | 45-31996    | /DRIVE SHAFT (STANDARD)                        | 39  | 12       |

# PARTS INDEX

| Part Number | Description                                | Pg. | Ref. No. | Part Number | Description   | Pg. | Ref. No. |
|-------------|--|-----|----------|-------------|---|-----|----------|
| 46-32767A1  | WATER PUMP BODY ASSEMBLY                   | 39  | 30       | 398-732     | CLIP, GROUND WIRE LEAD                                  | 15  | 5        |
| 47-20268    | IMPELLER, WATER PUMP                       | 39  | 28       | 422-2186    | CRANKSHAFT  | 23  | 2        |
| 50-28985A1  | STARTER CABLE ASSEMBLY                     | 3   | 26       | 533-2034A2  | MAIN BEARING ASSEMBLY, VALVE TYPE                       | 23  | 3        |
| 50-30829    | STARTER MOTOR ASSEMBLY                     | 45  | 23       | 611-1885A2  | CONNECTING ROD ASSEMBLY                                 | 23  | 12       |
| 50-30994    | SHEAVE ASSEMBLY                            | 3   | 11       | 732-2045A4  | PISTON AND PISTON PIN ASSEMBLY                          | 23  | 18       |
| 50-33000A1  | RATCHET ASSEMBLY, FLYWHEEL                 | 45  | 19       | 732-2194A1  | PISTON AND PISTON PIN ASSEMBLY - OVERSIZED              | 23  | -        |
| 50-33000A1  | RATCHET ASSEMBLY, FLYWHEEL                 | 13  | 6        | 838-2176A2  | CYLINDER BLOCK AND CRANKCASE ASSEMBLY                   | 19  | 12       |
| 53-20842    | RING, RETAINING - CROSS PIN                | 43  | 54       | 1015-2175A1 | CYLINDER BLOCK COVER ASSEMBLY                           | 21  | 52       |
| 53-21058    | "E" RING, COWL LATCH HINGE PIN             | 7   | 12       | 1126-2187A1 | END CAP ASSEMBLY, LOWER                                 | 19  | 31       |
| 53-29116    | RING, SNAP - BALL BEARING RETAINING        | 39  | 15       | 1130-2177A2 | END CAP ASSEMBLY, UPPER                                 | 19  | 1        |
| 54-22740    | CLIP, WIRING HARNESS LEADS                 | 47  | 47       | 1335-2210   | CARBURETOR ASSEMBLY, COMPLETE                           | 9   | 12       |
| 54-22783    | "S" CLIP, CHOKE SOLENOID LEADS TO TOP COWL | 45  | 11       | 1335-2210   | CARBURETOR ASSEMBLY, COMPLETE (KC-4A)                   | 11  | 1        |
| 54-24836    | CLIP, GROUND LEAD                          | 15  | 30       | 1399-101    | LEVER, FLOAT (UPPER)                                    | 11  | 5        |
| 54-24836    | CLIP, WIRING HARNESS TO CRANKCASE BRACKET  | 47  | 44       | 1399-102    | LEVER, FLOAT (LOWER)                                    | 11  | 4        |
| 54-26550    | CLIP, STOP SWITCH LEADS TO EXHAUST COVER   | 25  | 21       | 1399-110A1  | FLOAT ASSEMBLY  | 11  | 2        |
| 54-31059    | CLIP, CORE AND COIL                        | 15  | 3        | 1399-1133   | COVER, FLOAT BOWL                                       | 11  | 9        |
| 54-33992    | CLAMP, LEAD WIRE                           | 15  | 12       | 1399-1465   | JET, MAIN FUEL (.065)                                   | 11  | 29       |
| 90-34164    | MERC 250 PARTS LIST, COMPLETE              | 1   | -        | 1399-1467   | JET, MAIN FUEL (.067)                                   | 11  | 29       |
| 92-25143    | DECAL SOLUTION (PINT BOTTLE)               | 1   | -        | 1399-1473   | INLET NEEDLE, SEAT AND GASKET                           | 11  | 6        |
| 92-25234    | GLUE (BLANKET ADHESIVE)                    | 1   | -        | 1399-1713   | SCREW, IDLE ADJUSTMENT                                  | 11  | 33       |
| 92-25234    | GLUE, ADHESIVE - BLANKET FASTENING         | 7   | --       | 1399-1754   | SCREEN, FILTER  | 11  | 13       |
| 94-29616    | SHIPPING CARTON (FUEL TANK)                | 1   | -        | 1399-1962   | JET, MAIN FUEL (.069) - STANDARD                        | 11  | 29       |
| 94-33998    | SHIPPING CARTON (MOTOR) - MERC 350M        | 1   | -        | 1399-2011   | JET, MAIN FUEL (.071)                                   | 11  | 29       |
| 94-35679    | SHIPPING CARTON (MOTOR) - MERC 350M-1      | 1   | -        | 1399-2012   | SHAFT, THROTTLE   | 11  | 20       |
| 218-2241A1  | FLYWHEEL ASSEMBLY, COMPLETE                | 13  | 4        | 1399-2015   | GASKET AND PACKING SET                                  | 11  | --       |
| 218-2242A1  | FLYWHEEL ASSEMBLY, COMPLETE                | 45  | 17       | 1399-2015   | GASKET AND PACKING SET (CARBURETOR)                     | 1   | -        |
| 398-2201    | COIL ASSEMBLY                              | 15  | 2        | 1399-2178   | TUBE, IDLE  | 11  | 21       |
| 398-2202    | BREAKER ASSEMBLY                           | 15  | 16       | 1399-2237   | SHUTTER, THROTTLE                                       | 11  | 24       |
| 398-2203    | CONDENSER ASSEMBLY                         | 15  | 7        | 1399-2238   | REPAIR PARTS KIT  | 11  | --       |
| 398-2204    | LEAD WIRE, TOP                             | 15  | 24       | 1399-2238   | REPAIR PARTS KIT (CARBURETOR)                           | 1   | -        |
| 398-2205    | LEAD WIRE                                  | 15  | 23       | 1399-2371   | COVER, STRAINER   | 11  | 15       |
| 398-2206    | GROUND LEAD, STATOR TO TERMINAL BLOCK      | 15  | 21       | 1399-2418   | MAIN NOZZLE   | 11  | 27       |
| 398-2207    | FELT, CAM - BREAKER                        | 15  | 4        | 1399-97     | LEVER, THROTTLE STOP                                    | 11  | 19       |
| 398-2208    | COVER, DUST - STATOR PLATE                 | 15  | 28       | 1399-99     | GASKET, FLOAT BOWL COVER                                | 11  | 8        |
| 398-2221    | STATOR PLATE AND CORE                      | 15  | 1        | 1427-1810A1 | CLAMP BRACKET ASSEMBLY                                  | 35  | 1        |
| 398-2221A1  | STATOR PLATE ASSEMBLY, COMPLETE            | 13  | 10       | 1455-2211A3 | SWIVEL BRACKET ASSEMBLY                                 | 35  | 20       |
|             |  |     |          | 1545-1971   | HOUSING, DRIVE SHAFT                                    | 31  | 1        |
|             |  |     |          | 1545-2337A4 | DRIVE SHAFT HOUSING ASSEMBLY                            | 31  | 1        |
|             |  |     |          | 1626-2040A1 | GEAR HOUSING ASSEMBLY                                   | 39  | 1        |
|             |  |     |          | 1626-2040A1 | GEAR HOUSING ASSEMBLY (SEE PAGE 26 FOR PARTS BREAKDOWN) | 43  | 1        |

# PARTS INDEX

| Part Number | Description   | Pg. | Ref. No. | Part Number | Description | Pg. | Ref. No. |
|-------------|---|-----|----------|-------------|-------------|-----|----------|
| 1626-2040A6 | GEAR HOUSING ASS'Y,<br>COMP. (STANDARD) - SEE<br>NOTE BELOW . . . . .       | 43  | -        |             |             |     |          |
| 1626-2040A6 | GEAR HOUSING ASSEMBLY,<br>COMPLETE (STANDARD) -<br>SEE NOTE BELOW . . . . . | 39  | -        |             |             |     |          |
| 2100-2172A2 | TOP COWL ASSEMBLY . . . . .   | 3   | 1        |             |             |     |          |
| 2101-2173A2 | BOTTOM COWL ASSEMBLY  | 25  | 1        |             |             |     |          |
| 2101-2173A2 | BOTTOM COWL ASSEMBLY<br>(SEE PAGE 18 FOR<br>PARTS BREAKDOWN) . . .          | 27  | 1        |             |             |     |          |
| 2102-2191A1 | COWL FRONT COVER<br>ASSEMBLY . . . . .                                      | 7   | 1        |             |             |     |          |
| 2102-2191A2 | COWL FRONT COVER<br>ASSEMBLY . . . . .                                      | 7   | 1        |             |             |     |          |
| 2103-2200A2 | WRAP AROUND COWL<br>ASSEMBLY . . . . .                                      | 7   | 10       |             |             |     |          |
| 2109-2363A2 | WRAP AROUND COWL<br>ASSEMBLY . . . . .                                      | 7   | 10       |             |             |     |          |