



PARTS CATALOG

MERC 200

SERIAL NUMBER

200 1558310 THRU 1866495

TABLE OF CONTENTS:

BOTTOM COWL ASSEMBLY	38
CARBURETOR ASSEMBLY	16
CARBURETOR CHOKE LINKAGE	18
CLAMP AND SWIVEL BRACKET ASSEMBLY	40
CRANKSHAFT AND CENTER MAIN BEARING ASSEMBLY	32
CYLINDER BLOCK AND CRANKCASE ASSEMBLY	28
DRIVE SHAFT HOUSING ASSEMBLY	42
FLYWHEEL ASSEMBLY AND THROTTLE CONTROL LINKAGE	12
FUEL PUMP AND FUEL LINE ASSEMBLY	20
GEAR HOUSING ASSEMBLY, COMPLETE (PAGE 1)	44
GEAR HOUSING ASSEMBLY, COMPLETE (PAGE 2)	48
MAGNETO ASSEMBLY	8
MISCELLANEOUS PARTS/ACCESSORIES	1
PARTS INDEX	50
PISTON AND CONNECTING ROD ASSEMBLY	34
SHIFT CONTROL LINKAGE	22
STATOR PLATE ASSEMBLY	14
STEERING HANDLE ASSEMBLY	36
THROTTLE CONTROL LINKAGE	24
TOP COWL AND STARTER ASSEMBLY (MERC 200)	2
TOP COWL AND STARTER ASSEMBLY (MERC 200-1 AND MERC 200-2)	4

NOTE: *Indented description indicate that these parts are included in preceeding assembly.*

AR = As Required

NSS = Not Sold Separate

OPT = Optional

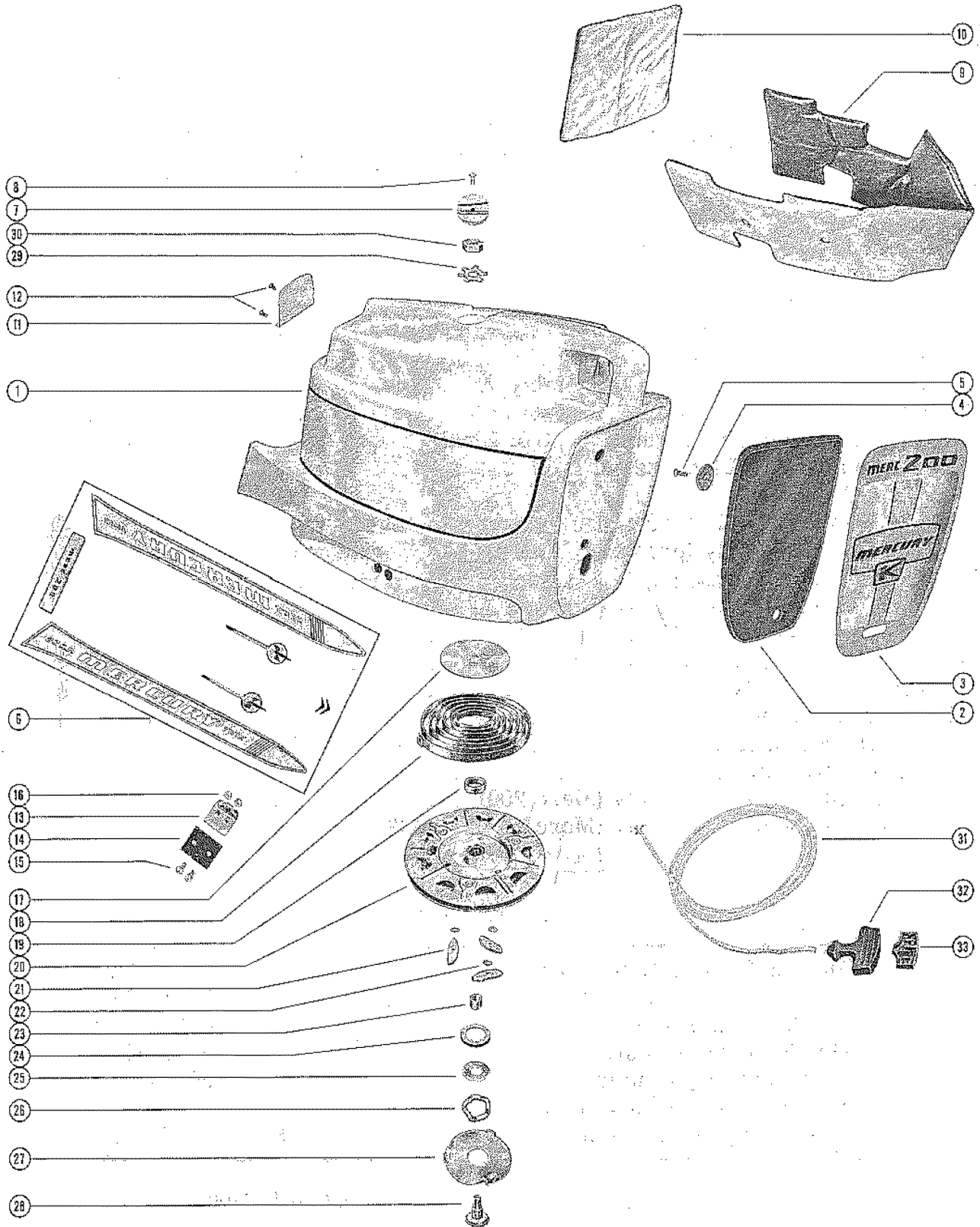
NS = Not Shown

THESE PARTS BOOKS/FICHE CARD ARE COPYRIGHTED AND MAY NOT BE DISTRIBUTED OR REPRODUCED IN ANY OTHER FORMAT BY ANYONE OTHER THAN MERCURY MARINE WITHOUT THE PRIOR WRITTEN CONSENT OF MERCURY MARINE.

MISCELLANEOUS PARTS/ACCESSORIES

REF. NO.	PART NO.	SYM.	QTY.	DESCRIPTION
-	90-34168		0	MERC 200 PARTS LIST, COMPLETE
-	27-33928		0	GASKET SET (MOTOR OVERHAUL)
-	23597A1		0	FLUSHING ASSEMBLY
-	92-25234		0	GLUE (BLANKET ADHESIVE)
-	94-35743		0	SHIPPING CARTON (MOTOR)
-	94-29616		0	SHIPPING CARTON (FUEL TANK)
-	46-38971A2		0	HEAVY DUTY WATER PUMP

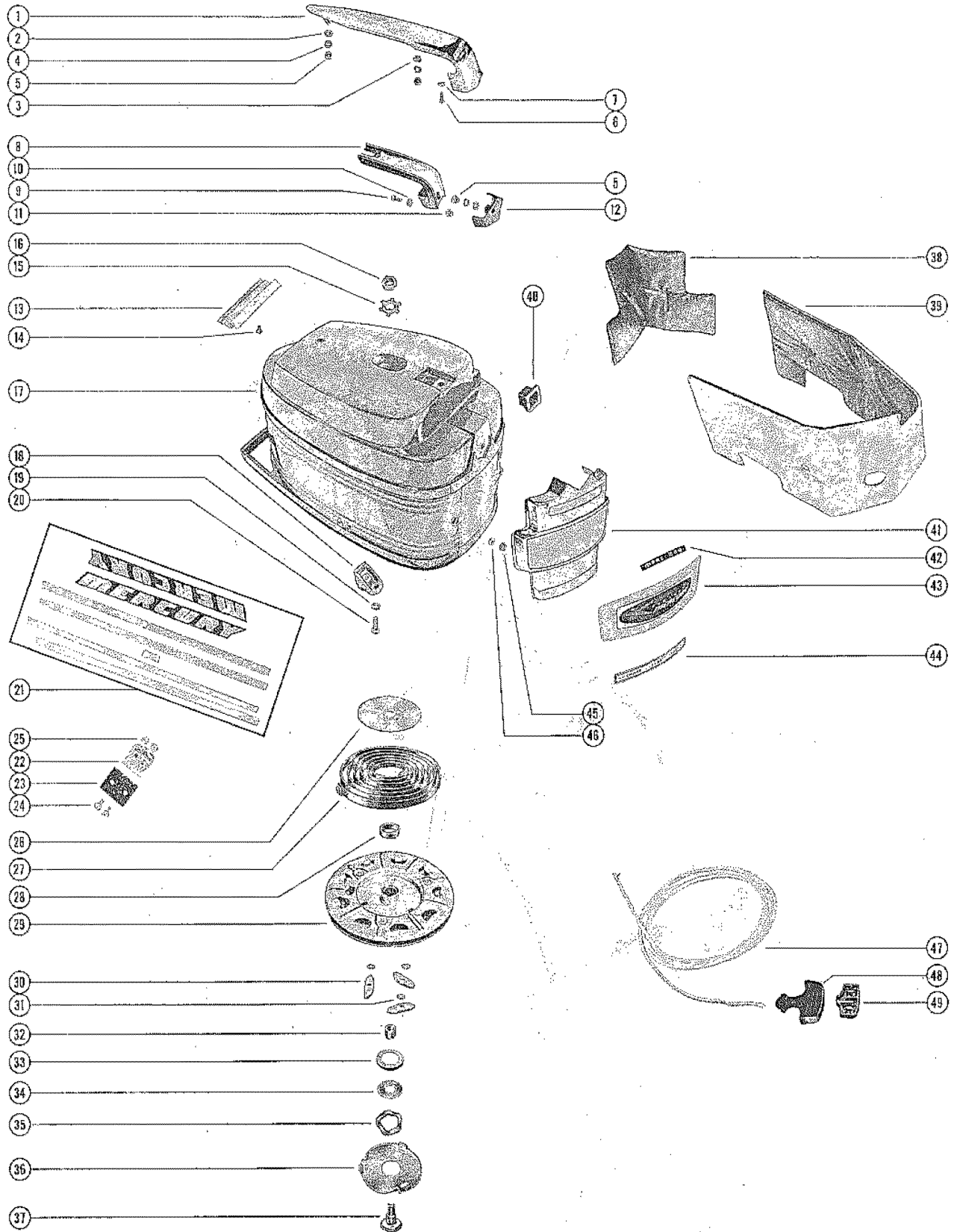
TOP COWL AND STARTER ASSEMBLY (MERC 200)



TOP COWL AND STARTER ASSEMBLY (MERC 200)

REF. NO.	PART NO.	SYM.	QTY.	DESCRIPTION
1	176-1425		1	TOP COWL
2	33733		1	PLAQUE, FRONT-TOP COWL
3	37-33732		1	DECAL, FRONT PLAQUE-TOP COWL
4	12-33961		2	WASHER, FRONT PLAQUE TO TOP COWL
5	10-25255		2	SCREW, FRONT PLAQUE TO TOP COWL
6	37-33925A1		1	DECAL SET, TOP COWL
7	28041		1	COVER, TRIM-TOP COWL
8	10-28156		1	SCREW, TRIM COVER TO TOP COWL
9	33575		1	BLANKET, TOP COWL-FRONT AND SIDE
10	28278		1	BLANKET, TOP COWL-REAR
11	28823		1	SCREEN, VENT-TOP COWL
12	10-30663		3	SCREW, SCREEN TO TOP COWL
13	28113		2	BRACKET, TOP COWL MOUNTING
14	27-28448		2	GASKET, TOP COWL MOUNTING BRACKET
15	10-29072		4	SCREW, MOUNTING BRACKET TO TOP COWL
16	11-27164		4	NUT, MOUNTING BRACKET SCREW
17	20155		1	RETAINER, STARTER SPRING
18	24-29340A1		1	SPRING, STARTER REWIND
19	23-20159		1	BUSHING, SPRING GUIDE
20	50-28895		1	SHEAVE ASSEMBLY, STARTER
21	20162		3	PAWL, STARTER
22	13-29402		3	WASHER, WAVE - STARTER PAWL
23	23-20158		1	SPACER, SHEAVE SHAFT
24	26179		1	RETAINER, WAVE WASHER
25	12-26180		1	WASHER, WAVE WASHER RETAINER
26	13-20160		1	WASHER, WAVE - STARTER SHEAVE TENSION
27	20164		1	PLATE, RETAINER - STARTER PAWL
28	20157		1	SHAFT, SHEAVE
29	14-20165		1	TAB WASHER, SHEAVE SHAFT NUT
30	11-20166		1	NUT, SHEAVE SHAFT (LEFT HAND THREAD)
31	50-22791A1		1	STARTER CABLE ASSEMBLY
32	28747		1	HANDLE, STARTER CABLE
33	28748		1	RETAINER, STARTER CABLE HANDLE
-	92-25234		1	GLUE, ADHESIVE - BLANKET FASTENING

TOP COWL AND STARTER ASSEMBLY (MERC 200-1 AND MERC 200-2)

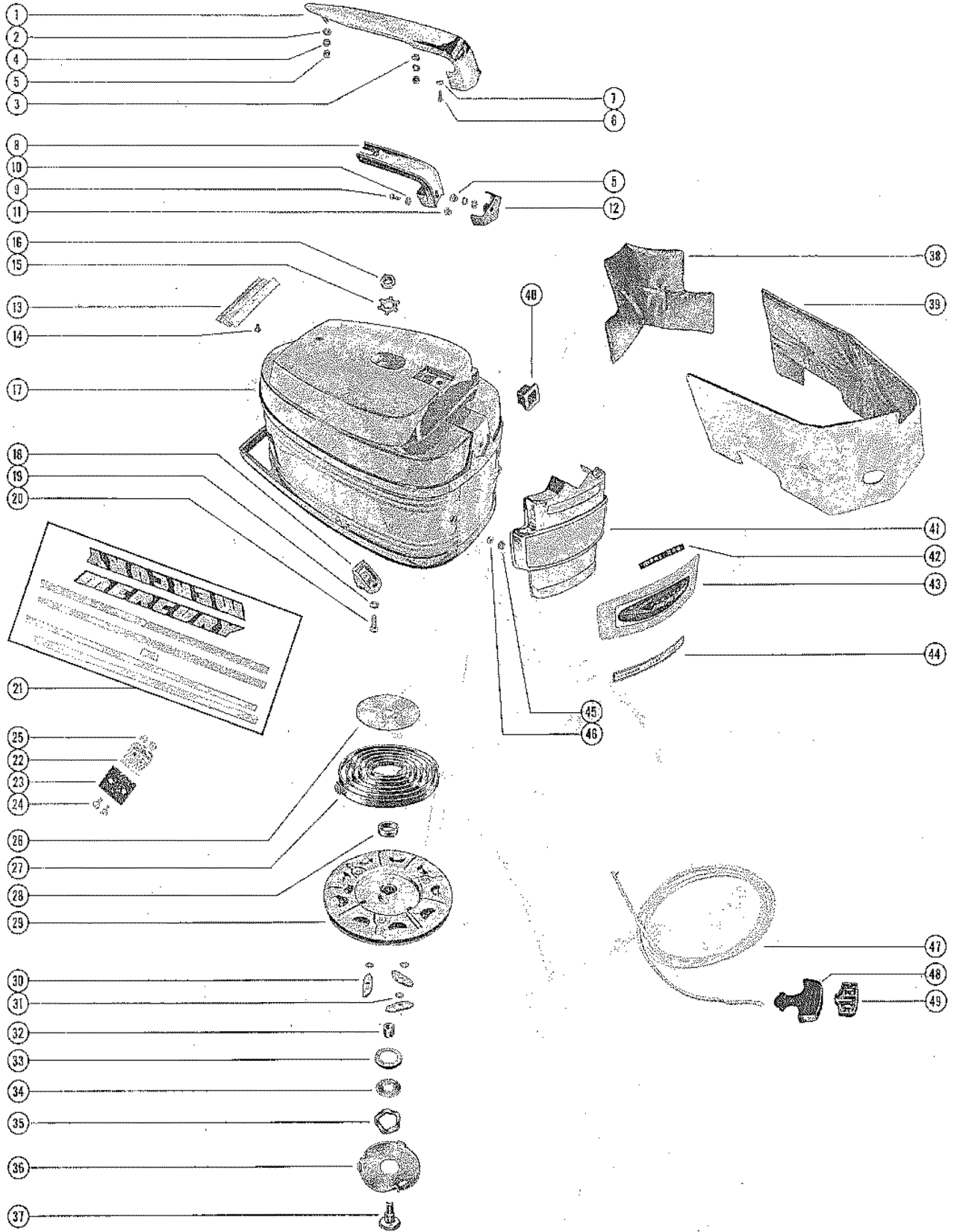


TOP COWL AND STARTER ASSEMBLY (MERC 200-1 AND MERC 200-2)

REF. NO.	PART NO.	SYM.	QTY.	DESCRIPTION
1	35655		1,1	HANDLE, CHROME - TOP COWL
2	12-22937		1,1	WASHER, CHROME HANDLE STUD
3	12-29245		2,2	WASHER, INSIDE HANDLE TO CHROME HANDLE STUD
4	13-26992		OPT,OPT	LOCKWASHER, CHROME HANDLE STUD
5	11-20088		3,3	NUT, INSIDE HANDLE TO CHROME HANDLE STUD
6	10-28636		1,1	SCREW, INSIDE HANDLE TO CHROME HANDLE
7	13-26992		1,1	LOCKWASHER, INSIDE HANDLE TO CHROME HANDLE SCREW
8	35661		1,1	HANDLE, INSIDE - TOP COWL
9	10-21091		1,1	SCREW, INSIDE HANDLE TO CHROME HANDLE
10	12-29245		1,1	WASHER, INSIDE HANDLE TO CHROME HANDLE SCREW
11	11-24652		1,1	NUT, INSIDE HANDLE TO CHROME HANDLE SCREW
12	35384		1,1	KEY, TOP COWL HANDLE
13	35660		1,1	SCREEN, VENT - TOP COWL
14	10-30663		2,2	SCREW, VENT SCREEN TO TOP COWL
15	14-20165		1,1	TAB WASHER, SHEAVE SHAFT NUT
16	11-20166		1,1	NUT, SHEAVE SHAFT (LEFT HAND THREAD)
17	2112-2391		1,1	TOP COWL
18	35659		1,1	BRACKET, FRONT - TOP COWL MOUNTING
19	13-26993		1,1	LOCKWASHER, FRONT BRACKET MOUNTING SCREW
20	10-24234		1,1	SCREW, FRONT BRACKET TO TOP COWL
21	37-35676A1		1,	DECAL SET, TOP COWL (NOT AS SHOWN)
	37-37790A1		,1	DECAL SET, TOP COWL
22	28113		2,2	BRACKET, TOP COWL FASTENING
23	27-28448		2,2	GASKET, TOP COWL FASTENING BRACKET
24	10-29072		4,	SCREW, BRACKET TO TOP COWL
	10-37656		,4	SCREW, BRACKET TO TOP COWL
25	11-27164		4,4	NUT, BRACKET FASTENING SCREW
26	20155		1,1	RETAINER, STARTER SPRING
27	24-29340A1		1,1	SPRING, STARTER REWIND
28	23-20159		1,1	BUSHING, SPRING GUIDE
29	50-28895		1,1	STARTER SHEAVE ASSEMBLY
30	20162		3,3	PAWL, STARTER
31	13-29402		3,3	WASHER, WAVE - STARTER PAWL
32	23-20158		1,1	SPACER, SHEAVE SHAFT
33	26179		1,1	RETAINER, STARTER SHEAVE TO PLATE
34	12-26180		1,1	WASHER, STARTER SHEAVE RETAINER
35	13-20160		1,1	WASHER, WAVE - STARTER SHEAVE TENSION
36	20164		1,1	PLATE, RETAINER - STARTER PAWL
37	20157		1,1	SHAFT, SHEAVE
38	35776		1,1	BLANKET, SOUND ABSORBING - TOP COWL (REAR)
39	35775		1,1	BLANKET, SOUND ABSORBING - TOP COWL

CONTINUED ON NEXT PAGE ➡

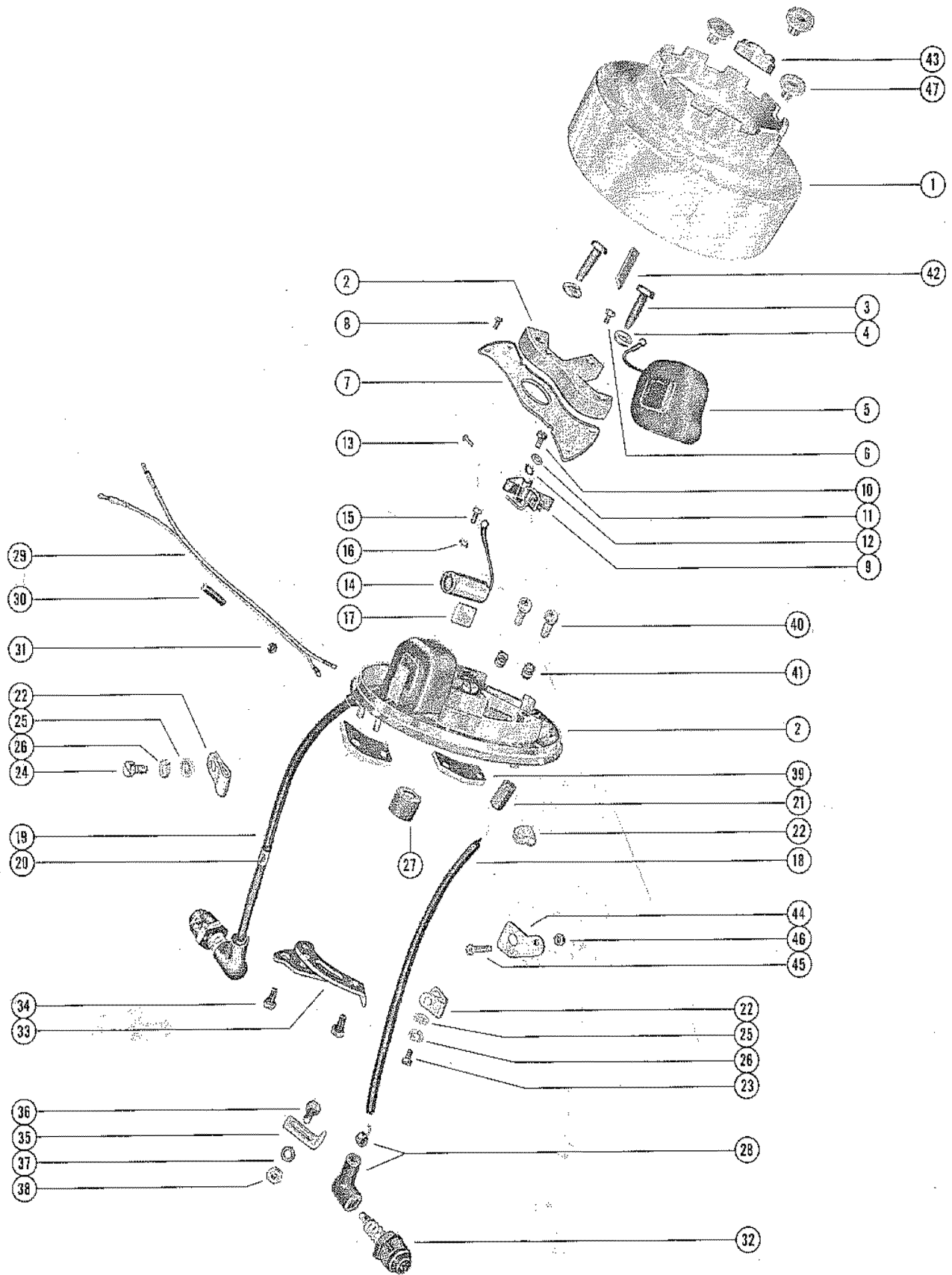
TOP COWL AND STARTER ASSEMBLY (MERC 200-1 AND MERC 200-2)



TOP COWL AND STARTER ASSEMBLY (MERC 200-1 AND MERC 200-2)

REF. NO.	PART NO.	SYM.	QTY.	DESCRIPTION
40	38454		,1	INSERT, NYLON - ROPE GUIDE NOTE: ORDER A-37938 ROPE GUIDE INSERT FOR ALL MERC 200-1 AND MERC 200L-1 ENGINES.
41	2111-2388A2		1,	COVER ASSEMBLY, FRONT
	2111-2388A3		,1	COVER ASSEMBLY, FRONT
42	37-35678		1,	DECAL, FRONT COVER ("MERC 200")
	37-37788		,1	DECAL, FRONT COVER ("MERC 200")
43	37-35697		1,	DECAL, FRONT COVER
	37-37789		,1	DECAL, FRONT COVER
44	37-37787		,1	DECAL, FRONT COVER ("CHOKE - STOP - FUEL")
45	12-29245		4,4	WASHER, FRONT COVER STUD
46	11-20361		2,2	NUT, FRONT COVER TO TOP COWL
47	50-22791A1		1,1	STARTER CABLE ASSEMBLY
48	28747		1,1	HANDLE, STARTER CABLE
49	28748		1,1	RETAINER, STARTER CABLE AND HANDLE
-	92-25234		1,1	GLUE, ADHESIVE - BLANKET FASTENING

MAGNETO ASSEMBLY

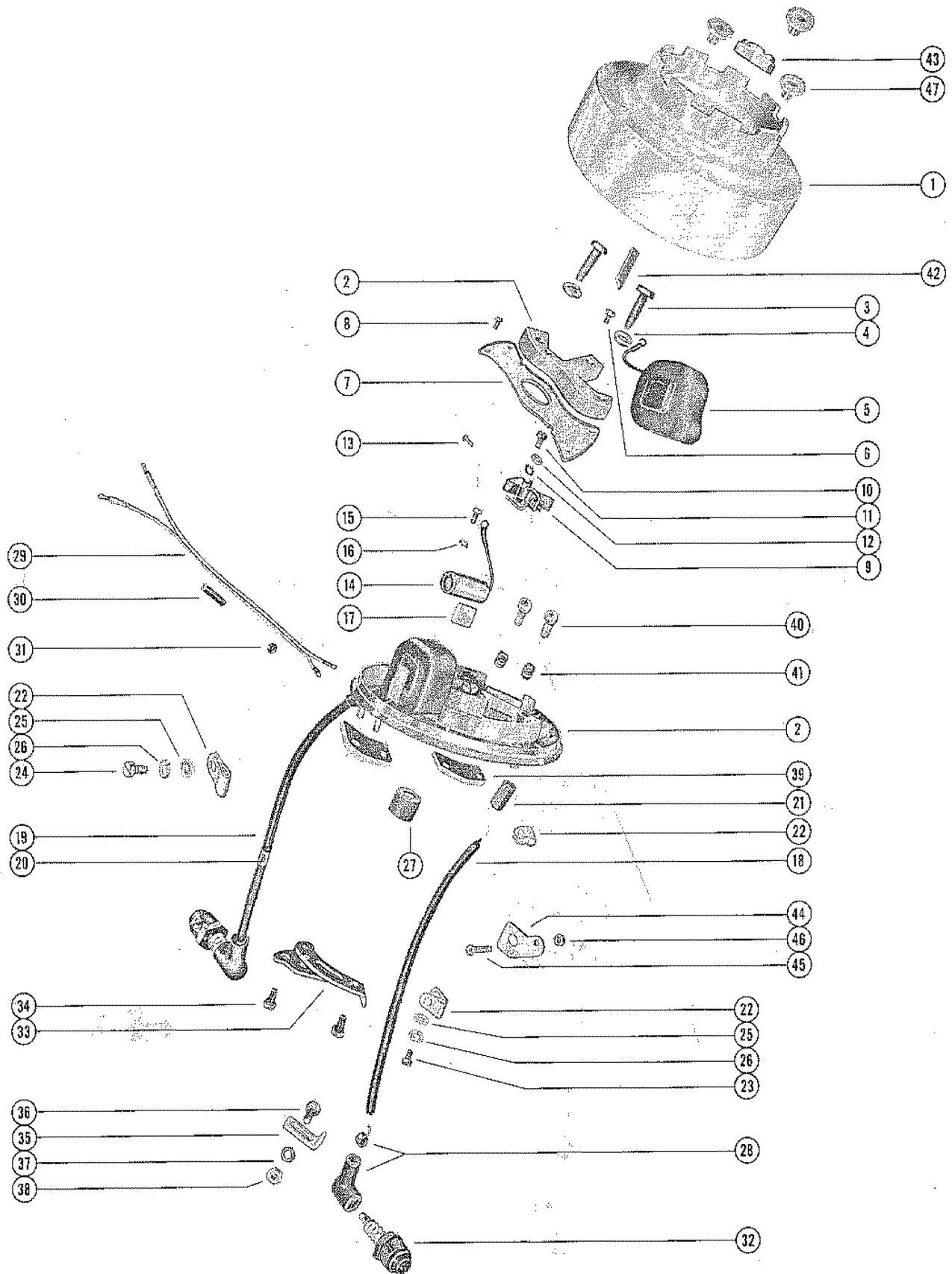


MAGNETO ASSEMBLY

REF. NO.	PART NO.	SYM.	QTY.	DESCRIPTION
1	328-1336A1		1	FLYWHEEL ASSEMBLY
-	398-1736A1		1	STATOR ASSEMBLY, COMPLETE
2	398-1736		1	STATOR AND CORE
3	398-963		4	SCREW, CORE FASTENING
4	13-21144		4	LOCKWASHER, CORE FASTENING SCREW
5	398-173		2	COIL, IGNITION
6	10-21130		2	SCREW, GROUND TERMINAL
7	398-190		1	COVER, BREAKER COMPARTMENT SEALING
8	10-30429		4	SCREW, SEALING COVER FASTENING
9	398-174		2	BREAKER ASSEMBLY
10	10-23977		2	SCREW, BREAKER FASTENING
11	12-21135		2	WASHER, BREAKER FASTENING SCREW
12	13-21134		2	LOCKWASHER, BREAKER FASTENING SCREW
13	10-23976		2	SCREW, BREAKER CONNECTION
14	398-693		2	CONDENSER
15	10-21136		2	SCREW, CONDENSER FASTENING
16	13-21134		2	LOCKWASHER, CONDENSER FASTENING SCREW
17	398-192		1	WICK, FELT
-	398-193		1	PLUG, FELT
18	398-980		1	LEAD WIRE (SHORT)
19	398-981		1	LEAD WIRE (LONG)
20	20623		1	MARKER, "TOP" - LEAD WIRE
21	32-21137		1	TUBE, LEAD WIRE (PORT SIDE)
-	23-25217		1	BUSHING, LEAD WIRE (STARBOARD SIDE)
22	398-182		3	CLAMP, PLASTIC - LEAD WIRE TO STATOR
23	10-23977		1	SCREW, LEAD WIRE CLAMP (SHORT)
24	10-21139		1	SCREW, LEAD WIRE CLAMP (LONG)
25	12-21135		2	WASHER, LEAD WIRE CLAMP SCREW
26	13-21134		2	LOCKWASHER, LEAD WIRE CLAMP SCREW
27	398-1098		1	BUSHING, LEAD WIRES
28	20119		2	PROTECTOR, SPARK PLUG
29	398-1872		1	GROUND LEAD, MAGNETO TO SHORTIN GSWITCH TERMINAL BLOCK
30	23-30419		1	SLEEVE, GROUND LEAD INSULATION
31	25-29051		1	GROMMET, GROUND LEAD THRU STATOR PLATE
32	33-20127		2	SPARK PLUG (CHAMPION J6J)
33	33735A3		1	THROTTLE CONTROL CAM ASSEMBLY
34	10-20616		2	SCREW, THROTTLE CAM TO STATOR PLATE
35	29013		1	IDLE STOP, ADJUSTABLE
36	10-21548		1	SCREW, IDLE STOP TO TOP COWL BRACKET
37	12-20028		1	WASHER, IDLE STOP FASTENING SCREW
38	11-24652		1	NUT, IDLE STOP SCREW
39	26565		2	CLIP, MAGNETO HOLD DOWN

CONTINUED ON NEXT PAGE ➡

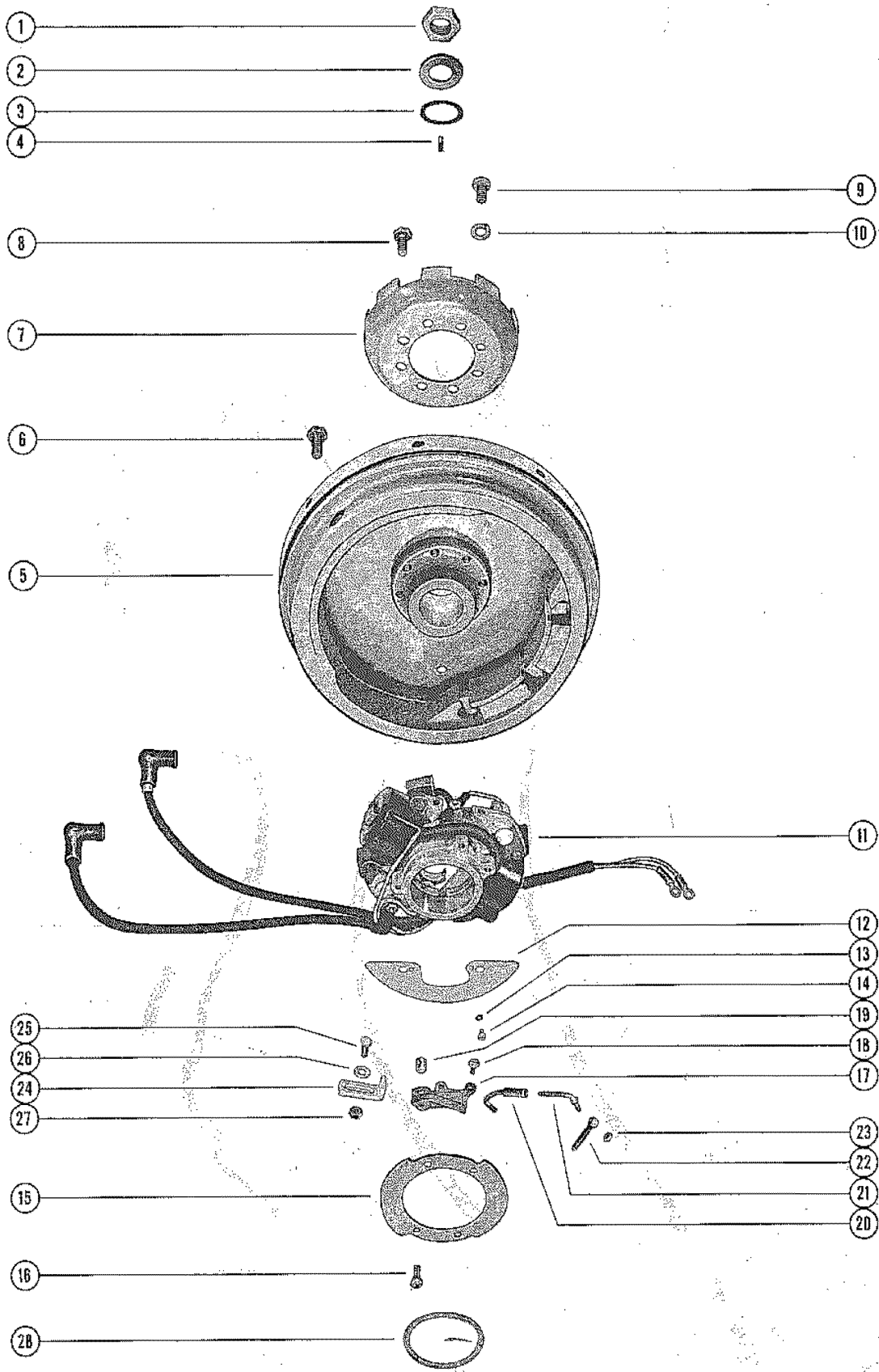
MAGNETO ASSEMBLY



MAGNETO ASSEMBLY

REF. NO.	PART NO.	SYM.	QTY.	DESCRIPTION
40	10-29248		4	SCREW, HOLD DOWN CLIP TO MAGNETO
41	24-27087		4	SPRING, HOLD DOWN CLIP SCREW
42	28-20094		1	KEY, FLYWHEEL
43	11-22339		1	NUT, FLYWHEEL
44	30046		1	STOP, MAGNETO ADVANCE
45	10-30095		1	SCREW, ADJUSTMENT - MAGNETO ADVANCE STOP
46	11-29798		1	NUT, ADJUSTMENT STOP SCREW
47	19-29900		3	PLUG, PLASTIC - FLYWHEEL SCREW HOLES
-	92-33673		1	IGNITION COIL BOND KIT

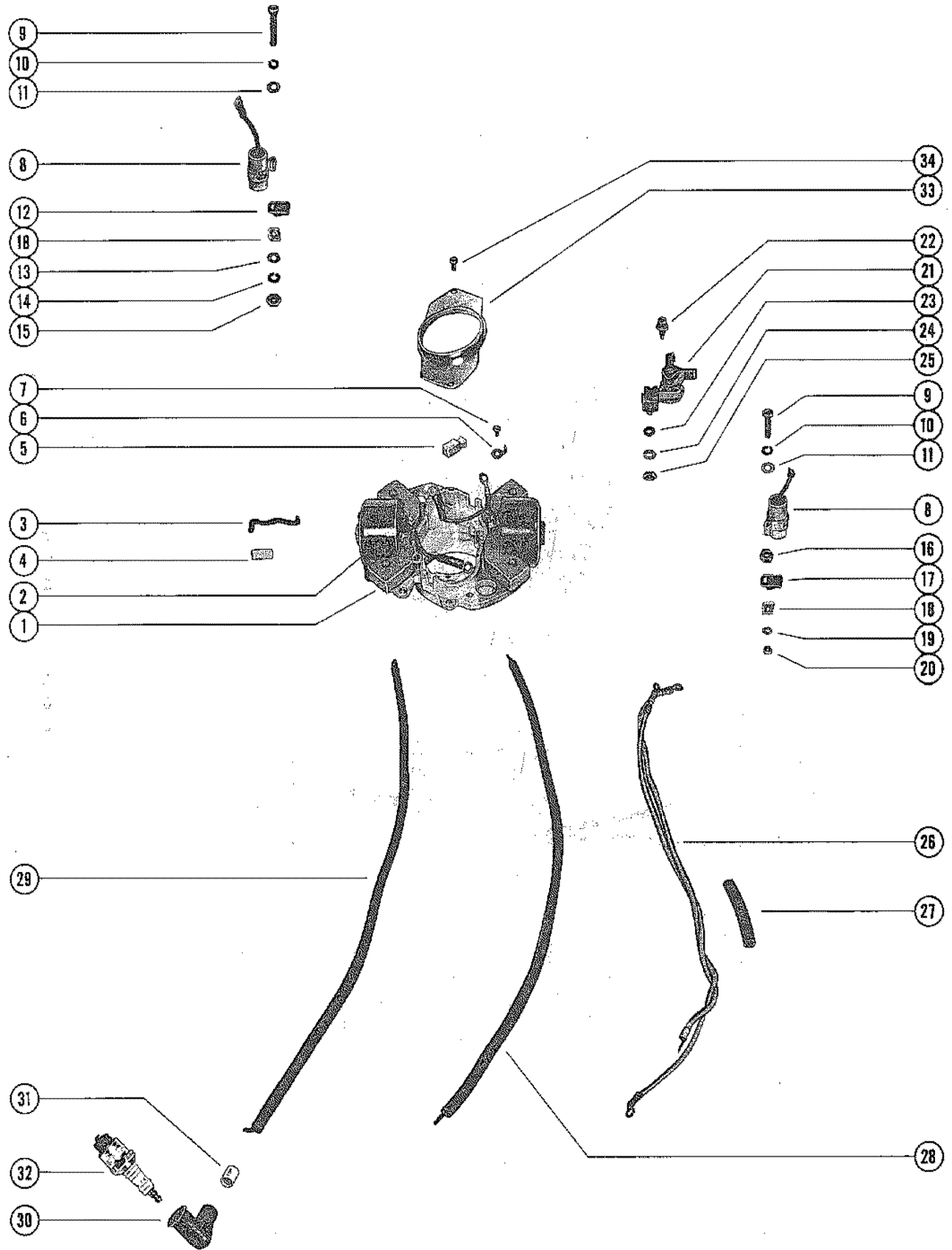
FLYWHEEL ASSEMBLY AND THROTTLE CONTROL LINKAGE



FLYWHEEL ASSEMBLY AND THROTTLE CONTROL LINKAGE

REF. NO.	PART NO.	SYM.	QTY.	DESCRIPTION
1	11-22339		1,1,1	NUT, FLYWHEEL
2	12-36281		,1,1	WASHER, FLYWHEEL NUT SERIAL 01708179-09999999
3	25-37340		,1,1	"O" RING, FLYWHEEL HUB SERIAL 01708179-09999999
4	28-20094		1,1,1	KEY, FLYWHEEL DRIVE
5	221-2297A1		1,1,1	FLYWHEEL ASSEMBLY, COMPLETE
6	10-35563		6,6,6	SCREW, FLEXIBLE PLATE TO FLYWHEEL
7	50-33000A1		1,1,1	RATCHET ASSEMBLY, FLYWHEEL
8	10-32417		6,6,6	SCREW, RATCHET TO FLYWHEEL
9	10-34290		2,2,2	SCREW, RATCHET TO FLYWHEEL
10	13-26992		2,2,2	LOCKWASHER, RATCHET TO FLYWHEEL SCREW
11	398-2575A1		1,1,1	STATOR PLATE ASSEMBLY, COMPLETE (SEE NOTE BELOW)
12	35599A1		1,1,1	SHIELD ASSEMBLY, LEAD WIRE - STATOR PLATE
13	13-26996		2,2,2	LOCKWASHER, SHIELD FASTENING SCREW
14	10-34695		2,2,2	SCREW, LEAD WIRE SHIELD TO STATOR PLATE
15	34601		1,1,1	RING, HOLD DOWN - STATOR PLATE
16	10-35400		4,4,4	SCREW, HOLD DOWN RING TO STATOR PLATE
17	34611		1,1,1	CAM, THROTTLE CONTROL - STATOR PLATE
18	10-34436		2,2,2	SCREW, THROTTLE CONTROL CAM TO STATOR PLATE
19	34610		1,1,1	SWIVEL, CONTROL ROD TO THROTTLE CAM
20	34599		1,1,1	ROD, MAGNETO CONTROL
21	34699		1,1,1	LINK, MAGNETO CONTROL ROD SERIAL 00000000-01858008
	38875		,,1	LINK, MAGNETO CONTROL ROD SERIAL 01858009-09999999
22	10-34697		1,1,1	BOLT, SWIVEL - THROTTLE CONTROL LEVER
23	11-20110		1,1,1	NUT, CONTROL ROD LINK TO SWIVEL BOLT
24	29013		1,1,1	IDLE STOP, ADJUSTABLE
25	10-21548		1,1,1	SCREW, IDLE STOP TO TOP COWL BRACKET
26	12-20028		1,1,1	WASHER, IDLE STOP FASTENING SCREW
27	11-24652		1,1,1	NUT, IDLE STOP SCREW
28	15-33910		1,1,1	SHIM, STATOR PLATE TO CRANKCASE TOP

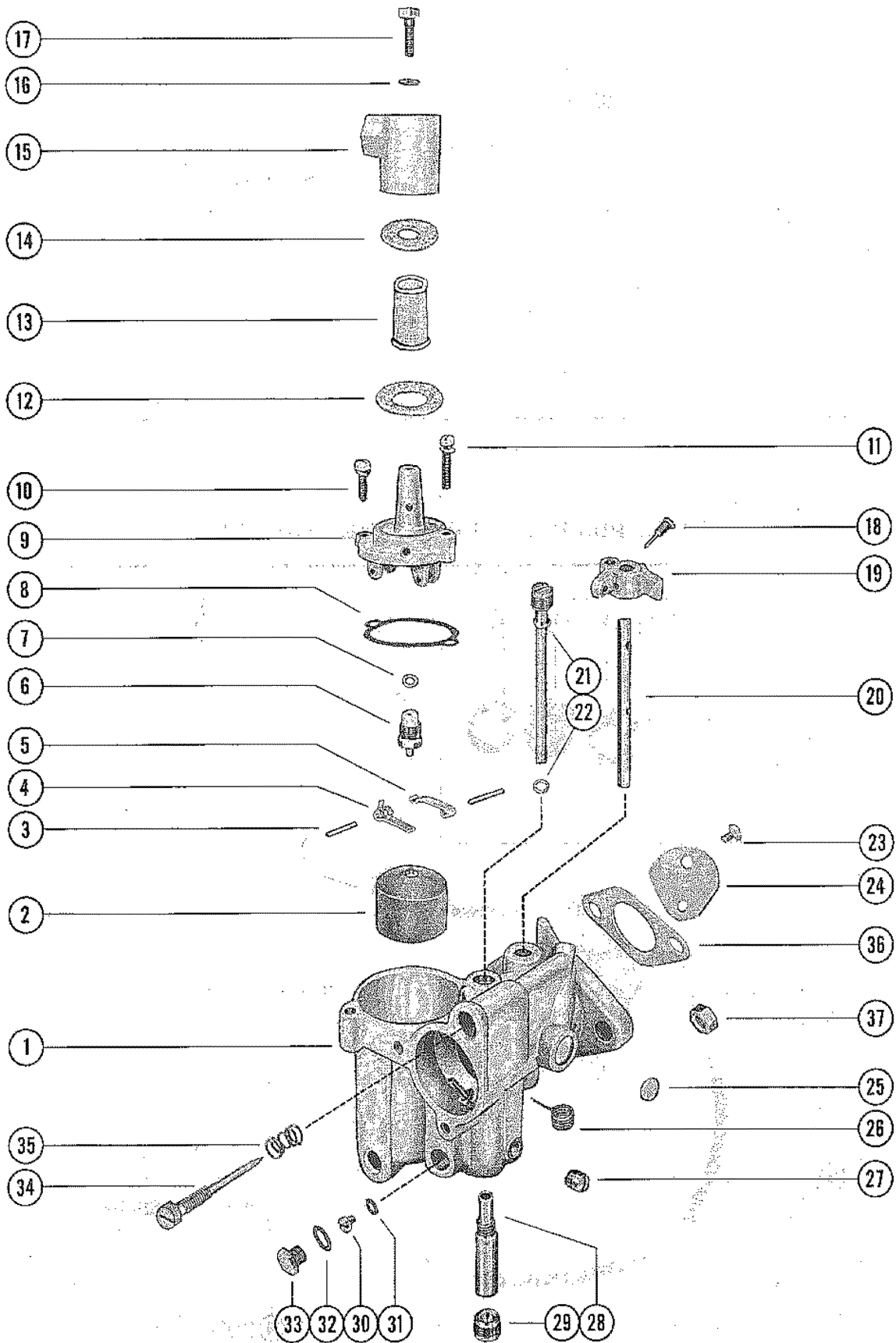
STATOR PLATE ASSEMBLY



STATOR PLATE ASSEMBLY

REF. NO.	PART NO.	SYM.	QTY.	DESCRIPTION
-	398-2575A1		1,1,1	STATOR PLATE ASSEMBLY, COMPLETE (SEE NOTE BELOW)
1	398-2221		1,1,1	STATOR PLATE AND CORE
2	398-2568A1		2,2,2	COIL ASSEMBLY
3	398-2321		1,1,1	CLIP, COIL RETAINING
4	398-2413		1,1,1	CLIP, COIL RETAINING
5	398-2207		1,1,1	FELT, CAM - BREAKER
6	398-732		2,2,2	CLIP, GROUND WIRE LEAD
7	10-21130		2,2,2	SCREW, GROUND TERMINAL
8	398-2203		2,2,2	CONDENSER ASSEMBLY
9	10-38395		2,2,2	SCREW, CONDENSER FASTENING (1 1/4")
10	13-21134		2,2,2	LOCKWASHER, CONDENSER FASTENING SCREW
11	12-21135		2,2,2	WASHER, CONDENSER FASTENING SCREW
12	54-39844A1		1,1,1	CLAMP, LEAD WIRE
18	22789		1,1,1	"D" WASHER, COIL LEAD WIRE CLIP
13	12-21135		1,1,1	WASHER, LEAD WIRE CLAMP SCREW
14	13-21134		1,1,1	LOCKWASHER, LEAD WIRE CLAMP SCREW
15	11-21923		1,1,1	NUT, LEAD WIRE CLAMP SCREW
16	11-21825		1,1,1	NUT, COIL LEAD WIRE CLIP SCREW (SPACER)
17	54-24836		1,1,1	CLIP, NYLON - COIL LEAD WIRE
18	22789		1,1,1	"D" WASHER, COIL LEAD WIRE CLIP
19	13-26995		1,1,1	LOCKWASHER, COIL LEAD WIRE CLIP SCREW
20	11-26419		1,1,1	NUT, COIL LEAD WIRE CLIP SCREW
21	398-2320		2,2,2	BREAKER ASSEMBLY
22	10-33988		2,2,2	SCREW/LOCKWASHER, BREAKER FASTENING
23	12-21135		2,2,2	WASHER, TERMINAL SCREW
24	13-21134		2,2,2	LOCKWASHER, TERMINAL SCREW
25	11-21923		2,2,2	NUT, TERMINAL SCREW
26	398-2206		1,1,1	GROUND LEAD, STATOR TO TERMINAL BLOCK
27	23-30419		1,1,1	SLEEVE, INSULATION - GROUND LEAD
28	398-2205		1,1,1	LEAD WIRE
29	398-2204		1,1,1	LEAD WIRE - TOP
30	20119		2,2,2	PROTECTOR, SPARK PLUG
31	20623		1,1,1	MARKER, "TOP" - LEAD WIRE
32	33-20127		2,2,2	SPARK PLUG, (CHAMPION -J6J)
33	398-2208		1,1,1	COVER, DUST - STATOR PLATE
34	10-36455		2,2,2	SCREW, DUST COVER TO STATOR PLATE

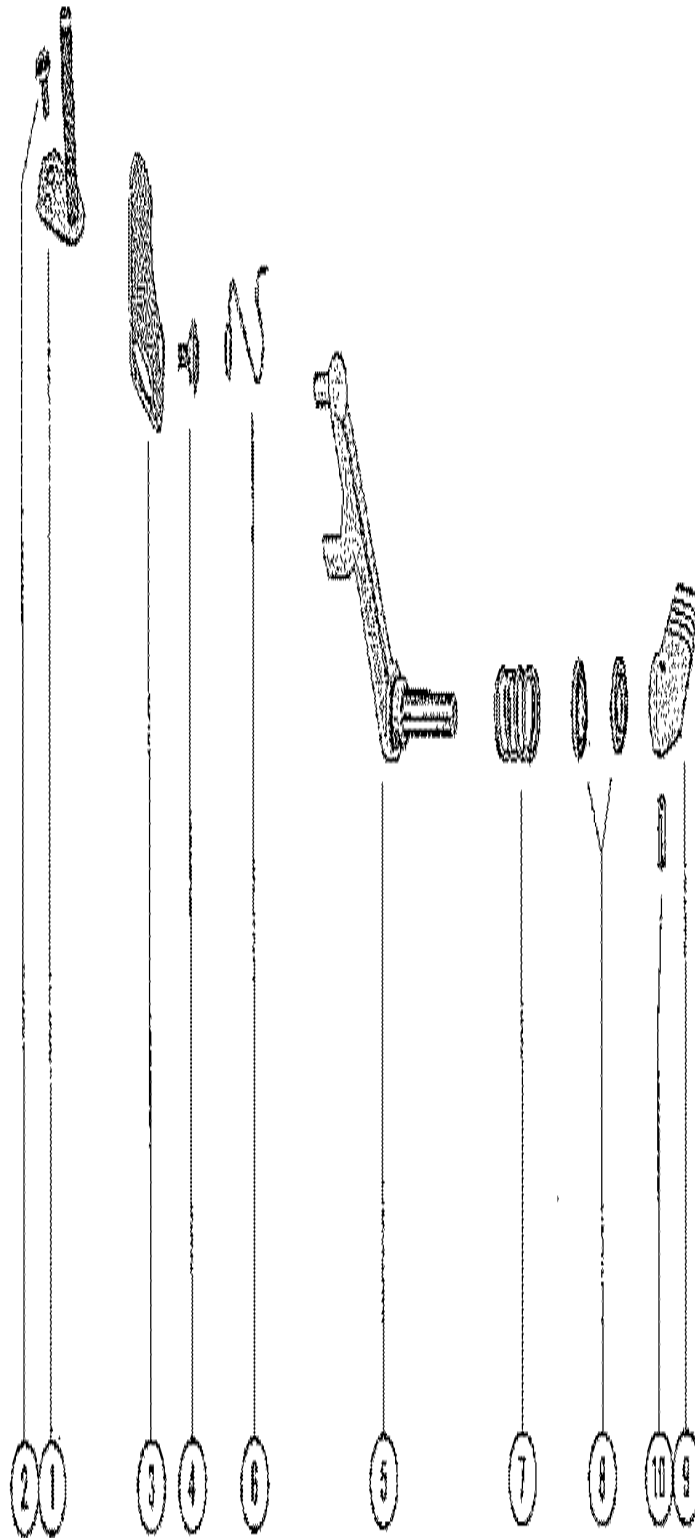
CARBURETOR ASSEMBLY



CARBURETOR ASSEMBLY

REF. NO.	PART NO.	SYM.	QTY.	DESCRIPTION
1	1333-2170		1,1,1	CARBURETOR ASSEMBLY, COMPLETE (KA-20A)
2	1399-110A1		1,1,1	FLOAT ASSEMBLY
3	17-20853		2,2,2	PIN, FLOAT LEVER PINION
4	1399-102		1,1,1	LEVER, FLOAT (LOWER)
5	1399-101		1,1,1	LEVER, FLOAT (UPPER)
6	1399-1473		1,1,1	INLET NEEDLE, SEAT AND GASKET
7	27-25033		1,1,1	GASKET, INLET SEAT
8	1399-99		1,1,1	GASKET, FLOAT BOWL COVER
9	1399-1133		1,1,1	COVER, FLOAT BOWL
10	10-20854		1,1,1	SCREW, FLOAT BOWL COVER (SHORT)
11	10-25850		1,1,1	SCREW, FLOAT BOWL COVER (LONG)
12	27-24614		1,1,1	GASKET, STRAINER COVER (LARGE)
13	1399-1754		1,1,1	SCREEN, FILTER
14	27-25849		1,1,1	GASKET, STRAINER COVER (SMALL)
15	1399-1135		1,1,1	COVER, STRAINER
16	27-25848		1,1,1	GASKET, STRAINER COVER SCREW
17	10-25822		1,1,1	SCREW, STRAINER COVER
18	10-20847		1,1,1	SCREW, THROTTLE STOP LEVER
19	1399-97		1,1,1	LEVER, THROTTLE STOP
20	1399-2012		1,1,1	SHAFT, THROTTLE
21	1399-2009		1,1,1	TUBE, IDLE
22	27-23180		1,1,1	GASKET, IDLE TUBE
23	10-23035		2,2,2	SCREW AND LOCKWASHER, THROTTLE SHUTTER
24	1399-2227		1,1,1	SHUTTER, THROTTLE
25	19-20011		1,1,1	WELCH PLUG, BODY CHANNEL
26	24-20869		1,1,1	SPRING, THROTTLE SHAFT RETURN
27	10-28845		1,1,1	SCREW, PLUG - BODY CHANNEL
28	1399-2226		1,1,1	MAIN NOZEL
29	10-23178		1,1,1	SCREW, PLUG - MAIN NOZZLE
30	1399-1463		OPT.,OPT.,	JET, MAIN FUEL (.063)
	1399-1461		1,1,1	JET, MAIN FUEL (.061) - STANDARD
	1399-1459		OPT.,OPT,OP	JET, MAIN FUEL (.059)
	1399-1457		OPT.,OPT,OP	JET, MAIN FUEL (.057)
31	27-28409		1,1,1	GASKET, MAIN FUEL JET
32	27-28406		1,1,1	GASKET, JET CHANNEL PLUG SCREW
33	10-28405		1,1,1	SCREW, PLUG - MAIN FUEL JET CHANNEL
34	1399-1713		1,1,1	SCREW, IDLE ADJUSTMENT
35	24-27160		1,1,1	SPRING, IDLE ADJUSTMENT SCREW
-	1399-1477		1,1,1	GASKET AND PACKING SET
-	1399-2228		1,1,1	REPAIR PARTS KIT
36	27-26891		1,1,1	GASKET, CARBURETOR FLANGE
37	11-20083		2,2,2	NUT, CARBURETOR MOUNTING STUDS

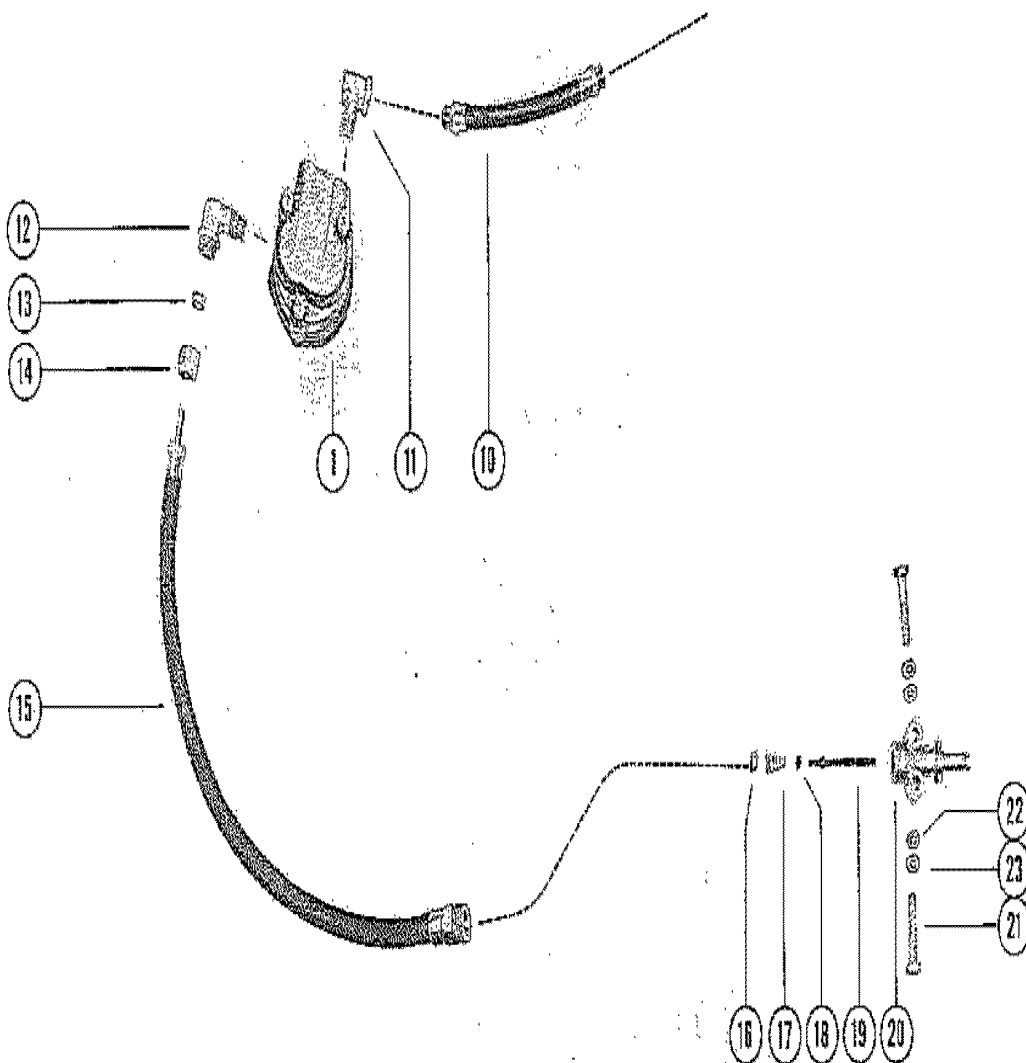
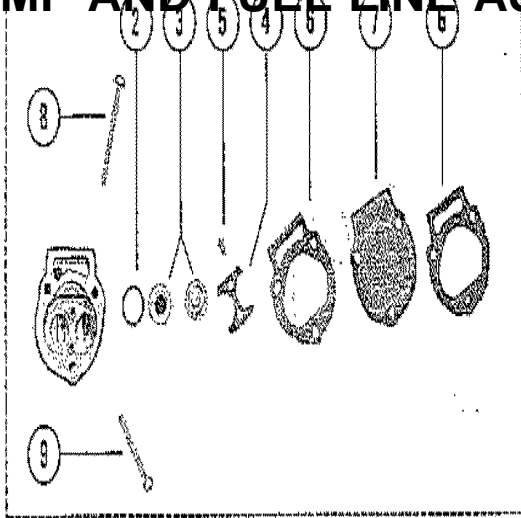
CARBURETOR CHOKE LINKAGE



CARBURETOR CHOKE LINKAGE

REF. NO.	PART NO.	SYM.	QTY.	DESCRIPTION
1	22931A3		1,1,1	THROTTLE LEVER ASSEMBLY
2	10-20597		1,1,1	SCREW, THROTTLE LEVER TO CARBURETOR
3	28087		1,1,1	SHUTTER, CHOKE - CARBURETOR
4	10-20578		1,1,1	SCREW, CHOKE SHUTTER TO CARBURETOR
5	33519		1,1,1	LEVER ASSEMBLY, CHOKE SHUTTER
6	24-20579		1,1,1	SPRING, CHOKE SHUTTER TO LEVER
7	24-33517		1,1,1	SPRING, TENSION - CHOKE KNOB
8	12-34437		2,2,2	WASHER, CHOKE SHUTTER LEVER
9	30822		1,1,1	KNOB, CHOKE
10	17-22896		1,1,1	PIN, ROLL - CHOKE KNOB TO SHAFT

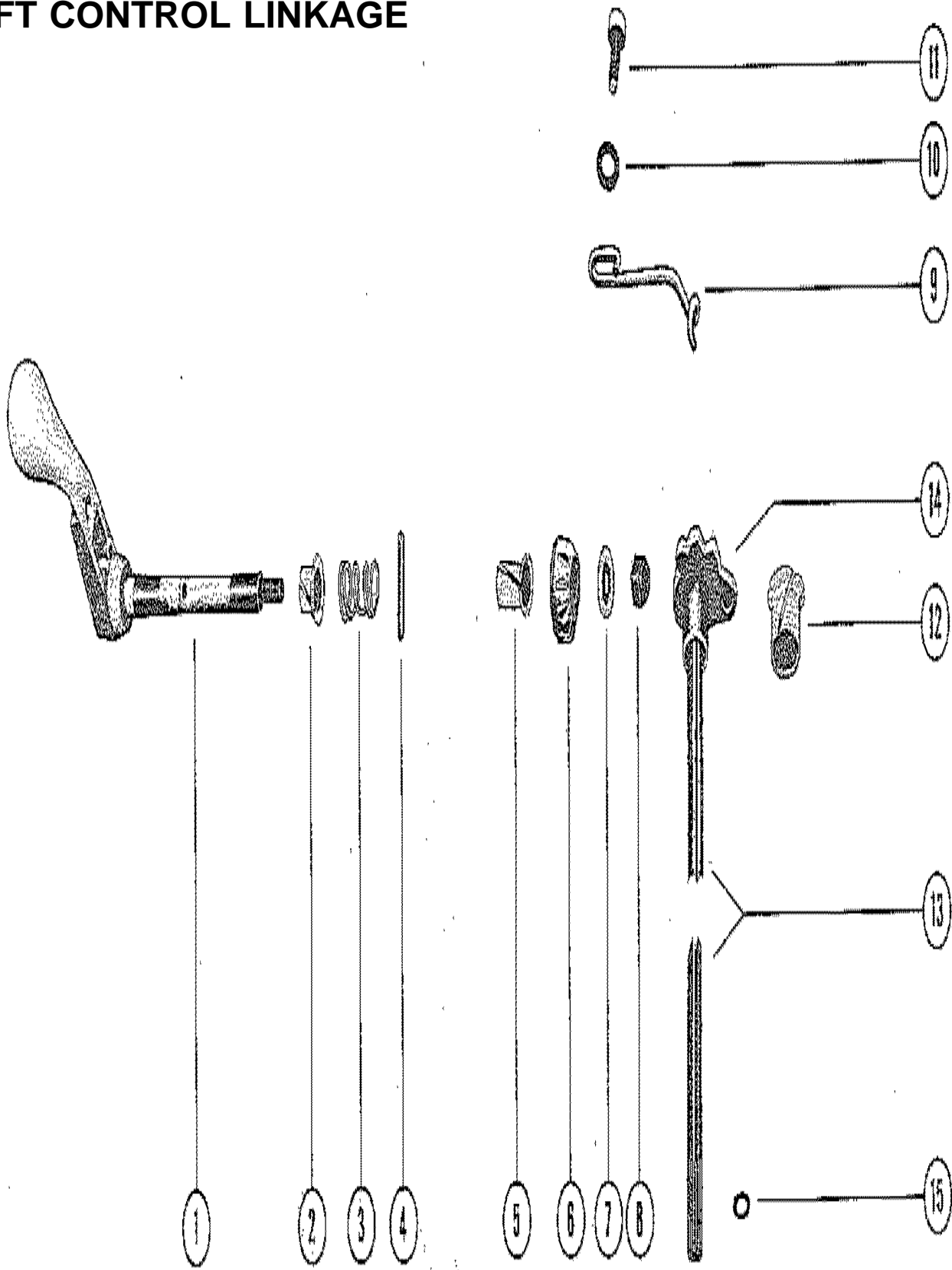
FUEL PUMP AND FUEL LINE ASSEMBLY



FUEL PUMP AND FUEL LINE ASSEMBLY

REF. NO.	PART NO.	SYM.	QTY.	DESCRIPTION
1	30269A2		1,1,1	FUEL PUMP ASSEMBLY
2	27-23005		2,2,2	GASKET, CHECK VALVE TO PUMP HOUSING
3	21-30430		2,2,2	VALVE, CHECK
4	23004		1,1,1	RETAINER, CHECK VALVE
5	10-20037		2,2,2	SCREW, RETAINER TO HOUSING
6	27-24863		2,2,2	GASKET, FUEL PUMP
7	23014		1,1,1	DIAPHRAGM, FUEL PUMP
8	10-29246		2,2,2	SCREW, FUEL PUMP MOUNTING (1 5/8)
9	10-28712		1,1,1	SCREW, FUEL PUMP MOUNTING (1 1/8)
10	32-28599		1,1,1	FUEL LINE, FUEL PUMP TO CARBURETOR (5 1/4)
11	22-23125		1,1,1	FITTING FUEL PUMP OUTLET
12	22-22995		1,1,1	FITTING, FUEL PUMP INLET TO FUEL LINE
13	22-22946		1,1,1	SLEEVE, RUBBER
14	11-22948		1,1,1	NUT, FITTING
15	32-33475		1,1,1	FUEL LINE, ADAPTOR TO FUEL PUMP
16	30188		1,1,1	CUP WASHER, ADAPTOR
17	24-23067		1,1,1	SPRING, ADAPTOR STEM
18	25-20415		1,1,1	"O" RING, ADAPTOR STEM
19	23069		1,1,1	STEM, CHECK UNIT ADAPTOR
20	22833		1,1,1	ADAPTOR, CHECK UNIT
21	10-27281		2,2,2	SCREW, CHECK UNIT TO STEERING BRACKET
22	12-20028		,4,4	WASHER, ADAPTOR FASTENING SCREW
	12-20028		2,,	WASHER, ADAPTOR FASTENING SCREW
23	12-20583		2,2,2	WASHER, ADAPTOR FASTENING SCREW

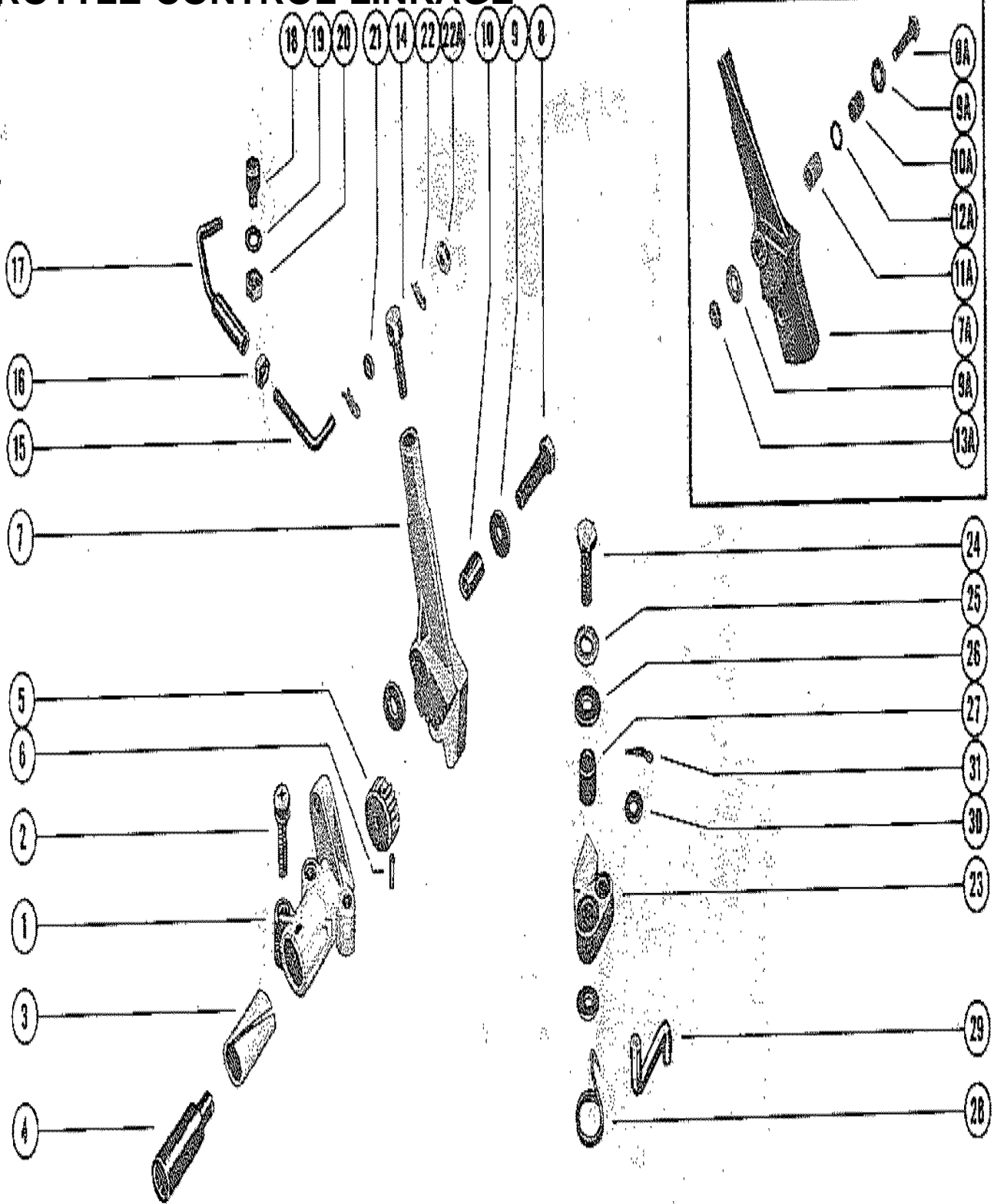
SHIFT CONTROL LINKAGE



SHIFT CONTROL LINKAGE

REF. NO.	PART NO.	SYM.	QTY.	DESCRIPTION
1	33510		1,1,1	HANDLE, SHIFT CONTROL
2	23-30678		1,1,1	BUSHING, NYLON - SHIFT CONTROL HANDLE
3	24-30817		1,1,1	SPRING, TENSION - SHIFT CONTROL HANDLE
4	17-31224		1,1,1	PIN, DOWEL - TENSION SPRING TO HANDLE
5	23-33462		1,1,1	BUSHING, NYLON - SHIFT CONTROL HANDLE
6	43-33994		1,1,1	GEAR, HORIZONTAL - SHIFT CONTROL HANDLE
7	12-29245		1,1,1	WASHER, SHIFT CONTROL HANDLE
8	11-20361		1,1,1	NUT, HORIZONTAL GEAR TO SHIFT CONTROL HANDLE
9	24-30816		1,1,1	SPRING, DETENT - SECTOR GEAR
10	12-29245		1,1,1	WASHER, DETENT SPRING SCREW
11	10-30818		1,1,1	SCREW, DETENT SPRING TO BOTTOM COWL
12	23-30677		1,1,1	BUSHING, NYLON - SHIFT CONTROL SHAFT
13	33496A1		1,1,	SHIFT CONTROL SHAFT ASSEMBLY SERIAL 00000000-00708178
14	43-33580		1,1,	GEAR, SECTOR - SHIFT CONTROL SHAFT SERIAL 00000000-00708178
13	33496A2		,1,1	SHIFT CONTROL SHAFT ASSEMBLY SERIAL 01708179-01906565
14	43-36423		,1,1	GEAR, SECTOR - SHIFT CONTROL SHAFT SERIAL 01708179-01906565
13	33496A4		„1	SHIFT CONTROL SHAFT ASSEMBLY SERIAL 01906566-09999999
14	43-38729		„1	GEAR, SECTOR - SHIFT CONTROL SHAFT SERIAL 01906566-09999999
15	25-38933		„1	"O" RING - SHIFT CONTROL SHAFT SERIAL 01906566-09999999

THROTTLE CONTROL LINKAGE

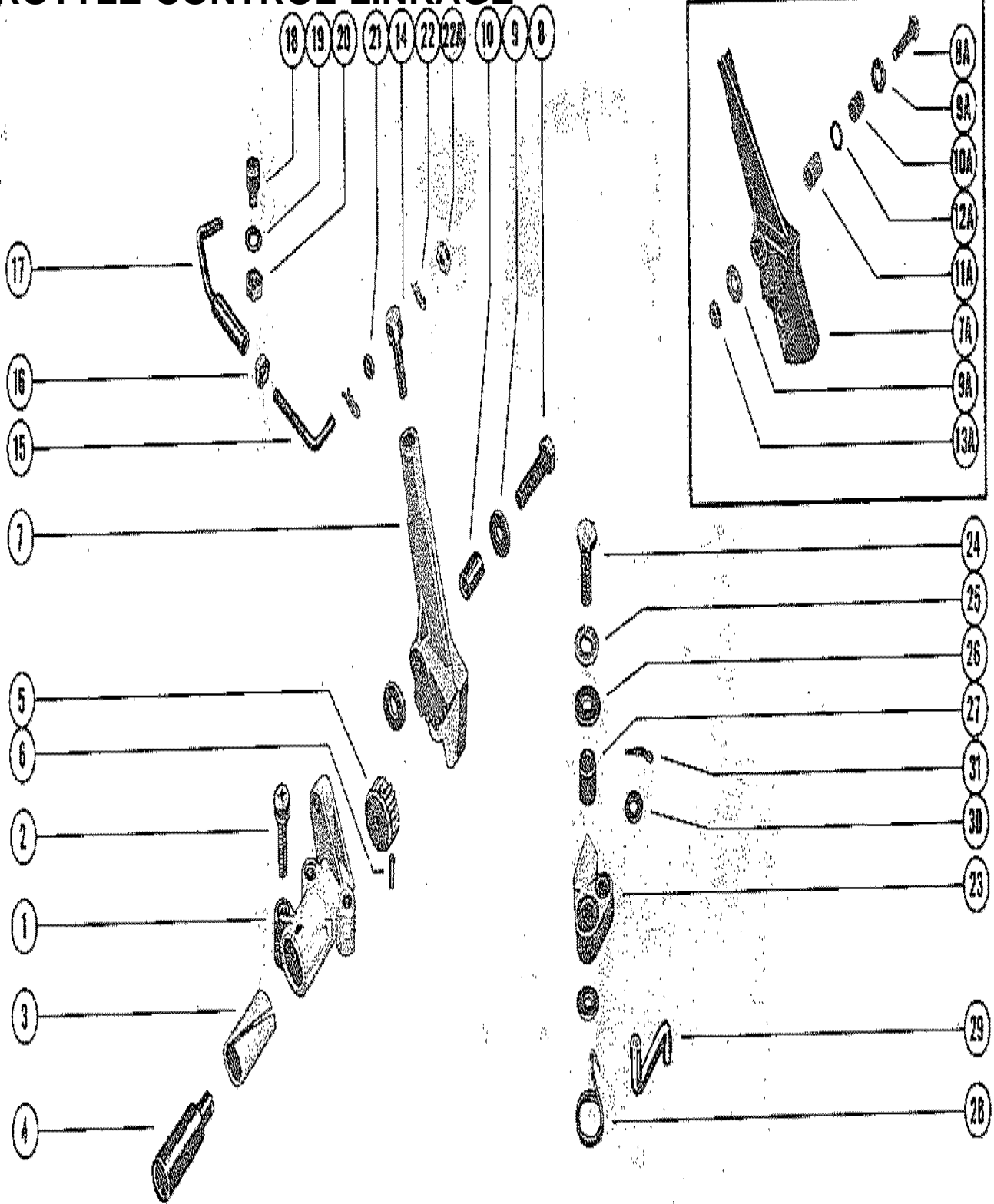


THROTTLE CONTROL LINKAGE

REF. NO.	PART NO.	SYM.	QTY.	DESCRIPTION
1	33542		1,1,1	HOUSING, THROTTLE CONTROL
2	10-33464		3,3,3	SCREW, THROTTLE CONTROL HOUSING TO BOTTOM COWL
3	23-33532		1,1,1	BUSHING, NYLON - THROTTLE CONTROL HOUSING
4	33533		1,1,1	SOCKET, THROTTLE CONTROL HOUSING
5	43-33534		1,1,1	GEAR, HORIZONTAL - THROTTLE CONTROL SOCKET
6	17-25905		1,1,1	PIN, ROLL - HORIZONTAL GEAR RETAINING
7	33540		1,1,1	LEVER, THROTTLE CONTROL SERIAL 00000000-01858008
7A	38730		„1	LEVER, THROTTLE CONTROL SERIAL 01858009-09999999
8	10-24878		1,1,1	SCREW, THROTTLE CONTROL LEVER TO HOUSING SERIAL 00000000-01858008
9	12-30971		2,2,2	WASHER, THROTTLE CONTROL LEVER TO HOUSING SCREW SERIAL 00000000-01858008
10	23-30972		1,1,1	BUSHING, THROTTLE CONTROL LEVER TO HOUSING SCREW SERIAL 00000000-01858008
8A	10-27281		„1	SCREW, THROTTLE CONTROL LEVER TO HOUSING SERIAL 01858009-09999999
9A	12-30971		„2	WASHER, THROTTLE CONTROL LEVER TO HOUSING SCREW SERIAL 01858009-09999999
10A	23-30972		„1	BUSHING, THROTTLE CONTROL LEVER TO HOUSING SCREW SERIAL 01858009-09999999
11A	23-38869		„1	BUSHING, THROTTLE CONTROL LEVER TO HOUSING SCREW SERIAL 01858009-09999999
12A	13-30597		„1	WASHER, WAVE - THROTTLE CONTROL LEVER SCREW SERIAL 01858009-09999999
13A	11-33122		„1	NUT, THROTTLE CONTROL LEVER TO HOUSING SCREW SERIAL 01858009-09999999
14	31427		1,„	BOLT, SWIVEL - THROTTLE CONTROL CONTROL LEVER SERIAL 00000000-01592567
15	33576		1,„	LINK, MAGNETO CONTROL ROD SERIAL 00000000-01592567
16	11-20645		1,„	NUT, JAM - MAGNETO CONTROL ROD LINK SERIAL 00000000-01592567
17	28367		1,„	ROD, CONTROL - MAGNETO SERIAL 00000000-01592567
18	28232		1,„	BOLT, TOGGLE - MAGNETO CONTROL ROD SERIAL 00000000-01592567
19	13-29402		1,„	WASHER, WAVE - TOGGLE BOLT SERIAL 00000000-01592567
20	11-20586		1,„	NUT, TOGGLE BOLT TO THROTTLE CONTROL CAM SERIAL 00000000-01592567
21	12-26014		1,„	WASHER, MAGNETO CONTROL ROD SERIAL 00000000-01592567
22	18-27769		2,„	COTTER PIN, CONTROL ROD TO SWIVEL BOLT SERIAL 00000000-01592567
14	10-34697		1,1,1	BOLT, SWIVEL - THROTTLE CONTROL LEVER SERIAL 01592568-09999999
15	34699		1,1,1	LINK, MAGNETO CONTROL ROD (USE FROM SERIAL # 1592568 THRU 18 SERIAL 01592568-01858008
	38875		„1	LINK, MAGNETO CONTROL ROD (STARTED WITH SERIAL # 1858009) SERIAL 01858009-09999999

CONTINUED ON NEXT PAGE ➡

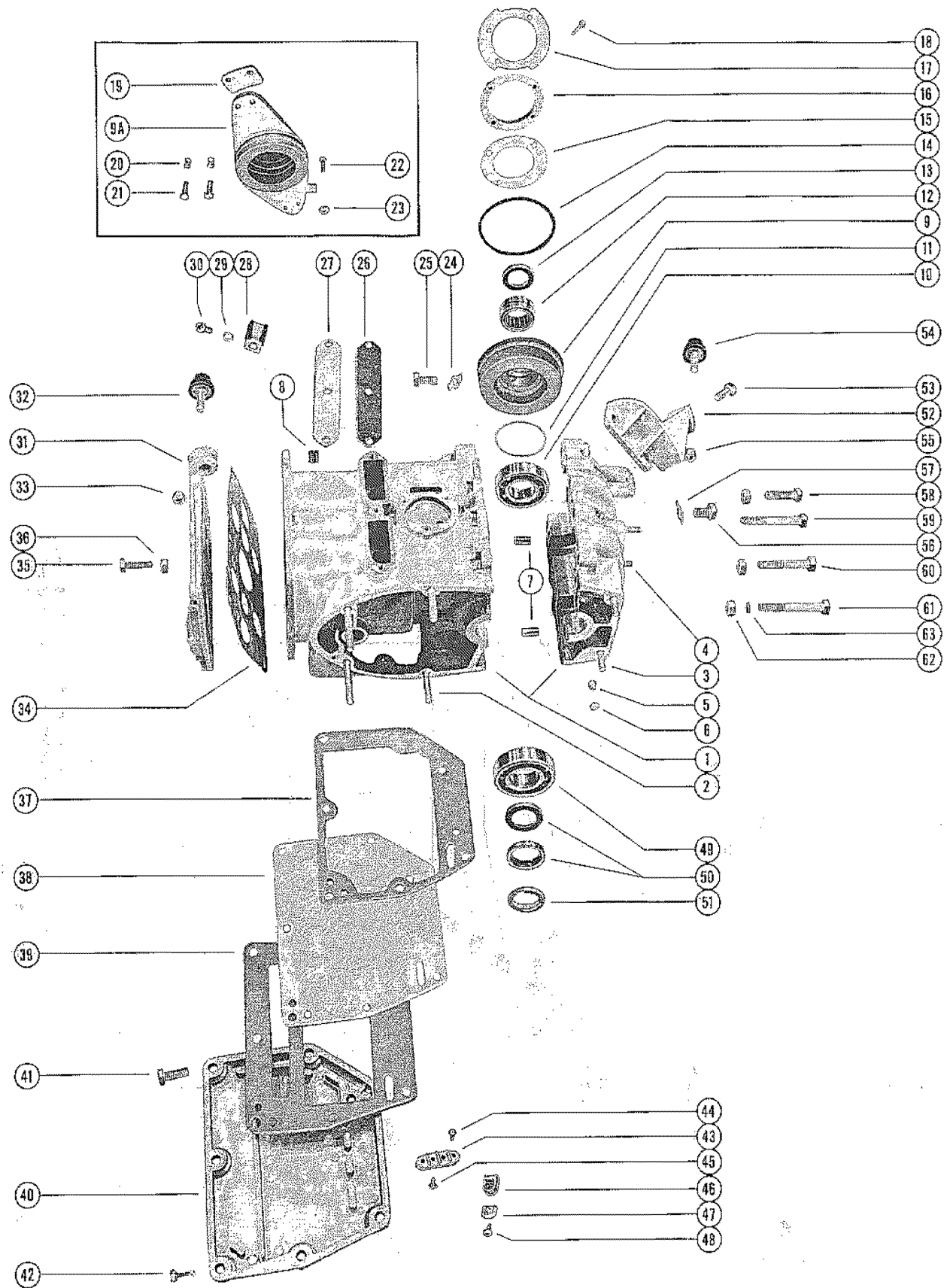
THROTTLE CONTROL LINKAGE



THROTTLE CONTROL LINKAGE

REF. NO.	PART NO.	SYM.	QTY.	DESCRIPTION
22A	11-20110		1,1,1	NUT, CONTROL ROD LINK TO SWIVEL BOLT (STARTED WITH SERIAL # SERIAL 01592568-09999999)
23	33579		1,1,1	CAM, SHIFT - BOTTOM COWL SERIAL 00000000-01858008
24	10-24878		1,1,1	SCREW, SHIFT CAM TO BOTTOM COWL SERIAL 00000000-01858008
25	13-26992		,,1	LOCKWASHER, SHIFT CAM TO BOTTOM COWL SCREW SERIAL 00000000-01858008
26	12-30971		2,2,2	WASHER, SHIFT CAM TO BOTTOM COWL SCREW SERIAL 00000000-01858008
27	23-30972		1,1,1	BUSHING, SHIFT CAM TO BOTTOM COWL SCREW SERIAL 00000000-01858008
28	24-33930		1,1,1	SPRING, TORSION - SHIFT CAM SERIAL 00000000-01858008
29	33578		1,1,	LINK ROD, SHIFT CAM TO SHIFT CONTROL SHAFT SERIAL 00000000-01708178
	36422		,1,1	LINK ROD, SHIFT CAM TO SHIFT CONTROL SHAFT SERIAL 00000000-01708179
30	12-20028		1,1,1	WASHER, SHIFT CAM LINK ROD SERIAL 00000000-01858008
31	18-20180		1,1,1	COTTER PIN, LINK ROD TO SHIFT CAM SERIAL 00000000-01858008

CYLINDER BLOCK AND CRANKCASE ASSEMBLY

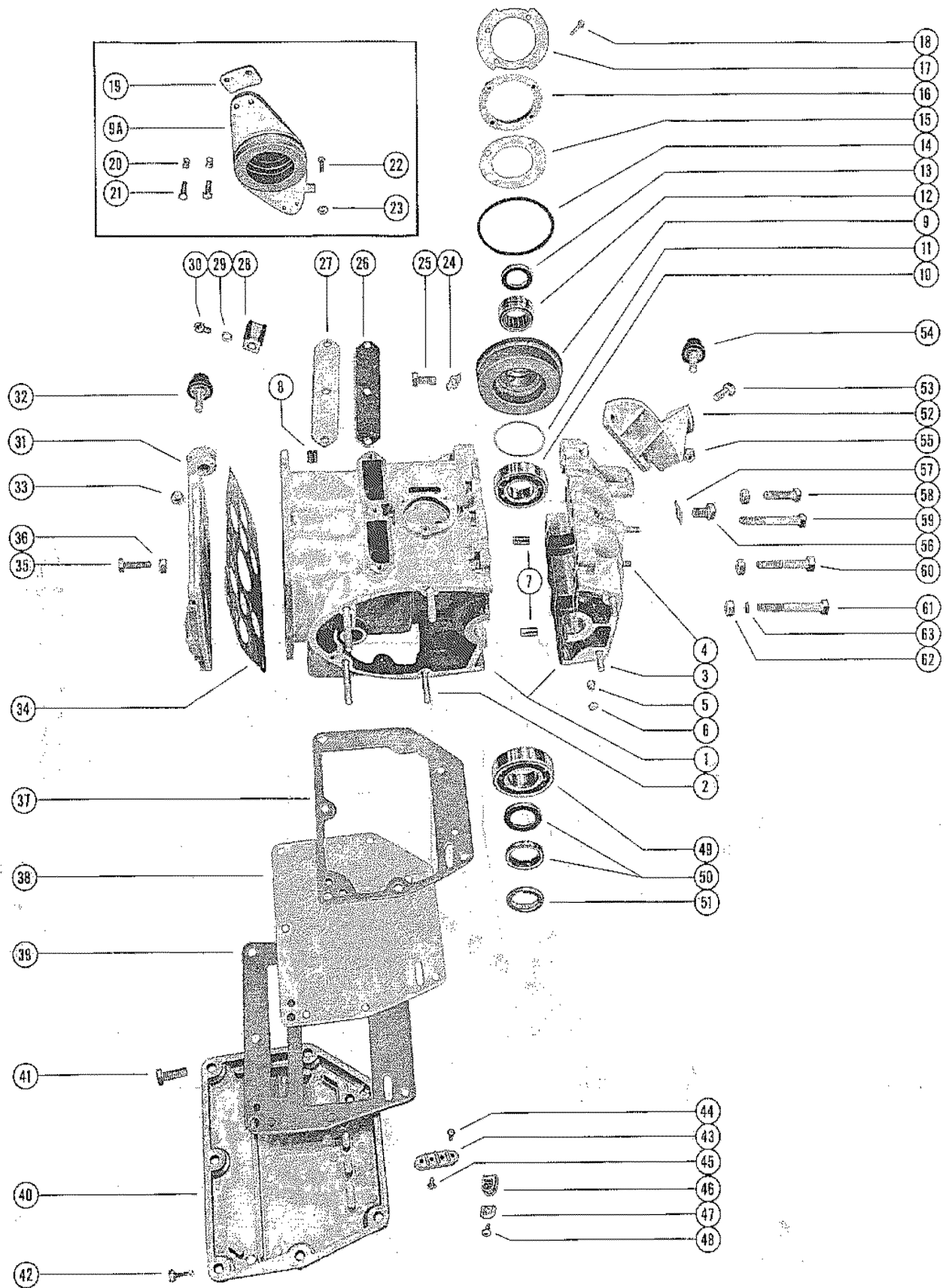


CYLINDER BLOCK AND CRANKCASE ASSEMBLY

REF. NO.	PART NO.	SYM.	QTY.	DESCRIPTION
1	830-1405A6		1,1,1	CYLINDER BLOCK AND CRANKCASE ASSEMBLY
2	16-33526		4,4,4	STUD, CYLINDER BLOCK TO DRIVE SHAFT HOUSING
3	16-33526		2,2,2	STUD, DRANKCASE TO DRIVE SHAFT HOUSING
4	16-23740		2,2,2	STUD, CARBURETOR TO CRANKCASE
5	21-27146A1		1,1,1	CHECK VALVE ASSEMBLY, CRANKCASE
6	19-20011		1,1,1	WELCH PLUG, CRANKCASE CHECK VALVE
7	17-23784		2,2,2	DOWEL PIN, CRANKCASE TO CYLINDER BLOCK
8	22-30139		,1,1	PLUG, PIPE - CYLINDER BLOCK
9	1123-1196A2		1,,	CRANKCASE TOP ASSEMBLY SERIAL 00000000-01592567
9A	1123-2317A2		1,1,1	CRANKCASE TOP ASSEMBLY SERIAL 01592568-09999999
10	30-20464		1,1,1	BEARING, BALL - CRANKCASE TOP (UPPER)
11	15-20514A1	AR,AR,AR		SHIM, BALL BEARING TO CRANKCASE TOP
12	31-20594		1,1,1	BEARING, ROLLER - CRANKCASE TOP (UPPER)
13	26-31684		1,1,1	OIL SEAL, CRANKCASE TOP (UPPER)
14	25-31932		1,1,1	"O" RING, CRANKCASE TOP (UPPER)
15	15-26931		1,,	SHIM, SPACER TO CRANKCASE TOP SERIAL 00000000-01592567
16	23-26563		1,,	SPACER, HOLD DOWN RING TO CRANKCASE TOP SERIAL 00000000-01592567
17	29799		1,,	RING, MAGNETO HOLD DOWN SERIAL 00000000-01592567
18	10-28802		4,,	SCREW, HOLD DOWN RING TO CRANKCASE TOP SERIAL 00000000-01592567
19	54-34598		2,2,2	CLIP, HOLD DOWN RING - CRANKCASE TOP SERIAL 01592568-09999999
20	24-34731		4,4,4	SPRING, TENSION - HOLD DOWN RING CLIP SERIAL 01592568-09999999
21	10-36205		4,4,4	SCREW, RING CLIP TO CRANKCASE TOP SERIAL 01592568-09999999
22	10-28789		1,1,1	SCREW, SPARK ADVANCE - CRANKCASE TOP SERIAL 01592568-09999999
23	11-30968		1,1,1	NUT, LOCK - SPARK ADVANCE SCREW SERIAL 01592568-09999999
24	14-20747		2,2,2	TAB WASHER, CRANKCASE TOP FASTENING SCREW
25	10-25299		2,2,2	SCREW, CRANKCASE TOP FASTENING
26	27-26175		1,1,1	GASKET, TRANSFER PORT COVER
27	26174		1,1,1	COVER, TRANSFER PORT
28	54-29425		1,1,1	CLAMP, HARNESS - IGNITION WIRES
29	12-20533		1,1,1	WASHER, HARNESS CLAMP SCREW
30	10-20540		3,3,3	SCREW, PORT COVER TO CYLINDER BLOCK
31	1009-1200		1,1,1	COVER, CYLINDER BLOCK
32	28805		2,2,2	MOUNT, RUBBER, TOP COWL (CYLINDER BLOCK COVER)
-	13-26993		,1,1	LOCKWASHER, RUBBER MOUNT - CYLINDER BLOCK COVER
33	11-20083		2,2,2	NUT, RUBBER MOUNT TO CYLINDER BLOCK COVER
34	27-26173		1,1,1	GASKET, CYLINDER BLOCK COVER
35	10-20653		6,6,6	COVER TO CYLINDER BLOCK

CONTINUED ON NEXT PAGE ➡

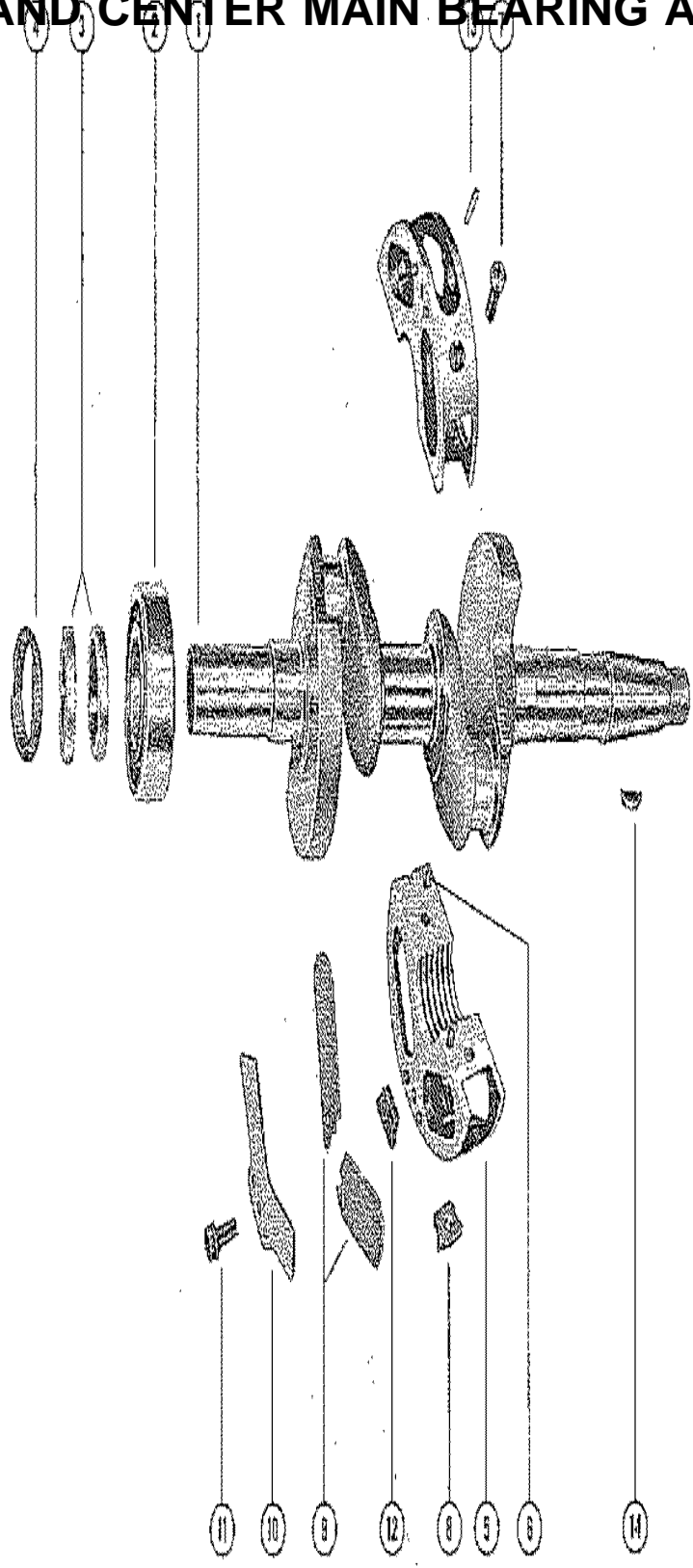
CYLINDER BLOCK AND CRANKCASE ASSEMBLY



CYLINDER BLOCK AND CRANKCASE ASSEMBLY

REF. NO.	PART NO.	SYM.	QTY.	DESCRIPTION
36	11-24652		6,6,6	NUT, CYLINDER BLOCK COVER FASTENING SCREW
37	27-28085		1,1,1	GASKET, CYLINDER BLOCK TO BAFFLE PLATE
38	28086		1,1,1	PLATE, BAFFLE - EXHAUST MANIFOLD
39	27-28090		1,1,1	GASKET, BAFFLE PLATE TO MANIFOLD COVER
40	28074		1,1,1	COVER, EXHAUST MANIFOLD
41	10-28636		6,6,6	SCREW, MANIFOLD COVER TO CYLINDER BLOCK
42	10-28635		1,1,1	SCREW, MANIFOLD COVER TO CYLINDER BLOCK (LOWER REAR)
43	30212		1,1,1	TERMINAL BLOCK, EXHAUST MANIFOLD COVER
44	10-28192		2,2,2	SCREW, TERMINAL BLOCK TO EXHAUST MANIFOLD COVER
45	10-30663		2,2,2	SCREW, SHORTING SWITCH LEAD TO TERMINAL BLOCK
46	54-24836		1,1,1	CLAMP, SHORTING SWITCH LEAD FASTENING
47	22789		1,1,1	"D" WASHER, SHORTING SWITCH LEAD FASTENING SCREW
48	10-31206		1,1,1	SCREW, SHORTING SWITCH LEAD CLIP FASTENING
49	30-20464		1,1,1	BALL BEARING, CRANKCASE (LOWER)
50	26-31507		2,2,2	OIL SEAL, CRANKCASE (LOWER)
51	23-33736		1,1,1	SPACER, PROTECTOR - CRANKSHAFT
52	33803		1,1,1	BRACKET, TOP COWL MOUNTING
53	10-29256		2,2,2	SCREW, COWL MOUNTING BRACKET TO CRANKCASE
54	28805		1,1,1	MOUNT, RUBBER - TOP COWL MOUNTING BRACKET
-	13-26993		,1,1	LOCKWASHER RUBBER MOUNT - TOP COWL MOUNTING BRACKET
55	11-20083		1,1,1	NUT, RUBBER MOUNT TO BRACKET
56	10-26801		1,1,1	SCREW, CENTER MAIN BEARING LOCK
57	14-20091		1,1,1	TAB WASHER, CENTER MAIN BEARING LOCK SCREW
58	10-26066		6,6,6	SCREW, CRANKCASE TO CYLINDER BLOCK (1 1/4")
59	10-29942		1,,	SCREW, CRANKCASE TO CYLINDER BLOCK (2 1/4")
60	10-21449		1,,	SCREW, CRANKCASE TO CYLINDER BLOCK (2")
	10-21449		,2,2	SCREW, CRANKCASE TO CYLINDER BLOCK (2")
61	10-26132		2,2,2	SCREW, CRANKCASE TO CYLINDER BLOCK (2 1/2")
62	11-29250		10,10,10	NUT, CRANKCASE FASTENING SCREW
63	25-25429		1,1,1	"O" RING, CRANKCASE FASTENING SCREW

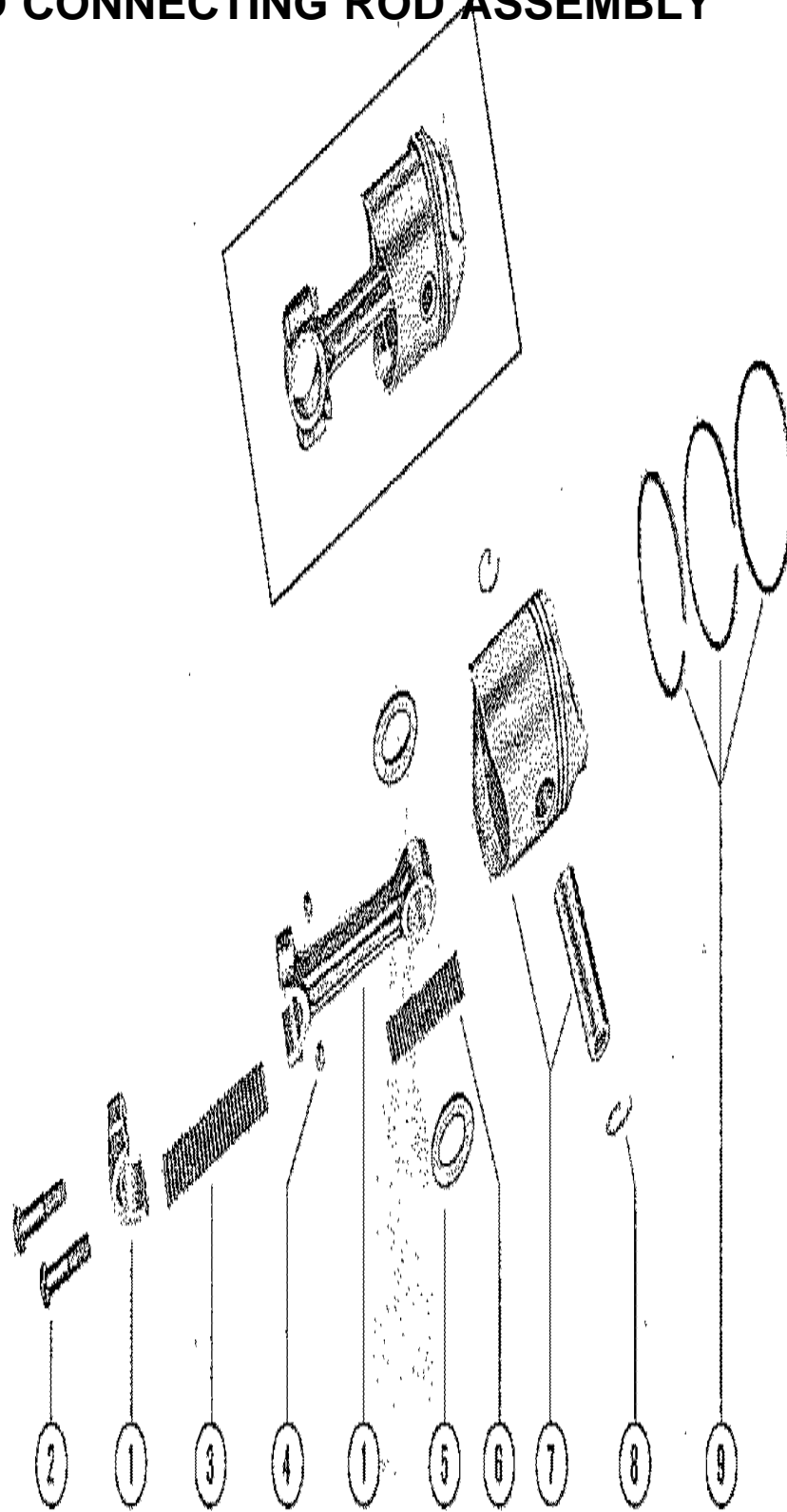
CRANKSHAFT AND CENTER MAIN BEARING ASSEMBLY



CRANKSHAFT AND CENTER MAIN BEARING ASSEMBLY

REF. NO.	PART NO.	SYM.	QTY.	DESCRIPTION
1	415-1180		1,,	CRANKSHAFT SERIAL 00000000-01592567
	415-2295		1,1,1	CRANKSHAFT SERIAL 01592568-09999999
2	30-20464		1,1,1	BEARING, BALL - CRANKCASE (LOWER)
3	26-31507		2,2,2	OIL SEAL, CRANKCASE (LOWER)
4	23-33736		1,1,1	SPACER, PROTECTOR - CRANKSHAFT
5	527-1947A2		1,1,1	CENTER MAIN BEARING ASSEMBLY
6	17-20032		10,10,10	DOWEL PIN, CENTER MAIN BEARING
7	10-25313		2,2,2	SCREW, CENTER MAIN BEARING CLAMPING (9/16)
8	11-29469		2,2,2	NUT, CENTER MAIN BEARING CLAMPING SCREW
9	34-30303A1		1,1,1	REED SET, CENTER MAIN BEARING (MATCHED)
10	34-32038		4,4,4	REED STOP, MAIN BEARING REED VALVES
11	10-29465		4,4,4	SCREW, REED SOTP MOUNTING
12	11-29469		4,4,4	NUT, REED STOP MOUNTING SCREW
13	17-20032		1,1,1	DOWEL PIN, MAIN BEARING TO CYLINDER BLOCK
14	28-20094		1,1,1	KEY, FLYWHEEL

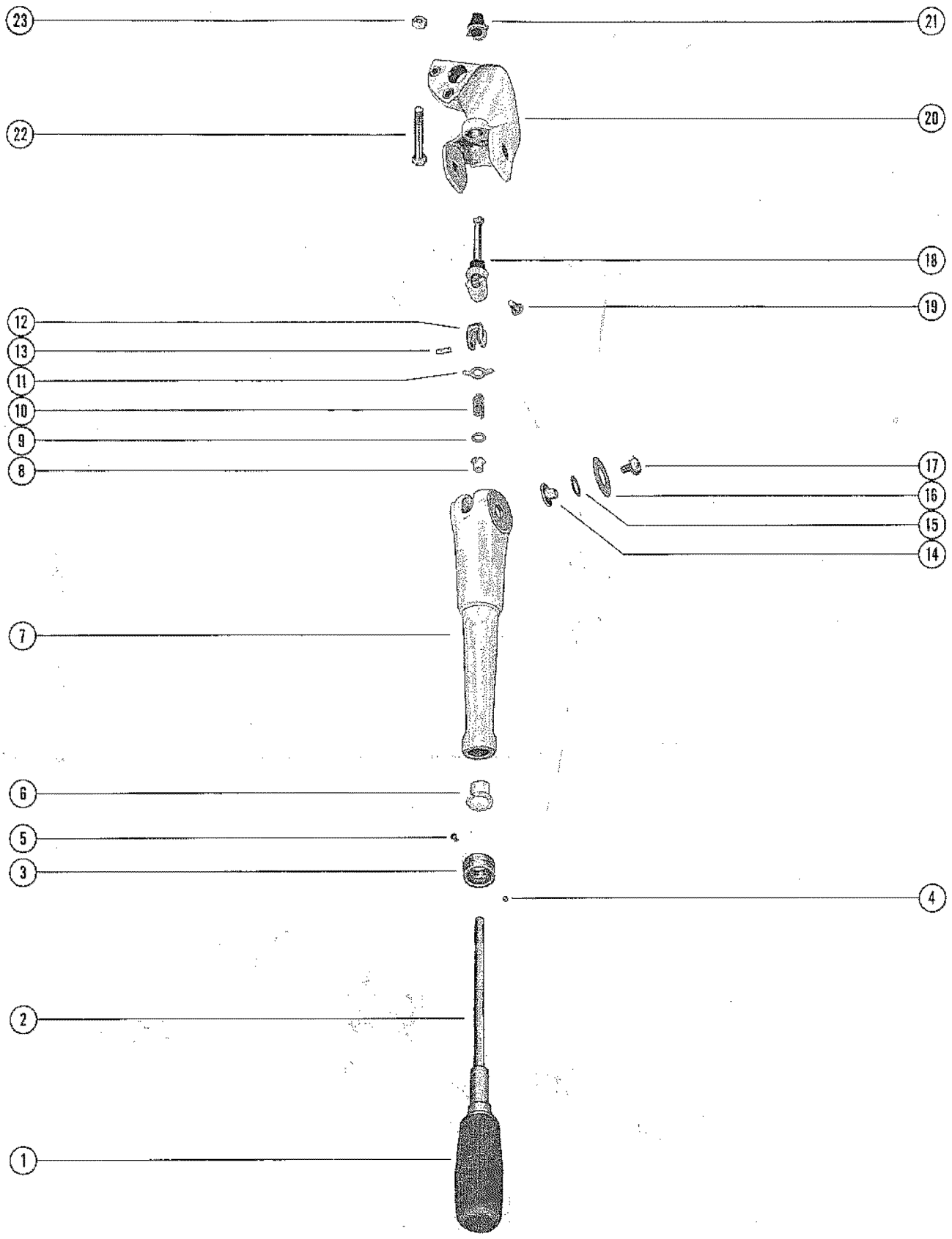
PISTON AND CONNECTING ROD ASSEMBLY



PISTON AND CONNECTING ROD ASSEMBLY

REF. NO.	PART NO.	SYM.	QTY.	DESCRIPTION
1	600-7A4		2,2,2	CONNECTING ROD ASSEMBLY (SEE NOTE BELOW)
2	10-20060		4,4,4	SCREW, CONNECTING ROD
3	29-20046		50,50,50	BEARING, NEEDLE - CRANKPIN
4	11-20061		4,4,4	NUT, CONNECTING ROD SCREW
5	12-28121		4,4,4	WASHER, NEEDLE BEARING RETAINING
6	29-20063		44,44,44	BEARING, NEEDLE - PISTON PIN
7	724-1631A2		2,2,2	PISTON AND PISTON PIN ASSEMBLY SERIAL 00000000-01858008
	724-2537A4		„2	PISTON AND PISTON PIN ASSEMBLY SERIAL 01858009-09999999
8	40-20057		4,4,4	LOCK RING, PISTON PIN
9	39-27841		6,6,6	RING, PISTON
-	724-1663A1		2,2,2	PISTON AND PISTON PIN ASSEMBLY (.015 OVERSIZE) SERIAL 00000000-01858008
-	724-2553A3		„2	PISTON AND PISTON PIN ASSEMBLY (.015 OVERSIZE) SERIAL 01858009-09999999
-	39-28616A12		6,6,6	RING, PISTON (.015 OVERSIZE)

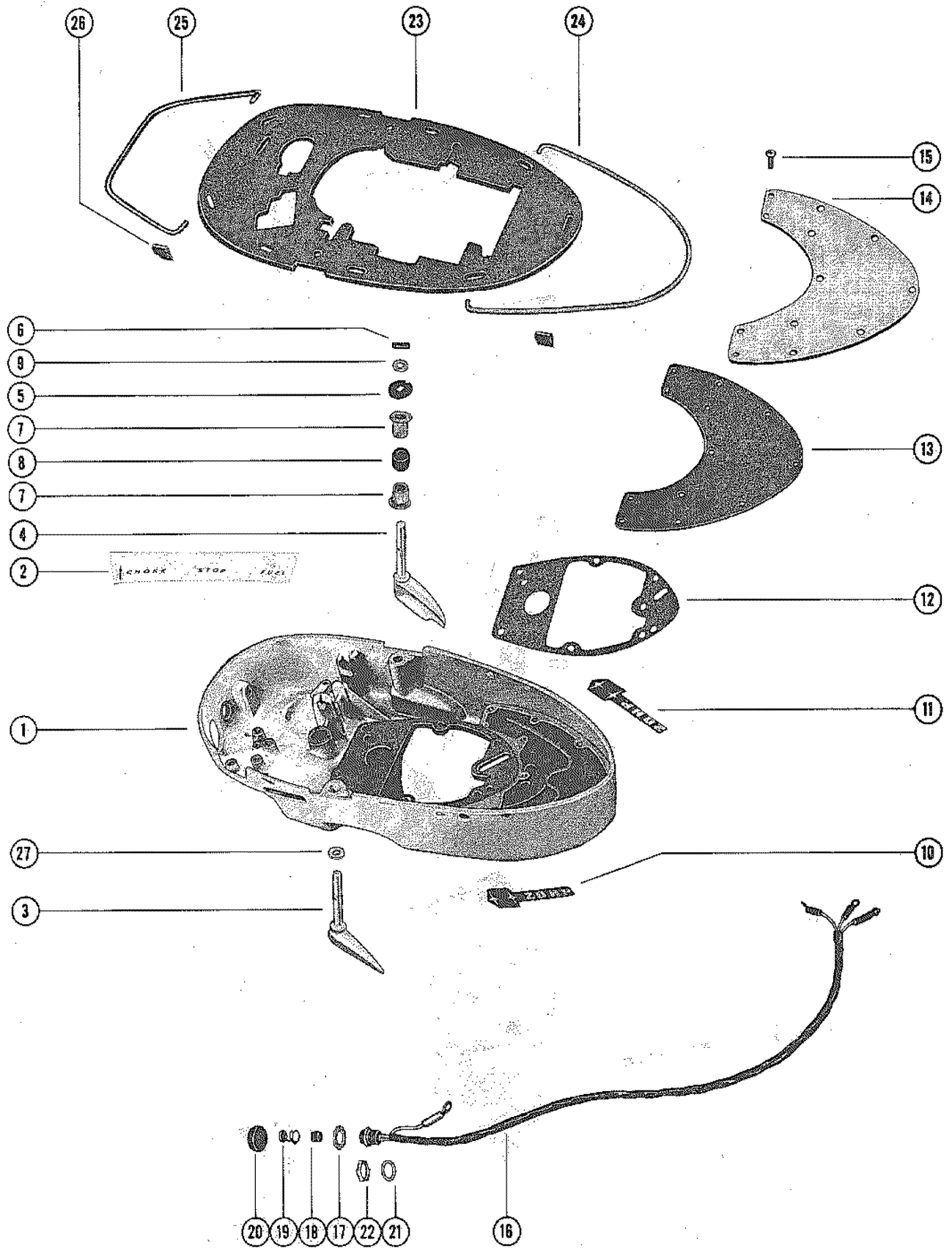
STEERING HANDLE ASSEMBLY



STEERING HANDLE ASSEMBLY

REF. NO.	PART NO.	SYM.	QTY.	DESCRIPTION
-	33405A2		1,1,1	STEERING HANDLE ASSEMBLY, COMPLETE
1	27763		1,1,1	GRIP, RUBBER - STEERING HANDLE BODY
2	33404		1,1,1	BODY AND SHAFT, STEERING HANDLE
3	31001		1,1,1	INDICATOR, SPEED/SHIFT - STEERING HANDLE
4	10-31002		1,1,1	SCREW, SET - SPEED AND SHIFT INDICATOR
5	10-22290		1,1,1	SCREW, INDICATOR TO STEERING HANDLE BODY
6	23-30677		1,1,1	BUSHING, NYLON - STEERING HANDLE TO BODY
7	33405A1		1,1,1	STEERING HANDLE ASSEMBLY
8	23-28100		1,1,1	BUSHING, NYLON - STEERING HANDLE
9	12-20084		1,1,1	WASHER, STEERING HANDLE SHAFT
10	24-26703		1,1,1	SPRING, STEERING HANDLE SHAFT
11	14-26706		1,1,1	TAB WASHER, YOKE PIN HOLDING
12	30235		1,1,1	YOKE, STEERING HANDLE SHAFT
13	17-26862		1,1,1	PIN, YOKE TO STEERING HANDLE SHAFT
14	26711		2,2,2	PIVOT, STEERING HANDLE TO BRACKET
15	15-26707		2,2,2	SHIM, STEERING HANDLE PIVOT TO BRACKET
16	15-28485		2,2,2	SHIM, STEERING HANDLE TO ARM BRACKET
17	10-28592		2,2,2	SCREW, STEERING HANDLE TO ARM BRACKET
18	33535A1		1,1,1	THROTTLE CONTROL SHAFT ASSEMBLY
19	10-26774		1,1,1	SCREW, THROTTLE CONTROL SHAFT TO BRACKET
20	33435		1,1,1	BRACKET, STEERING ARM
21	30970		1,1,1	BOOT, RUBBER - THROTTLE CONTROL SHAFT
22	10-33473		3,3,3	SCREW, STEERING ARM BRACKET TO SADDLE
23	11-29250		3,3,3	NUT, STEERING ARM BRACKET FASTENING SCREW

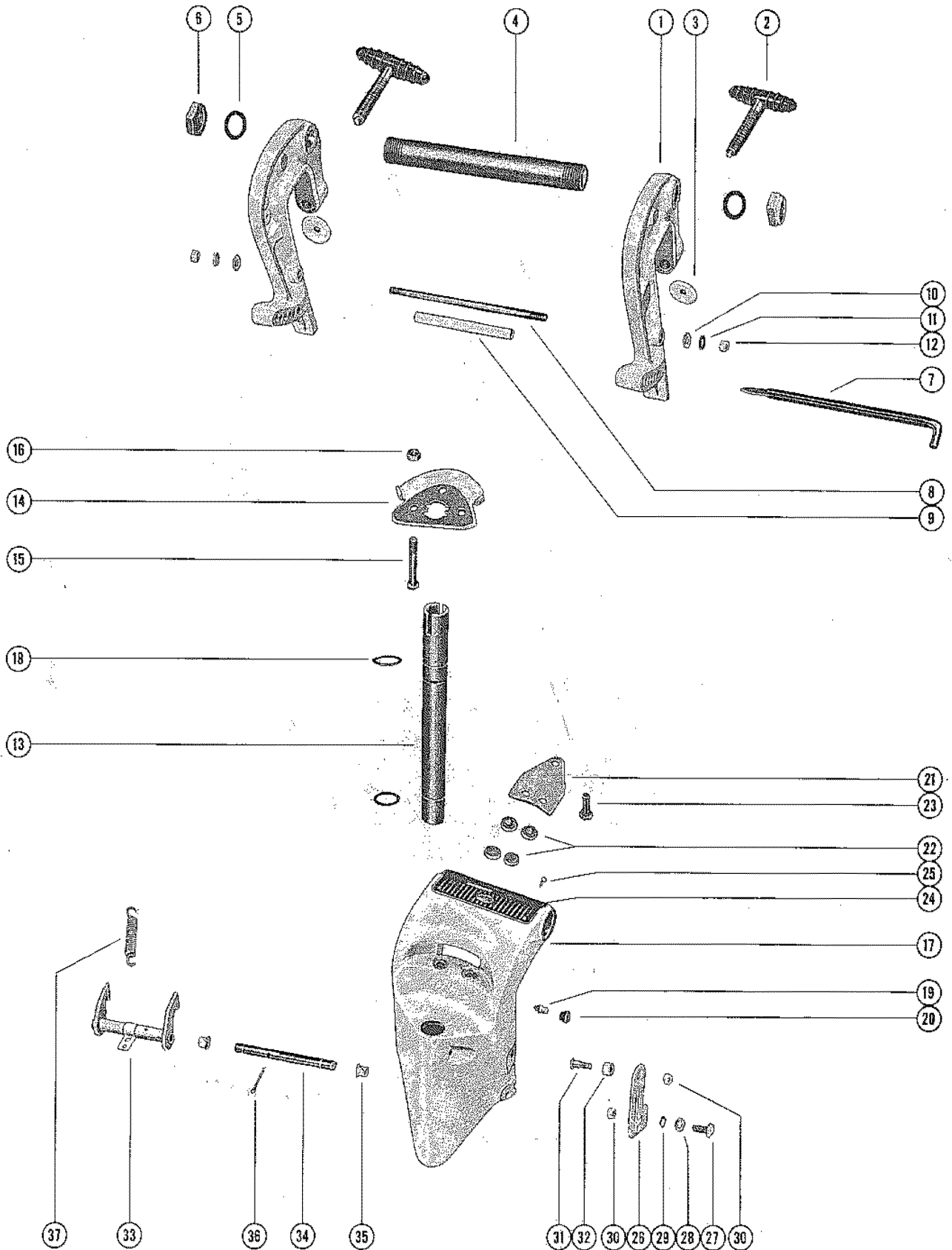
BOTTOM COWL ASSEMBLY



BOTTOM COWL ASSEMBLY

REF. NO.	PART NO.	SYM.	QTY.	DESCRIPTION
1	199-2092A2		1,1,1	BOTTOM COWL ASSEMBLY (SEE NOTE BELOW)
2	37-33751		1,,	DECAL, CHOKE - STOP - FUEL
	37-35746		,1,	DECAL, CHOKE - STOP - FUEL
3	34046		1,1,1	LEVER, CLAMPING - PORT
4	34045		1,1,1	LEVER, CLAMPING - STARBOARD
5	53-30428		2,2,2	FASTENER, CLAMPING LEVER
6	17-29077		2,2,2	PIN, ROLL - CLAMPING LEVER
7	23-26819		2,2,	BUSHING, NYLON - CLAMPING LEVER SHAFT
	23-26819		,,4	BUSHING, NYLON - CLAMPING LEVER SHAFT
8	23-31293		2,2,2	BUSHING, RUBBER - CLAMPING LEVER SHAFT
9	12-38744		,,2	WASHER, CLAMPING LEVER
10	37-37793		,,1	DECAL, BOTTOM COWL - PORT
11	37-37792		,,1	DECAL, BOTTOM COWL - STARBOARD
12	27-33515		1,1,1	GASKET, POWERHEAD TO BOTTOM COWL
13	27-33499		1,1,1	GASKET, EXHAUST RELIEF COVER TO BOTTOM COWL
14	33498		1,1,1	COVER, EXHAUST RELIEF
15	10-35519		12,12,12	SCREW, EXHAUST RELIEF COVER FASTENING
-	33474A1		1,1,1	STOP SWITCH ASSEMBLY
16	33474		1,1,1	HARNESS, STOP SWITCH
17	12-30856		1,1,1	WASHER, SEALING - STOP SWITCH
18	30859		1,1,1	INSULATOR, SLEEVE - INNER SWITCH TERMINALS
19	24-30858A1		1,1,1	SPRING AND CONTACT ASSEMBLY
20	30854		1,1,1	COVER, STOP SWITCH
21	13-21972		1,1,1	LOCKWASHER, STOP SWITCH CONNECTOR
22	11-21971		1,1,1	NUT, STOP SWITCH CONNECTOR TO BOTTOM COWL
23	33541		1,,	SEAL, SOUND - BOTTOM COWL
	35774		,1,1	SEA, SOUND - BOTTOM COWL
24	28899		1,1,1	RETAINER, SOUND SEAL - REAR
25	33728		1,1,1	RETAINER, SOUND SEAL - FORWARD
26	54-28901		9,9,9	FASTENER, SOUND SEAL TO BOTTOM COWL
27	12-20546		1,1,	WASHER, PORT CLAMPING LEVER (NO LONGER REQUIRED)

CLAMP AND SWIVEL BRACKET ASSEMBLY



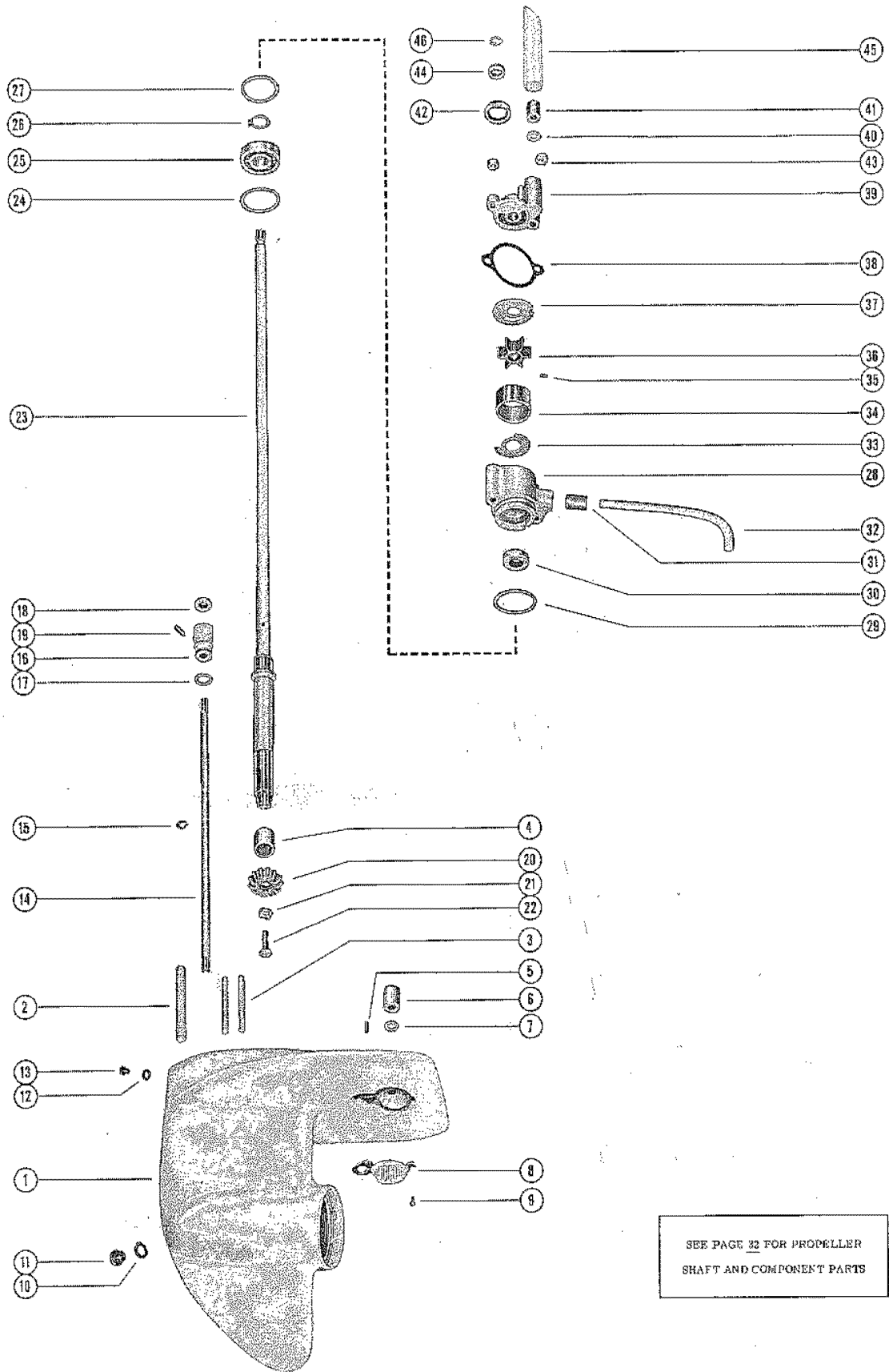
CLAMP AND SWIVEL BRACKET ASSEMBLY

REF. NO.	PART NO.	SYM.	QTY.	DESCRIPTION
1	1427-1806A3		2,2,2	CLAMP BRACKET ASSEMBLY
2	22477A4		2,2,2	THUMB SCREW ASSEMBLY
3	12-20214		2,2,2	WASHER, THUMB SCREW
4	30685		1,1,1	TILT TUBE, CLAMP BRACKET TO SWIVEL BRACKET
5	15-30497A1		2,2,2	SHIM, CLAMP BRACKET TILT TUBE (.020)
6	11-30499		2,2,2	NUT, CLAMP BRACKET TILT TUBE FASTENING
7	17-28848A2		1,1,1	TILT LOCK PIN ASSEMBLY
8	16-20657		1,1,1	STUD, CLAMP BRACKET
9	23-20658		1,1,1	SPACER, CLAMP BRACKET STUD
10	12-24812		1,1,1	WASHER, CLAMP BRACKET STUD
11	13-26993		2,2,2	LOCKWASHER, CLAMP BRACKET STUD
12	11-20083		2,2,2	NUT, CLAMP BRACKET STUD
13	17-33412		1,1,1	SWIVEL PIN
14	33423		1,1,1	CO-PILOT DISC
15	10-33473		3,3,3	SCREW, CO-PILOT DISC TO SADDLE
16	11-29250		3,3,3	NUT, CO-PILOT DISC TO SADDLE SCREW
17	1454-2093A2		1,1,1	SWIVEL BRACKET ASSEMBLY
18	25-29845		2,2,2	"O" RING, SWIVEL BRACKET
19	22-31345		1,1,1	FITTING GREASE - SWIVEL BRACKET
20	29359		1,1,1	LUBRICAP, SWIVEL BRACKET GREASE FITTING
21	33424		1,1,1	PLATE, CLAMP - CO-PILOT
22	20203		4,4,4	DISC, FRICTION - CLAMP PLATE AND SWIVEL BRACKET
23	10-29201		1,1,1	SCREW, CLAMP PLATE TO SWIVEL BRACKET
24	38-33543		1,1,1	SERIAL PLATE
25	10-28642		4,4,4	SCREW, DRIVE - SERIAL PALTE TO SWIVEL BRACKET
26	33512		1,1,1	LEVER, TILT STOP
27	10-29237		1,1,1	SCREW, RETAINING - LEVER TO SWIVEL BRACKET
28	13-36076		1,1,1	WASHER, WAVE - TILT STOP LEVER SCREW
29	15-20473		1,1,	SHIM, RETAINING SCREW (.020)
	15-37711		„1	SHIM, RETAINING SCREW (.020)
30	11-24652		2,2,2	NUT, TILT STOP LEVER SCREW
31	10-20217		1,1,1	SCREW, ANCHOR - TILT STOP LEVER
32	23-20216		1,1,1	SPACER, TILT STOP LEVER SCREW
33	33417A1		1,1,1	REVERSE LOCK LEVER ASSEMBLY
34	26092		1,1,1	ROD, REVERSE LOCK LEVER
35	23-26841		2,2,2	BUSHING, NYLON - REVERSE LOCK LEVER ROD
36	18-20209		1,1,1	COTTER PIN, REVERSE LOCK LEVER TO ROD
37	24-33418		1,1,1	SPRING, REVERSE LOCK LEVER

DRIVE SHAFT HOUSING ASSEMBLY

REF. NO.	PART NO.	SYM.	QTY.	DESCRIPTION
1	1549-2091A2		1,1,1	DRIVE SHAFT ASSEMBLY
2	16-33469		1,1,1	STUD, DRIVE SHAFT HOUSING TO GEAR HOUSING
3	16-33470		1,1,1	STUD, DRIVE SHAFT HOUSING TO GEAR HOUSING
4	11-21528		2,2,2	NUT, DRIVE SHAFT HOUSING TO GEAR HOUSING STUD
5	11-20509		1,1,1	NUT, DRIVE SHAFT HOUSING TO GEAR HOUSING STUD
6	11-24652		6,6,6	NUT, POWERHEAD TO DRIVE SHAFT HOUSING
7	12-20260		1,1,1	WASHER, DRIVE SHAFT HOUSING FLUSHING HOLE SCREW
8	10-28634		1,1,1	SCREW, DRIVE SHAFT HOUSING FLUSHING HOLE
9	32-33494		1,1,1	TUBE, WATER INLET
10	26-26865		1,1,	SEAL, RUBBER - WATER INLET TUBE SERIAL 0000000-01708178
	26-25329		,1,1	SEAL, RUBBER - WATER INLET TUBE SERIAL 01708179-09999999
11	12-36555		,1,1	WASHER, NYLON - INLET TUBE SEAL
12	33513		1,1,1	RETAINER, WATER INLET TUBE SEAL
13	10-20540		1,1,1	SCREW, INLET TUBE SEAL RETAINER TO BOTTOM COWL
14	27-33516		1,1,1	GASKET, POWERHEAD TO DRIVE SHAFT HOUSING
15	1548-2089		1,1,1	SADDLE
16	33420		1,1,1	BUMPER, RUBBER - SADDLE
17	10-20540		2,2,2	SCREW, RUBBER BUMPER TO SADDLE
18	13-26992		2,2,2	LOCKWASHER, RUBBER BUMPER SADDLE SCREW
19	33975		2,2,2	MOUNT, RUBBER (UPPER)
20	53-23720		2,2,2	RING, RETAINING - UPPER MOUNT
21	23-31270		2,2,2	SPACER, UPPER MOUNT COVER RETAINING SCREW
22	30887		2,2,2	COVER, UPPER MOUNT
23	10-33726		2,2,2	SCREW, UPPER MOUNT COVER RETAINING
24	33976		2,2,2	MOUNT, RUBBER - LOWER
25	53-23721		2,2,2	RING, RETAINING - LOWER MOUNT
26	23-31270		2,2,2	SPACER, LOWER MOUNT COVER RETAINING SCREW
27	30888		2,2,2	COVER, LOWER MOUNT
28	10-33726		2,2,2	SCREW, LOWER MOUNT COVER RETAINING
29	35643A1		1,1,1	CAM COUPLING ASSEMBLY, SHIFT SHAFT SERIAL 0000000-01906565
	39241A1		,,1	CAM COUPLING ASSEMBLY, SHIFT SHAFT SERIAL 01906566-09999999
30	35653		1,1,1	RETAINER, REVERSE LOCK CAM
31	10-20540		2,2,2	SCREW, CAM RETAINER TO DRIVE SHAFT HOUSING
32	13-26992		2,2,2	LOCKWASHER, REVERSE LOCK CAM RETAINER SCREW
33	33407		1,1,1	LEVER, REVERSE LOCK CAM
34	17-33522		1,1,1	ROLL PIN, REVERSE LOCK CAM LEVER TO RETAINER
35	33495		1,1,1	LINK ROD, REVERSE LOCK
36	24-33413		1,1,1	SPRING, TENSION - REVERSE LOCK LINK ROD
37	11-25980		1,1,1	NUT, REVERSE LOCK LINK ROD

GEAR HOUSING ASSEMBLY, COMPLETE (PAGE 1)



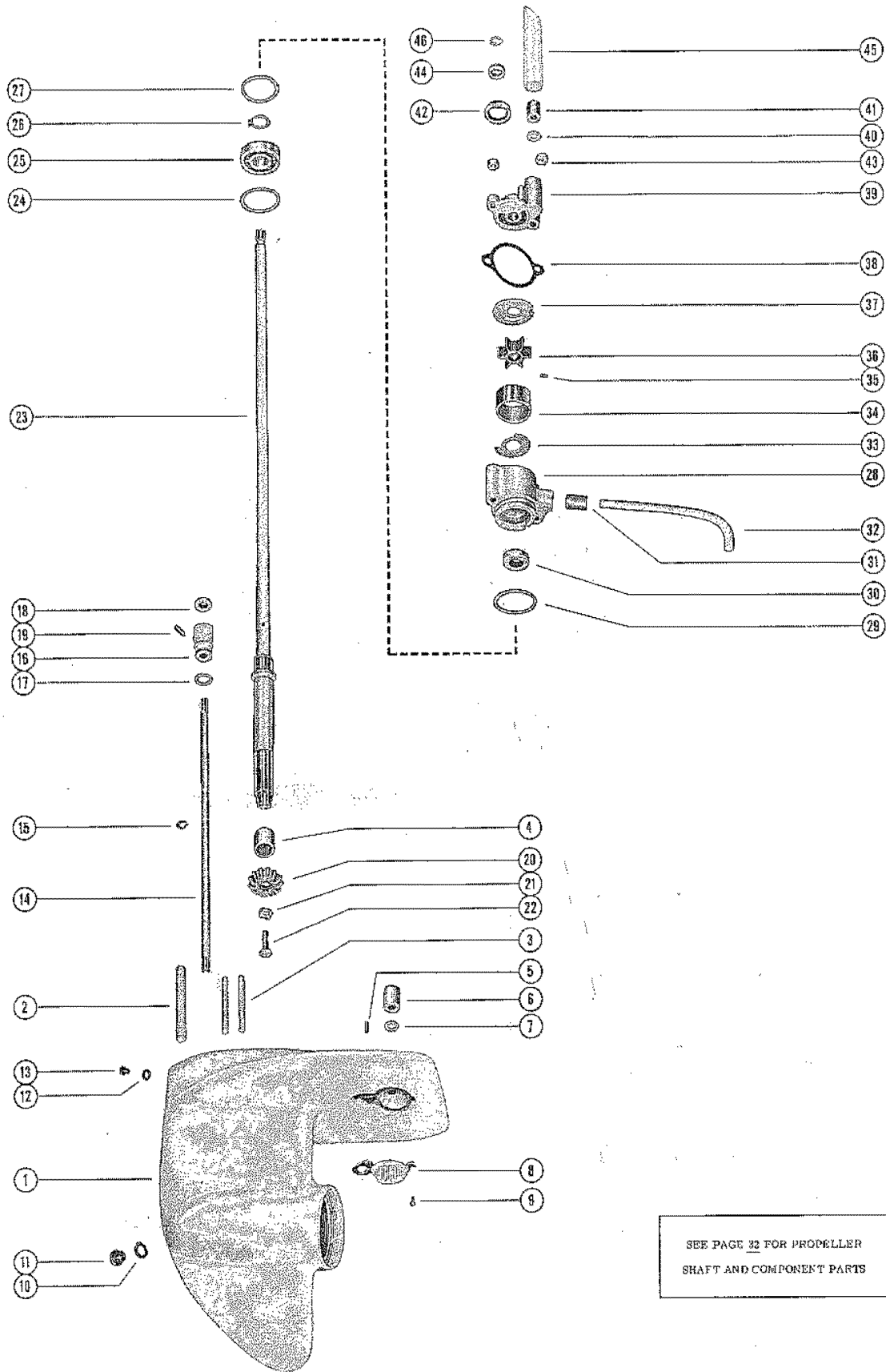
SEE PAGE 32 FOR PROPELLER
SHAFT AND COMPONENT PARTS

GEAR HOUSING ASSEMBLY, COMPLETE (PAGE 1)

REF. NO.	PART NO.	SYM.	QTY.	DESCRIPTION
-	1627-2090A3		1,1,1	GEAR HOUSING ASSEMBLY, COMPLETE (SEE NOTE BELOW)
1	1627-2090A1		1,1,1	GEAR HOUSING ASSEMBLY
2	16-33471		1,1,1	STUD, GEAR HOUSING TO DRIVE SHAFT HOUSING
3	16-33472		2,2,2	STUD, WATER PUMP HOUSING TO GEAR HOUSING
4	31-28157		1,1,1	BEARING, ROLLER - DRIVE SHAFT
5	17-20201		1,1,1	DOWEL, HOLLOW - DRIVE SHAFT HOUSING STUD
6	26-26865		1,1,	SEAL, RUBBER - WATER INTAKE TUBE SERIAL 00000000-00170817
	26-33613		,1,1	SEAL, RUBBER - WATER INTAKE TUBE SERIAL 01708179-09999999
7	12-36555		,1,1	WASHER, NYLON - INTAKE TUBE SEAL SERIAL 01708179-09999999
8	35-33425		1,1,1	SCREEN, WATER INTAKE
9	10-28642		1,1,1	SCREW, SCREEN TO GEAR HOUSING
10	12-20260		1,1,1	WASHER, GREASE FILLER HOLE SCREW
11	10-28634		1,1,1	SCREW, GREASE FILLER HOLE
12	12-20262		1,1,1	WASHER, GREASE VENT HOLE SCREW
13	10-28653		1,1,1	SCREW, GREASE VENT HOLE
14	33476		1,1,1	SHAFT, SHIFT - LOWER SERIAL 00000000-01906565
	33476A1		,,1	SHAFT ASSY, SHIFT - LOWER SERIAL 01906566-09999999
-	25-38933		,,1	"O" RING - SHIFT SHAFT SERIAL 01906566-09999999
15	53-30899		1,1,1	RING, RETAINING - SHIFT SHAFT
16	23-30676A1		1,1,1	BUSHING ASSEMBLY, SHIFT SHAFT
17	25-26802		1,1,1	"O" RING, SHIFT SHAFT BUSHING
18	26-30696		1,1,1	OIL SEAL, SHIFT SHAFT BUSHING
19	10-39149		1,1,1	SCREW, SHIFT SHAFT BUSHING RETAINER
20	43-33441		1,1,1	GEAR, PINION
21	14-20806		1,1,1	TAB WASHER, PINION GEAR TO DRIVE SHAFT SCREW
22	10-20807		1,1,1	SCREW, PINION GEAR TO DRIVE SHAFT
23	45-33440		1,1,1	DRIVE SHAFT
24	15-20804A1		AR,AR,AR	SHIM, BALL BEARING TO GEAR HOUSING
25	30-20802		1,1,1	BEARING, BALL - DRIVE SHAFT
26	53-33463		1,1,1	RING, RETAINING - BALL BEARING
27	15-20804A1		AR,AR,AR	SHIM, BALL BEARING TO WATER PUMP HOUSING
28	46-33408A1		1,1,1	WATER PUMP HOUSING ASSEMBLY
29	25-33466		1,1,1	"O" RING, WATER PUMP HOUSING
30	26-33467		1,1,1	OIL SEAL, WATER PUMP HOUSING
31	26-33613		1,1,1	SEAL, WATER INTAKE TUBE
32	32-33426		1,1,1	TUBE, WATER INTAKE
33	33429		1,1,1	PLATE, WATER PUMP HOUSING
34	20811		1,1,1	INSERT, WATER PUMP HOUSING
35	28-28784		1,1,1	KEY, IMPELLER DRIVE
36	47-26554		1,1,1	IMPELLER, WATER PUMP
37	33428		1,1,1	PLATE, FACE - WATER PUMP HOUSING TO COVER

CONTINUED ON NEXT PAGE ➡

GEAR HOUSING ASSEMBLY, COMPLETE (PAGE 1)

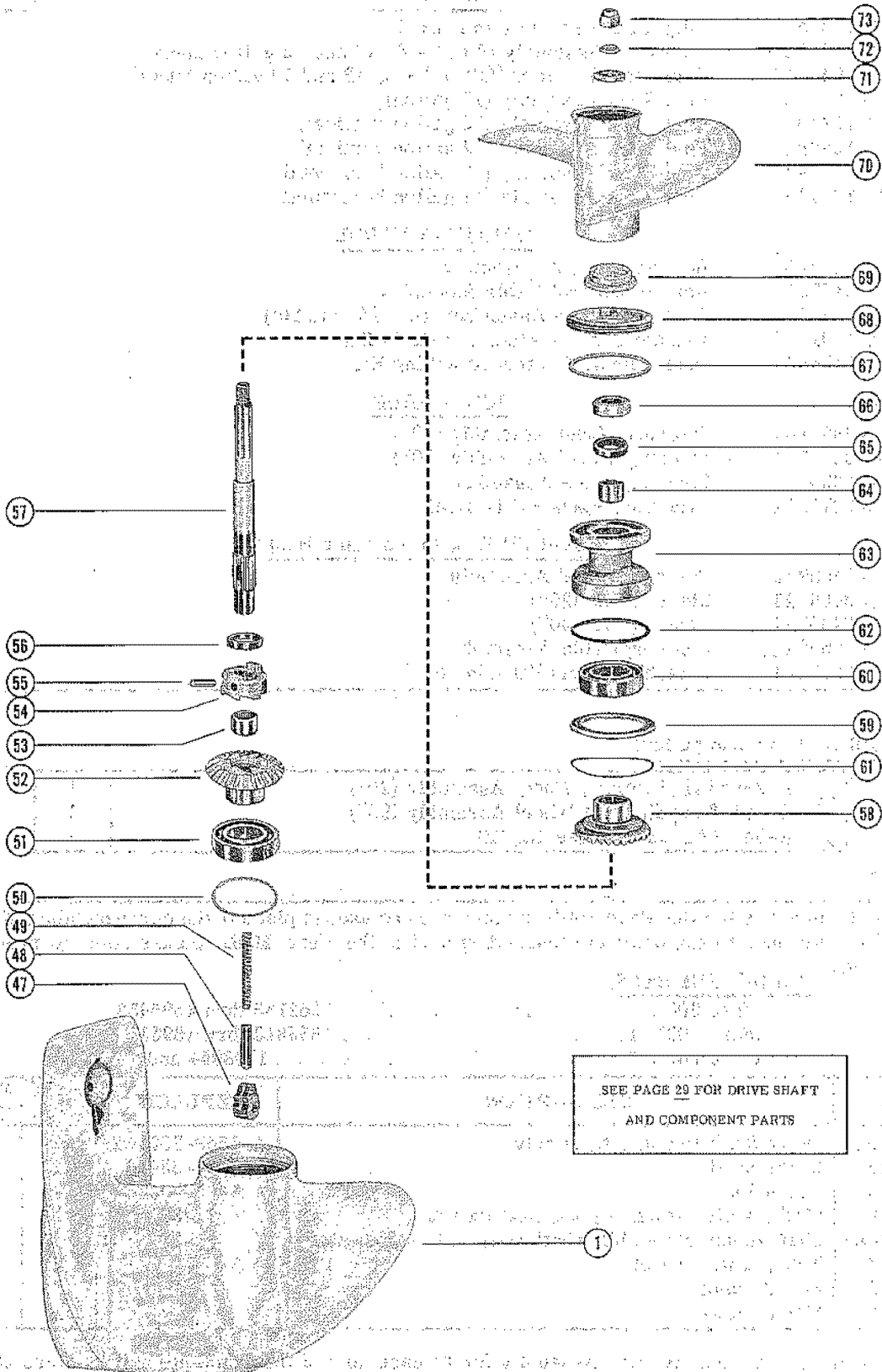


SEE PAGE 32 FOR PROPELLER
SHAFT AND COMPONENT PARTS

GEAR HOUSING ASSEMBLY, COMPLETE (PAGE 1)

REF. NO.	PART NO.	SYM.	QTY.	DESCRIPTION
38	27-33427		1,1,1	GASKET, FACE PLATE TO WATER PUMP COVER
39	33409A1		1,1,1	WATER PUMP COVER ASSEMBLY
40	12-36555		,1,1	WASHER, NYLON - WATER PUMP COVER SERIAL 01708179-09999999
41	26-33613		1,1,1	SEAL, WATER PUMP COVER
42	26-20070		1,1,1	OIL SEA, WATER PUMP COVER
43	11-24652		2,2,2	NUT, WATER PUMP HOUSING STUDS
44	12-20684		1,1,1	RING, RUBBER - CENTRIFUGAL SLINGER (DRIVE SHAFT)
45	23-33414		1,1,1	SLEEVE, GUIDE - WATER INLET TUBE
46	25-26802		1,1,1	"O" RING, UPPER - DRIVE SHAFT

GEAR HOUSING ASSEMBLY, COMPLETE (PAGE 2)



GEAR HOUSING ASSEMBLY, COMPLETE (PAGE 2)

REF. NO.	PART NO.	SYM.	QTY.	DESCRIPTION
-	1627-2090A3		1,1,1	GEAR HOUSING ASSEMBLY, COMPLETE (SEE NOTE BELOW)
1	1627-2090A1		1,1,1	GEAR HOUSING ASSEMBLY (SEE PAGE 30 FOR PARTS BREAKDOWN)
47	33436		1,1,1	CAM, SHIFT
48	33438		1,1,1	FOLLOWER, CAM
49	24-33479		1,1,1	SPRING
50	15-20788A1		AR,AR,AR	SHIM, BALL BRG. TO GEAR HSG
-	43-33447A2		1,1,1	FORWARD GEAR ASSY, COMP.
51	30-25398		1,1,1	BEARING, BALL - FORWARD GEAR
52	43-33447A1		1,1,1	FORWARD GEAR ASSEMBLY
53	31-28157		1,1,1	BEARING, ROLLER - FORWARD GEAR
54	52-33443		1,1,1	RATCHET, SLIDING CLUTCH
55	17-33433		1,1,1	PIN, CROSS - RATCHET TO PROPELLER SHAFT
56	53-33430		1,1,1	RING, RETAINING - CROSS PIN
57	44-33439		1,,	SHAFT, PROPELLER
	44-34238A2		1,1,1	@PROPELLER SHAFT ASSEMBLY SERIAL 01592875-09999999
58	43-33444A1		1,1,1	REVERSE GEAR ASSEMBLY
59	12-33434		1,1,1	WASHER, THRUST - REVERSE GEAR
60	30-25398		1,1,1	BEARING, BALL - REVERSE GEAR
61	15-33431A1		AR,AR,AR	SHIM, THRUST WASHER TO GEAR HOUSING
62	25-33465		1,1,1	"0" RING, BEARING CARRIER
63	33402A1		1,1,1	BEARING CARRIER ASSEMBLY
64	31-28157		1,1,1	BEARING, ROLLER - BEARING CARRIER
65	26-27163		1,1,1	OIL SEAL, BEARING CARRIER
66	26-26805		1,1,1	OIL SEAL, BEARING CARRIER
67	12-33432		1,1,1	WASHER, GEAR HOUSING COVER
68	33410		1,1,1	COVER, GEAR HOUSING
69	23-27023		1,,	COLLAR, GUIDE - PROPELLER SHAFT
	23-34237		1,1,1	COLLAR, GUIDE - PROPELLER SHAFT SERIAL 01592875-09999999
70	48-33480A1		1,1,1	PROPELLER ASSEMBLY (2 BLADE - ALUMINUM - 11" PITCH)
	48-34402A1		OPT,OPT,OP	PROPELLER ASSEMBLY (2 BLADE - BRONZE - 11" PITCH)
	33482A1		OPT,OPT,OP	PROPELLER ASSEMBLY (3 BLADE - ALUMINUM - 9" PITCH)
	48-37316A1		OPT,OPT,OP	PROPELLER ASSEMBLY (3 BLADE - ALUMINUM - 7" PITCH)
71	23-27024		1,1,1	SPACER, SPLINE - PROPELLER SHAFT
72	12-27025		1,1,1	WASHER, PROPELLER NUT
73	11-22178		1,1,1	NUT, PROPELLER RETAINING

PARTS INDEX

Part Number	Description	Pg.	Ref. No.	Part Number	Description	Pg.	Ref. No.
20119	PROTECTOR, SPARK PLUG	9	28	28113	BRACKET, TOP COWL		
20119	PROTECTOR, SPARK PLUG	15	30		MOUNTING	3	13
20155	RETAINER, STARTER			28232	BOLT, TOGGLE - MAGNETO		
	SPRING	3	17		CONTROL ROD	25	18
20155	RETAINER, STARTER			28278	BLANKET, TOP COWL-REAR	3	10
	SPRING	5	26	28367	ROD, CONTROL - MAGNETO	25	17
20157	SHAFT, SHEAVE	3	28	28747	HANDLE, STARTER CABLE .	3	32
20157	SHAFT, SHEAVE	5	37	28747	HANDLE, STARTER CABLE .	7	48
20162	PAWL, STARTER	3	21	28748	RETAINER, STARTER		
20162	PAWL, STARTER	5	30		CABLE AND HANDLE . . .	7	49
20164	PLATE, RETAINER -			28748	RETAINER, STARTER		
	STARTER PAWL	3	27		CABLE HANDLE	3	33
20164	PLATE, RETAINER -			28805	MOUNT, RUBBER - TOP		
	STARTER PAWL	5	36		COWL MOUNTING		
20203	DISC, FRICTION - CLAMP				BRACKET	31	54
	PLATE AND SWIVEL			28805	MOUNT, RUBBER, TOP		
	BRACKET	41	22		COWL (CYLINDER BLOCK		
20623	MARKER, "TOP" - LEAD				COVER)	29	32
	WIRE	9	20	28823	SCREEN, VENT-TOP COWL	3	11
20623	MARKER, "TOP" - LEAD			28899	RETAINER, SOUND SEAL -		
	WIRE	15	31		REAR	39	24
20811	INSERT, WATER PUMP			29013	IDLE STOP, ADJUSTABLE . .	9	35
	HOUSING	45	34	29013	IDLE STOP, ADJUSTABLE . .	13	24
22477A4	THUMB SCREW ASSEMBLY	41	2	29359	LUBRICAP, SWIVEL		
22789	"D" WASHER, COIL LEAD				BRACKET GREASE		
	WIRE CLIP	15	18		FITTING	41	20
22789	"D" WASHER, COIL LEAD			29799	RING, MAGNETO HOLD		
	WIRE CLIP	15	18		DOWN	29	17
22789	"D" WASHER, SHORTING			30046	STOP, MAGNETO ADVANCE	11	44
	SWITCH LEAD			30188	CUP WASHER, ADAPTOR . .	21	16
	FASTENING SCREW	31	47	30212	TERMINAL BLOCK,		
22833	ADAPTOR, CHECK UNIT . . .	21	20		EXHAUST MANIFOLD		
22931A3	THROTTLE LEVER				COVER	31	43
	ASSEMBLY	19	1	30235	YOKE, STEERING HANDLE		
23004	RETAINER, CHECK VALVE .	21	4		SHAFT	37	12
23014	DIAPHRAGM, FUEL PUMP .	21	7	30269A2	FUEL PUMP ASSEMBLY . . .	21	1
23069	STEM, CHECK UNIT			30685	TILT TUBE, CLAMP		
	ADAPTOR	21	19		BRACKET TO SWIVEL		
23597A1	FLUSHING ASSEMBLY	1	-		BRACKET	41	4
26092	ROD, REVERSE LOCK			30822	KNOB, CHOKE	19	9
	LEVER	41	34	30854	COVER, STOP SWITCH	39	20
26174	COVER, TRANSFER PORT .	29	27	30859	INSULATOR, SLEEVE -		
26179	RETAINER, STARTER				INNER SWITCH		
	SHEAVE TO PLATE	5	33		TERMINALS	39	18
26179	RETAINER, WAVE WASHER	3	24	30887	COVER, UPPER MOUNT . . .	43	22
26565	CLIP, MAGNETO HOLD			30888	COVER, LOWER MOUNT . .	43	27
	DOWN	9	39	30970	BOOT, RUBBER - THROTTLE		
26711	PIVOT, STEERING HANDLE				CONTROL SHAFT	37	21
	TO BRACKET	37	14	31001	INDICATOR, SPEED/SHIFT -		
27763	GRIP, RUBBER - STEERING				STEERING HANDLE	37	3
	HANDLE BODY	37	1	31427	BOLT, SWIVEL - THROTTLE		
28041	COVER, TRIM-TOP COWL . .	3	7		CONTROL CONTROL		
28074	COVER, EXHAUST				LEVER	25	14
	MANIFOLD	31	40	33402A1	BEARING CARRIER		
28086	PLATE, BAFFLE - EXHAUST				ASSEMBLY	49	63
	MANIFOLD	31	38	33404	BODY AND SHAFT,		
28087	SHUTTER, CHOKE -				STEERING HANDLE	37	2
	CARBURETOR	19	3	33405A1	STEERING HANDLE		
28113	BRACKET, TOP COWL				ASSEMBLY	37	7
	FASTENING	5	22				

PARTS INDEX

Part Number	Description	Pg.	Ref. No.	Part Number	Description	Pg.	Ref. No.
33407	LEVER, REVERSE LOCK			33733	PLAQUE, FRONT-TOP COWL	3	2
	CAM	43	33	33735A3	THROTTLE CONTROL CAM		
33409A1	WATER PUMP COVER				ASSEMBLY	9	33
	ASSEMBLY	47	39	33803	BRACKET, TOP COWL		
33410	COVER, GEAR HOUSING	49	68		MOUNTING	31	52
33417A1	REVERSE LOCK LEVER			33975	MOUNT, RUBBER (UPPER)	43	19
	ASSEMBLY	41	33	33976	MOUNT, RUBBER - LOWER	43	24
33420	BUMPER, RUBBER -			34045	LEVER, CLAMPING -		
	SADDLE	43	16		STARBOARD	39	4
33423	CO-PILOT DISC	41	14	34046	LEVER, CLAMPING - PORT	39	3
33424	PLATE, CLAMP - CO-PILOT	41	21	34599	ROD, MAGNETO CONTROL	13	20
33428	PLATE, FACE - WATER			34601	RING, HOLD DOWN -		
	PUMP HOUSING TO				STATOR PLATE	13	15
	COVER	45	37	34610	SWIVEL, CONTROL ROD TO		
33429	PLATE, WATER PUMP				THROTTLE CAM	13	19
	HOUSING	45	33	34611	CAM, THROTTLE CONTROL		
33435	BRACKET, STEERING ARM	37	20		- STATOR PLATE	13	17
33436	CAM, SHIFT	49	47	34699	LINK, MAGNETO CONTROL		
33438	FOLLOWER, CAM	49	48		ROD	13	21
33474	HARNESS, STOP SWITCH	39	16	34699	LINK, MAGNETO CONTROL		
33474A1	STOP SWITCH ASSEMBLY	39	--		ROD (USE FROM SERIAL		
33476	SHAFT, SHIFT - LOWER	45	14		# 1592568 THRU 18	25	15
33476A1	SHAFT ASSY, SHIFT -			35384	KEY, TOP COWL HANDLE	5	12
	LOWER	45	14	35599A1	SHIELD ASSEMBLY, LEAD		
33482A1	PROPELLER ASSEMBLY (3				WIRE - STATOR PLATE	13	12
	BLADE - ALUMINUM - 9"			35643A1	CAM COUPLING ASSEMBLY,		
	PITCH)	49	70		SHIFT SHAFT	43	29
33495	LINK ROD, REVERSE LOCK	43	35	35653	RETAINER, REVERSE LOCK		
33496A1	SHIFT CONTROL SHAFT				CAM	43	30
	ASSEMBLY	23	13	35655	HANDLE, CHROME - TOP		
33496A2	SHIFT CONTROL SHAFT				COWL	5	1
	ASSEMBLY	23	13	35659	BRACKET, FRONT - TOP		
33496A4	SHIFT CONTROL SHAFT				COWL MOUNTING	5	18
	ASSEMBLY	23	13	35660	SCREEN, VENT - TOP COWL	5	13
33498	COVER, EXHAUST RELIEF	39	14	35661	HANDLE, INSIDE - TOP		
33510	HANDLE, SHIFT CONTROL	23	1		COWL	5	8
33512	LEVER, TILT STOP	41	26	35774	SEA, SOUND - BOTTOM		
33513	RETAINER, WATER INLET				COWL	39	23
	TUBE SEAL	43	12	35775	BLANKET, SOUND		
33519	LEVER ASSEMBLY, CHOKE				ABSORBING - TOP COWL	5	39
	SHUTTER	19	5	35776	BLANKET, SOUND		
33533	SOCKET, THROTTLE				ABSORBING - TOP COWL		
	CONTROL HOUSING	25	4		(REAR)	5	38
33535A1	THROTTLE CONTROL			36422	LINK ROD, SHIFT CAM TO		
	SHAFT ASSEMBLY	37	18		SHIFT CONTROL SHAFT	27	29
33540	LEVER, THROTTLE			38454	INSERT, NYLON - ROPE		
	CONTROL	25	7		GUIDE	7	40
33541	SEAL, SOUND - BOTTOM			38730	LEVER, THROTTLE		
	COWL	39	23		CONTROL	25	7A
33542	HOUSING, THROTTLE			38875	LINK, MAGNETO CONTROL		
	CONTROL	25	1		ROD	13	21
33575	BLANKET, TOP COWL-			38875	LINK, MAGNETO CONTROL		
	FRONT AND SIDE	3	9		ROD (STARTED WITH		
33576	LINK, MAGNETO CONTROL				SERIAL # 1858009)	25	15
	ROD	25	15	39241A1	CAM COUPLING ASSEMBLY,		
33578	LINK ROD, SHIFT CAM TO				SHIFT SHAFT	43	29
	SHIFT CONTROL SHAFT	27	29	10-20037	SCREW, RETAINER TO		
33579	CAM, SHIFT - BOTTOM				HOUSING	21	5
	COWL	27	23	10-20060	SCREW, CONNECTING ROD	35	2

PARTS INDEX

Part Number	Description	Pg.	Ref. No.	Part Number	Description	Pg.	Ref. No.
10-20540	SCREW, CAM RETAINER TO DRIVE SHAFT HOUSING	43	31	10-25255	SCREW, FRONT PLAQUE TO TOP COWL	3	5
10-20540	SCREW, INLET TUBE SEAL RETAINER TO BOTTOM COWL	43	13	10-25299	SCREW, CRANKCASE TOP FASTENING	29	25
10-20540	SCREW, PORT COVER TO CYLINDER BLOCK	29	30	10-25313	SCREW, CENTER MAIN BEARING CLAMPING (9/16)	33	7
10-20540	SCREW, RUBBER BUMPER TO SADDLE	43	17	10-25822	SCREW, STRAINER COVER	17	17
10-20578	SCREW, CHOKE SHUTTER TO CARBURETOR	19	4	10-25850	SCREW, FLOAT BOWL COVER (LONG)	17	11
10-20597	SCREW, THROTTLE LEVER TO CARBURETOR	19	2	10-26066	SCREW, CRANKCASE TO CYLINDER BLOCK (1 1/4")	31	58
10-20616	SCREW, THROTTLE CAM TO STATOR PLATE	9	34	10-26132	SCREW, CRANKCASE TO CYLINDER BLOCK (2 1/2")	31	61
10-20653	COVER TO CYLINDER BLOCK	29	35	10-26774	SCREW, THROTTLE CONTROL SHAFT TO BRACKET	37	19
10-20807	SCREW, PINION GEAR TO DRIVE SHAFT	45	22	10-26801	SCREW, CENTER MAIN BEARING LOCK	31	56
10-20847	SCREW, THROTTLE STOP LEVER	17	18	10-27281	SCREW, CHECK UNIT TO STEERING BRACKET	21	21
10-20854	SCREW, FLOAT BOWL COVER (SHORT)	17	10	10-27281	SCREW, THROTTLE CONTROL LEVER TO HOUSING	25	8A
10-21091	SCREW, INSIDE HANDLE TO CHROME HANDLE	5	9	10-28156	SCREW, TRIM COVER TO TOP COWL	3	8
10-21130	SCREW, GROUND TERMINAL	9	6	10-28192	SCREW, TERMINAL BLOCK TO EXHAUST MANIFOLD COVER	31	44
10-21130	SCREW, GROUND TERMINAL	15	7	10-28405	SCREW, PLUG - MAIN FUEL JET CHANNEL	17	33
10-21136	SCREW, CONDENSER FASTENING	9	15	10-28592	SCREW, STEERING HANDLE TO ARM BRACKET	37	17
10-21139	SCREW, LEAD WIRE CLAMP (LONG)	9	24	10-28634	SCREW, DRIVE SHAFT HOUSING FLUSHING HOLE	43	8
10-21449	SCREW, CRANKCASE TO CYLINDER BLOCK (2")	31	60	10-28634	SCREW, GREASE FILLER HOLE	45	11
10-21449	SCREW, CRANKCASE TO CYLINDER BLOCK (2")	31	60	10-28635	SCREW, MANIFOLD COVER TO CYLINDER BLOCK (LOWER REAR)	31	42
10-21548	SCREW, IDLE STOP TO TOP COWL BRACKET	9	36	10-28636	SCREW, INSIDE HANDLE TO CHROME HANDLE	5	6
10-21548	SCREW, IDLE STOP TO TOP COWL BRACKET	13	25	10-28636	SCREW, MANIFOLD COVER TO CYLINDER BLOCK	31	41
10-22290	SCREW, INDICATOR TO STEERING HANDLE BODY	37	5	10-28642	SCREW, DRIVE - SERIAL PALTE TO SWIVEL BRACKET	41	25
10-23035	SCREW AND LOCKWASHER, THROTTLE SHUTTER	17	23	10-28642	SCREW, SCREEN TO GEAR HOUSING	45	9
10-23178	SCREW, PLUG - MAIN NOZZLE	17	29	10-28653	SCREW, GREASE VENT HOLE	45	13
10-23976	SCREW, BREAKER CONNECTION	9	13	10-28712	SCREW, FUEL PUMP MOUNTING (1 1/8)	21	9
10-23977	SCREW, BREAKER FASTENING	9	10	10-28789	SCREW, SPARK ADVANCE - CRANKCASE TOP	29	22
10-23977	SCREW, LEAD WIRE CLAMP (SHORT)	9	23	10-28802	SCREW, HOLD DOWN RING TO CRANKCASE TOP	29	18
10-24234	SCREW, FRONT BRACKET TO TOP COWL	5	20	10-28845	SCREW, PLUG - BODY CHANNEL	17	27
10-24878	SCREW, SHIFT CAM TO BOTTOM COWL	27	24				
10-24878	SCREW, THROTTLE CONTROL LEVER TO HOUSING	25	8				

PARTS INDEX

Part Number	Description	Pg.	Ref. No.	Part Number	Description	Pg.	Ref. No.
10-29072	SCREW, BRACKET TO TOP COWL	5	24	10-34697	BOLT, SWIVEL - THROTTLE CONTROL LEVER	13	22
10-29072	SCREW, MOUNTING BRACKET TO TOP COWL	3	15	10-34697	BOLT, SWIVEL - THROTTLE CONTROL LEVER	25	14
10-29201	SCREW, CLAMP PLATE TO SWIVEL BRACKET	41	23	10-35400	SCREW, HOLD DOWN RING TO STATOR PLATE	13	16
10-29237	SCREW, RETAINING - LEVER TO SWIVEL BRACKET	41	27	10-35519	SCREW, EXHAUST RELIEF COVER FASTENING	39	15
10-29246	SCREW, FUEL PUMP MOUNTING (1 5/8)	21	8	10-35563	SCREW, FLEXIBLE PLATE TO FLYWHEEL	13	6
10-29248	SCREW, HOLD DOWN CLIP TO MAGNETO	11	40	10-36205	SCREW, RING CLIP TO CRANKCASE TOP	29	21
10-29256	SCREW, COWL MOUNTING BRACKET TO CRANKCASE	31	53	10-36455	SCREW, DUST COVER TO STATOR PLATE	15	34
10-29465	SCREW, REED SOTP MOUNTING	33	11	10-37656	SCREW, BRACKET TO TOP COWL	5	24
10-29942	SCREW, CRANKCASE TO CYLINDER BLOCK (2 1/4")	31	59	10-38395	SCREW, CONDENSER FASTENING (1 1/4")	15	9
10-30095	SCREW, ADJUSTMENT - MAGNETO ADVANCE STOP	11	45	10-39149	SCREW, SHIFT SHAFT BUSHING RETAINER	45	19
10-30429	SCREW, SEALING COVER FASTENING	9	8	11-20061	NUT, CONNECTING ROD SCREW	35	4
10-30663	SCREW, SCREEN TO TOP COWL	3	12	11-20083	NUT, CARBURETOR MOUNTING STUDS	17	37
10-30663	SCREW, SHORTING SWITCH LEAD TO TERMINAL BLOCK	31	45	11-20083	NUT, CLAMP BRACKET STUD	41	12
10-30663	SCREW, VENT SCREEN TO TOP COWL	5	14	11-20083	NUT, RUBBER MOUNT TO BRACKET	31	55
10-30818	SCREW, DETENT SPRING TO BOTTOM COWL	23	11	11-20083	NUT, RUBBER MOUNT TO CYLINDER BLOCK COVER	29	33
10-31002	SCREW, SET - SPEED AND SHIFT INDICATOR	37	4	11-20088	NUT, INSIDE HANDLE TO CHROME HANDLE STUD	5	5
10-31206	SCREW, SHORTING SWITCH LEAD CLIP FASTENING	31	48	11-20110	NUT, CONTROL ROD LINK TO SWIVEL BOLT	13	23
10-32417	SCREW, RATCHET TO FLYWHEEL	13	8	11-20110	NUT, CONTROL ROD LINK TO SWIVEL BOLT (STARTED WITH SERIAL #	27	22A
10-33464	SCREW, THROTTLE CONTROL HOUSING TO BOTTOM COWL	25	2	11-20166	NUT, SHEAVE SHAFT (LEFT HAND THREAD)	3	30
10-33473	SCREW, CO-PILOT DISC TO SADDLE	41	15	11-20166	NUT, SHEAVE SHAFT (LEFT HAND THREAD)	5	16
10-33473	SCREW, STEERING ARM BRACKET TO SADDLE	37	22	11-20361	NUT, FRONT COVER TO TOP COWL	7	46
10-33726	SCREW, LOWER MOUNT COVER RETAINING	43	28	11-20361	NUT, HORIZONTAL GEAR TO SHIFT CONTROL HANDLE	23	8
10-33726	SCREW, UPPER MOUNT COVER RETAINING	43	23	11-20509	NUT, DRIVE SHAFT HOUSING TO GEAR HOUSING STUD	43	5
10-33988	SCREW/LOCKWASHER, BREAKER FASTENING	15	22	11-20586	NUT, TOGGLE BOLT TO THROTTLE CONTROL CAM	25	20
10-34290	SCREW, RATCHET TO FLYWHEEL	13	9	11-20645	NUT, JAM - MAGNETO CONTROL ROD LINK	25	16
10-34436	SCREW, THROTTLE CONTROL CAM TO STATOR PLATE	13	18	11-21528	NUT, DRIVE SHAFT HOUSING TO GEAR HOUSING STUD	43	4
10-34695	SCREW, LEAD WIRE SHIELD TO STATOR PLATE	13	14	11-21825	NUT, COIL LEAD WIRE CLIP SCREW (SPACER)	15	16

PARTS INDEX

Part Number	Description	Pg.	Ref. No.	Part Number	Description	Pg.	Ref. No.
11-21923	NUT, TERMINAL SCREW . . .	15	25	12-20028	WASHER, SHIFT CAM LINK		
11-21971	NUT, STOP SWITCH CONNECTOR TO BOTTOM COWL	39	22	12-20084	WASHER, STEERING HANDLE SHAFT	27	30
11-22178	NUT, PROPELLER RETAINING	49	73	12-20214	WASHER, THUMB SCREW .	41	3
11-22339	NUT, FLYWHEEL	11	43	12-20260	WASHER, DRIVE SHAFT HOUSING FLUSHING HOLE SCREW	43	7
11-22339	NUT, FLYWHEEL	13	1	12-20260	WASHER, GREASE FILLER HOLE SCREW	45	10
11-22948	NUT, FITTING	21	14	12-20262	WASHER, GREASE VENT HOLE SCREW	45	12
11-24652	NUT, CYLINDER BLOCK COVER FASTENING SCREW	31	36	12-20533	WASHER, HARNESS CLAMP SCREW	29	29
11-24652	NUT, IDLE STOP SCREW . .	9	38	12-20546	WASHER, PORT CLAMPING LEVER (NO LONGER REQUIRED)	39	27
11-24652	NUT, IDLE STOP SCREW . .	13	27	12-20583	WASHER, ADAPTOR FASTENING SCREW	21	23
11-24652	NUT, INSIDE HANDLE TO CHROME HANDLE SCREW	5	11	12-20684	RING, RUBBER - CENTRIFUGAL SLINGER (DRIVE SHAFT)	47	44
11-24652	NUT, POWERHEAD TO DRIVE SHAFT HOUSING .	43	6	12-21135	WASHER, BREAKER FASTENING SCREW	9	11
11-24652	NUT, TILT STOP LEVER SCREW	41	30	12-21135	WASHER, CONDENSER FASTENING SCREW	15	11
11-24652	NUT, WATER PUMP HOUSING STUDS	47	43	12-21135	WASHER, LEAD WIRE CLAMP SCREW	9	25
11-25980	NUT, REVERSE LOCK LINK ROD	43	37	12-21135	WASHER, LEAD WIRE CLAMP SCREW	15	13
11-26419	NUT, COIL LEAD WIRE CLIP SCREW	15	20	12-21135	WASHER, TERMINAL SCREW	15	23
11-27164	NUT, BRACKET FASTENING SCREW	5	25	12-22937	WASHER, CHROME HANDLE STUD	5	2
11-27164	NUT, MOUNTING BRACKET SCREW	3	16	12-24812	WASHER, CLAMP BRACKET STUD	41	10
11-29250	NUT, CO-PILOT DISC TO SADDLE SCREW	41	16	12-26014	WASHER, MAGNETO CONTROL ROD	25	21
11-29250	NUT, CRANKCASE FASTENING SCREW	31	62	12-26180	WASHER, STARTER SHEAVE RETAINER	5	34
11-29250	NUT, STEERING ARM BRACKET FASTENING SCREW	37	23	12-26180	WASHER, WAVE WASHER RETAINER	3	25
11-29469	NUT, CENTER MAIN BEARING CLAMPING SCREW	33	8	12-27025	WASHER, PROPELLER NUT	49	72
11-29469	NUT, REED STOP MOUNTING SCREW	33	12	12-28121	WASHER, NEEDLE BEARING RETAINING	35	5
11-29798	NUT, ADJUSTMENT STOP SCREW	11	46	12-29245	WASHER, DETENT SPRING SCREW	23	10
11-30499	NUT, CLAMP BRACKET TILT TUBE FASTENING	41	6	12-29245	WASHER, FRONT COVER STUD	7	45
11-30968	NUT, LOCK - SPARK ADVANCE SCREW	29	23	12-29245	WASHER, INSIDE HANDLE TO CHROME HANDLE SCREW	5	10
11-33122	NUT, THROTTLE CONTROL LEVER TO HOUSING SCREW	25	13A	12-29245	WASHER, INSIDE HANDLE TO CHROME HANDLE STUD	5	3
12-20028	WASHER, ADAPTOR FASTENING SCREW	21	22	12-29245	WASHER, SHIFT CONTROL HANDLE	23	7
12-20028	WASHER, ADAPTOR FASTENING SCREW	21	22	12-30856	WASHER, SEALING - STOP SWITCH	39	17
12-20028	WASHER, IDLE STOP FASTENING SCREW	9	37				
12-20028	WASHER, IDLE STOP FASTENING SCREW	13	26				

PARTS INDEX

Part Number	Description	Pg.	Ref. No.	Part Number	Description	Pg.	Ref. No.
12-30971	WASHER, THROTTLE CONTROL LEVER TO HOUSING SCREW	25	9	13-26993	LOCKWASHER, CLAMP BRACKET STUD	41	11
12-30971	WASHER, THROTTLE CONTROL LEVER TO HOUSING SCREW	25	9A	13-26993	LOCKWASHER, FRONT BRACKET MOUNTING SCREW	5	19
12-33432	WASHER, GEAR HOUSING COVER	49	67	13-26993	LOCKWASHER, RUBBER MOUNT - CYLINDER BLOCK COVER	29	--
12-33434	WASHER, THRUST - REVERSE GEAR	49	59	13-26995	LOCKWASHER, COIL LEAD WIRE CLIP SCREW	15	19
12-33961	WASHER, FRONT PLAQUE TO TOP COWL	3	4	13-26996	LOCKWASHER, SHIELD FASTENING SCREW	13	13
12-34437	WASHER, CHOKE SHUTTER LEVER	19	8	13-29402	WASHER, WAVE - STARTER PAWL	3	22
12-36281	WASHER, FLYWHEEL NUT	13	2	13-29402	WASHER, WAVE - STARTER PAWL	5	31
12-36555	WASHER, NYLON - INLET TUBE SEAL	43	11	13-29402	WASHER, WAVE - TOGGLE BOLT	25	19
12-36555	WASHER, NYLON - INTAKE TUBE SEAL	45	7	13-30597	WASHER, WAVE - THROTTLE CONTROL LEVER SCREW	25	12A
12-36555	WASHER, NYLON - WATER PUMP COVER	47	40	13-36076	WASHER, WAVE - TILT STOP LEVER SCREW	41	28
12-38744	WASHER, CLAMPING LEVER	39	9	14-20091	TAB WASHER, CENTER MAIN BEARING LOCK SCREW	31	57
13-20160	WASHER, WAVE - STARTER SHEAVE TENSION	3	26	14-20165	TAB WASHER, SHEAVE SHAFT NUT	3	29
13-20160	WASHER, WAVE - STARTER SHEAVE TENSION	5	35	14-20165	TAB WASHER, SHEAVE SHAFT NUT	5	15
13-21134	LOCKWASHER, BREAKER FASTENING SCREW	9	12	14-20747	TAB WASHER, CRANKCASE TOP FASTENING SCREW	29	24
13-21134	LOCKWASHER, CONDENSER FASTENING SCREW	9	16	14-20806	TAB WASHER, PINION GEAR TO DRIVE SHAFT SCREW	45	21
13-21134	LOCKWASHER, CONDENSER FASTENING SCREW	15	10	14-26706	TAB WASHER, YOKE PIN HOLDING	37	11
13-21134	LOCKWASHER, LEAD WIRE CLAMP SCREW	9	26	15-20473	SHIM, RETAINING SCREW (.020)	41	29
13-21134	LOCKWASHER, LEAD WIRE CLAMP SCREW	15	14	15-20514A1	SHIM, BALL BEARING TO CRANKCASE TOP	29	11
13-21134	LOCKWASHER, TERMINAL SCREW	15	24	15-20788A1	SHIM, BALL BRG. TO GEAR HSG	49	50
13-21144	LOCKWASHER, CORE FASTENING SCREW	9	4	15-20804A1	SHIM, BALL BEARING TO GEAR HOUSING	45	24
13-21972	LOCKWASHER, STOP SWITCH CONNECTOR	39	21	15-20804A1	SHIM, BALL BEARING TO WATER PUMP HOUSING	45	27
13-26992	LOCKWASHER, CHROME HANDLE STUD	5	4	15-26707	SHIM, STEERING HANDLE PIVOT TO BRACKET	37	15
13-26992	LOCKWASHER, INSIDE HANDLE TO CHROME HANDLE SCREW	5	7	15-26931	SHIM, SPACER TO CRANKCASE TOP	29	15
13-26992	LOCKWASHER, RATCHET TO FLYWHEEL SCREW	13	10	15-28485	SHIM, STEERING HANDLE TO ARM BRACKET	37	16
13-26992	LOCKWASHER, REVERSE LOCK CAM RETAINER SCREW	43	32	15-30497A1	SHIM, CLAMP BRACKET TILT TUBE (.020)	41	5
13-26992	LOCKWASHER, RUBBER BUMPER SADDLE SCREW	43	18	15-33431A1	SHIM, THRUST WASHER TO GEAR HOUSING	49	61
13-26992	LOCKWASHER, SHIFT CAM TO BOTTOM COWL SCREW	27	25	15-33910	SHIM, STATOR PLATE TO CRANKCASE TOP	13	28
				15-37711	SHIM, RETAINING SCREW (.020)	41	29

PARTS INDEX

Part Number	Description	Pg.	Ref. No.	Part Number	Description	Pg.	Ref. No.
16-20657	STUD, CLAMP BRACKET . . .	41	8	22-22995	FITTING, FUEL PUMP INLET TO FUEL LINE	21	12
16-23740	STUD, CARBURETOR TO CRANKCASE	29	4	22-23125	FITTING FUEL PUMP OUTLET	21	11
16-33469	STUD, DRIVE SHAFT HOUSING TO GEAR HOUSING	43	2	22-30139	PLUG, PIPE - CYLINDER BLOCK	29	8
16-33470	STUD, DRIVE SHAFT HOUSING TO GEAR HOUSING	43	3	22-31345	FITTING GREASE - SWIVEL BRACKET	41	19
16-33471	STUD, GEAR HOUSING TO DRIVE SHAFT HOUSING . . .	45	2	23-20158	SPACER, SHEAVE SHAFT . . .	3	23
16-33472	STUD, WATER PUMP HOUSING TO GEAR HOUSING	45	3	23-20158	SPACER, SHEAVE SHAFT . . .	5	32
16-33526	STUD, CYLINDER BLOCK TO DRIVE SHAFT HOUSING . . .	29	2	23-20159	BUSHING, SPRING GUIDE . . .	3	19
16-33526	STUD, DRANKCASE TO DRIVE SHAFT HOUSING . . .	29	3	23-20159	BUSHING, SPRING GUIDE . . .	5	28
17-20032	DOWEL PIN, CENTER MAIN BEARING	33	6	23-20216	SPACER, TILT STOP LEVER SCREW	41	32
17-20032	DOWEL PIN, MAIN BEARING TO CYLINDER BLOCK	33	13	23-20658	SPACER, CLAMP BRACKET STUD	41	9
17-20201	DOWEL, HOLLOW - DRIVE SHAFT HOUSING STUD . . .	45	5	23-25217	BUSHING, LEAD WIRE (STARBOARD SIDE)	9	--
17-20853	PIN, FLOAT LEVER PINION . . .	17	3	23-26563	SPACER, HOLD DOWN RING TO CRANKCASE TOP	29	16
17-22896	PIN, ROLL - CHOKE KNOB TO SHAFT	19	10	23-26819	BUSHING, NYLON - CLAMPING LEVER SHAFT	39	7
17-23784	DOWEL PIN, CRANKCASE TO CYLINDER BLOCK	29	7	23-26819	BUSHING, NYLON - CLAMPING LEVER SHAFT	39	7
17-25905	PIN, ROLL - HORIZONTAL GEAR RETAINING	25	6	23-26841	BUSHING, NYLON - REVERSE LOCK LEVER ROD	41	35
17-26862	PIN, YOKE TO STEERING HANDLE SHAFT	37	13	23-27023	COLLAR, GUIDE - PROPELLER SHAFT	49	69
17-28848A2	TILT LOCK PIN ASSEMBLY . . .	41	7	23-27024	SPACER, SPLINE - PROPELLER SHAFT	49	71
17-29077	PIN, ROLL - CLAMPING LEVER	39	6	23-28100	BUSHING, NYLON - STEERING HANDLE	37	8
17-31224	PIN, DOWEL - TENSION SPRING TO HANDLE	23	4	23-30419	SLEEVE, GROUND LEAD INSULATION	9	30
17-33412	SWIVEL PIN	41	13	23-30419	SLEEVE, INSULATION - GROUND LEAD	15	27
17-33433	PIN, CROSS - RATCHET TO PROPELLER SHAFT	49	55	23-30676A1	BUSHING ASSEMBLY, SHIFT SHAFT	45	16
17-33522	ROLL PIN, REVERSE LOCK CAM LEVER TO RETAINER	43	34	23-30677	BUSHING, NYLON - SHIFT CONTROL SHAFT	23	12
18-20180	COTTER PIN, LINK ROD TO SHIFT CAM	27	31	23-30677	BUSHING, NYLON - STEERING HANDLE TO BODY	37	6
18-20209	COTTER PIN, REVERSE LOCK LEVER TO ROD	41	36	23-30678	BUSHING, NYLON - SHIFT CONTROL HANDLE	23	2
18-27769	COTTER PIN, CONTROL ROD TO SWIVEL BOLT	25	22	23-30972	BUSHING, SHIFT CAM TO BOTTOM COWL SCREW	27	27
19-20011	WELCH PLUG, BODY CHANNEL	17	25	23-30972	BUSHING, THROTTLE CONTROL LEVER TO HOUSING SCREW	25	10
19-20011	WELCH PLUG, CRANKCASE CHECK VALVE	29	6	23-30972	BUSHING, THROTTLE CONTROL LEVER TO HOUSING SCREW	25	10A
19-29900	PLUG, PLASTIC - FLYWHEEL SCREW HOLES	11	47	23-31270	SPACER, LOWER MOUNT COVER RETAINING SCREW	43	26
21-27146A1	CHECK VALVE ASSEMBLY, CRANKCASE	29	5	23-31270	SPACER, UPPER MOUNT COVER RETAINING SCREW	43	21
21-30430	VALVE, CHECK	21	3				
22-22946	SLEEVE, RUBBER	21	13				

PARTS INDEX

Part Number	Description	Pg.	Ref. No.	Part Number	Description	Pg.	Ref. No.
23-31293	BUSHING, RUBBER -			25-33465	"O" RING, BEARING		
	CLAMPING LEVER SHAFT	39	8		CARRIER	49	62
23-33414	SLEEVE, GUIDE - WATER			25-33466	"O" RING, WATER PUMP		
	INLET TUBE	47	45		HOUSING	45	29
23-33462	BUSHING, NYLON - SHIFT			25-37340	"O" RING, FLYWHEEL HUB .	13	3
	CONTROL HANDLE	23	5	25-38933	"O" RING - SHIFT CONTROL		
23-33532	BUSHING, NYLON -				SHAFT	23	15
	THROTTLE CONTROL			25-38933	"O" RING - SHIFT SHAFT ..	45	--
	HOUSING	25	3	26-20070	OIL SEA, WATER PUMP		
23-33736	SPACER, PROTECTOR -				COVER	47	42
	CRANKSHAFT	31	51	26-25329	SEAL, RUBBER - WATER		
23-33736	SPACER, PROTECTOR -				INLET TUBE	43	10
	CRANKSHAFT	33	4	26-26805	OIL SEAL, BEARING		
23-34237	COLLAR, GUIDE -				CARRIER	49	66
	PROPELLER SHAFT	49	69	26-26865	SEAL, RUBBER - WATER		
23-38869	BUSHING, THROTTLE				INLET TUBE	43	10
	CONTROL LEVER TO			26-26865	SEAL, RUBBER - WATER		
	HOUSING SCREW	25	11A		INTAKE TUBE	45	6
24-20579	SPRING, CHOKE SHUTTER			26-27163	OIL SEAL, BEARING		
	TO LEVER	19	6		CARRIER	49	65
24-20869	SPRING, THROTTLE SHAFT			26-30696	OIL SEAL, SHIFT SHAFT		
	RETURN	17	26		BUSHING	45	18
24-23067	SPRING, ADAPTOR STEM .	21	17	26-31507	OIL SEAL, CRANKCASE		
24-26703	SPRING, STEERING				(LOWER)	31	50
	HANDLE SHAFT	37	10	26-31507	OIL SEAL, CRANKCASE		
24-27087	SPRING, HOLD DOWN CLIP				(LOWER)	33	3
	SCREW	11	41	26-31684	OIL SEAL, CRANKCASE TOP		
24-27160	SPRING, IDLE ADJUSTMENT				(UPPER)	29	13
	SCREW	17	35	26-33467	OIL SEAL, WATER PUMP		
24-29340A1	SPRING, STARTER REWIND	3	18		HOUSING	45	30
24-29340A1	SPRING, STARTER REWIND	5	27	26-33613	SEAL, RUBBER - WATER		
24-30816	SPRING, DETENT - SECTOR				INTAKE TUBE	45	6
	GEAR	23	9	26-33613	SEAL, WATER INTAKE TUBE	45	31
24-30817	SPRING, TENSION - SHIFT			26-33613	SEAL, WATER PUMP COVER	47	41
	CONTROL HANDLE	23	3	27-23005	GASKET, CHECK VALVE TO		
24-30858A1	SPRING AND CONTACT				PUMP HOUSING	21	2
	ASSEMBLY	39	19	27-23180	GASKET, IDLE TUBE	17	22
24-33413	SPRING, TENSION -			27-24614	GASKET, STRAINER COVER		
	REVERSE LOCK LINK				(LARGE)	17	12
	ROD	43	36	27-24863	GASKET, FUEL PUMP	21	6
24-33418	SPRING, REVERSE LOCK			27-25033	GASKET, INLET SEAT	17	7
	LEVER	41	37	27-25848	GASKET, STRAINER COVER		
24-33479	SPRING	49	49		SCREW	17	16
24-33517	SPRING, TENSION - CHOKE			27-25849	GASKET, STRAINER COVER		
	KNOB	19	7		(SMALL)	17	14
24-33930	SPRING, TORSION - SHIFT			27-26173	GASKET, CYLINDER BLOCK		
	CAM	27	28	27-26175	COVER	29	34
24-34731	SPRING, TENSION - HOLD				GASKET, TRANSFER PORT		
	DOWN RING CLIP	29	20	27-26891	COVER	29	26
25-20415	"O" RING, ADAPTOR STEM .	21	18		GASKET, CARBURETOR		
25-25429	"O" RING, CRANKCASE				FLANGE	17	36
	FASTENING SCREW	31	63	27-28085	GASKET, CYLINDER BLOCK		
25-26802	"O" RING, SHIFT SHAFT				TO BAFFLE PLATE	31	37
	BUSHING	45	17	27-28090	GASKET, BAFFLE PLATE TO		
25-26802	"O" RING, UPPER - DRIVE				MANIFOLD COVER	31	39
	SHAFT	47	46	27-28406	GASKET, JET CHANNEL		
25-29051	GROMMET, GROUND LEAD				PLUG SCREW	17	32
	THRU STATOR PLATE ...	9	31	27-28409	GASKET, MAIN FUEL JET ..	17	31
25-29845	"O" RING, SWIVEL BRACKET	41	18	27-28448	GASKET, TOP COWL		
					FASTENING BRACKET ..	5	23

PARTS INDEX

Part Number	Description	Pg.	Ref. No.	Part Number	Description	Pg.	Ref. No.
27-28448	GASKET, TOP COWL MOUNTING BRACKET . . .	3	14	37-33732	DECAL, FRONT PLAQUE-TOP COWL	3	3
27-33427	GASKET, FACE PLATE TO WATER PUMP COVER . .	47	38	37-33751	DECAL, CHOKE - STOP - FUEL	39	2
27-33499	GASKET, EXHAUST RELIEF COVER TO BOTTOM COWL	39	13	37-33925A1	DECAL SET, TOP COWL . . .	3	6
27-33515	GASKET, POWERHEAD TO BOTTOM COWL	39	12	37-35676A1	DECAL SET, TOP COWL (NOT AS SHOWN)	5	21
27-33516	GASKET, POWERHEAD TO DRIVE SHAFT HOUSING .	43	14	37-35678	DECAL, FRONT COVER ("MERC 200")	7	42
27-33928	GASKET SET (MOTOR OVERHAUL)	1	-	37-35697	DECAL, FRONT COVER . . .	7	43
28-20094	KEY, FLYWHEEL	11	42	37-35746	DECAL, CHOKE - STOP - FUEL	39	2
28-20094	KEY, FLYWHEEL	33	14	37-37787	DECAL, FRONT COVER ("CHOKE - STOP - FUEL")	7	44
28-20094	KEY, FLYWHEEL DRIVE . . .	13	4	37-37788	DECAL, FRONT COVER ("MERC 200")	7	42
28-28784	KEY, IMPELLER DRIVE	45	35	37-37789	DECAL, FRONT COVER . . .	7	43
29-20046	BEARING, NEEDLE - CRANKPIN	35	3	37-37790A1	DECAL SET, TOP COWL . . .	5	21
29-20063	BEARING, NEEDLE - PISTON PIN	35	6	37-37792	DECAL, BOTTOM COWL - STARBOARD	39	11
30-20464	BALL BEARING, CRANKCASE (LOWER) . .	31	49	37-37793	DECAL, BOTTOM COWL - PORT	39	10
30-20464	BEARING, BALL - CRANKCASE (LOWER) . .	33	2	38-33543	SERIAL PLATE	41	24
30-20464	BEARING, BALL - CRANKCASE TOP (UPPER)	29	10	39-27841	RING, PISTON	35	9
30-20802	BEARING, BALL - DRIVE SHAFT	45	25	39-28616A12	RING, PISTON (.015 OVERSIZE)	35	-
30-25398	BEARING, BALL - FORWARD GEAR	49	51	40-20057	LOCK RING, PISTON PIN . .	35	8
30-25398	BEARING, BALL - REVERSE GEAR	49	60	43-33441	GEAR, PINION	45	20
31-20594	BEARING, ROLLER - CRANKCASE TOP (UPPER)	29	12	43-33444A1	REVERSE GEAR ASSEMBLY	49	58
31-28157	BEARING, ROLLER - BEARING CARRIER	49	64	43-33447A1	FORWARD GEAR ASSEMBLY	49	52
31-28157	BEARING, ROLLER - DRIVE SHAFT	45	4	43-33447A2	FORWARD GEAR ASSY, COMP.	49	--
31-28157	BEARING, ROLLER - FORWARD GEAR	49	53	43-33534	GEAR, HORIZONTAL - THROTTLE CONTROL SOCKET	25	5
32-21137	TUBE, LEAD WIRE (PORT SIDE)	9	21	43-33580	GEAR, SECTOR - SHIFT CONTROL SHAFT	23	14
32-28599	FUEL LINE, FUEL PUMP TO CARBURETOR (5 1/4) . . .	21	10	43-33994	GEAR, HORIZONTAL - SHIFT CONTROL HANDLE	23	6
32-33426	TUBE, WATER INTAKE	45	32	43-36423	GEAR, SECTOR - SHIFT CONTROL SHAFT	23	14
32-33475	FUEL LINE, ADAPTOR TO FUEL PUMP	21	15	43-38729	GEAR, SECTOR - SHIFT CONTROL SHAFT	23	14
32-33494	TUBE, WATER INLET	43	9	44-33439	SHAFT, PROPELLER	49	57
33-20127	SPARK PLUG (CHAMPION J6J)	9	32	44-34238A2	@PROPELLER SHAFT ASSEMBLY	49	57
33-20127	SPARK PLUG, (CHAMPION -J6J)	15	32	45-33440	DRIVE SHAFT	45	23
34-30303A1	REED SET, CENTER MAIN BEARING (MATCHED) . . .	33	9	46-33408A1	WATER PUMP HOUSING ASSEMBLY	45	28
34-32038	REED STOP, MAIN BEARING REED VALVES	33	10	46-38971A2	HEAVY DUTY WATER PUMP	1	-
35-33425	SCREEN, WATER INTAKE . .	45	8	47-26554	IMPELLER, WATER PUMP .	45	36
				48-33480A1	PROPELLER ASSEMBLY (2 BLADE - ALUMINUM - 11" PITCH)	49	70
				48-34402A1	PROPELLER ASSEMBLY (2 BLADE - BRONZE - 11" PITCH)	49	70

PARTS INDEX

Part Number	Description	Pg.	Ref. No.	Part Number	Description	Pg.	Ref. No.
50-22791A1	STARTER CABLE ASSEMBLY	3	31	398-1872	GROUND LEAD, MAGNETO TO SHORTIN GSWITCH		
50-22791A1	STARTER CABLE ASSEMBLY	7	47	398-190	TERMINAL BLOCK	9	29
50-28895	SHEAVE ASSEMBLY, STARTER	3	20	398-192	COVER, BREAKER COMPARTMENT SEALING	9	7
50-28895	STARTER SHEAVE ASSEMBLY	5	29	398-193	WICK, FELT	9	17
50-33000A1	RATCHET ASSEMBLY, FLYWHEEL	13	7	398-2203	PLUG, FELT	9	--
52-33443	RATCHET, SLIDING CLUTCH	49	54	398-2204	CONDENSER ASSEMBLY ..	15	8
53-23720	RING, RETAINING - UPPER MOUNT	43	20	398-2205	LEAD WIRE - TOP	15	29
53-23721	RING, RETAINING - LOWER MOUNT	43	25	398-2206	LEAD WIRE	15	28
53-30428	FASTENER, CLAMPING LEVER	39	5	398-2207	GROUND LEAD, STATOR TO TERMINAL BLOCK	15	26
53-30899	RING, RETAINING - SHIFT SHAFT	45	15	398-2208	FELT, CAM - BREAKER	15	5
53-33430	RING, RETAINING - CROSS PIN	49	56	398-2221	COVER, DUST - STATOR PLATE	15	33
53-33463	RING, RETAINING - BALL BEARING	45	26	398-2320	STATOR PLATE AND CORE	15	1
54-24836	CLAMP, SHORTING SWITCH LEAD FASTENING	31	46	398-2321	BREAKER ASSEMBLY	15	21
54-24836	CLIP, NYLON - COIL LEAD WIRE	15	17	398-2321	CLIP, COIL RETAINING	15	3
54-28901	FASTENER, SOUND SEAL TO BOTTOM COWL	39	26	398-2413	CLIP, COIL RETAINING	15	4
54-29425	CLAMP, HARNESS - IGNITION WIRES	29	28	398-2568A1	COIL ASSEMBLY	15	2
54-34598	CLIP, HOLD DOWN RING - CRANKCASE TOP	29	19	398-2575A1	STATOR PLATE ASSEMBLY, COMPLETE (SEE NOTE BELOW)	13	11
54-39844A1	CLAMP, LEAD WIRE	15	12	398-2575A1	STATOR PLATE ASSEMBLY, COMPLETE (SEE NOTE BELOW)	15	-
90-34168	MERC 200 PARTS LIST, COMPLETE	1	-	398-693	CONDENSER	9	14
92-25234	GLUE (BLANKET ADHESIVE)	1	-	398-732	CLIP, GROUND WIRE LEAD	15	6
92-25234	GLUE, ADHESIVE - BLANKET FASTENING ...	3	--	398-963	SCREW, CORE FASTENING	9	3
92-25234	GLUE, ADHESIVE - BLANKET FASTENING ...	7	--	398-980	LEAD WIRE (SHORT)	9	18
92-33673	IGNITION COIL BOND KIT	11	--	398-981	LEAD WIRE (LONG)	9	19
94-29616	SHIPPING CARTON (FUEL TANK)	1	-	415-1180	CRANKSHAFT	33	1
94-35743	SHIPPING CARTON (MOTOR)	1	-	415-2295	CRANKSHAFT	33	1
176-1425	TOP COWL	3	1	527-1947A2	CENTER MAIN BEARING ASSEMBLY	33	5
199-2092A2	BOTTOM COWL ASSEMBLY (SEE NOTE BELOW)	39	1	600-7A4	CONNECTING ROD ASSEMBLY (SEE NOTE BELOW)	35	1
221-2297A1	FLYWHEEL ASSEMBLY, COMPLETE	13	5	724-1631A2	PISTON AND PISTON PIN ASSEMBLY	35	7
328-1336A1	FLYWHEEL ASSEMBLY	9	1	724-1663A1	PISTON AND PISTON PIN ASSEMBLY (.015 OVERSIZE)	35	-
398-1098	BUSHING, LEAD WIRES	9	27	724-2537A4	PISTON AND PISTON PIN ASSEMBLY	35	7
398-173	COIL, IGNITION	9	5	724-2553A3	PISTON AND PISTON PIN ASSEMBLY (.015 OVERSIZE)	35	-
398-1736	STATOR AND CORE	9	2	830-1405A6	CYLINDER BLOCK AND CRANKCASE ASSEMBLY	29	1
398-1736A1	STATOR ASSEMBLY, COMPLETE	9	-	1009-1200	COVER, CYLINDER BLOCK	29	31
398-174	BREAKER ASSEMBLY	9	9	1123-1196A2	CRANKCASE TOP ASSEMBLY	29	9
398-182	CLAMP, PLASTIC - LEAD WIRE TO STATOR	9	22	1123-2317A2	CRANKCASE TOP ASSEMBLY	29	9A
				1333-2170	CARBURETOR ASSEMBLY, COMPLETE (KA-20A)	17	1
				1399-101	LEVER, FLOAT (UPPER) ...	17	5
				1399-102	LEVER, FLOAT (LOWER) ...	17	4
				1399-110A1	FLOAT ASSEMBLY	17	2

PARTS INDEX

Part Number	Description	Pg.	Ref. No.	Part Number	Description	Pg.	Ref. No.
1399-1133	COVER, FLOAT BOWL	17	9				
1399-1135	COVER, STRAINER	17	15				
1399-1457	JET, MAIN FUEL (.057)	17	30				
1399-1459	JET, MAIN FUEL (.059)	17	30				
1399-1461	JET, MAIN FUEL (.061) - STANDARD	17	30				
1399-1463	JET, MAIN FUEL (.063)	17	30				
1399-1473	INLET NEEDLE, SEAT AND GASKET	17	6				
1399-1477	GASKET AND PACKING SET	17	--				
1399-1713	SCREW, IDLE ADJUSTMENT	17	34				
1399-1754	SCREEN, FILTER	17	13				
1399-2009	TUBE, IDLE	17	21				
1399-2012	SHAFT, THROTTLE	17	20				
1399-2226	MAIN NOZEL	17	28				
1399-2227	SHUTTER, THROTTLE	17	24				
1399-2228	REPAIR PARTS KIT	17	--				
1399-97	LEVER, THROTTLE STOP . .	17	19				
1399-99	GASKET, FLOAT BOWL COVER	17	8				
1427-1806A3	CLAMP BRACKET ASSEMBLY	41	1				
1454-2093A2	SWIVEL BRACKET ASSEMBLY	41	17				
1548-2089	SADDLE	43	15				
1549-2091A2	DRIVE SHAFT ASSEMBLY .	43	1				
1627-2090A1	GEAR HOUSING ASSEMBLY	45	1				
1627-2090A1	GEAR HOUSING ASSEMBLY (SEE PAGE 30 FOR PARTS BREAKDOWN) . . .	49	1				
1627-2090A3	GEAR HOUSING ASSEMBLY, COMPLETE (SEE NOTE BELOW)	45	-				
1627-2090A3	GEAR HOUSING ASSEMBLY, COMPLETE (SEE NOTE BELOW)	49	-				
2111-2388A2	COVER ASSEMBLY, FRONT	7	41				
2111-2388A3	COVER ASSEMBLY, FRONT	7	41				
2112-2391	TOP COWL	5	17				