



PARTS CATALOG

190 ENGINE

SERIAL NUMBER

190 GM 283 V-8 1963-1964 1564539 THRU 1730903

TABLE OF CONTENTS:

ALTERNATOR ASSEMBLY	10
CARBURETOR ASSEMBLY (AIR HORN AND CHOKE ASSEMBLY)	24
CARBURETOR ASSEMBLY (FLOAT BOWL AND THROTTLE BODY)	28
CARBURETOR LINKAGE	20
CYLINDER BLOCK, PISTONS AND CRANKSHAFT	44
CYLINDER HEAD AND ROCKER VALVE COVER	42
DISTRIBUTOR ASSEMBLY AND COIL	14
EXHAUST KIT	58
FUEL PUMP AND FUEL FILTER ASSEMBLY	18
GASKETS AND GASKET SETS	56
INSTRUMENT PANEL ASSEMBLY	52
INTAKE MANIFOLD AND OIL PUMP	48
MOUNTING BRACKETS AND FLYWHEEL HOUSING	34
PARTS INDEX	60
STARTER MOTOR ASSEMBLY	6
STARTER MOTOR, ALTERNATOR AND WIRING HARNESS	2
WATER METERING HOUSINGS AND EXHAUST MANIFOLD	30
WATER PUMP ASSEMBLY	38

NOTE: *Indented description indicate that these parts are included in preceeding assembly.*

AR = As Required

NSS = Not Sold Separate

OPT = Optional

NS = Not Shown

THESE PARTS BOOKS/FICHE CARD ARE COPYRIGHTED AND MAY NOT BE DISTRIBUTED OR REPRODUCED IN ANY OTHER FORMAT BY ANYONE OTHER THAN MERCURY MARINE WITHOUT THE PRIOR WRITTEN CONSENT OF MERCURY MARINE.

REPLACEMENT PARTS ! WARNING !

Electrical, ignition and fuel system components on MerCruiser Engines and Stern Drives are designed and manufactured to comply with U.S. Coast Guard Rules and Regulations to minimize risks of fire or explosion. Use of replacement electrical, ignition or fuel system components, which do not comply to these rules and regulations, could result in a fire or explosion hazard and should be voided.

When servicing the electrical, ignition and fuel systems, it is extremely important that all components are properly installed and tightened. If not, any electrical or ignition component opening would permit sparks to ignite fuel vapors from fuel system leaks, if they existed.

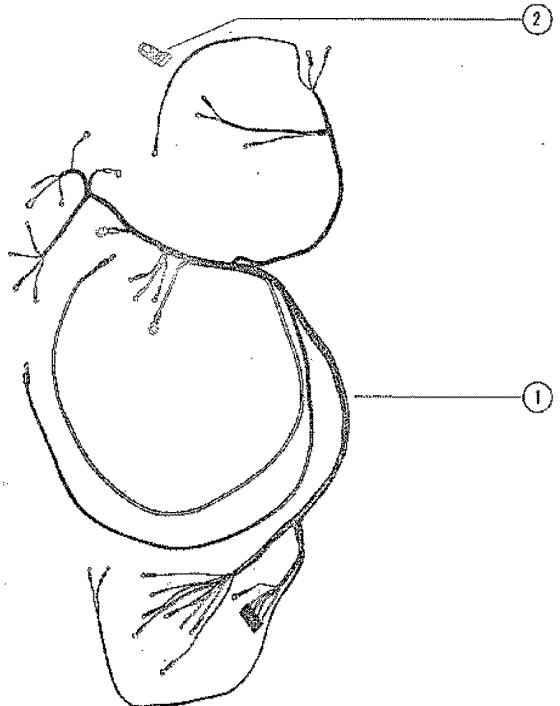
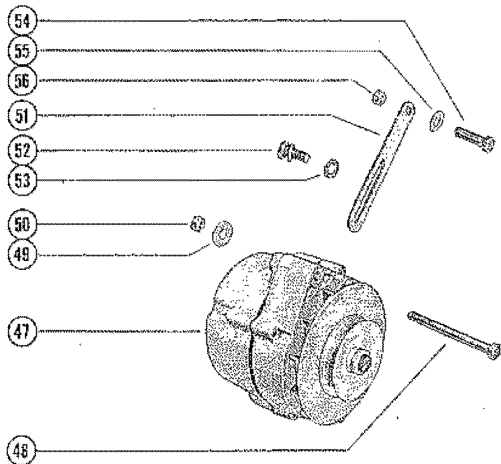
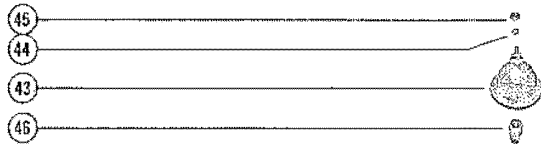
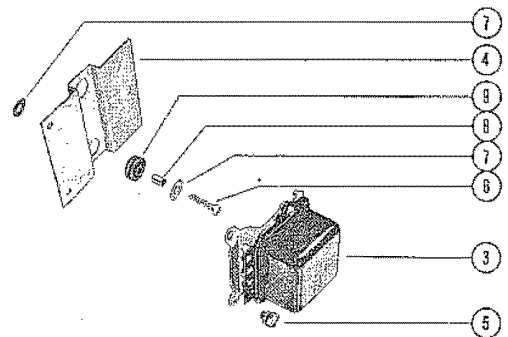
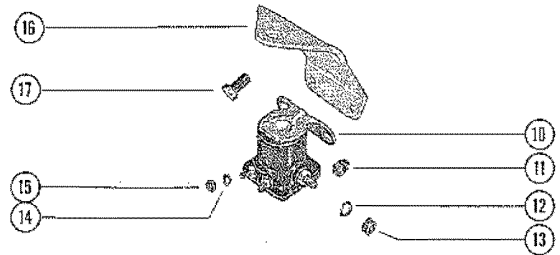
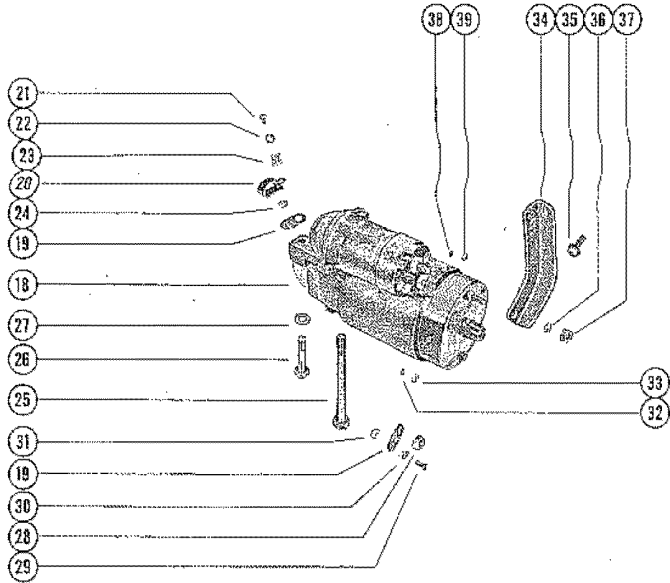
ENGINE MECHANICAL COMPONENTS

Many of the engine mechanical components are designed for marine applications. Unlike automotive engines, marine engines are subjected to extended periods of heavy load and wide- open-throttle operation, therefore, require heavy-duty components. Special marine engine parts have design and manufacturing specifications, which are required to provide long life and dependable performance. Marine engine parts also must be able to resist the corrosive action of salt or brackish water that will rust or corrode standard automotive parts within a short period of time.

Failure to use recommended Mercury Precision Parts OR Quicksilver service replacement parts can result in poor engine performance and/or durability, rapid corrosion of parts subjected to salt water and possibly complete failure of the engine.

Use of parts other than recommended service replacement parts will void the warranty on those parts which are damaged as a result of the use of other than recommended parts.

STARTER MOTOR, ALTERNATOR AND WIRING HARNESS

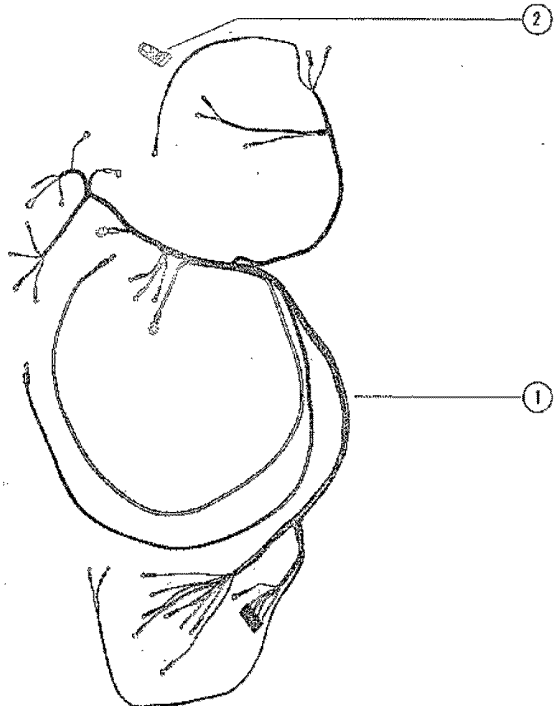
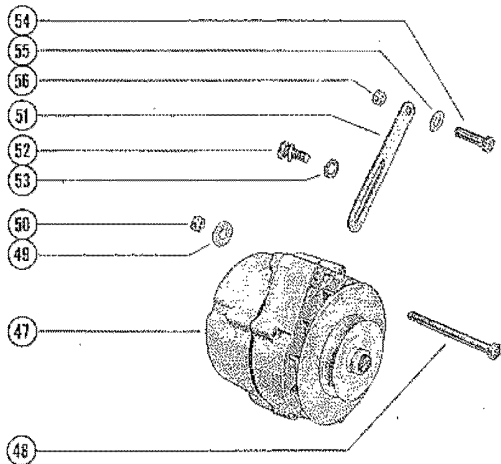
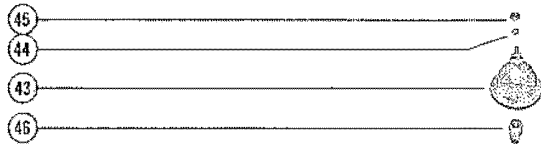
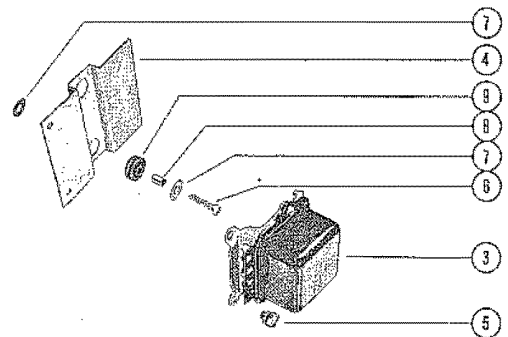
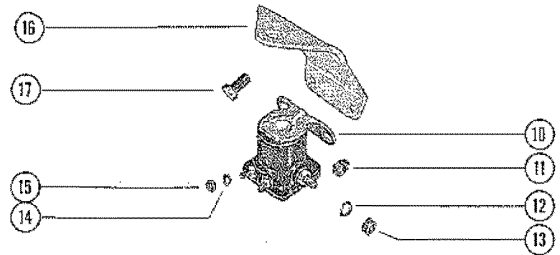
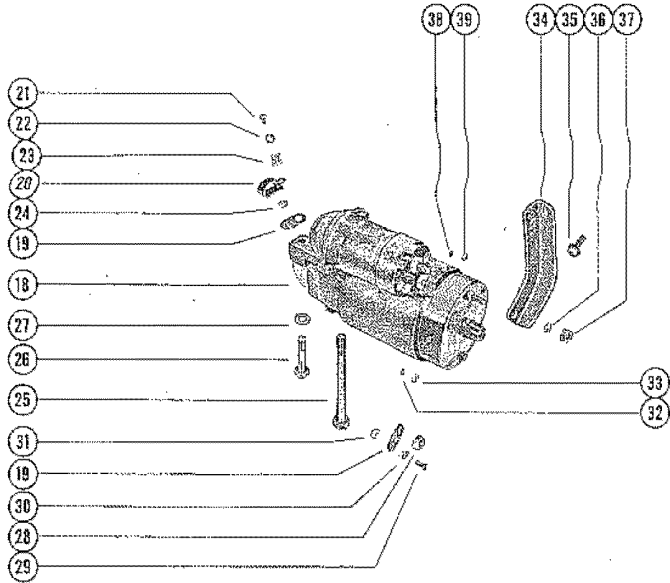


STARTER MOTOR, ALTERNATOR AND WIRING HARNESS

REF. NO.	PART NO.	SYM.	QTY.	DESCRIPTION
1	34100		1,1,1	WIRING HARNESS, EXTERNAL
2	54-33361		2,2,2	CLIP, WIRING HARNESS LEADS TO ROCKER VALVE COVER
3	34141		1,1,1	VOLTAGE REGULATOR
4	33614A1		1,1,1	MOUNT ASSEMBLY, VOLTAGE REGULATOR
5	10-29238		3,3,3	SCREW, VOLTAGE REGULATOR TO MOUNT (3/8")
6	10-33615		2,2,2	SCREW, VOLTAGE REGULATOR MOUNT TO TRANSOM (1")
7	12-22887		4,4,4	WASHER, VOLTAGE REGULATOR MOUNT SCREW
8	23-28626		2,2,2	SPACER, VOLTAGE REGULATOR MOUNT SCREW
9	25-28627		2,2,2	GROMMET, VOLTAGE REGULATOR MOUNT
10	25661		1,1,1	STARTER SOLENOID
11	10-29238		2,2,2	SCREW, STARTER SOLENOID TO MOUNTING BRACKET (3/8")
12	13-26993		2,2,2	LOCKWASHER, STARTER SOLENOID TERMINAL (5/16")
13	11-20083		2,2,2	NUT, STARTER SOLENOID TERMINAL (5/16")
14	13-26996		2,2,2	LOCKWASHER, STARTER SOLENOID TERMINAL (#10)
15	11-20645		2,2,2	NUT, STARTER SOLENOID TERMIN (#10)
16	33396		1,1,1	BRACKET, MOUNTING - STARTER SOLENOID AND FUEL FILTER
17	10-27165		3,3,3	SCREW, MOUNTING BRACKET TO CYLINDER BLOCK (3/4")
18	50-32703		1,1,1	STARTER MOTOR ASSEMBLY (SEE E12 FOR BREAKDOWN)
19	32786		2,2,2	TAB, SOLENOID TERMINAL AND STARTER MOTOR BOLT
20	54-22690		1,1,1	CLIP, WIRING HARNESS TO STARTER MOTOR (11/16")
21	10-20566		1,1,1	SCREW, WIRING HARNESS CLIP TO TAB (3/8")
22	13-26995		1,1,1	LOCKWASHER, WIRING HARNESS CLIP SCREW
23	22789		1,1,1	"D"WASHER, WIRING HARNESS CLIP SCREW
24	11-26419		1,1,1	NUT, WIRING HARNESS CLIP SCREW
25	10-34545		1,1,1	BOLT, STARTER MOTOR TO CYLINDER BLOCK (4 21/32")
26	10-34544		1,1,1	BOLT, STARTER MOTOR TO CYLINDER BLOCK (1 15/16")
27	12-35362		1,1,1	WASHER, STARTER MOTOR BOLT
28	11-28517		1,1,1	NUT, SOLENOID SWITCH TERMINAL (3/8")
29	10-20566		1,1,1	SCREW, WIRING HARNESS LEAD TAB (3/8")
30	13-26995		1,1,1	LOCKWASHER, WIRING HARNESS LEAD SCREW
31	11-26419		1,1,1	NUT, WIRINGHARNESS LEAD SCREW
32	13-26996		1,1,1	LOCKWASHER, SOLENOID SWITCH TERMINAL (#10)
33	11-20645		1,1,1	NUT, SOLENOID SWITCH TERMINAL (#10)
34	35363		1,1,1	BRACE, STARTER MOTOR
35	10-35192		1,1,	SCREW, STARTER MOTOR BRACE TO CYLINDER BLOCK (3/4")
	10-35765		„1	SCREW, STARTER MOTOR BRACE TO CYLINDER BLOCK (5/8")
36	13-35367		1,1,1	LOCKWASHER, BRACE TO STARTER MOTOR TERMINAL
37	11-20890		1,1,1	NUT, BRACE TO STARTER MOTOR TERMINAL
38	13-26995		1,1,1	LOCKWASHER, SOLENOID SWITCH TERMINAL (#8)
39	11-26419		1,1,1	NUT, SOLENOID SWITCH TERMINAL (#8)
40	32828		1,,	WATER TEMPERATURE SENDER ASSEMBLY

CONTINUED ON NEXT PAGE ➡

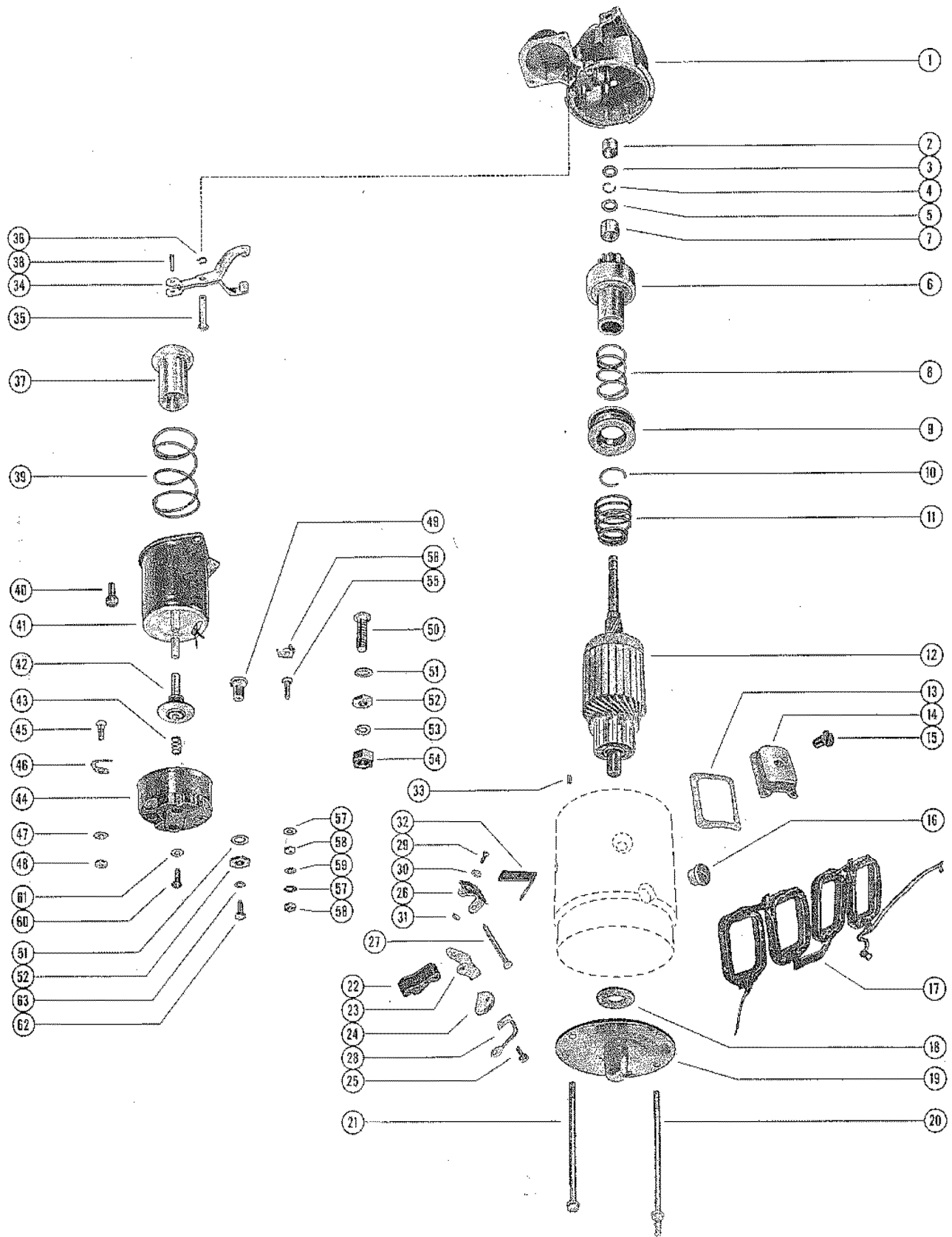
STARTER MOTOR, ALTERNATOR AND WIRING HARNESS



STARTER MOTOR, ALTERNATOR AND WIRING HARNESS

REF. NO.	PART NO.	SYM.	QTY.	DESCRIPTION
40	34625		,1,1	WATER TEMPERATURE SENDER ASSEMBLY
41	13-26996		1,1,1	LOCKWASHER, WATER TEMPERATURE SENDER TERMINAL (#10)
42	11-20645		1,1,1	NUT, WATER TEMPERATURE SENDER TERMINAL (#10)
43	32830		1,,	OIL PRESSURE SENDER ASSEMBLY
	34623		,1,1	OIL PRESSURE SENDER ASSEMBLY
44	13-26996		1,1,1	LOCKWASHER, OIL PRESSURE SENDER TERMINAL (#10)
45	11-20645		1,1,1	NUT, OIL PRESSURE SENDER TERMINAL (#10)
46	22-32974		1,1,1	ADAPTOR, OIL PRESSURE SENDER
47	32701		1,1,1	ALTERNATOR ASSEMBLY (SEE E14 FOR BREAKDOWN)
48	10-33162		1,1,1	SCREW, ALTERNATOR TO FRONT MOUNTING BRACKET (4")
49	12-20553		1,1,1	WASHER, ALTERNATOR TO FRONT MOUNTING BRACKET SCREW
	12-20553		4,4,4	WASHER, ALTERNATOR TO FRONT MOUNTING BRACKET SCREW
50	11-25269		1,1,1	NUT, ALTERNATOR TO FRONT MOUNTING BRACKET SCREW
51	32895		1,1,1	BRACE, ALTERNATOR MOUNTING
52	10-29198		1,1,1	SCREW, ALTERNATOR TO ALTERNATOR BRACE (7/8")
53	12-26168		1,1,1	WASHER, ALTERNATOR TO ALTERNATOR BRACE SCREW
54	10-24217		1,1,1	SCREW, ALTERNATOR BRACE TO FRONT MOUNTING BRACKET (1 1/2")
55	12-20553		OPT,OPT,OP	WASHER, ALTERNATOR BRACE SCREW
56	11-25269		1,1,1	NUT, ALTERNATOR BRACE TO FRONT MOUNTING BRACKET SCREW

STARTER MOTOR ASSEMBLY

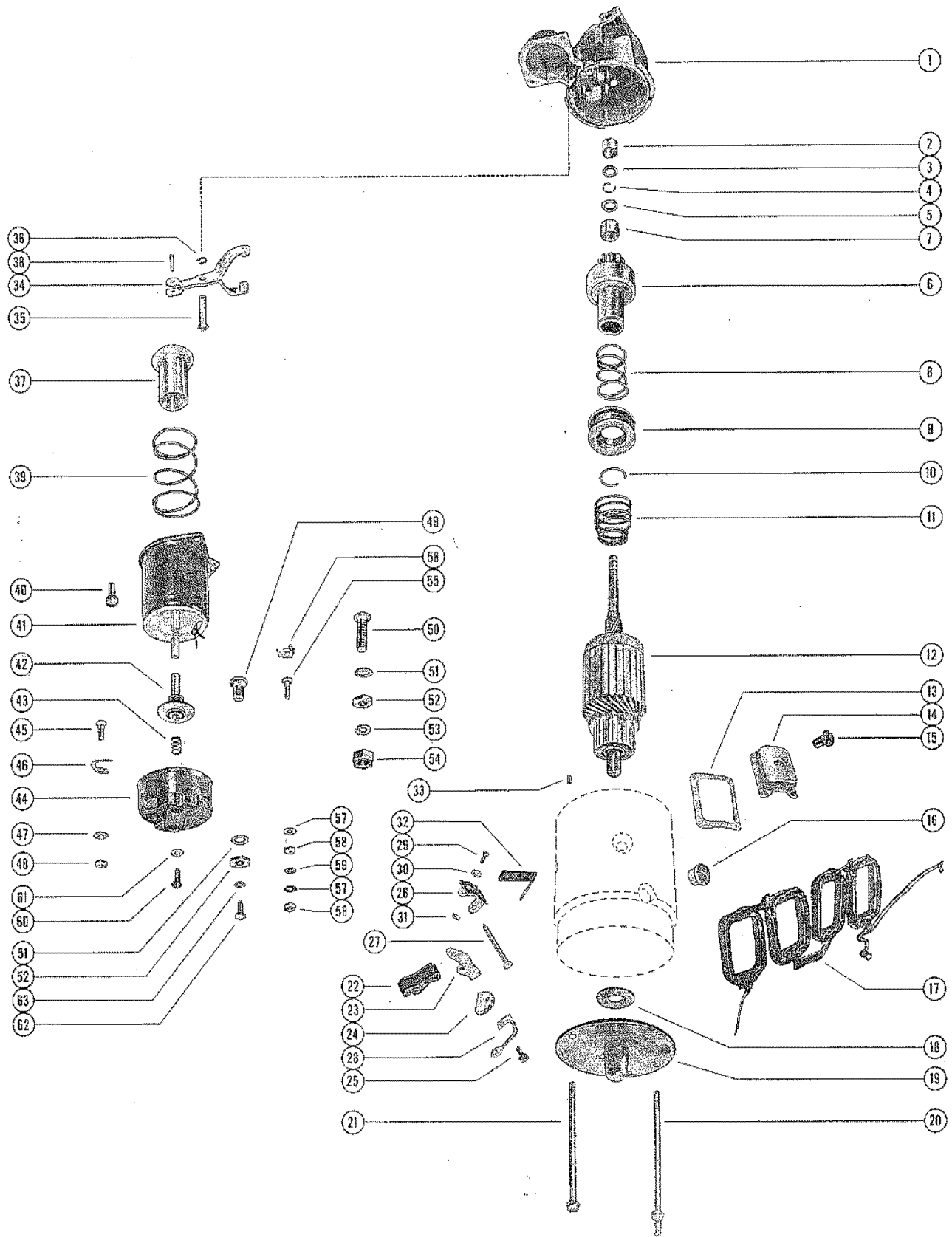


STARTER MOTOR ASSEMBLY

REF. NO.	PART NO.	SYM.	QTY.	DESCRIPTION
-	50-32703		1	STARTER MOTOR ASSEMBLY, COMPLETE
1	33324		1	HOUSING, DRIVE END
2	23-33278		1	BUSHING, DRIVE END HOUSING
3	33292		1	COLLAR, THRUST - DRIVE END HOUSING
4	53-33290		1	RING, RETAINING - PINION STOP COLLAR
5	33291		1	COLLAR, PINION STOP - DRIVE END HOUSING
6	33318		1	DRIVE ASSEMBLY, CLUTCH - ARMATURE
7	23-33369		1	BUSHING, GEAR END - CLUTCH DRIVE
8	24-33368		1	SPRING, CLUTCH DRIVE
9	33366		1	COLLAR, CLUTCH DRIVE
10	33367		1	LOCKWIRE, COLLAR AND SPRING RETAINING
11	24-33306		1	SPRING, SHAFT LEVER TENSION - ARMATURE
12	33320		1	ARMATURE
13	33293		4	INSULATION, POLE SHOE TO FIELD COIL
14	33282		4	SHOE, POLE - FIELD COIL
15	10-33264		4	SCREW, POLE SHOE TO FIELD COIL
16	25-33302		1	GROMMET, FIELD COIL - FIELD FRAME
17	33301		1	FIELD COIL ASSEMBLY
18	12-33258		1	WASHER, LEATHER - COMMUTATOR END FRAME
19	33295		1	FRAME, COMMUTATOR END - LOWER
20	10-33296		1	BOLT, THRU - COMMUTATOR END FRAME TO DRIVE END HOUSING
21	10-33286		1	BOLT, THRU - COMMUTATOR END FRAME TO DRIVE END HOUSING
22	33284		2	HOLDER, INSULATED - FIELD FRAME BRUSH
23	33283		2	HOLDER, FIELD BRUSH GROUND
24	33270		4	BRUSH, FIELD FRAME
25	10-32024		4	SCREW, BRUSH LEAD TO FIELD FRAME BRUSH
26	33294		2	SUPPORT PACKAGE, GROUND AND INSULATED HOLDERS
27	17-33280		1	PIN, GROUND AND INSULATED HOLDER TO SUPPORT
28	33281		2	LEAD, FIELD FRAME BRUSH
29	10-33250		4	SCREW, SUPPORT TO FIELD FRAME
30	13-26996		4	LOCKWASHER, SUPPORT SCREW
31	11-30968		4	NUT, SUPPORT SCREW
32	24-33285		2	SPRING, FIELD FRAME BRUSH
33	17-33257		1	PIN, DOWEL - FIELD FRAME TO DRIVE END HOUSING
34	33297		1	LEVER, SHIFT - DRIVE END HOUSING
35	33310		1	SHAFT, SHIFT LEVER TO DRIVE END HOUSING
36	53-33354		1	RING, RETAINING - SHIFT LEVER TO DRIVE END HOUSING SHAFT
37	33317		1	PLUNGER, SHIFT LEVER - SOLENOID SWITCH
38	17-33256		1	PIN, PLUNGER TO SHIFT LEVER
39	24-33298		1	SPRING, PLUNGER RETURN - SOLENOID SWITCH
40	10-28713		2	SCREW, SOLENOID SWITCH TO DRIVE END HOUSING

CONTINUED ON NEXT PAGE ➡

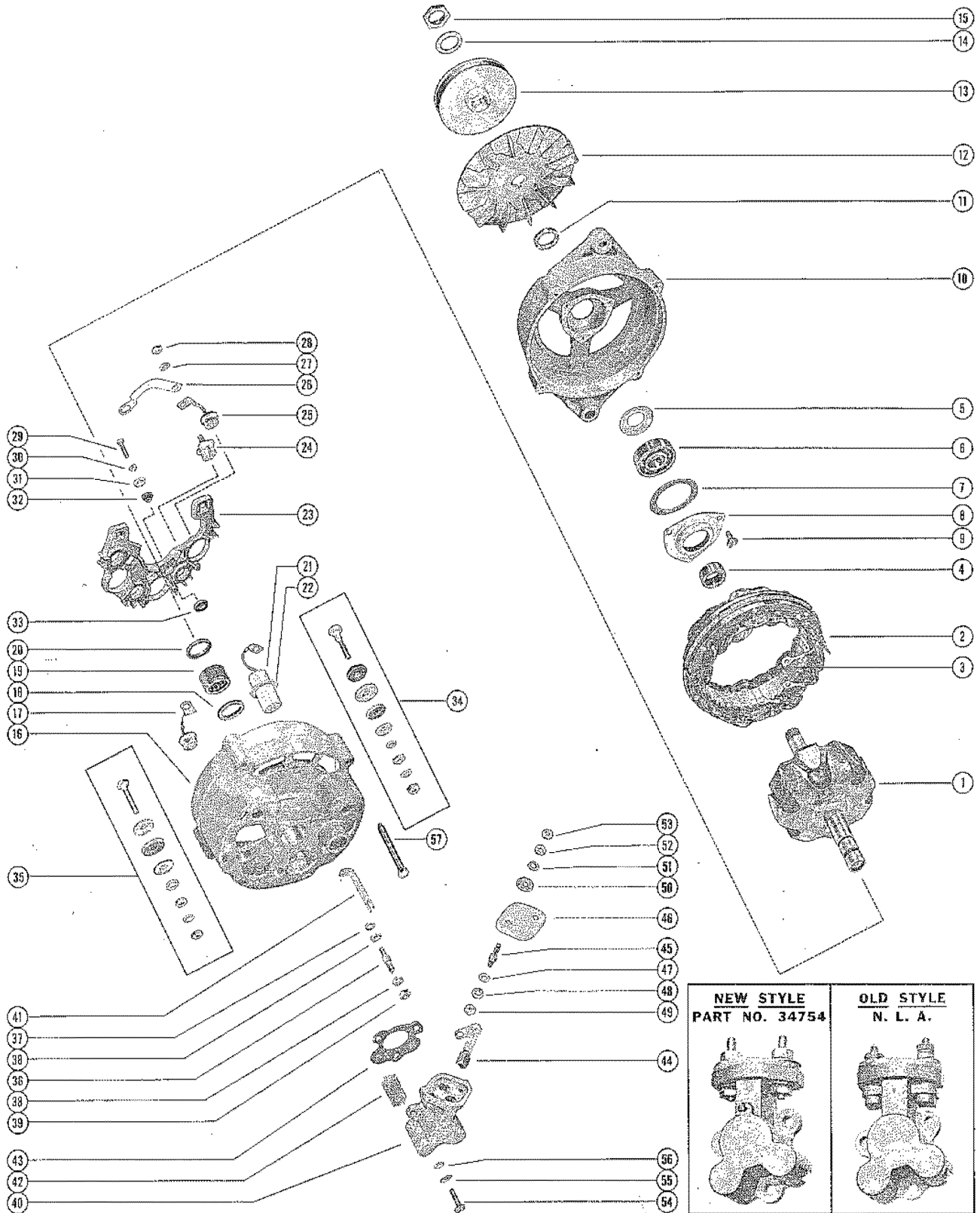
STARTER MOTOR ASSEMBLY



STARTER MOTOR ASSEMBLY

REF. NO.	PART NO.	SYM.	QTY.	DESCRIPTION
41	33261		1	SOLENOID SWITCH ASSEMBLY
42	33316		1	CONTACT AND PUSH ROD ASSEMBLY
43	24-33265		1	SPRING, CONTACT AND PUSH ROD TENSION
44	33303		1	COVERE, SOLENOID SWITCH
45	16-33304		1	STUD, RESISTOR TERMINAL (10-32)
46	33305		1	CONTACT, RESISTOR TERMINAL STUD
47	13-33253		1	LOCKWASHER, RESISTOR TERMINAL STUD (#10)
48	11-20645		1	NUT, RESISTOR TERMINAL STUD (10-32)
-	13-33276		1	LOCKWASHER, SWITCH TERMINAL STUD (#8)
-	11-33255		2	NUT, SWITCH TERMINAL STUD (8-32)
49	16-33299		1	STUD, MOTOR TERMINAL (3/8-16)
50	16-33288		1	STUD, BATTERY TERMINAL (3/8-16)
51	12-33289		2	WASHER, BATTERY AND MOTOR TERMINAL STUD (3/8)
52	11-33267		2	NUT, BATTERY AND MOTOR TERMINAL STUD (3/8-16)
53	13-33254		1	LOCKWASHER, BATTERY TERMINAL STUD (3/8)
54	11-33249		1	NUT, BATTERY TERMINAL STUD (3/8-16)
55	16-33262		1	STUD, SWITCH TERMINAL (8-32)
56	54-33307		1	CLIP, SWITCH TERMINAL STUD
57	12-33279		2	WASHER, PLASTIC - SWITCH TERMINAL STUD (#8)
58	11-33252		2	NUT, SWITCH TERMINAL STUD (8-32)
59	13-33268		1	LOCKWASHER, SWITCH TERMINAL STUD (#8)
60	10-33248		2	SCREW, COVER TO SOLENOID SWITCH
61	12-33279		2	WASHER, PLASTIC - COVER SCREW
62	10-33315		1	SCREW, FIELD COIL LEAD TO SOLENOID SWITCH
63	13-33251		1	LOCKWASHER, FIELD COIL LEAD SCREW

ALTERNATOR ASSEMBLY



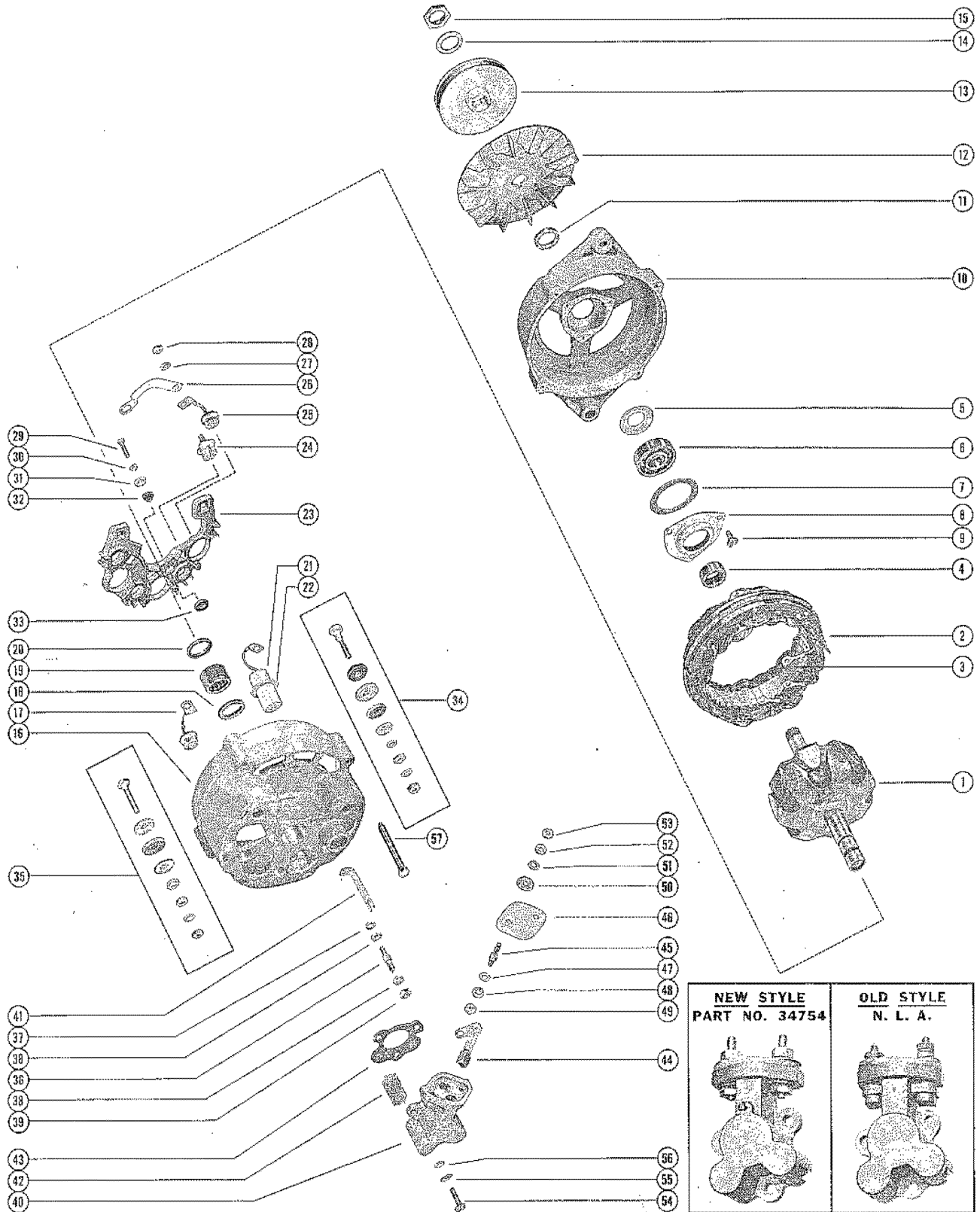
NEW STYLE PART NO. 34754	OLD STYLE N. L. A.

ALTERNATOR ASSEMBLY

REF. NO.	PART NO.	SYM.	QTY.	DESCRIPTION
-	32701		1	ALTERNATOR ASSEMBLY
1	33331		1	ROTOR
2	33325		1	STATOR ASSEMBLY
3	54-33329		3	CLIP, TERMINAL - STATOR LEADS
4	33263		1	COLLAR, DRIVE END FRAME - INNER
5	25-33312		1	SLINGER, GREASE - DRIVE END FRAME
6	30-20802		1	BEARING, BALL - DRIVE END FRAME
7	27-33273		1	GASKET, BALL BEARING RETAINER PLATE
8	33319		1	PLATE, BALL BEARING RETAINER - DRIVE END FRAME
9	10-33323		3	SCREW, BALL BEARING RETANER PLATE TO DRIVE END FRAME
10	33343		1	FRAME, DRIVE END
11	33344		1	COLLAR, DRIVE END FRAME - OUTER
12	33336		1	FAN, DRIVE END FRAME
13	36105		1	PULLEY, DRIVE END FRAME
14	13-33309		1	WASHER, WAVE - ROOT NUT
15	11-33272		1	NUT, ROTOR TO DRIVE END FRAME
16	33349		1	FRAME ASSEMBLY, SLIP RING END
17	33341		3	DIODE PACKAGE, SLIP RING END FRAME - NEGATIVE
18	26-33348		1	SEAL, SLIP RING END FRAME ROLLER BEARING - OUTER
19	31-33355		1	BEARING, ROLLER - SLIP RING END FRAME
20	26-33339		1	SEAL, SLIP RING END FRAME ROLLER BEARING - INNER
21	33327		1	CONDENSER
22	33345		1	RETAINER, SLIP RING END FRAME CONDENSER
23	33350		1	HEAT SINK ASSEMBLY, SLIP RING END FRAME
24	33342		3	TERMINAL PACKAGE, DIODE JUNCTION AND STATOR TERMINAL
25	33340		3	DIODE PACKAGE, HEAT SINK - POSITIVE
26	33332		1	STRAP, DIODE JUNCTION TERMINAL TO RELAY TERMINAL
27	13-34383		3	LOCKWASHER, DIODE JUNCTION TERMINAL
28	11-26419		3	NUT, DIODE JUNCTION TERMINAL
29	10-24609		1	SCREW, CONDENSER TERMINAL TO HEAT SINK
30	13-34383		1	LOCKWASHER, CONDENSER TERMINAL SCREW
31	12-20192		1	WASHER, CONDENSER TERMINAL SCREW
32	33326		1	INSULATOR, CONDENSER TERMINAL SCREW
33	12-33328		1	WASHER, INSULATING - CONDENSER TERMINAL SCREW
34	33353		1	RELAY TERMINAL PACKAGE, HEAT SINK TO SLIP RING END FRAME
35	33352		1	BATTERY TERMINAL PACKAGE, HEAT SINK TO SLIP RING END FRAME
36	33346		1	TERMINAL GROUND - SLIP RING END FRAME

CONTINUED ON NEXT PAGE ➡

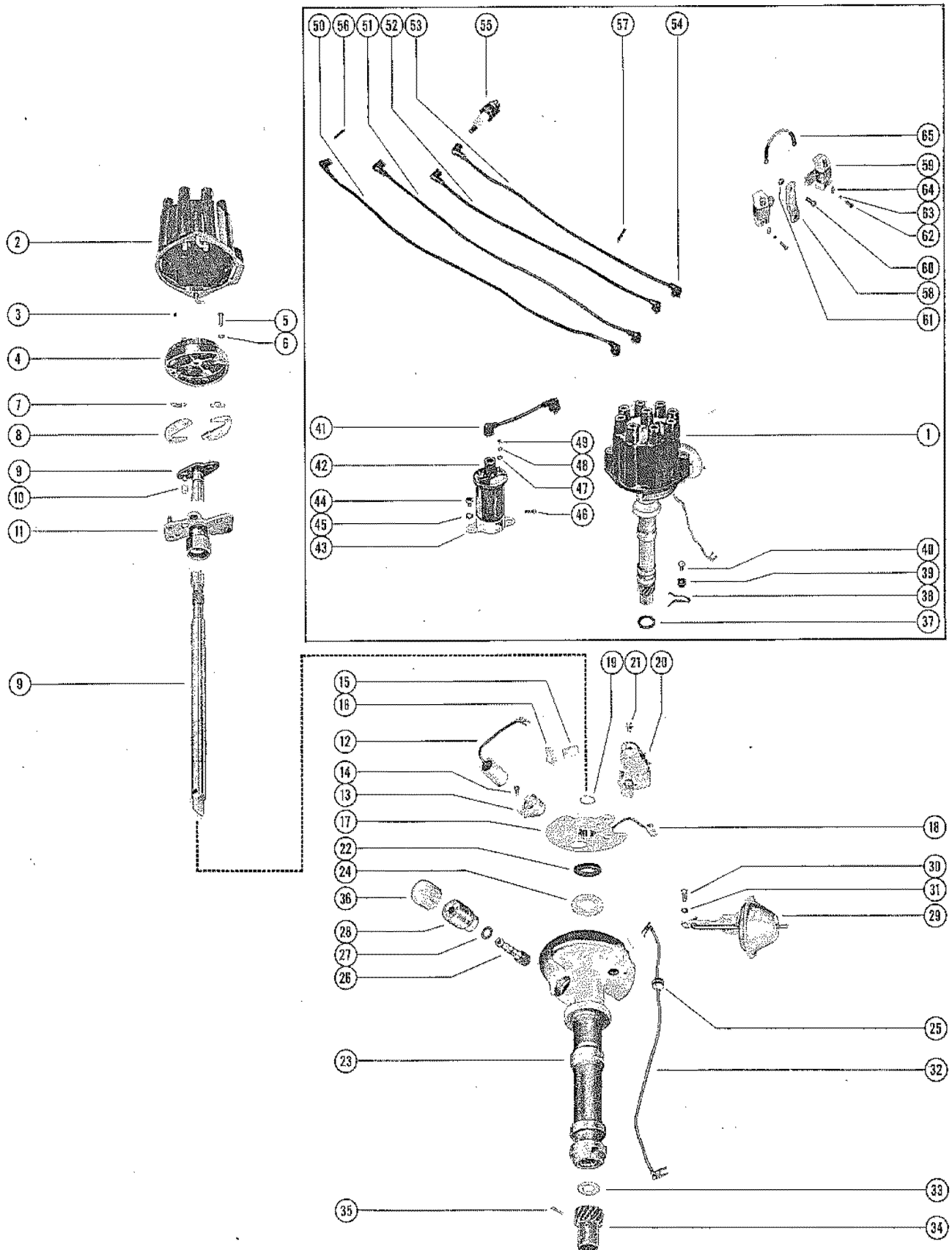
ALTERNATOR ASSEMBLY



ALTERNATOR ASSEMBLY

REF. NO.	PART NO.	SYM.	QTY.	DESCRIPTION
37	12-20192		1	WASHER, GROUND TERMINAL
38	13-26995		2	LOCKWASHER, GROUND TERMINAL
39	11-26419		1	NUT, GROUND TERMINAL
40	34754		1	BRUSH HOLDER PACKAGE SEE NOTE
41	35203		1	CONNECTOR, GROUND TERMINAL TO GROUND BRUSH STUD SEE NOTE
42	35-33602		2	SCREEN, FLAME ARRESTOR - BRUSH HOLDER SEE NOTE
43	27-33347		1	GASKET, BRUSH HOLDER SEE NOTE
44	35200		1	BRUSH PACKAGE, STATOR (2 PER PACKAGE) SEE NOTE
45	16-35202		2	STUD, FIELD AND GROUND BRUSH - BRUSH HOLDER SEE NOTE
46	35205		1	COVER, PLASTIC - BRUSH HOLDER SEE NOTE
47	13-35207		2	WASHER, WAVE - FIELD AND GROUND BRUSH STUD (LOWER) SEE NOTE
48	13-35198		2	LOCKWASHER, FIELD AND GROUND BRUSH STUD (LOWER) SEE NOTE
49	11-35197		2	NUT, FIELD AND GROUND BRUSH STUD (LOWER) SEE NOTE
50	11-35206		2	NUT, SEALING - FIELD AND GROUND BRUSH STUD SEE NOTE
51	12-35199		1	WASHER, GROUND BRUSH STUD SEE NOTE
52	13-35208		2	WASHER, WAVE - FIELD AND GROUND BRUSH STUD (UPPER) SEE NOTE
53	11-29197		2	NUT, FIELD AND GROUND BRUSH STUD (UPPER) SEE NOTE
54	10-34382		3	SCREW, BRUSH HOLDER TO SLIP RING END FRAME
55	13-26995		3	LOCKWASHER, BRUSH HOLDER SCREW
56	12-20670		3	WASHER, BRUSH HOLDER SCREW
57	10-33322		4	BOLT, THRU - SLIP RING END FRAME TO DRIVE END FRAME

DISTRIBUTOR ASSEMBLY AND COIL

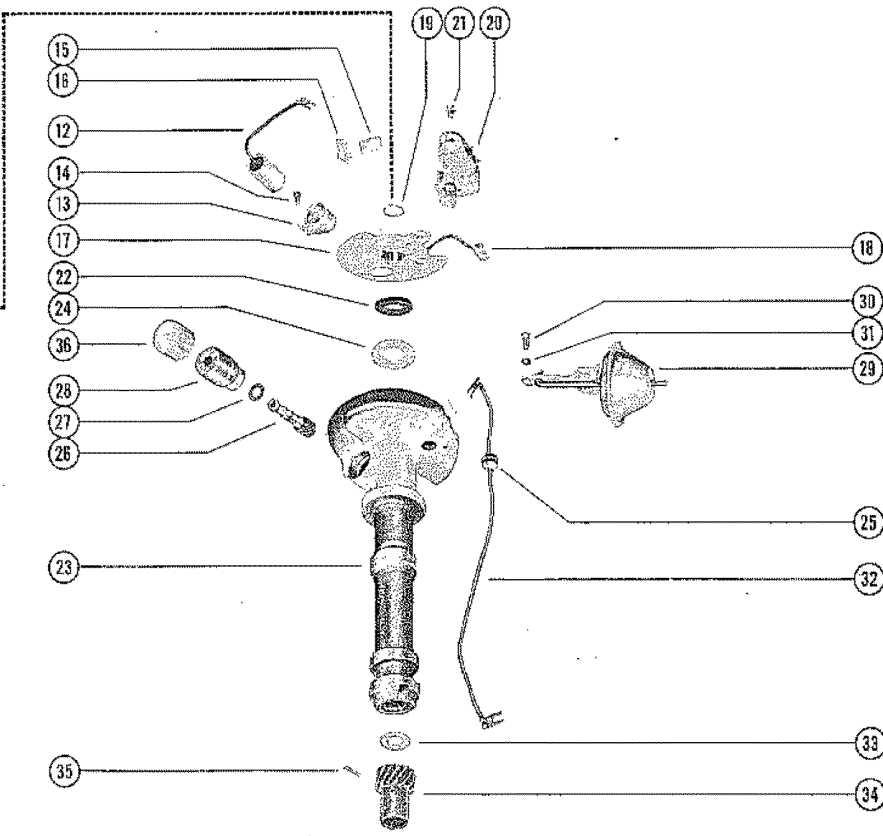
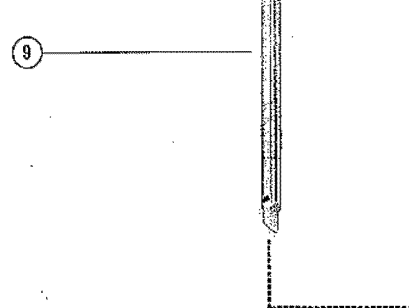
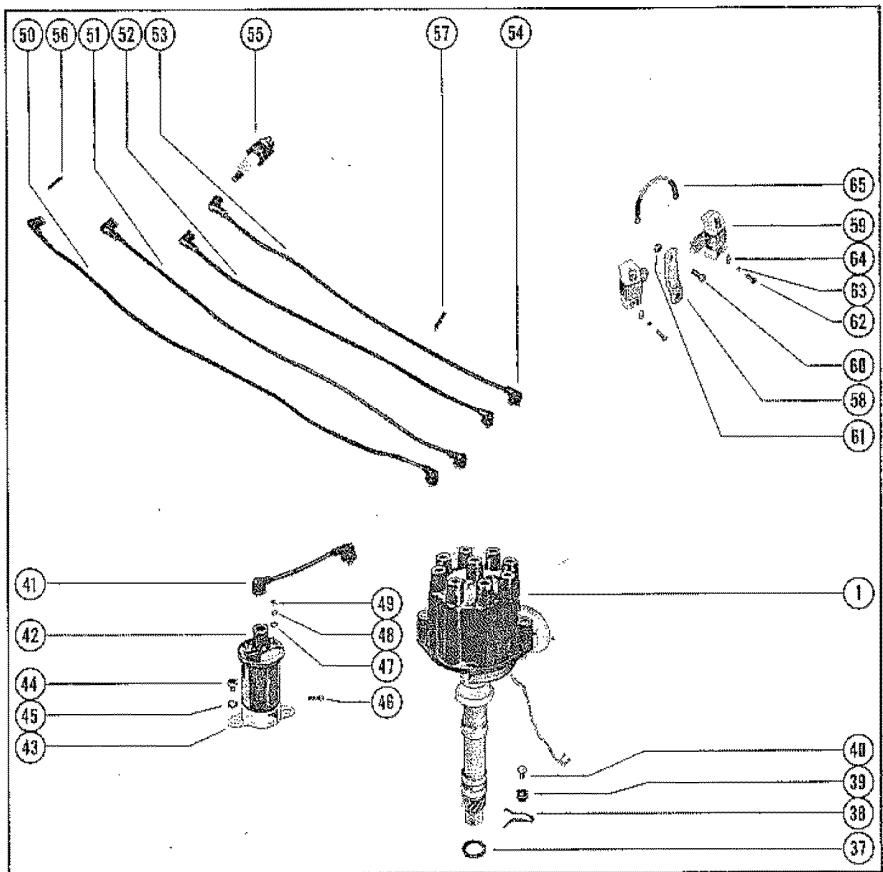
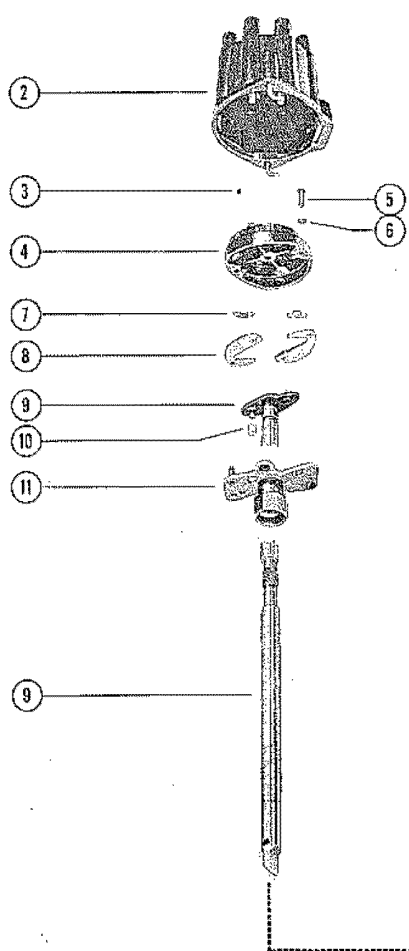


DISTRIBUTOR ASSEMBLY AND COIL

REF. NO.	PART NO.	SYM.	QTY.	DESCRIPTION
1	34110		1,1,1	DISTRIBUTOR ASSEMBLY, COMPLETE
2	33708		1,1,1	CAP, DISTRIBUTOR
3	33654		1,1,1	BUTTON, CARBON - DISTRIBUTOR CAP
4	33707		1,1,1	ROTOR, DISTRIBUTOR
5	10-33692		2,2,2	SCREW, ROTOR TO BREAKER CAM
6	13-26996		2,2,2	LOCKWASHER, ROTOR TO BREAKER CAM SCREW
7	24-33720		2,2,2	SPRING, BREAKER CAM ADVANCE
9	34119		1,1,1	SHAFT, MAIN - BREAKER CAM AND GEAR
10	23-34116		1,1,1	SLEEVE, MAIN SHAFT
11	34117		1,1,1	CAM, BREAKER - ADVANCE
12	33706		1,1,1	CONDENSER
13	33697		1,1,1	BRACKET, CONDENSER MOUNTING
14	10-33722		1,1,1	SCREW, CONDENSER AND BRACKET TO MOUNTING PLATE
15	33653		1,1,1	FELT WICK, CAM WIPER - MOUNTING PLATE RRETAINER
16	33713		1,1,1	RETAINER, FELT WICK - MOUNTING PLATE
17	33714		1,1,1	PLATE, MOUNTING - BREAKER AND CONDENSER
18	33705		1,1,1	LEAD, GROUND - MOUNTING PLATE
19	24-33710		1,1,1	SPRING, RETAINING - MOUNTING PLATE
20	33700		1,1,1	BREAKER ASSEMBLY
21 ..S	10-33718		2,2,2	, BREAKER ASSEMBLY TO MOUNTING PLATE
22	12-34112		1,1,1	WASHER, FELT - MOUNTING PLATE
23	34120		1,1,1	HOUSING, PRIMARY -DISTRIBUTOR
24	26-34111		1,1,1	SEAL, DISTRIBUTOR HOUSING
25	25-33709		1,1,1	GROMMETT, DISTRIBUTOR HOUSING - LEAD WIRE
26	43-34114		1,1,1	GEAR AND CROSS SHAFT, DISBUTOR HOUSE
27	12-3411		1,1,1	WASHER, GEAR AND CROSS SHAFT
28	34113		1,1,1	COUPLING,CROSS SHAFT
29	33695		1,1,1	VACUUM CONTROL, DISTRIBUTOR HOUSING
30	10-33648		2,2,2	SCREW, VACUUM CONTROL TO DISTRIBUTOR HOUSING
31	13-33691		2,2,2	LOCKWASHER, VACUUM CONTROL SCREW
32	33712		1,1,1	LEAD WIRE, PRIMARY - DISTRIBUTOR HOUSING
33	12-33696		1,1,1	WASHER, MAIN SHAFT
34	43-34118		1,1,1	GEAR, DRIVE - MAIN SHAFT
35	17-34109		1,1,1	PIN, DRIVE GEAR TO MAIN SHAFT
36	30498		1,1,1	CAP, CROSS SHAFT COUPLING
37	27-34891		1,1,1	GASKET, DISTRIBUTOR
38	35369		1,1,1	CLAMP UNIT, DISTRIBUTOR
39	34549		1,1,1	RETAINER, DISTRIBUTOR CLAMP UNIT
40	10-35368		1,1,1	SCREW, DISTRIBUTOR TO INTAKE MANIFOLD (7/8")
41	33209A1		1,,	LEAD ASSEMBLY, DISTRIBUTOR TO COIL
	34089A1		,1,1	LEAD ASSEMBLY, DISTRIBUTOR TO COIL

CONTINUED ON NEXT PAGE ➡

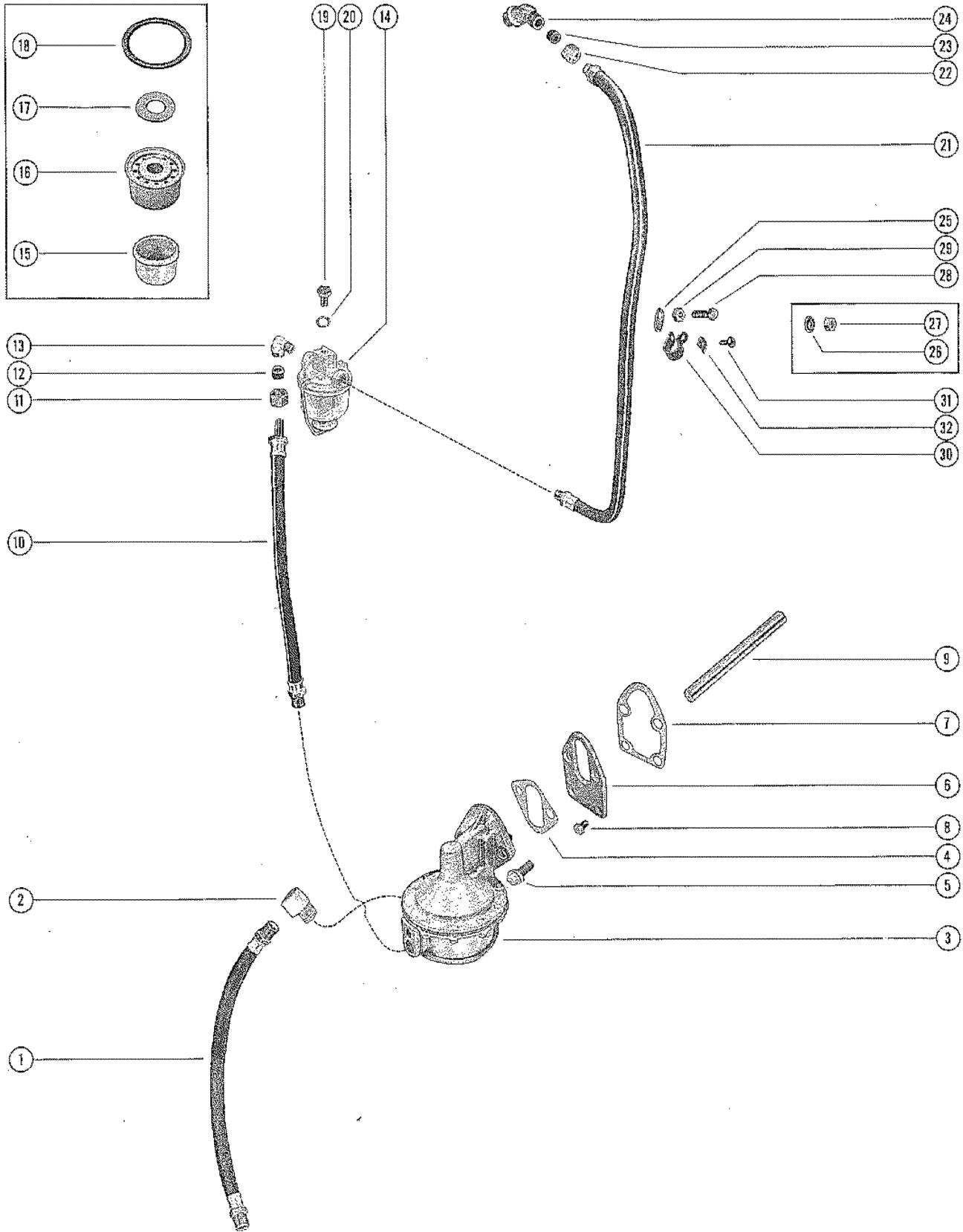
DISTRIBUTOR ASSEMBLY AND COIL



DISTRIBUTOR ASSEMBLY AND COIL

REF. NO.	PART NO.	SYM.	QTY.	DESCRIPTION
42	26433		1,1,1	COIL ASSEMBLY, IGNITION
43	34106		1,1,1	BRACKET, IGNITION COIL MOUNTING
44	10-33231		2,2,2	SCREW, COIL INTAKE MANIFOLD (3/4")
45	13-26993		2,2,2	LOCKWASHER, COIL TO INTAKE MANIFOLD SCREW
46	10-33311		1,1,1	SCREW, MOUNTING BRACKET TO IGNITION COIL
47	13-20554		2,2,2	LOCKWASHER, COIL TERMINAL
48	13-26996		2,2,2	LOCKWASHER, COIL TERMINAL
49	11-20645		2,2,2	NUT, COIL TERMINAL
50	33208A1		2,2,2	LEAD ASSEMBLY, HIGH TENSION (37")
51	33208A2		2,2,2	LEAD ASSEMBLY, HIGH TENSION (31")
52	33208A3		2,2,2	LEAD ASSEMBLY, HIGH TENSION (26")
53	33208A4		2,2,2	LEAD ASSEMBLY, HIGH TENSION (22")
54	20119		8,8,8	PROTECTOR, HIGH TENSION LEAD
-	393-1275		8,8,8	SLEEVE, TERMINAL END COVER
55	33-33743		8,8,8	SPARK PLUG (AC #C42-1)
56	32782		2,2,2	RETAINER, HIGH TENSION LEADS
57	32784		2,2,2	RETAINER, HIGH TENSION LEADS
58	33211		1,1,1	BRACKET, BALLAST MOUNTING
59	393-1286		2,2,2	BALLAST
60	10-21548		1,1,1	SCREW, BALLAST TO MOUNTING BRACKET (5/8")
61	11-24652		1,1,1	NUT, BALLAST TO MOUNTING BRACKET SCREW
62	10-24609		4,4,4	SCREW, WIRING HARNESS LEADS TO BALLAST
63	13-26995		4,4,4	LOCKWASHER, WIRING HARNESS LEADS SCREW
64	12-30191		4,4,4	WASHER, WIRING HARNESS LEADS SCREW
65	33210		1,1,1	JUMPER WIRE, BALLAST TO BALLAST

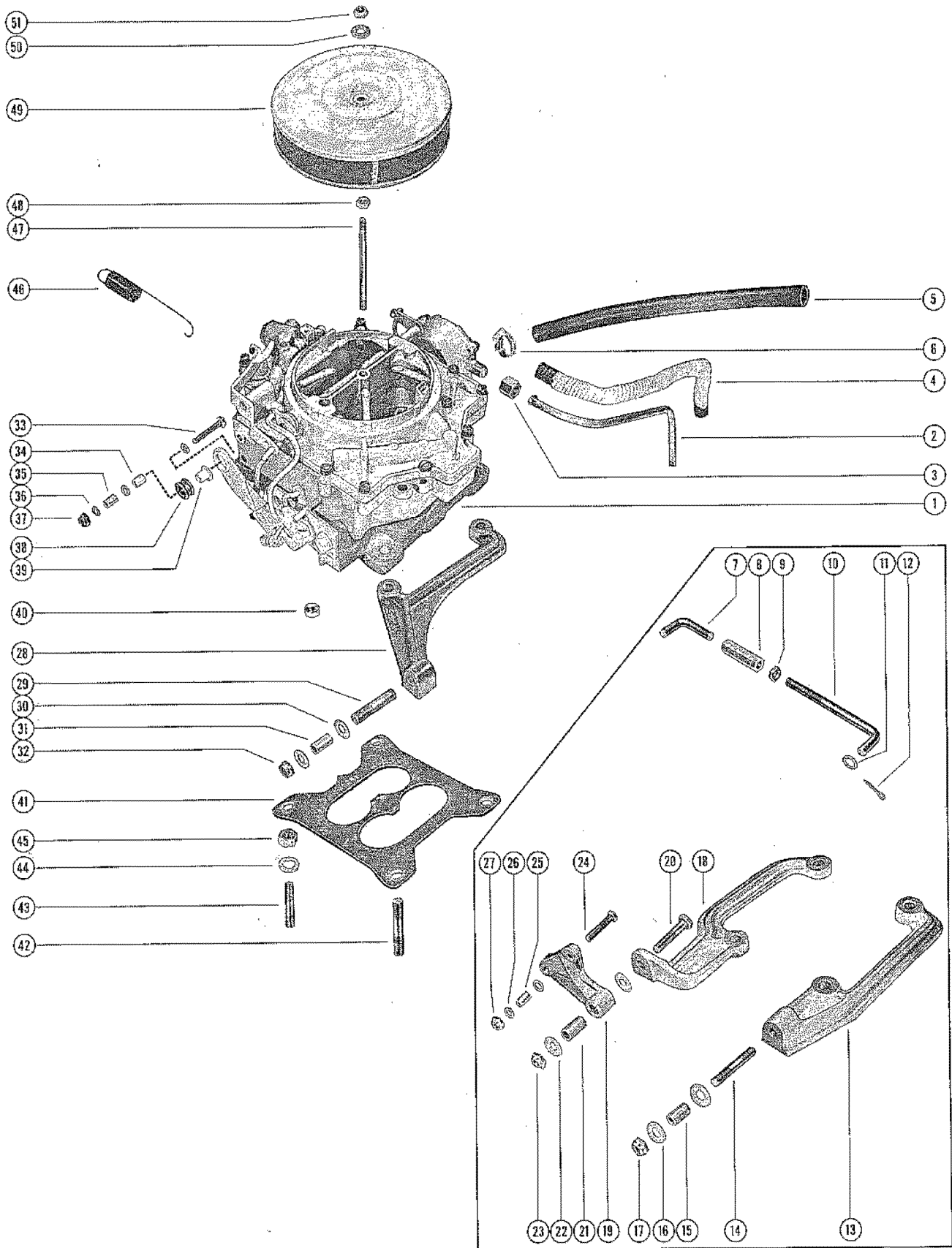
FUEL PUMP AND FUEL FILTER ASSEMBLY



FUEL PUMP AND FUEL FILTER ASSEMBLY

REF. NO.	PART NO.	SYM.	QTY.	DESCRIPTION
1	32-33753		1,1,1	FUEL LINE, FUEL PUMP INLET (12")
2	22-33755		1,1,1	ELBOW, INLET FUEL LINE TO FUEL PUMP
3	33167		1,1,1	FUEL PUMP ASSEMBLY
-	33741		1,1,1	FUEL PUMP REPAIR KIT
-	33742		1,1,1	FUEL PUMP DIAPHRAGM KIT
4	27-34213		1,1,1	GASKET, FUEL PUMP
5	10-34277		2,2,2	SCREW, FUEL PUMP TO MOUNTING PLATE (7/16")
6	35373		1,1,1	PLATE, FUEL PUMP MOUNTING
7	27-34898		1,1,1	GASKEWT, FUEL PUMP MOUNTING PLATE
8	10-35374		2,2,2	SCREW, MOUNTING PLATE TO CYLINDER BLOCK (1 1/8")
9	35377		1,1,1	ROD, PUSH -FUEL PUMP
10	32-33380		1,1,1	FUEL LINE, FUEL PUMP TO FUEL FILTER (10 1/2")
11	22-30177		1,1,1	NUT, FUEL LINE TO FUEL ELBOW
12	22-30175		1,1,1	SLEEVE, FUEL LINE TO FUEL ELBOW NUT
13	22-30174		1,1,1	ELBOW, FUEL LINE TO FUEL FILTER
14	35-33525		1,1,	FUEL FILTER ASSEMBLY
	35-35381		„1	FUEL FILTER ASSEMBLY
15	35157		„1	BOWL, ALUMINUM - FUEL FILTER
16	35-33744		1,1,1	ELEMENT, FUEL FILTER
17	27-33746		1,1,1	GASKET, FUEL FILTER ELEMENT
18	27-33745		1,1,1	GASKET, FUEL FILTER BOWL
19	10-33524		1,1,1	SCREW, FUEL FILTER TO MMOUNTING BRACKET (5/8")
20	13-26993		1,1,1	LOCKWASHER, FUEL FILTER SCREW
21	32-33375		1,1,1	FUEL LINE, FUEL FILTER TO CARBURETOR (22 1/2")
22	22-30177		1,1,1	NUT,FUEL LINE TO CARBURETOR ELBOW
23	22-30175		1,1,1	SLEEVE, FUEL LINE TO CARBURETOR ELBOW NUT
24	22-33376		1,1,1	ELBOW (45), FUEL LINE TO CARBURETOR
25	26551		1,1,	TAB, FUEL LINE CLIP
	32786		„1	TAB, FUEL LINE CLIP
26	12-20722		1,1,	WASHER, WATER PUMP STUD
27	11-29250		1,1,	NUT, TAB TO WATER PUMP STUD
28	10-22460		„1	SCREW, TAB TO WATER PUMP (3/4")
29	11-25269		„1	NUT, TAB TO WATER PUMP SCREW
30	54-22627		1,1,1	CLIP, FUEL LINE TO TAB
31	10-30663		1,1,1	SCREW, FUEL LINE CLIP TO TAB
32	22789		1,1,1	"D" WASHER, FUEL LINE CLIP SCREW

CARBURETOR LINKAGE

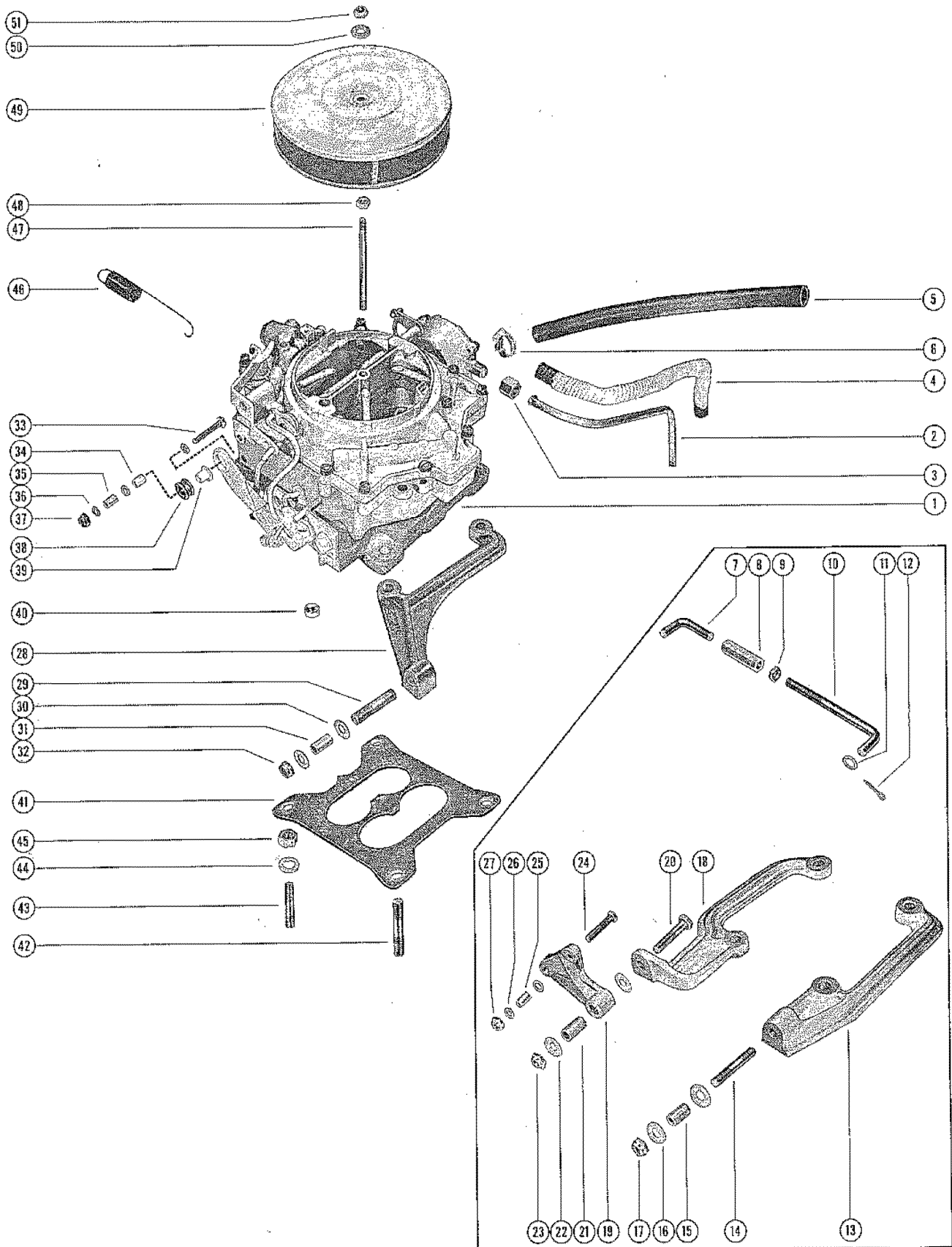


CARBURETOR LINKAGE

REF. NO.	PART NO.	SYM.	QTY.	DESCRIPTION
1	1339-2249		1,1,1	CARBURETOR ASSEMBLY(SEE F8 & F10 BREAKDOWN)
2	32-33235		1,1,1	PIPE, CHOKE - CARBURETOR
3	11-21310		1,1,1	NUT, CHOKE PIPE TO CARBURETOR
4	33229		1,1,1	COVERING, CHOKE PIPE
5	32-33199		1,1,1	HOSE, VENT - CARBURETOR TO HOSE CONNECTOR
6	54-35830		2,2,2	CLAMP, VENT HOSE TO CARBURETOR AND CONNECTOR
7	33394		1,1,	LINK ROD, THROTTLE LEVER
8	33393		1,1,	SLEEVE, ADJUSTING - LINK ROD
9	11-25168		1,1,	NUT, JAM - LINK ROD ADJUSTING
10	33225		1,1,	KINK ROD, CARBURETOR
11	21-20583		1,1,	WASHER, CARBURETOR LINK ROD
12	18-26653		1,1,	COTTER PIN, CARBURETOR LINK ROD TO CARBURETOR
13	33191		1,1,	BRACKET, CARBURETOR MOUNTING (REAR)
14	16-33526		1,1,	STUD, THROTTLE CABLE TO REAR CARBURETOR BRACKET
15	23-31866		1,1,	SPACER, THROTTLE CABLE STUD
16	12-21631		2,2,	WASHER, THROTTLE CABLE STUD
17	11-20586		1,1,	NUT, THROTTLE CABLE TO REAR CARBURETOR BRACKET
18	33192		1,1,	BRACKET, CARBURETOR MOUNTING (FRONT)
19	33193		1,1,	LEVER, THROTTLE - FRONT CARBURETOR MOUNTING BRACKET
20	10-22421		1,1,	SCREW, THROTTLE LEVER TO FRONT CARBURETOR BRACKET
21	23-32796		1,1,	BUSHING, THROTTLE SCREW
22	12-21631		2,2,	WASHER, THROTTLE LEVER SCREW
23	11-20586		1,1,	NUT, THROTTLE LEVER TO FRONT CARBURETOR BRACKET
24	10-22387		1,1,	SCREW, THROTTLE CABLE TO THROTTLE LEVER (1")
25	23-32818		1,1,	BUSHING, THROTTLE CABLE SCREW
26	12-20128		2,2,	WASHER, THROTTLE CABLE SCREW
27	11-20190		1,1,	NUT, THROTTLE CABLE TO THROTTLE LEVER SCREW
28	35517		„1	BRACKET, CARBURETOR MOUNTING (REAR)
30	12-21631		„2	WASHER, THROTTLE CABLE STUD
31	23-31866		„1	SPACER, THROTTLE CABLE STUD
32	11-30586		„1	NUT, THROTTLE CABLE TO CARBURETOR BRACKET STUD
33	10-22958		„1	SCREW, THROTTLE CABLE TO CARBURETOR (1 1/8")
34	23-28626		„1	BUSHING, THROTTLE LEVER - THROTTLE CABLE SCREW
35	23-32818		„1	BUSHING, THROTTLE CABLE SCREW
36	12-20128		„3	WASHER, THROTTLE CABLE SCREW
37	11-20190		„1	NUT, THROTTLE CABLE TO CARBURETOR SCREW
38	25-35039		1,1,1	GROMMET, CARBURETOR LEVER
39	23-35040		1,1,1	SLEEVE, CARBURETOR LEVER
40	19-33674		2,2,2	PLUG, EXPANSION - INTAKE MANIFOLD
41	27-34172		1,1,1	GASKET, CARBURETOR
42	16-23166		4,4,4	STUD, CARBURETOR - INTAKE MANIFOLD (1 7/8")
	16-23166		2,2,2	STUD, CARBURETOR - INTAKE MANIFOLD (1 7/8")

CONTINUED ON NEXT PAGE ➡

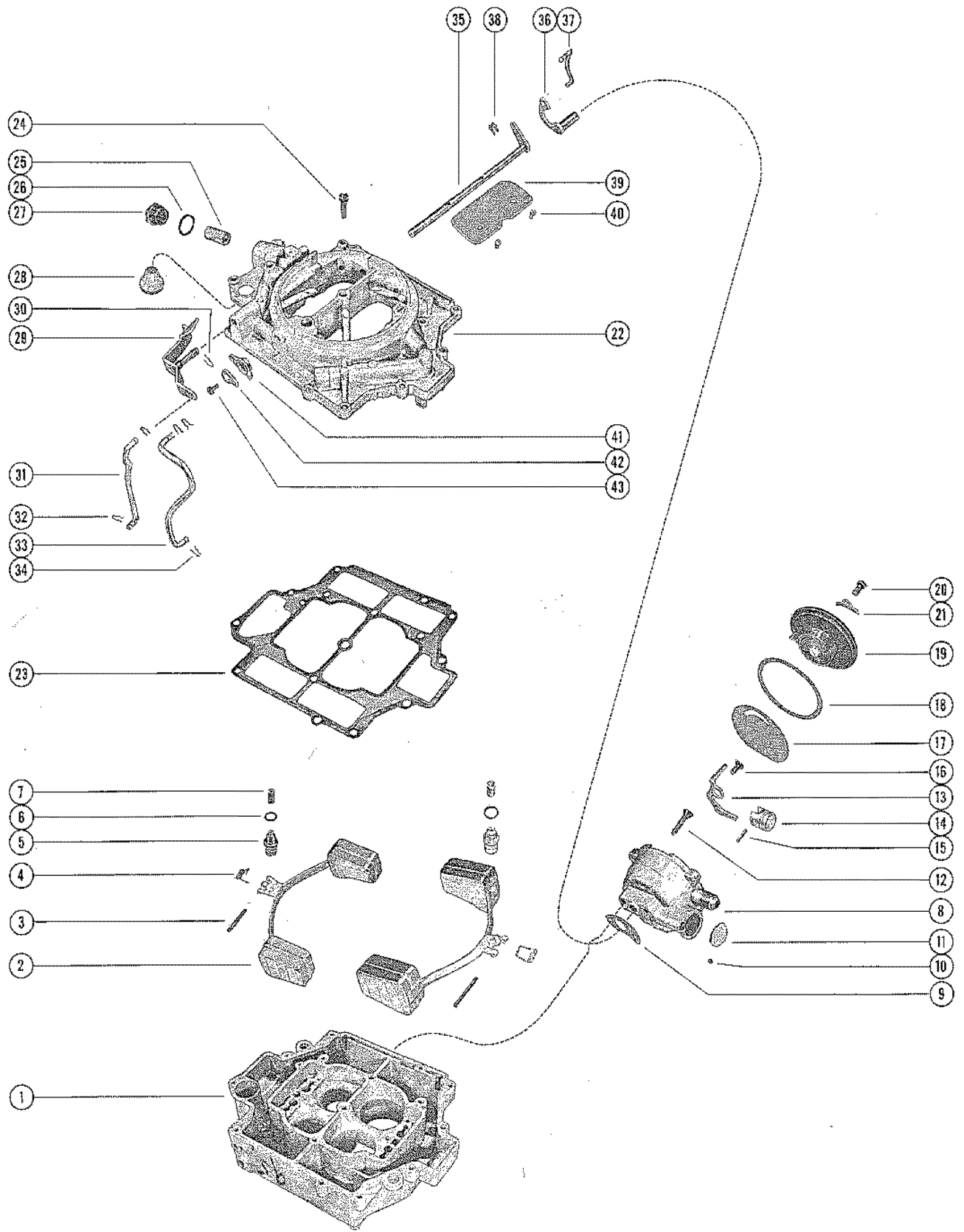
CARBURETOR LINKAGE



CARBURETOR LINKAGE

REF. NO.	PART NO.	SYM.	QTY.	DESCRIPTION
43	16-29988		,,2	STUD, CARBURETOR - INTAKE MANIFOLD (1 9/16")
44	12-20084		4,4,4	WASHER, CARBURETOR MOUNTING STUD
45	11-29250		4,4,4	NUT, CARBURETOR MOUNTING STUD
46	24-32817		1,1,1	SPRING, THROTTLE RETURN - CARBURETOR
47	16-33213		1,1,1	STUD, FLAME ARRESTOR MOUNTING - CARBURETOR
48	11-28941		1,1,1	NUT, FLAME ARRESTOR MOUNTING STUD (BOTTOM)
49	33190		1,1,1	FLAME ARRESTOR, CARBURETOR
50	12-22937		1,1,1	WASHER, FLAME ARRESTOR MOUNTING STUD
51	11-20586		1,1,1	NUT, FLAMES ARRESTOR MOUNTING STUD (TOP)

CARBURETOR ASSEMBLY (AIR HORN AND CHOKE ASSEMBLY)

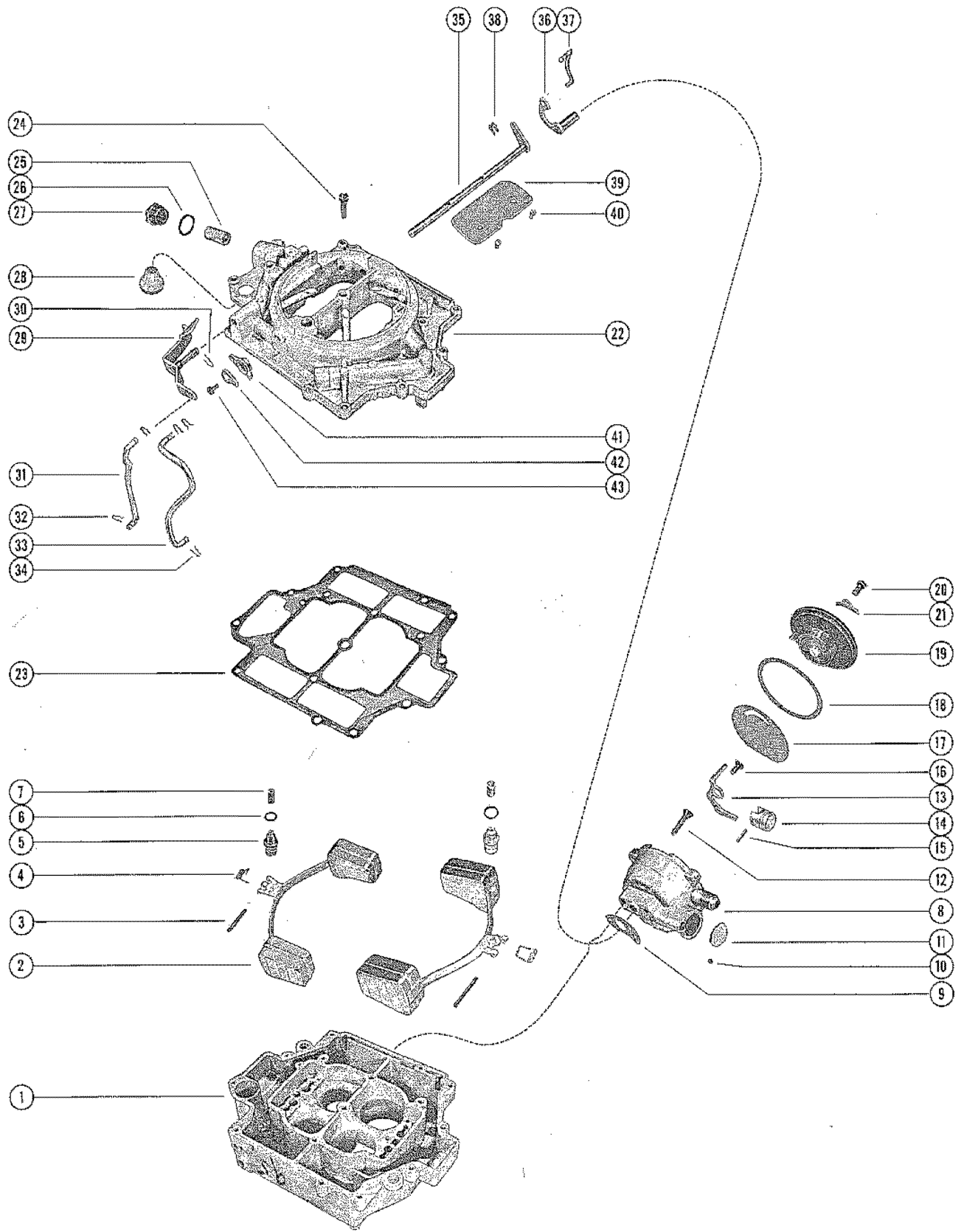


CARBURETOR ASSEMBLY (AIR HORN AND CHOKE ASSEMBLY)

REF. NO.	PART NO.	SYM.	QTY.	DESCRIPTION
-	1339-2249		1	CARBURETOR ASSEMBLY, COMPLETE (SEE NOTE BELOW)
1	1397-2257		1	FLOAT BOWL ASSEMBLY
2	1397-2255		2	FLOAT ASSEMBLY
3	17-33555		2	PIN HINGE - FLOAT TO AIR HORN
4	24-33571		2	SPRING, TIRSION - FLOAT
5			2	INLET NEEDLE AND SEAT ASSEMBLY
6			2	GASKET, INLET NEEDLE AND SEAT
7			2	STRAINER, INLET NEEDLE AND SEAT
8	1397-2116		1	CHOKE HOUSING ASSEMBLY, FLOAT BOWL
9			1	GASKET, CHOKE HOUSING
10	1397-2050		1	PLUG, BALL - CHOKE HOUSING
11	19-33041		1	WELCH PLUG, CHOKE HOUSING
12	10-33053		2	SCREW, CHOKE HOUSING TO FLOAT BOWL
13	1397-2115		1	LEVER ASSEMBLY, CHOKE PISTON
14	1397-2059		1	CHOKE PISTON, CHOKE HOUSING
15	17-33049		1	PIN, CHOKE PISTON TO CHOKE PISTON LEVER
16	10-33056		1	SCREW, CHOKE PISTON LEVER TO CHOKE HOUSING
17	1397-2110		1	PLATE, BAFFLE - CHOKE HOUSING
18			1	GASKET, STAT COVER AND COIL
19	1397-2125		1	STAT COVER AND COIL ASSEMBLY
20	10-33047		3	SCREW, STAT COVER AND COIL TO CHOKE HOUSING
21	54-33036		3	RETAINER, STAT COVER AND COIL TO CHOKE HOUSING SCREW
22	1397-2135		1	AIR HORN ASSEMBLY
23			1	GASKET, AIR HORN
24	10-33554		12	SCREW, SIR HORN TO FLOAT BOWL (SHORT)
	10-34370		1	SCREW, AIR HORN TO FLOAT BOWL (LONG)
	13-26996		1	LOCKWASHER, AIR HORN TO FLOAT BOWL SCREW
25			1	FILTER, AIR HORN NUT
26			1	GASKET, AIR HORN FILTER NUT
27	11-33561		1	NUT, FILTER - AIR HORN
28			1	BOOT, FLOAT BOWL PUMP
29	1397-2254		1	PUMP SHAFT AND LEVER ASSEMBLY, FLOAT BOWL
30			1	CLIP, PUMP SHAFT LEVER
31	1397-2267		1	ROD, PUMP
32			2	CLIP RETAINER - PUMP ROD
33	1397-2265		1	ROD, CHOKE
34			3	CLIP, CHOKE ROD
35	1397-2111		1	CHOKE SHAFT ASSEMBLY
36	1397-2112		1	CHOKE SHAFT ASSEMBLY, INTERMEDIATE
37	1397-2264		1	ROD, CHOKE SHAFT
38			1	PIN, HAIR - CHOKE SHAFT ROD

CONTINUED ON NEXT PAGE ➡

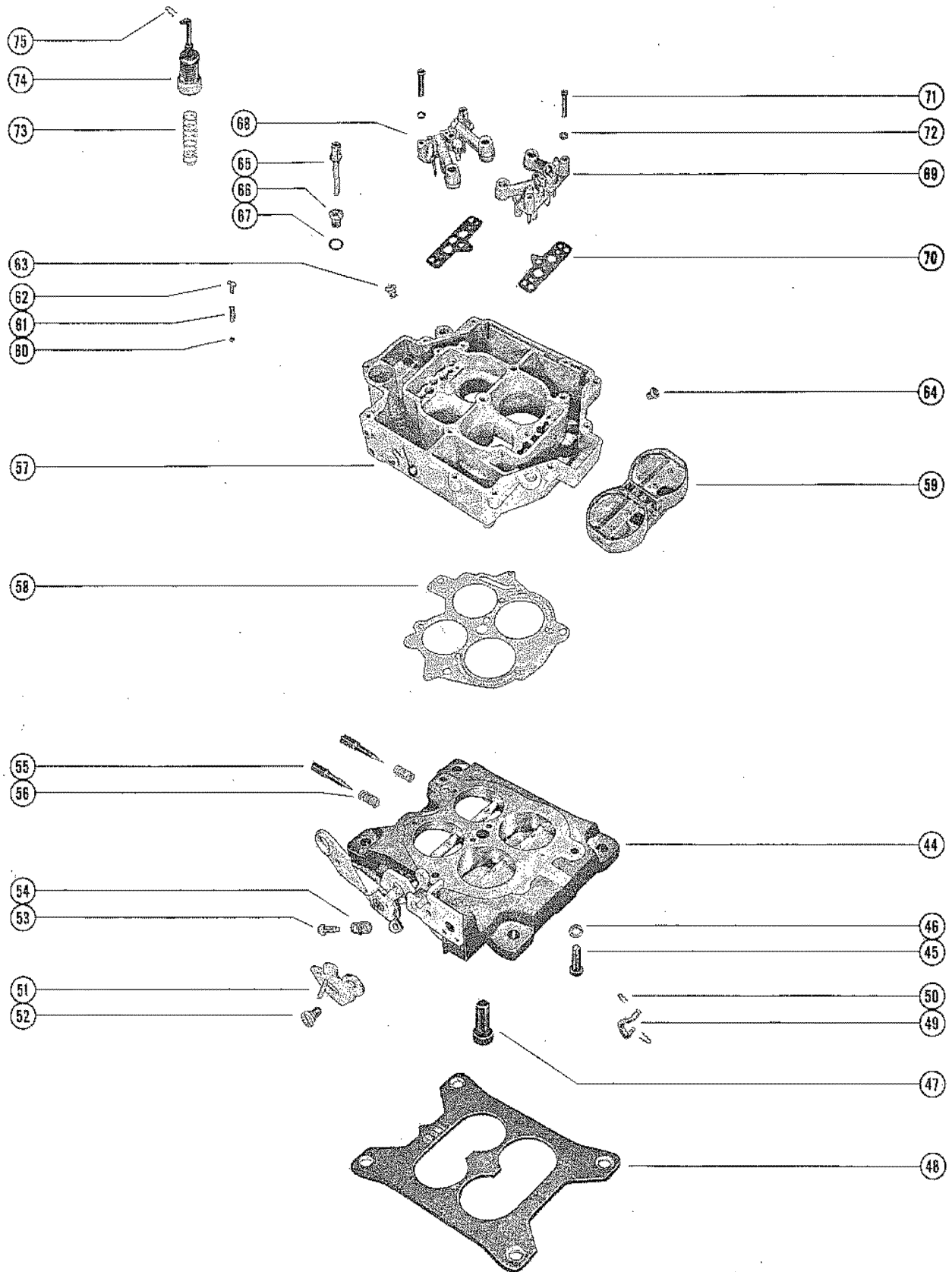
CARBURETOR ASSEMBLY (AIR HORN AND CHOKE ASSEMBLY)



CARBURETOR ASSEMBLY (AIR HORN AND CHOKE ASSEMBLY)

REF. NO.	PART NO.	SYM.	QTY.	DESCRIPTION
39	1397-2104		1	VALVE, CHOKE - CHOKE SHAFT
40	10-33045		2	SCREW, CHOKE VALVE TO CHOKE SHAFT
41	1397-2113		1	CHOKE LEVER AND COLLAR ASSEMBLY, CHOKE SHAFT
42	1397-2105		1	LEVER, TRIP - CHOKE SHAFT
43	10-33056		1	SCREWW, TRIP LEVER TO CHOKE SHAFT

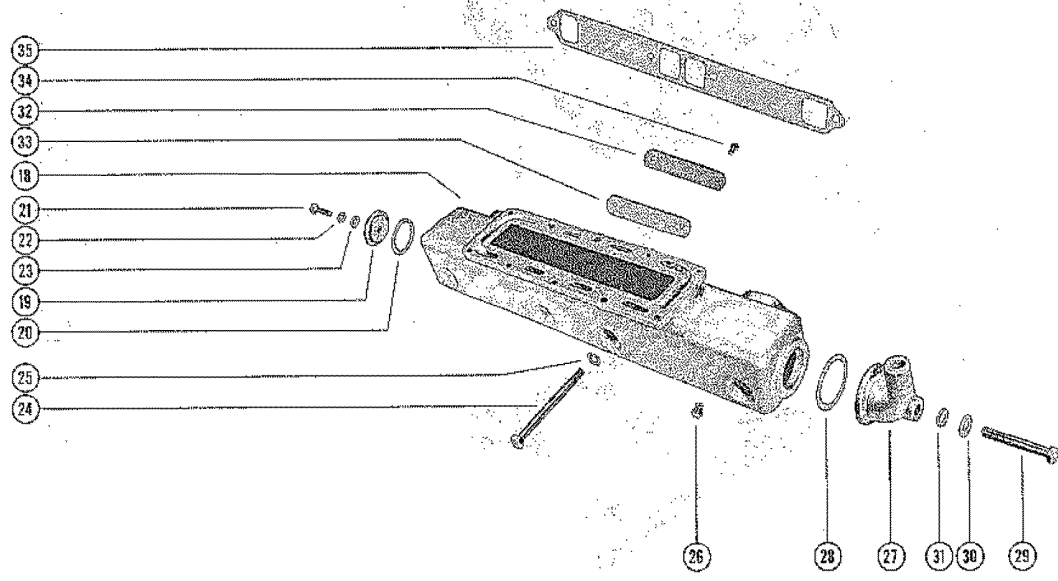
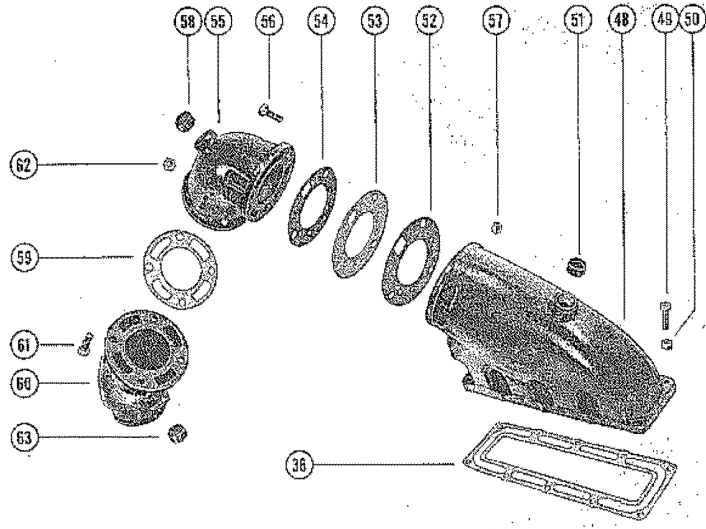
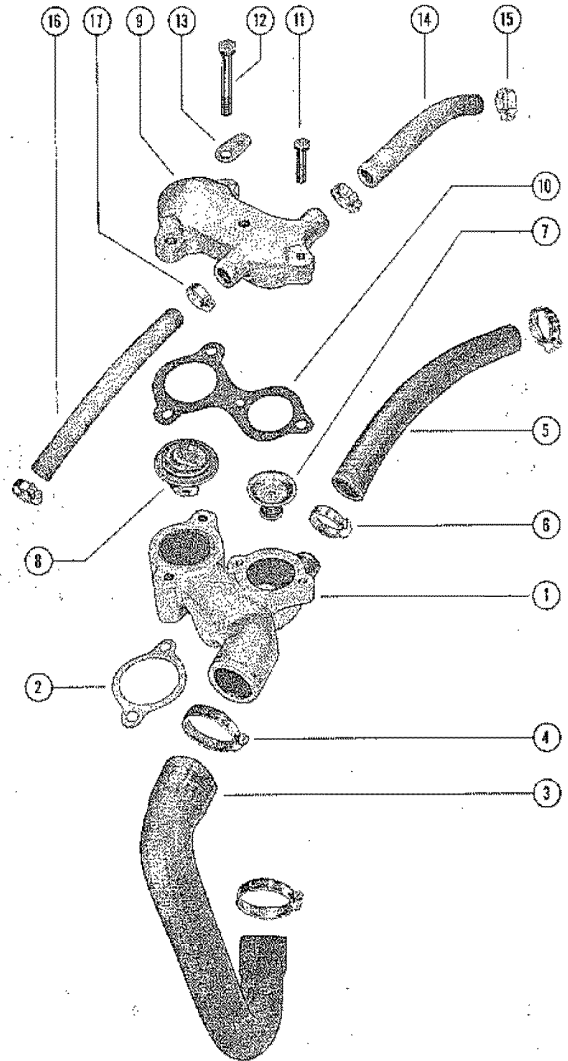
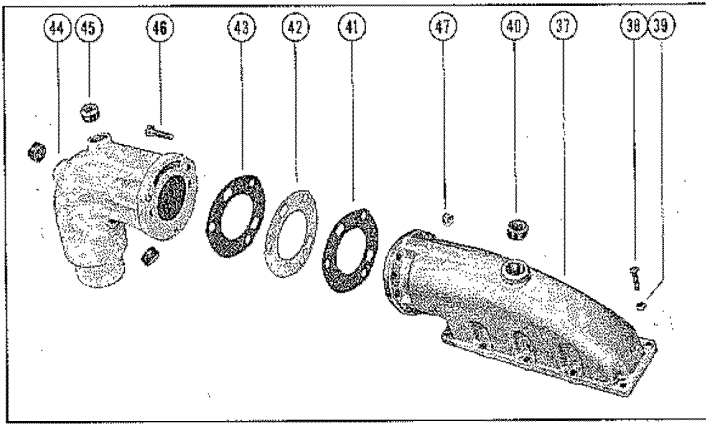
CARBURETOR ASSEMBLY (FLOAT BOWL AND THROTTLE BODY)



CARBURETOR ASSEMBLY (FLOAT BOWL AND THROTTLE BODY)

REF. NO.	PART NO.	SYM.	QTY.	DESCRIPTION
-	1339-2249		1	CARBURETOR ASSEMBLY, COMPLETE(SEE NOTE BELOW)
44	1397-2269		1	THROTTLE BODY ASSEMBLY
45	10-33052		3	SCREWW, THROTTLE BODY TO FLOAT BOWL (SMALL)
46	13-33028		3	LOCKWASHER, THROTTLE BODY TO FLOAT BOWL SCREW
47	10-33562		1	SCREW, THROTTLE BODY TO FLOAT BOWL (LARGE)
48	27-34172		1	GASKET, CARBURETOR FLANGE (INCLUDED WITH)
49	1397-2268		2	LINK, SECONDARY LEVER - THROTTLE BODY
50			4	CLIP. SECONDARY LEVER LINK TO THROTTLE BODY
51	1397-2136		1	CAM, FAST IDLE - MOUNTING BRACKET
52	10-33042		1	SCREW, FAST IDLE CAM TO CAM MOUNTING BRACKET
53	1397-2266		1	FAST IDLE SCREW, THROTTLE BODY
54	24-34373		1	SPRING, FAST IDLE SCREW
55	1397-2062		2	IDLE ADJUSTING NEEDLE, THROTTLE BODY
56	24-33050		2	SPRING, IDLE ADJUSTING NEEDLE
57	1397-2257		1	FLOAT BOWL ASSEMBLY (ALSO SHOWN ON F8 REF #1)
58			1	GASKET, THROTTLE BODY
59	1397-2262		1	THROTTLE VALVE ASSEMBLY, AUXILIARY - FLOAT BOWL
-	1397-2263		2	INSERT, MAIN WELL
60			1	BALL, PUMP DISCHARGE - FLOAT BOWL
61			1	SPRING, PUMP DISCHARGE - FLOAT BOWL
62			1	GUIDE, PUMP DISCHARGE - FLOAT BOWL
63	1397-2260		2	JET, PRIMARY - FLOAT BOWL
64	1397-2261		2	JET, SECONDARY - FLOAT BOWL
65	1397-2256		1	POWER PISTON ASSEMBLY
66			1	POWER VALVE ASSEMBLY, FLOAT BOWL
67			1	GASKET, POWER VALVE
68	1397-2258		1	VENTURI CLUSTER ASSEMBLY, PRIMARY - FLOAT BOWL
69	1397-2259		1	VENTURI CLUSTER ASSEMBLY, SECONDARY -FLOAT BOWL
70			2	GASKET, VENTURI CLUSTER
71	10-33569		6	SCREEW, VENTURI CLUSTER TO FLOAT BOWL
72	13-33029		6	LOCKWASHER, VENTURI CLUSTER TO FLOAT BOWL SCREW
73			1	SPRING, FLOAT BOWL PUMP RETURN
74			1	PUMP ASSEMBLY, FLOAT BOWL
75			1	CLIP - FLOAT BOWL PUMP
-	1397-2250		1	OVERHAUL KIT
-	1397-2251		1	OFF EMGINE KIT
-	1397-2252		1	GASKET KIT
-	1397-2298		1	ALTITUDE KIT (5,000 FT.)
-	1397-2299		1	ALTITUDE KIT (10,000FT.)

WATER METERING HOUSINGS AND EXHAUST MANIFOLD

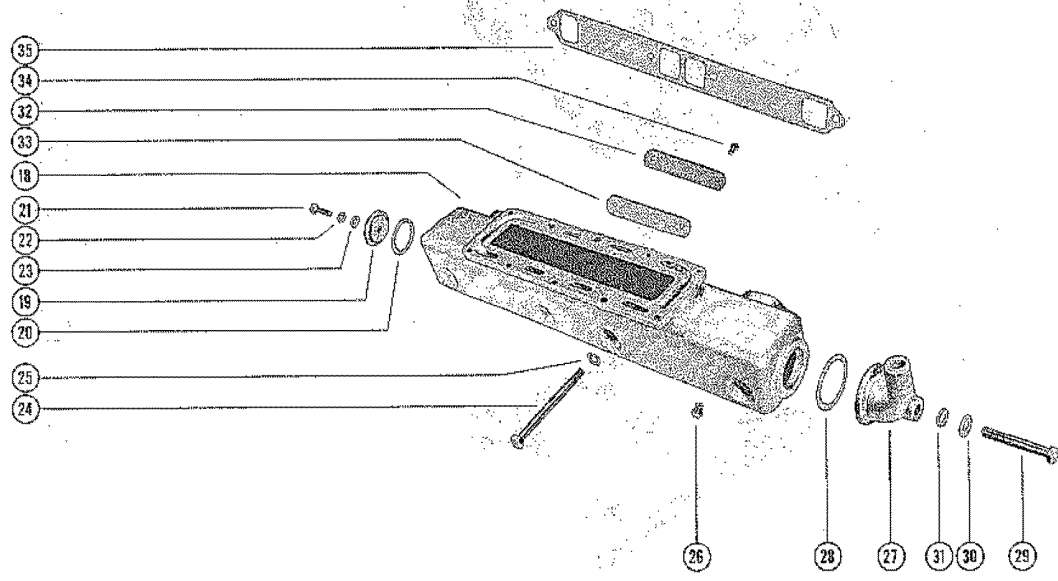
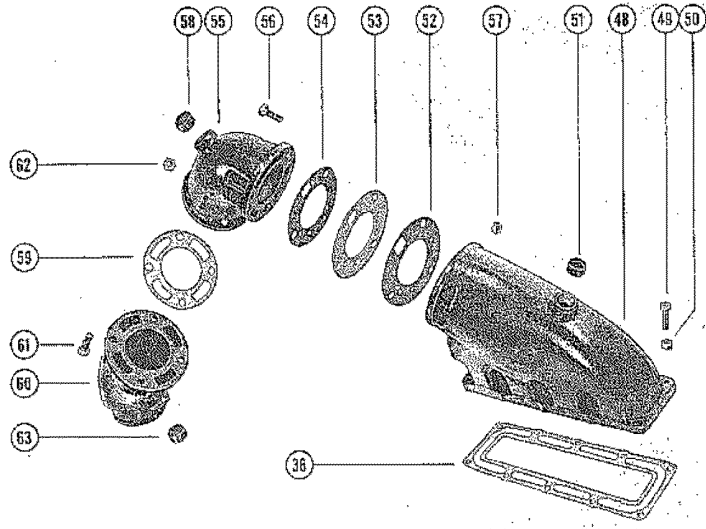
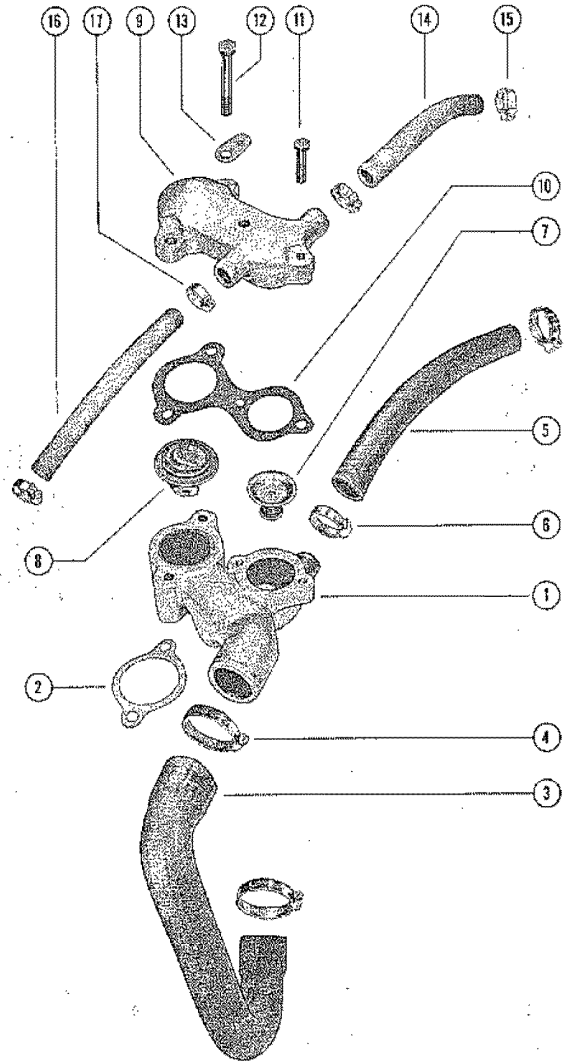
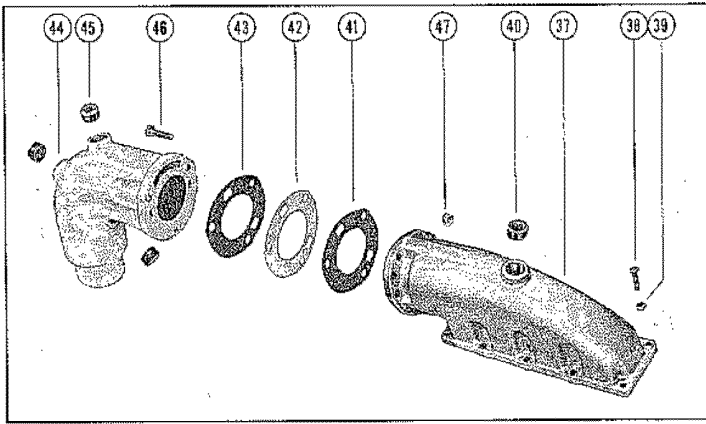


WATER METERING HOUSINGS AND EXHAUST MANIFOLD

REF. NO.	PART NO.	SYM.	QTY.	DESCRIPTION
1	32904		1,1,1	HOUSING, WATER METERING (LOWER)
2	27-33179		1,1,1	GASKET, LOWER WATER METERING HOUSING
3	32-33189		1,1,1	HOSE, LOWER WATER METERING HOUSING TO WATER PUMP
4	54-32781		2,2,2	CLAMP, HOSE TO LOWER WATER METERING HOUSING AND WATER PUMP
5	32-33221		1,1,1	HOSE, METERING HOUSING TO BEARING HOUSING (15 3/16") SERIAL 00000000-01666599
	32-35840		„1	HOSE, METERING HOUSING TO BEARING HOUSING HOUSING (16") SERIAL 01666600-09999999
6	54-32880		2,2,2	CLAMP, HOSE TO LOWER METERING HOUSING AND BEARING HOUSING
7	33196		1,1,1	PRESSURE VALVE ASSEMBLY, LOWER WATER METERING HOUSING
8	32728		1,1,	THERMOSTAT
	35884		„1	THERMOSTAT
9	32905		1,1,1	HOUSING, WATER METERING (UPPER)
10	27-33188		1,1,1	GASKET, UPPER WATER METERING HOUSING
11	10-22698		2,2,2	SCREW, WATER METERING HOUSINGS TO INTAKE MANIFOLD (1 3/4")
12	10-31827		2,2,2	SCREW METERING HOUSINGS TO INTAKE MANIFOLD (3")
13	32786		1,1,1	TAB, WATER METERING HOUSING SCREW - THROTTLE RETURN SPRING
14	32-33381		1,1,1	HOSE, UPPER WATER METERING HOUSING TO INLET HOUSING (12 5/8")
15	54-32880		2,2,2	CLAMP,HOSE TO UPPER WATER METERING HOUSING AND INLET HOUSING
16	32-33222		1,1,1	HOSE, UPPER WATER METERING HOUSING TO INLET HOUSING (13 1/4")
17	54-32880		2,2,2	CLAMP,HOSE TO UPPER WATER METERING HOUSING AND INLET HOUSING
18	32893		2,2,2	BODY, EXHAUST MANIFOLD (PORT AND STARBOARD)
19	35298A1		2,2,2	END CAP ASSEMBLY, EXHAUST MANIFOLD BODY
20	27-33180		2,2,2	GASKET, END CAP
21	10-28464		2,2,2	SCREW, END CAP TO EXHAUST MANIFOLD BODY (1 1/2")
22	12-20553		2,2,2	WASHER, END CAP SCREW
23	12-33181		2,2,2	WASHER, COPPER - END CAP SCREW
24	10-33389		8,8,8	SCREW, EXHAUST MANIFOLD BODY TO CYLINDER HEAD (4 1/4")
25	12-20553		8,8,8	WASHER, EXHAUST MAINFOLD BODY SCREW
26	22-32802		2,2,2	PLUG, PIPE - EXHAUST MANIFOLD BODY
27	32891		2,2,2	HOUSING WATER INLET - EXHAUST MANIFOLD BODY 2
28	27-33180		2,2,2	GASKET, WATER INLET HOUSING
29	10-31827		2,2,2	SCREW, WATER INLET HOUSING TO EXHAUST MANIFOLD BODY (3")
30	12-20553		2,2,2	WASHER, WATER INLET HOUSING SCREW
31	12-33181		2,2,2	WASHER, COPPER - WATER INLET HOUSING SCREW

CONTINUED ON NEXT PAGE ➡

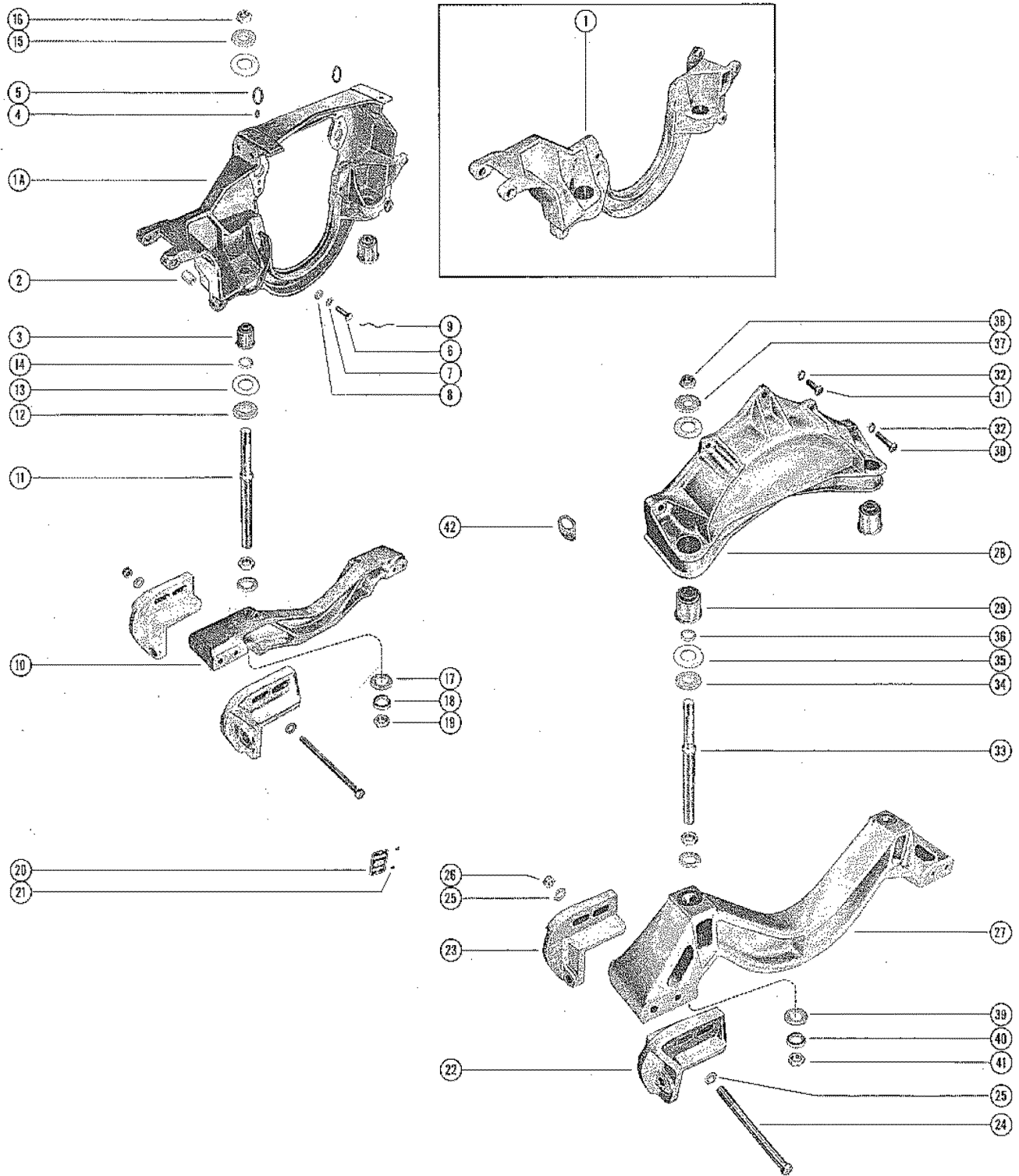
WATER METERING HOUSINGS AND EXHAUST MANIFOLD



WATER METERING HOUSINGS AND EXHAUST MANIFOLD

REF. NO.	PART NO.	SYM.	QTY.	DESCRIPTION
32	33183		1,1,1	COVER, CHOKE OVEN - STARBOARD EXHAUST MANIFOLD BODY
33	27-33184		1,1,1	GASKET, CHOKE OVEN COVER
34	10-22022		2,2,2	SCREW, CHOKE OVEN COVER TO STARBOARD EXHAUST MANIFOLD BODY (
35	27-33395		2,2,2	GASKET, EXHAUST MANIFOLD BODY TO CYLINDER HEAD
36	27-33187		2,2,2	GASKET, EXHAUST MANIFOLD ELBOW
37	32885		2,2,	ELBOW, EXHAUST MANIFOLD
38	10-35156		20,20,	SCREW, EXHAUST ELBOW TO EXHAUST MANIFOLD BODY (1 1/4")
39	11-24652		20,20,	NUT, EXHAUST ELBOW SCREW
40	22-33198		2,2,	PLUG, PIPE - EXHAUST MANIFOLD ELBOW
41	27-33173		2,2,	GASKET, EXHAUST MANIFOLD ELBOW TO FACE PLATE
42	32896		2,2,	PLATE, FACE - EXHAUST MANIFOLD TO EXHAUST PIPE ELBOW
43	27-33173		2,2,	GASKET, EXHAUST PIPE ELBOW TO FACE PLATE
44	32884		6,6,	ELBOW, EXHAUST PIPE
45	22-33198		2,2,	PLUG, PIPE - EXHAUST PIPE ELBOW
52	27-35671		„2	GASKET, EXHAUST MANIFOLD ELBOW TO FACE PLATE
53	35672		„2	PLATE, FACE - EXHAUST MANIFOLD ELBOW TO UPPER EXHAUST ELBOW
54	27-35671		„2	GASKET, UPPER EXHAUST ELBOW TO FACE PLATE
55	35674		„2	ELBOW, EXHAUST - UPPER
56	10-21951		„6	SCREW, UPPER EXHAUST ELBOW TO EXHAUST MANIFOLD ELBOW
57	11-25269		„6	NUT, UPPER EXHAUST ELBOW SCREW
58	22-33198		„2	PLUG, PIPE - UPPER EXHAUST ELBOW
59	27-35673		„2	GASKET, UPPER EXHAUST ELBOW TO LOWER EXHAUST ELBOW
60	35675		„2	ELBOW, EXHAUST - LOWER
61	10-21951		„8	SCREW, UPPER EXHAUST ELBOW TO LOWER EXHAUST ELBOW (1 1/4")
62	11-25269		„8	NUT, LOWER EXHAUST ELBOW SCREW
63	22-33198		„4	PLUG, PIPE - LOWER EXHAUST ELBOW

MOUNTING BRACKETS AND FLYWHEEL HOUSING

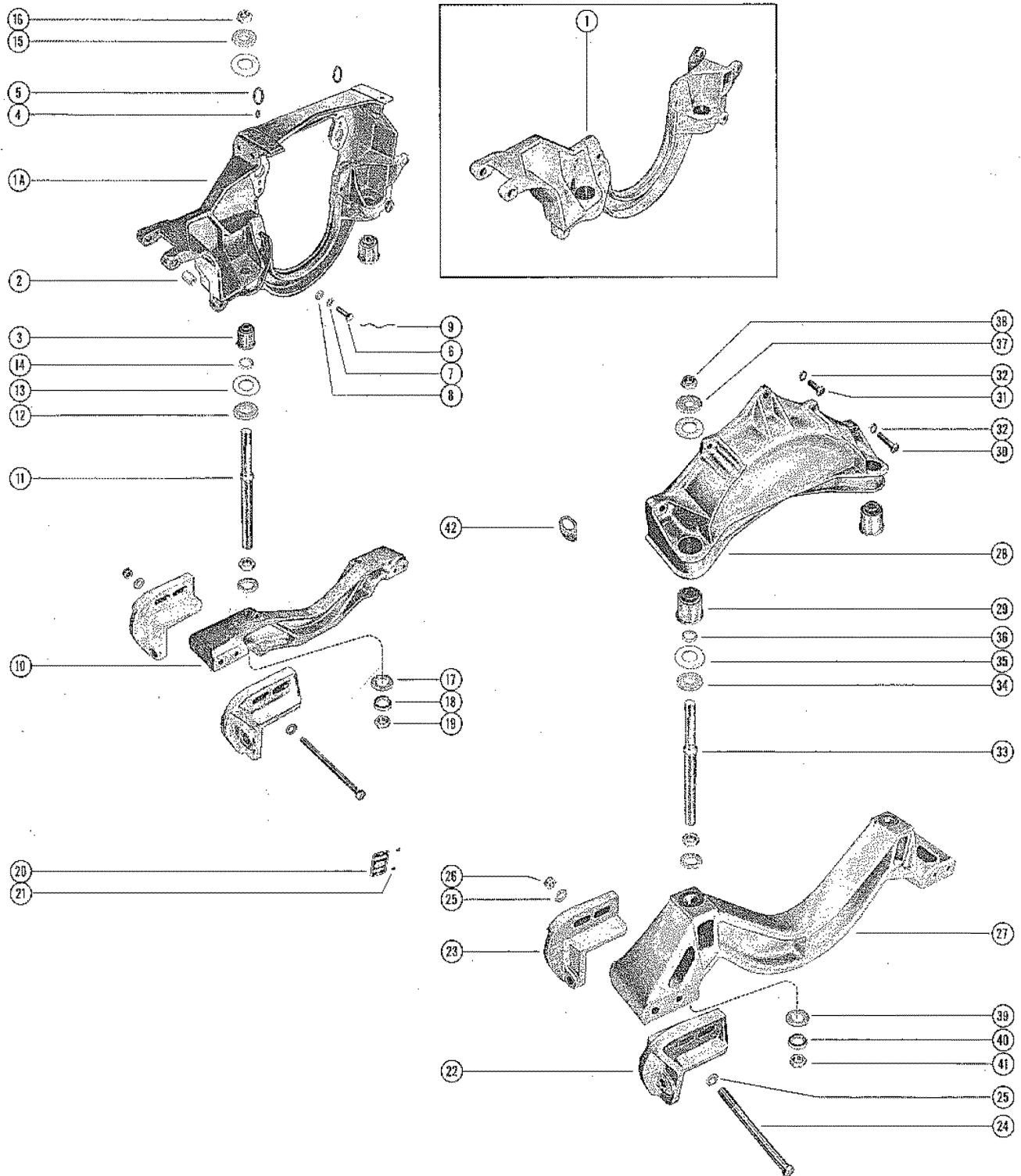


MOUNTING BRACKETS AND FLYWHEEL HOUSING

REF. NO.	PART NO.	SYM.	QTY.	DESCRIPTION
1	32883A1		1,1,1	BRACKET ASSEMBLY, FRONT MOUNTING SERIAL 0000000-01666599
	35837A1		„1	BRACKET ASSEMBLY, FRONT MOUNTING (SERIAL 01666600-09999999
2	23-33186		4,4,4	BUSHING, FRONT MOUNTING BRACKET
3	35852		2,2,2	MOUNT, FRONT MOUNTING BRACKET
4	25-35789		„1	QUAD RING, FRONT MOUNTING BRACKET (SMALL)
5	25-35790		„2	QUAD RING, FRONT MOUNTING BRACKET (LARGE)
6	10-33194		4,4,4	SCREW, BRACKET TO CYLINDER BLOCK (1 1/4") SERIAL 00000000-01666599
	10-35788		„4	SCREW, BRACKET TO CYLINDER BLOCK (1 3/4") SERIAL 01666600-09999999
7	13-24969		4,4,4	LOCKWASHER, FRONT MOUNTING BRACKET SCREW
8	12-20553		4,4,4	WASHER, FRONT MOUNTING BRACKET SCREW
9	394-1051		2,2,2	LOCKWIRE, FRONT MOUNTING BRACKET SCREW
10	32903		1,1,1	BRACKET, FRONT SUPPORT
11	16-33172		2,2,2	STUD, ADJUSTING - FRONT SUPPORT BRACKET
12	12-33869		2,2,2	WASHER, FRONT SUPPORT BRACKET ADJUSTING STUD
13	12-32638		4,4,4	WASHER, RUBBER - FRONT SUPPORT BRACKET ADJUSTING STUD
14	12-33182		2,2,2	WASHER, FRONT SUPPORT BRACKET ADJUSTING STUD (SMALL)
15	12-33171		2,2,2	WASHER, FRONT SUPPORT BRACKET ADJUSTING STUD
16	11-22339		2,2,2	NUT, FRONT SUPPORT BRACKET ADJUSTING STUD (TOP)
17	12-33178		4,„	WASHER, FRONT SUPPORT BRACKET ADJUSTING STUD
	12-34726		„4,4	WASHER, FRONT SUPPORT BRACKET ADJUSTING STUD
18	13-33164		2,2,2	LOCKWASHER, FRONT SUPPORT BRACKET ADJUSTING STUD
19	11-20739		4,4,4	NUT, KA, - FRONT SUPPORT BRACKET ADJUSTING STUD
20	38-31042		1,1,1	SERIAL PLATE, CYLINDER BLOCK
21	10-20314		2,2,2	SCREW, DRIVE - SERIAL PLATE TO CYLINDER BLOCK
22	32889		4,4,4	PLATE, BEARING - FRONT AND REAR SUPPORT BRACKET
23	32890		4,4,4	PLATE, BEARING - FRONT AND REAR SUPPORT BRACKET
24	10-33158		8,8,8	SCREW, BEARING PLATE TO FRONT AND REAR SUPPORT BRACKETS (5 1/2")
25	12-20553		16,16,16	WASHER, BEARING PLATE SCREW
26	11-25269		8,8,8	NUT, BEARING PLATE TO FRONT AND REAR SUPPORT BRACKET SCREW
27	32888		1,1,1	BRACKET, REAR SUPPORT
28	32918A1		1,1,1	HOUSING ASSEMBLY, FLYWHEEL
29	35852		2,2,2	MOUNT, FLYWHEEL HOUSING
30	10-28464		4,4,4	SCREW, FLYWHEEL HOUSING TO CYLINDER BLOCK (1 1/2")
31	10-20359		3,3,3	SCREW, FLYWHEEL HOUSING TO CYLINGER BLOCK (1")
32	13-27969		7,7,7	LOCKWASHER, FLYWHEEL HOUSING SCREW
33	16-33172		2,2,2	STUD, ADJUSTING - REAR SUPPORT BRACKET

CONTINUED ON NEXT PAGE ➡

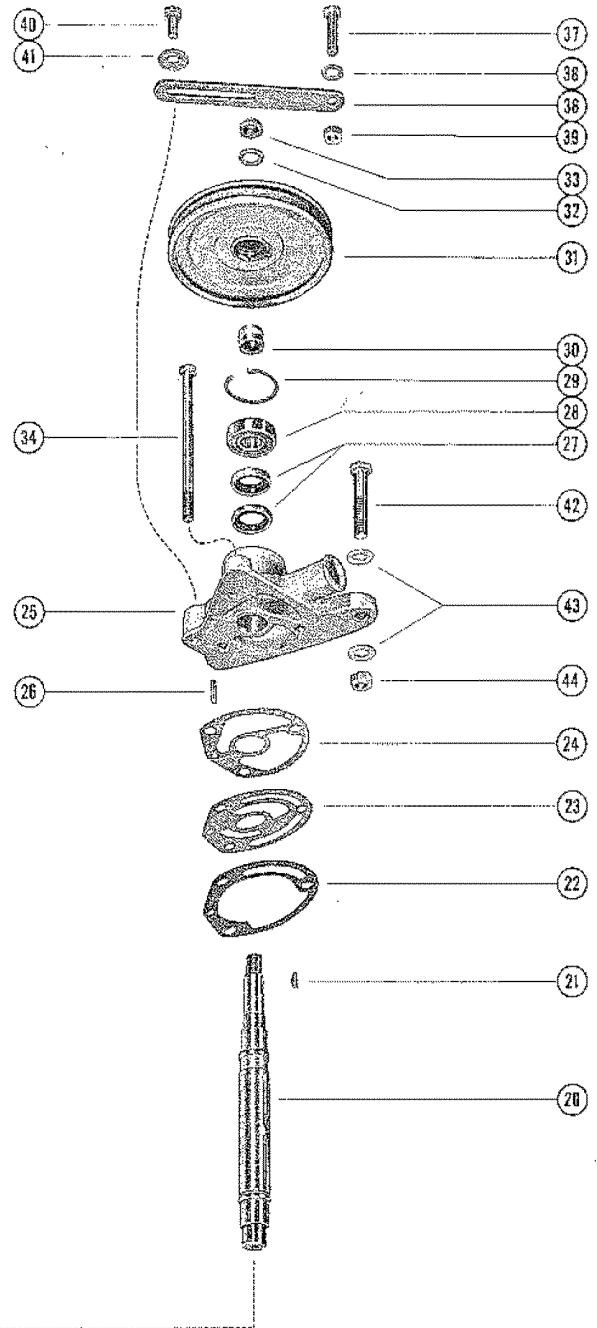
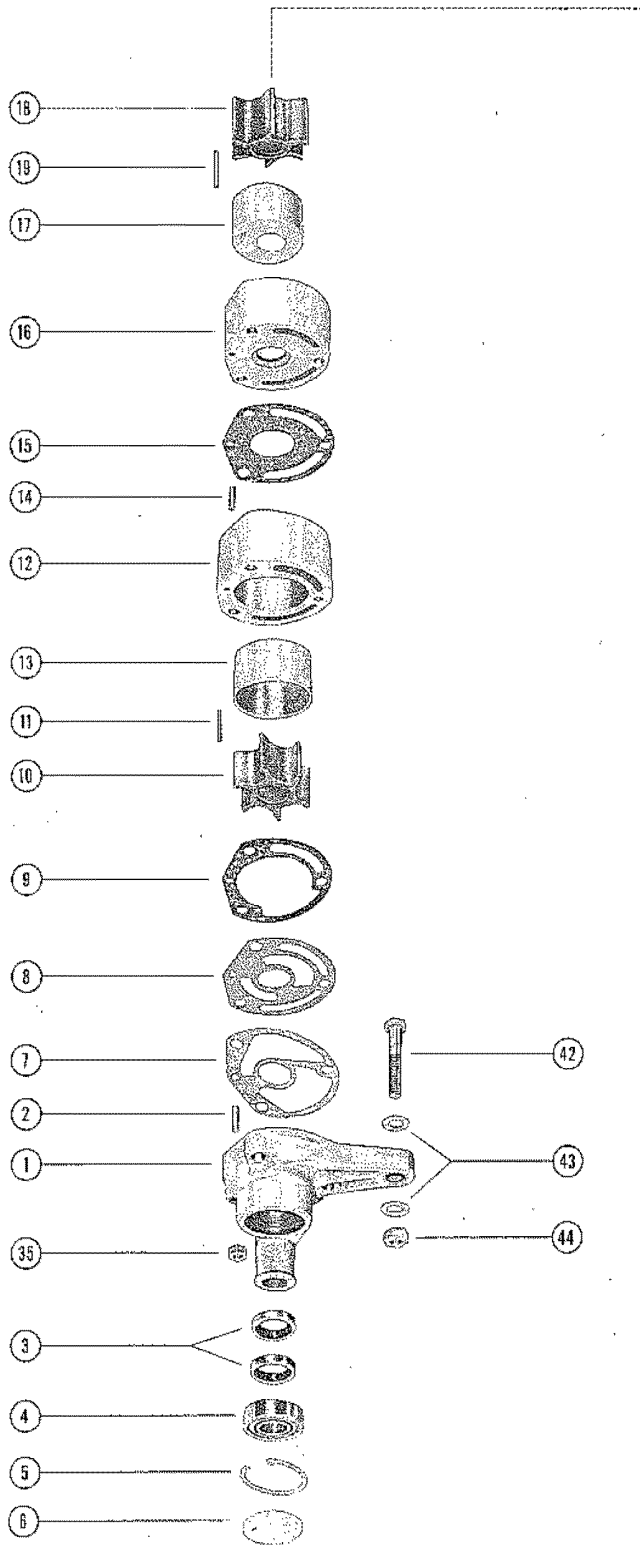
MOUNTING BRACKETS AND FLYWHEEL HOUSING



MOUNTING BRACKETS AND FLYWHEEL HOUSING

REF. NO.	PART NO.	SYM.	QTY.	DESCRIPTION
34	12-33869		2,2,2	WASHER, REAR SUPPORT BRACKET ADJUSTING STUD
35	12-32638		4,4,4	WASHER, RUBBER - REAR SUPPORT BRACKET ADJUSTING STUD
36	12-33182		2,2,2	WASHER, REAR SUPPORT BRACKET ADJUSTING STUD (SMALL)
37	12-33171		2,2,2	WASHER, REAR SUPPORT BRACKET ADJUSTING STUD
38	11-22339		2,2,2	NUT, REAR SUPPORT BRACKET ADJUSTING STUD (TOP)
39	12-33178		4,,	WAHER, REAR SUPPORT BRACKET ADJUSTING STUD
	12-34726		,4,4	WASHER REAR SUPPORT BRACKET ADJUSTING STUD
40	12-33164		2,2,2	LOCKWASHER, REAR SUPPORT BRACKET ADJUSTING STUD
41	11-20739		4,4,4	NUT, JAM - REAR SUPPORT BRACKET ADJUSTING STUD
42	54-34764		4,4,4	EYE, LIFTING - INTAKE MANIFOLD SCREW

WATER PUMP ASSEMBLY

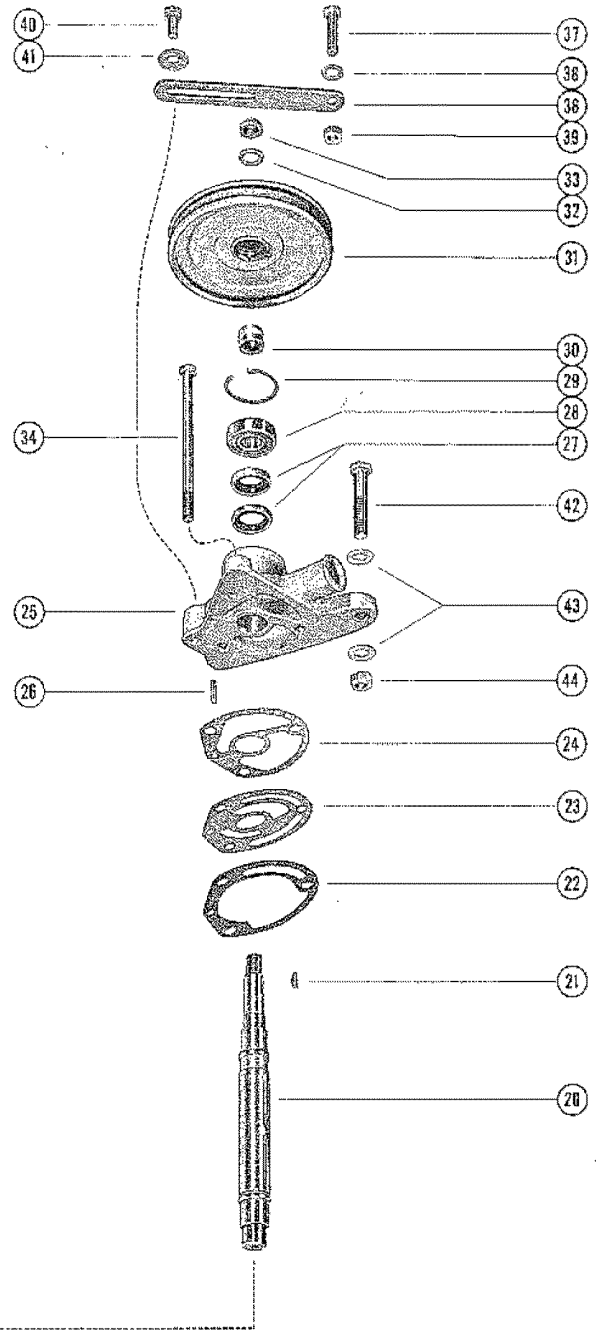
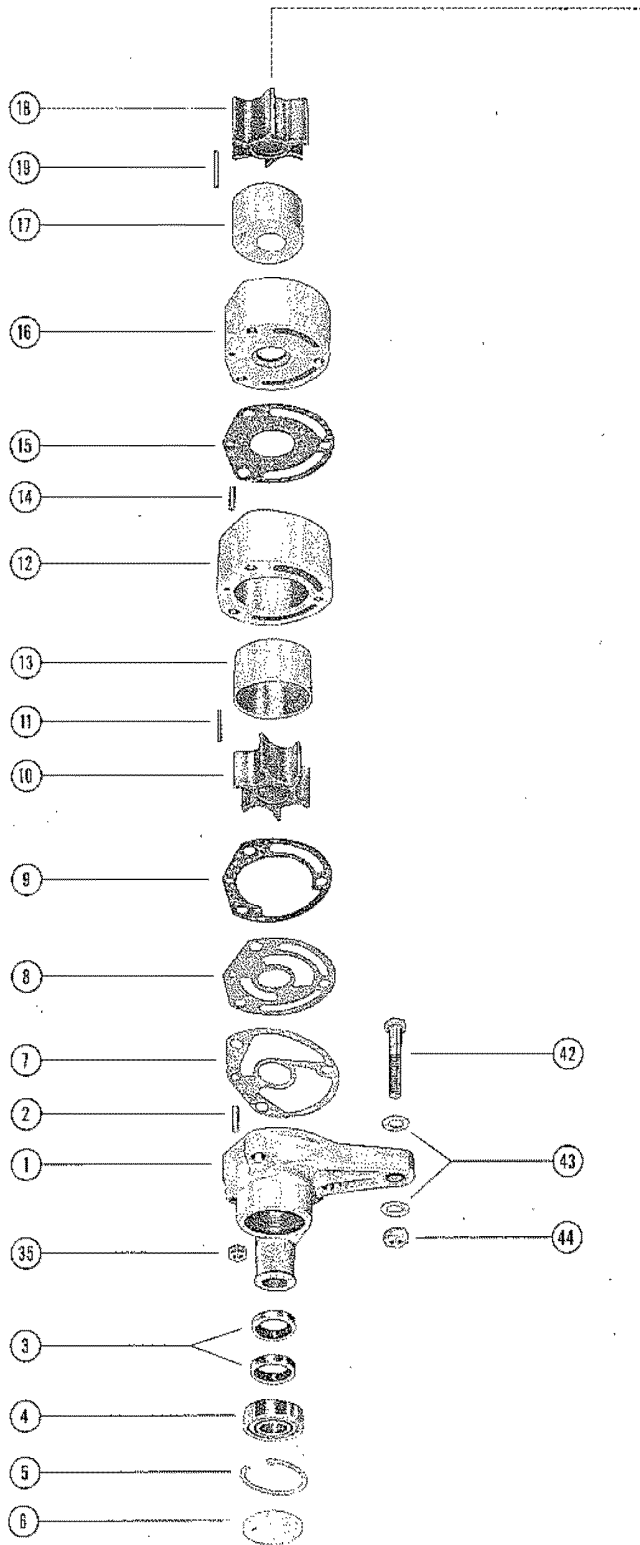


WATER PUMP ASSEMBLY

REF. NO.	PART NO.	SYM.	QTY.	DESCRIPTION
-	46-32901A2		1,1,1	WATER PUMP ASSEMBLY, COMPLETE
1	46-32899A1		1,1,1	BEARING HOUSING ASSEMBLY, WATER INLET END
2	17-33166		1,1,1	PIN, DOWEL - BEARING HOUSING
3	26-33215		2,2,2	OIL SEAL, BEARING HOUSING
4	30-33451		1,1,1	BEARING, BALL - BEARING HOUSING
5	53-33452		1,1,1	RING, SNAP - BALL BEARING TO BEARING HOUSING
6	13-33165		1,1,1	WELCH PLUG, BEARING HOUSING
7	27-33176		1,1,1	GASKET, BEARING HOUSING TO FACE PLATE
8	32837		1,1,1	PLATE, FACE - BEARING HOUSING TO REAR BODY
9	27-33175		1,1,1	GASKET, REAR BODY TO FACE PLATE
10	47-30221		1,1,1	IMPELLER, REAR BODY
11	17-29967		1,1,1	PIN, IMPELLER DRIVE - REAR BODY
12	46-32900A1		1,1,1	WATER PUMP BODY ASSEMBLY, REAR
13	30915		1,1,1	INSERT, REAR BODY
14	17-3316		1,1,1	PIN, DOWEL - REAR BODY
15	27-33174		1,1,1	GASKET, REAR BODY TO FRONT BODY
16	46-32901A1		1,1,1	WATER PUMP BODY ASSEMBLY, FRONT
17	30915		1,1,1	INSERT, FRONT BODY
18	47-30221		1,1,1	IMPELLER, FRONT BODY
19	17-29967		1,1,1	PIN, IMPELLER DRIVE - FRONT BODY
20	45-35878		1,1,1	SHAFT, WATER PUMP
21	28-30250		1,1,1	KEY, WATER PUMP PULLEY DRIVE
22	27-33175		1,1,1	GASKET, FRONT BODY TO FACE PLATE
23	32836		1,1,1	PLATE, FACE - BEARING HOUSING RO FRONT BODY
24	27-33176		1,1,1	GASKET, BEARING HOUSING TO FACE PLATE
25	46-32886A1		1,1,1	BEARING HOUSING ASSEMBLY, WATER OUTLET END
26	17-33166		1,1,1	PIN,DOWEL - BEARING HOUSING
27	26-33215		2,2,2	OIL SEAL, BEARING HOUSING
28	30-33451		1,1,1	BEARING, BALL - BEARING HOUSING
29	53-33452		1,1,1	RING, SNAP - BALL BEARING TO BEARING HOUSING
30	23-33477		1,1,1	SPACER, WATER PUMP PULLEY
31	35938		1,1,1	PULLEY, WATER PUMP
32	12-20959		1,1,1	WASHER, WATER PUMP SHAFT
33	11-20220		1,1,1	NUT, WATER PUMP SHAFT
34	10-33160		3,3,3	SCREW, OUTLET HOUSING TO INLET HOUSING (5")
35	11-29250		3,3,3	NUT, BEARING HOUSING SCREW
-	27-35758A		1,1,1	GASKET SET, WATER PUMP
36	32895		1,1,1	BRACE, WATER PUMP MOUNTING
37	10-24217		1,1,1	SCREW, BRACE TO FRONT MOUNTING BRACKET (1 1/2")
38	12-20553	AR,AR,AR		WASHER, WATER PUMP BRACE SCREW
39	11-25269		1,1,1	NUT, WATER PUMP BRACE SCREW

CONTINUED ON NEXT PAGE ➡

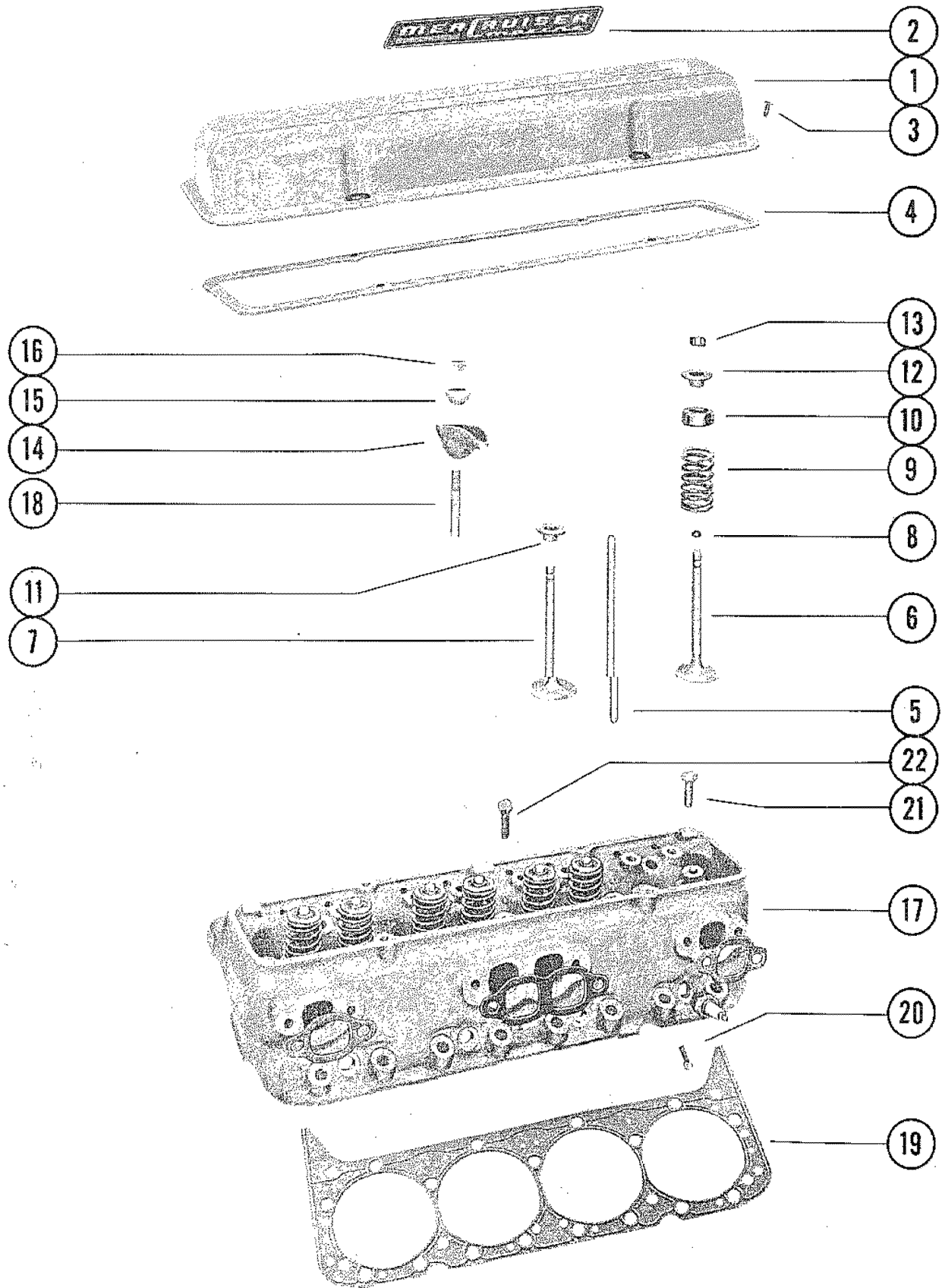
WATER PUMP ASSEMBLY



WATER PUMP ASSEMBLY

REF. NO.	PART NO.	SYM.	QTY.	DESCRIPTION
40	10-29198		1,1,1	SCREW, WATER PUMP BRACE TO BEARING HOUSING
41	12-26168		1,1,1	WASHER, BEARING HOUSING SCREW
12	10-33159		2,2,2	SCREW, WATER PUMP TO FRONT MOUNTING BRACKET (2")
43	12-20553		AR,AR,AR	WASHER, WATER PUMP SCREW
44	11-25269		2,2,2	NUT, WATER PUMP SCREW

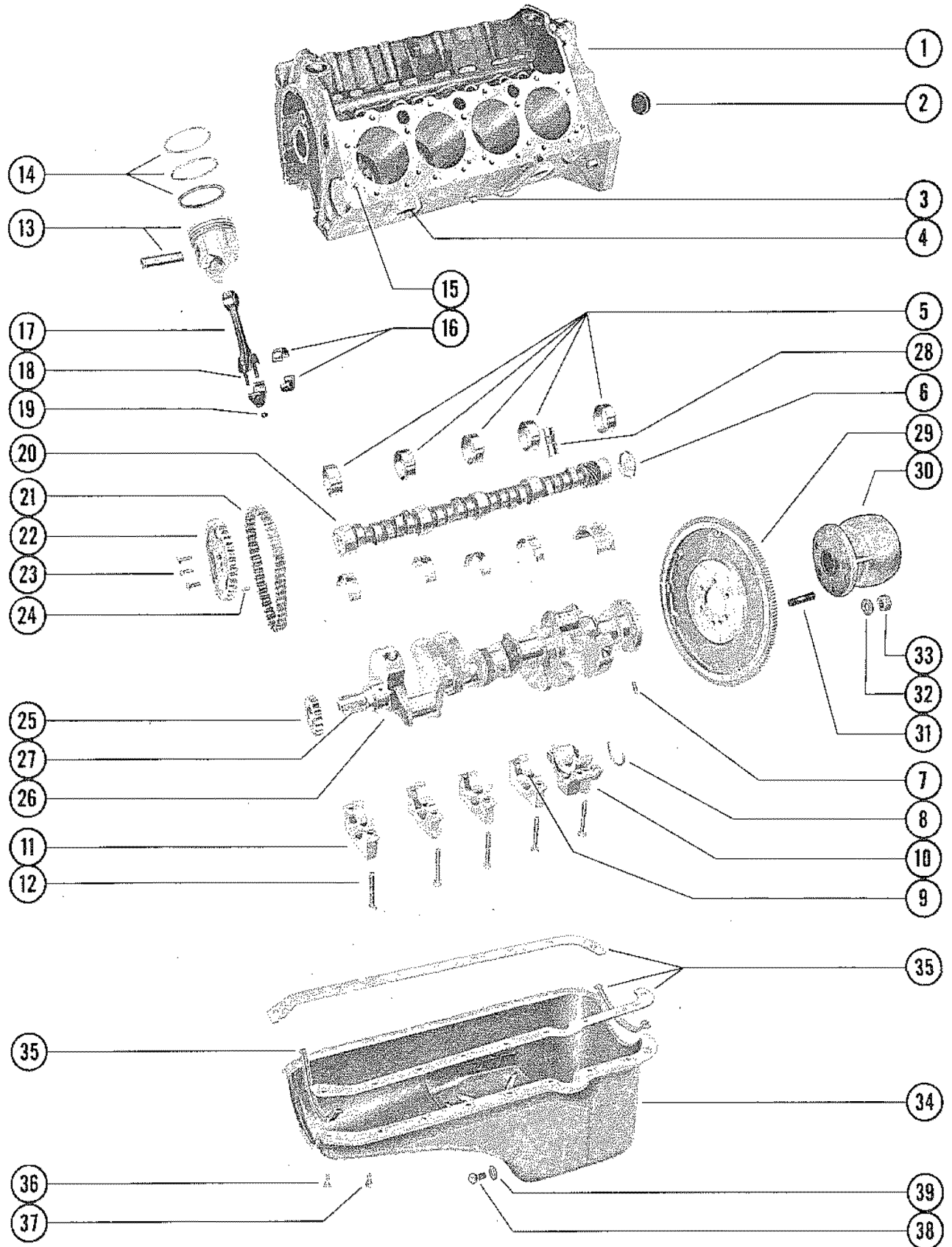
CYLINDER HEAD AND ROCKER VALVE COVER



CYLINDER HEAD AND ROCKER VALVE COVER

REF. NO.	PART NO.	SYM.	QTY.	DESCRIPTION
1	34442A1		2,2,2	COVER ASSEMBLY, ROCKER VALVE
2	37-34443		2,2,2	DECAL, ROCKER VALVE COVER
3	10-21304		8,8,8	SCREW, ROCKER VALVE COVER TO CYLINDER HEAD (5/8")
4	27-34043		2,2,2	GASKET,ROCKER VALVE COVER
5	35330		16,16,16	ROD,VALVE PUSH
6	35323		8,8,8	VALVE, EXHAUST (STANDARD)
	34529	AR,AR,AR	AR,AR,AR	VALVE,EXHAUST (.015 O.S.)
7	35319		8,8,8	VALVE,INLET (STANDARD)
	34525	AR,AR,AR	AR,AR,AR	VALVE,INLET (.015 O.S.)
8	26-34217		16,16,16	SEAL,VALVE
9	24-35214		16,16,16	SPRING,VALVE
-	15-35327		AR,AR,AR	SHIM,VALVE (1/32"THICK)
10	34518		16,16,16	SHEILD,VALVE SPRING CAP
11	34515		8,8,8	CAP,INLET VALVE (13/16"O.D.)
12	35328		8,8,8	ROTATOR ASSEMBLY, VALVE SPRING-EXHAUST VALVE
13	28-34514		32,32,32	KEY,VALVE STEM
14	35329		16,16,16	ARM,ROCKER VALVE
15	35331		16,16,16	BALL UNIT,ROCKER VALVE ARM
16	11-34516		16,16,16	NUT,ROCKER VALVE ARM STUD
17	938-2351		2,2,2	CYLINDER HEAD ASSEMBLY
18	16-34522	AR,AR,AR	AR,AR,AR	STUD, ROCKER VALVE ARM (.003 O.S.)
	16-34521	AR,AR,AR	AR,AR,AR	STUD,ROCKER VALVE ARM (.013 O.S.)
-	27-35754A1		1,1,1	GASKET SET, CYLINDER HEAD
19	27-34278		2,2,2	GASKET,CYLINDER HEAD
20	10-35317		16,16,16	BOLT,CYLINDER HEAD TO CYLINGER BLOCK (1 3/4")
21	10-35318		4,4,4	BOLT,CYLINDER HEAD TO CYLINGER BLOCK (3')
22	10-35316		14,14,14	BOLT,CYLINDER HEAD TO CYLINGER BLOCK (3 3/4)
-	37-36349		1,1,1	DECAL, STARBORAD ROCKER VALVE COVER - "190"

CYLINDER BLOCK, PISTONS AND CRANKSHAFT

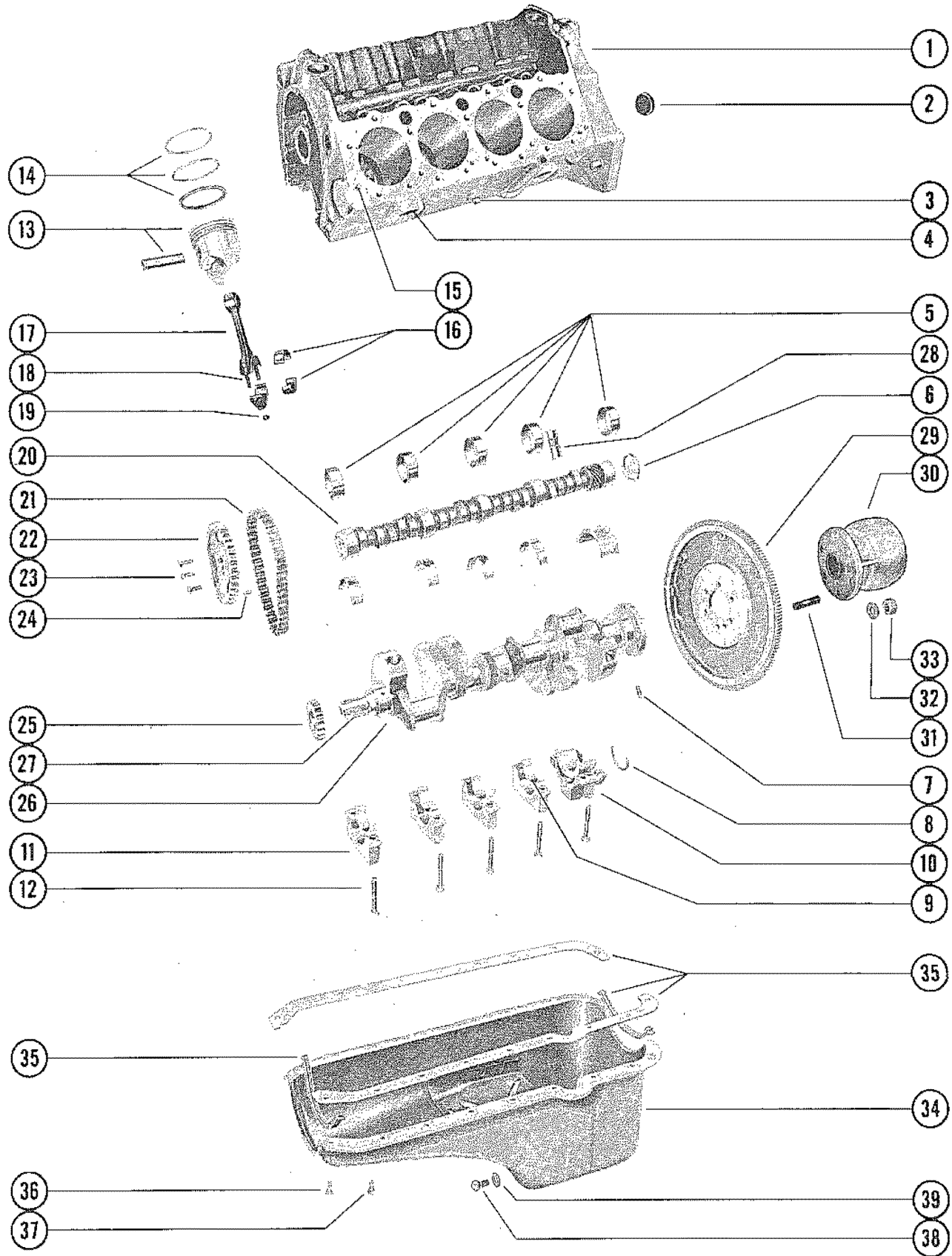


CYLINDER BLOCK, PISTONS AND CRANKSHAFT

REF. NO.	PART NO.	SYM.	QTY.	DESCRIPTION
1	841-2349		1,1,1	CYLINDER BLOCK ASSEMBLY
2	19-35308		2,2,2	PLUG, EXPANSION-CYLINDER BLOCK (1 1/4")
3	22-36382		2,2,2	PLUG,WATER DRAIN-CYLINDER BLOCK
4	19-34270		8,8,8	PLUG,EXPANSION -CYLINDER BLOCK (1 5/8" DIA.)
5	23-34984A1		1,1,1	BEARING SET, CAMSHAFT
6	19-34488		1,1,1	PLUG,EXPANSION - CAMSHAFT BEARING HOLE
7	17-35312		1,1,1	PIN,DOWEL-REAR CRANSHAFT BEARING CAP (1/4" DIA.)
8	26-35313		1,1,1	OIL SEAL, REAR CRTANSHAFT BEARING CAP
9	23-35412A1		1,1,1	BEARING SET (5 PAIR). CRANSHAFT MAIN (STANDARD)
	23-35413A1	AR,AR,AR	AR,AR,AR	BEARING SET (5 PAIR), CRANKSHAFT MAIN (.001 U.S)
	23-35415A1	AR,AR,AR	AR,AR,AR	BEARING SET (5 PAIR), CRANKSHAFT MAIN(.010 U.S.)
	23-35416A1	AR,AR,AR	AR,AR,AR	BEARING SET (5PAIR),CRANSHAFT MAIN (.020U.S.)
10	35311		1,1,1	CAP RAER-CRANMKSHAFT BEARING
11	35310		4,4,4	CAP, INTERMEDAITE AND FRONT-CRANKSHAFT BEARING
	15-34533	AR,AR,AR	AR,AR,AR	SHIM UNIT,BEARING CAP-FRONT
	15-35314	AR,AR,AR	AR,AR,AR	SHIM UNIT,BEARING CAP-REAR
12	10-35309		10,10,10	BOLT, CRANKSHAFT BEARING CAP TO CYLINDER BLOCK (2 31/32')
13	733-2278		8,8,8	PISTON ANBD PISTON PIN ASSEMBLY (STANDARD)
	736-2343	AR,AR,AR	AR,AR,AR	PISTON AND PISTON PIN ASSEMBLY (.001 O.S.) USE STANDARD PISTON RING
	733-2231	AR,AR,AR	AR,AR,AR	PISTON AND PISTON PIN ASSEMBLY (.002 O.S.) USE STANDARD PISTON RING
	733-2274	AR,AR,AR	AR,AR,AR	PISTON AND PISTON PIN (.020 O.S.)
14	39-34479		8,8,8	RING, PRISTON - 4 SETS (STANDARD) ORDER 2 SETS FOR 8 CYLINDER
	39-34556	AR,AR,AR	AR,AR,AR	RING, PISTON - 4 SETS (.020 O.S.)
15	17-35465		4,4,4	PIN, DOWEL - CYLINDER BLOCK TO CYLINDER HEAD (5/16"DIA)
-	17-35312		2,2,2	PIN,DOWEL -CRANKCASE FRONT END COVER (1/4"DIA)
16	23-34454		2,2,2	BEARING SET (4 PAIR), CONNECTINHG ROD (STANDARD) SEE NOTE
	23-34475	AR,AR,AR	AR,AR,AR	BAERING UNIT(PAIR) CONNECTING ROD (.001 U.S.)
	23-34476	AR,AR,AR	AR,AR,AR	BEARING UNIT (PAIR), CONNECTING ROD (.002 U.S.)
	23-34477	AR,AR,AR	AR,AR,AR	BEARING UNIT (PAIR), CONNECTING ROD (.010 U.S)
	23-34478	AR,AR,AR	AR,AR,AR	BEARING UNIT (PAIR),CONNECTING ROD (.020U.S.)
17	614-2341		8,8,8	CONNECTINR ROD ASSEMBLY
18	10-34473		16,16,16	BOLT,CONNECTING ROD CAP
19	11-34474		16,16,16	NUT,CONNECTING ROD CAP BOLT
20	431-2340		1,1,1	CAMSHAFT
21	35378		1,1,1	CHAIN,CAMSHAFT TIMING
22	43-35338		1,1,1	SPROCKET, CAMSHAFT TIMING (44TEETH)
23	10-35339		3,3,3	BOLT,CAMSHAFT TIMING SPROCKET (3/4")
24	17-35312		1,1,1	PIN,DOWEL CAMSGAFT TIMING SPROCKET (1/4"DIA.)
25	43-35337		1,1,1	SPROCKET, CRANKSHAFT TIMING (22TEETH)

CONTINUED ON NEXT PAGE ➡

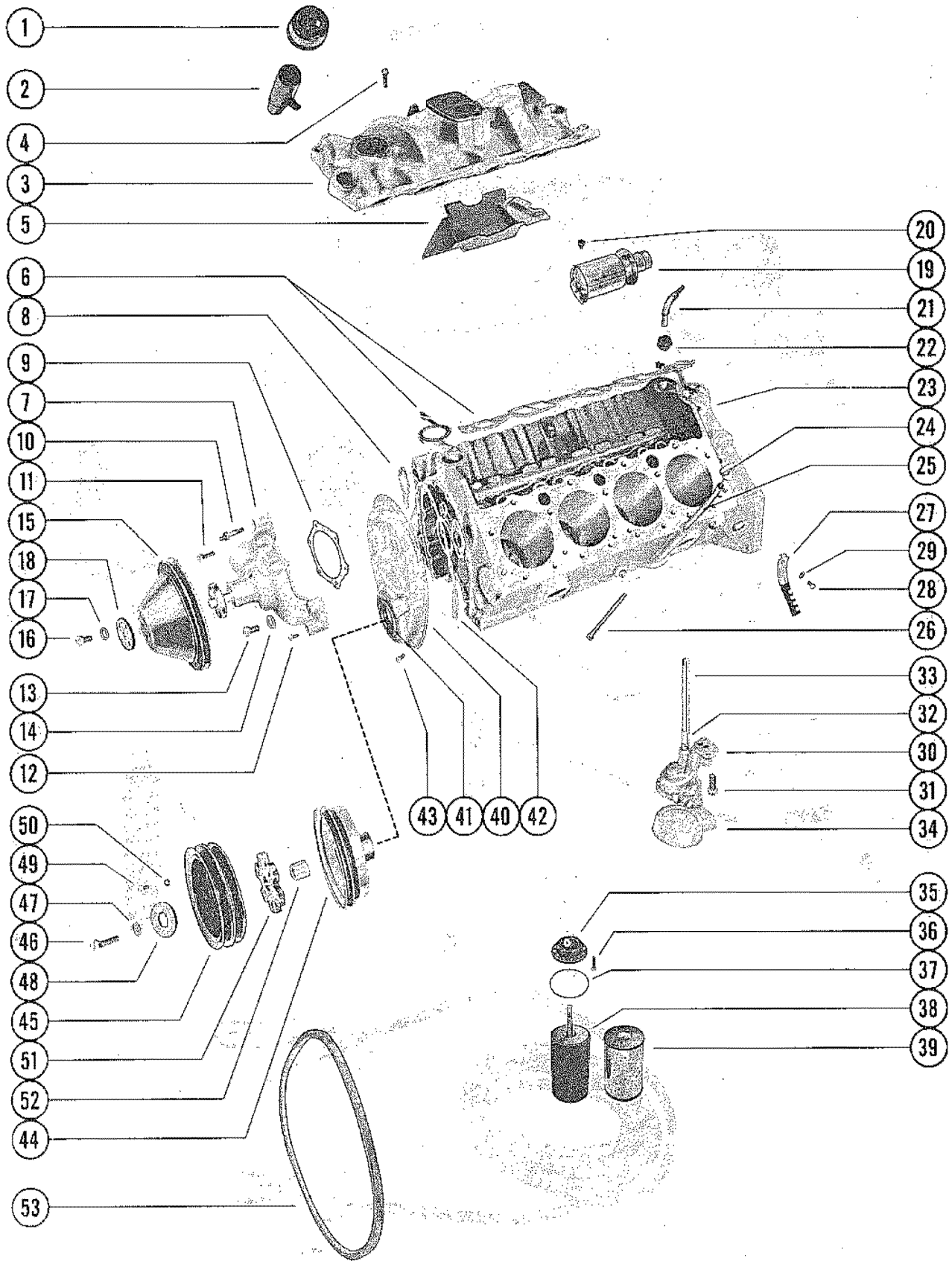
CYLINDER BLOCK, PISTONS AND CRANKSHAFT



CYLINDER BLOCK, PISTONS AND CRANKSHAFT

REF. NO.	PART NO.	SYM.	QTY.	DESCRIPTION
26	428-2347		1,1,1	CRANKSHAFT
27	28-35334		1,1,1	KEY,CRANKSHAFT PULLEY AND BALNCER
28	34282		16,16,16	LIFTER,HYDRAULIC VALVE-TAPPET
29	222-2339		1,1,1	FLYWHEEL ASSEMBLY
30	32492A2		1,1,1	ENGINE COUPLING ASSEMBLY
31	16-32808		6,6,6	STUD,ENGINE COUPLING TO FLYWHEEL (1/16")
	16-32808		6,6,6	STUD,ENGINE COUPLING TO FLYWHEEL (21/16")
32	12-34567		6,6,6	WASHER,ENGINE COUPLING STUD
34	34280		1,1,1	OIL PAN ASSEMBLY
35	27-34991A1		1,1,1	GASKET SET, OIL PAN 1
36	10-34277		14,14,14	BOLT,OIL PAN TO CYLINDER BLOCK (7/16")
37	10-34500		4,4,4	BOLT,OIL PAN CYLINDER BLOCK (9/16")
38	10-34501		1,1,1	SCREW,DRAIN -OILPAN
39	27-34502		1,1,1	GASKET,OILPAN DRAIN SCREW

INTAKE MANIFOLD AND OIL PUMP

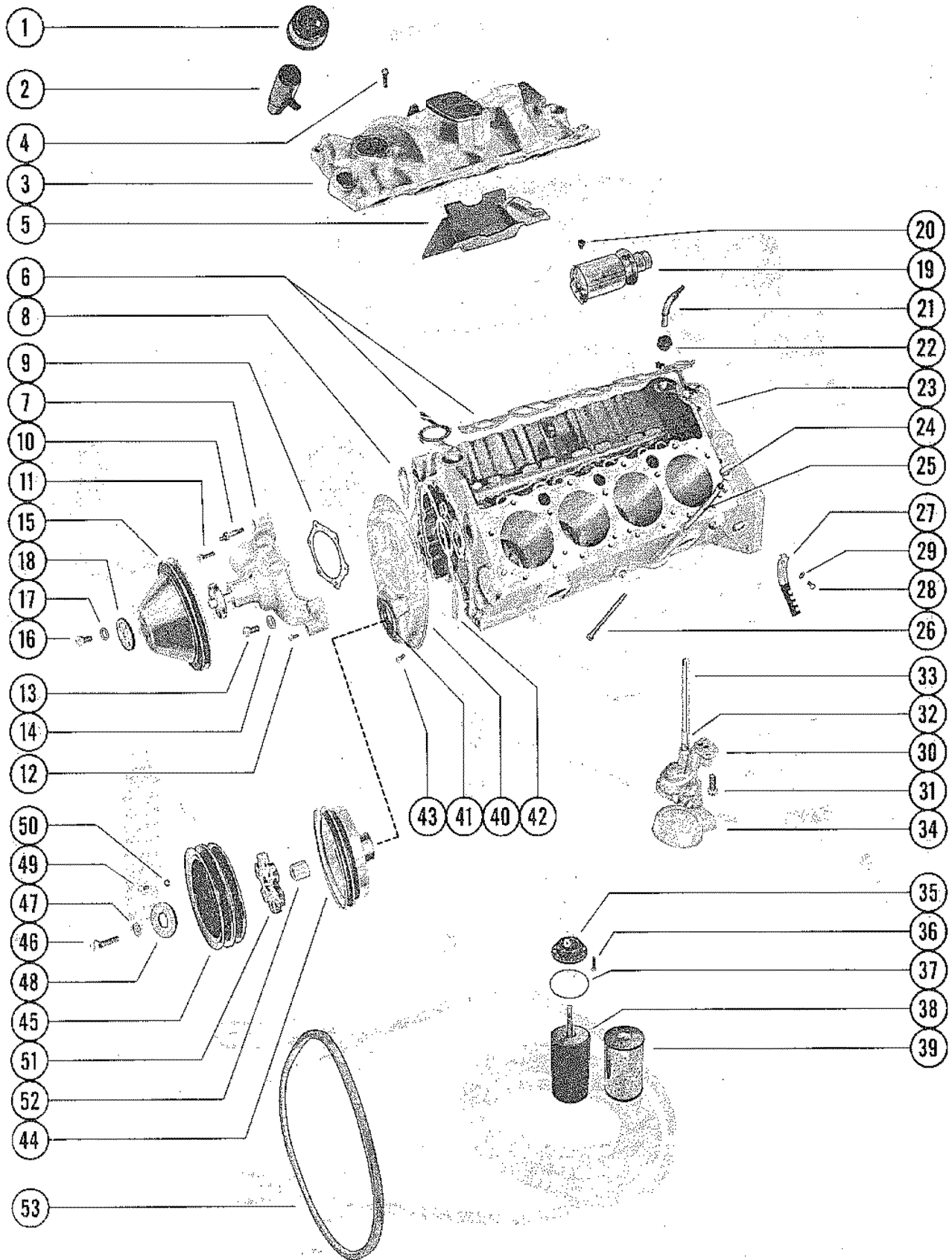


INTAKE MANIFOLD AND OIL PUMP

REF. NO.	PART NO.	SYM.	QTY.	DESCRIPTION
1	33224		1,1,1	OIL FILLER CAP ASSEMBLY
2	32-35361		1,1,1	TUBE ASSEMBLY OIL FILLER CAP
3	35370		1,1,1	INTAKE MANIFOLD
4	10-35379		8,8,8	BOLT,INTAKEMANIFOLD TO CYLINDER BLOCK (1 1/8')
5	35422		1,1,1	GUARD,INTAKE MANIFOLD
6	27-34894A1		1,1,1	GASKET SET, INTAKE MANIFOLD PART OF 27-35754A1 GASKET SET.
7	35341		1,1,1	WATER PUMP ASSEMBLY
8	27-34897		2,2,2	GASKET,WATER PUMP MOUNTING
-	10-34277		6,6,6	SCREW,WATER PUMP BACKING PLATE (7/16")
9	27-35380		1,1,1	GASKET,WATER PUMP BACKING PLATE
10	16-35342		1,1,1	STUD,WATER PUMP TO CYLINDER BLOCK SERIAL 00000000-01666599
11	10-35346		1,1,1	BOLT,WATER PUMP TO CYLINDER BLOCK (2 3/4") SERIAL 00000000-01666599
12	10-35343		1,1,1	BOLT,WATER PUMP TO CYLINDER BLOCK (13/4") SERIAL 00000000-01666599
13	10-35344		1,1,1	BOLT,WATER PUMP TO CYLINDER BLOCK (1 5/8") SERIAL 00000000-01666599
14	13-35345		1,1,1	LOCKWASHER, WATER PUMP BOLT SERIAL 00000000-01666599
11	10-35785		„1	SCREW,WATER PUMP TO FRONT MOUNTING BRACKET (31/4") SERIAL 01666600-09999999
13	10-35787		„3	SCREW,WATER PUMP TO FRONT MOUNTING BRACKET (21/4") SERIAL 01666600-09999999
14	12-20553		„1	WASHER,WATER PUMPSCREW SERIAL 01666600-09999999
15	33864		1,1,1	PULLEY, WATER PUMP
16	10-35340		4,4,	SCREW,PULLEY TO WATER PUMP (5/8")
	10-20705		„4	SCREW, PULLEY AND SUPPORT TO WATER PUMP (3/4")
17	13-35345		4,4,4	LOCKWASHER, WATER PUMP PULLEY SCREW
18	35506		„1	SUPPORT, WATER PUMP PULLEY
19	35357		1,1,1	VENTILATOR ASEMBLY, CYLINDER BLOCK
20	10-34277		1,1,1	SCREW,VENTILATOR TO CYLINDER BLOCK (7/16")
21	35254		1,1,1	CONNECTOR, CYLINDER CLOCK VENT HOSE
22	25-35691		1,1,1	GROMMET, CYLINDER BLOCK VENTILATOR CONNECTOR
23	841-2349		1,1,1	CYLINDER BLOCK ASSEMBLY SEE PAGE 26 FOR PARTS BREAKDOWN
24	35350		1,1,1	GAUGE ASSEMBLY, OIL LEVEL (DIP STICK)
25	32-33204		1,1,1	TUBE, OIL LEVEL-UPPER (8 21/32')
26	32-35351		1,1,1	TUBE,OIL LEVEL -LOWER (8 1/4')
27	35365		2,2,2	SUPPORT, SPARK PUG LEAD WIRE
28	10-35366		2,2,2	SCREW, LEAD WIRE SUPPORT TO CYLINDER BLOCK (1/2")
29	13-35367		2,2,2	LOCKWASHER, LEAD WIRE SUPPORT SCREW
30	35352		1,1,1	OIL PUMP ASSEMBLY
-	27-35664		1,1,1	GASKET, OIL PUMP CIVER

CONTINUED ON NEXT PAGE ➡

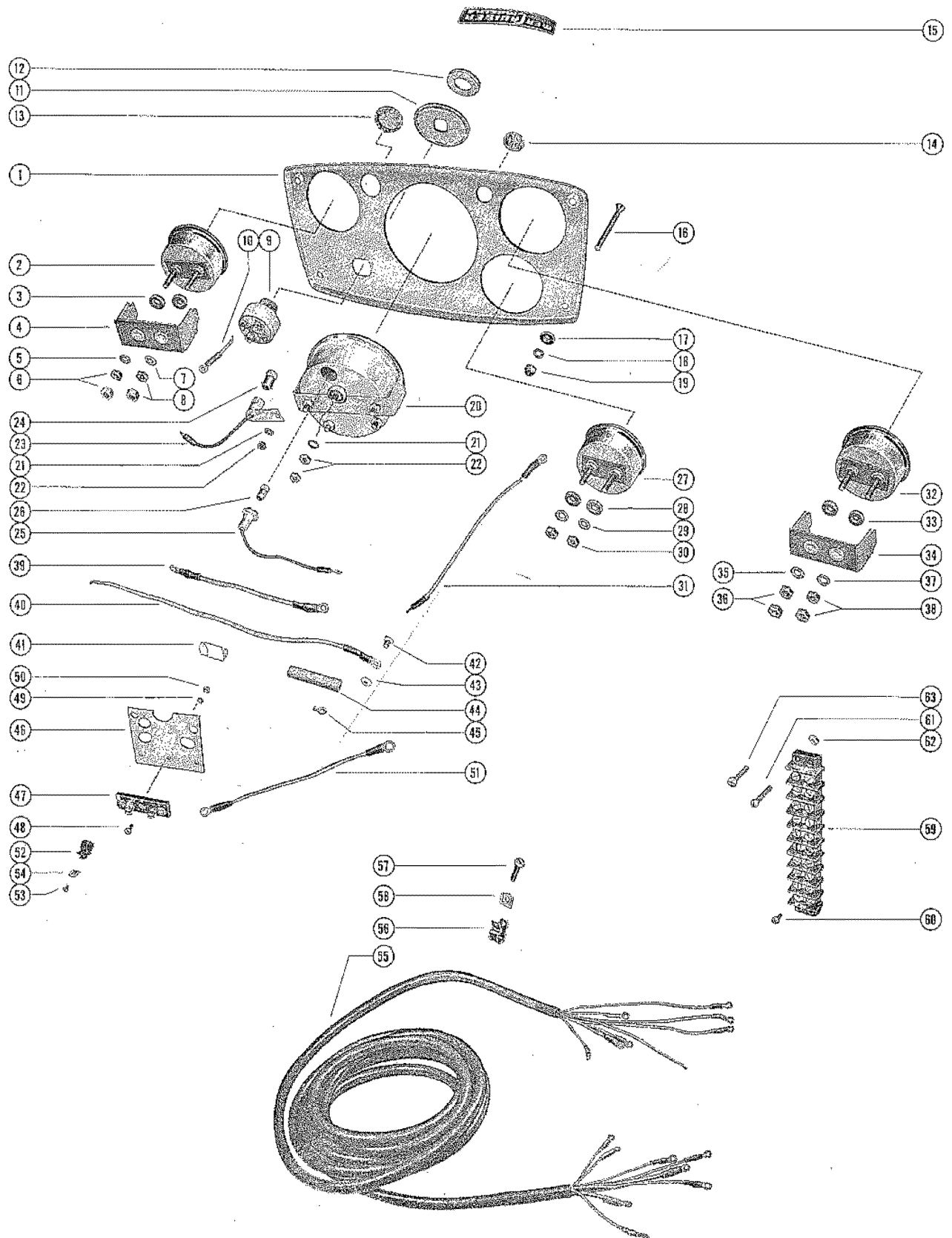
INTAKE MANIFOLD AND OIL PUMP



INTAKE MANIFOLD AND OIL PUMP

REF. NO.	PART NO.	SYM.	QTY.	DESCRIPTION
31	10-35353		1,1,1	BOLT, OIL PUMP TO CYLINDER BLOCK 9 2 3/16')
32	23-36183		1,1,1	RETAINER, OIL PUMP SHAFT
33	36184		1,1,1	SHAFT, OIL PUMP TO DISTRIBUTOR
34	35354		1,1,1	SCREEN ASSEMBLY, OIL PUMP SUCTION
35	33169		1,1,1	FILTER VALVE ASSEMBLY
36	10-24878		2,2,2	SCREW, FILTER VALVE TO CYLINDER BLOCK (1 1/4")
37	25-33756		1,1,1	RING, SEAL- OIL FILTER TO FILTER VALVE
38	33168		1,1,1	OIL FILTER ASSEMBLY
39	33987		1,1,1	ELEMENT, OIL FILTER
40	35315		1,1,1	COVER ASSEMBLY, CRANKCASE FRONT END
41	26-34218		1,1,1	OIL SEAL, CRANKCASE FRONT END COVER
42	27-34895		1,1,1	GASKET, CRANKCASE FRONT END COVER
43	10-34277		10,10,10	SCREW, CRANKCASE FRONT END COVER TO CYLINDER (7/16")
44	35333		1,1,1	BALANCER, HARMONIC -CRANKSHAFT
45	33863		1,1,1	PULLEY, CRANKSHAFT BALANCER
46	10-34281		1,1,1	BOLT, PULLEY AND HARMONIC BALANCER TO CRANKSHAFT (2") SERIAL 00000000-01666599
47	13-35335		1,1,1	LOCKWASHER, PULLEY AND HARMONIC BALANCER BOLT 1
48	12-35332		1,1,1	WASHER, PULLEY AND HARMONIC BALANCER BOLT
49	10-35336		3,3,3	BOLT, CRANKSHAFT PULLEY TO HARMONIC BALANCER (5/8") SERIAL 00000000-01666599
50	13-35364		3,3,3	LOCKWASHER, CRANKSHAFT PULLEY BOLT 3 SERIAL 00000000-01666599
46	10-32515		„1	BOLT, PULLEY AND HARMONIC BALANCER TO CRANKSHAFT (2 1/2") SERIAL 01666600-09999999
49	10-35786		„3	BOLT, PULLEY AND PILOT EXTENSION TO HARMONIC BALANCER (1") SERIAL 01666600-09999999
50	13-27969		„3	LOCKWASHER, CRANKSHAFT PULLEY AND PILOT EXTENSION BOLT SERIAL 01666600-09999999
51	23-35839		„1	SPACER, CRANKSHAFT PULLEY SERIAL 01666600-09999999
52	35838		„1	PILOT EXTENSION, CRANKSHAFT PULLEY SERIAL 01666600-09999999
53	33223		1,1,	BELT, WATER PUMP DRIVE (44")
	34358		„1	BELT, WATER PUMP DRIVE (43")
	33170		1,1,	BELT, ALTERNATOR DRIVE (52")
	34359		„1	BELT, ALTERNATOR DRIVE (51")

INSTRUMENT PANEL ASSEMBLY

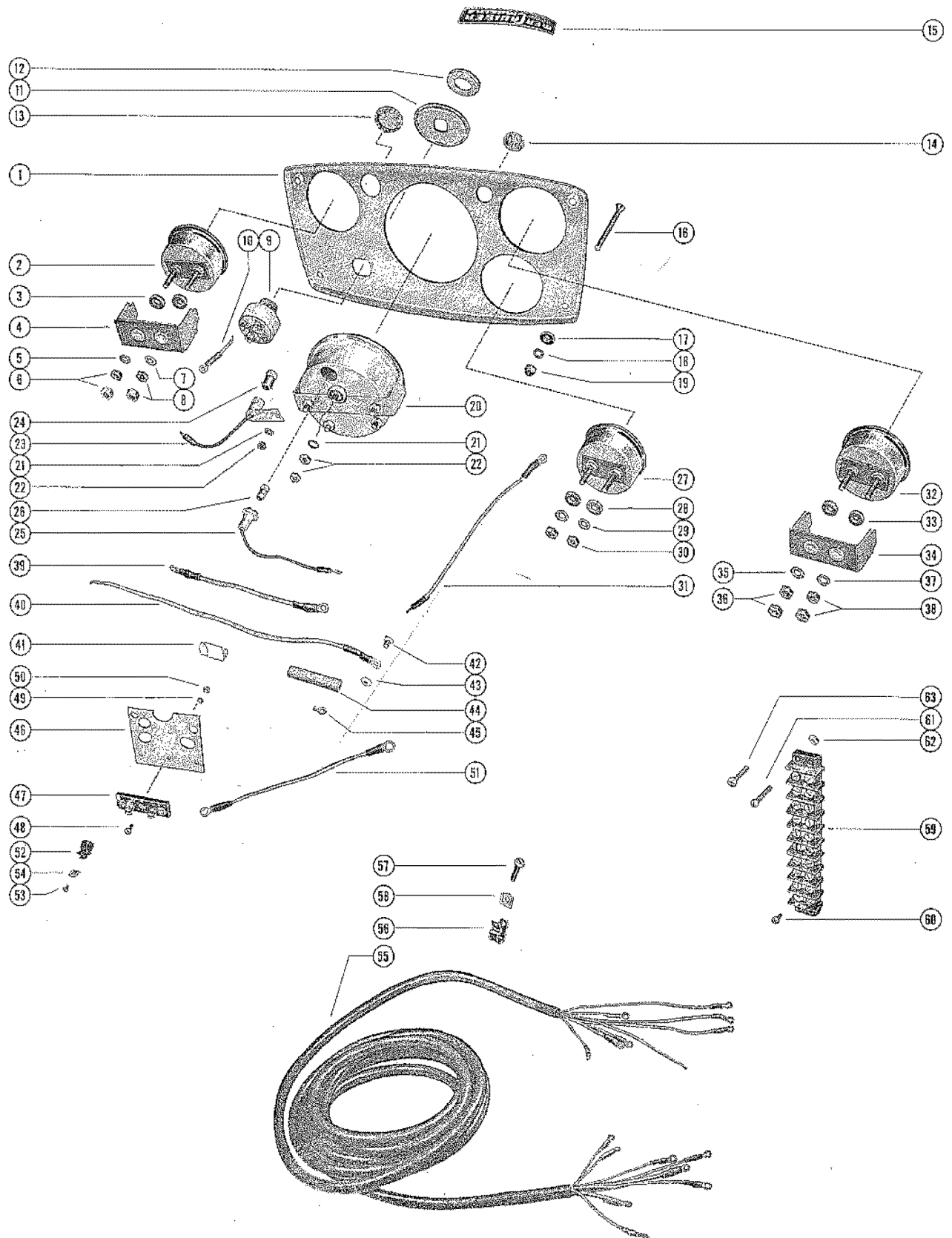


INSTRUMENT PANEL ASSEMBLY

REF. NO.	PART NO.	SYM.	QTY.	DESCRIPTION
-	34095A3		1,,	INSTRUMENT PANEL ASSEMBLY, COMPLETE
-	34095A7		,1,1	INSTRUMENT PANEL ASSEMBLY, COMPLETE
1	34102		1,1,1	PANEL, INSTRUMENT
2	32829		1,1,1	OIL PRESSURE GAUGE ASSEMBLY
	34627		,1,1	OIL PRESSURE GAUGE ASSEMBLY
3	12-33110		2,2,2	WASHER, FIBER-OIL PRESSURE
4	32826		1,,	CLAMP
5	12-20878		2,2,2	WASHER, OIL PRESSURE GAUGE TERMINAL (#10)
6	11-20645		2,2,2	NUT OIL PRESSURE GAUGE TERMINAL (10-32)
7	12-20192		1,,	WASHER OIL PRESSURE GAUGE TERMINAL (#8)
8	11-26419		1,,	NUT, OIL PRESSURE GAUGE TERMINAL (8-32)
9	30163		1,1,1	SWITCH, IGNITION-- INSTRUMENT PANEL (WITH KEY #30431)
10	32870		1,1,1	JUMPER WIRE, IGNITION SWITCH TO OIL PRESSURE GAUGE (WHITE - 2 1/4")
11	34093		1,1,1	PLATE IGNITION SWITCH
12	32861		1,1,1	BEZEL, IGNITION SWITCH TO INSTRUMENT PANEL
13	19-32863		1,1,1	BUTTON, PLUG-- INSTRUMENT PANEL (LARGE)
14	19-32862		1,1,1	BUTTON, PLUG INSTRUMENT PANEL (SMALL)
15	37-32851		1,1,1	DECAL, INSTRUMENT PANEL
16	10-32866		1,1,1	SCREW, INSTRUMENT PANEL TO DASH BOARD (2")
17	12-33110		1,1,1	WASHER FIBER INSTRUMENT PANEL SCREW
18	12-20878		4,4,4	WASHER INSTRUMENT PANEL SCREW
19	11-20190		4,4,4	NUT INSTRUMENT PANEL SCREW
20	33234		1,1,1	TACHOMETER ASSEMBLY
21	12-20878		3,3,3	WASHER TACHOMETER TERMINAL (#10)
22	11-20645		3,3,3	NUT, TACHOMETER TERMINAL (10-32)
23	32865		2,2,2	SOCKET LIGHT BULB-- INSTRUMENT PANEL
24	32878		2,2,2	LIGHT BULB INSTRUMENT PANEL SOCKET
25	32859		1,1,1	SOCKET LIGHT BULB TACHOMETER
26	32878		1,1,1	LIGHT BULB TACHOMETER SOCKET
27	34631		1,1,1	AMMETER GAUGE ASSEMBLY
28	12-33110		2,2,2	WASHER
29	12-20878		2,2,2	WASHER, AMMETER GAUGE TERMINAL (#10)
30	11-20645		2,2,2	NUT AMMETER GAUGE TERMINAL (10-32)
31	34096		1,1,1	JUMPER WIRE IGNITION SWITCH TO AMMETER GAUGE (RED/WHITE 7 3/4)
32	32827		1,,	WATER TEMPERATURE GAUGE ASSEMBLY
	34629		,1,1	WATER TEMPERATURE GAUGE ASSEMBLY
33	12-33110		2,2,2	WASHER FIBER WATER TEMPERATURE GAUGE TERMINAL
34	32826		1,,	CLAMP WATER TEMPERATURE GAUGE
35	12-20878		2,2,2	WASHER WATER TEMPERATURE GAUGE TERMINAL (#10)
36	11-20645		2,2,2	NUT, WATER TEMPERATURE GAUGE TERMINAL (10-32)
37	12-20192		1,,	WASHER WATER TEMPERATURE GAUGE TERMINAL (#8)
38	11-26419		1,,	NUT WATER TEMPERATURE GAUGE TERMINAL (8-32)

CONTINUED ON NEXT PAGE ➡

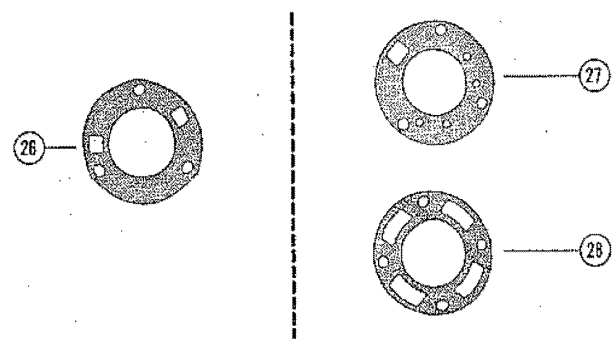
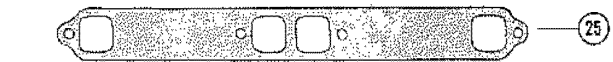
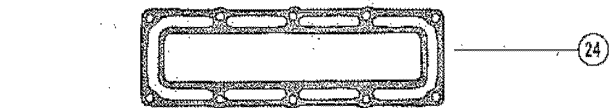
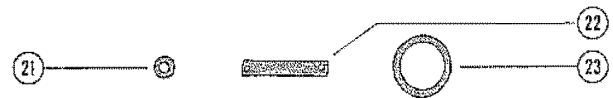
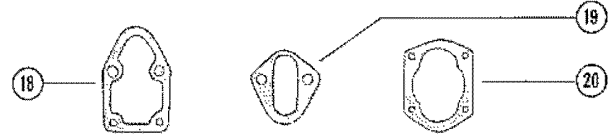
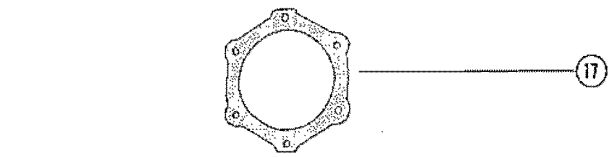
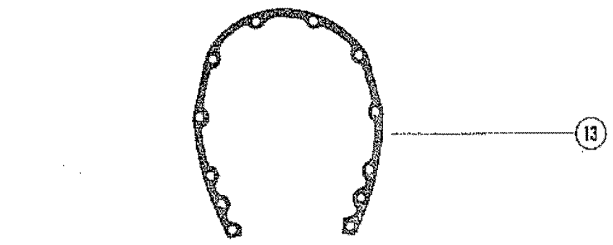
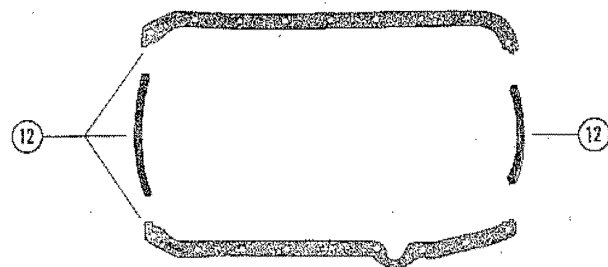
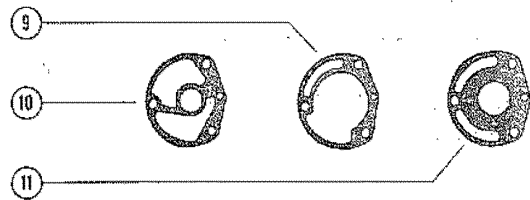
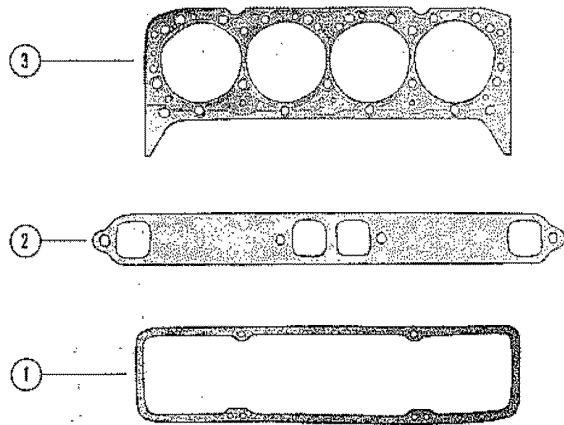
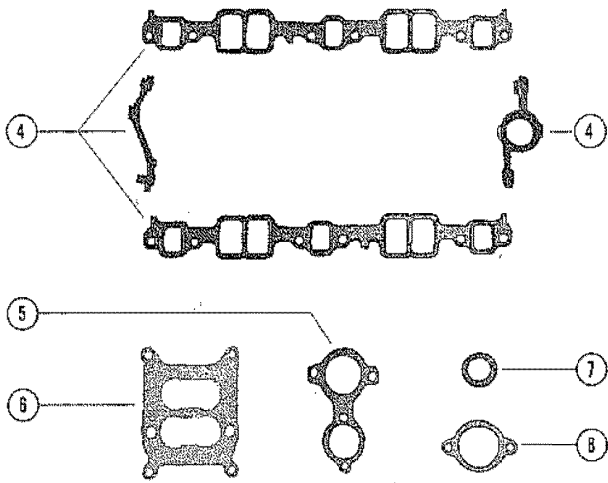
INSTRUMENT PANEL ASSEMBLY



INSTRUMENT PANEL ASSEMBLY

REF. NO.	PART NO.	SYM.	QTY.	DESCRIPTION
39	32871		1,1,1	JUMPER WIRE WATER GAUGE TO OIL GAUGE (WHITE - 8 3/4")
40	32872		1,1,1	JUMPER WIRE IGNITION SWITCH TO REMOTE CONTROL (YELLOW 6 3/8)
41	33370		1,1,1	BINDER WIRING HARNESS AND JUMPER WIRES
42	10-24231		2,2,2	SCREW JUMPER WIRE TO REMOTE CONTROL SWITCH WIRE
43	11-20645		2,2,2	NUT JUMPER WIRE SCREW
44	23-32914		2,2,2	SLEEVE INSTRUMENT PANEL JUMPER WIRE
45	22924		2,2,2	TERMINAL INSTRUMENT PANEL JUMPER WIRE (#10)
46	33824		1,1,1	BRACKET WIRING HARNESS MOUNTING
47	34097		1,1,1	FUSE BLOCK INSTRUMENT PANEL
48	10-34123		1,1,1	SCREW FUSE BLOCK TO MOUNTING BRACKET
49	13-26994		1,1,1	LOCKWASHER FUSE BLOCK SCREW
50	11-21270		1,1,1	NUT FUSE BLOCK SCREW
51	34092		1,1,1	JUMPER WIRE FUSE BLOCK TO AMMETER GAUGE (RED/WHITE 6 1/2)
52	54-23567		2,2,2	CLAMP WIRING HARNESS TO MOUNTING BRACKET (9/16)
53	10-29762		2,2,2	SCREW WIRING HARNESS CLAMP MOUNTING TO BRACKET
54	22789		2,2,2	"D" WASHER WIRING HARNESS CLAMP SCREW
55	34104		1,1,1	WIRING HARNESS
56	54-23567		4,4,4	CLAMP WIRING HARNESS TO BOAT
57	10-33615		4,4,4	SCREW WOOD WIRING HARNESS CLAMP TO BOAT
58	22789		4,4,4	"D" WASHER WIRING HARNESS CLAMP SCREW
59	32790		4,4,4	TERMINAL BLOCK WIRING HARNESS LEAD
60	10-28739		20,20,20	SCREW TERMINAL BLOCK
61	10-20644		4,4,4	SCREW TERMINAL BLOCK TO BOAT
62	11-20645		4,4,4	NUT TERMINAL BLOCK TO BOAT SCREW
63	10-33615		4,4,4	SCREW WOOD TERMINAL BLOCK TO BOAT

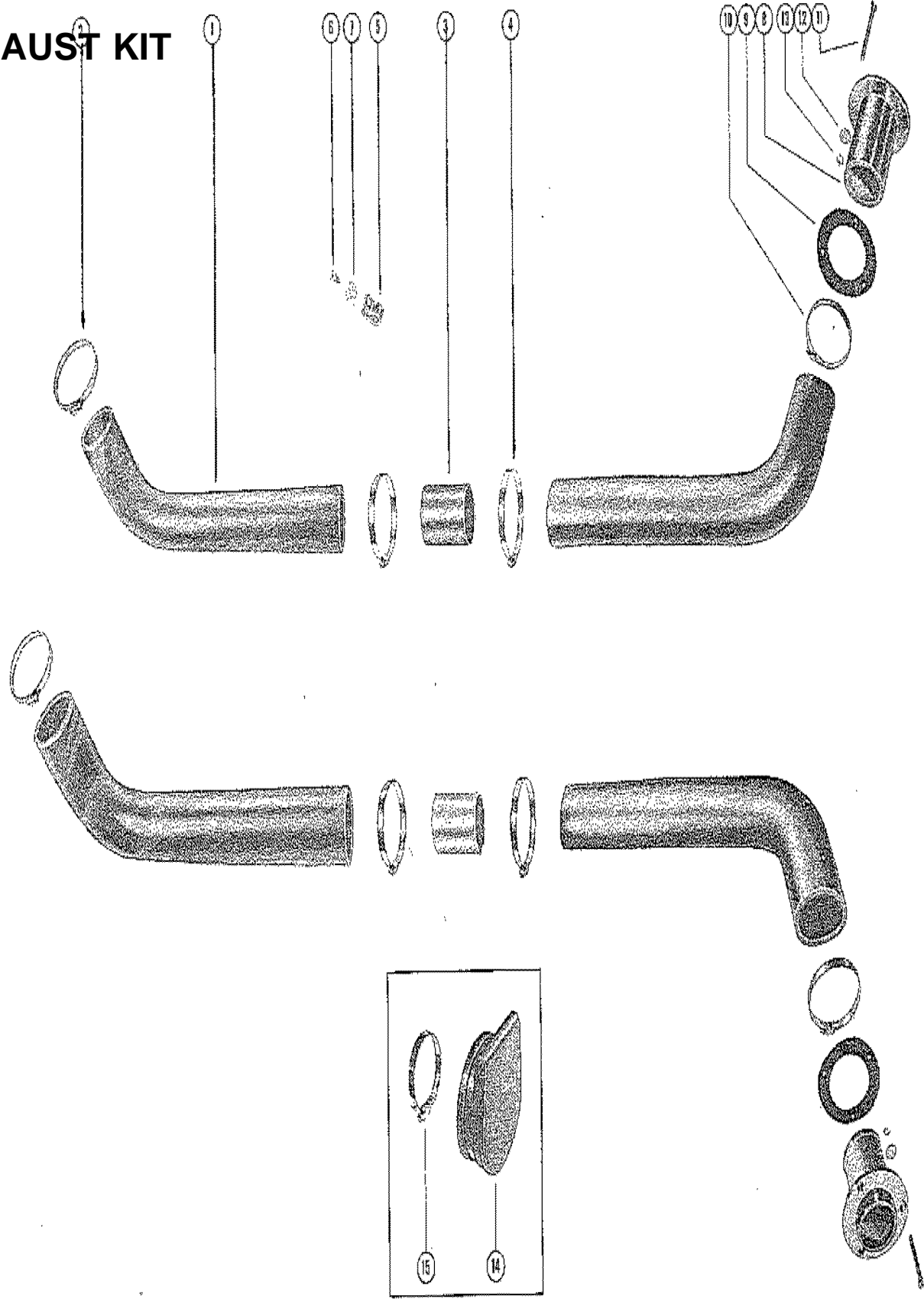
GASKETS AND GASKET SETS



GASKETS AND GASKET SETS

REF. NO.	PART NO.	SYM.	QTY.	DESCRIPTION
-	27-35754A1		1,1,1	GASKET SET INTAKE MANIFOLD AND CYLINDER HEAD
1	27-34043		2,2,2	GASKET ROCKER VALVE COVER
2	27-33395		2,2,2	GASKET EXHAUST MANIFOLD BODY TO CYLINDER HEAD
3	27-34278		2,2,2	GASKET CYLINDER HEAD
4	27-34894A1		1,1,1	GASKET SET INTAKE MANIFOLD
5	27-33188		1,1,1	GASKET UPPER WATER METERING HOUSING
6	27-34172		1,1,1	GASKET CARBURETOR FLANGE
7	27-34891		1,1,1	GASKET DISTRIBUTOR
8	27-33179		1,1,1	GASKET LOWER WATER METERING HOUSING
-	27-35758A1		1,1,1	GASKET SET WATER PUMP
9	27-33175		2,2,2	GASKET WATER PUMP BODY TO FACE PLATE
10	27-33176		2,2,2	GASKET BEARING HOUSING TO FACE PLATE
11	27-33174		1,1,1	GASKET WATER PUMP BODY TO WATER PUMP BODY
12	27-34991A1		1,1,1	GASKET SET OIL PAN
13	27-34895		1,1,1	GASKET CRANKCASE FRONT END COVER
14	27-34217		16,16,16	SEAL VALVE
15	27-34897		2,2,2	GASKET WATER PUMP MOUNTING
16	25-33756		1,1,1	RING SEAL OIL FILTER TO FILTER VALVE
17	27-35380		1,1,1	GASKET WATER PUMP BACKING PLATE
18	27-34898		1,1,1	GASKET FUEL PUMP MOUNTING PLATE
19	27-34213		1,1,1	GASKET FUEL PUMP
20	24-35664		1,1,1	GASKET OIL PUMP COVER
-	27-35756A1		1,1,	GASKET SET EXHAUST MANIFOLD
-	27-35671A1		„1	GASKET SET EXHAUST MANIFOLD
21	12-33181		4,4,4	WASHER END CAP AND WATER INLET HOUSING SCREW
22	27-33184		1,1,1	GASKET CHOKE OVEN COVER
23	27-33180		4,4,4	GASKET END CAP AND WATER INLET HOUSING
24	27-33187		2,2,2	GASKET EXHAUST MANIFOLD ELBOW
25	27-33395		2,2,2	GASKET EXHAUST MANIFOLD BODY TO CYLINDER HEAD
26	27-33173		4,4,	GASKET EXHAUST MANIFOLD ELBOW TO FACE PLATE
27	27-35671		„4	GASKET EXHAUST MANIFOLD ELBOW TO FACE PLATE
28	27-35673		„2	GASKET UPPER EXHAUST ELBOW TO LOWER EXHAUST ELBOW

EXHAUST KIT



EXHAUST KIT

REF. NO.	PART NO.	SYM.	QTY.	DESCRIPTION
-	33681A1		1	EXHAUST KIT
1	32-33645		4	HOSE EXHAUST-ENGINE EXHAUST PIPE ELBOW TO BOAT
2	54-33683		2	CLAMP, HOSE TO EXHAUST PIPE ELBOW
3	32-33685		2	TUBE, CONNECTOR-EXHAUST HOSE
4	54-33683		4	CLAMP, HOSE TO CONNECTOR TUBE
5	54-22875		2	CLIP, WIRING HARNESS TO BOAT
6	10-22793		2	SCREW, WOOD-WIRING HARNESS TO BOAT CLIP
7	22789		4	"D" WASHER, WIRING HARNESS TO BOAT CLIP SCREW
8	35013		2	FLANGE, EXHAUST HOSE
9	27-33600		2	GASKET, EXHAUST HOSE FLANGE
10	54-33683		2	CLAMP, HOSE TO EXHAUST FLANGE
11	10-33684		6	SCREW, EXHAUST HOSE FLANGE TO BOAT
12	12-25908		6	WASHER, EXHAUST HOSE FLANGE TO BOAT SCREW
13	11-20361		6	NUT, EXHAUST HOSE FLANGE TO BOAT SCREW
14	34765A1		1	COVER KIT, EXHAUST FLANGE
15	54-33683		2	CLAMP, COVER TO FLANGE

PARTS INDEX

Part Number	Description	Pg.	Ref. No.	Part Number	Description	Pg.	Ref. No.
20119	PROTECTOR, HIGH TENSION LEAD	17	54	32837	PLATE, FACE - BEARING HOUSING TO REAR BODY	39	8
22789	"D" WASHER WIRING HARNESS CLAMP SCREW	55	54	32859	SOCKET LIGHT BULB TACHOMETER	53	25
22789	"D" WASHER, FUEL LINE CLIP SCREW	19	32	32861	BEZEL, IGNITION SWITCH TO INSTRUMENT PANEL	53	12
22789	"D" WASHER, WIRING HARNESS TO BOAT CLIP SCREW	59	7	32865	SOCKET LIGHT BULB-- INSTRUMENT PANEL . . .	53	23
22789	"D" WASHER WIRING HARNESS CLAMP SCREW	55	58	32870	JUMPER WIRE, IGNITION SWITCH TO OIL PRESSURE GAUGE (WHITE - 2 1/4")	53	10
22789	"D" WASHER, WIRING HARNESS CLIP SCREW .	3	23	32871	JUMPER WIRE WATER GAUGE TO OIL GAUGE (WHITE - 8 3/4")	55	39
22924	TERMINAL INSTRUMENT PANEL JUMPER WIRE (#10)	55	45	32872	JUMPER WIRE IGNITION SWITCH TO REMOTE CONTROL (YELLOW 6 3/8)	55	40
25661	STARTER SOLENOID	3	10	32878	LIGHT BULB INSTRUMENT PANEL SOCKET	53	24
26433	COIL ASSEMBLY, IGNITION	17	42	32878	LIGHT BULB TACHOMETER SOCKET	53	26
26551	TAB, FUEL LINE CLIP	19	25	32883A1	BRACKET ASSEMBLY, FRONT MOUNTING	35	1
30163	SWITCH, IGNITION-- INSTRUMENT PANEL (WITH KEY #30431)	53	9	32884	ELBOW, EXHAUST PIPE . . .	33	44
30498	CAP, CROSS SHAFT COUPLING	15	36	32885	ELBOW, EXHAUST MANIFOLD	33	37
30915	INSERT, FRONT BODY	39	17	32888	BRACKET, REAR SUPPORT	35	27
30915	INSERT, REAR BODY	39	13	32889	PLATE, BEARING - FRONT AND REAR SUPPORT BRACKET	35	22
32492A2	ENGINE COUPLING ASSEMBLY	47	30	32890	PLATE, BEARING - FRONT AND REAR SUPPORT BRACKET	35	23
32701	ALTERNATOR ASSEMBLY .	11	-	32891	HOUSING WATER INLET - EXHAUST MANIFOLD BODY 2	31	27
32701	ALTERNATOR ASSEMBLY (SEE E14 FOR BREAKDOWN)	5	47	32893	BODY, EXHAUST MANIFOLD (PORT AND STARBOARD)	31	18
32728	THERMOSTAT	31	8	32895	BRACE, ALTERNATOR MOUNTING	5	51
32782	RETAINER, HIGH TENSION LEADS	17	56	32895	BRACE, WATER PUMP MOUNTING	39	36
32784	RETAINER, HIGH TENSION LEADS	17	57	32896	PLATE, FACE - EXHAUST MANIFOLD TO EXHAUST PIPE ELBOW	33	42
32786	TAB, FUEL LINE CLIP	19	25	32903	BRACKET, FRONT SUPPORT	35	10
32786	TAB, SOLENOID TERMINAL AND STARTER MOTOR BOLT	3	19	32904	HOUSING, WATER METERING (LOWER)	31	1
32786	TAB, WATER METERING HOUSING SCREW - THROTTLE RETURN SPRING	31	13	32905	HOUSING, WATER METERING (UPPER)	31	9
32790	TERMINAL BLOCK WIRING HARNESS LEAD	55	59	32918A1	HOUSING ASSEMBLY, FLYWHEEL	35	28
32826	CLAMP	53	4	33167	FUEL PUMP ASSEMBLY . . .	19	3
32826	CLAMP WATER TEMPERATURE GAUGE .	53	34	33168	OIL FILTER ASSEMBLY	51	38
32827	WATER TEMPERATURE GAUGE ASSEMBLY	53	32	33169	FILTER VALVE ASSEMBLY .	51	35
32828	WATER TEMPERATURE SENDER ASSEMBLY	3	40	33170	BELT, ALTERNATOR DRIVE (52")	51	53
32829	OIL PRESSURE GAUGE ASSEMBLY	53	2				
32830	OIL PRESSURE SENDER ASSEMBLY	5	43				

PARTS INDEX

Part Number	Description	Pg.	Ref. No.	Part Number	Description	Pg.	Ref. No.
33190	FLAME ARRESTOR, CARBURETOR	23	49	33305	CONTACT, RESISTOR TERMINAL STUD	9	46
33191	BRACKET, CARBURETOR MOUNTING (REAR)	21	13	33310	SHAFT, SHIFT LEVER TO DRIVE END HOUSING ...	7	35
33192	BRACKET, CARBURETOR MOUNTING (FRONT)	21	18	33316	CONTACT AND PUSH ROD ASSEMBLY	9	42
33193	LEVER, THROTTLE - FRONT CARBURETOR MOUNTING BRACKET	21	19	33317	PLUNGER, SHIFT LEVER - SOLENOID SWITCH	7	37
33196	PRESSURE VALVE ASSEMBLY, LOWER WATER METERING HOUSING	31	7	33318	DRIVE ASSEMBLY, CLUTCH - ARMATURE	7	6
33208A1	LEAD ASSEMBLY, HIGH TENSION (37")	17	50	33319	PLATE, BALL BEARING RETAINER - DRIVE END FRAME	11	8
33208A2	LEAD ASSEMBLY, HIGH TENSION (31")	17	51	33320	ARMATURE	7	12
33208A3	LEAD ASSEMBLY, HIGH TENSION (26")	17	52	33324	HOUSING, DRIVE END	7	1
33208A4	LEAD ASSEMBLY, HIGH TENSION (22")	17	53	33325	STATOR ASSEMBLY	11	2
33209A1	LEAD ASSEMBLY, DISTRIBUTOR TO COIL ..	15	41	33326	INSULATOR, CONDENSER TERMINAL SCREW	11	32
33210	JUMPER WIRE, BALLAST TO BALLAST	17	65	33327	CONDENSER	11	21
33211	BRACKET, BALLAST MOUNTING	17	58	33331	ROTOR	11	1
33223	BELT, WATER PUMP DRIVE (44")	51	53	33332	STRAP, DIODE JUNCTION TERMINAL TO RELAY TERMINAL	11	26
33224	OIL FILLER CAP ASSEMBLY	49	1	33336	FAN, DRIVE END FRAME ..	11	12
33225	KINK ROD, CARBURETOR .	21	10	33340	DIODE PACKAGE, HEAT SINK - POSITIVE	11	25
33229	COVERING, CHOKE PIPE ..	21	4	33341	DIODE PACKAGE, SLIP RING END FRAME - NEGATIVE	11	17
33234	TACHOMETER ASSEMBLY .	53	20	33342	TERMINAL PACKAGE, DIODE JUNCTION AND STATOR TERMINAL	11	24
33261	SOLENOID SWITCH ASSEMBLY	9	41	33343	FRAME, DRIVE END	11	10
33263	COLLAR, DRIVE END FRAME - INNER	11	4	33344	COLLAR, DRIVE END FRAME - OUTER	11	11
33270	BRUSH, FIELD FRAME	7	24	33345	RETAINER, SLIP RING END FRAME CONDENSER ...	11	22
33281	LEAD, FIELD FRAME BRUSH	7	28	33346	TERMINAL GROUND - SLIP RING END FRAME	11	36
33282	SHOE, POLE - FIELD COIL .	7	14	33349	FRAME ASSEMBLY, SLIP RING END	11	16
33283	HOLDER, FIELD BRUSH GROUND	7	23	33350	HEAT SINK ASSEMBLY, SLIP RING END FRAME	11	23
33284	HOLDER, INSULATED - FIELD FRAME BRUSH ...	7	22	33352	BATTERY TERMINAL PACKAGE, HEAT SINK TO SLIP RING END FRAME ..	11	35
33291	COLLAR, PINION STOP - DRIVE END HOUSING ...	7	5	33353	RELAY TERMINAL PACKAGE, HEAT SINK TO SLIP RING END FRAME ..	11	34
33292	COLLAR, THRUST - DRIVE END HOUSING	7	3	33366	COLLAR, CLUTCH DRIVE ..	7	9
33293	INSULATION, POLE SHOE TO FIELD COIL	7	13	33367	LOCKWIRE, COLLAR AND SPRING RETAINING	7	10
33294	SUPPORT PACKAGE, GROUND AND INSULATED HOLDERS ..	7	26	33370	BINDER WIRING HARNESS AND JUMPER WIRES ...	55	41
33295	FRAME, COMMUTATOR END - LOWER	7	19	33393	SLEEVE, ADJUSTING - LINK ROD	21	8
33297	LEVER, SHIFT - DRIVE END HOUSING	7	34	33394	LINK ROD, THROTTLE LEVER	21	7
33301	FIELD COIL ASSEMBLY ...	7	17				
33303	COVERE, SOLENOID SWITCH	9	44				

PARTS INDEX

Part Number	Description	Pg.	Ref. No.	Part Number	Description	Pg.	Ref. No.
33614A1	MOUNT ASSEMBLY, VOLTAGE REGULATOR	3	4	34119	SHAFT, MAIN - BREAKER CAM AND GEAR	15	9
33653	FELT WICK, CAM WIPER - MOUNTING PLATE RRETAINER	15	15	34120	HOUSING, PRIMARY -DISTRIBUTOR	15	23
33654	BUTTON, CARBON - DISTRIBUTOR CAP	15	3	34141	VOLTAGE REGULATOR	3	3
33681A1	EXHAUST KIT	59	-	34280	OIL PAN ASSEMBLY	47	34
33695	VACUUM CONTROL, DISTRIBUTOR HOUSING	15	29	34282	LIFTER, HYDRAULIC VALVE- TAPPET	47	28
33697	BRACKET, CONDENSER MOUNTING	15	13	34358	BELT, WATER PUMP DRIVE (43")	51	53
33700	BREAKER ASSEMBLY	15	20	34359	BELT, ALTERNATOR DRIVE (51")	51	53
33705	LEAD, GROUND - MOUNTING PLATE	15	18	34442A1	COVER ASSEMBLY, ROCKER VALVE	43	1
33706	CONDENSER	15	12	34515	CAP, INLET VALVE (13/16" O.D.)	43	11
33707	ROTOR, DISTRIBUTOR	15	4	34518	SHEILD, VALVE SPRING CAP	43	10
33708	CAP, DISTRIBUTOR	15	2	34525	VALVE, INLET (.015 O.S.)	43	7
33712	LEAD WIRE, PRIMARY - DISTRIBUTOR HOUSING	15	32	34529	VALVE, EXHAUST (.015 O.S.)	43	6
33713	RETAINER, FELT WICK - MOUNTING PLATE	15	16	34549	RETAINER, DISTRIBUTOR CLAMP UNIT	15	39
33714	PLATE, MOUNTING - BREAKER AND CONDENSER	15	17	34623	OIL PRESSURE SENDER ASSEMBLY	5	43
33741	FUEL PUMP REPAIR KIT	19	-	34625	WATER TEMPERATURE SENDER ASSEMBLY	5	40
33742	FUEL PUMP DIAPHRAGM KIT	19	-	34627	OIL PRESSURE GAUGE ASSEMBLY	53	2
33824	BRACKET WIRING HARNES MOUNTING	55	46	34629	WATER TEMPERATURE GAUGE ASSEMBLY	53	32
33863	PULLEY, CRANKSGAFT BALANCER	51	45	34631	AMMETER GAUGE ASSEMBLY	53	27
33864	PULLEY, WATER PUMP	49	15	34754	BRUSH HOLDER PACKAGE	13	40
33987	ELEMENT, OIL FILTER	51	39	34765A1	COVER KIT, EXHAUST FLANGE	59	14
34089A1	LEAD ASSEMBLY, DISTRIBUTOR TO COIL	15	41	35013	FLANGE, EXHAUST HOSE	59	8
34092	JUMPER WIRE FUSE BLOCK TO AMMETER GAUGE (RED/WHITE 6 1/2)	55	51	35157	BOWL, ALUMINUM - FUEL FILTER	19	15
34093	PLATE IGNITION SWITCH	53	11	35200	BRUSH PACKAGE, STATOR (2 PER PACKAGE)	13	44
34095A3	INSTRUMENT PANEL ASSEMBLY, COMPLETE	53	-	35203	CONNECTOR, GROUND TERMNAL TO GROUND BRUSH STUD	13	41
34095A7	INSTRUMENT PANEL ASSEMBLY, COMPLETE	53	-	35205	COVER, PLASTIC - BRUSH HOLDER	13	46
34096	JUMPER WIRE IGNITION SWITCH TO AMMETER GAUGE (RED/WHITE 7 3/4)	53	31	35254	CONNECTOR, CYLINDER CLOCK VENT HOSE	49	21
34097	FUSE BLOCK INSTRUMENT PANEL	55	47	35298A1	END CAP ASSEMBLY, EXHAUST MANIFOLD BODY	31	19
34100	WIRING HARNESS, EXTERNAL	3	1	35310	CAP, INTERMEDAITE AND FRONT-CRANKSHAFT BEARING	45	11
34102	PANEL, INSTRUMENT	53	1	35311	CAP RAER-CRANMKSHAFT BEARING	45	10
34104	WIRING HARNESS	55	55	35315	COVER ASSEMBLY, CRANKCASE FRONT END	51	40
34106	BRACKET, IGNITION COIL MOUNTING	17	43	35319	VALVE, INLET (STANDARD)	43	7
34110	DISTRIBUTOR ASSEMBLY, COMPLETE	15	1	35323	VALVE, EXHAUST (STANDARD)	43	6
34113	COUPLING, CROSS SHAFT	15	28				
34117	CAM, BREAKER - ADVANCE	15	11				

PARTS INDEX

Part Number	Description	Pg.	Ref. No.	Part Number	Description	Pg.	Ref. No.
35329	ARM,ROCKER VALVE	43	14	10-21304	SCREW, ROCKER VALVE COVER TO CYLINDER HEAD (5/8")	43	3
35330	ROD,VALVE PUSH	43	5				
35331	BALL UNIT,ROCKER VALVE ARM	43	15	10-21548	SCREW, BALLAST TO MOUNTING BRACKET (5/8")	17	60
35333	BALANCER, HARMONIC -CRANKSHAFT	51	44	10-21951	SCREW, UPPER EXHAUST ELBOW TO EXHAUST MANIFOLD ELBOW	33	56
35341	WATER PUMP ASSEMBLY	49	7	10-21951	SCREW, UPPER EXHAUST ELBOW TO LOWER EXHAUST ELBOW (1 1/4")	33	61
35350	GAUGE ASSEMBLY, OIL LEVEL (DIP STICK)	49	24	10-22022	SCREW, CHOKE OVEN COVER TO STARBOARD EXHAUST MANIFOLD BODY (.	33	34
35352	OIL PUMP ASSEMBLY	49	30	10-22387	SCREW, THROTTLE CABLE TO THROTTLE LEVER (1")	21	24
35354	SCREEN ASSEMBLY, OIL PUMP SUCTION	51	34	10-22421	SCREW, THROTTLE LEVER TO FRONT CARBURETOR BRACKET	21	20
35357	VENTILATOR ASEMBLY, CYLINDER BLOCK	49	19	10-22460	SCREW, TAB TO WATER PUMP (3/4")	19	28
35363	BRACE, STARTER MOTOR	3	34	10-22698	SCREW, WATER METERING HOUSINGS TO INTAKE MANIFOLD (1 3/4")	31	11
35365	SUPPORT, SPARK PUG LEAD WIRE	49	27	10-22793	SCREW, WOOD-WIRING HARNESS TO BOAT CLIP	59	6
35369	CLAMP UNIT, DISTRIBUTOR	15	38	10-22958	SCREW, THROTTLE CABLE TO CARBURETOR (1 1/8")	21	33
35370	INTAKE MANIFOLD	49	3	10-24217	SCREW, ALTERNATOR BRACE TO FRONT MOUNTING BRACKET (1 1/2")	5	54
35373	PLATE, FUEL PUMP MOUNTING	19	6	10-24217	SCREW, BRACE TO FRONT MOUNTING BRACKET (1 1/2")	39	37
35377	ROD, PUSH -FUEL PUMP	19	9	10-24231	SCREW JUMPER WIRE TO REMOTE CONTROL SWITCH WIRE	55	42
35378	CHAIN,CAMSHAFT TIMING	45	21	10-24609	SCREW, CONDENSER TERMINAL TO HEAT SINK	11	29
35422	GUARD,INTAKE MANIFOLD	49	5	10-24609	SCREW, WIRING HARNESS LEADS TO BALLAST	17	62
35506	SUPPORT, WATER PUMP PULLEY	49	18	10-24878	SCREW, FILTER VALVE TO CYLINDER BLOCK (1 1/4")	51	36
35517	BRACKET, CARBURETOR MOUNTING (REAR)	21	28	10-27165	SCREW, MOUNTING BRACKET TO CYLINDER BLOCK (3/4")	3	17
35672	PLATE, FACE - EXHAUST MANIFOLD ELBOW TO UPPER EXHAUST ELBOW	33	53	10-28464	SCREW, END CAP TO EXHAUST MANIFOLD BODY (1 1/2")	31	21
35674	ELBOW, EXHAUST - UPPER	33	55	10-28464	SCREW, FLYWHEEL HOUSING TO CYLINDER BLOCK (1 1/2")	35	30
35675	ELBOW, EXHAUST - LOWER	33	60	10-28713	SCREW, SOLENOID SWITCH TO DRIVE END HOUSING	7	40
35837A1	BRACKET ASSEMBLY, FRONT MOUNTING (.	35	1	10-28739	SCREW TERMINAL BLOCK	55	60
35838	PILOT EXTENSION, CRANKSHAFT PULLEY	51	52				
35852	MOUNT, FLYWHEEL HOUSING	35	29				
35852	MOUNT, FRONT MOUNTING BRACKET	35	3				
35884	THERMOSTAT	31	8				
35938	PULLEY, WATER PUMP	39	31				
36105	PULLEY, DRIVE END FRAME	11	13				
36184	SHAFT, OIL PUMP TO DISTRIBUTOR	51	33				
10-20314	SCREW, DRIVE - SERIAL PLATE TO CYLINDER BLOCK	35	21				
10-20359	SCREW, FLYWHEEL HOUSING TO CYLINGER BLOCK (1")	35	31				
10-20566	SCREW, WIRING HARNESS CLIP TO TAB (3/8")	3	21				
10-20566	SCREW, WIRING HARNESS LEAD TAB (3/8")	3	29				
10-20644	SCREW TERMINAL BLOCK TO BOAT	55	61				

PARTS INDEX

Part Number	Description	Pg.	Ref. No.	Part Number	Description	Pg.	Ref. No.
10-29198	SCREW, WATER PUMP BRACE TO BEARING HOUSING	41	40	10-33248	SCREW, COVER TO SOLENOID SWITCH	9	60
10-29238	SCREW, STARTER SOLENOID TO MOUNTING BRACKET (3/8")	3	11	10-33250	SCREW, SUPPORT TO FIELD FRAME	7	29
10-29238	SCREW, VOLTAGE REGULATOR TO MOUNT (3/8")	3	5	10-33264	SCREW, PO;E SHOE TO FIELD COIL	7	15
10-29762	SCREW WIRING HARNESS CLAMP MOUNTING TO BRACKET	55	53	10-33286	BOLT, THRU - COMMUTATOR END FRAME TO DRIVE END HOUSING	7	21
10-30663	SCREW, FUEL LINE CLIP TO TAB	19	31	10-33296	BOLT, THRU - COMMUTATOR END FRAME TO DRIVE END HOUSING	7	20
10-31827	SCREW METERING HOUSINGS TO INTAKE MANIFOLD (3")	31	12	10-33311	SCREW, MOUNTING BRACKET TO IGNITION COIL	17	46
10-31827	SCREW, WATER INLET HOUSING TO EXHAUST MANIFOLD BODY (3")	31	29	10-33315	SCREW, FIELD COIL LEAD TO SOLENOID SWITCH	9	62
10-32024	SCREW, BRUSH LEAD TO FIELD FRAME BRUSH	7	25	10-33322	BOLT, THRU - SLIP RING END FRAME TO DRIVE END FRAME	13	57
10-32515	BOLT, PULLEY AND HARMONIC BALANCER TO CRANKSHAFT (2 1/2")	51	46	10-33323	SCREW, BALL BEARING RETANER PLATE TO DRIVE END FRAME	11	9
10-32866	SCREW, INSTRUMENT PANEL TO DASH BOARD (2")	53	16	10-33389	SCREW, EXHAUST MANIFOLD BODY TO CYLINDER HEAD (4 1/4")	31	24
10-33042	SCREW, FAST IDLE CAM TO CAM MOUNTING BRACKET	29	52	10-33524	SCREW, FUEL FILTER TO MMOUNTING BRACKET (5/8")	19	19
10-33045	SCREW, CHOKE VALVE TO CHOKE SHAFT	27	40	10-33554	SCREW, SIR HORN TO FLOAT BOWL (SHORT)	25	24
10-33047	SCREW, STAT COVER AND COIL TO CHOKE HOUSING	25	20	10-33562	SCREW, THROTTLE BODY TO FLOAT BOWL (LARGE)	29	47
10-33052	SCREWW, THROTTLE BODY TO FLOAT BOWL (SMALL)	29	45	10-33569	SCREWW, VENTURI CLUSTER TO FLOAT BOWL	29	71
10-33053	SCREW, CHOKE HOUSING TO FLOAT BOWL	25	12	10-33615	SCREW WOOD TERMINAL BLOCK TO BOAT	55	63
10-33056	SCREW, CHOKE PISTON LEVER TO CHOKE HOUSING	25	16	10-33615	SCREW WOOD WIRING HARNESS CLAMP TO BOAT	55	57
10-33056	SCREWW, TRIP LEVER TO CHOKE SHAFT	27	43	10-33615	SCREW, VOLTAGE REGULATOR MOUNT TO TRANSOM (1")	3	6
10-33158	SCREW, BEARING PLATE TO FRONT AND REAR SUPPORT BRACKETS	35	24	10-33648	SCREW, VACUUM CONTROL TO DISTRIBUTOR HOUSING	15	30
10-33159	SCREW, WATER PUMP TO FRONT MOUNTING BRACKET (2")	41	12	10-33684	SCREW, EXHAUST HOSE FLANGE TO BOAT	59	11
10-33160	SCREW, OUTLET HOUSING TO INLET HOUSING (5")	39	34	10-33692	SCREW, ROTOR TO BREAKER CAM	15	5
10-33162	SCREW, ALTERNATOR TO FRONT MOUNTING BRACKET (4")	5	48	10-33718	, BREAKER ASSEMBLY TO MOUNTING PLATE	15	21 ..S
10-33194	SCREW, BRACKET TO CYLINDER BLOCK (1 1/4")	35	6	10-33722	SCREW, CONDENSER AND BRACKET TO MOUNTING PLATE	15	14
10-33231	SCREW, COIL INTAKE MANIFOLD (3/4")	17	44	10-34123	SCREW FUSE BLOCK TO MOUNTING BRACKET	55	48

PARTS INDEX

Part Number	Description	Pg.	Ref. No.	Part Number	Description	Pg.	Ref. No.
10-34277	BOLT,OIL PAN TO CYLINDER BLOCK (7/16")	47	36	10-35366	SCREW, LEAD WIRE SUPPORT TO CYLINDER BLOCK (1/2")	49	28
10-34277	SCREW, CRANKCASE FRONT END COVER TO CYLINDER (7/16")	51	43	10-35368	SCREW, DISTRIBUTOR TO INTAKE MANIFOLD (7/8")	15	40
10-34277	SCREW, FUEL PUMP TO MOUNTING PLATE (7/16")	19	5	10-35374	SCREW, MOUNTING PLATE TO CYLINDER BLOCK (1 1/8")	19	8
10-34277	SCREW,VENTILATOR TO CYLINDER BLOCK (7/16")	49	20	10-35379	BOLT,INTAKEMANIFOLD TO CYLINDER BLOCK (1 1/8")	49	4
10-34277	SCREW,WATER PUMP BACKING PLATE (7/16")	49	-	10-35765	SCREW, STARTER MOTOR BRACE TO CYLINDER BLOCK (5/8")	3	35
10-34281	BOLT, PULLEY AND HARMONIC BALANCER TO CRANKSHAFT (2")	51	46	10-35785	SCREW,WATER PUMP TO FRONT MOUNTING BRACKET (31/4")	49	11
10-34370	SCREW, AIR HORN TO FLOAT BOWL (LONG)	25	24	10-35786	BOLT, PULLEY AND PILOT EXTENSION TO HARMONIC BALANCER (1")	51	49
10-34382	SCREW, BRUSH HOLDER TO SLIP RING END FRAME	13	54	10-35787	SCREW,WATER PUMP TO FRONT MOUNTING BRACKET (21/4")	49	13
10-34473	BOLT,CONNECTING ROD CAP	45	18	10-35788	SCREW, BRACKET TO CYLINDER BLOCK (1 3/4")	35	6
10-34500	BOLT,OIL PAN CYLINDER BLOCK (9/16")	47	37	11-20083	NUT, STARTER SOLENOID TERMINAL (5/16")	3	13
10-34501	SCREW,DRAIN -OILPAN	47	38	11-20190	NUT INSTRUMENT PANEL SCREW	53	19
10-34544	BOLT, STARTER MOTOR TO CYLINDER BLOCK (1 15/16")	3	26	11-20190	NUT, THROTTLE CABLE TO CARBURETOR SCREW	21	37
10-34545	BOLT, STARTER MOTOR TO CYLINDER BLOCK (4 21/32")	3	25	11-20190	NUT, THROTTLE CABLE TO THROTTLE LEVER SCREW	21	27
10-35156	SCREW, EXHAUST ELBOW TO EXHAUST MANIFOLD BODY (1 1/4")	33	38	11-20220	NUT, WATER PUMP SHAFT	39	33
10-35192	SCREW, STARTER MOTOR BRACE TO CYLINDER BLOCK (3/4")	3	35	11-20361	NUT, EXHAUST HOSE FLANGE TO BOAT SCREW	59	13
10-35309	BOLT, CRANKSHAFT BEARING CAP TO CYLINDER BLOCK (2 31/32")	45	12	11-20586	NUT, FLAMES ARRESTOR MOUNTING STUD (TOP)	23	51
10-35316	BOLT,CYLINDER HEAD TO CYLINDER BLOCK (3 3/4)	43	22	11-20586	NUT, THROTTLE CABLE TO REAR CARBURETOR BRACKET	21	17
10-35317	BOLT,CYLINDER HEAD TO CYLINDER BLOCK (1 3/4")	43	20	11-20586	NUT, THROTTLE LEVER TO FRONT CARBURETOR BRACKET	21	23
10-35318	BOLT,CYLINDER HEAD TO CYLINDER BLOCK (3')	43	21	11-20645	NUT AMMETER GAUGE TERMINAL (10-32)	53	30
10-35336	BOLT,CRANKSHAFT PULLEY TO HARMONIC BALANCER (5/8")	51	49	11-20645	NUT JUMPER WIRE SCREW	55	43
10-35339	BOLT,CAMSHAFT TIMING SPROCKET (3/4")	45	23	11-20645	NUT OIL PRESSURE GAUGE TERMINAL (10-32)	53	6
10-35340	SCREW,PULLEY TO WATER PUMP (5/8")	49	16	11-20645	NUT TERMINAL BLOCK TO BOAT SCREW	55	62
10-35343	BOLT,WATER PUMP TO CYLINDER BLOCK (13/4")	49	12	11-20645	NUT, COIL TERMINAL	17	49
10-35344	BOLT,WATER PUMP TO CYLINDER BLOCK (1 5/8")	49	13	11-20645	NUT, OIL PRESSURE SENDER TERMINAL (#10)	5	45
10-35346	BOLT,WATER PUMP TO CYLINDER BLOCK (2 3/4")	49	11	11-20645	NUT, RESISTOR TERMINAL STUD (10-32)	9	48
				11-20645	NUT, SOLENOID SWITCH TERMINAL (#10)	3	33

PARTS INDEX

Part Number	Description	Pg.	Ref. No.	Part Number	Description	Pg.	Ref. No.
11-20645	NUT, STARTER SOLENOID TERMINAL (#10)	3	15	11-26419	NUT, SOLENOID SWITCH TERMINAL (#8)	3	39
11-20645	NUT, TACHOMETER TERMINAL (10-32)	53	22	11-26419	NUT, WIRING HARNESS CLIP SCREW	3	24
11-20645	NUT, WATER TEMPERATURE GAUGE TERMINAL (10-32)	53	36	11-26419	NUT, WIRING HARNESS LEAD SCREW	3	31
11-20645	NUT, WATER TEMPERATURE SENDER TERMINAL (#10)	5	42	11-28517	NUT, SOLENOID SWITCH TERMINAL (3/8")	3	28
11-20739	NUT, JAM - REAR SUPPORT BRACKET ADJUSTING STUD	37	41	11-28941	NUT, FLAME ARRESTOR MOUNTING STUD (BOTTOM)	23	48
11-20739	NUT, KA, - FRONT SUPPORT BRACKET ADJUSTING STUD	35	19	11-29197	NUT, FIELD AND GROUND BRUSH STUD (UPPER)	13	53
11-20890	NUT, BRACE TO STARTER MOTOR TERMINAL	3	37	11-29250	NUT, BEARING HOUSING SCREW	39	35
11-21270	NUT FUSE BLOCK SCREW	55	50	11-29250	NUT, CARBURETOR MOUNTING STUD	23	45
11-21310	NUT, CHOKE PIPE TO CARBURETOR	21	3	11-29250	NUT, TAB TO WATER PUMP STUD	19	27
11-22339	NUT, FRONT SUPPORT BRACKET ADJUSTING STUD (TOP)	35	16	11-30586	NUT, THROTTLE CABLE TO CARBURETOR BRACKET STUD	21	32
11-22339	NUT, REAR SUPPORT BRACKET ADJUSTING STUD (TOP)	37	38	11-30968	NUT, SUPPORT SCREW	7	31
11-24652	NUT, BALLAST TO MOUNTING BRACKET SCREW	17	61	11-33249	NUT, BATTERY TERMINAL STUD (3/8-16)	9	54
11-24652	NUT, EXHAUST ELBOW SCREW	33	39	11-33252	NUT, SWITCH TERMINAL STUD (8-32)	9	58
11-25168	NUT, JAM - LINK ROD ADJUSTING	21	9	11-33255	NUT, SWITCH TERMINAL STUD (8-32)	9	--
11-25269	NUT, ALTERNATOR BRACE TO FRONT MOUNTING BRACKET SCREW	5	56	11-33267	NUT, BATTERY AND MOTOR TERMINAL STUD (3/8-16)	9	52
11-25269	NUT, ALTERNATOR TO FRONT MOUNTING BRACKET SCREW	5	50	11-33272	NUT, ROTOR TO DRIVE END FRAME	11	15
11-25269	NUT, BEARING PLATE TO FRONT AND REAR SUPPORT BRACKET SCREW	35	26	11-33561	NUT, FILTER - AIR HORN	25	27
11-25269	NUT, LOWER EXHAUST ELBOW SCREW	33	62	11-34474	NUT, CONNECTING ROD CAP BOLT	45	19
11-25269	NUT, TAB TO WATER PUMP SCREW	19	29	11-34516	NUT, ROCKER VALVE ARM STUD	43	16
11-25269	NUT, UPPER EXHAUST ELBOW SCREW	33	57	11-35197	NUT, FIELD AND GROUND BRUSH STUD (LOWER)	13	49
11-25269	NUT, WATER PUMP BRACE SCREW	39	39	11-35206	NUT, SEALING - FIELD AND GROUND BRUSH STUD	13	50
11-25269	NUT, WATER PUMP SCREW	41	44	12-20084	WASHER, CARBURETOR MOUNTING STUD	23	44
11-26419	NUT WATER TEMPERATURE GAUGE TERMINAL (8-32)	53	38	12-20128	WASHER, THROTTLE CABLE SCREW	21	26
11-26419	NUT, DIODE JUNCTION TERMINAL	11	28	12-20128	WASHER, THROTTLE CABLE SCREW	21	36
11-26419	NUT, GROUND TERMINAL	13	39	12-20192	WASHER OIL PRESSURE GAUGE TERMINAL (#8)	53	7
11-26419	NUT, OIL PRESSURE GAUGE TERMINAL (8-32)	53	8	12-20192	WASHER WATER TEMPERATURE GAUGE TERMINAL (#8)	53	37
				12-20192	WASHER, CONDENSER TERMINAL SCREW	11	31
				12-20192	WASHER, GROUND TERMINAL	13	37
				12-20553	WASHER, ALTERNATOR BRACE SCREW	5	55

PARTS INDEX

Part Number	Description	Pg.	Ref. No.	Part Number	Description	Pg.	Ref. No.
12-20553	WASHER, ALTERNATOR TO FRONT MOUNTING BRACKET SCREW	5	49	12-32638	WASHER, RUBBER - REAR SUPPORT BRACKET ADJUSTING STUD	37	35
12-20553	WASHER, BEARING PLATE SCREW	35	25	12-33110	WASHER	53	28
12-20553	WASHER, END CAP SCREW	31	22	12-33110	WASHER FIBER INSTRUMENT PANEL SCREW	53	17
12-20553	WASHER, EXHAUST MAINFOLD BODY SCREW	31	25	12-33110	WASHER FIBER WATER TEMPERATURE GAUGE TERMINAL	53	33
12-20553	WASHER, FRONT MOUNTING BRACKET SCREW	35	8	12-33110	WASHER, FIBER-OIL PRESSURE	53	3
12-20553	WASHER, WATER INLET HOUSING SCREW	31	30	12-33164	LOCKWASHER, REAR SUPPORT BRACKET ADJUSTING STUD	37	40
12-20553	WASHER, WATER PUMP BRACE SCREW	39	38	12-33171	WASHER, FRONT SUPPORT BRACKET ADJUSTING STUD	35	15
12-20553	WASHER, WATER PUMP SCREW	41	43	12-33171	WASHER, REAR SUPPORT BRACKET ADJUSTING STUD	37	37
12-20553	WASHER, WATER PUMPSCREW	49	14	12-33178	WASHER, REAR SUPPORT BRACKET ADJUSTING STUD	37	39
12-20670	WASHER, BRUSH HOLDER SCREW	13	56	12-33178	WASHER, FRONT SUPPORT BRACKET ADJUSTING STUD	35	17
12-20722	WASHER, WATER PUMP STUD	19	26	12-33181	WASHER END CAP AND WATER INLET HOUSING SCREW	57	21
12-20878	WASHER INSTRUMENT PANEL SCREW	53	18	12-33181	WASHER, COPPER - END CAP SCREW	31	23
12-20878	WASHER TACHOMETER TERMINAL (#10)	53	21	12-33181	WASHER, COPPER - WATER INLET HOUSING SCREW	31	31
12-20878	WASHER WATER TEMPERATURE GAUGE TERMINAL (#10)	53	35	12-33182	WASHER, FRONT SUPPORT BRACKET ADJUSTING STUD (SMALL)	35	14
12-20878	WASHER, AMMETER GAUGE TERMINAL (#10)	53	29	12-33182	WASHER, REAR SUPPORT BRACKET ADJUSTING STUD (SMALL)	37	36
12-20878	WASHER, OIL PRESSURE GAUGE TERMINAL (#10)	53	5	12-33258	WASHER, LEATHER - COMMUTATOR END FRAME	7	18
12-20959	WASHER, WATER PUMP SHAFT	39	32	12-33279	WASHER, PLASTIC - COVER SCREW	9	61
12-21631	WASHER, THROTTLE CABLE STUD	21	16	12-33279	WASHER, PLASTIC - SWITCH TERMINAL STUD (#8)	9	57
12-21631	WASHER, THROTTLE CABLE STUD	21	30	12-33289	WASHER, BATTERY AND MOTOR TERMINAL STUD (3/8)	9	51
12-21631	WASHER, THROTTLE LEVER SCREW	21	22	12-33328	WASHER, INSULATING - CONDENSER TERMINAL SCREW	11	33
12-22887	WASHER, VOLTAGE REGULATOR MOUNT SCREW	3	7	12-33696	WASHER, MAIN SHAFT	15	33
12-22937	WASHER, FLAME ARRESTOR MOUNTING STUD	23	50	12-33869	WASHER, FRONT SUPPORT BRACKET ADJUSTING STUD	35	12
12-25908	WASHER, EXHAUST HOSE FLANGE TO BOAT SCREW	59	12				
12-26168	WASHER, ALTERNATOR TO ALTERNATOR BRACE SCREW	5	53				
12-26168	WASHER, BEARING HOUSING SCREW	41	41				
12-30191	WASHER, WIRING HARNESS LEADS SCREW	17	64				

PARTS INDEX

Part Number	Description	Pg.	Ref. No.	Part Number	Description	Pg.	Ref. No.
12-3411	WASHER, GEAR AND CROSS SHAFT	15	27	13-26996	LOCKWASHER, SUPPORT SCREW	7	30
12-34112	WASHER, FELT - MOUNTING PLATE	15	22	13-26996	LOCKWASHER, WATER TEMPERATURE SENDER TERMINAL (#10)	5	41
12-34567	WASHER,ENGINE COUPLING STUD	47	32	13-27969	LOCKWASHER, FLYWHEEL HOUSING SCREW	35	32
12-34726	WASHER REAR SUPPORT BRACKET ADJUSTING STUD	37	39	13-27969	LOCKWASHER,CRANKSHAFT PULLEY AND PILOT EXTENSION BOLT	51	50
12-34726	WASHER, FRONT SUPPORT BRACKET ADJUSTING STUD	35	17	13-33028	LOCKWASHER, THROTTLE BODY TO FLOAT BOWL SCREW	29	46
12-35199	WASHER, GROUND BRUSH STUD	13	51	13-33029	LOCKWASHER, VENTURI CLUSTER TO FLOAT BOWL SCREW	29	72
12-35332	WASHER, PULLEY AND HARMONIC BALANCER BOLT	51	48	13-33164	LOCKWASHER, FRONT SUPPORT BRACKET ADJUSTING STUD	35	18
12-35362	WASHER, STARTER MOTOR BOLT	3	27	13-33165	WELCH PLUG, BEARING HOUSING	39	6
13-20554	LOCKWASHER, COIL TERMINAL	17	47	13-33251	LOCKWASHER, FIELD COIL LEAD SCREW	9	63
13-24969	LOCKWASHER, FRONT MOUNTING BRACKET SCREW	35	7	13-33253	LOCKWASHER, RESISTOR TERMINAL STUD (#10)	9	47
13-26993	LOCKWASHER, COIL TO INTAKE MANIFOLD SCREW	17	45	13-33254	LOCKWASHER, BATTERY TERMINAL STUD (3/8)	9	53
13-26993	LOCKWASHER, FUEL FILTER SCREW	19	20	13-33268	LOCKWASHER, SWITCH TERMINAL STUD (#8)	9	59
13-26993	LOCKWASHER, STARTER SOLENOID TERMINAL (5/16")	3	12	13-33276	LOCKWASHER, SWITCH TERMINAL STUD (#8)	9	-
13-26994	LOCKWASHER FUSE BLOCK SCREW	55	49	13-33309	WASHER, WAVE - ROOT NUT	11	14
13-26995	LOCKWASHER, BRUSH HOLDER SCREW	13	55	13-33691	LOCKWASHER, VACUUM CONTROL SCREW	15	31
13-26995	LOCKWASHER, GROUND TERMINAL	13	38	13-34383	LOCKWASHER, CONDENSER TERMINAL SCREW	11	30
13-26995	LOCKWASHER, SOLENOID SWITCH TERMINAL (#8)	3	38	13-34383	LOCKWASHER, DIODE JUNCTION TERMINAL	11	27
13-26995	LOCKWASHER, WIRING HARNESS CLIP SCREW	3	22	13-35198	LOCKWASHER, FIELD AND GROUND BRUSH STUD (LOWER)	13	48
13-26995	LOCKWASHER, WIRING HARNESS LEAD SCREW	3	30	13-35207	WASHER, WAVE - FIELD AND GROUND BRUSH STUD (LOWER)	13	47
13-26995	LOCKWASHER, WIRING HARNESS LEADS SCREW	17	63	13-35208	WASHER, WAVE - FIELD AND GROUND BRUSH STUD (UPPER)	13	52
13-26996	LOCKWASHER, AIR HORN TO FLOAT BOWL SCREW	25	24	13-35335	LOCKWASHER, PULLEY AND HARMONIC BALANCER BOLT 1	51	47
13-26996	LOCKWASHER, COIL TERMINAL	17	48	13-35345	LOCKWASHER, WATER PUMP BOLT	49	14
13-26996	LOCKWASHER, OIL PRESSURE SENDER TERMINAL (#10)	5	44	13-35345	LOCKWASHER, WATER PUMP PULLEY SCREW	49	17
13-26996	LOCKWASHER, ROTOR TO BREAKER CAM SCREW	15	6	13-35364	LOCKWASHER, CRANKSHAFT PULLEY BOLT 3	51	50
13-26996	LOCKWASHER, SOLENOID SWITCH TERMINAL (#10)	3	32				
13-26996	LOCKWASHER, STARTER SOLENOID TERMINAL (#10)	3	14				

PARTS INDEX

Part Number	Description	Pg.	Ref. No.	Part Number	Description	Pg.	Ref. No.
13-35367	LOCKWASHER, LEAD WIRE SUPPORT SCREW	49	29	17-33555	PIN HINGE - FLOAT TO AIR HORN	25	3
15-34533	SHIM UNIT,BEARING CAP-FRONT	45	11	17-34109	PIN, DRIVE GEAR TO MAIN SHAFT	15	35
15-35314	SHIM UNIT,BEARING CAP-REAR	45	11	17-35312	PIN,DOWEL -CRANKCASE FRONT END COVER (1/4"DIA)	45	--
15-35327	SHIM,VALVE (1/32"THICK) . .	43	-	17-35312	PIN,DOWEL CAMSHAFT TIMING SPROCKET (1/4"DIA.)	45	24
16-23166	STUD, CARBURETOR - INTAKE MANIFOLD (1 7/8")	21	42	17-35312	PIN,DOWEL-REAR CRANSHAFT BEARING CAP (1/4" DIA.)	45	7
16-23166	STUD, CARBURETOR - INTAKE MANIFOLD (1 7/8")	21	42	17-35465	PIN, DOWEL - CYLINDER BLOCK TO CYLINDER HEAD (5/16"DIA)	45	15
16-29988	STUD, CARBURETOR - INTAKE MANIFOLD (1 9/16")	23	43	18-26653	COTTER PIN, CARBURETOR LINK ROD TO CARBURETOR	21	12
16-32808	STUD,ENGINE COUPLING TO FLYWHEEL (1/16") . . .	47	31	19-32862	BUTTON, PLUG INSTRUMENT PANEL (SMALL)	53	14
16-32808	STUD,ENGINE COUPLING TO FLYWHEEL (21/16") . .	47	31	19-32863	BUTTON, PLUG-- INSTRUMENT PANEL (LARGE)	53	13
16-33172	STUD, ADJUSTING - FRONT SUPPORT BRACKET	35	11	19-33041	WELCH PLUG, CHOKE HOUSING	25	11
16-33172	STUD, ADJUSTING - REAR SUPPORT BRACKET	35	33	19-33674	PLUG, EXPANSION - INTAKE MANIFOLD	21	40
16-33213	STUD, FLAME ARRESTOR MOUNTING - CARBURETOR	23	47	19-34270	PLUG,EXPANSION -CYLINDER BLOCK (1 5/8" DIA.)	45	4
16-33262	STUD, SWITCH TERMINAL (8-32)	9	55	19-34488	PLUG,EXPANSION - CAMSHAFT BEARING HOLE	45	6
16-33288	STUD, BATTERY TERMINAL (3/8-16)	9	50	19-35308	PLUG, EXPANSION-CYLINDER BLOCK (1 1/4")	45	2
16-33299	STUD, MOTOR TERMINAL (3/8-16)	9	49	21-20583	WASHER, CARBURETOR LINK ROD	21	11
16-33304	STUD, RESISTOR TERMINAL (10-32)	9	45	22-30174	ELBOW, FUEL LINE TO FUEL FILTER	19	13
16-33526	STUD, THROTTLE CABLE TO REAR CARBURETOR BRACKET	21	14	22-30175	SLEEVE, FUEL LINE TO CARBURETOR ELBOW NUT	19	23
16-34521	STUD,ROCKER VALVE ARM (.013 O.S.)	43	18	22-30175	SLEEVE, FUEL LINE TO FUEL ELBOW NUT	19	12
16-34522	STUD, ROCKER VALVE ARM (.003 O.S.)	43	18	22-30177	NUT, FUEL LINE TO FUEL ELBOW	19	11
16-35202	STUD, FIELD AND GROUND BRUSH - BRUSH HOLDER	13	45	22-30177	NUT,FUEL LINE TO CARBURETOR ELBOW . .	19	22
16-35342	STUD,WATER PUMP TO CYLINDER BLOCK	49	10	22-32802	PLUG, PIPE - EXHAUST MANIFOLD BODY	31	26
17-29967	PIN, IMPELLER DRIVE - FRONT BODY	39	19	22-32974	ADAPTOR, OIL PRESSURE SENDER	5	46
17-29967	PIN, IMPELLER DRIVE - REAR BODY	39	11	22-33198	PLUG, PIPE - EXHAUST MANIFOLD ELBOW	33	40
17-33049	PIN, CHOKE PISTON TO CHOKE PISTON LEVER . .	25	15	22-33198	PLUG, PIPE - EXHAUST PIPE ELBOW	33	45
17-3316	PIN, DOWEL - REAR BODY .	39	14	22-33198	PLUG, PIPE - LOWER EXHAUST ELBOW	33	63
17-33166	PIN, DOWEL - BEARING HOUSING	39	2				
17-33166	PIN,DOWEL - BEARING HOUSING	39	26				
17-33256	PIN, PLUNGER TO SHIFT LEVER	7	38				
17-33257	PIN, DOWEL - FIELD FRAME TO DRIVE END HOUSING	7	33				

PARTS INDEX

Part Number	Description	Pg.	Ref. No.	Part Number	Description	Pg.	Ref. No.
22-33198	PLUG, PIPE - UPPER EXHAUST ELBOW	33	58	23-35416A1	BEARING SET (5PAIR),CRANSHAFT MAIN (.020U.S.)	45	9
22-33376	ELBOW (45), FUEL LINE TO CARBURETOR	19	24	23-35839	SPACER,CRANKSHAFT PULLEY	51	51
22-33755	ELBOW, INLET FUEL LINE TO FUEL PUMP	19	2	23-36183	RETAINER, OIL PUMP SHAFT	51	32
22-36382	PLUG,WATER DRAIN-CYLINDER BLOCK	45	3	24-32817	SPRING, THROTTLE RETURN - CARBURETOR	23	46
23-28626	BUSHING, THROTTLE LEVER - THROTTLE CABLE SCREW	21	34	24-33050	SPRING, IDLE ADJUSTING NEEDLE	29	56
23-28626	SPACER, VOLTAGE REGULATOR MOUNT SCREW	3	8	24-33265	SPRING, CONTACT AND PUSH ROD TENSION	9	43
23-31866	SPACER, THROTTLE CABLE STUD	21	15	24-33285	SPRING, FIELD FRAME BRUSH	7	32
23-31866	SPACER, THROTTLE CABLE STUD	21	31	24-33298	SPRING, PLUNGER RETURN - SOLENOID SWITCH	7	39
23-32796	BUSHING, THROTTLE SCREW	21	21	24-33306	SPRING, SHAFT LEVER TENSION - ARMATURE	7	11
23-32818	BUSHING, THROTTLE CABLE SCREW	21	25	24-33368	SPRING, CLUTCH DRIVE	7	8
23-32818	BUSHING, THROTTLE CABLE SCREW	21	35	24-33571	SPRING, TIRSION - FLOAT	25	4
23-32914	SLEEVE INSTRUMENT PANEL JUMPER WIRE	55	44	24-33710	SPRING, RETAINING - MOUNTING PLATE	15	19
23-33186	BUSHING, FRONT MOUNTING BRACKET	35	2	24-33720	SPRING, BREAKER CAM ADVANCE	15	7
23-33278	BUSHING, DRIVE END HOUSING	7	2	24-34373	SPRING, FAST IDLE SCREW	29	54
23-33369	BUSHING, GEAR END - CLUTCH DRIVE	7	7	24-35214	SPRING,VALVE	43	9
23-33477	SPACER, WATER PUMP PULLEY	39	30	24-35664	GASKET OIL PUMP COVER	57	20
23-34116	SLEEVE, MAIN SHAFT	15	10	25-28627	GROMMET, VOLTAGE REGULATOR MOUNT	3	9
23-34454	BEARING SET (4 PAIR), CONNECTINHG ROD (STANDARD)	45	16	25-33302	GROMMET, FIELD COIL - FIELD FRAME	7	16
23-34475	BAERING UNIT(PAIR) CONNECTING ROD (.001 U.S.)	45	16	25-33312	SLINGER, GREASE - DRIVE END FRAME	11	5
23-34476	BEARING UNIT (PAIR), CONNECTING ROD (.002 U.S.)	45	16	25-33709	GROMMETT, DISTRIBUTOR HOUSING - LEAD WIRE	15	25
23-34477	BEARING UNIT (PAIR), CONNECTING ROD (.010 U.S)	45	16	25-33756	RING SEAL OIL FILTER TO FILTER VALVE	57	16
23-34478	BEARING UNIT (PAIR),CONNECTING ROD (.020U.S.)	45	16	25-33756	RING,SEAL- OIL FILTER TO FILTER VALVE	51	37
23-34984A1	BEARING SET, CAMSHAFT	45	5	25-35039	GROMMET, CARBURETOR LEVER	21	38
23-35040	SLEEVE, CARBURETOR LEVER	21	39	25-35691	GROMMET, CYLINDER BLOCK VENTILATOR CONNECTOR	49	22
23-35412A1	BEARING SET (5 PAIR). CRANSHAFT MAIN (STANDARD)	45	9	25-35789	QUAD RING, FRONT MOUNTING BRACKET (SMALL)	35	4
23-35413A1	BEARING SET (5 PAIR), CRANKSHAFT MAIN (.001 U.S)	45	9	25-35790	QUAD RING, FRONT MOUNTING BRACKET (LARGE)	35	5
				26-33215	OIL SEAL, BEARING HOUSING	39	27
				26-33215	OIL SEAL, BEARING HOUSING	39	3
				26-33339	SEAL, SLIP RING END FRAME ROLLER BEARING - INNER	11	20

PARTS INDEX

Part Number	Description	Pg.	Ref. No.	Part Number	Description	Pg.	Ref. No.
26-34111	SEAL, DISTRIBUTOR HOUSING	15	24	27-33395	GASKET EXHAUST MANIFOLD BODY TO CYLINDER HEAD	57	25
26-34217	SEAL, VALVE	43	8	27-33395	GASKET, EXHAUST MANIFOLD BODY TO CYLINDER HEAD	33	35
26-34218	OIL SEAL, CRANKCASE FRONT END COVER	51	41	27-33600	GASKET, EXHAUST HOSE FLANGE	59	9
26-35313	OIL SEAL, REAR CRTANSHAFT BEARING CAP	45	8	27-33745	GASKET, FUEL FILTER BOWL	19	18
27-33173	GASKET EXHAUST MANIFOLD ELBOW TO FACE PLATE	57	26	27-33746	GASKET, FUEL FILTER ELEMENT	19	17
27-33173	GASKET, EXHAUST MANIFOLD ELBOW TO FACE PLATE	33	41	27-34043	GASKET ROCKER VALVE COVER	57	1
27-33173	GASKET, EXHAUST PIPE ELBOW TO FACE PLATE	33	43	27-34043	GASKET,ROCKER VALVE COVER	43	4
27-33174	GASKET WATER PUMP BODY TO WATER PUMP BODY	57	11	27-34172	GASKET CARBURETOR FLANGE	57	6
27-33174	GASKET, REAR BODY TO FRONT BODY	39	15	27-34172	GASKET, CARBURETOR FLANGE (INCLUDED WITH)	29	48
27-33175	GASKET WATER PUMP BODY TO FACE PLATE	57	9	27-34213	GASKET FUEL PUMP	57	19
27-33175	GASKET, FRONT BODY TO FACE PLATE	39	22	27-34213	GASKET, FUEL PUMP	19	4
27-33175	GASKET, REAR BODY TO FACE PLATE	39	9	27-34217	SEAL VALVE	57	14
27-33176	GASKET BEARING HOUSING TO FACE PLATE	57	10	27-34278	GASKET CYLINDER HEAD	57	3
27-33176	GASKET, BEARING HOUSING TO FACE PLATE	39	24	27-34278	GASKET,CYLINDER HEAD	43	19
27-33176	GASKET, BEARING HOUSING TO FACE PLATE	39	7	27-34502	GASKET,OILPAN DRAIN SCREW	47	39
27-33179	GASKET LOWER WATER METERING HOUSING	57	8	27-34891	GASKET DISTRIBUTOR	57	7
27-33179	GASKET, LOWER WATER METERING HOUSING	31	2	27-34891	GASKET, DISTRIBUTOR	15	37
27-33180	GASKET END CAP AND WATER INLET HOUSING	57	23	27-34894A1	GASKET SET INTAKE MANIFOLD	57	4
27-33180	GASKET, END CAP	31	20	27-34894A1	GASKET SET, INTAKE MANIFOLD	49	6
27-33180	GASKET, WATER INLET HOUSING	31	28	27-34895	GASKET CRANKCASE FRONT END COVER	57	13
27-33184	GASKET CHOKE OVEN COVER	57	22	27-34895	GASKET,CRANKCASE FRONT END COVER	51	42
27-33184	GASKET, CHOKE OVEN COVER	33	33	27-34897	GASKET WATER PUMP MOUNTING	57	15
27-33187	GASKET EXHAUST MANIFOLD ELBOW	57	24	27-34897	GASKET,WATER PUMP MOUNTING	49	8
27-33187	GASKET, EXHAUST MANIFOLD ELBOW	33	36	27-34898	GASKET FUEL PUMP MOUNTING PLATE	57	18
27-33188	GASKET UPPER WATER METERING HOUSING	57	5	27-34898	GASKET,FUEL PUMP MOUNTING PLATE	19	7
27-33188	GASKET, UPPER WATER METERING HOUSING	31	10	27-34991A1	GASKET SET OIL PAN	57	12
27-33273	GASKET, BALL BEARING RETAINER PLATE	11	7	27-34991A1	GASKET SET, OIL PAN 1	47	35
27-33347	GASKET, BRUSH HOLDER	13	43	27-35380	GASKET WATER PUMP BACKING PLATE	57	17
				27-35380	GASKET,WATER PUMP BACKING PLATE	49	9
				27-35664	GASKET, OIL PUMP CIVER	49	--
				27-35671	GASKET EXHAUST MANIFOLD ELBOW TO FACE PLATE	57	27
				27-35671	GASKET, EXHAUST MANIFOLD ELBOW TO FACE PLATE	33	52

PARTS INDEX

Part Number	Description	Pg.	Ref. No.	Part Number	Description	Pg.	Ref. No.
27-35671	GASKET, UPPER EXHAUST ELBOW TO FACE PLATE	33	54	32-33753	FUEL LINE, FUEL PUMP INLET (12")	19	1
27-35671A1	GASKET SET EXHAUST MANIFOLD	57	--	32-35351	TUBE,OIL LEVEL -LOWER (8 1/4')	49	26
27-35673	GASKET UPPER EXHAUST ELBOW TO LOWER EXHAUST ELBOW	57	28	32-35361	TUBE ASSEMBLY OIL FILLER CAP	49	2
27-35673	GASKET, UPPER EXHAUST ELBOW TO LOWER EXHAUST ELBOW	33	59	32-35840	HOSE, METERING HOUSING TO BEARING HOUSING (16")	31	5
27-35754A1	GASKET SET INTAKE MANIFOLD AND CYLINDER HEAD	57	-	33-33743	SPARK PLUG (AC #C42-1)	17	55
27-35754A1	GASKET SET, CYLINDER HEAD	43	--	35-33525	FUEL FILTER ASSEMBLY	19	14
27-35756A1	GASKET SET EXHAUST MANIFOLD	57	--	35-33602	SCREEN, FLAME ARRESTOR - BRUSH HOLDER	13	42
27-35758A	GASKET SET, WATER PUMP	39	--	35-33744	ELEMENT, FUEL FILTER	19	16
27-35758A1	GASKET SET WATER PUMP	57	-	35-35381	FUEL FILTER ASSEMBLY	19	14
28-30250	KEY, WATER PUMP PULLEY DRIVE	39	21	37-32851	DECAL, INSTRUMENT PANEL	53	15
28-34514	KEY,VALVE STEM	43	13	37-34443	DECAL, ROCKER VALVE COVER	43	2
28-35334	KEY,CRANKSHAFT PULLEY AND BALNCER	47	27	37-36349	DECAL, STARBORAD ROCKER VALVE COVER - "190"	43	--
30-20802	BEARING, BALL - DRIVE END FRAME	11	6	38-31042	SERIAL PLATE, CYLINDER BLOCK	35	20
30-33451	BEARING, BALL - BEARING HOUSING	39	28	39-34479	RING, PRISTON - 4 SETS (STANDARD)	45	14
30-33451	BEARING, BALL - BEARING HOUSING	39	4	39-34556	RING, PISTON - 4 SETS (.020 O.S.)	45	14
31-33355	BEARING, ROLLER - SLIP RING END FRAME	11	19	43-34114	GEAR AND CROSS SHAFT, DISBUTOR HOUSE	15	26
32-33189	HOSE, LOWER WATER METERING HOUSING TO WATER PUMP	31	3	43-34118	GEAR, DRIVE - MAIN SHAFT	15	34
32-33199	HOSE, VENT - CARBURETOR TO HOSE CONNECTOR	21	5	43-35337	SPROCKET, CRANKSHAFT TIMING (22TEETH)	45	25
32-33204	TUBE, OIL LEVEL-UPPER (8 21/32')	49	25	43-35338	SPROCKET, CAMSHAFT TIMING (44TEETH)	45	22
32-33221	HOSE, METERING HOUSING TO BEARING HOUSING (15 3/16")	31	5	45-35878	SHAFT, WATER PUMP	39	20
32-33222	HOSE, UPPER WATER METERING HOUSING TO INLET HOUSING (13 1/4"	31	16	46-32886A1	BEARING HOUSING ASSEMBLY, WATER OUTLET END	39	25
32-33235	PIPE, CHOKE - CARBURETOR	21	2	46-32899A1	BEARING HOUSING ASSEMBLY, WATER INLET END	39	1
32-33375	FUEL LINE, FUEL FILTER TO CARBURETOR (22 1/2")	19	21	46-32900A1	WATER PUMP BODY ASSEMBLY, REAR	39	12
32-33380	FUEL LINE, FUEL PUMP TO FUEL FILTER (10 1/2")	19	10	46-32901A1	WATER PUMP BODY ASSEMBLY, FRONT	39	16
32-33381	HOSE, UPPER WATER METERING HOUSING TO INLET HOUSING (12 5/8"	31	14	46-32901A2	WATER PUMP ASSEMBLY, COMPLETE	39	-
32-33645	HOSE EXHAUST-ENGINE EXHAUST PIPE ELBOW TO BOAT	59	1	47-30221	IMPELLER, FRONT BODY	39	18
32-33685	TUBE, CONNECTOR- EXHAUST HOSE	59	3	47-30221	IMPELLER, REAR BODY	39	10
				50-32703	STARTER MOTOR ASSEMBLY (SEE E12 FOR BREAKDOWN)	3	18
				50-32703	STARTER MOTOR ASSEMBLY, COMPLETE	7	-
				53-33290	RING, RETAINING - PINION STOP COLLAR	7	4

PARTS INDEX

Part Number	Description	Pg.	Ref. No.	Part Number	Description	Pg.	Ref. No.
53-33452	RING, SNAP - BALL BEARING TO BEARING HOUSING	39	29	428-2347	CRANKSHAFT	47	26
53-33452	RING, SNAP - BALL BEARING TO BEARING HOUSING	39	5	431-2340	CAMSHAFT	45	20
54-22627	CLIP, FUEL LINE TO TAB	19	30	614-2341	CONNECTING ROD ASSEMBLY	45	17
54-22690	CLIP, WIRING HARNESS TO STARTER MOTOR (11/16")	3	20	733-2231	PISTON AND PISTON PIN ASSEMBLY (.002 O.S.)	45	13
54-22875	CLIP, WIRING HARNESS TO BOAT	59	5	733-2274	PISTON AND PISTON PIN (.020 O.S.)	45	13
54-23567	CLAMP WIRING HARNESS TO BOAT	55	56	733-2278	PISTON AND PISTON PIN ASSEMBLY (STANDARD)	45	13
54-23567	CLAMP WIRING HARNESS TO MOUNTING BRACKET (9/16)	55	52	736-2343	PISTON AND PISTON PIN ASSEMBLY (.001 O.S.)	45	13
54-32781	CLAMP, HOSE TO LOWER WATER METERING HOUSING AND WATER PUMP	31	4	841-2349	CYLINDER BLOCK ASSEMBLY	45	1
54-32880	CLAMP, HOSE TO LOWER METERING HOUSING AND BEARING HOUSING	31	6	841-2349	CYLINDER BLOCK ASSEMBLY	49	23
54-32880	CLAMP, HOSE TO UPPER WATER METERING HOUSING AND INLET HOUSING	31	15	938-2351	CYLINDER HEAD ASSEMBLY	43	17
54-32880	CLAMP, HOSE TO UPPER WATER METERING HOUSING AND INLET HOUSING	31	17	1339-2249	CARBURETOR ASSEMBLY (SEE F8 & F10 BREAKDOWN)	21	1
54-33036	RETAINER, STAT COVER AND COIL TO CHOKE HOUSING SCREW	25	21	1339-2249	CARBURETOR ASSEMBLY, COMPLETE (SEE NOTE BELOW)	25	-
54-33307	CLIP, SWITCH TERMINAL STUD	9	56	1339-2249	CARBURETOR ASSEMBLY, COMPLETE (SEE NOTE BELOW)	29	-
54-33329	CLIP, TERMINAL - STATOR LEADS	11	3	1397-2050	PLUG, BALL - CHOKE HOUSING	25	10
54-33361	CLIP, WIRING HARNESS LEADS TO ROCKER VALVE COVER	3	2	1397-2059	CHOKE PISTON, CHOKE HOUSING	25	14
54-33683	CLAMP, COVER TO FLANGE	59	15	1397-2062	IDLE ADJUSTING NEEDLE, THROTTLE BODY	29	55
54-33683	CLAMP, HOSE TO CONNECTOR TUBE	59	4	1397-2104	VALVE, CHOKE - CHOKE SHAFT	25	39
54-33683	CLAMP, HOSE TO EXHAUST FLANGE	59	10	1397-2105	LEVER, TRIP - CHOKE SHAFT	27	42
54-33683	CLAMP, HOSE TO EXHAUST PIPE ELBOW	59	2	1397-2110	PLATE, BAFFLE - CHOKE HOUSING	25	17
54-34764	EYE, LIFTING - INTAKE MANIFOLD SCREW	37	42	1397-2111	CHOKE SHAFT ASSEMBLY	25	35
54-35830	CLAMP, VENT HOSE TO CARBURETOR AND CONNECTOR	21	6	1397-2112	CHOKE SHAFT ASSEMBLY, INTERMEDIATE	25	36
222-2339	FLYWHEEL ASSEMBLY	47	29	1397-2113	CHOKE LEVER AND COLLAR ASSEMBLY, CHOKE SHAFT	27	41
393-1275	SLEEVE, TERMINAL END COVER	17	--	1397-2115	LEVER ASSEMBLY, CHOKE PISTON	25	13
393-1286	BALLAST	17	59	1397-2116	CHOKE HOUSING ASSEMBLY, FLOAT BOWL	25	8
394-1051	LOCKWIRE, FRONT MOUNTING BRACKET SCREW	35	9	1397-2125	STAT COVER AND COIL ASSEMBLY	25	19
				1397-2135	AIR HORN ASSEMBLY	25	22
				1397-2136	CAM, FAST IDLE - MOUNTING BRACKET	29	51
				1397-2250	OVERHAUL KIT	29	--
				1397-2251	OFF ENGINE KIT	29	--
				1397-2252	GASKET KIT	29	--
				1397-2254	PUMP SHAFT AND LEVER ASSEMBLY, FLOAT BOWL	25	29
				1397-2255	FLOAT ASSEMBLY	25	2
				1397-2256	POWER PISTON ASSEMBLY	29	65

PARTS INDEX

Part Number	Description	Pg.	Ref. No.	Part Number	Description	Pg.	Ref. No.
1397-2257	FLOAT BOWL ASSEMBLY . .	25	1				
1397-2257	FLOAT BOWL ASSEMBLY (ALSO SHOWN ON F8 REF #1)	29	57				
1397-2258	VENTURI CLUSTER ASSEMBLY, PRIMARY - FLOAT BOWL	29	68				
1397-2259	VENTURI CLUSTER ASSEMBLY, SECONDARY -FLOAT BOWL	29	69				
1397-2260	JET, PRIMARY - FLOAT BOWL	29	63				
1397-2261	JET, SECONDARY - FLOAT BOWL	29	64				
1397-2262	THROTTLE VALVE ASSEMBLY, AUXILIARY - FLOAT BOWL	29	59				
1397-2263	INSERT, MAIN WELL	29	--				
1397-2264	ROD, CHOKE SHAFT	25	37				
1397-2265	ROD, CHOKE	25	33				
1397-2266	FAST IDLE SCREEW, THROTTLE BODY	29	53				
1397-2267	ROD, PUMP	25	31				
1397-2268	LINK, SECONDARY LEVER - THROTTLE BODY	29	49				
1397-2269	THROTTLE BODY ASSEMBLY	29	44				
1397-2298	ALTITUDE KIT (5,000 FT.) . .	29	--				
1397-2299	ALTITUDE KIT (10,000FT.) . .	29	--				