



# PARTS CATALOG

## MERC 500

### SERIAL NUMBER

500 ..... CAN 1755549 THRU 2097444  
500 ..... USA 1770179 THRU 2116317

# TABLE OF CONTENTS:

ACCESSORIES .....	1
BOTTOM COWL ASSEMBLY AND SHIFT LINKAGE .....	36
CARBURETOR ASSEMBLY .....	24
CARBURETOR LINKAGE AND CHOKE SOLENOID .....	22
CLAMP AND SWIVEL BRACKET ASSEMBLY .....	44
COWLING AND FRONT COVER .....	10
CRANKSHAFT, PISTON AND CONNECTING ROD .....	34
CYLINDER BLOCK AND CRANKCASE ASSEMBLY .....	30
DRIVE SHAFT HOUSING ASSEMBLY .....	40
FLYWHEEL ASSEMBLY AND STATOR .....	12
FUEL PUMP ASSEMBLY .....	28
GEAR HOUSING ASSEMBLY, COMPLETE (PAGE 1) .....	48
GEAR HOUSING ASSEMBLY, COMPLETE (PAGE 2) .....	52
MAGNETO ADAPTOR AND PILOT ASSEMBLY .....	14
MAGNETO ASSEMBLY (INTERNAL PARTS) .....	18
PARTS INDEX .....	58
STARTER MOTOR, STARTER SOLENOID, RECTIFIER & WIRING HARNESS .....	56
TOP COWL ASSEMBLY AND SUPPORT BRACKETS (ELECTRIC) .....	6
TOP COWL ASSEMBLY, STARTER SHEAVE & SUPPORT BRACKETS MANUAL .....	2

**NOTE:** Indented description indicate that these parts are included in preceeding assembly.

**AR** = As Required

**NSS** = Not Sold Separate

**OPT** = Optional

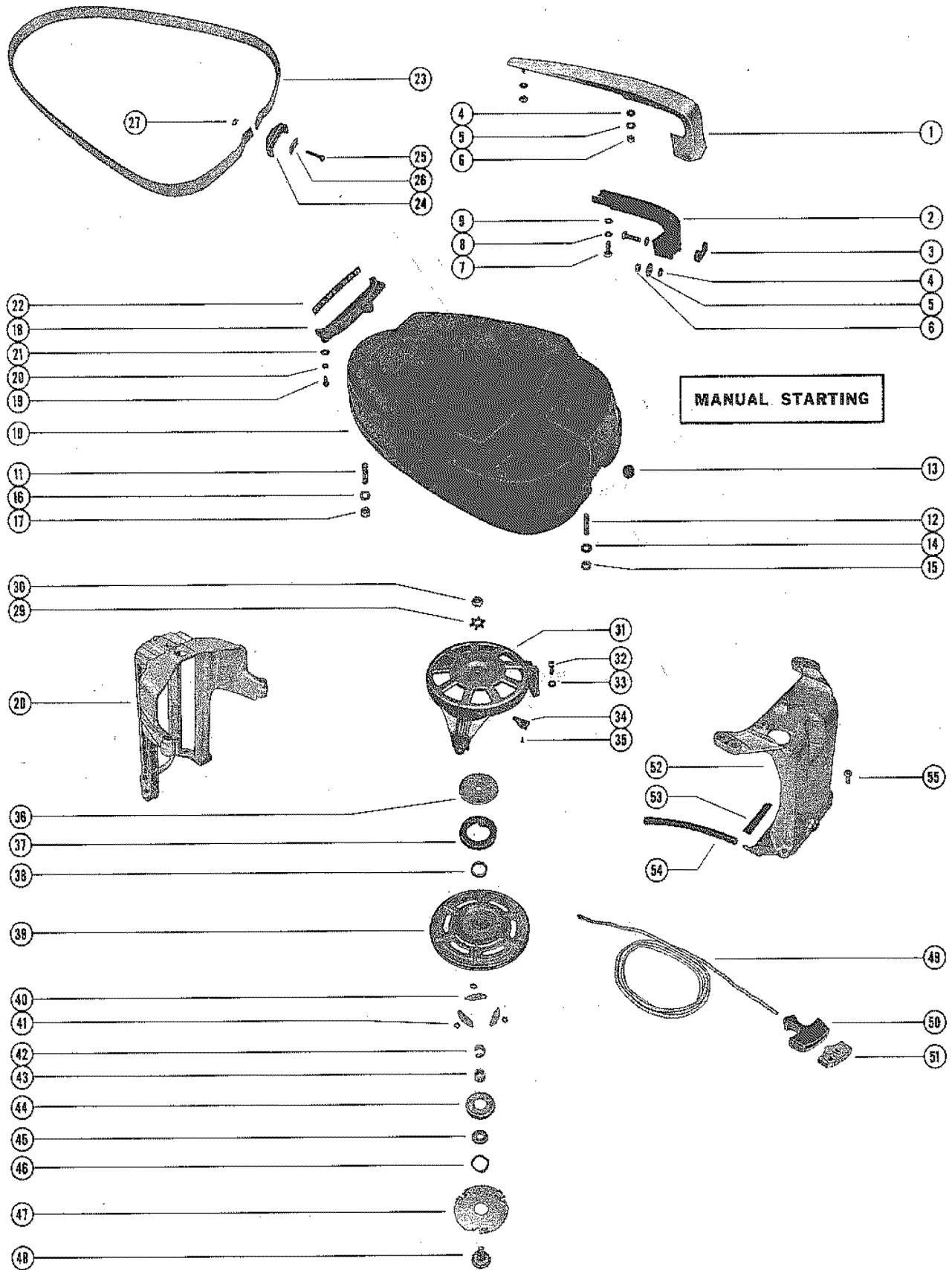
**NS** = Not Shown

**THESE PARTS BOOKS/FICHE CARD ARE COPYRIGHTED AND MAY NOT BE DISTRIBUTED OR REPRODUCED IN ANY OTHER FORMAT BY ANYONE OTHER THAN MERCURY MARINE WITHOUT THE PRIOR WRITTEN CONSENT OF MERCURY MARINE.**

# ACCESSORIES

REF. NO.	PART NO.	SYM.	QTY.	DESCRIPTION
-	27-37277A1		0	GASKET SET (MOTOR OVERHAUL)
-	92-32641-1		0	GEAR LUBRICANT
-	94-29616		0	SHIPPING CARTON (FUEL TANK)
-	94-39393		0	SHIPPING CARTON (MOTOR)
-	90-38691		0	MERC 500-4 PARTS LIST
-	37-37839A1		0	DECAL SET (MERC 500-4)
-	37-39274A1		0	DECAL SET (MERC 500-5)

# TOP COWL ASSEMBLY, STARTER SHEAVE & SUPPORT BRACKETS MANUAL

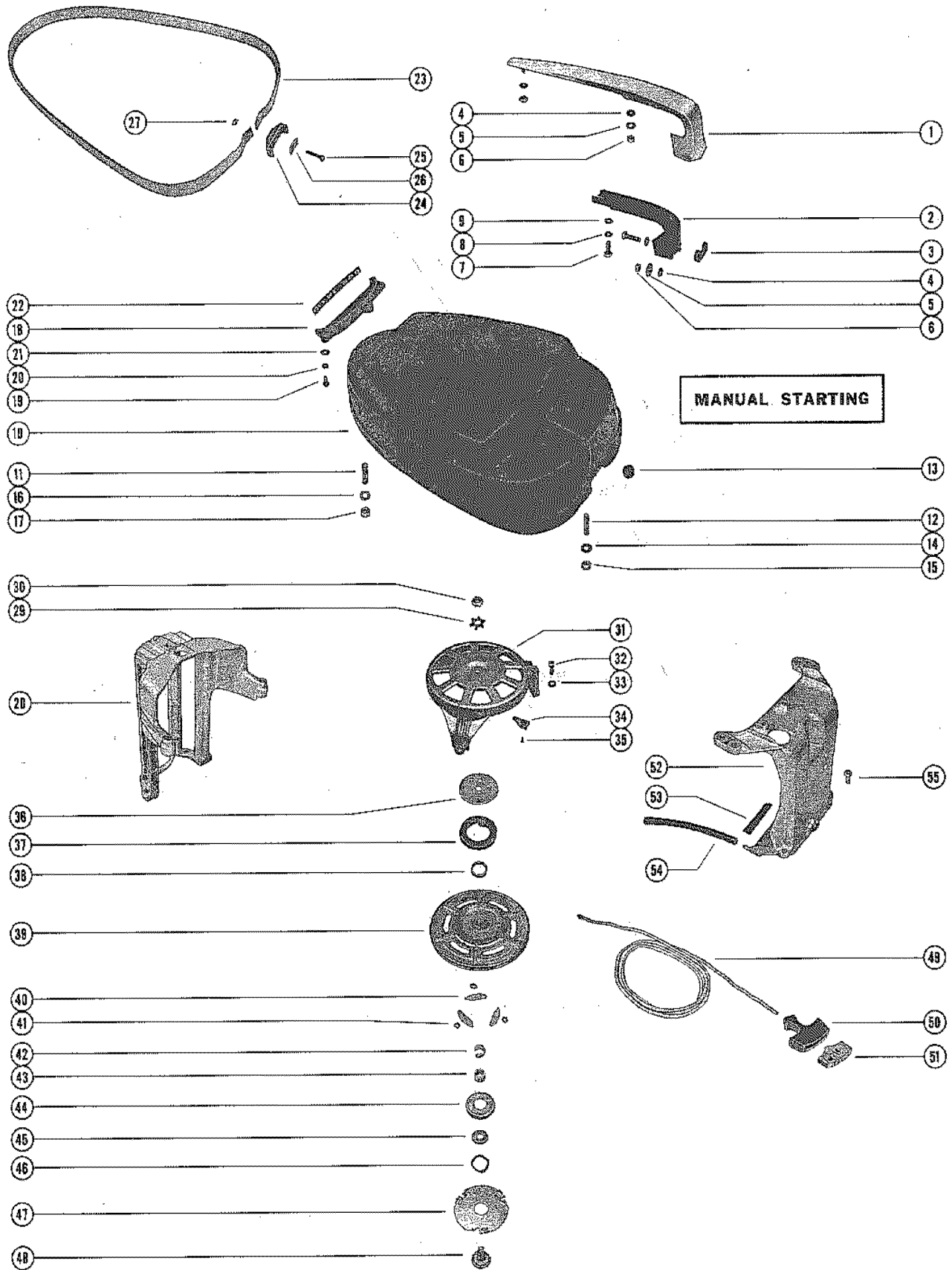


# TOP COWL ASSEMBLY, STARTER SHEAVE & SUPPORT BRACKETS MANUAL

REF. NO.	PART NO.	SYM.	QTY.	DESCRIPTION
1	37679		1,1	HANDLE, CHROME - TOP COWL
2	37689		1,1	HANDLE, INSIDE - TOP COWL
3	35496		1,1	PAD, BUMPER - TOP COWL HANDLE
4	12-20533		5,5	WASHER, TOP COWL HANDLE STUD (9/16" O.D.)
5	12-20346		2,2	WASHER, TOP COWL HANDLE STUD (3/4" O.D.)
6	11-21825		3,3	NUT, TOP COWL HANDLE STUD
7	10-24234		2,2	SCREW, HANDLE TO TOP COWL (1")
8	13-26993		1,1	LOCKWASHER, HANDLE TO TOP COWL SCREW
9	12-26825		2,2	WASHER, HANDLE TO TOP COWL SCREW
10	2117-2479A2		1,1	TOP COWL ASSEMBLY
11	16-21550		1,1	STUD, REAR - TOP COWL TO REAR SUPPORT BRACKET
12	16-21553		2,2	STUD, FRONT - TOP COWL TO FRONT SUPPORT BRACKET
13	25-20116		1,1	GROMMET, CHOKE KNOB - TOP COWL
14	12-20084		AR,AR	WASHER, TOP COWL STUD (5/16")
15	11-20102		2,2	NUT, TOP COWL STUD (5/16-24)
16	13-35048		1,1	LOCKWASHER, TOP COWL STUD (3/8")
17	11-24883		1,1	NUT, TOP COWL STUD (3/8-24)
18	37690		1,1	SHIELD, REAR - TOP COWL
19	10-37370		3,3	SCREW, REAR SHIELD TO TOP COWL
20	13-37371		3,3	LOCKWASHER, REAR SHIELD SCREW
21	12-21631		AR,AR	WASHER, REAR SHIELD SCREW
22	N.S.S.		*	DECAL, REAR SHIELD - "MERC 500"
	N.S.S.		,#	DECAL, REAR SHIELD - "MERC 500"
23	37702A1		1,1	TRIM MOULDING ASSEMBLY, TOP COWL
24	34433		1,1	BRACKET, TENSION - TRIM MOULDING
25	10-23015		1,1	SCREW, BRACKET AND TRIM MOULDING TO TOP COWL
26	12-34434		1,1	WASHER, BRACKET FASTENING SCREW
27	11-20110		1,1	NUT, BRACKET FASTENING SCREW
28	38431		1,1	BRACKET, REAR COWL SUPPORT
29	14-20165		1,1	TAB WASHER, SHEAVE SHAFT NUT
30	11-20166		1,1	NUT, SHEAVE SHAFT (LEFT HAND THREAD)
31	37685		1,1	HOUSING, STARTER
32	10-32565		3,3	SCREW, STARTER HOUSING TO CRANKCASE AND CYLINDER BLOCK (1")
33	13-20202		3,3	LOCKWASHER, STARTER HOUSING SCREW
34	37691		1,1	PLATE, CABLE GUIDE
35	10-35881		3,3	SCREW, DRIVE - CABLE GUIDE PLATE TO STARTER HOUSING
36	20155		1,	RETAINER, STARTER SPRING
	39835		,1	RETAINER, STARTER SPRING
37	24-29340A1		1,	SPRING, STARTER REWIND
	24-39502A1		,1	SPRING, STARTER REWIND
38	23-28912		1,1	BUSHING, SPRING GUIDE

CONTINUED ON NEXT PAGE ➡

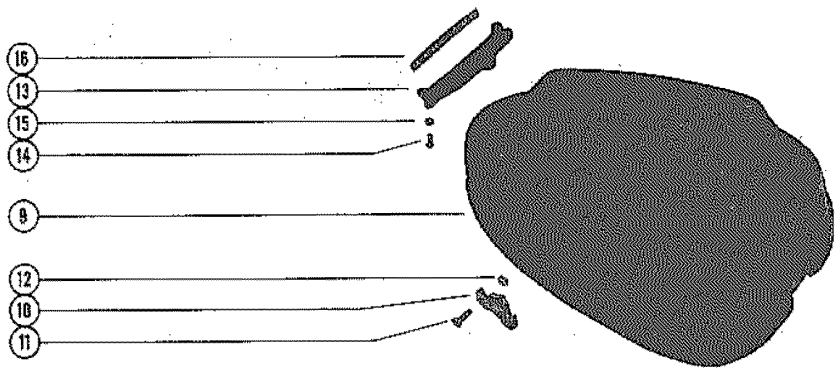
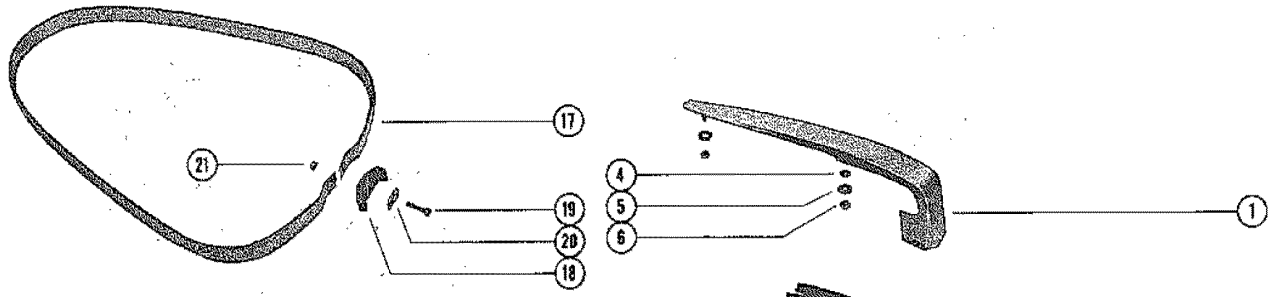
# TOP COWL ASSEMBLY, STARTER SHEAVE & SUPPORT BRACKETS MANUAL



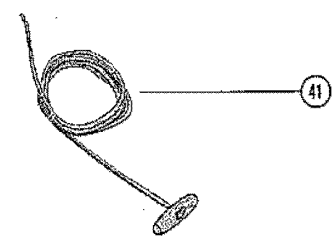
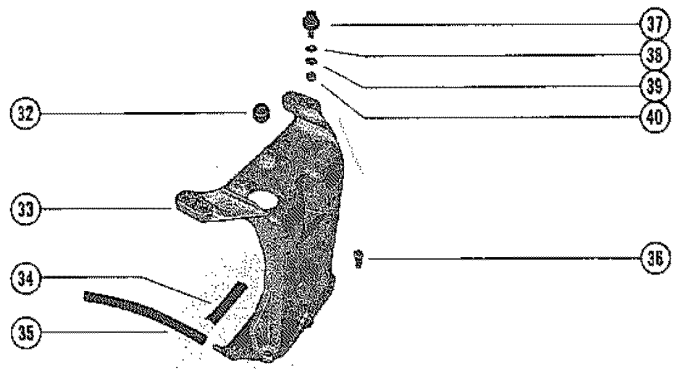
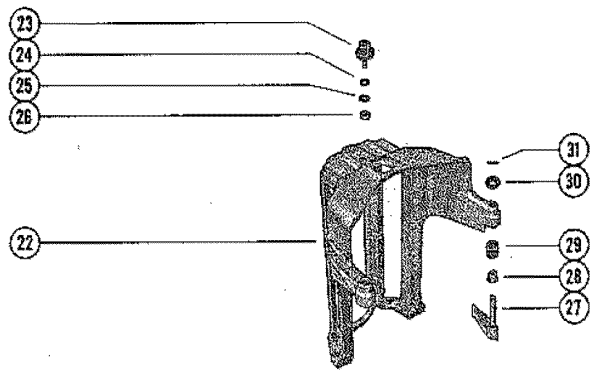
# TOP COWL ASSEMBLY, STARTER SHEAVE & SUPPORT BRACKETS MANUAL

REF. NO.	PART NO.	SYM.	QTY.	DESCRIPTION
39	50-30994		1,	SHEAVE ASSEMBLY
	50-39841		,1	SHEAVE ASSEMBLY
40	30596		3,3	PAWL, STARTER
41	13-30597		3,3	WASHER, WAVE - STARTER PAWL
42	23-28919		1,1	BUSHING, NYLON - SHEAVE SHAFT SPACER
43	23-28911		1,1	SPACER, SHEAVE SHAFT
44	26179		1,	RETAINER, WAVE WASHER (NOT AS SHOWN)
	39840		,1	RETAINER, WAVE WASHER
45	12-26180		1,1	WASHER, WAVE WASHER RETAINER
46	13-20160		1,1	WASHER, WAVE - RETAINER TENSION
47	30595		1,	PLATE, RETAINER - STARTER PAWL
	39839		,1	PLATE, RETAINER - STARTER PAWL
48	28913		1,1	SHAFT, SHEAVE
49	50-28985A1		1,1	STARTER CABLE ASSEMBLY
50	28747		1,1	HANDLE, STARTER CABLE
51	28748		1,1	RETAINER, STARTER CABLE AND HANDLE
52	38292A1		1,1	BRACKET ASSEMBLY, FRONT SUPPORT
53	37921		1,1	FLANGE, RUBBER - FRONT SUPPORT BRACKET
54	32-37670		1,1	TUBE, DRAIN - FRONT SUPPORT BRACKET TO BOTTOM COWL
55	10-24234		2,2	SCREW, FRONT SUPPORT BRACKET TO BOTTOM COWL (1")

# TOP COWL ASSEMBLY AND SUPPORT BRACKETS (ELECTRIC)



**ELECTRIC STARTING**



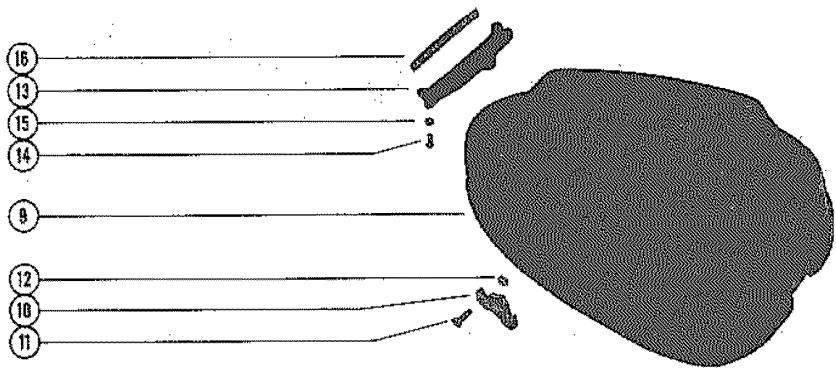
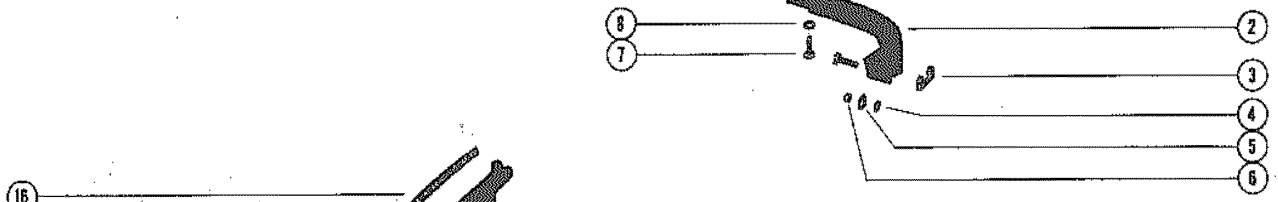
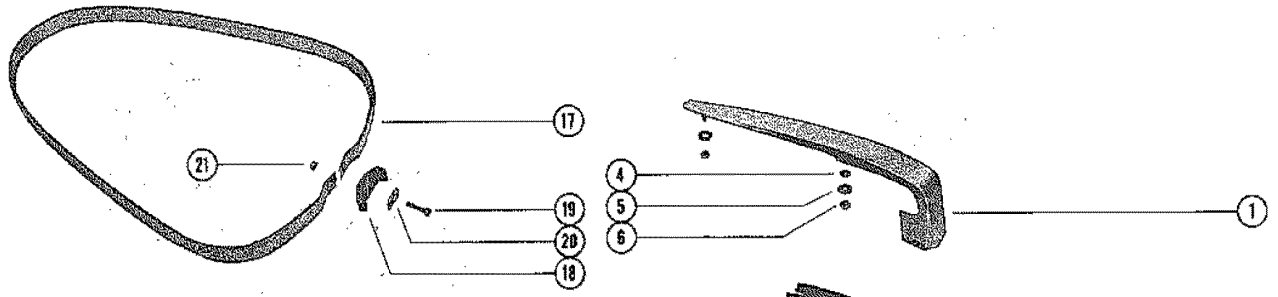


# TOP COWL ASSEMBLY AND SUPPORT BRACKETS (ELECTRIC)

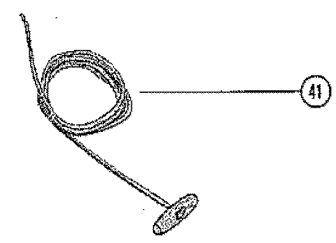
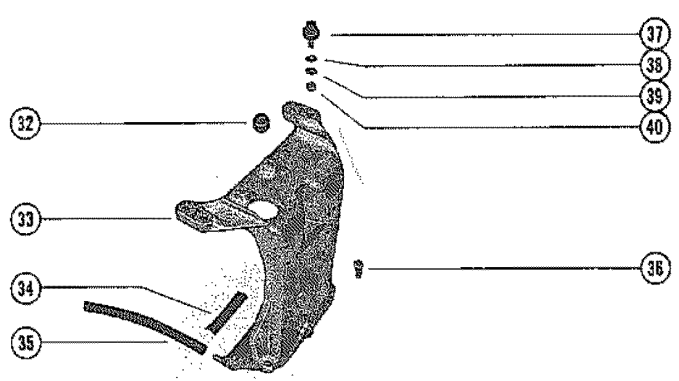
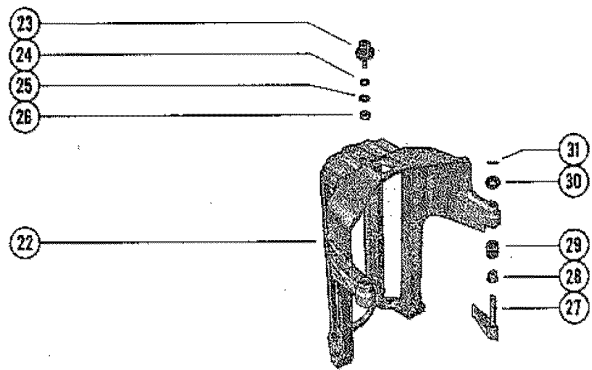
REF. NO.	PART NO.	SYM.	QTY.	DESCRIPTION
1	37679		1,1	HANDLE, CHROME - TOP COWL
2	37689		1,1	HANDLE, INSIDE - TOP COWL
3	35496		1,1	PAD, BUMPER - TOP COWL HANDLE
4	12-20533		5,5	WASHER, TOP COWL HANDLE STUD (9/16" O.D.)
5	12-20346		2,2	WASHER, TOP COWL HANDLE STUD (3/4" O.D.)
6	11-21825		3,3	NUT, TOP COWL HANDLE STUD
7	10-24234		2,2	SCREW, HANDLE TO TOP COWL (1")
8	13-26993		1,1	LOCKWASHER, HANDLE TO TOP COWL SCREW
9	2117-2480		1,1	TOP COWL
10	37411		2,2	BRACKET, TOP COWL LATCH
11	10-37560		4,4	SCREW, LATCH BRACKET TO TOP COWL
12	11-37556		4,4	NUT, LATCH BRACKET SCREW
13	27690		1,1	SHIELD, REAR - TOP COWL
14	10-37370		3,3	SCREW, REAR SHIELD TO TOP COWL
15	13-37371		3,3	LOCKWASHER, REAR SHIELD SCREW
16	N.S.S.		*	DECAL, REAR SHIELD - "MERC 500"
	N.S.S.		,#	DECAL, REAR SHIELD - "MERC 500"
17	37702A1		1,1	TRIM MOULDING ASSEMBLY, TOP COWL
18	34433		1,1	BRACKET, TENSION - TRIM MOULDING
19	10-23015		1,1	SCREW, BRACKET AND TRIM MOULDING TO TOP COWL
20	12-34434		1,1	WASHER, BRACKET FASTENING SCREW
21	11-20110		1,1	NUT, BRACKET FASTENING SCREW
22	38431		1,1	BRACKET, REAR COWL SUPPORT
23	37640		1,1	MOUNT, RUBBER - REAR SUPPORT BRACKET
24	13-26993		1,1	LOCKWASHER, REAR SUPPORT BRACKET RUBBER MOUNT
25	12-26825		1,1	WASHER, REAR SUPPORT BRACKET RUBBER MOUNT
26	11-22053		1,1	NUT, REAR SUPPORT BRACKET RUBBER MOUNT
27	37412		2,2	LEVER, CLAMPING - TOP COWL
28	23-26819		2,2	BUSHING, TOP COWL CLAMPING LEVER (NYLON)
29	23-31293		2,2	BUSHING, TOP COWL CLAMPING LEVER (RUBBER)
30	53-30428		2,2	FASTENER, TOP COWL CLAMPING LEVER
31	17-29077		2,2	PIN, ROLL - TOP COWL CLAMPING LEVER
32	25-20116		1,1	GROMMET, CHOKE KNOT - FRONT SUPPORT BRACKET
33	37716A1		1,1	BRACKET ASSEMBLY, FRONT SUPPORT
34	37921		1,1	FLANGE, RUBBER - FRONT SUPPORT BRACKET
35	32-37670		1,1	TUBE, DRAIN - FRONT SUPPORT BRACKET TO BOTTOM COWL
36	10-24234		2,2	SCREW, FRONT SUPPORT BRACKET TO BOTTOM COWL (1")
37	31014		2,2	MOUNT, RUBBER - FRONT SUPPORT BRACKET
38	13-26992		2,2	LOCKWASHER, FRONT SUPPORT BRACKET RUBBER MOUNT

CONTINUED ON NEXT PAGE ➡

# TOP COWL ASSEMBLY AND SUPPORT BRACKETS (ELECTRIC)



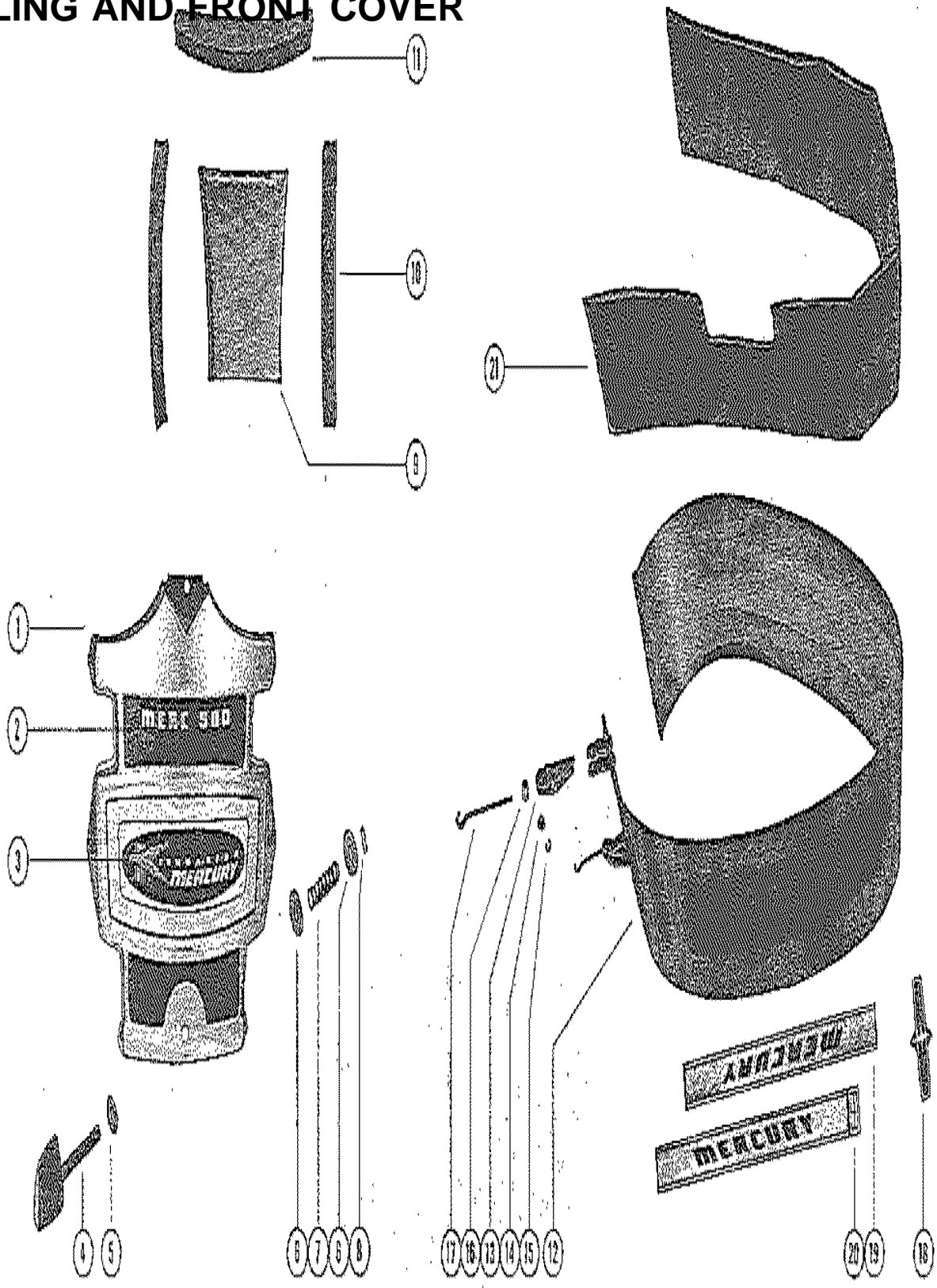
**ELECTRIC STARTING**



## TOP COWL ASSEMBLY AND SUPPORT BRACKETS (ELECTRIC)

REF. NO.	PART NO.	SYM.	QTY.	DESCRIPTION
39	12-20346		2,2	WASHER, FRONT SUPPORT BRACKET RUBBER MOUNT
40	11-20088		2,2	NUT, FRONT SUPPORT BRACKET RUBBER MOUNT
41	50-37901		1,1	STARTER CABLE (FOR MANUAL STARTING ONLY)
-	<b>N.S.S.</b>		*,	<b>DECAL, TOP COWL - MANUAL STARTING INSTRUCTIONS</b>
-	<b>N.S.S.</b>		,#	<b>DECAL, TOP COWL - MANUAL STARTING INSTRUCTIONS</b>

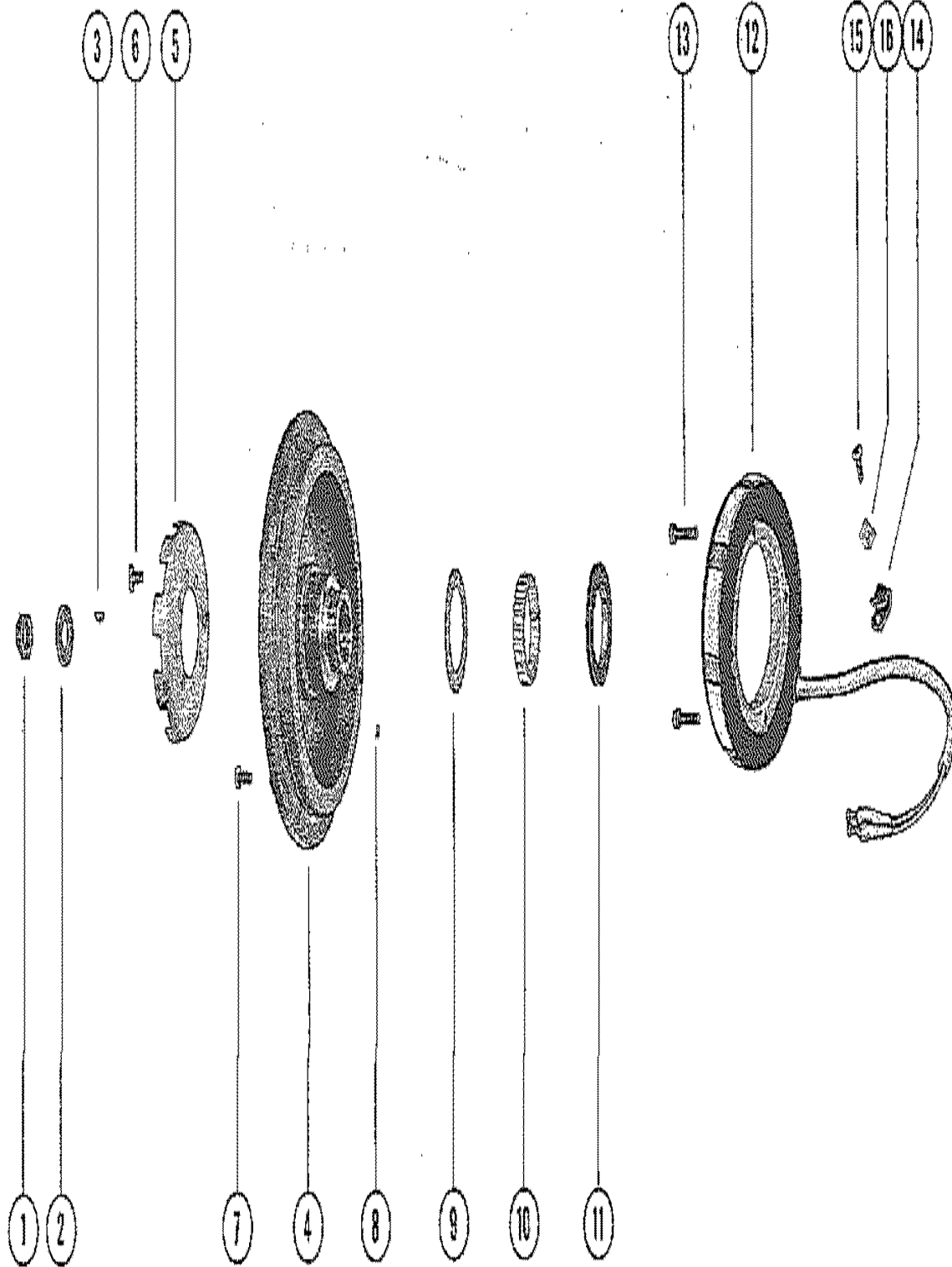
# COWLING AND FRONT COVER



## COWLING AND FRONT COVER

REF. NO.	PART NO.	SYM.	QTY.	DESCRIPTION
1	2104-2334A5		1,1,,	COWL FRONT COVER ASSEMBLY
	2104-2654A4		,,1,1	COWL FRONT COVER ASSEMBLY
2	N.S.S.		*,*,,	DECAL, "MERC 500"
	N.S.S.		,,#,#	DECAL, "MERC 500"
3	N.S.S.		*,*,,	DECAL, FRONT COVER EMBLEM
	N.S.S.		,,#,#	DECAL, FRONT COVER EMBLEM
4	32361		1,1,1,1	KNOB, COWL FRONT COVER FASTENING
5	12-30771		1,1,1,1	WASHER, COVER FASTENING KNOB
6	12-27129		2,2,2,2	WASHER, COVER FASTENING KNOB
7	24-32271		1,1,1,1	SPRING, TENSION - COVER FASTENING KNOB
8	17-29077		1,1,1,1	PIN, ROLL - TENSION SPRING TO KNOB
9	38674		1,1,1,1	BLANKET, SOUND ABSORBING
10	31095		2,2,2,2	SEAL, SOUND - LOWER SECTION
11	38133		1,1,1,1	SEAL, SOUND - UPPER SECTION
12	2118-2499A2		1,1,,	WRAP AROUND COWL ASSEMBLY
	2118-2656A2		,,1,1	WRAP AROUND COWL ASSEMBLY
13	21060		2,2,,	HANDLE, COWL LATCH
	38961		,,2,2	HANDLE, COWL LATCH
14	17-21057		4,4,4,4	PIN, HINGE - HANDLE TO COWL LATCH
15	53-21058		4,4,4,4	"E" RING, HANDLE TO COWL LATCH HINGE PIN
16	25690		2,2,,	SWIVEL, COWL LATCH
	38964		,,2,2	SWIVEL, COWL LATCH
17	25691		2,2,,	HOOK, COWL LATCH FASTENING
	30413		,,2,2	HOOK, COWL LATCH FASTENING
18	N.S.S.		*,*,,	DECAL, WRAP AROUND COWL - REAR
19	N.S.S.		*,*,,	DECAL, WRAP AROUND COWL - STARBOARD
20	N.S.S.		*,*,,	DECAL, WRAP AROUND COWL - PORT
19	N.S.S.		,,#,#	DECAL, WRAP AROUND COWL - STARBOARD
20	N.S.S.		,,#,#	DECAL, WRAP AROUND COWL - PORT
21	37794		1,1,1,1	BLANKET, SOUND ABSORBING
-	92-25234--1		1,1,1,1	GLUE (BLANKET ADHESIVE)

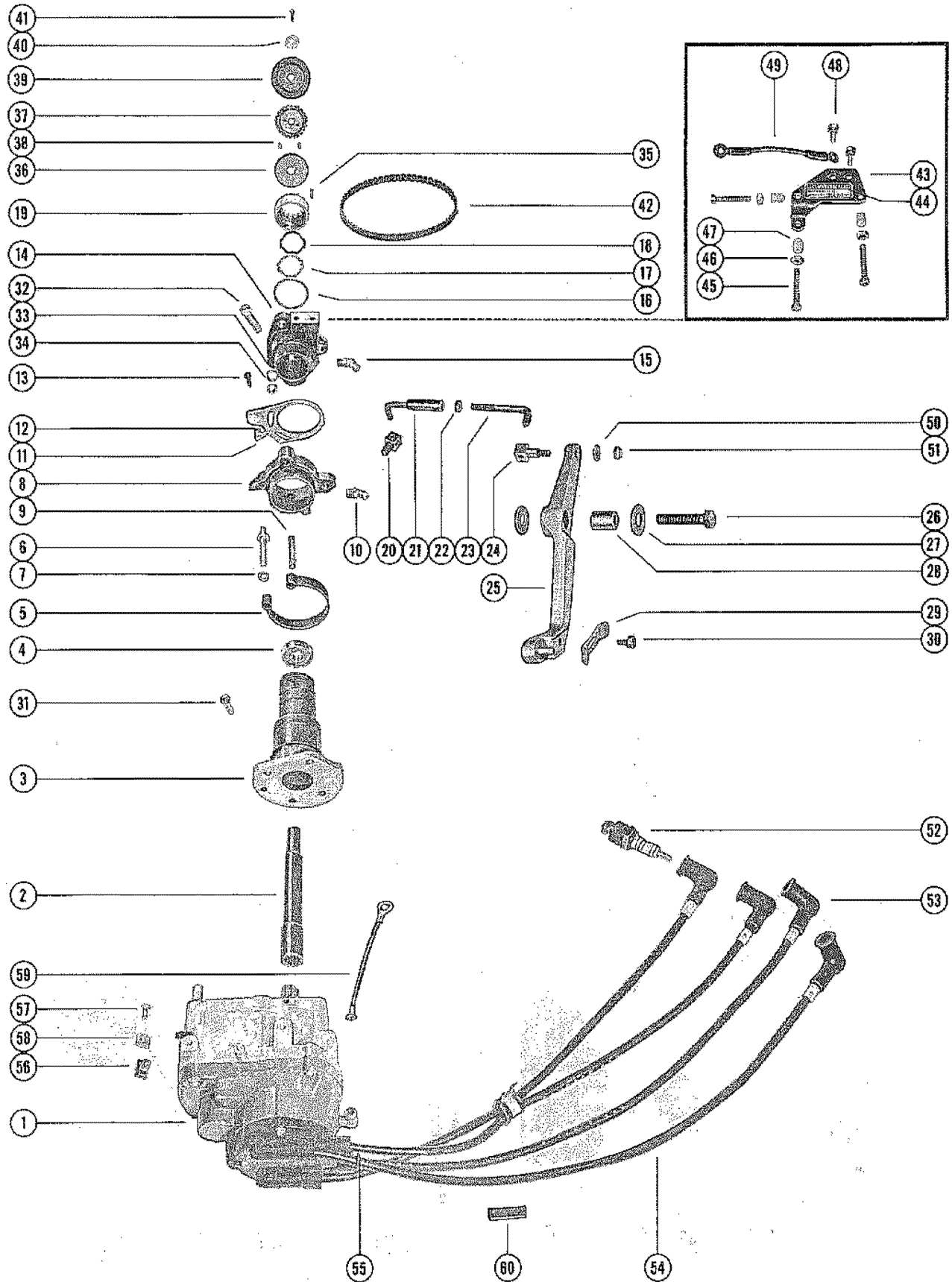
# FLYWHEEL ASSEMBLY AND STATOR



# FLYWHEEL ASSEMBLY AND STATOR

REF. NO.	PART NO.	SYM.	QTY.	DESCRIPTION
1	11-22339		1,1,1,1	NUT, FLYWHEEL
2	12-33001		1,1,1,1	WASHER, FLYWHEEL NUT
3	28-20094		1,1,1,1	KEY, FLYWHEEL DRIVE
4	223-2402A2		1,,	FLYWHEEL ASSEMBLY
	223-2402A3		,,1	FLYWHEEL ASSEMBLY
	223-2403A5		,1,,1	FLYWHEEL ASSEMBLY
5	50-35817		1,,	RATCHET, FLYWHEEL - FLEX PLATE
	50-39837		,,1	RATCHET, FLYWHEEL - FLEX PLATE
6	10-32417		8,8,8,8	SCREW, PLATE AND RATCHET TO FLYWHEEL HUB
7	10-26774		8,8,8,8	SCREW, FLEX PLATE TO FLYWHEEL
8	17-26618		1,1,1,1	PIN, DOWEL - PULLEY TO FLYWHEEL
9	29788		1,1,1,1	FLANGE, FLYWHEEL PULLEY
10	30306		1,1,1,1	PULLEY, FLYWHEEL
11	29787		1,1,1,1	HUB, FLANGE - FLYWHEEL PULLEY
12	398-2171		,1,,1	STATOR, ALTERNATOR - FLYWHEEL
13	10-32614		,4,,4	SCREW, STATOR TO UPPER END CAP
14	54-24836		,1,,1	CLAMP, STATOR LEAD TO CRANKCASE
15	10-30009		,1,,1	SCREW, STATOR LEAD CLAMP FASTENING
16	22789		,1,,1	"D" WASHER, STATOR LEAD CLAMP SCREW

# MAGNETO ADAPTOR AND PILOT ASSEMBLY



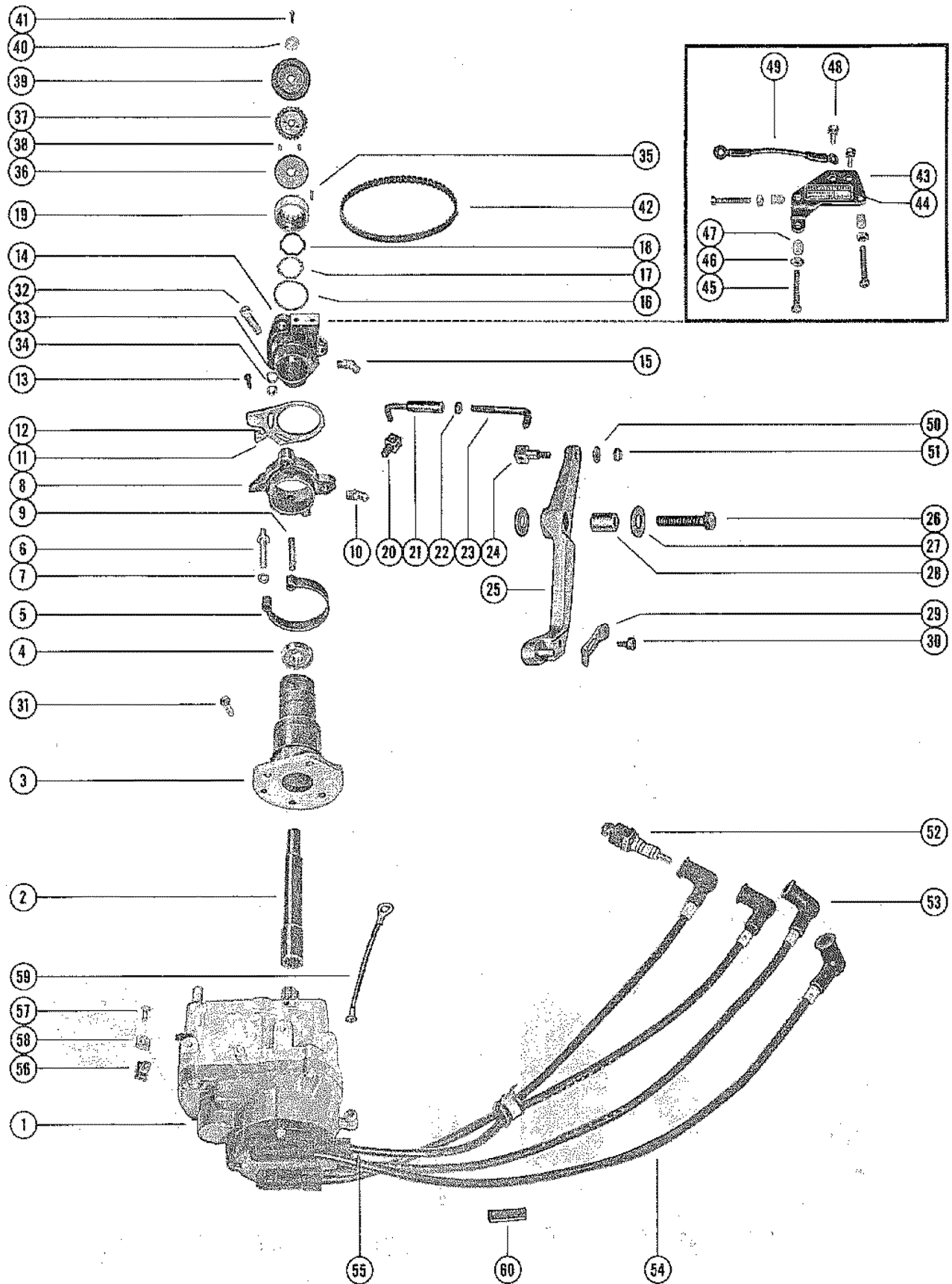


# MAGNETO ADAPTOR AND PILOT ASSEMBLY

REF. NO.	PART NO.	SYM.	QTY.	DESCRIPTION
1	394-2271A2		1,1,1,1	MAGNETO ASSEMBLY, COMPLETE (4D-4)
2	45-27951		1,1,1,1	SHAFT, MAGNETO DRIVE
-	<b>29321A9</b>		<b>1,1,,</b>	<b>MAGNETO ADAPTOR AND PILOT ASSEMBLY, COMPLETE</b>
3	29321A1		1,1,,	MAGNETO PILOT ASSEMBLY
	39560A1		,,1,1	MAGNETO PILOT ASSEMBLY
4	30-20066		1,1,1,1	BALL BEARING, MAGNETO PILOT
5	24-27944		1,1,1,1	SPRING, HORSESHOE - MAGNETO PILOT
6	17-27962		1,1,1,1	PIN, ANCHOR - HORSESHOE SPRING TO PILOT
7	12-29245		1,1,1,1	WASHER, HORSESHOE SPRING TO ANCHOR PIN
8	27946A1		1,1,1,1	ECONOMIZER COLLAR AND PIN ASSEMBLY
9	17-27961		1,1,1,1	PIN, ECONOMIZER COLLAR - SPRING RETAINER
10	22-25094		1,1,1,1	FITTING, GREASE - ECONOMIZER COLLAR
11	38230A1		1,1,1,1	THROTTLE ACTUATOR ASSEMBLY
12	23-26602		1,1,1,1	BUSHING, NYLON - THROTTLE ACTUATOR
13	10-32078		2,2,2,2	SCREW, THROTTLE ACTUATOR TO ECONOMIZER COLLAR
14	30043		1,1,1,1	ADAPTOR, MAGNETO
15	22-25094		1,1,1,1	FITTING, GREASE - MAGNETO ADAPTOR
16	12-27939		1,1,1,1	WASHER, MAGNETO PILOT
17	14-27960		1,1,1,1	TAB WASHER, ADAPTOR CAP FASTENING
18	13-27959		1,1,1,1	WASHER, WAVE - MAGNETO BALL BEARING TENSION
19	27955		1,1,1,1	CAP, MAGNETO ADAPTOR AND PILOT FASTENING
20	27947		1,1,1,1	SWIVEL, LINKAGE - ECONOMIZER COLLAR
21	25996A1		1,1,1,1	SWIVEL AND LINK ROD ASSEMBLY
22	11-25168		1,1,1,1	NUT, UPPER LINK ROD ADJUSTING
23	37700		1,1,1,1	ROD, LINK - UPPER
24	27948		1,1,1,1	SWIVEL, UPPER LINK ROD TO THROTTLE CONTROL LEVER
25	37688		1,1,1,1	LEVER, THROTTLE CONTROL
26	10-34613		1,1,1,1	SCREW, THROTTLE LEVER TO EXHAUST COVER
27	12-29395		2,2,2,2	WASHER, THROTTLE LEVER SCREW
28	23-29529		1,1,1,1	BUSHING, THROTTLE LEVER SCREW
29	24-37934		1,1,1,1	SPRING, QUICK DISCONNECT - THROTTLE CABLE TO THROTTLE LEVER
30	10-38069		1,1,1,1	SCREW, ANCHOR - QUICK DISCONNECT SPRING TO THROTTLE LEVER
31	10-30110		4,4,4,4	SCREW, ADAPTOR AND PILOT TO MAGNETO
32	10-22040		3,3,3,3	SCREW ADAPTOR AND PILOT TO CRANKCASE
33	12-20084		3,3,3,3	WASHER, ADAPTOR AND PILOT TO CRANKCASE SCREW
34	11-20083		3,3,3,3	NUT, ADAPTOR AND PILOT TO CRANKCASE SCREW
35	28-28657		1,1,1,1	KEY, MAGNETO DRIVING
36	29784		1,1,1,1	HUB, DRIVEN PULLEY
37	29783A1		1,1,1,1	DRIVEN PULLEY ASSEMBLY
38	17-24873		2,2,2,2	PIN, ROLL - FLANGE LOCATING
39	29785		1,1,1,1	FLANGE, DRIVEN PULLEY

CONTINUED ON NEXT PAGE ➡

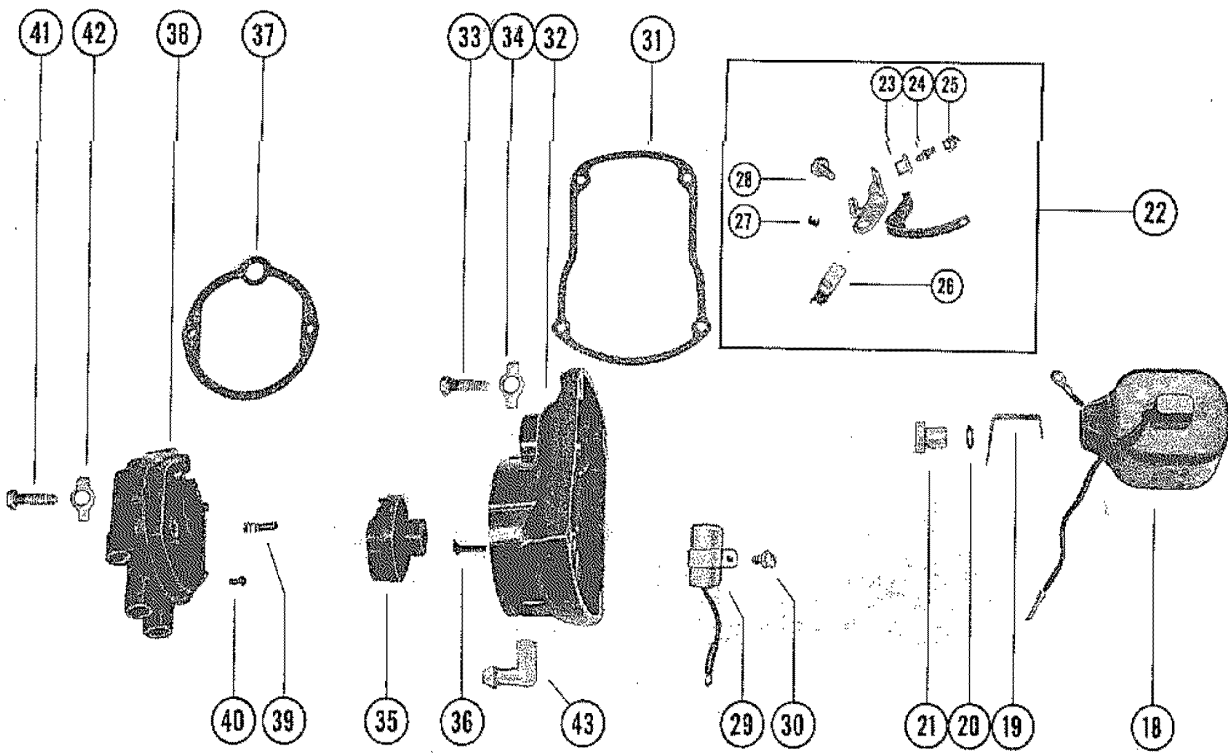
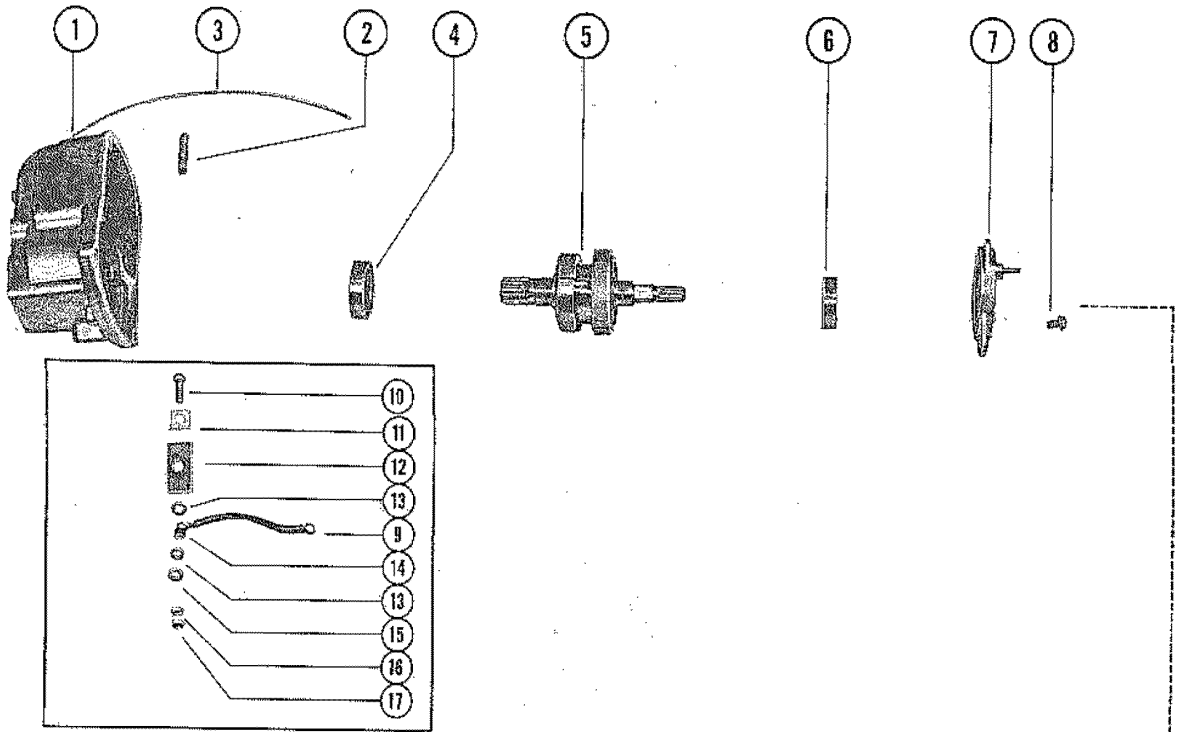
# MAGNETO ADAPTOR AND PILOT ASSEMBLY



## MAGNETO ADAPTOR AND PILOT ASSEMBLY

REF. NO.	PART NO.	SYM.	QTY.	DESCRIPTION
40	12-20138		1,1,1,1	WASHER, PULLEY CLAMPING SCREW
41	10-29240		1,1,1,1	SCREW, PULLEY CLAMPING
42	20140		1,1,1,1	BELT, TIMING
43	29277		1,1,1,1	PLATE, THROTTLE STOP
44	N.S.S.		*,*,	DECAL, THROTTLE STOP PLATE (STOP ADJUSTMENTS)
	N.S.S.		.,#,.	DECAL, THROTTLE STOP PLATE (STOP ADJUSTMENTS)
45	10-24933		3,3,3,3	SCREW, THROTTLE STOP ADJUSTING
46	11-20088		3,3,3,3	NUT, THROTTLE STOP ADJUSTING SCREW
47	26852		3,3,3,3	CAP, NYLON - ADJUSTING SCREW
48	10-29197		2,2,2,2	SCREW, THROTTLE STOP PLATE TO ADAPTOR
49	37996		1,1,1,1	GROUND STRAP, THROTTLE STOP PLATE SCREW
50	12-29245		1,1,1,1	WASHER, UPPER SWIVEL TO THROTTLE LEVER
51	11-20586		1,1,1,1	NUT, UPPER SWIVEL TO THROTTLE LEVER
52	33-30578		4,4,4,4	SPARK PLUG
53	20119		4,4,4,4	PROTECTOR, SPARK PLUG
54	23564		4,4,4,4	CABLE, HIGH TENSION LEAD - SPARK PLUG
55	25-25429		4,4,4,4	"O" RING, HIGH TENSION LEAD CABLE TO END CAP COVER
56	54-25231		1,1,1,1	CLIP, HARNESS LEADS TO MAGNETO
57	10-20401		1,1,1,1	SCREW, LEAD CLIP TO MAGNETO
58	22789		1,1,1,1	"D" WASHER, CLIP FASTENING SCREW
59	394-1134A1		1,1,1,1	GROUND STRAP ASSEMBLY, MAGNETO TO CRANKCASE
60	32-37694		2,2,2,2	SLEEVE, HIGH TENSION LEAD (3")

# MAGNETO ASSEMBLY (INTERNAL PARTS)

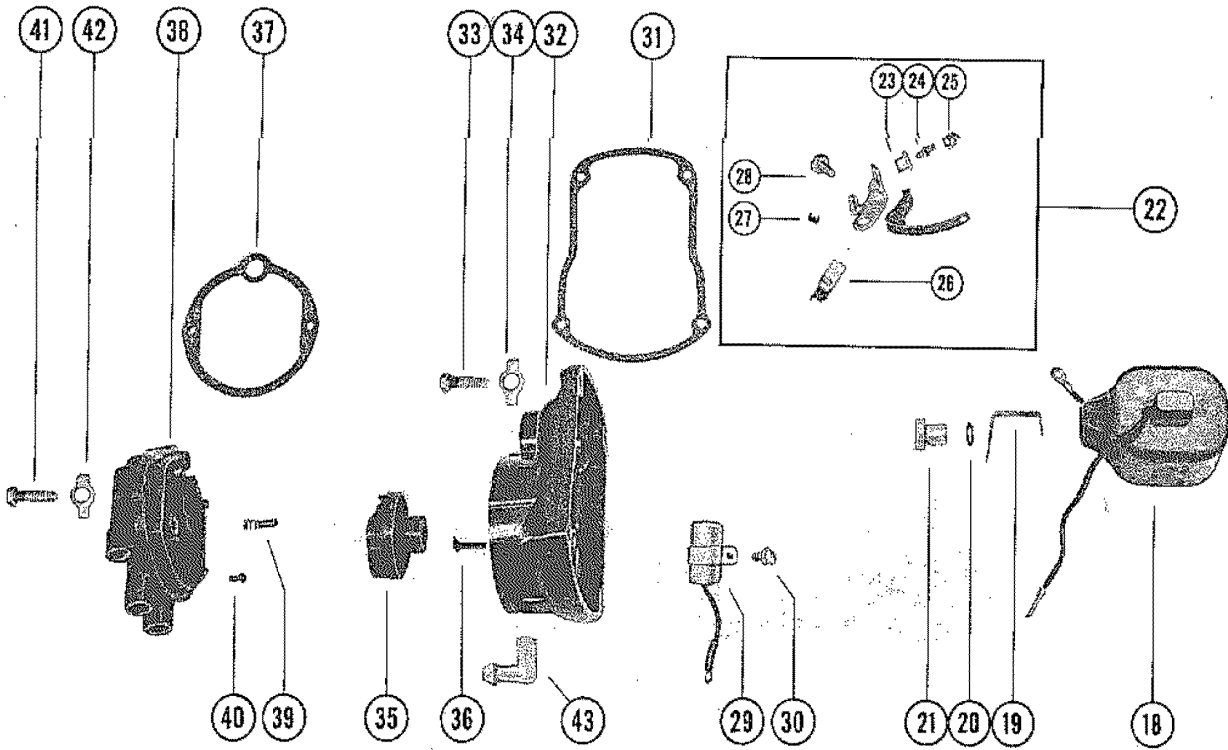
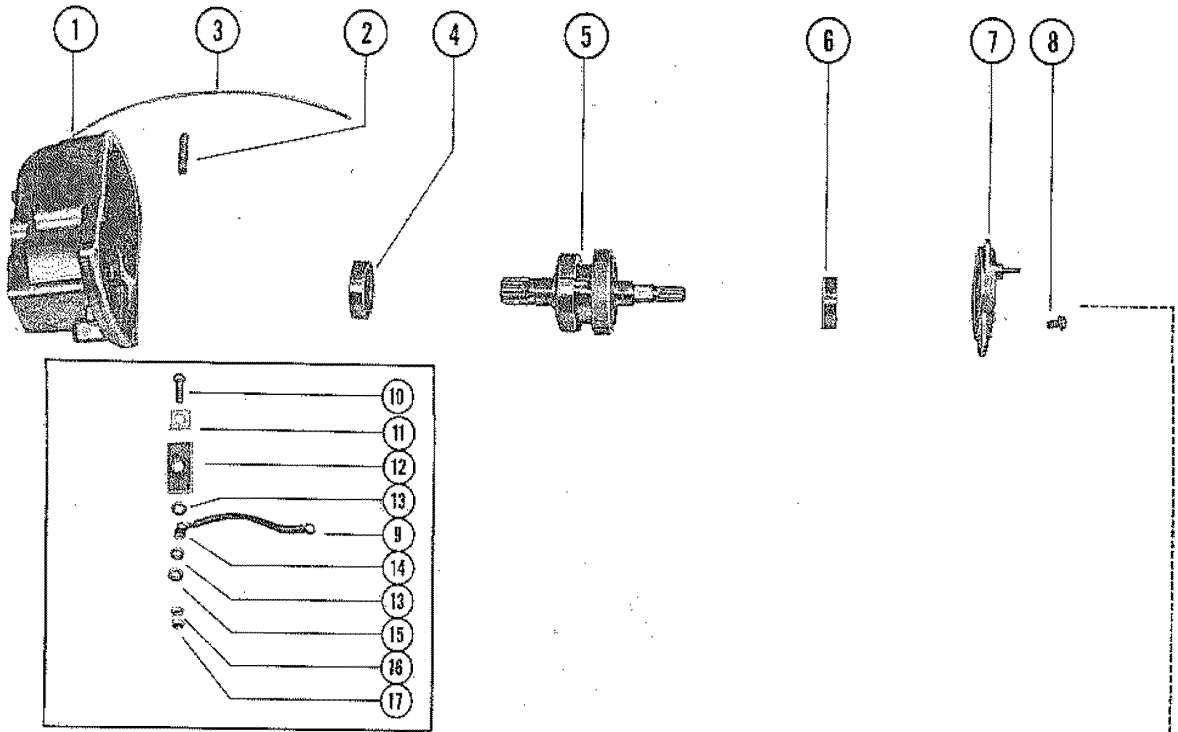


## MAGNETO ASSEMBLY (INTERNAL PARTS)

REF. NO.	PART NO.	SYM.	QTY.	DESCRIPTION
-	394-2271A2		1,1,1,1	MAGNETO ASSEMBLY, COMPLETE
1	394-1570		1,1,1,1	FRAME, MAGNETO HOUSING
2	10-25510		2,2,2,2	SCRE, SET - COIL BRIDGE
3	394-1051		1,1,1,1	LOCKWIRE, COIL BRIDGE SET SCREW
4	30-24998		1,1,1,1	BEARING, BALL (DRIVE END)
5	394-1067		1,1,1,1	MAGNETIC ROTOR AND SHAFT
6	30-24997		1,1,1,1	BEARING, BALL (OPPOSITE DRIVE END)
7	394-1637		1,1,1,1	SUPPORT, BALL BEARING
8	10-25509		3,3,3,3	SCREW AND LOCKWASHER, SUPPORT TO FRAME
9	394-1053A1		1,1,1,1	WIRE ASSEMBLY, PRIMARY GROUND LEAD
10	10-29182		1,1,1,1	SCREW, PRIMARY GROUND (#10)
11	12-30267		1,1,1,1	WASHER, PRIMARY GROUND TERMINAL
12	394-1579		1,1,1,1	INSULATOR, PRIMARY GROUND TERMINAL
13	12-29099		1,1,1,1	WASHER, INSULATING - PRIMARY GROUND SCREW
14	23-29101		1,1,1,1	BUSHING, INSULATING - HOUSING FRAME
15	12-26014		1,1,1,1	WASHER, PRIMARY GROUND SCREW
16	11-24656		1,1,1,1	NUT, LOCK - PRIMARY GROUND SCREW
17	11-20645		1,1,1,1	NUT, PRIMARY GROUND SCREW
18	394-1128A1		1,1,1,1	COIL ASSEMBLY
19	394-1050		1,1,1,1	CLIP, COIL - HIGH TENSION
20	13-23836		1,1,1,1	LOCKWASHER, COIL TERMINAL
21	394-1131		1,1,1,1	NUT, COIL CLIP FASTENING
22	393-1504A6		1,1,1,1	BREAKER ASSEMBLY
23	393-1586		1,1,1,1	GROMMET, PLASTIC - BREAKER BRACKET
24	16-29230		1,1,1,1	STUD, PRIMARY LEAD AND TENSION SPRING
25	11-29236		1,1,1,1	NUT, PRIMARY LEAD FASTENING
26	394-1106A1		1,1,1,1	HOLDER AND CAM WICK ASSEMBLY
27	53-21058		1,1,1,1	"E" RING, BREAKER TO PIVOT PIN
28	10-20597		1,1,1,1	SCREW, BREAKER HOLDER TO HOUSING
29	394-1130		1,1,1,1	CONDENSER
30	10-25509		1,1,1,1	SCREW AND LOCKWASHER, CONDENSER FASTENING
31	27-29166		1,1,1,1	GASKET, MAGNETO COVER
32	394-1577		1,1,1,1	COVER, MAGNETO
33	10-29418		4,4,4,4	SCREW, COVER TO FRAME
34	14-29157		4,4,4,4	TAB WASHER, COVER FASTENING SCREW
35	394-2602A1		1,1,1,1	MAGNETO ROTOR ASSEMBLY
36	394-1110		1,1,1,1	CLIP, SPRING
37	27-25725		1,1,1,1	GASKET, END CAP COVER
38	394-1561A2		1,1,1,1	END CAP COVER ASSEMBLY

CONTINUED ON NEXT PAGE ➡

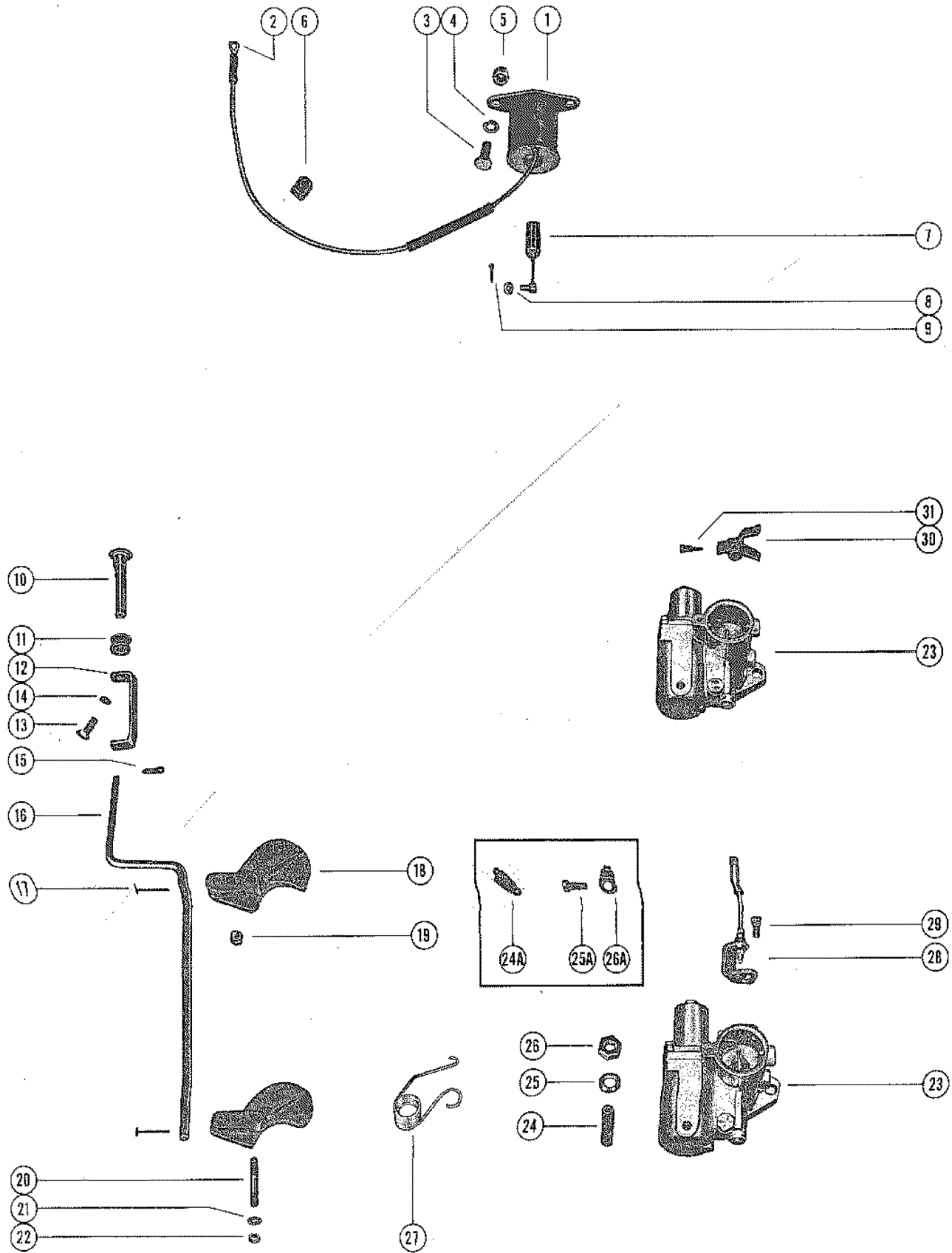
# MAGNETO ASSEMBLY (INTERNAL PARTS)



## MAGNETO ASSEMBLY (INTERNAL PARTS)

REF. NO.	PART NO.	SYM.	QTY.	DESCRIPTION
39	394-1056A1		1,1,1,1	BRUSH AND SPRING ASSEMBLY
40	10-25517		4,4,4,4	SCREW, HIGH TENSION CABLE FASTENING
41	10-29418		2,2,2,2	SCREW, END CAP COVER TO MAGNETO COVER
42	14-29157		2,2,2,2	TAB WASHER, COVER FASTENING SCREW
43	22-25885		1,1,1,1	ELBOW, PLASTIC - MAGNETO COVER VENT

# CARBURETOR LINKAGE AND CHOKE SOLENOID

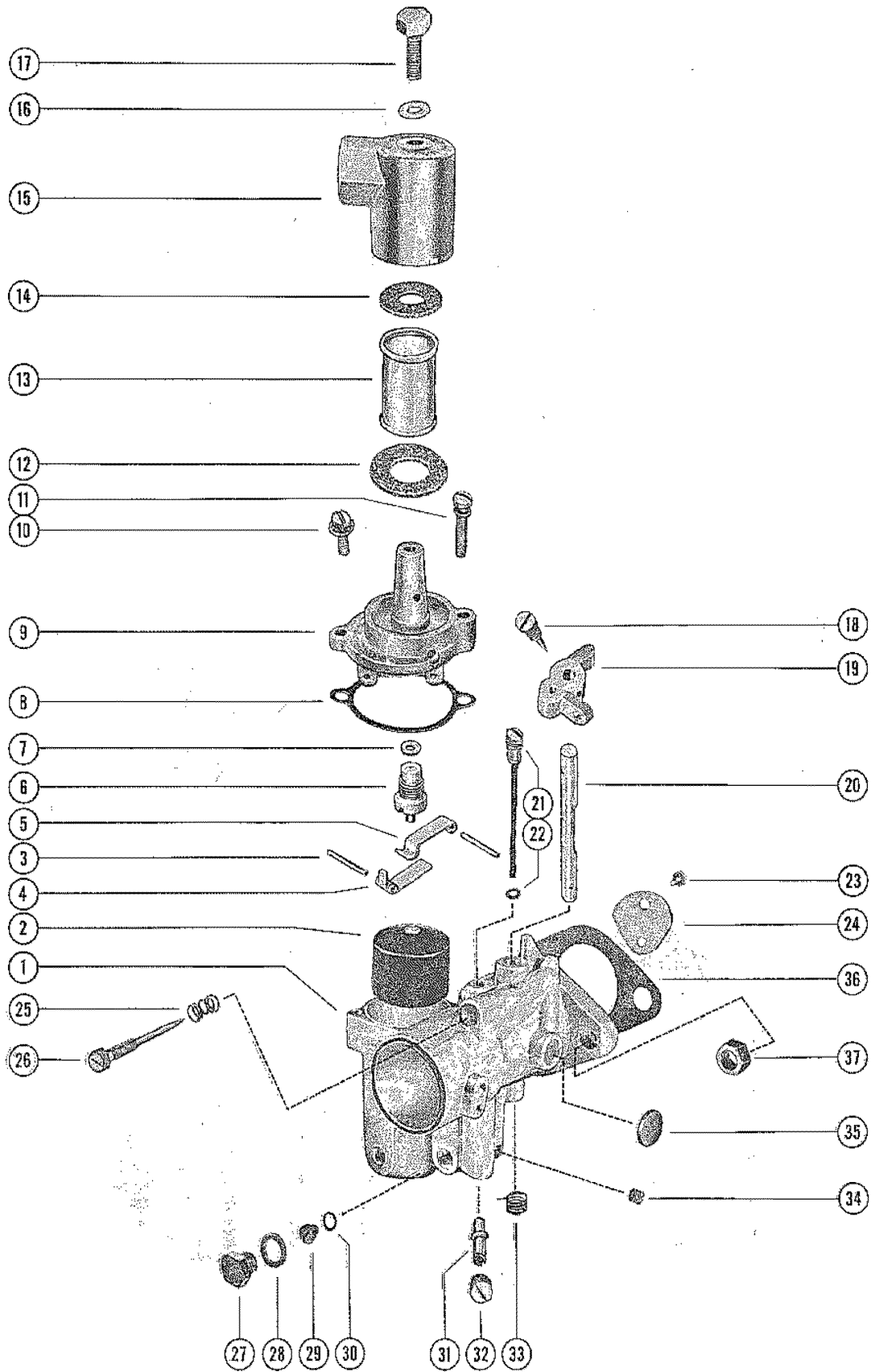




## CARBURETOR LINKAGE AND CHOKE SOLENOID

REF. NO.	PART NO.	SYM.	QTY.	DESCRIPTION
1	37585		,1,,1	CHOKE SOLENOID, TOP COWL 0101
2	30050		,1,,1	TERMINAL, CHOKE SOLENOID LEAD
3	10-26066		,2,,2	SCREW, CHOKE SOLENOID TO FRONT BRACKET
4	13-26993		,2,,2	LOCKWASHER, CHOKE SOLENOID SCREW
5	11-22053		,1,,1	NUT, CHOKE SOLENOID SCREW
6	54-33361		,1,,1	CLIP, CHOKE SOLENOID LEAD
7	27031A4		,1,,1	PLUNGER AND LINK ASSEMBLY, CHOKE SOLENOID
8	12-30164		,1,,1	WASHER, PLUNGER AND LINK
9	18-26953		,1,,1	COTTER PIN, LINK TO UPPER CHOKE SHUTTER
10	22463		1,1,1,1	KNOB, CHOKE ROD
11	25-20116		1,1,1,1	GROMMET, CHOKE KNOB
12	22462		,1,,1	"U" LINK, CHOKE ROD TO CHOKE KNOB
	37591		1,,1,	"U" LINK, CHOKE ROD TO CHOKE KNOB
13	10-20100		1,1,1,1	SCREW, "U" LINK TO CHOKE KNOB
14	13-26996		1,1,1,1	LOCKWASHER, "U" LINK SCREW
15	18-20180		1,1,1,1	COTTER PIN, "U" LINK TO CHOKE ROD
16	37796		1,,1,	ROD, CHOKE
	38458		,1,,1	ROD, CHOKE (NOT AS SHOWN)
17	17-25391		2,2,2,2	RIVET, CHOKE SHUTTER TO CHOKE ROD
18	38604		2,2,2,2	SHUTTER, CHOKE - CARBURETOR
19	23-30438		,1,,1	BUSHING, NYLON - UPPER CHOKE SHUTTER
20	16-30172		2,2,2,2	STUD, CARBURETOR - CHOKE SHUTTER PIVOT
21	12-30164		2,2,2,2	WASHER, CHOKE SHUTTER CARBURETOR STUD
22	11-20110		2,2,2,2	NUT, CHOKE SHUTTER TO CARBURETOR STUD
23	1333-2539		2,2,2,2	CARBURETOR ASSEMBLY (SERIAL #2010162 AND BELOW)
	1333-2741		,,2,2	CARBURETOR ASSEMBLY ( SERIAL #2010163 AND UP)
24A	24-28965		1,1,1,1	SPRING, TENSION - CHOKE ROD TO CARBURETOR SEE NOT BELOW
25A	10-28713		1,1,1,1	SCREW, TENSION SPRING TO CARBURETOR
26A	27711		1,1,1,1	RETAINER, SPRING
24	16-21723		1,1,,	STUD, TENSION SPRING TO CARBURETOR SEE NOTE BELOW
25	23-32427		1,1,,	SPACER, TENSION SPRING STUD
26	11-20184		1,1,1,1	NUT, TENSION SPRING STUD
27	24-37678		1,1,,	SPRING, TENSION - CHOKE ROD TO CARBURETOR
28	28007A5		1,1,1,1	THROTTLE PICK-UP BRACKET ASSEMBLY
29	10-29239		1,1,1,1	SCREW, THROTTLE PICK-UP BRACKET MOUNTING
30	27917		1,1,1,1	CLUSTER, THROTTLE LEVER (UPPER CARBURETOR)
31	10-20847		1,1,1,1	SCREW, CLUSTER TO THROTTLE LEVER

# CARBURETOR ASSEMBLY

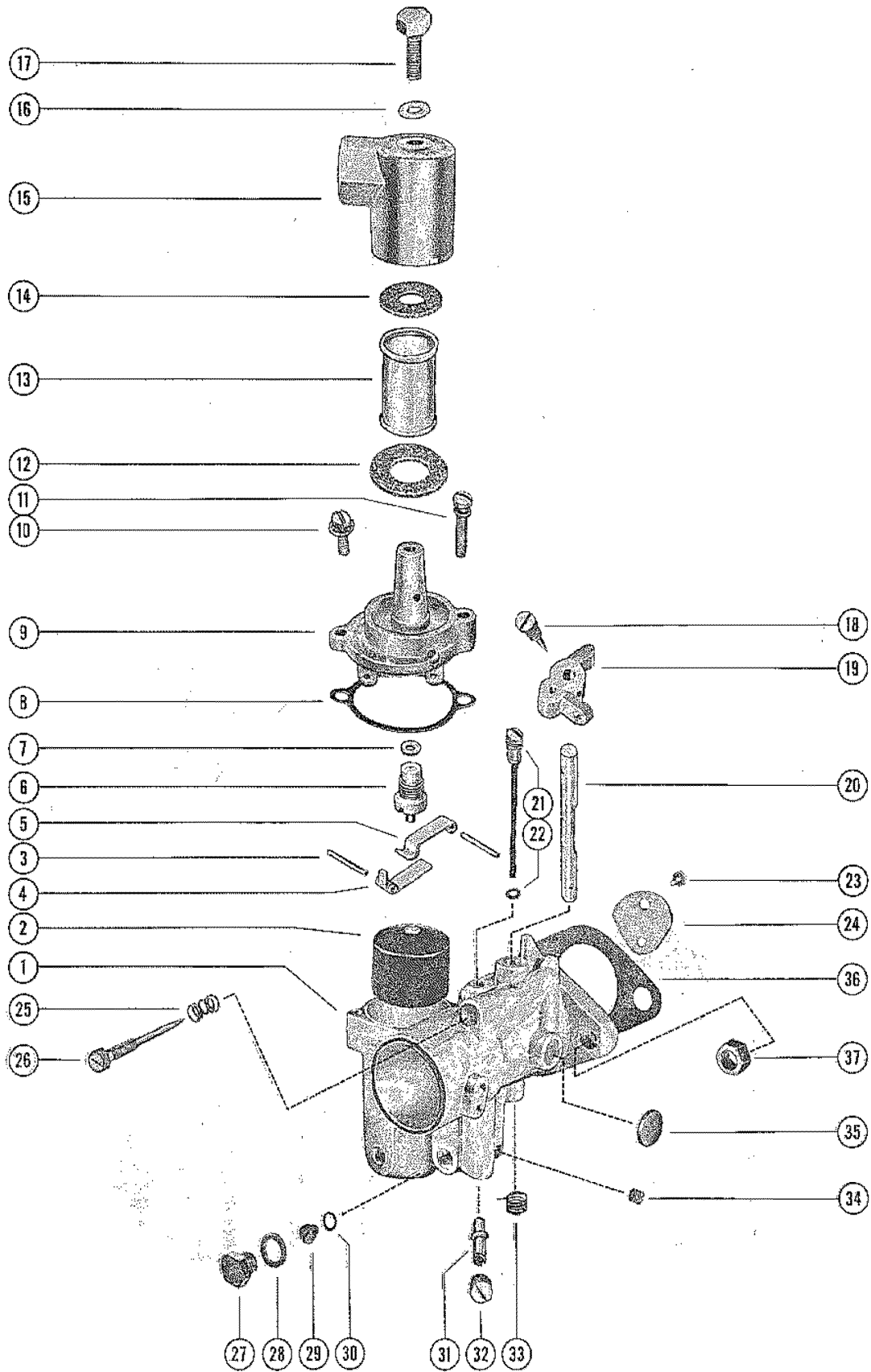


# CARBURETOR ASSEMBLY

REF. NO.	PART NO.	SYM.	QTY.	DESCRIPTION
1	1333-2539		2,2,2,2	CARBURETOR ASSEMBLY, COMPLETE (KA-21A)
	1333-2741		,,2,2	CARBURETOR ASSEMBLY, COMPLETE (KA-21B)
2	1399-110A1		2,2,2,2	FLOAT ASSEMBLY
3	17-20853		4,4,4,4	PIN, FLOAT LEVER PINION
4	1399-102		2,2,2,2	LEVER, FLOAT (LOWER)
5	1399-101		2,2,2,2	LEVER, FLOAT (UPPER)
6	1399-1473		2,2,2,2	INLET NEEDLE, SEAT AND GASKET
7	27-25033		2,2,2,2	GASKET, INLET SEAT
8	1399-99		2,2,2,2	GASKET, FLOAT BOWL COVER
9	1399-1133		2,2,2,2	COVER, FLOAT BOWL
10	10-20854		2,2,2,2	SCREW, FLOAT BOWL COVER (SHORT)
11	10-25850		2,2,2,2	SCREW, FLOAT BOWL COVER (LONG)
12	27-25851		2,2,2,2	GASKET, STRAINER COVER (LARGE)
13	1399-1754		2,2,2,2	SCREEN, FILTER
14	27-25849		2,2,2,2	GASKET, STRAINER COVER (SMALL)
15	1399-1135		2,2,2,2	COVER, STRAINER
16	27-25848		2,2,2,2	GASKET, STRAINER COVER SCREW
17	10-25822		2,2,2,2	SCREW, STRAINER COVER FASTENING
18	10-20847		2,2,2,2	SCREW, THROTTLE STOP LEVER
19	1399-97		2,2,2,2	LEVER, THROTTLE STOP (SEE NOTE BELOW)
20	1399-2012		2,2,2,2	SHAFT, THROTTLE
21	1399-2560		2,2,2,2	TUBE, IDLE
22	27-23180		2,2,2,2	GASKET, IDLE TUBE
23	10-23035		4,4,4,4	SCREW AND LOCKWASHER, THROTTLE SHUTTER
	10-20858		,,4,4	SCREW AND LOCKWASHER, THROTTLE SHUTTER
24	1399-1476		2,2,2,2	SHUTTER, THROTTLE
25	24-27160		2,2,2,2	SPRING, IDLE ADJUSTMENT SCREW
26	1399-1713		2,2,2,2	SCREW, IDLE ADJUSTMENT
27	10-28405		2,2,2,2	SCREW, PLUG - MAIN FUEL JET CHANNEL
28	27-28406		2,2,2,2	GASKET, JET CHANNEL PLUG SCREW
29	1399-1463		,,2,2	JET, MAIN FUEL (.063)
	1399-1461		OPT,OPT,OP	JET, MAIN FUEL (.061)
	1399-1459		OPT,OPT,OP	JET, MAIN FUEL (.059)
	1399-1457		2,2,2,2	JET, MAIN FUEL (.057)
	1399-1655		OPT,OPT,OP	JET, MAIN FUEL (.055)
30	27-28409		2,2,2,2	GASKET, MAIN FUEL JET
31	1399-1985		2,2,2,2	NOZZLE, MAIN
	1399-2785		,,2,2	NOZZLE, MAIN
32	10-23178		2,2,2,2	SCREW, PLUG - MAIN NOZZLE
33	24-26890		1,1,1,1	SPRING, THROTTLE SHAFT RETURN (LOWER CARBURETOR)
	24-20869		1,1,1,1	SPRING, THROTTLE SHAFT RETURN (UPPER CARBURETOR)
34	10-28845		2,2,2,2	SCREW, PLUG - BODY CHANNEL

CONTINUED ON NEXT PAGE ➡

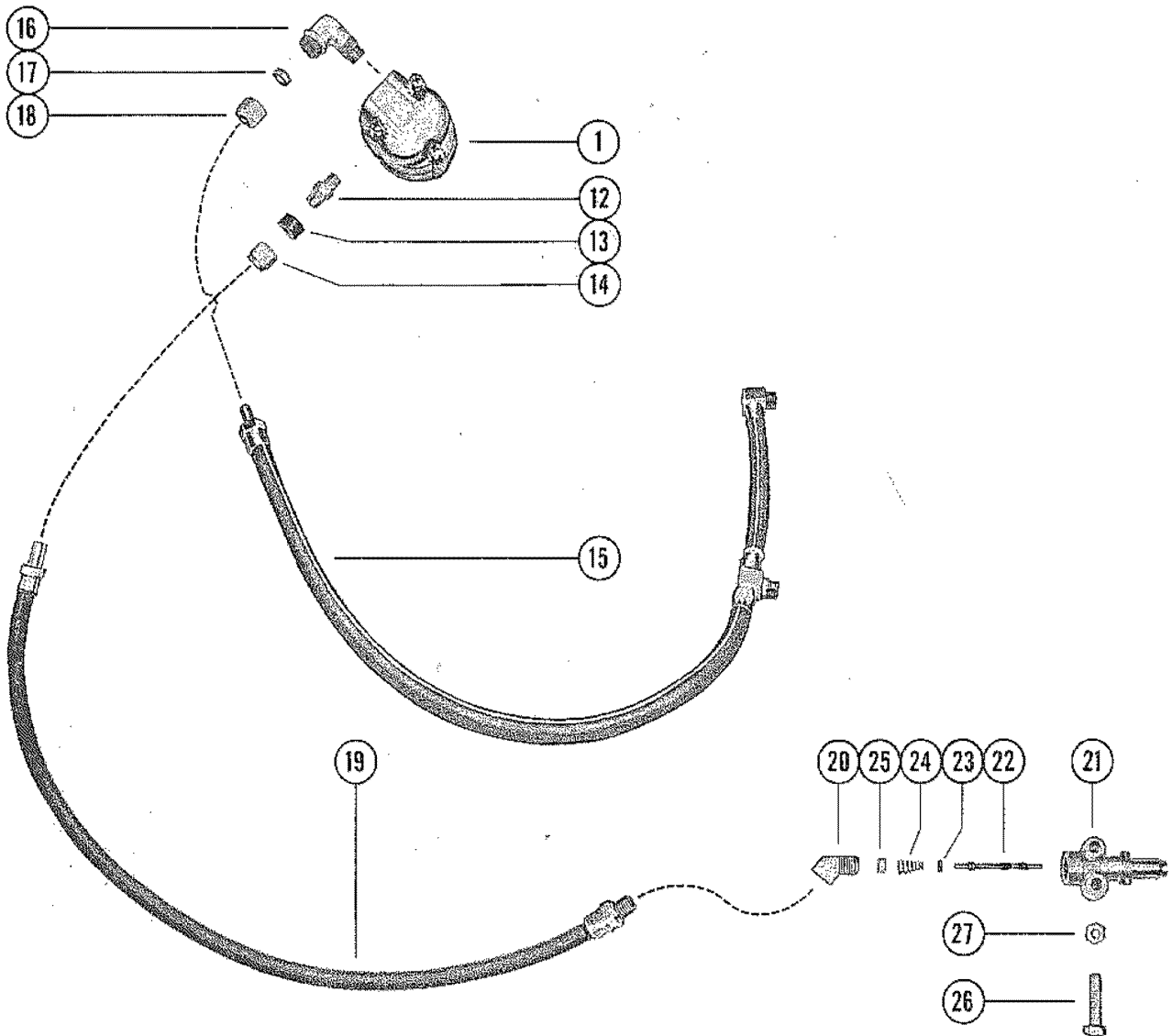
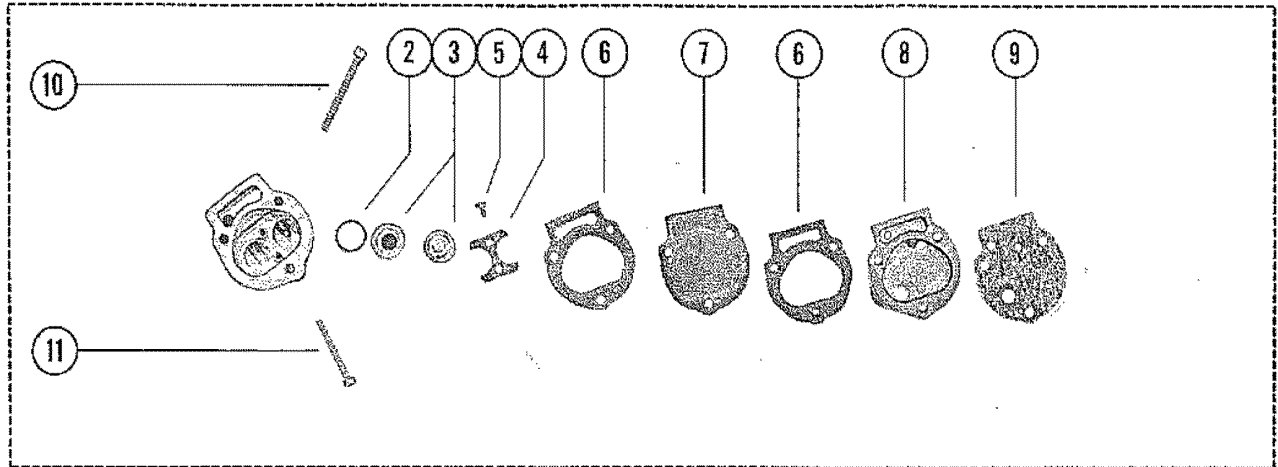
# CARBURETOR ASSEMBLY



# CARBURETOR ASSEMBLY

REF. NO.	PART NO.	SYM.	QTY.	DESCRIPTION
35	19-20011		2,2,2,2	WELCH PLUG, BODY CHANNEL
-	1477		2,2,2,2	<b>GASKET AND PACKING SET (1 PER CARBURETOR)</b>
-	1399-2561		2,2,2,2	<b>REPAIR PARTS KIT (1 PER CARBURETOR)</b>
-	1399-2786		,,2,2	<b>REPAIR PARTS KIT (1 PER CARBURETOR)</b>
36	27-26891		2,2,2,2	GASKET, CARBURETOR FLANGE
37	11-29250		4,4,4,4	NUT, CARBURETOR MOUNTING STUD

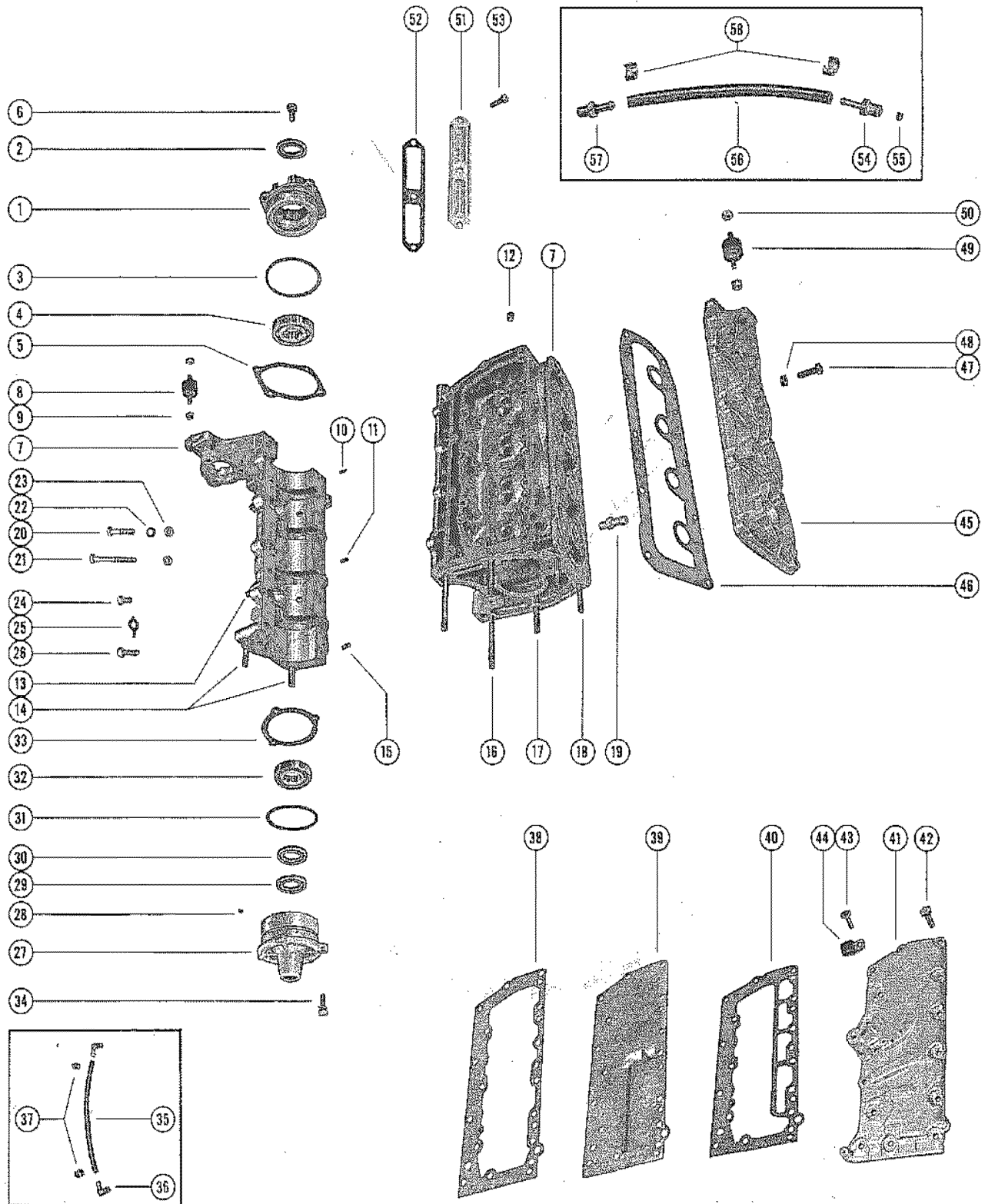
# FUEL PUMP ASSEMBLY



# FUEL PUMP ASSEMBLY

REF. NO.	PART NO.	SYM.	QTY.	DESCRIPTION
1	30269A2		1,1,1,1	FUEL PUMP ASSEMBLY
2	27-23005		2,2,2,2	GASKET, CHECK VALVE TO HOUSING
3	21-30430		2,2,2,2	VALVE, CHECK
4	23004		1,1,1,1	RETAINER, CHECK VALVE
5	10-20037		2,2,2,2	SCREW, RETAINER TO HOUSING
6	27-24863		2,2,2,2	GASKET, FUEL PUMP
7	23014A1		1,1,1,1	DIAPHRAGM, FUEL PUMP
8	23008		1,1,1,1	COVER, FUEL PUMP
9	27-30276		1,1,1,1	GASKET, FUEL PUMP COVER
10	10-30274		2,2,2,2	SCREW, FUEL PUMP MOUNTING (1 3/4")
11	10-29878		1,1,1,1	SCREW, FUEL PUMP MOUNTING (1 1/2")
12	22-24949		1,1,1,1	CONNECTOR, PUMP INLET TO FUEL LINE
13	22-22946		1,1,1,1	SLEEVE, RUBBER - CONNECTOR
14	11-22948		1,1,1,1	NUT, CONNECTOR TO FUEL LINE
15	32-32094		1,1,1,1	FUEL LINE, PUMP TO LOWER AND UPPER FILTER
16	22-22995		1,1,1,1	ELBOW, FUEL PUMP INLET
17	22-22946		1,1,1,1	SLEEVE, RUBBER
18	11-22948		1,1,1,1	NUT, ELBOW
19	32-30036		1,1,1,1	FUEL LINE, FUEL PUMP TO ADAPTOR
20	22-37682		,1,,1	CONNECTOR, FUEL LINE TO ADAPTOR
21	30186		1,1,1,1	ADAPTOR, CHECK UNIT (FUEL LINE)
22	30187		1,1,1,1	STEM, CHECK UNIT ADAPTOR
23	25-20415		1,1,1,1	"O" RING, ADAPTOR STEM
24	24-30189		1,1,1,1	SPRING, ADAPTOR STEM
25	30188		1,1,1,1	CUP WASHER, ADAPTOR
26	10-37990		2,2,2,2	SCREW, ADAPTOR TO BOTTOM COWL (1 3/4")
	10-21937		2,,2	SCREW, ADAPTOR TO BOTTOM COWL (2")
27	11-20184		2,2,2,2	NUT, ADAPTOR SCREW

# CYLINDER BLOCK AND CRANKCASE ASSEMBLY



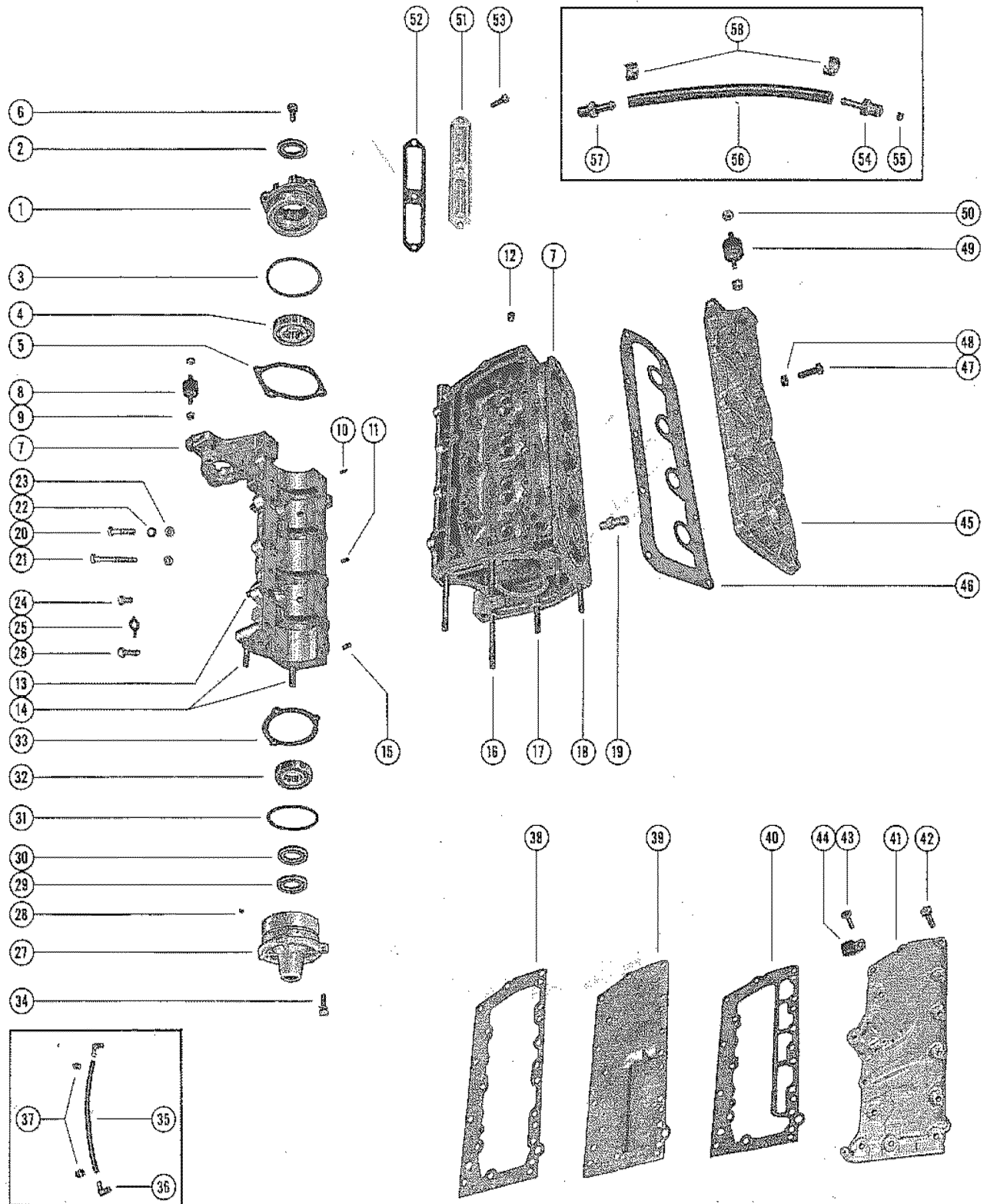


# CYLINDER BLOCK AND CRANKCASE ASSEMBLY

REF. NO.	PART NO.	SYM.	QTY.	DESCRIPTION
1	1100-339A1		1,1,1,1	END CAP ASSEMBLY, UPPER
2	26-29476		1,1,1,1	OIL SEAL
3	25-20081		1,1,1,1	"O" RING, UPPER END CAP
4	30-20080		1,1,1,1	BALL BEARING, UPPER END CAP
5	15-20082A1		AR,AR,AR,A	SHIM, UPPER END CAP TO CYL. BLOCK AND CRANKCASE
6	10-29198		4,4,4,4	SCREW, UPPER END CAP MOUNTING
7	831-2500A3		1,1,,	CYLINDER BLOCK AND CRANKCASE ASSEMBLY
	831-2704A2		,,1,1	CYLINDER BLOCK AND CRANKCASE ASSEMBLY
8	37639		2,2,2,2	MOUNT, RUBBER - CRANKCASE
9	11-20184		4,4,4,4	NUT, CRANKCASE RUBBER MOUNT
10	17-20032		2,2,2,2	DOWEL PIN, CYLINDER BLOCK TO MAIN BEARING
11	17-20323		1,1,1,1	DOWEL PIN, CYLINDER BLOCK TO CENTER MAIN BEARING
12	22-30139		1,1,1,1	PLUG, PIPE - WATER PRESSURE AND BALANCE TUBE HOLES
13	16-35099		4,4,4,4	STUD, CARBURETOR MOUNTING
14	16-29988		2,2,2,2	STUD, CRANKCASE TO DRIVE SHAFT HOUSING (1 9/16")
15	17-20033		2,2,2,2	DOWEL PIN, CRANKCASE TO CYLINDER BLOCK
16	16-29990		2,2,2,2	STUD, CYLINDER BLOCK TO DRIVE SHAFT HOUSING (3 7/16")
17	16-37986		2,2,2,2	STUD, CYLINDER BLOCK TO DRIVE SHAFT HOUSING (2 5/16")
18	16-29989		2,2,2,2	STUD, CYLINDER BLOCK TO DRIVE SHAFT HOUSING (1 15/16")
19	22-29111		1,1,1,1	CONNECTOR, WATER TELL TALE HOLE - CYLINDER BLOCK
20	10-22040		14,14,,	SCREW, CRANKCASE TO CYLINDER BLOCK (1 1/2")
	10-22040		,,13,13	SCREW, CRANKCASE TO CYLINDER BLOCK (1 1/2")
	10-21574		,,1,1	SCREW, CRANKCASE TO CYLINDER BLOCK (1 5/8")
21	10-22039		4,4,4,4	SCREW, CRANKCASE TO CYLINDER BLOCK (2 3/4")
22	12-20084		,,1,1	WASHER, CRANKCASE SCREW
23	11-29250		18,18,18,1	NUT, CRANKCASE SCREW
24	10-26801		2,2,2,2	SCREW, MAIN BEARING LOCKING
25	14-20091		3,3,3,3	TAB WASHER, BEARING LOCKING SCREW
26	10-20359		1,1,1,1	SCREW, CENTER MAIN BEARING LOCKING
27	1102-1484A1		1,1,1,1	END CAP ASSEMBLY, LOWER
28	21-28481A1		1,1,1,1	CHECK VALVE ASSEMBLY, LOWER END CAP
29	26-29478		1,1,1,1	OIL SEAL, LOWER
30	26-29476		1,1,1,1	OIL SEAL, UPPER
31	25-20081		1,1,1,1	"O" RING, LOWER END CAP
32	30-20080		1,1,1,1	BALL BEARING, LOWER END CAP
33	15-20085A1		AR,AR,AR,A	SHIM, LWOER END CAP TO CRANKCASE AND CYL. BLOCK
34	10-29198		3,3,3,3	SCREW, LOWER END CAP MOUNTING
35	32-33729		1,1,1,1	TUBE, BALANCE - MAIN BEARING
36	22-29111		2,2,2,2	CONNECTOR, BALANCE TUBE TO CYLINDER BLOCK

CONTINUED ON NEXT PAGE ➡

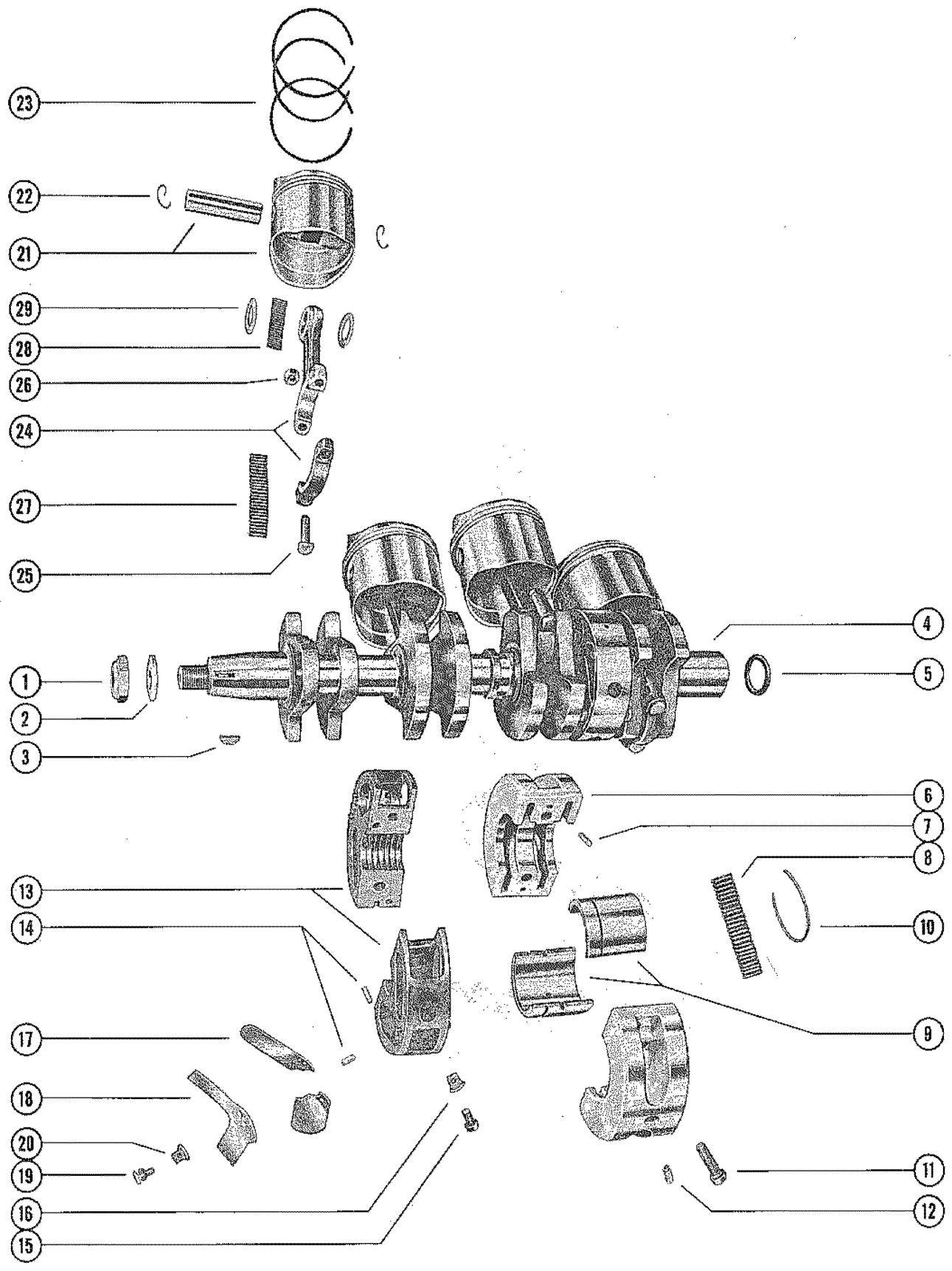
# CYLINDER BLOCK AND CRANKCASE ASSEMBLY



# CYLINDER BLOCK AND CRANKCASE ASSEMBLY

REF. NO.	PART NO.	SYM.	QTY.	DESCRIPTION
37	54-20386		2,2,2,2	CLAMP, BALANCE TUBE TO CONNECTORS
38	27-36393		1,1,1,1	GASKET, CYLINDER BLOCK TO BAFFLE PLATE
39	36394		1,1,,	PLATE, BAFFLE - EXHAUST MANIFOLD
	39657		,,1,1	PLATE, BAFFLE - EXHAUST MANIFOLD
40	27-37277		1,1,1,1	GASKET, BAFFLE PLATE TO EXHAUST COVER
41	36395		1,1,,	COVER, EXHAUST MANIFOLD
	38462		,,1,1	COVER, EXHAUST MANIFOLD
42	10-28782		13,13,,	SCREW, MANIFOLD COVER TO CYLINDER BLOCK (7/8")
	10-37562		,,13,13	SCREW, MANIFOLD COVER TO CYLINDER BLOCK (1")
43	10-32565		2,2,,	SCREW, MANIFOLD COVER TO HIGH TENSION LEAD CLIP
	10-39661		,,2,2	SCREW, MANIFOLD COVER TO HIGH TENSION LEAD CLIP
44	54-37303		2,2,2,2	CLIP, HIGH TENSION LEAD
45	1017-2483		1,1,1,1	COVER, CYLINDER BLOCK
46	27-37816		1,1,1,1	GASKET, CYLINDER BLOCK COVER
47	10-20653		10,10,10,1	SCREW, CYLINDER BLOCK COVER MOUNTING
48	11-20184		10,10,10,1	NUT, COVER MOUNTING SCREW
49	37639		1,1,1,1	MOUNT, RUBBER - CYLINDER BLOCK COVER
50	11-20361		2,2,2,2	NUT, CYLINDER BLOCK COVER RUBBER MOUNT
51	27935		2,2,2,2	COVER, TRANSFER PORT
52	27-27936		2,2,2,2	GASKET, TRANSFER PORT COVER
53	10-20540		4,4,4,4	SCREW, TRANSFER PORT COVER MOUNTING (HEX HEAD)
	10-28635		2,2,2,2	SCREW, TRANSFER PORT COVER MOUNTING (CAP HEAD)
54	21-28483A1		1,1,1,1	CHECK VALVE ASSEMBLY, BLEED HOSE (UPPER)
55	21-28481A1		1,1,1,1	CHECK VALVE ASSEMBLY, BLEED HOSE VALVE
56	32-28654		1,1,1,1	HOSE, CYLINDER BLEED (6 1/2")
57	22-20445		1,1,1,1	CONNECTOR, CYLINDER BLEED HOSE (LOWER)
58	54-20387		2,2,2,2	CLAMP, BLEED HOSE TO CHECK VALVE AND CONNECTOR

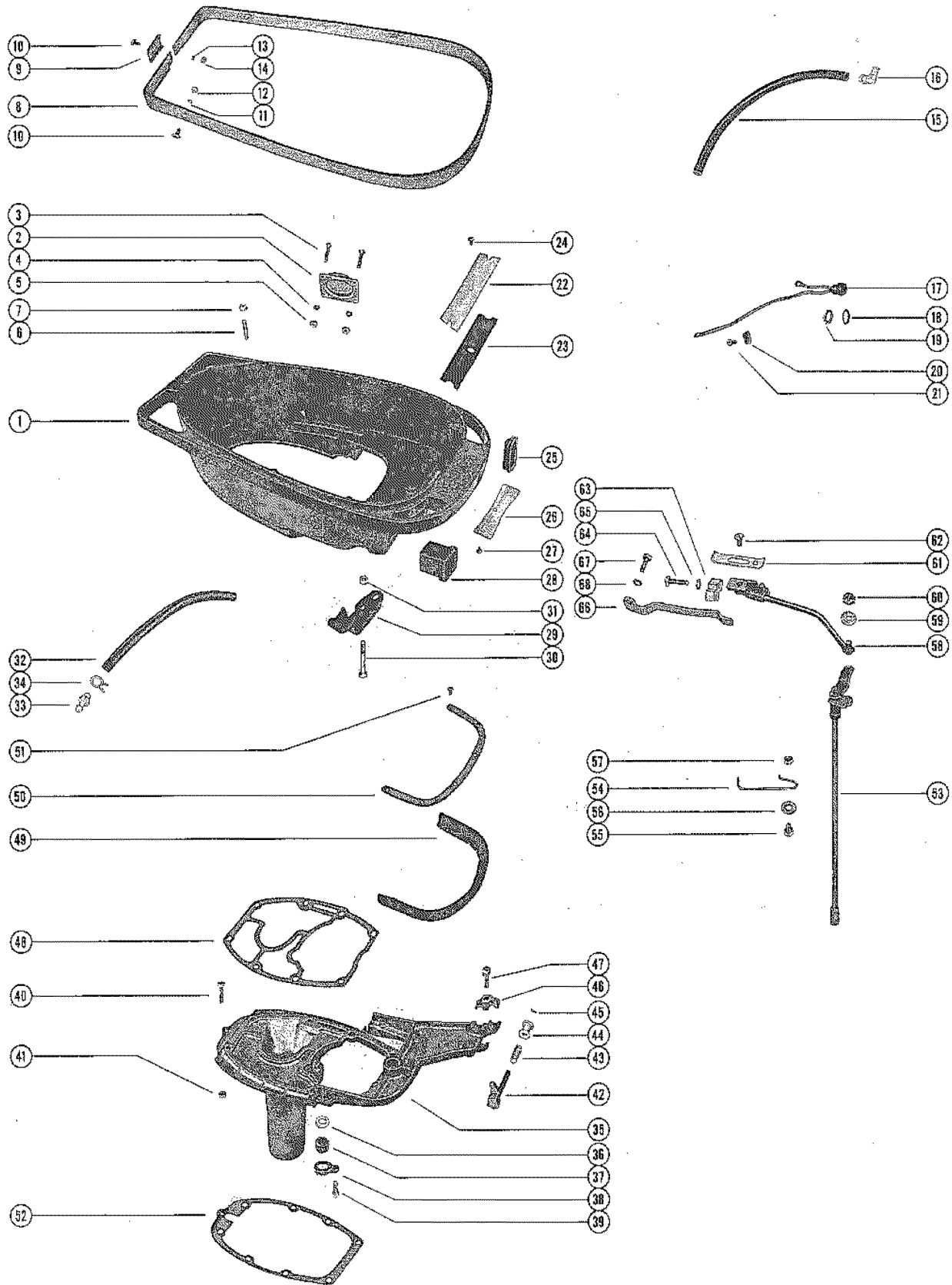
# CRANKSHAFT, PISTON AND CONNECTING ROD



## CRANKSHAFT, PISTON AND CONNECTING ROD

REF. NO.	PART NO.	SYM.	QTY.	DESCRIPTION
1	11-22339		1,1,1,1	NUT, FLYWHEEL
2	12-33001		1,1,1,1	WASHER, FLYWHEEL NUT
3	28-20094		1,1,1,1	KEY, FLYWHEEL DRIVE
4	400-1730		1,1,1,1	CRANKSHAFT
5	25-29619		1,1,1,1	"O" RING, DRIVE SHAFT SPLINE
6	500-1030A1		1,1,1,1	CENTER MAIN BEARING ASSEMBLY
7	17-20032		2,2,2,2	DOWEL PIN, CENTER MAIN BEARING
8	29-20046		28,28,28,2	BEARING, NEEDLE
9	20047		1,1,1,1	RACE, OUTER
10	53-20048		1,1,1,1	RING, SNAP - OUTER RACE CLAMPING
11	10-28666		2,2,2,2	SCREW, CENTER MAIN BEARING CLAMPING
12	17-20379		1,1,1,1	DOWEL PIN, (STEPPED)
13	534-2497A2		2,2,2,2	MAIN BEARING ASSEMBLY ( VALVE TYPE)
14	17-20032		20,20,20,2	DOWEL PIN, MAIN BEARING
15	10-25313		4,4,4,4	SCREW, MAIN BEARING CLAMPING (1/2")
16	11-29469		4,4,4,4	NUT, MAIN BEARING CLAMPING SCREW
17	34-30303A1		2,2,2,2	REED SET, MATCHED - MAIN BEARING
18	34-20053		8,8,8,8	REED STOP, MAIN BEARING REED VALVES
19	10-29465		8,8,8,8	SCREW, REED STOP MOUNTING (1/2")
20	11-29469		8,8,8,8	NUT, REED STOP MOUNTING SCREW
21	724-2537A4		4,4,4,4	PISTON AND PISTON PIN ASSEMBLY
22	40-20057		8,8,8,8	LOCK RING, PISTON PIN
23	39-27841		12,12,12,1	RING, PISTON
24	600-7A4		4,4,4,4	CONNECTING ROD AND CAP ASSEMBLY (SEE NOTE BELOW)
25	10-20060		8,8,8,8	SCREW, CAP TO CONNECTING ROD
26	11-20061		8,8,8,8	NUT, CONNECTING ROD SCREW
27	29-20046		100,100,10	BEARING, NEEDLE - CRANKPIN
28	29-20063		88,88,88,8	BEARING, NEEDLE - PISTON PIN
29	12-28121		8,8,8,8	WASHER, NEEDLE LOCATING
-	<b>724-2553A3</b>		<b>4,4,4,4</b>	<b>PISTON AND PISTON PIN ASSEMBLY (.015 OVERSIZE)</b>
-	<b>39-28616A12</b>		<b>12,12,12,1</b>	<b>RING, PISTON (.015 OVERSIZE)</b>

# BOTTOM COWL ASSEMBLY AND SHIFT LINKAGE

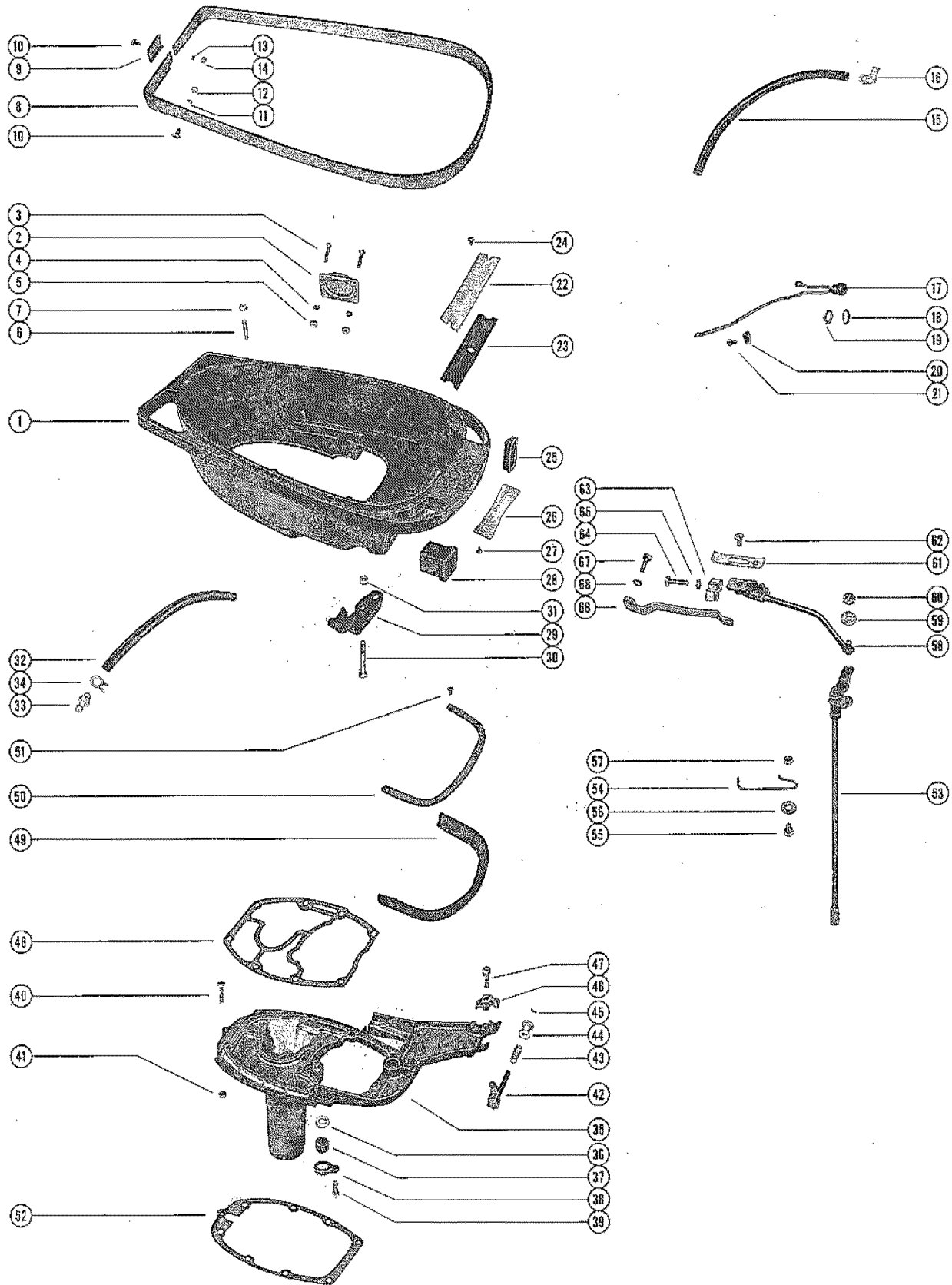


# BOTTOM COWL ASSEMBLY AND SHIFT LINKAGE

REF. NO.	PART NO.	SYM.	QTY.	DESCRIPTION
1	2116-2478A1		1,1,1,1	BOTTOM COWL ASSEMBLY
2	29206		1,,1,	COVER, PLUG - BOTTOM COWL HARNESS HOLE
3	10-26128		4,,4,	SCREW, PLUG COVER TO BOTTOM COWL
4	13-26995		4,,4,	LOCKWASHER, PLUG COVER SCREW ( REMOVE - NOT REQUIRED ON ELE
5	11-26419		4,,4,	NUT, PLUG COVER SCREW
6	16-20467		4,4,4,4	STUD, BOTTOM COWL TO REAR SUPPORT BRACKET
7	11-20361		4,4,4,4	NUT, BOTTOM COWL STUD
8	37703A1		1,1,1,1	TRIM MOULDING ASSEMBLY, BOTTOM COWL
9	38046		1,1,1,1	SPLICER, TRIM MOULDING - REAR
10	10-29226		5,5,5,5	SCREW, DECORATIVE - TRIM MOULDING TO BOTTOM COWL
11	12-24671		2,2,2,2	WASHER, FIBER - MOULDING SCREW
12	11-29225		2,2,2,2	NUT, NYLON CAP - MOULDING SCREW
13	13-26995		3,3,3,3	LOCKWASHER, MOULDING SCREW
14	11-26419		1,1,1,1	NUT, MOULDING SCREW
15	32-29164		1,1,1,1	TUBE, VENT - MAGNETO OUTLET (10 1/2")
	32-26955		1,1,1,1	TUBE, VENT - MAGNETO OUTLET (12 5/8")
16	22-31521		2,2,2,2	ELBOW, MAGNETO VENT TUBE TO BOTTOM COWL
17	21104A2		1,,1,	CONNECTOR BASE ASSEMBLY
18	13-21972		1,,1,	LOCKWASHER, CONNECTOR BASE
19	11-21971		1,,1,	NUT, CONNECTOR BASE TO BOTTOM COWL
20	54-25231		1,,1,	CLIP, CONNECTOR BASE LEAD WIRE
21	10-22815		1,,1,	SCREW, LEAD WIRE CLIP TO BOTTOM COWL
22	37943A1		1,1,1,1	COVER PLATE ASSEMBLY
23	37944		1,1,1,1	PAD, SOUND - COVER PLATE
24	10-30009		3,3,3,3	SCREW, COVER PLATE TO BOTTOM COWL
25	37695		1,1,1,1	BOOT, CONTROL CABLE
26	23760		1,1,1,1	BAFFLE, BOTTOM COWL
27	10-21106		3,3,3,3	SCREW, BAFFLE TO BOTTOM COWL
28	37637		1,1,1,1	BOOT, FUEL CONNECTOR
29	37692		,1,,1	SUPPORT, EXTERNAL WIRING HANRESS
30	10-21937		,2,,2	SCREW, HARNESS SUPPORT TO BOTTOM COWL (2")
31	11-20184		,2,,2	NUT, HARNESS SUPPORT SCREW
32	32-26407		1,1,1,1	HOSE, WATER TELL TALE - CYLINDER BLOCK TO BOTTOM COWL
33	22-29111		1,1,1,1	CONNECTOR, WATER TELL TALE HOSE - BOTTOM COWL
34	54-22976		2,2,2,2	CLAMP, WATER TELL TALE HOSE TO CONNECTOR
35	37686A3		1,1,1,1	PLATE ASSEMBLY, EXHAUST EXTENSION
36	12-38453		1,1,1,1	WASHER, NYLON - WATER INLET TUBE STARTER WITH SERIAL #181 <b>SERIAL 01811269-09999999</b>
37	26-38452		1,1,1,1	SEAL, RUBBER - WATER TUBE <b>SERIAL 01811269-09999999</b>
	26-20232		1,1,,	SEAL, RUBBER - EXHAUST EXTENSION PLATE (USE THRU SERIAL #18 <b>SERIAL 00000000-01811268</b>

CONTINUED ON NEXT PAGE ➡

# BOTTOM COWL ASSEMBLY AND SHIFT LINKAGE

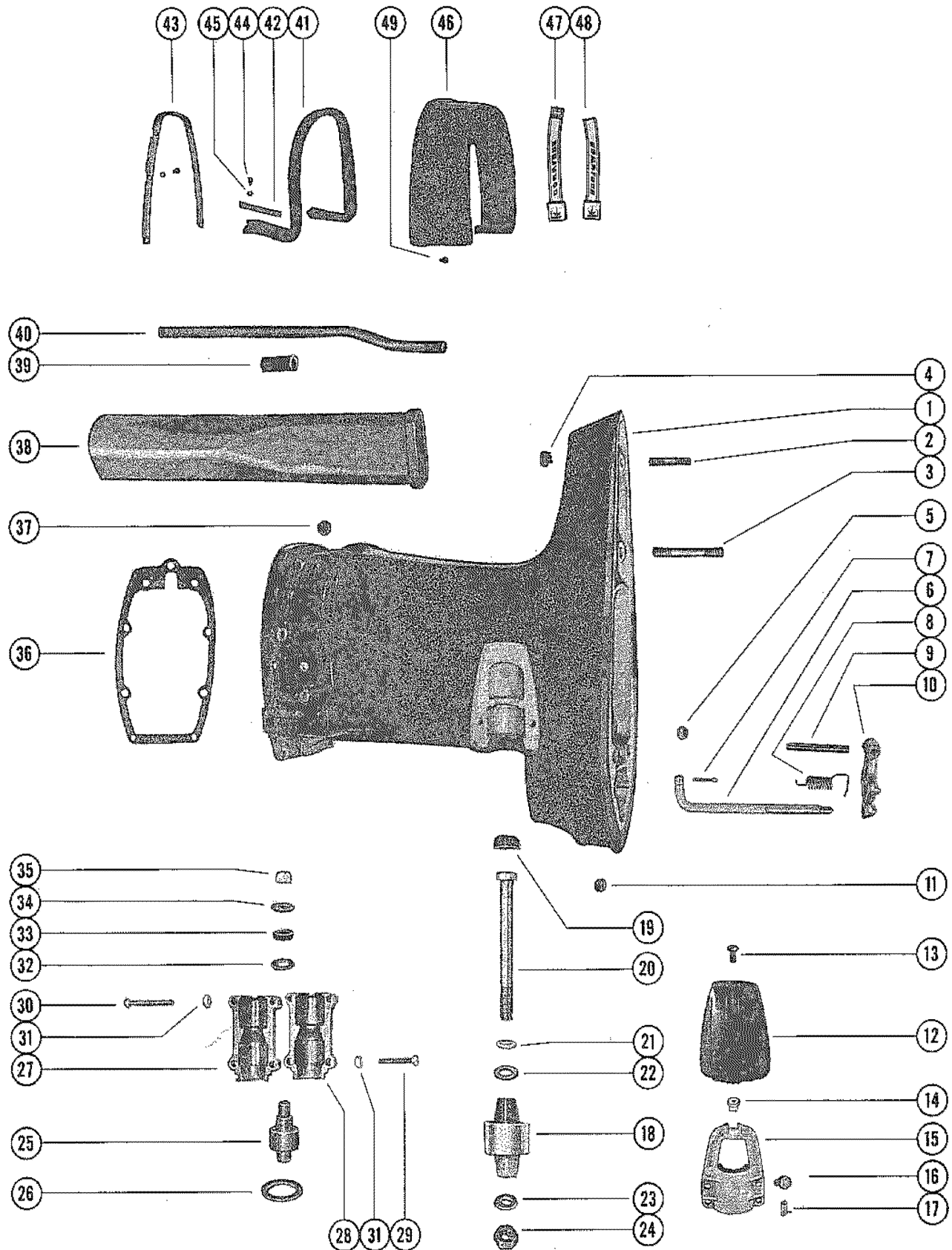




## BOTTOM COWL ASSEMBLY AND SHIFT LINKAGE

REF. NO.	PART NO.	SYM.	QTY.	DESCRIPTION
38	38500		1,1,1,1	RETAINER, WATER TUBE SEAL STARTED WITH SERIAL #1811269 <b>SERIAL 01811269-09999999</b>
39	10-34439		1,1,1,1	SCREW, RETAINER TO EXHAUST EXTENSION PLATE <b>SERIAL 01811269-09999999</b>
40	10-22421		1,1,1,1	SCREW, EXHAUST EXTENSION PLATE TO DRIVE SHAFT HOUSING <b>SERIAL 01811269-09999999</b>
41	11-20184		1,1,1,1	NUT, EXHAUST EXTENSION PLATE SCREW
42	37924		2,2,2,2	LEVER, QUICK DISCONNECT - THROTTLE AND SHIFT CABLES
43	24-38005		2,2,2,2	SPRING, COMPRESSION - QUICK DISCONNECT LEVER
44	23-37927		2,2,2,2	BEARING, NYLON - QUICK DISCONNECT LEVER
45	17-23928		2,2,2,2	PIN, ROLL - QUICK DISCONNECT LEVER
46	37926		1,1,1,1	RETAINER, NYLON BEARING TO EXHAUST EXTENSION PLATE
47	10-37923		1,1,1,1	SCREW, BEARING RETAINER TO EXHAUST EXTENSION PLATE
48	27-37725		1,1,1,1	GASKET, POWERHEAD TO EXHAUST EXTENSION PLATE
49	38156		1,1,1,1	SEAL, RUBBER - EXHAUST EXTENSION PLATE
50	38155		1,1,1,1	STRIP, RUBBER SEAL RETAINING
51	10-37571		6,6,6,6	SCREW, RETAINING STRIP TO EXHAUST EXTENSION PLATE
52	27-38501		1,1,1,1	GASKET, EXHAUST EXTENSION PLATE TO DRIVE SHAFT HOUSING
53	25172A1		1,1,1,1	SHIFT SHAFT ASSEMBLY, UPPER (SHORT SHAFT)
	25162A1		1,1,1,1	SHIFT SHAFT ASSEMBLY, UPPER (LONG SHAFT)
54	24-37693		1,1,1,1	SPRING, DETENT - SHIFT SHAFT
55	10-20776		1,1,1,1	SCREW, DETENT SPRING TO EXHAUST EXTENSION PLATE
56	12-20346		1,1,1,1	WASHER, DETENT SPRING SCREW
57	11-20184		1,1,1,1	NUT, DETENT SPRING SCREW
58	37948		1,1,1,1	ACTUATOR, SHIFT CONTROL
59	12-28927		1,1,1,1	WASHER, SHIFT CONTROL ACTUATOR
60	11-20361		1,1,1,1	NUT, SHIFT CONTROL ACTUATOR TO UPPER SHIFT SHAFT
61	24-37934		1,1,1,1	SPRING, QUICK DISCONNECT - SHIFT CABLE
62	10-38069		1,1,1,1	SCREW, QUICK DISCONNECT SPRING TO SHIFT CONTROL ACTUATOR
63	37932		1,1,1,1	BEARING, NYLON - SHIFT CONTROL ACTUATOR
64	10-36137		1,1,1,1	SCREW, BEARING TO SHIFT CONTROL ACTUATOR
65	13-21272		1,1,1,1	LOCKWASHER, BEARING SCREW
66	37935		1,1,1,1	RAIL, SHIFT CONTROL BEARING
67	10-21625		1,1,1,1	SCREW, RAIL TO EXHAUST MANIFOLD COVER
68	13-26992		1,1,1,1	LOCKWASHER, RAIL SCREW

# DRIVE SHAFT HOUSING ASSEMBLY

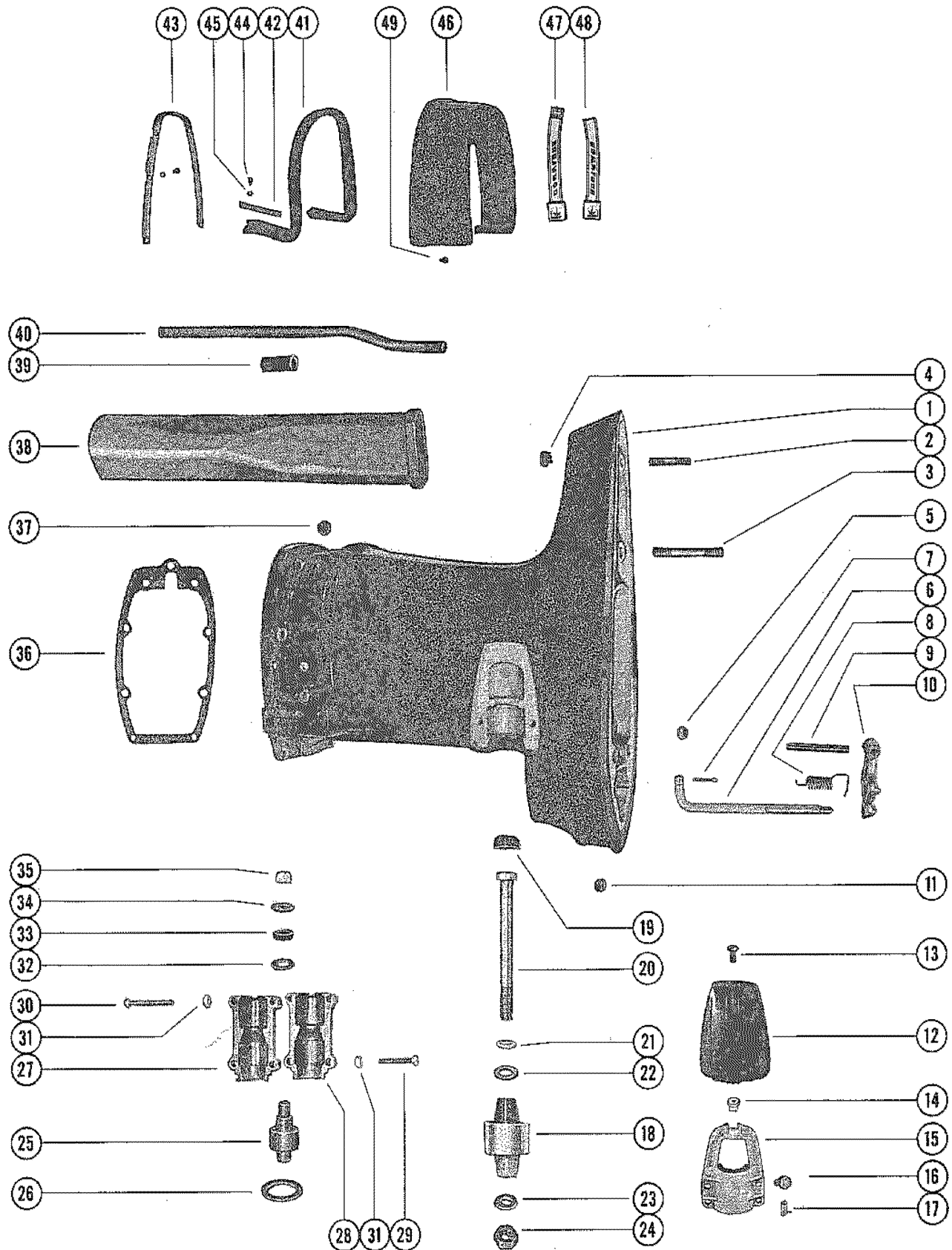


# DRIVE SHAFT HOUSING ASSEMBLY

REF. NO.	PART NO.	SYM.	QTY.	DESCRIPTION
1	1554-2489A2		1,1,1,1	DRIVE SHAFT HOUSING ASSEMBLY (SHORT SHAFT)
	1553-2488A1		1,1,1,1	DRIVE SHAFT HOUSING ASSEMBLY (LONG SHAFT)
2	16-32028		1,1,1,1	STUD, DRIVE SHAFT HOUSING TO GEAR HOUSING (1 3/4")
3	16-29079		1,1,1,1	STUD, DRIVE SHAFT HOUSING TO GEAR HOUSING (3")
4	19-32298		1,1,1,1	PLUG, PLASTIC - WATER PICK-UP SCREW HOLE
5	11-22178		2,2,2,2	NUT, GEAR HOUSING TO DRIVE SHAFT HOUSING STUDS (7/16")
6	28470		1,1,1,1	ROD, PUSH - REVERSE LOCK (SHORT SHAFT)
	28593		1,1,1,1	ROD, PUSH - REVERSE LOCK (LONG SHAFT)
7	18-25191		1,1,1,1	COTTER PIN, PUSH ROD TO REVERSE LOCK
8	24-25122		1,1,1,1	SPRING, TENSION - PUSH ROD
9	17-24887		1,1,1,1	PIN, REVERSE LOCK LEVER
10	25140		1,1,1,1	LEVER, REVERSE LOCK
11	22-21290		1,1,1,1	PLUG, GREASE - REVERSE LOCK HOLE
12	35474		2,2,2,2	COVER, LOWER MOUNT CLAMP
13	10-29722		2,2,2,2	SCREW, COVER TO LOWER MOUNT CLAMP
14	11-35521		2,2,2,2	NUT, LOWER MOUNT CLAMP COVER
15	35473		2,2,2,2	CLAMP, LOWER MOUNT TO DRIVE SHAFT HOUSING
16	10-29256		4,4,4,4	SCREW, LOWER MOUNT CLAMP TO DRIVE SHAFT HOUSING
17	24-35522		4,4,4,4	SPRING, TENSION - LOWER MOUNT CLAMP
18	37395		2,2,2,2	MOUNT, RUBBER - LOWER
19	25067		2,2,2,2	BUMPER, RUBBER - LOWER MOUNT SCREW
20	10-30452		2,2,2,2	SCREW, LOWER MOUNT (5 1/2")
21	12-28051		2,2,2,2	WASHER, LOWER MOUNT SCREW
22	12-28053		2,2,2,2	WASHER, RUBBER - LOWER MOUNT SCREW
23	12-30119		2,2,2,2	WASHER, LOWER MOUNT SCREW
24	11-25096		2,2,2,2	NUT, LOWER MOUNT SCREW
25	37394		2,2,2,2	MOUNT, RUBBER - UPPER
26	24929		2,2,2,2	PACKING, "U" CUP - UPPER MOUNT COVERS
27	24935		2,2,2,2	COVER, UPPER MOUNT - OUTSIDE HALF
28	31120		2,2,2,2	COVER, UPPER MOUNT - INSIDE HALF
29	10-28772		4,4,4,4	SCREW, UPPER MOUNT COVER - REAR (1 1/2")
30	10-31114		4,4,4,4	SCREW, UPPER MOUNT COVER - FRONT (1 3/4")
31	11-29322		8,8,8,8	NUT, UPPER MOUNT COVER FASTENING SCREW
32	12-30520		2,2,2,2	WASHER, UPPER MOUNT BOLT (37/64 ID)
33	12-30521		2,2,2,2	WASHER, RUBBER - UPPER MOUNT BOLT
34	12-30519		2,2,2,2	WASHER, UPPER MOUNT BOLT (3/8 ID)
35	11-23161		2,2,2,2	NUT, UPPER MOUNT BOLT
36	27-38501		1,1,1,1	GASKET, EXHAUST EXTENSION PLATE TO DRIVE SHAFT HOUSING
37	11-25594		8,8,8,8	NUT, POWERHEAD TO DRIVE SHAFT HOUSING STUDS (5/16")
38	37720		1,1,1,1	TUBE, EXHAUST (SHORT SHAFT)
	37719		1,1,1,1	TUBE, EXHAUST (LONG SHAFT)
39	23-23651		1,1,1,1	SLEEVE, WATER INLET TUBE

CONTINUED ON NEXT PAGE ➡

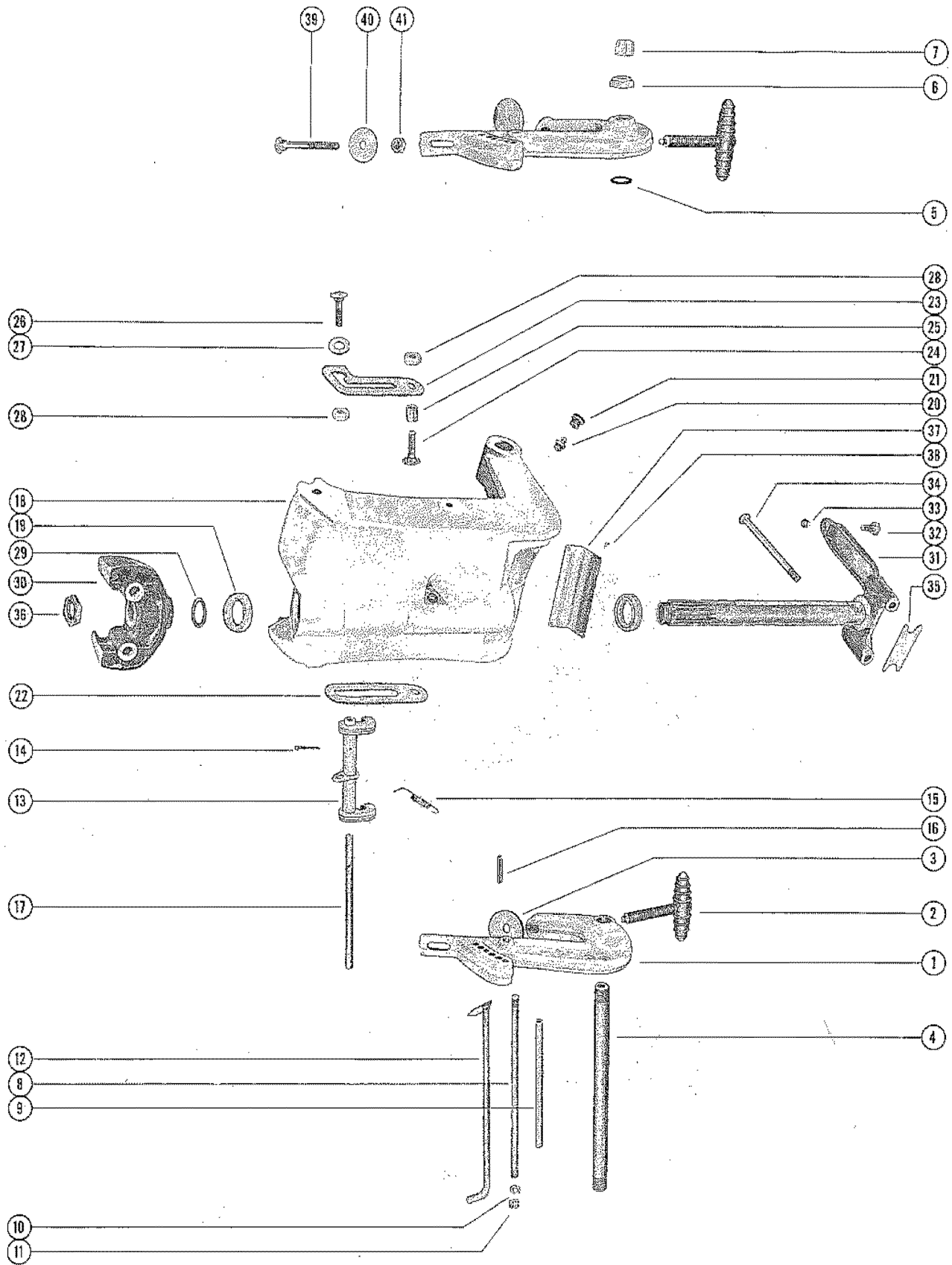
# DRIVE SHAFT HOUSING ASSEMBLY



## DRIVE SHAFT HOUSING ASSEMBLY

REF. NO.	PART NO.	SYM.	QTY.	DESCRIPTION
40	32-37727		1,1,1,1	TUBE, WATER INLET (SHORT SHAFT)
	32-37726		1,1,1,1	TUBE, WATER INLET (LONG SHAFT)
41	38157		1,1,1,1	SEAL, TRIM COVER TO DRIVE SHAFT HOUSING
42	38154		2,2,2,2	STRIP, RETAINING - TRIM COVER SEAL (SIDE)
43	38158		1,1,1,1	STRIP, RETAINING - TRIM COVER SEAL (REAR)
44	10-37571		10,10,10,1	SCREW, RETAINING STRIP TO DRIVE SHAFT HOUSING
45	12-30164		10,10,10,1	WASHER, RETAINING STRIP SCREW
46	37687		1,1,1,1	COVER, TRIM - DRIVE SHAFT HOUSING
47	N.S.S.		*,*,	DECAL, TRIM COVER - PORT NOT AS SHOWN
48	N.S.S.		*,*,	DECAL, TRIM COVER - STARBOARD NOT AS SHOWN
47	N.S.S.		,,#,#	DECAL, TRI COVER - PORT
48	N.S.S.		,,#,#	DECAL, TRI COVER - STARBOARD
49	10-37571		4,4,4,4	SCREW, TRIM COVER TO DRIVE SHAFT HOUSING

# CLAMP AND SWIVEL BRACKET ASSEMBLY

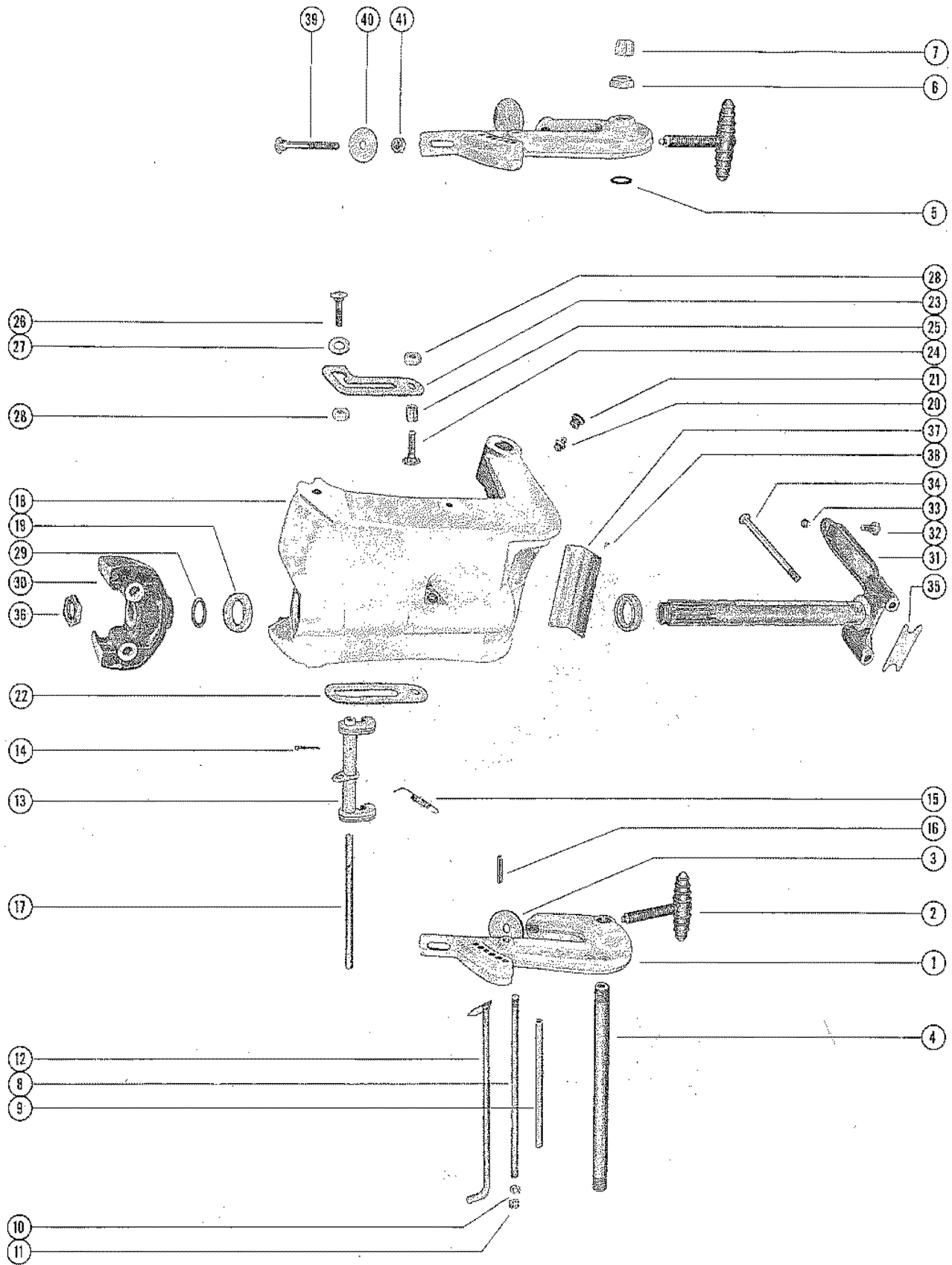


# CLAMP AND SWIVEL BRACKET ASSEMBLY

REF. NO.	PART NO.	SYM.	QTY.	DESCRIPTION
1	1440-1797A1		2,2,2,2	CLAMP BRACKET ASSEMBLY
2	28403A3		2,2,2,2	THUMB SCREW ASSEMBLY
3	12-28404		2,2,2,2	WASHER, THUMB SCREW
4	30664		1,1,1,1	TUBE, TILT - CLAMP BRACKET TO SWIVEL BRACKET
5	15-30497A1		2,2,2,2	SHIM, CLAMP BRACKET TO SWIVEL BRACKET
6	11-30499		2,2,2,2	NUT, TILT TUBE FASTENING
7	30498		2,2,2,2	CAP, PLASTIC - TILT TUBE ENDS
8	16-20221		1,1,1,1	STUD, CLAMP BRACKET
9	23-20222		1,1,1,1	SPACER, CLAMP BRACKET STUD
10	13-26993		2,2,2,2	LOCKWASHER, CLAMP BRACKET STUD
11	11-20083		2,2,2,2	NUT, STUD TO CLAMP BRACKET
12	17-30687A1		1,1,1,1	TILT LOCK PIN ASSEMBLY
13	26903A3		1,1,1,1	REVERSE LOCK ASSEMBLY
14	18-45882		1,1,1,1	COTTER PIN, REVERSE LOCK TO SHAFT
15	24-29821		1,1,1,1	SPRING, TENSION - REVERSE LOCK
16	17-25598		1,1,1,1	ROLL PIN, REVERSE LOCK SPRING ATTACHING
17	20208		1,1,1,1	SHAFT, REVERSE LOCK TO SWIVEL BRACKET
18	1442-2501A1		1,1,1,1	SWIVEL BRACKET ASSEMBLY (SHORT SHAFT)
	1442-2502A1		1,1,1,1	SWIVEL BRACKET ASSEMBLY (LONG SHAFT)
19	26-32911		2,2,2,2	OIL SEAL, SWIVEL BRACKET
20	22-23612		1,1,1,1	FITTING, GREASE - SWIVEL BRACKET
21	29359		1,1,1,1	LUBRICAP, SWIVEL BRACKET GREASE FITTING
23	29056		1,1,1,1	LEVER, TILT STOP - PORT SIDE
22	29057		1,1,1,1	LEVER, TILT STOP - STARBOARD SIDE
24	10-29054		2,2,2,2	SCREW, ANCHOR - TILT STOP LEVER
25	23-29055		2,2,2,2	SPACER, TILT STOP LEVER ANCHOR SCREW
26	10-27790		2,2,2,2	SCREW, RETAINING - TILT STOP LEVER
27	13-20846		2,2,2,2	WASHER, WAVE - RETAINING SCREW (PORT SIDE)
28	11-20184		4,4,4,4	NUT, ANCHOR AND RETAINING SCREW
29	12-25176		1,1,1,1	WASHER, SWIVEL PIN TO BOTTO YOKE (.060)
	12-26837		AR,AR,AR,A	WASHER, SWIVEL PIN TO BOTOTM YOKE (.065)
30	35402		1,1,1,1	YOKE, BOTTOM
31	17-28418A5		1,1,1,1	SWIVEL PIN AND STEERING ARM ASSY (SHORT SHAFT)
	17-28419A5		1,1,1,1	SWIVEL PIN AND STEERING ARM ASSY (LONG SHAFT)
32	10-31830		1,1,1,1	SCREW, STEERING ARM TO RIDE GUIDE KIT
33	11-20509		1,1,1,1	NUT, STEERING ARM SCREW
34	10-33986		2,2,2,2	BOLT, UPPER MOUNT TO SWIVEL PIN
35	30711		1,1,1,1	BUMPER, STEERING ARM
36	11-28202		1,1,1,1	NUT, RETAINING - SWIVEL PIN

CONTINUED ON NEXT PAGE ➡

# CLAMP AND SWIVEL BRACKET ASSEMBLY

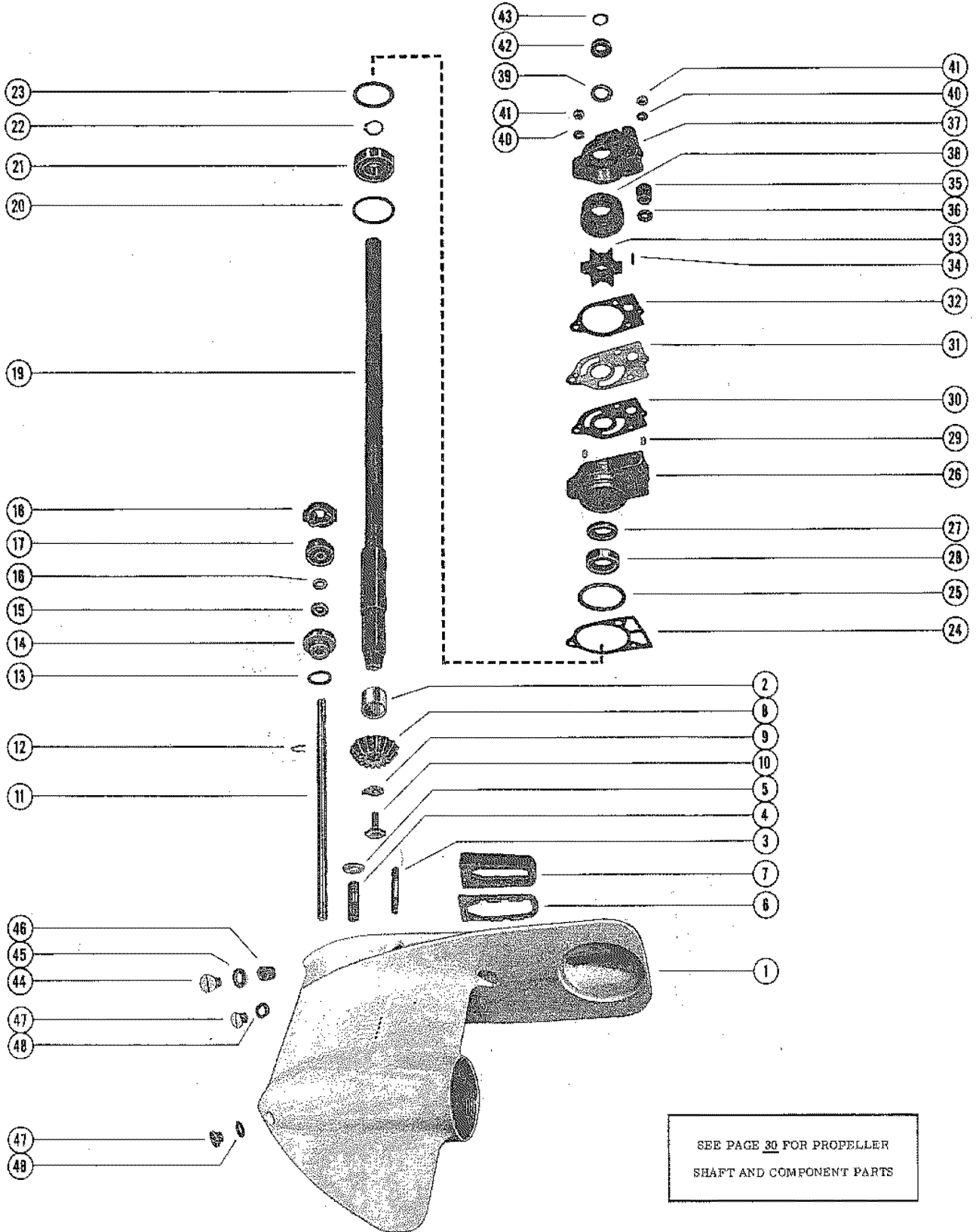




# CLAMP AND SWIVEL BRACKET ASSEMBLY

REF. NO.	PART NO.	SYM.	QTY.	DESCRIPTION
37	38-39784		1,1,1,1	SERIAL PLATE
38	10-25612		4,4,4,4	SCREW, DRIVE - SERIAL PLATE TO SWIVEL BRACKET
39	10-28009		2,2,2,2	BOLT, CLAMP BRACKET TO BOAT TRANSOM
40	12-28008		2,2,2,2	WASHER, CLAMP BRACKET TRANSOM BOLT
41	11-28010		2,2,2,2	NUT, CLAMP BRACKET TRANSOM BOLT

# GEAR HOUSING ASSEMBLY, COMPLETE (PAGE 1)



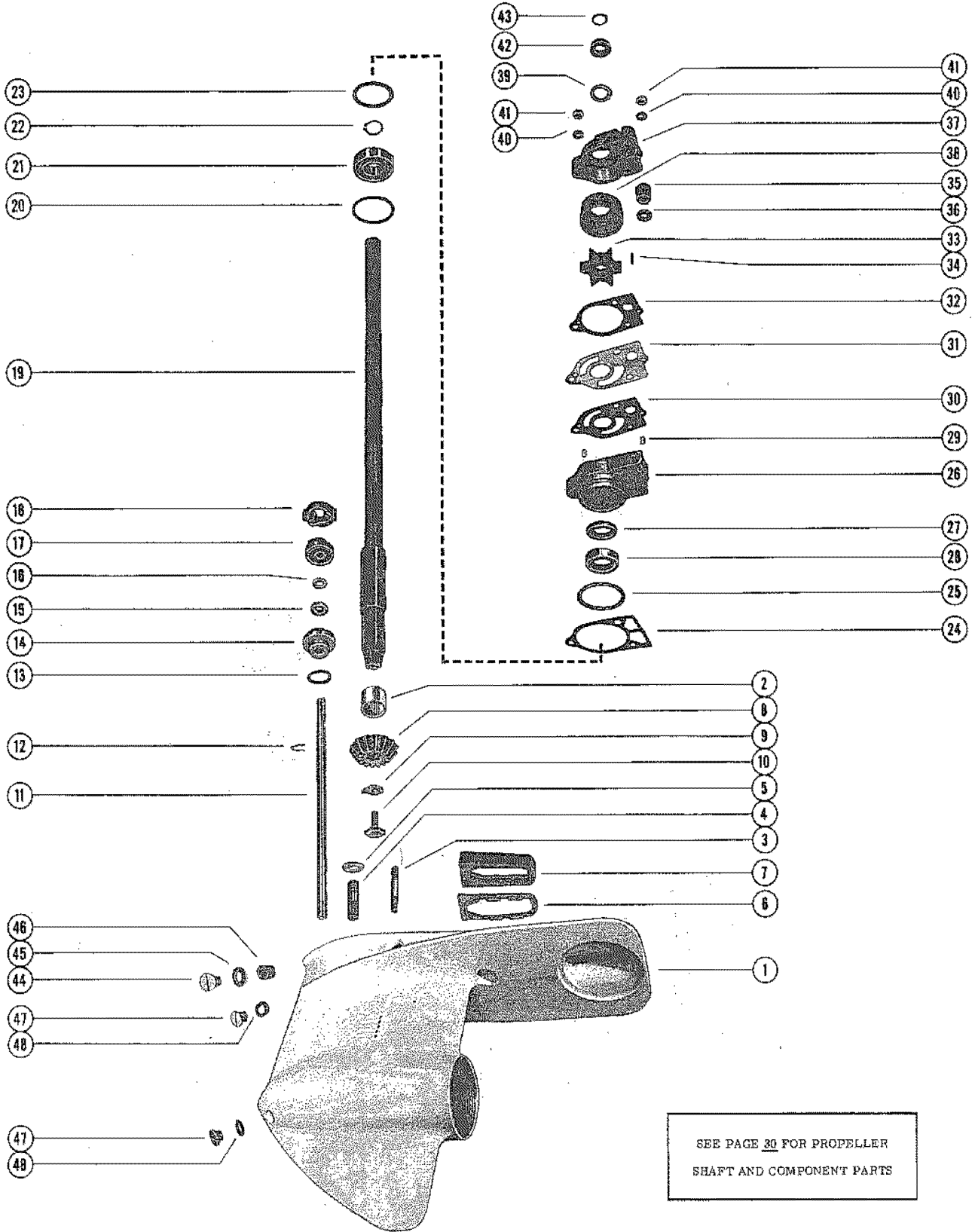
SEE PAGE 30 FOR PROPELLER  
SHAFT AND COMPONENT PARTS

# GEAR HOUSING ASSEMBLY, COMPLETE (PAGE 1)

REF. NO.	PART NO.	SYM.	QTY.	DESCRIPTION
-	1626-2470A3		1,1,,	GEAR HOUSING ASSEMBLY, COMPLETE (SHORT SHAFT) SEE NOTE BEL
-	2470A4		1,1,,	GEAR HOUSING ASSEMBLY, COMPLETE (LONG SHAFT)
-	1626-2470A18		,,1,1	GEAR HOUSING ASSEMBLY, COMPLETE (SHORT SHAFT)
-	1626-2470A19		,,1,1	GEAR HOUSING ASSEMBLY, COMPLETE (LONG SHAFT)
1	1626-2470A1		1,1,,	GEAR HOUSING ASSEMBLY
	1626-2470A16		,,1,1	GEAR HOUSING ASSEMBLY
2	31-20231		1,1,1,1	BEARING, ROLLER - DRIVE SHAFT
3	16-37728		3,3,3,3	STUD, WATER PUMP BODY AND BASE TO GEAR HOUSING
4	16-32017		2,2,,	STUD, GEAR HOUSING TO DRIVE SHAFT HOUSING
	16-45177		,,2,2	STUD, GEAR HOUSING TO DRIVE SHAFT HOUSING
5	12-45176		2,2,2,2	WASHER, GEAR HOUSING STUD
6	38071		1,1,1,1	PLATE, SUPPORT - EXHAUST TUBE SEAL
7	37721		1,1,1,1	SEAL, EXHAUST TUBE
8	43-20834		1,1,1,1	GEAR, PINION - DRIVE SHAFT
9	14-29163		1,1,1,1	TAB WASHER, PINION GEAR SCREW
10	10-20925		1,1,1,1	SCREW, PINION GEAR TO DRIVE SHAFT
11	32008		1,1,1,1	SHAFT, SHIFT - LOWER
12	18-20233		1,1,1,1	CLIP, RETAINING - SHIFT SHAFT
13	25-25439		1,1,1,1	"O" RING, SHIFT SHAFT BUSHING
14	23-28374A1		1,1,,	BUSHING ASSEMBLY, SHIFT SHAFT
	23-38993A2		,,1,1	BUSHING ASSEMBLY, SHIFT SHAFT
15	26-31249		1,1,1,1	OIL SEAL, SHIFT SHAFT BUSHING
16	12-31266		,,1,1	WASHER, RUBBER - SHIFT SHAFT BUSHING
17	25138		1,1,1,1	CAM, LOWER - REVERSE LOCKING
18	29823		1,1,1,1	CAM, UPPER - REVERSE LOCKING
19	45-38466		1,1,1,1	DRIVE SHAFT (SHORT SHAFT)
	45-38467		1,1,1,1	DRIVE SHAFT (LONG SHAFT)
20	15-20929A1		AR,AR,AR,A	SHIM, BEARING TO GEAR HOUSING
21	30-20861		1,1,1,1	BEARING, BALL - DRIVE SHAFT
22	53-29116		1,1,1,1	RING, SNAP - BALL BEARING RETAINING
23	15-20929A1		AR,AR,AR,A	SHIM, BEARING TO WATER PUMP BASE
24	27-32771		1,1,1,1	GASKET, WATER PUMP BASE TO GEAR HOUSING
25	25-26855		1,1,1,1	"O" RING, WATER PUMP BASE
26	46-32766A1		1,1,,	WATER PUMP BASE ASSEMBLY
	46-39531A1		,,1,1	WATER PUMP BASE ASSEMBLY
27	26-26782		,,1,1	OIL SEAL, WATER PUMP BASE
28	26-23300		1,1,1,1	OIL SEAL, WATER PUMP BASE
29	17-35973		2,2,2,2	DOWEL PIN, WATER PUMP BASE TO WATER PUMP BODY
30	27-32769		1,1,1,1	GASKET, LOWER - WATER PUMP BASE TO FACE PLATE
31	32768		1,1,1,1	PLATE, FACE - WATER PUMP BASE TO WATER PUMP BODY

CONTINUED ON NEXT PAGE ➡

# GEAR HOUSING ASSEMBLY, COMPLETE (PAGE 1)

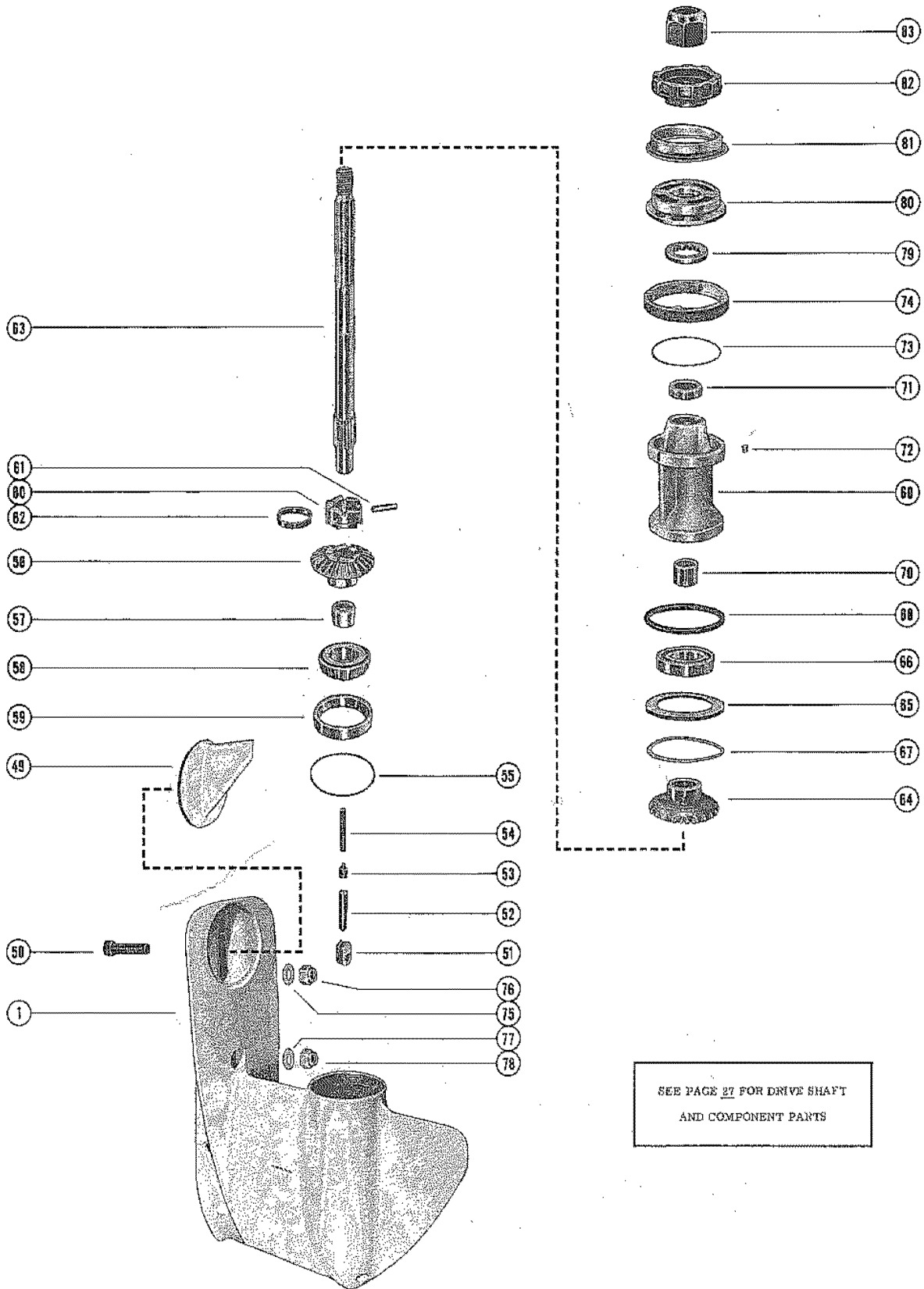


SEE PAGE 30 FOR PROPELLER  
SHAFT AND COMPONENT PARTS

## GEAR HOUSING ASSEMBLY, COMPLETE (PAGE 1)

REF. NO.	PART NO.	SYM.	QTY.	DESCRIPTION
32	27-32770		1,1,1,1	GASKET, UPPER - FACE PLACE TO WATER PUMP BODY
33	47-20268		1,1,1,1	IMPELLER, WATER PUMP
34	17-23733		1,1,1,1	PIN, IMPELLER DRIVE
35	26-25192		1,1,1,1	SEAL, WATER PUMP BODY TO WATER TUBE (USE THRU SERIAL #18112)
	26-38452		1,1,,	SEAL, WATER PUMP BODY TO WATER TUBE STARTED WITH SERIAL # <b>SERIAL 00000000-01811268</b>
36	12-38453		1,1,1,1	WASHER, CUPPED - WATER TUBE SEAL <b>SERIAL 01811269-09999999</b>
37	46-32767A1		1,1,1,1	WATER PUMP BODY ASSEMBLY <b>SERIAL 01811269-09999999</b>
38	32001		1,1,1,1	INSER, WATER PUMP BODY
39	26-32121		1,1,1,1	OIL SEAL, WATER PUMP BODY
40	13-26992		3,3,3,3	LOCKWASHER, WATER PUMP BODY AND BASE STUDS
41	11-29598		3,3,3,3	NUT, WATER PUMP BODY AND BASE STUDS
42	25-20273		1,1,1,1	RING, RUBBER - CENTRIFUGAL SLINGER
43	25-29619		1,1,1,1	"O" RING, UPPER - DRIVE SHAFT
44	10-29608		1,1,1,1	SCREW, GEAR HOUSING FLUSHING HOLE
45	27-29586		1,1,1,1	GASKET, GEAR HOUSING FLUSHING HOLE SCREW
46	26-29612		1,1,1,1	SEAL, GEAR HOUSING FLUSHING HOLE SCREW
47	10-28634		2,2,2,2	SCREW, GREASE FILLER AND VENT HOLE
48	12-20260		2,2,2,2	WASHER, GREASE FILLER AND VNET HOLE SCREW

# GEAR HOUSING ASSEMBLY, COMPLETE (PAGE 2)



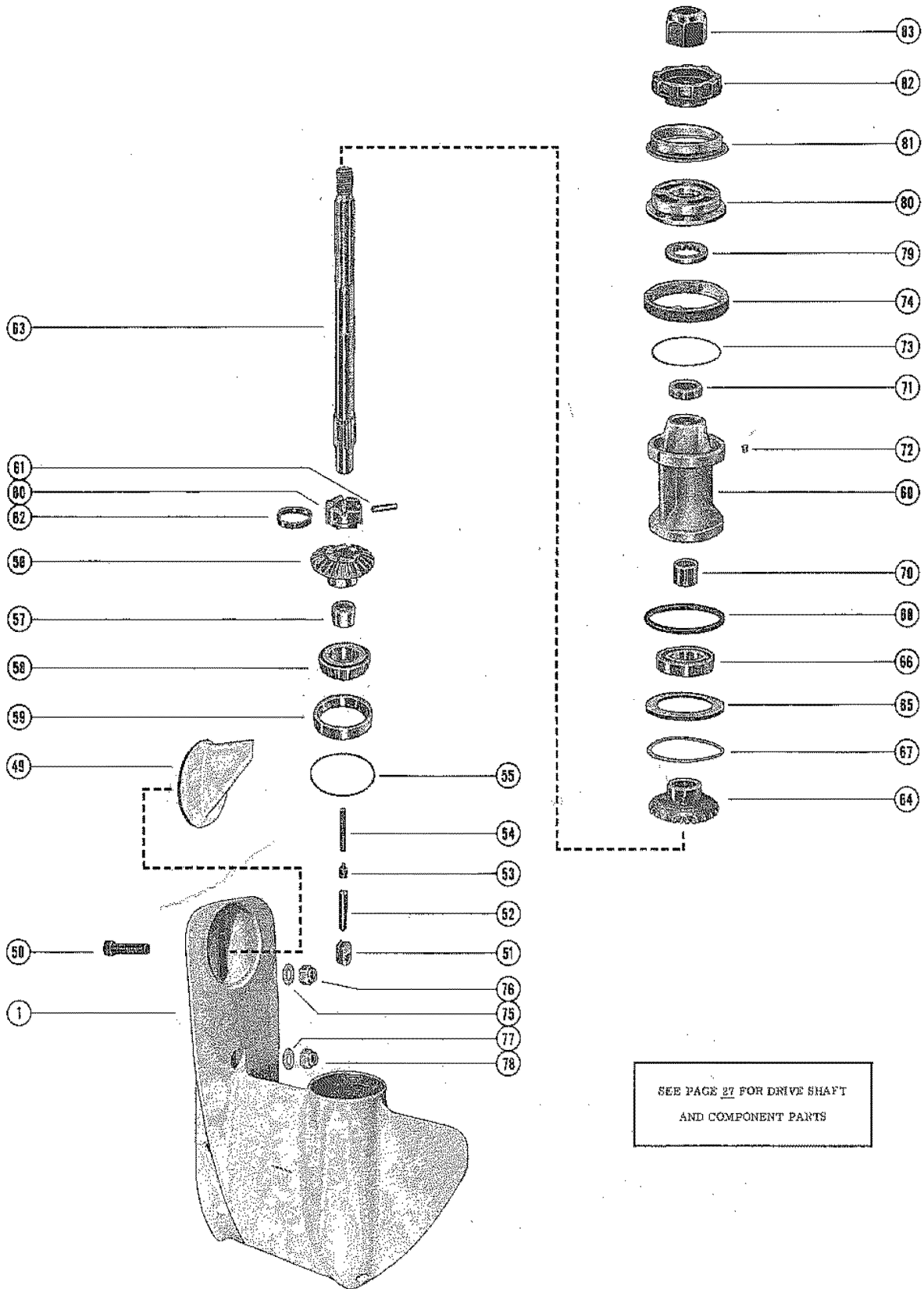
SEE PAGE 27 FOR DRIVE SHAFT  
AND COMPONENT PARTS

## GEAR HOUSING ASSEMBLY, COMPLETE (PAGE 2)

REF. NO.	PART NO.	SYM.	QTY.	DESCRIPTION
-	1626-2470A3		1,1,,	GEAR HOUSING ASSEMBLY, COMPLETE (SHORT SHAFT) SEE NOTE BEL
-	1626-2470A4		1,1,,	GEAR HOUSING ASSEMBLY, COMPLETE (LONG SHAFT)
-	1626-2470A18		,,1,1	GEAR HOUSING ASSEMBLY, COMPLETE (SHORT SHAFT)
-	1626-2470A19		,,1,1	GEAR HOUSING ASSEMBLY, COMPLETE (LONG SHAFT)
1	1626-2470A1		1,1,,	GEAR HOUSING ASSEMBLY SEE PAGE 27 FOR PARTS BREAKDOWN
	1626-2470A16		,,1,1	GEAR HOUSING ASSEMBLY SEE PAGE 27 FOR PARTS BREAKDOWN
49	31640		1,1,1,1	TRIM TAB, GEAR HOUSING
50	10-32470		1,1,1,1	SCREW, TRIM TAB TO GEAR HOUSING
51	36288		1,1,1,1	CAM, SHIFT
52	20930		1,1,,	FOLLOWER, CAM
	38441		,,1,1	FOLLOWER, CAM
53	20843		1,1,1,1	SLIDE, CROSS PIN
54	24-20254		1,1,,	SPRING, COMPRESSION - CAM FOLLOWER
	24-39845		,,1,1	SPRING, COMPRESSION - CAM FOLLOWER
55	15-31154A1		AR,AR,AR,A	SHIM, BEARING CUP TO GEAR HOUSING
-	<b>43-39941A1</b>		,,1,1	<b>FORWARD GEAR ASSEMBLY, COMPLETE</b>
56	43-20975		1,1,,	FORWARD GEAR ASSEMBLY
	43-39941		,,1,1	FORWARD GEAR ASSEMBLY
57	31-20249		1,1,1,1	BEARING, ROLLER - FORWARD GEAR
58	31-31215A1		1,1,1,1	TAPERED ROLLER BEARING ASSEMBLY
59	31-31216		1,1,1,1	CUP, TAPERED ROLLER BEARING
60	52-32189		1,1,,	RATCHET, SLIDING CLUTCH
	52-38128		,,1,1	RATCHET, SLIDING CLUTCH
61	17-20841		1,1,,	PIN, CROSS - RATCHET TO PROPELLER SHAFT
	17-38113		,,1,1	PIN, CROSS - RATCHET TO PROPELLER SHAFT
62	53-20842		1,1,,	RING, RETAINING - CROSS PIN
	24-38114		,,1,1	SPRING, RETAINING - CROSS PIN
63	44-32000		1,1,,	SHAFT, PROPELLER
	44-38127		,,1,1	SHAFT, PROPELLER
-	<b>43-39942A1</b>		,,1,1	<b>REVERSE GEAR ASSEMBLY, COMPLETE</b>
64	43-20975		1,1,,	REVERSE GEAR ASSEMBLY
	43-39942		,,1,1	REVERSE GEAR ASSEMBLY
65	12-32004		1,1,1,1	WASHER, THRUST - REVERSE GEAR
66	30-20839		1,1,1,1	BEARING, BALL - REVERSE GEAR
67	15-20927A1		AR,AR,AR,A	SHIM, THRUST WASHER TO GEAR HOUSING
68	25-31986		1,1,1,1	"O" RING, BEARING CARRIER
69	32015A1		1,1,,	BEARING CARRIER ASSEMBLY <b>SERIAL 00000000-#1811268</b>
70	31-20249		1,1,,	BEARING, ROLLER - BEARING CARRIER <b>SERIAL 00000000-#1811268</b>
71	26-23300		1,1,,	OIL SEAL, BEARING CARRIER <b>SERIAL 00000000-#1811268</b>

CONTINUED ON NEXT PAGE ➡

# GEAR HOUSING ASSEMBLY, COMPLETE (PAGE 2)

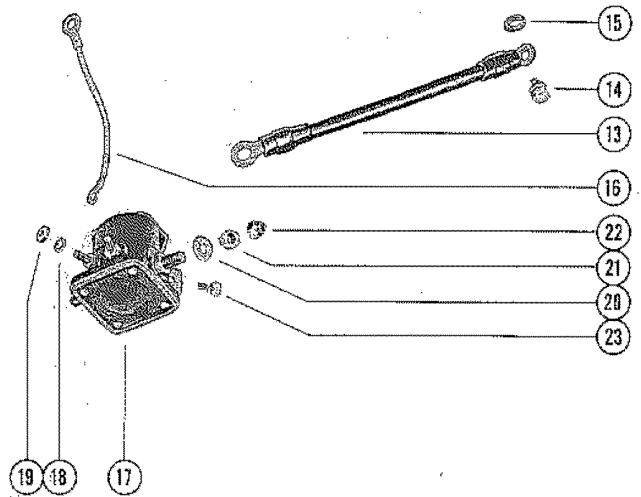
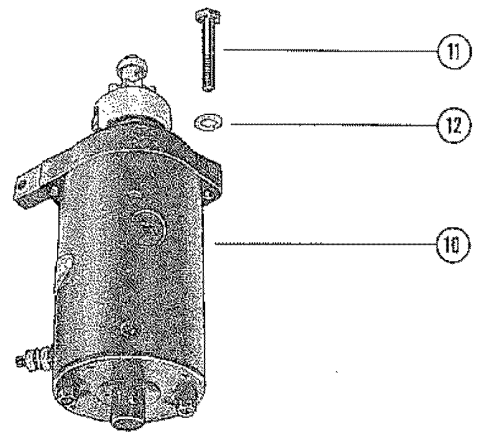
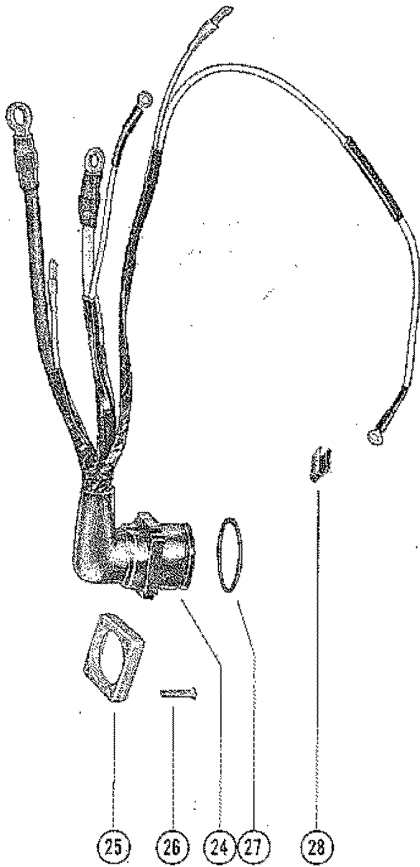
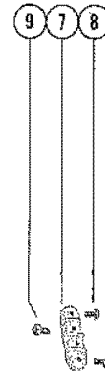
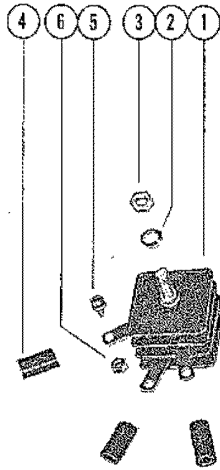




## GEAR HOUSING ASSEMBLY, COMPLETE (PAGE 2)

REF. NO.	PART NO.	SYM.	QTY.	DESCRIPTION
69	38130A1		1,1,1,1	BEARING CARRIER ASSEMBLY <b>SERIAL 01811269-09999999</b>
70	31-20249		1,1,1,1	BEARING, ROLLER - BEARING CARRIER <b>SERIAL 01811269-09999999</b>
71	26-23300		1,1,1,1	OIL SEAL, BEARING CARRIER <b>SERIAL 01811269-09999999</b>
	26-23517		1,1,1,1	OIL SEAL, BEARING CARRIER <b>SERIAL 01811269-09999999</b>
72	28-30281		1,1,1,1	KEY, LOCATING - BEARING CARRIER
73	12-31993		1,1,1,1	WASHER, GEAR HOUSING COVER
74	32014		1,1,1,1	COVER, GEAR HOUSING
75	12-45175		„1,1	WASHER, DRIVE SHAFT HOUSING STUD (3/8")
76	11-20509		1,1,1,1	NUT, DRIVE SHAFT HOUSING TO GEAR HOUSING (3/8")
77	12-45176		„2,2	WASHER, DRIVE SAHFT HOUSING STUD (7/16")
78	11-22178		1,1,1,1	NUT, DRIVE SHAFT HOUSING TO GEAR HOUSING (7/16")
79	12-25251		1,1,,	WASHER, BACKING - PROPELLER SHAFT (1/8")
80	32002A1		1,1,,	THRUST HUB AND WASHER ASSEMBLY
	38859A1		„1,1	THRUST HUB AND WASHER ASSEMBLY
81	12-31992		1,1,1,1	WASHER, CUPPED - THRUST HUB
82	12-32007		1,1,1,1	WASHER, SPLINED - PROPELLER SHAFT
83	11-31990		1,1,1,1	NUT, PROPELLER

# STARTER MOTOR, STARTER SOLENOID, RECTIFIER & WIRING HARNESS



# STARTER MOTOR, STARTER SOLENOID, RECTIFIER & WIRING HARNESS

REF. NO.	PART NO.	SYM.	QTY.	DESCRIPTION
1	32970		1,1	RECTIFIER ASSEMBLY
2	13-26993		1,1	LOCKWASHER, RECTIFIER MOUNTING SCREW
3	11-21929		1,1	NUT, RECTIFIER MOUNTING SCREW
4	32-28373		3,3	SLEEVE, RECTIFIER LEADS
5	10-29852		3,3	SCREW, HARNESS AND STATOR TO RECTIFIER
6	11-29488		3,3	NUT, HANRESS AND STATOR LEADS SCREW
7	30212		1,1	TERMINAL BLOCK
8	10-28192		2,2	SCREW, TERMINAL BLOCK TO CYLINDER BLOCK
9	10-30663		1,1	SCREW, WIRING HARNESS LEADS TO TERMINAL BLOCK
10	50-37345A1		1,	STARTER MOTOR ASSEMBLY <b>SERIAL 00000000-01857029</b>
	50-38890A1		1,1	STARTER MOTOR ASSEMBLY <b>SERIAL 01857030-09999999</b>
11	10-22698		2,2	SCREW, STARTER MOTOR TO CRANKCASE FLANGE
12	13-26993		2,2	LOCKWASHER, STARTER MOTOR SCREW
13	25596		1,1	WIRE, STARTER MOTOR TO STARTER SOLENOID
14	10-29197		1,1	SCREW, GROUND WIRE TO STARTER MOTOR
15	13-26992		1,1	LOCKWASHER, GROUND WIRE FASTENING SCREW
-	<b>11-20890</b>		<b>1,1</b>	<b>NUT, GROUND WIRE SCREW</b>
16	28016A1		1,1	GROUND STRAP ASSEMBLY
17	32445		1,1	STARTER SOLENOID
18	13-26996		2,2	LOCKWASHER, SOLENOID TERMINAL (#10)
19	11-20645		2,2	NUT, SOLENOID TERMINAL (#10)
20	13-26993		2,2	LOCKWASHER, SOLENOID TERMINAL (5/16")
21	11-20083		1,1	NUT, SOLENOID TERMINAL - INSIDE (5/16")
22	11-26062		1,1	NUT, CAP - SOLENOID TERMINAL - OUTSIDE (5/16")
23	10-31208		2,2	SCREW, STARTER SOLENOID TO STARTER MOTOR
24	38072		1,1	WIRING HARNESS (INTERNAL)
25	26079		1,1	PLATE, BACKING - WIRING HARNESS
26	10-26128		4,4	SCREW, BACKING PLATE TO BOTTOM COWL
27	24-28975		1,1	SPRING, GARTER - INTERNAL WIRING HARNESS
28	54-22783		2,2	"S" CLIP, WIRING HARNESSSS LEAD TO BOTTOM COWL

# PARTS INDEX

Part Number	Description	Pg.	Ref. No.	Part Number	Description	Pg.	Ref. No.
1477	GASKET AND PACKING SET (1 PER CARBURETOR) . . .	27	--	27690	SHIELD, REAR - TOP COWL	7	13
20047	RACE, OUTER . . . . .	35	9	27711	RETAINER, SPRING . . . . .	23	26A
20119	PROTECTOR, SPARK PLUG	17	53	27917	CLUSTER, THROTTLE LEVER (UPPER CARBURETOR) . . . . .	23	30
20140	BELT, TIMING . . . . .	17	42	27935	COVER, TRANSFER PORT . . .	33	51
20155	RETAINER, STARTER SPRING . . . . .	3	36	27946A1	ECONOMIZER COLLAR AND PIN ASSEMBLY . . . . .	15	8
20208	SHAFT, REVERSE LOCK TO SWIVEL BRACKET . . . . .	45	17	27947	SWIVEL, LINKAGE - ECONOMIZER COLLAR . . .	15	20
20843	SLIDE, CROSS PIN . . . . .	53	53	27948	SWIVEL, UPPER LINK ROD TO THROTTLE CONTROL LEVER . . . . .	15	24
20930	FOLLOWER, CAM . . . . .	53	52	27955	CAP, MAGNETO ADAPTOR AND PILOT FASTENING . . .	15	19
21060	HANDLE, COWL LATCH . . .	11	13	28007A5	THROTTLE PICK-UP BRACKET ASSEMBLY . . .	23	28
21104A2	CONNECTOR BASE ASSEMBLY . . . . .	37	17	28016A1	GROUND STRAP ASSEMBLY	57	16
22462	"U" LINK, CHOKE ROD TO CHOKE KNOB . . . . .	23	12	28403A3	THUMB SCREW ASSEMBLY	45	2
22463	KNOB, CHOKE ROD . . . . .	23	10	28470	ROD, PUSH - REVERSE LOCK (SHORT SHAFT) . . .	41	6
22789	"D" WASHER, CLIP FASTENING SCREW . . . . .	17	58	28593	ROD, PUSH - REVERSE LOCK (LONG SHAFT) . . .	41	6
22789	"D" WASHER, STATOR LEAD CLAMP SCREW . . . . .	13	16	28747	HANDLE, STARTER CABLE . .	5	50
23004	RETAINER, CHECK VALVE . .	29	4	28748	RETAINER, STARTER CABLE AND HANDLE . . . .	5	51
23008	COVER, FUEL PUMP . . . . .	29	8	28913	SHAFT, SHEAVE . . . . .	5	48
23014A1	DIAPHRAGM, FUEL PUMP . .	29	7	29056	LEVER, TILT STOP - PORT SIDE . . . . .	45	23
23564	CABLE, HIGH TENSION LEAD - SPARK PLUG . . . . .	17	54	29057	LEVER, TILT STOP - STARBOARD SIDE . . . . .	45	22
23760	BAFFLE, BOTTOM COWL . . .	37	26	29206	COVER, PLUG - BOTTOM COWL HARNESS HOLE . . .	37	2
2470A4	GEAR HOUSING ASSEMBLY, COMPLETE (LONG SHAFT) . . . . .	49	-	29277	PLATE, THROTTLE STOP . . .	17	43
24929	PACKING, "U" CUP - UPPER MOUNT COVERS . . . . .	41	26	29321A1	MAGNETO PILOT ASSEMBLY . . . . .	15	3
24935	COVER, UPPER MOUNT - OUTSIDE HALF . . . . .	41	27	29321A9	MAGNETO ADAPTOR AND PILOT ASSEMBLY, COMPLETE . . . . .	15	-
25067	BUMPER, RUBBER - LOWER MOUNT SCREW . . . . .	41	19	29359	LUBRICAP, SWIVEL BRACKET GREASE FITTING . . . . .	45	21
25138	CAM, LOWER - REVERSE LOCKING . . . . .	49	17	29783A1	DRIVEN PULLEY ASSEMBLY	15	37
25140	LEVER, REVERSE LOCK . . .	41	10	29784	HUB, DRIVEN PULLEY . . . .	15	36
25162A1	SHIFT SHAFT ASSEMBLY, UPPER (LONG SHAFT) . . .	39	53	29785	FLANGE, DRIVEN PULLEY . .	15	39
25172A1	SHIFT SHAFT ASSEMBLY, UPPER (SHORT SHAFT) . . .	39	53	29787	HUB, FLANGE - FLYWHEEL PULLEY . . . . .	13	11
25596	WIRE, STARTER MOTOR TO STARTER SOLENOID . . . . .	57	13	29788	FLANGE, FLYWHEEL PULLEY . . . . .	13	9
25690	SWIVEL, COWL LATCH . . . .	11	16	29823	CAM, UPPER - REVERSE LOCKING . . . . .	49	18
25691	HOOK, COWL LATCH FASTENING . . . . .	11	17	30043	ADAPTOR, MAGNETO . . . . .	15	14
25996A1	SWIVEL AND LINK ROD ASSEMBLY . . . . .	15	21	30050	TERMINAL, CHOKE SOLENOID LEAD . . . . .	23	2
26079	PLATE, BACKING - WIRING HARNESS . . . . .	57	25	30186	ADAPTOR, CHECK UNIT (FUEL LINE) . . . . .	29	21
26179	RETAINER, WAVE WASHER (NOT AS SHOWN) . . . . .	5	44	30187	STEM, CHECK UNIT ADAPTOR . . . . .	29	22
26852	CAP, NYLON - ADJUSTING SCREW . . . . .	17	47	30188	CUP WASHER, ADAPTOR . . .	29	25
26903A3	REVERSE LOCK ASSEMBLY	45	13	30212	TERMINAL BLOCK . . . . .	57	7
27031A4	PLUNGER AND LINK ASSEMBLY, CHOKE SOLENOID . . . . .	23	7				

# PARTS INDEX

Part Number	Description	Pg.	Ref. No.	Part Number	Description	Pg.	Ref. No.
30269A2	FUEL PUMP ASSEMBLY . . .	29	1	37591	"U" LINK, CHOKE ROD TO		
30306	PULLEY, FLYWHEEL . . . . .	13	10		CHOKE KNOB . . . . .	23	12
30413	HOOK, COWL LATCH			37637	BOOT, FUEL CONNECTOR . .	37	28
	FASTENING . . . . .	11	17	37639	MOUNT, RUBBER -		
30498	CAP, PLASTIC - TILT TUBE				CRANKCASE . . . . .	31	8
	ENDS . . . . .	45	7	37639	MOUNT, RUBBER -		
30595	PLATE, RETAINER -				CYLINDER BLOCK COVER	33	49
	STARTER PAWL . . . . .	5	47	37640	MOUNT, RUBBER - REAR		
30596	PAWL, STARTER . . . . .	5	40		SUPPORT BRACKET . . . . .	7	23
30664	TUBE, TILT - CLAMP			37679	HANDLE, CHROME - TOP		
	BRACKET TO SWIVEL				COWL . . . . .	3	1
	BRACKET . . . . .	45	4	37679	HANDLE, CHROME - TOP		
30711	BUMPER, STEERING ARM . .	45	35		COWL . . . . .	7	1
31014	MOUNT, RUBBER - FRONT			37685	HOUSING, STARTER . . . . .	3	31
	SUPPORT BRACKET . . . . .	7	37	37686A3	PLATE ASSEMBLY,		
31095	SEAL, SOUND - LOWER				EXHAUST EXTENSION . .	37	35
	SECTION . . . . .	11	10	37687	COVER, TRIM - DRIVE		
31120	COVER, UPPER MOUNT -				SHAFT HOUSING . . . . .	43	46
	INSIDE HALF . . . . .	41	28	37688	LEVER, THROTTLE		
31640	TRIM TAB, GEAR HOUSING	53	49		CONTROL . . . . .	15	25
32001	INSERT, WATER PUMP BODY	51	38	37689	HANDLE, INSIDE - TOP		
32002A1	THRUST HUB AND WASHER				COWL . . . . .	3	2
	ASSEMBLY . . . . .	55	80	37689	HANDLE, INSIDE - TOP		
32008	SHAFT, SHIFT - LOWER . . .	49	11		COWL . . . . .	7	2
32014	COVER, GEAR HOUSING . .	55	74	37690	SHIELD, REAR - TOP COWL	3	18
32015A1	BEARING CARRIER			37691	PLATE, CABLE GUIDE . . . . .	3	34
	ASSEMBLY . . . . .	53	69	37692	SUPPORT, EXTERNAL		
32361	KNOB, COWL FRONT				WIRING HANRESS . . . . .	37	29
	COVER FASTENING . . . . .	11	4	37695	BOOT, CONTROL CABLE . .	37	25
32445	STARTER SOLENOID . . . . .	57	17	37700	ROD, LINK - UPPER . . . . .	15	23
32768	PLATE, FACE - WATER			37702A1	TRIM MOULDING		
	PUMP BASE TO WATER				ASSEMBLY, TOP COWL . .	3	23
	PUMP BODY . . . . .	49	31	37702A1	TRIM MOULDING		
32970	RECTIFIER ASSEMBLY . . . .	57	1		ASSEMBLY, TOP COWL . .	7	17
34433	BRACKET, TENSION - TRIM			37703A1	TRIM MOULDING		
	MOULDING . . . . .	3	24		ASSEMBLY, BOTTOM		
34433	BRACKET, TENSION - TRIM				COWL . . . . .	37	8
	MOULDING . . . . .	7	18	37716A1	BRACKET ASSEMBLY,		
35402	YOKE, BOTTOM . . . . .	45	30		FRONT SUPPORT . . . . .	7	33
35473	CLAMP, LOWER MOUNT TO			37719	TUBE, EXHAUST (LONG		
	DRIVE SHAFT HOUSING . .	41	15		SHAFT) . . . . .	41	38
35474	COVER, LOWER MOUNT			37720	TUBE, EXHAUST (SHORT		
	CLAMP . . . . .	41	12		SHAFT) . . . . .	41	38
35496	PAD, BUMPER - TOP COWL			37721	SEAL, EXHAUST TUBE . . . .	49	7
	HANDLE . . . . .	3	3	37794	BLANKET, SOUND		
35496	PAD, BUMPER - TOP COWL				ABSORBING . . . . .	11	21
	HANDLE . . . . .	7	3	37796	ROD, CHOKE . . . . .	23	16
36288	CAM, SHIFT . . . . .	53	51	37921	FLANGE, RUBBER - FRONT		
36394	PLATE, BAFFLE - EXHAUST				SUPPORT BRACKET . . . . .	5	53
	MANIFOLD . . . . .	33	39	37921	FLANGE, RUBBER - FRONT		
36395	COVER, EXHAUST				SUPPORT BRACKET . . . . .	7	34
	MANIFOLD . . . . .	33	41	37924	LEVER, QUICK		
37394	MOUNT, RUBBER - UPPER . .	41	25		DISCONNECT -		
37395	MOUNT, RUBBER - LOWER	41	18		THROTTLE AND SHIFT		
37411	BRACKET, TOP COWL				CABLES . . . . .	39	42
	LATCH . . . . .	7	10	37926	RETAINER, NYLON		
37412	LEVER, CLAMPING - TOP				BEARING TO EXHAUST		
	COWL . . . . .	7	27		EXTENSION PLATE . . . . .	39	46
37585	CHOKE SOLENOID, TOP			37932	BEARING, NYLON - SHIFT		
	COWL 0101 . . . . .	23	1		CONTROL ACTUATOR . .	39	63

# PARTS INDEX

Part Number	Description	Pg.	Ref. No.	Part Number	Description	Pg.	Ref. No.
37935	RAIL, SHIFT CONTROL BEARING	39	66	39839	PLATE, RETAINER - STARTER PAWL	5	47
37943A1	COVER PLATE ASSEMBLY	37	22	39840	RETAINER, WAVE WASHER	5	44
37944	PAD, SOUND - COVER PLATE	37	23	N.S.S.	DECAL, "MERC 500"	11	2
37948	ACTUATOR, SHIFT CONTROL	39	58	N.S.S.	DECAL, "MERC 500"	11	2
37996	GROUND STRAP, THROTTLE STOP PLATE SCREW	17	49	N.S.S.	DECAL, FRONT COVER EMBLEM	11	3
38046	SPLICER, TRIM MOULDING - REAR	37	9	N.S.S.	DECAL, FRONT COVER EMBLEM	11	3
38071	PLATE, SUPPORT - EXHAUST TUBE SEAL	49	6	N.S.S.	DECAL, REAR SHIELD - "MERC 500"	3	22
38072	WIRING HARNESS (INTERNAL)	57	24	N.S.S.	DECAL, REAR SHIELD - "MERC 500"	3	22
38130A1	BEARING CARRIER ASSEMBLY	55	69	N.S.S.	DECAL, REAR SHIELD - "MERC 500"	7	16
38133	SEAL, SOUND - UPPER SECTION	11	11	N.S.S.	DECAL, REAR SHIELD - "MERC 500"	7	16
38154	STRIP, RETAINING - TRIM COVER SEAL (SIDE)	43	42	N.S.S.	DECAL, THROTTLE STOP PLATE (STOP ADJUSTMENTS)	17	44
38155	STRIP, RUBBER SEAL RETAINING	39	50	N.S.S.	DECAL, THROTTLE STOP PLATE (STOP ADJUSTMENTS)	17	44
38156	SEAL, RUBBER - EXHAUST EXTENSION PLATE	39	49	N.S.S.	DECAL, TOP COWL - MANUAL STARTING INSTRUCTIONS	9	--
38157	SEAL, TRIM COVER TO DRIVE SHAFT HOUSING	43	41	N.S.S.	DECAL, TOP COWL - MANUAL STARTING INSTRUCTIONS	9	--
38158	STRIP, RETAINING - TRIM COVER SEAL (REAR)	43	43	N.S.S.	DECAL, TRI COVER - PORT	43	47
38230A1	THROTTLE ACTUATOR ASSEMBLY	15	11	N.S.S.	DECAL, TRI COVER - STARBOARD	43	48
38292A1	BRACKET ASSEMBLY, FRONT SUPPORT	5	52	N.S.S.	DECAL, TRI COVER - STARBOARD	43	48
38431	BRACKET, REAR COWL SUPPORT	3	28	N.S.S.	DECAL, TRIM COVER - PORT NOT AS SHOWN	43	47
38431	BRACKET, REAR COWL SUPPORT	7	22	N.S.S.	DECAL, TRIM COVER - STARBOARD NOT AS SHOWN	43	48
38441	FOLLOWER, CAM	53	52	N.S.S.	DECAL, WRAP AROUND COWL - PORT	11	20
38458	ROD, CHOKE (NOT AS SHOWN)	23	16	N.S.S.	DECAL, WRAP AROUND COWL - PORT	11	20
38462	COVER, EXHAUST MANIFOLD	33	41	N.S.S.	DECAL, WRAP AROUND COWL - REAR	11	18
38500	RETAINER, WATER TUBE SEAL STARTED WITH SERIAL #1811269	39	38	N.S.S.	DECAL, WRAP AROUND COWL - STARBOARD	11	19
38604	SHUTTER, CHOKE - CARBURETOR	23	18	N.S.S.	DECAL, WRAP AROUND COWL - STARBOARD	11	19
38674	BLANKET, SOUND ABSORBING	11	9	10-20037	SCREW, RETAINER TO HOUSING	29	5
38859A1	THRUST HUB AND WASHER ASSEMBLY	55	80	10-20060	SCREW, CAP TO CONNECTING ROD	35	25
38961	HANDLE, COWL LATCH	11	13	10-20100	SCREW, "U" LINK TO CHOKE KNOB	23	13
38964	SWIVEL, COWL LATCH	11	16	10-20359	SCREW, CENTER MAIN BEARING LOCKING	31	26
39560A1	MAGNETO PILOT ASSEMBLY	15	3	10-20401	SCREW, LEAD CLIP TO MAGNETO	17	57
39657	PLATE, BAFFLE - EXHAUST MANIFOLD	33	39	10-20540	SCREW, TRANSFER PORT COVER MOUNTING (HEX HEAD)	33	53
39835	RETAINER, STARTER SPRING	3	36				

# PARTS INDEX

Part Number	Description	Pg.	Ref. No.	Part Number	Description	Pg.	Ref. No.
10-20597	SCREW, BREAKER HOLDER TO HOUSING	19	28	10-24234	SCREW, HANDLE TO TOP COWL (1")	7	7
10-20653	SCREW, CYLINDER BLOCK COVER MOUNTING	33	47	10-24933	SCREW, THROTTLE STOP ADJUSTING	17	45
10-20776	SCREW, DETENT SPRING TO EXHAUST EXTENSION PLATE	39	55	10-25313	SCREW, MAIN BEARING CLAMPING (1/2")	35	15
10-20847	SCREW, CLUSTER TO THROTTLE LEVER	23	31	10-25509	SCREW AND LOCKWASHER, CONDENSER FASTENING	19	30
10-20847	SCREW, THROTTLE STOP LEVER	25	18	10-25509	SCREW AND LOCKWASHER, SUPPORT TO FRAME	19	8
10-20854	SCREW, FLOAT BOWL COVER (SHORT)	25	10	10-25510	SCRE, SET - COIL BRIDGE	19	2
10-20858	SCREW AND LOCKWASHER, THROTTLE SHUTTER	25	23	10-25517	SCREW, HIGH TENSION CABLE FASTENING	21	40
10-20925	SCREW, PINION GEAR TO DRIVE SHAFT	49	10	10-25612	SCREW, DRIVE - SERIAL PLATE TO SWIVEL BRACKET	47	38
10-21106	SCREW, BAFFLE TO BOTTOM COWL	37	27	10-25822	SCREW, STRAINER COVER FASTENING	25	17
10-21574	SCREW, CRANKCASE TO CYLINDER BLOCK (1 5/8")	31	20	10-25850	SCREW, FLOAT BOWL COVER (LONG)	25	11
10-21625	SCREW, RAIL TO EXHAUST MANIFOLD COVER	39	67	10-26066	SCREW, CHOKE SOLENOID TO FRONT BRACKET	23	3
10-21937	SCREW, ADAPTOR TO BOTTOM COWL (2")	29	26	10-26128	SCREW, BACKING PLATE TO BOTTOM COWL	57	26
10-21937	SCREW, HARNESS SUPPORT TO BOTTOM COWL (2")	37	30	10-26128	SCREW, PLUG COVER TO BOTTOM COWL	37	3
10-22039	SCREW, CRANKCASE TO CYLINDER BLOCK (2 3/4")	31	21	10-26774	SCREW, FLEX PLATE TO FLYWHEEL	13	7
10-22040	SCREW ADAPTOR AND PILOT TO CRANKCASE	15	32	10-26801	SCREW, MAIN BEARING LOCKING	31	24
10-22040	SCREW, CRANKCASE TO CYLINDER BLOCK (1 1/2")	31	20	10-27790	SCREW, RETAINING - TILT STOP LEVER	45	26
10-22040	SCREW, CRANKCASE TO CYLINDER BLOCK (1 1/2")	31	20	10-28009	BOLT, CLAMP BRACKET TO BOAT TRANSOM	47	39
10-22421	SCREW, EXHAUST EXTENSION PLATE TO DRIVE SHAFT HOUSING	39	40	10-28192	SCREW, TERMINAL BLOCK TO CYLINDER BLOCK	57	8
10-22698	SCREW, STARTER MOTOR TO CRANKCASE FLANGE	57	11	10-28405	SCREW, PLUG - MAIN FUEL JET CHANNEL	25	27
10-22815	SCREW, LEAD WIRE CLIP TO BOTTOM COWL	37	21	10-28634	SCREW, GREASE FILLER AND VENT HOLE	51	47
10-23015	SCREW, BRACKET AND TRIM MOULDING TO TOP COWL	3	25	10-28635	SCREW, TRANSFER PORT COVER MOUNTING (CAP HEAD)	33	53
10-23015	SCREW, BRACKET AND TRIM MOULDING TO TOP COWL	7	19	10-28666	SCREW, CENTER MAIN BEARING CLAMPING	35	11
10-23035	SCREW AND LOCKWASHER, THROTTLE SHUTTER	25	23	10-28713	SCREW, TENSION SPRING TO CARBURETOR	23	25A
10-23178	SCREW, PLUG - MAIN NOZZLE	25	32	10-28772	SCREW, UPPER MOUNT COVER - REAR (1 1/2")	41	29
10-24234	SCREW, FRONT SUPPORT BRACKET TO BOTTOM COWL (1")	5	55	10-28782	SCREW, MANIFOLD COVER TO CYLINDER BLOCK (7/8")	33	42
10-24234	SCREW, FRONT SUPPORT BRACKET TO BOTTOM COWL (1")	7	36	10-28845	SCREW, PLUG - BODY CHANNEL	25	34
				10-29054	SCREW, ANCHOR - TILT STOP LEVER	45	24
				10-29182	SCREW, PRIMARY GROUND (#10)	19	10
				10-29197	SCREW, GROUND WIRE TO STARTER MOTOR	57	14

# PARTS INDEX

Part Number	Description	Pg.	Ref. No.	Part Number	Description	Pg.	Ref. No.
10-29197	SCREW, THROTTLE STOP PLATE TO ADAPTOR . . . .	17	48	10-32614	SCREW, STATOR TO UPPER END CAP . . . . .	13	13
10-29198	SCREW, LOWER END CAP MOUNTING . . . . .	31	34	10-33986	BOLT, UPPER MOUNT TO SWIVEL PIN . . . . .	45	34
10-29198	SCREW, UPPER END CAP MOUNTING . . . . .	31	6	10-34439	SCREW, RETAINER TO EXHAUST EXTENSION PLATE . . . . .	39	39
10-29226	SCREW, DECORATIVE - TRIM MOULDING TO BOTTOM COWL . . . . .	37	10	10-34613	SCREW, THROTTLE LEVER TO EXHAUST COVER . . .	15	26
10-29239	SCREW, THROTTLE PICK-UP BRACKET MOUNTING	23	29	10-35881	SCREW, DRIVE - CABLE GUIDE PLATE TO STARTER HOUSING . . . .	3	35
10-29240	SCREW, PULLEY CLAMPING	17	41	10-36137	SCREW, BEARING TO SHIFT CONTROL ACTUATOR . .	39	64
10-29256	SCREW, LOWER MOUNT CLAMP TO DRIVE SHAFT HOUSING . . . . .	41	16	10-37370	SCREW, REAR SHIELD TO TOP COWL . . . . .	3	19
10-29418	SCREW, COVER TO FRAME	19	33	10-37370	SCREW, REAR SHIELD TO TOP COWL . . . . .	7	14
10-29418	SCREW, END CAP COVER TO MAGNETO COVER . . .	21	41	10-37560	SCREW, LATCH BRACKET TO TOP COWL . . . . .	7	11
10-29465	SCREW, REED STOP MOUNTING (1/2") . . . . .	35	19	10-37562	SCREW, MANIFOLD COVER TO CYLINDER BLOCK (1")	33	42
10-29608	SCREW, GEAR HOUSING FLUSHING HOLE . . . . .	51	44	10-37571	SCREW, RETAINING STRIP TO DRIVE SHAFT HOUSING . . . . .	43	44
10-29722	SCREW, COVER TO LOWER MOUNT CLAMP . . . . .	41	13	10-37571	SCREW, RETAINING STRIP TO EXHAUST EXTENSION PLATE . . . . .	39	51
10-29852	SCREW, HARNESS AND STATOR TO RECTIFIER .	57	5	10-37571	SCREW, TRIM COVER TO DRIVE SHAFT HOUSING .	43	49
10-29878	SCREW, FUEL PUMP MOUNTING (1 1/2") . . . . .	29	11	10-37923	SCREW, BEARING RETAINER TO EXHAUST EXTENSION PLATE . . . . .	39	47
10-30009	SCREW, COVER PLATE TO BOTTOM COWL . . . . .	37	24	10-37990	SCREW, ADAPTOR TO BOTTOM COWL (1 3/4") . .	29	26
10-30009	SCREW, STATOR LEAD CLAMP FASTENING . . . .	13	15	10-38069	SCREW, ANCHOR - QUICK DISCONNECT SPRING TO THROTTLE LEVER . . . . .	15	30
10-30110	SCREW, ADAPTOR AND PILOT TO MAGNETO . . . .	15	31	10-38069	SCREW, QUICK DISCONNECT SPRING TO SHIFT CONTROL ACTUATOR . . . . .	39	62
10-30274	SCREW, FUEL PUMP MOUNTING (1 3/4") . . . . .	29	10	10-39661	SCREW, MANIFOLD COVER TO HIGH TENSION LEAD CLIP . . . . .	33	43
10-30452	SCREW, LOWER MOUNT (5 1/2") . . . . .	41	20	11-20061	NUT, CONNECTING ROD SCREW . . . . .	35	26
10-30663	SCREW, WIRING HARNESS LEADS TO TERMINAL BLOCK . . . . .	57	9	11-20083	NUT, ADAPTOR AND PILOT TO CRANKCASE SCREW	15	34
10-31114	SCREW, UPPER MOUNT COVER - FRONT (1 3/4") .	41	30	11-20083	NUT, SOLENOID TERMINAL - INSIDE (5/16") . . . . .	57	21
10-31208	SCREW, STARTER SOLENOID TO STARTER MOTOR . . . . .	57	23	11-20083	NUT, STUD TO CLAMP BRACKET . . . . .	45	11
10-31830	SCREW, STEERING ARM TO RIDE GUIDE KIT . . . . .	45	32	11-20088	NUT, FRONT SUPPORT BRACKET RUBBER MOUNT . . . . .	9	40
10-32078	SCREW, THROTTLE ACTUATOR TO ECONOMIZER COLLAR . .	15	13	11-20088	NUT, THROTTLE STOP ADJUSTING SCREW . . . .	17	46
10-32417	SCREW, PLATE AND RATCHET TO FLYWHEEL HUB . . . . .	13	6	11-20102	NUT, TOP COWL STUD (5/16-24) . . . . .	3	15
10-32470	SCREW, TRIM TAB TO GEAR HOUSING . . . . .	53	50				
10-32565	SCREW, MANIFOLD COVER TO HIGH TENSION LEAD CLIP . . . . .	33	43				



# PARTS INDEX

Part Number	Description	Pg.	Ref. No.	Part Number	Description	Pg.	Ref. No.
11-20110	NUT, BRACKET FASTENING			11-22339	NUT, FLYWHEEL . . . . .	13	1
	SCREW . . . . .	3	27	11-22339	NUT, FLYWHEEL . . . . .	35	1
11-20110	NUT, BRACKET FASTENING			11-22948	NUT, CONNECTOR TO FUEL		
	SCREW . . . . .	7	21		LINE . . . . .	29	14
11-20110	NUT, CHOKE SHUTTER TO			11-22948	NUT, ELBOW . . . . .	29	18
	CARBURETOR STUD . . . .	23	22	11-23161	NUT, UPPER MOUNT BOLT	41	35
11-20166	NUT, SHEAVE SHAFT (LEFT			11-24656	NUT, LOCK - PRIMARY		
	HAND THREAD) . . . . .	3	30		GROUND SCREW . . . . .	19	16
11-20184	NUT, ADAPTOR SCREW . . .	29	27	11-24883	NUT, TOP COWL STUD (3/8-		
11-20184	NUT, ANCHOR AND				24) . . . . .	3	17
	RETAINING SCREW . . . .	45	28	11-25096	NUT, LOWER MOUNT		
11-20184	NUT, COVER MOUNTING				SCREW . . . . .	41	24
	SCREW . . . . .	33	48	11-25168	NUT, UPPER LINK ROD		
11-20184	NUT, CRANKCASE RUBBER				ADJUSTING . . . . .	15	22
	MOUNT . . . . .	31	9	11-25594	NUT, POWERHEAD TO		
11-20184	NUT, DETENT SPRING				DRIVE SHAFT HOUSING		
	SCREW . . . . .	39	57		STUDS (5/16") . . . . .	41	37
11-20184	NUT, EXHAUST EXTENSION			11-26062	NUT, CAP - SOLENOID		
	PLATE SCREW . . . . .	39	41		TERMINAL - OUTSIDE		
11-20184	NUT, HARNESS SUPPORT				(5/16") . . . . .	57	22
	SCREW . . . . .	37	31	11-26419	NUT, MOULDING SCREW . .	37	14
11-20184	NUT, TENSION SPRING			11-26419	NUT, PLUG COVER SCREW	37	5
	STUD . . . . .	23	26	11-28010	NUT, CLAMP BRACKET		
11-20361	NUT, BOTTOM COWL STUD	37	7		TRANSOM BOLT . . . . .	47	41
11-20361	NUT, CYLINDER BLOCK			11-28202	NUT, RETAINING - SWIVEL		
	COVER RUBBER MOUNT	33	50		PIN . . . . .	45	36
11-20361	NUT, SHIFT CONTROL			11-29225	NUT, NYLON CAP -		
	ACTUATOR TO UPPER				MOULDING SCREW . . . .	37	12
	SHIFT SHAFT . . . . .	39	60	11-29236	NUT, PRIMARY LEAD		
11-20509	NUT, DRIVE SHAFT				FASTENING . . . . .	19	25
	HOUSING TO GEAR			11-29250	NUT, CARBURETOR		
	HOUSING (3/8") . . . . .	55	76		MOUNTING STUD . . . . .	27	37
11-20509	NUT, STEERING ARM			11-29250	NUT, CRANKCASE SCREW .	31	23
	SCREW . . . . .	45	33	11-29322	NUT, UPPER MOUNT		
11-20586	NUT, UPPER SWIVEL TO				COVER FASTENING		
	THROTTLE LEVER . . . .	17	51	11-29469	SCREW . . . . .	41	31
11-20645	NUT, PRIMARY GROUND				NUT, MAIN BEARING		
	SCREW . . . . .	19	17	11-29469	CLAMPING SCREW . . . .	35	16
11-20645	NUT, SOLENOID TERMINAL				NUT, REED STOP		
	(#10) . . . . .	57	19	11-29488	MOUNTING SCREW . . . .	35	20
11-20890	NUT, GROUND WIRE				NUT, HANRESS AND		
	SCREW . . . . .	57	--	11-29598	STATOR LEADS SCREW .	57	6
11-21825	NUT, TOP COWL HANDLE				NUT, WATER PUMP BODY		
	STUD . . . . .	3	6	11-30499	AND BASE STUDS . . . . .	51	41
11-21825	NUT, TOP COWL HANDLE			11-31990	NUT, TILT TUBE FASTENING	45	6
	STUD . . . . .	7	6	11-35521	NUT, PROPELLER . . . . .	55	83
11-21929	NUT, RECTIFIER MOUNTING				NUT, LOWER MOUNT		
	SCREW . . . . .	57	3	11-37556	CLAMP COVER . . . . .	41	14
11-21971	NUT, CONNECTOR BASE TO				NUT, LATCH BRACKET		
	BOTTOM COWL . . . . .	37	19	12-20084	SCREW . . . . .	7	12
11-22053	NUT, CHOKE SOLENOID				WASHER, ADAPTOR AND		
	SCREW . . . . .	23	5		PILOT TO CRANKCASE		
11-22053	NUT, REAR SUPPORT			12-20084	SCREW . . . . .	15	33
	BRACKET RUBBER				WASHER, CRANKCASE		
	MOUNT . . . . .	7	26	12-20084	SCREW . . . . .	31	22
11-22178	NUT, DRIVE SHAFT			12-20084	WASHER, TOP COWL STUD		
	HOUSING TO GEAR				(5/16") . . . . .	3	14
	HOUSING (7/16") . . . . .	55	78	12-20138	WASHER, PULLEY		
					CLAMPING SCREW . . . .	17	40

# PARTS INDEX

Part Number	Description	Pg.	Ref. No.	Part Number	Description	Pg.	Ref. No.
12-20346	WASHER, DETENT SPRING SCREW	39	56	12-30164	WASHER, RETAINING STRIP SCREW	43	45
12-20346	WASHER, FRONT SUPPORT BRACKET RUBBER MOUNT	9	39	12-30267	WASHER, PRIMARY GROUND TERMINAL	19	11
12-20346	WASHER, TOP COWL HANDLE STUD (3/4" O.D.)	3	5	12-30519	WASHER, UPPER MOUNT BOLT (3/8 ID)	41	34
12-20346	WASHER, TOP COWL HANDLE STUD (3/4" O.D.)	7	5	12-30520	WASHER, UPPER MOUNT BOLT (37/64 ID)	41	32
12-20533	WASHER, TOP COWL HANDLE STUD (9/16" O.D.)	3	4	12-30521	WASHER, RUBBER - UPPER MOUNT BOLT	41	33
12-20533	WASHER, TOP COWL HANDLE STUD (9/16" O.D.)	7	4	12-30771	WASHER, COVER FASTENING KNOB	11	5
12-21631	WASHER, REAR SHIELD SCREW	3	21	12-31266	WASHER, RUBBER - SHIFT SHAFT BUSHING	49	16
12-24671	WASHER, FIBER - MOULDING SCREW	37	11	12-31992	WASHER, CUPPED - THRUST HUB	55	81
12-25176	WASHER, SWIVEL PIN TO BOTTO YOKE (.060)	45	29	12-31993	WASHER, GEAR HOUSING COVER	55	73
12-25251	WASHER, BACKING - PROPELLER SHAFT (1/8")	55	79	12-32004	WASHER, THRUST - REVERSE GEAR	53	65
12-26014	WASHER, PRIMARY GROUND SCREW	19	15	12-32007	WASHER, SPLINED - PROPELLER SHAFT	55	82
12-26180	WASHER, WAVE WASHER RETAINER	5	45	12-33001	WASHER, FLYWHEEL NUT	13	2
12-26825	WASHER, HANDLE TO TOP COWL SCREW	3	9	12-33001	WASHER, FLYWHEEL NUT	35	2
12-26825	WASHER, REAR SUPPORT BRACKET RUBBER MOUNT	7	25	12-34434	WASHER, BRACKET FASTENING SCREW	3	26
12-26837	WASHER, SWIVEL PIN TO BOTOTM YOKE (.065)	45	29	12-34434	WASHER, BRACKET FASTENING SCREW	7	20
12-27129	WASHER, COVER FASTENING KNOB	11	6	12-38453	WASHER, CUPPED - WATER TUBE SEAL	51	36
12-27939	WASHER, MAGNETO PILOT	15	16	12-38453	WASHER, NYLON - WATER INLET TUBE STARTER WITH SERIAL #181	37	36
12-28008	WASHER, CLAMP BRACKET TRANSOM BOLT	47	40	12-45175	WASHER, DRIVE SHAFT HOUSING STUD (3/8")	55	75
12-28051	WASHER, LOWER MOUNT SCREW	41	21	12-45176	WASHER, DRIVE SAHFT HOUSING STUD (7/16")	55	77
12-28053	WASHER, RUBBER - LOWER MOUNT SCREW	41	22	12-45176	WASHER, GEAR HOUSING STUD	49	5
12-28121	WASHER, NEEDLE LOCATING	35	29	13-20160	WASHER, WAVE - RETAINER TENSION	5	46
12-28404	WASHER, THUMB SCREW	45	3	13-20202	LOCKWASHER, STARTER HOUSING SCREW	3	33
12-28927	WASHER, SHIFT CONTROL ACTUATOR	39	59	13-20846	WASHER, WAVE - RETAINING SCREW (PORT SIDE)	45	27
12-29099	WASHER, INSULATING - PRIMARY GROUND SCREW	19	13	13-21272	LOCKWASHER, BEARING SCREW	39	65
12-29245	WASHER, HORSESHOE SPRING TO ANCHOR PIN	15	7	13-21972	LOCKWASHER, CONNECTOR BASE	37	18
12-29245	WASHER, UPPER SWIVEL TO THROTTLE LEVER	17	50	13-23836	LOCKWASHER, COIL TERMINAL	19	20
12-29395	WASHER, THROTTLE LEVER SCREW	15	27	13-26992	LOCKWASHER, FRONT SUPPORT BRACKET RUBBER MOUNT	7	38
12-30119	WASHER, LOWER MOUNT SCREW	41	23	13-26992	LOCKWASHER, GROUND WIRE FASTENING SCREW	57	15
12-30164	WASHER, CHOKE SHUTTER CARBURETOR STUD	23	21	13-26992	LOCKWASHER, RAIL SCREW	39	68

# PARTS INDEX

Part Number	Description	Pg.	Ref. No.	Part Number	Description	Pg.	Ref. No.
13-26993	LOCKWASHER, CHOKE SOLENOID SCREW . . . . .	23	4	15-20929A1	SHIM, BEARING TO WATER PUMP BASE . . . . .	49	23
13-26993	LOCKWASHER, CLAMP BRACKET STUD . . . . .	45	10	15-30497A1	SHIM, CLAMP BRACKET TO SWIVEL BRACKET . . . . .	45	5
13-26993	LOCKWASHER, HANDLE TO TOP COWL SCREW . . . . .	3	8	15-31154A1	SHIM, BEARING CUP TO GEAR HOUSING . . . . .	53	55
13-26993	LOCKWASHER, HANDLE TO TOP COWL SCREW . . . . .	7	8	16-20221	STUD, CLAMP BRACKET . . . . .	45	8
13-26993	LOCKWASHER, REAR SUPPORT BRACKET RUBBER MOUNT . . . . .	7	24	16-20467	STUD, BOTTOM COWL TO REAR SUPPORT BRACKET . . . . .	37	6
13-26993	LOCKWASHER, RECTIFIER MOUNTING SCREW . . . . .	57	2	16-21550	STUD, REAR - TOP COWL TO REAR SUPPORT BRACKET . . . . .	3	11
13-26993	LOCKWASHER, SOLENOID TERMINAL (5/16") . . . . .	57	20	16-21553	STUD, FRONT - TOP COWL TO FRONT SUPPORT BRACKET . . . . .	3	12
13-26993	LOCKWASHER, STARTER MOTOR SCREW . . . . .	57	12	16-21723	STUD, TENSION SPRING TO CARBURETOR SEE NOTE BELOW . . . . .	23	24
13-26995	LOCKWASHER, MOULDING SCREW . . . . .	37	13	16-29079	STUD, DRIVE SHAFT HOUSING TO GEAR HOUSING (3") . . . . .	41	3
13-26995	LOCKWASHER, PLUG COVER SCREW ( REMOVE - NOT REQUIRED ON ELE . . . . .	37	4	16-29230	STUD, PRIMARY LEAD AND TENSION SPRING . . . . .	19	24
13-26996	LOCKWASHER, "U" LINK SCREW . . . . .	23	14	16-29988	STUD, CRANKCASE TO DRIVE SHAFT HOUSING (1 9/16") . . . . .	31	14
13-26996	LOCKWASHER, SOLENOID TERMINAL (#10) . . . . .	57	18	16-29989	STUD, CYLINDER BLOCK TO DRIVE SHAFT HOUSING (1 15/16") . . . . .	31	18
13-27959	WASHER, WAVE - MAGNETO BALL BEARING TENSION . . . . .	15	18	16-29990	STUD, CYLINDER BLOCK TO DRIVE SHAFT HOUSING (3 7/16") . . . . .	31	16
13-30597	WASHER, WAVE - STARTER PAWL . . . . .	5	41	16-30172	STUD, CARBURETOR - CHOKE SHUTTER PIVOT . . . . .	23	20
13-35048	LOCKWASHER, TOP COWL STUD (3/8") . . . . .	3	16	16-32017	STUD, GEAR HOUSING TO DRIVE SHAFT HOUSING . . . . .	49	4
13-37371	LOCKWASHER, REAR SHIELD SCREW . . . . .	3	20	16-32028	STUD, DRIVE SHAFT HOUSING TO GEAR HOUSING (1 3/4") . . . . .	41	2
13-37371	LOCKWASHER, REAR SHIELD SCREW . . . . .	7	15	16-35099	STUD, CARBURETOR MOUNTING . . . . .	31	13
14-20091	TAB WASHER, BEARING LOCKING SCREW . . . . .	31	25	16-37728	STUD, WATER PUMP BODY AND BASE TO GEAR HOUSING . . . . .	49	3
14-20165	TAB WASHER, SHEAVE SHAFT NUT . . . . .	3	29	16-37986	STUD, CYLINDER BLOCK TO DRIVE SHAFT HOUSING (2 5/16") . . . . .	31	17
14-27960	TAB WASHER, ADAPTOR CAP FASTENING . . . . .	15	17	16-45177	STUD, GEAR HOUSING TO DRIVE SHAFT HOUSING . . . . .	49	4
14-29157	TAB WASHER, COVER FASTENING SCREW . . . . .	19	34	17-20032	DOWEL PIN, CENTER MAIN BEARING . . . . .	35	7
14-29157	TAB WASHER, COVER FASTENING SCREW . . . . .	21	42	17-20032	DOWEL PIN, CYLINDER BLOCK TO MAIN BEARING . . . . .	31	10
14-29163	TAB WASHER, PINION GEAR SCREW . . . . .	49	9	17-20032	DOWEL PIN, MAIN BEARING . . . . .	35	14
15-20082A1	SHIM, UPPER END CAP TO CYL. BLOCK AND CRANKCASE . . . . .	31	5	17-20033	DOWEL PIN, CRANKCASE TO CYLINDER BLOCK . . . . .	31	15
15-20085A1	SHIM, LWOER END CAP TO CRANKCASE AND CYL. BLOCK . . . . .	31	33	17-20323	DOWEL PIN, CYLINDER BLOCK TO CENTER MAIN BEARING . . . . .	31	11
15-20927A1	SHIM, THRUST WASHER TO GEAR HOUSING . . . . .	53	67				
15-20929A1	SHIM, BEARING TO GEAR HOUSING . . . . .	49	20				

# PARTS INDEX

Part Number	Description	Pg.	Ref. No.	Part Number	Description	Pg.	Ref. No.
17-20379	DOWEL PIN, (STEPPED) . . .	35	12	22-21290	PLUG, GREASE - REVERSE LOCK HOLE . . . . .	41	11
17-20841	PIN, CROSS - RATCHET TO PROPELLER SHAFT . . . .	53	61	22-22946	SLEEVE, RUBBER . . . . .	29	17
17-20853	PIN, FLOAT LEVER PINION .	25	3	22-22946	SLEEVE, RUBBER - CONNECTOR . . . . .	29	13
17-21057	PIN, HINGE - HANDLE TO COWL LATCH . . . . .	11	14	22-22995	ELBOW, FUEL PUMP INLET	29	16
17-23733	PIN, IMPELLER DRIVE . . . .	51	34	22-23612	FITTING, GREASE - SWIVEL BRACKET . . . . .	45	20
17-23928	PIN, ROLL - QUICK DISCONNECT LEVER . . .	39	45	22-24949	CONNECTOR, PUMP INLET TO FUEL LINE . . . . .	29	12
17-24873	PIN, ROLL - FLANGE LOCATING . . . . .	15	38	22-25094	FITTING, GREASE - ECONOMIZER COLLAR . .	15	10
17-24887	PIN, REVERSE LOCK LEVER	41	9	22-25094	FITTING, GREASE - MAGNETO ADAPTOR . . .	15	15
17-25391	RIVET, CHOKE SHUTTER TO CHOKE ROD . . . . .	23	17	22-25885	ELBOW, PLASTIC - MAGNETO COVER VENT	21	43
17-25598	ROLL PIN, REVERSE LOCK SPRING ATTACHING . . . .	45	16	22-29111	CONNECTOR, BALANCE TUBE TO CYLINDER BLOCK . . . . .	31	36
17-26618	PIN, DOWEL - PULLEY TO FLYWHEEL . . . . .	13	8	22-29111	CONNECTOR, WATER TELL TALE HOLE - CYLINDER BLOCK . . . . .	31	19
17-27961	PIN, ECONOMIZER COLLAR - SPRING RETAINER . . . .	15	9	22-29111	CONNECTOR, WATER TELL TALE HOSE - BOTTOM COWL . . . . .	37	33
17-27962	PIN, ANCHOR - HORSESHOE SPRING TO PILOT . . . . .	15	6	22-30139	PLUG, PIPE - WATER PRESSURE AND BALANCE TUBE HOLES .	31	12
17-28418A5	SWIVEL PIN AND STEERING ARM ASSY (SHORT SHAFT) . . . . .	45	31	22-31521	ELBOW, MAGNETO VENT TUBE TO BOTTOM COWL	37	16
17-28419A5	SWIVEL PIN AND STEERING ARM ASSY (LONG SHAFT)	45	31	22-37682	CONNECTOR, FUEL LINE TO ADAPTOR . . . . .	29	20
17-29077	PIN, ROLL - TENSION SPRING TO KNOB . . . . .	11	8	23-20222	SPACER, CLAMP BRACKET STUD . . . . .	45	9
17-29077	PIN, ROLL - TOP COWL CLAMPING LEVER . . . . .	7	31	23-23651	SLEEVE, WATER INLET TUBE . . . . .	41	39
17-30687A1	TILT LOCK PIN ASSEMBLY .	45	12	23-26602	BUSHING, NYLON - THROTTLE ACTUATOR . .	15	12
17-35973	DOWEL PIN, WATER PUMP BASE TO WATER PUMP BODY . . . . .	49	29	23-26819	BUSHING, TOP COWL CLAMPING LEVER (NYLON) . . . . .	7	28
17-38113	PIN, CROSS - RATCHET TO PROPELLER SHAFT . . . .	53	61	23-28374A1	BUSHING ASSEMBLY, SHIFT SHAFT . . . . .	49	14
18-20180	COTTER PIN, "U" LINK TO CHOKE ROD . . . . .	23	15	23-28911	SPACER, SHEAVE SHAFT .	5	43
18-20233	CLIP, RETAINING - SHIFT SHAFT . . . . .	49	12	23-28912	BUSHING, SPRING GUIDE .	3	38
18-25191	COTTER PIN, PUSH ROD TO REVERSE LOCK . . . . .	41	7	23-28919	BUSHING, NYLON - SHEAVE SHAFT SPACER . . . . .	5	42
18-26953	COTTER PIN, LINK TO UPPER CHOKE SHUTTER	23	9	23-29055	SPACER, TILT STOP LEVER ANCHOR SCREW . . . . .	45	25
18-45882	COTTER PIN, REVERSE LOCK TO SHAFT . . . . .	45	14	23-29101	BUSHING, INSULATING - HOUSING FRAME . . . . .	19	14
19-20011	WELCH PLUG, BODY CHANNEL . . . . .	27	35	23-29529	BUSHING, THROTTLE LEVER SCREW . . . . .	15	28
19-32298	PLUG, PLASTIC - WATER PICK-UP SCREW HOLE . .	41	4	23-30438	BUSHING, NYLON - UPPER CHOKE SHUTTER . . . . .	23	19
21-28481A1	CHECK VALVE ASSEMBLY, BLEED HOSE VALVE . . . .	33	55	23-31293	BUSHING, TOP COWL CLAMPING LEVER (RUBBER) . . . . .	7	29
21-28481A1	CHECK VALVE ASSEMBLY, LOWER END CAP . . . . .	31	28	23-32427	SPACER, TENSION SPRING STUD . . . . .	23	25
21-28483A1	CHECK VALVE ASSEMBLY, BLEED HOSE (UPPER) . .	33	54				
21-30430	VALVE, CHECK . . . . .	29	3				

# PARTS INDEX

Part Number	Description	Pg.	Ref. No.	Part Number	Description	Pg.	Ref. No.
23-37927	BEARING, NYLON - QUICK DISCONNECT LEVER . . .	39	44	25-20415	"O" RING, ADAPTOR STEM . . .	29	23
23-38993A2	BUSHING ASSEMBLY, SHIFT SHAFT . . . . .	49	14	25-25429	"O" RING, HIGH TENSION LEAD CABLE TO END CAP COVER . . . . .	17	55
24-20254	SPRING, COMPRESSION - CAM FOLLOWER . . . . .	53	54	25-25439	"O" RING, SHIFT SHAFT BUSHING . . . . .	49	13
24-20869	SPRING, THROTTLE SHAFT RETURN (UPPER CARBURETOR) . . . . .	25	33	25-26855	"O" RING, WATER PUMP BASE . . . . .	49	25
24-25122	SPRING, TENSION - PUSH ROD . . . . .	41	8	25-29619	"O" RING, DRIVE SHAFT SPLINE . . . . .	35	5
24-26890	SPRING, THROTTLE SHAFT RETURN (LOWER CARBURETOR) . . . . .	25	33	25-29619	"O" RING, UPPER - DRIVE SHAFT . . . . .	51	43
24-27160	SPRING, IDLE ADJUSTMENT SCREW . . . . .	25	25	25-31986	"O" RING, BEARING CARRIER . . . . .	53	68
24-27944	SPRING, HORSESHOE - MAGNETO PILOT . . . . .	15	5	26-20232	SEAL, RUBBER - EXHAUST EXTENSION PLATE (USE THRU SERIAL #18 . . . . .	37	37
24-28965	SPRING, TENSION - CHOKE ROD TO CARBURETOR SEE NOT BELOW . . . . .	23	24A	26-23300	OIL SEAL, BEARING CARRIER . . . . .	53	71
24-28975	SPRING, GARTER - INTERNAL WIRING HARNESS . . . . .	57	27	26-23300	OIL SEAL, BEARING CARRIER . . . . .	55	71
24-29340A1	SPRING, STARTER REWIND	3	37	26-23300	OIL SEAL, WATER PUMP BASE . . . . .	49	28
24-29821	SPRING, TENSION - REVERSE LOCK . . . . .	45	15	26-23517	OIL SEAL, BEARING CARRIER . . . . .	55	71
24-30189	SPRING, ADAPTOR STEM . . . . .	29	24	26-25192	SEAL, WATER PUMP BODY TO WATER TUBE (USE THRU SERIAL #18112 . . . . .	51	35
24-32271	SPRING, TENSION - COVER FASTENING KNOB . . . . .	11	7	26-26782	OIL SEAL, WATER PUMP BASE . . . . .	49	27
24-35522	SPRING, TENSION - LOWER MOUNT CLAMP . . . . .	41	17	26-29476	OIL SEAL . . . . .	31	2
24-37678	SPRING, TENSION - CHOKE ROD TO CARBURETOR . . . . .	23	27	26-29476	OIL SEAL, UPPER . . . . .	31	30
24-37693	SPRING, DETENT - SHIFT SHAFT . . . . .	39	54	26-29478	OIL SEAL, LOWER . . . . .	31	29
24-37934	SPRING, QUICK DISCONNECT - SHIFT CABLE . . . . .	39	61	26-29612	SEAL, GEAR HOUSING FLUSHING HOLE SCREW . . . . .	51	46
24-37934	SPRING, QUICK DISCONNECT - THROTTLE CABLE TO THROTTLE LEVER . . . . .	15	29	26-31249	OIL SEAL, SHIFT SHAFT BUSHING . . . . .	49	15
24-38005	SPRING, COMPRESSION - QUICK DISCONNECT LEVER . . . . .	39	43	26-32121	OIL SEAL, WATER PUMP BODY . . . . .	51	39
24-38114	SPRING, RETAINING - CROSS PIN . . . . .	53	62	26-32911	OIL SEAL, SWIVEL BRACKET . . . . .	45	19
24-39502A1	SPRING, STARTER REWIND	3	37	26-38452	SEAL, RUBBER - WATER TUBE . . . . .	37	37
24-39845	SPRING, COMPRESSION - CAM FOLLOWER . . . . .	53	54	26-38452	SEAL, WATER PUMP BODY TO WATER TUBE STARTED WITH SERIAL # . . . . .	51	35
25-20081	"O" RING, LOWER END CAP	31	31	27-23005	GASKET, CHECK VALVE TO HOUSING . . . . .	29	2
25-20081	"O" RING, UPPER END CAP	31	3	27-23180	GASKET, IDLE TUBE . . . . .	25	22
25-20116	GROMMET, CHOKE KNOB . . . . .	23	11	27-24863	GASKET, FUEL PUMP . . . . .	29	6
25-20116	GROMMET, CHOKE KNOB - TOP COWL . . . . .	3	13	27-25033	GASKET, INLET SEAT . . . . .	25	7
25-20116	GROMMET, CHOKE KNOT - FRONT SUPPORT BRACKET . . . . .	7	32	27-25725	GASKET, END CAP COVER . . . . .	19	37
				27-25848	GASKET, STRAINER COVER SCREW . . . . .	25	16
				27-25849	GASKET, STRAINER COVER (SMALL) . . . . .	25	14
				27-25851	GASKET, STRAINER COVER (LARGE) . . . . .	25	12
				27-26891	GASKET, CARBURETOR FLANGE . . . . .	27	36

# PARTS INDEX

Part Number	Description	Pg.	Ref. No.	Part Number	Description	Pg.	Ref. No.
27-27936	GASKET, TRANSFER PORT COVER	33	52	31-20249	BEARING, ROLLER - BEARING CARRIER	53	70
27-28406	GASKET, JET CHANNEL PLUG SCREW	25	28	31-20249	BEARING, ROLLER - BEARING CARRIER	55	70
27-28409	GASKET, MAIN FUEL JET	25	30	31-20249	BEARING, ROLLER - FORWARD GEAR	53	57
27-29166	GASKET, MAGNETO COVER	19	31	31-31215A1	TAPERED ROLLER BEARING ASSEMBLY	53	58
27-29586	GASKET, GEAR HOUSING FLUSHING HOLE SCREW	51	45	31-31216	CUP, TAPERED ROLLER BEARING	53	59
27-30276	GASKET, FUEL PUMP COVER	29	9	32-26407	HOSE, WATER TELL TALE - CYLINDER BLOCK TO BOTTOM COWL	37	32
27-32769	GASKET, LOWER - WATER PUMP BASE TO FACE PLATE	49	30	32-26955	TUBE, VENT - MAGNETO OUTLET (12 5/8")	37	15
27-32770	GASKET, UPPER - FACE PLACE TO WATER PUMP BODY	51	32	32-28373	SLEEVE, RECTIFIER LEADS	57	4
27-32771	GASKET, WATER PUMP BASE TO GEAR HOUSING	49	24	32-28654	HOSE, CYLINDER BLEED (6 1/2")	33	56
27-36393	GASKET, CYLINDER BLOCK TO BAFFLE PLATE	33	38	32-29164	TUBE, VENT - MAGNETO OUTLET (10 1/2")	37	15
27-37277	GASKET, BAFFLE PLATE TO EXHAUST COVER	33	40	32-30036	FUEL LINE, FUEL PUMP TO ADAPTOR	29	19
27-37277A1	GASKET SET (MOTOR OVERHAUL)	1	-	32-32094	FUEL LINE, PUMP TO LOWER AND UPPER FILTER	29	15
27-37725	GASKET, POWERHEAD TO EXHAUST EXTENSION PLATE	39	48	32-33729	TUBE, BALANCE - MAIN BEARING	31	35
27-37816	GASKET, CYLINDER BLOCK COVER	33	46	32-37670	TUBE, DRAIN - FRONT SUPPORT BRACKET TO BOTTOM COWL	5	54
27-38501	GASKET, EXHAUST EXTENSION PLATE TO DRIVE SHAFT HOUSING	39	52	32-37670	TUBE, DRAIN - FRONT SUPPORT BRACKET TO BOTTOM COWL	7	35
27-38501	GASKET, EXHAUST EXTENSION PLATE TO DRIVE SHAFT HOUSING	41	36	32-37694	SLEEVE, HIGH TENSION LEAD (3")	17	60
28-20094	KEY, FLYWHEEL DRIVE	13	3	32-37726	TUBE, WATER INLET (LONG SHAFT)	43	40
28-20094	KEY, FLYWHEEL DRIVE	35	3	32-37727	TUBE, WATER INLET (SHORT SHAFT)	43	40
28-28657	KEY, MAGNETO DRIVING	15	35	33-30578	SPARK PLUG	17	52
28-30281	KEY, LOCATING - BEARING CARRIER	55	72	34-20053	REED STOP, MAIN BEARING REED VALVES	35	18
29-20046	BEARING, NEEDLE	35	8	34-30303A1	REED SET, MATCHED - MAIN BEARING	35	17
29-20046	BEARING, NEEDLE - CRANKPIN	35	27	37-37839A1	DECAL SET (MERC 500-4)	1	-
29-20063	BEARING, NEEDLE - PISTON PIN	35	28	37-39274A1	DECAL SET (MERC 500-5)	1	-
30-20066	BALL BEARING, MAGNETO PILOT	15	4	38-39784	SERIAL PLATE	47	37
30-20080	BALL BEARING, LOWER END CAP	31	32	39-27841	RING, PISTON	35	23
30-20080	BALL BEARING, UPPER END CAP	31	4	39-28616A12	RING, PISTON (.015 OVERSIZE)	35	--
30-20839	BEARING, BALL - REVERSE GEAR	53	66	40-20057	LOCK RING, PISTON PIN	35	22
30-20861	BEARING, BALL - DRIVE SHAFT	49	21	43-20834	GEAR, PINION - DRIVE SHAFT	49	8
30-24997	BEARING, BALL (OPPOSITE DRIVE END)	19	6	43-20975	FORWARD GEAR ASSEMBLY	53	56
30-24998	BEARING, BALL (DRIVE END)	19	4	43-20975	REVERSE GEAR ASSEMBLY	53	64
				43-39941	FORWARD GEAR ASSEMBLY	53	56
				43-39941A1	FORWARD GEAR ASSEMBLY, COMPLETE	53	--

# PARTS INDEX

Part Number	Description	Pg.	Ref. No.	Part Number	Description	Pg.	Ref. No.
43-39942	REVERSE GEAR ASSEMBLY	53	64	54-25231	CLIP, HARNESS LEADS TO		
43-39942A1	REVERSE GEAR ASSEMBLY, COMPLETE	53	--	54-33361	MAGNETO	17	56
44-32000	SHAFT, PROPELLER	53	63		CLIP, CHOKE SOLENOID LEAD	23	6
44-38127	SHAFT, PROPELLER	53	63	54-37303	CLIP, HIGH TENSION LEAD	33	44
45-27951	SHAFT, MAGNETO DRIVE	15	2	90-38691	MERC 500-4 PARTS LIST	1	-
45-38466	DRIVE SHAFT (SHORT SHAFT)	49	19	92-25234--1	GLUE (BLANKET ADHESIVE)	11	--
45-38467	DRIVE SHAFT (LONG SHAFT)	49	19	92-32641-1	GEAR LUBRICANT	1	-
46-32766A1	WATER PUMP BASE ASSEMBLY	49	26	94-29616	SHIPPING CARTON (FUEL TANK)	1	-
46-32767A1	WATER PUMP BODY ASSEMBLY	51	37	94-39393	SHIPPING CARTON (MOTOR)	1	-
46-39531A1	WATER PUMP BASE ASSEMBLY	49	26	223-2402A2	FLYWHEEL ASSEMBLY	13	4
47-20268	IMPELLER, WATER PUMP	51	33	223-2402A3	FLYWHEEL ASSEMBLY	13	4
50-28985A1	STARTER CABLE ASSEMBLY	5	49	223-2403A5	FLYWHEEL ASSEMBLY	13	4
50-30994	SHEAVE ASSEMBLY	5	39	393-1504A6	BREAKER ASSEMBLY	19	22
50-35817	RATCHET, FLYWHEEL - FLEX PLATE	13	5	393-1586	GROMMET, PLASTIC - BREAKER BRACKET	19	23
50-37345A1	STARTER MOTOR ASSEMBLY	57	10	394-1050	CLIP, COIL - HIGH TENSION	19	19
50-37901	STARTER CABLE (FOR MANUAL STARTING ONLY)	9	41	394-1051	LOCKWIRE, COIL BRIDGE SET SCREW	19	3
50-38890A1	STARTER MOTOR ASSEMBLY	57	10	394-1053A1	WIRE ASSEMBLY, PRIMARY GROUND LEAD	19	9
50-39837	RATCHET, FLYWHEEL - FLEX PLATE	13	5	394-1056A1	BRUSH AND SPRING ASSEMBLY	21	39
50-39841	SHEAVE ASSEMBLY	5	39	394-1067	MAGNETIC ROTOR AND SHAFT	19	5
52-32189	RATCHET, SLIDING CLUTCH	53	60	394-1106A1	HOLDER AND CAM WICK ASSEMBLY	19	26
52-38128	RATCHET, SLIDING CLUTCH	53	60	394-1110	CLIP, SPRING	19	36
53-20048	RING, SNAP - OUTER RACE CLAMPING	35	10	394-1128A1	COIL ASSEMBLY	19	18
53-20842	RING, RETAINING - CROSS PIN	53	62	394-1130	CONDENSER	19	29
53-21058	"E" RING, BREAKER TO PIVOT PIN	19	27	394-1131	NUT, COIL CLIP FASTENING	19	21
53-21058	"E" RING, HANDLE TO COWL LATCH HINGE PIN	11	15	394-1134A1	GROUND STRAP ASSEMBLY, MAGNETO TO CRANKCASE	17	59
53-29116	RING, SNAP - BALL BEARING RETAINING	49	22	394-1561A2	END CAP COVER ASSEMBLY	19	38
53-30428	FASTENER, TOP COWL CLAMPING LEVER	7	30	394-1570	FRAME, MAGNETO HOUSING	19	1
54-20386	CLAMP, BALANCE TUBE TO CONNECTORS	33	37	394-1577	COVER, MAGNETO	19	32
54-20387	CLAMP, BLEED HOSE TO CHECK VALVE AND CONNECTOR	33	58	394-1579	INSULATOR, PRIMARY GROUND TERMINAL	19	12
54-22783	"S" CLIP, WIRING HARNESS LEAD TO BOTTOM COWL	57	28	394-1637	SUPPORT, BALL BEARING	19	7
54-22976	CLAMP, WATER TELL TALE HOSE TO CONNECTOR	37	34	394-2271A2	MAGNETO ASSEMBLY, COMPLETE	19	-
54-24836	CLAMP, STATOR LEAD TO CRANKCASE	13	14	394-2271A2	MAGNETO ASSEMBLY, COMPLETE (4D-4)	15	1
54-25231	CLIP, CONNECTOR BASE LEAD WIRE	37	20	394-2602A1	MAGNETO ROTOR ASSEMBLY	19	35
				398-2171	STATOR, ALTERNATOR - FLYWHEEL	13	12
				400-1730	CRANKSHAFT	35	4
				500-1030A1	CENTER MAIN BEARING ASSEMBLY	35	6
				534-2497A2	MAIN BEARING ASSEMBLY (VALVE TYPE)	35	13
				600-7A4	CONNECTING ROD AND CAP ASSEMBLY (SEE NOTE BELOW)	35	24

# PARTS INDEX

Part Number	Description	Pg.	Ref. No.	Part Number	Description	Pg.	Ref. No.
724-2537A4	PISTON AND PISTON PIN ASSEMBLY	35	21	1554-2489A2	DRIVE SHAFT HOUSING ASSEMBLY (SHORT SHAFT)	41	1
724-2553A3	PISTON AND PISTON PIN ASSEMBLY (.015 OVERSIZE)	35	--	1626-2470A1	GEAR HOUSING ASSEMBLY	49	1
831-2500A3	CYLINDER BLOCK AND CRANKCASE ASSEMBLY	31	7	1626-2470A1	GEAR HOUSING ASSEMBLY SEE PAGE 27 FOR PARTS BREAKDOWN	53	1
831-2704A2	CYLINDER BLOCK AND CRANKCASE ASSEMBLY	31	7	1626-2470A16	GEAR HOUSING ASSEMBLY	49	1
1017-2483	COVER, CYLINDER BLOCK	33	45	1626-2470A16	GEAR HOUSING ASSEMBLY SEE PAGE 27 FOR PARTS BREAKDOWN	53	1
1100-339A1	END CAP ASSEMBLY, UPPER	31	1	1626-2470A18	GEAR HOUSING ASSEMBLY, COMPLETE (SHORT SHAFT)	49	-
1102-1484A1	END CAP ASSEMBLY, LOWER	31	27	1626-2470A18	GEAR HOUSING ASSEMBLY, COMPLETE (SHORT SHAFT)	53	-
1333-2539	CARBURETOR ASSEMBLY (SERIAL #2010162 AND BELOW)	23	23	1626-2470A19	GEAR HOUSING ASSEMBLY, COMPLETE (LONG SHAFT)	49	-
1333-2539	CARBURETOR ASSEMBLY, COMPLETE (KA-21A)	25	1	1626-2470A19	GEAR HOUSING ASSEMBLY, COMPLETE (LONG SHAFT)	53	-
1333-2741	CARBURETOR ASSEMBLY (SERIAL #2010163 AND UP)	23	23	1626-2470A19	GEAR HOUSING ASSEMBLY, COMPLETE (LONG SHAFT)	49	-
1333-2741	CARBURETOR ASSEMBLY, COMPLETE (KA-21B)	25	1	1626-2470A3	GEAR HOUSING ASSEMBLY, COMPLETE (SHORT SHAFT) SEE NOTE BEL	53	-
1399-101	LEVER, FLOAT (UPPER)	25	5	1626-2470A3	GEAR HOUSING ASSEMBLY, COMPLETE (SHORT SHAFT) SEE NOTE BEL	49	-
1399-102	LEVER, FLOAT (LOWER)	25	4	1626-2470A4	GEAR HOUSING ASSEMBLY, COMPLETE (LONG SHAFT)	53	-
1399-110A1	FLOAT ASSEMBLY	25	2	2104-2334A5	COWL FRONT COVER ASSEMBLY	11	1
1399-1133	COVER, FLOAT BOWL	25	9	2104-2654A4	COWL FRONT COVER ASSEMBLY	11	1
1399-1135	COVER, STRAINER	25	15	2116-2478A1	BOTTOM COWL ASSEMBLY	37	1
1399-1457	JET, MAIN FUEL (.057)	25	29	2117-2479A2	TOP COWL ASSEMBLY	3	10
1399-1459	JET, MAIN FUEL (.059)	25	29	2117-2480	TOP COWL	7	9
1399-1461	JET, MAIN FUEL (.061)	25	29	2118-2499A2	WRAP AROUND COWL ASSEMBLY	11	12
1399-1463	JET, MAIN FUEL (.063)	25	29	2118-2656A2	WRAP AROUND COWL ASSEMBLY	11	12
1399-1473	INLET NEEDLE, SEAT AND GASKET	25	6				
1399-1476	SHUTTER, THROTTLE	25	24				
1399-1655	JET, MAIN FUEL (.055)	25	29				
1399-1713	SCREW, IDLE ADJUSTMENT	25	26				
1399-1754	SCREEN, FILTER	25	13				
1399-1985	NOZZLE, MAIN	25	31				
1399-2012	SHAFT, THROTTLE	25	20				
1399-2560	TUBE, IDLE	25	21				
1399-2561	REPAIR PARTS KIT (1 PER CARBURETOR)	27	--				
1399-2785	NOZZLE, MAIN	25	31				
1399-2786	REPAIR PARTS KIT (1 PER CARBURETOR)	27	--				
1399-97	LEVER, THROTTLE STOP (SEE NOTE BELOW)	25	19				
1399-99	GASKET, FLOAT BOWL COVER	25	8				
1440-1797A1	CLAMP BRACKET ASSEMBLY	45	1				
1442-2501A1	SWIVEL BRACKET ASSEMBLY (SHORT SHAFT)	45	18				
1442-2502A1	SWIVEL BRACKET ASSEMBLY (LONG SHAFT)	45	18				