



PARTS CATALOG

MERC 850E

SERIAL NUMBER

850 (6 CYL.) 1460999 THRU 1766823

TABLE OF CONTENTS:

BOTTOM COWL ASSEMBLY	48
CARBURETOR ASSEMBLY	30
CARBURETOR LINKAGE AND CHOKE SOLENOID	26
CLAMP AND SWIVEL BRACKET ASSEMBLY	52
COWLING AND FRONT COVER (ENGINES, SERIAL #162019 AND BELOW)	6
COWLING AND FRONT COVER (ENGINES, SERIAL #164888 AND BELOW)	8
CRANKSHAFT, PISTONS AND CONNECTING RODS (MERC 850E)	44
CRANKSHAFT, PISTONS AND CONNECTING RODS (MERC 850E-1)	46
CYLINDER BLOCK AND CRANKCASE ASSEMBLY (MERC 850E)	36
CYLINDER BLOCK AND CRANKCASE ASSEMBLY (MERC 850E-1)	40
DISTRIBUTOR ADAPTOR AND PILOT ASSEMBLY	10
DISTRUBUTOR ASSEMBLY, COMPLETE	18
DISTRUBUTOR VERTICAL LINKAGE AND IGNITION COILS	14
DRIVE SHAFT HOUSING ASSEMBLY	56
FLYWHEEL ASSEMBLY AND STRATOR	12
FUEL PUMP AND FUEL LINE ASSEMBLY	34
GEAR HOUSING ASSEMBLY, COMPLETE (MERC 850E) (PAGE 1)	60
GEAR HOUSING ASSEMBLY, COMPLETE (MERC 850E) (PAGE 2)	64
GEAR HOUSING ASSEMBLY, COMPLETE (MERC 850E-1) (PAGE 1)	66
GEAR HOUSING ASSEMBLY, COMPLETE (MERC 850E-1) (PAGE 2)	70
PARTS INDEX	72
STARTER MOTOR, STARTER SOLENOID, RECTIFIER AND WIRING HARNES	22
TOP COWL AND STARTER ASSEMBLY	2

NOTE: *Indented description indicate that these parts are included in preceeding assembly.*

AR = As Required

NSS = Not Sold Separate

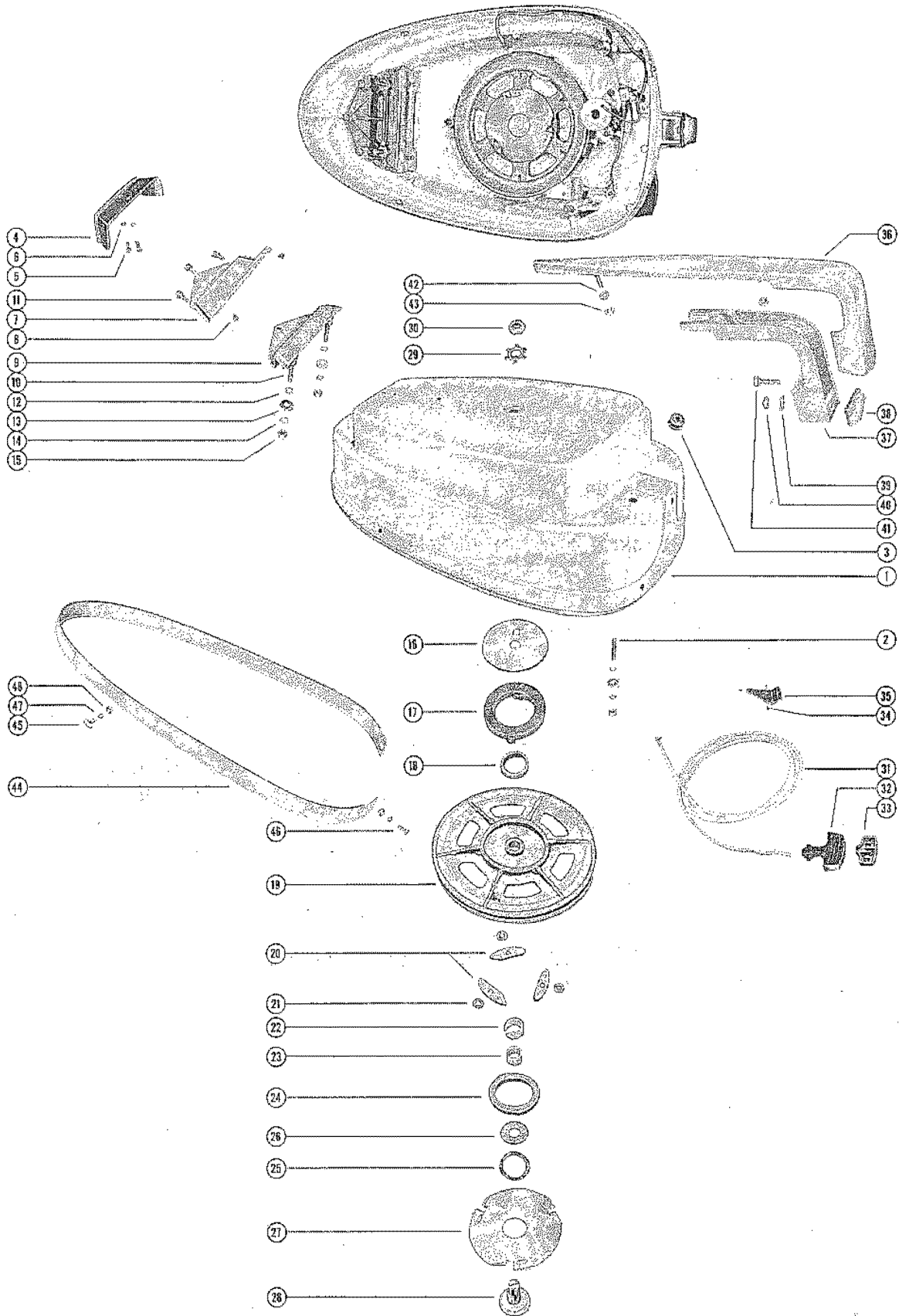
OPT = Optional

NS = Not Shown

THESE PARTS BOOKS/FICHE CARD ARE COPYRIGHTED AND MAY NOT BE DISTRIBUTED OR REPRODUCED IN ANY OTHER FORMAT BY ANYONE OTHER THAN MERCURY MARINE WITHOUT THE PRIOR WRITTEN CONSENT OF MERCURY MARINE.

THIS PAGE INTENTIONALLY LEFT BLANK

TOP COWL AND STARTER ASSEMBLY

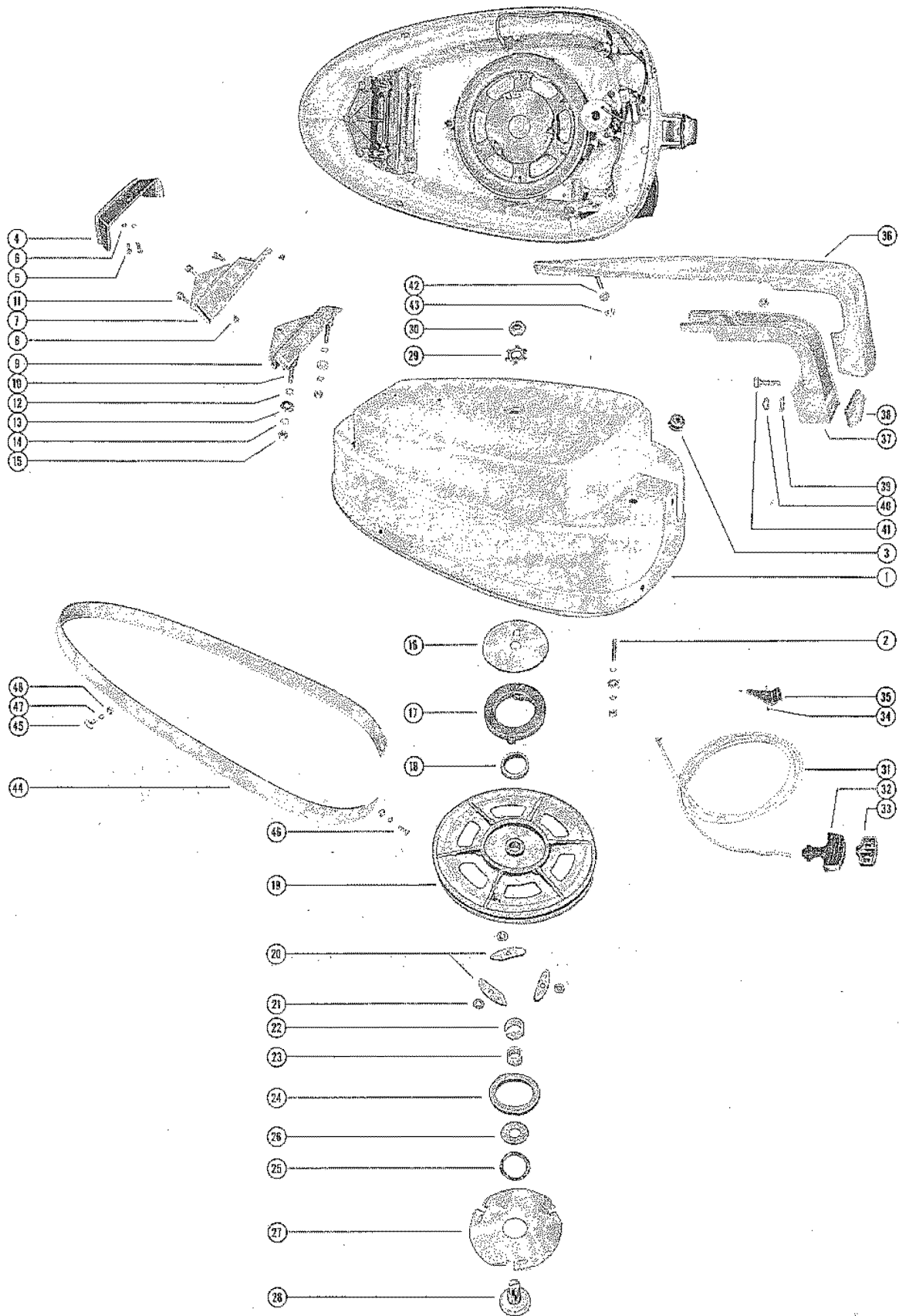


TOP COWL AND STARTER ASSEMBLY

REF. NO.	PART NO.	SYM.	QTY.	DESCRIPTION
1	182-1895A2		1,1	TOP COWL ASSEMBLY
2	16-20353		2,2	STUD, FRONT-TOP COWL TO CRANKCASE
3	25-20116		1,1	GROMMET, CHOKE KNOB
4	31476		1,1	REVEAL, AIR INTAKE
5	10-30841		2,2	SCREW, REVEAL TO TOP COWL
6	13-26996		2,2	LOCKWASHER, REVEAL TO TOP COWL FASTENING SCREW
7	29947		1,1	SCREEN, VENT-TOP COWL
8	10-29221		2,2	SCREW, VENT SCREEN TO TOP COWL
9	29981A1		1,	PLATE ASSEMBLY, COWL MOUNTING
	31298A1		,1	PLATE ASSEMBLY, COWL MOUNTING
10	16-20353		1,1	STUD, REAR-TOP-COWL TO COVER
11	10-31299		3,3	SCREW, PLATE ASSEMBLY TO TOP COWL
12	12-20028		2,2	WASHER, TOP COWL STUD (1 1/16")
13	12-20346		4,4	WASHER, TOP COWL STUD (3/4" OD)
14	12-20583		AR,AR	WASHER, TOP COWL STUD (1/32")
15	11-20361		4,4	NUT, TOP COWL FASTENING
16	30755		1,1	RETAINER, STARTER SPRING
17	24-30753		1,1	SPRING, STARTER REWIND
18	23-30754		1,1	BUSHING, SPRING GUIDE
19	50-30749		1,1	SHEAVE ASSEMBLY
20	20162		3,3	PAWL, STARTER
21	13-29402		3,3	WASHER, WAVE-STARTER PAWL
22	23-30752		1,1	BUSHING, NYLON-SHEAVE SHAFT SPACER
23	23-30759		1,1	SPACER, SHEAVE SHAFT
24	12-26180		1,1	WASHER, SHEAVE SHAFT TO STARTER SHEAVE
25	13-20160		1,1	WASHER, WAVE-WASHER TENSION
26	12-30758		1,1	WASHER, EQUALIZING RING-STARTER SHEAVE
27	30757		1,1	PLATE, RETAINER-STARTER PAWL
28	30756		1,1	SHAFT, SHEAVE
29	14-20165		1,1	TAB WASHER, SHEAVE SHAFT NUT
30	11-20166		1,1	NUT, SHEAVE SHAFT (LEFT HAND THREAD)
31	50-28985A1		1,1	STARTER CABLE ASSEMBLY
32	28747		1,1	HANDLE, STARTER CABLE
33	28748		1,1	RETAINER, STARTER CABLE AND HANDLE
34	10-32063		3,3	SCREW, DRIVE-PLATE TO TOP COWL (#3-48) SEE NOTE BELOW
35	30045		1,1	PLATE, ROPE GUIDE SEE NOTE BELOW
34	10-35881		,3	SCREW,DRIVE-PLATE TO TOP COWL (#6-32) SEE NOTE BELOW
35	35880		,1	PLATE, ROPE GUIDE SEE NOTE BELOW
36	31463		1,1	HANDLE, CHROME-TOP COWL
37	31487		1,1	HANDLE ASSEMBLY, INSIDE - TOP COWL
38	35496		1,1	PAD, BUMPER-TOP COWL HANDLE
39	12-20533		1,1	WASHER, CHROME HANDLE TO INSIDE HANDLE STUD

CONTINUED ON NEXT PAGE ➡

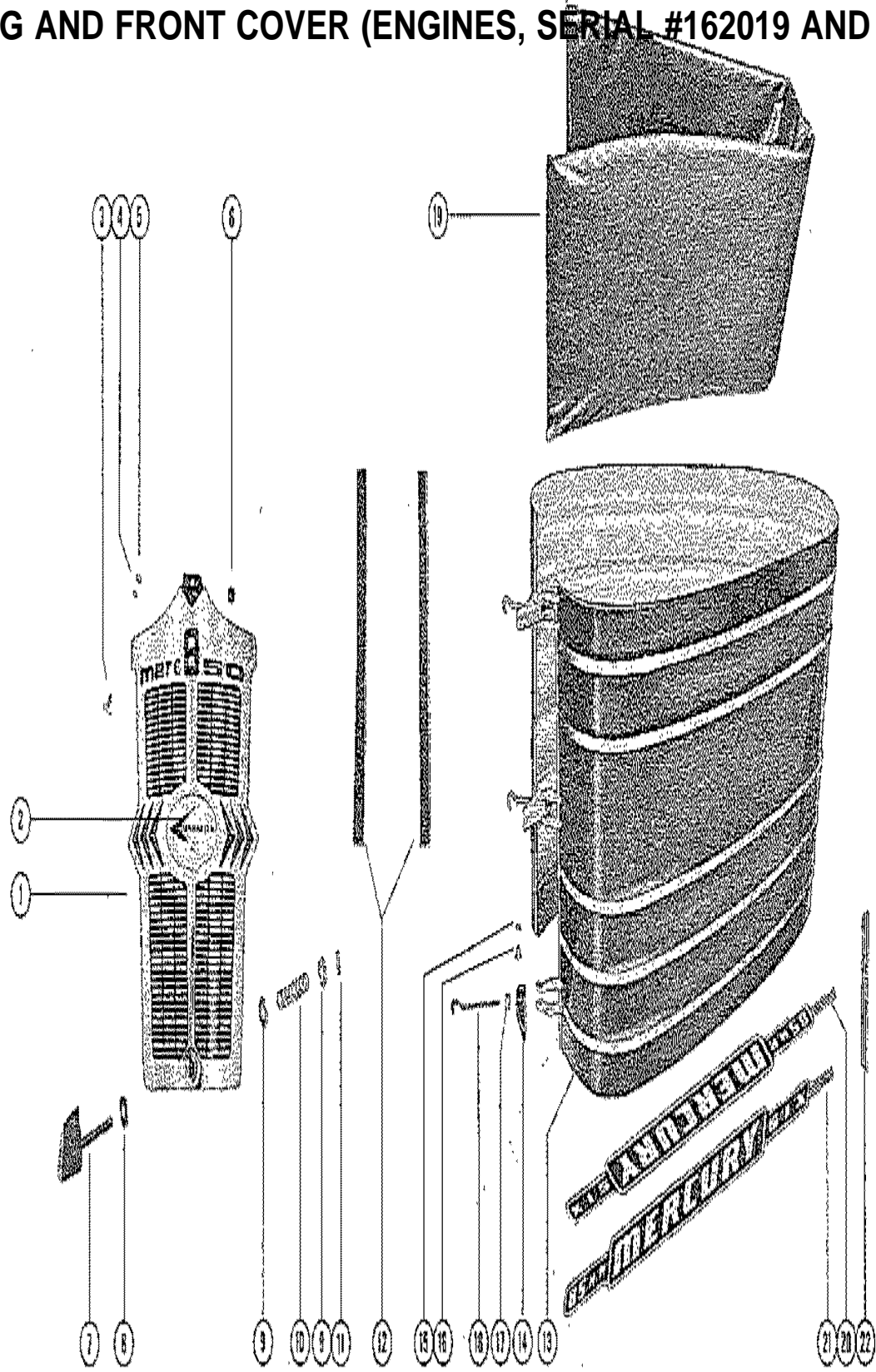
TOP COWL AND STARTER ASSEMBLY



TOP COWL AND STARTER ASSEMBLY

REF. NO.	PART NO.	SYM.	QTY.	DESCRIPTION
40	11-20586		1,1	NUT, CHROME HANDLE TO INSIDE HANDLE FASTENING
41	10-29199		1,1	SCREW, FRONT-HANDLE TO TOP COWL (1")
42	12-20533		1,1	WASHER, FRONT SCREW-HANDLE TO TOP COWL
43	11-20586		2,2	NUT, HANDLE TO TOP COWL STUD
44	29980A1		1,1	TRIM MOULDING ASSEMBLY-TOP COWL
45	10-29226		2,2	SCREW,DECORATIVE-MOULDING TO TOP COWL
46	10-29227		2,2	SCREW, BRASS-MOULDING TO TOP COWL
47	13-26995		4,4	LOCKWASHER, MOULDING FASTENING SCREW
48	11-26419		4,4	NUT, MOULDING FASTENING SCREW

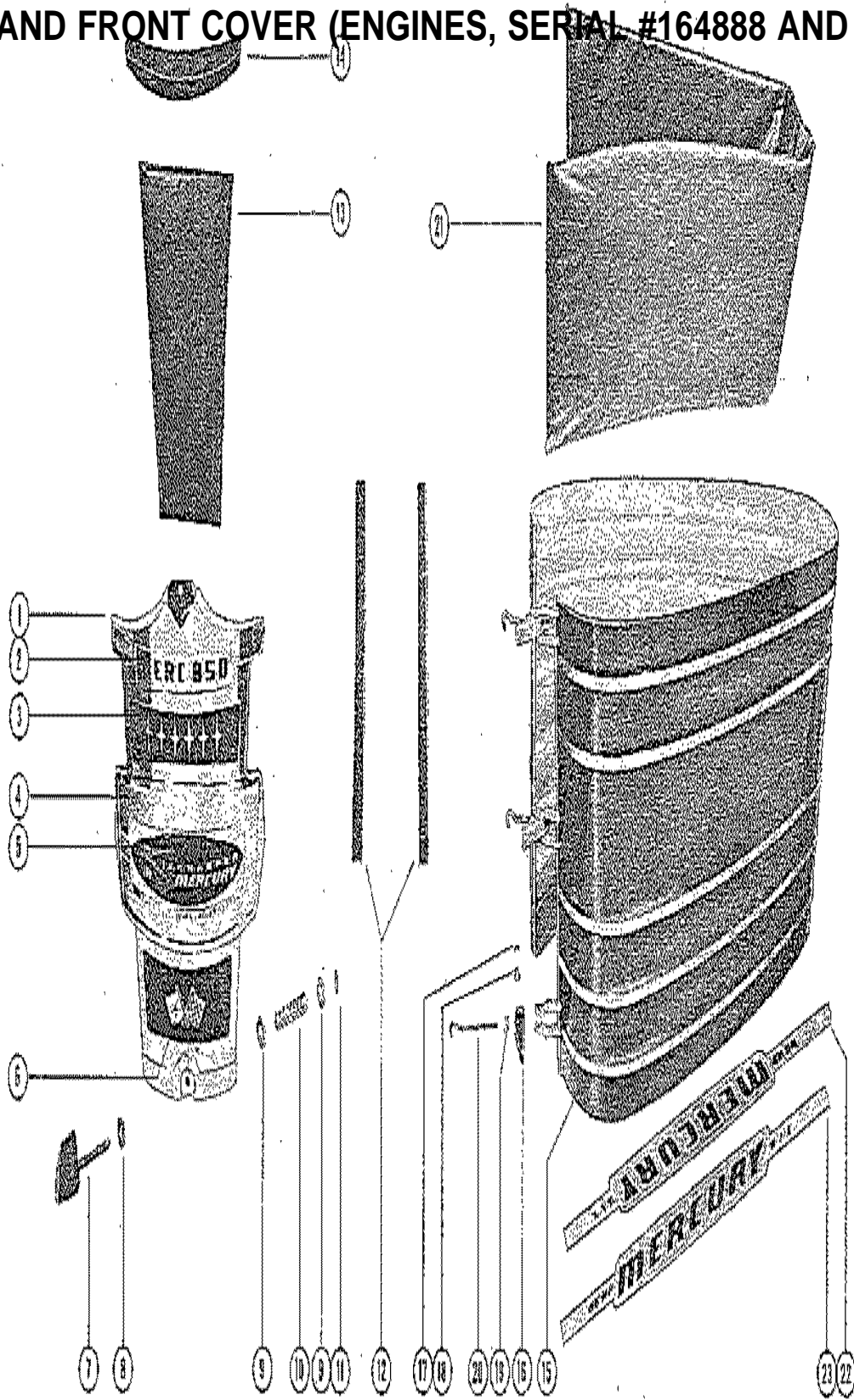
COWLING AND FRONT COVER (ENGINES, SERIAL #162019 AND BELOW)



COWLING AND FRONT COVER (ENGINES, SERIAL #162019 AND BELOW)

REF. NO.	PART NO.	SYM.	QTY.	DESCRIPTION
1	184-1910A2		1 1,1 1	COWL FRONT COVER ASSEMBLY
2	26183A5		1,1	EMBLEM, FRONT COVER
3	10-29226		2,2	SCREW, BRACKET TO FRONT COVER
4	13-26995		2,2	LOCKWASHER, BRACKET FASTENING SCREW
5	11-26419		2,2	NUT BRACKET FASTENING SCREW
6	29345		2,2	BUMPER, RUBBER-FRONT COVER BRACKET
7	32362		1,1	KNOB, COWL FRONT COVER FASTENING
8	12-30771		1,1	WASHER, COVER FASTENING KNOB (RUBBER)
9	12-26825		2,2	WASHER, COVER FASTENING KNOB (STEEL)
10	24-30772		1,1	SPRING, TENSION-FASTENING KNOB
11	17-29077		1,1	ROLL PIN, TENSION SPRING TO KNOB
12	31089		2,2	STRIP, SOUND ABSORBING
13	194-1942A3		1,	WRAP AROUND COWL ASSEMBLY
	194-1942A5		,1	WRAP AROUND COWL ASSEMBLY
14	30412		3,3	HANDLE, COWL LATCH
15	53-21058		6,6	"E" RING, COWL LATCH HINGE PIN
16	17-21057		6,6	PIN, HINGE-COWL LATCH HANDLE
17	30414		3,3	SWIVEL, COWL LATCH
18	30413		3,3	HOOK, COWL LATCH FASTENING
19	30021		1,1	BLANKET, SOUND ABSORBING-SRAP AROUND COWL
20	37-31885		1,	DECAL, WRAP AROUND COWL-PORT
21	37-31884		1,	DECAL, WRAP AROUND COWL-STARBOARD
22	37-31883		1,	DECAL, WRAP AROUND COWL-REAR
20	37-33679		,1	DECAL, WRAP AROUND COWL-PORT
21	37-33678		,1	DECAL, WRAP AROUND COWL-STARBOARD
	92-25234		1,1	GLU,ADHESIVE-BLANKET FASTENING
	92-27109		1,1	ADHESIVE COMPOUND (3 1/2 OUNCE KIT) EMBLEM FASTENING

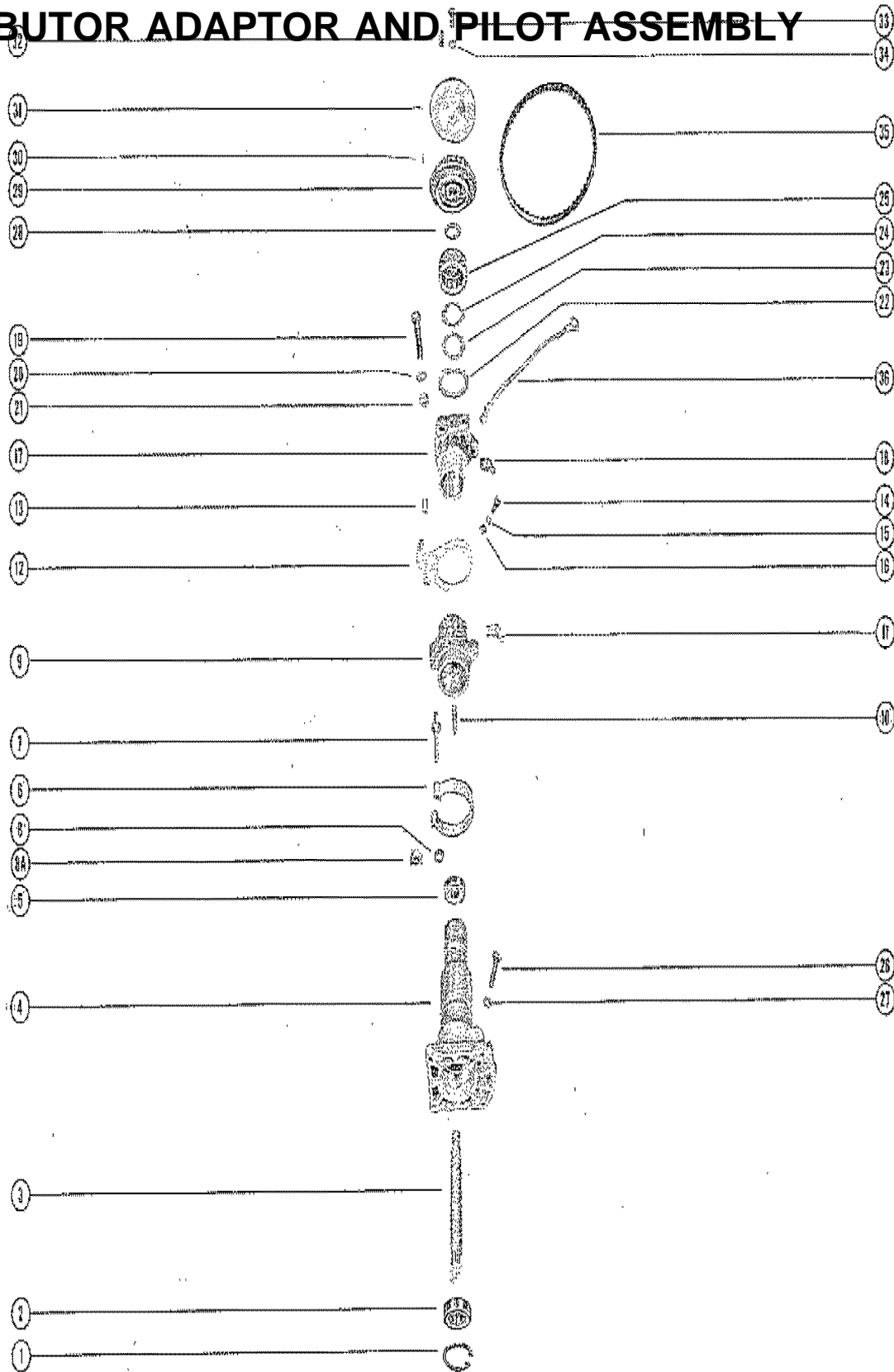
COWLING AND FRONT COVER (ENGINES, SERIAL #164888 AND BELOW)



COWLING AND FRONT COVER (ENGINES, SERIAL #164888 AND BELOW)

REF. NO.	PART NO.	SYM.	QTY.	DESCRIPTION
1	2113-2663A7		1	COWL FRONT COVER ASSEMBLY
2	37-35832		1	DECAL, FRONT COVER-"MERC 850"
3	37-35831		1	DECAL, FRONT COVER-"BLIPS"
4	37-35833		1	DECAL,FRONT COVER EMBLEM
5	37-64413		1	EMBLEM, FRONT COVER
6	37-35780		1	DECAL, FRONT COVER - "FLAGS"
7	32362		1	KNOB, COWL FRONT COVER FASTENING
8	12-30771		1	WASHER, COVER FASTENING KNOB (RUBBER)
9	12-26825		2	WASHER, COVER FASTENING KNOB (STEEL)
10	24-30772		1	SPRING, TENSION-FASTENING KNOB
11	17-29077		1	ROLL PIN, TENSION SPRING TO KNOB
12	31089		2	STRIP, SOUND ABSORBING
13	38675		1	BLANKET, SOUND ABSORBING
14	35769		1	SEAL, SOUND ABSORBING-UPPER
15	2120-2509A5		1	WRAP AROUND COWL ASSEMBLY
16	46785A1		1	HANDLE, COWL LATCH
17	53-21058		6	"E" RING, HANDLE TO HINGE PIN
18	17-21057		6	PIN, HINGE-COWL LATCH HANDLE
19	46785A1		3	SWIVEL, COWL LATCH
20	30413		3	HOOK, COWL LATCH FASTENING
21	30021		1	BLANKET, SOUND ABSORBING
22	37-35747		1	DECAL, WRAP AROUND COWL-PORT
23	37-35748		1	DECAL, WRAP AROUND COWL-STARBOARD
	92-25234--1		1	GLUE, ADHESIVE-BLANKET FASTENING
	92-27109--1		1	ADHESIVE COMPOUND, EMBLEM FASTENTING

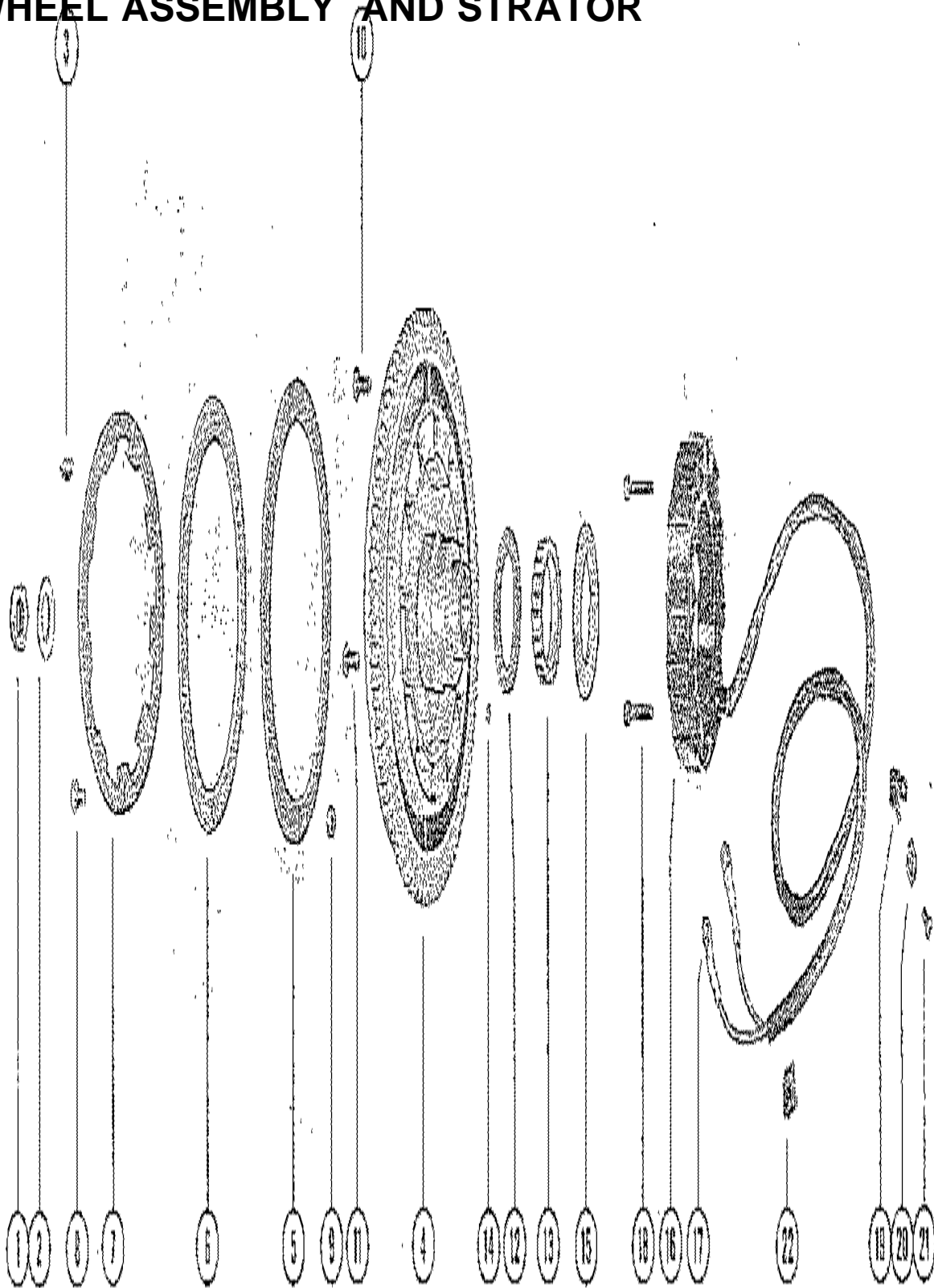
DISTRIBUTOR ADAPTOR AND PILOT ASSEMBLY



DISTRIBUTOR ADAPTOR AND PILOT ASSEMBLY

REF. NO.	PART NO.	SYM.	QTY.	DESCRIPTION
1	53-26406		1,1	RING, SNAP-BALL BEARING RETAINING
2	30-26379		1,1	BEARING, BALL-DRIVE SHAFT
3	45-30573		1,1	DRIVE SHAFT, DISTRIBUTOR
4	30583A1		1,1	PILOT ASSEMBLY
5	30-20066		1,1	BEARING,BALL-DISTRIBUTOR PILOT
6	24-29275		1,1	SPRING, HORSESHOE
7	17-27962		1,1	PIN,SPRING TERMINAL
8	12-29245		1,	WASHER, SPRING TERMINAL PIN
8A	32197		,1	STOP, SPRING TERMINAL PIN
9	30580A1		1,1	ECONOMIZER COLLAR AND PIN ASSEMBLY
10	17-27961		1,1	PIN, SPRING RETAINER
11	22-25094		1,1	FITTING, GREASE-ECONOMIZER COLLAR
12	32044A1		1,1	THROTTLE ACTUATOR ASSEMBLY
13	23-26602		1,1	BUSHING, NYLON-THROTTLE ACTUATOR
14	10-20100		1,1	SCREW, THROTTLE ACTUATOR TO SECTOR GEAR
15	13-26996		2,2	LOCKWASHER, THROTTLE ACTUATOR FASTENING SCREW
16	12-20128		2,2	WASHER, THROTTLE ACTUATOR FASTENING SCREW
17	30645		2,2	ADAPTOR, DISTRIBUTOR
18	22-25094		1,1	FITTING, GREASE-ADAPTOR
19	10-22040		3,3	SCREW,ADAPTOR AND PILOT TO CRANKCASE FLANGE
20	12-20084		3,3	WASHER, ADAPTOR AND PILOT FASTENING SCREW
21	11-20083		3,3	NUT, ADAPTOR AND PILOT FASTENING SCREW
22	12-27939		3,3	WASHER, THRUST-DISTRIBUTOR PILOT
23	14-27960		1,1	TAB WASHER, CAP LOCKING
24	13-27959		1,1	WASHER,WAVE-TAB WASHER TENSION
25	27955		1,1	CAP,ADAPTOR AND PILOT FASTENING
26	10-20542		1,1	SCREW, ADAPTOR AND PILOT TO DISTRIBUTOR
27	13-26992		4,4	LOCKWASHER,ADAPTOR AND PILOT TO DISTRIBUTOR SCREW
28	23-29909		4,4	SPACER, DRIVEN PULLEY
29	29906A1		1,1	DRIVEN PULLEY ASSEMBLY
30	17-29908		1,1	PIN,DRIVEN PULLEY
31	29907		1,1	FLANGE, DRIVEN PULLEY
32	28-29910		1,1	KEY,MAGNETO DRIVING
33	10-29911		1,1	SCREW,PULLEY CLAMPING
34	13-26996		1,1	LOCKWASHER,PULLEY CLAMPING SCREW
35	20140		1,1	BELT,TIMING
36	30109		1,1	GROUND STRAP ASSEMBLY, ADAPTOR TO CRANKCASE

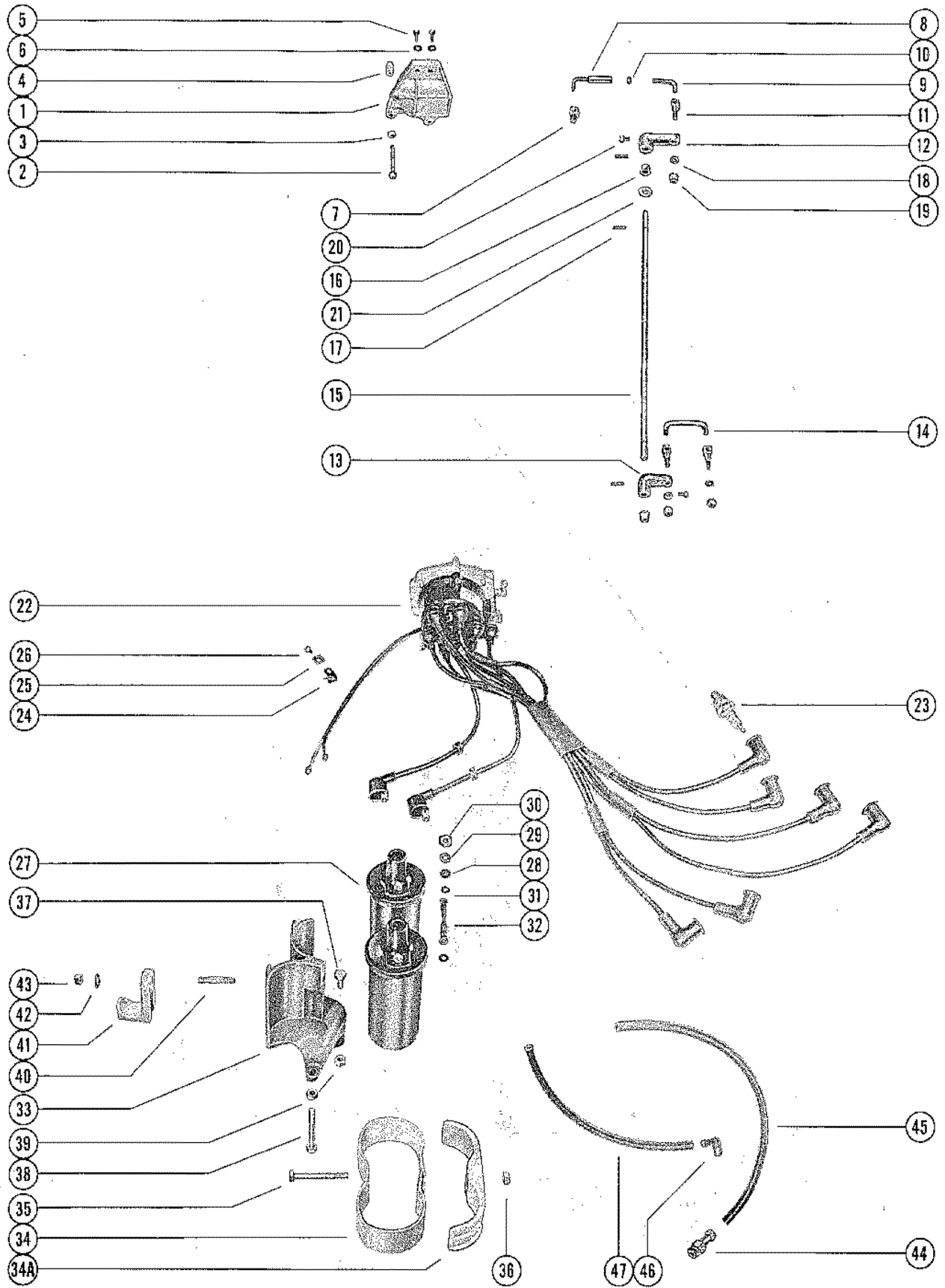
FLYWHEEL ASSEMBLY AND STRATOR



FLYWHEEL ASSEMBLY AND STRATOR

REF. NO.	PART NO.	SYM.	QTY.	DESCRIPTION
1	11-22339		1,1	NUT, FLYWHEEL
2	12-68229		1,1	WASHER, FLYWHEEL NUT
3	28-45554		1,1	KEY,FLYWHEEL DRIVE
4	213-1683A4		1,	FLYWHEEL ASSEMBLY, COMPLETE
	225-2494A4		,1	FLYWHEEL ASSEMBLY, COMPLETE SEE NOTE BELOW
	225-2494A3		,1	FLYWHEEL ASSEMBLY, COMPLETE SEE NOTE BELOW
5	23-32157		,1	SPACER LOWER-FLEXIBLE PLATE
6	23-32174		,1	SPACER, UPPER-FLEXIBLE PLATE
7	50-30745		1,1	RATCHET, FLYWHEEL
8	10-29238		1,	SCREW, RATCHET TO FLYWHEEL
	10-32156		,3	SCREW,SPACERS AND RATCHET TO FLEXIBLE PLATE
9	11-20184		,3	NUT,SPACER AND RATCHET FASTENING SCREW
10	10-32156		,8	SCREW, FLEXIBEL PLATE TO FLYWHEEL
11	10-32417		,8	SCREW, PLATE AND HUB TO FLEXIBLE PLATE
12	29788		1,1	FLANGE,FLYWHEEL PULLEY
13	30306		1,1	PULLEY, FLYWHEEL
14	17-26618		1,1	PIN, DOWEL-PULLEY TO FLYWHEEL
15	29787		1,1	HUB, FLYWHEEL PULLEY
16	398-2035		1,1	STATOR,ALTERNATOR SEE NOTE BELOW
	398-2188		,1	STATOR, ALTERNATOR SEE NOTE BELOW
17	30050		2,2	TERMINAL, STATOR LEAD WIRE
18	10-29283		4,4	SCREW, STATOR TO UPPER END CAP SEE NOTE BELOW
	10-57021		,4	SCREW,STATOR TO UPPER END CAP SEE NOTE BELOW
19	54-24836		1,1	CLIP, STATOR LEAD TO EXHAUST COVER
20	22789		1,1	"D" WASHER, CLIP FASTENING SCREW
21	10-69014		1,1	SCREW, STATOR LEAD CLIP FASTENING
22	54-22783		4,4	"S" CLIP,STATOR LEADS TO BOTTOM COWL

DISTRUBUTOR VERTICAL LINKAGE AND IGNITION COILS

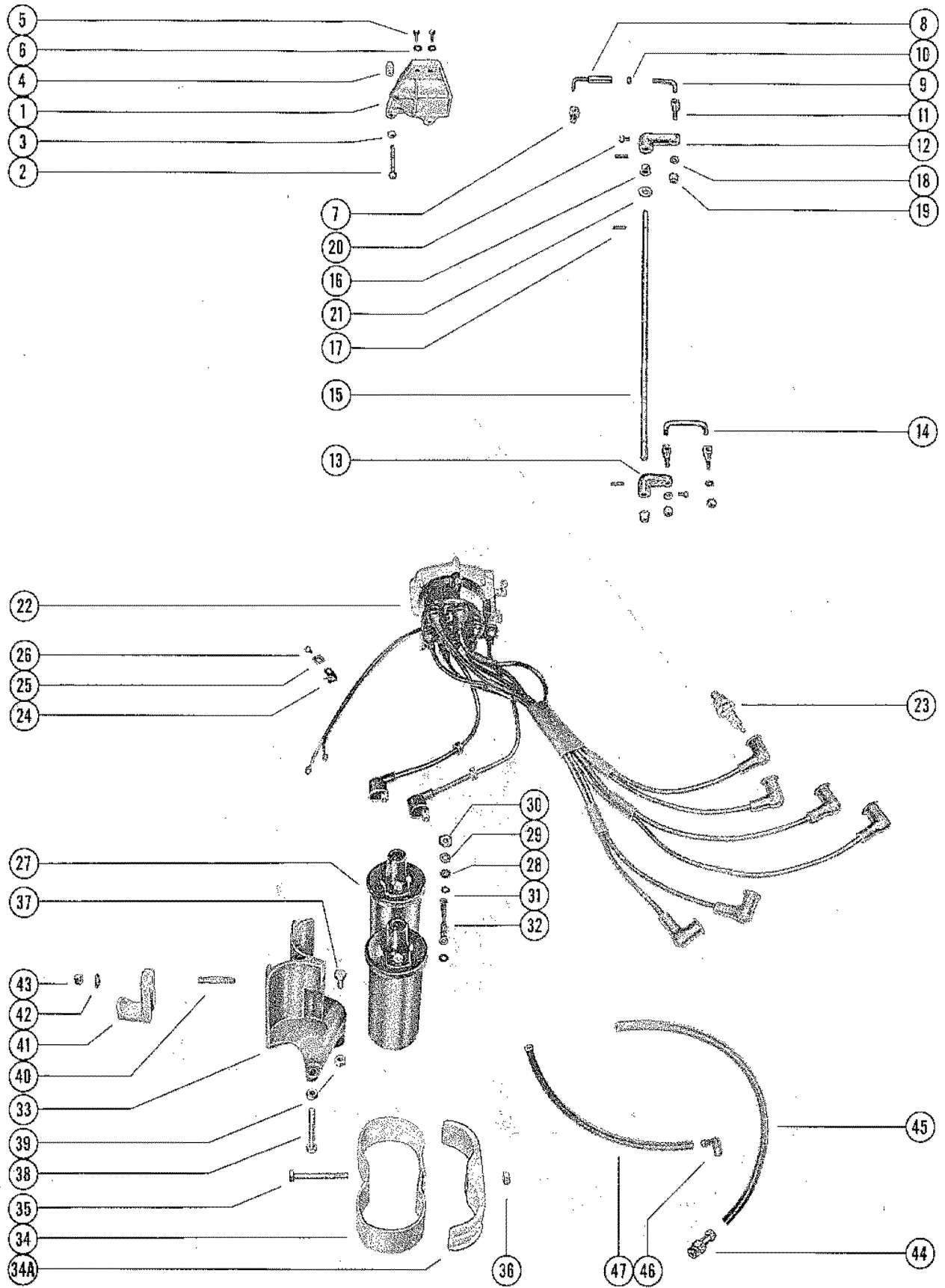


DISTRUBUTOR VERTICAL LINKAGE AND IGNITION COILS

REF. NO.	PART NO.	SYM.	QTY.	DESCRIPTION
1	30585		1,1	BRACKET, STOP
2	10-24228		3,3	SCREW, STOP BRACKET ADJUSTING
3	11-20890		3,3	NUT, STOP BRACKET ADJUSTING SCREW
4	26852		3,3	CAP, NYLON-ADJUSTING SCREW
5	10-28636		2,2	SCREW, STOP BRACKET TO DISTRIBUTOR ADAPTOR
6	12-20533		2,2	WASHER, STOP BRACKET FASTENING SCREW
7	27947		1,1	SWIVEL, LINKAGE-ECONOMIZER COLLAR
8	25996A1		1,1	SWIVEL AND LINK ROD ASSEMBLY
9	27949		1,1	ROD, LINK,UPPER
10	11-25168		1,1	NUT, UPPERLINK ROD ADJUSTING
11	27948		3,3	SWIVEL, UPPER AND LOWER LINK RODS
12	30582		1,1	LEVER, LINKAGE-UPPER
13	30619		1,1	LEVER, LINKAGE-LOWER
14	30623		1,1	ROD, LINK-LOWER
15	30629		1,1	SHAFT, VERTICAL
16	23-26954		2,2	BUSHING, NYLON-VERTICAL SHAFT
17	17-25319		3,3	ROLL PIN, VERTICAL SHAFT AND LINKAGE LEVERS
18	12-29245		3,3	WASHER, UPPER AND LOWER SWIVEL
19	11-20361		3,3	NUT, UPPER AND LOWER SWIVEL TO LEVER AND BRACKET
20	10-25781		2,2	SCREW, SET-LINKAGE LEVER
21	12-20553		1,1	WASHER, VERTICAL SHAFT-CENTER
22	393-1282A17		1,1	DISTRIBUTOR ASSEMBLY, COMPLETE
23	33-30578		6,6	SPARK PLYG (CHAMPION-J4J)
	33-31390		OPT,OPT	SPARK PLUG (AC-K421)
24	54-24836		1,1	CLIP, DISTRIBUTOR PRIMARY GROUND LEAD (1/4-6)
25	22789		1,1	"D" WASHER, GOURND LEAD CLIP SCREW
26	10-30009		1,1	SCREW, DISTRIBUTOR GROUND LEAD CLIP TO CRANKCASE
27	26433		2,	COIL, IGNITION
	32193		,2	COIL, IGNITION
28	13-20554		4,4	LOCKWASHER, IGNITION COIL TERMINALS
29	13-26996		4,4	LOCKWASHER, IGNITION COIL TERMINALS
30	11-20645		4,4	NUT, IGNITION COIL TERMINALS
31	25-26543		2,2	"O" RING, IGNITION COIL
32	28922		1,	JUMPER, COIL TO COIL
33	26514		1,1	BRACKET, COIL FASTENING
34	26512		1,	BAND, COIL BRACKET
34A	32229		,1	CLAMP, COIL BRACKET
35	10-26889		1,1	SCREW, COIL BAND TO BRACKET
36	11-20184		1,1	NUT, COIL BAND SCREW
37	10-20784		1,1	SCREW, COIL BRACKET TO BOTTOM COWL (1 1/2")
38	10-26889		1,1	SCREW, COIL BRACKET TO BOTTOM COWL (2 1/4")
39	11-20184		2,2	NUT, COIL BRACKET SCREW
40	16-20077		1,1	STUD, COIL BRACKET TO SUPPORT

CONTINUED ON NEXT PAGE ➡

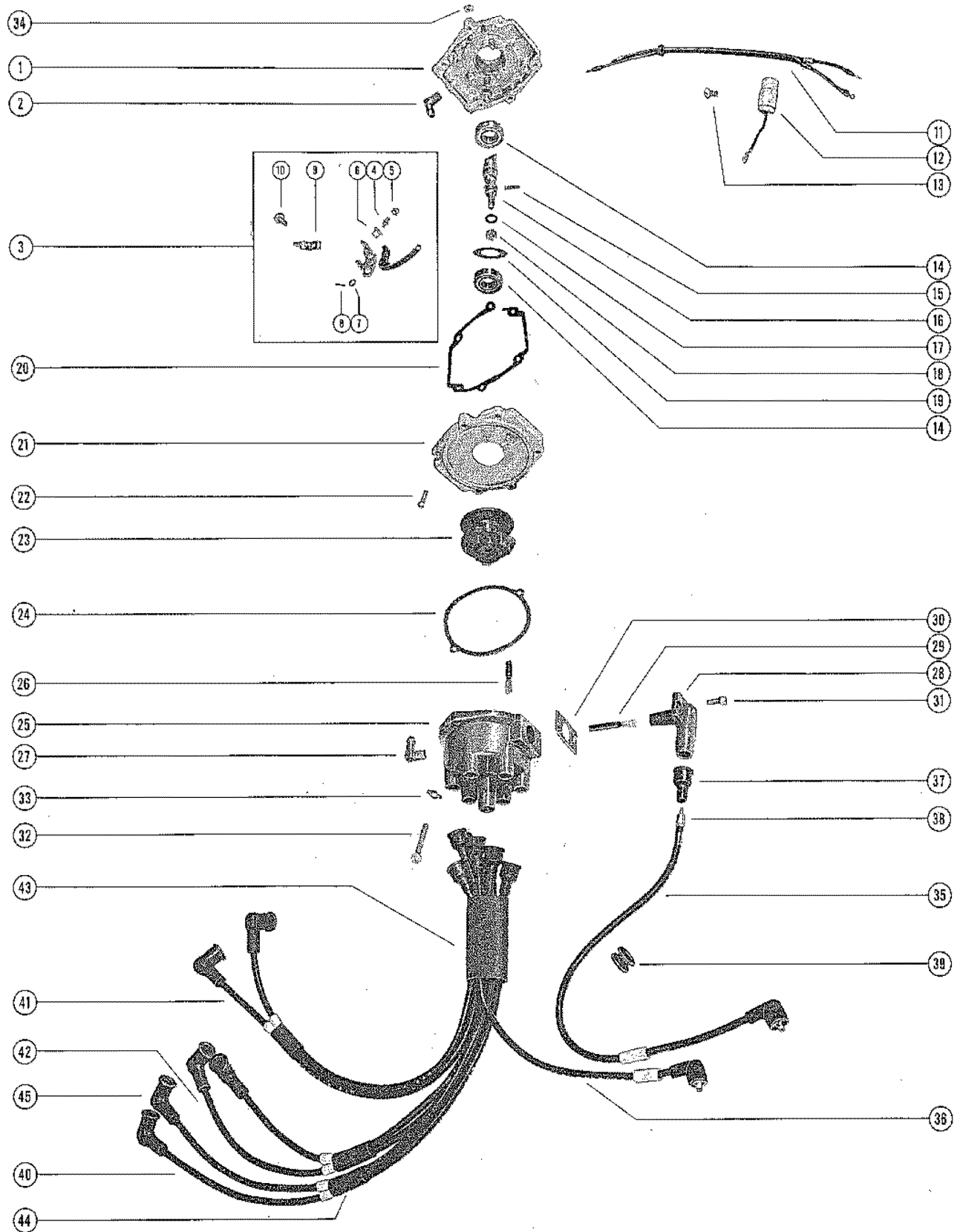
DISTRUBUTOR VERTICAL LINKAGE AND IGNITION COILS



DISTRUBUTOR VERTICAL LINKAGE AND IGNITION COILS

REF. NO.	PART NO.	SYM.	QTY.	DESCRIPTION
41	30238		1,1	SUPPORT, EXTERNAL WIRING HARNESS
42	12-20084		1,1	WASHER, COIL BRACKET STUD
43	11-25594		1,1	NUT,COIL BRACKET STUD
44	22-29111		1,1	CONNECTOR, DISTRIBUTOR VENT TUBE
45	32-26542		1,1	HOSE,VENT-DISTRIBUTOR TO CONNECTOR (13")
46	22-25885		1,1	ELBOW,DISTRIBUTOR VENT TUBE
47	32-26407		1,1	HOSE,VENT-DISTRIBUTOR TO ELBOW (16")

DISTRIBUTOR ASSEMBLY, COMPLETE

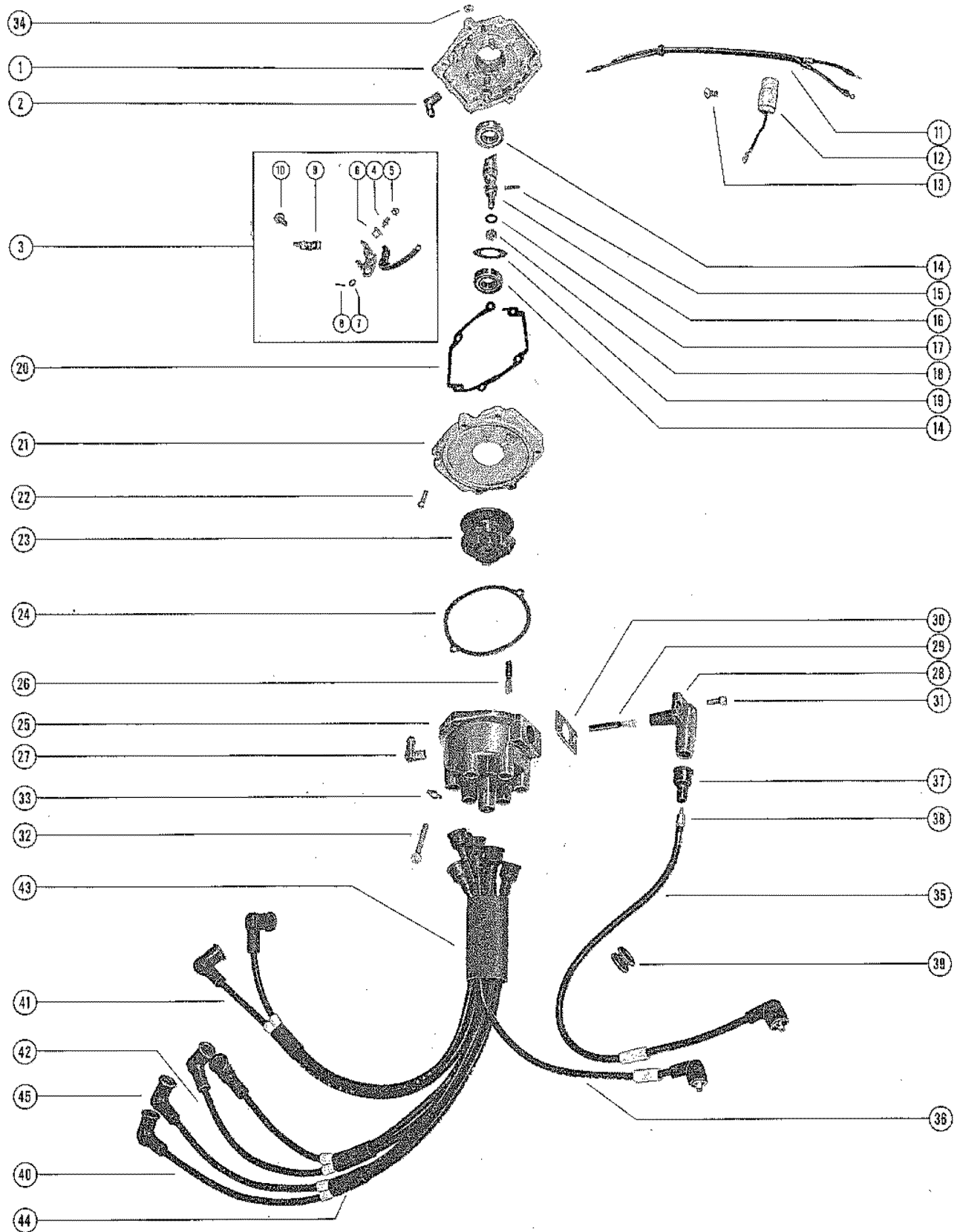


DISTRIBUTOR ASSEMBLY, COMPLETE

REF. NO.	PART NO.	SYM.	QTY.	DESCRIPTION
-	393-1282A17		1,1	DISTRIBUTOR ASSEMBLY, COMPLETE
1	393-1282		1,1	HOUSING, PRIMARY
2	22-25885A1		1,1	ELBOW ASSEMBLY, VENT HOSE-PRIMARY HOUSING
3	393-1504A5		2,2	BREAKER ASSEMBLY, COMPLETE
4	16-29230		2,2	STUD, PRIMARY LEAD AND TENSION SPRING
5	11-29236		2,2	NUT, PRIMARY LEAD FASTENING
6	393-1586		2,2	GROMMET, PLASTIC-BREAKER ASSEMBLY
7	12-26439		2,2	WASHER, BREAKER PIVOT PIN
8	18-26953		2,2	COTTER PIN, BREAKER TO PIVOT PIN
9	393-1287A2		2,2	CAM WICK AND HOLDER ASEMBLY
10	10-20597		2,2	SCREW, BREAKER HOLDER TO HOUSING
11	393-1656		1,1	WIRE, PRIMARY GROUND
12	393-1283		2,2	CONDENSER
13	10-29434		2,2	SCREW, CONDENSER TO HOUSING
14	30-26379		2,2	BEARING, BALL-CAM SHAFT
15	17-25319		1,1	PIN, ROLL-CAM SHAFT
16	393-1779A2		1,1	SHAFT ASSEMBLY-DISTRIBUTOR CAM
17	25-26543		1,1	"O" RING, CAM SHAFT
18	23-28933		1,1	BUSHING, DISTRIBUTOR CAM SHAFT
19	13-26917		2,2	WASHER, WAVE-BALL BEARING TENSION
20	27-26412		1,1	GASKET, HOUSING TO ADAPTOR
21	393-1278		1,1	ADAPTOR, HOUSING TO DISTRIBUTOR CAP
22	10-29180		4,4	SCREW, ADAPTOR TO HOUSING
23	393-1280		1,1	ROTOR, DISTRIBUTOR
24	27-36268		1,1	GASKET, DISTRIBUTOR CAP TO ADAPTOR SEE NOTE BELOW
25	393-1927A5		1,1	DISTRIBUTOR CAP ASSEMBLY SEE NOTE BELOW
26	393-1293A1		1,1	BRUSH AND SPRING ASSEMBLY
27	22-31521		1,1	ELBOW, VENT HOSE-DISTRIBUTOR CAP
28	393-F1277		1,1	SIDE INLET ASSEMBLY
29	393-1292A1		1,1	BRUSH AND SPRING ASSEMBLY
30	27-26447		1,1	GASKET, SIDE INLET TO DISTRIBUTOR CAP
31	10-29167		2,2	SCREW, SIDE INLET TO DISTRIBUTOR CAP
32	10-29158		4,4	SCREW, DISTRIBUTOR CAP TO ADAPTOR TO HOUSING SEE NOTE BELO
33	14-29157		4,4	TAB WASHER, DISTRIBUTOR CAP FASTENING SCREWSEE NOTE BELOW
34	11-21806		4,4	NUT, DISTRIBUTOR CAP FASTENING SCREW
35	393-1621A1		1,1	HIGH TENSION CABLE ASSEMBLY (COIL#2)
36	393-1622A1		1,1	HIGH TENSION CABLE ASSEMBLY (COIL #1)
37	393-1275		2,2	SLEEVE, TERMINAL END COVER
38	20121		2,2	CONNECTOR, HIGH TENSION CABLE (CAP END)
39	25-26547		2,2	GROMMET, HIGH TENSION CABLE

CONTINUED ON NEXT PAGE ➡

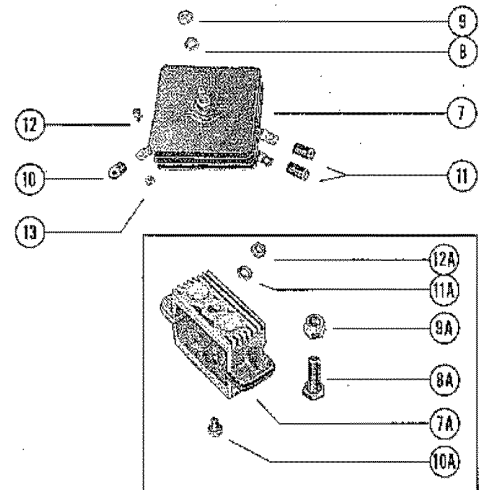
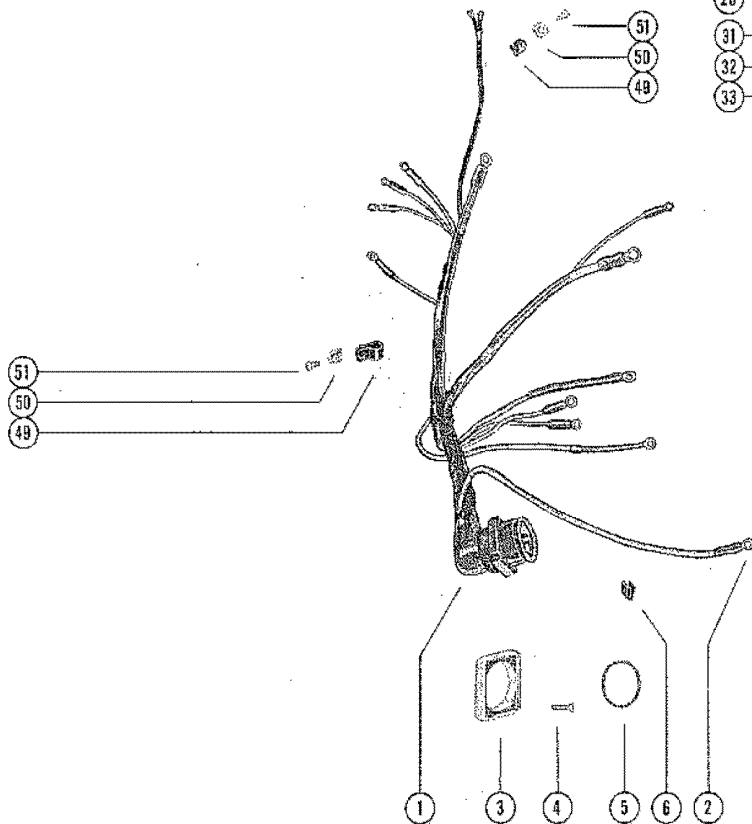
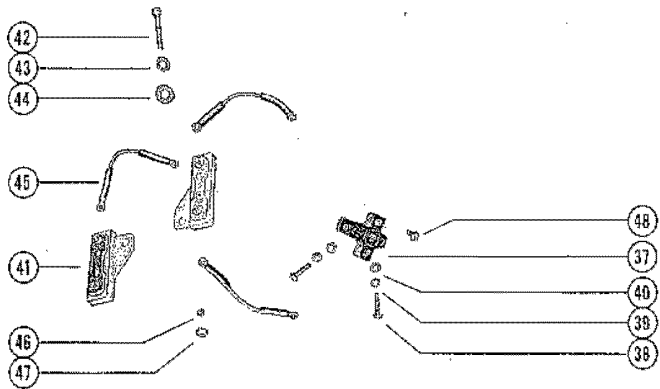
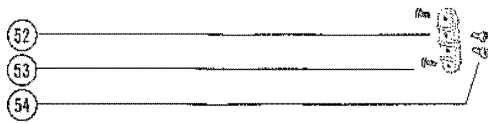
DISTRIBUTOR ASSEMBLY, COMPLETE



DISTRIBUTOR ASSEMBLY, COMPLETE

REF. NO.	PART NO.	SYM.	QTY.	DESCRIPTION
40	23564A4		3,3	SPARK PLUG LEAD ASSEMBLY (#3,4 AND 5) ORDER 36549 KIT FOR REPLACEMENT OF LEAD WIRE MARKERS
41	23564A5		2,2	SPARK PLUG LEAD ASSEMBLY (#2 AND 6) ORDER 36549 KIT FOR REPLACEMENT OF LEAD WIRE MARKERS
42	23564A6		1,1	SPARK PLUG LEAD ASSEMBLY (#1) ORDER 36549 KIT FOR REPLACEMENT OF LEAD WIRE MARKERS
38	20121		6,6	CONNECTOR, SPARK PLUG LEAD
37	393-1275		6,6	SLEEVE, TERMINAL END COVER
43	32-30574		1,1	SLEEVE, SPARK PLUG LEAD
	32-30574		1,1	SLEEVE, SPARK PLUG LEAD
44	32-26527		5,5	SLEEVE, SPARK PLUG LEAD
45	20119		6,6	PROTECTOR, SPARK PLUG LEAD

STARTER MOTOR, STARTER SOLENOID, RECTIFIER AND WIRING HARNESS

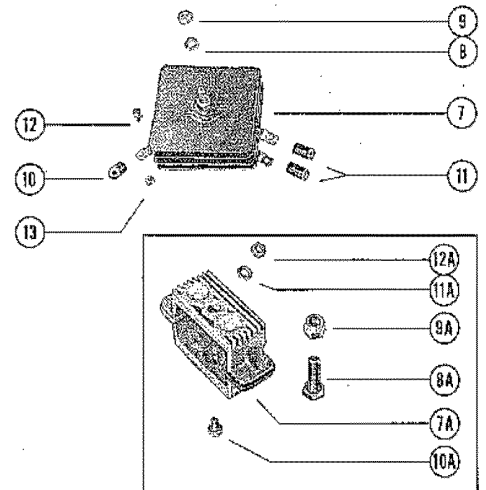
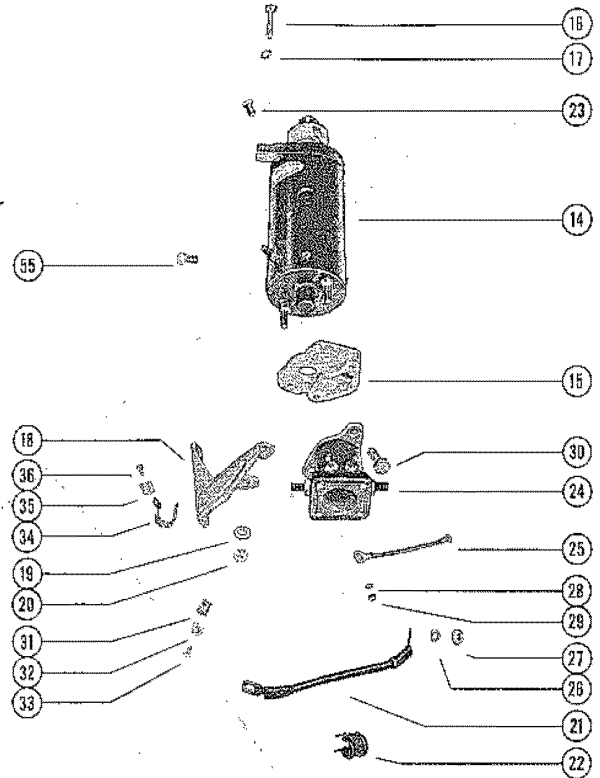
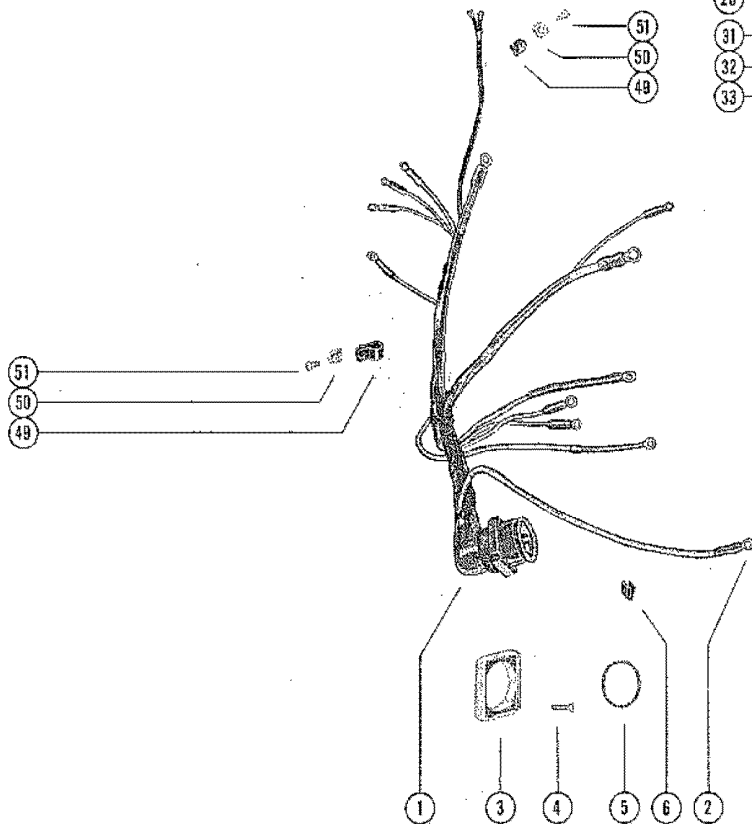
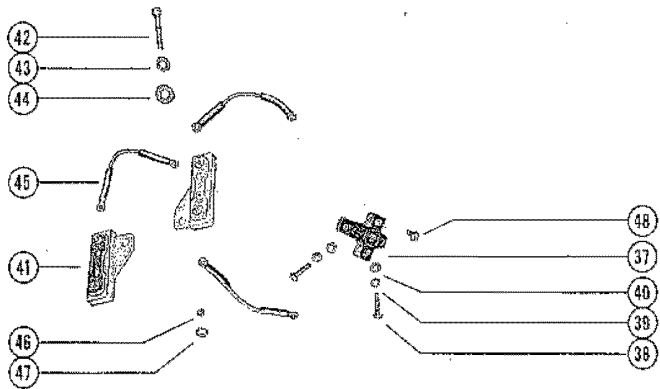
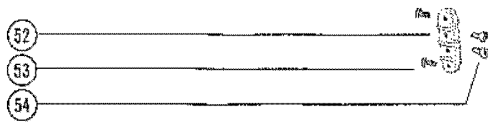


STARTER MOTOR, STARTER SOLENOID, RECTIFIER AND WIRING HARNES

REF. NO.	PART NO.	SYM.	QTY.	DESCRIPTION
1	30472		1,	WIRING HARNESS,INTERNAL
	32667		,1	WIRING HARNESS, INTERNAL
2	30050		AR,AR	TERMINAL, INTERNAL WIRING HARNESS LEADS
3	26079		1,1	PLATE, WIRING HARNESS TO BOTTOM COWL
4	10-26128		4,4	SCREW, WIRING HARNESS PLATE FASTENING
5	24-28975		1,1	SPRING, GARTER-INTERNAL WIRING HARNESS
6	54-22783		3,3	"S" CLIP, RECTIFIER WIRING HARNESS LEAD TO BOTTOM COWL
7	29691		1,	RECTIFIER ASSEMBLY
8	13-26993		1,	LOCKWASHER, RECTIFIER MOUNTING SCREW
9	11-21929		1,	NUT, RECTIFIER MOUNTING SCREW
10	32-28373		2,	SLEEVE,RUBBER-RECTIFIER HARNESS LEAD
11	32-28052		1,	SLEEVE, RUBBER-RECTIFIER HARNESS LEAD
12	10-29852		3,	SCREW, HARNESS AND STATOR LEADS TO RECTIFIER
13	11-29488		3,	NUT, HARNESS AND STATOR LEAD FASTENING SCREW
7A	32177A1		,1	RECTIFIER ASSEMBLY
8A	10-26065		,1	SCREW, RECTIFIER TO MOUNTING BRACKET
9A	11-29250		,1	NUT, RECTIFIER MOUNTING SCREW
10A	10-29852		,1	SCREW, HARNESS TERMINAL LEAD TO RECTIFIER
11A	13-26996		,2	LOCKWASHER, RECTIFIER STATOR LEAD TERMINALS
12A	11-20645		,2	NUT, FASTENING-RECTIFIER STATOR LEADS
14	50-30842		1,	STARTER MOTOR ASSEMBLY (DELCO-REMY)
	50-31976		,1	STARTER MOTOR ASSEMBLY (DELCO-REMY)
15	31057		1,	PLATE, SPACER-STARTER MOTOR
	32084		,1	PLATE, SPACER-STARTER MOTOR
16	10-22698		2,2	SCREW, STARTER MOTOR TO CRANKCASE FLANGE
17	13-26993		2,2	LOCKWASHER, STARTER MOTOR FASTENING SCREW
18	29930		1,1	BRACKET, SUPPORT-STARTER MOTOR
19	12-24664		1,	WASHER, THRU BOLT-BRACKET TO STARTER MOTOR
	13-24669		2 2,2 2	LOCKWASHER, THRU BOLT-BRACKET TO STARTER MOTOR
20	11-20890		2,2	NUT, THRU BOLT-BRACKET TO STARTER MOTOR
21	25596		1,	CABLE,WIRE-STARTER MOTOR TO STARTER SOLENOID
	32107		,1	CABLE, WIRE-STARTER MOTOR TO STARTER SOLENOID
22	54-20534		1,	CLAMP, LOWER CABLE-STARTER MOTOR TO SOLENOID
23	10-29197		1,1	SCREW, WIRING HARNESS GROUND LEAD TO STARTER MOTOR
24	31478		1,	STARTER SOLENOID
	32082		,1	STARTER SOLENOID
25	32278A1		,1	GROUND STRAP ASSEMBLY, STARTER SOLENOID TO STARTER MOTOR
26	13-26993		2,2	LOCKWASHER, SOLENOID TERMINAL (5/16)
27	11-20083		2,2	NUT, SOLENOID TERMINAL (5/16)
28	13-26996		2,2	LOCKWASHER, SOLENOID TERMINAL (#10)
29	11-20645		2,2	NUT,SOLENOID TERMINAL (#10)

CONTINUED ON NEXT PAGE ➡

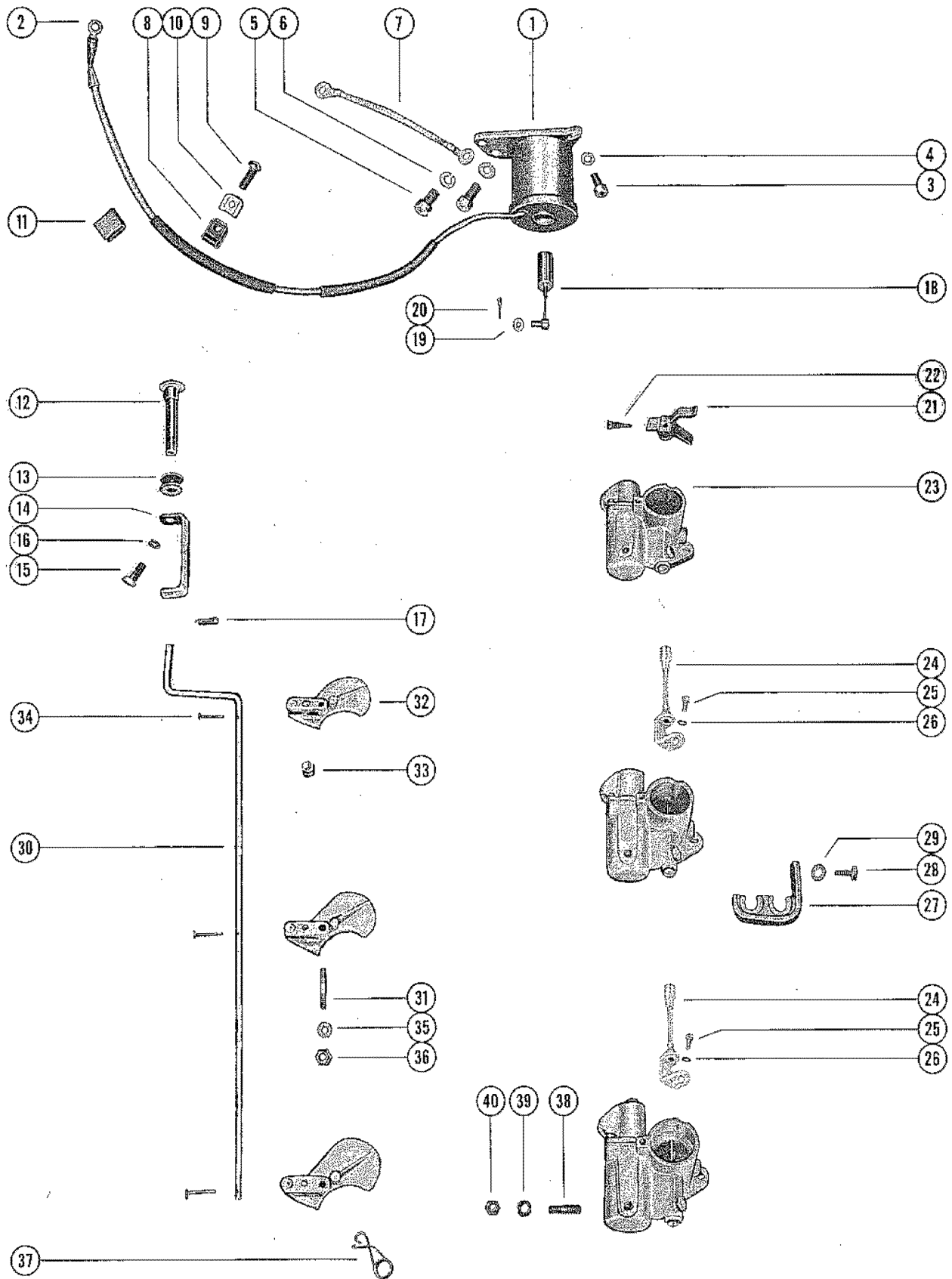
STARTER MOTOR, STARTER SOLENOID, RECTIFIER AND WIRING HARNESS



STARTER MOTOR, STARTER SOLENOID, RECTIFIER AND WIRING HARNES

REF. NO.	PART NO.	SYM.	QTY.	DESCRIPTION
30	10-29238		2,	SCREW, SOLENOID TO STARTER MOTOR (3/8)
	10-29282		,2	SCREW,SOLENOID TO STARTER MOTOR (3/4)
31	54-22740		,1	CLIP, HARNESS LEAD WIRES TO SUPPORT BRACKET
32	22789		,1	"D" WASHER, CLIP FASTENING SCREW
33	10-26548		,1	SCREW, LEAD WIRE CLIP FASTENING
34	54-22627		1,1	CLAMP, WIRING HARNESS TO STARTER MOTOR SUPPORT BRACKET
35	22789		1,1	"D" WASHER, HARNESS CLAMP SCREW
36	10-26548		1,1	SCREW, HARNESS CLAMP FASTENING
37	29714		1,1	BLOCK, TERMINAL-UPPER FUEL PUMP PAD
38	10-22245		2,2	SCREW, TERMINAL BLOCK FASTENING
39	13-26996		2,2	LOCKWASHER, TERMINAL BLOCK FASTENING SCREW
40	12-26014		2,2	WASHER, TERMINAL BLOCK FASTENING SCREW
	393-1572		2,	RESISTOR
	28966		1,	SNUBBER, RESISTOR TO TRANSFER PORT COVER SCREW
	30449		1,	SNUBBER, RESISTOR TO TRANSFER PORT COVER SCREW
41	32227		,2	BALLAST,IGNITION COIL
42	10-24770		1,	SCREW, RESISTOR, SNUBBER AND COVER MOUNTING
	10-28666		,1	SCREW, BALLAST AND PORT COVER MOUNTING (1")
43	13-26992		1,1	LOCKWASHER, RESISTOR,BALLAST AND COVER MOUNTING SCREW
44	12-20346		1,	WASHER, RESISTOR,BALLAST AND COVER MOUNTING SCREW
	12-20346		,3	WASHER, RESISTOR,BALLAST AND COVER MOUNTING SCREW
45	29112		3,3	JUMPER, RESISTOR AND BALLAST TO TERMINAL BLOCK
	30020		1,	JUMPER, RESISTOR TO TERMINAL BLOCK
	10-24609		1,	JUMPER, RESISTOR TO TERMINAL BLOCK
	10-24609		4,	SCREW, JUMPER LEADS TO RESISTOR
	12-30191		4,4	WASHER, JUMPER LEADS FASTENING SCREW
46	13-26995		,4	LOCKWASHER, JUMPER LEADS FASTENING SCREW
47	11-21923		4,4	NUT, BALLAST JUMPER LEADS FASTENING
48	10-29852		3,3	SCREW, HARNESS AND JUMPER LEADS TO TERMINAL BLOCK
49	54-24836		2,2	CLIP, WIRING HARNESS TO CRANKCASE FLANGE AND COVER
50	22789		2,2	"D" WASHER, HARNESS CLIP SCREW
51	10-30009		2,2	SCREW, HARNESS CLIP FASTENING
52	30212		1,1	BLOCK, TERMINAL-EXHAUST COVER
53	10-28192		2,2	SCREW, TERMINAL BLOCK TO EXHAUST MANIFOLD COVER
54	10-30663		2,2	SCREW, HARNESS LEADS TO TERMINAL BLOCK
55	10-32471		,2	SCREW, SOLENOID MOUNTING HOLES IN STARTER MOTOR

CARBURETOR LINKAGE AND CHOKE SOLENOID

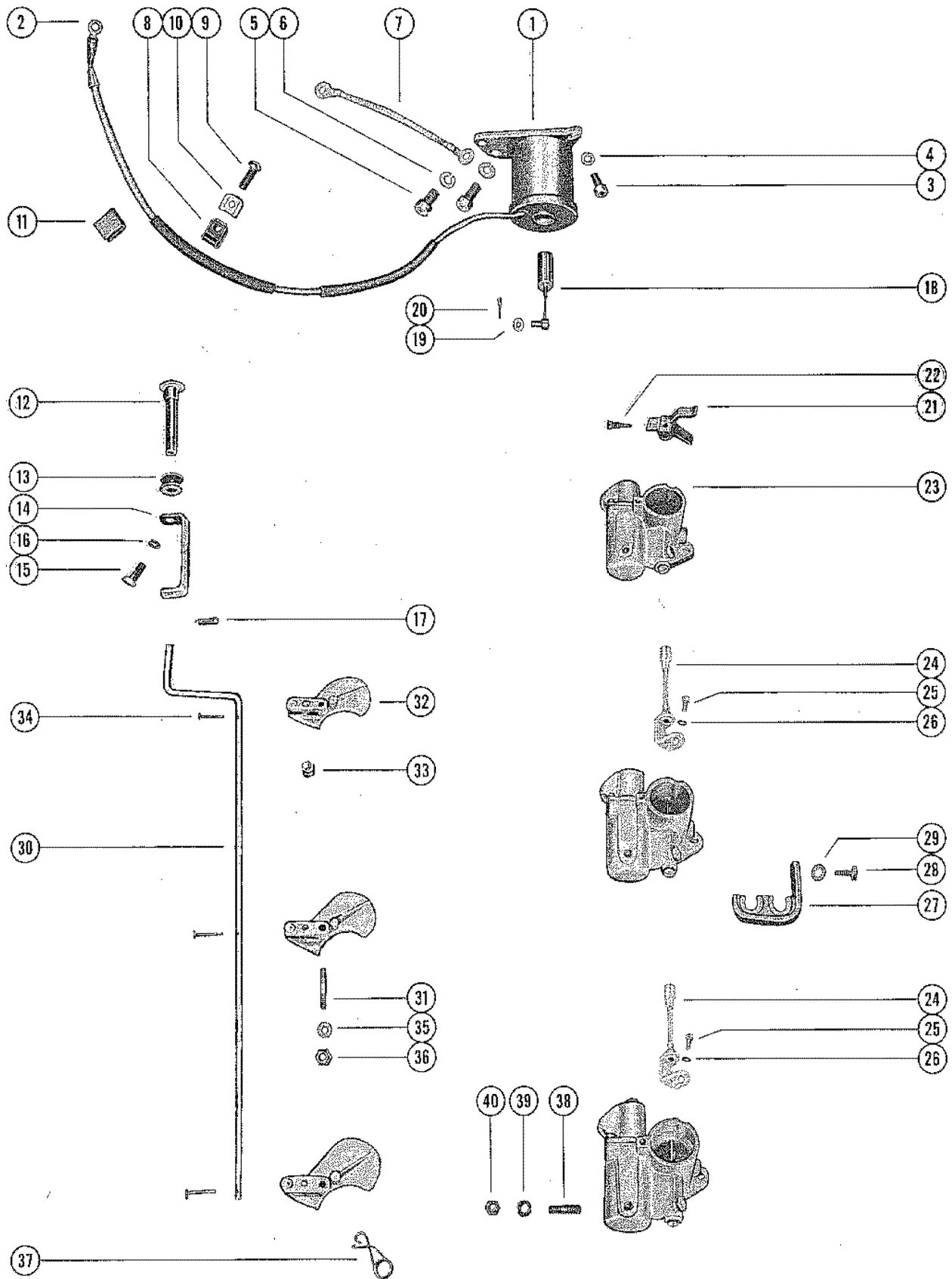


CARBURETOR LINKAGE AND CHOKE SOLENOID

REF. NO.	PART NO.	SYM.	QTY.	DESCRIPTION
1	29690		1,1	CHOKE SOLENOID, TOP COWL
2	30050		1,1	TERMINAL, CHOKE SOLENOID LEAD
3	10-24773		1,1	SCREW, CHOKE SOLENOID TO TOP COWL
4	13-26991		1,1	LOCKWASHER, CHOKE SOLENOID SCREW
5	10-20540		2,2	SCREW, CHOKE SOLENOID TO TOP COWL
6	13-26992		2,2	LOCKWASHER, CHOKE SOLENOID SCREW
7	397-421A1		1,1	GROUND STRAP ASSEMBLY, CHOKE SOLENOID TO ADAPTOR
8	54-26538		1,1	CLIP, CHOKE SOLENOID WIRE
9	10-24239		1,1	SCREW, WIRE CLIP TO TOP COWL
10	22789		1,1	"D" WASHER,, WIRE CLIP FASTENING SCREW
11	54-22783		2,2	"S" CLIP, CHOKE SOLENOID WIRE TO TOP COWL
12	22463		1,1	KNOB, CHOKE ROD
13	25-20116		1,1	GROMMET, CHOKE ROD
14	22462		1,1	"U" LINK, CHOKE KNOB TO CHOKE ROD
15	10-20100		1,1	SCREW, "U" LINK TO CHOKE KNOB
16	13-26996		1,1	LOCKWASHER,"U" LINK SCREW
17	18-26953		1,1	COTTER PIN, "U" LINK TO CHOKE ROD
18	27031A1		1,	PLUNGER AND LINK ASSEMBLY, CHOKE SOLENOID
	27031A4		,1	PLUNGER AND LINK ASSEMBLY, CHOKE SOLENOID
19	12-30164		1,1	WASHER, PLUNGER AND LINK
20	18-26953		1,1	COTTER PIN, LINK TO UPPER CHOKE LEVER
21	27977		1,1	CLUSTER, THROTTLE LEVER (UPPER CARBURETOR)
22	10-20847		1,1	SCREW, CLUSTER TO THROTTLE LEVER
23	1333-1957		3,	CARBURETOR ASSEMBLY, COMPLETE
	1335-2081		,3	CARBURETOR ASSEMBLY, COMPLETE
24	28007A6		2,2	THROTTLE PICKUP BRACKET ASSEMBLY
25	10-29239		2,2	SCREW, THROTTLE BRACKET MOUNTING
26	12-30164		2,	WASHER, CLAMP FASTENING SCREW
27	26977		1,1	BRACKET, COIL LEAD RETAINER
28	10-20031		1,1	SCREW, RETAINER BRACKET TO CENTER CARBURETOR
29	13-21272		2,2	LOCKWASHER, BRACKET FASTENING SCREW
30	30750		1,	ROD, CHOKE
	32043		,1	ROD, CHOKE
31	16-30172		3,3	STUD, CARBURETOR-CHOKE SHUTTER PIVOT
32	30437		3,	SHUTTER, CHOKE-CARBURETOR
	31404		,3	SHUTTER, CHOKE-CARBURETOR
33	23-30438		1,1	BUSHING,NYLON-UPPER CHOKE SHUTTER
34	17-25391		3,3	RIVET, CHOKE SHUTTER TO CHOKE ROD
35	12-30164		3,3	WASHER, CHOKE SHUTTER CARBURETOR STUD
36	11-20110		3,3	NUT, CHOKE SHUTTER TO CARBURETOR STUD
37	24-28965		1,	SPRING, CHOKE ROD TENSION
	24-32428		,1	SPRING, CHOKE ROD TENSION

CONTINUED ON NEXT PAGE ➡

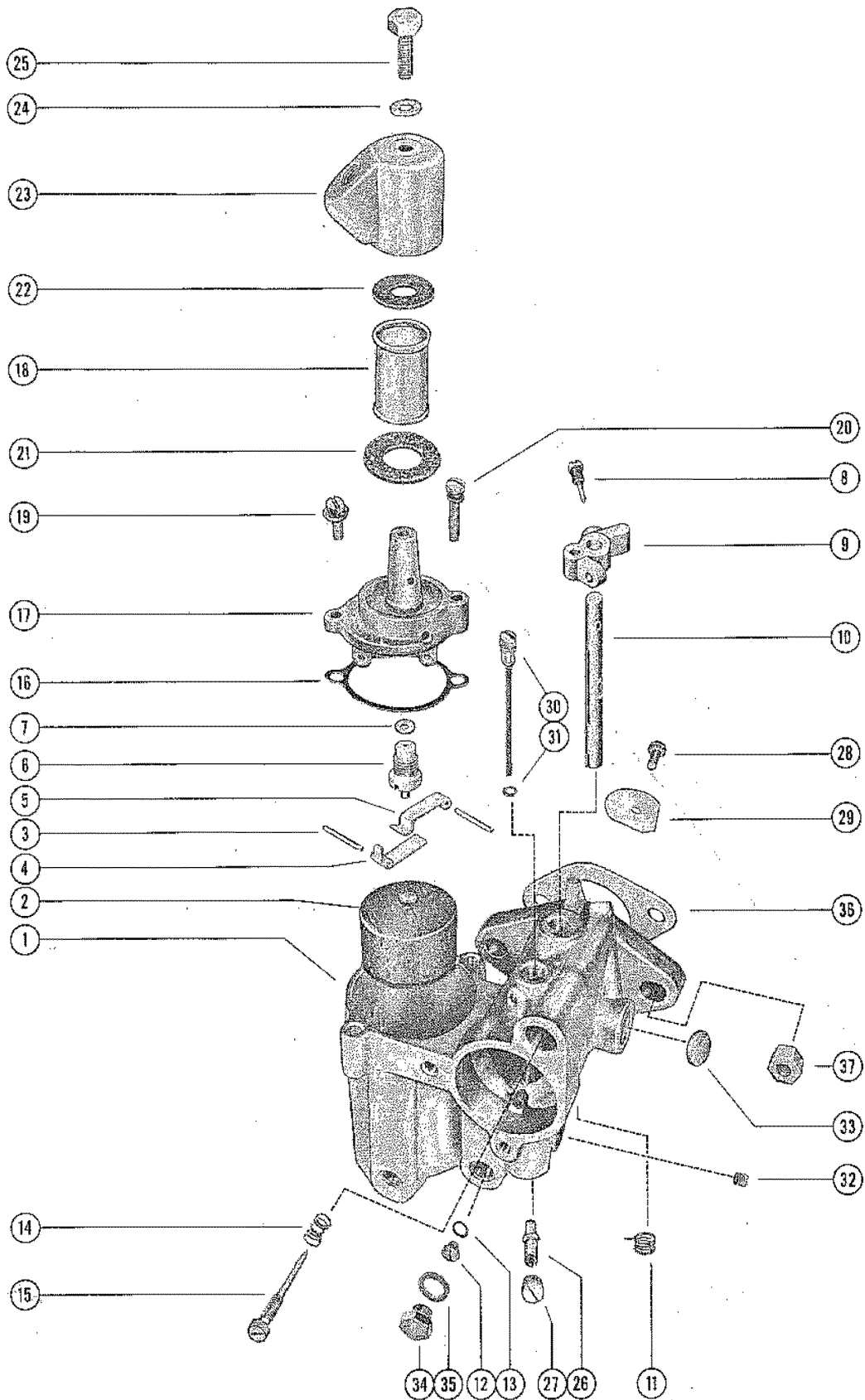
CARBURETOR LINKAGE AND CHOKE SOLENOID



CARBURETOR LINKAGE AND CHOKE SOLENOID

REF. NO.	PART NO.	SYM.	QTY.	DESCRIPTION
37	31479		1,	RETAINER, CHOKE ROD SPRING TO CARBURETOR
	10-28713		1,	SCREW, RETAINER TO LOWER CARBURETOR
38	16-21723		,1	STUD, CHOKE ROD SPRING TO CARBURETOR
39	23-32427		,1	SPACER, CHOKE ROD SPRING STUD
40	11-20184		,1	NUT, CHOKE ROD SPRING TO CARBURETOR STUD

CARBURETOR ASSEMBLY

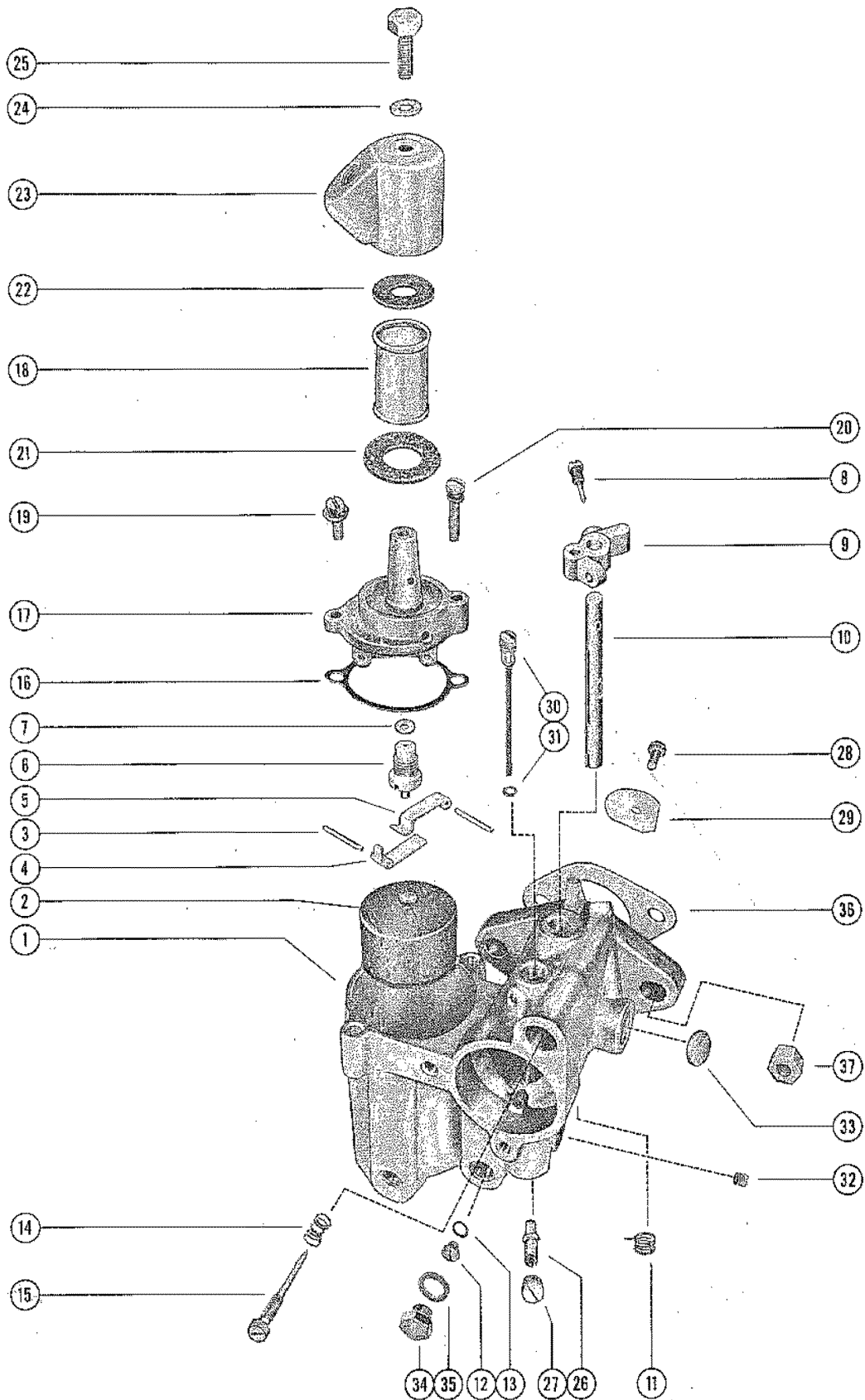


CARBURETOR ASSEMBLY

REF. NO.	PART NO.	SYM.	QTY.	DESCRIPTION
1	1333-1957		3,	CARBURETOR ASSEMBLY, COMPLETE (KA-16A)
	1335-2081		,3	CARBURETOR ASSEMBLY, COMPLETE (KC-3A)
2	1399-110A1		3,3	FLOAT ASSEMBLY
3	17-20853		6,6	PIN FLOAT LEVER PINION
4	1399-102		3,3	LEVER, FLOAT (LOWER)
5	1399-101		3,3	LEVER, FLOAT (UPPER)
6	1399-1473		3,3	INLET NEEDLE, SEAT AND GASKET
7	27-25033		3,3	GASKET, INLET SEAT
8	10-20847		3,3	SCREW, THROTTLE STOP LEVER
9	1399-97		3,3	LEVER, THROTTLE STOP (SEE NOTE)
10	1399-1475		3,	SHAFT, THROTTLE
	1399-2012		,3	SHAFT, THROTTLE
11	24-26890		2,2	SPRING, THROTTLE SHAFT RETURN (CENTER AND LOWER CARBURETOR)
	24-20869		1,1	SPRING, THROTTLE SHAFT RETURN (UPPER CARBURETOR)
12	1399-1962		3,	JET, MAIN FUEL (.069) - STANDARD
	1399-1467		OPT,	JET, MAIN FUEL (.067)
	1399-1465		OPT,	JET, MAIN FUEL (.065)
	1399-1463		OPT,	JET, MAIN FUEL (.063)
	1399-1457		,OPT	JET, MAIN FUEL (.057)
	1399-1655		,3	JET, MAIN FUEL (.055) - STANDARD
	1399-1653		,OPT	JET, MAIN FUEL (.053)
	1399-1651		,OPT	JET, MAIN FUEL (.051)
13	27-28409		3,3	GASKET, MAIN FUEL JET
14	24-27160		3,3	SPRING, IDLE ADJUSTMENT SCREW
15	1399-1713		3,3	SCREW, IDLE ADJUSTMENT
16	1399-99		3,3	GASKET, FLOAT BOWL COVER
17	1399-1133		3,3	COVER, FLOAT BOWL
18	1399-1754		3,3	SCREEN, FILTER
19	10-20854		3,3	SCREW, FLOAT BOWL COVER (SHORT)
20	10-25850		3,3	SCREW, FLOAT BOWL COVER (LONG)
21	27-25851		3,3	GASKET, STRAINER COVER (LARGE)
22	27-25849		3,3	GASKET, STRAINER COVER (SMALL)
23	1399-1930		3,3	COVER, STRAINER
24	27-25848		3,3	GASKET, STRAINER COVER SCREW
25	10-25822		3,3	SCREW, STRAINER COVER FASTENING
26	1399-1739		3,	NOZZLE, MAIN
	1399-2179		,3	NOZZLE, MAIN
27	10-23178		3,	SCREW, PLUG-MAIN NOZZLE
	10-28846		,3	SCREW, PLUG-MAIN NOZZLE
28	10-23035		3,3	SCREW AND LOCKWASHER, THROTTLE SHUTTER
29	1399-1740		3,	SHUTTER, THROTTLE
	1399-2014		,3	SHUTTER, THROTTLE

CONTINUED ON NEXT PAGE ➡

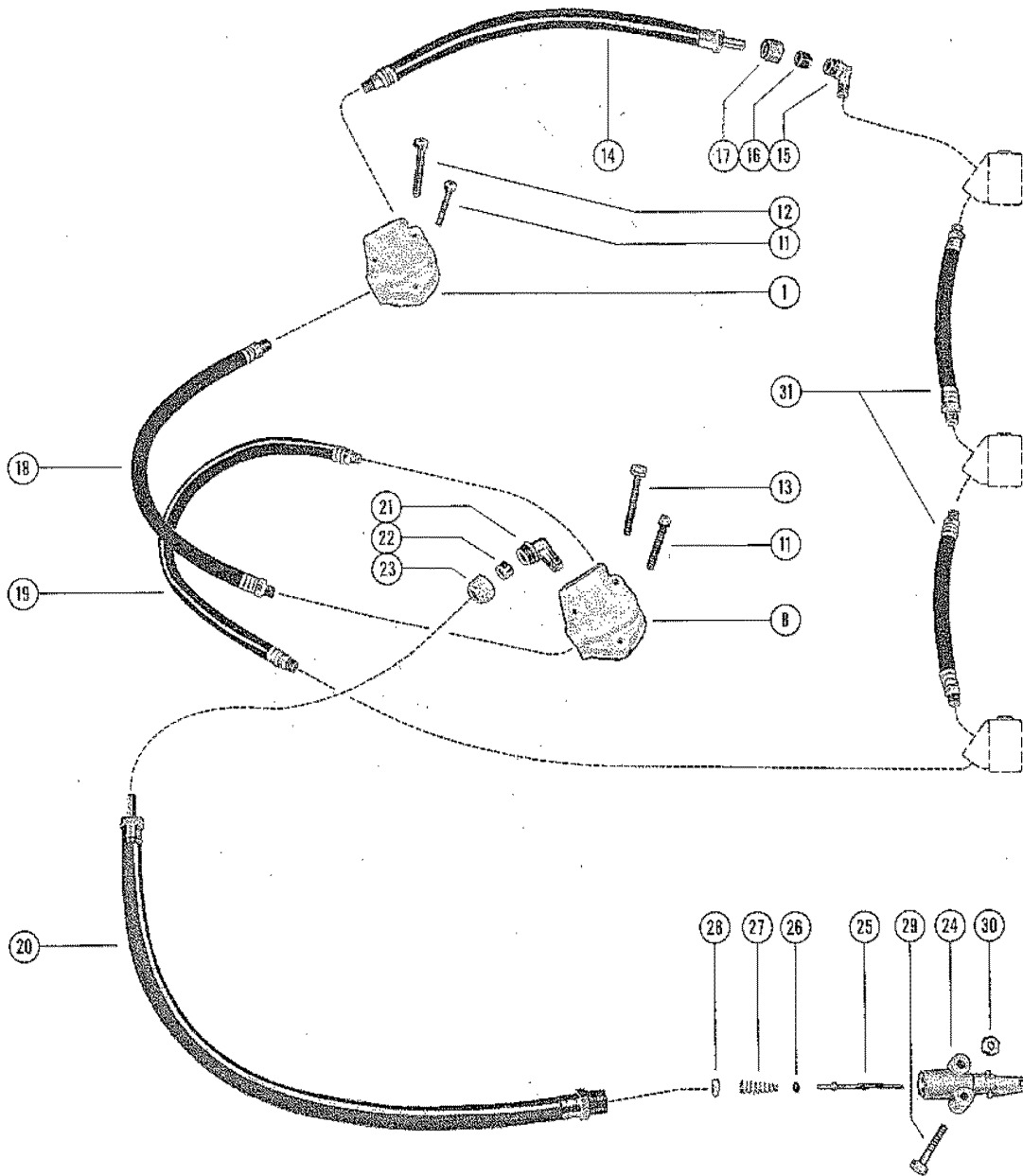
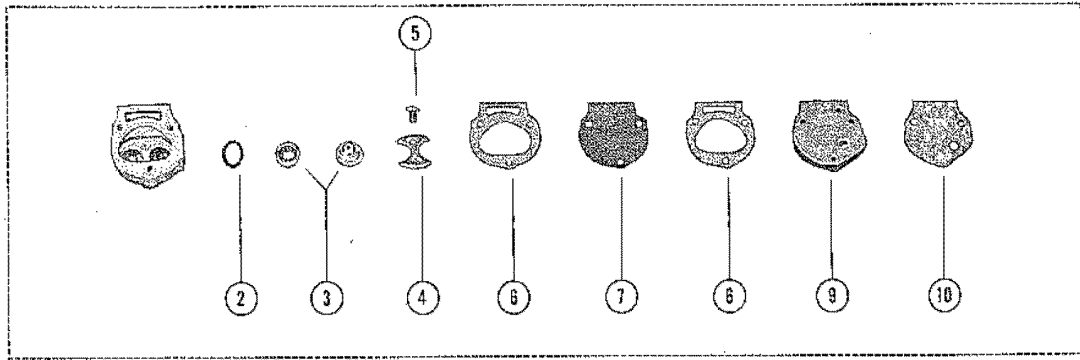
CARBURETOR ASSEMBLY



CARBURETOR ASSEMBLY

REF. NO.	PART NO.	SYM.	QTY.	DESCRIPTION
30	1399-1702		3,	TUBE, IDLE
	1399-2009		,3	TUBE, IDLE
31	27-23180		3,3	GASKET, IDLE TUBE
32	10-28845		3,	SCREW, PLUG-BODY CHANNEL
33	19-20011		3,	WELCH PLUG, BODY CHANNEL
	19-32299		,3	WELCH PLUG, BODY CHANNEL
34	10-28405		3,3	SCREW PLUG, MAIN FUEL JET CHANNEL
35	27-28406		3,3	GASKET, JET CHANNEL PLUG SCREW
	1399-1477		3,	GASKET AND PACKING SET (1 PER CARBURETOR)
	1399-2015		,3	GASKET AND PACKING SET (1 PER CARBURETOR)
	1399-1963		3,	REPAIR PARTS KIT (1 PER CARBURETOR)
	1399-2182		,3	REPAIR PARTS KIT (1 PER CARBURETOR)
36	27-26891		3,	GASKET, CARABURETOR FLANGE
	27-31402		,3	GASKET,CARBURETOR FLANGE
37	11-29250		6,6	NUT, CARBURETOR MOUNTING STUD

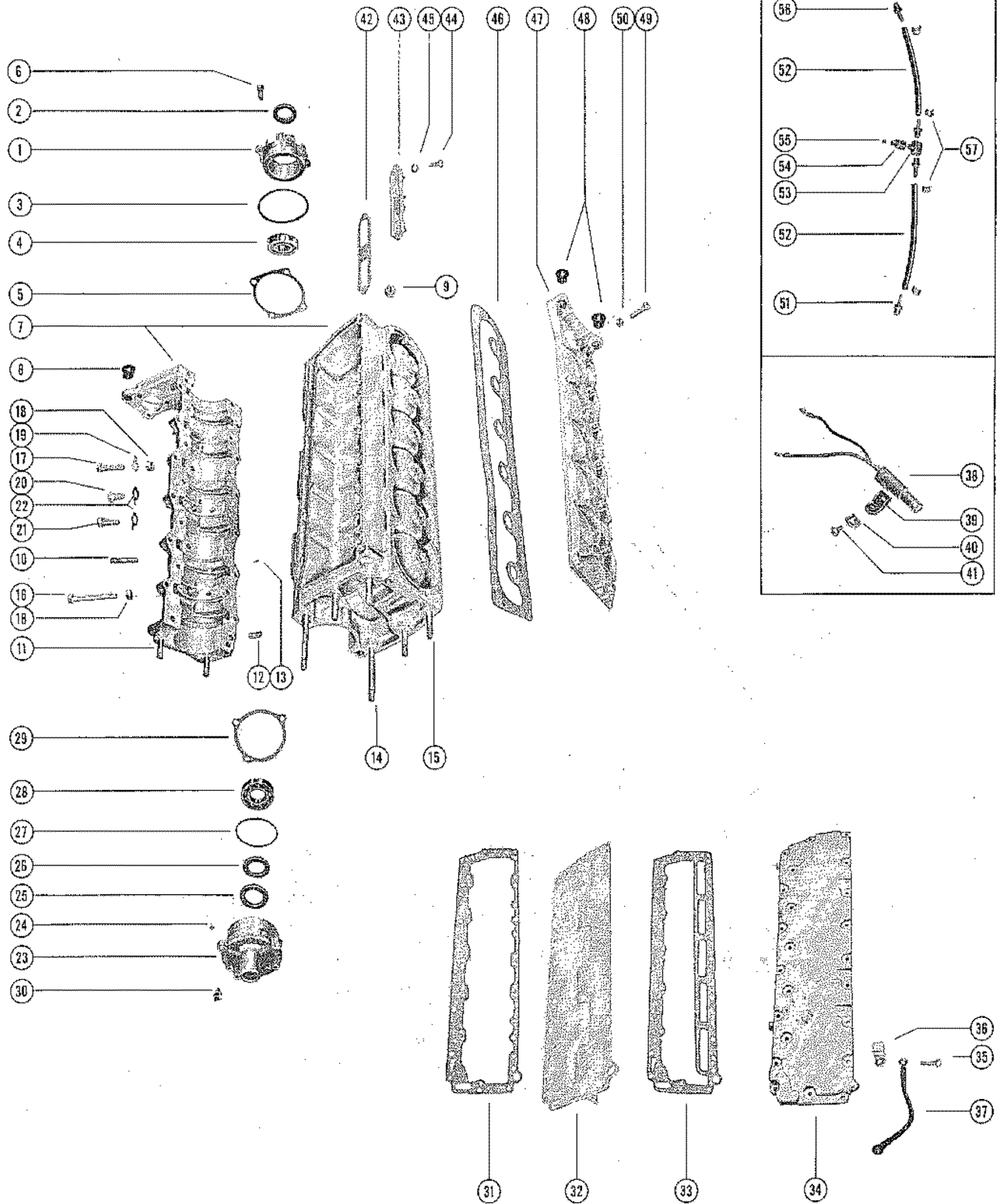
FUEL PUMP AND FUEL LINE ASSEMBLY



FUEL PUMP AND FUEL LINE ASSEMBLY

REF. NO.	PART NO.	SYM.	QTY.	DESCRIPTION
1	30269A2		1,1	FUEL PUMP ASSEMBLY-UPPER
2	27-23005		2,2	GASKET, CHECK VALVE TO HOUSING
3	21-30430		2,2	VALVE, CHECK-FUEL PUMP
4	23004		1,1	RETAINER, CHECK VALVE
5	10-20037		2,2	SCREW, RETAINER TO HOUSING
6	27-24863		2,2	GASKET, FUEL PUMP
7	23014		1,1	DIAPHRAGM, FUEL PUMP
8	30461A2		1,1	FUEL PUMP ASSEMBLY-LOWER
2	27-23005		2,2	GASKET, CHEVK VALVE TO HOUSING
3	21-30430		2,2	VALVE, CHECK-FUEL PUMP
4	23004		1,1	RETAINER, CHECK VALVE
5	10-20037		2,2	SCREW, RETAINER TO HOUSING
6	27-24863		2,2	GASKET, FUEL PUMP
7	23014		1,1	DIAPHRAGM, FUEL PUMP
9	30275		2,2	COVER, FUEL PUMP
10	27-30276		2,2	GASKET, FUEL PUMP COVER
11	10-29878		2,2	SCREW, FUEL PUMP MOUNTING (1 1/2")
12	10-30274		2,2	SCREW, FUEL PUMP MOUNTING (1 3/4")-UPPER PUMP
13	10-30273		2,2	SCREW, FUEL PUMP MOUNTING (1 7/8")-LOWER PUMP
14	32-31812A1		1,	FUEL LINE ASS'Y, PUMP OUTLET TO CARBURETOR (11 7/8")
	32-32256A1		,1	FUEL LINE ASS'Y PUMP OUTLET TO CARBURETOR (9 7/8")
15	22-30174		1,1	ELBOW, UPPER CARBURETOR STRAINER COVER
16	22-30175		1,1	SLEEVE, UPPER CARBURETOR STRAINER COVER ELBOW
17	22-30177		1,1	NUT, UPPER CARBURETOR STRAINER COVER ELBOW
18	32-31552A1		1,1	FUEL LINE ASS'Y PUMP OUTLET TO PUMP INLET (12 3/8")
19	32-31553A1		1,1	FUEL LINE ASS'Y PUMP OUTLET TO CARBURETOR (19 3/4")
20	32-30176		1,1	FUEL LINE, ADAPTOR TO LOWER FUEL PUMP INLET
21	22-30174		1,1	ELBOW, LOWER FUEL PUMP INLET
22	22-30175		1,1	SLEEVE, FUEL PUMP INLET ELBOW
23	22-30177		1,1	NUT, FUEL PUMP INLET ELBOW
24	30186		1,1	ADAPTOR, CHECK UNIT (FUEL LINE)
25	30187		1,1	STEM, CHECK UNIT ADAPTOR
26	25-20415		1,1	"O" RING, ADAPTOR STEM
27	24-30189		1,1	SPRING, ADAPTOR STEM
28	30188		1,1	CUP WASHER, ADAPTOR
29	10-22421		2,2	SCREW, ADAPTOR TO BOTTOM COWL
30	11-20184		2,2	NUT, ADAPTOR FASTENING SCREW
31	32-31550A1		2,2	FUEL LINE ASS'Y,UPPER TO CENTER TO LOWER CARBURETOR (6")

CYLINDER BLOCK AND CRANKCASE ASSEMBLY (MERC 850E)

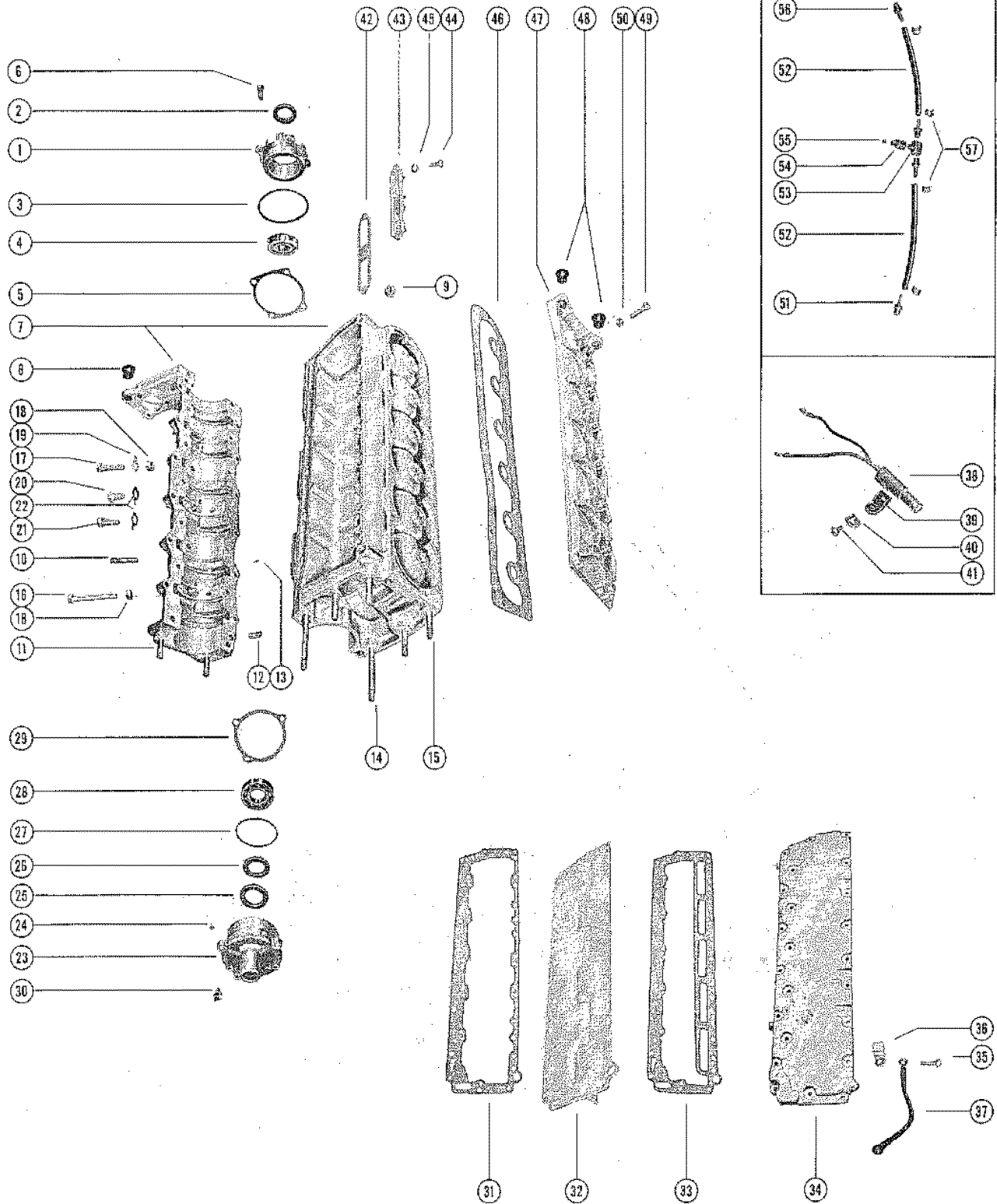


CYLINDER BLOCK AND CRANKCASE ASSEMBLY (MERC 850E)

REF. NO.	PART NO.	SYM.	QTY.	DESCRIPTION
1	1125-1675A1		1	END CAP ASSEMBLY, UPPER
2	26-29476		1	OIL SEAL
3	25-20081		1	"O" RING
4	30-20080		1	BEARING, BALL
5	15-20082A1		AR	SHIM, END CAP TO CRANKCASE (.002-3-510)
6	10-30225		4	SCREW, END CAP MOUNTING
7	833-1919A1		1	CYLINDER BLOCK AND CRANKCASE ASSEMBLY
8	23-26348		2	BUSHING, CRANKCASE - COWL MOUNTING STUD
9	22-30139		1	PLUG, PIPE-WATER PRESSURE HOLE
10	16-21831		6	STUD, CARBURETOR MOUNTING
11	16-26133		2	STUD, CRANKCASE TO DRIVE SHAFT HOUSING
12	17-20033		2	PIN, DOWEL-CRANKCASE TO CYLINDER BLOCK
13	17-20032		3	PIN,DOWEL-CYLINDER BLOCK TO MAIN BEARING
14	16-26134		2	STUD, CYLINDER BLOCK TO DRIVE SHAFT HOUSING
15	16-26135		4	STUD, CYLINDER BLOCK TO DRIVE SHAFT HOUSING
16	10-29877		3	SCREW, CRANKCASE TO CYLINDER BLOCK (3 1/4")
	10-26132		2	SCREW, CRANKCASE TO CYLINDER BLOCK (2 1/2")
17	10-21574		2	SCREW, CRANKCASE TO CYLINDER BLOCK (1 5/8")
	10-22040		19	SCREW, CRANKCASE TO CYLINDER BLOCK (1 1/2")
18	11-29250		26	NUT, CRANKCASE FASTENING SCREW
19	26551		1	BRACKET, CLAMP EXTENSION
20	10-26801		3	SCREW, MAIN BEARING LOCKING
21	10-20359		2	SCREW,CENTER MAIN BEARING LOCKING
22	14-20091		5	TAB WASHER, BEARING LOCKING SCREW
23	1126-1751A1		1	END CAP ASSEMBLY,LOWER
24	21-28481A1		1	CHECK VALVE ASSEMBLY,END CAP
25	26-29476		1	OIL SEAL, UPPER
26	26-29478		1	OIL SEAL, LOWER
27	25-20081		1	"O" RING
28	30-20080		1	BEARING, BALL
29	15-20085A1		AR	SHIM, END CAP TO CRANKCASE (.002-3-5-10)
30	10-30225		3	SCREW,END CAP MOUNTING
31	27-30013		1	GASKET, CYLINDER BLOCK TO MANIFOLD PLATE
32	30066		1	PLATE,EXHAUST MANIFOLD
33	27-30012		1	GASKET, MANIFOLD PLATE TO COVER
34	31303		1	COVER, EXHAUST MANIFOLD
35	10-28667		23	SCREW, ,MANIFOLD COVER MOUNTING
36	54-26519		3	CLAMP, SPARK PLUG LEADS TO COVER
37	30109		1	GROUND STRAP ASSEMBLY, CYLINDER BLOCK TO BOTTOM COWL
38	30000		1	SWTITCH, MERCURY (N.L.A.-ORDER 33385A1 MERCURY SWITCH AND (1
39	54-22875		1	CLAMP, MERCURY SWITCH HOLDING
40	22789		1	"D" WASHER, CLAMP FASTENING SCREW

CONTINUED ON NEXT PAGE ➡

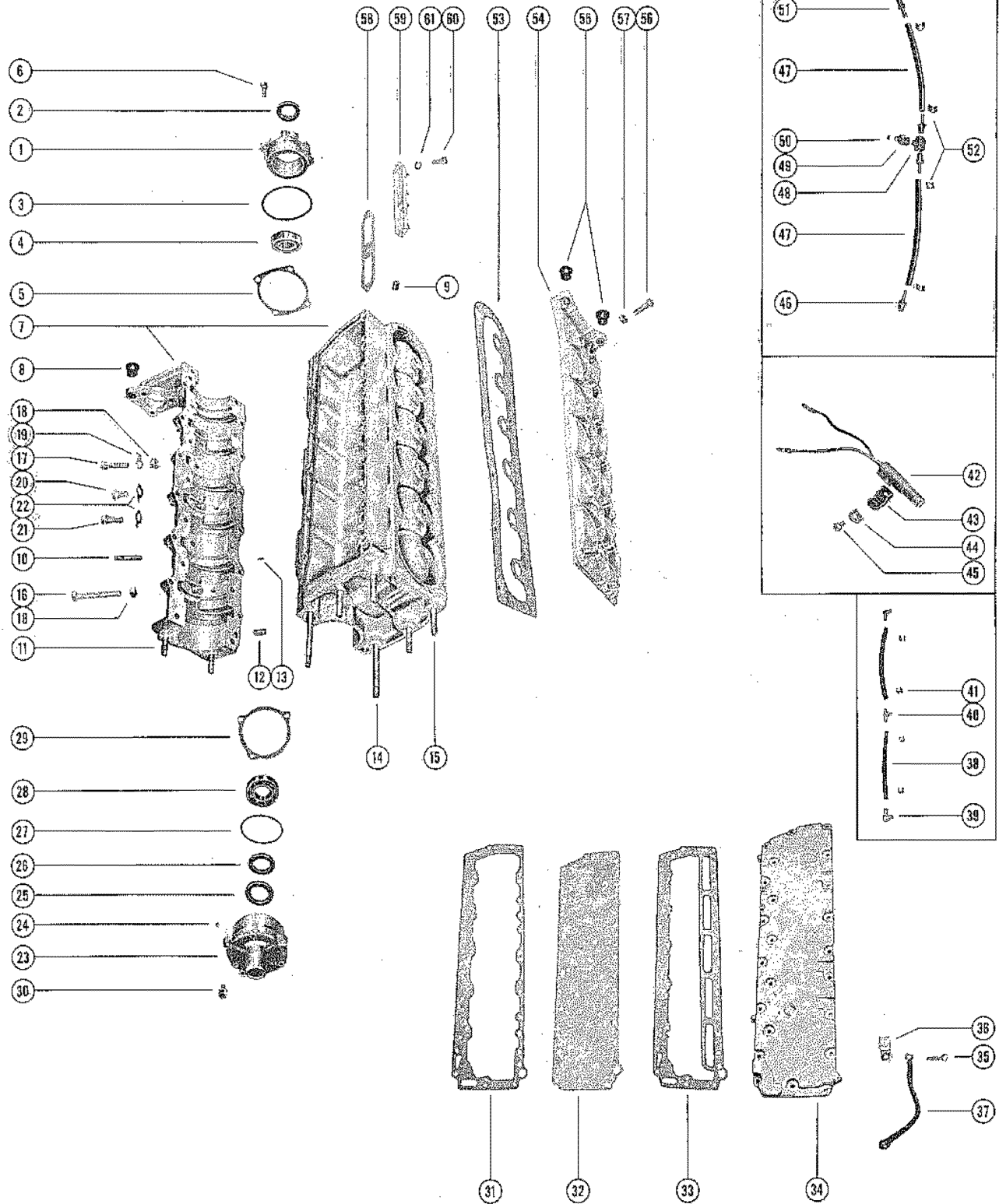
CYLINDER BLOCK AND CRANKCASE ASSEMBLY (MERC 850E)



CYLINDER BLOCK AND CRANKCASE ASSEMBLY (MERC 850E)

REF. NO.	PART NO.	SYM.	QTY.	DESCRIPTION
41	10-20401		1	SCREW, MERCURY SWITCH CLAMP TO EXHAUST COVER
42	27-29866		3	GASKET, TRANSFER PORT COVER
43	29886		3	COVER, TRANSFER PORT
44	10-20540		8	SCREW, TRANSFER PORT COVER MOUNTING (5/8")
	10-24770		1	SCREW, TRANSFER PORT COVER AND SNUBBER MOUNTING (1 3/8")
45	13-26992		1	LOCKWASHER, TRANSFER PORT COVER AND SNUBBER MOUNTING SCREW
46	27-31798		1	GASKET, CYLINDER BLOCK COVER
47	1011-1946A1		1	CYLINDER BLOCK COVER ASSEMBLY
48	23-26348		2	BUSHING COVER-COWL MOUNTING STUD
49	10-20653		16	SCREW, CYLINDER BLOCK COVER MOUNTING (1")
50	11-20184		16	NUT, COVER MOUNTING SCREW
51	22-20445		3	CONNECTOR, CYLINDER BLEED HOSE-LOWER AND CENTER
52	32-29873		2	HOSE,UPPER AND LOWER CYLINDER BLEED
53	22-25956		1	TEE, CHECK VALVE AND ADAPTOR
54	22-28586A1		1	ADAPTOR AND CHECK VALVE ASSEMBLY
55	21-28481A1		1	CHECK VALVE ASSEMBLY-ADAPTOR
56	21-28483A1		1	CHECK VALVE ASSEMBLY,UPPER-BLEED HOSE
55	21-28481A1		1	CHECK VALVE ASSEMBLY
57	54-20387		4	CLAMP,BLEED HOSE TO CENNECTOR

CYLINDER BLOCK AND CRANKCASE ASSEMBLY (MERC 850E-1)

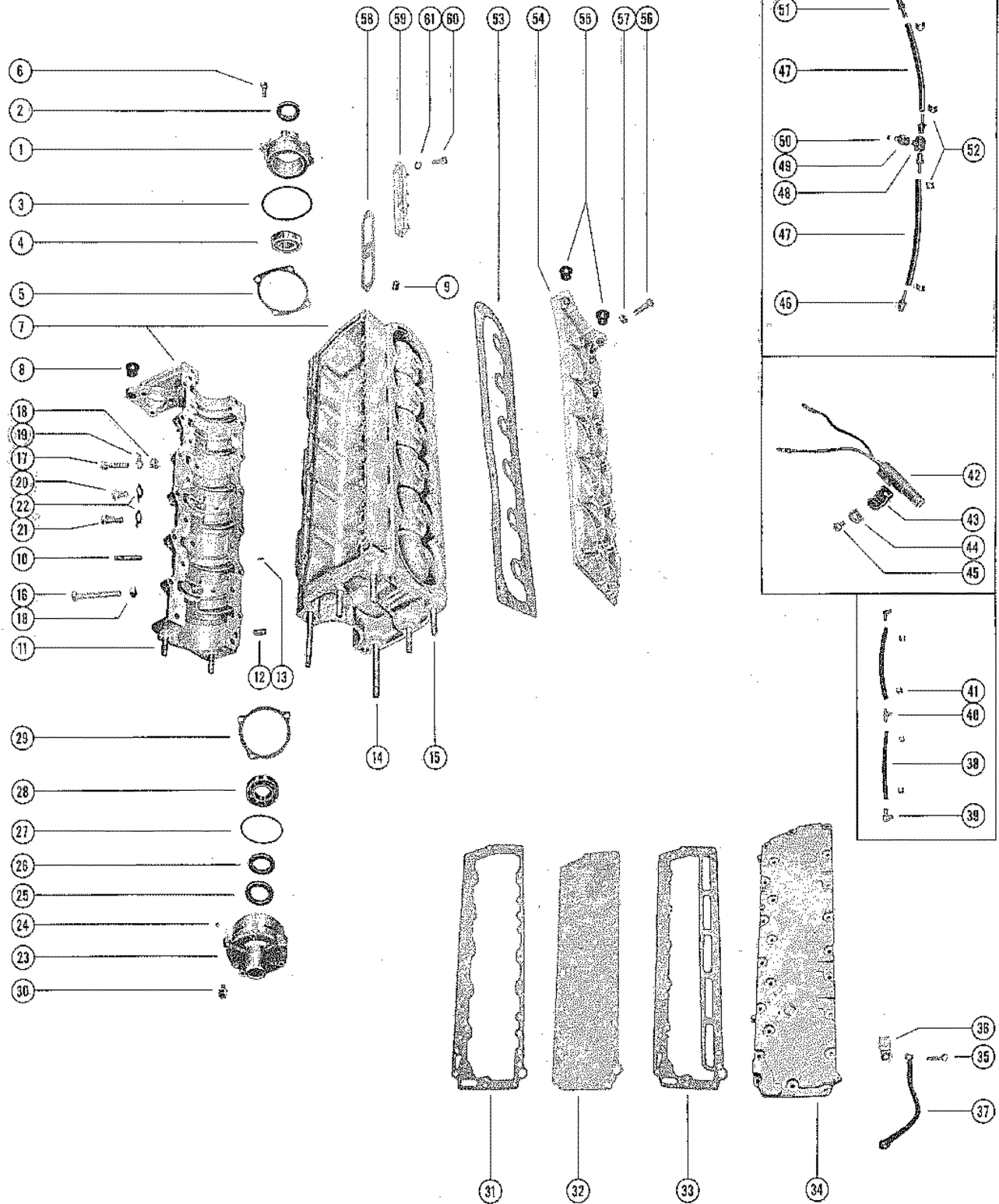


CYLINDER BLOCK AND CRANKCASE ASSEMBLY (MERC 850E-1)

REF. NO.	PART NO.	SYM.	QTY.	DESCRIPTION
1	1128-1890A1		1	END CAP ASSEMBLY, UPPER
2	26-29476		1	OIL SEAL
3	25-31305		1	"O" RING
4	30-32117		1	BEARING, BALL
5	15-31283A1		AR	SHIM, END CAP TO CRANKCASE (.002-3-5-10)
6	10-30225		4	SCREW, END CAP MOUNTING
7	836-1852A1		1	CYLINDER BLOCK AND CRANKCASE ASSEMBLY
8	23-26348		2	BUSHING, CRANKCASE-COWL MOUNTING STUD
9	22-30139		1	PLUG, PIPE-WATER PRESSURE HOLE
10	16-21831		6	STUD, CARBURETOR MOUNTING
11	16-26133		2	STUD, CRANKCASE TO DRIVE SHAFT HOUSING
12	17-20033		2	PIN, DOWEL-CRANKCASE TO CYLINDER BLOCK
13	17-20032		3	PIN, DOWEL-CYLINDER BLOCK TO MAIN BEARING
14	16-26134		2	STUD, CYLINDER BLOCK TO DRIVE SHAFT HOUSING
15	16-26135		4	STUD, CYLINDER BLOCK TO DRIVE SHAFT HOUSING
16	10-29877		3	SCREW, CRANKCASE TO CYLINDER BLOCK (3 1/4")
	10-26132		2	SCREW, CRANKCASE TO CYLINDER BLOCK F(2 1/2")
17	10-21574		1	SCREW, CRANKCASE TO CYLINDER BLOCK (1 5/8")
	10-32293		1	SCREW, CRANKCASE TO CYLINDER BLOCK (1 3/4")
	10-22040		19	SCREW, CRANKCASE TO CYLINDER BLOCK F(F1 1/2")
18	11-29250		26	NUT, CRANKCASE FASTENING SCREW
19	26551		1	BRACKET, CLAMP EXTENSION
20	10-33853		3	SCREW, MAIN BEARING LOCKING
21	10-20359		2	SCREW, CENTER MAIN BEARING LOCKING
22	14-20091		5	TAB WASHER, BEARING LOCKING SCREW
23	1126-1751A1		1	END CAP ASSEMBLY, LOWER
24	21-28481A1		1	CHECK VALVE ASSEMBLY, END CAP
25	26-29476		1	OIL SEAL UPPER
26	26-29478		1	OIL SEAL, LOWER
27	25-20081		1	"O" RING
28	30-20080		1	BEARING BALL
29	15-20085A1		AR	SHIM, END CAP TO CRANKCASE(.002-3-5-10)
30	10-30225		3	SCREW, END CAP MOUNTING
31	27-31302		1	GASKET, CYLINDER BLOCK TO MANIFOLD PLATE
32	30011		1	PLATE EXHAUST MANIFOLD
33	27-31301		1	GASKET, MANIFOLD PLATE TO COVER
34	31303		1	COVER, EXHAUST MANIFOLD
35	10-28668		23	SCREW, MANIFOLD COVER MOUNTING
36	54-26519		3	CLAMP, SPARK PLUG LEADS TO COVER
37	30109		1	GROUND STRAP ASSEMBLY, CYLINDER BLOCK TO BOTTOM COWL
38	32-33960		2	TUBE, BALANCE-MAIN BEARING
39	22-20781		2	ELBOW, BALANCE TUBE TO MAIN BEARING SCREW

CONTINUED ON NEXT PAGE ➡

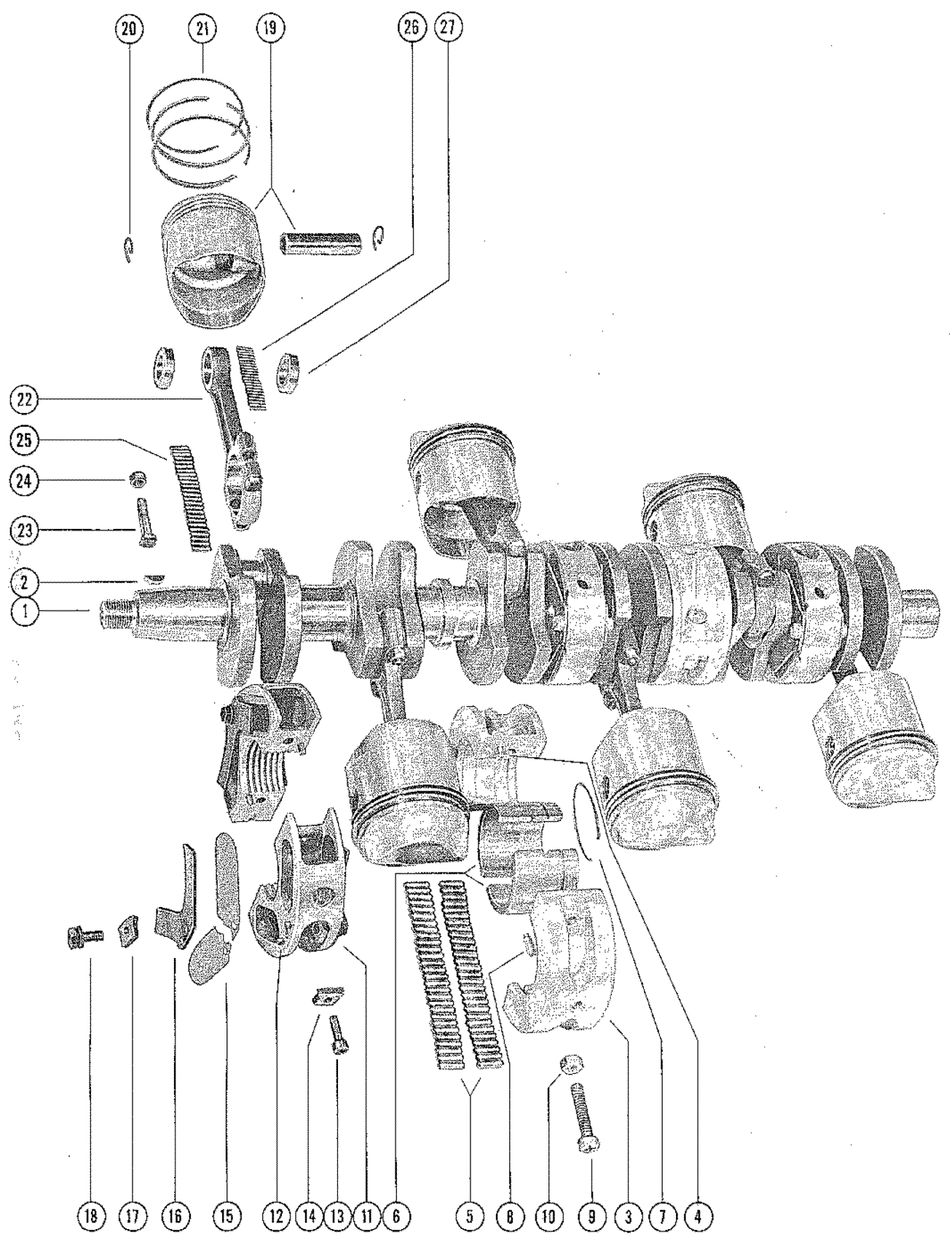
CYLINDER BLOCK AND CRANKCASE ASSEMBLY (MERC 850E-1)



CYLINDER BLOCK AND CRANKCASE ASSEMBLY (MERC 850E-1)

REF. NO.	PART NO.	SYM.	QTY.	DESCRIPTION
40	22-20931		1	TEE, BALANCE TUBE TO MAIN BEARING SCREW
41	54-20386		4	CLAMP, BALANCE TUBE TO ELBOW AND TEE
42	30000		1	SWITCH, MERCURY (M.L.A.-ORDER 33385A) MERCURY SWITCH AND (1)10
43	54-22875		1	CLAMP, MERCURY SWITCH HOLDING
44	22789		1	"D" WASHER, CLAMP FASTENING SCREW
45	10-20401		1	SCREW, MERCURY SWITCH CLAMP TO EXHAUST COVER
46	22-20445		3	CONNECTOR, CYLINDER BLEED HOSE-LOWER AND CENTER
47	32-29873		2	HOSE, UPPER AND LOWER CYLINDER BLEED
48	22-25956		1	TEE, CHECK VALVE AND ADAPTOR
49	22-28586A1		1	ADAPTOR AND CHECK VALVE ASSEMBLY
50	21-28481A1		1	CHECK VALVE ASSEMBLY-ADAPTOR
51	21-28483A1		1	CHECK VALVE ASSEMBLY, UPPER-BLEED HOSE
50	21-28481A1		1	CHECK VALVE ASSEMBLY
52	54-20387		4	CLAMP, BLEED HOSE TO CONNECTOR
53	27-31798		1	GASKET, CYLINDER BLOCK COVER
54	1011-1946A1		1	CYLINDER BLOCK COVER ASSEMBLY
55	23-26348		2	BUSHING, COVER-COWL MOUNTING STUD
56	10-20653		15	SCREW, CYLINDER BLOCK COVER MOUNTING (1")
	10-22421		1	SCREW, CYLINDER BLOCK COVER MOUNTING (1 1/4")
57	11-20184		16	NUT, COVER MOUNTING SCREW
58	27-31304		3	GASKET, TRANSFER PORT COVER
59	31288		3	COVER, TRANSFER PORT
33	10-20540		8	SCREW, TRANSFER PORT COVER MOUNTING (5/8")
60	10-28666		1	SCREW, TRANSFER PORT COVER AND BALLAST MOUNTING (1")
61	13-26992		1	LOCKWASHER, TRANSFER PORT COVER AND BALLAST MOUNTING SCREW

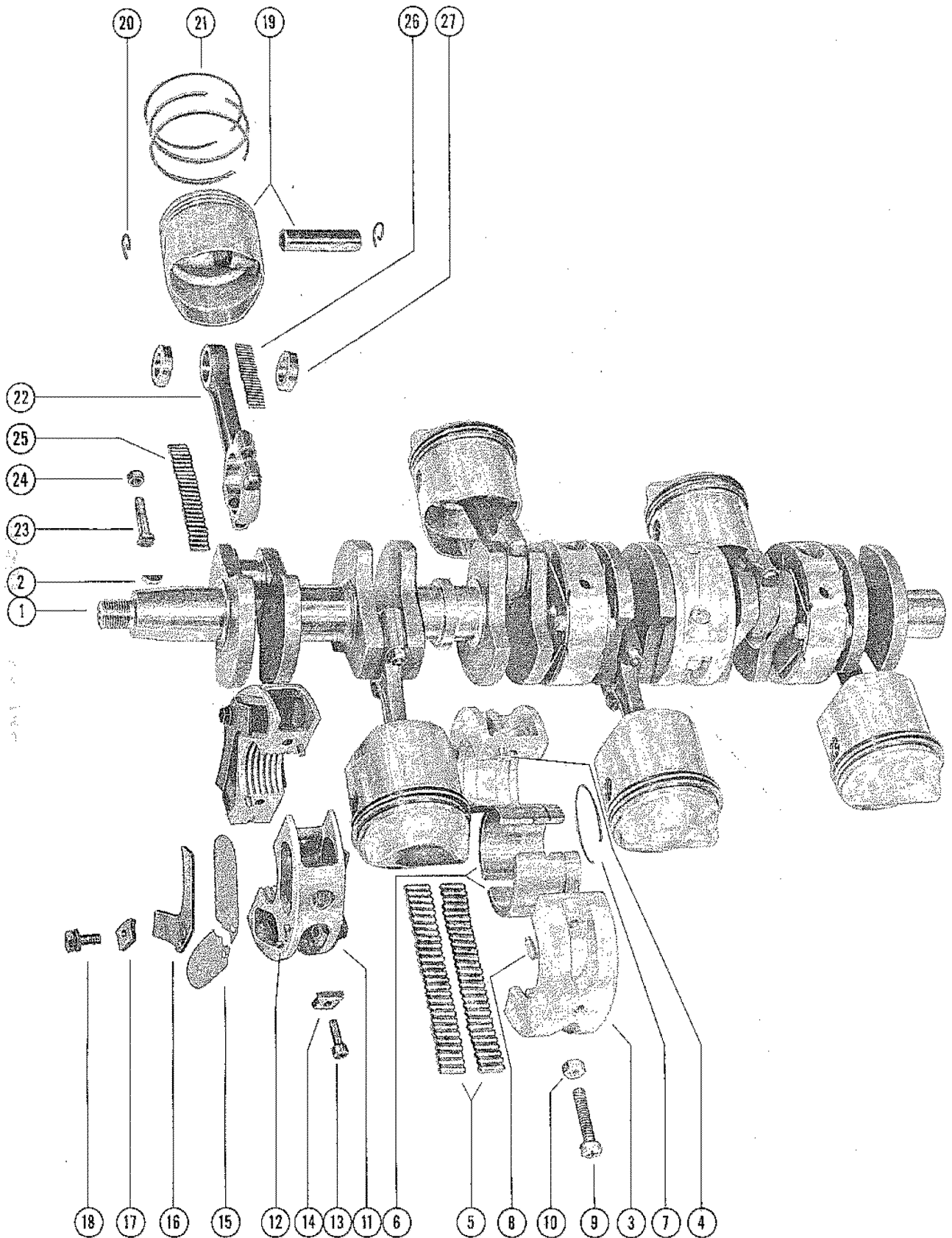
CRANKSHAFT, PISTONS AND CONNECTING RODS (MERC 850E)



CRANKSHAFT, PISTONS AND CONNECTING RODS (MERC 850E)

REF. NO.	PART NO.	SYM.	QTY.	DESCRIPTION
1	417-1787		1	CRANKSHAFT
2	28-30250		1	KEY, FLYWHEEL DRIVE
3	521-1490A1		2	CENTER MAIN BEARING ASSEMBLY
4	17-20032		4	DOWEL PIN, CENTER MAIN BEARING
5	29-26114		112	BEARING, NEEDLE-OUTER RACE
6	26113		2	RACE, OUTER (PAIR)
7	53-26933		2	RING, SNAP-OUTER RACE
8	17-27732		2	DOWEL PIN, STEPPED
9	10-22968		4	SCREW, CENTER MAIN BEARING CLAMPING
10	11-20184		4	NUT, CENTER MAIN BEARING CLAMPING SCREW
11	527-1932A2		3	MAIN BEARING ASSEMBLY, VALVE TYPE
12	17-20032		30	DOWEL PIN, MAIN BEARING
13	10-25313		6	SCREW, MAIN BEARING CLAMPING
14	11-29469		6	NUT, MAIN BEARING CLAMPING SCREW
15	34-30303A1		3	REED SET, MATCHED-MAIN BEARING
16	34-20053		12	REED, STOP, MAIN BEARING REED VALVES
17	11-29469		12	NUT, REED STOP MOUNTING SCREW
18	10-29465		6	SCREW, REED STOP MOUNTING
19	729-1948A4		6	PISTON AND PISTON PIN ASSEMBLY
20	40-30002		12	LOCK RING, PISTON PIN
21	39-30587A12		12	RING, PISTON (3/32") THICK
22	611-1747A2		6	CONNECTING ROD AND CAP ASSEMBLY
23	10-20060		12	SCREW, CONNECTING ROD
24	11-20061		12	NUT, CONNECTING ROD SCREW
25	29-30403		180	BEARING, NEEDLE-CRANKPIN
26	29-30401		150	BEARING, NEEDLE-PISTON PIN
27	12-29681		12	WASHER, NEEDLE LOCATION
	729-1949A1		6	PISTON AND PISTON PIN ASSEMBLY (.015 OVERSIZE)
	39-30704A12		12	RING, PISTON (.015 OVERSIZE) 3/32" THICK

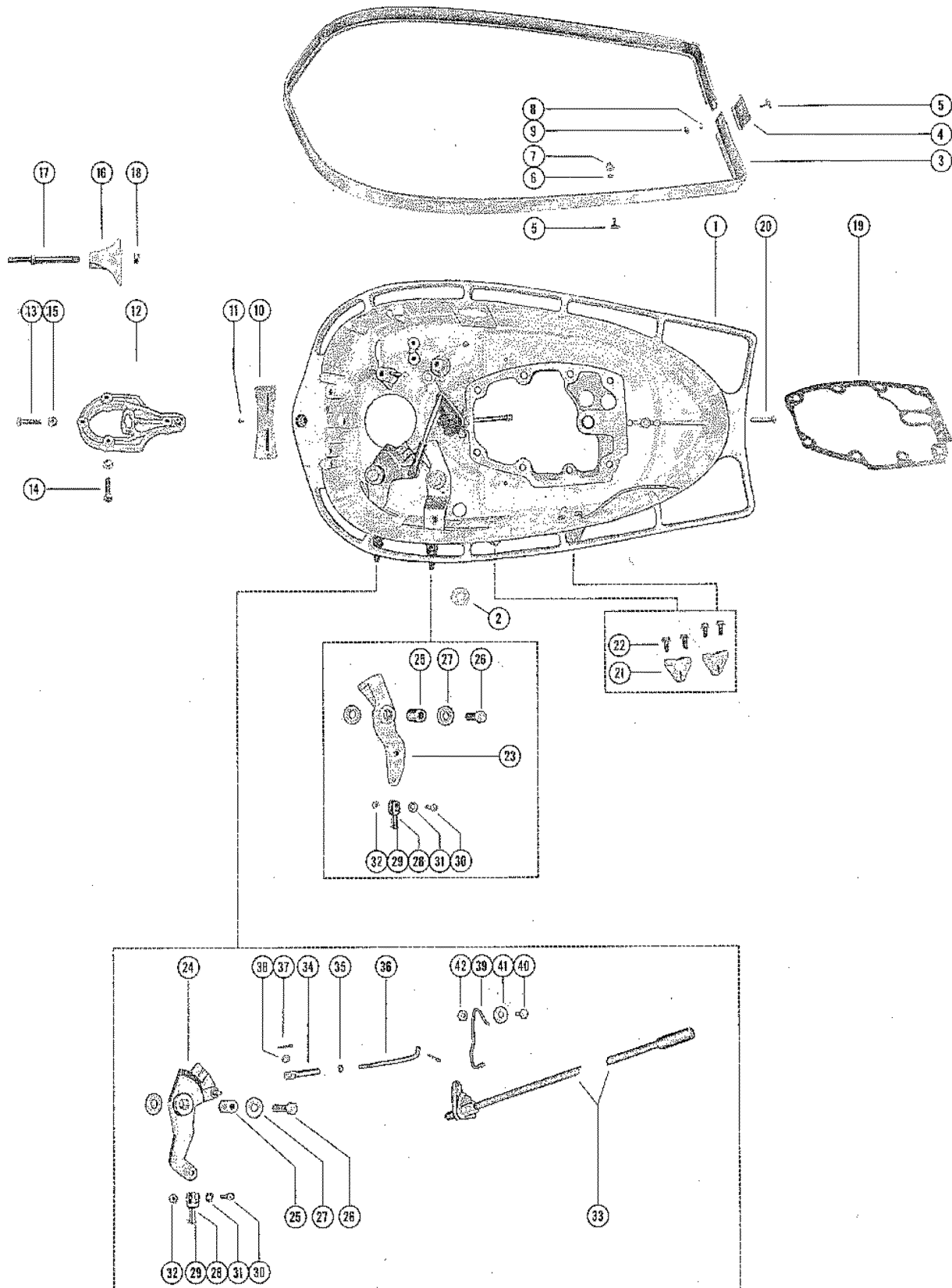
CRANKSHAFT, PISTONS AND CONNECTING RODS (MERC 850E-1)



CRANKSHAFT, PISTONS AND CONNECTING RODS (MERC 850E-1)

REF. NO.	PART NO.	SYM.	QTY.	DESCRIPTION
1	420-1889		1	CRANKSHAFT
2	28-30250		1	KEY, FLYWHEEL DRIVE
3	531-1884A2		2	CENTER MAIN BEARING ASSEMBLY
4	17-20032		4	DOWEL PIN, CENTER MAIN BEARING
5	29-26114		112	BEARING, NEEDLE-OUTER RACE
6	26113		2	RACE, OUTER (PAIR)
7	53-26933		2	RING, SNAP-OUTER RACE
8	17-31245		2	DOWEL PIN, STEPPED
9	10-22968		4	SCREW, CENTER MAIN BEARING CLAMPING
10	11-20184		4	NUT, CENTER MAIN BEARING CLAMPING SCREW
11	533-2084A2		3	MAIN BEARING ASSEMBLY, VALVE TYPE
12	17-20032		30	DOWEL PIN, MAIN BEARING
13	10-25313		6	SCREW, MAIN BEARING CLAMPING
14	11-29469		6	NUT, MAIN BEARING CLAMPING SCREW
15	34-20888A1		3	REED SET, MATCHED-MAIN BEARING
16	34-20053		12	REED STOP, MAIN BEARING REED VALVES
17	11-29469		12	NUT, REED STOP MOUNTING SCREW
18	10-29465		12	SCREW, REED STOP MOUNTING
19	732-2045A4		6	PISTON AND PISTON PIN ASSEMBLY
20	40-32118		12	LOCK RING, PISTON PIN
21	39-32921A12		12	RING, PISTON (5/64" THICK)
22	611-1885A2		6	CONNECTING ROD AND CAP ASSEMBLY
23	10-20060		12	SCREW, CONNECTING ROD
24	11-20061		12	NUT, CONNECTING ROD SCREW
25	29-30403		192	BEARING NEEDLE-CRANKPIN
26	29-30401		150	BEARING, NEEDLE-PISTON PIN
27	12-29681		12	WASHER, NEEDLE LOCATING
	732-2194A1		6	PISTON AND PISTON PIN ASSEMBLY (.15 OVERSIZE)
	39-33945A12		12	RING, PISTON (.15 OVERSIZE)-5/64" THICK

BOTTOM COWL ASSEMBLY

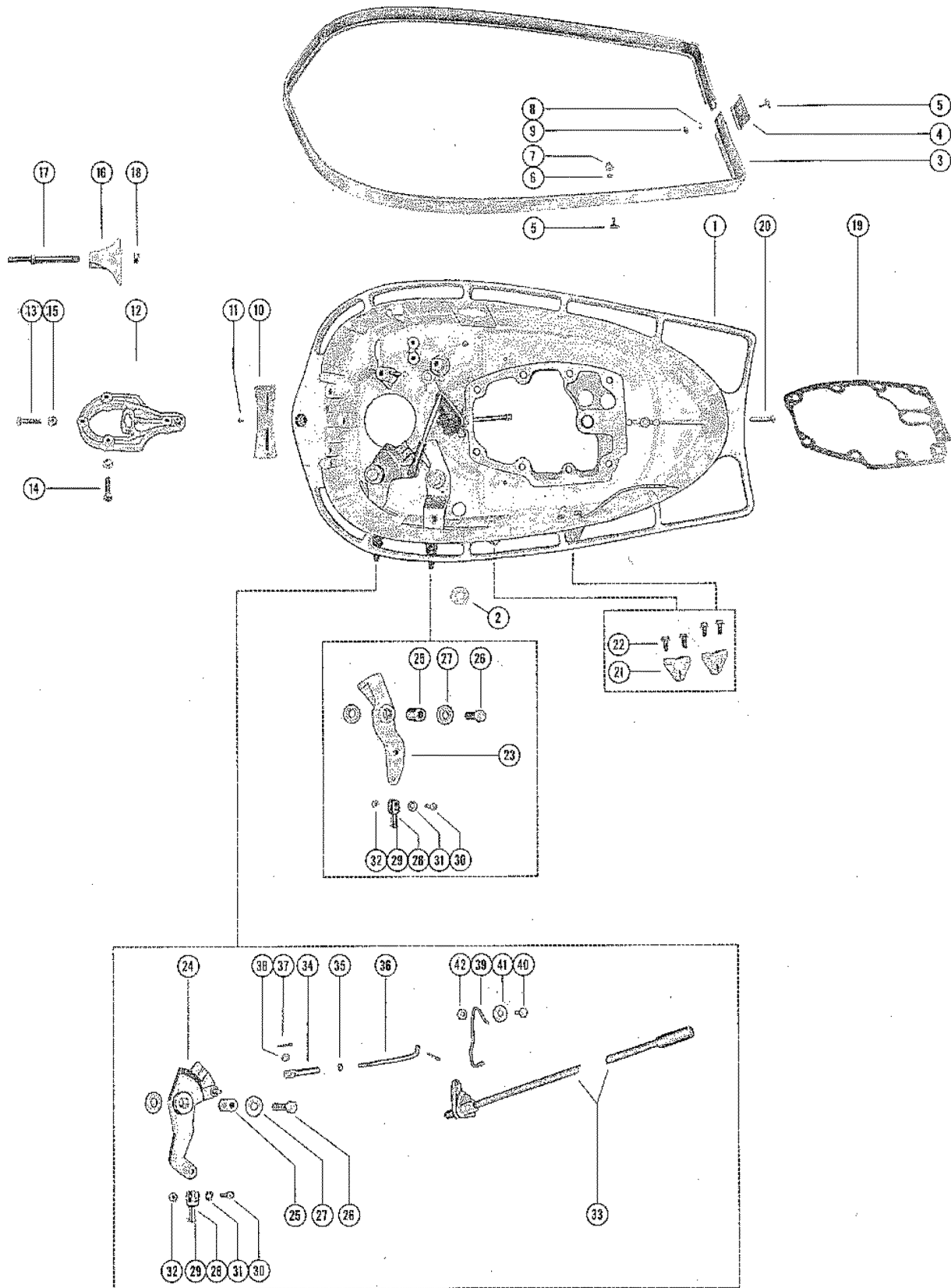


BOTTOM COWL ASSEMBLY

REF. NO.	PART NO.	SYM.	QTY.	DESCRIPTION
1	186-1781A2		1,1	BOTTOM COWL ASSEMBLY
2	19-31469		1,1	PLUG, HOLE-BOTTOM COWL WHITE
	19-32297		,1	PLUG, HOLE-HOLE-BOTTOM COWL BLACK
3	29997A1		1,1	TRIM MOULDING ASSEMBLY
4	29998		1,1	SPLICER, TRIM MOULDING-REAR
5	10-29226		5,5	SCREW, DECORATIVE-MOULDING TO BOTTOM COWL
6	12-24671		4,4	WASHER, FIBER-MOULDING FASTENING SCREW
7	11-29225		4,4	NUT, NYLON CAP-MOULDING FASTENING SCREW
8	13-26995		1,1	LOCKWASHER, MOULDING FASTENING SCREW
9	11-26419		1,1	NUT, BRASS-MOULDING FASTENING SCREW
10	30005		1,1	BAFFLE, BOTTOM COWL
11	10-21106		3,3	SCREW, BAFFLE TO BOTTOM COWL
12	30768		1,1	BRACKET, RECTIFIER MOUNTING
13	10-21091		1,1	SCREW, BRACKET TO BOTTOM COWL (1 1/8")
14	10-22421		2,2	SCREW, BRACKET TO BOTTOM COWL (1 1/4")
15	11-20184		3,3	NUT, RECTIFIER BRACKET MOUNTING SCREW
16	30003		1,1	BRACKET, PIVOT PIN TO BOTTOM COWL
17	17-30004		1,1	PIN, PIVOT-BOTTOM COWL
18	11-20696		1,1	NUT, PIVOT PIN FASTENING
19	27-29914		1,1	GASKET, POWERHEAD TO BOTTOM COWL
20	10-24963		1,1	SCREW, BOTTOM COWL TO DRIVE SHAFT HOUSING
21	20557		2,2	BRACKET, CABLE END ANCHOR
22	10-29200		4,4	SCREW, ANCHOR BRACKET TO BOTTOM COWL
23	29532		1,1	LEVER, THROTTLE CONTROL
24	30612		1,1	LEVER, SHIFT CONTROL
25	23-29529		2,2	BUSHING, THROTTLE AND SHIFT LEVER
26	10-30620		2,2	SCREW, THROTTLE AND SHIFT LEVER FASTENING
27	12-29395		4,4	WASHER, THROTTLE AND SHIFT LEVER FASTENING SCREW
28	17-30978A1		2,2	PIN ASSEMBLY, CLEVIS YOKE
29	17-23928		2,2	ROLL PIN, CLEVIS YOKE PIN
30	10-20584		2,2	SCREW, CLEVIS PIN FASTENING
31	13-29402		2,2	WASHER, WAVE-PIN FASTENING SCREW
32	11-29488		2,2	NUT, PIN FASTENING SCREW
33	30789A1		1,1	SHIFT SHAFT ASSEMBLY, UPPER
34	27714		1,1	ROD (SLEEVE), SHIFT CONTROL END
35	11-25168		1,1	NUT, SHIFT SHAFT END ADJUSTING
36	30630		1,1	ROD, LINK-SHIFT SHAFT END
37	18-20180		2,2	COTTER PIN, LINK ROD TO SHIFT SHAFT
38	12-20583		2,	WASHER, LINK ROD

CONTINUED ON NEXT PAGE ➡

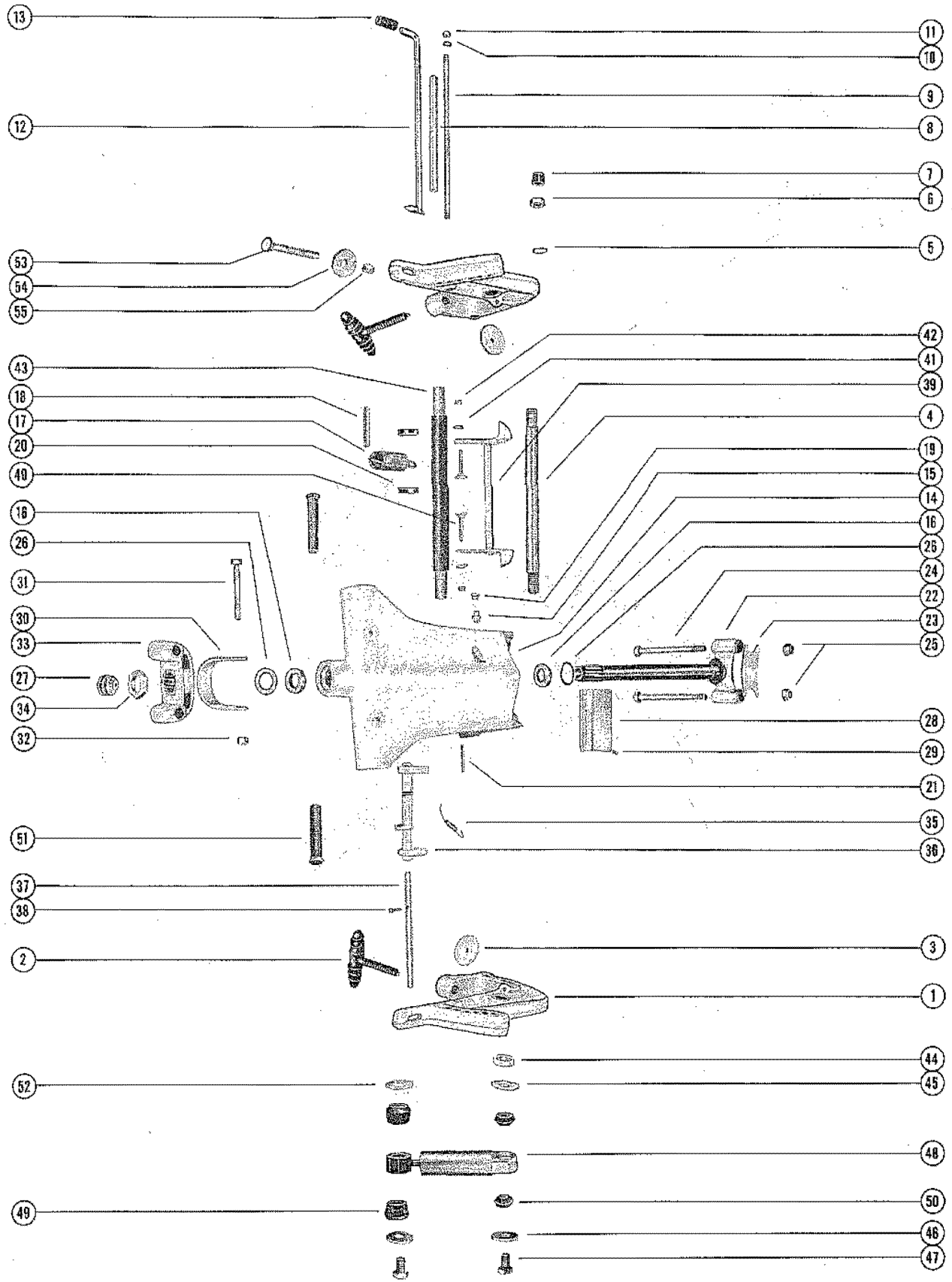
BOTTOM COWL ASSEMBLY



BOTTOM COWL ASSEMBLY

REF. NO.	PART NO.	SYM.	QTY.	DESCRIPTION
38	12-20583		,1	WASHER, LINK ROD
39	24-30621		1,1	SPRING, DETENT
40	10-20776		1,1	SCREW,DETENT SPRING TO BOTTOM COWL
41	12-20346		1,1	WASHER, DETENT SPRING SCREW
42	11-20184		1,1	NUT, DETENT SPRING SCREW

CLAMP AND SWIVEL BRACKET ASSEMBLY

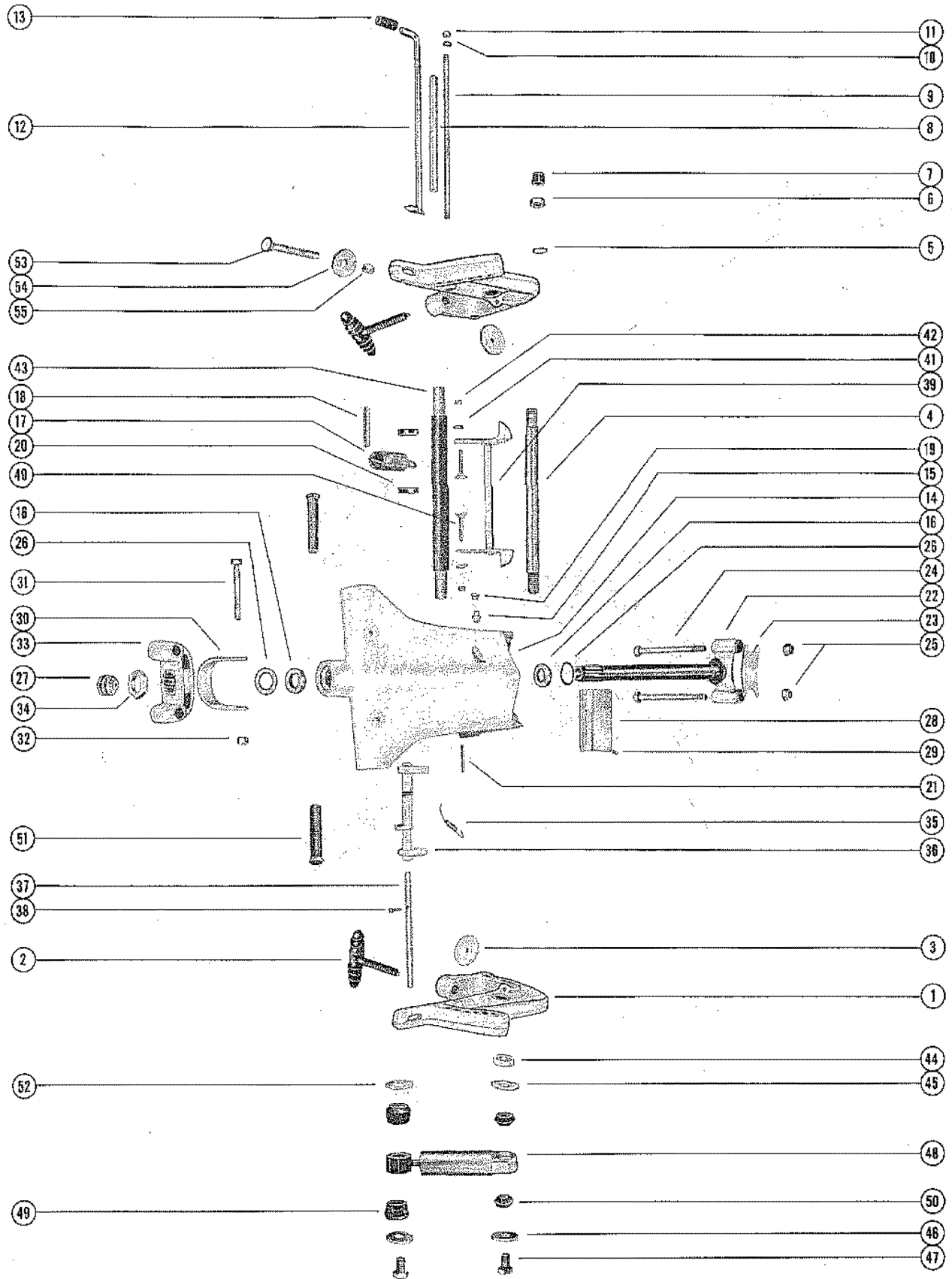


CLAMP AND SWIVEL BRACKET ASSEMBLY

REF. NO.	PART NO.	SYM.	QTY.	DESCRIPTION
1	1440-1796A1		2,2	CLAMP BRACKET ASSEMBLY
2	28403A3		2,2	THUMB SCREW ASSEMBLY
3	12-28404		2,2	WASHER, THUMB SCREW
4	30664		1,1	TUBE, TILT-CLAMP BRACKET TO SWIVEL BRACKET
5	15-30497A1		2,2	SHIM, CLAMP BRACKET TILT TUBE (.010-.020)
6	11-30499		2,2	NUT, TILT TUBE FASTENING
7	30498		2,2	CAP, PLASTIC-TILT TUBE
8	23-20222		1,1	SPACER, CLAMP BRACKET STUD
9	16-20221		1,1	STUD, CLAMP BRACKET
10	13-26993		2,2	LOCKWASHER, CLAMP BRACKET STUD
11	11-20083		2,2	NUT, CLAMP BRACKET STUD
12	17-30687A1		1,1	TILT LOCK PIN ASSEMBLY
13	32-28052		1,1	SLEEVE, RUBBER-TILT LOCK PIN BUMPER
14	1453-1944A4		1,1	SWIVEL BRACKET ASSEMBLY
15	22-23612		1,1	FITTING, GREASE
16	26-31783		2,2	OIL SEAL
17	24-28659		1,1	SPRING, COIL -SWIVEL BRACKET
18	17-28658		1,1	PIN, COIL SPRING MOUNTING
19	29359		1,1	LUBRICAP, SWIVEL BRACKET GREASE FITTING
20	23-28688		2,2	SPACER, RUBBER-COIL SPRING POSITIONING
21	17-25598		1,1	PIN, REVERSE LOCK SPRING ATTACHING
22	17-31772A1		1,1	SWIVEL PIN AND TOP YOKE ASSEMBLY
23	28203		1,1	BUMPER, TOP YOKE
24	10-31257		2,2	BOLT, TOP YOKE TO UPPER MOUNT
25	11-22178		2,2	NUT, TOP YOKE BOLT FASTENING
26	12-31815		1,1	WASHER, SWIVEL PIN-LOWER (TOP WASHER OPTIONAL)
27	31234		1,1	BOOT, RUBBER-UPPER SHIFT SHAFT
28	38-31061		1,1	SERIAL PLATE
29	10-25612		4,4	SCREW, DRIVE-SERIAL PLATE TO SWIVEL BRACKET
30	28205		1,1	STRAP STOP, DRIVE SHAFT HOUSING TO SWIVEL BRACKET
31	10-28200		1,1	SCREW, STRAP STOP TO DRIVE SHAFT HOUSING
32	11-25269		1,1	NUT, STRAP STOP FASTENING SCREW
33	31775		1,1	YOKE, BOTTOM
34	11-28202		1,1	NUT, SWIVEL PIN RETAINING
35	24-29821		1,1	SPRING, REVERSE LOCK TENSION
36	26903A4		1,1	REVERSE LOCK ASSEMBLY
37	20208		1,1	SHAFT, REVERSE LOCK PIVOT
38	18-20209		1,1	COTTER PIN, REVERSE LOCK TO SHAFT
39	30126A1		1,1	TILT STOP LEVER ASSEMBLY
40	10-30128		2,2	SCREW, TILT STOP LEVER ANCHOR
41	13-31030		2,2	WASHER, WAVE-LEVER ANCHOR SCREW
42	11-29250		2,2	NUT, LEVER ANCHOR SCREW
43	55-28416		2,2	PIN, UPPER SHOCK MOUNTING

CONTINUED ON NEXT PAGE ➡

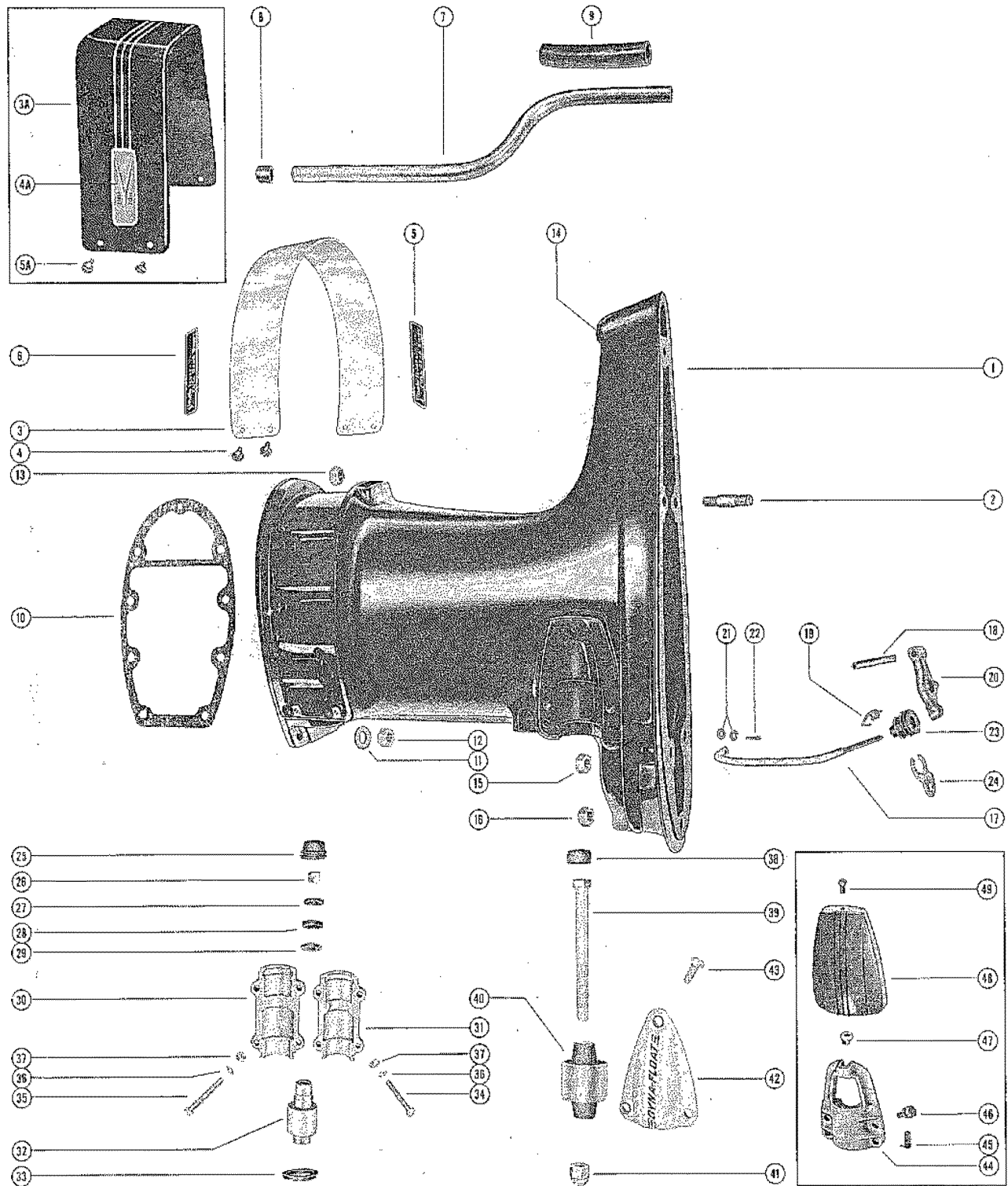
CLAMP AND SWIVEL BRACKET ASSEMBLY



CLAMP AND SWIVEL BRACKET ASSEMBLY

REF. NO.	PART NO.	SYM.	QTY.	DESCRIPTION
44	23-28199		2,2	SPACER, UPPER SHOCK BUSHING TO CLAMP BRACKET
45	12-28196		2,2	WASHER, UPPER BUSHING RETAINER (INNER)
46	12-28421		4,4	WASHER, UPPER AND LOWER BUSHING RETAINER (OUTER)
47	10-28450		4,4	SCREW, NYLOCK-UPPER AND LOWER SHOCK MOUNTING PIN
48	55-28209		2,	SHOCK ABSORBER
	55-31933		,2	SHOCK ABSORBER
49	23-28198		8,	BUSHING, RUBBER-SHOCK ABSORBER (LOWER)
	23-28198		,4	BUSHING, RUBBER-SHOCK ABSORBER (LOWER)
50	23-32171		,4	BUSHING, RUBBER-SHOCK ABSORBER (UPPER)
51	55-29247		2,2	PIN, LOWER SHOCK MOUNTING
52	12-28264		2,2	WASHER, LOWER BUSHING RETAINER (INNER)
53	10-28009		2,2	BOLT, CLAMP BRACKET TO BOAT TRANSOM
54	12-28008		2,2	WASHER, CLAMP BRACKET BOLT
55	11-28010		2,2	NUT, CLAMP BRACKET BOLT

DRIVE SHAFT HOUSING ASSEMBLY

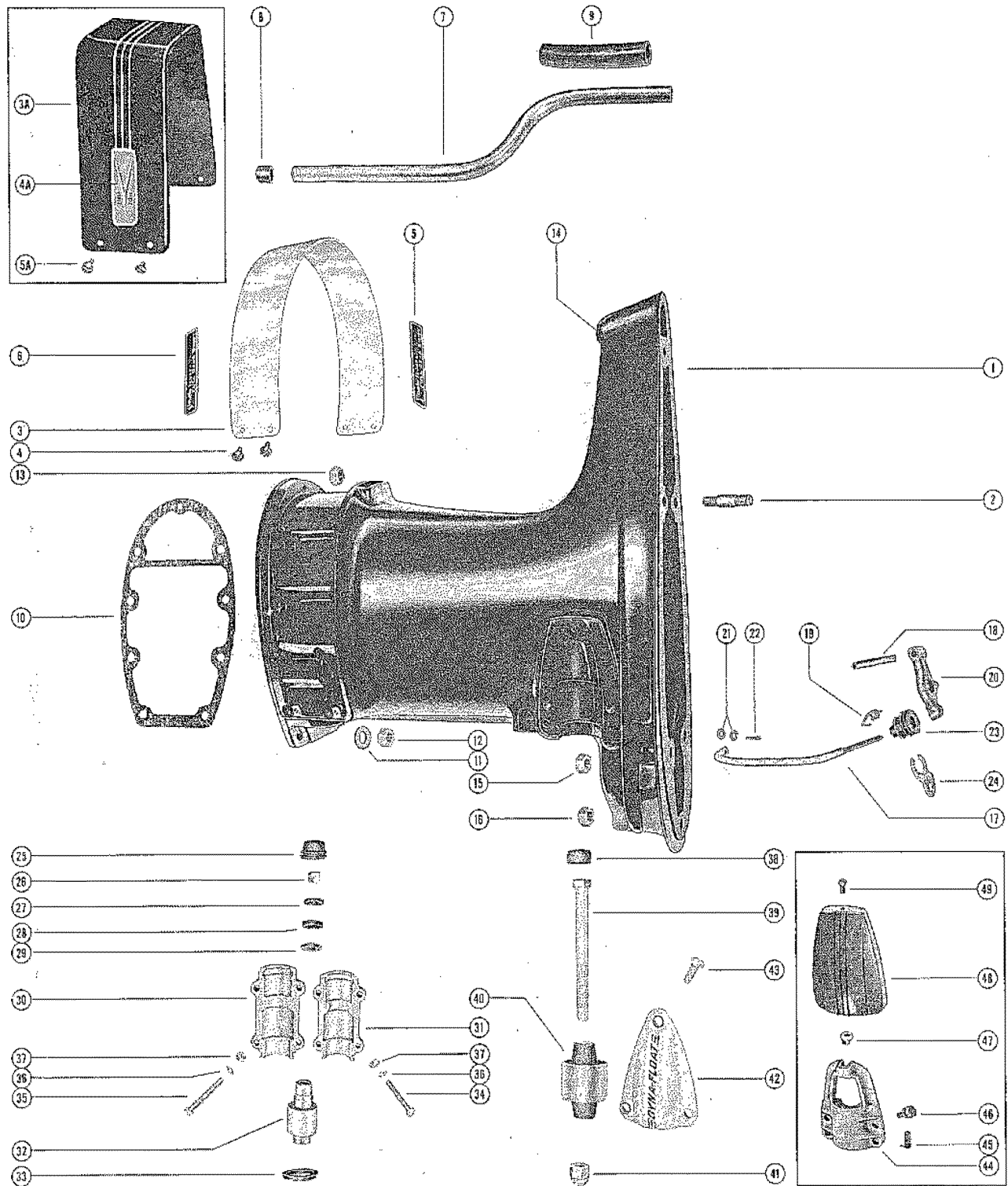


DRIVE SHAFT HOUSING ASSEMBLY

REF. NO.	PART NO.	SYM.	QTY.	DESCRIPTION
1	1540-1783A2		1,1	DRIVE SHAFT HOUSING ASSEMBLY SERIAL 00000000-01626019
2	16-30929		2,2	STUD, DRIVE SHAFT HOUSING TO GEAR HOUSING SERIAL 00000000-01626019
3	30741		1,1	COVER, TRIM-DRIVE SHAFT HOUSING SERIAL 00000000-01626019
4	10-30742		4,4	SCREW, TRIM COVER TO DRIVE SHAFT HOUSING SERIAL 00000000-01626019
5	37-31987		1,	DECAL, "FULL GEAR SHIFT" - STARBOARD SERIAL 00000000-01626019
6	37-31988		1,	DECA, "FULL GEAR SHIFT" - PORT SERIAL 00000000-01626019
5	37-31924		,1	DECAL, "FULL GEAR SHIFT" - STARBOARD SERIAL 00000000-01626019
6	37-31925		,1	DECAL, "FULL GEAR SHIFT" - PORT SERIAL 00000000-01626019
1	1540-2384A2		,1	DRIVE SHAFT HOUSING ASSEMBLY SERIAL 01648888-09999999
2	16-30929		,2	STUD, DRIVE SHAFT HOUSING TO GEAR HOUSING SERIAL 01648888-09999999
3A	35638A1		,1	TRIM COVER ASSEMBLY, DRIVE SHAFT HOUSING-STARTED WITH SERIAL SERIAL 01648888-09999999
4A	37-35393		,2	DECAL, TRIM COVER-PORT AND STARBOARD SERIAL 01648888-09999999
5A	10-30742		,4	SCREW, TRIM COVER TO DRIVE SHAFT HOUSING SERIAL 01648888-09999999
7	32-30722		1,1	TUBE, WATER INLET
8	26-26207		1,1	SEAL, RUBBER-WATER INLET TUBE
9	23-29591		1,1	SLEEVE, RUBBER-WATER INLET TUBE
10	27-26198		1,1	GASKET,DRIVE SHAFT HOUSING TO BOTTOM COWL
11	12-20086		2,2	WASHER, POWERHEAD STUDS
12	11-20509		2,2	NUT, POWERHEAD STUDS
13	11-23161		6,6	NUTS, POWERHEAD STUDS
14	19-29850		1,1	PLUG, PLASTIC-TRIM TAB SCREW HOLE WHITE
	19-32298		,1	PLUG, PLASTIC-TRIM TAB SCREW HOLE BLACK
15	11-22178		4,4	NUT, GEAR HOUSING AND RIVER SHAFT HOUSING STUDS
16	11-29489		1,1	NUT, GEAR HOUSING AND DRIVE SHAFT HOUSING STUDS
17	30721		1,1	ROD, PUSH-REVERSE LOCK
18	17-30615		1,1	PIN, REVERSE LOCK LEVER
19	24-30618		1,1	SPRING, TENSION-PUSH ROD
20	25140		1,1	LEVER, REVERSE LOCK
21	12-20546		2,2	WASHER, PUSH ROD
22	18-25191		1,1	COTTER PIN, PUSH ROD TO REVERSE LOCK
23	30614		1,1	BOOT, RUBBER-PUSH ROD
24	31039		1,1	RETAINER, PUSH ROD RUBBER BOLT
25	31264		2,2	CAP, RUBBER-UPPER MOUNT BOLT NUT
26	11-22178		2,2	NUT, UPPER MOUNT BOLT

CONTINUED ON NEXT PAGE ➡

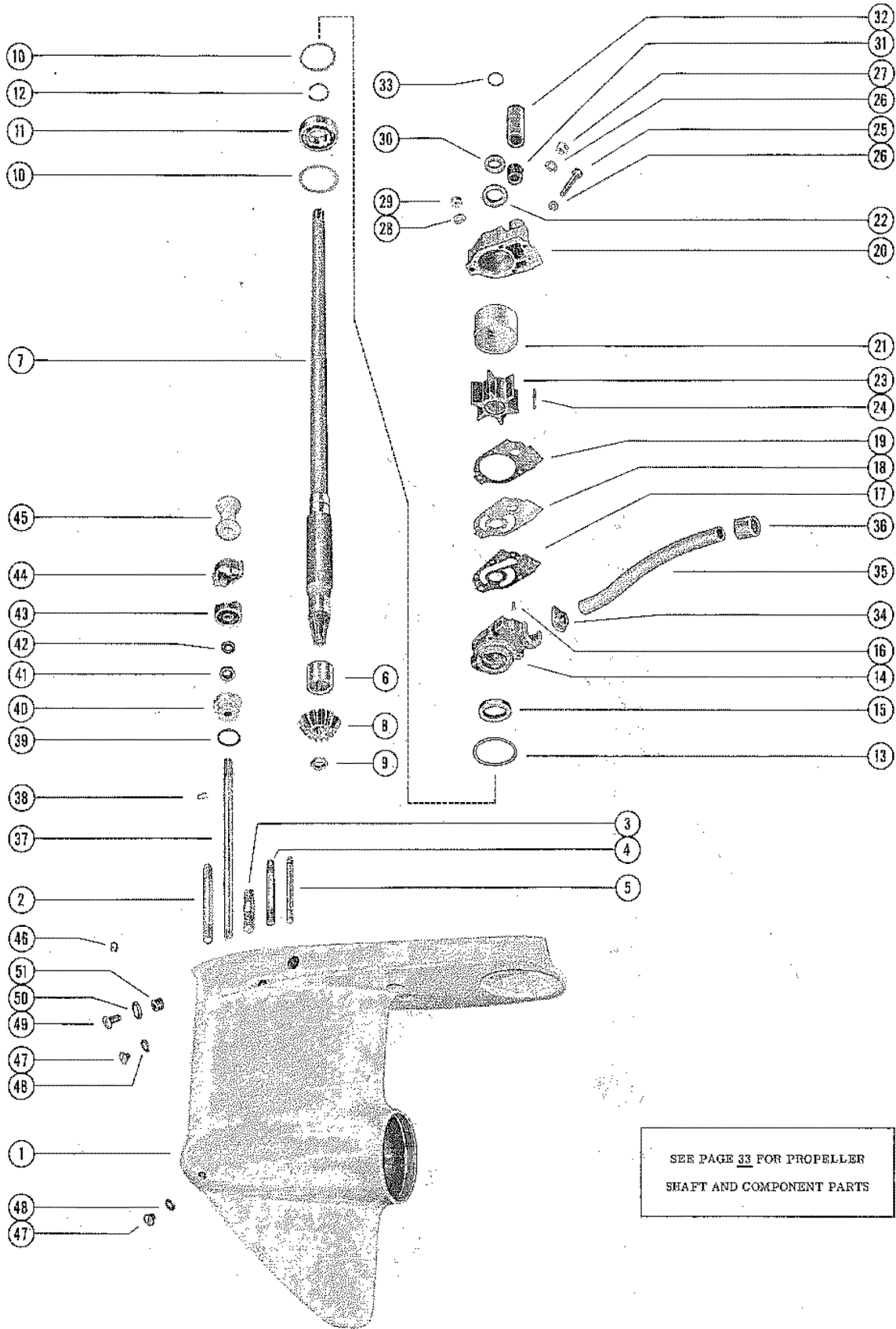
DRIVE SHAFT HOUSING ASSEMBLY



DRIVE SHAFT HOUSING ASSEMBLY

REF. NO.	PART NO.	SYM.	QTY.	DESCRIPTION
27	12-31263		2,2	WASHER, UPPER MOUNT BOLT
28	12-31261		2,2	WASHER, RUBBER-UPPER MOUNT BOLT
29	12-31262		2,2	WASHER, UPPER MOUNT BOLT
30	31260		2,2	COVER, UPPER MOUNT-OUTSIDE HALF
31	31258		2,2	COVER, UPPER MOUNT-INSIDE HALF
32	31256		2,2	MOUNT, RUBBER-UPPER
33	24929		2,2	PACKING, "U" CUP
34	10-28773		4,4	SCREW, UPPER MOUNT COVER (1 5/8")
35	10-28775		4,4	SCREW, UPPER MOUNT COVER (2 1/8")
36	12-29245		8,8	WASHER, UPPER MOUNT COVER SCREWS
37	11-29322		8,8	NUT, UPPER MOUNT COVER SCREWS
38	25067		2,2	BUMPER, RUBBER-MOUNTING SCREW
39	10-30452		2,2	SCREW, UPPER MOUNT (5 1/2")
40	30512		2,	MOUNT, RUBBER-LOWER
	31725		,2	MOUNT, RUBBER-LOWER
41	11-25096		2,2	NUT, MOUNTING SCREW
42	26336		1,1	COVER, LOWER MOUNT-PORT SIDE SERIAL 00000000-01626019
	26337		1,1	COVER, LOWER MOUNT-STARBOARD SERIAL 00000000-01626019
43	10-29256		6,6	SCREW,LOWER MOUNT COVER FASTENING SERIAL 00000000-01626019
44	35608		,2	CLAMP, LOWER MOUNT TO DIRVE SHAFT HOUSING 1626019 SERIAL 01648888-09999999
45	24-35522		,4	SPRING, TENSION-LOWER MOUNT CLAMP SERIAL 01648888-09999999
48	10-29256		,4	SCREW,LOWER MOUNT CLAMP TO DRIVE SHAFT HOUSING SERIAL 01648888-09999999
47	11-35521		,2	NUT, LOWER MOUNT CLAMP COVER SERIAL 01648888-09999999
48	35474		,2	COVER, LOWER MOUNT CLAMP SERIAL 01648888-09999999
49	10-29722		,2	SCREW, COVER TO LOWER MOUNT CLAMP SERIAL 01648888-09999999

GEAR HOUSING ASSEMBLY, COMPLETE (MERC 850E) (PAGE 1)



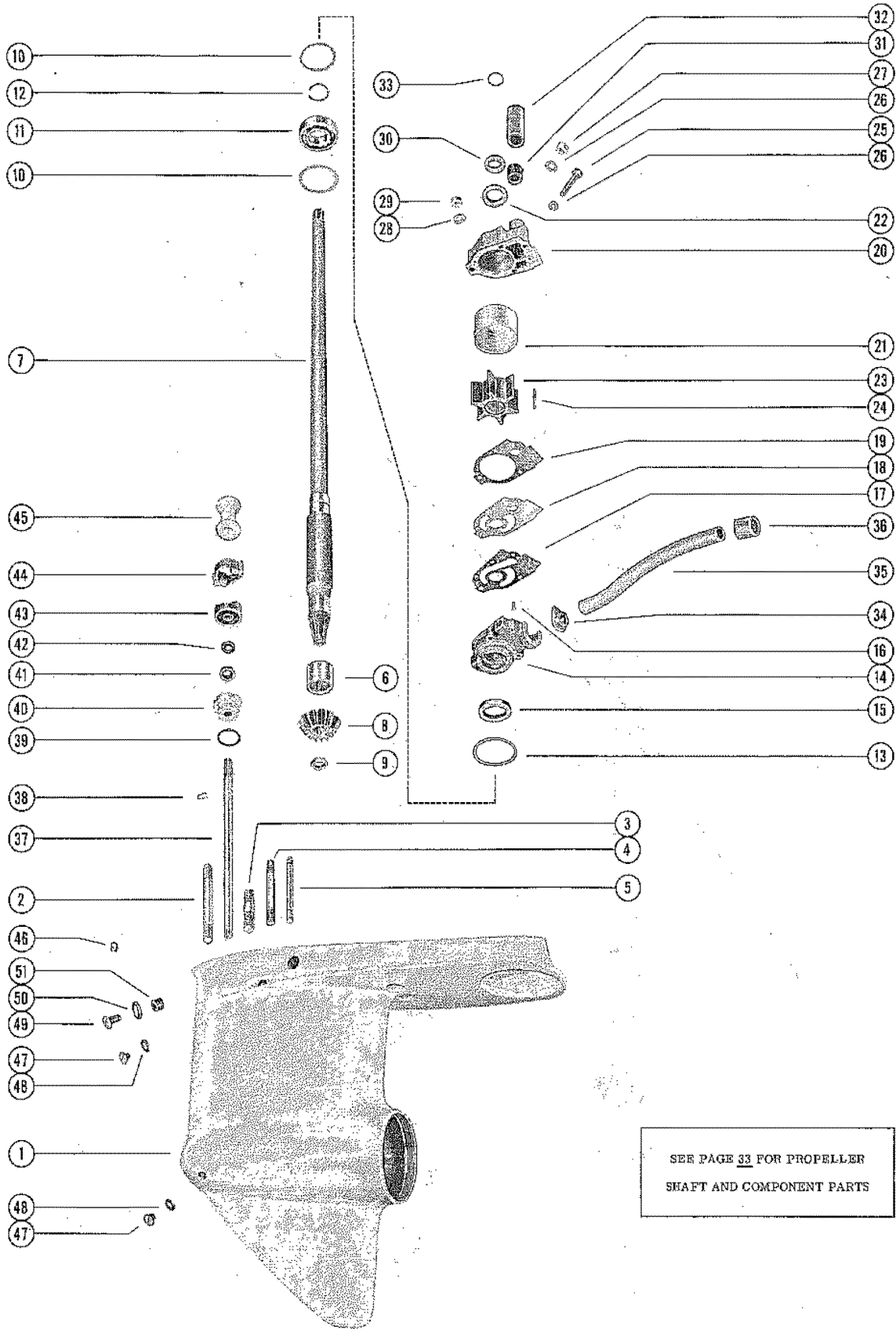
SEE PAGE 33 FOR PROPELLER
SHAFT AND COMPONENT PARTS

GEAR HOUSING ASSEMBLY, COMPLETE (MERC 850E) (PAGE 1)

REF. NO.	PART NO.	SYM.	QTY.	DESCRIPTION
-	1623-1891A4		1	GEAR HOUSING ASSEMBLY, COMPLETE (STANDARD) SEE NOTE BELOW
1	1623-1891A1		1	GEAR HOUSING ASSEMBLY
2	16-30661		1	STUD, GEAR HOUSING TO DRIVE SHAFT HOUSING (3 15/16")
3	16-29078		2	STUD, GEAR HOUSING TO DRIVE SHAFT HOUSING (2")
4	16-30669		1	STUD, WATER PUMP BASE AND BODY TO GEAR HOUSING (3 1/4")
5	16-30667		2	STUD, WATER PUMP BASE AND BODY TO GEAR TO GEAR HOUSING (3
6	31-29982		1	BEARING, ROLLER-DRIVE SHAFT
7	45-30565		1	DRIVE SHAFT (STANDARD)
8	43-31419		1	GEAR, PINION-DRIVE SHAFT
9	11-30932		1	NUT, PINION GEAR TO DRIVE SHAFT
10	15-30278A1		AR	SHIM, DRIVE SHAFT BALL BEARING TO GEAR HOUSING
11	30-20464		1	BEARING, BALL-DRIVE SHAFT
12	53-30726		1	RING, RETAINING-BALL BEARING
10	15-30278A1		AR	SHIM, WATER PUMP BASE TO GEAR HOUSING
13	25-30224		1	"O" RING, WATER PUMP BASE
14	46-31277A1		1	WATER PUMP BASE ASSEMBLY
15	26-31489		1	OIL SEAL, WATER PUMP BASE
16	17-29596		2	DOWEL PIN, WATER PUMP BASE TO WATER PUMP BODY
17	27-31285		1	GASKET, LOWER-WATER PUMP BASE TO FACE PLATE
18	31287		1	PLATE, FACE -WATER PUMP BASE TO WATER PUMP BODY
19	27-31286		1	GASKET, UPPER-FACE PLATE TO WATER PUMP BODY
20	46-31273A1		1	WATER PUMP BODY ASSEMBLY
21	30915		1	INSERT, WATER PUMP BODY
22	26-31507		1	OIL SEAL, WATER PUMP BODY
23	47-30221		1	IMPELLER, WATER PUMP
24	17-29967		1	PIN, IMPELLER DRIVE
25	10-30720		1	SCREW, WATER PUMP BODY TO GEAR HOUSING (1/4)
26	13-26992		3	LOCKWASHER, WATER PUMP BODY FASTENING SCREW AND STUDS (1/4)
27	11-29598		2	NUT, WATER PUMP BODY FASTENING STUDS (1/4)
28	13-26993		1	LOCKWASHER, WATER PUMP BODY FASTENING STUD (5/16)
29	11-28770		1	NUT, WATER PUMP BODY FASTENING STUD (5/16)
30	25-30271		1	RING, RUBBER-CENTRIFUGAL SLINGER (DRIVE SHAFT)
31	26-29677		1	SEAL, RUBBER-WATER PUMP BODY
32	23-29804		1	SLEEVE, GUIDE-WATER INLET TUBE
33	25-30613		1	"O" RING, UPPER-DRIVE SHAFT
34	26-31282		1	SEAL, WATER PUMP BODY TO WATER INTAKE TUBE
35	32-31272		1	TUBE, WATER INTAKE-GEAR HOUSING

CONTINUED ON NEXT PAGE ➡

GEAR HOUSING ASSEMBLY, COMPLETE (MERC 850E) (PAGE 1)

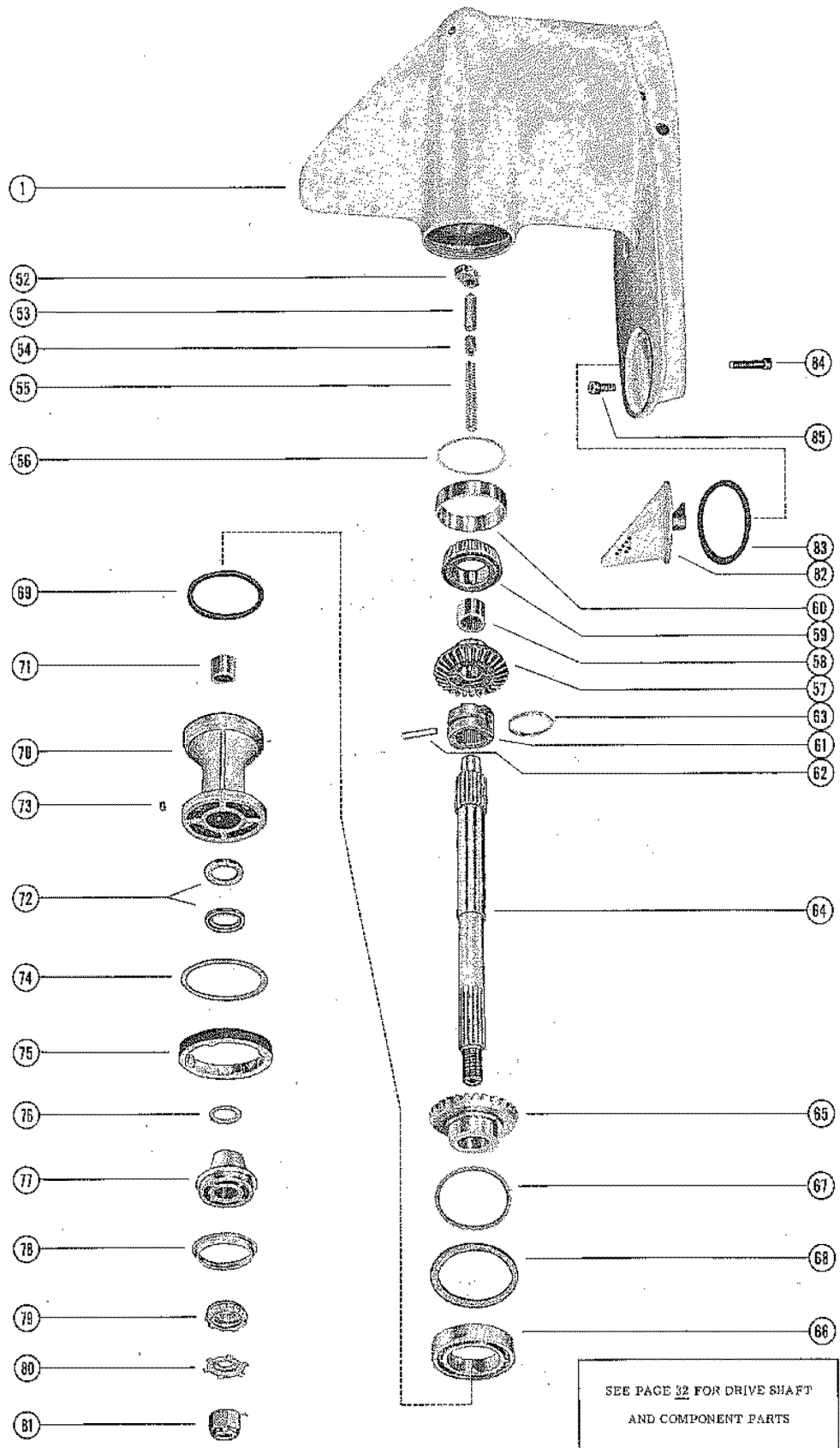


SEE PAGE 33 FOR PROPELLER
SHAFT AND COMPONENT PARTS

GEAR HOUSING ASSEMBLY, COMPLETE (MERC 850E) (PAGE 1)

REF. NO.	PART NO.	SYM.	QTY.	DESCRIPTION
36	26-29971		1	SEAL, GEAR HOUSING TO WATER INTAKE TUBE
37	25136		1	SHAFT, SHIFT-LOWER
38	18-20233		1	SLIP, RETAINING-SHIFT SHAFT
39	25-25439		1	"O" RING, SHIFT SHAFT BUSHING
40	23-30617A1		1	BUSHING ASSEMBLY, SHIFT SHAFT
41	26-31249		1	OIL SEAL, SHIFT SHAFT BUSHING
42	12-31266		1	WASHER, RUBBER-SHIFT SHAFT BUSHING
43	25138		1	CAM, LOWER-REVERSE LOCKING
44	29823		1	CAM, UPPER-REVERSE LOCKING
45	23-30607		1	SPACER,NYLON-REVERSE LOCKING CAM
46	22-21290		1	PLUG, PIPE-SHIFT SHAFT GREASE FILLER HOLE
47	10-28634		2	SCREW, GREASE FILLER AND VENT HOLE
48	12-20260		2	WASHER,GREASE FILLER AND VENT HOLE SCREW
49	10-29608		1	SCREW, GEAR HOUSING FLUSHING HOLE
50	27-29586		1	GASKET, GEAR HOUSING FLUSHING HOLE SCREW
51	26-29612		1	SEAL, GEAR HOUSING FLUSHING HOLE

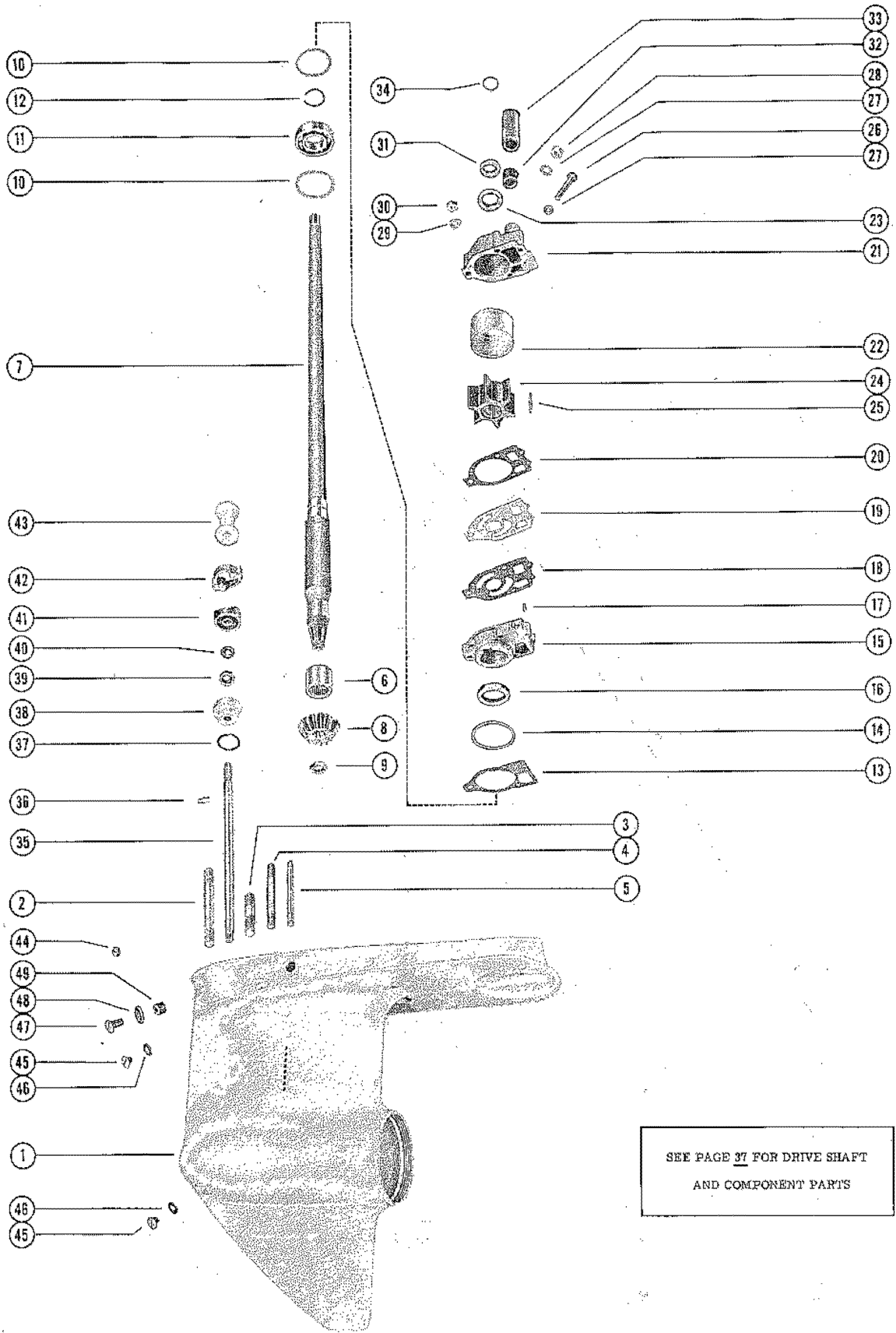
GEAR HOUSING ASSEMBLY, COMPLETE (MERC 850E) (PAGE 2)



GEAR HOUSING ASSEMBLY, COMPLETE (MERC 850E) (PAGE 2)

REF. NO.	PART NO.	SYM.	QTY.	DESCRIPTION
-	1623-1891A4		1	GEAR HOUSING ASSEMBLY, COMPLETE (STANDARD)SEE NOTE BELOW
1	1623-1891A1		1	GEAR HOUSING ASSEMBLY (SEE PAGE 31 FOR PARTS BREAKDOWN)
52	30147		1	CAM, SHIFT
53	30625		1	FOLLOWER, CAM
54	30624		1	SLIDE, CROSS PIN
55	24-30622		1	SPRING, COMPRESSION-CAM FOLLOWER
56	15-30923A1		AR	SHIM, BEARING OUTER RACE TO GEAR HOUSING
	43-31417A1		1	FORWARD GEAR ASSEMBLY, COMPLETE
57	43-31417		1	FORWARD GEAR ASSEMBLY
58	31-30895		1	BEARING, ROLLER-FORWARD GEAR ASSEMBLY
59	31-30894A1		1	TAPERED ROLLER BEARING ASSEMBLY
60	31-31092		1	CUP, TAPERED ROLLER BEARING
61	52-34239		1	RATCHET, SLIDING CLUTCH
62	17-30632		1	PIN, CROSS-RATCHET TO PROPELLER SHAFT
63	24-30893		1	SPRING, RETAINING-CROSS PIN
64	44-30944		1	SHAFT, PROPELLER
	43-31418A1		1	REVERSE GEAR ASSEMBLY, COMPLETE
65	43-31418		1	REVERSE GEAR ASSEMBLY
66	30-31265		1	BEARING, BALL-REVERSE GEAR ASSEMBLY
67	15-29955A1		AR	SHIM, THRUST WASHER TO GEAR HOUSING
68	12-30633		1	WASHER, THRUST-BEARING CARRIER TO GEAR HOUSING
69	25-29976		1	"O" RING, BEARING CARRIER
70	31284A1		1	BEARING CARRIER ASSEMBLY
71	31-30956		1	BEARING, ROLLER-BEARING CARRIER
72	26-30550		2	OIL SEAL, BEARING CARRIER
73	28-30281		1	KEY, LOCATING-BEARING CARRIER
74	12-29957		1	WASHER, GEAR HOUSING COVER
75	31037		1	COVER, GEAR HOUSING
76	12-31013		1	WASHER, THRUST-BEARING CARRIER
77	30581A1		1	THRUST HUB AND WASHER ASSEMBLY
78	12-29590		1	WASHER, CUPPED-THRUST HUB
79	12-31211		1	WASHER, SPLINED-PROPELLER SHAFT
80	14-31210		1	TAB WASHER, PROPELLER NUT
81	11-29594		1	NUT, PROPELLER
82	31237		1	WATER PICKUP, GEAR HOUSING
83	27-30557		1	GASKET, WATER PICKUP TO GEAR HOUSING
84	10-30559		1	SCREW, WATER PICKUP TO GEAR HOUSING (2 1/4")
85	10-30206		1	SCREW, GEAR HOUSING TO DRIVE SHAFT HOUSING (1")

GEAR HOUSING ASSEMBLY, COMPLETE (MERC 850E-1) (PAGE 1)



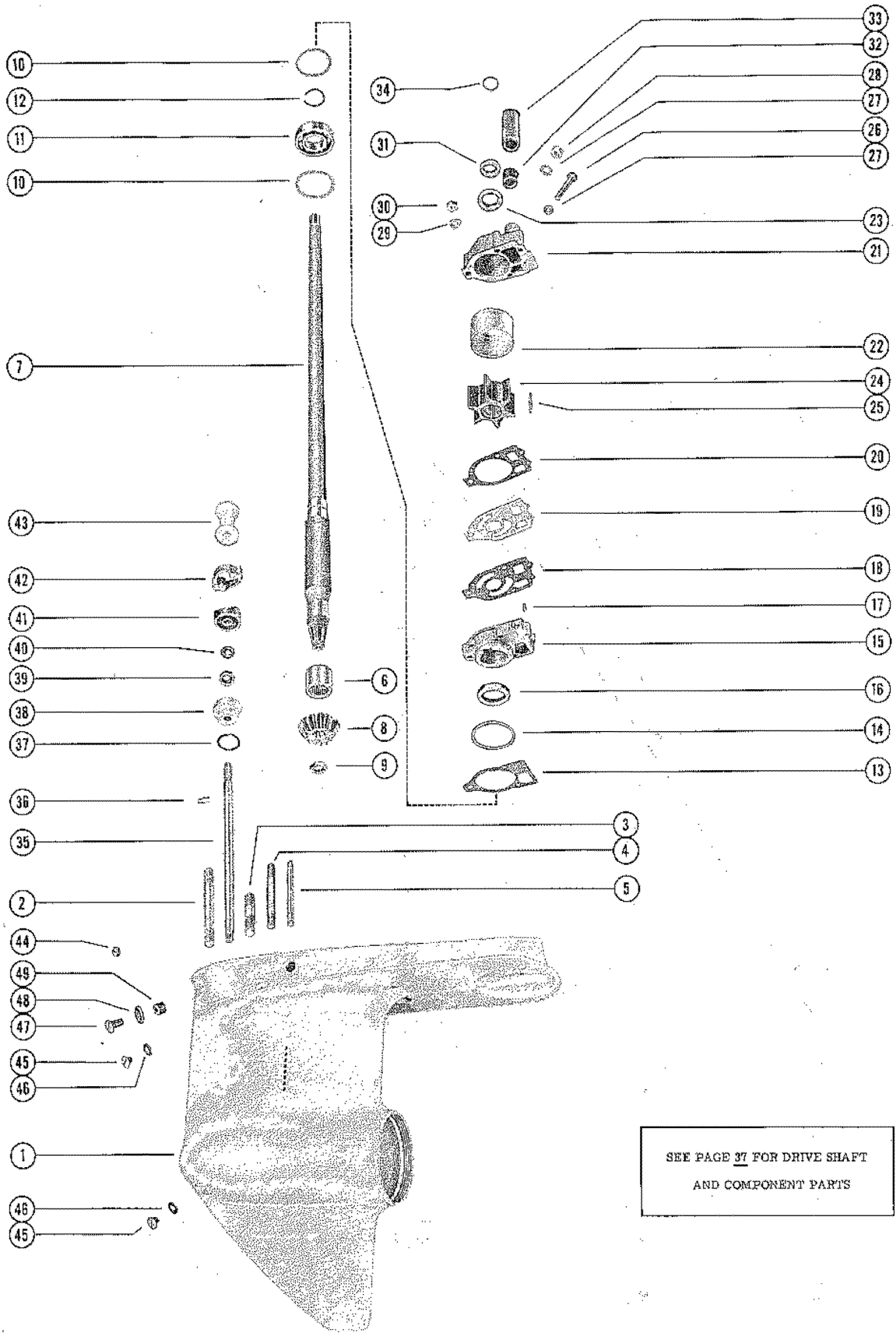
SEE PAGE 37 FOR DRIVE SHAFT
AND COMPONENT PARTS

GEAR HOUSING ASSEMBLY, COMPLETE (MERC 850E-1) (PAGE 1)

REF. NO.	PART NO.	SYM.	QTY.	DESCRIPTION
-	1623-2022A7		1	GEAR HOUSING ASSEMBLY, COMPLETE (STANDARD) SEE NOTE BELOW
1	1623-2022A1		1	GEAR HOUSING ASSEMBLY
2	16-30661		1	STUD, GEAR HOUSING TO DRIVE SHAFT HOUSING (3 15/16")
3	16-29078		2	STUD, GEAR HOUSING TO DRIVE SHAFT HOUSING (2")
4	16-30669		1	STUD, WATER PUMP BASE AND BODY TO GEAR HOUSING (3 1/4")
5	16-30667		2	STUD, WATER PUMP BASE AND BODY TO GEAR HOUSING (3 1/8")
6	31-29982		1	BEARING, ROLLER-DRIVE SHAFT
7	45-30565		1	DRIVE SHAFT (STANDARD)
8	43-31419		1	GEAR, PINION-DRIVE SHAFT
9	11-30932		1	NUT, PINION GEAR TO DRIVE SHAFT
10	15-30278A1		AR	SHIM, DRIVE SHAFT BALL BEARING TO GEAR HOUSING
11	30-20464		1	BEARING, BALL-DRIVE SHAFT
12	53-30726		1	RING, RETAINING -BALL BEARING
10	15-30278A1		AR	SHIM WATER PUMP BASE TO GEAR HOUSING
13	27-32438		1	GASKET, WATER PUMP BASE TO GEAR HOUSING
14	25-30224		1	"O" RING, WATER PUMP BASE
15	46-32436A1		1	WATER PUMP BASE ASSEMBLY
16	26-31489		1	OIL SEAL, WATER PUMP BASE
17	17-29596		2	DOWEL PIN, WATER PUMP BASE TO WATER PUMP BODY
18	27-32433		1	GASKET, LOWER-WATER PUMP BASE TO FACE PLATE
19	32435		1	PLATE, FACE-WATER PUMP BASE TO WATER PUMP BODY
20	27-32434		1	GASKET, UPPER-FACE PLATE TO WATER PUMP BODY
21	46-32437A1		1	WATER PUMP BODY ASSEMBLY
22	30915		1	INSERT, WATER PUMP BODY
	30915		1	INSERT, WATER PUMP BODY
23	26-31507		1	OIL SEAL, WATER PUMP BODY
24	47-30221		1	IMPELLER, WATER PUMP
25	17-29967		1	PIN, IMPELLER DRIVE
26	10-30720		1	SCREW, WATER PUMP BODY TO GEAR HOUSING (1/4)
27	13-26992		3	LOCKWASHER, WATER PUMP BODY FASTENING SCREW AND STUDS(1/4)
28	11-29598		2	NUT, WATER PUMP BODY FASTENING STUDS (1/4)
29	13-26993		1	LOCKWASHER, WATER PUMP BODY FASTENING STUD (5/16)
30	11-28770		1	NUT, WATER PUMP BODY FASTENING STUD (5/16)
31	25-30271		1	RING, RUBBER-CENTRIFUGAL SLINGER (DRIVE SHAFT)
32	26-29677		1	SEAL, RUBBER-WATER PUMP BODY
33	23-29804		1	SLEEVE, GUIDE-WATER INLET TUBE
34	25-30613		1	O" RING, UPPER-DRIVE SHAFT
35	25136		1	SHAFT, SHIFT-LOWER

CONTINUED ON NEXT PAGE ➡

GEAR HOUSING ASSEMBLY, COMPLETE (MERC 850E-1) (PAGE 1)

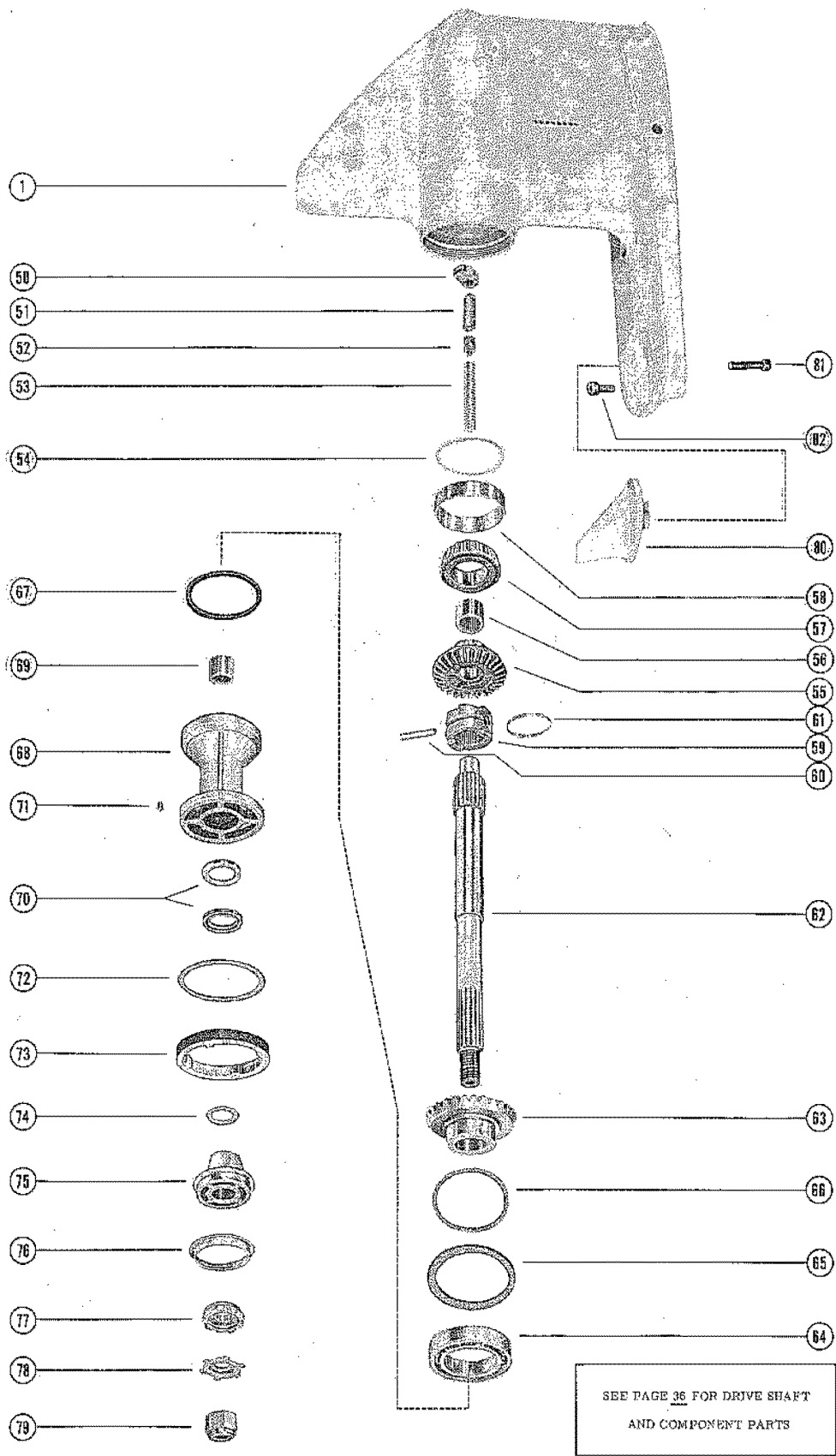


SEE PAGE 37 FOR DRIVE SHAFT
AND COMPONENT PARTS

GEAR HOUSING ASSEMBLY, COMPLETE (MERC 850E-1) (PAGE 1)

REF. NO.	PART NO.	SYM.	QTY.	DESCRIPTION
36	18-20233		1	CLIP, RETAINING-SHIFT SHAFT
37	25-25439		1	"O" RING, SHIFT SHAFT BUSHING
38	23-30617A1		1	BUSHING ASSEMBLY, SHIFT SHAFT
39	26-31249		1	OIL SEAL, SHIFT SHAFT BUSHING
40	12-31266		1	WASHER, RUBBER-SHIFT SHAFT BUSHING
41	25138		1	CAM, LOWER-REVERSE LOCKING
42	29823		1	CAM,UPPER-REVERSE LOCKING
43	23-30607		1	SPACER,NYLON-REVERSE LOCKING CAM
44	22-21290		1	PLUG, PIPE-SHIFT SHAFT GREASE FILLER HOLE
45	10-28634		2	SCREW, GREASE FILLER AND VENT HOLE
46	12-20260		2	WASHER, GREASE FILLER AND VENT HOLE SCREW
47	10-29608		1	SCREW, GEAR HOUSING FLUSHING HOLE
48	27-29586		1	GASKET, GEAR HOUSING FLUSHING HOLE SCREW
49	26-29612		1	SEAL, GEAR HOUSING FLUSHING HOLE

GEAR HOUSING ASSEMBLY, COMPLETE (MERC 850E-1) (PAGE 2)



GEAR HOUSING ASSEMBLY, COMPLETE (MERC 850E-1) (PAGE 2)

REF. NO.	PART NO.	SYM.	QTY.	DESCRIPTION
-	1623-2022A7		1	GEAR HOUSING ASSEMBLY, COMPLETE (STANDARD)SEE NOTE BELOW
1	1623-2022A1		1	GEAR HOUSING ASSEMBLY (SEE PAGE 35 FOR PARTS BREAKDOWN)
50	30147		1	CAM, SHIFT
51	30625		1	FOLLOWER, CAM
52	30624		1	SLIDE, CROSS PIN
53	24-30622		1	SPRING, COMPRESSION-CAM FOLLOWER
54	15-30923A1		AR	SHIM, BEARING OUTER RACE TO GEAR HOUSING
55	43-31886		1	FORWARD GEAR ASSEMBLY
56	31-30895		1	BEARING, ROLLER-FORWARD GEAR
57	31-30894A1		1	TAPERED ROLLER BEARING ASSEMBLY
58	31-31092		1	CUP, TAPERED ROLLER BEARING
59	52-34239		1	RATCHET, SLIDING CLUTCH
60	17-30632		1	PIN, CROSS-RATCHET TO PROPELLER SHAFT
61	24-30893		1	SPRING, RETAINING-CROSS PIN
62	44-32164		1	SHAFT, PROPELLER
63	43-31887		1	REVERSE GEAR ASSEMBLY
64	30-31265		1	BEARING, BALL-REVERSE GEAR
65	12-30633		1	WASHER, THRUST-BEARING CARRIER TO GEAR HOUSING
66	15-29955A1		AR	SHIM, THRUST WASHER TO GEAR HOUSING
57	25-29976		1	"O" RING, BEARING CARRIER
68	31284A1		1	BEARING CARRIER ASSEMBLY
69	31-30956		1	BEARING, ROLLER-BEARING CARRIER
70	26-30550		2	OIL SEAL, BEARING CARRIER
71	28-30281		1	KEY, LOCATING- BEARING CARRIER
72	12-29957		1	WASHER, GEAR HOUSING COVER
73	31037		1	COVER, GEAR HOUSING
74	12-31013		1	WASHER, THRUST-BEARING CARRIER
75	30581A1		1	THRUST HUB AND WASHER ASSEMBLY
76	12-29590		1	WASHER, CUPPED-THRUST HUB
77	12-31211		1	WASHER, SPLINED-PROPELLER SHAFT
78	14-31210		1	TAB WASHER, PROPELLER NUT
79	11-29594		1	NUT, PROPELLER
80	31640		1	TRIM TAB, GEAR HOUSING
81	10-32470		1	SCREW, TRIM TAB TO GEAR HOUSING (1 3/4")
82	10-30206		1	SCREW, GEAR HOUSING TO DRIVE SHAFT HOUSING (1")

PARTS INDEX

Part Number	Description	Pg.	Ref. No.	Part Number	Description	Pg.	Ref. No.
20119	PROTECTOR, SPARK PLUG LEAD	21	45	26113	RACE, OUTER (PAIR)	47	6
20121	CONNECTOR, HIGH TENSION CABLE (CAP END)	19	38	26183A5	EMBLEM, FRONT COVER	7	2
20121	CONNECTOR, SPARK PLUG LEAD	21	38	26336	COVER, LOWER MOUNT-PORT SIDE	59	42
20140	BELT,TIMING	11	35	26337	COVER, LOWER MOUNT-STARBOARD	59	42
20162	PAWL, STARTER	3	20	26433	COIL, IGNITION	15	27
20208	SHAFT, REVERSE LOCK PIVOT	53	37	26512	BAND, COIL BRACKET	15	34
20557	BRACKET, CABLE END ANCHOR	49	21	26514	BRACKET, COIL FASTENING	15	33
22462	"U" LINK, CHOKE KNOB TO CHOKE ROD	27	14	26551	BRACKET, CLAMP EXTENSION	37	19
22463	KNOB, CHOKE ROD	27	12	26551	BRACKET, CLAMP EXTENSION	41	19
22789	"D" WASHER, CLAMP FASTENING SCREW	37	40	26852	CAP, NYLON-ADJUSTING SCREW	15	4
22789	"D" WASHER, CLAMP FASTENING SCREW	43	44	26903A4	REVERSE LOCK ASSEMBLY	53	36
22789	"D" WASHER, CLIP FASTENING SCREW	13	20	26977	BRACKET, COIL LEAD RETAINER	27	27
22789	"D" WASHER, CLIP FASTENING SCREW	25	32	27031A1	PLUNGER AND LINK ASSEMBLY, CHOKE SOLENOID	27	18
22789	"D" WASHER, GOURND LEAD CLIP SCREW	15	25	27031A4	PLUNGER AND LINK ASSEMBLY, CHOKE SOLENOID	27	18
22789	"D" WASHER, HARNESS CLAMP SCREW	25	35	27714	ROD (SLEEVE), SHIFT CONTROL END	49	34
22789	"D" WASHER, HARNESS CLIP SCREW	25	50	27947	SWIVEL, LINKAGE-ECONOMIZER COLLAR	15	7
22789	"D" WASHER,, WIRE CLIP FASTENING SCREW	27	10	27948	SWIVEL, UPPER AND LOWER LINK RODS	15	11
23004	RETAINER, CHECK VALVE	35	4	27949	ROD, LINK,UPPER	15	9
23004	RETAINER, CHECK VALVE	35	4	27955	CAP,ADAPTOR AND PILOT FASTENING	11	25
23014	DIAPHRAGM, FUEL PUMP	35	7	27977	CLUSTER, THROTTLE LEVER (UPPER CARBURETOR)	27	21
23014	DIAPHRAGM, FUEL PUMP	35	7	28007A6	THROTTLE PICKUP BRACKET ASSEMBLY	27	24
23564A4	SPARK PLUG LEAD ASSEMBLY (#3,4 AND 5)	21	40	28203	BUMPER, TOP YOKE	53	23
23564A5	SPARK PLUG LEAD ASSEMBLY (#2 AND 6)	21	41	28205	STRAP STOP, DRIVE SHAFT HOUSING TO SWIVEL BRACKET	53	30
23564A6	SPARK PLUG LEAD ASSEMBLY (#1)	21	42	28403A3	THUMB SCREW ASSEMBLY	53	2
24929	PACKING, "U" CUP	59	33	28747	HANDLE, STARTER CABLE	3	32
25067	BUMPER, RUBBER-MOUNTING SCREW	59	38	28748	RETAINER, STARTER CABLE AND HANDLE	3	33
25136	SHAFT, SHIFT-LOWER	63	37	28922	JUMPER, COIL TO COIL	15	32
25136	SHAFT, SHIFT-LOWER	67	35	28966	SNUBBER, RESISTOR TO TRANSFER PORT COVER SCREW	25	40
25138	CAM, LOWER-REVERSE LOCKING	63	43	29112	JUMPER, RESISTOR AND BALLAST TO TERMINAL BLOCK	25	45
25138	CAM, LOWER-REVERSE LOCKING	69	41	29345	BUMPER, RUBBER-FRONT COVER BRACKET	7	6
25140	LEVER, REVERSE LOCK	57	20	29359	LUBRICAP, SWIVEL BRACKET GREASE FITTING	53	19
25596	CABLE,WIRE-STARTER MOTOR TO STARTER SOLENOID	23	21	29532	LEVER, THROTTLE CONTROL	49	23
25996A1	SWIVEL AND LINK ROD ASSEMBLY	15	8				
26079	PLATE, WIRING HARNESS TO BOTTOM COWL	23	3				
26113	RACE, OUTER (PAIR)	45	6				

PARTS INDEX

Part Number	Description	Pg.	Ref. No.	Part Number	Description	Pg.	Ref. No.
29690	CHOKE SOLENOID, TOP			30126A1	TILT STOP LEVER		
	COWL	27	1		ASSEMBLY	53	39
29691	RECTIFIER ASSEMBLY	23	7	30147	CAM, SHIFT	65	52
29714	BLOCK, TERMINAL-UPPER			30147	CAM, SHIFT	71	50
	FUEL PUMP PAD	25	37	30186	ADAPTOR, CHECK UNIT		
29787	HUB, FLYWHEEL PULLEY ..	13	15		(FUEL LINE)	35	24
29788	FLANGE, FLYWHEEL PULLEY	13	12	30187	STEM, CHECK UNIT		
29823	CAM, UPPER-REVERSE				ADAPTOR	35	25
	LOCKING	63	44	30188	CUP WASHER, ADAPTOR ..	35	28
29823	CAM, UPPER-REVERSE			30212	BLOCK, TERMINAL-		
	LOCKING	69	42		EXHAUST COVER	25	52
29886	COVER, TRANSFER PORT ..	39	43	30238	SUPPORT, EXTERNAL		
29906A1	DRIVEN PULLEY ASSEMBLY	11	29		WIRING HARNESS	17	41
29907	FLANGE, DRIVEN PULLEY ..	11	31	30269A2	FUEL PUMP ASSEMBLY-		
29930	BRACKET, SUPPORT-				UPPER	35	1
	STARTER MOTOR	23	18	30275	COVER, FUEL PUMP	35	9
29947	SCREEN, VENT-TOP COWL	3	7	30306	PULLEY, FLYWHEEL	13	13
29980A1	TRIM MOULDING			30412	HANDLE, COWL LATCH ...	7	14
	ASSEMBLY-TOP COWL ..	5	44	30413	HOOK, COWL LATCH		
29981A1	PLATE ASSEMBLY, COWL				FASTENING	7	18
	MOUNTING	3	9	30413	HOOK, COWL LATCH		
29997A1	TRIM MOULDING ASSEMBLY	49	3		FASTENING	9	20
29998	SPLICER, TRIM MOULDING-			30414	SWIVEL, COWL LATCH	7	17
	REAR	49	4	30437	SHUTTER, CHOKE-		
30000	SWITCH, MERCURY (M.L.A.-				CARBURETOR	27	32
	ORDER 33385A)MERCURY			30449	SNUBBER, RESISTOR TO		
	SWITCH AND (1)10	43	42		TRANSFER PORT COVER		
30000	SWITCH, MERCURY				SCREW	25	40
	(N.L.A.-ORDER 33385A1			30461A2	FUEL PUMP ASSEMBLY-		
	MERCURY SWITCH AND				LOWER	35	8
	(1	37	38	30472	WIRING		
30003	BRACKET, PIVOT PIN TO				HARNESS, INTERNAL ...	23	1
	BOTTOM COWL	49	16	30498	CAP, PLASTIC-TILT TUBE ..	53	7
30005	BAFFLE, BOTTOM COWL ..	49	10	30512	MOUNT, RUBBER-LOWER ..	59	40
30011	PLATE EXHAUST MANIFOLD	41	32	30580A1	ECONOMIZER COLLAR AND		
30020	JUMPER, RESISTOR TO				PIN ASSEMBLY	11	9
	TERMINAL BLOCK	25	45	30581A1	THRUST HUB AND WASHER		
30021	BLANKET, SOUND				ASSEMBLY	65	77
	ABSORBING	9	21	30581A1	THRUST HUB AND WASHER		
30021	BLANKET, SOUND				ASSEMBLY	71	75
	ABSORBING-SRAP			30582	LEVER, LINKAGE-UPPER ..	15	12
	AROUND COWL	7	19	30583A1	PILOT ASSEMBLY	11	4
30045	PLATE, ROPE GUIDE SEE			30585	BRACKET, STOP	15	1
	NOTE BELOW	3	35	30612	LEVER, SHIFT CONTROL ..	49	24
30050	TERMINAL, CHOKE			30614	BOOT, RUBBER-PUSH ROD	57	23
	SOLENOID LEAD	27	2	30619	LEVER, LINKAGE-LOWER ..	15	13
30050	TERMINAL, INTERNAL			30623	ROD, LINK-LOWER	15	14
	WIRING HARNESS LEADS	23	2	30624	SLIDE, CROSS PIN	65	54
30050	TERMINAL, STATOR LEAD			30624	SLIDE, CROSS PIN	71	52
	WIRE	13	17	30625	FOLLOWER, CAM	65	53
30066	PLATE, EXHAUST MANIFOLD	37	32	30625	FOLLOWER, CAM	71	51
30109	GROUND STRAP			30629	SHAFT, VERTICAL	15	15
	ASSEMBLY, ADAPTOR TO			30630	ROD, LINK-SHIFT SHAFT		
	CRANKCASE	11	36		END	49	36
30109	GROUND STRAP			30645	ADAPTOR, DISTRIBUTOR ..	11	17
	ASSEMBLY, CYLINDER			30664	TUBE, TILT-CLAMP		
	BLOCK TO BOTTOM				BRACKET TO SWIVEL		
	COWL	37	37		BRACKET	53	4
				30721	ROD, PUSH-REVERSE LOCK	57	17

PARTS INDEX

Part Number	Description	Pg.	Ref. No.	Part Number	Description	Pg.	Ref. No.
30750	ROD, CHOKE	27	30	31640	TRIM TAB, GEAR HOUSING	71	80
30755	RETAINER, STARTER SPRING	3	16	31725	MOUNT, RUBBER-LOWER .	59	40
30756	SHAFT, SHEAVE	3	28	31775	YOKE, BOTTOM	53	33
30757	PLATE, RETAINER-STARTER PAWL	3	27	32043	ROD, CHOKE	27	30
30768	BRACKET, RECTIFIER MOUNTING	49	12	32044A1	THROTTLE ACTUATOR ASSEMBLY	11	12
30789A1	SHIFT SHAFT ASSEMBLY, UPPER	49	33	32082	STARTER SOLENOID	23	24
30915	INSERT, WATER PUMP BODY	61	21	32084	PLATE, SPACER-STARTER MOTOR	23	15
30915	INSERT, WATER PUMP BODY	67	22	32107	CABLE, WIRE-STARTER MOTOR TO STARTER SOLENOID	23	21
30915	INSERT, WATER PUMP BODY	67	22	32177A1	RECTIFIER ASSEMBLY	23	7A
31037	COVER, GEAR HOUSING . .	65	75	32193	COIL, IGNITION	15	27
31037	COVER, GEAR HOUSING . .	71	73	32197	STOP, SPRING TERMINAL PIN	11	8A
31039	RETAINER, PUSH ROD RUBBER BOLT	57	24	32227	BALLAST,IGNITION COIL . .	25	41
31057	PLATE, SPACER-STARTER MOTOR	23	15	32229	CLAMP, COIL BRACKET . . .	15	34A
31089	STRIP, SOUND ABSORBING	7	12	32278A1	GROUND STRAP ASSEMBLY, STARTER SOLENOID TO STARTER MOTOR	23	25
31089	STRIP, SOUND ABSORBING	9	12	32362	KNOB, COWL FRONT COVER FASTENING	7	7
31234	BOOT, RUBBER-UPPER SHIFT SHAFT	53	27	32362	KNOB, COWL FRONT COVER FASTENING	9	7
31237	WATER PICKUP, GEAR HOUSING	65	82	32435	PLATE, FACE-WATER PUMP BASE TO WATER PUMP BODY	67	19
31256	MOUNT, RUBBER-UPPER . .	59	32	32667	WIRING HARNESS, INTERNAL	23	1
31258	COVER, UPPER MOUNT- INSIDE HALF	59	31	35474	COVER, LOWER MOUNT CLAMP	59	48
31260	COVER, UPPER MOUNT- OUTSIDE HALF	59	30	35496	PAD, BUMPER-TOP COWL HANDLE	3	38
31264	CAP, RUBBER-UPPER MOUNT BOLT NUT	57	25	35608	CLAMP, LOWER MOUNT TO DIRVE SHAFT HOUSING 1626019	59	44
31284A1	BEARING CARRIER ASSEMBLY	65	70	35638A1	TRIM COVER ASSEMBLY, DRIVE SHAFT HOUSING- STARTED WITH SERIAL . .	57	3A
31284A1	BEARING CARRIER ASSEMBLY	71	68	35769	SEAL, SOUND ABSORBING- UPPER	9	14
31287	PLATE, FACE -WATER PUMP BASE TO WATER PUMP BODY	61	18	35880	PLATE, ROPE GUIDE SEE NOTE BELOW	3	35
31288	COVER, TRANSFER PORT .	43	59	38675	BLANKET, SOUND ABSORBING	9	13
31298A1	PLATE ASSEMBLY, COWL MOUNTING	3	9	46785A1	HANDLE, COWL LATCH . . .	9	16
31303	COVER, EXHAUST MANIFOLD	37	34	46785A1	SWIVEL, COWL LATCH	9	19
31303	COVER, EXHAUST MANIFOLD	41	34	10-20031	SCREW, RETAINER BRACKET TO CENTER CARBURETOR	27	28
31404	SHUTTER, CHOKE- CARBURETOR	27	32	10-20037	SCREW, RETAINER TO HOUSING	35	5
31463	HANDLE, CHROME-TOP COWL	3	36	10-20037	SCREW, RETAINER TO HOUSING	35	5
31476	REVEAL, AIR INTAKE	3	4	10-20060	SCREW, CONNECTING ROD	45	23
31478	STARTER SOLENOID	23	24	10-20060	SCREW, CONNECTING ROD	47	23
31479	RETAINER, CHOKE ROD SPRING TO CARBURETOR	29	37	10-20100	SCREW, "U" LINK TO CHOKE KNOB	27	15
31487	HANDLE ASSEMBLY, INSIDE - TOP COWL	3	37				

PARTS INDEX

Part Number	Description	Pg.	Ref. No.	Part Number	Description	Pg.	Ref. No.
10-20100	SCREW, THROTTLE ACTUATOR TO SECTOR GEAR	11	14	10-22421	SCREW, CYLINDER BLOCK COVER MOUNTING (1 1/4")	43	56
10-20359	SCREW, CENTER MAIN BEARING LOCKING	41	21	10-22698	SCREW, STARTER MOTOR TO CRANKCASE FLANGE	23	16
10-20359	SCREW, CENTER MAIN BEARING LOCKING	37	21	10-22968	SCREW, CENTER MAIN BEARING CLAMPING	45	9
10-20401	SCREW, MERCURY SWITCH CLAMP TO EXHAUST COVER	39	41	10-22968	SCREW, CENTER MAIN BEARING CLAMPING	47	9
10-20401	SCREW, MERCURY SWITCH CLAMP TO EXHAUST COVER	43	45	10-23035	SCREW AND LOCKWASHER, THROTTLE SHUTTER	31	28
10-20540	SCREW, CHOKE SOLENOID TO TOP COWL	27	5	10-23178	SCREW, PLUG-MAIN NOZZLE	31	27
10-20540	SCREW, TRANSFER PORT COVER MOUNTING (5/8")	39	44	10-24228	SCREW, STOP BRACKET ADJUSTING	15	2
10-20540	SCREW, TRANSFER PORT COVER MOUNTING (5/8")	43	33	10-24239	SCREW, WIRE CLIP TO TOP COWL	27	9
10-20542	SCREW, ADAPTOR AND PILOT TO DISTRIBUTOR	11	26	10-24609	JUMPER, RESISTOR TO TERMINAL BLOCK	25	45
10-20584	SCREW, CLEVIS PIN FASTENING	49	30	10-24609	SCREW, JUMPER LEADS TO RESISTOR	25	45
10-20597	SCREW, BREAKER HOLDER TO HOUSING	19	10	10-24770	SCREW, RESISTOR, SNUBBER AND COVER MOUNTING	25	42
10-20653	SCREW, CYLINDER BLOCK COVER MOUNTING (1")	39	49	10-24770	SCREW, TRANSFER PORT COVER AND SNUBBER MOUNTING (1 3/8")	39	44
10-20653	SCREW, CYLINDER BLOCK COVER MOUNTING (1")	43	56	10-24773	SCREW, CHOKE SOLENOID TO TOP COWL	27	3
10-20776	SCREW, DETENT SPRING TO BOTTOM COWL	51	40	10-24963	SCREW, BOTTOM COWL TO DRIVE SHAFT HOUSING	49	20
10-20784	SCREW, COIL BRACKET TO BOTTOM COWL (1 1/2")	15	37	10-25313	SCREW, MAIN BEARING CLAMPING	45	13
10-20847	SCREW, CLUSTER TO THROTTLE LEVER	27	22	10-25313	SCREW, MAIN BEARING CLAMPING	47	13
10-20847	SCREW, THROTTLE STOP LEVER	31	8	10-25612	SCREW, DRIVE-SERIAL PLATE TO SWIVEL BRACKET	53	29
10-20854	SCREW, FLOAT BOWL COVER (SHORT)	31	19	10-25781	SCREW, SET-LINKAGE LEVER	15	20
10-21091	SCREW, BRACKET TO BOTTOM COWL (1 1/8")	49	13	10-25822	SCREW, STRAINER COVER FASTENING	31	25
10-21106	SCREW, BAFFLE TO BOTTOM COWL	49	11	10-25850	SCREW, FLOAT BOWL COVER (LONG)	31	20
10-21574	SCREW, CRANKCASE TO CYLINDER BLOCK (1 5/8")	37	17	10-26065	SCREW, RECTIFIER TO MOUNTING BRACKET	23	8A
10-21574	SCREW, CRANKCASE TO CYLINDER BLOCK (1 5/8")	41	17	10-26128	SCREW, WIRING HARNESS PLATE FASTENING	23	4
10-22040	SCREW, CRANKCASE TO CYLINDER BLOCK (1 1/2")	37	17	10-26132	SCREW, CRANKCASE TO CYLINDER BLOCK (2 1/2")	37	16
10-22040	SCREW, CRANKCASE TO CYLINDER BLOCK F(F1 1/2")	41	17	10-26132	SCREW, CRANKCASE TO CYLINDER BLOCK F(2 1/2")	41	16
10-22040	SCREW, ADAPTOR AND PILOT TO CRANKCASE FLANGE	11	19	10-26548	SCREW, HARNESS CLAMP FASTENING	25	36
10-22245	SCREW, TERMINAL BLOCK FASTENING	25	38	10-26548	SCREW, LEAD WIRE CLIP FASTENING	25	33
10-22421	SCREW, ADAPTOR TO BOTTOM COWL	35	29	10-26801	SCREW, MAIN BEARING LOCKING	37	20

PARTS INDEX

Part Number	Description	Pg.	Ref. No.	Part Number	Description	Pg.	Ref. No.
10-26889	SCREW, COIL BRACKET TO BOTTOM COWL (2 1/4")	15	38	10-29226	SCREW, DECORATIVE-MOULDING TO TOP COWL	5	45
10-28009	BOLT, CLAMP BRACKET TO BOAT TRANSOM	55	53	10-29227	SCREW, BRASS-MOULDING TO TOP COWL	5	46
10-28192	SCREW, TERMINAL BLOCK TO EXHAUST MANIFOLD COVER	25	53	10-29238	SCREW, RATCHET TO FLYWHEEL	13	8
10-28200	SCREW, STRAP STOP TO DRIVE SHAFT HOUSING	53	31	10-29238	SCREW, SOLENOID TO STARTER MOTOR (3/8)	25	30
10-28405	SCREW PLUG, MAIN FUEL JET CHANNEL	33	34	10-29239	SCREW, THROTTLE BRACKET MOUNTING	27	25
10-28450	SCREW, NYLOCK-UPPER AND LOWER SHOCK MOUNTING PIN	55	47	10-29256	SCREW, LOWER MOUNT CLAMP TO DRIVE SHAFT HOUSING	59	48
10-28634	SCREW, GREASE FILLER AND VENT HOLE	63	47	10-29256	SCREW, LOWER MOUNT COVER FASTENING	59	43
10-28634	SCREW, GREASE FILLER AND VENT HOLE	69	45	10-29282	SCREW, SOLENOID TO STARTER MOTOR (3/4)	25	30
10-28636	SCREW, STOP BRACKET TO DISTRIBUTOR ADAPTOR	15	5	10-29283	SCREW, STATOR TO UPPER END CAP SEE NOTE BELOW	13	18
10-28666	SCREW, BALLAST AND PORT COVER MOUNTING (1")	25	42	10-29434	SCREW, CONDENSER TO HOUSING	19	13
10-28666	SCREW, TRANSFER PORT COVER AND BALLAST MOUNTING (1")	43	60	10-29465	SCREW, REED STOP MOUNTING	45	18
10-28667	SCREW, MANIFOLD COVER MOUNTING	37	35	10-29465	SCREW, REED STOP MOUNTING	47	18
10-28668	SCREW, MANIFOLD COVER MOUNTING	41	35	10-29608	SCREW, GEAR HOUSING FLUSHING HOLE	63	49
10-28713	SCREW, RETAINER TO LOWER CARBURETOR	29	37	10-29608	SCREW, GEAR HOUSING FLUSHING HOLE	69	47
10-28773	SCREW, UPPER MOUNT COVER (1 5/8")	59	34	10-29722	SCREW, COVER TO LOWER MOUNT CLAMP	59	49
10-28775	SCREW, UPPER MOUNT COVER (2 1/8")	59	35	10-29852	SCREW, HARNESS AND JUMPER LEADS TO TERMINAL BLOCK	25	48
10-28845	SCREW, PLUG-BODY CHANNEL	33	32	10-29852	SCREW, HARNESS AND STATOR LEADS TO RECTIFIER	23	12
10-28846	SCREW, PLUG-MAIN NOZZLE	31	27	10-29852	SCREW, HARNESS TERMINAL LEAD TO RECTIFIER	23	10A
10-29158	SCREW, DISTRIBUTOR CAP TO ADAPTOR TO HOUSING SEE NOTE BELOW	19	32	10-29877	SCREW, CRANKCASE TO CYLINDER BLOCK (3 1/4")	37	16
10-29167	SCREW, SIDE INLET TO DISTRIBUTOR CAP	19	31	10-29877	SCREW, CRANKCASE TO CYLINDER BLOCK (3 1/4")	41	16
10-29180	SCREW, ADAPTOR TO HOUSING	19	22	10-29878	SCREW, FUEL PUMP MOUNTING (1 1/2")	35	11
10-29197	SCREW, WIRING HARNESS GROUND LEAD TO STARTER MOTOR	23	23	10-29911	SCREW, PULLEY CLAMPING	11	33
10-29199	SCREW, FRONT-HANDLE TO TOP COWL (1")	5	41	10-30009	SCREW, DISTRIBUTOR GROUND LEAD CLIP TO CRANKCASE	15	26
10-29200	SCREW, ANCHOR BRACKET TO BOTTOM COWL	49	22	10-30009	SCREW, HARNESS CLIP FASTENING	25	51
10-29221	SCREW, VENT SCREEN TO TOP COWL	3	8	10-30128	SCREW, TILT STOP LEVER ANCHOR	53	40
10-29226	SCREW, BRACKET TO FRONT COVER	7	3	10-30206	SCREW, GEAR HOUSING TO DRIVE SHAFT HOUSING (1")	71	82

PARTS INDEX

Part Number	Description	Pg.	Ref. No.	Part Number	Description	Pg.	Ref. No.
10-30225	SCREW, END CAP MOUNTING	37	6	10-57021	SCREW, STATOR TO UPPER END CAP SEE NOTE BELOW		
10-30225	SCREW, END CAP MOUNTING	41	30	10-69014	SCREW, STATOR LEAD CLIP FASTENING	13	18
10-30225	SCREW, END CAP MOUNTING	41	6	11-20061	NUT, CONNECTING ROD SCREW	13	21
10-30225	SCREW, END CAP MOUNTING	37	30	11-20061	NUT, CONNECTING ROD SCREW	45	24
10-30273	SCREW, FUEL PUMP MOUNTING (1 7/8")- LOWER PUMP	35	13	11-20083	NUT, ADAPTOR AND PILOT FASTENING SCREW	47	24
10-30274	SCREW, FUEL PUMP MOUNTING (1 3/4")- UPPER PUMP	35	12	11-20083	NUT, CLAMP BRACKET STUD	11	21
10-30452	SCREW, UPPER MOUNT (5 1/2")	59	39	11-20083	NUT, SOLENOID TERMINAL (5/16)	53	11
10-30559	SCREW, WATER PICKUP TO GEAR HOUSING (2 1/4")	65	84	11-20110	NUT, CHOKE SHUTTER TO CARBURETOR STUD	23	27
10-30620	SCREW, THROTTLE AND SHIFT LEVER FASTENING	49	26	11-20166	NUT, CHOKE SHUTTER TO CARBURETOR STUD	27	36
10-30663	SCREW, HARNESS LEADS TO TERMINAL BLOCK	25	54	11-20184	NUT, SHEAVE SHAFT (LEFT HAND THREAD)	3	30
10-30720	SCREW, WATER PUMP BODY TO GEAR HOUSING (1/4)	61	25	11-20184	NUT, ADAPTOR FASTENING SCREW	35	30
10-30720	SCREW, WATER PUMP BODY TO GEAR HOUSING (1/4)	67	26	11-20184	NUT, CENTER MAIN BEARING CLAMPING SCREW	45	10
10-30742	SCREW, TRIM COVER TO DRIVE SHAFT HOUSING	57	4	11-20184	NUT, CENTER MAIN BEARING CLAMPING SCREW	47	10
10-30742	SCREW, TRIM COVER TO DRIVE SHAFT HOUSING	57	5A	11-20184	NUT, CHOKE ROD SPRING TO CARBURETOR STUD	29	40
10-30841	SCREW, REVEAL TO TOP COWL	3	5	11-20184	NUT, COIL BAND SCREW	15	36
10-31257	BOLT, TOP YOKE TO UPPER MOUNT	53	24	11-20184	NUT, COIL BRACKET SCREW	15	39
10-31299	SCREW, PLATE ASSEMBLY TO TOP COWL	3	11	11-20184	NUT, COVER MOUNTING SCREW	39	50
10-32063	SCREW, DRIVE-PLATE TO TOP COWL (#3-48) SEE NOTE BELOW	3	34	11-20184	NUT, COVER MOUNTING SCREW	43	57
10-32156	SCREW, FLEXIBEL PLATE TO FLYWHEEL	13	10	11-20184	NUT, DETENT SPRING SCREW	51	42
10-32156	SCREW, SPACERS AND RATCHET TO FLEXIBLE PLATE	13	8	11-20184	NUT, RECTIFIER BRACKET MOUNTING SCREW	49	15
10-32293	SCREW, CRANKCASE TO CYLINDER BLOCK (1 3/4")	41	17	11-20361	NUT, SPACER AND RATCHET FASTENING SCREW	13	9
10-32417	SCREW, PLATE AND HUB TO FLEXIBLE PLATE	13	11	11-20361	NUT, TOP COWL FASTENING	3	15
10-32470	SCREW, TRIM TAB TO GEAR HOUSING (1 3/4")	71	81	11-20361	NUT, UPPER AND LOWER SWIVEL TO LEVER AND BRACKET	15	19
10-32471	SCREW, SOLENOID MOUNTING HOLES IN STARTER MOTOR	25	55	11-20509	NUT, POWERHEAD STUDS	57	12
10-33853	SCREW, MAIN BEARING LOCKING	41	20	11-20586	NUT, CHROME HANDLE TO INSIDE HANDLE FASTENING	5	40
10-35881	SCREW, DRIVE-PLATE TO TOP COWL (#6-32) SEE NOTE BELOW	3	34	11-20586	NUT, HANDLE TO TOP COWL STUD	5	43
				11-20645	NUT, FASTENING-RECTIFIER STATOR LEADS	23	12A
				11-20645	NUT, IGNITION COIL TERMINALS	15	30

PARTS INDEX

Part Number	Description	Pg.	Ref. No.	Part Number	Description	Pg.	Ref. No.
11-20696	NUT, PIVOT PIN FASTENING	49	18	11-29469	NUT, MAIN BEARING		
11-20890	NUT, STOP BRACKET			11-29469	CLAMPING SCREW	47	14
	ADJUSTING SCREW	15	3	11-29469	NUT, REED STOP		
11-20890	NUT, THRU BOLT-BRACKET			11-29469	MOUNTING SCREW	45	17
	TO STARTER MOTOR . . .	23	20	11-29469	NUT, REED STOP		
11-21806	NUT, DISTRIBUTOR CAP			11-29488	MOUNTING SCREW	47	17
	FASTENING SCREW	19	34	11-29488	NUT, HARNESS AND		
11-21923	NUT, BALLAST JUMPER				STATOR LEAD		
	LEADS FASTENING	25	47	11-29488	FASTENING SCREW	23	13
11-21929	NUT, RECTIFIER MOUNTING			11-29488	NUT, PIN FASTENING		
	SCREW	23	9	11-29489	SCREW	49	32
11-22178	NUT, GEAR HOUSING AND			11-29489	NUT, GEAR HOUSING AND		
	RIVER SHAFT HOUSING				DRIVE SHAFT HOUSING		
	STUDS	57	15		STUDS	57	16
11-22178	NUT, TOP YOKE BOLT			11-29594	NUT, PROPELLER	65	81
	FASTENING	53	25	11-29594	NUT, PROPELLER	71	79
11-22178	NUT, UPPER MOUNT BOLT	57	26	11-29598	NUT, WATER PUMP BODY		
11-22339	NUT, FLYWHEEL	13	1	11-29598	FASTENING STUDS (1/4) .	61	27
11-23161	NUTS, POWERHEAD STUDS	57	13	11-29598	NUT, WATER PUMP BODY		
11-25096	NUT, MOUNTING SCREW . .	59	41	11-29598	FASTENING STUDS (1/4) .	67	28
11-25168	NUT, SHIFT SHAFT END			11-30499	NUT, TILT TUBE FASTENING	53	6
	ADJUSTING	49	35	11-30932	NUT, PINION GEAR TO		
11-25168	NUT, UPPERLINK ROD				DRIVE SHAFT	61	9
	ADJUSTING	15	10	11-30932	NUT, PINION GEAR TO		
11-25269	NUT, STRAP STOP				DRIVE SHAFT	67	9
	FASTENING SCREW	53	32	11-35521	NUT, LOWER MOUNT		
11-25594	NUT, COIL BRACKET STUD .	17	43		CLAMP COVER	59	47
11-26419	NUT BRACKET FASTENING			12-20028	WASHER, TOP COWL STUD		
	SCREW	7	5		(1 1/16")	3	12
11-26419	NUT, BRASS-MOULDING			12-20084	WASHER, ADAPTOR AND		
	FASTENING SCREW	49	9		PILOT FASTENING		
11-26419	NUT, MOULDING				SCREW	11	20
	FASTENING SCREW	5	48	12-20084	WASHER, COIL BRACKET		
11-28010	NUT, CLAMP BRACKET				STUD	17	42
	BOLT	55	55	12-20086	WASHER, POWERHEAD		
11-28202	NUT, SWIVEL PIN				STUDS	57	11
	RETAINING	53	34	12-20128	WASHER, THROTTLE		
11-28770	NUT, WATER PUMP BODY				ACTUATOR FASTENING		
	FASTENING STUD (5/16) .	61	29		SCREW	11	16
11-28770	NUT, WATER PUMP BODY			12-20260	WASHER, GREASE FILLER		
	FASTENING STUD (5/16) .	67	30		AND VENT HOLE SCREW	69	46
11-29225	NUT, NYLON CAP-			12-20260	WASHER, GREASE FILLER		
	MOULDING FASTENING				AND VENT HOLE SCREW	63	48
	SCREW	49	7	12-20346	WASHER, DETENT SPRING		
11-29236	NUT, PRIMARY LEAD				SCREW	51	41
	FASTENING	19	5	12-20346	WASHER,		
11-29250	NUT, CARBURETOR				RESISTOR, BALLAST AND		
	MOUNTING STUD	33	37		COVER MOUNTING		
11-29250	NUT, CRANKCASE				SCREW	25	44
	FASTENING SCREW	37	18	12-20346	WASHER,		
11-29250	NUT, CRANKCASE				RESISTOR, BALLAST AND		
	FASTENING SCREW	41	18		COVER MOUNTING		
11-29250	NUT, LEVER ANCHOR				SCREW	25	44
	SCREW	53	42	12-20346	WASHER, TOP COWL STUD		
11-29250	NUT, RECTIFIER MOUNTING				(3/4" OD)	3	13
	SCREW	23	9A	12-20533	WASHER, CHROME HANDLE		
11-29322	NUT, UPPER MOUNT				TO INSIDE HANDLE STUD	3	39
	COVER SCREWS	59	37	12-20533	WASHER, FRONT SCREW-		
11-29469	NUT, MAIN BEARING				HANDLE TO TOP COWL .	5	42
	CLAMPING SCREW	45	14				

PARTS INDEX

Part Number	Description	Pg.	Ref. No.	Part Number	Description	Pg.	Ref. No.
12-20546	WASHER, PUSH ROD	57	21	12-30164	WASHER, PLUNGER AND LINK	27	19
12-20553	WASHER, VERTICAL SHAFT-CENTER	15	21	12-30191	WASHER, JUMPER LEADS FASTENING SCREW	25	45
12-20583	WASHER, LINK ROD	49	38	12-30633	WASHER, THRUST-BEARING CARRIER TO GEAR HOUSING	65	68
12-20583	WASHER, LINK ROD	51	38	12-30633	WASHER, THRUST-BEARING CARRIER TO GEAR HOUSING	71	65
12-20583	WASHER, TOP COWL STUD (1/32")	3	14	12-30758	WASHER, EQUALIZING RING-STARTER SHEAVE	3	26
12-24664	WASHER, THRU BOLT-BRACKET TO STARTER MOTOR	23	19	12-30771	WASHER, COVER FASTENING KNOB (RUBBER)	7	8
12-24671	WASHER, FIBER-MOULDING FASTENING SCREW	49	6	12-30771	WASHER, COVER FASTENING KNOB (RUBBER)	9	8
12-26014	WASHER, TERMINAL BLOCK FASTENING SCREW	25	40	12-31013	WASHER, THRUST-BEARING CARRIER	65	76
12-26180	WASHER, SHEAVE SHAFT TO STARTER SHEAVE . .	3	24	12-31013	WASHER, THRUST-BEARING CARRIER	71	74
12-26439	WASHER, BREAKER PIVOT PIN	19	7	12-31211	WASHER, SPLINED-PROPELLER SHAFT	65	79
12-26825	WASHER, COVER FASTENING KNOB (STEEL)	7	9	12-31211	WASHER, SPLINED-PROPELLER SHAFT	71	77
12-26825	WASHER, COVER FASTENING KNOB (STEEL)	9	9	12-31261	WASHER, RUBBER-UPPER MOUNT BOLT	59	28
12-27939	WASHER, THRUST-DISTRIBUTOR PILOT	11	22	12-31262	WASHER, UPPER MOUNT BOLT	59	29
12-28008	WASHER, CLAMP BRACKET BOLT	55	54	12-31263	WASHER, UPPER MOUNT BOLT	59	27
12-28196	WASHER, UPPER BUSHING RETAINER (INNER)	55	45	12-31266	WASHER, RUBBER-SHIFT SHAFT BUSHING	63	42
12-28264	WASHER, LOWER BUSHING RETAINER (INNER)	55	52	12-31266	WASHER, RUBBER-SHIFT SHAFT BUSHING	69	40
12-28404	WASHER, THUMB SCREW . .	53	3	12-31815	WASHER, SWIVEL PIN-LOWER (TOP WASHER OPTIONAL)	53	26
12-28421	WASHER, UPPER AND LOWER BUSHING RETAINER (OUTER)	55	46	12-68229	WASHER, FLYWHEEL NUT . .	13	2
12-29245	WASHER, SPRING TERMINAL PIN	11	8	13-20160	WASHER, WAVE-WASHER TENSION	3	25
12-29245	WASHER, UPPER AND LOWER SWIVEL	15	18	13-20554	LOCKWASHER, IGNITION COIL TERMINALS	15	28
12-29245	WASHER, UPPER MOUNT COVER SCREWS	59	36	13-21272	LOCKWASHER, BRACKET FASTENING SCREW	27	29
12-29395	WASHER, THROTTLE AND SHIFT LEVER FASTENING SCREW	49	27	13-24669	LOCKWASHER, THRU BOLT-BRACKET TO STARTER MOTOR	23	19
12-29590	WASHER, CUPPED-THRUST HUB	65	78	13-26917	WASHER, WAVE-BALL BEARING TENSION	19	19
12-29590	WASHER, CUPPED-THRUST HUB	71	76	13-26991	LOCKWASHER, CHOKE SOLENOID SCREW	27	4
12-29681	WASHER, NEEDLE LOCATING	47	27	13-26992	LOCKWASHER, CHOKE SOLENOID SCREW	27	6
12-29681	WASHER, NEEDLE LOCATION	45	27	13-26992	LOCKWASHER, RESISTOR,BALLAST AND COVER MOUNTING SCREW	25	43
12-29957	WASHER, GEAR HOUSING COVER	65	74				
12-29957	WASHER, GEAR HOUSING COVER	71	72				
12-30164	WASHER, CHOKE SHUTTER CARBURETOR STUD	27	35				

PARTS INDEX

Part Number	Description	Pg.	Ref. No.	Part Number	Description	Pg.	Ref. No.
13-26992	LOCKWASHER, TRANSFER PORT COVER AND SNUBBER MOUNTING SCREW	39	45	13-29402	WASHER, WAVE-STARTER PAWL	3	21
13-26992	LOCKWASHER, WATER PUMP BODY FASTENING SCREW AND STUDS (1/4)	61	26	13-31030	WASHER, WAVE-LEVER ANCHOR SCREW	53	41
13-26992	LOCKWASHER, WATER PUMP BODY FASTENING SCREW AND STUDS(1/4)	67	27	14-20091	TAB WASHER, BEARING LOCKING SCREW	37	22
13-26992	LOCKWASHER,ADAPTOR AND PILOT TO DISTRIBUTOR SCREW	11	27	14-20091	TAB WASHER,BEARING LOCKING SCREW	41	22
13-26993	LOCKWASHER, CLAMP BRACKET STUD	53	10	14-20165	TAB WASHER, SHEAVE SHAFT NUT	3	29
13-26993	LOCKWASHER, RECTIFIER MOUNTING SCREW	23	8	14-27960	TAB WASHER, CAP LOCKING	11	23
13-26993	LOCKWASHER, SOLENOID TERMINAL (5/16)	23	26	14-29157	TAB WASHER, DISTRIBUTOR CAP FASTENING SCREWSEE NOTE BELOW	19	33
13-26993	LOCKWASHER, STARTER MOTOR FASTENING SCREW	23	17	14-31210	TAB WASHER, PROPELLER NUT	65	80
13-26993	LOCKWASHER, WATER PUMP BODY FASTENING STUD (5/16)	61	28	14-31210	TAB WASHER, PROPELLER NUT	71	78
13-26993	LOCKWASHER, WATER PUMP BODY FASTENING STUD (5/16)	67	29	15-20082A1	SHIM, END CAP TO CRANKCASE (.002-3-510)	37	5
13-26995	LOCKWASHER, BRACKET FASTENING SCREW	7	4	15-20085A1	SHIM, END CAP TO CRANKCASE (.002-3-5-10)	37	29
13-26995	LOCKWASHER, JUMPER LEADS FASTENING SCREW	25	46	15-20085A1	SHIM, END CAP TO CRANKCASE(.002-3-5-10)	41	29
13-26995	LOCKWASHER, MOULDING FASTENING SCREW	5	47	15-29955A1	SHIM, THRUST WASHER TO GEAR HOUSING	65	67
13-26995	LOCKWASHER, MOULDING FASTENING SCREW	49	8	15-29955A1	SHIM, THRUST WASHER TO GEAR HOUSING	71	66
13-26996	LOCKWASHER, IGNITION COIL TERMINALS	15	29	15-30278A1	SHIM WATER PUMP BASE TO GEAR HOUSING	67	10
13-26996	LOCKWASHER, RECTIFIER STATOR LEAD TERMINALS	23	11A	15-30278A1	SHIM, DRIVE SHAFT BALL BEARING TO GEAR HOUSING	61	10
13-26996	LOCKWASHER, REVEAL TO TOP COWL FASTENING SCREW	3	6	15-30278A1	SHIM, DRIVE SHAFT BALL BEARING TO GEAR HOUSING	67	10
13-26996	LOCKWASHER, SOLENOID TERMINAL (#10)	23	28	15-30278A1	SHIM, WATER PUMP BASE TO GEAR HOUSING	61	10
13-26996	LOCKWASHER, TERMINAL BLOCK FASTENING SCREW	25	39	15-30497A1	SHIM, CLAMP BRACKET TILT TUBE (.010-.020)	53	5
13-26996	LOCKWASHER, THROTTLE ACTUATOR FASTENING SCREW	11	15	15-30923A1	SHIM, BEARING OUTER RACE TO GEAR HOUSING	65	56
13-26996	LOCKWASHER,"U" LINK SCREW	27	16	15-30923A1	SHIM, BEARING OUTER RACE TO GEAR HOUSING	71	54
13-26996	LOCKWASHER,PULLEY CLAMPING SCREW	11	34	15-31283A1	SHIM, END CAP TO CRANKCASE (.002-3-5-10)	41	5
13-27959	WASHER,WAVE-TAB WASHER TENSION	11	24	16-20077	STUD, COIL BRACKET TO SUPPORT	15	40
				16-20221	STUD, CLAMP BRACKET	53	9
				16-20353	STUD, FRONT-TOP COWL TO CRANKCASE	3	2
				16-20353	STUD, REAR-TOP-COWL TO COVER	3	10
				16-21723	STUD, CHOKE ROD SPRING TO CARBURETOR	29	38
				16-21831	STUD, CARBURETOR MOUNTING	37	10

PARTS INDEX

Part Number	Description	Pg.	Ref. No.	Part Number	Description	Pg.	Ref. No.
16-26133	STUD, CRANKCASE TO DRIVE SHAFT HOUSING .	37	11	17-20853	PIN FLOAT LEVER PINION .	31	3
16-26133	STUD, CRANKCASE TO DRIVE SHAFT HOUSING .	41	11	17-21057	PIN, HINGE-COWL LATCH HANDLE	7	16
16-26134	STUD, CYLINDER BLOCK TO DRIVE SHAFT HOUSING .	37	14	17-21057	PIN, HINGE-COWL LATCH HANDLE	9	18
16-26134	STUD, CYLINDER BLOCK TO DRIVE SHAFT HOUSING .	41	14	17-23928	ROLL PIN, CLEVIS YOKE PIN	49	29
16-26135	STUD, CYLINDER BLOCK TO DRIVE SHAFT HOUSING .	37	15	17-25319	PIN, ROLL-CAM SHAFT	19	15
16-26135	STUD, CYLINDER BLOCK TO DRIVE SHAFT HOUSING .	41	15	17-25319	ROLL PIN, VERTICAL SHAFT AND LINKAGE LEVERS . .	15	17
16-29078	STUD, GEAR HOUSING TO DRIVE SHAFT HOUSING (2")	61	3	17-25391	RIVET, CHOKE SHUTTER TO CHOKE ROD	27	34
16-29078	STUD, GEAR HOUSING TO DRIVE SHAFT HOUSING (2")	67	3	17-25598	PIN, REVERSE LOCK SPRING ATTACHING	53	21
16-29230	STUD, PRIMARY LEAD AND TENSION SPRING	19	4	17-26618	PIN, DOWEL-PULLEY TO FLYWHEEL	13	14
16-30172	STUD, CARBURETOR-CHOKE SHUTTER PIVOT	27	31	17-27732	DOWEL PIN, STEPPED	45	8
16-30661	STUD, GEAR HOUSING TO DRIVE SHAFT HOUSING (3 15/16")	61	2	17-27961	PIN, SPRING RETAINER . . .	11	10
16-30661	STUD, GEAR HOUSING TO DRIVE SHAFT HOUSING (3 15/16")	67	2	17-27962	PIN, SPRING TERMINAL	11	7
16-30667	STUD, WATER PUMP BASE AND BODY TO GEAR HOUSING (3 1/8")	67	5	17-28658	PIN, COIL SPRING MOUNTING	53	18
16-30667	STUD, WATER PUMP BASE AND BODY TO GEAR TO GEAR HOUSING (3	61	5	17-29077	ROLL PIN, TENSION SPRING TO KNOB	7	11
16-30669	STUD, WATER PUMP BASE AND BODY TO GEAR HOUSING (3 1/4")	67	4	17-29077	ROLL PIN, TENSION SPRING TO KNOB	9	11
16-30669	STUD, WATER PUMP BASE AND BODY TO GEAR HOUSING (3 1/4")	61	4	17-29596	DOWEL PIN, WATER PUMP BASE TO WATER PUMP BODY	61	16
16-30929	STUD, DRIVE SHAFT HOUSING TO GEAR HOUSING	57	2	17-29596	DOWEL PIN, WATER PUMP BASE TO WATER PUMP BODY	67	17
16-30929	STUD, DRIVE SHAFT HOUSING TO GEAR HOUSING	57	2	17-29908	PIN, DRIVEN PULLEY	11	30
17-20032	DOWEL PIN, CENTER MAIN BEARING	45	4	17-29967	PIN, IMPELLER DRIVE	61	24
17-20032	DOWEL PIN, CENTER MAIN BEARING	47	4	17-29967	PIN, IMPELLER DRIVE	67	25
17-20032	DOWEL PIN, MAIN BEARING	45	12	17-30004	PIN, PIVOT-BOTTOM COWL	49	17
17-20032	DOWEL PIN, MAIN BEARING	47	12	17-30615	PIN, REVERSE LOCK LEVER	57	18
17-20032	PIN, DOWEL-CYLINDER BLOCK TO MAIN BEARING	41	13	17-30632	PIN, CROSS-RATCHET TO PROPELLER SHAFT	65	62
17-20032	PIN, DOWEL-CYLINDER BLOCK TO MAIN BEARING	37	13	17-30632	PIN, CROSS-RATCHET TO PROPELLER SHAFT	71	60
17-20033	PIN, DOWEL-CRANKCASE TO CYLINDER BLOCK . . .	37	12	17-30687A1	TILT LOCK PIN ASSEMBLY .	53	12
17-20033	PIN, DOWEL-CRANKCASE TO CYLINDER BLOCK . . .	41	12	17-30978A1	PIN ASSEMBLY, CLEVIS YOKE	49	28
				17-31245	DOWEL PIN, STEPPED	47	8
				17-31772A1	SWIVEL PIN AND TOP YOKE ASSEMBLY	53	22
				18-20180	COTTER PIN, LINK ROD TO SHIFT SHAFT	49	37
				18-20209	COTTER PIN, REVERSE LOCK TO SHAFT	53	38
				18-20233	CLIP, RETAINING-SHIFT SHAFT	69	36
				18-20233	SLIP, RETAINING-SHIFT SHAFT	63	38
				18-25191	COTTER PIN, PUSH ROD TO REVERSE LOCK	57	22
				18-26953	COTTER PIN, "U" LINK TO CHOKE ROD	27	17
				18-26953	COTTER PIN, BREAKER TO PIVOT PIN	19	8

PARTS INDEX

Part Number	Description	Pg.	Ref. No.	Part Number	Description	Pg.	Ref. No.
19-20011	WELCH PLUG, BODY CHANNEL	33	33	22-30139	PLUG, PIPE-WATER PRESSURE HOLE	37	9
19-29850	PLUG, PLASTIC-TRIM TAB SCREW HOLE WHITE	57	14	22-30139	PLUG, PIPE-WATER PRESSURE HOLE	41	9
19-31469	PLUG, HOLE-BOTTOM COWL WHITE	49	2	22-30174	ELBOW, LOWER FUEL PUMP INLET	35	21
19-32297	PLUG, HOLE-HOLE-BOTTOM COWL BLACK	49	2	22-30174	ELBOW, UPPER CARBURETOR STRAINER COVER	35	15
19-32298	PLUG, PLASTIC-TRIM TAB SCREW HOLE BLACK	57	14	22-30175	SLEEVE, FUEL PUMP INLET ELBOW	35	22
19-32299	WELCH PLUG, BODY CHANNEL	33	33	22-30175	SLEEVE, UPPER CARBURETOR STRAINER COVER ELBOW	35	16
21-28481A1	CHECK VALVE ASSEMBLY	39	55	22-30177	NUT, FUEL PUMP INLET ELBOW	35	23
21-28481A1	CHECK VALVE ASSEMBLY	43	50	22-30177	NUT, UPPER CARBURETOR STRAINER COVER ELBOW	35	17
21-28481A1	CHECK VALVE ASSEMBLY, END CAP	41	24	22-31521	ELBOW, VENT HOSE-DISTRIBUTOR CAP	19	27
21-28481A1	CHECK VALVE ASSEMBLY, END CAP	37	24	23-20222	SPACER, CLAMP BRACKET STUD	53	8
21-28481A1	CHECK VALVE ASSEMBLY-ADAPTOR	39	55	23-26348	BUSHING COVER-COWL MOUNTING STUD	39	48
21-28481A1	CHECK VALVE ASSEMBLY-ADAPTOR	43	50	23-26348	BUSHING, COVER-COWL MOUNTING STUD	43	55
21-28483A1	CHECK VALVE ASSEMBLY, UPPER-BLEED HOSE	43	51	23-26348	BUSHING, CRANKCASE - COWL MOUNTING STUD	37	8
21-28483A1	CHECK VALVE ASSEMBLY, UPPER-BLEED HOSE	39	56	23-26348	BUSHING, CRANKCASE-COWL MOUNTING STUD	41	8
21-30430	VALVE, CHECK-FUEL PUMP	35	3	23-26602	BUSHING, NYLON-THROTTLE ACTUATOR	11	13
21-30430	VALVE, CHECK-FUEL PUMP	35	3	23-26954	BUSHING, NYLON-VERTICAL SHAFT	15	16
22-20445	CONNECTOR, CYLINDER BLEED HOSE-LOWER AND CENTER	39	51	23-28198	BUSHING, RUBBER-SHOCK ABSORBER (LOWER)	55	49
22-20445	CONNECTOR, CYLINDER BLEED HOSE-LOWER AND CENTER	43	46	23-28198	BUSHING, RUBBER-SHOCK ABSORBER (LOWER)	55	49
22-20781	ELBOW, BALANCE TUBE TO MAIN BEARING SCREW	41	39	23-28199	SPACER, UPPER SHOCK BUSHING TO CLAMP BRACKET	55	44
22-20931	TEE, BALANCE TUBE TO MAIN BEARING SCREW	43	40	23-28688	SPACER, RUBBER-COIL SPRING POSITIONING	53	20
22-21290	PLUG, PIPE-SHIFT SHAFT GREASE FILLER HOLE	63	46	23-28933	BUSHING, DISTRIBUTOR CAM SHAFT	19	18
22-21290	PLUG, PIPE-SHIFT SHAFT GREASE FILLER HOLE	69	44	23-29529	BUSHING, THROTTLE AND SHIFT LEVER	49	25
22-23612	FITTING, GREASE	53	15	23-29591	SLEEVE, RUBBER-WATER INLET TUBE	57	9
22-25094	FITTING, GREASE-ADAPTOR	11	18	23-29804	SLEEVE, GUIDE-WATER INLET TUBE	61	32
22-25094	FITTING, GREASE-ECONOMIZER COLLAR	11	11	23-29804	SLEEVE, GUIDE-WATER INLET TUBE	67	33
22-25885	ELBOW, DISTRIBUTOR VENT TUBE	17	46	23-29909	SPACER, DRIVEN PULLEY	11	28
22-25885A1	ELBOW ASSEMBLY, VENT HOSE-PRIMARY HOUSING	19	2	23-30438	BUSHING, NYLON-UPPER CHOKE SHUTTER	27	33
22-25956	TEE, CHECK VALVE AND ADAPTOR	39	53	23-30607	SPACER, NYLON-REVERSE LOCKING CAM	63	45
22-25956	TEE, CHECK VALVE AND ADAPTOR	43	48				
22-28586A1	ADAPTOR AND CHECK VALVE ASSEMBLY	39	54				
22-28586A1	ADAPTOR AND CHECK VALVE ASSEMBLY	43	49				

PARTS INDEX

Part Number	Description	Pg.	Ref. No.	Part Number	Description	Pg.	Ref. No.
23-30617A1	BUSHING ASSEMBLY, SHIFT SHAFT	63	40	25-25439	"O" RING, SHIFT SHAFT BUSHING	63	39
23-30617A1	BUSHING ASSEMBLY, SHIFT SHAFT	69	38	25-25439	"O" RING, SHIFT SHAFT BUSHING	69	37
23-30752	BUSHING, NYLON-SHEAVE SHAFT SPACER	3	22	25-26543	"O" RING, CAM SHAFT	19	17
23-30754	BUSHING, SPRING GUIDE	3	18	25-26543	"O" RING, IGNITION COIL	15	31
23-30759	SPACER, SHEAVE SHAFT	3	23	25-26547	GROMMET, HIGH TENSION CABLE	19	39
23-32157	SPACER LOWER-FLEXIBLE PLATE	13	5	25-29976	"O" RING, BEARING CARRIER	65	69
23-32171	BUSHING, RUBBER-SHOCK ABSORBER (UPPER)	55	50	25-29976	"O" RING, BEARING CARRIER	71	57
23-32174	SPACER, UPPER-FLEXIBLE PLATE	13	6	25-30224	"O" RING, WATER PUMP BASE	61	13
23-32427	SPACER, CHOKE ROD SPRING STUD	29	39	25-30224	"O" RING, WATER PUMP BASE	67	14
24-20869	SPRING, THROTTLE SHAFT RETURN (UPPER CARBURETOR)	31	11	25-30271	RING, RUBBER-CENTRIFUGAL SLINGER (DRIVE SHAFT)	61	30
24-26890	SPRING, THROTTLE SHAFT RETURN (CENTER AND LOWER CARBURETOR)	31	11	25-30271	RING, RUBBER-CENTRIFUGAL SLINGER (DRIVE SHAFT)	67	31
24-27160	SPRING, IDLE ADJUSTMENT SCREW	31	14	25-30613	"O" RING, UPPER-DRIVE SHAFT	61	33
24-28659	SPRING, COIL -SWIVEL BRACKET	53	17	25-30613	O" RING, UPPER-DRIVE SHAFT	67	34
24-28965	SPRING, CHOKE ROD TENSION	27	37	25-31305	"O" RING	41	3
24-28975	SPRING, GARTER-INTERNAL WIRING HARNESS	23	5	26-26207	SEAL, RUBBER-WATER INLET TUBE	57	8
24-29275	SPRING, HORSESHOE	11	6	26-29476	OIL SEAL	37	2
24-29821	SPRING, REVERSE LOCK TENSION	53	35	26-29476	OIL SEAL	41	2
24-30189	SPRING, ADAPTOR STEM	35	27	26-29476	OIL SEAL UPPER	41	25
24-30618	SPRING, TENSION-PUSH ROD	57	19	26-29476	OIL SEAL, UPPER	37	25
24-30621	SPRING, DETENT	51	39	26-29478	OIL SEAL, LOWER	37	26
24-30622	SPRING, COMPRESSION-CAM FOLLOWER	65	55	26-29478	OIL SEAL, LOWER	41	26
24-30622	SPRING, COMPRESSION-CAM FOLLOWER	71	53	26-29612	SEAL, GEAR HOUSING FLUSHING HOLE	63	51
24-30753	SPRING, STARTER REWIND	3	17	26-29612	SEAL, GEAR HOUSING FLUSHING HOLE	69	49
24-30772	SPRING, TENSION-FASTENING KNOB	7	10	26-29677	SEAL, RUBBER-WATER PUMP BODY	67	32
24-30772	SPRING, TENSION-FASTENING KNOB	9	10	26-29677	SEAL, RUBBER-WATER PUMP BODY	61	31
24-30893	SPRING, RETAINING-CROSS PIN	65	63	26-29971	SEAL, GEAR HOUSING TO WATER INTAKE TUBE	63	36
24-30893	SPRING, RETAINING-CROSS PIN	71	61	26-30550	OIL SEAL, BEARING CARRIER	65	72
24-32428	SPRING, CHOKE ROD TENSION	27	37	26-30550	OIL SEAL, BEARING CARRIER	71	70
24-35522	SPRING, TENSION-LOWER MOUNT CLAMP	59	45	26-31249	OIL SEAL, SHIFT SHAFT BUSHING	63	41
25-20081	"O" RING	37	27	26-31249	OIL SEAL, SHIFT SHAFT BUSHING	69	39
25-20081	"O" RING	37	3	26-31282	SEAL, WATER PUMP BODY TO WATER INTAKE TUBE	61	34
25-20081	"O" RING	41	27	26-31489	OIL SEAL, WATER PUMP BASE	61	15
25-20116	GROMMET, CHOKE KNOB	3	3	26-31489	OIL SEAL, WATER PUMP BASE	67	16
25-20116	GROMMET, CHOKE ROD	27	13				
25-20415	"O" RING, ADAPTOR STEM	35	26				

PARTS INDEX

Part Number	Description	Pg.	Ref. No.	Part Number	Description	Pg.	Ref. No.
26-31507	OIL SEAL,WATER PUMP BODY	61	22	27-31798	GASKET, CYLINDER BLOCK COVER	43	53
26-31783	OIL SEAL	53	16	27-32433	GASKET, LOWER-WATER PUMP BASE TO FACE PLATE	67	18
27-23005	GASKET, CHECK VALVE TO HOUSING	35	2	27-32434	GASKET, UPPER-FACE PLATE TO WATER PUMP BODY	67	20
27-23005	GASKET, CHEVK VALVE TO HOUSING	35	2	27-32438	GASKET, WATER PUMP BASE TO GEAR HOUSING	67	13
27-23180	GASKET, IDLE TUBE	33	31	27-36268	GASKET, DISTRIBUTOR CAP TO ADAPTOR SEE NOTE BELOW	19	24
27-24863	GASKET, FUEL PUMP	35	6	28-29910	KEY,MAGNETO DRIVING ..	11	32
27-24863	GASKET, FUEL PUMP	35	6	28-30250	KEY, FLYWHEEL DRIVE ...	47	2
27-25033	GASKET, INLET SEAT	31	7	28-30250	KEY,FLYWHEEL DRIVE	45	2
27-25848	GASKET, STRAINER COVER SCREW	31	24	28-30281	KEY, LOCATING- BEARING CARRIER	71	71
27-25849	GASKET, STRAINER COVER (SMALL)	31	22	28-30281	KEY, LOCATING-BEARING CARRIER	65	73
27-25851	GASKET, STRAINER COVER (LARGE)	31	21	28-45554	KEY,FLYWHEEL DRIVE	13	3
27-26198	GASKET,DRIVE SHAFT HOUSING TO BOTTOM COWL	57	10	29-26114	BEARING, NEEDLE-OUTER RACE	45	5
27-26412	GASKET, HOUSING TO ADAPTOR	19	20	29-26114	BEARING, NEEDLE-OUTER RACE	47	5
27-26447	GASKET, SIDE INLET TO DISTRIBUTOR CAP	19	30	29-30401	BEARING, NEEDLE-PISTON PIN	45	26
27-26891	GASKET, CARABURETOR FLANGE	33	36	29-30401	BEARING, NEEDLE-PISTON PIN	47	26
27-28406	GASKET, JET CHANNEL PLUG SCREW	33	35	29-30403	BEARING NEEDLE-CRANKPIN	47	25
27-28409	GASKET, MAIN FUEL JET ..	31	13	29-30403	BEARING, NEEDLE-CRANKPIN	45	25
27-29586	GASKET, GEAR HOUSING FLUSHING HOLE SCREW	63	50	30-20066	BEARING,BALL-DISTRIBUTOR PILOT	11	5
27-29586	GASKET, GEAR HOUSING FLUSHING HOLE SCREW	69	48	30-20080	BEARING BALL	41	28
27-29866	GASKET, TRANSFER PORT COVER	39	42	30-20080	BEARING, BALL	37	28
27-29914	GASKET, POWERHEAD TO BOTTOM COWL	49	19	30-20080	BEARING, BALL	37	4
27-30012	GASKET, MANIFOLD PLATE TO COVER	37	33	30-20464	BEARING, BALL-DRIVE SHAFT	61	11
27-30013	GASKET, CYLINDER BLOCK TO MANIFOLD PLATE ...	37	31	30-20464	BEARING, BALL-DRIVE SHAFT	67	11
27-30276	GASKET, FUEL PUMP COVER	35	10	30-26379	BEARING, BALL-CAM SHAFT	19	14
27-30557	GASKET, WATER PICKUP TO GEAR HOUSING	65	83	30-26379	BEARING, BALL-DRIVE SHAFT	11	2
27-31285	GASKET, LOWER-WATER PUMP BASE TO FACE PLATE	61	17	30-31265	BEARING, BALL-REVERSE GEAR	71	64
27-31286	GASKET, UPPER-FACE PLATE TO WATER PUMP BODY	61	19	30-31265	BEARING, BALL-REVERSE GEAR ASSEMBLY	65	66
27-31301	GASKET, MANIFOLD PLATE TO COVER	41	33	30-32117	BEARING, BALL	41	4
27-31302	GASKET, CYLINDER BLOCK TO MANIFOLD PLATE ...	41	31	31-29982	BEARING, ROLLER-DRIVE SHAFT	61	6
27-31304	GASKET, TRANSFER PORT COVER	43	58	31-29982	BEARING, ROLLER-DRIVE SHAFT	67	6
27-31402	GASKET,CARBURETOR FLANGE	33	36	31-30894A1	TAPERED ROLLER BEARING ASSEMBLY	65	59
				31-30894A1	TAPERED ROLLER BEARING ASSEMBLY	71	57
				31-30895	BEARING, ROLLER-FORWARD GEAR	71	56

PARTS INDEX

Part Number	Description	Pg.	Ref. No.	Part Number	Description	Pg.	Ref. No.
31-30895	BEARING, ROLLER-FORWARD GEAR ASSEMBLY	65	58	34-20888A1	REED SET, MATCHED-MAIN BEARING	47	15
31-30956	BEARING, ROLLER-BEARING CARRIER	65	71	34-30303A1	REED SET, MATCHED-MAIN BEARING	45	15
31-30956	BEARING, ROLLER-BEARING CARRIER	71	69	37-31883	DECAL, WRAP AROUND COWL-REAR	7	22
31-31092	CUP, TAPERED ROLLER BEARING	65	60	37-31884	DECAL, WRAP AROUND COWL-STARBOARD	7	21
31-31092	CUP, TAPERED ROLLER BEARING	71	58	37-31885	DECAL, WRAP AROUND COWL-PORT	7	20
32-26407	HOSE, VENT-DISTRIBUTOR TO ELBOW (16")	17	47	37-31924	DECAL, "FULL GEAR SHIFT" - STARBOARD	57	5
32-26527	SLEEVE, SPARK PLUG LEAD	21	44	37-31925	DECAL, "FULL GEAR SHIFT" - PORT	57	6
32-26542	HOSE, VENT-DISTRIBUTOR TO CONNECTOR (13")	17	45	37-31987	DECAL, "FULL GEAR SHIFT" - STARBOARD	57	5
32-28052	SLEEVE, RUBBER-RECTIFIER HARNESS LEAD	23	11	37-31988	DECA, "FULL GEAR SHIFT" - PORT	57	6
32-28052	SLEEVE, RUBBER-TILT LOCK PIN BUMPER	53	13	37-33678	DECAL, WRAP AROUND COWL-STARBOARD	7	21
32-28373	SLEEVE, RUBBER-RECTIFIER HARNESS LEAD	23	10	37-33679	DECAL, WRAP AROUND COWL-PORT	7	20
32-29873	HOSE, UPPER AND LOWER CYLINDER BLEED	43	47	37-35393	DECAL, TRIM COVER-PORT AND STARBOARD	57	4A
32-29873	HOSE, UPPER AND LOWER CYLINDER BLEED	39	52	37-35747	DECAL, WRAP AROUND COWL-PORT	9	22
32-30176	FUEL LINE, ADAPTOR TO LOWER FUEL PUMP INLET	35	20	37-35748	DECAL, WRAP AROUND COWL-STARBOARD	9	23
32-30574	SLEEVE, SPARK PLUG LEAD	21	43	37-35780	DECAL, FRONT COVER - "FLAGS"	9	6
32-30574	SLEEVE, SPARK PLUG LEAD	21	43	37-35831	DECAL, FRONT COVER- "BLIPS"	9	3
32-30722	TUBE, WATER INLET	57	7	37-35832	DECAL, FRONT COVER- "MERC 850"	9	2
32-31272	TUBE, WATER INTAKE-GEAR HOUSING	61	35	37-35833	DECAL, FRONT COVER EMBLEM	9	4
32-31550A1	FUEL LINE ASS'Y, UPPER TO CENTER TO LOWER CARBURETOR (6")	35	31	37-64413	EMBLEM, FRONT COVER	9	5
32-31552A1	FUEL LINE ASS'Y PUMP OUTLET TO PUMP INLET (12 3/8")	35	18	38-31061	SERIAL PLATE	53	28
32-31553A1	FUEL LINE ASS'Y PUMP OUTLET TO CARBURETOR (19 3/4")	35	19	39-30587A12	RING, PISTON (3/32") THICK)	45	21
32-31812A1	FUEL LINE ASS'Y, PUMP OUTLET TO CARBURETOR (11 7/8")	35	14	39-30704A12	RING, PISTON (.015 OVERSIZE) 3/32" THICK	45	27
32-32256A1	FUEL LINE ASS'Y PUMP OUTLET TO CARBURETOR (9 7/8")	35	14	39-32921A12	RING, PISTON (5/64" THICK)	47	21
32-33960	TUBE, BALANCE-MAIN BEARING	41	38	39-33945A12	RING, PISTON (.15 OVERSIZE)-5/64" THICK	47	27
33-30578	SPARK PLYG (CHAMPION-J4J)	15	23	40-30002	LOCK RING, PISTON PIN	45	20
33-31390	SPARK PLUG (AC-K421)	15	23	40-32118	LOCK RING, PISTON PIN	47	20
34-20053	REED STOP, MAIN BEARING REED VALVES	47	16	43-31417	FORWARD GEAR ASSEMBLY	65	57
34-20053	REED, STOP, MAIN BEARING REED VALVES	45	16	43-31417A1	FORWARD GEAR ASSEMBLY, COMPLETE	65	56
				43-31418	REVERSE GEAR ASSEMBLY	65	65
				43-31418A1	REVERSE GEAR ASSEMBLY, COMPLETE	65	64
				43-31419	GEAR, PINION-DRIVE SHAFT	61	8
				43-31419	GEAR, PINION-DRIVE SHAFT	67	8
				43-31886	FORWARD GEAR ASSEMBLY	71	55
				43-31887	REVERSE GEAR ASSEMBLY	71	63
				44-30944	SHAFT, PROPELLER	65	64
				44-32164	SHAFT, PROPELLER	71	62

PARTS INDEX

Part Number	Description	Pg.	Ref. No.	Part Number	Description	Pg.	Ref. No.
45-30565	DRIVE SHAFT (STANDARD)	61	7	54-22875	CLAMP, MERCURY SWITCH HOLDING	37	39
45-30565	DRIVE SHAFT (STANDARD)	67	7	54-22875	CLAMP, MERCURY SWITCH HOLDING	43	43
45-30573	DRIVE SHAFT, DISTRIBUTOR	11	3	54-24836	CLIP, DISTRIBUTOR PRIMARY GROUND LEAD (1/4-6)	15	24
46-31273A1	WATER PUMP BODY ASSEMBLY	61	20	54-24836	CLIP, STATOR LEAD TO EXHAUST COVER	13	19
46-31277A1	WATER PUMP BASE ASSEMBLY	61	14	54-24836	CLIP, WIRING HARNESS TO CRANKCASE FLANGE AND COVER	25	49
46-32436A1	WATER PUMP BASE ASSEMBLY	67	15	54-26519	CLAMP, SPARK PLUG LEADS TO COVER	37	36
46-32437A1	WATER PUMP BODY ASSEMBLY	67	21	54-26519	CLAMP, SPARK PLUG LEADS TO COVER	41	36
47-30221	IMPELLER, WATER PUMP	61	23	54-26538	CLIP, CHOKE SOLENOID WIRE	27	8
47-30221	IMPELLER, WATER PUMP	67	24	55-28209	SHOCK ABSORBER	55	48
50-28985A1	STARTER CABLE ASSEMBLY	3	31	55-28416	PIN, UPPER SHOCK MOUNTING	53	43
50-30745	RATCHET, FLYWHEEL	13	7	55-29247	PIN, LOWER SHOCK MOUNTING	55	51
50-30749	SHEAVE ASSEMBLY	3	19	55-31933	SHOCK ABSORBER	55	48
50-30842	STARTER MOTOR ASSEMBLY (DELCO-REMY)	23	14	92-25234	GLU,ADHESIVE-BLANKET FASTENING	7	21
50-31976	STARTER MOTOR ASSEMBLY (DELCO-REMY)	23	14	92-25234--1	GLUE, ADHESIVE-BLANKET FASTENING	9	23
52-34239	RATCHET, SLIDING CLUTCH	65	61	92-27109	ADHESIVE COMPOUND (3 1/2 OUNCE KIT) EMBLEM FASTENING	7	21
52-34239	RATCHET, SLIDING CLUTCH	71	59	92-27109--1	ADHESIVE COMPOUND, EMBLEM FASTENTING	9	23
53-21058	"E" RING, COWL LATCH HINGE PIN	7	15	182-1895A2	TOP COWL ASSEMBLY	3	1
53-21058	"E" RING, HANDLE TO HINGE PIN	9	17	184-1910A2	COWL FRONT COVER ASSEMBLY	7	1
53-26406	RING, SNAP-BALL BEARING RETAINING	11	1	186-1781A2	BOTTOM COWL ASSEMBLY	49	1
53-26933	RING, SNAP-OUTER RACE	45	7	194-1942A3	WRAP AROUND COWL ASSEMBLY	7	13
53-26933	RING, SNAP-OUTER RACE	47	7	194-1942A5	WRAP AROUND COWL ASSEMBLY	7	13
53-30726	RING, RETAINING-BALL BEARING	61	12	213-1683A4	FLYWHEEL ASSEMBLY, COMPLETE	13	4
53-30726	RING, RETAINING -BALL BEARING	67	12	225-2494A3	FLYWHEEL ASSEMBLY, COMPLETE SEE NOTE BELOW	13	4
54-20386	CLAMP, BALANCE TUBE TO ELBOW AND TEE	43	41	225-2494A4	FLYWHEEL ASSEMBLY, COMPLETE SEE NOTE BELOW	13	4
54-20387	CLAMP, BLEED HOSE TO CONNECTOR	43	52	393-1275	SLEEVE, TERMINAL END COVER	19	37
54-20387	CLAMP,BLEED HOSE TO CENNECTOR	39	57	393-1275	SLEEVE, TERMINAL END COVER	21	37
54-20534	CLAMP, LOWER CABLE-STARTER MOTOR TO SOLENOID	23	22	393-1278	ADAPTOR, HOUSING TO DISTRIBUTOR CAP	19	21
54-22627	CLAMP, WIRING HARNESS TO STARTER MOTOR SUPPORT BRACKET	25	34	393-1280	ROTOR, DISTRIBUTOR	19	23
54-22740	CLIP, HARNESS LEAD WIRES TO SUPPORT BRACKET	25	31	393-1282	HOUSING, PRIMARY	19	1
54-22783	"S" CLIP, CHOKE SOLENOID WIRE TO TOP COWL	27	11	393-1282A17	DISTRIBUTOR ASSEMBLY, COMPLETE	15	22
54-22783	"S" CLIP, RECTIFIER WIRING HARNESS LEAD TO BOTTOM COWL	23	6				
54-22783	"S" CLIP,STATOR LEADS TO BOTTOM COWL	13	22				

PARTS INDEX

Part Number	Description	Pg.	Ref. No.	Part Number	Description	Pg.	Ref. No.
393-1283	CONDENSER	19	12	1011-1946A1	CYLINDER BLOCK COVER		
393-1287A2	CAM WICK AND HOLDER ASEMBLY	19	9	1125-1675A1	ASSEMBLY	43	54
393-1292A1	BRUSH AND SPRING ASSEMBLY	19	29	1126-1751A1	END CAP ASSEMBLY, UPPER	37	1
393-1293A1	BRUSH AND SPRING ASSEMBLY	19	26	1126-1751A1	END CAP ASSEMBLY, LOWER	41	23
393-1504A5	BREAKER ASSEMBLY, COMPLETE	19	3	1128-1890A1	END CAP ASSEMBLY,LOWER	37	23
393-1572	RESISTOR	25	40		END CAP ASSEMBLY, UPPER	41	1
393-1586	GROMMET, PLASTIC- BREAKER ASSEMBLY	19	6	1333-1957	CARBURETOR ASSEMBLY, COMPLETE	27	23
393-1621A1	HIGH TENSION CABLE ASSEMBLY (COIL#2)	19	35	1333-1957	CARBURETOR ASSEMBLY,COMPLETE (KA-16A)	31	1
393-1622A1	HIGH TENSION CABLE ASSEMBLY (COIL #1)	19	36	1335-2081	CARBURETOR ASSEMBLY, COMPLETE	27	23
393-1656	WIRE, PRIMARY GROUND	19	11	1335-2081	CARBURETOR ASSEMBLY, COMPLETE (KC-3A)	31	1
393-1779A2	SHAFT ASSEMBLY- DISTRIBUTOR CAM	19	16	1399-101	LEVER, FLOAT (UPPER)	31	5
393-1927A5	DISTRIBUTOR CAP ASSEMBLY SEE NOTE BELOW	19	25	1399-102	LEVER, FLOAT (LOWER)	31	4
393-F1277	SIDE INLET ASSEMBLY	19	28	1399-110A1	FLOAT ASSEMBLY	31	2
397-421A1	GROUND STRAP ASSEMBLY, CHOKE SOLENOID TO ADAPTOR	27	7	1399-1133	COVER, FLOAT BOWL	31	17
398-2035	STATOR,ALTERNATOR SEE NOTE BELOW	13	16	1399-1457	JET, MAIN FUEL (.057)	31	12
398-2188	STATOR, ALTERNATOR SEE NOTE BELOW	13	16	1399-1463	JET, MAIN FUEL (.063)	31	12
417-1787	CRANKSHAFT	45	1	1399-1465	JET, MAIN FUEL (.065)	31	12
420-1889	CRANKSHAFT	47	1	1399-1467	JET, MAIN FUEL (.067)	31	12
521-1490A1	CENTER MAIN BEARING ASSEMBLY	45	3	1399-1473	INLET NEEDLE, SEAT AND GASKET	31	6
527-1932A2	MAIN BEARING ASSEMBLY, VALVE TYPE	45	11	1399-1475	SHAFT, THROTTLE	31	10
531-1884A2	CENTER MAIN BEARING ASSEMBLY	47	3	1399-1477	GASKET AND PACKING SET (1 PER CARBURETOR)	33	35
533-2084A2	MAIN BEARING ASSEMBLY, VALVE TYPE	47	11	1399-1651	JET, MAIN FUEL (.051)	31	12
611-1747A2	CONNECTING ROD AND CAP ASSEMBLY	45	22	1399-1653	JET, MAIN FUEL (.053)	31	12
611-1885A2	CONNECTING ROD AND CAP ASSEMBLY	47	22	1399-1655	JET, MAIN FUEL (.055) - STANDARD	31	12
729-1948A4	PISTON AND PISTON PIN ASSEMBLY	45	19	1399-1702	TUBE, IDLE	33	30
729-1949A1	PISTON AND PISTON PIN ASSEMBLY (.015 OVERSIZE)	45	27	1399-1713	SCREW, IDLE ADJUSTMENT	31	15
732-2045A4	PISTON AND PISTON PIN ASSEMBLY	47	19	1399-1739	NOZZLE, MAIN	31	26
732-2194A1	PISTON AND PISTON PIN ASSEMBLY (.15 OVERSIZE)	47	27	1399-1740	SHUTTER, THROTTLE	31	29
833-1919A1	CYLINDER BLOCK AND CRANKCASE ASSEMBLY	37	7	1399-1754	SCREEN, FILTER	31	18
836-1852A1	CYLINDER BLOCK AND CRANKCASE ASSEMBLY	41	7	1399-1754	COVER, STRAINER	31	23
1011-1946A1	CYLINDER BLOCK COVER ASSEMBLY	39	47	1399-1930	JET, MAIN FUEL (.069) - STANDARD	31	12
				1399-1963	REPAIR PARTS KIT (1 PER CARBURETOR)	33	35
				1399-2009	TUBE, IDLE	33	30
				1399-2012	SHAFT, THROTTLE	31	10
				1399-2014	SHUTTER, THROTTLE	31	29
				1399-2015	GASKET AND PACKING SET (1 PER CARBURETOR)	33	35
				1399-2179	NOZZLE, MAIN	31	26
				1399-2182	REPAIR PARTS KIT (1 PER CARBURETOR)	33	35
				1399-97	LEVER, THROTTLE STOP (SEE NOTE)	31	9
				1399-99	GASKSET, FLOAT BOWL COVER	31	16
				1440-1796A1	CLAMP BRACKET ASSEMBLY	53	1

PARTS INDEX

Part Number	Description	Pg.	Ref. No.	Part Number	Description	Pg.	Ref. No.
1453-1944A4	SWIVEL BRACKET ASSEMBLY	53	14				
1540-1783A2	DRIVE SHAFT HOUSING ASSEMBLY	57	1				
1540-2384A2	DRIVE SHAFT HOUSING ASSEMBLY	57	1				
1623-1891A1	GEAR HOUSING ASSEMBLY	61	1				
1623-1891A1	GEAR HOUSING ASSEMBLY (SEE PAGE 31 FOR PARTS BREAKDOWN) . . .	65	1				
1623-1891A4	GEAR HOUSING ASSEMBLY, COMPLETE (STANDARD) SEE NOTE BELOW	61	-				
1623-1891A4	GEAR HOUSING ASSEMBLY, COMPLETE (STANDARD)SEE NOTE BELOW	65	-				
1623-2022A1	GEAR HOUSING ASSEMBLY	67	1				
1623-2022A1	GEAR HOUSING ASSEMBLY (SEE PAGE 35 FOR PARTS BREAKDOWN) . . .	71	1				
1623-2022A7	GEAR HOUSING ASSEMBLY, COMPLETE (STANDARD) SEE NOTE BELOW	67	-				
1623-2022A7	GEAR HOUSING ASSEMBLY, COMPLETE (STANDARD)SEE NOTE BELOW	71	-				
2113-2663A7	COWL FRONT COVER ASSEMBLY	9	1				
2120-2509A5	WRAP AROUND COWL ASSEMBLY	9	15				