



PARTS CATALOG

K20-140-160 STERN DRIVE

SERIAL NUMBER

120/140 1967-1969	2062141 THRU 2791956
160 1967-1969	2065190 THRU 2763441

TABLE OF CONTENTS:

DRIVE SHAFT HOUSING ASSEMBLY AND BELL HOUSING ASSEMBLY	16
DRIVE SHAFT HOUSING ASSEMBLY AND GEAR ASSEMBLY	22
GEAR HOUSING ASSEMBLY	32
GEAR HOUSING ASSEMBLY, COMPLETE	28
GIMBAL HOUSING ASSEMBLY AND EXHAUST ELBOW	8
GIMBAL RING ASSEMBLY AND STEERING LEVER	12
HYDRAULIC PUMP AND CONTROL PANEL (POWER TILT AND POWER TRIM)	40
HYDRAULIC PUMP ASSEMBLY	38
MERCURISER 120 AND 160 WITH POWER TILT PARTS LIST	46
MERCURISER 120, 140 AND 160 WITH POWER TRIM PARTS LIST	48
PARTS INDEX	50
REVERSE LOCK VALVE ASSEMBLY (FOR USE WITH POWER TRIM ONLY)	34
TRANSOM PLATE AND SHIFT CABLE	2

NOTE: *Indented description indicate that these parts are included in preceeding assembly.*

AR = As Required

NSS = Not Sold Separate

OPT = Optional

NS = Not Shown

THESE PARTS BOOKS/FICHE CARD ARE COPYRIGHTED AND MAY NOT BE DISTRIBUTED OR REPRODUCED IN ANY OTHER FORMAT BY ANYONE OTHER THAN MERCURY MARINE WITHOUT THE PRIOR WRITTEN CONSENT OF MERCURY MARINE.

REPLACEMENT PARTS ! WARNING !

Electrical, ignition and fuel system components on MerCruiser Engines and Stern Drives are designed and manufactured to comply with U.S. Coast Guard Rules and Regulations to minimize risks of fire or explosion. Use of replacement electrical, ignition or fuel system components, which do not comply to these rules and regulations, could result in a fire or explosion hazard and should be voided.

When servicing the electrical, ignition and fuel systems, it is extremely important that all components are properly installed and tightened. If not, any electrical or ignition component opening would permit sparks to ignite fuel vapors from fuel system leaks, if they existed.

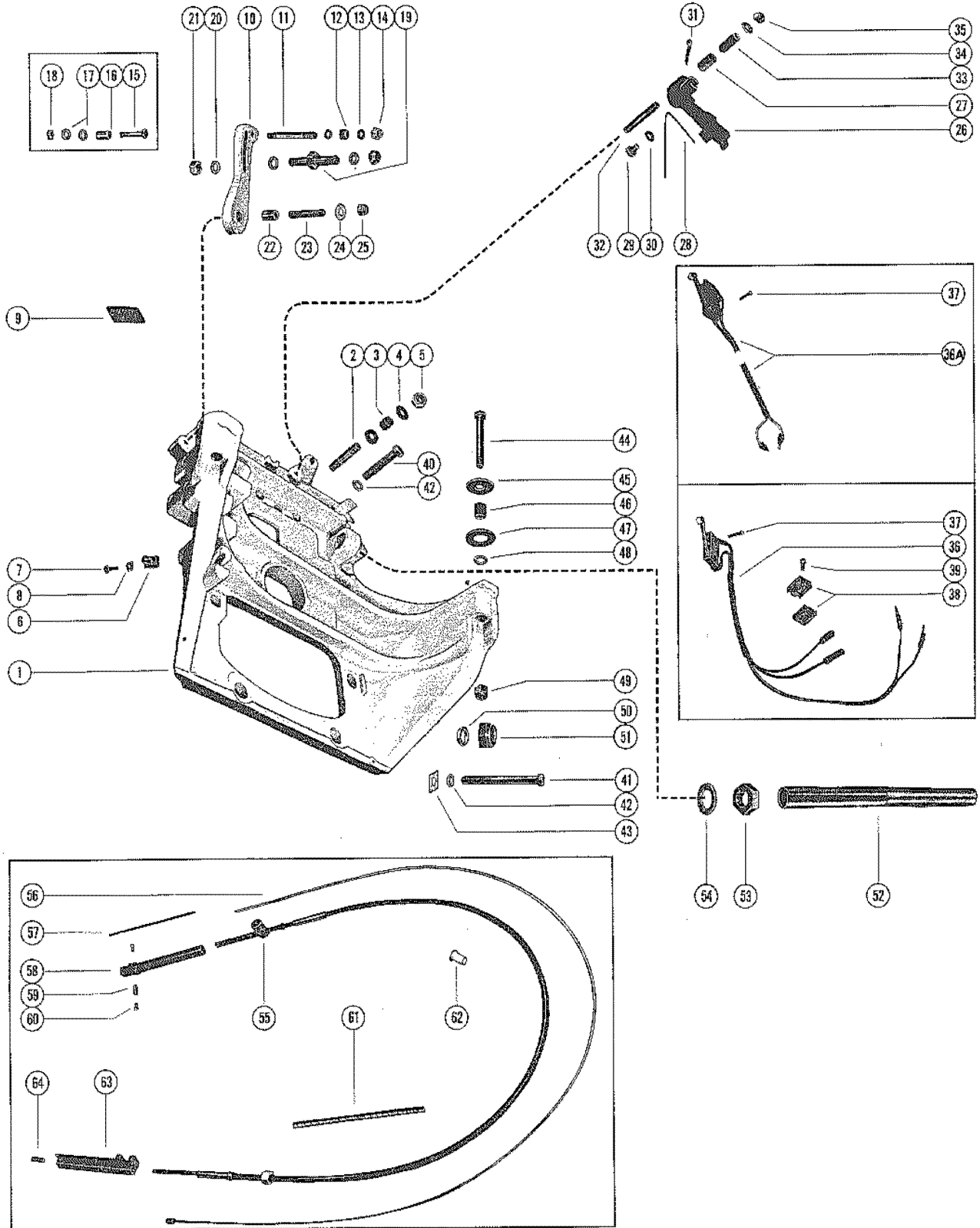
ENGINE MECHANICAL COMPONENTS

Many of the engine mechanical components are designed for marine applications. Unlike automotive engines, marine engines are subjected to extended periods of heavy load and wide- open-throttle operation, therefore, require heavy-duty components. Special marine engine parts have design and manufacturing specifications, which are required to provide long life and dependable performance. Marine engine parts also must be able to resist the corrosive action of salt or brackish water that will rust or corrode standard automotive parts within a short period of time.

Failure to use recommended Mercury Precision Parts OR Quicksilver service replacement parts can result in poor engine performance and/or durability, rapid corrosion of parts subjected to salt water and possibly complete failure of the engine.

Use of parts other than recommended service replacement parts will void the warranty on those parts which are damaged as a result of the use of other than recommended parts.

TRANSOM PLATE AND SHIFT CABLE

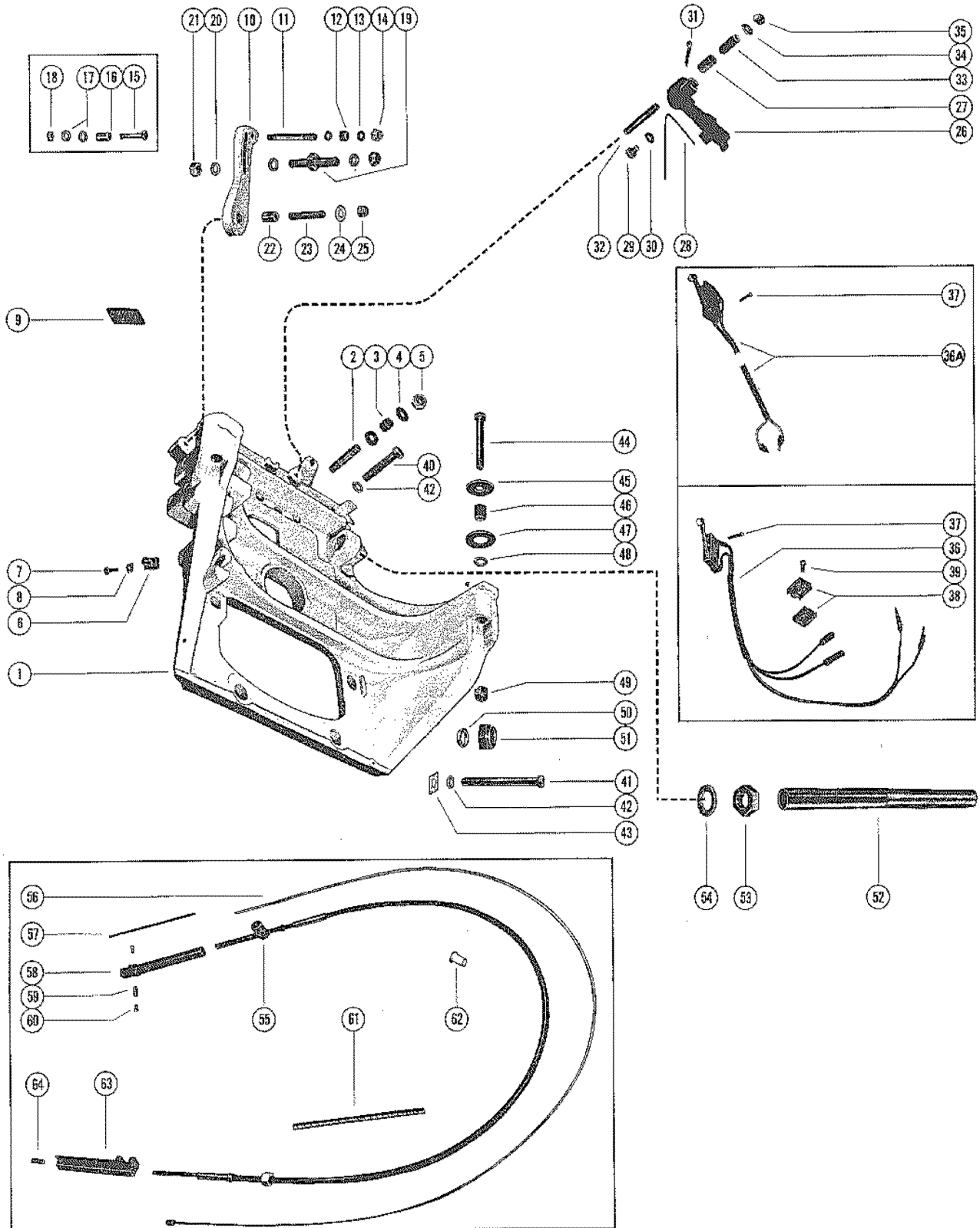


TRANSOM PLATE AND SHIFT CABLE

REF. NO.	PART NO.	SYM.	QTY.	DESCRIPTION
1	45516		1	PLATE, TRANSOM
	48290		1	PLATE, TRANSOM (IDENTIFICATION: "INDICATOR SENDOR PAD" AND QUICK-DISCONNECT SHIFT CABLE RECEPTACLE.
	49701A2		1	PLATE ASSEMBLY, TRANSOM (IDENTIFICATION: "INDICATOR SENDOR PAD" AND STUD TO ANCHOR SHIFT CABLE.)
2	16-47360		1	STUD, SHIFT CABLE TO TRANSOM PLATE
3	23-31866		1	SPACER,SHIFT CABLE STUD
4	12-39143		2	WASHER, SHIFT CABLE STUD
5	11-20361		1	NUT, SHIFT CABLE STUD
6	54-22740		1	CLIP, SWITCH LEADS TO TRANSOM PLATE (STANDARD & POWER TILT)
	54-24836		1	CLIP, SWITCH LEADS TO TRANSOM PLATE (POWER TRIM)
	54-23568		2	CLIP, SWITCH LEADS TO TRANSOM PLATE (POWER TRIM)
7	10-35519		1	SCREW, SWITCH LEADS CLIP TO TRANSOM PLATE (1/2")
	10-21643		1	SCREW, SWITCH LEADS CLIP TO TRASOM PLATE (1/2")
8	22789		2	"D" WASHER, SWITCH LEADS CLIP SCREW
9	37-39395		1	DECAL, SERIAL NUMBER
10	46004		1	LEVER, SHIFT CONTROL - TRANSOM PLATE(STANDARD & POWER TILT)
	45529		1	LEVER, SHIFT CONTROL - CAM LEVER (POWER TRIM) SEE PAGE 15 FOR BREAKDOWN ON REVERSE VELOCITY VALVE ASSEMBLY
	49702A2		1	LEVER, ASSEMBLY, SHIFT CONTROL - CAM LEVER POWER TRIM-2 SEE PAGE 15 FOR BREAKDOWN ON REVERSE VELOCITY VALVE ASSEMBLY
11	16-47360		1	STUD, SHIFT CABLE TO LEVER POWER TRIM-2 SEE PAGE 15 FOR BREAKDOWN ON REVERSE VELOCITY VALVE ASSEMBLY
12	23-31866		1	SPACER, SHIFT CABLE STUD POWER TRIM-2 SEE PAGE 15 FOR BREAKDOWN ON REVERSE VELOCITY VALVE ASSEMBLY
13	12-39143		2	WASHER, SHIFT CABLE STUD POWER TRIM-2 SEE PAGE 15 FOR BREAKDOWN ON REVERSE VELOCITY VALVE ASSEMBLY
14	11-20361		1	NUT, SHIFT CABLE STUD POWER TRIM-2 SEE PAGE 15 FOR BREAKDOWN ON REVERSE VELOCITY VALVE ASSEMBLY
15	10-22659		1	SCREW, SHIFT CABLE ASSEMBLY TO SHIFT CONTROL LEVER (1 5/8") NOT USED WITH POWER TRIM - 2
16	23-31866		1	SPACER, SHIFT CABLE ASSEMBLY SCREW NOT USED WITH POWER TRIM - 2
17	12-39143		2	WASHER, SHIFT CABLE ASSEMBLY SCREW NOT USED WITH POWER TRIM - 2
18	11-20361		1	NUT,SHIFT CABLE ASSEMBLY TO SHIFT CONTROL LEVER SCREW NOT USED WITH POWER TRIM - 2
19	16-34069		1	STUD, SHIFT ACTUATIN CABLE TO CONTRL LEVER (2 1/4")
20	12-39143		3	WASHER, SHIFT ACTUATING CABLE STUD
21	11-20361		2	NUT, SHIFT ACTUATING CABLE TO SHIFT CONTROL LEVER

CONTINUED ON NEXT PAGE ➡

TRANSOM PLATE AND SHIFT CABLE

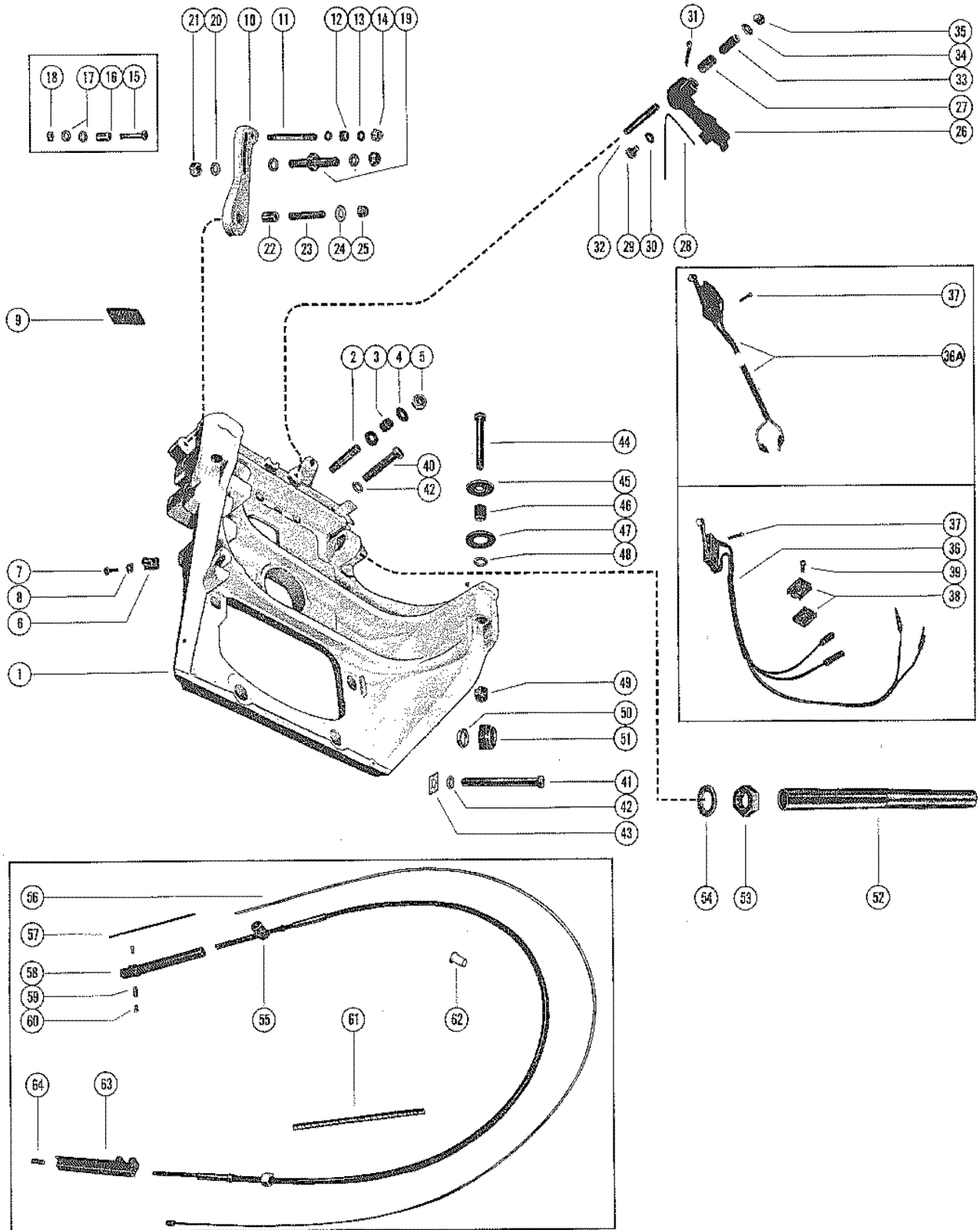


TRANSOM PLATE AND SHIFT CABLE

REF. NO.	PART NO.	SYM.	QTY.	DESCRIPTION
22	23-46003		1	SPACER, SHIFT CONTROL LEVER STUD NOT USED WITH POWER TRIM
23	13-38376		1	STUD, SHIFT CONTROL LEVER TO TRANSOM PLATE (2") NOT USED WI NOT USED WITH POWER TRIM
24	12-26825		2	WASHER, SHFIT CONTROL LEVER STUD NOT USED WITH POWER TRIM
25	11-21528		1	NUT, SHIFT CONTROL LEVER TO TRANSOM PLATE STUD NOT USED WITH POWER TRIM
26	45517A2		1	ARM ASSEMBLY, SWITCH ACTUATING
27	23-45600		1	SLEEVE, SWITCH ACTUATING ARM STUD
28	24-45599		1	SPRING, TENSION - SWITCH ACTUATING RUN
29	10-33231		1	SCREW, TENSION SPRING TO ARM
30	12-26825		1	WASHER, TENION SPRING SCREW
31	18-32857		1	COTTER PIN, SHIFT ACUTUATINE CABLE TO TRANSOM PLATE
32	16-32467		1	STUD, SWITCH ACCTUATINARM TO TRANSOM PAT92 (2 5/16")
33	23-37981		1	SPACER, SWITCH ACTUATING ARM TO TRANSOM PLOT
34	12-26825		2	WASHER, SWITCH ACTUATING ARM STUD
35	11-3514		1	NUT, SWITCH ACTUATING ARM STUD
36	39671A1		1	SWITCH ASSEMBLY, CUT- OUT - TRANSOM PLATE
36A	48496A1		1	SWITCH ASSEMBLY, CUT - OUT - TRANSOM PLATE (POWER TRIM-1)
	49646A1		1	SWITCH ASSEMBLY, CUT - OUT - TRANSOM PLATE (POWER TRIM-2)
37	10-30902		2	SCREW, SWITCH ASSEMBLY TO TRANSOM PLATE (3/4")
38	39974		2	CONNECTOR, CUT-OUT SWITCH LEADS TO TRANSOM PLATE NOT USED ON LATER PRODUCTION
39	10-37892		2	SCREW, CONNECTOR TO TRANSOM PLATE (1") NOT USED ON LATER PRODUCTION
40	10-37269		2	SCREW, TRANSOM PLATE TO GIMBAL HOUSING (2")
41	10-37268		2	SCREW, TRANSOM PLATE TO GIMBAL HOUSING (4 1/4")
42	13-37272		4	LOCKWASHER, TRANSOM PLATE SCREW
43	12-37271		2	WASHER, SQUARE - TRANSOM PLATE SCREW
44	10-36289		2	SCREW, TRANSOM PLATE TO ENGINE FLYWHEEL HOUSING (4 3/4")
45	12-28421		2	WASHER, TRANSOM PLATE SCREW
46	23-36290		2	SPACER, TRANSOM PLATE SCREW
47	12-32834		2	WASHER, TRANSOM PLATE SCREW
48	13-33734		2	LOCKWASHER, TRANSOM PLATE SCREW
49	11-20220		2	NUT,TRANSOM PLATE TO ENGINE FLYWHEEL HOUSING SCREW
50	12-21900		2	WASHER, GIMBAL HOUSING TO TRANSOM PLATE BOLT
52	32-35015		1	TUBE, STEERING CABLE GUIDE (7/8" O.D.)
53	11-37984		2	NUT, JAM - STEERING CABLE GUIDE TUBE
54	12-37985		2	WASHER, STEERING CABLE GUIDE TUBE
55	49518A1		1	CABLE ASSEMBLY, SHIFT ACTUATING

CONTINUED ON NEXT PAGE ➡

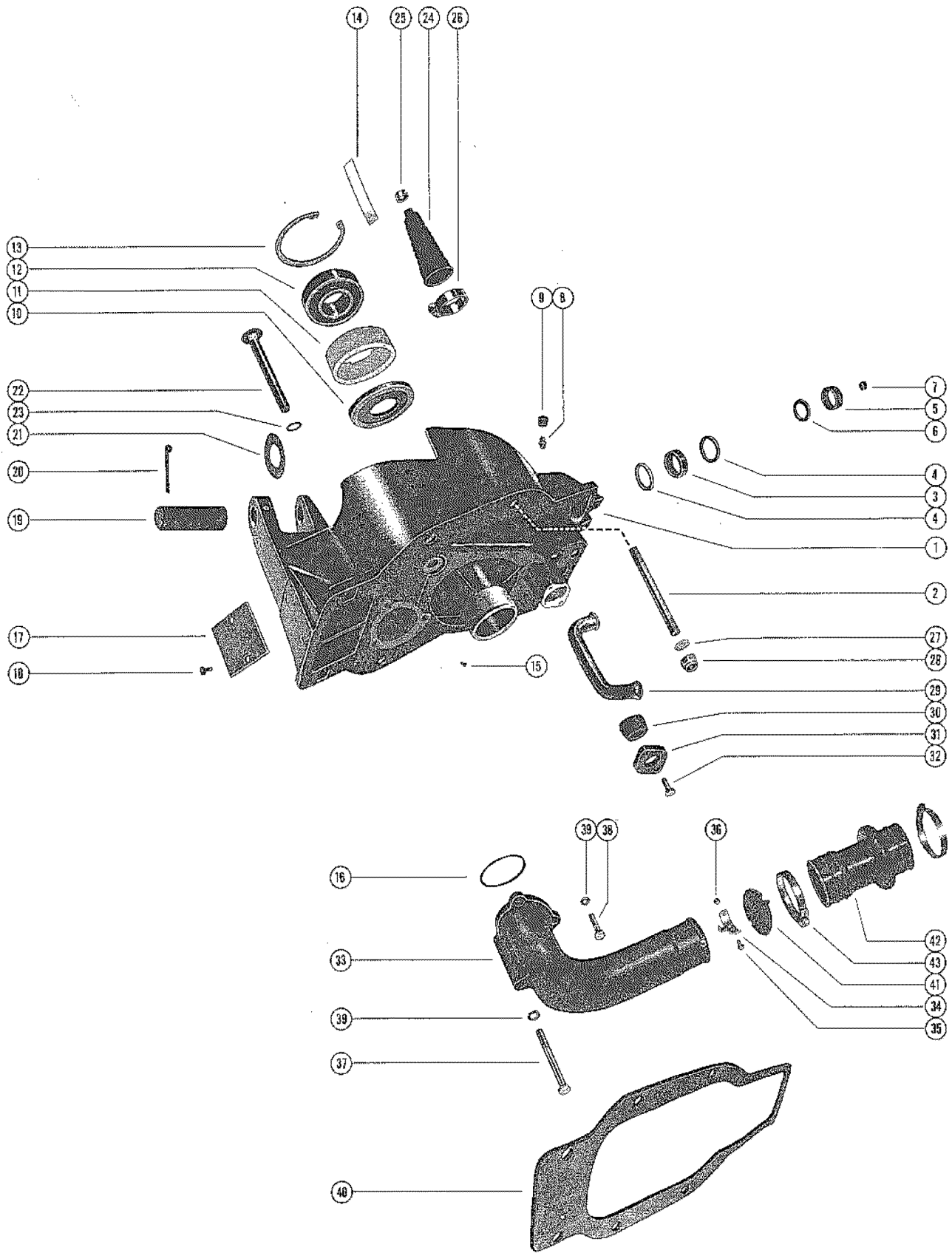
TRANSOM PLATE AND SHIFT CABLE



TRANSOM PLATE AND SHIFT CABLE

REF. NO.	PART NO.	SYM.	QTY.	DESCRIPTION
56	38399A2		1	CORE WIRE AND ANCHOR ASSEMBLY, INNER SHIFT CABLE
57	32-38377		1	TUBE, SUPPORT - SHIFT ACTUATING CABEL
58	29880		1	GUIDE, SHIFT ACTUATING CABLE END
59	20007		1	ANCHOR, SHIFT ACTUATING CABLE END GUIDE
60	10-20518		2	SCREW, SET - ANCHOR TO SHIFT ACTUATING CABLE END GUIDE
61	38473		1	WRAPPING, SHIFT ACTUATING CABLE
62	32-34049		1	TUBE, NYLON - SHIFT ACTUATING CABLE GUIDE
63	33981		1	SLIDE, SHIFT ACTUATING CABLE
	33981		1	SLIDE, SHIFT SCUATING CABLE
64	10-31700		1	SCREW SET - SHIFT ACTUATING CABLE TO SLIDE
-	91-48247		1	ROD, ALIGMMENT - TRANSOM PLATE TO ENGINE

GIMBAL HOUSING ASSEMBLY AND EXHAUST ELBOW

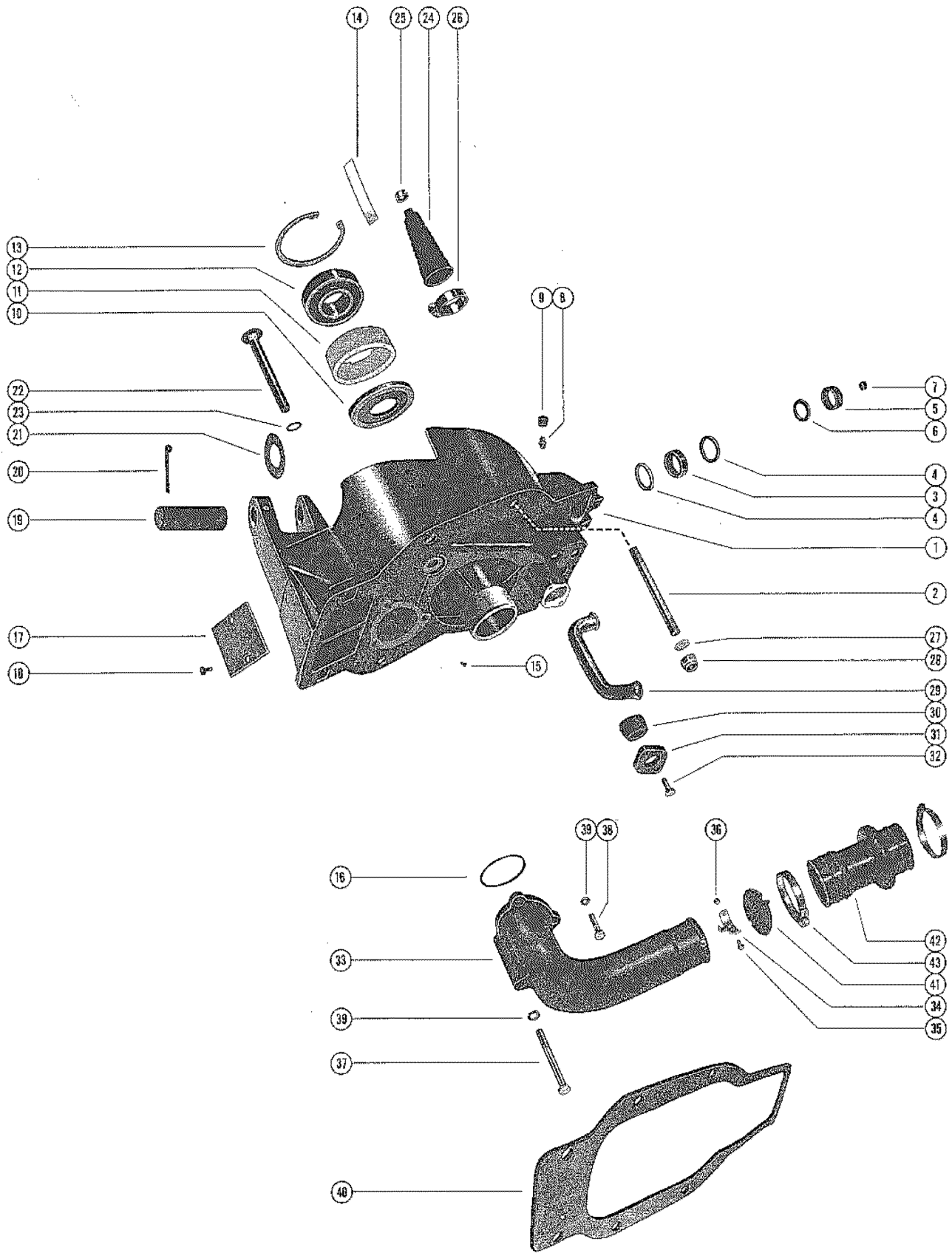


GIMBAL HOUSING ASSEMBLY AND EXHAUST ELBOW

REF. NO.	PART NO.	SYM.	QTY.	DESCRIPTION
1	45514A1		1	GIMBAL HOUSING ASSEMBLY (STANDARD)
	45637A1		1	GIMBAL HOUSING ASSEMBLY (POWER TILT)
	45702A1		1	GIMBAL HOUSING ASSEMBLY (POWER TRIM)
2	16-37270		2	STUD, GIMBAL HOUSING TO TRANSON PLATE (4 3/4")
3	31-32536		1	BEARING, ROLLER - GIMBAL HOUSING (LOWER)
4	26-32911		2	OIL SEAL, LOWER GIMBAL HOUSING ROLLER BEARING
5	23-38634		1	BUSHING, SYNTHANE - GIMBAL HOUSING (UPPER)
6	26-32540		1	OIL SEAL, UPPER GIMBAL HOUSING BUSHING
7	22-21290		1	PLUG, PIPE - GIMBAL HOUSING
8	22-31345		1	FITTING, GREASE - GIMBAL HOUSING
9	29359		1	LUBRICAP, GIMBAL HOUSING GREASE FITTING
10	26-36143		1	SEAL, GREASE - GIMBAL HOUSING
11	23-35130		1	ADAPTOR, BEARING CARRIER
12	30-36418		1	BEARING, BALL - GIMBAL HOUSING
13	53-35128		1	RING, RETAINING - BEARING CARRIER (LARGE)
14	15-35244A1		AR	SHIM, GIMBAL HOUSING BEARING (.002-3-4-5-6-7-8-10)
15	10-25612		13	SCREW, DRIVE-GIMBAL HOUSING EXHAUST FLANGE
16	25-20863		1	"O" RING, GIMBAL HOUSING
-	46443		1	EMBLEM, GIMBAL HOUSING
17	34762A1		1	PLATE ASSEMBLY, INHIBITOR - GIMBAL HOUSING
18	10-34763		2	SCREW, INDIBITOR PLATE TO GIMBAL HOUSING (3/4")
19	17-45212		1	PIN, SWIVEL - GIMBAL HOUSING TO GIMBAL RING (LOWER)
20	18-34159		1	COTTER PIN, RETAINING - LOWER SWIVEL PIN
21	12-32518		1	WASHER, GIMBAL HOUSING TO LOWER SWIVEL
22	10-35624		2	BOLT, GIMBAL HOUSING TO TRANSON PLATE (4")
23	12-32620		2	WASHER, GIMBAL HOUSING BOLT
24	31659		1	BELLOWS, SHIFT ACTUATING CABLE
25	54-38863		1	CLAMP,ACTUATING CABLE BELLOWS TO SHIFT ACTUATING CABLE
26	54-31766		1	CLAMP, SHIFT ACTUATING CABLE BELLOWS TO GIMBAL HOUSING
27	12-22248		2	WASHER, GIMBAL HOUSING STUD
28	11-34933		2	NUT, GIMBAL HOUSING STUD
29	32-32631		1	TUBE, WATER - GIMBAL HOUSING
30	23-28055		1	BUSHING, RUBBER - WATER TUBE SEALING
31	32517		1	COVER, WATER TUBE SEALING BUSHING - GIMBAL HOUSING
32	10-28635		2	SCREW, WATER TUBE SEALING COVER TO GIMBAL HOUSING (5/8")
33	45530A2		1	ELBOW ASSEMBLY, EXHAUST (MERCUISER 120 AND 160 - EARLY MODE)
	53272A1		1	ELBOW ASSEMBLY, EXHAUST (MERCUISER 120 AND 160 - LATER MODE)
	53113A2		1	ELBOW ASSEMBLY, EXHAUST (MERCUISER 140)
34	45798		(1) 2	BRACKET,SUPPORT - WATER SHUTTER

CONTINUED ON NEXT PAGE ➡

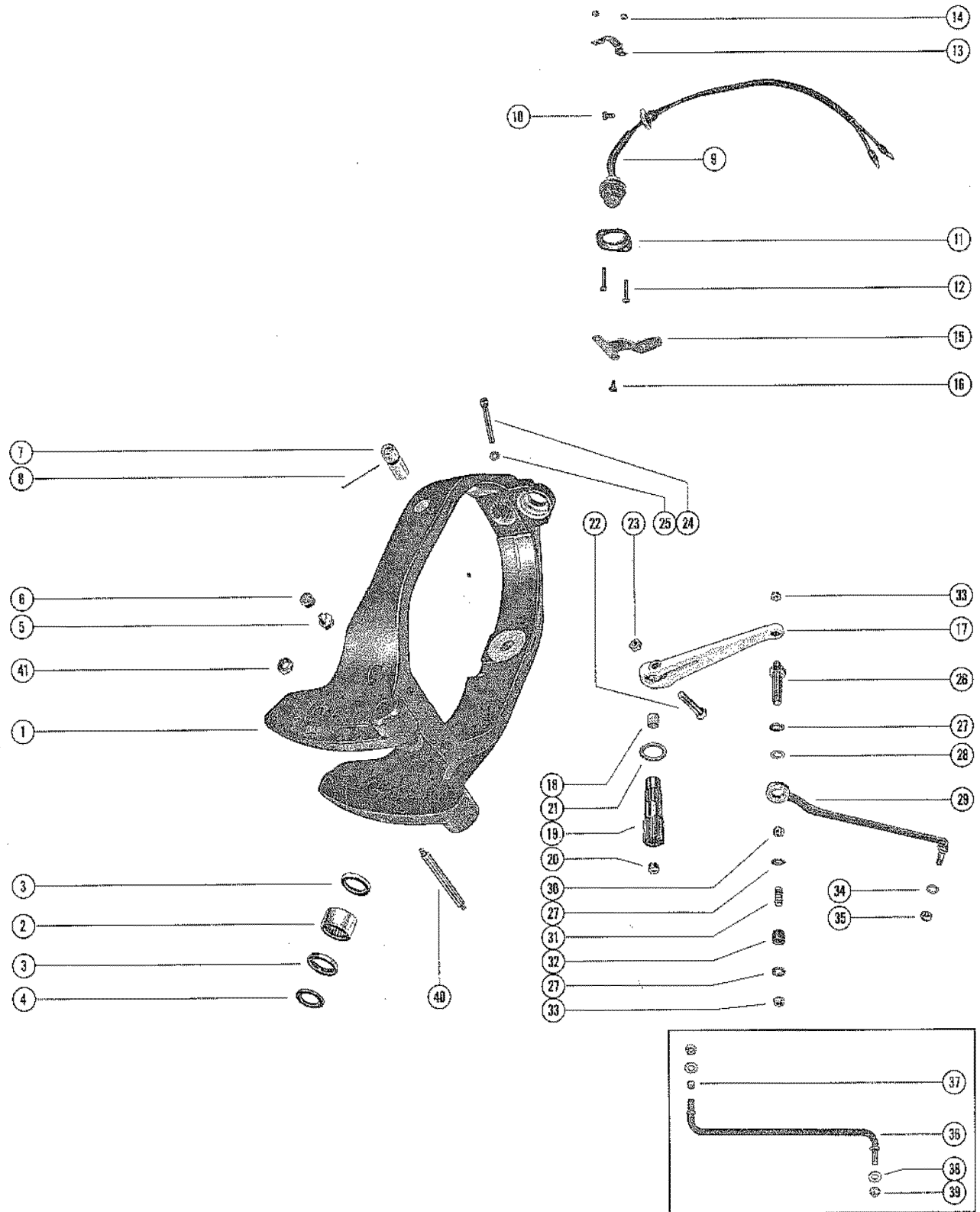
GIMBAL HOUSING ASSEMBLY AND EXHAUST ELBOW



GIMBAL HOUSING ASSEMBLY AND EXHAUST ELBOW

REF. NO.	PART NO.	SYM.	QTY.	DESCRIPTION
35	10-45813		(2) 4	SCREW, SUPPORT BRACKET TO EXHAUST ELBOW (1/2")
36	11-45812		(2) 4	NUT, SUPPORT BRACKET SCREW
37	10-33389		1	SCREW, EXHAUST ELBOW TO GIMBAL HOUSING (4 1/4") USE WITH B-45530A2 ELBOW ASSEMBLY
38	10-26632		2	SCREW, EXHAUST ELBOW TO GIMBAL HOUSING (1 1/4") USE WITH B-45530A2 ELBOW ASSEMBLY
	10-35787		3	SCREW, EXHAUST ELBOW TO GIMBAL HOUSING (2 1/4") USE WITH B-53272A1 AND B-53113A2 ELBOW ASSEMBLY
39	13-35048		3	LOCKWASHER, EXHAUST ELBOW SCREW
40	27-45832		1	GASKET, GIMBAL HOUSING TO TRANSOM
41	45586		1	SHUTTER, WATER - EXHAUST ELBOW
42	45597		1	BELLOWS, EXHAUST ELBOW TO ENGINE (MERCUISER 120 AND 160)
	53114		1	BELLOWS, EXHAUST ELBOW TO ENGINE (MERCUISER 140)
43	54-32739		4	CLAMP, BELLOWS TO EXHAUST ELBOW AND ENGINE
-	92-33749-1		1	SEALER, EXHAUST BELLOWS ATTACHING

GIMBAL RING ASSEMBLY AND STEERING LEVER

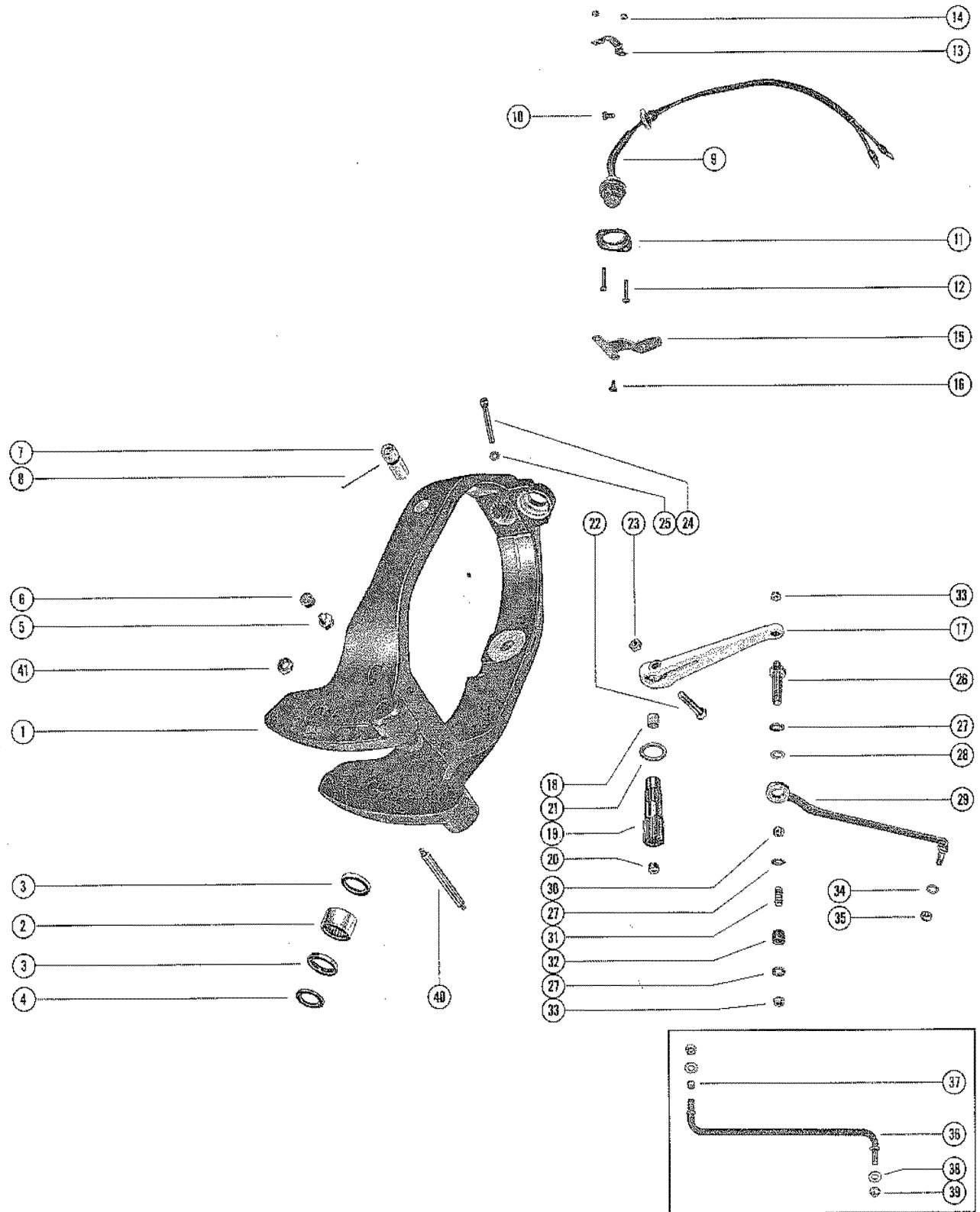


GIMBAL RING ASSEMBLY AND STEERING LEVER

REF. NO.	PART NO.	SYM.	QTY.	DESCRIPTION
1	45515A2		1	GIMBAL RING ASSEMBLY
2	31-32538		1	BEARING, ROLLER - GIMBAL RING
3	26-32541		2	OIL SEAL, GIMBAL RING
4	23-39273		1	SPACER, GIMBAL RING
5	22-23612		1	FITTING, GREASE - GIMBAL RING
6	29359		1	LUBRICAP, GIMBAL RING GREASE FITTING
7	17-38031		2	PIN, HINGE - GIMBAL RING TO BELL HOUSING
8	17-35571		2	PIN, HINGE PIN RETAINING - GIMBAL RING
9	39672A1		1	TILT STOP SWITCH ASS'Y, GIMBAL RING (STANDARD AND POWER TIL
	45942A1		1	TILT STOP SWITCH ASS'Y, GIMBAL RING (POWER TRIM)
10	10-20367		2	SCREW, TILT STOP SWITCH COVER TO GIMBAL RING (7/16")
11	31899		1	PLATE. RETAINING - TILT STOP SWITCH TO GIMBAL RING
12	10-45862		2	SCREW, RETAINING PLAT AND STRAP TO GIMBAL RING(7/8)
13	32637		1	STRA, TILT STOP SWITCH RETAINING
14	11-20110		2	NUT, RETAINING PLATE AND STRAP SCREW
15	49343		1	LEVER, TILT STOP SWITCH ACTUATING - GIMBAL RING
16	10-31903		2	SCREW, TILT STOP SWITCH ACTUATING LEVER TO GIMBAL RING (3/8)
17	32630A1		1	STEERING LEVER ASSEMBLY, UPPER SWIVEL SHAFT
18	23-48428		1	SLEEVE, STREERING LEVER
19	32582		1	SHAFT, UPPER SWIVEL - GIMBAL RING TO GIMBAL HOUSING
20	22-32561		1	PLUG, PIPE - UPPER SWIVEL SHAFT
21	12-32996		AR	WASHER, UPPER SWIVEL SHAFT (.015)
	12-32997		AR	WASHER, UPPER SWIVEL SHAFT (.063)
22	10-32995		1	SCREW, STREERING LEVER TO UPPER SHAFT (2)
23	11-20696		1	NUT, STEERING LEVER TO UPPER SWIVEL SHAFT SCREW
24	10-45833		1	SCREW, UPPER SWIVEL SHAFT RETAINING - GIMBAL RING (2 1/2")
25	12-20546		1	WASHER, UPPER SWIVEL SHAFT RETAINING SCREW
26	16-32568		1	STUD, PIVOT - STEERING LEVER (2 21/32) EARLY STYLE
27	12-25909		3	WASHER, STEERING ;EVER PIVOT STUD EARLY STYLE
28	12-29330		1	WASHER, NYLON - STEERING LEVEL PIVOT STUD EARLY STYLE
29	29332A1		1	ROD, STEERING LINK - STEERING LEVER PIVOT STUD EARLY STYLE
30	29698		1	BALL, STEERING LEVER PIVOT EARLY STYLE
31	24-20510		1	SPRING, STEERING LEVER PIVOT STUD EARLY STYLE
32	23-25915		1	BUSHING, STEERING LEVER PIVOT STUD EARLY STYLE
33	11-20509		2	NUT, STEERING LEVER PIVOT EARLY STYLE
34	12-20086		1	WASHER, STEERING LINK ROD EARLY STYLE
35	11-20509		1	NUT, STEERING LINK ROD EARLY STYLE
36	48094A2		1	STEERING, LINK ROD ASSEMBLY LATE STYLE
37	23-48428		1	SLEEVE, STEERING LINK ROD (STEEL) LATE STYLE

CONTINUED ON NEXT PAGE ➡

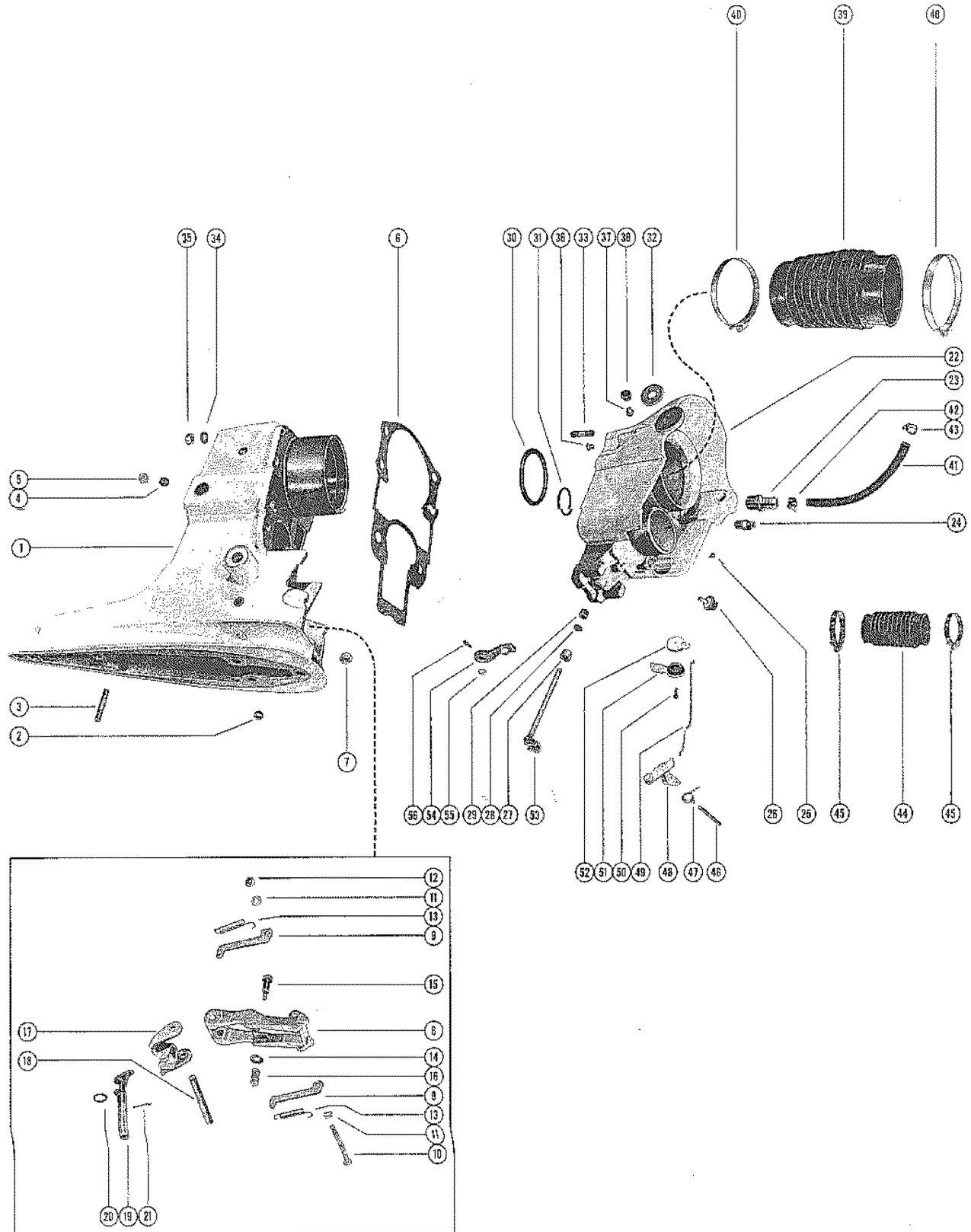
GIMBAL RING ASSEMBLY AND STEERING LEVER



GIMBAL RING ASSEMBLY AND STEERING LEVER

REF. NO.	PART NO.	SYM.	QTY.	DESCRIPTION
37	23-52698		1	SLEEVE, STEERING LINK ROD (NYLON) LATE STYLE
38	12-20086		2	WASHER, STEERING LINK ROD LATE STYLE
39	11-20509		2	NUT, STEERING LINK ROD LATE STYLE
40	17-45591		1	PIN, TILT ADJUSTMENT - GIMBSL PIN
41	11-45592		2	NUT, TILT ADJUSTMENT PIN

DRIVE SHAFT HOUSING ASSEMBLY AND BELL HOUSING ASSEMBLY

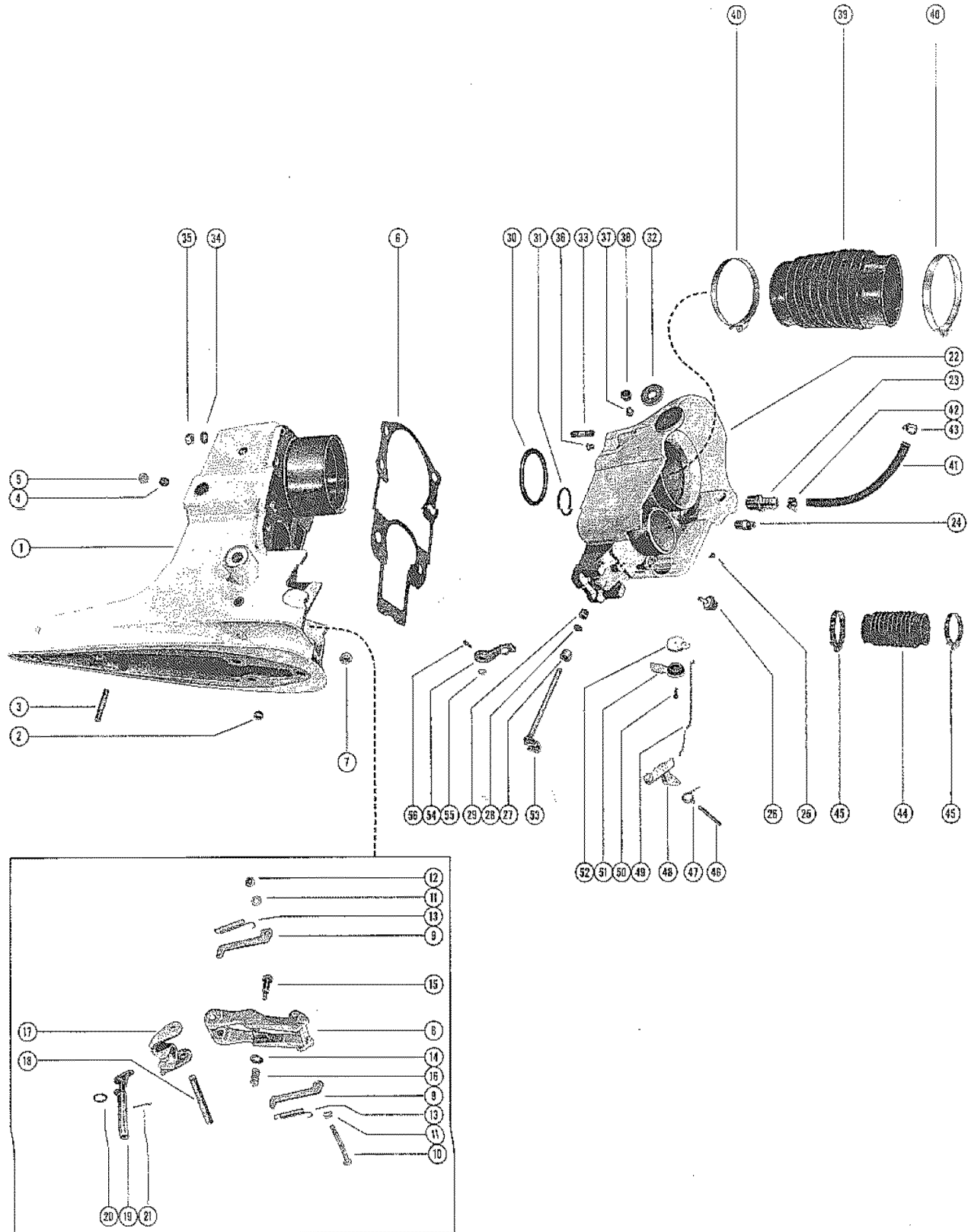


DRIVE SHAFT HOUSING ASSEMBLY AND BELL HOUSING ASSEMBLY

REF. NO.	PART NO.	SYM.	QTY.	DESCRIPTION
1	1547-2763A6		1	DRIVE SHAFT HOUSING ASSEMBLY S/N: 2495185 AND BELOW
	1547-3546A8		1	DRIVE SHAFT HOUSING ASSEMBLY S/N: 2495186 AND UP
2	23-32632		1	BUSHING, DRIVE SHAFT HOUSING
3	16-46910		2	STUD, DRIVE SHAFT HOUSING TO GEAR HOUSING (2 11/16)
4	22-31704		1	PLUG, PIPE - DRIVE SHAFT HOUSING (WATER POCKET)
5	19-32652		1	WELCH, PLUG, DRIVE SHAFT HOUSING
6	27-45821		1	GASKET, DRIVE SHAFT HOUSING TO BELL HOUSING
7	11-34933		3	NUT, GEAR HOUSING TO DRIVE SHAFT HOUSING STUD
8	37829A1		1	ARM ASSEMBLY, REVERSE HOOK - DRIVE SHAFT HOUSING SEE NOTE BELOW
9	32520		2	HOOK, REVERSE SEE NOTE BELOW
10	10-32527		1	SCREW, REVERSE HOOKS TO RESERVE HOOK ARM (2 11/16 SEE NOTE BELOW
11	12-29245		4	WASHER, REVERSE OKS TO REVERSE ARM SCREW SEE NOTE BELOW
12	11-33825		1	NUT, REVERSE HOOKS TO REVERSE HOOK ARM SCREW SEE NOTE BELOW
13	24-37827		2	SPRING, TENSION - REVERSE HOOK TO REVERSE HOOK ARM SEE NOTE BELOW
14	12-34931		1	WASHER, REVERSE HOOK ARM TO DRIVE SHAFT HOUSING SCREW SEE NOTE BELOW
15	15-32694		1	SCREW, REVERSE HOOK ARM TO DRIVE SHAFT HOUSING (1 3/8) SEE NOTE BELOW
16	24-32659		1	SPRING, TENSION-REVERSE HOOK ARM TO DRIVE SHAFT HOUSING SCREW SEE NOTE BELOW
17	32588A1		1	STOP ASSEMBLY, REVERSE HOOK ARM SEE NOTE BELOW
18	17-45574		1	PIN, PIVOT - REVERSE HOOK ARM STOP TO REVERSE HOOK ARM SEE NOTE BELOW
19	32628		1	SHAFT, SHIFT - INTERMEDIATE
20	12-32666		1	WASHER, INTERMEDIATE SHIFT SHAFT
21	12-32665		1	COTTER PIN, INTERMEDIATE SHIFT SHAFT RETAINING
22	45807A1		1	BELL HOUSING ASSEMBLY (WITH CRANK LEVER ON SIDE OF BELL HOU)
	46734A1		1	BELL HOUSING ASSEMBLY (WITHOUT CRANK LEVER ON SIDE OF BELL H)
-	17-45821		1	GASKET, DRIVE SHAFT HOUSING TO BELL HOUSING SEE REFERENCE #6
23	22-33066		1	CONNECTOR, WATER HOSE TO BELL HOUSING
24	22-31125		1	CONNECTOR, SHIFT CABLE - BELL HOUSING SEE NOTE BELOW
25	10-25612		8	SCREW, DRIVE - BELL HOUSING FLANGE
26	31014		1	BUMPER, BELL HOUSING
27	23-35088		1	BUSHING, BELL HOUSING (5/8)
28	26-45587		1	OIL SEAL, BELL HOUSING
29	23-45588		1	BUSHING, BELL HOUSING (5/16)

CONTINUED ON NEXT PAGE ➡

DRIVE SHAFT HOUSING ASSEMBLY AND BELL HOUSING ASSEMBLY

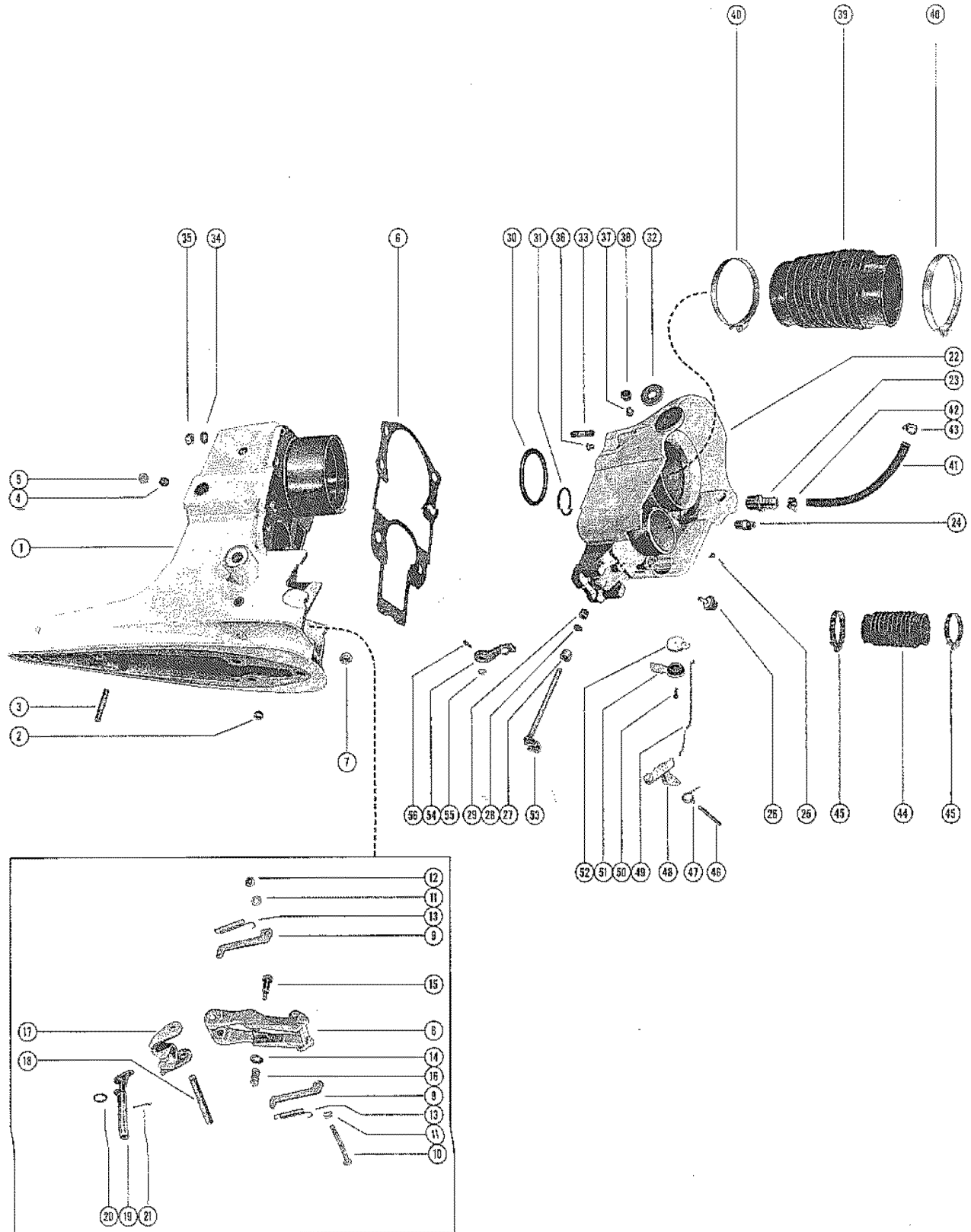


DRIVE SHAFT HOUSING ASSEMBLY AND BELL HOUSING ASSEMBLY

REF. NO.	PART NO.	SYM.	QTY.	DESCRIPTION
30	27-35982		1	GASKET, RUBBER - BELL HOUSING
31	25-33504		1	"O" RING, BELL HOUSING
32	12-38000		2	WASHER, SYNTHANE - BELL HOUSING
33	16-35937		6	STUD, BELL HSG. TO DRIVE SHAFT HSG.
34	16-35935		6	WASHER, BELL HOUSING STUD
35	11-34933		6	NUT, BELL HOUSING STUD
36	10-36398		2	SCREW, PLUG - BELL HOUSING (1/4)
37	22-31345		2	FITTING, GREASE - BELL HOUSING
38	29359		2	LUBRICATE, BELL HOUSING GREASE FITTING
39	36223A1		1	BELLOWS ASSEMBLY, UNIVERSAL JOINT
40	54-31765		2	CLAMP, UNIVERSAL JOINT BELLOWS TO BELL HOUSING & GIMBLE HOUSG
41	32-32461		1	HOSE, WATER -BELL HOUSING TO GIMBAL HOUSING
42	54-32523		1	CLAMP, WATER HOSE TO SELL HOUSING CONNECTOR
43	54-32523		1	CLAMP, WATER HOSE TO GIMBLE HOUSING WATER TUBE
	54-32523		1	CLAMP, WATERHOSE TO GIMBAL HOUSING WATER TUBE
44	32734		1	BELLOWS, EXHAUST - BELL HOUSING TO GOMBALHOUSING
45	54-32533		2	CLAMSA, EXHAUST BELLOWS TO BELLHOUSEING AND GIMBLE HOUSING
46	17-20302		1	PIN, PIVOT-REVERSE HOOK RELEACE LEVER TO BLL HOUSING SEE NOTE BELOW
47	24-36102		1	SPRING, TORSION - REVERSE HOOK RELEASE LEVER 1 SEE NOTE BELOW
48	32629A1		1	LEVER ASSEMBLY, REVERSE HOOK RELEASE - BELLHOUSER SEE NOTE BELOW
49	32745		1	LINK ROD, RELEASE HANDLE TO RELEASE LEVER SEE NOTE BELOW
50	10-32651		1	SCREW, CRANK LEVER AND HANDLE TO BELL HOUSING (3/4 0 1 SEE NOTE BELOW
51	10-32651		1	HANDLE, RESERVED HOOK RELEASE - BELL HOUSING SEE NOTE BELOW
52	32625		1	LEVER, CRANK-HOOK RELEASE LINK ROD SEE NOTE BELOW
53	45589A1		1	SHAFT ASSEMBLY, SHIFT -UPPER
54	45518A1		1	LEVER ASEMBLY, UPPER SHIFT SHAFT
55	12-39116		1	WASHER, UPPER SHIFT LEVER
56	10-45590		1	SCREW, UPPER SHIFT LEVER TO SHIFT SHAFT (1 1/16)
-	1547-2763A5		0	REPLACEMENT PARTS - DRIVE SHAFT HOUSING ASM COMPLETE MERCUISER 120 S/N: 2187468 AND BELOW
-	1547-2763A9		0	REPLACEMENT PARTS - DRIVE SHAFT HOUSING ASM COMPLETE MERCUISER 120 S/N: 2187469 - 2524924
-	1547-3546A9		0	REPLACEMENT PARTS - DRIVE SHAFT HOUSING ASM COMPLETE MERCUISER 120 S/N: 2524925 - 09999999
-	1547-2763A2		0	REPLACEMENT PARTS - DRIVE SHAFT HOUSING ASM COMPLETE MERCUISER 160 S/N: 2182197 AND BELOW
-	1547-2763A8		0	REPLACEMENT PARTS - DRIVE SHAFT HOUSING ASM COMPLETE MERCUISER 160 S/N: 2182198 - 2495185

CONTINUED ON NEXT PAGE ➡

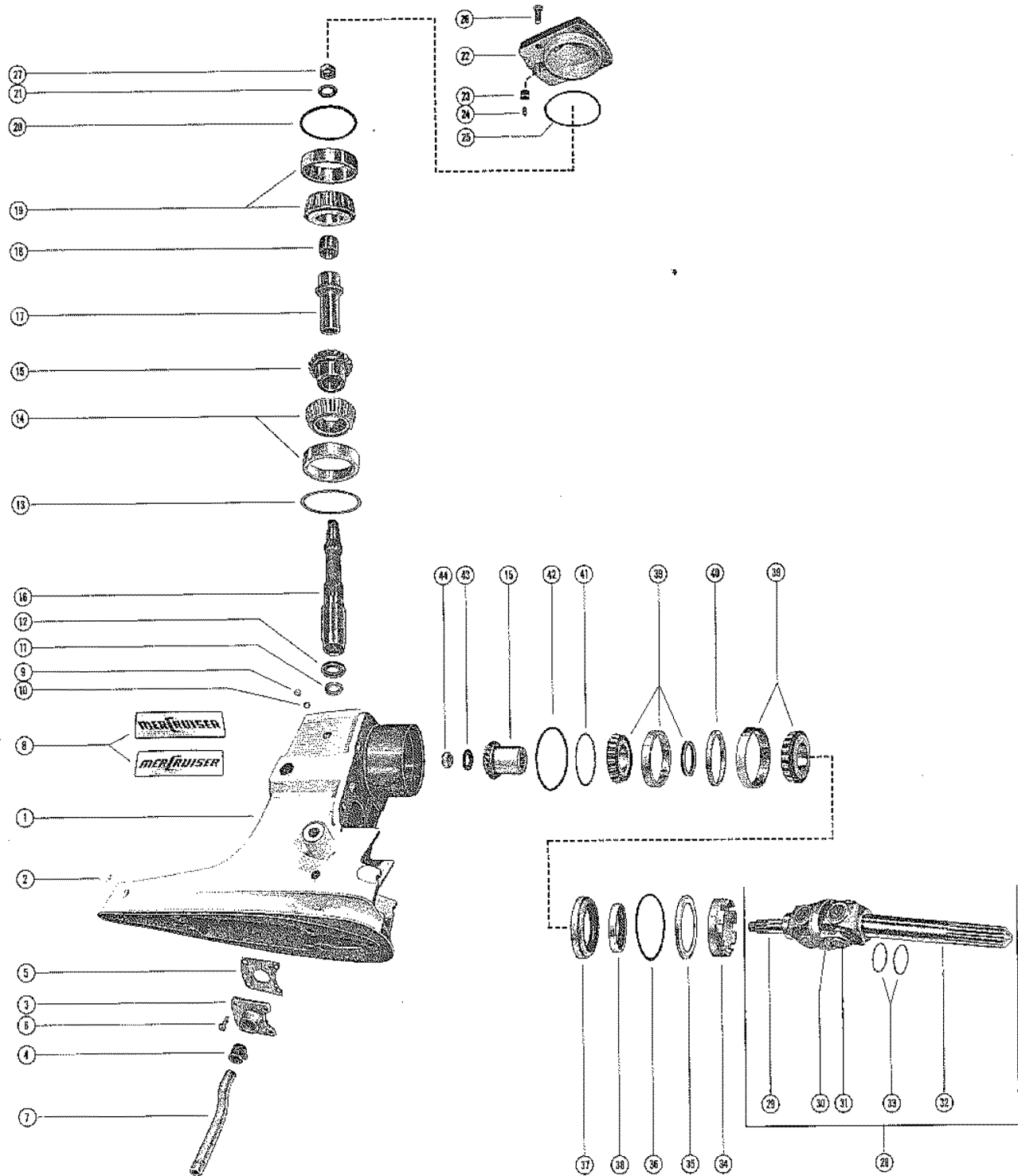
DRIVE SHAFT HOUSING ASSEMBLY AND BELL HOUSING ASSEMBLY



DRIVE SHAFT HOUSING ASSEMBLY AND BELL HOUSING ASSEMBLY

REF. NO.	PART NO.	SYM.	QTY.	DESCRIPTION
-	1547-3546A10		0	REPLACEMENT PARTS - DRIVE SHAFT HOUSING ASM COMPLETE MERCUISER 160 S/N: 2495186 - 09999999

DRIVE SHAFT HOUSING ASSEMBLY AND GEAR ASSEMBLY

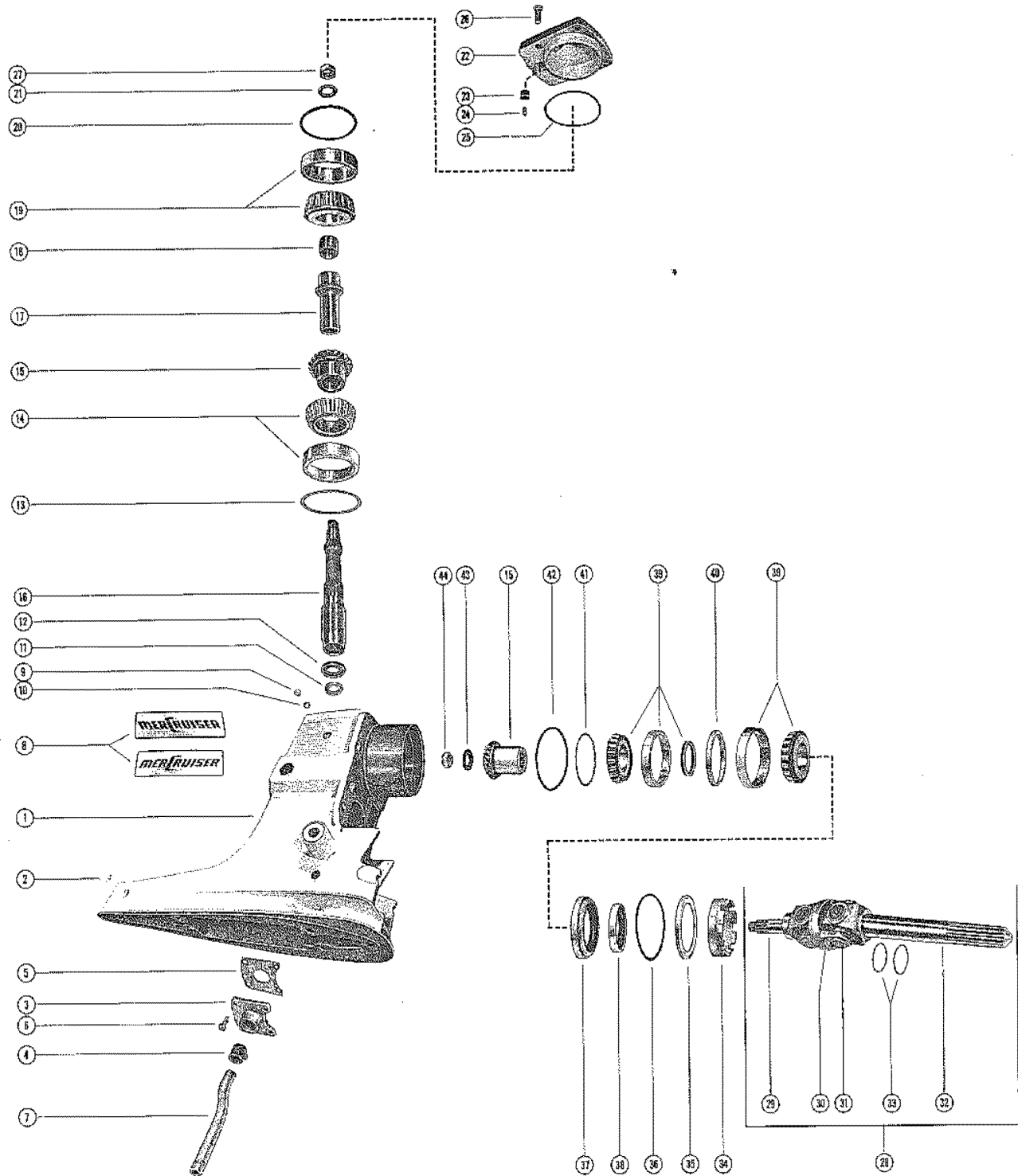


DRIVE SHAFT HOUSING ASSEMBLY AND GEAR ASSEMBLY

REF. NO.	PART NO.	SYM.	QTY.	DESCRIPTION
1	1547-2763A6		1	DRIVE SHAFT HOUSING ASSEMBLY S/N: 2495285 AND BELOW ("SEE DRIVE SHAFT HOUSING ASSY AND BELL HOUSING ASSY" FOR PARTS BREAKDOWN)
	1547-3546A8		1	DRIVE SHAFT HOUSING ASSEMBLY S/N: 2495186 AND UP ("SEE DRIVE SHAFT HOUSING ASSY AND BELL HOUSING ASSY" FOR PARTS BREAKDOWN)
2	19-29850		1	PLUG, TRIM TAB HOLE - DRIVE SHAFT HOUSING
3	32489A2		1	COVER ASSEMBLY, WATER POCKET - DRIVE SHAFT HOUSING
4	26-38970		1	SEAL, RUBBER-WATER POCKET COVER
5	27-32569		1	GASKET, WATER POCKET COVER
6	10-28636		4	SCREW, WATER POCKET COVER TO DRIVE SHAFT HOUSING (3/4)
7	32-32587		1	TUBE, WATER - WATER POCKET COVER
8	37-46324A1		1	DECAL SET, DRIVE SHAFT HOUSING (MERCUISER 120) NOT AS SHOWN
	37-39345A1		1	DECAL SET, DRIVE SHAFT HOUSING (MERCUISER 140) NOT AS SHOWN
	37-46329A1		1	DECAL SET, DRIVE SHAFT HOUSING (MERCUISER 160) NOT AS SHOWN
9	10-28634		2	SCREW, DRIVE SHAFT HOUSING GREASE FILLER AND VENT HOLE
10	12-20260		2	WASHER, DRIVE SHAFT HOUSING GREASE FILLER AND VENT HOLE SCRE
11	26-37259		1	OIL SEAL, DRIVE SHAFT HOUSING - LOWER
12	26-32511		1	OIL SEAL, GEAR CHAMBER - DRIVE SHAFT HOUSING
13	15-36178A1		AR	SHIM, BEARING CUP TO DRIVE SHAFT HOUSING (.002-3-5-10-15)
14	31-35990A1		1	TAPERED, ROLLER BEARING ASSEMBLY, PINION GEAR
15	43-45615A2		1	GEAR ASSEMBLY, COMPLETE MERCUISER 120 (20-24 GEAR RATIO)
	43-45569A2		1	GEAR ASSEMBLY, COMPLETE MERCUISER 160 (24-24 GEAR RATIO)
16	45-45568		1	DRIVE SHAFT, UPPER MERCUISER 120 S/N: 2187468 AND BELOW / MERCUISER 160 S/N: 2182197 AND BELOW
17	45570		1	SPACER, UPPER DRIVE SHAFT MERCUISER 120 S/N: 2187468 AND BELOW / MERCUISER 160 S/N: 2182197 AND BELOW
18	23-45571		1	SLEEVE, UPPER DRIVE SHAFT MERCUISER 120 S/N: 2187468 AND BELOW / MERCUISER 160 S/N: 2182197 AND BELOW
19	31-35990A1		1	TAPERED ROLLER BEARING ASSEMBLY, UPPER DRIVE SHAFT MERCUISER 120 S/N: 2187468 AND BELOW / MERCUISER 160 S/N: 2182197 AND BELOW
20	15-36178A1		AR	SHIM, BEARING CUP TO TOP COVER (.002-3-5-10-15) MERCUISER 120 S/N: 2187468 AND BELOW / MERCUISER 160 S/N: 2182197 AND BELOW
21	12-45815		1	WASHER, GEAR AND BEARING TO UPPER DRIVE SHAFT MERCUISER 120 S/N: 2187468 AND BELOW / MERCUISER 160 S/N: 2182197 AND BELOW

CONTINUED ON NEXT PAGE ➡

DRIVE SHAFT HOUSING ASSEMBLY AND GEAR ASSEMBLY

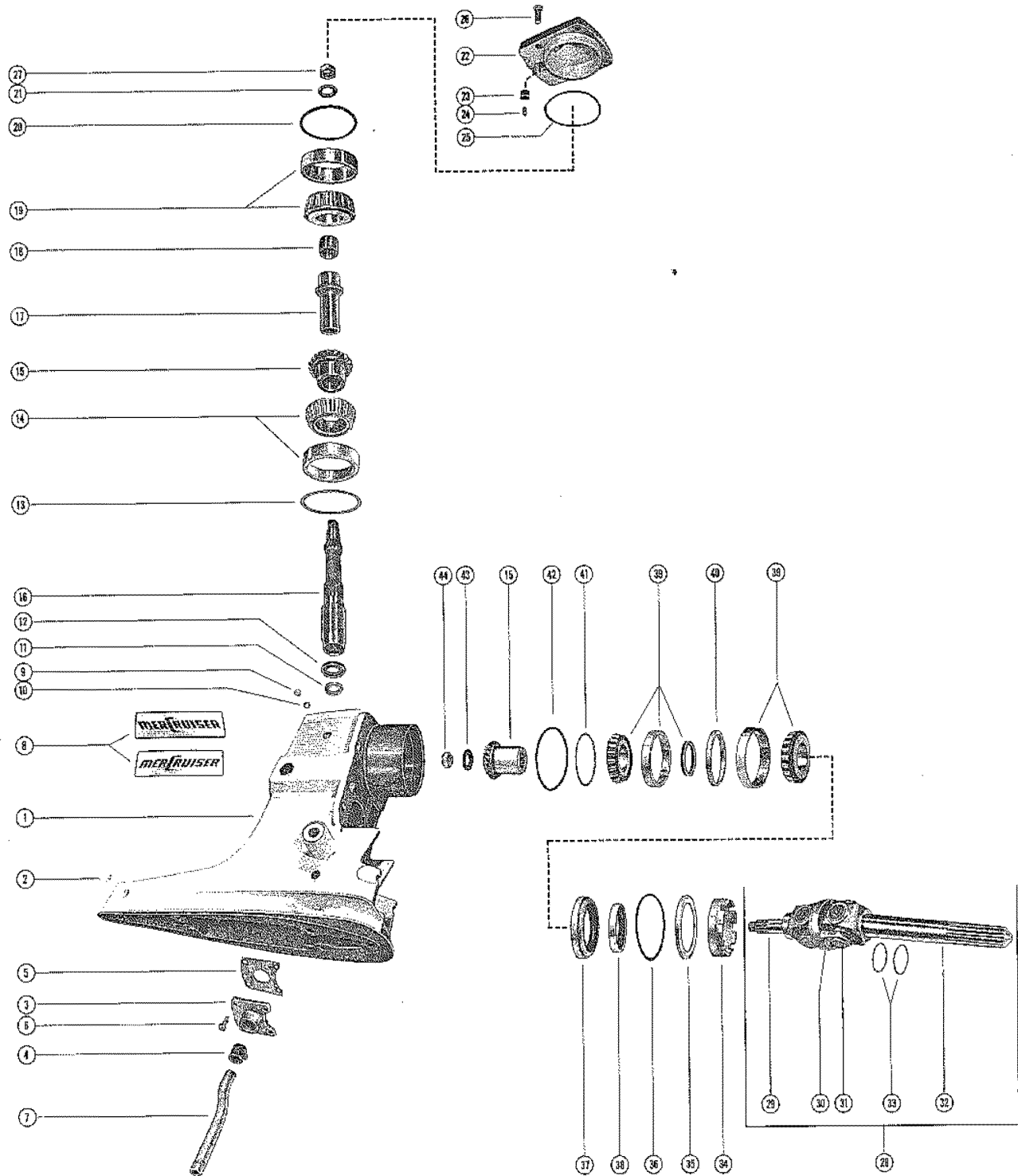


DRIVE SHAFT HOUSING ASSEMBLY AND GEAR ASSEMBLY

REF. NO.	PART NO.	SYM.	QTY.	DESCRIPTION
22	45513A1		1	COVER ASSEMBLY, TOP - DRIVE SHAFT HOUSING MERCruiser 120 S/N: 2187468 AND BELOW / MERCruiser 160 S/N: 2182197 AND BELOW
23	26-45916		1	OIL SEAL, TOP COVER MERCruiser 120 S/N: 2187468 AND BELOW / MERCruiser 160 S/N: 2182197 AND BELOW
24	17-45573		1	PIN, LOCATION - TOP COVER MERCruiser 120 S/N: 2187468 AND BELOW / MERCruiser 160 S/N: 2182197 AND BELOW
16	45-46779		1	DRIVE SHAFT, UPPER MERCruiser 120 S/N: 2187469 THRU #2266775 / MERCruiser 160 S/N: 2182198 THRU 2269838
17	23-32591		1	SPACE, UPPER DRIVE SHAFT (NOT AS SHOWN) MERCruiser 120 S/N: 2187469 THRU #2266775 / MERCruiser 160 S/N: 2182198 THRU 2269838
19	31-32575A1		1	TAPERED ROLLER BEARING ASSEMBLY, UPPER DRIVE SHAFT MERCruiser 120 S/N: 2187469 THRU #2266775 / MERCruiser 160 S/N: 2182198 THRU 2269838
20	15-32563A1		AR	SHIM, BEARING CUP TO TOP COVER (.002-3-5-10--15) MERCruiser 120 S/N: 2187469 THRU #2266775 / MERCruiser 160 S/N: 2182198 THRU 2269838
21	12-32506		1	WASHER, GEAR AND BEARING TO UPPER DRIVE SHAFT MERCruiser 120 S/N: 2187469 THRU #2266775 / MERCruiser 160 S/N: 2182198 THRU 2269838
22	46780A1		1	COVER ASSEMBLY TOP - DRIVE SHAFT HOUSING MERCruiser 120 S/N: 2187469 THRU #2266775 / MERCruiser 160 S/N: 2182198 THRU 2269838
23	26-45916		1	OIL SEAL, TOP COVER MERCruiser 120 S/N: 2187469 THRU #2266775 / MERCruiser 160 S/N: 2182198 THRU 2269838
24	17-45573		1	PIN, LOCATING - TOP COVER MERCruiser 120 S/N: 2187469 THRU #2266775 / MERCruiser 160 S/N: 2182198 THRU 2269838
16	45-45568		1	DRIVE SHAFT, UPPER MERCruiser 120 S/N: 2329996 AND UP / MERCruiser 160 S/N: 2331946 AND UP
17	23-32591		1	SPACER, UPPER DRIVE SHAFT (NOT AS SHOWN) MERCruiser 120 S/N: 2329996 AND UP / MERCruiser 160 S/N: 2331946 AND UP
19	32575A1		1	TAPERED ROLLER BEARING ASSEMBLY, UPPER DRIVE SHAFT MERCruiser 120 S/N: 2329996 AND UP / MERCruiser 160 S/N: 2331946 AND UP
20	15-32563A1		AR	SHIM, BEARING CUP TO TOP COVER (.002-3-5-10-15) MERCruiser 120 S/N: 2329996 AND UP / MERCruiser 160 S/N: 2331946 AND UP
21	12-32506		1	WASHER, GEAR AND BEARING TO UPPER DIRVE SHAFT MERCruiser 120 S/N: 2329996 AND UP / MERCruiser 160 S/N: 2331946 AND UP
22	47752		1	COVER, TOP - DRIVE SHAFT HOUSING (NOT AS SHOWN) MERCruiser 120 S/N: 2329996 AND UP / MERCruiser 160 S/N: 2331946 AND UP
25	25-32546		1	"O" RING, TOP COVER SEALING
26	10-31985		4	SCREW, TOP COVER TO DRIVE SHAFT HOUSING (1 1/4")
27	11-22339		1	NUT, GEAR AND BEARING TO UPPER DRIVE SHAFT

CONTINUED ON NEXT PAGE ➡

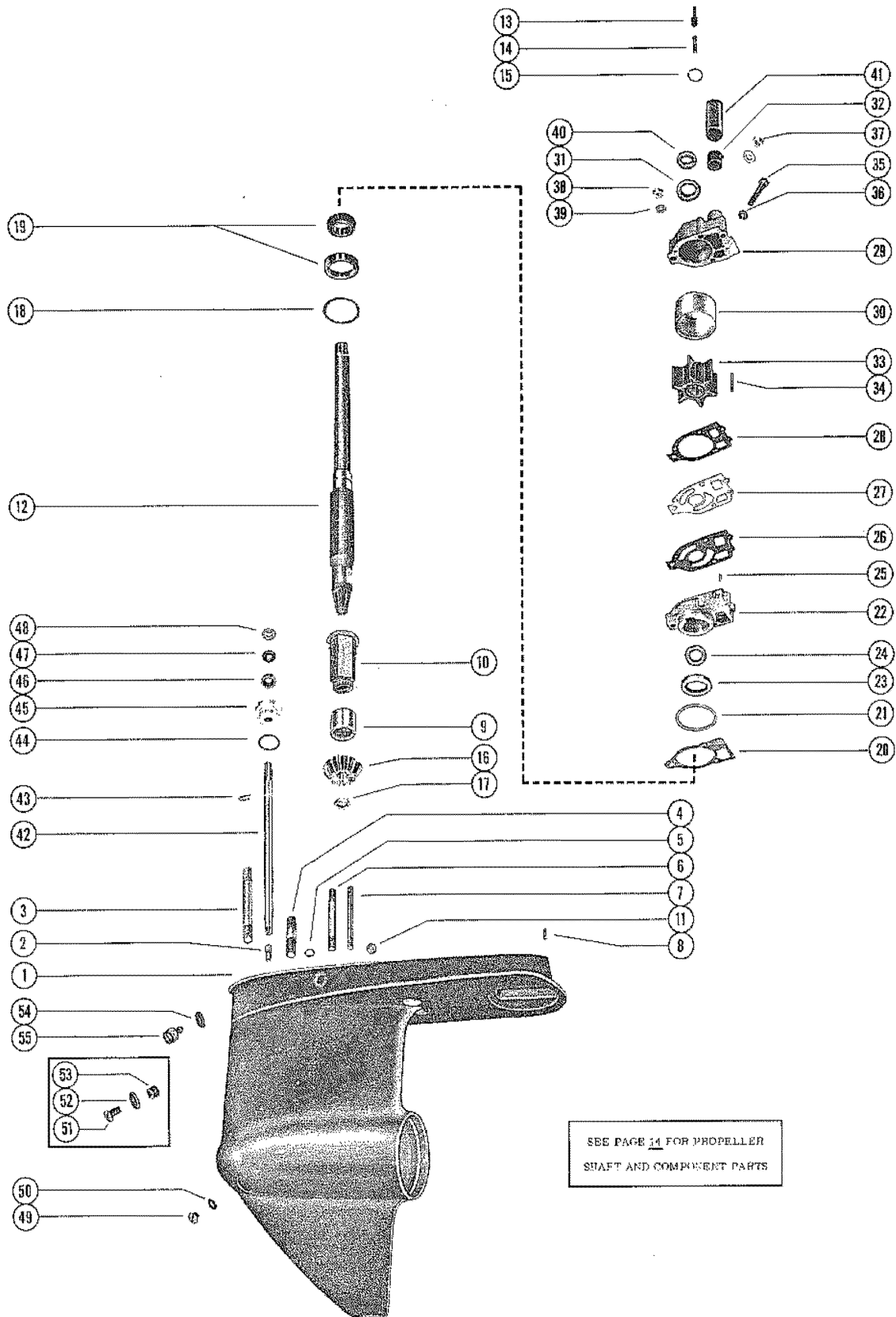
DRIVE SHAFT HOUSING ASSEMBLY AND GEAR ASSEMBLY



DRIVE SHAFT HOUSING ASSEMBLY AND GEAR ASSEMBLY

REF. NO.	PART NO.	SYM.	QTY.	DESCRIPTION
28	45808A1		1	UNIVERSAL JOINT ASSEMBLY, DRIVE GEAR
29	46020		1	YOKE, UNIVERSAL JOINT - GEAR END
30	39383		1	SOCKET, CENTER - UNIVERSAL JOINT
31	36312		2	CROSS AND BEARING ASSY, UNIVERSAL JOINT
32	39385A1		1	YOKE ASSEMBLY, UNIVERSAL JOINT - COUPLING END
33	25-25439		2	"O" RING, UNIVERSAL JOINT
34	35992		1	RETAINER, TAPERED ROLLER BEARING - UNIVERSAL JOINT
35	35983		1	RING, ROLLER BEARING RETAINER TO OIL SEAL CARRIER
36	25-35984		1	"O" RING, OIL SEAL CARRIER
37	35993A1		1	CARRIER ASSEMBLY, OIL SEAL
38	26-36054		1	OIL SEAL, CARRIER
39	31-35988A2		1	TAPERED ROLLER BEARING ASSEMBLY, DRIVE GEAR
40	23-35985		1	SPACER, DRIVE GEAR ROLLER BEARING CUPS
41	15-35980A1		AR	SHIM, BEARING CUP TO DRIVE SHAFT HOUSING (.002-3-5-10-25)
42	15-45811		1	SHIM, BEARING CUP TO DRIVE SHAFT HOUSING
43	12-45810		1	WASHER, DRIVE GEAR TO UNIVERSAL JOINT
44	11-22339		1	NUT, DRIVE GEAR TO UNIVERSAL JOINT

GEAR HOUSING ASSEMBLY, COMPLETE

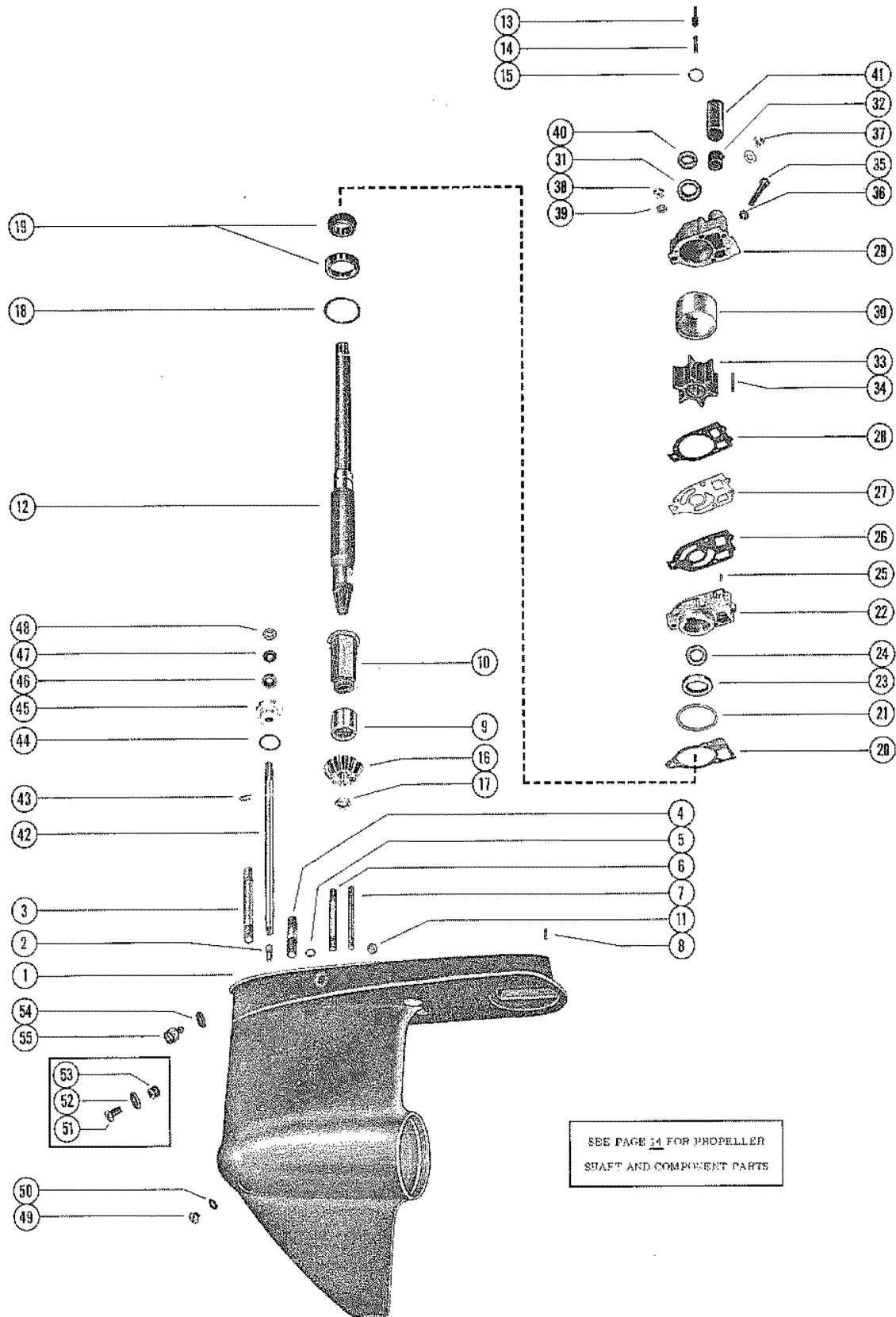


GEAR HOUSING ASSEMBLY, COMPLETE

REF. NO.	PART NO.	SYM.	QTY.	DESCRIPTION
-	1623-2764A3		1	GEAR HOUSING ASSEMBLY, COMPLETE (ALUMINUM WATER PUMP)
-	1623-3646A3		1	GEAR HOUSING ASSEMBLY, COMPLETE (PLASTIC WATER PUMP)
1	1623-2764A1		1	GEAR HOUSING ASSEMBLY (ALUMINUM)
	1623-3489A1		1	GEAR HOUSING ASSEMBLY (PLASTIC) - USES B-31-36387A1 BEARING SEE REF #19
	1623-3646A1		1	GEAR HOUSING ASSEMBLY(PLASTIC) - USES B-31-53079A1 BEARING SEE REF #19
2	17-37972		1	PIN, SHIFT CRANK - GEAR HOUSING
3	16-46911		1	STUD, GEAR HOUSING TO DRIVE SHAFT HOUSING (3 3/16)
4	16-46909		2	STUD, GEAR HOUSING TO DRIVE SHAFT HOUSING (2)
5	26-45577		1	SEAL, GEAR HOUSING
6	16-36292		1	STUD, WATER PUMP BASE AND BODY TO GEAR HOUSING (3 3/8)
7	16-30667		2	STUD, WATER PUMP BASE AND BODY TO GEAR HOUSING (3 1/8)
8	17-46912		2	PIN, DOWEL - GEAR HOUSING TO DRIVE SHAFT HOUSING
9	31-35934		1	BEARING, ROLLER DRIVE SHAFT
10	39235		1	SLEEVE, THREADED - GEAR HOUSING EARLY MODELS ONLY
11	19-38148		1	WELCH PLUG, GEAR HOUSING EARLY MODELS ONLY
12	45-36386A1		1	DRIVE SHAFT ASSEMBLY
13	17-30545		1	PIN, DRIVE SHAFT
14	24-34576		1	SPRING, COMPRESSION - DRIVE SHAFT
15	25-30613		1	"O" RING, UPPER - DRIVE SHAFT
16	43-35922		1	GEAR, PINION - DRIVE SHAFT
17	11-35921		1	NUT, PINION - GEAR TO DRIVE SHAFT
18	15-33143A1		AR	SHIM, DRIVE SHAFT BEARING TO GEAR HOUSING (.002-3-5-10)
19	31-36387A1		1	TAPERED ROLLER BEARING ASSEMBLY, DRIVE SHAFT IDENTIFICATION: STAMPED #M84510 ON CUP)
	31-53079A1		1	TAPERED ROLLER BEARING ASSEMBLY, DIRVE SHAFT IDENTIFICATION: STAMPED #M15520 ON CUP)
20	27-33146		1	GASKET, WATER PUMP BASE TO GEAR HOUSING
21	25-33145		1	"O"RING, WATER PUMP BASE
22	46-34447A1		1	WATER PUMP BASE ASEMBLY (ALUMINUM)
	46-48748A1		1	WATER PUMP BASE ASSEMBLY (PLASTIC)
23	26-33144		1	OIL SEAL, WATER PUMP BASE
24	26-31507		1	OIL SEAL, WATER PUMP BASE
25	17-35973		2	DOWEL PIN, WATER PUMP BASE WATER PUMP BODY
26	27-32433		1	GASKET, LOWER - WATER PUMP BASE TO FACE PLACTE
27	32435		1	PLATE, FACE -WATER PUMP BASE TO WATER PUMP BODY
28	27-32434		1	GASKET, UPPER - FACE PLATE TO WATER PUMP BODY

CONTINUED ON NEXT PAGE ➡

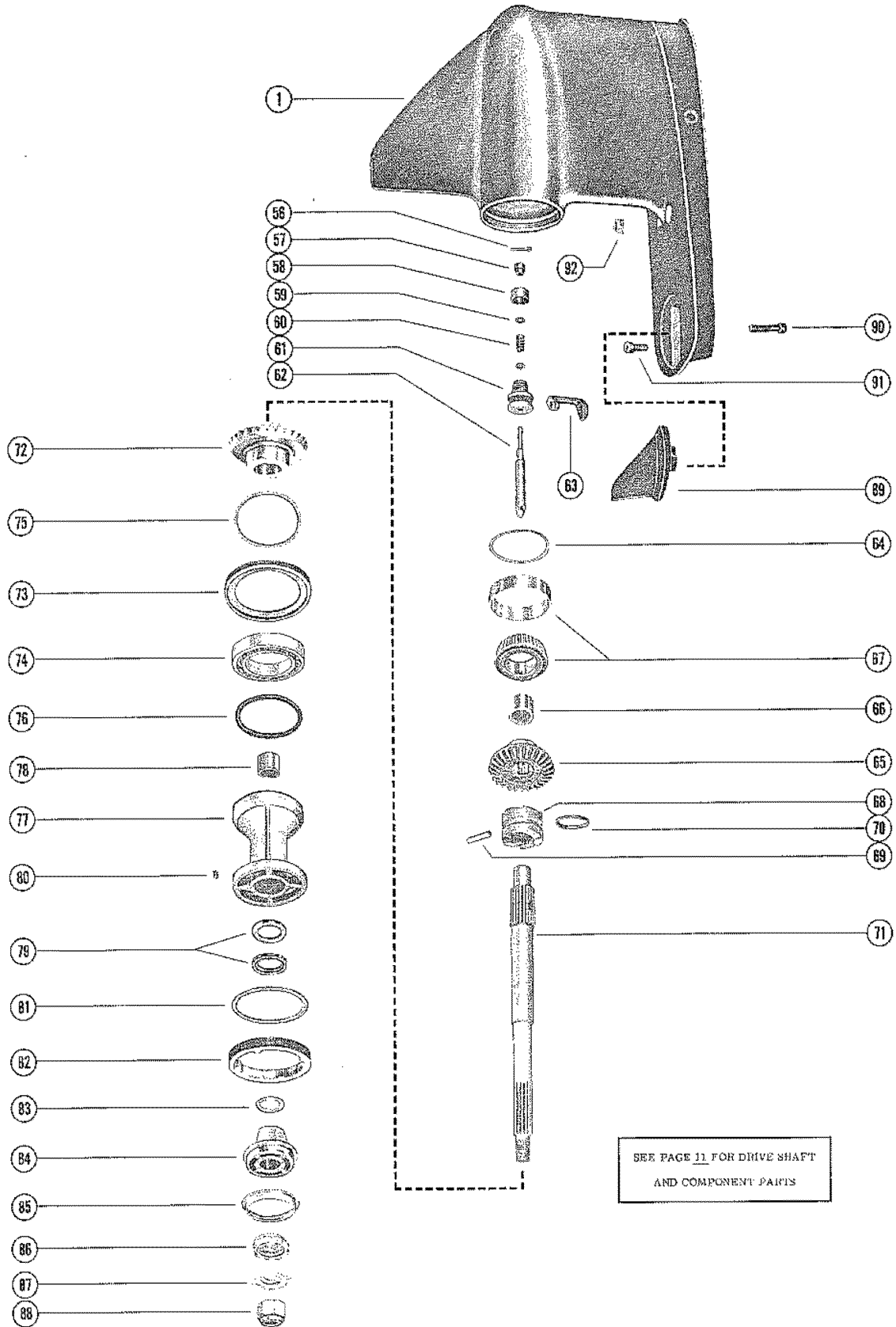
GEAR HOUSING ASSEMBLY, COMPLETE



GEAR HOUSING ASSEMBLY, COMPLETE

REF. NO.	PART NO.	SYM.	QTY.	DESCRIPTION
29	46-37433A1		1	WATER PUMP BODY ASSEMBLY (ALUMINUM)
	46-48743A1		1	WATER PUMP BODY ASSEMBLY (PLASTIC)
30	30915		1	INSERT, WATER PUMP BODY (ALUMINUM)
	48752		1	INSERT, WATER PUMP BODY (PLASTIC)
31	26-31507		1	OIL SEAL, WATER PUMP BODY
32	26-38970		1	SEAL, RUBBER - WATER INLET TUBE
33	47-30221		1	IMPELLER, WATER PUMP
34	17-29967		1	PIN, IMPELLER DRIVE
35	10-30720		1	SCREW, WATER PUMP BODY TO GEAR HOUSING (2 1/4") ALUMINUM
36	13-26992		1	LOCKWASHER, WATER PUMP BODY SCREW ALUMINUM
37	11-35888		2	NUT, WATER PUMP BODY STUDS (1/4-28) ALUMINUM
38	11-35814		1	NUT, WATER PUMP BODY STUD (5/16-24) ALUMINUM
35	10-53155		1	SCREW, WATER PUMP BODY TO GEAR HOUSING (2 1/2") PLASTIC
36	12-36001		1	WASHER, WATER PUMP BODY SCREW PLASTIC
37	11-35045		2	NUT, WATER PUMP BODY STUDS (1/4-28) PLASTIC
38	11-45592		1	NUT, WATER PUMP BODY STUD (5/16-24) PLASTIC
39	12-29245		3	WASHER, WATER PUMP BODY STUD PLASTIC
40	25-30271		1	RING, RUBBE - CENTRIFUGAL SLINGER (DRIVE SHAFT)
41	23-29804		1	SLEEVE, GUIDE - WATER INLET TUBE
42	37973		1	SHAFT, SHIFT - LOWER
43	18-20233		1	CLIP, RETAINING - SHIFT SHAFT
44	25-25439		1	"O" RING, SHIFT SHAFT BUSHING
45	23-30617A2		1	BUSHING ASSEMBLY, SHIFT SHAFT
46	26-46021		1	OIL SEAL, SHIFT SHAFT BUSHING
47	12-31266		1	WASHER, RUBBER - SHIFT SHAFT BUSHING
48	12-29395		1	WASHER, SHIFT SHAFT
49	10-28634		2	SCREW, GEAR HOUSING GREASE FILLER AND VENT HOLE
50	12-20260		2	WASHER, GEAR HOUSING GREASE FILLER AND VENT HOLE SCREW
51	10-45582		1	SCREW, GEAR HOUSING FLUSHING HOLE ALUMINUM
52	27-29586		1	GASKET, GEAR HOUSING FLUSHING HOLE SCREW ALUMINUM
53	26-45583		1	SEAL, GEAR HOUSING FLUSHING HOLE SCREW ALUMINUM
54	12-49221		1	WASHER, FLUSH PLUG - GEAR HOUSING FLUSHING HOLE PLASTIC
55	19-48751		1	PLUG, FLUSH - GEAR HOUSING FLUSHING HOLE PLASTIC

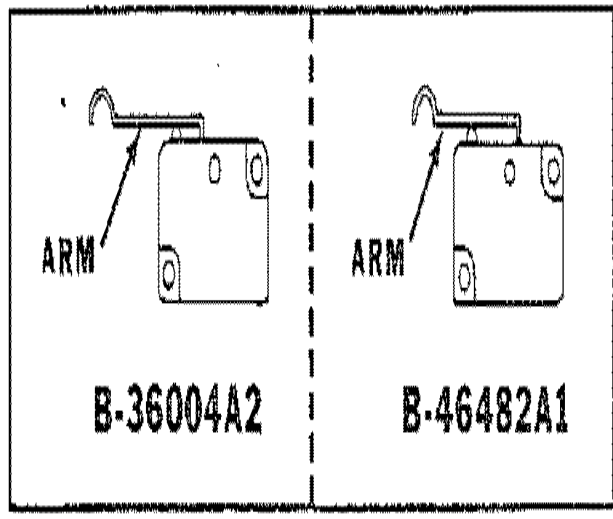
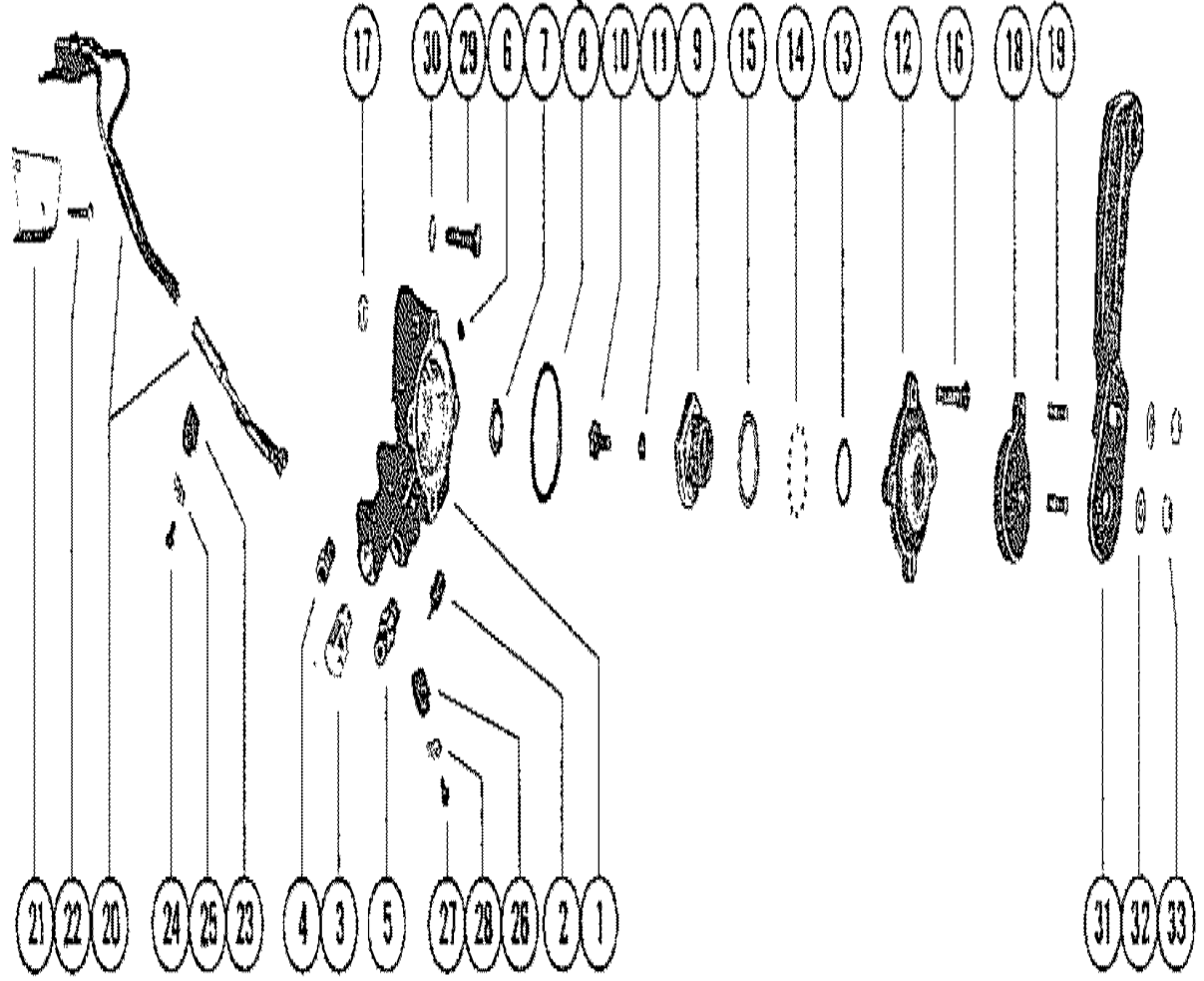
GEAR HOUSING ASSEMBLY



GEAR HOUSING ASSEMBLY

REF. NO.	PART NO.	SYM.	QTY.	DESCRIPTION
-	1623-4110A5		1	GEAR HOUSING ASSEMBLY, COMPLETE
1	1623-2764A1		1	GEAR HOUSING ASSEMBLY (ALUMINUM)
	1623-5356A4		1	GEAR HOUSING ASSEMBLY (PLASTIC)
56	18-89212		1	COTTER PIN, CLUTCH ACTUATING SHAFT
57	N.S.S.		1	SLEEVE, ADJUSTING REPLACED BY 19755A4
58	N.S.S.		1	RETAINER, SPRING REPLACED BY 19755A4
59	N.S.S.		2	WASHER REPLACED BY 19755A4
60	N.S.S.		1	SPRING REPLACED BY 19755A4
61	N.S.S.		1	SPOOL REPLACED BY 19755A4
62	N.S.S.		1	SHAFT REPLACED BY 19755A4
63	37966		1	SHIFT CRANK
64	15-47397A1		AR	SHIM
65	43-35930A2		1	FORWARD GEAR ASSEMBLY
66	31-30895		1	ROLLER BEARING, FORWARD GEAR
67	31-35928A1		1	ROLLER BEARING
68	52-37963		1	CLUTCH
69	17-30632		1	CROSS PIN
70	24-30893		1	SPRING, RETAINER - CROSS PIN
71	44-45452		1	PROPELLER SHAFT
72	43-37964		1	REVERSE GEAR
73	35915		1	THRUST RING, BEARING CARRIER
74	30-17927		1	BALL BEARING, REVERSE GEAR
75	15-31535A1		AR	SHIM
76	25-31534		1	O-RING, BEARING CARRIER
77	52835A2		1	BEARING CARRIER ASSEMBLY
78	31-30956		1	ROLLER BEARING
79	26-76868		2	OIL SEAL
80	28-30281		1	KEY
81	12-31536		1	WASHER, GEAR HOUSING COVER (ALUMINUM)
	14-79447		1	TAB, WASHER, GEAR HOUSING COVER (PLASTIC)
82	79448		1	COVER, GEAR HOUSING
83	12-45450		1	THRUST WASHER, BEARING CARRIER
84	45451A1		1	THRUST HUB AND WASHER ASSEMBLY
85	12-35965		1	WASHER, CUPPED
86	12-31211A2		1	WASHER, SPLINED - PROPELLER SHAFT
87	14-31210		1	TAB WASHER, PROPELLER NUT
88	11-29594		1	PROPELLER NUT
89	31640A1		1	TRIM TAB ASSEMBLY (120)
	34127A1		1	TRIM TAB ASSEMBLY (140/160)
90	10-32470		1	SCREW, TRIM TAB (1-3/4")
91	30-30206		1	SCREW, GEAR HOUSING TO DRIVE SHAFT HOUSING (1")
92	11-34933		2	NUT, DRIVE SHAFT HOUSING TO GEAR HOUSING STUD

REVERSE LOCK VALVE ASSEMBLY (FOR USE WITH POWER TRIM ONLY)

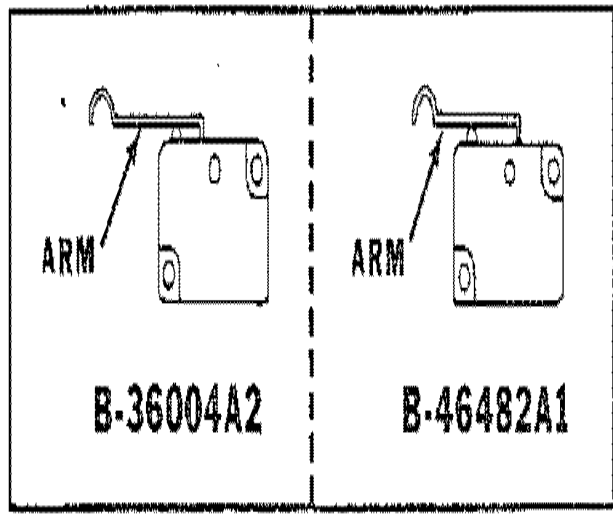
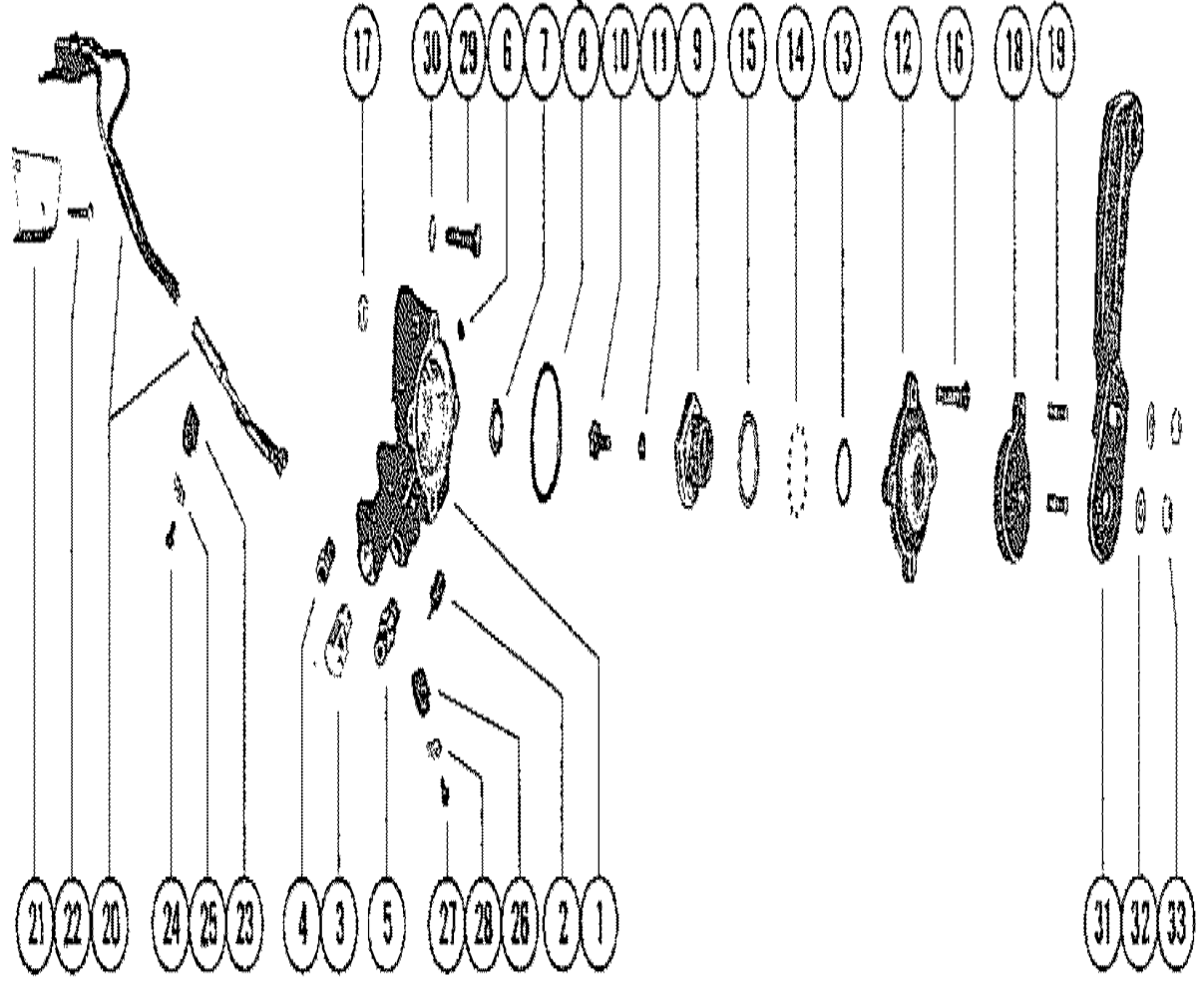


REVERSE LOCK VALVE ASSEMBLY (FOR USE WITH POWER TRIM ONLY)

REF. NO.	PART NO.	SYM.	QTY.	DESCRIPTION
1	45525A3		1,,	REVERSE LOCK VALVE ASSEMBLY
	48165A5		,1,1	REVERSE LOCK VALVE ASSEMBLY
2	45709		1,1,1	FOLLOWER, CAM
3	22-45794		1,,	ELBOW, HYDRAULIC TRIM HOSE TO REVERSE LOCK VALVE
4	22-48166		,1,1	ELBOW, HYDRAULIC TRIM HOSE TO REVERSE LOCK VALVE
5	22-48167		,1,1	CONNECTOR, ELBOW
6	22-21290		1,1,1	PLUG, PIPE - REVERSE LOCK VALVE
7	13-25906		1,1,1	WASHER, WAVE - REVERSE LOCK VALVE
8	25-45710		1,1,1	"O" RING, REVERSE LOCK VALVE
9	45526		1,1,1	CAM, REVERSE LOCK VALVE
10	10-46736		1,1,1	SCREW, CAM TO CAM LEVER (1/2")
11	13-26996		1,1,1	LOCKWASHER, CAM SCREW
12	45528		1,1,1	COVER, REVERSE LOCK VALVE
13	25-45711		1,1,1	"O" RING, VALVE COVER
14	30-45712		30,30,30	BALL, VALVE COVER
15	12-45713		1,1,1	WASHER, RETAINING - BALL TO VALVE COVER
16	10-45716		4,4,4	SCREW, COVER TO REVERSE LOCK VALVE (15/16")
17	11-20110		4,4,4	NUT, COVER SCREW
18	46732A2		1,1,1	LEVER ASSEMBLY, CAM
19	16-45715		2,2,2	STUD, SHIFT CONTROL LEVER TO CAM LEVER (23/32")
20	46482A1		1,1,1	SWITCH ASSEMBLY, CUT-OUT - REVERSE LOCK VALVE SEE NOTE BELOW
21	45717		1,1,1	SHIELD, CUT-OUT SWITCH
22	10-36003		2,2,2	SCREW, SHIELD AND SWITCH TO REVERSE LOCK VALVE (3/4")
23	54-22740		1,,1	CLIP, CUT-OUT SWITCH LEAD TO TRANSOM PLATE
24	10-35519		1,,1	SCREW, CUT-OUT SWITCH LEAD CLIP ATTACHING (1/2")
23	54-23568		,1,1	CLIP, CUT-OUT SWITCH LEAD TO TRANSOM PLATE
24	10-21643		,1,1	SCREW, CUT-OUT SWITCH LEAD CLIP ATTACHING (1/2")
25	22789		1,1,1	"D" WASHER, CLIP ATTACHING SCREW
26	54-23568		1,,	CLIP, CUT-OUT SWITCH LEAD TO REVERSE LOCK VALVE
	54-23568		,2,2	CLIP, CUT-OUT SWITCH LEAD TO REVERSE LOCK VALVE
27	10-21643		1,1,1	SCREW, CUT-OUT SWITCH LEAD CLIP ATTACHING (1/2")
	10-35519		,1,1	SCREW, CUT-OUT SWITCH LEAD CLIP ATTACHING (1/2")
28	22789		1,,	"D" WASHER, CLIP ATTACHING SCREW
	22789		,2,2	"D" WASHER, CLIP ATTACHING SCREW
29	10-25299		2,2,2	SCREW, REVERSE LOCK VALVE TO TRANSOM PLATE (3/4")

CONTINUED ON NEXT PAGE ➡

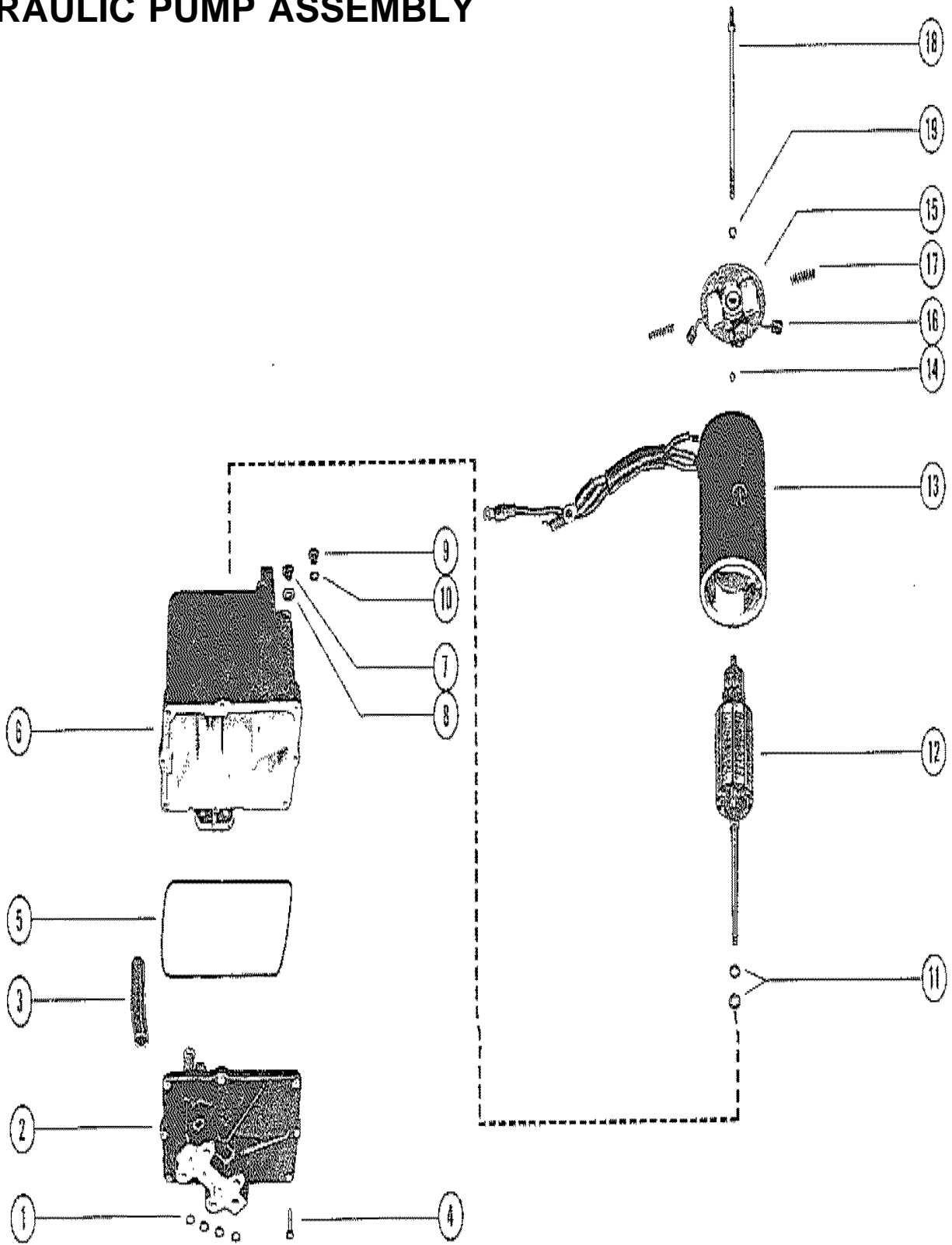
REVERSE LOCK VALVE ASSEMBLY (FOR USE WITH POWER TRIM ONLY)



REVERSE LOCK VALVE ASSEMBLY (FOR USE WITH POWER TRIM ONLY)

REF. NO.	PART NO.	SYM.	QTY.	DESCRIPTION
30	13-21804		2,2,2	LOCKWASHER, REVERSE LOCK VALVE SCREW
31	45529		1,1,	LEVER, SHIFT CONTROL - CAM LEVER
	49702A2		„1	LEVER ASSEMBLY, SHIFT CONTROL - CAM LEVER
32	12-21273		2,2,2	WASHER, CAM LEVER STUD
33	11-20110		2,2,2	NUT, SHIFT CONTROL LEVER TO CAM LEVER STUD

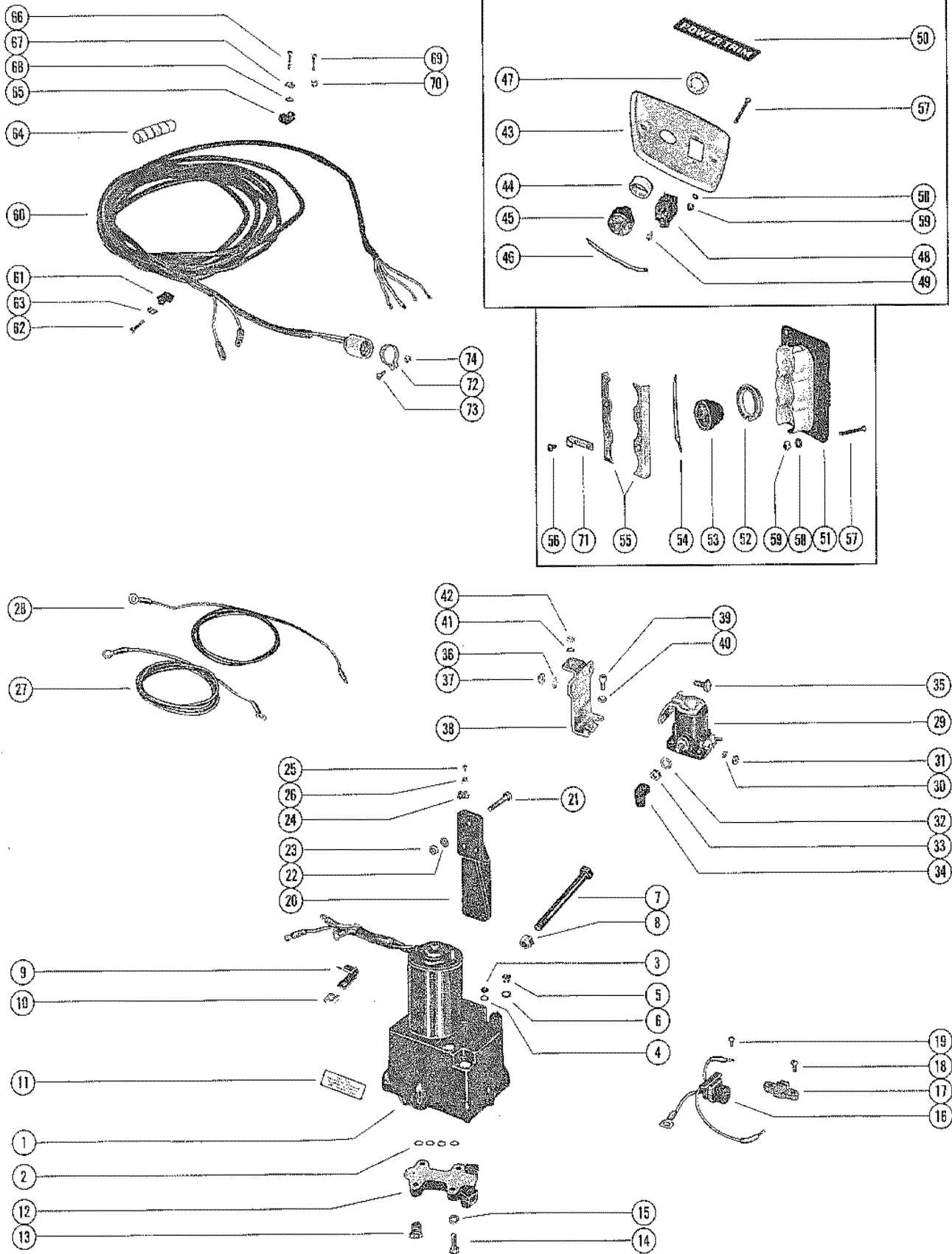
HYDRAULIC PUMP ASSEMBLY



HYDRAULIC PUMP ASSEMBLY

REF. NO.	PART NO.	SYM.	QTY.	DESCRIPTION
-	45060A7		1	HYDRAULIC PUMP ASSEMBLY, COMPLETE
1	25-26834		4	"O" RING, HYDRAULIC PUMP
2	392-2936		1	VALVE BODY AND GEAR ASSEMBLY
3	392-2618		1	CAM, VALVE BODY
4	10-20411		8	SCREW, VALVE BODY TO RESERVIOR (5/8")
5	392-2937		1	SEAL, RESERVIOR TO VALVE BODY AND GEAR
6	392-2939		1	RESERVIOR ASSEMBLY
7	10-46918		1	SCREW, VENT - HYDRAULIC PUMP
8	13-46917		1	LOCKWASHER, SEALING - VENT SCREW
9	10-28634		1	SCREW, FILLER - HYDRAULIC PUMP
10	12-20260		1	WASHER, SEALING - FILLER SCREW
11	392-2623		AR	WASHER, THRUST - ARMATURE
12	392-2943		1	ARMATURE, FIELD AND FRAME
13	392-2942		1	FIELD AND FRAME ASSEMBLY
14	392-2944		1	BALL, COMMUTATOR END PLATE
15	392-2940		1	PLATE ASSEMBLY, COMMUTATOR END
16	392-2941		1	BRUSH SET, COMMUTATOR END PLATE
17	392-2529		1	SPRING SET, BRUSH TENSION
18	392-2938		1	BOLT SET, THRU - PLATE AND FRAME TO RESERVIOR
19	13-26996		2	LOCKWASHER, THRU BOLT

HYDRAULIC PUMP AND CONTROL PANEL (POWER TILT AND POWER TRIM)

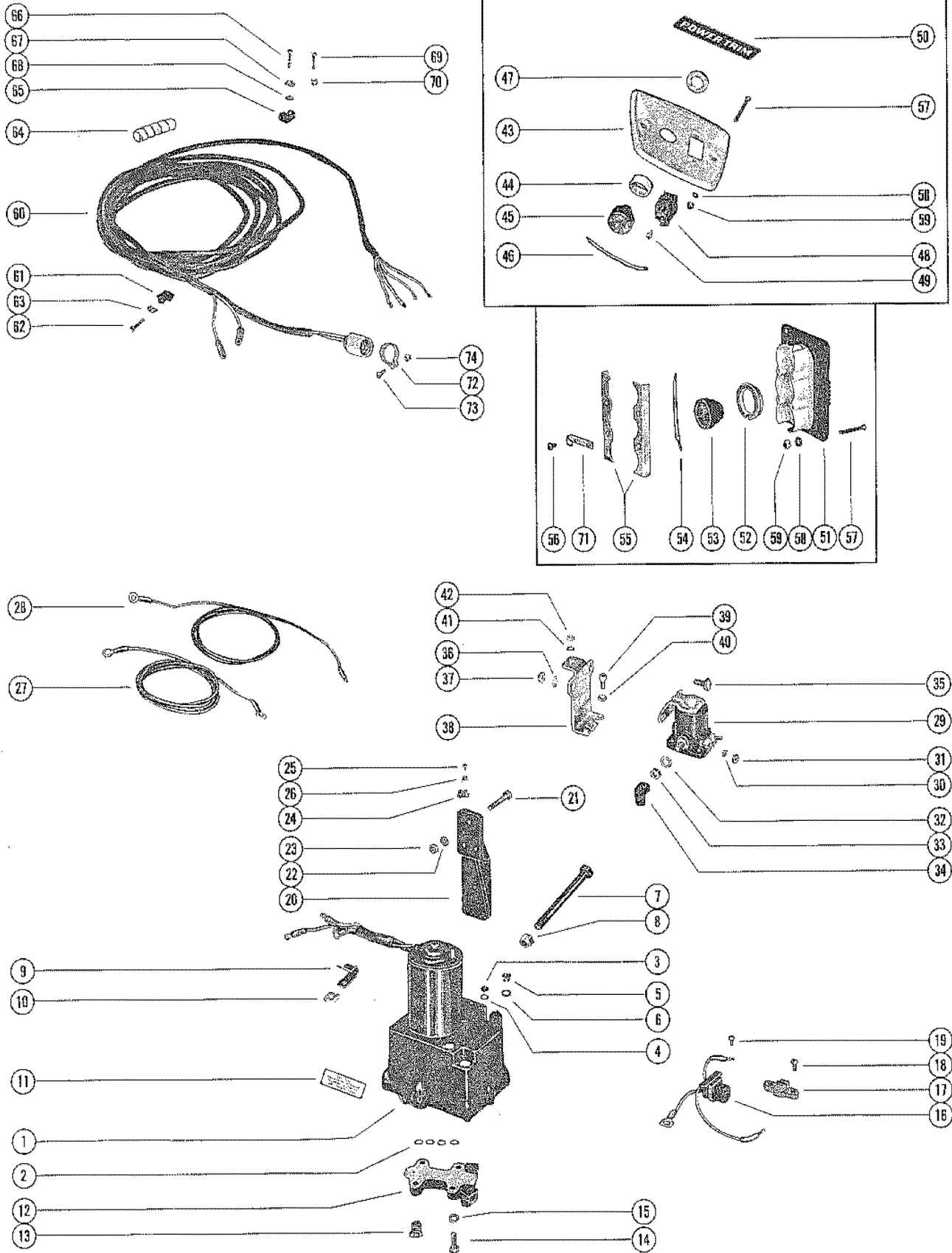


HYDRAULIC PUMP AND CONTROL PANEL (POWER TILT AND POWER TRIM)

REF. NO.	PART NO.	SYM.	QTY.	DESCRIPTION
1	45060A7		1,1,1,1	HYDRAULIC PUMP ASSEMBLY SEE B4 FOR PARTS BREAKDOWN
2	25-26834		4,4,4,4	"O" RING, HYDRAULIC PUMP TO CONTROL VALVE
3	10-46918		1,1,1,1	SCREW, VENT - HYDRAULIC PUMP
4	13-46917		1,1,1,1	LOCKWASHER, SEALING - VENT SCREW
5	10-28634		1,1,1,1	SCREW, FILLER - HYDRAULIC PUMP
6	12-20260		1,1,1,1	WASHER, SEALING - HYDRAULIC PUMP FILLER SCREW
7	10-29877		1,1,1,1	SCREW, HYDRALULIC PUMP TO TRANSOM PLATE (3 1/4")
	10-45765		2,2,2,2	SCREW, HYDRAULIC PUMP TO TRANSOM PLATE (4 1/4")
8	11-35814		3,3,3,3	NUT, HYDRAULIC PUMP SCREW
9	54-37282		1,1,1,1	CLAMP, HYDRAULIC PUMP HARNESS
10	37281		1,1,1,1	"D" WASHER, HYDRAULIC PUMP HARNESS CLAMP
11	38-45372		1,1,1,1	DECAL, INSTRUCTIONS - HYDRAULIC PUMP
12	45382A1		1,,	CONTROL VALVE ASSEMBLY
	45764A2		,1,,	CONTROL VALVE ASSEMBLY
	48077A3		,,1,1	CONTROL VALVE ASSEMBLY
-	25-26834		4,4,4,4	"O" RING, HYDRAULIC PUMP TO CONTROL VALVE SEE REFERENCE #2
13	22-38609		1,,1,1	PLUG, CONTROL VALVE (3/8-24")
	22-38609		,2,,	PLUG, CONTROL VALVE (3/8-24")
14	10-21091		4,4,4,4	SCREW, CONTROL VALVE TO HYDRAULIC PUMP (1 1/8")
15	13-26992		4,4,4,4	LOCKWASHER, CONTROL VALVE SCREW
16	45325		1,1,1,1	CONNECTOR AND HARNESS
17	45559		1,1,1,1	TERMINAL BLOCK, HYDRAULIC PUMP
18	10-28192		2,2,2,2	SCREW, TERMINAL BLOCK TO HYDRAULIC PUMP (1/2")
19	10-30663		2,2,2,2	SCREW, HARNESS LEADS TO TERMINAL BLOCK (3/8")
20	46306A1		,1,1,1	BRACKET ASSEMBLY, PUMP MOUNTING
21	10-26066		,3,3,3	SCREW, PUMP MOUNTING BRACKET
22	12-20546		,3,3,3	WASHER, PUMP MOUNTING BRACKET SCREW
23	11-35814		,3,3,3	NUT, PUMP MOUNTING BRACKET SCREW
24	54-22740		,3,3,3	CLAMP, PUMP MOUNTING BRACKET
25	10-35519		,1,1,1	SCREW, CLAMP TO MOUNTING BRACKET
26	22789		,1,1,1	"D" WASHER, CLAMP ATTACHING SCREW
27	45552		1,1,1,1	BATTERY LEAD (POSITIVE)
28	45551		1,1,1,1	BATTERY LEAD (NEGATIVE)
29	25661		1,1,1,1	STARTER SOLENOID
30	13-56996		2,2,2,2	LOCKWASHER, STARTER SOLENOID TERMINAL (#10)
31	11-20645		2,2,2,2	NUT, STARTER SOLENOID TERMINAL (#10)
32	13-26993		2,2,2,2	LOCKWASHER, STARTER SOLENOID TERMINAL (5/16")
33	11-20083		2,2,2,2	NUT, STARTER SOLENOID TERMINAL (5/16")
34	46265		2,2,2,2	BOOT, RUBBER - STARTER SOLENOID TERMINAL
35	10-34290		2,2,2,2	SCREW, STARTER SOLENOID TO MOUNTING BRACKET (5/8")
36	13-26992		2,2,2,2	LOCKWASHER, STARTER SOLENOID SCREW
37	11-21825		2,2,2,2	NUT, STARTER SOLENOID SCREW

CONTINUED ON NEXT PAGE ➡

HYDRAULIC PUMP AND CONTROL PANEL (POWER TILT AND POWER TRIM)

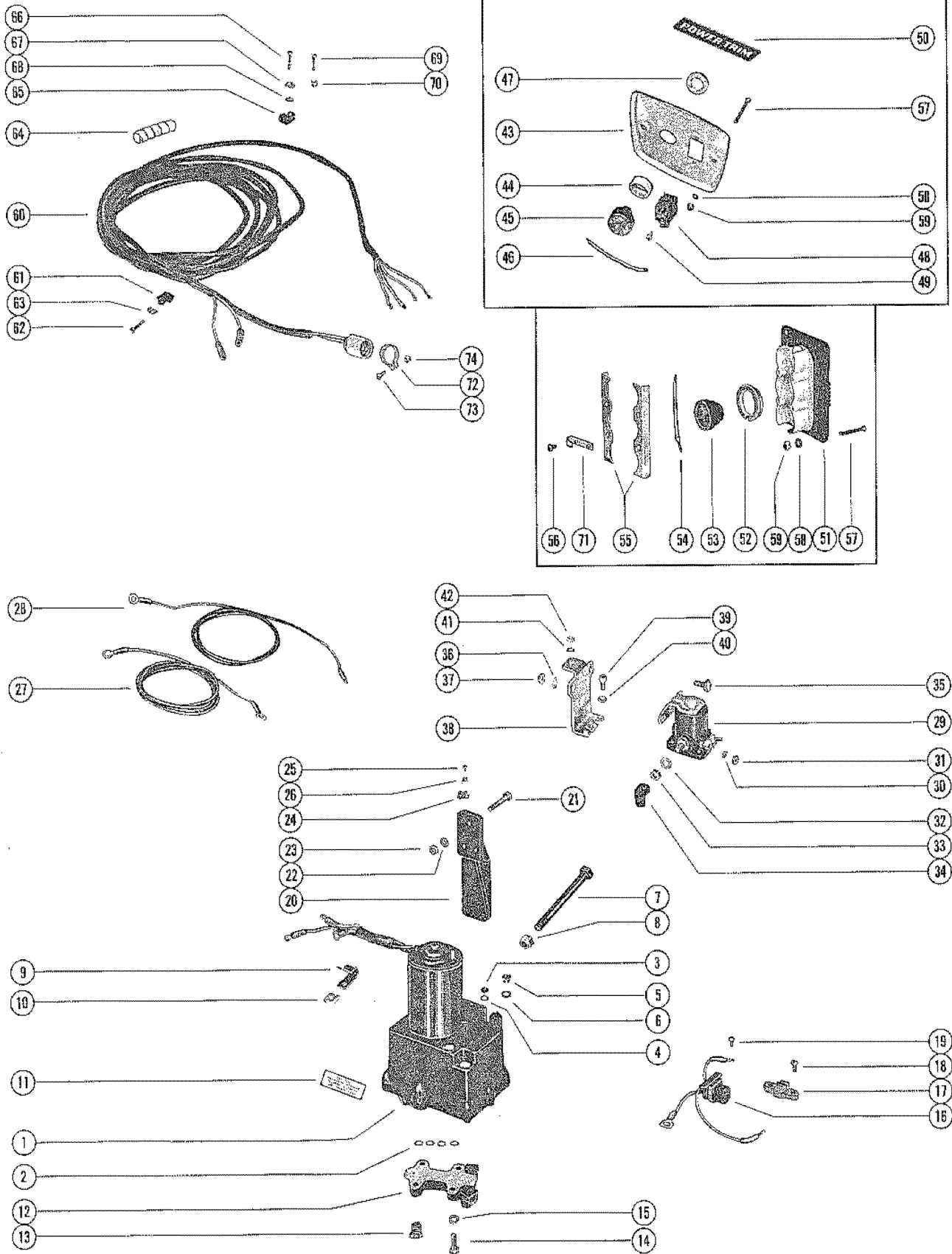


HYDRAULIC PUMP AND CONTROL PANEL (POWER TILT AND POWER TRIM)

REF. NO.	PART NO.	SYM.	QTY.	DESCRIPTION
38	45321		1,1,1,1	BRACKET, MOUNTING - STARTER SOLENOID
39	10-21140		2,2,2,2	SCREW, MOUNTING BRACKET TO HYDRAULIC PUMP (1/2")
40	13-26992		2,2,2,2	LOCKWASHER, MOUNTING BRACKET SCREW
41	13-27660		1,1,1,1	LOCKWASHER, HYDRAULIC PUMP THRU BOLT
42	11-20645		1,1,1,1	NUT, MOUNTING BRACKET TO HYDRAULIC PUMP THRU BOLT
-	45448A7		1,,,	CONTROL PANEL ASSEMBLY, COMPLETE
-	45341A6		,1,,	CONTROL PANEL ASSEMBLY, COMPLETE
-	48413A2		,,1,	CONTROL PANEL ASSEMBLY, COMPLETE GREEN, WHITE AND YELLOW PUSH BUTTONS
-	48413A5		,,,1	CONTROL PANEL ASSEMBLY, COMPLETE RED/GREEN, WHITE AND RED PUSH BUTTONS
43	35978		1,1,,	PANEL, CONTROL
44	23-45773		1,1,,	SPACER, IGNITION SWITCH
45	30162		1,,,	SWITCH, IGNITION (WITH KEY #30431) WHEN ORDERING REPLACEMENT KEY ALSO LIST NUMBER STAMED ON KEY
	30163		,1,,	SWITCH, IGNITION (WITH KEY #30431) WHEN ORDERING REPLACEMENT KEY ALSO LIST NUMBER STAMED ON KEY
46	45340		1,1,,	JUMPER WIRE, IGNITION SWITCH TO ROCKER SWITCH (RED - 4")
47	37275		1,1,,	BEZEL, IGNITION SWITCH TO CONTROL PANEL
48	34959		1,1,,	SWITCH, ROCKER - CONTROL PANEL
49	10-32989		2,2,,	SCREW, ROCKER SWITCH TO CONTROL PANEL (5/16")
50	37-45889		1,,,	DECAL, CONTROL PANEL (POWER TILT)
	37-45891		,1,,	DECAL, CONTROL PANEL (POWER TRIM)
51	48413		,,1,1	PANEL, CONTROL
52	48055		,,1,	PUSH BUTTON, CONTROL PANEL (OUT - GREEN)
	48056		,,1,	PUSH BUTTON, CONTROL PANEL (DOWN/IN - WHITE)
	48057		,,1,	PUSH BUTTON, CONTROL PANEL (UP - YELLOW)
	53108		,,,1	PUSH BUTTON, CONTROL PANEL (UP/OUT - RED/ GREEN)
	53109		,,,1	PUSH BUTTON, CONTROL PANEL (IN - WHITE)
	53110		,,,1	PUSH BUTTON, CONTROL PANEL (UP - RED)
53	29759		,,3,3	SWITCH, PUSH BUTTON
54	48078		,,1,1	JUMPER WIRE, PUSH BUTTON SWITCH
	53107		,,,1	JUMPER WIRE, PUSH BUTTON SWITCH
55	48438		,,2,2	RETAINER, SWITCH TO CONTROL PANEL
56	10-32024		,,4,4	SCREW, SWITCH RETAINER TO CONTROL PANEL
57	10-32866		2,2,,	SCREW, CONTROL PANEL TO BOAT (2")
	10-32866		,,4,4	SCREW, CONTROL PANEL TO BOAT (2")
58	12-33110		2,2,,	WASHER, FIBER - CONTROL PANEL SCREW
	12-24676		,,4,4	WASHER, CONTROL PANEL SCREW
59	11-20190		2,2,,	NUT, CONTROL PANEL SCREW
	11-20190		,,4,4	NUT, CONTROL PANEL SCREW

CONTINUED ON NEXT PAGE ➡

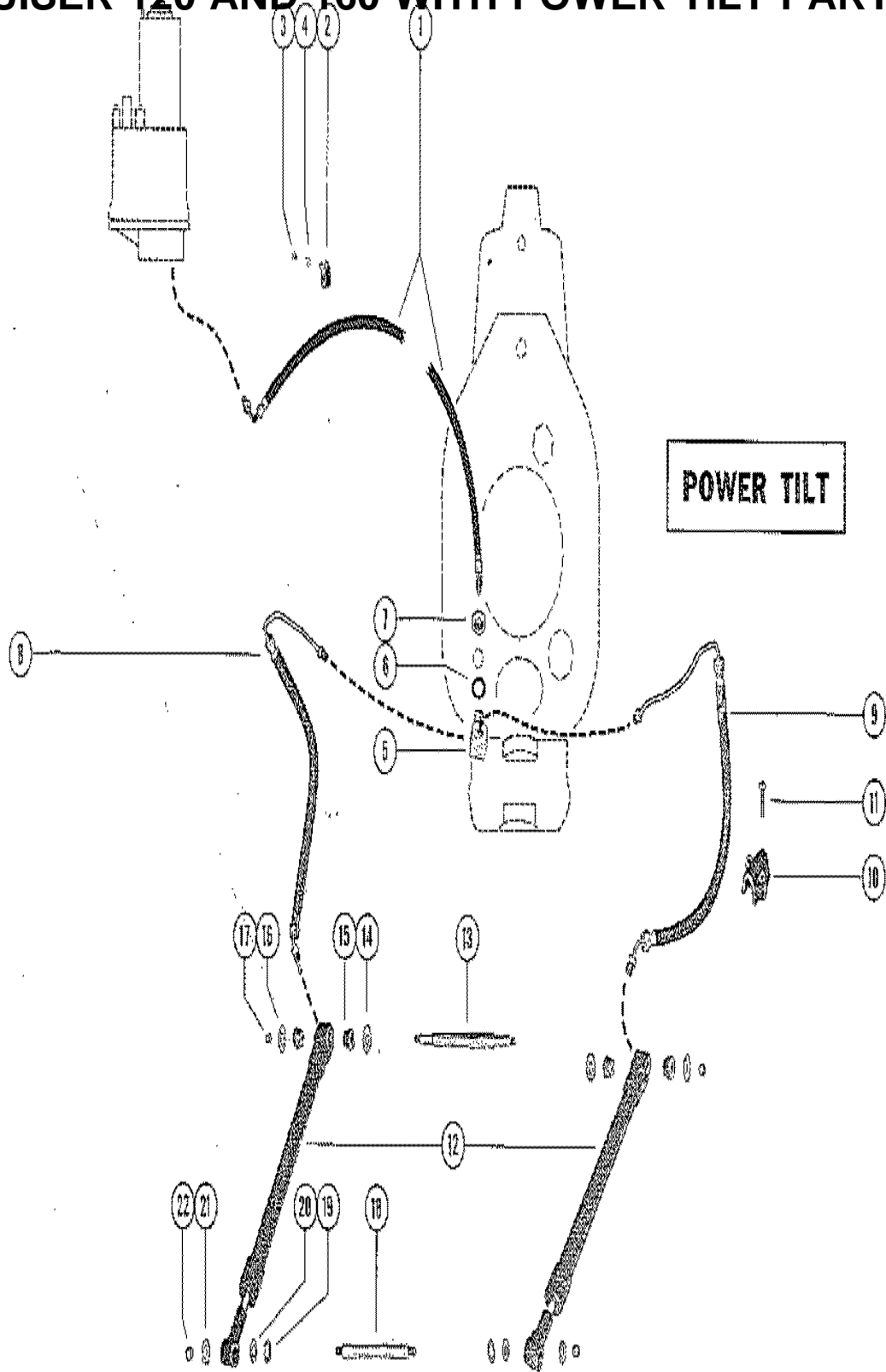
HYDRAULIC PUMP AND CONTROL PANEL (POWER TILT AND POWER TRIM)



HYDRAULIC PUMP AND CONTROL PANEL (POWER TILT AND POWER TRIM)

REF. NO.	PART NO.	SYM.	QTY.	DESCRIPTION
60	45448		1,,,	HARNESS, CONTROL PANEL
	45341		,1,1,1	HARNESS, CONTROL PANEL
61	54-22875		5,5,5,5	CLAMP, HARNESS TO BOAT
62	10-35401		5,5,5,5	SCREW, HARNESS CLAMP TO BOAT (1")
63	22789		5,5,,	"D" WASHER, HARNESS CLAMP ATTACHING SCREW
	22789		,,4,4	"D" WASHER, HARNESS CLAMP ATTACHING SCREW
64	33865		,1,1,1	BINDER, NYLON - CONTROL PANEL HARNESS
65	54-23567		3,3,3,3	CLAMP, HARNESS ATTACHING
66	10-33615		3,3,,	SCREW, HARNESS CLAMP TO BOAT (1")
	10-33615		,,4,4	SCREW, HARNESS CLAMP TO BOAT (1")
67	22789		3,3,,	"D" WASHER, HARNESS CLAMP ATTACHING SCREW
	22789		,,4,4	"D" WASHER, HARNESS CLAMP ATTACHING SCREW
68	12-20878		3,3,,	WASHER, HARNESS CLAMP ATTACHING SCREW
	12-24676		,,3,3	WASHER, HARNESS CLAMP ATTACHING SCREW
69	10-20644		3,3,3,3	SCREW, HARNESS CLAMP TO BOAT (1")
70	11-20645		3,3,3,3	NUT, HARNESS CLAMP ATTACHING SCREW
71	53517		,,,2	ANCHOR STRIP
72	54-46770		1,1,1,1	CLAMP, HARNESS FASTENING
73	10-29227		1,1,1,1	SCREW, HARNESS FASTENING CLAMP
74	11-34388		1,1,1,1	NUT, HARNESS FASTENING SCREW

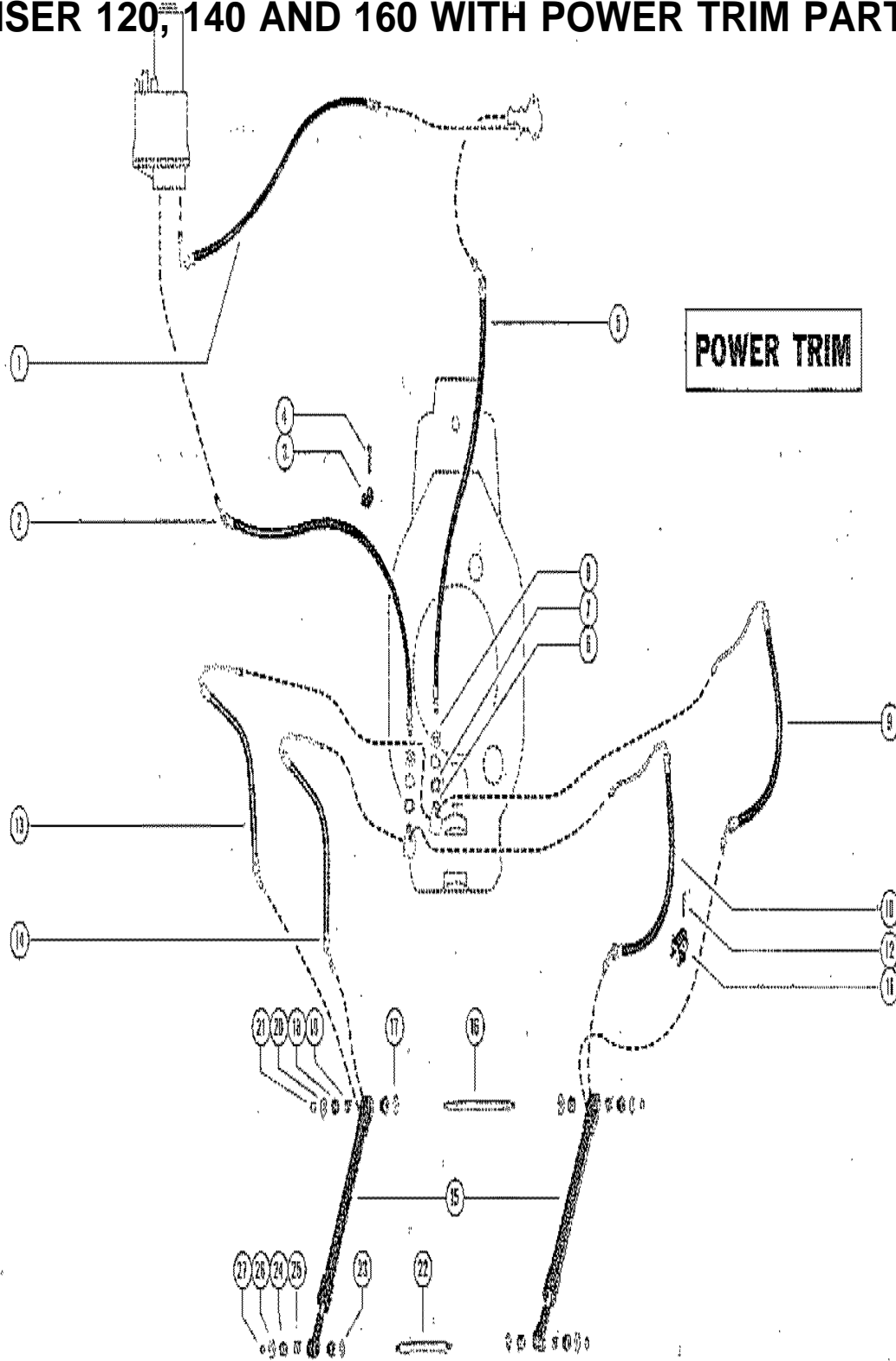
MERCUISER 120 AND 160 WITH POWER TILT PARTS LIST



MERCUISER 120 AND 160 WITH POWER TILT PARTS LIST

REF. NO.	PART NO.	SYM.	QTY.	DESCRIPTION
1	32-45669		1	HOSE, LIFT - HYDRAULIC PUMP TO GIMBAL HOUSING (19")
2	54-22740		1	CLIP, LIFT HOSE TO TRANSOM PLATE
3	10-35519		1	SCREW, LIFT HOSE CLIP TO TRANSOM PLATE (1/2")
4	22789		1	"D" WASHER, LIFT HOSE CLIP SCREW
5	22-36033		1	CONNECTOR, GIMBAL HOUSING
6	27-36043		1	GASKET, GIMBAL HOUSING CONNECTOR
7	11-36084		1	NUT, GIMBAL HOUSING CONNECTOR
8	32-45974		1	HOSE, HYDRAULIC - GIMBAL HOUSING TO TILT CYLINDER (PORT)
9	32-45973		1	HOSE, HUYDRAULIC - GIMBAL HOUSING TO TILT CYLINDR (STARBOARD)
10	36011		2	COVER, HYDRAULIC - HOSE TO GIMBAL HOUSING
11	10-36070		4	SCREW, COVER TO GIMBAL HOUSING (1 1/4")
12	45595A1		2	TILT CYLINDER ASSEMBLY, B-38599A1 REPAIR KIT ALSO USED ON THE STANDARD MERCUISER 120 AND 160 STERN DRIVES.
13	17-45598		1	PIN, FRONT - CYLINDER TO GIM. RING (10 11/32") ALSO USED ON THE STANDARD MERCUISER 120 AND 160 STERN DRIVES.
14	12-36041		2	WASHER, FRONT ANCHOR PIN (33/64" I.D.) ALSO USED ON THE STANDARD MERCUISER 120 AND 160 STERN DRIVES.
15	26-35278		4	BUSHING, RUBBER - FRONT ANCHOR PIN ALSO USED ON THE STANDARD MERCUISER 120 AND 160 STERN DRIVES.
16	12-36042		2	WASHER, FRONT ANCHOR PIN (11/32" I.D.) ALSO USED ON THE STANDARD MERCUISER 120 AND 160 STERN DRIVES.
17	11-35814		2	NUT, FRONT ANCHOR PIN ALSO USED ON THE STANDARD MERCUISER 120 AND 160 STERN DRIVES.
18	17-39641		1	PIN, REAR - CYLINDER TO DRIVE SHAFT HSG. (7 5/32") ALSO USED ON THE STANDARD MERCUISER 120 AND 160 STERN DRIVES.
19	13-37642		2	WASHER, WAVE - REAR ANCHOR PIN ALSO USED ON THE STANDARD MERCUISER 120 AND 160 STERN DRIVES.
20	12-39782		2	WASHER, RUBBER - REAR ANCHOR PIN ALSO USED ON THE STANDARD MERCUISER 120 AND 160 STERN DRIVES.
21	12-29395		2	WASHER, REAR ANCHOR PIN ALSO USED ON THE STANDARD MERCUISER 120 AND 160 STERN DRIVES.
22	11-34932		2	NUT, REAR ANCHOR PIN ALSO USED ON THE STANDARD MERCUISER 120 AND 160 STERN DRIVES.

MERCURUISER 120, 140 AND 160 WITH POWER TRIM PARTS LIST



MERCUISER 120, 140 AND 160 WITH POWER TRIM PARTS LIST

REF. NO.	PART NO.	SYM.	QTY.	DESCRIPTION
1	32-52951A1		1,,	HOSE, HYDRAULIC PUMP TO REVERSE VELOCITY VALVE RUBBER - 13"
	32-45720		,1,1	HOSE, HYDRAULIC PUMP TO REVERSE VELOCITY VALVE (NYLON - 19")
2	32-45669		1,1,1	HOSE, LIFT - HYDRAULIC PUMP TO GIMBAL HOUSING (19")
3	54-45806		1,1,1	CLAMP, HYDRAULIC HOSE TO TRANSOM PLATE
4	10-35519		1,1,1	SCREW, HYDRAULIC HOSE CLAMP ATTACHING (1/2")
5	32-45705		1,,	HOSE, TRIM - VALVE TO GIMBAL HSG. (27") - ONE END STRAIGHT
	32-48076		,1,1	HOSE, TRIM - VALVE TO GIMBAL HSG. (27") - ONE END 90 DEGREE
6	22-36033		2,2,2	CONNECTOR, GIMBAL HOUSING
7	27-36043		2,2,2	GASKET, GIMBAL HOUSING CONNECTOR
8	11-36084		2,2,2	NUT, GIMBAL HOUSING CONNECTOR
9	32-45704		1,1,1	HOSE, HYDRAULIC TRIM-GIMBAL HOUSING TO TILT CYLINDER (STARBD)
10	32-45973		1,1,1	HOSE, HYDRAULIC - GIMBAL HOUSING TO TILT CYLINDER(STARBOARD)
11	45519		2,2,2	COVER, HYDRAULIC HOSES TO GIMBAL HOUSING NOT AS SHOWN
12	10-36070		4,4,4	SCREW, COVER TO GIMBAL HOUSING (1 1/4")
13	32-45703		1,1,1	HOSE, HYDRAULIC TRIM - GIMBAL HOUSING TO TILT CYLINDER (PORT
14	32-45974		1,1,1	HOSE, HYDRAULIC - GIMBAL HOUSING TO TILT CYLINDER (PORT)
15	45706A1		2,2,2	TILT CYLINDER ASSEMBLY, COMPLETE
16	17-45735		1,1,1	PIN FRONT ANCHOR - TILT CYLINDER TO HIMBAL RING (10 11/32")
17	12-45737		2,2,2	WASHER, FRONT ANCHOR PIN
18	23-45736		4,4,4	BUSHING, RUBBER - FRONT ANCHOR PIN
19	24-46312		2,2,2	SPRING, FRONT ANCHOR PIN
20	12-46765		2,2,2	WASHER, FRONT ANCHOR PIN
21	11-34932		2,2,2	NUT, FRONT ANCHOR PIN
22	17-45738		1,1,1	PIN, REAR ANCHOR-TILT CYLINDER TO DRIVE SHAFT HOUSING(7 1/2)
23	12-45737		2,2,2	WASHER, REAR ANCHOR PIN
24	23-45736		4,4,4	BUSHING, RUBBER - REAR ANCHOR PIN
25	24-46312		2,2,2	SPRING, REAR ANCHOR PIN
26	12-46765		2,2,2	WASHER, REAR ANCHOR PIN
27	11-34932		2,2,2	NUT, REAR ANCHOR PIN

PARTS INDEX

Part Number	Description	Pg.	Ref. No.	Part Number	Description	Pg.	Ref. No.
20007	ANCHOR, SHIFT ACTUATING CABLE END GUIDE	7	59	32517	COVER, WATER TUBE SEALING BUSHING - GIMBAL HOUSING	9	31
22789	"D" WASHER, CLAMP ATTACHING SCREW	41	26	32520	HOOK, REVERSE	17	9
22789	"D" WASHER, CLIP ATTACHING SCREW	35	25	32575A1	TAPERED ROLLER BEARING ASSEMBLY, UPPER DRIVE SHAFT	25	19
22789	"D" WASHER, CLIP ATTACHING SCREW	35	28	32582	SHAFT, UPPER SWIVEL - GIMBAL RING TO GIMBAL HOUSING	13	19
22789	"D" WASHER, CLIP ATTACHING SCREW	35	28	32588A1	STOP ASSEMBLY, REVERSE HOOK ARM	17	17
22789	"D" WASHER, HARNESS CLAMP ATTACHING SCREW	45	63	32625	LEVER, CRANK-HOOK RELEASE LINK ROD	19	52
22789	"D" WASHER, HARNESS CLAMP ATTACHING SCREW	45	63	32628	SHAFT, SHIFT - INTERMEDIATE	17	19
22789	"D" WASHER, HARNESS CLAMP ATTACHING SCREW	45	67	32629A1	LEVER ASSEMBLY, REVERSE HOOK RELEASE - BELLHOUSER	19	48
22789	"D" WASHER, HARNESS CLAMP ATTACHING SCREW	45	67	32630A1	STEERING LEVER ASSEMBLY, UPPER SWIVEL SHAFT	13	17
22789	"D" WASHER, LIFT HOSE CLIP SCREW	47	4	32637	STRA, TILT STOP SWITCH RETAINING	13	13
22789	"D" WASHER, SWITCH LEADS CLIP SCREW	3	8	32734	BELLOWS, EXHAUST - BELL HOUSING TO GOMBALHOUSING	19	44
25661	STARTER SOLENOID	41	29	32745	LINK ROD, RELEASE HANDLE TO RELEASE LEVER	19	49
29332A1	ROD, STEERING LINK - STEERING LEVER PIVOT STUD	13	29	33865	BINDER, NYLON - CONTROL PANEL HARNESS	45	64
29359	LUBRICAP, GIMBAL HOUSING GREASE FITTING	9	9	33981	SLIDE, SHIFT ACTUATING CABLE	7	63
29359	LUBRICAP, GIMBAL RING GREASE FITTING	13	6	33981	SLIDE, SHIFT SCUATING CABLE	7	63
29359	LUBRICATE, BELL HOUSING GREASE FITTING	19	38	34127A1	TRIM TAB ASSEMBLY (140/160)	33	89
29698	BALL, STEERING LEVER PIVOT	13	30	34762A1	PLATE ASSEMBLY, INHIBITOR - GIMBAL HOUSING	9	17
29759	SWITCH, PUSH BUTTON	43	53	34959	SWITCH, ROCKER - CONTROL PANEL	43	48
29880	GUIDE, SHIFT ACTUATING CABLE END	7	58	35915	THRUST RING, BEARING CARRIER	33	73
30162	SWITCH, IGNITION (WITH KEY #30431)	43	45	35978	PANEL, CONTROL	43	43
30163	SWITCH, IGNITION (WITH KEY #30431)	43	45	35983	RING, ROLLER BEARING RETAINER TO OIL SEAL CARRIER	27	35
30915	INSERT, WATER PUMP BODY (ALUMINUM)	31	30	35992	RETAINER, TAPERED ROLLER BEARING - UNIVERSAL JOINT	27	34
31014	BUMPER, BELL HOUSING	17	26	35993A1	CARRIER ASSEMBLY, OIL SEAL	27	37
31640A1	TRIM TAB ASSEMBLY (120)	33	89	36011	COVER, HYDRAULIC - HOSE TO GIMBAL HOUSING	47	10
31659	BELLOWS, SHIFT ACTUATING CABLE	9	24	36223A1	BELLOWS ASSEMBLY, UNIVERSAL JOINT	19	39
31899	PLATE. RETAINING - TILT STOP SWITCH TO GIMBAL RING	13	11	36312	CROSS AND BEARING ASSY, UNIVERSAL JOINT	27	31
32435	PLATE, FACE -WATER PUMP BASE TO WATER PUMP BODY	29	27				

PARTS INDEX

Part Number	Description	Pg.	Ref. No.	Part Number	Description	Pg.	Ref. No.
37275	BEZEL, IGNITION SWITCH TO CONTROL PANEL . . .	43	47	45518A1	LEVER ASEMBLY, UPPER SHIFT SHAFT	19	54
37281	"D" WASHER, HYDRAULIC PUMP HARNESS CLAMP .	41	10	45519	COVER, HYDRAULIC HOSES TO GIMBAL HOUSING . . .	49	11
37829A1	ARM ASSEMBLY, REVERSE HOOK - DRIVE SHAFT HOUSING	17	8	45525A3	REVERSE LOCK VALVE ASSEMBLY	35	1
37966	SHIFT CRANK	33	63	45526	CAM, REVERSE LOCK VALVE	35	9
37973	SHAFT, SHIFT - LOWER . . .	31	42	45528	COVER, REVERSE LOCK VALVE	35	12
38399A2	CORE WIRE AND ANCHOR ASSEMBLY, INNER SHIFT CABLE	7	56	45529	LEVER, SHIFT CONTROL - CAM LEVER	37	31
38473	WRAPPING, SHIFT ACTUATING CABLE	7	61	45529	LEVER, SHIFT CONTROL - CAM LEVER (POWER TRIM)	3	10
39235	SLEEVE, THREADED - GEAR HOUSING	29	10	45530A2	ELBOW ASSEMBLY, EXHAUST (MERCURISER 120 AND 160 - EARLY MODE	9	33
39383	SOCKET, CENTER - UNIVERSAL JOINT	27	30	45551	BATTERY LEAD (NEGATIVE)	41	28
39385A1	YOKE ASSEMBLY, UNIVERSAL JOINT - COUPLING END	27	32	45552	BATTERY LEAD (POSITIVE)	41	27
39671A1	SWITCH ASSEMBLY, CUT-OUT - TRANSOM PLATE .	5	36	45559	TERMINAL BLOCK, HYDRAULIC PUMP	41	17
39672A1	TILT STOP SWITXH ASS'V, GIMBAL RING (STANDARD AND POWER TIL	13	9	45570	SPACER, UPPER DRIVE SHAFT	23	17
39974	CONNECTOR, CUT-OUT SWITCH LEADS TO TRANSOM PLATE	5	38	45586	SHUTTER, WATER - EXHAUST ELBOW	11	41
45060A7	HYDRAULIC PUMP ASSEMBLY	41	1	45589A1	SHAFT ASSEMBLY, SHIFT -UPPER	19	53
45060A7	HYDRAULIC PUMP ASSEMBLY, COMPLETE .	39	-	45595A1	TILT CYLINDER ASSEMBLY, B-38599A1 REPAIR KIT . .	47	12
45321	BRACKET, MOUNTING - STARTER SOLENOID . . .	43	38	45597	BELLOWS, EXHAUST ELBOW TO ENGINE (MERCURISER 120 AND 160)	11	42
45325	CONNECTOR AND HARNESS	41	16	45637A1	GIMBAL HOUSING ASSEMBLY (POWER TILT)	9	1
45340	JUMPER WIRE, IGNITION SWITCH TO ROCKER SWITCH (RED - 4")	43	46	45702A1	GIMBAL HOUSING ASSEMBLY (POWER TRIM)	9	1
45341	HARNESS, CONTROL PANEL	45	60	45706A1	TILT CYLINDER ASSEMBLY, COMPLETE	49	15
45341A6	CONTROL PANEL ASSEMBLY, COMPLETE .	43	--	45709	FOLLOWER, CAM	35	2
45382A1	CONTROL VALVE ASSEMBLY	41	12	45717	SHIELD, CUT-OUT SWITCH	35	21
45448	HARNESS, CONTROL PANEL	45	60	45764A2	CONTROL VALVE ASSEMBLY	41	12
45448A7	CONTROL PANEL ASSEMBLY, COMPLETE .	43	--	45798	BRACKET,SUPPORT - WATER SHUTTER	9	34
45451A1	THRUST HUB AND WASHER ASSEMBLY	33	84	45807A1	BELL HOUSING ASSEMBLY (WITH CRANK LEVER OON SIDE OF BELL HOU	17	22
45513A1	COVER ASSEMBLY, TOP - DRIVE SHAFT HOUSING .	25	22	45808A1	UNIVERSAL JOINT ASSEMBLY, DRIVE GEAR	27	28
45514A1	GIMBAL HOUSING ASSEMBLY (STANDARD)	9	1	45942A1	TILT STOP SWITXH ASS'Y, GIMBAL RING (POWER TRIM)	13	9
45515A2	GIMBAL RING ASSEMBLY . .	13	1				
45516	PLATE, TRANSOM	3	1				

PARTS INDEX

Part Number	Description	Pg.	Ref. No.	Part Number	Description	Pg.	Ref. No.
46020	YOKE, UNIVERSAL JOINT - GEAR END	27	29	52835A2	BEARING CARRIER ASSEMBLY	33	77
46265	BOOT, RUBBER - STARTER SOLENOID TERMINAL	41	34	53107	JUMPER WIRE, PUSH BUTTON SWITCH	43	54
46306A1	BRACKET ASSEMBLY, PUMP MOUNTING	41	20	53108	PUSH BUTTON, CONTROL PANEL (UP/OUT - RED/GREEN)	43	52
46443	EMBLEM, GIMBAL HOUSING	9	--	53109	PUSH BUTTON, CONTROL PANEL (IN - WHITE)	43	52
46482A1	SWITCH ASSEMBLY, CUT-OUT - REVERSE LOCK VALVE	35	20	53110	PUSH BUTTON, CONTROL PANEL (UP - RED)	43	52
46732A2	LEVER ASSEMBLY, CAM	35	18	53113A2	ELBOW ASSEMBLY, EXHAUST (MERCURISER 140)	9	33
46734A1	BELL HOUSING ASSEMBLY (WITHOUT CRANK LEVER ON SIDE OF BELL H)	17	22	53114	BELLOWS, EXHAUST ELBOW TO ENGINE (MERCURISER 140)	11	42
46780A1	COVER ASSEMBLY TOP - DRIVE SHAFT HOUSING	25	22	53272A1	ELBOW ASSEMBLY, EXHAUST (MERCURISER 120 AND 160 - LATER MODE)	9	33
47752	COVER, TOP - DRIVE SHAFT HOUSING (NOT AS SHOWN)	25	22	53517	ANCHOR STRIP	45	71
48055	PUSH BUTTON, CONTROL PANEL (OUT - GREEN)	43	52	79448	COVER, GEAR HOUSING	33	82
48056	PUSH BUTTON, CONTROL PANEL (DOWN/IN - WHITE)	43	52	N.S.S.	RETAINER, SPRING REPLACED BY 19755A4	33	58
48057	PUSH BUTTON, CONTROL PANEL (UP - YELLOW)	43	52	N.S.S.	SHAFT REPLACED BY 19755A4	33	62
48077A3	CONTROL VALVE ASSEMBLY	41	12	N.S.S.	SLEEVE, ADJUSTING REPLACED BY 19755A4	33	57
48078	JUMPER WIRE, PUSH BUTTON SWITCH	43	54	N.S.S.	SPOOL REPLACED BY 19755A4	33	61
48094A2	STEERING, LINK ROD ASSEMBLY	13	36	N.S.S.	SPRING REPLACED BY 19755A4	33	60
48165A5	REVERSE LOCK VALVE ASSEMBLY	35	1	N.S.S.	WASHER REPLACED BY 19755A4	33	59
48290	PLATE, TRANSOM	3	1	10-20367	SCREW, TILT STOP SWITCH COVER TO GIMBAL RING (7/16")	13	10
48413	PANEL, CONTROL	43	51	10-20411	SCREW, VALVE BODY TO RESERVIOR (5/8")	39	4
48413A2	CONTROL PANEL ASSEMBLY, COMPLETE	43	--	10-20518	SCREW, SET - ANCHOR TO SHIFT ACTUATING CABLE END GUIDE	7	60
48413A5	CONTROL PANEL ASSEMBLY, COMPLETE	43	--	10-20644	SCREW, HARNESS CLAMP TO BOAT (1")	45	69
48438	RETAINER, SWITCH TO CONTROL PANEL	43	55	10-21091	SCREW, CONTROL VALVE TO HYDRAULIC PUMP (1 1/8")	41	14
48496A1	SWITCH ASSEMBLY, CUT-OUT - TRANSOM PLATE (POWER TRIM-1)	5	36A	10-21140	SCREW, MOUNTING BRACKET TO HYDRAULIC PUMP (1/2")	43	39
48752	INSERT, WATER PUMP BODY (PLASTIC)	31	30	10-21643	SCREW, CUT-OUT SWITCH LEAD CLIP ATTACHING (1/2")	35	24
49343	LEVER, TILT STOP SWITCH ACTUATING - GIMBAL RING	13	15	10-21643	SCREW, CUT-OUT SWITCH LEAD CLIP ATTACHING (1/2")	35	27
49518A1	CABLE ASSEMBLY, SHIFT ACTUATING	5	55	10-21643	SCREW, SWITCH LEADS CLIP TO TRASOM PLATE (1/2")	3	7
49646A1	SWITCH ASSEMBLY, CUT-OUT - TRANSOM PLATE (POWER TRIM-2)	5	36A				
49701A2	PLATE ASSEMBLY, TRANSOM	3	1				
49702A2	LEVER ASSEMBLY, SHIFT CONTROL - CAM LEVER	37	31				

PARTS INDEX

Part Number	Description	Pg.	Ref. No.	Part Number	Description	Pg.	Ref. No.
10-22659	SCREW, SHIFT CABLE ASSEMBLY TO SHIFT CONTROL LEVER (1 5/8")	3	15	10-32470	SCREW, TRIM TAB (1-3/4")	33	90
10-25299	SCREW, REVERSE LOCK VALVE TO TRANSOM PLATE (3/4")	35	29	10-32527	SCREW, REVERSE HOOKS TO RESERVE HOOK ARM (2 11/16)	17	10
10-25612	SCREW, DRIVE - BELL HOUSING FLANGE	17	25	10-32651	HANDLE, RESERVED HOOK RELEASE - BELL HOUSING	19	51
10-25612	SCREW, DRIVE-GIMBAL HOUSING EXHAUST FLANGE	9	15	10-32651	SCREW, CRANK LEVER AND HANDLE TO BELL HOUSING (3/4 0 1)	19	50
10-26066	SCREW, PUMP MOUNTING BRACKET	41	21	10-32866	SCREW, CONTROL PANEL TO BOAT (2")	43	57
10-26632	SCREW, EXHAUST ELBOW TO GIMBAL HOUSING (1 1/4")	11	38	10-32866	SCREW, CONTROL PANEL TO BOAT (2")	43	57
10-28192	SCREW, TERMINAL BLOCK TO HYDRAULIC PUMP (1/2")	41	18	10-32989	SCREW, ROCKER SWITCH TO CONTROL PANEL (5/16")	43	49
10-28634	SCREW, DRIVE SHAFT HOUSING GREASE FILLER AND VENT HOLE	23	9	10-32995	SCREW, STREERING LEVER TO UPPER SHAFT (2)	13	22
10-28634	SCREW, FILLER - HYDRAULIC PUMP	39	9	10-33231	SCREW, TENSION SPRING TO ARM	5	29
10-28634	SCREW, FILLER - HYDRAULIC PUMP	41	5	10-33389	SCREW, EXHAUST ELBOW TO GIMBAL HOUSING (4 1/4")	11	37
10-28634	SCREW, GEAR HOUSING GREASE FILLER AND VENT HOLE	31	49	10-33615	SCREW, HARNESS CLAMP TO BOAT (1")	45	66
10-28635	SCREW, WATER TUBE SEALING COVER TO GIMBAL HOUSING (5/8")	9	32	10-33615	SCREW, HARNESS CLAMP TO BOAT (1")	45	66
10-28636	SCREW, WATER POCKET COVER TO DRIVE SHAFT HOUSING (3/4)	23	6	10-34290	SCREW, STARTER SOLENOID TO MOUNTING BRACKET (5/8")	41	35
10-29227	SCREW, HARNESS FASTENING CLAMP	45	73	10-34763	SCREW, INDIBITOR PLATE TO GIMBAL HOUSING (3/4")	9	18
10-29877	SCREW, HYDRALULIC PUMP TO TRANSOM PLATE (3 1/4")	41	7	10-35401	SCREW, HARNESS CLAMP TO BOAT (1")	45	62
10-30663	SCREW, HARNESS LEADS TO TERMINAL BLOCK (3/8")	41	19	10-35519	SCREW, CLAMP TO MOUNTING BRACKET	41	25
10-30720	SCREW, WATER PUMP BODY TO GEAR HOUSING (2 1/4") ALUMINUM	31	35	10-35519	SCREW, CUT-OUT SWITCH LEAD CLIP ATTACHING (1/2")	35	24
10-30902	SCREW, SWITCH ASSEMBLY TO TRANSOM PLATE (3/4")	5	37	10-35519	SCREW, CUT-OUT SWITCH LEAD CLIP ATTACHING (1/2")	35	27
10-31700	SCREW SET - SHIFT ACTUATING CABLE TO SLIDE	7	64	10-35519	SCREW, HYDRAULIC HOSE CLAMP ATTACHING (1/2")	49	4
10-31903	SCREW, TILT STOP SWITCH ACTUATING LEVER TO GIMBAL RING (3/8)	13	16	10-35519	SCREW, LIFT HOSE CLIP TO TRANSOM PLATE (1/2")	47	3
10-31985	SCREW, TOP COVER TO DRIVE SHAFT HOUSING (1 1/4")	25	26	10-35519	SCREW, SWITCH LEADS CLIP TO TRANSOM PLATE (1/2")	3	7
10-32024	SCREW, SWITCH RETAINER TO CONTROL PANEL	43	56	10-35624	BOLT, GIMBAL HOUSING TO TRANSOM PLATE (4")	9	22
				10-35787	SCREW, EXHAUST ELBOW TO GIMBAL HOUSING (2 1/4")	11	38
				10-36003	SCREW, SHIELD AND SWITCH TO REVERSE LOCK VALVE (3/4")	35	22

PARTS INDEX

Part Number	Description	Pg.	Ref. No.	Part Number	Description	Pg.	Ref. No.
10-36070	SCREW, COVER TO GIMBAL HOUSING (1 1/4")	49	12	11-20361	NUT, SHIFT CABLE STUD	3	5
10-36289	SCREW, TRANSOM PLATE TO ENGINE FLYWHEEL HOUSING (4 3/4")	5	44	11-20361	NUT, SHIFT CABLE STUD POWER TRIM-2	3	14
10-36398	SCREW, PLUG - BELL HOUSING (1/4")	19	36	11-20361	NUT,SHIFT CABLE ASSEMBLY TO SHIFT CONTROL LEVER SCREW	3	18
10-37268	SCREW, TRANSOM PLATE TO GIMBAL HOUSING (4 1/4")	5	41	11-20509	NUT, STEERING LEVER PIVOT	13	33
10-37269	SCREW, TRANSOM PLATE TO GIMBAL HOUSING (2")	5	40	11-20509	NUT, STEERING LINK ROD	13	35
10-37892	SCREW, CONNECTOR TO TRANSOM PLATE (1")	5	39	11-20509	NUT, STEERING LINK ROD	15	39
10-45582	SCREW, GEAR HOUSING FLUSHING HOLE ALUMINUM	31	51	11-20645	NUT, HARNESS CLAMP ATTACHING SCREW	45	70
10-45590	SCREW, UPPER SHIFT LEVER TO SHIFT SHAFT (1 1/16")	19	56	11-20645	NUT, MOUNTING BRACKET TO HYDRAULIC PUMP THRU BOLT	43	42
10-45716	SCREW, COVER TO REVERSE LOCK VALVE (15/16")	35	16	11-20645	NUT, STARTER SOLENOID TERMINAL (#10)	41	31
10-45765	SCREW, HYDRAULIC PUMP TO TRANSOM PLATE (4 1/4")	41	7	11-20696	NUT, STEERING LEVER TO UPPER SWIVEL SHAFT SCREW	13	23
10-45813	SCREW, SUPPORT BRACKET TO EXHAUST ELBOW (1/2")	11	35	11-21528	NUT, SHIFT CONTROL LEVER TO TRANSOM PLATE STUD	5	25
10-45833	SCREW, UPPER SWIVEL SHAFT RETAINING - GIMBAL RING (2 1/2")	13	24	11-21825	NUT, STARTER SOLENOID SCREW	41	37
10-45862	SCREW, RETAINING PLAT AND STRAP TO GIMBAL RING(7/8)	13	12	11-22339	NUT, DRIVE GEAR TO UNIVERSAL JOINT	27	44
10-46736	SCREW, CAM TO CAM LEVER (1/2")	35	10	11-22339	NUT, GEAR AND BEARING TO UPPER DRIVE SHAFT	25	27
10-46918	SCREW, VENT - HYDRAULIC PUMP	39	7	11-29594	PROPELLER NUT	33	88
10-46918	SCREW, VENT - HYDRAULIC PUMP	41	3	11-33825	NUT, REVERSE HOOKS TO REVERSE HOOK ARM SCREW	17	12
10-53155	SCREW, WATER PUMP BODY TO GEAR HOUSING (2 1/2") PLASTIC	31	35	11-34388	NUT, HARNESS FASTENING SCREW	45	74
11-20083	NUT, STARTER SOLENOID TERMINAL (5/16")	41	33	11-34932	NUT, FRONT ANCHOR PIN	49	21
11-20110	NUT, COVER SCREW	35	17	11-34932	NUT, REAR ANCHOR PIN	47	22
11-20110	NUT, RETAINING PLATE AND STRAP SCREW	13	14	11-34932	NUT, REAR ANCHOR PIN	49	27
11-20110	NUT, SHIFT CONTROL LEVER TO CAM LEVER STUD	37	33	11-34933	NUT, BELL HOUSING STUD	19	35
11-20190	NUT, CONTROL PANEL SCREW	43	59	11-34933	NUT, DRIVE SHAFT HOUSING TO GEAR HOUSING STUD	33	92
11-20190	NUT, CONTROL PANEL SCREW	43	59	11-34933	NUT, GEAR HOUSING TO DRIVE SHAFT HOUSINFG STUD	17	7
11-20220	NUT,TRANSOM PLATE TO ENGINE FLYWHEEL HOUSING SCREW	5	49	11-34933	NUT, GIMBAL HOUSING STUD	9	28
				11-35045	NUT, WATER PUMP BODY STUDS (1/4-28) PLASTIC	31	37
				11-3514	NUT, SWITCH ACTUATING ARM STUD	5	35
				11-35814	NUT, FRONT ANCHOR PIN	47	17
				11-35814	NUT, HYDRAULIC PUMP SCREW	41	8
				11-35814	NUT, PUMP MOUNTING BRACKET SCREW	41	23
				11-35814	NUT, WATER PUMP BODY STUD (5/16-24) ALUMINUM	31	38

PARTS INDEX

Part Number	Description	Pg.	Ref. No.	Part Number	Description	Pg.	Ref. No.
11-35921	NUT, PINION - GEAR TO DRIVE SHAFT	29	17	12-29330	WASHER, NYLON - STEERING LEVEL PIVOT STUD	13	28
11-36084	NUT, GIMBAL HOUSING CONNECTOR	47	7	12-29395	WASHER, REAR ANCHOR PIN	47	21
11-36084	NUT, GIMBAL HOUSING CONNECTOR	49	8	12-29395	WASHER, SHIFT SHAFT	31	48
11-37984	NUT, JAM - STEERING CABLE GUIDE TUBE	5	53	12-31211A2	WASHER, SPLINED - PROPELLER SHAFT	33	86
11-45592	NUT, TILT ADJUSTMENT PIN	15	41	12-31266	WASHER, RUBBER - SHIFT SHAFT BUSHING	31	47
11-45592	NUT, WATER PUMP BODY STUD (5/16-24) PLASTIC	31	38	12-31536	WASHER, GEAR HOUSING COVER (ALUMINUM)	33	81
11-45812	NUT, SUPPORT BRACKET SCREW	11	36	12-32506	WASHER, GEAR AND BEARING TO UPPER DRIVE SHAFT	25	21
12-20086	WASHER, STEERING LINK ROD	13	34	12-32506	WASHER, GEAR AND BEARING TO UPPER DRIVE SHAFT	25	21
12-20086	WASHER, STEERING LINK ROD	15	38	12-32518	WASHER, GIMBAL HOUSING TO LOWER SWIVEL	9	21
12-20260	WASHER, DRIVE SHAFT HOUSING GREASE FILLER AND VENT HOLE SCRE	23	10	12-32620	WASHER, GIMBAL HOUSING BOLT	9	23
12-20260	WASHER, GEAR HOUSING GREASE FILLER AND VENT HOLE SCREW	31	50	12-32665	COTTER PIN, INTERMEDIATE SHIFT SHAFT RETAINING	17	21
12-20260	WASHER, SEALING - FILLER SCREW	39	10	12-32666	WASHER, INTERMEDIATE SHIFT SHAFT	17	20
12-20260	WASHER, SEALING - HYDRAULIC PUMP FILLER SCREW	41	6	12-32834	WASHER, TRANSOM PLATE SCREW	5	47
12-20546	WASHER, PUMP MOUNTING BRACKET SCREW	41	22	12-32996	WASHER, UPPER SWIVEL SHAFT (.015)	13	21
12-20546	WASHER, UPPER SWIVEL SHAFT RETAINING SCREW	13	25	12-32997	WASHER, UPPER SWIVEL SHAFT (.063)	13	21
12-20878	WASHER, HARNESS CLAMP ATTACHING SCREW	45	68	12-33110	WASHER, FIBER - CONTROL PANEL SCREW	43	58
12-21273	WASHER, CAM LEVER STUD	37	32	12-34931	WASHER, REVERSE HOOK ARM TO DRIVE SHAFT HOUSING SCREW	17	14
12-21900	WASHER, GIMBAL HOUSING TO TRANSOM PLATE BOLT	5	50	12-35965	WASHER, CUPPED	33	85
12-22248	WASHER, GIMBAL HOUSING STUD	9	27	12-36001	WASHER, WATER PUMP BODY SCREW PLASTIC	31	36
12-24676	WASHER, CONTROL PANEL SCREW	43	58	12-36041	WASHER, FRONT ANCHOR PIN (33/64" I.D.)	47	14
12-24676	WASHER, HARNESS CLAMP ATTACHING SCREW	45	68	12-36042	WASHER, FRONT ANCHOR PIN (11/32" I.D.)	47	16
12-25909	WASHER, STEERING ;EVER PIVOT STUD	13	27	12-37271	WASHER, SQUARE - TRANSOM PLATE SCREW	5	43
12-26825	WASHER, SHFIT CONTROL LEVER STUD	5	24	12-37985	WASHER, STEERING CABLE GUIDE TUBE	5	54
12-26825	WASHER, SWITCH ACTUATING ARM STUD	5	34	12-38000	WASHER, SYNTHANE - BELL HOUSING	19	32
12-26825	WASHER, TENION SPRING SCREW	5	30	12-39116	WASHER, UPPER SHIFT LEVER	19	55
12-28421	WASHER, TRANSOM PLATE SCREW	5	45	12-39143	WASHER, SHIFT ACTUATING CABLE STUD	3	20
12-29245	WASHER, REVERSE OKS TO REVERSE ARM SCREW	17	11	12-39143	WASHER, SHIFT CABLE ASSEMBLY SCREW	3	17
				12-39143	WASHER, SHIFT CABLE STUD	3	4

PARTS INDEX

Part Number	Description	Pg.	Ref. No.	Part Number	Description	Pg.	Ref. No.
12-39782	WASHER, RUBBER - REAR ANCHOR PIN	47	20	14-31210	TAB WASHER, PROPELLER NUT	33	87
12-45450	THRUST WASHER, BEARING CARRIER	33	83	14-79447	TAB, WASHER, GEAR HOUSING COVER (PLASTIC)	33	81
12-45713	WASHER, RETAINING - BALL TO VALVE COVER	35	15	15-31535A1	SHIM	33	75
12-45737	WASHER, FRONT ANCHOR PIN	49	17	15-32563A1	SHIM, BEARING CUP TO TOP COVER (.002-3-5-10-15)	25	20
12-45737	WASHER, REAR ANCHOR PIN	49	23	15-32563A1	SHIM, BEARING CUP TO TOP COVER (.002-3-5-10-15)	25	20
12-45810	WASHER, DRIVE GEAR TO UNIVERSAL JOINT	27	43	15-32694	SCREW, REVERSE HOOK ARM TO DRIVE SHAFT HOUSING (1 3/8)	17	15
12-45815	WASHER, GEAR AND BEARING TO UPPER DRIVE SHAFT	23	21	15-33143A1	SHIM, DRIVE SHAFT BEARING TO GEAR HOUSING (.002-3-5-10)	29	18
12-46765	WASHER, FRONT ANCHOR PIN	49	20	15-35244A1	SHIM, GIMBAL HOUSING BEARING (.002-3-4-5-6-7-8-10)	9	14
12-46765	WASHER, REAR ANCHOR PIN	49	26	15-35980A1	SHIM, BEARING CUP TO DRIVE SHAFT HOUSING	27	41
12-49221	WASHER, FLUSH PLUG - GEAR HOUSING FLUSHING HOLE PLASTIC	31	54	15-36178A1	SHIM, BEARING CUP TO DRIVE SHAFT HOUSING (.002-3-5-10-15)	23	13
13-21804	LOCKWASHER, REVERSE LOCK VALVE SCREW	37	30	15-36178A1	SHIM, BEARING CUP TO TOP COVER (.002-3-5-10-15)	23	20
13-25906	WASHER, WAVE - REVERSE LOCK VALVE	35	7	15-45811	SHIM, BEARING CUP TO DRIVE SHAFT HOUSING	27	42
13-26992	LOCKWASHER, CONTROL VALVE SCREW	41	15	15-47397A1	SHIM	33	64
13-26992	LOCKWASHER, MOUNTING BRACKET SCREW	43	40	16-30667	STUD, WATER PUMP BASE AND BODY TO GEAR HOUSING (3 1/8)	29	7
13-26992	LOCKWASHER, STARTER SOLENOID SCREW	41	36	16-32467	STUD, SWITCH ACCTUATINARM TO TRANSON PAT92 (2 5/16")	5	32
13-26992	LOCKWASHER, WATER PUMP BODY SCREW ALUMINUM	31	36	16-32568	STUD, PIVOT - STEERING LEVER (2 21/32)	13	26
13-26993	LOCKWASHER, STARTER SOLENOID TERMINAL (5/16")	41	32	16-34069	STUD, SHIFT ACTUATIN CABLE TO CONTRL LEVER (2 1/4")	3	19
13-26996	LOCKWASHER, CAM SCREW	35	11	16-35935	WASHER, BELL HOUSING STUD	19	34
13-26996	LOCKWASHER, THRU BOLT	39	19	16-35937	STUD, BELL HSG. TO DRIVE SHAFT HSG.	19	33
13-27660	LOCKWASHER, HYDRAULIC PUMP THRU BOLT	43	41	16-36292	STUD, WATER PUMP BASE AND BODY TO GEAR HOUSING (3 3/8)	29	6
13-33734	LOCKWASHER, TRANSOM PLATE SCREW	5	48	16-37270	STUD, GIMBAL HOUSING TO TRANSON PLATE (4 3/4")	9	2
13-35048	LOCKWASHER, EXHAUST ELBOW SCREW	11	39	16-45715	STUD, SHIFT CONTROL LEVER TO CAM LEVER (23/32")	35	19
13-37272	LOCKWASHER, TRANSOM PLATE SCREW	5	42	16-46909	STUD, GEAR HOUSING TO DRIVE SHAFT HOUSING (2)	29	4
13-37642	WASHER, WAVE - REAR ANCHOR PIN	47	19				
13-38376	STUD, SHIFT CONTROL LEVER TO TRANSON PLATE (2") NOT USED WI	5	23				
13-46917	LOCKWASHER, SEALING - VENT SCREW	39	8				
13-46917	LOCKWASHER, SEALING - VENT SCREW	41	4				

PARTS INDEX

Part Number	Description	Pg.	Ref. No.	Part Number	Description	Pg.	Ref. No.
16-46911	STUD, GEAR HOUSING TO DRIVE SHAFT HOUSING (3 3/16)	29	3	19-29850	PLUG, TRIM TAB HOLE - DRIVE SHAFT HOUSING	23	2
16-47360	STUD, SHIFT CABLE TO LEVER POWER TRIM-2	3	11	19-32652	WELCH, PLUG, DRIVE SHAFT HOUSING	17	5
16-47360	STUD, SHIFT CABLE TO TRANSOM PLATE	3	2	19-38148	WELCH PLUG, GEAR HOUSING	29	11
17-20302	PIN, PIVOT-REVERSE HOOK RELEASE LEVER TO BLL HOUSING	19	46	19-48751	PLUG, FLUSH - GEAR HOUSING FLUSHING HOLE PLASTIC	31	55
17-29967	PIN, IMPELLER DRIVE	31	34	22-21290	PLUG, PIPE - GIMBAL HOUSING	9	7
17-30545	PIN, DRIVE SHAFT	29	13	22-21290	PLUG, PIPE - REVERSE LOCK VALVE	35	6
17-30632	CROSS PIN	33	69	22-23612	FITTING, GREASE - GIMBAL RING	13	5
17-35571	PIN, HINGE PIN RETAINING - GIMBAL RING	13	8	22-31125	CONNECTOR, SHIFT CABLE - BELL HOUSING	17	24
17-35973	DOWEL PIN, WATER PUMP BASE WATER PUMP BODY	29	25	22-31345	FITTING, GREASE - BELL HOUSING	19	37
17-37972	PIN, SHIFT CRANK - GEAR HOUSING	29	2	22-31345	FITTING, GREASE - GIMBAL HOUSING	9	8
17-38031	PIN, HINGE - GIMBAL RING TO BELL HOUSING	13	7	22-31704	PLUG, PIPE - DRIVE SHAFT HOUSING (WATER POCKET)	17	4
17-39641	PIN, REAR - CYLINDER TO DRIVE SHAFT HSG. (7 5/32")	47	18	22-32561	PLUG, PIPE - UPPER SWIVEL SHAFT	13	20
17-45212	PIN, SWIVEL - GIMBAL HOUSING TO GIMBAL RING (LOWER)	9	19	22-33066	CONNECTOR, WATER HOSE TO BELL HOUSING	17	23
17-45573	PIN, LOCATING - TOP COVER	25	24	22-36033	CONNECTOR, GIMBAL HOUSING	47	5
17-45573	PIN, LOCATION - TOP COVER	25	24	22-36033	CONNECTOR, GIMBAL HOUSING	49	6
17-45574	PIN, PIVOT - REVERSE HOOK ARM STOP TO REVERSE HOOK ARM	17	18	22-38609	PLUG, CONTROL VALVE (3/8-24")	41	13
17-45591	PIN, TILT ADJUSTMENT - GIMBSL PIN	15	40	22-38609	PLUG, CONTROL VALVE (3/8-24")	41	13
17-45598	PIN, FRONT - CYLINDER TO GIM. RING (10 11/32")	47	13	22-45794	ELBOW, HYDRAULIC TRIM HOSE TO REVERSE LOCK VALVE	35	3
17-45735	PIN FRONT ANCHOR - TILT CYLINDER TO HIMBAL RING (10 11/32")	49	16	22-48166	ELBOW, HYDRAULIC TRIM HOSE TO REVERSE LOCK VALVE	35	4
17-45738	PIN, REAR ANCHOR-TILT CYLINDER TO DRIVE SHAFT HOUSING(7 1/2)	49	22	22-48167	CONNECTOR, ELBOW	35	5
17-45821	GASKET,DRIVE SHAFT HOUSING TO BELL HOUSING	17	--	23-25915	BUSHING, STEERING LEVER PIVOT STUD	13	32
17-46912	PIN, DOWEL - GEAR HOUSING TO DRIVE SHAFT HOUSING	29	8	23-28055	BUSHING, RUBBER - WATER TUBE SEALING	9	30
18-20233	CLIP, RETAINING - SHIFT SHAFT	31	43	23-29804	SLEEVE, GUIDE - WATER INLET TUBE	31	41
18-32857	COTTER PIN, SHIFT ACUTUATINE CABLE TO TRANSOM PLATE	5	31	23-30617A2	BUSHING ASSEMBLY, SHIFT SHAFT	31	45
18-34159	COTTER PIN, RETAINING - LOWER SWIVEL PIN	9	20	23-31866	SPACER, SHIFT CABLE ASSEMBLY SCREW	3	16
18-89212	COTTER PIN, CLUTCH ACTUATING SHAFT	33	56	23-31866	SPACER, SHIFT CABLE STUD POWER TRIM-2	3	12
				23-31866	SPACER,SHIFT CABLE STUD	3	3
				23-32591	SPACE, UPPER DRIVE SHAFT (NOT AS SHOWN)	25	17

PARTS INDEX

Part Number	Description	Pg.	Ref. No.	Part Number	Description	Pg.	Ref. No.
23-32632	BUSHING, DRIVE SHAFT HOUSING	17	2	25-26834	"O" RING, HYDRAULIC PUMP	39	1
23-35088	BUSHING, BELL HOUSING (5/8)	17	27	25-26834	"O" RING, HYDRAULIC PUMP TO CONTROL VALVE	41	--
23-35130	ADAPTOR, BEARING CARRIER	9	11	25-26834	"O" RING, HYDRAULIC PUMP TO CONTROL VALVE	41	2
23-35985	SPACER, DRIVE GEAR ROLLER BEARING CUPS	27	40	25-30271	RING, RUBBE - CENTRIFUGAL SLINGER (DRIVE SHAFT)	31	40
23-36290	SPACER, TRANSOM PLATE SCREW	5	46	25-30613	"O" RING, UPPER - DRIVE SHAFT	29	15
23-37981	SPACER, SWITCH ACTUATING ARM TO TRANSOM PLOT	5	33	25-31534	O-RING, BEARING CARRIER	33	76
23-38634	BUSHING, SYNTHANE - GIMBAL HOUSING (UPPER)	9	5	25-32546	"O" RING, TOP COVER SEALING	25	25
23-39273	SPACER, GIMBAL RING	13	4	25-33145	"O"RING, WATER PUMP BASE	29	21
23-45571	SLEEVE, UPPER DRIVE SHAFT	23	18	25-33504	"O" RING, BELL HOUSING	19	31
23-45588	BUSHING, BELL HOUSING (5/16)	17	29	25-35984	"O" RING, OIL SEAL CARRIER	27	36
23-45600	SLEEVE, SWITCH ACTUATING ARM STUD	5	27	25-45710	"O" RING, REVERSE LOCK VALVE	35	8
23-45736	BUSHING, RUBBER - FRONT ANCHOR PIN	49	18	25-45711	"O" RING, VALVE COVER	35	13
23-45736	BUSHING, RUBBER - REAR ANCHOR PIN	49	24	26-31507	OIL SEAL, WATER PUMP BASE	29	24
23-45773	SPACER, IGNITION SWITCH	43	44	26-31507	OIL SEAL, WATER PUMP BODY	31	31
23-46003	SPACER, SHIFT CONTROL LEVER STUD	5	22	26-32511	OIL SEAL, GEAR CHAMBER - DRIVE SHAFT HOUSING	23	12
23-48428	SLEEVE, STEERING LINK ROD (STEEL)	13	37	26-32540	OIL SEAL, UPPER GIMBAL HOUSING BUSHING	9	6
23-48428	SLEEVE, STREERING LEVER	13	18	26-32541	OIL SEAL, GIMBAL RING	13	3
23-52698	SLEEVE, STEERING LINK ROD (NYLON)	15	37	26-32911	OIL SEAL, LOWER GIMBAL HOUSING ROLLER BEARING	9	4
24-20510	SPRING, STEERING LEVER PIVOT STUD	13	31	26-33144	OIL SEAL, WATER PUMP BASE	29	23
24-30893	SPRING, RETAINER - CROSS PIN	33	70	26-35278	BUSHING, RUBBER - FRONT ANCHOR PIN	47	15
24-32659	SPRING, TENSION-REVERSE HOOK ARM TO DRIVE SHAFT HOUSING SCREW	17	16	26-36054	OIL SEAL, CARRIER	27	38
24-34576	SPRING, COMPRESSION - DRIVE SHAFT	29	14	26-36143	SEAL, GREASE - GIMBAL HOUSING	9	10
24-36102	SPRING, TORSION - REVERSE HOOK RELEASE LEVER 1	19	47	26-37259	OIL SEAL, DRIVE SHAFT HOUSING - LOWER	23	11
24-37827	SPRING, TENSION - REVERSE HOOK TO REVERSE HOOK ARM	17	13	26-38970	SEAL, RUBBER - WATER INLET TUBE	31	32
24-45599	SPRING, TENSION - SWITCH ACTUATING RUN	5	28	26-38970	SEAL, RUBBER-WATER POCKET COVER	23	4
24-46312	SPRING, FRONT ANCHOR PIN	49	19	26-45577	SEAL, GEAR HOUSING	29	5
24-46312	SPRING, REAR ANCHOR PIN	49	25	26-45583	SEAL, GEAR HOUSING FLUSHING HOLE SCREW ALUMINUM	31	53
25-20863	"O" RING, GIMBAL HOUSING	9	16	26-45587	OIL SEAL, BELL HOUSING	17	28
25-25439	"O" RING, SHIFT SHAFT BUSHING	31	44	26-45916	OIL SEAL, TOP COVER	25	23
25-25439	"O" RING, UNIVERSAL JOINT	27	33	26-45916	OIL SEAL, TOP COVER	25	23
				26-46021	OIL SEAL, SHIFT SHAFT BUSHING	31	46
				26-76868	OIL SEAL	33	79

PARTS INDEX

Part Number	Description	Pg.	Ref. No.	Part Number	Description	Pg.	Ref. No.
27-32433	GASKET, LOWER - WATER PUMP BASE TO FACE PLACTE	29	26	32-32631	TUBE, WATER - GIMBAL HOUSING	9	29
27-32434	GASKET, UPPER - FACE PLATE TO WATER PUMP BODY	29	28	32-34049	TUBE, NYLON - SHIFT ACTUATING CABLE GUIDE	7	62
27-32569	GASKET, WATER POCKET COVER	23	5	32-35015	TUBE, STEERING CABLE GUIDE (7/8" O.D.)	5	52
27-33146	GASKET, WATER PUMP BASE TO GEAR HOUSING	29	20	32-38377	TUBE, SUPPORT - SHIFT ACTUATING CABEL	7	57
27-35982	GASKET, RUBBER - BELL HOUSING	19	30	32-45669	HOSE, LIFT - HYDRAULIC PUMP TO GIMBAL HOUSING (19")	47	1
27-36043	GASKET, GIMBAL HOUSING CONNECTOR	47	6	32-45669	HOSE, LIFT - HYDRAULIC PUMP TO GIMBAL HOUSING (19")	49	2
27-36043	GASKET, GIMBAL HOUSING CONNECTOR	49	7	32-45703	HOSE, HYDRAULIC TRIM - GIMBAL HOUSING TO TILT CYLINDER (PORT	49	13
27-45821	GASKET, DRIVE SHAFT HOUSING TO BELL HOUSING	17	6	32-45704	HOSE, HYDRAULIC TRIM- GIMBAL HOUSING TO TILT CYLINDER (STARBD)	49	9
27-45832	GASKET, GIMBAL HOUSING TO TRANSOM	11	40	32-45705	HOSE, TRIM - VALVE TO GIMBAL HSG. (27") - ONE END STRAIGHT	49	5
28-30281	KEY	33	80	32-45720	HOSE, HYDRAULIC PUMP TO REVERSE VELOCITY VALVE (NYLON - 19")	49	1
30-17927	BALL BEARING, REVERSE GEAR	33	74	32-45973	HOSE, HUYDRAULIC - GIMBAL HOUSING TO TILT CYLINDR (STARBOARD	47	9
30-30206	SCREW, GEAR HOUSING TO DRIVE SHAFT HOUSING (1")	33	91	32-45973	HOSE, HYDRAULIC - GIMBAL HOUSING TO TILT CYLINDER(STARBOARD)	49	10
30-36418	BEARING, BALL - GIMBAL HOUSING	9	12	32-45974	HOSE, HYDRAULIC - GIMBAL HOUSING TO TILT CYLINDER (PORT)	47	8
30-45712	BALL, VALVE COVER	35	14	32-45974	HOSE, HYDRAULIC - GIMBAL HOUSING TO TILT CYLINDER (PORT)	49	14
31-30895	ROLLER BEARING, FORWARD GEAR	33	66	32-48076	HOSE, TRIM - VALVE TO GIMBAL HSG. (27") - ONE END 90 DEGREE	49	5
31-30956	ROLLER BEARING	33	78	32-52951A1	HOSE, HYDRAULIC PUMP TO REVERSE VELOCITY VALVE RUBBER - 13"	49	1
31-32536	BEARING, ROLLER - GIMBAL HOUSING (LOWER)	9	3	37-39345A1	DECAL SET, DRIVE SHAFT HOUSING (MERCUISER 140)	23	8
31-32538	BEARING, ROLLER - GIMBAL RING	13	2	37-39395	DECAL, SERIAL NUMBER	3	9
31-32575A1	TAPERED ROLLER BEARING ASSEMBLY, UPPER DRIVE SHAFT	25	19	37-45889	DECAL, CONTROL PANEL (POWER TILT)	43	50
31-35928A1	ROLLER BEARING	33	67	37-45891	DECAL, CONTROL PANEL (POWER TRIM)	43	50
31-35934	BEARING, ROLLER DRIVE SHAFT	29	9	37-46324A1	DECAL SET, DRIVE SHAFT HOUSING (MERCUISER 120)	23	8
31-35988A2	TAPERED ROLLER BEARING ASSEMBLY, DRIVE GEAR	27	39				
31-35990A1	TAPERED ROLLER BEARING ASSEMBLY, UPPER DRIVE SHAFT	23	19				
31-35990A1	TAPERED, ROLLER BEARING ASSEMBLE, PINION GEAR	23	14				
31-36387A1	TAPERED ROLLER BEARING ASSEMBLY, DRIVE SHAFT	29	19				
31-53079A1	TAPERED ROLLER BEARING ASSEMBLY, DIRVE SHAFT	29	19				
32-32461	HOSE, WATER -BELL HOUSING TO GIMBAL HOUSING	19	41				
32-32587	TUBE, WATER - WATER POCKET COVER	23	7				

PARTS INDEX

Part Number	Description	Pg.	Ref. No.	Part Number	Description	Pg.	Ref. No.
38-45372	DECAL, INSTRUCTIONS - HYDRAULIC PUMP	41	11	54-31766	CLAMP, SHIFT ACTUATING CABLE BELLOWS TO GIMBAL HOUSING	9	26
43-35922	GEAR, PINION - DRIVE SHAFT	29	16	54-32523	CLAMP, WATER HOSE TO GIMBLE HOUSING WATER TUBE	19	43
43-35930A2	FORWARD GEAR ASSEMBLY	33	65	54-32523	CLAMP, WATER HOSE TO SELL HOUSING CONNECTOR	19	42
43-37964	REVERSE GEAR	33	72	54-32523	CLAMP, WATERHOSE TO GIMBAL HOUSING WATER TUBE	19	43
43-45569A2	GEAR ASSEMBLY, COMLPETE	23	15	54-32533	CLAMSA, EXHAUST BELLOWS TO BELLHOUSEING AND GIMBLE HOUSING	19	45
43-45615A2	GEAR ASSEMBLY, COMLPETE	23	15	54-32739	CLAMP, BELLOWS TO EXHAUST ELBOW AND ENGINE	11	43
44-45452	PROPELLER SHAFT	33	71	54-37282	CLAMP, HYDRAULIC PUMP HARNESS	41	9
45-36386A1	DRIVE SHAFT ASSEMBLY	29	12	54-38863	CLAMP, ACTUATING CABLE BELLOWS TO SHIFT ACTUATING CABLE	9	25
45-45568	DRIVE SHAFT, UPPER	23	16	54-45806	CLAMP, HYDRAULIC HOSE TO TRANSOM PLATE	49	3
45-45568	DRIVE SHAFT, UPPER	25	16	54-46770	CLAMP, HARNESS FASTENING	45	72
45-46779	DRIVE SHAFT, UPPER	25	16	91-48247	ROD, ALIGMMENT - TRANSOM PLATE TO ENGINE	7	--
46-34447A1	WATER PUMP BASE ASEMBLY (ALUMINUM)	29	22	92-33749-1	SEALER, EXHAUST BELLOWS ATTACHING	11	--
46-37433A1	WATER PUMP BODY ASSEMBLY (ALUMINUM)	31	29	392-2529	SPRING SET, BRUSH TENSION	39	17
46-48743A1	WATER PUMP BODY ASSEMBLY (PLASTIC)	31	29	392-2618	CAM, VALVE BODY	39	3
46-48748A1	WATER PUMP BASE ASSEMBLY (PLASTIC)	29	22	392-2623	WASHER, THRUST - ARMATURE	39	11
47-30221	IMPELLER, WATER PUMP	31	33	392-2936	VALVE BODY AND GEAR ASSEMBLY	39	2
52-37963	CLUTCH	33	68	392-2937	SEAL, RESERVIOR TO VALVE BODY AND GEAR	39	5
53-35128	RING, RETAINING - BEARING CARRIER (LARGE)	9	13	392-2938	BOLT SET, THRU - PLATE AND FRAME TO RESERVIOR	39	18
54-22740	CLAMP, PUMP MOUNTING BRACKET	41	24	392-2939	RESERVIOR ASSEMBLY	39	6
54-22740	CLIP, CUT-OUT SWITCH LEAD TO TRANSOM PLATE	35	23	392-2940	PLATE ASSEMBLY, COMMUTATOR END	39	15
54-22740	CLIP, LIFT HOSE TO TRANSOM PLATE	47	2	392-2941	BRUSH SET, COMMUTATOR END PLATE	39	16
54-22740	CLIP, SWITCH LEADS TO TRANSOM PLATE (STANDARD & POWER TILT)	3	6	392-2942	FIELD AND FRAME ASSEMBLY	39	13
54-22875	CLAMP, HARNESS TO BOAT	45	61	392-2943	ARMATURE, FIELD AND FRAME	39	12
54-23567	CLAMP, HARNESS ATTACHING	45	65	392-2944	BALL, COMMUTATOR END PLATE	39	14
54-23568	CLIP, CUT-OUT SWITCH LEAD TO REVERSE LOCK VALVE	35	26	1547-2763A2	REPLACEMENT PARTS - DRIVE SHAFT HOUSING ASM COMPLETE	19	-
54-23568	CLIP, CUT-OUT SWITCH LEAD TO REVERSE LOCK VALVE	35	26				
54-23568	CLIP, CUT-OUT SWITCH LEAD TO TRANSOM PLATE	35	23				
54-23568	CLIP, SWITCH LEADS TO TRANSOM PLATE (POWER TRIM)	3	6				
54-24836	CLIP, SWITCH LEADS TO TRANSOM PLATE (POWER TRIM)	3	6				

PARTS INDEX

Part Number	Description	Pg.	Ref. No.	Part Number	Description	Pg.	Ref. No.
1547-2763A6	DRIVE SHAFT HOUSING ASSEMBLY	17	1				
1547-2763A6	DRIVE SHAFT HOUSING ASSEMBLY	23	1				
1547-2763A8	REPLACEMENT PARTS - DRIVE SHAFT HOUSING ASM COMPLETE	19	-				
1547-2763A9	REPLACEMENT PARTS - DRIVE SHAFT HOUSING ASM COMPLETE	19	-				
1547-3546A10	REPLACEMENT PARTS - DRIVE SHAFT HOUSING ASM COMPLETE	21	-				
1547-3546A8	DRIVE SHAFT HOUSING ASSEMBLY	17	1				
1547-3546A8	DRIVE SHAFT HOUSING ASSEMBLY	23	1				
1547-3546A9	REPLACEMENT PARTS - DRIVE SHAFT HOUSING ASM COMPLETE	19	-				
1623-2764A1	GEAR HOUSING ASSEMBLY (ALUMINUM)	29	1				
1623-2764A1	GEAR HOUSING ASSEMBLY (ALUMINUM)	33	1				
1623-2764A3	GEAR HOUSING ASSEMBLY, COMPLETE (ALUMINUM WATER PUMP)	29	-				
1623-3489A1	GEAR HOUSING ASSEMBLY (PLASTIC) - USES B-31-36387A1 BEARING	29	1				
1623-3646A1	GEAR HOUSING ASSEMBLY(PLASTIC) - USES B-31-53079A1 BEARING	29	1				
1623-3646A3	GEAR HOUSING ASSEMBLY, COMPLETE (PLASTIC WATER PUMP)	29	-				
1623-4110A5	GEAR HOUSING ASSEMBLY, COMPLETE	33	-				
1623-5356A4	GEAR HOUSING ASSEMBLY (PLASTIC)	33	1				