



PARTS CATALOG

MERC 1000

SERIAL NUMBER

1000SS 2318586 THRU 2836018

TABLE OF CONTENTS:

BOTTOM COWL AND SHIFT LINKAGE	42
CARBURETOR ASSEMBLY	28
CARBURETOR LINKAGE AND CHOKE SOLENOID	24
CLAMP AND SWIVEL BRACKET ASSEMBLY	46
COWLING AND FRONT COVER	6
CRANKSHAFT, PISTONS AND CONNECTING RODS	40
CYLINDER BLOCK AND CRANKCASE ASSEMBLY	36
DISTRIBUTOR ADAPTOR AND PILOT ASSEMBLY	10
DISTRIBUTOR ASSEMBLY, COMPLETE	18
DISTRIBUTOR VERTICAL LINKAGE AND IGNITION COILS	14
DRIVE SHAFT HOUSING ASSEMBLY	50
FLYWHEEL ASSEMBLY AND STATOR	8
FUEL PUMP AND FUEL LINE ASSEMBLY	32
GEAR HOUSING ASSEMBLY, COMPLETE (PAGE 1)	54
GEAR HOUSING ASSEMBLY, COMPLETE (PAGE 2)	58
MISCELLANEOUS PARTS/ACCESSORIES	1
PARTS INDEX	62
STARTER MOTOR, STARTER SOLENOID, RECTIFIER AND WIRING HARNES	20
TOP COWL AND SUPPORT BRACKETS	2

NOTE: *Indented description indicate that these parts are included in preceeding assembly.*

AR = As Required

NSS = Not Sold Separate

OPT = Optional

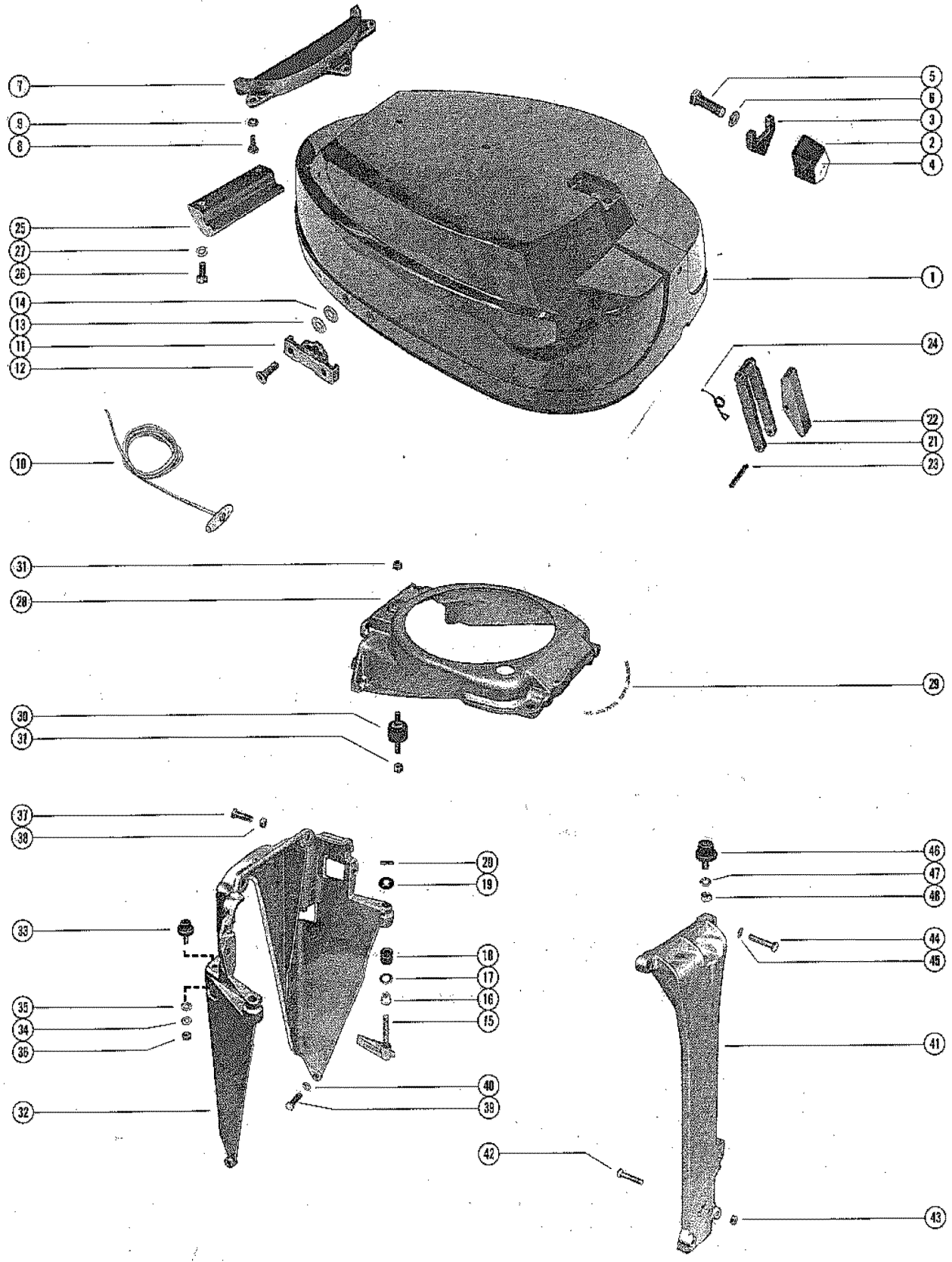
NS = Not Shown

THESE PARTS BOOKS/FICHE CARD ARE COPYRIGHTED AND MAY NOT BE DISTRIBUTED OR REPRODUCED IN ANY OTHER FORMAT BY ANYONE OTHER THAN MERCURY MARINE WITHOUT THE PRIOR WRITTEN CONSENT OF MERCURY MARINE.

MISCELLANEOUS PARTS/ACCESSORIES

REF. NO.	PART NO.	SYM.	QTY.	DESCRIPTION
-	90-48559		0	MERC 1000E-SS PARTS LIST, COMPLETE
-	27-37741A3		0	GASKET SET (MOTOR OVERHAUL) - 1000E-SS
-	94-48851		0	SHIPPING CARTON (MERC 1000EL-SS)
-	46-37433A4		0	EXTRA HEAVY DUTY WATER PUMP KIT
-	37-47891A1		0	DECAL SET (MERC 1000E-SS)
-	37-47891A2		0	DECAL SET (MERC 1000E-1-SS)
-	91-48168A6		0	TACHOMETER ASSEMBLY

TOP COWL AND SUPPORT BRACKETS

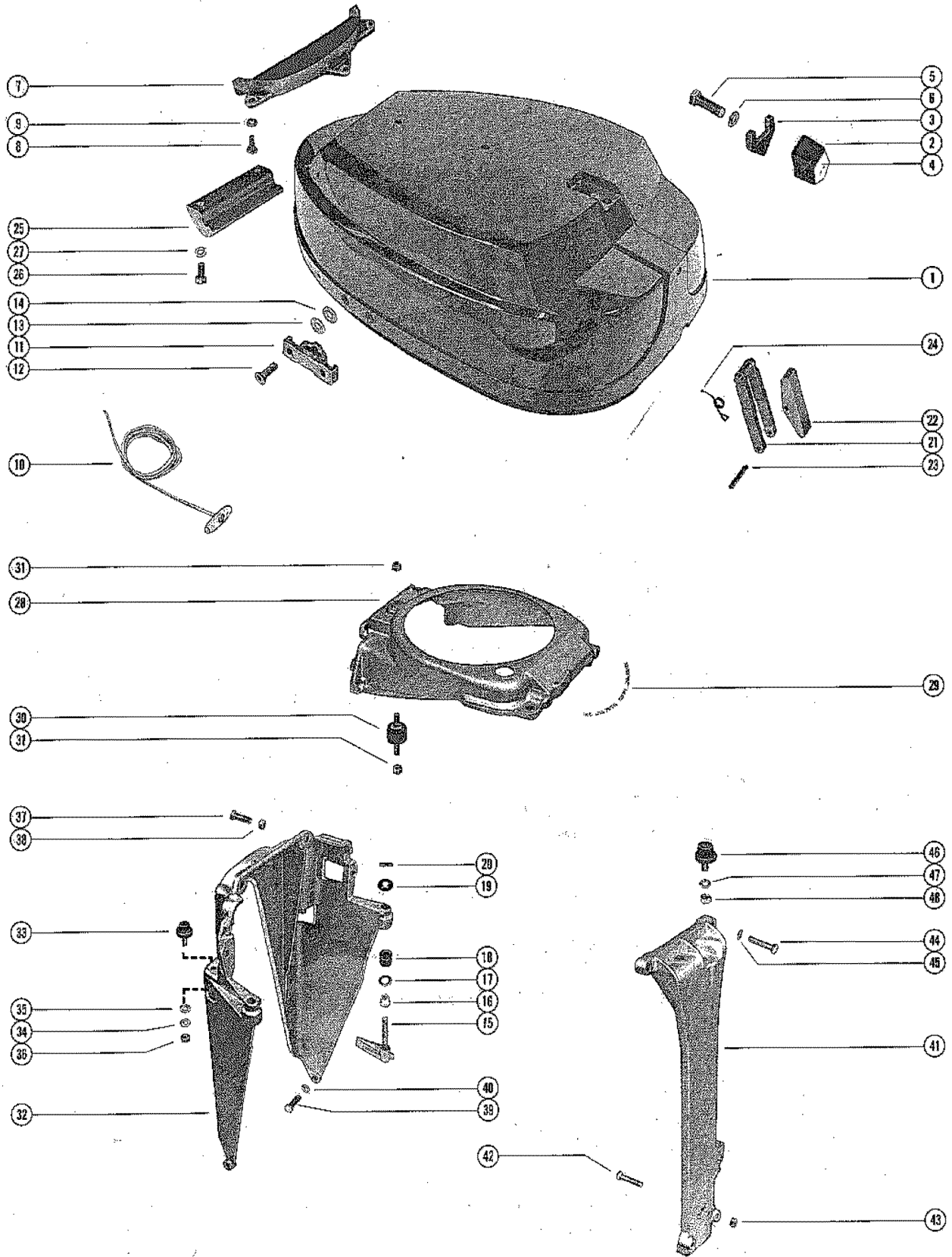


TOP COWL AND SUPPORT BRACKETS

REF. NO.	PART NO.	SYM.	QTY.	DESCRIPTION
1	2114-3168		1,	COWL, TOP
	2114-3591		,1	COWL, TOP
2	47555A1		1,	RETAINER ASSEMBLY, TOP COWL
	52733A1		,1	RETAINER ASSEMBLY, TOP COWL
3	35496		1,1	PAD, BUMPER - TOP COWL RETAINER
4	46141		1,1	EMBLEM, TOP COWL RETAINER
5	10-37558		1,1	SCREW, RETAINER TO TOP COWL (1-1/4")
6	13-39107		1,1	LOCKWASHER, RETAINER TO TOP COWL SCREW
7	37569		1,	SHIELD, TOP COWL - REAR SERIAL 00000000-02409053
	49448		1,1	SHIELD, TOP COWL - REAR SERIAL 02409054-09999999
8	10-37370		3,3	SCREW, SHIELD TO TOP COWL (5/8")
9	13-37371		3,3	LOCKWASHER, SHIELD SCREW
10	47341A1		1,1	ROPE, STARTER (FOR MANUAL STARTING ONLY)
11	46144		2,	BRACKET, COWL LATCH - TOP COWL FASTENING
12	10-21091		4,	SCREW, COWL LATCH BRACKET TO TOP COWL (1-1/8")
13	12-29245		AR,	WASHER, LATCH BRACKET SCREW (1/16" THICK)
14	12-37998		AR,	WASHER, LATCH BRACKET SCREW (1/32" THICK)
15	37412		2,	LEVER, CLAMPINT - TOP COWL MOUNTING
16	23-26819		2,	BUSHING, NYLON - CLAMPING LEVER
17	12-38006		2,	WASHER, CLAMPING LEVER
18	23-31293		2,	BUYSHING, RUBBER - CLAMPING LEVER
19	53-30428		2,	FASTENER, CLAMPING LEVER
20	17-29077		2,	PIN, ROLL - CLAMPING LEVER
21	52739		,1	HINGE, COWL LATCH - TOP COWL
22	52737		,1	LEVER, COWL LATCH HINGE
23	17-33522		,1	PIN, COWL LATCH LEVER TO HINGE
24	24-53019		,1	SPRING, COWL LATCH HINGE
25	52738		,1	HOOK, TOP COWL LATCH - REAR
26	10-22956		,2	SCREW, REAR HOOK TO TOP COWL (7/8")
27	13-26992		,2	LOCKWASHER, REAR HOOK MOUNTING SCREW
28	47271		1,1	FRAME, TOP COWL SUPPORT
29	37-45201		1,1	DECAL, TIMING
30	37639		3,3	MOUNT, RUBBER - TOP COWL FRAME
	46096		OPT.,OPT.	MOUNT, RUBBER - TOP COWL FRAME (HEAVY DUTY)
31	11-20361		6,6	NUT, RUBBER MOUNT TO TOP COWL FRAME
32	39239		1,	BRACKET, TOP COWL SUPPORT - REAR
	52724		,1	BRACKET, TOP COWL SUPPORT - REAR
33	31014		2,2	MOUNT, RUBBER MOUNT TO TOP COWL FRAME
34	13-26992		2,2	LOCKWASHER, RUBBER MOUNT TO REAR SUPPORT BRACKET
35	12-20346		2,2	WASHER, RUBBER MOUNT TO REAR SUPPORT BRACKET
36	11-20088		2,2	NUT, RUBBER MOUNT TO REAR SUPPORT BRACKET
37	10-26065		4,4	SCREW, REAR BRACKET TO TOP COWL FRAME (1")

CONTINUED ON NEXT PAGE ➡

TOP COWL AND SUPPORT BRACKETS



TOP COWL AND SUPPORT BRACKETS

REF. NO.	PART NO.	SYM.	QTY.	DESCRIPTION
38	11-46793		4,4	NUT, REAR BRACKET SCREW
39	10-37558		2,2	SCREW, RREAR BRACKET TO BOTTOM COWL (1-1/4")
40	13-26993		2,2	LOCKWASHER, REAR SUPPORT BRACKET SCREW
41	47210A2		1,	BRACKET ASSEMBLY, TOP COWL SUPPORT - FRONT
	52725A2		,1	BRACKET ASSEMBLY, TOP COWL SUPPORT - FRONT
42	10-22040		2,2	SCREW, FRONT BRACKET TO BOTTOM COWL (1-1/2")
43	11-46793		2,2	NUT, FRONT SUPPORT BRACKET SCREW
44	10-20362		2,2	SCREW, FRONT BRACKET TO TOP COWL FRAME (1-1/2")
45	13-26993		2,2	LOCKWASHER, FRONT SUPPORT BRACKET SCREW
46	37640		1,1	MOUNT, RUBBER - FRONT SUPPORT BRACKET
47	13-26993		1,1	LOCKWASHER, RUBBER MOUNT TO FRONT SUPPORT BRACKET
48	11-22053		1,1	NUT, RUBBER MOUNT TO FRONT SUPPORT BRACKET

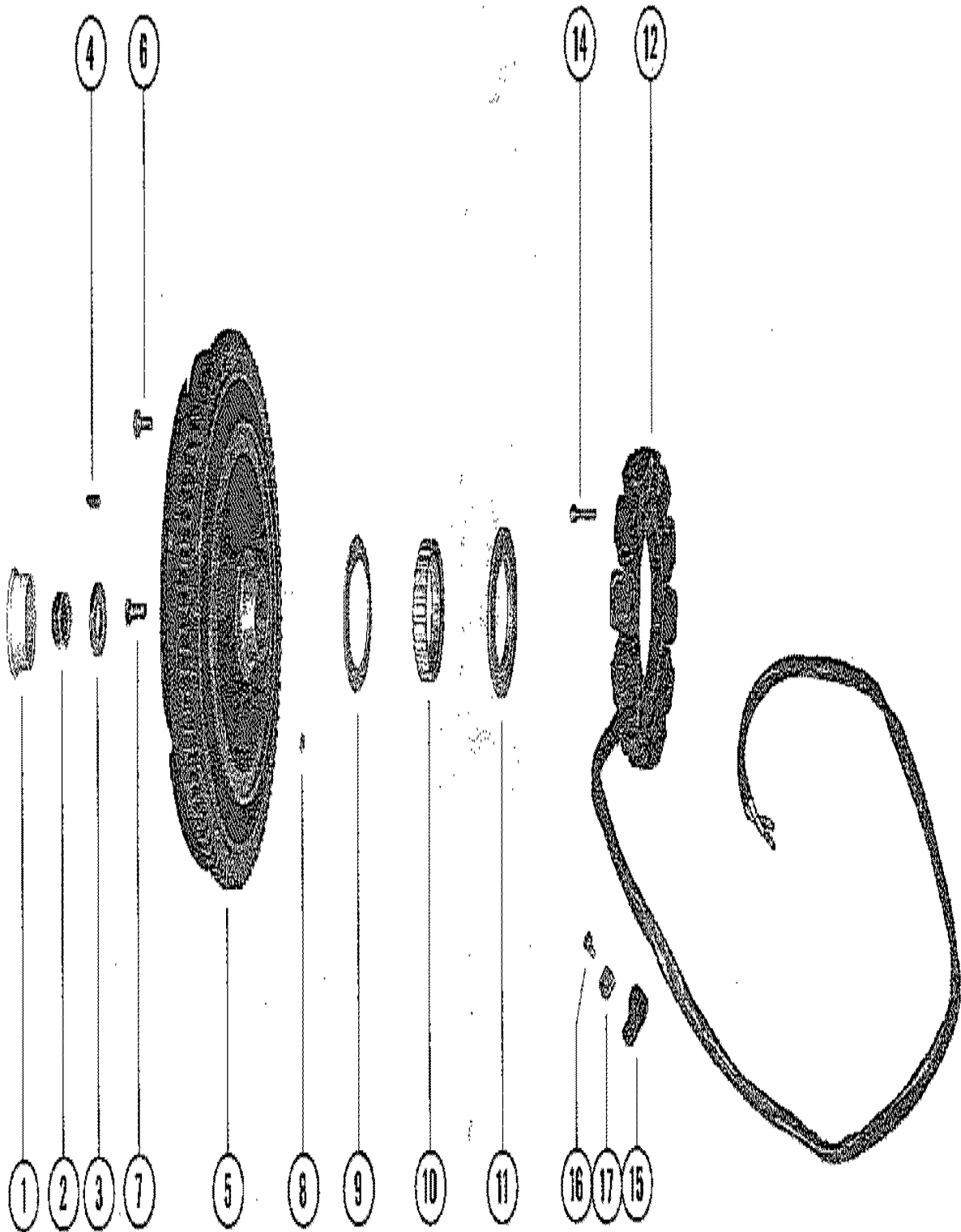
COWLING AND FRONT COVER

* * * * MISSING ILLUSTRATION * * * *

COWLING AND FRONT COVER

REF. NO.	PART NO.	SYM.	QTY.	DESCRIPTION
1	2113-2663A8		1,	COWL FRONT COVER ASSEMBLY
	2113-2663A10		,1	COWL FRONT COVER ASSEMBLY
2	35753		1,1	EMBLEM, FRONT COVER
3	32362		1,1	KNOB, COWL FRONT COVER FASTENING
4	12-30771		2,2	WASHER, COVER FASTENING KNOB (RUBBER)
5	12-26825		2,2	WASHER, COVER FASTENING KNOB (STEEL)
6	24-30772		1,1	SPRING, TENSION - FASTENING KNOB
7	17-29077		1,1	ROLL PIN, TENSION SPRING TO KNOB
8	31089		2,2	STRIP, SOUND ABSORBING
9	38675		1,1	BLANKET, SOUND ABSORBING
10	35769		1,1	SEAL, SOUND ABSORBING - UPPER
11	53334		,1	SEAL, SOUND ABSORBING - UPPER
12	2120-3254A3		1,	WRAP AROUND COWL ASSEMBLY
	2120-3612A3		,1	WRAP AROUND COWL ASSEMBLY
13	46785A1		3,3	COWL LATCH ASSEMBLY
14	30413		3,3	HOOK, COWL LATCH FASTENING
15	30021		1,1	BLANKET, SOUND ABSORBING
-	92-25234--1		1,1	GLUE, ADHESIVE - BLANKET FASTENING
-	92-27109--1		1,1	ADHESIVE COMPOUND, EMBLEM FASTENING

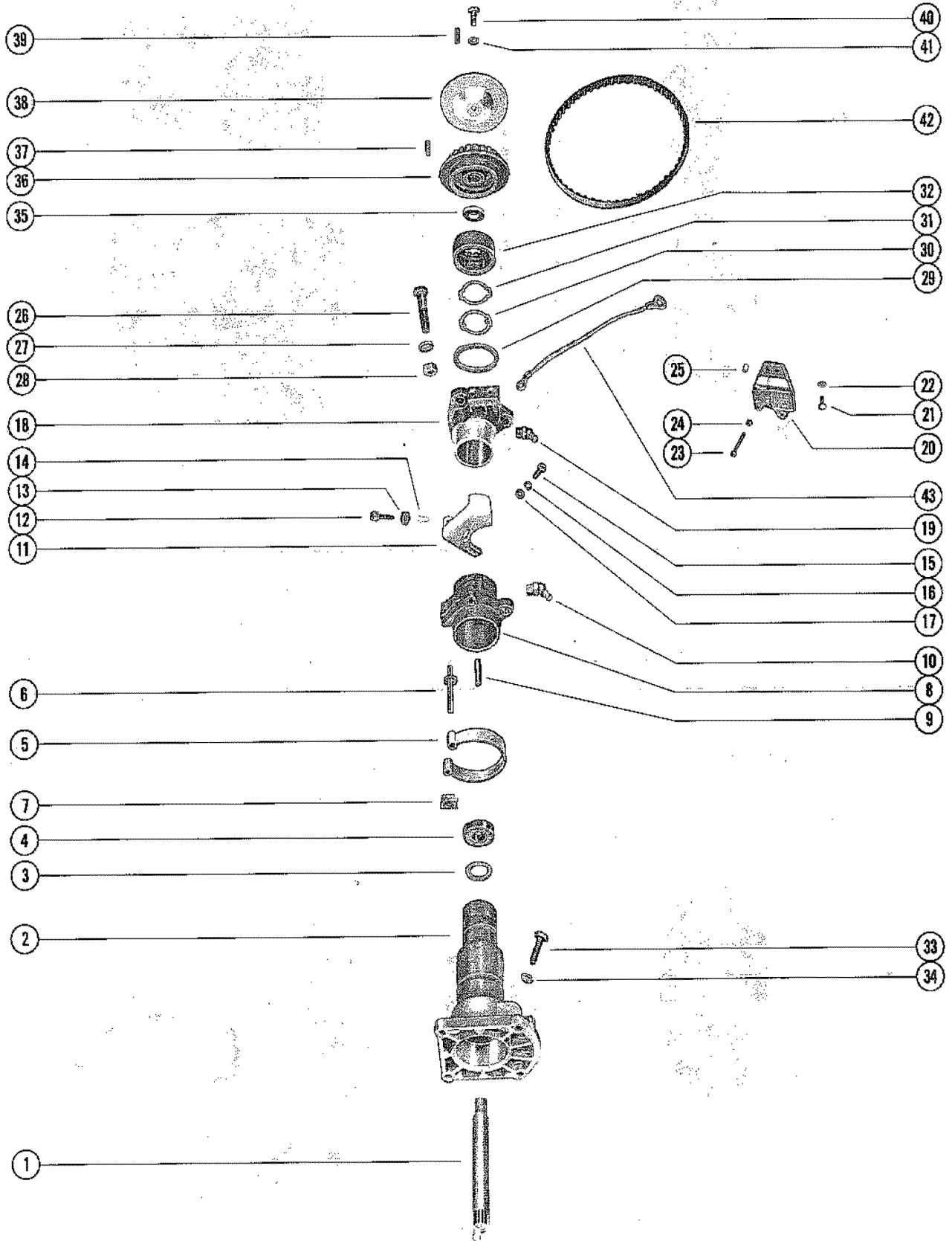
FLYWHEEL ASSEMBLY AND STATOR



FLYWHEEL ASSEMBLY AND STATOR

REF. NO.	PART NO.	SYM.	QTY.	DESCRIPTION
1	19-45907		1,1	PLUB, FLYWHEEL PULLER THREADS
2	11-22339		1,1	NUT, FLYWHEEL
3	12-33001		1,1	WASHER, FLYWHEEL NUT
4	28-45554		1,1	KEY, FLYWHEEL DRIVE
5	225-2494A2		1,	FLYWHEEL ASSEMBLY, COMPLETE (USE C-10-32417 SCREW)
	225-2494A8		1,1	FLYWHEEL ASSEMBLY, COMPLETE (USE C-10-49009 SCREW)
6	10-32417		8,	SCREW, FLEXIBLE PLATE TO FLYWHEEL (1/4-28 X 5/8")
	10-49006		8,8	SCREW, FLEXIBLE PLATE TO FLYWHEEL (5/16-24 X 3/4")
7	10-32417		8,8	SCREW, PLATE AND HUB TO FLEXIBLE PLATE
8	17-26618		1,1	PIN, DOWEL - PULLEY TO FLYWHEEL
9	29788		1,1	FLANGE, FLYWHEEL PULLEY
10	30306		1,1	PULLEY, FLYWHEEL
11	29787		1,1	HUB, FLYWHEEL PULLEY
12	398-3301		1,1	STATOR, ALTERNATOR SERIAL 00000000-02682097
	398-3587		,1	STATOR, ALTERNATOR SERIAL 02682098-09999999
14	10-52720		4,4	SCREW, STATOR TO UPPER END CAP (7/8")
15	54-22875		2,2	CLIP, STATOR LEAD FASTEING (7/16")
16	10-26548		2,2	SCREW, STATOR LEAD CLIP (#10 SHEET METAL)
	10-31206		2,2	SCREW, STATOR LEAD CLIP (7/16")
15	54-26550		1,1	CLIP, STATOR?WIRING HARNESS LEADS FASTENING (5/16")
16	10-37655		1,1	SCREW, STATOR LEAD CLIP FASTENING (10-32 X 1/2")
17	22789		3,3	"D" WASHER, CLIP FASTENING SCREW

DISTRIBUTOR ADAPTOR AND PILOT ASSEMBLY

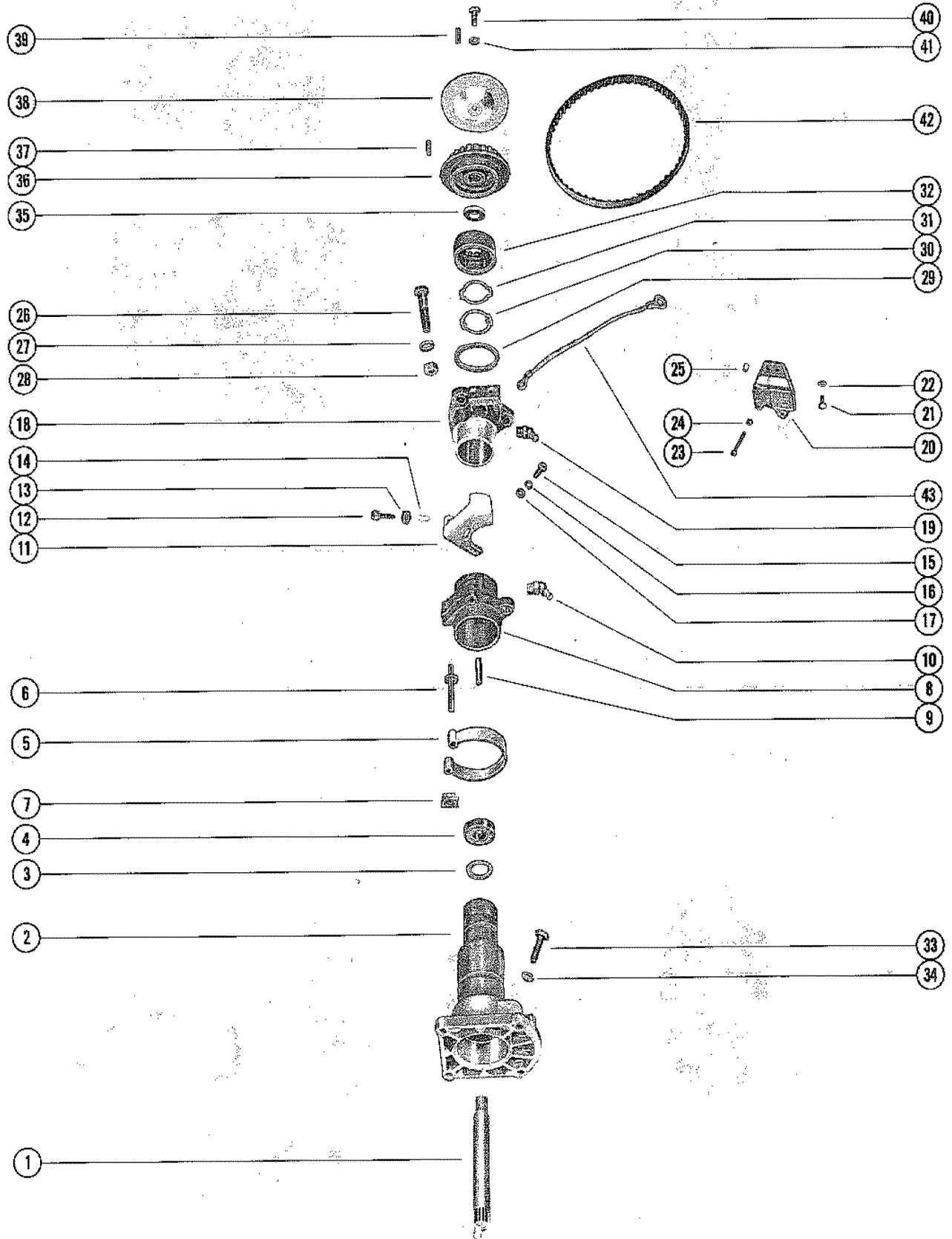


DISTRIBUTOR ADAPTOR AND PILOT ASSEMBLY

REF. NO.	PART NO.	SYM.	QTY.	DESCRIPTION
1	45-47950		1,1	DRIVE SHAFT, DISTRIBUTOR
2	45960A1		1,1	PILOT ASSEMBLY, DISTRIBUTOR
3	12-45484		1,1	WASHER, DISTRIBUTOR TO PILOT
4	30-20066		1,1	BEARING, BALL - DISTRIBUTOR PILOT
5	24-29275		1,1	SPRING, HORSESHOE
6	17-27962		1,1	PIN, SPRING TERMINAL
7	32197		1,1	STOP, SPRING TERMINAL PIN
8	30580A1		1,1	ECONOMIZER COLLAR AND PIN ASSEMBLY
9	17-27961		1,1	PIN, SPRING RETAINER
10	22-25094		1,1	FITTING, GREASE - ECONOMIZER COLLAR
11	48321		1,1	ACTUATOR, THROTTLE
12	10-23015		1,1	SCREW, ADJUSTING - THROTTLE ACTUATOR (1")
13	11-20645		1,1	NUT< THROTTLE ACTUATOR ADJUSTING SCREW
14	48039		1,1	CAP, THROTTLE ACTUATOR ADJUSTING SCREW
15	10-20100		2,2	SCREW, THROTTLE ACTUATOR TO SECTOR GEAR (1/2")
16	13-26996		2,2	LOCKWASHER, THROTTLE ACTUATOR FASTENING SCREW
17	12-20128		2,2	WASHER, THROTTLE ACTUATOR FASTENING SCREW
18	30645		1,1	ADAPTOR, DISTRIBUTOR
19	22-25094		1,1	FITTING, GREASE - ADAPTOR
20	30585		1,1	BRACKET, STOP
21	10-28636		2,2	SCREW< STOP BRACKET TO DISTRIBUTOR ADAPTOR (2")
22	12-20533		2,2	WASHER, STOP BRACKET FASTENING SCREW
23	10-24228		3,3	SCREW, STOP BRACKET ADJUSTING (1-7/8')
24	11-20890		3,3	NUT, STOP BRACKET ADJUSTING SCREW
25	26852		3,3	CAP, NYLON - ADJUSTING SCREW
26	10-22040		3,3	SCREW, ADAPTOR AND PILOT TO CRANKCASE FLANGE (1 1/2")
27	12-20084		3,3	WASHER, ADAPTOR AND PILOT FASTENING SCREW
28	11-20083		3,3	NUT, ADAPTOR AND PILOT FASTENING SCREW
29	12-27939		1,1	WASHER, THRUST - DISTRIBUTOR PILOT
30	14-27960		1,1	TAB WASHER, CAP LOCKING
31	13-27959		1,1	WASHER, WAVE - TAB WASHER TENSION
32	27955		1,1	CAP, ADAPTOR AND PILOT FASTENING
33	10-20532		4,4	SCREW, ADAPTOR AND PILOT TO DISTRIBUTOR (1-1/8")
34	13-26992		4,4	LOCKWASHER, ADAPTOR AND PILOT TO DISTRIBUTOR SCREW
35	23-29909		1,1	SPACER. DRIVEN PULLEY
36	29906A1		1,1	DRIVEN PULLEY ASSEMBLY
37	17-29908		1,1	PIN, DRIVEN PULLEY
38	29907		1,1	FLANGE, DRIVE PULLEY
39	28-29910		1,1	KEY, DISTRIBUTOR DRIVING
40	10-20456		1,	SCREW, PULLEY CLAMPING (5/8")

CONTINUED ON NEXT PAGE ➡

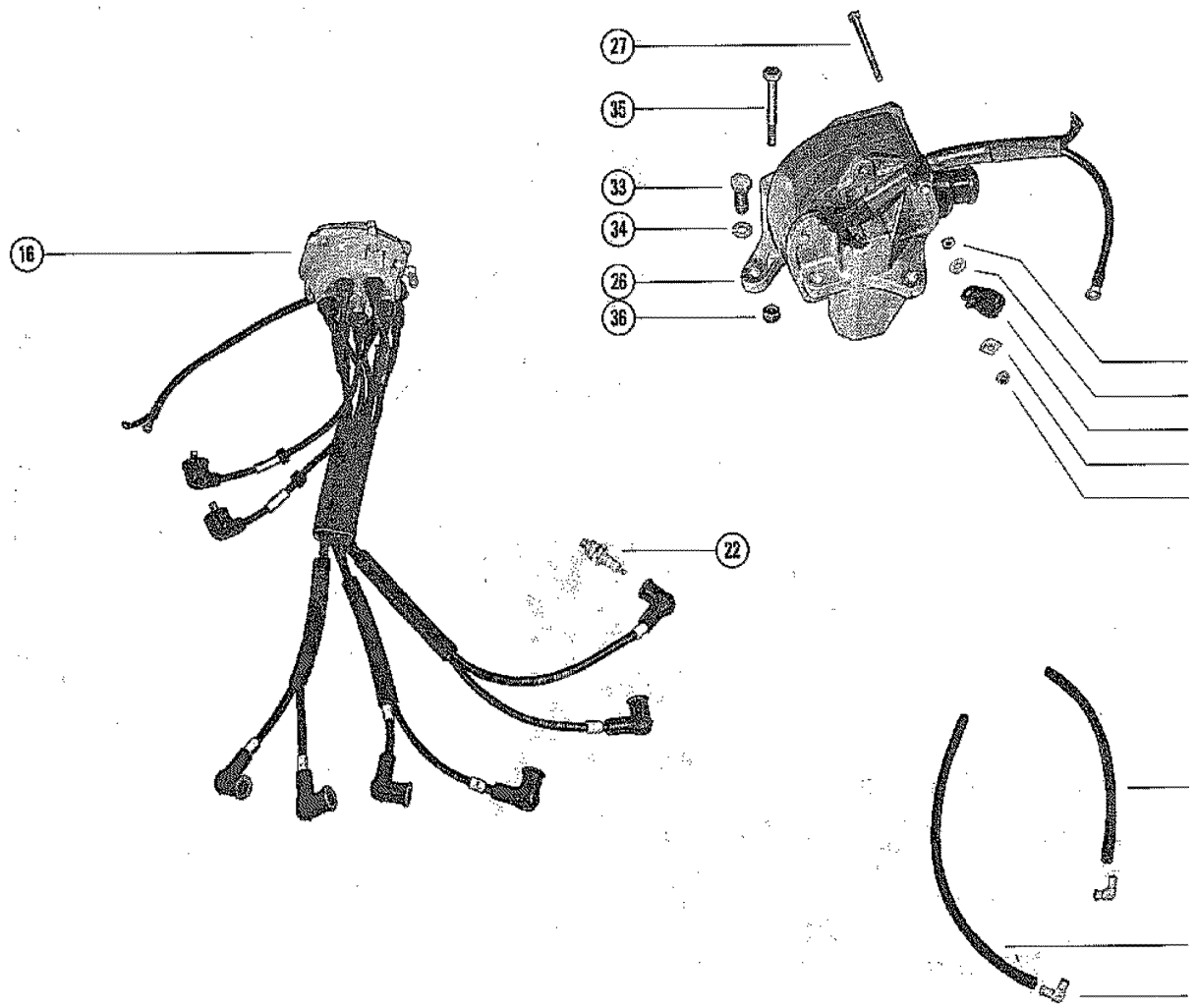
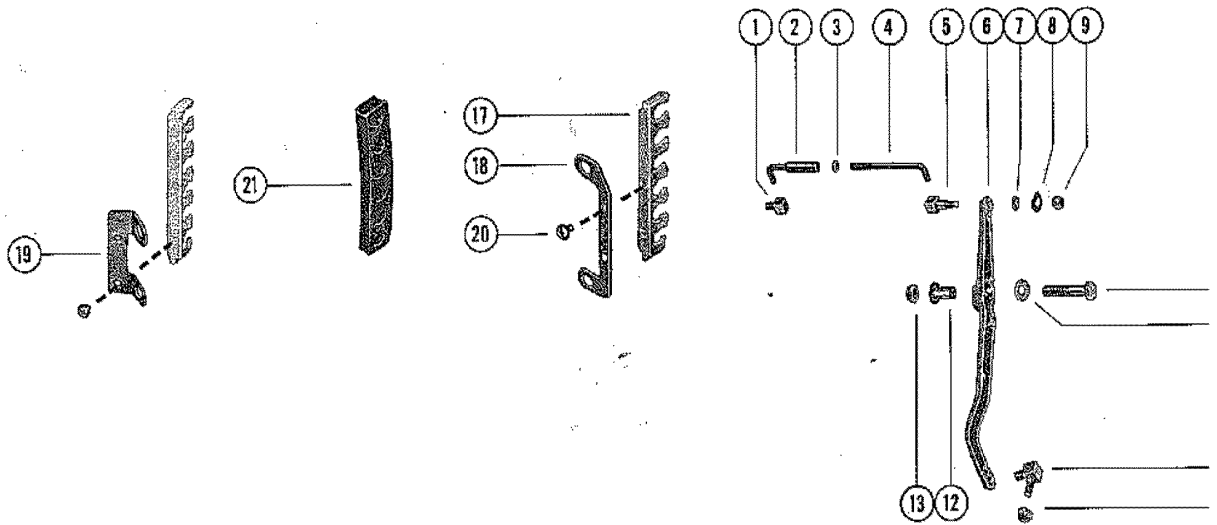
DISTRIBUTOR ADAPTOR AND PILOT ASSEMBLY



DISTRIBUTOR ADAPTOR AND PILOT ASSEMBLY

REF. NO.	PART NO.	SYM.	QTY.	DESCRIPTION
41	13-26996		1,	LOCKWASHER, PULLEY CLAMPING SCREW
40	10-49989		,1	SCREW, PULLEY CLAMPING (5/8")
41	12-38832		,1	WASHER, PULLEY CLAMPING SCREW
42	20140		1,1	BELT, TIMING
43	30109		1,1	GROUND STRAP ASSEMBLY, ADAPTOR TO CRANKCASE

DISTRIBUTOR VERTICAL LINKAGE AND IGNITION COILS

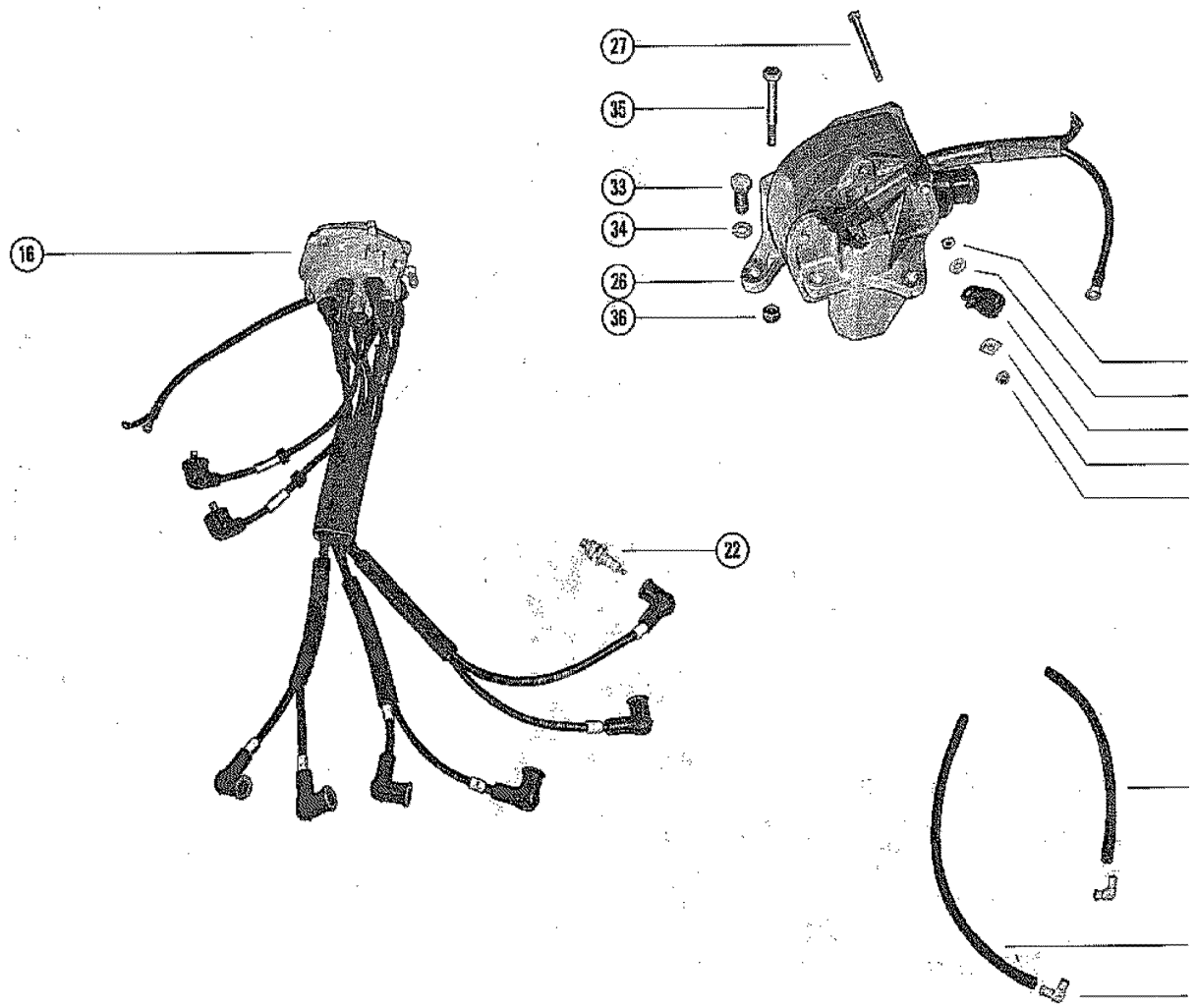
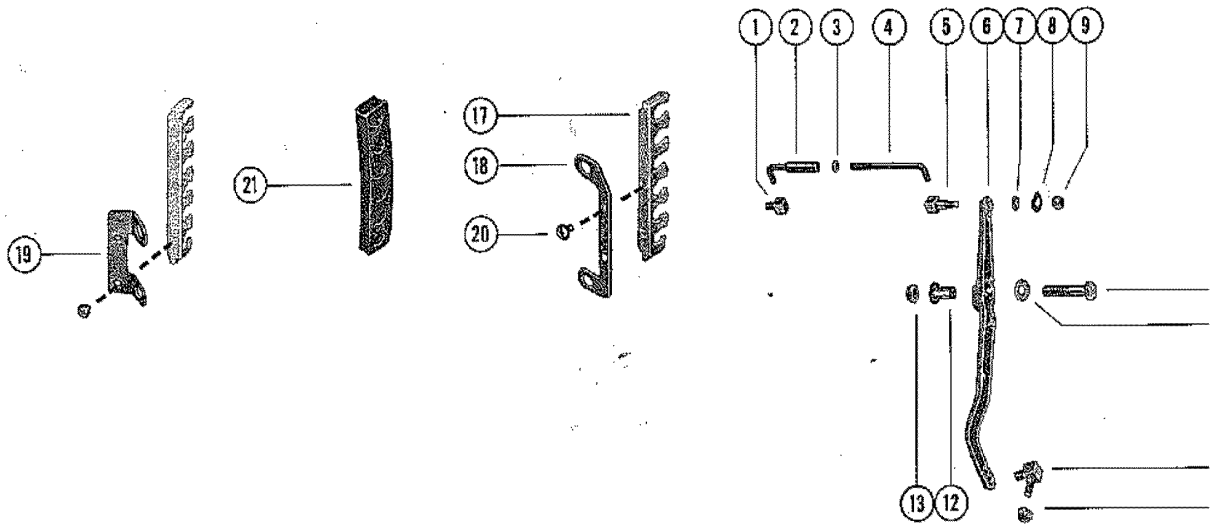


DISTRIBUTOR VERTICAL LINKAGE AND IGNITION COILS

REF. NO.	PART NO.	SYM.	QTY.	DESCRIPTION
1	27947		1,1	SWIVEL, LINKAGE - ECONOMIZER COLLAR
2	25996A1		1,1	SWIVEL AND LINK ROD ASSEMBLY
3	11-25168		1,1	NUT, UPPER LINK ROD ADJUSTING
4	37931		1,1	ROD, LINK - UPPER
5	27948		1,1	SWIVEL, UPPER LINK ROD TO THROTTLE CONTROL LEVER
6	38702		1,	LEVER, THROTTLE CONTROL SERIAL 00000000-02409053
	48856		1,1	LEVER, THROTTLE CONTROL SERIAL 02409054-09999999
7	12-29245		1,1	WASHER, THROTTLE CONTROL LEVER SWIVEL
8	13-25806		1,1	WASHER, WAVE - THROTTLE CONTROL LEVER SWIVEL
9	11-20361		1,1	NUT, UPPER LINK ROD SWIVEL TO THROTTLE CONTROL
10	10-37559		1,1	SCREW, THROTTLE LVR TO EXHAUST MANIFOLD CVR (1-3/4")
11	12-29395		1,1	WASHER, THROTTLE CONTROL LEVER SCREW
12	23-45818		1,1	BUSHING, THROTTLE CONTROL LEVER
13	11-20509		1,1	NUT, THROTTLE CONTROL LEVER SCREW
14	37587		1,1	SWIVEL, LOWER - THROTTLE CTRL LVR TO THROTTLE CABLE
15	11-20361		1,1	NUT, THROTTLE CABLE TO LOWER SWIVEL
16	393-2799A11		1,1	DISTRIBUTOR ASSEMBLY, COMPLETE
17	45409		2,2	WIRE RETAINER, HIGH TENSION LEADS
18	45392		1,1	BRACKET, FRONT - WIRE RETAINER
19	45393		1,1	BRACKET, REAR - WIRE REATINER
20	10-30663		4,4	SCREW, FRONT AND REAR BRACKET ATTACHING
21	45391		1,1	SPACER, RUBBER - HIGH TENSION LEADS
22	33-45191		6,6	SPARK PLUB (CHAMPION - L19V)
23	32-26330		1,	HOSE, VENT - DISTRIBUTOR TO ELBOW (11") RUBBER
24	32-26407		1,	HOSE, VENT - DISTRIBUTOR TO ELBOW (16") RUBBER
23	32-52031		,1	HOSE, VENT - DISTRIBUTOR TO ELBOW (11") PLASTIC
24	32-52030		,1	HOSE, VENT - DISTRIBUTOR TO ELBOW (16") PLASTIC
25	22-31521		2,2	ELBOW, VENT HOSE TO BOTTOM COWL
26	332-2983A5		1,1	IGNITION COIL ASSEMBLY, COMPLETE
27	10-46368		1,1	SCREW, IGNITION COIL CLAMPING (2-1/4")
	10-46367		1,1	SCREW, IGNITION COIL CLAMPING - CLIP ATTACHING (2-1/2")
28	11-20645		1,1	NUT, IGNITION COIL CLAMPING SCREW
29	12-37407		1,1	WASHER, IGNITION COIL CLAMPING SCREW
30	54-22740		1,1	CLIP, LEAD WIRE TO IGNITION COIL
31	22789		1,1	"D" WASHER, IGNITION COIL CLAMPING SCREW
32	11-20190		2,2	NUT, IGNITION COIL CLAMPING SCREW
33	10-22486		1,1	SCREW, COIL MOUNTING BRACKET (7/8")

CONTINUED ON NEXT PAGE ➡

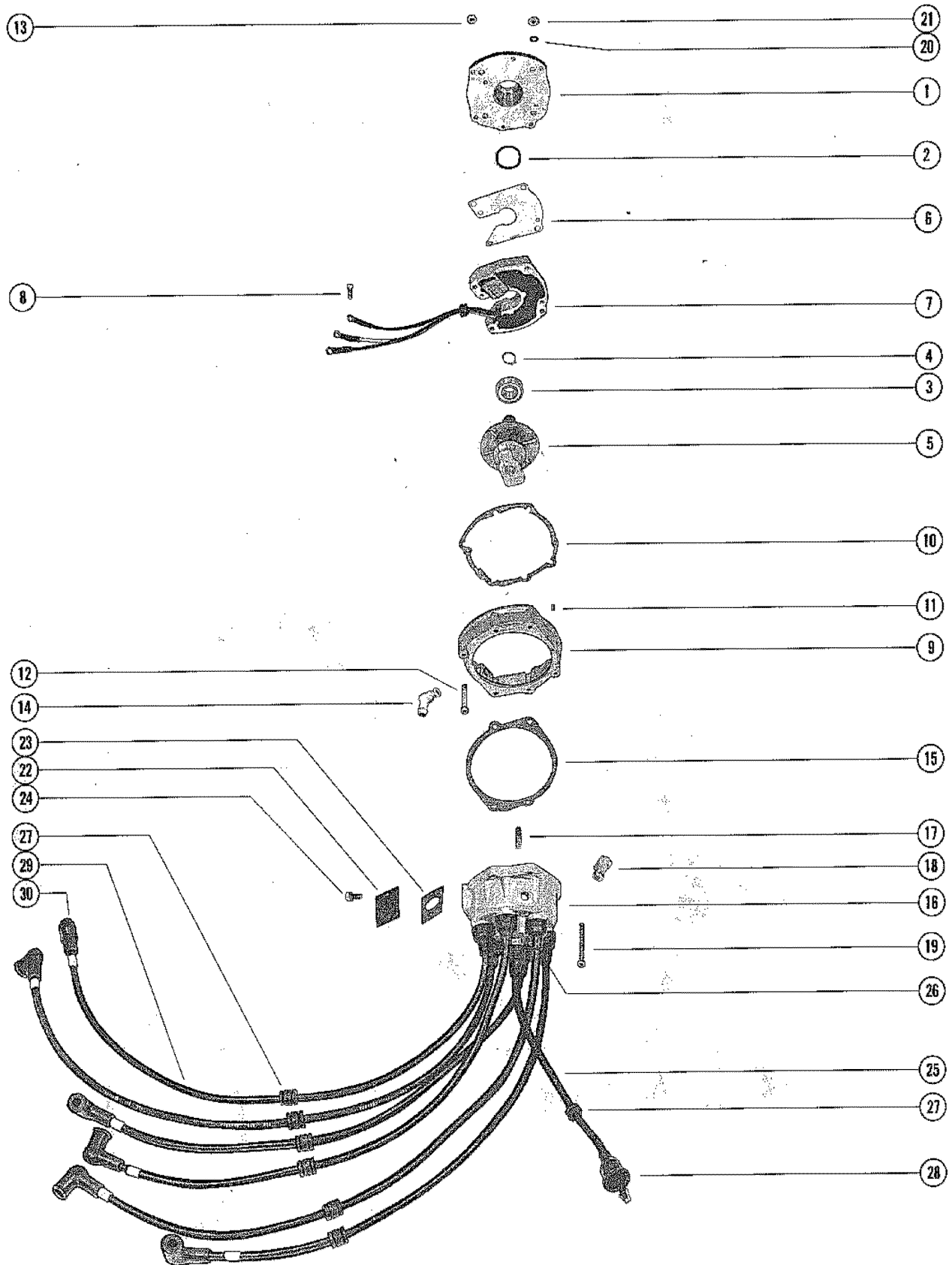
DISTRIBUTOR VERTICAL LINKAGE AND IGNITION COILS



DISTRIBUTOR VERTICAL LINKAGE AND IGNITION COILS

REF. NO.	PART NO.	SYM.	QTY.	DESCRIPTION
34	13-26992		1,1	LOCKWASHER, COIL MOUNTING BRACKET SCREW
35	10-37561		,2	SCREW, COIL MOUNTING BRACKET (2-1/2")
	10-37561		1(2),	SCREW, COIL MOUNTING BRACKET (2-1/2")
36	11-46887		,2	NUT, COIL MOUNTING BRACKET SCREW
	11-46887		1(2),	NUT, COIL MOUNTING BRACKET SCREW

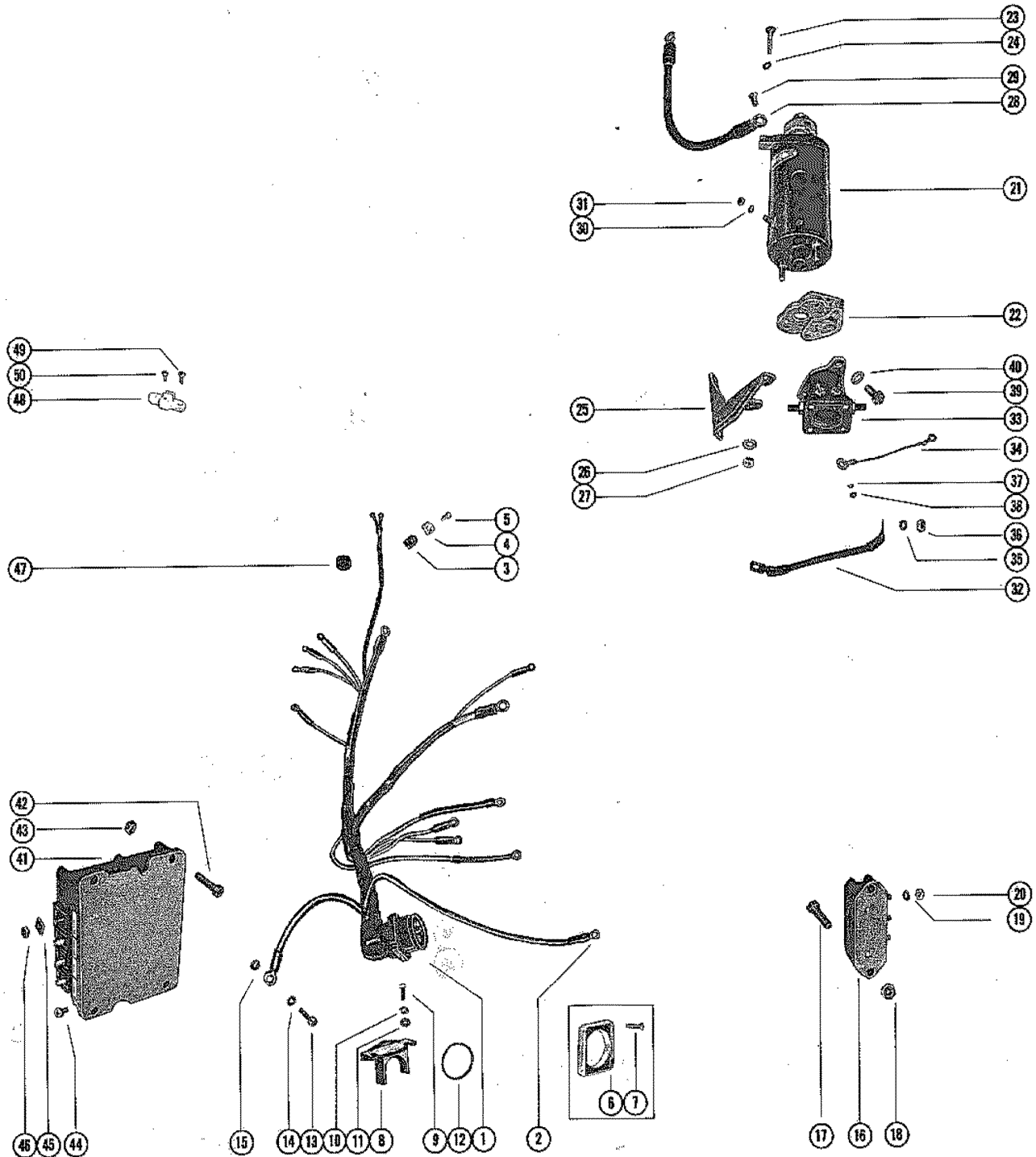
DISTRIBUTOR ASSEMBLY, COMPLETE



DISTRIBUTOR ASSEMBLY, COMPLETE

REF. NO.	PART NO.	SYM.	QTY.	DESCRIPTION
-	393-2799A11		1,1	DISTRIBUTOR ASSEMBLY, COMPLETE
1	393-2799A21		1,1	HOUSING ASSEMBLY, PRIMARY
2	13-26917		2,2	WASHER, WAVE - PRIMARY HOUSING
3	30-26379		2,2	BEARING, BALL - ROTOR SHAFT
4	53-45906		2,2	RING, RETAINER - ROTOR SHAFT BALL BEARING
5	393-3269A1		1,1	ROTOR SHAFT ASSEMBLY
6	393-2795		AR,AR	SHIM, TRIGGER HOUSING TO PRIMARY HOUSING
7	393-2918A3		1,1	TRIGGER HOUSING ASSEMBLY
8	10-20646		2,	SCREW, SHIM/TRIGGER HOUSING TO PRIMARY HOUSING (5/8")
	10-45218		2,2	SCREW, SHIM/TRIGGER HOUSING TO PRIMARY HOUSING (3/8")
9	393-3014A2		1,1	ADAPTOR ASSEMBLY, HOUSING TO DISTRIBUTOR CAP
10	27-46351		1,1	GASKET, ADAPTOR TO PRIMARY HOUSING
11	17-20032		2,2	DOWEL PIN, ADAPTOR TO PRIMARY HOUSING
12	10-32627		2,2	SCREW, ADAPTOR TO HOUSING
13	11-46438		2,2	NUT, ADAPTOR TO HOUSING SCREW
14	22-31521A1		1,1	ELBOW ASSEMBLY, VENT HOSE - ADAPTOR HOUSING
15	27-36268		1,1	GASKET, DISTRIBUTOR TO ADAPTOR
16	393-1927A9		1,1	DISTRIBUTOR CAP ASSEMBLY
17	393-1293A1		1,1	BRUSH AND SPRING ASSEMBLY
18	22-31521		1,1	ELBOW, VEN HOSE - DISTRIBUTOR CAP
19	10-45914		4,4	SCREW, DISTRIBUTOR CAP TO ADAPTOR TO HOUSING (2")
20	12-26436		4,4	WASHER, DISTRIBUTOR CAP FASTENING SCREW
21	11-46438		4,4	NUT, DISTRIBUTOR CAP FASTENING SCREW
22	393-2725		1,1	COVER, SIDE INLET - DISTRIBUTOR
23	27-26447		1,1	GASKET, SIDE INLET COVER TO DISTRIBUTOR CAP
24	10-35400		2,2	SCREW, SIDE INLET COVER TO DISTRIBUTOR CAP (7/16")
25	393-3250A1		1,1	HIGH TENSION CABLE ASSEMBLY - DISTRIBUTOR TO COIL
-	20121		1,1	CONNECTOR, HIGH TENSION CABLE (CAP END)
26	393-1275		1,1	SLEEVE, TERMINAL COVER
27	25-26547		1,1	GROMMET, HIGH TENSION CABLE
28	332-2854		1,1	BOOT, HIGH TENSION CABLE TO COIL
26	393-1275		6,6	SLEVE, TERMINAL END COVER
27	25-26547		12,12	GROMMET, SPARK PLUG LEAD
29	47899A9		6,6	SPARK PLUG LEAD ASSEMBLY
-	20121		6,6	CONNECTOR, SPARK PLUG LEAD
30	47604A1		6,6	PROTECTOR, SPARK PLUG LEAD

STARTER MOTOR, STARTER SOLENOID, RECTIFIER AND WIRING HARNESS

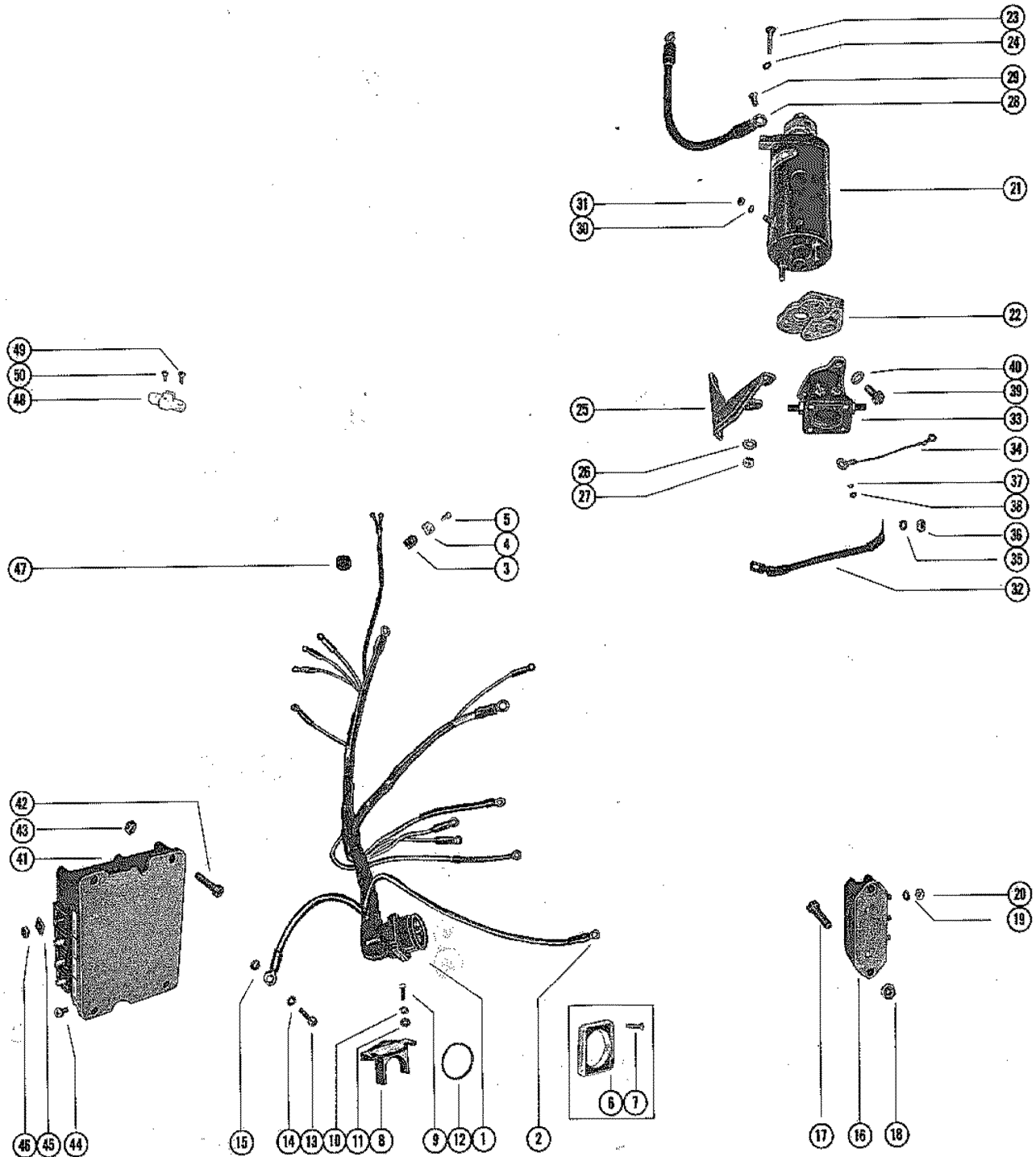


STARTER MOTOR, STARTER SOLENOID, RECTIFIER AND WIRING HARNES

REF. NO.	PART NO.	SYM.	QTY.	DESCRIPTION
1	48150		1,	WIRING HARNESS, INTERNAL
	52769		,1	WIRING HARNESS, INTERNAL
2	30050		AR,AR	TERMINAL, HARNESS AND MERCURY SWITCH LEADS
3	54-26538		1,1	CLIP, WIRING HARNESS TO FRONT BRACKET (1/8")
4	22789		1,1	"D" WASHER, WIRING HARNESS CLIP SCREW
5	10-30009		1,1	SCREW, WIRING HARNESS CLIP TO FRONT BRACKET (3/8")
6	26079		1,	PLATE, WIRING HARNESS TO BOTTOM COWL
7	10-45893		4,	SCREW, HARNESS PLATE FASTENING (7/8")
8	54-52876		,1	CLAMP, WIRING HARNESS TO BOTTOM COWL
9	10-45862		,2	SCREW, WIRING HARNESS CLAMP TO BOTTOM COWL (7/8")
10	13-26996		,2	LOCKWASHER, WIRING HARNESS CLAMP SCREW
11	12-20128		,2	WASHER, WIRING HARNESS CLAMP SCREW
12	24-28975		1,1	SPRING, GARTER - INTERNAL WIRING HARNESS
13	10-20776		1,1	SCREW, GROUND WIRE TO BOTTOM COWL
14	13-25244		1,1	LOCKWASHER, GROUND WIRE SCREW
15	13-24669		1,1	LOCKWASHER, GROUND WIRE SCREW
16	332-2910A3		1,1	RECTIFIER ASSEMBLY
17	10-31294		2,2	SCREW, RECTIFIER TO MOUNTING BRACKET (1")
18	11-46887		2,2	NUT, RECTIFIER MOUNTING SCREW
19	12-45075		3,3	WASHER, RECTIFIER STATOR LEAD TERMINAL
20	11-45076		3,3	NUT, FASTENING - RECTIFIER STATOR LEADS
21	50-45822A1		1,1	STARTER MOTOR ASSEMBLY
22	37331		1,1	PLATE, SPACER - STARTER MOTOR
23	10-22698		2,2	SCREW, STARTER MOTOR TO CRANKCASE FLANGE (1-3/4")
24	13-26993		2,2	LOCKWASHER, STARTER MOTOR FASTENING SCREW
25	38747		1,1	BRACKET, SUPPORT - STARTER MOTOR
26	13-24669		2,2	LOCKWASHER, THRU BOLT
27	11-20088		2,2	NUT, BOLT - BRACKET TO STARTER MOTOR
28	25596		1,1	CABLE, WIRE - STARTER MOTOR TO FRONT SUPPORT BRACKET
29	10-29197		1,1	SCREW, HARNESS GROUND LEAD TO STARTER MOTOR (5/8")
30	13-26992		1,1	LOCKWASHER, STARTER MOTOR TERMINAL
31	11-20890		1,1	NUT, STARTER MOTOR TERMINAL
32	48396		1,1	CABLE, WIRE - STARTER MOTOR TO SOLENOID
33	25661		1,1	SOLENOID, STARTER
-	26901		1,1	BUMPER, STARTER SOLENOID (IGNITION COIL BRACKET)
34	46466		1,	GROUND STRAP ASSEMBLY, STARTER SOLENOID
35	13-26993		2,2	LOCKWASHER, SOLENOID TERMINAL (5/16")
36	11-20083		2,2	NUT, SOLENOID TERMINAL (5/16")
37	13-26996		2,2	LOCKWASHER, SOLENOID TERMINAL (#10)
38	11-20645		2,2	NUT, SOLENOID TERMINAL (#10)
39	10-21625		2,2	SCREW, SOLENOID TO COIL BRACKET
40	13-26992		2,2	LOCKWASHER, STARTER SOLENOID FASTENING SCREW

CONTINUED ON NEXT PAGE ➡

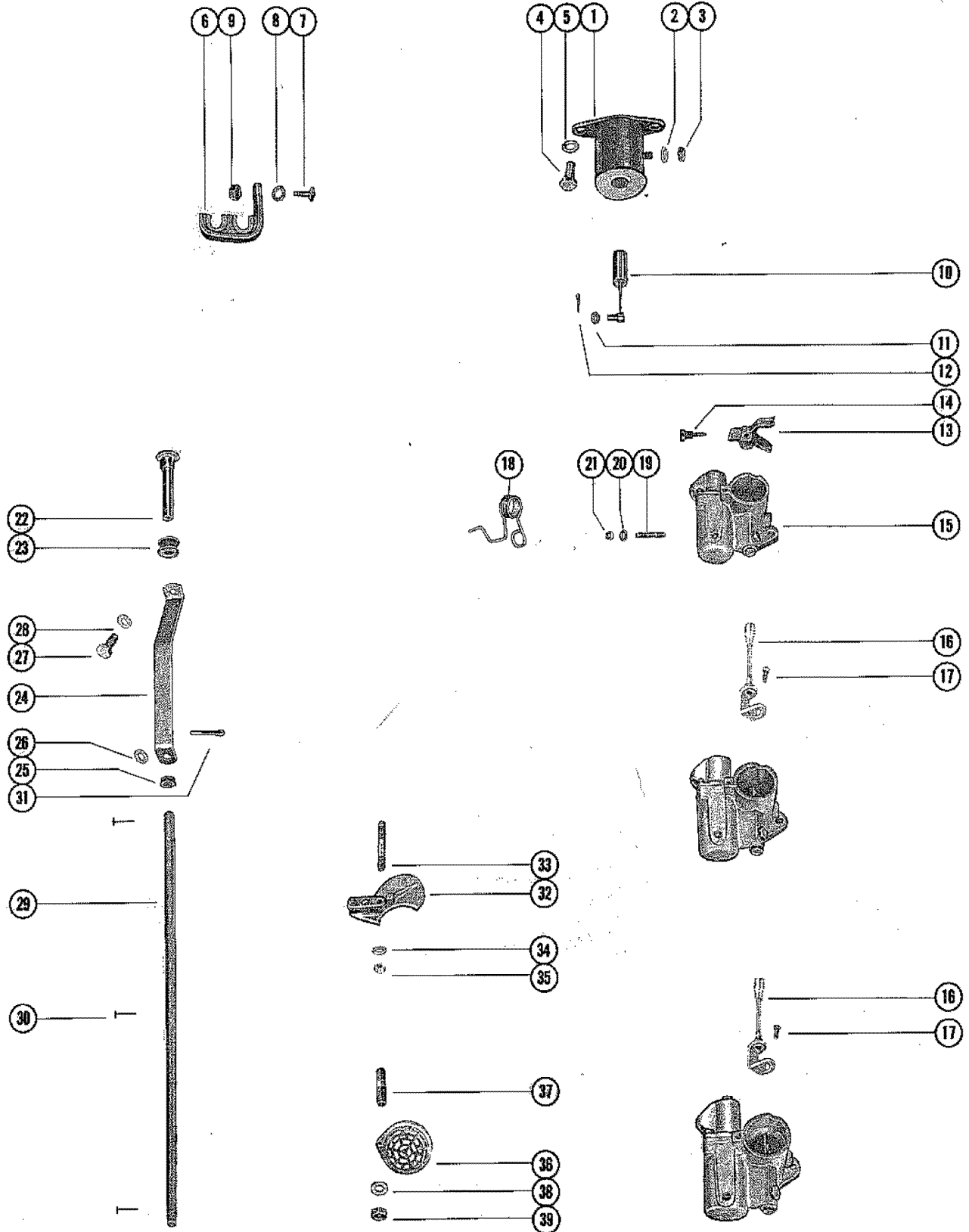
STARTER MOTOR, STARTER SOLENOID, RECTIFIER AND WIRING HARNESS



STARTER MOTOR, STARTER SOLENOID, RECTIFIER AND WIRING HARNES

REF. NO.	PART NO.	SYM.	QTY.	DESCRIPTION
41	332-2986A4		1,1	SWITCH BOX ASSEMBLY
42	10-31294		4,	SCREW, SWITCH BOX TO FRONT MOUNTING BRACKET (1")
	10-24866		,4	SCREW, SWITCH BOX TO FRONT MOUNTING BRACKET (1")
43	11-46887		4,4	NUT, SWITCH BOX SCREW
44	10-45218		1,1	SCREW< SWITCH BOX (3/8")
45	12-45075		7,7	WASHER, SWITCH BOX TERMINAL
46	11-45076		7,7	NUT, SWITCH BOX TERMINAL
47	25-26547		1,1	GROMMET, RECTIFIER TO SWITCH BOX WIRE
48	45559		1,1	TERMINAL BLOCK, STATOR LEADS
49	10-48409		2,2	SCREW, TERMINAL BLOCK FASTENING (5/8")
50	10-30663		2,2	SCREW, STATOR LEADS TO ERMINAL BLOCK (3/8")

CARBURETOR LINKAGE AND CHOKE SOLENOID

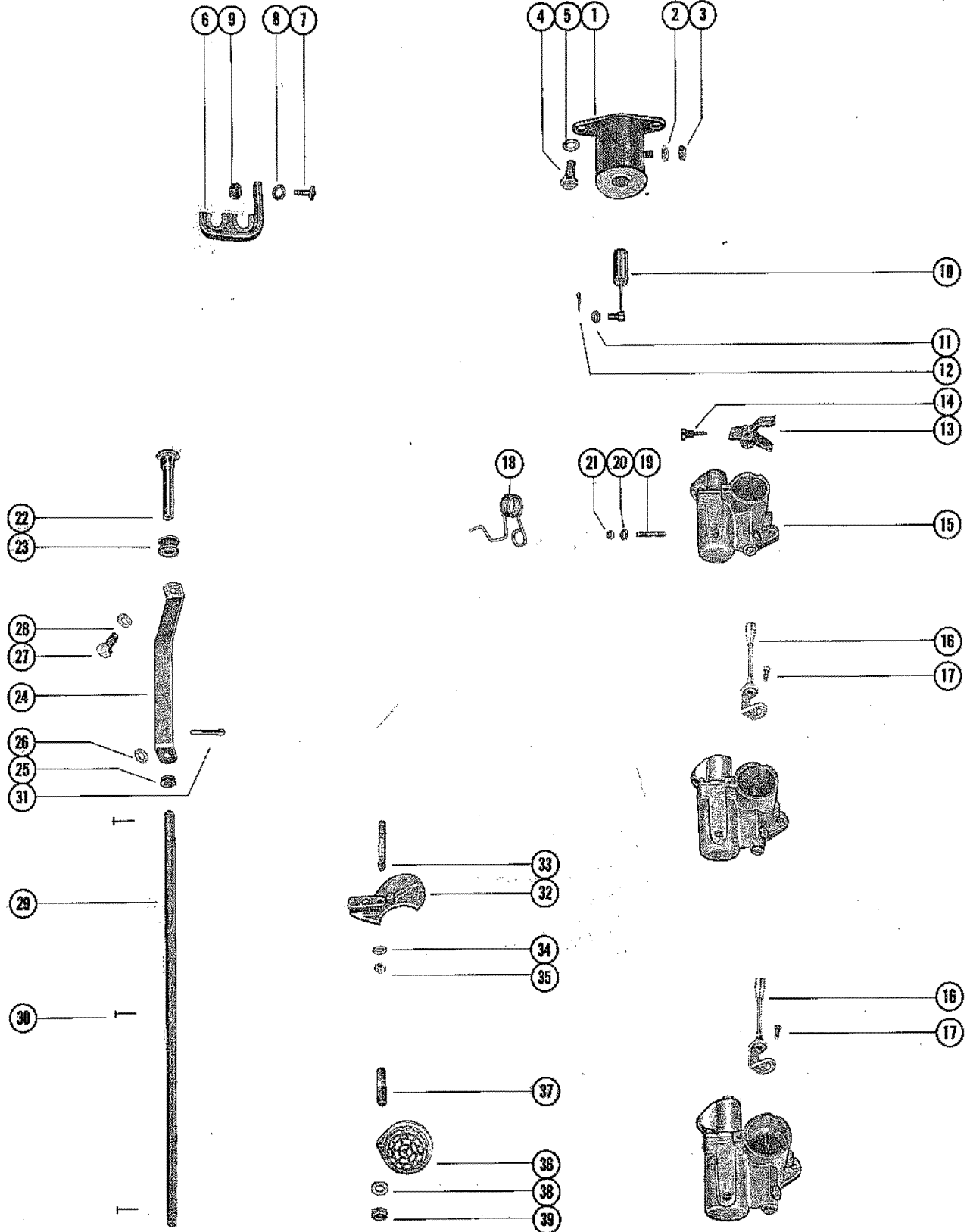


CARBURETOR LINKAGE AND CHOKE SOLENOID

REF. NO.	PART NO.	SYM.	QTY.	DESCRIPTION
1	45068		1,1	CHOKE SOLENOID
2	13-26996		1,1	LOCKWASHER, SOLENOID TERMINAL
3	11-20645		1,1	NUT, SOLENOID TERMINAL
4	410-25299		2,2	SCREW, CHOKE SOLENOID
5	13-26993		2,2	LOCKWASHER, CHOKE SOLENOID SCREW
6	46280		1,1	BRACKET, COIL LEAD RETAINER
7	10-31294		1,1	SCREW, COIL BRACKET (1")
8	12-29245		1,1	WASHER, COIL BRACKET SCREW
9	11-46887		1,1	NUT, COIL BRACKET SCREW
10	48315A4		1,1	PLUNGER AND LINK ASSEMBLY, CHOKE SOLENOID
11	12-46101		1,1	WASHER, PLUNGER AND LINK
12	18-26953		1,1	COTTER PIN, LINK TO UPPER CHOKE LEVER
13	27977		1,1	CLUSTER, THROTTLE LEVER (UPPER CARBURETOR)
14	10-20847		1,1	SCREW, CLUSTER TO THROTTLE LEVER
15	1335-3359		3,	CARBURETOR ASSEMBLY, COMPLETE
	1335-3640		,3	CARBURETOR ASSEMBLY, COMPLETE
16	28007A6		2,2	THROTTLE PICK-UP BRACKET ASSEMBLY SERIAL 0000000-02573511
17	10-29239		2,2	SCREW, THROTTLE BRACKET MOUNTING SERIAL 0000000-02573511
16	53649A2		,2	THROTTLE PICKUP BRACKETE ASSEMBLY SERIAL 02573512-09999999
17	10-53651		,2	SCREW, THROTTLE BRACKET MOUNTING SERIAL 02573512-09999999
-	53665		,2	INSERT, THROTTLE BRACKET SERIAL 02573512-09999999
18	24-37678		1,1	SPRING, CHOKE ROD TENSION
19	16-39937		1,1	STUD, CHOKE ROD SPRING TO CARBURETOR
20	23-32427		1,1	SPACER, CHOKE ROD SPRING STUD
21	11-46887		1,1	NUT, CHOKE ROD SPRING TO CARBURETOR STUD
22	22463		1,1	KNOB, CHOKE ROD
23	25-20116		1,1	GROMMET, CHOKE ROD
24	45458		1,1	"U" LINK, CHOKE KNOB
25	23-45457		1,1	BUSING, NYLINER - "U" LINK
26	12-37998		1,1	WASHER, CHOKE ROD
27	10-20100		1,1	SCREW, "U" LINK TO CHOKE KNOB
28	13-26996		1,1	LOCKWASHER, "U" LINK SCREW
29	45456		1,1	ROD, CHOKE
30	17-25391		3,3	RIVET, CHOKE SHUTTER TO CHOKE ROD
31	18-26953		1,1	COTTER PIN, CHOKE ROD
32	47804		3,3	SHUTTER, CHOKE - CARBURETOR
33	16-30172		3,	STUD, CARBURETOR - CHOKE SHUTTER PIVOT (1-1/4")
	16-52906		,3	STUD, CARBURETOR - CHOKE SHUTTER PIVOT (1-3/8")
34	12-30164		3,3	WASHER, CHOKE SHUTTER CARBURETOR STUD

CONTINUED ON NEXT PAGE ➡

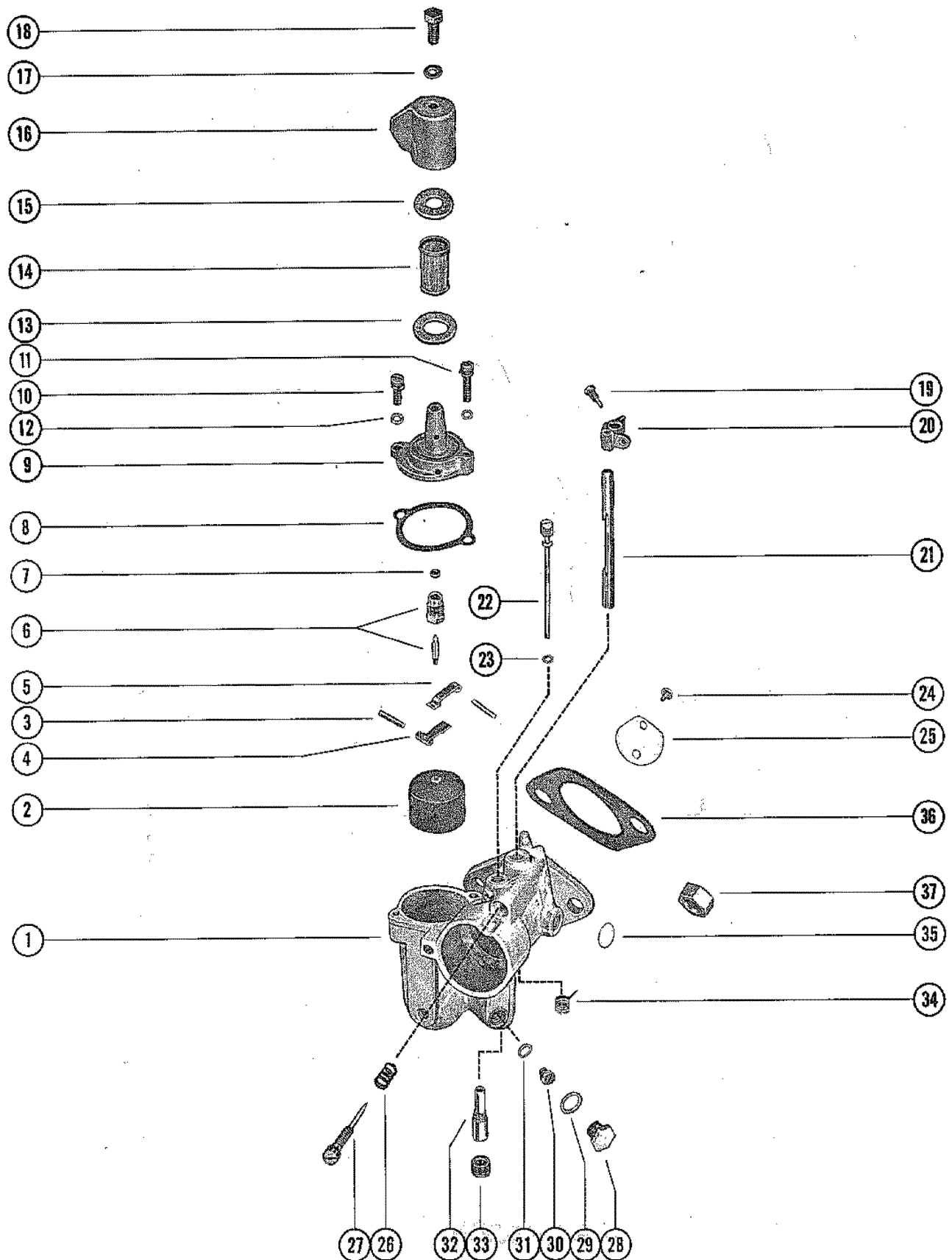
CARBURETOR LINKAGE AND CHOKE SOLENOID



CARBURETOR LINKAGE AND CHOKE SOLENOID

REF. NO.	PART NO.	SYM.	QTY.	DESCRIPTION
35	11-20110		3,3	NUT, CHOKE SHUTTER TO CARBURETOR STUD
36	35-52896		,3	SCREEN, FILTER - CARBURETOR
37	16-52898		,3	STUD, FILTER SCREEN TO CARBURETOR
38	12-30164		,3	WASHER, FILTER SCREEN STUD
39	11-20110		,3	NUT, FILTER SCREEN STUD

CARBURETOR ASSEMBLY

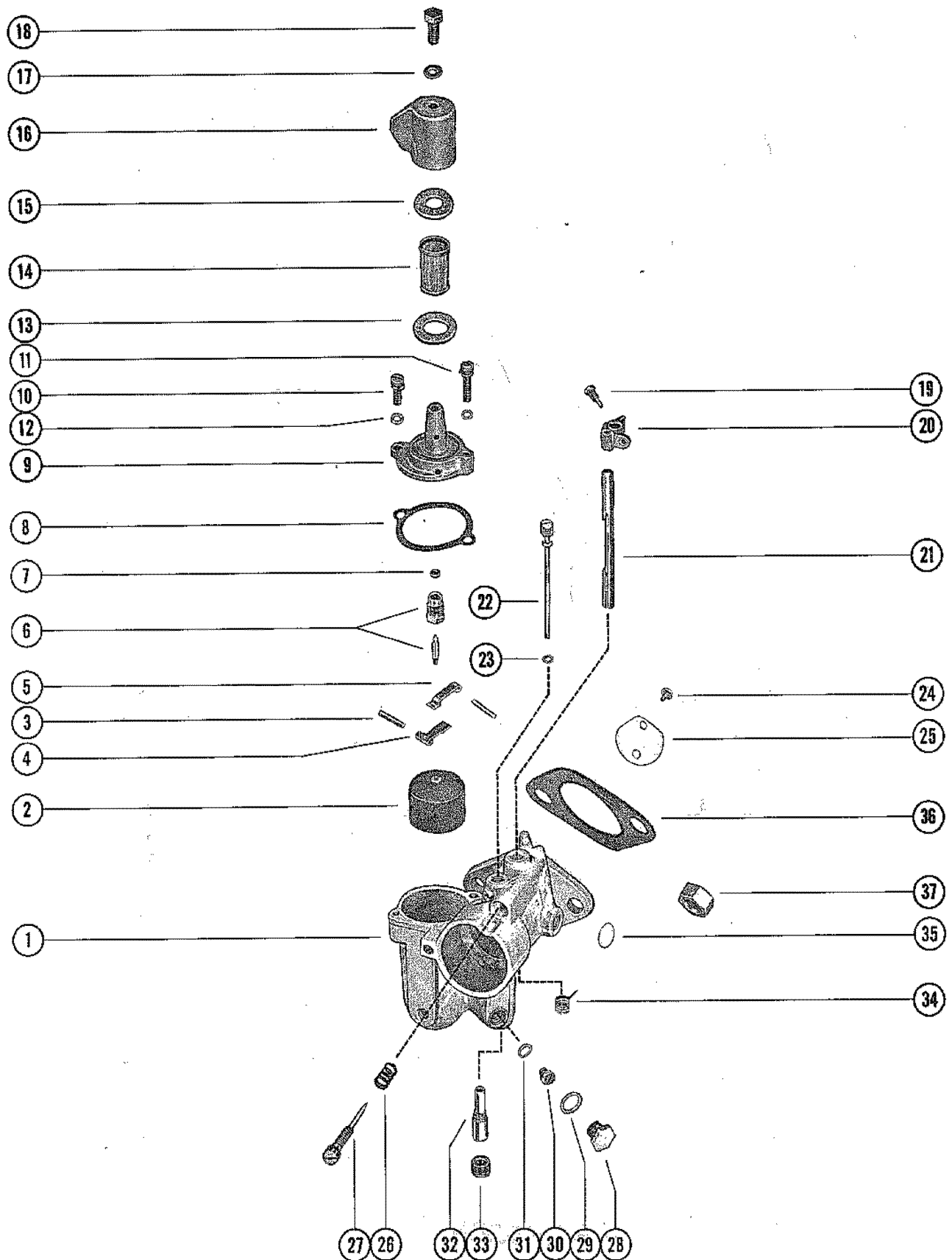


CARBURETOR ASSEMBLY

REF. NO.	PART NO.	SYM.	QTY.	DESCRIPTION
1	1335-3359		3,	CARBURETOR ASSEMBLY, COMPLETE (KC-10A)
	1335-3640		,3	CARBURETOR ASSEMBLY, COMPLETE (KC-14A)
2	1399-110A1		3,3	FLOAT ASSEMBLY
3			6,6	PIN, FLOAT LEVER PINION
4			3,3	LEVER, FLOAT (LOWER)
5			3,3	LEVER, FLOAT (UPPER)
6	1399-1473		3,3	INLET NEEDLE, SEAT AND GASKET
7			3,3	GASKET, INLET SEAT
8			3,3	GASKET, FLOAT BOWL COVER
9	1399-1133		3,3	COVER, FLOAT BOWL
10	10-20854		3,	SCREW, FLOAT BOWL COVER (SHORT)
11	10-25850		3,	SCREW, FLOAT BOWL COVER (LONG)
10	10-52195		,3	SCREW, FLOAT BOWL COVER (SHORT)
11	10-52196		,3	SCREW, FLOAT BOWL COVER (LONG)
12	13-52197		,3	LOCKWASHER, FLOAT BOWL COVER SCREWS
13			3,3	GASKET, STRAINER COVER (LARGE)
14	1399-1754		3,3	SCREEN, FILTER
15			3,3	GASKET, STRAINER COVER (SMALL)
16	1399-1930		3,3	COVER, STRAINER
17			3,3	GASKET, STRAINER COVER SCREW
18	10-25822		3,3	SCREW, STRAINER COVER FASTENING
19	10-20847		3,3	SCREW. THROTTLE STOP LEVER
20	1399-97		3,3	LEVER, THROTTLE STOP
21	1399-2012		3,3	SHAFT, THROTTLE
22			3,3	TUBE, IDLE
23			3,3	GASKET, IDLE TUBE
24			6,6	SCREW AND LOCKWASHER, THROTTLE SHUTTER
25	1399-3401		3,3	SHUTTER, THROTTLE
26			3,3	SPRING, IDLE ADJUSTMENT SCREW
27	1399-1713		3,3	SCREW, IDLE ADJUSTMENT
28	10-28405		3,3	SCREW PLUG - MAIN FUEL JET CHANNEL
29			3,3	GAKSET, JET CHANNEL PLUG SCREW
30	1399-1461		OPT.,OPT.	JET, MAIN FUEL (.061)
	1399-1459		3,3	JET, MAIN FUEL (.059) - STANDARD
	1399-1457		OPT.,OPT.	JET, MAIN FUEL (.057)
	1399-1655		OPT.,OPT.	JET, MAIN FUEL (.055)
31			3,3	GASKET, MAIN FUEL JET
32			3,3	NOZZEL, MAIN
33	10-28846		3,3	SCREW, PLUG - MAIN NOZZLE
34			2,2	SPRING, THROTTLE SHAFT RETURN (CTR&LOWR CARBURETOR)
			1,1	SPRING, THROTTLE SHAFT RETURN (UPPER CARBURETOR)

CONTINUED ON NEXT PAGE ➡

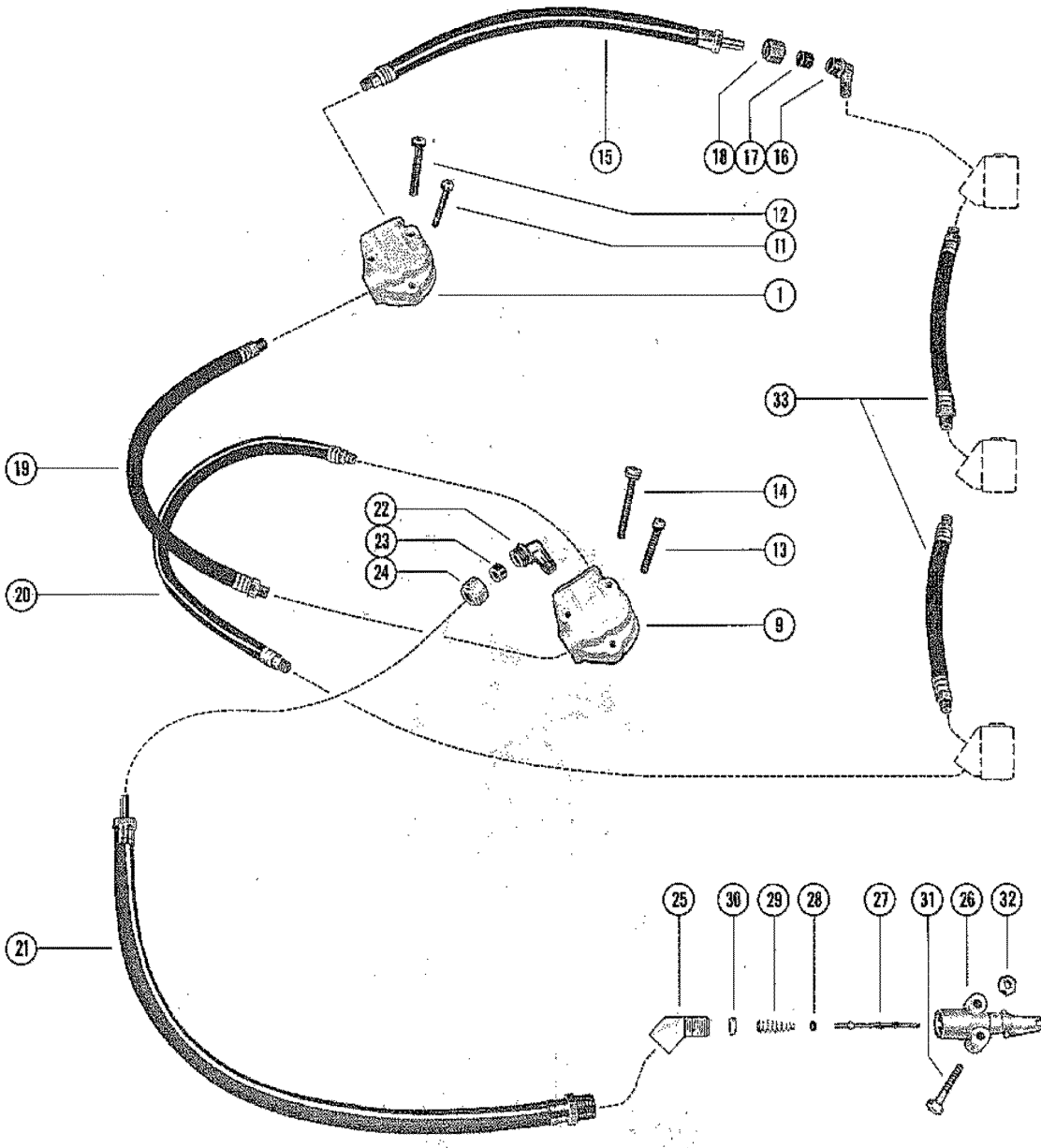
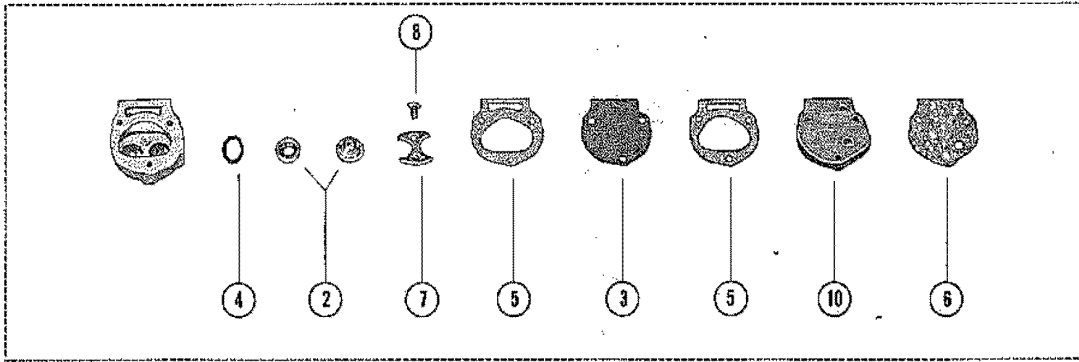
CARBURETOR ASSEMBLY



CARBURETOR ASSEMBLY

REF. NO.	PART NO.	SYM.	QTY.	DESCRIPTION
35			3,3	WELCH PLUG, BODY CHANNEL
-	1399-2015		3,3	GASKET AND PACKING SET (1 PER CARBURETOR)
-	1399-3403		3,3	REPAIR PARTS KIT (1 PER CARBURETOR)
36	27-31402		3,3	GASKET, CARBURETOR FLANGE
37	11-29250		6,6	NUT, CARBURETOR MOUNTING STUD

FUEL PUMP AND FUEL LINE ASSEMBLY

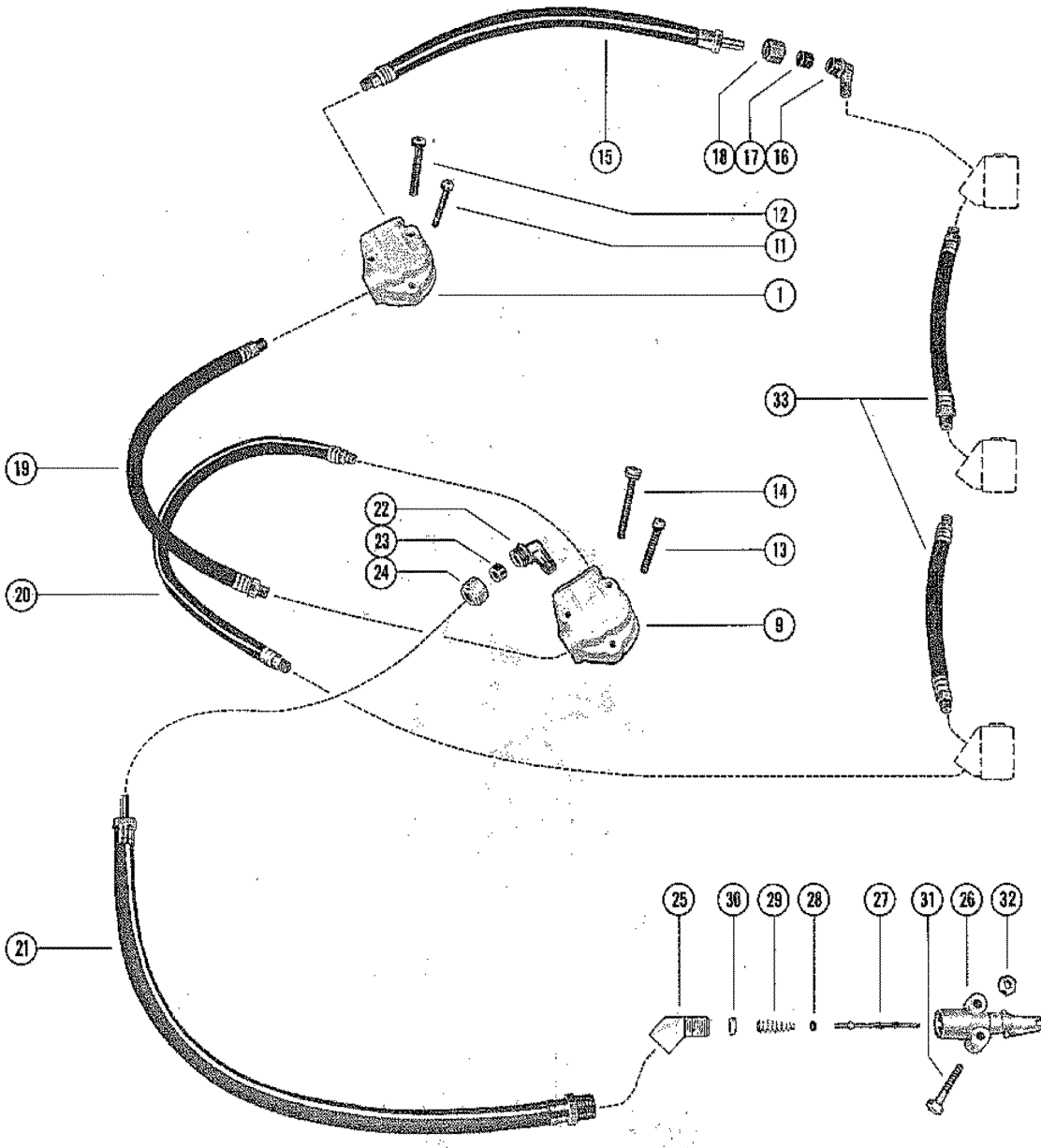
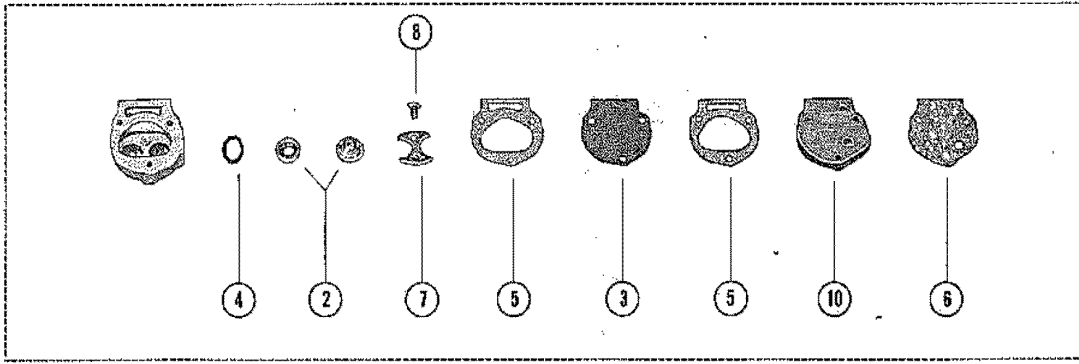


FUEL PUMP AND FUEL LINE ASSEMBLY

REF. NO.	PART NO.	SYM.	QTY.	DESCRIPTION
1	30269A2		1,	FUEL PUMP ASSEMBLY - UPPER
	53156A3		,1	FUEL PUMP ASSEMBLY - UPPER
2	21-30430A1		1,1	CHECK VALVE ASSEMBLY
3	23014A1		1,1	DIAPHRAGM KIT
4			2,2	GASKET, CHECK VALVE TO HOUSING
5			2,2	GASKET, FUEL PUMP
6			1,1	GASKET, FUEL PUMP COVER
7	23004		1,1	RETAINER, CHECK VALVE
8	10-20037		2,2	SCREW, RETAINER TO HOUSING
9	30461A2		1,1	FUEL PUMP ASSEMBLY - LOWER
2	21-30430A1		1,1	CHECK VALVE ASSEMBLY
3	23014A1		1,1	DIAPHRAGM KIT
4			2,2	GASKET, CHECK VALVE TTO HOUSING
5			2,2	GASKET, FUEL PUMP
6			1,1	GASKET, FUEL PUMP COVER
7	23004		1,1	RETAINER, CHECK VALVE
8	10-20037		2,2	SCREW, RETAINER TO HOUSING
10	30275		2,2	COVER, FUEL PUMP
11	10-29878		1,	SCREW, FUEL PUMP MOUNTING (1-1/2") - UPPER PUMP
12	10-30274		2,	SCREW, FUEL PUMP MOUNTING (1-3/4") - UPPER PUMP
11	10-38036		,1	SCREW, FUEL PUMP MOUNTING (1-1/2") - UPPER PUMP
12	10-30273		,2	SCREW, FUEL PUMP MOUNTING (1-7/8") - UPPER PUMP
13	10-38036		1,1	SCREW, FUEL PUMP MOUNTING (1-1/2") - LOWER PUMP
14	10-30273		2,2	SCREW, FUEL PUMP MOUNTING (1-7/8") - LOWER PUMP
15	32-32256A1		1,1	FUEL LINE ASSEMBLY, PUMP TO CARBURETOR (9-7/8")
16	22-30174		1,1	ELBOW, UPPER CARBURETOR STRAINER COVER
17	22-30175		1,1	SLEEVE, CARBURETOR STRAINER COVER ELBOW
18	22-30177		1,1	NUT, UPPER CARBURETOR STRAINER COVER ELBOW
19	32-31552A1		1,1	FUEL LINE ASSEMBLY, PUMP TO PUMP (12-3/8")
20	32-31553A1		1,1	FUEL LINE ASSEMBLY, PUMP TO CARBURETOR (19-3/4")
21	32-30176		1,1	FUEL LINE, ADAPTOR TO LOWER FUEL PUMP (18")
22	22-30174		1,1	ELBOW, LOWER FUEL PUMP INLET
23	22-30175		1,1	SLEEVE, FUEL PUMP INLET ELBOW
24	22-30177		1,1	NUT, FUEL PUMP INLET ELBOW
25	22-37682		1,	ELBOW, FUEL LINE TO ADAPTOR
26	30186		1,1	ADAPTOR, CHECK UNIT (FUEL LINE)
27	30187		1,1	STEM, CHECK UNIT ADAPTOR
28	25-20415		1,1	"O" RING, ADAPTOR STEM
29	24-30189		1,1	SPRING, ADAPTOR STEM
30	30188		1,1	CUP WASHER, ADAPTOR

CONTINUED ON NEXT PAGE ➡

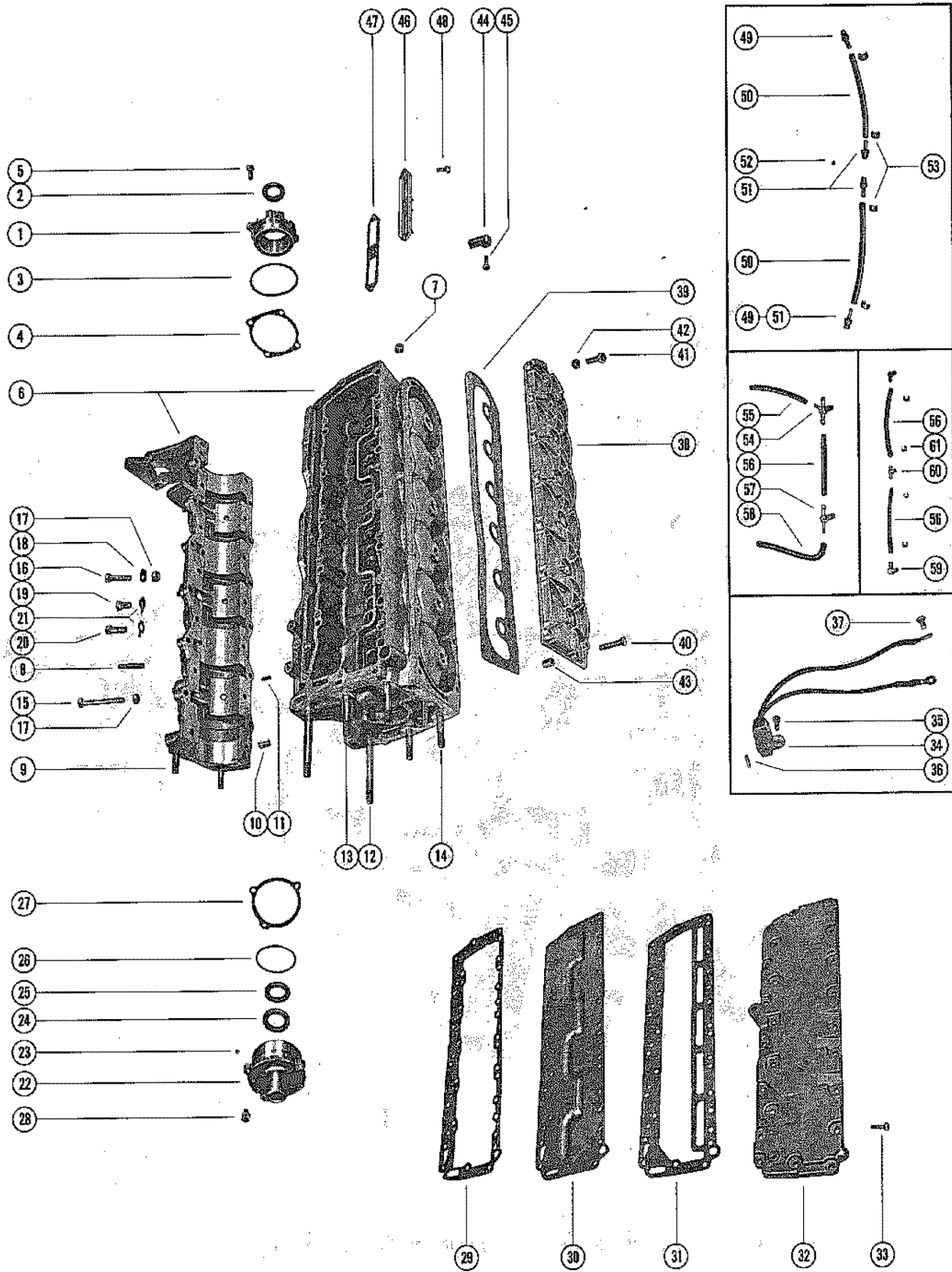
FUEL PUMP AND FUEL LINE ASSEMBLY



FUEL PUMP AND FUEL LINE ASSEMBLY

REF. NO.	PART NO.	SYM.	QTY.	DESCRIPTION
31	10-37990		,1	SCREW, ADAPTOR TO BOTTOM COWL (1-3/4")
	10-37990		2(1),	SCREW, ADAPTOR TO BOTTOM COWL (1-3/4")
	10-37561		1,1	SCREW, ADAPTOR TO BOTTOM COWL (2-1/2")
32	11-46887		2,2	NUT, ADAPTOR FASTENING SCREW
33	32-31550A1		2,2	FUEL LINE ASSEMBLY, CARBURETOR (6")

CYLINDER BLOCK AND CRANKCASE ASSEMBLY

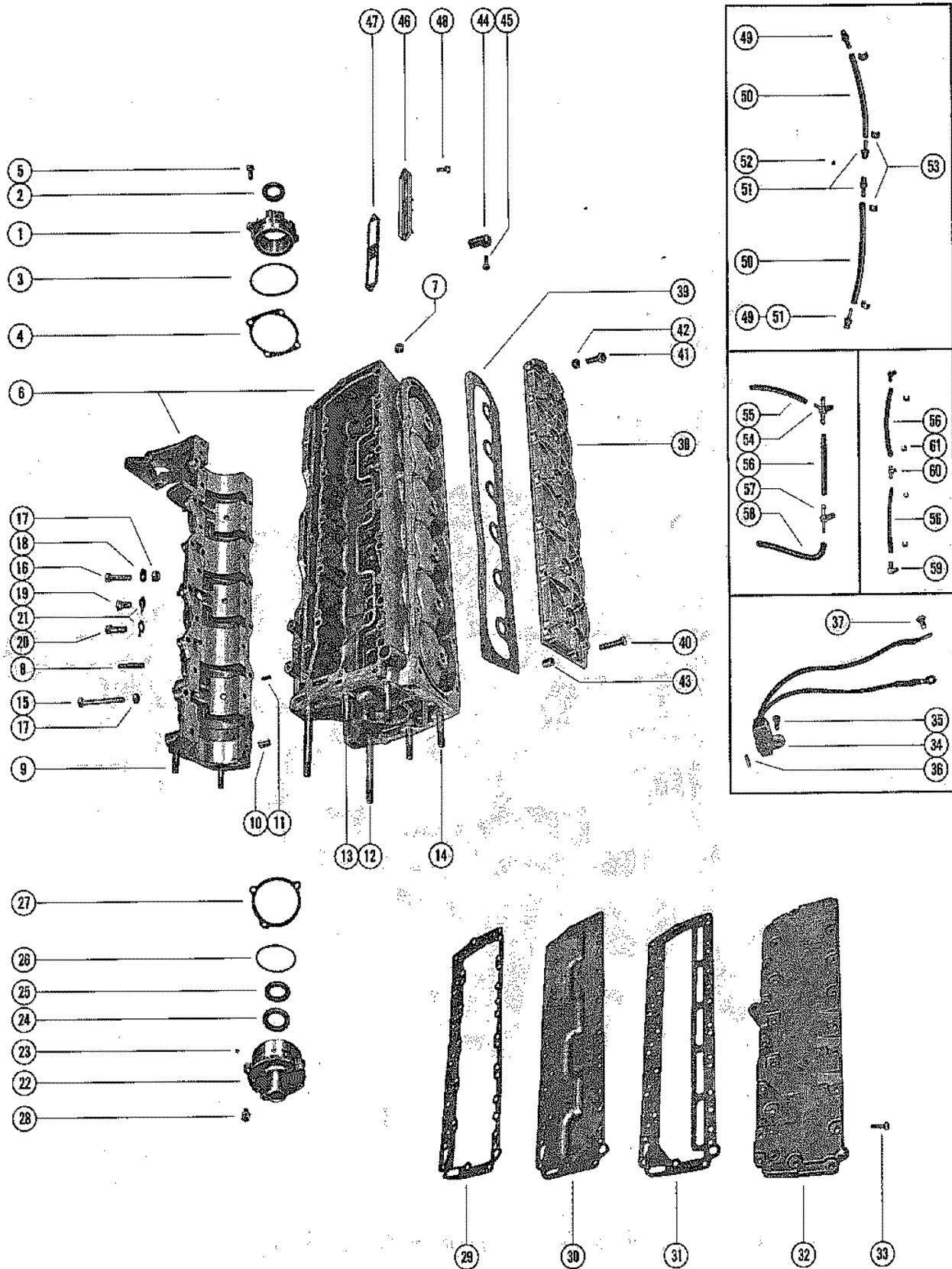


CYLINDER BLOCK AND CRANKCASE ASSEMBLY

REF. NO.	PART NO.	SYM.	QTY.	DESCRIPTION
1	1128-3367A1		1,1	END CAP ASSEMBLY, UPPER
2	26-29476		1,1	OIL SEAL
3	25-31305		1,1	"O" RING
4	15-31283A1		AR,AR	SHIM, END CAP TO CRANKCASE (.002-3-5-10)
5	10-30225		4,4	SCREW, END CAP MOUNTING (1")
6	836-3260A3		1,1	CYLINDER BLOCK AND CRANKCASE ASSEMBLY
7	22-32802		1,1	PLUG, PIPE - WATER PRESSURE HOSE
8	16-35099		6,6	STUD, CARBURETOR MOUNTING
9	16-26133		2,2	STUD, CRANKCASE TO DRIVE SHAFT HOUSING (1-7/8")
10	17-20033		2,2	PIN, DOWEL - CRANKCASE TO CYLINDER BLOCK
11	17-20032		3,3	PIN, DOWEL - CYLINDER BLOCK TO MAIN BEARING
12	16-26134		2,2	STUD, CYLINDER BLOCK TO DRIVE SHAFT HOUSING (4-1/16")
13	16-37653		2,	STUD, CYLINDER BLOCK TO DRIVE SHAFT HOUSING (2-11/16") SERIAL 02409053-09999999
14	16-26135		2,	STUD, CYLINDER BLOCK TO DRIVE SHAFT HOUSING (2-5/16") SERIAL 02409053-09999999
	16-48770		4,4	STUD, CYLINDER BLOCK TO DRIVE SHAFT HOUSING (3-9/16") 2409054
15	10-29877		3,3	SCREW, CRANKCASE TO CYLINDER BLOCK (3-1/4")
	10-26132		2,2	SCREW, CRANKCASE TO CYLINDER BLOCK (2-1/2")
16	10-21574		1,1	SCREW, CRANKCASE TO CYLINDER BLOCK (1-5/8")
	10-32293		2,2	SCREW, CRANKCASE TO CYLINDER BLOCK (1-3/4")
-	12-26825		2,2	WASHER, CRANKCASE TO CYLINDER BLOCK SCREW
	10-22040		17,17	SCREW, CRANKCASE TO CYLINDER BLOCK (1-1/2")
	10-33860		1,1	SCREW, CRANKCASE TO CYLINDER BLOCK (2")
17	11-46793		26,26	NUT, CRANKCASE FASTENING SCREW
18	26551		2,2	BRACKET, CLAMP EXTENSION
19	10-36351		3,3	SCREW, MAIN BEARING LOCKING (5/8")
20	10-20359		2,2	SCREW, CENTER MAIN BEARING LOCKING (1")
21	14-20091		5,5	TAB WASHER, BEARING LOCKING SCREW
22	1126-3369A1		1,	END CAP ASSEMBLY, LOWER
	1126-3369A2		,1	END CAP ASSEMBLY, LOWER
23	21-28481A1		1,1	CHECK VALVE ASSEMBLY, END CAP
24	26-29478		1,	OIL SEAL, LOWER
25	26-29476		1,	OIL SEAL, UPPER
	26-29476		,2	OIL SEAL, UPPER
26	25-20081		1,1	"O" RING
27	15-20085A1		AR,AR	SHIM, END CAP TO CRANKCASE (.002-3-5-10)
28	10-30225		3,3	SCREW, END CAP MOUNTING (1")
29	27-37740		1,1	GASKET, CYLINDER BLOCK TO BAFFLE PLATE
30	47660		1,1	PLATE, BAFFLE - EXHAUST MANIFOLD
31	27-37741		1,1	GASKET, BAFFLE PLATE TO EXHAUST MANIFOLD COVER
32	37674		1,1	COVER, EXHAUST MANIFOLD

CONTINUED ON NEXT PAGE ➡

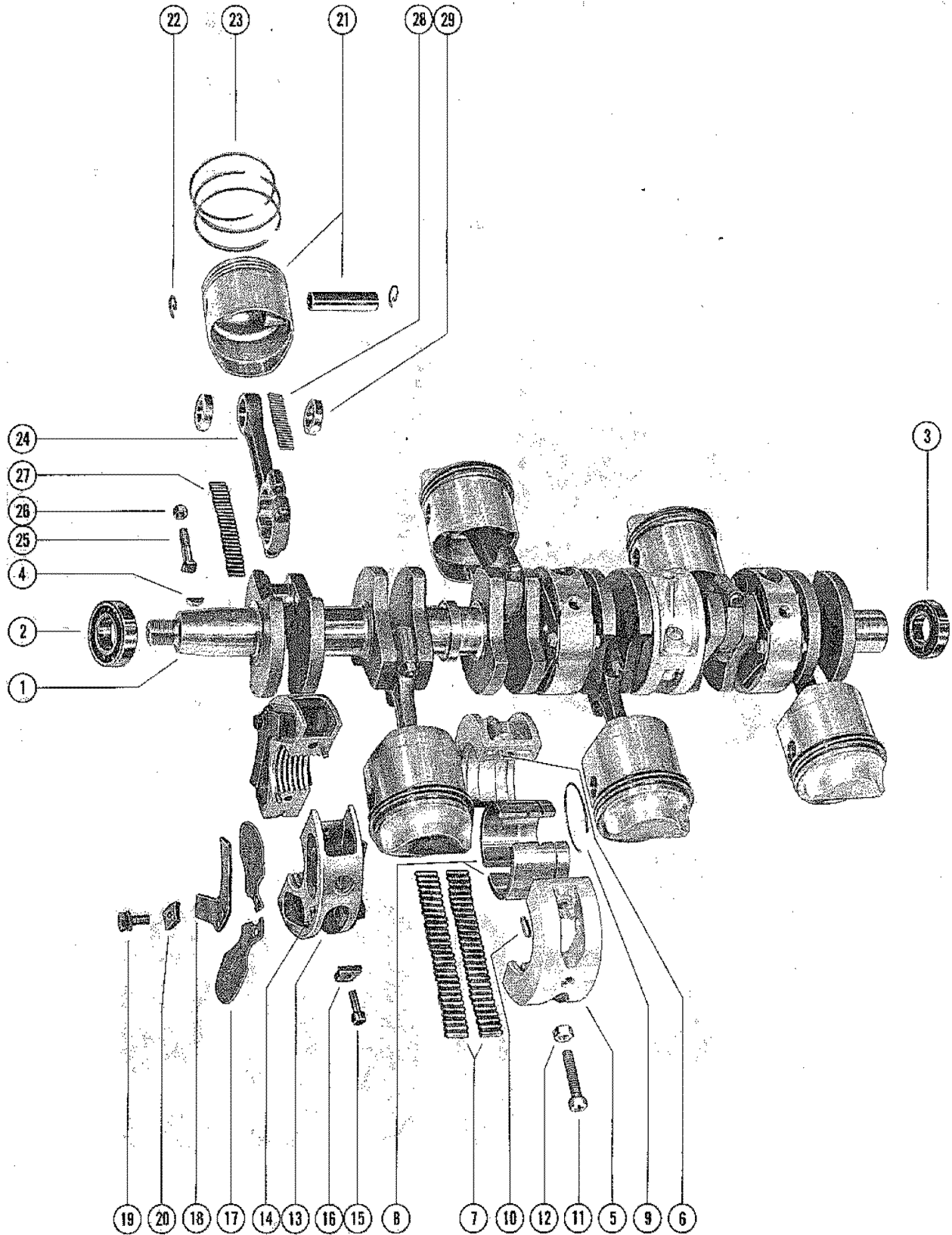
CYLINDER BLOCK AND CRANKCASE ASSEMBLY



CYLINDER BLOCK AND CRANKCASE ASSEMBLY

REF. NO.	PART NO.	SYM.	QTY.	DESCRIPTION
33	10-38837		23,23	SCREW, MANIFOLD COVER MOUNTING
34	33385A4		1,1	SWITCH, MERCURY
35	10-28708		1,1	SCREW, MERCURY SWITCH LEAD (3/8")
36	17-30496		1,1	PIN, ROLL - MERCURY SWITCH
37	10-30009		1,1	SCREW, MERCURY SWITCH LEAND (3/8")
38	1011-2484		1,1	COVER, CYLINDER BLOCK
39	27-31798		1,1	GASKET, CYLINDER BLOCK COVER
40	10-24644		1,1	SCREW, CYLINDER BLOCK COVER MOUNTING (1-3/8")
41	10-21091		15,15	SCREW, CYLINDER BLOCK COVER MOUNTING (1-1/8")
42	11-46887		16,16	NUT, COVER MOUNTING SCREW
43	32-38455		1,1	TUBE, RUBBER SPACER - LOWER PORT NUT
44	37440		1,1	BRACKET, MOUNT SUPPORT - CYLINDER BLOCK
45	10-24234		1,1	SCREW, BRACKET TO CYLINDER BLOCK (1")
46	31288		3,3	COVER, TRANSFER PORT
47	27-31304		3,3	GASKET, TRANSFER PORT COVER
48	10-20540		6,6	SCREW, TRANSFER PORT COVER MOUNTING (5/8")
	10-28635		3,3	SCREW, TRANSFER PORT COVER MOUNTING (5/8")
49	22-20445		2,	CONNECTOR, CYLINDER BLEED HOSE - LOWER AND UPPER
	22-20445		,1	CONNECTOR, CYLINDER BLEED HOSE - LOWER AND UPPER
50	32-33500		2,	HOSE, UPPER AND LOWER CYLINDER BLEED (9-1/2")
	32-33500		,1	HOSE, UPPER AND LOWER CYLINDER BLEED (9-1/2")
51	21-28483A1		2,	CHECK VALVE ASSEMBLY, BLEED HOSE
	21-28483A1		,3	CHECK VALVE ASSEMBLY, BLEED HOSE
52	21-28481A1		2,	CHECK VALVE ASSEMBLY
	21-28481A1		,3	CHECK VALVE ASSEMBLY
53	54-20387		4,	CLAMP, BLEED HOSE TO CONNECTOR
	54-20387		,6	CLAMP, BLEED HOSE TO CONNECTOR
54	22-53492		,1	TEE, BLEED HOSE TO CYLINDER BLOCK - CENTER
55	32-32840A1		,1	HOSE ASSEMBLY, CENTER CYLINDER BLEED (7")
56	32-33960		2,2	TUBE, BALANCE - MAIN BEARING
57	22-53491		,1	TEE, BLEED HOSE TO CYLINDER BLOCK - LOWER
58	32-32840A1		,1	HOSE ASSEMBLY, LOWER CYLINDER BLEED (6-1/2")
59	22-20781		2,	ELBOW, BALANCE TUBE TO MAIN BEARING SCREW
	22-20781		,1	ELBOW, BALANCE TUBE TO MAIN BEARING SCREW
60	22-20931		1,	TEE, BALANCE TUBE TO MAIN BEARING SCREW
61	54-20386		4,4	CLAMP, BALANCE TUBE TO ELBOW AND TEE

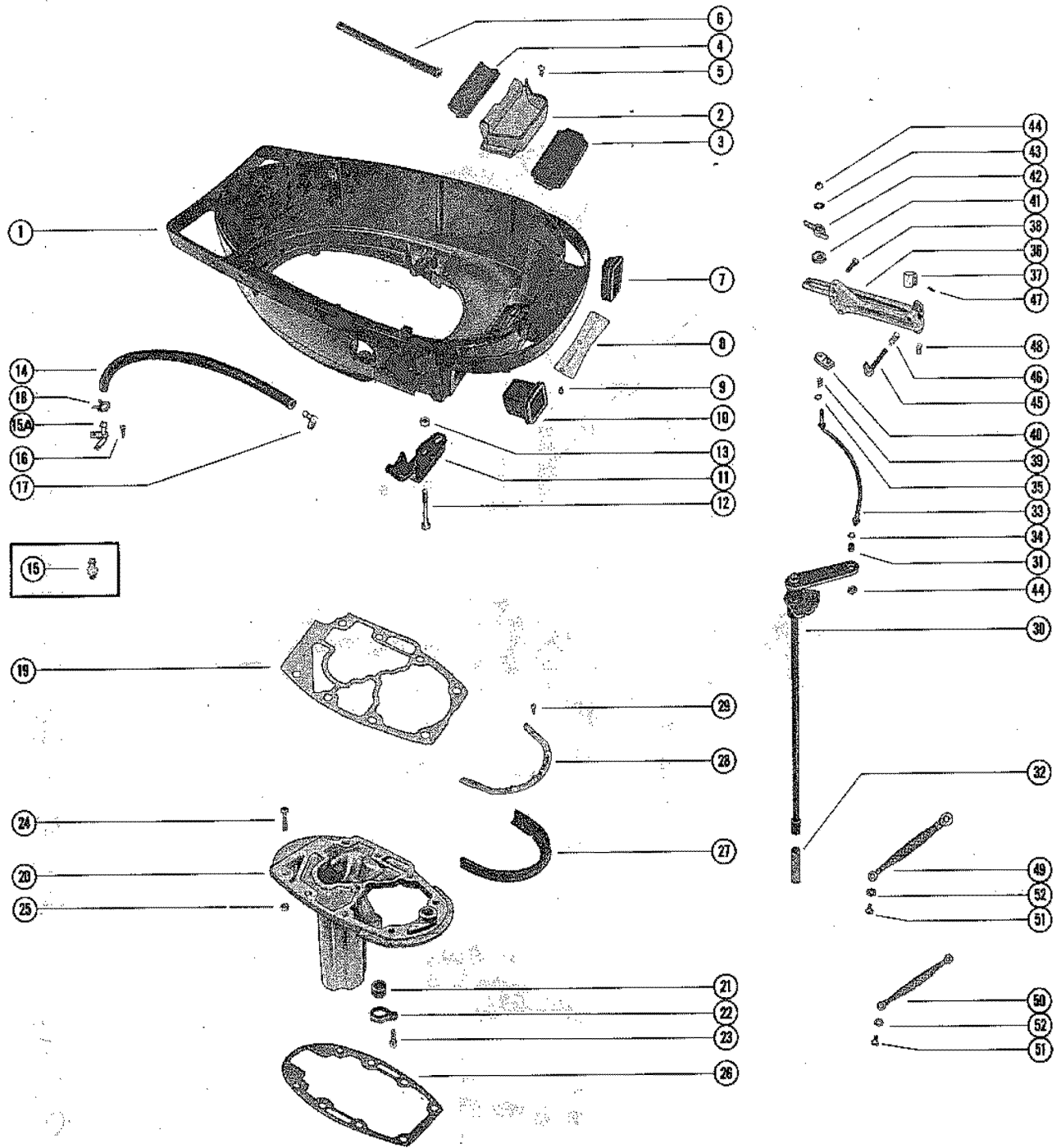
CRANKSHAFT, PISTONS AND CONNECTING RODS



CRANKSHAFT, PISTONS AND CONNECTING RODS

REF. NO.	PART NO.	SYM.	QTY.	DESCRIPTION
1	420-3351A2		1,1	CRANKSHAFT ASSEMBLY
2	30-32117		1,1	BEARING, BALL - UPPER
3	30-20080		1,	BEARING, BALL - LOWER
	30-53853		,1	BEARING, BALL - LOWER
4	28-45554		1,1	KEY, FLYWHEEL DRIVE
5	531-1884A3		2,2	CENTER MAIN BEARING ASSEMBLY
6	17-20032		4,4	DOWEL PIN, CENTER MAIN BEARING
7	29-48410		112,112	BEARING, NEEDLE - OUTER RACE
8	26113		2,2	RACE, OUTER (PAIR)
9	53-26933		2,2	RING, SNAP - OUTER RACE
10	17-31245		2,2	DOWEL PIN, STEPPED
11	10-22968		4,4	SCREW, CENTER MAIN BEARING CLAMPING
12	11-46887		4,4	NUT, BEARING CLAMPING SCREW
13	533-2761A2		3,3	MAIN BEARING ASSEMBLY, VALVE TYPE
14	17-20032		30,30	DOWEL PIN, MAIN BEARING
15	10-45775		6,6	SCREW, MAIN BEARING CLAMPING
16	11-45774		6,6	NUT, MAIN BEARING CLAMPING SCREW
17	34-45506A1		3,3	REED SET, MATCHED - MAIN BEARING
18	34-31240		12,12	REED STOP, MAIN BEARING REED VALVES
19	10-29465		12,12	SCREW, REED STOP MOUNTING
20	11-29469		12,12	NUT, REED STOP MOUNTING SCREW
21	732-3270A2		6,6	PISTON AND PISTON PIN ASSEMBLY
22	40-45740		12,12	LOCK RING, PISTON PIN
23	39-45155A12		2,2	RING ASSEMBLY, PISTON (1/16" THICK)
24	617-2768A3		6,6	CONNECTING ROD AND CAP ASSEMBLY
25	10-45739		12,12	SCREW, CONNECTING ROD
26	11-20061		12,12	NUT, CONNECTING ROD SCREW
27	29-47897		192,192	BEARING, NEEDLE - CRANKPIN
28	29-39656		174,174	BEARING, NEEDLE - PISTON PIN
29	12-45741		12,12	WASHER, NEEDLE LOCATING
-	732-3449A2		6,6	PISTON AND PISTON PIN ASSEMBLY (.015 OVERSIZE)
-	39-45204A12		2,2	RING ASS'Y, PISTON (.015 OVERSIZE) - 1/16" THICK

BOTTOM COWL AND SHIFT LINKAGE

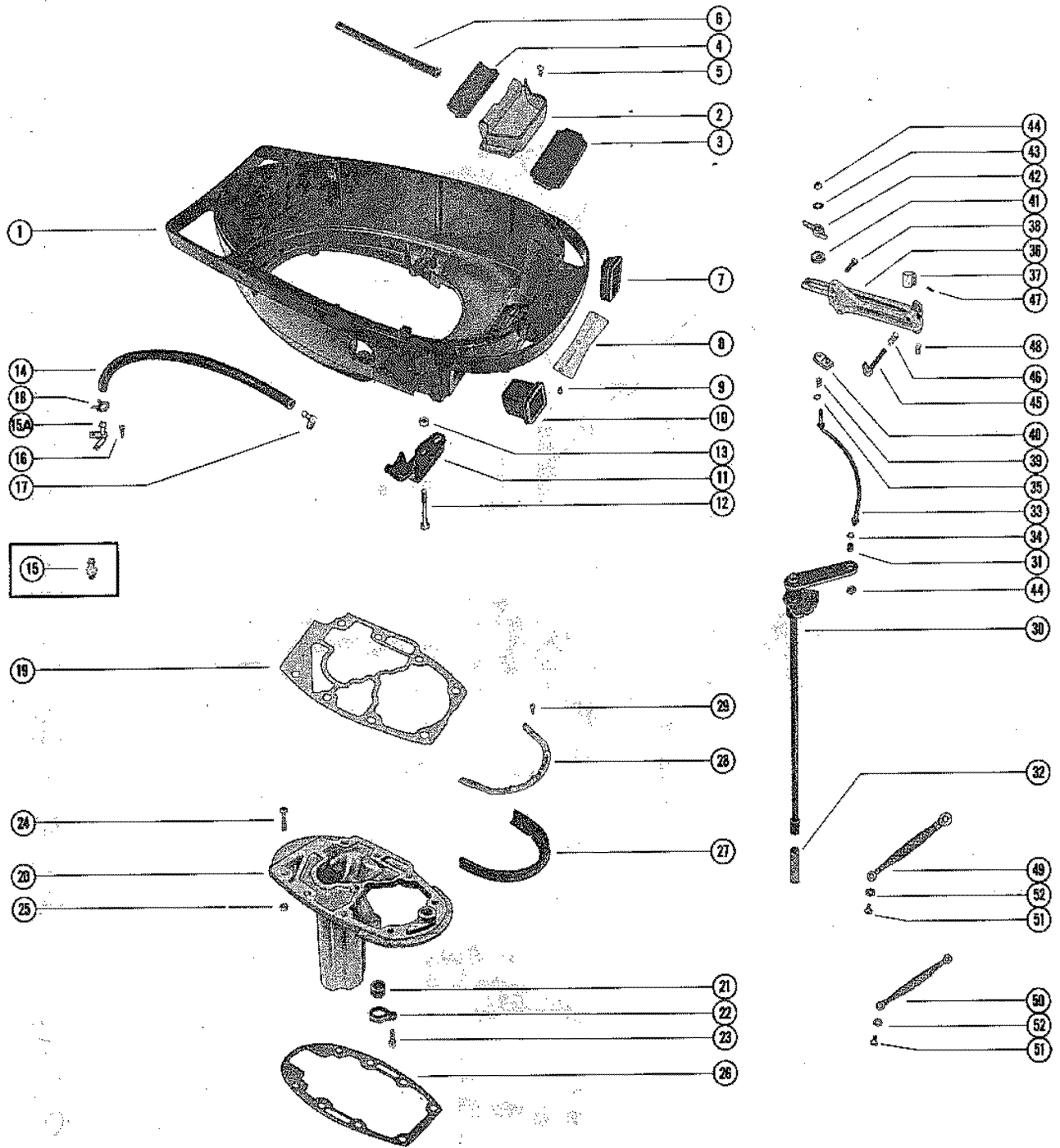


BOTTOM COWL AND SHIFT LINKAGE

REF. NO.	PART NO.	SYM.	QTY.	DESCRIPTION
1	2115-3205		1,	COWL, BOTTOM
	2115-3617		,1	COWL, BOTTOM
2	47261A2		1,	DRIP TRAY ASSEMBLY, BOTTOM COWL
	52862A1		,1	DRIP TRAY ASSEMBLY, BOTTOM COWL
3	37940		1,1	PAD, SOUND - DRIP TRAY
4	37903		1,1	FLANGE, RUBBER - DRIP TRAY
5	10-34222		4,4	SCREW, DRIP TRAY TO BOTTOM COWL (1/2")
6	32-52032		1,1	HOSE, DRIP TRAY TO BOTTOM COWL (8")
7	37638		1,1	BOOT, CONTROL CABLES - BOTTOM COWL
8	23760		1,1	BAFFLE, BOTTOM COWL
9	10-21106		3,	SCREW, BAFFLE TO BOTTOM COWL (1/4")
	10-52867		,3	SCREW, BAFFLE TO BOTTOM COWL (1/4")
10	37637		1,1	BOOT, FUEL CONNECTOR - BOTTOM COWL
11	37445		1,1	SUPPORT, WIRING HARNESS - BOTTOM COWL
12	10-37990		,1	SCREW, WIRING HARNESS SUPPORT TO BOTTOM COWL
	10-37990		2(1),	SCREW, WIRING HARNESS SUPPORT TO BOTTOM COWL
13	11-46887		,1	NUT, WIRING HARNESS SUPPORT SCREW
	11-46887		,2(1)	NUT, WIRING HARNESS SUPPORT SCREW
14	32-34395A1		1,1	HOSE, TELL TALE - EXHAUST COVER TO BOTTOM COWL (16")
15	22-29111		1,	CONNECTOR, TELL TALE HOSE TO BOTTOM COWL
15A	52889		,1	NOZZLE, TELL TALE HOSE TO BOTTOM COWL
16	10-34222		,1	SCREW, TELL TALE NOZZLE TO BOTTOM COWL
17	22-25885		1,1	ELBOW, TELL TALE HOSE TO EXHAUST COVER
18	54-48123		2,2	CLAMP, TELL TALE HOSE TO CONNECTOR AND ELBOW
19	27-47257		1,1	GASKET, POWERHEAD TO EXHAUST EXTENSION PLATE
20	38468A4		1,	PLATE ASSEMBLY, EXHAUST EXTENSION SERIAL 0000000-02409053
	49087A2		1,	PLATE ASSEMBLY, EXHAUST EXTENSION SERIAL 02409054-09999999
	52932A2		,1	PLATE ASSEMBLY, EXHAUST EXTENSION
21	26-38970		1,1	SEAL, RUBBER - WATER INLET TUBE
22	38448		1,1	RETAINER, WATER TUBE SEAL
23	10-34439		1,1	SCREW, RETAINER TO EXHAUST EXTENSION PLATE (3/4")
24	10-22421		1,	SCREW, EXHAUST EXTNSN PLATE TO DRIV SHAFT HOUS (1-1/4")
	10-24226		,1	SCREW, EXHAUST EXTNSN PLATE TO DRIV SHAFT HOUS (1-1/4")
25	11-46887		1,1	NUT, EXHAUST EXTENSION PLATE SCREW
26	27-38471		1,1	GASKET, EXHAUST EXTENSION PLATE TO DRIVE SHAFT HOUSING
27	37918		1,1	SEAL, EXHAUST EXTENSION PLATE
28	38032		1,1	STRIP, RETAINING - EXHAUST EXTENSION PLATE SEAL
29	10-37571		5,5	SCREW, SEAL AND RETAINING STRIP TO EXTENSION PLATE
30	47325A1		1,	SHIFT SHAFT ASSEMBLY, UPPER (SHORT SHAFT)

CONTINUED ON NEXT PAGE ➡

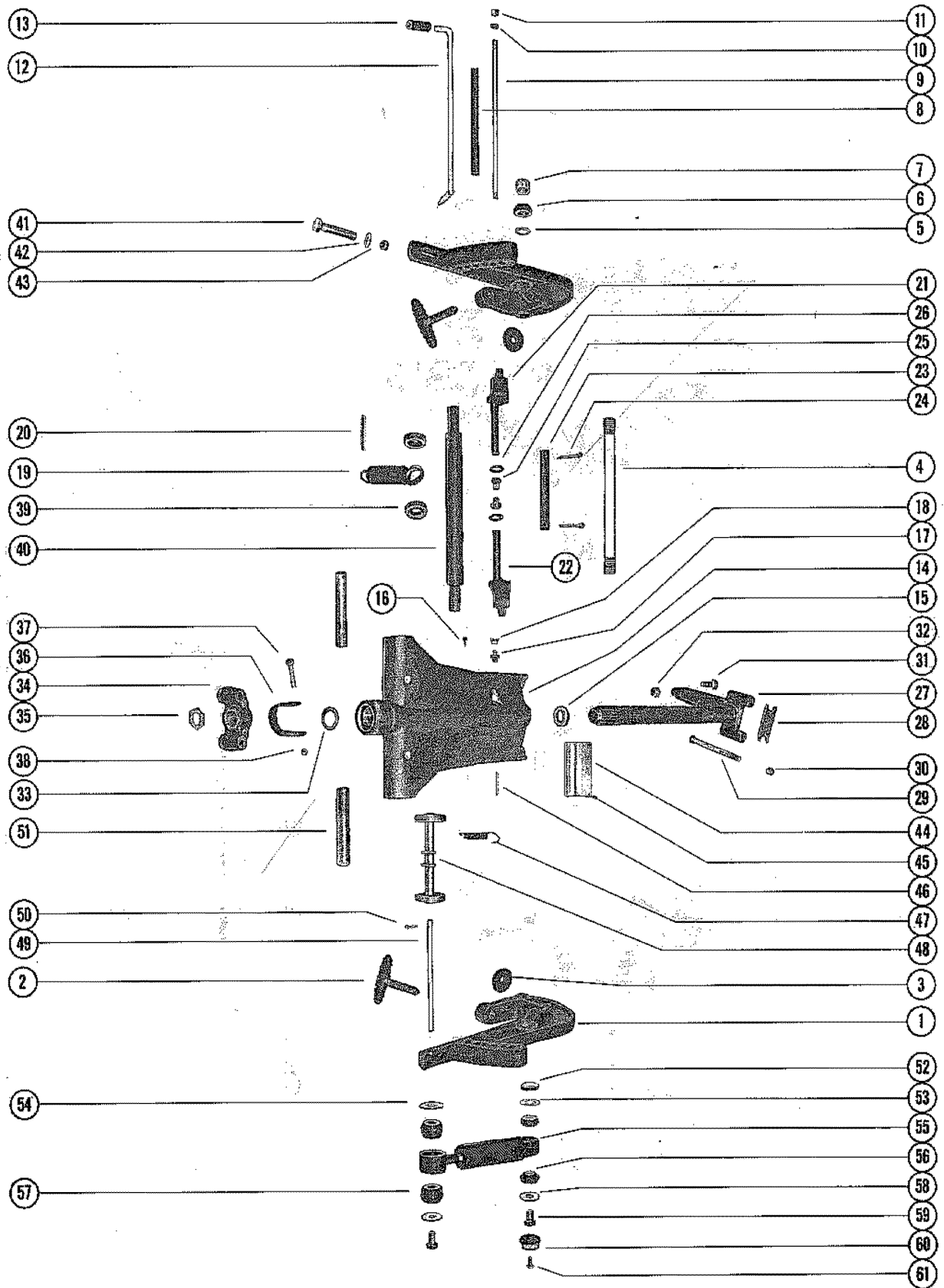
BOTTOM COWL AND SHIFT LINKAGE



BOTTOM COWL AND SHIFT LINKAGE

REF. NO.	PART NO.	SYM.	QTY.	DESCRIPTION
30	47326A1		1,	SHIFT SHAFT ASSEMBLY, UPPER (LONG SHAFT)
	49904A1		,1	SHIFT SHAFT ASSEMBLY, UPPER (SHORT SHAFT) SERIAL 00000000-02681191
	49905A1		,1	SHIFT SHAFT ASSEMBLY, UPPER (LONG SHAFT) SERIAL 00000000-02681191
	53889A4		,1	SHIFT SHAFT ASSEMBLY, UPPER (SHORT SHAFT) SERIAL 02681192-09999999
	53889A3		,1	SHIFT SHAFT ASSEMBLY, UPPER (LONG SHAFT) SERIAL 02681192-09999999
31	23-26600		,1	BUSHING, SHIFT SHAFT SERIAL 02681192-09999999
32	55692		,1	COUPLING, SHIFT SHAFT SERIAL 02681192-09999999
33	48047A1		1,1	LINK ROD ASSEMBLY
34	12-24664		1,1	WASHER, LINK ROD
35	13-29720		2,2	WASHER, WAVE - LINK ROD
36	47869A1		1,1	BRACKET ASSEMBLY, ANCHOR CONTROL CABLES
37	38802		1,1	CAP, BRASS BARREL TO THROTTLE CABLE
	49935		1,1	CAP, BRASS BARREL TO THROTTLE CABLE
38	10-24234		3,3	SCREW, ANCHOR BRACKET TO CYLINDRE BLOCK
39	24-20099		1,1	SPRING, LINK ROD TO GUIDE BLOCK
40	37896		1,1	GUIDE BLOCK, LINK ROD
41	12-37905		1,	WASHER, NYLON - LINK ROD
	52100		,1	WARE PLATE, LINK ROD (NOT AS SHOWN)
42	38279		1,1	LATCH, CONTROL CABLE FASTENING - ANCHOR BRACKET
43	12-21631		1,1	WASHER, PLAIN - LINK ROD
44	11-20664		2,2	NUT, LINK ROD
45	37913		1,	LEVER, CONTROL CABLE LOCKING - ANCHOR BRACKET EARLY STYLE
	49932A1		1,1	LEVER ASSEMBLY, CONTROL CABLE LOCKING - ANCHOR BRACKET LATE STYLE
46	24-37911		1,1	SPRING, CONTROL CABLE LOCKING LEVER
47	17-23928		1,1	PIN, ROLL - CONTROL CABLE LOCKING LEVER
48	24-38472		1,1	SPRING, CONTROL CABLE TENSION - ANCHOR BRACKET
49	46933A1		2,2	GROUND STRAP ASSY, CRANKCASE TO BOTTOM COWL (3-5/8")
50	46933A2		2,2	GRAND STRAP ASSY, DRIV SHAFT HOUS-BOTTOM COWL (3-3/8")
51	10-30663		4,4	SCREW, GROUND STRAP FASTENING
52	13-22238		4,4	LOCKWASHER, GROUND STRAP SCREW

CLAMP AND SWIVEL BRACKET ASSEMBLY

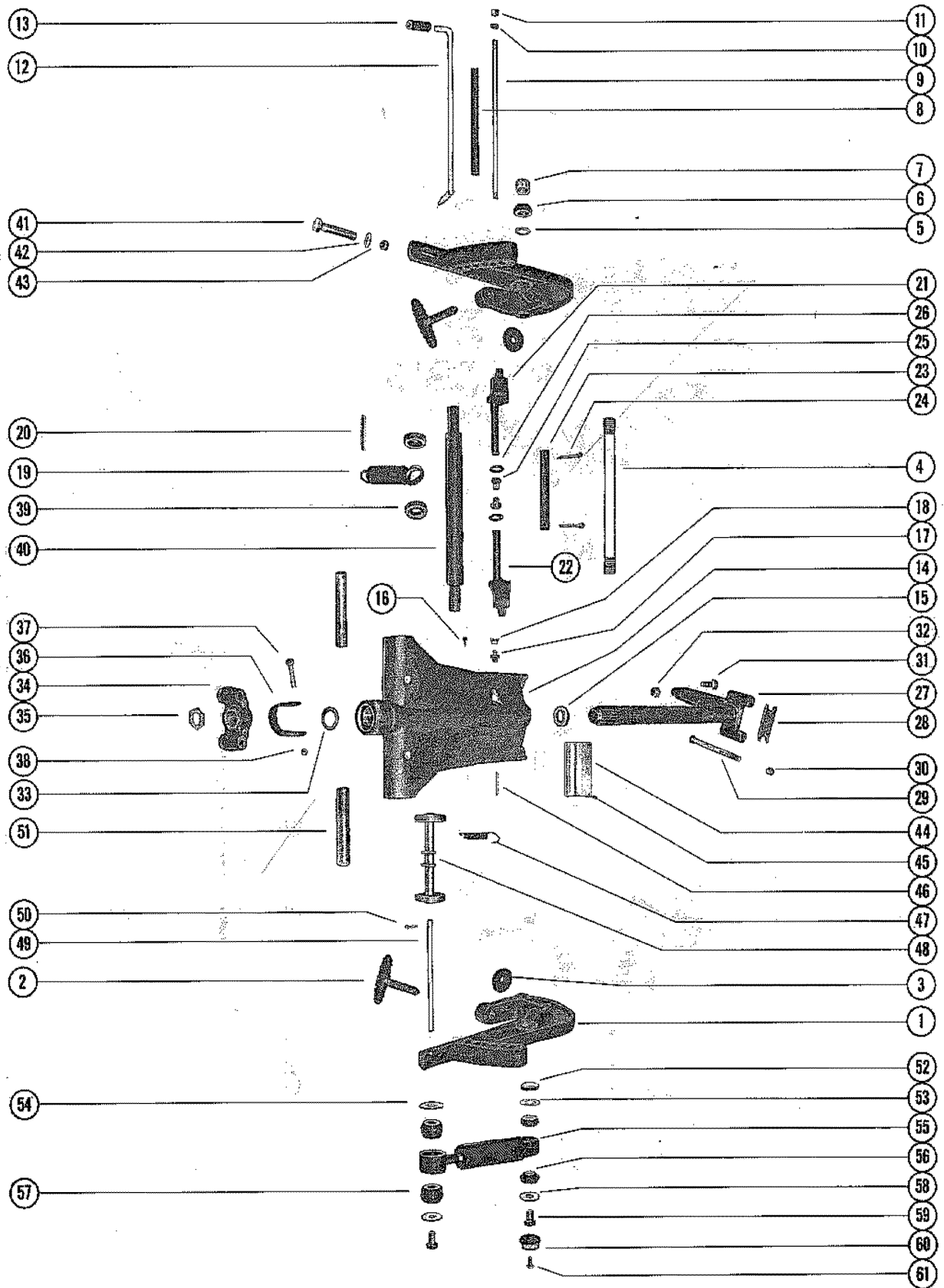


CLAMP AND SWIVEL BRACKET ASSEMBLY

REF. NO.	PART NO.	SYM.	QTY.	DESCRIPTION
1	1440-3291A1		2,2	CLAMP BRACKET ASSEMBLY
2	28403A3		2,2	THUMB SCREW ASSEMBLY
3	12-28404		2,2	WASHER, THUMB SCREW
4	30664		1,1	TUBE, TILT - CLAMP BRACKET TO SWIVEL BRACKET
5	15-30497A1		2,	SHIM, CLAMP BRACKET TILT TUBE (.010-.020)
	12-52864		,2	WASHER, CLAMP BRACKET TILT TUBE
6	11-30499		2,2	NUT, TILT TUBE FASTENING
7	30498		2,	CAP, PLASTIC - TILT TUBE
	53078		,2	CAP, PLASTIC - TILT TUBE
8	23-20222		1,1	SPACER, CLAMP BRACKET STUD
9	16-20221		1,1	STUD, CLAMP BRACKET
10	13-26993		2,2	LOCKWASHER, CLAMP BRACKET STUD
11	11-20083		2,2	CLAMP BRACKET STUD
12	17-49930A1		1,1	TTILT LOCK PIN ASSEMBLY
13	32-28052		1,1	SLEEVE, RUBBER - TILT PIN BUMPER
14	1453-3258A1		1,1	SWIVEL BRACKET ASSEMBLY(SHORT SHAFT)
	1447-3257A1		1,1	SWIVEL BRACKET ASSEMBLY(LONG SHAFT)
15	28-37448		2,2	OIL SEAL, SWIVEL BRACKET
16	10-47828		1,1	SCREW, DRIVE - SWIVEL BRACKET
17	22-23612		1,1	FITTING, GREASE - SWIVEL BRACKET
18	53216		1,1	LUBRICAP, SWIVEL BRACKET GREASE FITTING
19	24-28659		1,1	SPRING, COIL _ SWIVEL BRACKET
20	17-38311		1,1	PIN, COIL SPRING MOUNTING
21	47799A1		1,1	TILT LOCK ASSEMBLY, STARBOARD
22	47800A1		1,1	TILT LOCK ASSEMBLY, PORT
23	47802		1,1	TUBE, TILT LOCK
24	18-47959		2,2	COTTER PIN, TILT LOCK TUBE
25	23-47803		2,2	BUSHING, TILT LOCK TUBE
26	13-24850		2,2	WASHER, WAVE - TILT LOCK TUBE
27	17-37462A1		1,	SWIVEL PIN AND STEERING ARM ASSEMBLY(SHORT SHAFT)
	17-37423A1		1,	SWIVEL PIN AND STEERING ARM ASSEMBLY(LONG SHAFT)
	17-49841A1		,1	SWIVEL PIN AND STEERING ARM ASSEMBLY(SHORT SHAFT)
	17-49840A1		,1	SWIVEL PIN AND STEERING ARM ASSEMBLY(LONG SHAFT)
28	28203		1,1	BUMPER, STEERING ARM
29	10-31257		2,2	BOLT, STEERING ARM TO UPPER MOUNT
30	11-22178		2,2	NUT, STEERING ARM BOLT FASTENING
31	10-31830		1,1	SCREW, RIDE-GUIDE ATTACHING
32	11-20509		1,1	NUT, RIDE-GUIDE ATTACHING SCREW
33	12-37429		1,1	WASHER, SWIVEL PIN - LOWER
34	37419		1,1	YOKE, BOTTOM
35	11-37424		1,1	NUT, SWIVEL PIN RETAINING
36	28205		1,1	STRAP STOP, DRIVE SHAFT HOUSING TO SWIVEL BRACKET
37	10-28200		1,1	SCREW, STRAP STOP TO DRIVE SHAFT HOUSING

CONTINUED ON NEXT PAGE ➡

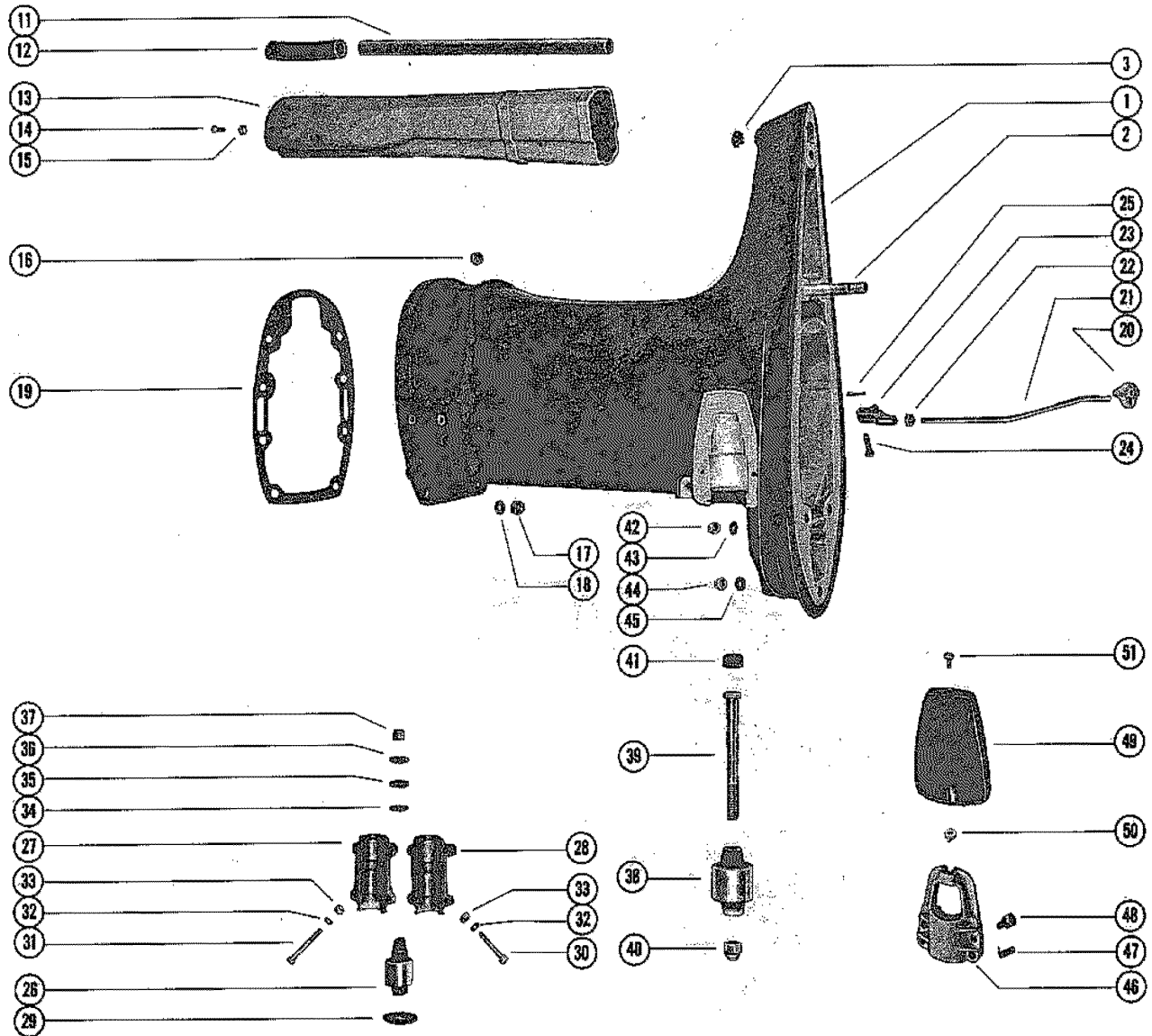
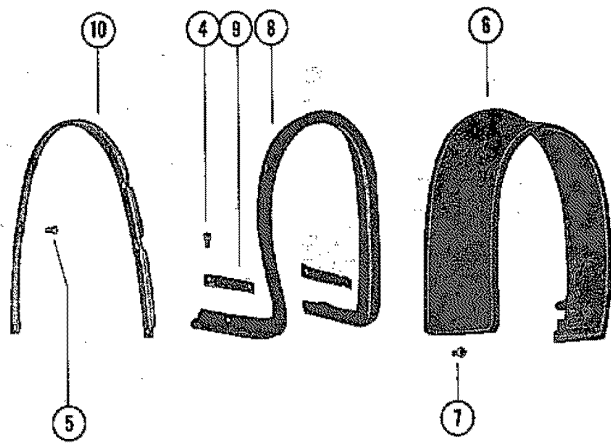
CLAMP AND SWIVEL BRACKET ASSEMBLY



CLAMP AND SWIVEL BRACKET ASSEMBLY

REF. NO.	PART NO.	SYM.	QTY.	DESCRIPTION
38	11-25269		1,1	NUT, STRAP STOP FASTENING SCREW
39	23-28688		2,2	SPACER, RUBBER - COIL SPRING POSITIONING
40	55-28416		1,1	PIN, UPPER SHOCK MOUNTING
41	10-28009		2,2	BOLT, CLAMP BRACKET TO BOAT TRANSOM (LOWER)
42	12-28008		2,2	WASHER, CLAMP BRACKET BOLT (LOWER)
41	10-31827		2,2	BOLT, CLAMP BRACKET TO BOAT TRANSOM (UPPER)
42	12-21040		2,2	WASHER, CLAMP BRACKET BOLT (UPPER)
43	11-28010		2,	NUT, CLAMP BRACKET BOLT
	11-28010		,4	NUT, CLAMP BRACKET BOLT
44	38-39784		1,1	SERIAL PLATE
45	10-25612		4,4	SCREW, DRIVE - SERIAL PLATE TO SWIVEL BRACKET
46	17-25598		1,1	PIN, REVERSE LOCK SPRING ATTAINING
47	24-29821		1,1	SPRING, REVERSE LOCK TENSION
48	39015A1		1,1	REVERSE LOCK ASSEMBLY
49	20208		1,1	SHAFT, REVERSE LOCK PIVOT
50	18-45882		1,1	COTTER PIN, REVERSE LOCK TO SHAFT
51	55-29247		2,2	PIN, LOWER SHOCK MOUNTING (SHORT SHAFT)
	55-28414		2,2	PIN, LOWER SHOCK MOUNTING (LONG SHAFT)
-	10-28424		2,2	SCREW, LOWER SHOCK PIN (LONG SHAFT)
-	11-46887		2,2	NUT, LOWER SHOCK PIN SCREW (LONG SHAFT)
52	23-28199		2,2	SPACER, UPPER SHOCK BUSHING TO CLAMP BRACKET
53	12-28196		2,2	WASHER, UPPER BUSHING RETAINER (INNER)
54	12-28264		2,2	WASHER, LOWER BUSHING RETAINER (INNER)
55	55-31933		2,2	SHOCK ABSORBER
56	23-32171		4,4	BUSHING, RUBBER - SHOCK ABSORBER (UPPER)
57	23-28198		4,4	BUSHING, RUBBER - SHOCK ABSORBER (LOWER)
58	12-28421		4,4	WASHER, UPPER AND LOWER BUSHING RETAINER (OUTER)
59	10-28450		4,	SCREW, NYLOK - UPPER AND LOWER SHOCK MOUNTING PIN
	10-53077		,4	SCREW, UPPER AND LOWER SHOCK MOUNTING PIN
60	53071		,4	COVER, UPPER AND LOWER SHOCK MOUNTING PIN
61	10-37655		,4	SCREW, COVER TO SHOCK MOUNTING SCREWS (7/16")

DRIVE SHAFT HOUSING ASSEMBLY

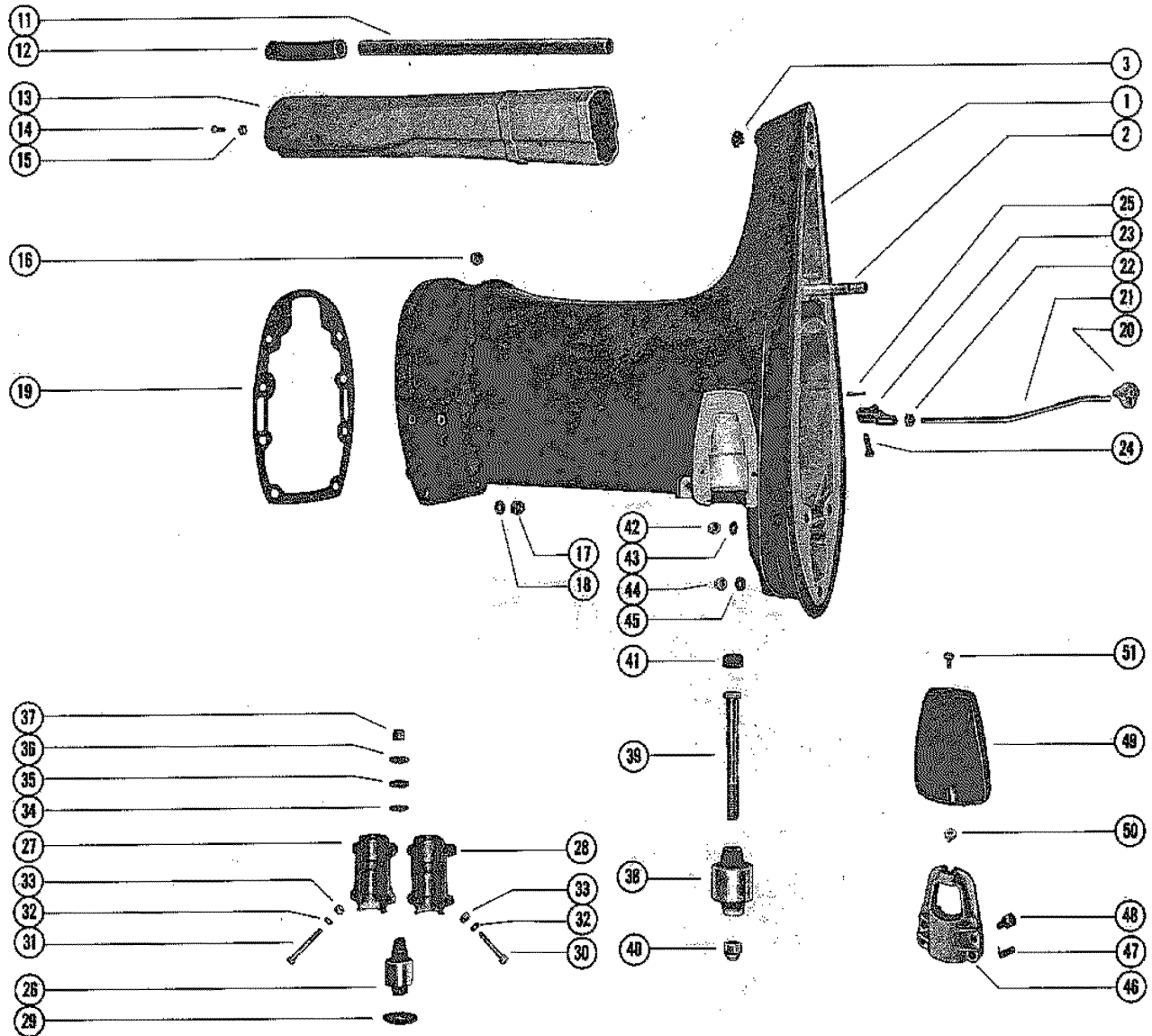
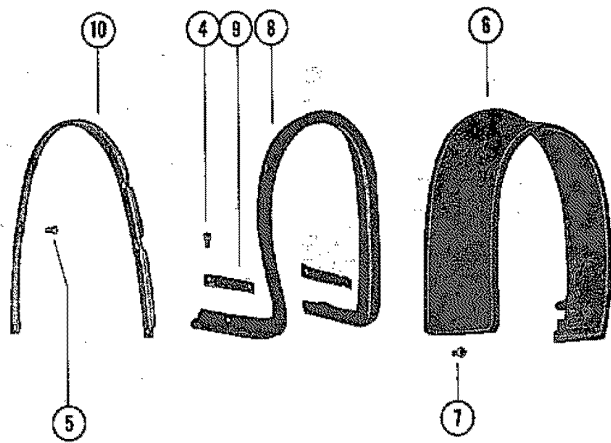


DRIVE SHAFT HOUSING ASSEMBLY

REF. NO.	PART NO.	SYM.	QTY.	DESCRIPTION
1	1552-2463A5		1,	DRIVE SHAFT HOUSING ASSEMBLY (SHORT SHAFT) SERIAL 00000000-02409053
	1551-2459A8		1,	DRIVE SHAFT HOUSING ASSEMBLY (LONG SHAFT) SERIAL 00000000-02409053
	1552-3429A3		1,	DRIVE SHAFT HOUSING ASSEMBLY (SHORT SHAFT) SERIAL 02409054-09999999
	1551-3428A4		1,	DRIVE SHAFT HOUSING ASSEMBLY (LONG SHAFT) SERIAL 02409054-09999999
	1552-3670A3		,1	DRIVE SHAFT HOUSING ASSEMBLY (SHORT SHAFT)
	1551-3669A4		,1	DRIVE SHAFT HOUSING ASSEMBLY (LONG SHAFT)
2	16-47165		2,	STUD, DRIVE SHAFT HOUSING TO GEAR HOUSING (2-3/4")
	16-46910		,2	STUD, DRIVE SHAFT HOUSING TO GEAR HOUSING (2-11/16")
3	19-47579		1,1	PLUG, PLASTIC - TRIM TAB SCREW HOLE
4	10-48409		2,2	SCREW, RETAINING STRIP TO DRIVE SHAFT HOUSING (5/8")
5	10-48408		6,6	SCREW, RETAINING STRIP TO DRIVE SHAFT HOUSING (1/2")
6	37417		1,1	COVER, TRIM - DRIVE SHAFT HOUSING
7	10-37571		4,4	SCREW, TRIM COVER TO BOTTOM COWL
8	37919		1,1	SEAL, TRIM COVER TO DRIVE SHAFT HOUSING
9	37665		1,1	STRIP, RETAINING - TRIM COVER SEAL (SIDE)
10	38052		1,1	STRIP, RETAINING - TRIM COVER SEAL (REAR)
11	32-37446		1,1	TUBE, WATER INLET (SHORT SHAFT)
	32-37438		1,1	TUBE, WATER INLET (LONG SHAFT)
12	23-29591		1,	SLEEVE, RUBBER - WATER INLET TUBE
13	38469		1,1	TUBE, EXHAUST (SHORT SHAFT)
	38470		1,1	TUBE, EXHAUST (LONG SHAFT)
14	10-38601		3,	SCREW, EXHAUST TUBE TO EXHAUST EXTENSION PLATE USE 3 SCREWS AND 3 NUTS THRU SERIAL #2409053 - USE 2 SCREWS AND 2 NUTS STARTING WITH SERIAL #2409054.
	10-38601		,2	SCREW, EXHAUST TUBE TO EXHAUST EXTENSION PLATE USE 3 SCREWS AND 3 NUTS THRU SERIAL #2409053 - USE 2 SCREWS AND 2 NUTS STARTING WITH SERIAL #2409054.
15	11-46886		3,	NUT, EXHAUST TUBE SCREW USE 3 SCREWS AND 3 NUTS THRU SERIAL #2409053 - USE 2 SCREWS AND 2 NUTS STARTING WITH SERIAL #2409054.
	11-46886		,2	NUT, EXHAUST TUBE SCREW USE 3 SCREWS AND 3 NUTS THRU SERIAL #2409053 - USE 2 SCREWS AND 2 NUTS STARTING WITH SERIAL #2409054.
16	11-23161		6,6	NUT, POWERHEAD STUDS
17	11-20509		2,2	NUT, POWERHEAD STUDS
18	12-20086		2,2	WASHER, POWERHEAD STUDS
19	27-38471		1,1	GASKET, EXHAUST EXTENSION PLATE TO DRIVE SHAFT HOUSING
20	47560		1,1	GUIDE, PUSH ROD - REVERSE LOCKING
	52887		1,1	GUIDE, PUSH ROD - RECERSE LOCKING

CONTINUED ON NEXT PAGE ➡

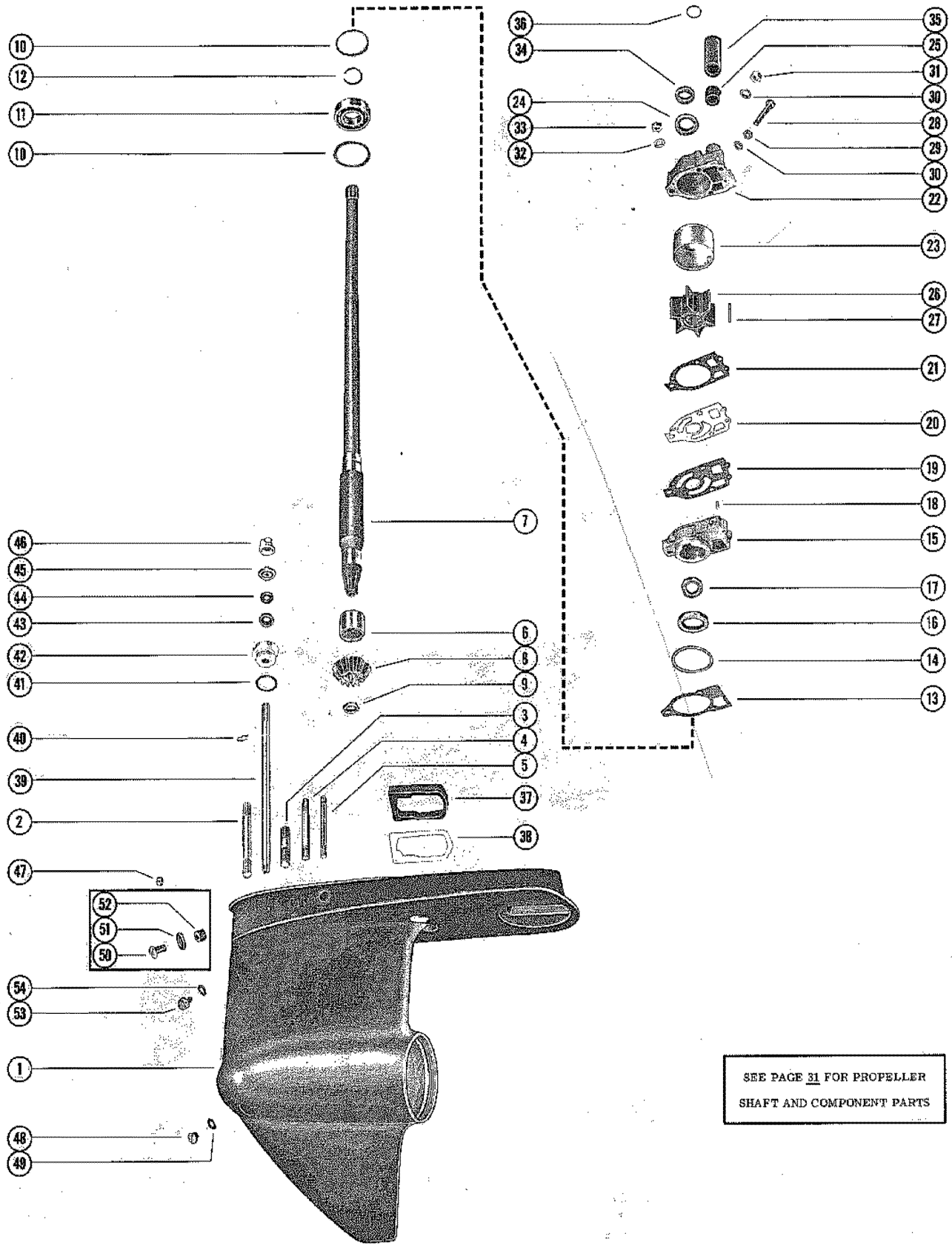
DRIVE SHAFT HOUSING ASSEMBLY



DRIVE SHAFT HOUSING ASSEMBLY

REF. NO.	PART NO.	SYM.	QTY.	DESCRIPTION
21	47591		1,1	ROD, PUSH - REVERSE LOCK (SHORT SHAFT)
	47558		1,1	ROD, PUSH - REVERSE LOCK (LONG SHAFT)
22	11-47661		1,1	NUT, JAM - PUSH ROD
23	47559		1,1	YOKE, PUSH ROD
24	17-39023		1,1	PIN, PUSH ROD TO REVERSE LOCK
25	18-25191		1,1	COTTER PIN, PUSH ROD PIN
26	37398		2,2	MOUNT, RUPPER - UPPER
	38820		OPT.,OPT.	MOUNT, RUBBER - UPPER (HEAVY DUTY)
27	31260		2,	COVER, UPPER MOUNT - OUTSIDE HALF
28	37712		2,	COVER, UPPER MOUNT - INSIDE HALF
27	49239		,2	COVER, UPPER MOUNT - OUTSIDE HALF
28	53141		,2	COVER, UPPER MOUNT - INSIDE HALF
29	24929		2,2	PACKING, "U" CUP
30	10-28773		4,4	SCREW, UPPER MOUNT COVER (1-5/8")
31	10-28775		4,4	SCREW, UPPER MOUNT COVER (2-1/8")
32	12-29245		AR,AR	WASHER, UPPER MOUNT COVER SCREW
33	11-46886		8,8	NUT, UPPER MOUNT COVER SCREW
34	12-31262		2,2	WASHER, UPPER MOUNT BOLT
35	12-47840		2,2	WASHER, RUBBER - UPPER MOUNT BOLT
36	12-31263		2,2	WASHER, UPPER MOUNT BOLT
37	11-22178		2,2	NUT, UPPER MOUNT BOLT
38	37399		2,2	MOUNT, RUBBER - LOWER
	38821		OPT.,OPT.	MOUNT, RUBBER - LOWER)HEAVY DUTY)
39	10-49318		2,2	SCREW, UPPER MOUNT (5-1/2")
40	11-25096		2,2	NUT, MOUNT SCREW
41	25067		2,2	BUMPER, RUBBER - MOUNTING SCREW
42	11-34933		2,2	NUT, GEAR HOUSING AND DRIVE SHAFT HOUSING STUDS
43	12-45176		2,2	WASHER, GEAR HOUSING TO DRIVE SHAFT HOUSING STUDS
44	11-29489		1,1	NUT, GEAR HOUSING AND DRIVE SHAFT HOUSING STUDS
45	12-45176		1,1	WASHER, GEAR HOUSING TO DRIVE SHAFT HOUSING STUDS
46	35608		2,2	CLAMP, LOWER MOUNT TO DRIVE SHAFT HOUSING
47	24-35522		4,4	SPRING, TENSION - LOWER MOUNT CLAMP
48	10-29256		4,4	SCREW, LOWER MOUNT CLAMP TO DRIVE SHAFT HOUSING
49	35474		2,2	COVER, LOWER MOUNT CLAMP
50	11-35521		2,2	NUT, LOWER MOUNT CLAMP COVER
51	10-29722		2,2	SCREW, COVER TO LOWER CLAMP MOUNT

GEAR HOUSING ASSEMBLY, COMPLETE (PAGE 1)

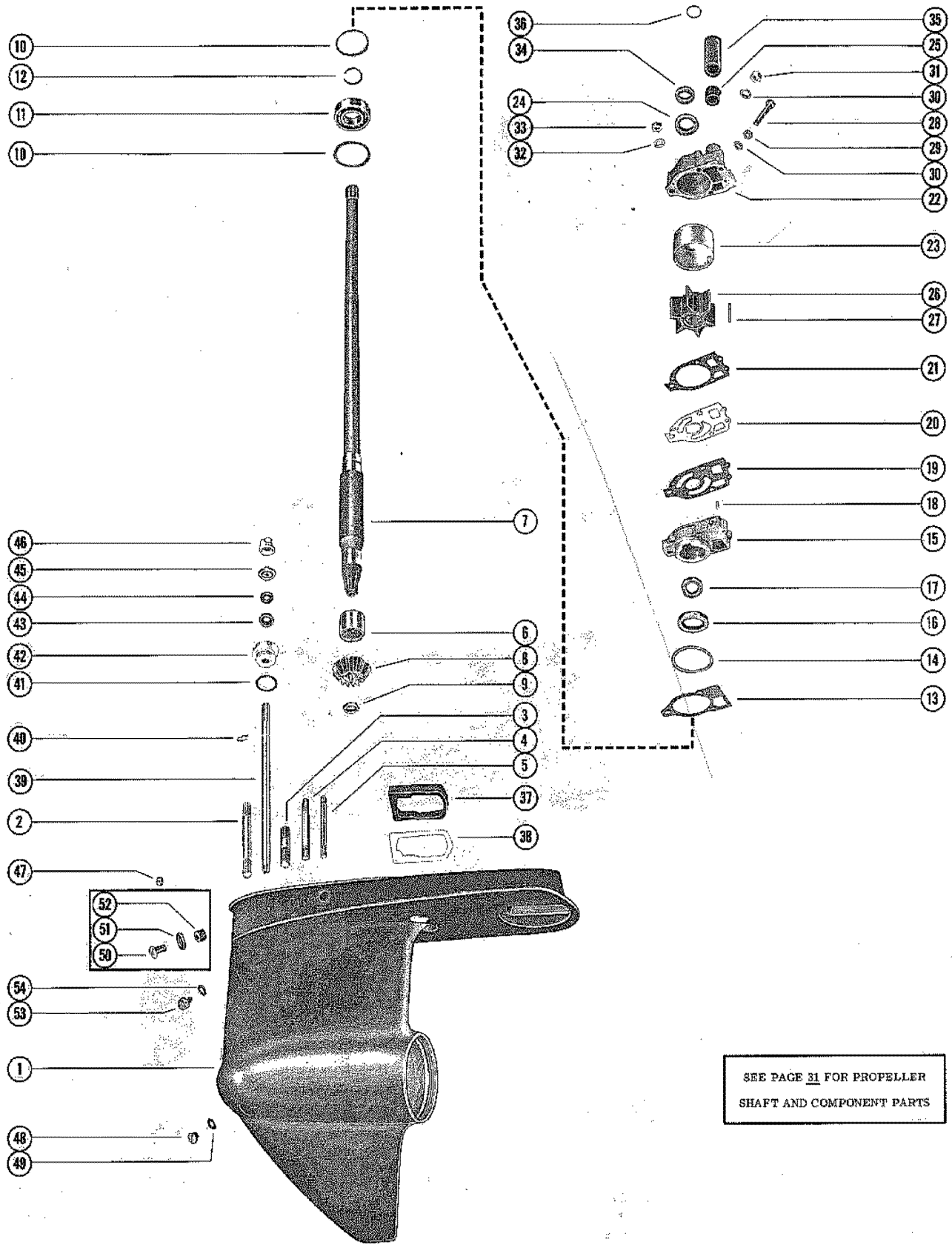


GEAR HOUSING ASSEMBLY, COMPLETE (PAGE 1)

REF. NO.	PART NO.	SYM.	QTY.	DESCRIPTION
-	1623-2460A31		1,	GEAR HOUSING ASSEMBLY, COMPLETE (SHORT SHAFT) SEE NOTE BELOW
-	1623-2460A32		1,	GEAR HOUSING ASSEMBLY, COMPLETE (LONG SHAFT) SEE NOTE BELOW
-	1623-3486A8		,1	GEAR HOUSING ASSEMBLY, COMPLETE (SHORT SHAFT) SEE NOTE BELOW
-	1623-3486A9		,1	GEAR HOUSING ASSEMBLY, COMPLETE (LONG SHAFT) SEE NOTE BELOW
1	1623-2460A20		1,	GEAR HOUSING ASSEMBLY
	1623-3486A4		,1	GEAR HOUSING ASSEMBLY
2	16-45199		1,1	STUD, GEAR HOUSING TO DRIVE SHAFT HOUSING (4")
3	16-45198		2,	STUD, GEAR HOUSING TO DRIVE SHAFT HOUSING (2- 1/16")
	16-52614		,2	STUD, GEAR HOUSING TO DRIVE SHAFT HOUSING (2- 1/16")
4	16-36292		1,1	STUD, WATER PUMP BASE&BODY TO GEAR HOUSING (3-3/8")
5	16-37435		2,2	STUD, WATER PUMP BASE&BODY TO GEAR HOUSING (3-5/16")
6	31-32898		1,1	BEARING, ROLLER - DRIVE SHAFT
7	45-47433		1,1	DRIVE SHAFT (SHORT SHAFT)
	45-47434		1,1	DRIVE SHAFT (LONG SHAFT)
8	43-47351		1,	GEAR, PINION - DRIVE SHAFT
9	11-47411		1,	NUT, PINION GEAR TO DRIVE SHAFT
8	43-49751		,1	GEAR, PINION - DRIVE SHAFT
9	11-35921		,1	NUT, PINION GEAR TO DRIVE SHAFT
10	15-30278A1		AR,AR	SHIM, DRIVE SHAFT BALL BEARING TO GEAR HOUSING
11	30-20464		1,1	BEARING, BALL - DRIVE SHAFT SERIAL 00000000- 02573851
	30-54215		1,1	BEARING, BALL - DRIVE SHAFT SERIAL 02573852- 09999999
12	53-30726		,1	RING, RETAINING - BALL BEARING
10	15-30278A1		AR,AR	SHIM, WATER PUMP BASE TO GEAR HOUSING
13	27-32438		1,1	GASKET, WATER PUMP BASE TO GEAR HOUSING
14	25-30224		1,1	"O" RING, WATER PUMP BASE
15	46-38931A1		1,1	WATER PUMP BASE ASSEMBLY(ALUMINUM)
	46-48747A1		1,	WATER PUMP BASE ASSEMBLY(PLASTIC)
16	26-31489		,1	OIL SEAL, WATER PUMP BASE
17	26-31507		1,1	OIL SEAL, WATER PUMP BASE
18	17-35973		2,2	DOWEL PIN, WATER PUMP BASE TO WATER PUMP BODY
19	27-32433		1,1	GASKET, LOWER - WATER PUMP BASE TO FACE PLATE
20	32435		1,1	PLATE, FACE - WATER PUMP BASE TO WATER PUMP BODY
21	27-32434		1,1	GASKET, UPPER - FACE PLATE TO WATER PUMP BODY
22	46-37433A1		1,1	WATER PUMP BODY ASSEMBLY(ALUMINUM)

CONTINUED ON NEXT PAGE ➡

GEAR HOUSING ASSEMBLY, COMPLETE (PAGE 1)

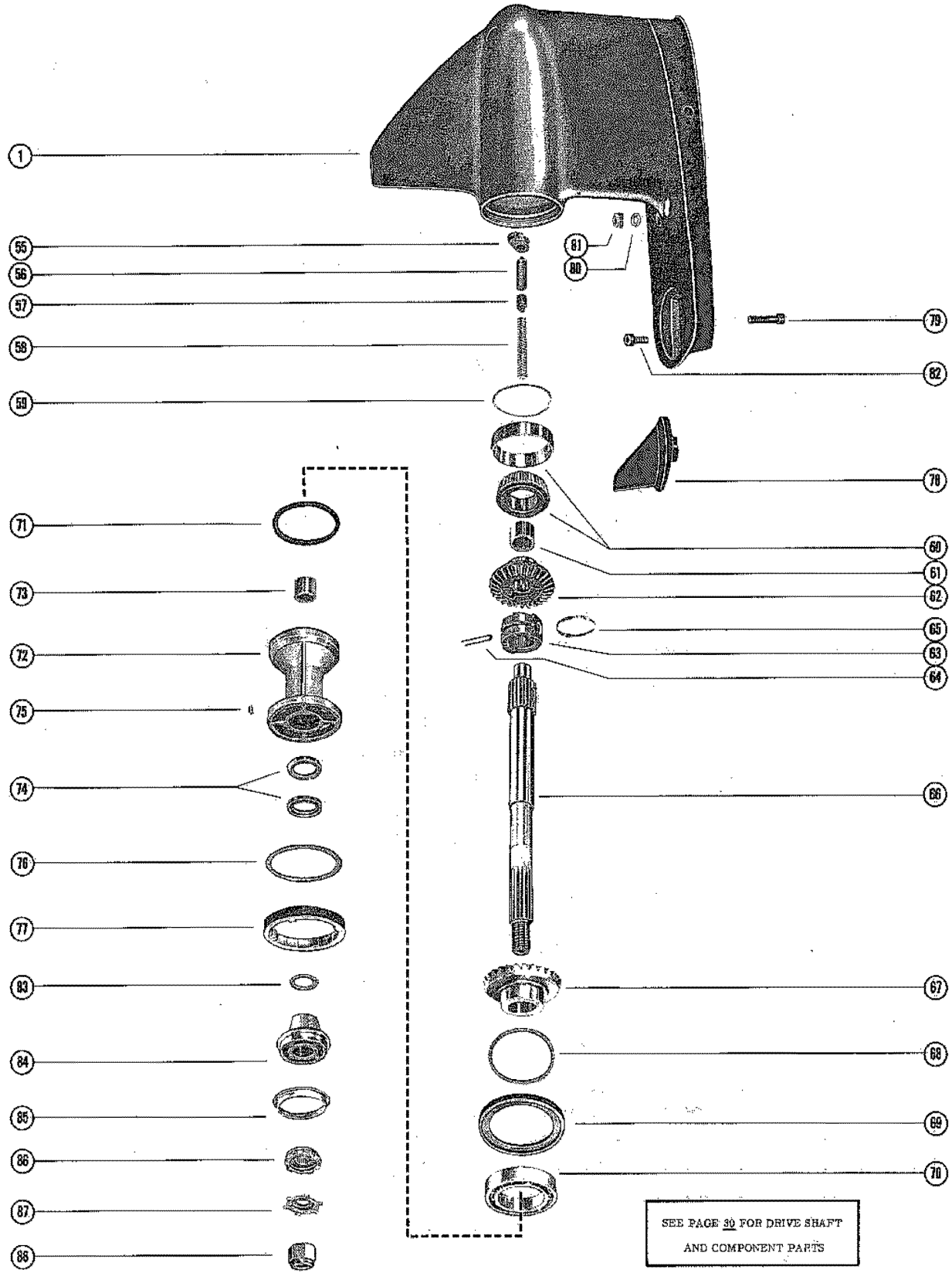


SEE PAGE 31 FOR PROPELLER
SHAFT AND COMPONENT PARTS

GEAR HOUSING ASSEMBLY, COMPLETE (PAGE 1)

REF. NO.	PART NO.	SYM.	QTY.	DESCRIPTION
22	46-48743A1		1,	WATER PUMP BODY ASSEMBLY(PLASTIC)
23	30915		,1	INSERT, WATER PUMP BODY
	48752		1,	INSERT, WATER PUMP BODY
24	26-31507		,1	OIL SEAL, WATER PUMP BODY
25	26-38970		1,1	SEAL, RUBBER - WATER INLET TUBE
26	47-30221		1,1	IMPELLER, WATER PUMP
27	17-29967		1,1	PIN, IMPELLER DRIVE
28	10-30720		1,1	SCREW, WATER PUMP BODY TO GEAR HOUSING (2-1/4")
30	13-26992		3,	LOCKWASHER, WTR PUMP BDY FASTNG SCREW&STUDS (1/4")
31	11-29598		2,	NUT, WATER PUMP BODY FASTENING STUDS (1/4")
32	13-26993		1,	LOCKWASHER, WATER PUMP BODY FASTENING STUD (5/16")
33	11-28770		1,	NUT, WATER PUMP BODY FASTENING STUD (5/16")
29	13-26992		,1	LOCKWASHER, WATER PUMP BODY SCREW
30	12-38753		,3	WASHER, WATER PUMP BODY FASTENING SCREW AND STUD
31	11-35045		,2	NUT, WATER PUMP BODY FASTENING SCREW
32	12-36001		,1	WASHER, WATER PUMP BODY FASTENING STUD
33	11-45592		,1	NUT, WATER PUMP BODY FASTENING STUD
34	25-30271		1,1	RING, RUBBER - CENTRIFUGAL SLINGER (DRIVE SHAFT)
35	23-29804		1,1	SLEEVE, GUIDE - WATER INLET TUBE
36	25-30613		1,1	"O" RING, UPPER - DRIVE SHAFT
37	37641		1,1	SEAL, EXHAUST TUBE
38	38051		1,1	PLATE, SUPPORT - EXHAUST TUBE SEAL
39	37432		1,1	SHAFT, SHIFT - LOWER
40	18-20233		1,1	CLIP, RETAINING - SHIFT SHAFT
41	25-25439		1,1	"O" RING, SHIFT SHAFT BUSHING
42	23-37428A1		1,1	BUSHING ASSEMBLY, SHIFT SHAFT
43	26-24590		1,1	OIL SEAL, SHIFT SHAFT HOUSING (LOWER)
	26-31249		1,1	OIL SEAL, SHIFT SHAFT Busing (UPPER)
44	12-31266		1,1	WASHER, RUBBER - SHIFT SHAFT BUSHING
45	39019		1,1	SPACER, LOWER - REVERSE LOCKING
46	39021		1,1	CAM, REVERSE LOCKING
47	22-21290		1,	PLUG, PIPE - SHIFT SHAFT GREASE FILLER HOLE
48	10-28634		2,2	SCREW, GREASE FILLER AND VENT HOLE
49	12-20260		2,2	WASHER, GREASE FILLER AND VENT HOLE SCREW
50	10-29608		1,	SCREW, GEAR HOUSING FLUSHING HOLE - ALUMINUM
51	27-29588		1,	GASKET, GEAR HOUSING FLUSHING HOLE SCREW - ALUMINUM
52	26-29612		1,	SEAL, GEAR HOUSING FLUSHING HOLE - ALUMINUM
53	19-48750		,1	PLUG, GEAR HOUSING FLUSHING HOLE - PLASTIC
54	12-49221		,1	WASHER, GEAR HOUSING FLUSHING HOLE SCREW - PLASTIC

GEAR HOUSING ASSEMBLY, COMPLETE (PAGE 2)

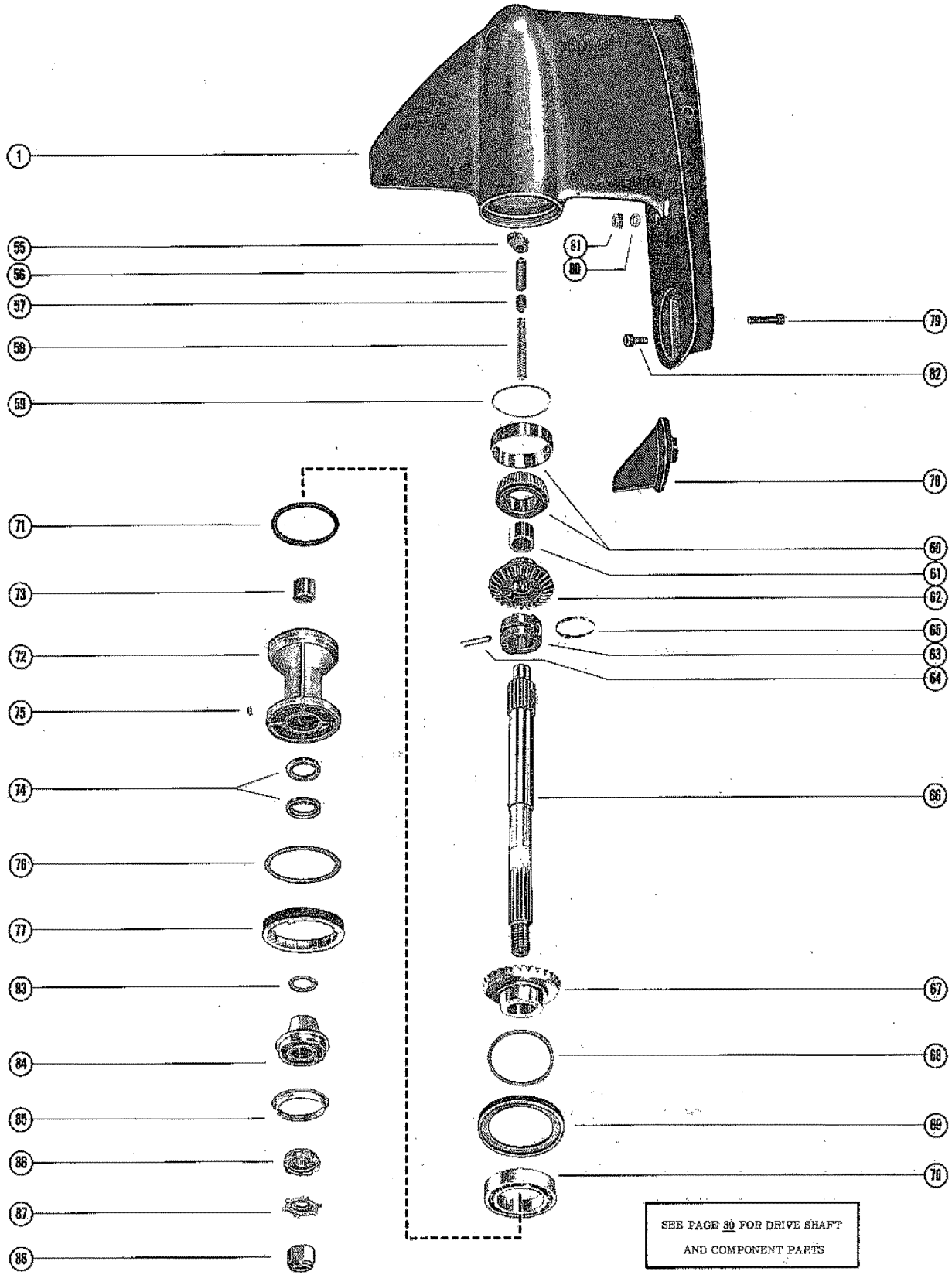


GEAR HOUSING ASSEMBLY, COMPLETE (PAGE 2)

REF. NO.	PART NO.	SYM.	QTY.	DESCRIPTION
-	1623-2460A31		1,	GEAR HOUSING ASSEMBLY, COMPLETE (SHOFT SHAFT)-(SEE NOTE BELO
1	1623-2460A32		1,	GEAR HOUSING ASSEMBLY, COMPLETE (LONG SHAFT)-(SEE NOTE BELOW
-	1623-3486A8		,1	GEAR HOUSING ASSEMBLY, COMPLETE (SHORT SHAFT)-(SEE NOTE BELO
-	1623-3486A9		,1	GEAR HOUSING ASSEMBLY, COMPLETE (LONG SHAFT)-(SEE NOTE BELOW
	1623-2460A20		1,	GEAR HOUSING ASSEMBLY SEE PAGE 30 FOR PARTS BREAKDOWN
	1623-3486A4		,1	GEAR HOUSING ASSEMBLY SEE PAGE 30 FOR PARTS BREAKDOWN
55	36288		1,1	CAM, SHIFT SERIAL 00000000-02573511
	54346		,1	CAM, SHIFT SERIAL 02573512-09999999
56	30625		1,1	FOLLOWER, CAM
57	30624		1,1	SLIDE, CROSS PIN
58	24-30622		1,1	SPRING, COMPRESSION - CAM FOLLOWER
59	15-30923A1		AR,AR	SHIM, BEARING OUTER RACE TO GEAR HOUSING (.002-3-5-10)
60	31-30894A1		1,1	TAPERED ROLLWER BEARING ASSEMBLY
61	31-30895		1,1	BEARING, ROLLER - FORWARD GEAR
62	43-34085		1,	FORWARD GEAR ASSEMBLY
	43-53100		,1	FORWARD GEAR ASSEMBLY
63	52-34239		1,1	RATCHET, SLIDING CLUTCH
64	17-30632		1,1	PIN, CROSS - RATCHET TO PROPELLER SHAFT
65	24-30893		1,1	SPRING, RETAINING - CROSS PIN
66	44-47901		1,	SHAFT, PROPELLER (COARSE THREAD)
	44-52542		,1	SHAFT, PROPELLER (FINE THREAD)
67	43-31887		1,1	REVERSE GEAR ASSEMBLY
68	15-29955A1		AR,AR	SHIM, THRUST WASHER TO GEAR HOUSING (.002-3-5-10)
69	12-30633		1,1	WASHER, THRUST - BEARING CARRIER TO GEAR HOUSING
70	30-31265		1,1	BEARING, BALL - REVERSE GEAR
71	25-29976		1,1	"O" RING, BEARING CARRIER
72	31284A1		1,	BEARING CARRIER ASSEMBLY
	52132A1		,1	BEARING CARRIER ASSEMBLY
73	31-30956		1,1	BEARING, ROLLER - BEARING CARRIER
74	26-30550		2,2	OIL SEAL, BEARING CARRIER
75	28-30281		1,1	KEY, LOCATING - BEARING CARRIER
76	12-29957		1,	WASHER, GEAR HOUSING COVER
77	31037		1,	COVER, GEAR HOUSING
76	14-52700		,1	TAB WASHER, GEAR HOUSING COVER
77	52699		,1	COVER, GEART HOUSING
78	31640A1		1,1	TRIM TAB, GEAR HOUSING
79	10-47580		1,1	SCREW, TRIM TAB TO GEAR HOUSING (1-3/4")

CONTINUED ON NEXT PAGE ➡

GEAR HOUSING ASSEMBLY, COMPLETE (PAGE 2)



GEAR HOUSING ASSEMBLY, COMPLETE (PAGE 2)

REF. NO.	PART NO.	SYM.	QTY.	DESCRIPTION
80	12-45176		2,2	WASHER, GEAR HOUSING TO DRIVE SHAFT HOUSING STUDS
81	11-34933		2,2	NUT, GEAR HOUSING TO DRIVE SHAFT HOUSING STUDS
82	10-34353		1,1	SCREW, GEAR HOUSING TO DRIVE SHAFT HOUSING (1")
83	12-31013		1,	WASHER, THRUST - BEARING CARRIER
84	46961A1		1,1	THRUST HUB AND WASHER ASSEMBLY PART OF A-1623-3486A8 AND A9 GEAR HOUSING ASSEMBLY, COMPLETE
85	12-29590		1,1	WASHER, CUPPED - THRUST HUB PART OF A-1623-3486A8 AND A9 GEAR HOUSING ASSEMBLY, COMPLETE
86	12-31211		1,1	WASHER, SPLINED - PROPELLER NUT
87	14-31210		1,1	TAB WASHER, PROPELLER NUT
88	11-29594		1,	NUT, PROPELLER (COARSE THREAD)
	11-52707		,1	NUT, PROPELLER (FINE THREAD)

PARTS INDEX

Part Number	Description	Pg.	Ref. No.	Part Number	Description	Pg.	Ref. No.
20121	CONNECTOR, HIGH TENSION CABLE (CAP END)	19	--	29907	FLANGE, DRIVE PULLEY . .	11	38
20121	CONNECTOR, SPARK PLUG LEAD	19	--	30021	BLANKET, SOUND ABSORBING	7	15
20140	BELT, TIMING	13	42	30050	TERMINAL, HARNESS AND MERCURY SWITCH LEADS	21	2
20208	SHAFT, REVERSE LOCK PIVOT	49	49	30109	GROUND STRAP ASSEMBLY, ADAPTOR TO CRANKCASE	13	43
22463	KNOB, CHOKE ROD	25	22	30186	ADAPTOR, CHECK UNIT (FUEL LINE)	33	26
22789	"D" WASHER, CLIP FASTENING SCREW	9	17	30187	STEM, CHECK UNIT ADAPTOR	33	27
22789	"D" WASHER, IGNITION COIL CLAMPING SCREW	15	31	30188	CUP WASHER, ADAPTOR . .	33	30
22789	"D" WASHER, WIRING HARNESS CLIP SCREW . .	21	4	30269A2	FUEL PUMP ASSEMBLY - UPPER	33	1
23004	RETAINER, CHECK VALVE . .	33	7	30275	COVER, FUEL PUMP	33	10
23004	RETAINER, CHECK VALVE . .	33	7	30306	PULLEY, FLYWHEEL	9	10
23014A1	DIAPHRAGM KIT	33	3	30413	HOOK, COWL LATCH FASTENING	7	14
23014A1	DIAPHRAGM KIT	33	3	30461A2	FUEL PUMP ASSEMBLY - LOWER	33	9
23760	BAFFLE, BOTTOM COWL . .	43	8	30498	CAP, PLASTIC - TILT TUBE .	47	7
24929	PACKING, "U" CUP	53	29	30580A1	ECONOMIZER COLLAR AND PIN ASSEMBLY	11	8
25067	BUMPER, RUBBER - MOUNTING SCREW	53	41	30585	BRACKET, STOP	11	20
25596	CABLE, WIRE - STARTER MOTOR TO FRONT SUPPORT BRACKET	21	28	30624	SLIDE, CROSS PIN	59	57
25661	SOLENOID, STARTER	21	33	30625	FOLLOWER, CAM	59	56
25996A1	SWIVEL AND LINK ROD ASSEMBLY	15	2	30645	ADAPTOR, DISTRIBUTOR . .	11	18
26079	PLATE, WIRING HARNESS TO BOTTOM COWL	21	6	30664	TUBE, TILT - CLAMP BRACKET TO SWIVEL BRACKET	47	4
26113	RACE, OUTER (PAIR)	41	8	30915	INSERT, WATER PUMP BODY	57	23
26551	BRACKET, CLAMP EXTENSION	37	18	31014	MOUNT, RUBBER MOUNT TO TOP COWL FRAME . .	3	33
26852	CAP, NYLON - ADJUSTING SCREW	11	25	31037	COVER, GEAR HOUSING . .	59	77
26901	BUMPER, STARTER SOLENOID (IGNITION COIL BRACKET)	21	--	31089	STRIP, SOUND ABSORBING	7	8
27947	SWIVEL, LINKAGE - ECONOMIZER COLLAR . .	15	1	31260	COVER, UPPER MOUNT - OUTSIDE HALF	53	27
27948	SWIVEL, UPPER LINK ROD TO THROTTLE CONTROL LEVER	15	5	31284A1	BEARING CARRIER ASSEMBLY	59	72
27955	CAP, ADAPTOR AND PILOT FASTENING	11	32	31288	COVER, TRANSFER PORT . .	39	46
27977	CLUSTER, THROTTLE LEVER (UPPER CARBURETOR)	25	13	31640A1	TRIM TAB, GEAR HOUSING	59	78
28007A6	THROTTLE PICK-UP BRACKET ASSEMBLY . . .	25	16	32197	STOP, SPRING TERMINAL PIN	11	7
28203	BUMPER, STEERING ARM . .	47	28	32362	KNOB, COWL FRONT COVER FASTENING	7	3
28205	STRAP STOP, DRIVE SHAFT HOUSING TO SWIVEL BRACKET	47	36	32435	PLATE, FACE - WATER PUMP BASE TO WATER PUMP BODY	55	20
28403A3	THUMB SCREW ASSEMBLY	47	2	33385A4	SWITCH, MERCURY	39	34
29787	HUB, FLYWHEEL PULLEY . .	9	11	35474	COVER, LOWER MOUNT CLAMP	53	49
29788	FLANGE, FLYWHEEL PULLEY	9	9	35496	PAD, BUMPER - TOP COWL RETAINER	3	3
29906A1	DRIVEN PULLEY ASSEMBLY	11	36	35608	CLAMP, LOWER MOUNT TO DRIVE SHAFT HOUSING . .	53	46
				35753	EMBLEM, FRONT COVER . .	7	2

PARTS INDEX

Part Number	Description	Pg.	Ref. No.	Part Number	Description	Pg.	Ref. No.
36288	CAM, SHIFT	59	55	38468A4	PLATE ASSEMBLY, EXHAUST EXTENSION	43	20
37331	PLATE, SPACER - STARTER MOTOR	21	22	38469	TUBE, EXHAUST (SHORT SHAFT)	51	13
37398	MOUNT, RUBBER - UPPER	53	26	38470	TUBE, EXHAUST (LONG SHAFT)	51	13
37399	MOUNT, RUBBER - LOWER	53	38	38675	BLANKET, SOUND ABSORBING	7	9
37412	LEVER, CLAMPINT - TOP COWL MOUNTING	3	15	38702	LEVER, THROTTLE CONTROL	15	6
37417	COVER, TRIM - DRIVE SHAFT HOUSING	51	6	38747	BRACKET, SUPPORT - STARTER MOTOR	21	25
37419	YOKE, BOTTOM	47	34	38802	CAP, BRASS BARREL TO THROTTLE CABLE	45	37
37432	SHAFT, SHIFT - LOWER	57	39	38820	MOUNT, RUBBER - UPPER (HEAVY DUTY)	53	26
37440	BRACKET, MOUNT SUPPORT - CYLINDER BLOCK	39	44	38821	MOUNT, RUBBER - LOWER (HEAVY DUTY)	53	38
37445	SUPPORT, WIRING HARNESS - BOTTOM COWL	43	11	39015A1	REVERSE LOCK ASSEMBLY	49	48
37569	SHIELD, TOP COWL - REAR	3	7	39019	SPACER, LOWER - REVERSE LOCKING	57	45
37587	SWIVEL, LOWER - THROTTLE CTRL LVR TO THROTTLE CABLE	15	14	39021	CAM, REVERSE LOCKING	57	46
37637	BOOT, FUEL CONNECTOR - BOTTOM COWL	43	10	39239	BRACKET, TOP COWL SUPPORT - REAR	3	32
37638	BOOT, CONTROL CABLES - BOTTOM COWL	43	7	45068	CHOKE SOLENOID	25	1
37639	MOUNT, RUBBER - TOP COWL FRAME	3	30	45391	SPACER, RUBBER - HIGH TENSION LEADS	15	21
37640	MOUNT, RUBBER - FRONT SUPPORT BRACKET	5	46	45392	BRACKET, FRONT - WIRE RETAINER	15	18
37641	SEAL, EXHAUST TUBE	57	37	45393	BRACKET, REAR - WIRE RETAINER	15	19
37665	STRIP, RETAINING - TRIM COVER SEAL (SIDE)	51	9	45409	WIRE RETAINER, HIGH TENSION LEADS	15	17
37674	COVER, EXHAUST MANIFOLD	37	32	45456	ROD, CHOKE	25	29
37712	COVER, UPPER MOUNT - INSIDE HALF	53	28	45458	"U" LINK, CHOKE KNOB	25	24
37896	GUIDE BLOCK, LINK ROD	45	40	45559	TERMINAL BLOCK, STATOR LEADS	23	48
37903	FLANGE, RUBBER - DRIP TRAY	43	4	45960A1	PILOT ASSEMBLY, DISTRIBUTOR	11	2
37913	LEVER, CONTROL CABLE LOCKING - ANCHOR BRACKET	45	45	46096	MOUNT, RUBBER - TOP COWL FRAME (HEAVY DUTY)	3	30
37918	SEAL, EXHAUST EXTENSION PLATE	43	27	46141	EMBLEM, TOP COWL RETAINER	3	4
37919	SEAL, TRIM COVER TO DRIVE SHAFT HOUSING	51	8	46144	BRACKET, COWL LATCH - TOP COWL FASTENING	3	11
37931	ROD, LINK - UPPER	15	4	46280	BRACKET, COIL LEAD RETAINER	25	6
37940	PAD, SOUND - DRIP TRAY	43	3	46466	GROUND STRAP ASSEMBLY, STARTER SOLENOID	21	34
38032	STRIP, RETAINING - EXHAUST EXTENSION PLATE SEAL	43	28	46785A1	COWL LATCH ASSEMBLY	7	13
38051	PLATE, SUPPORT - EXHAUST TUBE SEAL	57	38	46933A1	GROUND STRAP ASSY, CRANKCASE TO BOTTOM COWL (3-5/8")	45	49
38052	STRIP, RETAINING - TRIM COVER SEAL (REAR)	51	10	46933A2	GRAND STRAP ASSY, DRIV SHAFT HOUS-BOTTOM COWL (3-3/8")	45	50
38279	LATCH, CONTROL CABLE FASTENING - ANCHOR BRACKET	45	42	46961A1	THRUST HUB AND WASHER ASSEMBLY	61	84
38448	RETAINER, WATER TUBE SEAL	43	22				

PARTS INDEX

Part Number	Description	Pg.	Ref. No.	Part Number	Description	Pg.	Ref. No.
47210A2	BRACKET ASSEMBLY, TOP COWL SUPPORT - FRONT	5	41	49905A1	SHIFT SHAFT ASSEMBLY, UPPER (LONG SHAFT) ..	45	30
47261A2	DRIP TRAY ASSEMBLY, BOTTOM COWL	43	2	49932A1	LEVER ASSEMBLY, CONTROL CABLE LOCKING - ANCHOR BRACKET	45	45
47271	FRAME, TOP COWL SUPPORT	3	28	49935	CAP, BRASS BARREL TO THROTTLE CABLE	45	37
47325A1	SHIFT SHAFT ASSEMBLY, UPPER (SHORT SHAFT) .	43	30	52100	WARE PLATE, LINK ROD (NOT AS SHOWN)	45	41
47326A1	SHIFT SHAFT ASSEMBLY, UPPER (LONG SHAFT) ..	45	30	52132A1	BEARING CARRIER ASSEMBLY	59	72
47341A1	ROPE, STARTER (FOR MANUAL STARTING ONLY)	3	10	52699	COVER, GEART HOUSING .	59	77
47555A1	RETAINER ASSEMBLY, TOP COWL	3	2	52724	BRACKET, TOP COWL SUPPORT - REAR	3	32
47558	ROD, PUSH - REVERSE LOCK (LONG SHAFT) ...	53	21	52725A2	BRACKET ASSEMBLY, TOP COWL SUPPORT - FRONT	5	41
47559	YOKE, PUSH ROD	53	23	52733A1	RETAINER ASSEMBLY, TOP COWL	3	2
47560	GUIDE, PUSH ROD - REVERSE LOCKING	51	20	52737	LEVER, COWL LATCH HINGE	3	22
47591	ROD, PUSH - REVERSE LOCK (SHORT SHAFT) ..	53	21	52738	HOOK, TOP COWL LATCH - REAR	3	25
47604A1	PROTECTOR, SPARK PLUG LEAD	19	30	52739	HINGE, COWL LATCH - TOP COWL	3	21
47660	PLATE, BAFFLE - EXHAUST MANIFOLD	37	30	52769	WIRING HARNESS, INTERNAL	21	1
47799A1	TILT LOCK ASSEMBLY, STARBOARD	47	21	52862A1	DRIP TRAY ASSEMBLY, BOTTOM COWL	43	2
47800A1	TILT LOCK ASSEMBLY, PORT	47	22	52887	GUIDE, PUSH ROD - RECERSE LOCKING	51	20
47802	TUBE, TILT LOCK	47	23	52889	NOZZLE, TELL TALE HOSE TO BOTTOM COWL	43	15A
47804	SHUTTER, CHOKE - CARBURETOR	25	32	52932A2	PLATE ASSEMBLY, EXHAUST EXTENSION ..	43	20
47869A1	BRACKET ASSEMBLY, ANCHOR CONTROL CABLES	45	36	53071	COVER, UPPER AND LOWER SHOCK MOUNTING PIN	49	60
47899A9	SPARK PLUG LEAD ASSEMBLY	19	29	53078	CAP, PLASTIC - TILT TUBE .	47	7
48039	CAP, THROTTLE ACTUATOR ADJUSTING SCREW	11	14	53141	COVER, UPPER MOUNT - INSIDE HALF	53	28
48047A1	LINK ROD ASSEMBLY	45	33	53156A3	FUEL PUMP ASSEMBLY - UPPER	33	1
48150	WIRING HARNESS, INTERNAL	21	1	53216	LUBRICAP, SWIVEL BRACKET GREASE FITTING	47	18
48315A4	PLUNGER AND LINK ASSEMBLY, CHOKE SOLENOID	25	10	53334	SEAL, SOUND ABSORBING - UPPER	7	11
48321	ACTUATOR, THROTTLE ...	11	11	53649A2	THROTTLE PICKUP BRACKETE ASSEMBLY ..	25	16
48396	CABLE, WIRE - STARTER MOTOR TO SOLENOID ..	21	32	53665	INSERT, THROTTLE BRACKET	25	--
48752	INSERT, WATER PUMP BODY	57	23	53889A3	SHIFT SHAFT ASSEMBLY, UPPER (LONG SHAFT) ..	45	30
48856	LEVER, THROTTLE CONTROL	15	6	53889A4	SHIFT SHAFT ASSEMBLY, UPPER (SHORT SHAFT) .	45	30
49087A2	PLATE ASSEMBLY, EXHAUST EXTENSION ..	43	20	54346	CAM, SHIFT	59	55
49239	COVER, UPPER MOUNT - OUTSIDE HALF	53	27	55692	COUPLING, SHIFT SHAFT ..	45	32
49448	SHIELD, TOP COWL - REAR	3	7	10-20037	SCREW, RETAINER TO HOUSING	33	8
49904A1	SHIFT SHAFT ASSEMBLY, UPPER (SHOFT SHAFT) .	45	30				

PARTS INDEX

Part Number	Description	Pg.	Ref. No.	Part Number	Description	Pg.	Ref. No.
10-20037	SCREW, RETAINER TO HOUSING	33	8	10-22968	SCREW, CENTER MAIN BEARING CLAMPING	41	11
10-20100	SCREW, "U" LINK TO CHOKE KNOB	25	27	10-23015	SCREW, ADJUSTING - THROTTLE ACTUATOR (1")	11	12
10-20100	SCREW, THROTTLE ACTUATOR TO SECTOR GEAR (1/2")	11	15	10-24226	SCREW, EXHAUST EXTNSN PLATE TO DRIV SHAFT HOUS (1-1/4")	43	24
10-20359	SCREW, CENTER MAIN BEARING LOCKING (1")	37	20	10-24228	SCREW, STOP BRACKET ADJUSTING (1-7/8')	11	23
10-20362	SCREW, FRONT BRACKET TO TOP COWL FRAME (1-1/2")	5	44	10-24234	SCREW, ANCHOR BRACKET TO CYLINDRE BLOCK	45	38
10-20456	SCREW, PULLEY CLAMPING (5/8")	11	40	10-24234	SCREW, BRACKET TO CYLINDER BLOCK (1")	39	45
10-20532	SCREW, ADAPTOR AND PILOT TO DISTRIBUTOR (1-1/8")	11	33	10-24644	SCREW, CYLINDER BLOCK COVER MOUNTING (1-3/8")	39	40
10-20540	SCREW, TRANSFER PORT COVER MOUNTING (5/8")	39	48	10-24866	SCREW, SWITCH BOX TO FRONT MOUNTING BRACKET (1")	23	42
10-20646	SCREW, SHIM/TRIGGER HOUSING TO PRIMARY HOUSING (5/8")	19	8	10-25612	SCREW, DRIVE - SERIAL PLATE TO SWIVEL BRACKET	49	45
10-20776	SCREW, GROUND WIRE TO BOTTOM COWL	21	13	10-25822	SCREW, STRAINER COVER FASTENING	29	18
10-20847	SCREW, CLUSTER TO THROTTLE LEVER	25	14	10-25850	SCREW, FLOAT BOWL COVER (LONG)	29	11
10-20847	SCREW, THROTTLE STOP LEVER	29	19	10-26065	SCREW, REAR BRACKET TO TOP COWL FRAME (1")	3	37
10-20854	SCREW, FLOAT BOWL COVER (SHORT)	29	10	10-26132	SCREW, CRANKCASE TO CYLINDER BLOCK (2-1/2")	37	15
10-21091	SCREW, COWL LATCH BRACKET TO TOP COWL (1-1/8")	3	12	10-26548	SCREW, STATOR LEAD CLIP (#10 SHEET METAL)	9	16
10-21091	SCREW, CYLINDER BLOCK COVER MOUNTING (1-1/8")	39	41	10-28009	BOLT, CLAMP BRACKET TO BOAT TRANSOM (LOWER)	49	41
10-21106	SCREW, BAFFLE TO BOTTOM COWL (1/4")	43	9	10-28200	SCREW, STRAP STOP TO DRIVE SHAFT HOUSING	47	37
10-21574	SCREW, CRANKCASE TO CYLINDER BLOCK (1-5/8")	37	16	10-28405	SCREW PLUG - MAIN FUEL JET CHANNEL	29	28
10-21625	SCREW, SOLENOID TO COIL BRACKET	21	39	10-28424	SCREW, LOWER SHOCK PIN (LONG SHAFT)	49	--
10-22040	SCREW, ADAPTOR AND PILOT TO CRANKCASE FLANGE (1 1/2")	11	26	10-28450	SCREW, NYLOK - UPPER AND LOWER SHOCK MOUNTING PIN	49	59
10-22040	SCREW, CRANKCASE TO CYLINDER BLOCK (1-1/2")	37	16	10-28634	SCREW, GREASE FILLER AND VENT HOLE	57	48
10-22040	SCREW, FRONT BRACKET TO BOTTOM COWL (1-1/2")	5	42	10-28635	SCREW, TRANSFER PORT COVER MOUNTING (5/8")	39	48
10-22421	SCREW, EXHAUST EXTNSN PLATE TO DRIV SHAFT HOUS (1-1/4")	43	24	10-28636	SCREW< STOP BRACKET TO DISTRIBUTOR ADAPTOR (2")	11	21
10-22486	SCREW, COIL MOUNTING BRACKET (7/8")	15	33	10-28708	SCREW, MERCURY SWITCH LEAD (3/8")	39	35
10-22698	SCREW, STARTER MOTOR TO CRANKCASE FLANGE (1-3/4")	21	23	10-28773	SCREW, UPPER MOUNT COVER (1-5/8")	53	30
10-22956	SCREW, REAR HOOK TO TOP COWL (7/8")	3	26	10-28775	SCREW, UPPER MOUNT COVER (2-1/8")	53	31
				10-28846	SCREW, PLUG - MAIN NOZZLE	29	33

PARTS INDEX

Part Number	Description	Pg.	Ref. No.	Part Number	Description	Pg.	Ref. No.
10-29239	SCREW, THROTTLE BRACKET MOUNTING . . .	25	17	10-32417	SCREW, FLEXIBLE PLATE TO FLYWHEEL (1/4-28 X 5/8")	9	6
10-29256	SCREW, LOWER MOUNT CLAMP TO DRIVE SHAFT HOUSING	53	48	10-32417	SCREW, PLATE AND HUB TO FLEXIBLE PLATE	9	7
10-29465	SCREW, REED STOP MOUNTING	41	19	10-32627	SCREW, ADAPTOR TO HOUSING	19	12
10-29608	SCREW, GEAR HOUSING FLUSHING HOLE - ALUMINUM	57	50	10-33860	SCREW, CRANKCASE TO CYLINDER BLOCK (2") . .	37	16
10-29722	SCREW, COVER TO LOWER CLAMP MOUNT	53	51	10-34222	SCREW, DRIP TRAY TO BOTTOM COWL (1/2") . . .	43	5
10-29877	SCREW, CRANKCASE TO CYLINDER BLOCK (3-1/4")	37	15	10-34222	SCREW, TELL TALE NOZZLE TO BOTTOM COWL	43	16
10-29878	SCREW, FUEL PUMP MOUNTING (1-1/2") - UPPER PUMP	33	11	10-34353	SCREW, GEAR HOUSING TO DRIVE SHAFT HOUSING (1")	61	82
10-30009	SCREW, MERCURY SWITCH LEAND (3/8")	39	37	10-34439	SCREW, RETAINER TO EXHAUST EXTENSION PLATE (3/4")	43	23
10-30009	SCREW, WIRING HARNESS CLIP TO FRONT BRACKET (3/8")	21	5	10-35400	SCREW, SIDE INLET COVER TO DISTRIBUTOR CAP (7/16")	19	24
10-30225	SCREW, END CAP MOUNTING (1")	37	28	10-36351	SCREW, MAIN BEARING LOCKING (5/8")	37	19
10-30225	SCREW, END CAP MOUNTING (1")	37	5	10-37370	SCREW, SHIELD TO TOP COWL (5/8")	3	8
10-30273	SCREW, FUEL PUMP MOUNTING (1-7/8") - LOWER PUMP	33	14	10-37558	SCREW, RETAINER TO TOP COWL (1-1/4")	3	5
10-30273	SCREW, FUEL PUMP MOUNTING (1-7/8") - UPPER PUMP	33	12	10-37558	SCREW, RRERAR BRACKET TO BOTTOM COWL (1-1/4")	5	39
10-30274	SCREW, FUEL PUMP MOUNTING (1-3/4") - UPPER PUMP	33	12	10-37559	SCREW, THROTTLE LVR TO EXHAUST MANIFOLD CVR (1-3/4")	15	10
10-30663	SCREW, FRONT AND REAR BRACKET ATTACHING . .	15	20	10-37561	SCREW, ADAPTOR TO BOTTOM COWL (2-1/2") . .	35	31
10-30663	SCREW, GROUND STRAP FASTENING	45	51	10-37561	SCREW, COIL MOUNTING BRACKET (2-1/2")	17	35
10-30663	SCREW, STATOR LEADS TO ERMINAL BLOCK (3/8") . .	23	50	10-37561	SCREW, COIL MOUNTING BRACKET (2-1/2")	17	35
10-30720	SCREW, WATER PUMP BODY TO GEAR HOUSING (2-1/4")	57	28	10-37571	SCREW, SEAL AND RETAINING STRIP TO EXTENSION PLATE	43	29
10-31206	SCREW, STATOR LEAD CLIP (7/16")	9	16	10-37571	SCREW, TRIM COVER TO BOTTOM COWL	51	7
10-31257	BOLT, STEERING ARM TO UPPER MOUNT	47	29	10-37655	SCREW, COVER TO SHOCK MOUNTING SCREWS (7/16")	49	61
10-31294	SCREW, COIL BRACKET (1")	25	7	10-37655	SCREW, STATOR LEAD CLIP FASTENING (10-32 X 1/2")	9	16
10-31294	SCREW, RECTIFIER TO MOUNTING BRACKET (1")	21	17	10-37990	SCREW, ADAPTOR TO BOTTOM COWL (1-3/4") . .	35	31
10-31294	SCREW, SWITCH BOX TO FRONT MOUNTING BRACKET (1")	23	42	10-37990	SCREW, ADAPTOR TO BOTTOM COWL (1-3/4") . .	35	31
10-31827	BOLT, CLAMP BRACKET TO BOAT TRANSOM (UPPER)	49	41	10-37990	SCREW, WIRING HARNESS SUPPORT TO BOTTOM COWL	43	12
10-31830	SCREW, RIDE-GUIDE ATTACHING	47	31	10-37990	SCREW, WIRING HARNESS SUPPORT TO BOTTOM COWL	43	12
10-32293	SCREW, CRANKCASE TO CYLINDER BLOCK (1-3/4")	37	16				

PARTS INDEX

Part Number	Description	Pg.	Ref. No.	Part Number	Description	Pg.	Ref. No.
10-38036	SCREW, FUEL PUMP MOUNTING (1-1/2") - LOWER PUMP	33	13	10-53077	SCREW, UPPER AND LOWER SHOCK MOUNTING PIN	49	59
10-38036	SCREW, FUEL PUMP MOUNTING (1-1/2") - UPPER PUMP	33	11	10-53651	SCREW, THROTTLE BRACKET MOUNTING	25	17
10-38601	SCREW, EXHAUST TUBE TO EXHAUST EXTENSION PLATE	51	14	11-20061	NUT, CONNECTING ROD SCREW	41	26
10-38601	SCREW, EXHAUST TUBE TO EXHAUST EXTENSION PLATE	51	14	11-20083	CLAMP BRACKET STUD	47	11
10-38837	SCREW, MANIFOLD COVER MOUNTING	39	33	11-20083	NUT, ADAPTOR AND PILOT FASTENING SCREW	11	28
10-45218	SCREW, SHIM/TRIGGER HOUSING TO PRIMARY HOUSING (3/8")	19	8	11-20083	NUT, SOLENOID TERMINAL (5/16")	21	36
10-45218	SCREW< SWITCH BOX (3/8")	23	44	11-20088	NUT, BOLT - BRACKET TO STARTER MOTOR	21	27
10-45739	SCREW, CONNECTING ROD	41	25	11-20088	NUT, RUBBER MOUNT TO REAR SUPPORT BRACKET	3	36
10-45775	SCREW, MAIN BEARING CLAMPING	41	15	11-20110	NUT, CHOKE SHUTTER TO CARBURETOR STUD	25	35
10-45862	SCREW, WIRING HARNESS CLAMP TO BOTTOM COWL (7/8")	21	9	11-20110	NUT, FILTER SCREEN STUD	27	39
10-45893	SCREW, HARNESS PLATE FASTENING (7/8")	21	7	11-20190	NUT, IGNITION COIL CLAMPING SCREW	15	32
10-45914	SCREW, DISTRIBUTOR CAP TO ADAPTOR TO HOUSING (2")	19	19	11-20361	NUT, RUBBER MOUNT TO TOP COWL FRAME	3	31
10-46367	SCREW, IGNITION COIL CLAMPING - CLIP ATTACHING (2-1/2")	15	27	11-20361	NUT, THROTTLE CABLE TO LOWER SWIVEL	15	15
10-46368	SCREW, IGNITION COIL CLAMPING (2-1/4")	15	27	11-20361	NUT, UPPER LINK ROD SWIVEL TO THROTTLE CONTROL	15	9
10-47580	SCREW, TRIM TAB TO GEAR HOUSING (1-3/4")	59	79	11-20509	NUT, POWERHEAD STUDS	51	17
10-47828	SCREW, DRIVE - SWIVEL BRACKET	47	16	11-20509	NUT, RIDE-GUIDE ATTACHING SCREW	47	32
10-48408	SCREW, RETAINING STRIP TO DRIVE SHAFT HOUSING (1/2")	51	5	11-20509	NUT, THROTTLE CONTROL LEVER SCREW	15	13
10-48409	SCREW, RETAINING STRIP TO DRIVE SHAFT HOUSING (5/8")	51	4	11-20645	NUT, IGNITION COIL CLAMPING SCREW	15	28
10-48409	SCREW, TERMINAL BLOCK FASTENING (5/8")	23	49	11-20645	NUT, SOLENOID TERMINAL	25	3
10-49006	SCREW, FLEXIBLE PLATE TO FLYWHEEL (5/16-24 X 3/4")	9	6	11-20645	NUT, SOLENOID TERMINAL (#10)	21	38
10-49318	SCREW, UPPER MOUNT (5-1/2")	53	39	11-20645	NUT< THROTTLE ACTUATOR ADJUSTING SCREW	11	13
10-49989	SCREW, PULLEY CLAMPING (5/8")	13	40	11-20664	NUT, LINK ROD	45	44
10-52195	SCREW, FLOAT BOWL COVER (SHORT)	29	10	11-20890	NUT, STARTER MOTOR TERMINAL	21	31
10-52196	SCREW, FLOAT BOWL COVER (LONG)	29	11	11-20890	NUT, STOP BRACKET ADJUSTING SCREW	11	24
10-52720	SCREW, STATOR TO UPPER END CAP (7/8")	9	14	11-22053	NUT, RUBBER MOUNT TO FRONT SUPPORT BRACKET	5	48
				11-22178	NUT, STEERING ARM BOLT FASTENING	47	30
				11-22178	NUT, UPPER MOUNT BOLT	53	37
				11-22339	NUT, FLYWHEEL	9	2
				11-23161	NUT, POWERHEAD STUDS	51	16
				11-25096	NUT, MOUNT SCREW	53	40
				11-25168	NUT, UPPER LINK ROD ADJUSTING	15	3
				11-25269	NUT, STRAP STOP FASTENING SCREW	49	38

PARTS INDEX

Part Number	Description	Pg.	Ref. No.	Part Number	Description	Pg.	Ref. No.
11-28010	NUT, CLAMP BRACKET BOLT	49	43	11-46887	NUT, CHOKE ROD SPRING TO CARBURETOR STUD	25	21
11-28010	NUT, CLAMP BRACKET BOLT	49	43	11-46887	NUT, COIL BRACKET SCREW	25	9
11-28770	NUT, WATER PUMP BODY FASTENING STUD (5/16")	57	33	11-46887	NUT, COIL MOUNTING BRACKET SCREW	17	36
11-29250	NUT, CARBURETOR MOUNTING STUD	31	37	11-46887	NUT, COIL MOUNTING BRACKET SCREW	17	36
11-29469	NUT, REED STOP MOUNTING SCREW	41	20	11-46887	NUT, COVER MOUNTING SCREW	39	42
11-29489	NUT, GEAR HOUSING AND DRIVE SHAFT HOUSING STUDS	53	44	11-46887	NUT, EXHAUST EXTENSION PLATE SCREW	43	25
11-29594	NUT, PROPELLER (COARSE THREAD)	61	88	11-46887	NUT, LOWER SHOCK PIN SCREW (LONG SHAFT)	49	--
11-29598	NUT, WATER PUMP BODY FASTENING STUDS (1/4")	57	31	11-46887	NUT, RECTIFIER MOUNTING SCREW	21	18
11-30499	NUT, TILT TUBE FASTENING	47	6	11-46887	NUT, SWITCH BOX SCREW	23	43
11-34933	NUT, GEAR HOUSING AND DRIVE SHAFT HOUSING STUDS	53	42	11-46887	NUT, WIRING HARNESS SUPPORT SCREW	43	13
11-34933	NUT, GEAR HOUSING TO DRIVE SHAFT HOUSING STUDS	61	81	11-46887	NUT, WIRING HARNESS SUPPORT SCREW	43	13
11-35045	NUT, WATER PUMP BODY FASTENING SCREW	57	31	11-47411	NUT, PINION GEAR TO DRIVE SHAFT	55	9
11-35521	NUT, LOWER MOUNT CLAMP COVER	53	50	11-47661	NUT, JAM - PUSH ROD	53	22
11-35921	NUT, PINION GEAR TO DRIVE SHAFT	55	9	11-52707	NUT, PROPELLER (FINE THREAD)	61	88
11-37424	NUT, SWIVEL PIN RETAINING	47	35	12-20084	WASHER, ADAPTOR AND PILOT FASTENING SCREW	11	27
11-45076	NUT, FASTENING - RECTIFIER STATOR LEADS	21	20	12-20086	WASHER, POWERHEAD STUDS	51	18
11-45076	NUT, SWITCH BOX TERMINAL	23	46	12-20128	WASHER, THROTTLE ACTUATOR FASTENING SCREW	11	17
11-45592	NUT, WATER PUMP BODY FASTENING STUD	57	33	12-20128	WASHER, WIRING HARNESS CLAMP SCREW	21	11
11-45774	NUT, MAIN BEARING CLAMPING SCREW	41	16	12-20260	WASHER, GREASE FILLER AND VENT HOLE SCREW	57	49
11-46438	NUT, ADAPTOR TO HOUSING SCREW	19	13	12-20346	WASHER, RUBBER MOUNT TO REAR SUPPORT BRACKET	3	35
11-46438	NUT, DISTRIBUTOR CAP FASTENING SCREW	19	21	12-20533	WASHER, STOP BRACKET FASTENING SCREW	11	22
11-46793	NUT, CRANKCASE FASTENING SCREW	37	17	12-21040	WASHER, CLAMP BRACKET BOLT (UPPER)	49	42
11-46793	NUT, FRONT SUPPORT BRACKET SCREW	5	43	12-21631	WASHER, PLAIN - LINK ROD	45	43
11-46793	NUT, REAR BRACKET SCREW	5	38	12-24664	WASHER, LINK ROD	45	34
11-46886	NUT, EXHAUST TUBE SCREW	51	15	12-26436	WASHER, DISTRIBUTOR CAP FASTENING SCREW	19	20
11-46886	NUT, EXHAUST TUBE SCREW	51	15	12-26825	WASHER, COVER FASTENING KNOB (STEEL)	7	5
11-46886	NUT, UPPER MOUNT COVER SCREW	53	33	12-26825	WASHER, CRANKCASE TO CYLINDER BLOCK SCREW	37	--
11-46887	NUT, ADAPTOR FASTENING SCREW	35	32	12-27939	WASHER, THRUST - DISTRIBUTOR PILOT	11	29
				12-28008	WASHER, CLAMP BRACKET BOLT (LOWER)	49	42

PARTS INDEX

Part Number	Description	Pg.	Ref. No.	Part Number	Description	Pg.	Ref. No.
12-28264	WASHER, LOWER BUSHING			12-45075	WASHER, SWITCH BOX		
	RETAINER (INNER)	49	54		TERMINAL	23	45
12-28404	WASHER, THUMB SCREW	47	3	12-45176	WASHER, GEAR HOUSING		
12-28421	WASHER, UPPER AND				TO DRIVE SHAFT		
	LOWER BUSHING				HOUSING STUDS	53	43
	RETAINER (OUTER)	49	58	12-45176	WASHER, GEAR HOUSING		
12-29245	WASHER, COIL BRACKET				TO DRIVE SHAFT		
	SCREW	25	8		HOUSING STUDS	53	45
12-29245	WASHER, LATCH BRACKET			12-45176	WASHER, GEAR HOUSING		
	SCREW (1/16" THICK)	3	13		TO DRIVE SHAFT		
12-29245	WASHER, THROTTLE				HOUSING STUDS	61	80
	CONTROL LEVER SWIVEL	15	7	12-45484	WASHER, DISTRIBUTOR TO		
12-29245	WASHER, UPPER MOUNT				PILOT	11	3
	COVER SCREW	53	32	12-45741	WASHER, NEEDLE		
12-29395	WASHER, THROTTLE				LOCATING	41	29
	CONTROL LEVER SCREW	15	11	12-46101	WASHER, PLUNGER AND		
12-29590	WASHER, CUPPED -				LINK	25	11
	THRUST HUB	61	85	12-47840	WASHER, RUBBER - UPPER		
12-29957	WASHER, GEAR HOUSING				MOUNT BOLT	53	35
	COVER	59	76	12-49221	WASHER, GEAR HOUSING		
12-30164	WASHER, CHOKE SHUTTER				FLUSHING HOLE SCREW		
	CARBURETOR STUD	25	34		- PLASTIC	57	54
12-30164	WASHER, FILTER SCREEN			12-52864	WASHER, CLAMP BRACKET		
	STUD	27	38		TILT TUBE	47	5
12-30633	WASHER, THRUST -			13-22238	LOCKWASHER, GROUND		
	BEARING CARRIER TO				STRAP SCREW	45	52
	GEAR HOUSING	59	69	13-24669	LOCKWASHER, GROUND		
12-30771	WASHER, COVER				WIRE SCREW	21	15
	FASTENING KNOB			13-24669	LOCKWASHER, THRU BOLT	21	26
	(RUBBER)	7	4	13-24850	WASHER, WAVE - TILT		
12-31013	WASHER, THRUST -				LOCK TUBE	47	26
	BEARING CARRIER	61	83	13-25244	LOCKWASHER, GROUND		
12-31211	WASHER, SPLINED -				WIRE SCREW	21	14
	PROPELLER NUT	61	86	13-25806	WASHER, WAVE -		
12-31262	WASHER, UPPER MOUNT				THROTTLE CONTROL		
	BOLT	53	34		LEVER SWIVEL	15	8
12-31263	WASHER, UPPER MOUNT			13-26917	WASHER, WAVE - PRIMARY		
	BOLT	53	36		HOUSING	19	2
12-31266	WASHER, RUBBER - SHIFT			13-26992	LOCKWASHER, ADAPTOR		
	SHAFT BUSHING	57	44		AND PILOT TO		
12-33001	WASHER, FLYWHEEL NUT	9	3		DISTRIBUTOR SCREW	11	34
12-36001	WASHER, WATER PUMP			13-26992	LOCKWASHER, COIL		
	BODY FASTENING STUD	57	32		MOUNTING BRACKET		
12-37407	WASHER, IGNITION COIL				SCREW	17	34
	CLAMPING SCREW	15	29	13-26992	LOCKWASHER, REAR HOOK		
12-37429	WASHER, SWIVEL PIN -				MOUNTING SCREW	3	27
	LOWER	47	33	13-26992	LOCKWASHER, RUBBER		
12-37905	WASHER, NYLON - LINK				MOUNT TO REAR		
	ROD	45	41		SUPPORT BRACKET	3	34
12-37998	WASHER, CHOKE ROD	25	26	13-26992	LOCKWASHER, STARTER		
12-37998	WASHER, LATCH BRACKET				MOTOR TERMINAL	21	30
	SCREW (1/32" THICK)	3	14	13-26992	LOCKWASHER, STARTER		
12-38006	WASHER, CLAMPING LEVER				SOLENOID FASTENING		
12-38753	WASHER, WATER PUMP				SCREW	21	40
	BODY FASTENING			13-26992	LOCKWASHER, WATER		
	SCREW AND STUD	57	30		PUMP BODY SCREW	57	29
12-38832	WASHER, PULLEY			13-26992	LOCKWASHER, WTR PUMP		
	CLAMPING SCREW	13	41		BDY FASTNG		
12-45075	WASHER, RECTIFIER				SCREW&STUDS (1/4")	57	30
	STATOR LEAD TERMINAL	21	19				

PARTS INDEX

Part Number	Description	Pg.	Ref. No.	Part Number	Description	Pg.	Ref. No.
13-26993	LOCKWASHER, CLAMP BRACKET STUD	47	10	15-30923A1	SHIM, BEARING OUTER RACE TO GEAR HOUSING (.002-3-5-10)	59	59
13-26993	LOCKWASHER, FRONT SUPPORT BRACKET SCREW	5	45	15-31283A1	SHIM, END CAP TO CRANKCASE (.002-3-5-10)	37	4
13-26993	LOCKWASHER, REAR SUPPORT BRACKET SCREW	5	40	16-20221	STUD, CLAMP BRACKET	47	9
13-26993	LOCKWASHER, RUBBER MOUNT TO FRONT SUPPORT BRACKET	5	47	16-26133	STUD, CRANKCASE TO DRIVE SHAFT HOUSING (1-7/8")	37	9
13-26993	LOCKWASHER, SOLENOID TERMINAL (5/16")	21	35	16-26134	STUD, CYLINDER BLOCK TO DRIVE SHAFT HOUSING (4-1/16")	37	12
13-26993	LOCKWASHER, STARTER MOTOR FASTENING SCREW	21	24	16-26135	STUD, CYLINDER BLOCK TO DRIVE SHAFT HOUSING (2-5/16")	37	14
13-26993	LOCKWASHER, WATER PUMP BODY FASTENING STUD (5/16")	57	32	16-30172	STUD, CARBURETOR - CHOKE SHUTTER PIVOT (1-1/4")	25	33
13-26996	LOCKWASHER, "U" LINK SCREW	25	28	16-35099	STUD, CARBURETOR MOUNTING	37	8
13-26996	LOCKWASHER, PULLEY CLAMPING SCREW	13	41	16-36292	STUD, WATER PUMP BASE&BODY TO GEAR HOUSING (3-3/8")	55	4
13-26996	LOCKWASHER, SOLENOID TERMINAL	25	2	16-37435	STUD, WATER PUMP BASE&BODY TO GEAR HOUSING (3-5/16")	55	5
13-26996	LOCKWASHER, SOLENOID TERMINAL (#10)	21	37	16-37653	STUD, CYLINDER BLOCK TO DRIVE SHAFT HOUSING (2-11/16")	37	13
13-26996	LOCKWASHER, THROTTLE ACTUATOR FASTENING SCREW	11	16	16-39937	STUD, CHOKE ROD SPRING TO CARBURETOR	25	19
13-26996	LOCKWASHER, WIRING HARNESS CLAMP SCREW	21	10	16-45198	STUD, GEAR HOUSING TO DRIVE SHAFT HOUSING (2-1/16")	55	3
13-27959	WASHER, WAVE - TAB WASHER TENSION	11	31	16-45199	STUD, GEAR HOUSING TO DRIVE SHAFT HOUSING (4")	55	2
13-29720	WASHER, WAVE - LINK ROD	45	35	16-46910	STUD, DRIVE SHAFT HOUSING TO GEAR HOUSING (2-11/16")	51	2
13-37371	LOCKWASHER, SHIELD SCREW	3	9	16-47165	STUD, DRIVE SHAFT HOUSING TO GEAR HOUSING (2-3/4")	51	2
13-39107	LOCKWASHER, RETAINER TO TOP COWL SCREW	3	6	16-48770	STUD, CYLINDER BLOCK TO DRIVE SHAFT HOUSING (3-9/16") 2409054	37	14
13-52197	LOCKWASHER, FLOAT BOWL COVER SCREWS	29	12	16-52614	STUD, GEAR HOUSING TO DRIVE SHAFT HOUSING (2-1/16")	55	3
14-20091	TAB WASHER, BEARING LOCKING SCREW	37	21	16-52898	STUD, FILTER SCREEN TO CARBURETOR	27	37
14-27960	TAB WASHER, CAP LOCKING	11	30	16-52906	STUD, CARBURETOR - CHOKE SHUTTER PIVOT (1-3/8")	25	33
14-31210	TAB WASHER, PROPELLER NUT	61	87	17-20032	DOWEL PIN, ADAPTOR TO PRIMARY HOUSING	19	11
14-52700	TAB WASHER, GEAR HOUSING COVER	59	76	17-20032	DOWEL PIN, CENTER MAIN BEARING	41	6
15-20085A1	SHIM, END CAP TO CRANKCASE (.002-3-5-10)	37	27	17-20032	DOWEL PIN, MAIN BEARING	41	14
15-29955A1	SHIM, THRUST WASHER TO GEAR HOUSING (.002-3-5-10)	59	68				
15-30278A1	SHIM, DRIVE SHAFT BALL BEARING TO GEAR HOUSING	55	10				
15-30278A1	SHIM, WATER PUMP BASE TO GEAR HOUSING	55	10				

PARTS INDEX

Part Number	Description	Pg.	Ref. No.	Part Number	Description	Pg.	Ref. No.
17-20033	PIN, DOWEL - CRANKCASE TO CYLINDER BLOCK . . .	37	10	19-48750	PLUG, GEAR HOUSING FLUSHING HOLE - PLASTIC	57	53
17-23928	PIN, ROLL - CONTROL CABLE LOCKING LEVER .	45	47	21-28481A1	CHECK VALVE ASSEMBLY .	39	52
17-25391	RIVET, CHOKE SHUTTER TO CHOKE ROD	25	30	21-28481A1	CHECK VALVE ASSEMBLY .	39	52
17-25598	PIN, REVERSE LOCK SPRING ATTAING	49	46	21-28481A1	CHECK VALVE ASSEMBLY, END CAP	37	23
17-26618	PIN, DOWEL - PULLEY TO FLYWHEEL	9	8	21-28483A1	CHECK VALVE ASSEMBLY, BLEED HOSE	39	51
17-27961	PIN, SPRING RETAINER . . .	11	9	21-28483A1	CHECK VALVE ASSEMBLY, BLEED HOSE	39	51
17-27962	PIN, SPRING TERMINAL . . .	11	6	21-30430A1	CHECK VALVE ASSEMBLY .	33	2
17-29077	PIN, ROLL - CLAMPING LEVER	3	20	21-30430A1	CHECK VALVE ASSEMBLY .	33	2
17-29077	ROLL PIN, TENSION SPRING TO KNOB	7	7	22-20445	CONNECTOR, CYLINDER BLEED HOSE - LOWER AND UPPER	39	49
17-29908	PIN, DRIVEN PULLEY	11	37	22-20445	CONNECTOR, CYLINDER BLEED HOSE - LOWER AND UPPER	39	49
17-29967	PIN, IMPELLER DRIVE	57	27	22-20781	ELBOW, BALANCE TUBE TO MAIN BEARING SCREW .	39	59
17-30496	PIN, ROLL - MERCURY SWITCH	39	36	22-20781	ELBOW, BALANCE TUBE TO MAIN BEARING SCREW .	39	59
17-30632	PIN, CROSS - RATCHET TO PROPELLER SHAFT	59	64	22-20931	TEE, BALANCE TUBE TO MAIN BEARING SCREW .	39	60
17-31245	DOWEL PIN, STEPPED	41	10	22-21290	PLUG, PIPE - SHIFT SHAFT GREASE FILLER HOLE . .	57	47
17-33522	PIN, COWL LATCH LEVER TO HINGE	3	23	22-23612	FITTING, GREASE - SWIVEL BRACKET	47	17
17-35973	DOWEL PIN, WATER PUMP BASE TO WATER PUMP BODY	55	18	22-25094	FITTING, GREASE - ADAPTOR	11	19
17-37423A1	SWIVEL PIN AND STEERING ARM ASSEMBLY(LONG SHAFT)	47	27	22-25094	FITTING, GREASE - ECONOMIZER COLLAR . .	11	10
17-37462A1	SWIVEL PIN AND STEERING ARM ASSEMBLY(SHORT SHAFT)	47	27	22-25885	ELLBOW, TELL TALE HOSE TO EXHAUST COVER . . .	43	17
17-38311	PIN, COIL SPRING MOUNTING	47	20	22-29111	CONNECTOR, TELL TALE HOSE TO BOTTOM COWL	43	15
17-39023	PIN, PUSH ROD TO REVERSE LOCK	53	24	22-30174	ELBOW, LOWER FUEL PUMP INLET	33	22
17-49840A1	SWIVEL PIN AND STEERING ARM ASSEMBLY(LONG SHAFT)	47	27	22-30174	ELBOW, UPPER CARBURETOR STRAINER COVER	33	16
17-49841A1	SWIVEL PIN AND STEERING ARM ASSEMBLY(SHORT SHAFT)	47	27	22-30175	SLEEVE, CARBURETOR STRAINER COVER ELBOW	33	17
17-49930A1	TTILT LOCK PIN ASSEMBLY	47	12	22-30175	SLEEVE, FUEL PUMP INLET ELBOW	33	23
18-20233	CLIP, RETAINING - SHIFT SHAFT	57	40	22-30177	NUT, FUEL PUMP INLET ELBOW	33	24
18-25191	COTTER PIN, PUSH ROD PIN	53	25	22-30177	NUT, UPPER CARBURETOR STRAINER COVER ELBOW	33	18
18-26953	COTTER PIN, CHOKE ROD .	25	31	22-31521	ELBOW, VEN HOSE - DISTRIBUTOR CAP	19	18
18-26953	COTTER PIN, LINK TO UPPER CHOKE LEVER . .	25	12	22-31521	ELBOW, VENT HOSE TO BOTTOM COWL	15	25
18-45882	COTTER PIN, REVERSE LOCK TO SHAFT	49	50	22-31521A1	ELBOW ASSEMBLY, VENT HOSE - ADAPTOR HOUSING	19	14
18-47959	COTTER PIN, TILT LOCK TUBE	47	24				
19-45907	PLUB, FLYWHEEL PULLER THREADS	9	1				
19-47579	PLUG, PLASTIC - TRIM TAB SCREW HOLE	51	3				

PARTS INDEX

Part Number	Description	Pg.	Ref. No.	Part Number	Description	Pg.	Ref. No.
22-37682	ELBOW, FUEL LINE TO ADAPTOR	33	25	24-38472	SPRING, CONTROL CABLE TENSION - ANCHOR BRACKET	45	48
22-53491	TEE, BLEED HOSE TO CYLINDER BLOCK - LOWER	39	57	24-53019	SPRING, COWL LATCH HINGE	3	24
22-53492	TEE, BLEED HOSE TO CYLINDER BLOCK - CENTER	39	54	25-20081	"O" RING	37	26
23-20222	SPACER, CLAMP BRACKET STUD	47	8	25-20116	GROMMET, CHOKE ROD	25	23
23-26600	BUSHING, SHIFT SHAFT	45	31	25-20415	"O" RING, ADAPTOR STEM	33	28
23-26819	BUSHING, NYLON - CLAMPING LEVER	3	16	25-25439	"O" RING, SHIFT SHAFT BUSHING	57	41
23-28198	BUSHING, RUBBER - SHOCK ABSORBER (LOWER)	49	57	25-26547	GROMMET, HIGH TENSION CABLE	19	27
23-28199	SPACER, UPPER SHOCK BUSHING TO CLAMP BRACKET	49	52	25-26547	GROMMET, RECTIFIER TO SWITCH BOX WIRE	23	47
23-28688	SPACER, RUBBER - COIL SPRING POSITIONING	49	39	25-26547	GROMMET, SPARK PLUG LEAD	19	27
23-29591	SLEEVE, RUBBER - WATER INLET TUBE	51	12	25-29976	"O" RING, BEARING CARRIER	59	71
23-29804	SLEEVE, GUIDE - WATER INLET TUBE	57	35	25-30224	"O" RING, WATER PUMP BASE	55	14
23-29909	SPACER, DRIVEN PULLEY	11	35	25-30271	RING, RUBBER - CENTRIFUGAL SLINGER (DRIVE SHAFT)	57	34
23-31293	BUYSHING, RUBBER - CLAMPING LEVER	3	18	25-30613	"O" RING, UPPER - DRIVE SHAFT	57	36
23-32171	BUSHING, RUBBER - SHOCK ABSORBER (UPPER)	49	56	25-31305	"O" RING	37	3
23-32427	SPACER, CHOKE ROD SPRING STUD	25	20	26-24590	OIL SEAL, SHIFT SHAFT HOUSING (LOWER)	57	43
23-37428A1	BUSHING ASSEMBLY, SHIFT SHAFT	57	42	26-29476	OIL SEAL	37	2
23-45457	BUSING, NYLINER - "U" LINK	25	25	26-29476	OIL SEAL, UPPER	37	25
23-45818	BUSHING, THROTTLE CONTROL LEVER	15	12	26-29478	OIL SEAL, UPPER	37	25
23-47803	BUSHING, TILT LOCK TUBE	47	25	26-29612	OIL SEAL, LOWER	37	24
24-20099	SPRING, LINK ROD TO GUIDE BLOCK	45	39	26-29612	SEAL, GEAR HOUSING FLUSHING HOLE - ALUMINUM	57	52
24-28659	SPRING, COIL _ SWIVEL BRACKET	47	19	26-30550	OIL SEAL, BEARING CARRIER	59	74
24-28975	SPRING, GARTER - INTERNAL WIRING HARNESS	21	12	26-31249	OIL SEAL, SHIFT SHAFT BUSING (UPPER)	57	43
24-29275	SPRING, HORSESHOE	11	5	26-31489	OIL SEAL, WATER PUMP BASE	55	16
24-29821	SPRING, REVERSE LOCK TENSION	49	47	26-31507	OIL SEAL, WATER PUMP BASE	55	17
24-30189	SPRING, ADAPTOR STEM	33	29	26-31507	OIL SEAL, WATER PUMP BODY	57	24
24-30622	SPRING, COMPRESSION - CAM FOLLOWER	59	58	26-38970	SEAL, RUBBER - WATER INLET TUBE	43	21
24-30772	SPRING, TENSION - FASTENING KNOB	7	6	26-38970	SEAL, RUBBER - WATER INLET TUBE	57	25
24-30893	SPRING, RETAINING - CROSS PIN	59	65	27-26447	GASKET, SIDE INLET COVER TO DISTRIBUTOR CAP	19	23
24-35522	SPRING, TENSION - LOWER MOUNT CLAMP	53	47	27-29588	GASKET, GEAR HOUSING FLUSHING HOLE SCREW - ALUMINUM	57	51
24-37678	SPRING, CHOKE ROD TENSION	25	18	27-31304	GASKET, TRANSFER PORT COVER	39	47
24-37911	SPRING, CONTROL CABLE LOCKING LEVER	45	46	27-31402	GASKET, CARBURETOR FLANGE	31	36

PARTS INDEX

Part Number	Description	Pg.	Ref. No.	Part Number	Description	Pg.	Ref. No.
27-32433	GASKET, LOWER - WATER PUMP BASE TO FACE PLATE	55	19	31-32898	BEARING, ROLLER - DRIVE SHAFT	55	6
27-32434	GASKET, UPPER - FACE PLATE TO WATER PUMP BODY	55	21	32-26330	HOSE, VENT - DISTRIBUTOR TO ELBOW (11") RUBBER	15	23
27-32438	GASKET, WATER PUMP BASE TO GEAR HOUSING	55	13	32-26407	HOSE, VENT - DISTRIBUTOR TO ELBOW (16") RUBBER	15	24
27-36268	GASKET, DISTRIBUTOR TO ADAPTOR	19	15	32-28052	SLEEVE, RUBBER - TILT PIN BUMPER	47	13
27-37740	GASKET, CYLINDER BLOCK TO BAFFLE PLATE	37	29	32-30176	FUEL LINE, ADAPTOR TO LOWER FUEL PUMP (18")	33	21
27-37741	GASKET, BAFFLE PLATE TO EXHAUST MANIFOLD COVER	37	31	32-31550A1	FUEL LINE ASSEMBLY, CARBURETOR (6")	35	33
27-37741A3	GASKET SET (MOTOR OVERHAUL) - 1000E-SS	1	-	32-31552A1	FUEL LINE ASSEMBLY, PUMP TO PUMP (12-3/8")	33	19
27-38471	GASKET, EXHAUST EXTENSION PLATE TO DRIVE SHAFT HOUSING	43	26	32-31553A1	FUEL LINE ASSEMBLY, PUMP TO CARBURETOR (19-3/4")	33	20
27-38471	GASKET, EXHAUST EXTENSION PLATE TO DRIVE SHAFT HOUSING	51	19	32-32256A1	FUEL LINE ASSEMBLY, PUMP TO CARBURETOR (9-7/8")	33	15
27-46351	GASKET, ADAPTOR TO PRIMARY HOUSING	19	10	32-32840A1	HOSE ASSEMBLY, CENTER CYLINDER BLEED (7")	39	55
27-47257	GASKET, POWERHEAD TO EXHAUST EXTENSION PLATE	43	19	32-32840A1	HOSE ASSEMBLY, LOWER CYLINDER BLEED (6-1/2")	39	58
28-29910	KEY, DISTRIBUTOR DRIVING	11	39	32-33500	HOSE, UPPER AND LOWER CYLINDER BLEED (9-1/2")	39	50
28-30281	KEY, LOCATING - BEARING CARRIER	59	75	32-33500	HOSE, UPPER AND LOWER CYLINDER BLEED (9-1/2")	39	50
28-37448	OIL SEAL, SWIVEL BRACKET	47	15	32-33960	TUBE, BALANCE - MAIN BEARING	39	56
28-45554	KEY, FLYWHEEL DRIVE	9	4	32-34395A1	HOSE, TELL TTALE - EXHAUST COVER TO BOTTOM COWL (16")	43	14
28-45554	KEY, FLYWHEEL DRIVE	41	4	32-37438	TUBE, WATER INLET (LONG SHAFT)	51	11
29-39656	BEARING, NEEDLE - PISTON PIN	41	28	32-37446	TUBE, WATER INLET (SHORT SHAFT)	51	11
29-47897	BEARING, NEEDLE - CRANKPIN	41	27	32-38455	TUBE, RUBBER SPACER - LOWER PORT NUT	39	43
29-48410	BEARING, NEEDLE - OUTER RACE	41	7	32-52030	HOSE, VENT - DISTRIBUTOR TO ELBOW (16") PLASTIC	15	24
30-20066	BEARING, BALL - DISTRIBUTOR PILOT	11	4	32-52031	HOSE, VENT - DISTRIBUTOR TO ELBOW (11") PLASTIC	15	23
30-20080	BEARING, BALL - LOWER	41	3	32-52032	HOSE, DRIP TRAY TO BOTTOM COWL (8")	43	6
30-20464	BEARING, BALL - DRIVE SHAFT	55	11	33-45191	SPARK PLUG (CHAMPION - L19V)	15	22
30-26379	BEARING, BALL - ROTOR SHAFT	19	3	34-31240	REED STOP, MAIN BEARING REED VALVES	41	18
30-31265	BEARING, BALL - REVERSE GEAR	59	70	34-45506A1	REED SET, MATCHED - MAIN BEARING	41	17
30-32117	BEARING, BALL - UPPER	41	2	35-52896	SCREEN, FILTER - CARBURETOR	27	36
30-53853	BEARING, BALL - LOWER	41	3	37-45201	DECAL, TIMING	3	29
30-54215	BEARING, BALL - DRIVE SHAFT	55	11	37-47891A1	DECAL SET (MERC 1000E-SS)	1	-
31-30894A1	TAPERED ROLLWER BEARING ASSEMBLY	59	60	37-47891A2	DECAL SET (MERC 1000E-1-SS)	1	-
31-30895	BEARING, ROLLER - FORWARD GEAR	59	61	38-39784	SERIAL PLATE	49	44
31-30956	BEARING, ROLLER - BEARING CARRIER	59	73				

PARTS INDEX

Part Number	Description	Pg.	Ref. No.	Part Number	Description	Pg.	Ref. No.
39-45204A12	RING ASS'Y, PISTON (.015 OVERSIZE) - 1/16" THICK	41	--	54-52876	CLAMP, WIRING HARNESS TO BOTTOM COWL	21	8
40-45740	LOCK RING, PISTON PIN	41	22	55-28414	PIN, LOWER SHOCK MOUNTING (LONG SHAFT)	49	51
43-31887	REVERSE GEAR ASSEMBLY	59	67	55-28416	PIN, UPPER SHOCK MOUNTING	49	40
43-34085	FORWARD GEAR ASSEMBLY	59	62	55-29247	PIN, LOWER SHOCK MOUNTING (SHORT SHAFT)	49	51
43-47351	GEAR, PINION - DRIVE SHAFT	55	8	55-31933	SHOCK ABSORBER	49	55
43-49751	GEAR, PINION - DRIVE SHAFT	55	8	90-48559	MERC 1000E-SS PARTS LIST, COMPLETE	1	-
43-53100	FORWARD GEAR ASSEMBLY	59	62	91-48168A6	TACHOMETER ASSEMBLY	1	-
44-47901	SHAFT, PROPELLER (COARSE THREAD)	59	66	92-25234--1	GLUE, ADHESIVE - BLANKET FASTENING	7	--
44-52542	SHAFT, PROPELLER (FINE THREAD)	59	66	92-27109--1	ADHESIVE COMPOUND, EMBLEM FASTENING	7	--
45-47433	DRIVE SHAFT (SHORT SHAFT)	55	7	94-48851	SHIPPING CARTON (MERC 1000EL-SS)	1	-
45-47434	DRIVE SHAFT (LONG SHAFT)	55	7	225-2494A2	FLYWHEEL ASSEMBLY, COMPLETE (USE C-10- 32417 SCREW)	9	5
45-47950	DRIVE SHAFT, DISTRIBUTOR	11	1	225-2494A8	FLYWHEEL ASSEMBLY, COMPLETE (USE C-10- 49009 SCREW)	9	5
46-37433A1	WATER PUMP BODY ASSEMBLY(ALUMINUM)	55	22	332-2854	BOOT, HIGH TENSION CABLE TO COIL	19	28
46-37433A4	EXTRA HEAVY DUTY WATER PUMP KIT	1	-	332-2910A3	RECTIFIER ASSEMBLY	21	16
46-38931A1	WATER PUMP BASE ASSEMBLY(ALUMINUM)	55	15	332-2983A5	IGNITION COIL ASSEMBLY, COMPLETE	15	26
46-48743A1	WATER PUMP BODY ASSEMBLY(PLASTIC)	57	22	332-2986A4	SWITCH BOX ASSEMBLY	23	41
46-48747A1	WATER PUMP BASE ASSEMBLY(PLASTIC)	55	15	393-1275	SLEEVE, TERMINAL COVER	19	26
47-30221	IMPELLER, WATER PUMP	57	26	393-1275	SLEVE, TERMINAL END COVER	19	26
50-45822A1	STARTER MOTOR ASSEMBLY	21	21	393-1293A1	BRUSH AND SPRING ASSEMBLY	19	17
52-34239	RATCHET, SLIDING CLUTCH	59	63	393-1927A9	DISTRIBUTOR CAP ASSEMBLY	19	16
53-26933	RING, SNAP - OUTER RACE	41	9	393-2725	COVER, SIDE INLET - DISTRIBUTOR	19	22
53-30428	FASTENER, CLAMPING LEVER	3	19	393-2795	SHIM, TRIGGER HOUSING TO PRIMARY HOUSING	19	6
53-30726	RING, RETAINING - BALL BEARING	55	12	393-2799A11	DISTRIBUTOR ASSEMBLY, COMPLETE	15	16
53-45906	RING, RETAINER - ROTOR SHAFT BALL BEARING	19	4	393-2799A11	DISTRIBUTOR ASSEMBLY, COMPLETE	19	-
54-20386	CLAMP, BALANCE TUBE TO ELBOW AND TEE	39	61	393-2799A21	HOUSING ASSEMBLY, PRIMARY	19	1
54-20387	CLAMP, BLEED HOSE TO CONNECTOR	39	53	393-2918A3	TRIGGER HOUSING ASSEMBLY	19	7
54-20387	CLAMP, BLEED HOSE TO CONNECTOR	39	53	393-3014A2	ADAPTOR ASSEMBLY, HOUSING TO DISTRIBUTOR CAP	19	9
54-22740	CLIP, LEAD WIRE TO IGNITION COIL	15	30	393-3250A1	HIGH TENSION CABLE ASSEMBLY - DISTRIBUTOR TO COIL	19	25
54-22875	CLIP, STATOR LEAD FASTENING (7/16")	9	15	393-3269A1	ROTOR SHAFT ASSEMBLY	19	5
54-26538	CLIP, WIRING HARNESS TO FRONT BRACKET (1/8")	21	3	398-3301	STATOR, ALTERNATOR	9	12
54-26550	CLIP, STATOR WIRING HARNESS LEADS FASTENING (5/16")	9	15	398-3587	STATOR, ALTERNATOR	9	12

PARTS INDEX

Part Number	Description	Pg.	Ref. No.	Part Number	Description	Pg.	Ref. No.
410-25299	SCREW, CHOKE SOLENOID	25	4	1551-3669A4	DRIVE SHAFT HOUSING ASSEMBLY (LONG SHAFT)	51	1
420-3351A2	CRANKSHAFT ASSEMBLY	41	1				
531-1884A3	CENTER MAIN BEARING ASSEMBLY	41	5	1552-2463A5	DRIVE SHAFT HOUSING ASSEMBLY (SHORT SHAFT)	51	1
533-2761A2	MAIN BEARING ASSEMBLY, VALVE TYPE	41	13				
617-2768A3	CONNECTING ROD AND CAP ASSEMBLY	41	24	1552-3429A3	DRIVE SHAFT HOUSING ASSEMBLY (SHORT SHAFT)	51	1
732-3270A2	PISTON AND PISTON PIN ASSEMBLY	41	21	1552-3670A3	DRIVE SHAFT HOUSING ASSEMBLY (SHORT SHAFT)	51	1
732-3449A2	PISTON AND PISTON PIN ASSEMBLY (.015 OVERSIZE)	41	--	1623-2460A20	GEAR HOUSING ASSEMBLY	55	1
836-3260A3	CYLINDER BLOCK AND CRANKCASE ASSEMBLY	37	6	1623-2460A20	GEAR HOUSING ASSEMBLY SEE PAGE 30 FOR PARTS BREAKDOWN	59	1
1011-2484	COVER, CYLINDER BLOCK	39	38	1623-2460A31	GEAR HOUSING ASSEMBLY, COMPLETE (SHORT SHAFT)-(SEE NOTE BELOW)	59	-
1126-3369A1	END CAP ASSEMBLY, LOWER	37	22	1623-2460A31	GEAR HOUSING ASSEMBLY, COMPLETE (SHORT SHAFT) SEE NOTE BELOW	55	-
1126-3369A2	END CAP ASSEMBLY, LOWER	37	22	1623-2460A32	GEAR HOUSING ASSEMBLY, COMPLETE (LONG SHAFT) SEE NOTE BELOW	59	1
1128-3367A1	END CAP ASSEMBLY, UPPER	37	1	1623-2460A32	GEAR HOUSING ASSEMBLY, COMPLETE (LONG SHAFT)-(SEE NOTE BELOW)	55	-
1335-3359	CARBURETOR ASSEMBLY, COMPLETE	25	15	1623-3486A4	GEAR HOUSING ASSEMBLY	55	1
1335-3359	CARBURETOR ASSEMBLY, COMPLETE (KC-10A)	29	1	1623-3486A4	GEAR HOUSING ASSEMBLY SEE PAGE 30 FOR PARTS BREAKDOWN	59	1
1335-3640	CARBURETOR ASSEMBLY, COMPLETE	25	15	1623-3486A8	GEAR HOUSING ASSEMBLY, COMPLETE (SHORT SHAFT) SEE NOTE BELOW	55	-
1335-3640	CARBURETOR ASSEMBLY, COMPLETE (KC-14A)	29	1	1623-3486A8	GEAR HOUSING ASSEMBLY, COMPLETE (SHORT SHAFT) SEE NOTE BELOW	55	-
1399-110A1	FLOAT ASSEMBLY	29	2	1623-3486A9	GEAR HOUSING ASSEMBLY, COMPLETE (LONG SHAFT) SEE NOTE BELOW	59	-
1399-1133	COVER, FLOAT BOWL	29	9				
1399-1457	JET, MAIN FUEL (.057)	29	30				
1399-1459	JET, MAIN FUEL (.059) - STANDARD	29	30				
1399-1461	JET, MAIN FUEL (.061)	29	30				
1399-1473	INLET NEEDLE, SEAT AND GASKET	29	6	2113-2663A10	COWL FRONT COVER ASSEMBLY	7	1
1399-1655	JET, MAIN FUEL (.055)	29	30	2113-2663A8	COWL FRONT COVER ASSEMBLY	7	1
1399-1713	SCREW, IDLE ADJUSTMENT	29	27	2114-3168	COWL, TOP	3	1
1399-1754	SCREEN, FILTER	29	14	2114-3591	COWL, TOP	3	1
1399-1930	COVER, STRAINER	29	16	2115-3205	COWL, BOTTOM	43	1
1399-2012	SHAFT, THROTTLE	29	21	2115-3617	COWL, BOTTOM	43	1
1399-2015	GASKET AND PACKING SET (1 PER CARBURETOR)	31	--	2120-3254A3	WRAP AROUND COWL ASSEMBLY	7	12
1399-3401	SHUTTER, THROTTLE	29	25				
1399-3403	REPAIR PARTS KIT (1 PER CARBURETOR)	31	--				
1399-97	LEVER, THROTTLE STOP	29	20				
1440-3291A1	CLAMP BRACKET ASSEMBLY	47	1				
1447-3257A1	SWIVEL BRACKET ASSEMBLY(LONG SHAFT)	47	14				
1453-3258A1	SWIVEL BRACKET ASSEMBLY(SHORT SHAFT)	47	14				
1551-2459A8	DRIVE SHAFT HOUSING ASSEMBLY (LONG SHAFT)	51	1				

PARTS INDEX

Part Number	Description	Pg.	Ref. No.	Part Number	Description	Pg.	Ref. No.
2120-3612A3	WRAP AROUND COWL ASSEMBLY	7	12				