



# PARTS CATALOG

## MERC 1250

SERIAL NUMBER

1250 ..... 2314956 THRU 2839368

# TABLE OF CONTENTS:

BOTTOM COWL AND SHIFT LINKAGE .....	46
CARBURETOR ASSEMBLY .....	28
CARBURETOR LINKAGE AND CHOKE SOLENOID .....	24
CLAMP AND SWIVEL BRACKET ASSEMBLY .....	50
COWLING AND FRONT COVER .....	6
CRANKSHAFT, PISTONS AND CONNECTING RODS .....	42
CYLINDER BLOCK AND CRANKCASE ASSEMBLY .....	36
DISTRIBUTOR ADAPTOR AND PILOT ASSEMBLY .....	10
DISTRIBUTOR ASSEMBLY, COMPLETE .....	18
DISTRIBUTOR VERTICAL LINKAGE AND IGNITION COILS .....	14
DRIVE SHAFT HOUSING ASSEMBLY .....	54
FLYWHEEL ASSEMBLY AND STATOR .....	8
FUEL PUMP AND FUEL LINE ASSEMBLY .....	32
GEAR HOUSING ASSEMBLY, COMPLETE (PAGE 1) .....	58
GEAR HOUSING ASSEMBLY, COMPLETE (PAGE 2) .....	62
MISCELLANEOUS PARTS/ACCESSORIES .....	1
OVERSIZE PISTONS AND RINGS .....	44
PARTS INDEX .....	66
STARTER MOTOR, STARTER SOLENOID, RECTIFIER AND WIRING HARNES .....	20
TOP COWL AND SUPPORT BRACKETS .....	2

**NOTE:** *Indented description indicate that these parts are included in preceeding assembly.*

**AR** = As Required

**NSS** = Not Sold Separate

**OPT** = Optional

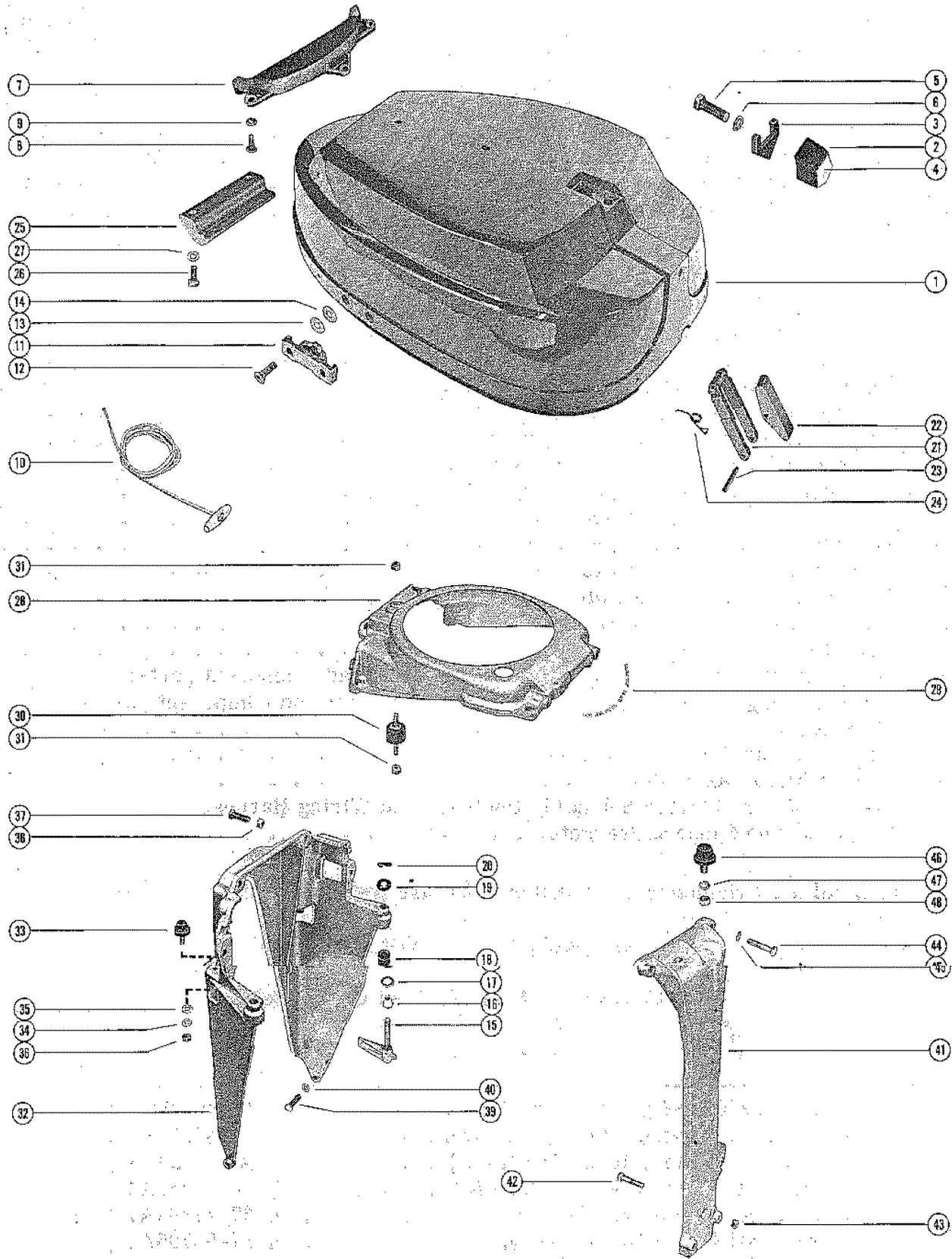
**NS** = Not Shown

**THESE PARTS BOOKS/FICHE CARD ARE COPYRIGHTED AND MAY NOT BE DISTRIBUTED OR REPRODUCED IN ANY OTHER FORMAT BY ANYONE OTHER THAN MERCURY MARINE WITHOUT THE PRIOR WRITTEN CONSENT OF MERCURY MARINE.**

## MISCELLANEOUS PARTS/ACCESSORIES

REF. NO.	PART NO.	SYM.	QTY.	DESCRIPTION
-	90-49047		0	MERC 1250E-SS PARTS LIST, COMPLETE
-	27-47227A1		0	GASKET SET (MOTOR OVERHAUL) - 1250E-SS
-	94-48851		0	SHIPPING CARTON (MERC 1250EL-SS)
-	46-37433A4		0	EXTRA HEAVY DUTY WATER PUMP KIT
-	37-47864A1		0	DECAL SET (MERC 1250E-SS)
-	37-52705A1		0	DECAL SET (MERC 1250E-1-SS)
-	91-48168A6		0	TACHOMETER ASSEMBLY

# TOP COWL AND SUPPORT BRACKETS

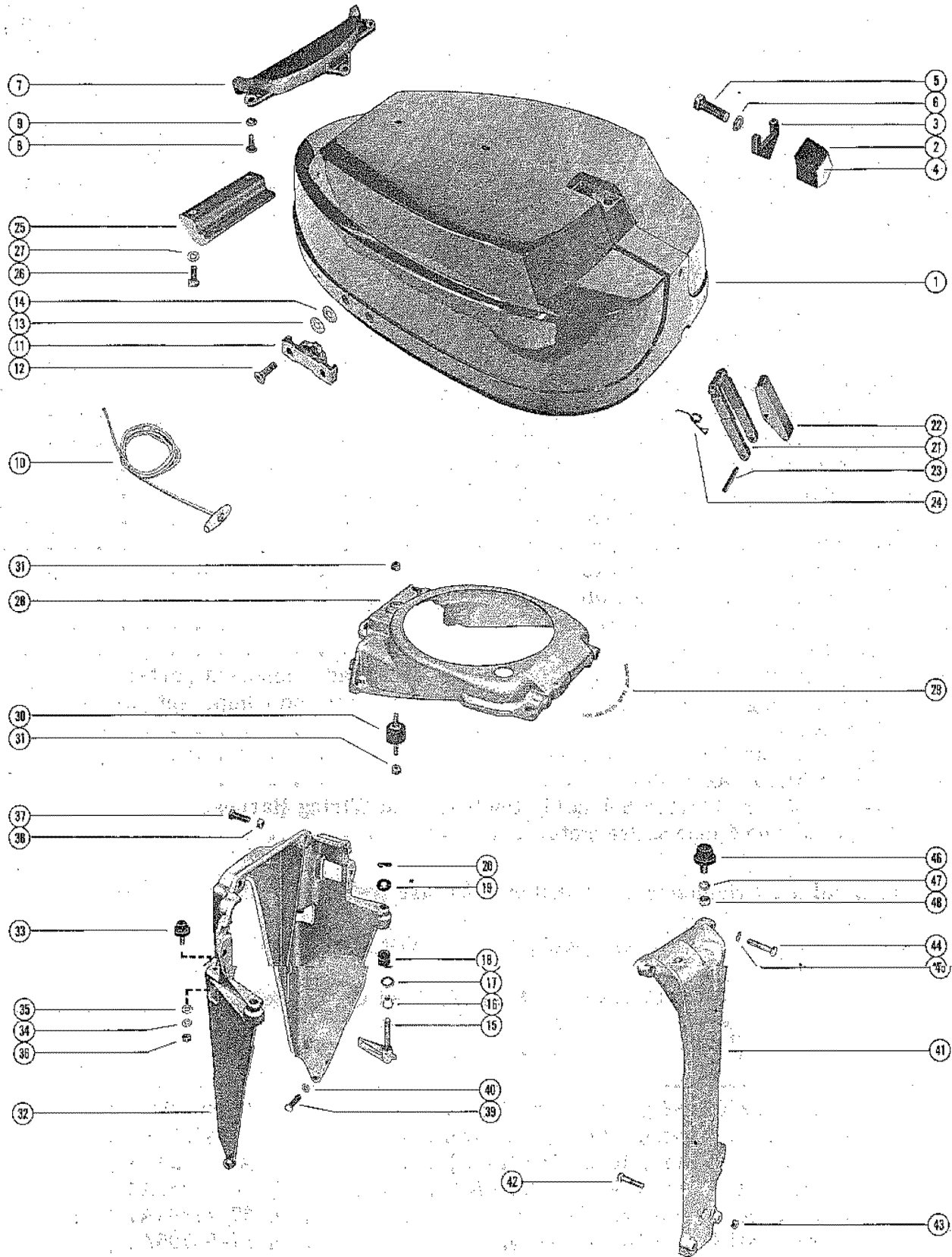


# TOP COWL AND SUPPORT BRACKETS

REF. NO.	PART NO.	SYM.	QTY.	DESCRIPTION
1	2114-3168		1,	COWL, TOP
	2114-3591		,1	COWL, TOP
2	47555A1		1,	RETAINER ASSEMBLY, TOP COWL
	52733A1		,1	RETAINER ASSEMBLY, TOP COWL
3	35496		1,1	PAD, BUMPER _ TOP COWL RETAINER
4	46141		1,1	EMBLEM, TOP COWL RETAINER
5	10-37558		1,1	SCREW, RETAINER TO TOP COWL (1 1/4")
6	13-39107		1,1	LOCKWASHER, RETAINER TO TOP COWL SCREW
7	49448		1,1	SHIELD, SHIELD TO TOP COWL (5/8")
8	13-37371		3,3	LOCKWASHER, SHIELD SCREW
10	47341A1		1,1	ROPE, STARTER (FOR MANUAL STARTING ONLY)
11	46144		2,	BRACKET, COWL LATCH TOP COWL FASTENING
12	10-21091		4,	SCREW, COWL LATCH BRACKET TO TOP COWL (1 1/8")
13	12-37998		AR,	WASHER, LATCH BRACKET SCREW (1/16" THICK)
14	12-37998		AR,	WASHER, LATCH BRACKET SCREW (1/32" THICK)
15	37412		2,	LEVER, CLAMPING - TO COWL MOUNTING
16	23-26819		2,	BUSHING, NYLON - CLAMPING LEVER
17	12-38006		2,	WASHER, CLAMPING LEVER
18	23-31293		2,	BUSHING, RUBBER - CLAMPING LEVER
19	53-30428		2,	FASTNER, CLAMPING LEVER
20	17-29077		2,	PIN, ROLL - CLAMPING LEVER
21	52739		,1	HINGE, COWL LATCH - TOP COWL
22	52737		,1	LEVER, COWL LATCH HINGE
23	17-33522		,1	PIN, ROLL - COWL LATCH LEVER TO HINGE
24	24-53019		,1	SPRING, COWL LATCH HINGE
25	52738		,1	HOOK, TOP COWL LATCH - REAR
26	10-22956		,2	SCREW, REAR HOOK TO TOP COWL (7/8")
27	13-26992		,2	LOCKWASHER, REAR HOOK MOUNTING SCREW
28	47271		1,1	FRAME, TOP COWL SUPPORT
29	37-45201		1,1	DECAL, TIMING
30	37639		3,3	MOUNT, RUBBER - TOP COWL FRAME
	46096		OPT,OPT	MOUNT, RUBBER - TOP COWL FRAME (HEAVY DUTY)
31	11-20361		6,6	NUT, RUBBER MOUNT TO TOP COWL FRAME
32	47272		1,1	BRACKET, TOP COWL SUPPORT - REAR
	54685		1,	BRACKET, TOP COWL SUPPORT - REAR
33	31014		,2	MOUNT, RUBBER - REAR SUPPORT BRACKET
34	13-26992		2,2	LOCKWASHER, RUBBER MOUNT TO REAR SUPPORT BRACKET
35	12-20346		2,2	WASHER, RUBBER MOUNT TO REAR SUPPORT BRACKET
36	11-20088		2,2	NUT, RUBBER MOUNT TO REAR SUPPORT BRACKET
37	10-26065		4,4	SCREW, REAR BRACKET TO TOP COWL FRAME (1")
38	11-46793		4,4	NUT, REAR BRACKET SCREW
39	10-24234		4,4	SCREW, REAR BRACKET TO BOTTOM COWL (1")

CONTINUED ON NEXT PAGE ➡

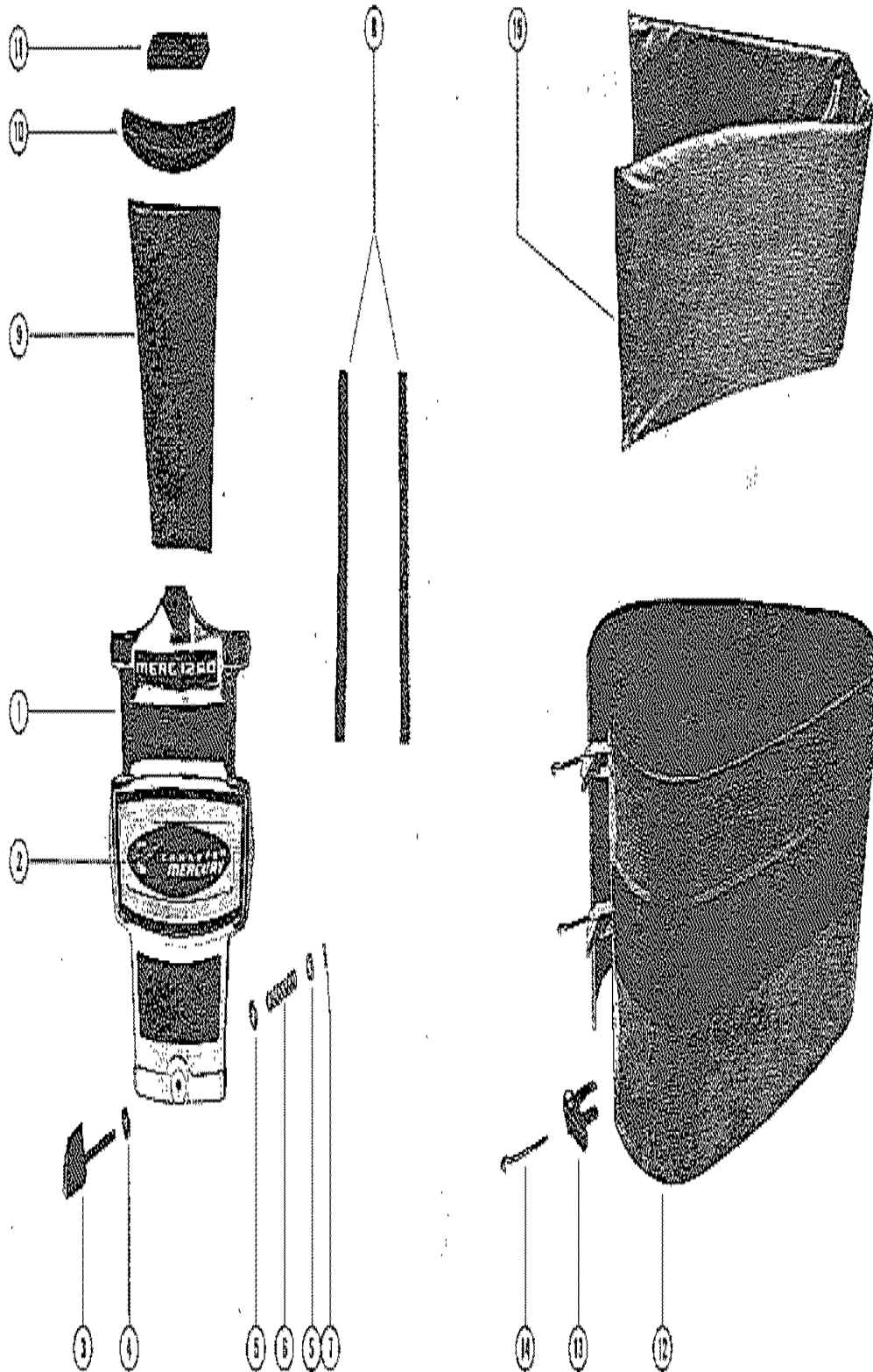
# TOP COWL AND SUPPORT BRACKETS



## TOP COWL AND SUPPORT BRACKETS

REF. NO.	PART NO.	SYM.	QTY.	DESCRIPTION
40	13-26993		4,4	LOCKWASHER, REAR SUPPORT BRACKET SCREW
41	47210A2		1,	BRACKET ASSEMBLY, TOP COWL SUPPORT - FRONT
	52725A2		,1	BRACKET ASSEMBLY, TOP COWL SUPPORT - FRONT
42	10-22040		2,2	SCREW, FRONT BRACKET TO BOTTOM COWL (1 1/2")
43	11-46793		2,2	NUT, FRONT SUPPORT BRACKET SCREW
44	10-20362		2,2	SCREW, FRONT BRACKET TO TOP COWL FRAME (1 1/2")
45	13-26993		2,2	LOCKWASHER, FRONT SUPPORT BRACKET SCREW
46	37640		1,1	MOUNT, RUBBER - FRONT SUPPORT BRACKET
47	13-26993		1,1	LOCKWASHER, RUBBER MOUNT TO FRONT SUPPORT BRACKET
48	11-22053		1,1	NUT, RUBBER MOUNT TO FRONT SUPPORT BRACKET

# COWLING AND FRONT COVER

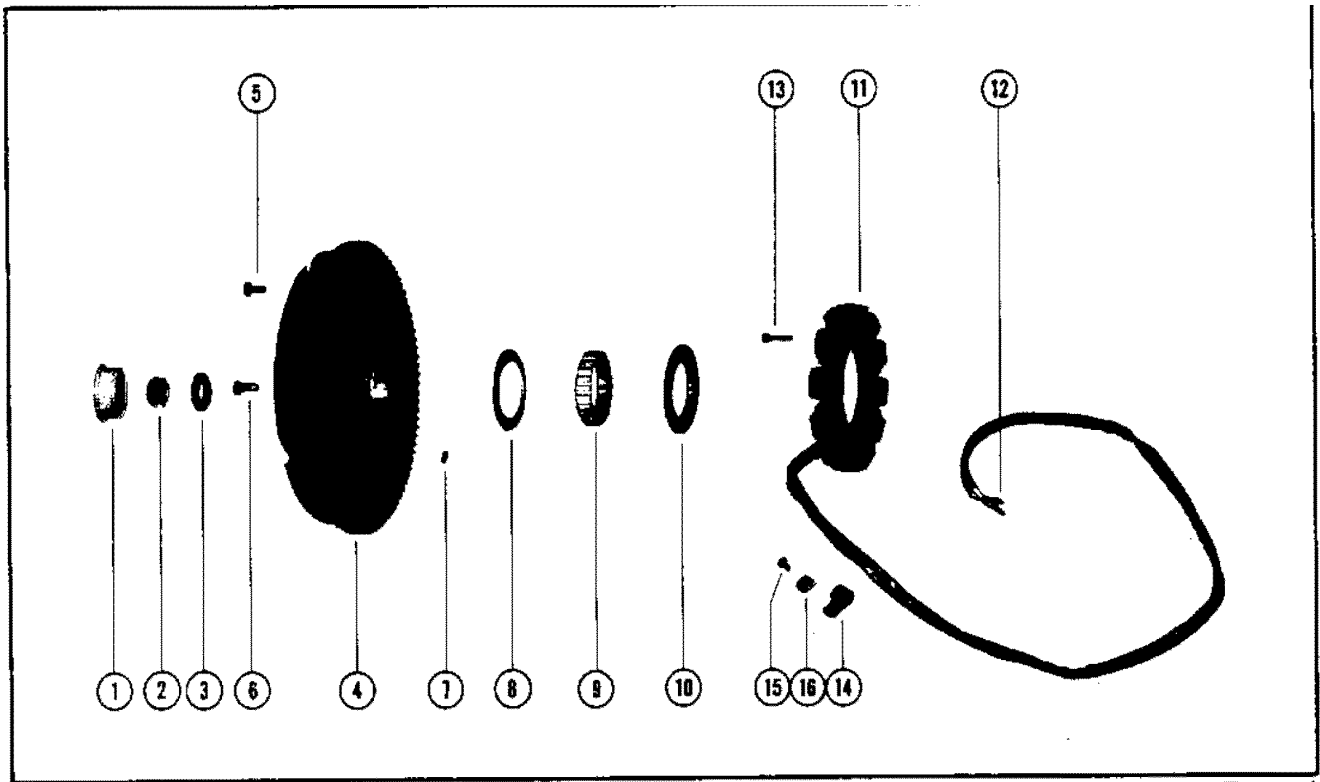




## COWLING AND FRONT COVER

REF. NO.	PART NO.	SYM.	QTY.	DESCRIPTION
1	2113-2663A9		1,	COWL FRONT COVER ASSEMBLY
	2113-2663A10		,1	COWL FRONT COVER ASSEMBLY
2	35753		1,1	EMBLEM, FRONT COVER
3	32362		1,1	KNOB, COWL FRONT COVER FASTENING
4	12-30771		2,2	WASHER, COVER FASTENING KNOB (RUBBER)
5	12-26825		2,2	WASHER, COVER FASTENING KNOB (STEEL)
6	24-30772		1,1	SPRING, TENSION - FASTENING KNOB
7	17-29077		1,1	ROLL PIN, TENSION SPRING TO KNOB
8	31089		2,2	STRIP, SOUND ABSORBING
9	38675		1,1	BLANKET, SOUND ABSORBING
10	35769		1,1	SEAL, SOUND ABSORBING - UPPER
11	53334		,1	SEAL, SOUND ABSORBING - TOP
12	2136-3305A3		1,	WRAP AROUND COWL ASSEMBLY
	2136-3613A3		,1	WRAP AROUND COWL ASSEMBLY
13	46785A1		3,3	COWL LATCH ASSEMBLY
14	30413		3,3	HOOK, COWL LATCH FASTENING
15	30021		1,1	BLANKET, SOUND ABSORBING
-	<b>92-25234--1</b>		<b>1,1</b>	<b>CLUE, ADHESIVE - BLANKET FASTENING</b>
-	<b>92-27109--1</b>		<b>1,1</b>	<b>ADHESIVE COMPOUND, EMBLEM FASTENING</b>

# FLYWHEEL ASSEMBLY AND STATOR

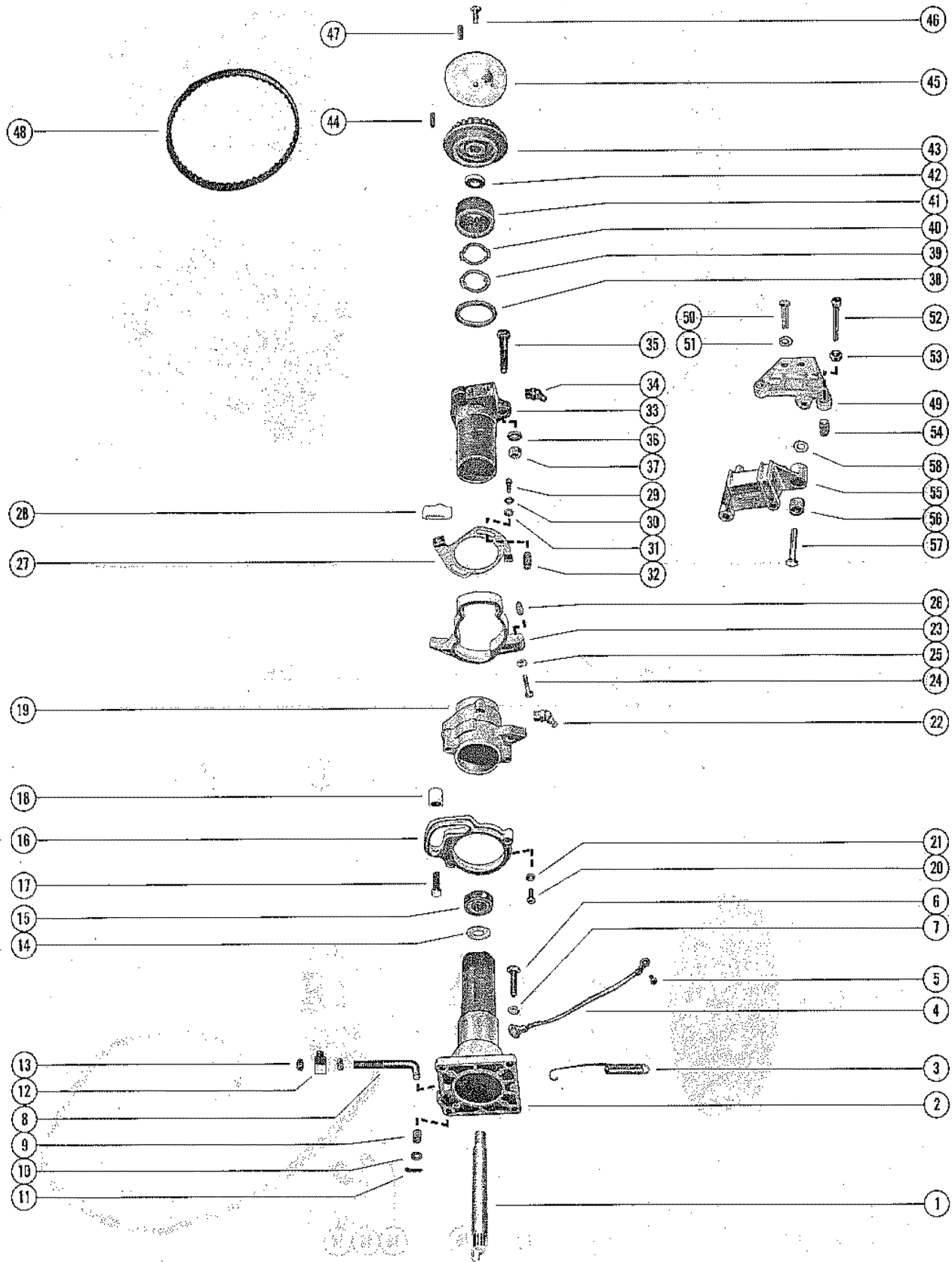


Page 4

# FLYWHEEL ASSEMBLY AND STATOR

REF. NO.	PART NO.	SYM.	QTY.	DESCRIPTION
1	19-45907		1,1	PLUG8 FLYWHEEL PULLER THREADS
2	11-22339		1,	NUT8 FLYWHEEL
	11-52901		,1	NUT, FLYWHEEL (PART OF A436-31874A4 CRANKSHAFT ASSEMBLY)
3	12-33001		1,	WASHER, FLYWHEEL NUT
4	225-2494A5		,1	FLYWHEEL ASSEMBLY, COMPLETE
	225-2494A10		1,1	FLYWHEEL ASSEMBLY, COMPLETE
5	10-32417		8,8	SCREW, FLEXIBLE PLATE TO FLYWHEEL (5/8")
6	10-49006		8,8	SCREW, PLATE AND HUB TO FLEXIBLE PLATE (3/4")
7	17-26618		1,1	PIN, DOWEL - PULLEY TO FLYWHEEL
8	29788		1,1	FLANGE, FLYWHEEL PULLEY
9	30306		1,1	PULLEY, FLYWHEEL
10	29787		1,1	HUB, FLYWHEEL PULLEY
	398-3301		1,	STATOR, ALTERNATOR
	398-3587		,1	STATOR, ALTERNATOR
12	30050		2,2	TERMINAL, STATOR LEAD WIRE
13	10-52720		4,4	SCREW, STATOR TO UPPER END CAP (7/8")
14	54-22875		2,2	CLIP, STATOR LEAD FASTENING (7/16")
15	10-26548		1,1	SCREW, STATOR LEAD CLIP (#10 SHEET METAL)
	10-31206		1,1	SCREW, STATOR LEAD CLIP (7/16")
14	54-26550		1,1	CLIP, STATOR/WIRING HARNESS LEADS FASTENING (5/16")
15	10-37655		1,1	SCREW, STATOR LEAD CLIP FASTENING (10-32 X 1/2")
16	22789		3,3	"D" WASHER, CLIP FASTENING SCREW

# DISTRIBUTOR ADAPTOR AND PILOT ASSEMBLY

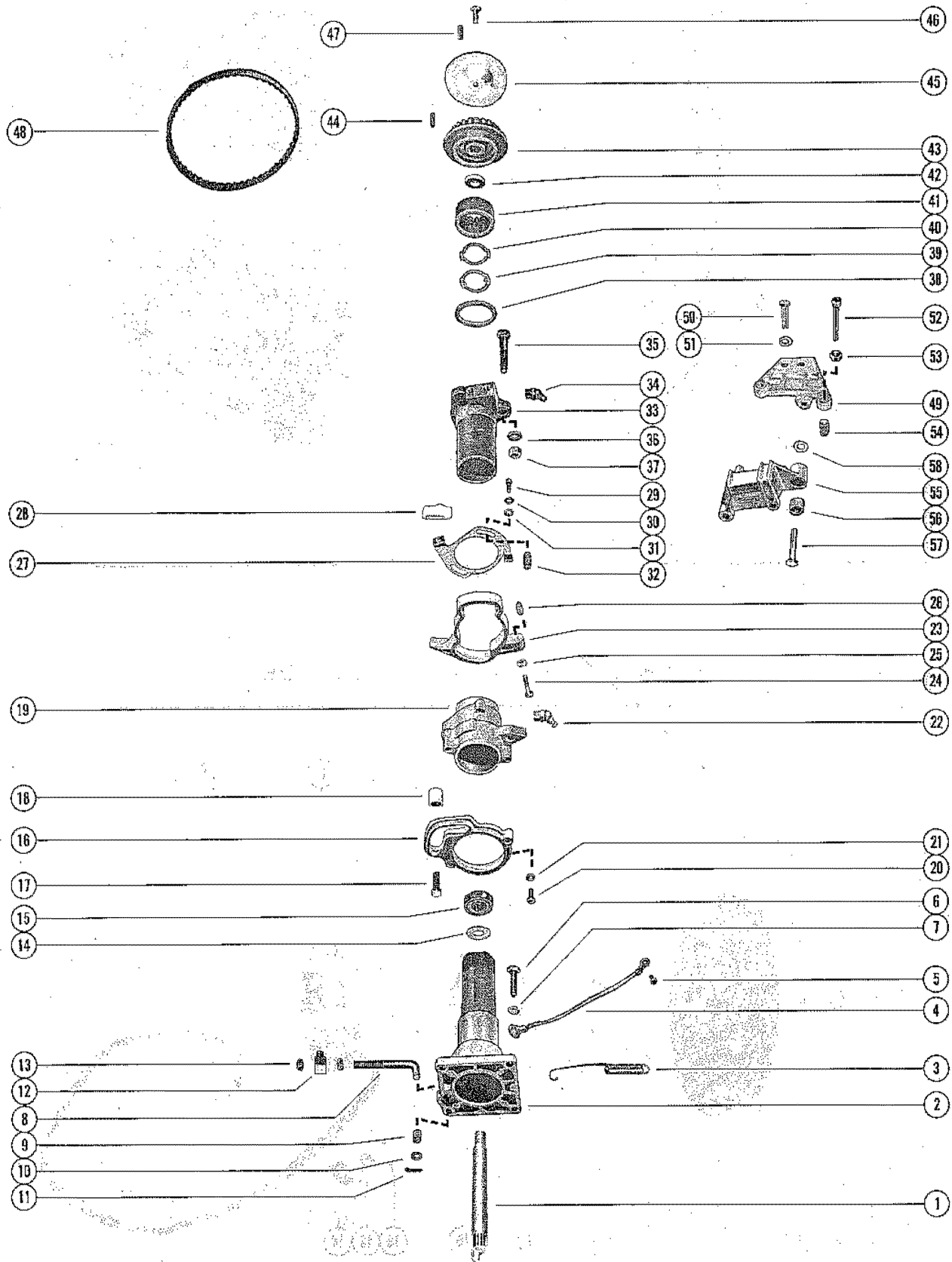


# DISTRIBUTOR ADAPTOR AND PILOT ASSEMBLY

REF. NO.	PART NO.	SYM.	QTY.	DESCRIPTION
1	45-47982		1,1	DRIVE SHAFT, DISTRIBUTOR
2	48667		1,1	PILOT, DISTRIBUTOR MOUNTING
3	24-33453		1,	SPRING, DISTRIBUTOR PILOT TO THROTTLE LEVER (2 3/4") <b>WHEN ORDERING REPLACEMENT PART, MEASURE LENGTH OF SPRING TO INSURE RECEIVING CORRECT PART.</b>
	24-54639		1,1	SPRING, DISTRIBUTOR PILOT TO THROTTLE LEVER (3 17/32") <b>WHEN ORDERING REPLACEMENT PART, MEASURE LENGTH OF SPRING TO INSURE RECEIVING CORRECT PART.</b>
4	30109		1,1	GROUND STRAP, DISTRIBUTOR ADAPTOR CRANKCASE
5	10-30663		1,1	SCREW, GROUND STRAP TO CRANKCASE (3/8")
6	10-20532		4,	SCREW, DISTRIBUTOR PILOT TO DISTRIBUTOR (1 1/8") - USE WITH <b>USE WITH 2 3/4" SPRING -SEE REF. #3</b>
	10-20532		3,3	SCREW, DISTRIBUTOR PILOT TO DISTRIBUTOR (1 1/8") <b>USE WITH 3 17/32" SPRING SEE REF. #3</b>
	10-27281		1,1	SCREW, DISTRIBUTOR PILOT TO DISTRIBUTOR (1 3/8") USE WITH 3 <b>USE WITH 3 17/32" SPRING SEE REF. #3</b>
7	12-20533		1,1	WASHER, DISTRIBUTOR PILOT SCREW <b>USE WITH 3 17/32" SPRING SEE REF. #3</b>
	13-26992		4,4	LOCKWASHER, DISTRIBUTOR PILOT SCREW
8	48676		1,1	LINK, DISTRIBUTOR PILOT TO DISTRIBUTOR ADVANCE ARM
9	23-26856		1,1	BUSHING, NYLON - DISTRIBUTOR PILOT
10	12-20583		1,1	WASHER, DISTRIBUTOR PILOT LINK
11	18-20180		1,1	COTTER PIN, LINK TO DISTRIBUTOR PILOT
12	48677		1,	SWIVEL, LINK TO DISTRIBUTOR ADVANCE ARM
	53635		,1	SWIVEL, LINK TO DISTRIBUTOR ADVANCE ARM
13	11-25168		2,	NUT, JAM - LINK TO SWIVEL
	11-25168		,1	NUT, JAM - LINK TO SWIVEL
	11-30506		,1	NUT, JAM - LINK TO SWIVEL
14	12-45484		1,1	WASHER, DISTRIBUTOR TO PILOT
15	30-20066		1,1	BEARING, BALL - DISTRIBUTOR PILOT
16	48691		1,1	CAM, DISTRIBUTOR
17	10-48673		1,1	SCREW, CAM FOLLOWER TO DISTRIBUTOR ADVANCE ARM
18	48678		1,1	CAM FOLLOWER, DISTRIBUTOR ADVANCE ARM
19	48690		1,1	COLLAR, ECONOMIZER
20	10-49990		2,2	SCREW, DISTRIBUTOR CAM TO ECONOMIZER COLLAR (1")
21	12-20128		2,2	WASHER, DISTRIBUTOR CAM SCREW
22	22-25094		1,1	FITTING, GREASE - ECONOMIZER COLLAR
23	48692		1,1	COLLAR, THROTTLE ACTUATOR
24	10-48675		1,1	SCREW, ADJUSTING - THROTTLE ACTUATOR COLLAR (1 1/2")
25	11-20890		1,1	NUT, ADJUSTING SCREW
26	52023		1,1	CAP, NYLON - ADJUSTING SCREW
27	48671		1,1	PLATE, THROTTLE ACTUATOR
28	54239		1,1	CAM, THROTTLE ACTUATOR PLATE
29	10-37892		2,2	SCREW, ACTUATOR PLATE TO ECONOMIZER COLLAR (1")
30	13-26996		2,2	LOCKWASHER, ACTUATOR PLATE SCREW

CONTINUED ON NEXT PAGE ➡

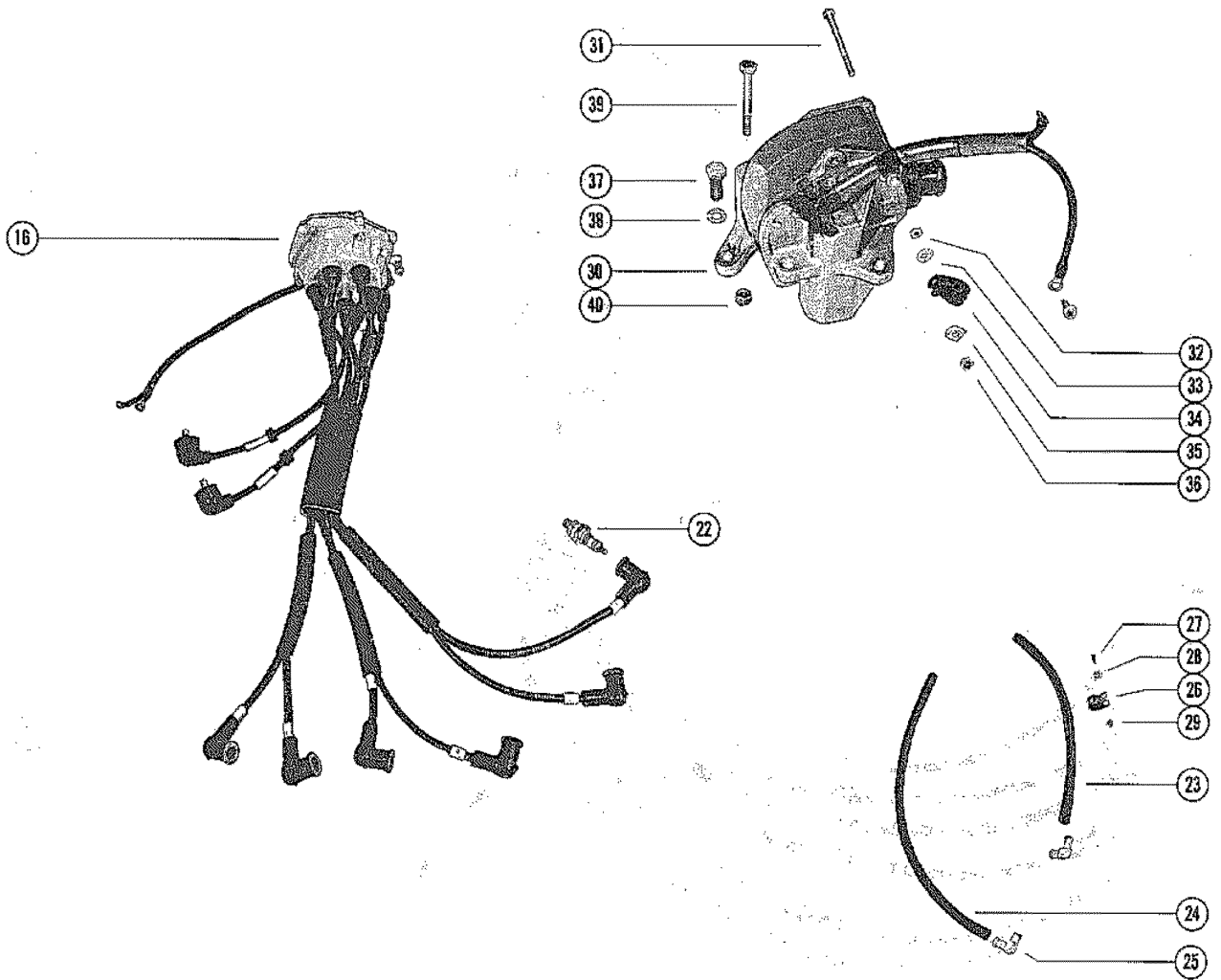
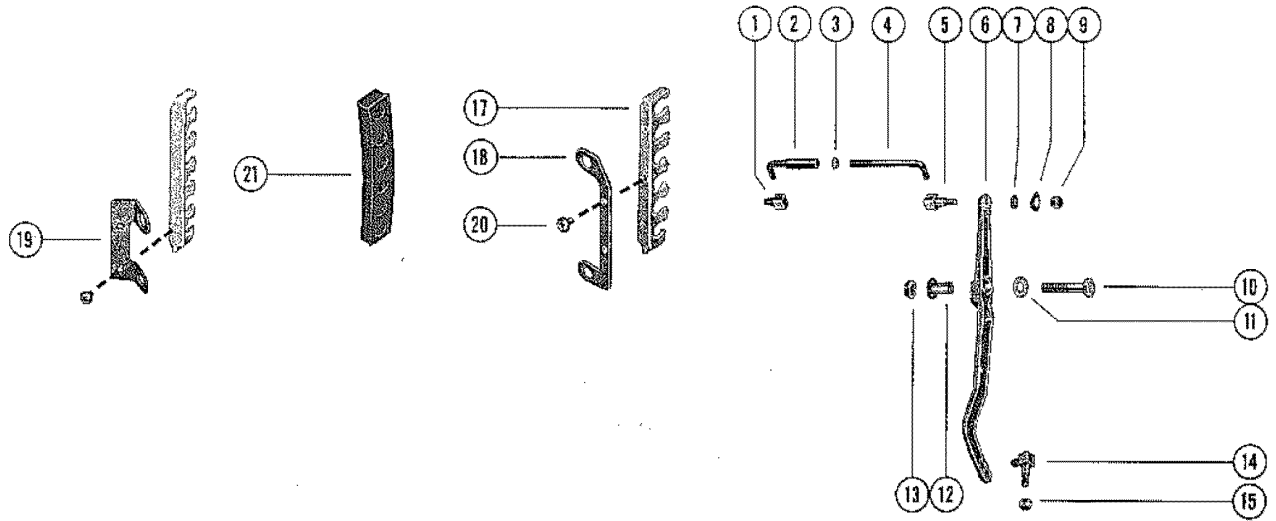
# DISTRIBUTOR ADAPTOR AND PILOT ASSEMBLY



# DISTRIBUTOR ADAPTOR AND PILOT ASSEMBLY

REF. NO.	PART NO.	SYM.	QTY.	DESCRIPTION
31	12-20128		2,2	WASHER, ACTUATOR PLATE SCREW
32	23-48674		2,2	SPACER, ACTUATOR PLATE SCREW
33	48666A1		1,1	ADAPTOR ASSEMBLY, DISTRIBUTOR
34	22-25094		1,1	FITTING, GREASE - DISTRIBUTOR ADAPTOR
35	10-22040		3,3	SCREW, DISTRIBUTOR ADAPTOR TO CRANKCASE FLANGE (1 1/2")
36	12-20084		3,3	WASHER, DISTRIBUTOR ADAPTOR SCREW
37	11-20083		3,3	NUT, DISTRIBUTOR ADAPTOR SCREW
38	12-27939		1,1	WASHER, THRUST - DISTRIBUTOR ADAPTOR
39	14-27960		1,1	TAB WASHER, CAP LOCKING
40	13-27959		1,1	WASHER, WAVE - TAB WASHER TENSION
41	27955		1,1	CAP, DISTRIBUTOR ADAPTOR AND PILOT
42	23-47250		1,1	SPACER, DRIVEN PULLEY
43	29906A1		1,1	DRIVEN PULLEY ASSEMBLY
44	17-29908		1,1	PIN, DRIVEN PULLEY
45	29907		1,1	FLANGE, DRIVEN PULLEY
46	10-49989		1,1	SCREW, PULLEY CLAMPING (5/8")
47	28-29910		1,1	KEY, DISTRIBUTOR DRIVING
48	20140		1,1	BELT, TIMING
49	48670		1,1	BRACKET, STOP
50	10-31983		2,2	SCREW, STOP BRACKET TO DISTRIBUTOR ADAPTOR (3/4")
51	12-20533		2,2	WASHER, STOP BRACKET SCREW
52	10-24228		2,2	SCREW, STOP BRACKET ADJUSTING (1 7/8")
53	11-20890		2,2	NUT, STOP BRACKET ADJUSTING SCREW
54	26852		2,2	CAP, NYLON - ADJUSTING SCREW
55	48668A1		1,1	ARM ASSEMBLY, DISTRIBUTOR ADVANCE
56	23-49537		1,1	BUSHING, DISTRIBUTOR ADVANCE ARM
57	10-49285		1,1	BOLT, DISTRIBUTOR ADVANCE ARM TO STOP BRACKET
58	12-26825		1,1	WASHER, DISTRIBUTOR ADVANCE ARM BOLT

# DISTRIBUTOR VERTICAL LINKAGE AND IGNITION COILS



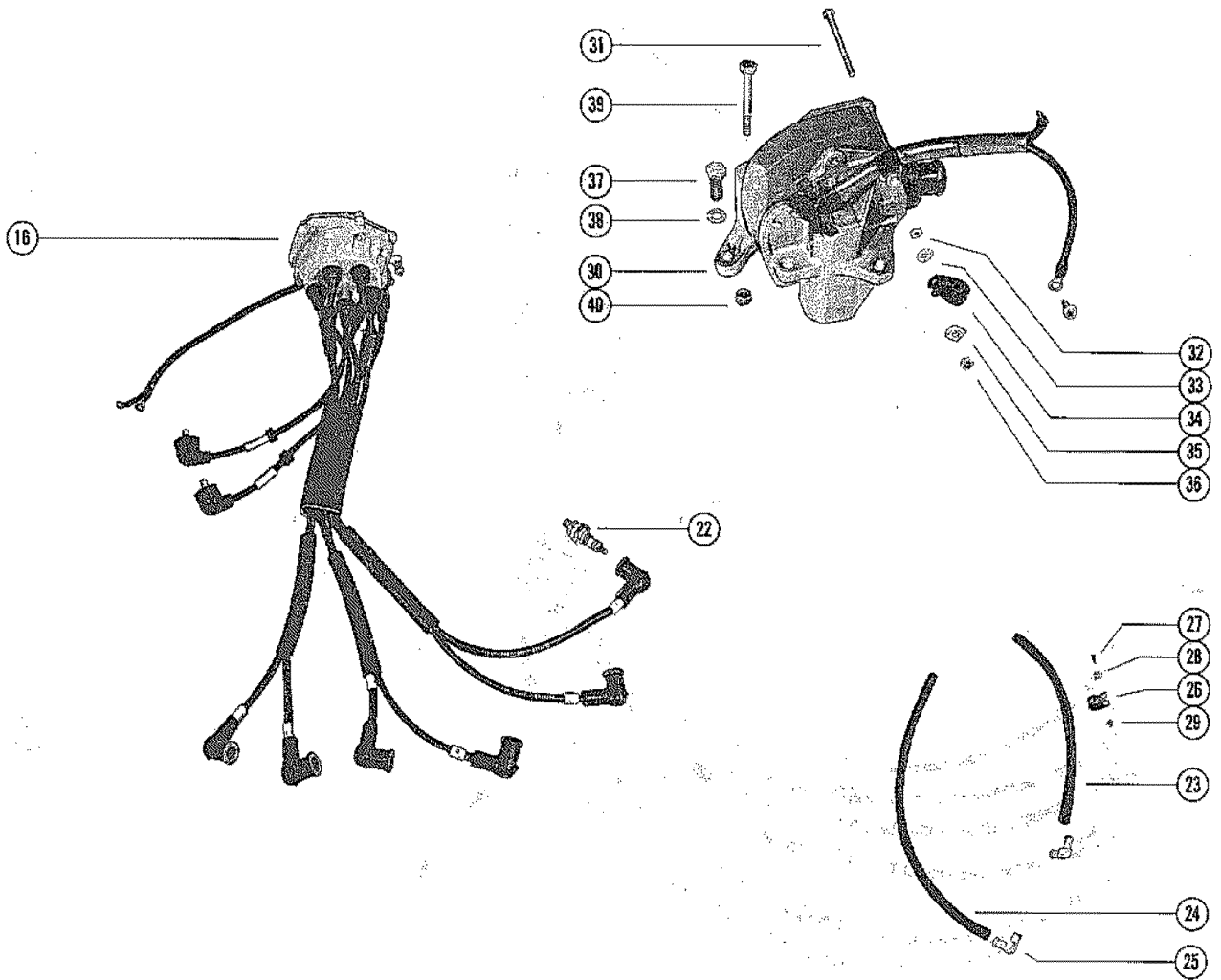
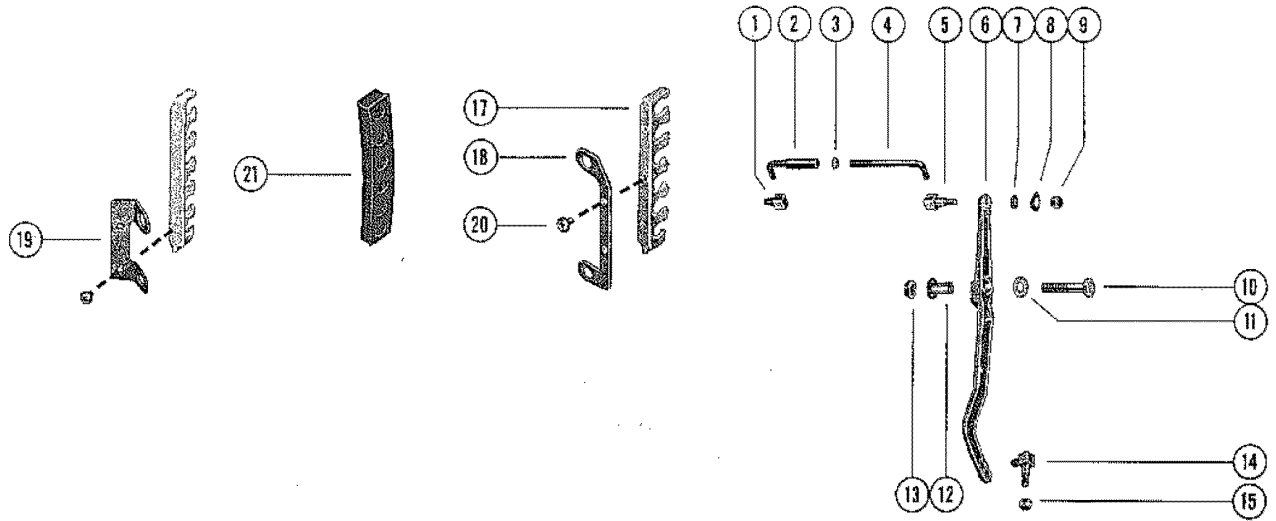


# DISTRIBUTOR VERTICAL LINKAGE AND IGNITION COILS

REF. NO.	PART NO.	SYM.	QTY.	DESCRIPTION
1	27947		1,1	SWIVEL, LINKAGE - ECONOMIZER COLLAR
2	25996A1		1,1	SWIVEL AND LINK ROD ASSEMBLY
3	11-25168		1,1	NUT, UPPER LINK ROD ADJUSTING
4	37700		1,1	ROD, LINK - UPPER
5	27948		1,1	SWIVEL, UPPER LINK ROD TO THROTTLE CONTROL LEVER
6	48856		1,1	LEVER, THROTTLE CONTROL
7	12-29245		1,1	WASHER, THROTTLE CONTROL LEVER SWIVEL
8	13-25806		1,1	WASHER, WAVE - THROTTLE CONTROL LEVER SWIVEL
9	11-20361		1,1	NUT, UPPER LINK ROD SWIVEL TO THROTTLE CONTROL
10	10-37559		1,1	SCREW, THROTTLE LEVER TO EXHAUST MANIFOLD COVER (1 3/4")
11	12-29395		1,1	WASHER, THROTTLE CONTROL LEVER SCREW
12	23-45818		1,1	BUSHING, THROTTLE CONTROL LEVER
13	11-20509		1,1	NUT, THROTTLE CONTROL LEVER SCREW
14	37587		1,1	SWIVEL, LOWER - THROTTLE CONTROL LEVER TO THROTTLE CABLE
15	11-20361		1,1	NUT, THROTTLE CABLE TO LOWER SWIVEL
16	393-2799A11		1,1	DISTRIBUTOR ASSEMBLY, COMPLETE
17	45409		2,2	WIRE RETAINER, HIGH TENSION LEADS
18	45392		1,1	BRACKET, FRONT - WIRE RETAINER
19	47398		1,1	BRACKET, REAR - WIRE RETAINER
20	10-30663		4,4	SCREW, FRONT AND REAR BRACKET ATTACHING
21	45391		2,2	SPACER, RUBBER - HIGH TENSION LEADS
22	33-45191		6,6	SPARK PLUG (CHAMPION - L19V)
23	32-26542		1,1	HOSE, VENT - DISTRIBUTOR TO ELBOW (13")
24	32-52030		1,1	HOSE, VENT - DISTRIBUTOR TO ELBOW (16")
25	22-31521		2,2	ELBOW, VENT HOSE TO BOTTOM COWL
26	54-22875		1,1	CLAMP, VENT HOSE TO BOTTOM COWL
27	10-48591		1,1	SCREW, VENT HOSE CLAMP TO BOTTOM COWL (1/2")
28	22789		1,1	"D" WASHER, VENT HOSE CLAMP SCREW
29	11-24656		1,1	NUT, VENT HOSE CLAMP SCREW
30	332-2983A5		1,1	IGNITION COIL ASSEMBLY, COMPLETE
31	10-46368		1,1	SCREW, IGNITION COIL CLAMPING (2 1/4")
	10-46367		1,1	SCREW, IGNITION COIL CLAMPING - CLIP ATTACHING (2 1/2")
32	11-20645		1,1	NUT, IGNITION COIL CLAMPING SCREW
33	12-37407		1,1	WASHER, IGNITION COIL CLAMPING SCREW
34	54-22740		1,1	CLIP, LEAD WIRE TO IGNITION COIL
35	22789		1,1	"D" WASHER, IGNITION COIL CLAMPING SCREW

CONTINUED ON NEXT PAGE ➡

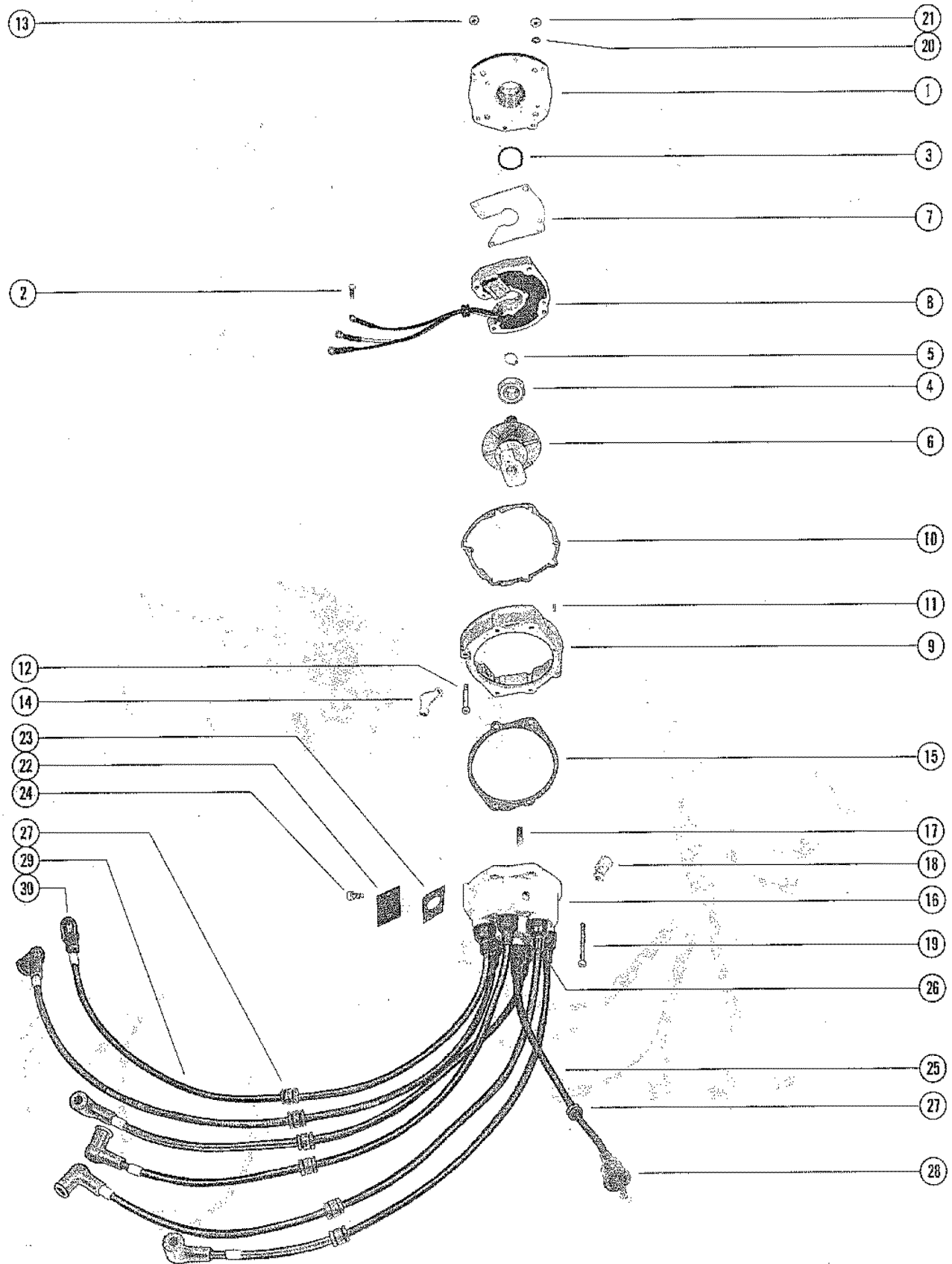
# DISTRIBUTOR VERTICAL LINKAGE AND IGNITION COILS



# DISTRIBUTOR VERTICAL LINKAGE AND IGNITION COILS

REF. NO.	PART NO.	SYM.	QTY.	DESCRIPTION
36	11-20190		2,2	NUT, IGNITION COIL CLAMPING SCREW
37	10-22486		1,1	SCREW, COIL MOUNTING BRACKET (7/8")
38	13-26992		1,1	LOCKWASHER, COIL MOUNTING BRACKET
39	10-37561		2,2	SCREW, COIL MOUNTING BRACKET (2 1/2")
40	11-46887		2,2	NUT, COIL MOUNTING BRACKET SCREW

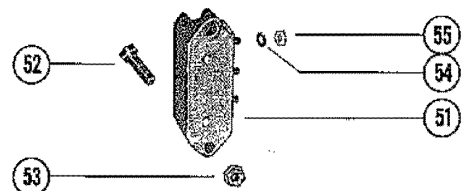
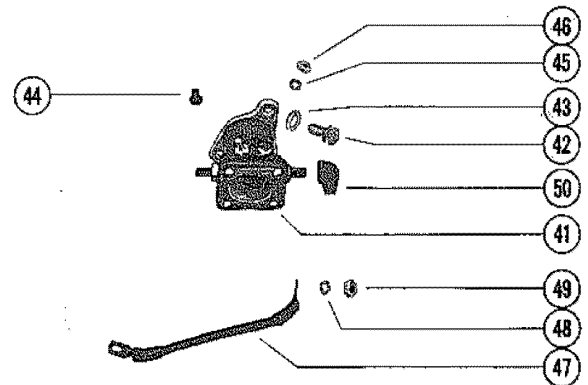
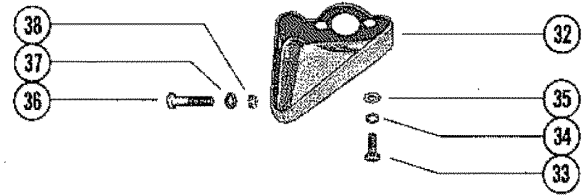
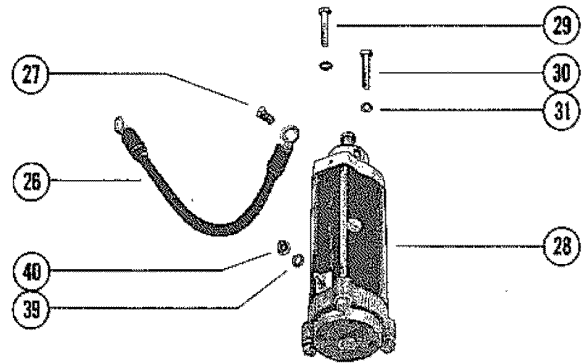
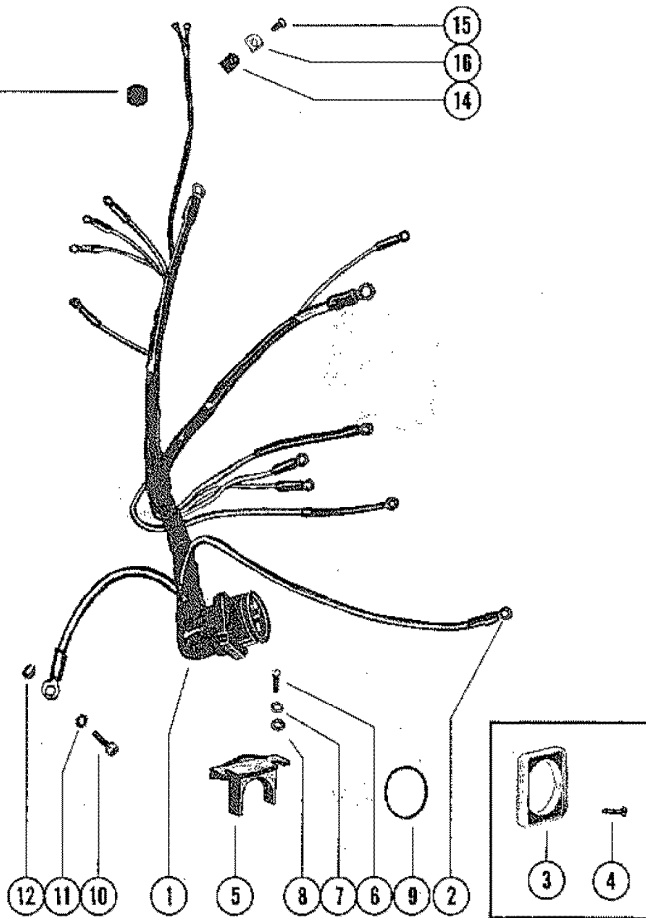
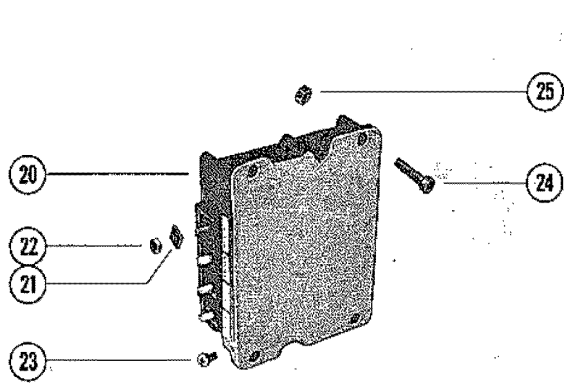
# DISTRIBUTOR ASSEMBLY, COMPLETE



## DISTRIBUTOR ASSEMBLY, COMPLETE

REF. NO.	PART NO.	SYM.	QTY.	DESCRIPTION
-	<b>393-2799A11</b>		<b>1,1</b>	<b>DISTRIBUTOR ASSEMBLY, COMPLETE</b>
1	393-2799A21		1,1	HOUSING ASSEMBLY, PRIMARY
2	10-45218		2,2	SCREW, TRIGGER HOUSING TO PRIMARY HOUSING
3	13-26917		2,2	WASHER, WAVE - PRIMARY HOUSING
4	30-26379		2,2	BEARING, BALL - ROTOR SHAFT
5	53-45906		2,2	RING, RETAINER - ROTOR SHAFT BALL BEARING
6	393-3269A1		1,1	ROTOR SHAFT ASSEMBLY
7	393-2795	AR,AR		SHIM, TRIGGER HOUSING TO PRIMARY HOUSING
8	393-2918A3		1,1	TRIGGER HOUSING ASSEMBLY
9	393-3014A2		1,1	ADAPTOR ASSEMBLY, HOUSING TO DISTRIBUTOR CAP
10	27-46351		1,1	GASKET, ADAPTOR TO PRIMARY HOUSING
11	17-20032		2,2	DOWEL PIN, ADAPTOR TO PRIMARY HOUSING
12	10-32627		2,2	SCREW, ADAPTOR TO HOUSING (1 1/2")
13	11-46438		2,2	NUT, ADAPTOR TO HOUSING SCREW
14	22-31521A1		1,1	ELBOW ASSEMBLY, VENT HOSE - ADAPTOR HOUSING
15	27-36268		1,1	GASKET, DISTRIBUTOR TO ADAPTOR
16	393-1927A9		1,1	DISTRIBUTOR CAP ASSEMBLY
17	393-1293A1		1,1	BRUSH AND SPRING ASSEMBLY
18	22-31521		1,1	ELBOW, VENT HOSE - DISTRIBUTOR CAP
19	10-45914		4,4	SCREW, DISTRIBUTOR CAP TO ADAPTOR TO HOUSING (2")
20	12-26436		4,4	WASHER, DISTRIBUTOR CAP FASTENING SCREW
21	11-46438		4,4	NUT, DISTRIBUTOR CAP FASTENING SCREW
22	393-2725		1,1	COVER, SIDE INLET - DISTRIBUTOR
23	27-26447		1,1	GASKET, SIDE INLET COVER TO DISTRIBUTOR CAP
24	10-35400		2,2	SCREW, SIDE INLET COVER TO DISTRIBUTOR CAP (7/16")
25	393-3250A1		1,1	HIGH TENSION CABLE ASSEMBLY - DISTRIBUTOR TO COIL
-	<b>20121</b>		<b>1,1</b>	<b>CONNECTOR, HIGH TENSION CABLE (CAP END)</b>
26	393-1275		1,1	SLEEVE, TERMINAL COVER
27	25-26547		1,1	GROMMET, HIGH TENSION CABLE
28	332-2854		1,1	BOOT, HIGH TENSION CABLE TO COIL
26	393-1275		6,6	SLEEVE, TERMINAL END COVER
27	25-26547		12,12	GROMMET, SPARK PLUG LEAD
29	47899A9		6,6	SPARK PLUG LEAD ASSEMBLY
-	<b>20121</b>		<b>6,6</b>	<b>CONNECTOR, SPARK PLUG LEAD</b>
30	47604A1		6,6	PROTECTOR, SPARK PLUG LEAD

# STARTER MOTOR, STARTER SOLENOID, RECTIFIER AND WIRING HARNESS

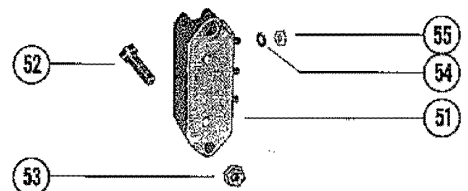
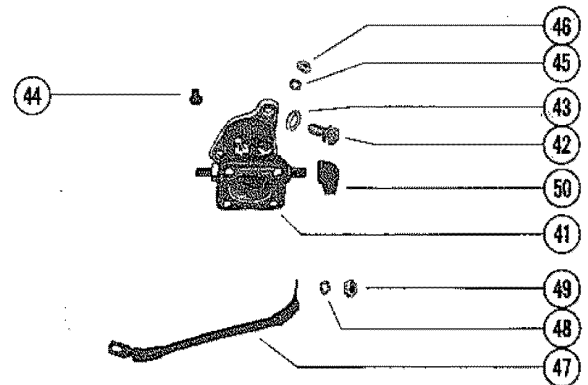
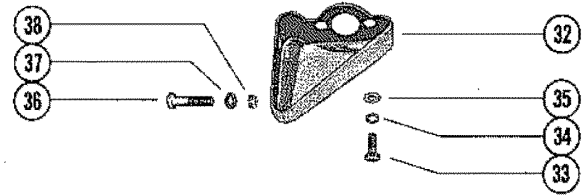
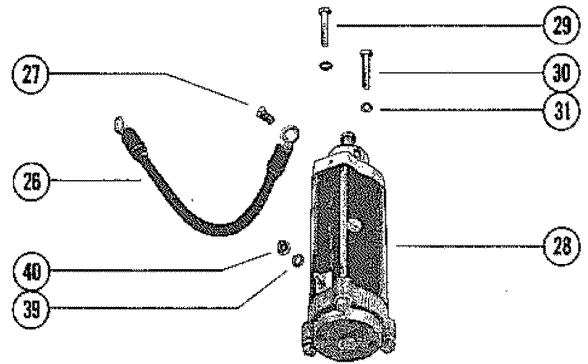
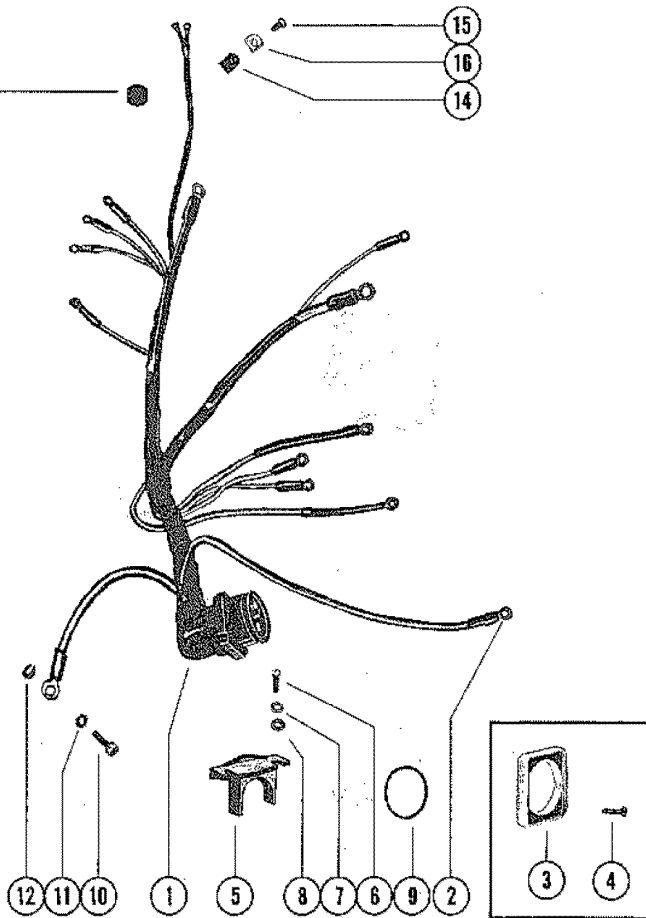
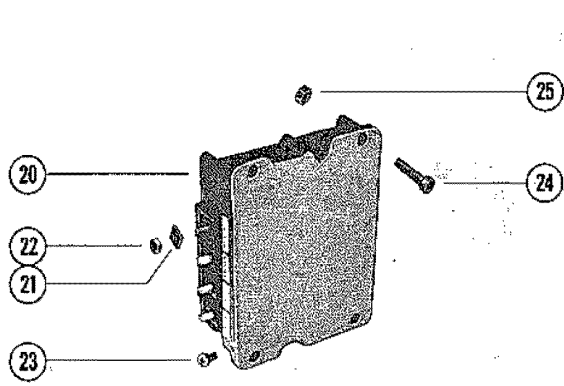


# STARTER MOTOR, STARTER SOLENOID, RECTIFIER AND WIRING HARNES

REF. NO.	PART NO.	SYM.	QTY.	DESCRIPTION
1	48150		1,	WIRING HARNESS, INTERNAL
	52769		,1	WIRING HARNESS, INTERNAL
2	30050		AR,AR	TERMINAL, HARNESS AND MERCURY SWITCH LEADS
3	26079		1,	PLATE, WIRING HARNESS TO BOTTOM COWL
4	10-45893		4,	SCREW, HARNESS PLATE FASTENING
5	54-52876		,1	CLAMP, WIRING HARNESS TO BOTTOM COWL
6	10-45862		,2	SCREW, WIRING HARNESS CLAMP TO BOTTOM COWL (7/8")
7	13-26996		,2	LOCKWASHER, WIRING HARNESS CLAMP SCREW
8	12-20128		,2	WASHER, WIRING HARNESS CLAMP SCREW
9	24-28975		1,1	SPRING, GARTER - INTERNAL WIRING HARNESS
10	10-20776		1,1	SCREW, GROUND WIRE TO BOTTOM COWL
11	13-25244		1,	LOCKWASHER, GROUND WIRE SCREW
12	13-24669		1,1	LOCKWASHER, GROUND WIRE SCREW
13	25-26547		1,1	GROMMET, RECTIFIER TO SWITCH BOX WIRE
14	54-26538		1,1	CLIP, WIRING HARNESS TO FRONT BRACKET (1/8")
15	10-30009		1,1	SCREW, WIRING HARNESS TO FRONT BRACKET (3/8")
16	22789		1,1	"D" WASHER, WIRING HARNESS CLIP SCREW
17	45559		1,1	TERMINAL BLOCK, STATOR LEADS
18	10-28192		2,	SCREW, TERMINAL BLOCK FASTENING (1/2")
	10-48409		,2	SCREW, TERMINAL BLOCK FASTENING (5/8")
19	10-30663		2,2	SCREW, STATOR LEADS TO TERMINAL BLOCK (3/8")
20	332-2986A4		1,1	SWITCH BOX ASSEMBLY
21	12-45075		7,7	WASHER, SWITCH BOX TERMINAL
22	11-45076		7,7	NUT, SWITCH BOX TERMINAL
23	10-45218		1,1	SCREW, SWITCH BOX (3/8")
24	10-24866		4,4	SCREW, SWITCH BOX TO FRONT MOUNTING BRACKET (1")
25	11-46887		4,4	NUT, SWITCH BOX SCREW
26	25596		1,1	CABLE, WIRE - STARTER MOTOR TO FRONT SUPPORT BRACKET
27	10-29197		1,1	SCREW, WIRE CABLE TO STARTER MOTOR
28	50-48643A1		1,1	STARTER MOTOR ASSEMBLY
29	10-20362		1,1	SCREW, STARTER MOTOR CRANKCASE FLANGE (1 1/2")
30	10-31984		1,1	SCREW, STARTER MOTOR CRANKCASE FLANGE (1 3/8")
31	13-26993		2,2	LOCKWASHER, STARTER MOTOR SCREW
32	48500		1,	BRACKET, STARTER MOTOR SUPPORT
	53507		,1	BRACKET, STARTER MOTOR SUPPORT
33	10-25299		2,2	SCREW, STARTER MOTOR TO SUPPORT BRACKET (3/4")
34	13-26993		2,2	LOCKWASHER, STARTER MOTOR SCREW
35	12-26825		2,2	WASHER, STARTER MOTOR SCREW
36	10-32293		2,2	SCREW, SUPPORT BRACKET TO CYLINDER BLOCK (1 3/4")
37	12-26825		2,2	WASHER, SUPPORT BRACKET SCREW
38	11-46793		2,2	NUT, SUPPORT BRACKET SCREW
39	13-26992		1,1	LOCKWASHER, STARTER MOTOR TERMINAL

CONTINUED ON NEXT PAGE ➡

# STARTER MOTOR, STARTER SOLENOID, RECTIFIER AND WIRING HARNESS

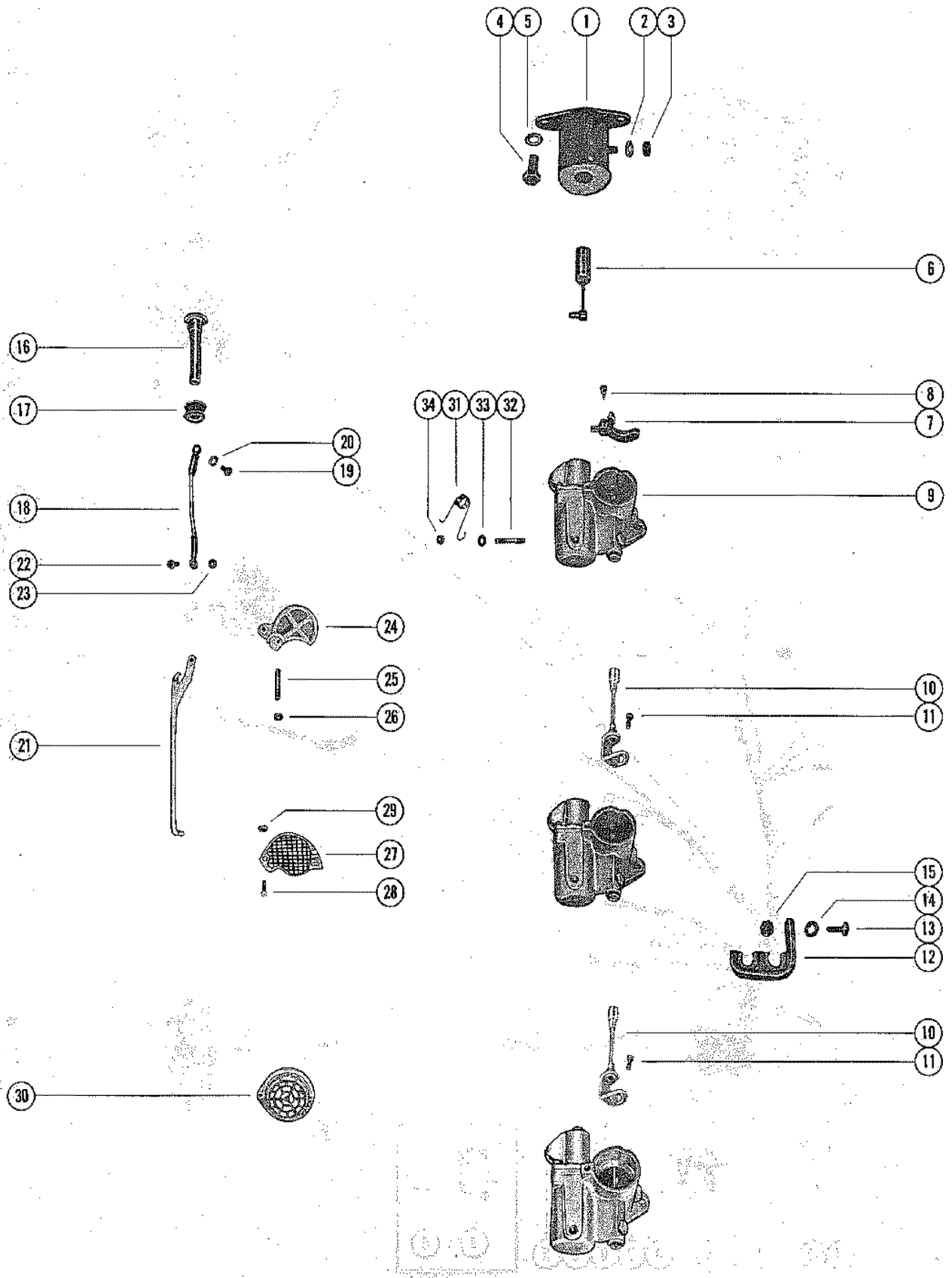




## STARTER MOTOR, STARTER SOLENOID, RECTIFIER AND WIRING HARNES

REF. NO.	PART NO.	SYM.	QTY.	DESCRIPTION
40	11-20890		1,1	NUT, STARTER MOTOR TERMINAL
41	25661		1,1	SOLENOID, STARTER (NOT AS SHOWN)
42	10-21625		2,2	SCREW, SOLENOID TO COIL BRACKET (3/4")
43	13-26992		2,2	LOCKWASHER, STARTER SOLENOID FASTENING SCREW
44	26901		1,1	BUMPER, RUBBER - STARTER SOLENOID
45	13-26996		2,2	LOCKWASHER, SOLENOID TERMINAL (#10)
46	11-20645		2,2	NUT, SOLENOID TERMINAL (#10)
47	48396		1,1	CABLE, WIRE - STARTER MOTOR TO SOLENOID
48	13-26993		2,2	LOCKWASHER, SOLENOID TERMINAL (5/16")
49	11-20083		2,2	NUT, SOLENOID TERMINAL (5/16")
50	46265		1,1	BOOT, SOLENOID TERMINAL
51	332-2910A3		1,1	RECTIFIER ASSEMBLY
52	10-31294		2,2	SCREW, RECTIFIER TO MOUNTING BRACKET (1")
53	11-46887		2,2	NUT, RECTIFIER MOUNTING SCREW
54	12-45075		3,3	WASHER, RECTIFIER STATOR LEAD TERMINAL
55	11-45076		3,3	NUT, FASTENING - RECTIFIER STATOR LEADS

# CARBURETOR LINKAGE AND CHOKE SOLENOID

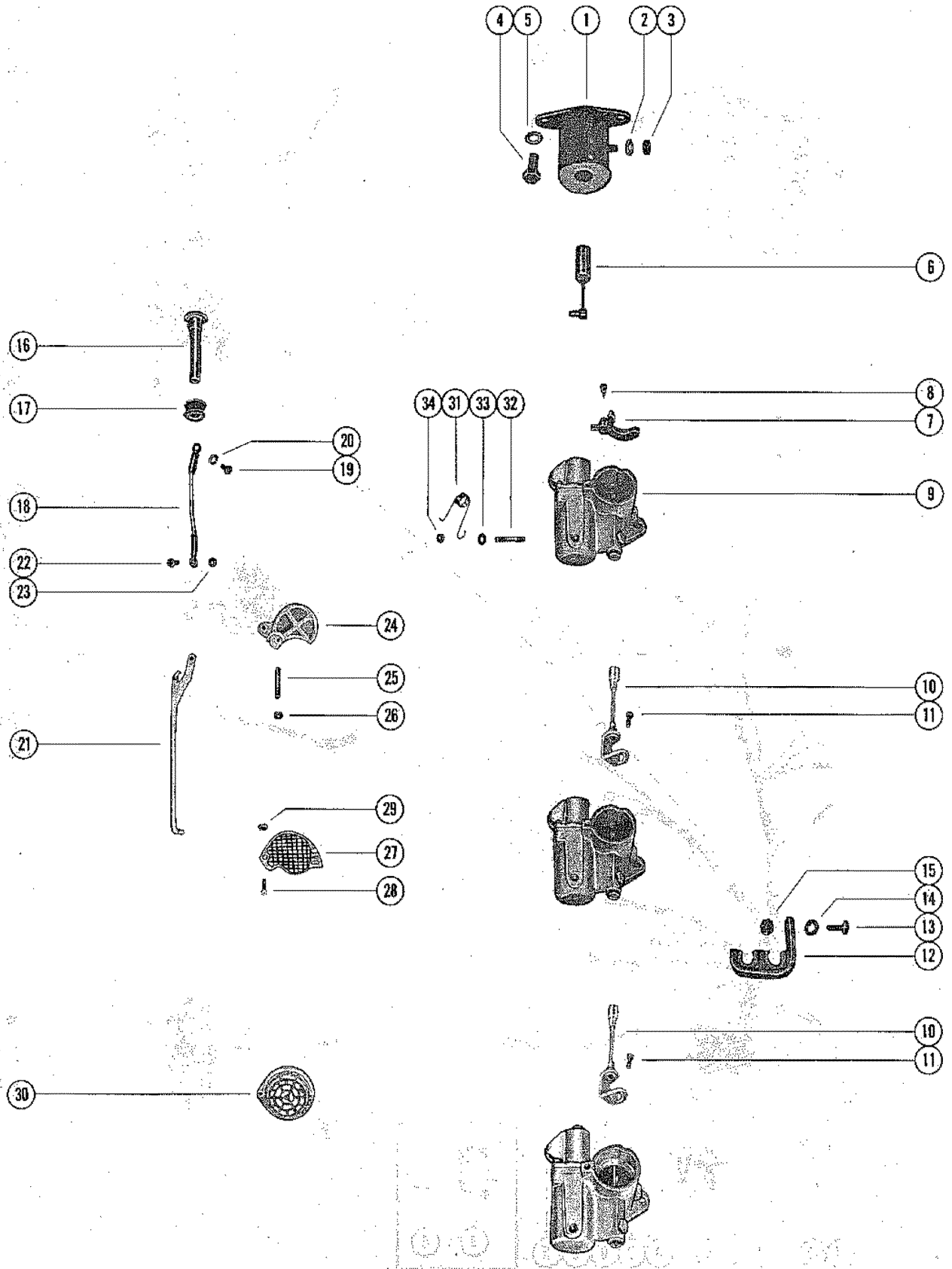


# CARBURETOR LINKAGE AND CHOKE SOLENOID

REF. NO.	PART NO.	SYM.	QTY.	DESCRIPTION
1	48187		1,1	CHOKE SOLENOID
2	13-26996		1,1	LOCKWASHER, SOLENOID TERMINAL
3	11-20645		1,1	NUT, SOLENOID TERMINAL
4	10-25299		2,2	SCREW, CHOKE SOLENOID (3/4")
5	13-26993		2,2	LOCKWASHER, CHOKE SOLENOID SCREW
6	48315A2		1,1	PLUNGER AND LINK ASSEMBLY, CHOKE SOLENOID
7	48693		1,	CLUSTER, THROTTLE LEVER (UPPER CARBURETOR)
	52518		,1	CLUSTER, THROTTLE LEVER (UPPER CARBURETOR)
8	10-20847		1,1	SCREW, CLUSTER TO THROTTLE LEVER
9	1348-3368		3,	CARBURETOR ASSEMBLY, COMPLETE (KD-1A) SEE NOT BELOW
	1348-3547		3,	CARBURETOR ASSEMBLY, COMPLETE (KD-1B) SEE NOT BELOW
	1348-3718		,3	CARBURETOR ASSEMBLY, COMPLETE (KD-2)
10	28007A7		2,2	THROTTLE PICK-UP BRACKET ASSEMBLY <b>SERIAL 00000000-02654512</b>
11	10-29239		2,2	SCREW, THROTTLE BRACKET MOUNTING (1/2") <b>SERIAL 00000000-02654512</b>
10	53720A2		,2	THROTTLE PICK-UP BRACKET ASSEMBLY <b>SERIAL 02654513-09999999</b>
11	10-53651		,2	SCREW, THROTTLE BRACKET MOUNTING <b>SERIAL 02654513-09999999</b>
-	<b>53665</b>		,2	<b>INSERT, THROTTLE COUPLING SERIAL 02654513-09999999</b>
12	46280		1,1	BRACKET, COIL LEAD RETAINER
13	10-31294		1,1	SCREW, COIL BRACKET (1")
14	12-29245		1,1	WASHER, COIL BRACKET SCREW
15	11-46887		1,1	NUT, COIL BRACKET SCREW
16	22463		1,1	KNOB, CHOKE ROD
17	25-20116		1,1	GROMMET, CHOKE ROD
18	49589		1,1	STRAP, CHOKE KNOB TO CHOKE ROD
19	10-48591		1,1	SCREW, STRAP TO CHOKE KNOB (1/2")
20	13-26996		1,1	LOCKWASHER, STRAP SCREW
21	48203		1,1	ROD, CHOKE
22	10-48591		1,1	SCREW, STRAP TO CHOKE ROD (1/2")
23	11-20565		1,1	NUT, STRAP TO CHOKE ROD SCREW
24	48152		2,2	SHUTTER, CHOKE - CARBURETOR
25	16-48790		3,	STUD, CARBURETOR - CHOKE SHUTTER PIVOT
	16-52898		,3	STUD, CARBURETOR - CHOKE SHUTTER PIVOT
26	11-20110		3,3	NUT, CHOKE SHUTTER TO CARBURETOR STUD
27	35-52900		,2	SCREEN, FILTER - CARBURETOR (MIDDLE AND TOP)
28	10-22523		,2	SCREW, CARBURETOR FILTER SCREEN STO CARBURETOR (5/8")
29	11-20110		,2	NUT, CARBURETOR FILTER SCREEN FASTENING SCREW

CONTINUED ON NEXT PAGE ➡

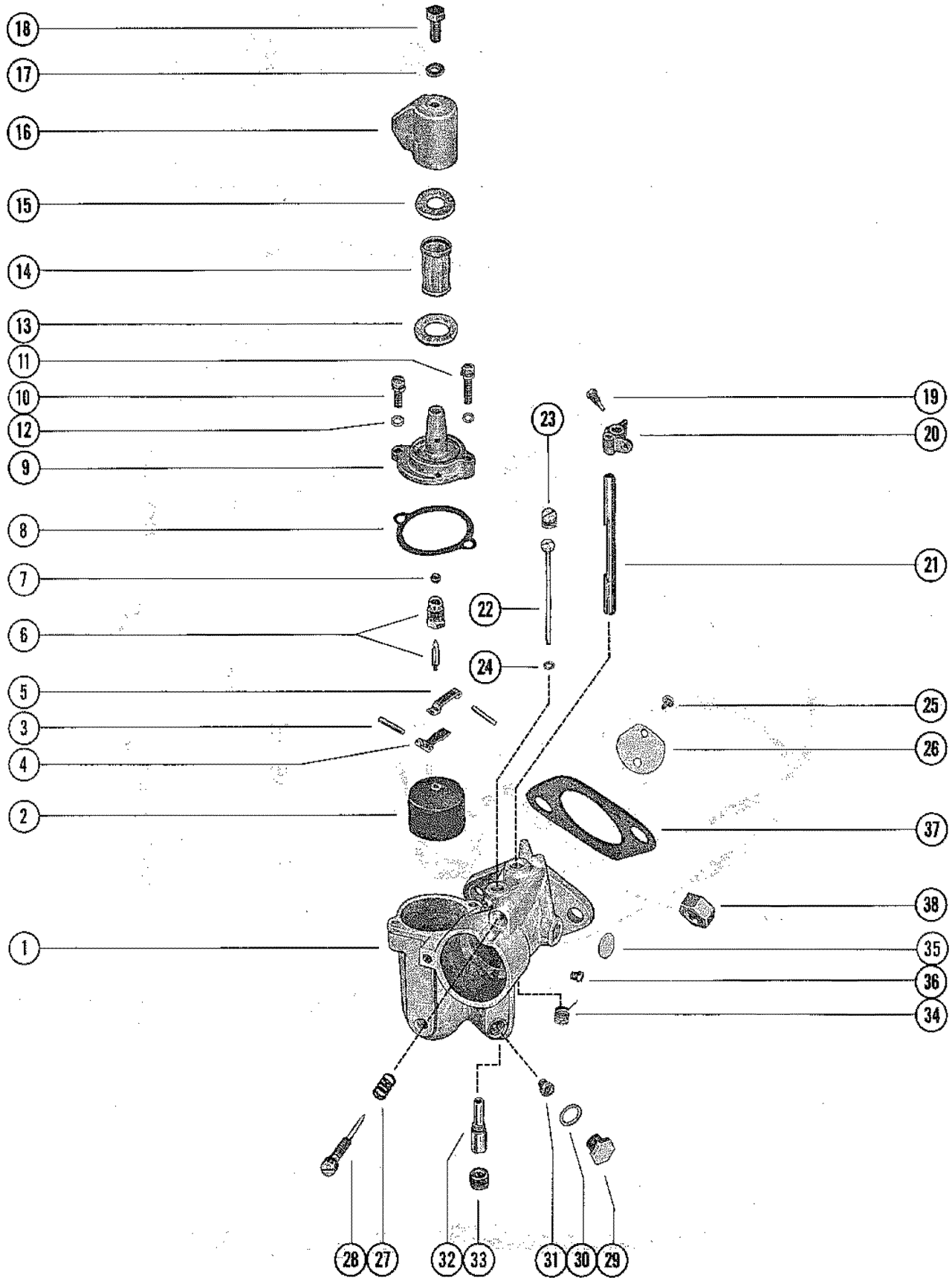
# CARBURETOR LINKAGE AND CHOKE SOLENOID



## CARBURETOR LINKAGE AND CHOKE SOLENOID

REF. NO.	PART NO.	SYM.	QTY.	DESCRIPTION
30	35-48406		1,1	SCREEN, FILTER - CARBURETOR (LOWER)
31	24-48230		1,1	SPRING, CHOKE ROD TENSION
32	16-39937		1,1	STUD, CHOKE ROD SPRING TO CARBURETOR
33	23-32427		1,1	SPACER, CHOKE ROD SPRING STUD
34	11-46887		1,1	NUT, CHOKE ROD SPRING TO CARBURETOR STUD

# CARBURETOR ASSEMBLY

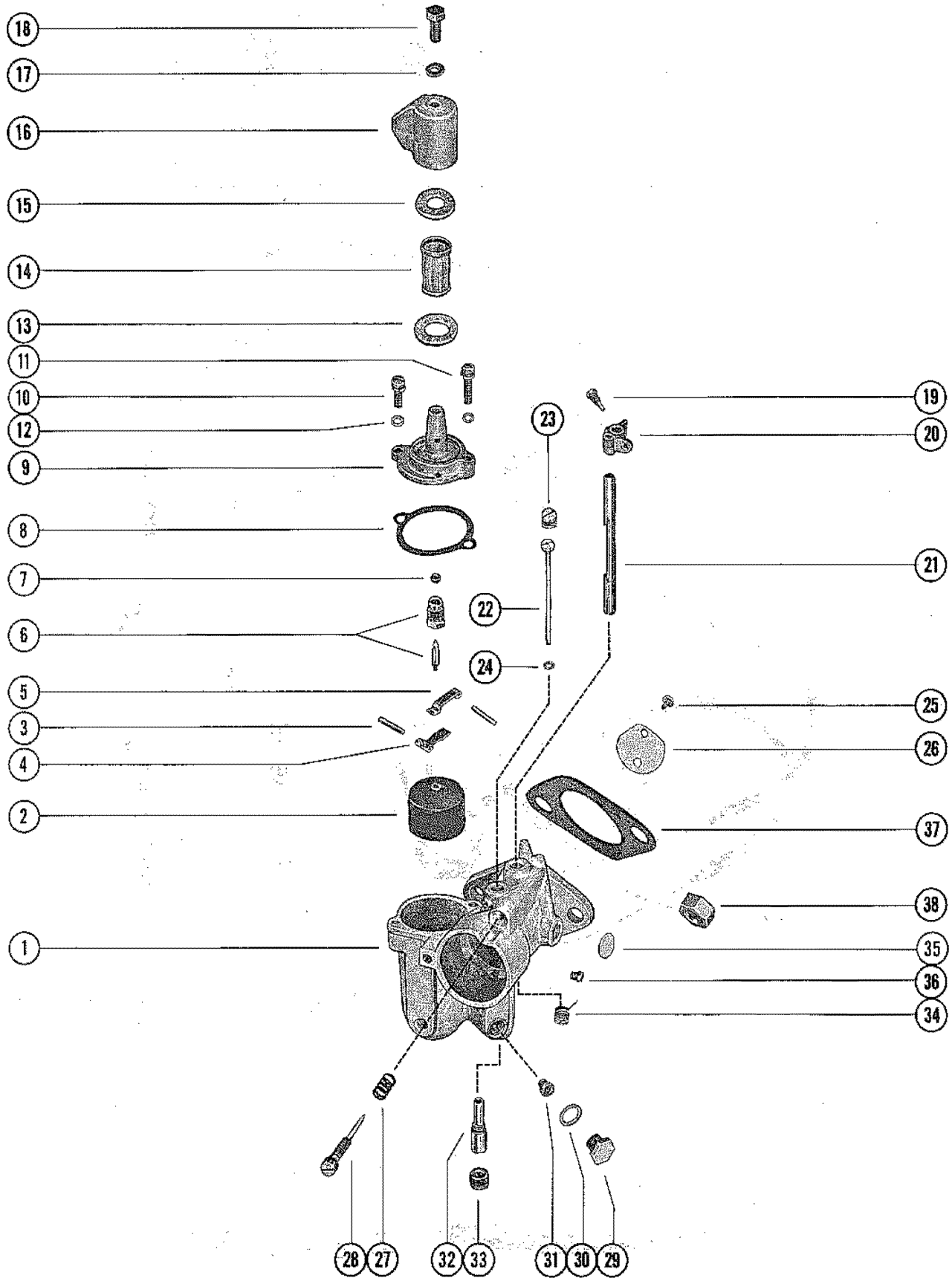


# CARBURETOR ASSEMBLY

REF. NO.	PART NO.	SYM.	QTY.	DESCRIPTION
1	1348-3368		3,	CARBURETOR ASSEMBLY, COMPLETE (KD-1A) SEE NOTE ON PAGE 14
	1348-3547		3,	CARBURETOR ASSEMBLY, COMPLETE (KD-1B)
	1348-3718		,3	CARBURETOR ASSEMBLY, COMPLETE (KD-2A) SEE NOTE ON PG 14
2	1399-110A1		3,3	FLOAT ASSEMBLY SEE NOTE ON PG 14
3			6,6	PIN, FLOAT LEVER PINION SEE NOTE ON PG 14
4			3,3	LEVER, FLOAT (LOWER)
5			3,3	LEVER, FLOAT (UPPER)
6	1399-1473		3,3	INLET NEEDLE, SEAT AND GASKET
7			3,3	GASKET, INLET SEAT
8			3,3	GASKET, FLOAT BOWL COVER
9	1399-1133		3,3	COVER, FLOAT BOWL
10	10-20854		3,	SCREW, FLOAT BOWL COVER (SHORT)
11	10-25850		3,	SCREW, FLOAT BOWL COVER (LONG)
10	10-52195		,3	SCREW, FLOAT BOWL COVER (SHORT)
11	10-52196		,3	SCREW, FLOAT BOWL COVER (LONG)
12	12-52197		,6	LOCKWASHER, FLOAT BOWL COVER SCREW
13			3,3	GASKET, STRAINER COVER (LARGE)
14	1399-1754		3,3	SCREEN, FILTER
15			3,3	GASKET, STRAINER COVER (SMALL)
16	1399-1930		3,3	COVER, STRAINER
17			3,3	GASKET, STRAINER COVER SCREW
18	10-25822		3,3	SCREW, STRAINER COVER FASTENING
19	10-20847		3,3	SCREW, THROTTLE STOP LEVER
20	1399-97		3,3	LEVER, THROTTLE STOP (SEE NOTE BELOW)
21	1399-3527		3,3	SHAFT, THROTTLE
22			3,3	TUBE, IDLE
			,3	TUBE, IDLE
23	10-23178		3,3	SCREW, BODY (IDLE TUBE)
24			3,3	GASKET, IDLE TUBE
25			6,6	SCREW AND LOCKWASHER, THROTTLE SHUTTER
26	1399-3528		3,3	SHUTTER, THROTTLE
27			3,3	SPRING, IDLE ADJUSTMENT SCREW
28	1399-3515		3,3	SCREW, IDLE ADJUSTMENT
29	10-28405		3,3	SCREW, PLUG - MAIN FUEL JET CHANNEL
30			3,3	GASKET, JET CHANNEL PLUG SCREW
31	1399-3517		OPT,	JET, MAIN FUEL (.084)
	1399-3518		3,	JET, MAIN FUEL (.082) - STANDARD
	1399-3519		OPT,	JET, MAIN FUEL (.080)
	1399-3520		OPT,OPT	JET, MAIN FUEL (.0785)
	1399-3796		,3	JET, MAIN FUEL (.076) - STANDARD
	1399-3794		,OPT	JET, MAIN FUEL (.074)
	1399-3795		,OPT	JET, MAIN FUEL (.072)

CONTINUED ON NEXT PAGE ➡

# CARBURETOR ASSEMBLY

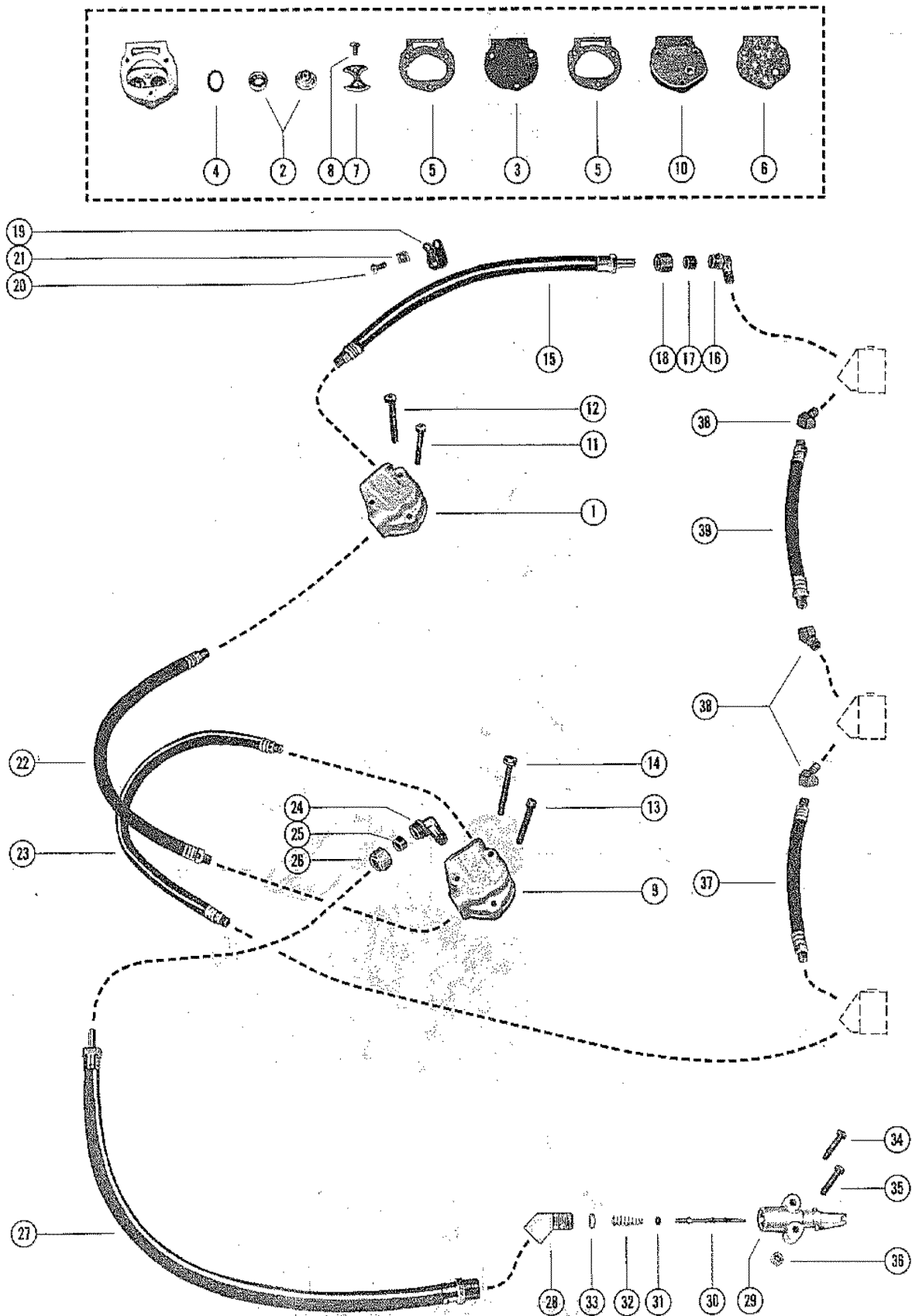




# CARBURETOR ASSEMBLY

REF. NO.	PART NO.	SYM.	QTY.	DESCRIPTION
32			3,	NOZZLE, MAIN (FOR KD-1A CARBURETOR)
			3,	NOZZLE, MAIN (FOR KD1B CARBURETOR)
			,3	NOZZLE, MAIN
33	1399-3522		3,3	SCREW, PLUG - MAIN NOZZLE
34			2,2	SPRING, THROTTLE SHAFT RETURN (CENTER AND LOWER CARBURETOR)
			1,1	SPRING, THROTTLE SHAFT RETURN (UPPER CARBURETOR)
35			3,3	WELCH PLUG, BODY CHANNEL
36	10-23030		3,3	SCREW, BODY CHANNEL
-	<b>1399-3523</b>		<b>3,</b>	<b>GASKET AND PACKING SET (1 PER CARBURETOR)</b>
-	<b>1399-3524</b>		<b>3,</b>	<b>REPAIR PARTS KIT (1 PER CARBURETOR) - FOR KD-1A CARBURETOR</b>
-	<b>1399-3526</b>		<b>3,</b>	<b>REPAIR PARTS KIT (1 PER CARBURETOR) - FOR KD-1B CARBURETOR</b>
-	<b>1399-3798</b>		<b>,3</b>	<b>GASKET AND PACKING SET (1 PER CARBURETOR)</b>
-	<b>1399-3797</b>		<b>,3</b>	<b>REPAIR PARTS KIT (1 PER CARBURETOR)</b>
37	27-48164		3,3	GASKET, CARBURETOR FLANGE
38	11-46793		6,6	NUT, CARBURETOR MOUNTING STUD

# FUEL PUMP AND FUEL LINE ASSEMBLY

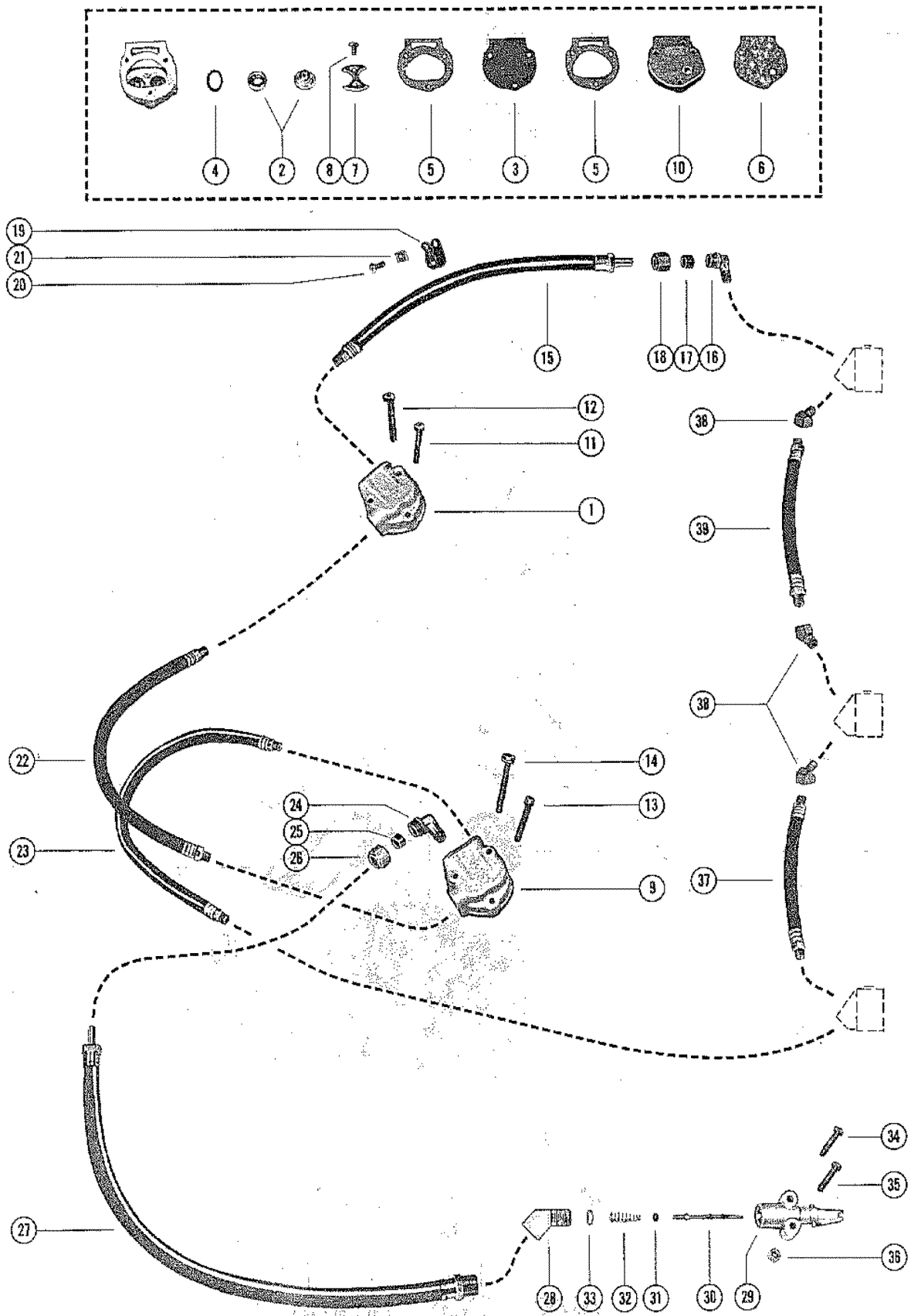


# FUEL PUMP AND FUEL LINE ASSEMBLY

REF. NO.	PART NO.	SYM.	QTY.	DESCRIPTION
1	30269A2		1,	FUEL PUMP ASSEMBLY - UPPER
	53156A3		,1	FUEL PUMP ASSEMBLY - UPPER
2	21-30430A1		1,1	CHECK VALVE ASSEMBLY
3	23014A1		1,1	DIAPHRAGM KIT
4			2,2	GASKET, CHECK VALVE TO HOUSING
5			2,2	GASKET, FUEL PUMP
6			1,1	GASKET, FUEL PUMP COVER
7	23004		1,1	RETAIER, CHECK VALVE
8	10-20037		2,2	SCREW, RETAINER TO HOUSING
9	30461A2		1,1	FUEL PUMP ASSEMBLY - LOWER
2	21-30430A1		1,1	CHECK VALVE ASSEMBLY
3	23014A1		1,1	DIAPHRAGM KIT
4			2,2	GASKET, CHECK VALVE TO HOUSING
5			2,2	GASKET, FUEL PUMP
6			1,1	GASKET, FUEL PUMP COVER
7	23004		1,1	RETAINER, CHECK VALVE
8	10-20037		2,2	SCREW, RETAINER TO HOUSING
10	30275		2,2	COVER, FUEL PUMP
11	10-29878		1,	SCREW, FUEL PUMP MOUNTING (1 1/2") - UPPER PUMP
12	10-30274		2,	SCREW, FUEL PUMP MOUNTING (1 3/4") - UPPER PUMP
11	10-38036		,1	SCREW, FUEL PUMP MOUNTING (1 1/2") - UPPER PUMP
12	10-30273		,2	SCREW, FUEL PUMP MOUNTING (1 7/8") - UPPER PUMP
13	10-38036		1,1	SCREW, FUEL PUMP MOUNTING (1 1/2") - LOWER PUMP
14	10-30273		2,2	SCREW, FUEL PUMP MOUNTING (1 7/8") - LOWER PUMP
15	32-32256A1		1,1	FUEL LINE ASSEMBLY, PUMP TO CARBURETOR (9 7/8")
16	22-30174		1,1	ELBOW, UPPER CARBURETOR STRAINER COVER (90)
17	22-30175		1,1	SLEEVE, CARBURETOR STRAINER COVER ELBOW
18	22-30177		1,1	NUT, UPPER CARBURETOR STRAINER COVER ELBOW
19	54-22627		1,1	CLIP, FUEL LINE TO CYLINDER BLOCK
20	10-30663		1,1	SCREW, FUEL LINE CLIP TO CYLINDER BLOCK (3/8")
21	22789		1,1	"D" WASHER, FUEL LINE CLIP SCREW
22	32-31552A1		1,1	FUEL LINE ASSEMBLY, PUMP TO PUMP (12 3/8")
23	32-31553A1		1,1	FUEL LINE ASSEMBLY, PUMP TO CARBURETOR (19 3/4")
24	22-30174		1,1	ELBOW, LOWER FUEL PUMP INLET (90)
25	22-30175		1,1	SLEEVE, FUEL PUMP INLET ELBOW
26	22-30177		1,1	NUT, FUEL PUMP INLET ELBOW
27	32-30176		1,1	FUEL LINE, ADAPTOR TO LOWER FUEL PUMP (18")
28	22-37682		1,	ELBOW, FUEL LINE TO ADAPTOR
29	30186		1,1	ADAPTOR, CHECK UNIT (FUEL LINE)
30	30187		1,1	STEM, CHECK UNIT ADAPTOR
31	25-20415		1,1	"O" RING, ADAPTOR STEM
32	24-30189		1,1	SPRING, ADAPTOR STEM
33	30188		1,1	CUP WASHER, ADAPTOR

CONTINUED ON NEXT PAGE ➡

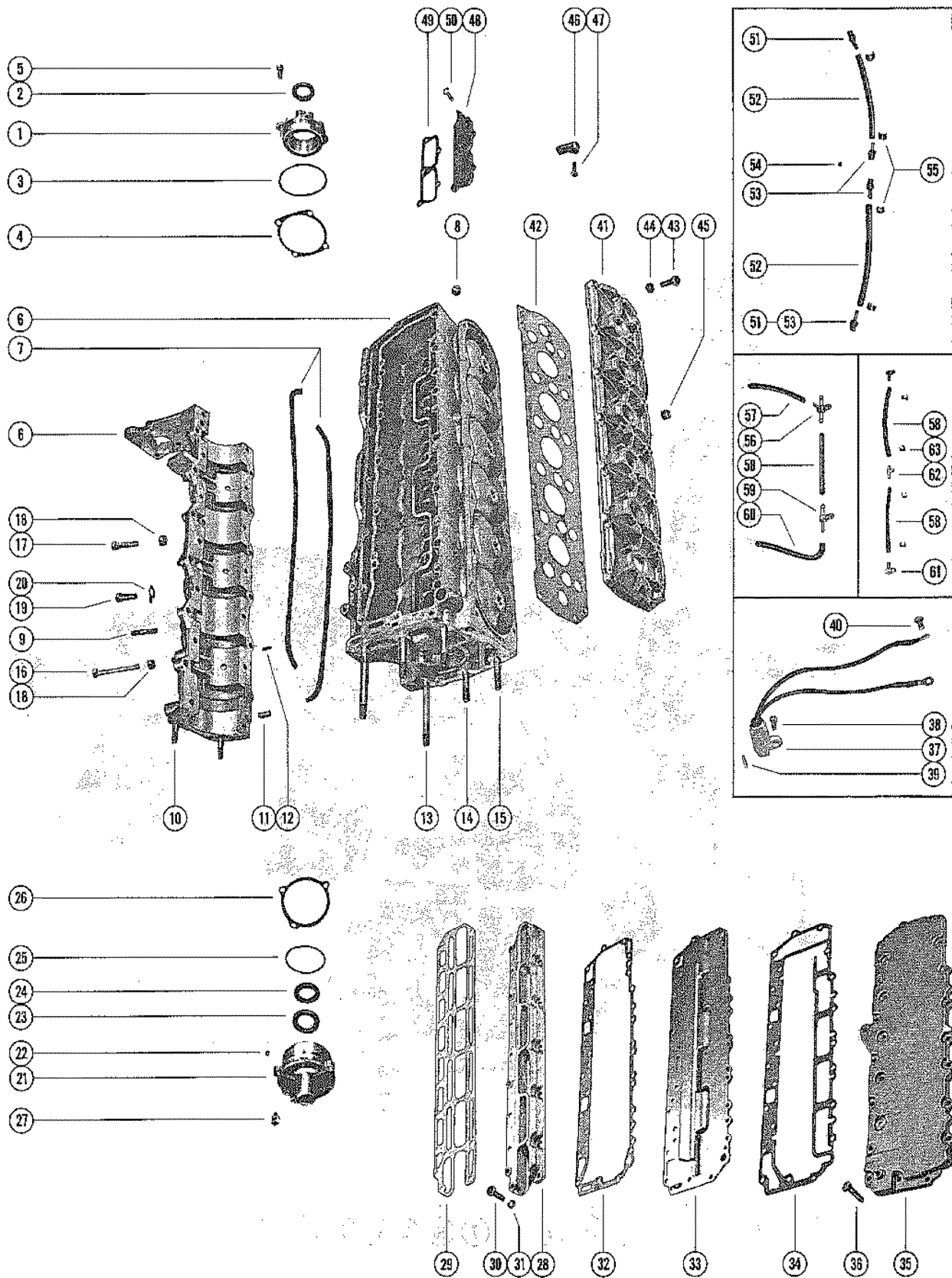
# FUEL PUMP AND FUEL LINE ASSEMBLY



## FUEL PUMP AND FUEL LINE ASSEMBLY

REF. NO.	PART NO.	SYM.	QTY.	DESCRIPTION
34	10-37990		1,1	SCREW, ADAPTOR TO BOTTOM COWL (1 3/4")
35	10-37561		1,1	SCREW, ADAPTOR TO BOTTOM COWL (2 1/2")
36	11-46887		2,2	NUT, ADAPTOR FASTENING SCREW
37	32-31584A1		1,1	FUEL LINE ASSEMBLY, MIDDLE CARB, TO BOTTOM CARB.
38	22-29085		3,3	ELBOW, FUEL LINE TO CARBURETOR (45)
39	32-49454A1		1,	FUEL LINE ASSEMBLY, TOP CARB. TO MIDDLE CARB.

# CYLINDER BLOCK AND CRANKCASE ASSEMBLY

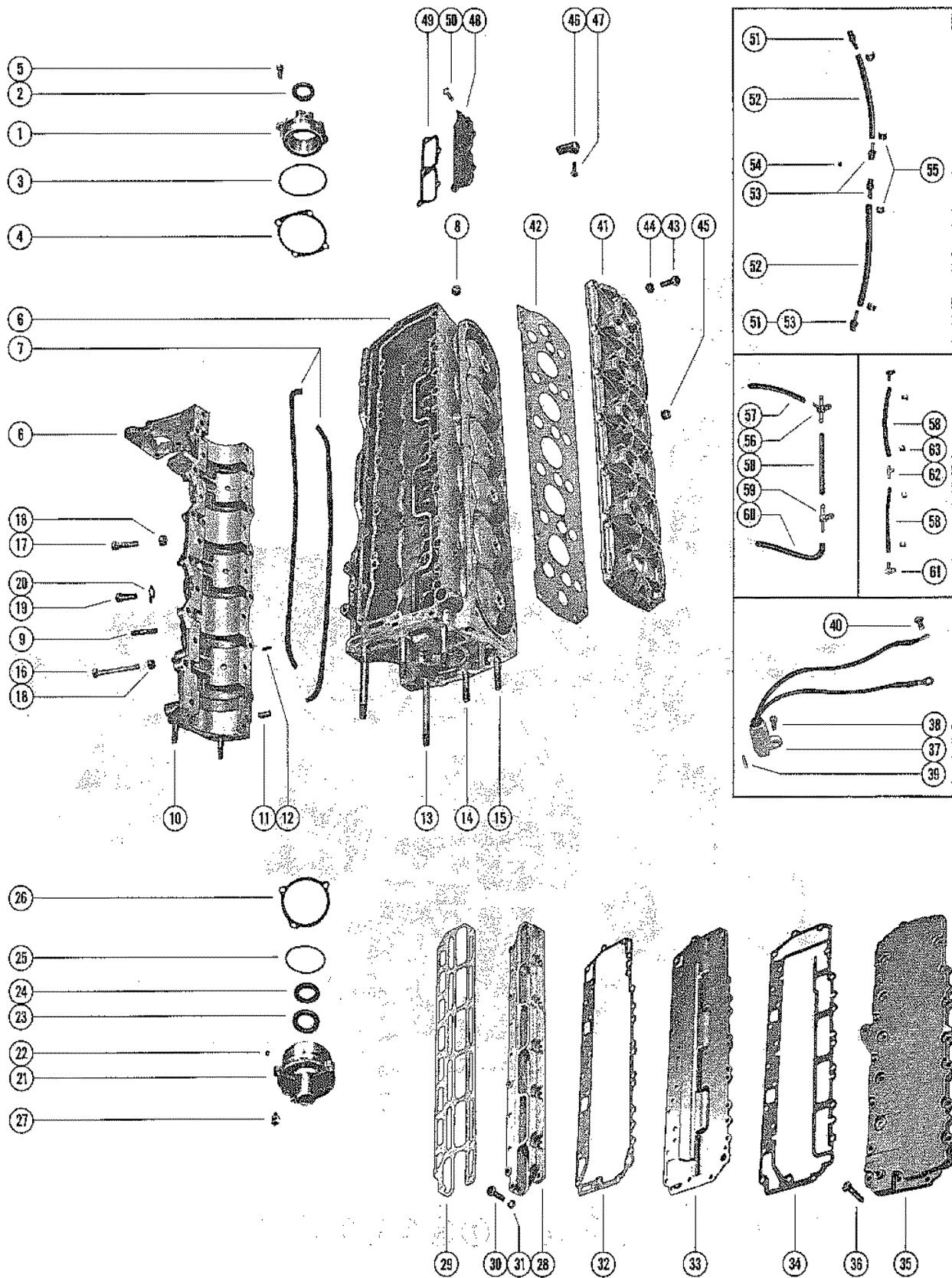


# CYLINDER BLOCK AND CRANKCASE ASSEMBLY

REF. NO.	PART NO.	SYM.	QTY.	DESCRIPTION
1	1134-3197A1		1,1	END CAP ASSEMBLY, UPPER
2	26-29476		1,1	OIL SEAL
3	25-47254		1,1	"O" RING
4	15-47248A1		AR,AR	SHIM, END CAP TO CRANKCASE (.002-3-5-10)
5	10-30225		4,4	SCREW, END CAP MOUNTING (A")
6	846-3181A3		1,	CYLINDER BLOCK AND CRANKCASE ASSEMBLY (NOT AS SHOWN)
	846-3181A7		,1	CYLINDER BLOCK AND CRANKCASE ASSEMBLY (NOT AS SHOWN)
7	27-53862		2,2	GASKET, CRANKCASE TO CYLINDER BLOCK
8	22-32802		1,	PLUG, PIPE - WATER PRESSURE HOSE
9	16-35099		6,6	STUD, CARBURETOR MOUNTING (1 3/16")
10	16-26133		2,2	STUD, CRANKCASE TO DRIVE SHAFT HOUSING (1 7/8")
11	17-20033		2,2	PIN, DOWEL - CRANKCASE TO CYLINDER BLOCK
12	17-20323		3,3	PIN, DOWEL - CYLINDER BLOCK TO MAIN BEARING
13	16-26134		2,2	STUD, CYLINDER BLOCK TO DRIVE SHAFT HOUSING (4 1/16")
14	16-48770		3,	STUD, CYLINDER BLOCK TO DRIVE SHAFT HOUSING (3 9/16")
	16-48770		,4	STUD, CYLINDER BLOCK TO DRIVE SHAFT HOUSING (3 9/16")
15	16-26135		1,	STUD, CYLINDER BLOCK TO DRIVE SHAFT HOUSING (2 5/16")
	16-48769		2,	STUD, CYLINDER BLOCK TO DRIVE SHAFT HOUSING (2 1/8")
	16-26324		,2	STUD, CYLINDER BLOCK TO DRIVE SHAFT HOUSING (2 7/8")
16	10-33008		3,3	SCREW, CRANKCASE TO CYLINDER BLCOK (3 1/2")
	10-26132		2,2	SCREW, CRANKCASE TO CYLINDER BLOCK (2 1/2") <b>SERIAL 00000000-00270982</b>
	10-33473		,2	SCREW, CRANKCASE TO CYLINDER BLOCK (2 1/2") <b>SERIAL 00270982-09999999</b>
17	10-32293		4,4	SCREW, CRANKCASE TO CYLINDER BLOCK (1 3/4")
-	<b>12-26825</b>		<b>2,2</b>	<b>WASHER, CRANKCASE TO CYLINDER BLOCK SCREW</b>
	10-22040		17,	SCREW, CRANKCASE TO CYLINDER BLOCK (1 1/2")
	10-21574		,17	SCREW, CRANKCASE TO CYLINDER BLOCK (1 5/8")
-	<b>12-22753</b>		<b>,24</b>	<b>WASHER CRANKCASE TO CYLINDER BLOCK SCREW</b>
18	11-46793		26,26	NUT, CRANKCASE FASTENING SCREW
19	10-20359		2,2	SCREW, CENTER MAIN BEARING LOCKING
20	14-20091		2,2	TAB WASHER, BEARING LOCKING SCREW
21	1126-3196A1		1,	END CAP ASSEMBLY, LOWER
	1126-3196A2		,1	END CAP ASSEMBLY, LOWER
22	21-28481A1		1,1	CHECK VALVE ASSEMBLY, END CAP
23	26-29478		1,	OIL SEAL, LOWER
24	26-29476		1,	OIL SEAL, UPPER
	26-29476		,2	OIL SEAL, UPPER

CONTINUED ON NEXT PAGE ➡

# CYLINDER BLOCK AND CRANKCASE ASSEMBLY



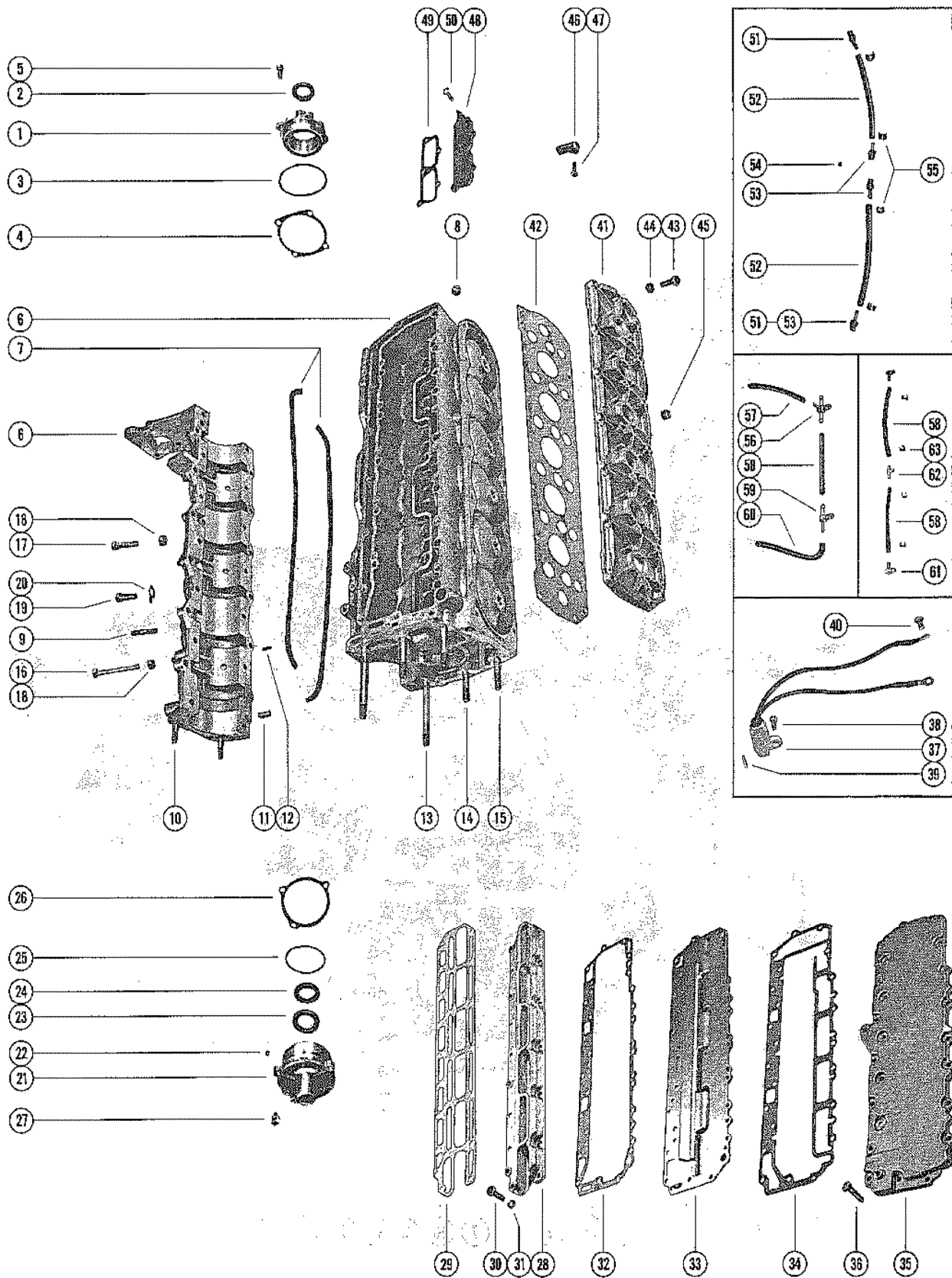


# CYLINDER BLOCK AND CRANKCASE ASSEMBLY

REF. NO.	PART NO.	SYM.	QTY.	DESCRIPTION
25	25-20081		1,1	"O" RING
26	15-20085A1		AR,AR	SHIM, END CAP TO CRANKCASE (.002-3-5-10)
27	10-30225		3,3	SCREW, END CAP MOUNTING (1")
28	47230		1,1	COVER, WATER JACKET - CYLINDER BLOCK <b>PART OF A-846-3181A7 CYLINDER BLOCK AND CRANKCASE ASSEMBLY</b>
29	27-47228		1,1	GASKET, WATER JACKET COVER <b>PART OF A-846-3181A7 CYLINDER BLOCK AND CRANKCASE ASSEMBLY</b>
30	10-53167		23,23	SCREW, WATER JACKET COVER TO CYLINDER BLOCK (7/8") <b>PART OF A-846-3181A7 CYLINDER BLOCK AND CRANKCASE ASSEMBLY</b>
31	13-53166		23,23	LOCKWASHER, WATER JACKET COVER FASTENING SCREW <b>PART OF A-846-3181A7 CYLINDER BLOCK AND CRANKCASE ASSEMBLY</b>
32	27-47229		1,1	GASKET, CYLINDER BLOCK TO BAFFLE PLATE
33	55282		1,1	PLATE, BAFFLE - EXHAUST MANIFOLD
34	27-47227		1,1	GASKET, BAFFLE PLATE TO EXHAUST MANIFOLD COVER
35	47253		1,1	COVER, EXHAUST MANIFOLD
36	10-38837		23,23	SCREW, MANIFOLD COVER MOUNTING (1 1/8")
37	33385A4		1,1	SWITCH, MERCURY
38	10-28708		1,1	SCREW, MERCURY SWITCH TO FRONT MOUNTING BRACKET (1/2")
39	17-30496		1,1	PIN, ROLL - MERCURY SWITCH
40	10-30009		1,	SCREW, MERCURY SWITCH LEAD
	10-30663		,1	SCREW, MERCURY SWITCH LEAD
41	1011-3208		1,1	COVER, CYLINDER BLOCK
42	27-47226		1,1	GASKET, CYLINDER BLOCK COVER
43	10-21091		16,16	SCREW, CYLINDER BLOCK COVER MOUNTING (1 1/8")
44	11-46887		16,16	NUT, COVER MOUNTING SCREW
45	22-32802		1,1	PLUG, PIPE - CYLINDER BLOCK COVER
46	37440		1,1	BRACKET, MOUNT SUPPORT - CYLINDER BLOCK
47	10-24234		1,1	SCREW, BRACKET TO CYLINDER BLOCK (1")
48	47236		3,3	COVER, TRANSFER PORT
49	27-47251		3,3	GASKET, TRANSFER PORT COVER
50	10-28635		15,15	SCREW, TRANSFER PORT COVER MOUNTING (5/8")
51	22-20445		2,	CONNECTOR, CYLINDER BLEED HOSE - LOWER AND UPPER
	22-20445		,1	CONNECTOR, CYLINDER BLEED HOSE - LOWER AND UPPER
52	32-33500		2,	HOSE, UPPER AND LOWER CYLINDER BLEED (9 1/2")
	32-33500		,1	HOSE, UPPER AND LOWER CYLINDER BLEED (9 1/2")
53	21-28483A1		2,	CHECK VALVE ASSEMBLY, BLEED HOSE
	21-28483A1		,3	CHECK VALVE ASSEMBLY, BLEED HOSE
54	21-28481A1		2,	CHECK VALVE ASSEMBLY
	21-28481A1		,3	CHECK VALVE ASSEMBLY
55	54-20387		4,	CLAMP, BLEED HOSE TO CONNECTOR
	54-20387		,6	CLAMP, BLEED HOSE TO CONNECTOR
56	22-53492		,1	TEE, BLEED HOSE TO CYLINDER BLOCK - CENTER

CONTINUED ON NEXT PAGE ➡

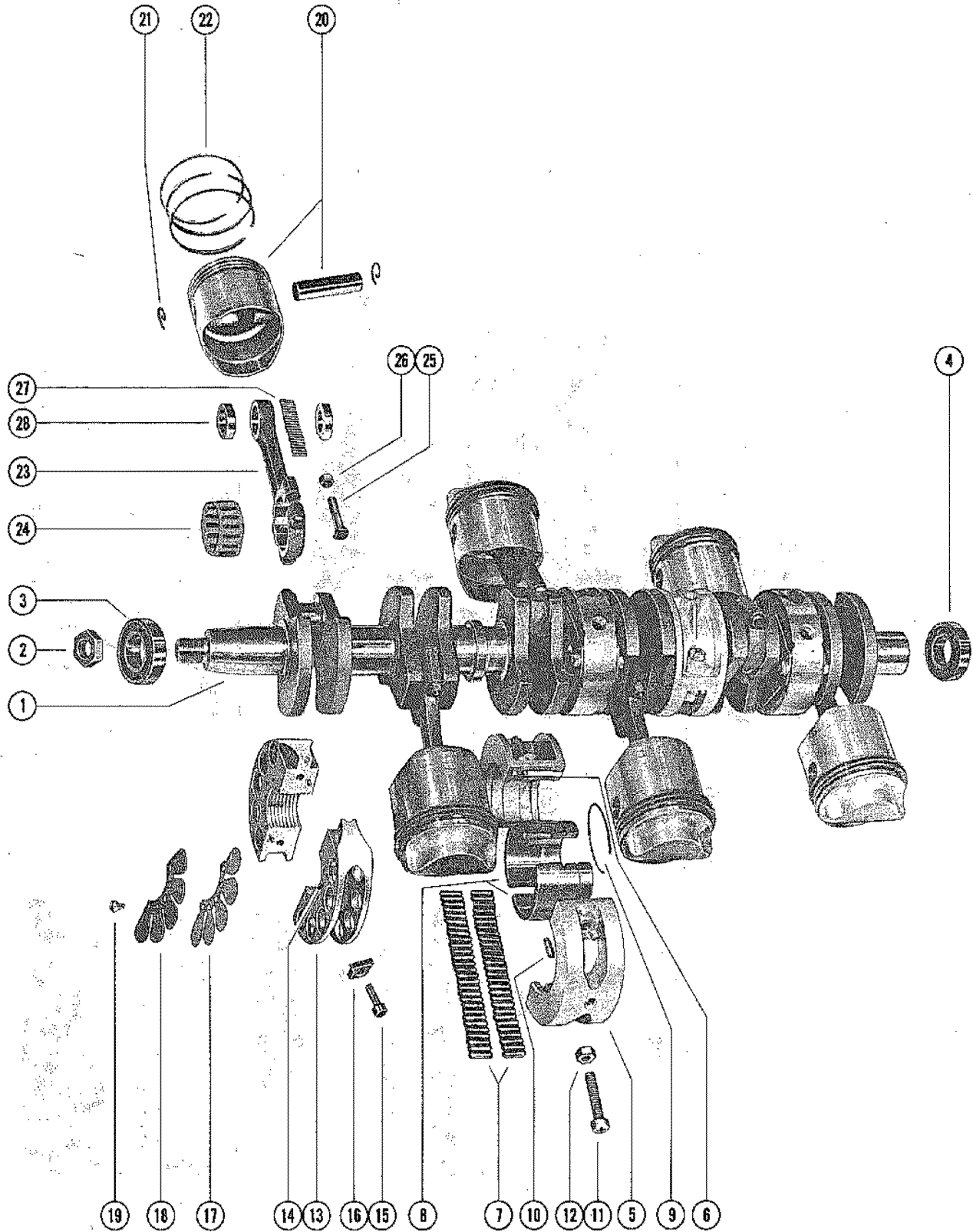
# CYLINDER BLOCK AND CRANKCASE ASSEMBLY



## CYLINDER BLOCK AND CRANKCASE ASSEMBLY

REF. NO.	PART NO.	SYM.	QTY.	DESCRIPTION
57	32-33500		,1	HOSE, CENTER CYLINDER BLEED (9 1/2")
58	32-33960		2,2	TUBE, BALANCE - MAIN BEARING
59	22-53491		,1	TEE, BLEED HOSE TO CYLINDER BLOCK - LOWER
60	32-32840A1		,1	HOSE, CYLINDER BLEED - LOWER (8 1/2")
61	22-20781		2,	ELBOW, BALANCE TUBE TO MAIN BEARING SCREW
	22-20781		,1	ELBOW, BALANCE TUBE TO MAIN BEARING SCREW
62	22-20931		1,	TEE, BALANCE TUBE TO MAIN BEARING SCREW
63	54-20386		4,4	CLAMP, BALANCE TUBE TO ELBOW AND TEE

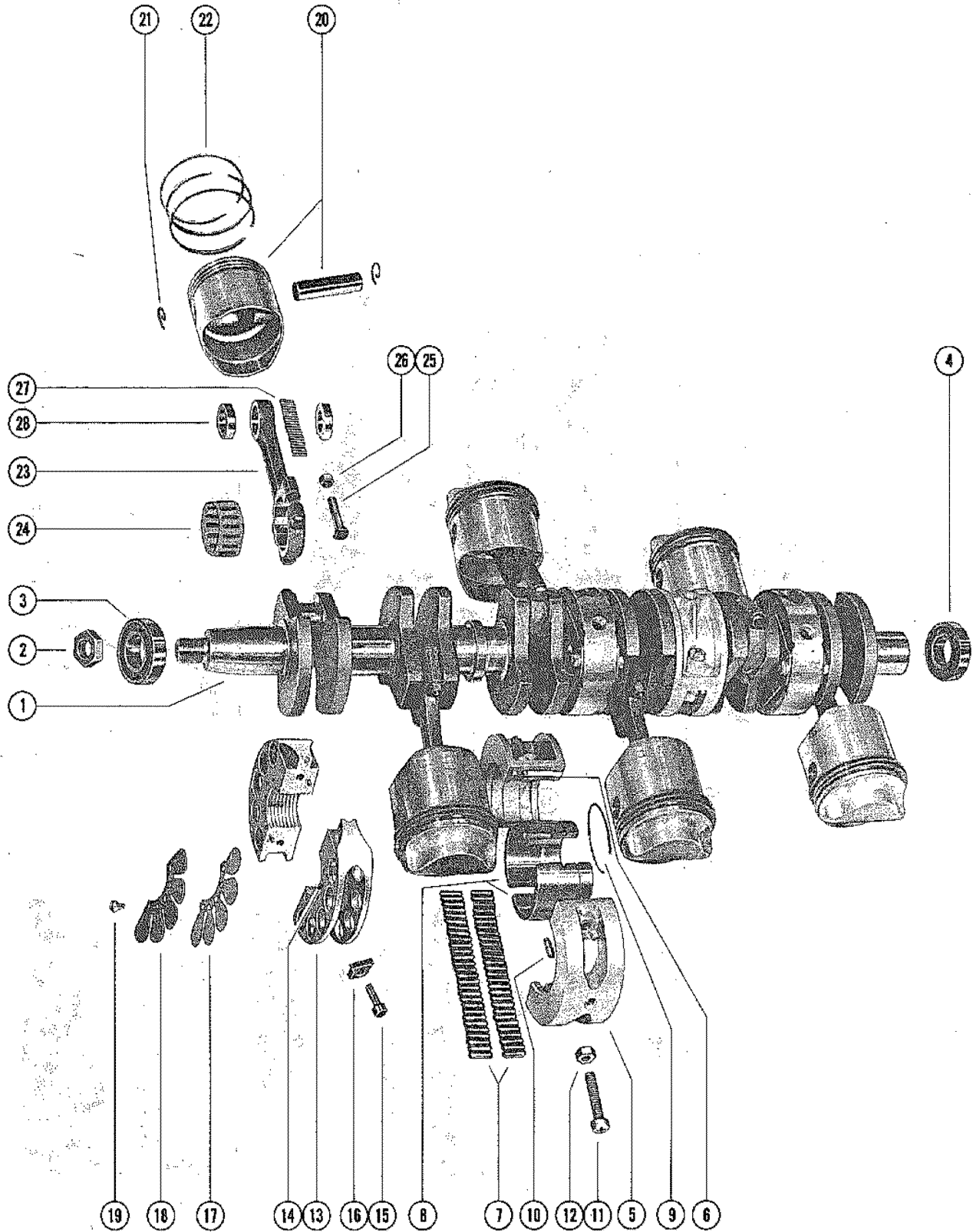
# CRANKSHAFT, PISTONS AND CONNECTING RODS



# CRANKSHAFT, PISTONS AND CONNECTING RODS

REF. NO.	PART NO.	SYM.	QTY.	DESCRIPTION
1	436-3187A2		1,	CRANKSHAFT ASSEMBLY (NOT AS SHOWN)
	436-3187A4		,1	CRANKSHAFT ASSEMBLY (NOT AS SHOWN)
2	11-52901		,1	NUT, FLYWHEEL TO CRANKSHAFT
3	30-32117		1,1	BEARING, BALL - UPPER
4	30-20080		1,1	BEARING, BALL - LOWER <b>SERIAL 00000000-02709827</b>
	30-53853		,1	BEARING, BALL - LOWER <b>SERIAL 02709828-09999999</b>
5	535-3190A1		2,2	CENTER MAIN BEARING ASSEMBLY
6	17-20032		4,4	DOWEL PIN, CENTER MAIN BEARING
7	29-48410		112,112	BEARING, NEEDLE - OUTER RACE
8	26113		2,2	RACE, OUTER (PAIR)
9	53-26933		2,2	RING, SMAP - OUTER RACE
10	17-47246		2,2	DOWEL PIN, STEPPED
11	10-22968		4,4	SCREW, CENTER MAIN BEARING CLAMPING
12	11-46887		4,4	NUT, BEARING CLAMPING SCREW
13	537-3300A1		3,3	MAIN BEARING ASSEMBLY, VALVE TYPE
14	17-20032		30,30	DOWEL PIN, MAIN BEARING
15	10-45775		6,6	SCREW, MAIN BEARING CLAMPING
16	11-45774		6,6	NUT, MAIN BEARING CLAMPING SCREW
17	34-48082A1		3,3	REED SET, MATCHED - MAIN BEARING
18	34-48081		12,12	REED STOP, MAIN BEARING REED VALVES
19	10-48080		36,36	SCREW, REED STOP MOUNTING
20	472-3186A4		6,	PISTON AND PISTON PIN ASSEMBLY "G" TYPE LOCK RING <b>SEE DRAWING BELOW</b>
21	40-45740		12,	LOCK RING, PISTON PIN "G" TYPE LOCK RING <b>SEE DRAWING BELOW</b>
22	39-45155A12		2,	RING, PISTON (1/16") "G" TYPE LOCK RING <b>SEE DRAWING BELOW</b>
20	742-3512A2		6,6	PISTON AND PISTON PIN ASSEMBLY "C" TYPE LOCK RING <b>SEE DRAWING BELOW</b>
21	40-52035		12,12	LOCK RING, PISTON PIN "C" TYPE LOCK RING <b>SEE DRAWING BELOW</b>
22	39-45155A12		2,2	RING, PISTON (1/16" THICK) "C" TYPE LOCK RING <b>SEE DRAWING BELOW</b>
23	618-3185A2		6,	CONNECTING ROD AND CAP ASSEMBLY
	622-3666A2		,6	CONNECTING ROD AND CAP ASSEMBLY
24	31-47245A1		6,6	BEARING ASSEMBLY, CRANKPIN
25	10-47240		12,12	SCREW, CONNECTING ROD
26	11-49091		12,12	NUT, CONNECTING ROD SCREW
27	29-47270		174,174	BEARING NEEDLE - PISTON PIN
28	12-47247		12,12	WASHER, NEEDLE LOCATING

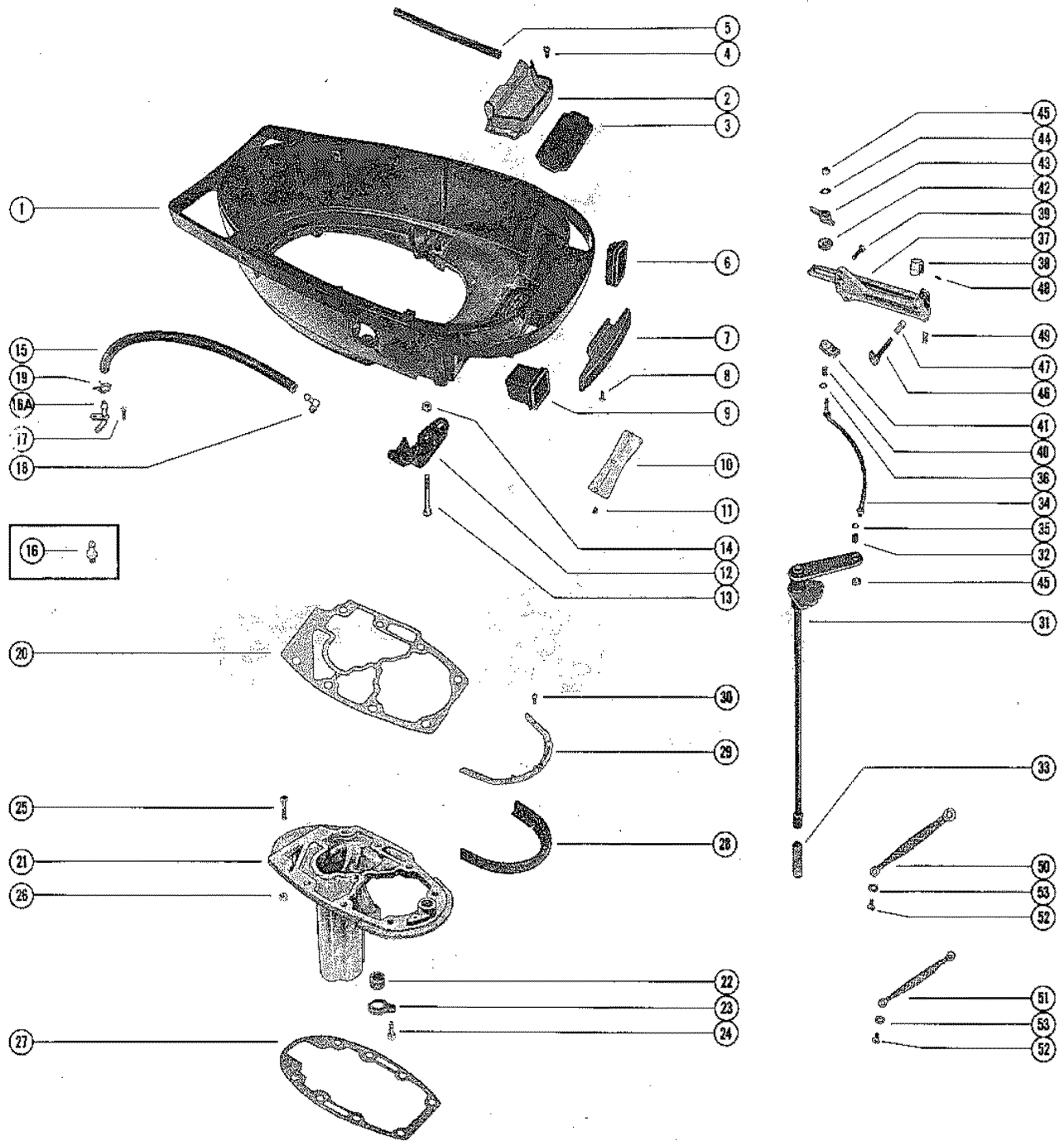
# OVERSIZE PISTONS AND RINGS



# OVERSIZE PISTONS AND RINGS

REF. NO.	PART NO.	SYM.	QTY.	DESCRIPTION
-	3543A2		6,6	PISTON AND PISTON PIN ASSEMBLY (.015 OVERSIZE)
-	39-45204A12		2,2	RING, PISTON (.015 OVERSIZE) - 1/16" THICK

# BOTTOM COWL AND SHIFT LINKAGE



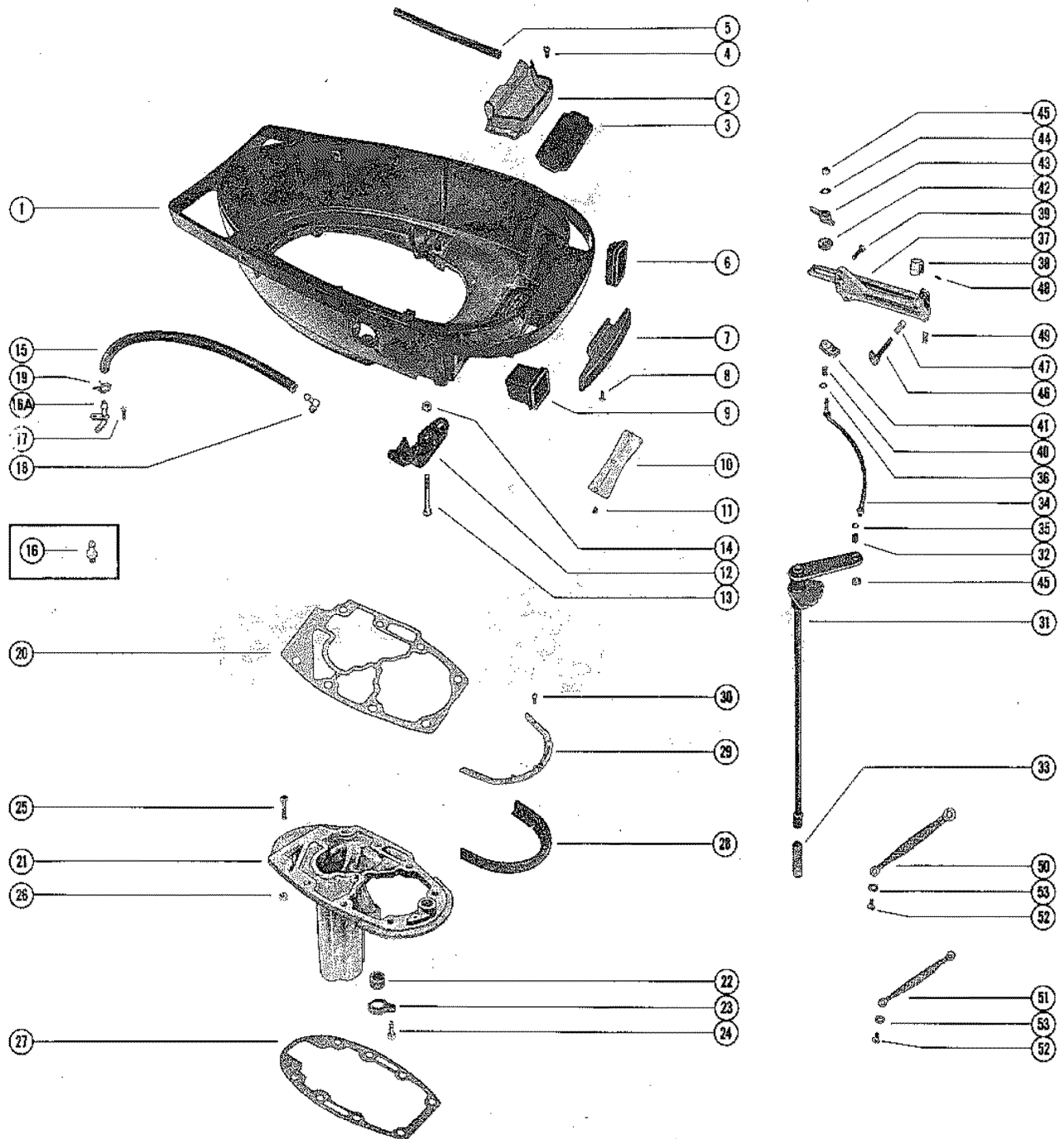


## BOTTOM COWL AND SHIFT LINKAGE

REF. NO.	PART NO.	SYM.	QTY.	DESCRIPTION
1	2115-3167		1,	COWL, BOTTOM
	2115-3615		,1	COWL, BOTTOM
2	47261A1		1,	CRIP TRAY ASSEMBLY, BOTTOM COWL
	52862A2		,1	CRIP TRAY ASSEMBLY, BOTTOM COWL
3	37940		1,1	PAD, SOUND - DRIP TRAY
4	10-34222		4,4	SCREW, DRIP TRAY TO BOTTOM COWL (1/2")
5	32-52032		1,1	HOSE, DRIP TRAY TO BOTTOM COWL (8")
6	37638		1,1	BOOT, CONTROL CABLES - BOTTOM COWL
7	48231		1,1	SPACER, BOTTOM COWL (COWL FRONT COVER)
8	10-48591		2,2	SCREW, SPACER TO BOTTOM COWL (1/2")
9	37637		1,1	BOOT, FUEL CONNECTOR - BOTTOM COWL
10	23760		1,1	BAFFLE, BOTTOM COWL
11	10-21106		3,	SCREW, BAFFLE TO BOTTOM COWL
	10-52867		,3	SCREW, BAFFLE TO BOTTOM COWL
12	37445		1,1	SUPPORT, WIRING HARNESS - BOTTOM COWL
13	10-37990		1,1	SCREW, WIRING HARNESS SUPPORT TO BOTTOM COWL (1 3/4")
	10-37561		1,1	SCREW, WIRING HARNESS SUPPORT TO BOTTOM COWL (2 1/2")
14	11-46887		2,2	NUT, WIRING HARNESS SUPPORT SCREW
15	32-26407		1,1	HOSE, TELL TALE - EXHAUST COVER TO BOTTOM COWL (16")
16	22-29111		1,	CONNECTOR, TELL TALE HOSE TO BOTTOM COWL
16A	52889		,1	NOZZLE, TELL TALE HOSE TO BOTTOM COWL
17	10-34222		,1	SCREW, TELL TALE NOZZLE TO BOTTOM COWL (1/2")
18	22-25885		1,1	ELBOW, TELL TALE HOSE TO EXHAUST COVER
19	54-48123		2,2	CLAMP, TELL TALE HOSE TO CONNECTOR AND ELBOW
20	27-48713		1,1	GASKET, POWERHEAD TO EXHAUST EXTENSION PLATE
21	48712A2		1,	PLATE ASSEMBLY, EXHAUST EXTENSION
	52932A2		,1	PLATE ASSEMBLY, EXHAUST EXTENSION
22	26-38970		1,1	SEAL, RUBBER - WATER INLET TUBE
23	38448		1,1	RETAINER, WATER TUBE SEAL
24	10-34439		1,1	SCREW, RETAINER TO EXHAUST EXTENSION PLATE (3/4")
25	10-24226		1,1	SCREW, EXHAUST EXTENSION PLATE TO DRIVE SHAFT HOUSING
26	11-46887		1,1	NUT, EXHAUST EXTENSION PLATE SCREW
27	27-48801		1,1	GASKET, EXHAUST EXTENSION PLATE TO DRIVE SHAFT HOUSING
28	37918		1,1	SEAL, EXHAUST EXTENSION PLATE
29	38032		1,1	STRIP, RETAINING - EXHAUST EXTENSION PLATE SEAL
30	10-37571		5,5	SCREW, SEAL AND RETAINING STRIP TO EXTENSION PLATE (1/2")
31	49904A1		1,1	SHIFT SHAFT ASSEMBLY, UPPER (SHORT SHAFT) SERIAL #2653879 AN <b>SERIAL 00000000-02653879</b>

CONTINUED ON NEXT PAGE ➡

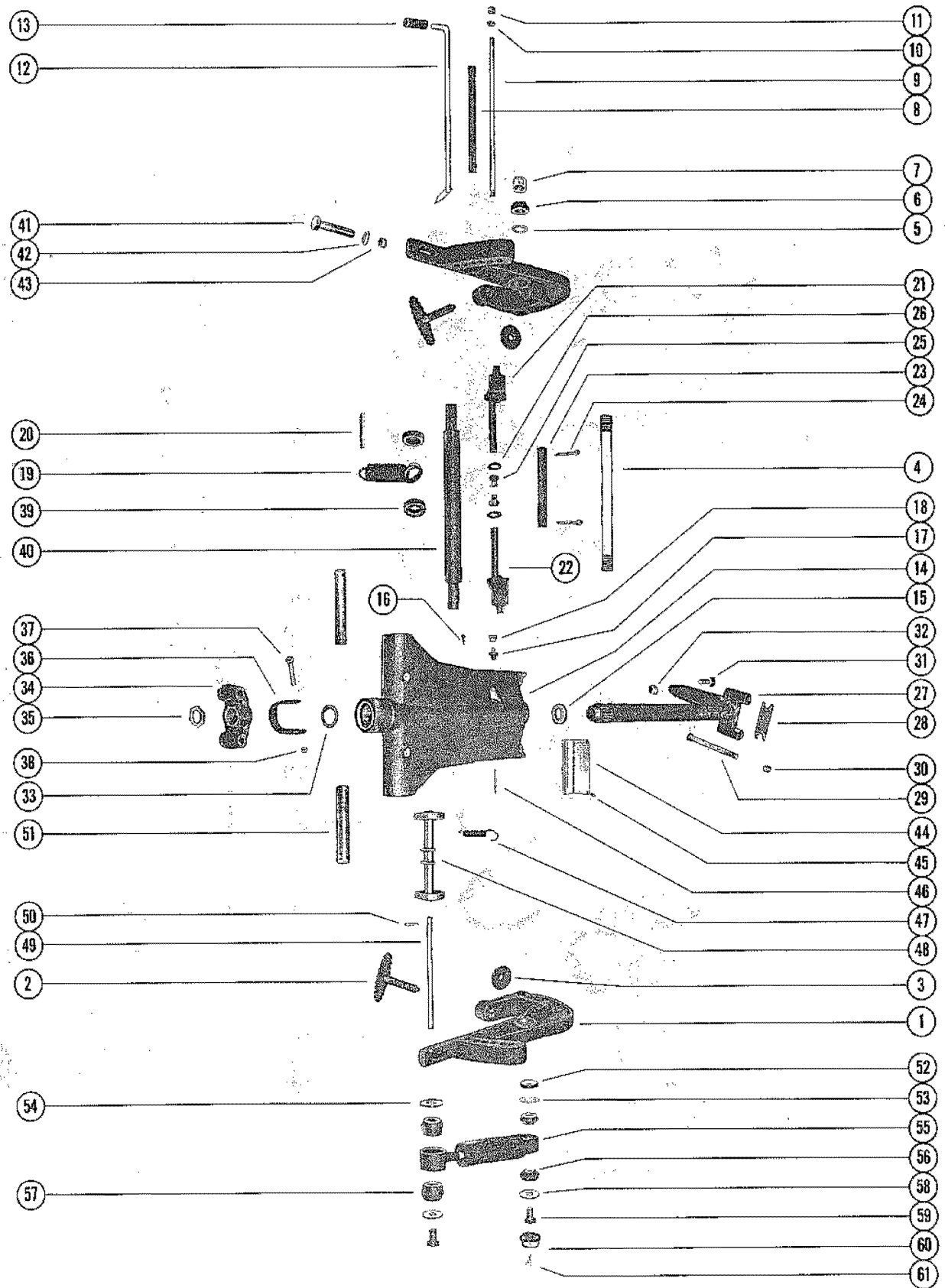
# BOTTOM COWL AND SHIFT LINKAGE



## BOTTOM COWL AND SHIFT LINKAGE

REF. NO.	PART NO.	SYM.	QTY.	DESCRIPTION
31	49905A1		1,1	SHIFT SHAFT ASSEMBLY, UPPER (LONG SHAFT) <b>SERIAL 00000000-02653879</b>
	53889A4		,1	SHIFT SHAFT ASSEMBLY, UPPER (SHORT SHAFT) SERIAL #2653880 AN <b>SERIAL 02653880-09999999</b>
	53889A3		,1	SHIFT SHAFT ASSEMBLY, UPPER (LONG SHAFT) <b>SERIAL 02653880-09999999</b>
32	23-26600		,1	BUSHING, SHIFT SHAFT <b>SERIAL 02653880-09999999</b>
33	55692		,1	COUPLING, SHIFT SHAFT <b>SERIAL 02653880-09999999</b>
34	48047A1		1,1	LINK ROD ASSEMBLY
35	12-24664		1,1	WASHER, LINK ROD
36	13-29720		2,2	WASHER, WAVE - LINK ROD
37	47869A1		1,1	BRACKET ASSEMBLY, ANCHOR CONTROL CABLES
38	38802		1,1	CAP, BRASS BARREL TO THROTTLE CABLE
	49935		1,1	CAP, BRASS BARREL TO THROTTLE CABLE
39	10-24234		3,3	SCREW, ANCHOR BRACKET TO CYLINDER BLOCK (1")
40	24-20099		1,1	SPRING, LINK ROD TO GUIDE BLOCK
41	37896		1,1	GUIDE BLOCK, LINK ROD
42	12-37905		1,	WASHER, NYLON - LINK ROD
	52100		,1	WEAR PLATE, LINK ROD (NOT AS SHOWN)
43	38279		1,1	LATCH, CONTROL CABLE FASTENING - ANCHOR BRACKET
44	12-21631		1,1	WASHER, PLAIN - LINK ROD
45	11-20664		2,2	NUT, LINK ROD
46	37913		1,	LEVER, CONTROL CABLE LOCKING - ANCHOR BRACKET
	49932A1		,1	LEVER ASSEMBLY, CONTROL CABLE LOCKING - ANCHOR BRACKET
47	24-37911		1,1	SPRING, CONTROL CABLE LOCKING LEVER
48	17-23928		1,1	PIN, ROLL - CONTROL CABLE LOCKING LEVER
49	24-38472		1,1	SPRING, CONTROL CABLE TENSION - ANCHOR BRACKET
50	46933A1		2,2	GROUND STRAP ASSEMBLY, CRANKCASE TO COWL (3 5/8")
51	46933A2		2,2	GROUND STRAP ASSEMBLY, HOUSING TO COWL (3 3/8")
52	10-30663		4,4	SCREW, GROUND STRAP FASTENING
53	13-22238		4,4	LOCKWASHER, GROUND STRAP SCREW

# CLAMP AND SWIVEL BRACKET ASSEMBLY

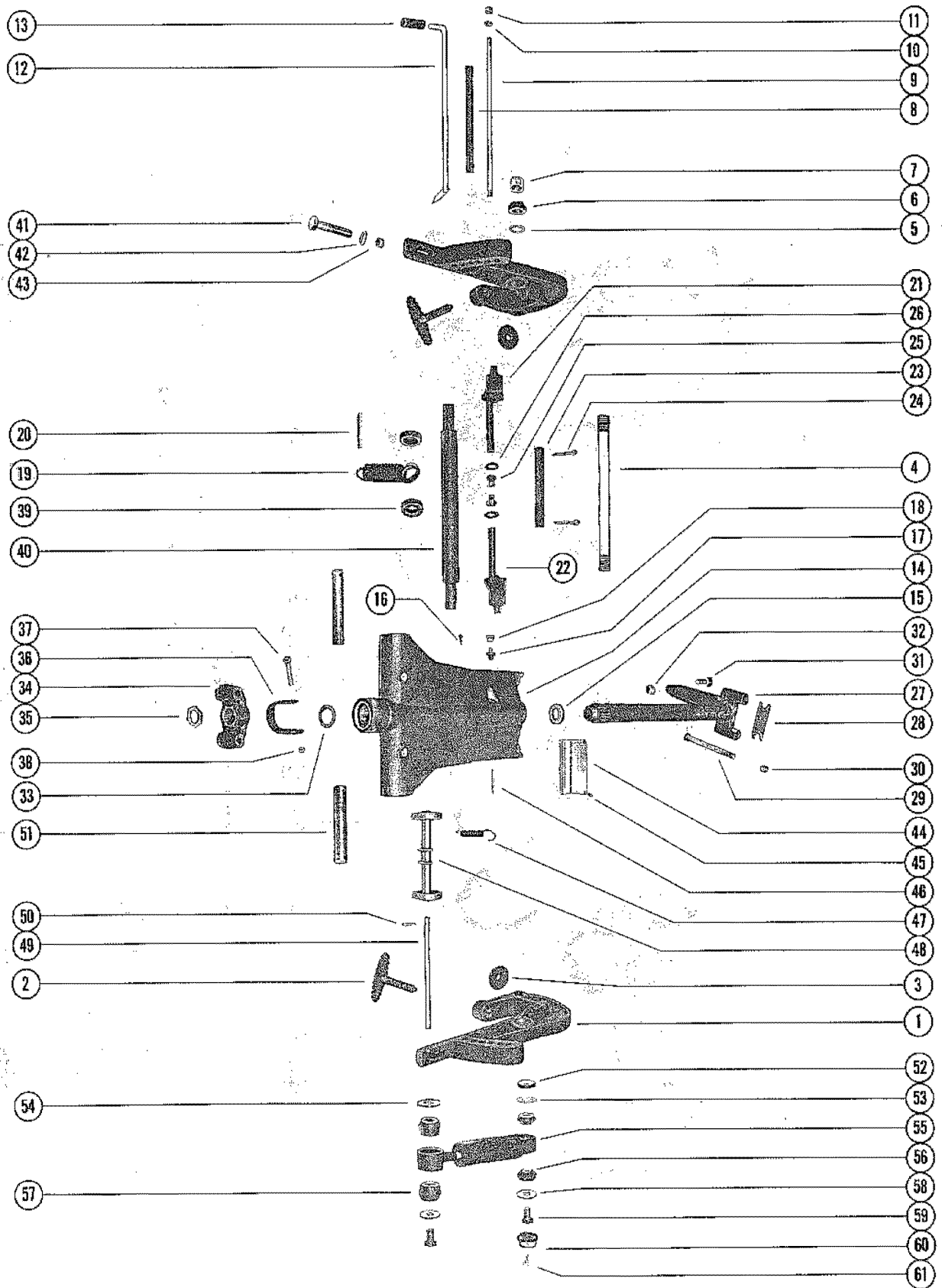


# CLAMP AND SWIVEL BRACKET ASSEMBLY

REF. NO.	PART NO.	SYM.	QTY.	DESCRIPTION
1	1440-3291A1		2,2	CLAMP BRACKET ASSEMBLY
2	28403A3		2,2	THUMB SCREW ASSEMBLY
3	12-28404		2,2	WAHSER, THUMB SCREW
4	30664		1,1	TUBE, TILT - CLAMP BRACKET TO SWIVEL BRACKET
5	15-30497A1		2,	SHIM, CLAMP BRACKET TILT TUBE (.010-.020)
	12-52864		,2	WASHER, CLAMP BRACKET TILT TUBE
6	11-30499		2,2	NUT, TILT TUBE FASTENING
7	53078		2,2	CAP, PLASTIC - TILT TUBE
8	23-20222		1,1	SPACER, CLAMP BRACKET STUD
10	13-26993		2,2	LOCKWASHER, CLAMP BRACKET STUD
11	11-20083		2,2	NUT, CLAMP BRACKET STUD
12	17-49930A1		1,1	TILT LOCK PIN ASSEMBLY
13	32-28052		1,1	SLEEVE, RUBBER - TILT PIN BUMPER
14	1453-3258A1		1,1	SWIVEL BRACKET ASSEMBLY (SHORT SHAFT)
	1447-3257A1		1,1	SWIVEL BRACKET ASSEMBLY (LONG SHAFT)
15	26-37448		2,2	OIL SEAL, SWIVEL BRACKET
16	10-47828		1,1	SCREW, DRIVE - SWIVEL BRACKET
17	22-23612		1,1	FITTING, GREASE - SWIVEL BRACKET
18	53216		1,1	LUBRICAP, SWIVEL BRACKET GREASE FITTING
19	24-28659		1,1	SPRING, COIL - SWIVEL BRACKET
20	17-38311		1,1	PIN, COIL SPRING MOUNTING
21	47799A1		1,1	TILT LOCK ASEMBLY, STARBOARD
22	47800A1		1,1	TILT LOCK ASSEMBLY, PORT
23	47802		1,1	TUBE, TILT LOCK
24	18-47959		2,2	COTTER PIN, TILT LOCK TUBE
25	23-47803		2,2	BUSHING, TILT LOCK TUBE
26	13-24850		2,2	WASHER, WAVE - TILT LOCK TUBE
27	17-49841A1		1,1	SWIVEL PIN AND STEERING ARM ASSEMBLY (SHORT SHAFT)
	17-49840A1		1,1	SWIVEL PIN AND STEERING ARM ASSEMBLY (LONG SHAFT)
28	28203		1,1	BUMPER, STEERING ARM
29	10-49554		2,2	BOLT, STEERING ARM TO UPPER MOUNT (5 7/8")
30	11-22178		2,2	NUT, STEERING ARM BOLT FASTENING
31	10-31830		1,1	SCREW, RIDE-GUIDE ATTACHING
32	11-20509		1,1	NUT, RIDE-GUIDE ATTACHING SCREW
33	12-37429		1,1	WASHER, SWIVEL PIN - LOWER
34	37419		1,1	YOKE, BOTTOM
35	11-37424		1,1	NUT, SWIVEL PIN RETAINING
36	28205		1,1	STRAP STOP, DRIVE SHAFT HOUSING TO SWIVEL BRACKET
37	10-28200		1,1	SCREW, STRAP STOP TO DRIVE SHAFT HOUSING (2 7/8")
38	11-25269		1,1	NUT, STRAP STOP FASTENING SCREW
39	23-28688		2,2	SPACER, RUBBER - COIL SPRING POSITIONING
40	55-28416		1,1	PIN, UPPER SHOCK MOUNTING
41	10-28009		,2	BOLT, CLAMP BRACKET TO BOAT TRANSOM (LOWER)

CONTINUED ON NEXT PAGE ➡

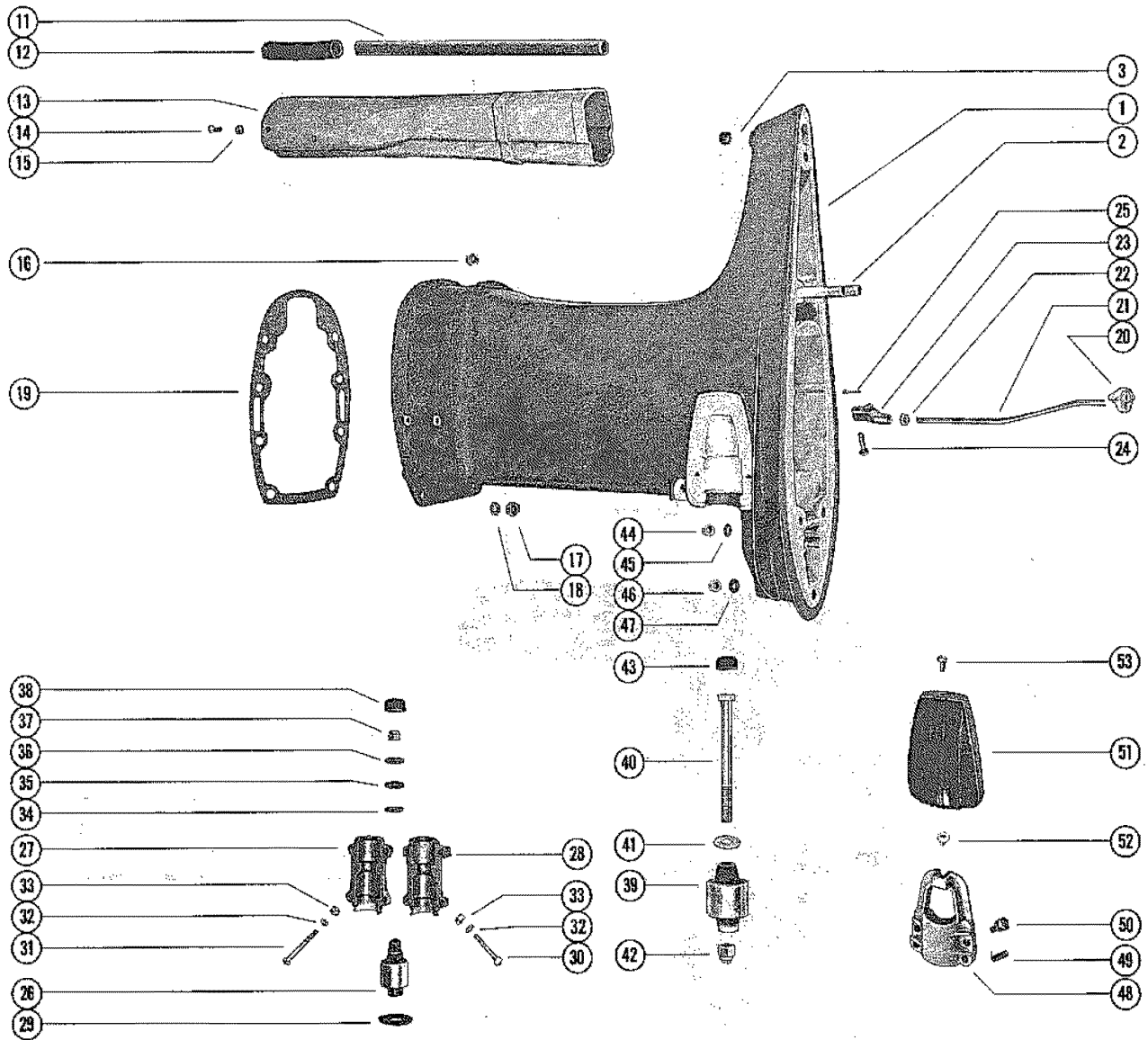
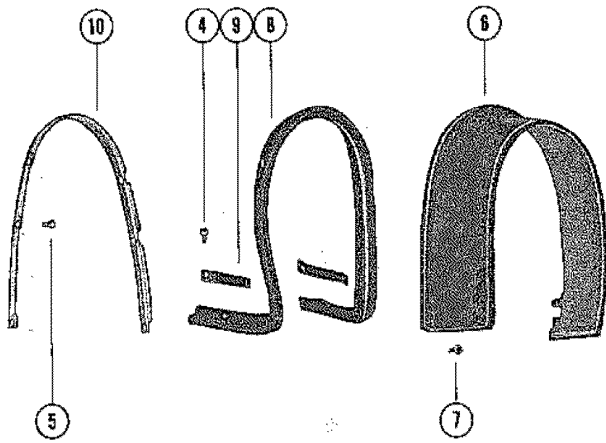
# CLAMP AND SWIVEL BRACKET ASSEMBLY



## CLAMP AND SWIVEL BRACKET ASSEMBLY

REF. NO.	PART NO.	SYM.	QTY.	DESCRIPTION
41	10-31827		2,2	BOLT, CLAMP BRACKET TO BOAT TRANSOM (UPPER)
42	12-28008		,2	WASHER, CLAMP BRACKET BOLT (LOWER)
	12-21040		2,	WASHER, CLAMP BRACKET BOLT (UPPER)
	12-21040		,4	WASHER, CLAMP BRACKET BOLT (UPPER)
43	11-28010		2,2	NUT, CLAMP BRACKET BOLT
44	38-39784		1,1	SERIAL PLATE
45	10-25612		4,4	SCREW, DRIVE - SERIAL PLATE TO SWIVEL BRACKET
46	17-25598		1,1	PIN, REVERSE LOCK SPRING ATTACHING
47	24-29821		1,1	SPRING, REVERSE LOCK TENSION
48	39015A1		1,1	REVERSE LOCK ASSEMBLY
49	20208		1,1	SHAFT, REVERSE LOCK PIVOT
50	18-45882		1,1	COTTER PIN, REVERSE LOCK TO SHAFT
51	55-29247		2,2	PIN, LOWER SHOCK MOUNTING (SHORT SHAFT)
	55-28414		2,2	PIN, LOWER SHOCK MOUNTING (LONG SHAFT)
-	<b>10-28424</b>		<b>2,2</b>	<b>SCREW, LOWER SHOCK PIN (LONG SHAFT</b>
-	<b>11-46887</b>		<b>2,2</b>	<b>NUT, LOWER SHOCK PIN SCREW (LONG SHAFT</b>
52	23-28199		2,2	SPACER, UPPER SHOCK BUSHING TO CLAMP BRACKET
53	12-28196		2,2	WASHER, UPPER BUSHING RETAINER (INNER)
54	12-28264		2,2	WASHER, LOWER BUSHING RETAINER (INNER)
55	55-31933		2,2	SHOCK ABSORBER
56	23-32171		4,4	BUSHING, RUBBER - SHOCK ABSORBER (UPPER)
57	23-28198		4,4	BUSHING, RUBBER - SHOCK ABSORBER (LOWER)
58	12-28421		4,4	WASHER, UPPER AND LOWER BUSHING RETAINER (OUTER)
59	10-28450		4,	SCREW, NYLOK - UPPER AND LOWER SHOCK MOUNTING PIN
	10-53077		,4	SCREW, UPPER AND LOWER SHOCK MOUNTING PIN
60	53071		,4	COVER, UPPER AND LOWER SHOCK MOUNTING PIN
61	10-37655		,4	SCREW, COVER TO SHOCK MOUNTING SCREW

# DRIVE SHAFT HOUSING ASSEMBLY



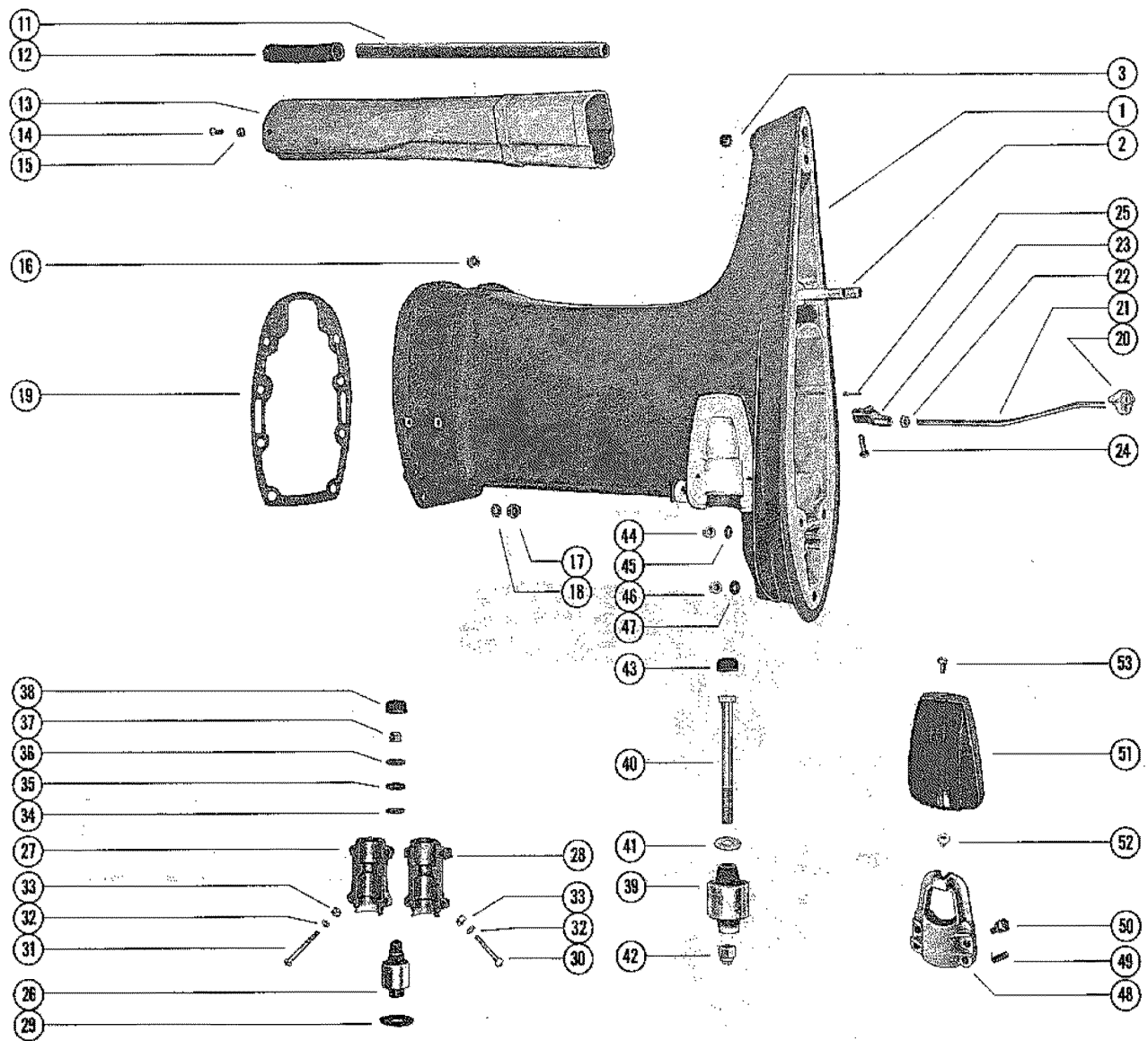
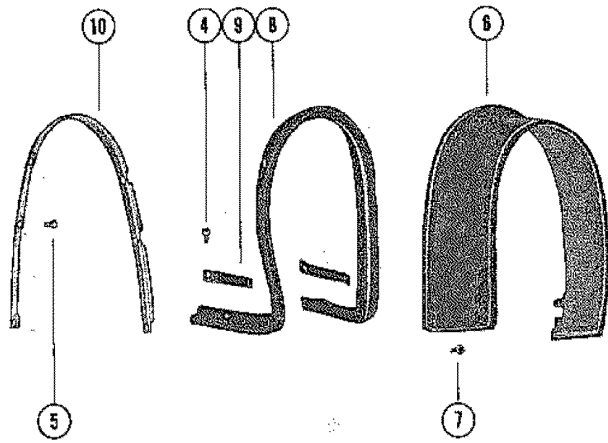


# DRIVE SHAFT HOUSING ASSEMBLY

REF. NO.	PART NO.	SYM.	QTY.	DESCRIPTION
1	1552-3377A1		1,	DRIVE SHAFT HOUSING ASSEMBLY (SHORT SHAFT)
	1551-3376A2		1,	DRIVE SHAFT HOUSING ASSEMBLY (LONG SHAFT)
	1552-3670A3		,1	DRIVE SHAFT HOUSING ASSEMBLY (SHORT SHAFT)
	1551-3669A4		,1	DRIVE SHAFT HOUSING ASSEMBLY (LONG SHAFT)
2	16-47165		2,	STUD, DRIVE SHAFT HOUSING TO GEAR HOUSING
	16-46910		,2	STUD, DRIVE SHAFT HOUSING TO GEAR HOUSING
3	19-47579		1,1	PLUG, PLASTIC - TRIM TAB SCREW HOLE <b>PART OF A-1552-3670A3 AND A-151-3669A4 DRIVE SHAFT HOUSING ASSEMBLIES</b>
4	10-48409		2,2	SCREW, RETAINING STRIP TO DRIVE SHAFT HOUSING (5/8") <b>PART OF A-1552-3670A3 AND A-151-3669A4 DRIVE SHAFT HOUSING ASSEMBLIES</b>
5	10-48408		6,6	SCREW, RETAINING STRIP TO DRIVE SHAFT HOUSING (1/2") <b>PART OF A-1552-3670A3 AND A-151-3669A4 DRIVE SHAFT HOUSING ASSEMBLIES</b>
6	37417		1,1	COVER, TRIM - DRIVE SHAFT HOUSING
7	10-37571		4,4	SCREW, TRIM COVER TO BOTTOM COWL
8	37919		1,1	SEAL, TRIM COVER TO DRIVE SHAFT HOUSING
9	37665		2,2	STRIP, RETAINING - COVER SEAL (SIDE)
10	38052		1,1	STRIP, RETAINING - TRIM COVER SEAL (REAR)
11	32-37446		1,1	TUBE, WATER INLET (SHORT SHAFT)
	32-37438		1,1	TUBE, WATER INLET (LONG SHAFT)
12	23-29591		1,	SLEEVE, RUBBER - WATER INLET TUBE
13	38469		,1	TUBE, EXHAUST (SHORT SHAFT)
	38470		,1	TUBE, EXHAUST (LONG SHAFT)
14	10-38601		,2	SCREW, EXHAUST TUBE TO EXHAUST EXTENSION PLATE (5/8")
15	11-46886		,2	NUT, EXHAUST TUBE SCREW
16	11-21528		2,2	NUT, POWERHEAD STUDS (5/16-24)
17	11-20509		2,2	NUT, POWERHEAD STUDS (3/8-24)
	11-23161		6,6	NUT, POWERHEAD STUDS (3/8-24)
18	12-20086		2,2	WASHER, POWERHEAD STUDS
19	27-48801		1,1	GASKET, EXHAUST EXTENSION PLATE TO DRIVE SHAFT HOUSING
20	47560		1,	GUIDE, PUSH ROD - REVERSE LOCKING
	52887		,1	GUIDE, PUSH ROD - REVERSE LOCKING
21	47591		1,1	ROD, PUSH - REVERSE LOCK (SHORT SHAFT)
	47558		1,1	ROD, PUSH - REVERSE LOCK (LONG SHAFT)
22	11-47661		1,1	NUT, JAM - PUSH ROD
23	47559		1,1	YOKE, PUSH ROD
24	17-39023		1,1	PIN, PUSH ROD TO REVERSE LOCK
25	18-25191		1,1	COTTER PIN, PUSH ROD PIN
26	37398		2,2	MOUNT, RUBBER - UPPER
	38820		OPT,OPT	MOUNT, RUBBER - UPPER (HEAVY DUTY)
27	49239		2,2	COVER, UPPER MOUNT - OUTSIDE HALF

CONTINUED ON NEXT PAGE ➡

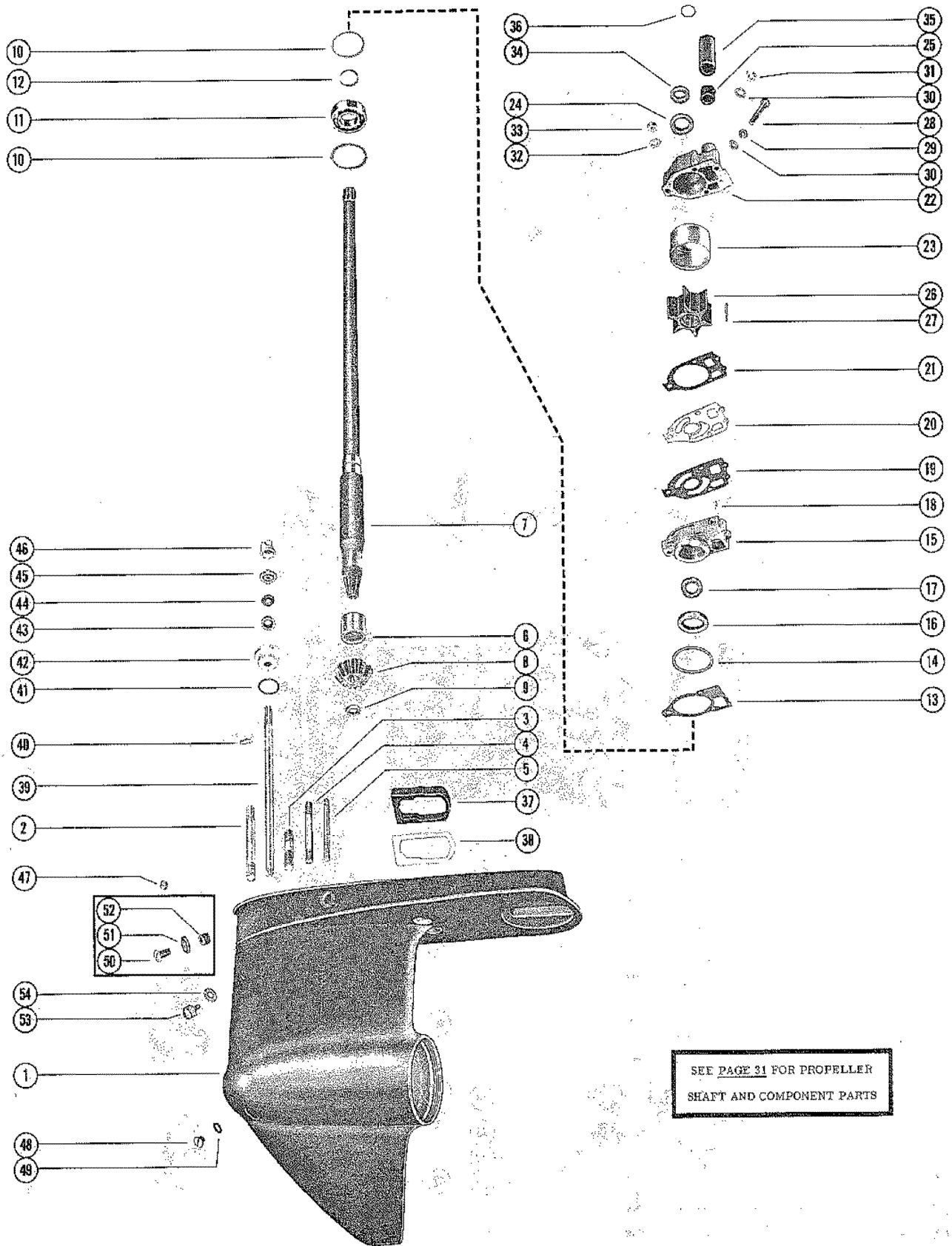
# DRIVE SHAFT HOUSING ASSEMBLY



# DRIVE SHAFT HOUSING ASSEMBLY

REF. NO.	PART NO.	SYM.	QTY.	DESCRIPTION
28	49238		2,	COVER, UPPER MOUNT - INSIDE HALF
	53141		,2	COVER, UPPER MOUNT - INSIDE HALF
29	24929		2,2	PACKING, "U" CUP
30	10-28773		4,4	SCREW, UPPER MOUNT COVER (1 5/8")
31	10-28775		4,4	SCREW, UPPER MOUNT COVER (2 1/8")
32	12-29245		AR,AR	WASHER, UPPER MOUNT COVER SCREW
33	11-46886		8,8	NUT, UPPER MOUNT COVER SCREW
34	12-31262		2,2	WASHER, UPPER MOUNT BOLT
35	12-47840		2,2	WASHER, RUBBER - UPPER MOUNT BOLT
36	12-31263		2,2	WASHER, UPPER MOUNT BOLT
37	11-22178		2,2	NUT, UPPER MOUNT BOLT
38	31264		2,	CAP, RUBBER - UPPER MOUNT BOLT
39	49455		2,2	MOUNT, RUBBER - LOWER
	49456		2,2	MOUNT, RUBBER - LOWER
	38821		OPT,OPT	MOUNT, RUBBER - LOWER (HEAVY DUTY)
40	10-49318		2,2	SCREW, LOWER MOUNT (5 1/2")
41	12-49339		2,2	WASHER, LOWER MOUNT SCREW
42	11-25096		2,2	NUT, LOWER MOUNT SCREW
43	25067		2,2	BUMPER, RUBBER - LOWER MOUNTING SCREW
44	11-34933		2,2	NUT, GEAR HOUSING AND DRIVE SHAFT HOUSING STUDS
45	12-45176		2,2	WASHER, GEAR HOUSING TO DRIVE SHAFT HOUSING STUDS
46	11-29489		1,1	NUT, GEAR HOUSING AND DRIVE SHAFT HOUSING STUDS
47	12-45176		1,1	WASHER, GEAR HOUSING TO DRIVE SHAFT HOUSING STUDS
48	35608		2,2	CLAMP, LOWER MOUNT TO DRIVE SHAFT HOUSING
49	24-35522		4,4	SPRING, TENSION - LOWER MOUNT CLAMP
50	10-29256		4,4	SCREW, LOWER MOUNT CLAMP TO DRIVE SHAFT HOUSING
51	35474		2,2	COVER, LOWER MOUNT CLAMP
52	11-35521		2,2	NUT, LOWER MOUNT CLAMP COVER
53	10-29722		2,2	SCREW, COVER TO LOWER CLAMP MOUNT

# GEAR HOUSING ASSEMBLY, COMPLETE (PAGE 1)



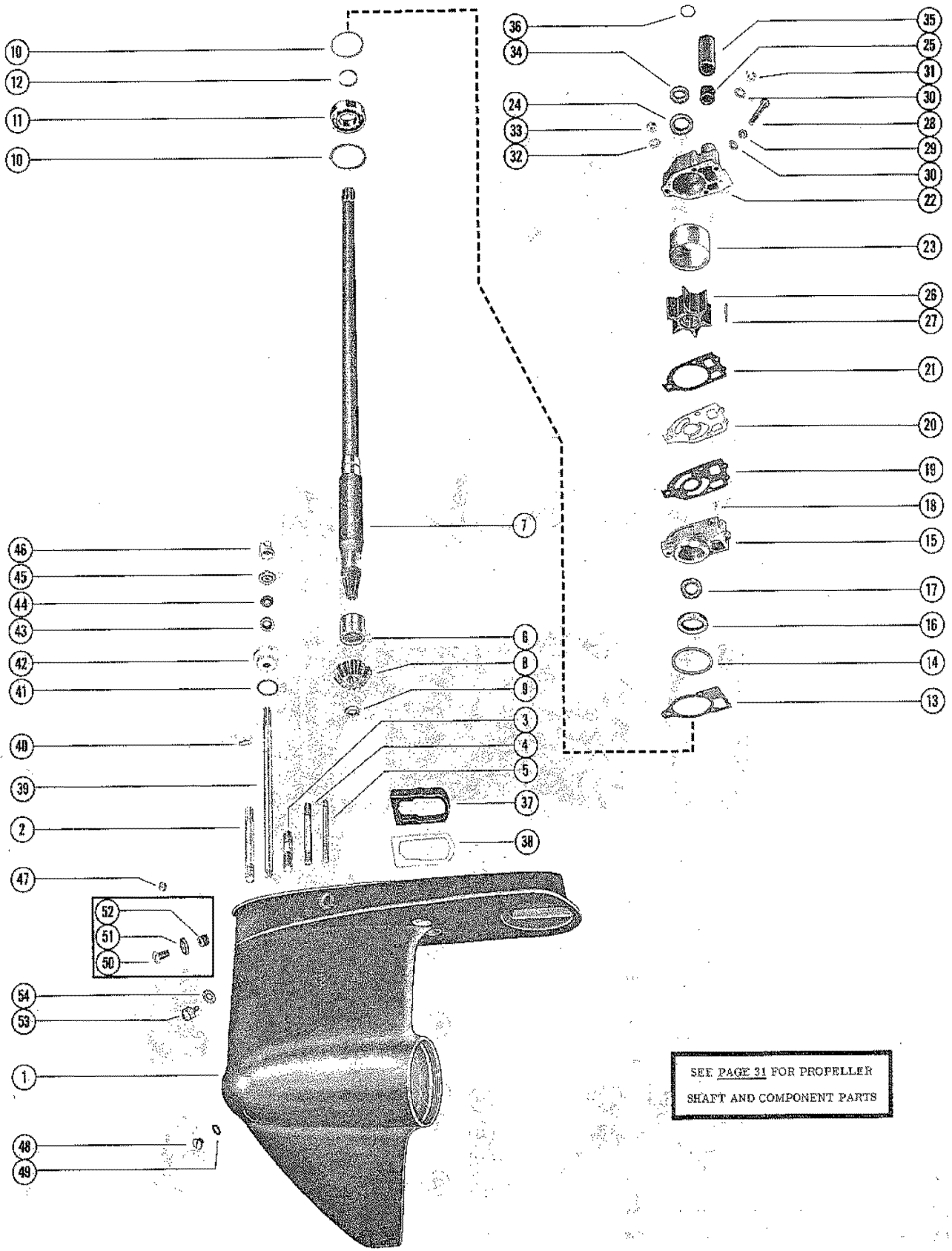
SEE PAGE 31 FOR PROPELLER  
SHAFT AND COMPONENT PARTS

# GEAR HOUSING ASSEMBLY, COMPLETE (PAGE 1)

REF. NO.	PART NO.	SYM.	QTY.	DESCRIPTION
-	1623-2460A38		1,	GEAR HOUSING ASSEMBLY, COMPLETE (SHORT SHAFT) SEE NOTE BELOW
-	1623-2460A39		1,	GEAR HOUSING ASSEMBLY, COMPLETE (LONG SHAFT) SEE NOTE BELOW
-	1623-3486A8		,1	GEAR HOUSING ASSEMBLY, COMPLETE (SHORT SHAFT)SEE NOT BELOW
-	1623-3486A9		,1	GEAR HOUSING ASSEMBLY, COMPLETE (LONG SHAFT) SEE NOTE BELOW
1	1623-2460A20		1,	GEAR HOUSING ASSEMBLY
	1623-3486A4		,1	GEAR HOUSING ASSEMBLY
2	16-45199		1,1	STUD, GEAR HOUSING TO DRIVE SHAFT HOUSING (4")
3	16-45198		2,	STUD, GEAR HOUSING TO DRIVE SHAFT HOUSING (2 1/16")
	16-52614		,2	STUD, GEAR HOUSING TO DRIVE SHAFT HOUSING (2 1/16")
4	16-36292		1,1	STUD, WATER PUMP BASE AND BODY TO GEAR HOUSING (3 3/8")
5	16-37435		2,2	STUD, WATER PUMP BASE AND BODY TO GEAR HOUSING (3 5/16")
6	31-32898		1,1	BEARING, ROLLER - DRIVE SHAFT
7	45-47433		1,1	DRIVE SHAFT (SHORT SHAFT)
	45-47434		1,1	DRIVE SHAFT (LONG SHAFT)
8	43-49751		1,1	DEAR, PINION - DRIVE SHAFT
9	11-35921		1,1	NUT, PINION GEAR TO DRIVE SHAFT
10	15-30278A1		AR,AR	SHIM, DRIVE SHAFT BALL BEARING TO GEAR HOUSING (.002-3-5-10
11	30-20464		1,1	BEARING, BALL - DRIVE SHAFT (SERIAL #2653879 AND BELOW) <b>SERIAL 00000000-02653879</b>
	30-54215		,1	BEARING, BALL - DRIVE SHAFT (SERIAL #2653880 AND UP) <b>SERIAL 02653880-09999999</b>
12	53-30726		1,1	RING, RETAINING - BALL BEARING
10	15-30278A1		AR,AR	SHIM, WATER PUMP BASE TO GEAR HOUSING (.002-3-5-10)
13	27-32438		1,1	GASKET, WATER PUMP BASE TO GEAR HOUSING
14	25-30224		1,1	"O" RING, WATER PUMP BASE
15	46-38931A1		1,	WATER PUMP BASE ASSEMBLY (ALUMINUM)
	46-48747A1		,1	WATER PUMP BASE ASSEMBLY (PLASTIC)
16	26-31489		1,1	OIL SEAL, WATER PUMP BASE
17	26-31507		1,1	OIL SEAL, WATER PUMP BASE
18	17-35973		2,2	DOWEL PIN, WATER PUMP BASE TO WATER PUMP BODY
19	27-32433		1,1	GASKET, LOWER - WATER PUMP BASE TO FACE PLATE
20	32435		1,1	PLATE, FACE - WATER PUMP BASE TO WATER PUMP BODY
21	27-32434		1,1	GASKET, UPPER - FACE PLATE TO WATER PUMP BODY
22	46-37433A1		1,	WATER PUMP BODY ASSEMBLY (ALUMINUM)
	46-48743A1		,1	WATER PUMP BODY ASSEMBLY (PLASTIC)

CONTINUED ON NEXT PAGE ➡

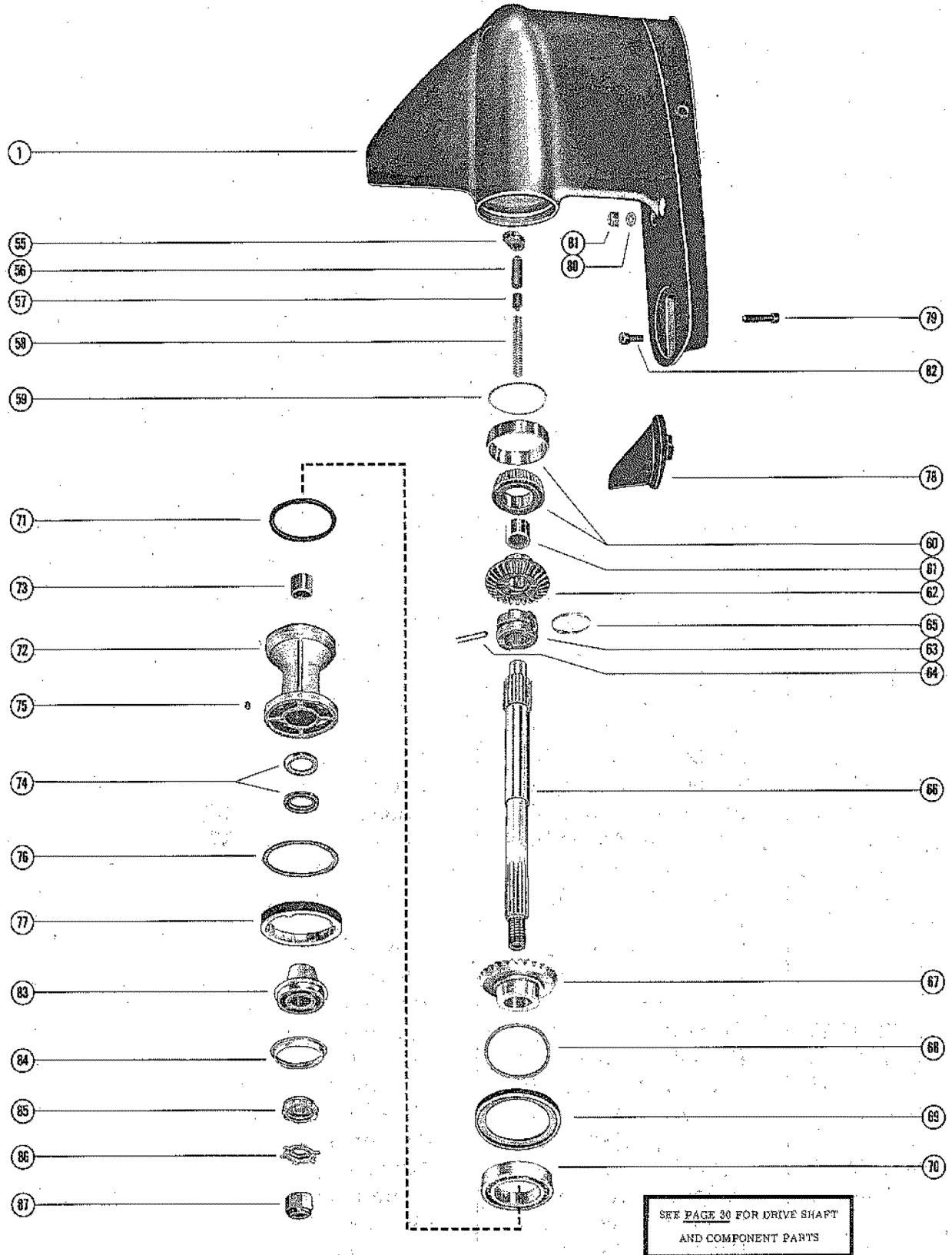
# GEAR HOUSING ASSEMBLY, COMPLETE (PAGE 1)



# GEAR HOUSING ASSEMBLY, COMPLETE (PAGE 1)

REF. NO.	PART NO.	SYM.	QTY.	DESCRIPTION
23	30915		1,	INSERT, WATER PUMP BODY (ALUMINUM)
	48752		,1	INSERT, WATER PUMP BODY (PLASTIC)
24	26-31507		1,1	OIL SEAL, WATER PUMP BODY
25	26-38970		1,1	SEAL, RUBBER - WATER INLET TUBE
26	47-30221		1,1	IMPELLER - WATER PUMP
27	17-29967		1,1	PIN, IMPELLER DRIVE
28	10-30720		1,1	SCREW, WATER PUMP BODY TO GEAR HOUSING (2 1/4")
30	13-26992		3,	LOCKWASHER, WATER PUMP BODY FASTENING SCREW AND STUDS (1/4"
31	11-29598		2,	NUT, WATER PUMP BODY FASTENING STUDS (1/4")
32	13-26993		1,	LOCKWASHER, WATER PUMP BODY FASTENING STUD (5/16")
33	11-28770		1,	NUT, WATER PUMP BODY FASTENING STUD (5/16")
29	13-26992		,1	LOCKWASHER, WATER PUMP BODY SCREW
30	12-29245		,3	WASHER, WATER PUMP BODY FASTENING SCREW AND STUD
31	11-35045		,2	NUT, WATER PUMP FASTENING SCREW
32	12-36001		,1	WASHER, WATER PUMP BODY FASTENING STUD
33	11-45592		,1	NUT, WATER PUMP BODY FASTENING STUD
34	25-30271		1,1	RING, RUBBER - CENTRIFUGAL SLINGER (DRIVE SHAFT)
35	23-29804		1,1	SLEEVE, GUIDE - WATER INLET TUBE
36	25-30613		1,1	"O" RING, UPPER - DRIVE SHAFT
37	37641		,1	SEAL, EXHAUST TUBE
38	38051		,1	PLATE, SUPPORT - EXHAUST TUBE SEAL
39	37432		1,1	SHAFT, SHIFT - LOWER
40	18-20233		1,1	CLIP, RETAINING - SHIFT SHAFT
41	25-25439		1,1	"O" RING, SHIFT SHAFT BUSHING
42	23-37428A1		1,1	BUSHING ASSEMBLY, SHIFT SHAFT
43	26-24590		1,1	OIL SEAL, SHIFT SHAFT HOUSING (LOWER)
	26-31249		1,1	OIL SEAL, SHIFT SHAFT BUSHING (UPPER)
44	12-31266		1,1	WASHER, RUBBER - SHIFT SHAFT BUSHING
45	39019		1,1	SPACER, LOWER - REVERSE LOCKING
46	39021		1,1	CAM, REVERSE LOCKING
47	22-21290		1,	PLUG, PIPE - SHIFT SHAFT GREASE FILLER HOLE
48	10-28634		2,2	SCREW, GREASE FILLER AND VENT HOLE
49	12-20260		2,2	WASHER, GREASE FILLER AND VENT HOLE SCREW
50	10-29608		1,	SCREW, GEAR HOUSING FLUSHING HOLE ALUMINUM
51	27-29586		1,	GASKET, GEAR HOUSING FLUSHING HOLE SCREW ALUMINUM
52	26-29612		1,	SEAL, GEAR HOUSING FLUSHING HOLE ALUMINUM
53	19-48750		,1	PLUG, GEAR HOUSING FLUSHING HOLE PLASTIC
54	12-49221		,1	WASHER, GEAR HOUSING FLUSHING HOLE PLUG PLASTIC

# GEAR HOUSING ASSEMBLY, COMPLETE (PAGE 2)



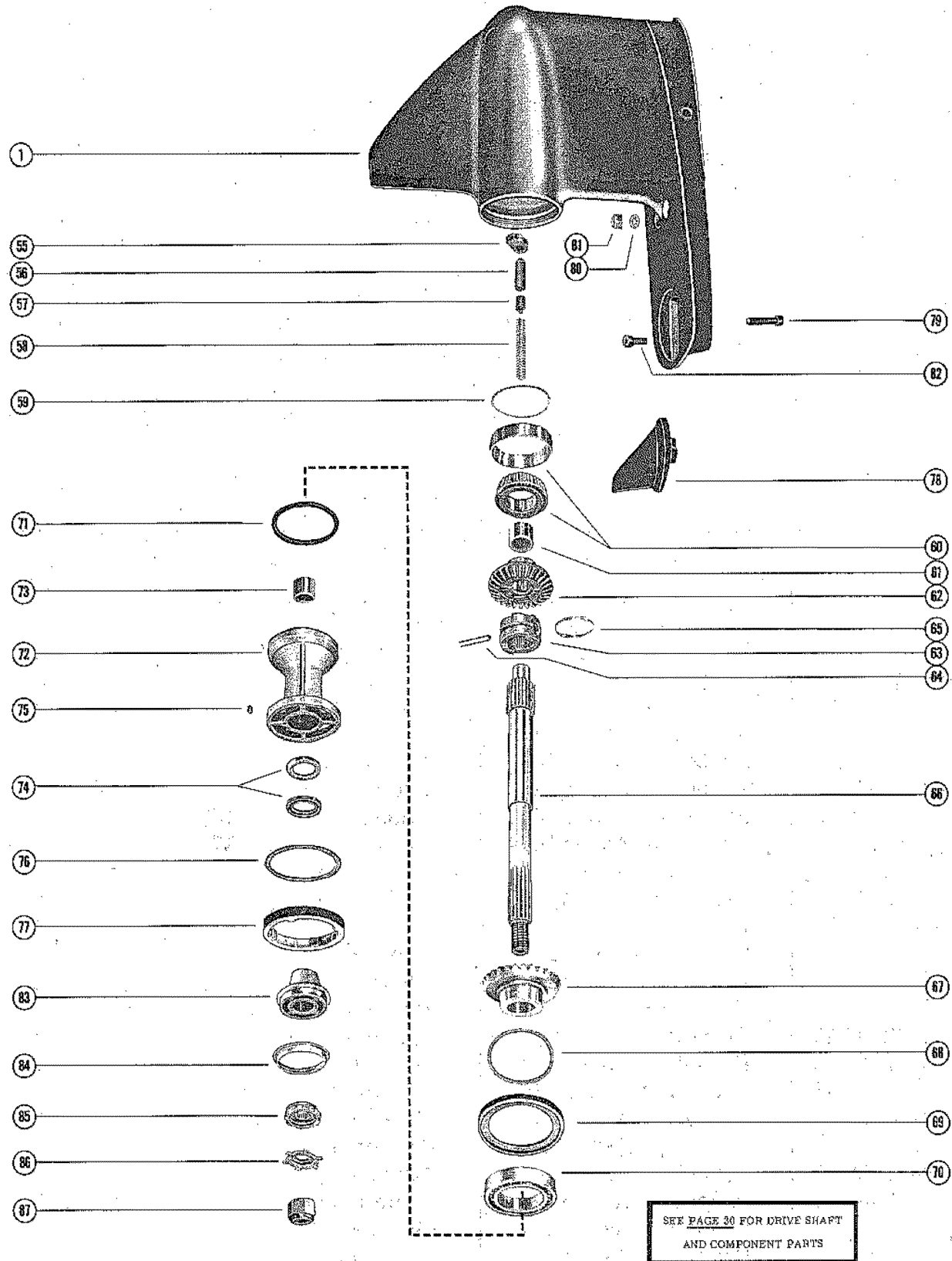


## GEAR HOUSING ASSEMBLY, COMPLETE (PAGE 2)

REF. NO.	PART NO.	SYM.	QTY.	DESCRIPTION
-	1623-2460A38		1,	GEAR HOUSING ASSEMBLY, COMPLETE (SHORT SHAFT) SEE NOTE BELOW
-	1623-2460A39		1,	GEAR HOUSING ASSEMBLY, COMPLETE (LONG SHAFT) SEE NOTE BELOW
-	1623-3486A8		,1	GEAR HOUSING ASSEMBLY, COMPLETE (SHORT SHAFT) SEE NOT BELOW
-	1623-3486A9		,1	GEAR HOUSING ASSEMBLY, COMPLETE (LONG SHAFT) SEE NOTE BELOW
1	1623-2460A20		1,	GEAR HOUSING ASSEMBLY SEE PAGE 30 FOR PARTS BREAKDOWN
	1623-3486A4		,1	GEAR HOUSING ASSEMBLY SEE PAGE 30 FOR PARTS BREAKDOWN
55	36288		1,1	CAM, SHIFT SERIAL 00000000-02709827
	54346		,1	CAM, SHIFT SERIAL 02709828-09999999
56	30625		1,1	FOLLOWER, CAM
57	30624		1,1	SLIDE, CROSS PIN
58	24-30622		1,1	SPRING, COMPRESSION - CAM FOLLOWER
59	15-30923A1		AR,AR	SHIM, BEARING OUTER RACE TO GEAR HOUSING (.002-3-5-10)
60	31-30894A1		1,1	TAPERED ROLLER BEARING ASSEMBLY
61	31-30895		1,1	BEARING, ROLLER - FORWARD GEAR
62	43-34085		1,	FORWARD GERA ASSEMBLY
	43-53100		,1	FORWARD GEAR ASSEMBLY
63	52-34239		1,1	RATCHET, SLIDING CLUTCH
64	17-30632		1,1	PIN, CROSS - RATCHET TO PROPELLER SHAFT
65	24-30893		1,1	SPRING, RETAINING - CROSS PIN
66	44-47901		1,	SHAFT, PROPELLER (COARSE THREAD)
	44-52542		,1	SHAFT, PROPELLER (FINE THREAD)
67	43-31887		1,1	REVERSE GEAR ASSEMBLY
68	15-29955A1		AR,AR	SHIM, THRUST WASHER TO GEAR HOUSING (.002-3-5-10)
69	12-30633		1,1	WASHER, THRUST - BEARING CARRIER TO GEAR HOUSING
70	30-31265		1,1	BEARING, BALL - REVERSE GEAR
71	25-29976		1,1	"O" RING, BEARING CARRIER
72	31284A1		1,	BEARING CARRIER ASSEMBLY
	52132A1		,1	BEARING CARRIER ASSEMBLY
73	31-30956		1,1	BEARING, ROLLER - BEARING CARRIER
74	26-30550		2,2	OIL SEAL, BEARING CARRIER
75	28-30281		1,1	KEY, LOCATING - BEARING CARRIER
76	12-29957		1,	WASHER, GEAR HOUSING COVER
77	31037		1,	COVER, GEAR HOUSING
76	14-52700		,1	TAB WASHER, GEAR HOUSING COVER
77	52699		,1	COVER, GEAR HOUSING
78	31640A1		1,1	TRIM TAB, GEAR HOUSING
79	10-47580		1,1	SCREW, TRIM TAB TO GEAR HOUSING (1 3/4")

CONTINUED ON NEXT PAGE ➡

# GEAR HOUSING ASSEMBLY, COMPLETE (PAGE 2)



## GEAR HOUSING ASSEMBLY, COMPLETE (PAGE 2)

REF. NO.	PART NO.	SYM.	QTY.	DESCRIPTION
80	12-45176		2,2	WASHER, GEAR HOUSING TO DRIVE SHAFT HOUSING STUDS
81	11-34933		2,2	NUT, GEAR HOUSING TO DRIVE SHAFT HOUSING STUDS
82	10-34353		1,1	SCREW, GEAR HOUSING TO DRIVE SHAFT HOUSING (1")
83	46961A1		1,1	THRUST HUB AND WASHER ASSEMBLY PART OF A-1623-3486A8 AND A9 <b>PART OF A-1623-3486A8 AND A9 GEAR HSG ASS'Y COMPLETE</b>
84	12-29590		1,1	WASHER, CUPPED - THRUST HUB <b>PART OF A-1623-3486A8 AND A9 GEAR HSG ASS'Y COMPLETE</b>
85	12-31211		1,1	WASHER, SPLINED - PROPELLER NUT
86	14-31210		1,1	TAB WASHER, PROPELLER NUT
87	11-29594		1,	NUT, PROPELLER (COARSE THREAD)
	11-52707		,1	NUT, PROPELLER (FINE THREAD) ---- PART OF A1623-3486A8 AND A

# PARTS INDEX

Part Number	Description	Pg.	Ref. No.	Part Number	Description	Pg.	Ref. No.
20121	CONNECTOR, HIGH TENSION CABLE (CAP END) . . . . .	19	--	30021	BLANKET, SOUND ABSORBING . . . . .	7	15
20121	CONNECTOR, SPARK PLUG LEAD . . . . .	19	--	30050	TERMINAL, HARNESS AND MERCURY SWITCH LEADS . . . . .	21	2
20140	BELT, TIMING . . . . .	13	48	30050	TERMINAL, STATOR LEAD WIRE . . . . .	9	12
20208	SHAFT, REVERSE LOCK PIVOT . . . . .	53	49	30109	GROUND STRAP, DISTRIBUTOR ADAPTOR CRANKCASE . . . . .	11	4
22463	KNOB, CHOKE ROD . . . . .	25	16	30186	ADAPTOR, CHECK UNIT (FUEL LINE) . . . . .	33	29
22789	"D" WASHER, CLIP FASTENING SCREW . . . . .	9	16	30187	STEM, CHECK UNIT ADAPTOR . . . . .	33	30
22789	"D" WASHER, FUEL LINE CLIP SCREW . . . . .	33	21	30188	CUP WASHER, ADAPTOR . . . . .	33	33
22789	"D" WASHER, IGNITION COIL CLAMPING SCREW . . . . .	15	35	30269A2	FUEL PUMP ASSEMBLY - UPPER . . . . .	33	1
22789	"D" WASHER, VENT HOSE CLAMP SCREW . . . . .	15	28	30275	COVER, FUEL PUMP . . . . .	33	10
22789	"D" WASHER, WIRING HARNESS CLIP SCREW . . . . .	21	16	30306	PULLEY, FLYWHEEL . . . . .	9	9
23004	RETAIER, CHECK VALVE . . . . .	33	7	30413	HOOK, COWL LATCH FASTENING . . . . .	7	14
23004	RETAINER, CHECK VALVE . . . . .	33	7	30461A2	FUEL PUMP ASSEMBLY - LOWER . . . . .	33	9
23014A1	DIAPHRAGM KIT . . . . .	33	3	30624	SLIDE, CROSS PIN . . . . .	63	57
23014A1	DIAPHRAGM KIT . . . . .	33	3	30625	FOLLOWER, CAM . . . . .	63	56
23760	BAFFLE, BOTTOM COWL . . . . .	47	10	30664	TUBE, TILT - CLAMP BRACKET TO SWIVEL BRACKET . . . . .	51	4
24929	PACKING, "U" CUP . . . . .	57	29	30915	INSERT, WATER PUMP BODY (ALUMINUM) . . . . .	61	23
25067	BUMPER, RUBBER - LOWER MOUNTING SCREW . . . . .	57	43	31014	MOUNT, RUBBER - REAR SUPPORT BRACKET . . . . .	3	33
25596	CABLE, WIRE - STARTER MOTOR TO FRONT SUPPORT BRACKET . . . . .	21	26	31037	COVER, GEAR HOUSING . . . . .	63	77
25661	SOLENOID, STARTER (NOT AS SHOWN) . . . . .	23	41	31089	STRIP, SOUND ABSORBING . . . . .	7	8
25996A1	SWIVEL AND LINK ROD ASSEMBLY . . . . .	15	2	31264	CAP, RUBBER - UPPER MOUNT BOLT . . . . .	57	38
26079	PLATE, WIRING HARNESS TO BOTTOM COWL . . . . .	21	3	31284A1	BEARING CARRIER ASSEMBLY . . . . .	63	72
26113	RACE, OUTER (PAIR) . . . . .	43	8	31640A1	TRIM TAB, GEAR HOUSING . . . . .	63	78
26852	CAP, NYLON - ADJUSTING SCREW . . . . .	13	54	32362	KNOB, COWL FRONT COVER FASTENING . . . . .	7	3
26901	BUMPER, RUBBER - STARTER SOLENOID . . . . .	23	44	32435	PLATE, FACE - WATER PUMP BASE TO WATER PUMP BODY . . . . .	59	20
27947	SWIVEL, LINKAGE - ECONOMIZER COLLAR . . . . .	15	1	33385A4	SWITCH, MERCURY . . . . .	39	37
27948	SWIVEL, UPPER LINK ROD TO THROTTLE CONTROL LEVER . . . . .	15	5	3543A2	PISTON AND PISTON PIN ASSEMBLY (.015 OVERSIZE) . . . . .	45	--
27955	CAP, DISTRIBUTOR ADAPTOR AND PILOT . . . . .	13	41	35474	COVER, LOWER MOUNT CLAMP . . . . .	57	51
28007A7	THROTTLE PICK-UP BRACKET ASSEMBLY . . . . .	25	10	35496	PAD, BUMPER _ TOP COWL RETAINER . . . . .	3	3
28203	BUMPER, STEERING ARM . . . . .	51	28	35608	CLAMP, LOWER MOUNT TO DRIVE SHAFT HOUSING . . . . .	57	48
28205	STRAP STOP, DRIVE SHAFT HOUSING TO SWIVEL BRACKET . . . . .	51	36	35753	EMBLEM, FRONT COVER . . . . .	7	2
28403A3	THUMB SCREW ASSEMBLY . . . . .	51	2	35769	SEAL, SOUND ABSORBING - UPPER . . . . .	7	10
29787	HUB, FLYWHEEL PULLEY . . . . .	9	10	36288	CAM, SHIFT . . . . .	63	55
29788	FLANGE, FLYWHEEL PULLEY . . . . .	9	8	37398	MOUNT, RUBBER - UPPER . . . . .	55	26
29906A1	DRIVEN PULLEY ASSEMBLY . . . . .	13	43				
29907	FLANGE, DRIVEN PULLEY . . . . .	13	45				

# PARTS INDEX

Part Number	Description	Pg.	Ref. No.	Part Number	Description	Pg.	Ref. No.
37417	COVER, TRIM - DRIVE SHAFT HOUSING . . . . .	55	6	39019	SPACER, LOWER - REVERSE LOCKING . . . . .	61	45
37419	YOKE, BOTTOM . . . . .	51	34	39021	CAM, REVERSE LOCKING . . . . .	61	46
37432	SHAFT, SHIFT - LOWER . . . . .	61	39	45391	SPACER, RUBBER - HIGH TENSION LEADS . . . . .	15	21
37440	BRACKET, MOUNT SUPPORT - CYLINDER BLOCK . . . . .	39	46	45392	BRACKET, FRONT - WIRE RETAINER . . . . .	15	18
37445	SUPPORT, WIRING HARNES - BOTTOM COWL . . . . .	47	12	45409	WIRE RETAINER, HIGH TENSION LEADS . . . . .	15	17
37587	SWIVEL, LOWER - THROTTLE CONTROL LEVER TO THROTTLE CABLE . . . . .	15	14	45559	TERMINAL BLOCK, STATOR LEADS . . . . .	21	17
37637	BOOT, FUEL CONNECTOR - BOTTOM COWL . . . . .	47	9	46096	MOUNT, RUBBER - TOP COWL FRAME (HEAVY DUTY) . . . . .	3	30
37638	BOOT, CONTROL CABLES - BOTTOM COWL . . . . .	47	6	46141	EMBLEM, TOP COWL RETAINER . . . . .	3	4
37639	MOUNT, RUBBER - TOP COWL FRAME . . . . .	3	30	46144	BRACKET, COWL LATCH TOP COWL FASTENING . . . . .	3	11
37640	MOUNT, RUBBER - FRONT SUPPORT BRACKET . . . . .	5	46	46265	BOOT, SOLENOID TERMINAL . . . . .	23	50
37641	SEAL, EXHAUST TUBE . . . . .	61	37	46280	BRACKET, COIL LEAD RETAINER . . . . .	25	12
37665	STRIP, RETAINING - COVER SEAL (SIDE) . . . . .	55	9	46785A1	COWL LATCH ASSEMBLY . . . . .	7	13
37700	ROD, LINK - UPPER . . . . .	15	4	46933A1	GROUND STRAP ASSEMBLY, CRANKCASE TO COWL (3 5/8") . . . . .	49	50
37896	GUIDE BLOCK, LINK ROD . . . . .	49	41	46933A2	GROUND STRAP ASSEMBLY, HOUSING TO COWL (3 3/8") . . . . .	49	51
37913	LEVER, CONTROL CABLE LOCKING - ANCHOR BRACKET . . . . .	49	46	46961A1	THRUST HUB AND WASHER ASSEMBLY PART OF A- 1623-3486A8 AND A9 . . . . .	65	83
37918	SEAL, EXHAUST EXTENSION PLATE . . . . .	47	28	47210A2	BRACKET ASSEMBLY, TOP COWL SUPPORT - FRONT . . . . .	5	41
37919	SEAL, TRIM COVER TO DRIVE SHAFT HOUSING . . . . .	55	8	47230	COVER, WATER JACKET - CYLINDER BLOCK . . . . .	39	28
37940	PAD, SOUND - DRIP TRAY . . . . .	47	3	47236	COVER, TRANSFER PORT . . . . .	39	48
38032	STRIP, RETAINING - EXHAUST EXTENSION PLATE SEAL . . . . .	47	29	47253	COVER, EXHAUST MANIFOLD . . . . .	39	35
38051	PLATE, SUPPORT - EXHAUST TUBE SEAL . . . . .	61	38	47261A1	CRIP TRAY ASSEMBLY, BOTTOM COWL . . . . .	47	2
38052	STRIP, RETAINING - TRIM COVER SEAL (REAR) . . . . .	55	10	47271	FRAME, TOP COWL SUPPORT . . . . .	3	28
38279	LATCH, CONTROL CABLE FASTENING - ANCHOR BRACKET . . . . .	49	43	47272	BRACKET, TOP COWL SUPPORT - REAR . . . . .	3	32
38448	RETAINER, WATER TUBE SEAL . . . . .	47	23	47341A1	ROPE, STARTER (FOR MANUAL STARTING ONLY) . . . . .	3	10
38469	TUBE, EXHAUST (SHORT SHAFT) . . . . .	55	13	47398	BRACKET, REAR - WIRE RETAINER . . . . .	15	19
38470	TUBE, EXHAUST (LONG SHAFT) . . . . .	55	13	47555A1	RETAINER ASSEMBLY, TOP COWL . . . . .	3	2
38675	BLANKET, SOUND ABSORBING . . . . .	7	9	47558	ROD, PUSH - REVERSE LOCK (LONG SHAFT) . . . . .	55	21
38802	CAP, BRASS BARREL TO THROTTLE CABLE . . . . .	49	38	47559	YOKE, PUSH ROD . . . . .	55	23
38820	MOUNT, RUBBER - UPPER (HEAVY DUTY) . . . . .	55	26	47560	GUIDE, PUSH ROD - REVERSE LOCKING . . . . .	55	20
38821	MOUNT, RUBBER - LOWER (HEAVY DUTY) . . . . .	57	39	47591	ROD, PUSH - REVERSE LOCK (SHORT SHAFT) . . . . .	55	21
39015A1	REVERSE LOCK ASSEMBLY	53	48				

# PARTS INDEX

Part Number	Description	Pg.	Ref. No.	Part Number	Description	Pg.	Ref. No.
47799A1	TILT LOCK ASEMBLY, STARBOARD	51	21	49448	SHIELD, SHIELD TO TOP COWL (5/8")	3	7
47800A1	TILT LOCK ASSEMBLY, PORT	51	22	49455	MOUNT, RUBBER - LOWER	57	39
47802	TUBE, TILT LOCK	51	23	49456	MOUNT, RUBBER - LOWER	57	39
47869A1	BRACKET ASSEMBLY, ANCHOR CONTROL CABLES	49	37	49589	STRAP, CHOKE KNOB TO CHOKE ROD	25	18
47899A9	SPARK PLUG LEAD ASSEMBLY	19	29	49904A1	SHIFT SHAFT ASSEMBLY, UPPER (SHORT SHAFT) SERIAL #2653879 AN	47	31
48047A1	LINK ROD ASSEMBLY	49	34	49905A1	SHIFT SHAFT ASSEMBLY, UPPER (LONG SHAFT)	49	31
48150	WIRING HARNESS, INTERNAL	21	1	49932A1	LEVER ASSEMBLY, CONTROL CABLE LOCKING - ANCHOR BRACKET	49	46
48152	SHUTTER, CHOKE - CARBURETOR	25	24	49935	CAP, BRASS BARREL TO THROTTLE CABLE	49	38
48187	CHOKE SOLENOID	25	1	52023	CAP, NYLON - ADJUSTING SCREW	11	26
48203	ROD, CHOKE	25	21	52100	WEAR PLATE, LINK ROD (NOT AS SHOWN)	49	42
48231	SPACER, BOTTOM COWL (COWL FRONT COVER)	47	7	52132A1	BEARING CARRIER ASSEMBLY	63	72
48315A2	PLUNGER AND LINK ASSEMBLY, CHOKE SOLENOID	25	6	52518	CLUSTER, THROTTLE LEVER (UPPER CARBURETOR)	25	7
48396	CABLE, WIRE - STARTER MOTOR TO SOLENOID	23	47	52699	COVER, GEAR HOUSING	63	77
48500	BRACKET, STARTER MOTOR SUPPORT	21	32	52725A2	BRACKET ASSEMBLY, TOP COWL SUPPORT - FRONT	5	41
48666A1	ADAPTOR ASSEMBLY, DISTRIBUTOR	13	33	52733A1	RETAINER ASSEMBLY, TOP COWL	3	2
48667	PILOT, DISTRIBUTOR MOUNTING	11	2	52737	LEVER, COWL LATCH HINGE	3	22
48668A1	ARM ASSEMBLY, DISTRIBUTOR ADVANCE	13	55	52738	HOOK, TOP COWL LATCH - REAR	3	25
48670	BRACKET, STOP	13	49	52739	HINGE, COWL LATCH - TOP COWL	3	21
48671	PLATE, THROTTLE ACTUATOR	11	27	52769	WIRING HARNESS, INTERNAL	21	1
48676	LINK, DISTRIBUTOR PILOT TO DISTRIBUTOR ADVANCE ARM	11	8	52862A2	CRIP TRAY ASSEMBLY, BOTTOM COWL	47	2
48677	SWIVEL, LINK TO DISTRIBUTOR ADVANCE ARM	11	12	52887	GUIDE, PUSH ROD - REVERSE LOCKING	55	20
48678	CAM FOLLOWER, DISTRIBUTOR ADVANCE ARM	11	18	52889	NOZZLE, TELL TALE HOSE TO BOTTOM COWL	47	16A
48690	COLLAR, ECONOMIZER	11	19	52932A2	PLATE ASSEMBLY, EXHAUST EXTENSION	47	21
48691	CAM, DISTRIBUTOR	11	16	53071	COVER, UPPER AND LOWER SHOCK MOUNTING PIN	53	60
48692	COLLAR, THROTTLE ACTUATOR	11	23	53078	CAP, PLASTIC - TILT TUBE	51	7
48693	CLUSTER, THROTTLE LEVER (UPPER CARBURETOR)	25	7	53141	COVER, UPPER MOUNT - INSIDE HALF	57	28
48712A2	PLATE ASSEMBLY, EXHAUST EXTENSION	47	21	53156A3	FUEL PUMP ASSEMBLY - UPPER	33	1
48752	INSERT, WATER PUMP BODY (PLASTIC)	61	23	53216	LUBRICAP, SWIVEL BRACKET GREASE FITTING	51	18
48856	LEVER, THROTTLE CONTROL	15	6	53334	SEAL, SOUND ABSORBING - TOP	7	11
49238	COVER, UPPER MOUNT - INSIDE HALF	57	28				

# PARTS INDEX

Part Number	Description	Pg.	Ref. No.	Part Number	Description	Pg.	Ref. No.
53507	BRACKET, STARTER MOTOR SUPPORT	21	32	10-22040	SCREW, CRANKCASE TO CYLINDER BLOCK (1 1/2")	37	17
53635	SWIVEL, LINK TO DISTRIBUTOR ADVANCE ARM	11	12	10-22040	SCREW, DISTRIBUTOR ADAPTOR TO CRANKCASE FLANGE (1 1/2")	13	35
53665	INSERT, THROTTLE COUPLING	25	--	10-22040	SCREW, FRONT BRACKET TO BOTTOM COWL (1 1/2")	5	42
53720A2	THROTTLE PICK-UP BRACKET ASSEMBLY	25	10	10-22486	SCREW, COIL MOUNTING BRACKET (7/8")	17	37
53889A3	SHIFT SHAFT ASSEMBLY, UPPER (LONG SHAFT)	49	31	10-22523	SCREW, CARBURETOR FILTER SCREEN TO CARBURETOR (5/8")	25	28
53889A4	SHIFT SHAFT ASSEMBLY, UPPER (SHORT SHAFT) SERIAL #2653880 AN	49	31	10-22956	SCREW, REAR HOOK TO TOP COWL (7/8")	3	26
54239	CAM, THROTTLE ACTUATOR PLATE	11	28	10-22968	SCREW, CENTER MAIN BEARING CLAMPING	43	11
54346	CAM, SHIFT	63	55	10-23030	SCREW, BODY CHANNEL	31	36
54685	BRACKET, TOP COWL SUPPORT - REAR	3	32	10-23178	SCREW, BODY (IDLE TUBE)	29	23
55282	PLATE, BAFFLE - EXHAUST MANIFOLD	39	33	10-24226	SCREW, EXHAUST EXTENSION PLATE TO DRIVE SHAFT HOUSING	47	25
55692	COUPLING, SHIFT SHAFT	49	33	10-24228	SCREW, STOP BRACKET ADJUSTING (1 7/8")	13	52
10-20037	SCREW, RETAINER TO HOUSING	33	8	10-24234	SCREW, ANCHOR BRACKET TO CYLINDER BLOCK (1")	49	39
10-20037	SCREW, RETAINER TO HOUSING	33	8	10-24234	SCREW, BRACKET TO CYLINDER BLOCK (1")	39	47
10-20359	SCREW, CENTER MAIN BEARING LOCKING	37	19	10-24234	SCREW, REAR BRACKET TO BOTTOM COWL (1")	3	39
10-20362	SCREW, FRONT BRACKET TO TOP COWL FRAME (1 1/2")	5	44	10-24866	SCREW, SWITCH BOX TO FRONT MOUNTING BRACKET (1")	21	24
10-20362	SCREW, STARTER MOTOR CRANKCASE FLANGE (1 1/2")	21	29	10-25299	SCREW, CHOKE SOLENOID (3/4")	25	4
10-20532	SCREW, DISTRIBUTOR PILOT TO DISTRIBUTOR (1 1/8")	11	6	10-25299	SCREW, STARTER MOTOR TO SUPPORT BRACKET (3/4")	21	33
10-20532	SCREW, DISTRIBUTOR PILOT TO DISTRIBUTOR (1 1/8") - USE WITH	11	6	10-25612	SCREW, DRIVE - SERIAL PLATE TO SWIVEL BRACKET	53	45
10-20776	SCREW, GROUND WIRE TO BOTTOM COWL	21	10	10-25822	SCREW, STRAINER COVER FASTENING	29	18
10-20847	SCREW, CLUSTER TO THROTTLE LEVER	25	8	10-25850	SCREW, FLOAT BOWL COVER (LONG)	29	11
10-20847	SCREW, THROTTLE STOP LEVER	29	19	10-26065	SCREW, REAR BRACKET TO TOP COWL FRAME (1")	3	37
10-20854	SCREW, FLOAT BOWL COVER (SHORT)	29	10	10-26132	SCREW, CRANKCASE TO CYLINDER BLOCK (2 1/2")	37	16
10-21091	SCREW, COWL LATCH BRACKET TO TOP COWL (1 1/8")	3	12	10-26548	SCREW, STATOR LEAD CLIP (#10 SHEET METAL)	9	15
10-21091	SCREW, CYLINDER BLOCK COVER MOUNTING (1 1/8")	39	43	10-27281	SCREW, DISTRIBUTOR PILOT TO DISTRIBUTOR (1 3/8") USE WITH 3	11	6
10-21106	SCREW, BAFFLE TO BOTTOM COWL	47	11	10-28009	BOLT, CLAMP BRACKET TO BOAT TRANSOM (LOWER)	51	41
10-21574	SCREW, CRANKCASE TO CYLINDER BLOCK (1 5/8")	37	17	10-28192	SCREW, TERMINAL BLOCK FASTENING (1/2")	21	18
10-21625	SCREW, SOLENOID TO COIL BRACKET (3/4")	23	42				

# PARTS INDEX

Part Number	Description	Pg.	Ref. No.	Part Number	Description	Pg.	Ref. No.
10-28405	SCREW, PLUG - MAIN FUEL JET CHANNEL	29	29	10-30663	SCREW, MERCURY SWITCH LEAD	39	40
10-28424	SCREW, LOWER SHOCK PIN (LONG SHAFT)	53	--	10-30663	SCREW, STATOR LEADS TO TERMINAL BLOCK (3/8")	21	19
10-28450	SCREW, NYLOK - UPPER AND LOWER SHOCK MOUNTING PIN	53	59	10-30720	SCREW, WATER PUMP BODY TO GEAR HOUSING (2 1/4")	61	28
10-28634	SCREW, GREASE FILLER AND VENT HOLE	61	48	10-31206	SCREW, STATOR LEAD CLIP (7/16")	9	15
10-28635	SCREW, TRANSFER PORT COVER MOUNTING (5/8")	39	50	10-31294	SCREW, COIL BRACKET (1")	25	13
10-28708	SCREW, MERCURY SWITCH TO FRONT MOUNTING BRACKET (1/2")	39	38	10-31294	SCREW, RECTIFIER TO MOUNTING BRACKET (1")	23	52
10-28773	SCREW, UPPER MOUNT COVER (1 5/8")	57	30	10-31827	BOLT, CLAMP BRACKET TO BOAT TRANSOM (UPPER)	53	41
10-28775	SCREW, UPPER MOUNT COVER (2 1/8")	57	31	10-31830	SCREW, RIDE-GUIDE ATTACHING	51	31
10-29197	SCREW, WIRE CABLE TO STARTER MOTOR	21	27	10-31983	SCREW, STOP BRACKET TO DISTRIBUTOR ADAPTOR (3/4")	13	50
10-29239	SCREW, THROTTLE BRACKET MOUNTING (1/2")	25	11	10-31984	SCREW, STARTER MOTOR CRANKCASE FLANGE (1 3/8")	21	30
10-29256	SCREW, LOWER MOUNT CLAMP TO DRIVE SHAFT HOUSING	57	50	10-32293	SCREW, CRANKCASE TO CYLINDER BLOCK (1 3/4")	37	17
10-29608	SCREW, GEAR HOUSING FLUSHING HOLE ALUMINUM	61	50	10-32293	SCREW, SUPPORT BRACKET TO CYLINDER BLOCK (1 3/4")	21	36
10-29722	SCREW, COVER TO LOWER CLAMP MOUNT	57	53	10-32417	SCREW, FLEXIBLE PLATE TO FLYWHEEL (5/8")	9	5
10-29878	SCREW, FUEL PUMP MOUNTING (1 1/2") - UPPER PUMP	33	11	10-32627	SCREW, ADAPTOR TO HOUSING (1 1/2")	19	12
10-30009	SCREW, MERCURY SWITCH LEAD	39	40	10-33008	SCREW, CRANKCASE TO CYLINDER BLOC (3 1/2")	37	16
10-30009	SCREW, WIRING HARNESS TO FRONT BRACKET (3/8")	21	15	10-33473	SCREW, CRANKCASE TO CYLINDER BLOCK (2 1/2")	37	16
10-30225	SCREW, END CAP MOUNTING (1")	39	27	10-34222	SCREW, DRIP TRAY TO BOTTOM COWL (1/2")	47	4
10-30225	SCREW, END CAP MOUNTING (A")	37	5	10-34222	SCREW, TELL TALE NOZZLE TO BOTTOM COWL (1/2")	47	17
10-30273	SCREW, FUEL PUMP MOUNTING (1 7/8") - LOWER PUMP	33	14	10-34353	SCREW, GEAR HOUSING TO DRIVE SHAFT HOUSING (1")	65	82
10-30273	SCREW, FUEL PUMP MOUNTING (1 7/8") - UPPER PUMP	33	12	10-34439	SCREW, RETAINER TO EXHAUST EXTENSION PLATE (3/4")	47	24
10-30274	SCREW, FUEL PUMP MOUNTING (1 3/4") - UPPER PUMP	33	12	10-35400	SCREW, SIDE INLET COVER TO DISTRIBUTOR CAP (7/16")	19	24
10-30663	SCREW, FRONT AND REAR BRACKET ATTACHING	15	20	10-37558	SCREW, RETAINER TO TOP COWL (1 1/4")	3	5
10-30663	SCREW, FUEL LINE CLIP TO CYLINDER BLOCK (3/8")	33	20	10-37559	SCREW, THROTTLE LEVER TO EXHAUST MANIFOLD COVER (1 3/4")	15	10
10-30663	SCREW, GROUND STRAP FASTENING	49	52	10-37561	SCREW, ADAPTOR TO BOTTOM COWL (2 1/2")	35	35
10-30663	SCREW, GROUND STRAP TO CRANKCASE (3/8")	11	5	10-37561	SCREW, COIL MOUNTING BRACKET (2 1/2")	17	39
				10-37561	SCREW, WIRING HARNESS SUPPORT TO BOTTOM COWL (2 1/2")	47	13



# PARTS INDEX

Part Number	Description	Pg.	Ref. No.	Part Number	Description	Pg.	Ref. No.
10-37571	SCREW, SEAL AND RETAINING STRIP TO EXTENSION PLATE (1/2")	47	30	10-48591	SCREW, SPACER TO BOTTOM COWL (1/2")	47	8
10-37571	SCREW, TRIM COVER TO BOTTOM COWL	55	7	10-48591	SCREW, STRAP TO CHOKE KNOB (1/2")	25	19
10-37655	SCREW, COVER TO SHOCK MOUNTING SCREW	53	61	10-48591	SCREW, STRAP TO CHOKE ROD (1/2")	25	22
10-37655	SCREW, STATOR LEAD CLIP FASTENING (10-32 X 1/2")	9	15	10-48591	SCREW, VENT HOSE CLAMP TO BOTTOM COWL (1/2")	15	27
10-37892	SCREW, ACTUATOR PLATE TO ECONOMIZER COLLAR (1")	11	29	10-48673	SCREW, CAM FOLLOWER TO DISTRIBUTOR ADVANCE ARM	11	17
10-37990	SCREW, ADAPTOR TO BOTTOM COWL (1 3/4")	35	34	10-48675	SCREW, ADJUSTING - THROTTLE ACTUATOR COLLAR (1 1/2")	11	24
10-37990	SCREW, WIRING HARNESS SUPPORT TO BOTTOM COWL (1 3/4")	47	13	10-49006	SCREW, PLATE AND HUB TO FLEXIBLE PLATE (3/4")	9	6
10-38036	SCREW, FUEL PUMP MOUNTING (1 1/2") - LOWER PUMP	33	13	10-49285	BOLT, DISTRIBUTOR ADVANCE ARM TO STOP BRACKET	13	57
10-38036	SCREW, FUEL PUMP MOUNTING (1 1/2") - UPPER PUMP	33	11	10-49318	SCREW, LOWER MOUNT (5 1/2")	57	40
10-38601	SCREW, EXHAUST TUBE TO EXHAUST EXTENSION PLATE (5/8")	55	14	10-49554	BOLT, STEERING ARM TO UPPER MOUNT (5 7/8")	51	29
10-38837	SCREW, MANIFOLD COVER MOUNTING (1 1/8")	39	36	10-49989	SCREW, PULLEY CLAMPING (5/8")	13	46
10-45218	SCREW, SWITCH BOX (3/8")	21	23	10-49990	SCREW, DISTRIBUTOR CAM TO ECONOMIZER COLLAR (1")	11	20
10-45218	SCREW, TRIGGER HOUSING TO PRIMARY HOUSING	19	2	10-52195	SCREW, FLOAT BOWL COVER (SHORT)	29	10
10-45775	SCREW, MAIN BEARING CLAMPING	43	15	10-52196	SCREW, FLOAT BOWL COVER (LONG)	29	11
10-45862	SCREW, WIRING HARNESS CLAMP TO BOTTOM COWL (7/8")	21	6	10-52720	SCREW, STATOR TO UPPER END CAP (7/8")	9	13
10-45893	SCREW, HARNESS PLATE FASTENING	21	4	10-52867	SCREW, BAFFLE TO BOTTOM COWL	47	11
10-45914	SCREW, DISTRIBUTOR CAP TO ADAPTOR TO HOUSING (2")	19	19	10-53077	SCREW, UPPER AND LOWER SHOCK MOUNTING PIN	53	59
10-46367	SCREW, IGNITION COIL CLAMPING - CLIP ATTACHING (2 1/2")	15	31	10-53167	SCREW, WATER JACKET COVER TO CYLINDER BLOCK (7/8")	39	30
10-46368	SCREW, IGNITION COIL CLAMPING (2 1/4")	15	31	10-53651	SCREW, THROTTLE BRACKET MOUNTING	25	11
10-47240	SCREW, CONNECTING ROD	43	25	11-20083	NUT, CLAMP BRACKET STUD	51	11
10-47580	SCREW, TRIM TAB TO GEAR HOUSING (1 3/4")	63	79	11-20083	NUT, DISTRIBUTOR ADAPTOR SCREW	13	37
10-47828	SCREW, DRIVE - SWIVEL BRACKET	51	16	11-20083	NUT, SOLENOID TERMINAL (5/16")	23	49
10-48080	SCREW, REED STOP MOUNTING	43	19	11-20088	NUT, RUBBER MOUNT TO REAR SUPPORT BRACKET	3	36
10-48408	SCREW, RETAINING STRIP TO DRIVE SHAFT HOUSING (1/2")	55	5	11-20110	NUT, CARBURETOR FILTER SCREEN FASTENING SCREW	25	29
10-48409	SCREW, RETAINING STRIP TO DRIVE SHAFT HOUSING (5/8")	55	4	11-20110	NUT, CHOKE SHUTTER TO CARBURETOR STUD	25	26

# PARTS INDEX

Part Number	Description	Pg.	Ref. No.	Part Number	Description	Pg.	Ref. No.
11-20361	NUT, RUBBER MOUNT TO TOP COWL FRAME . . . . .	3	31	11-34933	NUT, GEAR HOUSING AND DRIVE SHAFT HOUSING STUDS . . . . .	57	44
11-20361	NUT, THROTTLE CABLE TO LOWER SWIVEL . . . . .	15	15	11-34933	NUT, GEAR HOUSING TO DRIVE SHAFT HOUSING STUDS . . . . .	65	81
11-20361	NUT, UPPER LINK ROD SWIVEL TO THROTTLE CONTROL . . . . .	15	9	11-35045	NUT, WATER PUMP FASTENING SCREW . . . . .	61	31
11-20509	NUT, POWERHEAD STUDS (3/8-24) . . . . .	55	17	11-35521	NUT, LOWER MOUNT CLAMP COVER . . . . .	57	52
11-20509	NUT, RIDE-GUIDE ATTACHING SCREW . . . . .	51	32	11-35921	NUT, PINION GEAR TO DRIVE SHAFT . . . . .	59	9
11-20509	NUT, THROTTLE CONTROL LEVER SCREW . . . . .	15	13	11-37424	NUT, SWIVEL PIN RETAINING . . . . .	51	35
11-20565	NUT, STRAP TO CHOKE ROD SCREW . . . . .	25	23	11-45076	NUT, FASTENING - RECTIFIER STATOR LEADS . . . . .	23	55
11-20645	NUT, IGNITION COIL CLAMPING SCREW . . . . .	15	32	11-45076	NUT, SWITCH BOX TERMINAL . . . . .	21	22
11-20645	NUT, SOLENOID TERMINAL	25	3	11-45592	NUT, WATER PUMP BODY FASTENING STUD . . . . .	61	33
11-20645	NUT, SOLENOID TERMINAL (#10) . . . . .	23	46	11-45774	NUT, MAIN BEARING CLAMPING SCREW . . . . .	43	16
11-20664	NUT, LINK ROD . . . . .	49	45	11-46438	NUT, ADAPTOR TO HOUSING SCREW . . . . .	19	13
11-20890	NUT, ADJUSTING SCREW . . . . .	11	25	11-46438	NUT, DISTRIBUTOR CAP FASTENING SCREW . . . . .	19	21
11-20890	NUT, STARTER MOTOR TERMINAL . . . . .	23	40	11-46793	NUT, CARBURETOR MOUNTING STUD . . . . .	31	38
11-20890	NUT, STOP BRACKET ADJUSTING SCREW . . . . .	13	53	11-46793	NUT, CRANKCASE FASTENING SCREW . . . . .	37	18
11-21528	NUT, POWERHEAD STUDS (5/16-24) . . . . .	55	16	11-46793	NUT, FRONT SUPPORT BRACKET SCREW . . . . .	5	43
11-22053	NUT, RUBBER MOUNT TO FRONT SUPPORT BRACKET . . . . .	5	48	11-46793	NUT, REAR BRACKET SCREW . . . . .	3	38
11-22178	NUT, STEERING ARM BOLT FASTENING . . . . .	51	30	11-46793	NUT, SUPPORT BRACKET SCREW . . . . .	21	38
11-22178	NUT, UPPER MOUNT BOLT	57	37	11-46886	NUT, EXHAUST TUBE SCREW . . . . .	55	15
11-22339	NUT8 FLYWHEEL . . . . .	9	2	11-46886	NUT, UPPER MOUNT COVER SCREW . . . . .	57	33
11-23161	NUT, POWERHEAD STUDS (3/8-24) . . . . .	55	17	11-46887	NUT, ADAPTOR FASTENING SCREW . . . . .	35	36
11-24656	NUT, VENT HOSE CLAMP SCREW . . . . .	15	29	11-46887	NUT, BEARING CLAMPING SCREW . . . . .	43	12
11-25096	NUT, LOWER MOUNT SCREW . . . . .	57	42	11-46887	NUT, CHOKE ROD SPRING TO CARBURETOR STUD . . . . .	27	34
11-25168	NUT, JAM - LINK TO SWIVEL	11	13	11-46887	NUT, COIL BRACKET SCREW . . . . .	25	15
11-25168	NUT, JAM - LINK TO SWIVEL	11	13	11-46887	NUT, COIL MOUNTING BRACKET SCREW . . . . .	17	40
11-25168	NUT, UPPER LINK ROD ADJUSTING . . . . .	15	3	11-46887	NUT, COVER MOUNTING SCREW . . . . .	39	44
11-25269	NUT, STRAP STOP FASTENING SCREW . . . . .	51	38	11-46887	NUT, EXHAUST EXTENSION PLATE SCREW . . . . .	47	26
11-28010	NUT, CLAMP BRACKET BOLT . . . . .	53	43	11-46887	NUT, LOWER SHOCK PIN SCREW (LONG SHAFT . . . . .	53	--
11-28770	NUT, WATER PUMP BODY FASTENING STUD (5/16")	61	33	11-46887	NUT, RECTIFIER MOUNTING SCREW . . . . .	23	53
11-29489	NUT, GEAR HOUSING AND DRIVE SHAFT HOUSING STUDS . . . . .	57	46	11-46887	NUT, SWITCH BOX SCREW	21	25
11-29594	NUT, PROPELLER (COARSE THREAD) . . . . .	65	87				
11-29598	NUT, WATER PUMP BODY FASTENING STUDS (1/4")	61	31				
11-30499	NUT, TILT TUBE FASTENING	51	6				
11-30506	NUT, JAM - LINK TO SWIVEL	11	13				

# PARTS INDEX

Part Number	Description	Pg.	Ref. No.	Part Number	Description	Pg.	Ref. No.
11-46887	NUT, WIRING HARNESS SUPPORT SCREW . . . . .	47	14	12-28008	WASHER, CLAMP BRACKET BOLT (LOWER) . . . . .	53	42
11-47661	NUT, JAM - PUSH ROD . . . . .	55	22	12-28196	WASHER, UPPER BUSHING RETAINER (INNER) . . . . .	53	53
11-49091	NUT, CONNECTING ROD SCREW . . . . .	43	26	12-28264	WASHER, LOWER BUSHING RETAINER (INNER) . . . . .	53	54
11-52707	NUT, PROPELLER (FINE THREAD) ---- PART OF A1623-3486A8 AND A . . . . .	65	87	12-28404	WASHER, THUMB SCREW . . . . .	51	3
11-52901	NUT, FLYWHEEL (PART OF A436-31874A4 CRANKSHAFT ASSEMBLY) . . . . .	9	2	12-28421	WASHER, UPPER AND LOWER BUSHING RETAINER (OUTER) . . . . .	53	58
11-52901	NUT, FLYWHEEL TO CRANKSHAFT . . . . .	43	2	12-29245	WASHER, COIL BRACKET SCREW . . . . .	25	14
12-20084	WASHER, DISTRIBUTOR ADAPTOR SCREW . . . . .	13	36	12-29245	WASHER, THROTTLE CONTROL LEVER SWIVEL . . . . .	15	7
12-20086	WASHER, POWERHEAD STUDS . . . . .	55	18	12-29245	WASHER, UPPER MOUNT COVER SCREW . . . . .	57	32
12-20128	WASHER, ACTUATOR PLATE SCREW . . . . .	13	31	12-29245	WASHER, WATER PUMP BODY FASTENING SCREW AND STUD . . . . .	61	30
12-20128	WASHER, DISTRIBUTOR CAM SCREW . . . . .	11	21	12-29395	WASHER, THROTTLE CONTROL LEVER SCREW . . . . .	15	11
12-20128	WASHER, WIRING HARNESS CLAMP SCREW . . . . .	21	8	12-29590	WASHER, CUPPED - THRUST HUB . . . . .	65	84
12-20260	WASHER, GREASE FILLER AND VENT HOLE SCREW . . . . .	61	49	12-29957	WASHER, GEAR HOUSING COVER . . . . .	63	76
12-20346	WASHER, RUBBER MOUNT TO REAR SUPPORT BRACKET . . . . .	3	35	12-30633	WASHER, THRUST - BEARING CARRIER TO GEAR HOUSING . . . . .	63	69
12-20533	WASHER, DISTRIBUTOR PILOT SCREW . . . . .	11	7	12-30771	WASHER, COVER FASTENING KNOB (RUBBER) . . . . .	7	4
12-20533	WASHER, STOP BRACKET SCREW . . . . .	13	51	12-31211	WASHER, SPLINED - PROPELLER NUT . . . . .	65	85
12-20583	WASHER, DISTRIBUTOR PILOT LINK . . . . .	11	10	12-31262	WASHER, UPPER MOUNT BOLT . . . . .	57	34
12-21040	WASHER, CLAMP BRACKET BOLT (UPPER) . . . . .	53	42	12-31263	WASHER, UPPER MOUNT BOLT . . . . .	57	36
12-21040	WASHER, CLAMP BRACKET BOLT (UPPER) . . . . .	53	42	12-31266	WASHER, RUBBER - SHIFT SHAFT BUSHING . . . . .	61	44
12-21631	WASHER, PLAIN - LINK ROD . . . . .	49	44	12-33001	WASHER, FLYWHEEL NUT . . . . .	9	3
12-22753	WASHER CRANKCASE TO CYLINDER BLOCK SCREW . . . . .	37	--	12-36001	WASHER, WATER PUMP BODY FASTENING STUD . . . . .	61	32
12-24664	WASHER, LINK ROD . . . . .	49	35	12-37407	WASHER, IGNITION COIL CLAMPING SCREW . . . . .	15	33
12-26436	WASHER, DISTRIBUTOR CAP FASTENING SCREW . . . . .	19	20	12-37429	WASHER, SWIVEL PIN - LOWER . . . . .	51	33
12-26825	WASHER, COVER FASTENING KNOB (STEEL) . . . . .	7	5	12-37905	WASHER, NYLON - LINK ROD . . . . .	49	42
12-26825	WASHER, CRANKCASE TO CYLINDER BLOCK SCREW . . . . .	37	--	12-37998	WASHER, LATCH BRACKET SCREW (1/16" THICK) . . . . .	3	13
12-26825	WASHER, DISTRIBUTOR ADVANCE ARM BOLT . . . . .	13	58	12-37998	WASHER, LATCH BRACKET SCREW (1/32" THICK) . . . . .	3	14
12-26825	WASHER, STARTER MOTOR SCREW . . . . .	21	35	12-38006	WASHER, CLAMPING LEVER . . . . .	3	17
12-26825	WASHER, SUPPORT BRACKET SCREW . . . . .	21	37	12-45075	WASHER, RECTIFIER STATOR LEAD TERMINAL . . . . .	23	54
12-27939	WASHER, THRUST - DISTRIBUTOR ADAPTOR . . . . .	13	38	12-45075	WASHER, SWITCH BOX TERMINAL . . . . .	21	21
				12-45176	WASHER, GEAR HOUSING TO DRIVE SHAFT HOUSING STUDS . . . . .	57	45

# PARTS INDEX

Part Number	Description	Pg.	Ref. No.	Part Number	Description	Pg.	Ref. No.
12-45176	WASHER, GEAR HOUSING TO DRIVE SHAFT HOUSING STUDS	57	47	13-26993	LOCKWASHER, REAR SUPPORT BRACKET SCREW	5	40
12-45176	WASHER, GEAR HOUSING TO DRIVE SHAFT HOUSING STUDS	65	80	13-26993	LOCKWASHER, RUBBER MOUNT TO FRONT SUPPORT BRACKET	5	47
12-45484	WASHER, DISTRIBUTOR TO PILOT	11	14	13-26993	LOCKWASHER, SOLENOID TERMINAL (5/16")	23	48
12-47247	WASHER, NEEDLE LOCATING	43	28	13-26993	LOCKWASHER, STARTER MOTOR SCREW	21	31
12-47840	WASHER, RUBBER - UPPER MOUNT BOLT	57	35	13-26993	LOCKWASHER, STARTER MOTOR SCREW	21	34
12-49221	WASHER, GEAR HOUSING FLUSHING HOLE PLUG PLASTIC	61	54	13-26993	LOCKWASHER, WATER PUMP BODY FASTENING STUD (5/16")	61	32
12-49339	WASHER, LOWER MOUNT SCREW	57	41	13-26996	LOCKWASHER, ACTUATOR PLATE SCREW	11	30
12-52197	LOCKWASHER, FLOAT BOWL COVER SCREW	29	12	13-26996	LOCKWASHER, SOLENOID TERMINAL	25	2
12-52864	WASHER, CLAMP BRACKET TILT TUBE	51	5	13-26996	LOCKWASHER, SOLENOID TERMINAL (#10)	23	45
13-22238	LOCKWASHER, GROUND STRAP SCREW	49	53	13-26996	LOCKWASHER, STRAP SCREW	25	20
13-24669	LOCKWASHER, GROUND WIRE SCREW	21	12	13-26996	LOCKWASHER, WIRING HARNESS CLAMP SCREW	21	7
13-24850	WASHER, WAVE - TILT LOCK TUBE	51	26	13-27959	WASHER, WAVE - TAB WASHER TENSION	13	40
13-25244	LOCKWASHER, GROUND WIRE SCREW	21	11	13-29720	WASHER, WAVE - LINK ROD	49	36
13-25806	WASHER, WAVE - THROTTLE CONTROL LEVER SWIVEL	15	8	13-37371	LOCKWASHER, SHIELD SCREW	3	8
13-26917	WASHER, WAVE - PRIMARY HOUSING	19	3	13-39107	LOCKWASHER, RETAINER TO TOP COWL SCREW	3	6
13-26992	LOCKWASHER, COIL MOUNTING BRACKET	17	38	13-53166	LOCKWASHER, WATER JACKET COVER FASTENING SCREW	39	31
13-26992	LOCKWASHER, DISTRIBUTOR PILOT SCREW	11	7	14-20091	TAB WASHER, BEARING LOCKING SCREW	37	20
13-26992	LOCKWASHER, REAR HOOK MOUNTING SCREW	3	27	14-27960	TAB WASHER, CAP LOCKING	13	39
13-26992	LOCKWASHER, RUBBER MOUNT TO REAR SUPPORT BRACKET	3	34	14-31210	TAB WASHER, PROPELLER NUT	65	86
13-26992	LOCKWASHER, STARTER MOTOR TERMINAL	21	39	14-52700	TAB WASHER, GEAR HOUSING COVER	63	76
13-26992	LOCKWASHER, STARTER SOLENOID FASTENING SCREW	23	43	15-20085A1	SHIM, END CAP TO CRANKCASE (.002-3-5-10)	39	26
13-26992	LOCKWASHER, WATER PUMP BODY FASTENING SCREW AND STUDS (1/4"	61	30	15-29955A1	SHIM, THRUST WASHER TO GEAR HOUSING (.002-3-5-10)	63	68
13-26992	LOCKWASHER, WATER PUMP BODY SCREW	61	29	15-30278A1	SHIM, DRIVE SHAFT BALL BEARING TO GEAR HOUSING (.002-3-5-10)	59	10
13-26993	LOCKWASHER, CHOKE SOLENOID SCREW	25	5	15-30278A1	SHIM, WATER PUMP BASE TO GEAR HOUSING (.002-3-5-10)	59	10
13-26993	LOCKWASHER, CLAMP BRACKET STUD	51	10	15-30497A1	SHIM, CLAMP BRACKET TILT TUBE (.010-.020)	51	5
				15-30923A1	SHIM, BEARING OUTER RACE TO GEAR HOUSING (.002-3-5-10)	63	59

# PARTS INDEX

Part Number	Description	Pg.	Ref. No.	Part Number	Description	Pg.	Ref. No.
16-26133	STUD, CRANKCASE TO DRIVE SHAFT HOUSING (1 7/8")	37	10	17-25598	PIN, REVERSE LOCK SPRING ATTACHING	53	46
16-26134	STUD, CYLINDER BLOCK TO DRIVE SHAFT HOUSING (4 1/16")	37	13	17-26618	PIN, DOWEL - PULLEY TO FLYWHEEL	9	7
16-26135	STUD, CYLINDER BLOCK TO DRIVE SHAFT HOUSING (2 5/16")	37	15	17-29077	PIN, ROLL - CLAMPING LEVER	3	20
16-26324	STUD, CYLINDER BLOCK TO DRIVE SHAFT HOUSING (2 7/8")	37	15	17-29077	ROLL PIN, TENSION SPRING TO KNOB	7	7
16-35099	STUD, CARBURETOR MOUNTING (1 3/16")	37	9	17-29908	PIN, DRIVEN PULLEY	13	44
16-36292	STUD, WATER PUMP BASE AND BODY TO GEAR HOUSING (3 3/8")	59	4	17-29967	PIN, IMPELLER DRIVE	61	27
16-37435	STUD, WATER PUMP BASE AND BODY TO GEAR HOUSING (3 5/16")	59	5	17-30496	PIN, ROLL - MERCURY SWITCH	39	39
16-39937	STUD, CHOKE ROD SPRING TO CARBURETOR	27	32	17-30632	PIN, CROSS - RATCHET TO PROPELLER SHAFT	63	64
16-45198	STUD, GEAR HOUSING TO DRIVE SHAFT HOUSING (2 1/16")	59	3	17-33522	PIN, ROLL - COWL LATCH LEVER TO HINGE	3	23
16-45199	STUD, GEAR HOUSING TO DRIVE SHAFT HOUSING (4")	59	2	17-35973	DOWEL PIN, WATER PUMP BASE TO WATER PUMP BODY	59	18
16-46910	STUD, DRIVE SHAFT HOUSING TO GEAR HOUSING	55	2	17-38311	PIN, COIL SPRING MOUNTING	51	20
16-47165	STUD, DRIVE SHAFT HOUSING TO GEAR HOUSING	55	2	17-39023	PIN, PUSH ROD TO REVERSE LOCK	55	24
16-48769	STUD, CYLINDER BLOCK TO DRIVE SHAFT HOUSING (2 1/8")	37	15	17-47246	DOWEL PIN, STEPPED	43	10
16-48770	STUD, CYLINDER BLOCK TO DRIVE SHAFT HOUSING (3 9/16")	37	14	17-49840A1	SWIVEL PIN AND STEERING ARM ASSEMBLY (LONG SHAFT)	51	27
16-48770	STUD, CYLINDER BLOCK TO DRIVE SHAFT HOUSING (3 9/16")	37	14	17-49841A1	SWIVEL PIN AND STEERING ARM ASSEMBLY (SHORT SHAFT)	51	27
16-48790	STUD, CARBURETOR - CHOKE SHUTTER PIVOT	25	25	17-49930A1	TILT LOCK PIN ASSEMBLY	51	12
16-52614	STUD, GEAR HOUSING TO DRIVE SHAFT HOUSING (2 1/16")	59	3	18-20180	COTTER PIN, LINK TO DISTRIBUTOR PILOT	11	11
16-52898	STUD, CARBURETOR - CHOKE SHUTTER PIVOT	25	25	18-20233	CLIP, RETAINING - SHIFT SHAFT	61	40
17-20032	DOWEL PIN, ADAPTOR TO PRIMARY HOUSING	19	11	18-25191	COTTER PIN, PUSH ROD PIN	55	25
17-20032	DOWEL PIN, CENTER MAIN BEARING	43	6	18-45882	COTTER PIN, REVERSE LOCK TO SHAFT	53	50
17-20032	DOWEL PIN, MAIN BEARING	43	14	18-47959	COTTER PIN, TILT LOCK TUBE	51	24
17-20033	PIN, DOWEL - CRANKCASE TO CYLINDER BLOCK	37	11	19-45907	PLUG8 FLYWHEEL PULLER THREADS	9	1
17-20323	PIN, DOWEL - CYLINDER BLOCK TO MAIN BEARING	37	12	19-47579	PLUG, PLASTIC - TRIM TAB SCREW HOLE	55	3
				19-48750	PLUG, GEAR HOUSING FLUSHING HOLE PLASTIC	61	53
				21-28481A1	CHECK VALVE ASSEMBLY	39	54
				21-28481A1	CHECK VALVE ASSEMBLY	39	54
				21-28481A1	CHECK VALVE ASSEMBLY, END CAP	37	22
				21-28483A1	CHECK VALVE ASSEMBLY, BLEED HOSE	39	53
				21-28483A1	CHECK VALVE ASSEMBLY, BLEED HOSE	39	53
				21-30430A1	CHECK VALVE ASSEMBLY	33	2
				21-30430A1	CHECK VALVE ASSEMBLY	33	2
				22-20445	CONNECTOR, CYLINDER BLEED HOSE - LOWER AND UPPER	39	51

# PARTS INDEX

Part Number	Description	Pg.	Ref. No.	Part Number	Description	Pg.	Ref. No.
22-20445	CONNECTOR, CYLINDER BLEED HOSE - LOWER AND UPPER . . . . .	39	51	23-26819	BUSHING, NYLON - CLAMPING LEVER . . . . .	3	16
22-20781	ELBOW, BALANCE TUBE TO MAIN BEARING SCREW .	41	61	23-26856	BUSHING, NYLON - DISTRIBUTOR PILOT . . . .	11	9
22-20781	ELBOW, BALANCE TUBE TO MAIN BEARING SCREW .	41	61	23-28198	BUSHING, RUBBER - SHOCK ABSORBER (LOWER) . . .	53	57
22-20931	TEE, BALANCE TUBE TO MAIN BEARING SCREW .	41	62	23-28199	SPACER, UPPER SHOCK BUSHING TO CLAMP BRACKET . . . . .	53	52
22-21290	PLUG, PIPE - SHIFT SHAFT GREASE FILLER HOLE . .	61	47	23-28688	SPACER, RUBBER - COIL SPRING POSITIONING . .	51	39
22-23612	FITTING, GREASE - SWIVEL BRACKET . . . . .	51	17	23-29591	SLEEVE, RUBBER - WATER INLET TUBE . . . . .	55	12
22-25094	FITTING, GREASE - DISTRIBUTOR ADAPTOR	13	34	23-29804	SLEEVE, GUIDE - WATER INLET TUBE . . . . .	61	35
22-25094	FITTING, GREASE - ECONOMIZER COLLAR . .	11	22	23-31293	BUSHING, RUBBER - CLAMPING LEVER . . . . .	3	18
22-25885	ELBOW, TELL TALE HOSE TO EXHAUST COVER . . .	47	18	23-32171	BUSHING, RUBBER - SHOCK ABSORBER (UPPER) . . . .	53	56
22-29085	ELBOW, FUEL LINE TO CARBURETOR (45) . . . . .	35	38	23-32427	SPACER, CHOKE ROD SPRING STUD . . . . .	27	33
22-29111	CONNECTOR, TELL TALE HOSE TO BOTTOM COWL	47	16	23-37428A1	BUSHING ASSEMBLY, SHIFT SHAFT . . . . .	61	42
22-30174	ELBOW, LOWER FUEL PUMP INLET (90) . . . . .	33	24	23-45818	BUSHING, THROTTLE CONTROL LEVER . . . . .	15	12
22-30174	ELBOW, UPPER CARBURETOR STRAINER COVER (90) . . . . .	33	16	23-47250	SPACER, DRIVEN PULLEY .	13	42
22-30175	SLEEVE, CARBURETOR STRAINER COVER	33	17	23-47803	BUSHING, TILT LOCK TUBE	51	25
22-30175	SLEEVE, FUEL PUMP INLET ELBOW . . . . .	33	25	23-48674	SPACER, ACTUATOR PLATE SCREW . . . . .	13	32
22-30177	NUT, FUEL PUMP INLET ELBOW . . . . .	33	26	23-49537	BUSHING, DISTRIBUTOR ADVANCE ARM . . . . .	13	56
22-30177	NUT, UPPER CARBURETOR STRAINER COVER ELBOW . . . . .	33	18	24-20099	SPRING, LINK ROD TO GUIDE BLOCK . . . . .	49	40
22-31521	ELBOW, VENT HOSE - DISTRIBUTOR CAP . . . . .	19	18	24-28659	SPRING, COIL - SWIVEL BRACKET . . . . .	51	19
22-31521	ELBOW, VENT HOSE TO BOTTOM COWL . . . . .	15	25	24-28975	SPRING, GARTER - INTERNAL WIRING HARNESS . . . . .	21	9
22-31521A1	ELBOW ASSEMBLY, VENT HOSE - ADAPTOR HOUSING . . . . .	19	14	24-29821	SPRING, REVERSE LOCK TENSION . . . . .	53	47
22-32802	PLUG, PIPE - CYLINDER BLOCK COVER . . . . .	39	45	24-30189	SPRING, ADAPTOR STEM .	33	32
22-32802	PLUG, PIPE - WATER PRESSURE HOSE . . . . .	37	8	24-30622	SPRING, COMPRESSION - CAM FOLLOWER . . . . .	63	58
22-37682	ELBOW, FUEL LINE TO ADAPTOR . . . . .	33	28	24-30772	SPRING, TENSION - FASTENING KNOB . . . . .	7	6
22-53491	TEE, BLEED HOSE TO CYLINDER BLOCK - LOWER . . . . .	41	59	24-30893	SPRING, RETAINING - CROSS PIN . . . . .	63	65
22-53492	TEE, BLEED HOSE TO CYLINDER BLOCK - CENTER . . . . .	39	56	24-33453	SPRING, DISTRIBUTOR PILOT TO THROTTLE LEVER (2 3/4") . . . . .	11	3
23-20222	SPACER, CLAMP BRACKET STUD . . . . .	51	8	24-35522	SPRING, TENSION - LOWER MOUNT CLAMP . . . . .	57	49
23-26600	BUSHING, SHIFT SHAFT . . .	49	32	24-37911	SPRING, CONTROL CABLE LOCKING LEVER . . . . .	49	47
				24-38472	SPRING, CONTROL CABLE TENSION - ANCHOR BRACKET . . . . .	49	49
				24-48230	SPRING, CHOKE ROD TENSION . . . . .	27	31

# PARTS INDEX

Part Number	Description	Pg.	Ref. No.	Part Number	Description	Pg.	Ref. No.
24-54639	SPRING, DISTRIBUTOR PILOT TO THROTTLE LEVER (3 17/32")	11	3	27-32438	GASKET, WATER PUMP BASE TO GEAR HOUSING	59	13
25-20081	"O" RING	39	25	27-36268	GASKET, DISTRIBUTOR TO ADAPTOR	19	15
25-20116	GROMMET, CHOKE ROD	25	17	27-46351	GASKET, ADAPTOR TO PRIMARY HOUSING	19	10
25-20415	"O" RING, ADAPTOR STEM	33	31	27-47226	GASKET, CYLINDER BLOCK COVER	39	42
25-25439	"O" RING, SHIFT SHAFT BUSING	61	41	27-47227	GASKET, BAFFLE PLATE TO EXHAUST MANIFOLD COVER	39	34
25-26547	GROMMET, HIGH TENSION CABLE	19	27	27-47227A1	GASKET SET (MOTOR OVERHAUL) - 1250E-SS	1	-
25-26547	GROMMET, RECTIFIER TO SWITCH BOX WIRE	21	13	27-47228	GASKET, WATER JACKET COVER	39	29
25-26547	GROMMET, SPARK PLUG LEAD	19	27	27-47229	GASKET, CYLINDER BLOCK TO BAFFLE PLATE	39	32
25-29976	"O" RING, BEARING CARRIER	63	71	27-47251	GASKET, TRANSFER PORT COVER	39	49
25-30224	"O" RING, WATER PUMP BASE	59	14	27-48164	GASKET, CARBURETOR FLANGE	31	37
25-30271	RING, RUBBER - CENTRIFUGAL SLINGER (DRIVE SHAFT)	61	34	27-48713	GASKET, POWERHEAD TO EXHAUST EXTENSION PLATE	47	20
25-30613	"O" RING, UPPER - DRIVE SHAFT	61	36	27-48801	GASKET, EXHAUST EXTENSION PLATE TO DRIVE SHAFT HOUSING	47	27
25-47254	"O" RING	37	3	27-48801	GASKET, EXHAUST EXTENSION PLATE TO DRIVE SHAFT HOUSING	55	19
26-24590	OIL SEAL, SHIFT SHAFT HOUSING (LOWER)	61	43	27-53862	GASKET, CRANKCASE TO CYLINDER BLOCK	37	7
26-29476	OIL SEAL	37	2	28-29910	KEY, DISTRIBUTOR DRIVING	13	47
26-29476	OIL SEAL, UPPER	37	24	28-30281	KEY, LOCATING - BEARING CARRIER	63	75
26-29476	OIL SEAL, UPPER	37	24	29-47270	BEARING NEEDLE - PISTON PIN	43	27
26-29478	OIL SEAL, LOWER	37	23	29-48410	BEARING, NEEDLE - OUTER RACE	43	7
26-29612	SEAL, GEAR HOUSING FLUSHING HOLE ALUMINUM	61	52	30-20066	BEARING, BALL - DISTRIBUTOR PILOT	11	15
26-30550	OIL SEAL, BEARING CARRIER	63	74	30-20080	BEARING, BALL - LOWER	43	4
26-31249	OIL SEAL, SHIFT SHAFT BUSHING (UPPER)	61	43	30-20464	BEARING, BALL - DRIVE SHAFT (SERIAL #2653879 AND BELOW)	59	11
26-31489	OIL SEAL, WATER PUMP BASE	59	16	30-26379	BEARING, BALL - ROTOR SHAFT	19	4
26-31507	OIL SEAL, WATER PUMP BASE	59	17	30-31265	BEARING, BALL - REVERSE GEAR	63	70
26-31507	OIL SEAL, WATER PUMP BODY	61	24	30-32117	BEARING, BALL - UPPER	43	3
26-37448	OIL SEAL, SWIVEL BRACKET	51	15	30-53853	BEARING, BALL - LOWER	43	4
26-38970	SEAL, RUBBER - WATER INLET TUBE	47	22	30-54215	BEARING, BALL - DRIVE SHAFT (SERIAL #2653880 AND UP)	59	11
26-38970	SEAL, RUBBER - WATER INLET TUBE	61	25	31-30894A1	TAPERED ROLLER BEARING ASSEMBLY	63	60
27-26447	GASKET, SIDE INLET COVER TO DISTRIBUTOR CAP	19	23	31-30895	BEARING, ROLLER - FORWARD GEAR	63	61
27-29586	GASKET, GEAR HOUSING FLUSHING HOLE SCREW ALUMINUM	61	51	31-30956	BEARING, ROLLER - BEARING CARRIER	63	73
27-32433	GASKET, LOWER - WATER PUMP BASE TO FACE PLATE	59	19				

# PARTS INDEX

Part Number	Description	Pg.	Ref. No.	Part Number	Description	Pg.	Ref. No.
31-32898	BEARING, ROLLER - DRIVE SHAFT	59	6	38-39784	SERIAL PLATE	53	44
31-47245A1	BEARING ASSEMBLY, CRANKPIN	43	24	39-45155A12	RING, PISTON (1/16" THICK) "C" TYPE LOCK RING	43	22
32-26407	HOSE, TELL TALE - EXHAUST COVER TO BOTTOM COWL (16")	47	15	39-45155A12	RING, PISTON (1/16") G" TYPE LOCK RING	43	22
32-26542	HOSE, VENT - DISTRIBUTOR TO ELBOW (13")	15	23	39-45204A12	RING, PISTON (.015 OVERSIZE) - 1/16" THICK	45	--
32-28052	SLEEVE, RUBBER - TILT PIN BUMPER	51	13	40-45740	LOCK RING, PISTON PIN G" TYPE LOCK RING	43	21
32-30176	FUEL LINE, ADAPTOR TO LOWER FUEL PUMP (18")	33	27	40-52035	LOCK RING, PISTON PIN "C" TYPE LOCK RING	43	21
32-31552A1	FUEL LINE ASSEMBLY, PUMP TO PUMP (12 3/8")	33	22	43-31887	REVERSE GEAR ASSEMBLY	63	67
32-31553A1	FUEL LINE ASSEMBLY, PUMP TO CARBURETOR (19 3/4")	33	23	43-34085	FORWARD GEAR ASSEMBLY	63	62
32-31584A1	FUEL LINE ASSEMBLY, MIDDLE CARB, TO BOTTOM CARB.	35	37	43-49751	DEAR, PINION - DRIVE SHAFT	59	8
32-32256A1	FUEL LINE ASSEMBLY, PUMP TO CARBURETOR (9 7/8")	33	15	43-53100	FORWARD GEAR ASSEMBLY	63	62
32-32840A1	HOSE, CYLINDER BLEED - LOWER (8 1/2")	41	60	44-47901	SHAFT, PROPELLER (COARSE THREAD)	63	66
32-33500	HOSE, CENTER CYLINDER BLEED (9 1/2")	41	57	44-52542	SHAFT, PROPELLER (FINE THREAD)	63	66
32-33500	HOSE, UPPER AND LOWER CYLINDER BLEED (9 1/2")	39	52	45-47433	DRIVE SHAFT (SHORT SHAFT)	59	7
32-33500	HOSE, UPPER AND LOWER CYLINDER BLEED (9 1/2")	39	52	45-47434	DRIVE SHAFT (LONG SHAFT)	59	7
32-33960	TUBE, BALANCE - MAIN BEARING	41	58	45-47982	DRIVE SHAFT, DISTRIBUTOR	11	1
32-37438	TUBE, WATER INLET (LONG SHAFT)	55	11	46-37433A1	WATER PUMP BODY ASSEMBLY (ALUMINUM)	59	22
32-37446	TUBE, WATER INLET (SHORT SHAFT)	55	11	46-37433A4	EXTRA HEAVY DUTY WATER PUMP KIT	1	-
32-49454A1	FUEL LINE ASSEMBLY, TOP CARB. TO MIDDLE CARB.	35	39	46-38931A1	WATER PUMP BASE ASSEMBLY (ALUMINUM)	59	15
32-52030	HOSE, VENT - DISTRIBUTOR TO ELBOW (16")	15	24	46-48743A1	WATER PUMP BODY ASSEMBLY (PLASTIC)	59	22
32-52032	HOSE, DRIP TRAY TO BOTTOM COWL (8")	47	5	46-48747A1	WATER PUMP BASE ASSEMBLY (PLASTIC)	59	15
33-45191	SPARK PLUG (CHAMPION - L19V)	15	22	47-30221	IMPELLER - WATER PUMP	61	26
34-48081	REED STOP, MAIN BEARING REED VALVES	43	18	50-48643A1	STARTER MOTOR ASSEMBLY	21	28
34-48082A1	REED SET, MATCHED - MAIN BEARING	43	17	52-34239	RATCHET, SLIDING CLUTCH	63	63
35-48406	SCREEN, FILTER - CARBURETOR (LOWER)	27	30	53-26933	RING, SMAP - OUTER RACE	43	9
35-52900	SCREEN, FILTER - CARBURETOR (MIDDLE AND TOP)	25	27	53-30428	FASTNER, CLAMPING LEVER	3	19
37-45201	DECAL, TIMING	3	29	53-30726	RING, RETAINING - BALL BEARING	59	12
37-47864A1	DECAL SET (MERC 1250E-SS)	1	-	53-45906	RING, RETAINER - ROTOR SHAFT BALL BEARING	19	5
37-52705A1	DECAL SET (MERC 1250E-1-SS)	1	-	54-20386	CLAMP, BALANCE TUBE TO ELBOW AND TEE	41	63
				54-20387	CLAMP, BLEED HOSE TO CONNECTOR	39	55
				54-20387	CLAMP, BLEED HOSE TO CONNECTOR	39	55
				54-22627	CLIP, FUEL LINE TO CYLINDER BLOCK	33	19
				54-22740	CLIP, LEAD WIRE TO IGNITION COIL	15	34



# PARTS INDEX

Part Number	Description	Pg.	Ref. No.	Part Number	Description	Pg.	Ref. No.
54-22875	CLIP, STATOR LEAD FASTENING (7/16")	9	14	393-3250A1	HIGH TENSION CABLE ASSEMBLY - DISTRIBUTOR TO COIL	19	25
54-26538	CLIP, WIRING HARNESS TO FRONT BRACKET (1/8")	21	14	393-3269A1	ROTOR SHAFT ASSEMBLY	19	6
54-26550	CLIP, STATOR/WIRING HARNESS LEADS FASTENING (5/16")	9	14	398-3301	STATOR, ALTERNATOR	9	11
54-48123	CLAMP, TELL TALE HOSE TO CONNECTOR AND ELBOW	47	19	398-3587	STATOR, ALTERNATOR	9	11
54-52876	CLAMP, WIRING HARNESS TO BOTTOM COWL	21	5	436-3187A2	CRANKSHAFT ASSEMBLY (NOT AS SHOWN)	43	1
55-28414	PIN, LOWER SHOCK MOUNTING (LONG SHAFT)	53	51	436-3187A4	CRANKSHAFT ASSEMBLY (NOT AS SHOWN)	43	1
55-28416	PIN, UPPER SHOCK MOUNTING	51	40	472-3186A4	PISTON AND PISTON PIN ASSEMBLY "G" TYPE		
55-29247	PIN, LOWER SHOCK MOUNTING (SHORT SHAFT)	53	51	535-3190A1	LOCK RING	43	20
55-31933	SHOCK ABSORBER	53	55	537-3300A1	CENTER MAIN BEARING ASSEMBLY	43	5
90-49047	MERC 1250E-SS PARTS LIST, COMPLETE	1	-	618-3185A2	MAIN BEARING ASSEMBLY, VALVE TYPE	43	13
91-48168A6	TACHOMETER ASSEMBLY	1	-	622-3666A2	CONNECTING ROD AND CAP ASSEMBLY	43	23
92-25234--1	CLUE, ADHESIVE - BLANKET FASTENING	7	--	742-3512A2	CONNECTING ROD AND CAP ASSEMBLY	43	23
92-27109--1	ADHESIVE COMPOUND, EMBLEM FASTENING	7	--	846-3181A2	PISTON AND PISTON PIN ASSEMBLY "C" TYPE		
94-48851	SHIPPING CARTON (MERC 1250EL-SS)	1	-	846-3181A3	LOCK RING	43	20
225-2494A10	FLYWHEEL ASSEMBLY, COMPLETE	9	4	846-3181A7	CYLINDER BLOCK AND CRANKCASE ASSEMBLY (NOT AS SHOWN)	37	6
225-2494A5	FLYWHEEL ASSEMBLY, COMPLETE	9	4	1011-3208	CYLINDER BLOCK AND CRANKCASE ASSEMBLY (NOT AS SHOWN)	37	6
332-2854	BOOT, HIGH TENSION CABLE TO COIL	19	28	1126-3196A1	COVER, CYLINDER BLOCK	39	41
332-2910A3	RECTIFIER ASSEMBLY	23	51	1126-3196A2	END CAP ASSEMBLY, LOWER	37	21
332-2983A5	IGNITION COIL ASSEMBLY, COMPLETE	15	30	1126-3196A2	END CAP ASSEMBLY, LOWER	37	21
332-2986A4	SWITCH BOX ASSEMBLY	21	20	1134-3197A1	END CAP ASSEMBLY, UPPER	37	1
393-1275	SLEEVE, TERMINAL COVER	19	26	1348-3368	CARBURETOR ASSEMBLY, COMPLETE (KD-1A) SEE NOT BELOW	25	9
393-1275	SLEEVE, TERMINAL END COVER	19	26	1348-3368	CARBURETOR ASSEMBLY, COMPLETE (KD-1A) SEE NOTE ON PAGE 14	29	1
393-1293A1	BRUSH AND SPRING ASSEMBLY	19	17	1348-3547	CARBURETOR ASSEMBLY, COMPLETE (KD-1B)	29	1
393-1927A9	DISTRIBUTOR CAP ASSEMBLY	19	16	1348-3547	CARBURETOR ASSEMBLY, COMPLETE (KD-1B) SEE NOT BELOW	25	9
393-2725	COVER, SIDE INLET - DISTRIBUTOR	19	22	1348-3718	CARBURETOR ASSEMBLY, COMPLETE (KD-2)	25	9
393-2795	SHIM, TRIGGER HOUSING TO PRIMARY HOUSING	19	7	1348-3718	CARBURETOR ASSEMBLY, COMPLETE (KD-2A) SEE NOTE ON PG 14	29	1
393-2799A11	DISTRIBUTOR ASSEMBLY, COMPLETE	15	16	1399-110A1	FLOAT ASSEMBLY SEE NOTE ON PG 14	29	2
393-2799A11	DISTRIBUTOR ASSEMBLY, COMPLETE	19	-	1399-1133	COVER, FLOAT BOWL	29	9
393-2799A21	HOUSING ASSEMBLY, PRIMARY	19	1	1399-1473	INLET NEEDLE, SEAT AND GASKET	29	6
393-2918A3	TRIGGER HOUSING ASSEMBLY	19	8	1399-1754	SCREEN, FILTER	29	14
				1399-1930	COVER, STRAINER	29	16

# PARTS INDEX

Part Number	Description	Pg.	Ref. No.	Part Number	Description	Pg.	Ref. No.
1399-3515	SCREW, IDLE ADJUSTMENT	29	28	1623-2460A39	GEAR HOUSING ASSEMBLY, COMPLETE (LONG SHAFT) SEE NOTE BELOW	59	-
1399-3517	JET, MAIN FUEL (.084)	29	31				
1399-3518	JET, MAIN FUEL (.082) - STANDARD	29	31				
1399-3519	JET, MAIN FUEL (.080)	29	31	1623-2460A39	GEAR HOUSING ASSEMBLY, COMPLETE (LONG SHAFT) SEE NOTE BELOW	63	-
1399-3520	JET, MAIN FUEL (.0785)	29	31				
1399-3522	SCREW, PLUG - MAIN NOZZLE	31	33				
1399-3523	GASKET AND PACKING SET (1 PER CARBURETOR)	31	--	1623-3486A4	GEAR HOUSING ASSEMBLY	59	1
1399-3524	REPAIR PARTS KIT (1 PER CARBURETOR) - FOR KD-1A CARBURETOR	31	--	1623-3486A4	GEAR HOUSING ASSEMBLY SEE PAGE 30 FOR PARTS BREAKDOWN	63	1
1399-3526	REPAIR PARTS KIT (1 PER CARBURETOR) - FOR KD-1B CARBURETOR	31	--	1623-3486A8	GEAR HOUSING ASSEMBLY, COMPLETE (SHORT SHAFT) SEE NOT BELOW	63	-
1399-3527	SHAFT, THROTTLE	29	21				
1399-3528	SHUTTER, THROTTLE	29	26				
1399-3794	JET, MAIN FUEL (.074)	29	31	1623-3486A9	GEAR HOUSING ASSEMBLY, COMPLETE (LONG SHAFT) SEE NOTE BELOW	63	-
1399-3795	JET, MAIN FUEL (.072)	29	31				
1399-3796	JET, MAIN FUEL (.076) - STANDARD	29	31				
1399-3797	REPAIR PARTS KIT (1 PER CARBURETOR)	31	--	1623-3486A9	GEAR HOUSING ASSEMBLY, COMPLETE (LONG SHAFT) SEE NOTE BELOW	59	-
1399-3798	GASKET AND PACKING SET (1 PER CARBURETOR)	31	--				
1399-97	LEVER, THROTTLE STOP (SEE NOTE BELOW)	29	20	2113-2663A10	COWL FRONT COVER ASSEMBLY	7	1
1440-3291A1	CLAMP BRACKET ASSEMBLY	51	1	2113-2663A9	COWL FRONT COVER ASSEMBLY	7	1
1447-3257A1	SWIVEL BRACKET ASSEMBLY (LONG SHAFT)	51	14	2114-3168	COWL, TOP	3	1
				2114-3591	COWL, TOP	3	1
1453-3258A1	SWIVEL BRACKET ASSEMBLY (SHORT SHAFT)	51	14	2115-3167	COWL, BOTTOM	47	1
				2115-3615	COWL, BOTTOM	47	1
1551-3376A2	DRIVE SHAFT HOUSING ASSEMBLY (LONG SHAFT)	55	1	2136-3305A3	WRAP AROUND COWL ASSEMBLY	7	12
1551-3669A4	DRIVE SHAFT HOUSING ASSEMBLY (LONG SHAFT)	55	1	2136-3613A3	WRAP AROUND COWL ASSEMBLY	7	12
1552-3377A1	DRIVE SHAFT HOUSING ASSEMBLY (SHORT SHAFT)	55	1				
1552-3670A3	DRIVE SHAFT HOUSING ASSEMBLY (SHORT SHAFT)	55	1				
1623-2460A20	GEAR HOUSING ASSEMBLY	59	1				
1623-2460A20	GEAR HOUSING ASSEMBLY SEE PAGE 30 FOR PARTS BREAKDOWN	63	1				
1623-2460A38	GEAR HOUSING ASSEMBLY, COMPLETE (SHORT SHAFT) SEE NOTE BELOW	59	-				
1623-2460A38	GEAR HOUSING ASSEMBLY, COMPLETE (SHORT SHAFT) SEE NOTE BELOW	63	-				