



PARTS CATALOG

ACCESSORIES ELECTRICAL VOLUME I

SERIAL NUMBER

ELECTRICAL / INSTRUMENTSElectrical VOL. 1 (1986 THRU 1993)

TABLE OF CONTENTS:

"T" HARNESS KIT	28
CONTROL PANEL ASSEMBLY	26
EMERGENCY STOP SWITCH	2
KEY SWITCH ASSEMBLY (54211A2, 54212A7)	12
KEY SWITCH ASSEMBLY (90315A2,A15,A20)	14
LANYARD SWITCH KIT	38
PARTS INDEX	42
POWER TRIM CONTROL PANEL	30
POWER TRIM EXTENSION KIT	10
POWER TRIM EXTENSION KIT (32-75810A1, 32-75289A1)	6
POWER TRIM EXTENSION KIT (32-87221A1, 32-97010A2)	8
POWER TRIM SOLENOID KIT	4
REMOTE CONTROL ADAPTOR KIT (18060A1,A2)	34
REMOTE CONTROL ADAPTOR KIT (18081A1)	36
START/STOP SWITCH PANEL	20
SWITCH PANEL ASSEMBLY	22
SWITCH PANEL KIT	24
TOGGLE SWITCH TRIM CONTROL PANEL	32
TRIM SWITCH KIT	40

NOTE: Indented description indicate that these parts are included in preceeding assembly.

AR = As Required

NSS = Not Sold Separate

OPT = Optional

NS = Not Shown

NOTE: Following symbols are located in **SYM** column.

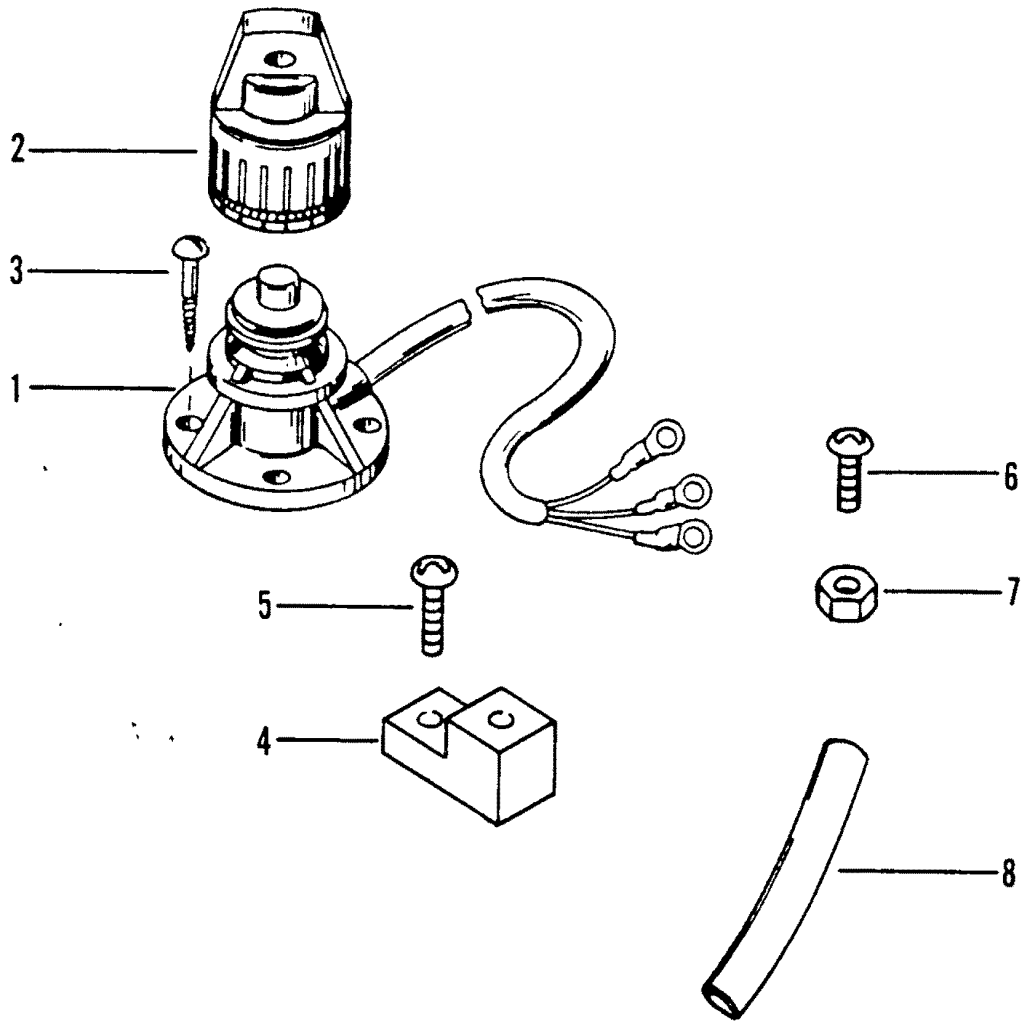
● = WHEN ORDERING REPLACEMENT
PARTS ALSO LIST NUMBER STAMPED
ON KEYS

■ = NO LONGER AVAILABLE

THESE PARTS BOOKS/FICHE CARD ARE COPYRIGHTED AND MAY NOT BE DISTRIBUTED OR REPRODUCED IN ANY OTHER FORMAT BY ANYONE OTHER THAN MERCURY MARINE WITHOUT THE PRIOR WRITTEN CONSENT OF MERCURY MARINE.

THIS PAGE INTENTIONALLY LEFT BLANK

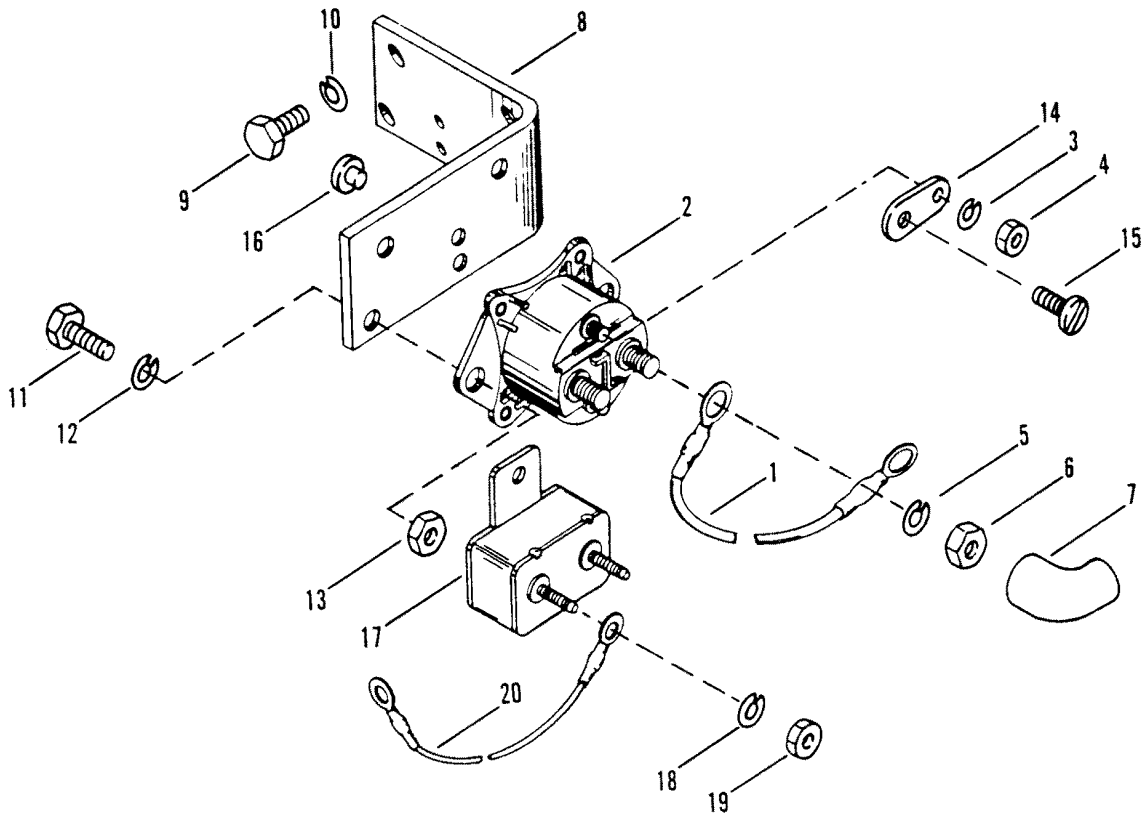
EMERGENCY STOP SWITCH



EMERGENCY STOP SWITCH

REF. NO.	PART NO.	SYM.	QTY.	DESCRIPTION
1	65503A7		1	EMERGENCY STOP SWITCH ASSEMBLY
2	75095A2		1	CAP ASSEMBLY
3	10-35401		4	SCREW (1")
4	45915		1	TERMINAL BLOCK
5	10-62568		1	SCREW (3/8")
6	10-28653		1	SCREW (1/4")
7	11-27164		1	NUT
8	85-62359-4		1	SLEEVE

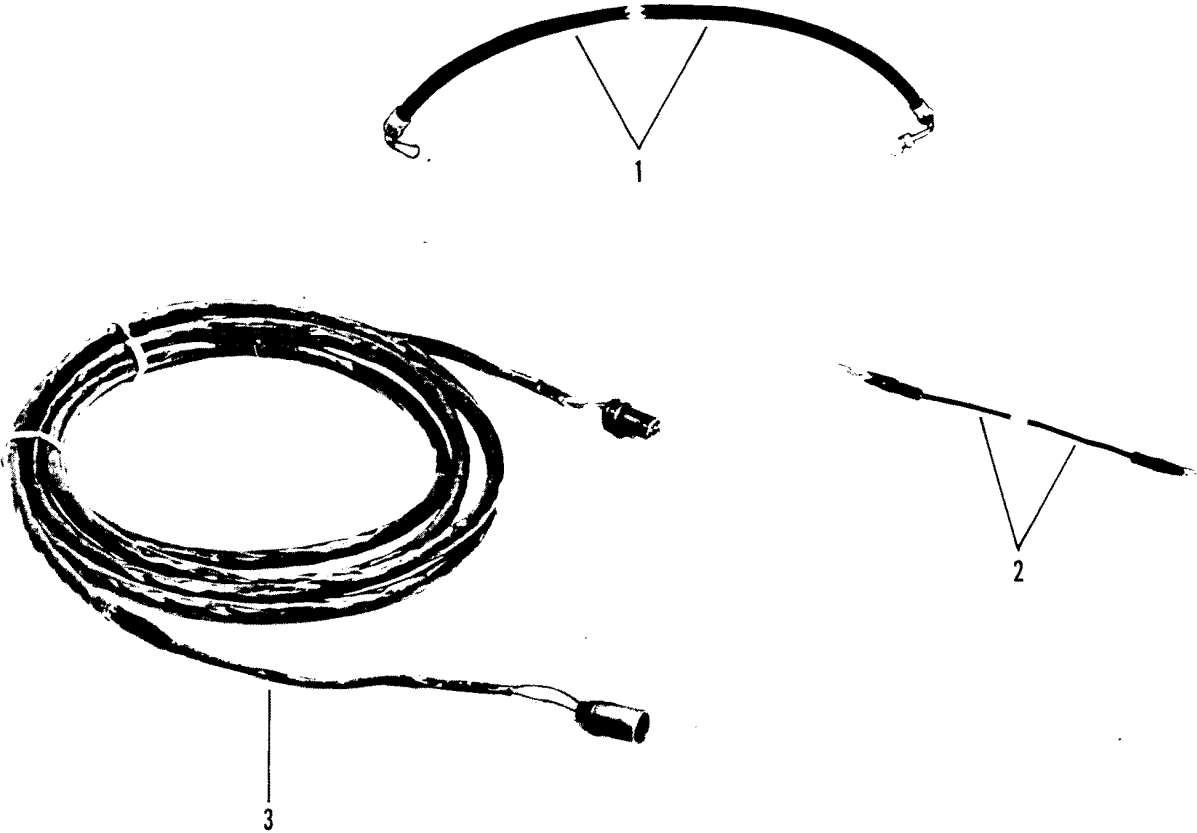
POWER TRIM SOLENOID KIT



POWER TRIM SOLENOID KIT

REF. NO.	PART NO.	SYM.	QTY.	DESCRIPTION
-	89-68258A2		1	POWER TRIM SOLENOID KIT (OUTBOARD)
-	89-68258A3		1	POWER TRIM SOLENOID KIT (MERCUISER)
1	84-79139A2		1	BATTERY LEAD (POSITIVE)
	55992		1	BATTERY LEAD (NEGATIVE)
2	89-68258A4		1	STARTER SOLENOID D
3	13-26996		2	LOCKWASHER (#10)
4	11-68219		2	NUT (#10)
5	13-26993		2	LOCKWASHER (5/16")
6	11-68292		2	NUTS (5/16")
7	46265		1	RUBBER BOOT
8	74406		1	BRACKET
9	10-69028		2	SCREW (3/4")
10	13-26992		2	LOCKWASHER
11	10-32417		2	SCREW (5/8")
12	13-26992		2	LOCKWASHER
13	11-21825		4	NUT
14	53-78201		1	CLIP
15	10-62568		1	SCREW
16	26901		1	BUMPER
17	88-79149		1	CIRCUIT BREAKER (20AMP) (MERCUISER)
18	13-26996		2	LOCKWASHER (MERCUISER)
19	11-68219		2	NUT (MERCUISER)
20	84-79148A1		1	WIRE ASSEMBLY (MERCUISER)

POWER TRIM EXTENSION KIT (32-75810A1, 32-75289A1)

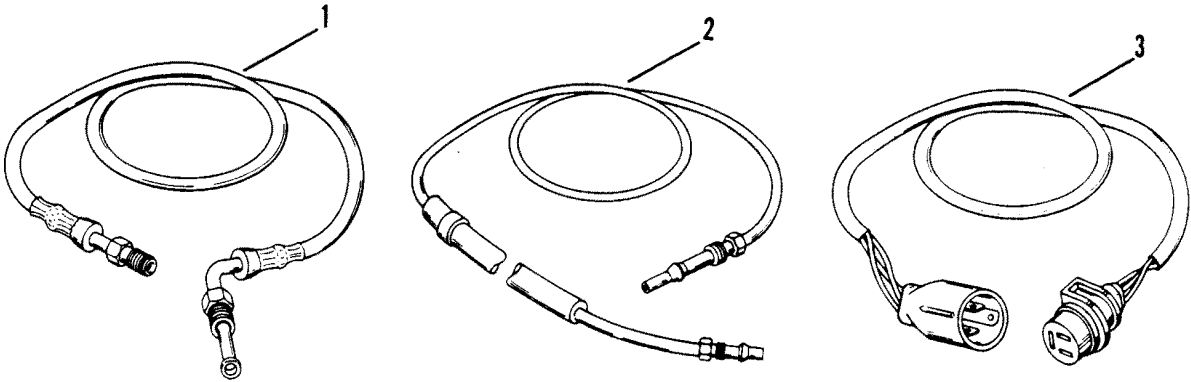


POWER TRIM EXTENSION KIT (32-75810A1, 32-75289A1)

REF. NO.	PART NO.	SYM.	QTY.	DESCRIPTION
-	32-75810A1		-	POWER TRIM EXTENSION KIT (8') QUANTITIES: (32-75810A1) - 1, (32-75289A1) - 0
-	32-75289A1		-	POWER TRIM EXTENSION KIT (12') QUANTITIES: (32-75810A1) - 0, (32-75289A1) - 1
1	32-75808		-	HOSE, EXTENSION (8') QUANTITIES: (32-75810A1) - 1, (32-75289A1) - 0
	32-75809		-	HOSE EXTENSION (8') QUANTITIES: (32-75810A1) - 1, (32-75289A1) - 0
	NLA	■	-	HOSE, EXTENSION (12') QUANTITIES: (32-75810A1) - 0, (32-75289A1) - 1
	NLA	■	-	HOSE, EXTENSION (12') QUANTITIES: (32-75810A1) - 0, (32-75289A1) - 1
2	NLA	■	-	CABLE ASSEMBLY, BATTERY (RED) QUANTITIES: (32-75810A1) - 1, (32-75289A1) - 1
	NLA	■	-	CABLE ASSEMBLY, BATTERY (BLACK) QUANTITIES: (32-75810A1) - 1, (32-75289A1) - 1
3	NLA	■	-	HARNESS ASSEMBLY QUANTITIES: (32-75810A1) - 1, (32-75289A1) - 1
	NLA	■	-	HARNESS ASSEMBLY QUANTITIES: (32-75810A1) - 1, (32-75289A1) - 1

■ = NO LONGER AVAILABLE

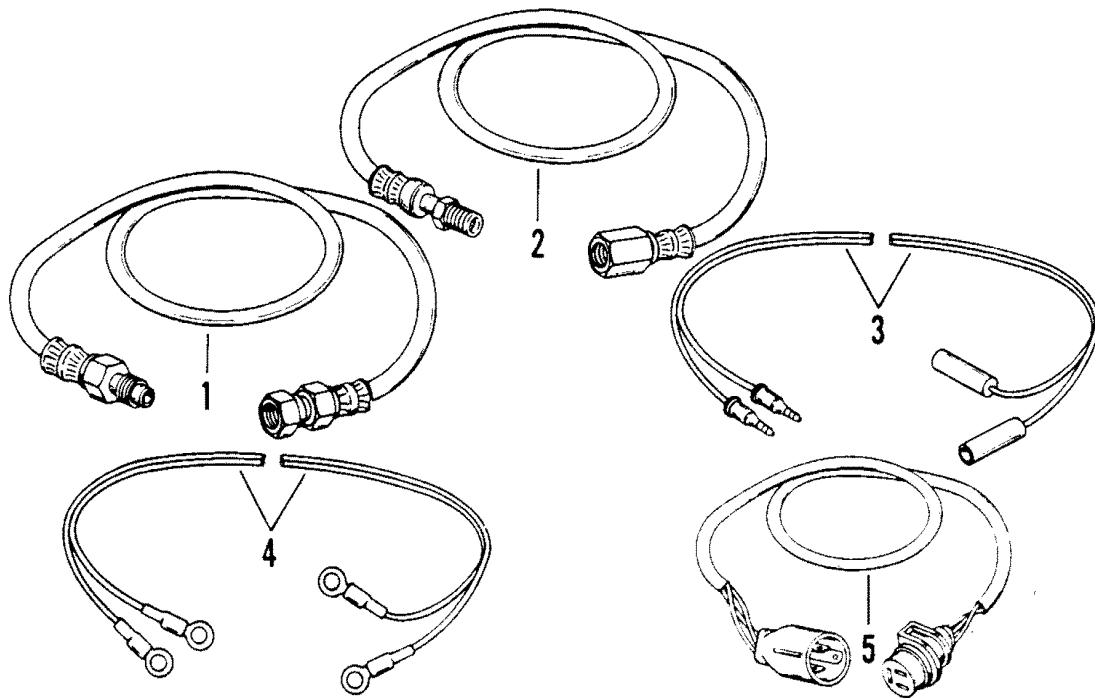
POWER TRIM EXTENSION KIT (32-87221A1, 32-97010A2)



POWER TRIM EXTENSION KIT (32-87221A1, 32-97010A2)

REF. NO.	PART NO.	SYM.	QTY.	DESCRIPTION
-	32-87221A1		-	POWER TRIM EXTENSION KIT QUANTITIES: (32-87221A1) - 1, (32-97010A2) - 0
-	32-97010A2		-	POWER TRIM EXTENSION KIT QUANTITIES: (32-87221A1) - 0, (32-97010A2) - 1
1	32-87221		-	HOSE, EXTENSION (6") QUANTITIES: (32-87221A1) - 1, (32-97010A2) - 0
	N.S.S.		-	HOSE, POWER TRIM "UP" (46") QUANTITIES: (32-87221A1) - 0, (32-97010A2) - 1
2	32-87220A1		-	TUBING ASSEMBLY (6") QUANTITIES: (32-87221A1) - 1, (32-97010A2) - 0
	N.S.S.		-	HOSE, POWER TRIM "DOWN" (47-1/2") QUANTITIES: (32-87221A1) - 0, (32-97010A2) - 1
3	84-87222A1		-	HARNESS ASSEMBLY (6") QUANTITIES: (32-87221A1) - 1, (32-97010A2) - 1

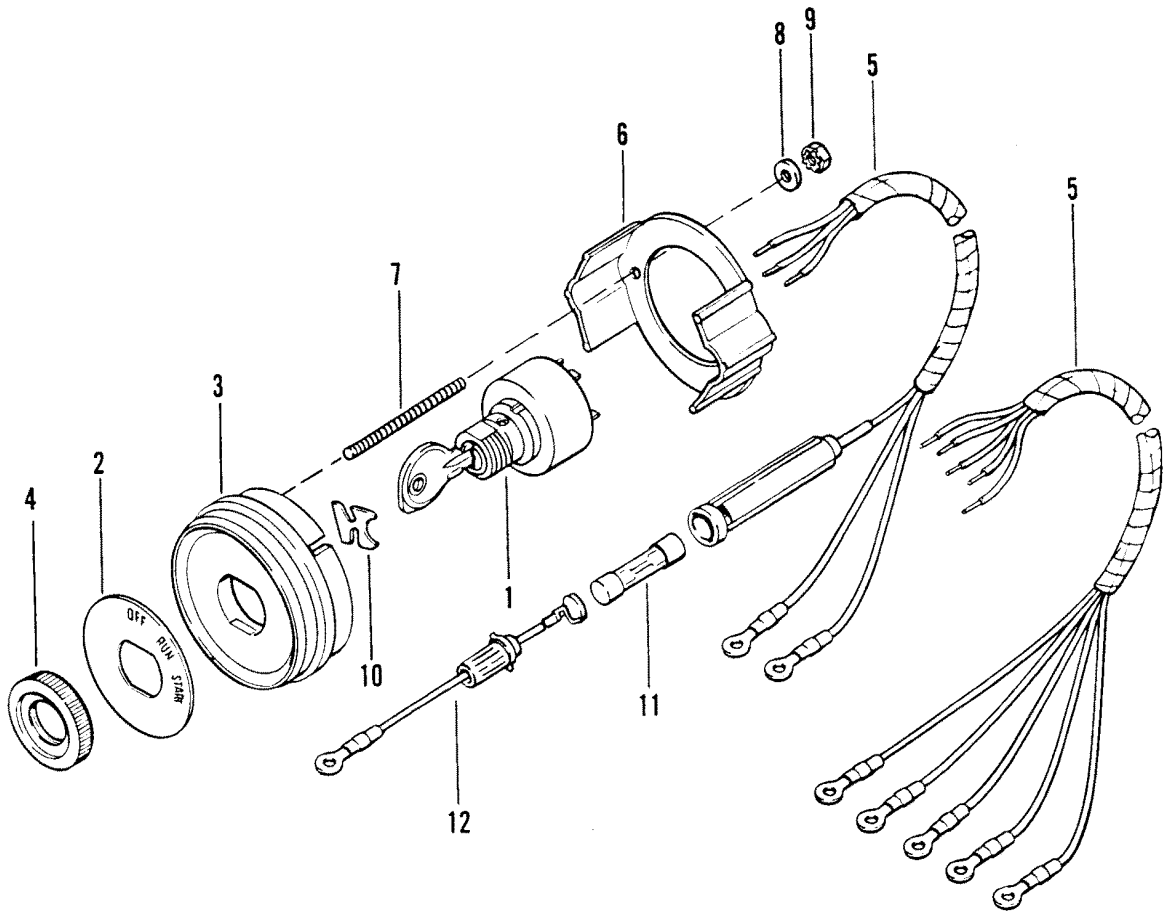
POWER TRIM EXTENSION KIT



POWER TRIM EXTENSION KIT

REF. NO.	PART NO.	SYM.	QTY.	DESCRIPTION
-	32-89023A1		1	POWER TRIM EXTENSION KIT
1	N.S.S.		1	HOSE, HYDRAULIC (6' -STARBOARD)
2	N.S.S.		1	HOSE, HYDRAULIC (6' -PORT)
3	N.S.S.		1	HARNESS ASSEMBLY, MOLDED CONNECTOR
4	N.S.S.		1	HARNESS ASSEMBLY, RING TERMINALS
5	84-87222A1		1	HARNESS ASSEMBLY

KEY SWITCH ASSEMBLY (54211A2, 54212A7)

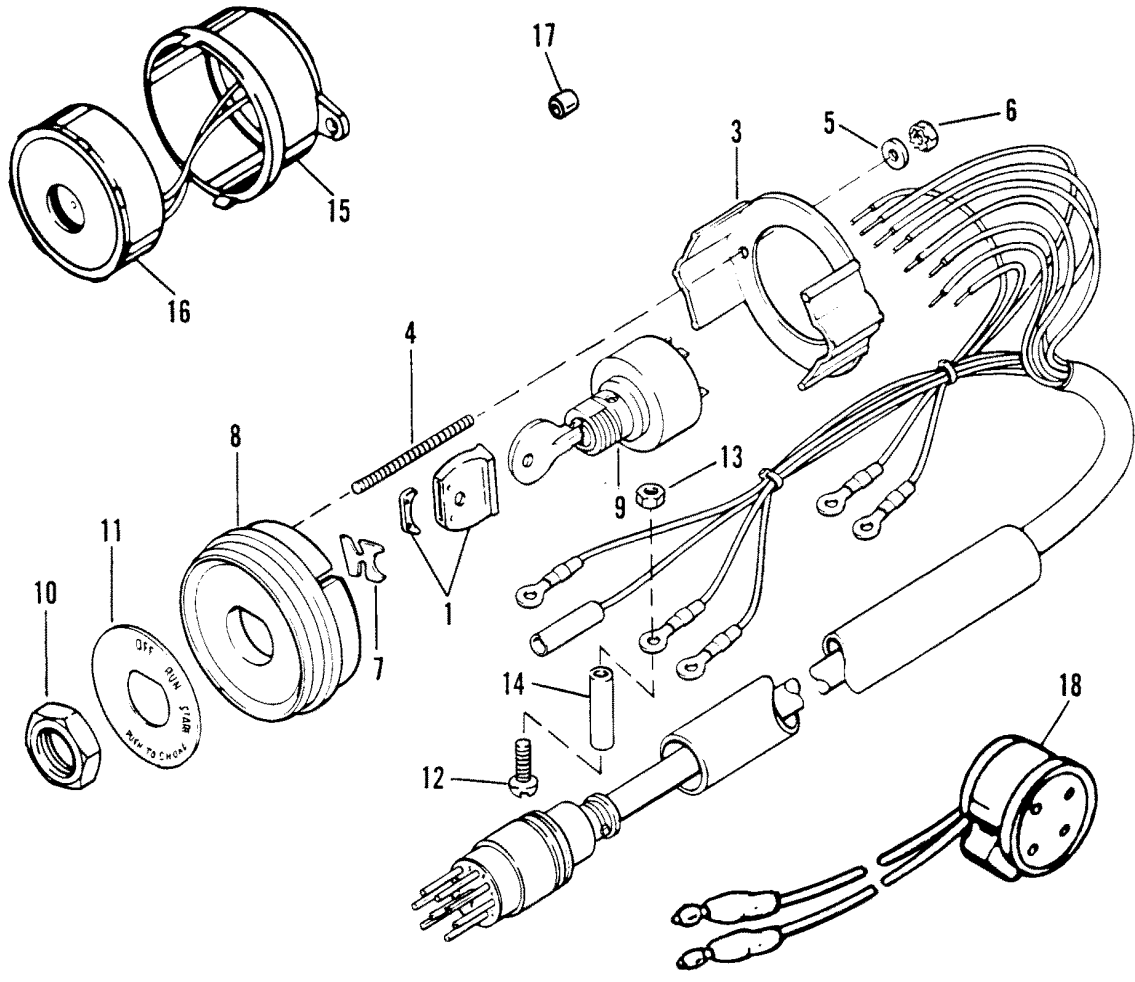


KEY SWITCH ASSEMBLY (54211A2, 54212A7)

REF. NO.	PART NO.	SYM.	QTY.	DESCRIPTION
-	54211A2	●	-	KEY SWITCH ASSEMBLY QUANTITIES: (54211A2) - 1, (54212A7) - 0
-	54212A7	●	-	KEY SWITCH ASSEMBLY QUANTITIES: (54211A2) - 0, (54212A7) - 1
1	54211	●	-	SWITCH (WITH KEY #30431) QUANTITIES: (54211A2) - 1, (54212A7) - 0
	54212A8	●	-	SWITCH (WITH KEY #30431) QUANTITIES: (54211A2) - 0, (54212A7) - 1
2	38-46971	●	-	INSERT QUANTITIES: (54211A2) - 1, (54212A7) - 1
3	816478	●	-	PLATE QUANTITIES: (54211A2) - 1, (54212A7) - 1
4	68863	●	-	BEZEL QUANTITIES: (54211A2) - 1, (54212A7) - 1
5	NLA	●	-	HARNESS QUANTITIES: (54211A2) - 1, (54212A7) - 0
	NLA	●	-	HARNESS QUANTITIES: (54211A2) - 0, (54212A7) - 1
6	76424	●	-	BRACKET QUANTITIES: (54211A2) - 1, (54212A7) - 1
7	16-55422	●	-	STUD QUANTITIES: (54211A2) - 2, (54212A7) - 2
8	12-24676	●	-	WASHER QUANTITIES: (54211A2) - 2, (54212A7) - 2
9	11-68219	●	-	NUT QUANTITIES: (54211A2) - 2, (54212A7) - 2
10	76723	●	-	RETAINER (OLD DESIGN) QUANTITIES: (54211A2) - 1, (54212A7) - 1
11	88-79091	●	-	FUSE, 20 AMP QUANTITIES: (54211A2) - 0, (54212A7) - 1
12	84-78995A1	●	-	HARNESS ASSEMBLY QUANTITIES: (54211A2) - 0, (54212A7) - 1

● = WHEN ORDERING REPLACEMENT PARTS ALSO LIST NUMBER STAMPED ON KEYS

KEY SWITCH ASSEMBLY (90315A2,A15,A20)

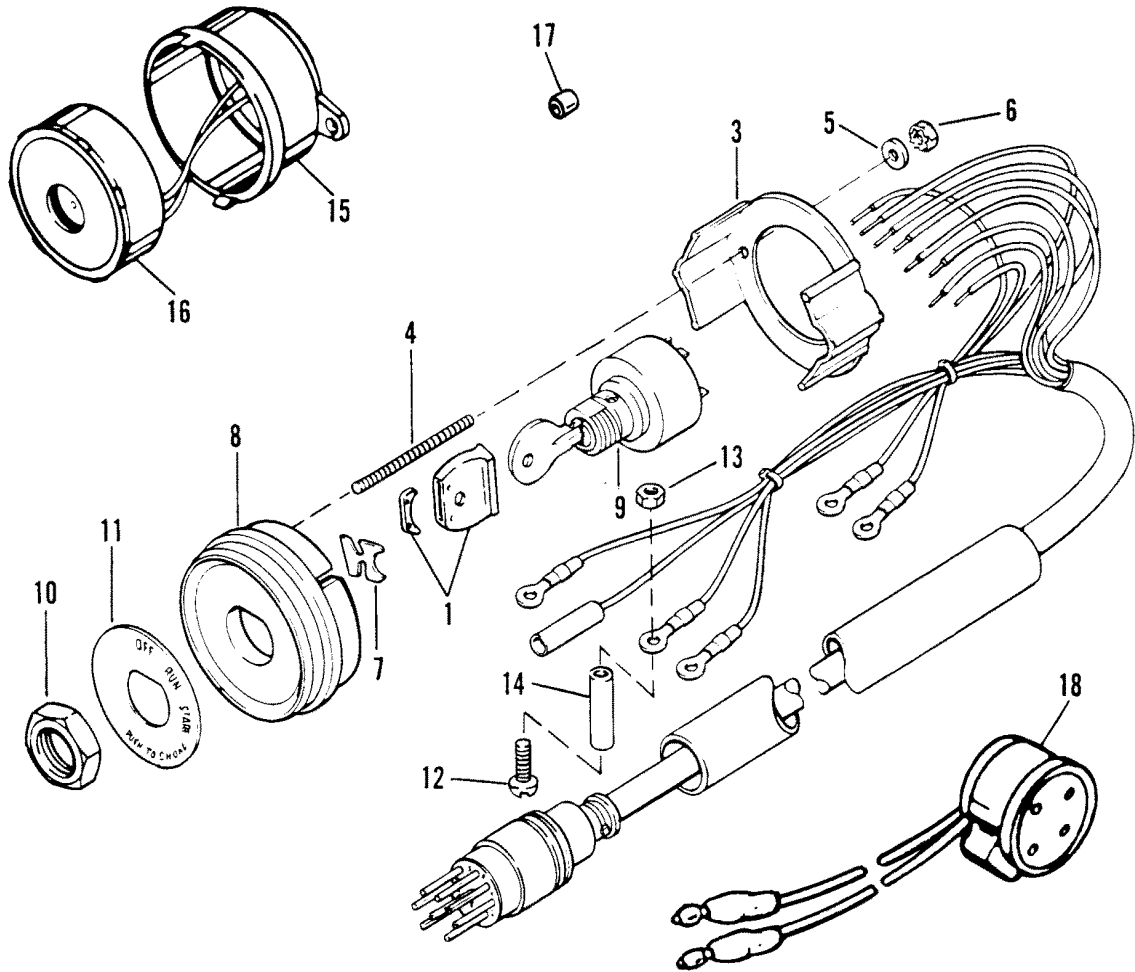


KEY SWITCH ASSEMBLY (90315A2,A15,A20)

REF. NO.	PART NO.	SYM.	QTY.	DESCRIPTION
-	90315A2		-	KEY SWITCH ASSEMBLY (2') QUANTITIES: (90315A2,A15,A20) - 1; (14885A2,A15,A20) - 0; (87-17925A2,A15,A20) - 0; (84-816626A2,A15,A20,A25) - 0
-	90315A15		-	KEY SWITCH ASSEMBLY (15') QUANTITIES: (90315A2,A15,A20) - 1; (14885A2,A15,A20) - 0; (87-17925A2,A15,A20) - 0; (84-816626A2,A15,A20,A25) - 0
-	90315A20		-	KEY SWITCH ASSEMBLY (20') QUANTITIES: (90315A2,A15,A20) - 1; (14885A2,A15,A20) - 0; (87-17925A2,A15,A20) - 0; (84-816626A2,A15,A20,A25) - 0
-	14885A2		-	KEY SWITCH ASSEMBLY (2') QUANTITIES: (90315A2,A15,A20) - 0; (14885A2,A15,A20) - 1; (87-17925A2,A15,A20) - 0; (84-816626A2,A15,A20,A25) - 0
-	14885A15		-	KEY SWITCH ASSEMBLY (15') QUANTITIES: (90315A2,A15,A20) - 0; (14885A2,A15,A20) - 1; (87-17925A2,A15,A20) - 0; (84-816626A2,A15,A20,A25) - 0
-	14885A20		-	KEY SWITCH ASSEMBLY (20') QUANTITIES: (90315A2,A15,A20) - 0; (14885A2,A15,A20) - 1; (87-17925A2,A15,A20) - 0; (84-816626A2,A15,A20,A25) - 0
-	84-17925A2		-	KEY SWITCH ASSEMBLY (2') QUANTITIES: (90315A2,A15,A20) - 0; (14885A2,A15,A20) - 0; (87-17925A2,A15,A20) - 1; (84-816626A2,A15,A20,A25) - 0
-	84-17925A15		-	KEY SWITCH ASSEMBLY (15') QUANTITIES: (90315A2,A15,A20) - 0; (14885A2,A15,A20) - 0; (87-17925A2,A15,A20) - 1; (84-816626A2,A15,A20,A25) - 0
-	84-17925A20		-	KEY SWITCH ASSEMBLY (20') QUANTITIES: (90315A2,A15,A20) - 0; (14885A2,A15,A20) - 0; (87-17925A2,A15,A20) - 1; (84-816626A2,A15,A20,A25) - 0
-	84-816626A2		-	KEY SWITCH ASSEMBLY (2') QUANTITIES: (90315A2,A15,A20) - 0; (14885A2,A15,A20) - 0; (87-17925A2,A15,A20) - 0; (84-816626A2,A15,A20,A25) - 1
-	84-816626A15		-	KEY SWITCH ASSEMBLY (15') QUANTITIES: (90315A2,A15,A20) - 0; (14885A2,A15,A20) - 0; (87-17925A2,A15,A20) - 0; (84-816626A2,A15,A20,A25) - 1
-	84-816626A20		-	KEY SWITCH ASSEMBLY (20') QUANTITIES: (90315A2,A15,A20) - 0; (14885A2,A15,A20) - 0; (87-17925A2,A15,A20) - 0; (84-816626A2,A15,A20,A25) - 1
-	84-816626A25		-	KEY SWITCH ASSEMBLY (25') QUANTITIES: (90315A2,A15,A20) - 0; (14885A2,A15,A20) - 0; (87-17925A2,A15,A20) - 0; (84-816626A2,A15,A20,A25) - 1
1	90468A1		-	COVER QUANTITIES: (90315A2,A15,A20) - 2; (14885A2,A15,A20) - 2; (87-17925A2,A15,A20) - 2; (84-816626A2,A15,A20,A25) - 2
3	76424		-	BRACKET QUANTITIES: (90315A2,A15,A20) - 1; (14885A2,A15,A20) - 1; (87-17925A2,A15,A20) - 1; (84-816626A2,A15,A20,A25) - 1
4	16-55422		-	STUD QUANTITIES: (90315A2,A15,A20) - 2; (14885A2,A15,A20) - 2; (87-17925A2,A15,A20) - 2; (84-816626A2,A15,A20,A25) - 2
5	12-24676		-	WASHER QUANTITIES: (90315A2,A15,A20) - 2; (14885A2,A15,A20) - 2; (87-17925A2,A15,A20) - 2; (84-816626A2,A15,A20,A25) - 2

CONTINUED ON NEXT PAGE ➡

KEY SWITCH ASSEMBLY (90315A2,A15,A20)

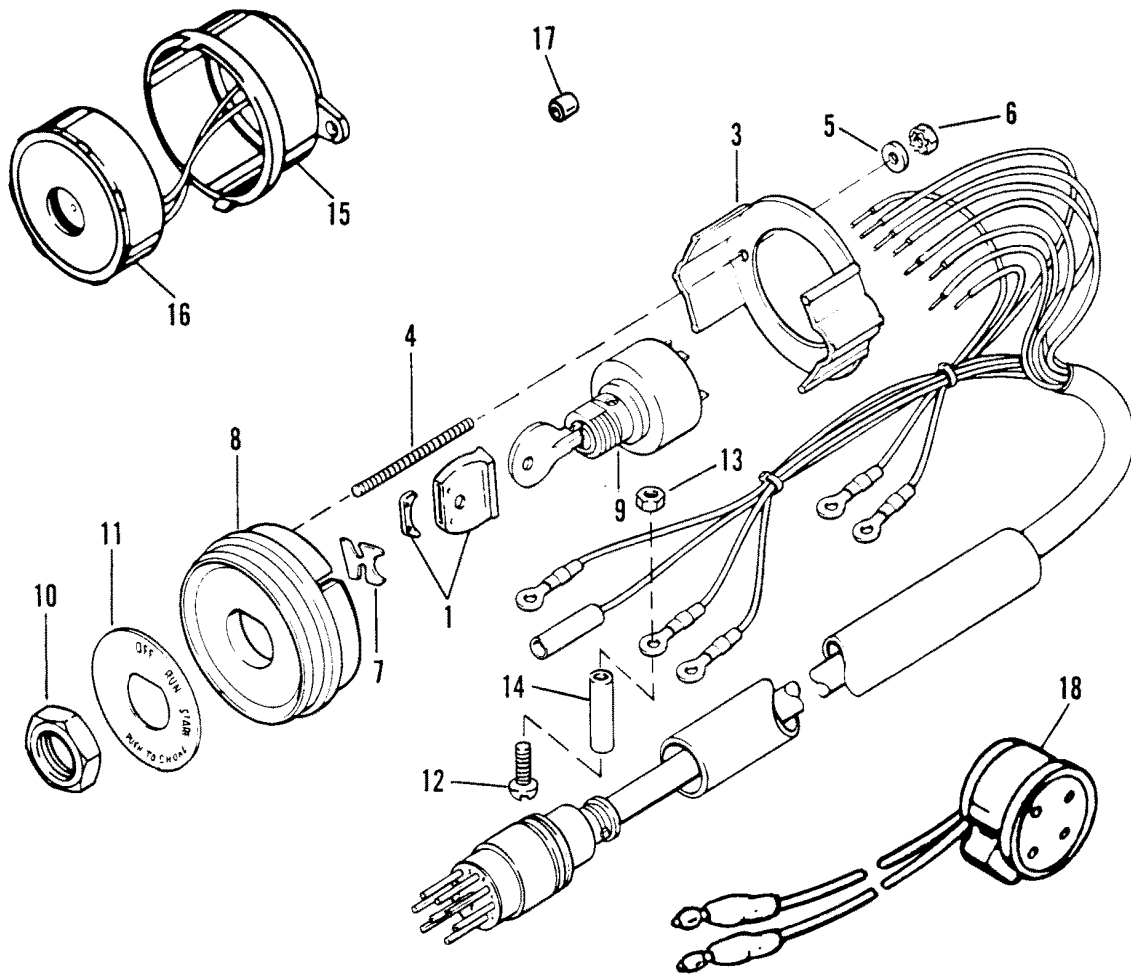


KEY SWITCH ASSEMBLY (90315A2,A15,A20)

REF. NO.	PART NO.	SYM.	QTY.	DESCRIPTION
6	11-68219		-	NUT QUANTITIES: (90315A2,A15,A20) - 2; (14885A2,A15,A20) - 2; (87-17925A2,A15,A20) - 2; (84-816626A2,A15,A20,A25) - 2
7	76723		-	RETAINER QUANTITIES: (90315A2,A15,A20) - 1; (14885A2,A15,A20) - 1; (87-17925A2,A15,A20) - 0; (84-816626A2,A15,A20,A25) - 0
8	89976		-	PLATE QUANTITIES: (90315A2,A15,A20) - 1; (14885A2,A15,A20) - 1; (87-17925A2,A15,A20) - 1; (84-816626A2,A15,A20,A25) - 0
	816479		-	PLATE QUANTITIES: (90315A2,A15,A20) - 0; (14885A2,A15,A20) - 0; (87-17925A2,A15,A20) - 0; (84-816626A2,A15,A20,A25) - 1
9	87-88107		-	SWITCH QUANTITIES: (90315A2,A15,A20) - 1; (14885A2,A15,A20) - 1; (87-17925A2,A15,A20) - 1; (84-816626A2,A15,A20,A25) - 1
10	11-93543		-	NUT QUANTITIES: (90315A2,A15,A20) - 1; (14885A2,A15,A20) - 1; (87-17925A2,A15,A20) - 1; (84-816626A2,A15,A20,A25) - 1
11	38-90311		-	INSERT QUANTITIES: (90315A2,A15,A20) - 1; (14885A2,A15,A20) - 1; (87-17925A2,A15,A20) - 1; (84-816626A2,A15,A20,A25) - 1
12	10-24231		-	SCREW QUANTITIES: (90315A2,A15,A20) - 2; (14885A2,A15,A20) - 0; (87-17925A2,A15,A20) - 0; (84-816626A2,A15,A20,A25) - 0
13	11-27164		-	NUT QUANTITIES: (90315A2,A15,A20) - 2; (14885A2,A15,A20) - 0; (87-17925A2,A15,A20) - 0; (84-816626A2,A15,A20,A25) - 0
14	85-62359--4		-	SLEEVE QUANTITIES: (90315A2,A15,A20) - 2; (14885A2,A15,A20) - 0; (87-17925A2,A15,A20) - 0; (84-816626A2,A15,A20,A25) - 0
15	68878A6		-	ALARM HORN QUANTITIES: (90315A2,A15,A20) - 0; (14885A2,A15,A20) - 1; (87-17925A2,A15,A20) - 1; (84-816626A2,A15,A20,A25) - 0
16	68879		-	COVER QUANTITIES: (90315A2,A15,A20) - 0; (14885A2,A15,A20) - 1; (87-17925A2,A15,A20) - 1; (84-816626A2,A15,A20,A25) - 0
17	23-812711--1		-	SPACER (3/8") QUANTITIES: (90315A2,A15,A20) - 0; (14885A2,A15,A20) - 0; (87-17925A2,A15,A20) - 2; (84-816626A2,A15,A20,A25) - 2
	23-812711		-	SPACER (1/4") QUANTITIES: (90315A2,A15,A20) - 0; (14885A2,A15,A20) - 0; (87-17925A2,A15,A20) - 2; (84-816626A2,A15,A20,A25) - 2
18	816492A1		-	ALARM QUANTITIES: (90315A2,A15,A20) - 0; (14885A2,A15,A20) - 0; (87-17925A2,A15,A20) - 0; (84-816626A2,A15,A20,A25) - 1
-	89491--1		AR	SWITCH KEY 1A
-	89491--2		AR	SWITCH KEY 1B
-	89491--3		AR,AR,AR,A	SWITCH KEY 1C
-	89491--4		AR,AR,AR,A	SWITCH KEY 1D
-	89491--5		AR,AR,AR,A	SWITCH KEY 1E
-	89491--6		AR,AR,AR,A	SWITCH KEY 1F

CONTINUED ON NEXT PAGE ➡

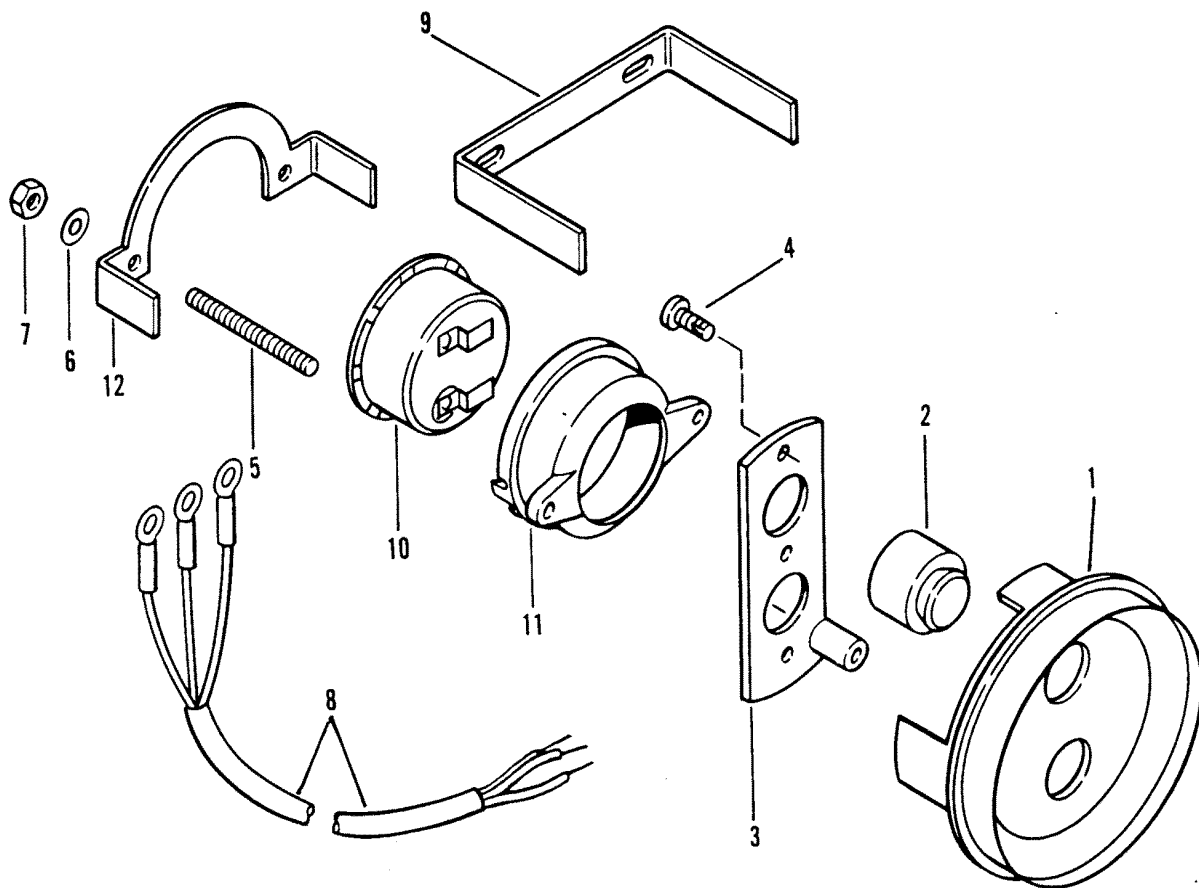
KEY SWITCH ASSEMBLY (90315A2,A15,A20)



KEY SWITCH ASSEMBLY (90315A2,A15,A20)

REF. NO.	PART NO.	SYM.	QTY.	DESCRIPTION
-	89491--7		AR,AR,AR,A	SWITCH KEY 2A
-	89491--8		AR,AR,AR,A	SWITCH KEY 2B
-	89491--9		AR,AR,AR,A	SWITCH KEY 2C
-	89491-10		AR,AR,AR,A	SWITCH KEY 2D
-	89491-11		AR,AR,AR,A	SWITCH KEY 2E
-	89491-12		AR,AR,AR,A	SWITCH KEY 2F

START/STOP SWITCH PANEL

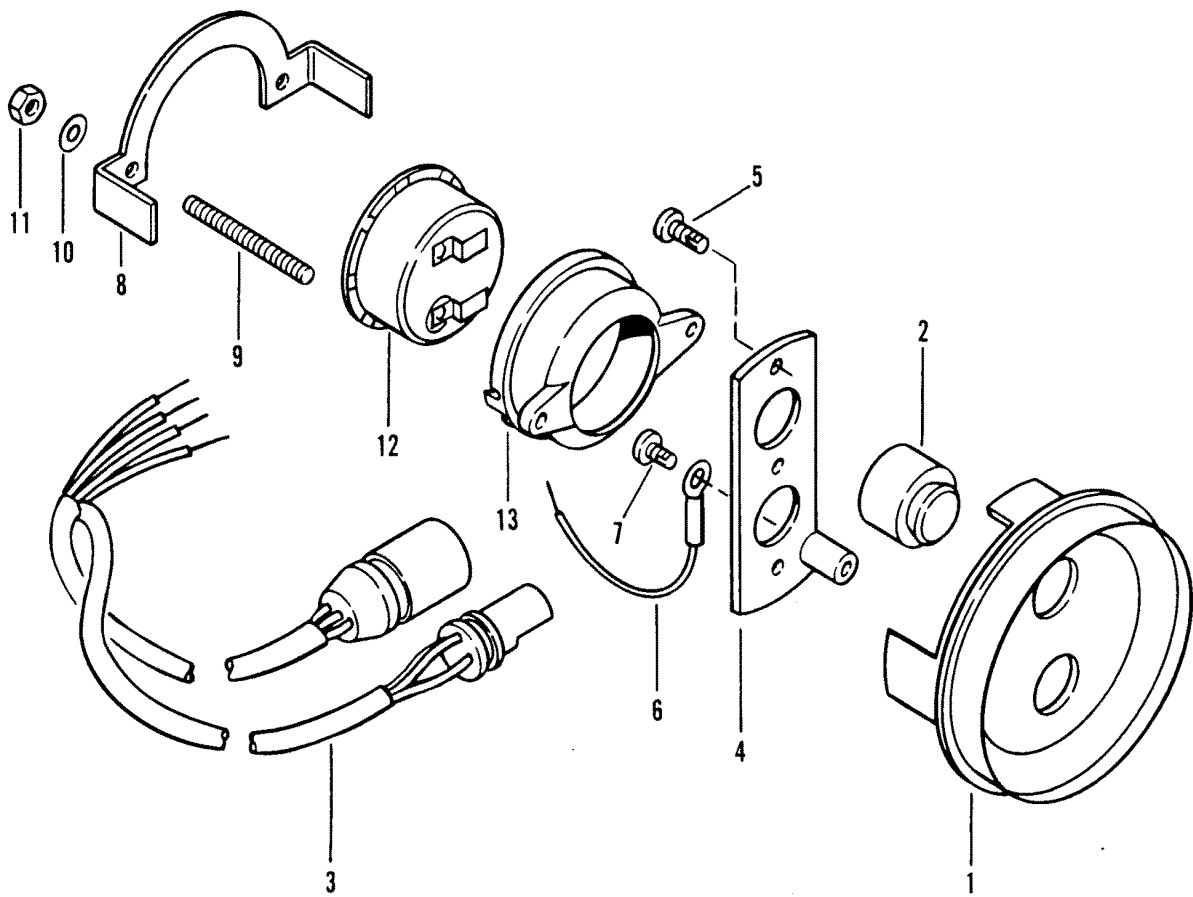


START/STOP SWITCH PANEL

REF. NO.	PART NO.	SYM.	QTY.	DESCRIPTION
-	76426A9		1	START/STOP ASSY. (WITH HEI) (MERCUISER)
-	76426A7		1	START/STOP ASSY. (OUTBOARD)
1	76426		1	PANEL
2	55738A1		2	SWITCH ASSEMBLY, PUSH BUTTON
3	77642		1	RETAINER 1
4	10-69079		3	SCREW
5	16-55422		2	STUD (2")
6	12-24676		2	WASHER
7	11-45076		2	NUT
8	N.S.S.		1	HARNESS (WITHOUT HEI) (MERCUISER)
9	79101T		1	STRAP (WITHOUT HEI) (MERCUISER)
8	N.S.S.		1	HARNESS (WITHOUT HEI) (MERCUISER)
9	79101T		1	STRAP (WITHOUT HEI) (MERCUISER)
10	68878A6		1	ALARM HORN (OUTBOARD)
11	68879		1	COVER (OUTBOARD)
12	NLA	■	1	MOUNTING BRACKET (OUTBOARD)

■ = NO LONGER AVAILABLE

SWITCH PANEL ASSEMBLY

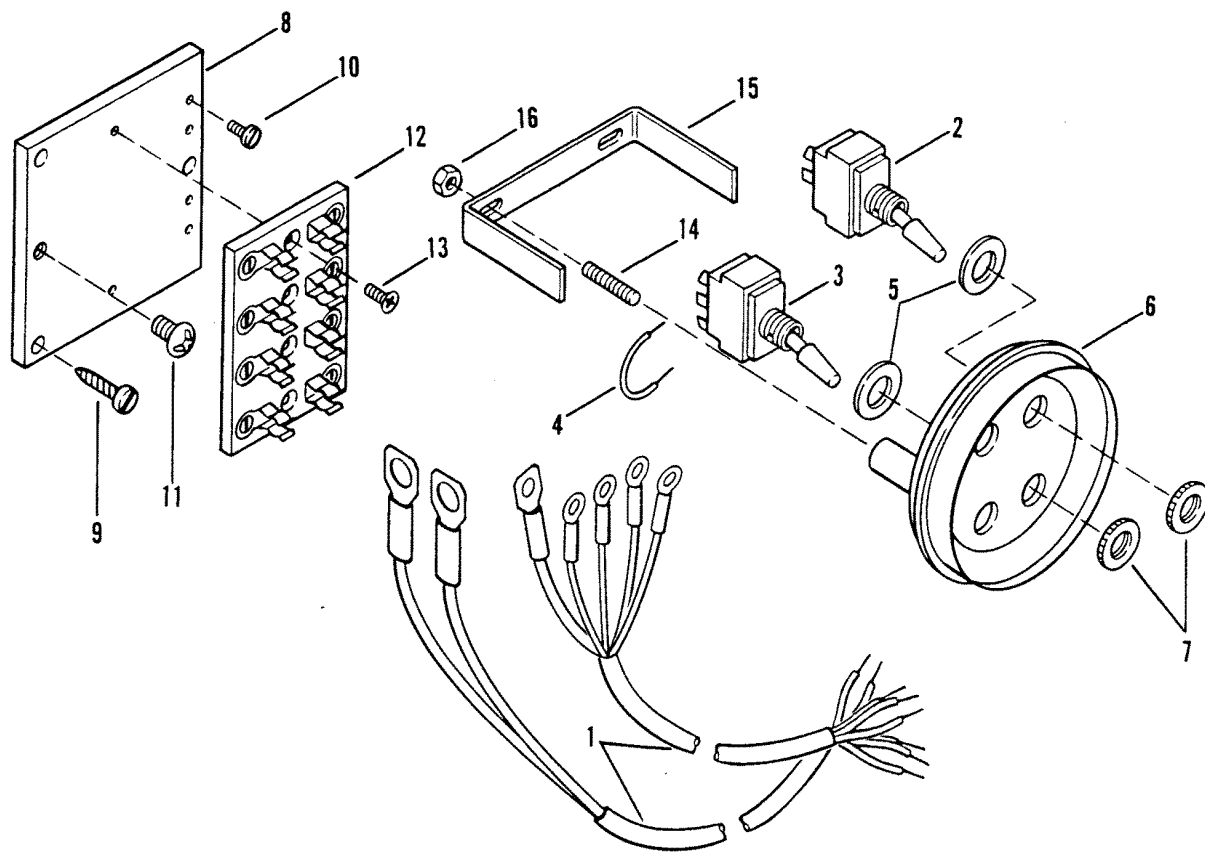


SWITCH PANEL ASSEMBLY

REF. NO.	PART NO.	SYM.	QTY.	DESCRIPTION
-	77792A2		-	SWITCH PANEL ASSEMBLY QUANTITIES: (77792A2) - 1, (77792A4) - 0
-	77792A4		-	SWITCH PANEL ASSEMBLY QUANTITIES: (77792A2) - 0, (77792A4) - 1
1	76426		-	SWITCH PANEL QUANTITIES: (77792A2) - 1, (77792A4) - 1
2	55738A1		-	SWITCH ASSEMBLY, PUSH BUTTON QUANTITIES: (77792A2) - 2, (77792A4) - 2
3	NLA	■	-	HARNESS QUANTITIES: (77792A2) - 1, (77792A4) - 1
4	77642		-	PLATE QUANTITIES: (77792A2) - 1, (77792A4) - 1
5	10-69079		-	SCREW (7/16") QUANTITIES: (77792A2) - 3, (77792A4) - 3
6	NLA	■	-	WIRE ASSEMBLY (WHITE) QUANTITIES: (77792A2) - 1, (77792A4) - 1
7	10-38792		-	SCREW (5/16") QUANTITIES: (77792A2) - 1, (77792A4) - 1
8	NLA	■	-	BRACKET QUANTITIES: (77792A2) - 1, (77792A4) - 1
9	16-55422		-	STUD (2") QUANTITIES: (77792A2) - 2, (77792A4) - 2
10	12-24676		-	WASHER QUANTITIES: (77792A2) - 2, (77792A4) - 2
11	11-68219		-	NUT QUANTITIES: (77792A2) - 2, (77792A4) - 2
12	68878A6		-	ALARM HORN QUANTITIES: (77792A2) - 1, (77792A4) - 0
13	68879		-	COVER QUANTITIES: (77792A2) - 1, (77792A4) - 0

■ = NO LONGER AVAILABLE

SWITCH PANEL KIT

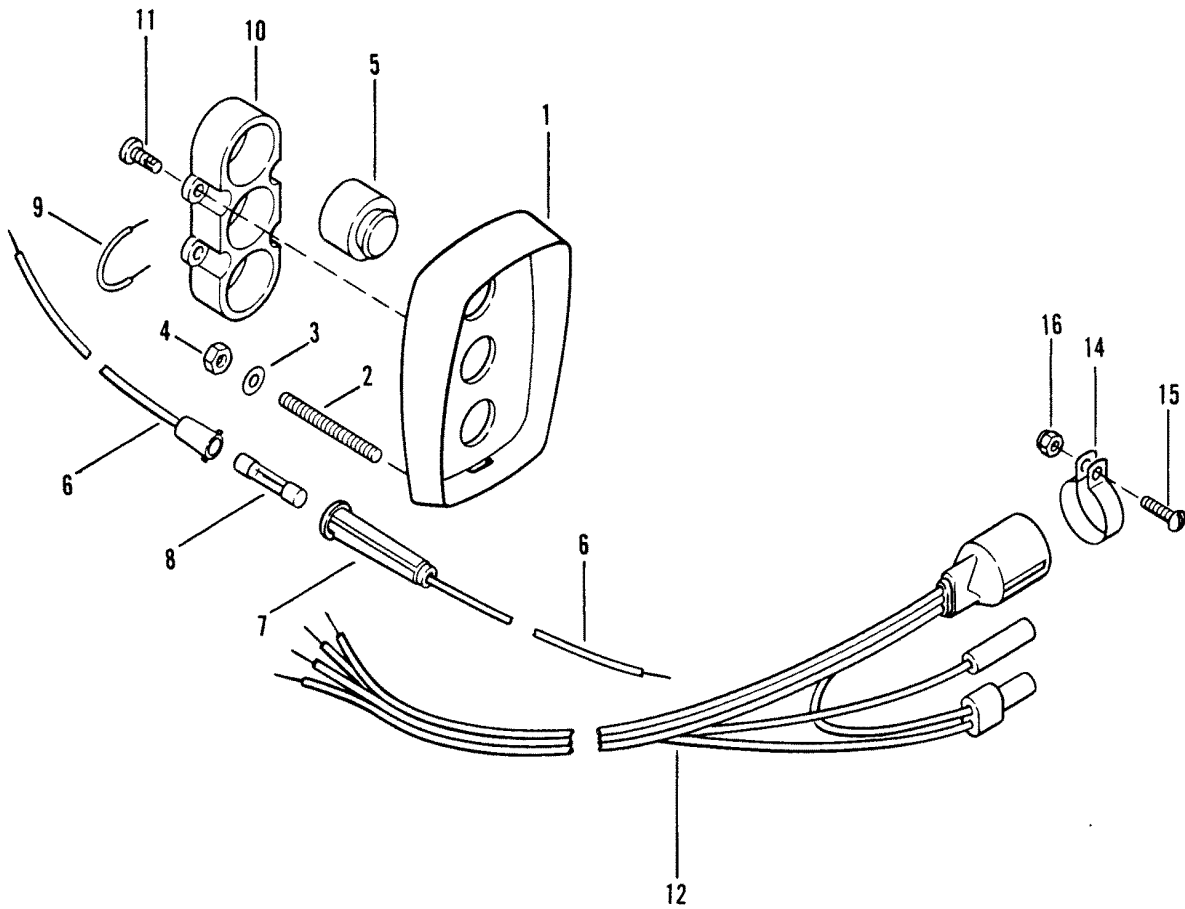


SWITCH PANEL KIT

REF. NO.	PART NO.	SYM.	QTY.	DESCRIPTION
-	76413A4		1	SWITCH PANEL KIT
1	84-58451A2		1	WIRING HARNESS
2	57313		3	TOGGLE SWITCH (TWO POSITON)
3	N.S.S.		1	TOGGLE SWITCH (THREE POSITION)
4	NLA	■	1	JUMPER WIRE
5	12-27025		4	WASHER
6	76413A3		1	SWITCH PANEL (INCLUDES DECAL)
7	11-57312		4	LOCK NUT
8	NLA	■	1	PLATE
9	10-35401		3	SCREW (1")
10	10-36046		4	SCREW (1/4")
11	10-36398		1	SCREW (1/4")
12	NLA	■	1	PLATE
13	NLA	■	2	SCREW (3/8")
14	NLA	■	2	STUD (1")
15	79101T		1	MOUNTING STRAP
16	11-45076		2	NUT

■ = NO LONGER AVAILABLE

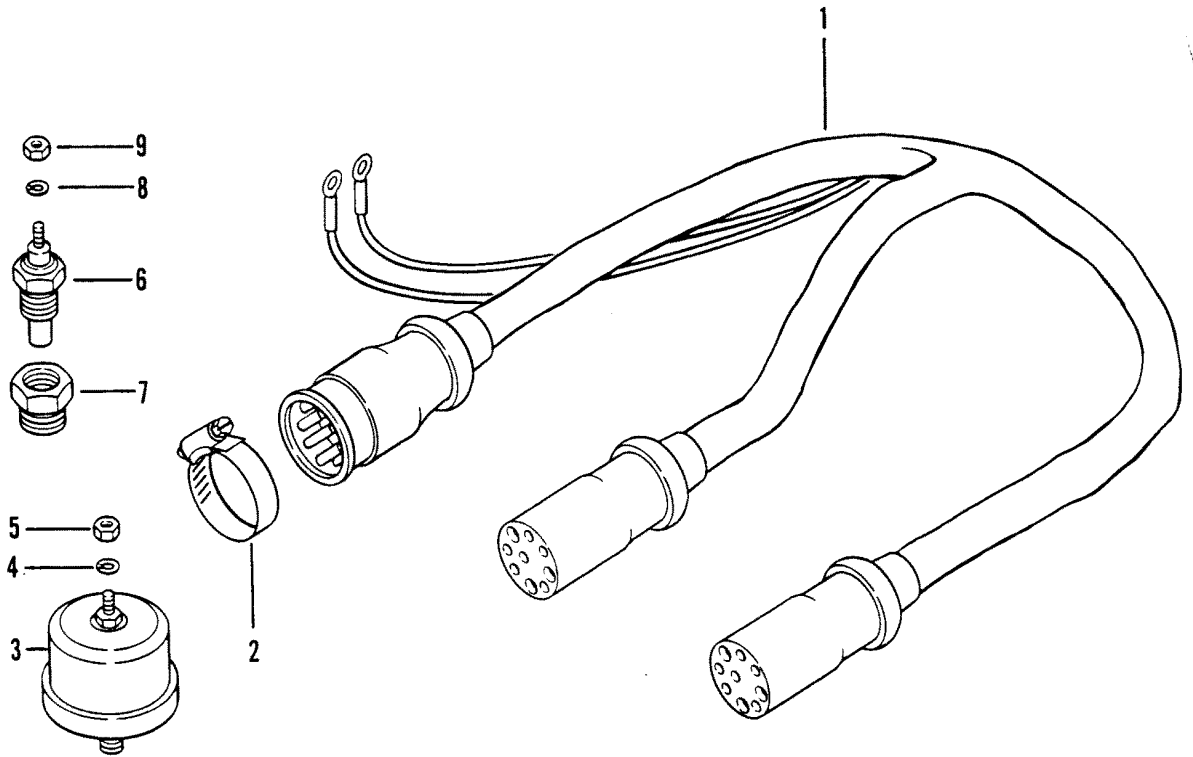
CONTROL PANEL ASSEMBLY



CONTROL PANEL ASSEMBLY

REF. NO.	PART NO.	SYM.	QTY.	DESCRIPTION
-	55642A13		1	CONTROL PANEL ASSEMBLY, COMPLETE
1	55642A17		1	PANEL ASSEMBLY
2	16-55422		4	STUD (2")
3	12-24676		4	WASHER
4	11-27164		4	NUT
5	55738A1		3	SWITCH,PUSH BOTTON
6	84-69174A2		2	WIRE (RED - 24")
7	88-69358A1		1	CAP ASSEMBLY
8	88-79091		1	FUSE (20 AMP)
9	53107		1	JUMPER WIRE (PURPLE - 3")
10	55641		1	RETAINER
11	10-62568		4	SCREW (1/2")
12	84-87394A20		1	HARNESS
14	54-46770		1	CLAMP
15	10-29227		1	SCREW (1/2")
16	11-34388		1	NUT

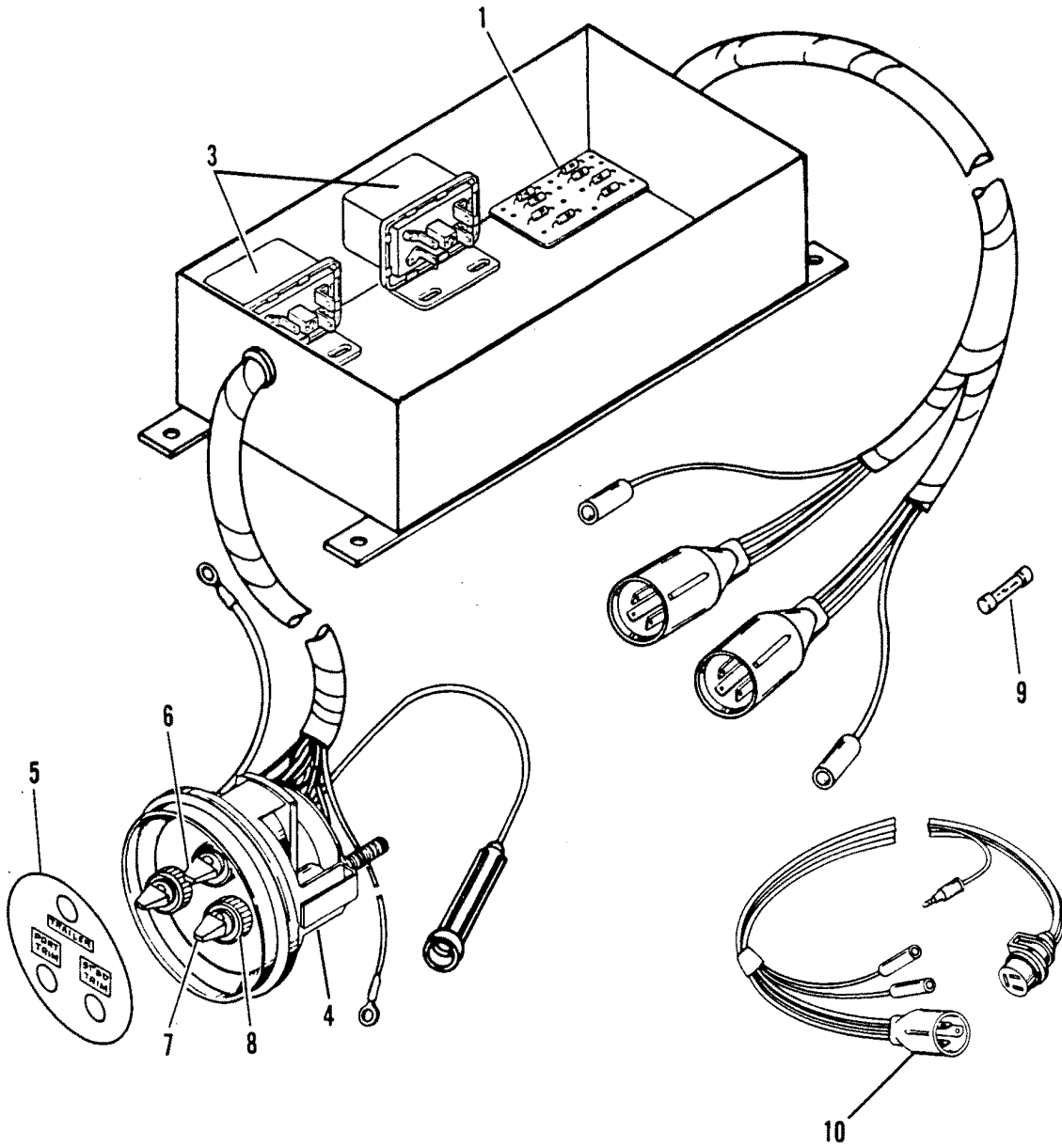
"T" HARNESS KIT



"T" HARNESS KIT

REF. NO.	PART NO.	SYM.	QTY.	DESCRIPTION
1	84-91942A4		1	"T" HARNESS KIT
2	54-815504220		2	CLAMP
3	37293		1	DUAL OIL PRESSURE SENDER ASSEMBLY
4	13-26996		1	LOCKWASHER (#10)
5	11-68219		1	NUT (10-320)
6	49734A1		1	DUAL WATE TEMPERATURE SENDER
7	22-52382		1	REDUCER BUSHING
8	13-26996		1	LOCKWASHER (#10)
9	11-68219		1	NUT (10-32)

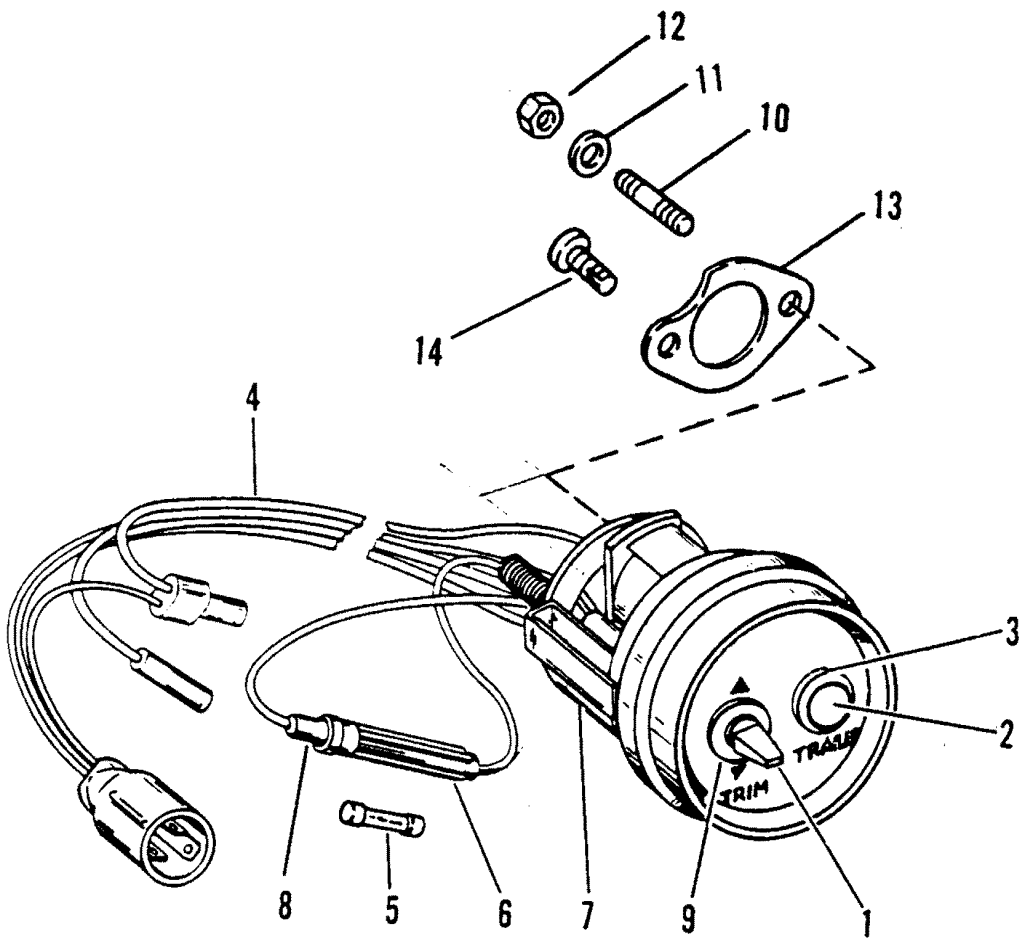
POWER TRIM CONTROL PANEL



POWER TRIM CONTROL PANEL

REF. NO.	PART NO.	SYM.	QTY.	DESCRIPTION
-	90362A3		1	POWER TRIM CONTROL PANEL (DUAL ENGINE)
1	339-7747A2		1	DIODE PACK
3	87-89074A3		2	RELAY ASSEMBLY
4	87452A4		1	PANEL ASSEMBLY
5	37-87582		1	DECAL (DUAL TRIM)
6	87-87578		1	TOGGLE SWITCH
7	87-78406		2	TOGGLE SWITCH
8	11-21923		2	NUT
9	88-79091		1	FUSE (20 AMP)
10	84-87538A3		2	WIRING HARNESS ASSEMBLY

TOGGLE SWITCH TRIM CONTROL PANEL

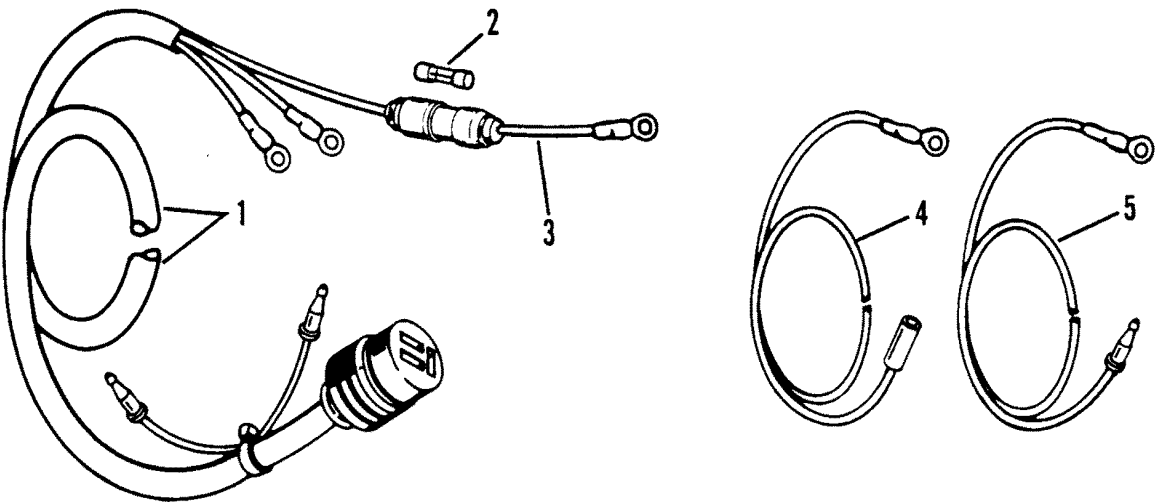


TOGGLE SWITCH TRIM CONTROL PANEL

REF. NO.	PART NO.	SYM.	QTY.	DESCRIPTION
-	78408A5		1	TRIM CONTROL PANEL ASSEMBLY
1	87-78406		1	TOGGLE SWITCH
2	55738A1		1	SWITCH ASSEMBLY, PUSH BUTTON
3	11099A1		1	BOOT ASSEMBLY
4	84-87394A20		1	HARNESS ASSEMBLY
5	88-79091		1	FUSE (20 AMP)
6	88-69358A1		1	FUSE HOLDER ASSEMBLY
7	79101T		1	STRAP
8	84-69174A2		2	CABLE ASSEMBLY (RED)
9	49440		1	LOCK NUT
10	NLA	■	2	STUD
11	12-24676		2	WASHER
12	11-27164		2	NUT
13	55691		1	COVER
14	10-62568		2	SCREW

■ = NO LONGER AVAILABLE

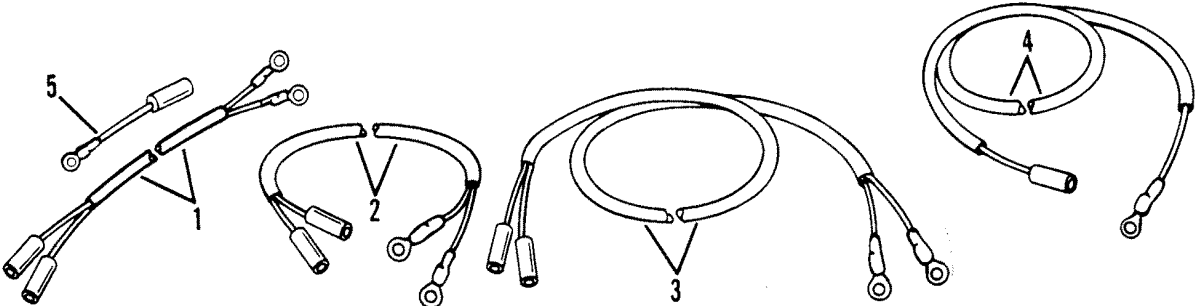
REMOTE CONTROL ADAPTOR KIT (18060A1,A2)



REMOTE CONTROL ADAPTOR KIT (18060A1,A2)

REF. NO.	PART NO.	SYM.	QTY.	DESCRIPTION
-	18060A1		1	ADAPTOR HARNESS KIT
-	18060A2		1	ADAPTOR HARNESS KIT
1	84-99695A1		1	CONTROL HARNESS (RING TERMINALS)
	84-99695A5		1	CONTROL HARNESS (MALE TERMINALS)
2	88-79091		1	FUSE
3	84-95084A2		1	CABLE ASSEMBLY, FUSE
4	84-88824A5		1	CABLE ASSEMBLY (TAN)
5	84-88537A10		1	CABLE ASSEMBLY (BROWN/WHITE)

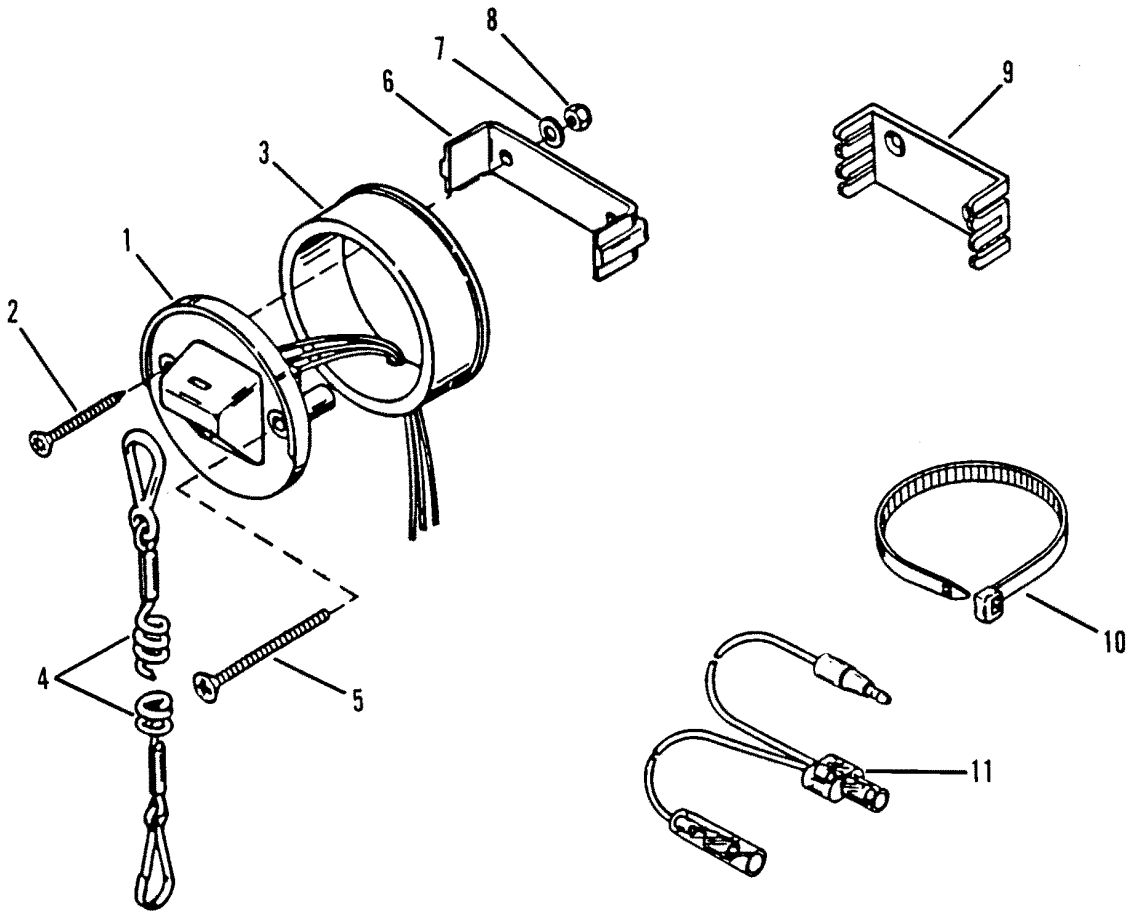
REMOTE CONTROL ADAPTOR KIT (18081A1)



REMOTE CONTROL ADAPTOR KIT (18081A1)

REF. NO.	PART NO.	SYM.	QTY.	DESCRIPTION
-	18081A1		1	ADAPTOR HARNESS KIT
1	84-17201A1		1	TRIM HARNESS
2	84-17201A2		1	TRIM HARNESS
3	84-17201A3		1	TRIM HARNESS
4	84-88824A3		2	CABLE ASSEMBLY (TAN)
5	84-11149A1		1	CABLE ASSEMBLY

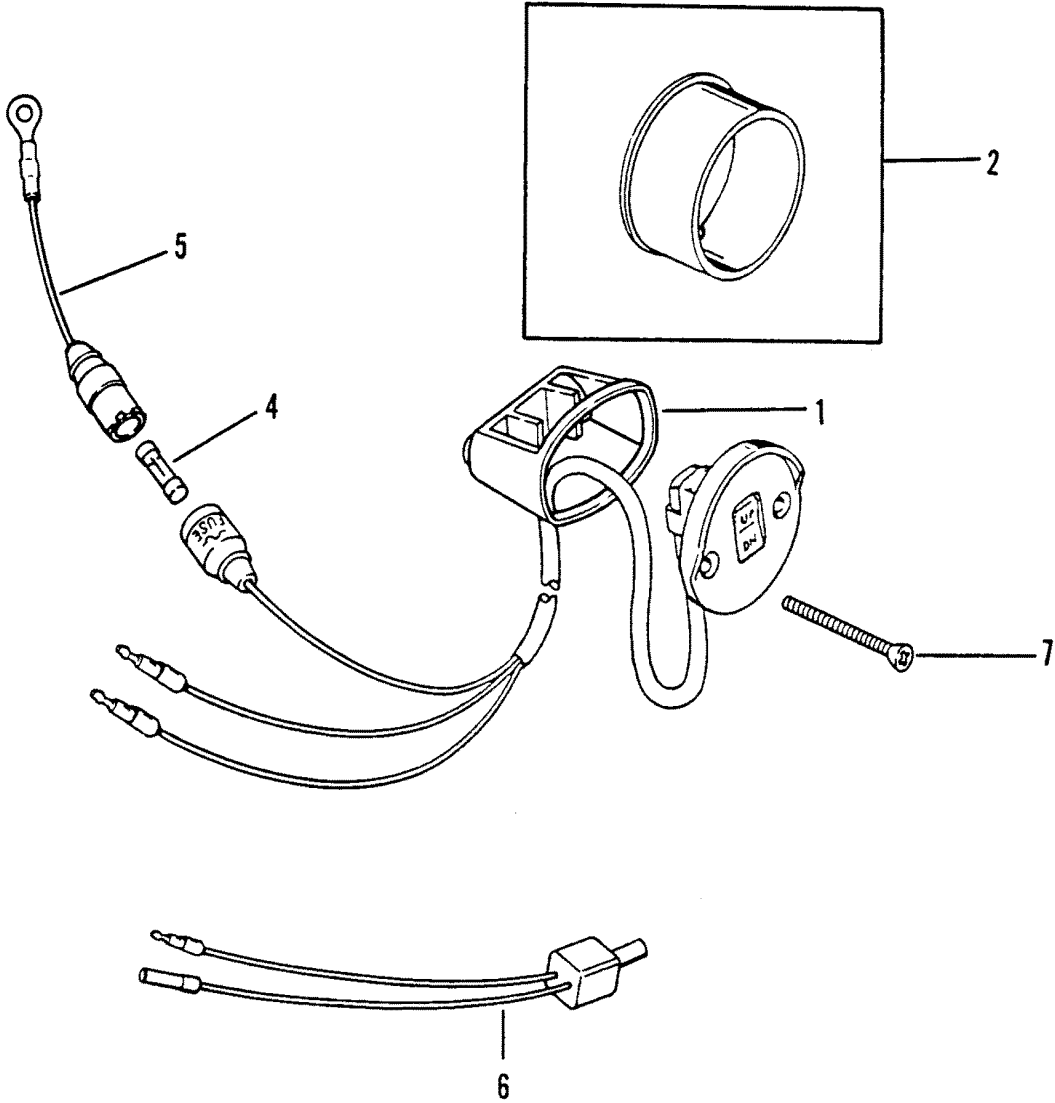
LANYARD SWITCH KIT



LANYARD SWITCH KIT

REF. NO.	PART NO.	SYM.	QTY.	DESCRIPTION
-	87-19674A2		1	LANYARD SWITCH KIT
1	87-19674A1		1	LANYARD SWITCH/DIODE ASSEMBLY
2	10-18303		2	SCREW
3	813679		1	ADAPTOR
4	15920A54		1	LANYARD
5	10-32866		2	SCREW
6	18321		1	CLAMP
7	12-24676		2	WASHER
8	11-68219		4	NUT
9	79146		1	RETAINER
10	54-816311		7	STA-STRAP
11	84-11149A3		1	CABLE ASSEMBLY

TRIM SWITCH KIT



TRIM SWITCH KIT

REF. NO.	PART NO.	SYM.	QTY.	DESCRIPTION
-	87-18286A17		1	TRIM SWITCH KIT
-	87-18286A18		1	TRIM SWITCH KIT
-	87-18286A19		1	TRIM SWITCH KIT
1	18861		1	RETAINER
2	814820		1	ADAPTOR
4	88-79091		1	FUSE
5	84-95084A2		1	CABLE
6	84-11149A2		2	CABLE
7	10-19209		2	SCREW (10-32)
	10-813523		2	SCREW (10-16)

PARTS INDEX

Part Number	Description	Pg.	Ref. No.	Part Number	Description	Pg.	Ref. No.
11099A1	BOOT ASSEMBLY	33	3	76426A7	START/STOP ASSY. (OUTBOARD)	21	--
14885A15	KEY SWITCH ASSEMBLY (15')	15	-	76426A9	START/STOP ASSY. (WITH HEI) (MERCUISER)	21	-
14885A2	KEY SWITCH ASSEMBLY (2')	15	-	76723	RETAINER	17	7
14885A20	KEY SWITCH ASSEMBLY (20')	15	-	76723	RETAINER (OLD DESIGN)	13	10
15920A54	LANYARD	39	4	77642	PLATE	23	4
18060A1	ADAPTOR HARNESS KIT	35	-	77642	RETAINER 1	21	3
18060A2	ADAPTOR HARNESS KIT	35	-	77792A2	SWITCH PANEL ASSEMBLY	23	-
18081A1	ADAPTOR HARNESS KIT	37	-	77792A4	SWITCH PANEL ASSEMBLY	23	--
18321	CLAMP	39	6	78408A5	TRIM CONTROL PANEL ASSEMBLY	33	-
18861	RETAINER	41	1	79101T	MOUNTING STRAP	25	15
26901	BUMPER	5	16	79101T	STRAP	33	7
37293	DUAL OIL PRESSURE SENDER ASSEMBLY	29	3	79101T	STRAP (WITHOUT HEI) (MERCUISER)	21	9
45915	TERMINAL BLOCK	3	4	79101T	STRAP (WITHOUT HEI) (MERCUISER)	21	9
46265	RUBBER BOOT	5	7	79146	RETAINER	39	9
49440	LOCK NUT	33	9	813679	ADAPTOR	39	3
49734A1	DUAL WATE TEMPERATURE SENDER	29	6	814820	ADAPTOR	41	2
53107	JUMPER WIRE (PURPLE - 3")	27	9	816478	PLATE	13	3
54211	SWITCH (WITH KEY #30431)	13	1	816479	PLATE	17	8
54211A2	KEY SWITCH ASSEMBLY	13	--	816492A1	ALARM	17	18
54212A7	KEY SWITCH ASSEMBLY	13	--	87452A4	PANEL ASSEMBLY	31	4
54212A8	SWITCH (WITH KEY #30431)	13	1	89491--1	SWITCH KEY 1A	17	-
55641	RETAINER	27	10	89491--2	SWITCH KEY 1B	17	-
55642A13	CONTROL PANEL ASSEMBLY, COMPLETE	27	-	89491--3	SWITCH KEY 1C	17	-
55642A17	PANEL ASSEMBLY	27	1	89491--4	SWITCH KEY 1D	17	-
55691	COVER	33	13	89491--5	SWITCH KEY 1E	17	-
55738A1	SWITCH ASSEMBLY, PUSH BUTTON	21	2	89491--6	SWITCH KEY 1F	17	-
55738A1	SWITCH ASSEMBLY, PUSH BUTTON	23	2	89491--7	SWITCH KEY 2A	19	-
55738A1	SWITCH ASSEMBLY, PUSH BUTTON	33	2	89491--8	SWITCH KEY 2B	19	-
55738A1	SWITCH,PUSH BOTTON	27	5	89491--9	SWITCH KEY 2C	19	-
55992	BATTERY LEAD (NEGATIVE)	5	1	89491-10	SWITCH KEY 2D	19	-
57313	TOGGLE SWITCH (TWO POSITON)	25	2	89491-11	SWITCH KEY 2E	19	-
65503A7	EMERGENCY STOP SWITCH ASSEMBLY	3	1	89491-12	SWITCH KEY 2F	19	-
68863	BEZEL	13	4	89976	PLATE	17	8
68878A6	ALARM HORN	17	15	90315A15	KEY SWITCH ASSEMBLY (15')	15	-
68878A6	ALARM HORN	23	12	90315A2	KEY SWITCH ASSEMBLY (2')	15	-
68878A6	ALARM HORN (OUTBOARD)	21	10	90315A20	KEY SWITCH ASSEMBLY (20')	15	-
68879	COVER	17	16	90362A3	POWER TRIM CONTROL PANEL (DUAL ENGINE)	31	-
68879	COVER	23	13	90468A1	COVER	15	1
68879	COVER (OUTBOARD)	21	11	N.S.S.	HARNESS (WITHOUT HEI) (MERCUISER)	21	8
74406	BRACKET	5	8	N.S.S.	HARNESS (WITHOUT HEI) (MERCUISER)	21	8
75095A2	CAP ASSEMBLY	3	2	N.S.S.	HARNESS ASSEMBLY, MOLDED CONNECTOR	11	3
76413A3	SWITCH PANEL (INCLUDES DECAL)	25	6	N.S.S.	HARNESS ASSEMBLY, RING TERMINALS	11	4
76413A4	SWITCH PANEL KIT	25	-	N.S.S.	HOSE, HYDRAULIC (6' -PORT)	11	2
76424	BRACKET	13	6	N.S.S.	HOSE, HYDRAULIC (6' -STARBOARD)	11	1
76424	BRACKET	15	3				
76426	PANEL	21	1				
76426	SWITCH PANEL	23	1				

PARTS INDEX

Part Number	Description	Pg.	Ref. No.	Part Number	Description	Pg.	Ref. No.
N.S.S.	HOSE, POWER TRIM "UP" (46")	9	1	11-68219	NUT (10-32)	29	9
N.S.S.	TOGGLE SWITCH (THREE POSITION)	25	3	11-68219	NUT (10-320)	29	5
NLA	BRACKET	23	8	11-68219	NUT (MERCURISER)	5	19
NLA	CABLE ASSEMBLY, BATTERY (BLACK)	7	2	11-68292	NUTS (5/16")	5	6
NLA	CABLE ASSEMBLY, BATTERY (RED)	7	2	11-93543	NUT	17	10
NLA	HARNESS	13	5	12-24676	WASHER	13	8
NLA	HARNESS	13	5	12-24676	WASHER	15	5
NLA	HARNESS	23	3	12-24676	WASHER	21	6
NLA	HARNESS ASSEMBLY	7	3	12-24676	WASHER	23	10
NLA	HARNESS ASSEMBLY	7	3	12-24676	WASHER	27	3
NLA	HOSE, EXTENSION (12')	7	1	12-24676	WASHER	33	11
NLA	HOSE, EXTENSION (12')	7	1	12-24676	WASHER	39	7
NLA	JUMPER WIRE	25	4	12-27025	WASHER	25	5
NLA	MOUNTING BRACKET (OUTBOARD)	21	12	13-26992	LOCKWASHER	5	10
NLA	PLATE	25	12	13-26992	LOCKWASHER	5	12
NLA	PLATE	25	8	13-26992	LOCKWASHER (5/16")	5	5
NLA	SCREW (3/8")	25	13	13-26993	LOCKWASHER (#10)	5	3
NLA	STUD	33	10	13-26996	LOCKWASHER (#10)	29	4
NLA	STUD (1")	25	14	13-26996	LOCKWASHER (#10)	29	4
NLA	WIRE ASSEMBLY (WHITE)	23	6	13-26996	LOCKWASHER (#10)	29	8
10-18303	SCREW	39	2	13-26996	LOCKWASHER (MERCURISER)	5	18
10-19209	SCREW (10-32)	41	7	16-55422	STUD	13	7
10-24231	SCREW	17	12	16-55422	STUD	15	4
10-28653	SCREW (1/4")	3	6	16-55422	STUD (2")	21	5
10-29227	SCREW (1/2")	27	15	16-55422	STUD (2")	23	9
10-32417	SCREW (5/8")	5	11	16-55422	STUD (2")	27	2
10-32866	SCREW	39	5	16-55422	STUD (2")	27	2
10-35401	SCREW (1")	3	3	22-52382	REDUCER BUSHING	29	7
10-35401	SCREW (1")	25	9	23-812711	SPACER (1/4")	17	17
10-36046	SCREW (1/4")	25	10	23-812711--1	SPACER (3/8")	17	17
10-36398	SCREW (1/4")	25	11	32-75289A1	POWER TRIM EXTENSION KIT (12')	7	-
10-38792	SCREW (5/16")	23	7	32-75808	HOSE, EXTENSION (8')	7	1
10-62568	SCREW	5	15	32-75809	HOSE EXTENSION (8')	7	1
10-62568	SCREW	33	14	32-75810A1	POWER TRIM EXTENSION KIT (8')	7	-
10-62568	SCREW (1/2")	27	11	32-87220A1	TUBING ASSEMBLY (6")	9	2
10-62568	SCREW (3/8")	3	5	32-87221	HOSE, EXTENSION (6")	9	1
10-69028	SCREW (3/4")	5	9	32-87221A1	POWER TRIM EXTENSION KIT	9	-
10-69079	SCREW	21	4	32-89023A1	POWER TRIM EXTENSION KIT	11	-
10-69079	SCREW (7/16")	23	5	32-97010A2	POWER TRIM EXTENSION KIT	9	-
10-813523	SCREW (10-16)	41	7	37-87582	DECAL (DUAL TRIM)	31	5
11-21825	NUT	5	13	38-46971	INSERT	13	2
11-21923	NUT	31	8	38-90311	INSERT	17	11
11-27164	NUT	3	7	53-78201	CLIP	5	14
11-27164	NUT	17	13	54-46770	CLAMP	27	14
11-27164	NUT	27	4	54-815504220	CLAMP	29	2
11-27164	NUT	33	12	54-816311	STA-STRAP	39	10
11-34388	NUT	27	16	84-11149A1	CABLE ASSEMBLY	37	5
11-45076	NUT	21	7	84-11149A2	CABLE	41	6
11-45076	NUT	25	16	84-11149A3	CABLE ASSEMBLY	39	11
11-57312	LOCK NUT	25	7	84-17201A1	TRIM HARNESS	37	1
11-68219	NUT	13	9	84-17201A2	TRIM HARNESS	37	2
11-68219	NUT	17	6	84-17201A3	TRIM HARNESS	37	3
11-68219	NUT	23	11	84-17925A15	KEY SWITCH ASSEMBLY (15')	15	-
11-68219	NUT	39	8	84-17925A2	KEY SWITCH ASSEMBLY (2')	15	-
11-68219	NUT (#10)	5	4)	15	-

PARTS INDEX

Part Number	Description	Pg.	Ref. No.	Part Number	Description	Pg.	Ref. No.
84-58451A2	WIRING HARNESS	25	1	339-7747A2	DIODE PACK	31	1
84-69174A2	CABLE ASSEMBLY (RED) . .	33	8				
84-69174A2	WIRE (RED - 24")	27	6				
84-78995A1	HARNESS ASSEMBLY	13	12				
84-79139A2	BATTERY LEAD (POSITIVE)	5	1				
84-79148A1	WIRE ASSEMBLY (MERCUISER)	5	20				
84-816626A15	KEY SWITCH ASSEMBLY (15')	15	-				
84-816626A2	KEY SWITCH ASSEMBLY (2')	15	-				
84-816626A20	KEY SWITCH ASSEMBLY (20')	15	-				
84-816626A25	KEY SWITCH ASSEMBLY (25')	15	-				
84-87222A1	HARNESS ASSEMBLY	11	5				
84-87222A1	HARNESS ASSEMBLY (6") .	9	3				
84-87394A20	HARNESS	27	12				
84-87394A20	HARNESS ASSEMBLY	33	4				
84-87538A3	WIRING HARNESS ASSEMBLY	31	10				
84-88537A10	CABLE ASSEMBLY (BROWN/WHITE)	35	5				
84-88824A3	CABLE ASSEMBLY (TAN) . .	37	4				
84-88824A5	CABLE ASSEMBLY (TAN) . .	35	4				
84-91942A4	"T" HARNESS KIT	29	1				
84-95084A2	CABLE	41	5				
84-95084A2	CABLE ASSEMBLY, FUSE . .	35	3				
84-99695A1	CONTROL HARNESS (RING TERMINALS)	35	1				
84-99695A5	CONTROL HARNESS (MALE TERMINALS)	35	1				
85-62359--4	SLEEVE	17	14				
85-62359-4	SLEEVE	3	8				
87-18286A17	TRIM SWITCH KIT	41	-				
87-18286A18	TRIM SWITCH KIT	41	-				
87-18286A19	TRIM SWITCH KIT	41	-				
87-19674A1	LANYARD SWITCH/DIODE ASSEMBLY	39	1				
87-19674A2	LANYARD SWITCH KIT	39	-				
87-78406	TOGGLE SWITCH	31	7				
87-78406	TOGGLE SWITCH	33	1				
87-87578	TOGGLE SWITCH	31	6				
87-88107	SWITCH	17	9				
87-89074A3	RELAY ASSEMBLY	31	3				
88-69358A1	CAP ASSEMBLY	27	7				
88-69358A1	FUSE HOLDER ASSEMBLY . .	33	6				
88-79091	FUSE	35	2				
88-79091	FUSE	41	4				
88-79091	FUSE (20 AMP)	27	8				
88-79091	FUSE (20 AMP)	31	9				
88-79091	FUSE (20 AMP)	33	5				
88-79091	FUSE, 20 AMP	13	11				
88-79149	CIRCUIT BREAKER (20AMP) (MERCUISER)	5	17				
89-68258A2	POWER TRIM SOLENOID KIT (OUTBOARD)	5	-				
89-68258A3	POWER TRIM SOLENOID KIT (MERCUISER)	5	-				
89-68258A4	STARTER SOLENOID D	5	2				