



PARTS CATALOG

MERCURY 18/25

SERIAL NUMBER

18	USA 6416713 THRU 6443972
18	CAN 7207858 THRU 7209532
18	BEL 9378116 THRU 9415100
25	USA 6416713 THRU 6443972
25	CAN 7207858 THRU 7209532
25	BEL 9378116 THRU 9415100

TABLE OF CONTENTS:

BELGIUM ENGINES	54
CARBURETOR ASSEMBLY - MERC 18	14
CARBURETOR ASSEMBLY - MERC 25	18
CLAMP BRACKET ASSEMBLY	34
COWLS (HINGE ATTACHED W/2 RIVETS)	4
COWLS (HINGE ATTACHED W/2 SCREWS)	2
CRANKSHAFT, PISTONS AND FLYWHEEL	26
CYLINDER BLOCK AND COVER	22
DRIVE SHAFT HOUSING ASSEMBLY	30
ELECTRIC COMPONENTS	48
FUEL FILTER ASSEMBLY	12
GEAR HOUSING (DRIVE SHAFT) (SCREW INSERTED FROM BOTTOM)	42
GEAR HOUSING (DRIVE SHAFT) (SCREW INSERTED FROM TOP)	36
GEAR HOUSING (PROP SHAFT) (SCREW INSERTED FROM BOTTOM)	46
GEAR HOUSING (PROP SHAFT) (SCREW INSERTED FROM TOP)	40
IGNITION COMPONENTS	10
MISCELLANEOUS PARTS/ACCESSORIES	1
PARTS INDEX	56
STARTER ASSEMBLY (MANUAL)	6
STEERING HANDLE ASSEMBLY	28
SWIVEL BRACKET ASSEMBLY	32
THROTTLE AND SHIFT LINKAGE (ELECTRIC)	50
THROTTLE AND SHIFT LINKAGE (MANUAL)	8

NOTE: Indented description indicate that these parts are included in preceding assembly.

AR = As Required

NSS = Not Sold Separate

OPT = Optional

NS = Not Shown

NOTE: Following symbols are located in **SYM** column.

● = CONTENTS OF GASKET SET [27-41499A84].

◇ = CONTENTS OF SEAL REPAIR KIT [26-85090A1].

■ = CONTENTS OF REPAIR PARTS KIT [1399-8153].

⊕ = CONTENTS OF WATER PUMP REPAIR KIT [46-99157A2].

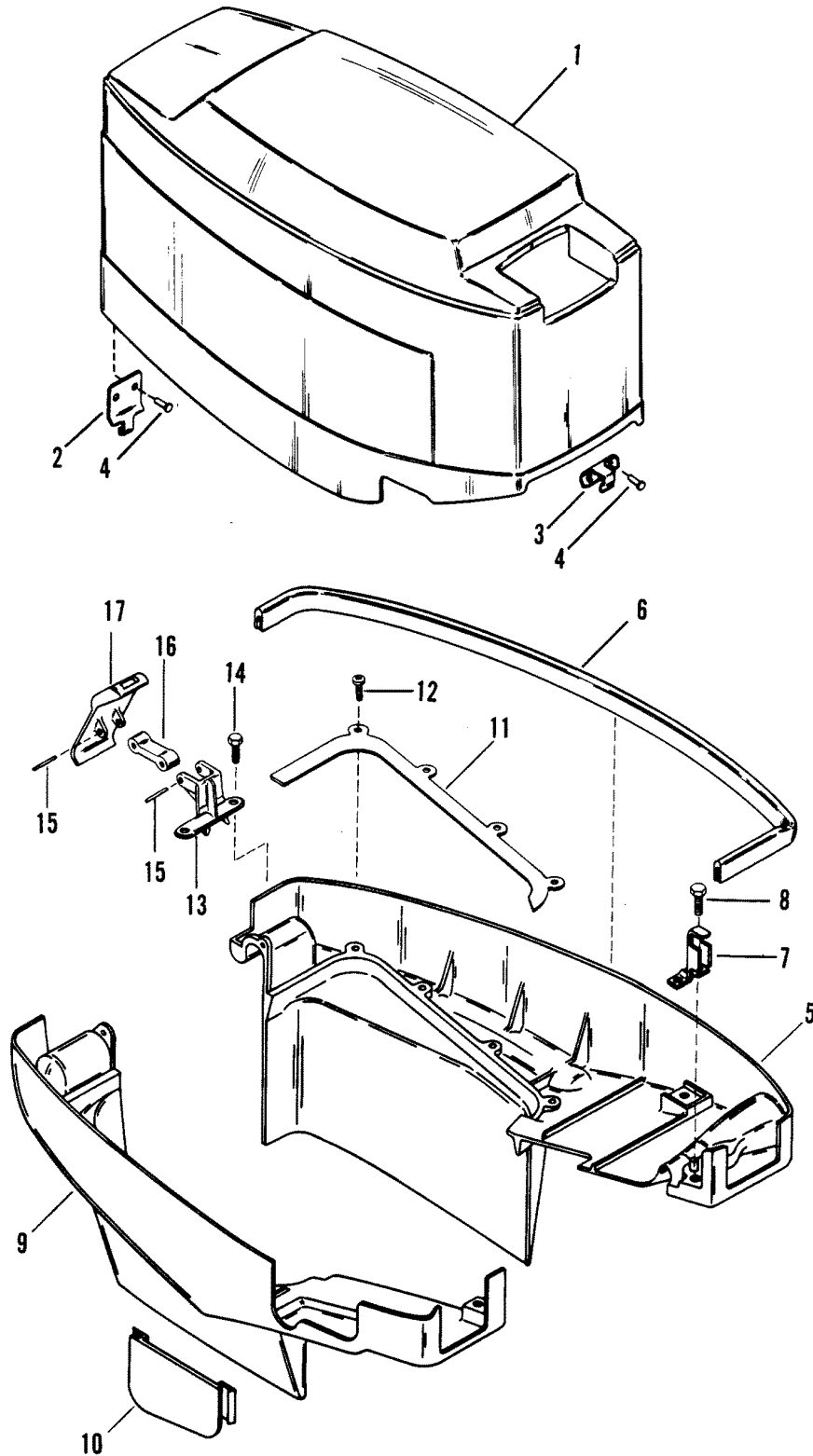
▣ = CONTENTS OF DIAPHRAGM AND GASKET KIT [1399-8154].

THESE PARTS BOOKS/FICHE CARD ARE COPYRIGHTED AND MAY NOT BE DISTRIBUTED OR REPRODUCED IN ANY OTHER FORMAT BY ANYONE OTHER THAN MERCURY MARINE WITHOUT THE PRIOR WRITTEN CONSENT OF MERCURY MARINE.

MISCELLANEOUS PARTS/ACCESSORIES

REF. NO.	PART NO.	SYM.	QTY.	DESCRIPTION
-	90-43465		--	MERC 18/25 PARTS LIST
-	27-42499A84		--	GASKET SET
-	SEECOWLS		--	DECAL SET

COWLS (HINGE ATTACHED W/2 SCREWS)

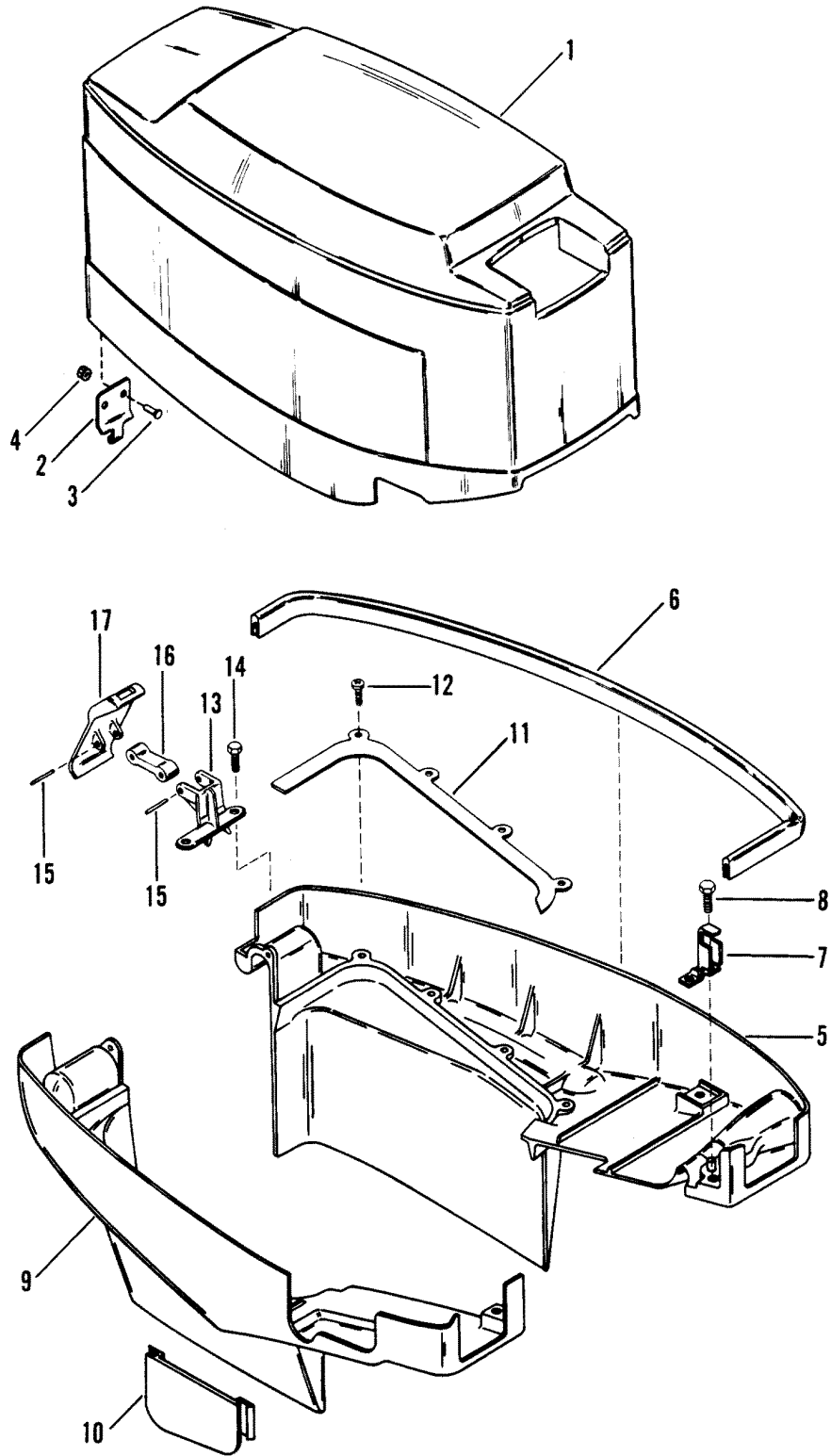


COWLS (HINGE ATTACHED W/2 SCREWS)

REF. NO.	PART NO.	SYM.	QTY.	DESCRIPTION
1	2177-8869A8		1	TOP COWL ASSEMBLY
2	43515		1	HINGE, COWL LATCH
3	43555		1	BRACKET, TOP COWL
4	10-40001--8		4	SCREW, HINGE TO TOP COWL
5	2176-9107A2		1	BOTTOM COWL ASSEMBLY, PORT
6	42274		2	SEAL, BOTTOM COWL
7	43514		1	LATCH, BOTTOM COWL
8	10-40001--8		2	SCREW, LATCH TO BOTTOM COWL
9	2176-9108A1		1	BOTTOM COWL ASSEMBLY, STARBOARD
10	25-41604		1	GROMMET, BOTTOM COWL
11	85982		2	PLATE, BOTTOM COWL
12	10-75710		8	SCREW, PLATE TO BOTTOM COWL (1/2")
13	87308		1	BRACKET, COWL LATCH
14	10-40001--8		2	SCREW, BRACKET TO BOTTOM COWL (12MM)
15	17-25870		2	ROLL PIN, LINK
16	89583		1	LINK, COWL LATCH
17	43554		1	LATCH, COWL - REAR
-	37-43170A84		1	DECAL SET (MERC 18)
-	37-43173A84		1	DECAL SET (MERC 25)

ORDER PARTS FROM THIS PAGE IF HINGE (REFERENCE #2) IS ATTACHED WITH 2 SCREWS.

COWLS (HINGE ATTACHED W/2 RIVETS)

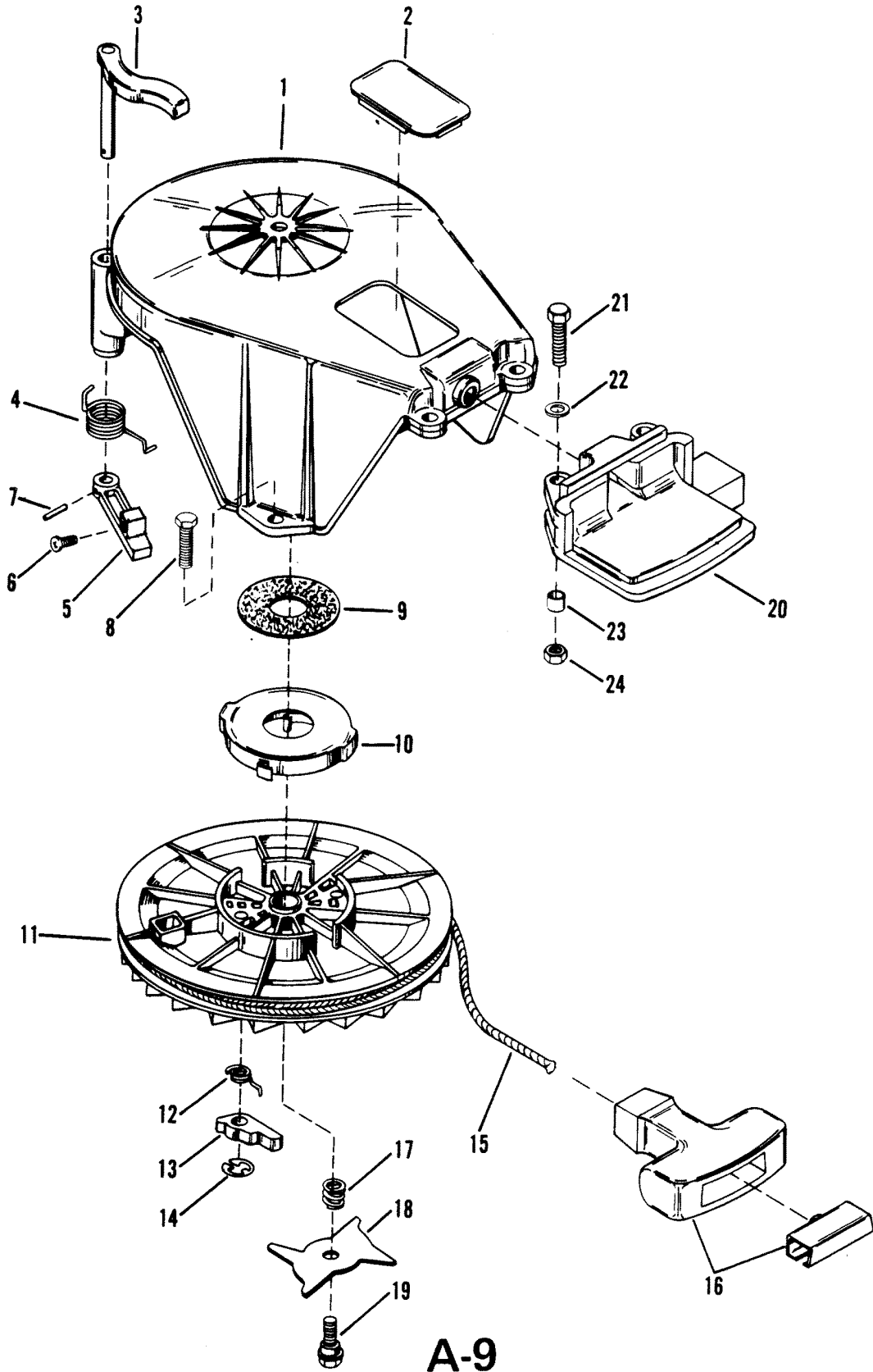


COWLS (HINGE ATTACHED W/2 RIVETS)

REF. NO.	PART NO.	SYM.	QTY.	DESCRIPTION
1	2177-8531A6		1	TOP COWL ASSEMBLY
2	89584		1	HINGE, COWL LATCH
3	10-22028		2	SCREW, HINGE TO TOP COWL
4	11-27164		2	NUT, HINGE PIN
5	2176-8860A3		1	BOTTOM COWL ASSEMBLY, PORT
6	42274		2	SEAL, BOTTOM COWL
7	41551		1	LATCH, BOTTOM COWL
8	10-40001--8		2	SCREW, LATCH TO BOTTOM COWL
9	2176-8861A1		1	BOTTOM COWL ASSEMBLY, STARBOARD
10	25-41604		1	GROMMET, BOTTOM COWL
11	85982		2	PLATE, BOTTOM COWL
12	10-75710		8	SCREW, PLATE TO BOTTOM COWL (1/2")
13	87308		1	BRACKET, COWL LATCH
14	10-40001--8		2	SCREW, BRACKET TO BOTTOM COWL (12MM)
15	17-25870		2	ROLL PIN, LINK
16	89583		1	LINK, COWL LATCH
17	89582		1	LATCH, COWL - REAR
-	37-90532A80		1	DECAL SET (MERC 18) (BLUE)
-	37-90535A80		1	DECAL SET (MERC 25) (BLUE)
-	37-43473A84		1	DECAL SET (MERC 18) (BROWN)
-	37-43474A84		1	DECAL SET (MERC 25) (BROWN)

ORDER PARTS FROM THIS PAGE IF HINGE (REFERENCE #2) IS ATTACHED WITH 2 RIVETS.

STARTER ASSEMBLY (MANUAL)

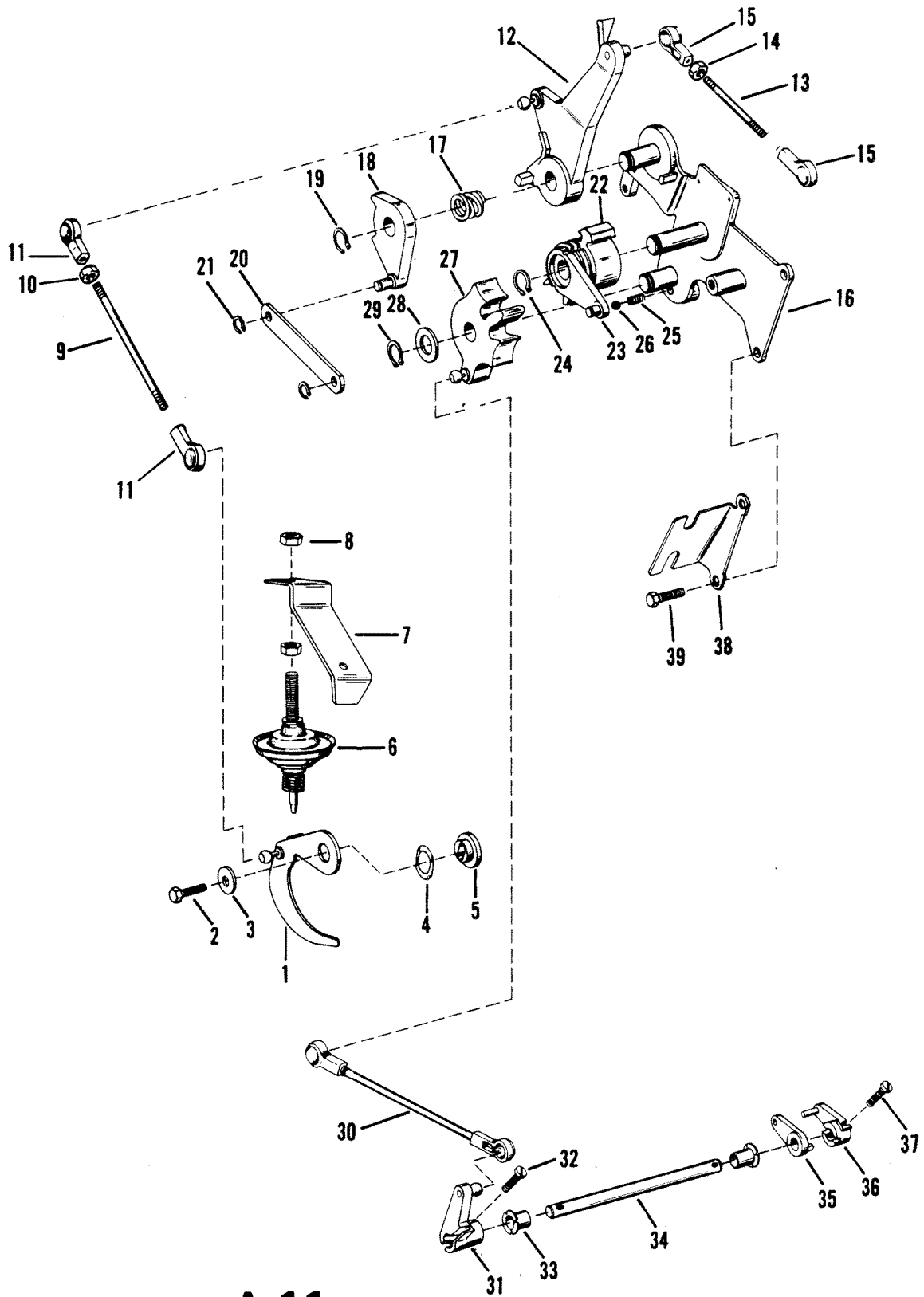


A-9

STARTER ASSEMBLY (MANUAL)

REF. NO.	PART NO.	SYM.	QTY.	DESCRIPTION
1	90906		1	HOUSING, STARTER
2	86971		1	COVER, STARTER HOUSING
3	94019		1	LEVER, LOCK (UPPER)
4	24-89542		1	SPRING, UPPER LOCK LEVER
5	93876		1	LEVER, LOCK (LOWER)
6	10-61802		1	SCREW, LOWER LOCK LEVER
7	17-38489		1	ROLL PIN, LOCK LEVER
8	10-40001-74		2	SCREW, STARTER HOUSING ATTACHING (20MM)
	10-40001-83		1	SCREW, STARTER HOUSING ATTACHING (35MM)
9	90478		1	PAD, FELT
10	24-86857		1	SPRING, STARTER
11	50-42566		1	SHEAVE, STARTER
12	24-86851		2	SPRING, CAM
13	86850		2	CAM
14	53-86849		2	RETAINING RING, CAM
15	50-86855		1	ROPE, STARTER
16	85174A1		1	HANDLE ASSEMBLY, STARTER ROPE
17	24-86852		1	SPRING, CAM
18	86853		1	CAM
19	10-97516		1	SCREW, CAM TO STARTER SHEAVE
20	42626		1	SUPPORT, STARTER HANDLE
21	10-40057111		2	SCREW, SUPPORT TO STARTER HOUSING (35MM)
22	12-40022-13		4	WASHER, SUPPORT SCREW
23	23-30977		4	SPACER, SUPPORT SCREW
24	11-40063--3		2	NUT, SUPPORT SCREW

THROTTLE AND SHIFT LINKAGE (MANUAL)



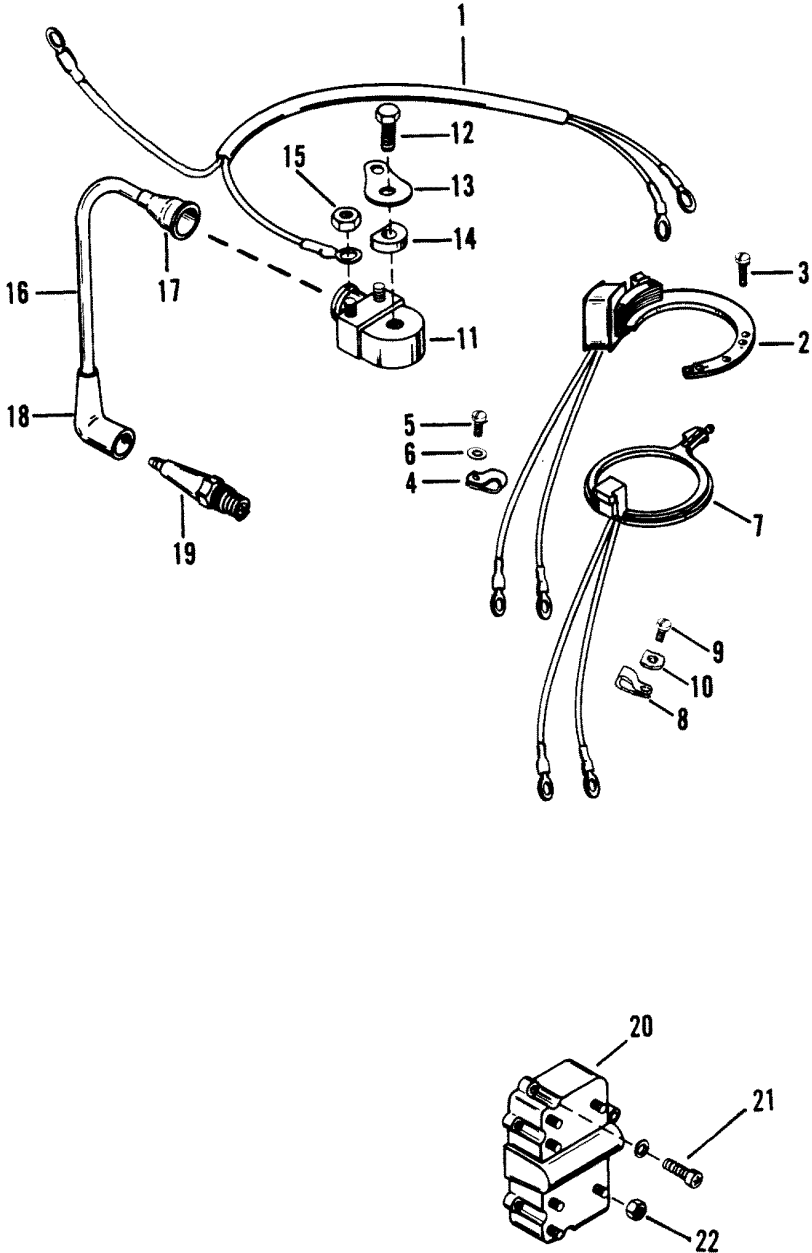
A-11

THROTTLE AND SHIFT LINKAGE (MANUAL)

REF. NO.	PART NO.	SYM.	QTY.	DESCRIPTION
1	96096		1	THROTTLE CAM
2	10-40001-14		1	SCREW, THROTTLE CAM TO CRANKCASE (16MM)
3	12-87791		1	WASHER, THROTTLE CAM SCREW
4	13-69150		1	WAVE WASHER, THROTTLE CAM SCREW
5	23-86968		1	BUSHING, THROTTLE CAM SCREW
6	92425		1	DASHPOT
7	93001		1	BRACKET, DASHPOT
8	11-22053		2	NUT, DASHPOT TERMINAL
9	98463A1		1	THROTTLE ROD
10	11-68219		1	NUT, LOCK - THROTTLE ROD
11	98465		2	SOCKET, THROTTLE ROD
12	92730		1	LEVER, CONTROL
13	98464A1		1	TIMING ROD
14	11-68219		1	NUT, LOCK - TIMING ROD
15	98465		2	SOCKET, TIMING ROD
16	93741		1	PLATFORM, CONTROL
17	24-89540		1	SPRING, SPARK ADVANCE
18	93779		1	LEVER, ACTUATING
19	53-46250		1	RETAINING RING, ACTUATING AND CONTROL LEVER
20	86717		1	LINK, THROTTLE/ADVANCE
21	53-86731		2	RETAINING RING, THROTTLE/ADVANCE LINK
22	94152		1	GEAR
23	32362		1	LEVER, PRIMARY
24	53-46250		1	RETAINING RING, PRIMARY LEVER AND GEAR
25	24-93006		1	SPRING, DETENT BALL
26	30-93008		1	BALL, DETENT
27	94085		1	GEAR, SHIFT
28	12-49339		1	WASHER, SHIFT GEAR
29	53-46250		1	RETAINING RING, SHIFT GEAR
30	96255--2		1	SHIFT ROD
31	94084		1	LEVER, SHIFT ROD
32	10-40015-89		1	SCREW, SHIFT ROD LEVER
33	23-60762		2	BUSHING, SHIFT SHAFT
34	87794		1	SHIFT SHAFT, HORIZONTAL
35	93744		1	LEVER, SHIFT SHAFT
36	93928		1	LEVER, ROD END
37	10-40015-88		1	SCREW, ROD END LEVER
38	94186		1	BRACKET, THROTTLE CABLE
39	10-40001-71		3	SCREW, BRACKET TO CYLINDER BLOCK (16MM)

MANUAL

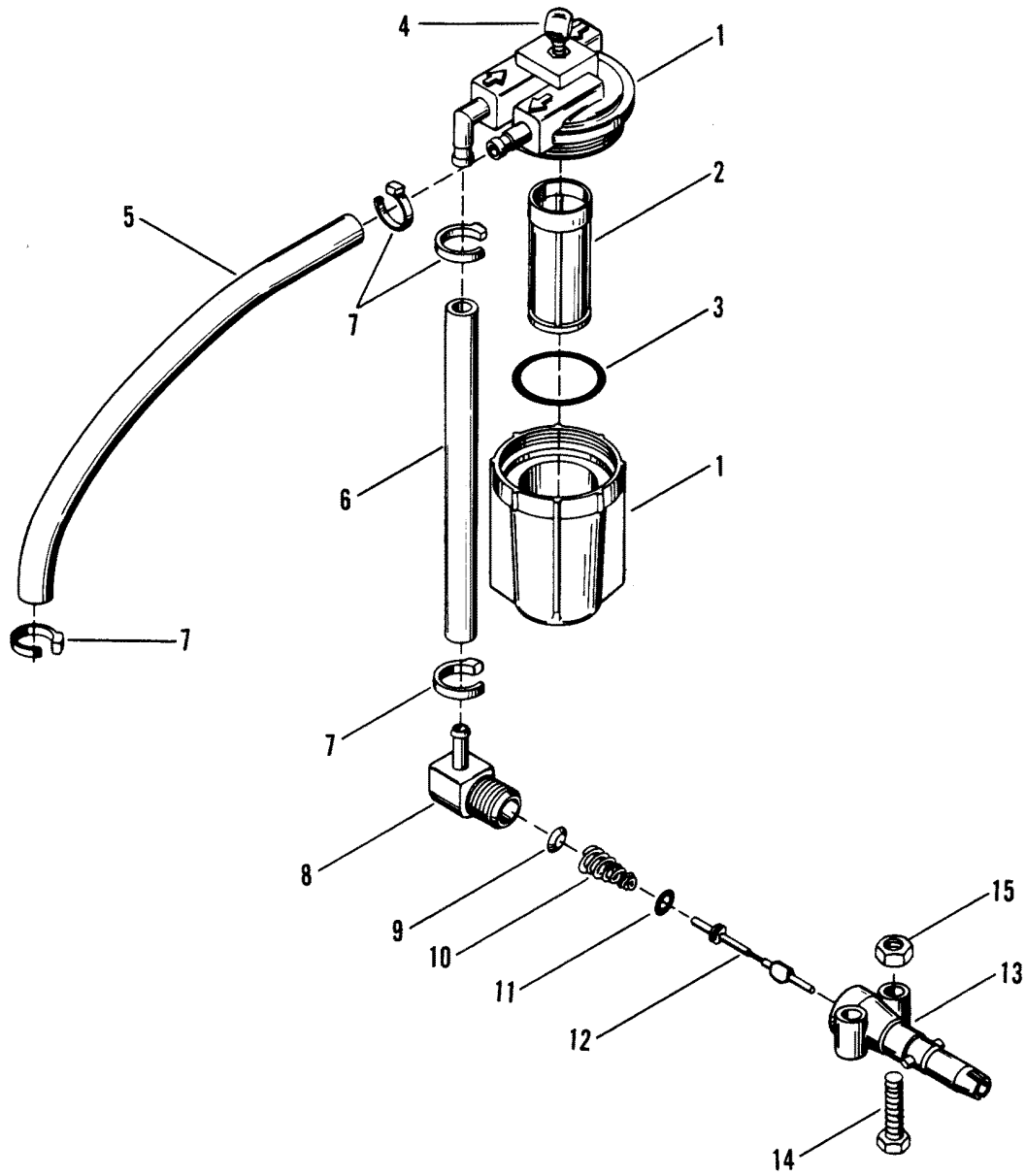
IGNITION COMPONENTS



IGNITION COMPONENTS

REF. NO.	PART NO.	SYM.	QTY.	DESCRIPTION
1	84-88891A1		1	HARNES ASSEMBLY, PRIMARY
2	86617A5		1	STATOR ASSEMBLY
3	10-40001-20		2	SCREW, STATOR ATTACHING (25MM)
	10-40001--5		2	SCREW, STATOR ATTACHING (10MM) (MANUAL)
4	54-23568		1	CLIP, STATOR LEADS
5	10-40057108		1	SCREW, CLIP TO SWITCH BOX (20MM)
6	12-27736		1	WASHER, CLIP SCREW
7	98450A1		1	TRIGGER ASSEMBLY
8	54-24836		1	CLIP, TRIGGER LEADS
9	10-77137		1	SCREW, CLIP TO CRANKCASE
10	69205		1	"C" WASHER, CLIP SCREW
11	339-7370A6		2	IGNITION COIL ASSEMBLY
12	10-40001-89		2	SCREW, COIL TO CYLINDER BLOCK (45MM)
13	88173		2	TAB, COIL SCREW
14	23-88171		2	BUSHING, COIL SCREW
15	11-45076		4	NUT, COIL TERMINAL
16	84-93475A25		2	LEAD ASSEMBLY, HIGH TENSION
17	85-70674		2	BOOT, COIL
18	85-63709A1		2	BOOT ASSEMBLY, SPARK PLUG
19	33-97186		2	SPARK PLUG, (NGK-B9HS-10)
	33-86866		2	SPARK PLUG CHAMPION #QL-77J4 - CANADA AND BELGIUM
20	339-7452A3		1	SWITCH BOX ASSEMBLY
21	10-40057108		3	SCREW, SWITCH BOX TO CYLINDER BLOCK (22MM)
22	11-45076		6	NUT, SWITCH BOX TERMINALS

FUEL FILTER ASSEMBLY

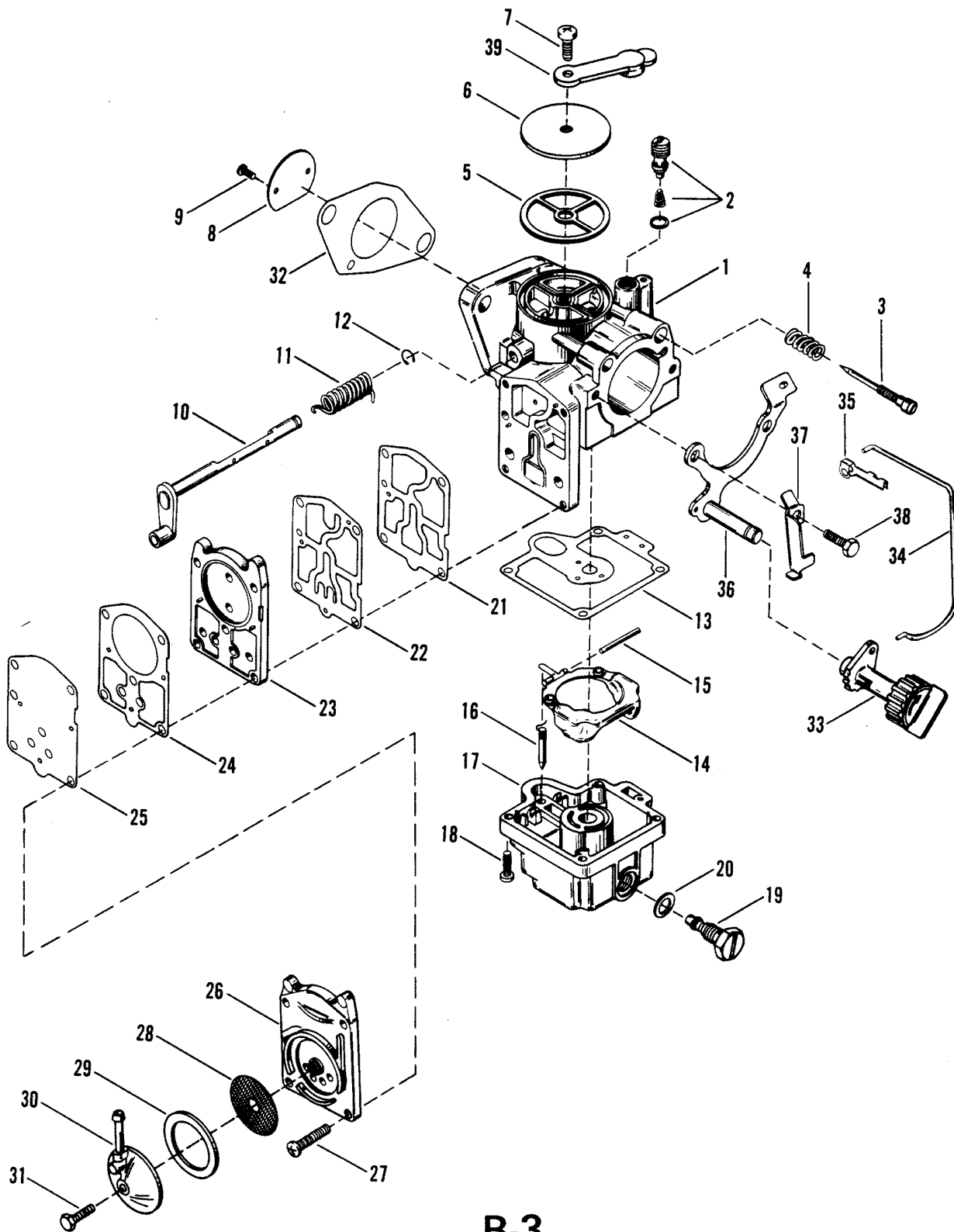


FUEL FILTER ASSEMBLY

REF. NO.	PART NO.	SYM.	QTY.	DESCRIPTION
1	35-87946A7		1	FUEL FILTER ASSEMBLY
2	35-87946A3		1	FILTER ASSEMBLY
3	25-98277		1	SEAL, FUEL FILTER
4	91935		1	BALL, FUEL FILTER
5	32-99127109		1	FUEL LINE, FILTER TO CARBURETOR (5-1/4")
6	32-99127109		1	FUEL LINE, FILTER TO ADAPTOR (8-1/2")
7	54-68424		4	CLAMP, FUEL LINE
8	22-98750		1	FITTING, FUEL LINE
9	30188		1	CUP WASHER, ADAPTOR
10	24-23067		1	SPRING, ADAPTOR STEM
11	25-20415	●	1	"O"RING, ADAPTOR STEM
12	23069		1	STEM, ADAPTOR
13	22833		1	ADAPTOR, CHECK UNIT
14	10-40003-32		1	SCREW, ADAPTOR TO BOTTOM COWL (35MM)
15	11-40063--4		1	NUT, ADAPTOR SCREW
-	27-41499A84		--	GASKET SET CONTENTS INDICATED BY FOOTNOTE 15.

● = CONTENTS OF GASKET SET [27-41499A84].

CARBURETOR ASSEMBLY - MERC 18



B-3

CARBURETOR ASSEMBLY - MERC 18

REF. NO.	PART NO.	SYM.	QTY.	DESCRIPTION
1	1384-8704A1		1	CARBURETOR ASSEMBLY
2	1399-8138		1	ENRICHMENT VALVE
3	1399-8320		1	SCREW, IDLE
4		■	1	SPRING, IDLE SCREW
5		■ ■	1	GASKET, METERING COVER
6	1399-8145		1	COVER, METERING
7	1399-8146		1	SCREW, METERING COVER
8	1399-8322		1	THROTTLE SHUTTER
9		■	2	SCREW, THROTTLE SHUTTER
10	1399-8321		1	THROTTLE SHAFT
11		■	1	SPRING, RETURN - THROTTLE SHAFT
12		■	1	"E" RING, THROTTLE SHAFT
13		■ ■	1	GASKET, FUEL BOWL
14	1399-8139		1	FLOAT
15		■	1	PIN, FLOAT
16	1399-8143		1	INLET NEEDLE AND SEAT
17	1399-8140		1	FUEL BOWL
18	1399-8141		4	SCREW, FUEL BOWL
19	1399-8323		1	MAIN JET AND "O" RING (.052)
	1399-8325		OPT	MAIN JET AND "O" RING (.046)
	1399-8326		OPT	MAIN JET AND "O" RING (.048)
	1399-8324		OPT	MAIN JET AND "O" RING (.050)
20		■ ■	1	GASKET, MAIN JET
21		■ ■	1	GASKET, FUEL PUMP DIAPHRAGM
22		■ ■	1	DIAPHRAGM, FUEL PUMP
23	1399-8142		1	BODY, FUEL PUMP
24		■ ■	1	GASKET, FUEL PUMP DIAPHRAGM
25		■ ■	1	DIAPHRAGM, FUEL PUMP
26	1399-8147		1	BODY, STRAINER
27	1399-8148		4	SCREW, STRAINER BODY
28	1399-5758	■	1	SCREEN, STRAINER
29	1399-5207	■	1	GASKET, STRAINER COVER
30	1399-8149		1	COVER, STRAINER
31	1399-8150		1	SCREW, STRAINER COVER
32	27-88004	●	1	GASKET, CARBURETOR
33	98183A1		1	CHOKE KNOB ASSEMBLY
34	89762		1	CHOKE ROD
35	54-89668		1	CLEVIS CLIP, CHOKE ROD
36	89402A1		1	PLATE ASSEMBLY, CHOKE KNOB (MANUAL)
	94301A1		1	PLATE ASSEMBLY, CHOKE KNOB (ELECTRIC)
37	92333		1	LINK, CHOKE DETENT

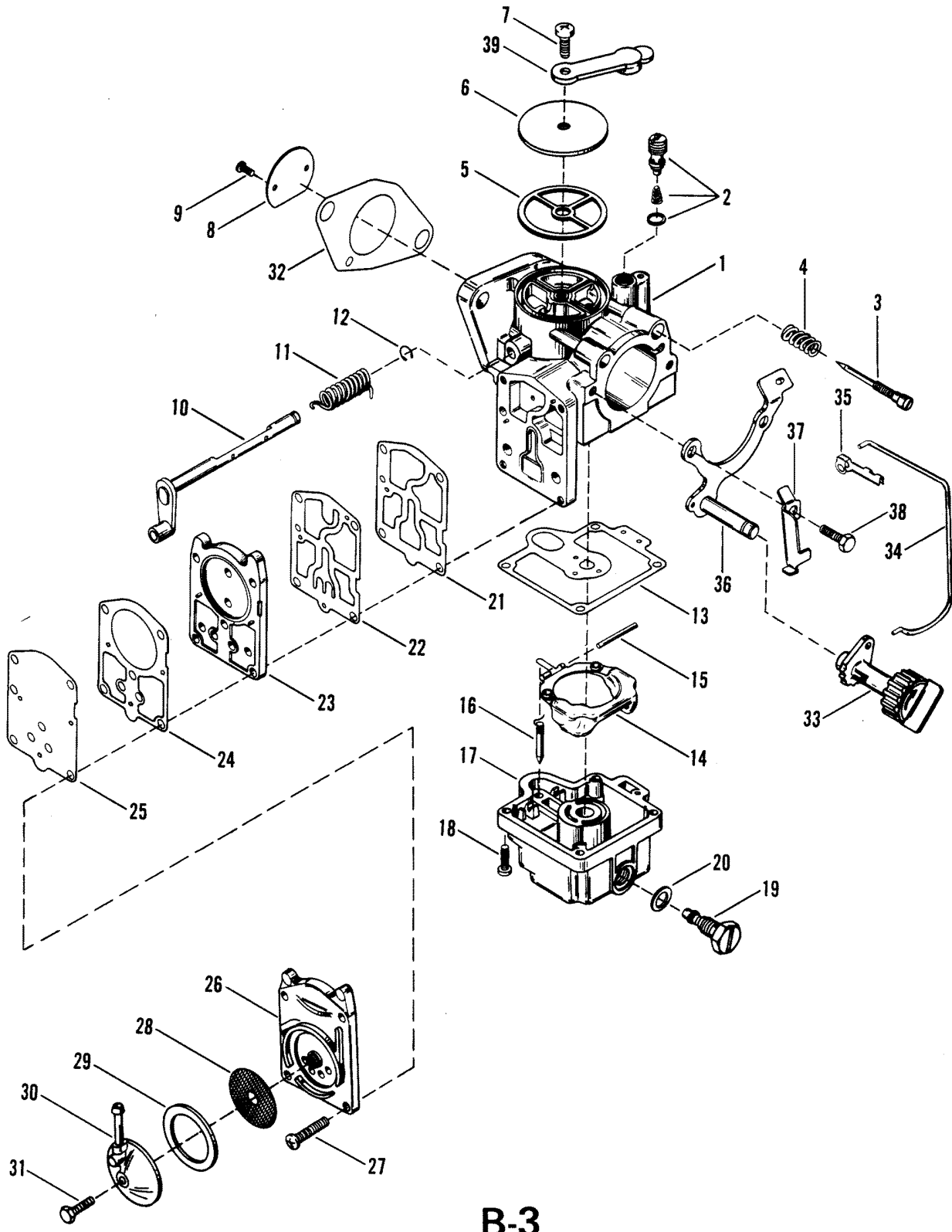
● = CONTENTS OF GASKET SET [27-41499A84].

■ = CONTENTS OF REPAIR PARTS KIT [1399-8153].

■ ■ = CONTENTS OF DIAPHRAGM AND GASKET KIT [1399-8154].

CONTINUED ON NEXT PAGE ➡

CARBURETOR ASSEMBLY - MERC 18



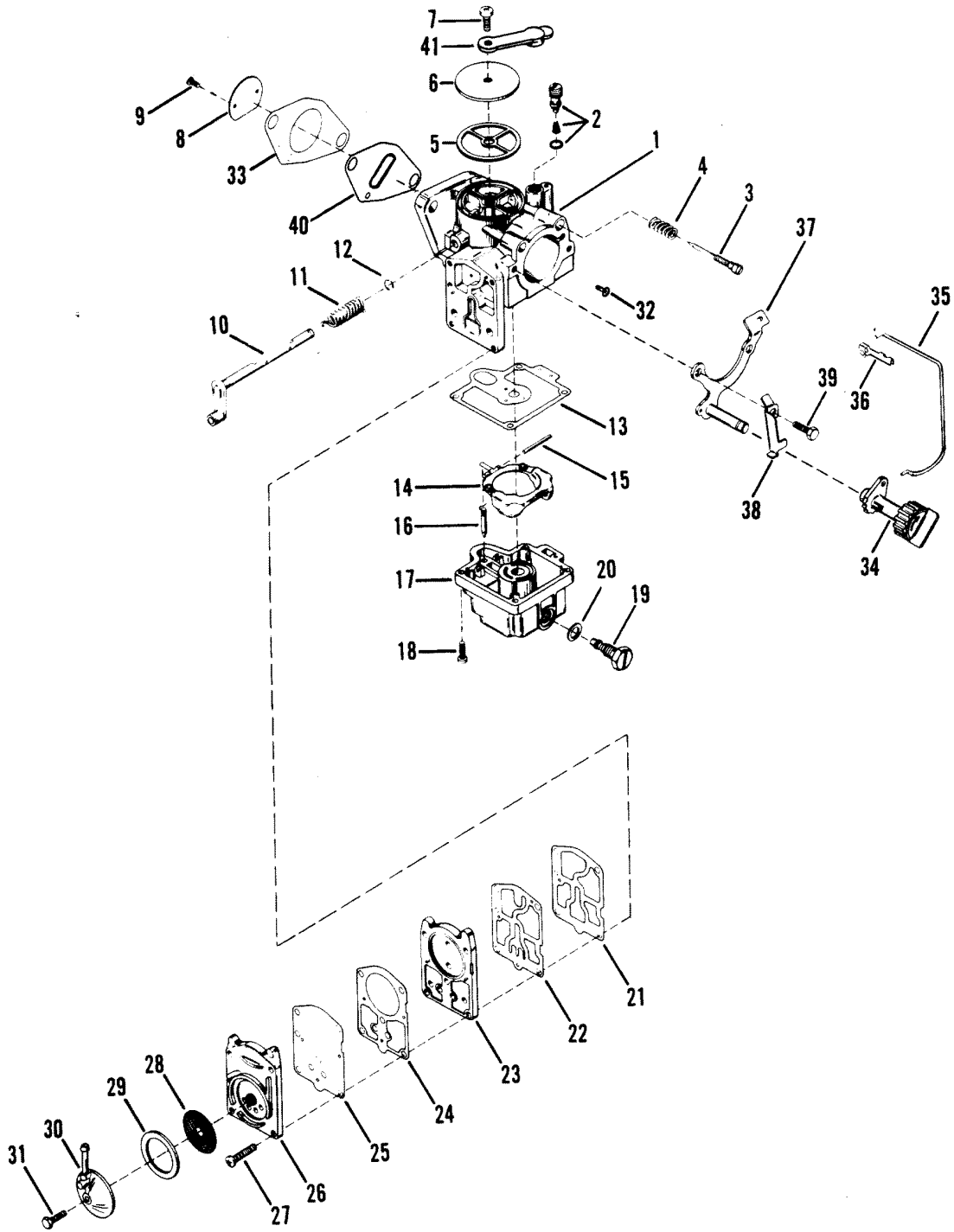
B-3

CARBURETOR ASSEMBLY - MERC 18

REF. NO.	PART NO.	SYM.	QTY.	DESCRIPTION
38	10-40001--8		2	SCREW, LINK AND PLATE TO CARBURETOR (12MM)
39	41434A1		1	COVER ASSEMBLY, ENRICHER VALVE
-	1399-8153		--	REPAIR PARTS KIT CONTENTS INDICATED BY FOOTNOTE 13.
-	1399-8154		--	DIAPHRAGM AND GASKET KIT CONTENTS INDICATED BY FOOTNOTE 14.
-	27-41499A84		--	GASKET SET CONTENTS INDICATED BY FOOTNOTE 15.

MERC 18

CARBURETOR ASSEMBLY - MERC 25



CARBURETOR ASSEMBLY - MERC 25

REF. NO.	PART NO.	SYM.	QTY.	DESCRIPTION
1	1384-8498		1	CARBURETOR ASSEMBLY, TILLOTSON #BC1C
2	1399-8138		1	ENRICHMENT VALVE
3	1399-8320		1	SCREW, IDLE
4		■	1	SPRING, IDLE SCREW
5		■ ■	1	GASKET, METERING COVER
6	1399-8145		1	COVER, METERING
7	1399-8146		1	SCREW, METERING COVER
8	1399-8152		1	THROTTLE SHUTTER
9		■	2	SCREW, THROTTLE SHUTTER
10	1399-8151		1	THROTTLE SHAFT
11		■	1	SPRING, RETURN - THROTTLE SHAFT
12		■	1	"E" RING, THROTTLE SHAFT
13		■ ■	1	GASKET, FUEL BOWL
14	1399-8139		1	FLOAT (BC1A AND BC1B)
	1399-8655		1	FLOAT (BC1C)
15		■	1	PIN, FLOAT
16	1399-8143		1	INLET NEEDLE AND SEAT
17	1399-8140		1	FUEL BOWL (BC1A AND BC1B)
	1399-8656		1	FUEL BOWL (BC1C)
18	1399-8141		4	SCREW, FUEL BOWL
19	1399-8178		1	MAIN JET AND "O" RING (.067)
	1399-8176		OPT	MAIN JET AND "O" RING (.063)
	1399-8177		OPT	MAIN JET AND "O" RING (.065)
	1399-8319		OPT	MAIN JET AND "O" RING (.070)
20		■ ■	1	GASKET, MAIN JET
21		■ ■	1	GASKET, FUEL PUMP DIAPHRAGM
22		■ ■	1	DIAPHRAGM, FUEL PUMP
23	1399-8142		1	BODY, FUEL PUMP
24		■ ■	1	GASKET, FUEL PUMP DIAPHRAGM
25		■ ■	1	DIAPHRAGM, FUEL PUMP
26	1399-8147		1	BODY, STRAINER
27	1399-8148		4	SCREW, STRAINER BODY
28	1399-5758	■	1	SCREEN, STRAINER
29	1399-5207	■	1	GASKET, STRAINER COVER
30	1399-8149		1	COVER, STRAINER
31	1399-8150		1	SCREW, STRAINER COVER
32	1395-6247		1	JET, BACK-DRAG (.090)
	1395-6202		OPT	JET, BACK-DRAG (.088)
	1395-5733		OPT	JET, BACK-DRAG (.092)
33	27-88004	●	1	GASKET, CARBURETOR
34	98183A1		1	CHOKE KNOB ASSEMBLY

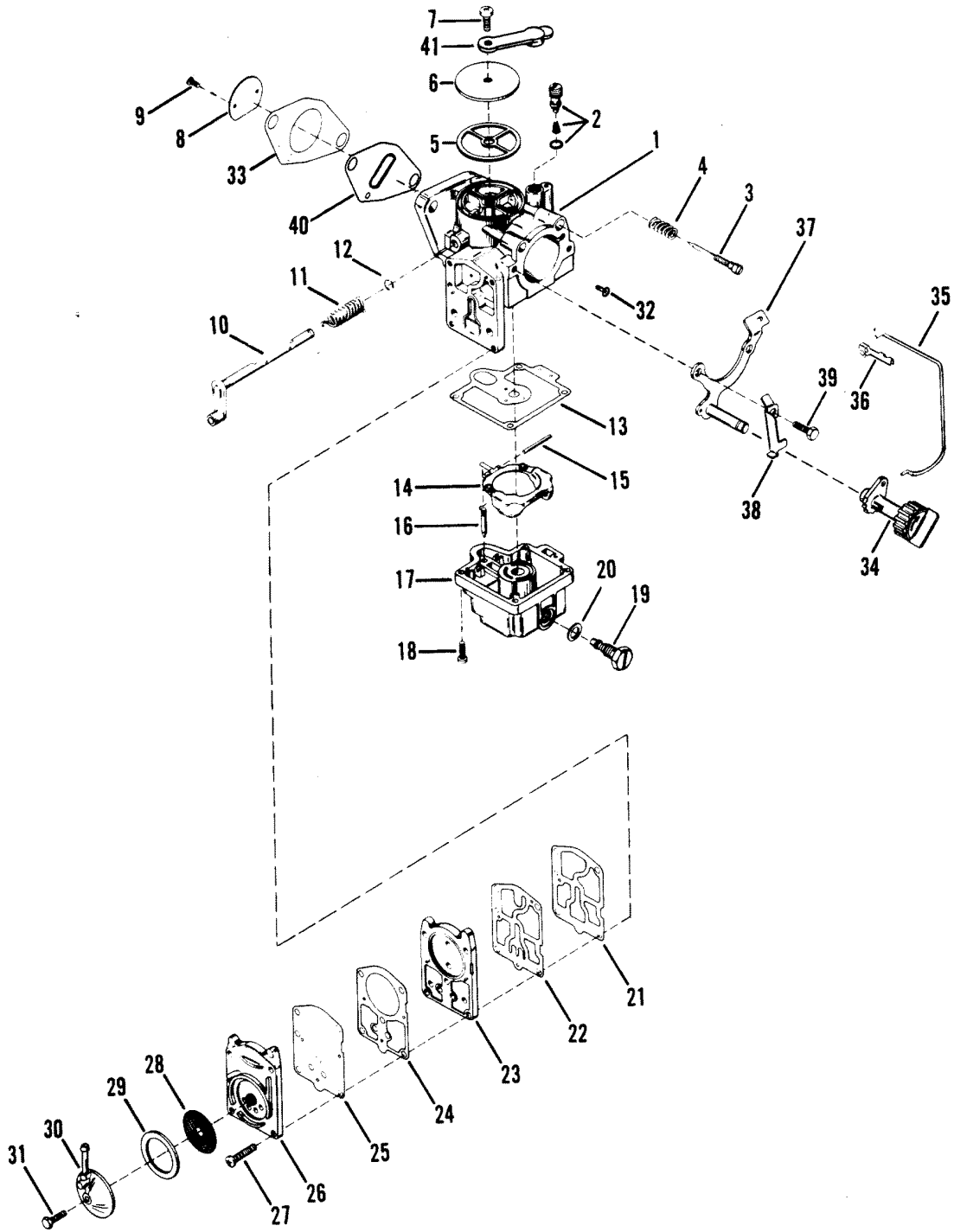
● = CONTENTS OF GASKET SET [27-41499A84].

■ = CONTENTS OF REPAIR PARTS KIT [1399-8153].

■ ■ = CONTENTS OF DIAPHRAGM AND GASKET KIT [1399-8154].

CONTINUED ON NEXT PAGE ➡

CARBURETOR ASSEMBLY - MERC 25

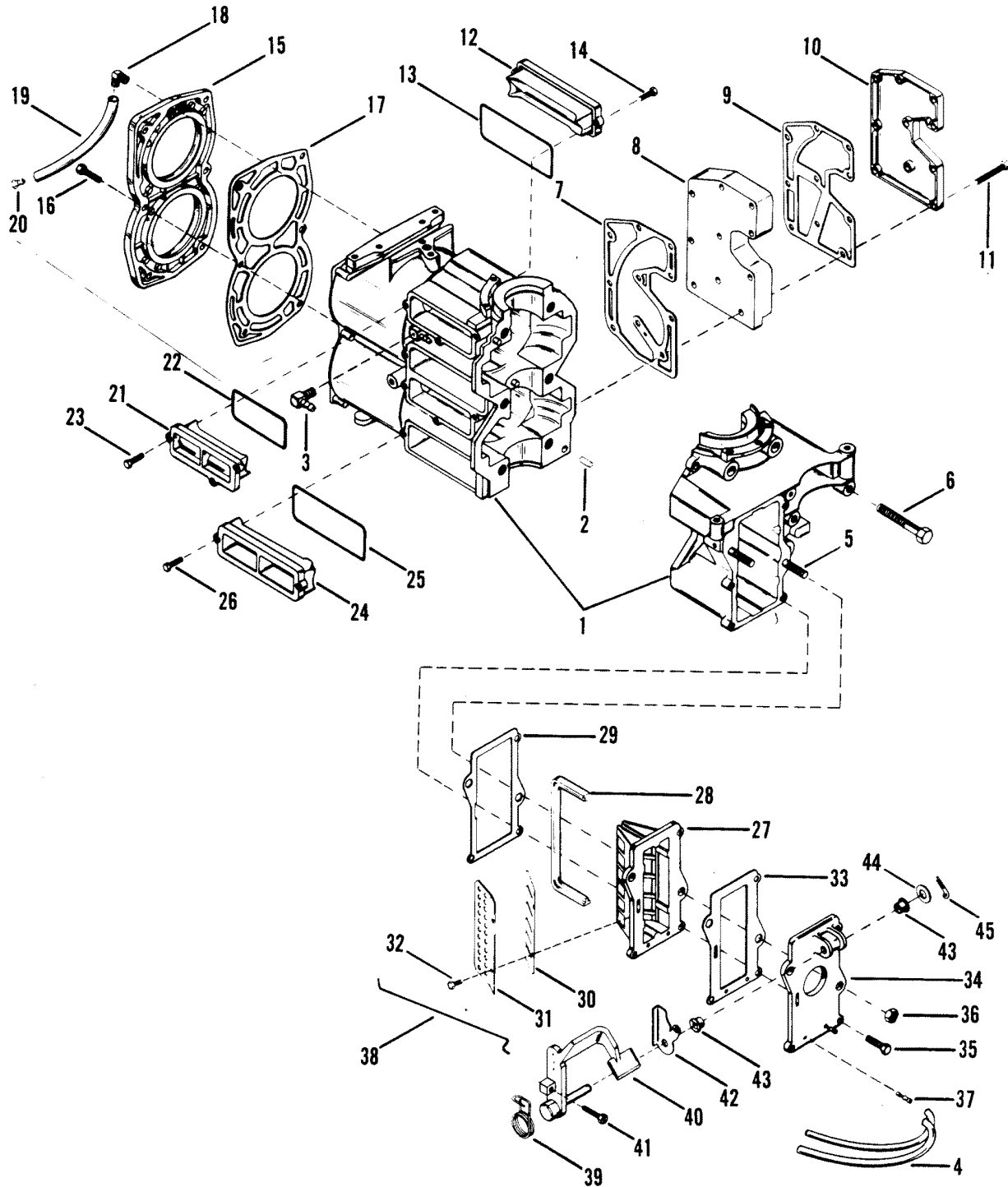


CARBURETOR ASSEMBLY - MERC 25

REF. NO.	PART NO.	SYM.	QTY.	DESCRIPTION
35	89762		1	CHOKE ROD
36	54-89668		1	CLEVIS CLIP, CHOKE ROD
37	89402A1		1	PLATE ASSEMBLY, CHOKE KNOB (MANUAL)
	94301A1		1	PLATE ASSEMBLY, CHOKE KNOB (ELECTRIC)
38	92333		1	LINK, CHOKE DETENT
39	10-40001--8		2	SCREW, LINK AND PLATE TO CARBURETOR (12MM)
40	96046		1	PLATE, CARBURETOR (ITALY ENGINES ONLY)
41	41434A1		1	COVER ASSEMBLY, ENRICHER VALVE
-	1399-8153		--	REPAIR PARTS KIT CONTENTS INDICATED BY FOOTNOTE 13.
-	1399-8154		--	DIAPHRAGM AND GASKET KIT CONTENTS INDICATED BY FOOTNOTE 14.
-	27-41499A84		--	GASKET SET CONTENTS INDICATED BY FOOTNOTE 15.

MERC 25

CYLINDER BLOCK AND COVER



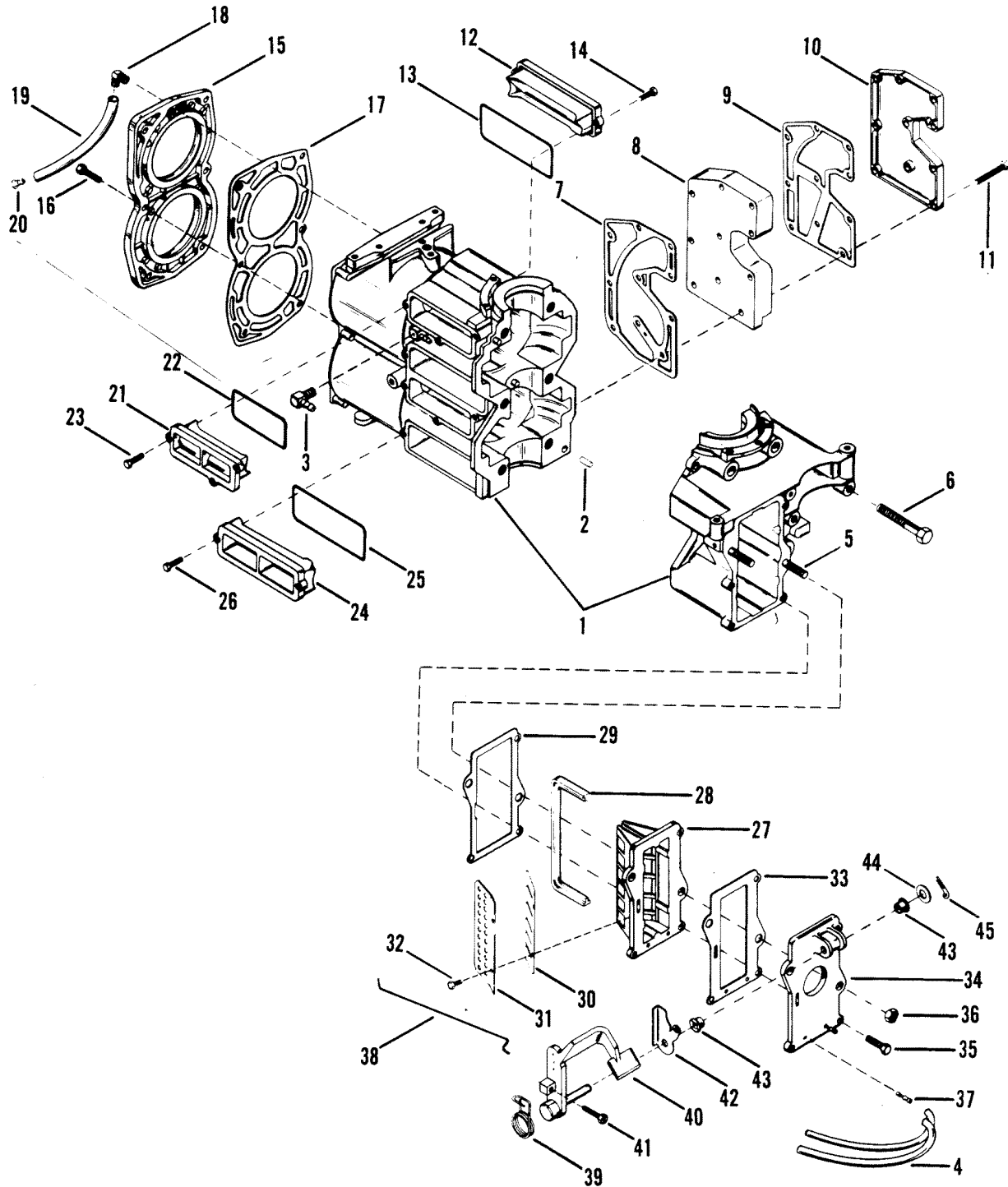
CYLINDER BLOCK AND COVER

REF. NO.	PART NO.	SYM.	QTY.	DESCRIPTION
1	872-8790A4		1	CYL. BLOCK/CRANKCASE ASSEMBLY
2	17-85171		3	DOWEL PIN, CYLINDER BLOCK
3	22-71191		2	ELBOW, BLEED HOSE (45 DEGREES)
4	32-99130-78		2	HOSE, BLEED (12-1/4")
5	16-42917		2	STUD, CARBURETOR
6	10-40001209		6	SCREW, CRANKCASE TO CYLINDER BLOCK (60MM)
7	27-41475	●	1	GASKET, EXHAUST MANIFOLD
8	92329		1	EXHAUST MANIFOLD
9	27-41499	●	1	GASKET, EXHAUST COVER
10	92330		1	COVER, EXHAUST
11	40003-33		10	SCREW, EXHAUST COVER TO CYLINDER BLOCK (40MM)
12	92349		2	COVER, TRANSFER PORT
13	25-30503	●	2	"O" RING, TRANSFER PORT COVER
14	10-40057107		4	SCREW, COVER TO CYLINDER BLOCK (16MM)
15	1028-8283A1		1	COVER ASSEMBLY, CYLINDER BLOCK
16	10-40003-31		6	SCREW, COVER ATTACHING (30MM)
17	27-86389	●	1	GASKET, CYLINDER BLOCK COVER
18	22-99664		1	ELBOW, TELL TALE HOSE
19	32-34395A1		1	HOSE, TELL TALE (8")
20	22-94848		1	FITTING, TELL TALE HOSE - BOTTOM COWL
21	92351		2	COVER, TRANSFER PORT
22	25-86391	●	2	"O" RING, TRANSFER PORT COVER
23	10-40057107		6	SCREW, COVER TO CYLINDER BLOCK (16MM)
24	92350		2	COVER, TRANSFER PORT
25	25-33465	●	2	"O" RING, TRANSFER PORT COVER
26	10-40057107		4	SCREW, COVER TO CYLINDER BLOCK (16MM)
27	90786		1	REED BLOCK
28	85977		1	SEAL, REED BLOCK - RUBBER
29	27-85978	●	1	GASKET, REED BLOCK
30	34-99319		2	REED
31	34-89793		2	REED STOP
32	10-40057-85		4	SCREW, REED ATTACHING (10MM)
33	27-85979	●	1	GASKET, ADAPTOR PLATE
34	90785		1	PLATE, ADAPTOR - CARBURETOR
35	10-40057108		3	SCREW, PLATE TO REED BLOCK (20MM)
36	11-40021--3		2	NUT, CARBURETOR STUD
37	22-56759		2	FITTING, ADAPTOR PLATE - BLEED HOSE
38	93879		1	IDLE WIRE
39	24-97176		1	SPRING, CHOKE
40	42545		1	LEVER, CHOKE/FAST IDLE
41	10-91073		1	SCREW, ADJUSTING - LEVER

● = CONTENTS OF GASKET SET [27-41499A84].

CONTINUED ON NEXT PAGE ➡

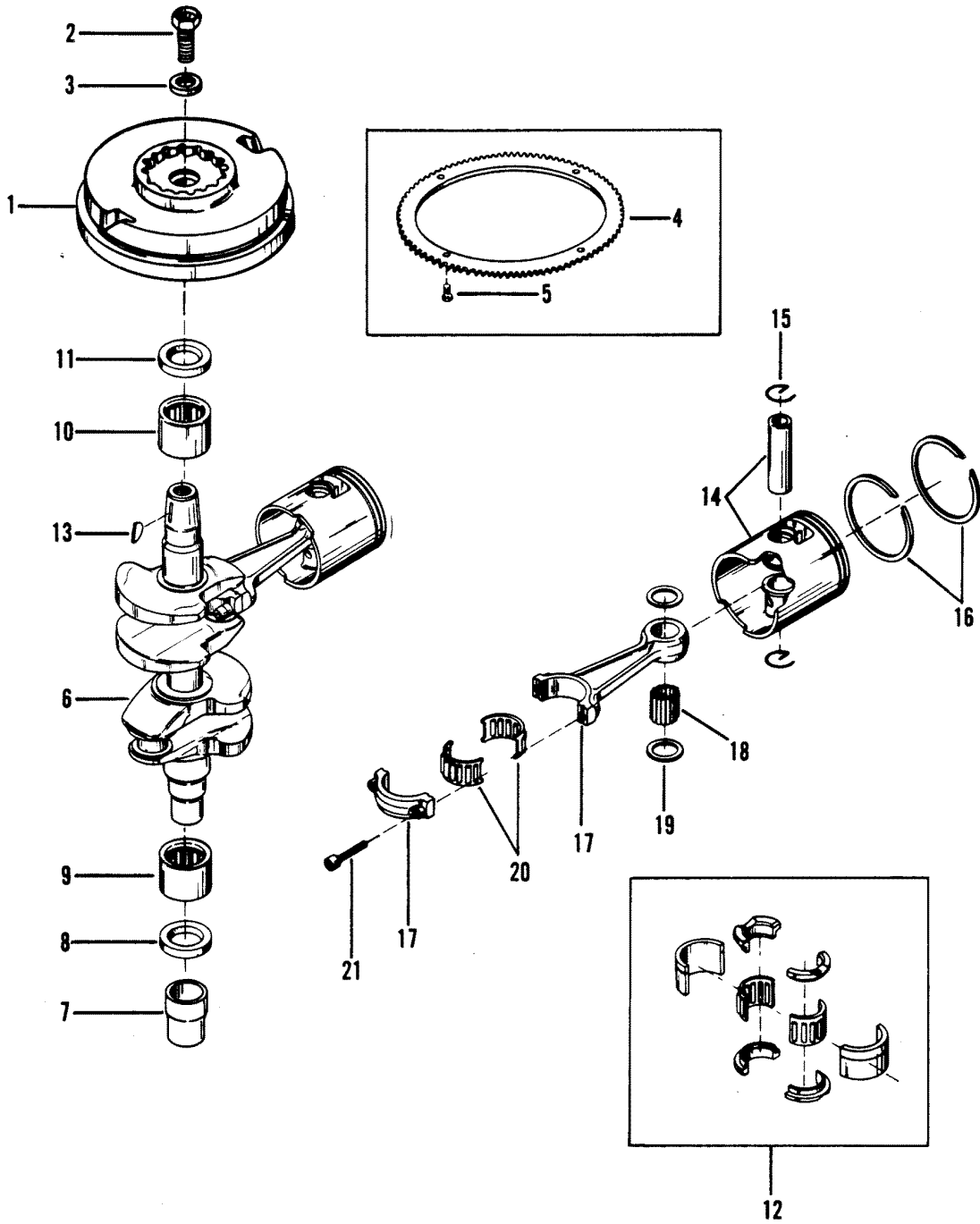
CYLINDER BLOCK AND COVER



CYLINDER BLOCK AND COVER

REF. NO.	PART NO.	SYM.	QTY.	DESCRIPTION
42	43220A1		1	LEVER ASSEMBLY, CHOKE
43	23-26856		2	BUSHING, CHOKE/FAST IDLE LEVER
44	12-28463		1	WASHER, CHOKE/FAST IDLE LEVER
45	18-93500		1	COTTER PIN, CHOKE/FAST IDLE LEVER
-	27-41499A84		--	GASKET SET CONTENTS INDICATED BY FOOTNOTE 15.

CRANKSHAFT, PISTONS AND FLYWHEEL



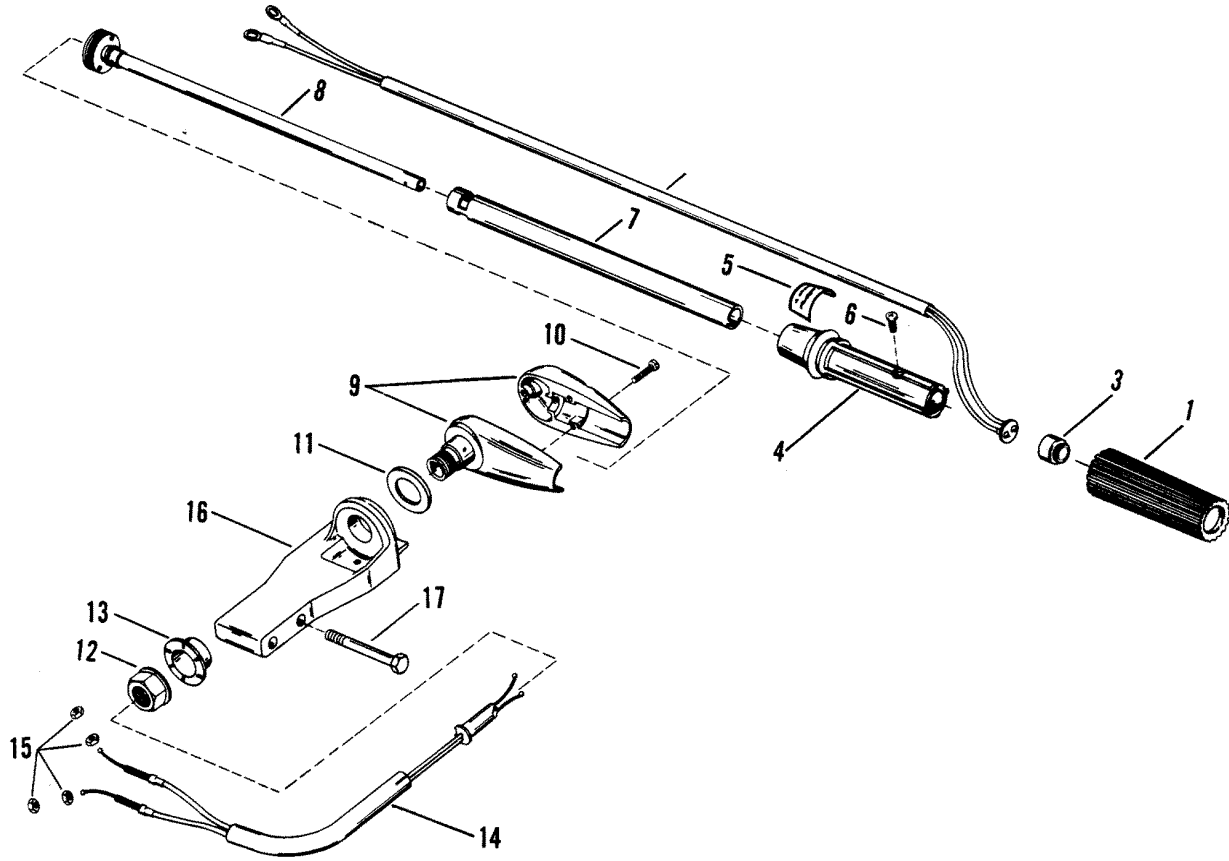
CRANKSHAFT, PISTONS AND FLYWHEEL

REF. NO.	PART NO.	SYM.	QTY.	DESCRIPTION
1	258-8274A6		1	FLYWHEEL ASSEMBLY
2	97359A1		1	SCREW, FLYWHEEL TO CRANKSHAFT
3	12-86496		1	WASHER, FLYWHEEL SCREW
4	43-99301		1	RING GEAR, FLYWHEEL - ELECTRIC
5	10-40039106		4	SCREW, RING GEAR TO FLYWHEEL (ELECTRIC)
6	464-8697A2		1	CRANKSHAFT ASSEMBLY
7	99538	●	1	SEAL, CRANKSHAFT
8	26-85107		1	OIL SEAL, CRANKSHAFT (LOWER)
9	31-85113		1	ROLLER BEARING, CRANKSHAFT (LOWER)
10	31-85114		1	ROLLER BEARING, CRANKSHAFT (UPPER)
11	26-85974		1	OIL SEAL, CRANKSHAFT (UPPER)
12	86992A2		1	BEARING ASSEMBLY, CENTER MAIN
13	28-20094		1	KEY, FLYWHEEL DRIVE
14	767-8511A3		2	PISTON AND PIN ASSEMBLY
15	40-47276		4	LOCK RING, PISTON PIN
16	39-96525A12		1	PISTON RING ASSEMBLY
17	630-8835A2		2	CONNECTING ROD ASSEMBLY
18	29-98295		54	NEEDLE BEARING, PISTON END
19	42025		4	BEARING, LOCATING - NEEDLE BEARING
20	31-41620A1		2	ROLLER BEARING ASSEMBLY
21	10-40082-25		4	SCREW, CONNECTING ROD (25MM)
-	27-41499A84		--	GASKET SET CONTENTS INDICATED BY FOOTNOTE 15.
-	90885A84		--	POWERHEAD ASSEMBLY, COMPLETE INCLUDES CYLINDER BLOCK AND CRANKCASE, PISTONS, CONNECTING ROD AND BEARINGS.

FOR REPLACEMENT OF POWERHEAD ASSEMBLY, COMPLETE, WHICH INCLUDES CYLINDER BLOCK AND CRANKCASE, PISTONS, CONNECTING RODS AND BEARINGS, ETC., ORDER POWERHEAD ASSEMBLY [90885A84].

● = CONTENTS OF GASKET SET [27-41499A84].

STEERING HANDLE ASSEMBLY

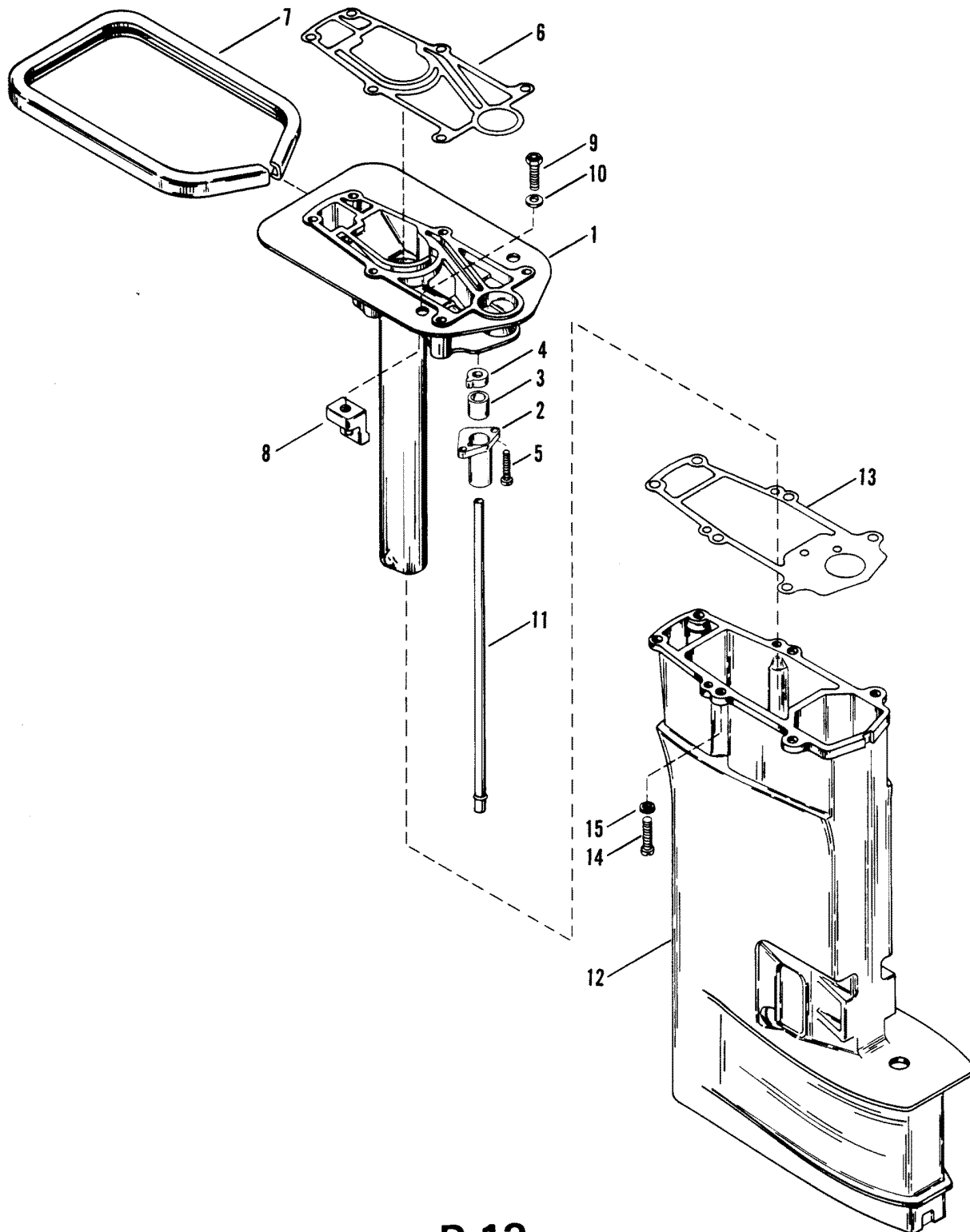


STEERING HANDLE ASSEMBLY

REF. NO.	PART NO.	SYM.	QTY.	DESCRIPTION
-	94185A3		1	STEERING HANDLE ASSEMBLY
1	99589		1	GRIP, RUBBER
2	84-89591A2		1	HARNESS ASSEMBLY, STOP SWITCH
3	55741A1		1	BOOT ASSEMBLY, STOP SWITCH
4	96495A1		1	HANDLE ASSEMBLY, THROTTLE
5	37-90385		1	DECAL, THROTTLE HANDLE
6	10-62568		1	SCREW, THROTTLE HANDLE
7	99333A2		1	TUBE ASSEMBLY, STEERING
8	41590A1		1	TUBE ASSEMBLY
9	94185A4		1	BRACKET ASSEMBLY
10	10-40056-88		3	SCREW, BRACKET CLAMPING (20MM)
11	12-57860		1	WASHER, NYLON - BRACKET
12	11-96787		1	NUT, BRACKET
13	23-85973		1	BUSHING, BRACKET
14	43242		1	CABLE, THROTTLE
15	11-40021--2		4	NUT, THROTTLE CABLE
16	96710A1		1	BRACKET ASSEMBLY, STEERING
17	10-40003-84		2	SCREW, BRACKET TO SWIVEL TUBE (75MM)

MANUAL

DRIVE SHAFT HOUSING ASSEMBLY



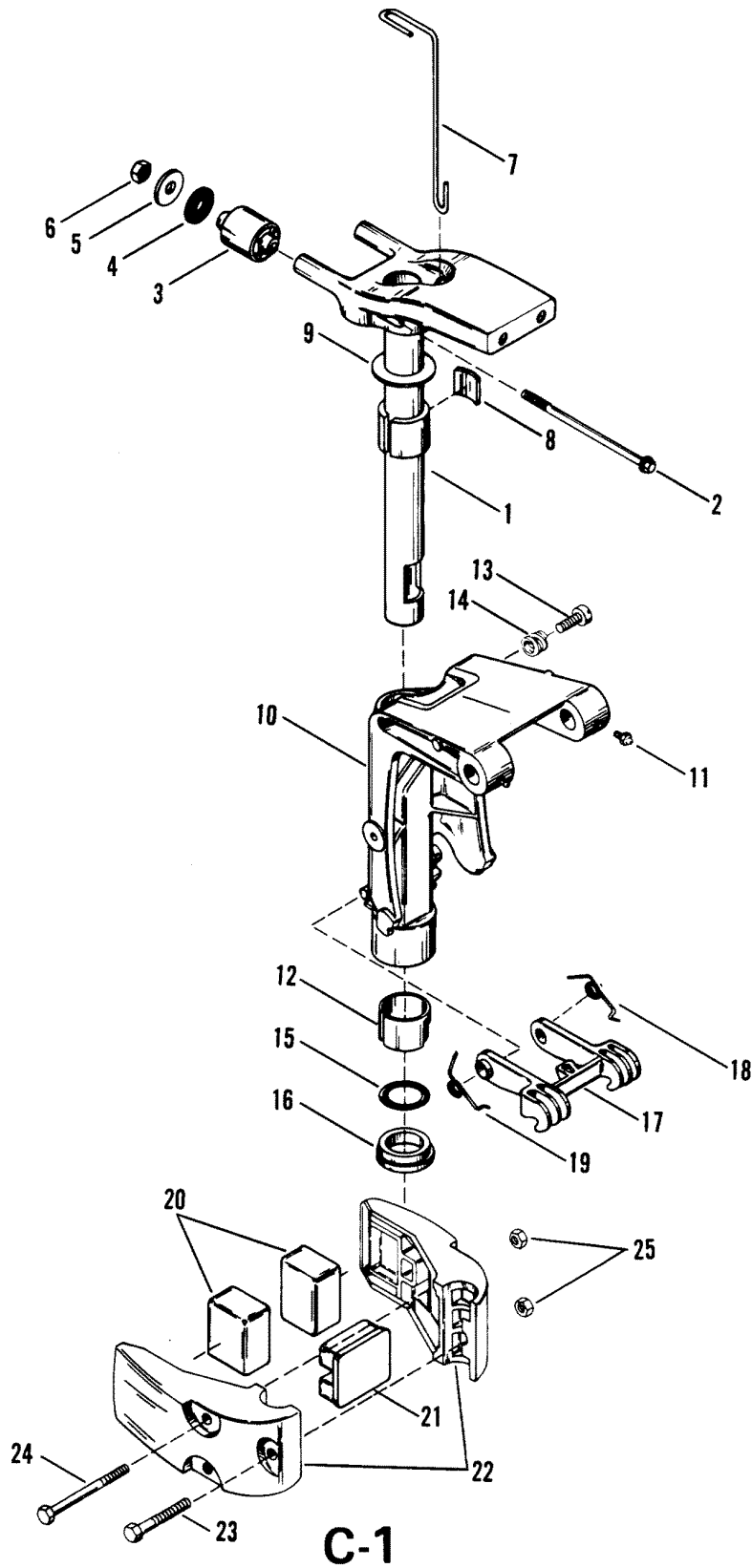
B-13

DRIVE SHAFT HOUSING ASSEMBLY

REF. NO.	PART NO.	SYM.	QTY.	DESCRIPTION
1	99702A3		1	ADAPTOR PLATE ASSEMBLY (MERC 18)
	99702A4		1	ADAPTOR PLATE ASSEMBLY (MERC 25)
2	96248A1		1	HOUSING ASSEMBLY, WATER TUBE
3	26-25329	●	1	SEAL, WATER TUBE
4	23-96247		1	SPACER, WATER TUBE
5	10-40003--5		2	SCREW, HOUSING TO ADAPTOR PLATE (16MM)
6	27-41670	●	1	GASKET, ADAPTOR PLATE
7	87357		1	SEAL, ADAPTOR PLATE
8	41211		2	BRACKET, UPPER MOUNT
9	10-40007128		2	SCREW, UPPER MOUNT BRACKET
10	12-29245		2	WASHER, UPPER MOUNT BRACKET
11	32-85116		1	WATER TUBE, SHORT SHAFT
	32-86292		1	WATER TUBE, LONG SHAFT
12	1588-8695A1		1	HOUSING ASSEMBLY, SHORT SHAFT
	1591-8696A1		1	HOUSING ASSEMBLY, LONG SHAFT
13	27-43337	●	1	GASKET, DRIVE SHAFT HOUSING
14	10-40003-60		6	SCREW, DRIVE SHAFT HOUSING TO PLATE (60MM)
15	12-40023-17		6	WASHER, DRIVE SHAFT HOUSING SCREW
-	27-41499A84		--	GASKET SET CONTENTS INDICATED BY FOOTNOTE 15.

● = CONTENTS OF GASKET SET [27-41499A84].

SWIVEL BRACKET ASSEMBLY

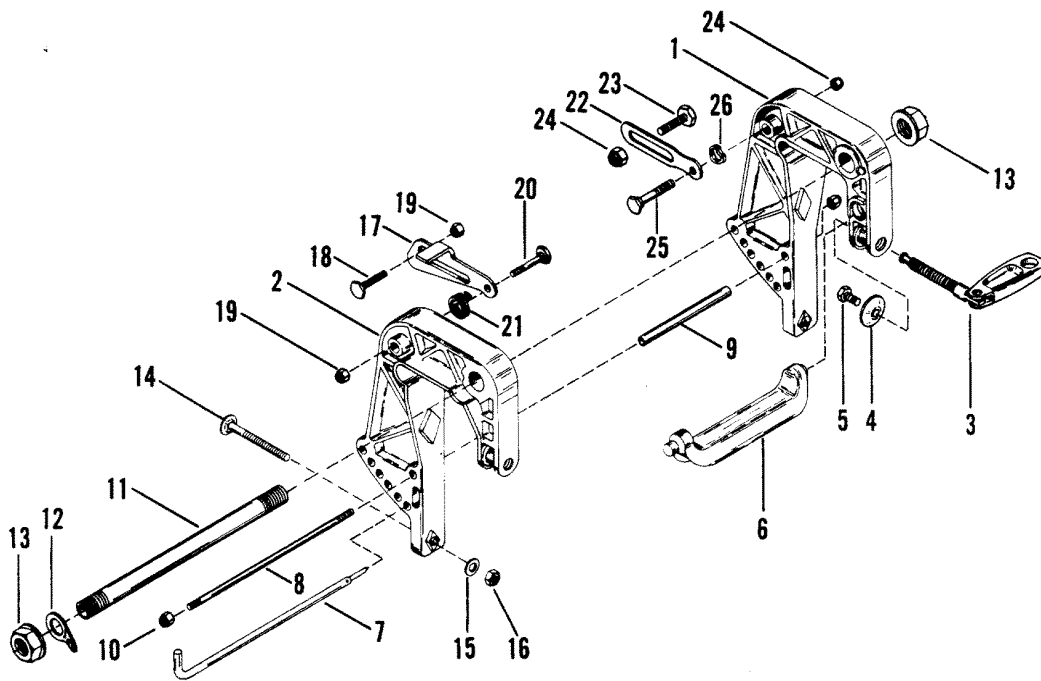


SWIVEL BRACKET ASSEMBLY

REF. NO.	PART NO.	SYM.	QTY.	DESCRIPTION
1	97544A1		1	SWIVEL TUBE ASSEMBLY
2	10-87142		2	SCREW, UPPER MOUNT (133MM)
3	85102		2	MOUNT, UPPER
4	12-85172		2	WASHER, RUBBER - UPPER MOUNT SCREW
5	12-85106		2	WASHER, UPPER MOUNT SCREW
6	11-40021--3		2	NUT, UPPER MOUNT SCREW
7	85157		1	ROD, REVERSE HOOK
8	85173		1	PLATE, PILOT CONTROL
9	12-85104		1	WASHER, SWIVEL TUBE
10	1487-8692A3		1	SWIVEL BRACKET ASSEMBLY
11	22-74036		3	GREASE FITTING
12	23-95949		2	BUSHING, SWIVEL BRACKET
13	10-91908		1	SCREW, PILOT CONTROL
14	24-96203		1	SPRING, PILOT CONTROL SCREW
15	25-86993	●	1	"O" RING, SWIVEL TUBE
16	23-85154		1	BUSHING SWIVEL TUBE (LOWER)
17	98830A1		1	HOOK ASSEMBLY, REVERSE LOCK
18	24-96018		1	SPRING, REVERSE HOOK - PORT
19	24-97427		1	SPRING, REVERSE HOOK - STARBOARD
20	85122		2	MOUNT, LOWER
21	85123		1	BUMPER, FRONT
22	95068A1		1	COVER, LOWER MOUNT
23	10-40092-59		1	SCREW, LOWER MOUNT COVER (60MM)
24	10-40092-63		2	SCREW, LOWER MOUNT COVER (100MM)
25	11-40021--3		3	NUT, LOWER MOUNT COVER SCREW
-	27-41499A84		--	GASKET SET CONTENTS INDICATED BY FOOTNOTE 15.

● = CONTENTS OF GASKET SET [27-41499A84].

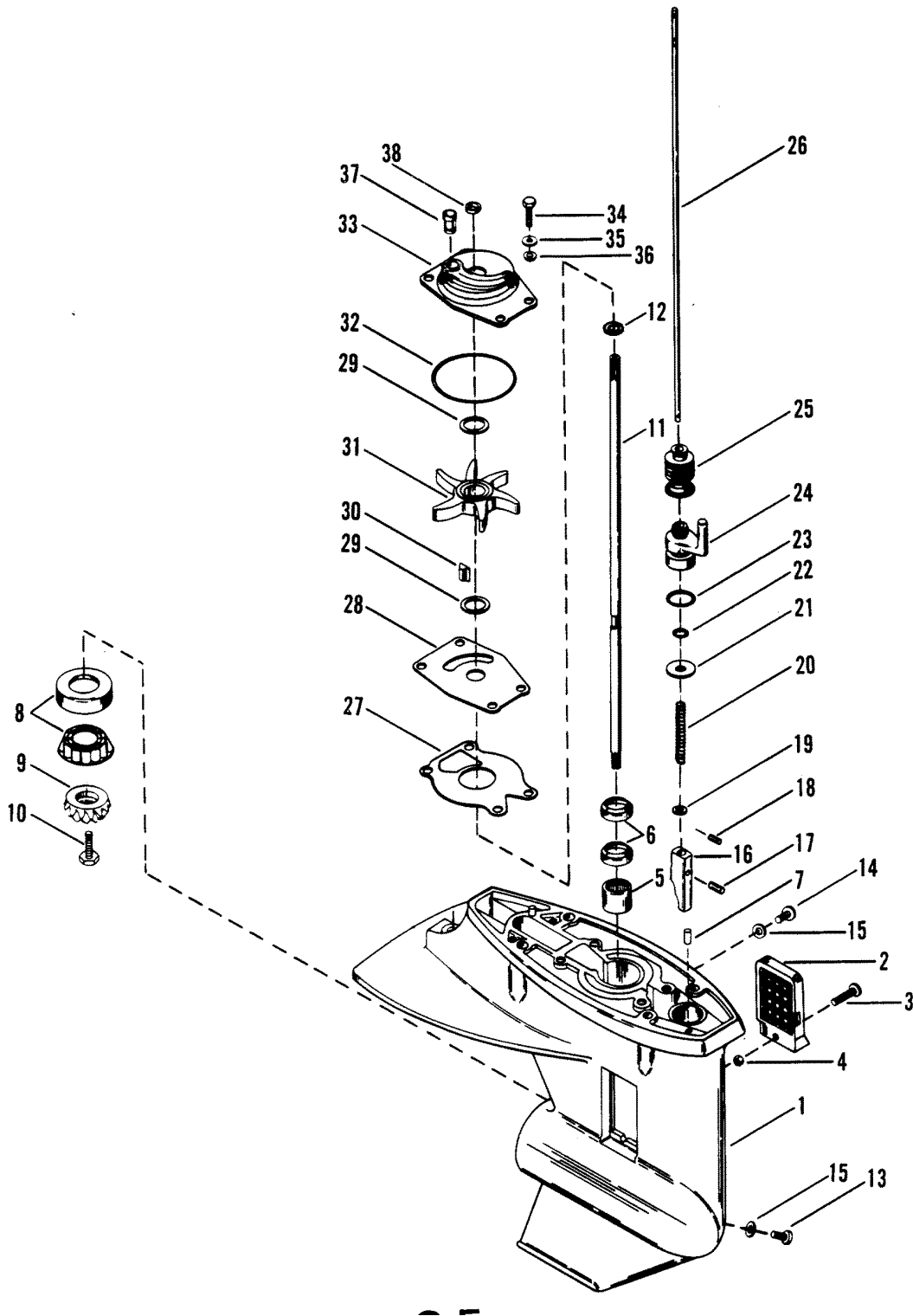
CLAMP BRACKET ASSEMBLY



CLAMP BRACKET ASSEMBLY

REF. NO.	PART NO.	SYM.	QTY.	DESCRIPTION
1	1497-8794A1		1	CLAMP BRACKET ASSEMBLY (PORT)
2	1497-8796A1		1	CLAMP BRACKET ASSEMBLY (STARBOARD)
3	10-92767A1		2	THUMB SCREW ASSEMBLY
4	12-73719		2	WASHER, THUMB SCREW
5	10-76804		2	SCREW, WASHER ATTACHING
6	41042		1	HANDLE, CARRYING
7	17-99929A1		1	TITL PIN ASSEMBLY
8	16-99928		1	STUD, CLAMP BRACKET
9	23-41041		1	SPACER, CLAMP BRACKET STUD
10	11-40021--3		2	NUT, CLAMP BRACKET STUD
11	41171		1	TILT TUBE
12	54-30954		1	CLIP, SAFETY
13	11-93164		2	NUT, TILT TUBE
14	10-69064		2	BOLT, CLAMP BRACKET TO TRANSOM
15	12-67981		2	WASHER, CLAMP BRACKET BOLT
16	11-67980		2	NUT, CLAMP BRACKET BOLT
17	96965		1	LEVER, TILT STOP - STARBOARD SIDE
18	10-41523		1	SCREW, LEVER TO SWIVEL BRACKET
19	11-35045		2	NUT, TILT STOP LEVER SCREW
20	10-41524		1	SCREW, LEVER TO CLAMP BRACKET
21	24-85167		1	SPRING, TILT STOP LEVER SCREW
22	90901		1	STRAP, TILT STOP - PORT SIDE
23	10-41523		1	SCREW, STRAP TO SWIVEL BRACKET
24	11-35045		2	NUT, TILT STOP STRAP SCREW
25	10-41524		1	SCREW, STRAP TO CLAMP BRACKET
26	13-31030		1	WAVE WASHER, TILT STOP STRAP SCREW

GEAR HOUSING (DRIVE SHAFT) (SCREW INSERTED FROM TOP)



GEAR HOUSING (DRIVE SHAFT) (SCREW INSERTED FROM TOP)

REF. NO.	PART NO.	SYM.	QTY.	DESCRIPTION
-	1665-8669A3		1	GEAR HOUSING ASSEMBLY, COMPLETE SHORT SHAFT
-	1665-8669A4		1	GEAR HOUSING ASSEMBLY, COMPLETE LONG SHAFT
1	1665-8669A2		1	GEAR HOUSING ASSEMBLY
2	35-41134		1	SCREEN, WATER INLET - STARBOARD
	35-41133		1	SCREEN, WATER INLET - PORT
3	10-40031112		1	SCREW, SCREEN TO GEAR HOUSING (40MM)
4	11-40026--3		1	NUT, SCREEN SCREW
5	31-41326		1	ROLLER BEARING, UPPER
6	26-99325	◇	2	SEAL, GEAR HOUSING
7	17-85500		2	DOWEL PIN, GEAR HOUSING
8	31-98294A1		1	ROLLER BEARING ASSEMBLY
9	43-98302		1	PINION GEAR
10	10-49908		1	SCREW, PINION GEAR
11	45-99199		1	DRIVE SHAFT - SHORT SHAFT
	45-99198		1	DRIVE SHAFT - LONG SHAFT
12	25-99691	◇ ●	1	"O" RING
13	22-67892		1	SCREW, DRAIN - MAGNETIC
14	10-79953		1	SCREW, GREASE FILLER
15	12-20260	+ ◇	2	WASHER, DRAIN AND FILLER SCREW
16	85562A1		1	CAM ASSEMBLY, SHIFT
17	17-85096		1	DRIVE PIN, SHIFT CAM
18	17-85593		1	ROLL PIN, SHIFT SHAFT
19	12-29245		1	WASHER, SHIFT SHAFT
20	24-93007		1	SPRING, SHIFT SHAFT
21	12-85091		1	WASHER, SHIFT SHAFT
22	25-85594	◇ ●	1	"O" RING, SHIFT SHAFT
23	25-20365	◇ ●	1	"O" RING, SHIFT SHAFT RETAINER
24	93878		1	RETAINER, SHIFT SHAFT
25	85552	◇	1	BOOT, SHIFT SHAFT
26	85126		1	SHIFT SHAFT - SHORT SHAFT
	86293		1	SHIFT SHAFT - LONG SHAFT
27	27-99326	+ ◇ ●	1	GASKET, WATER PUMP
28	85083	+	1	FACE PLATE
29	12-86645	+ ◇	2	WASHER, IMPELLER
30	28-85119	+	1	KEY, IMPELLER DRIVE
31	47-85089	+	1	IMPELLER
32	25-69202	+ ◇ ●	1	"O" RING, WATER PUMP
33	46-99157A1	+	1	WATER PUMP ASSEMBLY
34	10-40003--5		4	SCREW, WATER PUMP TO GEAR HOUSING (16MM)
35	12-89302		4	WASHER, WATER PUMP SCREW
36	23-85095	+ ◇	4	BUSHING, WATER PUMP SCREW

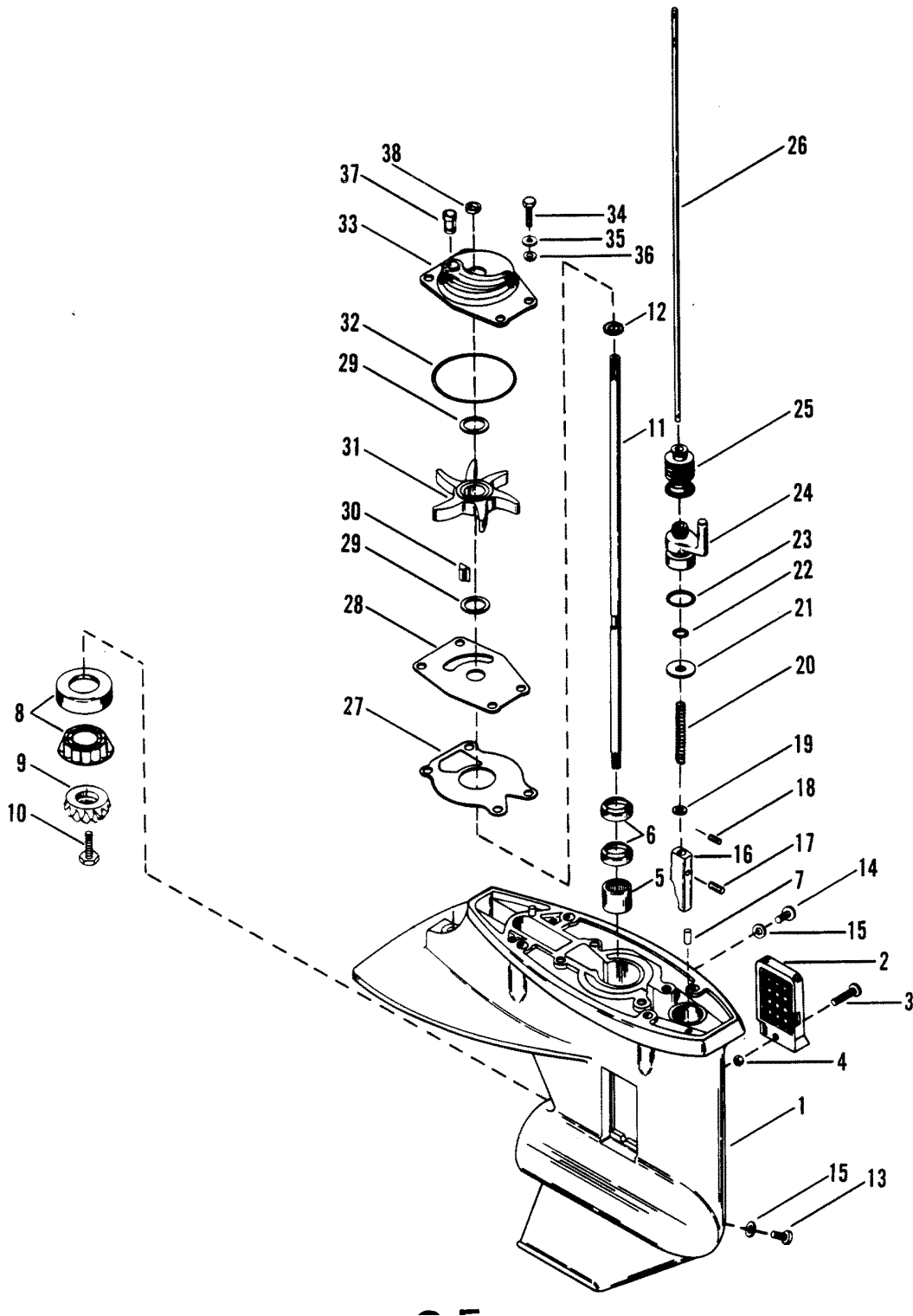
● = CONTENTS OF GASKET SET [27-41499A84].

◇ = CONTENTS OF SEAL REPAIR KIT [26-85090A1].

+ = CONTENTS OF WATER PUMP REPAIR KIT [46-99157A2].

CONTINUED ON NEXT PAGE ➡

GEAR HOUSING (DRIVE SHAFT) (SCREW INSERTED FROM TOP)



GEAR HOUSING (DRIVE SHAFT) (SCREW INSERTED FROM TOP)

REF. NO.	PART NO.	SYM.	QTY.	DESCRIPTION
37	26-85090	+ ◇ ●	1	SEAL, WATER TUBE
38	25-86203	+ ◇ ●	1	RING, DRIVE SHAFT - RUBBER
-	46-99157A2		--	WATER PUMP REPAIR KIT CONTENTS INDICATED BY FOOTNOTE 11.
-	26-85090A1		--	SEAL REPAIR KIT CONTENTS INDICATED BY FOOTNOTE 12.
-	27-41499A84		--	GASKET SET CONTENTS INDICATED BY FOOTNOTE 15.

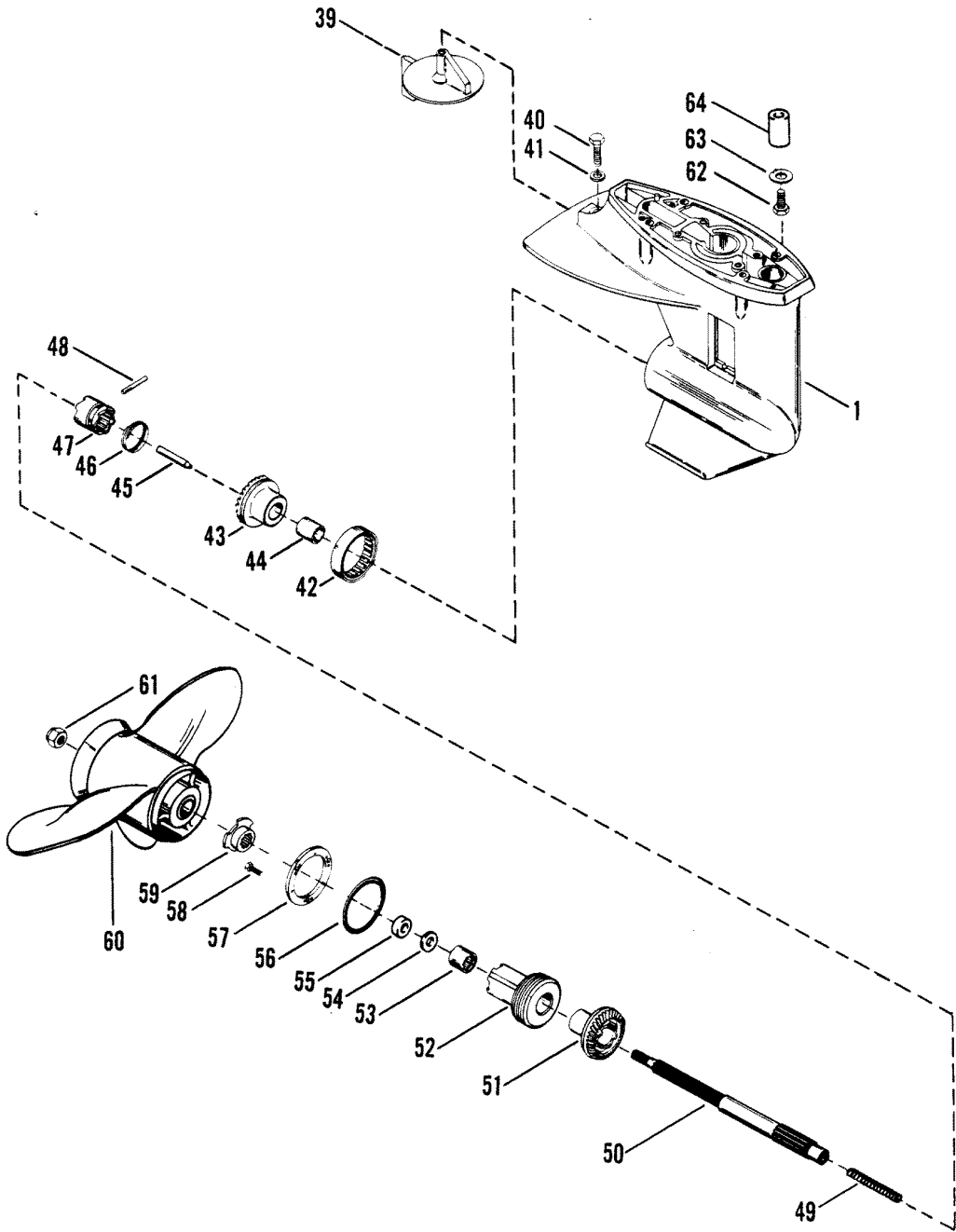
ORDER PARTS FROM THIS PAGE IF TRIM TAB SCREW IS INSERTED FROM TOP.

● = CONTENTS OF GASKET SET [27-41499A84].

◇ = CONTENTS OF SEAL REPAIR KIT [26-85090A1].

+ = CONTENTS OF WATER PUMP REPAIR KIT [46-99157A2].

GEAR HOUSING (PROP SHAFT) (SCREW INSERTED FROM TOP)



GEAR HOUSING (PROP SHAFT) (SCREW INSERTED FROM TOP)

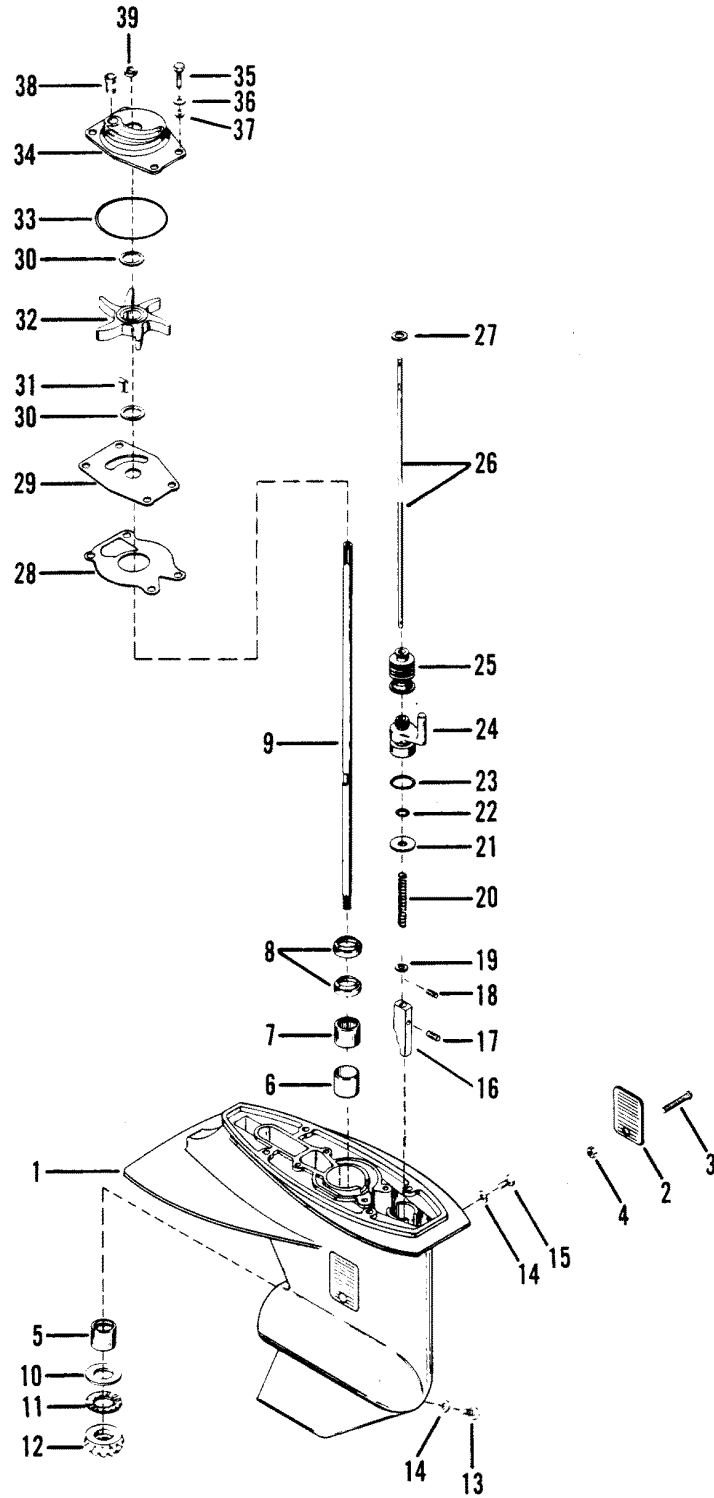
REF. NO.	PART NO.	SYM.	QTY.	DESCRIPTION
-	1665-8669A3		1	GEAR HOUSING ASSEMBLY, COMPLETE SHORT SHAFT
-	1665-8669A4		1	GEAR HOUSING ASSEMBLY, COMPLETE LONG SHAFT
1	1665-8669A2		1	GEAR HOUSING ASSEMBLY
39	44138		1	TRIM TAB
40	10-40003-55		1	SCREW, TRIM TAB (35MM)
41	12-70132		1	WASHER, TRIM TAB SCREW
42	31-99328A1		1	ROLLER BEARING ASSEMBLY, TAPERED
43	43-99220A1		1	FORWARD GEAR
44	23-85557		1	BUSHING, FORWARD GEAR
45	85094		1	CAM FOLLOWER
46	24-38114		1	SPRING, RETAINING - CROSS PIN
47	52-41040		1	CLUTCH, SLIDING
48	17-85093		1	CROSS PPIN, CLUTCH TO PROPELLER SHAFT
49	24-88680		1	SPRING, COMPRESSION - PROPELLER SHAFT
50	44-99740		1	PROPELLER SHAFT
51	43-99542		1	REVERSE GEAR
52	99906A1		1	BEARING CARRIER ASSEMBLY
53	31-21739		1	ROLLER BEARING
54	26-41132	◇	1	OIL SEAL, BEARING CARRIER (INNER)
55	26-41131	◇	1	OIL SEAL, BEARING CARRIER (OUTER)
56	25-85549	◇●	1	"O" RING, BEARING CARRIER
57	87293		1	PLATE, GEAR HOUSING
58	10-91909		3	SCREW, COVER TO GEAR HOUSING (16MM)
59	85128A1		1	THRUST HUB ASSEMBLY, PROPELLER
60	48-86848A4		1	PROPELLER ASSEMBLY
61	11-88228		1	PROPELLER NUT
62	10-43215		4	SCREW, GEAR HOUSING (25MM)
63	12-43328		4	WASHER, GEAR HOUSING SCREW
64	23-41589		4	SPACER, GEAR HOUSING SCREW
-	26-85090A1		--	SEAL REPAIR KIT CONTENTS INDICATED BY FOOTNOTE 12.
-	27-41499A84		--	GASKET SET CONTENTS INDICATED BY FOOTNOTE 15.

ORDER PARTS FROM THIS PAGE IF TRIM TAB SCREW IS INSERTED FROM TOP.

● = CONTENTS OF GASKET SET [27-41499A84].

◇ = CONTENTS OF SEAL REPAIR KIT [26-85090A1].

GEAR HOUSING (DRIVE SHAFT) (SCREW INSERTED FROM BOTTOM)



GEAR HOUSING (DRIVE SHAFT) (SCREW INSERTED FROM BOTTOM)

REF. NO.	PART NO.	SYM.	QTY.	DESCRIPTION
-	1653-8157A7		1	GEAR HOUSING ASSEMBLY, COMPLETE - SHORT SHAFT
-	1653-8157A8		1	GEAR HOUSING ASSEMBLY, COMPLETE - LONG SHAFT
1	1653-8157A6		1	GEAR HOUSING ASSEMBLY
2	35-98488		1	SCREEN, WATER INLET - STARBOARD
	35-98487		1	SCREEN, WATER INLET - PORT
3	40031112		1	SCREW, SCREEN TO GEAR HOUSING (40MM)
4	11-40026--3		1	NUT, SCREEN SCREW
5	31-85559		1	ROLLER BEARING, LOWER [96524] THRUST WASHER (.234 THICK) IS SUPERSEDED BY [98861A1] BUSHING KIT. [31-85559] ROLLER BEARING AND [31-85560] THRUST BEARING ARE NOT USED WITH THE BUSHING KIT.
6	23-85092		1	SLEEVE, UPPER ROLLER BEARING
7	31-85558		1	ROLLER BEARING, UPPER
8	26-33467	◇	2	SEAL, GEAR HOUSING
9	45-98084		1	DRIVE SHAFT - SHORT SHAFT
	45-98085		1	DRIVE SHAFT - LONG SHAFT
10	12-94056		AR	WASHER, THRUST - DRIVE SHAFT (.080 THICK)
	96524		AR	WASHER, THRUST - DRIVE SHAFT (.234 THICK) [96524] THRUST WASHER (.234 THICK) IS SUPERSEDED BY [98861A1] BUSHING KIT. [31-85559] ROLLER BEARING AND [31-85560] THRUST BEARING ARE NOT USED WITH THE BUSHING KIT
11	31-85560		1	THRUST BEARING, DRIVE SHAFT [96524] THRUST WASHER (.234 THICK) IS SUPERSEDED BY [98861A1] BUSHING KIT. [31-85559] ROLLER BEARING AND [31-85560] THRUST BEARING ARE NOT USED WITH THE BUSHING KIT
12	43-85132		1	PINION GEAR
13	22-67892		1	SCREW, DRAIN - MAGNETIC
14	12-20260	+◇	2	WASHER, DRAIN AND FILLER SCREW
15	10-79953		1	SCREW, GREASE FILLER
16	85562A1		1	CAM ASSEMBLY, SHIFT
17	17-85096		1	DRIVE PIN, SHIFT CAM
18	17-85593		1	ROLL PIN, SHIFT SHAFT
19	12-29245		1	WASHER, SHIFT SHAFT
20	24-93007		1	SPRING, SHIFT SHAFT
21	12-85091		1	WASHER, SHIFT SHAFT
22	25-85594	◇●	1	"O" RING, SHIFT SHAFT
23	25-20365	◇●	1	"O" RING, SHIFT SHAFT RETAINER
24	93878		1	RETAINER, SHIFT SHAFT
25	85552	◇	1	BOOT, SHIFT SHAFT
26	85126		1	SHIFT SHAFT - SHORT SHAFT
	86293		1	SHIFT SHAFT - LONG SHAFT

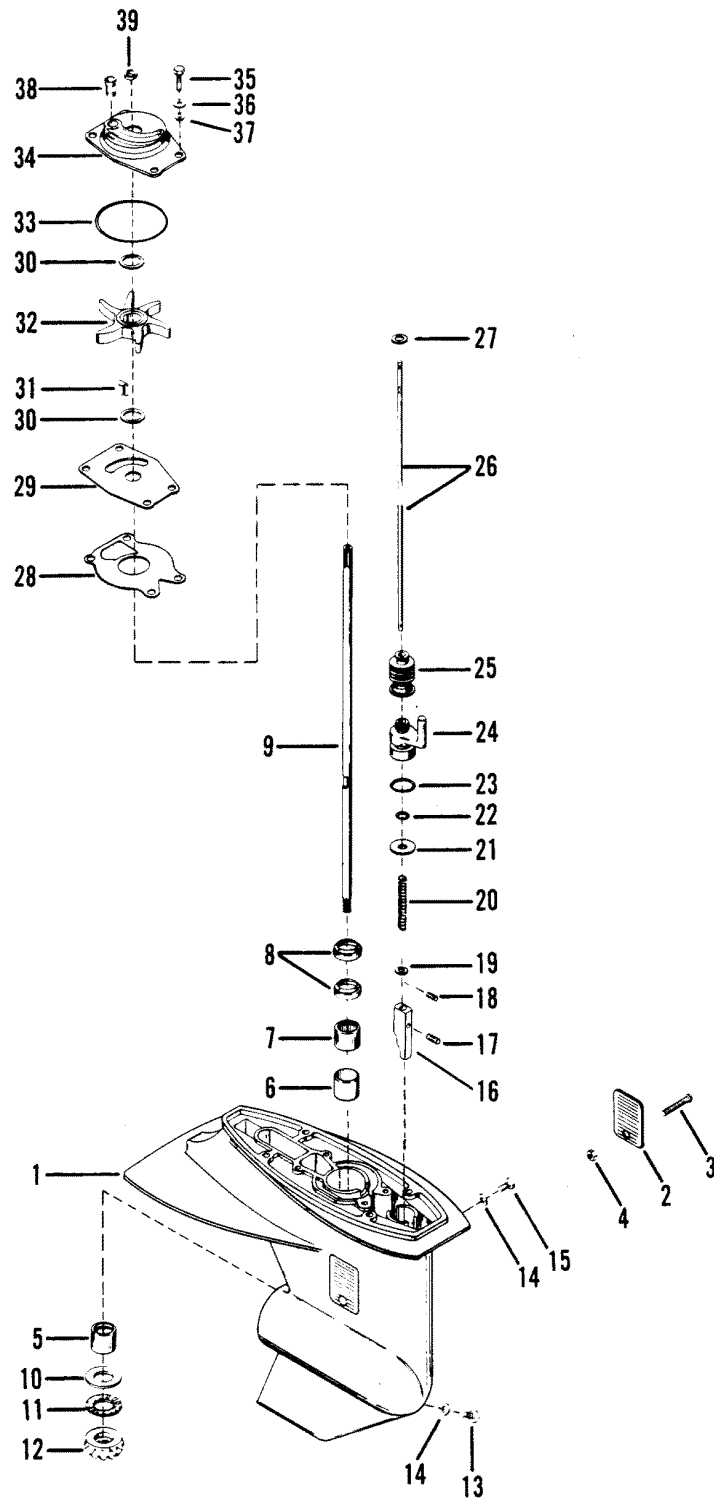
● = CONTENTS OF GASKET SET [27-41499A84].

◇ = CONTENTS OF SEAL REPAIR KIT [26-85090A1].

+ = CONTENTS OF WATER PUMP REPAIR KIT [46-99157A2].

CONTINUED ON NEXT PAGE ➡

GEAR HOUSING (DRIVE SHAFT) (SCREW INSERTED FROM BOTTOM)



GEAR HOUSING (DRIVE SHAFT) (SCREW INSERTED FROM BOTTOM)

REF. NO.	PART NO.	SYM.	QTY.	DESCRIPTION
27	12-29245		1	WASHER, SHIFT SHAFT - UPPER
28	27-85087	+ ◇ ●	1	GASKET, WATER PUMP
29	85083	+	1	FACE PLATE
30	12-86645	+ ◇	2	WASHER, IMPELLER
31	28-85119	+	1	KEY, IMPELLER DRIVE
32	47-85089	+	1	IMPELLER
33	25-69202	+ ◇ ●	1	"O" RING
34	46-99157A1	+	1	WATER PUMP
35	10-40003--5		4	SCREW, WATER PUMP
36	12-89302		4	WASHER, WATER PUMP SCREW
37	23-85095	+ ◇	4	BUSHING, WATER PUMP SCREW
38	26-85090	+ ◇ ●	1	SEAL, WATER TUBE
39	25-86203	+ ◇ ●	1	RING, DRIVE SHAFT - RUBBER
-	46-99157A2		--	WATER PUMP REPAIR KIT CONTENTS INDICATED BY FOOTNOTE 11.
-	26-85090A1		--	SEAL REPAIR KIT CONTENTS INDICATED BY FOOTNOTE 12.
-	27-41499A84		--	GASKET SET CONTENTS INDICATED BY FOOTNOTE 15.

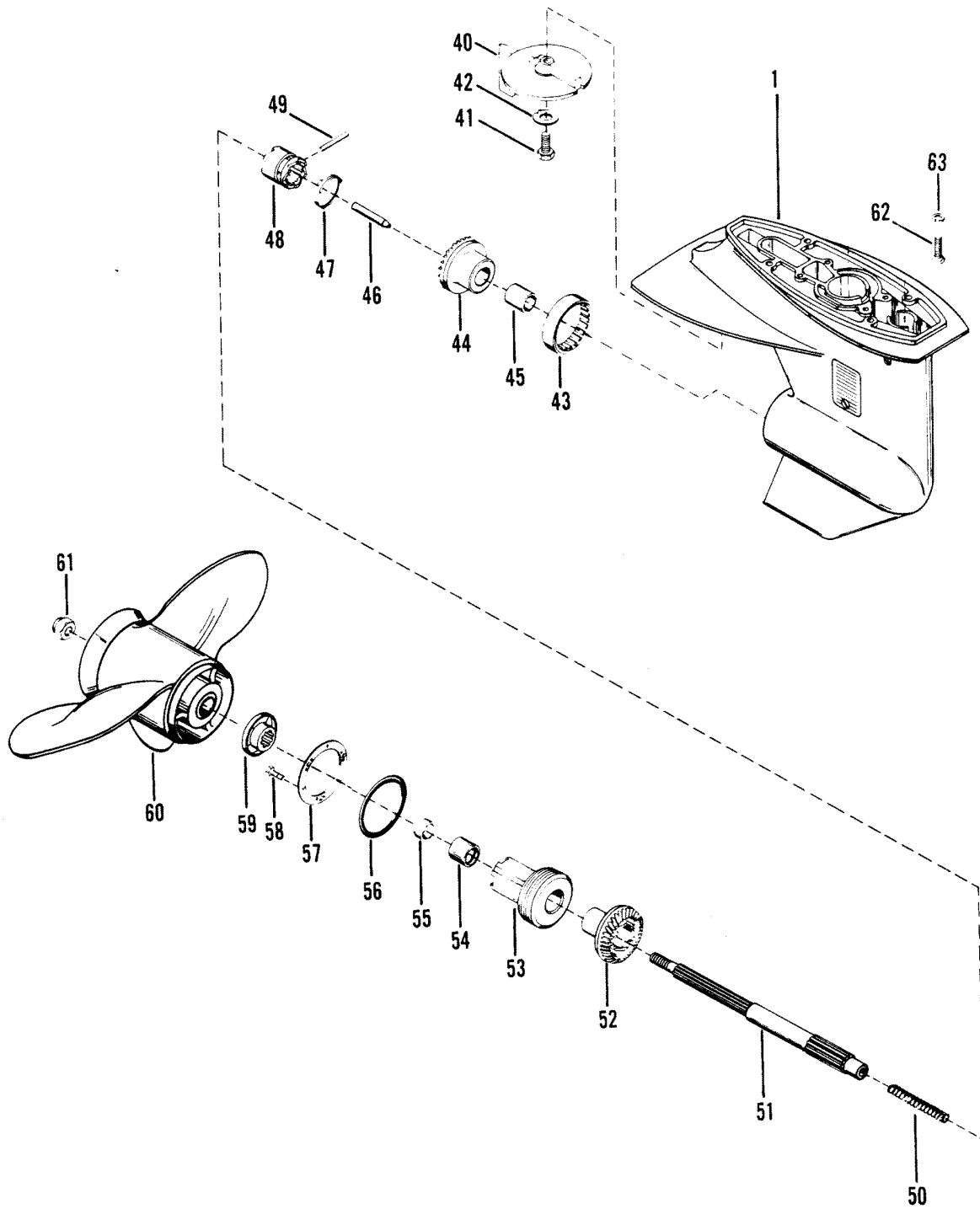
ORDER PARTS FROM THIS PAGE IF TRIM TAB SCREW IS INSERTED FROM BOTTOM.

● = CONTENTS OF GASKET SET [27-41499A84].

◇ = CONTENTS OF SEAL REPAIR KIT [26-85090A1].

+

GEAR HOUSING (PROP SHAFT) (SCREW INSERTED FROM BOTTOM)



GEAR HOUSING (PROP SHAFT) (SCREW INSERTED FROM BOTTOM)

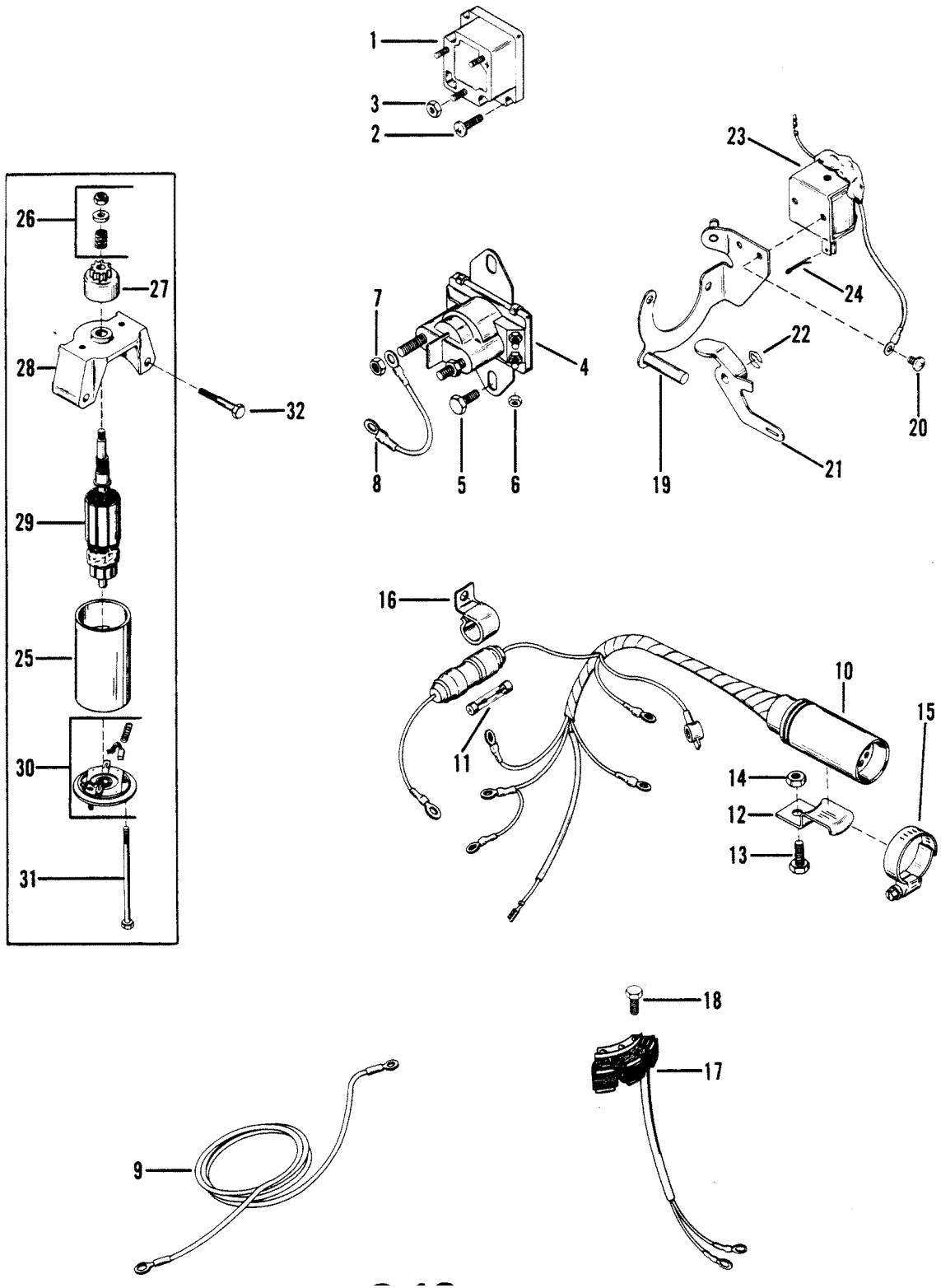
REF. NO.	PART NO.	SYM.	QTY.	DESCRIPTION
-	1653-8157A7		1	GEAR HOUSING ASSEMBLY, COMPLETE - SHORT SHAFT
-	1653-8157A8		1	GEAR HOUSING ASSEMBLY, COMPLETE - LONG SHAFT
1	1653-8157A6		1	GEAR HOUSING ASSEMBLY
40	94286		1	TRIM TAB
41	10-40003-52		1	SCREW, TRIM TAB (20MM)
42	14-85169		1	TAB WASHER, TRIM TAB SCREW
43	31-85555A1		1	ROLLER BEARING ASSEMBLY, TAPERED
44	43-85135A2		1	FORWARD GEAR
45	23-85557		1	BUSHING, FORWARD GEAR
46	85094		1	CAM FOLLOWER
47	24-38114		1	SPRING, RETAINING - CROSS PIN
48	52-85133		1	CLUTCH, SLIDING
49	17-85093		1	CROSS PIN, CLUTCH TO PROPELLER SHAFT
50	24-88680		1	SPRING, COMPRESSION - PROPELLER SHAFT
51	44-85134		1	PROPELLER SHAFT
52	43-85131		1	REVERSE GEAR
53	85136A1		1	BEARING CARRIER ASSEMBLY
54	31-21739		1	ROLLER BEARING
55	26-98283	◇	1	OIL SEAL, BEARING CARRIER
56	25-85549	◇●	1	"O" RING, BEARING CARRIER
57	87293		1	PLATE, GEAR HOUSING
58	10-91909		3	SCREW, COVER TO GEAR HOUSING (16MM)
59	85128A1		1	THRUST HUB ASSEMBLY, PROPELLER
60	48-86848A4		1	PROPELLER ASSEMBLY
61	11-88228		1	PROPELLER NUT
62	10-40003-53		4	SCREW, GEAR HOUSING (25MM)
63	12-40023-17		4	WASHER, GEAR HOUSING SCREW
-	26-85090A1		--	SEAL REPAIR KIT CONTENTS INDICATED BY FOOTNOTE 12.
-	27-41499A84		--	GASKET SET CONTENTS INDICATED BY FOOTNOTE 15.

ORDER PARTS FROM THIS APGE IF TRIM TAB SCREW IS INSERTED FROM BOTTOM.

● = CONTENTS OF GASKET SET [27-41499A84].

◇ = CONTENTS OF SEAL REPAIR KIT [26-85090A1].

ELECTRIC COMPONENTS

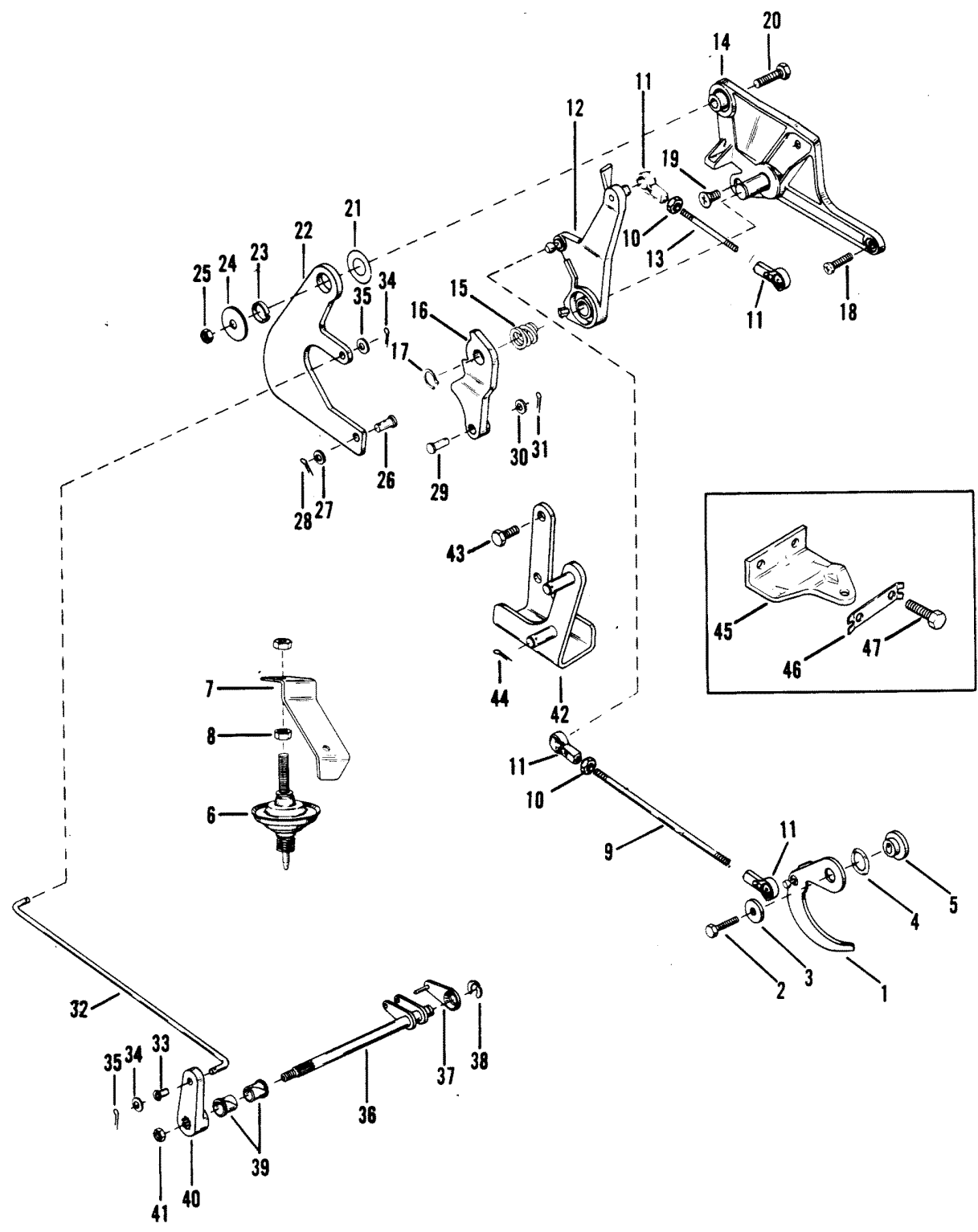


ELECTRIC COMPONENTS

REF. NO.	PART NO.	SYM.	QTY.	DESCRIPTION
1	62351A2		1	RECTIFIER ASSEMBLY
2	10-48409		2	SCREW, RECTIFIER TO CYLINDER BLOCK
3	11-45076		3	NUT, RECTIFIER TERMINALS
4	89-91975		1	STARTER SOLENOID
5	10-40001-68		2	SCREW, STARTER SOLENOID TO CRANKCASE (14MM)
6	11-26419		2	NUT, STARTER SOLENOID TERMINAL (10-32)
7	11-64015		2	NUT, STARTER SOLENOID TERMINAL (1/4-20)
8	84-88809A5		1	WIRE ASSEMBLY, YELLOW
9	84-88439A8		1	BATTERY WIRE ASSEMBLY, RED
	84-88439A6		1	BATTERY WIRE ASSEMBLY, BLACK
10	84-92436A3		1	WIRING HARNESS ASSEMBLY, ENGINE
11	88-95085		1	FUSE
12	92439		1	BRACKET, WIRING HARNESS
13	10-40003-27		1	SCREW, BRACKET
14	11-40021--2		1	NUT, BRACKET SCREW
15	54-32779		1	CLAMP, WIRING HARNESS
16	54-55098		1	CLAMP, WIRING HARNESS
17	86704A2		1	STATOR ASSEMBLY, AUXILLARY
18	10-40001-23		3	SCREW, STATOR ATTACHING (30MM)
19	94301A1		1	PLATE ASSEMBLY, CHOKE KNOB
20	10-95088		2	SCREW, PLATE TO SOLENOID
21	95020		1	LEVER, CHOKE
22	53-95019		1	RETAINING RING, CHOKE LEVER TO PLATE
23	89-94973A3		1	SOLENOID ASSEMBLY
24	18-21071		1	COTTER PIN, CHOKE LEVER TO SOLENOID
25	50-90983A1		1	STARTER MOTOR ASSEMBLY
26	96561		1	DRIVE KIT
27	96562		1	DRIVE
28	96563		1	END CAP
29	96565		1	ARMATURE
30	96564		1	END CAP, COMMUTATOR W/SPRINGS AND BRUSHES
31	10-96566		1	THRU BOLT
32	10-40001149		2	SCREW, STARTER MOTOR ATTACHING

ELECTRIC

THROTTLE AND SHIFT LINKAGE (ELECTRIC)

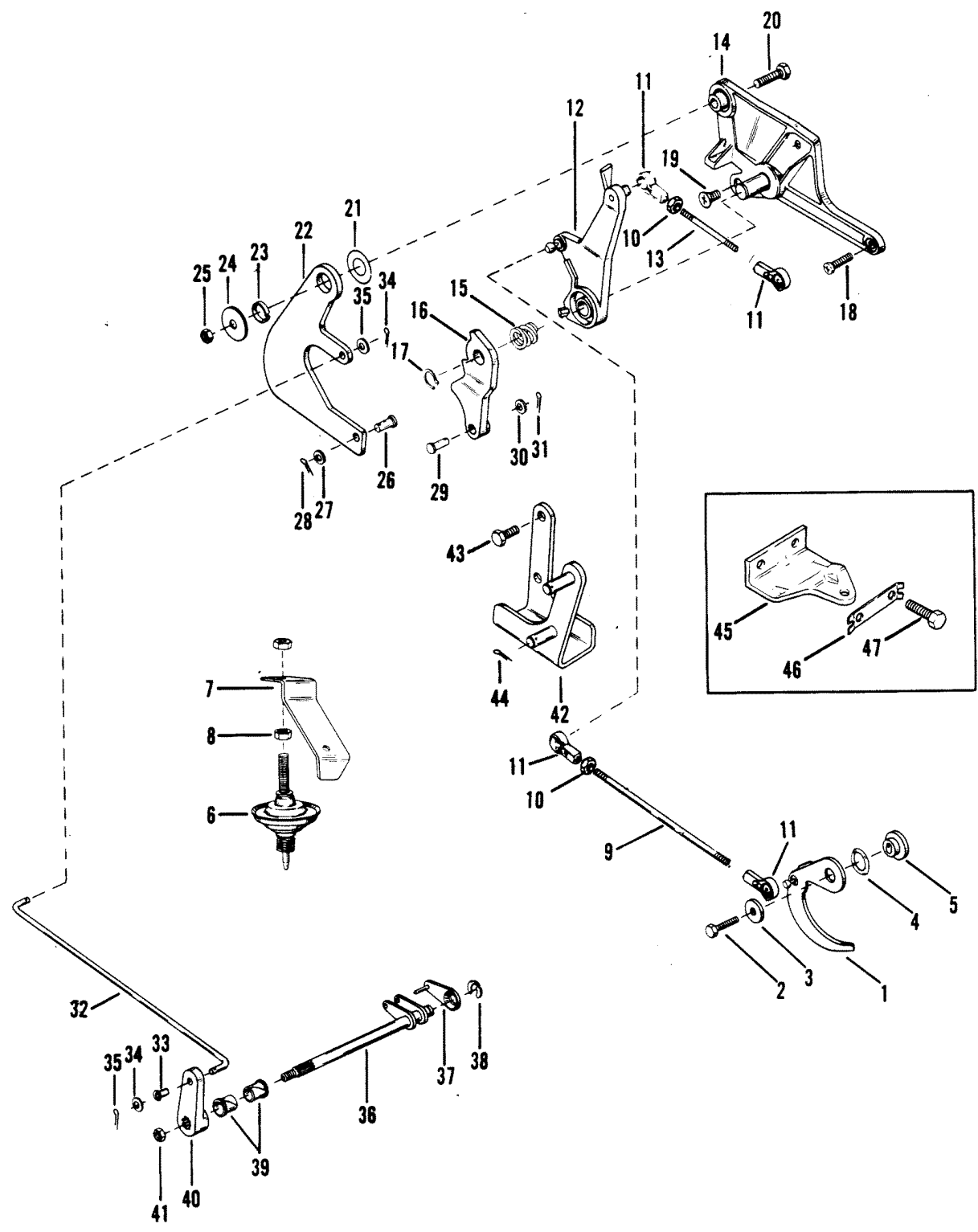


THROTTLE AND SHIFT LINKAGE (ELECTRIC)

REF. NO.	PART NO.	SYM.	QTY.	DESCRIPTION
1	96096		1	THROTTLE CAM
2	10-40001-14		1	SCREW, THROTTLE CAM TO CRANKCASE (16MM)
3	12-87791		1	WASHER, THROTTLE CAM SCREW
4	13-69150		1	WAVE WASHER, THROTTLE CAM SCREW
5	23-86968		1	BUSHING, THROTTLE CAM SCREW
6	92425		1	DASHPOT
7	93001		1	BRACKET, DASHPOT
8	11-22053		2	NUT, DASHPOT TERMINAL
9	98463A1		1	THROTTLE ROD
10	11-68219		1	NUT, LOCK-THROTTLE ROD
11	98465		2	SOCKET, THROTTLE ROD
12	92730		1	LEVER, CONTROL
13	98464A1		1	TIMING ROD
14	95037		1	PLATFOM, CONTROL
15	24-89540		1	SPRING, SPARK ADVANCE
16	95034		1	LEVER, ACTUATING
17	53-46250		1	RETAINING RING, ACTUATING AND CONTROL LEVER
18	10-40057108		2	SCREW, CONTROL PLATFORM (20MM)
19	10-40037126		1	SCREW, CONTROL PLATFORM (13MM)
20	10-40007128		1	SCREW, SHIFT LEVER TO PLATFORM (20MM)
21	12-95093		1	WASHER, SHIFT LEVER TO PLATFORM
22	95035		1	LEVER, SHIFT
23	23-95091		1	SLEEVE, SHIFT LEVER TO PLATFORM
24	12-35280		1	WASHER, SHIFT LEVER SCREW
25	11-40063--4		1	NUT, SHIFT LEVER SCREW
26	17-95029		1	PIN, SHIFT LEVER
27	12-71055		1	WASHER, SHIFT LEVER PIN
28	18-21071		1	COTTER PIN, SHIFT LEVER PIN
29	17-95784		1	PIN, ACTUATING LEVER
30	12-71055		1	WASHER, ACTUATING LEVER PIN
31	18-21071		1	COTTER PIN, ACTUATING LEVER PIN
32	95025		1	SHIFT LINK
33	23-96202		1	BUSHING, NYLON - SHIFT LINK
34	12-89302		2	WASHER, SHIFT LINK
35	18-21071		2	COTTER PIN, SHIFT LINK
36	95027A1		1	SHIFT SHAFT ASSEMBLY, HORIZONTAL
37	95023		1	LEVER, SHIFT SHAFT
38	53-95019		1	RETAINING RING, LEVER TO SHIFT SHAFT
39	23-60762		2	BUSHING, SHIFT SHAFT
40	95024		1	LEVER, SHIFT SHAFT
41	11-40063--3		1	NUT, SHIFT SHAFT
42	95033		1	BRACKET, REMOTE CONTROL

CONTINUED ON NEXT PAGE ➡

THROTTLE AND SHIFT LINKAGE (ELECTRIC)

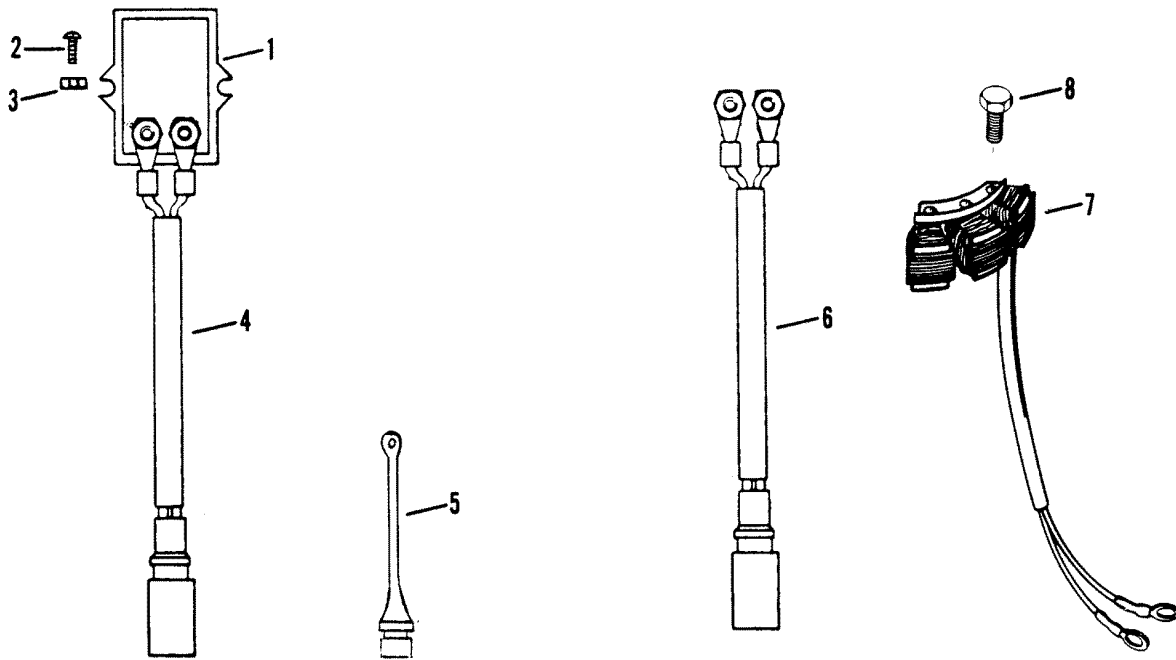


THROTTLE AND SHIFT LINKAGE (ELECTRIC)

REF. NO.	PART NO.	SYM.	QTY.	DESCRIPTION
43	10-40001-68		2	SCREW, REMOTE CONTROL BRACKET (14MM)
44	18-21071		2	COTTER PIN, REMOTE CONTROL CABLES
45	96186A1		1	BRACKET ASSEMBLY, ATTACHING
46	96201		1	STRAP
47	10-40003-76		2	SCREW, BRACKET (25MM)

ELECTRIC

BELGIUM ENGINES



BELGIUM ENGINES

REF. NO.	PART NO.	SYM.	QTY.	DESCRIPTION
1	95845		1	VOLTAGE REGULATOR
2	10-92799		2	SCREW, VOLTAGE REGULATOR TO MANIFOLD COVER (1-1/8")
3	11-45076		2	NUT, VOLTAGE REGULATOR TERMINAL
4	84-74725A2		1	HARNESS ASSEMBLY, VOLTAGE REGULATOR (BLACK/RED)
5	71663		1	PLUG, HARNESS
6	84-65017A2		1	HARNESS ASSEMBLY, LIGHTIING (EXTERNAL)
7	86704A2		1	STATOR ASSEMBLY
8	10-40001-23		3	SCREW, STATOR ATTACHING (30MM)

PARTS INDEX

Part Number	Description	Pg.	Ref. No.	Part Number	Description	Pg.	Ref. No.
22833	ADAPTOR, CHECK UNIT . . .	13	13	85562A1	CAM ASSEMBLY, SHIFT . . .	37	16
23069	STEM, ADAPTOR	13	12	85562A1	CAM ASSEMBLY, SHIFT . . .	43	16
30188	CUP WASHER, ADAPTOR . .	13	9	85977	SEAL, REED BLOCK - RUBBER	23	28
32362	LEVER, PRIMARY	9	23	85982	PLATE, BOTTOM COWL . . .	3	11
40003-33	SCREW, EXHAUST COVER TO CYLINDER BLOCK (40MM)	23	11	85982	PLATE, BOTTOM COWL . . .	5	11
40031112	SCREW, SCREEN TO GEAR HOUSING (40MM)	43	3	86293	SHIFT SHAFT - LONG SHAFT	37	26
41042	HANDLE, CARRYING	35	6	86293	SHIFT SHAFT - LONG SHAFT	43	26
41171	TILT TUBE	35	11	86617A5	STATOR ASSEMBLY	11	2
41211	BRACKET, UPPER MOUNT .	31	8	86704A2	STATOR ASSEMBLY	55	7
41434A1	COVER ASSEMBLY, ENRICHER VALVE	17	39	86704A2	STATOR ASSEMBLY, AUXILLARY	49	17
41434A1	COVER ASSEMBLY, ENRICHER VALVE	21	41	86717	LINK, THROTTLE/ADVANCE	9	20
41551	LATCH, BOTTOM COWL . . .	5	7	86850	CAM	7	13
41590A1	TUBE ASSEMBLY	29	8	86853	CAM	7	18
42025	BEARING, LOCATING - NEEDLE BEARING	27	19	86971	COVER, STARTER HOUSING	7	2
42274	SEAL, BOTTOM COWL	3	6	86992A2	BEARING ASSEMBLY, CENTER MAIN	27	12
42274	SEAL, BOTTOM COWL	5	6	87293	PLATE, GEAR HOUSING . . .	41	57
42545	LEVER, CHOKE/FAST IDLE .	23	40	87293	PLATE, GEAR HOUSING . . .	47	57
42626	SUPPORT, STARTER HANDLE	7	20	87308	BRACKET, COWL LATCH . .	3	13
43220A1	LEVER ASSEMBLY, CHOKE	23	42	87308	BRACKET, COWL LATCH . .	5	13
43242	CABLE, THROTTLE	29	14	87357	SEAL, ADAPTOR PLATE . . .	31	7
43514	LATCH, BOTTOM COWL . . .	3	7	87794	SHIFT SHAFT, HORIZONTAL	9	34
43515	HINGE, COWL LATCH	3	2	88173	TAB, COIL SCREW	11	13
43554	LATCH, COWL - REAR	3	17	89402A1	PLATE ASSEMBLY, CHOKE KNOB (MANUAL)	15	36
43555	BRACKET, TOP COWL	3	3	89402A1	PLATE ASSEMBLY, CHOKE KNOB (MANUAL)	21	37
44138	TRIM TAB	41	39	89582	LATCH, COWL - REAR	5	17
55741A1	BOOT ASSEMBLY, STOP SWITCH	29	3	89583	LINK, COWL LATCH	3	16
62351A2	RECTIFIER ASSEMBLY	49	1	89583	LINK, COWL LATCH	5	16
69205	"C" WASHER, CLIP SCREW	11	10	89584	HINGE, COWL LATCH	5	2
71663	PLUG, HARNESS	55	5	89762	CHOKE ROD	15	34
85083	FACE PLATE	37	28	89762	CHOKE ROD	21	35
85083	FACE PLATE	45	29	90478	PAD, FELT	7	9
85094	CAM FOLLOWER	41	45	90785	PLATE, ADAPTOR - CARBURETOR	23	34
85094	CAM FOLLOWER	47	46	90786	REED BLOCK	23	27
85102	MOUNT, UPPER	33	3	90885A84	POWERHEAD ASSEMBLY, COMPLETE	27	--
85122	MOUNT, LOWER	33	20	90901	STRAP, TILT STOP - PORT SIDE	35	22
85123	BUMPER, FRONT	33	21	90906	HOUSING, STARTER	7	1
85126	SHIFT SHAFT - SHORT SHAFT	37	26	91935	BALL, FUEL FILTER	13	4
85126	SHIFT SHAFT - SHORT SHAFT	43	26	92329	EXHAUST MANIFOLD	23	8
85128A1	THRUST HUB ASSEMBLY, PROPELLER	41	59	92330	COVER, EXHAUST	23	10
85128A1	THRUST HUB ASSEMBLY, PROPELLER	47	59	92333	LINK, CHOKE DETENT	15	37
85136A1	BEARING CARRIER ASSEMBLY	47	53	92333	LINK, CHOKE DETENT	21	38
85157	ROD, REVERSE HOOK	33	7	92349	COVER, TRANSFER PORT . .	23	12
85173	PLATE, PILOT CONTROL . .	33	8	92350	COVER, TRANSFER PORT . .	23	24
85174A1	HANDLE ASSEMBLY, STARTER ROPE	7	16	92351	COVER, TRANSFER PORT . .	23	21
85552	BOOT, SHIFT SHAFT	37	25	92425	DASHPOT	9	6
85552	BOOT, SHIFT SHAFT	43	25	92425	DASHPOT	51	6
				92439	BRACKET, WIRING HARNESS	49	12
				92730	LEVER, CONTROL	9	12
				92730	LEVER, CONTROL	51	12

PARTS INDEX

Part Number	Description	Pg.	Ref. No.	Part Number	Description	Pg.	Ref. No.
93001	BRACKET, DASHPOT	9	7	96710A1	BRACKET ASSEMBLY, STEERING	29	16
93001	BRACKET, DASHPOT	51	7	96965	LEVER, TILT STOP - STARBOARD SIDE	35	17
93741	PLATFORM, CONTROL	9	16	97359A1	SCREW, FLYWHEEL TO CRANKSHAFT	27	2
93744	LEVER, SHIFT SHAFT	9	35	97544A1	SWIVEL TUBE ASSEMBLY	33	1
93779	LEVER, ACTUATING	9	18	98183A1	CHOKE KNOB ASSEMBLY	15	33
93876	LEVER, LOCK (LOWER)	7	5	98183A1	CHOKE KNOB ASSEMBLY	19	34
93878	RETAINER, SHIFT SHAFT	37	24	98450A1	TRIGGER ASSEMBLY	11	7
93878	RETAINER, SHIFT SHAFT	43	24	98463A1	THROTTLE ROD	9	9
93879	IDLE WIRE	23	38	98463A1	THROTTLE ROD	51	9
93928	LEVER, ROD END	9	36	98464A1	TIMING ROD	9	13
94019	LEVER, LOCK (UPPER)	7	3	98464A1	TIMING ROD	51	13
94084	LEVER, SHIFT ROD	9	31	98465	SOCKET, THROTTLE ROD	9	11
94085	GEAR, SHIFT	9	27	98465	SOCKET, THROTTLE ROD	51	11
94152	GEAR	9	22	98465	SOCKET, TIMING ROD	9	15
94185A3	STEERING HANDLE ASSEMBLY	29	-	98830A1	HOOK ASSEMBLY, REVERSE LOCK	33	17
94185A4	BRACKET ASSEMBLY	29	9	99333A2	TUBE ASSEMBLY, STEERING	29	7
94186	BRACKET, THROTTLE CABLE	9	38	99538	SEAL, CRANKSHAFT	27	7
94286	TRIM TAB	47	40	99589	GRIP, RUBBER	29	1
94301A1	PLATE ASSEMBLY, CHOKE KNOB	49	19	99702A3	ADAPTOR PLATE ASSEMBLY (MERC 18)	31	1
94301A1	PLATE ASSEMBLY, CHOKE KNOB (ELECTRIC)	15	36	99702A4	ADAPTOR PLATE ASSEMBLY (MERC 25)	31	1
94301A1	PLATE ASSEMBLY, CHOKE KNOB (ELECTRIC)	21	37	99906A1	BEARING CARRIER ASSEMBLY	41	52
95020	LEVER, CHOKE	49	21	SEECOWLS	DECAL SET	1	--
95023	LEVER, SHIFT SHAFT	51	37	10-22028	SCREW, HINGE TO TOP COWL	5	3
95024	LEVER, SHIFT SHAFT	51	40	10-40001--5	SCREW, STATOR ATTACHING (10MM) (MANUAL)	11	3
95025	SHIFT LINK	51	32	10-40001--8	SCREW, BRACKET TO BOTTOM COWL (12MM)	3	14
95027A1	SHIFT SHAFT ASSEMBLY, HORIZONTAL	51	36	10-40001--8	SCREW, BRACKET TO BOTTOM COWL (12MM)	5	14
95033	BRACKET, REMOTE CONTROL	51	42	10-40001--8	SCREW, HINGE TO TOP COWL	3	4
95034	LEVER, ACTUATING	51	16	10-40001--8	SCREW, LATCH TO BOTTOM COWL	3	8
95035	LEVER, SHIFT	51	22	10-40001--8	SCREW, LATCH TO BOTTOM COWL	5	8
95037	PLATFOM, CONTROL	51	14	10-40001--8	SCREW, LINK AND PLATE TO CARBURETOR (12MM)	17	38
95068A1	COVER, LOWER MOUNT	33	22	10-40001--8	SCREW, LINK AND PLATE TO CARBURETOR (12MM)	21	39
95845	VOLTAGE REGULATOR	55	1	10-40001-14	SCREW, THROTTLE CAM TO CRANKCASE (16MM)	9	2
96046	PLATE, CARBURETOR (ITALY ENGINES ONLY)	21	40	10-40001-14	SCREW, THROTTLE CAM TO CRANKCASE (16MM)	51	2
96096	THROTTLE CAM	9	1	10-40001-20	SCREW, STATOR ATTACHING (25MM)	11	3
96096	THROTTLE CAM	51	1	10-40001-23	SCREW, STATOR ATTACHING (30MM)	49	18
96186A1	BRACKET ASSEMBLY, ATTACHING	53	45	10-40001-23	SCREW, STATOR ATTACHING (30MM)	55	8
96201	STRAP	53	46				
96248A1	HOUSING ASSEMBLY, WATER TUBE	31	2				
96255--2	SHIFT ROD	9	30				
96495A1	HANDLE ASSEMBLY, THROTTLE	29	4				
96524	WASHER, THRUST - DRIVE SHAFT (.234 THICK)	43	10				
96561	DRIVE KIT	49	26				
96562	DRIVE	49	27				
96563	END CAP	49	28				
96564	END CAP, COMMUTATOR W/SPRINGS AND BRUSHES	49	30				
96565	ARMATURE	49	29				

PARTS INDEX

Part Number	Description	Pg.	Ref. No.	Part Number	Description	Pg.	Ref. No.
10-40001-68	SCREW, STARTER SOLENOID TO CRANKCASE (14MM)	49	5	10-40057108	SCREW, CONTROL PLATFORM (20MM)	51	18
10-40001-71	SCREW, BRACKET TO CYLINDER BLOCK (16MM)	9	39	10-40057108	SCREW, PLATE TO REED BLOCK (20MM)	23	35
10-40001-74	SCREW, STARTER HOUSING ATTACHING (20MM)	7	8	10-40057108	SCREW, SWITCH BOX TO CYLINDER BLOCK (22MM)	11	21
10-40001-83	SCREW, STARTER HOUSING ATTACHING (35MM)	7	8	10-40057111	SCREW, SUPPORT TO STARTER HOUSING (35MM)	7	21
10-40001-89	SCREW, COIL TO CYLINDER BLOCK (45MM)	11	12	10-40082-25	SCREW, CONNECTING ROD (25MM)	27	21
10-40001149	SCREW, STARTER MOTOR ATTACHING	49	32	10-40092-59	SCREW, LOWER MOUNT COVER (60MM)	33	23
10-40001209	SCREW, CRANKCASE TO CYLINDER BLOCK (60MM)	23	6	10-40092-63	SCREW, LOWER MOUNT COVER (100MM)	33	24
10-40003--5	SCREW, HOUSING TO ADAPTOR PLATE (16MM)	31	5	10-41523	SCREW, LEVER TO SWIVEL BRACKET	35	18
10-40003--5	SCREW, WATER PUMP	45	35	10-41523	SCREW, STRAP TO SWIVEL BRACKET	35	23
10-40003--5	SCREW, WATER PUMP TO GEAR HOUSING (16MM) .	37	34	10-41524	SCREW, LEVER TO CLAMP BRACKET	35	20
10-40003-27	SCREW, BRACKET	49	13	10-41524	SCREW, STRAP TO CLAMP BRACKET	35	25
10-40003-31	SCREW, COVER ATTACHING (30MM)	23	16	10-43215	SCREW, GEAR HOUSING (25MM)	41	62
10-40003-32	SCREW, ADAPTOR TO BOTTOM COWL (35MM) .	13	14	10-48409	SCREW, RECTIFIER TO CYLINDER BLOCK	49	2
10-40003-52	SCREW, TRIM TAB (20MM) .	47	41	10-49908	SCREW, PINION GEAR	37	10
10-40003-53	SCREW, GEAR HOUSING (25MM)	47	62	10-61802	SCREW, LOWER LOCK LEVER	7	6
10-40003-55	SCREW, TRIM TAB (35MM) .	41	40	10-62568	SCREW, THROTTLE HANDLE	29	6
10-40003-60	SCREW, DRIVE SHAFT HOUSING TO PLATE (60MM)	31	14	10-69064	BOLT, CLAMP BRACKET TO TRANSOM	35	14
10-40003-76	SCREW, BRACKET (25MM) .	53	47	10-75710	SCREW, PLATE TO BOTTOM COWL (1/2")	3	12
10-40003-84	SCREW, BRACKET TO SWIVEL TUBE (75MM) . . .	29	17	10-75710	SCREW, PLATE TO BOTTOM COWL (1/2")	5	12
10-40007128	SCREW, SHIFT LEVER TO PLATFORM (20MM)	51	20	10-76804	SCREW, WASHER ATTACHING	35	5
10-40007128	SCREW, UPPER MOUNT BRACKET	31	9	10-77137	SCREW, CLIP TO CRANKCASE	11	9
10-40015-88	SCREW, ROD END LEVER .	9	37	10-79953	SCREW, GREASE FILLER . .	37	14
10-40015-89	SCREW, SHIFT ROD LEVER	9	32	10-79953	SCREW, GREASE FILLER . .	43	15
10-40031112	SCREW, SCREEN TO GEAR HOUSING (40MM)	37	3	10-87142	SCREW, UPPER MOUNT (133MM)	33	2
10-40037126	SCREW, CONTROL PLATFORM (13MM)	51	19	10-91073	SCREW, ADJUSTING - LEVER	23	41
10-40039106	SCREW, RING GEAR TO FLYWHEEL (ELECTRIC) .	27	5	10-91908	SCREW, PILOT CONTROL .	33	13
10-40056-88	SCREW, BRACKET CLAMPING (20MM)	29	10	10-91909	SCREW, COVER TO GEAR HOUSING (16MM)	41	58
10-40057-85	SCREW, REED ATTACHING (10MM)	23	32	10-91909	SCREW, COVER TO GEAR HOUSING (16MM)	47	58
10-40057107	SCREW, COVER TO CYLINDER BLOCK (16MM)	23	14	10-92767A1	THUMB SCREW ASSEMBLY	35	3
10-40057107	SCREW, COVER TO CYLINDER BLOCK (16MM)	23	23	10-92799	SCREW, VOLTAGE REGULATOR TO MANIFOLD COVER (1-1/8")	55	2
10-40057107	SCREW, COVER TO CYLINDER BLOCK (16MM)	23	26	10-95088	SCREW, PLATE TO SOLENOID	49	20
				10-96566	THRU BOLT	49	31

PARTS INDEX

Part Number	Description	Pg.	Ref. No.	Part Number	Description	Pg.	Ref. No.
10-97516	SCREW, CAM TO STARTER SHEAVE	7	19	12-40022-13	WASHER, SUPPORT SCREW	7	22
11-22053	NUT, DASHPOT TERMINAL	9	8	12-40023-17	WASHER, DRIVE SHAFT HOUSING SCREW	31	15
11-22053	NUT, DASHPOT TERMINAL	51	8	12-40023-17	WASHER, GEAR HOUSING SCREW	47	63
11-26419	NUT, STARTER SOLENOID TERMINAL (10-32)	49	6	12-43328	WASHER, GEAR HOUSING SCREW	41	63
11-27164	NUT, HINGE PIN	5	4	12-49339	WASHER, SHIFT GEAR	9	28
11-35045	NUT, TILT STOP LEVER SCREW	35	19	12-57860	WASHER, NYLON - BRACKET	29	11
11-35045	NUT, TILT STOP STRAP SCREW	35	24	12-67981	WASHER, CLAMP BRACKET BOLT	35	15
11-40021--2	NUT, BRACKET SCREW	49	14	12-70132	WASHER, TRIM TAB SCREW	41	41
11-40021--2	NUT, THROTTLE CABLE	29	15	12-71055	WASHER, ACTUATING LEVER PIN	51	30
11-40021--3	NUT, CARBURETOR STUD	23	36	12-71055	WASHER, SHIFT LEVER PIN	51	27
11-40021--3	NUT, CLAMP BRACKET STUD	35	10	12-73719	WASHER, THUMB SCREW	35	4
11-40021--3	NUT, LOWER MOUNT COVER SCREW	33	25	12-85091	WASHER, SHIFT SHAFT	37	21
11-40021--3	NUT, UPPER MOUNT SCREW	33	6	12-85091	WASHER, SHIFT SHAFT	43	21
11-40026--3	NUT, SCREEN SCREW	37	4	12-85104	WASHER, SWIVEL TUBE	33	9
11-40026--3	NUT, SCREEN SCREW	43	4	12-85106	WASHER, UPPER MOUNT SCREW	33	5
11-40063--3	NUT, SHIFT SHAFT	51	41	12-85172	WASHER, RUBBER - UPPER MOUNT SCREW	33	4
11-40063--3	NUT, SUPPORT SCREW	7	24	12-86496	WASHER, FLYWHEEL SCREW	27	3
11-40063--4	NUT, ADAPTOR SCREW	13	15	12-86645	WASHER, IMPELLER	37	29
11-40063--4	NUT, SHIFT LEVER SCREW	51	25	12-86645	WASHER, IMPELLER	45	30
11-45076	NUT, COIL TERMINAL	11	15	12-87791	WASHER, THROTTLE CAM SCREW	9	3
11-45076	NUT, RECTIFIER TERMINALS	49	3	12-87791	WASHER, THROTTLE CAM SCREW	51	3
11-45076	NUT, SWITCH BOX TERMINALS	11	22	12-89302	WASHER, SHIFT LINK	51	34
11-45076	NUT, VOLTAGE REGULATOR TERMINAL	55	3	12-89302	WASHER, WATER PUMP SCREW	37	35
11-64015	NUT, STARTER SOLENOID TERMINAL (1/4-20)	49	7	12-89302	WASHER, WATER PUMP SCREW	45	36
11-67980	NUT, CLAMP BRACKET BOLT	35	16	12-94056	WASHER, THRUST - DRIVE SHAFT (.080 THICK)	43	10
11-68219	NUT, LOCK - THROTTLE ROD	9	10	12-95093	WASHER, SHIFT LEVER TO PLATFORM	51	21
11-68219	NUT, LOCK - TIMING ROD	9	14	13-31030	WAVE WASHER, TILT STOP STRAP SCREW	35	26
11-68219	NUT, LOCK-THROTTLE ROD	51	10	13-69150	WAVE WASHER, THROTTLE CAM SCREW	9	4
11-88228	PROPELLER NUT	41	61	13-69150	WAVE WASHER, THROTTLE CAM SCREW	51	4
11-88228	PROPELLER NUT	47	61	14-85169	TAB WASHER, TRIM TAB SCREW	47	42
11-93164	NUT, TILT TUBE	35	13	16-42917	STUD, CARBURETOR	23	5
11-96787	NUT, BRACKET	29	12	16-99928	STUD, CLAMP BRACKET	35	8
12-20260	WASHER, DRAIN AND FILLER SCREW	37	15	17-25870	ROLL PIN, LINK	3	15
12-20260	WASHER, DRAIN AND FILLER SCREW	43	14	17-25870	ROLL PIN, LINK	5	15
12-27736	WASHER, CLIP SCREW	11	6	17-38489	ROLL PIN, LOCK LEVER	7	7
12-28463	WASHER, CHOKE/FAST IDLE LEVER	25	44	17-85093	CROSS PIN, CLUTCH TO PROPELLER SHAFT	47	49
12-29245	WASHER, SHIFT SHAFT	37	19	17-85093	CROSS PPIN, CLUTCH TO PROPELLER SHAFT	41	48
12-29245	WASHER, SHIFT SHAFT	43	19	17-85096	DRIVE PIN, SHIFT CAM	37	17
12-29245	WASHER, SHIFT SHAFT - UPPER	45	27	17-85096	DRIVE PIN, SHIFT CAM	43	17
12-29245	WASHER, UPPER MOUNT BRACKET	31	10				
12-35280	WASHER, SHIFT LEVER SCREW	51	24				

PARTS INDEX

Part Number	Description	Pg.	Ref. No.	Part Number	Description	Pg.	Ref. No.
17-85171	DOWEL PIN, CYLINDER BLOCK	23	2	23-96202	BUSHING, NYLON - SHIFT LINK	51	33
17-85500	DOWEL PIN, GEAR HOUSING	37	7	23-96247	SPACER, WATER TUBE	31	4
17-85593	ROLL PIN, SHIFT SHAFT	37	18	24-23067	SPRING, ADAPTOR STEM	13	10
17-85593	ROLL PIN, SHIFT SHAFT	43	18	24-38114	SPRING, RETAINING - CROSS PIN	41	46
17-95029	PIN, SHIFT LEVER	51	26	24-38114	SPRING, RETAINING - CROSS PIN	47	47
17-95784	PIN, ACTUATING LEVER	51	29	24-85167	SPRING, TILT STOP LEVER SCREW	35	21
17-99929A1	TITL PIN ASSEMBLY	35	7	24-86851	SPRING, CAM	7	12
18-21071	COTTER PIN, ACTUATING LEVER PIN	51	31	24-86852	SPRING, CAM	7	17
18-21071	COTTER PIN, CHOKE LEVER TO SOLENOID	49	24	24-86857	SPRING, STARTER	7	10
18-21071	COTTER PIN, REMOTE CONTROL CABLES	53	44	24-88680	SPRING, COMPRESSION - PROPELLER SHAFT	41	49
18-21071	COTTER PIN, SHIFT LEVER PIN	51	28	24-88680	SPRING, COMPRESSION - PROPELLER SHAFT	47	50
18-21071	COTTER PIN, SHIFT LINK	51	35	24-89540	SPRING, SPARK ADVANCE	9	17
18-93500	COTTER PIN, CHOKE/FAST IDLE LEVER	25	45	24-89540	SPRING, SPARK ADVANCE	51	15
22-56759	FITTING, ADAPTOR PLATE - BLEED HOSE	23	37	24-89542	SPRING, UPPER LOCK LEVER	7	4
22-67892	SCREW, DRAIN - MAGNETIC	37	13	24-93006	SPRING, DETENT BALL	9	25
22-67892	SCREW, DRAIN - MAGNETIC	43	13	24-93007	SPRING, SHIFT SHAFT	37	20
22-71191	ELBOW, BLEED HOSE (45 DEGREES)	23	3	24-93007	SPRING, SHIFT SHAFT	43	20
22-74036	GREASE FITTING	33	11	24-96018	SPRING, REVERSE HOOK - PORT	33	18
22-94848	FITTING, TELL TALE HOSE - BOTTOM COWL	23	20	24-96203	SPRING, PILOT CONTROL SCREW	33	14
22-98750	FITTING, FUEL LINE	13	8	24-97176	SPRING, CHOKE	23	39
22-99664	ELBOW, TELL TALE HOSE	23	18	24-97427	SPRING, REVERSE HOOK - STARBOARD	33	19
23-26856	BUSHING, CHOKE/FAST IDLE LEVER	25	43	25-20365	"O" RING, SHIFT SHAFT RETAINER	37	23
23-30977	SPACER, SUPPORT SCREW	7	23	25-20365	"O" RING, SHIFT SHAFT RETAINER	43	23
23-41041	SPACER, CLAMP BRACKET STUD	35	9	25-20415	"O" RING, ADAPTOR STEM	13	11
23-41589	SPACER, GEAR HOUSING SCREW	41	64	25-30503	"O" RING, TRANSFER PORT COVER	23	13
23-60762	BUSHING, SHIFT SHAFT	9	33	25-33465	"O" RING, TRANSFER PORT COVER	23	25
23-60762	BUSHING, SHIFT SHAFT	51	39	25-41604	GROMMET, BOTTOM COWL	3	10
23-85092	SLEEVE, UPPER ROLLER BEARING	43	6	25-41604	GROMMET, BOTTOM COWL	5	10
23-85095	BUSHING, WATER PUMP SCREW	37	36	25-69202	"O" RING	45	33
23-85095	BUSHING, WATER PUMP SCREW	45	37	25-69202	"O" RING, WATER PUMP	37	32
23-85154	BUSHING SWIVEL TUBE (LOWER)	33	16	25-85549	"O" RING, BEARING CARRIER	41	56
23-85557	BUSHING, FORWARD GEAR	41	44	25-85549	"O" RING, BEARING CARRIER	47	56
23-85557	BUSHING, FORWARD GEAR	47	45	25-85594	"O" RING, SHIFT SHAFT	37	22
23-85973	BUSHING, BRACKET	29	13	25-85594	"O" RING, SHIFT SHAFT	43	22
23-86968	BUSHING, THROTTLE CAM SCREW	9	5	25-86203	RING, DRIVE SHAFT - RUBBER	39	38
23-86968	BUSHING, THROTTLE CAM SCREW	51	5	25-86203	RING, DRIVE SHAFT - RUBBER	45	39
23-88171	BUSHING, COIL SCREW	11	14	25-86391	"O" RING, TRANSFER PORT COVER	23	22
23-95091	SLEEVE, SHIFT LEVER TO PLATFORM	51	23	25-86993	"O" RING, SWIVEL TUBE	33	15
23-95949	BUSHING, SWIVEL BRACKET	33	12	25-98277	SEAL, FUEL FILTER	13	3
				25-99691	"O" RING	37	12
				26-25329	SEAL, WATER TUBE	31	3

PARTS INDEX

Part Number	Description	Pg.	Ref. No.	Part Number	Description	Pg.	Ref. No.
26-33467	SEAL, GEAR HOUSING	43	8	31-85558	ROLLER BEARING, UPPER .	43	7
26-41131	OIL SEAL, BEARING CARRIER (OUTER)	41	55	31-85559	ROLLER BEARING, LOWER	43	5
26-41132	OIL SEAL, BEARING CARRIER (INNER)	41	54	31-85560	THRUST BEARING, DRIVE SHAFT	43	11
26-85090	SEAL, WATER TUBE	39	37	31-98294A1	ROLLER BEARING ASSEMBLY	37	8
26-85090	SEAL, WATER TUBE	45	38	31-99328A1	ROLLER BEARING ASSEMBLY, TAPERED . .	41	42
26-85090A1	SEAL REPAIR KIT	39	--	32-34395A1	HOSE, TELL TALE (8")	23	19
26-85090A1	SEAL REPAIR KIT	41	--	32-85116	WATER TUBE, SHORT SHAFT	31	11
26-85090A1	SEAL REPAIR KIT	45	--	32-86292	WATER TUBE, LONG SHAFT	31	11
26-85090A1	SEAL REPAIR KIT	47	--	32-99127109	FUEL LINE, FILTER TO ADAPTOR (8-1/2")	13	6
26-85107	OIL SEAL, CRANKSHAFT (LOWER)	27	8	32-99127109	FUEL LINE, FILTER TO CARBURETOR (5-1/4") . . .	13	5
26-85974	OIL SEAL, CRANKSHAFT (UPPER)	27	11	32-99130-78	HOSE, BLEED (12-1/4")	23	4
26-98283	OIL SEAL, BEARING CARRIER	47	55	33-86866	SPARK PLUG	11	19
26-99325	SEAL, GEAR HOUSING	37	6	33-97186	SPARK PLUG, (NGK-B9HS- 10)	11	19
27-41475	GASKET, EXHAUST MANIFOLD	23	7	34-89793	REED STOP	23	31
27-41499	GASKET, EXHAUST COVER	23	9	34-99319	REED	23	30
27-41499A84	GASKET SET	13	--	35-41133	SCREEN, WATER INLET - PORT	37	2
27-41499A84	GASKET SET	17	--	35-41134	SCREEN, WATER INLET - STARBOARD	37	2
27-41499A84	GASKET SET	21	--	35-87946A3	FILTER ASSEMBLY	13	2
27-41499A84	GASKET SET	25	--	35-87946A7	FUEL FILTER ASSEMBLY . .	13	1
27-41499A84	GASKET SET	27	--	35-98487	SCREEN, WATER INLET - PORT	43	2
27-41499A84	GASKET SET	31	--	35-98488	SCREEN, WATER INLET - STARBOARD	43	2
27-41499A84	GASKET SET	33	--	37-43170A84	DECAL SET (MERC 18)	3	--
27-41499A84	GASKET SET	39	--	37-43173A84	DECAL SET (MERC 25)	3	--
27-41499A84	GASKET SET	41	--	37-43473A84	DECAL SET (MERC 18) (BROWN)	5	--
27-41499A84	GASKET SET	45	--	37-43474A84	DECAL SET (MERC 25) (BROWN)	5	--
27-41499A84	GASKET SET	47	--	37-90385	DECAL, THROTTLE HANDLE	29	5
27-41670	GASKET, ADAPTOR PLATE	31	6	37-90532A80	DECAL SET (MERC 18) (BLUE)	5	--
27-42499A84	GASKET SET	1	--	37-90535A80	DECAL SET (MERC 25) (BLUE)	5	--
27-43337	GASKET, DRIVE SHAFT HOUSING	31	13	39-96525A12	PISTON RING ASSEMBLY . .	27	16
27-85087	GASKET, WATER PUMP . . .	45	28	40-47276	LOCK RING, PISTON PIN . .	27	15
27-85978	GASKET, REED BLOCK	23	29	43-85131	REVERSE GEAR	47	52
27-85979	GASKET, ADAPTOR PLATE	23	33	43-85132	PINION GEAR	43	12
27-86389	GASKET, CYLINDER BLOCK COVER	23	17	43-85135A2	FORWARD GEAR	47	44
27-88004	GASKET, CARBURETOR . . .	15	32	43-98302	PINION GEAR	37	9
27-88004	GASKET, CARBURETOR . . .	19	33	43-99220A1	FORWARD GEAR	41	43
27-99326	GASKET, WATER PUMP . . .	37	27	43-99301	RING GEAR, FLYWHEEL - ELECTRIC	27	4
28-20094	KEY, FLYWHEEL DRIVE . . .	27	13	43-99542	REVERSE GEAR	41	51
28-85119	KEY, IMPELLER DRIVE	37	30	44-85134	PROPELLER SHAFT	47	51
28-85119	KEY, IMPELLER DRIVE	45	31	44-99740	PROPELLER SHAFT	41	50
29-98295	NEEDLE BEARING, PISTON END	27	18	45-98084	DRIVE SHAFT - SHORT SHAFT	43	9
30-93008	BALL, DETENT	9	26	45-98085	DRIVE SHAFT - LONG SHAFT	43	9
31-21739	ROLLER BEARING	41	53				
31-21739	ROLLER BEARING	47	54				
31-41326	ROLLER BEARING, UPPER .	37	5				
31-41620A1	ROLLER BEARING ASSEMBLY	27	20				
31-85113	ROLLER BEARING, CRANKSHAFT (LOWER) .	27	9				
31-85114	ROLLER BEARING, CRANKSHAFT (UPPER) . .	27	10				

PARTS INDEX

Part Number	Description	Pg.	Ref. No.	Part Number	Description	Pg.	Ref. No.
45-99199	DRIVE SHAFT - SHORT SHAFT	37	11	85-63709A1	BOOT ASSEMBLY, SPARK PLUG	11	18
46-99157A1	WATER PUMP	45	34	85-70674	BOOT, COIL	11	17
46-99157A1	WATER PUMP ASSEMBLY ..	37	33	88-95085	FUSE	49	11
46-99157A2	WATER PUMP REPAIR KIT ..	39	--	89-91975	STARTER SOLENOID	49	4
46-99157A2	WATER PUMP REPAIR KIT ..	45	--	89-94973A3	SOLENOID ASSEMBLY	49	23
47-85089	IMPELLER	37	31	90-43465	MERC 18/25 PARTS LIST ..	1	--
47-85089	IMPELLER	45	32	258-8274A6	FLYWHEEL ASSEMBLY	27	1
48-86848A4	PROPELLER ASSEMBLY ...	41	60	339-7370A6	IGNITION COIL ASSEMBLY ..	11	11
48-86848A4	PROPELLER ASSEMBLY ...	47	60	339-7452A3	SWITCH BOX ASSEMBLY ..	11	20
50-42566	SHEAVE, STARTER	7	11	464-8697A2	CRANKSHAFT ASSEMBLY ..	27	6
50-86855	ROPE, STARTER	7	15	630-8835A2	CONNECTING ROD ASSEMBLY	27	17
50-90983A1	STARTER MOTOR ASSEMBLY	49	25	767-8511A3	PISTON AND PIN ASSEMBLY	27	14
52-41040	CLUTCH, SLIDING	41	47	872-8790A4	CYL. BLOCK/CRANKCASE ASSEMBLY	23	1
52-85133	CLUTCH, SLIDING	47	48	1028-8283A1	COVER ASSEMBLY, CYLINDER BLOCK	23	15
53-46250	RETAINING RING, ACTUATING AND CONTROL LEVER	9	19	1384-8498	CARBURETOR ASSEMBLY, TILLOTSON #BC1C	19	1
53-46250	RETAINING RING, ACTUATING AND CONTROL LEVER	51	17	1384-8704A1	CARBURETOR ASSEMBLY ..	15	1
53-46250	RETAINING RING, PRIMARY LEVER AND GEAR	9	24	1395-5733	JET, BACK-DRAG (.092) ...	19	32
53-46250	RETAINING RING, SHIFT GEAR	9	29	1395-6202	JET, BACK-DRAG (.088) ...	19	32
53-86731	RETAINING RING, THROTTLE/ADVANCE LINK	9	21	1395-6247	JET, BACK-DRAG (.090) ...	19	32
53-86849	RETAINING RING, CAM	7	14	1399-5207	GASKET, STRAINER COVER	15	29
53-95019	RETAINING RING, CHOKE LEVER TO PLATE	49	22	1399-5207	GASKET, STRAINER COVER	19	29
53-95019	RETAINING RING, LEVER TO SHIFT SHAFT	51	38	1399-5758	SCREEN, STRAINER	15	28
54-23568	CLIP, STATOR LEADS	11	4	1399-5758	SCREEN, STRAINER	19	28
54-24836	CLIP, TRIGGER LEADS	11	8	1399-8138	ENRICHMENT VALVE	15	2
54-30954	CLIP, SAFETY	35	12	1399-8138	ENRICHMENT VALVE	19	2
54-32779	CLAMP, WIRING HARNESS ..	49	15	1399-8139	FLOAT	15	14
54-55098	CLAMP, WIRING HARNESS ..	49	16	1399-8139	FLOAT (BC1A AND BC1B) ..	19	14
54-68424	CLAMP, FUEL LINE	13	7	1399-8140	FUEL BOWL	15	17
54-89668	CLEVIS CLIP, CHOKE ROD ..	15	35	1399-8140	FUEL BOWL (BC1A AND BC1B)	19	17
54-89668	CLEVIS CLIP, CHOKE ROD ..	21	36	1399-8141	SCREW, FUEL BOWL	15	18
84-65017A2	HARNESS ASSEMBLY, LIGHTING (EXTERNAL) ..	55	6	1399-8141	SCREW, FUEL BOWL	19	18
84-74725A2	HARNESS ASSEMBLY, VOLTAGE REGULATOR (BLACK/RED)	55	4	1399-8141	BODY, FUEL PUMP	15	23
84-88439A6	BATTERY WIRE ASSEMBLY, BLACK	49	9	1399-8142	BODY, FUEL PUMP	19	23
84-88439A8	BATTERY WIRE ASSEMBLY, RED	49	9	1399-8142	INLET NEEDLE AND SEAT ..	15	16
84-88809A5	WIRE ASSEMBLY, YELLOW	49	8	1399-8143	INLET NEEDLE AND SEAT ..	19	16
84-88891A1	HARNESS ASSEMBLY, PRIMARY	11	1	1399-8143	COVER, METERING	15	6
84-89591A2	HARNESS ASSEMBLY, STOP SWITCH	29	2	1399-8143	COVER, METERING	19	6
84-92436A3	WIRING HARNESS ASSEMBLY, ENGINE	49	10	1399-8144	SCREW, METERING COVER	15	7
84-93475A25	LEAD ASSEMBLY, HIGH TENSION	11	16	1399-8144	SCREW, METERING COVER	19	7
				1399-8145	BODY, STRAINER	15	26
				1399-8145	BODY, STRAINER	19	26
				1399-8146	SCREW, STRAINER BODY ..	15	27
				1399-8146	SCREW, STRAINER BODY ..	19	27
				1399-8147	COVER, STRAINER	15	30
				1399-8147	COVER, STRAINER	19	30
				1399-8148	SCREW, STRAINER COVER	15	31
				1399-8148	SCREW, STRAINER COVER	19	31
				1399-8149	THROTTLE SHAFT	19	10
				1399-8150	THROTTLE SHUTTER	19	8
				1399-8151	REPAIR PARTS KIT	17	--
				1399-8152	REPAIR PARTS KIT	21	--
				1399-8153	DIAPHRAGM AND GASKET KIT	17	--

PARTS INDEX

Part Number	Description	Pg.	Ref. No.	Part Number	Description	Pg.	Ref. No.
1399-8176	MAIN JET AND "O" RING (.063)	19	19	2176-9107A2	BOTTOM COWL ASSEMBLY, PORT	3	5
1399-8177	MAIN JET AND "O" RING (.065)	19	19	2176-9108A1	BOTTOM COWL ASSEMBLY, STARBOARD	3	9
1399-8178	MAIN JET AND "O" RING (.067)	19	19	2177-8531A6	TOP COWL ASSEMBLY	5	1
1399-8319	MAIN JET AND "O" RING (.070)	19	19	2177-8869A8	TOP COWL ASSEMBLY	3	1
1399-8320	SCREW, IDLE	15	3				
1399-8320	SCREW, IDLE	19	3				
1399-8321	THROTTLE SHAFT	15	10				
1399-8322	THROTTLE SHUTTER	15	8				
1399-8323	MAIN JET AND "O" RING (.052)	15	19				
1399-8324	MAIN JET AND "O" RING (.050)	15	19				
1399-8325	MAIN JET AND "O" RING (.046)	15	19				
1399-8326	MAIN JET AND "O" RING (.048)	15	19				
1399-8655	FLOAT (BC1C)	19	14				
1399-8656	FUEL BOWL (BC1C)	19	17				
1487-8692A3	SWIVEL BRACKET ASSEMBLY	33	10				
1497-8794A1	CLAMP BRACKET ASSEMBLY (PORT)	35	1				
1497-8796A1	CLAMP BRACKET ASSEMBLY (STARBOARD)	35	2				
1588-8695A1	HOUSING ASSEMBLY, SHORT SHAFT	31	12				
1591-8696A1	HOUSING ASSEMBLY, LONG SHAFT	31	12				
1653-8157A6	GEAR HOUSING ASSEMBLY	43	1				
1653-8157A6	GEAR HOUSING ASSEMBLY	47	1				
1653-8157A7	GEAR HOUSING ASSEMBLY, COMPLETE - SHORT SHAFT	43	-				
1653-8157A7	GEAR HOUSING ASSEMBLY, COMPLETE - SHORT SHAFT	47	-				
1653-8157A8	GEAR HOUSING ASSEMBLY, COMPLETE - LONG SHAFT	43	-				
1653-8157A8	GEAR HOUSING ASSEMBLY, COMPLETE - LONG SHAFT	47	-				
1665-8669A2	GEAR HOUSING ASSEMBLY	37	1				
1665-8669A2	GEAR HOUSING ASSEMBLY	41	1				
1665-8669A3	GEAR HOUSING ASSEMBLY, COMPLETE	37	-				
1665-8669A3	GEAR HOUSING ASSEMBLY, COMPLETE	41	-				
1665-8669A4	GEAR HOUSING ASSEMBLY, COMPLETE	37	-				
1665-8669A4	GEAR HOUSING ASSEMBLY, COMPLETE	41	-				
2176-8860A3	BOTTOM COWL ASSEMBLY, PORT	5	5				
2176-8861A1	BOTTOM COWL ASSEMBLY, STARBOARD	5	9				