



# PARTS CATALOG

## 488R ENGINE

### SERIAL NUMBER

488 (4 BBL.) MERCURY 224 I/L4 1983-1984 ..... 6170297 THRU 6916778

# TABLE OF CONTENTS:

CAMSHAFT AND PISTON .....	28
CARBURETOR .....	12
CARBURETOR AND FUEL PUMP .....	8
CRANKSHAFT, FLYWHEEL AND ALTERNATOR .....	26
CYLINDER BLOCK, OIL PUMP AND OIL PAN .....	22
CYLINDER HEAD AND ROCKER COVER .....	20
DISTRIBUTOR AND COIL .....	6
EXHAUST ELBOW (M0034-W9) .....	40
EXHAUST ELBOW (M0035-W9) .....	42
EXHAUST MANIFOLD AND EXHAUST ELBOW .....	16
FLYWHEEL HOUSING ASSEMBLY .....	34
FRONT COVER .....	30
FRONT MOUNT .....	32
HEAT EXCHANGER .....	18
INTAKE MANIFOLD AND THROTTLE LINKAGE .....	14
MISCELLANEOUS PARTS/ACCESSORIES .....	2
PARTS INDEX .....	46
POWER STEERING COMPONENTS .....	44
SHIFT BRACKET .....	38
STARTER MOTOR AND WIRING HARNESS .....	4
STARTER MOTOR ASSEMBLY .....	36

**NOTE:** *Indented description indicate that these parts are included in preceding assembly.*

**AR** = As Required

**NSS** = Not Sold Separate

**OPT** = Optional

**NS** = Not Shown

**THESE PARTS BOOKS/FICHE CARD ARE COPYRIGHTED AND MAY NOT BE DISTRIBUTED OR REPRODUCED IN ANY OTHER FORMAT BY ANYONE OTHER THAN MERCURY MARINE WITHOUT THE PRIOR WRITTEN CONSENT OF MERCURY MARINE.**

# **REPLACEMENT PARTS ! WARNING !**

Electrical, ignition and fuel system components on MerCruiser Engines and Stern Drives are designed and manufactured to comply with U.S. Coast Guard Rules and Regulations to minimize risks of fire or explosion. Use of replacement electrical, ignition or fuel system components, which do not comply to these rules and regulations, could result in a fire or explosion hazard and should be voided.

When servicing the electrical, ignition and fuel systems, it is extremely important that all components are properly installed and tightened. If not, any electrical or ignition component opening would permit sparks to ignite fuel vapors from fuel system leaks, if they existed.

## **ENGINE MECHANICAL COMPONENTS**

Many of the engine mechanical components are designed for marine applications. Unlike automotive engines, marine engines are subjected to extended periods of heavy load and wide- open-throttle operation, therefore, require heavy-duty components. Special marine engine parts have design and manufacturing specifications, which are required to provide long life and dependable performance. Marine engine parts also must be able to resist the corrosive action of salt or brackish water that will rust or corrode standard automotive parts within a short period of time.

Failure to use recommended Mercury Precision Parts OR Quicksilver service replacement parts can result in poor engine performance and/or durability, rapid corrosion of parts subjected to salt water and possibly complete failure of the engine.

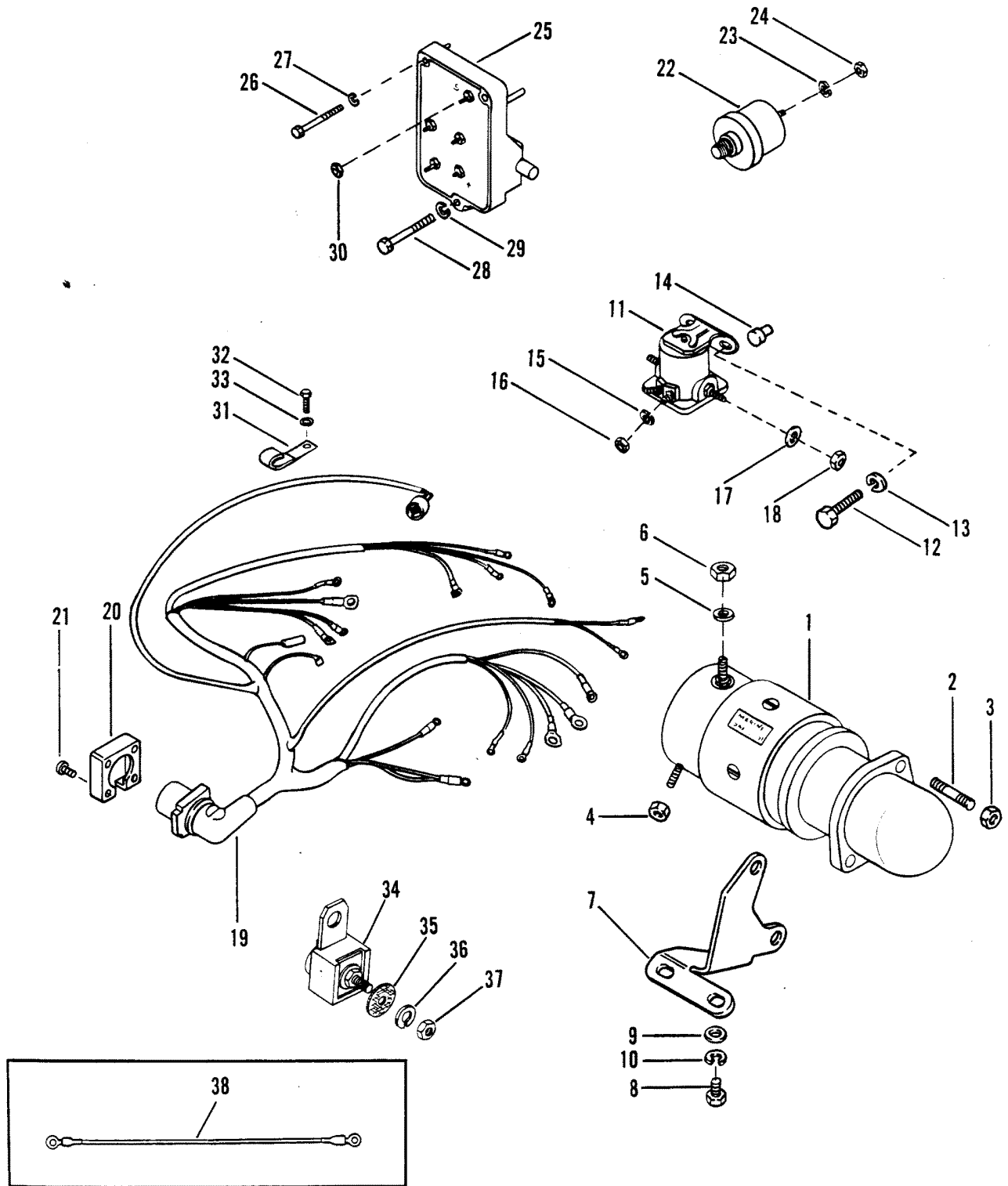
Use of parts other than recommended service replacement parts will void the warranty on those parts which are damaged as a result of the use of other than recommended parts.

## MISCELLANEOUS PARTS\ACCESSORIES

REF. NO.	PART NO.	SYM.	QTY.	DESCRIPTION
-	90-41850		0	PARTS MANUEL
-	90-42232		0	OWNER'S MANUEL

THIS PAGE INTENTIONALLY LEFT BLANK

# STARTER MOTOR AND WIRING HARNESS

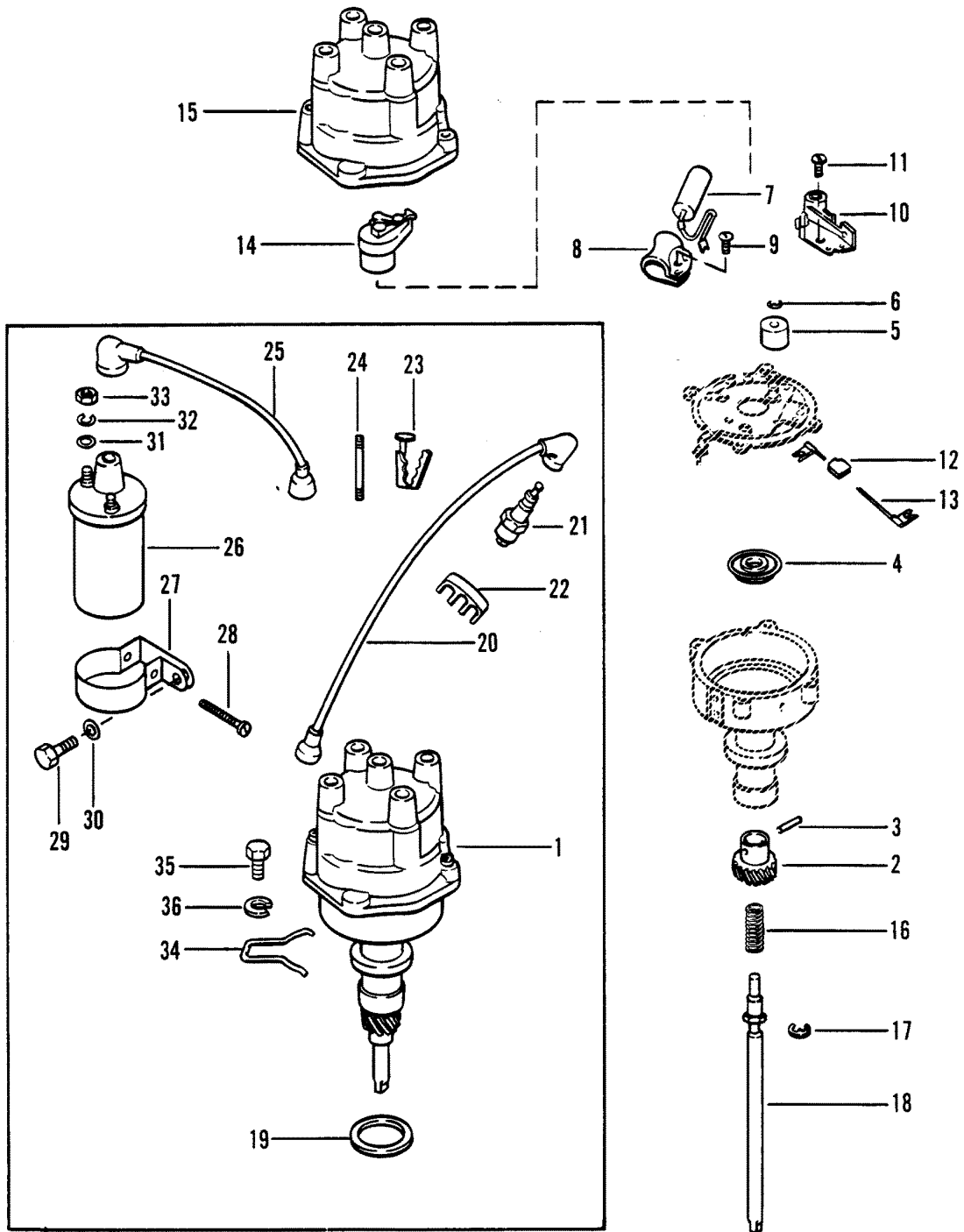


MC0044

# STARTER MOTOR AND WIRING HARNESS

REF. NO.	PART NO.	SYM.	QTY.	DESCRIPTION
1	50-97499A2		1	STARTER MOTOR ASSEMBLY
2	16-97256		2	STUD, STARTER MOTOR TO CYLINDER BLOCK
3	11-34933		2	NUT, STARTER MOTOR STUD
4	11-29031		2	NUT, STARTER MOTOR STUD (1/4-20)
5	13-26995		1	LOCKWASHER, STARTER MOTOR TERMINAL (#8)
6	11-26419		1	NUT, STARTER MOTOR TERMINAL (8-32)
7	97259A1		1	BRACKET, STARTER MOTOR TO CYLINDER BLOCK
8	10-27165		2	SCREW, BRACKET TO CYLINDER BLOCK
9	12-34931		2	WASHER, BRACKET SCREW
10	13-35048		2	LOCKWASHER, BRACKET SCREW
11	65057A1		1	STARTER SOLENOID
12	10-28635		2	SCREW, SOLENOID TO CYLINDER BLOCK (5/8")
13	13-26992		2	LOCKWASHER, SOLENOID SCREW
14	26901		1	BUMP, SOLENOID
15	13-26996		2	LOCKWASHER, SOLENOID TERMINAL (#10)
16	11-68219		2	NUT, SOLENOID TERMINAL (#10-32)
17	13-26993		2	LOCKWASHER, SOLENOID TERMINAL (5/16")
18	11-20083		2	NUT, SOLENOID TERMINAL (5/16-24)
19	84-98269A3		1	WIRING HARNESS (USE WITH 90 AMP. FUSE)
	84-98269A5		1	WIRING HARNESS (USE WITH 90 AMP. FUSE)
20	26079		1	PLATE, HARNESS ATTACHING
21	10-34696		4	SCREW, PALTE TO BRACKET (3/4")
22	90806		1	SENDING UNIT, OIL PRESSURE
23	13-26996		1	LOCKWASHER, SENDING UNIT TERMINAL
24	11-68219		1	NUT, SENDING UNIT TERMINAL
25	99502A9		1	VOLTAGE REGULATOR
26	10-98255		2	SCREW, VOLTAGE REGULATOR (2-1/4")
27	13-26992		2	LOCKWASHER, VOLTAGE REGULATOR SCREW
28	10-34354		1	SCREW, VOLTAGE REGULATOR (1-1/2")
29	13-58643		1	LOCKWASHER, VOLTAGE REGULATOR SCREW
30	11-68219		5	NUT, VOLTAGE REGULATOR TERMINALS
31	54-64235--1		1	"J" CLIP, WIRING HARNESS TO MANIFOLD
32	10-98253		1	SCREW, "J" CLIP TO MANIFOLD
33	13-26992		1	LOCKWASSHER, "J" CLIP SCREW
34	88-79023A91		1	FUSE ASSEMBLY (90 AMP.) <b>NOT USED ON LATER ENGINES</b>
35	12-96457		1	WASHERN FUSE TERMINAL <b>NOT USED ON LATER ENGINES</b>
36	13-26992		1	LOCKWASHER, FUSE TERMINAL <b>NOT USED ON LATER ENGINES</b>
37	11-21825		1	NUT, FUSE TERMINAL <b>NOT USED ON LATER ENGINES</b>
38	84-94227A2		1	RESISTANCE WIRE KIT ( TO REPLACE RESISTOR WIRE)

# DISTRIBUTOR AND COIL

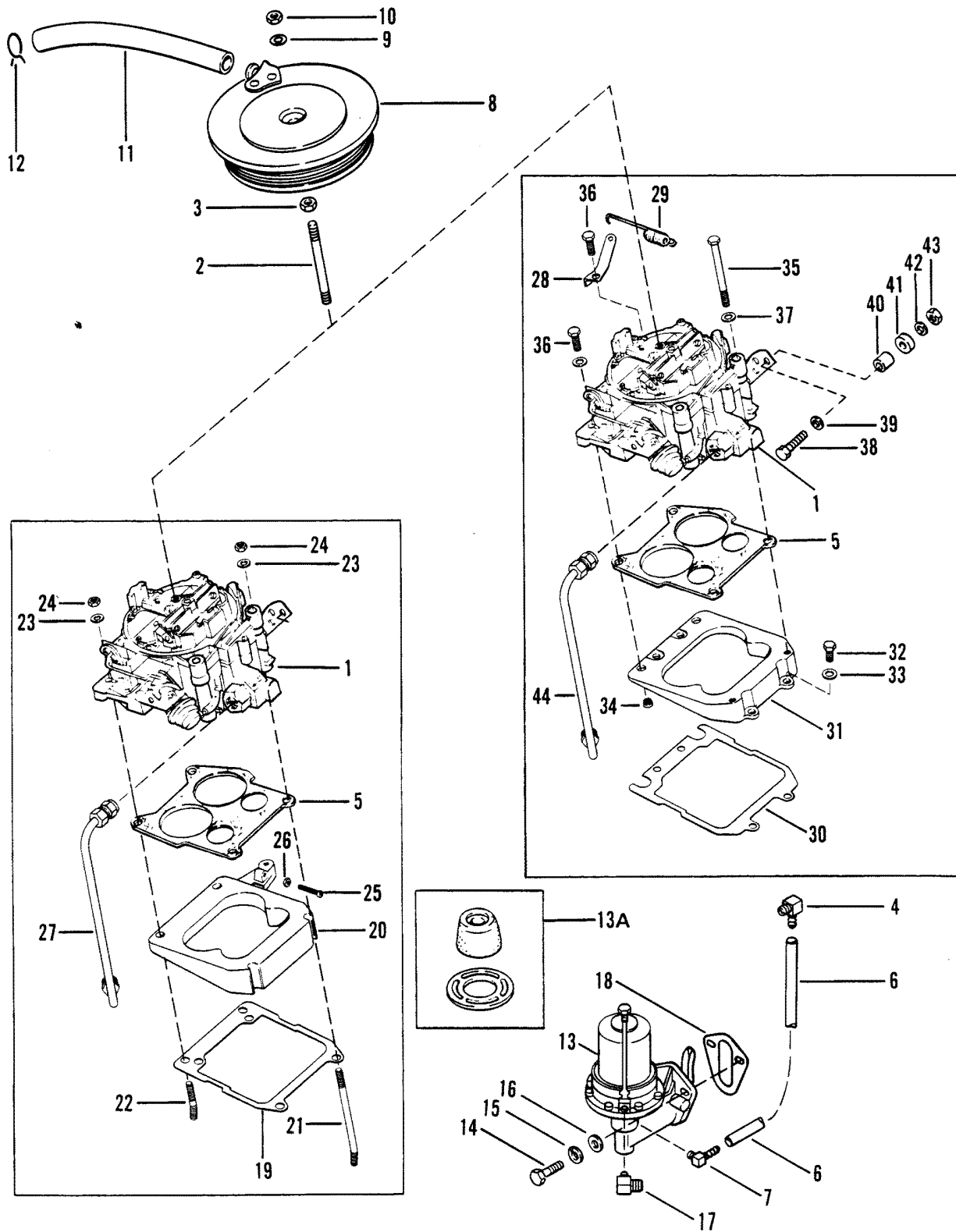




# DISTRIBUTOR AND COIL

REF. NO.	PART NO.	SYM.	QTY.	DESCRIPTION
1	85374A3		1	DISTRIBUTOR ASSEMBLY, COMPLETE
2	43-73579		1	DRIVE GEAR
3	17-29077		1	ROLL PIN, DISTRIBUTOR GEAR
4	26-72653		1	SEAL, HOUSE
5	33653		2	FELT, LUBRICATOR
6	72654		1	RETAINER, LUBRICATOR FELT
7	33662		1	CONDENSER
8	48024		1	BRACKET, CONDENSER
9	10-48021		1	SCREW, CONDENSER BRACKET
10	34235		1	BREAKER
11	10-33650		1	SCREW, BREAKER
12	25-33666		1	GROMMET, PRIMARY WIRE
13	33658		1	LEAD, PRIMARY
14	58217		1	ROTOR
15	33667		1	DISTRIBUTOR CAP
16	24-73642		1	SPRING, DISTRIBUTOR SHAFT
17	53-73499		1	LOCK RING, DISTRIBUTOR SHAFT
18	73501		1	DRIVE SHAFT, DISTRIBUTOR SHAFT
19	27-34486		1	GAASKET, DISTRIBUTOR
20	84-43376A6		1	SPARK PLUG WIRE KIT
21	33-97389		4	SPARK PLUG (NGK #BPR6FS)
22	54676		1	RETAINER, HIGH TENSION LEADS
23	54-72821		1	CLAMP, HIGH TENSION LEADS
24	16-73583		1	STUD, HIGH TENSION LEAD CLAMP
25	84-42841A45		1	WIRE, DISTRIBUTOR TO COIL
26	32193A2		1	COIL IGNITION
27	76354		1	BRACKET, IGNITION COIL
28	10-41408		1	SCREW, BRACKET TO COIL
29	10-35386		1	SCREW,IGNITION COIL TO CYLINDER BLOCK
30	12-20084		1	WASHER, IGNITION COIL SCREW
31	12-30164		2	WASHER, IGNITION COIL TERMINAL
32	13-26996		2	LOCKWASHER,IGNITION COIL TERMINAL
33	11-68219		2	NUT, IGNITION COIL TERMINAL
34	67511		1	CLAMP UNIT, DISTRIBUTOR
35	10-35386		1	SCREW, DISTRIBUTOR TO BLOCK
36	13-26993		1	LOCKWASHER, DISTRIBUTOR SCREW

# CARBURETOR AND FUEL PUMP

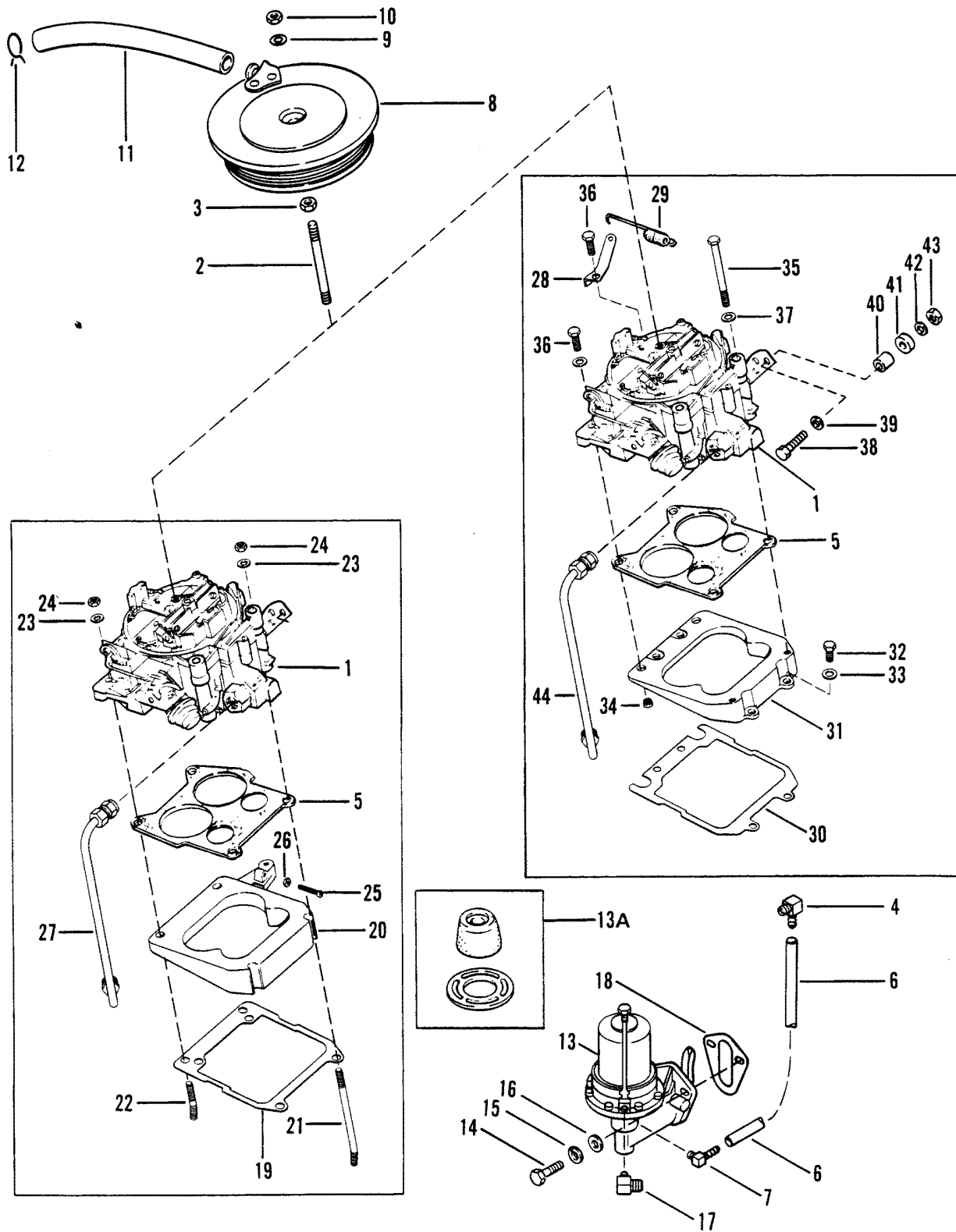


# CARBURETOR AND FUEL PUMP

REF. NO.	PART NO.	SYM.	QTY.	DESCRIPTION
1	134-8460A3		1	CARBURATOR ASSEMBLY
2	16-91842		1	STUDB, FLAME ARRESTOR
3	11-28941		1	NUT, FLAME ARRESTOR STUD
4	22-54090		1	CONNECTOR, HOSE - CARBURETOR VENT
5	27-52457		1	GASKET, CARBURETOR
6	32-73815-63		1	HOSE, VENT
7	22-73817		1	FITTING, VENT HOSE TO FUEL PUMP
8	41639A1		1	FLAME ARRESTOR
9	12-86400		1	WASHER, FLAME ARRESTOR
10	11-20586		1	NUT, FLAME ARRESTOR STUD
11	32-93315-12		1	HOSE, FLAME ARRESTOR TO ROCKER COVER
12	54-53101		1	CLIP, HOSE TO FLAME ARRESTOR
13	86234A4		1	FUEL PUMP FILTER FACING UP
	35-49088		1	FILTER KIT FILTER FACING UP
	49089		1	DIAPHRAGHM KIT FILTER FACING UP
14	10-35386		2	SCREW, FUEL PUMP (1") FILTER FACING UP
15	13-20202		2	LOCKWASHER, FUEL PUMP SCREW FILTER FACING UP
16	12-20546		2	WASHER, FUEL PUMP SCREW FILTER FACING UP
17	22-98646		1	FITTING, ELBOW - FUEL PUMP FILTER FACING UP
18	27-72805		1	GASKET, FUEL PUMP FILTER FACING UP
13	42725A3		1	FUEL PUMP FILTER FACING DOWN
13A	35-11004		1	FILTER KIT FILTER FACING DOWN
14	10-73657		2	SCREW, FUEL PUMP (1-1/2") FILTER FACING DOWN
15	13-39107		2	LOCKWASHER, FUEL PUMP SCREW FILTER FACING DOWN
16	12-20084		2	WASHEER, FUEL PUMP SCREW FILTER FACING DOWN
17	22-42789		1	FITTING, ELBOW - FUEL FILTER FACING DOWN
18	27-43186		1	GASKET, FUEL PUMP FILTER FACING DOWN
19	27-98355		1	GASKET, WEDGE TO INTAKE MANIFOLD SERIAL # AND BELOW ,6299239
20	41879		1	WEDGE, CARBURETOR ,6299239
21	16-41880		2	STUD, CARBURETOR/WEDGE (LONG) ,6299239
22	16-46857		2	STUD, CARBURETOR/WEDGE (SHORT) ,6299239
23	12-20084		4	WASHER, ACRBURETOR/WEDGE STUD ,6299239
24	11-35814		4	NUT,CARBURETOR/WEDGE STUD ,6299239
25	10-31199		1	SCREW, TROTTLE STOP - WEDGE ,6299239
26	11-30968		1	NUT, JAM - TROTTLE STOP SCREW ,6299239
27	32-41881		1	FUEL LINE, PUMP TO CARBURETOR ,6299239
28	41659		1	ANCHOR, TROTTLE RETURN SPRING SERIAL # AND ABOVE 6299240,
29	24-42350		1	SPRING, TROTTLE RETURN 6299240,
30	27-41636--1		1	GASKET, WEDGE TO INTAKE MANIFOLD 6299240,
31	41634A2		1	WEDGEN CARBURETOR 6299240,
32	10-54523		4	SCREW, WEDGE TO INTAKE MANIFOLD 6299240,
33	121-70132		4	WASHER, WEDGE SCREW 6299240,

CONTINUED ON NEXT PAGE ➡

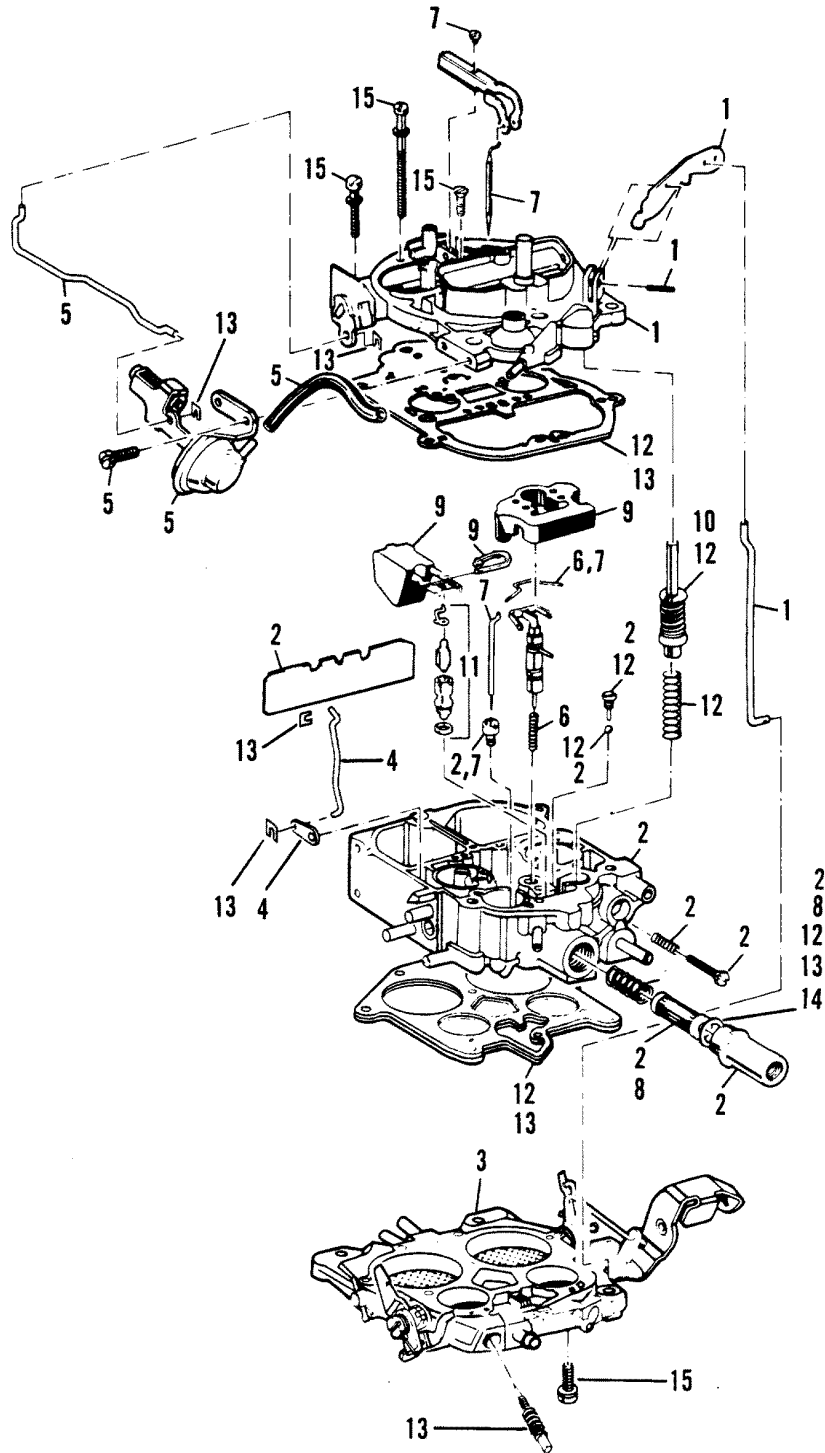
# CARBURETOR AND FUEL PUMP



## CARBURETOR AND FUEL PUMP

REF. NO.	PART NO.	SYM.	QTY.	DESCRIPTION
34	11-41624		2	NUT, CARBURETOR SCREW <b>6299240,</b>
35	10-52743		2	SCREW, CARBURETOR TO WEDGE (3-3/4") <b>6299240,</b>
36	10-53167		2	SCREW, CARBURETOR TO WEDGE (7/8") <b>6299240,</b>
37	12-20084		3	WASHER, CARBURETOR SCREW <b>6299240,</b>
38	10-98509		1	SCREW, TROTTLE CABLE <b>6299240,</b>
39	12-20128		1	WASHER, TROTTLE CABLE SCREW <b>6299240,</b>
40	23-57938		1	BUSHING, TROTTLE CABLE SCREW <b>6299240,</b>
41	23-34948		1	BUSHING, TROTTLE CABLE SCREW <b>6299240,</b>
42	12-56681		1	WASHER, TROTTLE CABLE SCREW <b>6299240,</b>
43	11-20190		1	NUT, TROTTLE CABLE SCREW <b>6299240,</b>
44	32-41635A1		1	FUEL LINE, PUMP (FILTER FACING UP) <b>6299240,</b>
	32-43275A3		1	FUEL LINE, PUMP (FILTER FACING DOWN) <b>6299240,</b>

# CARBURETOR

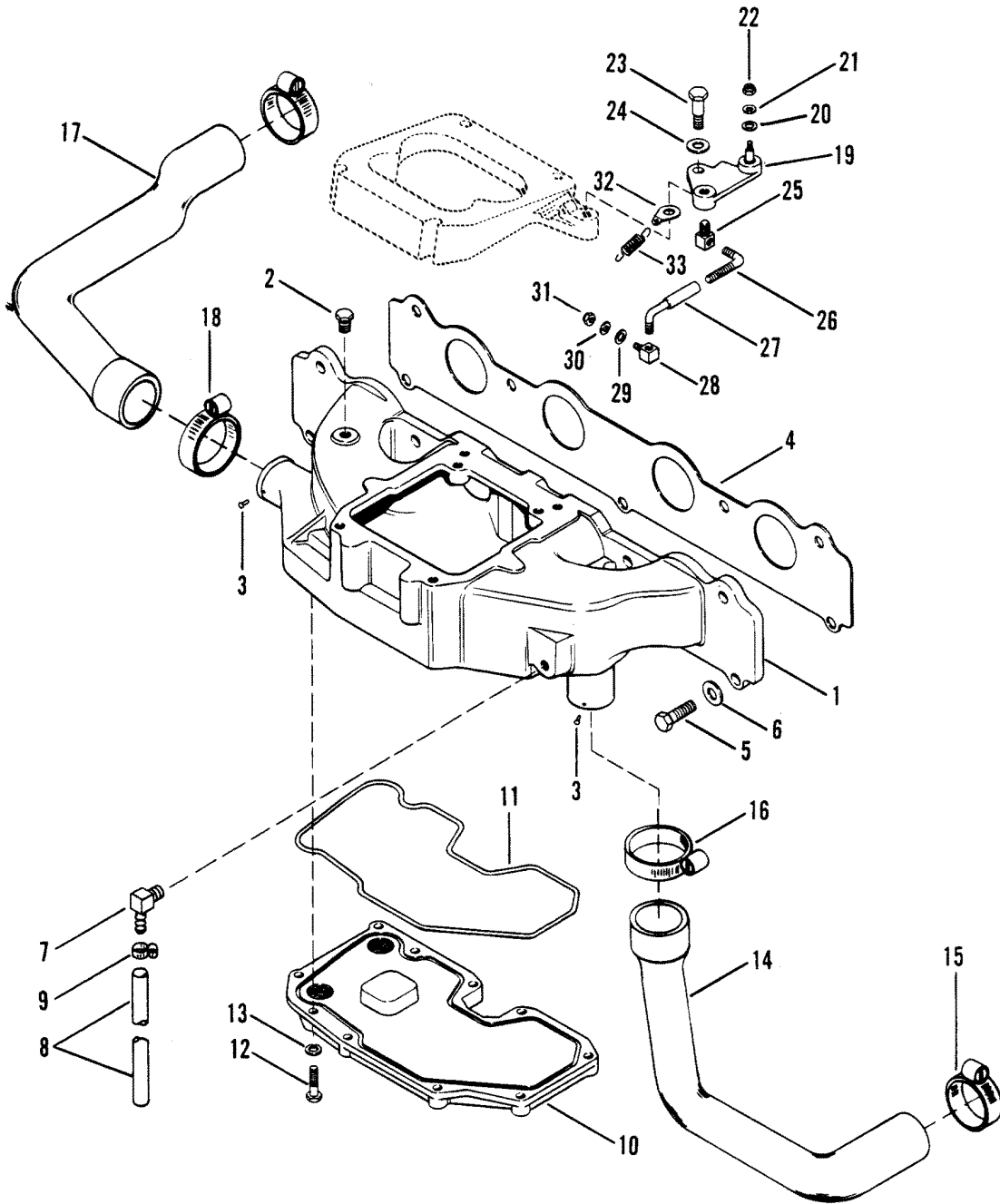


MC0008

# CARBURETOR

REF. NO.	PART NO.	SYM.	QTY.	DESCRIPTION
-	1347-8460A3		1	CARBURETOR ASSEMBLY
1	1397-8953		1	AIR HORN KIT
2	1397-8954		1	FLOAT BOWL KIT
3	1397-8540		1	THROTTLE BODY KIT
4	1397-8955		1	CHOKE LINK AND LEVER KIT
5	1397-8956		1	PRIMARY VACUUM KIT
6	1397-8957		1	POWER PISTON KIT
7	1397-8958		1	METERING JET AND ROD KIT
8	1397-8545		1	FUEL FILTER KIT
9	1397-8959		1	FLOAT KIT
10	1397-8547		1	PUMP KIT
11	1397-8960		1	NEEDLE AND SEAT KIT
12	1397-8952		1	CARBURETOR REPAIR KIT SEE NOTE
13	1397-8536		1	GASKET KIT SEE NOTE
14	1397-8327		1	GASKET,FUEL FILTER NUT
15	1397-8557		1	SCREW, KIT, AIR HORN/TROTTLE BODY

# INTAKE MANIFOLD AND THROTTLE LINKAGE

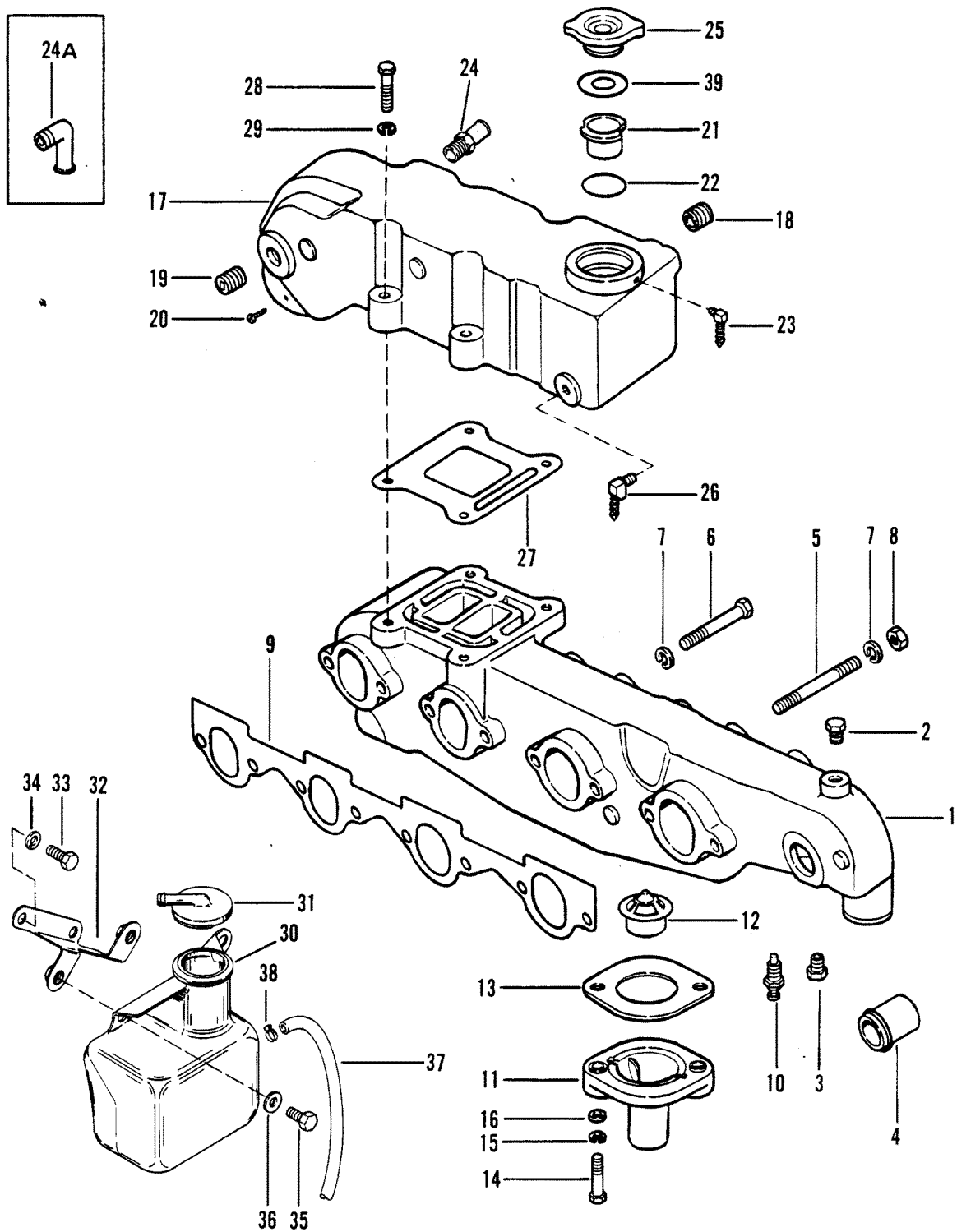




# INTAKE MANIFOLD AND THROTTLE LINKAGE

REF. NO.	PART NO.	SYM.	QTY.	DESCRIPTION
1	98348A2		1	INTAKE MANIFOLD ASS'Y <b>SERIAL 00000000-06299239</b>
	41616A2		1	INTAKE MANIFOLD <b>SERIAL 62999240-09999999</b>
2	22-36382		1	PLUG, INTAKE MANIFOLD - TOP
3	10-28642		4	DRIVE SCREW, WATER TUBE FLANGE
4	27-70905		1	GASKET, INTAKE MANIFOLD
5	10-68101		7	SCREW, INTAKE MANIFOLD TO CYLINDER HEAD (1-3/8")
6	12-25909		7	WASHER, INTAKE MANIFOLD SCREW
7	22-73817		1	FITTING, INTAKE MANIFOLD
8	32-89713		1	HOSE, INTAKE MANIFOLD TO RESERVOIR
9	54-54428		2	CLAMP, HOSE ATTACHING
10	98350A1		1	COVER, OIL COOLER
11	25-42357		1	"O" RING, OIL COOLER COVER
12	10-76596		10	SCREW, OIL COOLER COVER
13	13-26992		10	LOCKWASHER, COVER SCREW
14	32-76326		1	HOSE, INTAKE MANIFOLD TO WATER PUMP
15	54-32780		1	CLAMP, HOSE TO WATER PUMP
16	54-32781		1	CLAMP, HOSE TO INTAKE MANIFOLD
17	32-89655		1	HOSE, INTAKE MANIFOLD
18	54-32781		2	CLAMP, HOSE TO INTAKE MANIFOLD
19	99234A2		1	LEVER, INTERMEDIATE THROTTLE <b>SERIAL 00000000-06299239</b>
20	12-35950		1	WASHER, INTERMEDIATE THROTTLE STUD <b>SERIAL 00000000-06299239</b>
21	12-30164		1	WASHER, INTERMEDIATE THROTTLE STUD <b>SERIAL 00000000-06299239</b>
22	11-20110		1	NUT, INTERMEDIATE THROTTLE STUD <b>SERIAL 00000000-06299239</b>
23	10-38507		1	SCREW, LEVER TO INTAKE MANIFOLD (1-5/16") <b>SERIAL 00000000-06299239</b>
24	12-34714		1	WASHER, LEVER SCREW <b>SERIAL 00000000-06299239</b>
25	27947		1	SWIVEL, LINKAGE <b>SERIAL 00000000-06299239</b>
26	27949		1	LINK ROD, LINKAGE <b>SERIAL 00000000-06299239</b>
27	63145A1		1	LINK ROD ASSEMBLY, LINKAGE <b>SERIAL 00000000-06299239</b>
28	38983		1	SWIVEL, LINKAGE - CARBURETOR <b>SERIAL 00000000-06299239</b>
29	12-35950		1	WASHER, SWIVEL LINKAGE - CARBURETOR <b>SERIAL 00000000-06299239</b>
30	12-30164		1	WASHER, SWIVEL LINKAGE - CARBURETOR <b>SERIAL 00000000-06299239</b>
31	11-20110		1	NUT, SWIVEL LINKAGE - CARBURETOR <b>SERIAL 00000000-06299239</b>
32	99232		1	ANCHOR, THROTTLE RETURN SPRING <b>SERIAL 00000000-06299239</b>
33	24-99231		1	SPRING, THROTTLE RETURN <b>SERIAL 00000000-06299239</b>

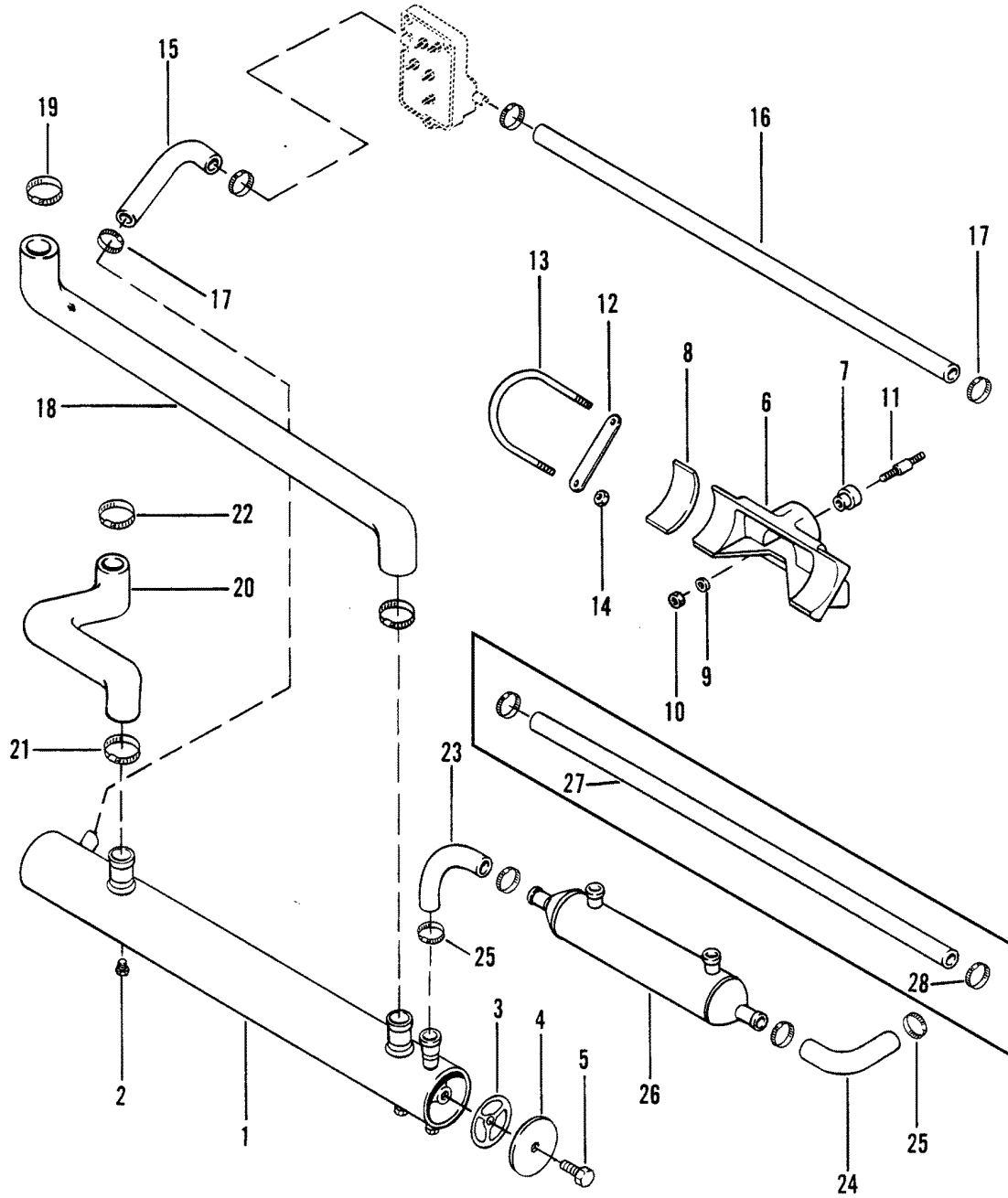
# EXHAUST MANIFOLD AND EXHAUST ELBOW



## EXHAUST MANIFOLD AND EXHAUST ELBOW

REF. NO.	PART NO.	SYM.	QTY.	DESCRIPTION
1	99908A3		1	EXHAUST MANIFOLD ASSEMBLY
2	22-32802		1	PIPE PLUG (1/8-27 NPT)
3	22-32803		1	PIPE PLUG - DRAIN
4	23-72119		1	WATER SLEEVE
5	16-78438		3	STUD, EXHAUST MANIFOLD TO HEAD
6	10-89679		4	SCREW, EXHAUST MANIFOLD TO HEAD (6")
7	13-35048		7	LOCKWASHER, EXHAUST MANIFOLD
8	11-24883		3	NUT, EXHAUST MANIFOLD STUD
9	27-68715		1	GASKET, EXHAUST MANIFOLD TO HEAD
10	75669		1	SENDER, WATER TEMPERATURE
11	89659		1	THERMOSTAT HOUSING
12	99155A1		1	THERMOSTAT
13	27-89656		1	GASKET, THERMOSTAT HOUSING TO EXHAUST MANIFOLD
14	10-73657		2	SCREW, THERMOSTAT HOUSING
15	13-39107		2	LOCKWASHER, THERMOSTAT HOUSING SCREW
16	12-26825		2	WASHER, THERMOSTAT HOUSING SCREW
17	90880A2		1	EXHAUST ELBOW AND RESERVIOR ASSEMBLY
18	22-32802		1	PIPE PLUG (1/8-27 NPT)
19	22-33198A1		2	CORE PLUG (3/4-14)
20	10-28642		4	SCREW, DRIVE
21	22-58471		1	BASE, FILER HOLE
22	25-45257		1	"O" RING, FILTER BASE
23	22-99498		1	OVERFLOW ELBOW (THREADED)
24	22-45084		1	ELBOW, COOLER HOSE (W/O POWER STEERING)
24A	22-36305		1	ELBOW, COOLER HOSE (W/POWER STEERING)
25	36-55143		1	CAP, FILLER
26	22-76170		1	FITTING, RESERVIOR BY-PASS
27	27-97542		1	GASKET, ELBOW AND RESERVIOR TO MANIFOLD
28	10-37269		4	SCREW, ELBOW AND RESERVIOR TO MANIFOLD
29	13-32993		4	LOCKWASHER, ELBOW AND RESERVIOR SCREW
30	91987A1		1	BOTTLE ASSEMBLY, COOLANT RECOVERY
31	36-91989A1		1	CAP ASSEMBLY
32	97864A2		1	BRACKET ASEMBLY, BOTTLE
33	10-47461		2	SCREW, BOTTLE BRACKET
34	13-37272		2	LOCKWASHER, BOTTLE BRACKET SCREW
35	10-27165		2	SCREW, BOTTLE TO BRACKET
36	12-25909		2	WASHER, BOTTLE SCREW
37	32-77457--2		1	HOSE, COOLANT RECOVERY BOTTLE
38	54-54428		2	CLAMP, HOSE ATTACHING
39	27-71614		1	GASKET, FILLER CAP

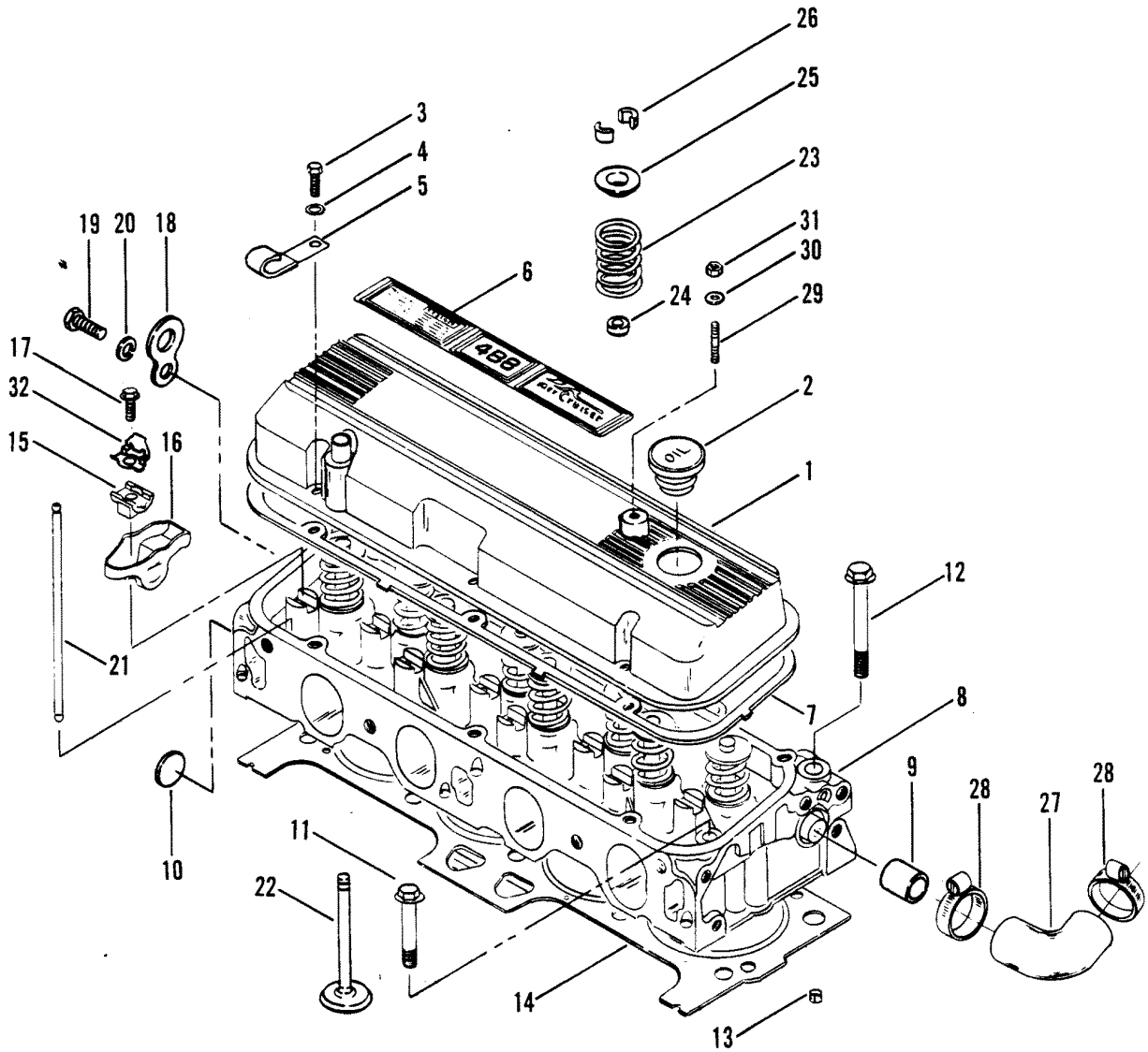
# HEAT EXCHANGER



# HEAT EXCHANGER

REF. NO.	PART NO.	SYM.	QTY.	DESCRIPTION
1	99438A1		1	HEAT EXCHANGER
2	22-32802		2	PIPE PLUG, HEAT EXCHANGER
3	27-99960		2	GASKET, END CAP
4	99961		2	PLATE, END CAP
5	10-99962		2	SCREW, END CAP - HEAT EXCHANGER
6	98618A1		1	BRACKET ASSEMBLY, HEAT EXCHANGER
7	41024		6	MOUNT, VIBRATION
8	77223		2	PAD, MOUNTING BRACKET
9	12-31262		3	WASHER, MOUNT STUD
10	11-34933		3	NUT, MOUNT STUD
11	16-41025		3	STUD, BRACKET
12	98620		2	STRAP, BRACKET TO HEAT EXCHANGER
13	10-98619A1		2	"U" BOLT, HEAT EXCHANGER
14	11-26484		4	NUT, "U" BOLT
15	32-88132		AS REQ	REGULATOR TUBE O.D. 5/8", HEAT EXCHANGER TUBE O.D. 5/8"
	32-41497		AS REQ	REGULATOR TUBE O.D. 5/8", HEAT EXCHANGER TUBE O.D. 3/4"
	32-99521		AS REQ	REGULATOR TUBE O.D. 3/4", HEAT EXCHANGER TUBE O.D. 5/8"
	32-99520		AS REQ	REGULATOR TUBE O.D. 3/4", HEAT EXCHANGER TUBE O.D. 3/4"
16	32-47642		AS REQ	REGULATOR TUBE O.D. 5/8", HEAT EXCHANGER TUBE O.D. 5/8"
	32-99519		AS REQ	REGULATOR TUBE O.D. 5/8", HEAT EXCHANGER TUBE O.D. 3/4"
	32-42850-64		AS REQ	REGULATOR TUBE O.D. 3/4", HEAT EXCHANGER TUBE O.D. 3/4"
17	54-32533		4	CLAMP, HOSE ATTACHING
18	32-77245		1	HOSE, THERMOSTAT HOUSING TO HEAT EXCHANGER
19	54-32780		2	CLAMP, HOSE ATTACHING
20	32-89654		1	HOSE, EXHAUST MANIFOLD TO HEAT EXCHANGER
21	54-32780		1	CLAMP, HOSE TO HEAT EXCHANGER
22	54-32781		1	CLAMP, HOSE TO EXHAUST MANIFOLD
23	32-33220-70		1	HOSE, COOLER TO HEAT EXCHANGER WITH POWER STEERING
24	32-95850		1	HOSE, COOLER TO EXHAUST ELBOW WITH POWER STEERING
25	54-32780		4	CLAMP, HOSE ATTACHING WITH POWER STEERING
26	90740		1	IOL COOLER WITH POWER STEERING
27	32-33220-70		1	HOSE, HEAT EXCHANGER TO EXHAUST ELBOW WITHOUT POWER STEERING
28	54-32780		2	CLAMP, HOSE ATTACHING WITHOUT POWER STEERING

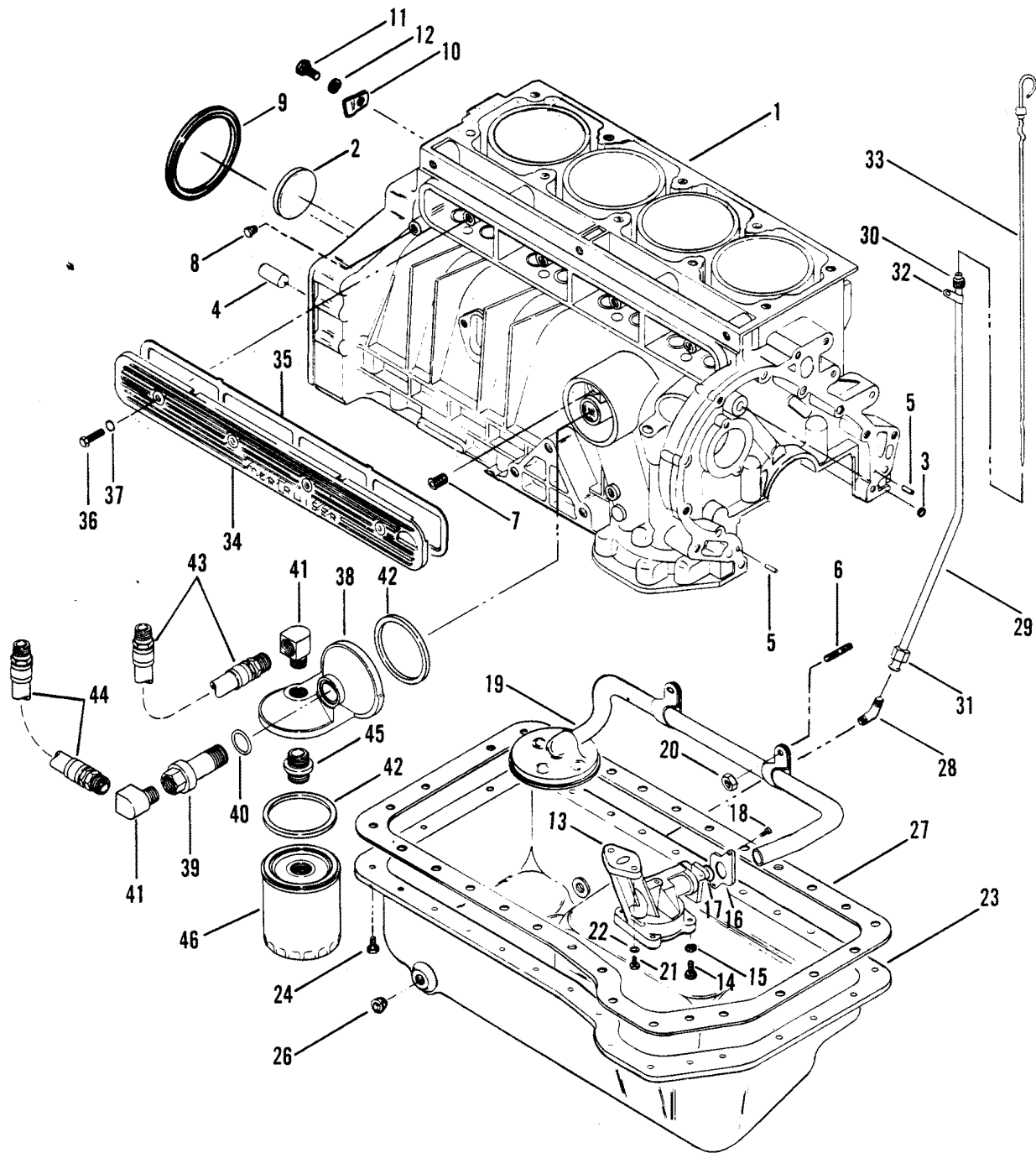
# CYLINDER HEAD AND ROCKER COVER



## CYLINDER HEAD AND ROCKER COVER

REF. NO.	PART NO.	SYM.	QTY.	DESCRIPTION
1	41638A1		1	ROCKER COVER
2	36-75336		1	CAP, OIL FILLER
3	10-98510		7	SCREW, ROCKER COVER (1/4-20 X 3/4")
4	13-22773		7	LOCKWASHER, ROCKER COVER SCREW
5	54-64235--1		3	"J" CLIP, ROCKER COVER SCREW
6	37-99451		1	DECAL, ROCKER COVER
7	27-73666		1	GASKET, ROCKER COVER
8	966-8551A2		1	CYLINDER HEAD ASSEMBLY
9	23-72119		1	SLEEVE, WATER
10	19-74832		2	PLUG, CYLINDER HEAD
11	10-67503		5	SCREW, CYLINDER HEAD (4-3/8")
12	10-72769		5	SCREW, CYLINDER HEAD (5-1/8")
13	17-67489		2	PIN, CYLINBDER HEAD
14	27-92166		1	GASKET, CYLINDER HEAD
15	67504		8	BALL UNIT, ROCKER COVER
16	92966		8	ARM, .ROCKER VALVE
17	10-67506		8	SCREW, ROCKER ARM
18	54-72531		2	LIFTING EYE
19	10-48948		1	SCREW, LIFTING EYE (7/16-14 X 7/8") FRONT
20	13-32993		1	LOCKWASHER, LIFTING EYE SCREW FRONT
19	10-68101		1	SCREW, LIFTING EYE (3/8-16 X 1") - REAR
21	67502--5		AR	PUSH ROD, VALVE - (NO DYE)
	67502--3		8	PUSH ROD, VALVE (RED DYE)
	67502--4		AR	PUSH ROD, VALVE (BLUE DYE)
	67502--6		AR	PUSH ROD, VALVE (YELLOW DYE)
22	42448		4	VALVE, EXHAUST - STD.
	42449		AR	VALVE, EXHAUST (.015 O.S.)
	42450		4	VALVE, INTAKE - STD
	42451		AR	VALVE, INTAKE (.015 O.S.)
23	24-42452		8	VALVE SPRING
24	26-75413		8	SEAL, VALVE STEM
25	75412		8	RETAINER, VALVE SPRING
26	28-56162		16	KEY, VALVE STEM
27	32-89653		1	HOSE, CYLINDER HEAD TO EXHAIUST MANIFOLD
28	54-32780		2	CLAMP, HOSE ATTACHING
29	16-38525		1	STUD, THROTTLE CABLE ANCHOR - ROCKER COVER
30	12-24664		2	WASHER, THROTTLE CABLE ANCHOR - STUD
31	11-20586		1	NUT, THROTTLE CBLE ANCHOR - STUD
32	91976		8	BAFFLE, OIL

# CYLINDER BLOCK, OIL PUMP AND OIL PAN



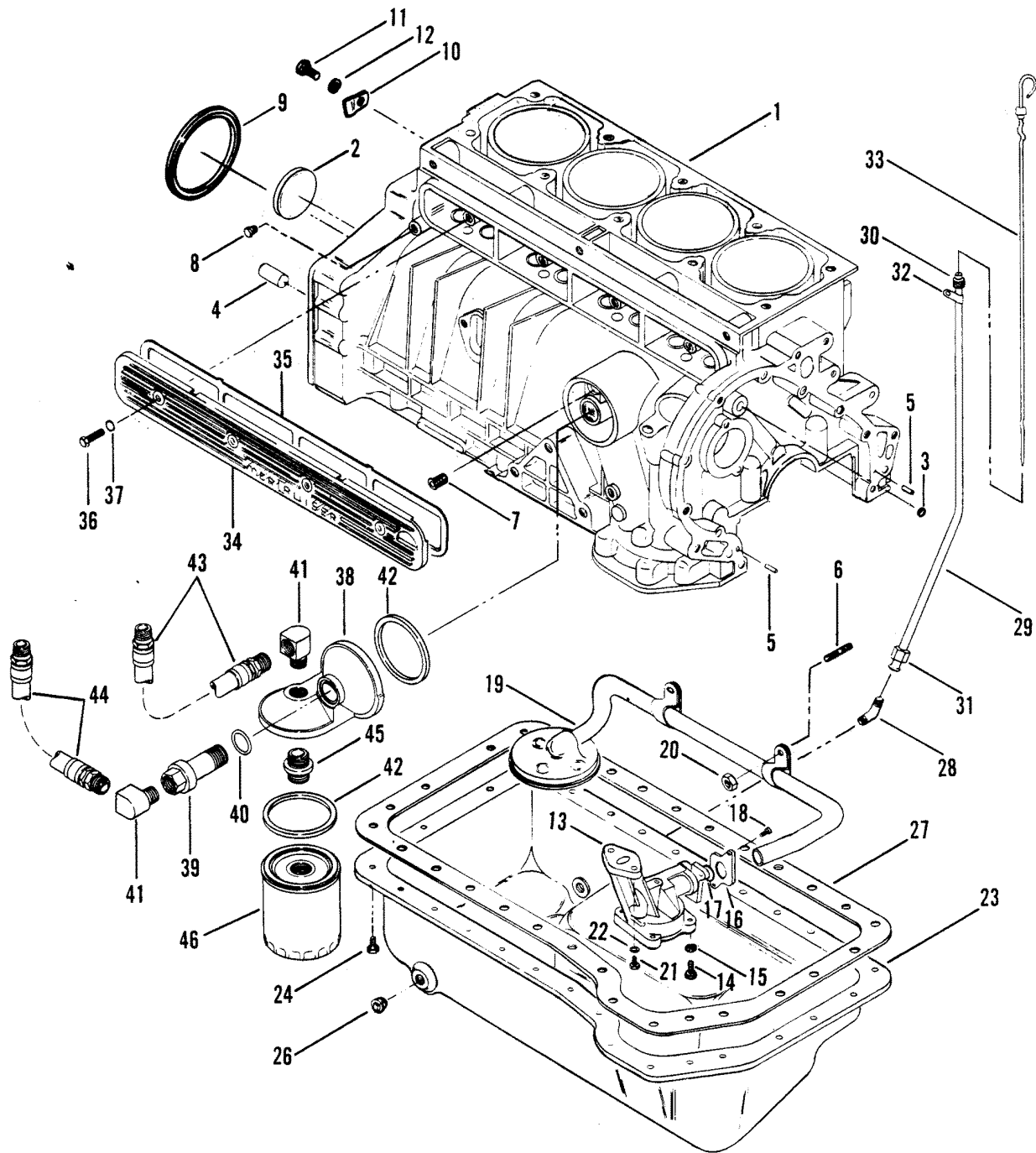


## CYLINDER BLOCK, OIL PUMP AND OIL PAN

REF. NO.	PART NO.	SYM.	QTY.	DESCRIPTION
1	859-6387A3		1	CYLINDER BLOCK ASSEMBLY
2	19-67383		1	PLUG, CAMSHAFT BORE (2-1/2" DIA.)
3	19-67384		2	PLUG, OIL GALLERY (5/8" DIA.)
4	17-67385		2	PIN, PILOT - FLYWHEEL HOUSING
5	17-74840		2	PIN, FRONT COVER
6	16-74396		2	STUD, OIL TUBE TO BLOCK
7	99889		1	VALVE, BY-PASS
8	22-32802		3	PIPE PLUG, CYLINDER BLOCK
9	26-90925		1	SEAL, CRANKSHAFT - REAR
10	54-99334		1	CLAMP, BASE
11	10-27165		1	SCREW, HOSE CLAMP
12	13-35048		1	LOCKWASHER, HOSE CLAMP SCREW
13	68712A1		1	OIL PUMP ASSEMBLY
14	10-28668		4	SCREW, COVER TO OIL PUMP (7/8")
15	13-26992		4	LOCKWASHER, COVER SCREW
16	70792		1	FLANGE, TUBE TO OIL PUMP
17	25-35276		1	"O" RING, TUBE TO OIL PUMP
18	10-47576		2	SCREW, FLANGFE TO OIL PUMP (3/4")
19	32-72877A1		1	OIL PICK-UP TUBE ASSEMBLY
20	11-67919		2	NUT, OIL PICK-UP TUBE STUD
21	10-37612		2	SCREW, OIL PUMP TO ENGINE (1-1/4")
22	13-35048		2	LOCKWASHER, OIL PUMP SCREW
23	71938A1		1	OIL PAN
24	10-35765		29	SCREW, OIL PAN (5/8")
26	22-60039		1	PLUG, OIL DRAIN
27	27-72479		1	GASKET, OIL PAN
28	22-97006		1	ELBOW, OIL PAN
29	97346A2		1	TUBE ASSEMBLY, DIPSTICK
30	22-78039		1	COUPLING, DIPSTICK TUBE
31	11-47626		1	NUT, DIPSTICK TUBE TO ELBOW
32	54-61001		1	CLIP, DIPSTICK TUBE
33	97381A1		1	GAUGE, OIL LEVEL
34	41505A1		1	SIDE COVER
35	27-68706		1	GASKET, SIDE COVER
36	10-75206		4	SCREW, SIDE COVER (1-3/4")
37	25-26543		4	"O" RING, SIDE COVER SCREW
38	94023A1		1	ADAPTOR, OIL FILTER
39	93534		1	BUSHING, OIL FILTER ADAPTOR
40	25-58390		1	"O" RING, OIL FILTER ADAPTOR
41	22-63825		2	ELBOW, OIL FILTER ADAPTOR (90)

CONTINUED ON NEXT PAGE ➡

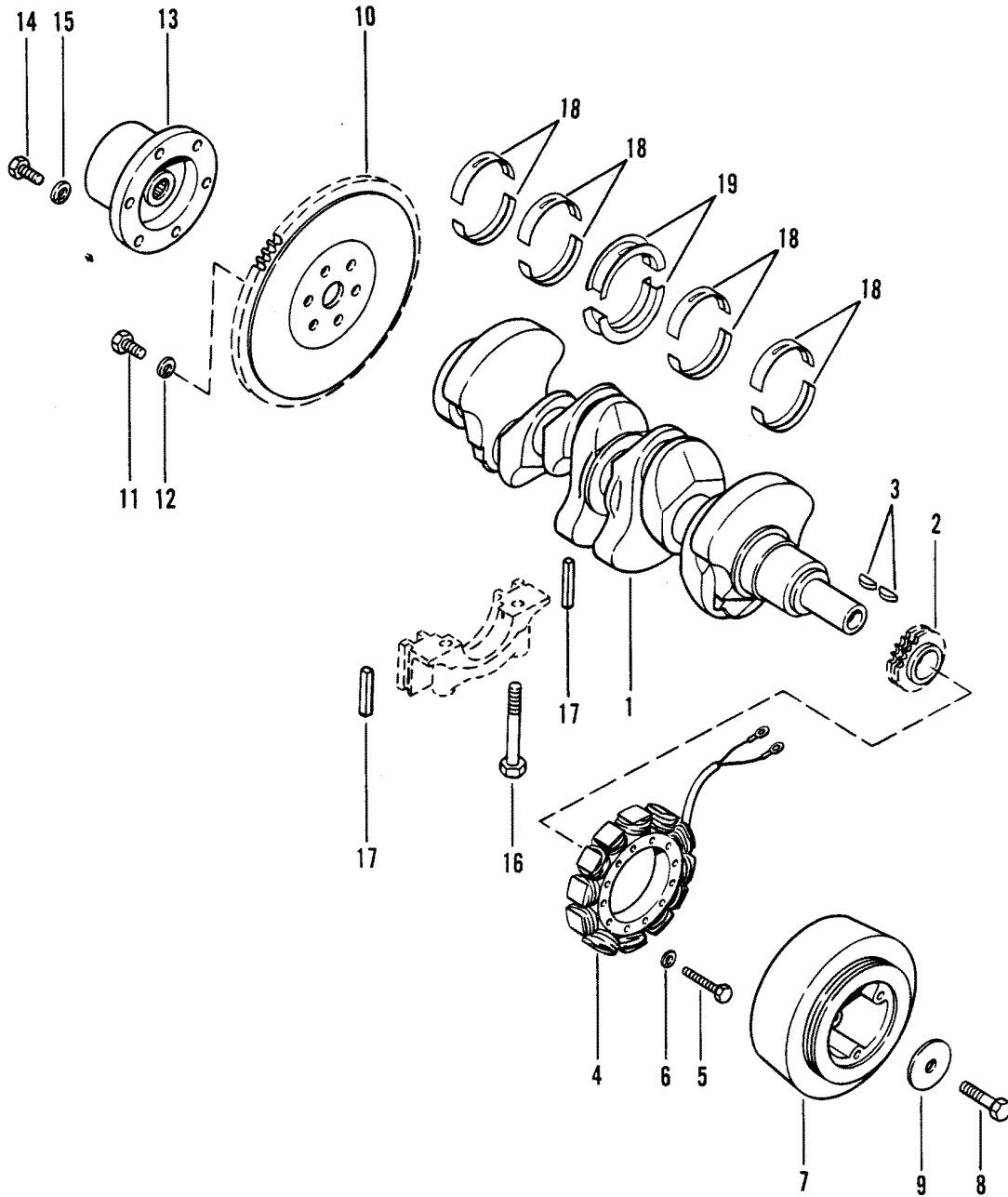
# CYLINDER BLOCK, OIL PUMP AND OIL PAN



## CYLINDER BLOCK, OIL PUMP AND OIL PAN

REF. NO.	PART NO.	SYM.	QTY.	DESCRIPTION
42	27-91892		2	GASKET, OIL FILTER ADAPTOR AND OIL FILTER
43	32-92357-38		1	HOSE, OIL (16-1/2")
44	32-92357-28		1	HOSE, OIL (13-1/2")
45	32720		1	ADAPTOR, OIL FILTER
46	54111		1	OIL FILTER

# CRANKSHAFT, FLYWHEEL AND ALTERNATOR

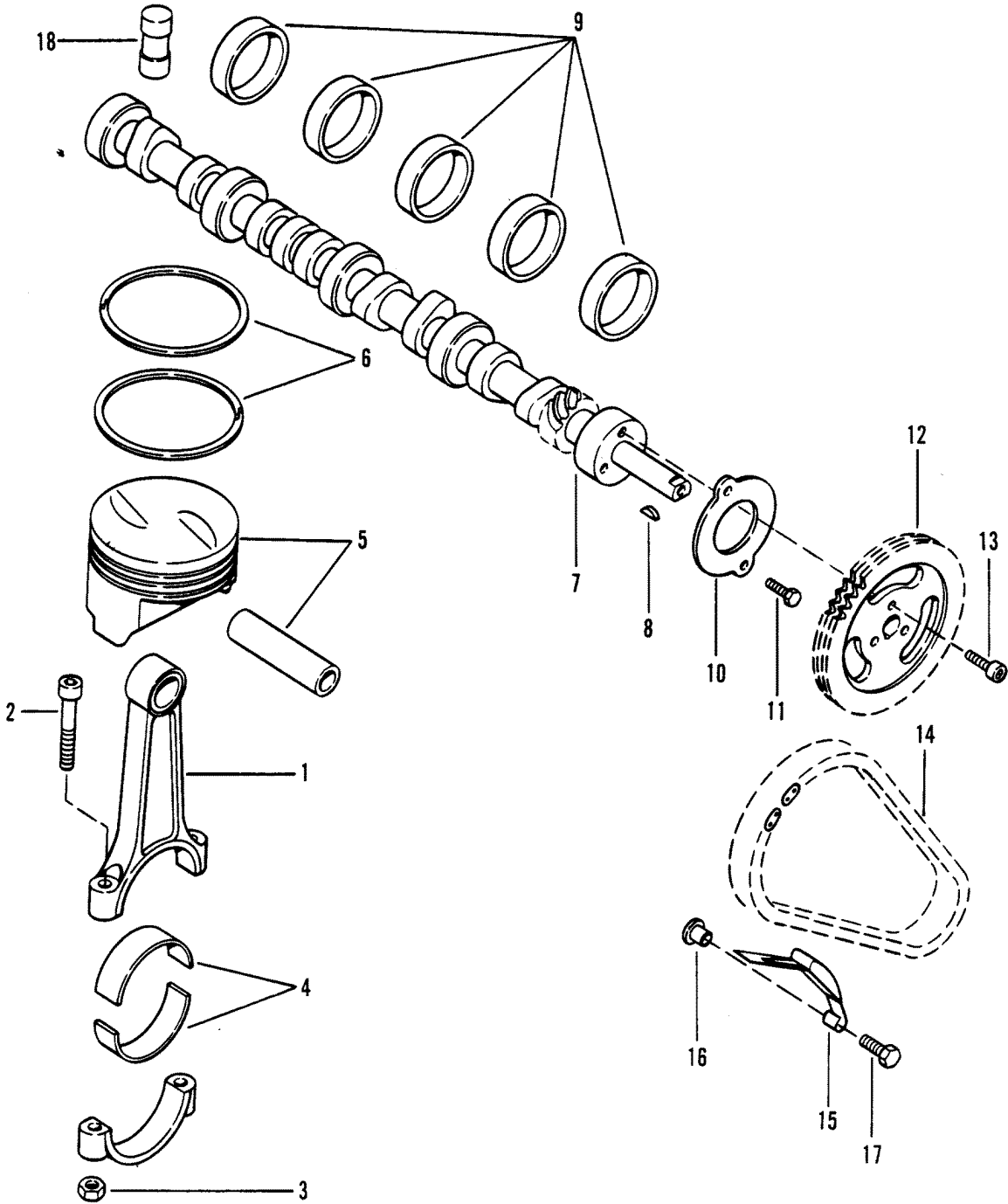
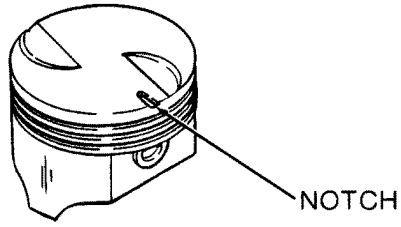


# CRANKSHAFT, FLYWHEEL AND ALTERNATOR

REF. NO.	PART NO.	SYM.	QTY.	DESCRIPTION
1	456-6092A1		1	CRANKSHAFT
2	68700A1		1	SPROCKET, CRANKSHAFT
3	28-67382		2	KEY, SPROCKET AND ALTERNATOR
4	398-6231A10		1	STATOR ASSEMBLY, ALTERNATOR
5	10-77363		5	SCREW, STATOR TO FRONT COVER (1-1/2")
6	13-26993		5	LOCKWASHER, STATOR SCREW
7	93009A5		1	ALTERNATOR ASSEMBLY, FLYWHEEL
8	10-59644		1	SCREW, ALTERNATOR (1-3/8")
9	12-36103		1	WASHER, ALTERNATOR SCREW
10	251-8468A2		1	FLYWHEEL
11	10-49845		6	SCREW, FLYWHEEL TO CRANKSHAFT
12	13-39131		6	LOCKWASHER, FLYWHEEL SCREW
13	97432A2		1	COUPLING ASSEMBLY, ENGINE
14	10-37612		6	SCREW, COUPLING TO FLYWHEEL
15	13-35048		6	LOCKWASHER, COUPLING SCREW
16	10-74335		10	SCREW, MAIN BEARING CAPS
17	26-98421A1		1	SEAL, REAR BEARING CAP
18			4	<b>MAIN BEARING ASS'Y (STD.) WHEN ORDERING REPLACEMENT BEARINGS REFER TO M/C SERVICE MANUAL 90-71707 SEC. 5 PART D.</b>
	74313A2		AR	<b>MAIN BEARING ASS'Y (.002 U.S.) WHEN ORDERING REPLACEMENT BEARINGS REFER TO M/C SERVICE MANUAL 90-71707 SEC. 5 PART D.</b>
	74313A4		AR	<b>MAIN BEARING ASS'Y (.010 U.S.) WHEN ORDERING REPLACEMENT BEARINGS REFER TO M/C SERVICE MANUAL 90-71707 SEC. 5 PART D.</b>
	74313A3		AR	<b>MAIN BEARING ASS'Y (.020 U.S.) WHEN ORDERING REPLACEMENT BEARINGS REFER TO M/C SERVICE MANUAL 90-71707 SEC. 5 PART D.</b>
19	74314A1		1	<b>CENTER MAIN BRG. ASS'Y (STD.) WHEN ORDERING REPLACEMENT BEARINGS REFER TO M/C SERVICE MANUAL 90-71707 SEC. 5 PART D.</b>
	74314A2		AR	<b>CENTER MAIN BRG. ASS'Y (.002 U.S.) WHEN ORDERING REPLACEMENT BEARINGS REFER TO M/C SERVICE MANUAL 90-71707 SEC. 5 PART D.</b>
	74314A4		AR	<b>CENTER MAIN BRG. ASS'Y (.010 U.S.) WHEN ORDERING REPLACEMENT BEARINGS REFER TO M/C SERVICE MANUAL 90-71707 SEC. 5 PART D.</b>
	74314A3		AR	<b>CENTER MAIN BRG. ASS'Y (.020 U.S.) WHEN ORDERING REPLACEMENT BEARINGS REFER TO M/C SERVICE MANUAL 90-71707 SEC. 5 PART D.</b>

# CAMSHAFT AND PISTON

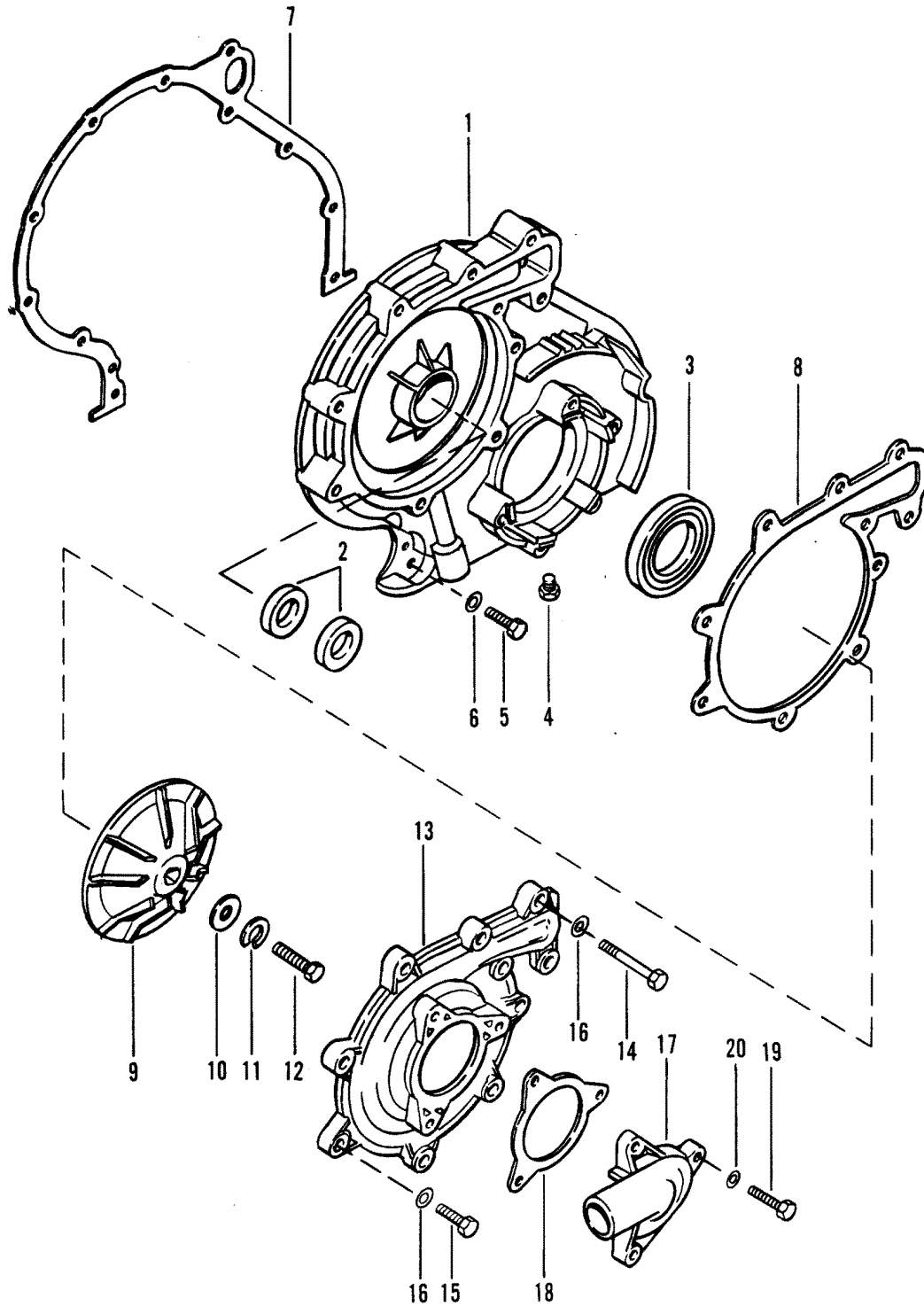
† = indicates piston with notch on top side, see illustration.



# CAMSHAFT AND PISTON

REF. NO.	PART NO.	SYM.	QTY.	DESCRIPTION
1	628-6100A2		4	CONNECTING ROD ASSEMBLY
2	10-75444		8	SCREW, CONNECTING ROD
3	11-64769		8	NUT, CONNECTING ROD SCREW
4	68704A1		4	BEARING, CONNECTING ROD (STD)
	68704A2		AR	BEARING, CONNECTING ROD (.002 U.S.)
	68704A4		AR	BEARING, CONNECTING ROD (.010 U.S.)
	68704A3		AR	BEARING, CONNECTING ROD (.020 U.S.)
5	759-8312A2		4	PISTON (STANDARD)
	759-8312A3		AR	PISTON (.005 O.S.) - USE STANDARD RINGS
	759-8312-12		AR	PISTON (.030 O.S.)
	778-9015A2		4	PISTON (STANDARD)
	778-9015A3		AR	PISTON (.005 O.S.) - USE STANDARD RINGS
	778-9015A4		AR	PISTON (.030 O.S.)
6	39-74381A1		4	RING, PISTON (STD.)
	39-75423		AR	RING, PISTON (.030 O.S.)
7	466-8479A1		1	CAMSHAFT
8	28-86466		1	KEY, CAMSHAFT
9	23-67484		5	BEARING, CAMSHAFT <b>WHEN ORDERING REPLACEMENT BEARINGS REFER TO M/C SERVICE MANUAL 90-71707 SEC. 5 PART D.</b>
10	67492		1	THRUST PLATE, CAMSHAFT
11	10-49668		2	SCREW, THRUST PLATE (3/4")
12	86461A1		1	SPROCKET, CAMSHAFT
13	10-70084		3	SCREW, SPROCKET TO CAMSHAFT (1")
14	68717A1		1	CHAIN, TIMING
15	75202		1	TENSIONER, CHAIN
16	23-75087		1	BUSHING, CHAIN TENSIONER
17	10-75206		1	SCREW, TENSIONER (1-3/4")
18	56153		8	TAPPET

# FRONT COVER

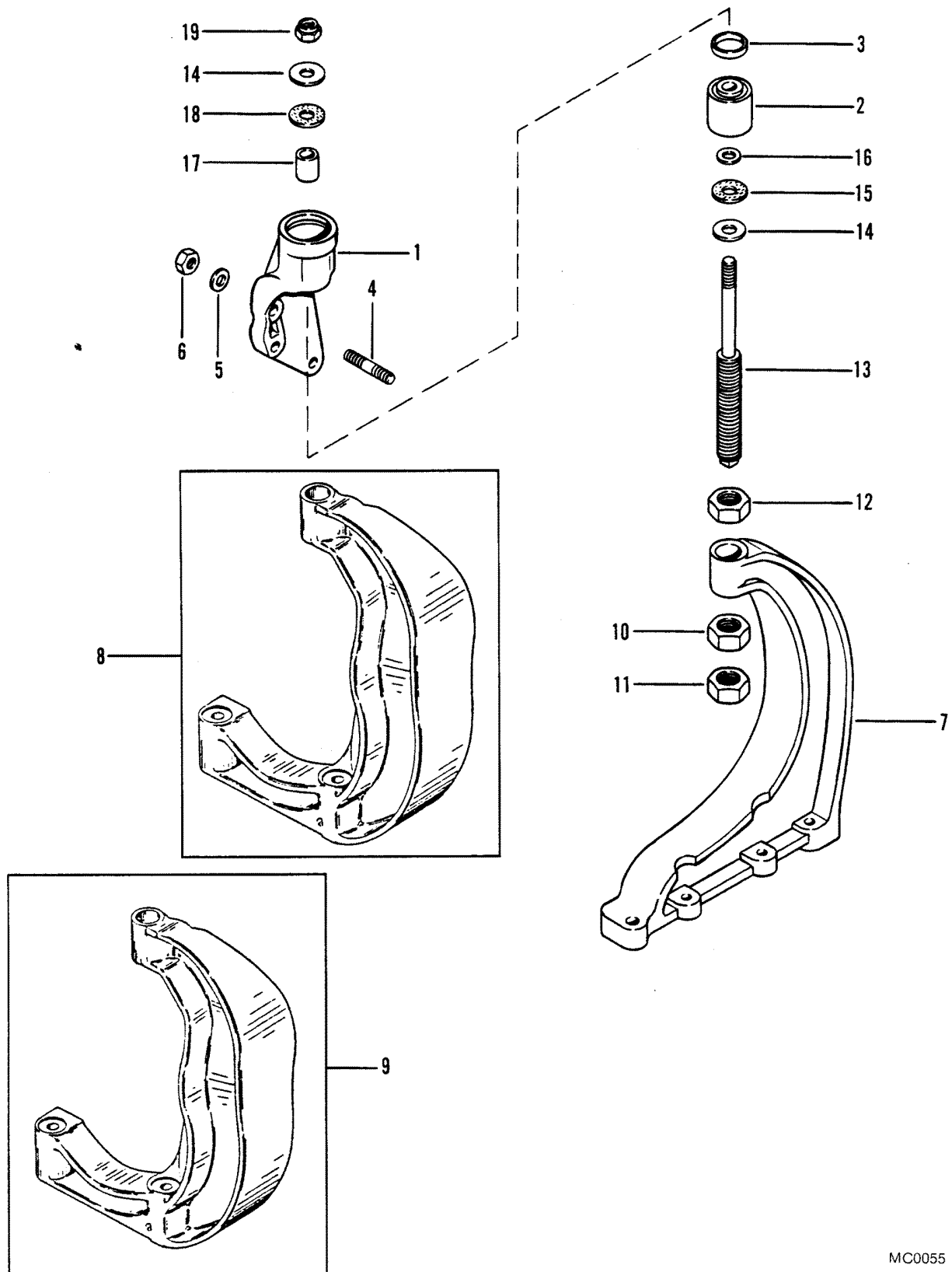




# FRONT COVER

REF. NO.	PART NO.	SYM.	QTY.	DESCRIPTION
1	71903A2		1	FRONT COVER ASSEMBLY
2	26-97530		2	SEAL, WATER PUMP
3	26-67388		1	SEAL, FRONT
4	22-32802		1	PIPE PLUG, DRAIN
5	10-35386		5	SCREW, FRONT COVER TO CYLINDER BLOCK (1")
6	12-20084		5	WASHER, FRONT COVER SCREW
7	27-68714		1	GASKET, FRONT COVER
8	27-72099		1	GASKET, IMPELLER COVER
9	47-86462A1		1	IMPELLER, WATER PUMP
10	12-85104		1	WASHER, IMPELLER SCREW
11	13-21804		1	LOCKWASHER, IMPELLER SCREW
12	10-23703		1	SCREW, IMPELLER
13	71902A1		1	COVER, IMPELLER
14	10-67450		6	SCREW, COVER TO CYLINDER BLOCK (2-1/4")
15	10-35386		4	SCREW, IMPELLER TO COVER FRONT COVER (1")
16	12-20084		10	WASHER, COVER SCREWS
17	71904A1		1	COVER, WATER INLET
18	27-72098		1	GASKET, WATER INLET COVER
19	10-28668		3	SCREW, INLET COVER TO IMPELLER COVER (7/8")
20	12-21249		3	WASHER, INLET COVER SCREW

# FRONT MOUNT

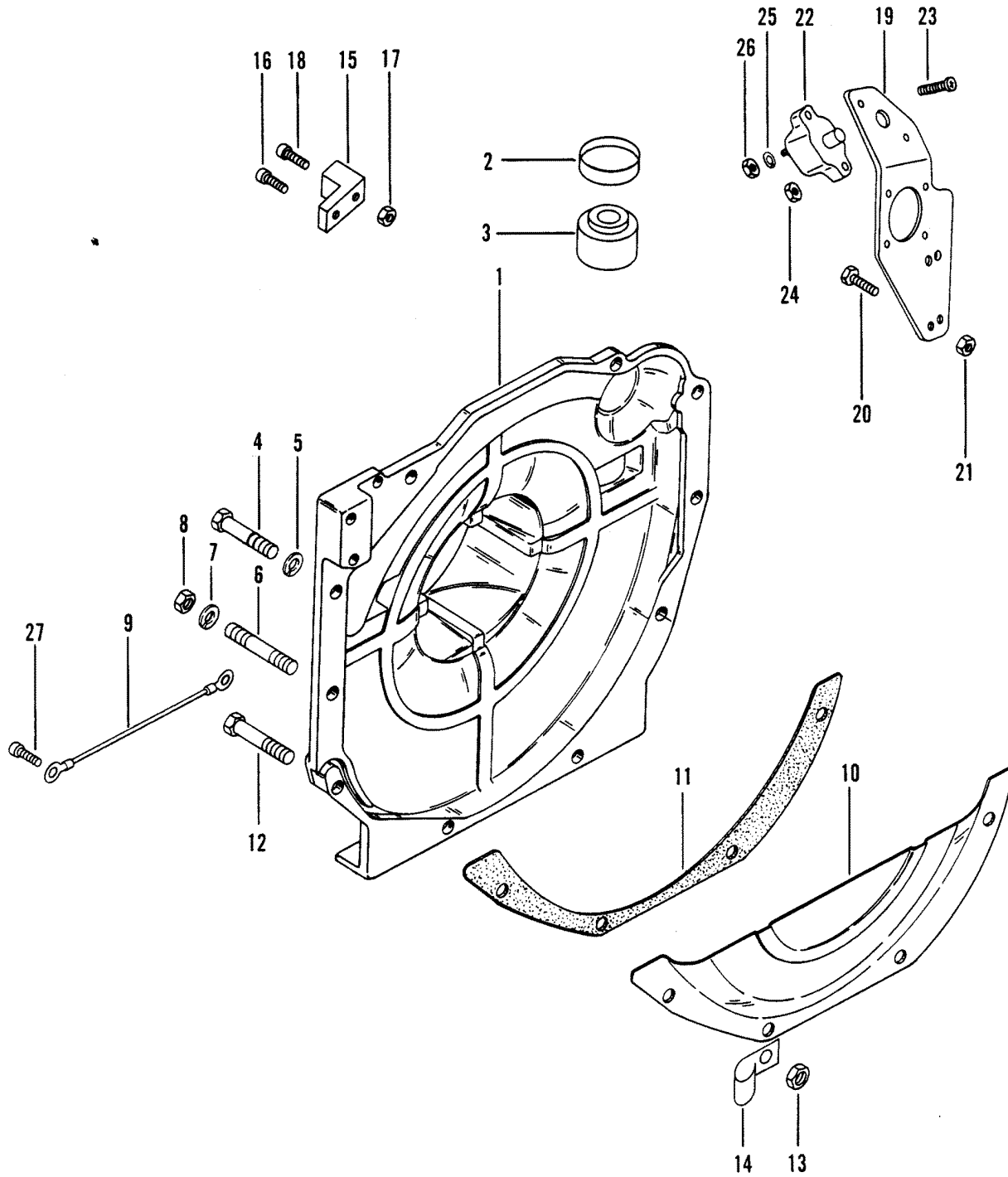


MC0055

# FRONT MOUNT

REF. NO.	PART NO.	SYM.	QTY.	DESCRIPTION
1	77877A2		1	FRONT MOUNT BRACKET ASSEMBLY
2	32833		1	MOUNT, RUBBER
3	23-35903		1	SPACER, RUBBER MOUNT
4	16-56295		1	STUD, MOUNTING BRACKET (UPPER)
	16-97352		2	STUD, MOUNTING BRACKET (LOWER)
5	12-34567		3	WASHER, MOUNTING BRACKET STUD
6	11-34933		3	NUT, MOUNTING BRACKET STUD
7	76839		1	MOUNT, FRONT SUPPORT
8	78814A1		OPT	SUPPORT, FRONT (22" CENTERS)
9	78483A1		OPT	SUPPORT, FRONT (6" CENTERS)
10	11-32882		1	NUT, FRONT SUPPORT MOUNT TO ADJUSTING STUD
11	11-47525		1	NUT, FRONT SUPPORT MOUNT TO ADJUSTING STUD
12	11-32882		1	NUT, ADJUSTING STUD (7/8-14)
13	16-36100		1	STUD, ADJUSTING
14	12-36103		2	WASHER,STEEL - UPPER AND LOWER
15	12-32638		1	WASHER, FIBER - ADJUSTING STUD
16	12-30119		1	WASHER, SPACER - ADJUSTING STUD
17	23-32756		1	SPACER, ADJUSTING STUD
18	12-36104		1	WASHER, FIBER - ADJUSTING STUD
19	11-20220		1	NUT, ADJUSTING STUD (1/2-20)

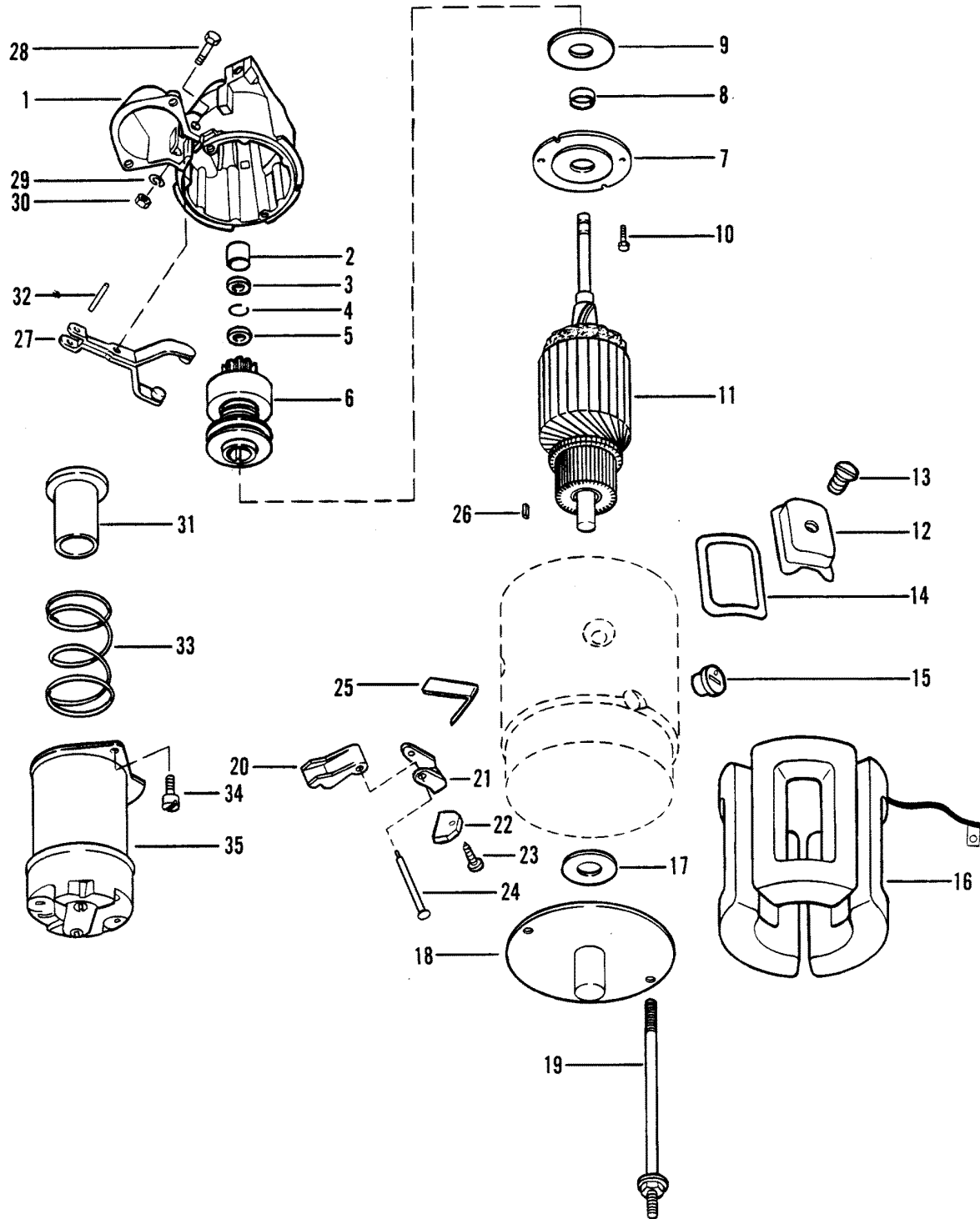
# FLYWHEEL HOUSING ASSEMBLY



# FLYWHEEL HOUSING ASSEMBLY

REF. NO.	PART NO.	SYM.	QTY.	DESCRIPTION
1	94985A2		1	FLYWHEEL HOUSING ASSEMBLY
2	23-99322		2	SPACER, RUBER MOUNT
3	99297A1		2	MOUNT, RUBBER
4	10-37612		5	SCREEW, FLYWHEEL HOUSING (1-1/4")
5	13-35047		5	LOCKWASHER, FLYWHEEL HOUSING SCREW
6	16-64066		1	STUD, FLYWHEEL HOUSING
7	13-35047		1	LOCKWASHER, FLYWHEEL HOUSING STUD
8	11-32219		1	NUT, FLYWHEEL HOUSING STUD
9	84-62826A6		1	WIRE, FLYWHEEL HOUSING STUD
10	95026A2		1	COVER, FLYWHEEL HOUSING
11	27-94976		1	GASKET, FLYWHEEL HOUSING COVER
12	10-26065		4	SCREW, COVER TO FLYWHEEL HOUSING AND CLAMP (1")
13	11-29250		4	NUT, COVER TO FLYWHEEL HOUSING AND CLAMP SCREW
14	54-61001		1	CLAMP, SHIFT CABLE ATTACHING
15	45915		1	TERMINAL BLOCK
16	10-20189		1	SCREEW, TERMINAL BLOCK TO FLYWHEEL HOUSING (3/4")
17	11-27164		1	NUT, TRMINAL BLOCK SCREW
18	10-62568		1	SCREW, LEAD ATTACHING TO TERMINAL BLOCK
19	43182		1	BRACKET, CIRCUIT BREAKER
20	10-22524		2	SCREW, CIRCUIT BREAKER BRACKET TO FLYWHEEL HOUSING
21	11-56374		2	NUT, CIRCUIT BREAKER BRACKET SCREW
22	88-78813		1	CIRCUIT BREAKER (50 AMP.)
23	10-45862		2	SCREW, CIRCUIT BREAKER TO BRACKET (7/8")
24	11-46438		2	NUT, CIRCUIT BREAKER SCREW
25	13-26996		2	LOCKWASHER, CIRCUIT BREAKER TERMINAL
26	11-68219		2	NUT, CIRCUIT BREAKER TERMINAL
27	10-85486		1	SCREW, GROUNG WIRE TO TRANSOM PLATE

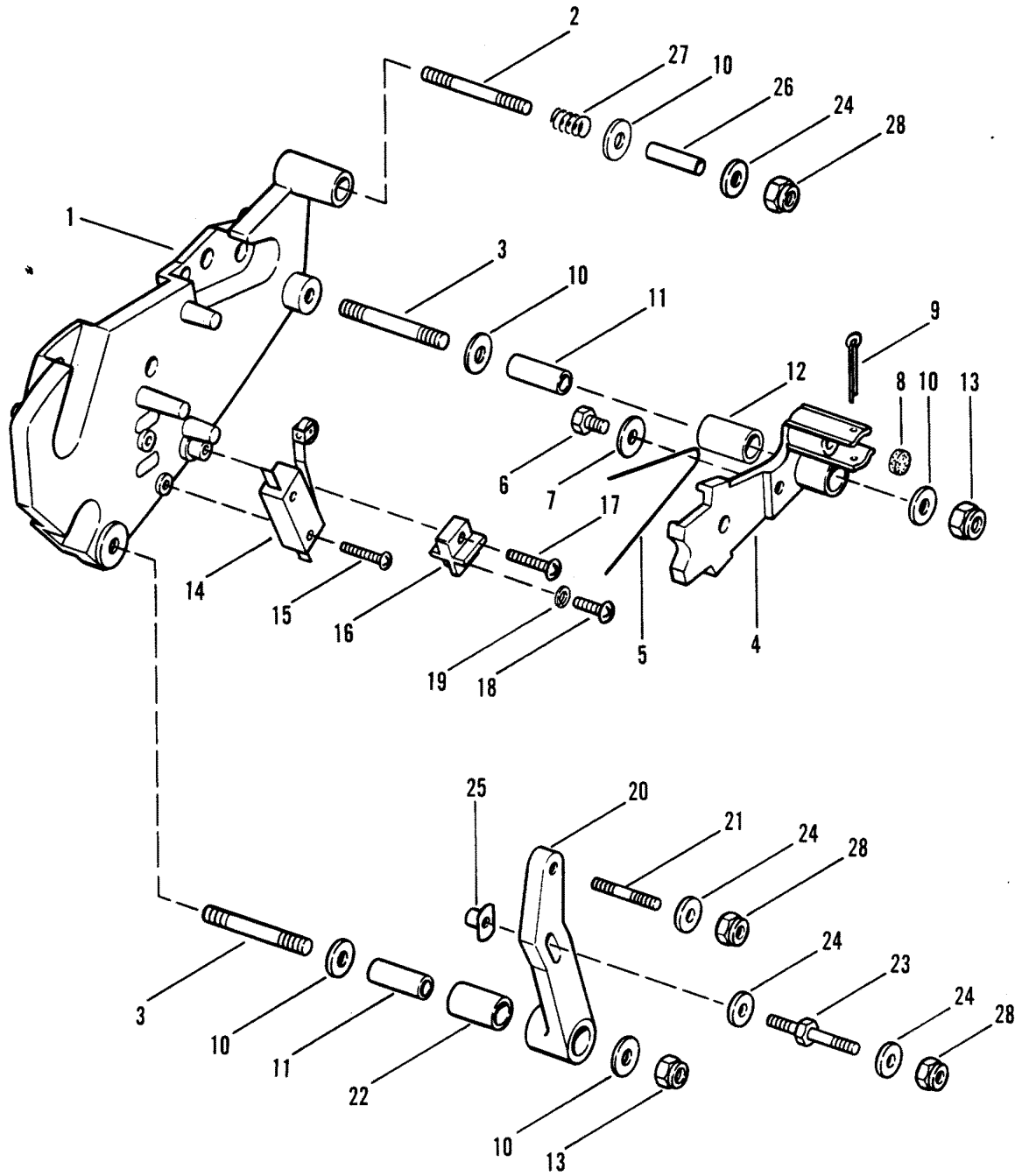
# STARTER MOTOR ASSEMBLY



# STARTER MOTOR ASSEMBLY

REF. NO.	PART NO.	SYM.	QTY.	DESCRIPTION
-	50-97499A2		1	STARTER MOTOR ASSEMBLY
1	79206		1	HOUSING, DRIVE END
2	23-33278		1	BUSHING, DRIVE AND HOUSING
3	33292		1	COLLAR, THRUST
4	53-33290		1	RING, RETAINING - PINION STOP COLLAR
5	33291		1	COLLAR, PINION STOP
6	68609		1	DRIVE ASSEMBLY, CLUTCH
7	79396		1	PLATE, BEARING
8	23-71694		1	BUSHING, BEARING PLATE
9	12-68614		1	WASHER, BEARING PLATE
10	10-79209		2	SCREW, BEARING PLATE
11	N.S.S.		1	ARMATURE, (DELCO REMY #1852860)
12	N.S.S.		4	SHOE, POLE - FIELD COIL (DELCO REMY #1931129)
13	N.S.S.		4	SCREW, POLE SHOE TO FIELD COIL (DELCO REMY #1968396)
14	N.S.S.		1	INSULATION, FIELD COIL DELCO REMY #1976832)
15	25-79208		1	GROMMET, FIELD COIL - FIELD FRAME
16	79212		1	FIELD COIL ASSEMBLY
17	12-68613		1	WASHER, LEATHER - COMMUTATOR END FRAME
18	79211		1	FRAME, COMMUTATOR END - LOWER
19	N.S.S.		2	BOLT, THRU (DELCO REMY #1941111)
20	33284		2	HOLDER, INSULATED - FIELD FRAME BRUSH
21	33283		2	HOLDER, FIELD FRAME BRUSH GROUND
22	33270		4	BRUSH, FIELD FRAME
23	N.S.S.		2	SCREWE, BRUSH LEAD (DELCO REMY #1967747)
	N.S.S.		2	SCREW, BRUSH LEAD (DELCO REMY #443527)
24	33294		2	SUPPORT PACKAGE, GROUND AND INSULATED HOLDERS
25	24-33285		4	SPRING, FIELD FRAME BRUSH
26	N.S.S.		1	PIN, DOWEL - FIELD FRAME (DELCO REMY #809593)
27	33297		1	LEVER, SHIFT
28	16-48268		1	STUD, SHIFT LEVER TO DRIVE END HOUSING
29	12-68615		1	WASHER, SHIFT LEVER STUD
30	11-26484		1	NUT, SHIFT LEVER STUD
31	N.S.S.		1	PLUNGER, SHIFT LEVER (DELCO REMY #1978297)
32	17-79207		1	PIN, PLUNGER TO SHIFT LEVER
33	N.S.S.		1	SPRING, PLUNGER RETURN (DELCO REMY #1978281)
34	N.S.S.		2	SCREWE, SOLENOID SWITCH (DELCO REMY #9413260)
35	13037		1	SOLENOID SWITCH ASSEMBLY

# SHIFT BRACKET

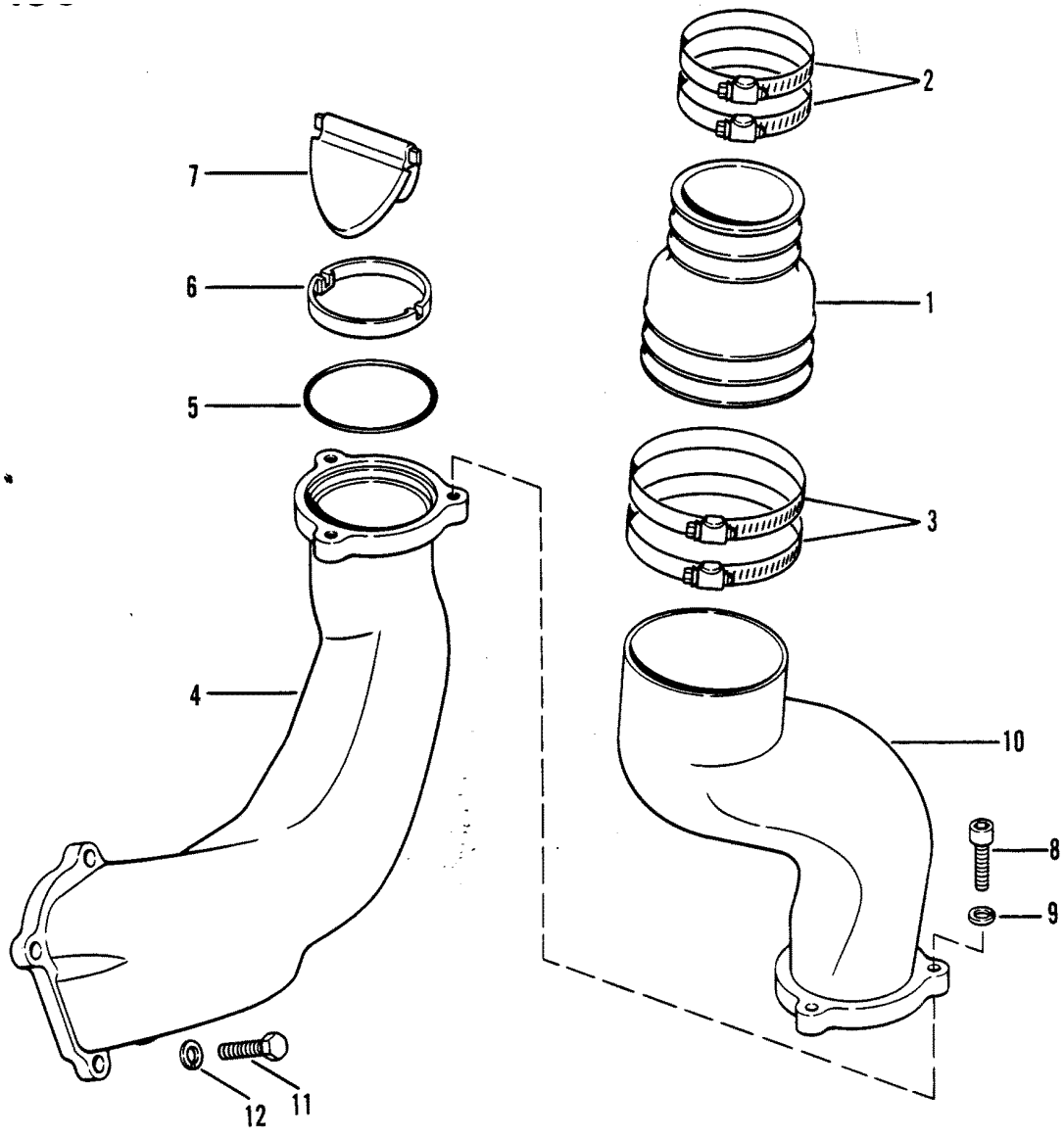




# SHIFT BRACKET

REF. NO.	PART NO.	SYM.	QTY.	DESCRIPTION
1	99237A2		1	SHIFT BRACKET ASSEMBLY
2	16-98798		1	STUD, SHIFT CABLE
3	16-96108		2	STUD, SHIFT BRACKET
4	45517A2		1	LEVER ASSEMBLY, ACUATING
5	24-45599		1	,SPRING, ACTUATING LEVER
6	10-88743		1	SCREW, SPRING TO LEVER
7	12-56720		1	WASHER, SPRING SCREW
8	23-98828		1	SPACER, RUBBER PAD
9	18-32857		1	COTTER PIN, SHIFT CABLE RETAINING
10	12-56720		5	WASHER, SHIFT BRACKET STUD
11	23-37981		2	SPACER, SHIFT BRACKET STUD
12	23-45600		1	SLEEVE, ACTUATING LEVER
13	11-35814		2	NUT, SHIFT BRACKET STUD
14	39670A28		1	SWITCH ASSEMBLY, CUT-OUT
15	10-30902		2	SCREWE, SWITCH TO SHIFT BRACKET
16	86-66986		1	TERMINAL BLOCK
17	10-96113		1	SCREW, TERMINAL BLOCK (7/8")
18	10-73287		1	SCREW, TERMINAL BLOCK (3/8")
19	13-26996		2	LOCKWASHER, TERMINAL BLOCK SCREW
20	95854A3		1	SHIFT LEVER ASSEMBLY
21	16-98851		1	STUD, SHIFT CABLE
22	23-45600		1	SLEEVE, SHIFT LEVER
23	16-96112		1	STUD, SHIFT CABLE
24	12-35462		4	WASHER, SHIFT CABLE STUD
25	11-63341		1	TEE NUT, SHIFT CABLE STUD
26	23-98820		1	SPACER, SHIFT CABLE STUD
27	24-98880		1	SPRING, SHIFT CABLE STUD
28	11-35888		3	NUT, SHIFT CABLE STUD

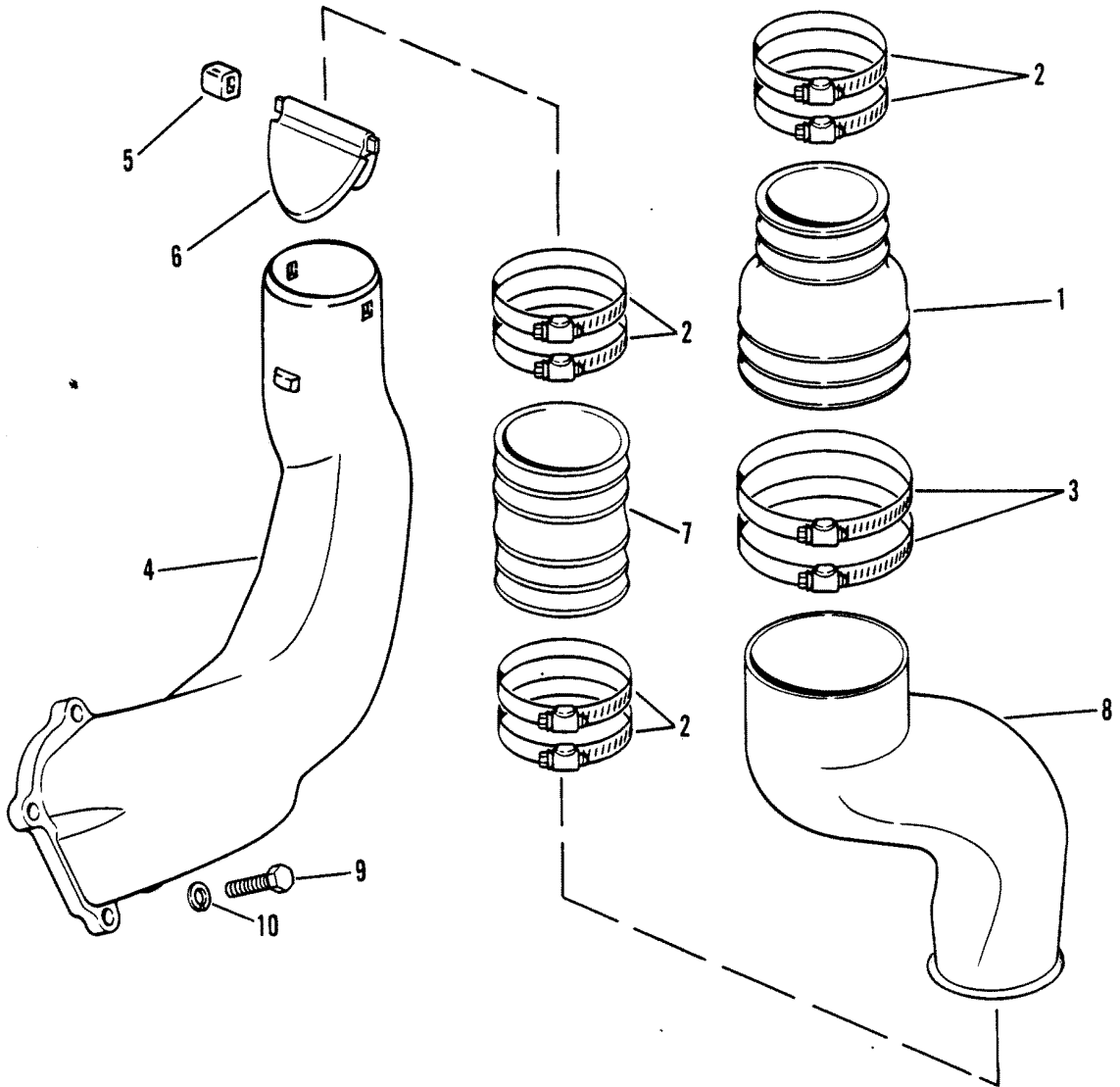
# EXHAUST ELBOW (M0034-W9)



## EXHAUST ELBOW (M0034-W9)

REF. NO.	PART NO.	SYM.	QTY.	DESCRIPTION
1	70981A3		1	BELLOWS, EXHAUST ELBOW TO ENGINE
2	54-33683		2	CLAMP, BELLOWS (SMALL)
3	54-31765		2	CLAMP, BELLOWS (LARGE)
4	95870A4		1	EXHAUST PIPE ASSEMBLY, LOWER
5	25-35029		1	"O" RING, EXHAUST ELBOW
6	60931		1	RETAINER, WATER SHUTTER
7	60930		1	WATER SHUTTER
8	10-58640		3	SCREW, PIPE TO ELBOW (1-1/4")
9	13-41471		3	LOCKWASHER, PIPE SCREW
10	95872A1		1	EXHAUST ELBOW ASSEMBLY, UPPER
11	10-58640		4	SCREW, ELBOW TO GIMBAL HOUSING (1-1/4")
12	13-41471		4	LOCKWASHER, ELBOW SCREW

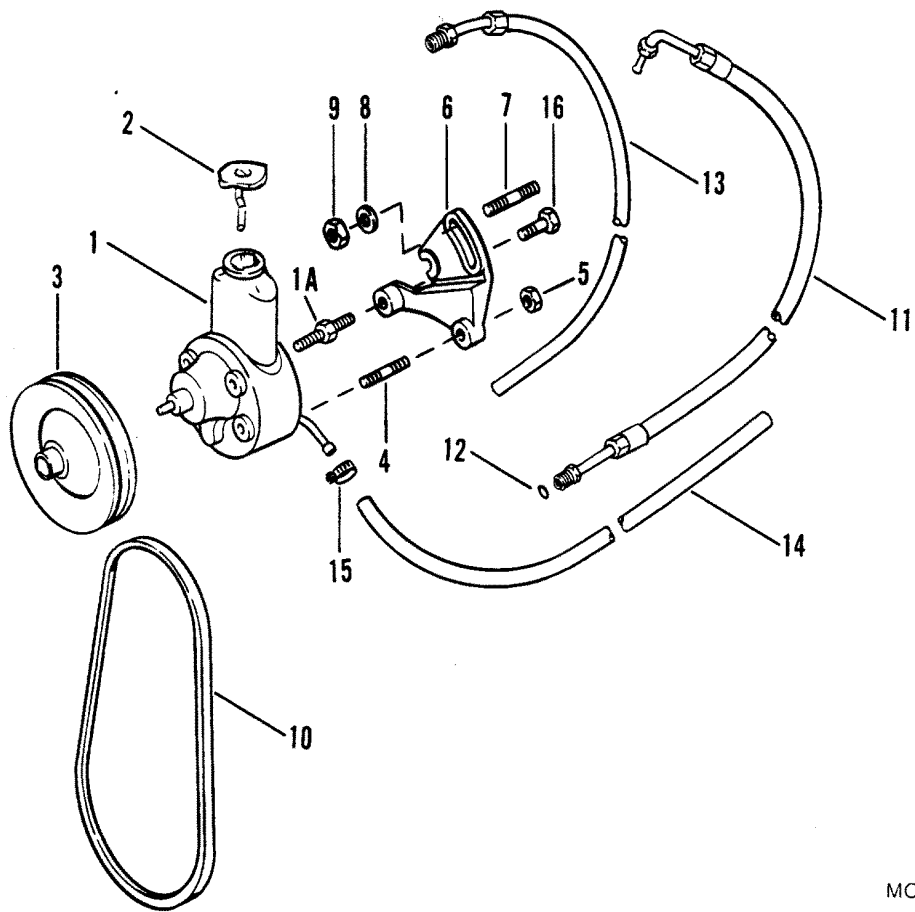
# EXHAUST ELBOW (M0035-W9)



## EXHAUST ELBOW (M0035-W9)

REF. NO.	PART NO.	SYM.	QTY.	DESCRIPTION
1	70981A3		1	BELLOWS, EXHAUST ELBOW TO ENGINE
2	54-33683		6	CLAMP, BELLOWS (SMALL)
3	54-31765		2	CLAMP, BELLOWS (LARGE)
4	42421A5		1	EXHAUST PIPE ASSEMBLY, LOWER
5	25-43809		2	GROMMET, WATER SHUTTLE
6	60930		1	WATER SHUTTLE 1
7	32-90949		1	EXHAUST TUBE
8	42423A1		1	EXHAUST ELBOW ASSEMBLY, UPPER
9	10-58640		4	SCREW, ELBOW TO GIMBAL HOUSING (1-1/4")
10	13-41471		4	LOCKWASHER, ELBOW SCREW

# POWER STEERING COMPONENTS



MC0058

## POWER STEERING COMPONENTS

REF. NO.	PART NO.	SYM.	QTY.	DESCRIPTION
1	90495A7		1	PUMP ASSEMBLY, POWER STEERING
1A	16-41878		2	STUD, POWER STEERING PUMP
2	77108		1	CAP, POWER STEERING PUMP
3	73873A1		1	PULLEY, POWER STERING PUMP
4	16-90511		1	STUD, POWER STEERING PUMP
5	11-25268		1	NUT, MOUNTING STUD
6	90510A1		1	BRACKET, PUMP MOUNTING
7	16-54176		2	STUD, MOUNTING, BRACKET TO HEAD
8	12-55149		2	WASHER, MOUNTING STUD
9	11-25269		2	NUT, MOUNTING STUD
10	57-49043A1		1	V-BELT, POWER STEERING PUMP
11	32-90494		1	HOSE, PRESSURE (FITTINGS ON BOTH ENDS)
12	25-89879		1	"O" RING, PRESSURE HOSE
13	32-98843-39		1	HOSE, RETURN (FITTINGS ON ONE END)
14	32-52519--9		1	HOSE, PUMP TO OIL COOLER
15	54-35830		3	CLAMP,HOSE ATTACHING
16	10-40084-20		1	SCREW, PUMP MOUNTING

# PARTS INDEX

Part Number	Description	Pg.	Ref. No.	Part Number	Description	Pg.	Ref. No.
13037	SOLENOID SWITCH ASSEMBLY	37	35	58217	ROTOR	7	14
26079	PLATE, HARNESS ATTACHING	5	20	60930	WATER SHUTTER	41	7
26901	BUMP, SOLENOID	5	14	60930	WATER SHUTTLE 1	43	6
27947	SWIVEL, LINKAGE	15	25	60931	RETAINER, WATER SHUTTER	41	6
27949	LINK ROD, LINKAGE	15	26	63145A1	LINK ROD ASSEMBLY, LINKAGE	15	27
32193A2	COIL IGNITION	7	26	65057A1	STARTER SOLENOID	5	11
32720	ADAPTOR, OIL FILTER	25	45	67492	THRUST PLATE, CAMSHAFT	29	10
32833	MOUNT, RUBBER	33	2	67502--3	PUSH ROD, VALVE (RED DYE)	21	21
33270	BRUSH, FIELD FRAME	37	22	67502--4	PUSH ROD, VALVE (BLUE DYE)	21	21
33283	HOLDER, FIELD FRAME BRUSH GROUND	37	21	67502--5	PUSH ROD, VALVE - (NO DYE)	21	21
33284	HOLDER, INSULATED - FIELD FRAME BRUSH	37	20	67502--6	PUSH ROD, VALVE (YELLOW DYE)	21	21
33291	COLLAR, PINION STOP	37	5	67504	BALL UNIT, ROCKER COVER	21	15
33292	COLLAR, THRUST	37	3	67511	CLAMP UNIT, DISTRIBUTOR	7	34
33294	SUPPORT PACKAGE, GROUND AND INSULATED HOLDERS	37	24	68609	DRIVE ASSEMBLY, CLUTCH	37	6
33297	LEVER, SHIFT	37	27	68700A1	SPROCKET, CRANKSHAFT	27	2
33653	FELT, LUBRICATOR	7	5	68704A1	BEARING, CONNECTING ROD (STD)	29	4
33658	LEAD, PRIMARY	7	13	68704A2	BEARING, CONNECTING ROD (.002 U.S.)	29	4
33662	CONDENSER	7	7	68704A3	BEARING, CONNECTING ROD (.020 U.S.)	29	4
33667	DISTRIBUTOR CAP	7	15	68704A4	BEARING, CONNECTING ROD (.010 U.S.)	29	4
34235	BREAKER	7	10	68712A1	OIL PUMP ASSEMBLY	23	13
38983	SWIVEL, LINKAGE - CARBURETOR	15	28	68717A1	CHAIN, TIMING	29	14
39670A28	SWITCH ASSEMBLY, CUT-OUT	39	14	70792	FLANGE, TUBE TO OIL PUMP	23	16
41024	MOUNT, VIBRATION	19	7	70981A3	BELLOWS, EXHAUST ELBOW TO ENGINE	41	1
41505A1	SIDE COVER	23	34	70981A3	BELLOWS, EXHAUST ELBOW TO ENGINE	43	1
41616A2	INTAKE MANIFOLD	15	1	71902A1	COVER, IMPELLER	31	13
41634A2	WEDGEN CARBURETOR	9	31	71903A2	FRONT COVER ASSEMBLY	31	1
41638A1	ROCKER COVER	21	1	71904A1	COVER, WATER INLET	31	17
41639A1	FLAME ARRESTOR	9	8	71938A1	OIL PAN	23	23
41659	ANCHOR, TROTTLER RETURN SPRING SERIAL # AND ABOVE	9	28	72654	RETAINER, LUBRICATOR FELT	7	6
41879	WEDGE, CARBURETOR	9	20	73501	DRIVE SHAFT, DISTRIBUTOR SHAFT	7	18
42421A5	EXHAUST PIPE ASSEMBLY, LOWER	43	4	73873A1	PULLEY, POWER STERING PUMP	45	3
42423A1	EXHAUST ELBOW ASSEMBLY, UPPER	43	8	74313A2	MAIN BEARING ASS'Y (.002 U.S.)	27	18
42448	VALVE, EXHAUST - STD.	21	22	74313A3	MAIN BEARING ASS'Y (.020 U.S.)	27	18
42449	VALVE, EXHAUST (.015 O.S.)	21	22	74313A4	MAIN BEARING ASS'Y (.010 U.S.)	27	18
42450	VALVE, INTAKE - STD.	21	22	74314A1	CENTER MAIN BRG. ASS'Y (STD.)	27	19
42451	VALVE, INTAKE (.015 O.S.)	21	22	74314A2	CENTER MAIN BRG. ASS'Y (.002 U.S.)	27	19
42725A3	FUEL PUMP	9	13	74314A3	CENTER MAIN BRG. ASS'Y (.020 U.S.)	27	19
43182	BRACKET, CIRCUIT BREAKER	35	19				
45517A2	LEVER ASSEMBLY, ACUATING	39	4				
45915	TERMINAL BLOCK	35	15				
48024	BRACKET, CONDENSER	7	8				
49089	DIAPHRAGM KIT	9	13				
54111	OIL FILTER	25	46				
54676	RETAINER, HIGH TENSION LEADS	7	22				
56153	TAPPET	29	18				



# PARTS INDEX

Part Number	Description	Pg.	Ref. No.	Part Number	Description	Pg.	Ref. No.
75202	TENSIONER, CHAIN	29	15	97864A2	BRACKET ASEMBLY,		
75412	RETAINER, VALVE SPRING	21	25		BOTTLE	17	32
75669	SENDER, WATER			98348A2	INTAKE MANIFOLD ASS'Y	15	1
	TEMPERATURE	17	10	98350A1	COVER, OIL COOLER	15	10
76354	BRACKET, IGNITION COIL	7	27	98618A1	BRACKET ASSEMBLY, HEAT		
76839	MOUNT, FRONT SUPPORT	33	7		EXCHANGER	19	6
77108	CAP, POWER STEERING			98620	STRAP, BRACKET TO HEAT		
	PUMP	45	2		EXCHANGER	19	12
77223	PAD, MOUNTING BRACKET	19	8	99155A1	THERMOSTAT	17	12
77877A2	FRONT MOUNT BRACKET			99232	ANCHOR, THROTTLE		
	ASSEMBLY	33	1	99234A2	RETURN SPRING	15	32
78483A1	SUPPORT, FRONT (6"				LEVER, INTERMEDIATE		
	CENTERS)	33	9		THROTTLE	15	19
78814A1	SUPPORT, FRONT (22"			99237A2	SHIFT BRACKET ASSEMBLY	39	1
	CENTERS)	33	8	99297A1	MOUNT, RUBBER	35	3
79206	HOUSING, DRIVE END	37	1	99438A1	HEAT EXCHANGER	19	1
79211	FRAME, COMMUTATOR END			99502A9	VOLTAGE REGULATOR	5	25
	- LOWER	37	18	99889	VALVE, BY-PASS	23	7
79212	FIELD COIL ASSEMBLY	37	16	99908A3	EXHAUST MANIFOLD		
79396	PLATE, BEARING	37	7		ASSEMBLY	17	1
85374A3	DISTRIBUTOR ASSEMBLY,			99961	PLATE, END CAP	19	4
	COMPLETE	7	1	N.S.S.	ARMATURE, (DELCO REMY		
86234A4	FUEL PUMP	9	13		#1852860)	37	11
86461A1	SPROCKET, CAMSHAFT	29	12	N.S.S.	BOLT, THRU (DELCO REMY		
89659	THERMOSTAT HOUSING	17	11		#1941111)	37	19
90495A7	PUMP ASSEMBLY, POWER			N.S.S.	INSULATION, FIELD COIL		
	STEERING	45	1		DELCO REMY #1976832)	37	14
90510A1	BRACKET, PUMP			N.S.S.	PIN, DOWEL - FIELD FRAME		
	MOUNTING	45	6		(DELCO REMY #809593)	37	26
90740	IOL COOLER WITH POWER			N.S.S.	PLUNGER, SHIFT LEVER		
	STEERING	19	26		(DELCO REMY #1978297)	37	31
90806	SENDING UNIT, OIL			N.S.S.	SCREW, BRUSH LEAD		
	PRESSURE	5	22		(DELCO REMY #1967747)	37	23
90880A2	EXHAUST ELBOW AND			N.S.S.	SCREW, BRUSH LEAD		
	RESERVIOR ASSEMBLY	17	17		(DELCO REMY #443527)	37	23
91976	BAFFLE, OIL	21	32	N.S.S.	SCREW, POLE SHOE TO		
91987A1	BOTTLE ASSEMBLY,				FIELD COIL (DELCO		
	COOLANT RECOVERY	17	30		REMY #1968396	37	13
92966	ARM, ROCKER VALVE	21	16	N.S.S.	SCREWE, SOLENOID		
93009A5	ALTERNATOR ASSEMBLY,				SWITCH (DELCO REMY		
	FLYWHEEL	27	7		#9413260)	37	34
93534	BUSHING, OIL FILTER			N.S.S.	SHOE, POLE - FIELD COIL		
	ADAPTOR	23	39		(DELCO REMY #1931129)	37	12
94023A1	ADAPTOR, OIL FILTER	23	38	N.S.S.	SPRING, PLUNGER RETURN		
94985A2	FLYWHEEL HOUSING				(DELCO REMY #1978281)	37	33
	ASSEMBLY	35	1	10-20189	SCREW, TERMINAL BLOCK		
95026A2	COVER, FLYWHEEL				TO FLYWHEEL HOUSING		
	HOUSING	35	10		(3/4")	35	16
95854A3	SHIFT LEVER ASSEMBLY	39	20	10-22524	SCREW, CIRCUIT BREAKER		
95870A4	EXHAUST PIPE ASSEMBLY,				BRACKET TO FLYWHEEL		
	LOWER	41	4		HOUSING	35	20
95872A1	EXHAUST ELBOW			10-23703	SCREW, IMPELLER	31	12
	ASSEMBLY, UPPER	41	10	10-26065	SCREW, COVER TO		
97259A1	BRACKET, STARTER				FLYWHEEL HOUSING		
	MOTOR TO CYLINDER				AND CLAMP (1")	35	12
	BLOCK	5	7	10-27165	SCREW, BOTTLE TO		
97346A2	TUBE ASSEMBLY, DIPSTICK	23	29		BRACKET	17	35
97381A1	GAUGE, OIL LEVEL	23	33	10-27165	SCREW, BRACKET TO		
97432A2	COUPLING ASSEMBLY,				CYLINDER BLOCK	5	8
	ENGINE	27	13	10-27165	SCREW, HOSE CLAMP	23	11

# PARTS INDEX

Part Number	Description	Pg.	Ref. No.	Part Number	Description	Pg.	Ref. No.
10-28635	SCREW, SOLENOID TO CYLINDER BLOCK (5/8")	5	12	10-58640	SCREW, ELBOW TO GIMBAL HOUSING (1-1/4")	41	11
10-28642	DRIVE SCREW, WATER TUBE FLANGE	15	3	10-58640	SCREW, ELBOW TO GIMBAL HOUSING (1-1/4")	43	9
10-28642	SCREW, DRIVE	17	20	10-58640	SCREW, PIPE TO ELBOW (1-1/4")	41	8
10-28668	SCREW, COVER TO OIL PUMP (7/8")	23	14	10-59644	SCREW, ALTERNATOR (1-3/8")	27	8
10-28668	SCREW, INLET COVER TO IMPELLER COVER (7/8")	31	19	10-62568	SCREW, LEAD ATTACHING TO TERMINAL BLOCK	35	18
10-30902	SCREWE, SWITCH TO SHIFT BRACKET	39	15	10-67450	SCREW, COVER TO CYLINDER BLOCK (2-1/4")	31	14
10-31199	SCREW, TROTTLE STOP - WEDGE	9	25	10-67503	SCREW, CYLINDER HEAD (4-3/8")	21	11
10-33650	SCREW, BREAKER	7	11	10-67506	SCREW, ROCKER ARM	21	17
10-34354	SCREW, VOLTAGE REGULATOR (1-1/2")	5	28	10-68101	SCREW, INTAKE MANIFOLD TO CYLINDER HEAD (1-3/8")	15	5
10-34696	SCREW, PALTE TO BRACKET (3/4")	5	21	10-68101	SCREW, LIFTING EYE (3/8-16 X 1") - REAR	21	19
10-35386	SCREW, DISTRIBUTOR TO BLOCK	7	35	10-70084	SCREW, SPROCKET TO CAMSHAFT (1")	29	13
10-35386	SCREW, FRONT COVER TO CYLINDER BLOCK (1")	31	5	10-72769	SCREW, CYLINDER HEAD (5-1/8")	21	12
10-35386	SCREW, FUEL PUMP (1")	9	14	10-73287	SCREW, TERMINAL BLOCK (3/8")	39	18
10-35386	SCREW, IMPELLER TO COVER FRONT COVER (1")	31	15	10-73657	SCREW, FUEL PUMP (1-1/2")	9	14
10-35386	SCREW,IGNITION COIL TO CYLINDER BLOCK	7	29	10-73657	SCREW, THERMOSTAT HOUSING	17	14
10-35765	SCREW, OIL PAN (5/8")	23	24	10-74335	SCREW, MAIN BEARING CAPS	27	16
10-37269	SCREW, ELBOW AND RESERVIOR TO MANIFOLD	17	28	10-75206	SCREW, SIDE COVER (1-3/4")	23	36
10-37612	SCREEW, FLYWHEEL HOUSING (1-1/4")	35	4	10-75206	SCREW, TENSIONER (1-3/4")	29	17
10-37612	SCREW, COUPLING TO FLYWHEEL	27	14	10-75444	SCREW, CONNECTING ROD	29	2
10-37612	SCREW, OIL PUMP TO ENGINE (1-1/4")	23	21	10-76596	SCREW, OIL COOLER COVER	15	12
10-38507	SCREW, LEVER TO INTAKE MANIFOLD (1-5/16")	15	23	10-77363	SCREW, STATOR TO FRONT COVER (1-1/2")	27	5
10-40084-20	SCREW, PUMP MOUNTING	45	16	10-79209	SCREW, BEARING PLATE	37	10
10-41408	SCREW, BRACKET TO COIL	7	28	10-85486	SCREW, GROUND WIRE TO TRANSOM PLATE	35	27
10-45862	SCREW, CIRCUIT BREAKER TO BRACKET (7/8")	35	23	10-88743	SCREW, SPRING TO LEVER	39	6
10-47461	SCREW, BOTTLE BRACKET	17	33	10-89679	SCREW, EXHAUST MANIFOLD TO HEAD (6")	17	6
10-47576	SCREW, FLANGFE TO OIL PUMP (3/4")	23	18	10-96113	SCREW, TERMINAL BLOCK (7/8")	39	17
10-48021	SCREW, CONDENSER BRACKET	7	9	10-98253	SCREW, "J" CLIP TO MANIFOLD	5	32
10-48948	SCREW, LIFTING EYE (7/16-14 X 7/8") FRONT	21	19	10-98255	SCREW, VOLTAGE REGULATOR (2-1/4")	5	26
10-49668	SCREW, THRUST PLATE (3/4")	29	11	10-98509	SCREW, TROTTLE CABLE	11	38
10-49845	SCREW, FLYWHEEL TO CRANKSHAFT	27	11	10-98510	SCREW, ROCKER COVER (1/4-20 X 3/4")	21	3
10-52743	SCREW, CARBURETOR TO WEDGE (3-3/4")	11	35	10-98619A1	"U" BOLT, HEAT EXCHANGER	19	13
10-53167	SCREW, CARBURETOR TO WEDGE (7/8")	11	36	10-99962	SCREW, END CAP - HEAT EXCHANGER	19	5
				11-20083	NUT, SOLENOID TERMINAL (5/16-24)	5	18

# PARTS INDEX

Part Number	Description	Pg.	Ref. No.	Part Number	Description	Pg.	Ref. No.
11-20110	NUT, INTERMEDIATE THROTTLE STUD	15	22	11-64769	NUT, CONNECTING ROD SCREW	29	3
11-20110	NUT, SWIVEL LINKAGE - CARBURETOR	15	31	11-67919	NUT, OIL PICK-UP TUBE STUD	23	20
11-20190	NUT, TROTTLE CABLE SCREW	11	43	11-68219	NUT, CIRCUIT BREAKER TERMINAL	35	26
11-20220	NUT, ADJUSTING STUD (1/2-20)	33	19	11-68219	NUT, IGNITION COIL TERMINAL	7	33
11-20586	NUT, FLAME ARRESTOR STUD	9	10	11-68219	NUT, SENDING UNIT TERMINAL	5	24
11-20586	NUT, THROTTLE CABLE ANCHOR - STUD	21	31	11-68219	NUT, SOLENOID TERMINAL (#10-32)	5	16
11-21825	NUT, FUSE TERMINAL	5	37	11-68219	NUT, VOLTAGE REGULATOR TERMINALS	5	30
11-24883	NUT, EXHAUST MANIFOLD STUD	17	8	12-20084	WASHER, FUEL PUMP SCREW	9	16
11-25268	NUT, MOUNTING STUD	45	5	12-20084	WASHER, ACRBURETOR/WEDGE STUD	9	23
11-25269	NUT, MOUNTING STUD	45	9	12-20084	WASHER, CARBURETOR SCREW	11	37
11-26419	NUT, STARTER MOTOR TERMINAL (8-32)	5	6	12-20084	WASHER, COVER SCREWS	31	16
11-26484	NUT, "U" BOLT	19	14	12-20084	WASHER, FRONT COVER SCREW	31	6
11-26484	NUT, SHIFT LEVER STUD	37	30	12-20084	WASHER, IGNITION COIL SCREW	7	30
11-27164	NUT, TRMINAL BLOCK SCREW	35	17	12-20128	WASHER, TROTTLE CABLE SCREW	11	39
11-28941	NUT, FLAME ARRESTOR STUD	9	3	12-20546	WASHER, FUEL PUMP SCREW	9	16
11-29031	NUT, STARTER MOTOR STUD (1/4-20)	5	4	12-21249	WASHER, INLET COVER SCREW	31	20
11-29250	NUT, COVER TO FLYWHEEL HOUSING AND CLAMP SCREW	35	13	12-24664	WASHER, THROTTLE CABLE ANCHOR - STUD	21	30
11-30968	NUT, JAM - TROTTLE STOP SCREW	9	26	12-25909	WASHER, BOTTLE SCREW	17	36
11-32219	NUT, FLYWHEEL HOUSING STUD	35	8	12-25909	WASHER, INTAKE MANIFOLD SCREW	15	6
11-32882	NUT, ADJUSTING STUD (7/8-14)	33	12	12-26825	WASHER, THERMOSTAT HOUSING SCREW	17	16
11-32882	NUT, FRONT SUPPORT MOUNT TO ADJUSTING STUD	33	10	12-30119	WASHER, SPACER - ADJUSTING STUD	33	16
11-34933	NUT, MOUNT STUD	19	10	12-30164	WASHER, IGNITION COIL TERMINAL	7	31
11-34933	NUT, MOUNTING BRACKET STUD	33	6	12-30164	WASHER, INTERMEDIATE THROTTLE STUD	15	21
11-34933	NUT, STARTER MOTOR STUD	5	3	12-30164	WASHER, SWIVEL LINKAGE - CARBURETOR	15	30
11-35814	NUT, SHIFT BRACKET STUD	39	13	12-31262	WASHER, MOUNT STUD	19	9
11-35814	NUT, CARBURETOR/WEDGE STUD	9	24	12-32638	WASHER, FIBER - ADJUSTING STUD	33	15
11-35888	NUT, SHIFT CABLE STUD	39	28	12-34567	WASHER, MOUNTING BRACKET STUD	33	5
11-41624	NUT, CARBURETOR SCREW	11	34	12-34714	WASHER, LEVER SCREW	15	24
11-46438	NUT, CIRCUIT BREAKER SCREW	35	24	12-34931	WASHER, BRACKET SCREW	5	9
11-47525	NUT, FRONT SUPPORT MOUNT TO ADJUSTING STUD	33	11	12-35462	WASHER, SHIFT CABLE STUD	39	24
11-47626	NUT, DIPSTICK TUBE TO ELBOW	23	31	12-35950	WASHER, INTERMEDIATE THROTTLE STUD	15	20
11-56374	NUT, CIRCUIT BREAKER BRACKET SCREW	35	21				
11-63341	TEE NUT, SHIFT CABLE STUD	39	25				

# PARTS INDEX

Part Number	Description	Pg.	Ref. No.	Part Number	Description	Pg.	Ref. No.
12-36103	WASHER, ALTERNATOR SCREW	27	9	13-32993	LOCKWASHER, LIFTING EYE SCREW FRONT	21	20
12-36103	WASHER, STEEL - UPPER AND LOWER	33	14	13-35047	LOCKWASHER, FLYWHEEL HOUSING SCREW	35	5
12-36104	WASHER, FIBER - ADJUSTING STUD	33	18	13-35047	LOCKWASHER, FLYWHEEL HOUSING STUD	35	7
12-55149	WASHER, MOUNTING STUD	45	8	13-35048	LOCKWASHER, BRACKET SCREW	5	10
12-56681	WASHER, TROTTLE CABLE SCREW	11	42	13-35048	LOCKWASHER, COUPLING SCREW	27	15
12-56720	WASHER, SHIFT BRACKET STUD	39	10	13-35048	LOCKWASHER, EXHAUST MANIFOLD	17	7
12-56720	WASHER, SPRING SCREW	39	7	13-35048	LOCKWASHER, HOSE CLAMP SCREW	23	12
12-68613	WASHER, LEATHER - COMMUTATOR END FRAME	37	17	13-35048	LOCKWASHER, OIL PUMP SCREW	23	22
12-68614	WASHER, BEARING PLATE	37	9	13-37272	LOCKWASHER, BOTTLE BRACKET SCREW	17	34
12-68615	WASHER, SHIFT LEVER STUD	37	29	13-39107	LOCKWASHER, FUEL PUMP SCREW	9	15
12-85104	WASHER, IMPELLER SCREW	31	10	13-39107	LOCKWASHER, THERMOSTAT HOUSING SCREW	17	15
12-86400	WASHER, FLAME ARRESTOR	9	9	13-39131	LOCKWASHER, FLYWHEEL SCREW	27	12
12-96457	WASHER, FUSE TERMINAL	5	35	13-41471	LOCKWASHER, ELBOW SCREW	41	12
13-20202	LOCKWASHER, FUEL PUMP SCREW	9	15	13-41471	LOCKWASHER, ELBOW SCREW	43	10
13-21804	LOCKWASHER, IMPELLER SCREW	31	11	13-41471	LOCKWASHER, PIPE SCREW	41	9
13-22773	LOCKWASHER, ROCKER COVER SCREW	21	4	13-58643	LOCKWASHER, VOLTAGE REGULATOR SCREW	5	29
13-26992	LOCKWASHER, COVER SCREW	15	13	16-36100	STUD, ADJUSTING	33	13
13-26992	LOCKWASHER, COVER SCREW	23	15	16-38525	STUD, THROTTLE CABLE ANCHOR - ROCKER COVER	21	29
13-26992	LOCKWASHER, FUSE TERMINAL	5	36	16-41025	STUD, BRACKET	19	11
13-26992	LOCKWASHER, SOLENOID SCREW	5	13	16-41878	STUD, POWER STEERING PUMP	45	1A
13-26992	LOCKWASHER, VOLTAGE REGULATOR SCREW	5	27	16-41880	STUD, CARBURETOR/WEDGE (LONG)	9	21
13-26992	LOCKWASHER, "J" CLIP SCREW	5	33	16-46857	STUD, CARBURETOR/WEDGE (SHORT)	9	22
13-26993	LOCKWASHER, DISTRIBUTOR SCREW	7	36	16-48268	STUD, SHIFT LEVER TO DRIVE END HOUSING	37	28
13-26993	LOCKWASHER, SOLENOID TERMINAL (5/16")	5	17	16-54176	STUD, MOUNTING, BRACKET TO HEAD	45	7
13-26993	LOCKWASHER, STATOR SCREW	27	6	16-56295	STUD, MOUNTING BRACKET (UPPER)	33	4
13-26995	LOCKWASHER, STARTER MOTOR TERMINAL (#8)	5	5	16-64066	STUD, FLYWHEEL HOUSING	35	6
13-26996	LOCKWASHER, CIRCUIT BREAKER TERMINAL	35	25	16-73583	STUD, HIGH TENSION LEAD CLAMP	7	24
13-26996	LOCKWASHER, SENDING UNIT TERMINAL	5	23	16-74396	STUD, OIL TUBE TO BLOCK	23	6
13-26996	LOCKWASHER, SOLENOID TERMINAL (#10)	5	15	16-78438	STUD, EXHAUST MANIFOLD TO HEAD	17	5
13-26996	LOCKWASHER, TERMINAL BLOCK SCREW	39	19	16-90511	STUD, POWER STEERING PUMP	45	4
13-26996	LOCKWASHER, IGNITION COIL TERMINAL	7	32				

# PARTS INDEX

Part Number	Description	Pg.	Ref. No.	Part Number	Description	Pg.	Ref. No.
16-91842	STUDB, FLAME ARRESTOR	9	2	23-34948	BUSHING, TROTTLE CABLE		
16-96108	STUD, SHIFT BRACKET . . .	39	3		SCREW . . . . .	11	41
16-96112	STUD, SHIFT CABLE . . . . .	39	23	23-35903	SPACER, RUBBER MOUNT .	33	3
16-97256	STUD,STARTER MOTOR TO CYLINDER BLOCK . . . . .	5	2	23-37981	SPACER, SHIFT BRACKET STUD . . . . .	39	11
16-97352	STUD, MOUNTING BRACKET (LOWER) . . . . .	33	4	23-45600	SLEEVE, ACTUATING LEVER	39	12
16-98798	STUD, SHIFT CABLE . . . . .	39	2	23-45600	SLEEVE, SHIFT LEVER . . . .	39	22
16-98851	STUD, SHIFT CABLE . . . . .	39	21	23-57938	BUSHING, TROTTLE CABLE SCREW . . . . .	11	40
17-29077	ROLL PIN, DISTRIBUTOR GEAR . . . . .	7	3	23-67484	BEARING, CAMSHAFT . . . .	29	9
17-67385	PIN, PILOT - FLYWHEEL HOUSING . . . . .	23	4	23-71694	BUSHING, BEARING PLATE	37	8
17-67489	PIN, CYLINBDER HEAD . . . .	21	13	23-72119	SLEEVE, WATER . . . . .	21	9
17-74840	PIN, FRONT COVER . . . . .	23	5	23-72119	WATER SLEEVE . . . . .	17	4
17-79207	PIN, PLUNGER TO SHIFT LEVER . . . . .	37	32	23-75087	BUSHING, CHAIN TENSIONER . . . . .	29	16
18-32857	COTTER PIN, SHIFT CABLE RETAINING . . . . .	39	9	23-98820	SPACER, SHIFT CABLE STUD . . . . .	39	26
19-67383	PLUG, CAMSHAFT BORE (2- 1/2" DIA.) . . . . .	23	2	23-98828	SPACER, RUBBER PAD . . .	39	8
19-67384	PLUG, OIL GALLERY (5/8" DIA.) . . . . .	23	3	23-99322	SPACER, RUBER MOUNT . .	35	2
19-74832	PLUG, CYLINDER HEAD . . .	21	10	24-33285	SPRING, FIELD FRAME BRUSH . . . . .	37	25
22-32802	PIPE PLUG (1/8-27 NPT) . . .	17	18	24-42350	SPRING, TROTTLE RETURN	9	29
22-32802	PIPE PLUG (1/8-27 NPT) . . .	17	2	24-42452	VALVE SPRING . . . . .	21	23
22-32802	PIPE PLUG, CYLINDER BLOCK . . . . .	23	8	24-45599	,SPRING, ACTUATING LEVER . . . . .	39	5
22-32802	PIPE PLUG, DRAIN . . . . .	31	4	24-73642	SPRING, DISTRIBUTOR SHAFT . . . . .	7	16
22-32802	PIPE PLUG, HEAT EXCHANGER . . . . .	19	2	24-98880	SPRING, SHIFT CABLE STUD . . . . .	39	27
22-32803	PIPE PLUG - DRAIN . . . . .	17	3	24-99231	SPRING, THROTTLE RETURN . . . . .	15	33
22-33198A1	CORE PLUG (3/4-14) . . . . .	17	19	25-26543	"O" RING, SIDE COVER SCREW . . . . .	23	37
22-36305	ELBOW, COOLER HOSE (W/POWER STEERING) . .	17	24A	25-33666	GROMMET, PRIMARY WIRE	7	12
22-36382	PLUG, INTAKE MANIFOLD - TOP . . . . .	15	2	25-35029	"O" RING, EXHAUST ELBOW	41	5
22-42789	FITTING, ELBOW - FUEL . . .	9	17	25-35276	"O" RING, TUBE TO OIL PUMP . . . . .	23	17
22-45084	ELBOW, COOLER HOSE (W/O POWER STEERING)	17	24	25-42357	"O" RING, OIL COOLER COVER . . . . .	15	11
22-54090	CONNECTOR, HOSE - CARBURETOR VENT . . . .	9	4	25-43809	GROMMET, WATER SHUTTLE . . . . .	43	5
22-58471	BASE, FILER HOLE . . . . .	17	21	25-45257	"O" RING, FILTER BASE . . .	17	22
22-60039	PLUG, OIL DRAIN . . . . .	23	26	25-58390	"O" RING, OIL FILTER ADAPTOR . . . . .	23	40
22-63825	ELBOW, OIL FILTER ADAPTOR (90) . . . . .	23	41	25-79208	GROMMET, FIELD COIL - FIELD FRAME . . . . .	37	15
22-73817	FITTING, INTAKE MANIFOLD	15	7	25-89879	"O" RING, PRESSURE HOSE	45	12
22-73817	FITTING, VENT HOSE TO FUEL PUMP . . . . .	9	7	26-67388	SEAL, FRONT . . . . .	31	3
22-76170	FITTING, RESERVIOR BY- PASS . . . . .	17	26	26-72653	SEAL, HOUSE . . . . .	7	4
22-78039	COUPLING, DIPSTICK TUBE	23	30	26-75413	SEAL, VALVE STEM . . . . .	21	24
22-97006	ELBOW, OIL PAN . . . . .	23	28	26-90925	SEAL, CRANKSHAFT - REAR	23	9
22-98646	FITTING, ELBOW - FUEL PUMP . . . . .	9	17	26-97530	SEAL, WATER PUMP . . . . .	31	2
22-99498	OVERFLOW ELBOW (THREADED) . . . . .	17	23	26-98421A1	SEAL, REAR BEARING CAP	27	17
23-32756	SPACER, ADJUSTING STUD	33	17	27-34486	GAASKET, DISTRIBUTOR . .	7	19
23-33278	BUSHING, DRIVE AND HOUSING . . . . .	37	2	27-41636--1	GASKET, WEDGE TO INTAKE MANIFOLD . . . . .	9	30
				27-43186	GASKET, FUEL PUMP . . . . .	9	18
				27-52457	GASKET, CARBURETOR . . .	9	5
				27-68706	GASKET, SIDE COVER . . . .	23	35
				27-68714	GASKET, FRONT COVER . .	31	7

# PARTS INDEX

Part Number	Description	Pg.	Ref. No.	Part Number	Description	Pg.	Ref. No.
27-68715	GASKET, EXHAUST MANIFOLD TO HEAD . . . .	17	9	32-77457--2	HOSE, COOLANT RECOVERY BOTTLE . . . .	17	37
27-70905	GASKET, INTAKE MANIFOLD	15	4	32-88132	REGULATOR TUBE O.D. 5/8", HEAT EXCHANGER TUBE O.D. 5/8" . . . . .	19	15
27-71614	GASKET, FILLER CAP . . . . .	17	39	32-89653	HOSE, CYLINDER HEAD TO EXHAUST MANIFOLD . . .	21	27
27-72098	GASKET, WATER INLET COVER . . . . .	31	18	32-89654	HOSE, EXHAUST MANIFOLD TO HEAT EXCHANGER . .	19	20
27-72099	GASKET, IMPELLER COVER	31	8	32-89655	HOSE, INTAKE MANIFOLD .	15	17
27-72479	GASKET, OIL PAN . . . . .	23	27	32-89713	HOSE, INTAKE MANIFOLD TO RESERVOIR . . . . .	15	8
27-72805	GASKET, FUEL PUMP . . . . .	9	18	32-90494	HOSE, PRESSURE (FITTINGS ON BOTH ENDS) . . . . .	45	11
27-73666	GASKET, ROCKER COVER .	21	7	32-90949	EXHAUST TUBE . . . . .	43	7
27-89656	GASKET, THERMOSTAT HOUSING TO EXHAUST MANIFOLD . . . . .	17	13	32-92357-28	HOSE, OIL (13-1/2") . . . . .	25	44
27-91892	GASKET, OIL FILTER ADAPTOR AND OIL FILTER . . . . .	25	42	32-92357-38	HOSE, OIL (16-1/2") . . . . .	25	43
27-92166	GASKET, CYLINDER HEAD .	21	14	32-93315-12	HOSE, FLAME ARRESTOR TO ROCKER COVER . . . .	9	11
27-94976	GASKET, FLYWHEEL HOUSING COVER . . . . .	35	11	32-95850	HOSE, COOLER TO EXHAUST ELBOW WITH POWER STEERING . . . . .	19	24
27-97542	GASKET, ELBOW AND RESERVIOR TO MANIFOLD . . . . .	17	27	32-98843-39	HOSE, RETURN (FITTINGS ON ONE END) . . . . .	45	13
27-98355	GASKET, WEDGE TO INTAKE MANIFOLD SERIAL # AND BELOW . .	9	19	32-99519	REGULATOR TUBE O.D. 5/8", HEAT EXCHANGER TUBE O.D. 3/4" . . . . .	19	16
27-99960	GASKET, END CAP . . . . .	19	3	32-99520	REGULATOR TUBE O.D. 3/4", HEAT EXCHANGER TUBE O.D. 3/4" . . . . .	19	15
28-56162	KEY, VALVE STEM . . . . .	21	26	32-99521	REGULATOR TUBE O.D. 3/4", HEAT EXCHANGER TUBE O.D. 5/8" . . . . .	19	15
28-67382	KEY, SPROCKET AND ALTERNATOR . . . . .	27	3	33-97389	SPARK PLUG (NGK #BPR6FS) . . . . .	7	21
28-86466	KEY, CAMSHAFT . . . . .	29	8	35-11004	FILTER KIT . . . . .	9	13A
32-33220-70	HOSE, COOLER TO HEAT EXCHANGER WITH POWER STEERING . . . . .	19	23	35-49088	FILTER KIT . . . . .	9	13
32-33220-70	HOSE, HEAT EXCHANGER TO EXHAUST ELBOW WITHOUT POWER STEERING . . . . .	19	27	36-55143	CAP, FILLER . . . . .	17	25
32-41497	REGULATOR TUBE O.D. 5/8", HEAT EXCHANGER TUBE O.D. 3/4" . . . . .	19	15	36-75336	CAP, OIL FILLER . . . . .	21	2
32-41635A1	FUEL LINE, PUMP (FILTER FACING UP) . . . . .	11	44	36-91989A1	CAP ASSEMBLY . . . . .	17	31
32-41881	FUEL LINE, PUMP TO CARBURETOR . . . . .	9	27	37-99451	DECAL, ROCKER COVER . .	21	6
32-42850-64	REGULATOR TUBE O.D. 3/4", HEAT EXCHANGER TUBE O.D. 3/4" . . . . .	19	16	39-74381A1	RING, PISTON (STD.) . . . .	29	6
32-43275A3	FUEL LINE, PUMP (FILTER FACING DOWN) . . . . .	11	44	39-75423	RING, PISTON (.030 O.S.) .	29	6
32-47642	REGULATOR TUBE O.D. 5/8", HEAT EXCHANGER TUBE O.D. 5/8" . . . . .	19	16	43-73579	DRIVE GEAR . . . . .	7	2
32-52519--9	HOSE, PUMP TO OIL COOLER . . . . .	45	14	47-86462A1	IMPELLER, WATER PUMP .	31	9
32-72877A1	OIL PICK-UP TUBE ASSEMBLY . . . . .	23	19	50-97499A2	STARTER MOTOR ASSEMBLY . . . . .	5	1
32-73815-63	HOSE, VENT . . . . .	9	6	50-97499A2	STARTER MOTOR ASSEMBLY . . . . .	37	-
32-76326	HOSE, INTAKE MANIFOLD TO WATER PUMP . . . . .	15	14	53-33290	RING, RETAINING - PINION STOP COLLAR . . . . .	37	4
				53-73499	LOCK RING, DISTRIBUTOR SHAFT . . . . .	7	17
				54-31765	CLAMP, BELLOWS (LARGE)	41	3
				54-31765	CLAMP, BELLOWS (LARGE)	43	3
				54-32533	CLAMP, HOSE ATTACHING	19	17
				54-32780	CLAMP, HOSE ATTACHING	19	19
				54-32780	CLAMP, HOSE ATTACHING	21	28

# PARTS INDEX

Part Number	Description	Pg.	Ref. No.	Part Number	Description	Pg.	Ref. No.
54-32780	CLAMP, HOSE ATTACHING WITH POWER STEERING	19	25	759-8312A2	PISTON (STANDARD)	29	5
54-32780	CLAMP, HOSE TO HEAT EXCHANGER	19	21	759-8312A3	PISTON (.005 O.S.) - USE STANDARD RINGS	29	5
54-32780	CLAMP, HOSE TO WATER PUMP	15	15	778-9015A2	PISTON (STANDARD)	29	5
54-32781	CLAMP, HOSE TO EXHAUST MANIFOLD	19	22	778-9015A3	PISTON (.005 O.S.) - USE STANDARD RINGS	29	5
54-32781	CLAMP, HOSE TO INTAKE MANIFOLD	15	16	778-9015A4	PISTON (.030 O.S.)	29	5
54-32781	CLAMP, HOSE TO INTAKE MANIFOLD	15	18	859-6387A3	CYLINDER BLOCK ASSEMBLY	23	1
54-33683	CLAMP, BELLOWS (SMALL)	41	2	966-8551A2	CYLINDER HEAD ASSEMBLY	21	8
54-33683	CLAMP, BELLOWS (SMALL)	43	2	1347-8460A3	CARBURETOR ASSEMBLY	13	-
54-35830	CLAMP, HOSE ATTACHING	45	15	1397-8327	GASKET, FUEL FILTER NUT	13	14
54-53101	CLIP, HOSE TO FLAME ARRESTOR	9	12	1397-8536	GASKET KIT SEE NOTE	13	13
54-54428	CLAMP, HOSE ATTACHING	15	9	1397-8540	THROTTLE BODY KIT	13	3
54-54428	CLAMP, HOSE ATTACHING	17	38	1397-8545	FUEL FILTER KIT	13	8
54-61001	CLAMP, SHIFT CABLE ATTACHING	35	14	1397-8547	PUMP KIT	13	10
54-61001	CLIP, DIPSTICK TUBE	23	32	1397-8557	SCREW, KIT, AIR HORN/TROTTLE BODY	13	15
54-64235--1	"J" CLIP, ROCKER COVER SCREW	21	5	1397-8952	CARBURETOR REPAIR KIT SEE NOTE	13	12
54-64235--1	"J" CLIP, WIRING HARNESS TO MANIFOLD	5	31	1397-8953	AIR HORN KIT	13	1
54-72531	LIFTING EYE	21	18	1397-8954	FLOAT BOWL KIT	13	2
54-72821	CLAMP, HIGH TENSION LEADS	7	23	1397-8955	CHOKE LINK AND LEVER KIT	13	4
54-99334	CLAMP, BASE	23	10	1397-8956	PRIMARY VACUUM KIT	13	5
57-49043A1	V-BELT, POWER STEERING PUMP	45	10	1397-8957	POWER PISTON KIT	13	6
84-42841A45	WIRE, DISTRIBUTOR TO COIL	7	25	1397-8958	METERING JET AND ROD KIT	13	7
84-43376A6	SPARK PLUG WIRE KIT	7	20	1397-8959	FLOAT KIT	13	9
84-62826A6	WIRE, FLYWHEEL HOUSING STUD	35	9	1397-8960	NEEDLE AND SEAT KIT	13	11
84-94227A2	RESISTANCE WIRE KIT ( TO REPLACE RESISTOR WIRE)	5	38				
84-98269A3	WIRING HARNESS (USE WITH 90 AMP. FUSE)	5	19				
84-98269A5	WIRING HARNESS (USE WITH 90 AMP. FUSE)	5	19				
86-66986	TERMINAL BLOCK	39	16				
88-78813	CIRCUIT BREAKER (50 AMP.)	35	22				
88-79023A91	FUSE ASSEMBLY (90 AMP.)	5	34				
90-41850	PARTS MANUEL	2	-				
90-42232	OWNER'S MANUEL	2	-				
121-70132	WASHER, WEDGE SCREW	9	33				
134-8460A3	CARBURATOR ASSEMBLY	9	1				
251-8468A2	FLYWHEEL	27	10				
398-6231A10	STATOR ASSEMBLY, ALTERNATOR	27	4				
456-6092A1	CRANKSHAFT	27	1				
466-8479A1	CAMSHAFT	29	7				
628-6100A2	CONNECTING ROD ASSEMBLY	29	1				
759-8312-12	PISTON (.030 O.S.)	29	5				