



PARTS CATALOG

140 ENGINE (4 CYLINDER)

SERIAL NUMBER

140 GM 181 I/L4 1968-1972 2508261 THRU 3332137

TABLE OF CONTENTS:

CARBURETOR ASSEMBLY	18
CYLINDER BLOCK, PISTON AND CRANKSHAFT	32
CYLINDER HEAD AND OIL PAN	36
DISTRIBUTOR ASSEMBLY AND COIL	10
EXHAUST MANIFOLD ASSEMBLY	24
FLYWHEEL HOUSING AND ENGINE SUPPORT	28
FUEL PUMP, FUEL FILTER AND CARBURETOR	14
PARTS INDEX	40
STARTER MOTOR AND ALTERNATOR	6
WIRING HARNESS, VOLTAGE REGULATOR AND STARTER SOLENOID	2

NOTE: *Indented description indicate that these parts are included in preceeding assembly.*

AR = As Required
OPT = Optional

NSS = Not Sold Separate
NS = Not Shown

THESE PARTS BOOKS/FICHE CARD ARE COPYRIGHTED AND MAY NOT BE DISTRIBUTED OR REPRODUCED IN ANY OTHER FORMAT BY ANYONE OTHER THAN MERCURY MARINE WITHOUT THE PRIOR WRITTEN CONSENT OF MERCURY MARINE.

REPLACEMENT PARTS ! WARNING !

Electrical, ignition and fuel system components on MerCruiser Engines and Stern Drives are designed and manufactured to comply with U.S. Coast Guard Rules and Regulations to minimize risks of fire or explosion. Use of replacement electrical, ignition or fuel system components, which do not comply to these rules and regulations, could result in a fire or explosion hazard and should be voided.

When servicing the electrical, ignition and fuel systems, it is extremely important that all components are properly installed and tightened. If not, any electrical or ignition component opening would permit sparks to ignite fuel vapors from fuel system leaks, if they existed.

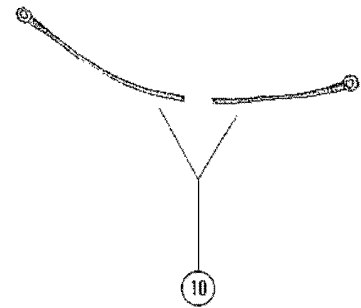
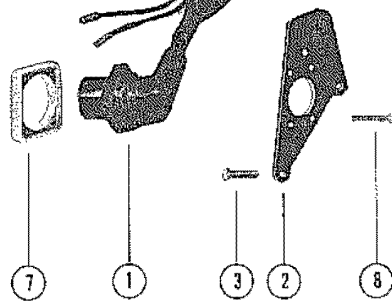
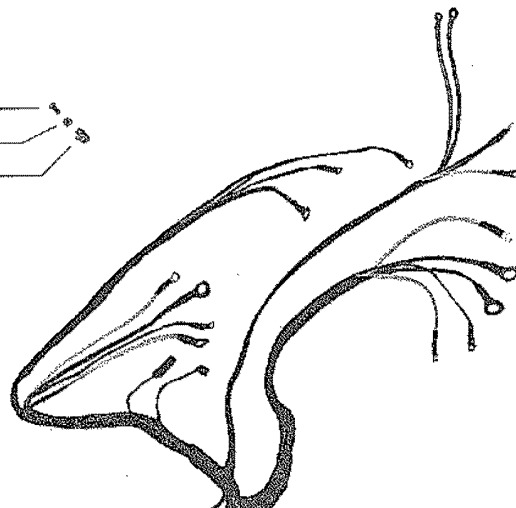
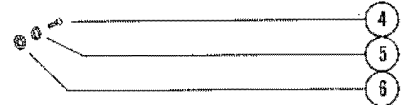
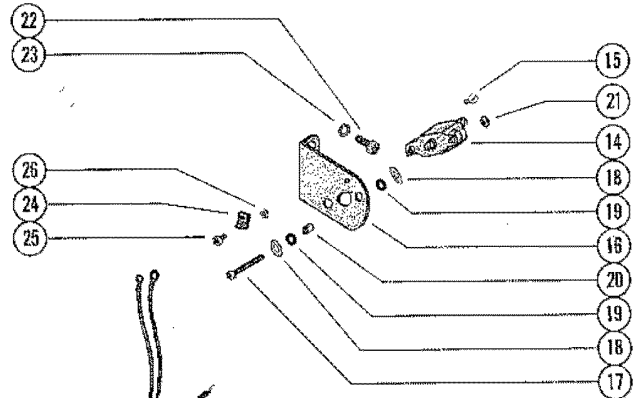
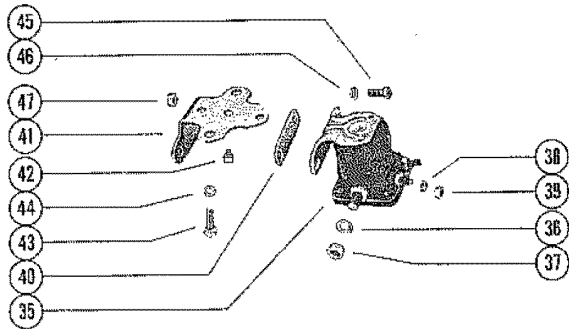
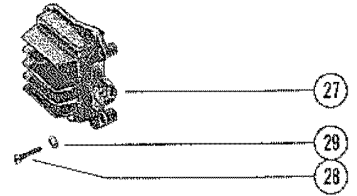
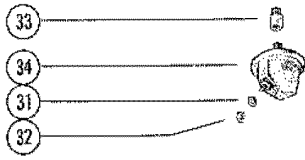
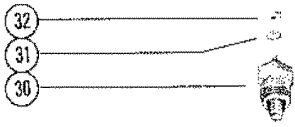
ENGINE MECHANICAL COMPONENTS

Many of the engine mechanical components are designed for marine applications. Unlike automotive engines, marine engines are subjected to extended periods of heavy load and wide- open-throttle operation, therefore, require heavy-duty components. Special marine engine parts have design and manufacturing specifications, which are required to provide long life and dependable performance. Marine engine parts also must be able to resist the corrosive action of salt or brackish water that will rust or corrode standard automotive parts within a short period of time.

Failure to use recommended Mercury Precision Parts OR Quicksilver service replacement parts can result in poor engine performance and/or durability, rapid corrosion of parts subjected to salt water and possibly complete failure of the engine.

Use of parts other than recommended service replacement parts will void the warranty on those parts which are damaged as a result of the use of other than recommended parts.

WIRING HARNESS, VOLTAGE REGULATOR AND STARTER SOLENOID

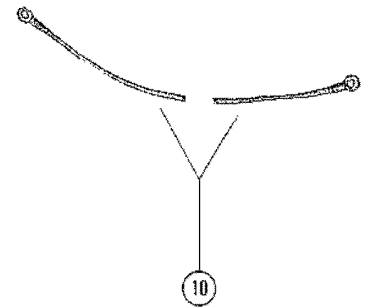
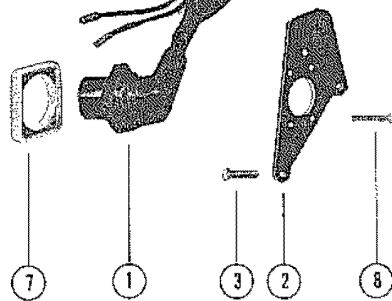
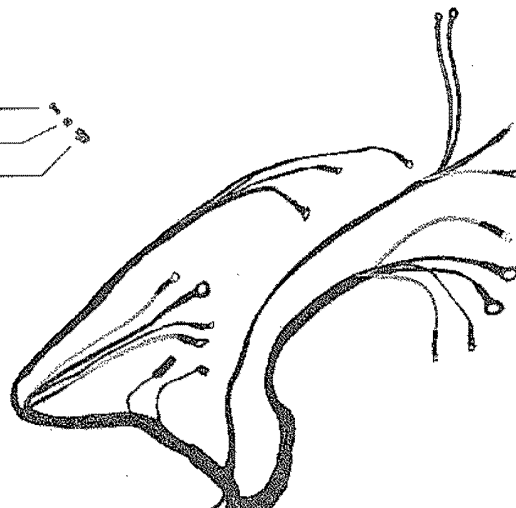
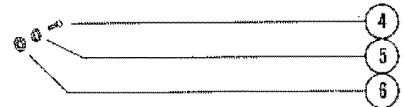
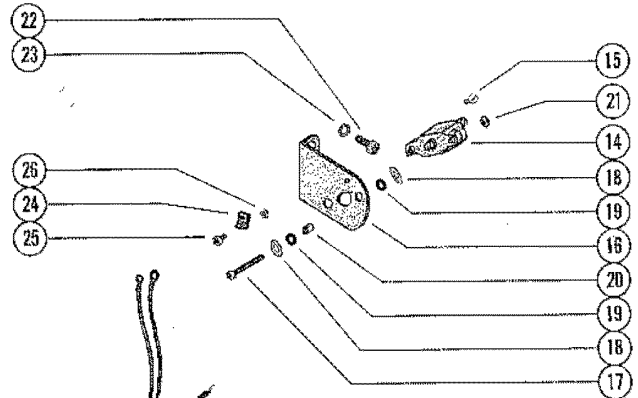
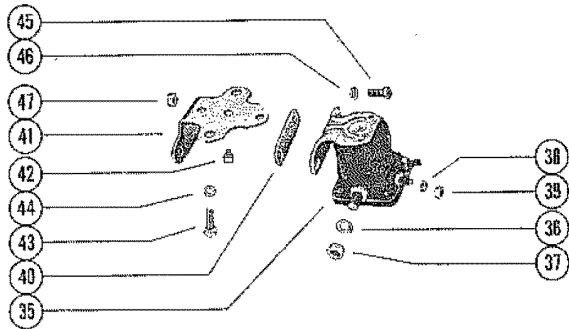
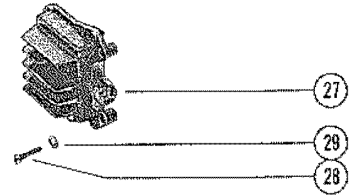
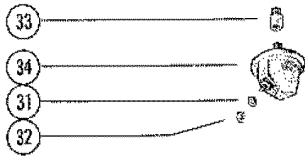
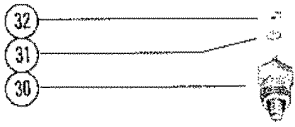


WIRING HARNESS, VOLTAGE REGULATOR AND STARTER SOLENOID

REF. NO.	PART NO.	SYM.	QTY.	DESCRIPTION
1	39543		1	WIRING HARNESS, EXTERNAL (NOT AS SHOWN) SERIAL 00000000-02816416
	57883		1	WIRING HARNESS, EXTERNAL (WITH EXTERNAL VOLTAGE REGULATOR) SERIAL 02816417-03332137
	55755		1	WIRING HARNESS, EXTERNAL (WITHOUT EXTERNAL VOLTAGE REGULATOR) SERIAL 02816417-03332137
	84-61975		1	WIRING HARNESS, EXTERNAL (WITH CIRCUIT BREAKER) SERIAL 00332138-09999999
2	39589		1	WIRING HARNESS< EXTERNAL (WITH CIRCUIT BREAKER) SERIAL 00000000-02816416
3	10-28464		1	SCREW,BRACKET AND FLYWHEEL TO BLOCK (1 1/2") SERIAL 00000000-02816416
	10-45754		1	SCREW, BRACKET AND FLYWHEEL TO BLOCK (2") SERIAL 00000000-02816416
4	10-20055		1	SCREW, WIRING HARNESS LEAD TO ALTERNATOR (3/8") SERIAL 02816417-09999999
5	13-26996		1	LOCKWASHER, WIRING HARNESS LEAD SCREW SERIAL 02816417-09999999
6	12-30164		1	WASHER, WIRING HARNESS LEAD SCREW SERIAL 02816417-09999999
7	26079		1	PLATE, WIRING HARNESS TO MOUNTING BRACKET
8	10-46718		4	SCREW, WIRING HARNESS PLATE TO MOUNTING BRACKET (3/4")
9	47764		1	STRAP, NYLON-STARTER SOLENOID LEAD
10	39593		1	BATTERY CABLE, POSITIVE
	39594		1	BATTERY CABLE, NEGATIVE
11	54-54178		1	CLAMP, WIRING HARNESS TO CYLINDER BLOCK
12	10-25703		1	SCREW, WIRING HARNESS CLAMP ATTACHING (1/2")
13	13-37459		1	LOCKWASHER, WIRING HARNESS CLAMP SCREW
14	59816		1	CIRCUIT BREAKER SERIAL 03332138-09999999
15	10-36046		2	SCREW WIRING HARNESS LEAD TO CIRCUIT BREAKER SERIAL 03332138-09999999
16	61800		1	BRACKET, CIRCUIT BREAKER SERIAL 03332138-09999999
17	10-47618		2	SCREW, CIRCUIT BREAKER TO BRACKET (1") SERIAL 03332138-09999999
18	12-47960		4	WASHER, CIRCUIT BREAKER ATTACHING SCREW SERIAL 03332138-09999999
19	25-61999		4	GROMMET, CIRCUIT BREAKER ATTACHING SCREW SERIAL 03332138-09999999
20	23-61998		2	SPACER, CIRCUIT BREAKER ATTACHING SCREW SERIAL 03332138-09999999
21	11-46438		2	NUT, CURCUIT BREAKER ATTACHING SCREW SERIAL 03332138-09999999
22	10-21077		1	SCREW, CIRCUIT BREAKER BRACKET TO CYLINDER HEAD (7/8") SERIAL 03332138-09999999
	10-27165		1	SCREW, CIRCUIT BREAKER BRACKET TO CYLINDER HEAD (3/4") SERIAL 03332138-09999999

CONTINUED ON NEXT PAGE ➡

WIRING HARNESS, VOLTAGE REGULATOR AND STARTER SOLENOID



WIRING HARNESS, VOLTAGE REGULATOR AND STARTER SOLENOID

REF. NO.	PART NO.	SYM.	QTY.	DESCRIPTION
23	13-37459		2	LOCKWASHER, CIRCUIT BREAKER BRACKET SCREW SERIAL 03332138-09999999
24	54-60517		1	CLAMP, WIRING HARNESS TO BRACKET SERIAL 03332138-09999999
25	10-47194		1	SCREW, CLAMP TO BRACKET (9/16") SERIAL 03332138-09999999
26	11-46438		1	NUT, CLAMP ATTACHING SCREW SERIAL 03332138-09999999
27	37707		1	VOLTAGE REGULATOR, TRANSISTORIZED SERIAL 00000000-02819266
28	10-37908		3	SCREW, VOLTAGE REGULATOR TO TRANSOM (1 1/4") SERIAL 00000000-02819266
29	12-20028		3	WASHER, VOLTAGE REGULATOR SCREW SERIAL 00000000-02819266
30	36525		1	WATER TEMPERATURE SENDER ASSEMBLY
31	13-26996		2	WASHER, WATER SENDER/OIL PRESSURE SENDER TERMINAL (#10)
32	11-20645		2	NUT, WATER SENDER/OIL PRESSURE SENDER TERMINAL (10-32)
33	22-32974		1	ADAPTOR, OIL PRESSURE SENDER TO CYLINDER BLOCK
34	34623		1	OIL PRESSURE SENDER ASSEMBLY
35	25661		1	STARTER SOLENOID
36	13-26993		2	LOCKWASHER, STARTER SOLENOID TERMINAL (5/16")
37	11-20083		2	NUT, STARTER SOLIE
38	13-26996		2	LOCKWASHER, STARTER SOLENOID TERMINAL (#10)
39	11-20645		2	NUT, STARTER SOLENOID TERMINAL (10-32)
40	36177		1	INSULATOR, STARTER SOLENOID BRACKET
41	36176A2		1	BRACKET ASSEMBLY, STARTER SOLENOID MOUNTING
42	49342		1	BUMPER, MOUNTING BRACKET
43	10-33231		2	SCREW, MOUNTING BRACKET TO MANIFOLD BODY (1/2")
44	13-26996		2	LOCKWASHER, MOUNTING BRACKET SCREW
45	10-21625		2	SCREW, STARTER SOLENOID TO MOUNTING BRACKET (3/4")
46	13-26992		2	LOCKWASHER, STARTER SOLENOIDSCREW
47	11-20088		2	NUT, STARTER SOLENOID SCREW

STARTER MOTOR AND ALTERNATOR

* * * * MISSING ILLUSTRATION * * * *

STARTER MOTOR AND ALTERNATOR

REF. NO.	PART NO.	SYM.	QTY.	DESCRIPTION
1	50-46282		1	STARTER MOTOR ASSEMBLY SEE NOTE SERIAL 00000000-02961608
	50-59799		1	STARTER MOTOR ASSEMBLY SEE NOTE SERIAL 03128229-09999999
2	10-34545		1	BOLT, STARTER MOTOR MOUNTING (4 21/32")
3	10-34544		1	BOLT, STARTER MOTOR MOUNTING (1 15/16")
4	52250		1	BRACE, STARTER MOTOR SERIAL 00000000-02816416
	54671		1	BRACE, STARTER MOTOR SERIAL 02816417-09999999
5	16-52387		2	STUD, BRACE TO MOTOR AND CYLINDER BLOCK
6	12-20103		2	WASHER, BRACE STUD SERIAL 00000000-02816416
7	11-35814		2	NUT, BRACE STUD SERIAL 00000000-02816416
	11-25594		2	NUT, BRACE STUD SERIAL 02816417-09999999
8	11-28517		1	NUT, SOLENOID SWITCH TERMINAL (3/8-16)
9	11-26419		1	NUT, SOLENOID SWITCH TERMINAL (8-32)
10	13-26995		1	LOCKWASHER, STARTER MOTOR TERMINAL (#8)
11	11-26419		1	NUT, STARTER MOTOR TERMINAL (8-32)
10	13-26996		1	LOCKWASHER, STARTER MOTOR TERMINAL (#10)
11	11-20645		1	NUT, STARTER MOTOR TERMINAL (10-32)
12	37615A1		1	ALTERNATOR ASSEMBLY SEE NOTE SERIAL 00000000-02819266
	56045		1	ALTERNATOR ASSEMBLY SEENOTE SERIAL 02819267-02961608
	59755		1	ALTERNATOR ASSEMBLY SEENOTE SERIAL 03128229-09999999
13	53476		1	BRACE, ALTERNATOR TO CYLINDER BLOCK (FRONT) SERIAL 00000000-02816416
14	10-27165		1	SCREW, ALTERNATOR BRACE TO CYLINDER BLOCK (3/4") SERIAL 00000000-02816416
15	13-37459		1	LOCKWASHER, ALTERNATOR BRACE SCREW SERIAL 00000000-02816416
16	12-20553		1	WASHER, ALTERNATOR BRACE SCREW SERIAL 00000000-02816416
13	58333		1	BRACE, ALTERNATOR TO CYLINDER BLOCK (FRONT) SERIAL 02816417-09999999
17	16-54177		1	STUD, ALTERNATOR BRACE TO CYLINDER BLOCK (1 3/8") SERIAL 02816417-09999999
18	12-20553		1	WASHER, ALTERNATOR BRACE STUD SERIAL 02816417-09999999
19	11-23161		1	NUT, ALTERNATOR BRACE STUD SERIAL 02816417-09999999
20	10-29198		1	SCREW, ALTERNATOR BRACE TO ALTERNATOR (7/8")
21	12-26168		1	WASHER, ALTERNATOR BRACE SCREW
22	10-32775		1	SCREW, ALTERNATOR TO BRACKET (3 1/2") SERIAL 00000000-02816416
23	23-32727		1	SPACER, ALTERNATOR SCREW SERIAL 00000000-02816416
22	10-37626		1	SCREW, ALTERNATOR TO BRACKET (4 1/4") SERIAL 02816417-09999999

CONTINUED ON NEXT PAGE ➡

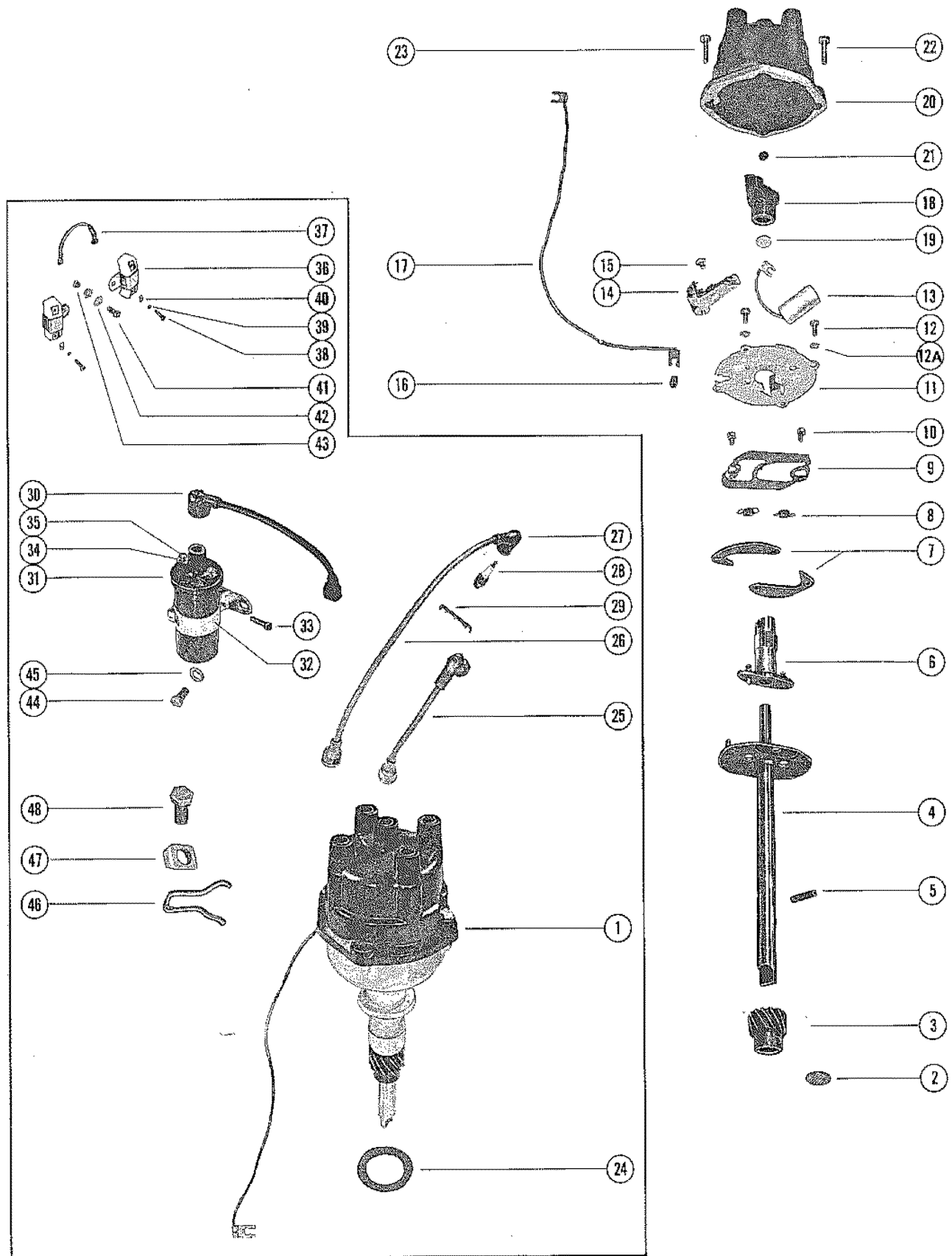
STARTER MOTOR AND ALTERNATOR

* * * * MISSING ILLUSTRATION * * * *

STARTER MOTOR AND ALTERNATOR

REF. NO.	PART NO.	SYM.	QTY.	DESCRIPTION
23	23-56777		1	SPACER, ALTERNATOR TO BRACKET SERIAL 02816417-09999999
24	12-25970		2	WASHER, ALTERNATOR TO BRACKET SERIAL 02816417-09999999
25	11-23161		1	NUT, ALTERNATOR SCREW
26	16-54177		1	STUD, MOUNTING BRACKET TO CYLINDER BLOCK (1 3/8") SERIAL 00000000-02816416
27	16-54176		1	STUD, MOUNTING BRACKET TO CYLINDER BLOCK (1 5/8") SERIAL 00000000-02816416
28	27-53502		1	GASKET, ALTERNATOR MOUNTING BRACKET SERIAL 00000000-02816416
29	52817		1	BRACKET, ALTERNATOR MOUNTING SERIAL 00000000-02816416
30	52818		1	BRACKET, ALTERNATOR MOUNTING SERIAL 00000000-02816416
31	12-20553		2	WASHER, MOUNTING BRACKET STUD SERIAL 00000000-02816416
32	11-49910		2	NUT, MOUNTING BRACKET STUD SERIAL 00000000-02816416
33	10-33524		1	SCREW, ALTERNATOR MOUNTING BRACKET TO CYL. BLOCK (5/8") SERIAL 00000000-02816416
34	13-26993		1	LOCKWASHER, ALTERNATOR MOUNTING BRACKET SCREW SERIAL 00000000-02816416
35	12-26825		1	WASHER, ALTERNATOR MOUNTING BRACKET SCREW SERIAL 00000000-02816416
36	16-54176		2	STUD, MOUNTING BRACKET TO CYLINDER BLOCK (1 5/8") SERIAL 02816417-09999999
37	56778		1	BRACKET, ALTERNATOR MOUNTING SERIAL 02816417-09999999
38	12-20553		2	WASHER, MOUNTING BRACKET STUD SERIAL 02816417-09999999
39	11-23161		2	NUT, MOUNTING BRACKET STUD SERIAL 02816417-09999999

DISTRIBUTOR ASSEMBLY AND COIL

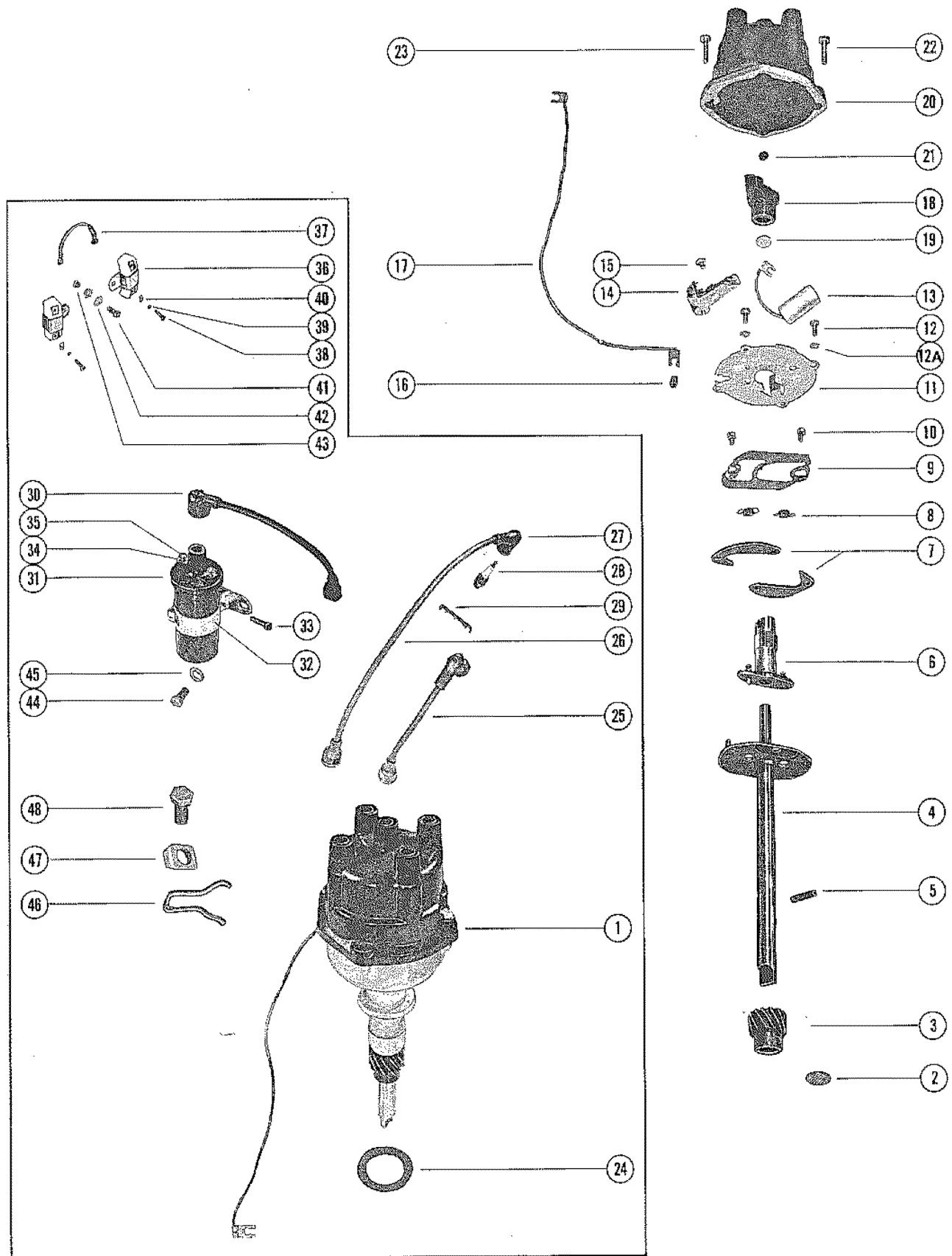


DISTRIBUTOR ASSEMBLY AND COIL

REF. NO.	PART NO.	SYM.	QTY.	DESCRIPTION
1	52352		1	DISTRIBUTOR ASSEMBLY, COMPLETE SERIAL 00000000-02816416
	58231		1	DISTRIBUTOR ASSEMBLY, COMPLETE SERIAL 02816417-03248242
	62424		1	DISTRIBUTOR ASSEMBLY, COMPLETE SERIAL 03246748-09999999
2	62426		2	SCREEN, VENT - DISTRIBUTOR HOUSING SERIAL 03246748-09999999
3	43-33664		1	GEAR, DRIVE - MAIN SHAFT
4	52357		1	MAIN SHAFT AND WEIGHT PLATE SERIAL 00000000-02816416
	58237		1	MAIN SHAFT AND WEIGHT PLATE SERIAL 02816417-09999999
5	17-33649		1	PIN, DRIVE GEAR TO MAIN SHAFT
6	33661		1	CAM, BREAKER - ADVANCE SERIAL 00000000-02816416
	58235		1	CAM, BREAKER - ADVANCE SERIAL 02816417-09999999
-	12-58220		1	WASHER, CAM AND SHAFT SERIAL 02816417-09999999
-	26-58219		1	SEAL, HOUSING SERIAL 02816417-09999999
-	33653		1	FELT, BREAKER CAM LUBRICATOR
-	33670		1	RETAINER, BREAKER CAM LUBRICATOR FELT
7	33651		2	WEIGHT, BREAKER CAM ADVANCE SERIAL 00000000-02816416
8	24-33652		2	SPRING, BREAKER CAM ADVANCE WEIGHT SERIAL 00000000-02816416
7	33768		2	WEIGHT, BREAKER CAM ADVANCE SERIAL 02816417-09999999
8	24-58236		2	SPRING, BREAKER CAM ADVANCED WEIGHT SERIAL 02816417-09999999
9	33655		1	PLATE, WEIGHT HOLD DOWN
10	10-33722		2	SCREW, WEIGHT HOLD DOWN PLATE TO WEIGHT PLATE
11	33665		1	PLATE, MOUNTING - BREAKER ASSEMBLY AND CONDENSER
12	10-33648		2	SCREW, MOUNTING PLATE TO PRIMARY HOUSING
12A	12-62425		2	WASHER, BREAKER PLATE SUPPORT SCREW SERIAL 03246748-09999999
13	33662		1	CONDENSER
-	48024		1	BRACKET, CONDENSER MOUNTING SERIAL 02816417-09999999
-	10-48021		1	SCREW, CONDENSER BRACKET ATTACHING SERIAL 02816417-09999999
14	34235		1	BREAKER ASSEMBLY, DISTRIBUTOR
15	10-33650		1	SCREW, BREAKER ASSEMBLY TO MOUNTING PLATE
16	25-33666		1	GROMMET, MOUNTING PLATE - PRIMARY WIRE
17	48025		1	LEAD, PRIMARY
18	33659		1	ROTOR, DISTRIBUTOR SERIAL 00000000-02816416
	58217		1	ROTOR, DISTRIBUTOR SERIAL 02816417-09999999
19	12-36275		1	WASHER, ROTOR

CONTINUED ON NEXT PAGE ➡

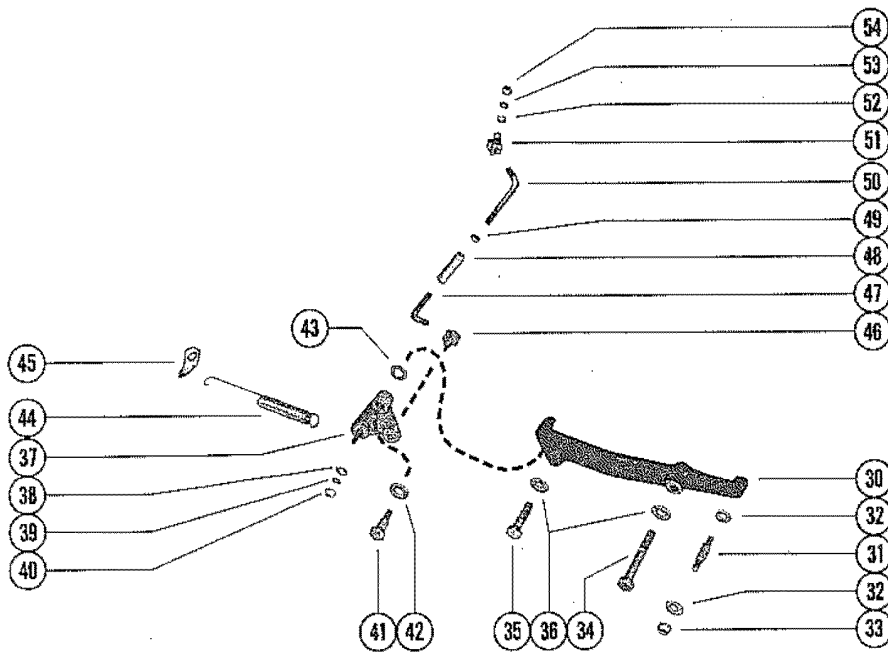
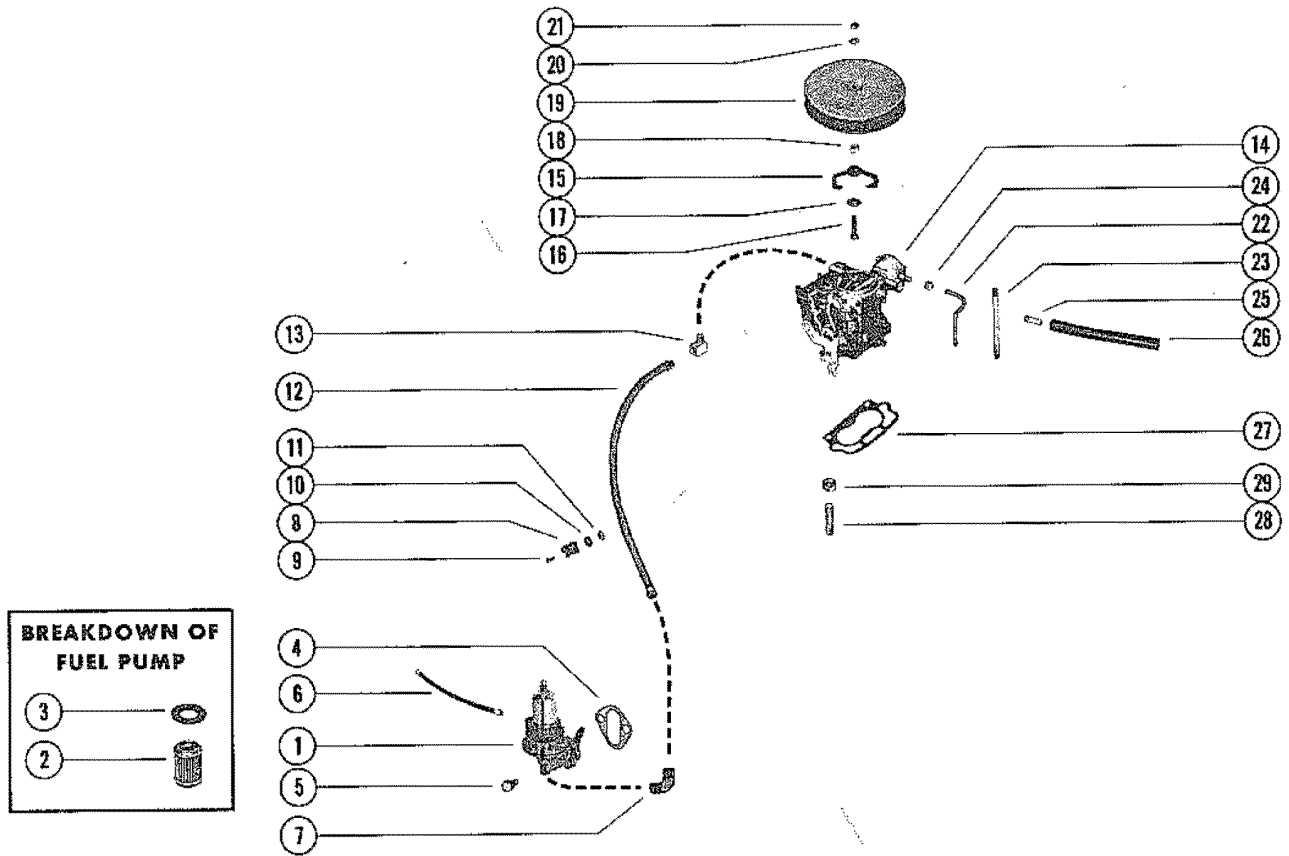
DISTRIBUTOR ASSEMBLY AND COIL



DISTRIBUTOR ASSEMBLY AND COIL

REF. NO.	PART NO.	SYM.	QTY.	DESCRIPTION
20	33667		1	CAP, DISTRIBUTOR
21	33654		1	BUTTON, CARBON - DISTRIBUTOR CAP
22	10-33660		1	SCREW, DISTRIBUTOR CAP TO PRIMARY HOUSING (8-32)
23	10-33663		1	SCREW, DISTRIBUTOR CAP TO PRIMARY HOUSING (10-32)
24	27-34486		1	GASKET, DISTRIBUTOR
25	32762A1		2	LEAD ASSEMBLY, HIGH TENSION - DISTRIBUTOR (6")
26	32762A2		2	LEAD ASSEMBLY, HIGH TENSION - DISTRIBUTOR (14")
27	47604A1		4	PROTECTOR, HIGH TENSION LEAD
-	393-1275		4	SLEEVE, TERMINAL END COVER
28	33-54527		4	SPARK PLUG (AC#CR44N)
29	32782		1	RETAINER, HIGH TENSION LEADS
30	32763A1		1	WIRE ASSEMBLY, DISTRIBUTOR TO COIL (8 1/4")
31	26433		1	COIL, IGNITION
32	33321		1	BRACKET, IGNITION COIL MOUNTING
33	10-33311		1	SCREW, MOUNTING BRACKET TO IGNITION COIL (1 1/2")
34	12-30164		2	WASHER, IGNITION COIL TERMINAL
	13-26996		2	LOCKWASHER, IGNITION COIL TERMINAL
35	11-20645		2	NUT, IGNITION COIL TERMINAL
36	393-1286		2	BALLAST SERIAL 00000000-02816416
37	33210		1	JUMPER WIRE, BALLAST TO BALLAST SERIAL 00000000-02816416
38	10-46718		4	SCREW, WIRING HARNESS LEADS TO BALLAST SERIAL 00000000-02816416
39	13-26995		4	LOCKWASHER, WIRING HARNESS LEADS SCREW SERIAL 00000000-02816416
40	12-30191		4	WASHER, WIRING HARNESS LEADS SCREW SERIAL 00000000-02816416
41	10-20653		1	SCREW, BALLAST TO MOUNTING BRACKET (1") SERIAL 00000000-02816416
42	12-28927		2	WASHER, BALLAST TO MOUNTING BRACKET SCREW SERIAL 00000000-02816416
43	11-46887		1	NUT, BALLAST TO MOUNTING BRACKET SCREW SERIAL 00000000-02816416
44	10-27165		1	SCREW, IGNITION COIL TO CYLINDER BLOCK
45	12-20553		1	WASHER, IGINATION COIL SCREW
46	34480		1	CLAMP UNIT, DISTRIBUTOR
47	34549		1	RETAINER, DISTRIBUTOR CLAMP UNIT
48	10-35169		1	SCREW, DISTRIBUTOR TO CYLINDER BLOCK

FUEL PUMP, FUEL FILTER AND CARBURETOR

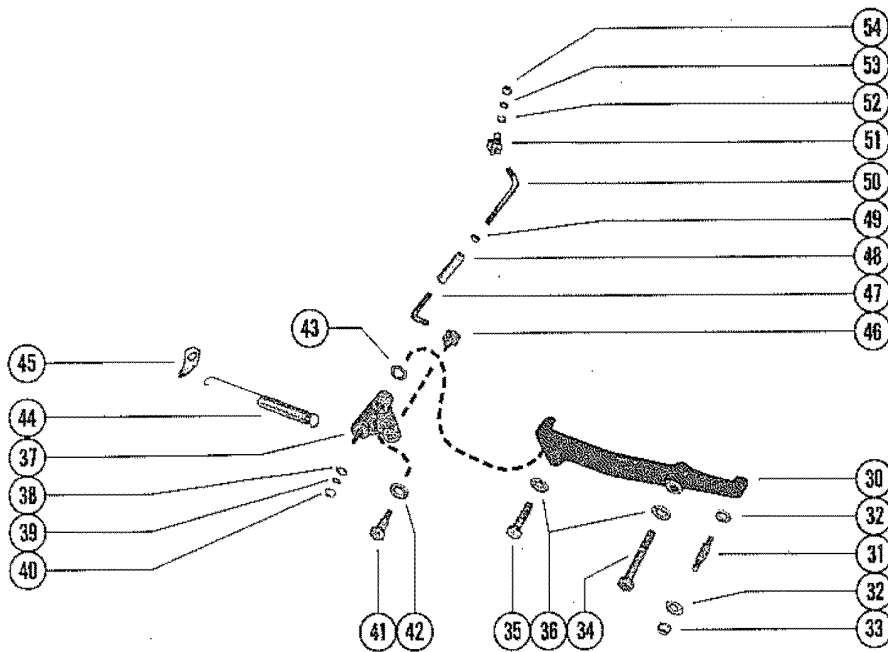
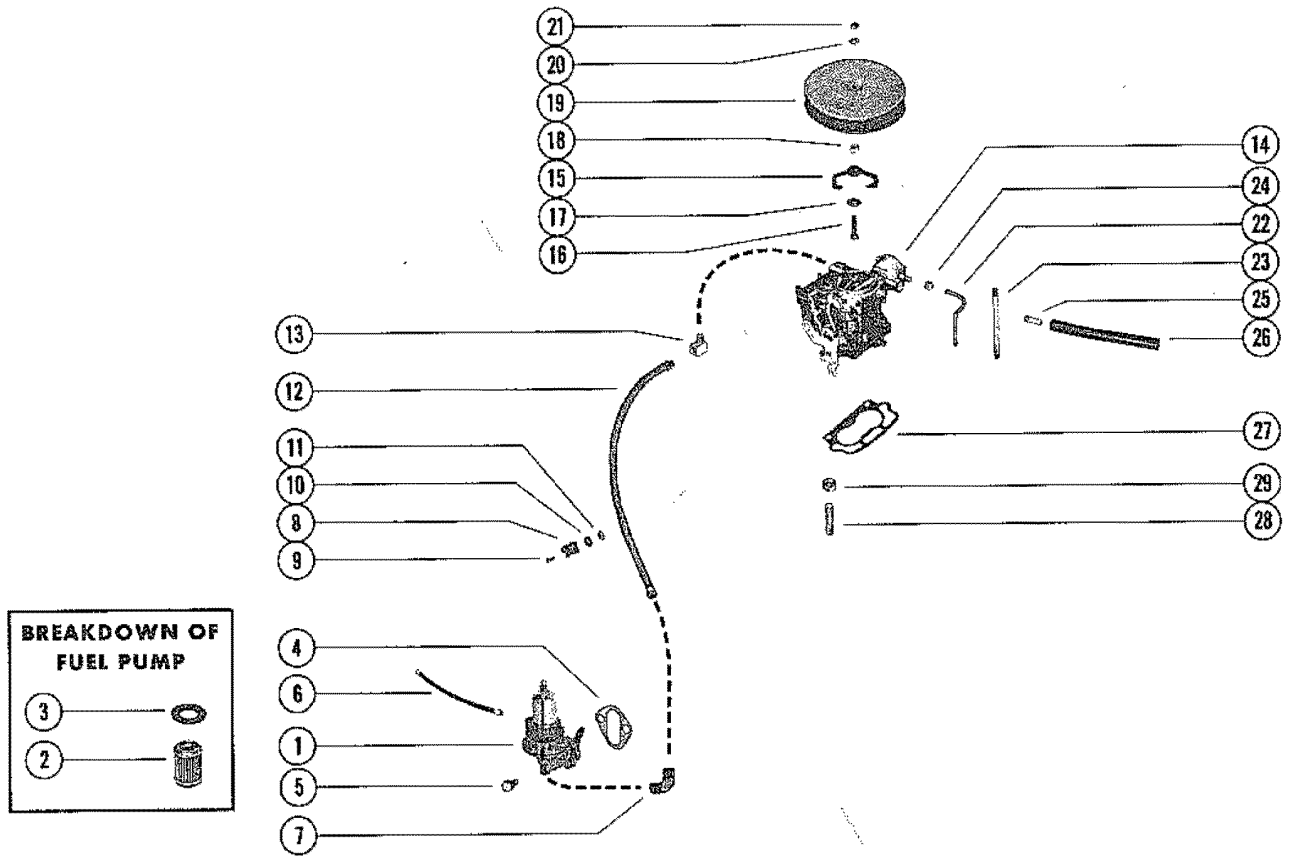


FUEL PUMP, FUEL FILTER AND CARBURETOR

REF. NO.	PART NO.	SYM.	QTY.	DESCRIPTION
1	47585		1	FUEL PUMP ASSEMBLY
2	35-49088		1	FILTER, FUEL - FUEL PUMP
3	49089		1	DIAPHRAGM KIT, FUEL PUMP
4	27-34213		1	GASKET, FUEL PUMP
5	10-45488		2	SCREW, FUEL PUMP TO CYLINDER BLOCK (3/4")
6	32-30466		1	FUEL LINE, FUEL TANK TO FUEL PUMP
7	22-49217		1	FITTING, FUEL LINE (32 1/4")
8	54-28938		1	CLIP, FUEL LINE TO CYLINDER BLOCK
9	10-29199		1	SCREW, FUEL LINE CLIP TO CYLINDER BLOCK (1")
10	12-24662		1	WASHER, FUEEL LINE CLIP SCREW
11	11-20890		1	NUT, FUEL LINE CLIP SCREW
12	32-53824		1	FUEL LINE, FUEL PUMP TO CARBURETOR ELBOW
13	22-54035		1	ELBOW, FUEL INLET - CARBURETOR (90) SERIAL 0000000-02816416
14	1351-3635A1		1	CARBURETOR ASSEMBLY(SEE PAGE 10 FOR BREAKDOWN) SERIAL 00000000-02816416
	1351-4032A1		1	CARBURETOR ASSEMBLY(SEE PAGE 10 FOR BREAKDOWN) SERIAL 02816417-02911439
	1351-4293A1		1	CARBURETOR ASSEMBLY(SEE PAGE 10 FOR BREAKDOWN) SERIAL 02911440-09999999
15	52734		1	BAIL, FLAME ARRESTOR TO CARBURETOR
16	10-22956		1	SCREW, FLAME ARRESTOR TO CARBURETOR BAIL
17	12-20533		1	WASHER, FLAME ARRESTOR SCREW
18	11-28941		1	NUT, FLAME ARRESTOR SCREW
19	53001		1	FLAME ARRESTOR
20	12-22937		1	WASHER, FLAME ARRESTOR MOUNTING STUD
21	11-20586		1	NUT, FLAME ARRESTOR MOUNTING STUD (TOP)
22	32-53371		1	PIPE, CHOKE - CARBURETOR
23	53404		1	COVERING, CHOKE PIPE
24	11-21310		1	NUT, CHOKE PIPE TO CARBURETOR
25	22-45383		1	NIPPLE, VENT HOSE TO CARBURETOR
26	32-34423A1		1	HOSE, VENT - CARBURETOR TO ROCKER COVER (6")
27	27-32910		1	GASKET, CARBURETOR TO EXHAUST MANIFOLD
28	16-33111		4	STUD, CARBURETOR MOUNTING - EXHAUST MANIFOLD
29	11-46793		4	NUT, CARBURETOR MOUNTING STUD
30	52124		1	BRACKET, MOUNTING - THROTTLE LINKAGE
31	16-38525		1	STUD, ANCHOR - THROTTLE CABLE TO MOUNTING BRACKET
32	12-24664		2	WASHER, THROTTLE CABLE ANCHOR STUD
33	11-20586		1	NUT, THROTTLE CABLE ANCHOR STUD
34	10-25038		1	BOLT, MOUNTING BRACKET TO EXHAUST MANIFOLD (7/8")
35	10-20362		1	BOLT, MOUNTING BRACKET TO EXHAUST MANIFOLD (1 1/2")
36	13-39107		2	LOCKWASHER, MOUNTING BRACKET BOLT
37	38979		1	LEVER, THROTTLE - MOUNTING BRACKET
38	12-35950		1	WASHER, THROTTLE LEVER STUD (7/16" O.D.)

CONTINUED ON NEXT PAGE ➡

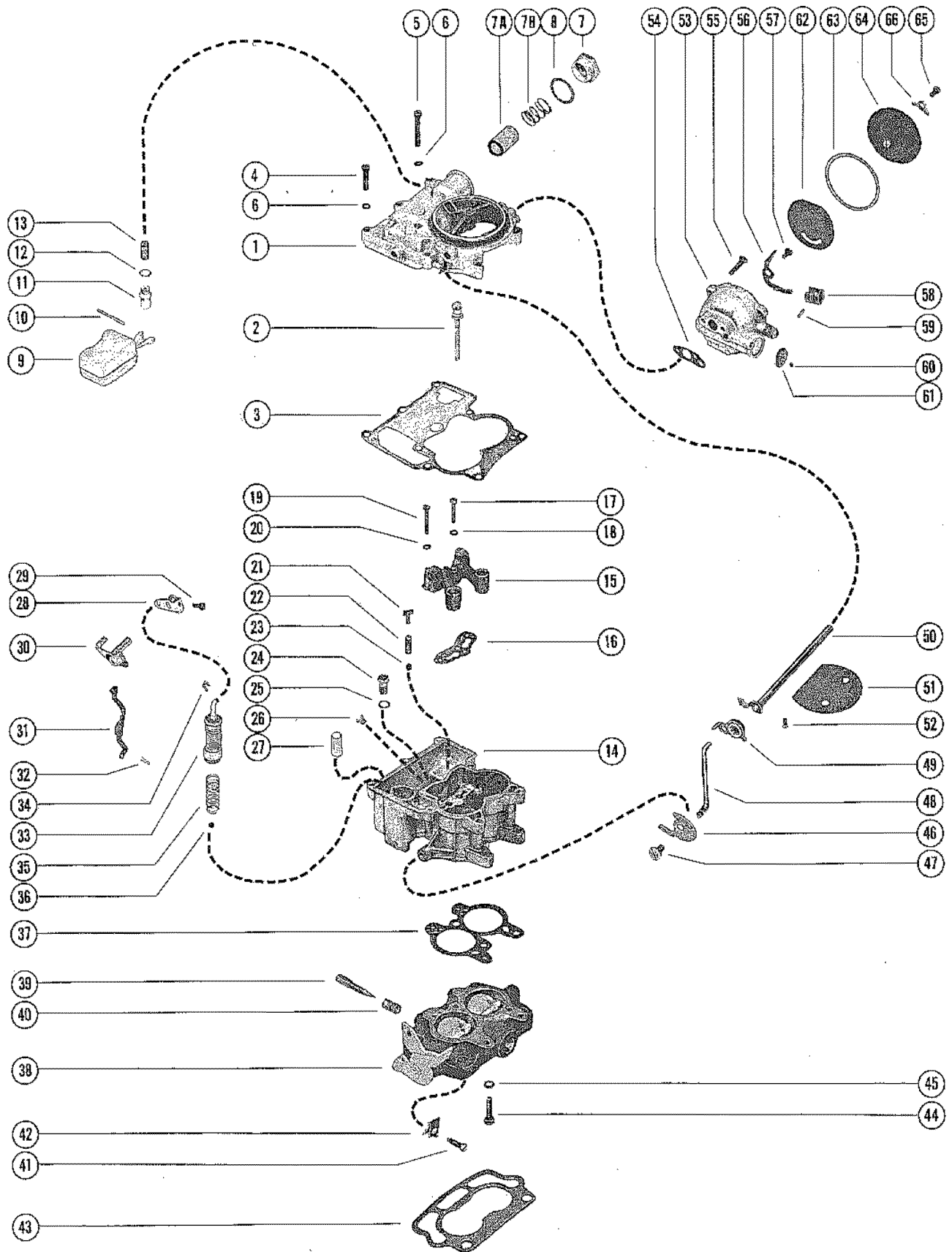
FUEL PUMP, FUEL FILTER AND CARBURETOR



FUEL PUMP, FUEL FILTER AND CARBURETOR

REF. NO.	PART NO.	SYM.	QTY.	DESCRIPTION
39	12-30164		1	WASHER, THROTTLE LEVER STUD (3/8" O.D.)
40	11-20110		1	NUT, THROTTLE LEVER STUD
41	10-38507		1	SCREW, STEP - THROTTLE LEVER TO MOUNTING BRACKET
42	12-20331		1	WASHER, THROTTLE LEVER STEP SCREW (5/16" I.D.) SERIAL 00000000-02816416
	12-57792		1	WASHER, THROTTLE LEVER STEP SCREW (21/64" I.D.) SERIAL 02816417-09999999
43	12-20553		1	WASHER, THROTTLE LEVER STEP SCREW (3/8" O.D.)
44	24-52082		1	SPRING, THROTTLE RETURN
45	52075		1	BRACKET, THROTTLE RETURN SPRING
46	27947		1	SWIVEL, LINK ROD TO THROTTLE LEVER
47	38982		1	LINK ROD, THROTTLE
48	33393		1	SLEEVE, ADJUSTING - THROTTLE LINK ROD
49	11-25168		1	NUT, JAM - THROTTLE LINK ROD
50	33394		1	LINK ROD, CARBURETOR
51	38983		1	SWIVEL, LINK ROD TO CARBURETOR
52	12-35950		1	WASHER, LINK ROD TO CARBURETOR SWIVEL
53	12-30164		1	WASHER, LINK ROD TO CARBURETOR SWIVEL
54	11-20110		1	NUT, LINK ROD TO CARBURETOR SWIVEL

CARBURETOR ASSEMBLY

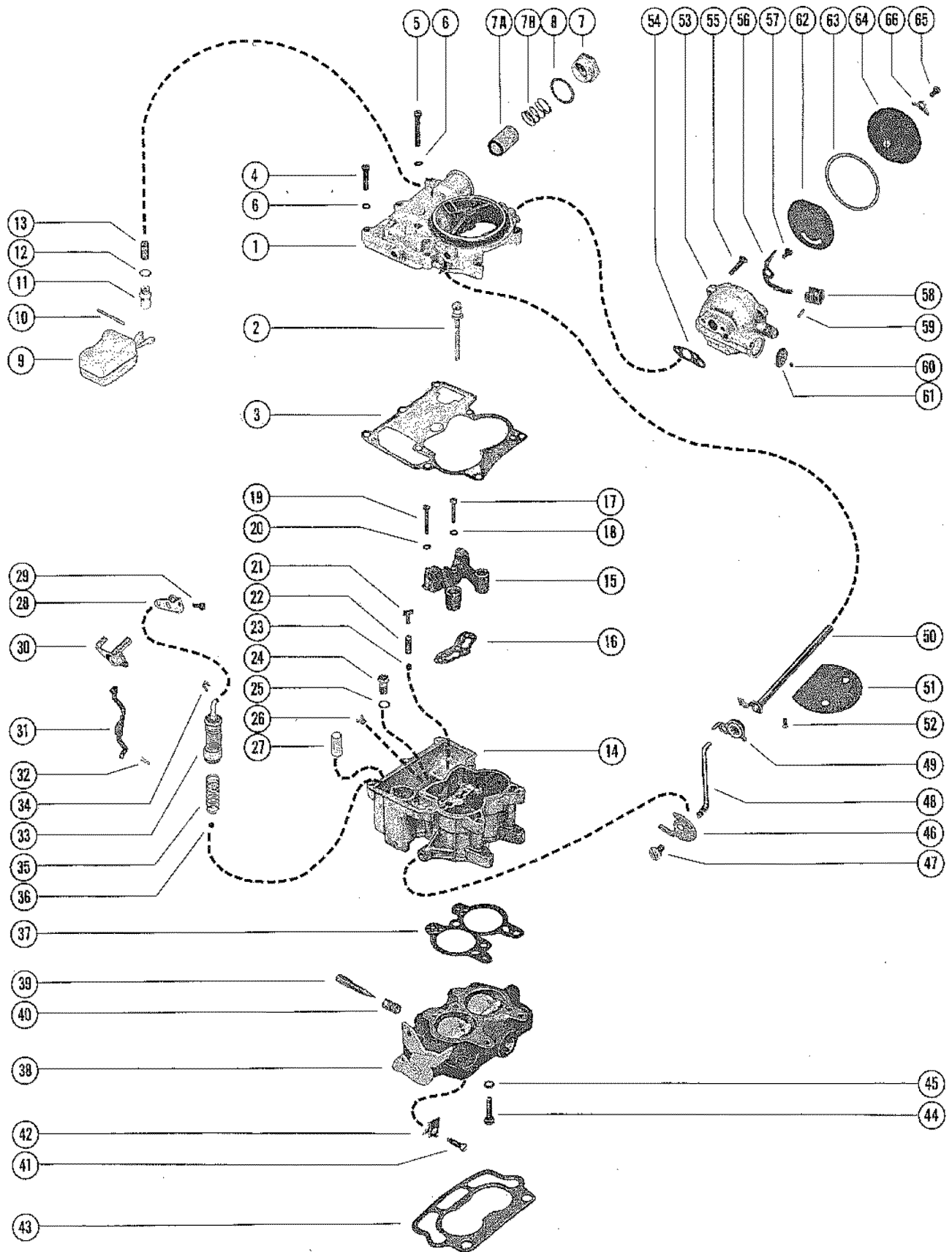


CARBURETOR ASSEMBLY

REF. NO.	PART NO.	SYM.	QTY.	DESCRIPTION
-	1351-3635A1		1	CARBURETOR ASSEMBLY, COMPLETE SERIAL 00000000-02816416
-	1351-4032A1		1	CARBURETOR ASSEMBLY, COMPLETE SERIAL 02816417-02911439
-	1351-4293A1		1	CARBURETOR ASSEMBLY, COMPLETE(SERIAL 02911440-09999999
1	1397-3852		1	AIR HORN SERIAL 00000000-02816416
	3197-4256		1	AIR HORN SERIAL 02816417-02911439
	1397-4336		1	AIR HORN SERIAL 02911440-09999999
2	1397-2256		1	POWER PISTON ASSEMBLY
3			1	GASKET, AIR HORN
4	10-33043		7	SCREW, AIR HORN TO FLOAT BOWL (SHORT)
5	10-33048		1	SCREW, AIR HORN TO FLOAT BOWL (LONG)
6	13-26996		8	LOCKWASHER, AIR HORN SCREW
7	11-33631		1	NUT, FUEL INLET SERIAL 02816417-02911439
	1397-4337		1	NUT, FUEL INLET SERIAL 02911440-09999999
7A	35-53336		1	FILTER, FUEL INLET SERIAL 02911440-09999999
7B	24-48143		1	SPRING, FUEL FILTER 1 SERIAL 02911440-09999999
8			1	GASKET, FUEL INLET NUT SERIAL 02816417-09999999
9	1397-2060		1	FLOAT ASSEMBLY
10	17-33037		1	PIN, HINGE - FLOAT TO AIR HORN
11			1	INLET NEEDLE AND SEAT ASSEMBLY
12			1	GASKET, INLET NEEDLE AND SEAT
13			1	STRAINER, INLET NEEDLE AND SEAT
14	1397-2993		1	FLOAT BOWL ASSEMBLY SERIAL 00000000-02816416
	1397-4258		1	FLOAT BOWL ASSEMBLY SERIAL 02816417-09999999
15	1397-2640		1	VENTURI CLUSTER ASSEMBLY, FLOAT BOWL SERIAL 00000000-02911439
	1397-4259		1	VENTURI CLUSTER ASSEMBLY, FLOAT BOWL SERIAL 02911440-09999999
16			1	GASKET, VENTURI CLUSTER
17	10-33034		1	SCREW, VENTURI CLUSTER TO FLOAT BOWL (CENTER)
18			1	GASKET, VENTURI CLUSTER SCREW (CENTER)
19	10-33033		2	SCREW, VENTURI CLUSTER TO FLOAT BOWL (OUTER)
20	13-26995		2	LOCKWASHER, VENTURI CLUSTER SCREW (OUTER)
21			1	GUIDE, PUMP DISCHARGE - FLOAT BOWL
22			1	SPRING, PUMP DISCHARGE - FLOAT BOWL
23			1	BALL, PUMP DISCHARGE - FLOAT BOWL
24			1	POWER VALVE ASSEMBLY, FLOAT BOWL
25			1	GASKET, POWER VALVE
26	1397-2994		1	JET, FLOAT BOWL (STANDARD) SERIAL 00000000-02816416
	1397-2447		1	JET, FLOAT BOWL (STANDARD) SERIAL 02816417-09999999
27			1	STRAINER, PUMP INLET

CONTINUED ON NEXT PAGE ➡

CARBURETOR ASSEMBLY

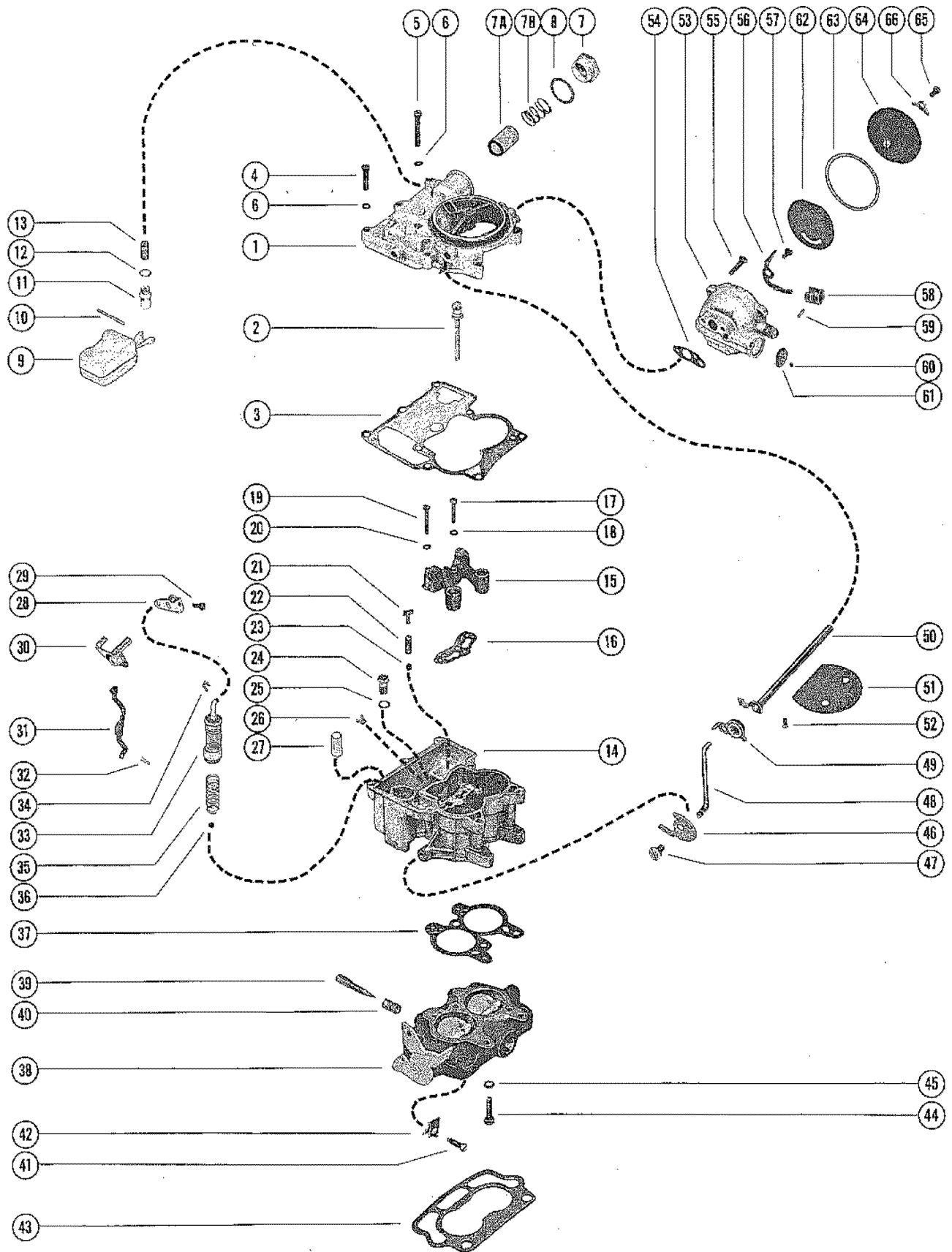


CARBURETOR ASSEMBLY

REF. NO.	PART NO.	SYM.	QTY.	DESCRIPTION
28	1397-2048		1	LEVER, PUMP - AIR HORN
29	10-33047		1	SCREW, AIR HORN PUMP LEVER
30	1397-2054		1	PUMP SHAFT AND LEVER ASSEMBLY, AIR HORN
31	1397-2051		1	ROD, PUMP
32			1	CLIP, RETAINER - PUMP ROD
33			1	PUMP ASSEMBLY, FLOAT BOWL
34			1	CLIP, RETAINER - FLOAT BOWL PUMP
35			1	SPRING, PUMP RETURN - FLOAT BOWL
36			1	BALL, CHECK - PUMP INLET - FLOAT BOWL
37			1	GASKET, THROTTLE BODY
38	1397-2639		1	THROTTLE BODY ASSEMBLY
39	1397-2120		2	IDLE ADJUSTING NEEDLE, THROTTLE BODY(INCLUDED WITH 0)
40	24-33050		2	SPRING, IDLE ADJUSTING NEEDLE
41	1397-2638		1	IDLE TOP SCREW, THROTTLE BODY
42	54-39108		1	CLIP, IDLE STOP SCREW
43	27-32910		1	GASKET, CARBURETOR FLANGE(INCLUDED WITH 0,3,4)
44	10-33052		3	SCREW, THROTTLE BODY TO FLOAT BOWL
45	13-21547		3	LOCKWASHER, THROTTLE BODY SCREW
46	1397-2071		3	CAM, FAST IDLE - FLOAT BOWL
47	10-33042		1	SCREW< FAST IDLE CAM TO FLOAT BOWL
	10-33042		1	SCREW, FAST IDLE CAM TO FLOAT BOWL
48	1397-2052		1	ROD, CHOKE
49	1397-2056		1	CHOKE LEVER AND COLLAR ASSEMBLY, CHOKE SHAFT SERIAL 00000000-02816416
	1397-4257		1	CHOKE LEVER AND COLLAR ASSEMBLY, CHOKE SHAFT SERIAL 02816417-09999999
50	1397-2632		1	CHOKE SHAFT ASSEMBLY
51	1397-4358		1	VALVE, CHOKE - CHOKE SHAFT SERIAL 00000000-02816416
	1397-3825		1	VALVE, CHOKE - CHOKE SHAFT SERIAL 02816417-02911439
52	10-33045		2	SCREW, CHOKE VALVE TO CHOKE SHAFT
53	1397-2630		1	CHOKE HOUSING ASSEMBLY
54			1	GASKET, CHOKE HOUSING
			1	GASKET, CHOKE HOUSING
55	10-33053		1	SCREW, CHOKE HOUSING TO AIR HORN
54			1	GASKET, CHOKE HOUSING
55	10-33053		1	SCREW, CHOKE HOUSING TO AIR HORN
56	1397-2629		1	LEVER ASSEMBLY, CHOKE PISTON
57	10-33056		1	SCREW, CHOKE PISTON LEVER TO CHOKE HOUSING
58	1397-2059		1	CHOKE PISTON, CHOKE HOUSING
59	17-33049		1	PIN, CHOKE PISTON TO CHOKE PISTON LEVER
60	1397-2050		1	PLUG, BALL - CHOKE HOUSING

CONTINUED ON NEXT PAGE ➡

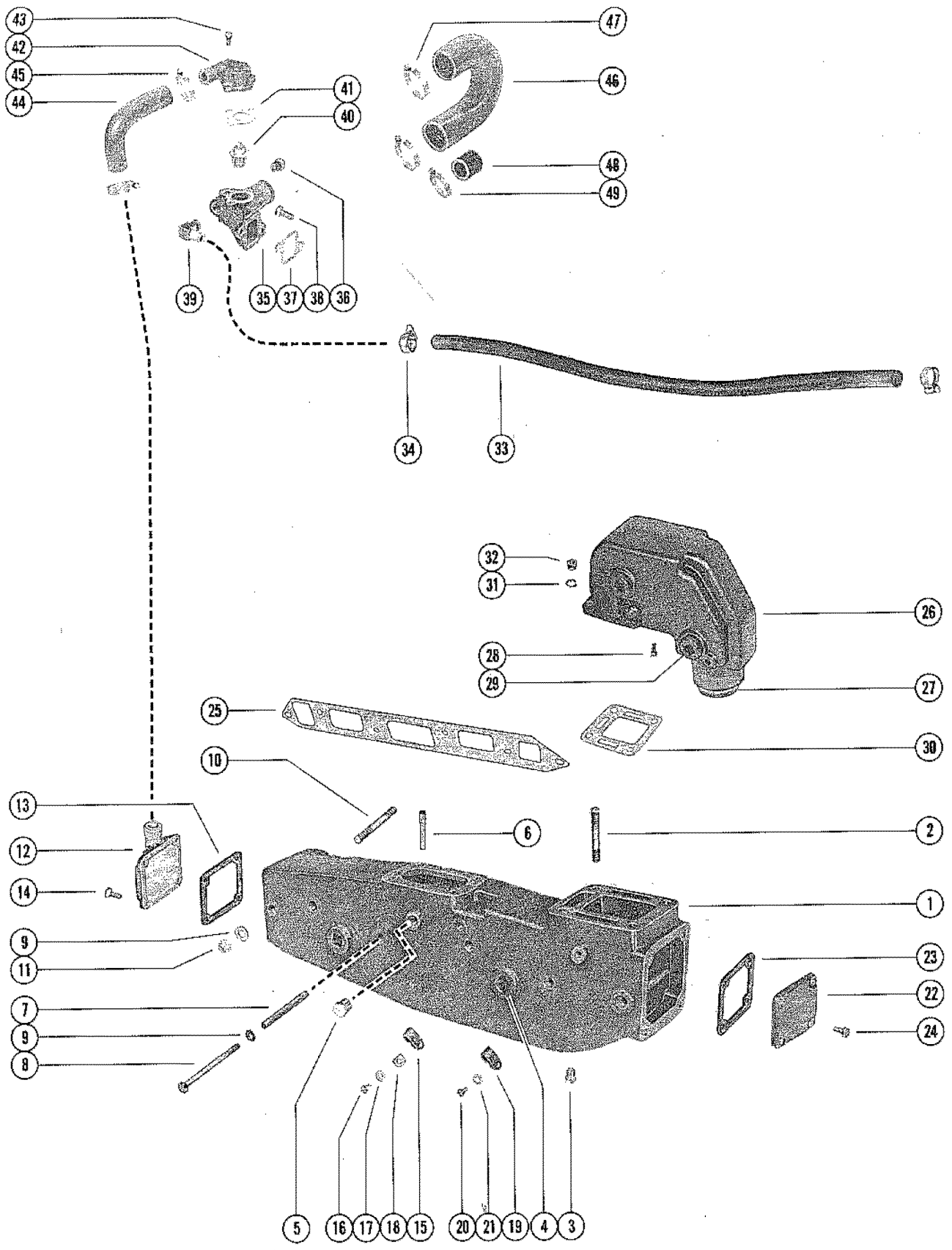
CARBURETOR ASSEMBLY



CARBURETOR ASSEMBLY

REF. NO.	PART NO.	SYM.	QTY.	DESCRIPTION
61	19-33041		1	WELCH PLUG, CHOKE HOUSING
62	1397-2057		1	PLATE, BAFFLE - CHOKE HOUSING
63			1	GASKET, STAT COVER AND COIL
64	1397-2648		1	STATE COVER AND COIL ASSEMBLY
65	10-33047		1	SCREW, STAT COVER AND COIL TO CHOKE HOUSING
66	54-33036		3	RETAINER, STAT COVER AND COIL TO CHOKE HOUSING SCREW
-	1397-2637		1	OVERHAUL KIT
-	1397-3464		1	POWER CARBURETOR KIT
-	1397-2634		1	GASKET KIT
-	1397-2992		1	ALTITUDE KIT (5,000 FT.)
-	1397-2214		1	ALTITUDE KIT (10,000 FT.)

EXHAUST MANIFOLD ASSEMBLY

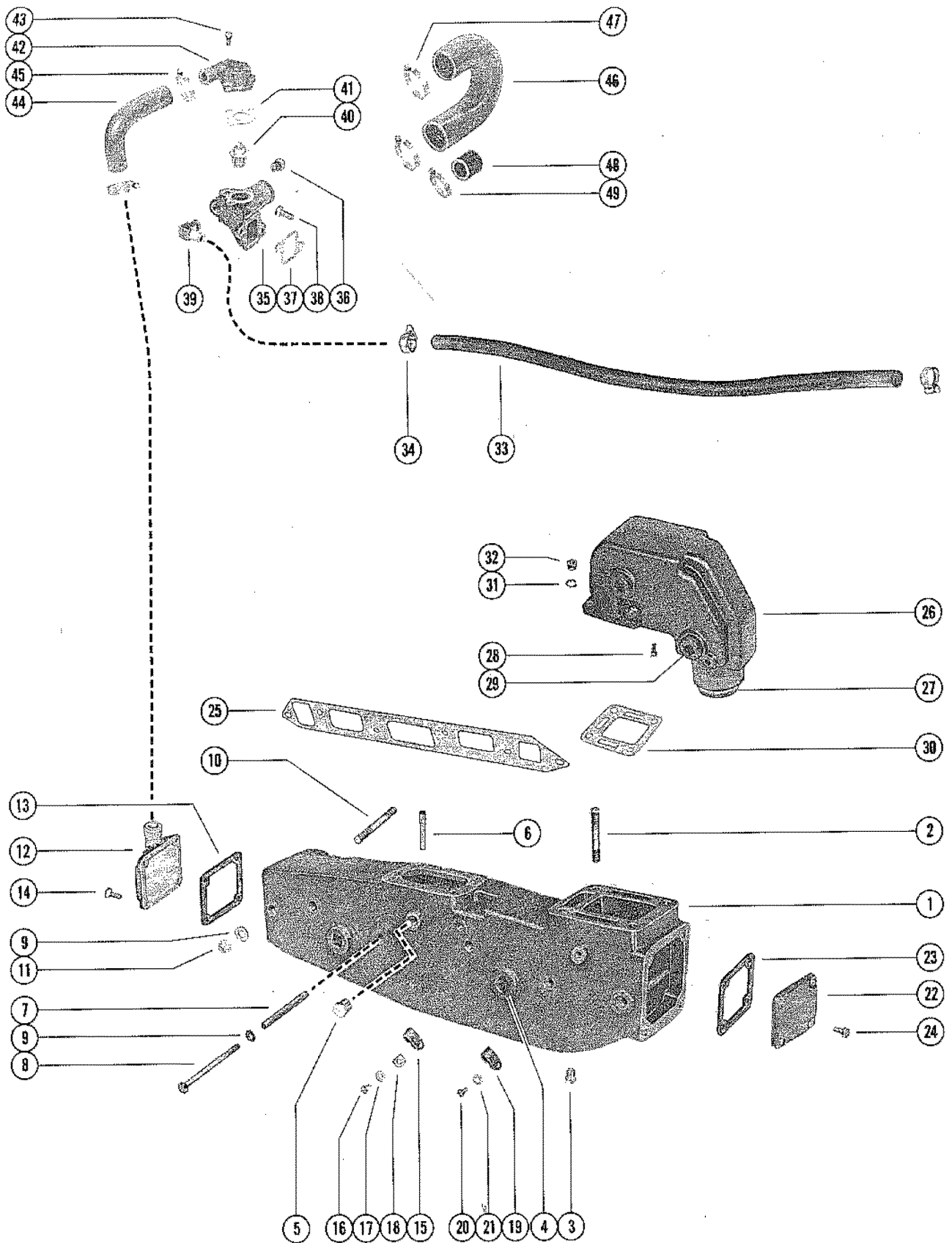


EXHAUST MANIFOLD ASSEMBLY

REF. NO.	PART NO.	SYM.	QTY.	DESCRIPTION
1	52390A1		1	EXHAUST MANIFOLD ASSEMBLY(SEE NOTE BELOW)
2	16-49545		4	STUD, EXHAUST MANIFOLD TO EXHAUST ELBOW (1 3/4")
3	22-32802		1	PLUG, PIPE - EXHAUST MANIFOLD (1/8-27)
4	22-48118		2	PLUG, EXHAUST MANIFOLD
5	22-32561		1	PLUG, PIPE - EXHAUST MANIFOLD (1/4-18)
6	32-53370		1	TUBE, HEAT - EXHAUST MANIFOLD
7	23-52097		6	SLEEVE, EXHAUST MANIFOLD SCREW (EARLY MODELS ONLY)
8	10-52143		4	SCREW, EXHAUST MANIFOLD TO CYLINDER HEAD (4 3/4")
9	12-20553		6	WASHER, EXHAUST MANIFOLD SCREW
10	16-52093		2	STUD, EXHAUST MANIFOLD TO CYLINDER HEAD (5 1/4")
11	11-49838		2	NUT, EXHAUST MANIFOLD STUD
12	48044		1	END CAP/CONNECTOR, EXHAUST MANIFOLD (FRONT) SERIAL 00000000-02816416
	60252		1	END CAP/CONNECTOR, EXHAUST MANIFOLD (FRONT) SERIAL 02816417-09999999
13	27-48043		1	GASKET, END CAP/CONNECTOR TO EXHAUST MANIFOLD
14	10-25038		4	SCREW, END CAP/CONNECTOR TO EXHAUST MANIFOLD (7/8")
15	54-22740		2	CLAMP, WIRING HARNESS TO EXHAUST MANIFOLD (3/8")
	54-60517		1	CLAMP, WIRING HARNESS TO EXHAUST MANIFOLD (3/8") SERIAL 02959984-09999999
	54-60516		1	CLAMP, WIRING HARNESS TO EXHAUST MANIFOLD (9/16") SERIAL 02959984-09999999
16	10-29240		2	SCREW, WIRING HARNESS CLAMP FASTENING (5/8")
17	13-26996		2	LOCKWASHER, WIRING HARNESS CLAMP SCREW
18	22789		2	"D" WASHER, WIRING HARNESS CLAMP SCREW
19	54-28938		1	CLAMP, WIRING HARNESS TO EXHAUST MANIFOLD SERIAL 00000000-02678100
20	10-20031		1	SCREW, WIRING HARNESS CLAMP FASTENING (1/2") SERIAL 00000000-02678100
21	13-26992		1	LOCKWASHER, WIRING HARNESS CLAMP SCREW SERIAL 00000000-02678100
22	48045		1	END CAP, EXHAUST MANIFOLD (REAR) SERIAL 00000000-02816416
	54870		1	END CAP, EXHAUST MANIFOLD (REAR) SERIAL 02816417-09999999
23	27-48043		1	GASKET, END CAP TO EXHAUST MANIFOLD
24	10-25038		4	SCREW, END CAP TO EXHAUST MANIFOLD (7/8")
25	27-53354		1	GASKET, EXHAUST MANIFOLD TO CYLINDER HEAD
26	60426A1		1	EXHAUST ELBOW ASSEMBLY
27	32-58616A1		1	TUBE, WATER SEPARATION - EXHAUST ELBOW
28	22-32802		1	PLUG, PIPE - EXHAUST ELBOW
29	22-48118		4	PLUG, EXHAUST ELBOW SERIAL 00000000-02959983
	22-33198		4	PLUG, EXHAUST ELBOW SERIAL 02959984-09999999
30	27-52076		1	GASKET, EXHAUST ELBOW TO EXHAUST MANIFOLD

CONTINUED ON NEXT PAGE ➡

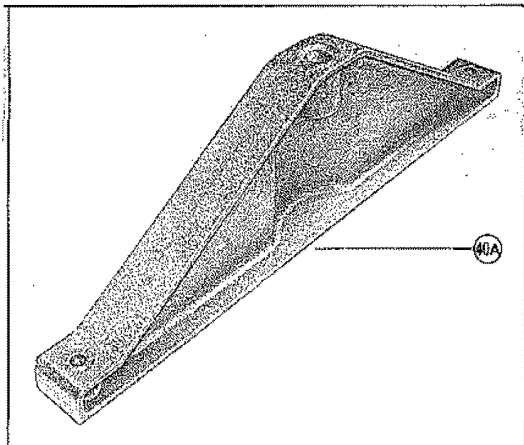
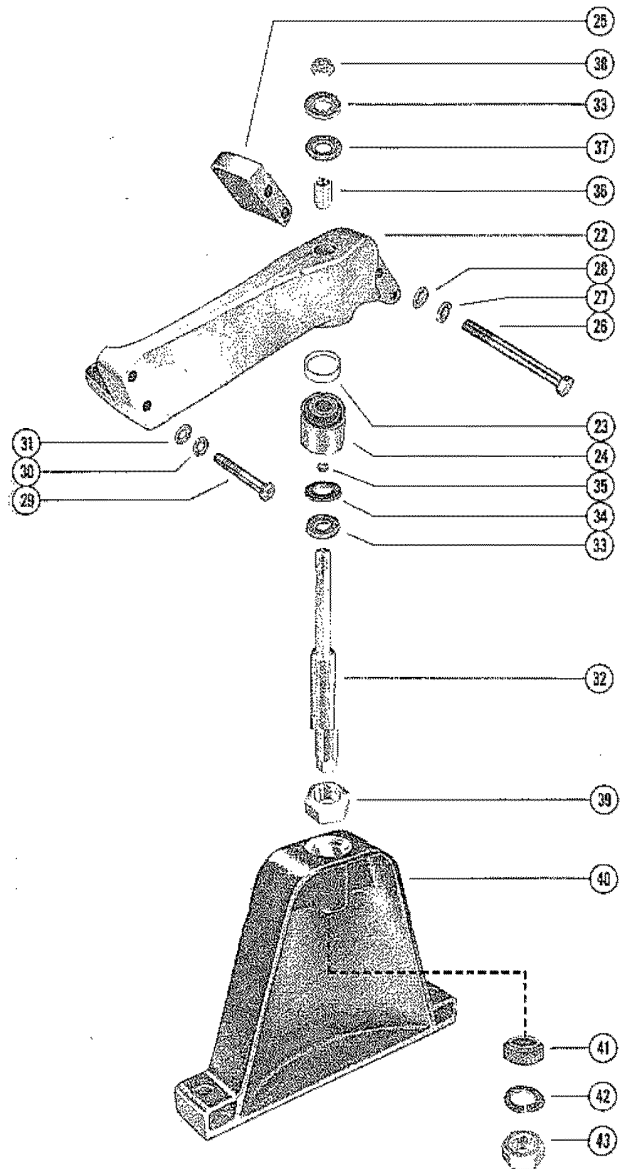
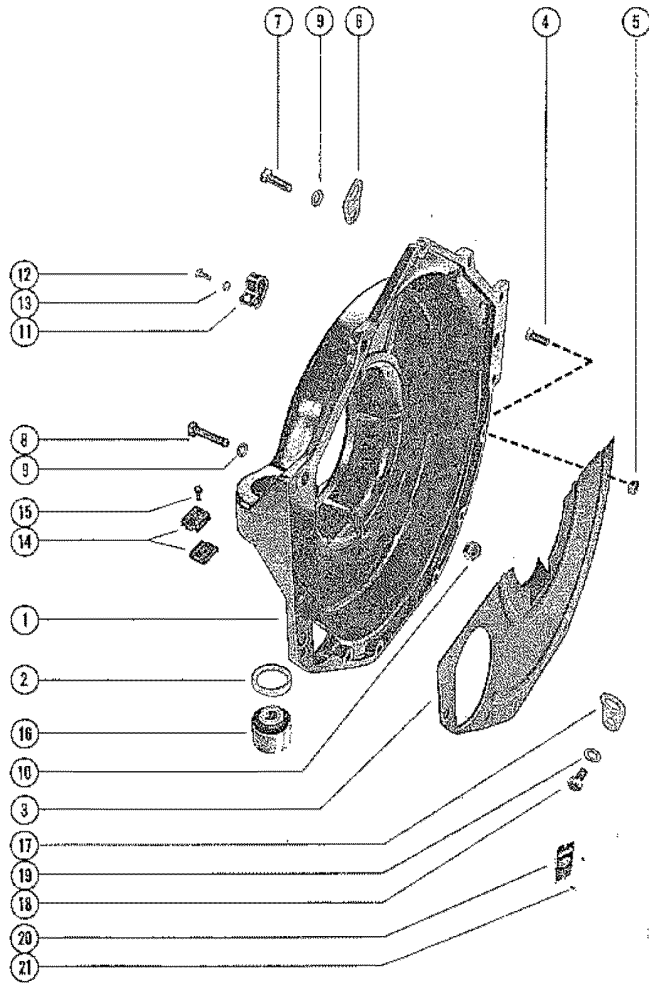
EXHAUST MANIFOLD ASSEMBLY



EXHAUST MANIFOLD ASSEMBLY

REF. NO.	PART NO.	SYM.	QTY.	DESCRIPTION
31	13-37459		4	LOCKWASHER, EXHAUST ELBOW TO EXHAUST MANIFOLD STUD
32	11-49838		4	NUT, EXHAUST ELBOW TO EXHAUST MANIFOLD STUD
	11-49838		4	NUT, EXHAUST ELBOW TO EXHAUST MANIFOLD STUD
33	32-39315A1		1	HOSE ASSEMBLY, INLET - WATER DISTRIBUTION BLOCK DRIVE UNIT (33 1/2")
34	54-32779		2	CLAMP, INLET HOSE TO WATER DISTRIBUTION BLOCK AND DRIVE UNIT
35	47587A2		1	BLOCK ASSEMBLY, WATER DISTRIBUTION - CYLINDER HEAD
36	22-32803		1	PLUG, PIPE - WATER DISTRIBUTION BLOCK
37	27-33680		1	GASKET, WATER DISTRIBUTION BLOCK
38	10-21077		2	SCREW, WATER DISTRIBUTION BLOCK TO CYLINDER HEAD (7/8")
39	22-53509		1	ELBOW, WATER DISTRIBUTION BLOCK
40	59078		1	THERMOSTATE
41	27-47590		1	GASKET, THERMOSTAT COVER
42	60372A1		1	COVER ASSEMBLY, THERMOSTATE - WATER DISTRIBUTION BLOCK
43	10-60374		2	SCREW, THERMOSTAT COVER ATTACHING (1 3/4") SERIAL 00000000-02959983
	10-53512		2	SCREW, THERMOSTAT COVER ATTACHING (3/4") SERIAL 02959984-09999999
44	32-52481		1	HOSE, WATER DISTRIBUTION BLOCK TO END CAP/CONNECTOR
45	54-32880		2	CLAMP, HOSE TO WATER DISTRIBUTION BLOCK AND END CAP/CONNECTO
46	32-47640		1	HOSE, WATER DISTRIBUTION BLOCK TO WATER PUMP
47	54-32781		2	CLAMP, HOSE TO WATER DISTRIBUTION BLOCK AND WATER PUMP
48	32877		1	COVER, WATER PUMP
49	54-38426		1	CLAMP, WATER PUMP COVER TO WATER PUMP

FLYWHEEL HOUSING AND ENGINE SUPPORT

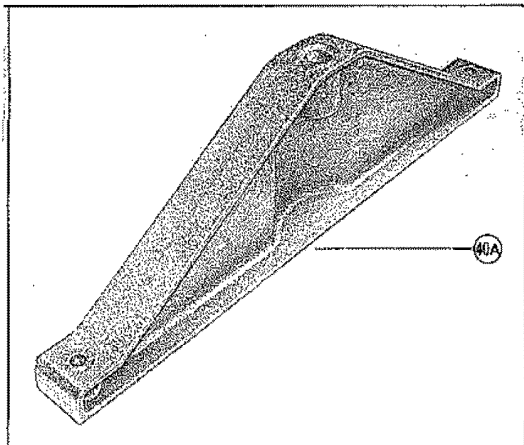
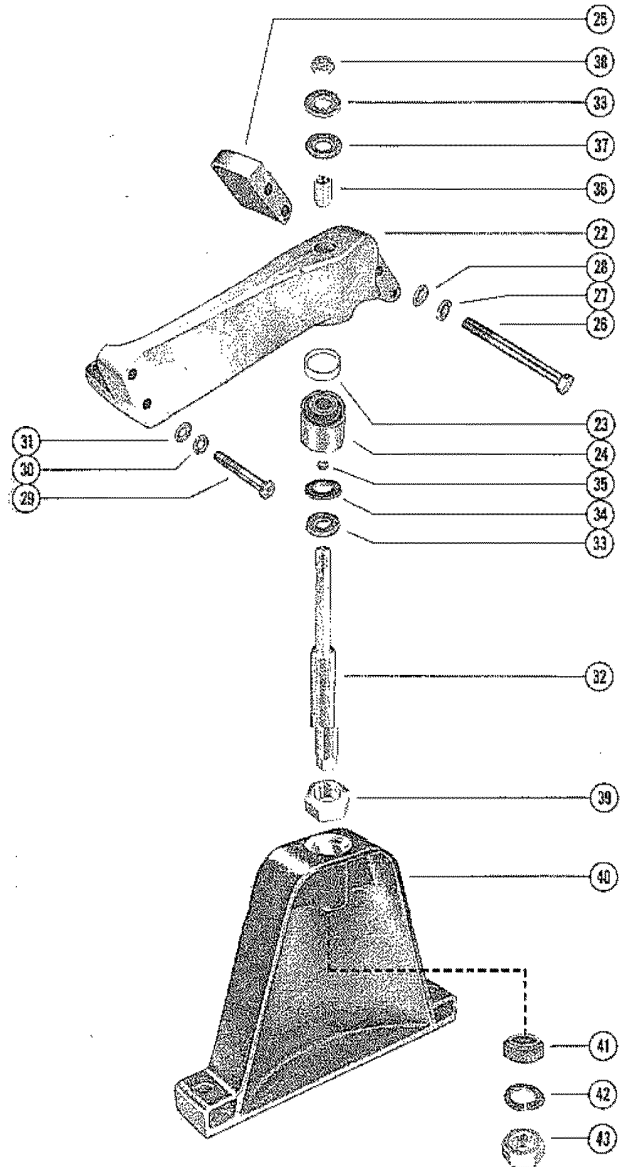
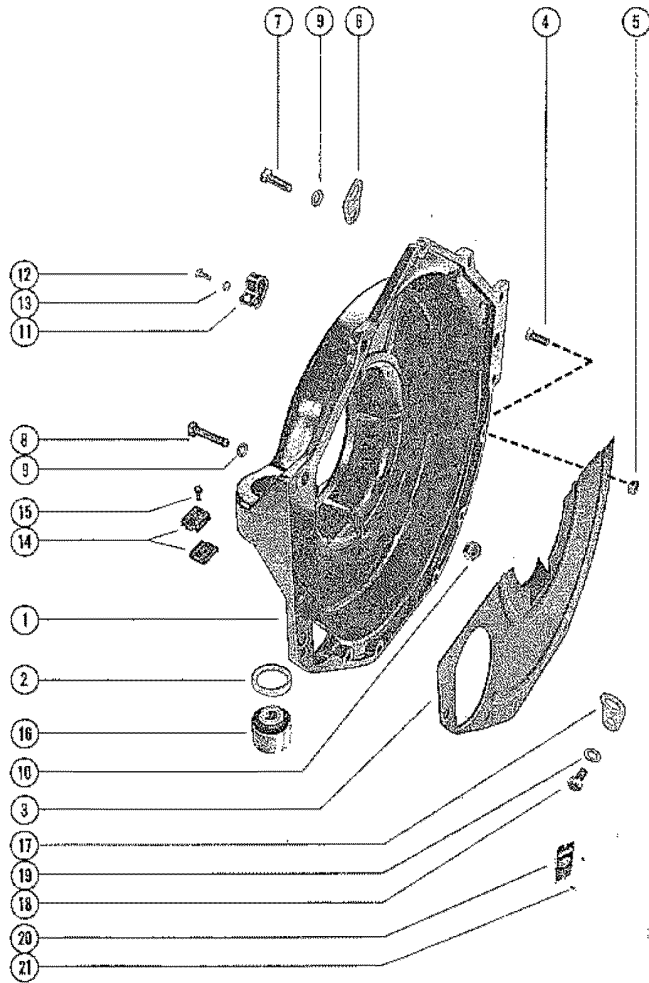


FLYWHEEL HOUSING AND ENGINE SUPPORT

REF. NO.	PART NO.	SYM.	QTY.	DESCRIPTION
1	45892A2		1	FLYWHEEL HOUSING ASSEMBLY, REAR MOUNTING SERIAL 00000000-02816416
	55898A3		1	FLYWHEEL HOUSING ASSEMBLY, REAR MOUNTING SERIAL 02816417-09999999
2	23-46742		2	SPACER, FLYWHEEL HOUSING MOUNT
3	35864		1	COVER PLATE, FLYWHEEL HOUSING
4	10-47277		6	SCREW, COVER PLATE TO FLYWHEEL HOUSING (3/4")
5	11-46793		6	NUT, COVER PLATE SCREW
6	54-34764		1	EYE, LIFTING - FLYWHEEL HOUSING SCREW
7	10-26632		4	SCREW, FLYWHEEL HOUSING TO CYLINDER BLOCK (1 1/4") SERIAL 00000000-02816416
8	10-28464		1	SCREW, BRACKET/FLYWHEEL HSG. TO CYLINDER BLOCK (1 1/2") SERIAL 00000000-02816416
	10-45754		1	SCREW, BRACKET/FLYWHEEL HSG. TO CYLINDER BLOCK (2") SERIAL 00000000-02816416
7	10-26632		4	SCREW, FLYWHEEL HOUSING TO CYLINDER BLOCK (1/4") SERIAL 02816417-09999999
8	10-34613		1	SCREW, FLYWHEEL HOUSING TO CYLINDER BLOCK (1 3/4") SERIAL 02816417-09999999
9	13-37459		6	LOCKWASHER, BRACKET AND FLYWHEEL HOUSING SCREW
10	11-28517		1	NUT, BRACKET AND FLYWHEEL HOUSING SCREW
11	54-24871		1	CLAMP, WIRING HARNESS TO FLYWHEEL HOUSING
12	10-22028		1	SCREW, WIRING HARNESS CLAMP ATTACHING
13	13-26996		1	LOCKWASHER, WIRING HARNESS CLAMP SCREW
14	39974		2	CONNECTOR, HARNESS LEADS TO FLYWHEEL HOUSING SERIAL 00000000-02816416
15	10-37892		2	SCREW, CONNECTO TO FLYWHEEL HOUSING (7/8") SERIAL 00000000-02816416
14	39974		4	CONNECTOR, HARNESS LEADS TO FLYWHEEL HOUSING SERIAL 02816417-09999999
15	10-47618		4	SCREW, CONNECTOR TO FLYWHEEL HOUSING (1") SERIAL 02816417-09999999
16	32832		1	MOUNT, FLYWHEEL HOUSING (LEFT)
	33149		1	MOUNT, FLYWHEEL HOUSING (RIGHT)
17	54-34764		1	EYE, LIFTING - CYLINDER BLOCK
18	10-27165		1	SCREW, LIFTING EYE TO CYLINDER BLOCK
19	13-37459		1	LOCKWASHER, LIFTING EYE SCREW
20	38-31042		1	SERIAL PLATE
21	10-28642		2	SCREW, DRIVE - SERIAL PLATE TO CYLINDER BLOCK
22	36099A2		1	BRACKET ASSEMBLY, FRONT MOUNTING
23	23-46742		1	SPACER, FRONT MOUNTING BRACKET
24	32833		1	MOUNT, FRONT MOUNTING BRACKET
25	35862		1	BLOCK, SPACER - FRONT MOUNTING BRACKET
26	10-32557		2	SCREW, BRACKET AND SPACER BLOCK TO CYLINDER BLOCK (4 1/2")
27	13-32993		2	LOCKWASHER, BRACKET AND SPACER BLOCK SCREW

CONTINUED ON NEXT PAGE ➡

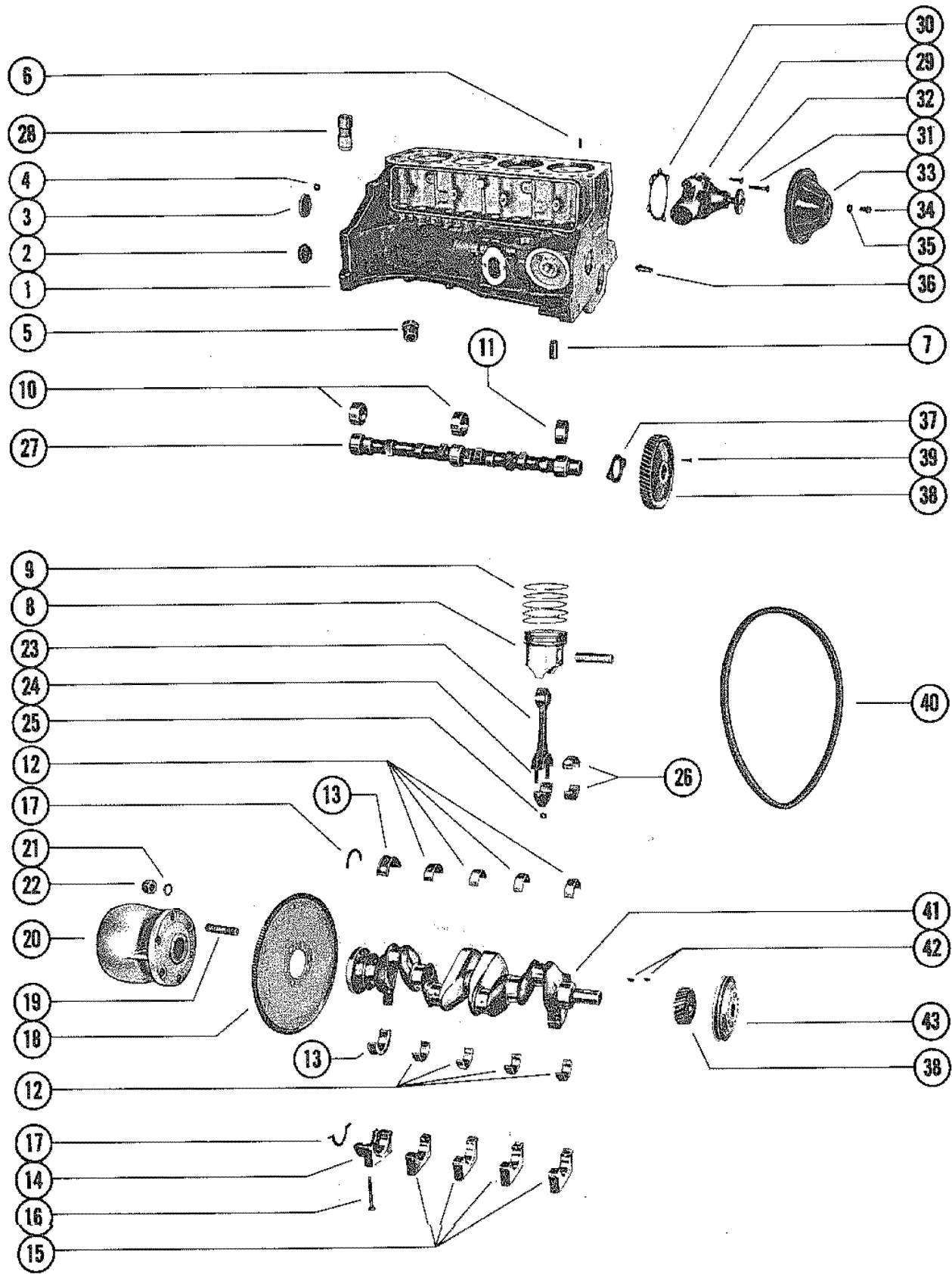
FLYWHEEL HOUSING AND ENGINE SUPPORT



FLYWHEEL HOUSING AND ENGINE SUPPORT

REF. NO.	PART NO.	SYM.	QTY.	DESCRIPTION
28	12-22248		2	WASHER, BRACKET AND SPACER BLOCK SCREW
29	10-26486		2	SCREW, FRONT MOUNTING BRACKET TO CYLINDER BLOCK (2 3/8")
30	13-37459		2	LOCKWASHR, FRONT MOUNTING BRACKET SCREW
31	12-37828		2	WASHER, FRONT MOUNTING BRACKET SCREW
32	16-36100		1	STUD, ADJUSTING - FRONT MOUNTING BRACKET
33	12-36103		2	WASHER, FRONT MOUNTING BRACKET ADJUSTING STUD
34	12-32638		1	WASHER, FRONT MOUNTING BRACKET ADJUSTING STUD
35	12-20959		1	WASHER, FRONT MOUNTING BRACKET ADJUSTING STUD
36	23-36101		1	SPACER, FRONT MOUNTING BRACKET ADJUSTING STUD
37	12-36104		1	WASHER, RUBBER - FRONT MOUNTING BRACKET ADJUSTING STUD
38	11-20220		1	NUT, FRONT MOUNTING BRACKET ADJUSTING STUD (TOP)
39	11-32882		1	NUT, FRONT MOUNTING BRACKET ADJUSTING STUD
40	32778		1	SUPPORT, FRONT - ENGINE MOUNT
40A	32849		OPT	SUPPORT, FRONT - ENGINE MOUNT
41	23-33064		1	SLEEVE, FRONT MOUNTING BRACKET ADJUSTING STUD
42	13-33065		1	LOCKWASHER, FRONT MOUNTING BRACKET ADJUSTING STUD (BOTTOM)
43	11-47525		1	NUT, JAM - FRONT MOUNTING BRACKET ADJUSTING STUD (BOTTOM)

CYLINDER BLOCK, PISTON AND CRANKSHAFT

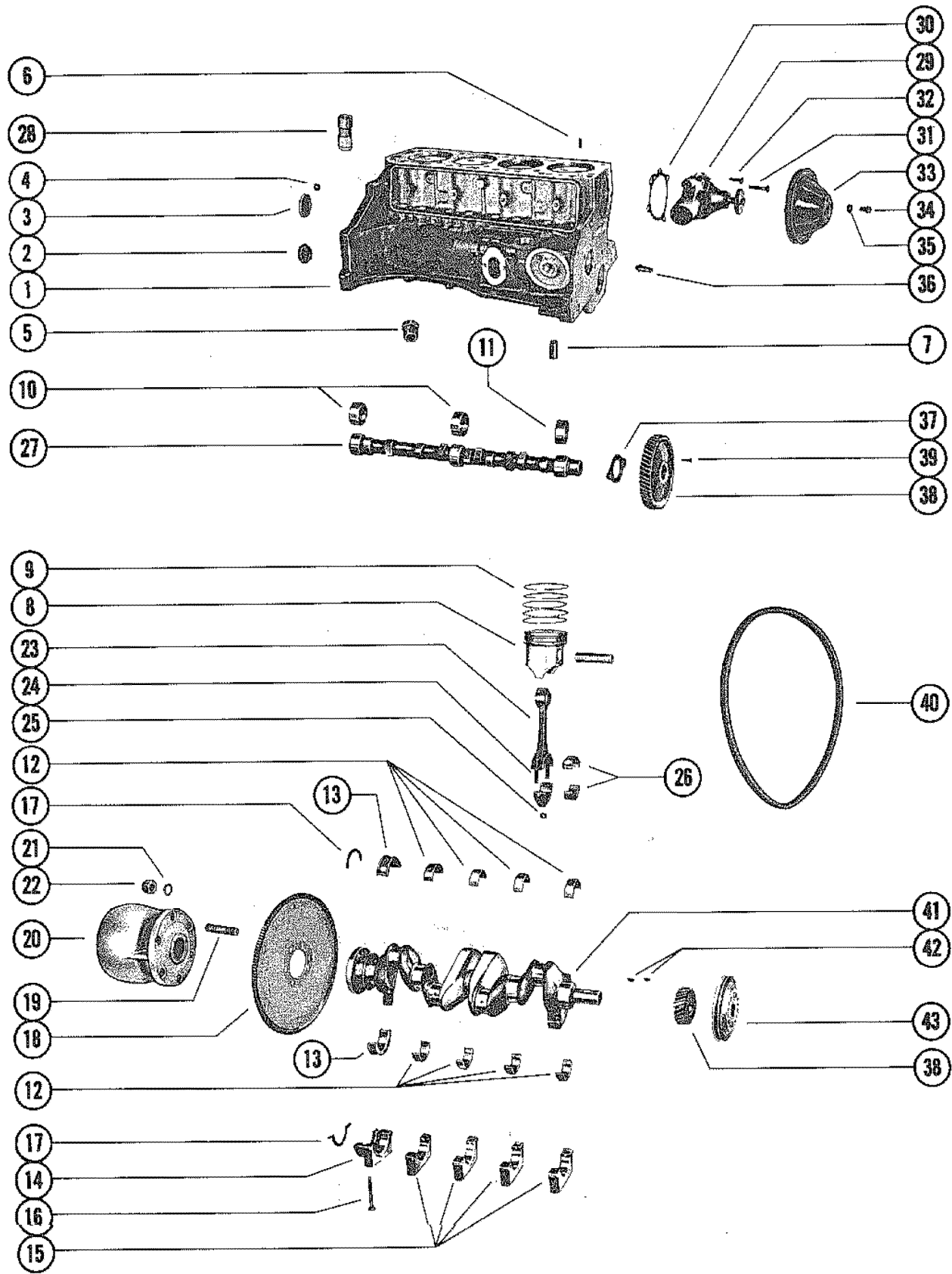


CYLINDER BLOCK, PISTON AND CRANKSHAFT

REF. NO.	PART NO.	SYM.	QTY.	DESCRIPTION
1	839-3814		1	CYLINDER BLOCK ASSEMBLY(SEE NOTE)
2	19-34270		2	PLUG, EXPANSION - CYLINDER BLOCK (1 5/8" DIA.)
	19-34271		1	PLUG, EXPANSION - CYLINDER BLOCK (2" DIA.)
-	19-37531		1	PLUG, OIL CHANNEL - CYLINDER BLOCK
3	19-34488		1	PLUG, EXPANSION - CAMSHAFT BEARING HOLE
4	19-34487		1	PLUG, PIPE - CYLINDER BLOCK (3/8")
5	22-36382		1	PLUG, WATER DRAIN - CYLINDER BLOCK
6	17-35465		2	PIN, DOWEL - CYLINDER BLOCK TO CYLINDER HEAD
7	23-35168		1	BEARING, DISTRIBUTOR PILOT SHAFT
8	733-3819		4	PISTON AND PISTON PIN ASSEMBLY (STANDARD)
	733-3818		AR	PISTON AND PISTON PIN ASSEMBLY (.020 O.S.)
9	39-34988		1	RING, PISTON - 4 SETS (STANDARD)
	39-48344		AR	RING, PISTON - 4 SETS (.020 O.S.)
10	23-52483		2	BEARING UNIT, CAMSHAFT (FRONT AND INTERMEDIATE)
11	23-52482		2	BEARING UNIT, CAMSHAFT (REAR)
12	23-49959		4	BEARING UNIT, CRANKSHAFT MAIN (STANDARD)
	23-49960		AR	BEARING UNIT, CRANKSHAFT MAIN (.001 U.S.)
	23-49961		AR	BEARING UNIT, CRANKSHAFT MAIN (.002 U.S.)
	23-49962		AR	BEARING UNIT, CRANKSHAFT MAIN (.010 U.S.)
	23-49963		AR	BEARING UNIT, CRANKSHAFT MAIN (.020 U.S.)
13	23-34464		1	BEARING UNIT, CRANKSHAFT MAIN - REAR (STANDARD)
	23-34490		AR	BEARING UNIT, CRANKSHAFT MAIN - REAR (.002 U.S.)
	23-34491		AR	BEARING UNIT, CRANKSHAFT MAIN - REAR (.002 U.S.)
	23-34492		AR	BEARING UNIT, CRANKSHAFT MAIN - REAR (.010 U.S.)
	23-34493		AR	BEARING UNIT, CRANKSHAFT MAIN - REAR (.020 U.S.)
14	49954		1	CAP, REAR - CRANKSHAFT BEARING
15	35310		4	CAP, INTERMEDIATE AND FRONT - CRANKSHAFT BEARING
16	10-46717		10	BOLT, CRANKSHAFT BEARING CAP TO CYLINDER BLOCK (2 31/32")
17	26-49947		1	OIL SEAL UNIT, CRANKSHAFT REAR BEARING SERIAL 00000000-02816416
	26-58203		1	OIL SEAL UNIT, CRANKSHAFT REAR BEARING SERIAL 02816417-09999999
-	34543		1	VALVE, BY-PASS - OIL FILTER
18	220-2282		1	FLYWHEEL, CRANKSHAFT
19	16-32808		6	STUD, FLYWHEEL TO ENGINE COUPLING
20	32492A3		1	ENGINE COUPLING ASSEMBLY
21	12-35935		6	WASHER, FLYWHEEL STUD
22	11-34933		6	NUT, FLYWHEEL STUD
23	613-3817		4	CONNECTING ROD ASSEMBLY
24	10-52269		8	BOLT, CONNECTING ROD BEARING CAP
25	11-37493		8	NUT, CONNECTING ROD CAP BOLT
26	23-52270		4	BEARING(PAIR), CONN. ROD(STANDARD)

CONTINUED ON NEXT PAGE ➡

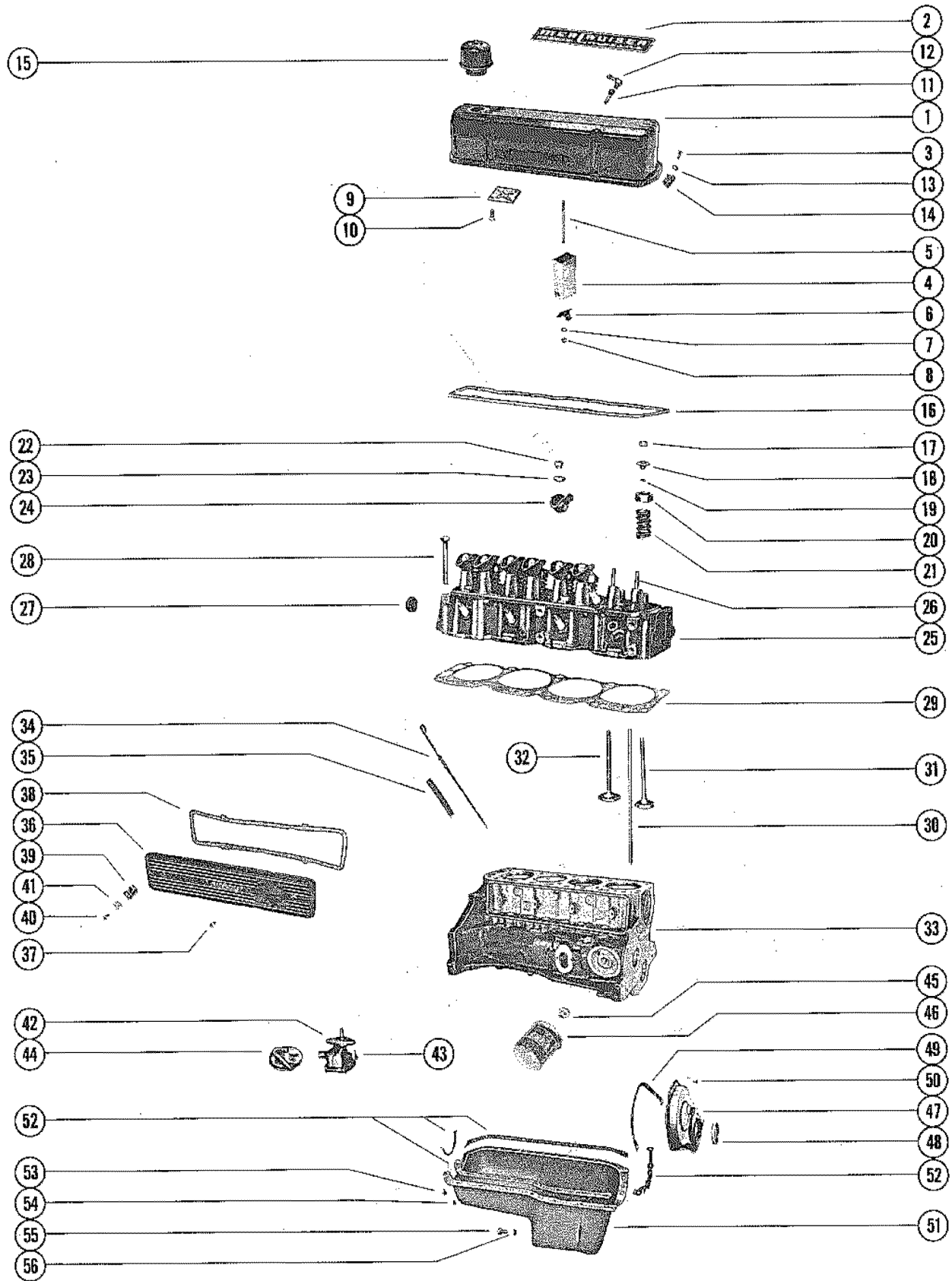
CYLINDER BLOCK, PISTON AND CRANKSHAFT



CYLINDER BLOCK, PISTON AND CRANKSHAFT

REF. NO.	PART NO.	SYM.	QTY.	DESCRIPTION
26	23-52271		AR	BEARING(PAIR), CONN. ROD(.001 U.S.)
	23-52272		AR	BEARING(PAIR),CONN.ROD(.002 U.S.)
	23-52273		AR	BEARING(PAIR),CONN.ROD(.010 U.S.)
	23-52274		AR	BEARING(PAIR),CONN.ROD(.020 U.S.)
27	424-3864		1	CAMSHAFT
28	46744		8	LIFTER, HYDRAULIC -TAPPET
29	52353		1	WATER PUMP ASSEMBLY (SPECIAL MARINE)
30	27-33956		1	GASKET, WATER PUMP
31	10-34471		2	SCREW, WATER PUMP TO CYLINDER BLOCK (1 1/2")
32	10-35339		1	SCREW, WATER PUMP TO CYLINDER BLOCK (3/4")
	10-34505		1	SCREW, WATER PUMP TO CYLINDER BLOCK (7/8")
33	52349		1	PULLEY, WATER PUMP
34	10-47277		4	SCREW, PULLEY TO WATER PUMP (3/4")
35	13-39107		4	LOCKWASHER, PULLEY SCREW
36	32-46471		1	NOZZLE, OIL - TIMING GEAR
37	23-34469		1	BEARING, CAMSHAFT THRUST
38&39	43-58283A1		1	GEAR SET, TIMING - CAMSHAFT AND CRANKSHAFT SERIAL 00000000-02911134
38	43-46743		1	GEAR, TIMING - CRANKSHAFT SERIAL 02911135-09999999
39	43-58283		1	GEAR, TIMING - CAMSHAFT SERIAL 02911135-09999999
	10-21417A1		2	SCREW, TIMING GEAR TO CAMSHAFT (1/4")
40	57-32850		1	BELT, ALTERNATOR, WATER PUMP PULLEY AND CRANKSHAFT PULLEY
41	423-3816		1	CRANKSHAFT
42	28-34466		2	KEY, PULLEY AND GEAR LOCATING
43	55045		1	BALANCER, HARMONIC

CYLINDER HEAD AND OIL PAN

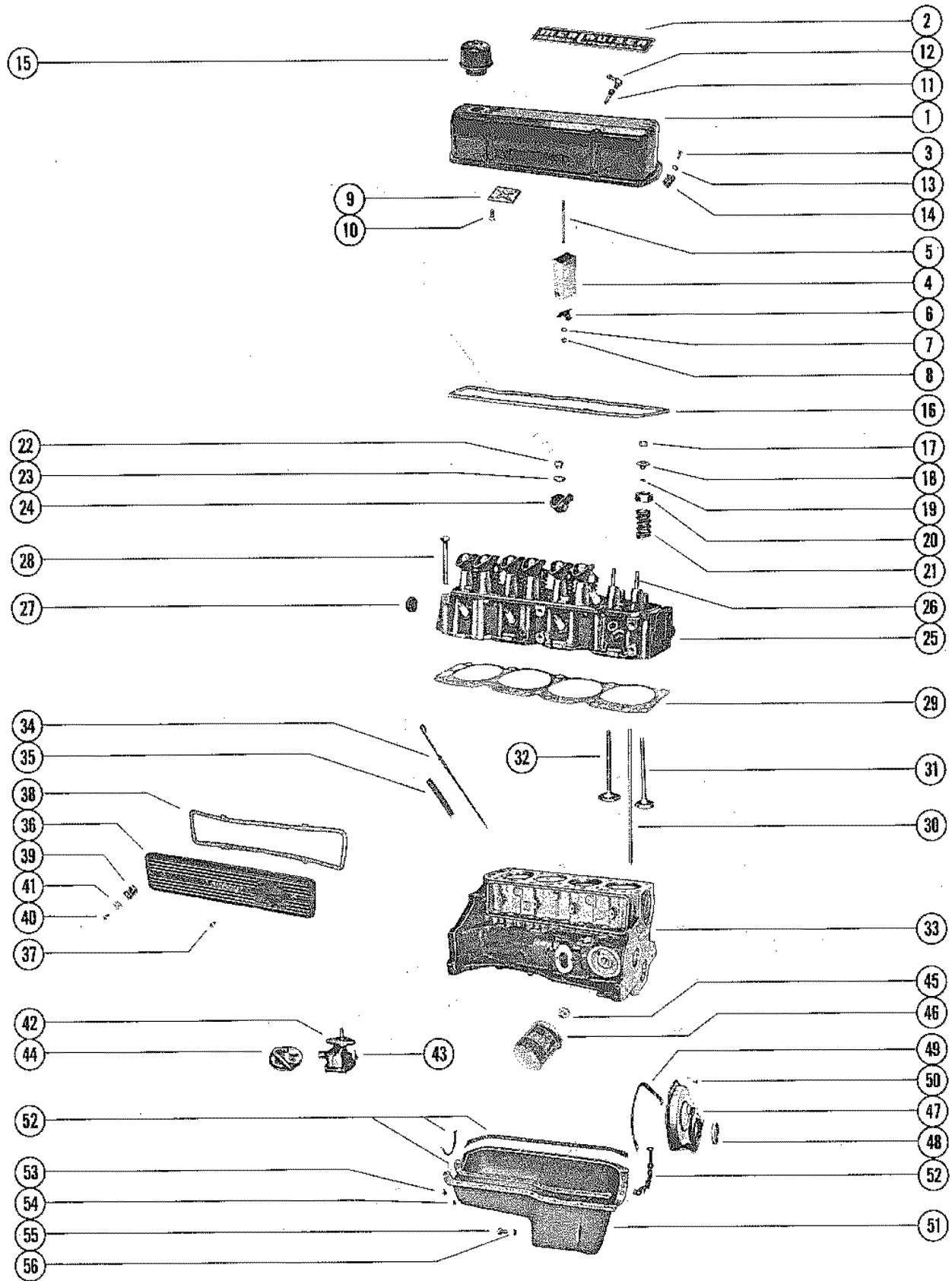


CYLINDER HEAD AND OIL PAN

REF. NO.	PART NO.	SYM.	QTY.	DESCRIPTION
1	46421A2		1	COVER ASSEMBLY, ROCKER SERIAL 00000000-02816416
	55429A3		1	COVER ASSEMBLY, ROCKER SERIAL 02816417-02959983
	58758A3		1	COVER ASSEMBLY, ROCKER SERIAL 02959984-09999999
2	37-32852		1	DECAL, ROCKER COVER SERIAL 00000000-02816416
	37-55541		1	DECAL, ROCKER COVER SERIAL 02816417-09999999
3	10-35585		5	SCREW, ROCKER COVER TO CYLINDER HEAD (3/4")
4	45369		1	CHIMNEY, BREATHER
5	16-45969		1	STUD, BREATHER CHIMNEY TO ROCKER COVER (3 5/16")
6	54-35861		1	CLIP, ROCKER COVER CHIMNEY STUD
7	12-29245		1	WASHER, ROCKER COVER CHIMNEY STUD
8	11-20586		1	NUT, ROCKER COVER CHIMNEY STUD
9	58655		1	BAFFLE, ROCKER COVER SERIAL 02959984-09999999
10	10-38792		4	SCREW, BAFFLE TO ROCKER COVER SERIAL 02959984-09999999
11	22-52669		1	FITTING, ROCKER COVER (VENT HOSE)
12	22-36221		1	ELBOW, ROCKER COVER FITTING
13	12-29245		5	WASHER, ROCKER COVER SCREW
14	54-33361		1	CLIP, ROCKER COVER SCREW
	54-49542		1	CLAMP, INLET HOSE - ROCKER COVER SCREW
-	37-36347		1	DECAL, ROCKER COVER - "140 H.P." SERIAL 00000000-02816416
-	37-55539		1	DECAL, ROCKER COVER - "140 H.P." SERIAL 02816417-09999999
15	32721		1	OIL FILLER CAP ASSEMBLY, ROCKER COVER
16	27-52145		1	GASKET, ROCKER COVER TO CYLINDER HEAD
17	28-34514		8	KEY, VALVE STEM (2 PER VALVE)
18	34515		8	CAP, VALVE STEM
19	26-34217		8	SEAL, VALVE SPRING CAP
20	34518		8	SHIELD, VALVE SPRING CAP
21	24-35214		8	SPRING, VALVE
22	11-34516		8	NUT, ROCKER VALVE ARM STUD
23	34517		8	BALL UNIT, ROCKER VALVE ARM STUD
24	34519		8	ARM, ROCKER VALVE
25	936-3815		1	CYLINDER HEAD ASSEMBLY(SEE NOTE BELOW)
26	16-34521		AR	STUD, VALVE ROCKER ARM (.013 O.S.)
	16-34522		AR	STUD, VALVE ROCKER ARM (.003 O.S.)
27	19-34272		2	PLUG, EXPANSION - CYLINDER HEAD (15/16"DIA.)
28	10-34510		10	BOLT, CYLINDER HEAD TO CYLINDER BLOCK
29	27-52364		1	GASKET, CYLINDER HEAD TO CYLINDER BLOCK
30	34532		8	ROD, PUSH - VALVE SERIAL 00000000-02911134
	58284		8	ROD, PUSH - VALVE SERIAL 02911135-09999999
31	52365		4	VALVE, INLET (STANDARD STEM)
	52366		AR	VALVE, INLET (.015 O.S. STEM)
32	52367		4	VALVE, EXHAUST (STANDARD STEM)

CONTINUED ON NEXT PAGE ➡

CYLINDER HEAD AND OIL PAN



CYLINDER HEAD AND OIL PAN

REF. NO.	PART NO.	SYM.	QTY.	DESCRIPTION
32	52368		AR	VALVE, EXHAUST (.015 O.S. STEM)
33	839-3814		1	CYLINDER BLOCK ASSEMBLY (SEE PAGE 15 FOR BREAKDOWN)
34	45490		1	GAUGE ASSEMBLY, OIL LEVEL (DIP STICK)
35	32-45489		1	TUBE, OIL LEVEL GAUGE
36	39332A1		1	COVER ASSEMBLY, PUSH ROD
37	10-39783		4	SCREW, PUSH ROD TO CYLINDER BLOCK
38	27-34208		1	GASKET, PUSH ROD COVER
39	54-22875		1	CLIP, WIRING HARNESS TO PUSH ROD COVER SERIAL 00000000-02816416
	54-53883		1	CLIP, WIRING HARNESS TO PUSH ROD COVER SERIAL 02816417-09999999
40	10-30663		1	SCREW, WIRING HARNESS CLIP ATTACHING
41	22789		1	"D" WASHER, HARNESS CLIP SCREW SERIAL 00000000-02816416
	12-20583		1	WASHER, HARNESS CLIP SCREW SERIAL 02816417-09999999
42	36405		1	OIL PUMP ASSEMBLY
-	27-34460		1	GASKET, OIL PUMP COVER
43	10-35339		2	SCREW, OIL PUMP TO CYLINDER BLOCK (3/4")
44	52146		1	SCREEN ASSEMBLY, OIL PUMP
-	10-35366		1	SCREW, OIL PUMP SCREEN SUPPORT CLAMPING
-	34541		1	SUPPORT, OIL PUMP
45	32720		1	CONNECTOR, OIL FILTER TO CYLINDER BLOCK
46	54111		1	OIL FILTER ASSEMBLY
47	49951		1	COVER ASSEMBLY, CRANKCASE
48	26-49952		1	OIL SEAL, CRANKCASE COVER
49	27-49953		1	GASKET, CRANKCASE COVER
50	10-34277		8	SCREW, CRANKCASE COVER TO CYLINDER BLOCK (7/16")
51	52583		1	OIL PAN ASSEMBLY
52	27-52144		1	GASKET SET, OIL PAN
53	10-49950		14	SCREW, OIL PAN TO CYLINDER BLOCK (1/4")
54	10-34500		4	SCREW, OIL PAN TO CYLINDER BLOCK (5/16")
55	10-49956		1	SCREW, DRAIN - OIL PAN
56	27-49955		1	GASKET, OIL PAN DRAIN SCREW

PARTS INDEX

Part Number	Description	Pg.	Ref. No.	Part Number	Description	Pg.	Ref. No.
22789	"D" WASHER, HARNESS CLIP SCREW	39	41	33670	RETAINER, BREAKER CAM LUBRICATOR FELT	11	-
22789	"D" WASHER, WIRING HARNESS CLAMP SCREW	25	18	33768	WEIGHT, BREAKER CAM ADVANCE	11	7
25661	STARTER SOLENOID	5	35	34235	BREAKER ASSEMBLY, DISTRIBUTOR	11	14
26079	PLATE, WIRING HARNESS TO MOUNTING BRACKET	3	7	34480	CLAMP UNIT, DISTRIBUTOR	13	46
26433	COIL, IGNITION	13	31	34515	CAP, VALVE STEM	37	18
27947	SWIVEL, LINK ROD TO THROTTLE LEVER	17	46	34517	BALL UNIT, ROCKER VALVE ARM STUD	37	23
32492A3	ENGINE COUPLING ASSEMBLY	33	20	34518	SHIELD, VALVE SPRING CAP	37	20
32720	CONNECTOR, OIL FILTER TO CYLINDER BLOCK	39	45	34519	ARM, ROCKER VALVE	37	24
32721	OIL FILLER CAP ASSEMBLY, ROCKER COVER	37	15	34532	ROD, PUSH - VALVE	37	30
32762A1	LEAD ASSEMBLY, HIGH TENSION - DISTRIBUTOR (6")	13	25	34541	SUPPORT, OIL PUMP	39	--
32762A2	LEAD ASSEMBLY, HIGH TENSION - DISTRIBUTOR (14")	13	26	34543	VALVE, BY-PASS - OIL FILTER	33	--
32763A1	WIRE ASSEMBLY, DISTRIBUTOR TO COIL (8 1/4")	13	30	34549	RETAINER, DISTRIBUTOR CLAMP UNIT	13	47
32778	SUPPORT, FRONT - ENGINE MOUNT	31	40	34623	OIL PRESSURE SENDER ASSEMBLY	5	34
32782	RETAINER, HIGH TENSION LEADS	13	29	35310	CAP, INTERMEDIATE AND FRONT - CRANKSHAFT BEARING	33	15
32832	MOUNT, FLYWHEEL HOUSING (LEFT)	29	16	35862	BLOCK, SPACER - FRONT MOUNTING BRACKET	29	25
32833	MOUNT, FRONT MOUNTING BRACKET	29	24	35864	COVER PLATE, FLYWHEEL HOUSING	29	3
32849	SUPPORT, FRONT - ENGINE MOUNT	31	40A	36099A2	BRACKET ASSEMBLY, FRONT MOUNTING	29	22
32877	COVER, WATER PUMP	27	48	36176A2	BRACKET ASSEMBLY, STARTER SOLENOID MOUNTING	5	41
33149	MOUNT, FLYWHEEL HOUSING (RIGHT)	29	16	36177	INSULATOR, STARTER SOLENOID BRACKET	5	40
33210	JUMPER WIRE, BALLAST TO BALLAST	13	37	36405	OIL PUMP ASSEMBLY	39	42
33321	BRACKET, IGNITION COIL MOUNTING	13	32	36525	WATER TEMPERATURE SENDER ASSEMBLY	5	30
33393	SLEEVE, ADJUSTING - THROTTLE LINK ROD	17	48	37615A1	ALTERNATOR ASSEMBLY	7	12
33394	LINK ROD, CARBURETOR	17	50	37707	VOLTAGE REGULATOR, TRANSISTORIZED	5	27
33651	WEIGHT, BREAKER CAM ADVANCE	11	7	38979	LEVER, THROTTLE - MOUNTING BRACKET	15	37
33653	FELT, BREAKER CAM LUBRICATOR	11	-	38982	LINK ROD, THROTTLE	17	47
33654	BUTTON, CARBON - DISTRIBUTOR CAP	13	21	38983	SWIVEL, LINK ROD TO CARBURETOR	17	51
33655	PLATE, WEIGHT HOLD DOWN	11	9	39332A1	COVER ASSEMBLY, PUSH ROD	39	36
33659	ROTOR, DISTRIBUTOR	11	18	39543	WIRING HARNESS, EXTERNAL (NOT AS SHOWN)	3	1
33661	CAM, BREAKER - ADVANCE	11	6	39589	WIRING HARNESS< EXTERNAL (WITH CIRCUIT BREAKER)	3	2
33662	CONDENSER	11	13	39593	BATTERY CABLE, POSITIVE	3	10
33665	PLATE, MOUNTING - BREAKER ASSEMBLY AND CONDENSER	11	11	39594	BATTERY CABLE, NEGATIVE	3	10
33667	CAP, DISTRIBUTOR	13	20	39974	CONNECTOR, HARNESS LEADS TO FLYWHEEL HOUSING	29	14

PARTS INDEX

Part Number	Description	Pg.	Ref. No.	Part Number	Description	Pg.	Ref. No.
45369	CHIMNEY, BREATHER	37	4	52734	BAIL, FLAME ARRESTOR TO CARBURETOR	15	15
45490	GAUGE ASSEMBLY, OIL LEVEL (DIP STICK)	39	34	52817	BRACKET, ALTERNATOR MOUNTING	9	29
45892A2	FLYWHEEL HOUSING ASSEMBLY, REAR MOUNTING	29	1	52818	BRACKET, ALTERNATOR MOUNTING	9	30
46421A2	COVER ASSEMBLY, ROCKER	37	1	53001	FLAME ARRESTOR	15	19
46744	LIFTER, HYDRAULIC -TAPPET	35	28	53404	COVERING, CHOKE PIPE	15	23
47585	FUEL PUMP ASSEMBLY	15	1	53476	BRACE, ALTERNATOR TO CYLINDER BLOCK (FRONT)	7	13
47587A2	BLOCK ASSEMBLY, WATER DISTRIBUTION - CYLINDER HEAD	27	35	54111	OIL FILTER ASSEMBLY	39	46
47604A1	PROTECTOR, HIGH TENSION LEAD	13	27	54671	BRACE, STARTER MOTOR	7	4
47764	STRAP, NYLON-STARTER SOLENOID LEAD	3	9	54870	END CAP, EXHAUST MANIFOLD (REAR)	25	22
48024	BRACKET, CONDENSER MOUNTING	11	--	55045	BALANCER, HARMONIC	35	43
48025	LEAD, PRIMARY	11	17	55429A3	COVER ASSEMBLY, ROCKER	37	1
48044	END CAP/CONNECTOR, EXHAUST MANIFOLD (FRONT)	25	12	55755	WIRING HARNESS, EXTERNAL (WITHOUT EXTERNAL VOLTAGE REGULATOR)	3	1
48045	END CAP, EXHAUST MANIFOLD (REAR)	25	22	55898A3	FLYWHEEL HOUSING ASSEMBLY, REAR MOUNTING	29	1
49089	DIAPHRAGM KIT, FUEL PUMP	15	3	56045	ALTERNATOR ASSEMBLY	7	12
49342	BUMPER, MOUNTING BRACKET	5	42	56778	BRACKET, ALTERNATOR MOUNTING	9	37
49951	COVER ASSEMBLY, CRANKCASE	39	47	57883	WIRING HARNESS, EXTERNAL (WITH EXTERNAL VOLTAGE REGULATOR)	3	1
49954	CAP, REAR - CRANKSHAFT BEARING	33	14	58217	ROTOR, DISTRIBUTOR	11	18
52075	BRACKET, THROTTLE RETURN SPRING	17	45	58231	DISTRIBUTOR ASSEMBLY, COMPLETE	11	1
52124	BRACKET, MOUNTING - THROTTLE LINKAGE	15	30	58235	CAM, BREAKER - ADVANCE	11	6
52146	SCREEN ASSEMBLY, OIL PUMP	39	44	58237	MAIN SHAFT AND WEIGHT PLATE	11	4
52250	BRACE, STARTER MOTOR	7	4	58284	ROD, PUSH - VALVE	37	30
52349	PULLEY, WATER PUMP	35	33	58333	BRACE, ALTERNATOR TO CYLINDER BLOCK (FRONT)	7	13
52352	DISTRIBUTOR ASSEMBLY, COMPLETE	11	1	58655	BAFFLE, ROCKER COVER	37	9
52353	WATER PUMP ASSEMBLY (SPECIAL MARINE)	35	29	58758A3	COVER ASSEMBLY, ROCKER	37	1
52357	MAIN SHAFT AND WEIGHT PLATE	11	4	59078	THERMOSTATE	27	40
52365	VALVE, INLET (STANDARD STEM)	37	31	59755	ALTERNATOR ASSEMBLY	7	12
52366	VALVE, INLET (.015 O.S. STEM)	37	31	59816	CIRCUIT BREAKER	3	14
52367	VALVE, EXHAUST (STANDARD STEM)	37	32	60252	END CAP/CONNECTOR, EXHAUST MANIFOLD (FRONT)	25	12
52368	VALVE, EXHAUST (.015 O.S. STEM)	39	32	60372A1	COVER ASSEMBLY, THERMOSTATE - WATER DISTRIBUTION BLOCK	27	42
52390A1	EXHAUST MANIFOLD ASSEMBLY(SEE NOTE BELOW)	25	1	60426A1	EXHAUST ELBOW ASSEMBLY	25	26
52583	OIL PAN ASSEMBLY	39	51	61800	BRACKET, CIRCUIT BREAKER	3	16
				62424	DISTRIBUTOR ASSEMBLY, COMPLETE	11	1

PARTS INDEX

Part Number	Description	Pg.	Ref. No.	Part Number	Description	Pg.	Ref. No.
62426	SCREEN, VENT - DISTRIBUTOR HOUSING .	11	2	10-28464	SCREW,BRACKET AND FLYWHEEL TO BLOCK (1 1/2")	3	3
10-20031	SCREW, WIRING HARNESS CLAMP FASTENING (1/2")	25	20	10-28642	SCREW, DRIVE - SERIAL PLATE TO CYLINDER BLOCK	29	21
10-20055	SCREW, WIRING HARNESS LEAD TO ALTERNATOR (3/8")	3	4	10-29198	SCREW, ALTERNATOR BRACE TO ALTERNATOR (7/8")	7	20
10-20362	BOLT, MOUNTING BRACKET TO EXHAUST MANIFOLD (1 1/2")	15	35	10-29199	SCREW, FUEL LINE CLIP TO CYLINDER BLOCK (1") . .	15	9
10-20653	SCREW, BALLAST TO MOUNTING BRACKET (1")	13	41	10-29240	SCREW, WIRING HARNESS CLAMP FASTENING (5/8")	25	16
10-21077	SCREW, CIRCUIT BREAKER BRACKET TO CYLINDER HEAD (7/8")	3	22	10-30663	SCREW, WIRING HARNESS CLIP ATTACHING	39	40
10-21077	SCREW, WATER DISTRIBUTION BLOCK TO CYLINDER HEAD (7/8") . .	27	38	10-32557	SCREW, BRACKET AND SPACER BLOCK TO CYLINDER BLOCK (4 1/2")	29	26
10-21417A1	SCREW, TIMING GEAR TO CAMSHAFT (1/4")	35	39	10-32775	SCREW, ALTERNATOR TO BRACKET (3 1/2")	7	22
10-21625	SCREW, STARTER SOLENOID TO MOUNTING BRACKET (3/4")	5	45	10-33033	SCREW, VENTURI CLUSTER TO FLOAT BOWL (OUTER)	19	19
10-22028	SCREW, WIRING HARNESS CLAMP ATTACHING	29	12	10-33034	SCREW, VENTURI CLUSTER TO FLOAT BOWL (CENTER)	19	17
10-22956	SCREW, FLAME ARRESTOR TO CARBURETOR BAIL . .	15	16	10-33042	SCREW, FAST IDLE CAM TO FLOAT BOWL	21	47
10-25038	BOLT, MOUNTING BRACKET TO EXHAUST MANIFOLD (7/8")	15	34	10-33042	SCREW< FAST IDLE CAM TO FLOAT BOWL	21	47
10-25038	SCREW, END CAP TO EXHAUST MANIFOLD (7/8")	25	24	10-33043	SCREW, AIR HORN TO FLOAT BOWL (SHORT) . .	19	4
10-25038	SCREW, END CAP/CONNECTOR TO EXHAUST MANIFOLD (7/8")	25	14	10-33045	SCREW, CHOKE VALVE TO CHOKE SHAFT	21	52
10-25703	SCREW, WIRING HARNESS CLAMP ATTACHING (1/2")	3	12	10-33047	SCREW, AIR HORN PUMP LEVER	21	29
10-26486	SCREW, FRONT MOUNTING BRACKET TO CYLINDER BLOCK (2 3/8")	31	29	10-33047	SCREW, STAT COVER AND COIL TO CHOKE HOUSING	23	65
10-26632	SCREW, FLYWHEEL HOUSING TO CYLINDER BLOCK (1 1/4")	29	7	10-33048	SCREW, AIR HORN TO FLOAT BOWL (LONG) . . .	19	5
10-26632	SCREW, FLYWHEEL HOUSING TO CYLINDER BLOCK (1/4")	29	7	10-33052	SCREW, THROTTLE BODY TO FLOAT BOWL	21	44
10-27165	SCREW, ALTERNATOR BRACE TO CYLINDER BLOCK (3/4")	7	14	10-33053	SCREW, CHOKE HOUSING TO AIR HORN	21	55
10-27165	SCREW, CIRCUIT BREAKER BRACKET TO CYLINDER HEAD (3/4")	3	22	10-33053	SCREW, CHOKE HOUSING TO AIR HORN	21	55
10-27165	SCREW, IGNITION COIL TO CYLINDER BLOCK	13	44	10-33056	SCREW, CHOKE PISTON LEVER TO CHOKE HOUSING	21	57
10-27165	SCREW, LIFTING EYE TO CYLINDER BLOCK	29	18	10-33231	SCREW, MOUNTING BRACKET TO MANIFOLD BODY (1/2")	5	43
				10-33311	SCREW, MOUNTING BRACKET TO IGNITION COIL (1 1/2")	13	33
				10-33524	SCREW, ALTERNATOR MOUNTING BRACKET TO CYL. BLOCK (5/8")	9	33
				10-33648	SCREW, MOUNTING PLATE TO PRIMARY HOUSING . .	11	12

PARTS INDEX

Part Number	Description	Pg.	Ref. No.	Part Number	Description	Pg.	Ref. No.
10-33650	SCREW, BREAKER ASSEMBLY TO MOUNTING PLATE	11	15	10-45754	SCREW, BRACKET AND FLYWHEEL TO BLOCK (2")	3	3
10-33660	SCREW, DISTRIBUTOR CAP TO PRIMARY HOUSING (8-32)	13	22	10-45754	SCREW, BRACKET/FLYWHEEL HSG. TO CYLINDER BLOCK (2")	29	8
10-33663	SCREW, DISTRIBUTOR CAP TO PRIMARY HOUSING (10-32)	13	23	10-46717	BOLT, CRANKSHAFT BEARING CAP TO CYLINDER BLOCK (2 31/32")	33	16
10-33722	SCREW, WEIGHT HOLD DOWN PLATE TO WEIGHT PLATE	11	10	10-46718	SCREW, WIRING HARNESS LEADS TO BALLAST	13	38
10-34277	SCREW, CRANKCASE COVER TO CYLINDER BLOCK (7/16")	39	50	10-46718	SCREW, WIRING HARNESS PLATE TO MOUNTING BRACKET (3/4")	3	8
10-34471	SCREW, WATER PUMP TO CYLINDER BLOCK (1 1/2")	35	31	10-47194	SCREW, CLAMP TO BRACKET (9/16")	5	25
10-34500	SCREW, OIL PAN TO CYLINDER BLOCK (5/16")	39	54	10-47277	SCREW, COVER PLATE TO FLYWHEEL HOUSING (3/4")	29	4
10-34505	SCREW, WATER PUMP TO CYLINDER BLOCK (7/8") .	35	32	10-47277	SCREW, PULLEY TO WATER PUMP (3/4")	35	34
10-34510	BOLT, CYLINDER HEAD TO CYLINDER BLOCK	37	28	10-47618	SCREW, CIRCUIT BREAKER TO BRACKET (1")	3	17
10-34544	BOLT, STARTER MOTOR MOUNTING (1 15/16")	7	3	10-47618	SCREW, CONNECTOR TO FLYWHEEL HOUSING (1")	29	15
10-34545	BOLT, STARTER MOTOR MOUNTING (4 21/32")	7	2	10-48021	SCREW, CONDENSER BRACKET ATTACHING	11	--
10-34613	SCREW, FLYWHEEL HOUSING TO CYLINDER BLOCK (1 3/4")	29	8	10-49950	SCREW, OIL PAN TO CYLINDER BLKOCK (1/4")	39	53
10-35169	SCREW, DISTRIBUTOR TO CYLINDER BLOCK	13	48	10-49956	SCREW, DRAIN - OIL PAN .	39	55
10-35339	SCREW, OIL PUMP TO CYLINDER BLOCK (3/4") .	39	43	10-52143	SCREW, EXHAUST MANIFOLD TO CYLINDER HEAD (4 3/4")	25	8
10-35339	SCREW, WATER PUMP TO CYLINDER BLOCK (3/4") .	35	32	10-52269	BOLT, CONNECTING ROD BEARING CAP	33	24
10-35366	SCREW, OIL PUMP SCREEN SUPPORT CLAMPING	39	--	10-53512	SCREW, THERMOSTAT COVER ATTACHING (3/4")	27	43
10-35585	SCREW, ROCKER COVER TO CYLINDER HEAD (3/4")	37	3	10-60374	SCREW, THERMOSTAT COVER ATTACHING (1 3/4")	27	43
10-36046	SCREW WIRING HARNESS LEAD TO CIRCUIT BREAKER	3	15	11-20083	NUT, STARTER SOLIE	5	37
10-37626	SCREW, ALTERNATOR TO BRACKET (4 1/4")	7	22	11-20088	NUT, STARTER SOLENOID SCREW	5	47
10-37892	SCREW, CONNECTO TO FLYWHEEL HOUSING (7/8")	29	15	11-20110	NUT, LINK ROD TO CARBURETOR SWIVEL	17	54
10-37908	SCREW, VOLTAGE REGULATOR TO TRANSOM (1 1/4")	5	28	11-20110	NUT, THROTTLE LEVER STUD	17	40
10-38507	SCREW, STEP - THROTTLE LEVER TO MOUNTING BRACKET	17	41	11-20220	NUT, FRONT MOUNTING BRACKET ADJUSTING STUD (TOP)	31	38
10-38792	SCREW, BAFFLE TO ROCKER COVER	37	10	11-20586	NUT, FLAME ARRESTOR MOUNTING STUD (TOP) .	15	21
10-39783	SCREW, PUSH ROD TO CYLINDER BLOCK	39	37	11-20586	NUT, ROCKER COVER CHIMNEY STUD	37	8
10-45488	SCREW, FUEL PUMP TO CYLINDER BLOCK (3/4") .	15	5	11-20586	NUT, THROTTLE CABLE ANCHOR STUD	15	33
				11-20645	NUT, IGNITION COIL TERMINAL	13	35

PARTS INDEX

Part Number	Description	Pg.	Ref. No.	Part Number	Description	Pg.	Ref. No.
11-20645	NUT, STARTER SOLENOID TERMINAL (10-32)	5	39	11-49910	NUT, MOUNTING BRACKET STUD	9	32
11-20645	NUT, WATER SENDER/OIL PRESSURE SENDER TERMINAL (10-32)	5	32	12-20028	WASHER, VOLTAGE REGULATOR SCREW . . .	5	29
11-20890	NUT, FUEL LINE CLIP SCREW	15	11	12-20103	WASHER, BRACE STUD . . .	7	6
11-21310	NUT, CHOKE PIPE TO CARBURETOR	15	24	12-20331	WASHER, THROTTLE LEVER STEP SCREW (5/16" I.D.) .	17	42
11-23161	NUT, ALTERNATOR BRACE STUD	7	19	12-20533	WASHER, FLAME ARRESTOR SCREW	15	17
11-23161	NUT, ALTERNATOR SCREW	9	25	12-20553	WASHER, ALTERNATOR BRACE SCREW	7	16
11-23161	NUT, MOUNTING BRACKET STUD	9	39	12-20553	WASHER, ALTERNATOR BRACE STUD	7	18
11-25168	NUT, JAM - THROTTLE LINK ROD	17	49	12-20553	WASHER, EXHAUST MANIFOLD SCREW	25	9
11-25594	NUT, BRACE STUD	7	7	12-20553	WASHER, IGNITION COIL SCREW	13	45
11-26419	NUT, SOLENOID SWITCH TERMINAL (8-32)	7	9	12-20553	WASHER, MOUNTING BRACKET STUD	9	31
11-26419	NUT, STARTER MOTOR TERMINAL (8-32)	7	11	12-20553	WASHER, MOUNTING BRACKET STUD	9	38
11-28517	NUT, BRACKET AND FLYWHEEL HOUSING SCREW	29	10	12-20553	WASHER, THROTTLE LEVER STEP SCREW (3/8" O.D.) .	17	43
11-28517	NUT, SOLENOID SWITCH TERMINAL (3/8-16)	7	8	12-20583	WASHER, HARNESS CLIP SCREW	39	41
11-28941	NUT, FLAME ARRESTOR SCREW	15	18	12-20959	WASHER, FRONT MOUNTING BRACKET ADJUSTING STUD	31	35
11-32882	NUT, FRONT MOUNTING BRACKET ADJUSTING STUD	31	39	12-22248	WASHER, BRACKET AND SPACER BLOCK SCREW	31	28
11-33631	NUT, FUEL INLET	19	7	12-22937	WASHER, FLAME ARRESTOR MOUNTING STUD	15	20
11-34516	NUT, ROCKER VALVE ARM STUD	37	22	12-24662	WASHER, FUEEL LINE CLIP SCREW	15	10
11-34933	NUT, FLYWHEEL STUD	33	22	12-24664	WASHER, THROTTLE CABLE ANCHOR STUD	15	32
11-35814	NUT, BRACE STUD	7	7	12-25970	WASHER, ALTERNATOR TO BRACKET	9	24
11-37493	NUT, CONNECTING ROD CAP BOLT	33	25	12-26168	WASHER, ALTERNATOR BRACE SCREW	7	21
11-46438	NUT, CLAMP ATTACHING SCREW	5	26	12-26825	WASHER, ALTERNATOR MOUNTING BRACKET SCREW	9	35
11-46438	NUT, CURCUIT BREAKER ATTACHING SCREW	3	21	12-28927	WASHER, BALLAST TO MOUNTING BRACKET SCREW	13	42
11-46793	NUT, CARBURETOR MOUNTING STUD	15	29	12-29245	WASHER, ROCKER COVER CHIMNEY STUD	37	7
11-46793	NUT, COVER PLATE SCREW	29	5	12-29245	WASHER, ROCKER COVER SCREW	37	13
11-46887	NUT, BALLAST TO MOUNTING BRACKET SCREW	13	43	12-30164	WASHER, IGNITION COIL TERMINAL	13	34
11-47525	NUT, JAM - FRONT MOUNTING BRACKET ADJUSTING STUD (BOTTOM)	31	43	12-30164	WASHER, LINK ROD TO CARBURETOR SWIVEL . .	17	53
11-49838	NUT, EXHAUST ELBOW TO EXHAUST MANIFOLD STUD	27	32	12-30164	WASHER, THROTTLE LEVER STUD (3/8" O.D.)	17	39
11-49838	NUT, EXHAUST ELBOW TO EXHAUST MANIFOLD STUD	27	32	12-30164	WASHER, WIRING HARNESS LEAD SCREW	3	6

PARTS INDEX

Part Number	Description	Pg.	Ref. No.	Part Number	Description	Pg.	Ref. No.
12-32638	WASHER, FRONT MOUNTING BRACKET ADJUSTING STUD	31	34	13-26996	LOCKWASHER, WIRING HARNESS LEAD SCREW	3	5
12-35935	WASHER, FLYWHEEL STUD	33	21	13-26996	WASHER, WATER SENDER/OIL PRESSURE SENDER TERMINAL (#10)	5	31
12-35950	WASHER, LINK ROD TO CARBURETOR SWIVEL . .	17	52	13-32993	LOCKWASHER, BRACKET AND SPACER BLOCK SCREW	29	27
12-35950	WASHER, THROTTLE LEVER STUD (7/16" O.D.)	15	38	13-33065	LOCKWASHER, FRONT MOUNTING BRACKET ADJUSTING STUD (BOTTOM)	31	42
12-36103	WASHER, FRONT MOUNTING BRACKET ADJUSTING STUD	31	33	13-37459	LOCKWASHER, ALTERNATOR BRACE SCREW	7	15
12-36104	WASHER, RUBBER - FRONT MOUNTING BRACKET ADJUSTING STUD	31	37	13-37459	LOCKWASHER, BRACKET AND FLYWHEEL HOUSING SCREW	29	9
12-36275	WASHER, ROTOR	11	19	13-37459	LOCKWASHER, CIRCUIT BREAKER BRACKET SCREW	5	23
12-37828	WASHER, FRONT MOUNTING BRACKET SCREW	31	31	13-37459	LOCKWASHER, EXHAUST ELBOW TO EXHAUST MANIFOLD STUD	27	31
12-47960	WASHER, CIRCUIT BREAKER ATTACHING SCREW	3	18	13-37459	LOCKWASHER, LIFTING EYE SCREW	29	19
12-57792	WASHER, THROTTLE LEVER STEP SCREW (21/64" I.D.)	17	42	13-37459	LOCKWASHER, WIRING HARNESS CLAMP SCREW	3	13
12-58220	WASHER, CAM AND SHAFT	11	-	13-37459	LOCKWASHER, FRONT MOUNTING BRACKET SCREW	31	30
12-62425	WASHER, BREAKER PLATE SUPPORT SCREW	11	12A	13-39107	LOCKWASHER, MOUNTING BRACKET BOLT	15	36
13-21547	LOCKWASHER, THROTTLE BODY SCREW	21	45	13-39107	LOCKWASHER, PULLEY SCREW	35	35
13-26992	LOCKWASHER, STARTER SOLENOIDSCREW	5	46	16-32808	STUD, FOYWHEEL TO ENGINE COUPLING	33	19
13-26992	LOCKWASHER, WIRING HARNESS CLAMP SCREW	25	21	16-33111	STUD, CARBURETOR MOUNTING - EXHAUST MANIFOLD	15	28
13-26993	LOCKWASHER, ALTERNATOR MOUNTING BRACKET SCREW	9	34	16-34521	STUD, VALVE ROCKER ARM (.013 O.S.)	37	26
13-26993	LOCKWASHER, STARTER SOLENOID TERMINAL (5/16")	5	36	16-34522	STUD, VALVE ROCKER ARM (.003 O.S.)	37	26
13-26995	LOCKWASHER, STARTER MOTOR TERMINAL (#8) . .	7	10	16-36100	STUD, ADJUSTING - FRONT MOUNTING BRACKET . . .	31	32
13-26995	LOCKWASHER, VENTURI CLUSTER SCREW (OUTER)	19	20	16-38525	STUD, ANCHOR - THROTTLE CABLE TO MOUNTING BRACKET . . .	15	31
13-26995	LOCKWASHER, WIRING HARNESS LEADS SCREW	13	39	16-45969	STUD, BREATHER CHIMNEY TO ROCKER COVER (3 5/16")	37	5
13-26996	LOCKWASHER, AIR HORN SCREW	19	6	16-49545	STUD, EXHAUST MANIFOLD TO EXHAUST ELBOW (1 3/4")	25	2
13-26996	LOCKWASHER, IGNITION COIL TERMINAL	13	34	16-52093	STUD, EXHAUST MANIFOLD TO CYLINDER HEAD (5 1/4")	25	10
13-26996	LOCKWASHER, MOUNTING BRACKET SCREW	5	44	16-52387	STUD, BRACE TO MOTOR AND CYLINDER BLOCK . .	7	5
13-26996	LOCKWASHER, STARTER MOTOR TERMINAL (#10) .	7	10				
13-26996	LOCKWASHER, STARTER SOLENOID TERMINAL (#10)	5	38				
13-26996	LOCKWASHER, WIRING HARNESS CLAMP SCREW	25	17				
13-26996	LOCKWASHER, WIRING HARNESS CLAMP SCREW	29	13				

PARTS INDEX

Part Number	Description	Pg.	Ref. No.	Part Number	Description	Pg.	Ref. No.
16-54176	STUD, MOUNTING BRACKET TO CYLINDER BLOCK (1 5/8")	9	27	22-52669	FITTING, ROCKER COVER (VENT HOSE)	37	11
16-54176	STUD, MOUNTING BRACKET TO CYLINDER BLOCK (1 5/8")	9	36	22-53509	ELBOW, WATER DISTRIBUTION BLOCK	27	39
16-54177	STUD, ALTERNATOR BRACE TO CYLINDER BLOCK (1 3/8")	7	17	22-54035	ELBOW, FUEL INLET - CARBURETOR (90)	15	13
16-54177	STUD, MOUNTING BRACKET TO CYLINDER BLOCK (1 3/8")	9	26	23-32727	SPACER, ALTERNATOR SCREW	7	23
17-33037	PIN, HINGE - FLOAT TO AIR HORN	19	10	23-33064	SLEEVE, FRONT MOUNTING BRACKET ADJUSTING STUD	31	41
17-33049	PIN, CHOKE PISTON TO CHOKE PISTON LEVER	21	59	23-34464	BEARING UNIT, CRANKSHAFT MAIN - REAR (STANDARD)	33	13
17-33649	PIN, DRIVE GEAR TO MAIN SHAFT	11	5	23-34469	BEARING, CAMSHAFT THRUST	35	37
17-35465	PIN, DOWEL - CYLINDER BLOCK TO CYLINDER HEAD	33	6	23-34490	BEARING UNIT, CRANKSHAFT MAIN - REAR (.002 U.S.)	33	13
19-33041	WELCH PLUG, CHOKE HOUSING	23	61	23-34491	BEARING UNIT, CRANKSHAFT MAIN - REAR (.002 U.S.)	33	13
19-34270	PLUG, EXPANSION - CYLINDER BLOCK (1 5/8" DIA.)	33	2	23-34492	BEARING UNIT, CRANKSHAFT MAIN - REAR (.010 U.S.)	33	13
19-34271	PLUG, EXPANSION - CYLINDER BLOCK (2" DIA.)	33	2	23-34493	BEARING UNIT, CRANKSHAFT MAIN - REAR (.020 U.S.)	33	13
19-34272	PLUG, EXPANSION - CYLINDER HEAD (15/16"DIA.)	37	27	23-35168	BEARING, DISTRIBUTOR PILOT SHAFT	33	7
19-34487	PLUG, PIPE - CYLINDER BLOCK (3/8")	33	4	23-36101	SPACER, FRONT MOUNTING BRACKET ADJUSTING STUD	31	36
19-34488	PLUG, EXPANSION - CAMSHAFT BEARING HOLE	33	3	23-46742	SPACER, FLYWHEEL HOUSING MOUNT	29	2
19-37531	PLUG, OIL CHANNEL - CYLINDER BLOCK	33	-	23-46742	SPACER, FRONT MOUNTING BRACKET	29	23
22-32561	PLUG, PIPE - EXHAUST MANIFOLD (1/4-18)	25	5	23-49959	BEARING UNIT, CRANKSHAFT MAIN (STANDARD)	33	12
22-32802	PLUG, PIPE - EXHAUST ELBOW	25	28	23-49960	BEARING UNIT, CRANKSHAFT MAIN (.001 U.S.)	33	12
22-32802	PLUG, PIPE - EXHAUST MANIFOLD (1/8-27)	25	3	23-49961	BEARING UNIT, CRANKSHAFT MAIN (.002 U.S.)	33	12
22-32803	PLUG, PIPE - WATER DISTRIBUTION BLOCK	27	36	23-49962	BEARING UNIT, CRANKSHAFT MAIN (.010 U.S.)	33	12
22-32974	ADAPTOR, OIL PRESSURE SENDER TO CYLINDER BLOCK	5	33	23-49963	BEARING UNIT, CRANKSHAFT MAIN (.020 U.S.)	33	12
22-33198	PLUG, EXHAUST ELBOW	25	29	23-52097	SLEEVE, EXHAUST MANIFOLD SCREW (EARLY MODELS ONLY)	25	7
22-36221	ELBOW, ROCKER COVER FITTING	37	12	23-52270	BEARING(PAIR), CONN. ROD(STANDARD)	33	26
22-36382	PLUG, WATER DRAIN - CYLINDER BLOCK	33	5	23-52271	BEARING(PAIR), CONN. ROD(.001 U.S.)	35	26
22-45383	NIPPLE, VENT HOSE TO CARBURETOR	15	25				
22-48118	PLUG, EXHAUST ELBOW	25	29				
22-48118	PLUG, EXHAUST MANIFOLD	25	4				
22-49217	FITTING, FUEL LINE (32 1/4")	15	7				

PARTS INDEX

Part Number	Description	Pg.	Ref. No.	Part Number	Description	Pg.	Ref. No.
23-52273	BEARING(PAIR),CONN.ROD(.010 U.S.)	35	26	27-52076	GASKET, EXHAUST ELBOW TO EXHAUST MANIFOLD	25	30
23-52274	BEARING(PAIR),CONN.ROD(.020 U.S.)	35	26	27-52144	GASKET SET, OIL PAN	39	52
23-52482	BEARING UNIT, CAMSHAFT (REAR)	33	11	27-52145	GASKET, ROCKER COVER TO CYLINDER HEAD	37	16
23-52483	BEARING UNIT, CAMSHAFT (FRONT AND INTERMEDIATE)	33	10	27-52364	GASKET, CYLINDER HEAD TO CYLINDER BLOCK	37	29
23-56777	SPACER, ALTERNATOR TO BRACKET	9	23	27-53354	GASKET, EXHAUST MANIFOLD TO CYLINDER HEAD	25	25
23-61998	SPACER, CIRCUIT BREAKER ATTACHING SCREW	3	20	27-53502	GASKET, ALTERNATOR MOUNTING BRACKET	9	28
24-33050	SPRING, IDLE ADJUSTING NEEDLE	21	40	28-34466	KEY, PULLEY AND GEAR LOCATING	35	42
24-33652	SPRING, BREAKER CAM ADVANCE WEIGHT	11	8	28-34514	KEY, VALVE STEM (2 PER VALVE)	37	17
24-35214	SPRING, VALVE	37	21	32-30466	FUEL LINE, FUEL TANK TO FUEL PUMP	15	6
24-48143	SPRING, FUEL FILTER 1	19	7B	32-34423A1	HOSE, VENT - CARBURETOR TO ROCKER COVER (6")	15	26
24-52082	SPRING, THROTTLE RETURN	17	44	32-39315A1	HOSE ASSEMBLY, INLET - WATER DISTRIBUTION BLOCK	27	33
24-58236	SPRING, BREAKER CAM ADVANCED WEIGHT	11	8	32-45489	TUBE, OIL LEVEL GAUGE	39	35
25-33666	GROMMET, MOUNTING PLATE - PRIMARY WIRE	11	16	32-46471	NOZZLE, OIL - TIMING GEAR	35	36
25-61999	GROMMET, CIRCUIT BREAKER ATTACHING SCREW	3	19	32-47640	HOSE, WATER DISTRIBUTION BLOCK TO WATER PUMP	27	46
26-34217	SEAL, VALVE SPRING CAP	37	19	32-52481	HOSE, WATER DISTRIBUTION BLOCK TO END CAP/CONNECTOR	27	44
26-49947	OIL SEAL UNIT, CRANKSHAFT REAR BEARING	33	17	32-53370	TUBE, HEAT - EXHAUST MANIFOLD	25	6
26-49952	OIL SEAL, CRANKCASE COVER	39	48	32-53371	PIPE, CHOKE - CARBURETOR	15	22
26-58203	OIL SEAL UNIT, CRANKSHAFT REAR BEARING	33	17	32-53824	FUEL LINE, FUEL PUMP TO CARBURETOR ELBOW	15	12
26-58219	SEAL, HOUSING	11	-	32-58616A1	TUBE, WATER SEPARATION - EXHAUST ELBOW	25	27
27-32910	GASKET, CARBURETOR FLANGE(INCLUDED WITH 0,3,4)	21	43	33-54527	SPARK PLUG (AC#CR44N)	13	28
27-32910	GASKET, CARBURETOR TO EXHAUST MANIFOLD	15	27	35-49088	FILTER, FUEL - FUEL PUMP	15	2
27-33680	GASKET, WATER DISTRIBUTION BLOCK	27	37	35-53336	FILTER, FUEL INLET	19	7A
27-33956	GASKET, WATER PUMP	35	30	37-32852	DECAL, ROCKER COVER	37	2
27-34208	GASKET, PUSH ROD COVER	39	38	37-36347	DECAL, ROCKER COVER - "140 H.P."	37	--
27-34213	GASKET, FUEL PUMP	15	4	37-55539	DECAL, ROCKER COVER - "140 H.P."	37	--
27-34460	GASKET, OIL PUMP COVER	39	--	37-55541	DECAL, ROCKER COVER	37	2
27-34486	GASKET, DISTRIBUTOR	13	24	38-31042	SERIAL PLATE	29	20
27-47590	GASKET, THERMOSTAT COVER	27	41	39-34988	RING, PISTON - 4 SETS (STANDARD)	33	9
27-48043	GASKET, END CAP TO EXHAUST MANIFOLD	25	23	39-48344	RING, PISTON - 4 SETS (.020 O.S.)	33	9
27-48043	GASKET, END CAP/CONNECTOR TO EXHAUST MANIFOLD	25	13	43-33664	GEAR, DRIVE - MAIN SHAFT	11	3
27-49953	GASKET, CRANKCASE COVER	39	49	43-46743	GEAR, TIMING - CRANKSHAFT	35	38
				43-58283	GEAR, TIMING - CAMSHAFT	35	39

PARTS INDEX

Part Number	Description	Pg.	Ref. No.	Part Number	Description	Pg.	Ref. No.
50-46282	STARTER MOTOR ASSEMBLY	7	1	220-2282	FLYWHEEL, CRANKSHAFT	33	18
50-59799	STARTER MOTOR ASSEMBLY	7	1	393-1275	SLEEVE, TERMINAL END COVER	13	--
54-22740	CLAMP, WIRING HARNESS TO EXHAUST MANIFOLD (3/8")	25	15	393-1286	BALLAST	13	36
54-22875	CLIP, WIRING HARNESS TO PUSH ROD COVER	39	39	423-3816	CRANKSHAFT	35	41
54-24871	CLAMP, WIRING HARNESS TO FLYWHEEL HOUSING	29	11	424-3864	CAMSHAFT	35	27
54-28938	CLAMP, WIRING HARNESS TO EXHAUST MANIFOLD	25	19	613-3817	CONNECTING ROD ASSEMBLY	33	23
54-28938	CLIP, FUEL LINE TO CYLINDER BLOCK	15	8	733-3818	PISTON AND PISTON PIN ASSEMBLY (.020 O.S.)	33	8
54-32779	CLAMP, INLET HOSE TO WATER DISTRIBUTION BLOCK AND DRIVE UNIT	27	34	733-3819	PISTON AND PISTON PIN ASSEMBLY (STANDARD)	33	8
54-32781	CLAMP, HOSE TO WATER DISTRIBUTION BLOCK AND WATER PUMP	27	47	839-3814	CYLINDER BLOCK ASSEMBLY (SEE PAGE 15 FOR BREAKDOWN)	39	33
54-32880	CLAMP, HOSE TO WATER DISTRIBUTION BLOCK AND END CAP/CONNECTO	27	45	839-3814	CYLINDER BLOCK ASSEMBLY(SEE NOTE)	33	1
54-33036	RETAINER, STAT COVER AND COIL TO CHOKE HOUSING SCREW	23	66	936-3815	CYLINDER HEAD ASSEMBLY(SEE NOTE BELOW)	37	25
54-33361	CLIP, ROCKER COVER SCREW	37	14	1351-3635A1	CARBURETOR ASSEMBLY(SEE PAGE 10 FOR BREAKDOWN)	15	14
54-34764	EYE, LIFTING - CYLINDER BLOCK	29	17	1351-3635A1	CARBURETOR ASSEMBLY, COMPLETE	19	-
54-34764	EYE, LIFTING - FLYWHEEL HOUSING SCREW	29	6	1351-4032A1	CARBURETOR ASSEMBLY(SEE PAGE 10 FOR BREAKDOWN)	15	14
54-35861	CLIP, ROCKER COVER CHIMNEY STUD	37	6	1351-4032A1	CARBURETOR ASSEMBLY, COMPLETE	19	-
54-38426	CLAMP, WATER PUMP COVER TO WATER PUMP	27	49	1351-4293A1	CARBURETOR ASSEMBLY(SEE PAGE 10 FOR BREAKDOWN)	15	14
54-39108	CLIP, IDLE STOP SCREW	21	42	1397-2048	LEVER, PUMP - AIR HORN	21	28
54-49542	CLAMP, INLET HOSE - ROCKER COVER SCREW	37	14	1397-2050	PLUG, BALL - CHOKE HOUSING	21	60
54-53883	CLIP, WIRING HARNESS TO PUSH ROD COVER	39	39	1397-2051	ROD, PUMP	21	31
54-54178	CLAMP, WIRING HARNESS TO CYLINDER BLOCK	3	11	1397-2052	ROD, CHOKE	21	48
54-60516	CLAMP, WIRING HARNESS TO EXHAUST MANIFOLD (9/16")	25	15	1397-2054	PUMP SHAFT AND LEVER ASSEMBLY, AIR HORN	21	30
54-60517	CLAMP, WIRING HARNESS TO BRACKET	5	24	1397-2056	CHOKE LEVER AND COLLAR ASSEMBLY, CHOKE SHAFT	21	49
54-60517	CLAMP, WIRING HARNESS TO EXHAUST MANIFOLD (3/8")	25	15	1397-2057	PLATE, BAFFLE - CHOKE HOUSING	23	62
57-32850	BELT, ALTERNATOR, WATER PUMP PULLEY AND CRANKSHAFT PULLEY	35	40	1397-2059	CHOKE PISTON, CHOKE HOUSING	21	58
84-61975	WIRING HARNESS, EXTERNAL (WITH CIRCUIT BREAKER)	3	1	1397-2060	FLOAT ASSEMBLY	19	9
				1397-2071	CAM, FAST IDLE - FLOAT BOWL	21	46
				1397-2120	IDLE ADJUSTING NEEDLE, THROTTLE BODY(INCLUDED WITH 0)	21	39
				1397-2214	ALTITUDE KIT (10,000 FT.)	23	--
				1397-2256	POWER PISTON ASSEMBLY	19	2
				1397-2447	JET, FLOAT BOWL (STANDARD)	19	26

PARTS INDEX

Part Number	Description	Pg.	Ref. No.	Part Number	Description	Pg.	Ref. No.
1397-2630	CHOKE HOUSING						
	ASSEMBLY	21	53				
1397-2632	CHOKE SHAFT ASSEMBLY .	21	50				
1397-2634	GASKET KIT	23	--				
1397-2637	OVERHAUL KIT	23	--				
1397-2638	IDLE TOP SCREW,						
	THROTTLE BODY	21	41				
1397-2639	THROTTLE BODY						
	ASSEMBLY	21	38				
1397-2640	VENTURI CLUSTER						
	ASSEMBLY, FLOAT BOWL	19	15				
1397-2648	STATE COVER AND COIL						
	ASSEMBLY	23	64				
1397-2992	ALTITUDE KIT (5,000 FT.) .	23	--				
1397-2993	FLOAT BOWL ASSEMBLY ..	19	14				
1397-2994	JET, FLOAT BOWL						
	(STANDARD)	19	26				
1397-3464	POWER CARBURETOR KIT	23	--				
1397-3825	VALVE, CHOKE - CHOKE						
	SHAFT	21	51				
1397-3852	AIR HORN	19	1				
1397-4257	CHOKE LEVER AND						
	COLLAR ASSEMBLY,						
	CHOKE SHAFT	21	49				
1397-4258	FLOAT BOWL ASSEMBLY ..	19	14				
1397-4259	VENTURI CLUSTER						
	ASSEMBLY, FLOAT BOWL	19	15				
1397-4336	AIR HORN	19	1				
1397-4337	NUT, FUEL INLET	19	7				
1397-4358	VALVE, CHOKE - CHOKE						
	SHAFT	21	51				
3197-4256	AIR HORN	19	1				