



PARTS CATALOG

MERC 1000BP /1250BP

SERIAL NUMBER

| | |
|--------------|----------------------|
| 1000BP | 2641855 THRU 3253111 |
| 1250BP | 2641855 THRU 3253111 |

TABLE OF CONTENTS:

| | |
|--|----|
| BOTTOM COWL AND SHIFT LINKAGE | 38 |
| CARBURETOR ASSEMBLY | 24 |
| CARBURETOR LINKAGE AND CHOKE SOLENOID | 22 |
| CLAMP AND SWIVEL BRACKET ASSEMBLY | 42 |
| COWLING AND FRONT COVER | 4 |
| CRANKSHAFT, PISTONS AND CONNECTING RODS | 36 |
| CYLINDER BLOCK AND CRANKCASE ASSEMBLY | 32 |
| DISTRIBUTOR ADAPTOR AND VERTICAL LINKAGE | 12 |
| DISTRIBUTOR HOUSING AND ROTOR | 8 |
| DRIVE SHAFT HOUSING ASSEMBLY | 46 |
| FLYWHEEL ASSEMBLY AND STATOR | 6 |
| FUEL PUMP AND FUEL LINE ASSEMBLY | 28 |
| GEAR HOUSING ASSEMBLY, COMPLETE (PAGE 1) | 48 |
| GEAR HOUSING ASSEMBLY, COMPLETE (PAGE 2) | 52 |
| MISCELLANEOUS PARTS/ACCESSORIES | 1 |
| PARTS INDEX | 58 |
| STARTER MOTOR ASSEMBLY | 20 |
| STARTER MOTOR, STARTER SOLENOID, RECTIFIER AND WIRING HARNES | 16 |
| TOP COWL AND SUPPORT BRACKETS | 2 |

NOTE: Indented description indicate that these parts are included in preceeding assembly.

AR = As Required

NSS = Not Sold Separate

OPT = Optional

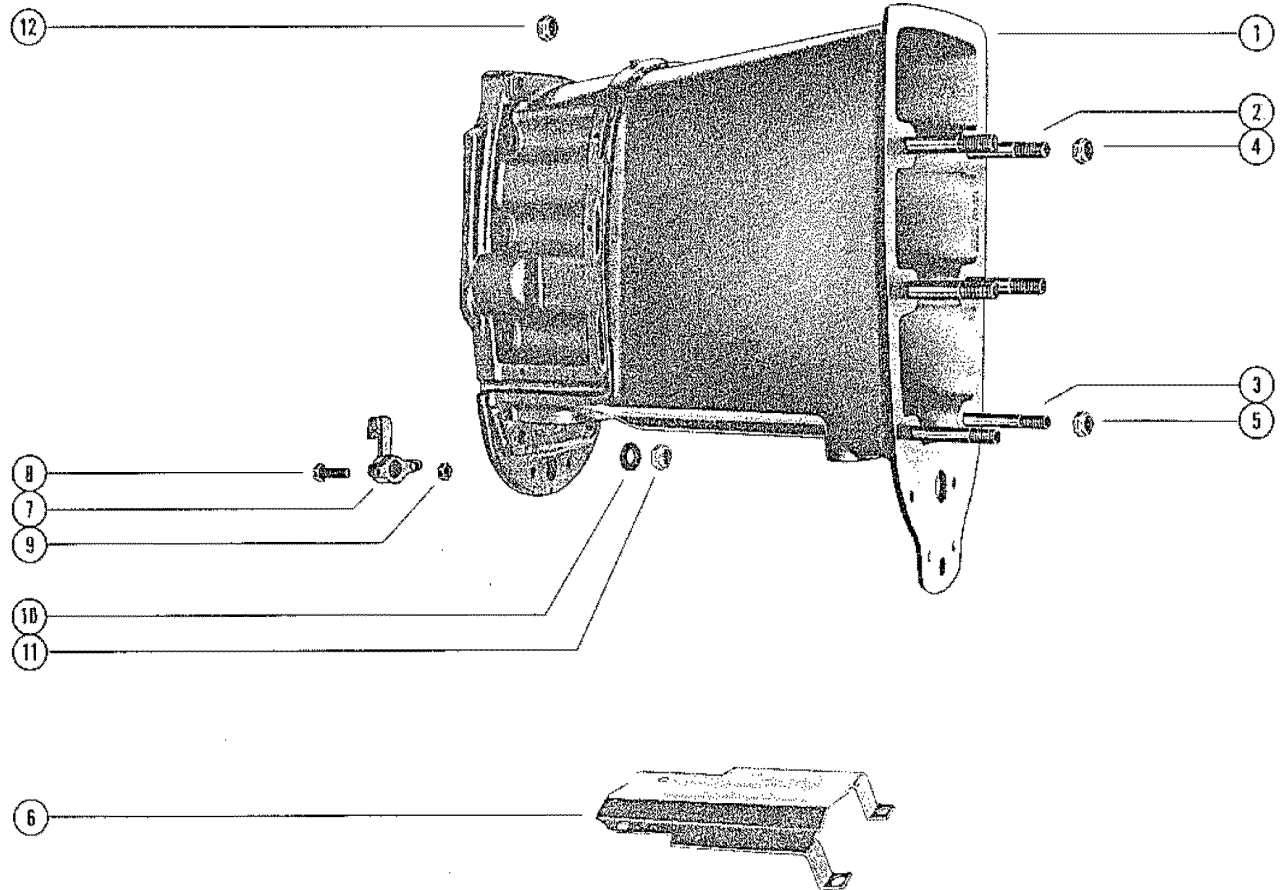
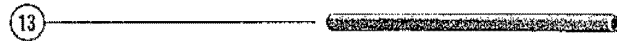
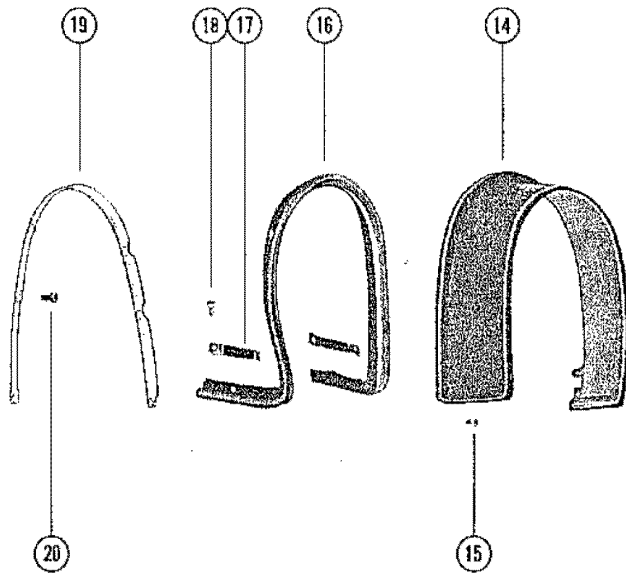
NS = Not Shown

THESE PARTS BOOKS/FICHE CARD ARE COPYRIGHTED AND MAY NOT BE DISTRIBUTED OR REPRODUCED IN ANY OTHER FORMAT BY ANYONE OTHER THAN MERCURY MARINE WITHOUT THE PRIOR WRITTEN CONSENT OF MERCURY MARINE.

MISCELLANEOUS PARTS/ACCESSORIES

| REF. NO. | PART NO. | SYM. | QTY. | DESCRIPTION |
|----------|------------|------|------|--------------------------------------|
| - | 27-48892A1 | | 0 | GASKET SET (MERC 1000BP AND 1250 BP) |
| - | 37-55287A1 | | 0 | DECAL SET (MERC 1000BP AND 1250BP) |
| - | 53667A1 | | 0 | TACHOMETER ASSEMBLY |
| - | 49248A1 | | 0 | REVERSE THROTTLE LIMIT KIT |

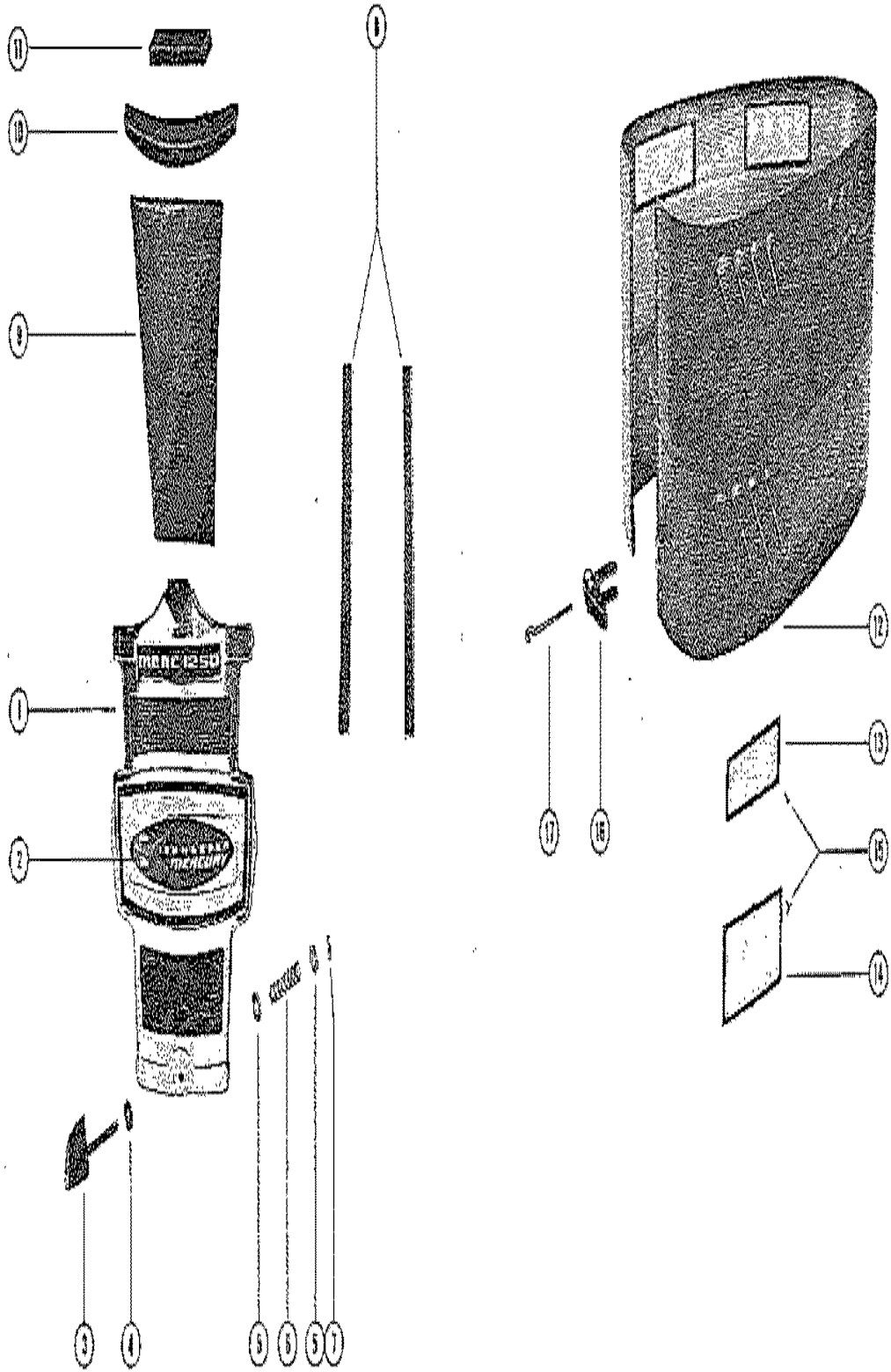
TOP COWL AND SUPPORT BRACKETS



TOP COWL AND SUPPORT BRACKETS

| REF. NO. | PART NO. | SYM. | QTY. | DESCRIPTION |
|----------|-----------|------|------|---|
| 1 | 2114-3806 | | 1 | COWL, TOP |
| 2 | 52733A2 | | 1 | RETAINER ASSEMBLY, TOP COWL |
| 3 | 35496 | | 1 | PAD, BUMPER - TOP COWL RETAINER |
| 4 | 10-37558 | | 1 | SCREW, RETAINER TO TOP COWL (1 1/4") |
| 5 | 13-39107 | | 1 | LOCKWASHER, RETAINER TO TOP COWL SCREW |
| 6 | 49448 | | 1 | SHIELD, TOP COWL - REAR |
| 7 | 10-37370 | | 3 | SCREW, SHIELD TO TOP COWL (5/8") |
| 8 | 13-37371 | | 3 | LOCKWASHER, SHIELD SCREW |
| 9 | 47341A1 | | 1 | ROPE, STARTER (FOR MANUAL STARTING ONLY) |
| 10 | 52739 | | 1 | HINGE, COWL LATCH - TOP COWL |
| 11 | 52737 | | 1 | LEVER, COWL LATCH HINGE |
| 12 | 17-33522 | | 1 | PIN, ROLL - COWL LATCH LEVER TO HINGE |
| 13 | 24-53019 | | 1 | SPRING, COWL LATCH HINGE |
| 14 | 52738 | | 1 | HOOK, TOP COWL LATCH - REAR |
| 15 | 10-22956 | | 2 | SCREW, REAR HOOK TO TOP COWL (7/8") |
| 16 | 13-26992 | | 2 | LOCKWASHER, REAR HOOK MOUNTING SCREW |
| 17 | 48825 | | 1 | FRAME, TOP COWL SUPPORT |
| 18 | 37639 | | 1 | MOUNT, RUBBER-TOP COWL FRAME |
| | 46096 | | 2 | MOUNT, RUBBER - TOP COWL FRAME |
| 19 | 11-20361 | | 2 | NUT, RUBBER MOUNT TO TOP COWL FRAME |
| | 11-21528 | | 4 | NUT, RUBBER MOUNT TO TOP COWL FRAME |
| 20 | 54685 | | 1 | BRACKET, TOP COWL SUPPORT - REAR |
| 21 | 31014 | | 2 | MOUNT, RUBBER - REAR SUPPORT BRACKET |
| 22 | 13-26992 | | 2 | LOCKWASHER, RUBBER MOUNT TO REAR SUPPORT BRACKET |
| 23 | 12-20346 | | 2 | WASHER, RUBBER MOUNT TO REAR SUPPORT BRACKET |
| 24 | 11-20088 | | 2 | NUT, RUBBER MOUNT TO REAR SUPPORT BRACKET |
| 25 | 10-26065 | | 4 | SCREW, REAR BRACKET TO TOP COWL FRAME (1") |
| 26 | 11-46793 | | 4 | NUT, REAR BRACKET SCREW |
| 27 | 10-24234 | | 4 | SCREW, REAR BRACKET TO BOTTOM COWL (1") |
| 28 | 13-26993 | | 4 | LOCKWASHER, REAR SUPPORT BRACKET SCREW |
| 29 | 52725A2 | | 1 | BRACKET ASSEMBLY, TOP COWL SUPPORT - FRONT |
| 30 | 10-22040 | | 2 | SCREW, FRONT BRACKET TO BOTTOM COWL (1 1/2") |
| 31 | 11-46793 | | 2 | NUT, FRONT SUPPORT BRACKET SCREW |
| 32 | 10-20362 | | 2 | SCREW, FRONT BRACKET TO TOP COWL SCREW FRAME (1 1/2") |
| 33 | 13-26993 | | 2 | LOCKWASHER, FRONT SUPPORT BRACKET SCREW |
| 34 | 37640 | | 1 | MOUNT, RUBBER - FRONT SUPPORT BRACKET |
| 35 | 13-26993 | | 1 | LOCKWASHER, RUBBER MOUNT TO FRONT SUPPORT BRACKET |
| 36 | 11-22053 | | 1 | NUT, RUBBER MOUNT TO FRONT SUPPORT BRACKET |

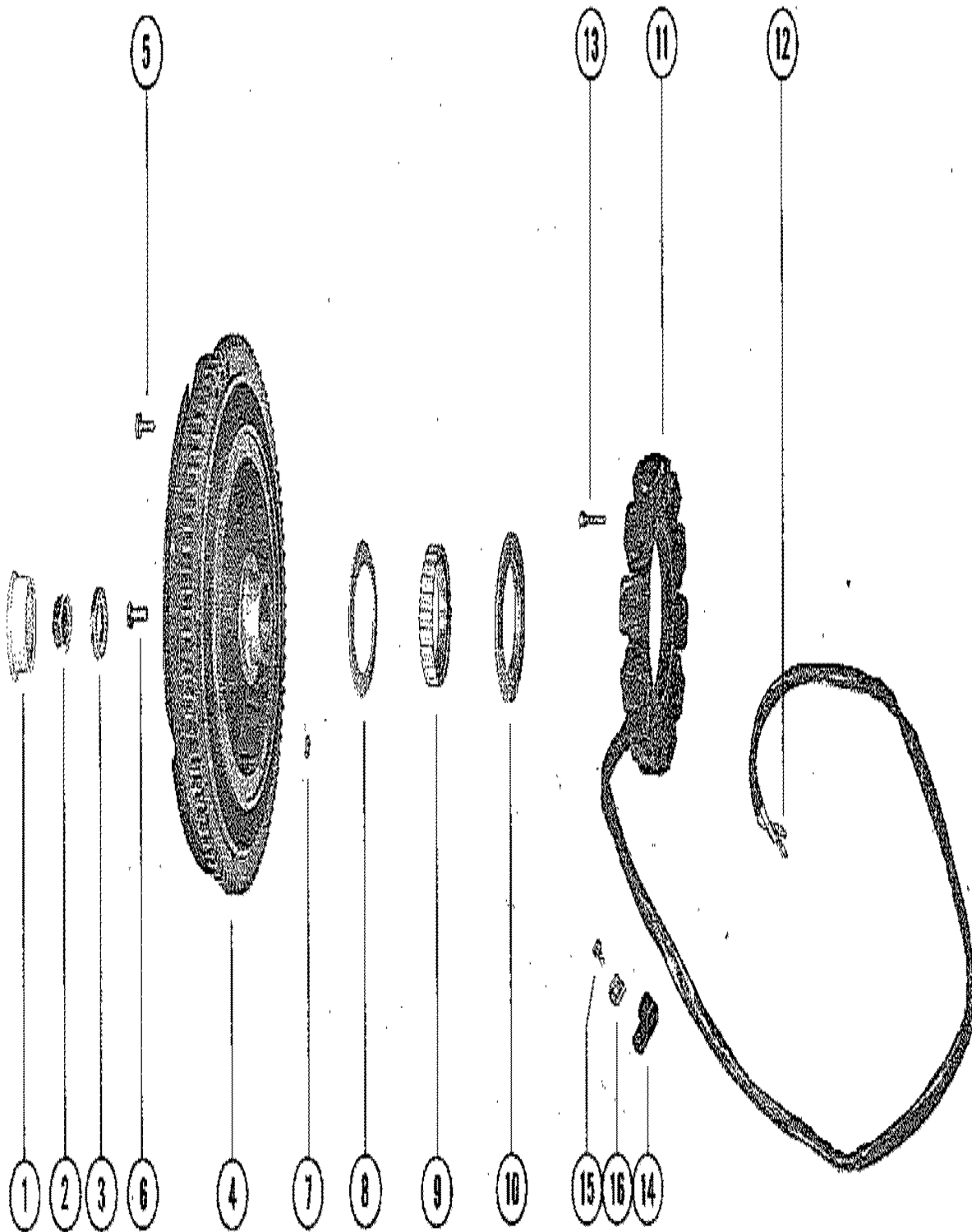
COWLING AND FRONT COVER



COWLING AND FRONT COVER

| REF. NO. | PART NO. | SYM. | QTY. | DESCRIPTION |
|----------|--------------|------|------|---------------------------------------|
| 1 | 2113-2663A10 | | 1 | COWL FRONT COVER ASSEMBLY |
| 2 | 35753 | | 1 | EMBLEM, FRONT COVER |
| 3 | 32362 | | 1 | KNOB, COWL FRONT COVER FASTENING |
| 4 | 12-30771 | | 2 | WASHER, COVER FASTENING KNOB (RUBBER) |
| 5 | 12-26825 | | 2 | WASHER, COVER FASTENING KNOB (STEEL) |
| 6 | 24-30772 | | 1 | SPRING, TENSION - FASTENING KNOB |
| 7 | 17-29077 | | 1 | ROLL PIN, TENSION SPRING TO KNOB |
| 8 | 31089 | | 2 | STRIP, SOUND ABSORBING |
| 9 | 38675 | | 1 | BLANKET, SOUND ABSORBING |
| 10 | 35769 | | 1 | SEAL, SOUND ABSORBING - UPPER |
| 11 | 53334 | | 1 | SEAL, SOUND ABSORBING - TOP |
| 12 | 2136-3809A4 | | 1 | WRAP AROUND COWL ASSEMBLY |
| 13 | 54943 | | 4 | SCREEN, WRAP AROUND COWL - UPPER |
| 14 | 54942 | | 4 | SCREEN, WRAP AROUND COWL - LOWER |
| 15 | 17-54944 | | 48 | RIVET, SCREEN TO COWL |
| 16 | 46785A1 | | 3 | COWL LATCH ASSEMBLY |
| 17 | 30413 | | 3 | HOOK, COWL LATCH FASTENING |

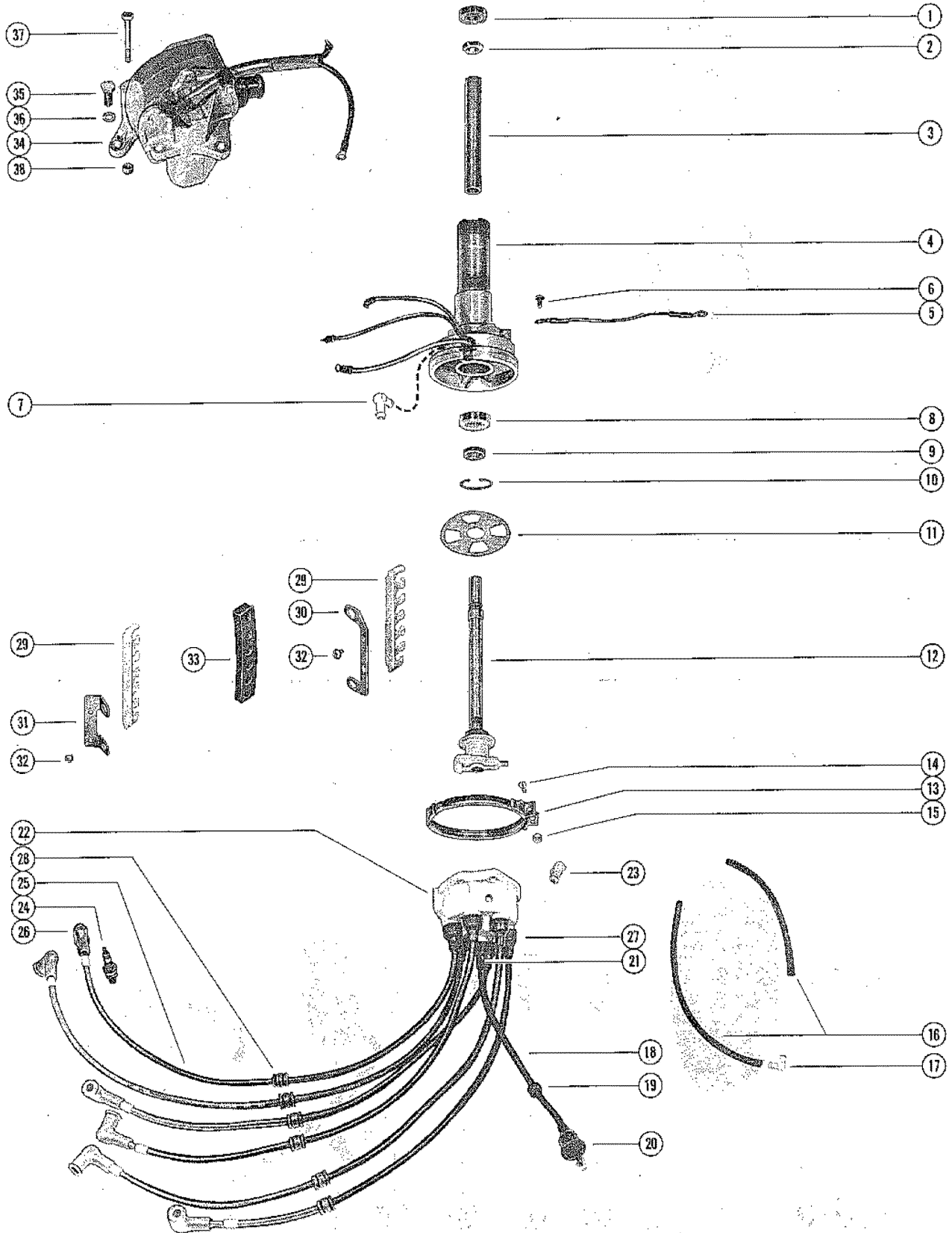
FLYWHEEL ASSEMBLY AND STATOR



FLYWHEEL ASSEMBLY AND STATOR

| REF. NO. | PART NO. | SYM. | QTY. | DESCRIPTION |
|----------|-------------|------|------|---|
| 1 | 19-45907 | | 1 | PLUG, FLYWHEEL PULLER THREADS |
| 2 | 11-52901 | | 1 | NUT, FLYWHEEL PART OF A-436-3760A2 AND A-435-3803A2 CRANKSHAFT ASS'Y |
| 3 | 12-33001 | | 1 | WASHER, FLYWHEEL NUT |
| 4 | 225-2494A12 | | 1 | FLYWHEEL ASSEMBLY, COMPLETE |
| 5 | 10-32417 | | 8 | SCREW, FLEXIBLE PLATE TO FLYWHEEL (5/8") |
| 6 | 10-49006 | | 8 | SCREW, PLATE AND HUB TO FLEXIBLE PLATE (3/4") |
| 7 | 17-26618 | | 1 | PIN, DOWEL - PULLEY TO FLYWHEEL |
| 8 | 29788 | | 1 | FLANGE, FLYWHEEL PULLEY |
| 9 | 30306 | | 1 | PULLEY, FLYWHEEL |
| 10 | 29787 | | 1 | HUB, FLYWHEEL PULLEY |
| 11 | 398-3633 | | 1 | STATOR ALTERNATOR |
| 12 | 30050 | | 2 | TERMINAL, STATOR LEAD WIRE |
| 13 | 10-52720 | | 4 | SCREW, STATOR TO UPPER END CAN (7/8") |
| 14 | 54-22875 | | 2 | CLIP, STATOR LEAD FASTENING (7/16") |
| | 54-26550 | | 1 | CLIP, STATOR/WIRING HARNESS LEADS FASTENING (5/16") |
| 15 | 10-30663 | | 3 | SCREW, STATOR LEAD CLIP FASTENING |
| 16 | 22789 | | 3 | "D" WASHER, CLIP FASTENING SCREW |

DISTRIBUTOR HOUSING AND ROTOR

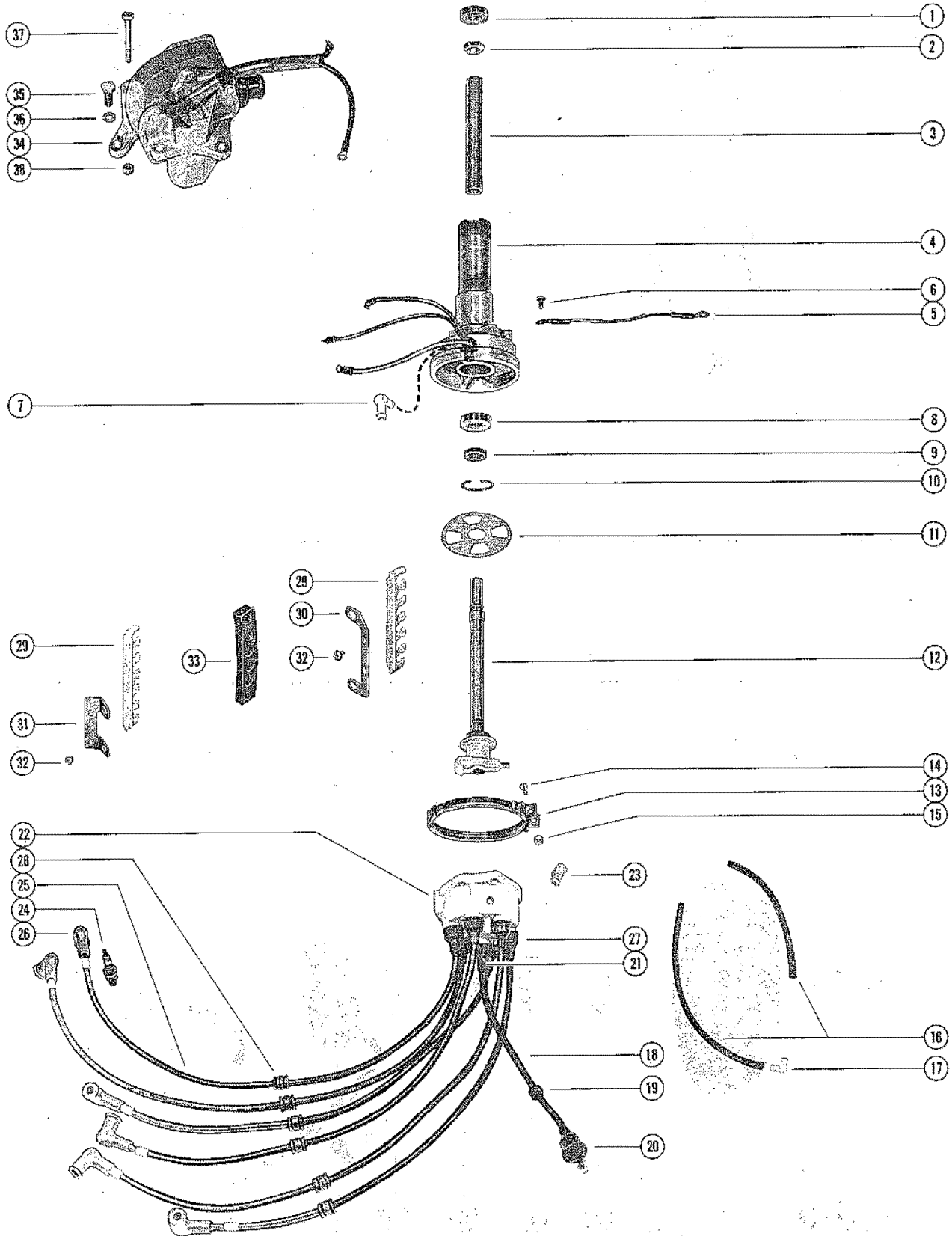


DISTRIBUTOR HOUSING AND ROTOR

| REF. NO. | PART NO. | SYM. | QTY. | DESCRIPTION |
|----------|-------------------|------|----------|--|
| 1 | 30-20066 | | 1 | BALL BEARING, DISTRIBUTOR HOUSING (UPPER) |
| 2 | 11-54209 | | 1 | NUT, ROTOR SHAFT TO DISTRIBUTOR HOUSING |
| 3 | 23-53539 | | 1 | SLEEVE, ROTOR SHAFT |
| 4 | 393-3736A3 | | 1 | HOUSING ASSEMBLY, DISTRIBUTOR |
| 5 | 53417 | | 1 | GROUND STRAP ASSEMBLY, DISTRIBUTOR TO CRANKCASE |
| 6 | 10-30663 | | 1 | SCREW, GROUND STRAP ATTACHING (3/8") |
| 7 | 22-55262 | | 1 | ELBOW, VENT - DISTRIBUTOR HOUSING |
| 8 | 30-26379 | | 1 | BALL BEARING, DISTRIBUTOR HOUSING (LOWER) |
| 9 | 23-53538 | | 1 | SPACER, ROTOR SHAFT |
| 10 | 53-26406 | | 1 | RING, RETAINING - HALL BEARING TO DISTRIBUTOR HOUSING |
| 11 | 393-3893 | | 1 | DISC, ROTOR |
| 12 | 393-3738 | | 1 | ROTOR, DISTRIBUTOR |
| 13 | 54-55651 | | 1 | CLAMP, DISTRIBUTOR CAP TO DISTRIBUTOR HOUSING |
| 14 | 10-55943 | | 1 | SCREW, DISTRIBUTOR CAP CLAMP (1 1/4") |
| 15 | 11-26768 | | 1 | NUT, DISTRIBUTOR CAP CLAMP SCREW |
| 16 | 32-34395A1 | | 1 | HOSE, VENT - DISTRIBUTOR TO ELBOW (11 1/2") |
| | 32-34395A1 | | 1 | HOSE, VENT - DISTRIBUTOR TO ELBOW (13 1/2") |
| 17 | 22-31521 | | 2 | ELBOW, VENT HOSE TO BOTTOM COWL |
| 18 | 393-3836A1 | | 1 | HIGH TENSION CABLE ASSEMBLY, DISTRIBUTOR CAP TO COIL |
| 19 | 25-26547 | | 1 | GROMMET, HIGH TENSION CABLE |
| 20 | 332-2854 | | 1 | BOOT, HIGH TENSION CABLE TO COIL |
| 21 | 393-1275 | | 1 | SLEEVE, HIGH TENSION CABLE |
| 22 | 393-3751A2 | | 1 | DISTRIBUTOR CAP ASSEMBLY A-27-55896 GASKET, DISTRIBUTOR CAP |
| - | 393-1293A1 | | 1 | BRUSH AND SPRING ASSEMBLY |
| 23 | 22-31521 | | 1 | ELBOW, VENT - DISTRIBUTOR CAP |
| 24 | 33-45191 | | 6 | SPARK PLUG (CHAMPION - L19V) |
| 25 | 47899A9 | | 6 | SPARK PLUG LEAD ASSEMBLY #1,#2,#3,#4,#5 AND #6 |
| - | 20121 | | 6 | CONNECTOR, SPARK PLUG LEAD |
| 26 | 47604A1 | | 6 | PROTECTOR, SPARK PLUG LEAD |
| 27 | 393-1275 | | 6 | SLEEVE, SPARK PLUG LEAD TO DISTRIBUTOR |
| 28 | 25-26547 | | 12 | GROMMET, SPARK PLUG LEADS |
| 29 | 45409 | | 2 | WIRE RETAINER, HIGH TENSION LEADS |
| 30 | 45392 | | 1 | BRACKET, FRONT - WIRE RETAINER |
| 31 | 47398 | | 1 | BRACKET, REAR - WIRE RETAINER |
| 32 | 10-30663 | | 4 | SCREW, FRONT AND REAR BRACKET ATTACHING |
| 33 | 45391 | | 2 | SPACER, RUBBER - HIGH TENSION LEADS |

CONTINUED ON NEXT PAGE ➡

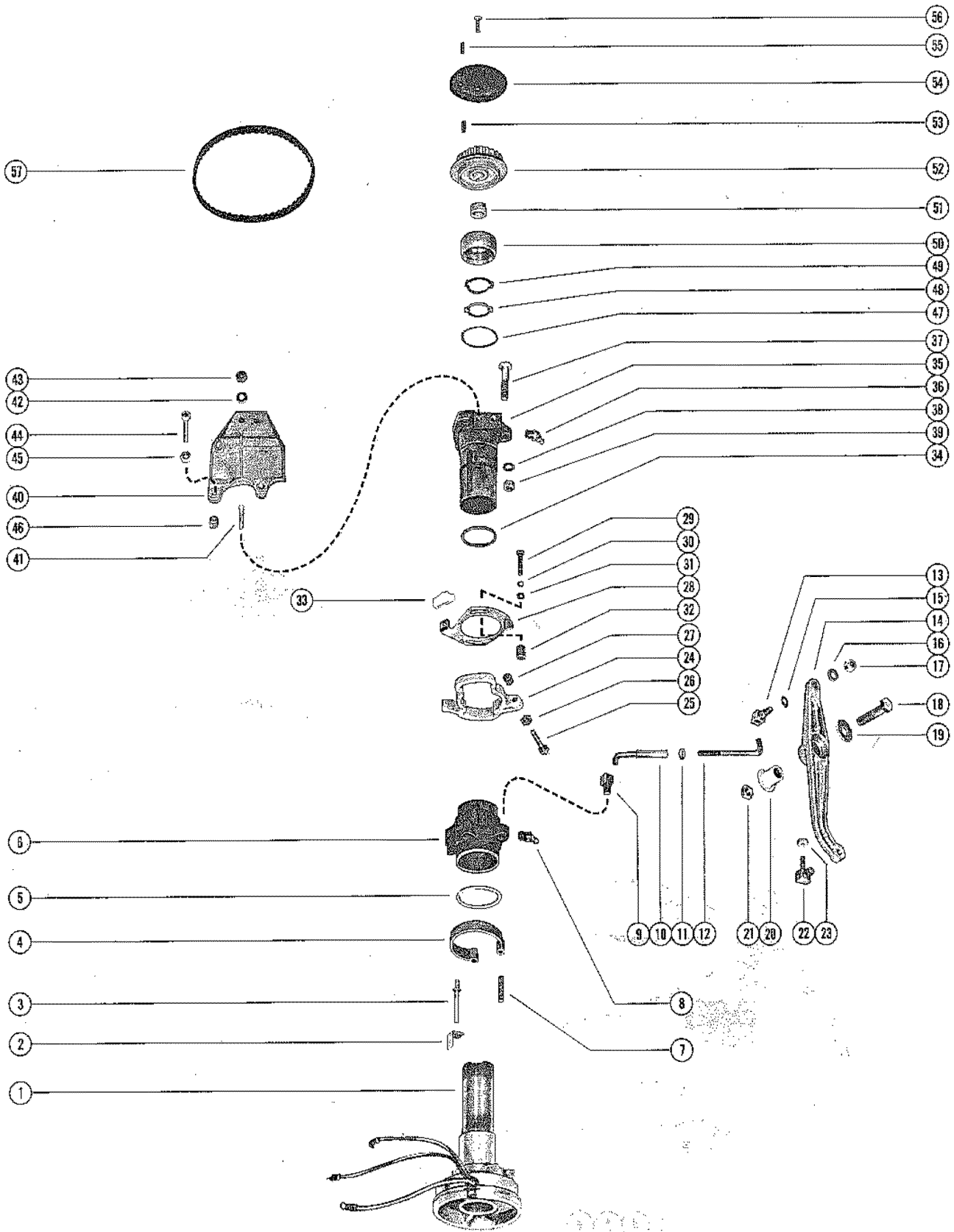
DISTRIBUTOR HOUSING AND ROTOR



DISTRIBUTOR HOUSING AND ROTOR

| REF. NO. | PART NO. | SYM. | QTY. | DESCRIPTION |
|----------|------------|------|------|---------------------------------------|
| 34 | 332-2983A5 | | 1 | IGNITION COIL ASSEMBLY, COMPLETE |
| 35 | 10-22486 | | 1 | SCREW, COIL MOUNTING BRACKET (7/8") |
| 36 | 13-26992 | | 1 | LOCKWASHER, COIL MOUNTING BRACKET |
| 37 | 10-37561 | | 2 | SCREW, COIL MOUNTING BRACKET (2 1/2") |
| 38 | 11-46887 | | 2 | NUT, COIL MOUNTING BRACKET SCREW |

DISTRIBUTOR ADAPTOR AND VERTICAL LINKAGE

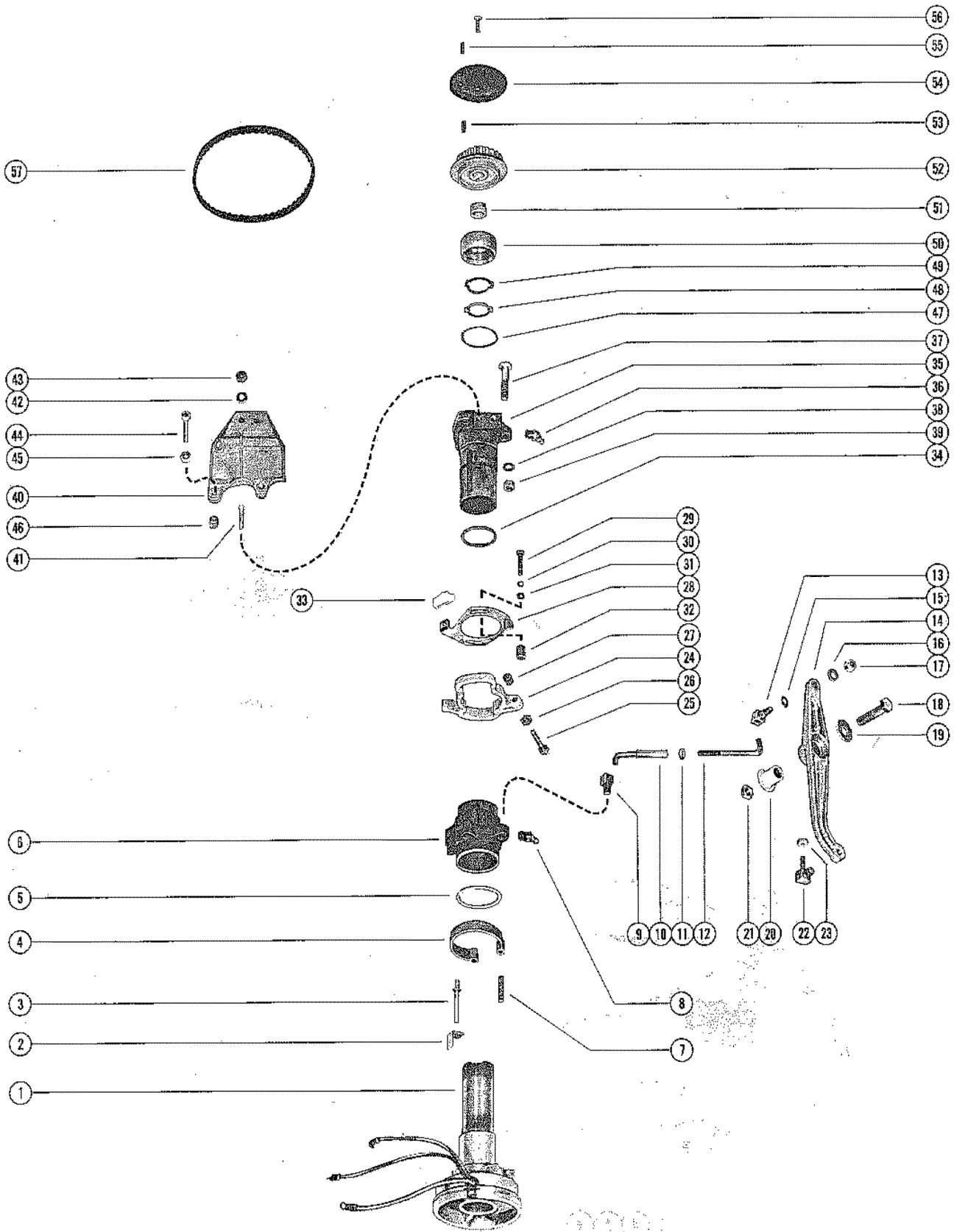


DISTRIBUTOR ADAPTOR AND VERTICAL LINKAGE

| REF. NO. | PART NO. | SYM. | QTY. | DESCRIPTION |
|----------|------------|------|------|--|
| 1 | 393-3736A3 | | 1 | HOUSING ASSEMBLY, DISTRIBUTOR |
| 2 | 32197 | | 1 | STOP, SPARK ADVANCE - DISTRIBUTOR HOUSING |
| 3 | 17-27962 | | 1 | PIN, ANCHOR SPRING - DISTRIBUTOR HOUSING |
| 4 | 24-27944 | | 1 | SPRING, HORSESHOE - DISTRIBUTOR HOUSING |
| 5 | 12-53540 | | 1 | WASHER, ECONOMIZER COLLAR - DISTRIBUTOR HOUSING |
| 6 | 30580A1 | | 1 | ECONOMIZER COLLAR ASSEMBLY |
| 7 | 17-27961 | | 1 | PIN, ECONOMIZER COLLAR - SPRING RETAINER |
| 8 | 22-25094 | | 1 | FITTING , GREASE - ECONOMIZER COLLAR |
| 9 | 27947 | | 1 | SWIVEL, LINKAGE - ECONOMIZER COLLAR |
| 10 | 25996A1 | | 1 | SWIVEL AND LINK ROD ASSEMBLY |
| 11 | 11-25168 | | 1 | NUT, UPPER LINK ROD ADJUSTING |
| 12 | 37588 | | 1 | ROD, LINK - UPPER |
| 13 | 27948 | | 1 | SWIVEL, UPPER LINK ROD TO THROTTLE CONTROL LEVER |
| 14 | 48856 | | 1 | LEVER, THROTTLE CONTROL |
| 15 | 13-25806 | | 1 | WASHER, WAVE -THROTTLE CONTROL LEVER SWIVEL |
| 16 | 12-29245 | | 1 | WASHER THROTTLE CONTROL LEVER SWIVEL |
| 17 | 11-20361 | | 1 | NUT, UPPER LINK ROD TO THROTTLE CONTROL LEVER |
| 18 | 10-37559 | | 1 | SCREW, THROTTLE LEVER TO EXHAUST COVER (1 3/4") |
| 19 | 12-29395 | | 1 | WASHER, THROTTLE CONTROL LEVER SCREW |
| 20 | 23-45818 | | 1 | BUSHING, THROTTLE CONTROL LEVER SCREW |
| 21 | 11-20509 | | 1 | NUT, THROTTLE CONTROL LEVER SCREW |
| 22 | 37587 | | 1 | SWIVEL, LOWER - THROTTLE CONTROL LEVER TO THROTTLE CABLE |
| 23 | 11-20361 | | 1 | NUT, THROTTLE CABLE TO LOWER SWIVEL |
| 24 | 48692 | | 1 | COLLAR, THROTTLE ACTUATOR |
| 25 | 10-48675 | | 1 | SCREW, ADJUSTING - THROTTLE ACTUATOR COLLAR (1 1/2") |
| 26 | 11-20890 | | 1 | NUT, THROTTLE ACTUATOR COLLAR ADJUSTING SCREW |
| 27 | 52023 | | 1 | CAP, NYLON - THROTTLE ACTUATOR COLLAR ADJUSTING SCREW |
| 28 | 48671 | | 1 | PLATE, THROTTLE ACTUATOR |
| 29 | 10-37892 | | 2 | SCREW, THROTTLE ACTUATOR PLATE TO ECONOMIZER COLLAR (1") |
| 30 | 12-20128 | | 2 | WASHER, THROTTLE ACTUATOR PLATE FASTENING SCREW |
| 31 | 13-26996 | | 2 | LOCKWASHER, THROTTLE ACTUATOR PLATE FASTENING SCREW |
| 32 | 23-48674 | | 2 | SPACER, THROTTLE ACTUATOR PLATE SCREW |
| 33 | 54239 | | 1 | CAM, THROTTLE ACTUATOR PLATE |
| 34 | 12-46246 | | 1 | WASHER, ADAPTOR - DISTRIBUTOR HOUSING |
| 35 | 48666A1 | | 1 | ADAPTOR ASSEMBLY, DISTRIBUTOR |
| 36 | 22-25094 | | 1 | FITTING, GREASE - DISTRIBUTOR ADAPTOR |
| 37 | 10-22040 | | 3 | SCREW, DISTRIBUTOR HOUSING TO CRANKCASE (1 1/2") |
| 38 | 12-20084 | | 3 | WASHER, DISTRIBUTOR HOUSING SCREW |
| 39 | 11-20083 | | 3 | NUT, DISTRIBUTOR HOUSING SCREW |
| 40 | 30585 | | 1 | BRACKET, STOP |

CONTINUED ON NEXT PAGE ➡

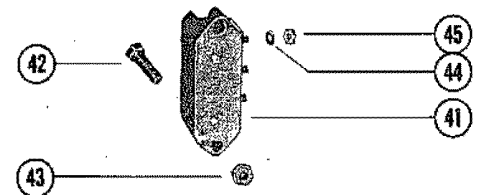
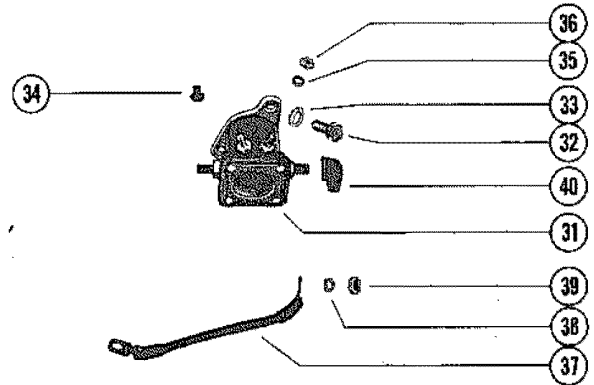
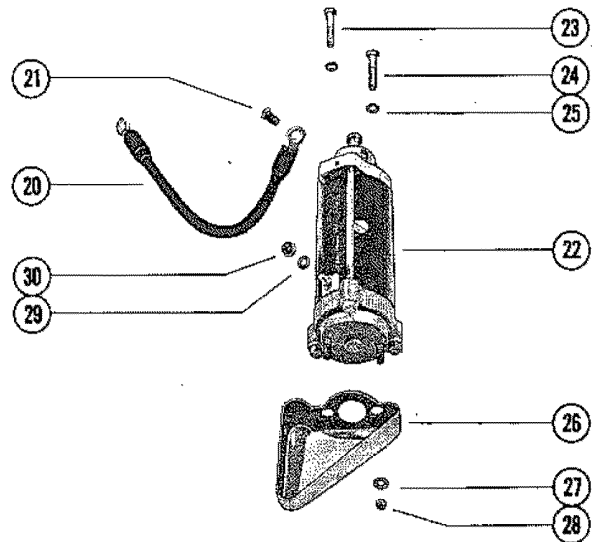
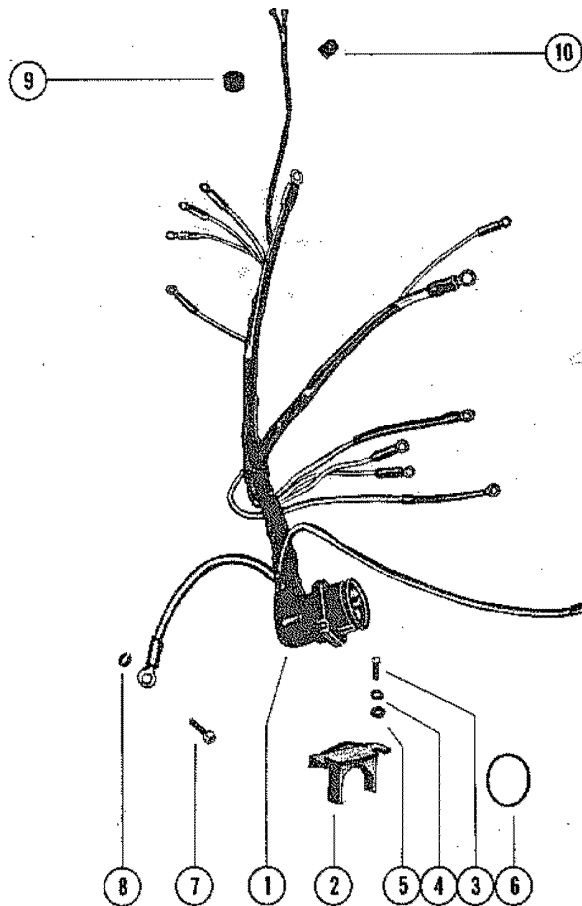
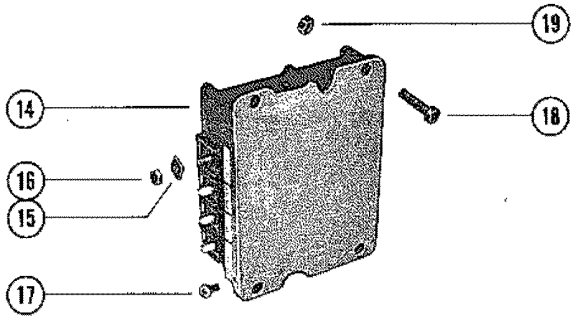
DISTRIBUTOR ADAPTOR AND VERTICAL LINKAGE



DISTRIBUTOR ADAPTOR AND VERTICAL LINKAGE

| REF. NO. | PART NO. | SYM. | QTY. | DESCRIPTION |
|----------|----------|------|------|---|
| 41 | 16-20956 | | 2 | STUD, DISTRIBUTOR ADAPTOR TO STOP BRACKET |
| 42 | 12-24662 | | 2 | WASHER, STOP BRACKET FASTENING STUD |
| 43 | 11-20586 | | 2 | NUT, STOP BRACKET FASTENING STUD |
| 44 | 10-24228 | | 3 | SCREW, STOP BRACKET ADJUSTING (1 7/8") |
| 45 | 11-20890 | | 3 | NUT, STOP BRACKET ADJUSTING SCREW |
| 46 | 52023 | | 3 | CAP, NYLON - STOP BRACKET ADJUSTING SCREW |
| 47 | 12-27939 | | 1 | WASHER, DISTRIBUTOR HOUSING |
| 48 | 14-27960 | | 1 | TAB WASHER, ADAPTOR CAP FASTENING |
| 49 | 13-27959 | | 1 | WASHER, WAVE - DISTRIBUTOR BALL BEARING TENSION |
| 50 | 54567 | | 1 | CAP, DISTRIBUTOR HOUSING |
| 51 | 23-47250 | | 1 | SPACER, DRIVE PULLEY |
| 52 | 29906A1 | | 1 | DRIVEN PULLEY ASSEMBLY |
| 53 | 17-29908 | | 1 | PIN, ROLL - FLANGE LOCATING |
| 54 | 29907 | | 1 | FLANGE, DRIVEN PULLEY |
| 55 | 28-29910 | | 1 | KEY, DISTRIBUTOR DRIVER |
| 56 | 10-49989 | | 1 | SCREW, PULLEY CLAMPING SCREW |
| 57 | 20140 | | 1 | BELT, TIMING |

STARTER MOTOR, STARTER SOLENOID, RECTIFIER AND WIRING HARNESS

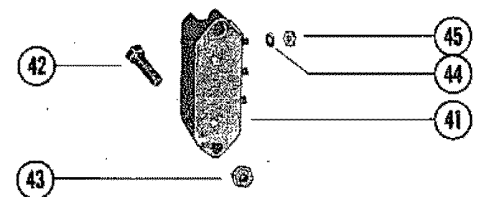
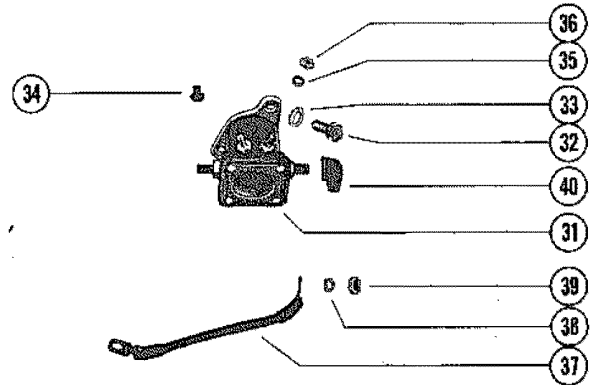
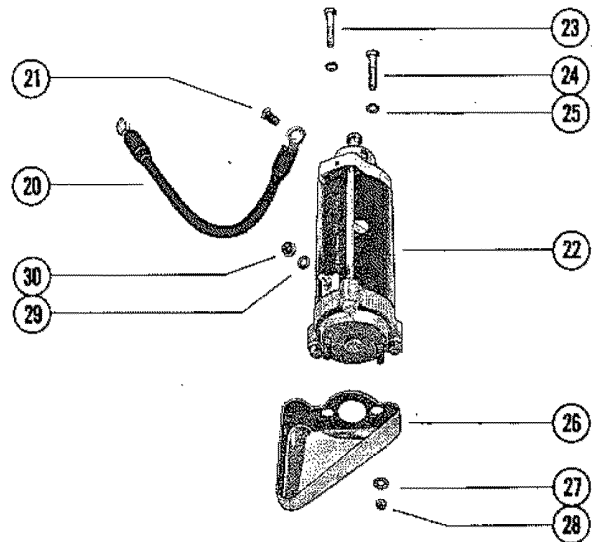
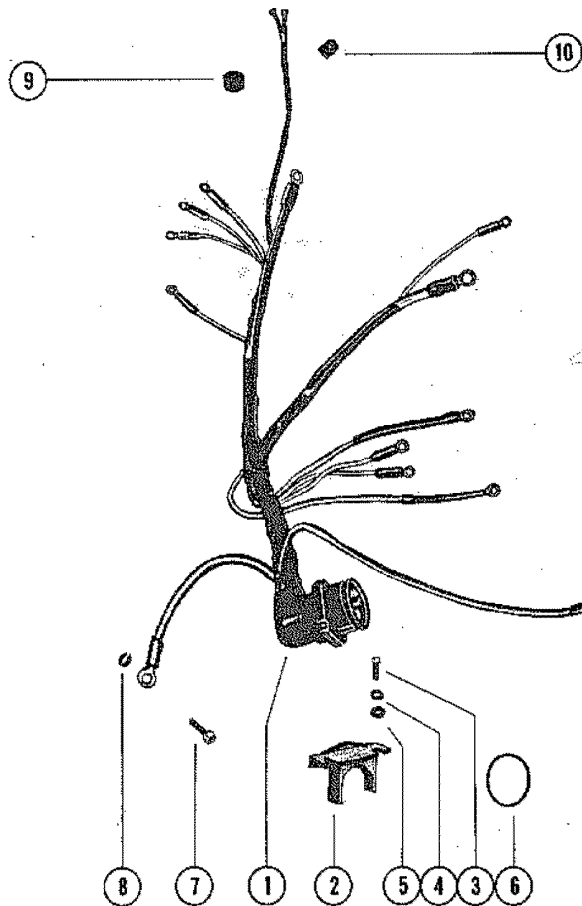
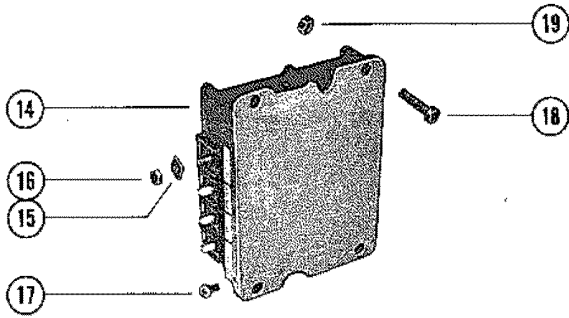


STARTER MOTOR, STARTER SOLENOID, RECTIFIER AND WIRING HARNES

| REF. NO. | PART NO. | SYM. | QTY. | DESCRIPTION |
|----------|------------|------|------|--|
| 1 | 52769 | | 1 | WIRING HARNESS, INTERNAL |
| 2 | 54-52876 | | 1 | CLAMP, WIRING HARNESS TO BOTTOM COWL |
| 3 | 10-45862 | | 2 | SCREW, WIRING HARNESS CLAMP TO BOTTOM COWL (7/8") |
| 4 | 13-26996 | | 2 | LOCKWASHER, WIRING HARNESS CLAMP SCREW |
| 5 | 12-20128 | | 2 | WASHER, WIRING HARNESS CLAMP SCREW |
| 6 | 24-28975 | | 1 | SPRING, GARTER - INTERNAL WIRING HARNESS |
| 7 | 10-20776 | | 1 | SCREW, GROUND WIRE TO BOTTOM COWL (1/2") |
| 8 | 13-24669 | | 1 | LOCKWASHER, GROUND WIRE SCREW |
| 9 | 25-26547 | | 1 | GROMMET, RECTIFIER TO SWITCH BOX WIRE |
| 10 | 54-26538 | | 1 | CLIP, WIRING HARNESS TO FRONT BRACKET (1/8") |
| 11 | 45559 | | 1 | TERMINAL BLOCK, STATOR LEADS |
| 12 | 10-48409 | | 2 | SCREW, TERMINAL BLOCK FASTENING (5/8") |
| 13 | 10-30663 | | 2 | SCREW, STATOR LEADS TO TERMINAL BLOCK (3/8") |
| 14 | 332-2986A9 | | 1 | SWITCH BOX ASSEMBLY (MERC 1000BP) |
| | 332-2986A7 | | 1 | SWITCH BOX ASSEMBLY (MERC 1250BP) |
| 15 | 12-45075 | | 7 | WASHER, SWITCH BOX TERMINAL |
| 16 | 11-45076 | | 7 | NUT, SWITCH BOX TERMINAL |
| 17 | 10-45218 | | 1 | SCREW, SWITCH BOX (3/8") |
| 18 | 10-24866 | | 4 | SCREW, SWITCH BOX TO FRONT MOUNTING BRACKET (1") |
| 19 | 11-46887 | | 4 | NUT, SWITCH BOX SCREW |
| 20 | 25596 | | 1 | CABLE, WIRE - STARTER MOTOR TO FRONT SUPPORT BRACKET |
| 21 | 10-29197 | | 1 | SCREW, WIRE CABLE TO STARTER MOTOR |
| 22 | 50-55304A1 | | 1 | STARTER MOTOR ASSEMBLY (SEE E14 FOR BREAKDOWN) |
| 23 | 10-20362 | | 1 | SCREW, STARTER MOTOR TO CRANKCASE FLANGE (1 1/2") |
| 24 | 10-31984 | | 1 | SCREW, STARTER MOTOR TO CRANKCASE FLANGE (1 3/8") |
| 25 | 13-26993 | | 2 | LOCKWASHER, STARTER MOTOR SCREW |
| 26 | 53507 | | 1 | BRACKET, STARTER MOTOR SUPPORT |
| 27 | 12-20103 | | 2 | WASHER, STARTER MOTOR MOUNTING STUD |
| 28 | 11-35814 | | 2 | NUT, STARTER MOTOR MOUNTING STUD |
| 29 | 13-26992 | | 1 | LOCKWASHER, STARTER MOTOR TERMINAL |
| 30 | 11-20890 | | 1 | NUT, STARTER MOTOR TERMINAL |
| 31 | 25661 | | 1 | SOLENOID, STARTER |
| 32 | 10-2125 | | 2 | SCREW, SOLENOID TO COIL BRACKET (3/4") |
| 33 | 13-26992 | | 2 | LOCKWASHER, STARTER SOLENOID FASTENING SCREW |
| 34 | 26901 | | 1 | BUMPER, RUBBER - STARTER SOLENOID |
| 35 | 13-26996 | | 2 | LOCKWASTER, SOLENOID TERMINAL (#10) |
| 36 | 11-20645 | | 2 | NUT, SOLENOID TERMINAL (#10) |
| 37 | 48396 | | 1 | CABLE, WIRE - STARTER MOTOR TO SOLENOID |
| 38 | 13-26993 | | 2 | LOCKWASHER, SOLENOID TERMINAL (5/16") |
| 39 | 11-20083 | | 2 | NUT, SOLENOID TERMINAL (5/16") |
| 40 | 46265 | | 1 | BOOT, SOLENOID TERMINAL |

CONTINUED ON NEXT PAGE ➡

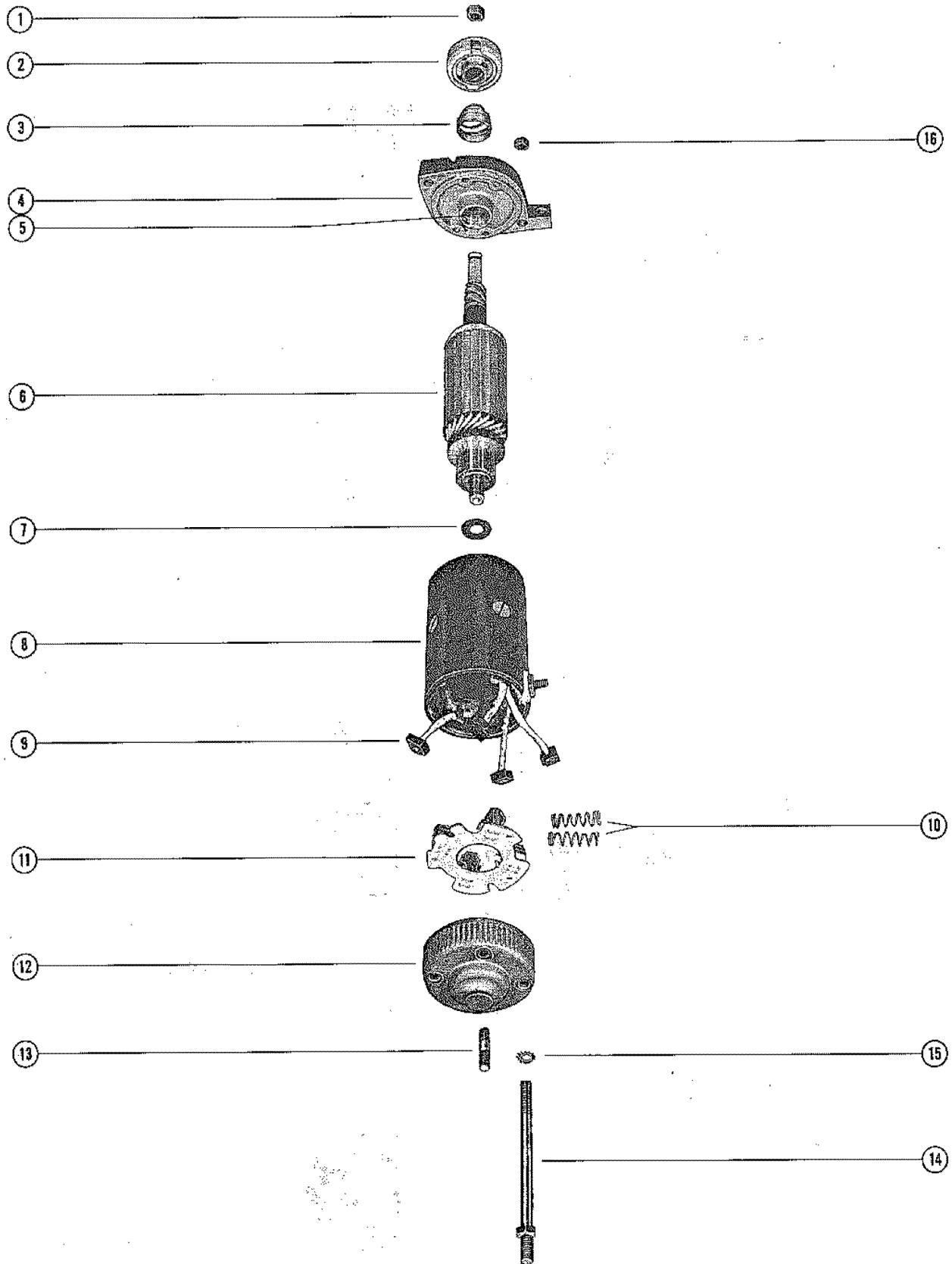
STARTER MOTOR, STARTER SOLENOID, RECTIFIER AND WIRING HARNESS



STARTER MOTOR, STARTER SOLENOID, RECTIFIER AND WIRING HARNES

| REF. NO. | PART NO. | SYM. | QTY. | DESCRIPTION |
|----------|------------|------|------|---|
| 41 | 332-2910A3 | | 1 | RECTIFIER ASSEMBLY |
| 42 | 10-31294 | | 2 | SCREW, RECTIFIER TO MOUNTING BRACTER (1") |
| 43 | 11-46887 | | 2 | NUT, RECTIFIER MOUNTING SCREW |
| 44 | 12-45075 | | 3 | WASHER, RECTIFIER STATOR LEAD TERMINAL |
| 45 | 11-45076 | | 3 | NUT, FASTENING - RECTIFIER STATOR LEADS |

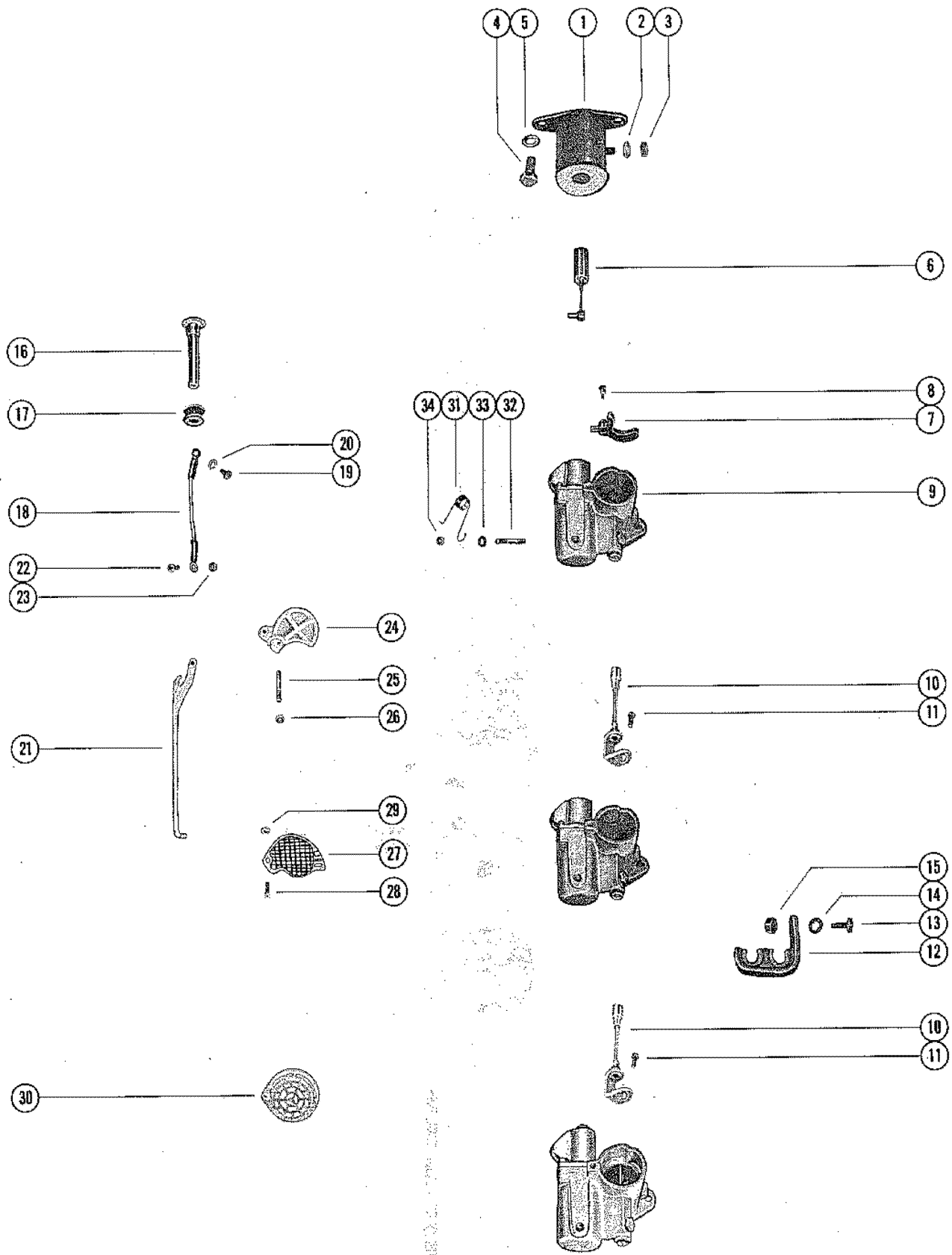
STARTER MOTOR ASSEMBLY



STARTER MOTOR ASSEMBLY

| REF. NO. | PART NO. | SYM. | QTY. | DESCRIPTION |
|----------|-------------------|------|----------|--|
| - | 50-55304A1 | | 1 | STARTER MOTOR ASSEMBLY, COMPLETE (PRESTOLITE) |
| 1 | 11-35053 | | 1 | NUT, PINION STOP COLLAR |
| 2 | 32406 | | 1 | MOTOR DRIVE |
| 3 | 24-32407 | | 1 | SPRING, TENSION - MOTOR DRIVE |
| 4 | 392-3693 | | 1 | PLATE ASSEMBLY, DRIVE END |
| 5 | 392-2518 | | 1 | BUSHING, DRIVE END PLATE |
| 6 | 392-3906 | | 1 | ARMATURE |
| 7 | 392-2523 | | 1 | PACKAGE, ARMATURE THRUST WASHER |
| 8 | 392-3407 | | 1 | FRAME AND FIELD ASSEMBLY |
| 9 | 392-2521 | | 1 | BRUSH AND TERMINAL SET |
| 10 | 392-2514 | | 2 | SPRING SET, BRUSH (2 SPRINGS PER SET) |
| 11 | 392-2519 | | 1 | BRUSH PLATE AND HOLDER ASSEMBLY |
| 12 | 392-3692 | | 1 | END CAP ASSEMBLY, COMMUTATOR |
| - | 392-2516 | | 1 | BUSHING, COMMUTATOR END CAP |
| 13 | 16-35099 | | 2 | STUD, STARTER MOTOR MOUNTING (1 3/16") |
| 14 | 392-3694 | | 3 | BOLT, THRU - END CAP TO END PLATE (5/16 -13) |
| 15 | 13-26993 | | 3 | LOCKWASHER, THRU BOLT |
| 16 | 11-35814 | | 3 | NUT, THRU BOLT |

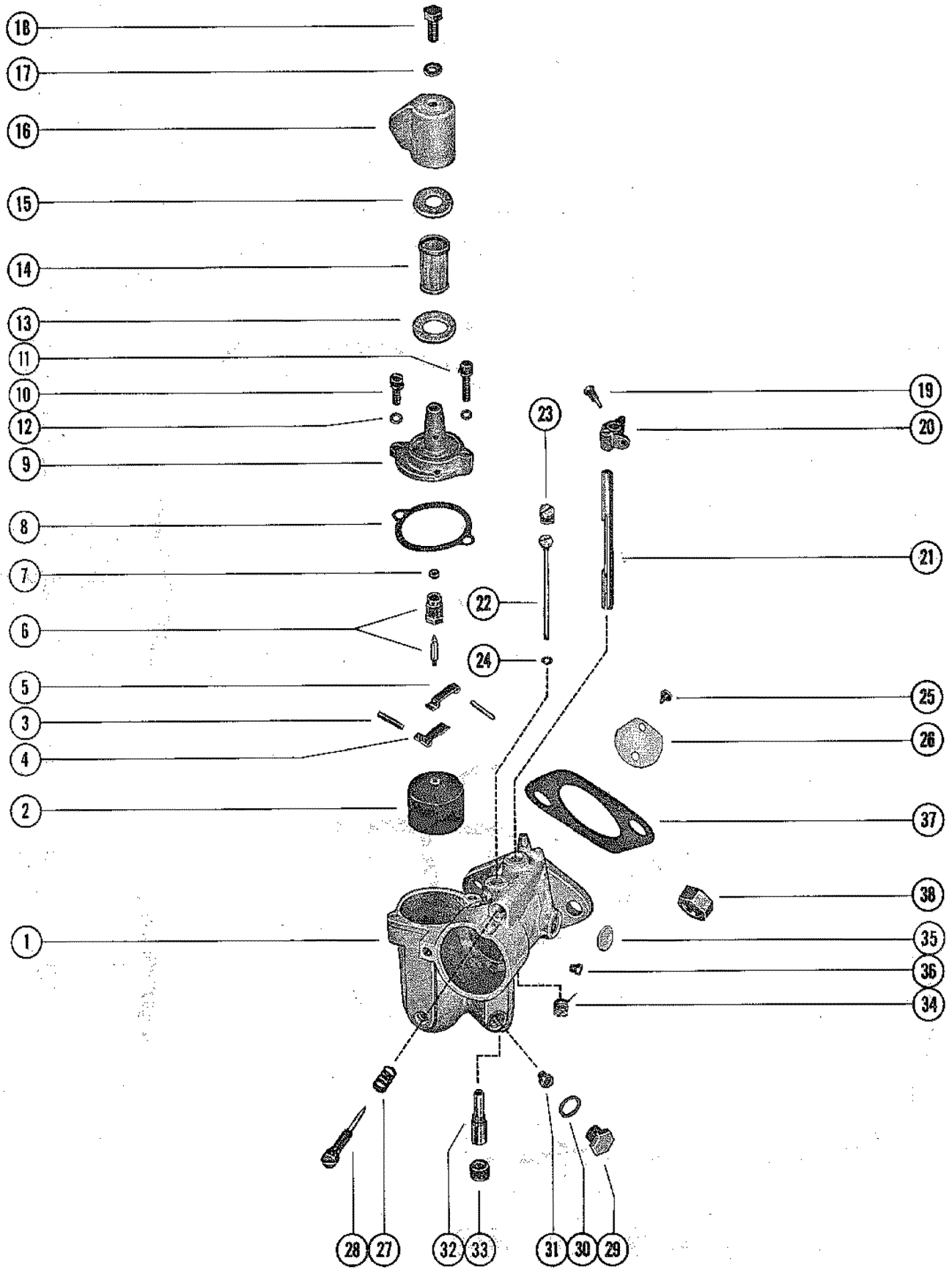
CARBURETOR LINKAGE AND CHOKE SOLENOID



CARBURETOR LINKAGE AND CHOKE SOLENOID

| REF. NO. | PART NO. | SYM. | QTY. | DESCRIPTION |
|----------|-----------|------|------|--|
| 1 | 48187 | | 1 | CHOKE SOLENOID |
| 2 | 13-26996 | | 1 | LOCKWASHER, SOLENOID TERMINAL |
| 3 | 11-20645 | | 1 | NUT, SOLENOID TERMINAL |
| 4 | 10-25299 | | 2 | SCREW, CHOKE SOLENOID (3/4") |
| 5 | 13-26993 | | 2 | LOCKWASHER, CHOKE SOLENOID SCREW |
| 6 | 48315A2 | | 1 | PLUNGER AND LINK ASSEMBLY, CHOKE SOLENOID |
| 7 | 52518 | | 1 | CLUSTER, THROTTLE LEVER (UPPER CARBURETOR) |
| 8 | 10-20847 | | 1 | SCREW, CLUSTER TO THROTTLE LEVER |
| 9 | 1354-3857 | | 3 | CARBURETOR ASSEMBLY, COMPLETE (KD-3A) |
| 10 | 53720A2 | | 2 | THROTTLE PICK-UP BRACKET ASSEMBLY |
| 11 | 10-53651 | | 2 | SCREW, THROTTLE BRACKET MOUNTING (1/2") |
| 12 | 46280 | | 1 | BRACKET, COIL LEAD RETAINER |
| 13 | 10-31294 | | 1 | SCREW, COIL BRACKET (1") |
| 14 | 12-29245 | | 1 | WASHER, COIL BRACKET SCREW |
| 15 | 11-46887 | | 1 | NUT, COIL BRACKET SCREW |
| 16 | 22496 | | 1 | KNOB, CHOKE ROD |
| 17 | 25-20116 | | 1 | GROMMET, CHOKE ROD |
| 18 | 49589 | | 1 | STRAP, CHOKE KNOB TO CHOKE ROD |
| 19 | 10-48591 | | 1 | SCREW, STRAP TO CHOKE KNOB (1/2") |
| 20 | 13-26996 | | 1 | LOCKWASHER, STRAP SCREW |
| 21 | 48203 | | 1 | ROD, CHOKE |
| 22 | 10-48591 | | 1 | SCREW, STRAP TO CHOKE ROD (1/2") |
| 23 | 11-20565 | | 1 | NUT, STRAP TO CHOKE ROD SCREW |
| 24 | 48152 | | 2 | SHUTTER, CHOKE - CARBURETOR |
| 25 | 16-52898 | | 3 | STUD, CARBURETOR - CHOKE SHUTTER PIVOT |
| 26 | 11-20110 | | 3 | NUT, CHOKE SHUTTER TO CARBURETOR STUD |
| 27 | 35-52900 | | 2 | SCREEN, FILTER - CARBURETOR (MIDDLE AND TOP) |
| 28 | 10-22523 | | 2 | SCREW, CARBURETOR FILTER SCREEN TO CARBURETOR (3/4") |
| 29 | 11-20110 | | 2 | NUT, CARBURETOR FILTER SCREEN FASTENING SCREW |
| 30 | 35-48406 | | 1 | SCREEN, FILTER - CARBURETOR (LOWER) |
| 31 | 24-48230 | | 1 | SPRING, CHOKE ROD TENSION |
| 32 | 16-39937 | | 1 | STUD, CHOKE ROD SPRING TO CARBURETOR |
| 33 | 23-32427 | | 1 | SPACER, CHOKE ROD SPRING STUD |
| 34 | 11-46887 | | 1 | NUT, CHOKE ROD SPRING TO CARBURETOR STUD |

CARBURETOR ASSEMBLY

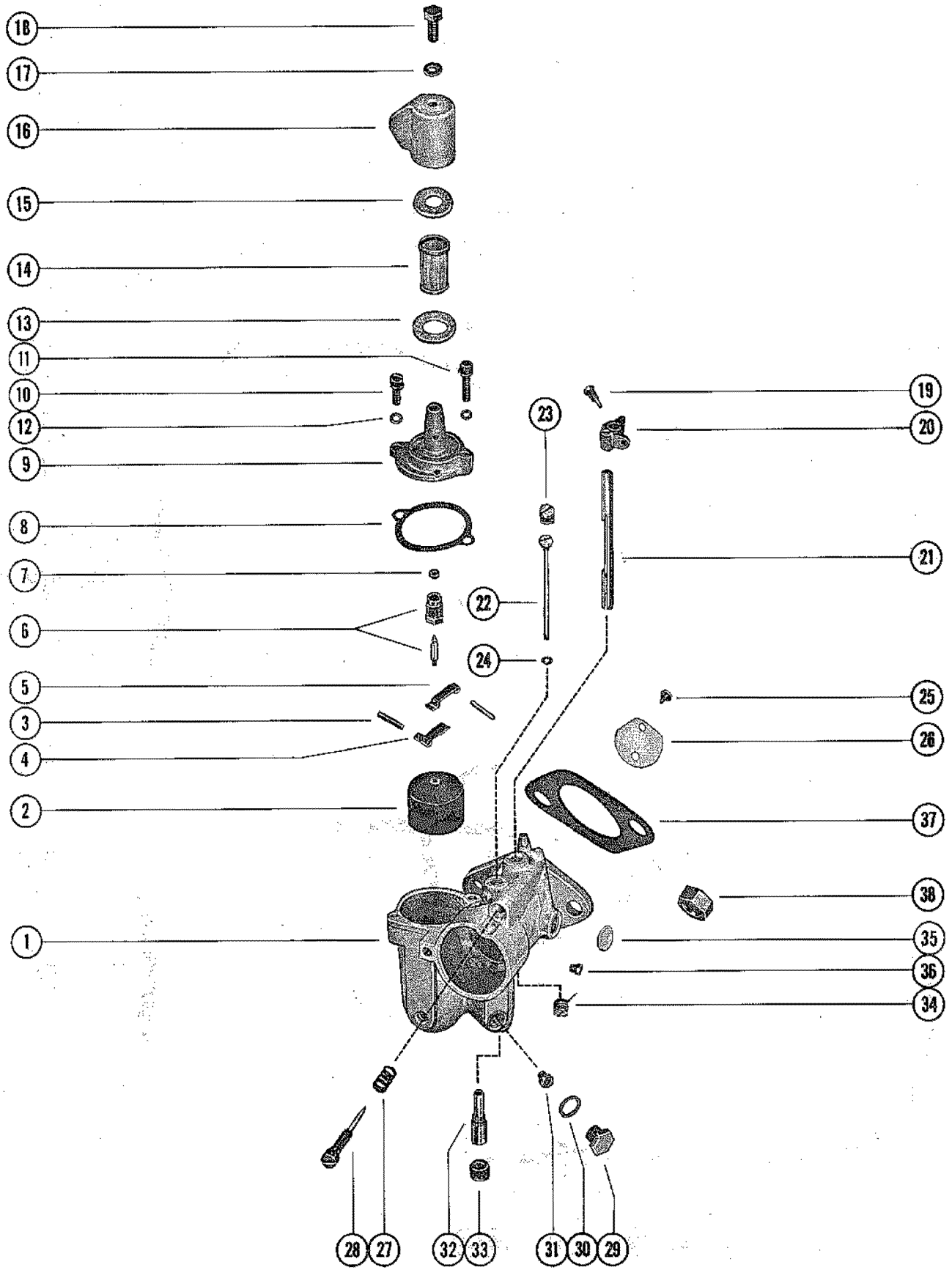


CARBURETOR ASSEMBLY

| REF. NO. | PART NO. | SYM. | QTY. | DESCRIPTION |
|----------|------------|------|------|---|
| 1 | 1354-3857 | | 3 | CARBURETOR ASSEMBLY, COMPLETE (KD-3A) |
| 2 | 1399-110A1 | | 3 | FLOAT ASSEMBLY |
| 3 | | | 6 | PIN, FLOAT LEVER PINION |
| 4 | | | 3 | LEVER, FLOAT (LOWER) |
| 5 | | | 3 | LEVER, FLOAT (UPPER) |
| 6 | 1399-1473 | | 3 | INLET NEEDLE, SEAT AND GASKET |
| 7 | | | 3 | GASKET, INLET SEAT |
| 8 | | | 3 | GASKET, FLOAT BOWL COVER |
| 9 | 1399-1133 | | 3 | COVER, FLOAT BOWL |
| 10 | 10-52195 | | 3 | SCREW, FLOAT BOWL COVER (SHORT) |
| 11 | 10-52196 | | 3 | SCREW, FLOAT BOWL COVER (LONG) |
| 12 | 13-52194 | | 6 | LOCKWASHER, FLOAT BOWL COVER SCREW |
| 13 | | | 3 | GASKET, STRAINER COVER (LARGE) |
| 14 | 1399-3938 | | 3 | SCREEN, FILTER |
| 15 | | | 3 | GASKET, STRAINER COVER (SMALL) |
| 16 | 1399-1930 | | 3 | COVER, STRAINER |
| 17 | | | 3 | GASKET, STRAINER COVER SCREW |
| 18 | 10-25822 | | 3 | SCREW, STRAINER COVER FASTENING |
| 19 | 10-20847 | | 3 | SCREW, THROTTLE STOP LEVER |
| 20 | 1399-97 | | 3 | LEVER, THROTTLE STOP USED ON CENTER AND LOWER CARBURETOR ONLY--REPLACED WITH A-27977 CLUSTER ON UPPER CARBURETOR |
| 21 | 1399-3527 | | 3 | SHAFT, THROTTLE |
| 22 | | | 3 | TUBE, IDLE |
| | | | 3 | TUBE, IDLE |
| 23 | 10-23178 | | 3 | SCREW, BODY (IDLE TUBE) |
| 24 | | | 3 | GASKET, IDLE TUBE |
| 25 | | | 6 | SCREW AND LOCKWASHER, THROTTLE SHUTTER |
| 26 | 1399-3528 | | 3 | SHUTTER, THROTTLE |
| 27 | | | 3 | SPRING, IDLE ADJUSTMENT SCREW |
| 28 | 1399-3515 | | 3 | SCREW, IDLE ADJUSTMENT |
| 29 | 10-28405 | | 3 | SCREW, PLUG - MAIN FUEL JET CHANNEL |
| 30 | | | 3 | GASKET, JET CHANNEL PLUG SCREW |
| 31 | 1399-3520 | | OPT. | JET, MAIN FUEL (.0785) |
| | 1399-3796 | | 3 | JET, MAIN FUEL (.076) - STANDARD |
| | 1399-3794 | | OPT. | JET, MAIN FUEL (.074) |
| | 1399-3795 | | OPT. | JET, MAIN FUEL (.072) |
| 32 | | | 3 | NOZZLE, MAIN |
| 33 | 1399-3522 | | 3 | SCREW, PLUG - MAIN NOZZLE |
| 34 | | | 2 | SPRING, THROTTLE SHAFT RETURN CENTER AND LOWER CARBURETOR |
| | | | 1 | SPRING, THROTTLE SHAFT RETURN (UPPER CARBURETOR) |
| 35 | | | 3 | WELCH PLUG, BODY CHANNEL |

CONTINUED ON NEXT PAGE ➡

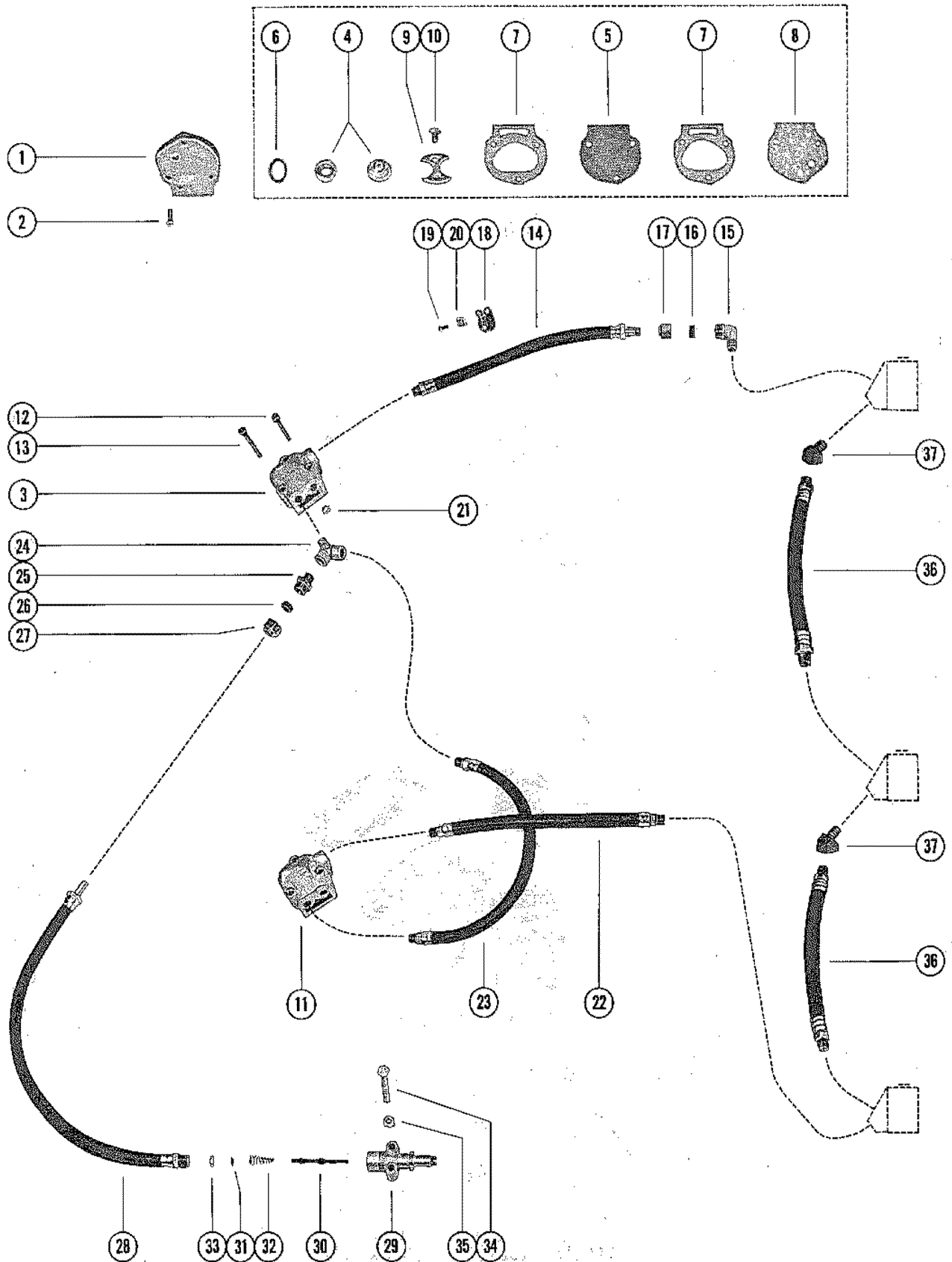
CARBURETOR ASSEMBLY



CARBURETOR ASSEMBLY

| REF. NO. | PART NO. | SYM. | QTY. | DESCRIPTION |
|----------|------------------|------|----------|--|
| 36 | 10-23030 | | 3 | SCREW, BODY CHANNEL |
| - | 1399-3523 | | 3 | GASKET AND PACKING SET (1 PER CARBURETOR) |
| - | 1399-3937 | | 3 | REPAIR PARTS KIT (1 PER CARBURETOR) |
| 37 | 27-48164 | | 3 | GASKET, CARBURETOR FLANGE |
| 38 | 11-46793 | | 6 | NUT, CARBURETOR MOUNTING STUD |

FUEL PUMP AND FUEL LINE ASSEMBLY

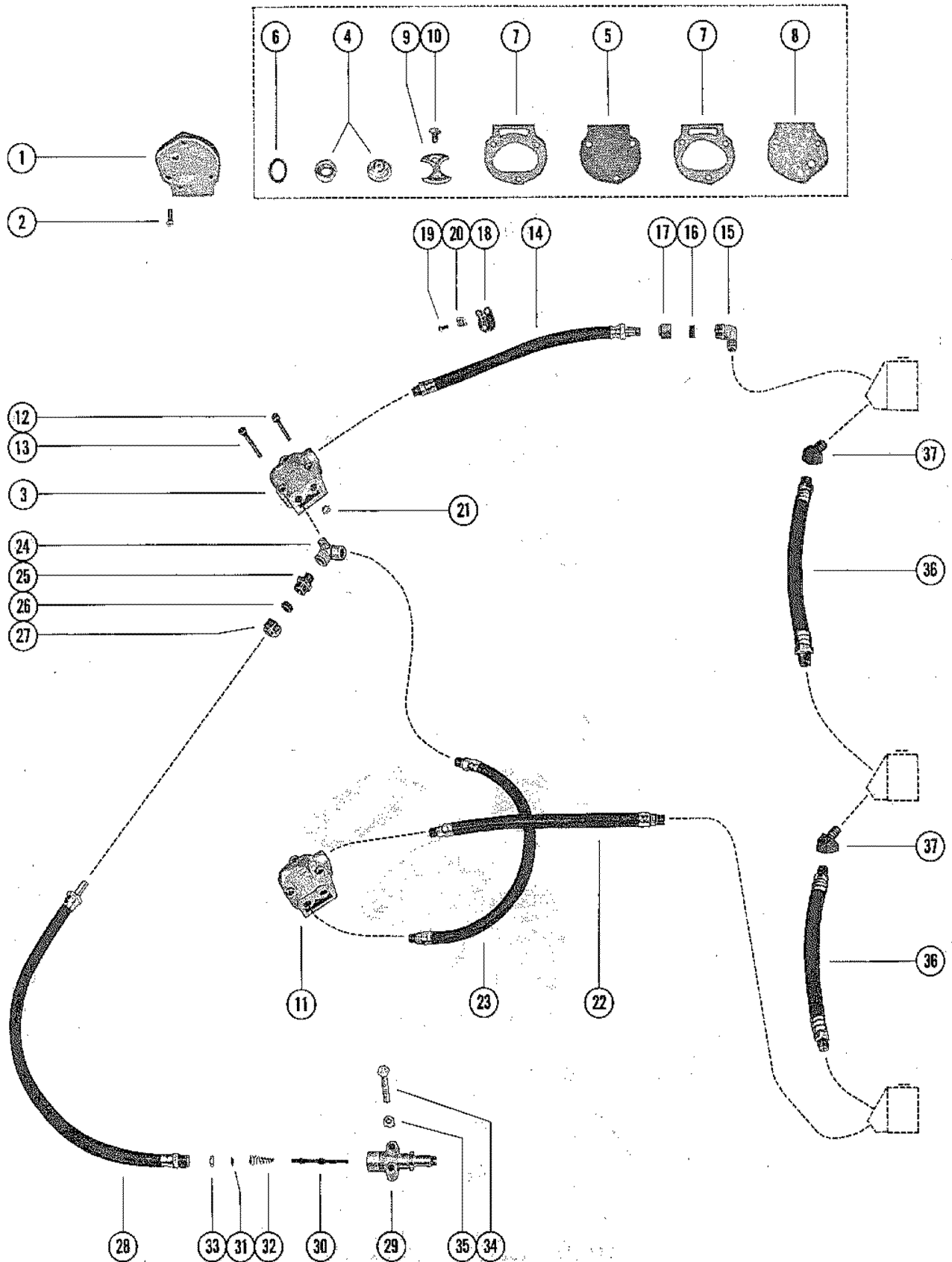


FUEL PUMP AND FUEL LINE ASSEMBLY

| REF. NO. | PART NO. | SYM. | QTY. | DESCRIPTION |
|----------|------------|------|------|---|
| 1 | 26083 | | 1 | COVER, FUEL PUMP MOUNT |
| 2 | 10-28711 | | 3 | SCREW,COVER ATTACHING |
| 3 | 53123A4 | | 1 | FUEL PUMP ASSEMBLY - UPPER |
| 4 | 21-30430A1 | | 1 | CHECK VALVE ASSEMBLY |
| 5 | 23014A1 | | 1 | DIAPHRAGM KIT |
| 6 | | | 2 | GASKET, CHECK VALVE TO HOUSING |
| 7 | | | 2 | GASKET, FUEL PUMP |
| 8 | | | 1 | GASKET, FUEL PUMP COVER |
| 9 | 23004 | | 1 | RETAINER,CHECK VALVE |
| 10 | 10-20037 | | 2 | SCREW, RETAINER TO HOUSING |
| 11 | 54817A3 | | 1 | FUEL PUMP ASSEMBLY - LOWER |
| 4 | 21-30430A1 | | 1 | CHECK VALVE ASSEMBLY |
| 5 | 23014A1 | | 1 | DIAPHRAGM KIT |
| 6 | | | 2 | GASKET, CHECK VALVE TO HOUSING |
| 7 | | | 2 | GASKET, FUEL PUMP |
| 8 | | | 1 | GASKET, FUEL PUMP COVER |
| 9 | 23004 | | 1 | RETAINER, CHECK VALVE |
| 10 | 10-20037 | | 2 | SCREW, RETAINER TO HOUSING |
| 12 | 10-38036 | | 2 | SCREW, FUEL PUMP MOUNTING (1 1/2") |
| 13 | 10-30273 | | 4 | SCREW, FUEL PUMP MOUNTING (1 7/8") |
| 14 | 32-32256A1 | | 1 | FUEL LINE ASSEMBLY, PUMP TO CARBURETOR (9 7/8") |
| 15 | 22-30174 | | 1 | ELBOW, UPPER CARBURETOR STRAINER COVER (90) |
| 16 | 22-30175 | | 1 | SLEEVE, CARBURETOR STRAINER COVER ELBOW |
| 17 | 22-30177 | | 1 | NUT, UPPER CARBURETOR STRAINER COVER ELBOW |
| 18 | 54-22627 | | 1 | CLIP, FUEL LINE TO CYLINDER BLOCK |
| 19 | 10-30663 | | 1 | SCREW, FUEL LINE CLIP TO CYLINDER BLOCK (3/8") |
| 20 | 22789 | | 1 | "D" WASHER, FUEL LINE CLIP SCREW |
| 21 | 22-32802 | | 2 | PLUG, PIPE - FUEL PUMP |
| 22 | 32-54739A1 | | 1 | FUEL LINE ASSEMBLY, PUMP TO CARBURETOR |
| 23 | 32-52943A1 | | 1 | FUEL LINE ASSEMBLY, PUMP TO PUMB (14") |
| 24 | 22-54818 | | 1 | "Y" FITTING, UPPER FUEL PUMP |
| 25 | 22-30468 | | 1 | CONNECTOR, "Y" FITTING |
| 26 | 22-30175 | | 1 | SLEEVE, "Y" FITTING CONNECTOR |
| 27 | 22-30177 | | 1 | NUT, "Y" FITTING CONNECTOR |
| 28 | 32-30176 | | 1 | FUEL LINE, ADAPTOR TO LOWER FUEL PUMP (18") |
| 29 | 30186 | | 1 | ADAPTOR, CHECK UNIT (FUEL LINE) |
| 30 | 30187 | | 1 | STEM, CHECK UNIT ADAPTOR |
| 31 | 25-20415 | | 1 | "O" RING, ADAPTOR STEM |
| 32 | 24-30189 | | 1 | SPRING, ADAPTOR STEM |

CONTINUED ON NEXT PAGE ➡

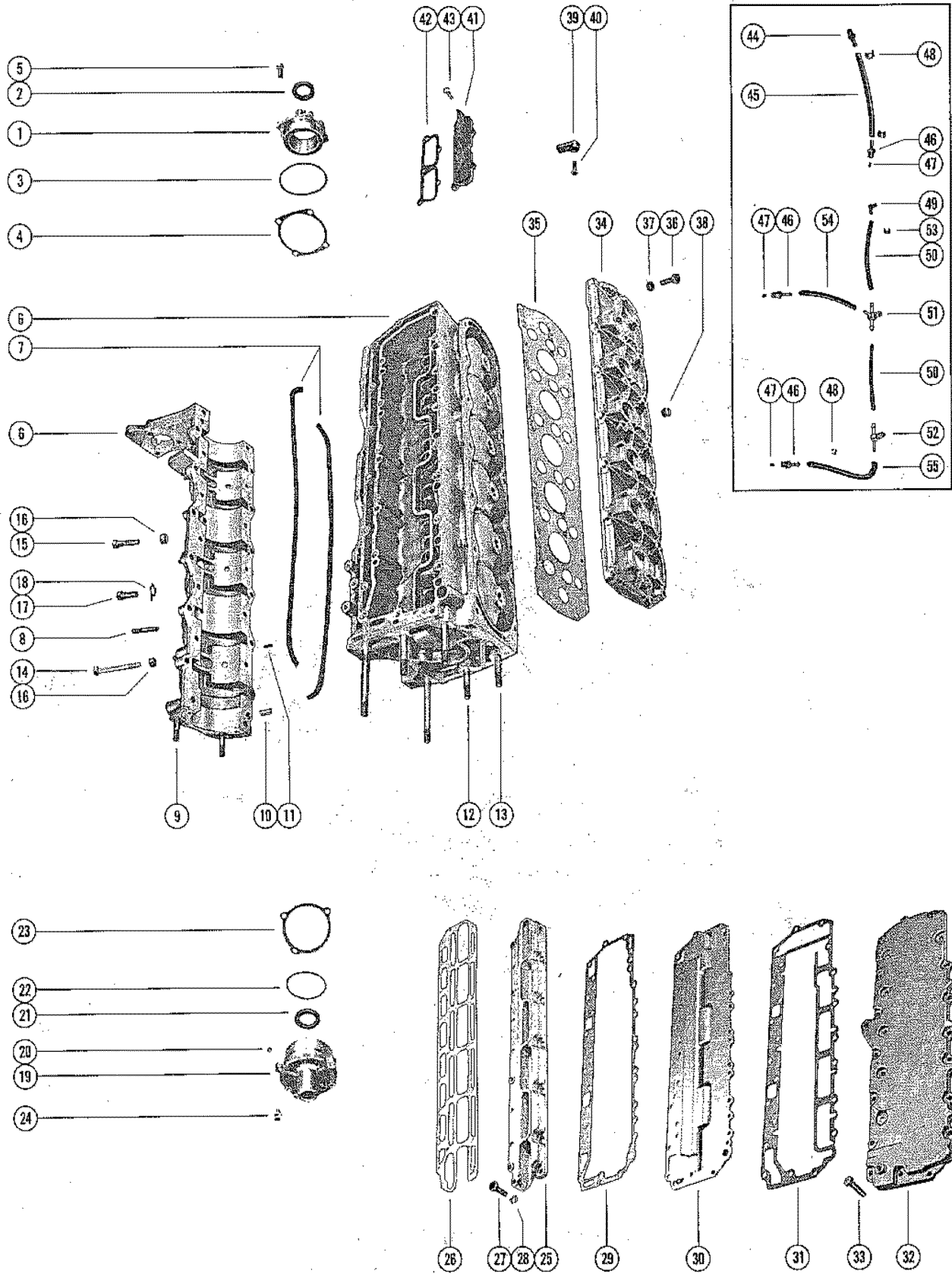
FUEL PUMP AND FUEL LINE ASSEMBLY



FUEL PUMP AND FUEL LINE ASSEMBLY

| REF. NO. | PART NO. | SYM. | QTY. | DESCRIPTION |
|----------|------------|------|------|--|
| 33 | 30188 | | 1 | CUP WASHER, ADAPTOR |
| 34 | 10-37561 | | 2 | SCREW, ADAPTOR TO BOTTOM COWL (2 1/2") |
| 35 | 11-46887 | | 2 | NUT, ADAPTOR FASTENING SCREW |
| 36 | 32-31584A1 | | 2 | FUEL LINE ASSEMBLY, CARBURETOR TO CARBURETOR |
| 37 | 22-29086 | | 2 | ELBOW, FUEL LINE TO CARBURETOR (45) |

CYLINDER BLOCK AND CRANKCASE ASSEMBLY

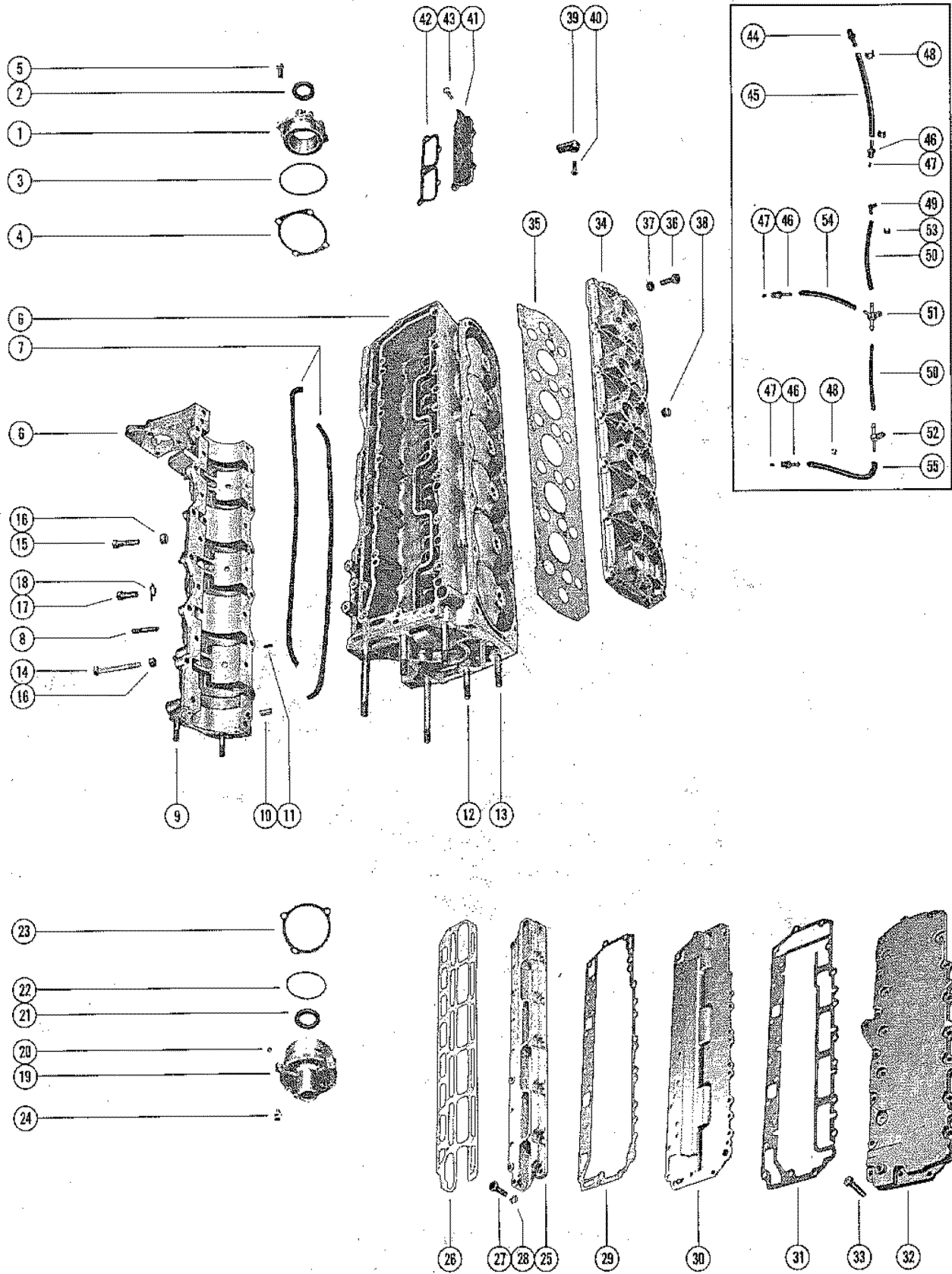


CYLINDER BLOCK AND CRANKCASE ASSEMBLY

| REF. NO. | PART NO. | SYM. | QTY. | DESCRIPTION |
|----------|-----------------|------|----------|---|
| 1 | 1134-3197A1 | | 1 | END CAP ASSEMBLY, UPPER |
| 2 | 26-29476 | | 1 | OIL SEAL |
| 3 | 25-47254 | | 1 | "O" RING |
| 4 | 15-47248A1 | | AR | SHIM, END CAP TO CRANKCASE (.002-3-5-10) |
| 5 | 10-30225 | | 4 | SCREW, END CAP MOUNTING (1") |
| 6 | 846-3762A3 | | 1 | CYLINDER BLOCK AND CRANKCASE ASSEMBLY (MERC 1000BP) NOT AS SHOWN |
| | 846-3754A3 | | 1 | CYLINDER BLOCK AND CRANKCASE ASSEMBLY (MERC 1250BP) NOT AS SHOWN |
| 7 | 27-53862 | | 2 | GASKET, CRANKCASE TO CYLINDER BLOCK |
| 8 | 16-35099 | | 6 | STUD,CARBURETOR MOUNTING (1 3/16") |
| 9 | 16-26133 | | 2 | STUD, CRANKCASE TO DRIVE SHAFT HOUSING (1 7/8") |
| 10 | 17-20033 | | 2 | PIN, DOWEL - CRANKCASE TO CYLINDER BLOCK |
| 11 | 17-20323 | | 3 | PIN, DOWEL - CYLINDER BLOCK TO MAIN BEARING |
| 12 | 16-48770 | | 4 | STUD, CYLINDER BLOCK TO DRIVE SHAFT HOUSING (3 9/16") |
| 13 | 16-48769 | | 2 | STUD, CYLINDER BLOCK TO DRIVE SHAFT HOUSING (2 1/8") |
| | 16-52540 | | 2 | STUD, CYLINDER BLOCK TO DRIVE SHAFT HOUSING (2") |
| 14 | 10-26132 | | 2 | SCREW, CRANKCASE TO CYLINDER BLOCK (2 1/2") |
| 15 | 10-32293 | | 4 | SCREW, CRANKCASE TO CYLINDER BLOCK (1 3/4") |
| - | 12-26825 | | 2 | WASHER, CRANKCASE TO CYLINDER BLOCK SCREW |
| | 10-21574 | | 20 | SCREW, CRANKCASE TO CYLINDER BLOCK (1 5/8") |
| 16 | 11-46793 | | 26 | NUT, CRANKCASE FASTENING SCREW |
| 17 | 10-20359 | | 2 | SCREW, CENTER MAIN BEARING LOCKING |
| 18 | 14-20091 | | 2 | TAB WAHER, BEARING LOCKING SCREW |
| 19 | 1126-3544A2 | | 1 | END CAP ASSEMBLY, LOWER |
| 20 | 21-28481A1 | | 1 | CHECK VALVE ASSEMBLY, END CAP |
| 21 | 26-29476 | | 2 | OIL SEAL, UPPER |
| 22 | 25-20081 | | 1 | "O"RING |
| 23 | 15-20085A1 | | AR | SHIM, END CAP TO CRANKCASE (.002-3-5-10) |
| 24 | 10-30225 | | 3 | SCREW, END CAP MOUNTING (1") |
| 25 | 47230 | | 1 | COVER, WATER JACKET - CYLINDER BLOCK PART OF CYLINDER BLOCK AND CRANKCASE ASSEMBLIES |
| 26 | 27-47228 | | 1 | GASKET, WATER JACKET COVER PART OF CYLINDER BLOCK AND CRANKCASE ASSEMBLIES |
| 27 | 10-53167 | | 23 | SCREW, WATER JACKET COVER TO CYLINDER BLOCK (7/8") PART OF CYLINDER BLOCK AND CRANKCASE ASSEMBLIES |
| 28 | 13-53166 | | 23 | LOCKWASHER, WATER JACKET COVER FASTENING SCREW PART OF CYLINDER BLOCK AND CRANKCASE ASSEMBLIES |
| 29 | 27-55283 | | 1 | GASKET, CYLINDER BLOCK TO BAFFLE PLATE |
| 30 | 55282 | | 1 | PLATE, BAFFLE - EXHAUST MANIFOLD |
| 31 | 27-55284 | | 1 | GASKET, BAFFLE PLATE TO EXHAUST MANIFOLD COVER |
| 32 | 55281 | | 1 | COVER, EXHAUST MANIFOLD |
| 33 | 10-38837 | | 23 | SCREW, MANIFOLD COVER MOUNTING (1 1/8") |

CONTINUED ON NEXT PAGE ➡

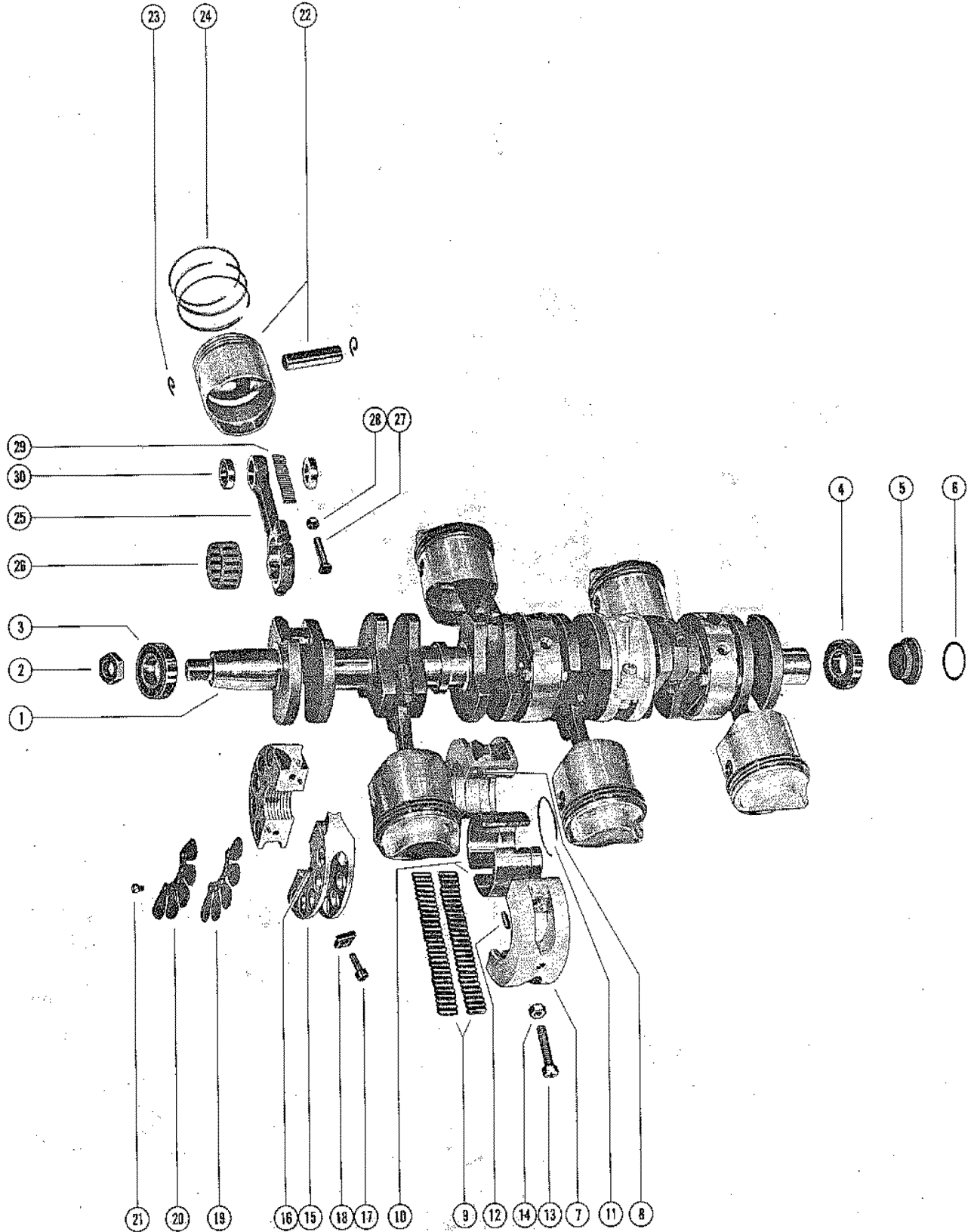
CYLINDER BLOCK AND CRANKCASE ASSEMBLY



CYLINDER BLOCK AND CRANKCASE ASSEMBLY

| REF. NO. | PART NO. | SYM. | QTY. | DESCRIPTION |
|----------|------------|------|------|---|
| 34 | 1023-3755 | | 1 | COVER, CYLINDER BLOCK |
| 35 | 27-53863 | | 1 | GASKET, CYLINDER BLOCK COVER |
| 36 | 10-21091 | | 16 | SCREW, CYLINDER BLOCK COVER MOUNTING (1 1/8") |
| 37 | 11-46887 | | 16 | NUT, COVER MOUNTING SCREW |
| 38 | 22-32802 | | 1 | PLUG, PIPE - CYLINDER BLOCK COVER |
| 39 | 37440 | | 1 | BRACKET, MOUNT SUPPORT - CYLINDER BLOCK |
| 40 | 10-24234 | | 1 | SCREW, BRACKET TO CYLINDER BLOCK (1") |
| 41 | 54804 | | 3 | COVER, TRANSFER PORT |
| 42 | 27-52891 | | 3 | GASKET, TRANSFER PORT COVER |
| 43 | 10-28636 | | 6 | SCREW, TRANSFER PORT COVER MOUNTING (3/4") |
| | 10-53556 | | 18 | SCREW, TRANSFER PORT COVER MOUNTING (1") |
| 44 | 22-20445 | | 1 | CONNECTOR, CYLINDER BLEED HOSE - UPPER |
| 45 | 32-52742A1 | | 1 | HOSE, UPPER CYLINDER BLEED (9 1/2") |
| 46 | 21-28483A1 | | 3 | CHECK VALVE ASSEMBLY BLEED HOSE |
| 47 | 21-28481A1 | | 3 | CHECK VALVE ASSEMBLY |
| 48 | 54-20387 | | 6 | CLAMP, BLEED HOSE TO CONNECTOR |
| 49 | 22-20781 | | 1 | ELBOW, BALANCE TUBE TO MAIN BEARING SCREW |
| 50 | 32-52742A1 | | 1 | HOSE, CENTER CYLINDER BLEED (7 1/2") |
| 51 | 22-53492 | | 1 | TEE, BLEED HOSE TO CYLINDER BLOCK - CENTER |
| 52 | 22-53491 | | 1 | TEE, BLEED HOSE TO CYLINDER BLOCK - LOWER |
| 53 | 54-20386 | | 4 | CLAMP, BALANCE TUBE TO ELBOW AND TEE |
| 54 | 32-34395A1 | | 2 | TUBE, BALANCE - MAIN BEARING |
| 55 | 32-52742A1 | | 1 | HOSE, CYLINDER BLEED - LOWER (8 1/2") |

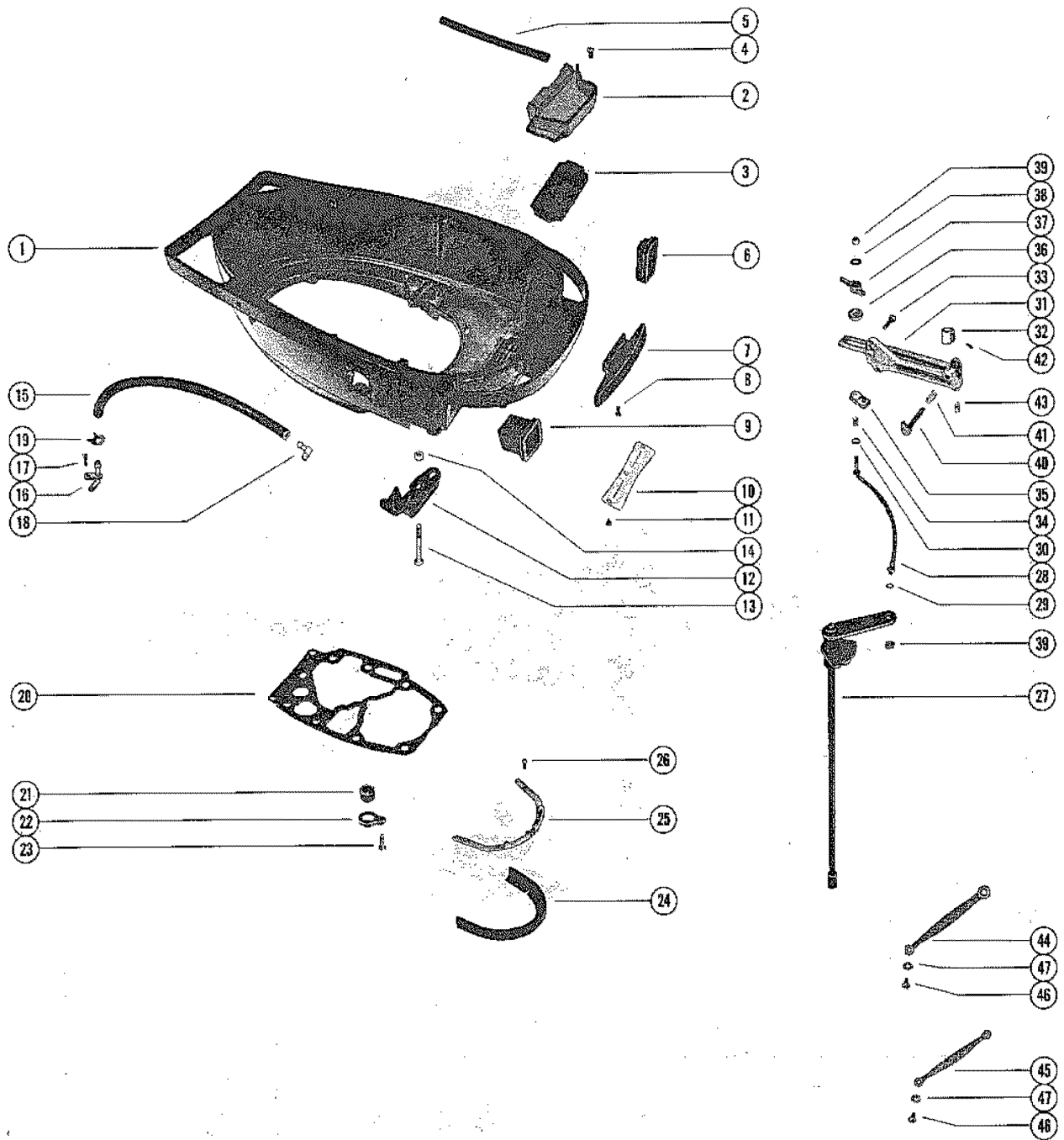
CRANKSHAFT, PISTONS AND CONNECTING RODS



CRANKSHAFT, PISTONS AND CONNECTING RODS

| REF. NO. | PART NO. | SYM. | QTY. | DESCRIPTION |
|----------|--------------------|------|----------|--|
| 1 | 436-3760A2 | | 1 | CRANKSHAFT ASSEMBLY (MERC 1000BP) - NOT AS SHOWN |
| | 436-3803A2 | | 1 | CRANKSHAFT ASSEMBLY (MERC 1250BP) - NOT AS SHOWN |
| 2 | 11-52901 | | 1 | NUT, FLYWHEEL TO CRANKSHAFT |
| 3 | 30-32117 | | 1 | BEARING, BALL - UPPER |
| 4 | 30-53853 | | 1 | BEARING, BALL - LOWER |
| 5 | 54196 | | 1 | CARRIER, "O" RING - CRANKSHAFT |
| 6 | 25-35126 | | 1 | "O" RING, CARRIER |
| 7 | 535-3190A2 | | 2 | CENTER MAIN BEARING ASSEMBLY |
| 8 | 17-20032 | | 4 | DOWEL PIN, CENTER MAIN BEARING |
| 9 | 29-52168 | | 112 | BEARING, NEEDLE - OUTER RACE |
| 10 | 26113 | | 2 | RACE, OUTER (PAIR) |
| 11 | 53-26933 | | 2 | RING, SNAP - OUTER RACE |
| 12 | 17-47246 | | 2 | DOWEL PIN, STEPPED |
| 13 | 10-22968 | | 4 | SCREW, CENTER MAIN BEARING CLAMPING (1 1/4") |
| 14 | 11-46887 | | 4 | NUT, BEARING CLAMPING SCREW |
| 15 | 537-3300A1 | | 3 | MAIN BEARING ASSEMBLY, VALVE TYPE |
| 16 | 17-20032 | | 30 | DOWEL PIN, MAIN BEARING |
| 17 | 10-45775 | | 6 | SCREW, MAIN BEARING CLAMPING (9/16") |
| 18 | 11-45774 | | 6 | NUT, MAIN BEARING CLAMPING SCREW |
| 19 | 34-48082A1 | | 3 | REED SET, MATCHED - MAIN BEARING |
| 20 | 34-48081 | | 12 | REED STOP, MAIN BEARING REED VALVES |
| 21 | 10-48080 | | 36 | SCREW, REED STOP MOUNTING (3/8") |
| 22 | 745-3759A2 | | 6 | PISTON AND PIN ASSEMBLY (MERC 1000BP) |
| | 745-3560A6 | | 6 | PISTON AND PISTON PIN ASSEMBLY (MERC 1250BP) |
| 23 | 40-52035 | | 12 | LOCK RING, PISTON PIN |
| 24 | 39-48834A12 | | 2 | RING, PISTON (1/16") |
| 25 | 622-3666A5 | | 6 | CONNECTING ROD AND CAP ASSEMBLY (MERC 1000BP) |
| | 622-3666A4 | | 6 | CONNECTING ROD AND CAP ASSEMBLY (MERC 1250BP) |
| 26 | 31-55332A1 | | 6 | BEARING ASSEMBLY, CRANKPIN (MERC 1000BP) |
| | 31-47245A1 | | 6 | BEARING ASSEMBLY, CRANKPIN (MERC 1250BP) |
| 27 | 10-54803 | | 12 | SCREW, CONNECTING ROD |
| 28 | 11-49091 | | 12 | NUT, CONNECTING ROD SCREW |
| 29 | 29-47270 | | 174 | BEARING, NEEDLE - PISTON PIN |
| 30 | 12-47247 | | 12 | WASHER, NEEDLE LOCATING |
| - | 745-3851A1 | | 6 | PISTON AND PISTON PIN ASS'Y (.015 OVERSIZE) - MERC 1000BP |
| - | 745-3778A3 | | 6 | PISTON AND PISTON PIN ASS'Y (.015 OVERSIZE) - MERC 1250BP |
| - | 39-49839A12 | | 2 | RING, PISTON (.015 OVERSIZE) - 1/16" THICK |

BOTTOM COWL AND SHIFT LINKAGE

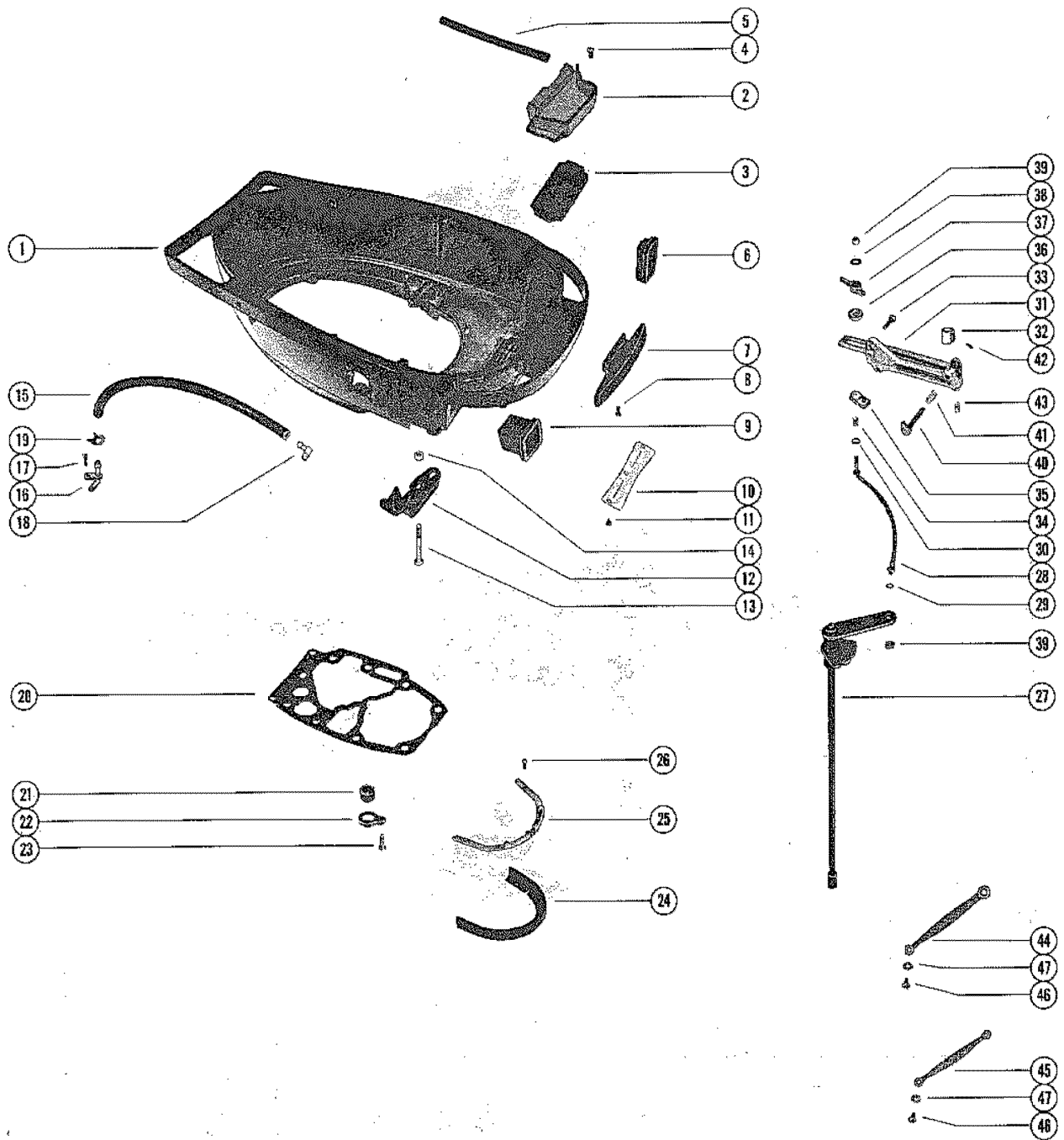


BOTTOM COWL AND SHIFT LINKAGE

| REF. NO. | PART NO. | SYM. | QTY. | DESCRIPTION |
|----------|------------|------|------|---|
| 1 | 2115-3617 | | 1 | COWL, BOTTOM (MERC 1000BP) |
| | 2115-3167 | | 1 | COWL, BOTTOM (MERC 1250BP) |
| 2 | 52862A2 | | 1 | DRIP TRAY ASSEMBLY, BOTTOM COWL |
| 3 | 37940 | | 1 | PAD, SOUND - DRIP TRAY |
| 4 | 10-34222 | | 4 | SCREW, DRIP TRAY TO BOTTOM COWL (1/2") |
| 5 | 32-52032 | | 1 | HOSE, DRIP TRAY TO BOTTOM COWL (8") |
| 6 | 37638 | | 1 | BOOT, CONTROL CABLES - BOTTOM COWL |
| 7 | 48231 | | 1 | SPACER, BOTTOM COWL (COWL FRONT COVER) |
| 8 | 10-48591 | | 2 | SCREW, SPACER TO BOTTOM COWL (1/2") |
| 9 | 37637 | | 1 | BOOT, FUEL CONNECTOR - BOTTOM COWL |
| 10 | 23760 | | 1 | BAFFLE, BOTTOM COWL |
| 11 | 10-52867 | | 3 | SCREW, BAFFLE TO BOTTOM COWL |
| 12 | 37445 | | 1 | SUPPORT, WIRING HARNESS - BOTTOM COWL |
| 13 | 10-37990 | | 1 | SCREW, WIRING HARNESS SUPPORT TO BOTTOM COWL (1 3/4") |
| 14 | 11-46887 | | 1 | NUT, WIRING HARNESS SUPPORT SCREW |
| 15 | 32-34395A1 | | 1 | HOSE, TELL TALE - EXHAUST COVER TO BOTTOM COWL (16") |
| 16 | 52889 | | 1 | NOZZLE, TELL TALE HOSE TO BOTTOM COWL |
| 17 | 10-34222 | | 1 | SCREW, TELL TALE NOZZLE TO BOTTOM COWL (1/2") |
| 18 | 22-25885 | | 1 | ELBOW, TELL TALE HOSE TO EXHAUST COVER |
| 19 | 54-48123 | | 2 | CLAMP, TELL TALE HOSE TO CONNECTOR AND ELBOW |
| 20 | 27-28713 | | 1 | GASKET, POWERHEAD TO DRIVE SHAFT HOUSING |
| 21 | 26-38970 | | 1 | SEAL, RUBBER - WATER INLET TUBE |
| 22 | 38448 | | 1 | RETAINER, WATER TUBE SEAL |
| 23 | 10-34439 | | 1 | SCREW, RETAINER TO DRIVE SHAFT HOUSING (3/4") |
| 24 | 37918 | | 1 | SEAL, COWL - FRONT |
| 25 | 38032 | | 1 | STRIP, RETAINING - COWL SEAL |
| 26 | 10-37571 | | 5 | SCREW, SEAL AND RETAINING STRIP TO COWL |
| 27 | 48943A2 | | 1 | SHIFT SHAFT ASSEMBLY, UPPER (SHORT SHAFT) |
| | 53777A2 | | 1 | SHIFT SHAFT ASSEMBLY, UPPER (LONG SHAFT) |
| 28 | 48047A2 | | 1 | LINK ROD ASSEMBLY |
| 29 | 12-24664 | | 1 | WASHER, LINK ROD |
| 30 | 13-29720 | | 2 | WASHER, WAVE - LINK ROD |
| 31 | 47869A1 | | 1 | BRACKET ASSEMBLY, ANCHOR CONTROL CABLES |
| 32 | 38802 | | 1 | CAP, BRASS BARREL TO THROTTLE CABLE |
| | 49935 | | 1 | CAP, BRASS BARREL TO THROTTLE CABLE |
| 33 | 10-24234 | | 3 | SCREW, ANCHOR BRACKET TO CYLINDER BLOCK (1") |
| 34 | 24-20099 | | 1 | SPRING, LINK ROD TO GUIDE BLOCK |
| 35 | 37896 | | 1 | GUIDE BLOCK, LINK ROD |
| 36 | 52100 | | 1 | WEAR PLATE, LINK ROD |
| 37 | 38279 | | 1 | LATCH, CONTROL CABLE FASTENING - ANCHOR BRACKET |
| 38 | 12-21631 | | 1 | WASHER, PLAIN - LINK ROD |
| 39 | 11-20664 | | 2 | NUT, LINK ROD |

CONTINUED ON NEXT PAGE ➡

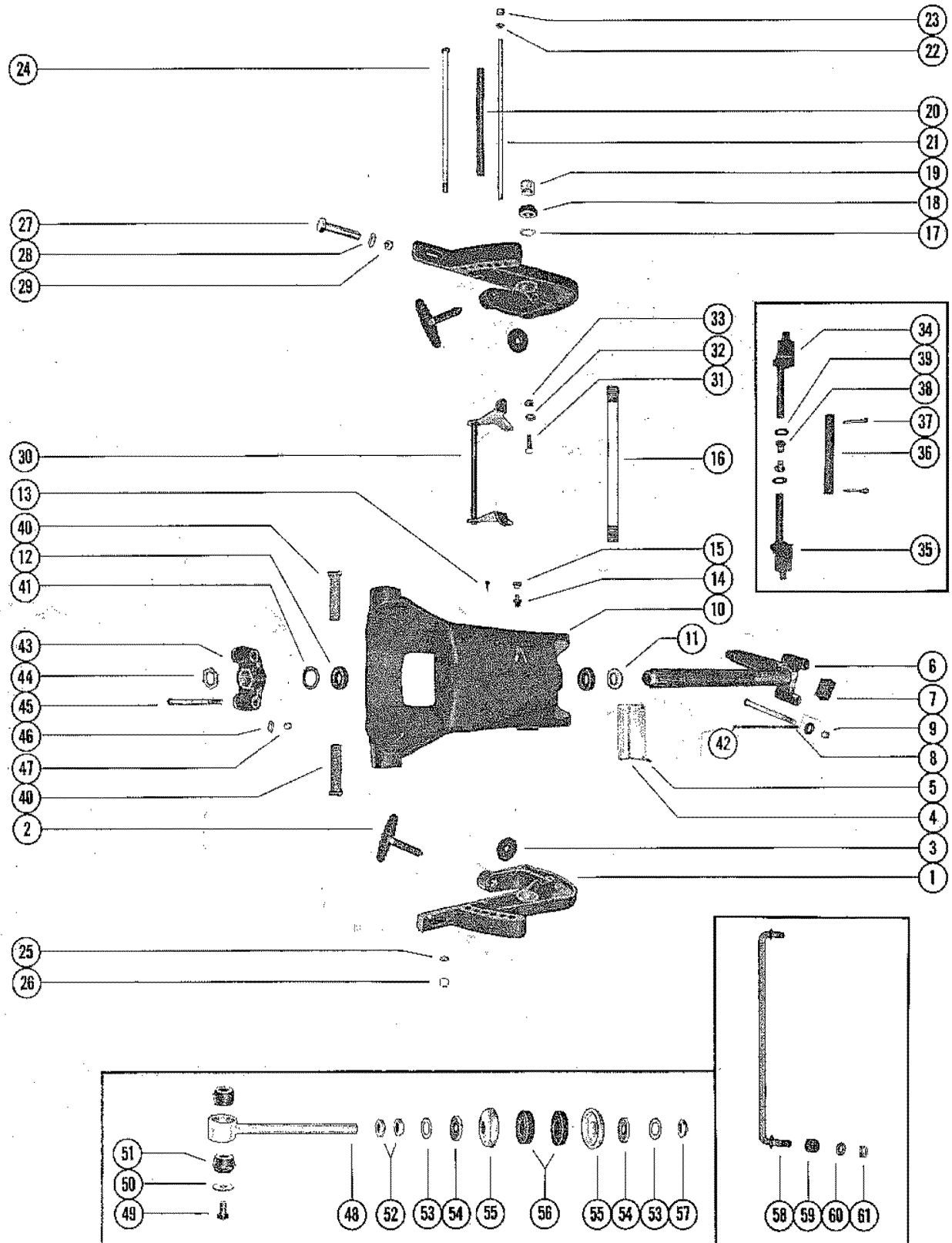
BOTTOM COWL AND SHIFT LINKAGE



BOTTOM COWL AND SHIFT LINKAGE

| REF. NO. | PART NO. | SYM. | QTY. | DESCRIPTION |
|----------|----------|------|------|---|
| 40 | 49932A1 | | 1 | LEVER ASSEMBLY, CONTROL CABLE LOCKING - ANCHOR BRACKET |
| 41 | 24-37911 | | 1 | SPRING, CONTROL CABLE LOCKING LEVER |
| 42 | 17-23928 | | 1 | PIN, ROLL - CONTROL CABLE LOCKING LEVER |
| 43 | 24-38472 | | 1 | SPRING, CONTROL CABLE TENSION - ANCHOR BRACKET |
| 44 | 46933A1 | | 2 | GROUND STRAN ASSEMBLY CRANKCASE TO COWL (3 5/8") |
| 45 | 46933A2 | | 2 | GROUND STRAP ASSEMBLY, DRIVE SHAFT HOUSING TO COWL (3 3/8") |
| 46 | 10-30663 | | 4 | SCREW, GROUND STRAP FASTENING |
| 47 | 13-22238 | | 4 | LOCKWASHER, GROUND STRAP SCREW |

CLAMP AND SWIVEL BRACKET ASSEMBLY

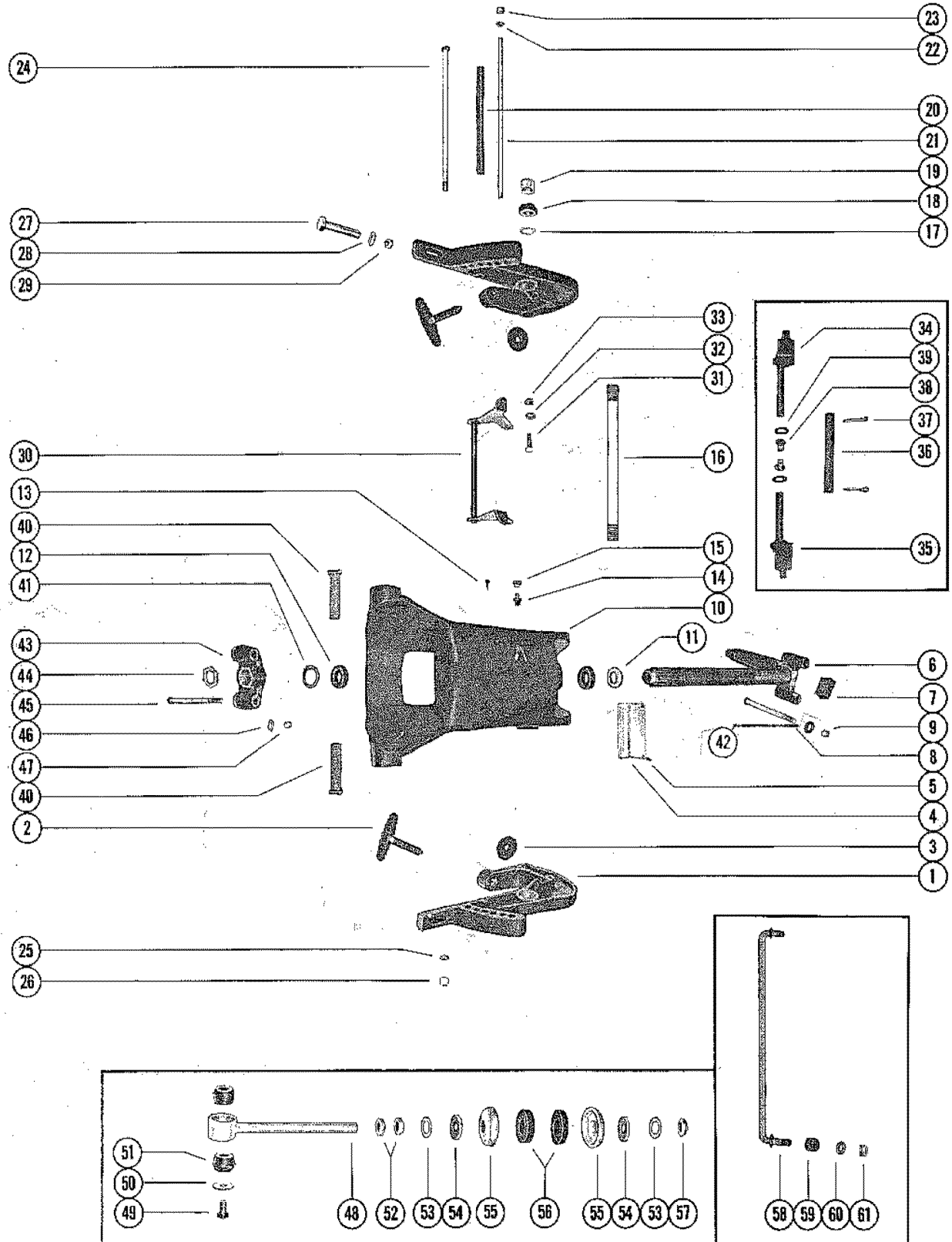


CLAMP AND SWIVEL BRACKET ASSEMBLY

| REF. NO. | PART NO. | SYM. | QTY. | DESCRIPTION |
|----------|-------------|------|------|---|
| 1 | 1440-3296A1 | | 2 | CLAMP BRACKET ASSEMBLY |
| 2 | 28403A3 | | 2 | THUMB SCREW ASSEMBLY |
| 3 | 12-28404 | | 2 | WASHER, THUMB SCREW |
| 4 | 38-39784 | | 1 | SERIAL PLATE |
| 5 | 10-25612 | | 4 | SCREW, SERIAL PLATE TO SWIVEL BRACKET |
| 6 | 17-48883A1 | | 1 | SWIVEL PIN AND STEERING ARM ASSEMBLY (SHORT SHAFT) |
| | 17-53776A1 | | 1 | SWIVEL PIN AND STEERING ARM ASSEMBLY (LONG SHAFT) |
| 7 | 26-52924 | | 1 | SEAL, RUBBER - SWIVEL PIN |
| 8 | 10-49373 | | 2 | BOLT, STEERING ARM TO UPPER MOUNT |
| 9 | 11-34933 | | 2 | NUT, STEERING ARM BOLT |
| 10 | 1453-3466A1 | | 1 | SWIVEL BRACKET ASSEMBLY (SHORT SHAFT) |
| | 1464-3859A1 | | 1 | SWIVEL BRACKET ASSEMBLY (LONG SHAFT) |
| 11 | 26-37448 | | 2 | OIL SEAL, SWIVEL BRACKET |
| 12 | 23-54191 | | 2 | BUSHING SWIVEL BRACKET |
| 13 | 10-47828 | | 1 | SCREW, DRIVE - SWIVEL BRACKET |
| 14 | 22-23612 | | 1 | FITTING, GREASE - SWIVEL BRACKET |
| 15 | 53216 | | 1 | LUBRICAP, SWIVEL BRACKET GREASE FITTING |
| 16 | 30664 | | 1 | TUBE, TILT - CLAMP BRACKET TO SWIVEL BRACKET |
| 17 | 12-52864 | | 2 | WASHER, CLAMP BRACKET TILT TUBE |
| 18 | 11-30499 | | 2 | NUT, TILT TUBE FASTENING |
| 19 | 53078 | | 2 | CAP, PLASTIC - TILT TUBE |
| 20 | 23-20222 | | 1 | SPACER, CLAMP BRACKET STUD |
| 21 | 16-20221 | | 1 | STUD, CLAMP BRACKET |
| 22 | 12-24812 | | 2 | WASHER, CLAMP BRACKET STUD |
| 23 | 11-25594 | | 2 | NUT, CLAMP BRACKET STUD |
| 24 | 10-49369 | | 1 | SCREW, TILT LOCK PIN (9 3/8") |
| 25 | 12-37828 | | 1 | WASHER, TILT LOCK PIN SCREW |
| 26 | 11-34932 | | 1 | NUT, TILT LOCK PIN SCREW |
| 27 | 10-28009 | | 2 | BOLT, CLAMP BRACKET TO BOAT TRANSOM |
| | 10-31827 | | 2 | BOLT, CLAMP BRACKET TO BOAT TRANSOM |
| 28 | 12-28008 | | 2 | WASHER, CLAMP BRACKET BOLT |
| | 12-21040 | | 2 | WASHER, CLAMP BRACKET BOLT |
| 29 | 11-28010 | | 4 | NUT, CLAMP BRACKET BOLT |
| 30 | 30126A1 | | 1 | TILT STOP LEVER ASSEMBLY (SHORT SHAFT) |
| 31 | 10-30128 | | 2 | SCREW, TILT STOP LEVER TO CLAMP BRACKET (SHORT SHAFT) |
| 32 | 13-31030 | | 2 | WASHER, WAVE - TILT STOP LEVER SCREW (SHORT SHAFT) |
| 33 | 11-46793 | | 2 | NUT, TILT STOP LEVER SCREW (SHORT SHAFT) |
| 34 | 47799A1 | | 1 | TILT LOCK ASSEMBLY, STARBOARD (LONG SHAFT) |
| 35 | 47800A1 | | 1 | TILT LOCK ASSEMBLY, PORT (LONG SHAFT) |
| 36 | 47802 | | 1 | TUBE, TILT LOCK (LONG SHAFT) |
| 37 | 18-47959 | | 2 | COTTER PIN, TILT LOCK TUBE (LONG SHAFT) |
| 38 | 23-47803 | | 2 | BUSHING, TILT LOCK TUBE (LONG SHAFT) |

CONTINUED ON NEXT PAGE ➡

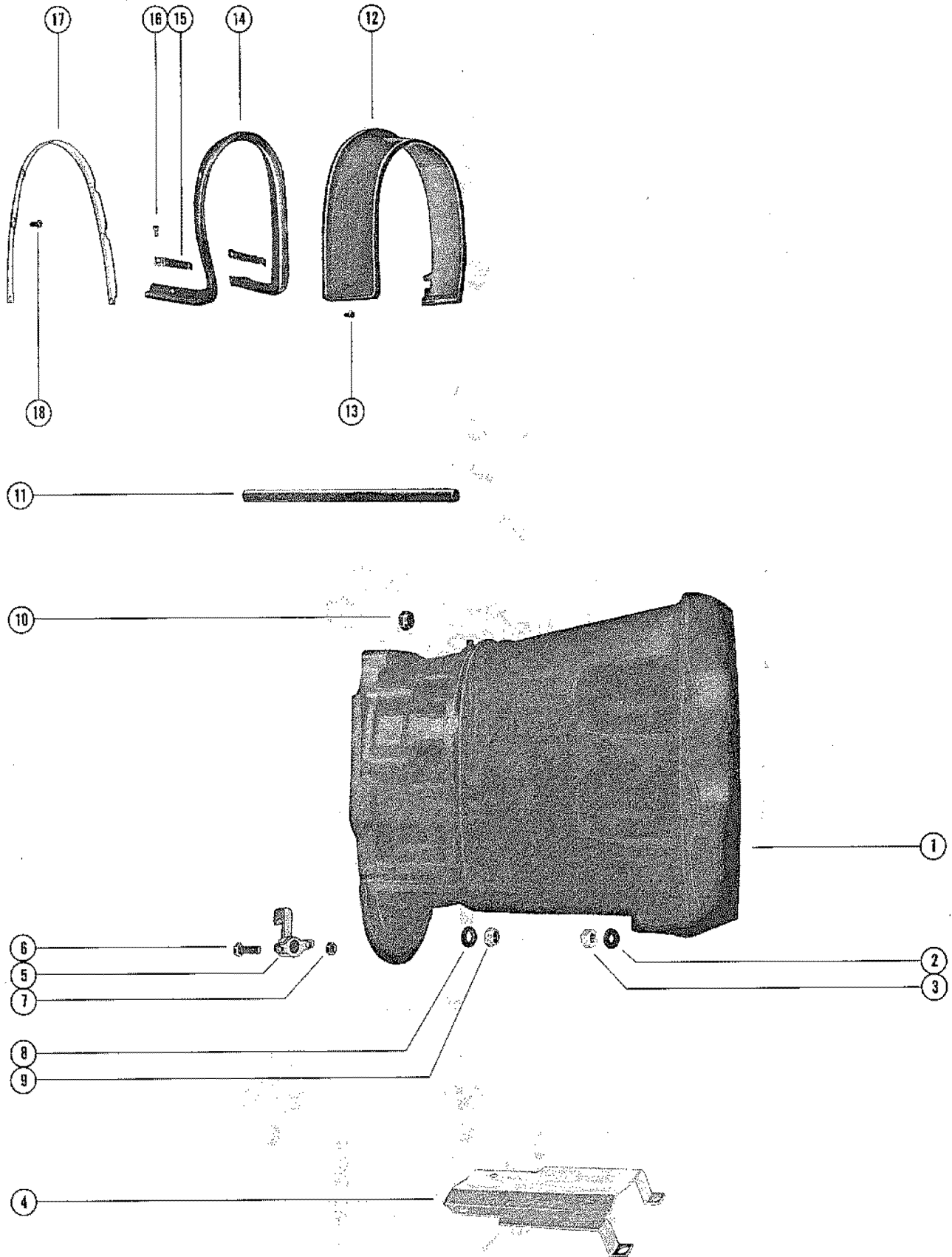
CLAMP AND SWIVEL BRACKET ASSEMBLY



CLAMP AND SWIVEL BRACKET ASSEMBLY

| REF. NO. | PART NO. | SYM. | QTY. | DESCRIPTION |
|----------|-----------------|------|----------|---|
| 39 | 13-24850 | | 2 | WASHER, WAVE - TILT LOCK TUBE (LONG SHAFT) |
| 40 | 55-49577 | | 2 | PIN, LOWER EYE BOLT MOUNTING (SHORT SHAFT) |
| | 55-28414 | | 2 | PIN, LOWER EYE BOLT MOUNTING (LONG SHAFT) |
| - | 10-28424 | | 2 | SCREW, LOWER EYE BOLT MOUNTING PIN (2 1/8") (LONG SHAFT) |
| - | 11-46887 | | 2 | NUT, LOWER EYE BOLT MOUNTING PIN SCREW (LONG SHAFT) |
| 41 | 12-37429 | | 1 | WASHER, SWIVEL PIN |
| 42 | 12-48926 | | 2 | WASHER |
| 43 | 48884 | | 1 | YOKE, BOTTOM |
| 44 | 11-37424 | | 1 | NUT, SWIVEL PIN RETAINING |
| 45 | 10-48924 | | 2 | SCREW, YOKE TO DRIVE SHAFT HOUSING - LOWER (3 1/2") |
| 46 | 12-24501 | | 2 | WASHER, YOKE SCREW |
| 47 | 11-35000 | | 2 | NUT, YOKE SCREW |
| 48 | 49982A1 | | 2 | EYE BOLT ASSEMBLY |
| 49 | 10-53077 | | 2 | SCREW, NYLOK - -LOWER EYE BOLT MOUNTING PIN (3/4") |
| 50 | 12-28421 | | 2 | WASHER, LOWER BUSHING RETAINER |
| 51 | 23-28198 | | 4 | BUSHING, RUBBER - EYE BOLT |
| 52 | 11-20739 | | 4 | NUT, EYE BOLT |
| 53 | 12-52601 | | 4 | WASHER, PLAIN - EYEBOLT |
| 54 | 27-49985 | | 4 | GASKEY, EYE BOLT (3/16" NEOPRENE) |
| 55 | 12-49983 | | 4 | WASHER, CUPPED - EYE BOLT |
| 56 | 27-49984 | | 4 | GASKET, EYE BOLT (1/2" NEOPRENE) |
| 57 | 11-25599 | | 2 | NUT, EYE BOLT |
| 58 | 52131 | | 1 | ROD, STEERING |
| 59 | 23-52169 | | 1 | SLEEVE, STEERING ROD |
| 60 | 12-20086 | | 2 | WASHER, STEERING ROD |
| 61 | 11-20509 | | 2 | NUT, STEERING ROD |

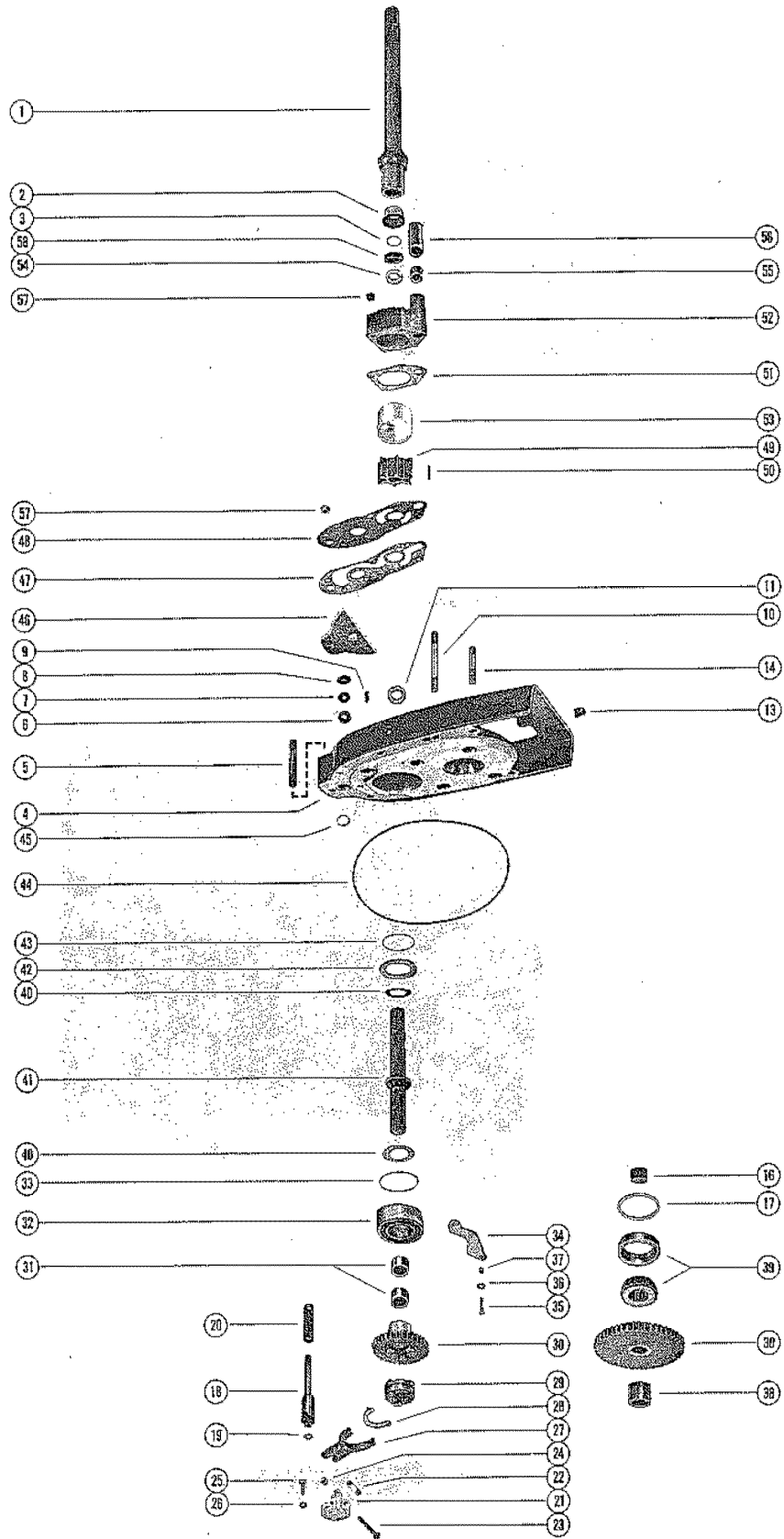
DRIVE SHAFT HOUSING ASSEMBLY



DRIVE SHAFT HOUSING ASSEMBLY

| REF. NO. | PART NO. | SYM. | QTY. | DESCRIPTION |
|----------|-----------|------|------|--|
| 1 | 1558-3756 | | 1 | DRIVE SHAFT HOUSING (SHORT SHAFT) |
| | 1570-3757 | | 1 | DRIVE SHATF HOUSING (LONG SHAFT) |
| 2 | 12-45176 | | 6 | WASHER, SPACER STUD |
| 3 | 11-34933 | | 6 | NUT, SPACER STUD |
| 4 | 52107 | | 1 | PLATE, HEAT SHIELD (SHORT SHAFT) |
| | 53806 | | 1 | PLATE, HEAT SHIELD (LONG SHAFT) |
| 5 | 48921A1 | | 1 | SHIFT DETENT ASSEMBLY |
| 6 | 10-21091 | | 2 | SCREW, SHIFT DETENT TO DRIVE SHAFT HOUSING (1 1/8") |
| 7 | 11-20361 | | 2 | NUT, SHIFT DETENT SCREW |
| 8 | 12-20086 | | 8 | WASHER, POWERHEAD STUDS |
| 9 | 11-20509 | | 2 | NUT, POWERHEAD STUDS (2/8-24) |
| | 11-23161 | | 6 | NUT, POWERHEAD STUDS (3/8-24) |
| 10 | 11-35814 | | 2 | NUT, POWERHEAD STUDS (5/16-24) |
| 11 | 32-48905 | | 1 | TUBE, WATER INLET(SHORT SHAFT) |
| | 32-53775 | | 1 | TUBE, WATER INLET (LONG SHAFT) |
| 12 | 37417 | | 1 | COVER, TRIM - DRIVE SHAFT HOUSING |
| 13 | 10-34571 | | 4 | SCREW, TRIM COVER TO BOTTOM COWL (1/2") |
| 14 | 37919 | | 1 | SEAL, TRIM COVER TO DRIVE SHAFT HOUSING |
| 15 | 37665 | | 2 | STRIP RETAINING - TRIM COVER SEAL (SIDE) |
| 16 | 10-48409 | | 2 | SCREW, RETAINING STRIP TO DRIVE HOUSING (5/8") |
| 17 | 38052 | | 1 | STRIP, RETAINING - TRIM COVER SEAL (REAR) |
| 18 | 10-48408 | | 6 | SCREW, RETAINING STRIP TO DRIVE SHAFT HOUSING (1/2") |

GEAR HOUSING ASSEMBLY, COMPLETE (PAGE 1)

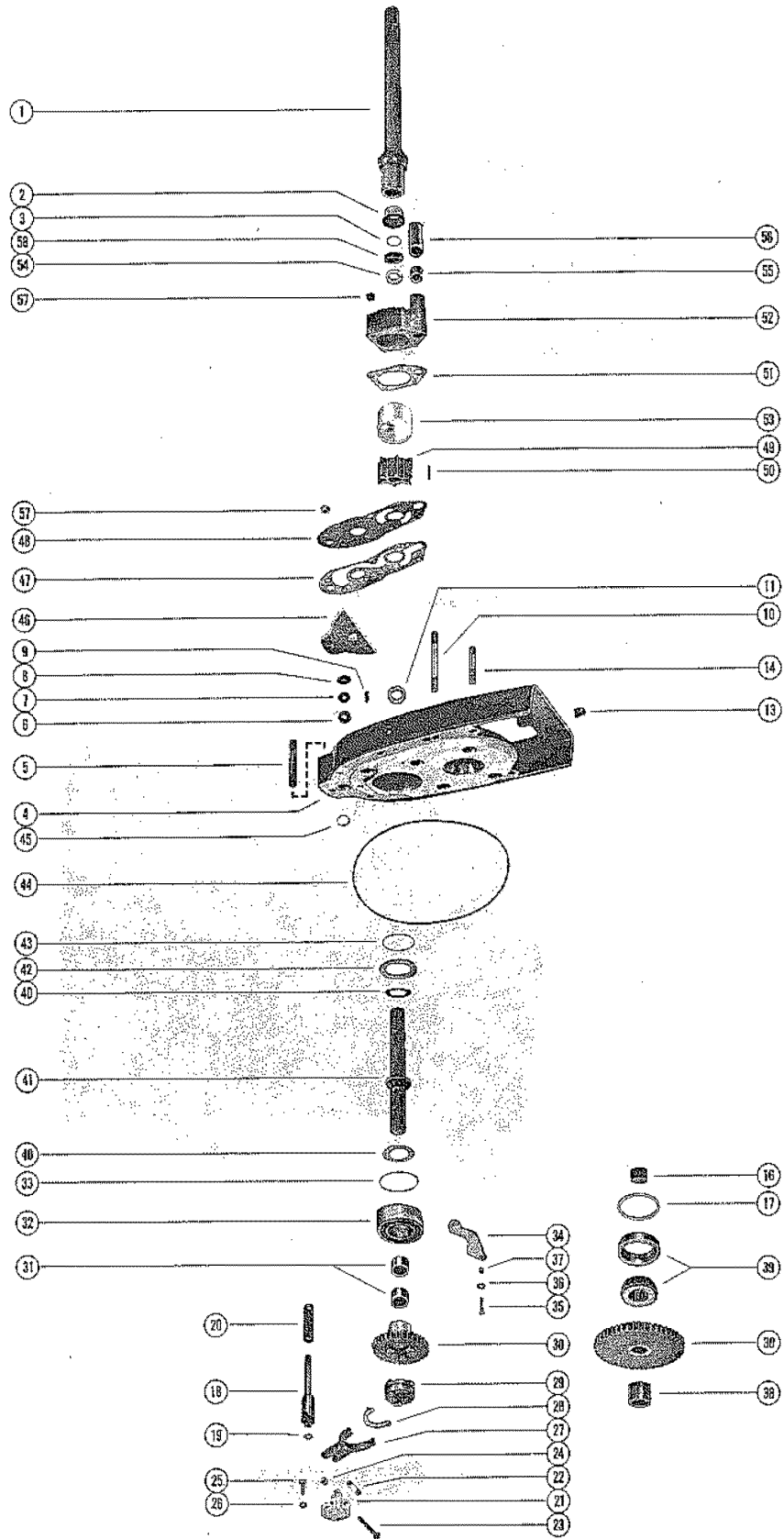


GEAR HOUSING ASSEMBLY, COMPLETE (PAGE 1)

| REF. NO. | PART NO. | SYM. | QTY. | DESCRIPTION |
|----------|--------------------|------|------|--|
| 1 | 45-56345 | | 1 | DRIVE SHAFT (SHORT SHAFT) |
| | 45-56346 | | 1 | DRIVE SHAFT (LONG SHAFT) |
| 2 | 54196 | | 1 | CARRIER, "O" RING-DRIVE SHAFT COUPLING |
| 3 | 25-35126 | | 1 | "O" RING, DRIVE SHAFT COUPLING |
| - | 1638-4109A3 | | 1 | GEAR HOUSING ASSEMBLY, COMPLETE RIGHT HAND ROTATION-MERC 1000BP NOTE: GEAR HOUSING ASSEMBLIES, COMPLETE, INCLUDE ALL PARTS FROM REFERENCE #4 THRU REFERENCE #127 AS LISTED ON G4 AND G6 |
| - | 4638-4108A3 | | 1 | GEAR HOUSING ASSEMBLY, COMPLETE LEFT HAND ROTATION-MERC 1000BP NOTE: GEAR HOUSING ASSEMBLIES, COMPLETE, INCLUDE ALL PARTS FROM REFERENCE #4 THRU REFERENCE #127 AS LISTED ON G4 AND G6 |
| - | 1638-4109A4 | | 1 | GEAR HOUSING ASSEMBLY, COMPLETE RIGHT HAND ROTATION-MERC 1250BP NOTE: GEAR HOUSING ASSEMBLIES, COMPLETE, INCLUDE ALL PARTS FROM REFERENCE #4 THRU REFERENCE #127 AS LISTED ON G4 AND G6 |
| - | 1638-4108A4 | | 1 | GEAR HOUSING ASSEMBLY, COMPLETE LEFT HAND ROTATION-MERC 1250BP NOTE: GEAR HOUSING ASSEMBLIES, COMPLETE, INCLUDE ALL PARTS FROM REFERENCE #4 THRU REFERENCE #127 AS LISTED ON G4 AND G6 |
| 4 | 53864A1 | | 1 | SPACER ASSEMBLY, COMPLETE |
| 5 | 16-25385 | | 4 | STUD, SPACER TO FACE PLATE (1 1/8") |
| 6 | 26-24590 | | 1 | OIL SEAL, SHIFT SHAFT-SPACER (1 3/4" O.D.) |
| 7 | 26-31249 | | 1 | OIL SEAL, SHIFT SHAFT-SPACER (1 9/16" O.D.) |
| 8 | 12-31266 | | 1 | WASHER, RUBBER-SHIFT SHAFT |
| 9 | 17-35973 | | 2 | PIN, DOWEL-SPACER TO WATER PUMP |
| 10 | 16-30717 | | 4 | STUD, SPACER TO WATER PUMP (2 7/16") |
| 11 | 26-56788 | | 1 | OIL SEAL, SPACER-LOWER |
| 13 | 22-21290 | | 2 | PLUG, PIPE-SPACER |
| 14 | 16-52662 | | 6 | STUD, SPACER TO DRIVE SHAFT HOUSING (2 3/16") |
| 16 | 23-56358 | | 1 | SPACER, DRIVEN GEAR |
| 17 | 15-26320A1 | | AR | SHIM ASSEMBLY, DRIVEN GEAR |
| 18 | 53276 | | 1 | CAM, SHIFT |
| 19 | 12-55154A1 | | AR | WASHER ASSEMBLY, SHIFT CAM |
| 20 | 24-53277 | | 1 | SPRING, SHIFT CAM |
| 21 | 48909 | | 1 | COVER, SHIFT PIVOT |
| 22 | 24-55089 | | 1 | SPRING, SHIFT FORK |
| 23 | 10-55090 | | 1 | SCREW, SHIFT FORK |
| 24 | 11-20664 | | 1 | NUT, SHIFT FORK SCREW |
| 25 | 10-53099 | | 2 | SCREW, PIVOT COVER TO GEAR HOUSING |
| 26 | 13-26992 | | 2 | LOCKWASHER, SHIFT PIVOT COVER SCREW |
| 27 | 48908 | | 1 | SHIFT FORK, SLIDING CLUTCH |
| 28 | 48922 | | 1 | COLLAR, SHIFT-RATCHET |

CONTINUED ON NEXT PAGE ➡

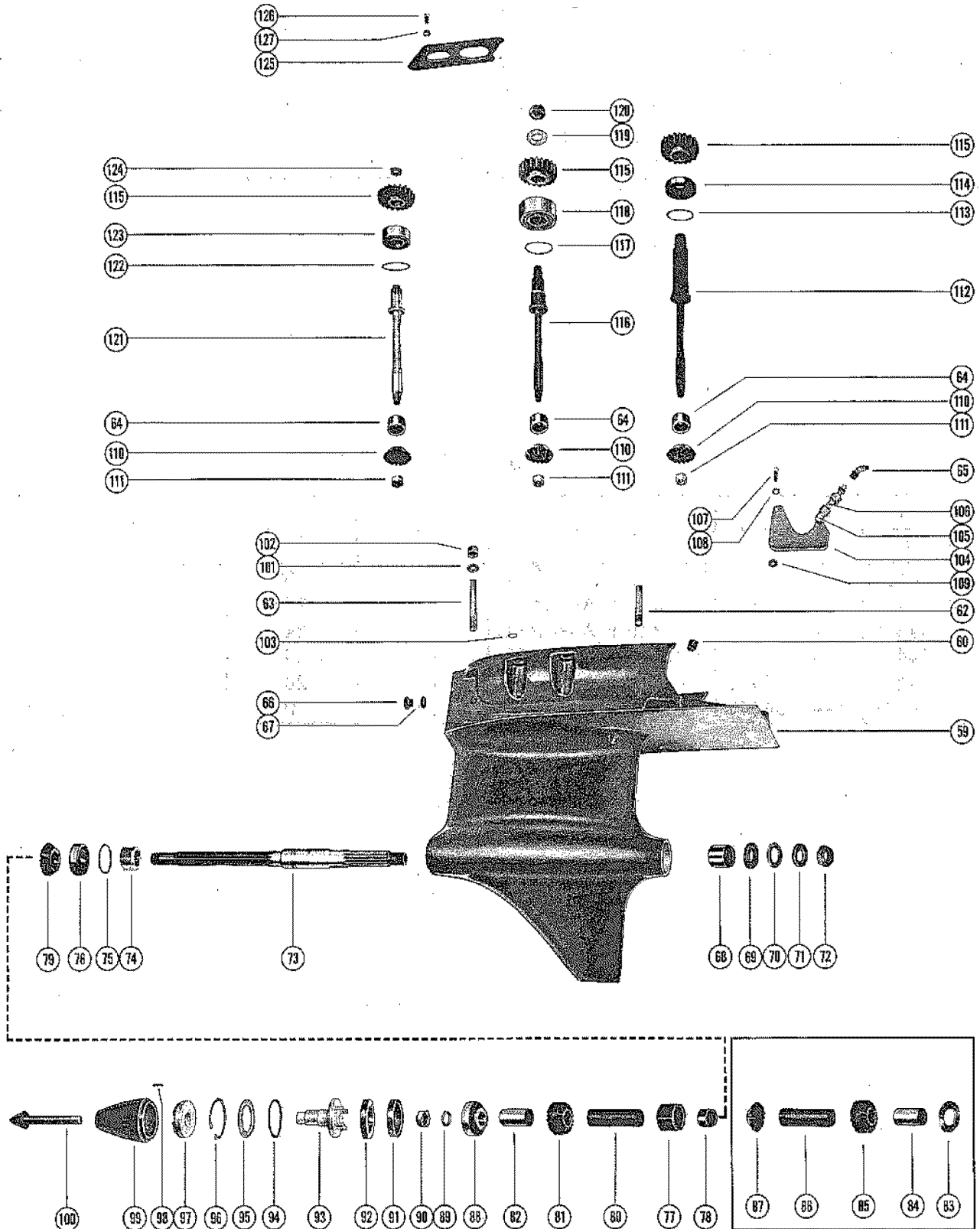
GEAR HOUSING ASSEMBLY, COMPLETE (PAGE 1)



GEAR HOUSING ASSEMBLY, COMPLETE (PAGE 1)

| REF. NO. | PART NO. | SYM. | QTY. | DESCRIPTION |
|----------|------------|------|------|---|
| 29 | 52-48906 | | 1 | RATCHET, SLIDING CLUTCH |
| 30 | 43-48896A1 | | OPT. | GEAR ASSEMBLY, DRIVE (1:1 GEAR RATIO) |
| | 43-48897A1 | | OPT. | GEAR ASSEMBLY, DRIVE (1.25:1 GEAR RATIO) |
| | 43-48898A1 | | 1 | GEAR ASSEMBLY, DRIVE (1.5:1 GEAR RATIO) STANDARD ON MERC 1250BP |
| | 43-48900A1 | | 1 | GEAR ASSEMBLY, DRIVE (1.75:1 GEAR RATIO) STANDARD ON MERC 1000BP |
| | 43-48895A1 | | OPT. | GEAR ASSEMBLY, DRIVE (2:1 GEAR RATIO) |
| 31 | 31-21700 | | 2 | ROLLER BEARING, DRIVE GEAR |
| 32 | 30-48916 | | 1 | BALL BEARING, DRIVE GEAR |
| 33 | 15-34810A1 | | AR | SHIM ASSEMBLY, DRIVE GEAR BEARING TO SPACER |
| 34 | 48919 | | 1 | RETAINER, DRIVE SHAFT BEARING |
| 35 | 10-20532 | | 2 | SCREW, RETAINER TO SPACER (1 1/8") |
| 36 | 13-21272 | | 2 | LOCKWASHER, RETAINER SCREW |
| 37 | 52172 | | 2 | MAGNET, RETAINER SCREW |
| 38 | 23-48927 | | 1 | SPACER, DRIVEN GEAR |
| 39 | 31-48941A1 | | 1 | ROLLER BEARING ASSEMBLY, TAPERED-DRIVEN GEAR |
| 40 | 31-48913 | | 2 | BEARING, THRUST-DRIVE SHAFT |
| 41 | 45-48877 | | 1 | DRIVE SHAFT, INPUT |
| 42 | 12-48912 | | 1 | WASHER, THRUST-DRIVE SHAFT |
| 43 | 15-53325A1 | | AR | SHIM ASSEMBLY, DRIVE GEAR BEARING TO SPACER |
| 44 | 25-48910 | | 1 | "O" RING, ADAPTOR FLANGE |
| 45 | 25-21836 | | 1 | "O" RING, WATER INLET TUBE |
| 46 | 53869 | | 1 | COVER, SPACER-FRONT |
| 47 | 27-48892 | | 1 | GASKET, SPACER TO FACE PLATE |
| 48 | 48893 | | 1 | PLATE, FACE-SPACER TO WATER PUMP |
| 49 | 47-30221 | | 1 | IMPELLER, WATER PUMP |
| 50 | 17-29967 | | 1 | PIN, IMPELLER DRIVING |
| 51 | 27-48923 | | 1 | GASKET, FACE PLATE TO WATER PUMP |
| 52 | 46-48881A1 | | 1 | WATER PUMP ASSEMBLY |
| 53 | 30915 | | 1 | INSERT, WATER PUMP |
| 54 | 26-31507 | | 1 | OIL SEAL, WATER PUMP |
| 55 | 26-38970 | | 1 | SEAL, WATER PUMP INLET |
| 56 | 23-29804 | | 1 | SLEEVE, WATER TUBE GUIDE |
| 57 | 11-20361 | | 8 | NUT, WATER PUMP AND FACE PLATE STUDS |
| 58 | 25-30271 | | 1 | SLINGER, WATER PUMP-DRIVE SHAFT |

GEAR HOUSING ASSEMBLY, COMPLETE (PAGE 2)

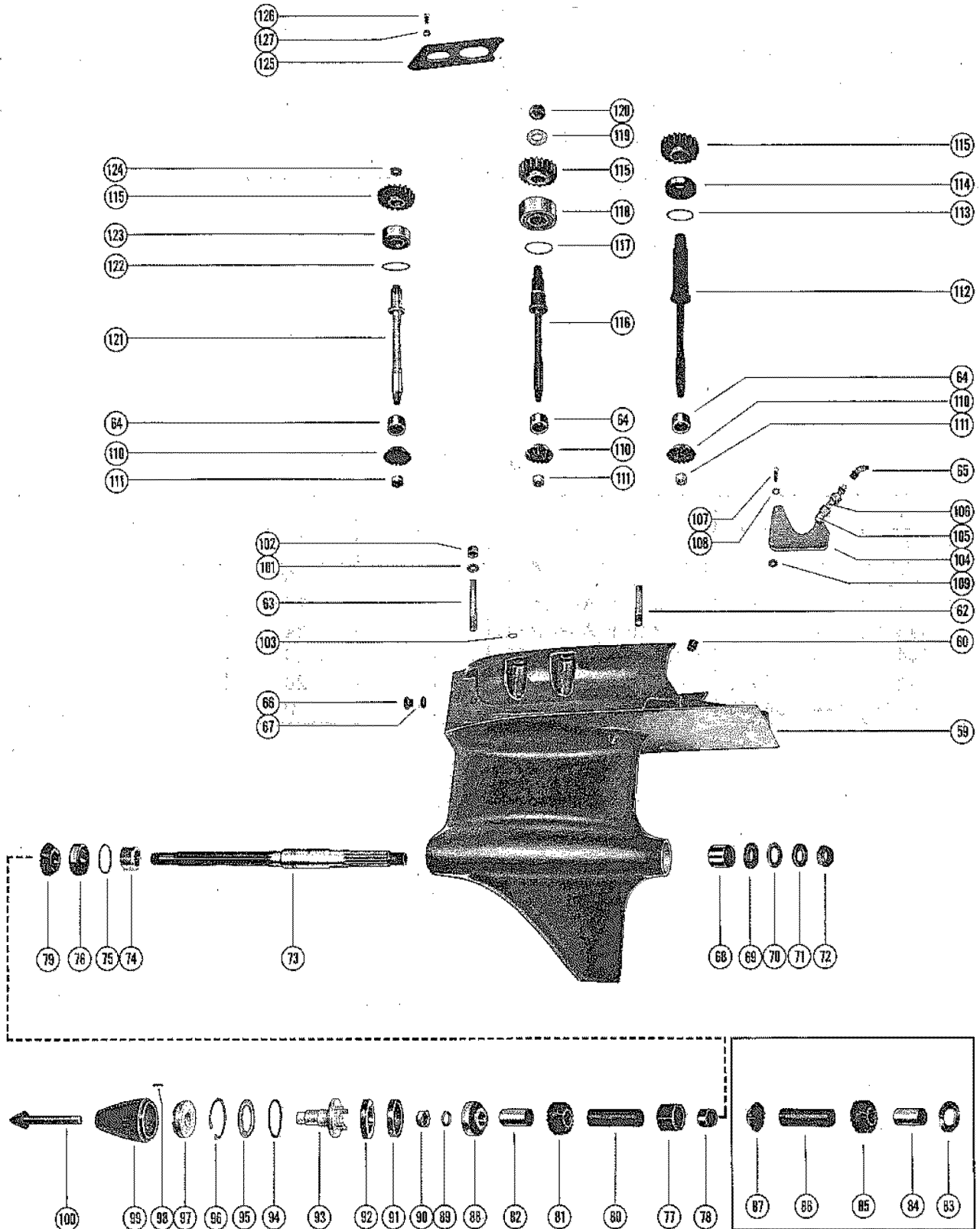


GEAR HOUSING ASSEMBLY, COMPLETE (PAGE 2)

| REF. NO. | PART NO. | SYM. | QTY. | DESCRIPTION |
|----------|-------------|------|------|---|
| - | 1638-4109A3 | | 1 | GEAR HOUSING ASSEMBLY, COMPLETE RIGHT HAND ROTATION-MERC 1000BP NOTE: GEAR HOUSING ASSEMBLIES, COMPLETE, INCLUDE ALL PARTS FROM REFERENCE #4 THRU REFERENCE #127 AS LISTED ON G4 AND G6 |
| - | 1638-4108A3 | | 1 | GEAR HOUSING ASSEMBLY, COMPLETE LEFT HAND ROTATION-MERC 1000BP NOTE: GEAR HOUSING ASSEMBLIES, COMPLETE, INCLUDE ALL PARTS FROM REFERENCE #4 THRU REFERENCE #127 AS LISTED ON G4 AND G6 |
| - | 1638-4109A4 | | 1 | GEAR HOUSING ASSEMBLY, COMPLETE RIGHT HAND ROTATION-MERC 1250BP NOTE: GEAR HOUSING ASSEMBLIES, COMPLETE, INCLUDE ALL PARTS FROM REFERENCE #4 THRU REFERENCE #127 AS LISTED ON G4 AND G6 |
| - | 1638-4108A4 | | 1 | GEAR HOUSING ASSEMBLY, COMPLETE LEFT HAND ROTATION-MERC 1250BP NOTE: GEAR HOUSING ASSEMBLIES, COMPLETE, INCLUDE ALL PARTS FROM REFERENCE #4 THRU REFERENCE #127 AS LISTED ON G4 AND G6 |
| 59 | 1638-4109A1 | | 1 | GEAR HOUSING ASSEMBLY (MERC 1000BP) |
| | 1638-4108A1 | | 1 | GEAR HOUSING ASSEMBLY (MERC 1250BP) |
| 60 | 22-20025 | | 1 | PLUG, PIPE (1/4-18 THREAD) |
| 62 | 16-32129 | | 8 | STUD, GEAR HOUSING TO SPACER (2 3/8") |
| 63 | 16-49082 | | 1 | STUD,GEAR HOUSING TO SPACER (3 3/4") |
| 64 | 31-48937 | | 3 | ROLLER BEARING, DRIVE SHAFT |
| 65 | 22-49523 | | 1 | ELBOW, OIL TUBE (45) |
| 66 | 10-28634 | | 2 | SCREW, VENT AND FILLING |
| 67 | 12-20260 | | 2 | WASHER, SEALING-VENT AND FILLING SCREW |
| 68 | 31-30956 | | 1 | ROLLER BEARING, PROPELLER SHAFT |
| 69 | 26-55285 | | 1 | OIL SEAL, PROPELLER SHAFT |
| 70 | 12-39701 | | 1 | WASHER, SPLINED-PROPELLER NUT |
| 71 | 12-39698 | | 1 | WASHER, PLAIN-PROPELLER NUT |
| 72 | 11-49252 | | 1 | NUT, PROPELLER |
| 73 | 44-48882 | | 1 | PROPELLER SHAFT |
| 74 | 23-56802 | | 1 | SPACER, PROPELLER SHAFT |
| 75 | 15-20929A1 | | AR | SHIM ASSEMBLY, PROPELLER SHAFT |
| 76 | 31-38146A1 | | 1 | ROLLER BEARING ASSEMBLY, TAPERED-REAR |
| 77 | 57206A1 | | 1 | ADATPOR ASSEMBLY, PROPELLER SHAFT |
| 78 | 31-54043 | | 1 | ROLLER BEARING ADAPTOR |
| | 31-54043 | | 1 | ROLLER BEARING, ADAPTOR |
| 79 | 43-48885 | | 1 | GEAR, PROPELLER SHAFT-REAR RIGHT HAND ROTATION |
| 80 | 23-57205 | | 1 | SPACER, PROPELLER SHAFT-LONG RIGHT HAND ROTATION |
| 81 | 43-48890 | | 1 | GEAR, DOUBLE BEVEL-PROPELLER SHAFT RIGHT HAND ROTATION |
| 82 | 23-48934 | | 1 | SPACER, PROPELLER SHAFT-SHORT RIGHT HAND ROTATION |

CONTINUED ON NEXT PAGE ➡

GEAR HOUSING ASSEMBLY, COMPLETE (PAGE 2)

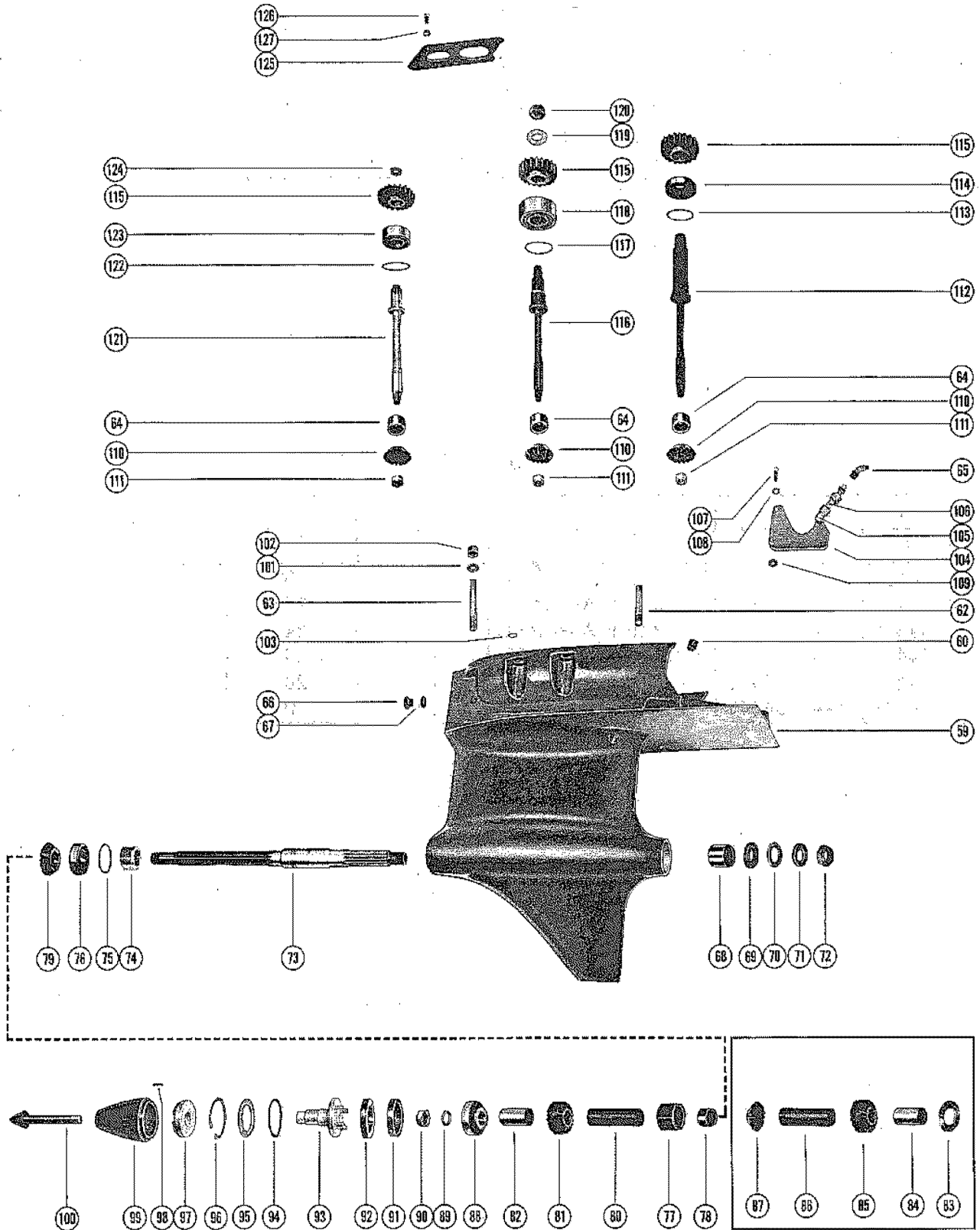


GEAR HOUSING ASSEMBLY, COMPLETE (PAGE 2)

| REF. NO. | PART NO. | SYM. | QTY. | DESCRIPTION |
|----------|------------|------|------|---|
| 83 | 12-49808 | | 1 | WASHER, PROPELLER SHAFT LEFT HAND ROTATION |
| 84 | 23-49809 | | 1 | SPACER, PROPELLER SHAFT-SHORT LEFT HAND ROTATION |
| 85 | 43-48890 | | 1 | GEAR, DOUBLE BEVEL-PROPELLER SHAFT LEFT HAND ROTATION |
| 86 | 23-57205 | | 1 | SPACER, PROPELLER SHAFT-LONG LEFT HAND ROTATION |
| 87 | 43-48949 | | 1 | GEAR, PROPELLER SHAFT LEFT HAND ROTATION |
| 88 | 31-38135A1 | | 1 | ROLLER BEARING ASSEMBLY, TAPERED-PROPELLER SHAFT |
| 89 | 12-48933 | | 1 | WASHER, PROPELLER SHAFT |
| 90 | 11-39694 | | 1 | NUT, PROPELLER SHAFT |
| 91 | 23-48932 | | 1 | SPACER, BEARING RETAINER TO GEAR HOUSING |
| 92 | 11-48931 | | 1 | NUT, BEARING RETAINER |
| 93 | 48942 | | 1 | ANCHOR STUD, BEARING RETAINER |
| 94 | 25-30224 | | 1 | "O" RING, ANCHOR STUD |
| 95 | 12-48930 | | 1 | WASHER, ANCHOR STUD |
| 96 | 53-48928 | | 1 | RING, SNAP-ANCHOR STUD TO GEAR HOUSING |
| 97 | 48929 | | 1 | COVER, GEAR HOUSING |
| 98 | 17-30282 | | 1 | PIN, NOSE CONE LOCATING |
| 99 | 48904 | | 1 | CONE, NOSE-GEAR HOUSING |
| 100 | 10-39703 | | 1 | SCREW, NOSE CONE TO GEAR HOUSING |
| 101 | 12-45176 | | 9 | WASHER, GEAR HOUSING STUDS |
| 102 | 11-34933 | | 9 | NUT, GEAR HOUSING STUDS |
| 103 | 25-45719 | | 1 | "O" RING, GEAR HOUSING STUD |
| 104 | 49526A1 | | 1 | PLATE ASSEMBLY, COVER |
| 105 | 22-49521 | | 1 | ELBOW, PLATE TO OIL TUBE (90) |
| 106 | 32-54989 | | 1 | TUBE, OIL-GEAR HOUSING TO COVER PLATE |
| 107 | 10-49527 | | 2 | SCREW, COVER PLATE TO GEAR HOUSING (1") |
| 108 | 13-21272 | | 2 | LOCKWASHER, COVER PLATE SCREW |
| 109 | 12-31760 | | 8 | WASHER, COVER PLATE SCREW |
| 110 | 43-48886 | | 3 | GEAR, PINION-DRIVE SHAFT(LOWER) |
| 111 | 11-49253 | | 3 | NUT, LOCK-PINION GEAR TO DRIVE SHAFT |
| 112 | 45-48880 | | 1 | DRIVE SHAFT, REAR |
| 113 | 15-38657A1 | | AR | SHIM ASSEMBLY, REAR DRIVE SHAFT |
| 114 | 31-48939A1 | | 1 | ROLLER BEARING ASSEMBLY, TAPERED-REAR DRIVE SHAFT |
| 115 | 43-48887A1 | | 1 | GEAR ASSEMBLY, DRIVE SHAFTS |
| 116 | 45-48879 | | 1 | DRIVE SHAFT, CENTER |
| 117 | 15-24542A1 | | AR | SHIM ASSEMBLY, CENTER DRIVE SHAFT |
| 118 | 30-53280 | | 1 | BALL BEARING, CENTER DRIVE SHAFT |
| 119 | 12-35981 | | 1 | WASHER, CENTER DRIVE SHAFT |
| 120 | 11-22339 | | 1 | NUT, GEAR TO CENTER DRIVE SHAFT |
| 121 | 45-48878 | | 1 | DRIVE SHAFT, FRONT |

CONTINUED ON NEXT PAGE ➡

GEAR HOUSING ASSEMBLY, COMPLETE (PAGE 2)



GEAR HOUSING ASSEMBLY, COMPLETE (PAGE 2)

| REF. NO. | PART NO. | SYM. | QTY. | DESCRIPTION |
|----------|------------|------|------|--|
| 122 | 15-20929A1 | | AR | SHIM ASSEMBLY, FRONT DRIVE SHAFT |
| 123 | 30-53279 | | 1 | BALL BEARING, FRONT DRIVE SHAFT |
| 124 | 11-30932 | | 1 | NUT, GEAR TO FRONT DRIVE SHAFT |
| 125 | 48891 | | 1 | RETAINER, BEARING |
| 126 | 10-53099 | | 6 | SCREW, BEARING RETAINER TO GEAR HOUSING (3/4") |
| 127 | 13-26992 | | 6 | LOCKWASHER, BEARING RETAINER SCREW |

PARTS INDEX

| Part Number | Description | Pg. | Ref. No. | Part Number | Description | Pg. | Ref. No. |
|-------------|--|-----|----------|-------------|---|-----|----------|
| 20121 | CONNECTOR, SPARK PLUG LEAD | 9 | -- | 32362 | KNOB, COWL FRONT COVER FASTENING | 5 | 3 |
| 20140 | BELT, TIMING | 15 | 57 | 32406 | MOTOR DRIVE | 21 | 2 |
| 22496 | KNOB, CHOKE ROD | 23 | 16 | 35496 | PAD, BUMPER - TOP COWL RETAINER | 3 | 3 |
| 22789 | "D" WASHER, CLIP FASTENING SCREW | 7 | 16 | 35753 | EMBLEM, FRONT COVER | 5 | 2 |
| 22789 | "D" WASHER, FUEL LINE CLIP SCREW | 29 | 20 | 35769 | SEAL, SOUND ABSORBING - UPPER | 5 | 10 |
| 23004 | RETAINER, CHECK VALVE | 29 | 9 | 37417 | COVER, TRIM - DRIVE SHAFT HOUSING | 47 | 12 |
| 23004 | RETAINER, CHECK VALVE | 29 | 9 | 37440 | BRACKET, MOUNT SUPPORT - CYLINDER | 35 | 39 |
| 23014A1 | DIAPHRAGM KIT | 29 | 5 | 37445 | SUPPORT, WIRING HARNESS - BOTTOM | 39 | 12 |
| 23014A1 | DIAPHRAGM KIT | 29 | 5 | 37587 | COWL SWIVEL, LOWER - THROTTLE CONTROL LEVER TO THROTTLE | 13 | 22 |
| 23760 | BAFFLE, BOTTOM COWL | 39 | 10 | 37588 | CABLE | 13 | 12 |
| 25596 | CABLE, WIRE - STARTER MOTOR TO FRONT SUPPORT BRACKET | 17 | 20 | 37637 | ROD, LINK - UPPER | 13 | 9 |
| 25661 | SOLENOID, STARTER | 17 | 31 | 37638 | BOOT, FUEL CONNECTOR - BOTTOM COWL | 39 | 6 |
| 25996A1 | SWIVEL AND LINK ROD ASSEMBLY | 13 | 10 | 37639 | BOOT, CONTROL CABLES - BOTTOM COWL | 39 | 6 |
| 26083 | COVER, FUEL PUMP MOUNT | 29 | 1 | 37640 | MOUNT, RUBBER-TOP COWL FRAME | 3 | 18 |
| 26113 | RACE, OUTER (PAIR) | 37 | 10 | 37665 | MOUNT, RUBBER - FRONT SUPPORT BRACKET | 3 | 34 |
| 26901 | BUMPER, RUBBER - STARTER SOLENOID | 17 | 34 | 37896 | STRIP RETAINING - TRIM COVER SEAL (SIDE) | 47 | 15 |
| 27947 | SWIVEL, LINKAGE - ECONOMIZER COLLAR | 13 | 9 | 37918 | GUIDE BLOCK, LINK ROD | 39 | 35 |
| 27948 | SWIVEL, UPPER LINK ROD TO THROTTLE CONTROL LEVER | 13 | 13 | 37919 | SEAL, COWL - FRONT | 39 | 24 |
| 28403A3 | THUMB SCREW ASSEMBLY | 43 | 2 | 37940 | SEAL, TRIM COVER TO DRIVE SHAFT HOUSING | 47 | 14 |
| 29787 | HUB, FLYWHEEL PULLEY | 7 | 10 | 38032 | PAD, SOUND - DRIP TRAY | 39 | 3 |
| 29788 | FLANGE, FLYWHEEL PULLEY | 7 | 8 | 38052 | STRIP, RETAINING - COWL SEAL | 39 | 25 |
| 29906A1 | DRIVEN PULLEY ASSEMBLY | 15 | 52 | 38052 | STRIP, RETAINING - TRIM COVER SEAL (REAR) | 47 | 17 |
| 29907 | FLANGE, DRIVEN PULLEY | 15 | 54 | 38279 | LATCH, CONTROL CABLE FASTENING - ANCHOR BRACKET | 39 | 37 |
| 30050 | TERMINAL, STATOR LEAD WIRE | 7 | 12 | 38448 | RETAINER, WATER TUBE SEAL | 39 | 22 |
| 30126A1 | TILT STOP LEVER ASSEMBLY (SHORT SHAFT) | 43 | 30 | 38675 | BLANKET, SOUND ABSORBING | 5 | 9 |
| 30186 | ADAPTOR, CHECK UNIT (FUEL LINE) | 29 | 29 | 38802 | CAP, BRASS BARREL TO THROTTLE CABLE | 39 | 32 |
| 30187 | STEM, CHECK UNIT ADAPTOR | 29 | 30 | 45391 | SPACER, RUBBER - HIGH TENSION LEADS | 9 | 33 |
| 30188 | CUP WASHER, ADAPTOR | 31 | 33 | 45392 | BRACKET, FRONT - WIRE RETAINER | 9 | 30 |
| 30306 | PULLEY, FLYWHEEL | 7 | 9 | 45409 | WIRE RETAINER, HIGH TENSION LEADS | 9 | 29 |
| 30413 | HOOK, COWL LATCH FASTENING | 5 | 17 | 45559 | TERMINAL BLOCK, STATOR LEADS | 17 | 11 |
| 30580A1 | ECONOMIZER COLLAR ASSEMBLY | 13 | 6 | 46096 | MOUNT, RUBBER - TOP COWL FRAME | 3 | 18 |
| 30585 | BRACKET, STOP | 13 | 40 | | | | |
| 30664 | TUBE, TILT - CLAMP BRACKET TO SWIVEL BRACKET | 43 | 16 | | | | |
| 30915 | INSERT, WATER PUMP | 51 | 53 | | | | |
| 31014 | MOUNT, RUBBER - REAR SUPPORT BRACKET | 3 | 21 | | | | |
| 31089 | STRIP, SOUND ABSORBING | 5 | 8 | | | | |
| 32197 | STOP, SPARK ADVANCE - DISTRIBUTOR HOUSING | 13 | 2 | | | | |

PARTS INDEX

| Part Number | Description | Pg. | Ref. No. | Part Number | Description | Pg. | Ref. No. |
|-------------|-------------------------|-----|----------|-------------|-----------------------------|-----|----------|
| 46280 | BRACKET, COIL LEAD | | | 48908 | SHIFT FORK, SLIDING | | |
| | RETAINER | 23 | 12 | | CLUTCH | 49 | 27 |
| 46785A1 | COWL LATCH ASSEMBLY .. | 5 | 16 | 48909 | COVER, SHIFT PIVOT | 49 | 21 |
| 46933A1 | GROUND STRAN ASSEMBLY | | | 48919 | RETAINER, DRIVE SHAFT | | |
| | CRANKCASE TO COWL (3 | | | | BEARING | 51 | 34 |
| | 5/8") | 41 | 44 | 48921A1 | SHIFT DETENT ASSEMBLY .. | 47 | 5 |
| 46933A2 | GROUND STRAP | | | 48922 | COLLAR, SHIFT-RATCHET .. | 49 | 28 |
| | ASSEMBLY, DRIVE SHAFT | | | 48929 | COVER, GEAR HOUSING .. | 55 | 97 |
| | HOUSING TO COWL (3 | | | 48942 | ANCHOR STUD, BEARING | | |
| | 3/8") | 41 | 45 | | RETAINER | 55 | 93 |
| 47230 | COVER, WATER JACKET - | | | 48943A2 | SHIFT SHAFT ASSEMBLY, | | |
| | CYLINDER BLOCK | 33 | 25 | | UPPER (SHORT SHAFT) .. | 39 | 27 |
| 47341A1 | ROPE, STARTER (FOR | | | 49248A1 | REVERSE THROTTLE LIMIT | | |
| | MANUAL STARTING | | | | KIT | 1 | - |
| | ONLY) | 3 | 9 | 49448 | SHIELD, TOP COWL - REAR | 3 | 6 |
| 47398 | BRACKET, REAR - WIRE | | | 49526A1 | PLATE ASSEMBLY, COVER | 55 | 104 |
| | RETAINER | 9 | 31 | 49589 | STRAP, CHOKE KNOB TO | | |
| 47604A1 | PROTECTOR, SPARK PLUG | | | | CHOKE ROD | 23 | 18 |
| | LEAD | 9 | 26 | 49932A1 | LEVER ASSEMBLY, | | |
| 47799A1 | TILT LOCK ASSEMBLY, | | | | CONTROL CABLE | | |
| | STARBOARD (LONG | | | | LOCKING - ANCHOR | | |
| | SHAFT) | 43 | 34 | | BRACKET | 41 | 40 |
| 47800A1 | TILT LOCK ASSEMBLY, | | | 49935 | CAP, BRASS BARREL TO | | |
| | PORT (LONG SHAFT) ... | 43 | 35 | | THROTTLE CABLE | 39 | 32 |
| 47802 | TUBE, TILT LOCK (LONG | | | 49982A1 | EYE BOLT ASSEMBLY | 45 | 48 |
| | SHAFT) | 43 | 36 | 52023 | CAP, NYLON - STOP | | |
| 47869A1 | BRACKET ASSEMBLY, | | | | BRACKET ADJUSTING | | |
| | ANCHOR CONTROL | | | | SCREW | 15 | 46 |
| | CABLES | 39 | 31 | 52023 | CAP, NYLON - THROTTLE | | |
| 47899A9 | SPARK PLUG LEAD | | | | ACTUATOR COLLAR | | |
| | ASSEMBLY #1,#2,#3,#4,#5 | | | | ADJUSTING SCREW | 13 | 27 |
| | AND #6 | 9 | 25 | 52100 | WEAR PLATE, LINK ROD .. | 39 | 36 |
| 48047A2 | LINK ROD ASSEMBLY | 39 | 28 | 52107 | PLATE, HEAT SHIELD | | |
| 48152 | SHUTTER, CHOKE - | | | | (SHORT SHAFT) | 47 | 4 |
| | CARBURETOR | 23 | 24 | 52131 | ROD, STEERING | 45 | 58 |
| 48187 | CHOKE SOLENOID | 23 | 1 | 52172 | MAGNET, RETAINER | | |
| 48203 | ROD, CHOKE | 23 | 21 | | SCREW | 51 | 37 |
| 48231 | SPACER, BOTTOM COWL | | | 52518 | CLUSTER, THROTTLE | | |
| | (COWL FRONT COVER) .. | 39 | 7 | | LEVER (UPPER | | |
| 48315A2 | PLUNGER AND LINK | | | | CARBURETOR) | 23 | 7 |
| | ASSEMBLY, CHOKE | | | 52725A2 | BRACKET ASSEMBLY, TOP | | |
| | SOLENOID | 23 | 6 | | COWL SUPPORT - FRONT | 3 | 29 |
| 48396 | CABLE, WIRE - STARTER | | | 52733A2 | RETAINER ASSEMBLY, TOP | | |
| | MOTOR TO SOLENOID .. | 17 | 37 | | COWL | 3 | 2 |
| 48666A1 | ADAPTOR ASSEMBLY, | | | 52737 | LEVER, COWL LATCH | | |
| | DISTRIBUTOR | 13 | 35 | | HINGE | 3 | 11 |
| 48671 | PLATE, THROTTLE | | | 52738 | HOOK, TOP COWL LATCH - | | |
| | ACTUATOR | 13 | 28 | | REAR | 3 | 14 |
| 48692 | COLLAR, THROTTLE | | | 52739 | HINGE, COWL LATCH - TOP | | |
| | ACTUATOR | 13 | 24 | | COWL | 3 | 10 |
| 48825 | FRAME, TOP COWL | | | 52769 | WIRING HARNESS, | | |
| | SUPPORT | 3 | 17 | | INTERNAL | 17 | 1 |
| 48856 | LEVER, THROTTLE | | | 52862A2 | DRIP TRAY ASSEMBLY, | | |
| | CONTROL | 13 | 14 | | BOTTOM COWL | 39 | 2 |
| 48884 | YOKE, BOTTOM | 45 | 43 | 52889 | NOZZLE, TELL TALE HOSE | | |
| 48891 | RETAINER, BEARING | 57 | 125 | | TO BOTTOM COWL | 39 | 16 |
| 48893 | PLATE, FACE-SPACER TO | | | 53078 | CAP, PLASTIC - TILT TUBE .. | 43 | 19 |
| | WATER PUMP | 51 | 48 | 53123A4 | FUEL PUMP ASSEMBLY - | | |
| 48904 | CONE, NOSE-GEAR | | | | UPPER | 29 | 3 |
| | HOUSING | 55 | 99 | | | | |

PARTS INDEX

| Part Number | Description | Pg. | Ref. No. | Part Number | Description | Pg. | Ref. No. |
|-------------|---|-----|----------|-------------|--|-----|----------|
| 53276 | CAM, SHIFT | 49 | 18 | 10-21091 | SCREW, CYLINDER BLOCK COVER MOUNTING (1 1/8") | 35 | 36 |
| 53334 | SEAL, SOUND ABSORBING - TOP | 5 | 11 | 10-21091 | SCREW, SHIFT DETENT TO DRIVE SHAFT HOUSING (1 1/8") | 47 | 6 |
| 53417 | GROUND STRAP ASSEMBLY, DISTRIBUTOR TO CRANKCASE | 9 | 5 | 10-2125 | SCREW, SOLENOID TO COIL BRACKET (3/4") | 17 | 32 |
| 53507 | BRACKET, STARTER MOTOR SUPPORT | 17 | 26 | 10-21574 | SCREW, CRANKCASE TO CYLINDER BLOCK (1 5/8") | 33 | 15 |
| 53667A1 | TACHOMETER ASSEMBLY | 1 | - | 10-22040 | SCREW, DISTRIBUTOR HOUSING TO CRANKCASE (1 1/2") | 13 | 37 |
| 53720A2 | THROTTLE PICK-UP BRACKET ASSEMBLY | 23 | 10 | 10-22040 | SCREW, FRONT BRACKET TO BOTTOM COWL (1 1/2") | 3 | 30 |
| 53777A2 | SHIFT SHAFT ASSEMBLY, UPPER (LONG SHAFT) | 39 | 27 | 10-22486 | SCREW, COIL MOUNTING BRACKET (7/8") | 11 | 35 |
| 53806 | PLATE, HEAT SHIELD (LONG SHAFT) | 47 | 4 | 10-22523 | SCREW, CARBURETOR FILTER SCREEN TO CARBURETOR (3/4") | 23 | 28 |
| 53864A1 | SPACER ASSEMBLY, COMPLETE | 49 | 4 | 10-22956 | SCREW, REAR HOOK TO TOP COWL (7/8") | 3 | 15 |
| 53869 | COVER, SPACER-FRONT | 51 | 46 | 10-22968 | SCREW, CENTER MAIN BEARING CLAMPING (1 1/4") | 37 | 13 |
| 54196 | CARRIER, "O" RING - CRANKSHAFT | 37 | 5 | 10-23030 | SCREW, BODY CHANNEL | 27 | 36 |
| 54196 | CARRIER, "O" RING-DRIVE SHAFT COUPLING | 49 | 2 | 10-23178 | SCREW, BODY (IDLE TUBE) | 25 | 23 |
| 54239 | CAM, THROTTLE ACTUATOR PLATE | 13 | 33 | 10-24228 | SCREW, STOP BRACKET ADJUSTING (1 7/8") | 15 | 44 |
| 54567 | CAP, DISTRIBUTOR HOUSING | 15 | 50 | 10-24234 | SCREW, ANCHOR BRACKET TO CYLINDER BLOCK (1") | 39 | 33 |
| 54685 | BRACKET, TOP COWL SUPPORT - REAR | 3 | 20 | 10-24234 | SCREW, BRACKET TO CYLINDER BLOCK (1") | 35 | 40 |
| 54804 | COVER, TRANSFER PORT | 35 | 41 | 10-24234 | SCREW, REAR BRACKET TO BOTTOM COWL (1") | 3 | 27 |
| 54817A3 | FUEL PUMP ASSEMBLY - LOWER | 29 | 11 | 10-24866 | SCREW, SWITCH BOX TO FRONT MOUNTING BRACKET (1") | 17 | 18 |
| 54942 | SCREEN, WRAP AROUND COWL - LOWER | 5 | 14 | 10-25299 | SCREW, CHOKE SOLENOID (3/4") | 23 | 4 |
| 54943 | SCREEN, WRAP AROUND COWL - UPPER | 5 | 13 | 10-25612 | SCREW, SERIAL PLATE TO SWIVEL BRACKET | 43 | 5 |
| 55281 | COVER, EXHAUST MANIFOLD | 33 | 32 | 10-25822 | SCREW, STRAINER COVER FASTENING | 25 | 18 |
| 55282 | PLATE, BAFFLE - EXHAUST MANIFOLD | 33 | 30 | 10-26065 | SCREW, REAR BRACKET TO TOP COWL FRAME (1") | 3 | 25 |
| 57206A1 | ADATPOR ASSEMBLY, PROPELLER SHAFT | 53 | 77 | 10-26132 | SCREW, CRANKCASE TO CYLINDER BLOCK (2 1/2") | 33 | 14 |
| 10-20037 | SCREW, RETAINER TO HOUSING | 29 | 10 | 10-28009 | BOLT, CLAMP BRACKET TO BOAT TRANSOM | 43 | 27 |
| 10-20037 | SCREW, RETAINER TO HOUSING | 29 | 10 | 10-28405 | SCREW, PLUG - MAIN FUEL JET CHANNEL | 25 | 29 |
| 10-20359 | SCREW, CENTER MAIN BEARING LOCKING | 33 | 17 | 10-28424 | SCREW, LOWER EYE BOLT MOUNTING PIN (2 1/8") (LONG SHAFT) | 45 | -- |
| 10-20362 | SCREW, FRONT BRACKET TO TOP COWL SCREW FRAME (1 1/2") | 3 | 32 | 10-28634 | SCREW, VENT AND FILLING | 53 | 66 |
| 10-20362 | SCREW, STARTER MOTOR TO CRANKCASE FLANGE (1 1/2") | 17 | 23 | 10-28636 | SCREW, TRANSFER PORT COVER MOUNTING (3/4") | 35 | 43 |
| 10-20532 | SCREW, RETAINER TO SPACER (1 1/8") | 51 | 35 | 10-28711 | SCREW, COVER ATTACHING | 29 | 2 |
| 10-20776 | SCREW, GROUND WIRE TO BOTTOM COWL (1/2") | 17 | 7 | | | | |
| 10-20847 | SCREW, CLUSTER TO THROTTLE LEVER | 23 | 8 | | | | |

PARTS INDEX

| Part Number | Description | Pg. | Ref. No. | Part Number | Description | Pg. | Ref. No. |
|-------------|---|-----|----------|-------------|---|-----|----------|
| 10-29197 | SCREW, WIRE CABLE TO STARTER MOTOR | 17 | 21 | 10-37990 | SCREW, WIRING HARNESS SUPPORT TO BOTTOM COWL (1 3/4") | 39 | 13 |
| 10-30128 | SCREW, TILT STOP LEVER TO CLAMP BRACKET (SHORT SHAFT) | 43 | 31 | 10-38036 | SCREW, FUEL PUMP MOUNTING (1 1/2") | 29 | 12 |
| 10-30225 | SCREW, END CAP MOUNTING (1") | 33 | 24 | 10-38837 | SCREW, MANIFOLD COVER MOUNTING (1 1/8") | 33 | 33 |
| 10-30225 | SCREW, END CAP MOUNTING (1") | 33 | 5 | 10-39703 | SCREW, NOSE CONE TO GEAR HOUSING | 55 | 100 |
| 10-30273 | SCREW, FUEL PUMP MOUNTING (1 7/8") | 29 | 13 | 10-45218 | SCREW, SWITCH BOX (3/8") | 17 | 17 |
| 10-30663 | SCREW, FRONT AND REAR BRACKET ATTACHING . . | 9 | 32 | 10-45775 | SCREW, MAIN BEARING CLAMPING (9/16") | 37 | 17 |
| 10-30663 | SCREW, FUEL LINE CLIP TO CYLINDER BLOCK (3/8") . | 29 | 19 | 10-45862 | SCREW, WIRING HARNESS CLAMP TO BOTTOM COWL (7/8") | 17 | 3 |
| 10-30663 | SCREW, GROUND STRAP ATTACHING (3/8") | 9 | 6 | 10-47828 | SCREW, DRIVE - SWIVEL BRACKET | 43 | 13 |
| 10-30663 | SCREW, GROUND STRAP FASTENING | 41 | 46 | 10-48080 | SCREW, REED STOP MOUNTING (3/8") | 37 | 21 |
| 10-30663 | SCREW, STATOR LEAD CLIP FASTENING | 7 | 15 | 10-48408 | SCREW, RETAINING STRIP TO DRIVE SHAFT HOUSING (1/2") | 47 | 18 |
| 10-30663 | SCREW, STATOR LEADS TO TERMINAL BLOCK (3/8") . | 17 | 13 | 10-48409 | SCREW, RETAINING STRIP TO DRIVE HOUSING (5/8") | 47 | 16 |
| 10-31294 | SCREW, COIL BRACKET (1") | 23 | 13 | 10-48409 | SCREW, TERMINAL BLOCK FASTENING (5/8") | 17 | 12 |
| 10-31294 | SCREW, RECTIFIER TO MOUNTING BRACKET (1") | 19 | 42 | 10-48591 | SCREW, SPACER TO BOTTOM COWL (1/2") . . . | 39 | 8 |
| 10-31827 | BOLT, CLAMP BRACKET TO BOAT TRANSOM | 43 | 27 | 10-48591 | SCREW, STRAP TO CHOKE KNOB (1/2") | 23 | 19 |
| 10-31984 | SCREW, STARTER MOTOR TO CRANKCASE FLANGE (1 3/8") | 17 | 24 | 10-48591 | SCREW, STRAP TO CHOKE ROD (1/2") | 23 | 22 |
| 10-32293 | SCREW, CRANKCASE TO CYLINDER BLOCK (1 3/4") | 33 | 15 | 10-48675 | SCREW, ADJUSTING - THROTTLE ACTUATOR COLLAR (1 1/2") | 13 | 25 |
| 10-32417 | SCREW, FLEXIBLE PLATE TO FLYWHEEL (5/8") | 7 | 5 | 10-48924 | SCREW, YOKE TO DRIVE SHAFT HOUSING - LOWER (3 1/2") | 45 | 45 |
| 10-34222 | SCREW, DRIP TRAY TO BOTTOM COWL (1/2") . . . | 39 | 4 | 10-49006 | SCREW, PLATE AND HUB TO FLEXIBLE PLATE (3/4") | 7 | 6 |
| 10-34222 | SCREW, TELL TALE NOZZLE TO BOTTOM COWL (1/2") | 39 | 17 | 10-49369 | SCREW, TILT LOCK PIN (9 3/8") | 43 | 24 |
| 10-34439 | SCREW, RETAINER TO DRIVE SHAFT HOUSING (3/4") | 39 | 23 | 10-49373 | BOLT, STEERING ARM TO UPPER MOUNT | 43 | 8 |
| 10-34571 | SCREW, TRIM COVER TO BOTTOM COWL (1/2") . . . | 47 | 13 | 10-49527 | SCREW, COVER PLATE TO GEAR HOUSING (1") . . . | 55 | 107 |
| 10-37370 | SCREW, SHIELD TO TOP COWL (5/8") | 3 | 7 | 10-49989 | SCREW, PULLEY CLAMPING SCREW | 15 | 56 |
| 10-37558 | SCREW, RETAINER TO TOP COWL (1 1/4") | 3 | 4 | 10-52195 | SCREW, FLOAT BOWL COVER (SHORT) | 25 | 10 |
| 10-37559 | SCREW, THROTTLE LEVER TO EXHAUST COVER (1 3/4") | 13 | 18 | 10-52196 | SCREW, FLOAT BOWL COVER (LONG) | 25 | 11 |
| 10-37561 | SCREW, ADAPTOR TO BOTTOM COWL (2 1/2") . . | 31 | 34 | 10-52720 | SCREW, STATOR TO UPPER END CAN (7/8") | 7 | 13 |
| 10-37561 | SCREW, COIL MOUNTING BRACKET (2 1/2") | 11 | 37 | 10-52867 | SCREW, BAFFLE TO BOTTOM COWL | 39 | 11 |
| 10-37571 | SCREW, SEAL AND RETAINING STRIP TO COWL | 39 | 26 | 10-53077 | SCREW, NYLON - LOWER EYE BOLT MOUNTING PIN (3/4") | 45 | 49 |

PARTS INDEX

| Part Number | Description | Pg. | Ref. No. | Part Number | Description | Pg. | Ref. No. |
|-------------|--|-----|----------|-------------|--|-----|----------|
| 10-53099 | SCREW, BEARING RETAINER TO GEAR HOUSING (3/4") | 57 | 126 | 11-21528 | NUT, RUBBER MOUNT TO TOP COWL FRAME | 3 | 19 |
| 10-53099 | SCREW, PIVOT COVER TO GEAR HOUSING | 49 | 25 | 11-22053 | NUT, RUBBER MOUNT TO FRONT SUPPORT BRACKET | 3 | 36 |
| 10-53167 | SCREW, WATER JACKET COVER TO CYLINDER BLOCK (7/8") | 33 | 27 | 11-22339 | NUT, GEAR TO CENTER DRIVE SHAFT | 55 | 120 |
| 10-53556 | SCREW, TRANSFER PORT COVER MOUNTING (1") | 35 | 43 | 11-23161 | NUT, POWERHEAD STUDS (3/8-24) | 47 | 9 |
| 10-53651 | SCREW, THROTTLE BRACKET MOUNTING (1/2") | 23 | 11 | 11-25168 | NUT, UPPER LINK ROD ADJUSTING | 13 | 11 |
| 10-54803 | SCREW, CONNECTING ROD | 37 | 27 | 11-25594 | NUT, CLAMP BRACKET STUD | 43 | 23 |
| 10-55090 | SCREW, SHIFT FORK | 49 | 23 | 11-25599 | NUT, EYE BOLT | 45 | 57 |
| 10-55943 | SCREW, DISTRIBUTOR CAP CLAMP (1 1/4") | 9 | 14 | 11-26768 | NUT, DISTRIBUTOR CAP CLAMP SCREW | 9 | 15 |
| 11-20083 | NUT, DISTRIBUTOR HOUSING SCREW | 13 | 39 | 11-28010 | NUT, CLAMP BRACKET BOLT | 43 | 29 |
| 11-20083 | NUT, SOLENOID TERMINAL (5/16") | 17 | 39 | 11-30499 | NUT, TILT TUBE FASTENING | 43 | 18 |
| 11-20088 | NUT, RUBBER MOUNT TO REAR SUPPORT BRACKET | 3 | 24 | 11-30932 | NUT, GEAR TO FRONT DRIVE SHAFT | 57 | 124 |
| 11-20110 | NUT, CARBURETOR FILTER SCREEN FASTENING SCREW | 23 | 29 | 11-34932 | NUT, TILT LOCK PIN SCREW | 43 | 26 |
| 11-20110 | NUT, CHOKE SHUTTER TO CARBURETOR STUD | 23 | 26 | 11-34933 | NUT, GEAR HOUSING STUDS | 55 | 102 |
| 11-20361 | NUT, RUBBER MOUNT TO TOP COWL FRAME | 3 | 19 | 11-34933 | NUT, SPACER STUD | 47 | 3 |
| 11-20361 | NUT, SHIFT DETENT SCREW | 47 | 7 | 11-34933 | NUT, STEERING ARM BOLT | 43 | 9 |
| 11-20361 | NUT, THROTTLE CABLE TO LOWER SWIVEL | 13 | 23 | 11-35000 | NUT, YOKE SCREW | 45 | 47 |
| 11-20361 | NUT, UPPER LINK ROD TO THROTTLE CONTROL LEVER | 13 | 17 | 11-35053 | NUT, PINION STOP COLLAR | 21 | 1 |
| 11-20361 | NUT, WATER PUMP AND FACE PLATE STUDS | 51 | 57 | 11-35814 | NUT, POWERHEAD STUDS (5/16-24) | 47 | 10 |
| 11-20509 | NUT, POWERHEAD STUDS (2/8-24) | 47 | 9 | 11-35814 | NUT, STARTER MOTOR MOUNTING STUD | 17 | 28 |
| 11-20509 | NUT, STEERING ROD | 45 | 61 | 11-35814 | NUT, THRU BOLT | 21 | 16 |
| 11-20509 | NUT, THROTTLE CONTROL LEVER SCREW | 13 | 21 | 11-37424 | NUT, SWIVEL PIN RETAINING | 45 | 44 |
| 11-20565 | NUT, STRAP TO CHOKE ROD SCREW | 23 | 23 | 11-39694 | NUT, PROPELLER SHAFT | 55 | 90 |
| 11-20586 | NUT, STOP BRACKET FASTENING STUD | 15 | 43 | 11-45076 | NUT, FASTENING - RECTIFIER STATOR LEADS | 19 | 45 |
| 11-20645 | NUT, SOLENOID TERMINAL | 23 | 3 | 11-45076 | NUT, SWITCH BOX TERMINAL | 17 | 16 |
| 11-20645 | NUT, SOLENOID TERMINAL (#10) | 17 | 36 | 11-45774 | NUT, MAIN BEARING CLAMPING SCREW | 37 | 18 |
| 11-20664 | NUT, LINK ROD | 39 | 39 | 11-46793 | NUT, CARBURETOR MOUNTING STUD | 27 | 38 |
| 11-20664 | NUT, SHIFT FORK SCREW | 49 | 24 | 11-46793 | NUT, CRANKCASE FASTENING SCREW | 33 | 16 |
| 11-20739 | NUT, EYE BOLT | 45 | 52 | 11-46793 | NUT, FRONT SUPPORT BRACKET SCREW | 3 | 31 |
| 11-20890 | NUT, STARTER MOTOR TERMINAL | 17 | 30 | 11-46793 | NUT, REAR BRACKET SCREW | 3 | 26 |
| 11-20890 | NUT, STOP BRACKET ADJUSTING SCREW | 15 | 45 | 11-46793 | NUT, TILT STOP LEVER SCREW (SHORT SHAFT) | 43 | 33 |
| | | | | 11-46887 | NUT, ADAPTOR FASTENING SCREW | 31 | 35 |
| | | | | 11-46887 | NUT, BEARING CLAMPING SCREW | 37 | 14 |
| | | | | 11-46887 | NUT, CHOKE ROD SPRING TO CARBURETOR STUD | 23 | 34 |

PARTS INDEX

| Part Number | Description | Pg. | Ref. No. | Part Number | Description | Pg. | Ref. No. |
|-------------|---|-----|----------|-------------|---|-----|----------|
| 11-46887 | NUT, COIL MOUNTING BRACKET SCREW | 11 | 38 | 12-28421 | WASHER, LOWER BUSHING RETAINER | 45 | 50 |
| 11-46887 | NUT, COVER MOUNTING SCREW | 35 | 37 | 12-29245 | WASHER THROTTLE CONTROL LEVER SWIVEL | 13 | 16 |
| 11-46887 | NUT, LOWER EYE BOLT MOUNTING PIN SCREW (LONG SHAFT) | 45 | -- | 12-29245 | WASHER, COIL BRACKET SCREW | 23 | 14 |
| 11-46887 | NUT, RECTIFIER MOUNTING SCREW | 19 | 43 | 12-29395 | WASHER, THROTTLE CONTROL LEVER SCREW | 13 | 19 |
| 11-46887 | NUT, SWITCH BOX SCREW | 17 | 19 | 12-30771 | WASHER, COVER FASTENING KNOB (RUBBER) | 5 | 4 |
| 11-46887 | NUT, WIRING HARNESS SUPPORT SCREW | 39 | 14 | 12-31266 | WASHER, RUBBER-SHIFT SHAFT | 49 | 8 |
| 11-48931 | NUT, BEARING RETAINER | 55 | 92 | 12-31760 | WASHER, COVER PLATE SCREW | 55 | 109 |
| 11-49091 | NUT, CONNECTING ROD SCREW | 37 | 28 | 12-33001 | WASHER, FLYWHEEL NUT | 7 | 3 |
| 11-49252 | NUT, PROPELLER | 53 | 72 | 12-35981 | WASHER, CENTER DRIVE SHAFT | 55 | 119 |
| 11-49253 | NUT, LOCK-PINION GEAR TO DRIVE SHAFT | 55 | 111 | 12-37429 | WASHER, SWIVEL PIN | 45 | 41 |
| 11-52901 | NUT, FLYWHEEL | 7 | 2 | 12-37828 | WASHER, TILT LOCK PIN SCREW | 43 | 25 |
| 11-52901 | NUT, FLYWHEEL TO CRANKSHAFT | 37 | 2 | 12-39698 | WASHER, PLAIN-PROPELLER NUT | 53 | 71 |
| 11-54209 | NUT, ROTOR SHAFT TO DISTRIBUTOR HOUSING | 9 | 2 | 12-39701 | WASHER, SPLINED-PROPELLER NUT | 53 | 70 |
| 12-20084 | WASHER, DISTRIBUTOR HOUSING SCREW | 13 | 38 | 12-45075 | WASHER, RECTIFIER STATOR LEAD TERMINAL | 19 | 44 |
| 12-20086 | WASHER, POWERHEAD STUDS | 47 | 8 | 12-45075 | WASHER, SWITCH BOX TERMINAL | 17 | 15 |
| 12-20086 | WASHER, STEERING ROD | 45 | 60 | 12-45176 | WASHER, GEAR HOUSING STUDS | 55 | 101 |
| 12-20103 | WASHER, STARTER MOTOR MOUNTING STUD | 17 | 27 | 12-45176 | WASHER, SPACER STUD | 47 | 2 |
| 12-20128 | WASHER, THROTTLE ACTUATOR PLATE FASTENING SCREW | 13 | 30 | 12-46246 | WASHER, ADAPTOR - DISTRIBUTOR HOUSING | 13 | 34 |
| 12-20128 | WASHER, WIRING HARNESS CLAMP SCREW | 17 | 5 | 12-47247 | WASHER, NEEDLE LOCATING | 37 | 30 |
| 12-20260 | WASHER, SEALING-VENT AND FILLING SCREW | 53 | 67 | 12-48912 | WASHER, THRUST-DRIVE SHAFT | 51 | 42 |
| 12-20346 | WASHER, RUBBER MOUNT TO REAR SUPPORT BRACKET | 3 | 23 | 12-48926 | WASHER | 45 | 42 |
| 12-21040 | WASHER, CLAMP BRACKET BOLT | 43 | 28 | 12-48930 | WASHER, ANCHOR STUD | 55 | 95 |
| 12-21631 | WASHER, PLAIN - LINK ROD | 39 | 38 | 12-48933 | WASHER, PROPELLER SHAFT | 55 | 89 |
| 12-24501 | WASHER, YOKE SCREW | 45 | 46 | 12-49808 | WASHER, PROPELLER SHAFT | 55 | 83 |
| 12-24662 | WASHER, STOP BRACKET FASTENING STUD | 15 | 42 | 12-49983 | WASHER, CUPPED - EYE BOLT | 45 | 55 |
| 12-24664 | WASHER, LINK ROD | 39 | 29 | 12-52601 | WASHER, PLAIN - EYEBOLT | 45 | 53 |
| 12-24812 | WASHER, CLAMP BRACKET STUD | 43 | 22 | 12-52864 | WASHER, CLAMP BRACKET TILT TUBE | 43 | 17 |
| 12-26825 | WASHER, COVER FASTENING KNOB (STEEL) | 5 | 5 | 12-53540 | WASHER, ECONOMIZER COLLAR - DISTRIBUTOR HOUSING | 13 | 5 |
| 12-26825 | WASHER, CRANKCASE TO CYLINDER BLOCK SCREW | 33 | -- | 12-55154A1 | WASHER ASSEMBLY, SHIFT CAM | 49 | 19 |
| 12-27939 | WASHER, DISTRIBUTOR HOUSING | 15 | 47 | 13-21272 | LOCKWASHER, COVER PLATE SCREW | 55 | 108 |
| 12-28008 | WASHER, CLAMP BRACKET BOLT | 43 | 28 | 13-21272 | LOCKWASHER, RETAINER SCREW | 51 | 36 |
| 12-28404 | WASHER, THUMB SCREW | 43 | 3 | 13-22238 | LOCKWASHER, GROUND STRAP SCREW | 41 | 47 |

PARTS INDEX

| Part Number | Description | Pg. | Ref. No. | Part Number | Description | Pg. | Ref. No. |
|-------------|--|-----|----------|-------------|---|-----|----------|
| 13-24669 | LOCKWASHER, GROUND WIRE SCREW | 17 | 8 | 13-52194 | LOCKWASHER, FLOAT BOWL COVER SCREW .. | 25 | 12 |
| 13-24850 | WASHER, WAVE - TILT LOCK TUBE (LONG SHAFT) | 45 | 39 | 13-53166 | LOCKWASHER, WATER JACKET COVER FASTENING SCREW | 33 | 28 |
| 13-25806 | WASHER, WAVE -THROTTLE CONTROL LEVER SWIVEL | 13 | 15 | 14-20091 | TAB WAHER, BEARING LOCKING SCREW | 33 | 18 |
| 13-26992 | LOCKWASHER, BEARING RETAINER SCREW | 57 | 127 | 14-27960 | TAB WASHER, ADAPTOR CAP FASTENING | 15 | 48 |
| 13-26992 | LOCKWASHER, COIL MOUNTING BRACKET . . . | 11 | 36 | 15-20085A1 | SHIM, END CAP TO CRANKCASE (.002-3-5-10) | 33 | 23 |
| 13-26992 | LOCKWASHER, REAR HOOK MOUNTING SCREW | 3 | 16 | 15-20929A1 | SHIM ASSEMBLY, FRONT DRIVE SHAFT | 57 | 122 |
| 13-26992 | LOCKWASHER, RUBBER MOUNT TO REAR SUPPORT BRACKET | 3 | 22 | 15-20929A1 | SHIM ASSEMBLY, PROPELLER SHAFT | 53 | 75 |
| 13-26992 | LOCKWASHER, SHIFT PIVOT COVER SCREW .. | 49 | 26 | 15-24542A1 | SHIM ASSEMBLY, CENTER DRIVE SHAFT | 55 | 117 |
| 13-26992 | LOCKWASHER, STARTER MOTOR TERMINAL | 17 | 29 | 15-26320A1 | SHIM ASSEMBLY, DRIVEN GEAR | 49 | 17 |
| 13-26992 | LOCKWASHER, STARTER SOLENOID FASTENING SCREW | 17 | 33 | 15-34810A1 | SHIM ASSEMBLY, DRIVE GEAR BEARING TO SPACER | 51 | 33 |
| 13-26993 | LOCKWASHER, CHOKE SOLENOID SCREW | 23 | 5 | 15-38657A1 | SHIM ASSEMBLY, REAR DRIVE SHAFT | 55 | 113 |
| 13-26993 | LOCKWASHER, FRONT SUPPORT BRACKET SCREW | 3 | 33 | 15-47248A1 | SHIM, END CAP TO CRANKCASE (.002-3-5-10) | 33 | 4 |
| 13-26993 | LOCKWASHER, REAR SUPPORT BRACKET SCREW | 3 | 28 | 15-53325A1 | SHIM ASSEMBLY, DRIVE GEAR BEARING TO SPACER | 51 | 43 |
| 13-26993 | LOCKWASHER, RUBBER MOUNT TO FRONT SUPPORT BRACKET | 3 | 35 | 16-20221 | STUD, CLAMP BRACKET .. | 43 | 21 |
| 13-26993 | LOCKWASHER, SOLENOID TERMINAL (5/16") | 17 | 38 | 16-20956 | STUD, DISTRIBUTOR ADAPTOR TO STOP BRACKET | 15 | 41 |
| 13-26993 | LOCKWASHER, STARTER MOTOR SCREW | 17 | 25 | 16-25385 | STUD, SPACER TO FACE PLATE (1 1/8") | 49 | 5 |
| 13-26993 | LOCKWASHER, THRU BOLT | 21 | 15 | 16-26133 | STUD, CRANKCASE TO DRIVE SHAFT HOUSING (1 7/8") | 33 | 9 |
| 13-26996 | LOCKWASHER, SOLENOID TERMINAL | 23 | 2 | 16-30717 | STUD, SPACER TO WATER PUMP (2 7/16") | 49 | 10 |
| 13-26996 | LOCKWASHER, STRAP SCREW | 23 | 20 | 16-32129 | STUD, GEAR HOUSING TO SPACER (2 3/8") | 53 | 62 |
| 13-26996 | LOCKWASHER, THROTTLE ACTUATOR PLATE FASTENING SCREW | 13 | 31 | 16-35099 | STUD, STARTER MOTOR MOUNTING (1 3/16") | 21 | 13 |
| 13-26996 | LOCKWASHER, WIRING HARNESS CLAMP SCREW | 17 | 4 | 16-35099 | STUD,CARBURETOR MOUNTING (1 3/16") | 33 | 8 |
| 13-26996 | LOCKWASHER, SOLENOID TERMINAL (#10) | 17 | 35 | 16-39937 | STUD, CHOKE ROD SPRING TO CARBURETOR | 23 | 32 |
| 13-27959 | WASHER, WAVE - DISTRIBUTOR BALL BEARING TENSION | 15 | 49 | 16-48769 | STUD, CYLINDER BLOCK TO DRIVE SHAFT HOUSING (2 1/8") | 33 | 13 |
| 13-29720 | WASHER, WAVE - LINK ROD | 39 | 30 | 16-48770 | STUD, CYLINDER BLOCK TO DRIVE SHAFT HOUSING (3 9/16") | 33 | 12 |
| 13-31030 | WASHER, WAVE - TILT STOP LEVER SCREW (SHORT SHAFT) | 43 | 32 | 16-49082 | STUD,GEAR HOUSING TO SPACER (3 3/4") | 53 | 63 |
| 13-37371 | LOCKWASHER, SHIELD SCREW | 3 | 8 | 16-52540 | STUD, CYLINDER BLOCK TO DRIVE SHAFT HOUSING (2") | 33 | 13 |

PARTS INDEX

| Part Number | Description | Pg. | Ref. No. | Part Number | Description | Pg. | Ref. No. |
|-------------|-----------------------------|-----|----------|-------------|-----------------------------|-----|----------|
| 16-52898 | STUD, CARBURETOR - | | | 22-29086 | ELBOW, FUEL LINE TO | | |
| | CHOKE SHUTTER PIVOT | 23 | 25 | | CARBURETOR (45) | 31 | 37 |
| 17-20032 | DOWEL PIN, CENTER MAIN | | | 22-30174 | ELBOW, UPPER | | |
| | BEARING | 37 | 8 | | CARBURETOR STRAINER | | |
| 17-20032 | DOWEL PIN, MAIN BEARING | 37 | 16 | | COVER (90) | 29 | 15 |
| 17-20033 | PIN, DOWEL - CRANKCASE | | | 22-30175 | SLEEVE, "Y" FITTING | | |
| | TO CYLINDER BLOCK . . . | 33 | 10 | | CONNECTOR | 29 | 26 |
| 17-20323 | PIN, DOWEL - CYLINDER | | | 22-30175 | SLEEVE, CARBURETOR | | |
| | BLOCK TO MAIN BEARING | 33 | 11 | | STRAINER COVER | | |
| 17-23928 | PIN, ROLL - CONTROL | | | 22-30177 | ELBOW | 29 | 16 |
| | CABLE LOCKING LEVER . | 41 | 42 | | NUT, "Y" FITTING | | |
| 17-26618 | PIN, DOWEL - PULLEY TO | | | 22-30177 | CONNECTOR | 29 | 27 |
| | FLYWHEEL | 7 | 7 | | NUT, UPPER CARBURETOR | | |
| 17-27961 | PIN, ECONOMIZER COLLAR | | | | STRAINER COVER | | |
| | - SPRING RETAINER | 13 | 7 | 22-30468 | ELBOW | 29 | 17 |
| 17-27962 | PIN, ANCHOR SPRING - | | | 22-31521 | CONNECTOR, "Y" FITTING . | 29 | 25 |
| | DISTRIBUTOR HOUSING . | 13 | 3 | 22-31521 | ELBOW, VENT - | | |
| 17-29077 | ROLL PIN, TENSION SPRING | | | | DISTRIBUTOR CAP | 9 | 23 |
| | TO KNOB | 5 | 7 | 22-31521 | ELBOW, VENT HOSE TO | | |
| 17-29908 | PIN, ROLL - FLANGE | | | 22-32802 | BOTTOM COWL | 9 | 17 |
| | LOCATING | 15 | 53 | 22-32802 | PLUG, PIPE - CYLINDER | | |
| 17-29967 | PIN, IMPELLER DRIVING . . . | 51 | 50 | 22-32802 | BLOCK COVER | 35 | 38 |
| 17-30282 | PIN, NOSE CONE LOCATING | 55 | 98 | 22-49521 | PLUG, PIPE - FUEL PUMP . . | 29 | 21 |
| 17-33522 | PIN, ROLL - COWL LATCH | | | | ELBOW, PLATE TO OIL | | |
| | LEVER TO HINGE | 3 | 12 | 22-49523 | TUBE (90) | 55 | 105 |
| 17-35973 | PIN, DOWEL-SPACER TO | | | 22-53491 | ELBOW, OIL TUBE (45) . . . | 53 | 65 |
| | WATER PUMP | 49 | 9 | | TEE, BLEED HOSE TO | | |
| 17-47246 | DOWEL PIN, STEPPED | 37 | 12 | 22-53492 | CYLINDER BLOCK - | | |
| 17-48883A1 | SWIVEL PIN AND STEERING | | | | LOWER | 35 | 52 |
| | ARM ASSEMBLY (SHORT | | | 22-54818 | TEE, BLEED HOSE TO | | |
| | SHAFT) | 43 | 6 | | CYLINDER BLOCK - | | |
| 17-53776A1 | SWIVEL PIN AND STEERING | | | 22-54818 | CENTER | 35 | 51 |
| | ARM ASEEMBLY (LONG | | | 22-55262 | "Y" FITTING, UPPER FUEL | | |
| | SHAFT) | 43 | 6 | | PUMP | 29 | 24 |
| 17-54944 | RIVET, SCREEN TO COWL . | 5 | 15 | 23-20222 | ELBOW, VENT - | | |
| 18-47959 | COTTER PIN, TILT LOCK | | | | DISTRIBUTOR HOUSING . | 9 | 7 |
| | TUBE (LONG SHAFT) . . . | 43 | 37 | 23-28198 | SPACER, CLAMP BRACKET | | |
| 19-45907 | PLUG, FLYWHEEL PULLER | | | | STUD | 43 | 20 |
| | THREADS | 7 | 1 | 23-29804 | BUSHING, RUBBER - EYE | | |
| 21-28481A1 | CHECK VALVE ASSEMBLY . | 35 | 47 | | BOLT | 45 | 51 |
| 21-28481A1 | CHECK VALVE ASSEMBLY, | | | 23-32427 | SLEEVE, WATER TUBE | | |
| | END CAP | 33 | 20 | | GUIDE | 51 | 56 |
| 21-28483A1 | CHECK VALVE ASSEMBLY | | | 23-45818 | SPACER, CHOKE ROD | | |
| | BLEED HOSE | 35 | 46 | | SPRING STUD | 23 | 33 |
| 21-30430A1 | CHECK VALVE ASSEMBLY . | 29 | 4 | 23-47250 | BUSHING, THROTTLE | | |
| 21-30430A1 | CHECK VALVE ASSEMBLY . | 29 | 4 | 23-47803 | CONTROL LEVER SCREW | 13 | 20 |
| 22-20025 | PLUG, PIPE (1/4-18 THREAD) | 53 | 60 | 23-48674 | SPACER, DRIVE PULLEY . . | 15 | 51 |
| 22-20445 | CONNECTOR, CYLINDER | | | | BUSHING, TILT LOCK TUBE | | |
| | BLEED HOSE - UPPER . . | 35 | 44 | 23-48927 | (LONG SHAFT) | 43 | 38 |
| 22-20781 | ELBOW, BALANCE TUBE TO | | | 23-48932 | SPACER, THROTTLE | | |
| | MAIN BEARING SCREW . | 35 | 49 | | ACTUATOR PLATE | | |
| 22-21290 | PLUG, PIPE-SPACER | 49 | 13 | | SCREW | 13 | 32 |
| 22-23612 | FITTING, GREASE - SWIVEL | | | 23-48927 | SPACER, DRIVEN GEAR . . . | 51 | 38 |
| | BRACKET | 43 | 14 | 23-48932 | SPACER, BEARING | | |
| 22-25094 | FITTING , GREASE - | | | | RETAINER TO GEAR | | |
| | ECONOMIZER COLLAR . . | 13 | 8 | 23-48934 | HOUSING | 55 | 91 |
| 22-25094 | FITTING, GREASE - | | | | SPACER, PROPELLER | | |
| | DISTRIBUTOR ADAPTOR | 13 | 36 | 23-49809 | SHAFT-SHORT | 53 | 82 |
| 22-25885 | ELBOW, TELL TALE HOSE | | | | SPACER, PROPELLER | | |
| | TO EXHAUST COVER . . . | 39 | 18 | | SHAFT-SHORT | 55 | 84 |

PARTS INDEX

| Part Number | Description | Pg. | Ref. No. | Part Number | Description | Pg. | Ref. No. |
|-------------|--|-----|----------|-------------|--|-----|----------|
| 23-52169 | SLEEVE, STEERING ROD .. | 45 | 59 | 26-31249 | OIL SEAL, SHIFT SHAFT- SPACER (1 9/16" O.D.) .. | 49 | 7 |
| 23-53538 | SPACER, ROTOR SHAFT .. | 9 | 9 | 26-31507 | OIL SEAL, WATER PUMP .. | 51 | 54 |
| 23-53539 | SLEEVE, ROTOR SHAFT ... | 9 | 3 | 26-37448 | OIL SEAL, SWIVEL BRACKET | 43 | 11 |
| 23-54191 | BUSHING SWIVEL BRACKET | 43 | 12 | 26-38970 | SEAL, RUBBER - WATER INLET TUBE | 39 | 21 |
| 23-56358 | SPACER, DRIVEN GEAR ... | 49 | 16 | 26-38970 | SEAL, WATER PUMP INLET | 51 | 55 |
| 23-56802 | SPACER, PROPELLER SHAFT | 53 | 74 | 26-52924 | SEAL, RUBBER - SWIVEL PIN | 43 | 7 |
| 23-57205 | SPACER, PROPELLER SHAFT-LONG | 53 | 80 | 26-55285 | OIL SEAL, PROPELLER SHAFT | 53 | 69 |
| 23-57205 | SPACER, PROPELLER SHAFT-LONG | 55 | 86 | 26-56788 | OIL SEAL, SPACER-LOWER | 49 | 11 |
| 24-20099 | SPRING, LINK ROD TO GUIDE BLOCK | 39 | 34 | 27-28713 | GASKET, POWERHEAD TO DRIVE SHAFT HOUSING . | 39 | 20 |
| 24-27944 | SPRING, HORSESHOE - DISTRIBUTOR HOUSING . | 13 | 4 | 27-47228 | GASKET, WATER JACKET COVER | 33 | 26 |
| 24-28975 | SPRING, GARTER - INTERNAL WIRING HARNES | 17 | 6 | 27-48164 | GASKET, CARBURETOR FLANGE | 27 | 37 |
| 24-30189 | SPRING, ADAPTOR STEM . | 29 | 32 | 27-48892 | GASKET, SPACER TO FACE PLATE | 51 | 47 |
| 24-30772 | SPRING, TENSION - FASTENING KNOB | 5 | 6 | 27-48892A1 | GASKET SET (MERC 1000BP AND 1250 BP) | 1 | - |
| 24-32407 | SPRING, TENSION - MOTOR DRIVE | 21 | 3 | 27-48923 | GASKET, FACE PLATE TO WATER PUMP | 51 | 51 |
| 24-37911 | SPRING, CONTROL CABLE LOCKING LEVER | 41 | 41 | 27-49984 | GASKET, EYE BOLT (1/2" NEOPRENE) | 45 | 56 |
| 24-38472 | SPRING, CONTROL CABLE TENSION - ANCHOR BRACKET | 41 | 43 | 27-49985 | GASKEY, EYE BOLT (3/16" NEOPRENE) | 45 | 54 |
| 24-48230 | SPRING, CHOKE ROD TENSION | 23 | 31 | 27-52891 | GASKET, TRANSFER PORT COVER | 35 | 42 |
| 24-53019 | SPRING, COWL LATCH HINGE | 3 | 13 | 27-53862 | GASKET, CRANKCASE TO CYLINDER BLOCK | 33 | 7 |
| 24-53277 | SPRING, SHIFT CAM | 49 | 20 | 27-53863 | GASKET, CYLINDER BLOCK COVER | 35 | 35 |
| 24-55089 | SPRING, SHIFT FORK | 49 | 22 | 27-55283 | GASKET, CYLINDER BLOCK TO BAFFLE PLATE | 33 | 29 |
| 25-20081 | "O"RING | 33 | 22 | 27-55284 | GASKET, BAFFLE PLATE TO EXHAUST MANIFOLD COVER | 33 | 31 |
| 25-20116 | GROMMET, CHOKE ROD .. | 23 | 17 | 28-29910 | KEY, DISTRIBUTOR DRIVER | 15 | 55 |
| 25-20415 | "O" RING, ADAPTOR STEM . | 29 | 31 | 29-47270 | BEARING, NEEDLE - PISTON PIN | 37 | 29 |
| 25-21836 | "O" RING, WATER INLET TUBE | 51 | 45 | 29-52168 | BEARING, NEEDLE - OUTER RACE | 37 | 9 |
| 25-26547 | GROMMET, HIGH TENSION CABLE | 9 | 19 | 30-20066 | BALL BEARING, DISTRIBUTOR HOUSING (UPPER) | 9 | 1 |
| 25-26547 | GROMMET, RECTIFIER TO SWITCH BOX WIRE | 17 | 9 | 30-26379 | BALL BEARING, DISTRIBUTOR HOUSING (LOWER) | 9 | 8 |
| 25-26547 | GROMMET, SPARK PLUG LEADS | 9 | 28 | 30-32117 | BEARING, BALL - UPPER .. | 37 | 3 |
| 25-30224 | "O" RING, ANCHOR STUD .. | 55 | 94 | 30-48916 | BALL BEARING, DRIVE GEAR | 51 | 32 |
| 25-30271 | SLINGER, WATER PUMP- DRIVE SHAFT | 51 | 58 | 30-53279 | BALL BEARING, FRONT DRIVE SHAFT | 57 | 123 |
| 25-35126 | "O" RING, CARRIER | 37 | 6 | 30-53280 | BALL BEARING, CENTER DRIVE SHAFT | 55 | 118 |
| 25-35126 | "O" RING, DRIVE SHAFT COUPLING | 49 | 3 | 30-53853 | BEARING, BALL - LOWER .. | 37 | 4 |
| 25-45719 | "O" RING, GEAR HOUSINF STUD | 55 | 103 | | | | |
| 25-47254 | "O" RING | 33 | 3 | | | | |
| 25-48910 | "O" RING, ADAPTOR FLANGE | 51 | 44 | | | | |
| 26-24590 | OIL SEAL, SHIFT SHAFT- SPACER (1 3/4" O.D.) ... | 49 | 6 | | | | |
| 26-29476 | OIL SEAL | 33 | 2 | | | | |
| 26-29476 | OIL SEAL, UPPER | 33 | 21 | | | | |

PARTS INDEX

| Part Number | Description | Pg. | Ref. No. | Part Number | Description | Pg. | Ref. No. |
|-------------|--|-----|----------|-------------|--|-----|----------|
| 31-30956 | ROLLER BEARING, PROPELLER SHAFT | 53 | 68 | 32-54989 | TUBE, OIL-GEAR HOUSING TO COVER PLATE | 55 | 106 |
| 31-38135A1 | ROLLER BEARING ASSEMBLY, TAPERED-PROPELLER SHAFT | 55 | 88 | 33-45191 | SPARK PLUG (CHAMPION - L19V) | 9 | 24 |
| 31-38146A1 | ROLLER BEARING ASSEMBLY, TAPERED-REAR | 53 | 76 | 34-48081 | REED STOP, MAIN BEARING REED VALVES | 37 | 20 |
| 31-47245A1 | BEARING ASSEMBLY, CRANKPIN (MERC 1250BP) | 37 | 26 | 34-48082A1 | REED SET, MATCHED - MAIN BEARING | 37 | 19 |
| 31-48913 | BEARING, THRUST-DRIVE SHAFT | 51 | 40 | 35-48406 | SCREEN, FILTER - CARBURETOR (LOWER) | 23 | 30 |
| 31-48937 | ROLLER BEARING, DRIVE SHAFT | 53 | 64 | 35-52900 | SCREEN, FILTER - CARBURETOR (MIDDLE AND TOP) | 23 | 27 |
| 31-48939A1 | ROLLER BEARING ASSEMBLY, TAPERED-REAR DRIVE SHAFT | 55 | 114 | 37-55287A1 | DECAL SET (MERC 1000BP AND 1250BP) | 1 | - |
| 31-48941A1 | ROLLER BEARING ASSEMBLY, TAPERED-DRIVEN GEAR | 51 | 39 | 38-39784 | SERIAL PLATE | 43 | 4 |
| 31-54043 | ROLLER BEARING ADAPTOR | 53 | 78 | 39-48834A12 | RING, PISTON (1/16") | 37 | 24 |
| 31-54043 | ROLLER BEARING, ADAPTOR | 53 | 78 | 39-49839A12 | RING, PISTON (.015 OVERSIZE) - 1/16" THICK | 37 | -- |
| 31-55332A1 | BEARING ASSEMBLY, CRANKPIN (MERC 1000BP) | 37 | 26 | 40-52035 | LOCK RING, PISTON PIN . . . | 37 | 23 |
| 32-30176 | FUEL LINE, ADAPTOR TO LOWER FUEL PUMP (18") | 29 | 28 | 43-48885 | GEAR, PROPELLER SHAFT-REAR | 53 | 79 |
| 32-31584A1 | FUEL LINE ASSEMBLY, CARBURETOR TO CARBURETOR | 31 | 36 | 43-48886 | GEAR, PINION-DRIVE SHAFT (LOWER) | 55 | 110 |
| 32-32256A1 | FUEL LINE ASSEMBLY, PUMP TO CARBURETOR (9 7/8") | 29 | 14 | 43-48887A1 | GEAR ASSMBLY, DRIVE SHAFTS | 55 | 115 |
| 32-34395A1 | HOSE, TELL TALE - EXHAUST COVER TO BOTTOM COWL (16") . . . | 39 | 15 | 43-48890 | GEAR, DOUBLE BEVEL-PROPELLER SHAFT | 53 | 81 |
| 32-34395A1 | HOSE, VENT - DISTRIBUTOR TO ELBOW (11 1/2") | 9 | 16 | 43-48890 | GEAR, DOUBLE BEVEL-PROPELLER SHAFT | 55 | 85 |
| 32-34395A1 | HOSE, VENT - DISTRIBUTOR TO ELBOW (13 1/2") | 9 | 16 | 43-48895A1 | GEAR ASSEMBLY, DRIVE (2:1 GEAR RATIO) | 51 | 30 |
| 32-34395A1 | TUBE, BALANCE - MAIN BEARING | 35 | 54 | 43-48896A1 | GEAR ASSEMBLY, DRIVE (1:1 GEAR RATIO) | 51 | 30 |
| 32-48905 | TUBE, WATER INLET (SHORT SHAFT) | 47 | 11 | 43-48897A1 | GEAR ASSEMBLY, DRIVE (1.25:1 GEAR RATIO) | 51 | 30 |
| 32-52032 | HOSE, DRIP TRAY TO BOTTOM COWL (8") | 39 | 5 | 43-48898A1 | GEAR ASSEMBLY, DRIVE (1.5:1 GEAR RATIO) | 51 | 30 |
| 32-52742A1 | HOSE, CENTER CYLINDER BLEED (7 1/2") | 35 | 50 | 43-48900A1 | GEAR ASSEMBLY, DRIVE (1.75:1 GEAR RATIO) | 51 | 30 |
| 32-52742A1 | HOSE, CYLINDER BLEED - LOWER (8 1/2") | 35 | 55 | 43-48949 | GEAR, PROPELLER SHAFT | 55 | 87 |
| 32-52742A1 | HOSE, UPPER CYLINDER BLEED (9 1/2") | 35 | 45 | 44-48882 | PROPELLER SHAFT | 53 | 73 |
| 32-52943A1 | FUEL LINE ASSEMBLY, PUMP TO PUMB (14") . . . | 29 | 23 | 45-48877 | DRIVE SHAFT, INPUT | 51 | 41 |
| 32-53775 | TUBE, WATER INLET (LONG SHAFT) | 47 | 11 | 45-48878 | DRIVE SHAFT, FRONT | 55 | 121 |
| | | | | 45-48879 | DRIVE SHAFT, CENTER . . . | 55 | 116 |
| | | | | 45-48880 | DRIVE SHAFT, REAR | 55 | 112 |
| | | | | 45-56345 | DRIVE SHAFT (SHORT SHAFT) | 49 | 1 |
| | | | | 45-56346 | DRIVE SHAFT (LONG SHAFT) | 49 | 1 |
| | | | | 46-48881A1 | WATER PUMP ASSEMBLY . . . | 51 | 52 |
| | | | | 47-30221 | IMPELLER, WATER PUMP . . | 51 | 49 |
| | | | | 50-55304A1 | STARTER MOTOR ASSEMBLY (SEE E14 FOR BREAKDOWN) | 17 | 22 |
| | | | | 50-55304A1 | STARTER MOTOR ASSEMBLY, COMPLETE (PRESTOLITE) | 21 | - |
| | | | | 52-48906 | RATCHET, SLIDING CLUTCH | 51 | 29 |

PARTS INDEX

| Part Number | Description | Pg. | Ref. No. | Part Number | Description | Pg. | Ref. No. |
|-------------|---|-----|----------|-------------|---|-----|----------|
| 53-26933 | RING, SNAP - OUTER RACE | 37 | 11 | 392-3906 | ARMATURE | 21 | 6 |
| 53-48928 | RING, SNAP-ANCHOR STUD TO GEAR HOUSING | 55 | 96 | 393-1275 | SLEEVE, HIGH TENSION CABLE | 9 | 21 |
| 54-20386 | CLAMP, BALANCE TUBE TO ELBOW AND TEE | 35 | 53 | 393-1275 | SLEEVE, SPARK PLUG LEAD TO DISTRIBUTOR | 9 | 27 |
| 54-20387 | CLAMP, BLEED HOSE TO CONNECTOR | 35 | 48 | 393-1293A1 | BRUSH AND SPRING ASSEMBLY | 9 | -- |
| 54-22627 | CLIP, FUEL LINE TO CYLINDER BLOCK | 29 | 18 | 393-3736A3 | HOUSING ASSEMBLY, DISTRIBUTOR | 9 | 4 |
| 54-22875 | CLIP, STATOR LEAD FASTENING (7/16") | 7 | 14 | 393-3736A3 | HOUSING ASSEMBLY, DISTRIBUTOR | 13 | 1 |
| 54-26538 | CLIP, WIRING HARNESS TO FRONT BRACKET (1/8") | 17 | 10 | 393-3738 | ROTOR, DISTRIBUTOR | 9 | 12 |
| 54-26550 | CLIP, STATOR/WIRING HARNESS LEADS FASTENING (5/16") | 7 | 14 | 393-3751A2 | DISTRIBUTOR CAP ASSEMBLY | 9 | 22 |
| 54-48123 | CLAMP, TELL TALE HOSE TO CONNECTOR AND ELBOW | 39 | 19 | 393-3836A1 | HIGH TENSION CABLE ASSEMBLY, DISTRIBUTOR CAP TO COIL | 9 | 18 |
| 54-52876 | CLAMP, WIRING HARNESS TO BOTTOM COWL | 17 | 2 | 393-3893 | DISC, ROTOR | 9 | 11 |
| 54-55651 | CLAMP, DISTRIBUTOR CAP TO DISTRIBUTOR HOUSING | 9 | 13 | 398-3633 | STATOR ALTERNATOR | 7 | 11 |
| 55-28414 | PIN, LOWER EYE BOLT MOUNTING (LONG SHAFT) | 45 | 40 | 436-3760A2 | CRANKSHAFT ASSEMBLY (MERC 1000BP) - NOT AS SHOWN | 37 | 1 |
| 55-49577 | PIN, LOWER EYE BOLT MOUNTING (SHORT SHAFT) | 45 | 40 | 436-3803A2 | CRANKSHAFT ASSEMBLY (MERC 1250BP) - NOT AS SHOWN | 37 | 1 |
| 225-2494A12 | FLYWHEEL ASSEMBLY, COMPLETE | 7 | 4 | 535-3190A2 | CENTER MAIN BEARING ASSEMBLY | 37 | 7 |
| 332-2854 | BOOT, HIGH TENSION CABLE TO COIL | 9 | 20 | 537-3300A1 | MAIN BEARING ASSEMBLY, VALVE TYPE | 37 | 15 |
| 332-2910A3 | RECTIFIER ASSEMBLY | 17 | 41 | 622-3666A4 | CONNECTING ROD AND CAP ASSEMBLY (MERC 1250BP) | 37 | 25 |
| 332-2983A5 | IGNITION COIL ASSEMBLY, COMPLETE | 11 | 34 | 622-3666A5 | CONNECTING ROD AND CAP ASSEMBLY (MERC 1000BP) | 37 | 25 |
| 332-2986A7 | SWITCH BOX ASSEMBLY (MERC 1250BP) | 17 | 14 | 745-3560A6 | PISTON AND PISTON PIN ASSEMBLY (MERC 1250BP) | 37 | 22 |
| 332-2986A9 | SWITCH BOX ASSEMBLY (MERC 1000BP) | 17 | 14 | 745-3759A2 | PISTON AND PIN ASSEMBLY (MERC 1000BP) | 37 | 22 |
| 392-2514 | SPRING SET, BRUSH (2 SPRINGS PER SET) | 21 | 10 | 745-3778A3 | PISTON AND PISTON PIN ASS'Y (.015 OVERSIZE) - MERC 1250BP | 37 | -- |
| 392-2516 | BUSHING, COMMUTATOR END CAP | 21 | -- | 745-3851A1 | PISTON AND PISTON PIN ASS'Y (.015 OVERSIZE) - MERC 1000BP | 37 | -- |
| 392-2518 | BUSHING, DRIVE END PLATE | 21 | 5 | 846-3754A3 | CYLINDER BLOCK AND CRANKCASE ASSEMBLY (MERC 1250BP) | 33 | 6 |
| 392-2519 | BRUSH PLATE AND HOLDER ASSEMBLY | 21 | 11 | 846-3762A3 | CYLINDER BLOCK AND CRANKCASE ASSEMBLY (MERC 1000BP) | 33 | 6 |
| 392-2521 | BRUSH AND TERMINAL SET | 21 | 9 | 1023-3755 | COVER, CYLINDER BLOCK | 35 | 34 |
| 392-2523 | PACKAGE, ARMATURE THRUST WASHER | 21 | 7 | 1126-3544A2 | END CAP ASSEMBLY, LOWER | 33 | 19 |
| 392-3407 | FRAME AND FIELD ASSEMBLY | 21 | 8 | 1134-3197A1 | END CAP ASSEMBLY, UPPER | 33 | 1 |
| 392-3692 | END CAP ASSEMBLY, COMMUTATOR | 21 | 12 | 1354-3857 | CARBURETOR ASSEMBLY, COMPLETE (KD-3A) | 23 | 9 |
| 392-3693 | PLATE ASSEMBLY, DRIVE END | 21 | 4 | | | | |
| 392-3694 | BOLT, THRU - END CAP TO END PLATE (5/16 -13) | 21 | 14 | | | | |

PARTS INDEX

| Part Number | Description | Pg. | Ref. No. | Part Number | Description | Pg. | Ref. No. |
|--------------|---|-----|----------|-------------|------------------------|-----|----------|
| 1399-110A1 | FLOAT ASSEMBLY | 25 | 2 | 4638-4108A3 | GEAR HOUSING ASSEMBLY, | | |
| 1399-1133 | COVER, FLOAT BOWL | 25 | 9 | | COMPLETE | 49 | - |
| 1399-1473 | INLET NEEDLE, SEAT AND GASKET | 25 | 6 | | | | |
| 1399-1930 | COVER, STRAINER | 25 | 16 | | | | |
| 1399-3515 | SCREW, IDLE ADJUSTMENT | 25 | 28 | | | | |
| 1399-3520 | JET, MAIN FUEL (.0785) . . . | 25 | 31 | | | | |
| 1399-3522 | SCREW, PLUG - MAIN NOZZLE | 25 | 33 | | | | |
| 1399-3523 | GASKET AND PACKING SET (1 PER CARBURETOR) . . | 27 | -- | | | | |
| 1399-3527 | SHAFT, THROTTLE | 25 | 21 | | | | |
| 1399-3528 | SHUTTER, THROTTLE | 25 | 26 | | | | |
| 1399-3794 | JET, MAIN FUEL (.074) | 25 | 31 | | | | |
| 1399-3795 | JET, MAIN FUEL (.072) | 25 | 31 | | | | |
| 1399-3796 | JET, MAIN FUEL (.076) - STANDARD | 25 | 31 | | | | |
| 1399-3937 | REPAIR PARTS KIT (1 PER CARBURETOR) | 27 | -- | | | | |
| 1399-3938 | SCREEN, FILTER | 25 | 14 | | | | |
| 1399-97 | LEVER, THROTTLE STOP . . | 25 | 20 | | | | |
| 1440-3296A1 | CLAMP BRACKET ASSEMBLY | 43 | 1 | | | | |
| 1453-3466A1 | SWIVEL BRACKET ASSEMBLY (SHORT SHAFT) | 43 | 10 | | | | |
| 1464-3859A1 | SWIVEL BRACKET ASSEMBLY (LONG SHAFT) | 43 | 10 | | | | |
| 1558-3756 | DRIVE SHAFT HOUSING (SHORT SHAFT) | 47 | 1 | | | | |
| 1570-3757 | DRIVE SHATF HOUSING (LONG SHAFT) | 47 | 1 | | | | |
| 1638-4108A1 | GEAR HOUSING ASSEMBLY (MERC 1250BP) | 53 | 59 | | | | |
| 1638-4108A3 | GEAR HOUSING ASSEMBLY, COMPLETE | 53 | -- | | | | |
| 1638-4108A4 | GEAR HOUSING ASSEMBLY, COMPLETE | 49 | - | | | | |
| 1638-4108A4 | GEAR HOUSING ASSEMBLY, COMPLETE | 53 | -- | | | | |
| 1638-4109A1 | GEAR HOUSING ASSEMBLY (MERC 1000BP) | 53 | 59 | | | | |
| 1638-4109A3 | GEAR HOUSING ASSEMBLY, COMPLETE | 49 | - | | | | |
| 1638-4109A3 | GEAR HOUSING ASSEMBLY, COMPLETE | 53 | -- | | | | |
| 1638-4109A4 | GEAR HOUSING ASSEMBLY, COMPLETE | 49 | - | | | | |
| 1638-4109A4 | GEAR HOUSING ASSEMBLY, COMPLETE | 53 | -- | | | | |
| 2113-2663A10 | COWL FRONT COVER ASSEMBLY | 5 | 1 | | | | |
| 2114-3806 | COWL, TOP | 3 | 1 | | | | |
| 2115-3167 | COWL, BOTTOM (MERC 1250BP) | 39 | 1 | | | | |
| 2115-3617 | COWL, BOTTOM (MERC 1000BP) | 39 | 1 | | | | |
| 2136-3809A4 | WRAP AROUND COWL ASSEMBLY | 5 | 12 | | | | |