



# PARTS CATALOG

## MERC 500

### SERIAL NUMBER

500 .....	CAN 2742142 THRU 7051982
500 .....	USA 2858814 THRU 4140999
500 .....	2863739 THRU 8029514
500 .....	BEL 9001581 THRU 9082513

# TABLE OF CONTENTS:

BOTTOM COWL ASSEMBLY .....	56
CARBURETOR ASSEMBLY, COMPLETE .....	34
CARBURETOR LINKAGE AND CHOKE SOLENOID .....	30
CLAMP AND SWIVEL BRACKET ASSEMBLY .....	70
COWLING AND FRONT COVER .....	12
CRANKSHAFT, PISTON AND CONNECTING ROD .....	52
CYLINDER BLOCK AND CRANKCASE ASSEMBLY .....	44
DRIVE SHAFT HOUSING ASSEMBLY .....	66
END CAPS, MANIFOLD AND EXHAUST COVERS .....	48
EXHAUST EXTENSION PLATE AND SHIFT LINKAGE .....	62
FLYWHEEL ASSEMBLY AND STATOR .....	14
FUEL PUMP ASSEMBLY .....	38
GEAR HOUSING ASSEMBLY, COMPLETE (PAGE 1) .....	74
GEAR HOUSING ASSEMBLY, COMPLETE (PAGE 2) .....	80
IGNITION DRIVER AND PILOT ASSEMBLY .....	16
IGNITION DRIVER ASSEMBLY, COMPLETE .....	22
MISCELLANEOUS PARTS/ACCESSORIES .....	1
PARTS INDEX .....	86
STARTER HOUSING .....	6
STARTER MOTOR, STARTER SOLENOID, RECTIFIER AND WIRING HARNES .....	26
TOP COWL ASSEMBLY .....	2

**NOTE:** *Indented description indicate that these parts are included in preceeding assembly.*

**AR** = As Required

**NSS** = Not Sold Separate

**OPT** = Optional

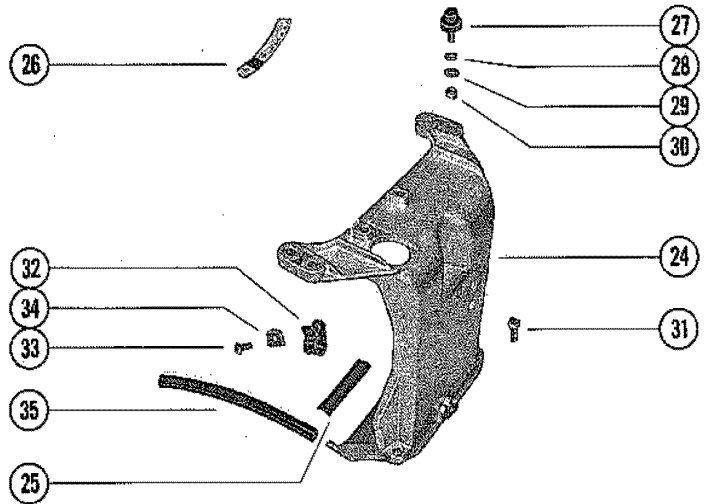
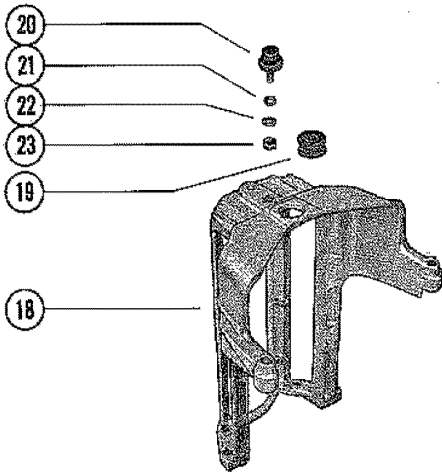
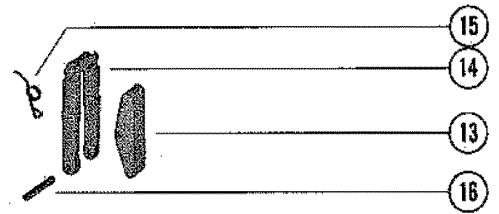
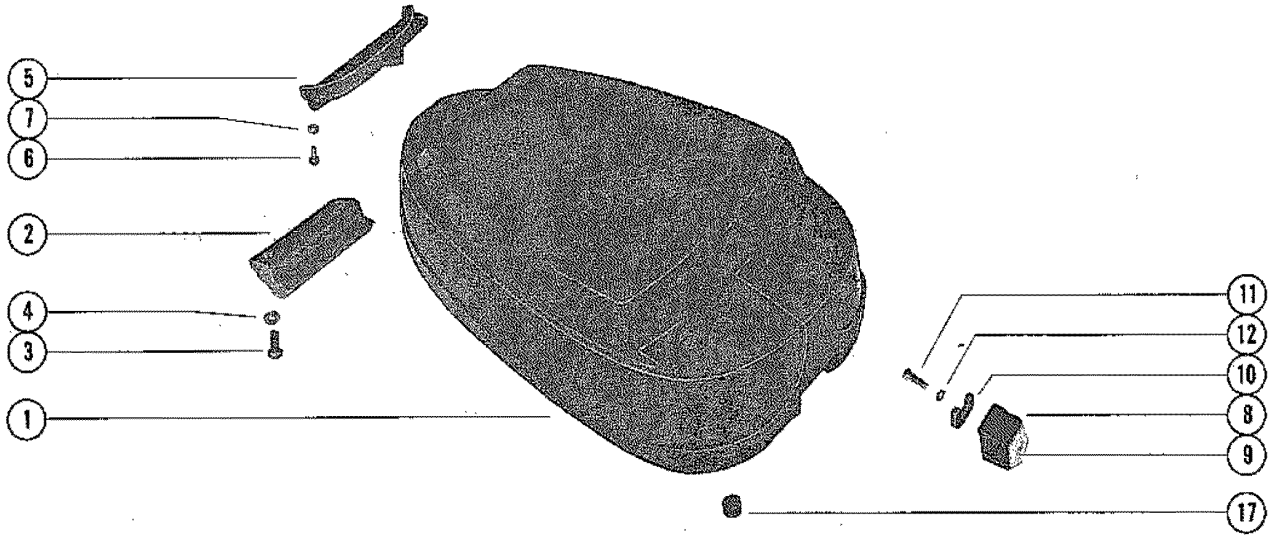
**NS** = Not Shown

**THESE PARTS BOOKS/FICHE CARD ARE COPYRIGHTED AND MAY NOT BE DISTRIBUTED OR REPRODUCED IN ANY OTHER FORMAT BY ANYONE OTHER THAN MERCURY MARINE WITHOUT THE PRIOR WRITTEN CONSENT OF MERCURY MARINE.**

## MISCELLANEOUS PARTS/ACCESSORIES

REF. NO.	PART NO.	SYM.	QTY.	DESCRIPTION
-	27-46110A2		0	GASKET SET UNITED STATES 2858814 THRU 3235062 AUSTRALIA 2863739 THRU 3244337 CANADA 2742142 THRU 3243512
-	27-46110A72		0	GASKET SET UNITED STATES 3235063 AND UP AUSTRALIA 3244338 AND UP BELGIUM 9001581 AND UP CANADA 3243513 AND UP
-	90-56972		0	MERC 500 PARTS LIST
-	37-56521A1		0	DECAL SET UNITED STATES 2858814 THRU 3235062 AUSTRALIA 2863739 THRU 3015353 CANADA 2742142 THRU 3015453
-	37-56521A2		0	DECAL SET UNITED STATES 3008819 THRU 3235062 AUSTRALIA 3015354 THRU 3244337 CANADA 3015454 THRU 3243512
-	37-61023A72		0	DECAL SET UNITED STATES 3235063 THRU 3478002 AUSTRALIA 3244338 THRU 3352806 BELGIUM 9001581 THRU 9006163 CANADA 3243513 THRU 3352754
-	37-61023A73		0	DECAL SET UNITED STATES 3478003 THRU 3816307 AUSTRALIA 8004785 THRU 8015989 BELGIUM 9006164 THRU 9047653 CANADA 7007358 THRU 7030747
-	37-65765A74		0	DECAL SET UNITED STATES 3816308 AND UP AUSTRALIA 8015900 AND UP BELGIUM 9047654 AND UP CANADA 7030748 AND UP
-	46-48746A2		0	HEAVY DUTY WATER PUMP KIT
-	55398A4		0	TACHOMETER ASSEMBLY
-	52552A3		0	MODULE ASSEMBLY

# TOP COWL ASSEMBLY

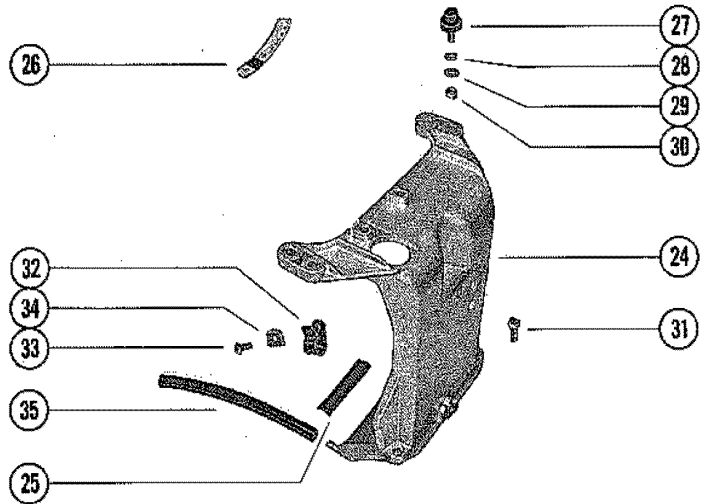
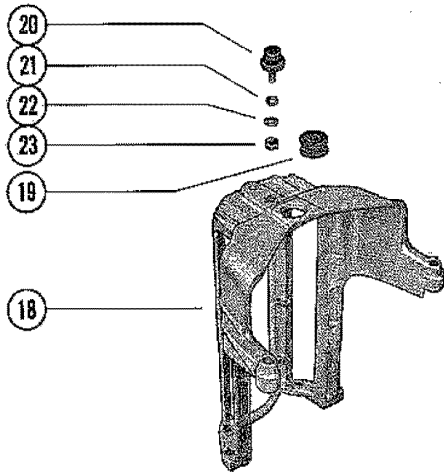
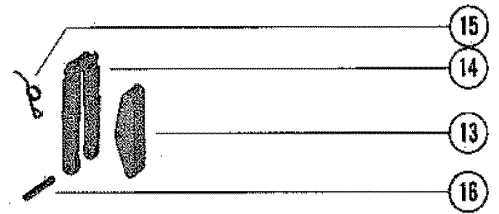
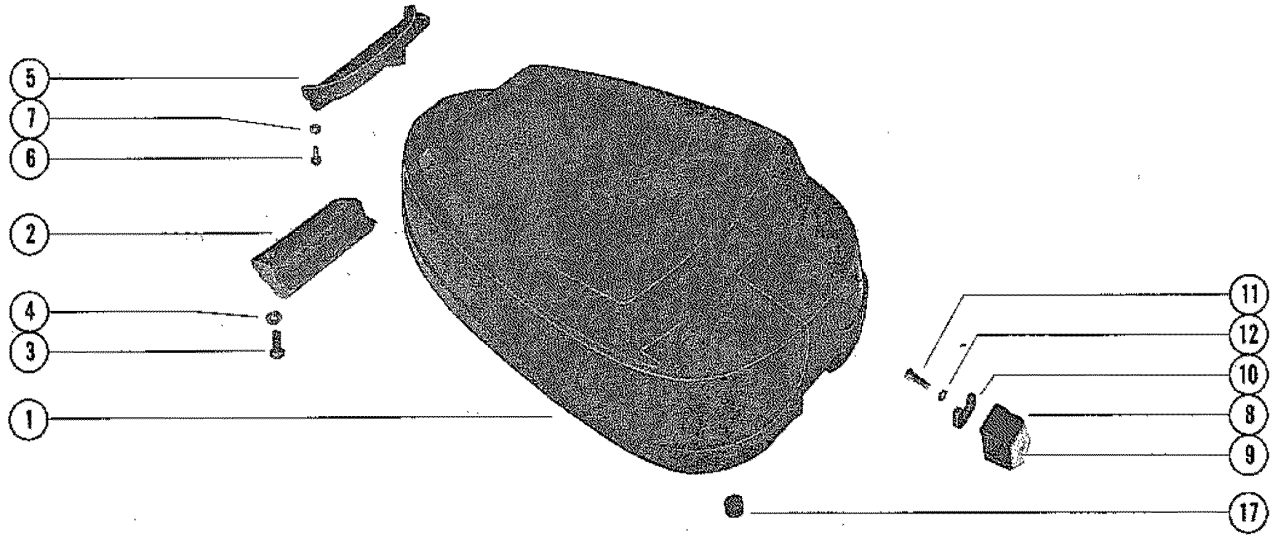


# TOP COWL ASSEMBLY

REF. NO.	PART NO.	SYM.	QTY.	DESCRIPTION
1	2117-3916		1	TOP COWL (MANUAL)
	2117-3903		1	TOP COWL (ELECTRIC)
2	55455		1	HOOK, TOP COWL LATCH - REAR
3	10-22956		2	SCREW, REAR HOOK TO TOP COWL (7/8")
4	13-26992		2	LOCKWASHER, REAR HOOK MOUNTING SCREW
5	37690		1	SHIELD, REAR - TOP COWL
6	10-37370		3	SCREW, REAR SHIELD TO TOP COWL
7	13-37371		3	LOCKWASHER, REAR SHIELD SCREW
8	55459A1		1	RETAINER ASSEMBLY, TOP COWL UNITED STATES 2858814 THRU 3235062 AUSTRALIA 2863739 THRU 3015353 CANADA 2742142 THRU 3015453
9	56186		1	EMBLEM, TOP COWL RETAINER UNITED STATES 2858814 THRU 3235062 AUSTRALIA 2863739 THRU 3015353 CANADA 2742142 THRU 3015453
10	35496		1	PAD, BUMPER - TOP COWL RETAINER UNITED STATES 2858814 THRU 3235062 AUSTRALIA 2863739 THRU 3015353 CANADA 2742142 THRU 3015453
8	55459A2		1	RETAINER ASSEMBLY, TOP COWL UNITED STATES 3008819 THRU 3235062 AUSTRALIA 3015354 THRU 3244337 CANADA 3015454 THRU 3243512
10	35496		1	PAD, BUMPER - TOP COWL RETAINER UNITED STATES 3008819 THRU 3235062 AUSTRALIA 3015354 THRU 3244337 CANADA 3015454 THRU 3243512
8	55459A5		1	RETAINER ASSEMBLY, TOP COWL UNITED STATES 3235063 AND UP AUSTRALIA 3244338 AND UP BELGIUM 9001581 AND UP CANADA 3243513 AND UP
10	35496		1	PAD, BUMPER - TOP COWL RETAINER UNITED STATES 3235063 AND UP AUSTRALIA 3244338 AND UP BELGIUM 9001581 AND UP CANADA 3243513 AND UP
11	10-24234		1	SCREW, RETAINER TO TOP COWL (1")
12	13-39107		1	LOCKWASHER, RETAINER TO TOP COWL SCREW
13	52737		1	LEVER, COWL HATCH HINGE
14	52739		1	HINGE, COWL LATCH - TOP COWL
15	24-53019		1	SPRING, COWL LATCH HINGE UNITED STATES 2858814 THRU 3235062 AUSTRALIA 2863739 THRU 3244337 CANADA 2742142 THRU 3243512
16	17-33522		1	PIN, COWL LATCH LEVER TO HINGE
17	25-20116		1	GROMMET, CHOKE KNOB
18	55467		1	BRACKET, REAR COWL SUPPORT
19	25-52723		1	GROMMET, LIMIT STOP - REAR COWL SUPPORT BRACKET
20	55457		2	MOUNT, RUBBER - REAR SUPPORT BRACKET UNITED STATES 2858814 THRU 3235062 AUSTRALIA 2863739 THRU 3244337 CANADA 2742142 THRU 3243512
	60577		2	MOUNT, RUBBER - REAR SUPPORT BRACKET UNITED STATES 3235063 AND UP AUSTRALIA 3244338 AND UP BELGIUM 9001581 AND UP CANADA 3243513 AND UP
21	13-26992		2	LOCKWASHER, REAR SUPPORT BRACKET RUBBER MOUNT
22	12-21631		AR	WASHER, REAR SUPPORT BRACKET RUBBER MOUNT

CONTINUED ON NEXT PAGE ➡

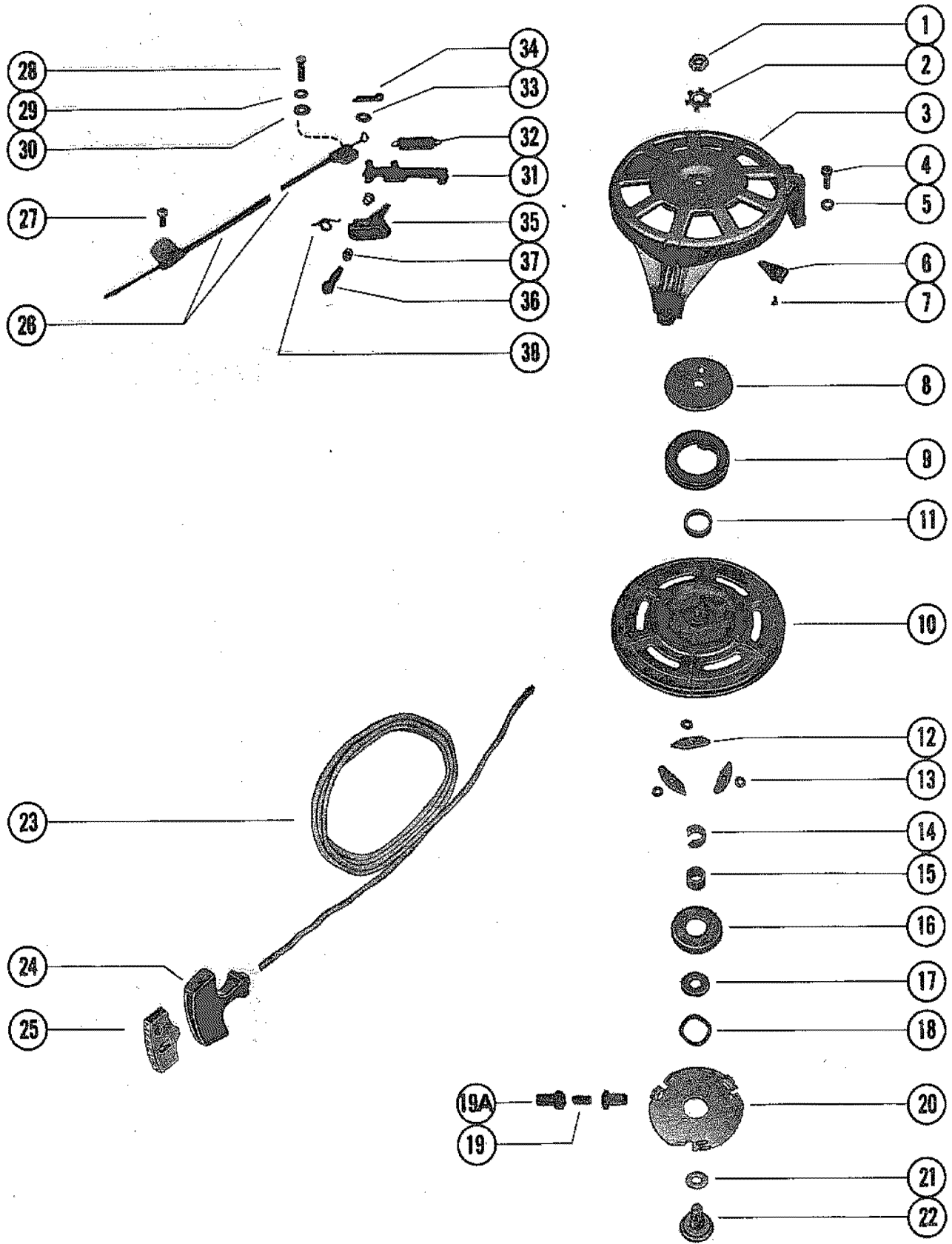
# TOP COWL ASSEMBLY



# TOP COWL ASSEMBLY

REF. NO.	PART NO.	SYM.	QTY.	DESCRIPTION
23	11-20088		2	NUT, REAR SUPPORT BRACKET RUBBER MOUNT
24	55464A2		1	BRACKET ASSEMBLY, FRONT SUPPORT <b>UNITED STATES 2858814 THRU 3235062 AUSTRALIA 2863739 THRU 3244337 CANADA 2742142 THRU 3243512</b>
	60785A2		1	BRACKET ASSEMBLY, FRONT SUPPORT <b>UNITED STATES 3235063 AND UP AUSTRALIA 3244338 AND UP BELGIUM 9001581 AND UP CANADA 3243513 AND UP</b>
25	37921		1	FLANGE, RUBBER - FRONT SUPPORT BRACKET
26	37-46397		1	DECAL, TIMING - FRONT SUPPORT BRACKET
27	31014		2	MOUNT, RUBBER - FRONT SUPPORT BRACKET
28	13-26992		2	LOCKWASHER, FRONT SUPPORT BRACKET RUBBER MOUNT
29	12-20346		AR	WASHER, FRONT SUPPORT BRACKET RUBBER MOUNT
30	11-20088		2	NUT, FRONT SUPPORT BRACKET RUBBER MOUNT
31	10-24234		2	SCREW, FRONT SUPPORT BRACKET TO BOTTOM COWL (1")
32	54-25231		1	CLIP, SOLENOID LEAD TO FRONT SUPPORT BRACKET <b>ELECTRIC</b>
	54-23568		1	CLIP, SOLENOID LEAD AND HARNESS TO FRONT SUPPORT BRACKET <b>ELECTRIC</b>
33	10-31206		2	SCREW, CHOKE SOLENOID CLIP ATTACHING (7/16") <b>ELECTRIC</b>
34	22789		2	"D" WASHER, CHOKE SOLENOID CLIP SCREW <b>ELECTRIC</b>
35	32-34395A1		1	TUBE, DRAIN - FRONT SUPPORT BRACKET TO BOTTOM COWL

# STARTER HOUSING



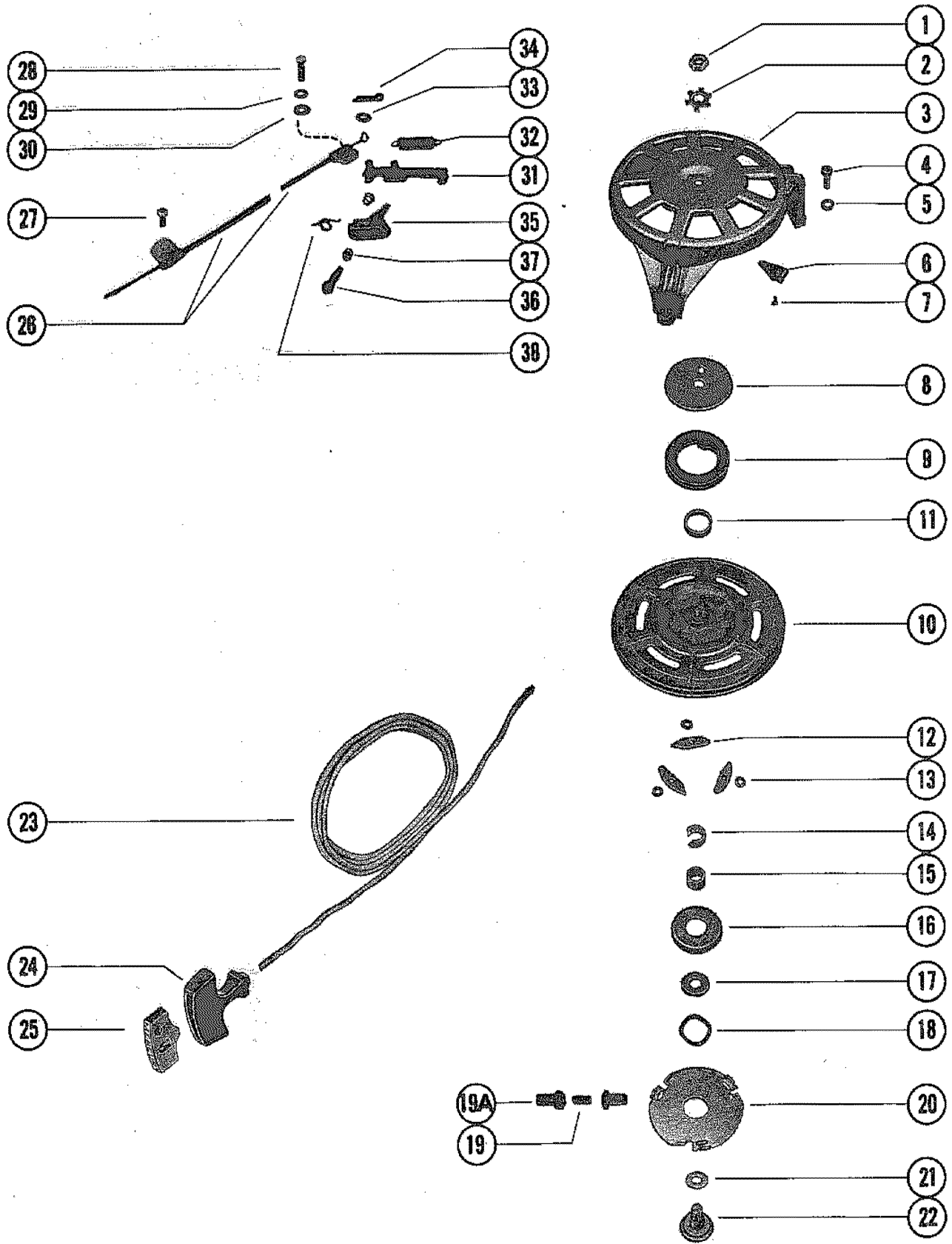


# STARTER HOUSING

REF. NO.	PART NO.	SYM.	QTY.	DESCRIPTION
1	11-20166		1	NUT, SHEAVE SHAFT (LEFT HAND THREAD)
2	14-20165		1	TAB WASHER, SHEAVE SHAFT NUT <b>UNITED STATES 2858814 THRU 3235062 AUSTRALIA 2863739 THRU 3244337 CANADA 2742142 THRU 3243512</b>
	17-61004		1	TAB WASHER, SHEAVE SHAFT NUT <b>UNITED STATES 3235063 AND UP AUSTRALIA 3244338 AND UP BELGIUM 9001581 AND UP CANADA 3243513 AND UP</b>
3	57237		1	HOUSING, STARTER
4	10-32565		3	SCREW, STARTER HOUSING TO CRANKCASE/CYLINDER BLOCK (1")
5	13-20202		3	LOCKWASHER, STARTER HOUSING SCREW
6	37691		1	PLATE, CABLE GUIDE
7	10-35881		3	SCREW, DRIVE - CABLE GUIDE TO STARTER HOUSING
8	39835		1	RETAINER, STARTER SPRING <b>UNITED STATES 2858814 THRU 3235062 AUSTRALIA 2863739 THRU 3244337 CANADA 2742142 THRU 3243512</b>
	61002		1	RETAINER, STARTER SPRING <b>UNITED STATES 3235063 AND UP AUSTRALIA 3244338 AND UP BELGIUM 9001581 AND UP CANADA 3243513 AND UP</b>
9	24-39502A1		1	SPRING, STARTER REWIND
10	50-57094		1	SHEAVE ASSEMBLY <b>UNITED STATES 2858814 THRU 3478002 AUSTRALIA 2863739 THRU 8004784 BELGIUM 9001581 THRU 9006163 CANADA 2742142 THRU 7007357</b>
11	23-28912		1	BUSHING, SPRING GUIDE <b>UNITED STATES 2858814 THRU 3478002 AUSTRALIA 2863739 THRU 8004784 BELGIUM 9001581 THRU 9006163 CANADA 2742142 THRU 7007357</b>
10	50-62237A1		1	SHEAVE ASSEMBLY <b>UNITED STATES 3478003 THRU 3816307 AUSTRALIA 8004785 THRU 8015989 BELGIUM 9006164 THRU 9047653 CANADA 7007358 THRU 7030747</b>
11	23-63100		1	BUSHING, SPRING GUIDE <b>UNITED STATES 3478003 THRU 3816307 AUSTRALIA 8004785 THRU 8015989 BELGIUM 9006164 THRU 9047653 CANADA 7007358 THRU 7030747</b>
10	50-66855A1		1	SHEAVE ASSEMBLY <b>UNITED STATES 3816308 AND UP AUSTRALIA 8015900 AND UP BELGIUM 9047654 AND UP CANADA 7030748 AND UP</b>
11	23-63100		1	BUSHING, SPRING GUIDE <b>UNITED STATES 3816308 AND UP AUSTRALIA 8015900 AND UP BELGIUM 9047654 AND UP CANADA 7030748 AND UP</b>
12	30596		3	PAWL, STARTER
13	13-36206		3	WASHER, WAVE - STARTER PAWL
14	23-28919		1	BUSHING, NYLON - SHEAVE SHAFT SPACER <b>UNITED STATES 2858814 THRU 3235062 AUSTRALIA 2863739 THRU 3244337 CANADA 2742142 THRU 3243512</b>
15	23-35560		1	SPACER, SHEAVE SHAFT <b>UNITED STATES 2858814 THRU 3235062 AUSTRALIA 2863739 THRU 3244337 CANADA 2742142 THRU 3243512</b>
	23-61005		1	SPACER, SHEAVE SHAFT <b>UNITED STATES 3235063 THRU 3478002 AUSTRALIA 3244338 THRU 3352806 BELGIUM 9001581 THRU 9006163 CANADA 3243513 THRU 3352754</b>

CONTINUED ON NEXT PAGE ➡

# STARTER HOUSING

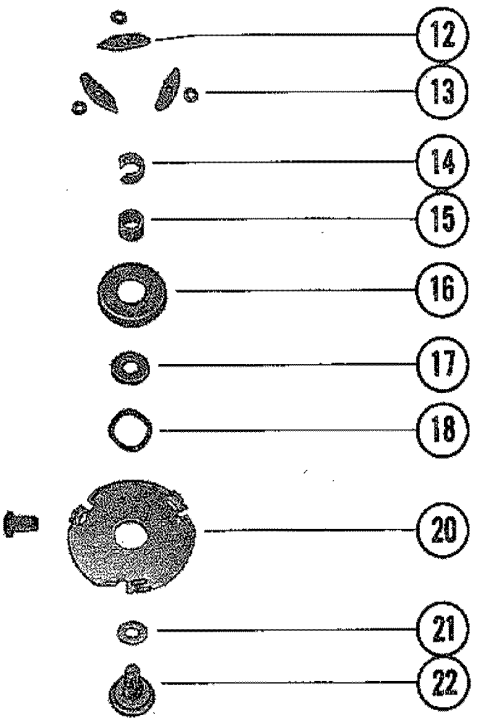
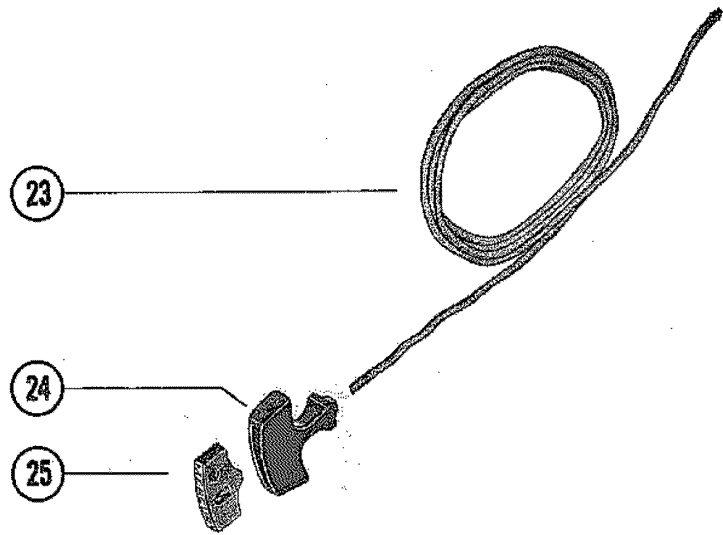
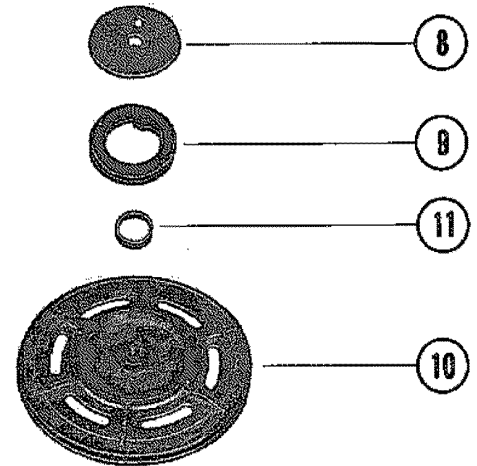
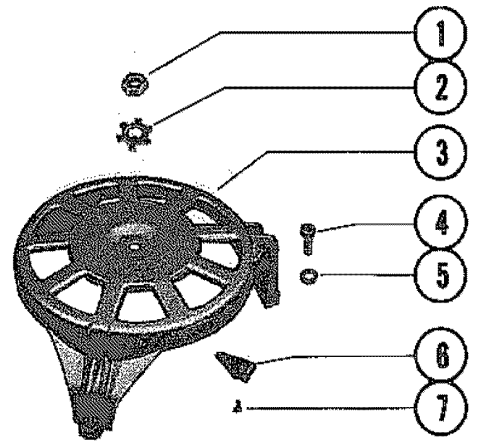
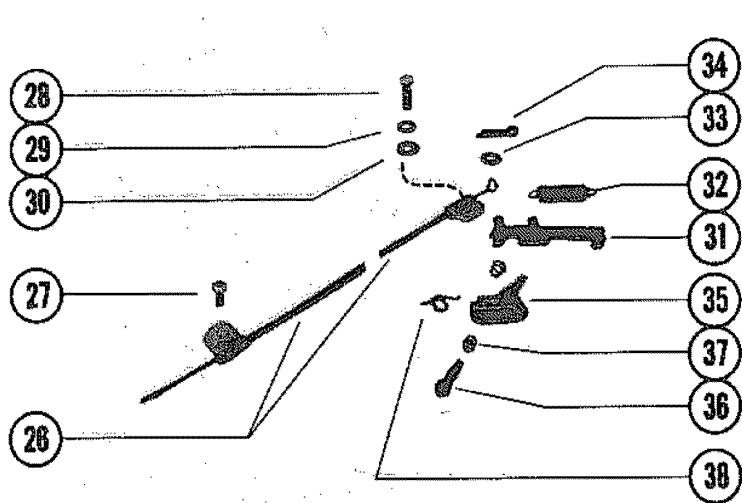


# STARTER HOUSING

REF. NO.	PART NO.	SYM.	QTY.	DESCRIPTION
15	23-63061		1	SPACER, SHEAVE SHAFT (PART OF 50-62237A1) UNITED STATES 3478003 AND UP AUSTRALIA 8004785 AND UP BELGIUM 9006164 AND UP CANADA 7007358 AND UP
16	39840		1	RETAINER, WAVE WASHER
17	12-57837		1	WASHER, WAVE WASHER RETAINER
18	13-20160		1	WASHER, WAVE - RETAINER TENSION
19	24-26088		1	SPRING, RETAINER PLATE TO STARTER SHEAVE UNITED STATES 2858814 THRU 3816307 AUSTRALIA 2863739 THRU 8015989 BELGIUM 9001581 THRU 9047653 CANADA 2742142 THRU 7030747
20	63101		1	PLATE, RETAINER - STARTER PAWL UNITED STATES 2858814 THRU 3816307 AUSTRALIA 2863739 THRU 8015989 BELGIUM 9001581 THRU 9047653 CANADA 2742142 THRU 7030747
19	24-66853		1	SPRING, RETAINER PLATE TO STARTER SHEAVE UNITED STATES 3816308 AND UP AUSTRALIA 8015900 AND UP BELGIUM 9047654 AND UP CANADA 7030748 AND UP
19A	66848		2	RETAINER, SPRING UNITED STATES 3816308 AND UP AUSTRALIA 8015900 AND UP BELGIUM 9047654 AND UP CANADA 7030748 AND UP
20	66845		1	PLATE, RETAINER - STARTER PAWL UNITED STATES 3816308 AND UP AUSTRALIA 8015900 AND UP BELGIUM 9047654 AND UP CANADA 7030748 AND UP
21	12-57860		1	WASHER, WEAR - SHEAVE SHAFT UNITED STATES 9008819 AND UP AUSTRALIA 3015354 AND UP BELGIUM 9001581 AND UP CANADA 3015454 AND UP
22	45477		1	SHAFT, SHEAVE UNITED STATES 2858814 THRU 3235062 AUSTRALIA 2863739 THRU 3244337 CANADA 2742142 THRU 3243512
	61003		1	SHAFT, SHEAVE UNITED STATES 3235063 AND UP AUSTRALIA 3244338 AND UP BELGIUM 9001581 AND UP CANADA 3243513 AND UP
23	50-28985A1		1	STARTER CABLE ASSEMBLY
	47341A1		1	STARTER CABLE (FOR MANUAL STARTING OF ELECTRIC ENGINE)
24	28747		1	HANDLE, STARTER CABLE
25	28748		1	RETAINER, STARTER CABLE AND HANDLE
26	57041A1		1	CABLE ASSEMBLY, INTERLOCK
27	10-32228		1	SCREW, INTERLOCK CABLE TO EXHAUST PLATE (5/8")
28	10-20100		1	SCREW, INTERLOCK CABLE TO STARTER HOUSING (1/2")
29	13-27660		1	LOCKWASHER, INTERLOCK CABLE SCREW
30	12-25818		1	WASHER, INTERLOCK CABLE SCREW UNITED STATES 2858814 THRU 3235062 AUSTRALIA 2863739 THRU 3015353 CANADA 2742142 THRU 3015453
	12-26013		2	WASHER, INTERLOCK CABLE SCREW UNITED STATES 9008819 AND UP AUSTRALIA 3015354 AND UP BELGIUM 9001581 AND UP CANADA 3015454 AND UP
31	57236		1	CAM, SLIDING - STARTER HOUSING
32	24-57248		1	SPRING, SLIDING CAM
33	12-37998		1	WASHER, INTERLOCK CABLE

CONTINUED ON NEXT PAGE ➡

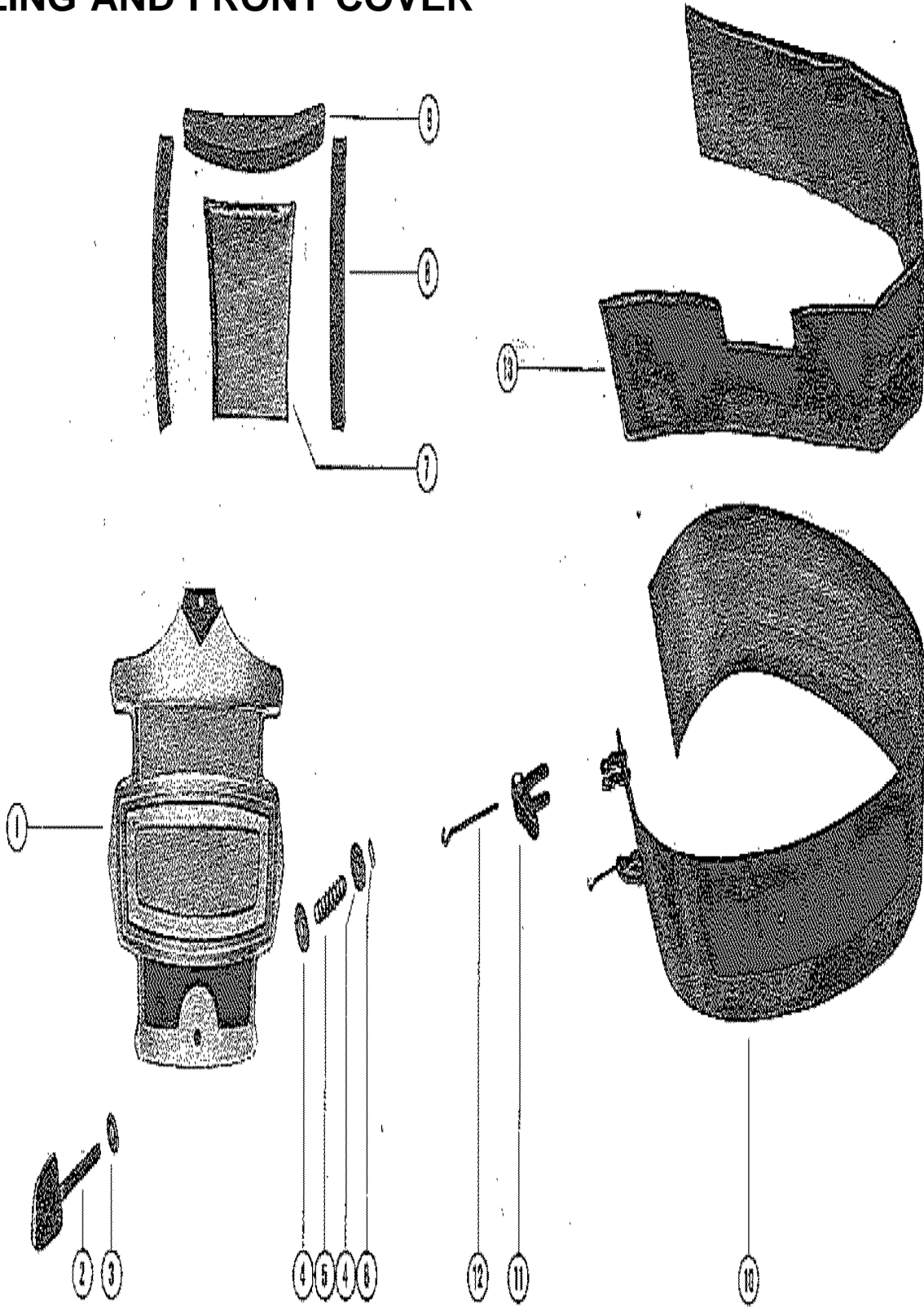
# STARTER HOUSING



# STARTER HOUSING

REF. NO.	PART NO.	SYM.	QTY.	DESCRIPTION
34	18-26953		1	COTTER PIN, INTERLOCK CABLE TO SLIDING CAM
35	65757A1		1	TOGGLE ASSEMBLY, STARTER INTERLOCK
36	10-57249		1	SCREW, TOGGLE TO STARTER HOUSING
37	23-26856		2	BUSHING, TOGGLE SCREW
38	24-57279		1	SPRING, TOGGLE SCREW

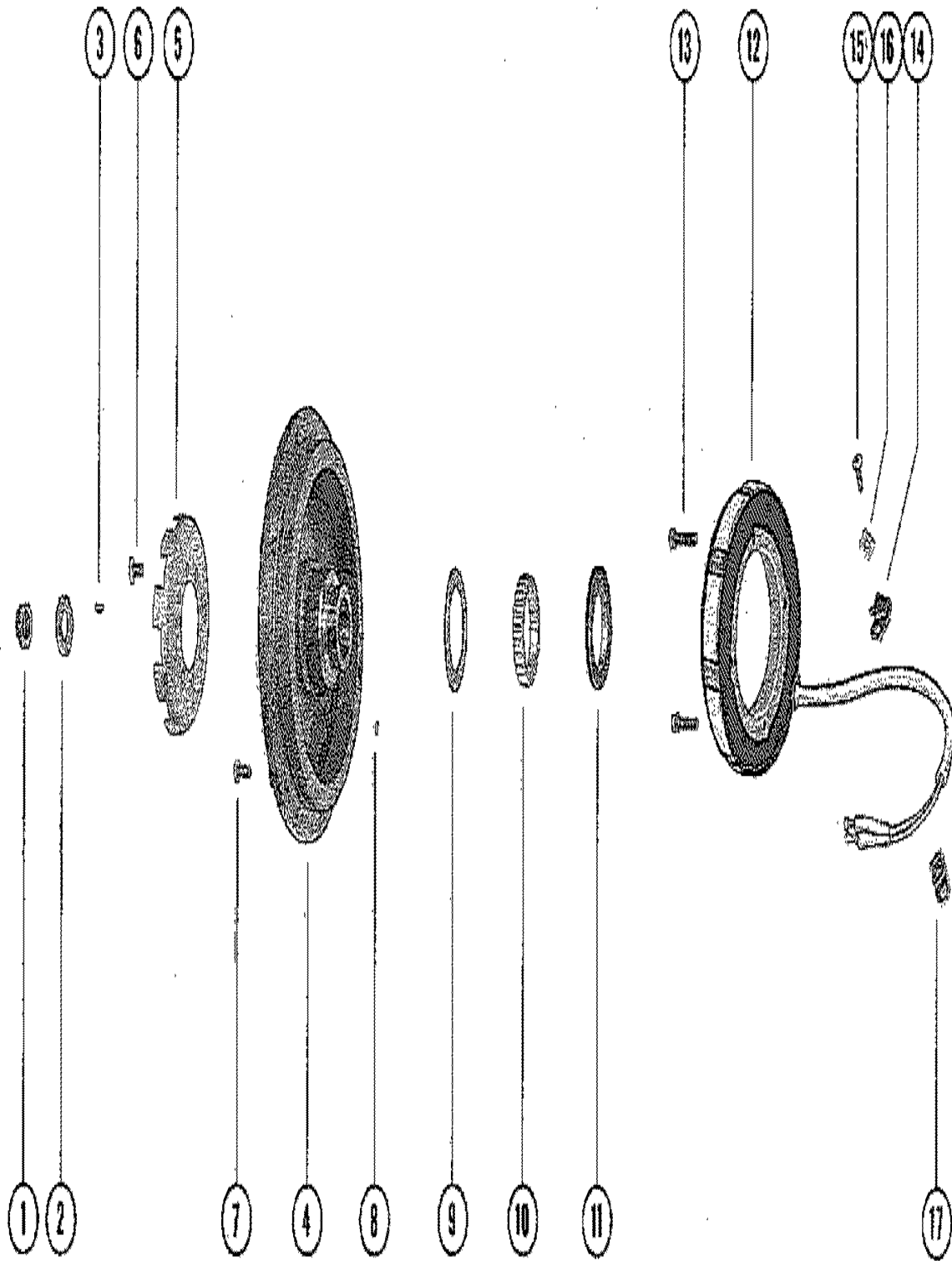
# COWLING AND FRONT COVER



## COWLING AND FRONT COVER

REF. NO.	PART NO.	SYM.	QTY.	DESCRIPTION
1	2104-2654A21		1	COWL FRONT COVER ASSEMBLY UNITED STATES 2858814 THRU 3235062 AUSTRALIA 2863739 THRU 3015353 CANADA 2742142 THRU 3015453
	2104-2654A24		1	COWL FRONT COVER ASSEMBLY UNITED STATES 3008819 THRU 3235062 AUSTRALIA 3015354 THRU 3244337 CANADA 3015454 THRU 3243512
	2104-2654A28		1	COWL FRONT COVER ASSEMBLY UNITED STATES 3235063 AND UP AUSTRALIA 3244338 AND UP BELGIUM 9001581 AND UP CANADA 3243513 AND UP
2	56848		1	KNOB, COWL FRONT COVER FASTENING
3	12-30771		2	WASHER, COVER FASTENING KNOB
4	12-59572		2	WASHER, COVER FASTENING KNOB
5	24-32271		1	SPRING, TENSION - COVER FASTENING KNOB
6	17-29077		1	PIN, ROLL - TENSION SPRING TO KNOB
7	38674		1	BLANKET, SOUND ABSORBING
8	31095		2	SEAL, SOUND - LOWER SECTION
9	38133		1	SEAL, SOUND - UPPER SECTION
10	2118-3247A3		1	WRAP AROUND COWL ASSEMBLY
11	46785A1		2	COWL LATCH ASSEMBLY
12	30413		2	HOOK, COWL LATCH FASTENING
13	37794		1	BLANKET, SOUND ABSORBING
-	92-25234--1		1	GLUE (BLANKET ADHESIVE)

# FLYWHEEL ASSEMBLY AND STATOR

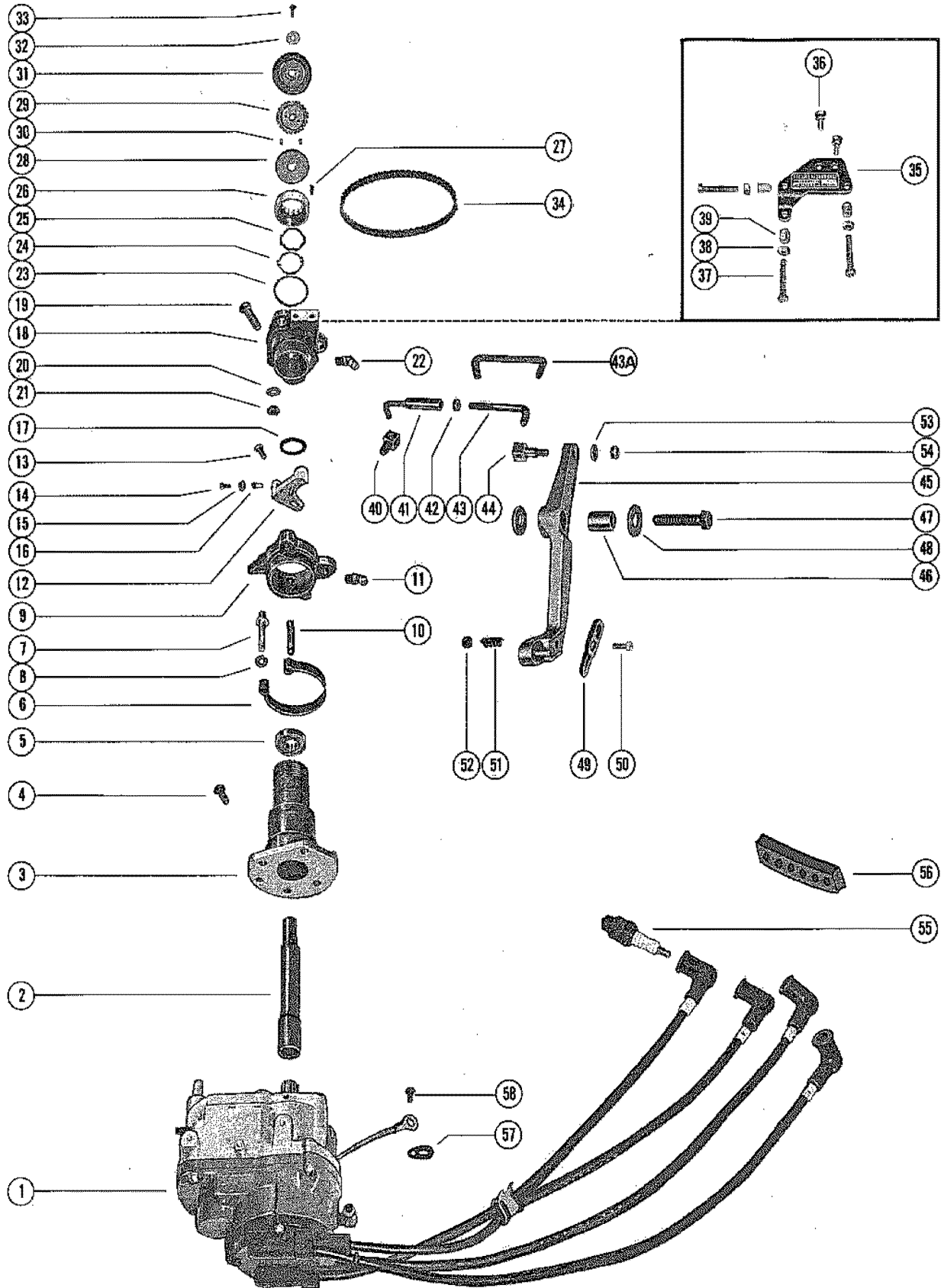




# FLYWHEEL ASSEMBLY AND STATOR

REF. NO.	PART NO.	SYM.	QTY.	DESCRIPTION
1	11-22339		1	NUT, FLYWHEEL
2	12-33001		1	WASHER, FLYWHEEL NUT
3	28-20094		1	KEY, FLYWHEEL DRIVE
4	223-2402A6		1	FLYWHEEL ASSEMBLY (MANUAL) UNITED STATES 2858814 THRU 3816307 AUSTRALIA 2863739 THRU 8015989 BELGIUM 9001581 THRU 9047653 CANADA 2742142 THRU 7030747
	223-2403A9		1	FLYWHEEL ASSEMBLY (ELECTRIC) UNITED STATES 2858814 THRU 3816307 AUSTRALIA 2863739 THRU 8015989 BELGIUM 9001581 THRU 9047653 CANADA 2742142 THRU 7030747
	223-2402A10		1	FLYWHEEL ASSEMBLY (MANUAL) UNITED STATES 3816308 AND UP AUSTRALIA 8015900 AND UP BELGIUM 9047654 AND UP CANADA 7030748 AND UP
	223-2403A15		1	FLYWHEEL ASSEMBLY (ELECTRIC) UNITED STATES 3816308 AND UP AUSTRALIA 8015900 AND UP BELGIUM 9047654 AND UP CANADA 7030748 AND UP
5	50-39837		1	RATCHET, FLYWHEEL (MANUAL) UNITED STATES 2858814 THRU 3816307 AUSTRALIA 2863739 THRU 8015989 BELGIUM 9001581 THRU 9047653 CANADA 2742142 THRU 7030747
6	10-32417		8	SCREW, PLATE AND RATCHET (5/8") UNITED STATES 2858814 THRU 3816307 AUSTRALIA 2863739 THRU 8015989 BELGIUM 9001581 THRU 9047653 CANADA 2742142 THRU 7030747
5	50-65211		1	RATCHET, FLYWHEEL (MANUAL) UNITED STATES 3816308 AND UP AUSTRALIA 8015900 AND UP BELGIUM 9047654 AND UP CANADA 7030748 AND UP
6	10-54630		8	SCREW, PLATE AND RATCHET (5/16") UNITED STATES 3816308 AND UP AUSTRALIA 8015900 AND UP BELGIUM 9047654 AND UP CANADA 7030748 AND UP
7	10-32417		8	SCREW, FLEX PLATE TO FLYWHEEL (5/8")
8	17-26618		1	PIN, DOWEL - PULLEY TO FLYWHEEL
9	29788		1	FLANGE, FLYWHEEL PULLEY
10	30306		1	PULLEY, FLYWHEEL
11	29787		1	HUB, FLANGE - FLYWHEEL PULLEY
12	398-2996		1	STATOR, ALTERNATOR - FLYWHEEL ELECTRIC
13	10-57021		4	SCREW, STATOR TO UPPER END CAP (7/8") ELECTRIC
14	54-26550		1	CLAMP, STATOR LEAD TO CRANKCASE ELECTRIC
15	10-35519		1	SCREW, STATOR LEAD CLAMP FASTENING (1/2") ELECTRIC
16	22789		1	"D" WASHER, STATOR LEAD CLAMP SCREW ELECTRIC
17	54-46379		1	CLIP, STATOR LEAD TO CRANKCASE ELECTRIC

# IGNITION DRIVER AND PILOT ASSEMBLY

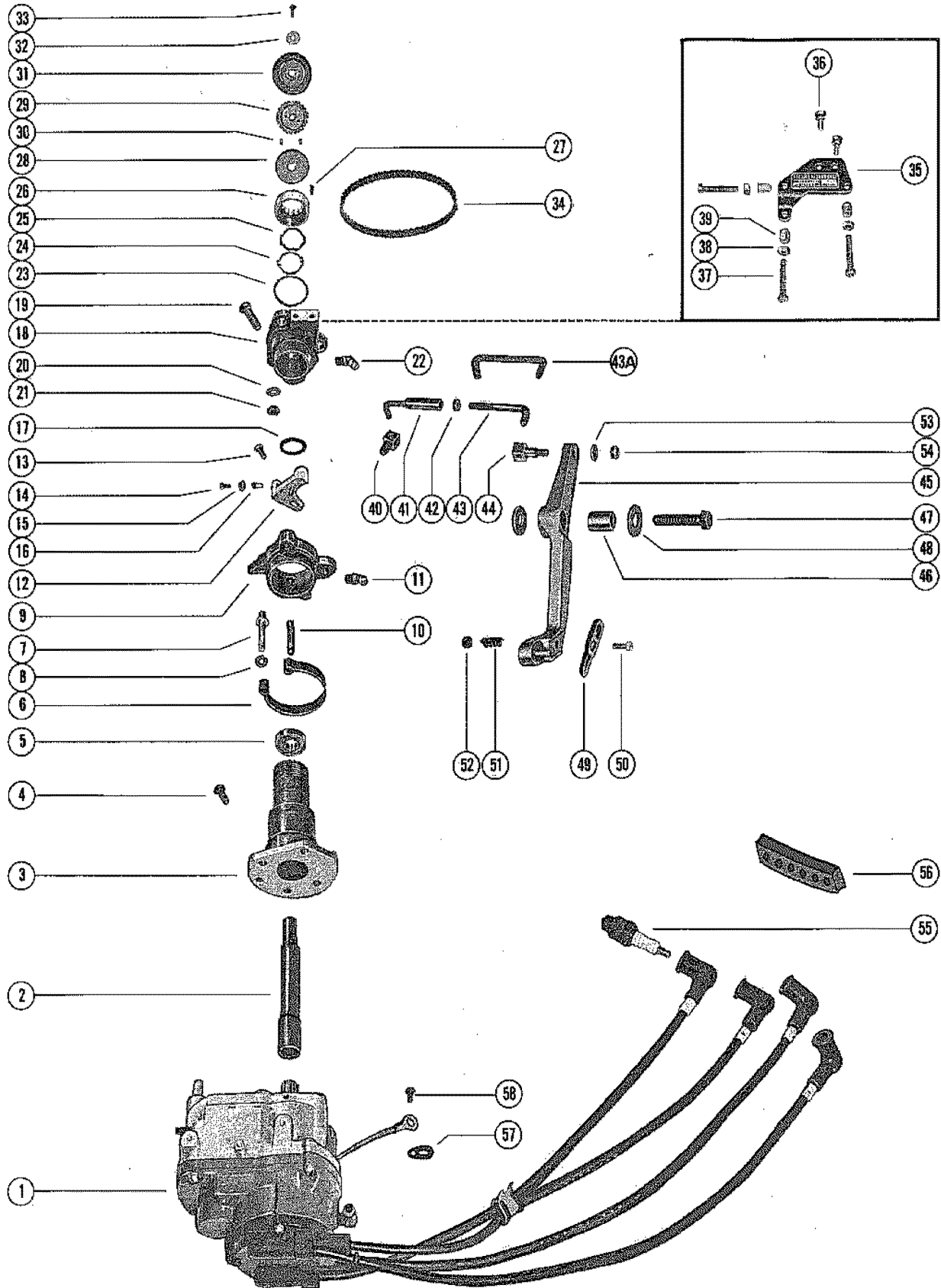


# IGNITION DRIVER AND PILOT ASSEMBLY

REF. NO.	PART NO.	SYM.	QTY.	DESCRIPTION
1	333-3144A4		1	IGNITION DRIVE ASSEMBLY, COMPLETE UNITED STATES 2858814 THRU 3235062 AUSTRALIA 2863739 THRU 3244337 CANADA 2742142 THRU 3243512
	333-4674A3		1	IGNITION DRIVER ASSEMBLY, COMPLETE UNITED STATES 3235063 AND UP AUSTRALIA 3244338 AND UP BELGIUM 9001581 AND UP CANADA 3243513 AND UP
2	45-27951		1	SHAFT, IGNITION DRIVER
3	47883A1		1	PILOT ASSEMBLY, IGNITION DRIVER
4	10-47910		4	SCREW, ADAPTOR AND PILOT TO IGNITION DRIVE (5/8")
5	30-20066		1	BALL BEARING, IGNITION DRIVER PILOT
6	24-27944		1	SPRING, HORSESHOE - IGNITION DRIVER PILOT
7	17-27962		1	PIN, ANCHOR - HORSESHOE SPRING TO PILOT
8	12-29245		1	WASHER, HORSESHOE SPRING TO ANCHOR PIN
9	48103A1		1	ECONOMIZER COLLAR AND PIN ASSEMBLY
10	17-27961		1	PIN, ECONOMIZER COLLAR - SPRING RETAINER
11	22-25094		1	FITTING, GREASE - ECONOMIZER COLLAR
12	48038		1	PLATE, THROTTLE ACTUATOR UNITED STATES 2858814 THRU 3235062 AUSTRALIA 2863739 THRU 3244337 CANADA 2742142 THRU 3243512
	61124		1	PLATE, THROTTLE ACTUATOR UNITED STATES 3235063 THRU 3816307 AUSTRALIA 3244338 THRU 9047653 BELGIUM 9001581 THRU 9047653 CANADA 3243513 THRU 7030747
	66778		1	PLATE, THROTTLE ACTUATOR UNITED STATES 3816308 AND UP AUSTRALIA 8015900 AND UP BELGIUM 9047654 AND UP CANADA 7030748 AND UP
13	10-46420		2	SCREW, THROTTLE ACTUATOR TO ECONOMIZER COLLAR (1/2") - SERIA
14	10-23702		1	SCREW, ADJUSTING - THROTTLE ACTUATOR (1 1/8") - SERIAL GROUP
	10-23015		1	SCREW, ADJUSTING - THROTTLE ACTUATOR (1")
15	11-20645		1	NUT, THROTTLE ACTUATOR ADJUSTING SCREW
16	48039		1	CAP, THROTTLE ACTUATOR ADJUSTING SCREW
17	12-46246		1	WASHER, IGNITION DRIVER PILOT TO ADAPTOR
18	30043A1		1	ADAPTOR, IGNITION DRIVER UNITED STATES 2858814 THRU 3816307 AUSTRALIA 2863739 THRU 8015989 BELGIUM 9001581 THRU 9047653 CANADA 2742142 THRU 7030747
19	10-22040		3	SCREW, ADAPTOR AND PILOT TO CRANKCASE (1 1/2") SERIAL GR #11
20	12-20084		3	WASHER, ADAPTOR AND PILOT TO CRANKCASE SCREW SERL GR #11
21	11-20083		3	NUT, ADAPTOR AND PILOT TO CRANKCASE SCREW UNITED STATES 2858814 THRU 3816307 AUSTRALIA 2863739 THRU 8015989 BELGIUM 9001581 THRU 9047653 CANADA 2742142 THRU 7030747
18	66856A1		1	ADAPTOR, IGNITIONA DRIVER UNITED STATES 3816308 AND UP AUSTRALIA 8015900 AND UP BELGIUM 9047654 AND UP CANADA 7030748 AND UP
19	10-37558		3	SCREW, ADAPTOR AND PILOT AND CRANKCASE (1 1/4") SERL GR #7

CONTINUED ON NEXT PAGE ➡

# IGNITION DRIVER AND PILOT ASSEMBLY

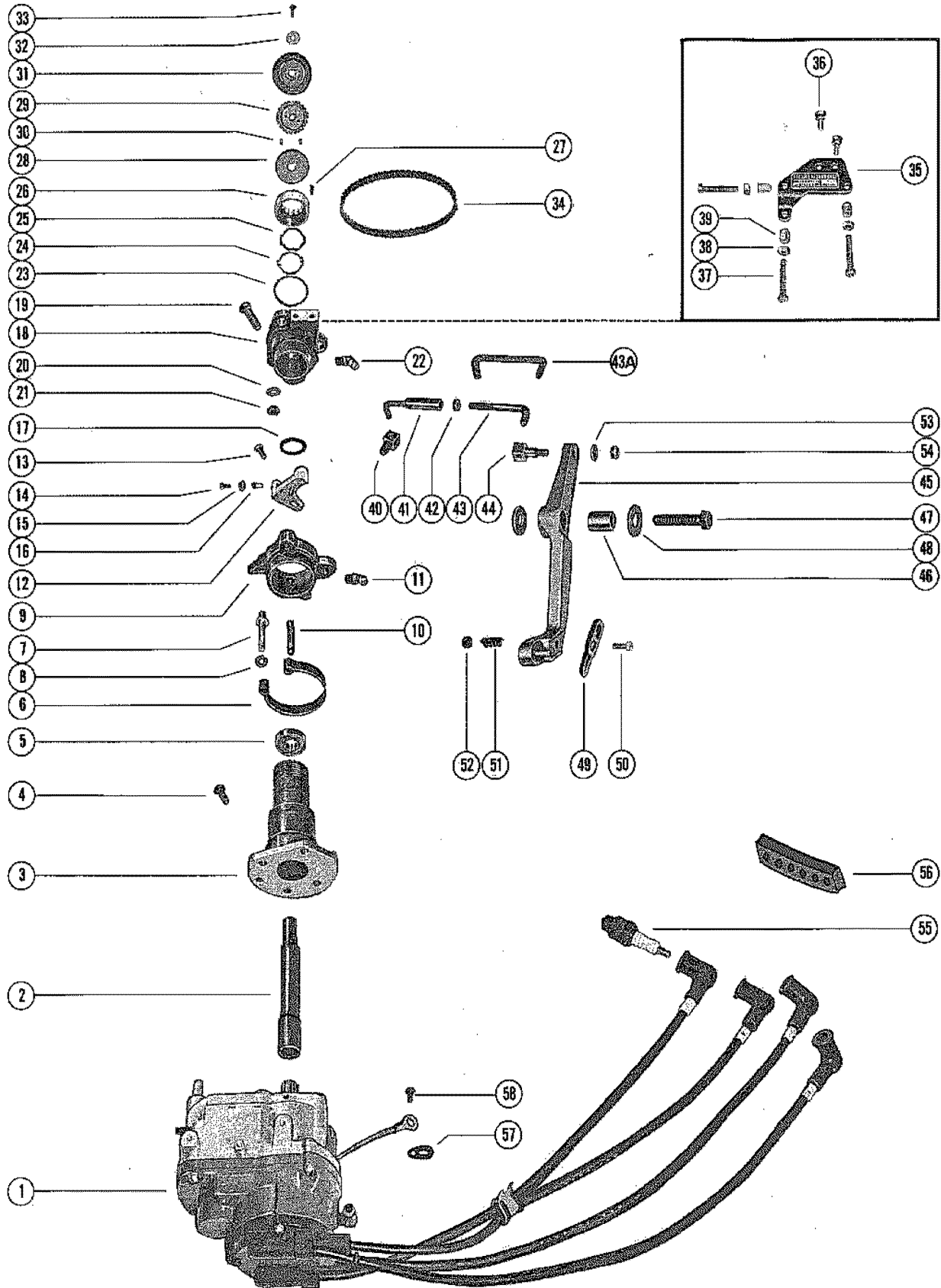


# IGNITION DRIVER AND PILOT ASSEMBLY

REF. NO.	PART NO.	SYM.	QTY.	DESCRIPTION
20	12-20084		3	WASHER, ADAPTOR AND PILOT TO CRANKCASE SCREW SERL GR #7
22	22-25094		1	FITTING, GREASE - IGNITION DRIVER ADAPTOR
23	12-27939		1	WASHER, IGNITION DRIVER PILOT
24	14-27960		1	TAB WASHER, ADAPTOR CAP FASTENING
25	13-27959		1	WASHER, WAVE - IGNITION DRIVER BALL BEARING TENSION
26	27955		1	CAP, IGNITION DRIVER ADAPTOR AND PILOT FASTENING
27	28-28657		1	KEY, IGNITION DRIVER
28	29784		1	HUB, DRIVEN PULLEY
-	<b>23-29909</b>		<b>1</b>	<b>SPACER, DRIVEN PULLEY</b>
29	29783A1		1	DRIVEN PULLEY ASSEMBLY
30	17-24873		2	PIN, ROLL - FLANGE
31	29785		1	FLANGE, DRIVEN PULLEY
32	12-20138		1	WASHER, PULLEY SCREW
33	10-49989		1	SCREW, PULLEY (5/8")
34	20140		1	BELT, TIMING
35	53458		1	PLATE, THROTTLE STOP
36	10-31299		2	SCREW, THROTTLE STOP PLATE TO ADAPTOR (7/8")
37	10-24933		2	SCREW, THROTTLE STOP ADJUSTING (1 1/2")
	10-20012		1	SCREW, THROTTLE STOP ADJUSTING (1 5/8")
38	11-20013		3	NUT, THROTTLE STOP ADJUSTING SCREW
39	26852		3	CAP, NYLON - ADJUSTING SCREW
40	27947		1	SWIVEL, LINKAGE - ECONOMIZER COLLAR
41	25996A1		1	SWIVEL AND LINK ROD ASSEMBLY <b>UNITED STATES 2858814 THRU 3816307 AUSTRALIA 2863739 THRU 8015989 BELGIUM 9001581 THRU 9047653 CANADA 2742142 THRU 7030747</b>
42	11-25168		1	NUT, UPPER LINK ROD ADJUSTING <b>UNITED STATES 2858814 THRU 3816307 AUSTRALIA 2863739 THRU 8015989 BELGIUM 9001581 THRU 9047653 CANADA 2742142 THRU 7030747</b>
43	37700		1	ROD, LINK - UPPER <b>UNITED STATES 2858814 THRU 3816307 AUSTRALIA 2863739 THRU 8015989 BELGIUM 9001581 THRU 9047653 CANADA 2742142 THRU 7030747</b>
43A	66552		1	LINK ROD <b>UNITED STATES 3816308 AND UP AUSTRALIA 8015900 AND UP BELGIUM 9047654 AND UP CANADA 7030748 AND UP</b>
44	27948		1	SWIVEL, UPPER LINK ROD TO THROTTLE CONTROL LEVER
45	53143		1	LEVER, THROTTLE CONTROL
46	23-45818		1	BUSHING, THROTTLE LEVER SCREW
47	10-47273		1	SCREW, THROTTLE LEVER TO EXHAUST COVER (1 1/2")
48	12-29395		1	WASHER, THROTTLE LEVER SCREW
49	39483		1	LATCH, THROTTLE CONTROL LEVER (THROTTLE CABLE)
50	10-22486		1	SCREW, LATCH TO THROTTLE CONTROL LEVER (7/8")
51	24-20099		1	SPRING, COMPRESSION - LATCH SCREW
52	11-20586		1	NUT, LATCH SCREW
53	12-29245		1	WASHER, UPPER SWIVEL TO THROTTLE LEVER

CONTINUED ON NEXT PAGE ➡

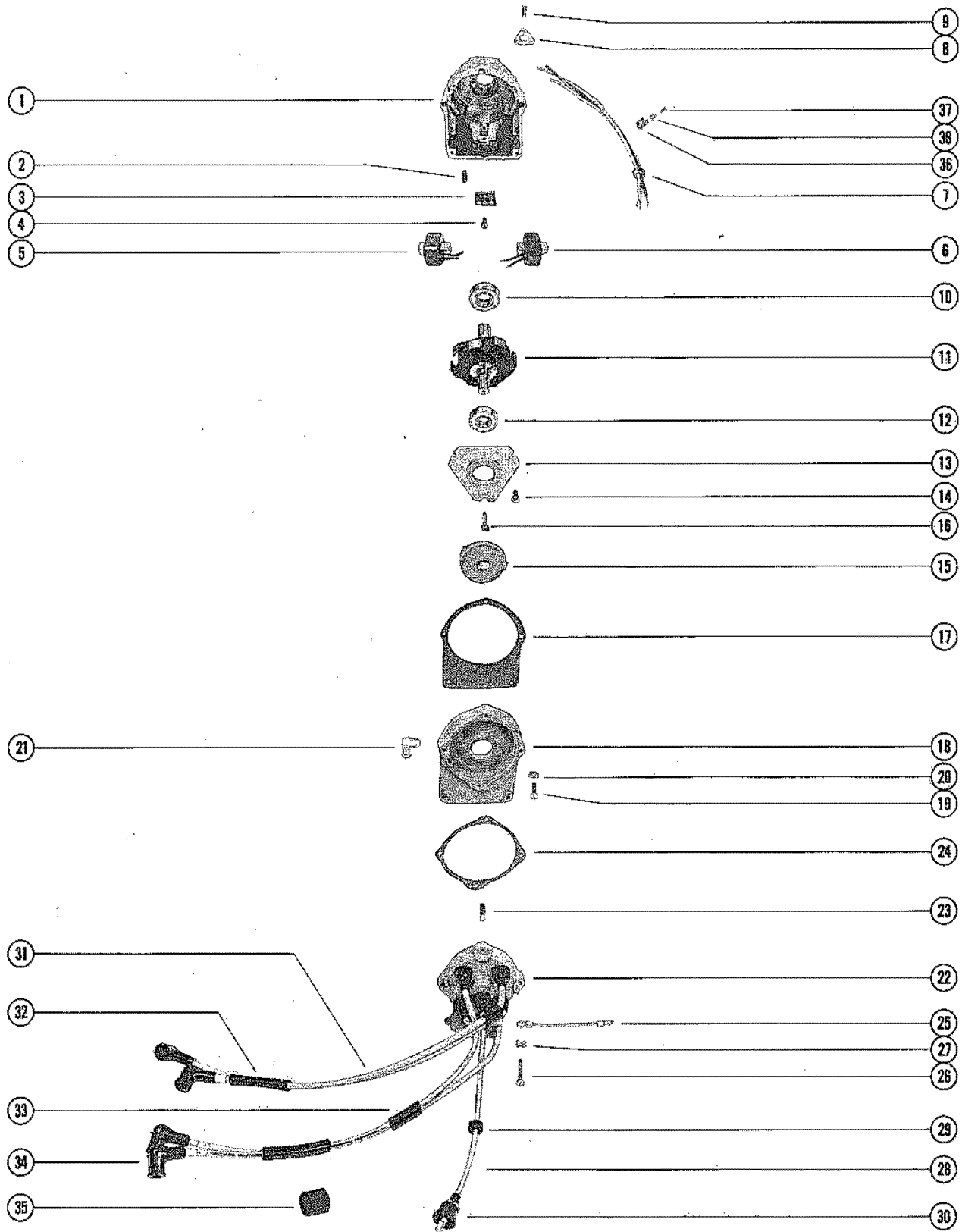
# IGNITION DRIVER AND PILOT ASSEMBLY



## IGNITION DRIVER AND PILOT ASSEMBLY

REF. NO.	PART NO.	SYM.	QTY.	DESCRIPTION
54	11-20586		1	NUT, UPPER SWIVEL TO THROTTLE LEVER
55	33-57451		4	SPARK PLUG (AC V-40-FFM)
56	45391		1	SPACER, IGNITION WIRE
57	26551		1	BRACKET, TAB - CRANKCASE - IGNITION DRIVER GROUND STRAP
58	10-26548		1	SCREW, IGNITION DRIVER GROUND STRAP TO TAB BRACKET (3/8")

# IGNITION DRIVER ASSEMBLY, COMPLETE



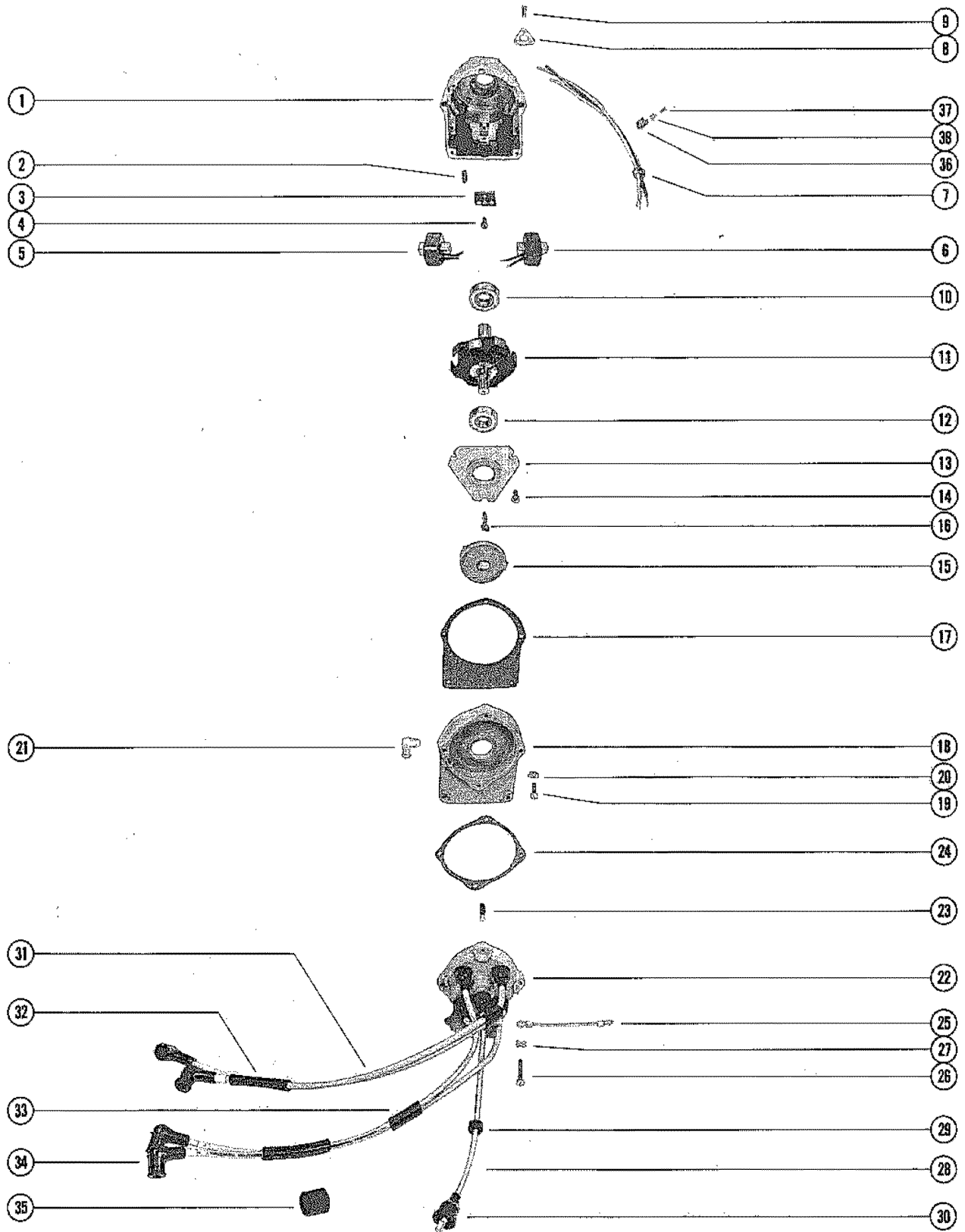


# IGNITION DRIVER ASSEMBLY, COMPLETE

REF. NO.	PART NO.	SYM.	QTY.	DESCRIPTION
-	333-3144A4		1	IGNITION DRIVER ASSEMBLY, COMPLETE UNITED STATES 2858814 THRU 3235062 AUSTRALIA 2863739 THRU 3244337 CANADA 2742142 THRU 3243512
-	333-4674A3		1	IGNITION DRIVER ASSEMBLY UNITED STATES 3235063 AND UP AUSTRALIA 3244338 AND UP BELGIUM 9001581 AND UP CANADA 3243513 AND UP
1	333-3144		1	HOUSING, IGNITION DRIVER UNITED STATES 2858814 THRU 3235062 AUSTRALIA 2863739 THRU 3244337 CANADA 2742142 THRU 3243512
	333-4674A4		1	HOUSING, IGNITION DRIVER UNITED STATES 3235063 AND UP AUSTRALIA 3244338 AND UP BELGIUM 9001581 AND UP CANADA 3243513 AND UP
2	10-47183		4	SCREW, SET - COIL ASSEMBLY FASTENING
3	333-3172A1		1	TERMINAL BOARD ASSEMBLY, IGNITION DRIVER
4	10-47182		1	SCREW, TERMINAL BOARD ASSEMBLY FASTENING (1/2")
5	333-3175		1	COIL ASSEMBLY, IGNITION DRIVER (RED)
6	333-3176		1	COIL ASSEMBLY, IGNITION DRIVER (BLUE)
7	333-3173		1	HARNESS, PRIMARY CABLE - IGNITION DRIVER
8	54-47188		1	CLAMP, PRIMARY HARNESS CABLE - IGNITION DRIVER
9	10-28259		3	SCREW, PRIMARY HARNESS CABLE FASTENING (5/8")
10	30-24998		1	BEARING, BALL - DRIVER END (1 3/8" O.D.)
11	333-3198A1		1	SHAFT ASSEMBLY, IGNITION DRIVER
12	30-49090		1	BEARING, BALL - IGNITION DRIVER END (1 1/4" O.D.)
13	333-3166		1	CAP, BEARING - IGNITION DRIVER HOUSING
14	10-47194		3	SCREW, BEARING CAP FASTENING (9/16")
15	333-3143A1		1	ROTOR ASSEMBLY, IGNITION DRIVER
16	54-47187		1	SPRING, CLIP - IGNITION DRIVER ROTOR
17	27-47189		1	GASKET, IGNITION DRIVER COVER UNITED STATES 2858814 THRU 3235062 AUSTRALIA 2863739 THRU 3244337 CANADA 2742142 THRU 3243512
	27-61031		1	GASKET, IGNITION DRIVER COVER UNITED STATES 3235063 AND UP AUSTRALIA 3244338 AND UP BELGIUM 9001581 AND UP CANADA 3243513 AND UP
18	333-3141		1	COVER, IGNITION DRIVER UNITED STATES 2858814 THRU 3235062 AUSTRALIA 2863739 THRU 3244337 CANADA 2742142 THRU 3243512
	333-4639A1		1	COVER, IGNITION DRIVER UNITED STATES 3235063 AND UP AUSTRALIA 3244338 AND UP BELGIUM 9001581 AND UP CANADA 3243513 AND UP
19	10-47185		2	SCREW, IGNITION DRIVER COVER FASTENING (3/4")
20	14-29157		2	TAB WASHER, IGNITION DRIVER COVER FASTENING SCREW
21	22-31521		1	ELBOW, VENT - IGNITION DRIVER COVER UNITED STATES 2858814 THRU 3235062 AUSTRALIA 2863739 THRU 3244337 CANADA 2742142 THRU 3243512
	58807A1		2	FLAME ARRESTOR, IGNITION DRIVER COVER UNITED STATES 3235063 AND UP AUSTRALIA 3244338 AND UP BELGIUM 9001581 AND UP CANADA 3243513 AND UP
22	333-3142A3		1	CAP ASSEMBLY, IGNITION DRIVER

CONTINUED ON NEXT PAGE ➡

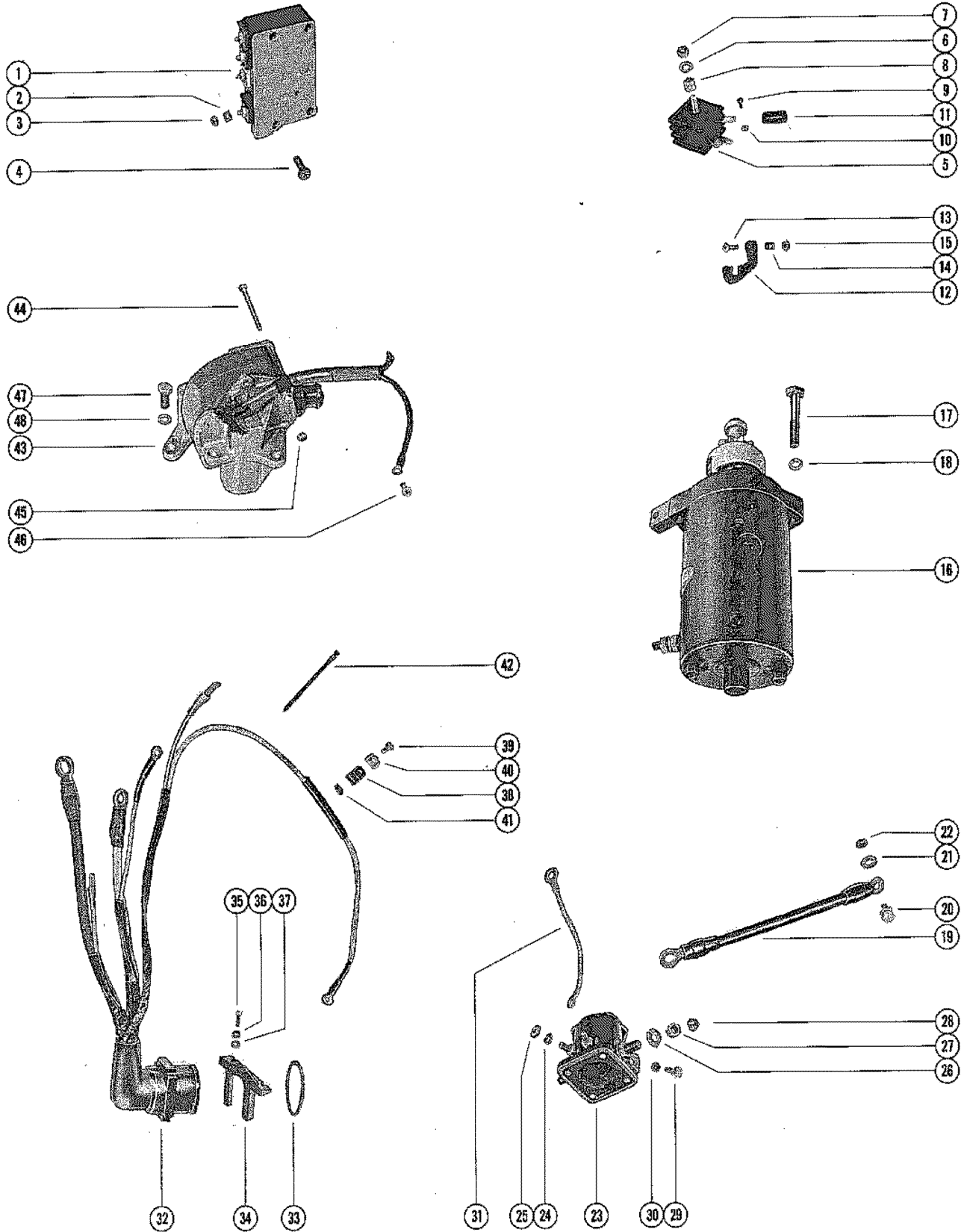
# IGNITION DRIVER ASSEMBLY, COMPLETE



# IGNITION DRIVER ASSEMBLY, COMPLETE

REF. NO.	PART NO.	SYM.	QTY.	DESCRIPTION
23	333-3165A1		1	BRUSH AND SPRING ASSEMBLY
24	27-47190		1	GASKET, IGNITION DRIVER CAP
25	394-1134A2		1	GROUND STRAP ASSEMBLY
26	10-47181		3	SCREW, IGNITION DRIVER CAP FASTENING (1 7/8")
	10-47184		1	SCREW, IGNITION DRIVER CAP FASTENING (1 1/2")
27	14-29157		4	TAB WASHER, IGNITION DRIVER CAP FASTENING SCREW
28	393-3250A1		1	LEAD ASSEMBLY, HIGH TENSION - DRIVER TO COIL
-	<b>20121</b>		<b>1</b>	<b>TERMINAL, HIGH TENSION LEAD</b>
-	<b>393-1275</b>		<b>1</b>	<b>SLEEVE, HIGH TENSION LEAD TERMINAL COVER</b>
29	28-26547		1	GROMMET, COIL WIRE BRACKET
30	332-2854		1	BOOT, HIGH TENSION LEAD CABLE
31	47899A9		4	SPARK PLUG LEAD ASSEMBLY (27 1/2") <b>ORDER A-36549A1 KIT FOR REPLACEMENT OF LEAD WIRE MARKERS.</b>
-	<b>20121</b>		<b>4</b>	<b>CONNECTOR, SPARK PLUG LEAD</b>
-	<b>393-1275</b>		<b>4</b>	<b>SLEEVE, SPARK PLUG LEAD TO IGNITION DRIVER</b>
32	32-46768		2	SLEEVE, SPARK PLUG LEAD (6")
33	32-26527		2	SLEEVE, SPARK PLUG LEAD (1 1/2") <b>UNITED STATES 2858814 THRU 3235062 AUSTRALIA 2863739 THRU 3244337 CANADA 2742142 THRU 3243512</b>
34	47604A1		4	PROTECTOR ASSEMBLY, SPARK PLUG LEADS
35	32-46398		1	SLEEVE, HIGH TENSION CABLE (3/4") <b>UNITED STATES 2858814 THRU 3235062 AUSTRALIA 2863739 THRU 3244337 CANADA 2742142 THRU 3243512</b>
-	<b>59126</b>		<b>1</b>	<b>SEPERATOR, IGNITION LEADS</b>
36	54-22627		1	CLIP, IGNITION DRIVER LEAD
37	10-25157		1	SCREW, IGNITION DRIVE LEAD TO SWITCH BOX (1/2")
38	22789		1	"D" WASHER, IGNITION DRIVER LEAD SCREW

# STARTER MOTOR, STARTER SOLENOID, RECTIFIER AND WIRING HARNESS

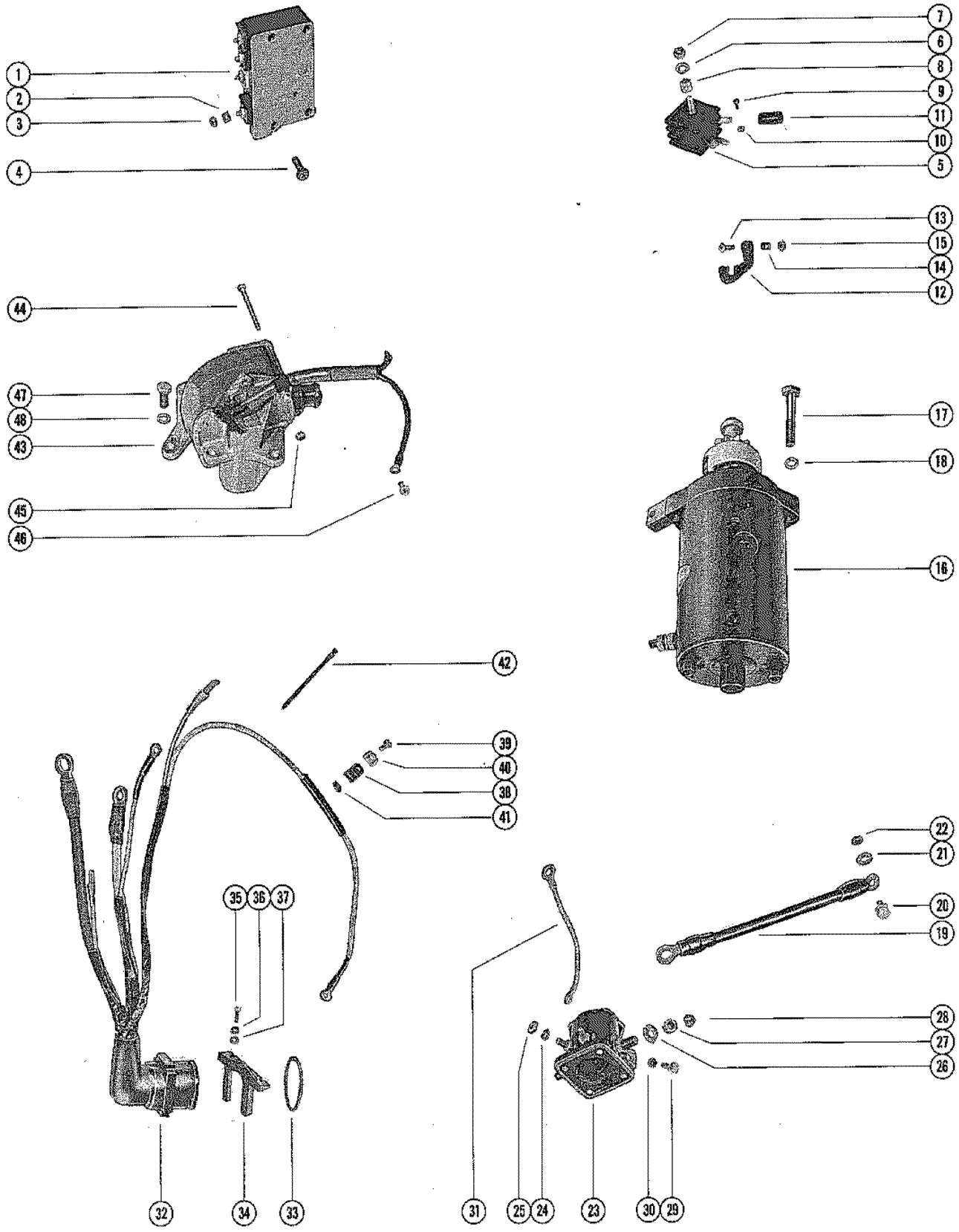


# STARTER MOTOR, STARTER SOLENOID, RECTIFIER AND WIRING HARNES

REF. NO.	PART NO.	SYM.	QTY.	DESCRIPTION
1	333-3213A3		1	SWITCH BOX ASSEMBLY, COMPLETE
2	12-45075		4	WASHER, SWITCH BOX TERMINAL <b>UNITED STATES 2858814 THRU 3235062 AUSTRALIA 2863739 THRU 3244337 CANADA 2742142 THRU 3243512</b>
3	11-45076		4	NUT, SWITCH BOX TERMINAL
4	10-58641		4	SCREW, SWITCH BOX TO FRONT SUPPORT BRACKET (5/8")
5	49184		1	RECTIFIER ELECTRIC
6	13-26993		1	LOCKWASHER, RECTIFIER TO FRONT BRACKET ELECTRIC
7	11-20922		1	NUT, RECTIFIER TO FRONT BRACKET ELECTRIC
8	23-28458		1	SPACER, RECTIFIER TO FRONT BRACKET ELECTRIC
9	10-20055		3	SCREW, RECTIFIER TERMINALS (3/8") ELECTRIC
10	11-29488		3	NUT, RECTIFIER TERMINALS ELECTRIC
11	32-28373		3	SLEEVE, RECTIFIER TERMINALS ELECTRIC
12	59757		1	BRACKET, RETAINER - HIGH TENSION LEAD
13	10-24933		1	SCREW, RETAINER BRACKET TO SUPPORT BRACKET (1 1/2")
14	23-33070		1	SPACER, RETAINER BRACKET TO SUPPORT BRACKET
15	11-46887		1	NUT, RETAINER BRACKET SCREW
16	50-38890A1		1	STARTER MOTOR ASSEMBLY - ELECTRIC <b>UNITED STATES 2858814 THRU 3091050 AUSTRALIA 2863739 THRU 3099125 CANADA 2742142 THRU 3098195</b>
	50-55601		1	STARTER MOTOR ASSEMBLY - ELECTRIC <b>UNITED STATES 3091051 AND UP AUSTRALIA 3099126 AND UP BELGIUM 9001581 AND UP CANADA 3098196 AND UP</b>
17	10-52446		2	SCREW, STARTER MOTOR TO CRANKCASE FLANGE (1 5/8") ELECTRIC
18	13-26993		2	LOCKWASHER, STARTER MOTOR SCREW ELECTRIC
19	25596		1	WIRE, STARTER MOTOR TO SOLENOID AND TOP MOUNT ELECTRIC
20	10-29197		1	SCREW, GROUND WIRE TO STARTER MOTOR (5/8") ELECTRIC
21	13-26992		1	LOCKWASHER, GROUND WIRE FASTENING SCREW ELECTRIC
22	11-20890		1	NUT, GROUND WIRE SCREW ELECTRIC
23	32445		1	STARTER SOLENOID - ELECTRIC <b>UNITED STATES 2858814 THRU 3235062 AUSTRALIA 2863739 THRU 3015353 CANADA 2742142 THRU 3015453</b>
	25661		1	STARTER SOLENOID - ELECTRIC <b>UNITED STATES 9008819 AND UP AUSTRALIA 3015354 AND UP BELGIUM 9001581 AND UP CANADA 3015454 AND UP</b>
24	13-26996		2	LOCKWASHER, SOLENOID TERMINAL (#10) ELECTRIC
25	11-20645		2	NUT, SOLENOID TERMINAL (#10) ELECTRIC
26	13-26993		2	LOCKWASHER, SOLENOID TERMINAL (5/16") ELECTRIC
27	11-20083		1	NUT, SOLENOID TERMINAL - INSIDE (5/16") ELECTRIC
28	11-26062		1	NUT, CAP - SOLENOID TERMINAL - OUTSIDE (5/16") ELECTRIC

CONTINUED ON NEXT PAGE ➡

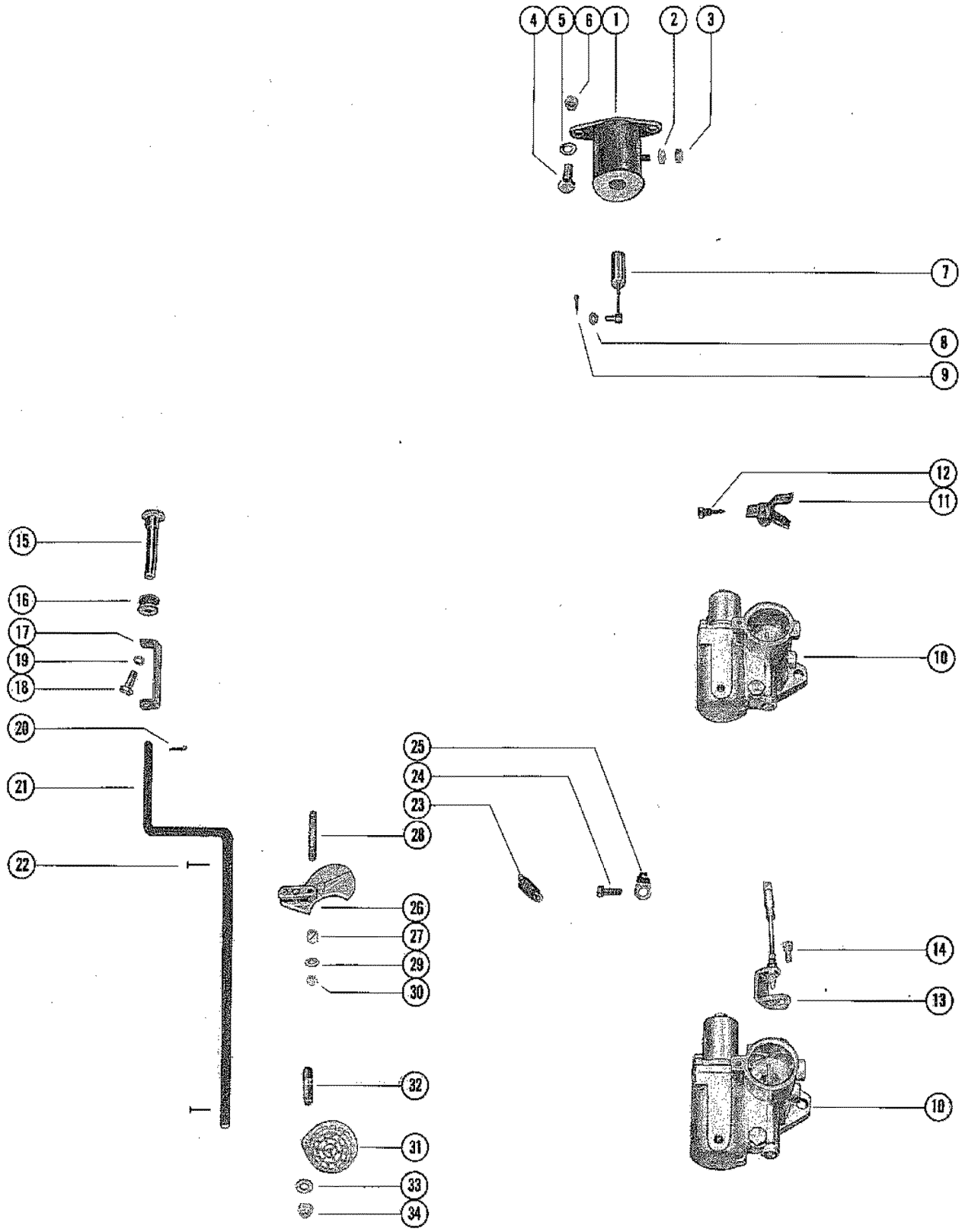
# STARTER MOTOR, STARTER SOLENOID, RECTIFIER AND WIRING HARNESS



# STARTER MOTOR, STARTER SOLENOID, RECTIFIER AND WIRING HARNES

REF. NO.	PART NO.	SYM.	QTY.	DESCRIPTION
29	10-31208		2	SCREW, SOLENOID TO STARTER MOTOR (5/8") <b>ELECTRIC UNITED STATES 2858814 THRU 3235062 AUSTRALIA 2863739 THRU 3015353 CANADA 2742142 THRU 3015453</b>
	10-21625		2	SCREW, SOLENOID TO SUPPORT BRACKET (3/4") <b>ELECTRIC UNITED STATES 9008819 AND UP AUSTRALIA 3015354 AND UP BELGIUM 9001581 AND UP CANADA 3015454 AND UP</b>
30	11-46887		2	NUT, STARTER SOLENOID SCREW <b>ELECTRIC ELECTRIC</b>
31	46715		1	GROUND STRAP ASSEMBLY <b>ELECTRIC</b>
32	52770		1	WIRING HARNESS (INTERNAL) <b>ELECTRIC</b>
33	24-28975		1	SPRING, GARTER - INTERNAL WIRING HARNESS <b>ELECTRIC</b>
34	54-52876		1	CLAMP, WIRING HARNESS <b>ELECTRIC</b>
35	10-45862		2	SCREW, WIRING HARNESS CLAMP TO BOTTOM COWL (7/8") <b>ELECTRIC</b>
36	13-26996		2	LOCKWASHER, WIRING HARNESS CLAMP SCREW <b>ELECTRIC</b>
37	12-20128		2	WASHER, WIRING HARNESS CLAMP SCREW <b>ELECTRIC</b>
38	54-26550		1	CLIP, WIRING HARNESS LEAD , <b>ELECTRIC UNITED STATES 2858814 THRU 3235062 AUSTRALIA 2863739 THRU 3244337 CANADA 2742142 THRU 3243512</b>
39	10-29072		1	SCREW, WIRING HARNESS LEAD CLIP ATTACHING (5/8") , <b>ELECTRIC UNITED STATES 2858814 THRU 3235062 AUSTRALIA 2863739 THRU 3244337 CANADA 2742142 THRU 3243512</b>
40	22789		1	"D" WASHER, HARNESS LEAD CLIP ATTACHING SCREW , <b>ELECTRIC UNITED STATES 2858814 THRU 3235062 AUSTRALIA 2863739 THRU 3244337 CANADA 2742142 THRU 3243512</b>
41	11-24656		1	NUT, WIRING HARNESS LEAD CLIP ATTACHING SCREW , <b>ELECTRIC UNITED STATES 2858814 THRU 3235062 AUSTRALIA 2863739 THRU 3244337 CANADA 2742142 THRU 3243512</b>
42	47764		1	STA-STRAP, WIRING HARNESS <b>ELECTRIC</b>
43	332-2983A8		1	IGNITION COIL ASSEMBLY, COMPLETE <b>UNITED STATES 2858814 THRU 3235062 AUSTRALIA 2863739 THRU 3015353 CANADA 2742142 THRU 3015453</b>
	332-2983A20		1	IGNITION COIL ASSEMBLY, COMPLETE <b>UNITED STATES 9008819 AND UP AUSTRALIA 3015354 AND UP BELGIUM 9001581 AND UP CANADA 3015454 AND UP</b>
44	10-46368		2	SCREW, IGNITION COIL CLAMPING
45	11-20190		2	NUT, IGNITION COIL CLAMPING SCREW
46	10-45218		1	SCREW, IGNITION COIL WIRE TO SWITCH BOX (3/8")
47	10-36137		3	SCREW, IGNITION COIL TO BOTTOM COWL (1")
48	13-26992		3	LOCKWASHER, IGNITION COIL SCREW

# CARBURETOR LINKAGE AND CHOKE SOLENOID



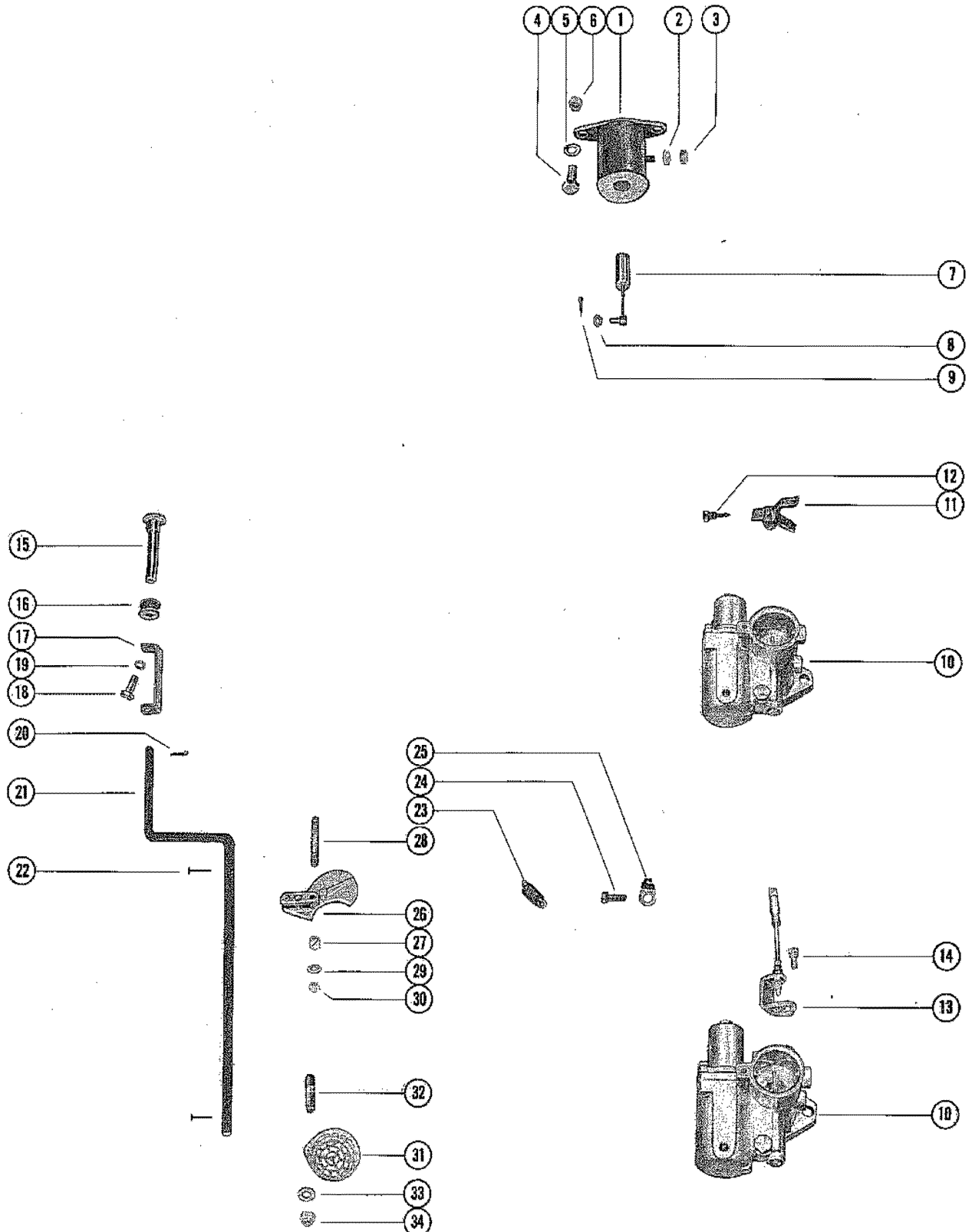


# CARBURETOR LINKAGE AND CHOKE SOLENOID

REF. NO.	PART NO.	SYM.	QTY.	DESCRIPTION
1	54293A5		1	CHOKE SOLENOID ELECTRIC
2	13-26996		1	LOCKWASHER, CHOKE SOLENOID TERMINAL ELECTRIC
3	11-20645		1	NUT, CHOKE SOLENOID TERMINAL ELECTRIC
4	10-26066		2	SCREW, CHOKE SOLENOID TO FRONT BRACKET ELECTRIC
5	13-26993		2	LOCKWASHER, CHOKE SOLENOID SCREW ELECTRIC
6	11-22053		2	NUT, CHOKE SOLENOID SCREW ELECTRIC
7	54283A2		1	PLUNGER AND LINK ASSEMBLY, CHOKE SOLENOID ELECTRIC
8	12-46101		1	WASHER, PLUNGER AND LINK ELECTRIC
9	18-26953		1	COTTER PIN, LINK TO UPPER CHOKE SHUTTER ELECTRIC
10	1333-3709		2	CARBURETOR ASSEMBLY, COMPLETE <b>UNITED STATES 2858814 THRU 3816307 AUSTRALIA 2863739 THRU 8015989 BELGIUM 9001581 THRU 9047653 CANADA 2742142 THRU 7030747</b>
	1333-5346		2	CARBURETOR ASSEMBLY, COMPLETE <b>UNITED STATES 3816308 AND UP AUSTRALIA 8015900 AND UP BELGIUM 9047654 AND UP CANADA 7030748 AND UP</b>
11	27917		1	CLUSTER, THROTTLE LEVER (UPPER CARB.) <b>UNITED STATES 2858814 THRU 3235062 AUSTRALIA 2863739 THRU 3244337 CANADA 2742142 THRU 3243512</b>
	56498		1	CLUSTER, THROTTLE LEVER (UPPER CARB.) <b>UNITED STATES 3235063 AND UP AUSTRALIA 3244338 AND UP BELGIUM 9001581 AND UP CANADA 3243513 AND UP</b>
12	10-20847		1	SCREW, CLUSTER TO THROTTLE LEVER
13	53719A2		1	PICK-UP BRACKET ASSEMBLY
14	10-53651		1	SCREW, PICK-UP BRACKET (3/4")
15	22463		1	KNOB, CHOKE ROD
16	25-20116		1	GROMMET, CHOKE KNOB
17	22462		1	"U" LINK, CHOKE ROD TO CHOKE KNOB (MANUAL)
	46303		1	"U" LINK, CHOKE ROD TO CHOKE KNOB (ELECTRIC)
18	10-20100		1	SCREW, "U" LINK TO CHOKE KNOB
19	13-26996		1	LOCKWASHER, "U" LINK SCREW
20	18-27769		1	COTTER PIN, "U" LINK TO CHOKE ROD
21	47958		1	ROD, CHOKE (MANUAL)
	46304		1	ROD, CHOKE (ELECTRIC)
22	17-25391		2	RIVET, CHOKE SHUTTER TO CHOKE ROD
23	24-28965		1	SPRING, TENSION - CHOKE ROD TO CARBURETOR
24	10-28713		1	SCREW, TENSION SPRING TO CARBURETOR
25	27711		1	RETAINER, SPRING
26	38604		2	SHUTTER, CHOKE - CARBURETOR
27	23-30438		1	BUSHING, NYLON - UPPER CHOKE SHUTTER (ELECTRIC)
28	16-52906		2	STUD, CARBURETOR - CHOKE SHUTTER PIVOT (1 3/8")
29	12-30164		2	WASHER, CHOKE SHUTTER CARBURETOR STUD

CONTINUED ON NEXT PAGE ➡

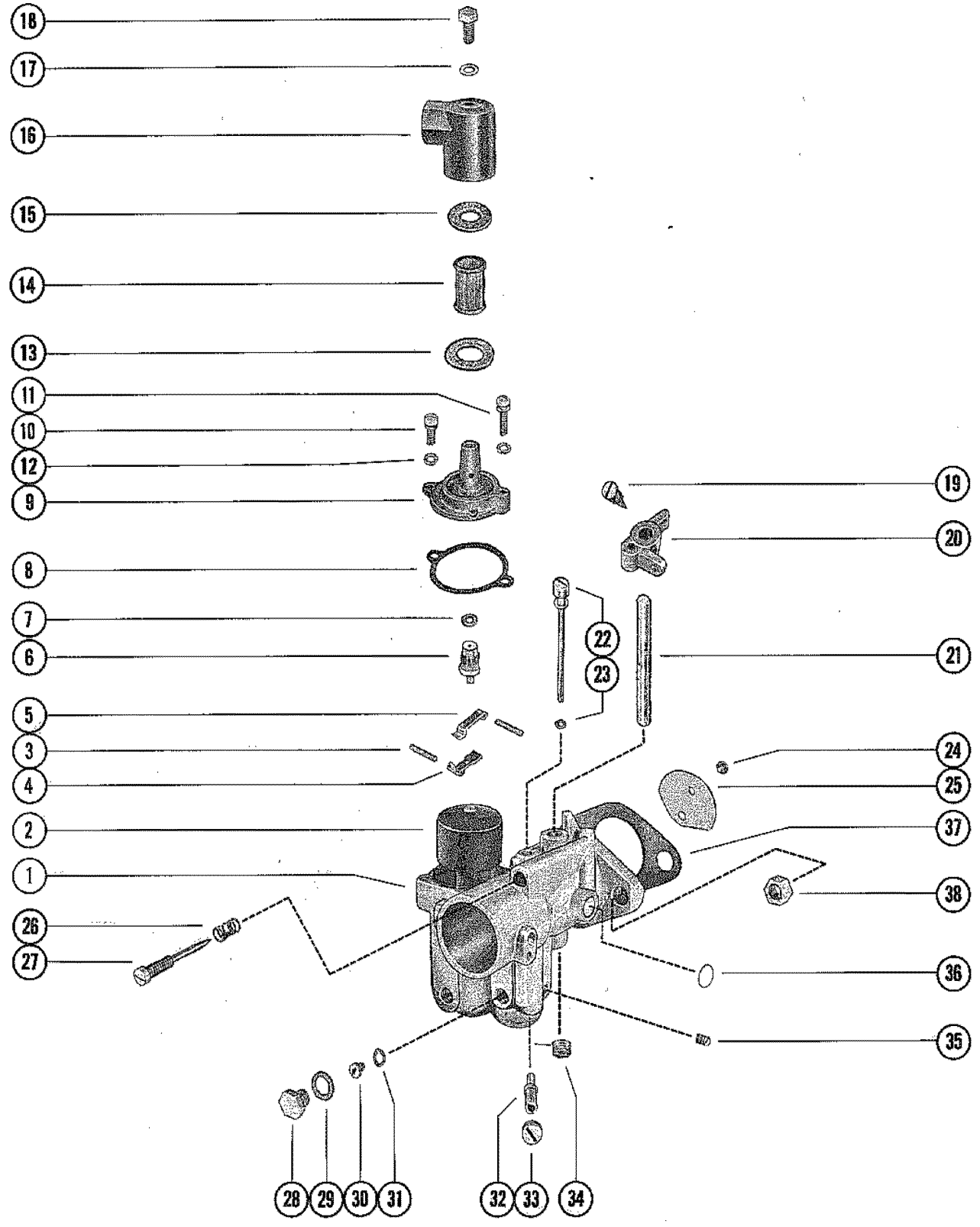
# CARBURETOR LINKAGE AND CHOKE SOLENOID



## CARBURETOR LINKAGE AND CHOKE SOLENOID

REF. NO.	PART NO.	SYM.	QTY.	DESCRIPTION
30	11-20110		2	NUT, CHOKE SHUTTER TO CARBURETOR STUD
31	35-56197		2	SCREEN, FILTER - CARBURETOR
32	16-52898		2	STUD, FILTER SCREEN TO CARBURETOR (1 1/8")
33	12-30164		2	WASHER, FILTER SCREEN STUD
34	11-20110		2	NUT, FILTER SCREEN STUD

# CARBURETOR ASSEMBLY, COMPLETE

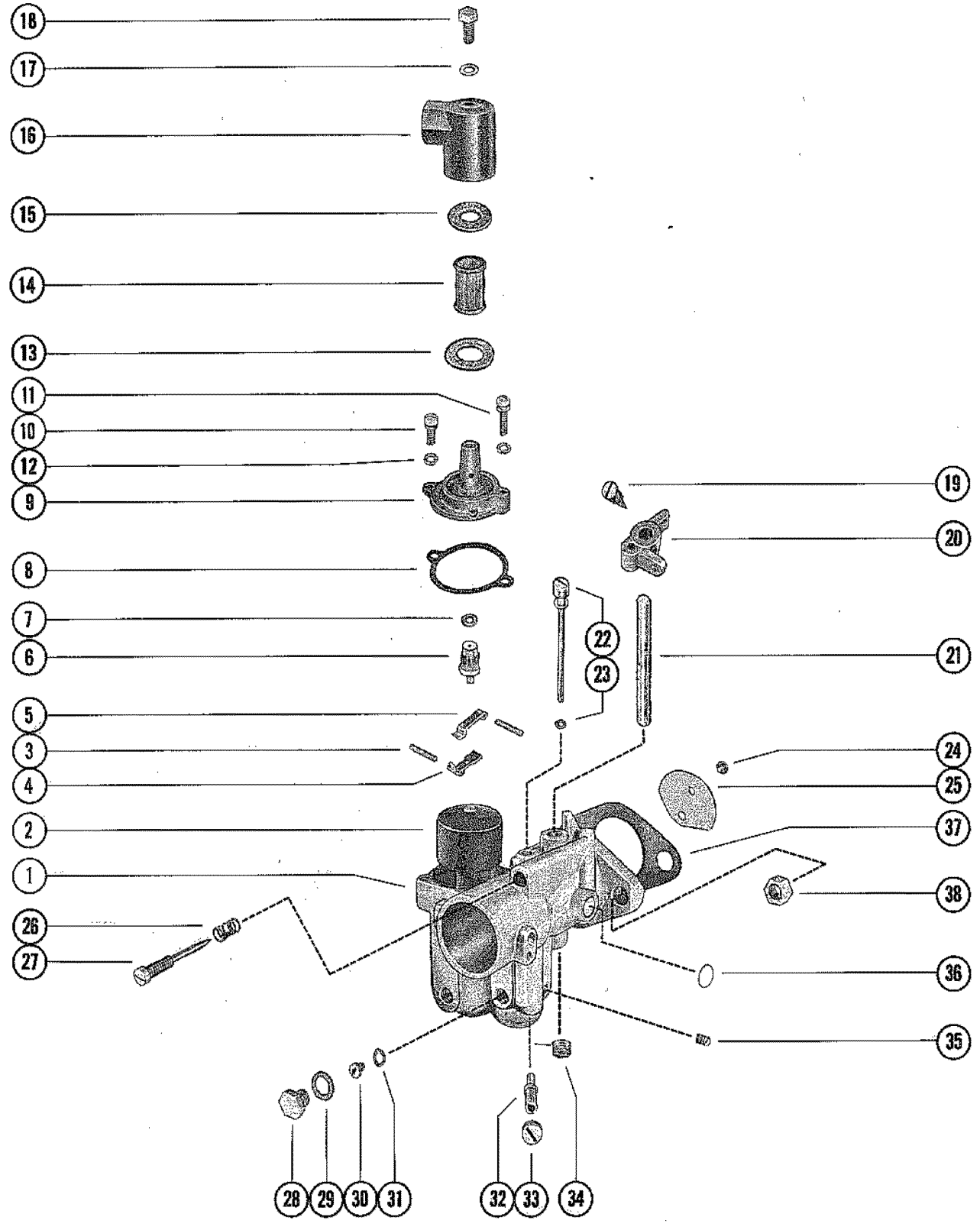


# CARBURETOR ASSEMBLY, COMPLETE

REF. NO.	PART NO.	SYM.	QTY.	DESCRIPTION
1	1333-3709		2	CARBURETOR ASSEMBLY, COMPLETE UNITED STATES 2858814 THRU 3816307 AUSTRALIA 2863739 THRU 8015989 BELGIUM 9001581 THRU 9047653 CANADA 2742142 THRU 7030747
	1333-5346		2	CARBURETOR ASSEMBLY, COMPLETE UNITED STATES 3816308 AND UP AUSTRALIA 8015900 AND UP BELGIUM 9047654 AND UP CANADA 7030748 AND UP
2	1399-110A1		2	FLOAT ASSEMBLY
3			4	PIN, FLOAT LEVER PINION
4			2	LEVER, FLOAT (LOWER)
5			2	LEVER, FLOAT (UPPER)
6	1399-1473		2	INLET NEEDLE, SEAT AND GASKET
7			2	GASKET, INLET SEAT
8			2	GASKET, FLOAT BOWL COVER
9	1399-1133		2	COVER, FLOAT BOWL
10	10-52195		2	SCREW, FLOAT BOWL COVER (SHORT)
11	10-52196		2	SCREW, FLOAT BOWL COVER (LONG)
12	13-52197		4	LOCKWASHER, FLOAT BOWL COVER SCREW
13			2	GASKET, STRAINER COVER (LARGE)
14	1399-1754		2	SCREEN FILTER
15			2	GASKET, STRAINER COVER (SMALL)
16	1399-1135		2	COVER, STRAINER
17			2	GASKET, STRAINER COVER SCREW
18	10-25822		2	SCREW, STRAINER COVER FASTENING
19	10-20847		2	SCREW, THROTTLE STOP LEVER
20	1399-97		2	LEVER, THROTTLE STOP (SEE NOTE BELOW)
21	1399-2012		2	SHAFT, THROTTLE
22			2	TUBE, IDLE
23			2	GASKET, IDLE TUBE
24			4	SCREW AND LOCKWASHER, THROTTLE SHUTTER
25	1399-3392		2	SHUTTER, THROTTLE
26			2	SPRING, IDLE ADJUSTMENT SCREW
27	1399-1713		2	SCREW, IDLE ADJUSTMENT
28	10-28405		2	SCREW, PLUG - MAIN FUEL JET CHANNEL
29			2	GASKET, JET CHANNEL PLUG SCREW
30	1399-1465		OPT.	JET, MAIN FUEL (.065)
	1399-1463		2	JET, MAIN FUEL (.063) - STANDARD
	1399-1461		OPT.	JET, MAIN FUEL (.061)
	1399-1459		OPT.	JET, MAIN FUEL (.059)
31			2	GASKET, MAIN FUEL JET (EARLY MODELS ONLY)
32			2	NOZZLE, MAIN
33	10-23178		2	SCREW, PLUG - MAIN NOZZLE
34			1	SPRING, THROTTLE SHAFT RETURN (LOWER CARBURETOR)

CONTINUED ON NEXT PAGE ➡

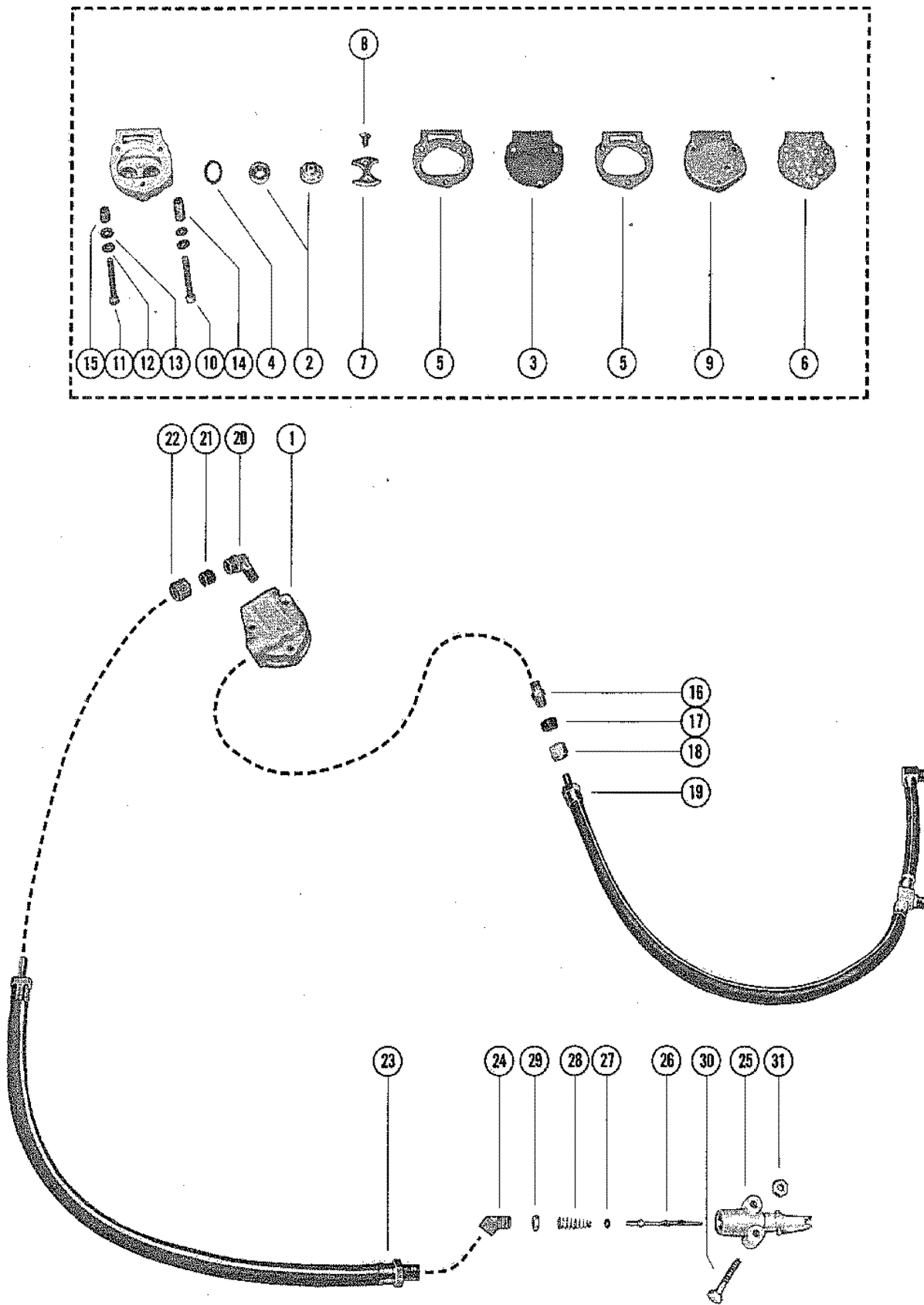
# CARBURETOR ASSEMBLY, COMPLETE



## CARBURETOR ASSEMBLY, COMPLETE

REF. NO.	PART NO.	SYM.	QTY.	DESCRIPTION
34			1	SPRING, THROTTLE SHAFT RETURN (UPPER CARBURETOR)
35	10-28845		2	SCREW, PLUG - BODY CHANNEL
36			2	WELCH PLUG, BODY CHANNEL
-	<b>1399-2015</b>		<b>2</b>	<b>GASKET AND PACKING SET (1 PER CARBURETOR)</b>
-	<b>1399-3412</b>		<b>2</b>	<b>REPAIR PARTS KIT (1 PER CARBURETOR) UNITED STATES 2858814 THRU 3816307 AUSTRALIA 2863739 THRU 8015989 BELGIUM 9001581 THRU 9047653 CANADA 2742142 THRU 7030747</b>
-	<b>1399-5413</b>		<b>2</b>	<b>REPAIR PARTS KIT (1 PER CARBURETOR) UNITED STATES 3816308 AND UP AUSTRALIA 8015900 AND UP BELGIUM 9047654 AND UP CANADA 7030748 AND UP</b>
37	27-31402		2	GASKET, CARBURETOR FLANGE
38	11-46793		4	NUT, CARBURETOR MOUNTING STUD

# FUEL PUMP ASSEMBLY



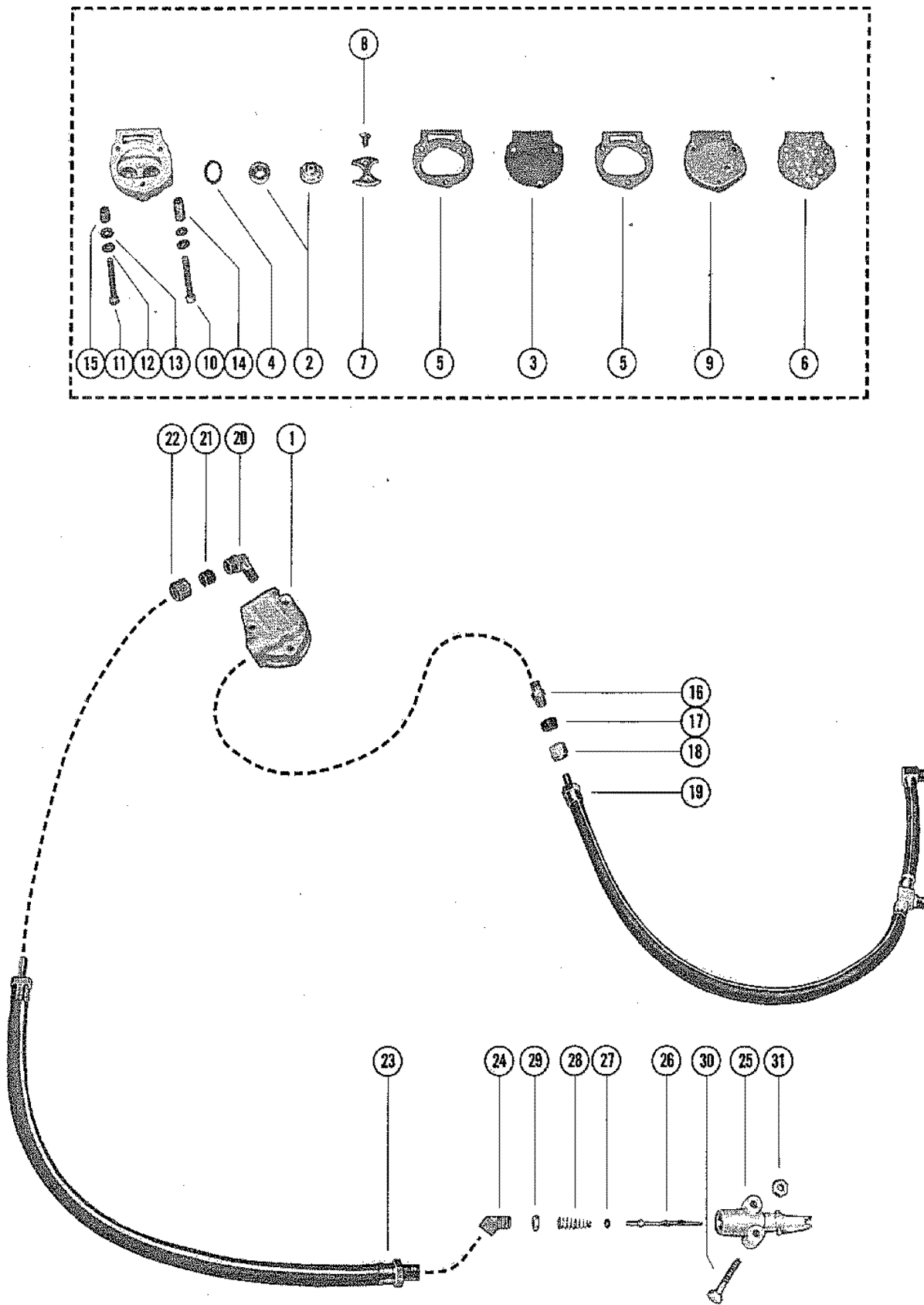


# FUEL PUMP ASSEMBLY

REF. NO.	PART NO.	SYM.	QTY.	DESCRIPTION
1	53156A3		1	FUEL PUMP ASSEMBLY UNITED STATES 2858814 THRU 3816307 AUSTRALIA 2863739 THRU 8015989 BELGIUM 9001581 THRU 9047653 CANADA 2742142 THRU 7030747
2	21-30430A1		1	CHECK VALVE ASSEMBLY UNITED STATES 2858814 THRU 3816307 AUSTRALIA 2863739 THRU 8015989 BELGIUM 9001581 THRU 9047653 CANADA 2742142 THRU 7030747
3	23014A1		1	DIAPHRAGM KIT UNITED STATES 2858814 THRU 3816307 AUSTRALIA 2863739 THRU 8015989 BELGIUM 9001581 THRU 9047653 CANADA 2742142 THRU 7030747
4			2	GASKET, CHECK VALVE TO HOUSING UNITED STATES 2858814 THRU 3816307 AUSTRALIA 2863739 THRU 8015989 BELGIUM 9001581 THRU 9047653 CANADA 2742142 THRU 7030747
5			2	GASKET, FUEL PUMP UNITED STATES 2858814 THRU 3816307 AUSTRALIA 2863739 THRU 8015989 BELGIUM 9001581 THRU 9047653 CANADA 2742142 THRU 7030747
6			1	GASKET, FUEL PUMP COVER UNITED STATES 2858814 THRU 3816307 AUSTRALIA 2863739 THRU 8015989 BELGIUM 9001581 THRU 9047653 CANADA 2742142 THRU 7030747
7	23004		1	RETAINER, CHECK VALVE UNITED STATES 2858814 THRU 3816307 AUSTRALIA 2863739 THRU 8015989 BELGIUM 9001581 THRU 9047653 CANADA 2742142 THRU 7030747
8	10-20037		2	SCREW, RETAINER TO HOUSING UNITED STATES 2858814 THRU 3816307 AUSTRALIA 2863739 THRU 8015989 BELGIUM 9001581 THRU 9047653 CANADA 2742142 THRU 7030747
9	23008		1	COVER, FUEL PUMP
10	10-30273		2	SCREW, FUEL PUMP MOUNTING (1 7/8") UNITED STATES 2858814 THRU 3816307 AUSTRALIA 2863739 THRU 8015989 BELGIUM 9001581 THRU 9047653 CANADA 2742142 THRU 7030747
11	10-38036		1	SCREW, FUEL PUMP MOUNTING (1 1/2") UNITED STATES 2858814 THRU 3816307 AUSTRALIA 2863739 THRU 8015989 BELGIUM 9001581 THRU 9047653 CANADA 2742142 THRU 7030747
1	66777A1		1	FUEL PUMP ASSEMBLY UNITED STATES 3816308 AND UP AUSTRALIA 8015900 AND UP BELGIUM 9047654 AND UP CANADA 7030748 AND UP
2	21-30430A1		1	CHECK VALVE ASSEMBLY UNITED STATES 3816308 AND UP AUSTRALIA 8015900 AND UP BELGIUM 9047654 AND UP CANADA 7030748 AND UP
3	23014A1		1	DIAPHRAGM KIT UNITED STATES 3816308 AND UP AUSTRALIA 8015900 AND UP BELGIUM 9047654 AND UP CANADA 7030748 AND UP
4			2	GASKET, CHECK VALUE TO HOUSING UNITED STATES 3816308 AND UP AUSTRALIA 8015900 AND UP BELGIUM 9047654 AND UP CANADA 7030748 AND UP

CONTINUED ON NEXT PAGE ➡

# FUEL PUMP ASSEMBLY

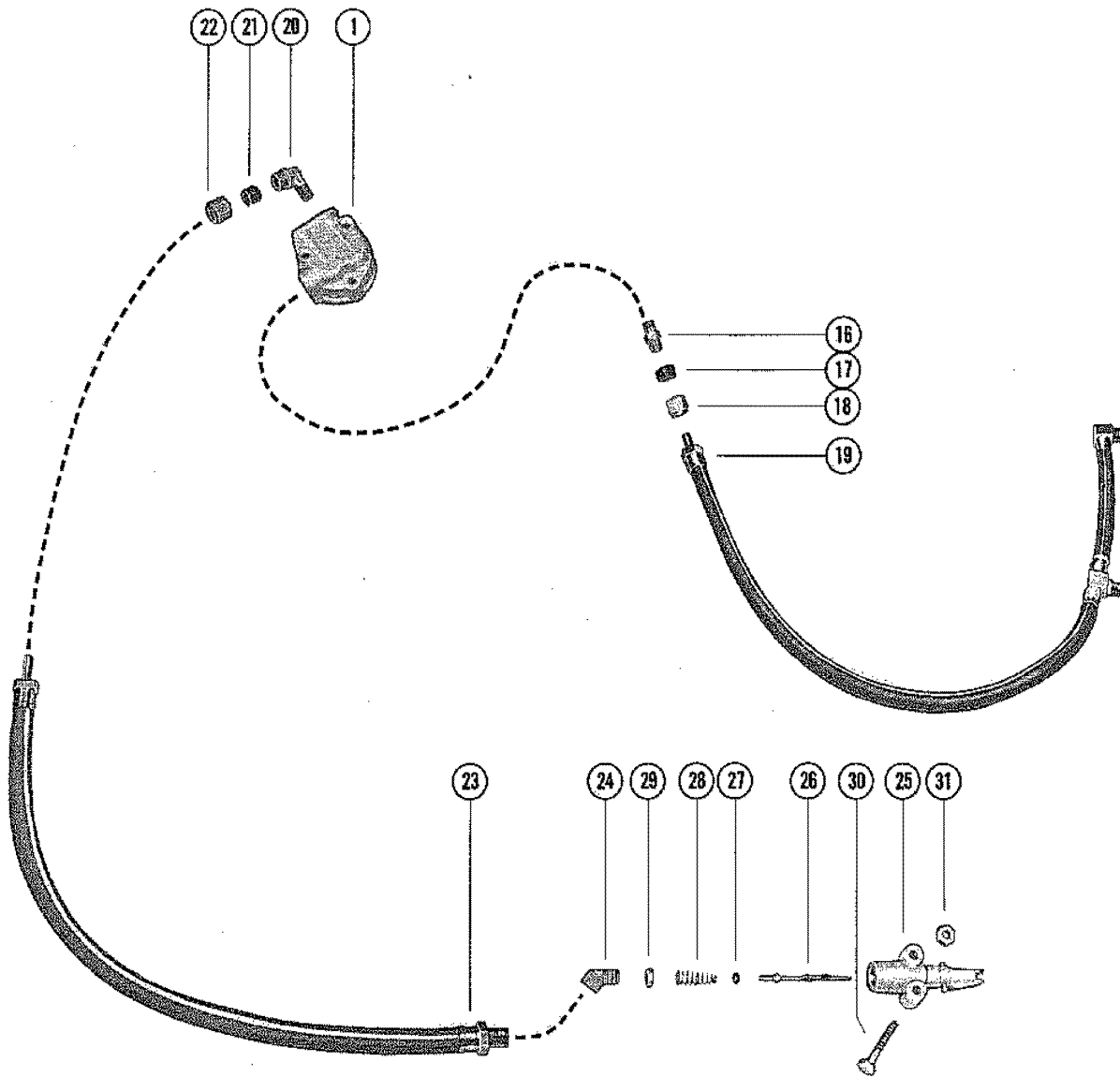
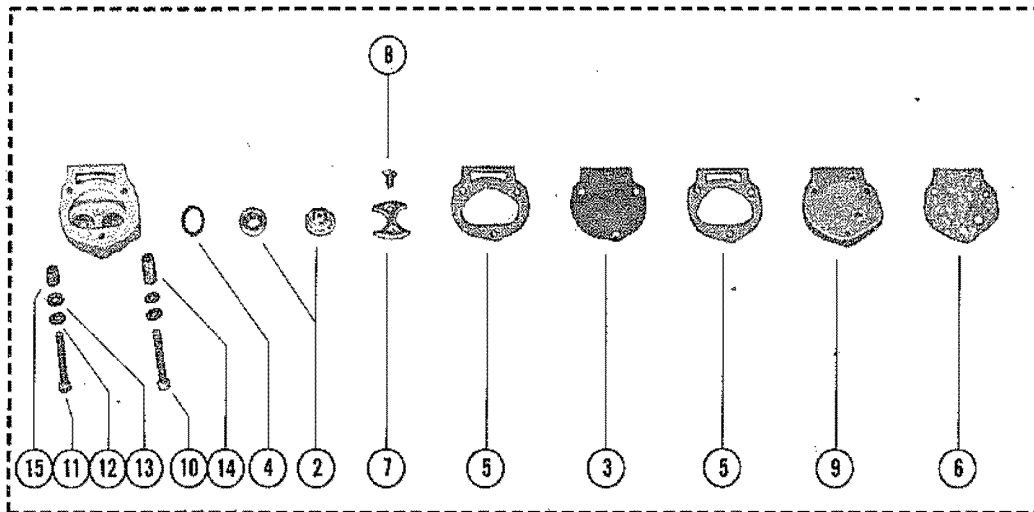


# FUEL PUMP ASSEMBLY

REF. NO.	PART NO.	SYM.	QTY.	DESCRIPTION
5			2	GASKET, FUEL PUMP UNITED STATES 3816308 AND UP AUSTRALIA 8015900 AND UP BELGIUM 9047654 AND UP CANADA 7030748 AND UP
6			1	GASKET, FUEL PUMP COVER UNITED STATES 3816308 AND UP AUSTRALIA 8015900 AND UP BELGIUM 9047654 AND UP CANADA 7030748 AND UP
7	23004		1	RETAINER, CHECK VALUE UNITED STATES 3816308 AND UP AUSTRALIA 8015900 AND UP BELGIUM 9047654 AND UP CANADA 7030748 AND UP
8	10-20037		2	SCREW, RETAINER TO HOUSING UNITED STATES 3816308 AND UP AUSTRALIA 8015900 AND UP BELGIUM 9047654 AND UP CANADA 7030748 AND UP
9	64710		1	COVER, FUEL PUMP UNITED STATES 3816308 AND UP AUSTRALIA 8015900 AND UP BELGIUM 9047654 AND UP CANADA 7030748 AND UP
10	10-66944		2	SCREW, FUEL PUMP MOUNTING (2 1/8") UNITED STATES 3816308 AND UP AUSTRALIA 8015900 AND UP BELGIUM 9047654 AND UP CANADA 7030748 AND UP
11	10-30173		1	SCREW, FUEL PUMP MOUNTING (1 5/8") UNITED STATES 3816308 AND UP AUSTRALIA 8015900 AND UP BELGIUM 9047654 AND UP CANADA 7030748 AND UP
12	12-20128		3	WASHER, FUEL PUMP SCREW UNITED STATES 3816308 AND UP AUSTRALIA 8015900 AND UP BELGIUM 9047654 AND UP CANADA 7030748 AND UP
13	12-66553		3	WASHER, FUEL PUMP SCREW UNITED STATES 3816308 AND UP AUSTRALIA 8015900 AND UP BELGIUM 9047654 AND UP CANADA 7030748 AND UP
14	23-65790		2	BUSHING, FUEL PUMP SCREW UNITED STATES 3816308 AND UP AUSTRALIA 8015900 AND UP BELGIUM 9047654 AND UP CANADA 7030748 AND UP
15	23-31915		1	SLEEVE, FUEL PUMP SCREW UNITED STATES 3816308 AND UP AUSTRALIA 8015900 AND UP BELGIUM 9047654 AND UP CANADA 7030748 AND UP
16	22-22949		1	CONNECTOR, PUMP OUTLET TO FUEL LINE
17	22-22946		1	SLEEVE, RUBBER - CONNECTOR
18	22-22948		1	NUT, CONNECTOR TO FUEL LINE
19	32-32094		1	FUEL LINE, PUMP TO LOWER AND UPPER FILTER
20	22-22995		1	ELBOW, FUEL PUMP INLET
21	22-22946		1	SLEEVE, RUBBER
22	22-22948		1	NUT, ELBOW
23	32-30036		1	FUEL LINE, FUEL PUMP TO ADAPTOR
24	22-37682		1	CONNECTOR, FUEL LINE TO ADAPTOR
25	30186		1	ADAPTOR, CHECK UNIT (FUEL LINE)
26	30187		1	STEM, CHECK UNIT ADAPTOR
27	25-20415		1	"O" RING, ADAPTOR STEM
28	24-30189		1	SPRING, ADAPTOR STEM
29	30188		1	CUP WASHER, ADAPTOR
30	10-37990		2	SCREW, ADAPTOR TO BOTTOM COWL (1 3/4") - MANUAL

CONTINUED ON NEXT PAGE ➡

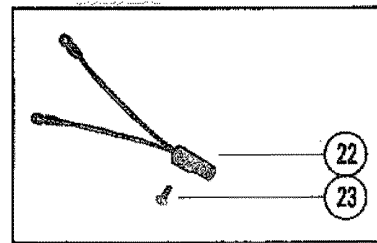
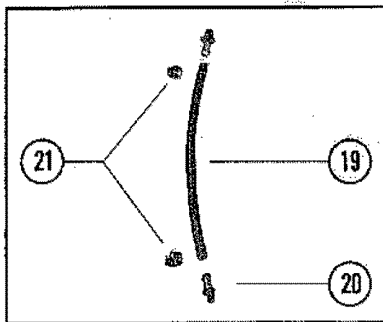
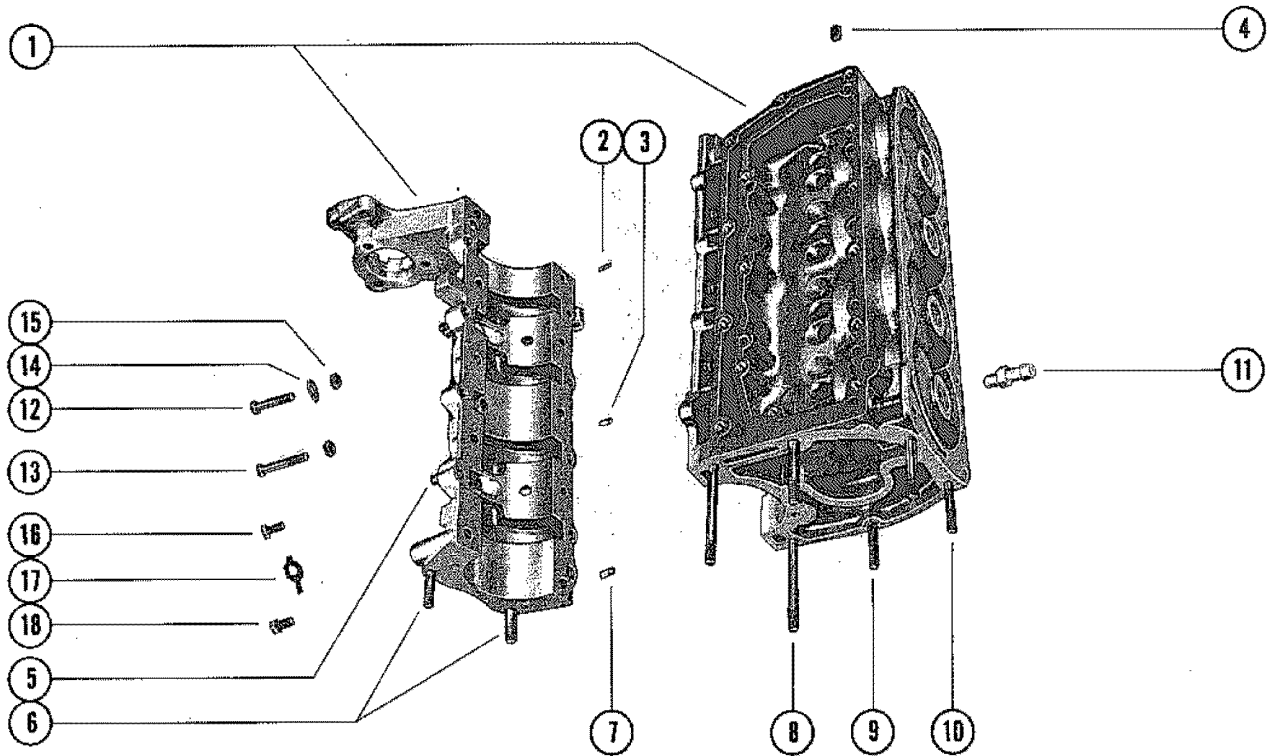
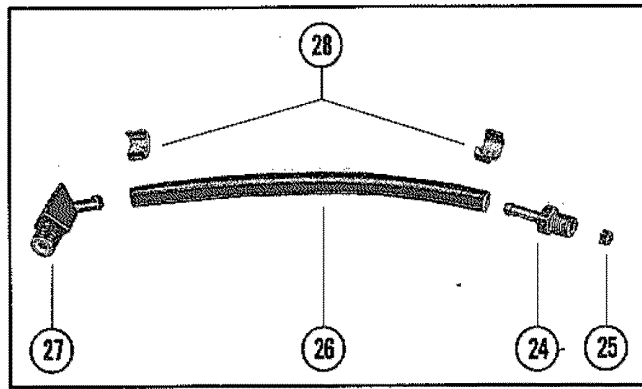
# FUEL PUMP ASSEMBLY



## FUEL PUMP ASSEMBLY

REF. NO.	PART NO.	SYM.	QTY.	DESCRIPTION
30	10-21937		2	SCREW, ADAPTOR TO BOTTOM COWL (2") - ELECTRIC
31	11-46887		2	NUT, ADAPTOR SCREW

# CYLINDER BLOCK AND CRANKCASE ASSEMBLY

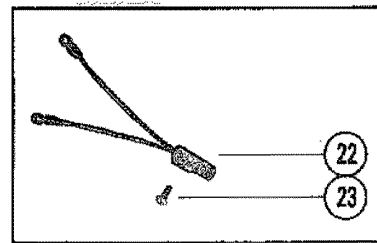
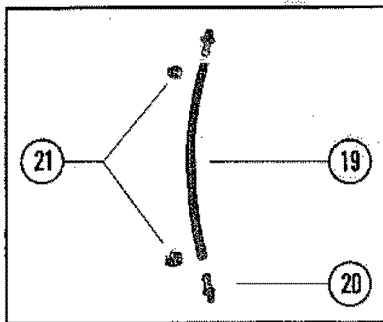
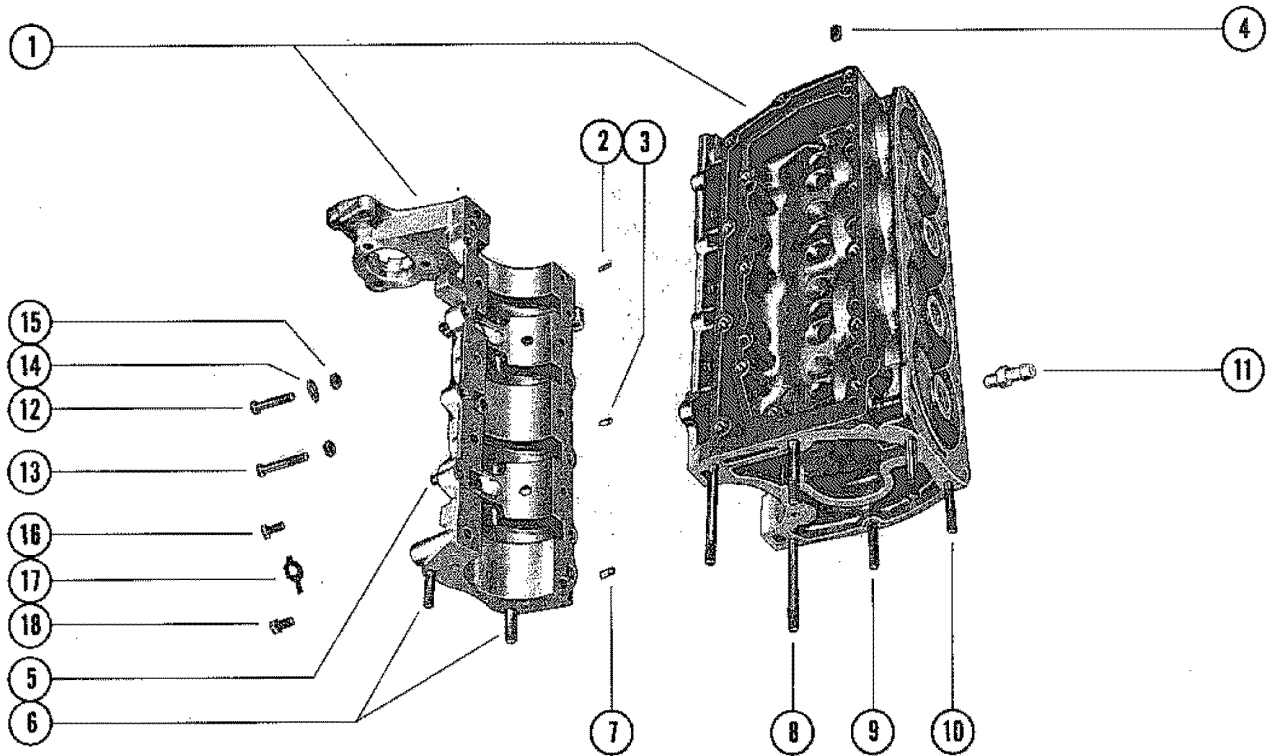
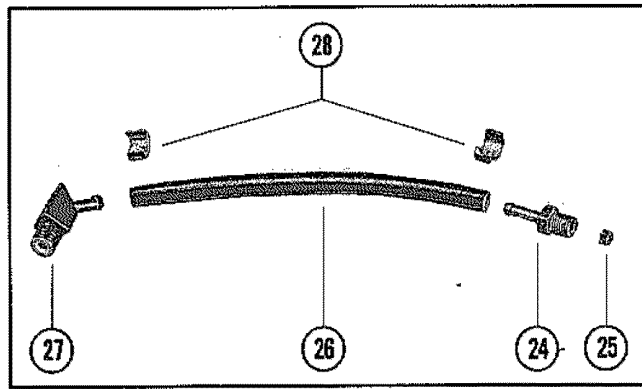


# CYLINDER BLOCK AND CRANKCASE ASSEMBLY

REF. NO.	PART NO.	SYM.	QTY.	DESCRIPTION
1	831-3719A3		1	CYLINDER BLOCK AND CRANKCASE ASSEMBLY UNITED STATES 2858814 THRU 3478002 AUSTRALIA 2863739 THRU 8004784 BELGIUM 9001581 THRU 9006163 CANADA 2742142 THRU 7007357
	831-4989A5		1	CYLINDER BLOCK AND CRANKCASE ASSEMBLY UNITED STATES 3478003 THRU 3816307 AUSTRALIA 8004785 THRU 8015989 BELGIUM 9006164 THRU 9047653 CANADA 7007358 THRU 7030747
	831-5347A3		1	CYLINDER BLOCK AND CRANKCASE ASSEMBLY UNITED STATES 3816308 AND UP AUSTRALIA 8015900 AND UP BELGIUM 9047654 AND UP CANADA 7030748 AND UP
2	17-20032		2	DOWEL PIN, CYLINDER BLOCK TO MAIN BEARING
3	17-20323		1	DOWEL PIN, CYLINDER BLOCK TO CENTER MAIN BEARING
4	22-32802		1	PLUG, PIPE - WATER PRESSURE AND BALANCE TUBE HOLES (SERVICE
5	16-64936		4	STUD, CARBURETOR MOUNTING (1 1/4")
6	16-65867		2	STUD, CRANKCASE TO DRIVE SHAFT HOUSING (1 9/16")
7	17-20033		2	DOWEL PIN, CRANKCASE TO CYLINDER BLOCK
8	16-65762		2	STUD, CYLINDER BLOCK TO DRIVE SHAFT HOUSING (3 11/16")
9	16-65760		2	STUD, CYLINDER BLOCK TO DRIVE SHAFT HOUSING (2 5/16")
10	16-65761		2	STUD, CYLINDER BLOCK TO DRIVE SHAFT HOUSING (1 15/16")
11	22-29111		1	CONNECTOR, WATER TELL TALE HOLE - CYLINDER BLOCK
12	10-22040		13	SCREW, CRANKCASE TO CYLINDER BLOCK (1 1/2")
	10-21574		1	SCREW, CRANKCASE TO CYLINDER BLOCK (1 5/8")
13	10-22039		4	SCREW, CRANKCASE TO CYLINDER BLOCK (2 3/4")
14	12-20084		1	WASHER, CRANKCASE SCREW
15	11-46793		18	NUT, CRANKCASE SCREW
16	10-26801		1	SCREW, MAIN BEARING LOCKING (5/8")
17	14-20091		3	TAB WASHER, BEARING LOCKING SCREW
18	10-20359		1	SCREW, CENTER MAIN BEARING LOCKING (1")
19	33-33729		1	TUBE, BALANCE - MAIN BEARING
20	22-29111		2	CONNECTOR, BALANCE TUBE TO CYLINDER BLOCK
21	54-20386		2	CLAMP, BALANCE TUBE TO CONNECTORS
22	58124A8		1	SWITCH ASSEMBLY, MERCURY
23	10-48408		1	SCREW, MERCURY SWITCH TO EXHAUST MANIFOLD COVER (1/2")
24	22-62365A1		2	CHECK VALVE ASSEMBLY, BLEED HOSE (UPPER) UNITED STATES 2858814 THRU 3816307 AUSTRALIA 2863739 THRU 8015989 BELGIUM 9001581 THRU 9047653 CANADA 2742142 THRU 7030747
25	21-28481A1		2	CHECK VALVE ASSEMBLY, BLEED HOSE VALVE UNITED STATES 2858814 THRU 3816307 AUSTRALIA 2863739 THRU 8015989 BELGIUM 9001581 THRU 9047653 CANADA 2742142 THRU 7030747

CONTINUED ON NEXT PAGE ➡

# CYLINDER BLOCK AND CRANKCASE ASSEMBLY

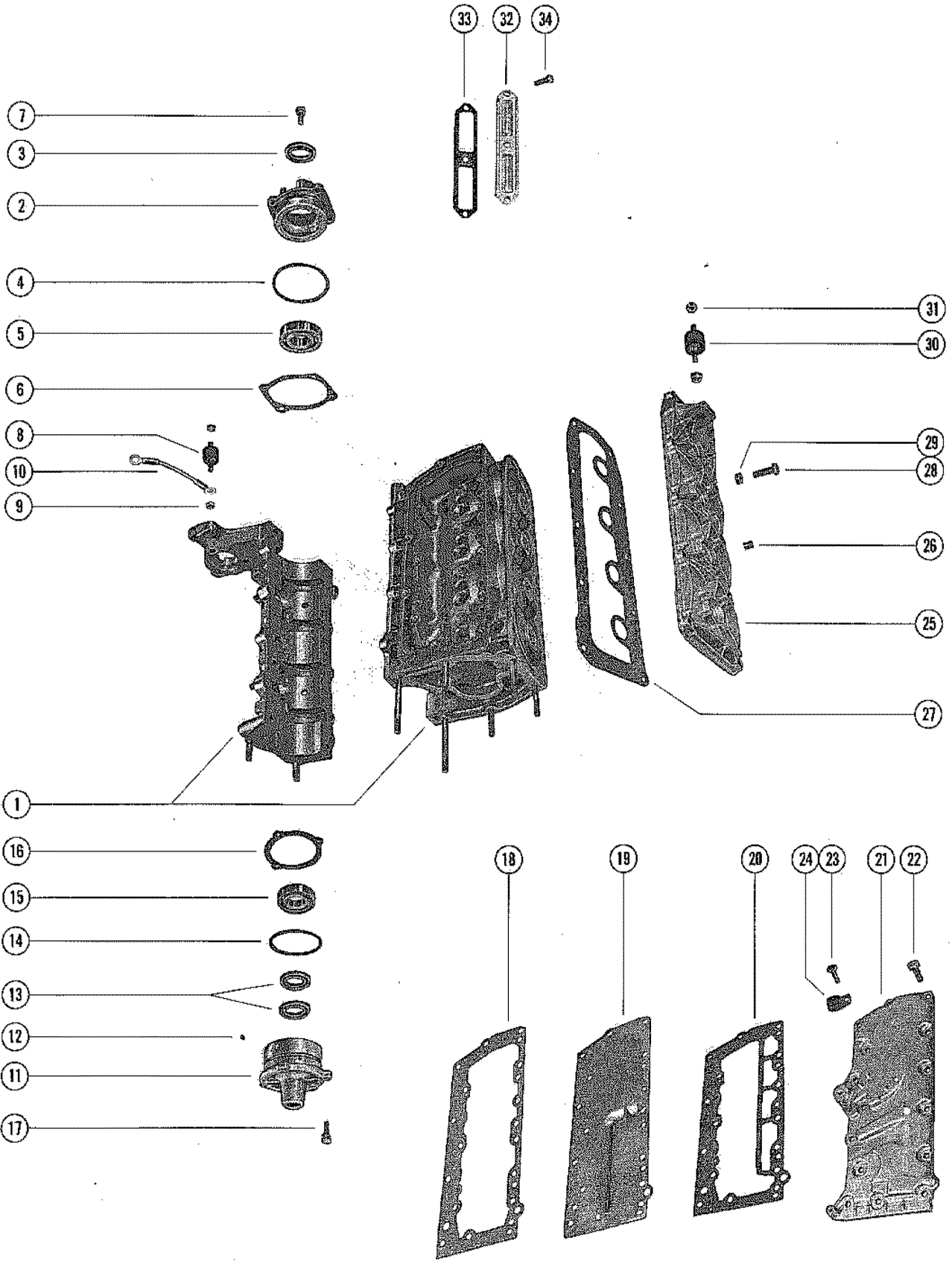




# CYLINDER BLOCK AND CRANKCASE ASSEMBLY

REF. NO.	PART NO.	SYM.	QTY.	DESCRIPTION
26	32-32840A1		1	HOSE, CYLINDER BLEED (6 1/2") UNITED STATES 2858814 THRU 3816307 AUSTRALIA 2863739 THRU 8015989 BELGIUM 9001581 THRU 9047653 CANADA 2742142 THRU 7030747
	32-32840A1		1	HOSE, CYLINDER BLEED (5 1/2") UNITED STATES 2858814 THRU 3816307 AUSTRALIA 2863739 THRU 8015989 BELGIUM 9001581 THRU 9047653 CANADA 2742142 THRU 7030747
27	22-34579		1	CONNECTOR, CYLINDER BLEED HOSE (LOWER) UNITED STATES 2858814 THRU 3816307 AUSTRALIA 2863739 THRU 8015989 BELGIUM 9001581 THRU 9047653 CANADA 2742142 THRU 7030747
	22-33373		1	CONNECTOR, CYLINDER BLEED HOSE (UPPER) UNITED STATES 2858814 THRU 3816307 AUSTRALIA 2863739 THRU 8015989 BELGIUM 9001581 THRU 9047653 CANADA 2742142 THRU 7030747
24	22-65857		2	CHECK VALVE ASSEMBLY, BLEED HOSE (UPPER) UNITED STATES 3816308 AND UP AUSTRALIA 8015900 AND UP BELGIUM 9047654 AND UP CANADA 7030748 AND UP
26	32-54936		1	HOSE, CYLINDRE BLEED UNITED STATES 3816308 AND UP AUSTRALIA 8015900 AND UP BELGIUM 9047654 AND UP CANADA 7030748 AND UP
27	21-64871A2		1	CONNECTOR, CYLINDER BLEED HOSE (LOWER) UNITED STATES 3816308 AND UP AUSTRALIA 8015900 AND UP BELGIUM 9047654 AND UP CANADA 7030748 AND UP
28	54-20387		4	CLAMP, BLEED HOSE ATTACHING UNITED STATES 3816308 AND UP AUSTRALIA 8015900 AND UP BELGIUM 9047654 AND UP CANADA 7030748 AND UP

# END CAPS, MANIFOLD AND EXHAUST COVERS

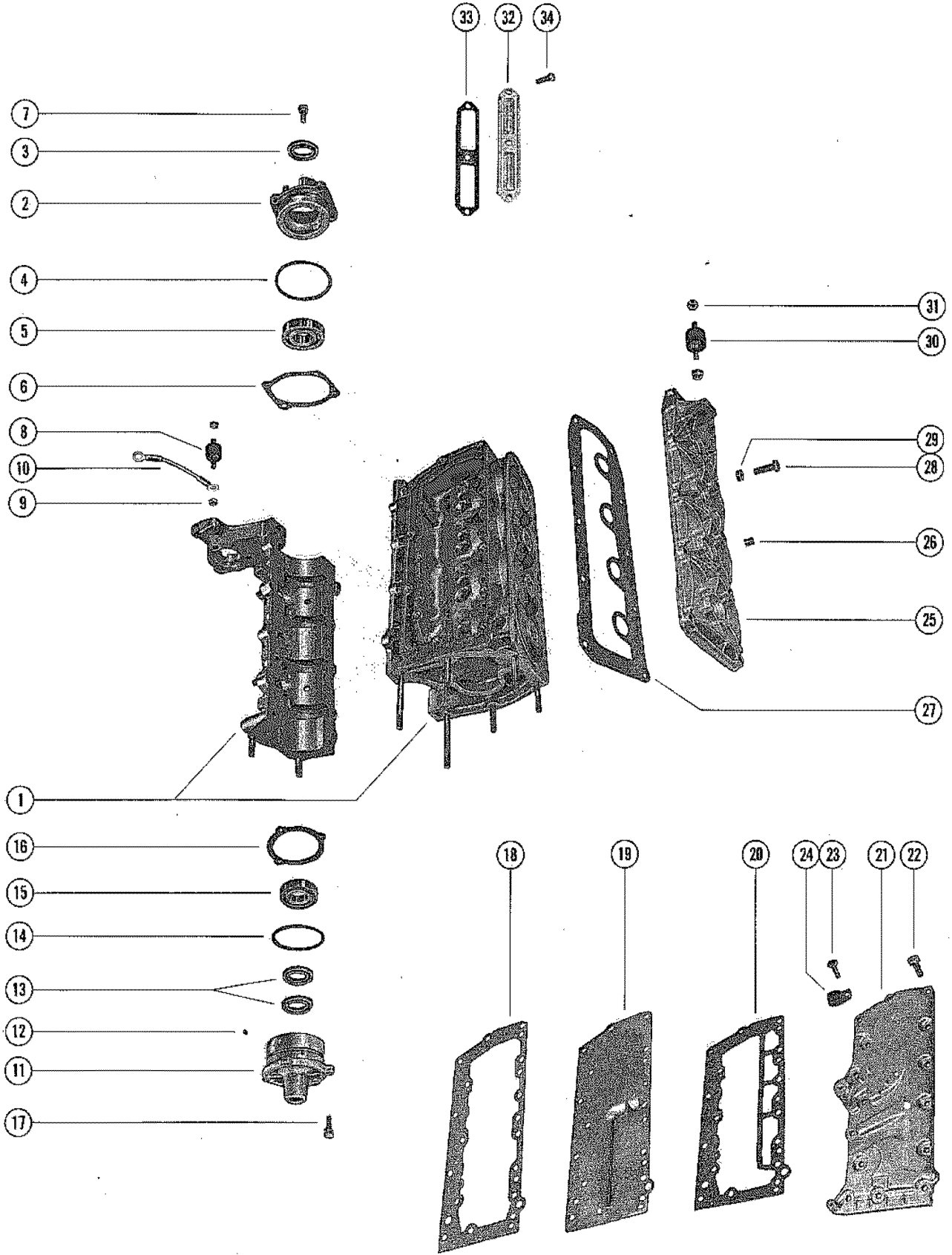


## END CAPS, MANIFOLD AND EXHAUST COVERS

REF. NO.	PART NO.	SYM.	QTY.	DESCRIPTION
1	831-3719A3		1	CYLINDER BLOCK AND CRANKCASE ASSEMBLY UNITED STATES 2858814 THRU 3478002 AUSTRALIA 2863739 THRU 8004784 BELGIUM 9001581 THRU 9006163 CANADA 2742142 THRU 7007357
	831-4989A5		1	CYLINDER BLOCK AND CRANKCASE ASSEMBLY UNITED STATES 3478003 THRU 3816307 AUSTRALIA 8004785 THRU 8015989 BELGIUM 9006164 THRU 9047653 CANADA 7007358 THRU 7030747
	831-5347A3		1	CYLINDER BLOCK AND CRANKCASE ASSEMBLY UNITED STATES 3816308 AND UP AUSTRALIA 8015900 AND UP BELGIUM 9047654 AND UP CANADA 7030748 AND UP
2	1100-3281A1		1	END CAP ASSEMBLY, UPPER
3	26-29476		1	OIL SEAL
4	25-20081		1	"O" RING, UPPER END CAP
5	30-20080		1	BALL BEARING, UPPER END CAP
6	15-20082A1		AR	SHIM, UPPER END CAP TO CYLINDER BLOCK AND CRANKCASE (.002-3-5-10)
7	10-29198		4	SCREW, UPPER END CAP MOUNTING (7/8")
8	37639		2	MOUNT, RUBBER - CRANKCASE
9	11-46887		4	NUT, CRANKCASE RUBBER MOUNT
10	37996		1	GROUND STRAP, CRANKCASE MOUNT
11	1102-4181A1		1	END CAP ASSEMBLY, LOWER UNITED STATES 2858814 THRU 3816307 AUSTRALIA 2863739 THRU 8015989 BELGIUM 9001581 THRU 9047653 CANADA 2742142 THRU 7030747
	1158-5302A1		1	END CAP ASSEMBLY, LOWER UNITED STATES 3816308 AND UP AUSTRALIA 8015900 AND UP BELGIUM 9047654 AND UP CANADA 7030748 AND UP
12	21-56011A2		1	CHECK VALVE ASSEMBLY, LOWER END CAP UNITED STATES 2858814 THRU 3816307 AUSTRALIA 2863739 THRU 8015989 BELGIUM 9001581 THRU 9047653 CANADA 2742142 THRU 7030747
13	26-29476		2	OIL SEAL, LOWER END CAP
14	25-20081		1	"O" RING, LOWER END CAP
15	30-20080		1	BALL BEARING, LOWER END CAP
16	15-20085A1		AR	SHIM, LOWER END CAP TO CRANKCASE AND CYLINDER BLOCK (.002-3-
17	10-29198		3	SCREW, LOWER END CAP MOUNTING (7/8")
18	27-46110		1	GASKET, CYLINDER BLOCK TO BAFFLE PLATE
19	46109		1	PLATE, BAFFLE - EXHAUST MANIFOLD
20	27-46111		1	GASKET, BAFFLE PLATE TO EXHAUST COVER
21	46112		1	COVER, EXHAUST MANIFOLD
22	10-37562		12	SCREW, MANIFOLD COVER TO CYLINDER BLOCK (1")
23	10-38837		3	SCREW, MANIFOLD COVER TO CYLINDER BLOCK - HIGH TENSION CLIP
24	54-52905		2	CLIP, HIGH TENSION LEAD
25	1017-4002A1		1	COVER ASSEMBLY, CYLINDER BLOCK
26	22-32802		1	PLUG, PIPE - CYLINDER BLOCK COVER
27	27-37816		1	GASKET, CYLINDER BLOCK COVER

CONTINUED ON NEXT PAGE ➡

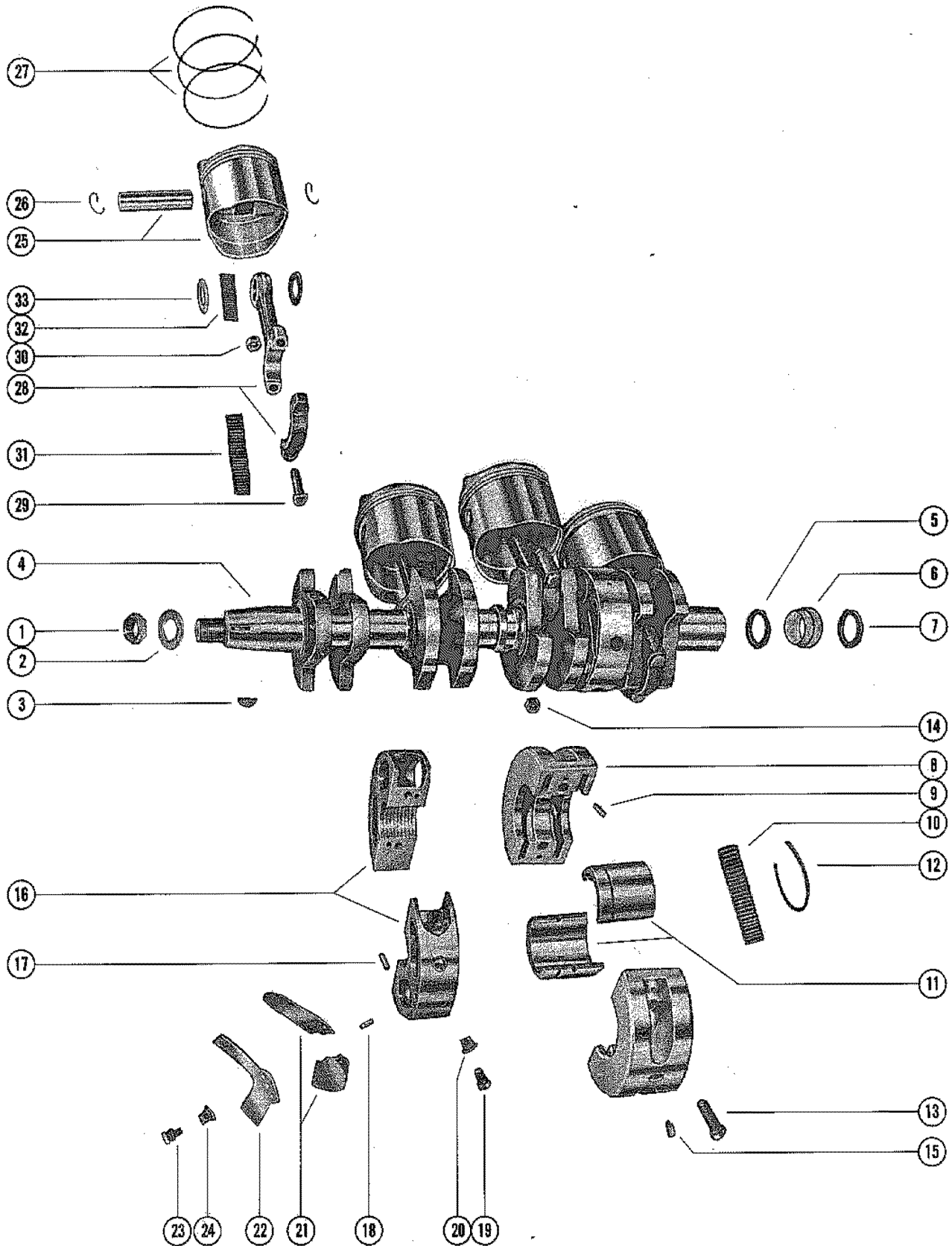
# END CAPS, MANIFOLD AND EXHAUST COVERS



## END CAPS, MANIFOLD AND EXHAUST COVERS

REF. NO.	PART NO.	SYM.	QTY.	DESCRIPTION
28	10-20653		10	SCREW, CYLINDER BLOCK COVER MOUNTING (1")
29	11-46887		10	NUT, COVER MOUNTING SCREW
30	37639		1	MOUNT, RUBBER - CYLINDER BLOCK COVER
31	11-46887		2	NUT, CYLINDER BLOCK COVER RUBBER MOUNT
32	27935		2	COVER, TRANSFER PORT
33	27-27936		2	GASKET, TRANSFER PORT COVER
34	10-20540		6	SCREW, TRNASFER PORT COVER MOUNTING (5/8")

# CRANKSHAFT, PISTON AND CONNECTING ROD

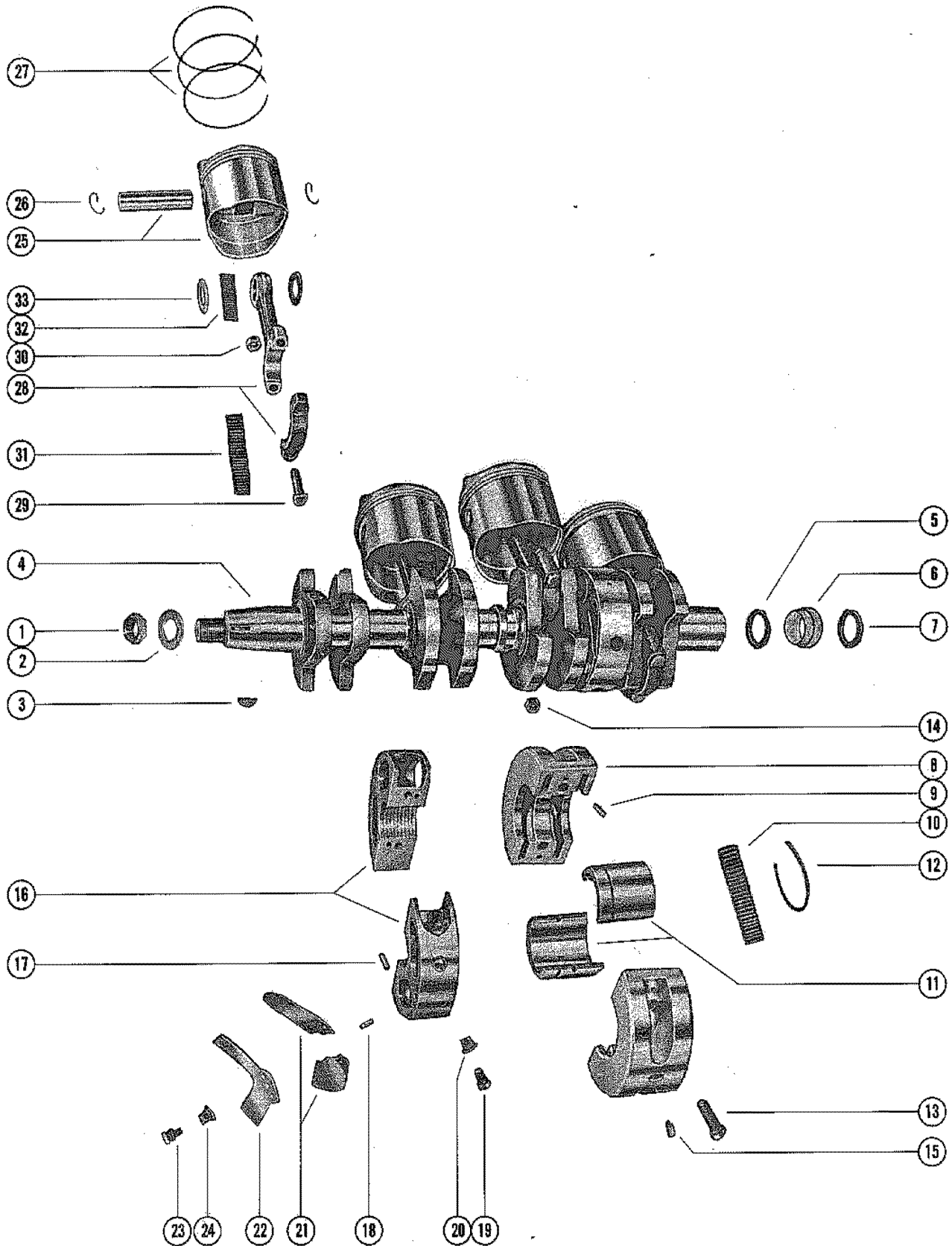


# CRANKSHAFT, PISTON AND CONNECTING ROD

REF. NO.	PART NO.	SYM.	QTY.	DESCRIPTION
1	11-22339		1	NUT, FLYWHEEL
2	12-33001		1	WASHER, FLYWHEEL NUT
3	28-20094		1	KEY, FLYWHEEL DRIVE
4	400-2976		1	CRANKSHAFT UNITED STATES 2858814 THRU 3235062 AUSTRALIA 2863739 THRU 3244337 CANADA 2742142 THRU 3243512
5	25-29619		1	"O" RING, DRIVE SHAFT SPLINE UNITED STATES 2858814 THRU 3235062 AUSTRALIA 2863739 THRU 3244337 CANADA 2742142 THRU 3243512
4	400-4627		1	CRANKSHAFT UNITED STATES 3235063 AND UP AUSTRALIA 3244338 AND UP BELGIUM 9001581 AND UP CANADA 3243513 AND UP
6	60834A3		1	CARRIER ASSEMBLY, "O" RING UNITED STATES 3235063 AND UP AUSTRALIA 3244338 AND UP BELGIUM 9001581 AND UP CANADA 3243513 AND UP
7	64254		1	"O" RING, CARRIER UNITED STATES 3235063 AND UP AUSTRALIA 3244338 AND UP BELGIUM 9001581 AND UP CANADA 3243513 AND UP
8	500-3590A1		1	CENTER MAIN BEARING ASSEMBLY UNITED STATES 2858814 THRU 3816307 AUSTRALIA 2863739 THRU 8015989 BELGIUM 9001581 THRU 9047653 CANADA 2742142 THRU 7030747
	500-5345A2		1	CENTER MAIN BEARING ASSEMBLY UNITED STATES 3816308 AND UP AUSTRALIA 8015900 AND UP BELGIUM 9047654 AND UP CANADA 7030748 AND UP
9	17-20032		2	DOWEL PIN, CENTER MAIN BEARING
10	29-20046		28	BEARING, NEEDLE
11	20047		1	RACE, OUTER
12	53-20048		1	RING, SNAP - OUTER RACE CLAMPING
13	10-20784		2	SCREW, CENTER MAIN BEARING CLAMPING (1 1/2")
14	11-46887		2	NUT, CENTER MAIN BEARING CLAMPING SCREW
15	17-20379		1	DOWEL PIN, (STEPPED)
16	534-3267A18		2	MAIN BEARING ASSEMBLY (VALVE TYPE)
17	17-20032		4	DOWEL PIN, MAIN BEARING
18	17-55453		16	DOWEL PIN, REED LOCATING
19	10-45775		4	SCREW, MAIN BEARING CLAMPING (9/16")
20	11-45774		4	NUT, MAIN BEARING CLAMPING SCREW
21	34-56704A1		2	REED SET, MATCHED - MAIN BEARING
22	34-20053		8	REED STOP, MAIN BEARING REED VALVES
23	10-53481		8	SCREW, REED STOP MOUNTING (9/16")
24	11-20110		8	NUT, REED STOP MOUNTING SCREW
25	743-3193A2		4	PISTON AND PISTON PIN ASSEMBLY UNITED STATES 2858814 THRU 3816307 AUSTRALIA 2863739 THRU 8015989 BELGIUM 9001581 THRU 9047653 CANADA 2742142 THRU 7030747
	743-5172A6		4	PISTON AND PISTON PIN ASSEMBLY UNITED STATES 3816308 AND UP AUSTRALIA 8015900 AND UP BELGIUM 9047654 AND UP CANADA 7030748 AND UP
26	40-47276		8	LOCK RING, PISTON PIN

CONTINUED ON NEXT PAGE ➡

# CRANKSHAFT, PISTON AND CONNECTING ROD

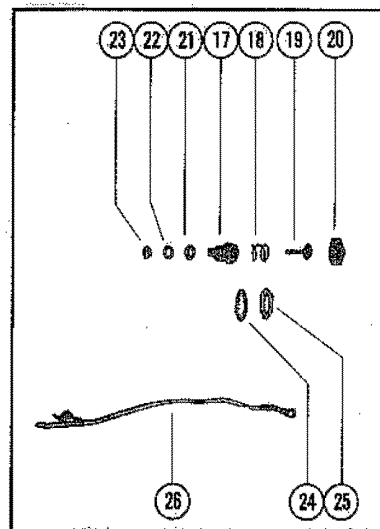
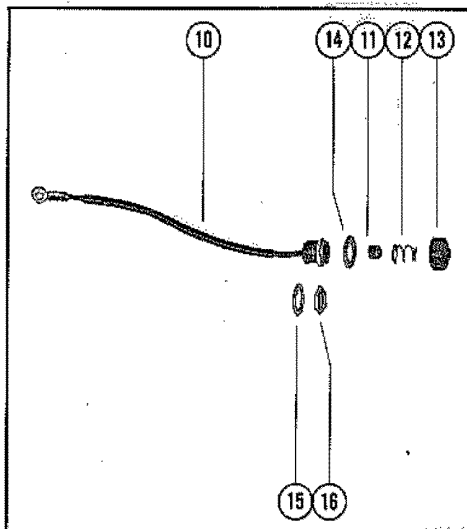
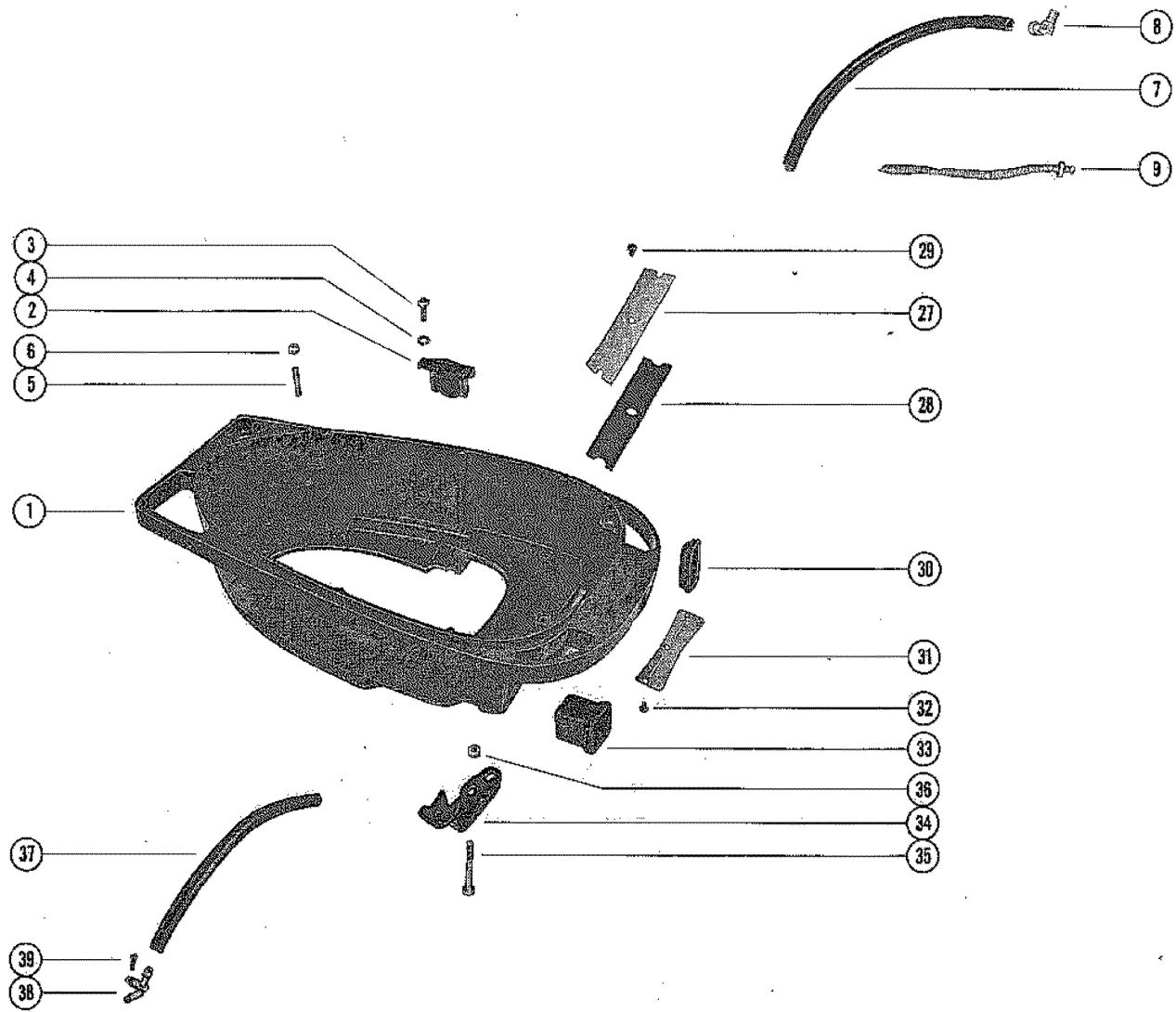




## CRANKSHAFT, PISTON AND CONNECTING ROD

REF. NO.	PART NO.	SYM.	QTY.	DESCRIPTION
27	39-27841A12		1	RING, PISTON
28	619-3195A2		4	CONNECTING ROD AND CAP ASSEMBLY
29	10-45379		8	SCREW, CAP TO CONNECTING ROD
30	11-20061		8	NUT, CONNECTING ROD SCREW
31	29-20046		100	BEARING, NEEDLE - CRANKPIN
32	29-20063		108	BEARING, NEEDLE - PISTON PIN
33	12-47275		8	WASHER, NEEDLE LOCATING
-	<b>743-3366A2</b>		<b>4</b>	<b>PISTON AND PISTON PIN ASSEMBLY (.015 OVERSIZE) OVERSIZE PISTON AND RING</b>
-	<b>39-28616A12</b>		<b>1</b>	<b>RING, PISTON (.015 OVERSIZE) OVERSIZE PISTON AND RING</b>

# BOTTOM COWL ASSEMBLY

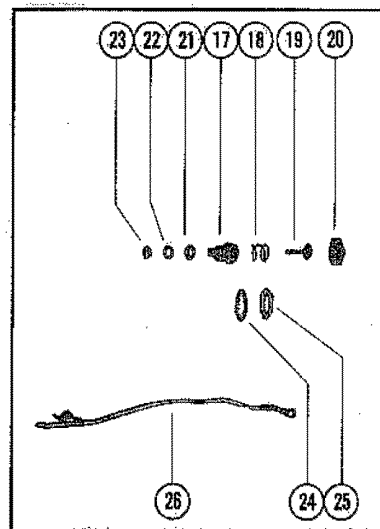
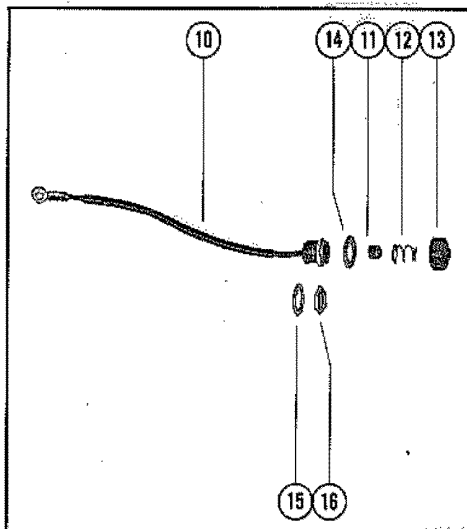
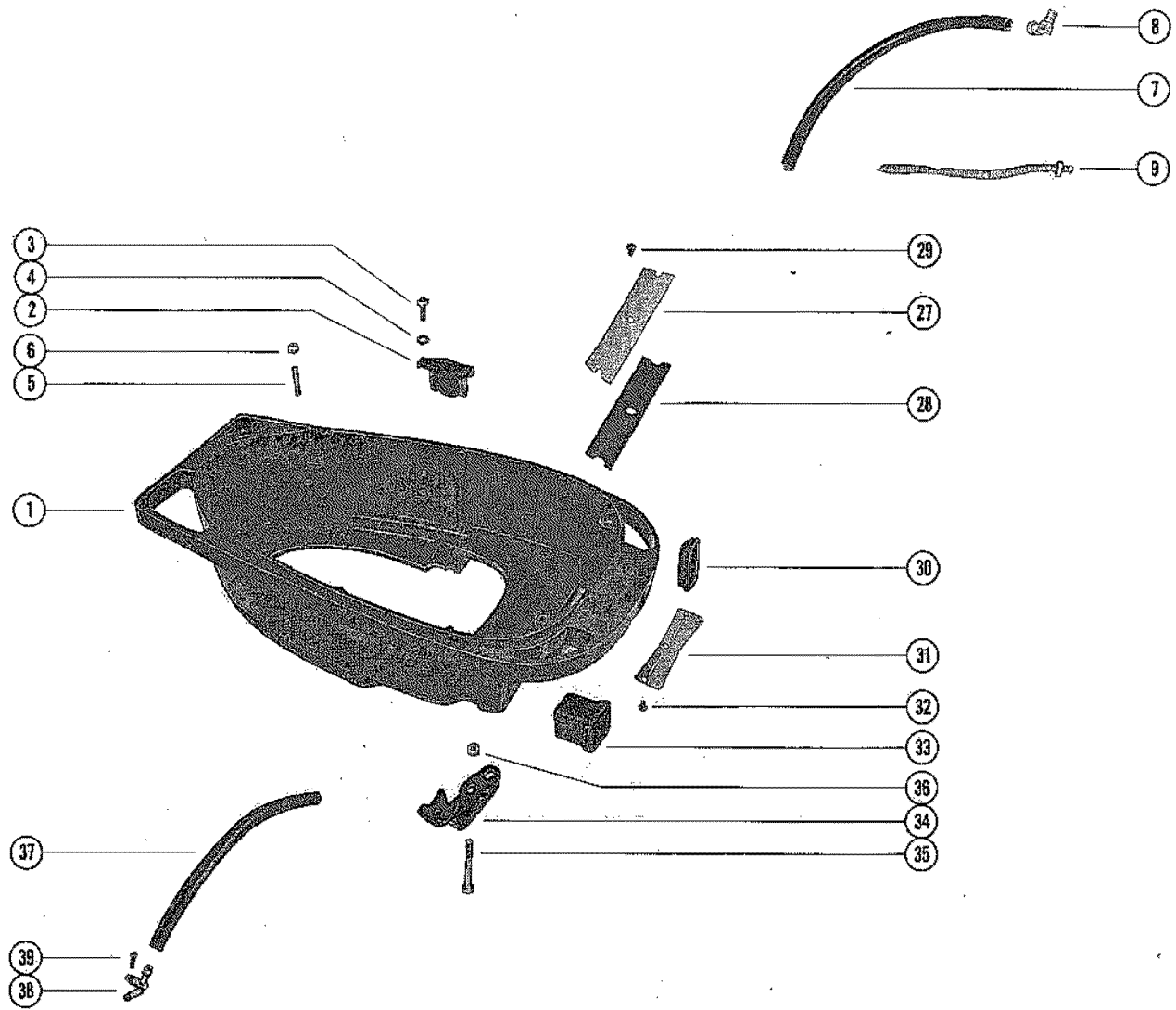


# BOTTOM COWL ASSEMBLY

REF. NO.	PART NO.	SYM.	QTY.	DESCRIPTION
1	2116-3643A1		1	BOTTOM COWL ASSEMBLY UNITED STATES 2858814 THRU 3235062 AUSTRALIA 2863739 THRU 3015353 CANADA 2742142 THRU 3015453
	2116-4381A1		1	BOTTOM COWL ASSEMBLY UNITED STATES 9008819 AND UP AUSTRALIA 3015354 AND UP BELGIUM 9001581 AND UP CANADA 3015454 AND UP
2	57786		1	COVER, PLUG - BOTTOM COWL HARNESS HOLE REMOVE - NOT REQUIRED ON ELCTRIC ENGINE
3	10-45862		2	SCREW, PLUG COVER TO BOTTOM COWL REMOVE - NOT REQUIRED ON ELCTRIC ENGINE
4	13-26996		2	LOCKWASHER, PLUG COVER SCREW REMOVE - NOT REQUIRED ON ELCTRIC ENGINE
-	12-20128		2	WASHER, PLUG COVER SCREW REMOVE - NOT REQUIRED ON ELCTRIC ENGINE
5	16-20467		4	STUD, BOTTOM COWL TO REAR SUPPORT BRACKET
6	11-20361		4	NUT, BOTTOM COWL STUD
7	32-34395A1		1	TUBE, VENT - IGNITION DRIVER OUTLET (12 5/8")
	32-34395A1		1	TUBE, VENT DISTRIBUTOR OUTLET (10 1/2") UNITED STATES 2858814 THRU 3235062 AUSTRALIA 2863739 THRU 3244337 CANADA 2742142 THRU 3243512
8	22-31521		3	ELBOW, VENT TUBE TO BOTTOM COWL UNITED STATES 2858814 THRU 3235062 AUSTRALIA 2863739 THRU 3244337 CANADA 2742142 THRU 3243512
9	47764		1	STRAP, VENT HOSE UNITED STATES 2858814 THRU 3235062 AUSTRALIA 2863739 THRU 3244337 CANADA 2742142 THRU 3243512
-	54-49218		1	CLAMP, VENT HOUSE UNITED STATES 2858814 THRU 3235062 AUSTRALIA 2863739 THRU 3244337 CANADA 2742142 THRU 3243512
-	10-21722		1	SCREW, VENT HOUSE CLAMP (5/8") UNITED STATES 2858814 THRU 3235062 AUSTRALIA 2863739 THRU 3244337 CANADA 2742142 THRU 3243512
-	11-46887		1	NUT, VENT HOSE CLAMP SCREW UNITED STATES 2858814 THRU 3235062 AUSTRALIA 2863739 THRU 3244337 CANADA 2742142 THRU 3243512
10	48035A1		1	STOP SWITCH ASSEMBLY--MANUEL UNITED STATES 2858814 THRU 3235062 AUSTRALIA 2863739 THRU 3244337 CANADA 2742142 THRU 3243512
11	30859		1	INSULATOR, SLEEVE - INNER SWITCH TERMINAL MANUAL UNITED STATES 2858814 THRU 3235062 AUSTRALIA 2863739 THRU 3244337 CANADA 2742142 THRU 3243512
12	24-30858A1		1	SPRING AND CONTRACT ASSEMBLY--MANUAL UNITED STATES 2858814 THRU 3235062 AUSTRALIA 2863739 THRU 3244337 CANADA 2742142 THRU 3243512
13	38950A1		1	COVER ASSEMBLY, STOP SWITCH--MANUAL UNITED STATES 2858814 THRU 3235062 AUSTRALIA 2863739 THRU 3244337 CANADA 2742142 THRU 3243512
14	12-38949		1	WASHER, SEALING - STOP SWITCH--MANUAL UNITED STATES 2858814 THRU 3235062 AUSTRALIA 2863739 THRU 3244337 CANADA 2742142 THRU 3243512

CONTINUED ON NEXT PAGE ➡

# BOTTOM COWL ASSEMBLY

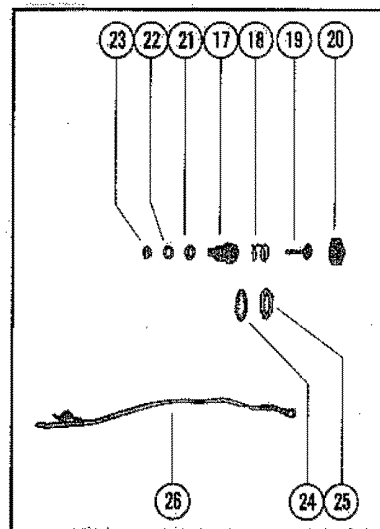
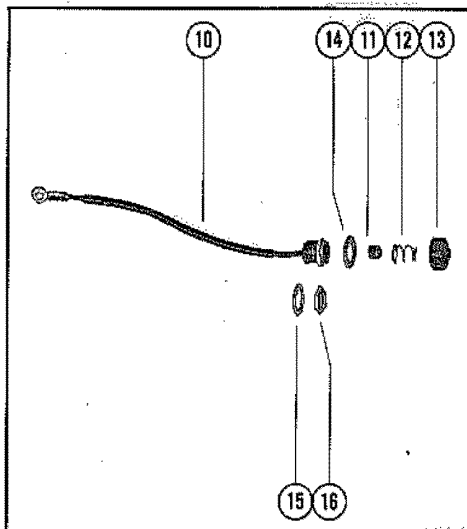
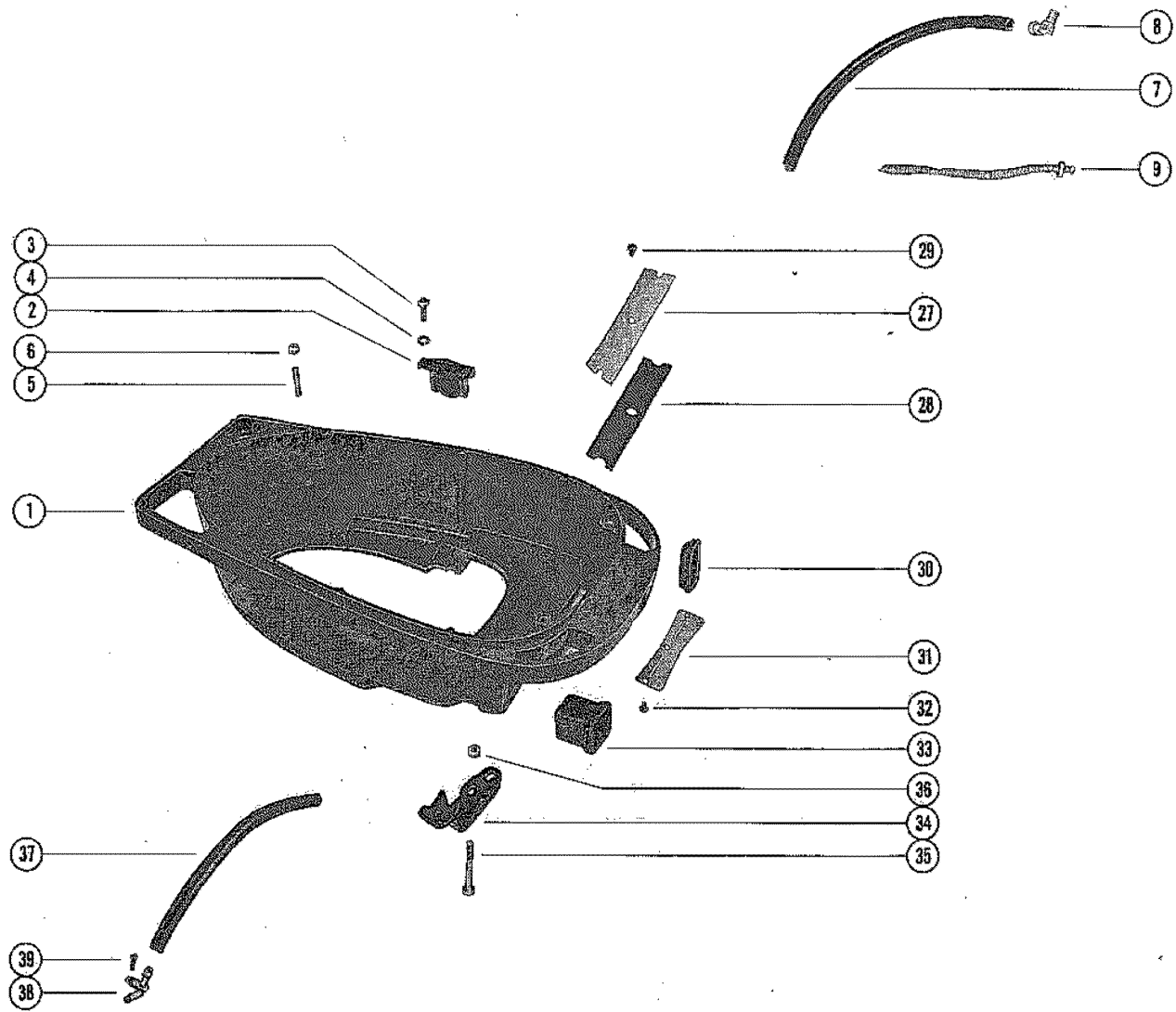


# BOTTOM COWL ASSEMBLY

REF. NO.	PART NO.	SYM.	QTY.	DESCRIPTION
15	13-21972		1	LOCKWASHER, CONNECTOR BASE--MANUAL UNITED STATES 2858814 THRU 3235062 AUSTRALIA 2863739 THRU 3244337 CANADA 2742142 THRU 3243512
16	11-21971		1	NUT, CONNECTOR BASE TO BOTTOM COWL--MANUAL UNITED STATES 2858814 THRU 3235062 AUSTRALIA 2863739 THRU 3244337 CANADA 2742142 THRU 3243512
17	59065A4		1	STOP SWITCH ASSEMBLY--MANUAL UNITED STATES 3235063 AND UP AUSTRALIA 3244338 AND UP BELGIUM 9001581 AND UP CANADA 3243513 AND UP
18	24-60239		1	SPRING, STOP SWITCH--MANUAL UNITED STATES 3235063 AND UP AUSTRALIA 3244338 AND UP BELGIUM 9001581 AND UP CANADA 3243513 AND UP
19	87-61577A1		1	CONTRACT ASSEMBLY, STOP SWITCH--MANUAL UNITED STATES 3235063 AND UP AUSTRALIA 3244338 AND UP BELGIUM 9001581 AND UP CANADA 3243513 AND UP
20	38950A1		1	COVER ASSEMBLY, STOP SWITCH--MANUAL UNITED STATES 3235063 AND UP AUSTRALIA 3244338 AND UP BELGIUM 9001581 AND UP CANADA 3243513 AND UP
21	12-59061		1	WASHER, STOP SWITCH--MANUAL UNITED STATES 3235063 AND UP AUSTRALIA 3244338 AND UP BELGIUM 9001581 AND UP CANADA 3243513 AND UP
22	13-26996		1	LOCKWASHER, STOP SWITCH--MANUAL UNITED STATES 3235063 AND UP AUSTRALIA 3244338 AND UP BELGIUM 9001581 AND UP CANADA 3243513 AND UP
23	11-20645		1	NUT, GROUP LEAD TO STOP SWITCH--MANUAL UNITED STATES 3235063 AND UP AUSTRALIA 3244338 AND UP BELGIUM 9001581 AND UP CANADA 3243513 AND UP
24	13-21972		1	LOCKWASHER, CONNECTOR BASE--MANUAL UNITED STATES 3235063 AND UP AUSTRALIA 3244338 AND UP BELGIUM 9001581 AND UP CANADA 3243513 AND UP
25	11-21971		1	NUT, CONNECTOR BASE TO BOTTOM COWL--MAUNAL UNITED STATES 3235063 AND UP AUSTRALIA 3244338 AND UP BELGIUM 9001581 AND UP CANADA 3243513 AND UP
26	56319A5		1	WIRE, SWITCH BOX TO STOP SWITCH--MANUAL UNITED STATES 3235063 AND UP AUSTRALIA 3244338 AND UP BELGIUM 9001581 AND UP CANADA 3243513 AND UP
27	37943A1		1	COVER PLATE ASSEMBLY UNITED STATES 2858814 THRU 3235062 AUSTRALIA 2863739 THRU 3244337 CANADA 2742142 THRU 3243512
28	37944		1	PAD, SOUND - COVER PLATE UNITED STATES 2858814 THRU 3235062 AUSTRALIA 2863739 THRU 3244337 CANADA 2742142 THRU 3243512
27	60948A1		1	COVER PLATE ASSEMBLY UNITED STATES 3235063 AND UP AUSTRALIA 3244338 AND UP BELGIUM 9001581 AND UP CANADA 3243513 AND UP
29	10-30663		3	SCREW, COVER PLATE TO BOTTOM COWL (3/8")
30	37695		1	BOOT, CONTROL CABLE
31	23760		1	BAFFLE, BOTTOM COWL UNITED STATES 2858814 THRU 3235062 AUSTRALIA 2863739 THRU 3244337 CANADA 2742142 THRU 3243512

CONTINUED ON NEXT PAGE ➡

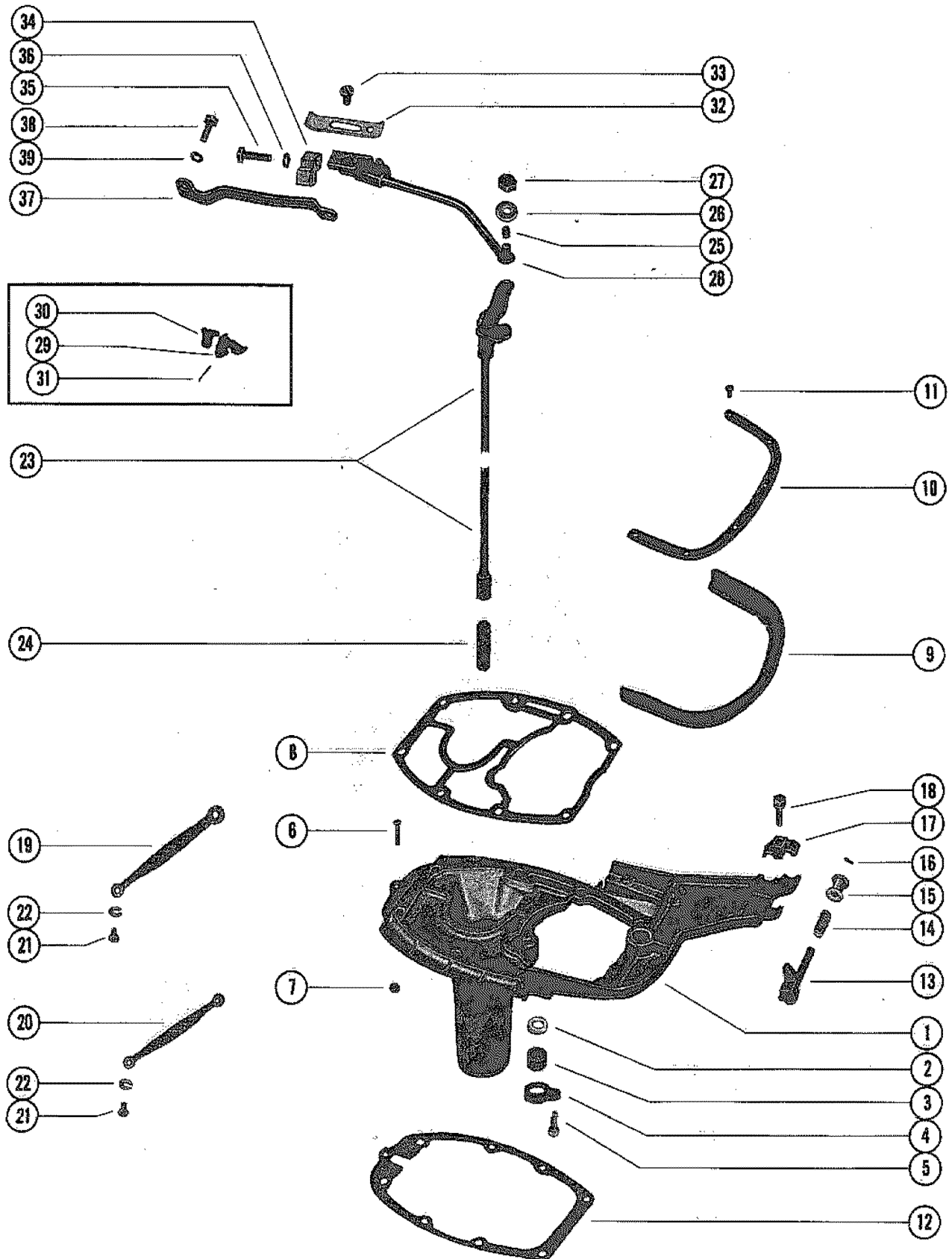
# BOTTOM COWL ASSEMBLY



## BOTTOM COWL ASSEMBLY

REF. NO.	PART NO.	SYM.	QTY.	DESCRIPTION
32	10-52867		3	SCREW, BAFFLE TO BOTTOM COWL UNITED STATES 2858814 THRU 3235062 AUSTRALIA 2863739 THRU 3244337 CANADA 2742142 THRU 3243512
33	37637		1	BOOT, FUEL CONNECTOR
34	37692		1	SUPPORT, EXTERNAL WIRING HARNESS ELECTRIC
35	10-21937		2	SCREW, HARNESS SUPPORT TO BOTTOM COWL (2") ELECTRIC
36	11-46887		2	NUT, HARNESS SUPPORT SCREW ELECTRIC
37	32-26407		1	HOSE, WATER TELL TALE - CYLINDER BLOCK TO BOTTOM COWL (16")
38	52889		1	NOZZEL, TELL TALE HOSE TO BOTTOM COWL
39	10-35519		1	SCREW, TELL TALE NOZZLE TO BOTTOM COWL

# EXHAUST EXTENSION PLATE AND SHIFT LINKAGE



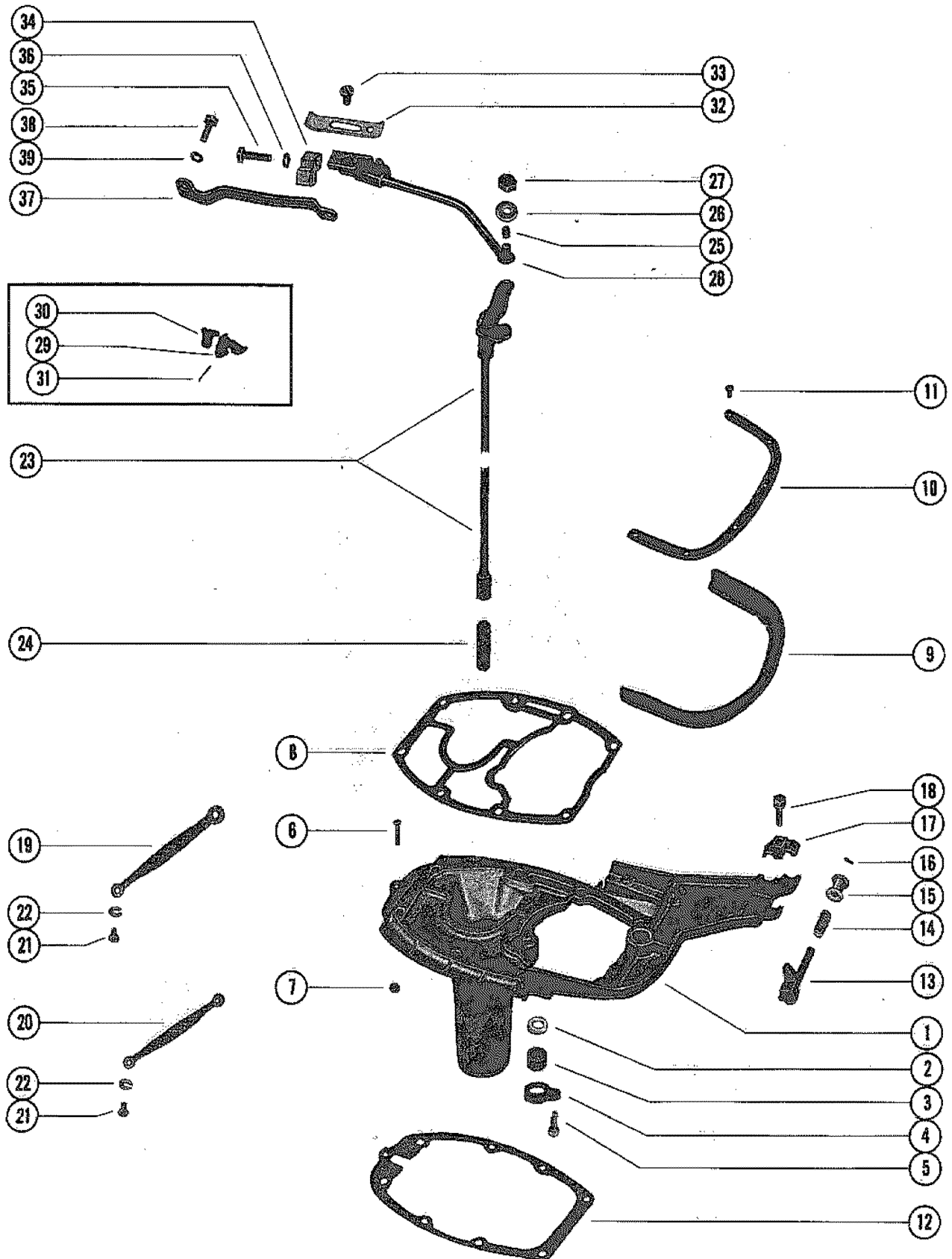


# EXHAUST EXTENSION PLATE AND SHIFT LINKAGE

REF. NO.	PART NO.	SYM.	QTY.	DESCRIPTION
1	57252A2		1	PLATE ASSEMBLY, EXHAUST EXTENSION
2	12-38453		1	WASHER, NYLON - WATER INLET TUBE
3	26-38452		1	SEAL, RUBBER - WATER TUBE
4	38500		1	RETAINER, WATER TUBE SEAL
5	10-34439		1	SCREW, RETAINER TO EXHAUST EXTENSION PLATE (3/4")
6	10-22421		1	SCREW, EXHAUST PLATE (1 1/4") <b>UNITED STATES 2858814 THRU 3816307 AUSTRALIA 2863739 THRU 8015989 BELGIUM 9001581 THRU 9047653 CANADA 2742142 THRU 7030747</b>
7	11-46887		1	NUT, EXHAUST PLATE SCREW <b>UNITED STATES 2858814 THRU 3816307 AUSTRALIA 2863739 THRU 8015989 BELGIUM 9001581 THRU 9047653 CANADA 2742142 THRU 7030747</b>
8	27-37725		1	GGASKET, POWERHEAD TO EXHAUST EXTENSION PLATE
9	38156		1	SEAL, RUBBER - EXHAUST EXTENSION PLATE
10	38155		1	STRIP, RUBBER SEAL RETAINING
11	10-37571		6	SCREW, RETAINING STRIP TO EXHAUST EXTENSION PLATE (1/2")
12	27-38501		1	GASKET, EXHAUST EXTENSION PLATE TO DRIVE SHAFT HOUSING
13	37924		2	LEVER, THROTTLE AND SHIFT CABLES <b>UNITED STATES 2858814 THRU 3235062 AUSTRALIA 2863739 THRU 3015353 CANADA 2742142 THRU 3015453</b>
	59037A2		1	LEVER, THROTTLE AND SHIFT CABLES <b>UNITED STATES 9008819 AND UP AUSTRALIA 3015354 AND UP BELGIUM 9001581 AND UP CANADA 3015454 AND UP</b>
14	24-38005		2	SPRING, COMPRESSION - QUICK DISCONNECT LEVER
15	23-37927		2	BUSHING, NYLON - QUICK DISCONNECT LEVER
16	17-23928		2	PIN, ROLL - QUICK DISCONNECT LEVER
17	37926		1	RETAINER, NYLON BEARING TO EXHAUST EXTENSION PLATE
18	10-37923		1	SCREW, RETAINER TO EXHAUST EXTENSION PLATE (1 1/2")
19	46933A1		2	GROUND STRAP ASSEMBLY, CRANKCASE TO COWL (3 5/8")
20	46933A2		2	GROUND STRAP ASSEMBLY, HOUSING TO COWL (3 3/8")
21	10-30663		4	SCREW, GROUND STRAP (3/8" SELF TAPPING)
22	13-22238		4	LOCKWASHER, GROUND STRAP SCREW
23	57244A3		1	SHIFT SHAFT ASSEMBLY, UPPER(SHORT SHAFT)
	57244A4		1	SHIFT SHAFT ASSEMBLY, UPPER(LONG SHAFT)
24	55692		1	COUPLING, UPPER SHIFT SHAFT
25	23-26600		1	BUSHING, NYLON - UPPER SHIFT SHAFT
26	12-24664		1	WASHER, SHIFT CONTROL ACTUATOR
27	11-20664		1	NUT, SHIFT CONTROL ACTUATOR TO UPPER SHIFT SHAFT
28	57027A2		1	ACTUATOR ASSEMBLY, SHIFT CONTROL <b>UNITED STATES 2858814 THRU 3572281 AUSTRALIA 2863739 THRU 8006764 BELGIUM 9001581 THRU 9021008 CANADA 2742142 THRU 7014407</b>
29	56806		1	RETAINER, QUICK DISCONNECT LATCH <b>UNITED STATES 2858814 THRU 3572281 AUSTRALIA 2863739 THRU 8006764 BELGIUM 9001581 THRU 9021008 CANADA 2742142 THRU 7014407</b>

CONTINUED ON NEXT PAGE ➡

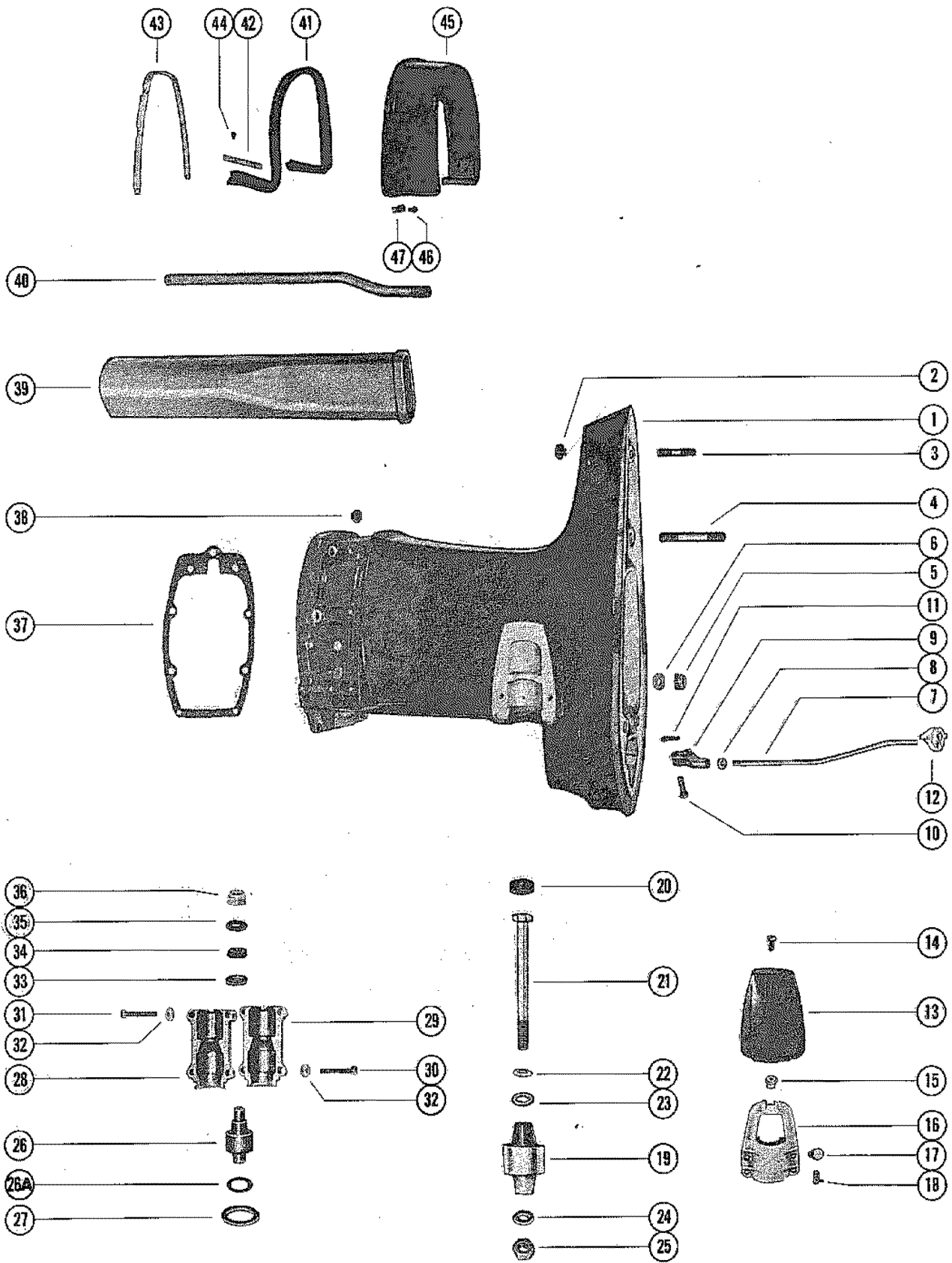
# EXHAUST EXTENSION PLATE AND SHIFT LINKAGE



# EXHAUST EXTENSION PLATE AND SHIFT LINKAGE

REF. NO.	PART NO.	SYM.	QTY.	DESCRIPTION
30	56807		1	LATCH, QUICK DISCONNECT - ACTUATOR UNITED STATES 2858814 THRU 3572281 AUSTRALIA 2863739 THRU 8006764 BELGIUM 9001581 THRU 9021008 CANADA 2742142 THRU 7014407
31	17-24800		1	PIN, ROLL - ACTUATOR UNITED STATES 2858814 THRU 3572281 AUSTRALIA 2863739 THRU 8006764 BELGIUM 9001581 THRU 9021008 CANADA 2742142 THRU 7014407
28	37948A5		1	ACTUATOR ASSEMBLY, SHIFT CONTROL UNITED STATES 3572282 AND UP AUSTRALIA 8006765 AND UP CANADA 7014408 AND UP
32	24-37934		1	SPRING, SHIFT CABLE UNITED STATES 3572282 AND UP AUSTRALIA 8006765 AND UP CANADA 7014408 AND UP
33	10-38069		1	SCREW, SPRING TO ACTUATOR UNITED STATES 3572282 AND UP AUSTRALIA 8006765 AND UP CANADA 7014408 AND UP
34	37932		1	BEARING, NYLON - SHIFT CONTROL ACTUATOR
35	10-36137		1	SCREW, BEARING TO SHIFT CONTROL ACTUATOR (1")
36	13-21272		1	LOCKWASHER, BEARING SCREW
37	37935		1	RAIL, SHIFT CONTROL BEARING
38	10-21625		1	SCREW, RAIL TO EXHAUST MANIFOLD COVER (3/4")
39	13-26992		1	LOCKWASHER, RAIL SCREW

# DRIVE SHAFT HOUSING ASSEMBLY

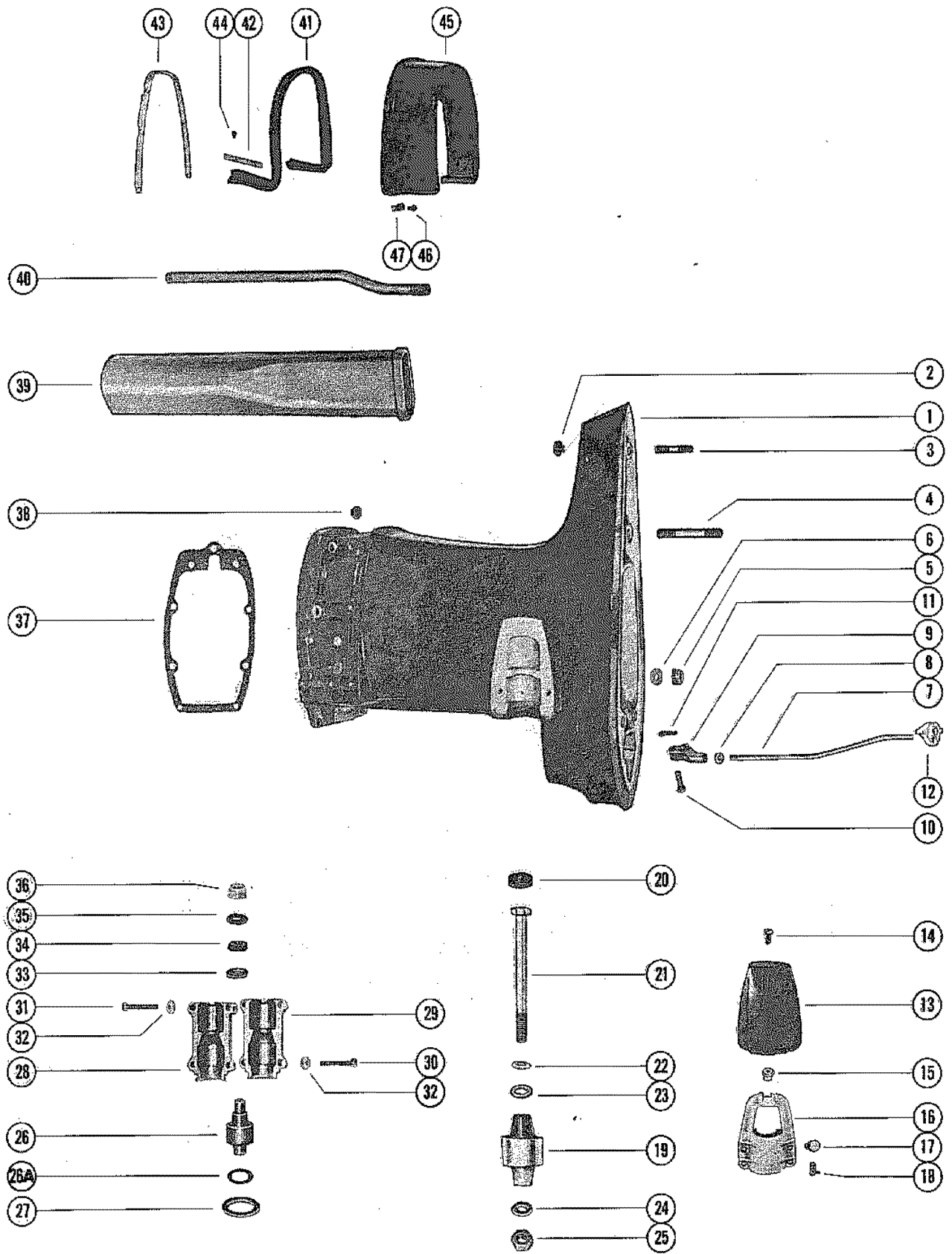


# DRIVE SHAFT HOUSING ASSEMBLY

REF. NO.	PART NO.	SYM.	QTY.	DESCRIPTION
1	1554-3910A2		1	DRIVE SHAFT HOUSING ASSEMBLY(SHORT SHAFT) FIGURE 1 SEE CHART
	1564-3913A2		1	DRIVE SHAFT HOUSING ASSEMBLY(LONG SHAFT) FIGURE 1 SEE CHART
	1554-4813A2		1	DRIVE SHAFT HOUSING ASSEMBLY(SHORT SHAFT) FIGURE 2 SEE CHART
	1564-4812A2		1	DRIVE SHAFT HOUSING ASSEMBLY(LONG SHAFT) FIGURE 2 SEE CHART
2	19-64649		1	PLUG, PLASTIC - TRIM TAB SCREW HOLE
3	16-57932		1	STUD, DRIVE SHAFT HOUSING TO GEAR HOUSING (1 3/4")
4	16-57935		1	STUD, DRIVE SHAFT HOUSING TO GEAR HOUSING (3")
5	11-34933		2	NUT, GEAR HOUSING TO DRIVE SHAFT HOUSING STUDS (7/16")
6	12-65791		2	WASHER, GEAR HOUSING TO DRIVE SHAFT HOUSING STUDS (7/16")
7	47835		1	ROD, PUSH - REVERSE LOCK(SHORT SHAFT
	47836		1	ROD, PUSH - REVERSE LOCK(LONG SHAFT
8	11-46794		1	NUT, JAM - PUSH ROD
9	47837		1	ROD END, PUSH ROD
10	17-39023		1	PIN, REVERSE LOCK LEVER
11	18-25191		1	COTTER PIN, PUSH ROD TO REVERSE LOCK
12	52917		1	GUIDE, PUSH ROD
13	35474		2	COVER, LOWER MOUNT CLAMP
14	10-29722		2	SCREW, COVER TO LOWER MOUNT CLAMP
15	11-35521		2	NUT, LOWER MOUNT CLAMP COVER
16	35473		2	CLAMP, LOWER MOUNT TO DRIVE SHAFT HOUSING
17	10-29256		4	SCREW, LOWER MOUNT CLAMP?DRIVE SHAFT HSG.
18	24-35522		4	SPRING, TENSION - LOWER MOUNT CLAMP
19	37395		2	MOUNT, RUBBER - LOWER
20	25067		2	BUMPER, RUBBER - LOWER MOUNT SCREW
21	10-49318		2	SCREW, LOWER MOUNT (5 1/2")
22	12-28051		2	WASHER, LOWER MOUNT SCREW
23	12-28053		2	WASHER, RUBBER - LOWER MOUNT SCREW
24	12-30119		2	WASHER, LOWER MOUNT SCREW
25	11-25096		2	NUT, LOWER MOUNT SCREW
26	37394		2	MOUNT, RUBBER - UPPER
26A	25-65936		2	"O" RING, UPPER MOUNT UNITED STATES 3816308 AND UP AUSTRALIA 8015900 AND UP BELGIUM 9047654 AND UP CANADA 7030748 AND UP
27	24929		2	PACKING, "U" CUP - UPPER MOUNT COVERS
28	24935		2	COVER, UPPER MOUNT - OUTSIDE HALF
29	31120		2	COVER, UPPER MOUNT - INSIDE HALF
30	10-49987		4	SCREW, UPPER MOUNT COVER - REAR (1 1/2")
31	10-49988		4	SCREW, UPPER MOUNT COVER - FRONT (1 3/4")
32	11-46886		8	NUT, UPPER MOUNT COVER FASTENING SCREW

CONTINUED ON NEXT PAGE ➡

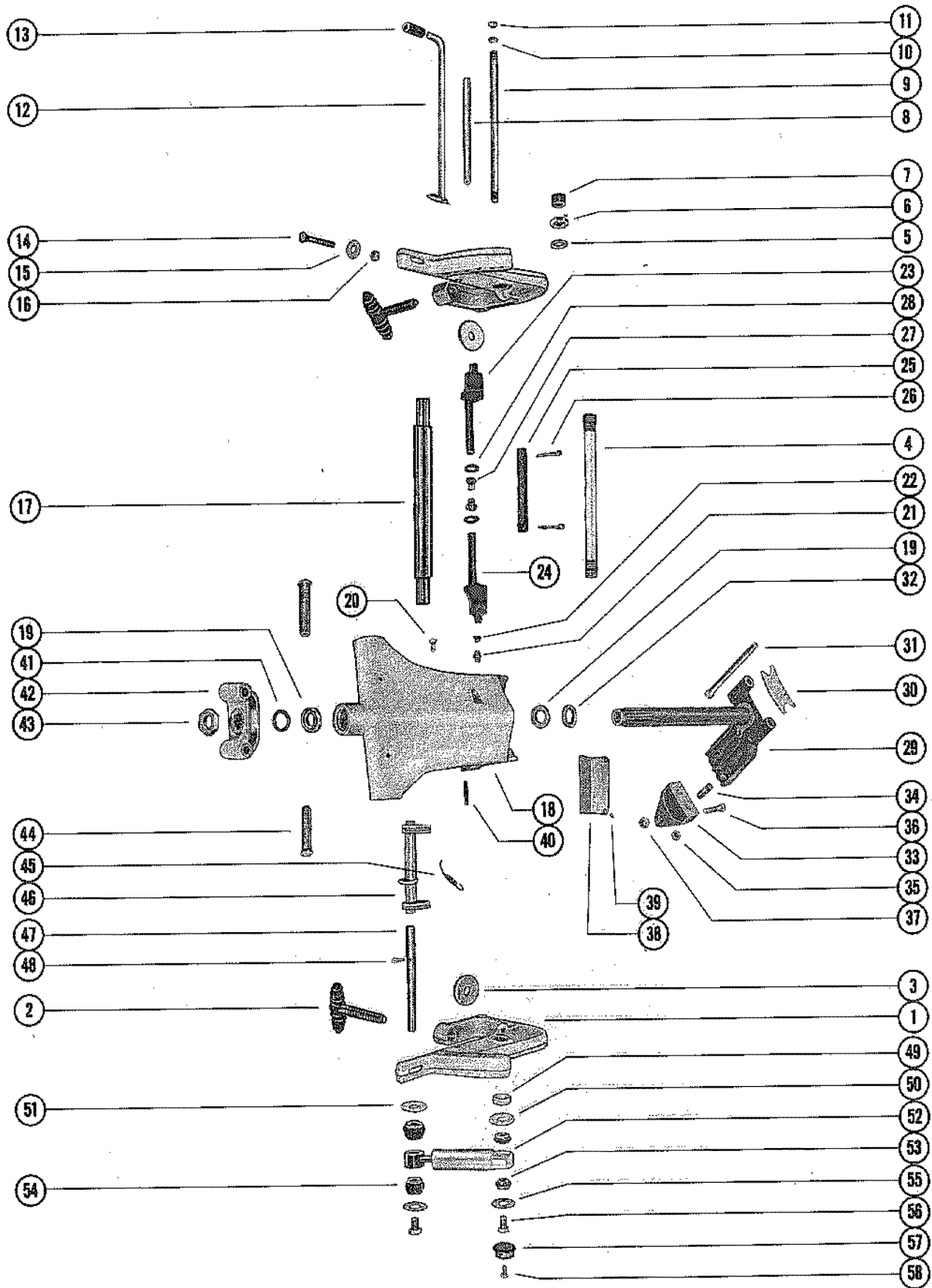
# DRIVE SHAFT HOUSING ASSEMBLY



# DRIVE SHAFT HOUSING ASSEMBLY

REF. NO.	PART NO.	SYM.	QTY.	DESCRIPTION
33	12-30520		2	WASHER, UPPER MOUNT BOLT (37/64 ID)
34	12-30521		2	WASHER, RUBBER - UPPER MOUNT BOLT
35	12-30519		2	WASHER, UPPER MOUNT BOLT (3/8 ID)
36	11-23161		2	NUT, UPPER MOUNT BOLT
37	27-38501		1	GASKET, EXHAUST EXTENSION PLATE TO DRIVE SHAFT HOUSING
38	11-64809		8	NUT, POWERHEAD TO DRIVE SHAFT HOUSING STUDS (5/16")
39	37720		1	EXHAUST(SHOFT SHAFT)
	45681		1	TUBE, EXHAUST(LONG SHAFT)
40	32-37727		1	TUBE, WATER INLET(SHORT SHAFT)
	32-45679		1	TUBE, WATER INLET(LONG SHAFT)
41	38157		1	SEAL, TRIM COVER TO DRIVE SHAFT HOUSING
42	38154		2	STRIP, RETAINING - TRIM COVER SEAL (SIDE)
43	38158		1	STRIP, RETAINING - TRIM COVER SEAL (REAR)
44	10-48408		10	SCREW, RETAINING STRIP TO DRIVE SHAFT HOUSING (SELF TAPPING)
45	37687		1	COVER, TRIM - DRIVE SHAFT HOUSING
46	10-37571		4	SCREW, TRIM COVER TO DRIVE SHAFT HOUSING <b>UNITED STATES 2858814 THRU 3235062 AUSTRALIA 2863739 THRU 3015353 CANADA 2742142 THRU 3015453</b>
	10-57807		4	SCREW, TRIM COVER TO DRIVE SHAFT HOUSING <b>UNITED STATES 9008819 AND UP AUSTRALIA 3015354 AND UP BELGIUM 9001581 AND UP CANADA 3015454 AND UP</b>
47	25-57806		4	GROMMET, TRIM COVER SCREW <b>UNITED STATES 9008819 AND UP AUSTRALIA 3015354 AND UP BELGIUM 9001581 AND UP CANADA 3015454 AND UP</b>

# CLAMP AND SWIVEL BRACKET ASSEMBLY



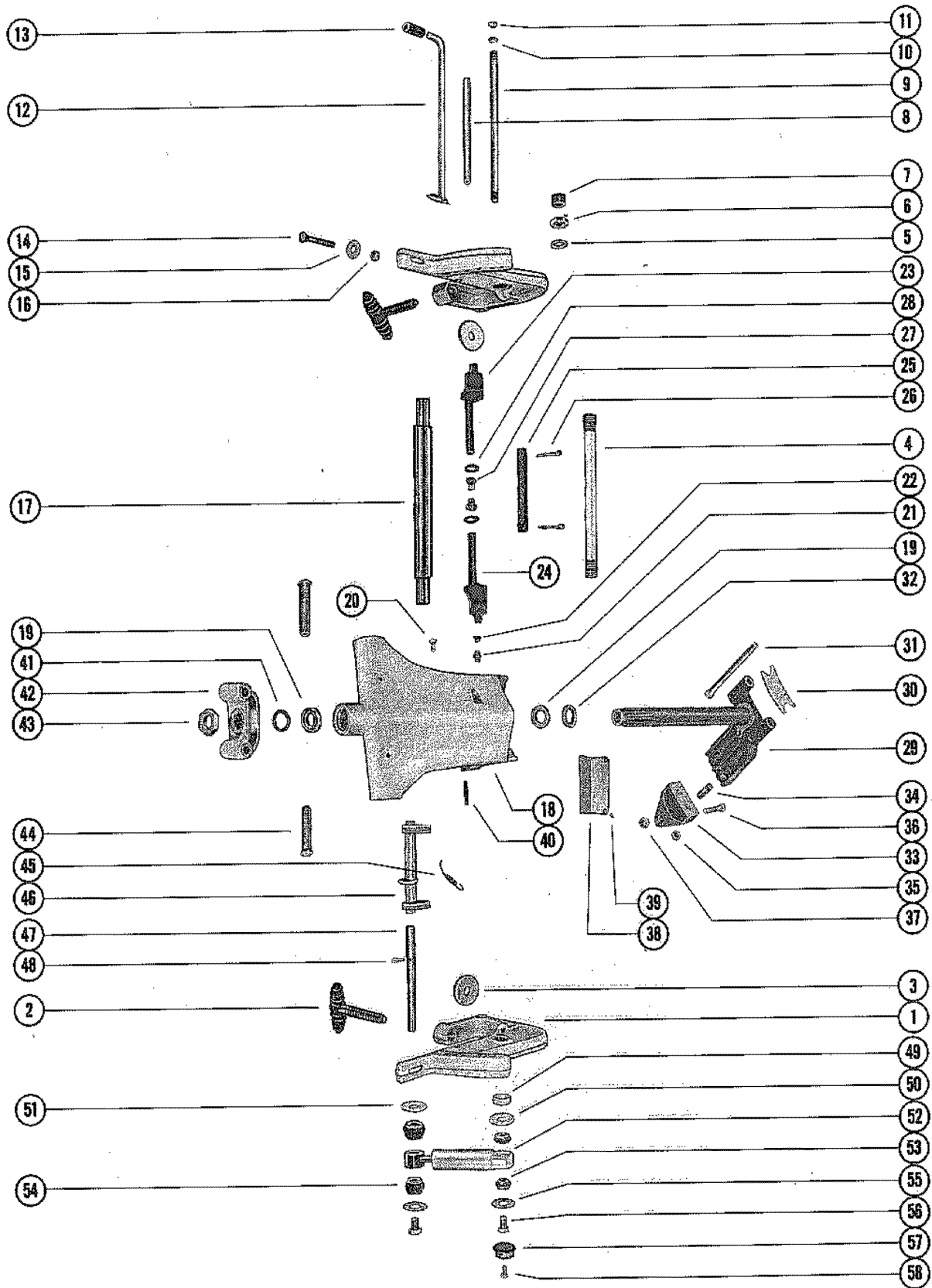


# CLAMP AND SWIVEL BRACKET ASSEMBLY

REF. NO.	PART NO.	SYM.	QTY.	DESCRIPTION
1	1440-3291A1		2	CLAMP BRACKET ASSEMBLY UNITED STATES 2858814 THRU 3816307 AUSTRALIA 2863739 THRU 8015989 BELGIUM 9001581 THRU 9047653 CANADA 2742142 THRU 7030747
	1440-5311A1		2	CLAMP BRACKET ASSEMBLY UNITED STATES 3816308 AND UP AUSTRALIA 8015900 AND UP BELGIUM 9047654 AND UP CANADA 7030748 AND UP
2	28403A3		2	THUMB SCREW ASSEMBLY
3	12-28404		2	WASHER, THUMB SCREW
4	30664		1	TUBE, TILT - CLAMP BRACKET FILT TUBE
5	12-52864		2	WASHER, CLAMP BRACKET TILT TUBE
6	11-30499		2	NUT, TILT TUBE FASTENING
7	53078		2	CAP, PLASTIC - TILT TUBE
8	23-59624		1	SPACER, CLAMP BRACKET STUD
9	16-59625		1	STUD, CLAMP BRACKET
10	13-26993		2	LOCKWASHER, CLAMP BRACKET STUD
11	11-28770		2	NUT, CLAMP BRACKET STUD
12	17-49930A1		1	TILT LOCK PIN ASSEMBLY
13	32-28052		1	SLEEVE, RUBBER - TILT LOCK PIN BUMPER
14	10-28009		2	BOLT, CLAMP BRACKET TO BOAT TRANSOM (3 1/4")
15	12-28008		2	WASHER, CLAMP BRACKET BOLT
14	10-31827		2	BOLTT, CLAMP BRACKET TO BOAT TRANSOM (3")
15	12-21040		2	WASHER, CLAMP BRACKET BOLT
16	11-28010		4	NUT, CLAMP BRACKET BOLT
17	55-28416		1	PIN, UPPER SHOCK MOUNTING
18	1465-4175A1		1	SWIVEL BRACKET ASSEMBLY(SHORT SHAFT UNITED STATES 2858814 THRU 3572281 AUSTRALIA 2863739 THRU 8006764 BELGIUM 9001581 THRU 9021008 CANADA 2742142 THRU 7014407
	1466-4176A1		1	SWIVEL BRACKET ASSEMBLY(LONG SHAFT UNITED STATES 2858814 THRU 3572281 AUSTRALIA 2863739 THRU 8006764 BELGIUM 9001581 THRU 9021008 CANADA 2742142 THRU 7014407
	1472-5047A1		1	SWIVEL BRACKET ASSEMBLY(SHORT SHAFT) UNITED STATES 3572282 AND UP AUSTRALIA 8006765 AND UP CANADA 7014408 AND UP
	1473-5048A1		1	SWIVEL BRACKET ASSEMBLY(LONG SHAFT) UNITED STATES 3572282 AND UP AUSTRALIA 8006765 AND UP CANADA 7014408 AND UP
19	26-32911		2	OIL SEAL, SWIVEL BRACKET
20	10-47828		1	SCREW, DRIVE - SWIVEL BRACKET
21	22-23612		1	FITTING, GREASE
22	29359		1	LUBRICAP, SWIVEL BRACKET GREASE FITTING
23	47799A1		1	TILT LOCK ASSEMBLY, STARBOARD
24	47800A1		1	TILT LOCK ASSEMBLY, PORT
25	47802		1	TUBE, TILT LOCK
26	18-47959		2	COTTER PIN, TILT LOCK TUBE
27	23-47803		2	BUSHING, TILT LOCK TUBE

CONTINUED ON NEXT PAGE ➡

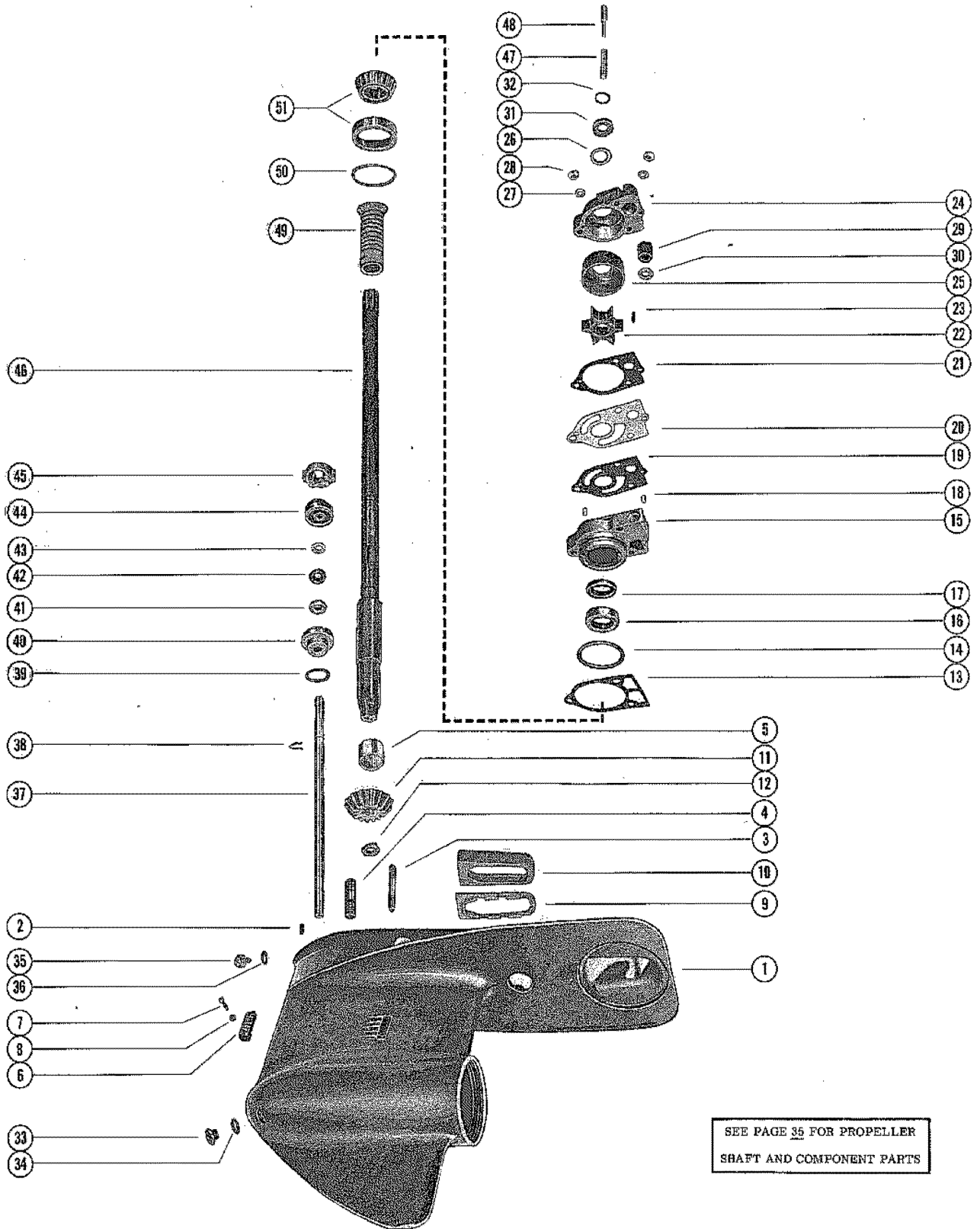
# CLAMP AND SWIVEL BRACKET ASSEMBLY



## CLAMP AND SWIVEL BRACKET ASSEMBLY

REF. NO.	PART NO.	SYM.	QTY.	DESCRIPTION
28	13-24850		2	WASHER, WAVE - TILT LOCK TUBE
29	52882A1		1	SWIVEL PIN AND STEERING ARM ASSEMBLY(SHORT SHAFT)
	52882A2		1	SWIVEL PIN AND STEERING ARM ASSEMBLY(LONG SHAFT)
30	30711		1	BUMPER, STEERING ARM
31	10-33986		2	BOLT, UPPER MOUNT TO SWIVEL PIN (5 1/4")
32	12-47606		1	WASHER, SWIVEL PIN - LOWER
33	39503		1	BRACKET, RIDE GUIDE ATTACHING
34	16-39781		2	STUD, RIDE GUIDE BRACKET TO STEERING ARM (1 1/4")
35	11-20509		2	NUT, RIDE GUIDE BRACKET STUD
36	10-31830		1	SCREW, RIDE GUIDE ATTACHING (1 3/4")
37	11-20509		1	NUT, RIDE GUIDE ATTACHING SCREW
38	38-56267		1	SERIAL PLATE
39	10-25612		4	SCREW, DRIVE - SERIAL PLATE TO SWIVEL BRACKET
40	17-25598		1	PIN, REVERSE LOCK SPRING ATTACHING
41	12-25176		1	WASHER, SWIVEL PIN TO BOTTOM YOKE (.060)
	12-26837		AR	WASHER, SWIVEL PIN TO BOTTOM YOKE (.065)
42	57452		1	YOKE, BOTTOM
43	11-28202		1	NUT, SWIVEL PIN RETAINING
44	55-65447		2	PIN, LOWER SHOCK MOUNTING
45	24-29821		1	SPRING, REVERSE LOCK TENSION
46	39015A4		1	REVERSE LOCK ASSEMBLY
47	56349		1	SHAFT, REVERSE LOCK PIVOT
48	18-45882		1	COTTER PIN, REVERSE LOCK TO SHAFT
49	23-28199		2	SPACER, UPPER SHOCK BUSHING TO CLAMP BRACKET
50	12-28196		2	WASHER, UPPER SHOCK BUSHING TO CLAMP BRACKET
	12-28196		2	WASHER, UPPER BUSHING RETAINER (INNER)
51	12-59378		2	WASHER, LOWER BUSHING RETAINER (INNER)
52	55-58780A2		2	SHOCK ABSORBER
53	23-32171		4	BUSHING, RUBBER - SHOCK ABSORBER (UPPER)
54	23-28198		4	BUSHING, RUBBER - SHOCK ABSORBER (LOWER)
55	12-28421		4	WASHER, UPPER AND LOWER BUSHING RETAINER (OUTER)
56	10-53077		4	SCREW, UPPER AND LOWER SHOCK MOUNTING PIN (3/4")
57	53071		4	COVER, UPPER AND LOWER SHOCK MOUNTING PIN
58	10-37655		4	SCREW, COVER TO SHOCK MOUNTING SCREWS (1/2")

# GEAR HOUSING ASSEMBLY, COMPLETE (PAGE 1)



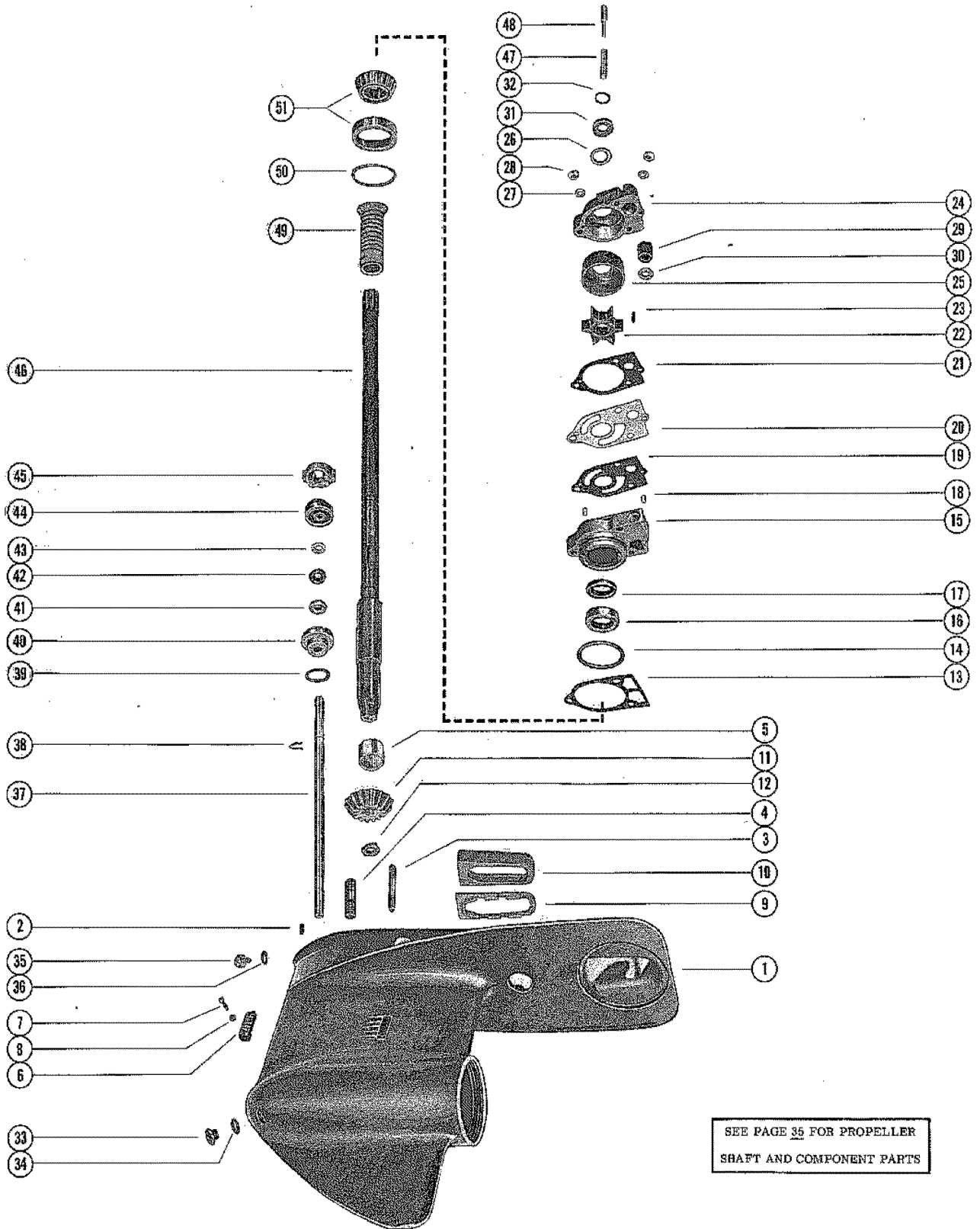
SEE PAGE 35 FOR PROPELLER  
SHAFT AND COMPONENT PARTS

# GEAR HOUSING ASSEMBLY, COMPLETE (PAGE 1)

REF. NO.	PART NO.	SYM.	QTY.	DESCRIPTION
-	1626-3927A4		1	GEAR HOUSING ASSEMBLY, COMPLETE(SHOFT SHAFT) SEE NOTE BELOW UNITED STATES 2858814 THRU 3235062 AUSTRALIA 2863739 THRU 3244337 CANADA 2742142 THRU 3243512
-	1626-3927A5		1	GEAR HOUSING ASSEMBLY, COMPLETE(LONG SHAFT) SEE NOTE BELOW UNITED STATES 2858814 THRU 3235062 AUSTRALIA 2863739 THRU 3244337 CANADA 2742142 THRU 3243512
-	1643-4518A7		1	GEAR HOUSING ASSEMBLY, COMPLETE(SHORT SHAFT)-FIGURE 1 SEE CHART. SEE NOTE BELOW
-	1643-4518A8		1	GEAR HOUSING ASSEMBLY, COMPLETE(LONG SHAFT)-FIGURE 1 SEE CHART. SEE NOTE BELOW
-	1643-4814A10		1	GEAR HOUSING ASSEMBLY, COMPLETE(SHORT SHAFT)-FIGURE 2 SEE CHART. SEE NOTE BELOW
-	1643-4814A11		1	GEAR HOUSING ASSEMBLY, COMPLETE(LONG SHAFT)-FIGURE 2 SEE CHART. SEE NOTE BELOW
-	1643-4931A9		1	GEAR HOUSING ASSEMBLY, COMPLETE(SHOFT SHAFT) SEE NOTE BELOW UNITED STATES 3478003 AND UP AUSTRALIA 8004785 AND UP BELGIUM 9006164 AND UP CANADA 7007358 AND UP
-	1643-4931A10		1	GEAR HOUSING ASSEMBLY, COMPLETE(LONG SHAFT) SEE NOTE BELOW UNITED STATES 3478003 AND UP AUSTRALIA 8004785 AND UP BELGIUM 9006164 AND UP CANADA 7007358 AND UP
1	1626-3927A6		1	GEAR HOUSING ASSEMBLY UNITED STATES 2858814 THRU 3235062 AUSTRALIA 2863739 THRU 3244337 CANADA 2742142 THRU 3243512
	1643-4518A6		1	GEAR HOUSING ASSEMBLY(FIGURE 1) SEE CHART
	1643-4814A9		1	GEAR HOUSING ASSEMBLY(FUGURE 2) SEE CHART
	1643-4931A6		1	GEAR HOUSING ASSEMBLY UNITED STATES 3478003 AND UP AUSTRALIA 8004785 AND UP BELGIUM 9006164 AND UP CANADA 7007358 AND UP
2	17-21438		2	PIN, DOWEL - GEAR HOUSING
3	16-57934		3	STUD, WATER PUMP BODY/BASE TO GEAR HSG. (2 11/16") - UNITED STATES 2858814 THRU 3235062 AUSTRALIA 2863739 THRU 3244337 CANADA 2742142 THRU 3243512
	16-33778		3	STUD, WATER PUMP BODY/BASE TO GEAR HSG. (2 5/8")- UNITED STATES 3235063 AND UP AUSTRALIA 3244338 AND UP BELGIUM 9001581 AND UP CANADA 3243513 AND UP
4	16-57933		2	STUD, GEAR HOUSING TO DRIVE SHAFT HOUSING (2 3/16")
5	31-62091		1	BEARING, ROLLER - DRIVE SHAFT
6	63850		1	SCREEN, WATER INTAKE - STARBOARD UNITED STATES 3478003 AND UP AUSTRALIA 8004785 AND UP BELGIUM 9006164 AND UP CANADA 7007358 AND UP
	63851		1	SCREEN, WATER INTAKE - PORT UNITED STATES 3478003 AND UP AUSTRALIA 8004785 AND UP BELGIUM 9006164 AND UP CANADA 7007358 AND UP

CONTINUED ON NEXT PAGE ➡

# GEAR HOUSING ASSEMBLY, COMPLETE (PAGE 1)



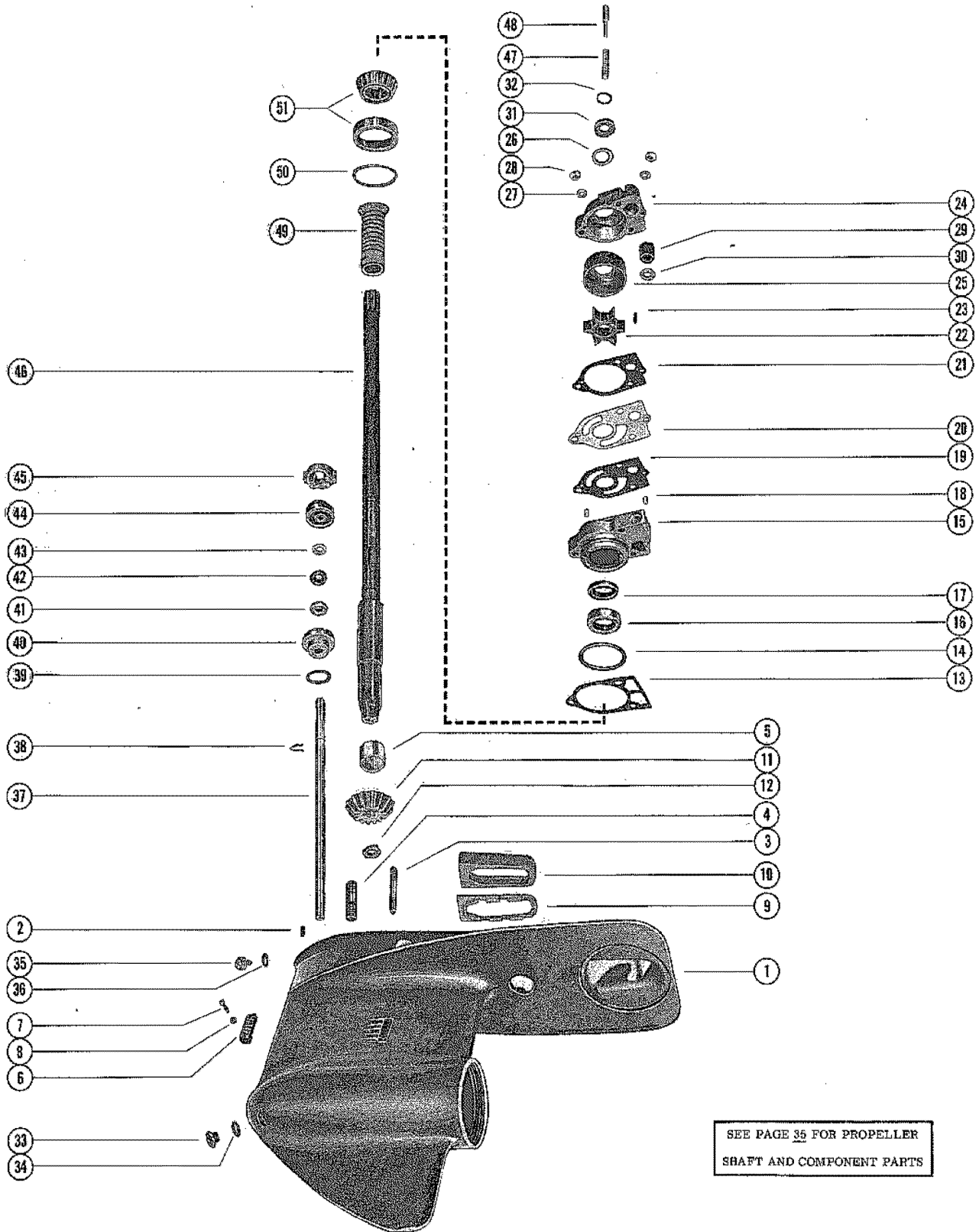
SEE PAGE 35 FOR PROPELLER  
SHAFT AND COMPONENT PARTS

# GEAR HOUSING ASSEMBLY, COMPLETE (PAGE 1)

REF. NO.	PART NO.	SYM.	QTY.	DESCRIPTION
7	10-36070		1	SCREW, WATER INTAKE SCREEN TO GEAR HOUSING (1 1/4") SERIAL <b>UNITED STATES 3478003 AND UP AUSTRALIA 8004785 AND UP BELGIUM 9006164 AND UP CANADA 7007358 AND UP</b>
8	11-45812		1	NUT, WATER INTAKE SCREEN SCREW <b>UNITED STATES 3478003 AND UP AUSTRALIA 8004785 AND UP BELGIUM 9006164 AND UP CANADA 7007358 AND UP</b>
9	38071		1	PLATE, SUPPRT - EXHAUST TUBE SEAL
10	37721		1	SEAL, EXHAUST TUBE
11	43-55607		1	GEAR, PINION - DRIVE SHAFT
12	11-55910		1	NUT, PINION GEAR TO DRIVE SHAFT
13	27-32771		1	GASKET, WATER PUMP BASE TO GEAR HOUSING
14	25-26855		1	"O" RING, WATER PUMP BASE
15	46-65498A1		1	WATER PUMP BASE ASSEMBLY
16	26-23300		1	OIL SEAL, WATER PUMP BASE
17	26-26782		1	OIL SEAL, WATER PUMP BASE
18	17-35973		2	DOWEL PIN, WATER PUMP BASE TO WATER PUMP BODY
19	27-32769		1	GASKET, LOWER - WATER PUMP BASE TO WATER PUMP BODY
20	54705		1	PLATE, FACE - WATER PUMP BASE TO WATER PUMP BODY
21	27-32770		1	GASKET, UPPER - FACE PLATE TO WATER PUMP BODY
22	47-65959		1	IMPELLER, WATER PUMP
23	28-56662		1	KEY, IMPELLER DRIVE
24	46-48746A1		1	WATER PUMP BODY ASSEMBLY
25	48753		1	INSERT, WATER PUMP BODY
26	26-32121		1	OIL SEAL, WATER PUMP BODY
27	12-29245		3	WASHER, WATER PUMP BODY AND BASE STUDS
28	11-35045		3	WATER PUMP BODY AND BASE STUDS
29	26-38452		1	SEAL, WATER PUMP BODY TO WATER TUBE
30	12-38453		1	WASHER, CUPPED - WATER TUBE SEAL
31	25-20273		1	RING, RUBBER - CENTRIFUGAL SLINGER
32	25-29619		1	"O" RING, UPPER - DRIVE SHAFT <b>UNITED STATES 2858814 THRU 3235062 AUSTRALIA 2863739 THRU 3244337 CANADA 2742142 THRU 3243512</b>
33	10-28634		2	SCREW, GREASE FILLER AND VENT HOLE
34	12-20260		2	WASHER, GREASE FILLER AND VENT HOLE SCREW
35	19-48750		1	PLUG, GEAR HOUSING FLUSHING HOLE
36	12-49221		1	WASHER, GEAR HOUSING FLUSHING HOLE
37	55420A1		1	SHAFT ASSEMBLY, SHIFT - LOWER <b>UNITED STATES 2858814 THRU 3235062 AUSTRALIA 2863739 THRU 3244337 CANADA 2742142 THRU 3243512</b>
	60241A1		1	SHAFT ASSEMBLY, SHIFT - LOWER <b>UNITED STATES 3235063 AND UP AUSTRALIA 3244338 AND UP BELGIUM 9001581 AND UP CANADA 3243513 AND UP</b>
38	53-29641		1	CLIP, RETAINING - SHIFT SHAFT

CONTINUED ON NEXT PAGE ➡

# GEAR HOUSING ASSEMBLY, COMPLETE (PAGE 1)



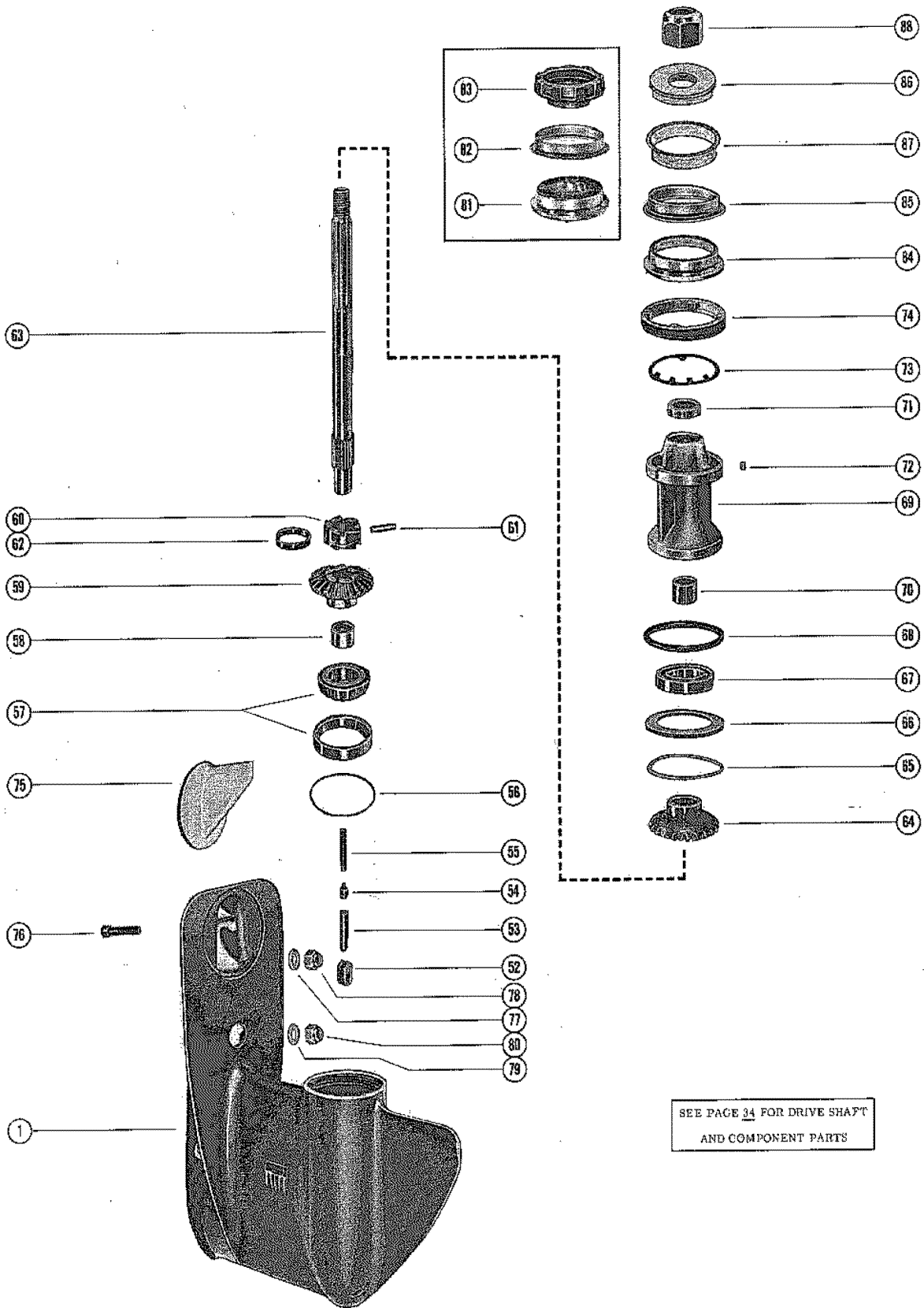
SEE PAGE 35 FOR PROPELLER  
SHAFT AND COMPONENT PARTS



# GEAR HOUSING ASSEMBLY, COMPLETE (PAGE 1)

REF. NO.	PART NO.	SYM.	QTY.	DESCRIPTION
39	25-25439		1	"O" RING, SHIFT SHAFT BUSING
40	23-55419A1		1	BUSHING ASSEMBLY, SHIFT SHAFT
41	26-24590		1	OIL SEAL, SHIFT SHAFT BUSHING (LOWER)
42	26-31249		1	OIL SEAL, SHIFT SHAFT BUSHING (UPPER)
43	12-31266		1	WASHER, RUBBER - SHIFT SHAFT BUSING
44	39019		1	BASE, LOWER - REVERSE LOCKING
45	39021		1	CAM, REVERSE LOCKING
46	45-57360A1		1	DRIVE SHAFT ASSEMBLY(SHORT SHAFT) UNITED STATES 2858814 THRU 3235062 AUSTRALIA 2863739 THRU 3244337 CANADA 2742142 THRU 3243512
	45-57359A1		1	DRIVE SHAFT ASSEMBLY(LONG SHAFT) UNITED STATES 2858814 THRU 3235062 AUSTRALIA 2863739 THRU 3244337 CANADA 2742142 THRU 3243512
	45-60950A1		1	DRIVE SHAFT ASSEMBLY(SHORT SHAFT) UNITED STATES 3235063 AND UP AUSTRALIA 3244338 AND UP BELGIUM 9001581 AND UP CANADA 3243513 AND UP
	45-60949A1		1	DRIVE SHAFT ASSEMBLY(LONG SHAFT) UNITED STATES 3235063 AND UP AUSTRALIA 3244338 AND UP BELGIUM 9001581 AND UP CANADA 3243513 AND UP
47	24-20254		1	SPRING, COMPRESSION - DRIVE SHAFT
48	17-30545		1	PIN, DRIVE SHAFT
49	23-52709		1	SLEEVE, LUBRICATION - DRIVE SHAFT UNITED STATES 2858814 THRU 3235062 AUSTRALIA 2863739 THRU 3244337 CANADA 2742142 THRU 3243512
	23-60242		1	SLEEVE, LUBRICATION - DRIVE SHAFT UNITED STATES 3235063 AND UP AUSTRALIA 3244338 AND UP BELGIUM 9001581 AND UP CANADA 3243513 AND UP
50	15-20929A1		AR	SHIM, BEARING TO GEAR HOUSING (.002-3-5-10)
51	31-38146A1		1	ROLLER BEARING ASSEMBLY, TAPERED - DRIVE SHAFT

# GEAR HOUSING ASSEMBLY, COMPLETE (PAGE 2)

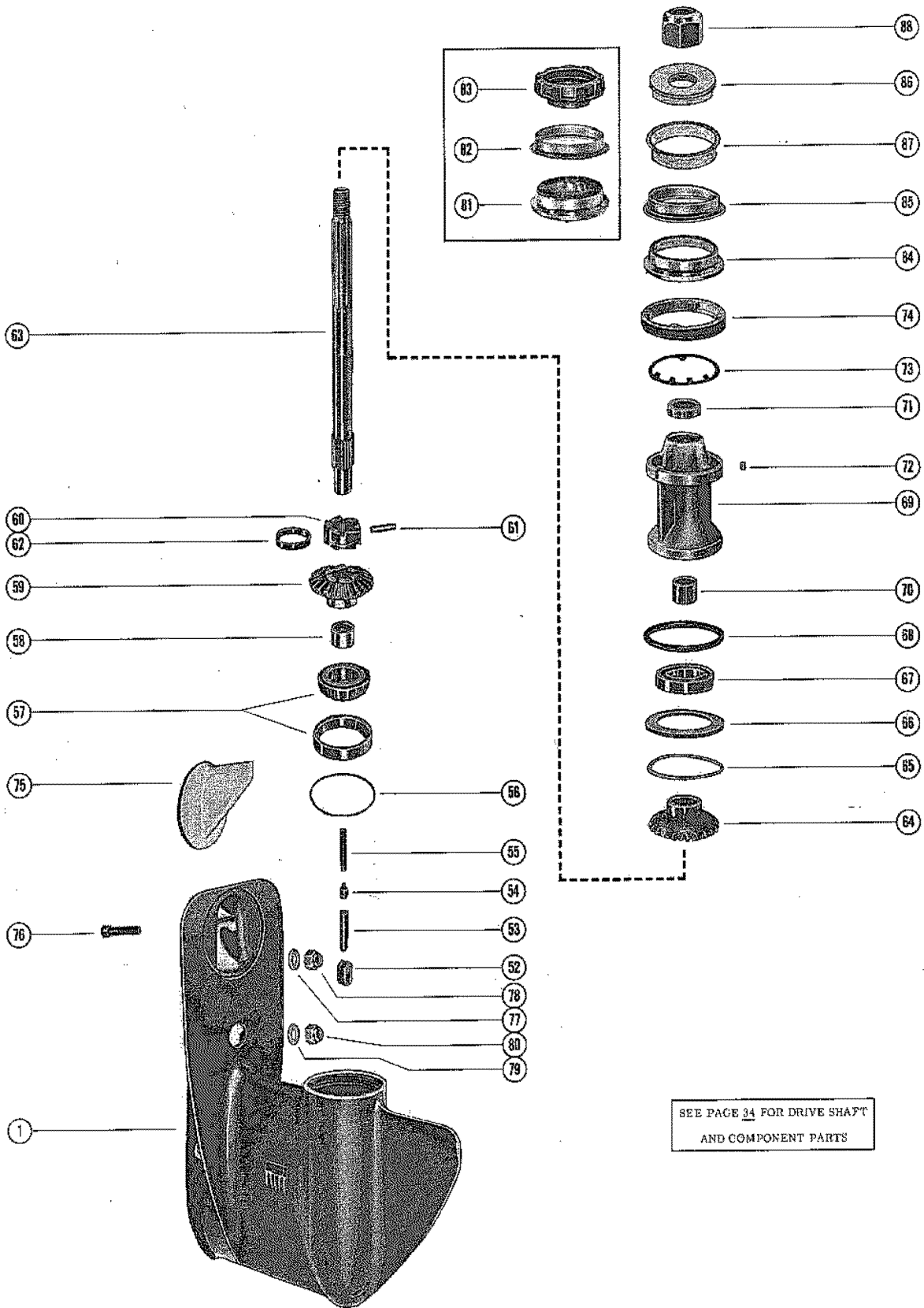


## GEAR HOUSING ASSEMBLY, COMPLETE (PAGE 2)

REF. NO.	PART NO.	SYM.	QTY.	DESCRIPTION
-	1626-3927A4		1	GEAR HOUSING ASSEMBLY, COMPLETE(SHORT SHAFT) SEE NOTE BELOW UNITED STATES 2858814 THRU 3235062 AUSTRALIA 2863739 THRU 3244337 CANADA 2742142 THRU 3243512
-	1626-3927A5		1	GEAR HOUSING ASSEMBLY, COMPLETE(LONG SHAFT) SEE NOTE BELOW UNITED STATES 2858814 THRU 3235062 AUSTRALIA 2863739 THRU 3244337 CANADA 2742142 THRU 3243512
-	1643-4518A7		1	GEAR HOUSING ASSEMBLY, COMPLETE(SHORT SHAFT) FIGURE 1 SEE CH SEE CHART. SEE NOTE BELOW
-	1643-4518A8		1	GEAR HOUSING ASSEMBLY, COMPLETE(LONG SHAFT) FIGURE 1 SEE CHA SEE CHART. SEE NOTE BELOW
-	1643-4814A10		1	GEAR HOUSING ASSEMBLY, COMPLETE(SHORT SHAFT) FIGURE 2 SEE CH SEE CHART. SEE NOTE BELOW
-	1643-4814A11		1	GEAR HOUSING ASSEMBLY, COMPLETE(LONG SHAFT) FIGURE 2 SEE CHA SEE CHART. SEE NOTE BELOW
-	1643-4931A9		1	GEAR HOUSING ASSEMBLY, COMPLETE(SHORT SHAFT) SEE NOTE BELOW UNITED STATES 3478003 AND UP AUSTRALIA 8004785 AND UP BELGIUM 9006164 AND UP CANADA 7007358 AND UP
-	1643-4931A10		1	GEAR HOUSING ASSEMBLY, COMPLETE(LONG SHAFT) SEE NOTE BELOW UNITED STATES 3478003 AND UP AUSTRALIA 8004785 AND UP BELGIUM 9006164 AND UP CANADA 7007358 AND UP
1	1626-3927A6		1	GEAR HOUSING ASSEMBLY SEE PAGE 34 FOR BREAKDOWN UNITED STATES 2858814 THRU 3235062 AUSTRALIA 2863739 THRU 3244337 CANADA 2742142 THRU 3243512
	1643-4518A6		1	GEAR HOUSING ASSEMBLY-FIGURE 1 SEE CHART SEE PAGE 34 FOR BREAKDOWN
	1643-4814A9		1	GEAR HOUSING ASSEMBLY-FIGURE 2 SEE CHART SEE PAGE 34 FOR BREAKDOWN
	1643-4931A6		1	GEAR HOUSING ASSEMBLY SEE PAGE 34 FOR BREAKDOWN UNITED STATES 3478003 AND UP AUSTRALIA 8004785 AND UP BELGIUM 9006164 AND UP CANADA 7007358 AND UP
52	36288		1	CAM, SHIFT UNITED STATES 2858814 THRU 3816307 AUSTRALIA 2863739 THRU 8015989 BELGIUM 9001581 THRU 9047653 CANADA 2742142 THRU 7030747
	54346		1	CAM, SHIFT UNITED STATES 3816308 AND UP AUSTRALIA 8015900 AND UP BELGIUM 9047654 AND UP CANADA 7030748 AND UP
53	38441		1	FOLLOWER, CAM
54	20843		1	SLIDE, CROSS PIN
55	24-39845		1	SPRING, COMPRESSION - CAM FOLLOWER
56	15-38374A1		AR	SHIM, BEARING CUP TO GEAR HSG. (.002-3-5-10)
57	31-38356A1		1	TAPERED ROLLER BEARING ASSEMBLY
58	31-21739		1	BEARING, ROLLER - FORWARD GEAR
59	43-55608		1	FORWARD GEAR ASSEMBLY
60	52-47586		1	RATCHET, SLIDING CLUTCH
61	17-38113		1	PIN, CROSS - RATCHET TO PROPELLER SHAFT

CONTINUED ON NEXT PAGE ➡

# GEAR HOUSING ASSEMBLY, COMPLETE (PAGE 2)

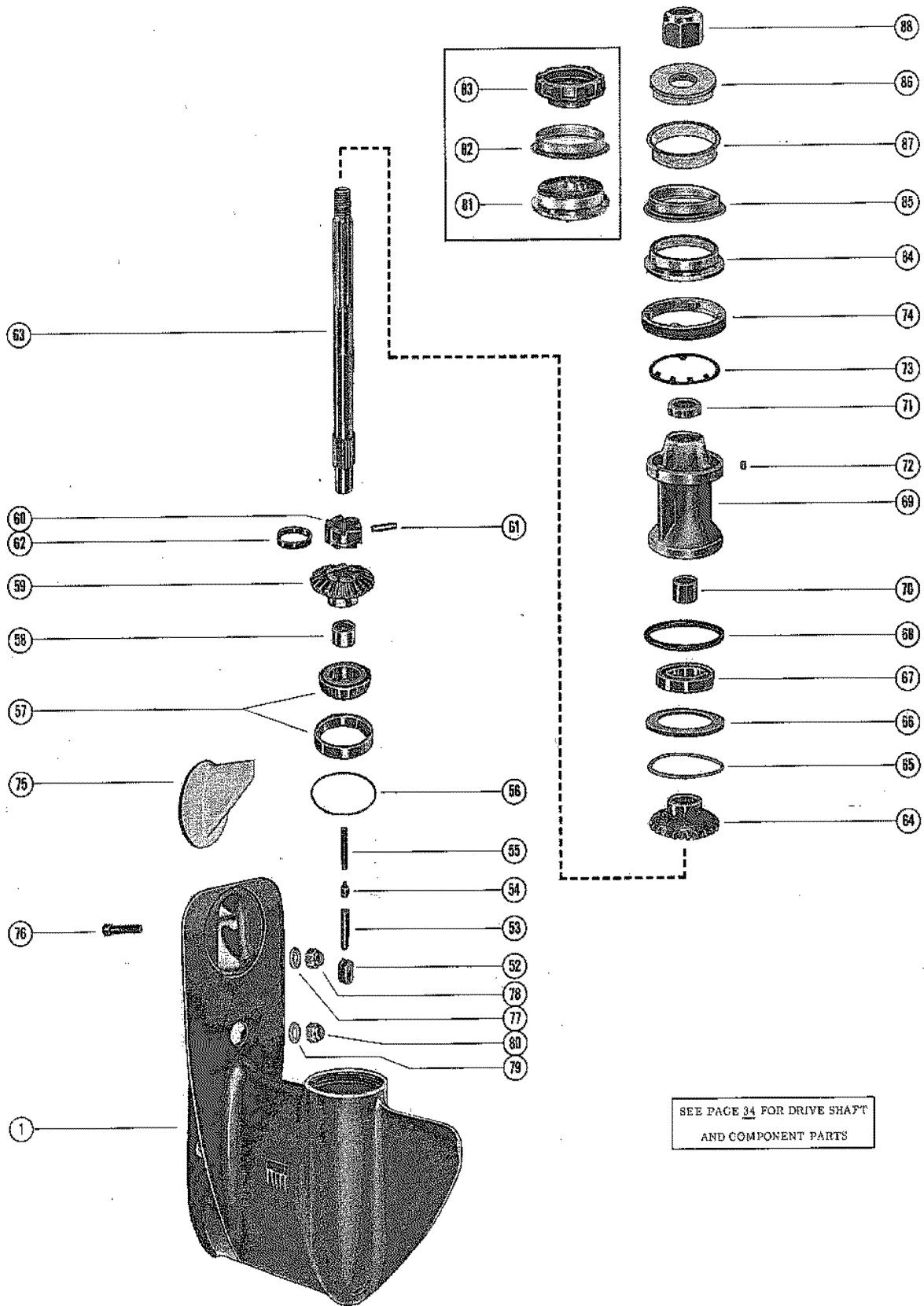


## GEAR HOUSING ASSEMBLY, COMPLETE (PAGE 2)

REF. NO.	PART NO.	SYM.	QTY.	DESCRIPTION
62	24-38114		1	SPRING, RETAINING - CROSS PIN
63	44-55911		1	SHAFT, PROPELLER
64	43-55609		1	REVERSE GEAR ASSEMBLY UNITED STATES 2858814 THRU 3816307 AUSTRALIA 2863739 THRU 8015989 BELGIUM 9001581 THRU 9047653 CANADA 2742142 THRU 7030747
	43-66554		1	REVERSE GEAR ASSEMBLY UNITED STATES 3816308 AND UP AUSTRALIA 8015900 AND UP BELGIUM 9047654 AND UP CANADA 7030748 AND UP
65	15-20927A1		AR	SHIM, TTHRUST WASHER TO GEAR HSG. (.002-3-5-10)
66	12-32004		1	WASHER, THRUST - REVERSE GEAR
67	30-20839		1	BEARING, BALL - REVERSE GEAR
68	25-31986		1	"O" RING, BEARING CARRIER
69	55904A1		1	BEARING CARRIER ASSEMBLY
70	31-21700		1	BEARING ROLLER - BEARING CARRIER
71	26-56788		1	OIL SEAL, BEARING CARRIER (DOUBLE LIP)
72	28-30281		1	KEY, LOCATING - BEARING CARRIER
73	14-53012		1	TAB WASHER, GEAR HOUSING COVER
74	53013		1	COVER, GEAR HOUSING
75	31640A1		1	TRIM TAB ASSEMBLY, GEAR HOUSING
76	10-55726		1	SCREW, TRIM TAB TO GEAR HOUSING (1 3/4")
77	12-45175		1	WASHER, DRIVE SHAFT HOUSING STUD (3/8")
78	11-34863		1	NUT, DRIVE SHAFT HOUSING TO BEAR HOUSING (3/8")
79	12-45176		1	WASHER, DRIVE SHAFT HOUSING AND (7/16")
80	11-34933		1	NUT, DRIVE SHAFT HOUSING TO GEAR HOUSING (7/16")
81	55908A1		1	THRUST HUB AND WASHER ASSEMBLY UNITED STATES 2858814 THRU 3816307 AUSTRALIA 2863739 THRU 8015989 BELGIUM 9001581 THRU 9047653 CANADA 2742142 THRU 7030747
82	12-31992		1	WASHER, CUPPED - THRUST HUB UNITED STATES 2858814 THRU 3816307 AUSTRALIA 2863739 THRU 8015989 BELGIUM 9001581 THRU 9047653 CANADA 2742142 THRU 7030747
83	12-55907		1	WASHER, SPLINED - PROPELLER SHAFT UNITED STATES 2858814 THRU 3816307 AUSTRALIA 2863739 THRU 8015989 BELGIUM 9001581 THRU 9047653 CANADA 2742142 THRU 7030747
84	62122A1		1	THRUST HUB ASSEMBLY, FRONT UNITED STATES 3816308 AND UP AUSTRALIA 8015900 AND UP BELGIUM 9047654 AND UP CANADA 7030748 AND UP
85	12-62123		1	WASHER, CUPPED - THRUST HUB UNITED STATES 3816308 AND UP AUSTRALIA 8015900 AND UP BELGIUM 9047654 AND UP CANADA 7030748 AND UP
86	62124A1		1	THRUST HUB ASSEMBLY, REAR UNITED STATES 3816308 AND UP AUSTRALIA 8015900 AND UP BELGIUM 9047654 AND UP CANADA 7030748 AND UP
87	12-31992		1	WASHER, CUPPED - THRUST HUB UNITED STATES 3816308 AND UP AUSTRALIA 8015900 AND UP BELGIUM 9047654 AND UP CANADA 7030748 AND UP

CONTINUED ON NEXT PAGE ➡

# GEAR HOUSING ASSEMBLY, COMPLETE (PAGE 2)



## GEAR HOUSING ASSEMBLY, COMPLETE (PAGE 2)

REF. NO.	PART NO.	SYM.	QTY.	DESCRIPTION
88	11-31990		1	NUT, PROPELLER

# PARTS INDEX

Part Number	Description	Pg.	Ref. No.	Part Number	Description	Pg.	Ref. No.
20047	RACE, OUTER . . . . .	53	11	29783A1	DRIVEN PULLEY ASSEMBLY	19	29
20121	CONNECTOR, SPARK PLUG LEAD . . . . .	25	--	29784	HUB, DRIVEN PULLEY . . . . .	19	28
20121	TERMINAL, HIGH TENSION LEAD . . . . .	25	--	29785	FLANGE, DRIVEN PULLEY . . . . .	19	31
20140	BELT, TIMING . . . . .	19	34	29787	HUB, FLANGE - FLYWHEEL PULLEY . . . . .	15	11
20843	SLIDE, CROSS PIN . . . . .	81	54	29788	FLANGE, FLYWHEEL PULLEY . . . . .	15	9
22462	"U" LINK, CHOKE ROD TO CHOKE KNOB (MANUAL)	31	17	30043A1	ADAPTOR, IGNITION DRIVER . . . . .	17	18
22463	KNOB, CHOKE ROD . . . . .	31	15	30186	ADAPTOR, CHECK UNIT (FUEL LINE) . . . . .	41	25
22789	"D" WASHER, CHOKE SOLENOID CLIP SCREW . . . . .	5	34	30187	STEM, CHECK UNIT ADAPTOR . . . . .	41	26
22789	"D" WASHER, HARNESS LEAD CLIP ATTACHING SCREW . . . . .	29	40	30188	CUP WASHER, ADAPTOR . . . . .	41	29
22789	"D" WASHER, IGNITION DRIVER LEAD SCREW . . . . .	25	38	30306	PULLEY, FLYWHEEL . . . . .	15	10
22789	"D" WASHER, STATOR LEAD CLAMP SCREW ELECTRIC . . . . .	15	16	30413	HOOK, COWL LATCH FASTENING . . . . .	13	12
23004	RETAINER, CHECK VALVE . . . . .	41	7	30596	PAWL, STARTER . . . . .	7	12
23004	RETAINER, CHECK VALVE . . . . .	39	7	30664	TUBE, TILT - CLAMP BRACKET FILT TUBE . . . . .	71	4
23008	COVER, FUEL PUMP . . . . .	39	9	30711	BUMPER, STEERING ARM . . . . .	73	30
23014A1	DIAPHRAGM KIT . . . . .	39	3	30859	INSULATOR, SLEEVE - INNER SWITCH TERMINAL . . . . .	57	11
23014A1	DIAPHRAGM KIT . . . . .	39	3	31014	MOUNT, RUBBER - FRONT SUPPORT BRACKET . . . . .	5	27
23760	BAFFLE, BOTTOM COWL . . . . .	59	31	31095	SEAL, SOUND - LOWER SECTION . . . . .	13	8
24929	PACKING, "U" CUP - UPPER MOUNT COVERS . . . . .	67	27	31120	COVER, UPPER MOUNT - INSIDE HALF . . . . .	67	29
24935	COVER, UPPER MOUNT - OUTSIDE HALF . . . . .	67	28	31640A1	TRIM TAB ASSEMBLY, GEAR HOUSING . . . . .	83	75
25067	BUMPER, RUBBER - LOWER MOUNT SCREW . . . . .	67	20	32445	STARTER SOLENOID - ELECTRIC . . . . .	27	23
25596	WIRE, STARTER MOTOR TO SOLENOID AND TOP MOUNT ELECTRIC . . . . .	27	19	35473	CLAMP, LOWER MOUNT TO DRIVE SHAFT HOUSING . . . . .	67	16
25661	STARTER SOLENOID - ELECTRIC . . . . .	27	23	35474	COVER, LOWER MOUNT CLAMP . . . . .	67	13
25996A1	SWIVEL AND LINK ROD ASSEMBLY . . . . .	19	41	35496	PAD, BUMPER - TOP COWL RETAINER . . . . .	3	10
26551	BRACKET, TAB - CRANKCASE - IGNITION DRIVER GROUND STRAP . . . . .	21	57	35496	PAD, BUMPER - TOP COWL RETAINER . . . . .	3	10
26852	CAP, NYLON - ADJUSTING SCREW . . . . .	19	39	35496	PAD, BUMPER - TOP COWL RETAINER . . . . .	3	10
27711	RETAINER, SPRING . . . . .	31	25	36288	CAM, SHIFT . . . . .	81	52
27917	CLUSTER, THROTTLE LEVER (UPPER CARB.) . . . . .	31	11	37394	MOUNT, RUBBER - UPPER . . . . .	67	26
27935	COVER, TRANSFER PORT . . . . .	51	32	37395	MOUNT, RUBBER - LOWER . . . . .	67	19
27947	SWIVEL, LINKAGE - ECONOMIZER COLLAR . . . . .	19	40	37637	BOOT, FUEL CONNECTOR . . . . .	61	33
27948	SWIVEL, UPPER LINK ROD TO THROTTLE CONTROL LEVER . . . . .	19	44	37639	MOUNT, RUBBER - CRANCASE . . . . .	49	8
27955	CAP, IGNITION DRIVER ADAPTOR AND PILOT FASTENING . . . . .	19	26	37639	MOUNT, RUBBER - CYLINDER BLOCK COVER . . . . .	51	30
28403A3	THUMB SCREW ASSEMBLY . . . . .	71	2	37687	COVER, TRIM - DRIVE SHAFT HOUSING . . . . .	69	45
28747	HANDLE, STARTER CABLE . . . . .	9	24	37690	SHIELD, REAR - TOP COWL . . . . .	3	5
28748	RETAINER, STARTER CABLE AND HANDLE . . . . .	9	25	37691	PLATE, CABLE GUIDE . . . . .	7	6
				37692	SUPPORT, EXTERNAL WIRING HARNESS ELECTRIC . . . . .	61	34
				37695	BOOT, CONTROL CABLE . . . . .	59	30
				37700	ROD, LINK - UPPER . . . . .	19	43



# PARTS INDEX

Part Number	Description	Pg.	Ref. No.	Part Number	Description	Pg.	Ref. No.
37720	EXHAUST(SHOFT SHAFT)	69	39	45477	SHAFT, SHEAVE	9	22
37721	SEAL, EXHAUST TUBE	77	10	45681	TUBE, EXHAUST(LONG SHAFT)	69	39
37794	BLANKET, SOUND ABSORBING	13	13	46109	PLATE, BAFFLE - EXHAUST MANIFOLD	49	19
37921	FLANGE, RUBBER - FRONT SUPPORT BRACKET	5	25	46112	COVER, EXHAUST MANIFOLD	49	21
37924	LEVER, THROTTLE AND SHIFT CABLES	63	13	46303	"U" LINK, CHOKE ROD TO CHOKE KNOB (ELECTRIC)	31	17
37926	RETAINER, NYLON BEARING TO EXHAUST EXTENSION PLATE	63	17	46304	ROD, CHOKE (ELECTRIC)	31	21
37932	BEARING, NYLON - SHIFT CONTROL ACTUATOR	65	34	46715	GROUND STRAP ASSEMBLY ELECTRIC	29	31
37935	RAIL, SHIFT CONTROL BEARING	65	37	46785A1	COWL LATCH ASSEMBLY	13	11
37943A1	COVER PLATE ASSEMBLY	59	27	46933A1	GROUND STRAP ASSEMBLY, CRANKCASE TO COWL (3 5/8")	63	19
37944	PAD, SOUND - COVER PLATE	59	28	46933A2	GROUND STRAP ASSEMBLY, HOUSING TO COWL (3 3/8")	63	20
37948A5	ACTUATOR ASSEMBLY, SHIFT CONTROL	65	28	47341A1	STARTER CABLE (FOR MANUAL STARTING OF ELECTRIC ENGINE)	9	23
37996	GROUND STRAP, CRANKCASE MOUNT	49	10	47604A1	PROTECTOR ASSEMBLY, SPARK PLUG LEADS	25	34
38071	PLATE, SUPPRT - EXHAUST TUBE SEAL	77	9	47764	STA-STRAP, WIRING HARNESS ELECTRIC	29	42
38133	SEAL, SOUND - UPPER SECTION	13	9	47764	STRAP, VENT HOSE	57	9
38154	STRIP, RETAINING - TRIM COVER SEAL (SIDE)	69	42	47799A1	TILT LOCK ASSEMBLY, STARBOARD	71	23
38155	STRIP, RUBBER SEAL RETAINING	63	10	47800A1	TILT LOCK ASSEMBLY, PORT	71	24
38156	SEAL, RUBBER - EXHAUST EXTENSION PLATE	63	9	47802	TUBE, TILT LOCK	71	25
38157	SEAL, TRIM COVER TO DRIVE SHAFT HOUSING	69	41	47835	ROD, PUSH - REVERSE LOCK(SHORT SHAFT)	67	7
38158	STRIP, RETAINING - TRIM COVER SEAL (REAR)	69	43	47836	ROD, PUSH - REVERSE LOCK(LONG SHAFT)	67	7
38441	FOLLOWER, CAM	81	53	47837	ROD END, PUSH ROD	67	9
38500	RETAINER, WATER TUBE SEAL	63	4	47883A1	PILOT ASSEMBLY, IGNITION DRIVER	17	3
38604	SHUTTER, CHOKE - CARBURETOR	31	26	47899A9	SPARK PLUG LEAD ASSEMBLY (27 1/2")	25	31
38674	BLANKET, SOUND ABSORBING	13	7	47958	ROD, CHOKE (MANUAL)	31	21
38950A1	COVER ASSEMBLY, STOP SWITCH--MANUAL	57	13	48035A1	STOP SWITCH ASSEMBLY--MANUEL	57	10
38950A1	COVER ASSEMBLY, STOP SWITCH--MANUAL	59	20	48038	PLATE, THROTTLE ACTUATOR	17	12
39015A4	REVERSE LOCK ASSEMBLY	73	46	48039	CAP, THROTTLE ACTUATOR ADJUSTING SCREW	17	16
39019	BASE, LOWER - REVERSE LOCKING	79	44	48103A1	ECONOMIZER COLLAR AND PIN ASSEMBLY	17	9
39021	CAM, REVERSE LOCKING	79	45	48753	INSERT, WATER PUMP BODY	77	25
39483	LATCH, THROTTLE CONTROL LEVER (THROTTLE CABLE)	19	49	49184	RECTIFIER ELECTRIC	27	5
39503	BRACKET, RIDE GUIDE ATTACHING	73	33	52552A3	MODULE ASSEMBLY	1	-
39835	RETAINER, STARTER SPRING	7	8	52737	LEVER, COWL HATCH HINGE	3	13
39840	RETAINER, WAVE WASHER	9	16	52739	HINGE, COWL LATCH - TOP COWL	3	14
45391	SPACER, IGNITION WIRE	21	56	52770	WIRING HARNESS (INTERNAL) ELECTRIC	29	32

# PARTS INDEX

Part Number	Description	Pg.	Ref. No.	Part Number	Description	Pg.	Ref. No.
52882A1	SWIVEL PIN AND STEERING ARM ASSEMBLY(SHORT SHAFT) . . . . .	73	29	56806	RETAINER, QUICK DISCONNECT LATCH . . .	63	29
52882A2	SWIVEL PIN AND STEERING ARM ASSEMBLY(LONG SHAFT) . . . . .	73	29	56807	LATCH, QUICK DISCONNECT - ACTUATOR . . . . .	65	30
52889	NOZZEL, TELL TALE HOSE TO BOTTOM COWL . . . . .	61	38	56848	KNOB, COWL FRONT COVER FASTENING . . . . .	13	2
52917	GUIDE, PUSH ROD . . . . .	67	12	57027A2	ACTUATOR ASSEMBLY, SHIFT CONTROL . . . . .	63	28
53013	COVER, GEAR HOUSING . . . . .	83	74	57041A1	CABLE ASSEMBLY, INTERLOCK . . . . .	9	26
53071	COVER, UPPER AND LOWER SHOCK MOUNTING PIN . . . . .	73	57	57236	CAM, SLIDING - STARTER HOUSING . . . . .	9	31
53078	CAP, PLASTIC - TILT TUBE . . . . .	71	7	57237	HOUSING, STARTER . . . . .	7	3
53143	LEVER, THROTTLE CONTROL . . . . .	19	45	57244A3	SHIFT SHAFT ASSEMBLY, UPPER(SHORT SHAFT) . . . . .	63	23
53156A3	FUEL PUMP ASSEMBLY . . . . .	39	1	57244A4	SHIFT SHAFT ASSEMBLY, UPPER(LONG SHAFT) . . . . .	63	23
53458	PLATE, THROTTLE STOP . . . . .	19	35	57252A2	PLATE ASSEMBLY, EXHAUST EXTENSION . . . . .	63	1
53719A2	PICK-UP BRACKET ASSEMBLY . . . . .	31	13	57452	YOKE, BOTTOM . . . . .	73	42
54283A2	PLUNGER AND LINK ASSEMBLY, CHOKE SOLENOID ELECTRIC . . . . .	31	7	57786	COVER, PLUG - BOTTOM COWL HARNESS HOLE . . . . .	57	2
54293A5	CHOKE SOLENOID ELECTRIC . . . . .	31	1	58124A8	SWITCH ASSEMBLY, MERCURY . . . . .	45	22
54346	CAM, SHIFT . . . . .	81	52	58807A1	FLAME ARRESTOR, IGNITION DRIVER COVER . . . . .	23	21
54705	PLATE, FACE - WATER PUMP BASE TO WATER PUMP BODY . . . . .	77	20	59037A2	LEVER, THROTTLE AND SHIFT CABLES . . . . .	63	13
55398A4	TACHOMETER ASSEMBLY . . . . .	1	-	59065A4	STOP SWITCH ASSEMBLY--MANUAL . . . . .	59	17
55420A1	SHAFT ASSEMBLY, SHIFT - LOWER . . . . .	77	37	59126	SEPERATOR, IGNITION LEADS . . . . .	25	--
55455	HOOK, TOP COWL LATCH - REAR . . . . .	3	2	59757	BRACKET, RETAINER - HIGH TENSION LEAD . . . . .	27	12
55457	MOUNT, RUBBER - REAR SUPPORT BRACKET . . . . .	3	20	60241A1	SHAFT ASSEMBLY, SHIFT - LOWER . . . . .	77	37
55459A1	RETAINER ASSEMBLY, TOP COWL . . . . .	3	8	60577	MOUNT, RUBBER - REAR SUPPORT BRACKET . . . . .	3	20
55459A2	RETAINER ASSEMBLY, TOP COWL . . . . .	3	8	60785A2	BRACKET ASSEMBLY, FRONT SUPPORT . . . . .	5	24
55459A5	RETAINER ASSEMBLY, TOP COWL . . . . .	3	8	60834A3	CARRIER ASSEMBLY, "O" RING . . . . .	53	6
55464A2	BRACKET ASSEMBLY, FRONT SUPPORT . . . . .	5	24	60948A1	COVER PLATE ASSEMBLY . . . . .	59	27
55467	BRACKET, REAR COWL SUPPORT . . . . .	3	18	61002	RETAINER, STARTER SPRING . . . . .	7	8
55692	COUPLING, UPPER SHIFT SHAFT . . . . .	63	24	61003	SHAFT, SHEAVE . . . . .	9	22
55904A1	BEARING CARRIER ASSEMBLY . . . . .	83	69	61124	PLATE, THROTTLE ACTUATOR . . . . .	17	12
55908A1	THRUST HUB AND WASHER ASSEMBLY . . . . .	83	81	62122A1	THRUST HUB ASSEMBLY, FRONT . . . . .	83	84
56186	EMBLEM, TOP COWL RETAINER . . . . .	3	9	62124A1	THRUST HUB ASSEMBLY, REAR . . . . .	83	86
56319A5	WIRE, SWITCH BOX TO STOP SWITCH--MANUAL . . . . .	59	26	63101	PLATE, RETAINER - STARTER PAWL . . . . .	9	20
56349	SHAFT, REVERSE LOCK PIVOT . . . . .	73	47	63850	SCREEN, WATER INTAKE - STARBOARD . . . . .	75	6
56498	CLUSTER, THROTTLE LEVER (UPPER CARB.) . . . . .	31	11	63851	SCREEN, WATER INTAKE - PORT . . . . .	75	6
				64254	"O" RING, CARRIER . . . . .	53	7

# PARTS INDEX

Part Number	Description	Pg.	Ref. No.	Part Number	Description	Pg.	Ref. No.
64710	COVER, FUEL PUMP	41	9	10-22421	SCREW, EXHAUST PLATE (1 1/4")	63	6
65757A1	TOGGLE ASSEMBLY, STARTER INTERLOCK	11	35	10-22486	SCREW, LATCH TO THROTTLE CONTROL LEVER (7/8")	19	50
66552	LINK ROD	19	43A	10-22956	SCREW, REAR HOOK TO TOP COWL (7/8")	3	3
66777A1	FUEL PUMP ASSEMBLY	39	1	10-23015	SCREW, ADJUSTING - THROTTLE ACTUATOR (1")	17	14
66778	PLATE, THROTTLE ACTUATOR	17	12	10-23178	SCREW, PLUG - MAIN NOZZLE	35	33
66845	PLATE, RETAINER - STARTER PAWL	9	20	10-23702	SCREW, ADJUSTING - THROTTLE ACTUATOR (1 1/8") - SERIAL GROUP	17	14
66848	RETAINER, SPRING	9	19A	10-24234	SCREW, FRONT SUPPORT BRACKET TO BOTTOM COWL (1")	5	31
66856A1	ADAPTOR, IGNITIONA DRIVER	17	18	10-24234	SCREW, RETAINER TO TOP COWL (1")	3	11
10-20012	SCREW, THROTTLE STOP ADJUSTING (1 5/8")	19	37	10-24933	SCREW, RETAINER BRACKET TO SUPPORT BRACKET (1 1/2")	27	13
10-20037	SCREW, RETAINER TO HOUSING	39	8	10-24933	SCREW, THROTTLE STOP ADJUSTING (1 1/2")	19	37
10-20037	SCREW, RETAINER TO HOUSING	41	8	10-25157	SCREW, IGNITION DRIVE LEAD TO SWITCH BOX (1/2")	25	37
10-20055	SCREW, RECTIFIER TERMINALS (3/8") ELECTRIC	27	9	10-25612	SCREW, DRIVE - SERIAL PLATE TO SWIVEL BRACKET	73	39
10-20100	SCREW, "U" LINK TO CHOKE KNOB	31	18	10-25822	SCREW, STRAINER COVER FASTENING	35	18
10-20100	SCREW, INTERLOCK CABLE TO STARTER HOUSING (1/2")	9	28	10-26066	SCREW, CHOKE SOLENOID TO FRONT BRACKET ELECTRIC	31	4
10-20359	SCREW, CENTER MAIN BEARING LOCKING (1")	45	18	10-26548	SCREW, IGNITION DRIVER GROUND STRAP TO TAB BRACKET (3/8")	21	58
10-20540	SCREW, TRNASFER PORT COVER MOUNTING (5/8")	51	34	10-26801	SCREW, MAIN BEARING LOCKING (5/8")	45	16
10-20653	SCREW, CYLINDER BLOCK COVER MOUNTING (1")	51	28	10-28009	BOLT, CLAMP BRACKET TO BOAT TRANSOM (3 1/4")	71	14
10-20784	SCREW, CENTER MAIN BEARING CLAMPING (1 1/2")	53	13	10-28259	SCREW, PRIMARY HARNESS CABLE FASTENING (5/8")	23	9
10-20847	SCREW, CLUSTER TO THROTTLE LEVER	31	12	10-28405	SCREW, PLUG - MAIN FUEL JET CHANNEL	35	28
10-20847	SCREW, THROTTLE STOP LEVER	35	19	10-28634	SCREW, GREASE FILLER AND VENT HOLE	77	33
10-21574	SCREW, CRANKCASE TO CYLINDER BLOCK (1 5/8")	45	12	10-28713	SCREW, TENSION SPRING TO CARBURETOR	31	24
10-21625	SCREW, RAIL TO EXHAUST MANIFOLD COVER (3/4")	65	38	10-28845	SCREW, PLUG - BODY CHANNEL	37	35
10-21625	SCREW, SOLENOID TO SUPPORT BRACKET (3/4")	29	29	10-29072	SCREW, WIRING HARNESS LEAD CLIP ATTACHING (5/8")	29	39
10-21722	SCREW, VENT HOUSE CLAMP (5/8")	57	--	10-29197	SCREW, GROUND WIRE TO STARTER MOTOR (5/8") ELECTRIC	27	20
10-21937	SCREW, ADAPTOR TO BOTTOM COWL (2") - ELECTRIC	43	30				
10-21937	SCREW, HARNESS SUPPORT TO BOTTOM COWL (2") ELECTRIC	61	35				
10-22039	SCREW, CRANKCASE TO CYLINDER BLOCK (2 3/4")	45	13				
10-22040	SCREW, ADAPTOR AND PILOT TO CRANKCASE (1 1/2") SERIAL GR #11	17	19				
10-22040	SCREW, CRANKCASE TO CYLINDER BLOCK (1 1/2")	45	12				

# PARTS INDEX

Part Number	Description	Pg.	Ref. No.	Part Number	Description	Pg.	Ref. No.
10-29198	SCREW, LOWER END CAP MOUNTING (7/8")	49	17	10-37562	SCREW, MANIFOLD COVER TO CYLINDER BLOCK (1")	49	22
10-29198	SCREW, UPPER END CAP MOUNTING (7/8")	49	7	10-37571	SCREW, RETAINING STRIP TO EXHAUST EXTENSION PLATE (1/2")	63	11
10-29256	SCREW, LOWER MOUNT CLAMP?DRIVE SHAFT HSG.	67	17	10-37571	SCREW, TRIM COVER TO DRIVE SHAFFT HOUSING	69	46
10-29722	SCREW, COVER TO LOWER MOUNT CLAMP	67	14	10-37655	SCREW, COVER TO SHOCK MOUNTING SCREWS (1/2")	73	58
10-30173	SCREW, FUEL PUMP MOUNTING (1 5/8")	41	11	10-37923	SCREW, RETAINER TO EXHAUST EXTENSION PLATE (1 1/2")	63	18
10-30273	SCREW, FUEL PUMP MOUNTING (1 7/8")	39	10	10-37990	SCREW, ADAPTOR TO BOTTOM COWL (1 3/4") - MANUAL	41	30
10-30663	SCREW, COVER PLATE TO BOTTOM COWL (3/8")	59	29	10-38036	SCREW, FUEL PUMP MOUNTING (1 1/2")	39	11
10-30663	SCREW, GROUND STRAP (3/8" SELF TAPPING)	63	21	10-38069	SCREW, SPRING TO ACTUATOR	65	33
10-31206	SCREW, CHOKE SOLENOID CLIP ATTACHING (7/16")	5	33	10-38837	SCREW, MANIFOLD COVER TO CYLINDER BLOCK - HIGH TENSION CLIP	49	23
10-31208	SCREW, SOLENOID TO STARTER MOTOR (5/8")	29	29	10-45218	SCREW, IGNITION COIL WIRE TO SWITCH BOX (3/8")	29	46
10-31299	SCREW, THROTTLE STOP PLATE TO ADAPTOR (7/8")	19	36	10-45379	SCREW, CAP TO CONNECTING ROD	55	29
10-31827	BOLTT, CLAMP BRACKET TO BOAT TRANSOM (3")	71	14	10-45775	SCREW, MAIN BEARING CLAMPING (9/16")	53	19
10-31830	SCREW, RIDE GUIDE ATTACHING (1 3/4")	73	36	10-45862	SCREW, PLUG COVER TO BOTTOM COWL	57	3
10-32228	SCREW, INTERLOCK CABLE TO EXHAUST PLATE (5/8")	9	27	10-45862	SCREW, WIRING HARNESS CLAMP TO BOTTOM COWL (7/8")	29	35
10-32417	SCREW, FLEX PLATE TO FLYWHEEL (5/8")	15	7	10-46368	SCREW, IGNITION COIL CLAMPING	29	44
10-32417	SCREW, PLATE AND RATCHET (5/8")	15	6	10-46420	SCREW, THROTTLE ACTUATOR TO ECONOMIZER COLLAR (1/2") - SERIA	17	13
10-32565	SCREW, STARTER HOUSING TO CRANKCASE/CYLINDER BLOCK (1")	7	4	10-47181	SCREW, IGNITION DRIVER CAP FASTENING (1 7/8")	25	26
10-33986	BOLT, UPPER MOUNT TO SWIVEL PIN (5 1/4")	73	31	10-47182	SCREW, TERMINAL BOARD ASSEMBLY FASTENING (1/2")	23	4
10-34439	SCREW, RETAINER TO EXHAUST EXTENSION PLATE (3/4")	63	5	10-47183	SCREW, SET - COIL ASSEMBLY FASTENING	23	2
10-35519	SCREW, STATOR LEAD CLAMP FASTENING (1/2")	15	15	10-47184	SCREW, IGNITION DRIVER CAP FASTENING (1 1/2")	25	26
10-35519	SCREW, TELL TALE NOZZLE TO BOTTOM COWL	61	39	10-47185	SCREW, IGNITION DRIVER COVER FASTENING (3/4")	23	19
10-35881	SCREW, DRIVE - CABLE GUIDE TO STARTER HOUSING	7	7	10-47194	SCREW, BEARING CAP FASTENING (9/16")	23	14
10-36070	SCREW, WATER INTAKE SCREEN TO GEAR HOUSING (1 1/4")	77	7	10-47273	SCREW, THROTTLE LEVER TO EXHAUST COVER (1 1/2")	19	47
10-36137	SCREW, BEARING TO SHIFT CONTROL ACTUATOR (1")	65	35	10-47828	SCREW, DRIVE - SWIVEL BRACKET	71	20
10-36137	SCREW, IGNITION COIL TO BOTTOM COWL (1")	29	47				
10-37370	SCREW, REAR SHIELD TO TOP COWL	3	6				

# PARTS INDEX

Part Number	Description	Pg.	Ref. No.	Part Number	Description	Pg.	Ref. No.
10-48408	SCREW, MERCURY SWITCH TO EXHAUST MANIFOLD COVER (1/2")	45	23	11-20110	NUT, FILTER SCREEN STUD	33	34
10-48408	SCREW, RETAINING STRIP TO DRIVE SHAFT HOUSING (SELF TAPPING)	69	44	11-20110	NUT, REED STOP MOUNTING SCREW	53	24
10-49318	SCREW, LOWER MOUNT (5 1/2")	67	21	11-20166	NUT, SHEAVE SHAFT (LEFT HAND THREAD)	7	1
10-49987	SCREW, UPPER MOUNT COVER - REAR (1 1/2")	67	30	11-20190	NUT, IGNITION COIL CLAMPING SCREW	29	45
10-49988	SCREW, UPPER MOUNT COVER - FRONT (1 3/4")	67	31	11-20361	NUT, BOTTOM COWL STUD	57	6
10-49989	SCREW, PULLEY (5/8")	19	33	11-20509	NUT, RIDE GUIDE ATTACHING SCREW	73	37
10-52195	SCREW, FLOAT BOWL COVER (SHORT)	35	10	11-20509	NUT, RIDE GUIDE BRACKET STUD	73	35
10-52196	SCREW, FLOAT BOWL COVER (LONG)	35	11	11-20586	NUT, LATCH SCREW	19	52
10-52446	SCREW, STARTER MOTOR TO CRANKCASE FLANGE (1 5/8") ELECTRIC	27	17	11-20586	NUT, UPPER SWIVEL TO THROTTLE LEVER	21	54
10-52867	SCREW, BAFFLE TO BOTTOM COWL	61	32	11-20645	NUT, CHOKE SOLENOID TERMINAL ELECTRIC	31	3
10-53077	SCREW, UPPER AND LOWER SHOCK MOUNTING PIN (3/4")	73	56	11-20645	NUT, GROUP LEAD TO STOP SWITCH--MANUAL	59	23
10-53481	SCREW, REED STOP MOUNTING (9/16")	53	23	11-20645	NUT, SOLENOID TERMINAL (#10) ELECTRIC	27	25
10-53651	SCREW, PICK-UP BRACKET (3/4")	31	14	11-20645	NUT, THROTTLE ACTUATOR ADJUSTING SCREW	17	15
10-54630	SCREW, PLATE AND RATCHET (5/16")	15	6	11-20664	NUT, SHIFT CONTROL ACTUATOR TO UPPER SHIFT SHAFT	63	27
10-55726	SCREW, TRIM TAB TO GEAR HOUSING (1 3/4")	83	76	11-20890	NUT, GROUND WIRE SCREW ELECTRIC	27	22
10-57021	SCREW, STATOR TO UPPER END CAP (7/8") ELECTRIC	15	13	11-20922	NUT, RECTIFIER TO FRONT BRACKET ELECTRIC	27	7
10-57249	SCREW, TOGGLE TO STARTER HOUSING	11	36	11-21971	NUT, CONNECTOR BASE TO BOTTOM COWL--MANUAL	59	16
10-57807	SCREW, TRIM COVER TO DRIVE SHAFT HOUSING	69	46	11-21971	NUT, CONNECTOR BASE TO BOTTOM COWL--MAUNAL	59	25
10-58641	SCREW, SWITCH BOX TO FRONT SUPPORT BRACKET (5/8")	27	4	11-22053	NUT, CHOKE SOLENOID SCREW ELECTRIC	31	6
10-66944	SCREW, FUEL PUMP MOUNTING (2 1/8")	41	10	11-22339	NUT, FLYWHEEL	15	1
11-20013	NUT, THROTTLE STOP ADJUSTING SCREW	19	38	11-22339	NUT, FLYWHEEL	53	1
11-20061	NUT, CONNECTING ROD SCREW	55	30	11-23161	NUT, UPPER MOUNT BOLT	69	36
11-20083	NUT, ADAPTOR AND PILOT TO CRANKCASE SCREW	17	21	11-24656	NUT, WIRING HARNESS LEAD CLIP ATTACHING SCREW	29	41
11-20083	NUT, SOLENOID TERMINAL - INSIDE (5/16") ELECTRIC	27	27	11-25096	NUT, LOWER MOUNT SCREW	67	25
11-20088	NUT, FRONT SUPPORT BRACKET RUBBER MOUNT	5	30	11-25168	NUT, UPPER LINK ROD ADJUSTING	19	42
11-20088	NUT, REAR SUPPORT BRACKET RUBBER MOUNT	5	23	11-26062	NUT, CAP - SOLENOID TERMINAL - OUTSIDE (5/16") ELECTRIC	27	28
				11-28010	NUT, CLAMP BRACKET BOLT	71	16
				11-28202	NUT, SWIVEL PIN RETAINING	73	43
				11-28770	NUT, CLAMP BRACKET STUD	71	11
				11-29488	NUT, RECTIFIER TERMINALS ELECTRIC	27	10
				11-30499	NUT, TILT TUBE FASTENING	71	6
				11-31990	NUT, PROPELLER	85	88

# PARTS INDEX

Part Number	Description	Pg.	Ref. No.	Part Number	Description	Pg.	Ref. No.
11-34933	NUT, DRIVE SHAFT HOUSING TO GEAR HOUSING (7/16")	83	80	12-20128	WASHER, WIRING HARNESS CLAMP SCREW ELECTRIC	29	37
11-34933	NUT, GEAR HOUSING TO DRIVE SHAFT HOUSING STUDS (7/16")	67	5	12-20138	WASHER, PULLEY SCREW	19	32
11-35045	WATER PUMP BODY AND BASE STUDS	77	28	12-20260	WASHER, GREASE FILLER AND VENT HOLE SCREW	77	34
11-35521	NUT, LOWER MOUNT CLAMP COVER	67	15	12-20346	WASHER, FRONT SUPPORT BRACKET RUBBER MOUNT	5	29
11-45076	NUT, SWITCH BOX TERMINAL	27	3	12-21040	WASHER, CLAMP BRACKET BOLT	71	15
11-45774	NUT, MAIN BEARING CLAMPING SCREW	53	20	12-21631	WASHER, REAR SUPPORT BRACKET RUBBER MOUNT	3	22
11-45812	NUT, WATER INTAKE SCREEN SCREW	77	8	12-24664	WASHER, SHIFT CONTROL ACTUATOR	63	26
11-46793	NUT, CARBURETOR MOUNTING STUD	37	38	12-25176	WASHER, SWIVEL PIN TO BOTTOM YOKE (.060)	73	41
11-46793	NUT, CRANKCASE SCREW	45	15	12-25818	WASHER, INTERLOCK CABLE SCREW	9	30
11-46794	NUT, JAM - PUSH ROD	67	8	12-26013	WASHER, INTERLOCK CABLE SCREW	9	30
11-46886	NUT, UPPER MOUNT COVER FASTENING SCREW	67	32	12-26837	WASHER, SWIVEL PIN TO BOTTOM YOKE (.065)	73	41
11-46887	NUT, ADAPTOR SCREW	43	31	12-27939	WASHER, IGNITION DRIVER PILOT	19	23
11-46887	NUT, CENTER MAIN BEARING CLAMPING SCREW	53	14	12-28008	WASHER, CLAMP BRACKET BOLT	71	15
11-46887	NUT, COVER MOUNTING SCREW	51	29	12-28051	WASHER, LOWER MOUNT SCREW	67	22
11-46887	NUT, CRANKCASE RUBBER MOUNT	49	9	12-28053	WASHER, RUBBER - LOWER MOUNT SCREW	67	23
11-46887	NUT, CYLINDER BLOCK COVER RUBBER MOUNT	51	31	12-28196	WASHER, UPPER BUSHING RETAINER (INNER)	73	50
11-46887	NUT, EXHAUST PLATE SCREW	63	7	12-28196	WASHER, UPPER SHOCK BUSING TO CLAMP BRACKET	73	50
11-46887	NUT, HARNESS SUPPORT SCREW ELECTRIC	61	36	12-28404	WASHER, THUMB SCREW	71	3
11-46887	NUT, RETAINER BRACKET SCREW	27	15	12-28421	WASHER, UPPER AND LOWER BUSHING RETAINER (OUTER)	73	55
11-46887	NUT, STARTER SOLENOID SCREW ELECTRIC	29	30	12-29245	WASHER, HORSESHOE SPRING TO ANCHOR PIN	17	8
11-46887	NUT, VENT HOSE CLAMP SCREW	57	--	12-29245	WASHER, UPPER SWIVEL TO THROTTLE LEVER	19	53
11-55910	NUT, PINION GEAR TO DRIVE SHAFT	77	12	12-29245	WASHER, WATER PUMP BODY AND BASE STUDS	77	27
11-64809	NUT, POWERHEAD TO DRIVE SHAFT HOUSING STUDS (5/16")	69	38	12-29395	WASHER, THROTTLE LEVER SCREW	19	48
12-20084	WASHER, ADAPTOR AND PILOT TO CRANKCASE SCREW SERL GR #11	17	20	12-30119	WASHER, LOWER MOUNT SCREW	67	24
12-20084	WASHER, ADAPTOR AND PILOT TO CRANKCASE SCREW SERL GR #7	19	20	12-30164	WASHER, CHOKE SHUTTER CARBURETOR STUD	31	29
12-20084	WASHER, CRANKCASE SCREW	45	14	12-30164	WASHER, FILTER SCREEN STUD	33	33
12-20128	WASHER, FUEL PUMP SCREW	41	12	12-30519	WASHER, UPPER MOUNT BOLT (3/8 ID)	69	35
12-20128	WASHER, PLUG COVER SCREW	57	-	12-30520	WASHER, UPPER MOUNT BOLT (37/64 ID)	69	33
				12-30521	WASHER, RUBBER - UPPER MOUNT BOLT	69	34

# PARTS INDEX

Part Number	Description	Pg.	Ref. No.	Part Number	Description	Pg.	Ref. No.
12-30771	WASHER, COVER FASTENING KNOB . . . . .	13	3	13-21272	LOCKWASHER, BEARING SCREW . . . . .	65	36
12-31266	WASHER, RUBBER - SHIFT SHAFT BUSING . . . . .	79	43	13-21972	LOCKWASHER, CONNECTOR BASE-- MANUAL . . . . .	59	15
12-31992	WASHER, CUPPED - THRUST HUB . . . . .	83	82	13-21972	LOCKWASHER, CONNECTOR BASE-- MANUAL . . . . .	59	24
12-31992	WASHER, CUPPED - THRUST HUB . . . . .	83	87	13-22238	LOCKWASHER, GROUND STRAP SCREW . . . . .	63	22
12-32004	WASHER, THRUST - REVERSE GEAR . . . . .	83	66	13-24850	WASHER, WAVE - TILT LOCK TUBE . . . . .	73	28
12-33001	WASHER, FLYWHEEL NUT .	15	2	13-26992	LOCKWASHER, FRONT SUPPORT BRACKET RUBBER MOUNT . . . . .	5	28
12-33001	WASHER, FLYWHEEL NUT .	53	2	13-26992	LOCKWASHER, GROUND WIRE FASTENING SCREW ELECTRIC . . . . .	27	21
12-37998	WASHER, INTERLOCK CABLE . . . . .	9	33	13-26992	LOCKWASHER, IGNITION COIL SCREW . . . . .	29	48
12-38453	WASHER, CUPPED - WATER TUBE SEAL . . . . .	77	30	13-26992	LOCKWASHER, RAIL SCREW . . . . .	65	39
12-38453	WASHER, NYLON - WATER INLET TUBE . . . . .	63	2	13-26992	LOCKWASHER, REAR HOOK MOUNTING SCREW . . . . .	3	4
12-38949	WASHER, SEALING - STOP SWITCH--MANUAL . . . . .	57	14	13-26992	LOCKWASHER, REAR SUPPORT BRACKET RUBBER MOUNT . . . . .	3	21
12-45075	WASHER, SWITCH BOX TERMINAL . . . . .	27	2	13-26993	LOCKWASHER, CHOKE SOLENOID SCREW ELECTRIC . . . . .	31	5
12-45175	WASHER, DRIVE SHAFT HOUSING STUD (3/8") . . .	83	77	13-26993	LOCKWASHER, CLAMP BRACKET STUD . . . . .	71	10
12-45176	WASHER, DRIVE SHAFT HOUSING AND (7/16") . . .	83	79	13-26993	LOCKWASHER, RECTIFIER TO FRONT BRACKET ELECTRIC . . . . .	27	6
12-46101	WASHER, PLUNGER AND LINK ELECTRIC . . . . .	31	8	13-26993	LOCKWASHER, SOLENOID TERMINAL (5/16") ELECTRIC . . . . .	27	26
12-46246	WASHER, IGNITION DRIVER PILOT TO ADAPTOR . . . . .	17	17	13-26993	LOCKWASHER, STARTER MOTOR SCREW ELECTRIC . . . . .	27	18
12-47275	WASHER, NEEDLE LOCATING . . . . .	55	33	13-26996	LOCKWASHER, "U" LINK SCREW . . . . .	31	19
12-47606	WASHER, SWIVEL PIN - LOWER . . . . .	73	32	13-26996	LOCKWASHER, CHOKE SOLENOID TERMINAL ELECTRIC . . . . .	31	2
12-49221	WASHER, GEAR HOUSING FLUSHING HOLE . . . . .	77	36	13-26996	LOCKWASHER, PLUG COVER SCREW . . . . .	57	4
12-52864	WASHER, CLAMP BRACKET TILT TUBE . . . . .	71	5	13-26996	LOCKWASHER, SOLENOID TERMINAL (#10) ELECTRIC . . . . .	27	24
12-55907	WASHER, SPLINED - PROPELLER SHAFT . . . . .	83	83	13-26996	LOCKWASHER, STOP SWITCH--MANUAL . . . . .	59	22
12-57837	WASHER, WAVE WASHER RETAINER . . . . .	9	17	13-26996	LOCKWASHER, WIRING HARNESS CLAMP SCREW ELECTRIC . . . . .	29	36
12-57860	WASHER, WEAR - SHEAVE SHAFT . . . . .	9	21	13-27660	LOCKWASHER, INTERLOCK CABLE SCREW . . . . .	9	29
12-59061	WASHER, STOP SWITCH-- MANUAL . . . . .	59	21				
12-59378	WASHER, LOWER BUSHING RETAINER (INNER) . . . . .	73	51				
12-59572	WASHER, COVER FASTENING KNOB . . . . .	13	4				
12-62123	WASHER, CUPPED - THRUST HUB . . . . .	83	85				
12-65791	WASHER, GEAR HOUSING TO DRIVE SHAFT HOUSING STUDS (7/16") .	67	6				
12-66553	WASHER, FUEL PUMP SCREW . . . . .	41	13				
13-20160	WASHER, WAVE - RETAINER TENSION . . . . .	9	18				

# PARTS INDEX

Part Number	Description	Pg.	Ref. No.	Part Number	Description	Pg.	Ref. No.
13-36206	WASHER, WAVE - STARTER PAWL	7	13	16-59625	STUD, CLAMP BRACKET	71	9
13-37371	LOCKWASHER, REAR SHIELD SCREW	3	7	16-64936	STUD, CARBURETOR MOUNTING (1 1/4")	45	5
13-39107	LOCKWASHER, RETAINER TO TOP COWL SCREW	3	12	16-65760	STUD, CYLINDER BLOCK TO DRIVE SHAFT HOUSING (2 5/16")	45	9
13-52197	LOCKWASHER, FLOAT BOWL COVER SCREW	35	12	16-65761	STUD, CYLINDER BLOCK TO DRIVE SHAFT HOUSING (1 15/16")	45	10
14-20091	TAB WASHER, BEARING LOCKING SCREW	45	17	16-65762	STUD, CYLINDER BLOCK TO DRIVE SHAFT HOUSING (3 11/16")	45	8
14-20165	TAB WASHER, SHEAVE SHAFT NUT	7	2	16-65867	STUD, CRANKCASE TO DRIVE SHAFT HOUSING (1 9/16")	45	6
14-27960	TAB WASHER, ADAPTOR CAP FASTENING	19	24	17-20032	DOWEL PIN, CENTER MAIN BEARING	53	9
14-29157	TAB WASHER, IGNITION DRIVER CAP FASTENING SCREW	25	27	17-20032	DOWEL PIN, CYLINDER BLOCK TO MAIN BEARING	45	2
14-29157	TAB WASHER, IGNITION DRIVER COVER FASTENING SCREW	23	20	17-20032	DOWEL PIN, MAIN BEARING	53	17
14-53012	TAB WASHER, GEAR HOUSING COVER	83	73	17-20033	DOWEL PIN, CRANKCASE TO CYLINDER BLOCK	45	7
15-20082A1	SHIM, UPPER END CAP TO CYLINDER BLOCK AND CRANKCASE	49	6	17-20323	DOWEL PIN, CYLINDER BLOCK TO CENTER MAIN BEARING	45	3
15-20085A1	SHIM, LOWER END CAP TO CRANKCASE AND CYLINDER BLOCK (.002-3-	49	16	17-20379	DOWEL PIN, (STEPPED)	53	15
15-20927A1	SHIM, TTHRUST WASHER TO GEAR HSG. (.002-3-5-	83	65	17-21438	PIN, DOWEL - GEAR HOUSING	75	2
15-20929A1	SHIM, BEARING TO GEAR HOUSING (.002-3-5-10)	79	50	17-23928	PIN, ROLL - QUICK DISCONNECT LEVER	63	16
15-38374A1	SHIM, BEARING CUP TO GEAR HSG. (.002-3-5-10)	81	56	17-24800	PIN, ROLL - ACTUATOR	65	31
16-20467	STUD, BOTTOM COWL TO REAR SUPPORT BRACKET	57	5	17-24873	PIN, ROLL - FLANGE	19	30
16-33778	STUD, WATER PUMP BODY/BASE TO GEAR HSG. (2 5/8")-	75	3	17-25391	RIVET, CHOKE SHUTTER TO CHOKE ROD	31	22
16-39781	STUD, RIDE GUIDE BRACKET TO STEERING ARM (1 1/4")	73	34	17-25598	PIN, REVERSE LOCK SPRING ATTACHING	73	40
16-52898	STUD, FILTER SCREEN TO CARBURETOR (1 1/8")	33	32	17-26618	PIN, DOWEL - PULLEY TO FLYWHEEL	15	8
16-52906	STUD, CARBURETOR - CHOKE SHUTTER PIVOT (1 3/8")	31	28	17-27961	PIN, ECONOMIZER COLLAR - SPRING RETAINER	17	10
16-57932	STUD, DRIVE SHAFT HOUSING TO GEAR HOUSING (1 3/4")	67	3	17-27962	PIN, ANCHOR - HORSESHOE SPRING TO PILOT	17	7
16-57933	STUD, GEAR HOUSING TO DRIVE SHAFT HOUSING (2 3/16")	75	4	17-29077	PIN, ROLL - TENSION SPRING TO KNOB	13	6
16-57934	STUD, WATER PUMP BODY/BASE TO GEAR HSG. (2 11/16") -	75	3	17-30545	PIN, DRIVE SHAFT	79	48
				17-33522	PIN, COWL LATCH LEVER TO HINGE	3	16
				17-35973	DOWEL PIN, WATER PUMP BASE TO WATER PUMP BODY	77	18
				17-38113	PIN, CROSS - RATCHET TO PROPELLER SHAFT	81	61
				17-39023	PIN, REVERSE LOCK LEVER	67	10
				17-49930A1	TILT LOCK PIN ASSEMBLY	71	12
				17-55453	DOWEL PIN, REED LOCATING	53	18
				17-61004	TAB WASHER, SHEAVE SHAFT NUT	7	2



# PARTS INDEX

Part Number	Description	Pg.	Ref. No.	Part Number	Description	Pg.	Ref. No.
18-26953	COTTER PIN, INTERLOCK CABLE TO SLIDING CAM	11	34	22-62365A1	CHECK VALVE ASSEMBLY, BLEED HOSE (UPPER)	45	24
18-26953	COTTER PIN, LINK TO UPPER CHOKE SHUTTER ELECTRIC	31	9	22-65857	CHECK VALVE ASSEMBLY, BLEED HOSE (UPPER)	47	24
18-27769	COTTER PIN, "U" LINK TO CHOKE ROD	31	20	23-26600	BUSHING, NYLON - UPPER SHIFT SHAFT	63	25
18-45882	COTTER PIN, REVERSE LOCK TO SHAFT	73	48	23-26856	BUSHING, TOGGLE SCREW	11	37
18-47959	COTTER PIN, TILT LOCK TUBE	71	26	23-28198	BUSHING, RUPPER - SHOCK ABSORBER (LOWER)	73	54
19-48750	PLUG, GEAR HOUSING FLUSHING HOLE	77	35	23-28199	SPACER, UPPER SHOCK BUSHING TO CLAMP BRACKET	73	49
19-64649	PLUG, PLASTIC - TRIM TAB SCREW HOLE	67	2	23-28458	SPACER, RECTIFIER TO FRONT BRACKET ELECTRIC	27	8
21-28481A1	CHECK VALVE ASSEMBLY, BLEED HOSE VALVE	45	25	23-28912	BUSHING, SPRING GUIDE	7	11
21-30430A1	CHECK VALVE ASSEMBLY	39	2	23-28919	BUSHING, NYLON - SHEAVE SHAFT SPACER	7	14
21-30430A1	CHECK VALVE ASSEMBLY	39	2	23-29909	SPACER, DRIVEN PULLEY	19	--
21-56011A2	CHECK VALVE ASSEMBLY, LOWER END CAP	49	12	23-30438	BUSHING, NYLON - UPPER CHOKE SHUTTER (ELECTRIC)	31	27
21-64871A2	CONNECTOR, CYLINDER BLEED HOSE (LOWER)	47	27	23-31915	SLEEVE, FUEL PUMP SCREW	41	15
22-22946	SLEEVE, RUBBER	41	21	23-32171	BUSHING, RUBBER - SHOCK ABSORBER (UPPER)	73	53
22-22946	SLEEVE, RUBBER - CONNECTOR	41	17	23-33070	SPACER, RETAINER BRACKET TO SUPPORT BRACKET	27	14
22-22948	NUT, CONNECTOR TO FUEL LINE	41	18	23-35560	SPACER, SHEAVE SHAFT	7	15
22-22948	NUT, ELBOW	41	22	23-37927	BUSHING, NYLON - QUICK DISCONNECT LEVER	63	15
22-22949	CONNECTOR, PUMP OUTLET TO FUEL LINE	41	16	23-45818	BUSHING, THROTTLE LEVER SCREW	19	46
22-22995	ELBOW, FUEL PUMP INLET	41	20	23-47803	BUSHING, TILT LOCK TUBE	71	27
22-23612	FITTING, GREASE	71	21	23-52709	SLEEVE, LUBRICATION - DRIVE SHAFT	79	49
22-25094	FITTING, GREASE - ECONOMIZER COLLAR	17	11	23-55419A1	BUSHING ASSEMBLY, SHIFT SHAFT	79	40
22-25094	FITTING, GREASE - IGNITION DRIVER ADAPTOR	19	22	23-59624	SPACER, CLAMP BRACKET STUD	71	8
22-29111	CONNECTOR, BALANCE TUBE TO CYLINDER BLOCK	45	20	23-60242	SLEEVE, LUBRICATION - DRIVE SHAFT	79	49
22-29111	CONNECTOR, WATER TELL TALE HOLE - CYLINDER BLOCK	45	11	23-61005	SPACER, SHEAVE SHAFT	7	15
22-31521	ELBOW, VENT - IGNITION DRIVER COVER	23	21	23-63061	SPACER, SHEAVE SHAFT (PART OF 50-62237A1)	9	15
22-31521	ELBOW, VENT TUBE TO BOTTOM COWL	57	8	23-63100	BUSHING, SPRING GUIDE	7	11
22-32802	PLUG, PIPE - CYLINDER BLOCK COVER	49	26	23-63100	BUSHING, SPRING GUIDE	7	11
22-32802	PLUG, PIPE - WATER PRESSURE AND BALANCE TUBE HOLES (SERVICE)	45	4	23-65790	BUSHING, FUEL PUMP SCREW	41	14
22-33373	CONNECTOR, CYLINDER BLEED HOSE (UPPER)	47	27	24-20099	SPRING, COMPRESSION - LATCH SCREW	19	51
22-34579	CONNECTOR, CYLINDER BLEED HOSE (LOWER)	47	27	24-20254	SPRING, COMPRESSION - DRIVE SHAFT	79	47
22-37682	CONNECTOR, FUEL LINE TO ADAPTOR	41	24	24-26088	SPRING, RETAINER PLATE TO STARTER SHEAVE	9	19
				24-27944	SPRING, HORSESHOE - IGNITION DRIVER PILOT	17	6
				24-28965	SPRING, TENSION - CHOKE ROD TO CARBURETOR	31	23

# PARTS INDEX

Part Number	Description	Pg.	Ref. No.	Part Number	Description	Pg.	Ref. No.
24-28975	SPRING, GARTER - INTERNAL WIRING HARNESS ELECTRIC . . .	29	33	26-31249	OIL SEAL, SHIFT SHAFT BUSHING (UPPER) . . . . .	79	42
24-29821	SPRING, REVERSE LOCK TENSION . . . . .	73	45	26-32121	OIL SEAL, WATER PUMP BODY . . . . .	77	26
24-30189	SPRING, ADAPTOR STEM .	41	28	26-32911	OIL SEAL, SWIVEL BRACKET . . . . .	71	19
24-30858A1	SPRING AND CONTRACT ASSEMBLY--MANUAL . . .	57	12	26-38452	SEAL, RUBBER - WATER TUBE . . . . .	63	3
24-32271	SPRING, TENSION - COVER FASTENING KNOB . . . . .	13	5	26-38452	SEAL, WATER PUMP BODY TO WATER TUBE . . . . .	77	29
24-35522	SPRING, TENSION - LOWER MOUNT CLAMP . . . . .	67	18	26-56788	OIL SEAL, BEARING CARRIER (DOUBLE LIP) .	83	71
24-37934	SPRING, SHIFT CABLE . . . .	65	32	27-27936	GASKET, TRANSFER PORT COVER . . . . .	51	33
24-38005	SPRING, COMPRESSION - QUICK DISCONNECT LEVER . . . . .	63	14	27-31402	GASKET, CARBURETOR FLANGE . . . . .	37	37
24-38114	SPRING, RETAINING - CROSS PIN . . . . .	83	62	27-32769	GASKET, LOWER - WATER PUMP BASE TO WATER PUMP BODY . . . . .	77	19
24-39502A1	SPRING, STARTER REWIND	7	9	27-32770	GASKET, UPPER - FACE PLATE TO WATER PUMP BODY . . . . .	77	21
24-39845	SPRING, COMPRESSION - CAM FOLLOWER . . . . .	81	55	27-32771	GASKET, WATER PUMP BASE TO GEAR HOUSING	77	13
24-53019	SPRING, COWL LATCH HINGE . . . . .	3	15	27-37725	GASKET, POWERHEAD TO EXHAUST EXTENSION PLATE . . . . .	63	8
24-57248	SPRING, SLIDING CAM . . . .	9	32	27-37816	GASKET, CYLINDER BLOCK COVER . . . . .	49	27
24-57279	SPRING, TOGGLE SCREW .	11	38	27-38501	GASKET, EXHAUST EXTENSION PLATE TO DRIVE SHAFT HOUSING .	63	12
24-60239	SPRING, STOP SWITCH-- MANUAL . . . . .	59	18	27-38501	GASKET, EXHAUST EXTENSION PLATE TO DRIVE SHAFT HOUSING .	69	37
24-66853	SPRING, RETAINER PLATE TO STARTER SHEAVE . .	9	19	27-46110	GASKET, CYLINDER BLOCK TO BAFFLE PLATE . . . . .	49	18
25-20081	"O" RING, LOWER END CAP	49	14	27-46110A2	GASKET SET . . . . .	1	-
25-20081	"O" RING, UPPER END CAP	49	4	27-46110A72	GASKET SET . . . . .	1	-
25-20116	GROMMET, CHOKE KNOB .	3	17	27-46111	GASKET, BAFFLE PLATE TO EXHAUST COVER . . . . .	49	20
25-20116	GROMMET, CHOKE KNOB .	31	16	27-47189	GASKET, IGNITION DRIVER COVER . . . . .	23	17
25-20273	RING, RUBBER - CENTRIFUGAL SLINGER .	77	31	27-47190	GASKET, IGNITION DRIVER CAP . . . . .	25	24
25-20415	"O" RING, ADAPTOR STEM .	41	27	27-61031	GASKET, IGNITION DRIVER COVER . . . . .	23	17
25-25439	"O" RING, SHIFT SHAFT BUSING . . . . .	79	39	28-20094	KEY, FLYWHEEL DRIVE . . .	15	3
25-26855	"O" RING, WATER PUMP BASE . . . . .	77	14	28-20094	KEY, FLYWHEEL DRIVE . . .	53	3
25-29619	"O" RING, DRIVE SHAFT SPLINE . . . . .	53	5	28-26547	GROMMET, COIL WIRE BRACKET . . . . .	25	29
25-29619	"O" RING, UPPER - DRIVE SHAFT . . . . .	77	32	28-28657	KEY, IGNITION DRIVER . . . .	19	27
25-31986	"O" RING, BEARING CARRIER . . . . .	83	68	28-30281	KEY, LOCATING - BEARING CARRIER . . . . .	83	72
25-52723	GROMMET, LIMIT STOP - REAR COWL SUPPORT BRACKET . . . . .	3	19	28-56662	KEY, IMPELLER DRIVE . . . .	77	23
25-57806	GROMMET, TRIM COVER SCREW . . . . .	69	47	29-20046	BEARING, NEEDLE . . . . .	53	10
25-65936	"O" RING, UPPER MOUNT . .	67	26A	29-20046	BEARING, NEEDLE - CRANKPIN . . . . .	55	31
26-23300	OIL SEAL, WATER PUMP BASE . . . . .	77	16	29-20063	BEARING, NEEDLE - PISTON PIN . . . . .	55	32
26-24590	OIL SEAL, SHIFT SHAFT BUSHING (LOWER) . . . . .	79	41				
26-26782	OIL SEAL, WATER PUMP BASE . . . . .	77	17				
26-29476	OIL SEAL . . . . .	49	3				
26-29476	OIL SEAL, LOWER END CAP	49	13				

# PARTS INDEX

Part Number	Description	Pg.	Ref. No.	Part Number	Description	Pg.	Ref. No.
30-20066	BALL BEARING, IGNITION DRIVER PILOT	17	5	34-20053	REED STOP, MAIN BEARING REED VALVES	53	22
30-20080	BALL BEARING, LOWER END CAP	49	15	34-56704A1	REED SET, MATCHED - MAIN BEARING	53	21
30-20080	BALL BEARING, UPPER END CAP	49	5	35-56197	SCREEN, FILTER - CARBURETOR	33	31
30-20839	BEARING, BALL - REVERSE GEAR	83	67	37-46397	DECAL, TIMING - FRONT SUPPORT BRACKET	5	26
30-24998	BEARING, BALL - DRIVER END (1 3/8" O.D.)	23	10	37-56521A1	DECAL SET	1	-
30-49090	BEARING, BALL - IGNITION DRIVER END (1 1/4" O.D.)	23	12	37-56521A2	DECAL SET	1	-
31-21700	BEARING ROLLER - BEARING CARRIER	83	70	37-61023A72	DECAL SET	1	-
31-21739	BEARING, ROLLER - FORWARD GEAR	81	58	37-61023A73	DECAL SET	1	-
31-38146A1	ROLLER BEARING ASSEMBLY, TAPERED - DRIVE SHAFT	79	51	37-65765A74	DECAL SET	1	-
31-38356A1	TAPERED ROLLER BEARING ASSEMBLY	81	57	38-56267	SERIAL PLATE	73	38
31-62091	BEARING, ROLLER - DRIVE SHAFT	75	5	39-27841A12	RING, PISTON	55	27
32-26407	HOSE, WATER TELL TALE - CYLINDER BLOCK TO BOTTOM COWL (16")	61	37	39-28616A12	RING, PISTON (.015 OVERSIZE)	55	--
32-26527	SLEEVE, SPARK PLUG LEAD (1 1/2")	25	33	40-47276	LOCK RING, PISTON PIN	53	26
32-28052	SLEEVE, RUBBER - TILT LOCK PIN BUMPER	71	13	43-55607	GEAR, PINION - DRIVE SHAFT	77	11
32-28373	SLEEVE, RECTIFIER TERMINALS ELECTRIC	27	11	43-55608	FORWARD GEAR ASSEMBLY	81	59
32-30036	FUEL LINE, FUEL PUMP TO ADAPTOR	41	23	43-55609	REVERSE GEAR ASSEMBLY	83	64
32-32094	FUEL LINE, PUMP TO LOWER AND UPPER FILTER	41	19	43-66554	REVERSE GEAR ASSEMBLY	83	64
32-32840A1	HOSE, CYLINDER BLEED (5 1/2")	47	26	44-55911	SHAFT, PROPELLER	83	63
32-32840A1	HOUSE, CYLINDER BLEED (6 1/2")	47	26	45-27951	SHAFT, IGNITION DRIVER	17	2
32-34395A1	TUBE, DRAIN - FRONT SUPPORT BRACKET TO BOTTOM COWL	5	35	45-57359A1	DRIVE SHAFT ASSEMBLY(LONG SHAFT)	79	46
32-34395A1	TUBE, VENT - IGNITION DRIVER OUTLET (12 5/8")	57	7	45-57360A1	DRIVE SHAFT ASSEMBLY(SHORT SHAFT)	79	46
32-34395A1	TUBE, VENT DISTRIBUTOR OUTLET (10 1/2")	57	7	45-60949A1	DRIVE SHAFT ASSEMBLY(LONG SHAFT)	79	46
32-37727	TUBE, WATER INLET(SHORT SHAFT)	69	40	45-60950A1	DRIVE SHAFT ASSEMBLY(SHORT SHAFT)	79	46
32-45679	TUBE, WATER INLET(LONG SHAFT)	69	40	46-48746A1	WATER PUMP BODY ASSEMBLY	77	24
32-46398	SLEEVE, HIGH TENSION CABLE (3/4")	25	35	46-48746A2	HEAVY DUTY WATER PUMP KIT	1	-
32-46768	SLEEVE, SPARK PLUG LEAD (6")	25	32	46-65498A1	WATER PUMP BASE ASSEMBLY	77	15
32-54936	HOSE, CYLINDRE BLEED	47	26	47-65959	IMPELLER, WATER PUMP	77	22
33-33729	TUBE, BALANCE - MAIN BEARING	45	19	50-28985A1	STARTER CABLE ASSEMBLY	9	23
33-57451	SPARK PLUG (AC V-40-FFM)	21	55	50-38890A1	STARTER MOTOR ASSEMBLY - ELECTRIC	27	16
				50-39837	RATCHET, FLYWHEEL (MANUAL)	15	5
				50-55601	STARTER MOTOR ASSEMBLY - ELECTRIC	27	16
				50-57094	SHEAVE ASSEMBLY	7	10
				50-62237A1	SHEAVE ASSEMBLY	7	10
				50-65211	RATCHET, FLYWHEEL (MANUAL)	15	5
				50-66855A1	SHEAVE ASSEMBLY	7	10
				52-47586	RATCHET, SLIDING CLUTCH	81	60
				53-20048	RING, SNAP - OUTER RACE CLAMPING	53	12
				53-29641	CLIP, RETAINING - SHIFT SHAFT	77	38

# PARTS INDEX

Part Number	Description	Pg.	Ref. No.	Part Number	Description	Pg.	Ref. No.
54-20387	CLAMP, BLEED HOSE ATTACHING	47	28	333-3166	CAP, BEARING - IGNITION DRIVER HOUSING	23	13
54-22627	CLIP, IGNITION DRIVER LEAD	25	36	333-3172A1	TERMINAL BOARD ASSEMBLY, IGNITION DRIVER	23	3
54-23568	CLIP, SOLENOID LEAD AND HARNESS TO FRONT SUPPORT BRACKET	5	32	333-3173	HARNESS, PRIMARY CABLE - IGNITION DRIVER	23	7
54-25231	CLIP, SOLENOID LEAD TO FRONT SUPPORT BRACKET	5	32	333-3175	COIL ASSEMBLY, IGNITION DRIVER (RED)	23	5
54-26550	CLAMP, STATOR LEAD TO CRANKCASE ELECTRIC	15	14	333-3176	COIL ASSEMBLY, IGNITION DRIVER (BLUE)	23	6
54-26550	CLIP, WIRING HARNESS LEAD	29	38	333-3198A1	SHAFT ASSEMBLY, IGNITION DRIVER	23	11
54-46379	CLIP, STATOR LEAD TO CRANKCASE ELECTRIC	15	17	333-3213A3	SWITCH BOX ASSEMBLY, COMPLETE	27	1
54-47187	SPRING, CLIP - IGNITION DRIVER ROTOR	23	16	333-4639A1	COVER, IGNITION DRIVER	23	18
54-47188	CLAMP, PRIMARY HARNESS CABLE - IGNITION DRIVER	23	8	333-4674A3	IGNITION DRIVER ASSEMBLY	23	-
54-49218	CLAMP, VENT HOUSE	57	--	333-4674A4	IGNITION DRIVER ASSEMBLY, COMPLETE	17	1
54-52876	CLAMP, WIRING HARNESS ELECTRIC	29	34	393-1275	HOUSING, IGNITION DRIVER	23	1
54-52905	CLIP, HIGH TENSION LEAD	49	24	393-1275	SLEEVE, HIGH TENSION LEAD TERMINAL COVER	25	--
55-28416	PIN, UPPER SHOCK MOUNTING	71	17	393-1275	SLEEVE, SPARK PLUG LEAD TO IGNITION DRIVER	25	--
55-58780A2	SHOCK ABSORBER	73	52	393-3250A1	LEAD ASSEMBLY, HIGH TENSION - DRIVER TO COIL	25	28
55-65447	PIN, LOWER SHOCK MOUNTING	73	44	394-1134A2	GROUND STRAP ASSEMBLY	25	25
87-61577A1	CONTRACT ASSEMBLY, STOP SWITCH-MANUAL	59	19	398-2996	STATOR, ALTERNATOR - FLYWHEEL ELECTRIC	15	12
90-56972	MERC 500 PARTS LIST	1	-	400-2976	CRANKSHAFT	53	4
92-25234--1	GLUE (BLANKET ADHESIVE)	13	--	400-4627	CRANKSHAFT	53	4
223-2402A10	FLYWHEEL ASSEMBLY (MANUAL)	15	4	500-3590A1	CENTER MAIN BEARING ASSEMBLY	53	8
223-2402A6	FLYWHEEL ASSEMBLY (MANUAL)	15	4	500-5345A2	CENTER MAIN BEARING ASSEMBLY	53	8
223-2403A15	FLYWHEEL ASSEMBLY (ELECTRIC)	15	4	534-3267A18	MAIN BEARING ASSEMBLY (VALVE TYPE)	53	16
223-2403A9	FLYWHEEL ASSEMBLY (ELECTRIC)	15	4	619-3195A2	CONNECTING ROD AND CAP ASSEMBLY	55	28
332-2854	BOOT, HIGH TENSION LEAD CABLE	25	30	743-3193A2	PISTON AND PISTON PIN ASSEMBLY	53	25
332-2983A20	IGNITION COIL ASSEMBLY, COMPLETE	29	43	743-3366A2	PISTON AND PISTON PIN ASSEMBLY (.015 OVERSIZE)	55	--
332-2983A8	IGNITION COIL ASSEMBLY, COMPLETE	29	43	743-5172A6	PISTON AND PISTON PIN ASSEMBLY	53	25
333-3141	COVER, IGNITION DRIVER	23	18	831-3719A3	CYLINDER BLOCK AND CRANKCASE ASSEMBLY	45	1
333-3142A3	CAP ASSEMBLY, IGNITION DRIVER	23	22	831-3719A3	CYLINDER BLOCK AND CRANKCASE ASSEMBLY	49	1
333-3143A1	ROTOR ASSEMBLY, IGNITION DRIVER	23	15	831-4989A5	CYLINDER BLOCK AND CRANKCASE ASSEMBLY	45	1
333-3144	HOUSING, IGNITION DRIVER	23	1	831-4989A5	CYLINDER BLOCK AND CRANKCASE ASSEMBLY	49	1
333-3144A4	IGNITION DRIVE ASSEMBLY, COMPLETE	17	1	831-5347A3	CYLINDER BLOCK AND CRANKCASE ASSEMBLY	45	1
333-3144A4	IGNITION DRIVER ASSEMBLY, COMPLETE	23	-	831-5347A3	CYLINDER BLOCK AND CRANKCASE ASSEMBLY	45	1
333-3165A1	BRUSH AND SPRING ASSEMBLY	25	23	831-5347A3	CYLINDER BLOCK AND CRANKCASE ASSEMBLY	49	1

# PARTS INDEX

Part Number	Description	Pg.	Ref. No.	Part Number	Description	Pg.	Ref. No.
1017-4002A1	COVER ASSEMBLY, CYLINBER BLOCK .....	49	25	1564-3913A2	DRIVE SHAFT HOUSING ASSEMBLY(LONG SHAFT) FIGURE 1 SEE CHART ..	67	1
1100-3281A1	END CAP ASSEMBLY, UPPER .....	49	2	1564-4812A2	DRIVE SHAFT HOUSING ASSEMBLY(LONG SHAFT) FIGURE 2 SEE CHART ..	67	1
1102-4181A1	END CAP ASSEMBLY, LOWER .....	49	11	1626-3927A4	GEAR HOUSING ASSEMBLY, COMPLETE(SHOFT SHAFT) .....	75	-
1158-5302A1	END CAP ASSEMBLY, LOWER .....	49	11	1626-3927A4	GEAR HOUSING ASSEMBLY, COMPLETE(SHORT SHAFT) .....	81	-
1333-3709	CARBURETOR ASSEMBLY, COMPLETE .....	31	10	1626-3927A5	GEAR HOUSING ASSEMBLY, COMPLETE(LONG SHAFT)	75	-
1333-3709	CARBURETOR ASSEMBLY, COMPLETE .....	35	1	1626-3927A5	GEAR HOUSING ASSEMBLY, COMPLETE(LONG SHAFT)	81	-
1333-5346	CARBURETOR ASSEMBLY, COMPLETE .....	31	10	1626-3927A5	GEAR HOUSING ASSEMBLY, COMPLETE(LONG SHAFT)	81	-
1333-5346	CARBURETOR ASSEMBLY, COMPLETE .....	35	1	1626-3927A6	GEAR HOUSING ASSEMBLY	75	1
1399-110A1	FLOAT ASSEMBLY .....	35	2	1626-3927A6	GEAR HOUSING ASSEMBLY	81	1
1399-1133	COVER, FLOAT BOWL ....	35	9	1643-4518A6	GEAR HOUSING ASSEMBLY( FIGURE 1) SEE CHART ..	75	1
1399-1135	COVER, STRAINER .....	35	16	1643-4518A6	GEAR HOUSING ASSEMBLY- FIGURE 1 SEE CHART ..	81	1
1399-1459	JET, MAIN FUEL (.059) ....	35	30	1643-4518A7	GEAR HOUSING ASSEMBLY, COMPLETE(SHORT SHAFT) FIGURE 1 SEE CH	81	-
1399-1461	JET, MAIN FUEL (.061) ....	35	30	1643-4518A7	GEAR HOUSING ASSEMBLY, COMPLETE(SHORT SHAFT)-FIGURE 1 .....	75	-
1399-1463	JET, MAIN FUEL (.063) - STANDARD .....	35	30	1643-4518A8	GEAR HOUSING ASSEMBLY, COMPLETE(LONG SHAFT) FIGURE 1 SEE CHA .....	81	-
1399-1465	JET, MAIN FUEL (.065) ....	35	30	1643-4518A8	GEAR HOUSING ASSEMBLY, COMPLETE(LONG SHAFT)-FIGURE 1 .....	75	-
1399-1473	INLET NEEDLE, SEAT AND GASKET .....	35	6	1643-4814A10	GEAR HOUSING ASSEMBLY, COMPLETE(SHORT SHAFT) FIGURE 2 SEE CH	81	-
1399-1713	SCREW, IDLE ADJUSTMENT	35	27	1643-4814A10	GEAR HOUSING ASSEMBLY, COMPLETE(SHORT SHAFT)-FIGURE 2 .....	75	-
1399-1754	SCREEN FILTER .....	35	14	1643-4814A11	GEAR HOUSING ASSEMBLY, COMPLETE(LONG SHAFT) FIGURE 2 SEE CHA .....	81	-
1399-2012	SHAFT, THROTTLE .....	35	21	1643-4814A11	GEAR HOUSING ASSEMBLY, COMPLETE(LONG SHAFT) FIGURE 2 SEE CHA .....	81	-
1399-2015	GASKET AND PACKING SET (1 PER CARBURETOR) ..	37	--	1643-4814A9	GEAR HOUSING ASSEMBLY( FUGURE 2) SEE CHART ..	75	1
1399-3392	SHUTTER, THROTTLE ....	35	25	1643-4814A9	GEAR HOUSING ASSEMBLY- FIGURE 2 SEE CHART ..	81	1
1399-3412	REPAIR PARTS KIT (1 PER CARBURETOR) .....	37	--	1643-4931A10	GEAR HOUSING ASSEMBLY, COMPLETE(LONG SHAFT)	75	-
1399-5413	REPAIR PARTS KIT (1 PER CARBURETOR) .....	37	--	1643-4931A10	GEAR HOUSING ASSEMBLY, COMPLETE(LONG SHAFT)	81	-
1399-97	LEVER, THROTTLE STOP (SEE NOTE BELOW) ....	35	20	1643-4931A6	GEAR HOUSING ASSEMBLY	75	1
1440-3291A1	CLAMP BRACKET ASSEMBLY .....	71	1	1643-4931A6	GEAR HOUSING ASSEMBLY	81	1
1440-5311A1	CLAMP BRACKET ASSEMBLY .....	71	1	1643-4931A9	GEAR HOUSING ASSEMBLY, COMPLETE(SHOFT SHAFT) .....	75	-
1465-4175A1	SWIVEL BRACKET ASSEMBLY(SHORT SHAFT .....	71	18	1643-4931A9	GEAR HOUSING ASSEMBLY, COMPLETE(SHOFT SHAFT) .....	75	-
1466-4176A1	SWIVEL BRACKET ASSEMBLY(LONG SHAFT	71	18				
1472-5047A1	SWIVEL BRACKET ASSEMBLY(SHORT SHAFT) .....	71	18				
1473-5048A1	SWIVEL BRACKET ASSEMBLY(LONG SHAFT)	71	18				
1554-3910A2	DRIVE SHAFT HOUSING ASSEMBLY(SHORT SHAFT) FIGURE 1 SEE CHART .....	67	1				
1554-4813A2	DRIVE SHAFT HOUSING ASSEMBLY(SHORT SHAFT) FIGURE 2 SEE CHART .....	67	1				

# PARTS INDEX

Part Number	Description	Pg.	Ref. No.	Part Number	Description	Pg.	Ref. No.
2104-2654A21	COWL FRONT COVER ASSEMBLY .....	13	1				
2104-2654A24	COWL FRONT COVER ASSEMBLY .....	13	1				
2104-2654A28	COWL FRONT COVER ASSEMBLY .....	13	1				
2116-3643A1	BOTTOM COWL ASSEMBLY	57	1				
2116-4381A1	BOTTOM COWL ASSEMBLY	57	1				
2117-3903	TOP COWL (ELECTRIC) ...	3	1				
2117-3916	TOP COWL (MANUAL) .....	3	1				
2118-3247A3	WRAP AROUND COWL ASSEMBLY .....	13	10				