



PARTS CATALOG

MERC 650

SERIAL NUMBER

650 (4 CYL.) 2803562 THRU 3293183

TABLE OF CONTENTS:

BOTTOM COWL AND SHIFT LINKAGE	36
CARBURETOR ASSEMBLY	24
CARBURETOR LINKAGE AND CHOKE SOLENOID	22
CLAMP AND SWIVEL BRACKET ASSEMBLY	40
COWLING AND FRONT COVER	6
CRANKSHAFT, PISTON AND CONNECTING ROD	34
CYLINDER BLOCK AND CRANKCASE ASSEMBLY	30
DISTRIBUTOR ADAPTOR AND VERTICAL LINKAGE	14
DISTRIBUTOR HOUSING AND ROTOR	10
DRIVE SHAFT HOUSING ASSEMBLY	44
FLYWHEEL ASSEMBLY AND STATOR	8
FUEL PUMP AND FUEL LINE ASSEMBLY	28
GEAR HOUSING ASSEMBLY, COMPLETE (PAGE 1)	48
GEAR HOUSING ASSEMBLY, COMPLETE (PAGE 2)	54
MISCELLANEOUS PARTS/ACCESSORIES	1
PARTS INDEX	58
STARTER MOTOR, STARTER SOLENOID, RECTIFIER AND WIRING HARNES	18
TOP COWL AND SUPPORT BRACKETS	2

NOTE: Indented description indicate that these parts are included in preceeding assembly.

AR = As Required

NSS = Not Sold Separate

OPT = Optional

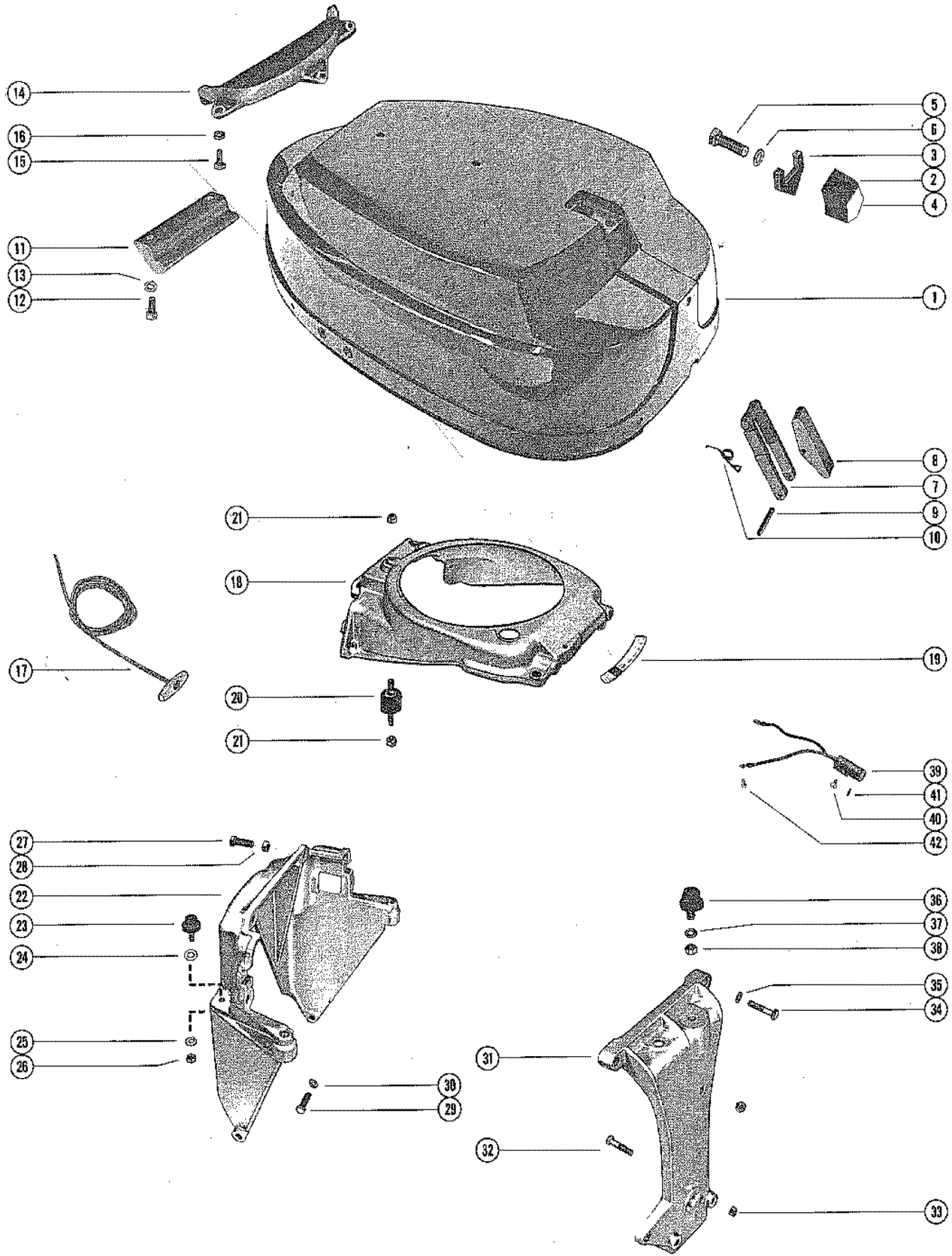
NS = Not Shown

THESE PARTS BOOKS/FICHE CARD ARE COPYRIGHTED AND MAY NOT BE DISTRIBUTED OR REPRODUCED IN ANY OTHER FORMAT BY ANYONE OTHER THAN MERCURY MARINE WITHOUT THE PRIOR WRITTEN CONSENT OF MERCURY MARINE.

MISCELLANEOUS PARTS/ACCESSORIES

REF. NO.	PART NO.	SYM.	QTY.	DESCRIPTION
-	90-56973		0	MERC 650E PARTS LIST
-	27-37414A4		0	GASKET SET (MOTOR OVERHAUL) SERIAL 02803562-02874263
-	27-37414A5		0	GASKET SET (MOTOR OVERHAUL) SERIAL 02997339-09999999
-	37-56433A1		0	DECAL SET SERIAL 02803562-02874263
-	37-56433A2		0	DECAL SET SERIAL 02997339-09999999
-	46-48743A3		0	EXTRA HEAVY DUTY WATER PUMP KIT
-	55398A4		0	TACHOMETER ASSEMBLY

TOP COWL AND SUPPORT BRACKETS

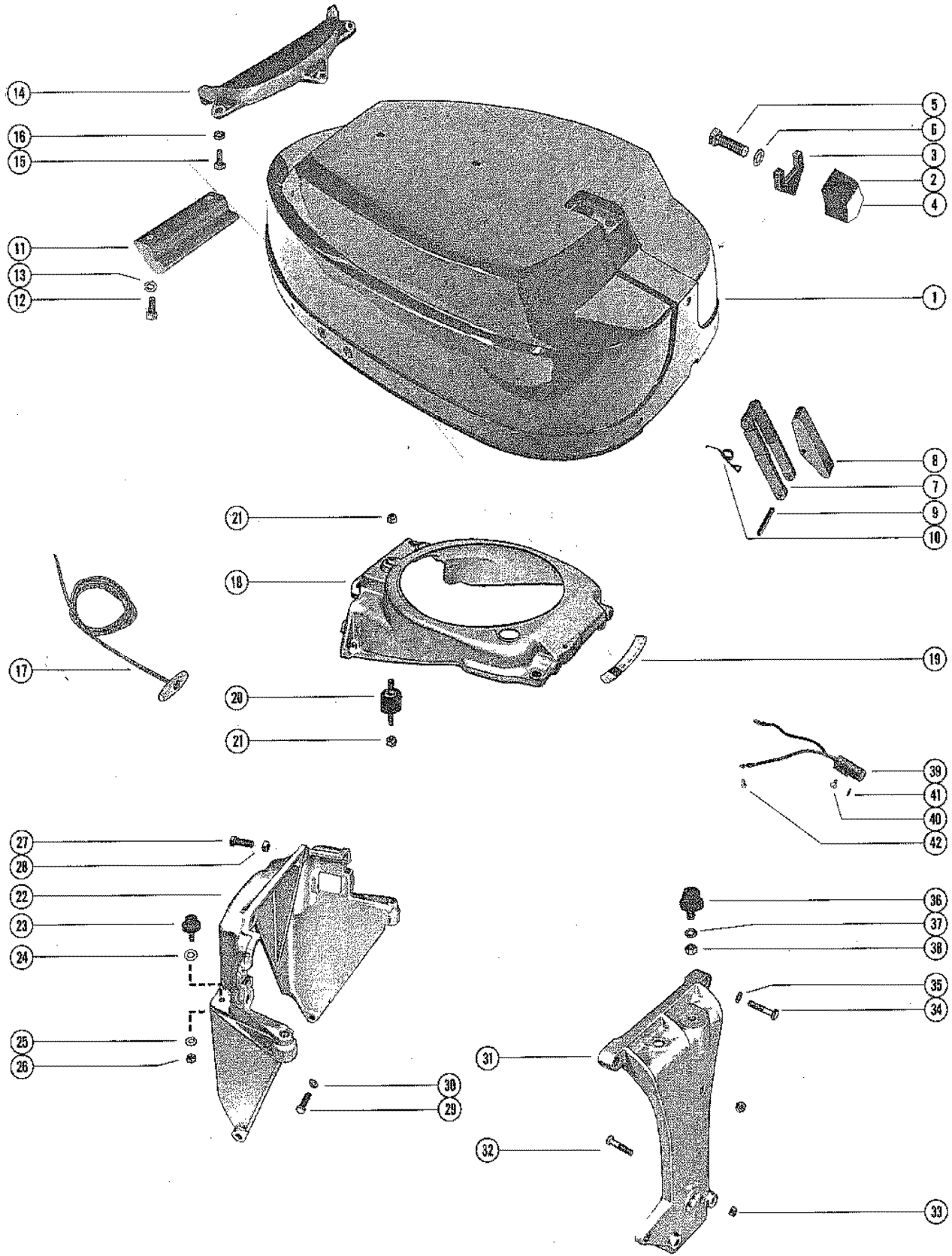


TOP COWL AND SUPPORT BRACKETS

REF. NO.	PART NO.	SYM.	QTY.	DESCRIPTION
1	2114-3806		1	COWL, TOP
2	52733A3		1	RETAINER ASSEMBLY, TOP COWL SERIAL 02803562-02874263
	52733A4		1	RETAINER ASSEMBLY, TOP COWL SERIAL 02997339-09999999
3	35496		1	PAD, BUMPER - TOP COWL RETAINER
4	56186		1	EMBLEM, TOP COWL RETAINER SERIAL 02803562-02874263
5	10-37558		1	SCREW, RETAINER TO TOP COWL (1 1/4")
6	13-39107		1	LOCKWASHER, RETAINER FASTENING SCREW
7	52739		1	HINGE, COWL LATCH - TOP COWL
8	52737		1	LEVER, COWL LATCH HINGE
9	17-33522		1	PIN, COWL LATCH LEVER TO HINGE
10	24-53019		1	SPRING, COWL LATCH HINGE
11	55455		1	HOOK, TOP COWL LATCH - REAR
12	10-22956		2	SCREW, REAR HOOK TO TOP COWL (7/8")
13	13-26992		2	LOCKWASHER, REAR HOOK MOUNTING SCREW
14	49448		1	SHIELD, TOP COWL - REAR
15	10-37370		3	SCREW, SHIELD TO TOP COWL (5/8")
16	13-37371		3	LOCKWASHER, SHIELD SCREW
17	47341A1		1	ROPE, STARTER (FOR MANUAL STARTING ONLY)
18	47271		1	FRAME, TOP COWL SUPPORT
19	37-54108		1	DECAL, TIMING - TOP COWL FRAME
20	37639		3	MOUNT, RUBBER - TOP COWL FRAME
21	11-20361		6	NUT, RUBBER MOUNT TO TOP COWL FRAME
22	52740		1	BRACKET, TOP COWL SUPPORT - REAR
23	31014		2	MOUNT, RUBBER - REAR SUPPORT BRACKET
24	12-20346		2	WASHER, RUBBER MOUNT STUD
25	13-26992		2	LOCKWASHER, RUBBER MOUNT TO REAR SUPPORT BRACKET
26	11-20088		2	NUT, RUBBER MOUNT TO REAR SUPPORT BRACKET
27	10-26065		4	SCREW, REAR SUPPORT BRACKET TO TOP COWL FRAM (1")
28	11-46793		4	NUT, REAR SUPPORT BRACKET SCREW
29	10-37558		2	SCREW, REAR SUPPORT BRACKET TO BOTTOM COWL (1 1/4")
30	13-26993		2	LOCKWASHER, REAR SUPPORT BRACKET SCREW
31	52635		1	BRACKET, TOP COWL SUPPORT - FRONT SERIAL 00000000-#3076715
	59768		1	BRACKET, TOP COWL SUPPORT - FRONT SERIAL #3149067-09999999
32	10-22040		2	SCREW, FRONT SUPPORT BRACKET TO BOTTOM COWL (1 1/2")
33	11-46793		2	NUT, FRONT SUPPORT BRACKET SCREW
34	10-20362		2	SCREW, FRONT BRACKET TO TOP COWL FRAME (1 1/2")
35	13-26993		2	LOCKWASHER, FRONT SUPPORT BRACKET SCREW

CONTINUED ON NEXT PAGE ➡

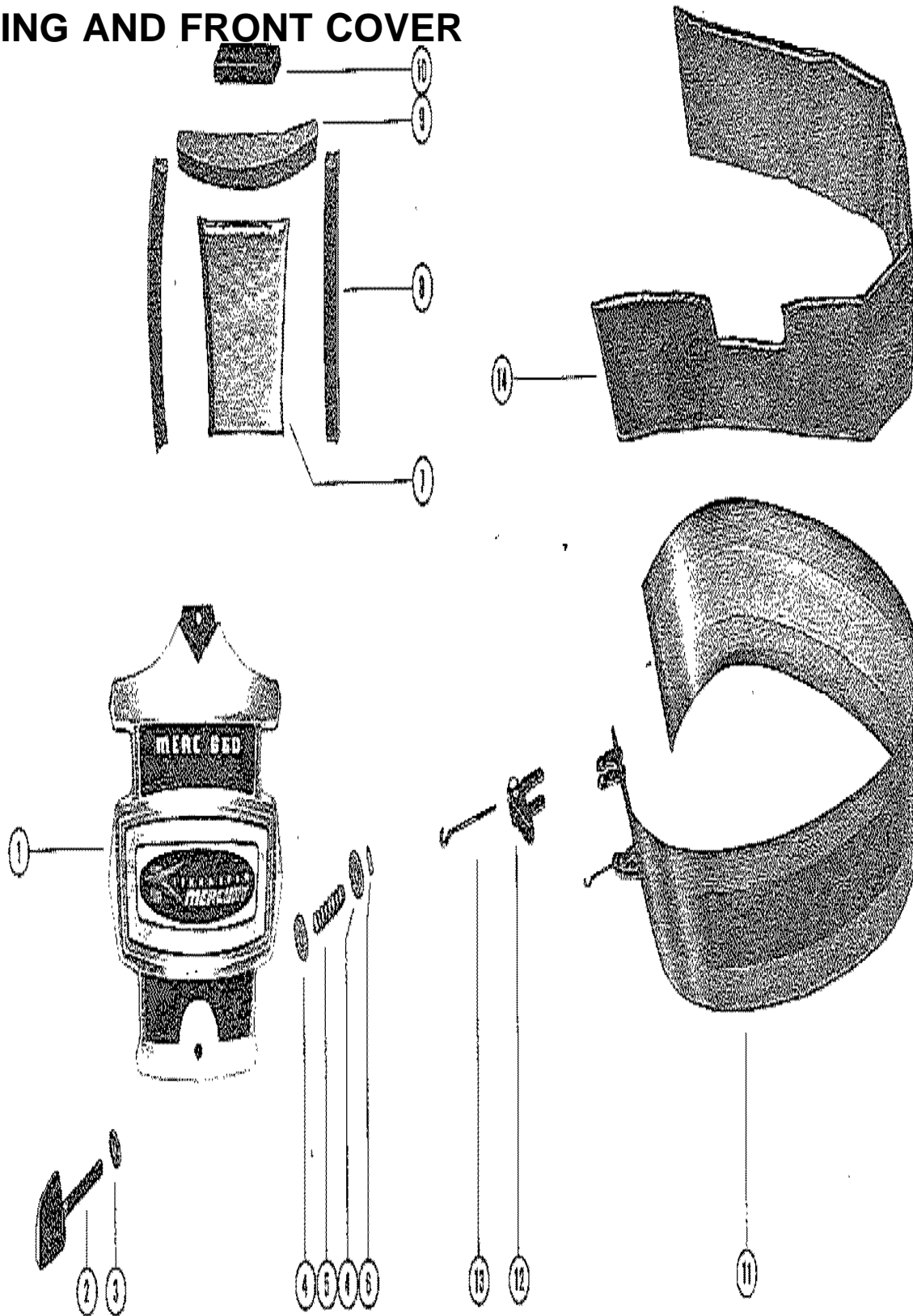
TOP COWL AND SUPPORT BRACKETS



TOP COWL AND SUPPORT BRACKETS

REF. NO.	PART NO.	SYM.	QTY.	DESCRIPTION
36	37640		1	MOUNT, RUBBER - FRONT SUPPORT BRACKET
37	13-26993		1	LOCKWASHER, RUBBER MOUNT TO FRONT SUPPORT BRACKET
38	11-22053		1	NUT, RUBBER MOUNT TO FRONT SUPPORT BRACKET
39	58124A7		1	SWITCH, MERCURY
40	10-25764		1	SCREW, MERCURY SWITCH TO FRONT SUPPORT BRACKET
41	17-30496		1	PIN, ROLL - MERCURY SWITCH
42	10-30663		1	SCREW, MERCURY SWITCH LEADS

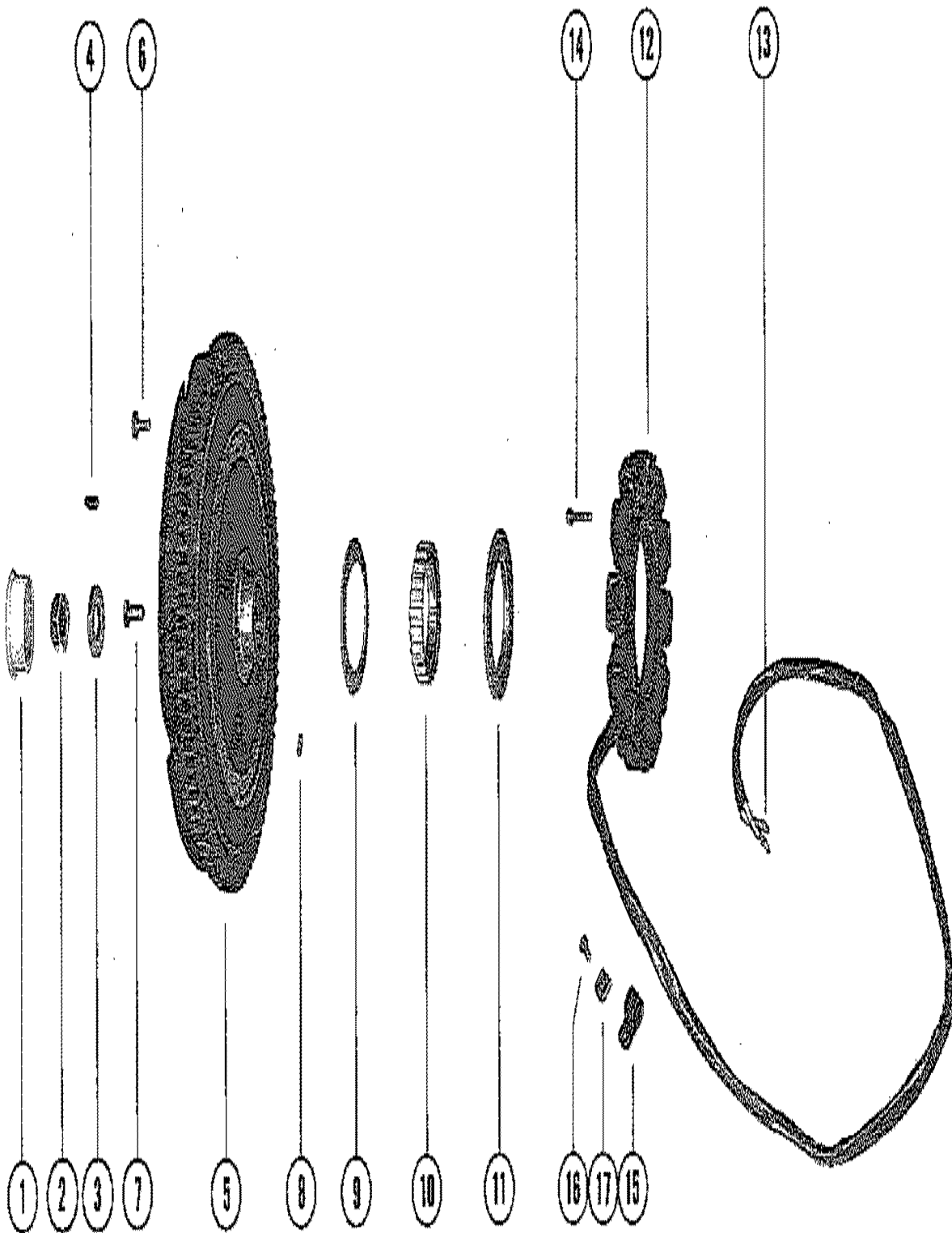
COWLING AND FRONT COVER



COWLING AND FRONT COVER

REF. NO.	PART NO.	SYM.	QTY.	DESCRIPTION
1	2104-2654A19		1	COWL FRONT COVER ASSEMBLY SERIAL #2803562-#2874263
	2104-2654A23		1	COWL FRONT COVER ASSEMBLY SERIAL #2997339-09999999
2	56849		1	KNOB, COWL FRONT COVER FASTENING
3	12-30771		2	WASHER, COVER FASTENING KNOB (RUBBER)
4	12-59572		2	WASHER, COVER FASTENING KNOB (STEEL)
5	24-32271		1	SPRING, TENSION - COVER FASTENING KNOB
6	17-29077		1	ROLL PIN, TENSION SPRING TO KNOB
7	38674		1	BLANKET, SOUND ABSORBING - FRONT COVER
8	31095		2	STRIP, SOUND - LOWER SECTION
9	35552		1	SEAL, SOUND - UPPER SECTION
10	53334		1	SEAL, SOUND - TOP
11	2119-3248A3		1	WRAP AROUND COWL ASSEMBLY
12	46785A1		2	COWL LATCH ASSEMBLY
13	30413		2	HOOK, COWL LATCH FASTENING
14	31935		1	BLANKET, SOUND ABSORBING - WRAP AROUND COWL
-	92-25234--1		1	GLUE, ADHESIVE - SOUND BLANKET FASTENING

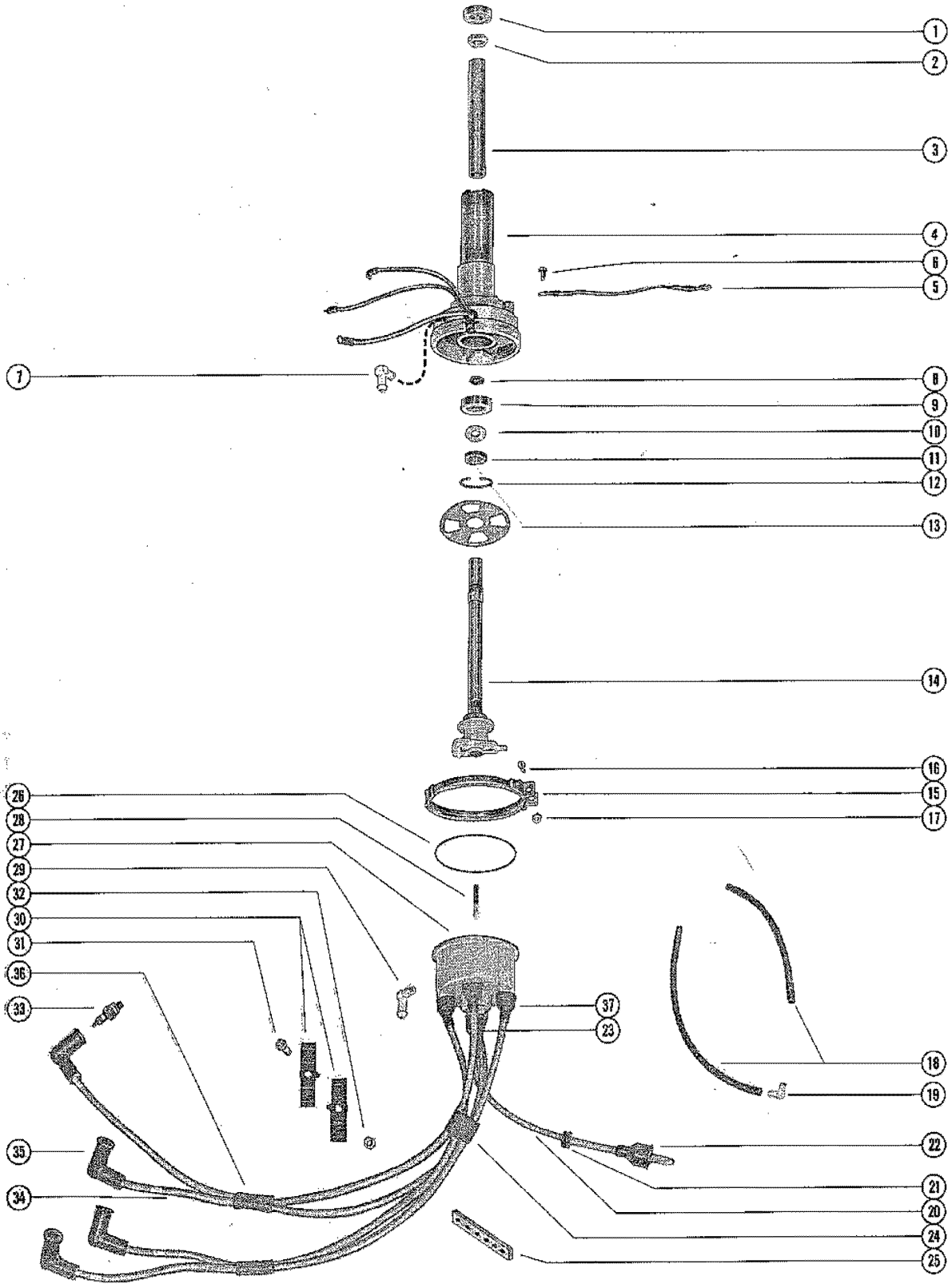
FLYWHEEL ASSEMBLY AND STATOR



FLYWHEEL ASSEMBLY AND STATOR

REF. NO.	PART NO.	SYM.	QTY.	DESCRIPTION
1	19-45907		1	PLUG, FLYWHEEL PULLER THREADS
2	11-22339		1	NUT, FLYWHEEL
3	12-33001		1	WASHER, FLYWHEEL NUT
4	28-45554		1	KEY, FLYWHEEL DRIVE
5	225-2494A13		1	FLYWHEEL ASSEMBLY, COMPLETE SERIAL 00000000-#3076715
	225-2494A15		1	FLYWHEEL ASSEMBLY, COMPLETE SERIAL #3149067-09999999
6	10-32417		8	SCREW, FLEXIBLE PLATE TO FLYWHEEL
7	10-49006		8	SCREW, PLATE AND HUB TO FLEXIBLE PLATE
8	17-26618		1	PIN, DOWEL - PULLEY TO FLYWHEEL
9	29788		1	FLANGE, FLYWHEEL PULLEY
10	30306		1	PULLEY, FLYWHEEL
11	29787		1	HUB, FLYWHEEL PULLEY
12	398-3618		1	STATOR, ALTERNATOR
13	30050		2	TERMINAL, STATOR LEAD WIRE
14	10-57021		4	SCREW, STATOR TO UPPER END CAP (7/8")
15	54-22740		1	CLIP, STATOR LEAD TO UPPER END CAP
16	10-35519		1	SCREW, STATOR LEAD CLIP FASTENING (1/2")
17	22789		1	"D" WASHER, CLUP FASTENING SCREW

DISTRIBUTOR HOUSING AND ROTOR

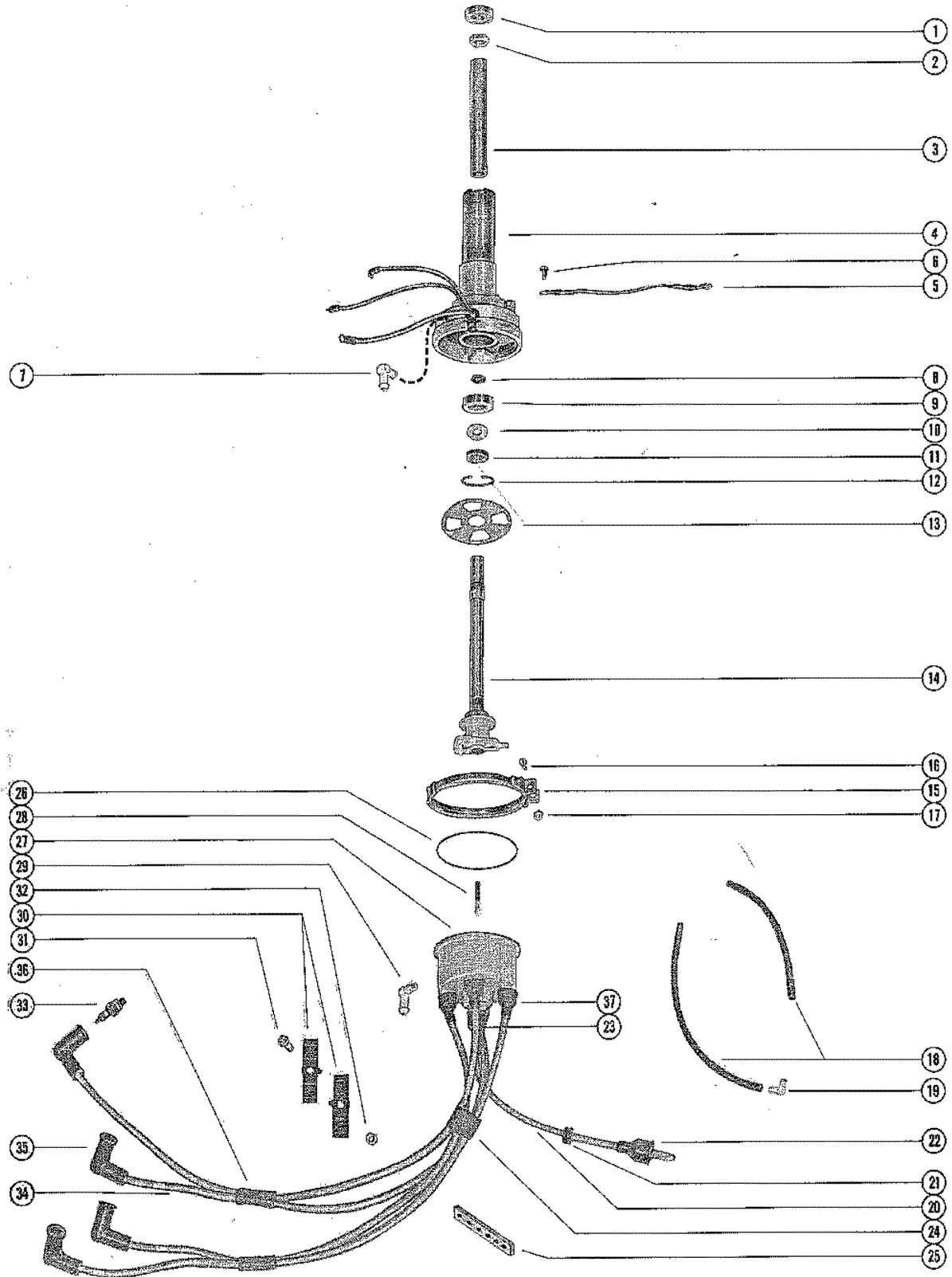


DISTRIBUTOR HOUSING AND ROTOR

REF. NO.	PART NO.	SYM.	QTY.	DESCRIPTION
1	30-20066		1	BALL BEARING, DISTRIBUTOR HOUSING (UPPER)
2	11-54209		1	NUT, ROTOR SHAFT TO DISTRIBUTOR HOUSING
3	23-53539		1	SLEEVE, ROTOR SHAFT
4	332-4177A3		1	HOUSING ASSEMBLY, DISTRIBUTOR
5	53417		1	GROUND STRAP ASSEMBLY, DISTRIBUTOR TO CRANKCASE
6	10-30663		1	SCREW, GROUND STRAP ATTACHING (3/8")
7	22-55262		1	ELBOW, VENT - DISTRIBUTOR HOUSING SERIAL #2803562-02874263
	58807A1		1	FLAME ARRESTOR ASSEMBLY, DISTRIBUTOR HOUSING SERIAL 02997339-09999999
8	15-55853		AR	SHIM, BEARING TO DISTRIBUTOR HOUSING
9	30-26379		1	BALL BEARING, DISTRIBUTOR HOUSING (LOWER)
10	15-21148A1		1	SHIM, BEARING TO SPACER
11	23-53538		1	SPACER, ROTOR SHAFT
12	53-26406		1	RING, RETAINING - BALL BEARING TO DISTRIBUTOR HOUSING
13	393-3236		1	DISC, ROTOR
14	393-3896		1	ROTOR, DISTRIBUTOR SERIAL #2803562-#2874263
	393-4370		1	ROTOR, DISTRIBUTOR SERIAL #2997339-09999999
15	54-55651		1	CLAMP, DISTRIBUTOR CAP TO DISTRIBUTOR HOUSING
16	10-54281		1	SCREW, DISTRIBUTOR CAP CLAMP (1")
17	11-26768		1	NUT, DISTRIBUTOR CAP CLAMP SCREW
18	32-34395A1		1	HOSE, VENNT - DISTRIBUTOR TO ELBOW (5 3/8") SERIAL #2803562-02874263
	32-34395A1		1	HOSE, VENT - DISTRIBUTOR TO ELBOW (9") SERIAL #2803562-02874263
19	22-31521		2	ELBOW, VENT HOSE TO BOTTOM COWL SERIAL #2803562-02874263
20	393-3294A1		1	HIGH TENSION CALBE ASSEMBLY, DISTRIBUTOR CAP TO COIL
21	25-26547		1	GROMMET, HIGH TENSION CABLE
22	332-2854		1	BOOT, HIGH TENSION CABLE TO COIL
23	393-1275		1	SLEEVE, HIGH TENSION CABLE
24	32-46398		1	SLEEVE, (LEADS 1, 2, 3, 4) - (3/4")
25	45391		1	SPACER, IGNITION WIRE
26	27-55896		1	GASKET, DISTRIBUTOR CAP TO DISTRIBUTOR HOUSING
27	393-3726A2		1	DISTRIBUTOR CAP ASSEMBLY
28	393-1293A1		1	BRUSH AND SPRING ASSEMBLY
29	22-31521		1	ELBOW, VENT - DISTRIBUTOR CAP SERIAL #2803562-#2874263
	58807A1		1	FLAME ARRESTOR ASSEMBLY, DISTRIBUTOR CAP SERIAL #2997339-09999999
30	46281		4	RETAINER, HIGH TENSION LEADS
31	10-46378		2	SCREW, HIGH TENSION LEAD RETAINER (1")
32	11-20013		2	NUT, HIGH TENSION RETAINER SCREW

CONTINUED ON NEXT PAGE ➡

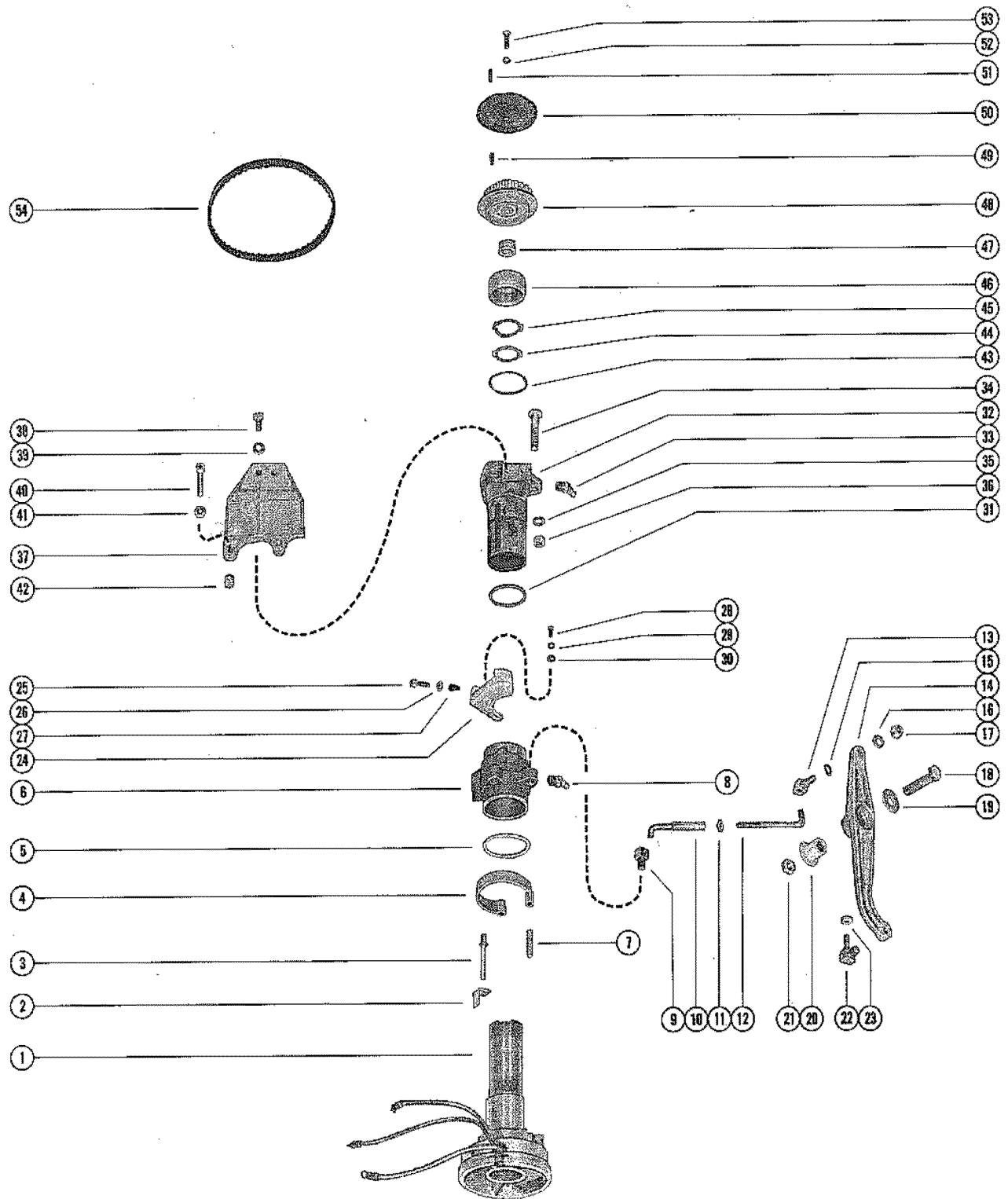
DISTRIBUTOR HOUSING AND ROTOR



DISTRIBUTOR HOUSING AND ROTOR

REF. NO.	PART NO.	SYM.	QTY.	DESCRIPTION
33	33-57451		4	SPARK PLUG (AC V-40FFM)
34	47899A9		4	SPARK PLUG LEAD ASSEMBLY #1, #2, #3 AND #4 ORDER A-36549A1 KIT FRO REPLACEMENT OF LEAD WIRE MARKERS
-	20121		4	CONNECTOR, SPARK PLUG LEAD
35	47604A1		4	PROTECTOR, SPARK PLUG LEAD
36	32-26527		2	SLEEVE, SPARK PLUG LEAD (LEADS 1, 2, 3, 4)
37	393-1275		4	SLEEVE, SPARK PLUG LEAD TO DISTRIBUTOR

DISTRIBUTOR ADAPTOR AND VERTICAL LINKAGE

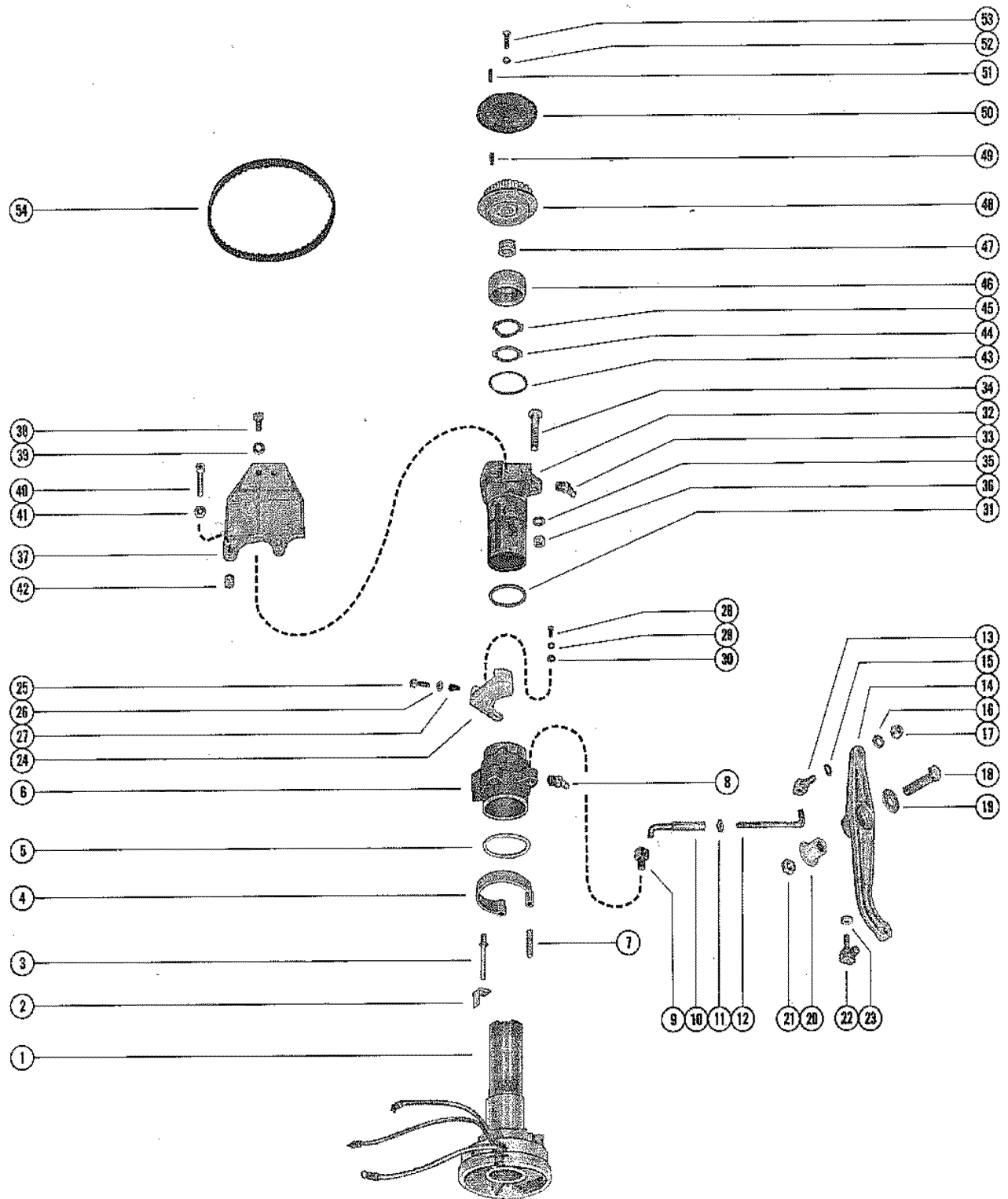


DISTRIBUTOR ADAPTOR AND VERTICAL LINKAGE

REF. NO.	PART NO.	SYM.	QTY.	DESCRIPTION
1	332-4177A3		1	HOUSING ASSEMBLY, DISTRIBUTOR
2	32197		1	STOP, SPARK ADVANCE - DISTRIBUTOR HOUSING
3	17-27962		1	PIN, ANCHOR SPRING - DISTRIBUTOR HOUSING
4	24-27944		1	SPRING, HORSESHOE - DISTRIBUTOR HOUSING
5	12-53540		1	WASHER, ECONOMIZER COLLAR - DISTRIBUTOR HOUSING
6	55804A1		1	ECONOMIZER COLLAR ASSEMBLY
7	17-27961		1	PIN, ECONOMIZER COLLAR - SPRING RETAINER
8	22-25094		1	FITTING, GREASE - ECONOMIZER COLLAR
9	27947		1	SWIVEL, LINKAGE - ECONOMIZER COLLAR
10	25996A1		1	SWIVEL AND LINK ROD ASSEMBLY
11	11-25168		1	NUT, UPPER LINK ROD ADJUSTING
12	37588		1	ROD, LINK - UPPER
13	27948		1	SWIVEL, UPPER LINK ROD TO THROTTLE CONTROL LEVER
14	48562		1	LEVER, THROTTLE CONTROL
15	13-25806		1	WASHER, WAVE - THROTTLE CONTROL LEVER
16	12-29245		1	WASHER, THROTTLE CONTROL LEVER SWIVEL
17	11-20361		1	NUT, UPPER LINK ROD TO THROTTLE CONTROL LEVER
18	10-37559		1	SCREW, THROTTLE LEVER TO EXHAUST COVER (1 3/4")
19	12-29395		1	WASHER, THROTTLE CONTROL LEVER SCREW
20	23-45818		1	BUSHING, THROTTLE CONTROL LEVER SCREW
22	37587		1	SWIVEL, LOWER - THROTTLE CONTROL LEVER TO THROTTLE CABLE
23	11-20361		1	NUT, THROTTLE CABLE TO LOWER SWIVEL
24	48306		1	PLATE, THROTTLE ACTUATOR
25	10-23702		1	SCREW, ADJUSTING - THROTTLE ACTUATOR
26	11-20645		1	NUT, THROTTLE ACTUATOR ADJUSTING SCREW
27	48039		1	CAP, NYLON - THROTTLE ACTUATOR ADJUSTING SCREW
28	10-32228		2	SCREW, THROTTLE ACTUATOR PLATE TO ECONOMIZER COLLAR (5/8")
29	12-20128		2	WASHER, THROTTLE ACTUATOR PLATE FASTENING SCREW
30	13-26996		2	LOCKWASHER, THROTTLE ACTUATOR PLATE FASTENING SCREW
31	12-46246		1	WASHER, ADAPTOR - DISTRIBUTOR HOUSING
32	48666A1		1	ADAPTOR ASSEMBLY, DISTRIBUTOR
33	22-25094		1	FITTING, GREASE - DISTRIBUTOR ADAPTOR
34	10-22040		3	SCREW, DISTRIBUTOR HOUSING TO CRANKCASE (1 1/2")
35	12-20084		3	WASHER, DISTRIBUTOR HOUSING SCREW
36	11-20083		3	NUT, DISTRIBUTOR HOUSING SCREW
37	55805		1	BRACKET, STOP
38	10-28636		2	SCREW, STOP BRACKET TO DISTRIBUTOR ADAPTOR (3/4")
39	12-20533		2	WASHER, STOP BRACKET FASTENING SCREW
40	10-24228		3	SCREW, STOP BRACKET ADJUSTING (1 7/8")
41	11-20890		3	NUT, STOP BRACKET ADJUSTING SCREWS
42	52023		3	CAP, NYLON - STOP BRACKET ADJUSTING SCREWS

CONTINUED ON NEXT PAGE ➡

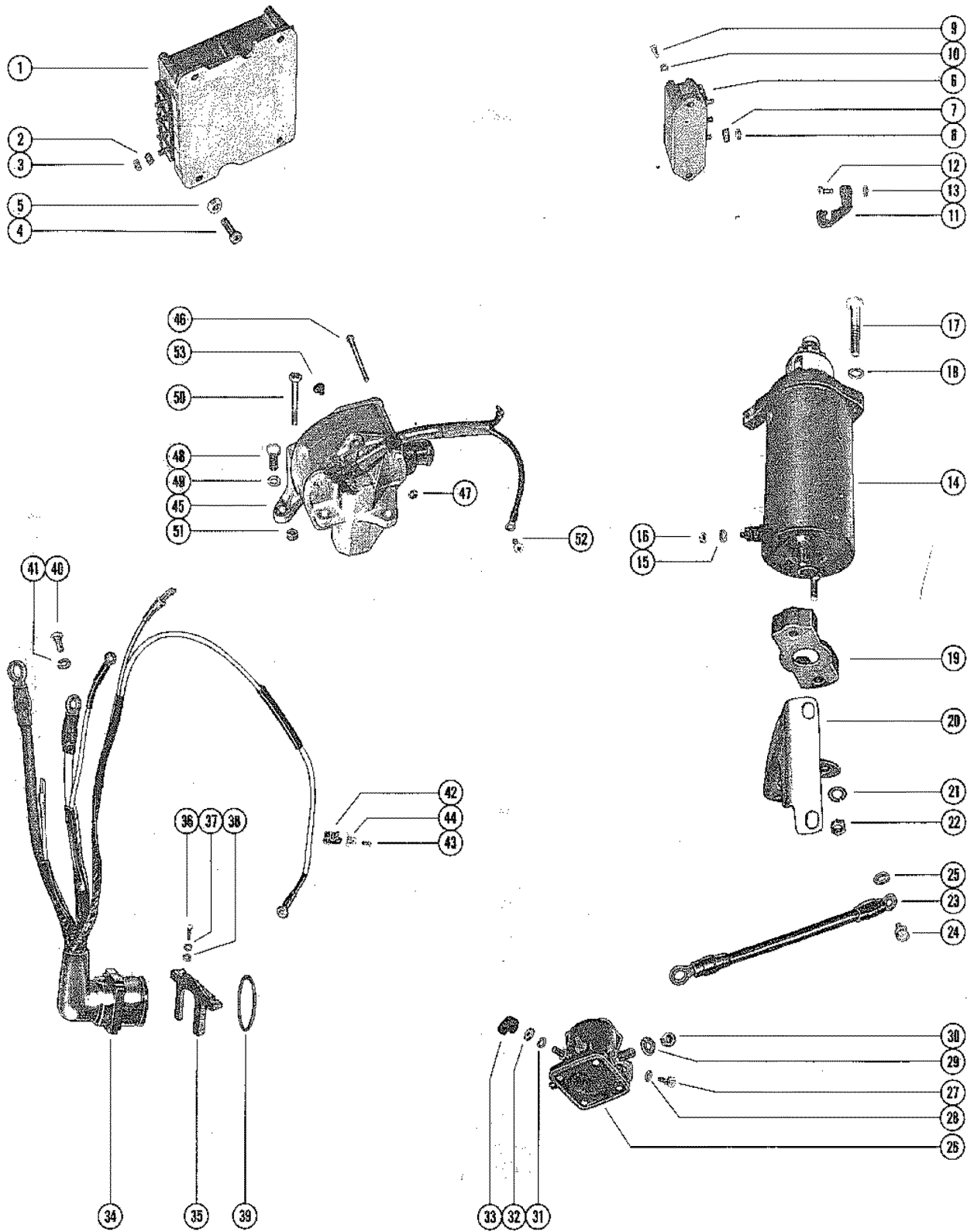
DISTRIBUTOR ADAPTOR AND VERTICAL LINKAGE



DISTRIBUTOR ADAPTOR AND VERTICAL LINKAGE

REF. NO.	PART NO.	SYM.	QTY.	DESCRIPTION
43	12-27939		1	WASHER, DISTRIBUTOR HOUSING
44	14-27960		1	TAB WASHER, ADAPTOR CAP FASTENING
45	13-27959		1	WASHER, WAVE - DISTRIBUTOR BALL BEARING TENSION
46	54567		1	CAP, DISTRIBUTOR HOUSING
47	23-57185		1	SPACER, DRIVE PULLEY
48	29906A1		1	DRIVEN PULLEY ASSEMBLY
49	17-29908		1	PIN, ROLL - FLANGE LOCATING
50	29907		1	FLANGE, DRIVEN PULLEY
51	28-29910		1	KEY, DISTRIBUTOR DRIVER
52	12-38832		1	WASHER, PULLY CLAMPING SCREW SERIAL #2803562- #2874263
53	10-49989		1	SCREW, PULLEY CLAMPING SERIAL #2803562-#2874263
	10-58354		1	SCREW, PULLING CLAMPING SERIAL #2997339-09999999
54	20140		1	BELT, TIMING

STARTER MOTOR, STARTER SOLENOID, RECTIFIER AND WIRING HARNESS

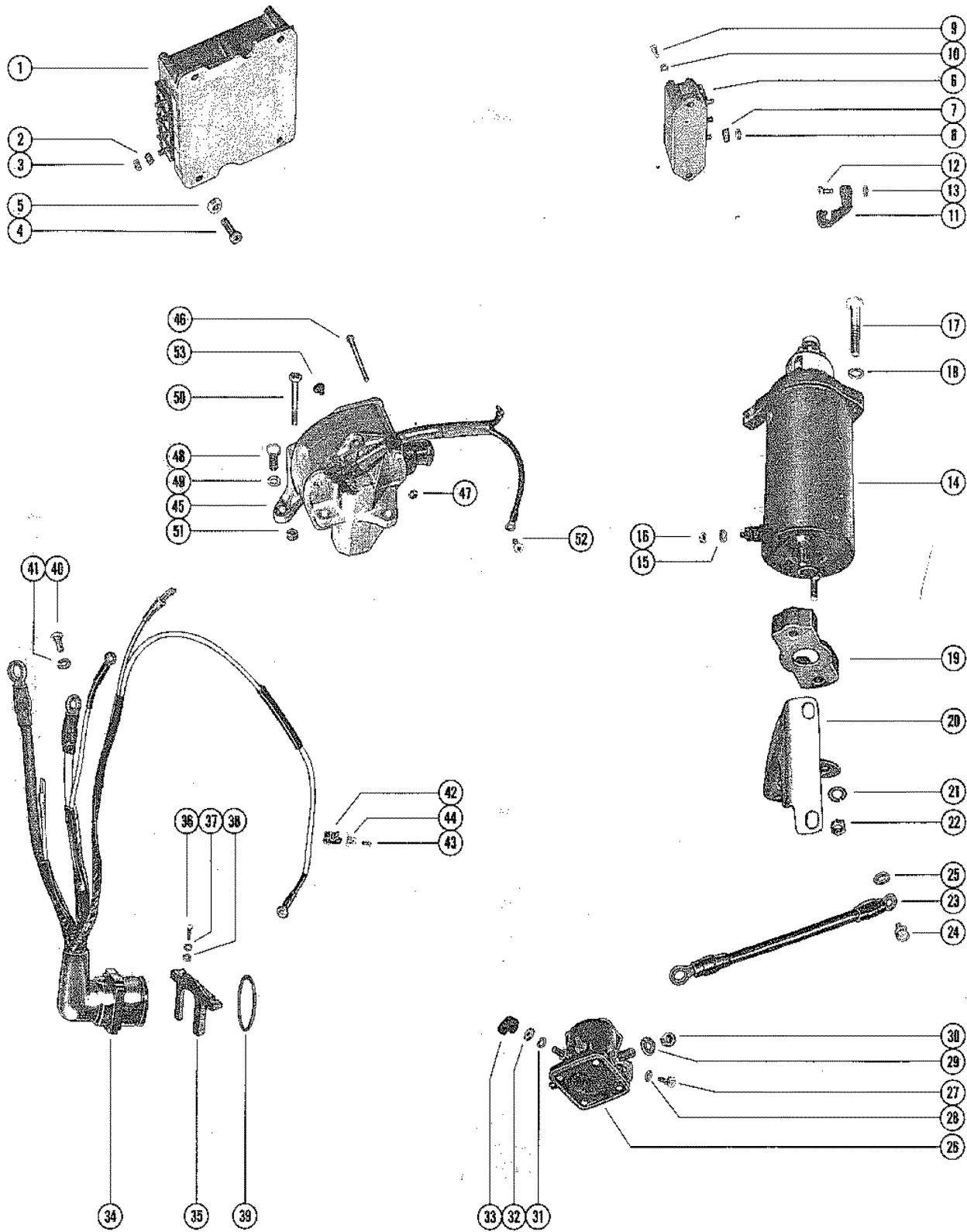


STARTER MOTOR, STARTER SOLENOID, RECTIFIER AND WIRING HARNES

REF. NO.	PART NO.	SYM.	QTY.	DESCRIPTION
1	332-2986A8		1	SWITCH BOX ASSEMBLY, COMPLETE
2	12-45075		7	WASHER, SWITCH BOX TERMINAL
3	11-45076		7	NUT, SWITCH BOX TERMINAL
4	10-21625		4	SCREW, SWITCH BOX TO FRONT SUPPORT BRACKET (3/4")
5	11-46887		4	NUT, SWITCH BOX TO FRONT SUPPORT BRACKET SCREW
6	332-2910A3		1	RECTIFIER ASSEMBLY, COMPLETE
7	12-45075		3	WASHER, RECTIFIER TERMINAL
8	11-45076		3	NUT, RECTIFIER TERMINAL
9	10-24963		2	SCREW, RECTIFIER TO BOTTOM COWL (7/8")
10	13-22773		2	LOCKWASHER, RECTIFIER MOUNTING SCREW
11	46280		1	BRACKET, RETAINER - HIGH TENSION LEAD
12	10-22956		1	SCREW, RETAINER BRACKET TO FRONT SUPPORT BRACKET (7/8")
13	11-46887		1	NUT, RETAINER BRACKET SCREW
14	50-45822A1		1	STARTER MOTOR ASSEMBLY SERIAL #2803562-#2803821
	50-57867A1		1	STARTER MOTOR ASSEMBLY SERIAL #2803822-#2997338
	50-58788		1	STARTER MOTOR ASSEMBLY SERIAL #2997339-09999999
15	13-26992		1	LOCKWASHER, STARTER MOTOR TERMINAL
16	11-20890		1	NUT, STARTER MOTOR TERMINAL
17	10-22698		2	SCREW, STARTER MOTOR TO CRANKCASE FLANGE (1 3/4")
18	13-26993		2	LOCKWASHER, STARTER MOTOR SCREW
19	37331		1	PLATE, SPACER - STARTER MOTOR TO BRACKET
20	38747		1	BRACKET, SUPPORT - STARTER MOTOR
21	13-24669		2	LOCKWASHER, THRU BOLT - BRACKET TO STARTER MOTOR
22	11-20088		2	NUT, THRU BOLT - BRACKET TO STARTER MOTOR
23	49731		1	WIRE, STARTER MOTOR TO STARTER SOLENOID
	26511		1	WIRE, STARTER MOTOR TO TOP MOUNT
24	10-29197		1	SCREW, GROUND WIRE TO STARTER MOTOR
25	13-26992		1	LOCKWASHER, GROUND WIRE FASTENING SCREW
26	25661		1	STARTER SOLENOID
27	10-21625		2	SCREW, STARTER SOLENOID TO COIL BRACKET
28	13-26992		2	LOCKWASHER, STARTER SOLENOID MOUNTING SCREW
29	13-26993		2	LOCKWASHER, SOLENOID TERMINAL (5/16")
30	11-20083		2	NUT, SOLENOID TERMINAL - INSIDE (5/16")
31	13-26996		2	LOCKWASHER, SOLENOID TERMINAL (#10)
32	11-20645		2	NUT, SOLENOID TERMINAL (#10)
33	46265		1	BOOT, STARTER SOLENOID TERMINAL
34	52771		1	WIRING HARNESS (INTERNAL)
35	54-52876		1	CLAMP, WIRING HARNESS TO BOTTOM COWL
36	10-45862		2	SCREW, WIRING HARNESS CLAMP TO BOTTOM COWL (7/8")
37	13-26996		2	LOCKWASHER, WIRING HARNESS CLAMP SCREW
38	12-20128		2	WASHER, WIRING HARNESS CLAMP SCREW
39	24-28975		1	SPRING, GARTER - INTERNAL WIRING HARNESS

CONTINUED ON NEXT PAGE ➡

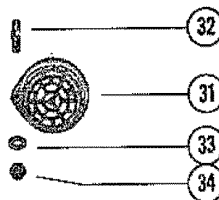
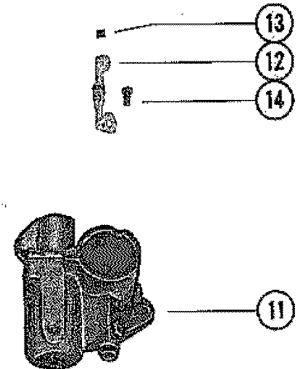
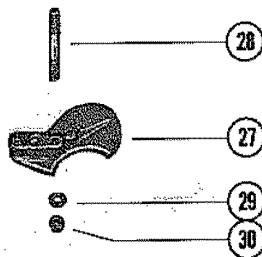
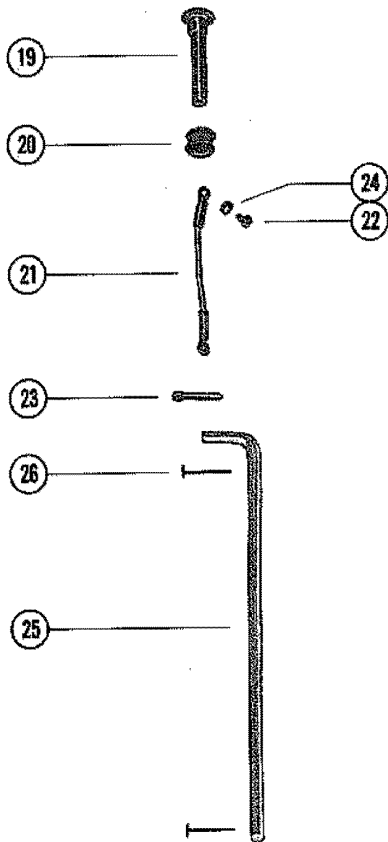
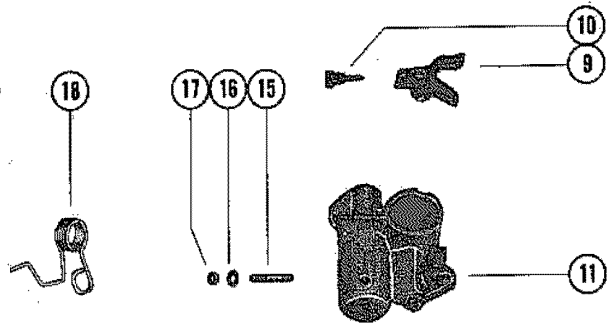
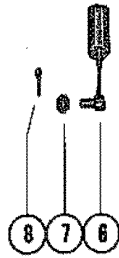
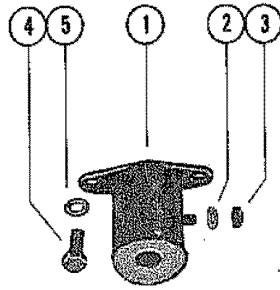
STARTER MOTOR, STARTER SOLENOID, RECTIFIER AND WIRING HARNESS



STARTER MOTOR, STARTER SOLENOID, RECTIFIER AND WIRING HARNES

REF. NO.	PART NO.	SYM.	QTY.	DESCRIPTION
40	10-20776		1	SCREW, WIRING HARNESS LEAD TO BOTTOM COWL (1/2")
41	13-24669		1	LOCKWASHER, WIRING HARNESS LEAD SCREW
42	54-26550		1	CLIP, WIRING HARNESS LEAD
43	10-31206		1	SCREW, WIRING HARNESS LEAD CLIP ATTACHING (7/16")
44	22789		1	"D" WASHER, WIRING HARNESS LEAD CLIP ATTACHING SCREW
45	332-2983A19		1	IGNITION COIL ASSEMBLY, COMPLETE
46	10-46368		2	SCREW, IGNITION COIL CLAMPING (2 1/4")
47	11-20190		2	NUT, IGNITION COIL CLAMPING SCREW
48	10-22486		1	SCREW, IGNITION COIL TO BOTTOM COWL (7/8")
49	13-26992		1	LOCKWASHER, IGNITION COIL SCREW
50	10-37561		1	SCREW, IGNITION COIL TO BOTTOM COWL (2 1/2")
51	11-46887		1	NUT, IGNITION COIL SCREW
52	10-45218		1	SCREW, IGNITION COIL WIRE TO SWITCH BOX (3/8")
53	26901		1	BUMPER, IGNITION COIL

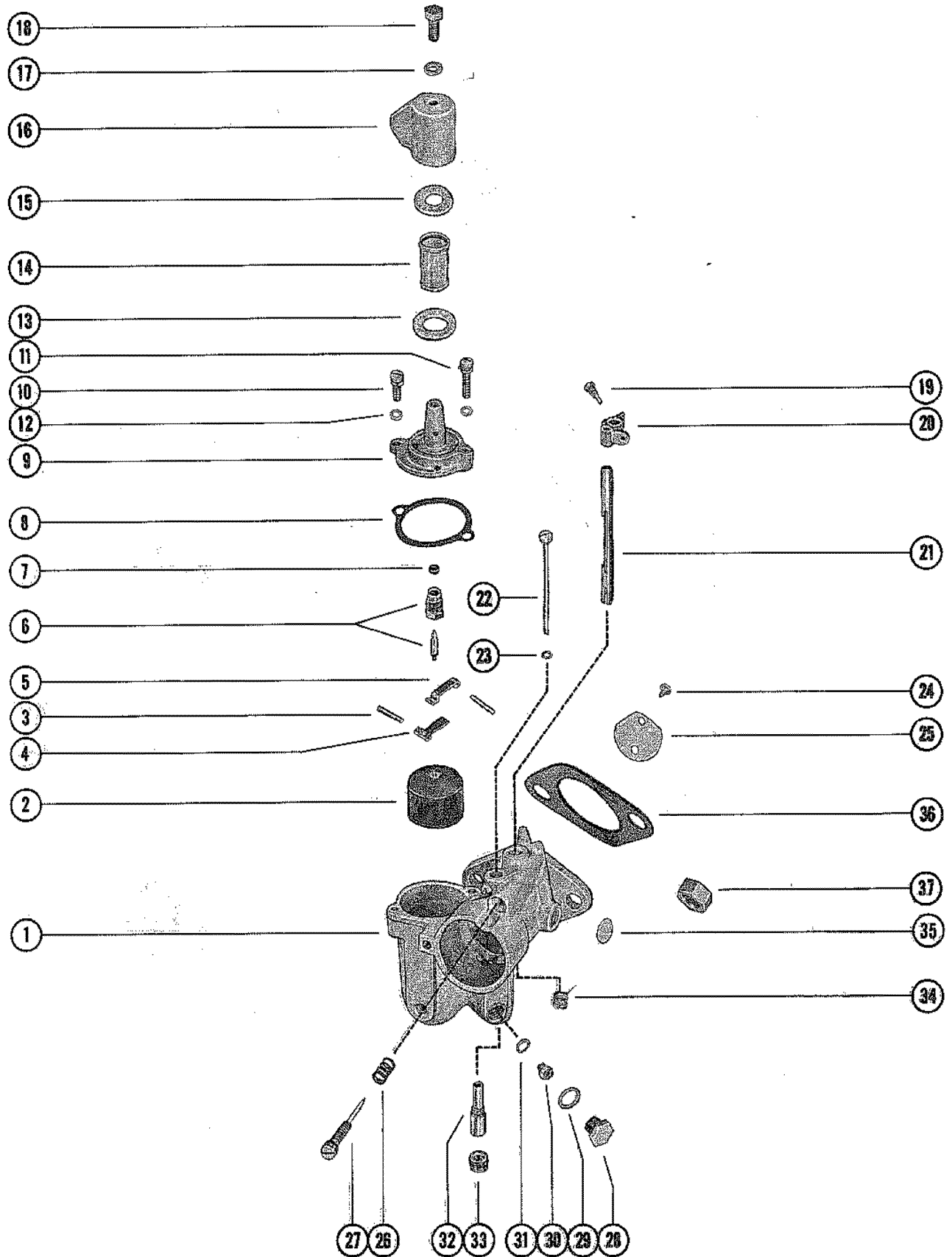
CARBURETOR LINKAGE AND CHOKE SOLENOID



CARBURETOR LINKAGE AND CHOKE SOLENOID

REF. NO.	PART NO.	SYM.	QTY.	DESCRIPTION
1	54293A5		1	CHOKE SOLENOID
2	13-26996		1	LOCKWASHER, HARNESS LEAD TO CHOKE SOLENOID
3	11-20645		1	NUT, WIRE HARNESS LEAD TO CHOKE SOLENOID
4	10-25299		2	SCREW, CHOKE SOLENOID ATTACHING (3/4")
5	13-26993		2	LOCKWASHER, CHOKE SOLENOID ATTACHING SCREW
6	54283A2		1	PLUNGER AND LINK ASSEMBLY SERIAL #2803562-#2869698
	54283A5		1	PLUNGER AND LINK ASSMBLY SERIAL #2869699-09999999
7	12-46101		1	WASHER, PLUNGER AND LINK
8	18-26953		1	COTTER PIN, LINK TO UPPER CHOKE LEVER
9	56498		1	CLUSTER, THROTTLE LEVER
10	10-20847		1	SCREW, CLUSTER TO THROTTLE LEVER
11	1335-4027		2	CARBURETOR ASSEMBLY, COMPLETE
12	53649A2		1	THROTTLE PICK-UP BRACKET ASSEMBLY
13	53665		1	INSERT, THROTTLE PICK-UP BRACKET
14	10-53651		1	SCREW, THROTTLE BRACKET MOUNTING (1")
16	23-32427		1	SPACER, CHOKE ROD SPRING STUD
17	11-46887		1	NUT, CHOKE ROD SPRING TO CARBURETOR STUD
18	24-37678		1	SPRING, TENSION - CHOKE ROD
19	22463		1	KNOB, CHOKE ROD
20	25-20116		1	GROMMET, CHOKE ROD
21	56194		1	CABLE, CHOKE KNOB TO CHOKE ROD
22	10-20100		1	SCREW, LINK TO CHOKE KNOB
23	18-26953		1	COTTER PIN, LINK TO CHOKE KNOB
24	13-26996		1	LOCKWASHER, LINK SCREW AND PIN
25	56195		1	ROD, CHOKE
26	17-25391		2	RIVET, CHOKE SHUTTER TO CHOKE ROD
27	47804		2	SHUTTER, CHOKE - CARBURETOR
28	16-52906		2	STUD, CARBURETOR - CHOKE SHUTTER PIVOT (1 3/8")
29	12-30164		2	WASHER, CHOKE SHUTTER TO CARBURETOR STUD
30	11-20110		2	NUT, CHOKE SHUTTER TO CARBURETOR STUD
31	35-56197		2	SCREEN, FILTER - CARBURETOR
32	16-52898		2	STUD, FILTER SCREEN TO CARBURETOR (1 1/8")
33	12-30164		2	WASHER, CARBURETOR SCREEN STUD
34	11-20110		2	NUT, CARBURETOR SCREEN STUD

CARBURETOR ASSEMBLY

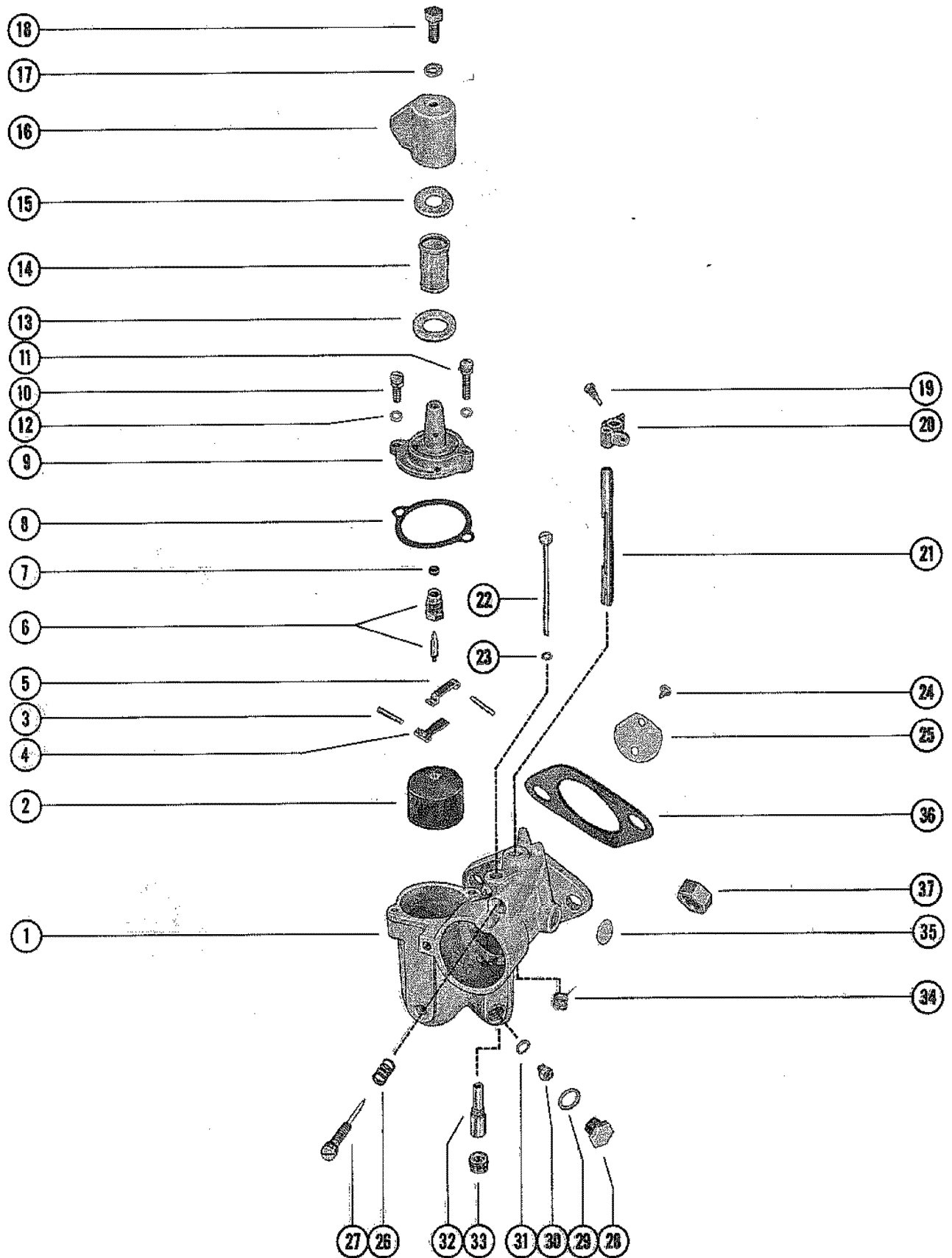


CARBURETOR ASSEMBLY

REF. NO.	PART NO.	SYM.	QTY.	DESCRIPTION
1	1335-4027		2	CARBURETOR ASSEMBLY, COMPLETE (KC-15A)
2	1399-110A1		2	FLOAT ASSEMBLY
3			4	PIN, FLOAT LEVER PINION
4			2	LEVER, FLOAT (LOWER)
5			2	LEVER, FLOAT (UPPER)
6	1399-1473		2	INLET NEEDLE, SEAT AND GASKET
7			2	GASKET, INLET SEAT
8			2	GASKET, FLOAT BOWL COVER
9	1399-1133		2	COVER, FLOAT BOWL
10	10-52195		2	SCREW, FLOAT BOWL COVER (SHORT)
11	10-52196		2	SCREW, FLOAT BOWL COVER (LONG)
12	13-52197		4	LOCKWASHER, FLOAT BOWL COVER SCREWS
13			2	GASKET, STRAINER COVER (LARGE)
14	1399-1754		2	SCREEN, FILTER
15			2	GASKET, STRAINER COVER (SMALL)
16	1399-1930		1	COVER, STRAINER (UPPER CARBURETOR)
	1399-3690		1	COVER, STRAINER (LOWER CARBURETOR)
17			2	GASKET, STRAINER COVER SCREW
18	10-25822		2	SCREW, STRAINER COVER FASTENING
19	10-20847		2	SCREW, THROTTLE STOP LEVER
20	1399-97		2	LEVER, THROTTLE STOP (SEE NOTE BELOW)
21	1399-2012		2	SHAFT, THROTTLE
22			2	TUBE, IDLE
23			2	GASKET, IDLE TUBE
24			4	SCREW AND LOCKWASHER, THROTTLE SHUTTER
25	1399-3401		2	SHUTTER, THROTTLE
26			2	SPRING, IDLE ADJUSTMENT SCREW
27	1399-4209		2	SCREW, IDLE ADJUSTMENT
28	10-28405		2	SCREW, PLUG - MAIN FUEL JET CHANNEL
29			2	GASKET, JET CHANNEL PLUG SCREW
30	1399-1463		OPT	JET, MAIN FUEL (.063)
	1399-1461		2	JET, MAIN FUEL (.061) - STANDARD
	1399-1459		OPT	JET, MAIN FUEL (.059)
	1399-1457		OPT	JET, MAIN FUEL (.057)
31			2	GASKET, MAIN FUEL JET
32			2	NOZZLE, MAIN
33	10-28846		2	SCREW, PLUG - MAIN NOZZLE
34			1	SPRING, THROTTLE SHAFT RETURN (LOWER CARBURETOR)
			1	SPRING, THROTTLE SHAFT RETURN (UPPER CARBURETOR)

CONTINUED ON NEXT PAGE ➡

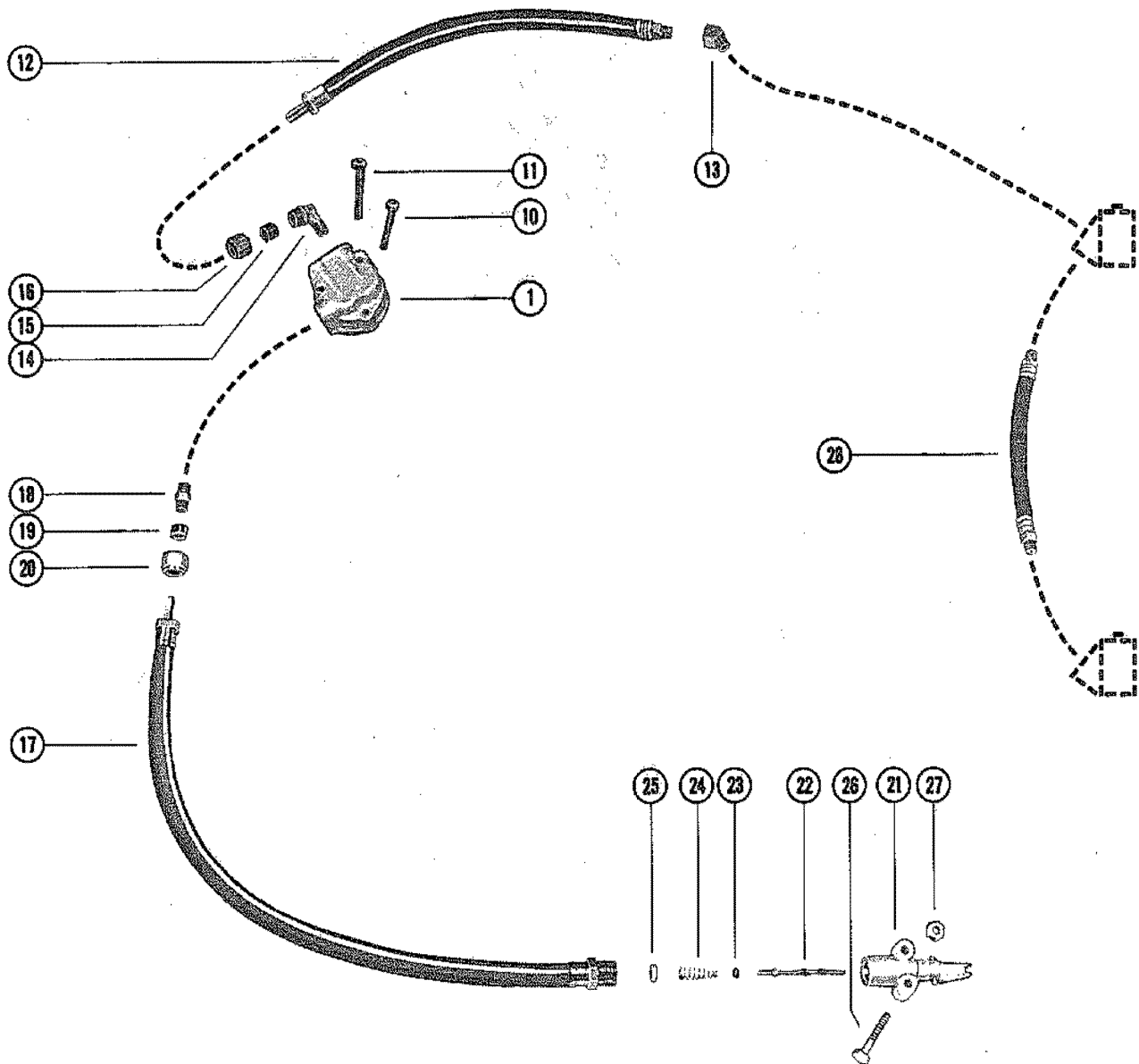
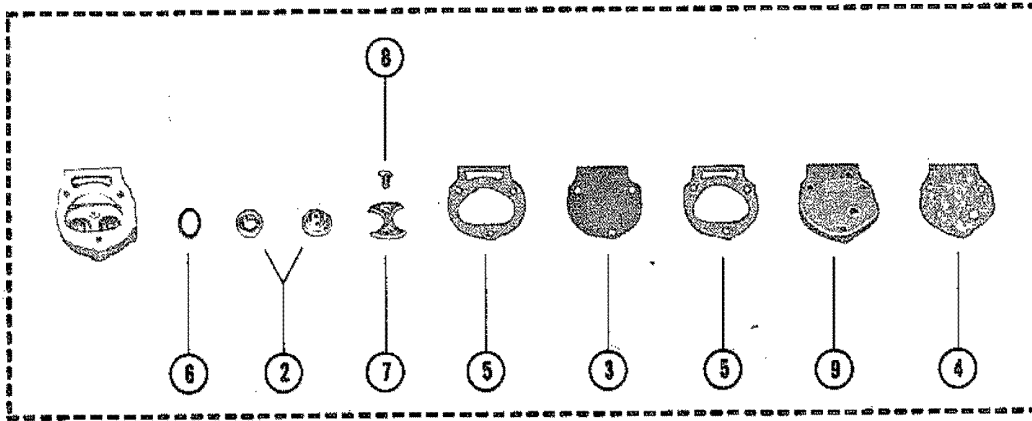
CARBURETOR ASSEMBLY



CARBURETOR ASSEMBLY

REF. NO.	PART NO.	SYM.	QTY.	DESCRIPTION
35			2	WELCH PLUG, BODY CHANNEL
-	1399-2015		2	GASKET AND PACKING SET (1 PER CARBURETOR)
-	1399-4210		2	REPAIR PARTS KIT (1 PER CARBURETOR)
36	27-31402		2	GASKET, CARBURETOR FLANGE
37	11-46793		4	NUT, CARBURETOR MOUNTING STUD

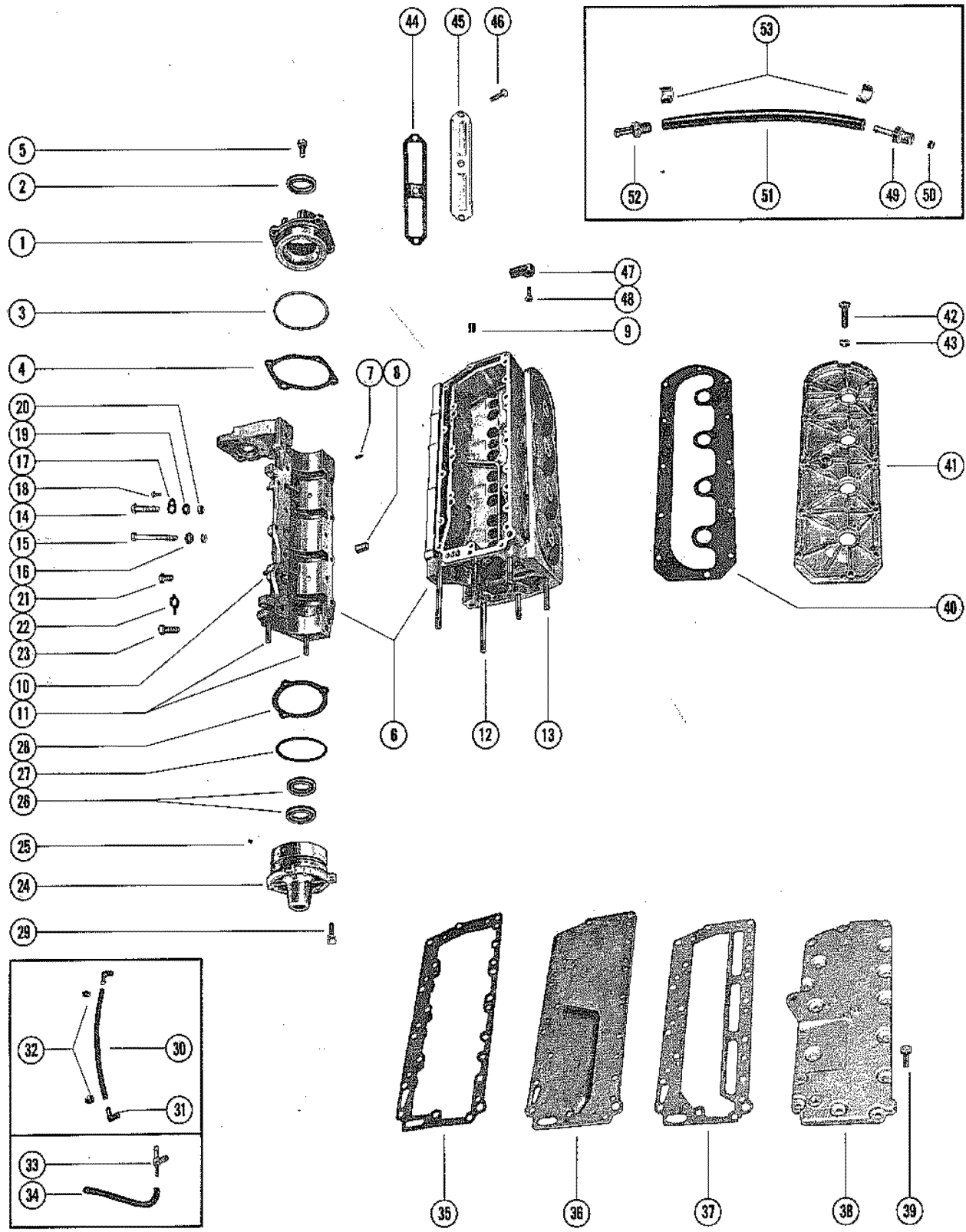
FUEL PUMP AND FUEL LINE ASSEMBLY



FUEL PUMP AND FUEL LINE ASSEMBLY

REF. NO.	PART NO.	SYM.	QTY.	DESCRIPTION
1	56677A4		1	FUEL PUMP ASSEMBLY
2	21-30430A4		1	CHECK VALVE ASSEMBLY
3	56678A1		1	DIAPHRAGM KIT
4			1	GASKET, FUEL PUMP COVER
5			2	GASKET, FUEL PUMP
6			2	GASKET, CHECK VALVE TO HOUSING
7	23004		1	RETAINER, CHECK VALVE
8	10-20037		2	SCREW, RETAINER TO HOUSING
9	56680		1	COVER, FUEL PUMP
10	10-38036		1	SCREW, PUMP MOUNTING (1 1/2")
11	10-30273		2	SCREW, PUMP MOUNTING (1 7/8")
12	32-33154A1		1	FUEL LINE ASS'Y, PUMP TO CARBURETOR (19 1/4")
13	22-29085		1	ELBOW (45), CARBURETOR
14	22-30174		1	ELBOW, FUEL PUMP OUTLET
15	22-30175		1	SLEEVE, FUEL PUMP OUTLET ELBOW
16	22-30177		1	NUT, FUEL PUMP OUTLET ELBOW
17	32-30176		1	FUEL LINE, ADAPTOR TO FUEL PUMP INLET (18")
18	22-30468		1	CONNECTOR, FUEL INLET
19	22-30175		1	SLEEVE, FUEL PUMP INLET ELBOW
20	22-30177		1	NUT, FUEL PUMP INLET ELBOW
21	30186		1	ADAPTOR, CHECK UNIT (FUEL LINE)
22	30187		1	STEM, CHECK UNIT ADAPTOR
23	25-20415		1	"O" RING, ADAPTOR STEM
24	24-30189		1	SPRING, ADAPTOR STEM
25	30188		1	CUP WASHER, ADAPTOR
26	10-37561		1	SCREW, ADAPTOR TO BOTTOM COWL (2 1/2")
	10-37990		1	SCREW, ADAPTOR TO BOTTOM COWL (1 3/4")
27	11-46887		2	NUT, ADAPTOR FASTENING SCREW
28	32-31550A1		1	FUEL LINE ASS'Y, UPPER TO LOWER CARBURETOR (6")

CYLINDER BLOCK AND CRANKCASE ASSEMBLY



CYLINDER BLOCK AND CRANKCASE ASSEMBLY

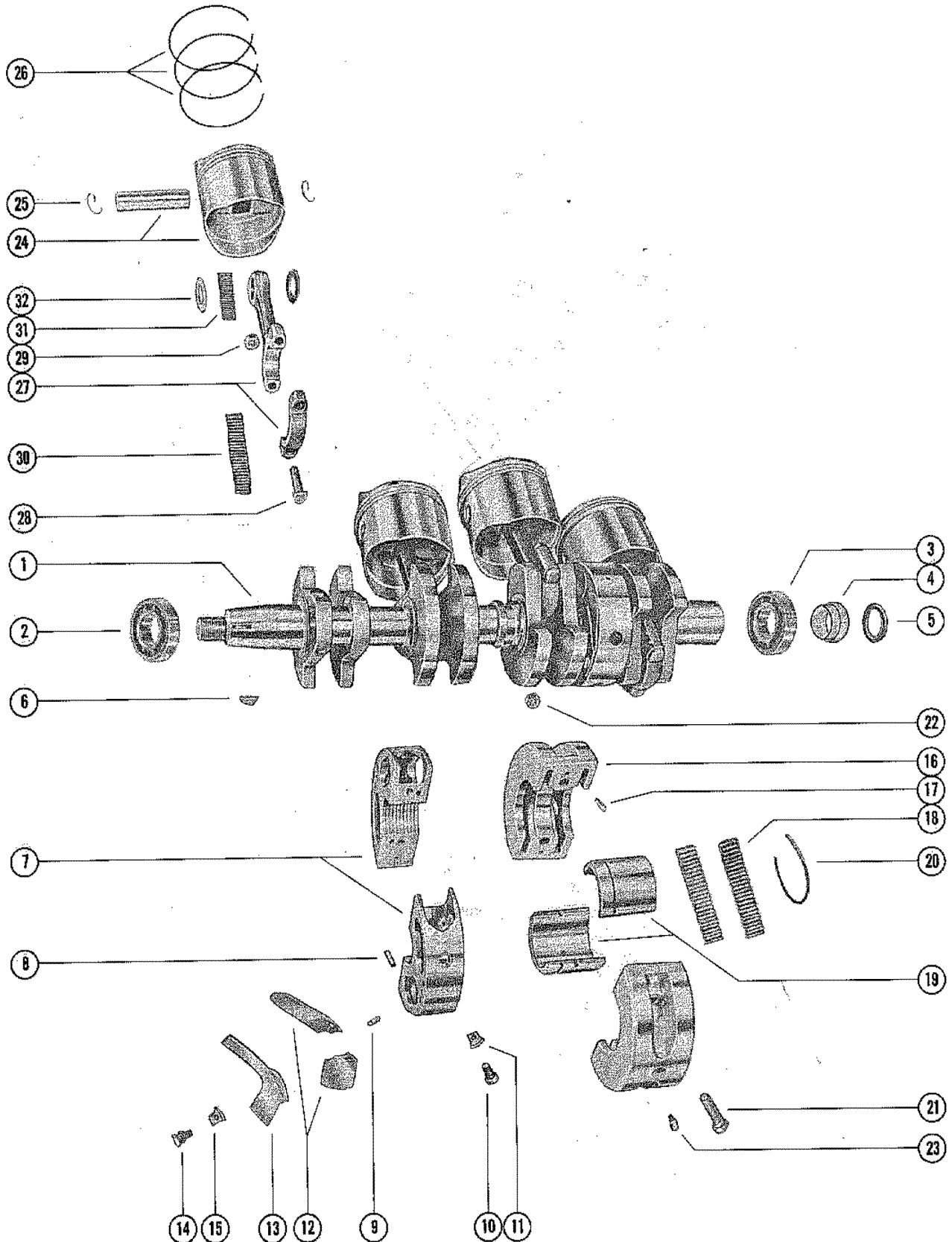
REF. NO.	PART NO.	SYM.	QTY.	DESCRIPTION
1	1128-3367A1		1	END CAP ASSEMBLY, UPPER
2	26-29476		1	OIL SEAL
3	25-31305		1	"O" RING
4	15-31283A1		AR	SHIM, UPPER END CAP TO CRANKCASE (.002-3-5-10)
5	10-30225		4	SCREW, UPPER END CAP MOUNTING
6	834-3997A3		1	CYLINDER BLOCK AND CRANKCASE ASSEMBLY
7	17-20032		2	DOWEL PIN, CYLINDER BLOCK TO MAIN BEARING
8	17-20033		2	DOWEL PIN, CRANKCASE TO CYLINDER BLOCK
9	22-32802		1	PLUG, PIPE - WATER PRESSURE HOSE (CYLINDER BLOCK)
10	16-35099		4	STUD, CARBURETOR MOUNTING (1 3/16")
11	16-26133		2	STUD, CRANKCASE TO DRIVE SHAFT HOUSING (1 7/8")
12	16-26134		2	STUD, CYLINDER BLOCK TO DRIVE SHAFT HOUSING (4 1/16")
13	16-48770		4	STUD, CYLINDER BLOCK TO DRIVE SHAFT HOUSING (3 9/16")
14	10-26132		2	SCREW, CRANKCASE TO CYLINDER BLOCK (2 1/2")
	10-32293		12	SCREW, CRANKCASE TO CYLINDER BLOCK (1 3/4")
	10-33860		2	SCREW, CRANKCASE TO CYLINDER BLOCK (2")
15	10-33008		2	SCREW, CRANKCASE AND STARTER MOTOR BRACKET TO CYLINDER BLOCK
16	12-26825		2	WASHER, CRANKCASE AND STARTER MOTOR BRACKET SCREW
17	26551		1	BRACKET, GROUND STRAP TO CRANKCASE
18	10-26548		1	SCREW, GROUND STRAP TO BRACKET
19	12-20084		1	WASHER, GROUND STRAP AND CRANKCASE SCREW
20	11-46793		18	NUT, CRANKCASE TO CYLINDER BLOCK SCREW
21	10-53904		2	SCREW, MAIN BEARING LOCKING
22	14-20091		3	TAB WASHER, BEARING LOCKING SCREW
23	10-20359		1	SCREW, CENTER MAIN BEARING LOCKING
24	1126-3369A2		1	END CAP ASSEMBLY, LOWER
25	21-56011A1		1	CHECK VALVE ASSEMBLY, END CAP
26	26-29476		2	OIL SEAL, UPPER
27	25-20081		1	"O" RING
28	15-20085A1		AR	SHIM, LOWER END CAP (.002-3-5-10)
29	10-30225		3	SCREW, LOWER END CAP MOUNTING
30	32-33729		1	TUBE, BALANCE - MAIN BEARING
31	22-25885		1	ELBOW, BALANCE TUBE TO MAIN BEARING
32	54-20386		2	CLAMP, BALANCE TUBE TO ELBOW
	54-20387		2	CLAMP, LOWER BLEED HOSE
33	22-53491		1	TEE, BLEED AND BALANCE HOSE TO CYLINDER BLOCK
34	32-52742A1		1	HOSE, CYLINDER BLEED - LOWER (20")
35	27-37449		1	GASKET, CYLINDER BLOCK TO BAFFLE PLATE
36	37447		1	PLATE, BAFFLE PLATE TO MANIFOLD COVER

CONTINUED ON NEXT PAGE ➡

CYLINDER BLOCK AND CRANKCASE ASSEMBLY

REF. NO.	PART NO.	SYM.	QTY.	DESCRIPTION
37	27-37414		1	GASKET, BAFFLE PLATE TO MANIFOLD COVER
38	46298		1	COVER, EXHAUST MANIFOLD
39	10-38837		17	SCREW, BAFFLE PLATE AND COVER MOUNTING (1 1/8")
40	27-33015		1	GASKET, CYLINDER BLOCK COVER
41	1012-2445		1	COVER, CYLINDER BLOCK
42	10-22421		12	SCREW, CYLINDER BLOCK COVER MOUNTING (1 1/4")
43	11-46887		12	NUT,M COVER MOUNTING SCREW
44	27-31304		2	GASKET, TRANSFER PORT COVER
45	31288		2	COVER, TRANSFER PORT
46	10-28635		4	SCREW, TRANSFER PORT COVER TO CYLINDER BLOCK (5/8")
	10-20540		2	SCREW, TRANSFER PORT COVER TO CYLINDER BLOCK (5/8")
47	37440		1	BRACKET, MOUNT SUPPORT - CYLINDER BLOCK
48	10-24234		1	SCREW, BRACKET TO CYLINDER BLOCK (1")
49	21-28483A1		2	CHECK VALVE ASSEMBLY, UPPER - BLEED HOSE
50	21-28481A1		2	CHECK VALVE ASSEMBLY
51	32-52742A1		1	HOSE, CYLINDER BLEED - UPPER (9 1/2")
52	22-20445		1	CONNECTOR, UPPER - BLEED HOSE
53	54-20387		2	CLAMP, BLEED HOSE TO CHECK VALVE AND CONNECTOR

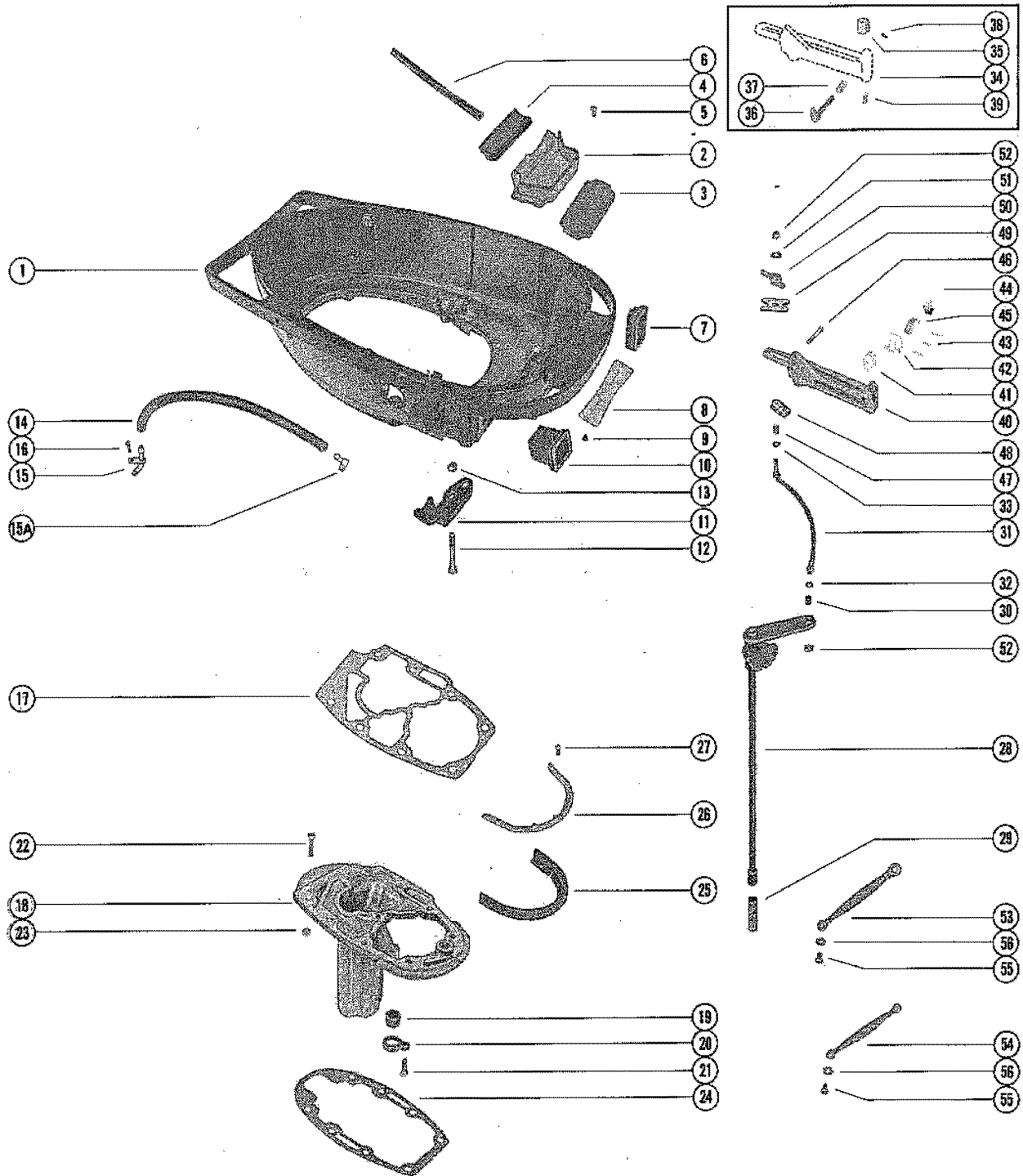
CRANKSHAFT, PISTON AND CONNECTING ROD



CRANKSHAFT, PISTON AND CONNECTING ROD

REF. NO.	PART NO.	SYM.	QTY.	DESCRIPTION
1	418-3249A2		1	CRANKSHAFT ASSEMBLY
2	30-32117		1	BEARING, BALL - UPPER
3	30-20080		1	BEARING, BALL - LOWER
4	54196A1		1	CARRIER ASSEMBLY, "O" RING SERIAL #2997339-09999999
5	25-35126		1	"O" RING, CARRIER
6	28-45554		1	KEY, FLYWHEEL DRIVE
7	533-2761A5		2	MAIN BEARING ASSEMBLY (VALVE TYPE)
8	17-20032		4	DOWEL PIN, MAIN BEARING
9	17-55453		16	DOWEL PIN, REED STOP
10	10-45775		4	SCREW, MAIN BEARING CLAMPING
11	11-45774		4	NUT, MAIN BEARING CLAMPING SCREW
12	34-45506A1		2	REED SET, MATCHED - MAIN BEARING
13	34-31240		8	REED STOP, MAIN BEARING REED VALVES
14	10-29465		8	SCREW, REED STOP MOUNTING SERIAL #2803562-#2873737
15	11-29469		8	NUT, REED STOP MOUNTING SCREW SERIAL #2803562-#2873737
14	10-53481		8	SCREW, REED STOP MOUNTING SERIAL #2873738-09999999
15	11-20110		8	NUT, REED STOP MOUNTING SCREW SERIAL #2873738-09999999
16	531-1884A3		1	CENTER MAIN BEARING ASSEMBLY
17	17-20032		2	DOWEL PIN, CENTER MAIN BEARING
18	29-48410		56	BEARING, NEEDLE
19	26113		1	RACE, OUTER (PAIR)
20	53-26933		1	RING, SNAP - OUTER RACE CLAMPING
21	10-22968		2	SCREW, CENTER MAIN BEARING CLAMPING
22	11-46887		2	NUT, MAIN BEARING CLAMPING SCREW
23	17-31245		1	DOWEL PIN (STEPPED)
24	739-3284A2		4	PISTON AND PISTON PIN ASSEMBLY
25	40-45740		8	LOCK RING, PISTON PIN
26	39-45153A12		1	RING, PISTON
27	617-2768A3		4	CONNECTING ROD AND CAP ASSEMBLY
28	10-45739		8	SCREW, CAP TO CONNECTING ROD
29	11-20061		8	NUT, CONNECTING ROD SCREW
30	29-47897		128	BEARING, NEEDLE - CRANKPIN
31	29-39565		116	BEARING, NEEDLE - PISTON PIN
32	12-45741		8	WASHER, NEEDLE LOCATING
-	739-3380A2		4	PISTON AND PISTON PIN ASSEMBLY (.015)
-	39-45205A12		1	RING, PISTON (.015)

BOTTOM COWL AND SHIFT LINKAGE

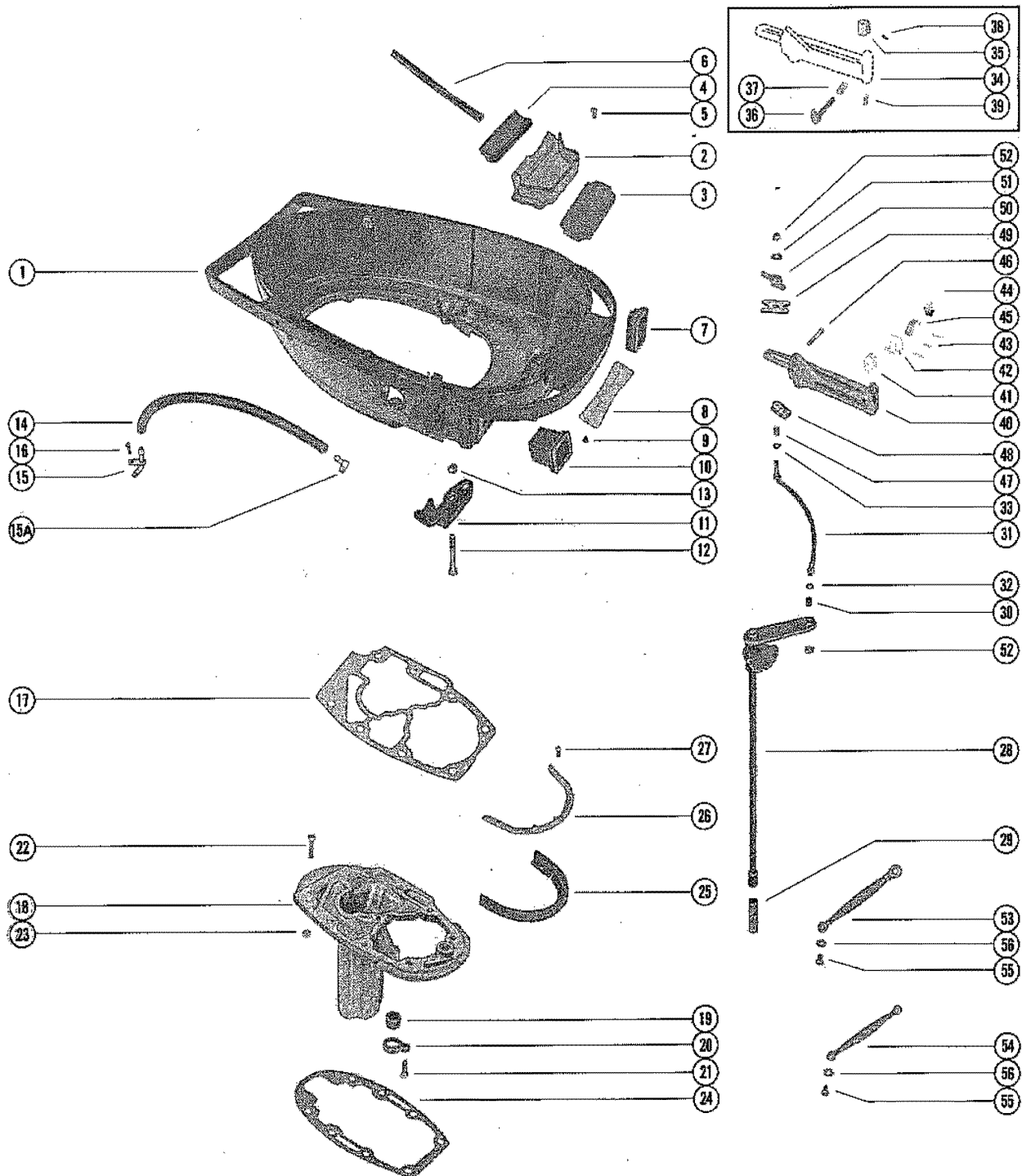


BOTTOM COWL AND SHIFT LINKAGE

REF. NO.	PART NO.	SYM.	QTY.	DESCRIPTION
1	2115-3617		1	COWL, BOTTOM SERIAL #2803562-#2869698
	2115-3926A2		1	COWL, BOTTOM SERIAL #2869699-09999999
2	52862A1		1	DRIP TRAY ASSEMBLY, BOTTOM COWL
3	37940		1	PAD, SOUND - DRIP TRAY
4	37903		1	FLANGE, RUBBER - DRIP TRAY
5	10-35519		4	SCREW, DRIP TRAY TO BOTTOM COWL (1/2")
6	32-34395A1		1	HOSE, DRIP TRAY TO BOTTOM COWL (8")
7	37638		1	BOOT, CONTROL CABLES - BOTTOM COWL SERIAL #2803562-#2869698
	39616		1	BOOT, CONTROL CABLES - BOTTOM COWL SERIAL #2869699-09999999
8	23760		1	BAFFLE, BOTTOM COWL
9	10-52867		3	SCREW, BAFFLE TO BOTTOM COWL
10	37637		1	BOOT, FUEL CONNECTOR - BOTTOM COWL
11	37445		1	SUPPORT, WIRING HARNESS - BOTTOM COWL
12	10-37561		1	SCREW, WIRING HARNESS SUPPORT TO BOTTOM COWL (2 1/2")
	10-37990		1	SCREW, WIRING HARNESS SUPPORT TO BOTTOM COWL (1 3/4")
13	11-46887		2	NUT, WIRING HARNESS SUPPORT SCREW
14	32-34395A1		1	HOSE, TELL TALE - EXHAUST COVER TO BOTTOM COWL (16")
15	52889		1	NOZZLE, TELL TALE HOSE TO BOTTOM COWL
15A	22-25885		1	ELBOW, TELL TALE HOSE TO EXHAUST COVER
16	10-34222		1	SCREW, TELL TALE NOZZLE TO BOTTOM COWL (1/2") SERIAL #2803562-#2869698
	10-35519		1	SCREW, TELL TALE NOZZLE TO BOTTOM COWL (1/2") SERIAL #2869699-09999999
17	27-47257		1	GASKET, POWERHEAD TO EXHAUST EXTENSION PLATE
18	56306A2		1	PLATE ASSEMBLY, EXHAUST EXTENSION
19	26-38970		1	SEAL, RUBBER - WATER INLET TUBE
20	38448		1	RETAINER, WATER TUBE SEAL
21	10-34439		1	SCREW, RETAINER TO EXTENSION PLATE (3/4")
22	10-24226		1	SCREW, EXTENSION PLATE TO DRIVE SHAFT HOUSING (1 1/4")
23	11-46887		1	NUT, EXHAUST EXTENSION PLATE SCREW
24	27-48801		1	GASKET, EXHAUST EXTENSION PLATE TO DRIVE SHAFT HOUSING
25	37918		1	SEAL, EXHAUST EXTENSION PLATE
26	38032		1	STRIP, RETAINING - EXHAUST EXTENSION PLATE SEAL
27	10-37571		5	SCREW, SEAL AND STRIP TO EXHAUST EXTENSION PLATE (1/2")
28	53889A4		1	SHIFT SHAFT ASSEMBLY, UPPER (SHORT SHAFT)
	53889A3		1	SHIFT SHAFT ASSEMBLY, UPPER (LONG SHAFT)
29	55692		1	COUPLING, SHIFT SHAFT
30	23-26600		1	BUSHING, NYLON - UPPER SHIFT SHAFT

CONTINUED ON NEXT PAGE ➡

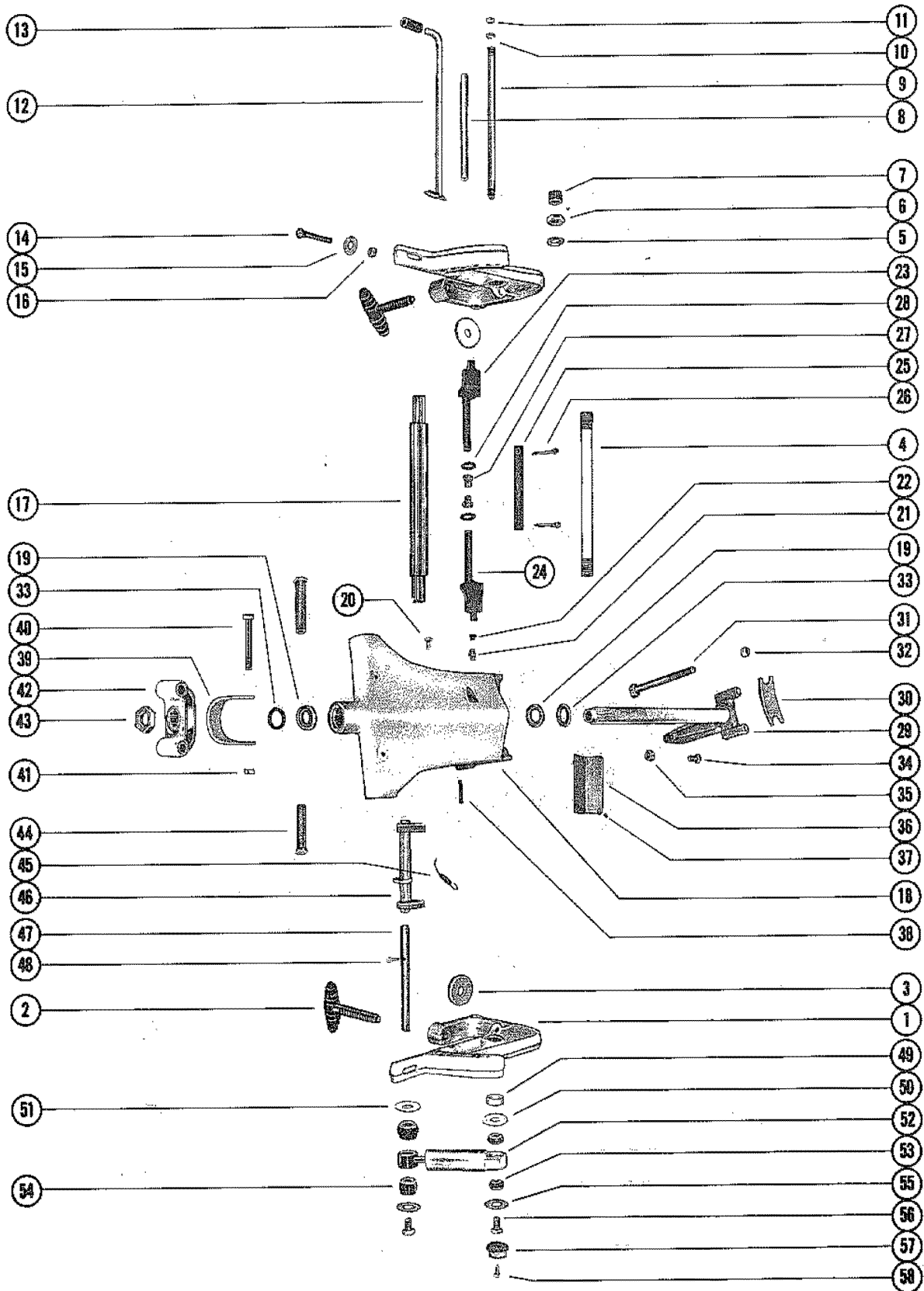
BOTTOM COWL AND SHIFT LINKAGE



BOTTOM COWL AND SHIFT LINKAGE

REF. NO.	PART NO.	SYM.	QTY.	DESCRIPTION
31	48047A1		1	LINK ROD ASSEMBLY
32	12-24664		1	WASHER, LINK ROD (SHIFT LEVER END)
33	13-29720		1	WASHER, WAVE - LINK ROD
34	47869A1		1	BRACKET ASSEMBLY, ANCHOR CONTROL CABLES SERIAL #2803562-#2869698
35	38802		1	CAP, BRASS BARREL OF THROTTLE CABLE SERIAL #2803562-#2869698
	49935		1	CAP, BRASS BARREL OF THROTTLE CABLE SERIAL #2803562-#2869698
36	49932A1		1	LEVER ASSEMBLY, CONTROL CABLE LOCKING - ANCHOR BRACKET SERIAL #2803562-#2869698
37	24-37911		1	SPRING, CONTROL CABLE LOCKING LEVER SERIAL #2803562-#2869698
38	17-23928		1	PIN, ROLL - CONTROL CABLE LOCKING LEVER SERIAL #2803562-#2869698
39	24-38472		1	SPRING, CONTROL CABLE TENSION - ANCHOR BRACKET SERIAL #2803562-#2869698
40	52732		1	BRACKET, ANCHOR - CONTROL CABLES SERIAL AND UP SERIAL #2869699-09999999
41	39519		1	CAP, RETAINER - ANCHOR BRACKET SERIAL #2869699-09999999
42	39618		1	LEVER, NYLON - SHIFT CABLE LOCKING SERIAL #2869699-09999999
43	17-47175		3	PIN, LOCKING LEVER AND COVER FASTENING SERIAL #2869699-09999999
44	39667		1	COVER, NYLON - SHIFT CABLE SERIAL #2869699-09999999
45	39536		1	LINK, LOCKING LEVER TO COVER SERIAL #2869699-09999999
46	10-24234		3	SCREW, ANCHOR BRACKET TO CYLINDER BLOCK (1")
47	24-20099		1	SPRING, LINK ROD TO GUIDE BLOCK
48	37896		1	GUIDE BLOCK, LINK ROD
49	52100		1	WEAR PLATE, LINK ROD
50	38279		1	LATCH, CONTROL CABLE FASTENING - ANCHOR BRACKET
51	12-21631		1	WASHER, CONTROL CABLE LATCH LINK ROD
52	11-20664		2	NUT, LINK ROD
53	46933A1		2	GROUND STRAP ASSEMBLY, CRANKCASE TO BOTTOM COWL
54	46933A2		2	GROUND STRAP ASSEMBLY, DRIVE SHAFT HOUSING TO BOTTOM COWL
55	10-30663		4	SCREW, GROUND STRAP ATTACHING (3/8")
56	13-22238		4	WASHER, GROUND STRAP SCREW

CLAMP AND SWIVEL BRACKET ASSEMBLY

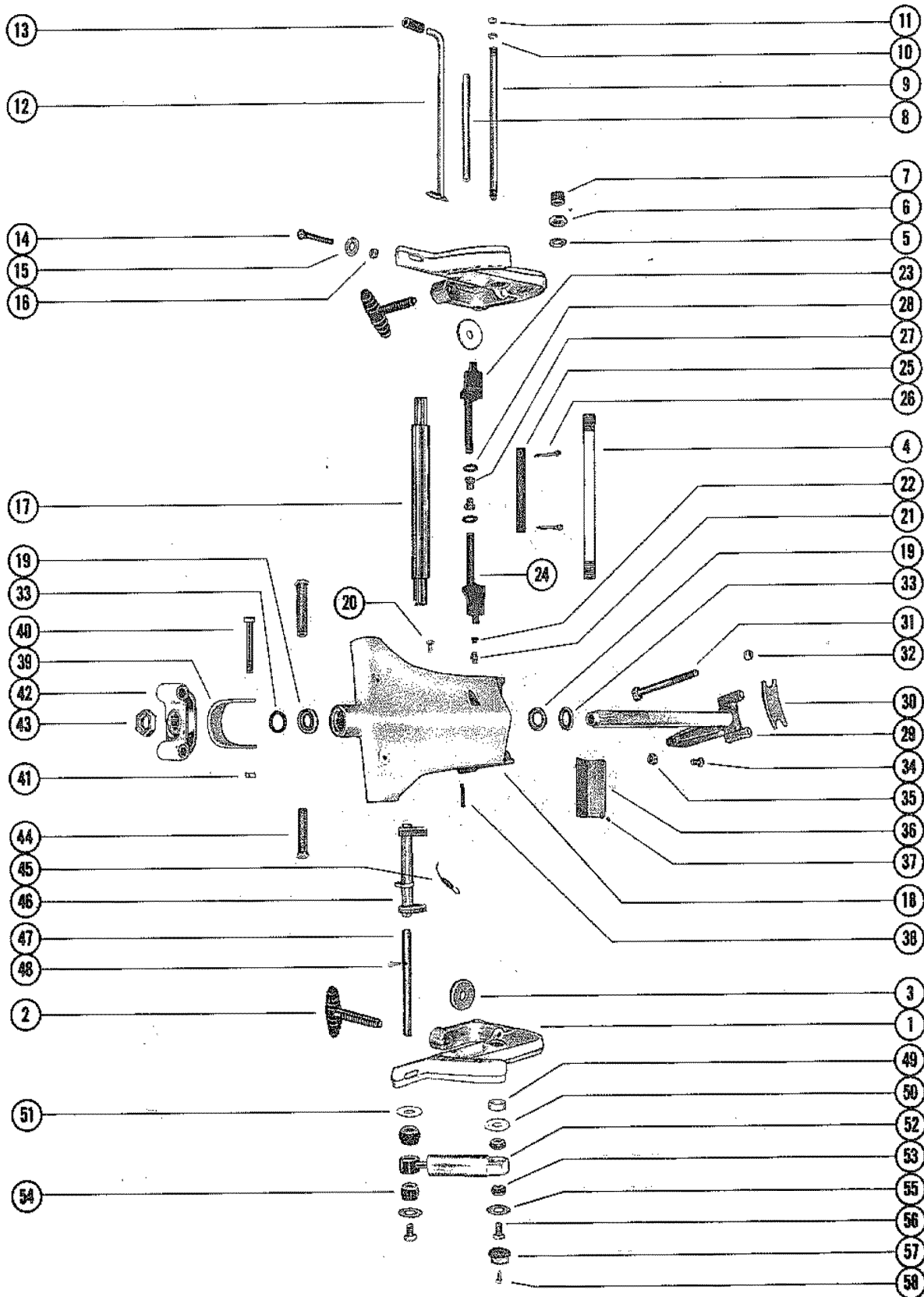


CLAMP AND SWIVEL BRACKET ASSEMBLY

REF. NO.	PART NO.	SYM.	QTY.	DESCRIPTION
1	1440-3291A1		2	CLAMP BRACKET ASSEMBLY
2	28403A3		2	THUMB SCREW ASSEMBLY
3	12-28404		2	WASHER, THUMB SCREW
4	30664		1	TUBE, TILT - CLAMP BRACKET TO SWIVEL BRACKET
5	12-52864		2	WASHER, CLAMP BRACKET TILT TUBE
6	11-30499		2	NUT, TILT TUBE FASTENING
7	53078		2	CAP, PLASTIC - TILT TUBE
8	23-20222		1	SPACER, CLAMP BRACKET STUD
9	16-20221		1	STUD, CLAMP BRACKET
10	13-26993		2	LOCKWASHER, CLAMP BRACKET STUD
11	11-20083		2	NUT, CLAMP BRACKET STUD
12	17-49930A1		1	TILT LOCK PIN ASSEMBLY
13	32-28052		1	SLEEVE, RUBBER - TILT LOCK PIN BUMPER
14	10-28009		2	BOLT, CLAMP BRACKET TO BOAT TRANSOM (LOWER)
15	12-28008		2	WASHER, CLAMP BRACKET BOLT (LOWER)
14	10-31827		2	BOLT, CLAMP BRACKET TO BOAT TRANSOM (UPPER)
15	12-21040		2	WASHER, CLAMP BRACKET BOLT (UPPER)
16	11-28010		4	NUT, CLAMP BRACKET BOLT
17	55-28416		1	PIN, UPPER SHOCK MOUNTING
18	1453-3258A1		1	SWIVEL BRACKET ASSEMBLY (SHORT SHAFT)
	1447-3257A1		1	SWIVEL BRACKET ASSEMBLY (LONG SHAFT)
19	26-37448		2	OIL SEAL, SWIVEL BRACKET
20	10-47828		1	SCREW, DRIVE - SWIVEL BRACKET
21	22-23612		1	FITTING, GREASE
22	53216		1	LUBRICAP, SWIVEL BRACKET GREASE FITTING
23	47799A1		1	TILT LOCK ASSEMBLY, STARBOARD
24	47800A1		1	TILT LOCK ASSEMBLY, PORT
25	47802		1	TUBE, TILT LOCK
26	18-47959		2	COTTER PIN, TILT LOCK TUBE
27	23-47803		2	BUSHING, TILT LOCK TUBE
28	13-24850		2	WASHER, WAVE - TILT LOCK TUBE
29	17-49841A1		1	SWIVEL PIN AND STEERING ARM ASSEMBLY (SHORT SHAFT)
	17-49840A1		1	SWIVEL PIN AND STEERING ARM ASSEMBLY (LONG SHAFT)
30	28203		1	BUMPER, STEERING ARM
31	10-30453		2	BOLT, STEERING ARM TO UPPER MOUNT
32	11-22178		2	NUT, STEERING ARM BOLT FASTENING
33	12-37429		1	WASHER, SWIVEL PIN - LOWER (TOP WASHER OPTIONAL)
34	10-31830		1	SCREW, RIDE-GUIDE ATTACHING (1 3/4")
35	11-20509		1	NUT, RIDE-GUIDE ATTACHING SCREW
36	38-56267		1	SERIAL PLATE
37	10-26512		4	SCREW, DRIVE - SERIAL PLATE TO SWIVEL BRACKET
38	17-25598		1	PIN, REVERSE LOCK SPRING ATTACHING
39	28205		1	STRAP STOP, DRIVE SHAFT HOUSING TO SWIVEL BRACKET

CONTINUED ON NEXT PAGE ➡

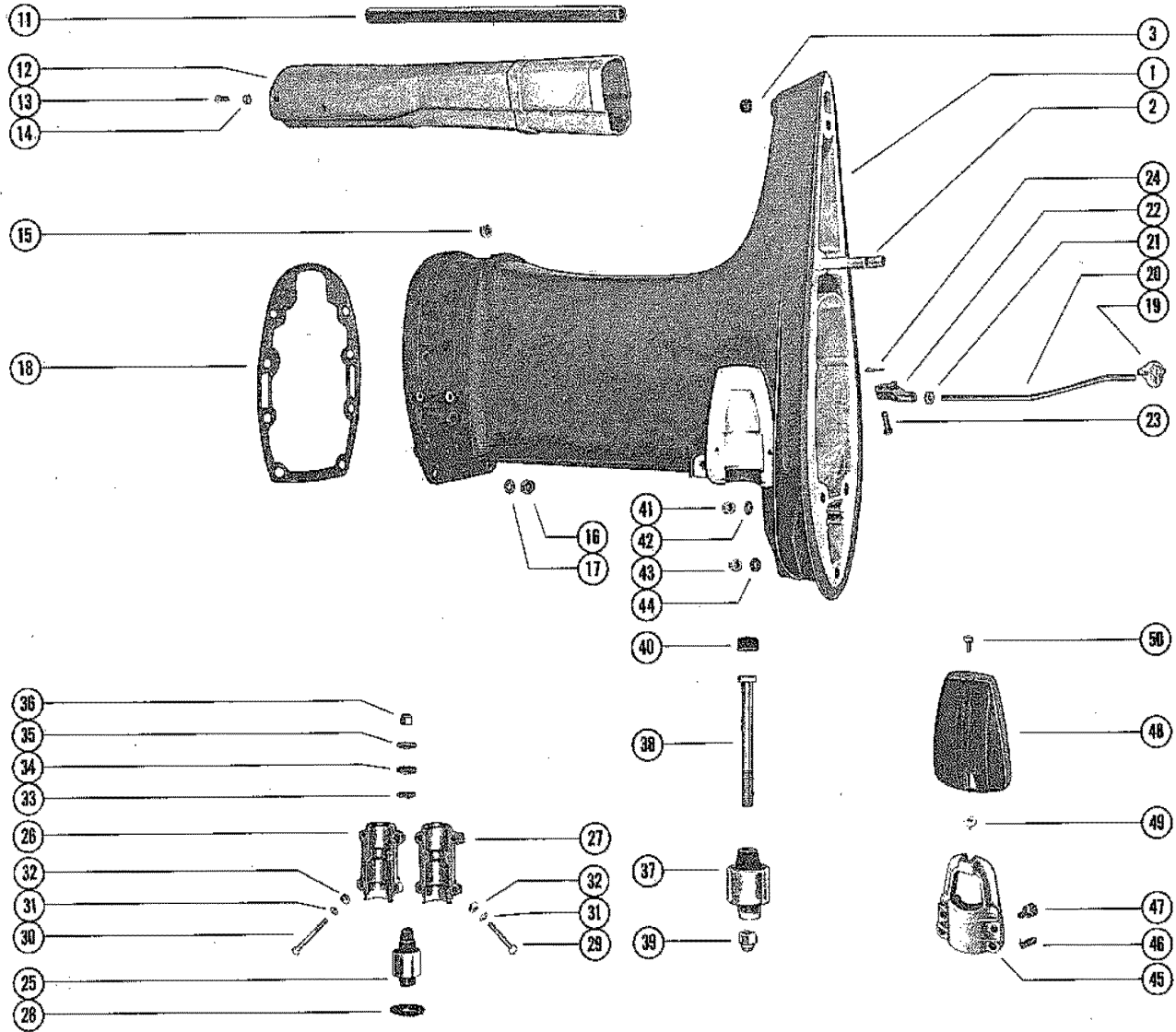
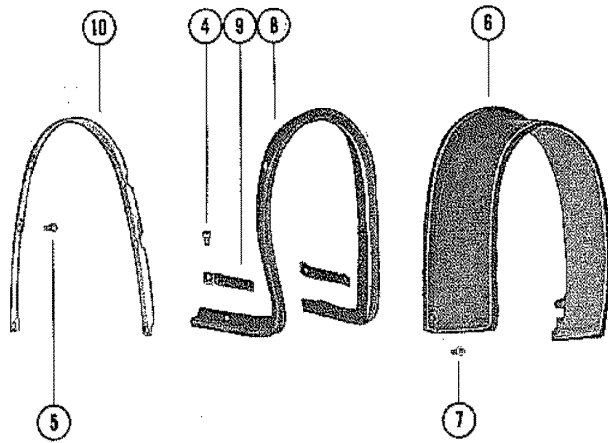
CLAMP AND SWIVEL BRACKET ASSEMBLY



CLAMP AND SWIVEL BRACKET ASSEMBLY

REF. NO.	PART NO.	SYM.	QTY.	DESCRIPTION
40	10-28200		1	SCREW, STRAP STOP TO DRIVE SHAFT HOUSING (2 7/8")
41	11-25269		1	NUT, STRAP STOP FASTENING SCREW
42	55482		1	YOKE, BOTTOM
43	11-37424		1	NUT, SWIVEL PIN RETAINING
44	55-29247		2	PIN LOWER SCHOK MOUNTING (SHORT SHAFT)
	55-28414		2	PIN, LOWER SHOCK MOUNTING- LONG SHAFT
-	10-28424		2	SCREW, LOWER SHOCK PIN - LONG SHAFT
-	11-46887		2	NUT, LOWER SHOCK PIN SCREW -LONG SHAFT
45	24-29821		1	SPRING, REVERSE LOCK TENSION
46	39015A1		1	REVERSE LOCK ASSEMBLY
47	56349		1	SHAFT, REVERSE LOCK PIVOT
48	18-45882		1	COTTER PIN, REVERSE LOCK TO SHAFT
49	23-28199		2	SPACER, UPPER SHOCK BUSHING TO CLAMP BRACKET
50	12-28196		2	WASHER, UPPER BUSHING RETAINER (INNER)
51	12-59378		2	WASHER, LOWER BUSHING RETAINER (INNER)
52	55-31933		2	SHOCK ABSORBER
53	23-32171		4	BUSHING, RUBBER - SHOCK ABSORBER (UPPER)
54	23-28198		4	BUSHING, RUBBER - SHOCK ABSORBER (LOWER)
55	12-28421		4	WASHER, UPPER AND LOWER BUSHING RETAINERE (OUTER)
56	10-53077		4	SCREW, UPPER AND LOWER SHOCK MOUNTING PIN (3/4")
57	53071		4	COVER, UPPER AND LOWER SHOCK MOUNTING PIN
58	10-37655		4	SCREW, COVER TO SHOCK ABSORBER (1/2")

DRIVE SHAFT HOUSING ASSEMBLY

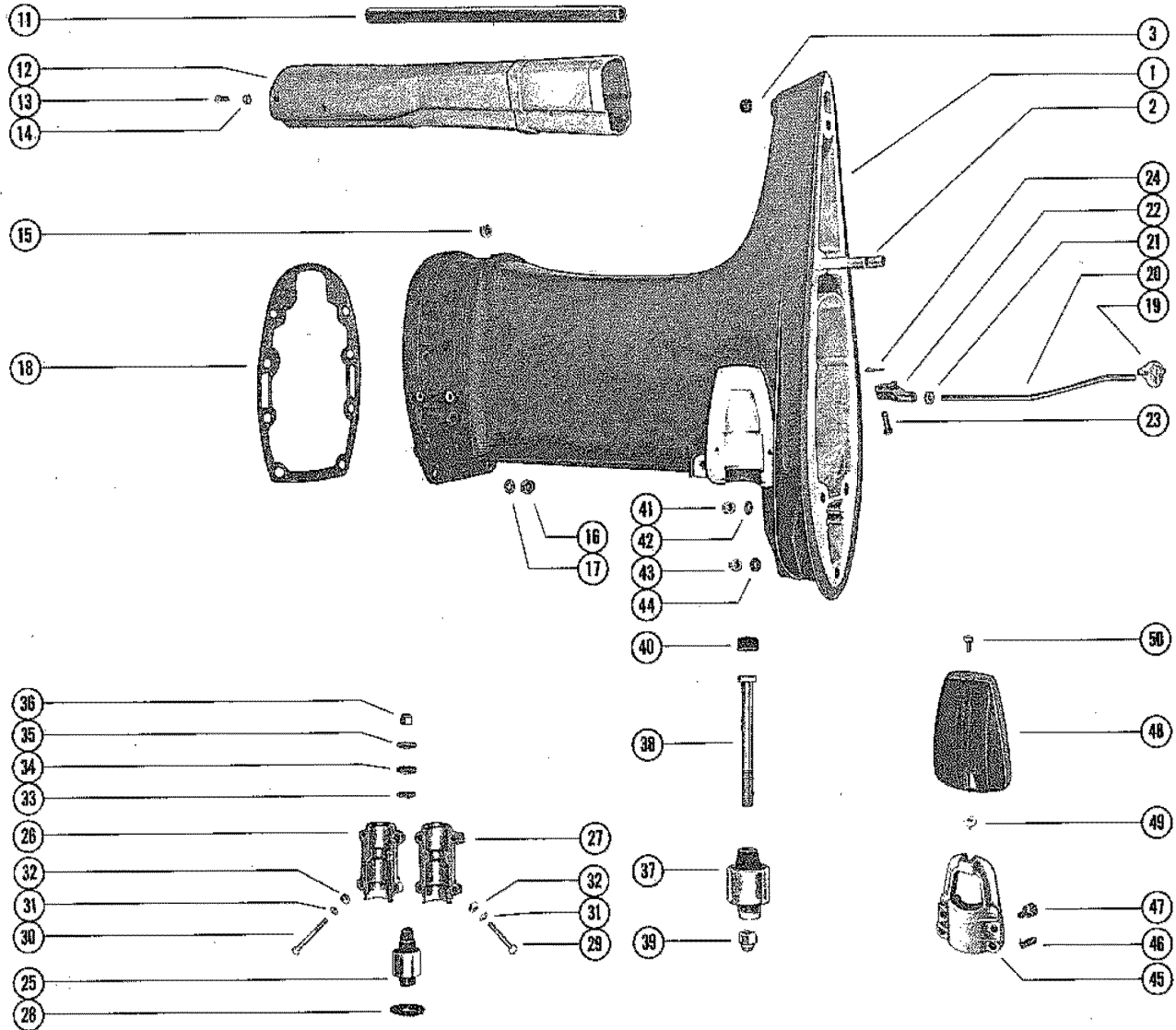
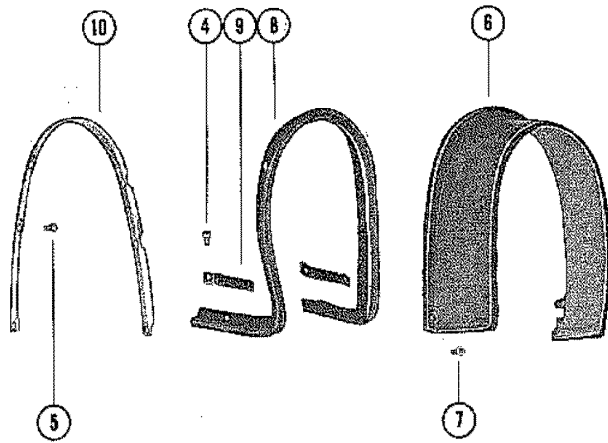


DRIVE SHAFT HOUSING ASSEMBLY

REF. NO.	PART NO.	SYM.	QTY.	DESCRIPTION
1	1552-3911A3		1	DRIVE SHAFT HOUSING ASSEMBLY (SHORT SHAFT)
	1551-3918A3		1	DRIVE SHAFT HOUSING ASSEMBLY (LONG SHAFT)
2	16-56295		2	STUD, DRIVE SHAFT HOUSING TO GEAR HOUSING (2 11/16")
3	19-32297		1	PLUG, PLASTIC - TRIM TAB SCREW HOLE
4	10-48409		2	SCREW, RETAINING STRIP TO DRIVE SHAFT HOUSING (5/8")
5	10-48408		6	SCREW, RETAINING STRIP TO DRIVE SHAFT HOUSING (1/2")
6	37417		1	COVER, TRIM - DRIVE SHAFT HOUSING
7	10-37571		4	SCREW, TRIM COVER TO BOTTOM COWL (1/2") SERIAL #2803562-02869698
	10-57807		4	SCREW, TRIM COVER TO BOTTOM COWL (3/4") SERIAL #2869699-09999999
-	25-57806		4	GROMMET, PLASTIC - TRIM COVER SCREW SERIAL #2869699-09999999
8	37919		1	SEAL, TRIM COVER TO DRIVE SHAFT HOUSING
9	37665		2	STRIP, RETAINING - TRIM COVER SEAL (SIDE)
10	38052		1	STRIP, RETAINING - TRIM COVER SEAL (REAR)
11	32-37446		1	TUBE, WATER INLET (SHORT SHAFT)
	32-37438		1	TUBE, WATER INLET (LONG SHAFT)
12	38469		1	TUBE, EXHAUST (SHORT SHAFT)
	38470		1	TUBE, EXHAUST (LONG SHAFT)
13	10-38601		2	SCREW, EXHAUST TUBE TO EXHAUST EXTENSION PLATE (5/8")
14	11-27871		2	NUT, EXHAUST TUBE SCREW
15	11-23161		6	NUT, POWERHEAD STUDS
16	11-20509		2	NUT, POWERHEAD STUDS
17	12-20086		2	WASHER, POWERHEAD STUDS
18	27-48801		1	GASKET, EXHAUST EXTENSION PLATE TO DRIVE SHAFT HOUSING
19	52887		1	GUIDE, PUSH ROD - REVERSE LOCKING
20	47591		1	ROD, PUSH - REVERSE LOCK (SHORT SHAFT)
	47558		1	ROD, PUSH - REVERSE LOCK (LONG SHAFT)
21	11-47661		1	NUT, JAM - PUSH ROD
22	47559		1	YOKE, PUSH ROD
23	17-39023		1	PIN, PUSH ROD TO REVERSE LOCK
24	18-25191		1	COTTER PIM, PUSH ROD PIN
25	37396		2	MOUNT, RUBBER - UPPER
26	26218		2	COVER, UPPER MOUNT - OUTSIDE HALF
27	26217		2	COVER, UPPER MOUNT - INSIDE HALF SERIAL #2803562-02869698
	57931		2	COVER, UPPER MOUNT - INSIDE HALF SERIAL #2869699-09999999
28	24929		2	PACKING, "U" CUP
29	10-28773		4	SCREW, UPPER MOUNT COVER (1 5/8")

CONTINUED ON NEXT PAGE ➡

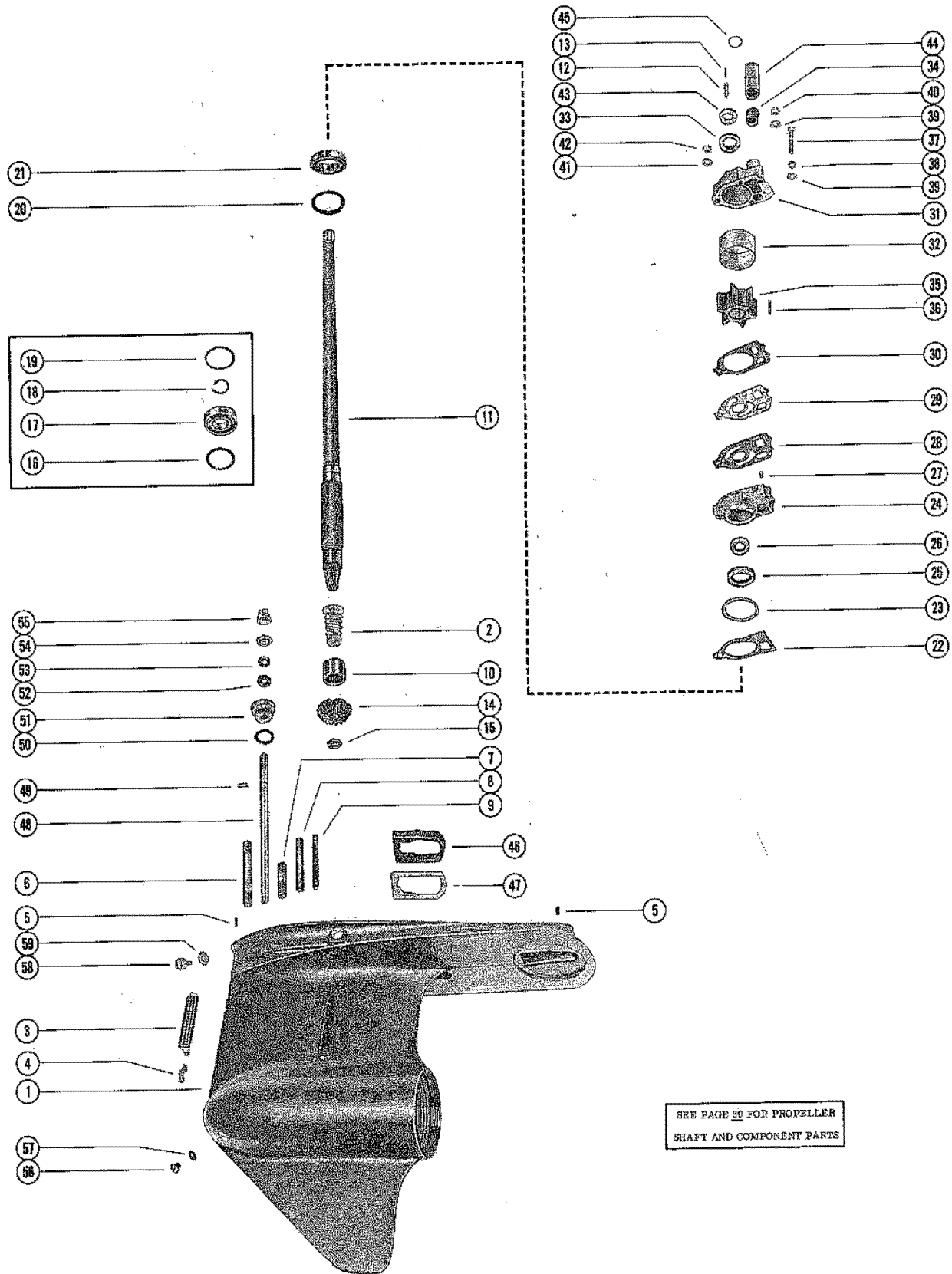
DRIVE SHAFT HOUSING ASSEMBLY



DRIVE SHAFT HOUSING ASSEMBLY

REF. NO.	PART NO.	SYM.	QTY.	DESCRIPTION
30	10-28775		4	SCREW, UPPER MOUNT COVER (2 1/8")
31	12-29245		AR	WASHER, UPPER MOUNT COVER SCREW
32	11-46886		8	NUT, UPPER MOUNT COVER SCREW
33	12-30515		2	WASHER, UPPER MOUNT BOLT
34	12-47894		2	WASHER, RUBBER - UPPER MOUNT BOLT
35	12-30514		2	WASHER, UPPER MOUNT BOLT
36	11-34933		2	NUT, UPPER MOUNT BOLT
37	37397		2	MOUNT, RUBBER - LOWER
38	10-49318		2	SCREW, UPPER MOUNT (5 1/2")
39	11-25096		2	NUT, MOUNT SCREW
40	25067		2	BUMPER, RUBBER - MOUNTING SCREW
41	11-34933		2	NUT, GEAR HOUSING AND DRIVE SHAFT HOUSING STUDS
42	12-45176		2	WASHER, GEAR HOUSING TO DRIVE SHAFT HOUSING STUDS
43	11-29489		1	NUT, GEAR HOUSING AND DRIVE SHAFT HOUSING STUDS
44	12-45176		1	WASHER, GEAR HOUSING TO DRIVE SHAFT HOUSING STUDS
45	35608		2	CLAMP, LOWER MOUNT TO DRIVE SHAFT HOUSING
46	24-35522		4	SPRING, TENSION - LOWER MOUNT CLAMP
47	10-29256		4	SCREW, LOWER MOUNT CLAMP TO DRIVE SHAFT HOUSING (7/8")
48	35474		2	COVER, LOWER MOUNT CLAMP
49	11-35521		2	NUT, LOWER MOUNT CLAMP COVER
50	10-29722		2	SCREW COVER TO LOWER CLAMP MOUNT

GEAR HOUSING ASSEMBLY, COMPLETE (PAGE 1)



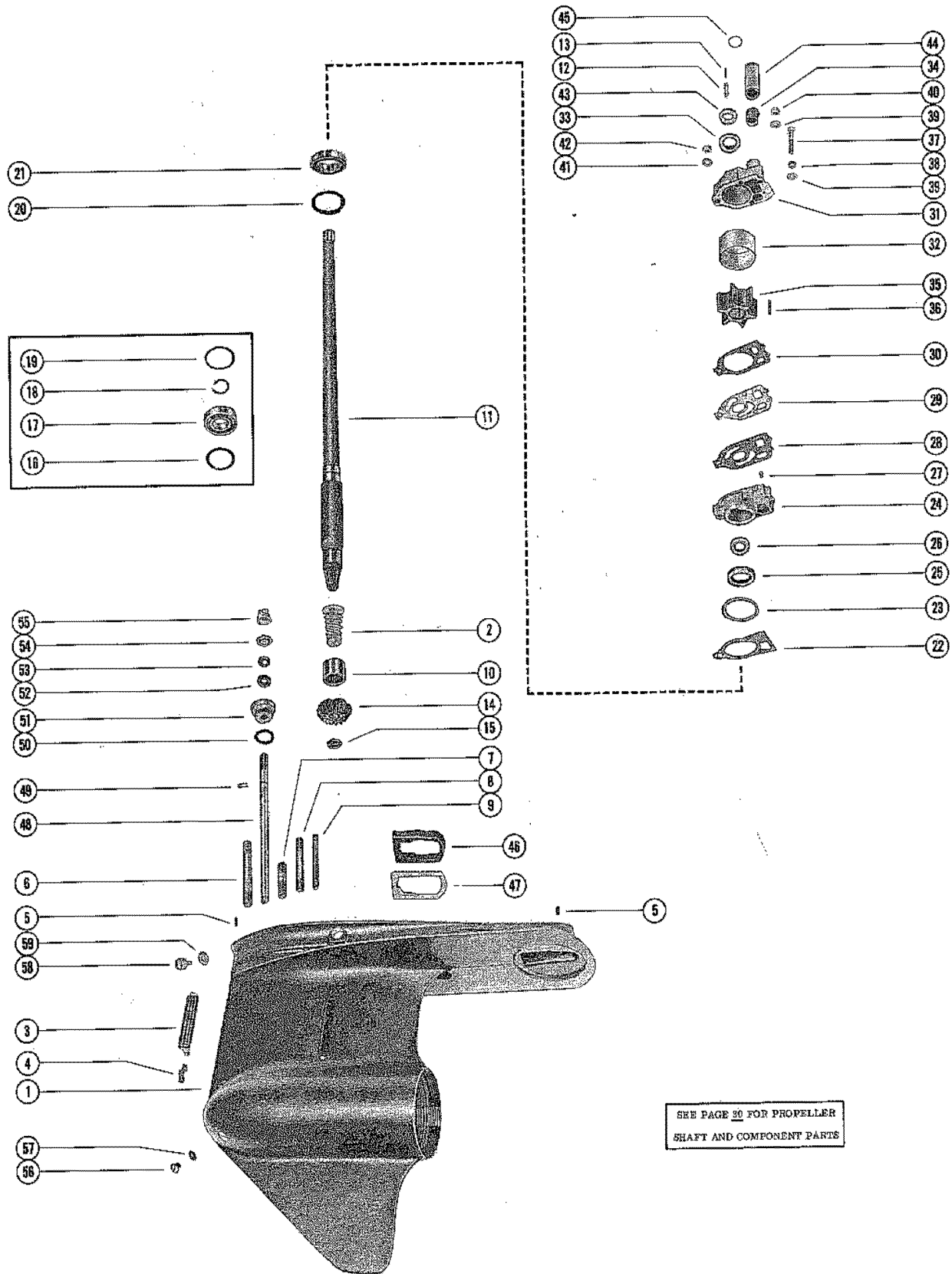
SEE PAGE 20 FOR PROPELLER
SHAFT AND COMPONENT PARTS

GEAR HOUSING ASSEMBLY, COMPLETE (PAGE 1)

REF. NO.	PART NO.	SYM.	QTY.	DESCRIPTION
-	1623-3912A4		1	GEAR HOUSING ASSEMBLY, COMPLETE (SHORT SHAFT) SERIAL 02803562-02874263
-	1623-3912A5		1	GEAR HOUSING ASSEMBLY, COMPLETE (LONG SHAFT) SERIAL 02803562-02874263
-	1623-4021A4		1	GEAR HOUSING ASSEMBLY, COMPLETE (SHORT SHAFT) SERIAL 02997339-09999999
-	1623-4021A5		1	GEAR HOUSING ASSEMBLY, COMPLETE (LONG SHAFT) SERIAL 02997339-09999999
1	1623-3912A6		1	GEAR HOUSING ASSEMBLY SERIAL #2803562-#2874263
	1623-4021A6		1	GEAR HOUSING ASSEMBLY SERIAL #2997339-09999999
2	23-56513		1	SLEEVE, LUBRICATION SERIAL #2997339-09999999
3	55662		2	SCREEN, WATER INLET EARLY MODELS ONLY
4	24-57430		1	SPRING, WATER INLET SCREEN EARLY MODELS ONLY
5	17-21438		1	PIN, GEAR HOUSING
6	16-57921		1	STUD, GEAR HOUSING TO DRIVE SHAFT HOUSING
7	16-57920		2	STUD, GEAR HOUSING TO DRIVE SHAFT HOUSING (2 1/16")
8	16-56297		1	STUD, WATER PUMP BASE AND BODY TO GEAR HOUSING (3 3/8")
9	16-57919		2	STUD, WATER PUMP BASE AND BODY TO GEAR HOUSING (3 5/16")
10	31-32898		1	BEARING, ROLLER - DRIVE SHAFT
11	45-47433		1	DRIVE SHAFT (SHORT SHAFT) SERIAL #2803562-#2874263
	45-47434		1	DRIVE SHAFT (LONG SHAFT) SERIAL #2803562-#2874263
	45-59117A1		1	DRIVE SHAFT ASSEMBLY (SHORT SHAFT) SERIAL #2997339-09999999
	45-59116A1		1	DRIVE SHAFT ASSEMBLY (LONG SHAFT) SERIAL #2997339-09999999
12	24-34576		1	SPRING, COMPRESSION - DRIVE SHAFT SERIAL #2997339-09999999
13	17-30545		1	PIN, COMPRESSION SPRING RETAINING SERIAL #2997339-09999999
14	43-53981		1	GEAR, PINION - DRIVE SHAFT SERIAL #2803562-#2874263
	43-56518		1	GEAR, PINION - DRIVE SHAFT SERIAL #2997339-09999999
15	11-35921		1	NUT, PINION GEAR TO DRIVE SHAFT
16	15-30278A1		AR	SHIM, DRIVE SHAFT BALL BEARING TO GEAR HOUSING (.002-3-5-10 SERIAL #2803562-#2874263
17	30-20464		1	BEARING, BALL - DRIVE SHAFT SERIAL #2803562-#2874263
18	53-30726		1	RING, RETAINING - BALL BEARING SERIAL #2803562-#2874263
19	15-30278A1		AR	SHIM, WATER PUMP BASE TO GEAR HOUSING (.002-3-5-10) SERIAL #2803562-#2874263
20	15-57007A1		AR	SHIM, TAPERED ROLLER BEARING TO GEAR HOUSING (.002-3-5-10) SERIAL #2997339-09999999
21	31-33138A1		1	TAPERED ROLLER BEARING ASSEMBLY, DRIVE SHAFT SERIAL #2997339-09999999

CONTINUED ON NEXT PAGE ➡

GEAR HOUSING ASSEMBLY, COMPLETE (PAGE 1)



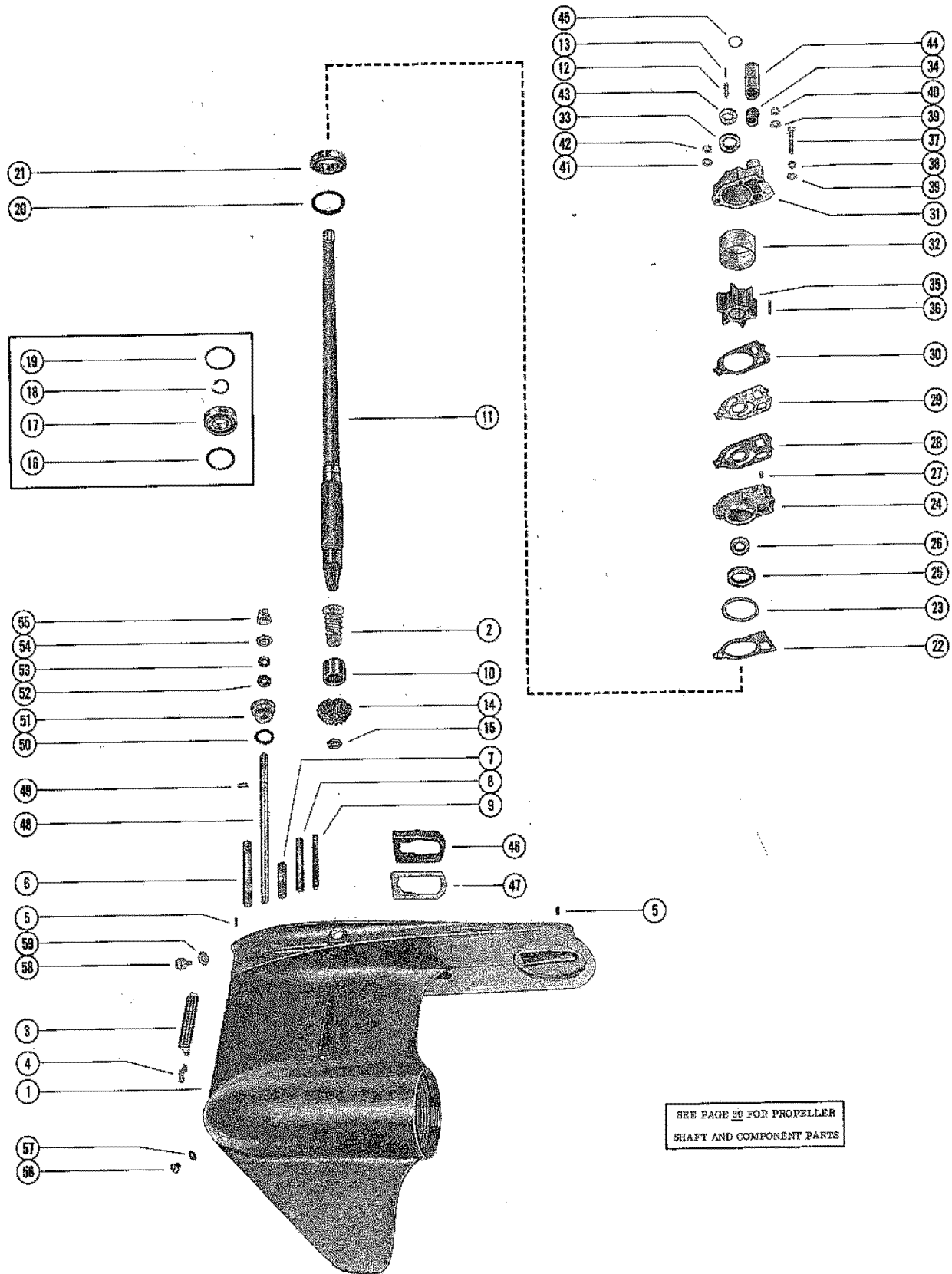
SEE PAGE 20 FOR PROPELLER
SHAFT AND COMPONENT PARTS

GEAR HOUSING ASSEMBLY, COMPLETE (PAGE 1)

REF. NO.	PART NO.	SYM.	QTY.	DESCRIPTION
22	27-32438		1	GASKET, WATER PUMP BASE TO GEAR HOUSING SERIAL 02803562-02874263
	27-33146		1	GASKET, WATER PUMP BASE TO GEAR HOUSING SERIAL 02997339-09999999
23	25-30224		1	"O" RING, WATER PUMP BASE SERIAL 02803562-02874263
	25-33145		1	"O" RING, WATER PUMP SERIAL 02997339-09999999
24	46-48747A1		1	WATER PUMP BASE ASSEMBLY SERIAL 02803562-02874263
	46-58618A1		1	WATER PUMP BASE ASSEMBLY SERIAL 02997339-09999999
25	26-31489		1	OIL SEAL, WATER PUMP BASE
26	26-31507		1	OIL SEAL, WATER PUMP BASE SERIAL 02803562-02874263
	26-55682		1	OIL SEAL, WATER PUMP BASE SERIAL 02997339-09999999
27	17-35973		2	DOWEL PIN, WATER PUMP BASE TO WATER PUMP
28	27-32433		1	GASKET, LOWER - WATER PUMP BASE TO FACE PLATE
29	32435		1	PLATE, FACE - WATER PUMP BASE TO WATER PUMP BODY
30	27-32434		1	GASKET, UPPER - FACE PLATE TO WATER PUMP BODY
31	46-48743A1		1	WATER PUMP BODY ASSEMBLY
32	48752		1	INSERT, WATER PUMP BODY
33	26-31507		1	OIL SEAL, WATER PUMP BODY
34	26-38970		1	SEAL, RUBBER - WATER INLET TUBE
35	47-30221		1	IMPELLER, WATER PUMP
36	28-56654		1	KEY, IMPELLER DRIVE
37	10-30720		1	SCREW, WATER PUMP BODY TO GEAR HOUSING (2 1/4")
38	13-26992		1	LOCKWASHER, WATER PUMP BODY SCREW
39	12-29245		3	WASHER, WATER PUMP BODY FASTENING SCREW AND STUD
40	11-35045		2	NUT, WATER PUMP BODY FASTENING STUD
41	12-36001		1	WASHER, WATER PUMP BODY FASTENING STUD
42	11-45592		1	NUT, WATER PUMP BODY FASTENING STUD
43	25-30271		1	RING, RUBBER - CENTRIFUGAL SLINGER (DRIVE SHAFT)
44	23-29804		1	SLEEVE, GUIDE - WATER INLET TUBE
45	25-30613		1	"O" RING, UPPER - DRIVE SHAFT SERIAL #2803562-0#287426
46	37641		1	SEAL, EXHAUST TUBE
47	38051		1	PLATE, SUPPORT - EXHAUST TUBE SEAL
48	55421A1		1	SHAFT ASSEMBLY, SHIFT - LOWER
49	53-29641		1	"E" RING, RETAINING, LOWER SHIFT SHAFT
50	25-25439		1	"O" RING, SHIFT SHAFT BUSHING
51	23-55419A1		1	BUSHING ASSEMBLY, SHIFT SHAFT
52	26-24590		1	OIL SEAL, SHIFT SHAFT BUSHING (LOWER)
	26-31249		1	OIL SEAL, SHIFT SHAFT BUSHING (UPPER)

CONTINUED ON NEXT PAGE ➡

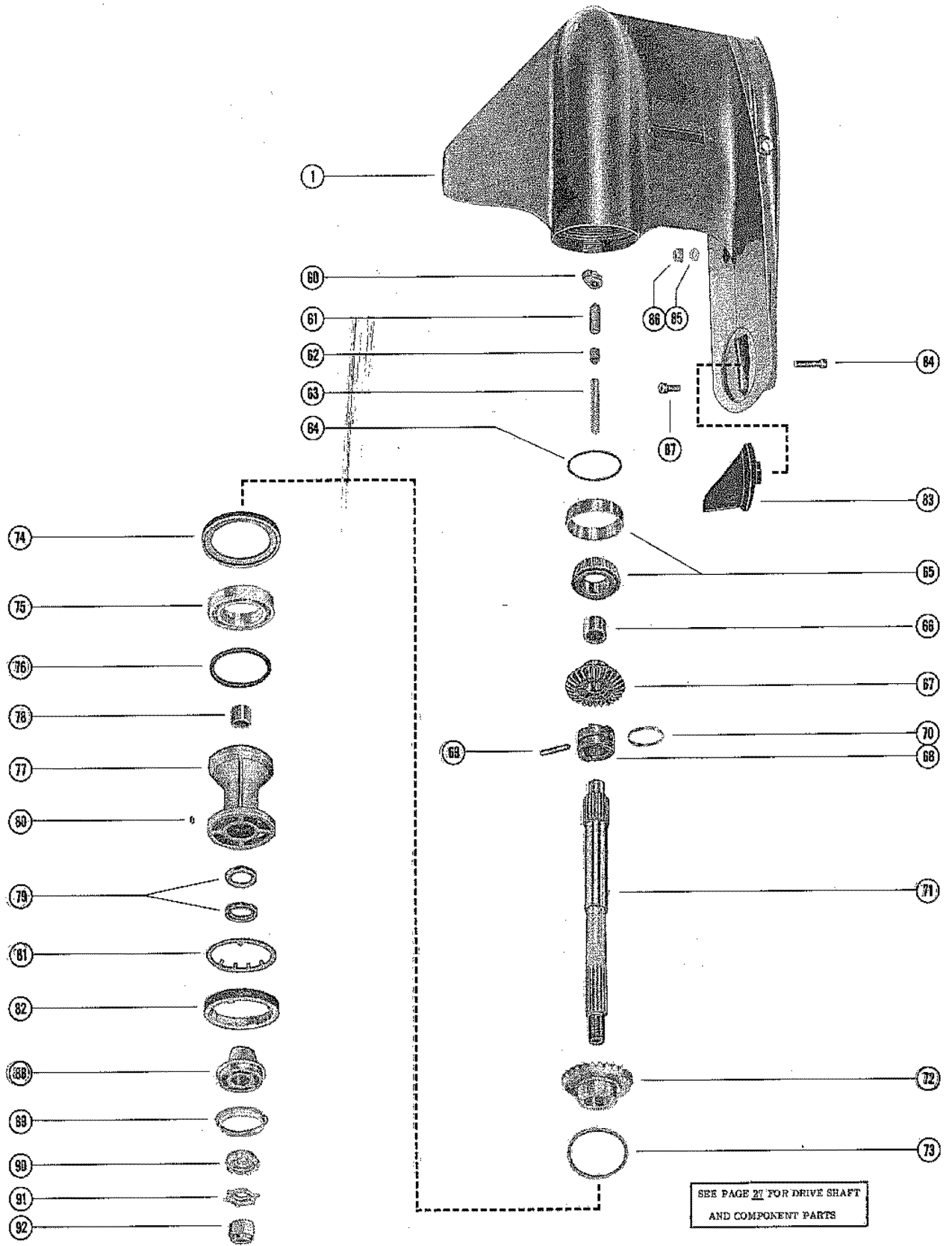
GEAR HOUSING ASSEMBLY, COMPLETE (PAGE 1)



GEAR HOUSING ASSEMBLY, COMPLETE (PAGE 1)

REF. NO.	PART NO.	SYM.	QTY.	DESCRIPTION
53	12-31266		1	WASHER, RUBBER - SHIFT SHAFT BUSHING
54	39019		1	SPACER, LOWER - REVERSE LOCKING
55	39021		1	CAM, REVERSE LOCKING
56	10-28634		2	SCREW, GREASE FILLER AND VENT HOLE
57	12-20260		2	WASHER, GREASE FILLER AND VENT HOLE SCREW
58	19-48750		1	PLUG, GEAR HOUSING FLUSHING HOLE
59	12-49221		1	WASHER, GEAR HOUSING FLUSHING HOLE PLUG

GEAR HOUSING ASSEMBLY, COMPLETE (PAGE 2)



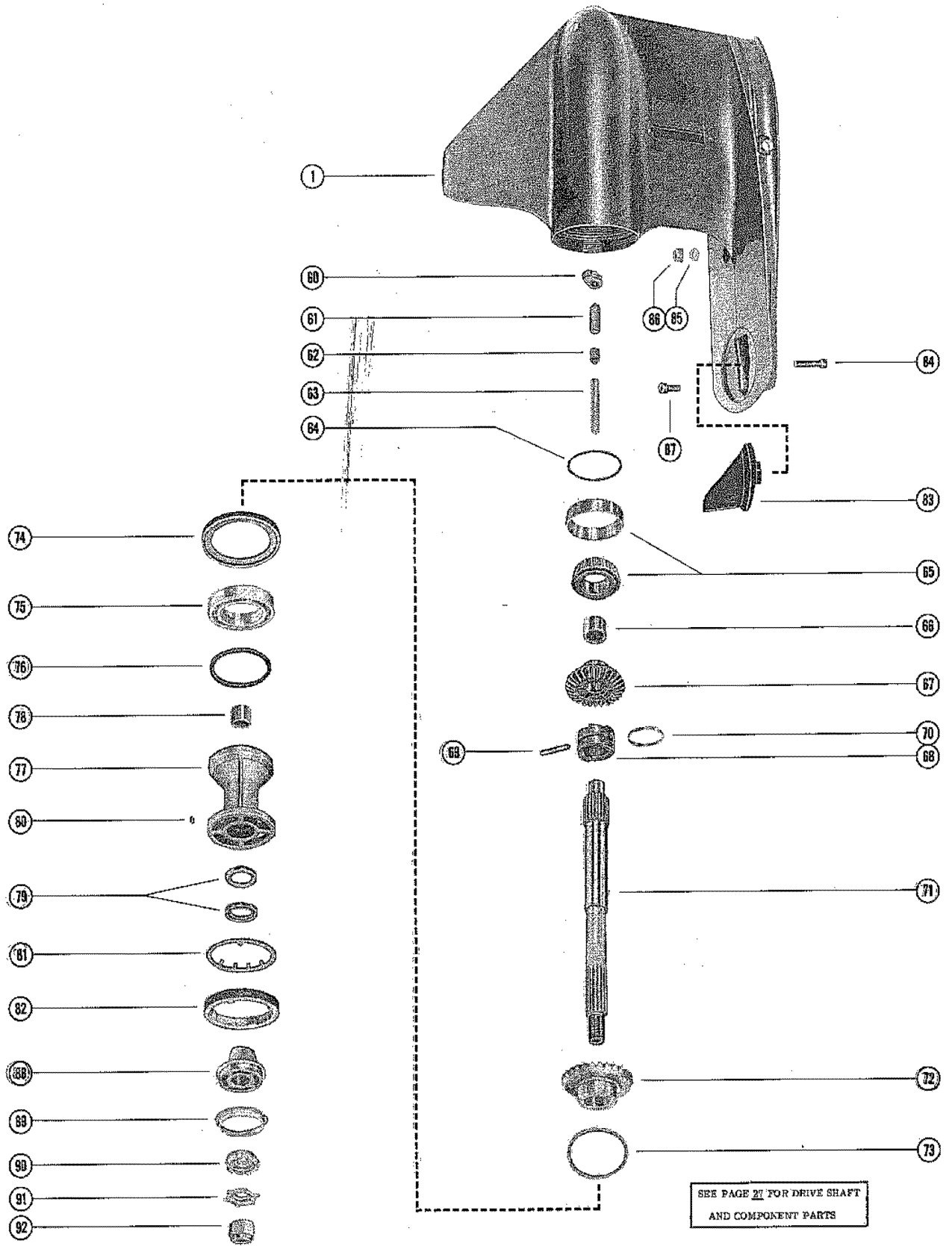
SEE PAGE 21 FOR DRIVE SHAFT
AND COMPONENT PARTS

GEAR HOUSING ASSEMBLY, COMPLETE (PAGE 2)

REF. NO.	PART NO.	SYM.	QTY.	DESCRIPTION
-	1623-3912A4		1	GEAR HOUSING ASSEMBLY, COMPLETE (SHORT SHAFT) SEE NOTE BELOW SERIAL #2803562-#2874263
-	1623-3912A5		1	GEAR HOUSING ASSEMBLY, COMPLETE (LONG SHAFT) SEE NOTE BELOW SERIAL #2803562-#2874263
-	1623-4021A4		1	GEAR HOUSING ASSEMBLY, COMPLETE (SHORT SHAFT) SEE NOTE BELOW SERIAL #2997339-09999999
-	1623-4021A5		1	GEAR HOUSING ASSEMBLY, COMPLETE (LONG SHAFT) SEE NOTE BELOW SERIAL #2997339-09999999
1	1623-3912A6		1	GEAR HOUSING ASSEMBLY SEE PAGE 27 FOR BREAKDOWN SERIAL #2803562-#2874263
	1623-4021A6		1	GEAR HOUSING ASSEMBLY SEE PAGE 27 FOR BREAKDOWN. SERIAL #2997339-09999999
60	54346		1	CAM, SHIFT
61	30625		1	FOLLOWER, CAM
62	30624		1	SLIDE, CROSS PIN
63	24-30622		1	SPRING, COMPRESSION - CAM FOLLOWER
64	15-30923A1		AR	SHIM, BEARING OUTER RACE TO GEAR HOUSING (.002-3-5-10)
65	31-30894A1		1	TAPERED ROLLER BEARING ASSEMBLY
66	31-30895		1	BEARING, ROLLER - FORWARD GEAR
67	43-53982		1	FORWARD GEAR ASSEMBLY SERIAL #2803562-#2874263
	43-56517		1	FORWARD GEAR ASSEMBLY SERIAL #2997339-09999999
68	52-34239		1	RATCHET, SLIDING CLUTCH
69	17-30632		1	PIN, CROSS - RATCHET TO PROPELLER SHAFT
70	24-30893		1	SPRING, RETAINING - CROSS PIN
71	44-52542		1	SHAFT, PROPELLER
72	43-53983		1	REVERSE GEAR ASSEMBLY (SERIAL THRU) SERIAL #2803562-#2874263
	43-56516		1	REVERSE GEAR ASSEMBLY (SERIAL AND UP) SERIAL #2997339-09999999
73	15-29955A1		AR	SHIM, THRUST WASHER TO GEAR HOUSING (.002-3-5-10)
74	12-30633		1	WASHER, THRUST - BEARING CARRIER TO GEAR HOUSING
75	30-31265		1	BEARING, BALL - REVERSE GEAR
76	25-29976		1	"O" RING, BEARING CARRIER
77	52132A1		1	BEARING CARRIER ASSEMBLY
78	31-30956		1	BEARING, ROLLER - BEARING CARRIER
79	26-30550		2	OIL SEAL, BEARING CARRIER
80	28-30281		1	KEY, LOCATING - BEARING CARRIER
81	14-52700		1	TAB WASHER, GEAR HOUSING COVER
82	52699		1	COVER, GEAR HOUSING
83	31640A1		1	TRIM TAB ASSEMBLY, GEAR HOUSING
84	10-55726		1	SCREW, TRIM TAB TO GEAR HOUSING (1 3/4")
85	12-45176		2	WASHER, GEAR HOUSING TO DRIVE SHAFT HOUSING STUDS
86	11-34933		2	NUT, GEAR HOUSING TO DRIVE SHAFT HOUSING STUDS

CONTINUED ON NEXT PAGE ➡

GEAR HOUSING ASSEMBLY, COMPLETE (PAGE 2)



GEAR HOUSING ASSEMBLY, COMPLETE (PAGE 2)

REF. NO.	PART NO.	SYM.	QTY.	DESCRIPTION
87	10-34353		1	SCREW, GEAR HOUSING TO DRIVE SHAFT HOUSING (1")
88	46961A1		1	THRUST HUB AND WASHER ASSEMBLY
89	12-29590		1	WASHER, CUPPED - THRUST HUB
90	12-31211		1	WASHER, SPLINED - PROPELLER NUT
91	14-31210		1	TAB WASHER, PROPELLER NUT
92	11-52707		1	NUT, PROPELLER

PARTS INDEX

Part Number	Description	Pg.	Ref. No.	Part Number	Description	Pg.	Ref. No.
20121	CONNECTOR, SPARK PLUG LEAD	13	--	31288	COVER, TRANSFER PORT	33	45
20140	BELT, TIMING	17	54	31640A1	TRIM TAB ASSEMBLY, GEAR HOUSING	55	83
22463	KNOB, CHOKE ROD	23	19	31935	BLANKET, SOUND ABSORBING - WRAP AROUND COWL	7	14
22789	"D" WASHER, CLUP FASTENING SCREW	9	17	32197	STOP, SPARK ADVANCE - DISTRIBUTOR HOUSING	15	2
22789	"D" WASHER, WIRING HARNESS LEAD CLIP ATTACHING SCREW	21	44	32435	PLATE, FACE - WATER PUMP BASE TO WATER PUMP BODY	51	29
23004	RETAINER, CHECK VALVE	29	7	35474	COVER, LOWER MOUNT CLAMP	47	48
23760	BAFFLE, BOTTOM COWL	37	8	35496	PAD, BUMPER - TOP COWL RETAINER	3	3
24929	PACKING, "U" CUP	45	28	35552	SEAL, SOUND - UPPER SECTION	7	9
25067	BUMPER, RUBBER - MOUNTING SCREW	47	40	35608	CLAMP, LOWER MOUNT TO DRIVE SHAFT HOUSING	47	45
25661	STARTER SOLENOID	19	26	37331	PLATE, SPACER - STARTER MOTOR TO BRACKET	19	19
25996A1	SWIVEL AND LINK ROD ASSEMBLY	15	10	37396	MOUNT, RUBBER - UPPER	45	25
26113	RACE, OUTER (PAIR)	35	19	37397	MOUNT, RUBBER - LOWER	47	37
26217	COVER, UPPER MOUNT - INSIDE HALF	45	27	37417	COVER, TRIM - DRIVE SHAFT HOUSING	45	6
26218	COVER, UPPER MOUNT - OUTSIDE HALF	45	26	37440	BRACKET, MOUNT SUPPORT - CYLINDER BLOCK	33	47
26511	WIRE, STARTER MOTOR TO TOP MOUNT	19	23	37445	SUPPORT, WIRING HARNESS - BOTTOM COWL	37	11
26551	BRACKET, GROUND STRAP TO CRANKCASE	31	17	37447	PLATE, BAFFLE PLATE TO MANIFOLD COVER	31	36
26901	BUMPER, IGNITION COIL	21	53	37587	SWIVEL, LOWER - THROTTLE CONTROL LEVER TO THROTTLE CABLE	15	22
27947	SWIVEL, LINKAGE - ECONOMIZER COLLAR	15	9	37588	ROD, LINK - UPPER	15	12
27948	SWIVEL, UPPER LINK ROD TO THROTTLE CONTROL LEVER	15	13	37637	BOOT, FUEL CONNECTOR - BOTTOM COWL	37	10
28203	BUMPER, STEERING ARM	41	30	37638	BOOT, CONTROL CABLES - BOTTOM COWL	37	7
28205	STRAP STOP, DRIVE SHAFT HOUSING TO SWIVEL BRACKET	41	39	37639	MOUNT, RUBBER - TOP COWL FRAME	3	20
28403A3	THUMB SCREW ASSEMBLY	41	2	37640	MOUNT, RUBBER - FRONT SUPPORT BRACKET	5	36
29787	HUB, FLYWHEEL PULLEY	9	11	37641	SEAL, EXHAUST TUBE	51	46
29788	FLANGE, FLYWHEEL PULLEY	9	9	37665	STRIP, RETAINING - TRIM COVER SEAL (SIDE)	45	9
29906A1	DRIVEN PULLEY ASSEMBLY	17	48	37896	GUIDE BLOCK, LINK ROD	39	48
29907	FLANGE, DRIVEN PULLEY	17	50	37903	FLANGE, RUBBER - DRIP TRAY	37	4
30050	TERMINAL, STATOR LEAD WIRE	9	13	37918	SEAL, EXHAUST EXTENSION PLATE	37	25
30186	ADAPTOR, CHECK UNIT (FUEL LINE)	29	21	37919	SEAL, TRIM COVER TO DRIVE SHAFT HOUSING	45	8
30187	STEM, CHECK UNIT ADAPTOR	29	22	37940	PAD, SOUND - DRIP TRAY	37	3
30188	CUP WASHER, ADAPTOR	29	25	38032	STRIP, RETAINING - EXHAUST EXTENSION PLATE SEAL	37	26
30306	PULLEY, FLYWHEEL	9	10				
30413	HOOK, COWL LATCH FASTENING	7	13				
30624	SLIDE, CROSS PIN	55	62				
30625	FOLLOWER, CAM	55	61				
30664	TUBE, TILT - CLAMP BRACKET TO SWIVEL BRACKET	41	4				
31014	MOUNT, RUBBER - REAR SUPPORT BRACKET	3	23				

PARTS INDEX

Part Number	Description	Pg.	Ref. No.	Part Number	Description	Pg.	Ref. No.
38051	PLATE, SUPPORT - EXHAUST TUBE SEAL . . .	51	47	47559	YOKE, PUSH ROD	45	22
38052	STRIP, RETAINING - TRIM COVER SEAL (REAR) . . .	45	10	47591	ROD, PUSH - REVERSE LOCK (SHORT SHAFT) . .	45	20
38279	LATCH, CONTROL CABLE FASTENING - ANCHOR BRACKET	39	50	47604A1	PROTECTOR, SPARK PLUG LEAD	13	35
38448	RETAINER, WATER TUBE SEAL	37	20	47799A1	TILT LOCK ASSEMBLY, STARBOARD	41	23
38469	TUBE, EXHAUST (SHORT SHAFT)	45	12	47800A1	TILT LOCK ASSEMBLY, PORT	41	24
38470	TUBE, EXHAUST (LONG SHAFT)	45	12	47802	TUBE, TILT LOCK	41	25
38674	BLANKET, SOUND ABSORBING - FRONT COVER	7	7	47804	SHUTTER, CHOKE - CARBURETOR	23	27
38747	BRACKET, SUPPORT - STARTER MOTOR	19	20	47869A1	BRACKET ASSEMBLY, ANCHOR CONTROL CABLES	39	34
38802	CAP, BRASS BARREL OF THROTTLE CABLE	39	35	47899A9	SPARK PLUG LEAD ASSEMBLY #1, #2, #3 AND #4	13	34
39015A1	REVERSE LOCK ASSEMBLY	43	46	48039	CAP, NYLON - THROTTLE ACTUATOR ADJUSTING SCREW	15	27
39019	SPACER, LOWER - REVERSE LOCKING	53	54	48047A1	LINK ROD ASSEMBLY	39	31
39021	CAM, REVERSE LOCKING . .	53	55	48306	PLATE, THROTTLE ACTUATOR	15	24
39519	CAP, RETAINER - ANCHOR BRACKET	39	41	48562	LEVER, THROTTLE CONTROL	15	14
39536	LINK, LOCKING LEVER TO COVER	39	45	48666A1	ADAPTOR ASSEMBLY, DISTRIBUTOR	15	32
39616	BOOT, CONTROL CABLES - BOTTOM COWL	37	7	48752	INSERT, WATER PUMP BODY	51	32
39618	LEVER, NYLON - SHIFT CABLE LOCKING	39	42	49448	SHIELD, TOP COWL - REAR	3	14
39667	COVER, NYLON - SHIFT CABLE	39	44	49731	WIRE, STARTER MOTOR TO STARTER SOLENOID . . .	19	23
45391	SPACER, IGNITION WIRE . .	11	25	49932A1	LEVER ASSEMBLY, CONTROL CABLE LOCKING - ANCHOR BRACKET	39	36
46265	BOOT, STARTER SOLENOID TERMINAL	19	33	49935	CAP, BRASS BARREL OF THROTTLE CABLE	39	35
46280	BRACKET, RETAINER - HIGH TENSION LEAD	19	11	52023	CAP, NYLON - STOP BRACKET ADJUSTING SCREWS	15	42
46281	RETAINER, HIGH TENSION LEADS	11	30	52100	WEAR PLATE, LINK ROD . .	39	49
46298	COVER, EXHAUST MANIFOLD	33	38	52132A1	BEARING CARRIER ASSEMBLY	55	77
46785A1	COWL LATCH ASSEMBLY . .	7	12	52635	BRACKET, TOP COWL SUPPORT - FRONT	3	31
46933A1	GROUND STRAP ASSEMBLY, CRANKCASE TO BOTTOM COWL	39	53	52699	COVER, GEAR HOUSING . .	55	82
46933A2	GROUND STRAP ASSEMBLY, DRIVE SHAFT HOUSING TO BOTTOM COWL	39	54	52732	BRACKET, ANCHOR - CONTROL CABLES SERIAL AND UP	39	40
46961A1	THRUST HUB AND WASHER ASSEMBLY	57	88	52733A3	RETAINER ASSEMBLY, TOP COWL	3	2
47271	FRAME, TOP COWL SUPPORT	3	18	52733A4	RETAINER ASSEMBLY, TOP COWL	3	2
47341A1	ROPE, STARTER (FOR MANUAL STARTING ONLY)	3	17	52737	LEVER, COWL LATCH HINGE	3	8
47558	ROD, PUSH - REVERSE LOCK (LONG SHAFT) . . .	45	20	52739	HINGE, COWL LATCH - TOP COWL	3	7

PARTS INDEX

Part Number	Description	Pg.	Ref. No.	Part Number	Description	Pg.	Ref. No.
52771	WIRING HARNESS (INTERNAL)	19	34	56677A4	FUEL PUMP ASSEMBLY	29	1
52862A1	DRIP TRAY ASSEMBLY, BOTTOM COWL	37	2	56678A1	DIAPHRAGM KIT	29	3
52887	GUIDE, PUSH ROD - REVERSE LOCKING	45	19	56680	COVER, FUEL PUMP	29	9
52889	NOZZLE, TELL TALE HOSE TO BOTTOM COWL	37	15	56849	KNOB, COWL FRONT COVER FASTENING	7	2
53071	COVER, UPPER AND LOWER SHOCK MOUNTING PIN	43	57	57931	COVER, UPPER MOUNT - INSIDE HALF	45	27
53078	CAP, PLASTIC - TILT TUBE	41	7	58124A7	SWITCH, MERCURY	5	39
53216	LUBRICAP, SWIVEL BRACKET GREASE FITTING	41	22	58807A1	FLAME ARRESTOR ASSEMBLY, DISTRIBUTOR CAP	11	29
53334	SEAL, SOUND - TOP	7	10	58807A1	FLAME ARRESTOR ASSEMBLY, DISTRIBUTOR HOUSING	11	7
53417	GROUND STRAP ASSEMBLY, DISTRIBUTOR TO CRANKCASE	11	5	59768	BRACKET, TOP COWL SUPPORT - FRONT	3	31
53649A2	THROTTLE PICK-UP BRACKET ASSEMBLY	23	12	10-20037	SCREW, RETAINER TO HOUSING	29	8
53665	INSERT, THROTTLE PICK-UP BRACKET	23	13	10-20100	SCREW, LINK TO CHOKE KNOB	23	22
53889A3	SHIFT SHAFT ASSEMBLY, UPPER (LONG SHAFT)	37	28	10-20359	SCREW, CENTER MAIN BEARING LOCKING	31	23
53889A4	SHIFT SHAFT ASSEMBLY, UPPER (SHORT SHAFT)	37	28	10-20362	SCREW, FRONT BRACKET TO TOP COWL FRAME (1 1/2")	3	34
54196A1	CARRIER ASSEMBLY, "O" RING	35	4	10-20540	SCREW, TRANSFER PORT COVER TO CYLINDER BLOCK (5/8")	33	46
54283A2	PLUNGER AND LINK ASSEMBLY	23	6	10-20776	SCREW, WIRING HARNESS LEAD TO BOTTOM COWL (1/2")	21	40
54283A5	PLUNGER AND LINK ASSMBLY	23	6	10-20847	SCREW, CLUSTER TO THROTTLE LEVER	23	10
54293A5	CHOKE SOLENOID	23	1	10-20847	SCREW, THROTTLE STOP LEVER	25	19
54346	CAM, SHIFT	55	60	10-21625	SCREW, STARTER SOLENOID TO COIL BRACKET	19	27
54567	CAP, DISTRIBUTOR HOUSING	17	46	10-21625	SCREW, SWITCH BOX TO FRONT SUPPORT BRACKET (3/4")	19	4
55398A4	TACHOMETER ASSEMBLY	1	-	10-22040	SCREW, DISTRIBUTOR HOUSING TO CRANKCASE (1 1/2")	15	34
55421A1	SHAFT ASSEMBLY, SHIFT - LOWER	51	48	10-22040	SCREW, FRONT SUPPORT BRACKET TO BOTTOM COWL (1 1/2")	3	32
55455	HOOK, TOP COWL LATCH - REAR	3	11	10-22421	SCREW, CYLINDER BLOCK COVER MOUNTING (1 1/4")	33	42
55482	YOKE, BOTTOM	43	42	10-22486	SCREW, IGNITION COIL TO BOTTOM COWL (7/8")	21	48
55662	SCREEN, WATER INLET EARLY MODELS ONLY	49	3	10-22698	SCREW, STARTER MOTOR TO CRANKCASE FLANGE (1 3/4")	19	17
55692	COUPLING, SHIFT SHAFT	37	29	10-22956	SCREW, REAR HOOK TO TOP COWL (7/8")	3	12
55804A1	ECONOMIZER COLLAR ASSEMBLY	15	6	10-22956	SCREW, RETAINER BRACKET TO FRONT SUPPORT BRACKET (7/8")	19	12
55805	BRACKET, STOP	15	37				
56186	EMBLEM, TOP COWL RETAINER	3	4				
56194	CABLE, CHOKE KNOB TO CHOKE ROD	23	21				
56195	ROD, CHOKE	23	25				
56306A2	PLATE ASSEMBLY, EXHAUST EXTENSION	37	18				
56349	SHAFT, REVERSE LOCK PIVOT	43	47				
56498	CLUSTER, THROTTLE LEVER	23	9				

PARTS INDEX

Part Number	Description	Pg.	Ref. No.	Part Number	Description	Pg.	Ref. No.
10-22968	SCREW, CENTER MAIN BEARING CLAMPING	35	21	10-29465	SCREW, REED STOP MOUNTING	35	14
10-23702	SCREW, ADJUSTING - THROTTLE ACTUATOR . .	15	25	10-29722	SCREW COVER TO LOWER CLAMP MOUNT	47	50
10-24226	SCREW, EXTENSION PLATE TO DRIVE SHAFT HOUSING (1 1/4")	37	22	10-30225	SCREW, LOWER END CAP MOUNTING	31	29
10-24228	SCREW, STOP BRACKET ADJUSTING (1 7/8")	15	40	10-30225	SCREW, UPPER END CAP MOUNTING	31	5
10-24234	SCREW, ANCHOR BRACKET TO CYLINDER BLOCK (1")	39	46	10-30273	SCREW, PUMP MOUNTING (1 7/8")	29	11
10-24234	SCREW, BRACKET TO CYLINDER BLOCK (1") . .	33	48	10-30453	BOLT, STEERING ARM TO UPPER MOUNT	41	31
10-24963	SCREW, RECTIFIER TO BOTTOM COWL (7/8") . . .	19	9	10-30663	SCREW, GROUND STRAP ATTACHING (3/8")	11	6
10-25299	SCREW, CHOKE SOLENOID ATTACHING (3/4")	23	4	10-30663	SCREW, GROUND STRAP ATTACHING (3/8")	39	55
10-25764	SCREW, MERCURY SWITCH TO FRONT SUPPORT BRACKET	5	40	10-30663	SCREW, MERCURY SWITCH LEADS	5	42
10-25822	SCREW, STRAINER COVER FASTENING	25	18	10-30720	SCREW, WATER PUMP BODY TO GEAR HOUSING (2 1/4")	51	37
10-26065	SCREW, REAR SUPPORT BRACKET TO TOP COWL FRAM (1")	3	27	10-31206	SCREW, WIRING HARNESS LEAD CLIP ATTACHING (7/16")	21	43
10-26132	SCREW, CRANKCASE TO CYLINDER BLOCK (2 1/2")	31	14	10-31827	BOLT, CLAMP BRACKET TO BOAT TRANSOM (UPPER)	41	14
10-26512	SCREW, DRIVE - SERIAL PLATE TO SWIVEL BRACKET	41	37	10-31830	SCREW, RIDE-GUIDE ATTACHING (1 3/4")	41	34
10-26548	SCREW, GROUND STRAP TO BRACKET	31	18	10-32228	SCREW, THROTTLE ACTUATOR PLATE TO ECONOMIZER COLLAR (5/8")	15	28
10-28009	BOLT, CLAMP BRACKET TO BOAT TRANSOM (LOWER)	41	14	10-32293	SCREW, CRANKCASE TO CYLINDER BLOCK (1 3/4")	31	14
10-28200	SCREW, STRAP STOP TO DRIVE SHAFT HOUSING (2 7/8")	43	40	10-32417	SCREW, FLEXIBLE PLATE TO FLYWHEEL	9	6
10-28405	SCREW, PLUG - MAIN FUEL JET CHANNEL	25	28	10-33008	SCREW, CRANKCASE AND STARTER MOTOR BRACKET TO CYLINDER BLOCK	31	15
10-28424	SCREW, LOWER SHOCK PIN - LONG SHAFT	43	--	10-33860	SCREW, CRANKCASE TO CYLINDER BLOCK (2") . .	31	14
10-28634	SCREW, GREASE FILLER AND VENT HOLE	53	56	10-34222	SCREW, TELL TALE NOZZLE TO BOTTOM COWL (1/2")	37	16
10-28635	SCREW, TRANSFER PORT COVER TO CYLINDER BLOCK (5/8")	33	46	10-34353	SCREW, GEAR HOUSING TO DRIVE SHAFT HOUSING (1")	57	87
10-28636	SCREW, STOP BRACKET TO DISTRIBUTOR ADAPTOR (3/4")	15	38	10-34439	SCREW, RETAINER TO EXTENSION PLATE (3/4")	37	21
10-28773	SCREW, UPPER MOUNT COVER (1 5/8")	45	29	10-35519	SCREW, DRIP TRAY TO BOTTOM COWL (1/2") . . .	37	5
10-28775	SCREW, UPPER MOUNT COVER (2 1/8")	47	30	10-35519	SCREW, STATOR LEAD CLIP FASTENING (1/2")	9	16
10-28846	SCREW, PLUG - MAIN NOZZLE	25	33	10-35519	SCREW, TELL TALE NOZZLE TO BOTTOM COWL (1/2")	37	16
10-29197	SCREW, GROUND WIRE TO STARTER MOTOR	19	24	10-37370	SCREW, SHIELD TO TOP COWL (5/8")	3	15
10-29256	SCREW, LOWER MOUNT CLAMP TO DRIVE SHAFT HOUSING (7/8")	47	47	10-37558	SCREW, REAR SUPPORT BRACKET TO BOTTOM COWL (1 1/4")	3	29

PARTS INDEX

Part Number	Description	Pg.	Ref. No.	Part Number	Description	Pg.	Ref. No.
10-37558	SCREW, RETAINER TO TOP COWL (1 1/4")	3	5	10-52196	SCREW, FLOAT BOWL COVER (LONG)	25	11
10-37559	SCREW, THROTTLE LEVER TO EXHAUST COVER (1 3/4")	15	18	10-52867	SCREW, BAFFLE TO BOTTOM COWL	37	9
10-37561	SCREW, ADAPTOR TO BOTTOM COWL (2 1/2")	29	26	10-53077	SCREW, UPPER AND LOWER SHOCK MOUNTING PIN (3/4")	43	56
10-37561	SCREW, IGNITION COIL TO BOTTOM COWL (2 1/2")	21	50	10-53481	SCREW, REED STOP MOUNTING	35	14
10-37561	SCREW, WIRING HARNESS SUPPORT TO BOTTOM COWL (2 1/2")	37	12	10-53651	SCREW, THROTTLE BRACKET MOUNTING (1")	23	14
10-37571	SCREW, SEAL AND STRIP TO EXHAUST EXTENSION PLATE (1/2")	37	27	10-53904	SCREW, MAIN BEARING LOCKING	31	21
10-37571	SCREW, TRIM COVER TO BOTTOM COWL (1/2")	45	7	10-54281	SCREW, DISTRIBUTOR CAP CLAMP (1")	11	16
10-37655	SCREW, COVER TO SHOCK ABSORBER (1/2")	43	58	10-55726	SCREW, TRIM TAB TO GEAR HOUSING (1 3/4")	55	84
10-37990	SCREW, ADAPTOR TO BOTTOM COWL (1 3/4")	29	26	10-57021	SCREW, STATOR TO UPPER END CAP (7/8")	9	14
10-37990	SCREW, WIRING HARNESS SUPPORT TO BOTTOM COWL (1 3/4")	37	12	10-57807	SCREW, TRIM COVER TO BOTTOM COWL (3/4")	45	7
10-38036	SCREW, PUMP MOUNTING (1 1/2")	29	10	10-58354	SCREW, PULLING CLAMPING	17	53
10-38601	SCREW, EXHAUST TUBE TO EXHAUST EXTENSION PLATE (5/8")	45	13	11-20013	NUT, HIGH TENSION RETAINER SCREW	11	32
10-38837	SCREW, BAFFLE PLATE AND COVER MOUNTING (1 1/8")	33	39	11-20061	NUT, CONNECTING ROD SCREW	35	29
10-45218	SCREW, IGNITION COIL WIRE TO SWITCH BOX (3/8")	21	52	11-20083	NUT, CLAMP BRACKET STUD	41	11
10-45739	SCREW, CAP TO CONNECTING ROD	35	28	11-20083	NUT, DISTRIBUTOR HOUSING SCREW	15	36
10-45775	SCREW, MAIN BEARING CLAMPING	35	10	11-20083	NUT, SOLENOID TERMINAL - INSIDE (5/16")	19	30
10-45862	SCREW, WIRING HARNESS CLAMP TO BOTTOM COWL (7/8")	19	36	11-20088	NUT, RUBBER MOUNT TO REAR SUPPORT BRACKET	3	26
10-46368	SCREW, IGNITION COIL CLAMPING (2 1/4")	21	46	11-20088	NUT, THRU BOLT - BRACKET TO STARTER MOTOR	19	22
10-46378	SCREW, HIGH TENSION LEAD RETAINER (1")	11	31	11-20110	NUT, CARBURETOR SCREEN STUD	23	34
10-47828	SCREW, DRIVE - SWIVEL BRACKET	41	20	11-20110	NUT, CHOKE SHUTTER TO CARBURETOR STUD	23	30
10-48408	SCREW, RETAINING STRIP TO DRIVE SHAFT HOUSING (1/2")	45	5	11-20110	NUT, REED STOP MOUNTING SCREW	35	15
10-48409	SCREW, RETAINING STRIP TO DRIVE SHAFT HOUSING (5/8")	45	4	11-20190	NUT, IGNITION COIL CLAMPING SCREW	21	47
10-49006	SCREW, PLATE AND HUB TO FLEXIBLE PLATE	9	7	11-20361	NUT, RUBBER MOUNT TO TOP COWL FRAME	3	21
10-49318	SCREW, UPPER MOUNT (5 1/2")	47	38	11-20361	NUT, THROTTLE CABLE TO LOWER SWIVEL	15	23
10-49989	SCREW, PULLEY CLAMPING	17	53	11-20361	NUT, UPPER LINK ROD TO THROTTLE CONTROL LEVER	15	17
				11-20509	NUT, POWERHEAD STUDS	45	16
				11-20509	NUT, RIDE-GUIDE ATTACHING SCREW	41	35
				11-20645	NUT, SOLENOID TERMINAL (#10)	19	32

PARTS INDEX

Part Number	Description	Pg.	Ref. No.	Part Number	Description	Pg.	Ref. No.
11-20645	NUT, WIRE HARNESS LEAD TO CHOKE SOLENOID ..	23	3	11-46793	NUT, REAR SUPPORT BRACKET SCREW	3	28
11-20664	NUT, LINK ROD	39	52	11-46886	NUT, UPPER MOUNT COVER SCREW	47	32
11-20890	NUT, STARTER MOTOR TERMINAL	19	16	11-46887	NUT, ADAPTOR FASTENING SCREW	29	27
11-20890	NUT, STOP BRACKET ADJUSTING SCREWS ...	15	41	11-46887	NUT, CHOKE ROD SPRING TO CARBURETOR STUD .	23	17
11-22053	NUT, RUBBER MOUNT TO FRONT SUPPORT BRACKET	5	38	11-46887	NUT, EXHAUST EXTENSION PLATE SCREW	37	23
11-22178	NUT, STEERING ARM BOLT FASTENING	41	32	11-46887	NUT, IGNITION COIL SCREW	21	51
11-22339	NUT, FLYWHEEL	9	2	11-46887	NUT, LOWER SHOCK PIN SCREW -LONG SHAFT ..	43	--
11-23161	NUT, POWERHEAD STUDS .	45	15	11-46887	NUT, MAIN BEARING CLAMPING SCREW	35	22
11-25096	NUT, MOUNT SCREW	47	39	11-46887	NUT, RETAINER BRACKET SCREW	19	13
11-25168	NUT, UPPER LINK ROD ADJUSTING	15	11	11-46887	NUT, SWITCH BOX TO FRONT SUPPORT BRACKET SCREW	19	5
11-25269	NUT, STRAP STOP FASTENING SCREW	43	41	11-46887	NUT, WIRING HARNESS SUPPORT SCREW	37	13
11-26768	NUT, DISTRIBUTOR CAP CLAMP SCREW	11	17	11-46887	NUT, M COVER MOUNTING SCREW	33	43
11-27871	NUT, EXHAUST TUBE SCREW	45	14	11-47661	NUT, JAM - PUSH ROD	45	21
11-28010	NUT, CLAMP BRACKET BOLT	41	16	11-52707	NUT, PROPELLER	57	92
11-29469	NUT, REED STOP MOUNTING SCREW	35	15	11-54209	NUT, ROTOR SHAFT TO DISTRIBUTOR HOUSING .	11	2
11-29489	NUT, GEAR HOUSING AND DRIVE SHAFT HOUSING STUDS	47	43	12-20084	WASHER, DISTRIBUTOR HOUSING SCREW	15	35
11-30499	NUT, TILT TUBE FASTENING	41	6	12-20084	WASHER, GROUND STRAP AND CRANKCASE SCREW	31	19
11-34933	NUT, GEAR HOUSING AND DRIVE SHAFT HOUSING STUDS	47	41	12-20086	WASHER, POWERHEAD STUDS	45	17
11-34933	NUT, GEAR HOUSING TO DRIVE SHAFT HOUSING STUDS	55	86	12-20128	WASHER, THROTTLE ACTUATOR PLATE FASTENING SCREW	15	29
11-34933	NUT, UPPER MOUNT BOLT	47	36	12-20128	WASHER, WIRING HARNESS CLAMP SCREW	19	38
11-35045	NUT, WATER PUMP BODY FASTENING STUD	51	40	12-20260	WASHER, GREASE FILLER AND VENT HOLE SCREW	53	57
11-35521	NUT, LOWER MOUNTN CLAMP COVER	47	49	12-20346	WASHER, RUBBER MOUNT STUD	3	24
11-35921	NUT, PINION GEAR TO DRIVE SHAFT	49	15	12-20533	WASHER, STOP BRACKET FASTENING SCREW	15	39
11-37424	NUT, SWIVEL PIN RETAINING	43	43	12-21040	WASHER, CLAMP BRACKET BOLT (UPPER)	41	15
11-45076	NUT, RECTIFIER TERMINAL	19	8	12-21631	WASHER, CONTROL CABLE LATCH LINK ROD	39	51
11-45076	NUT, SWITCH BOX TERMINAL	19	3	12-24664	WASHER, LINK ROD (SHIFT LEVER END)	39	32
11-45592	NUT, WATER PUMP BODY FASTENING STUD	51	42	12-26825	WASHER, CRANKCASE AND STARTER MOTOR BRACKET SCREW	31	16
11-45774	NUT, MAIN BEARING CLAMPING SCREW	35	11	12-27939	WASHER, DISTRIBUTOR HOUSING	17	43
11-46793	NUT, CARBURETOR MOUNTING STUD	27	37	12-28008	WASHER, CLAMP BRACKET BOLT (LOWER)	41	15
11-46793	NUT, CRANKCASE TO CYLINDER BLOCK SCREW	31	20	12-28196	WASHER, UPPER BUSHING RETAINER (INNER)	43	50
11-46793	NUT, FRONT SUPPORT BRACKET SCREW	3	33				

PARTS INDEX

Part Number	Description	Pg.	Ref. No.	Part Number	Description	Pg.	Ref. No.
12-28404	WASHER, THUMB SCREW .	41	3	12-47894	WASHER, RUBBER - UPPER MOUNT BOLT	47	34
12-28421	WASHER, UPPER AND LOWER BUSHING RETAINERE (OUTER) . . .	43	55	12-49221	WASHER, GEAR HOUSING FLUSHING HOLE PLUG . .	53	59
12-29245	WASHER, THROTTLE CONTROL LEVER SWIVEL	15	16	12-52864	WASHER, CLAMP BRACKET TILT TUBE	41	5
12-29245	WASHER, UPPER MOUNT COVER SCREW	47	31	12-53540	WASHER, ECONOMIZER COLLAR - DISTRIBUTOR HOUSING	15	5
12-29245	WASHER, WATER PUMP BODY FASTENING SCREW AND STUD	51	39	12-59378	WASHER, LOWER BUSHING RETAINER (INNER)	43	51
12-29395	WASHER, THROTTLE CONTROL LEVER SCREW	15	19	12-59572	WASHER, COVER FASTENING KNOB (STEEL)	7	4
12-29590	WASHER, CUPPED - THRUST HUB	57	89	13-22238	WASHER, GROUND STRAP SCREW	39	56
12-30164	WASHER, CARBURETOR SCREEN STUD	23	33	13-22773	LOCKWASHER, RECTIFIER MOUNTING SCREW	19	10
12-30164	WASHER, CHOKE SHUTTER TO CARBURETOR STUD .	23	29	13-24669	LOCKWASHER, THRU BOLT - BRACKET TO STARTER MOTOR	19	21
12-30514	WASHER, UPPER MOUNT BOLT	47	35	13-24669	LOCKWASHER, WIRING HARNESS LEAD SCREW .	21	41
12-30515	WASHER, UPPER MOUNT BOLT	47	33	13-24850	WASHER, WAVE - TILT LOCK TUBE	41	28
12-30633	WASHER, THRUST - BEARING CARRIER TO GEAR HOUSING	55	74	13-25806	WASHER, WAVE - THROTTLE CONTROL LEVER	15	15
12-30771	WASHER, COVER FASTENING KNOB (RUBBER)	7	3	13-26992	LOCKWASHER, GROUND WIRE FASTENING SCREW	19	25
12-31211	WASHER, SPLINED - PROPELLER NUT	57	90	13-26992	LOCKWASHER, IGNITION COIL SCREW	21	49
12-31266	WASHER, RUBBER - SHIFT SHAFT BUSHING	53	53	13-26992	LOCKWASHER, REAR HOOK MOUNTING SCREW	3	13
12-33001	WASHER, FLYWHEEL NUT .	9	3	13-26992	LOCKWASHER, RUBBER MOUNT TO REAR SUPPORT BRACKET	3	25
12-36001	WASHER, WATER PUMP BODY FASTENING STUD	51	41	13-26992	LOCKWASHER, STARTER MOTOR TERMINAL	19	15
12-37429	WASHER, SWIVEL PIN - LOWER (TOP WASHER OPTIONAL)	41	33	13-26992	LOCKWASHER, STARTER SOLENOID MOUNTING SCREW	19	28
12-38832	WASHER, PULLY CLAMPING SCREW	17	52	13-26992	LOCKWASHER, WATER PUMP BODY SCREW . . .	51	38
12-45075	WASHER, RECTIFIER TERMINAL	19	7	13-26993	LOCKWASHER, CHOKE SOLENOID ATTACHING SCREW	23	5
12-45075	WASHER, SWITCH BOX TERMINAL	19	2	13-26993	LOCKWASHER, CLAMP BRACKET STUD	41	10
12-45176	WASHER, GEAR HOUSING TO DRIVE SHAFT HOUSING STUDS	47	42	13-26993	LOCKWASHER, FRONT SUPPORT BRACKET SCREW	3	35
12-45176	WASHER, GEAR HOUSING TO DRIVE SHAFT HOUSING STUDS	47	44	13-26993	LOCKWASHER, REAR SUPPORT BRACKET SCREW	3	30
12-45176	WASHER, GEAR HOUSING TO DRIVE SHAFT HOUSING STUDS	55	85	13-26993	LOCKWASHER, RUBBER MOUNT TO FRONT SUPPORT BRACKET	5	37
12-45741	WASHER, NEEDLE LOCATING	35	32	13-26993	LOCKWASHER, SOLENOID TERMINAL (5/16")	19	29
12-46101	WASHER, PLUNGER AND LINK	23	7				
12-46246	WASHER, ADAPTOR - DISTRIBUTOR HOUSING .	15	31				

PARTS INDEX

Part Number	Description	Pg.	Ref. No.	Part Number	Description	Pg.	Ref. No.
13-26993	LOCKWASHER, STARTER MOTOR SCREW	19	18	16-35099	STUD, CARBURETOR MOUNTING (1 3/16")	31	10
13-26996	LOCKWASHER, HARNESS LEAD TO CHOKE SOLENOID	23	2	16-48770	STUD, CYLINDER BLOCK TO DRIVE SHAFT HOUSING (3 9/16")	31	13
13-26996	LOCKWASHER, LINK SCREW AND PIN	23	24	16-52898	STUD, FILTER SCREEN TO CARBURETOR (1 1/8") . . .	23	32
13-26996	LOCKWASHER, SOLENOID TERMINAL (#10)	19	31	16-52906	STUD, CARBURETOR - CHOKE SHUTTER PIVOT (1 3/8")	23	28
13-26996	LOCKWASHER, THROTTLE ACTUATOR PLATE FASTENING SCREW	15	30	16-56295	STUD, DRIVE SHAFT HOUSING TO GEAR HOUSING (2 11/16")	45	2
13-26996	LOCKWASHER, WIRING HARNESS CLAMP SCREW	19	37	16-56297	STUD, WATER PUMP BASE AND BODY TO GEAR HOUSING (3 3/8")	49	8
13-27959	WASHER, WAVE - DISTRIBUTOR BALL BEARING TENSION	17	45	16-57919	STUD, WATER PUMP BASE AND BODY TO GEAR HOUSING (3 5/16")	49	9
13-29720	WASHER, WAVE - LINK ROD	39	33	16-57920	STUD, GEAR HOUSING TO DRIVE SHAFT HOUSING (2 1/16")	49	7
13-37371	LOCKWASHER, SHIELD SCREW	3	16	16-57921	STUD, GEAR HOUSING TO DRIVE SHAFT HOUSING .	49	6
13-39107	LOCKWASHER, RETAINER FASTENING SCREW	3	6	17-20032	DOWEL PIN, CENTER MAIN BEARING	35	17
13-52197	LOCKWASHER, FLOAT BOWL COVER SCREWS .	25	12	17-20032	DOWEL PIN, CYLINDER BLOCK TO MAIN BEARING	31	7
14-20091	TAB WASHER, BEARING LOCKING SCREW	31	22	17-20032	DOWEL PIN, MAIN BEARING	35	8
14-27960	TAB WASHER, ADAPTOR CAP FASTENING	17	44	17-20033	DOWEL PIN, CRANKCASE TO CYLINDER BLOCK . . .	31	8
14-31210	TAB WASHER, PROPELLER NUT	57	91	17-21438	PIN, GEAR HOUSING	49	5
14-52700	TAB WASHER, GEAR HOUSING COVER	55	81	17-23928	PIN, ROLL - CONTROL CABLE LOCKING LEVER .	39	38
15-20085A1	SHIM, LOWER END CAP (.002-3-5-10)	31	28	17-25391	RIVET, CHOKE SHUTTER TO CHOKE ROD	23	26
15-21148A1	SHIM, BEARING TO SPACER	11	10	17-25598	PIN, REVERSE LOCK SPRING ATTACHING	41	38
15-29955A1	SHIM, THRUST WASHER TO GEAR HOUSING (.002-3-5-10)	55	73	17-26618	PIN, DOWEL - PULLEY TO FLYWHEEL	9	8
15-30278A1	SHIM, DRIVE SHAFT BALL BEARING TO GEAR HOUSING (.002-3-5-10 . . .	49	16	17-27961	PIN, ECONOMIZER COLLAR - SPRING RETAINER	15	7
15-30278A1	SHIM, WATER PUMP BASE TO GEAR HOUSING (.002-3-5-10)	49	19	17-27962	PIN, ANCHOR SPRING - DISTRIBUTOR HOUSING .	15	3
15-30923A1	SHIM, BEARING OUTER RACE TO GEAR HOUSING (. 002-3-5-10)	55	64	17-29077	ROLL PIN, TENSION SPRING TO KNOB	7	6
15-31283A1	SHIM, UPPER END CAP TO CRANKCASE (.002-3-5-10)	31	4	17-29908	PIN, ROLL - FLANGE LOCATING	17	49
15-55853	SHIM, BEARING TO DISTRIBUTOR HOUSING .	11	8	17-30496	PIN, ROLL - MERCURY SWITCH	5	41
15-57007A1	SHIM, TAPERED ROLLER BEARING TO GEAR HOUSING (.002-3-5-10) ..	49	20	17-30545	PIN, COMPRESSION SPRING RETAINING	49	13
16-20221	STUD, CLAMP BRACKET ..	41	9	17-30632	PIN, CROSS - RATCHET TO PROPELLER SHAFT	55	69
16-26133	STUD, CRANKCASE TO DRIVE SHAFT HOUSING (1 7/8")	31	11	17-31245	DOWEL PIN (STEPPED) . . .	35	23
				17-33522	PIN, COWL LATCH LEVER TO HINGE	3	9
				17-35973	DOWEL PIN, WATER PUMP BASE TO WATER PUMP .	51	27

PARTS INDEX

Part Number	Description	Pg.	Ref. No.	Part Number	Description	Pg.	Ref. No.
17-47175	PIN, LOCKING LEVER AND COVER FASTENING	39	43	22-53491	TEE, BLEED AND BALANCE HOSE TO CYLINDER BLOCK	31	33
17-49840A1	SWIVEL PIN AND STEERING ARM ASSEMBLY (LONG SHAFT)	41	29	22-55262	ELBOW, VENT - DISTRIBUTOR HOUSING .	11	7
17-49841A1	SWIVEL PIN AND STEERING ARM ASSEMBLY (SHORT SHAFT)	41	29	23-20222	SPACER, CLAMP BRACKET STUD	41	8
17-49930A1	TILT LOCK PIN ASSEMBLY .	41	12	23-26600	BUSHING, NYLON - UPPER SHIFT SHAFT	37	30
17-55453	DOWEL PIN, REED STOP . .	35	9	23-28198	BUSHING, RUBBER - SHOCK ABSORBER (LOWER) . . .	43	54
18-25191	COTTER PIM, PUSH ROD PIN	45	24	23-28199	SPACER, UPPER SHOCK BUSHING TO CLAMP BRACKET	43	49
18-26953	COTTER PIN, LINK TO CHOKE KNOB	23	23	23-29804	SLEEVE, GUIDE - WATER INLET TUBE	51	44
18-26953	COTTER PIN, LINK TO UPPER CHOKE LEVER . .	23	8	23-32171	BUSHING, RUBBER - SHOCK ABSORBER (UPPER)	43	53
18-45882	COTTER PIN, REVERSE LOCK TO SHAFT	43	48	23-32427	SPACER, CHOKE ROD SPRING STUD	23	16
18-47959	COTTER PIN, TILT LOCK TUBE	41	26	23-45818	BUSHING, THROTTLE CONTROL LEVER SCREW	15	20
19-32297	PLUG, PLASTIC - TRIM TAB SCREW HOLE	45	3	23-47803	BUSHING, TILT LOCK TUBE	41	27
19-45907	PLUG, FLYWHEEL PULLER THREADS	9	1	23-53538	SPACER, ROTOR SHAFT . .	11	11
19-48750	PLUG, GEAR HOUSING FLUSHING HOLE	53	58	23-53539	SLEEVE, ROTOR SHAFT . . .	11	3
21-28481A1	CHECK VALVE ASSEMBLY .	33	50	23-55419A1	BUSHING ASSEMBLY, SHIFT SHAFT	51	51
21-28483A1	CHECK VALVE ASSEMBLY, UPPER - BLEED HOSE . .	33	49	23-56513	SLEEVE, LUBRICATION . . .	49	2
21-30430A4	CHECK VALVE ASSEMBLY .	29	2	23-57185	SPACER, DRIVE PULLEY . .	17	47
21-56011A1	CHECK VALVE ASSEMBLY, END CAP	31	25	24-20099	SPRING, LINK ROD TO GUIDE BLOCK	39	47
22-20445	CONNECTOR, UPPER - BLEED HOSE	33	52	24-27944	SPRING, HORSESHOE - DISTRIBUTOR HOUSING .	15	4
22-23612	FITTING, GREASE	41	21	24-28975	SPRING, GARTER - INTERNAL WIRING HARNESS	19	39
22-25094	FITTING, GREASE - DISTRIBUTOR ADAPTOR	15	33	24-29821	SPRING, REVERSE LOCK TENSION	43	45
22-25094	FITTING, GREASE - ECONOMIZER COLLAR . .	15	8	24-30189	SPRING, ADAPTOR STEM .	29	24
22-25885	ELBOW, BALANCE TUBE TO MAIN BEARING	31	31	24-30622	SPRING, COMPRESSION - CAM FOLLOWER	55	63
22-25885	ELBOW, TELL TALE HOSE TO EXHAUST COVER . . .	37	15A	24-30893	SPRING, RETAINING - CROSS PIN	55	70
22-29085	ELBOW (45), CARBURETOR	29	13	24-32271	SPRING, TENSION - COVER FASTENING KNOB	7	5
22-30174	ELBOW, FUEL PUMP OUTLET	29	14	24-34576	SPRING, COMPRESSION - DRIVE SHAFT	49	12
22-30175	SLEEVE, FUEL PUMP INLET ELBOW	29	19	24-35522	SPRING, TENSION - LOWER MOUNT CLAMP	47	46
22-30175	SLEEVE, FUEL PUMP OUTLET ELBOW	29	15	24-37678	SPRING, TENSION - CHOKE ROD	23	18
22-30177	NUT, FUEL PUMP INLET ELBOW	29	20	24-37911	SPRING, CONTROL CABLE LOCKING LEVER	39	37
22-30177	NUT, FUEL PUMP OUTLET ELBOW	29	16	24-38472	SPRING, CONTROL CABLE TENSION - ANCHOR BRACKET	39	39
22-30468	CONNECTOR, FUEL INLET .	29	18	24-53019	SPRING, COWL LATCH HINGE	3	10
22-31521	ELBOW, VENT - DISTRIBUTOR CAP	11	29				
22-31521	ELBOW, VENT HOSE TO BOTTOM COWL	11	19				

PARTS INDEX

Part Number	Description	Pg.	Ref. No.	Part Number	Description	Pg.	Ref. No.
25-20081	"O" RING	31	27	27-37414A4	GASKET SET (MOTOR OVERHAUL)	1	-
25-20116	GROMMET, CHOKE ROD	23	20				
25-20415	"O" RING, ADAPTOR STEM	29	23	27-37414A5	GASKET SET (MOTOR OVERHAUL)	1	-
25-25439	"O" RING, SHIFT SHAFT BUSHING	51	50	27-37449	GASKET, CYLINDER BLOCK TO BAFFLE PLATE	31	35
25-26547	GROMMET, HIGH TENSION CABLE	11	21	27-47257	GASKET, POWERHEAD TO EXHAUST EXTENSION PLATE	37	17
25-29976	"O" RING, BEARING CARRIER	55	76	27-48801	GASKET, EXHAUST EXTENSION PLATE TO DRIVE SHAFT HOUSING	45	18
25-30224	"O" RING, WATER PUMP BASE	51	23	27-48801	GASKET, EXHAUST EXTENSION PLATE TO DRIVE SHAFT HOUSING	37	24
25-30271	RING, RUBBER - CENTRIFUGAL SLINGER (DRIVE SHAFT)	51	43	27-55896	GASKET, DISTRIBUTOR CAP TO DISTRIBUTOR HOUSING	11	26
25-30613	"O" RING, UPPER - DRIVE SHAFT	51	45	28-29910	KEY, DISTRIBUTOR DRIVER	17	51
25-31305	"O" RING	31	3	28-30281	KEY, LOCATING - BEARING CARRIER	55	80
25-33145	"O" RING, WATER PUMP	51	23	28-45554	KEY, FLYWHEEL DRIVE	9	4
25-35126	"O" RING, CARRIER	35	5	28-45554	KEY, FLYWHEEL DRIVE	35	6
25-57806	GROMMET, PLASTIC - TRIM COVER SCREW	45	-	28-56654	KEY, IMPELLER DRIVE	51	36
26-24590	OIL SEAL, SHIFT SHAFT BUSHING (LOWER)	51	52	29-39565	BEARING, NEEDLE - PISTON PIN	35	31
26-29476	OIL SEAL	31	2	29-47897	BEARING, NEEDLE - CRANKPIN	35	30
26-29476	OIL SEAL, UPPER	31	26	29-48410	BEARING, NEEDLE	35	18
26-30550	OIL SEAL, BEARING CARRIER	55	79	30-20066	BALL BEARING, DISTRIBUTOR HOUSING (UPPER)	11	1
26-31249	OIL SEAL, SHIFT SHAFT BUSHING (UPPER)	51	52	30-20080	BEARING, BALL - LOWER	35	3
26-31489	OIL SEAL, WATER PUMP BASE	51	25	30-20464	BEARING, BALL - DRIVE SHAFT	49	17
26-31507	OIL SEAL, WATER PUMP BASE	51	26	30-26379	BALL BEARING, DISTRIBUTOR HOUSING (LOWER)	11	9
26-31507	OIL SEAL, WATER PUMP BODY	51	33	30-31265	BEARING, BALL - REVERSE GEAR	55	75
26-37448	OIL SEAL, SWIVEL BRACKET	41	19	30-32117	BEARING, BALL - UPPER	35	2
26-38970	SEAL, RUBBER - WATER INLET TUBE	37	19	31-30894A1	TAPERED ROLLER BEARING ASSEMBLY	55	65
26-38970	SEAL, RUBBER - WATER INLET TUBE	51	34	31-30895	BEARING, ROLLER - FORWARD GEAR	55	66
26-55682	OIL SEAL, WATER PUMP BASE	51	26	31-30956	BEARING, ROLLER - BEARING CARRIER	55	78
27-31304	GASKET, TRANSFER PORT COVER	33	44	31-32898	BEARING, ROLLER - DRIVE SHAFT	49	10
27-31402	GASKET, CARBURETOR FLANGE	27	36	31-33138A1	TAPERED ROLLER BEARING ASSEMBLY, DRIVE SHAFT	49	21
27-32433	GASKET, LOWER - WATER PUMP BASE TO FACE PLATE	51	28	32-26527	SLEEVE, SPARK PLUG LEAD (LEADS 1, 2, 3, 4)	13	36
27-32434	GASKET, UPPER - FACE PLATE TO WATER PUMP BODY	51	30	32-28052	SLEEVE, RUBBER - TILT LOCK PIN BUMPER	41	13
27-32438	GASKET, WATER PUMP BASE TO GEAR HOUSING	51	22	32-30176	FUEL LINE, ADAPTOR TO FUEL PUMP INLET (18")	29	17
27-33015	GASKET, CYLINDER BLOCK COVER	33	40	32-31550A1	FUEL LINE ASS'Y, UPPER TO LOWER CARBURETOR (6")	29	28
27-33146	GASKET, WATER PUMP BASE TO GEAR HOUSING	51	22				

PARTS INDEX

Part Number	Description	Pg.	Ref. No.	Part Number	Description	Pg.	Ref. No.
32-33154A1	FUEL LINE ASS'Y, PUMP TO CARBURETOR (19 1/4")	29	12	46-48743A1	WATER PUMP BODY ASSEMBLY	51	31
32-33729	TUBE, BALANCE - MAIN BEARING	31	30	46-48743A3	EXTRA HEAVY DUTY WATER PUMP KIT	1	-
32-34395A1	HOSE, DRIP TRAY TO BOTTOM COWL (8")	37	6	46-48747A1	WATER PUMP BASE ASSEMBLY	51	24
32-34395A1	HOSE, TELL TALE - EXHAUST COVER TO BOTTOM COWL (16")	37	14	46-58618A1	WATER PUMP BASE ASSEMBLY	51	24
32-34395A1	HOSE, VENNT - DISTRIBUTOR TO ELBOW (5 3/8")	11	18	47-30221	IMPELLER, WATER PUMP	51	35
32-34395A1	HOSE, VENT - DISTRIBUTOR TO ELBOW (9")	11	18	50-45822A1	STARTER MOTOR ASSEMBLY	19	14
32-37438	TUBE, WATER INLET (LONG SHAFT)	45	11	50-57867A1	STARTER MOTOR ASSEMBLY	19	14
32-37446	TUBE, WATER INLET (SHORT SHAFT)	45	11	50-58788	STARTER MOTOR ASSEMBLY	19	14
32-46398	SLEEVE, (LEADS 1, 2, 3, 4) - (3/4")	11	24	52-34239	RATCHET, SLIDING CLUTCH	55	68
32-52742A1	HOSE, CYLINDER BLEED - LOWER (20")	31	34	53-26406	RING, RETAINING - BALL BEARING TO DISTRIBUTOR HOUSING	11	12
32-52742A1	HOSE, CYLINDER BLEED - UPPER (9 1/2")	33	51	53-26933	RING, SNAP - OUTER RACE CLAMPING	35	20
33-57451	SPARK PLUG (AC V-40FFM)	13	33	53-29641	"E" RING, RETAINING, LOWER SHIFT SHAFT	51	49
34-31240	REED STOP, MAIN BEARING REED VALVES	35	13	53-30726	RING, RETAINING - BALL BEARING	49	18
34-45506A1	REED SET, MATCHED - MAIN BEARING	35	12	54-20386	CLAMP, BALANCE TUBE TO ELBOW	31	32
35-56197	SCREEN, FILTER - CARBURETOR	23	31	54-20387	CLAMP, BLEED HOSE TO CHECK VALVE AND CONNECTOR	33	53
37-54108	DECAL, TIMING - TOP COWL FRAME	3	19	54-20387	CLAMP, LOWER BLEED HOSE	31	32
37-56433A1	DECAL SET	1	-	54-22740	CLIP, STATOR LEAD TO UPPER END CAP	9	15
37-56433A2	DECAL SET	1	-	54-26550	CLIP, WIRING HARNESS LEAD	21	42
38-56267	SERIAL PLATE	41	36	54-52876	CLAMP, WIRING HARNESS TO BOTTOM COWL	19	35
39-45153A12	RING, PISTON	35	26	54-55651	CLAMP, DISTRIBUTOR CAP TO DISTRIBUTOR HOUSING	11	15
39-45205A12	RING, PISTON (.015)	35	--	55-28414	PIN, LOWER SHOCK MOUNTING- LONG SHAFT	43	44
40-45740	LOCK RING, PISTON PIN	35	25	55-28416	PIN, UPPER SHOCK MOUNTING	41	17
43-53981	GEAR, PINION - DRIVE SHAFT	49	14	55-29247	PIN LOWER SCHOK MOUNTING (SHORT SHAFT)	43	44
43-53982	FORWARD GEAR ASSEMBLY	55	67	55-31933	SHOCK ABSORBER	43	52
43-53983	REVERSE GEAR ASSEMBLY (SERIAL THRU)	55	72	90-56973	MERC 650E PARTS LIST	1	-
43-56516	REVERSE GEAR ASSEMBLY (SERIAL AND UP)	55	72	92-25234--1	GLUE, ADHESIVE - SOUND BLANKET FASTENING	7	--
43-56517	FORWARD GEAR ASSEMBLY	55	67	225-2494A13	FLYWHEEL ASSEMBLY, COMPLETE	9	5
43-56518	GEAR, PINION - DRIVE SHAFT	49	14	225-2494A15	FLYWHEEL ASSEMBLY, COMPLETE	9	5
44-52542	SHAFT, PROPELLER	55	71	332-2854	BOOT, HIGH TENSION CABLE TO COIL	11	22
45-47433	DRIVE SHAFT (SHORT SHAFT)	49	11	332-2910A3	RECTIFIER ASSEMBLY, COMPLETE	19	6
45-47434	DRIVE SHAFT (LONG SHAFT)	49	11				
45-59116A1	DRIVE SHAFT ASSEMBLY (LONG SHAFT)	49	11				
45-59117A1	DRIVE SHAFT ASSEMBLY (SHORT SHAFT)	49	11				

PARTS INDEX

Part Number	Description	Pg.	Ref. No.	Part Number	Description	Pg.	Ref. No.
332-2983A19	IGNITION COIL ASSEMBLY, COMPLETE	21	45	1399-3401	SHUTTER, THROTTLE	25	25
332-2986A8	SWITCH BOX ASSEMBLY, COMPLETE	19	1	1399-3690	COVER, STRAINER (LOWER CARBURETOR)	25	16
332-4177A3	HOUSING ASSEMBLY, DISTRIBUTOR	11	4	1399-4209	SCREW, IDLE ADJUSTMENT	25	27
332-4177A3	HOUSING ASSEMBLY, DISTRIBUTOR	15	1	1399-4210	REPAIR PARTS KIT (1 PER CARBURETOR)	27	--
393-1275	SLEEVE, HIGH TENSION CABLE	11	23	1399-97	LEVER, THROTTLE STOP (SEE NOTE BELOW)	25	20
393-1275	SLEEVE, SPARK PLUG LEAD TO DISTRIBUTOR	13	37	1440-3291A1	CLAMP BRACKET ASSEMBLY	41	1
393-1293A1	BRUSH AND SPRING ASSEMBLY	11	28	1447-3257A1	SWIVEL BRACKET ASSEMBLY (LONG SHAFT)	41	18
393-3236	DISC, ROTOR	11	13	1453-3258A1	SWIVEL BRACKET ASSEMBLY (SHORT SHAFT)	41	18
393-3294A1	HIGH TENSION CALBE ASSEMBLY, DISTRIBUTOR CAP TO COIL	11	20	1551-3918A3	DRIVE SHAFT HOUSING ASSEMBLY (LONG SHAFT)	45	1
393-3726A2	DISTRIBUTOR CAP ASSEMBLY	11	27	1552-3911A3	DRIVE SHAFT HOUSING ASSEMBLY (SHORT SHAFT)	45	1
393-3896	ROTOR, DISTRIBUTOR	11	14	1623-3912A4	GEAR HOUSING ASSEMBLY, COMPLETE (SHORT SHAFT)	49	-
393-4370	ROTOR, DISTRIBUTOR	11	14	1623-3912A4	GEAR HOUSING ASSEMBLY, COMPLETE (SHORT SHAFT)	49	-
398-3618	STATOR, ALTERNATOR	9	12	1623-3912A5	GEAR HOUSING ASSEMBLY, COMPLETE (LONG SHAFT)	55	-
418-3249A2	CRANKSHAFT ASSEMBLY	35	1	1623-3912A5	GEAR HOUSING ASSEMBLY, COMPLETE (LONG SHAFT)	55	-
531-1884A3	CENTER MAIN BEARING ASSEMBLY	35	16	1623-3912A6	GEAR HOUSING ASSEMBLY	49	1
533-2761A5	MAIN BEARING ASSEMBLY (VALVE TYPE)	35	7	1623-3912A6	GEAR HOUSING ASSEMBLY	55	1
617-2768A3	CONNECTING ROD AND CAP ASSEMBLY	35	27	1623-4021A4	GEAR HOUSING ASSEMBLY, COMPLETE (SHORT SHAFT)	49	-
739-3284A2	PISTON AND PISTON PIN ASSEMBLY	35	24	1623-4021A4	GEAR HOUSING ASSEMBLY, COMPLETE (SHORT SHAFT)	49	-
739-3380A2	PISTON AND PISTON PIN ASSEMBLY (.015)	35	--	1623-4021A5	GEAR HOUSING ASSEMBLY, COMPLETE (LONG SHAFT)	49	-
834-3997A3	CYLINDER BLOCK AND CRANKCASE ASSEMBLY	31	6	1623-4021A5	GEAR HOUSING ASSEMBLY, COMPLETE (LONG SHAFT)	49	-
1012-2445	COVER, CYLINDER BLOCK	33	41	1623-4021A6	GEAR HOUSING ASSEMBLY	49	1
1126-3369A2	END CAP ASSEMBLY, LOWER	31	24	1623-4021A6	GEAR HOUSING ASSEMBLY	55	1
1128-3367A1	END CAP ASSEMBLY, UPPER	31	1	2104-2654A19	COWL FRONT COVER ASSEMBLY	7	1
1335-4027	CARBURETOR ASSEMBLY, COMPLETE	23	11	2104-2654A23	COWL FRONT COVER ASSEMBLY	7	1
1335-4027	CARBURETOR ASSEMBLY, COMPLETE (KC-15A)	25	1	2114-3806	COWL, TOP	3	1
1399-110A1	FLOAT ASSEMBLY	25	2	2115-3617	COWL, BOTTOM	37	1
1399-1133	COVER, FLOAT BOWL	25	9	2115-3926A2	COWL, BOTTOM	37	1
1399-1457	JET, MAIN FUEL (.057)	25	30	2119-3248A3	WRAP AROUND COWL ASSEMBLY	7	11
1399-1459	JET, MAIN FUEL (.059)	25	30				
1399-1461	JET, MAIN FUEL (.061) - STANDARD	25	30				
1399-1463	JET, MAIN FUEL (.063)	25	30				
1399-1473	INLET NEEDLE, SEAT AND GASKET	25	6				
1399-1754	SCREEN, FILTER	25	14				
1399-1930	COVER, STRAINER (UPPER CARBURETOR)	25	16				
1399-2012	SHAFT, THROTTLE	25	21				
1399-2015	GASKET AND PACKING SET (1 PER CARBURETOR)	27	--				