



PARTS CATALOG

MERC 800E

SERIAL NUMBER

800 (4 CYL.), 80 (4 CYL.) 2559001 THRU 3493912

TABLE OF CONTENTS:

BOTTOM COWL AND SHIFT LINKAGE	48
CARBURETOR ASSEMBLY	28
CARBURETOR LINKAGE AND CHOKE SOLENOID	26
CLAMP AND SWIVEL BRACKET ASSEMBLY	54
COWLING AND FRONT COVER	6
CRANKSHAFT, PISTON AND CONNECTING ROD	44
CYLINDER BLOCK AND CRANKCASE ASSEMBLY	38
DISTRIBUTOR ADAPTOR AND VERTICAL LINKAGE	14
DISTRIBUTOR HOUSING AND ROTOR	10
DRIVE SHAFT HOUSING ASSEMBLY	58
FLYWHEEL ASSEMBLY AND STATOR	8
FUEL PUMP AND FUEL LINE ASSEMBLY - DUAL FUEL PUMPS	32
FUEL PUMP AND FUEL LINE ASSEMBLY - SINGLE FUEL PUMP	36
GEAR HOUSING ASSEMBLY, COMPLETE	62
GEAR HOUSING ASSEMBLY, COMPLETE	70
GEAR HOUSING ASSEMBLY, COMPLETE (CONT)	66
GEAR HOUSING ASSEMBLY, COMPLETE (CONT)	74
MISCELLANEOUS PARTS/ACCESSORIES	1
PARTS INDEX	76
STARTER MOTOR AND WIRING HARNESS	18
STARTER MOTOR AND WIRING HARNESS	22
TOP COWL AND SUPPORT BRACKETS	2

NOTE: *Indented description indicate that these parts are included in preceeding assembly.*

AR = As Required

NSS = Not Sold Separate

OPT = Optional

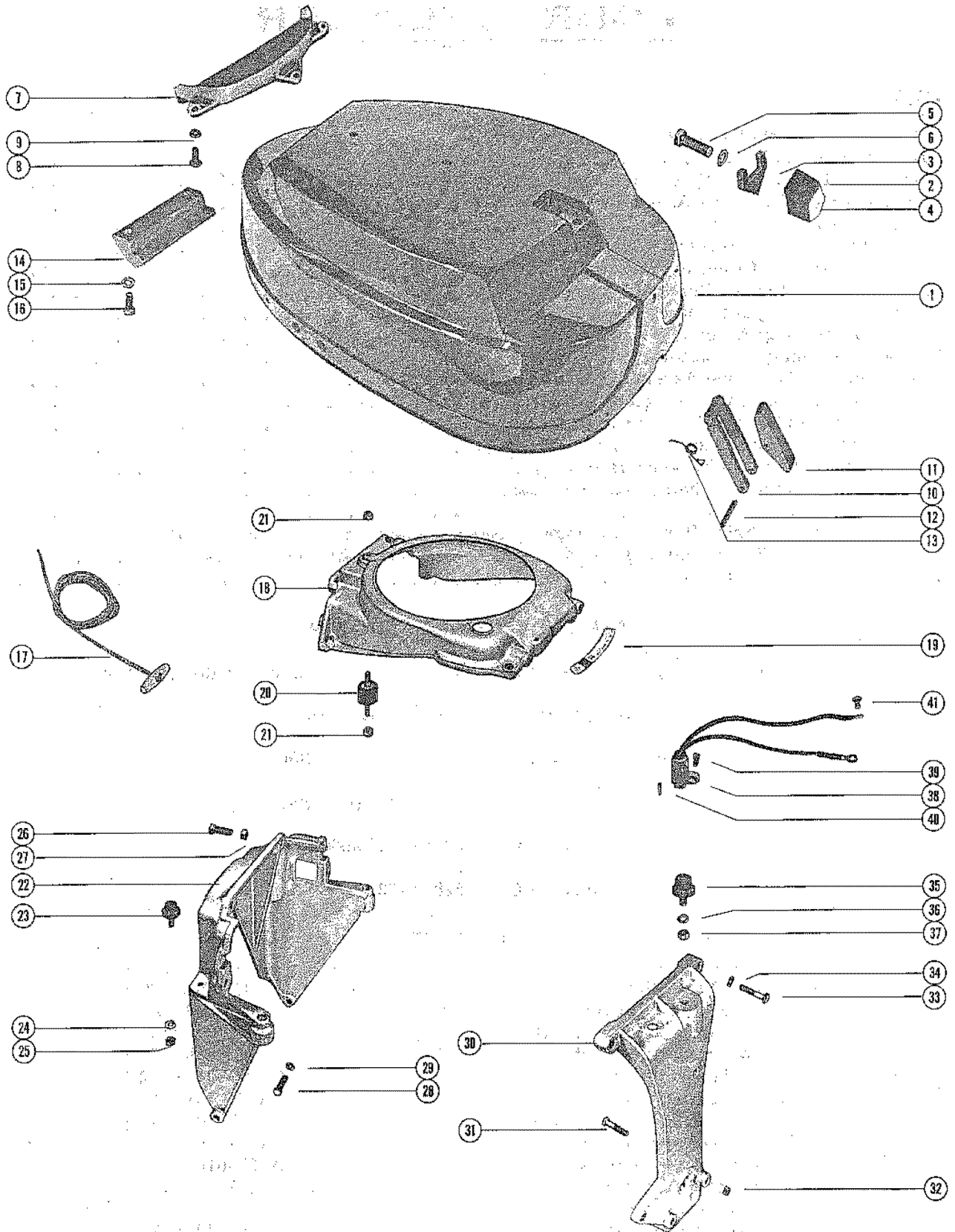
NS = Not Shown

THESE PARTS BOOKS/FICHE CARD ARE COPYRIGHTED AND MAY NOT BE DISTRIBUTED OR REPRODUCED IN ANY OTHER FORMAT BY ANYONE OTHER THAN MERCURY MARINE WITHOUT THE PRIOR WRITTEN CONSENT OF MERCURY MARINE.

MISCELLANEOUS PARTS/ACCESSORIES

REF. NO.	PART NO.	SYM.	QTY.	DESCRIPTION
-	90-52330		0	MERC 800 (4 CYLINDER) PARTS LIST
-	27-52893A1		0	GASKET SET (MOTOR OVERHAUL) SERIAL 00000000-02670574
-	27-52893A2		0	GASKET SET (MOTOR OVERHAUL) SERIAL 02783253-02886331
-	27-52893A71		0	GASKET SET (MOTOR OVERHAUL) SERIAL 02986444-03059820
-	27-52893A72		0	GASKET SET (MOTOR OVERHAUL) SERIAL 03144219-09999999
-	37-53159A1		0	DECAL SET SERIAL 00000000-02670574
-	37-56435A1		0	DECAL SET SERIAL 02783253-02886331
-	37-56435A1		0	DECAL SET SERIAL 02986444-03148653
-	37-61039A72		0	DECAL SET SERIAL 03186263-09999999
-	55398A4		0	TACHOMETER ASSEMBLY
-	48755A1		0	FLUSHING ATTACHMENT
-	46-48743A3		0	HEAVY DUTY WATER PUMP KIT

TOP COWL AND SUPPORT BRACKETS

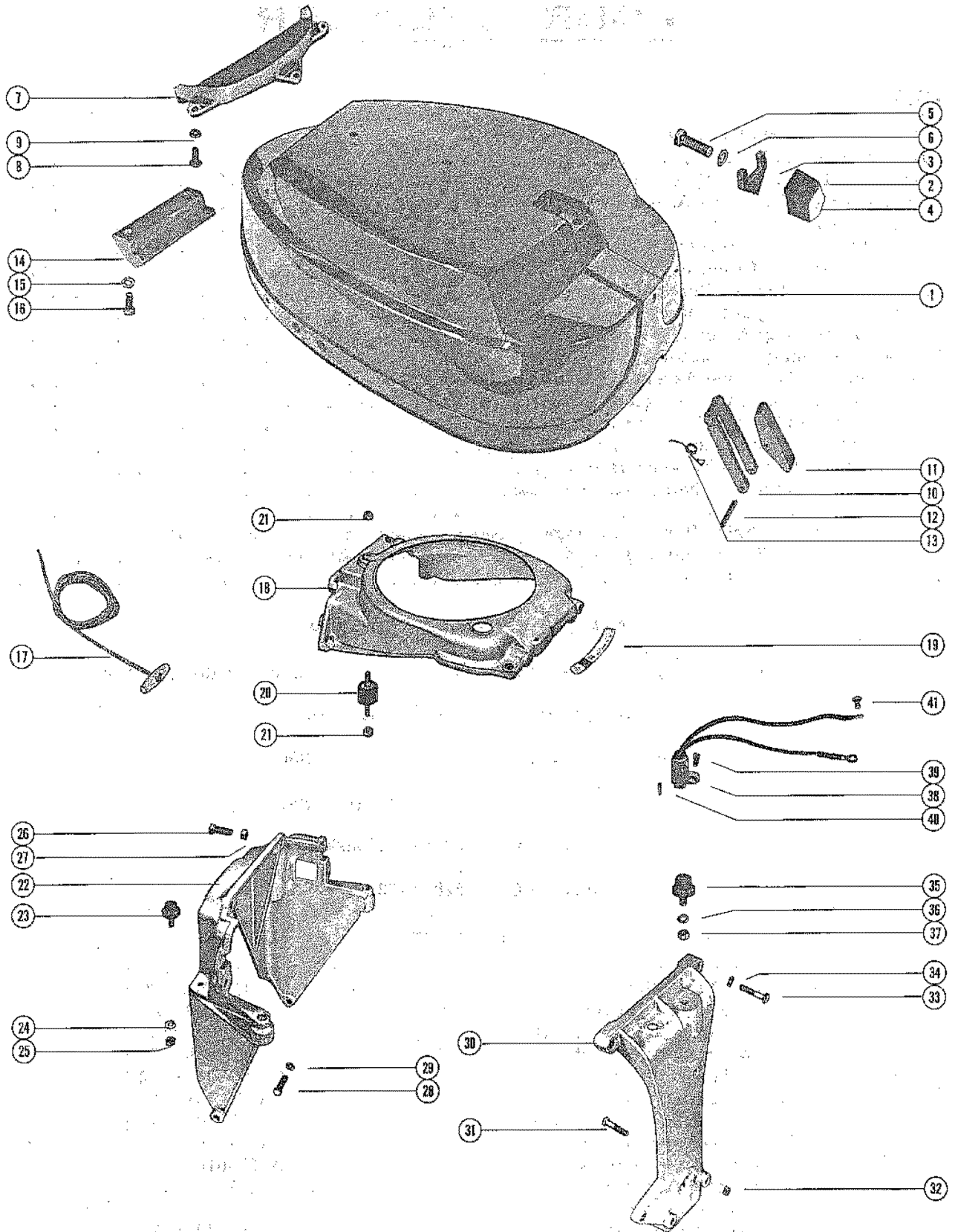


TOP COWL AND SUPPORT BRACKETS

REF. NO.	PART NO.	SYM.	QTY.	DESCRIPTION
1	2114-3591		1	COWL, TOP SERIAL SERIAL 00000000-02670574
	2114-3806		1	COWL, TOP SERIAL 02783253-09999999
2	52733A1		1	RETAINER ASSEMBLY, TOP COWL SERIAL 00000000-02670574
3	35496		1	PAD, BUMPER - TOP COWL RETAINER SERIAL 00000000-02670574
4	46141		1	EMBLEM, TOP COWL RETAINER SERIAL 00000000-02670574
2	52733A3		1	RETAINER ASSEMBLY, TOP COWL SERIAL 02783253-02886331
3	35496		1	PAD, BUMPER - TOP COWL RETAINER SERIAL 02783253-02886331
4	56186		1	EMBLEM, TOP COWL RETAINER SERIAL 02783253-02886331
2	52733A4		1	RETAINER ASSEMBLY, TOP COWL SERIAL 02986444-03148653
3	35496		1	PAD, BUMPER - TOP COWL RETAINER SERIAL 02986444-03148653
2	52733A6		1	RETAINER ASSEMBLY, TOP COWL SERIAL 03186263-09999999
3	35496		1	PAD, BUMPER - TOP COWL RETAINER SERIAL 03186263-09999999
5	10-37558		1	SCREW, RETAINER TO TOP COWL (1 1/4")
6	13-39107		1	LOCKWASHER, RETAINER FASTENING SCREW
7	49448		1	SHIELD, TOP COWL - REAR
8	10-37370		3	SCREW, SHEILD TO TOP COWL (5/8")
9	13-37371		3	LOCKWASHER, SHIELD SCREW
10	52739		1	HINGE, COWL LATCH - TOP COWL
11	52737		1	LEVER, COWL LATCH HINGE
12	17-33522		1	PIN, COWL LATCH LEVER TO HINGE
13	24-53019		1	SPRING, COWL LATCH HINGE SERIAL 00000000-03148653
14	52738		1	HOOK, TOP COWL LATCH - REAR SERIAL 00000000-02670574
	55455		1	HOOK, TOP COWL LATCH - REAR SERIAL 02783253-09999999
15	13-26992		2	LOCKWASHER, REAR HOOK MOUNTING SCREW
16	10-22956		2	SCREW, REAR HOOK TO TOP COWL (7/8")
17	47341A1		1	ROPE, STARTER (FOR MANUAL STARTING ONLY)
18	47271		1	FRAME, TOP COWL SUPPORT
19	37-60204		1	DECAL, TIMING - TOP COWL FRAME
20	37639		3	MOUNT, RUBBER - TOP COWL FRAME
21	11-20361		6	NUT, RUBBER MOUNT TO TOP COWL FRAME
22	52468		1	BRACKET, TOP COWL SUPPORT - REAR
23	31014		2	MOUNT, RUBBER - REAR SUPPORT BRACKET
24	13-26992		2	LOCKWASHER, RUBBER MOUNT TO REAR SUPPORT BRACKET
25	11-20088		2	NUT, RUBBER MOUNT TO REAR SUPPORT BRACKET
26	10-26065		4	SCREW, REAR SUPPORT BRACKET TO TOP COWL FRAME (1")

CONTINUED ON NEXT PAGE ➡

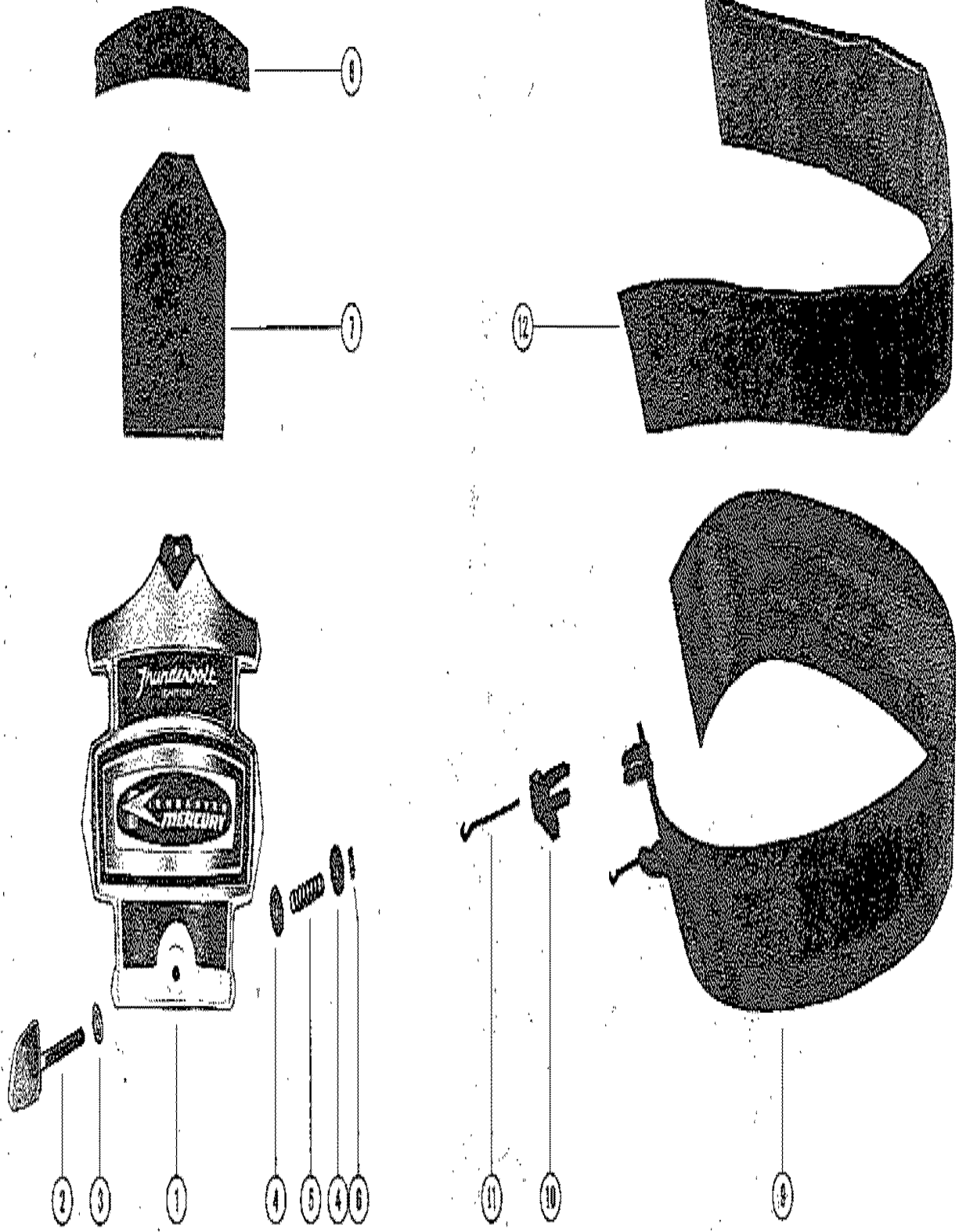
TOP COWL AND SUPPORT BRACKETS



TOP COWL AND SUPPORT BRACKETS

REF. NO.	PART NO.	SYM.	QTY.	DESCRIPTION
27	11-46793		4	NUT, RAR SUPPORT BRACKET SCREW
28	10-24234		4	SCREW, RAR SUPPORT BRACKET TO BOTTOM COWL (1')
29	13-26993		4	LOCKWASHER, REAR SUPPORT BRACKET SCREW
30	52635		1	BRACKET, SUPPORT-FRONT SERIAL 00000000-02991033
	59768		1	BRACKET, SUPPORT - FRONT SERIAL 03051041-03052380
31	10-22040		2	SCREW, FRONT SUPPORT BRACKET TO BOTTOM COWL (1 1/2")
32	11-46793		2	NUT, FRONT SUPPORT BRACKET SCREW
33	10-20362		2	SCREW, FRONT BRACKET TO TOP COWL FRAME (1 1/2")
34	13-26993		2	LOCKWASHER, FRONT SUPPORT BRACKET SCREW
35	37640		1	MOUNT, RUBBER - FRONT SUPPORT BRACKET
36	13-26993		1	LOCKWASHER, RUBBER MOUNT TO FRONT SUPPORT BRACKET
37	11-22053		1	NUT, RUBBER MOUNT TO FRONT SUPPORT BRACKET
38	58124A7		1	SWITCH, MERCURY SERIAL 00000000-02991033
	58124A9		1	SWITCH, MERCURY SERIAL 03051041-03052380
39	10-25764		1	SCREW, MERCURY SWITCH TO FRONT SUPPORT BRACKET (1/2")
40	17-30496		1	PIN, ROLL - MERCURY SWITCH (EARLY MODELS ONLY)
41	10-30663		1	SCREW, MERCURY SWITCH LEAD (3/8")

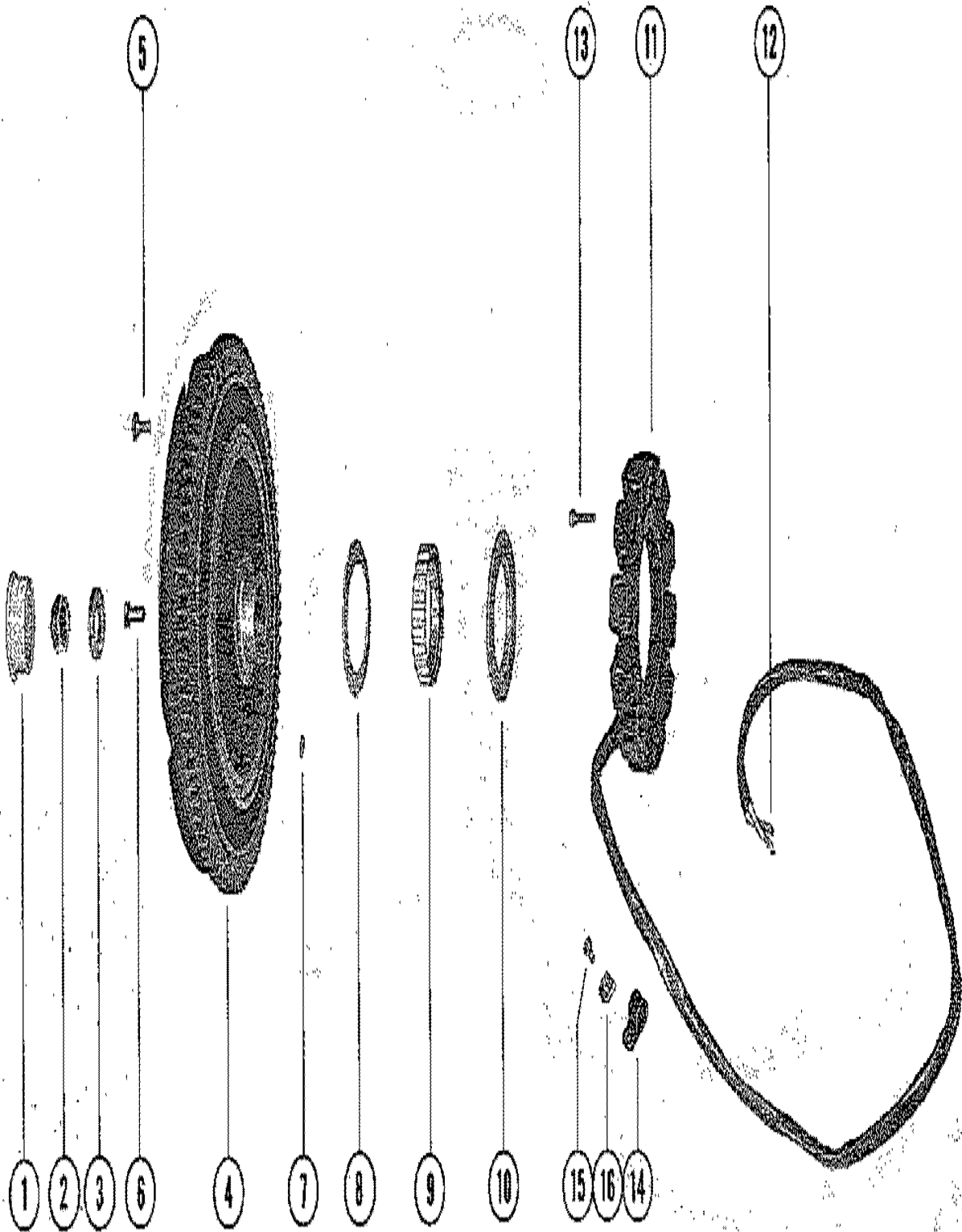
COWLING AND FRONT COVER



COWLING AND FRONT COVER

REF. NO.	PART NO.	SYM.	QTY.	DESCRIPTION
1	2104-2654A18		1	COWL FRONT COVER ASSEMBLY SERIAL 00000000-02670574
	2104-2654A20		1	COWL FRONT COVER ASSEMBLY SERIAL 02783253-02886331
	2104-2654A22		1	COWL FRONT COVER ASSEMBLY SERIAL 02986444-03148653
	2104-2654A27		1	COWL FRONT COVER ASSEMBLY SERIAL 03186263-09999999
2	56849		1	KNOB, COWL FRONT COVER FASTENING
3	12-30771		2	WASHER, COVER FASTENING KNOB (RUBBER)
4	12-59572		2	WASHER, COVER FASTENING KNOB (STEEL)
5	24-32271		1	SPRING, TENSION - COVER FASTENING KNOB
6	17-29077		1	ROLL PIN, TENSION SPRING TO KNOB
7	54142		1	BLANKET, SOUND ABSORBING - FRONT COVER
8	54143		1	SEAL, SOUND - UPPER
9	2119-3248A6		1	WRAP AROUND COWL ASSEMBLY
10	46785A1		2	COWL LATCH ASSEMBLY
11	30413		2	HOOK, COWL LATCH FASTENING
12	54141A1		1	BLANKET ASS'Y SOUND ABSORBING - WRAP AROUND COWL
-	92-25234--1		1	GLUE, ADHESIVE - SOUND BLANKET FASTENING

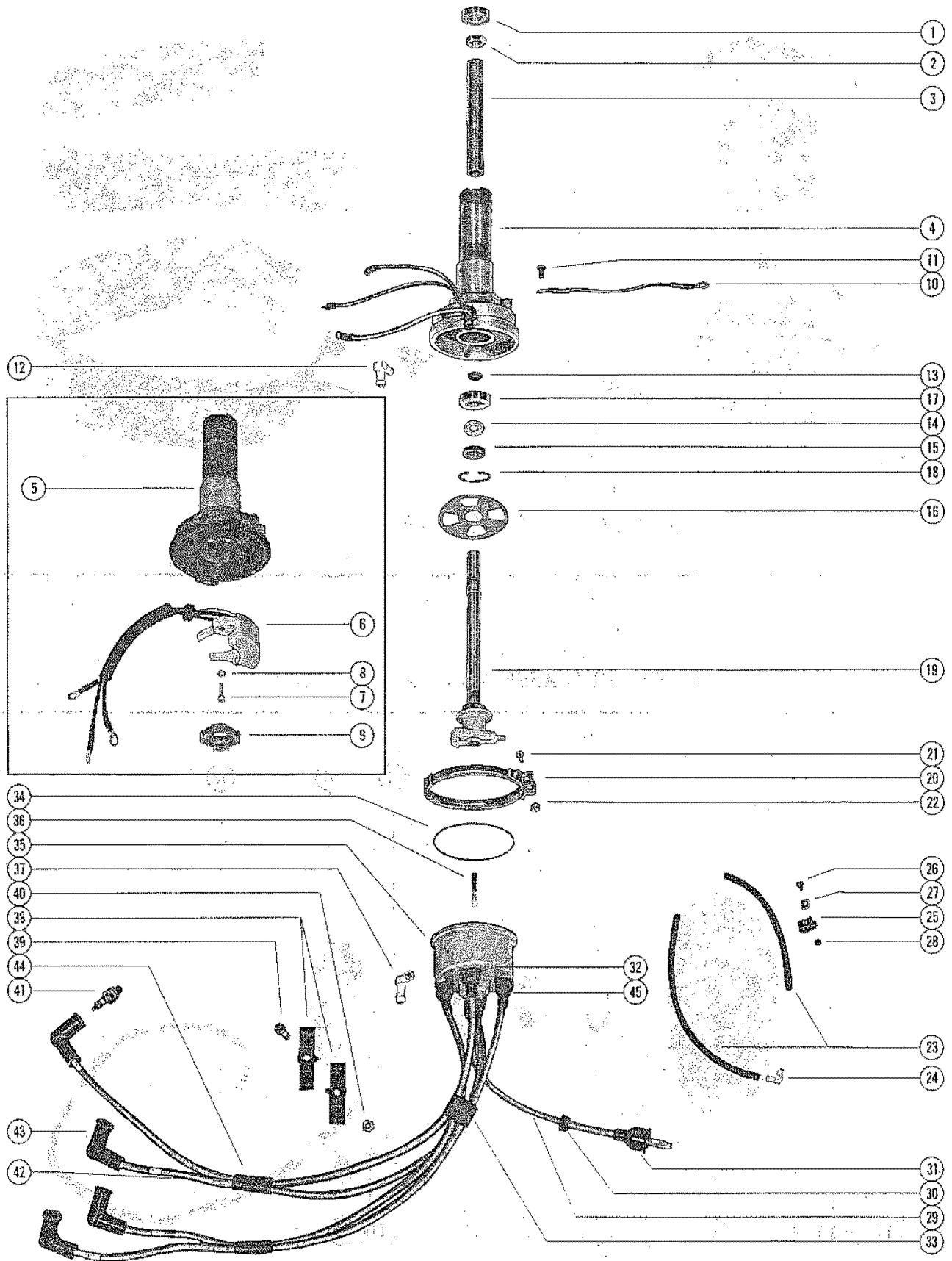
FLYWHEEL ASSEMBLY AND STATOR



FLYWHEEL ASSEMBLY AND STATOR

REF. NO.	PART NO.	SYM.	QTY.	DESCRIPTION
1	19-45907		1	PLUG, FLYWHEEL PULLER THREADS
2	11-52901		1	NUT, FLYWHEEL
3	12-33001		1	WASHER, FLYWHEEL NUT
4	225-2494A10		1	FLYWHEEL ASSEMBLY, COMPLETE SERIAL 00000000-02670574
	225-2494A14		1	FLYWHEEL ASSEMBLY, COMPLETE SERIAL 02783253-09999999
5	10-32417		8	SCREW, FLEXIBLE PLATE TO FLYWHEEL
6	10-49006		8	SCREW, PLATE AND HUB TO FLEXIBLE PLATE
7	17-26618		1	PIN, DOWEL - PULLEY TO FLYWHEEL
8	29788		1	FLANGE, FLYWHEEL PULLEY
9	30306		1	PULLEY, FLYWHEEL
10	29787		1	HUB, FLYWHEEL PULLEY
11	398-4792		1	STATOR, ALTERNATOR
12	30050		2	TERMINAL, STATOR LEAD WIRE
13	10-57021		4	SCREW, STATOR TO UPPER END CAP (7/8")
14	54-22875		1	CLIP, STATOR LEAD FASTENING (7/16")
15	10-30663		1	SCREW, STATOR LEAD FASTENING (3/8")
16	22789		1	"D" WASHER, CLIP FASTENING SCREW

DISTRIBUTOR HOUSING AND ROTOR

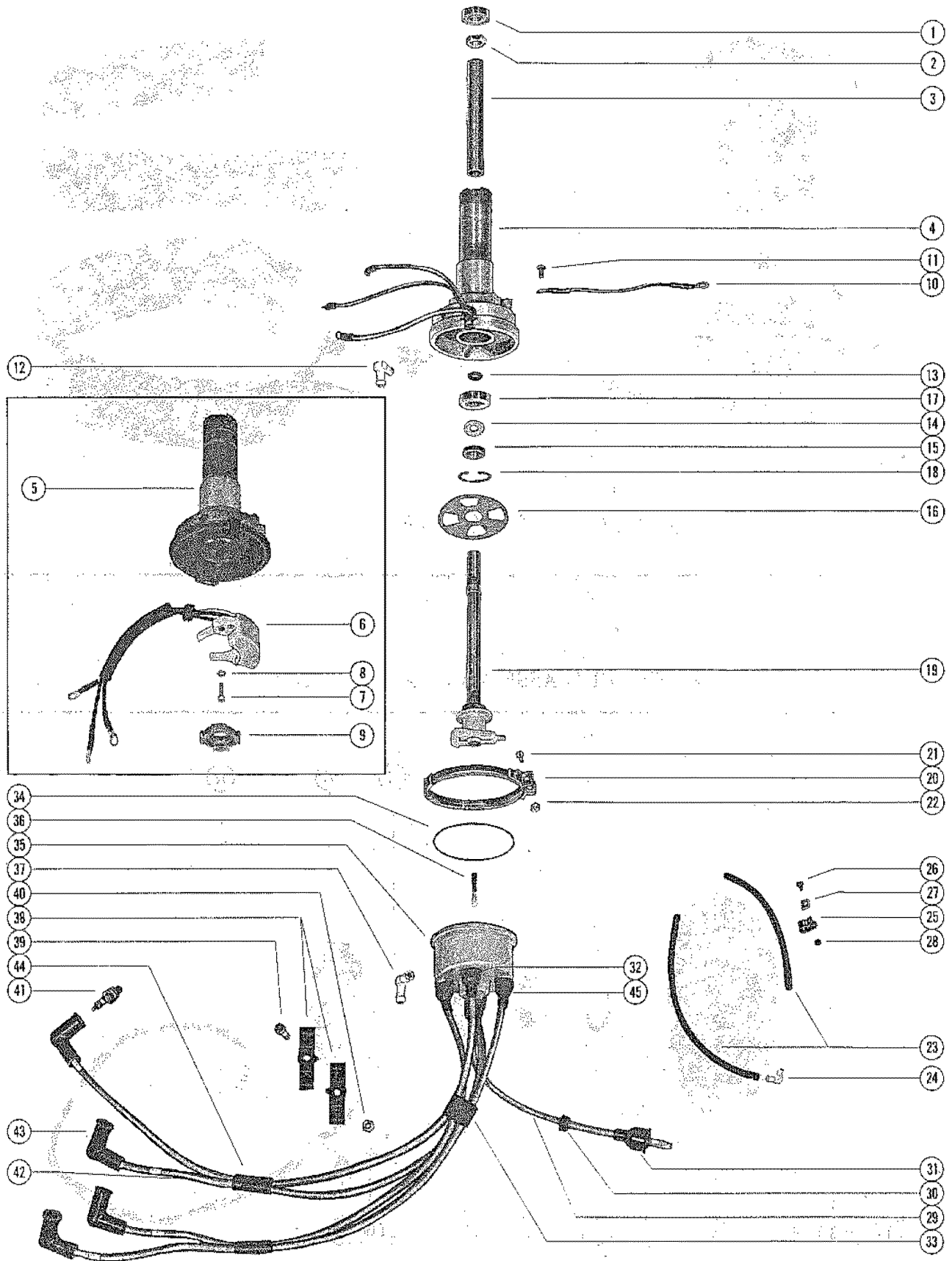


DISTRIBUTOR HOUSING AND ROTOR

REF. NO.	PART NO.	SYM.	QTY.	DESCRIPTION
1	30-20066		1	BALL BEARING, DISTRIBUTOR HOUSING (UPPER)
2	11-54209		1	NUT, ROTOR SHAFT TO DISTRIBUTOR HOUSING
3	23-53539		1	SLEEVE, ROTOR SHAFT
4	332-4177A3		1	HOUSING ASSEMBLY, DISTRIBUTOR SERIAL 00000000-02991033
5	337-4479		1	HOUSING, DISTRIBUTOR SERIAL 03051041-03052380
6	337-4406A2		1	TRIGGER ASSEMBLY, DISTRIBUTOR SERIAL 03051041-03052380
7	10-29072		2	SCREW, TRIGGER COIL TO DISTRIBUTOR HOUSING SERIAL 03051041-03052380
8	13-22238		2	LOCKWASHER, TRIGGER COIL SCREW SERIAL 03051041-03052380
9	337-4481		1	CAM, DISTRIBUTOR TRIGGER SERIAL 03051041-03052380
10	53417		1	GROUND STRAP ASSEMBLY, DISTRIBUTOR TO CRANKCASE
11	10-30663		1	SCREW, GROUND STRAP ATTACHING (3/8")
12	22-31521		1	ELBOW, VENT-DISTRIBUTOR HOUSING SERIAL 00000000-02670574
	22-55262		1	ELBOW, VENT- DISTRIBUTOR HOUSING SERIAL 02783253-03148653
	58807A1		1	FLAME ARRESTOR ASSEMBLY, DISTRIBUTOR HOUSING SERIAL 03186263-09999999
13	15-21148A1		1	SHIM, ROTOR SERIAL 00000000-02991033
14	15-55853		AR	SHIM, ROTOR SERIAL 00000000-02991033
15	23-53538		1	SPACER, ROTOR SHAFT SERIAL 00000000-02991033
16	393-3236		1	DISC, ROTOR SERIAL 00000000-02991033
17	30-26379		1	BALL BEARING, DISTRIBUTOR HOUSING (LOWER)
18	53-26406		1	RING, RETAINING - BALL BEARING TO DISTRIBUTOR HOUSING
19	393-3738		1	ROTOR, DISTRIBUTOR SERIAL 00000000-02670574
	393-4371		1	ROTOR, DISTRIBUTOR SERIAL 02783253-09999999
20	54-53541		1	CLAMP, DISTRIBUTOR CAP TO DISTRIBUTOR HOUSING SERIAL 00000000-02670574
	54-59588		1	CLAMP, DISTRIBUTOR CAP TO DISTRIBUTOR HOUSING SERIAL 02783253-03192962
	54-60768		1	CLAMP, DISTRIBUTOR CAP TO DISTRIBUTOR HOUSING SERIAL 03307347-09999999
21	10-54281		1	SCREW, DISTRIBUTOR CAP CLAMP (1")
22	11-26768		1	NUT, DISTRIBUTOR CAP CLAMP SCREW
23	32-34395A1		1	HOSE, VENT- DISTRIBUTOR TO ELBOW (7") SERIAL 00000000-03148653
	32-34395A1		1	HOSE, VENT- DISTRIBUTOR TO ELBOW (10 1/2") SERIAL 00000000-03148653
24	22-31521		2	ELBOW, VENT HOSE TO BOTTOM COWL SERIAL 00000000-03148653
25	54-22875		1	CLAMP, VENT HOSE TO FRONT SUPPORT BRACKET SERIAL 00000000-02670574
26	10-48591		1	SCREW, VENT HOSE CLAMP (1/2") SERIAL 00000000-02670574

CONTINUED ON NEXT PAGE ➡

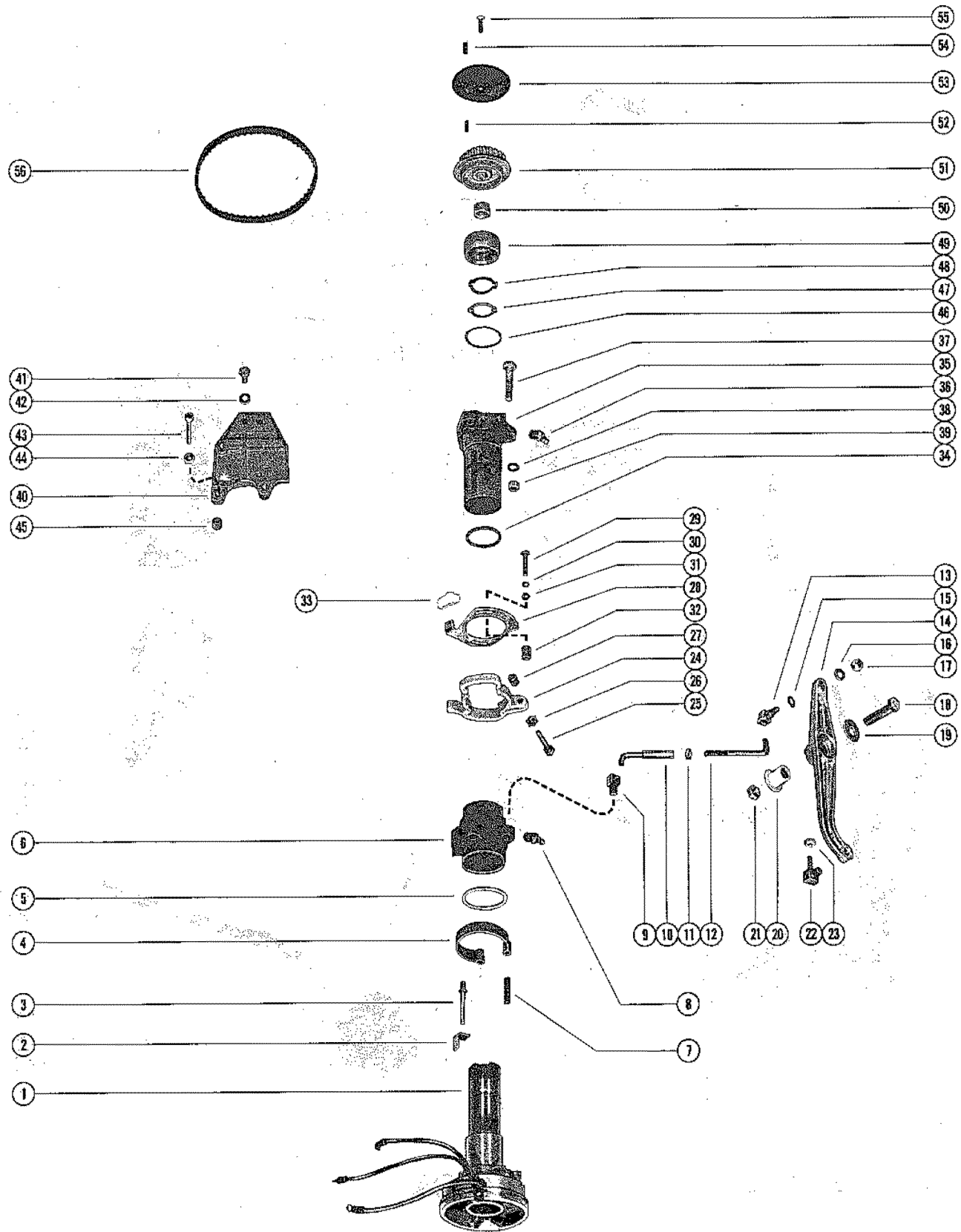
DISTRIBUTOR HOUSING AND ROTOR



DISTRIBUTOR HOUSING AND ROTOR

REF. NO.	PART NO.	SYM.	QTY.	DESCRIPTION
27	22789		1	"D" WASHER, CLAMP FASTENING SCREW SERIAL 00000000-02670574
28	11-24656		1	NUT, CLAMP FASTENING SCREW SERIAL 00000000-02670574
29	393-3294A1		1	CABLE ASSEMBLY, CAP TO COIL SERIAL 00000000-02991033
	393-3836A1		1	CABLE ASSEMBLY, CAP TO COIL SERIAL 03051041-03052380
30	25-26547		1	GROMMET, CABLE
31	332-2854		1	BOOT, CABLE TO COIL
32	393-1275		1	SLEEVE, CABLE
33	32-46398		1	SLEEVE, (LEADS 1, 2, 3, 4,) - (3/4")
34	27-55896		1	GASKET, DISTRIBUTOR CAP TO DISTRIBUTOR HOUSING SERIAL 02783253-09999999
35	393-3726A2		1	DISTRIBUTOR CAP ASSEMBLY SERIAL 00000000-03148653
36	393-1293A1		1	BRUSH AND SPRING ASSEMBLY SERIAL 00000000-03148653
37	22-31521		1	ELBOW, VENT - DISTRIBUTOR CAP SERIAL 00000000-03148653
35	393-3726A10		1	DISTRIBUTOR CAP ASSEMBLY SERIAL 03186263-09999999
36	393-1293A1		1	BRUSH AND SPRING ASSEMBLY SERIAL 03186263-09999999
37	58807A1		1	FLAME ARRESTOR ASSEMBLY, DISTRIBUTOR HOUSING SERIAL 03186263-09999999
38	46281		4	RETAINER, LEADS
39	10-46378		2	SCREW, LEAD RETAINER (1")
40	11-20013		2	NUT, RETAINER SCREW
41	33-45191		4	SPARK PLUG (CHAMPION - L19V) SERIAL 00000000-02670574
	33-57451		4	SPARK PLUG (AC V-40FFM) SERIAL 02783253-09999999
42	47899A9		4	SPARK PLUG LEAD ASSEMBLY #1, #2, #3 AND #4 ORDER A-36549A1 KIT FOR REPLACEMENT OF LEAD WIRE MARKERS
-	20121		4	CONNECTOR, SPARK PLUG LEAD
43	47604A1		4	PROTECTOR, SPARK PLUG LEAD
44	32-26527		2	SLEEVE, SPARK PLUG LEAD (LEADS 1, 2, 3, 4)
45	393-1275		4	SLEEVE, SPARK PLUG LEAD TO DISTRIBUTOR

DISTRIBUTOR ADAPTOR AND VERTICAL LINKAGE

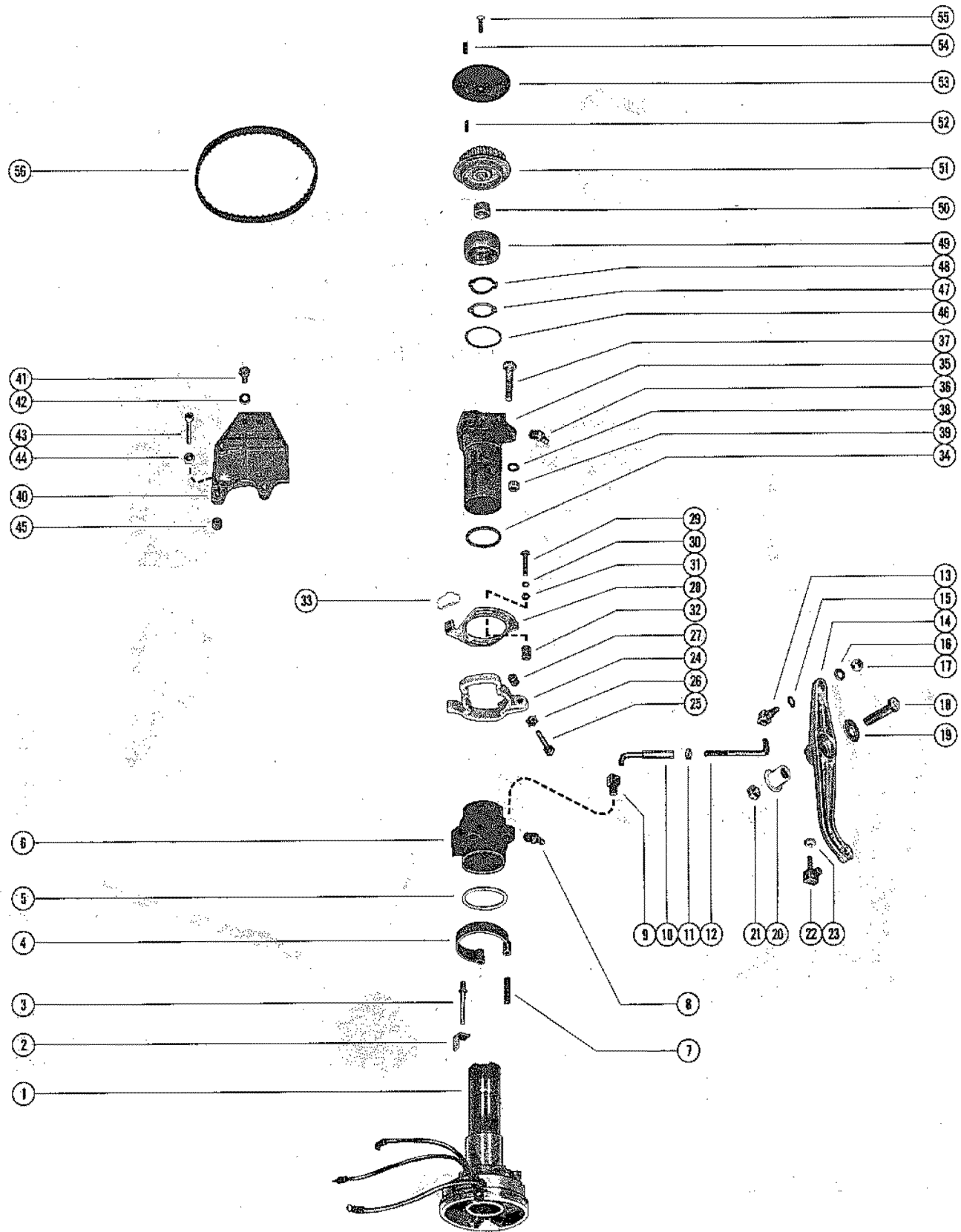


DISTRIBUTOR ADAPTOR AND VERTICAL LINKAGE

REF. NO.	PART NO.	SYM.	QTY.	DESCRIPTION
1	332-4177A3		1	HOUSING ASSEMBLY, DISTRIBUTOR SERIAL 00000000-02991033
	337-4479		1	HOUSING, DISTRIBUTOR SERIAL 03051040-03052380
2	32197		1	STOP, SPARK ADVANCE-DISTRIBUTOR HOUSING
3	17-27962		1	PIN, ANCHOR SPRING-DISTRIBUTOR HOUSING
4	24-27944		1	SPRING, HORSESHOE -DISTRIBUTOR HOUSING
5	12-53540		1	WASHER, ECONOMIZER COLLAR-DISTRIBUTOR HOUSING
6	30580A1		1	ECONOMIZER COLLAR ASSEMBLY SERIAL 00000000-02670574
	55804A1		1	ECONOMIZER COLLAR ASSEMBLY SERIAL 02783253-09999999
7	17-27961		1	PIN, ECONOMIZER COLLAR-SPRING RETAINER
8	22-25094		1	FITTING, GREASE-ECONOMIZER COLLAR
9	27947		1	SWIVEL, LINKAGE-ECONOMIZER COLLAR
10	25996A1		1	SWIVEL AND LINK ROD ASSEMBLY
11	11-25168		1	NUT, UPPER LINK ROD ADJUSTING
12	37588		1	ROD, LINK-UPPER
13	27948		1	SWIVEL, UPPER LINK ROD TO THROTTLE CONTROL LEVER
14	48562		1	LEVER, THROTTLE CONTROL
15	13-25806		1	WASHER, WAVE-THROTTLE CONTROL LEVER SWIVEL
16	12-29245		1	WASHER, THROTTLE CONTROL LEVER SWIVEL
17	11-20361		1	NUT, UPPER LINK ROD TO THROTTLE CONTROL LEVER
18	10-37559		1	SCREW, THROTTLE LEVER TO EXHAUST COVER (1 3/4")
19	12-29395		1	WASHER, THROTTLE CONTROL LEVER SCREW
20	23-45818		1	BUSHING, THROTTLE CONTROL LEVER SCREW
21	11-20509		1	NUT, THROTTLE CONTROL LEVER SCREW
22	37587		1	SWIVEL, LOWER-THROTTLE CONTROL LEVER TO THROTTLE CABLE
23	11-20361		1	NUT, THROTTLE CABLE TO LOWER SWIVEL
24	48692		1	COLLAR, THROTTLE ACTUATOR
25	10-48675		1	SCREW, ADJUSTING-ACTUATOR COLLAR (1 1/2") SERIAL 00000000-03148653
	10-61658		1	SCREW, ADJUSTING-ACTUATOR COLLAR (1 3/4") SERIAL 03186263-09999999
26	11-20890		1	NUT, THROTTLE ACTUATOR COLLAR ADJUSTING SCREW
27	52023		1	CAP, NYLON-THROTTLE ACTUATOR COLLAR ADJUSTING SCREW
28	48671		1	PLATE, THROTTLE ACTUATOR
29	10-37892		2	SCREW, THROTTLE ACTUATOR PLATE TO ECONOMIZER COLLAR (1")
30	12-20128		2	WASHER, THROTTLE ACTUATOR PLATE FASTENING SCREW
31	13-26996		2	LOCKWASH, THROTTLE ACTUATOR PLATE FASTENING SCREW
32	23-48674		1	SPACER, THROTTLE ACTUATOR PLATE SCREW
33	54239		1	CAM, THROTTLE ACTUATOR PLATE

CONTINUED ON NEXT PAGE ➡

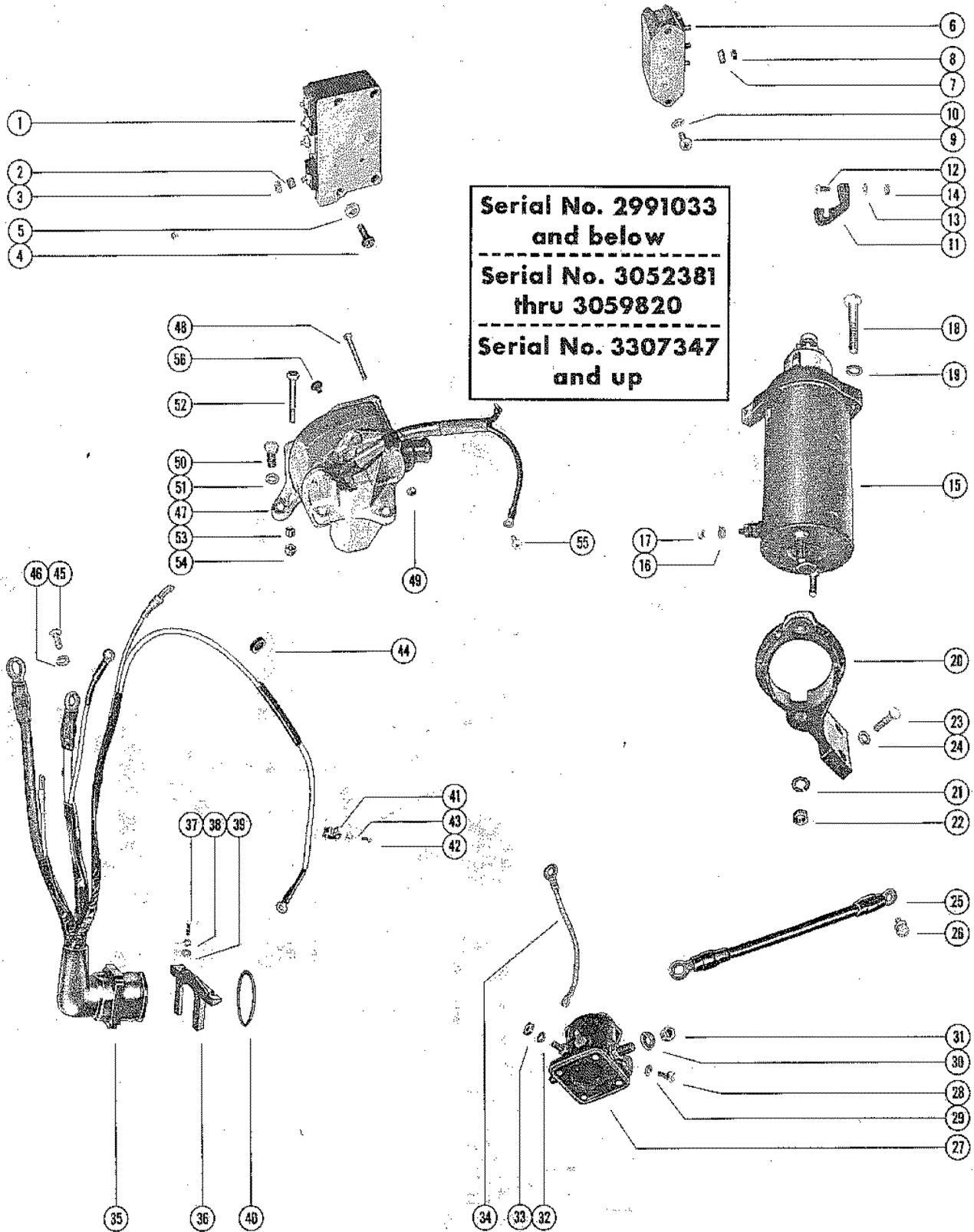
DISTRIBUTOR ADAPTOR AND VERTICAL LINKAGE



DISTRIBUTOR ADAPTOR AND VERTICAL LINKAGE

REF. NO.	PART NO.	SYM.	QTY.	DESCRIPTION
34	12-46246		1	WASHER, ADAPTOR-DISTRIBUTOR HOUSING
35	48666A1		1	ADAPTOR ASSEMBLY, DISTRIBUTOR
36	22-25094		1	FITTING, GREASE-DISTRIBUTOR ADAPTOR
37	10-22040		3	SCREW, DISTRIBUTOR HOUSING TO CRANKCASE (1 1/2")
38	12-20084		3	WASHER, DISTRIBUTOR HOUSING SCREW
39	11-20083		3	NUT, DISTRIBUTOR HOUSING SCREW
40	30585		1	BRACKET, STOP SERIAL 00000000-02670574
	55805		1	BRACKET, STOP SERIAL 02783253-09999999
41	10-28636		2	SCREW, STOP BRACKET TO DISTRIBUTOR ADAPTOR (3/4")
42	12-20533		2	WASHER, STOP BRACKET FASTENING SCREW
43	10-24228		3	SCREW, STOP BRACKET ADJUSTING (1 7/8")
44	11-20890		3	NUT, STOP BRACKET ADJUSTING SCREWS
45	52023		3	CAP, NYLON-STOP BRACKET ADJUSTING SCREWS
46	12-27939		1	WASHER, DISTRIBUTOR HOUSING
47	14-27960		1	TAB WASHER, ADAPTOR CAP FASTENING
48	13-27959		1	WASHER, WAVE-DISTRIBUTOR BALL BEARING TENSION
49	54567		1	CAP, DISTRIBUTOR HOUSING
50	23-47250		1	SPACER, DRIVE PULLEY
51	29906A1		1	DRIVEN PULLEY ASSEMBLY
52	17-29908		1	PIN, ROLL-FLANGE LOCATING
53	29907		1	FLANGE, DRIVEN PULLEY
54	28-29910		1	KEY, DISTRIBUTOR DRIVER
55	10-58534		1	SCREW, PULLEY CLAMPING SCREW
56	20140		1	BELT, TIMING

STARTER MOTOR AND WIRING HARNESS

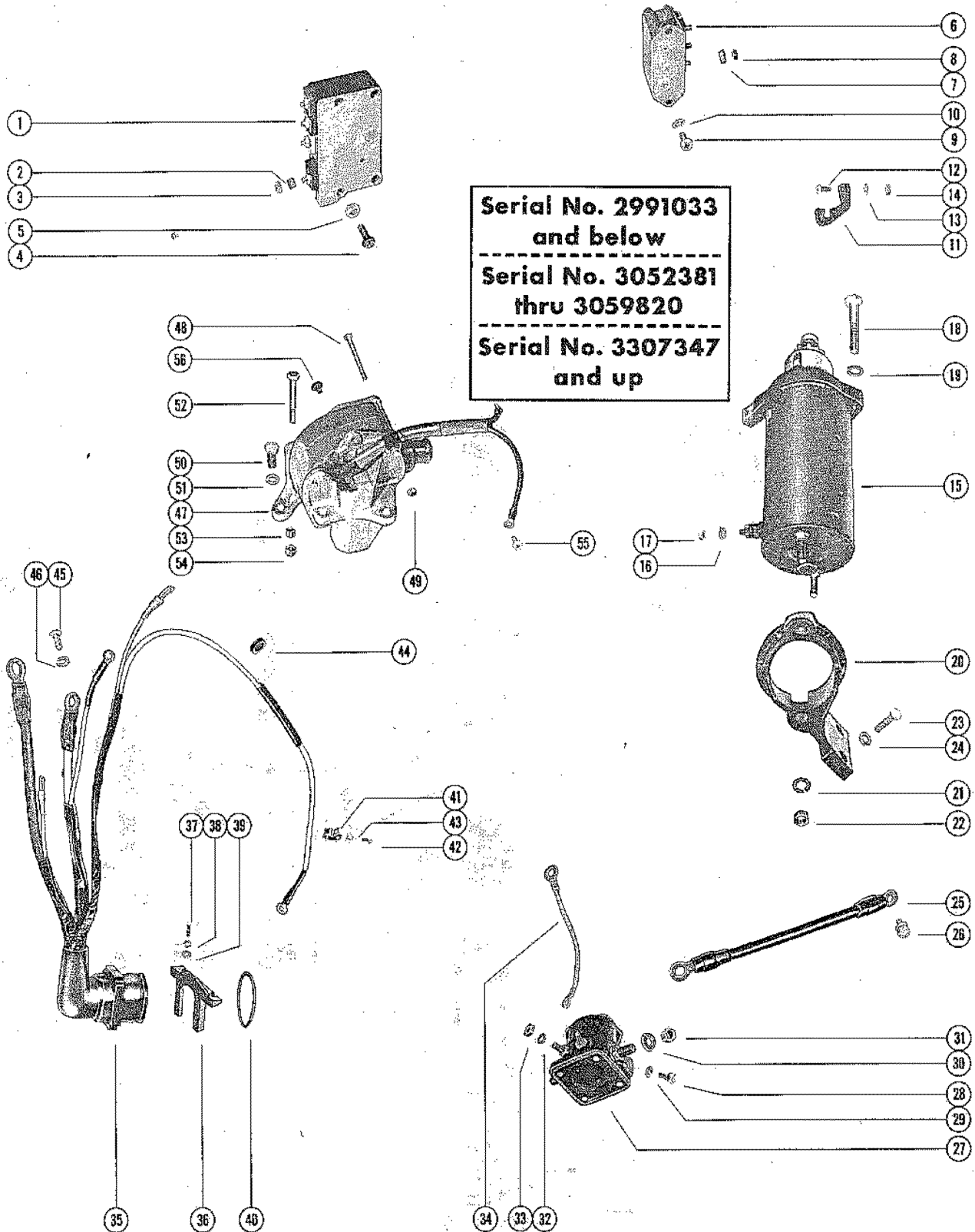


STARTER MOTOR AND WIRING HARNESS

REF. NO.	PART NO.	SYM.	QTY.	DESCRIPTION
1	332-2986A8		1	SWITCH BOX ASSEMBLY, COMPLETE (CASTING #332-2986)
2	12-45075		7	WASHER, SWITCH BOX TERMINAL
3	11-45076		7	NUT, SWITCH BOX TERMINAL
4	10-24866		4	SCREW, SWITCH BOX TO FRONT SUPPORT BRACKET (3/4") SERIAL 00000000-02670574
	10-21625		4	SCREW, SWITCH BOX TO FRONT SUPPORT BRACKET (3/4")- SERIAL #27 SERIAL 02783253-09999999
5	11-46887		4	NUT, SWITCH BOX TO FRONT SUPPORT BRACKET SCREW
6	332-2910A3		1	RECTIFIER ASSEMBLY, COMPLETE
7	12-45075		3	WASHER, RECTIFIER TERMINAL
8	11-45076		3	NUT, RECTIFIER TERMINAL
9	10-24963		2	SCREW, RECTIFIER TO BOTTOM COWL (7/8")
10	13-22773		2	LOCKWASHER, RECTIFIER MOUNTING SCREW
11	59757		1	BRACKET, RETAINER-HIGH TENSION LEAD
12	10-31294		1	SCREW, RETAINER BRACKET TO FRONT SUPPORT BRACKET (1") SERIAL 00000000-02670574
	10-22956		1	SCREW, RETAINER BRACKET TO FRONT SUPPORT BRACKET (7/8") SERIAL 02783253-09999999
13	12-29245		1	WASHER, RETAINER BRACKET FASTENING SCREW
14	11-46887		1	NUT, RETAINER BRACKET SCREW
15	50-45822A1		1	STARTER MOTOR ASSEMBLY FOR BREAKDOWN, SEE ACCESSORY SECTION "E" SERIAL 00000000-02670574
	50-57867A1		1	STARTER MOTOR ASSEMBLY FOR BREAKDOWN, SEE ACCESSORY SECTION "E" SERIAL 02783253-02886331
	50-58788		1	STARTER MOTOR ASSEMBLY (SERIAL #2986444 AND UP) FOR BREAKDOWN, SEE ACCESSORY SECTION "E"
16	13-26992		1	LOCKWASHER, STARTER MOTOR TERMINAL
17	11-20890		1	NUT, STARTER MOTOR TERMINAL
18	10-20362		1	SCREW, STARTER MOTOR TO CRANKCASE FLANGE (1 1/2")
	10-31984		1	SCREW, STARTER MOTOR TO CRANKCASE FLANGE (1 3/8")
19	13-26993		2	LOCKWASHER, STARTER MOTOR SCREW
20	52691		1	BRACKET, SUPPORT-STARTER MOTOR
21	13-24669		2	LOCKWASHER, THRU BOLT-BRACKET TO STARTER MOTOR
22	11-20013		2	NUT, THRU BOLT-BRACKET TO STARTER MOTOR
23	10-24234		2	SCREW, STARTER MOTOR BRACKET TO CRANKCASE (1")
24	13-26993		2	LOCKWASHER, STARTER MOTOR BRACKET FASTENING SCREW
25	25596		1	WIRE, STARTER MOTOR TO STARTER SOLENOID AND TOP MOUNT
26	10-29197		1	SCREW, GROUND WIRE TO STARTER MOTOR (5/8")
27	25661		1	STARTER SOLENOID
28	10-21625		2	SCREW, STARTER SOLENOID TO COIL BRACKET (3/4")
29	13-26992		2	LOCKWASHER, STARTER SOLENOID MOUNTING SCREW
30	13-26993		2	LOCKWASHER, SOLENOID TERMINAL (5/16")
31	11-20083		2	NUT, SOLENOID TERMINAL-INSIDE (5/16")

CONTINUED ON NEXT PAGE ➡

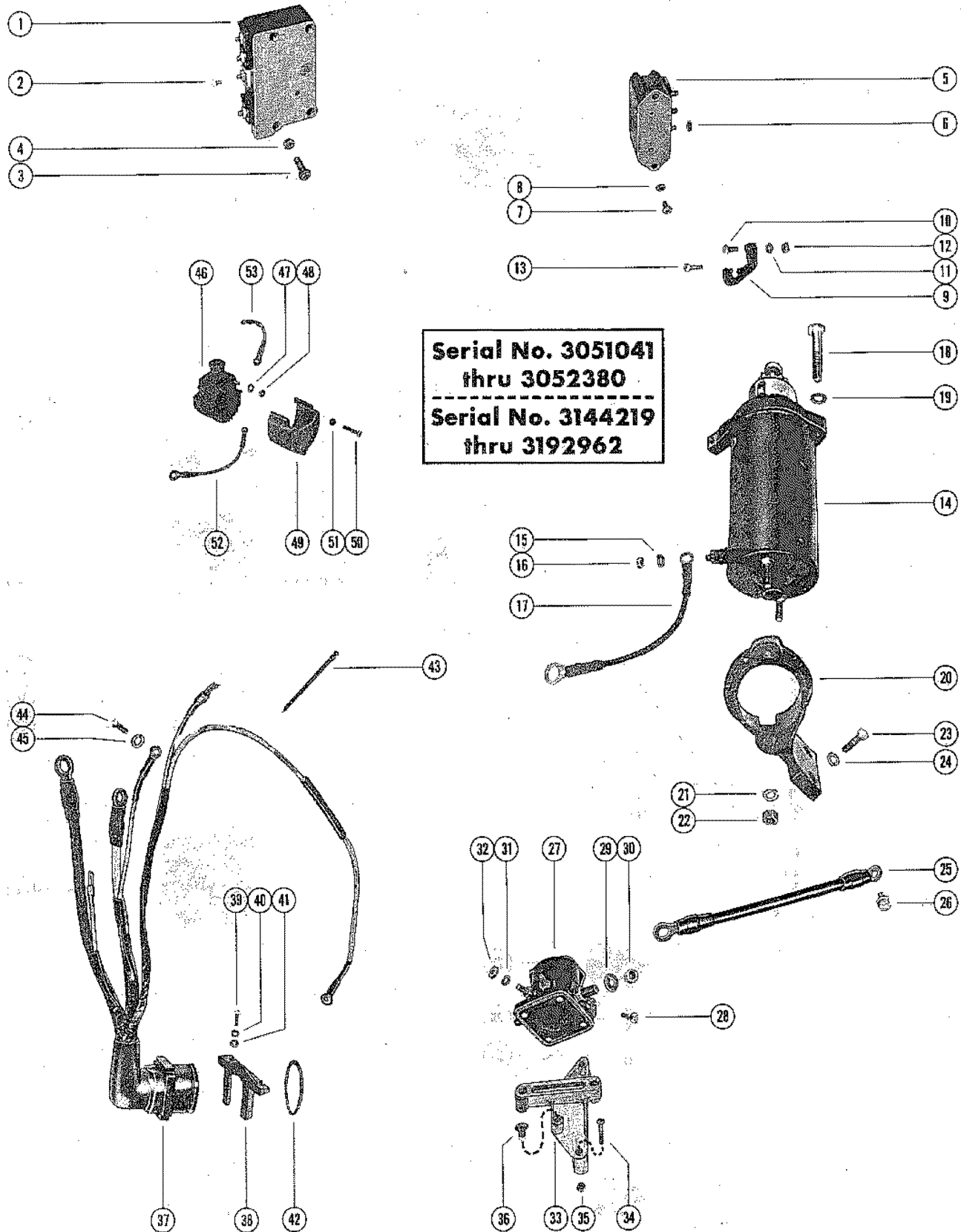
STARTER MOTOR AND WIRING HARNESS



STARTER MOTOR AND WIRING HARNESS

REF. NO.	PART NO.	SYM.	QTY.	DESCRIPTION
32	13-26996		2	LOCKWASHER, SOLENOID TERMINAL (#10)
33	11-20645		2	NUT, SOLENOID TERMINAL (#10)
34	52902		1	CABLE, STARTER SOLENOID TO STARTER MOTOR
35	52771		1	WIRING HARNESS (INTERNAL)
36	54-52876		1	CLAMP, WIRING HARNESS TO BOTTOM COWL
37	10-45862		2	SCREW, WIRING HARNESS CLAMP TO BOTTOM COWL (7/8")
38	13-26996		2	LOCKWASHER, WIRING HARNESS CLAMP SCREW
39	12-20128		2	WASHER, WIRING HARNESS CLAMP SCREW
40	24-28975		1	SPRING, GARTER-INTERNAL WIRING HARNESS
41	54-26550		1	CLAMP, WIRING HARNESS TO COIL BRACKET
42	10-31206		1	SCREW, WIRING HARNESS CLAMP TO COIL BRACKET
43	22789		1	"D" WASHER, WIRING HARNESS CLAMP
44	25-26547		1	GROMMET, RECTIFIER TO SWITCH BOX WIRE
45	10-20776		1	SCREW, WIRING HARNESS LEAD TO BOTTOM COWL (1/2")
46	13-24669		1	LOCKWASHER, WIRING HARNESS LEAD SCREW
47	332-2983A15		1	IGNITION COIL ASSEMBLY, COMPLETE SERIAL 00000000-03059820
	332-2983A19		1	IGNITION COIL ASSEMBLY, COMPLETE SERIAL 03307347-09999999
48	10-46368		2	SCREW, IGNITION COIL CLAMPING (2 1/4")
49	11-20190		2	NUT, IGNITION COIL CLAMPING SCREW
50	10-24624		1	SCREW, IGNITION COIL TO BOTTOM COWL (3/4")
51	13-26992		1	LOCKWASHER, IGNITION COIL SCREW
52	10-31471		2	SCREW, IGNITION COIL TO BOTTOM COWL (3 1/4")
53	23-52933		3	SPACER, COIL BRACKET TO BOTTOM COWL
54	11-46887		2	NUT, IGNITION COIL SCREW
55	10-45218		1	SCREW, IGNITION COIL WIRE TO SWITCH BOX (3/8")
56	26901		1	BUMPER, IGNITION COIL

STARTER MOTOR AND WIRING HARNESS

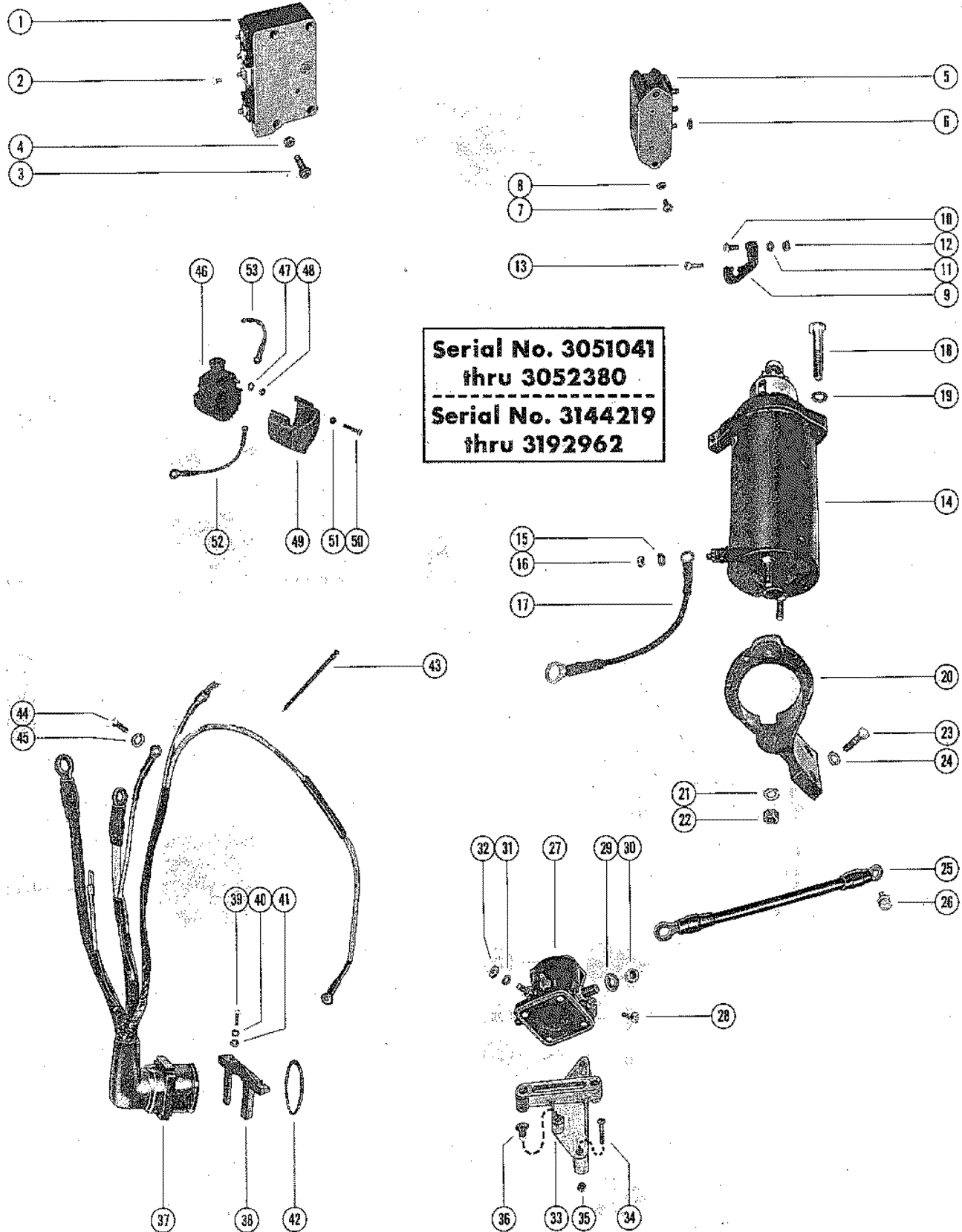


STARTER MOTOR AND WIRING HARNESS

REF. NO.	PART NO.	SYM.	QTY.	DESCRIPTION
1	337-4411A2		1	SWITCH BOX ASSEMBLY, COMPLETE (CASTING #337-4411)
2	10-60251		4	SCREW, HARNESS LEADS TO SWITCH BOX (3/8")
3	10-56214		3	SCREW, SWITCH BOX TO FRONT SUPPORT BRACKET (5/8")
	10-59788		1	SCREW, SWITCH BOX TO FRONT SUPPORT BRACKET (2")
4	11-46887		1	NUT, SWITCH BOX SCREW
5	332-2910A3		1	RECTIFIER ASSEMBLY, COMPLETE
6	11-45076		3	NUT, RECTIFIER TERMINAL
7	10-24866		2	SCREW, RECTIFIER TO TOP COWL SUPPORT (3/4")
8	11-46887		2	NUT, RECTIFIER TO TOP COWL SUPPORT
9	59757		1	BRACKET, RETAINER-HIGH TENSION LEAD
10	10-22956		1	SCREW, RETAINER BRACKET TO FRONT SUPPORT BRACKET (7/8")
11	12-29245		1	WASHER, RETAINER BRACKET FASTENING SCREW
12	11-46887		1	NUT, RETAINER BRACKET SCREW
13	10-30663		1	SCREW, WIRING HARNESS LEAD TO RETAINER BRACKET (3/8")
14	50-58788		1	STARTER MOTOR ASSEMBLY
15	13-26992		1	LOCKWASHER, STARTER MOTOR TERMINAL
16	11-20890		1	NUT, STARTER MOTOR TERMINAL
17	59736		1	CABLE, STARTER SOLENOID TO STARTER MOTOR (YELLOW-6 1/2")
18	10-20362		1	SCREW, STARTER MOTOR TO CRANKCASE FLANGE (1 1/2")
	10-31984		1	SCREW, STARTER MOTOR CRANKCASE FLANGE (1 3/8")
19	13-26993		2	LOCKWASHER, STARTER MOTOR SCREW
20	52691		1	BRACKET, SUPPORT-STARTER MOTOR
21	13-24669		2	LOCKWASHER, THRU BOLT-BRACKET TO STARTER MOTOR
22	11-20013		2	NUT, THRU BOLT-BRACKET TO STARTER MOTOR
23	10-24234		2	SCREW, STARTER MOTOR BRACKET TO CRANKCASE (1")
24	13-26993		2	LOCKWASHER, STARTER MOTOR BRACKET FASTENING SCREW
25	25596		1	WIRE, STARTER MOTOR TO STARTER SOLENOID AND TOP MOUNT BLACK - 10"
26	10-29197		1	SCREW, GROUND WIRE TO STARTER MOTOR (5/8")
27	25661		1	STARTER SOLENOID
28	10-53099		2	SCREW, STARTER SOLENOID TO BRACKET (3/4")
29	13-26993		2	LOCKWASHER, SOLENOID TERMINAL (5/16")
30	11-20083		2	NUT, SOLENOID TERMINAL-INSIDE (5/16")
31	13-26996		2	LOCKWASHER, SOLENOID TERMINAL (#10)
32	11-20645		2	NUT, SOLENOID TERMINAL (#10)
33	59769		1	BRACKET, STARTER SOLENOID
34	10-37561		2	SCREW, SOLENOID BRACKET TO BOTTOM COWL (2 1/2")
35	11-46887		2	NUT, SOLENOID BRACKET SCREW
36	26901		1	BUMPER, STARTER SOLENOID TO BRACKET
37	59741		1	WIRING HARNESS (INTERNAL)

CONTINUED ON NEXT PAGE ➡

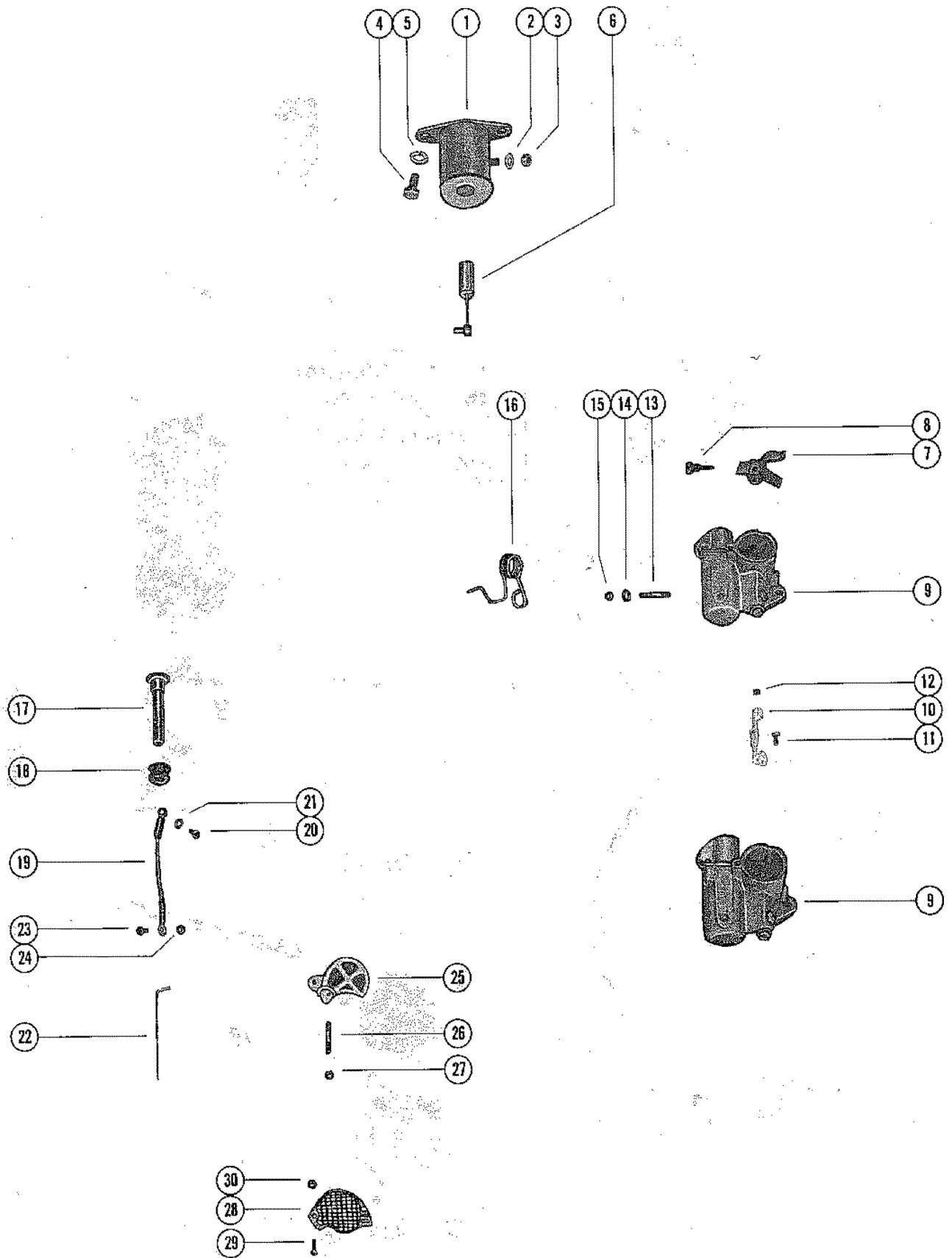
STARTER MOTOR AND WIRING HARNESS



STARTER MOTOR AND WIRING HARNESS

REF. NO.	PART NO.	SYM.	QTY.	DESCRIPTION
38	54-52876		1	CLAMP, WIRING HARNESS TO BOTTOM COWL
39	10-45862		2	SCREW, WIRING HARNESS CLAMP TO BOTTOM COWL (7/8")
40	13-26996		2	LOCKWASHER, WIRING HARNESS CLAMP SCREW
41	12-20128		2	WASHER, WIRING HARNESS CLAMP SCREW
42	24-28975		1	SPRING, GARTER-INTERNAL WIRING HARNESS
43	55502		1	STA-STRAP, INTERNAL WIRING HARNESS
44	10-20776		1	SCREW, WIRING HARNESS LEAD TO BOTTOM COWL (1/2")
45	13-24669		1	LOCKWASHER, WIRING HARNESS LEAD SCREW
46	337-4456A1		1	IGNITION COIL ASSEMBLY, COMPLETE
47	13-26996		2	LOCKWASHER, COIL TERMINAL
48	11-45076		2	NUT, COIL TERMINAL
49	56188		1	COVER, IGNITION COIL
50	10-59770		3	SCREW, IGNITION COIL COVER (2")
51	11-27164		3	NUT, IGNITION COIL COVER
52	59739		1	CABLE, COIL TO SWITCH BOX (GREEN-3 1/4")
53	59740		1	CABLE, COIL TO GROUND (BLACK-5 1/4")

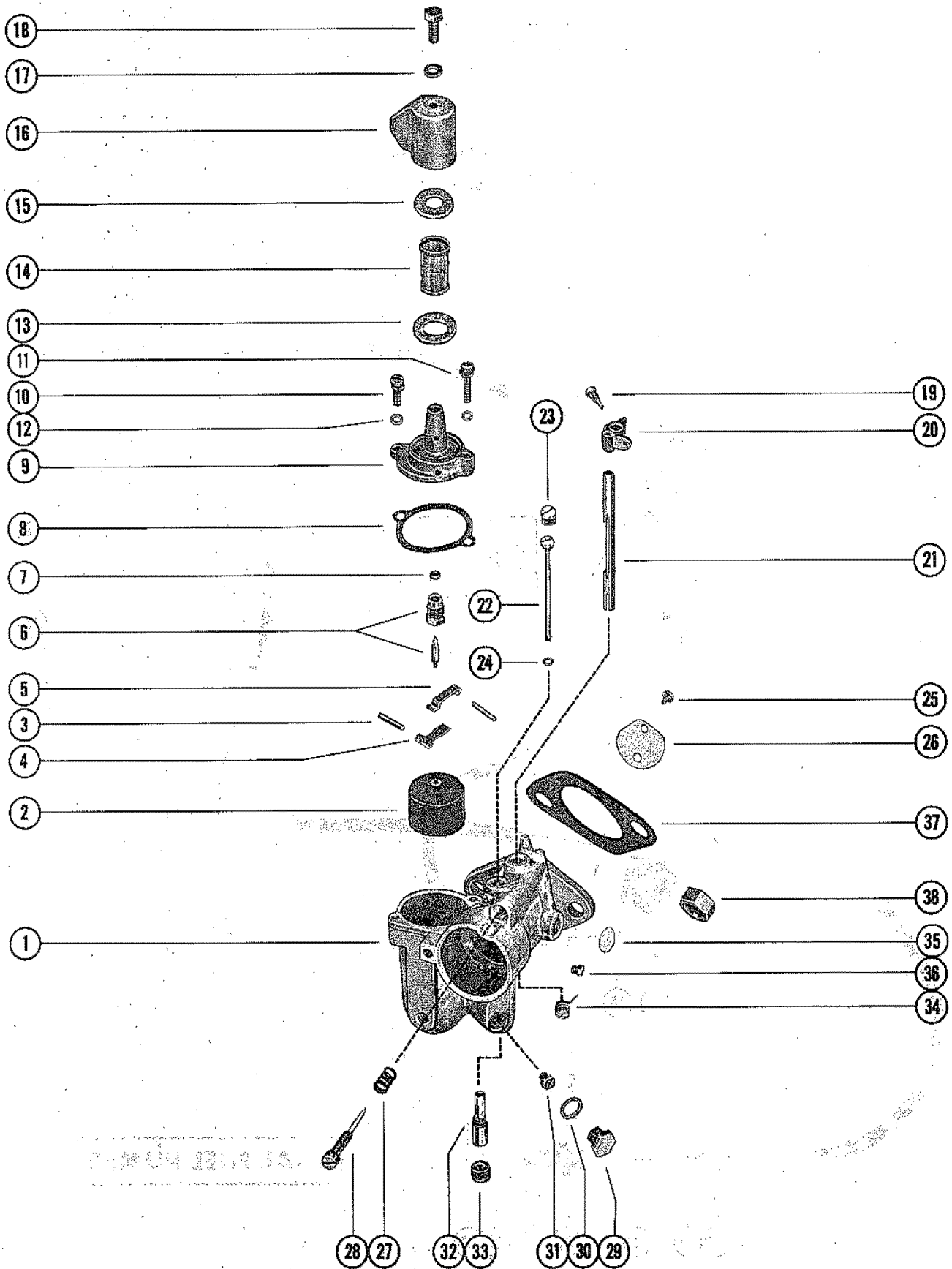
CARBURETOR LINKAGE AND CHOKE SOLENOID



CARBURETOR LINKAGE AND CHOKE SOLENOID

REF. NO.	PART NO.	SYM.	QTY.	DESCRIPTION
1	48187		1	CHOKE SOLENOID SERIAL 00000000-02670574
	54293A4		1	CHOKE SOLENOID SERIAL 02783253-09999999
2	13-26996		1	LOCKWASHER, HARNESS LEAD TO CHOKE SOLENOID
3	11-20645		1	NUT, WIRE HARNESS LEAD TO CHOKE SOLENOID
4	10-25299		2	SCREW, CHOKE SOLENOID ATTACHING (3/4")
5	13-26993		2	LOCKWASHER, CHOKE SOLENOID ATTACHING SCREW
6	48315A2		1	PLUNGER/LINK ASS'Y, CHOKE SOLENOID SERIAL 00000000-02670574
	54283A1		1	PLUNGER/LINK ASS'Y, CHOKE SOLENOID SERIAL 02783253-09999999
7	52518		1	CLUSTER, THROTTLE LEVER
8	10-20847		1	SCREW, CLUSTER TO THROTTLE LEVER
9	1352-3737		2	CARBURETOR ASSEMBLY, COMPLETE (SERIAL #2991033 AND BELOW)
	1352-4440A1		2	CARBURETOR ASSEMBLY, COMPLETE (SERIAL #3051041 AND UP)
10	53720A2		1	THROTTLE PICK-UP COUPLING ASSEMBLY
11	10-53651		1	SCREW, THROTTLE COUPLING MOUNTING (3/4")
12	53665		1	INSERT, THROTTLE COUPLING
13	16-39937		1	STUD, CHOKE ROD SPRING TO CARBURETOR (7/8")
14	23-32427		1	SPACER, CHOKE ROD SPRING STUD
15	11-46887		1	NUT, CHOKE ROD SPRING TO CARBURETOR STUD
16	24-48230		1	SPRING, TENSION-CHOKE ROD
17	22463		1	KNOB, CHOKE ROD
18	25-20116		1	GROMMET, CHOKE ROD
19	49589		1	STRAP, CHOKE KNOB TO CHOKE ROD
20	10-20100		1	SCREW, STRAP TO CHOKE KNOB (1/2")
21	13-26996		1	LOCKWASHER, STRAP SCREW
22	48203		1	ROD, CHOKE
23	10-20100		2	SCREW, STRAP TO CHOKE ROD
24	11-20565		2	NUT, STRAP TO CHOKE ROD SCREW
25	48152		2	SHUTTER, CHOKE-CARBURETOR
26	16-52898		2	STUD, FILTER SCREEN TO CARBURETOR (1 1/8")
27	11-20110		2	NUT, CHOKE SHUTTER STUD
28	35-52900		2	SCREEN, FILTER-CARBURETOR SERIAL 00000000-02885849
29	10-22523		2	SCREW, FILTER SCREEN TO CARBURETOR (3/4") SERIAL 00000000-02885849
28	35-57819		2	SCREEN, FILTER-CARBURETOR SERIAL 02885850-09999999
29	10-23015		2	SCREW, FILTER SCREEN TO CARBURETOR SERIAL 02885850-09999999
-	24-57818		2	SPRING, FILTER SCREEN SERIAL 02885850-09999999
30	11-20110		2	NUT, CARBURETOR SCREEN SCREW

CARBURETOR ASSEMBLY

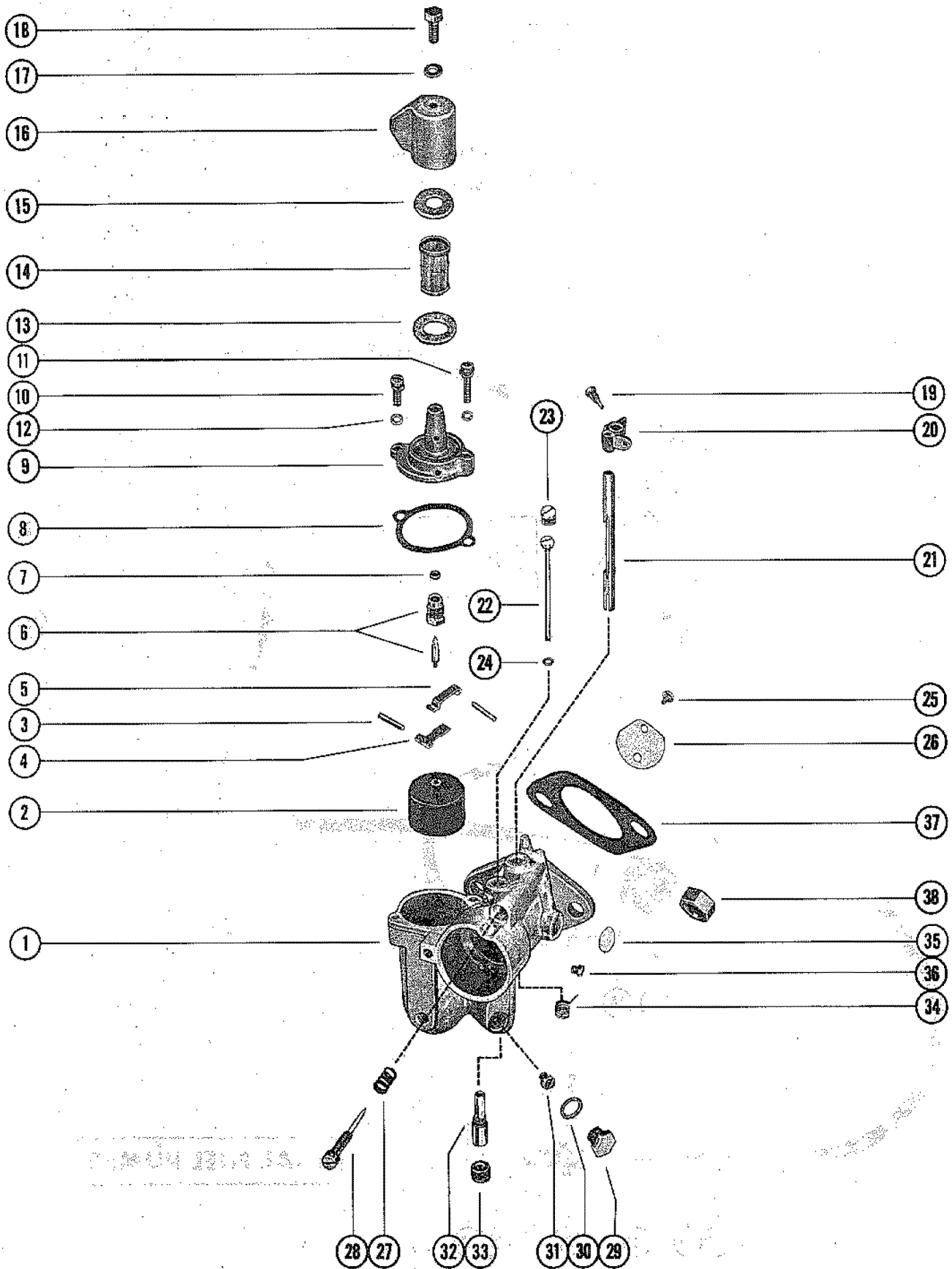


CARBURETOR ASSEMBLY

REF. NO.	PART NO.	SYM.	QTY.	DESCRIPTION
1	1352-3737		2	CARBURETOR ASSEMBLY, COMPLETE (KD-4A) SERIAL 00000000-02991033
	1352-4440A1		2	CARBURETOR ASSEMBLY, COMPLETE (WMK-2) SERIAL 03051041-09999999
2	1399-110A1		2	FLOAT ASSEMBLY
3			4	PIN, FLOAT LEVER PINION
4			2	LEVER, FLOAT (LOWER)
5			2	LEVER, FLOAT (UPPER)
6	1399-1473		2	INLET NEEDLE, SEAT AND GASKET SERIAL 00000000-02991033
	1395-4555		2	INLET NEEDLE, SEAT AND GASKET SERIAL 03051041-09999999
7			2	GASKET, INLET SEAT
8			2	GASKET, FLOAT BOWL COVER
9	1399-1133		2	COVER, FLOAT BOWL SERIAL 00000000-02991033
	1399-4559		2	COVER, FLOAT BOWL SERIAL 03051041-09999999
10	10-52195		2	SCREW, FLOAT BOWL COVER (SHORT)
11	10-52196		2	SCREW, FLOAT BOWL COVER (LONG)
12	13-26995		4	LOCKWASHER, FLOAT BOWL COVER SCREW
13			2	GASKET, STRAINER COVER (LARGE)
14	1399-3938		2	SCREEN, FILTER
15			2	GASKET, STRAINER COVER (SMALL)
16	1399-1930		1	COVER, STRAINER (UPPER CARBURETOR)
	1399-3698		1	COVER, STRAINER-LOWER CARBURETOR SERIAL 00000000-02991033
	1399-3690		1	COVER, STRAINER-LOWER CARBURETOR SERIAL 03051041-09999999
17			2	GASKET, STRAINER COVER SCREW
18	10-25822		2	SCREW, STRAINER COVER FASTENING
19	10-20847		2	SCREW, THROTTLE STOP LEVER
20	1399-97		2	LEVER, THROTTLE STOP USED ON LOWER CARBURETOR ONLY--REPLACED WITH A-52518 CLUSTER ON UPPER CARBURETOR.
21	1399-3527		2	SHAFT, THROTTLE
22			2	TUBE, IDLE
23	10-23178		2	SCREW, BODY (IDLE TUBE) SERIAL 00000000-02991033
	1395-4540		2	SCREW, BODY (IDLE TUBE) SERIAL 03051041-09999999
24			2	GASKET, IDLE TUBE SERIAL 00000000-02991033
25			4	SCREW AND LOCKWASHER, THROTTLE SHUTTER
26	1399-3528		2	SHUTTER, THROTTLE
27			2	SPRING, IDLE ADJUSTMENT SCREW
28	1399-3515		2	SCREW, IDLE ADJUSTMENT
29	10-28405		2	SCREW, PLUG-MAIN FUEL JET CHANNEL SERIAL 00000000-02991033
	1395-4541		2	SCREW, PLUG-MAIN FUEL JET CHANNEL SERIAL 03051041-09999999

CONTINUED ON NEXT PAGE ➡

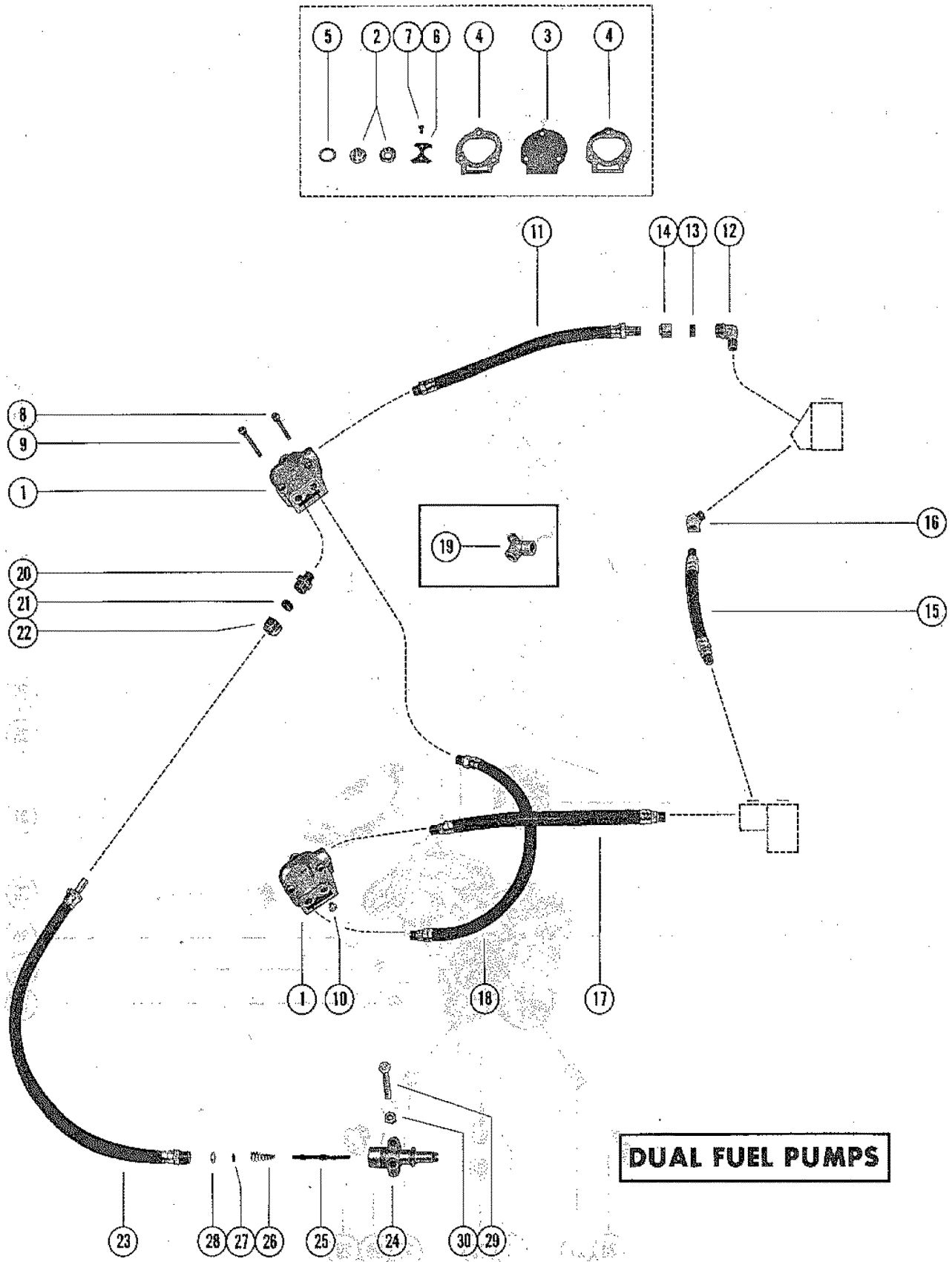
CARBURETOR ASSEMBLY



CARBURETOR ASSEMBLY

REF. NO.	PART NO.	SYM.	QTY.	DESCRIPTION
30			2	GASKET, JET CHANNEL PLUG SCREW
31	1399-3796		OPT	JET, MAIN FUEL (.076)
	1399-3794		2	JET, MAIN FUEL (.074)-STANDARD
	1399-3795		OPT	JET, MAIN FUEL (.072)
	1399-3811		OPT	JET, MAIN FUEL (.070)
32			2	NOZZLE, MAIN
33	1399-3522		2	SCREW, PLUG-MAIN NOZZLE SERIAL 00000000-02991033
	1399-4542		2	SCREW, PLUG-MAIN NOZZLE SERIAL 03051041-09999999
34			1	SPRING, THROTTLE SHAFT RETURN (LOWER CARBURETOR)
			1	SPRING, THROTTLE SHAFT RETURN (UPPER CARBURETOR)
35			2	WELCH PLUG, BODY CHANNEL
36	10-23030		2	SCREW, BODY CHANNEL SERIAL 00000000-02991033
	1395-4543		2	SCREW, BODY CHANNEL SERIAL 03051041-09999999
-	1399-3523		2	GASKET AND PACKING SET (1 PER CARBURETOR)
-	1399-3812		2	REPAIR PARTS KIT (1 PER CARBURETOR) SERIAL 00000000-02991033
-	1395-4557		2	REPAIR PARTS KIT (1 PER CARBURETOR) SERIAL 03051041-09999999
37	27-48164		2	GASKET, CARBURETOR FLANGE
38	11-46793		4	NUT, CARBURETOR MOUNTING STUD

FUEL PUMP AND FUEL LINE ASSEMBLY - DUAL FUEL PUMPS

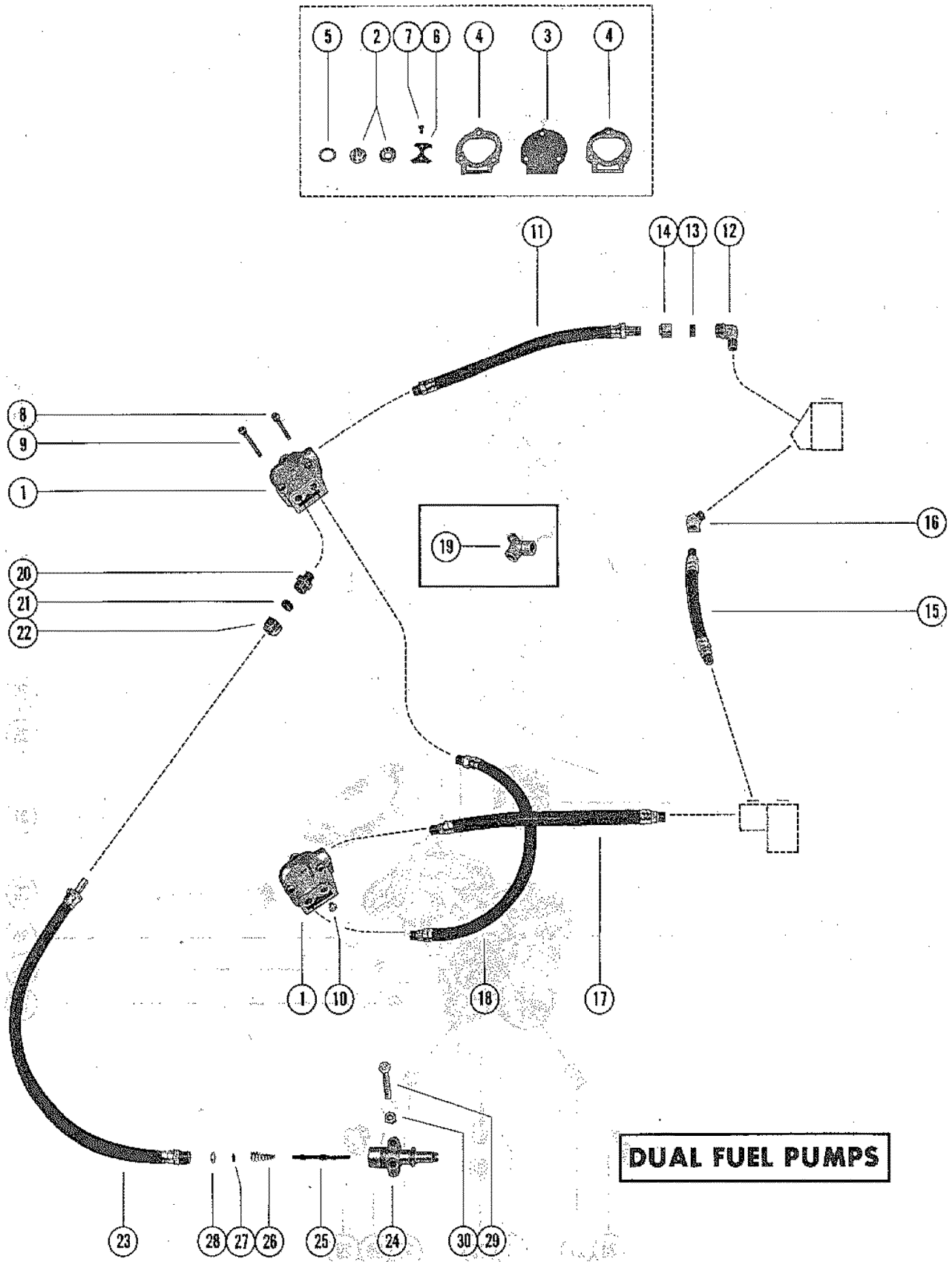


FUEL PUMP AND FUEL LINE ASSEMBLY - DUAL FUEL PUMPS

REF. NO.	PART NO.	SYM.	QTY.	DESCRIPTION
1	53123A4		2	FUEL PUMP ASSEMBLY (UPPER AND LOWER) SERIAL 00000000-02664411
	53123A4		1	FUEL PUMP ASSEMBLY (UPPER) SERIAL 00000000-02670574
	54817A3		1	FUEL PUMP ASSEMBLY (LOWER) SERIAL 00000000-02670574
2	21-30430A1		2	CHECK VALVE ASSEMBLY SERIAL 00000000-02670574
3	23014A1		2	DIAPHRAGM KIT SERIAL 00000000-02670574
4			4	GASKET, FUEL PUMP SERIAL 00000000-02670574
5			4	GASKET, CHECK VALVE TO HOUSING SERIAL 00000000-02670574
6	23004		2	RETAINER, CHECK VALVE SERIAL 00000000-02670574
7	10-20037		4	SCREW, RETAINER TO HOUSING SERIAL 00000000-02670574
8	10-38036		2	SCREW, PUMP MOUNTING (1 1/2") SERIAL 00000000-02670574
9	10-30273		4	SCREW, PUMP MOUNTING (1 7/8") SERIAL 00000000-02670574
10	22-32802		2	PLUG, PIPE-FUEL PUMP (UPPER AND LOWER) SERIAL 00000000-02670574
1	55156A5		2	FUEL PUMP ASSEMBLY (UPPER AND LOWER) SERIAL 02783253-02886331
2	21-30430A3		2	CHECK VALVE ASSEMBLY SERIAL 02783253-02886331
3	55278A1		2	DIAPHRAGM KIT SERIAL 02783253-02886331
4			4	GASKET, FUEL PUMP SERIAL 02783253-02886331
5			4	GASKET, CHECK VALVE TO HOUSING SERIAL 02783253-02886331
6	23004		2	RETAINER, CHECK VALVE SERIAL 02783253-02886331
7	10-20037		4	SCREW, RETAINER TO HOUSING SERIAL 02783253-02886331
8	10-27281		6	SCREW, PUMP MOUNTING (1 3/8") SERIAL 02783253-02886331
10	22-32802		1	PLUG, PIPE-FUEL PUMP (LOWER) SERIAL 02783253-02886331
11	32-32256A1		1	FUEL LINE ASSEMBLY, PUMP TO CARBURETOR (10 1/2") SERIAL 00000000-02670574
	32-55827A1		1	FUEL LINE ASSEMBLY, PUMP TO CARBURETOR (9 1/2")-SERIAL #2783 SERIAL 02783253-02886331
12	22-30174		1	ELBOW (90), UPPER CARBURETOR
13	22-30175		1	SLEEVE, UPPER CARBURETOR ELBOW
14	22-30177		1	NUT, UPPER CARBURETOR ELBOW
15	32-54578A1		1	FUEL LINE ASSEMBLY, UPPER TO LOWER CARBURETOR (5 1/2")
16	22-29085		1	ELBOW (45), UPPER CARBURETOR
17	32-52944A1		1	FUEL LINE ASSEMBLY, PUMP TO CARBURETOR (10") SERIAL 00000000-02670574
	32-55826A1		1	FUEL LINE ASSEMBLY, PUMP TO CARBURETOR (9 1/4") SERIAL 02783253-02886331
18	32-52943A1		1	FUEL LINE ASSEMBLY, PUMP TO PUMP (14") SERIAL 00000000-02670574
	32-55828A1		1	FUEL LINE ASSEMBLY, PUMP TO PUMP (13 3/4") SERIAL 02783253-02886331
19	22-53654		1	"Y" FITTING, UPPER FUEL PUMP SERIAL 00000000-02664412

CONTINUED ON NEXT PAGE ➡

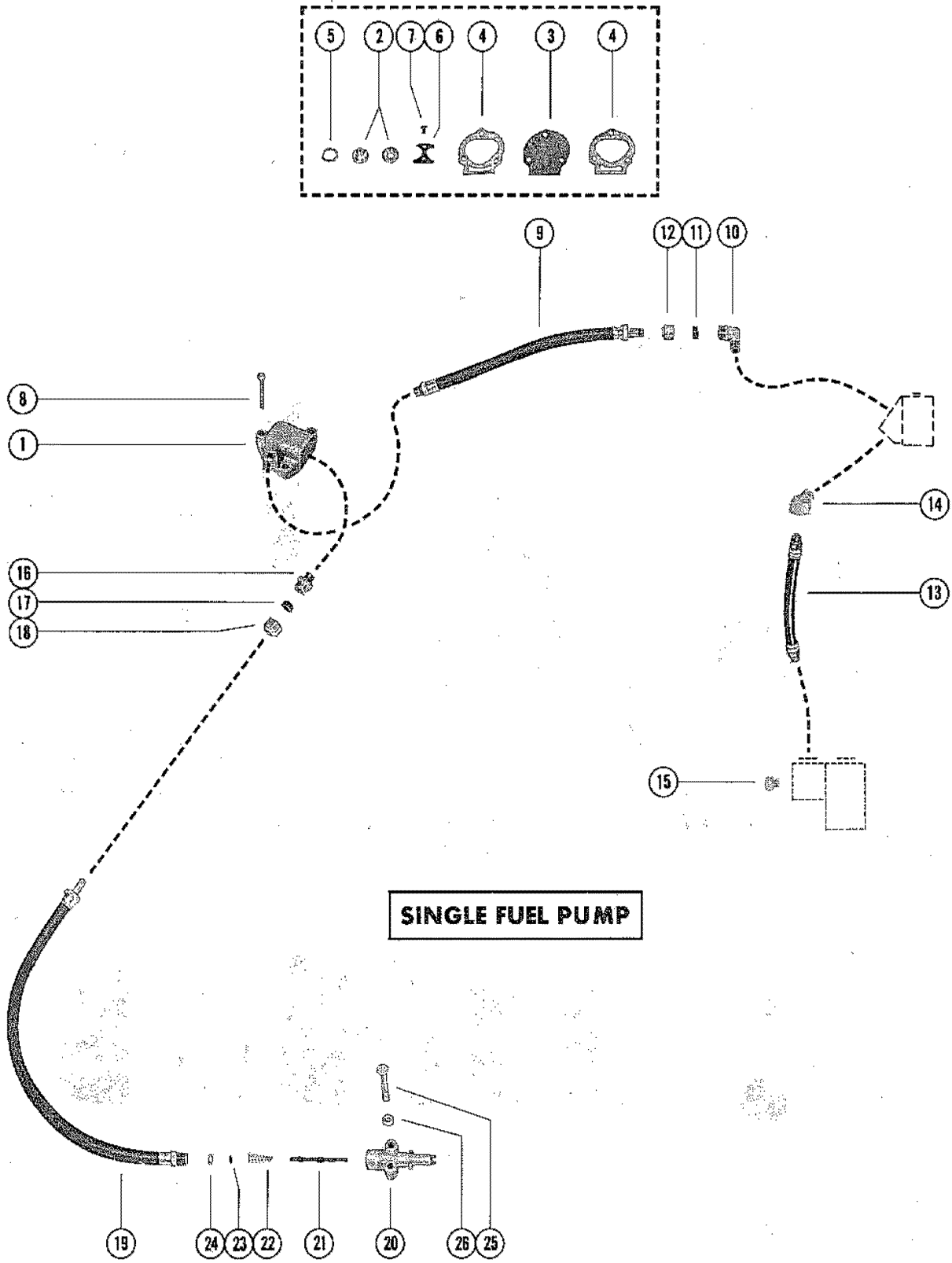
FUEL PUMP AND FUEL LINE ASSEMBLY - DUAL FUEL PUMPS



FUEL PUMP AND FUEL LINE ASSEMBLY - DUAL FUEL PUMPS

REF. NO.	PART NO.	SYM.	QTY.	DESCRIPTION
19	22-54818		1	"Y" FITTING, UPPER FUEL PUMP SERIAL 02664412-09999999
20	22-30468		1	CONNECTOR, UPPER FUEL PUMP
21	22-30175		1	SLEEVE, CONNECTOR
22	22-30177		1	NUT, CONNECTOR
23	32-30176		1	FUEL LINE, ADAPTOR TO UPPER FUEL PUMP (18") SERIAL 00000000-02670457
	32-55829		1	FUEL LINE, ADAPTOR TO UPPER FULE PUMP (15") SERIAL 02783253-02886331
24	30186		1	ADAPTOR, CHECK UNIT (FUEL LINE)
25	30187		1	STEM, CHECK UNIT ADAPTOR
26	24-30189		1	SPRING, ADAPTOR STEM
27	25-20415		1	"O"RING, ADAPTOR STEM
28	30188		1	CUP WASHER, ADAPTOR
29	10-31471		1	SCREW, ADAPTOR TO BOTTOM COWL (3 1/4")
	10-37990		1	SCREW, ADAPTOR TO BOTTOM COWL (1 3/4")
30	11-46887		2	NUT, ADAPTOR FASTENING SCREW

FUEL PUMP AND FUEL LINE ASSEMBLY - SINGLE FUEL PUMP

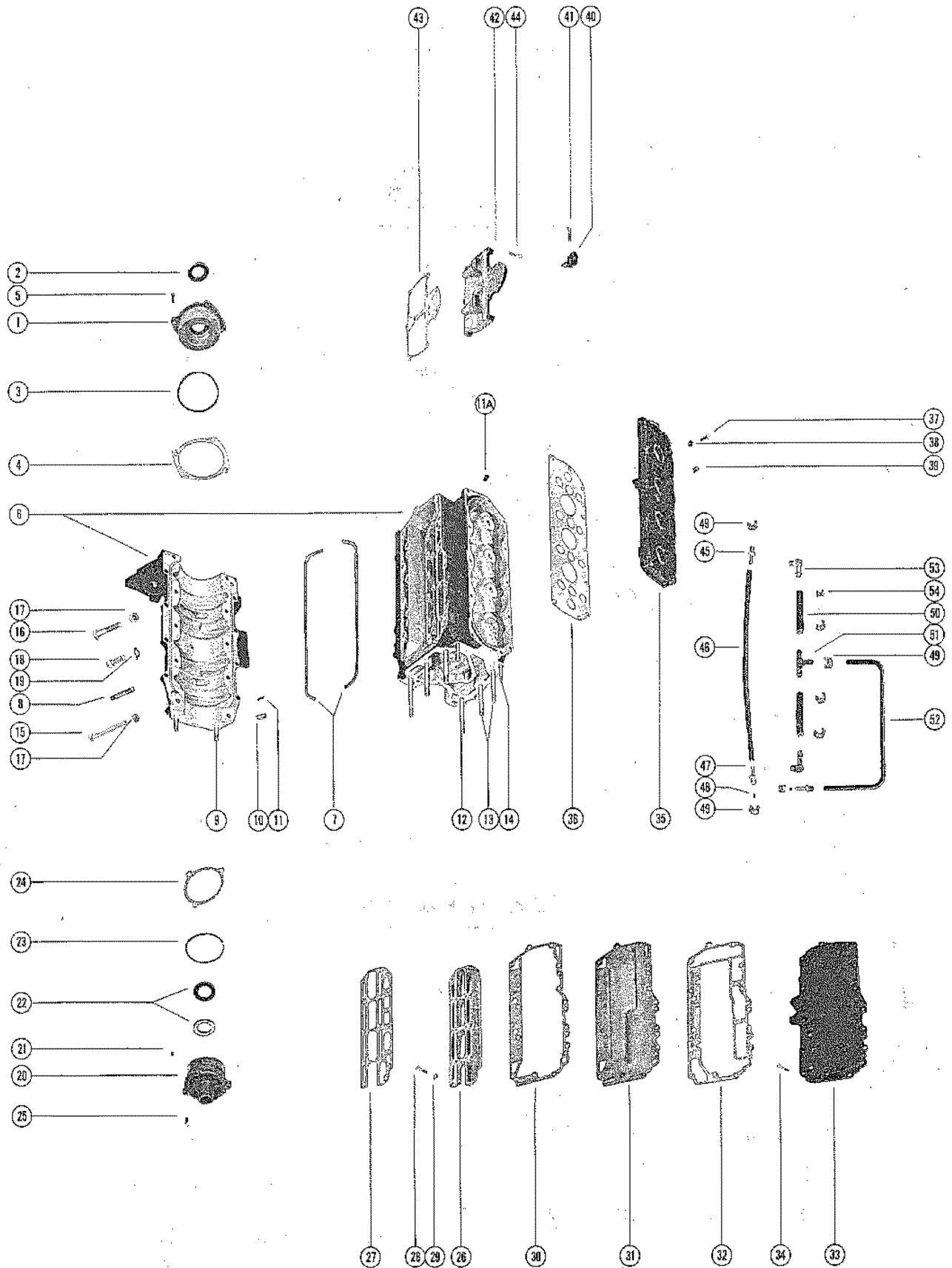


SINGLE FUEL PUMP

FUEL PUMP AND FUEL LINE ASSEMBLY - SINGLE FUEL PUMP

REF. NO.	PART NO.	SYM.	QTY.	DESCRIPTION
1	58888A4		1	FUEL PUMP ASSEMBLY
2	21-30430A5		1	CHECK VALVE ASSEMBLY
3	55278A2		1	DIAPHRAGM KIT
4			2	GASKET, FUEL PUMP
5			2	GASKET, CHECK VALVE TO HOUSING
6	23004		1	RETAINER, CHECK VALVE
7	10-20037		2	SCREW, RETAINER TO HOUSING
8	10-27281		3	SCREW, PUMP MOUNTING (1 3/8")
9	32-55827A1		1	FUEL LINE ASSEMBLY, PUMP TO CARBURETOR (9 1/2")
10	22-59351		1	ELBOW, UPPER CARBURETOR (90)
11	22-30175		1	SLEEVE, UPPER CARBURETOR ELBOW
12	22-30177		1	NUT, UPPER CARBURETOR ELBOW
13	32-54578A1		1	FUEL LINE, CARB. TO CARB. (5 1/2") SERIAL 00000000-02991033
	32-59352		1	FUEL LINE, CARB. TO CARB. (6 5/8") SERIAL 03051041-09999999
14	22-29085		1	ELBOW, UPPER CARBURETOR (45) SERIAL 00000000-02991033
15	22-32802		1	PLUG, BOTTOM FILTER COVER SERIAL 00000000-02991033
16	22-30468		2	CONNECTOR, FUEL PUMP
17	22-30175		1	SLEEVE, CONNECTOR
18	22-30177		1	NUT, CONNECTOR
19	32-55829		1	FUEL LINE, ADAPTOR TO UPPER FUEL PUMP (15")
20	30186		1	ADAPTOR, CHECK UNIT (FUEL LINE)
21	30187		1	STEM, CHECK UNIT ADAPTOR
22	24-30189		1	SPRING, ADAPTOR STEM
23	25-20415		1	"O"RING, ADAPTOR STEM
24	30188		1	CUP WASHER, ADAPTOR
25	10-31471		1	SCREW, ADAPTOR TO BOTTOM COWL (3 1/4")
	10-37990		1	SCREW, ADAPTOR TO BOTTOM COWL (1 3/4")
26	11-46887		2	NUT, ADAPTOR FASTENING SCREW

CYLINDER BLOCK AND CRANKCASE ASSEMBLY

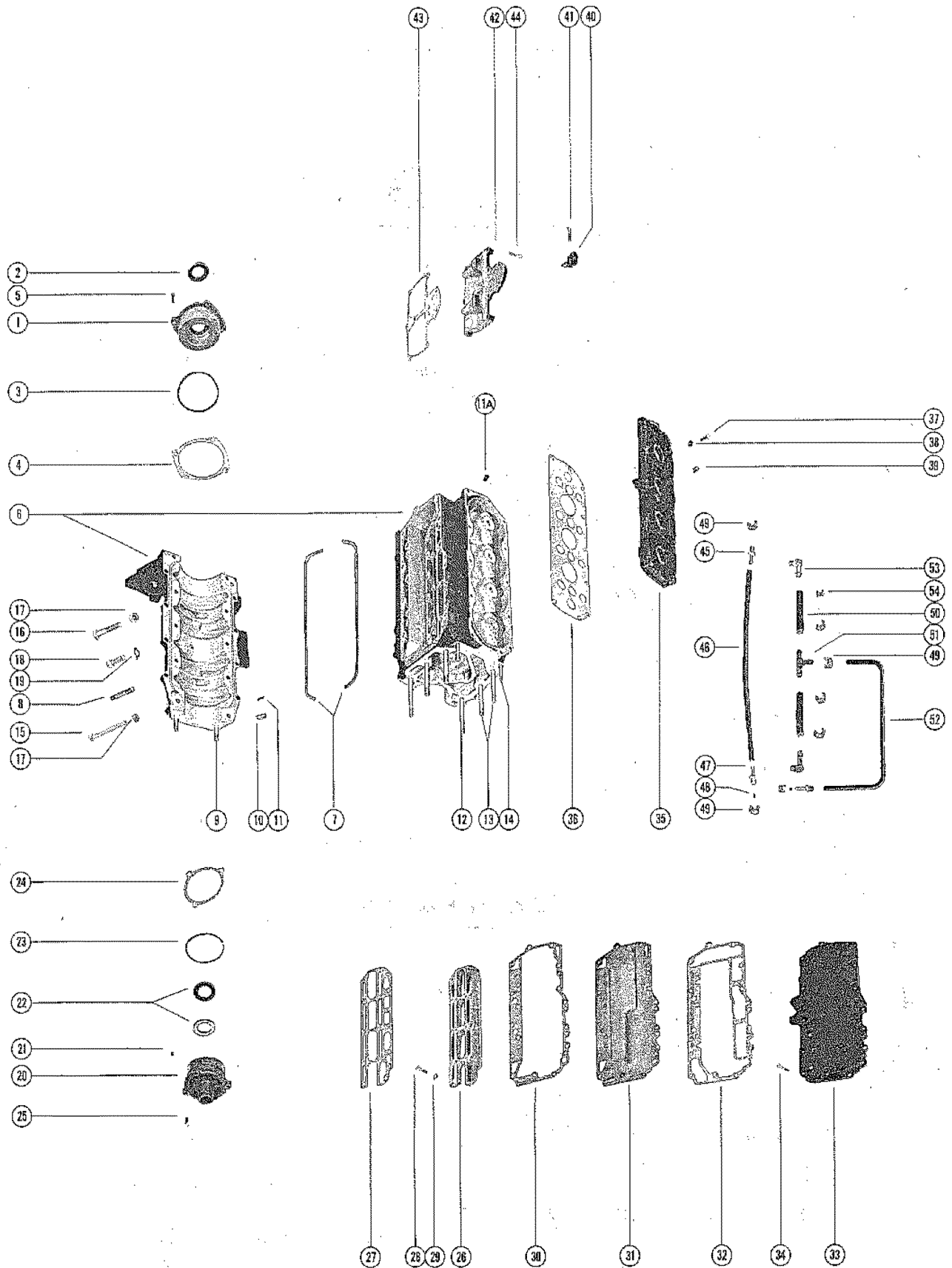


CYLINDER BLOCK AND CRANKCASE ASSEMBLY

REF. NO.	PART NO.	SYM.	QTY.	DESCRIPTION
1	1134-3197A1		1	END CAP ASSEMBLY, UPPER
2	26-29476		1	OIL SEAL
3	25-47254		1	"O"RING
4	15-47248A1		AR	SHIM ASSEMBLY, END CAP TO CRANKCASE (.006-8-10)
5	10-30225		4	SCREW, END CAP MOUNTING (1")
6	847-3490A3		1	CYLINDER BLOCK AND CRANKCASE ASSEMBLY (SERIAL #2670574 AND B
	847-3920A3		1	CYLINDER BLOCK AND CRANKCASE ASSEMBLY (SERIAL #2783253 THRU
	847-3920A4		1	CYLINDER BLOCK AND CRANKCASE ASSEMBLY (SERIAL #2986444 AND U
7	27-53650		2	GASKET, CRANKCASE TO CYLINDER BLOCK
8	16-35099		4	STUD, CARBURETOR MOUNTING (1 3/16")
9	16-26133		2	STUD, CRANKCASE TO DRIVE SHAFT HOUSING (1 7/8")
10	17-20033		2	PIN, DOWEL-CRANKCASE TO CYLINDER BLOCK
11	17-20323		2	PIN, DOWEL-CYLINDER BLOCK TO MAIN BEARING
11A	57854		2	RESTRICTOR, CRANKCASE BLEED
12	16-26134		2	STUD, CYLINDER BLOCK TO DRIVE SHAFT HOUSING (4 1/16")
13	16-48770		4	STUD, CYLINDER BLOCK TO DRIVE SHAFT HOUSING (3 9/16")
14	16-26324		2	STUD, CYLINDER BLOCK TO DRIVE SHAFT HOUSING (2 7/8")
	10-33473		2	SCREW, CRANKCASE TO CYLINDER BLOCK (2 5/8")
	10-32293		2	SCREW, CRANKCASE TO CYLINDER BLOCK (1 3/4")
-	12-26825		2	WASHER, CRANKCASE TO CYLINDER BLOCK SCREW
16	10-21574		14	SCREW, CRANKCASE TO CYLINDER BLOCK (1 5/8")
-	12-22753		2	WASHER, CRANKCASE TO CYLINDER BLOCK SCREW (LOWER)
17	11-46793		18	NUT, CRANKCASE FASTENING SCREW
18	10-20359		1	SCREW, CENTER MAIN BEARING LOCKING (1")
19	14-20091		1	TAB WASHER, BEARING LOCKING SCREW
20	1126-3196A2		1	END CAP ASSEMBLY, LOWER-SERIAL # AND BELOW SERIAL 00000000-02670574
21	21-28481A1		1	CHECK VALVE ASSEMBLY, END CAP SERIAL 00000000-02670574
22	26-29476		2	OIL SEAL, UPPER SERIAL 00000000-02670574
23	25-20081		1	"O"RING SERIAL 00000000-02670574
20	1126-3196A3		1	END CAP ASSEMBLY, LOWER-SERIAL # AND UP SERIAL 02783253-09999999
21	21-56011A1		1	CHECK VALVE ASSEMBLY, END CAP SERIAL 02783253-09999999
22	26-29476		2	OIL SEAL, UPPER SERIAL 02783253-09999999
23	25-20081		1	"O"RING SERIAL 02783253-09999999
24	15-20085A1		AR	SHIM, END CAP TO CRANKCASE (.002-3-5-10)
25	10-30225		1	SCREW, END CAP MOUNTING (1")

CONTINUED ON NEXT PAGE ➡

CYLINDER BLOCK AND CRANKCASE ASSEMBLY

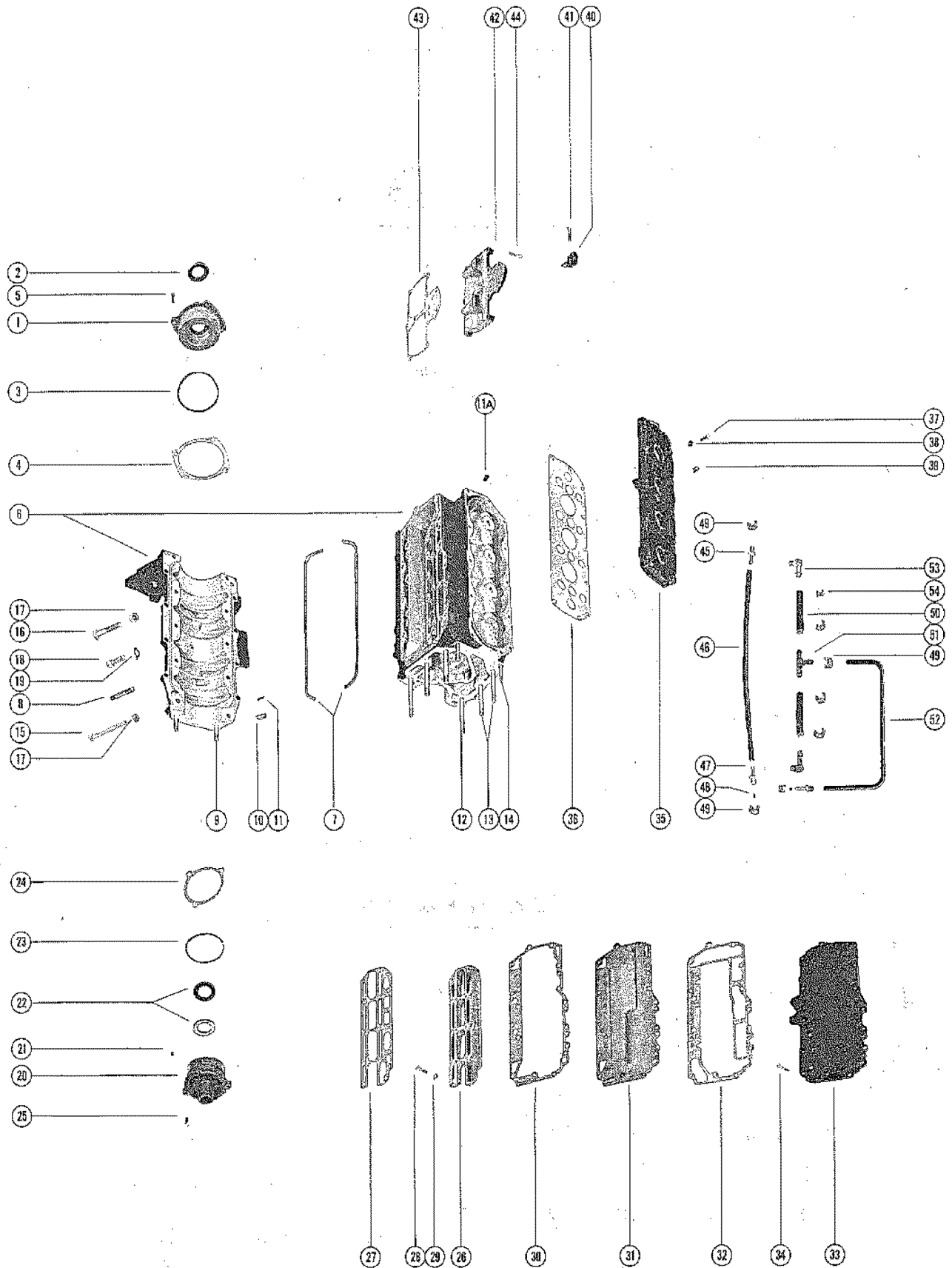


CYLINDER BLOCK AND CRANKCASE ASSEMBLY

REF. NO.	PART NO.	SYM.	QTY.	DESCRIPTION
26	49993		1	COVER, WATER JACKET-CYLINDER BLOCK- PART OF CYLINDER BLOCK AND CRANKCASE ASSEMBLIES
27	27-52892		1	GASKET, WATER JACKET COVER PART OF CYLINDER BLOCK AND CRANKCASE ASSEMBLIES
28	10-53167		16	SCREW, WATER JACKET COVER TO CYLINDER BLOCK (7/8") PART OF CYLINDER BLOCK AND CRANKCASE ASSEMBLIES
29	13-53166		16	LOCKWASHER, WATER JACKET COVER FASTENING SCREW PART OF CYLINDER BLOCK AND CRANKCASE ASSEMBLIES
30	27-52894		1	GASKET, CYLINDER BLOCK TO BAFFLE PLATE
31	52098		1	PLATE, BAFFLE-EXHAUST MANIFOLD
32	27-52895		1	GASKET, BAFFLE PLATE TO EXHAUST MANIFOLD COVER
33	52166		1	COVER, EXHAUST MANIFOLD
34	10-38837		17	SCREW, MANIFOLD COVER MOUNTING (1 1/8")
35	1021-3514		1	COVER, CYLINDER BLOCK
36	27-52893		1	GASKET, CYLINDER BLOCK COVER
37	10-21091		12	SCREW, CYLINDER BLOCK COVER MOUNTING (1 1/8")
38	11-46887		12	NUT, COVER MOUNTING SCREW
39	22-32802		1	PLUG, PIPE-CYLINDER BLOCK COVER
40	37440		1	BRACKET, MOUNT SUPPORT-CYLINDER BLOCK
41	10-24234		1	SCREW, BRACKET TO CYLINDER BLOCK (1")
42	52391		2	COVER, TRANSFER PORT SERIAL 00000000-02670574
	55155		2	COVER, TRANSFER PORT SERIAL 02783253-02881681
	57752		2	COVER, TRANSFER PORT SERIAL 02881682-02886331
	58889		1	COVER, TRANSFER PORT-TOP SERIAL 02986444-03192962
	56031		1	COVER, TRANSFER PORT-BOTTOM SERIAL 02986444-03192962
	62302		1	COVER, TRANSFER PORT-TOP SERIAL 03307347-09999999
	62301		1	COVER, TRANSFER PORT-BOTTOM SERIAL 03307347-09999999
43	27-52891		2	GASKET, TRANSFER PORT COVER SERIAL 00000000-02670574
	27-62107		1	GASKET, TRANSFER PORT COVER SERIAL 02783253-09999999
44	10-53556		12	SCREW, TRANSFER PORT COVER MOUNTING (1")
	10-28636		4	SCREW, TRANSFER PORT COVER MOUNTING (3/4") SERIAL 00000000-02670574
	10-28636		3	SCREW, TRANSFER PORT COVER MOUNTING (3/4") SERIAL 02783253-09999999
45	22-20445		1	CONNECTOR, CYLINDER BLEED HOSE-UPPER
46	32-52742A1		1	HOSE, UPPER CYLINDER BLEED (13 1/2")
47	22-62365A1		2	CHECK VALVE ASSEMBLY, BLEED HOSE
48	21-28481A1		2	CHECK VALVE ASSEMBLY
49	54-20387		4	CLAMP, BLEED HOSE TO CONNECTOR
50	32-26329		2	TUBE, BALANCE-MAIN BEARING (2 7/8")
51	22-54153		1	TEE, BLEED HOSE TO CYLINDER BLOCK-LOWER
52	32-52742A1		1	HOSE, CYLINDER BLEED-LOWER (8 1/2")

CONTINUED ON NEXT PAGE ➡

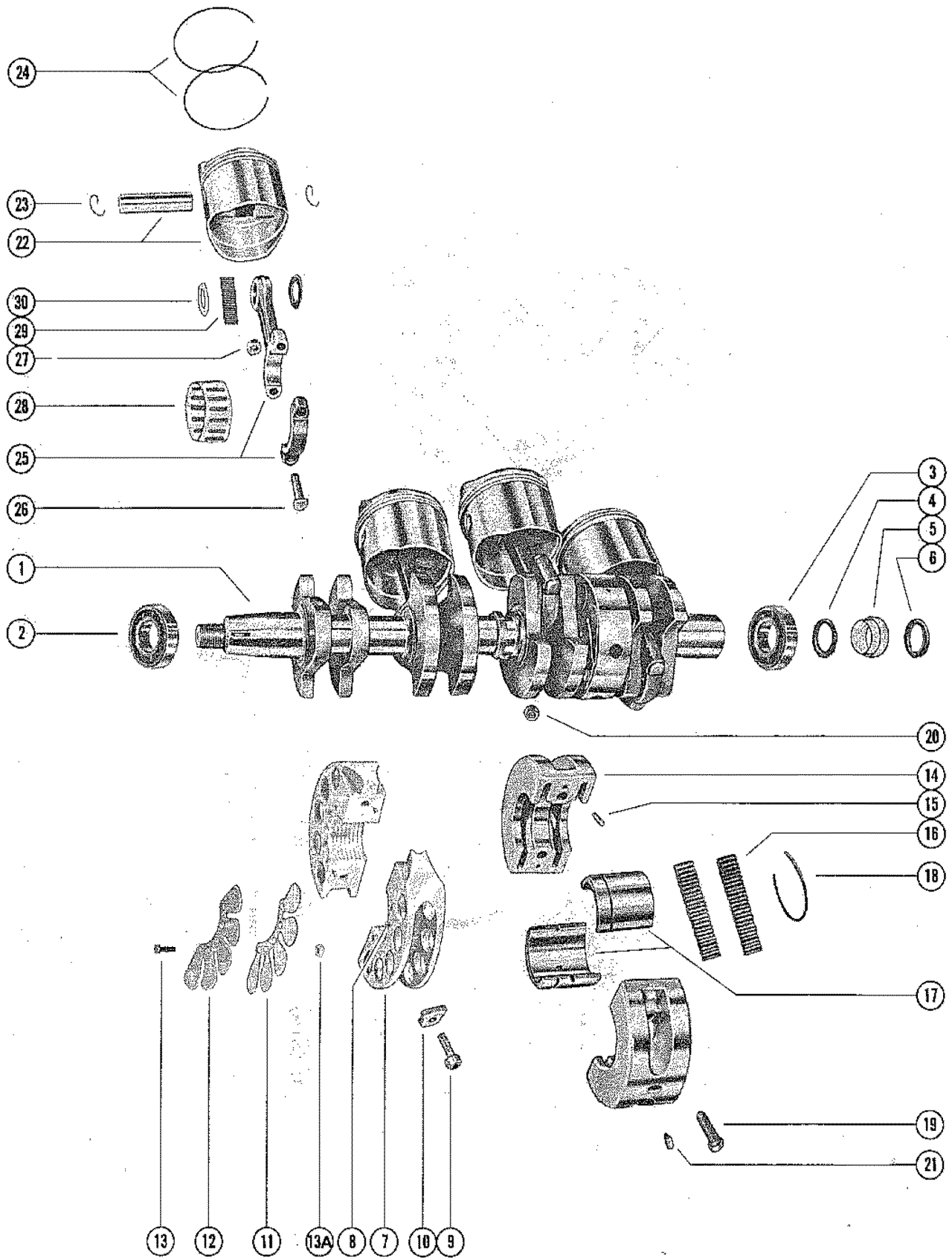
CYLINDER BLOCK AND CRANKCASE ASSEMBLY



CYLINDER BLOCK AND CRANKCASE ASSEMBLY

REF. NO.	PART NO.	SYM.	QTY.	DESCRIPTION
53	22-20781		2	ELBOW, BALANCE TUBE TO CRANKCASE
54	54-20386		4	CLAMP, BALANCE TUBE TO ELBOW AND TEE SERIAL 00000000-02670574

CRANKSHAFT, PISTON AND CONNECTING ROD

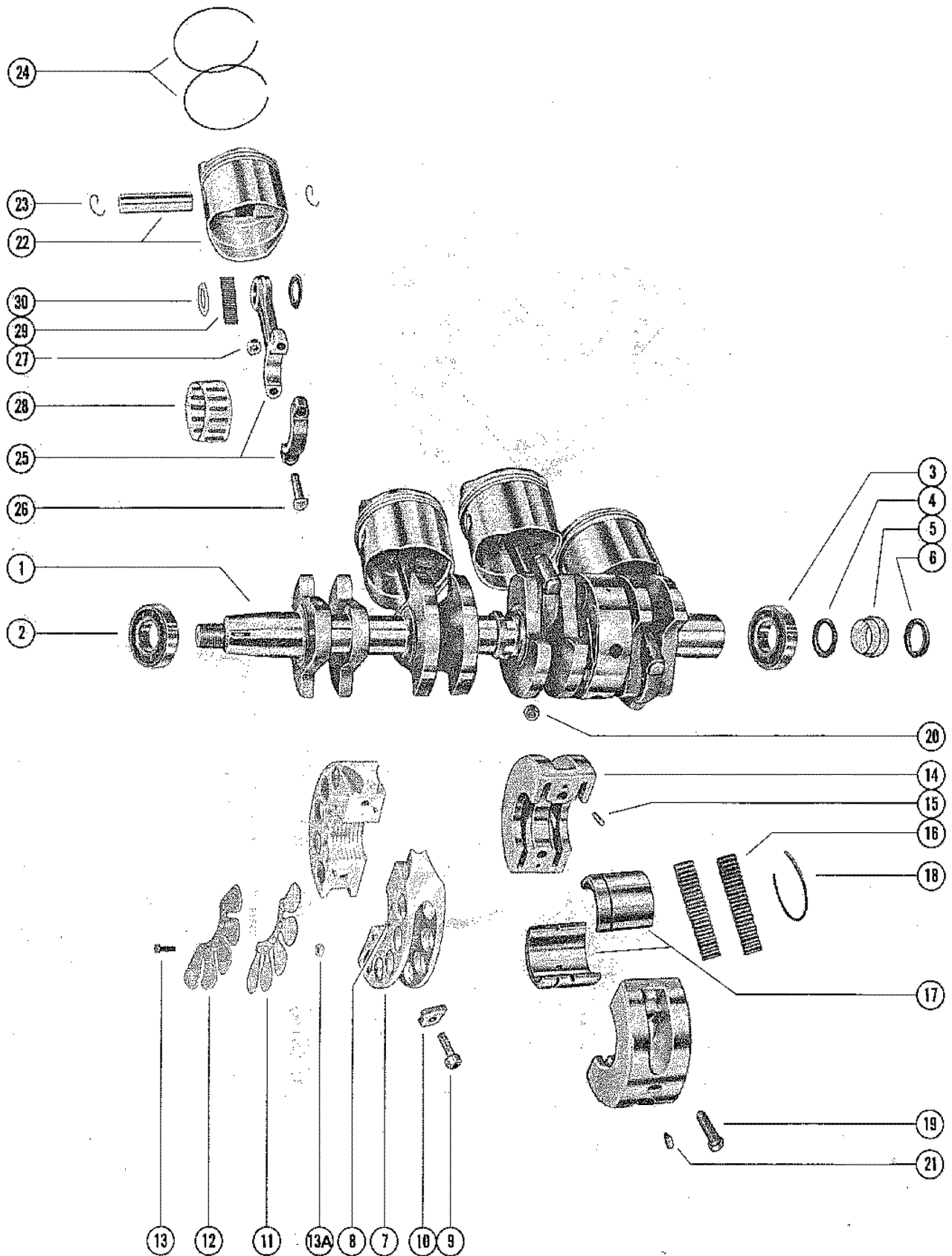


CRANKSHAFT, PISTON AND CONNECTING ROD

REF. NO.	PART NO.	SYM.	QTY.	DESCRIPTION
1	440-3488A2		1	CRANKSHAFT ASSEMBLY
2	30-32117		1	BEARING, BALL-UPPER
3	30-53853		1	BEARING, BALL-LOWER
4	25-30613		1	"O"RING, DRIVE SHAFT SPLINE SERIAL 00000000-03059820
5	54196A1		1	CARRIER ASSEMBLY, "O"RING SERIAL 03144219-09999999
6	25-35126		1	"O" RING, CARRIER SERIAL 03144219-09999999
7	537-3300A1		2	MAIN BEARING ASSEMBLY (VALVE TYPE) SERIAL 00000000-02670574
8	17-20032		20	DOWEL PIN, MAIN BEARING SERIAL 00000000-02670574
9	10-45775		4	SCREW, MAIN BEARING CLAMPING SERIAL 00000000-02670574
10	11-45774		4	NUT, MAIN BEARING CLAMPING SCREW SERIAL 00000000-02670574
11	34-48082A1		2	REED SET, MATCHED-MAIN BEARING SERIAL 00000000-02670574
12	34-48081		8	REED STOP, MAIN BEARING REED VALVES SERIAL 00000000-02670574
13	10-48080		24	SCREW, REED STOP MOUNTING SERIAL 00000000-02670574
7	540-4857A5		2	MAIN BEARING ASSEMBLY (VALVE TYPE) SERIAL 02783253-09999999
8	17-20032		4	DOWEL PIN, MAIN BEARING SERIAL 02783253-09999999
9	10-45775		4	SCREW, MAIN BEARING CLAMPING SERIAL 02783253-09999999
10	11-45774		4	NUT, MAIN BEARING CLAMPING SCREW SERIAL 02783253-09999999
11	34-56007A1		2	REED SET, MATCHED-MAIN BEARING SERIAL 02783253-09999999
12	34-56008		8	REED STOP, MAIN BEARING REED VALVES SERIAL 02783253-09999999
13	10-20055		24	SCREW, REED STOP MOUNTING SERIAL 00000000-03192962
	10-62204		20	SCREW, REED STOP MOUNTING SERIAL 02783253-09999999
13A	11-53153		20	NUT, REED STOP MOUNTING SCREW SERIAL 02783253-09999999
14	535-3190A1		1	CENTER MAIN BEARING ASSEMBLY
15	17-20032		2	DOWEL PIN, CENTER MAIN BEARING
16	29-48410		56	BEARING, NEEDLE
17	26113		1	RACE, OUTER (PAIR)
18	53-26933		1	RING, SNAP-OUTER RACE CLAMPING
19	10-22968		2	SCREW, CENTER MAIN BEARING CLAMPING
20	11-46887		2	NUT, MAIN BEARING CLAMPING SCREW
21	17-47246		1	DOWEL PIN (STEPPED)
22	745-4879A2		4	PISTON AND PISTON PIN ASSEMBLY
23	40-52035		8	LOCK RING, PISTON PIN
24	39-45155A12		1	RING, PISTON
25	622-4850A4		4	CONNECTING ROD AND CAP ASSEMBLY

CONTINUED ON NEXT PAGE ➡

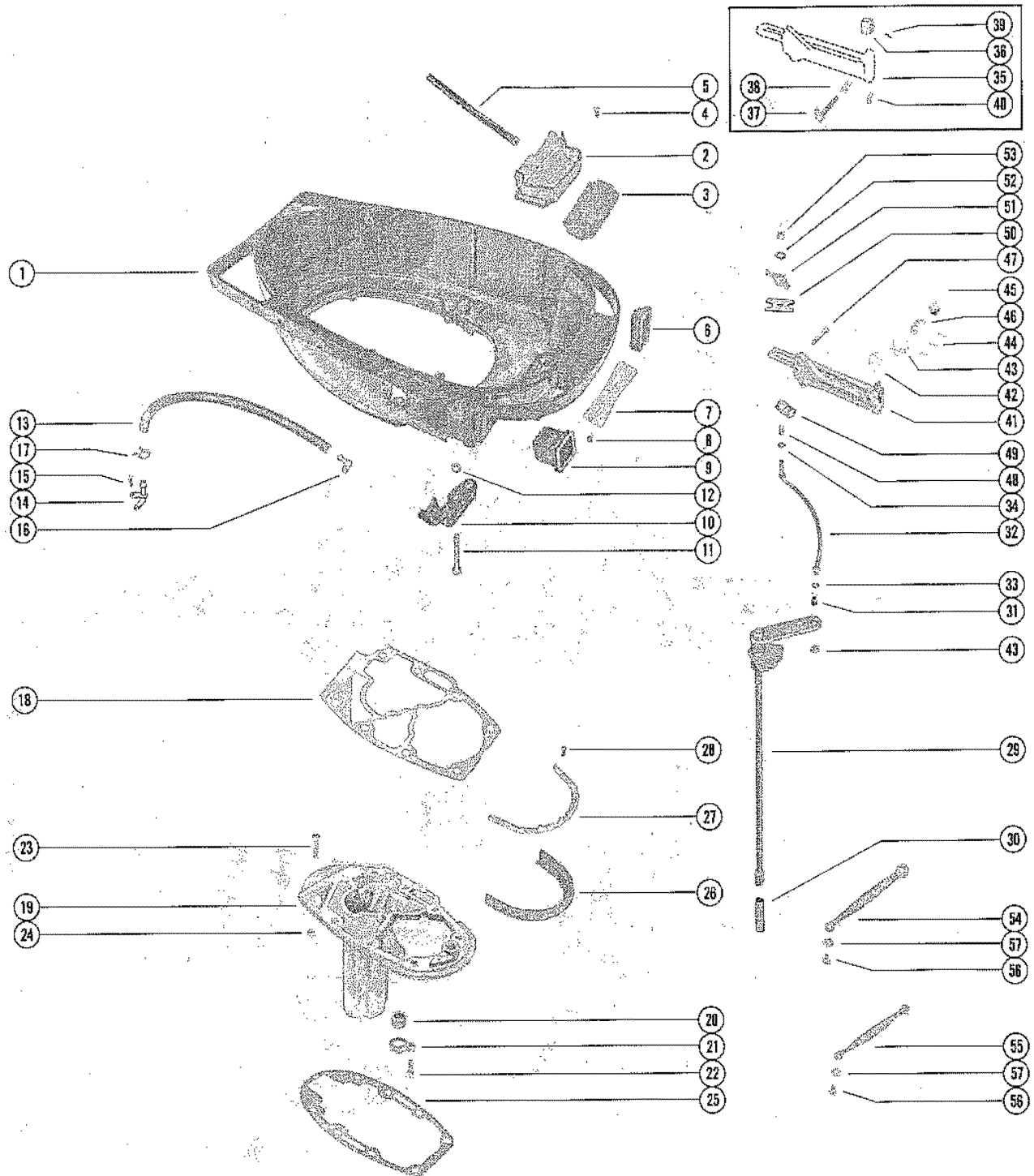
CRANKSHAFT, PISTON AND CONNECTING ROD



CRANKSHAFT, PISTON AND CONNECTING ROD

REF. NO.	PART NO.	SYM.	QTY.	DESCRIPTION
26	10-54803		8	SCREW, CAP TO CONNECTING ROD
27	11-49091		8	NUT, CONNECTING ROD SCREW
28	31-63075A1		4	BEARING ASSEMBLY, CRANKPIN
29	29-47270		116	BEARING, NEEDLE-PISTON PIN
30	12-47247		8	WASHER, NEEDLE LOCATING
-	745-4912A1		4	PISTON AND PISTON PIN ASSEMBLY (.015) OVERSIZE PISTON AND RING
-	39-45204A12		1	RING, PISTON (.015) OVERSIZE PISTON AND RING

BOTTOM COWL AND SHIFT LINKAGE

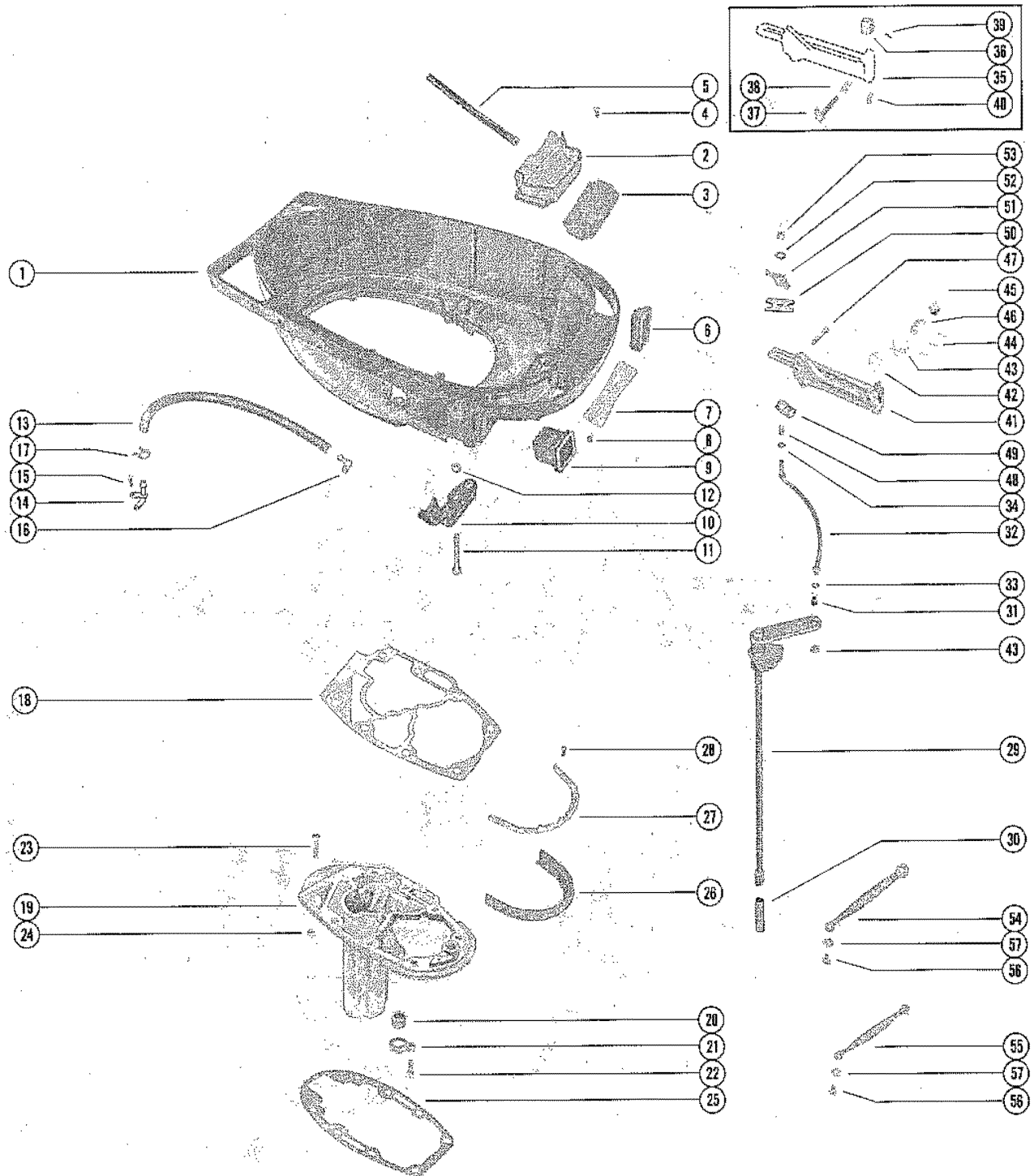


BOTTOM COWL AND SHIFT LINKAGE

REF. NO.	PART NO.	SYM.	QTY.	DESCRIPTION
1	2115-3786		1	COWL, BOTTOM SERIAL 00000000-02786462
	2115-3919		1	COWL, BOTTOM SERIAL 02881082-09999999
2	52862A2		1	DRIP TRAY ASSEMBLY, BOTTOM COWL
3	37940		1	PAD, SOUND-DRIP TRAY
4	10-35519		4	SCREW, DRIP TRAY TO BOTTOM COWL (1/2")
5	32-52032		1	HOSE, DRIP TRAY TO BOTTOM COWL (8")
6	37638		1	BOOT, CONTROL CABLES-BOTTOM COWL SERIAL 00000000-02786462
	39616		1	BOOT, CONTROL CABLES-BOTTOM COWL SERIAL 02221082-09999999
7	23760		1	BAFFLE, BOTTOM COWL SERIAL 00000000-03148653
8	10-52867		3	SCREW, BAFFLE TO BOTTOM COWL SERIAL 00000000-03148653
9	37637		1	BOOT, FUEL CONNECTOR-BOTTOM COWL
10	37445		1	SUPPORT, WIRING HARNESS-BOTTOM COWL
11	10-31471		1	SCREW, WIRING HARNESS SUPPORT TO BOTTOM COWL (3 1/4")
	10-37990		1	SCREW, WIRING HARNESS SUPPORT TO BOTTOM COWL (1 3/4")
12	11-46887		2	NUT, WIRING HARNESS SUPPORT SCREW
13	32-26407		1	HOSE, TELL TALE-EXHAUST COVER TO BOTTOM COWL (16")
14	52889		1	NOZZLE, TELL TALE HOSE TO BOTTOM COWL
15	10-35519		1	SCREW, TELL TALE NOZZLE TO BOTTOM COWL (1/2")
16	22-25885		1	ELBOW, TELL TALE HOSE TO EXHAUST COVER
17	54-48123		2	CLAMP, TELL TALE HOSE TO CONNECTOR AND ELBOW
18	27-48713		1	GASKET, POWERHEAD TO EXHAUST EXTENSION PLATE SERIAL 00000000-02670574
19	52932A2		1	PLATE ASSEMBLY, EXHAUST EXTENSION SERIAL 00000000-02670574
20	26-38970		1	SEAL, RUBBER-WATER INLET TUBE SERIAL 00000000-02670574
21	38448		1	RETAINER, WATER TUBE SEAL SERIAL 00000000-02670574
22	10-34439		1	SCREW, RETAINER TO EXTENSION PLATE (3/4") SERIAL 00000000-02670574
18	27-56304		1	GASKET, POWERHEAD TO EXHAUST EXTENSION PLATE SERIAL 02783253-09999999
19	56306A2		1	PLATE ASSEMBLY, EXHAUST EXTENSION SERIAL 02783253-09999999
20	26-38970		1	SEAL, RUBBER-WATER INLET TUBE SERIAL 02783253-09999999
21	38448		1	RETAINER, WATER TUBE SEAL SERIAL 02783253-09999999
22	10-34439		1	SCREW, RETAINER TO EXTENSION PLATE (3/4") SERIAL 02783253-09999999
23	10-24226		1	SCREW, EXTENSION PLATE TO DRIVE SHAFT HOUSING (1 1/4")
24	11-46887		1	NUT, EXHAUST EXTENSION PLATE SCREW

CONTINUED ON NEXT PAGE ➡

BOTTOM COWL AND SHIFT LINKAGE

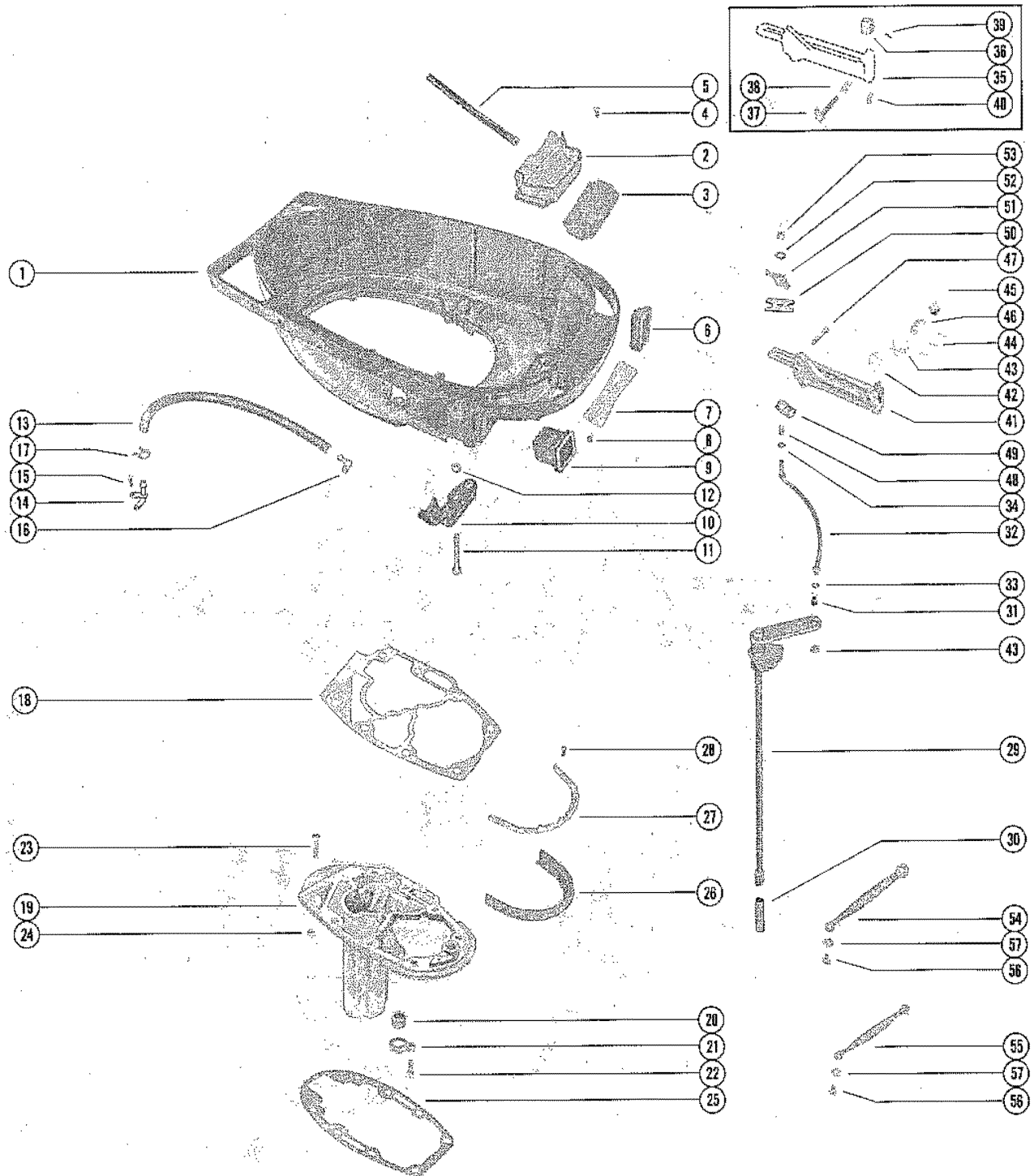


BOTTOM COWL AND SHIFT LINKAGE

REF. NO.	PART NO.	SYM.	QTY.	DESCRIPTION
25	27-48801		1	GASKET, EXHAUST EXTENSION PLATE TO DRIVE SHAFT HOUSING
26	37918		1	SEAL, EXHAUST EXTENSION PLATE
27	38032		1	STRIP, RETAINING-EXHAUST EXTENSION PLATE SEAL
28	10-37571		5	SCREW, SEAL AND STRIP TO EXHAUST EXTENSION PLATE (1/2")
29	49904A1		1	SHIFT SHAFT ASSEMBLY, UPPER (SHORT SHAFT) SERIAL 00000000-02667724
	49905A1		1	SHIFT SHAFT ASSEMBLY, UPPER (LONG SHAFT) SERIAL 00000000-02667724
	60304A9		1	SHIFT SHAFT ASSEMBLY, UPPER (SHORT SHAFT) SERIAL 02667725-09999999
	60304A10		1	SHIFT SHAFT ASSEMBLY, UPPER (LONG SHAFT) SERIAL 02667725-09999999
30	55692		1	COUPLING, SHIFT SHAFT SERIAL 02667725-09999999
31	23-26600		1	BUSHING, SHIFT SHAFT SERIAL 02667725-09999999
32	48047A1		1	LINK ROD ASSEMBLY
33	12-24664		1	WASHER, LINK ROD (SHIFT LEVER END)
34	13-29720		2	WASHER, WAVE-LINK ROD SERIAL 00000000-02670574
	13-29720		1	WASHER, WAVE-LINK ROD SERIAL 02783253-09999999
35	47869A1		1	BRACKET ASSEMBLY, ANCHOR CONTROL CABLES SERIAL 00000000-02786462
36	38802		1	CAP, BRASS BARREL OF THROTTLE CABLE SERIAL 00000000-02786462
	49935		1	CAP, BRASS BARREL OF THROTTLE CABLE SERIAL 00000000-02786462
37	49932A1		1	LEVER ASSEMBLY, CONTROL CABLE LOCKING-ANCHOR BRACKET SERIAL 00000000-02786462
38	24-37911		1	SPRING, CONTROL CABLE LOCKING LEVER SERIAL 00000000-02786462
39	17-23928		1	PIN, ROLL-CONTROL CABLE LOCKING LEVER SERIAL 00000000-02786462
40	24-38472		1	SPRING, CABLE TENSION-ANCHOR BRACKET SERIAL 00000000-02786462
41	52732		1	BRACKET, ANCHOR-CONTROL CABLES SERIAL 02881082-09999999
42	39519		1	CAP, BARREL RETAINER-ANCHOR BRACKET SERIAL 02881082-09999999
43	39618		1	LEVER, NYLON-SHIFT CABLE LOCKING SERIAL 02881082-09999999
44	17-47175		3	PIN, LOCKING LEVER AND COVER FASTENING SERIAL 02881082-09999999
45	39667		1	COVER, NYLON-SHIFT CABLE SERIAL 02881082-09999999
46	39536		1	LINK, LOCKING LEVER TO COVER SERIAL 02881082-09999999
47	10-24234		3	SCREW, ANCHOR BRACKET TO CYLINDER BLOCK (1")
48	24-20099		1	SPRING, LINK ROD TO GUIDE BLOCK
49	37896		1	GUIDE BLOCK, LINK ROD
50	52100		1	WEAR PLATE, LINK ROD

CONTINUED ON NEXT PAGE ➡

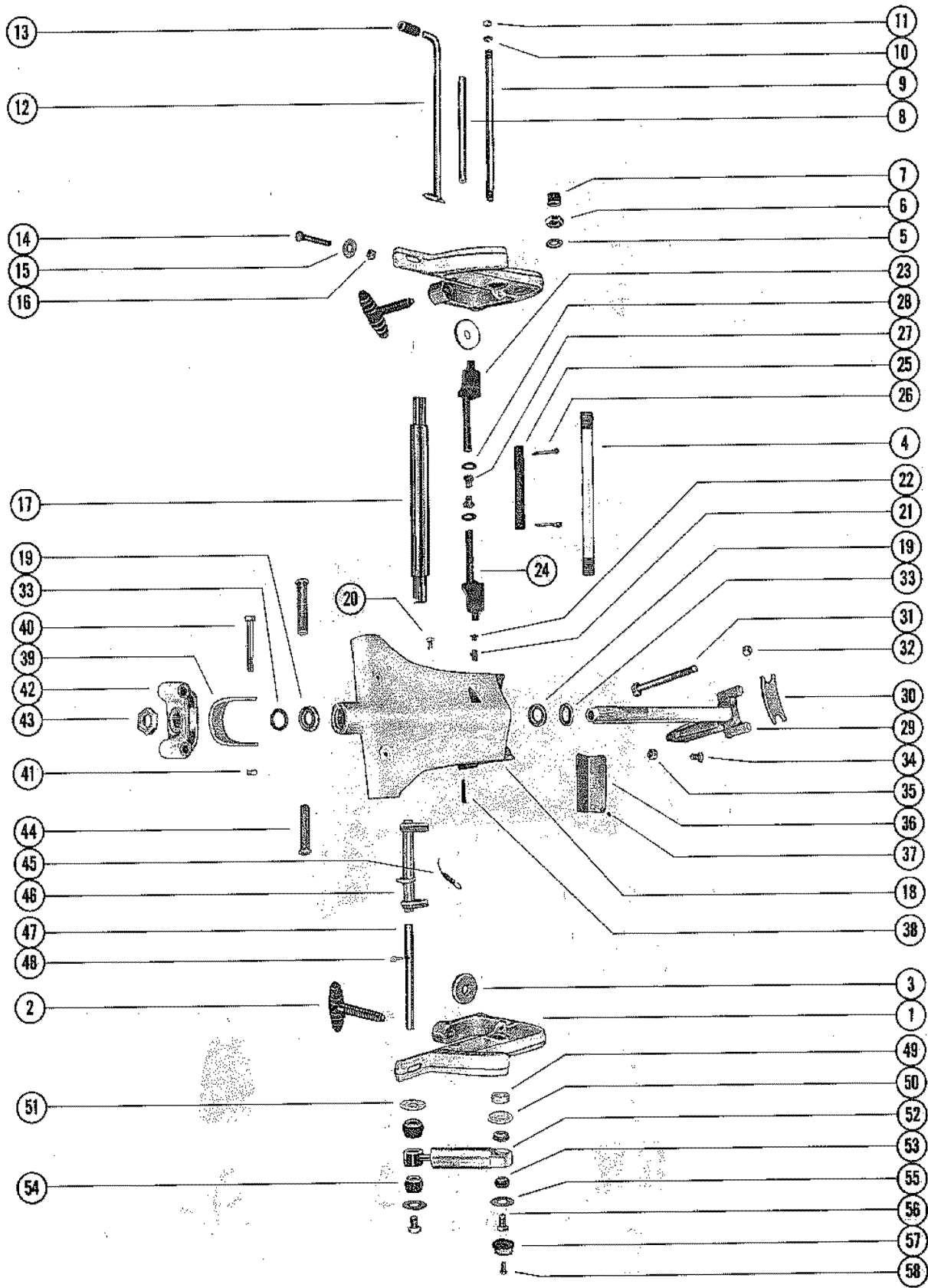
BOTTOM COWL AND SHIFT LINKAGE



BOTTOM COWL AND SHIFT LINKAGE

REF. NO.	PART NO.	SYM.	QTY.	DESCRIPTION
51	38279		1	LATCH, CONTROL CABLE FASTENING-ANCHOR BRACKET
52	12-21631		1	WASHER, CONTROL CABLE LATCH LINK ROD
53	11-20664		2	NUT, LINK ROD
54	46933A1		2	GROUND STRAP ASSEMBLY, CRANKCASE TO BOTTOM COWL
55	46933A2		2	GROUND STRAP ASSEMBLY, DRIVE SHAFT HOUSING TO BOTTOM COWL
56	10-30663		4	SCREW, GROUND STRAP ATTACHING (3/8")

CLAMP AND SWIVEL BRACKET ASSEMBLY

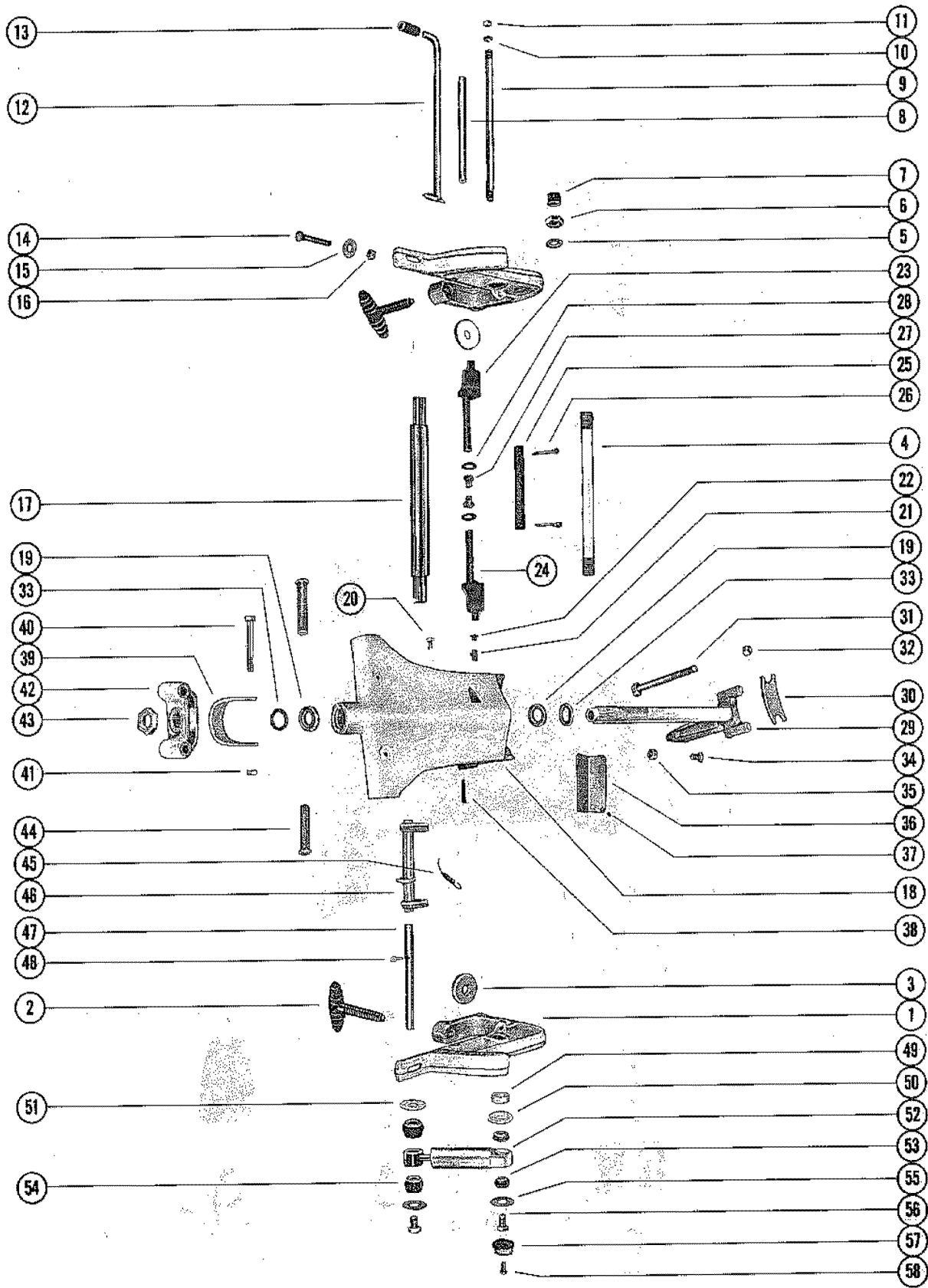


CLAMP AND SWIVEL BRACKET ASSEMBLY

REF. NO.	PART NO.	SYM.	QTY.	DESCRIPTION
1	1440-3291A1		2	CLAMP BRACKET ASSEMBLY
2	28403A3		2	THUMB SCREW ASSEMBLY
3	12-28404		2	WASHER, THUMB SCREW
4	30664		1	TUBE, TILT-CLAMP BRACKET TO SWIVEL BRACKET
5	12-52864		2	WASHER, CLAMP BRACKET TILT TUBE
6	11-30499		2	NUT, TILT TUBE FASTENING
7	53078		2	CAP, PLASTIC-TILT TUBE
8	23-59624		1	SPACER, CLAMP BRACKET STUD
9	16-59625		1	STUD, CLAMP BRACKET
10	13-26993		2	LOCKWASHER, CLAMP BRACKET STUD
11	11-28770		2	NUT, CLAMP BRACKET STUD
12	17-49930A1		1	TILT LOCK PIN ASSEMBLY
13	32-28052		1	SLEEVE, RUBBER-TILT LOCK PIN BUMPER
14	10-28009		2	BOLT, CLAMP BRACKET TO BOAT TRANSOM (3 1/4")
15	12-28008		2	WASHER, CLAMP BRACKET BOLT
14	10-31827		2	BOLT, CLAMP BRACKET TO TRANSOM (3")
15	12-21040		2	WASHER, CLAMP BRACKET BOLT
16	11-28010		4	NUT, CLAMP BRACKET BOLT
17	55-28416		1	PIN, UPPER SHOCK MOUNTING
18	1453-3258A4		1	SWIVEL BRACKET ASSEMBLY (SHORT SHAFT)
	1447-3257A4		1	SWIVEL BRACKET ASSEMBLY (LONG SHAFT)
19	26-37448		2	OIL SEAL, SWIVEL BRACKET
20	10-47828		1	SCREW, DRIVE-SWIVEL BRACKET
21	22-23612		1	FITTING, GREASE
22	53216		1	LUBRICAP, SWIVEL BRACKET GREASE FITTING SERIAL 00000000-02670574
	29359		1	LUBRICAP, SWIVEL BRACKET GREASE FITTING SERIAL 02783253-09999999
23	47799A1		1	TILT LOCK ASSEMBLY, STARBOARD
24	47800A1		1	TILT LOCK ASSEMBLY, PORT
25	47802		1	TUBE, TILT LOCK
26	18-47959		2	COTTER PIN, TILT LOCK TUBE
27	23-47803		2	BUSHING, TILT LOCK TUBE
28	13-24850		2	WASHER, WAVE-TILT LOCK TUBE
29	17-49841A1		1	SWIVEL PIN AND STEERING ARM ASSEMBLY (SHORT SHAFT)
	17-49840A1		1	SWIVEL PIN AND STEERING ARM ASSEMBLY (LONG SHAFT)
30	28203		1	BUMPER, STEERING ARM
31	10-30453		2	BOLT, STEERING ARM TO UPPER MOUNT (5 1/2")
32	11-34933		2	NUT, STEERING ARM BOLT FASTENING
33	12-37429		1	WASHER, SWIVEL PIN-LOWER (TOP WASHER OPTIONAL)
34	10-31830		1	SCREW, RIDE-GUIDE ATTACHING (1 3/4")
35	11-20509		1	NUT, RIDE-GUIDE ATTACHING SCREW
36	38-56267		1	SERIAL PLATE
37	10-25612		4	SCREW, DRIVE-SERIAL PLATE TO SWIVEL BRACKET

CONTINUED ON NEXT PAGE ➡

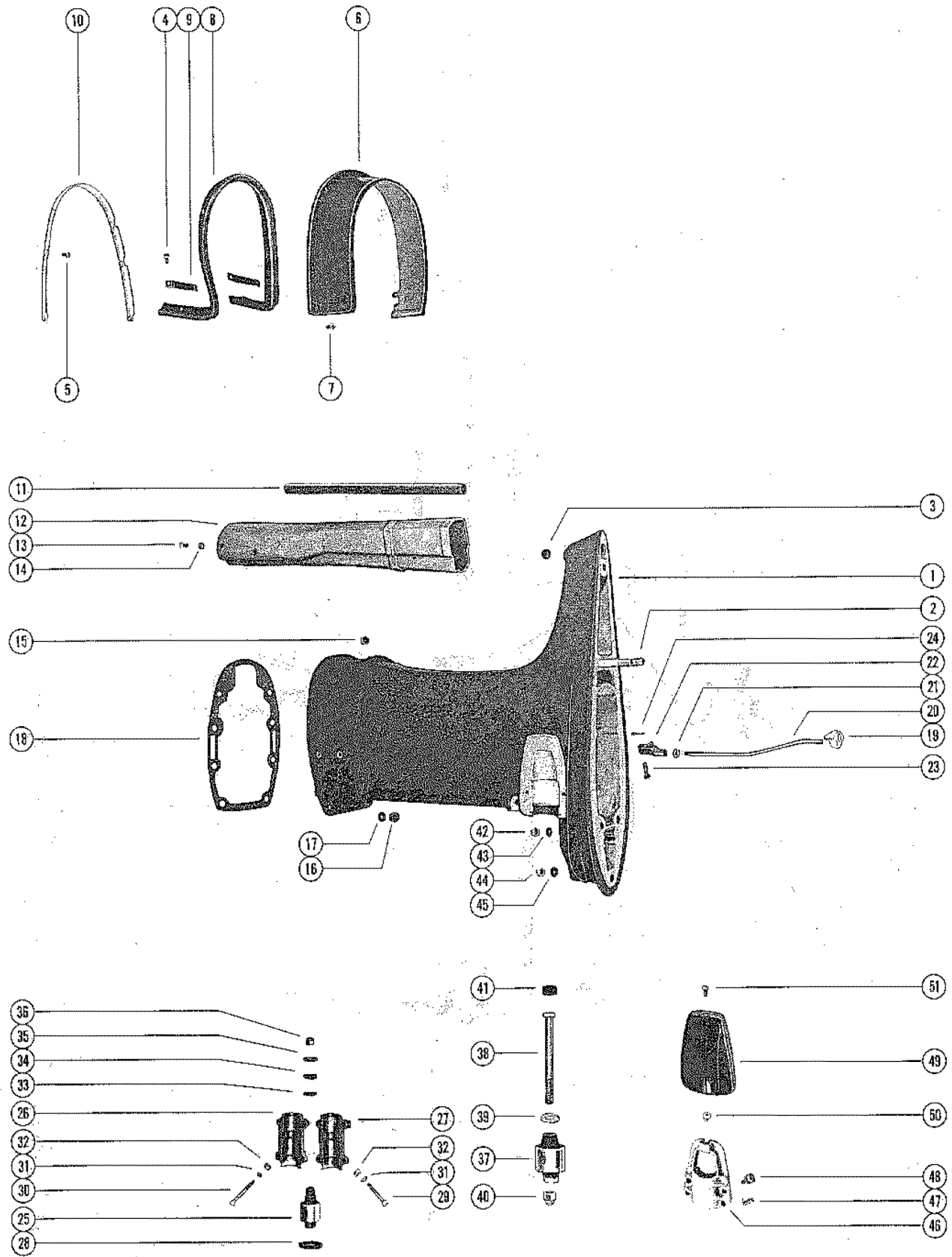
CLAMP AND SWIVEL BRACKET ASSEMBLY



CLAMP AND SWIVEL BRACKET ASSEMBLY

REF. NO.	PART NO.	SYM.	QTY.	DESCRIPTION
38	17-25598		1	PIN, REVERSE LOCK SPRING ATTACHING
39	28205		1	STRAP STOP, DRIVE SHAFT HOUSING TO SWIVEL BRACKET
40	10-28200		1	SCREW, STRAP STOP TO DRIVE SHAFT HOUSING (2 7/8")
41	11-25269		1	NUT, STRAP STOP FASTENING SCREW
42	37419		1	YOKE, BOTTOM SERIAL 00000000-02670574
	55482		1	YOKE, BOTTOM SERIAL 02783253-09999999
43	11-37424		1	NUT, SWIVEL PIN RETAINING
44	55-29247		2	PIN, LOWER SHOCK MOUNTING (SHORT SHAFT)
	55-28414		2	PIN, LOWER SHOCK MOUNTING-LONG SHAFT
-	10-28424		2	SCREW, LOWER SHOCK PIN -LONG SHAFT
-	11-46887		2	NUT, LOWER SHOCK PIN SCREW -LONG SHAFT
45	24-29821		1	SPRING, REVERSE LOCK TENSION
46	39015A1		1	REVERSE LOCK ASSEMBLY
47	56349		1	SHAFT, REVERSE LOCK PIVOT
48	18-45882		1	COTTER PIN, REVERSE LOCK TO SHAFT
49	23-28199		2	SPACER, UPPER SHOCK BUSHING TO CLAMP BRACKET
50	12-28196		2	WASHER, UPPER BUSHING RETAINER (INNER)
51	12-28264		2	WASHER, LOWER BUSHING RETAINER (INNER) SERIAL 00000000-02670574
	12-56850		2	WASHER, LOWER BUSHING RETAINER (INNER) SERIAL 02783253-02886331
	12-59378		2	WASHER, LOWER BUSHING RETAINER (INNER) SERIAL 02986444-09999999
52	55-31933		2	SHOCK ABSORBER
53	23-32171		4	BUSHING, RUBBER-SHOCK ABSORBER (UPPER)
54	23-28198		4	BUSHING, RUBBER-SHOCK ABSORBER (LOWER)
55	12-28421		4	WASHER, UPPER AND LOWER BUSHING RETAINER (OUTER)
56	10-53077		4	SCREW, UPPER AND LOWER SHOCK MOUNTING PIN (3/4")
57	53071		4	COVER, UPPER AND LOWER SHOCK MOUNTING PIN

DRIVE SHAFT HOUSING ASSEMBLY

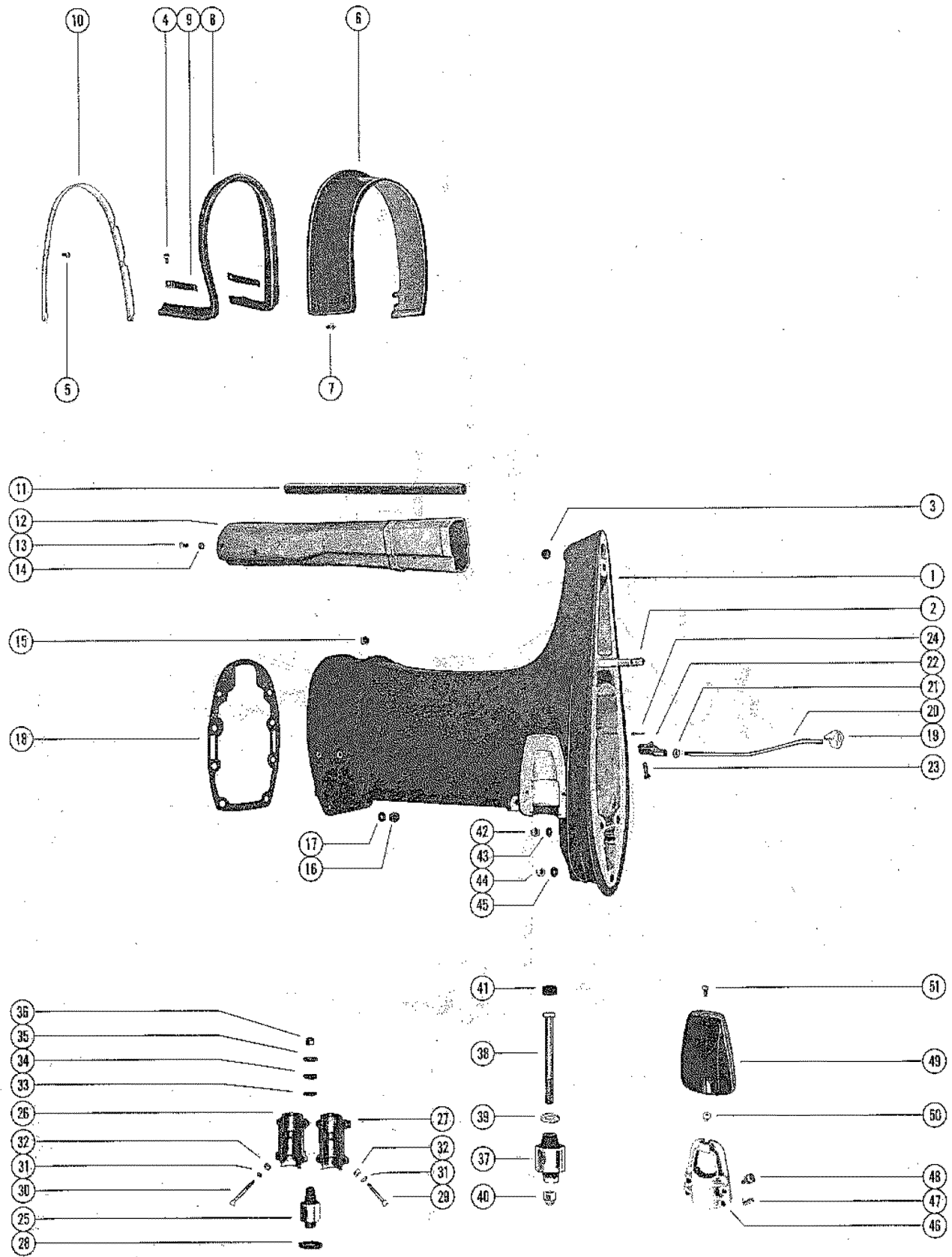


DRIVE SHAFT HOUSING ASSEMBLY

REF. NO.	PART NO.	SYM.	QTY.	DESCRIPTION
1	1552-3670A3		1	DRIVE SHAFT HOUSING ASSEMBLY (SHORT SHAFT) SERIAL 00000000-02670574
	1551-3669A4		1	DRIVE SHAFT HOUSING ASSEMBLY (LONG SHAFT) SERIAL 00000000-02670574
	1552-3911A3		1	DRIVE SHAFT HOUSING ASSEMBLY (SHORT SHAFT) SERIAL 02783253-09999999
	1551-3918A3		1	DRIVE SHAFT HOUSING ASSEMBLY (LONG SHAFT) SERIAL 02783253-09999999
2	16-56295		2	STUD, DRIVE SHAFT HOUSING TO GEAR HOUSING (2 11/16")
3	19-47579		1	PLUG, PLASTIC-TRIM TAB SCREW HOLE SERIAL 00000000-02670574
	19-32297		1	PLUG, PLASTIC-TRIM TAB SCREW HOLE SERIAL 02783253-09999999
4	10-48409		2	SCREW, RETAINING STRIP TO DRIVE SHAFT HOUSING (5/8")
5	10-48408		6	SCREW, RETAINING STRIP TO DRIVE SHAFT HOUSING (1/2")
6	37417		1	COVER, TRIM-DRIVE SHAFT HOUSING
7	10-37571		4	SCREW, TRIM COVER TO BOTTOM COWL (1/2") SERIAL 00000000-02786462
	10-57807		4	SCREW, TRIM COVER TO BOTTOM COWL (3/4") SERIAL 02881082-09999999
-	25-57806		4	GROMMET, TRIM COVER SCREW SERIAL 02881082-09999999
8	37919		1	SEAL, TRIM COVER TO DRIVE SHAFT HOUSING
9	37665		2	STRIP, RETAINING-TRIM COVER SEAL (SIDE)
10	38052		1	STRIP, RETAINING-TRIM COVER SEAL (REAR)
11	32-37446		1	TUBE, WATER INLET (SHORT SHAFT)
	32-37438		1	TUBE, WATER INLET (LONG SHAFT)
12	38469		1	TUBE, EXHAUST (SHORT SHAFT)
	38470		1	TUBE, EXHAUST (LONG SHAFT)
13	10-38601		2	SCREW, EXHAUST TUBE TO EXHAUST EXTENSION PLATE (5/8")
14	11-46886		2	NUT, EXHAUST TUBE SCREW
15	11-23161		6	NUT, POWERHEAD STUDS (3/8-24)
	11-21528		2	NUT, POWERHEAD STUDS (5/16-24)
16	11-20509		2	NUT, POWERHEAD STUDS (3/8-24)
17	12-20086		2	WASHER, POWERHEAD STUDS
18	27-48801		1	GASKET, EXHAUST EXTENSION PLATE TO DRIVE SHAFT HOUSING
19	52887		1	GUIDE, PUSH ROD-REVERSE LOCKING
20	47591		1	ROD, PUSH-REVERSE LOCK (SHORT SHAFT)
	47558		1	ROD, PUSH-REVERSE LOCK (LONG SHAFT)
21	11-47661		1	NUT, JAM-PUSH ROD
22	47559		1	YOKE, PUSH ROD
23	17-39023		1	PIN, PUSH ROD TO REVERSE LOCK
24	18-25191		1	COTTER PIN, PUSH ROD PIN

CONTINUED ON NEXT PAGE ➡

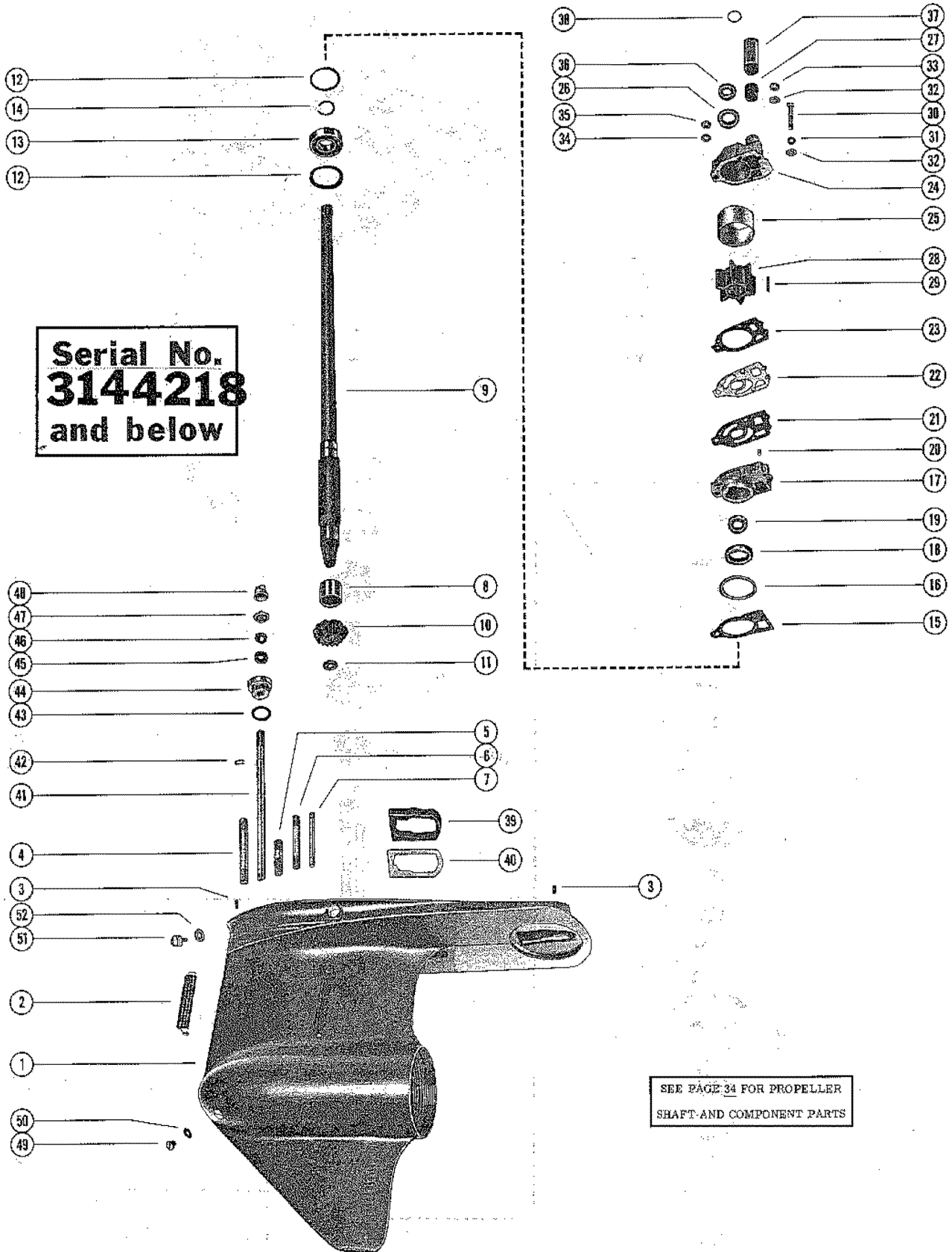
DRIVE SHAFT HOUSING ASSEMBLY



DRIVE SHAFT HOUSING ASSEMBLY

REF. NO.	PART NO.	SYM.	QTY.	DESCRIPTION
25	37396		2	MOUNT -UPPER
26	26218		2	COVER, UPPER MOUNT-OUTSIDE HALF
27	26217		2	COVER, UPPER MOUNT-INSIDE HALF SERIAL 00000000-02670574
	57931		2	COVER, UPPER MOUNT-INSIDE HALF SERIAL 02783253-09999999
28	24929		2	PACKING, "U" CUP
29	10-28773		4	SCREW, UPPER MOUNT COVER (1 5/8")
30	10-28775		4	SCREW, UPPER MOUNT COVER (2 1/8")
31	12-29245		AR	WASHER, UPPER MOUNT COVER SCREW
32	11-46886		8	NUT, UPPER MOUNT COVER SCREW
33	12-30515		2	WASHER, UPPER MOUNT BOLT
34	12-47894		2	WASHER, RUBBER-UPPER MOUNT BOLT
35	12-30514		2	WASHER, UPPER MOUNT BOLT
36	11-34933		2	NUT, UPPER MOUNT BOLT
37	54140		2	MOUNT, RUBBER-LOWER
38	10-49318		2	SCREW, UPPER MOUNT (5 1/2")
39	12-49339		2	WASHER, MOUNT SCREW
40	11-25096		2	NUT, MOUNT SCREW
41	25067		2	BUMPER, RUBBER-MOUNTING SCREW
42	11-34933		2	NUT, GEAR HOUSING AND DRIVE SHAFT HOUSING STUDS
43	12-45176		2	WASHER, GEAR HOUSING TO DRIVE SHAFT HOUSING STUDS
44	11-29489		1	NUT, GEAR HOUSING AND DRIVE SHAFT HOUSING STUDS
45	12-45176		1	WASHER, GEAR HOUSING TO DRIVE SHAFT HOUSING STUDS
46	35608		2	CLAMP, LOWER MOUNT TO DRIVE SHAFT HOUSING
47	24-35522		4	SPRING, TENSION-LOWER MOUNT CLAMP
48	10-29256		4	SCREW, LOWER MOUNT CLAMP TO DRIVE SHAFT HOUSING (7/8")
49	35474		2	COVER, LOWER MOUNT CLAMP
50	11-35521		2	NUT, LOWER MOUNT CLAMP COVER
51	10-29722		2	SCREW, COVER TO LOWER CLAMP MOUNT

GEAR HOUSING ASSEMBLY, COMPLETE

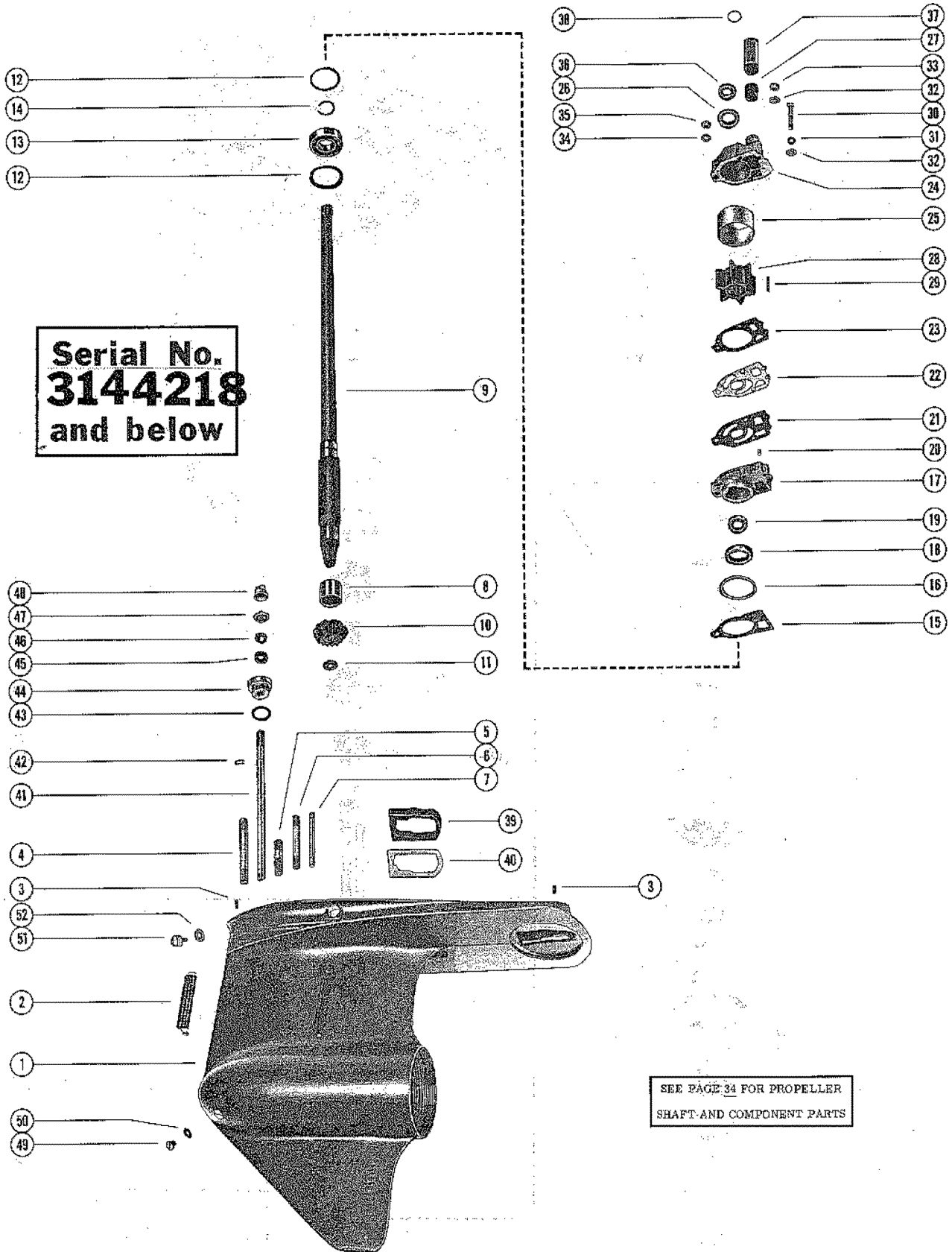


GEAR HOUSING ASSEMBLY, COMPLETE

REF. NO.	PART NO.	SYM.	QTY.	DESCRIPTION
-	1623-3486A22		1	GEAR HOUSING ASSEMBLY, COMPLETE (SHORT SHAFT) A-1623-3486A22, A-1623-3486A23, A-1623-39124 AND A-1623-3912A5 GEAR HOUSING ASSEMBLIES, COMPLETE, INCLUDE ALL PARTS FROM REFERENCE #1 THRU #78 AS LISTED ON PAGES 31 AND 34 SERIAL 00000000-02670574
-	1623-3486A23		1	GEAR HOUSING ASSEMBLY, COMPLETE (LONG SHAFT) A-1623-3486A22, A-1623-3486A23, A-1623-39124 AND A-1623-3912A5 GEAR HOUSING ASSEMBLIES, COMPLETE, INCLUDE ALL PARTS FROM REFERENCE #1 THRU #78 AS LISTED ON PAGES 31 AND 34 SERIAL 00000000-02670574
-	1623-3912A4		1	GEAR HOUSING ASSEMBLY, COMPLETE (SHORT SHAFT) A-1623-3486A22, A-1623-3486A23, A-1623-39124 AND A-1623-3912A5 GEAR HOUSING ASSEMBLIES, COMPLETE, INCLUDE ALL PARTS FROM REFERENCE #1 THRU #78 AS LISTED ON PAGES 31 AND 34 SERIAL 02783253-09999999
-	1623-3912A5		1	GEAR HOUSING ASSEMBLY, COMPLETE (LONG SHAFT) A-1623-3486A22, A-1623-3486A23, A-1623-39124 AND A-1623-3912A5 GEAR HOUSING ASSEMBLIES, COMPLETE, INCLUDE ALL PARTS FROM REFERENCE #1 THRU #78 AS LISTED ON PAGES 31 AND 34 SERIAL 02783253-09999999
1	1623-3486A4		1	GEAR HOUSING ASSEMBLY SERIAL 00000000-02670574
	1623-3912A6		1	GEAR HOUSING ASSEMBLY SERIAL 02783253-09999999
2	55662		2	SCREEN, WATER INLET (EARLY MODELS ONLY)
3	17-21438		2	PIN, DOWEL
4	16-57921		1	STUD, GEAR HOUSING TO DRIVE SHAFT HOUSING (4")
5	16-57920		2	STUD, GEAR HOUSING TO DRIVE SHAFT HOUSING (2 1/16")
6	16-56297		1	STUD, WATER PUMP BASE AND BODY TO GEAR HOUSING (3 3/8")
7	16-57919		2	STUD, WATER PUMP BASE AND BODY TO GEAR HOUSING (3 5/16")
8	31-32898		1	BEARING, ROLLER-DRIVE SHAFT
9	45-47433		1	DRIVE SHAFT (SHORT SHAFT)
	45-47434		1	DRIVE SHAFT (LONG SHAFT)
10	43-53981		1	GEAR, PINION-DRIVE SHAFT
11	11-35921		1	NUT, PINION GEAR TO DRIVE SHAFT
12	15-30278A1		AR	SHIM, DRIVE SHAFT BALL BEARING TO GEAR HOUSING (.002-3-5-10)
13	30-20464		1	BEARING, BALL-DRIVE SHAFT
14	53-30726		1	RING, RETAINING-BALL BEARING
12	15-30278A1		AR	SHIM, WATER PUMP BASE TO GEAR HOUSING (.002-3-5-10)
15	27-32438		1	GASKET, WATER PUMP BASE TO GEAR HOUSING
16	25-30224		1	"O"RING, WATER PUMP BASE
17	46-48747A1		1	WATER PUMP BASE ASSEMBLY
18	26-31489		1	OIL SEAL, WATER PUMP BASE
19	26-31507		1	OIL SEAL, WATER PUMP BASE
20	17-35973		2	DOWEL PIN, WATER PUMP BASE TO WATER PUMP BODY

CONTINUED ON NEXT PAGE ➡

GEAR HOUSING ASSEMBLY, COMPLETE

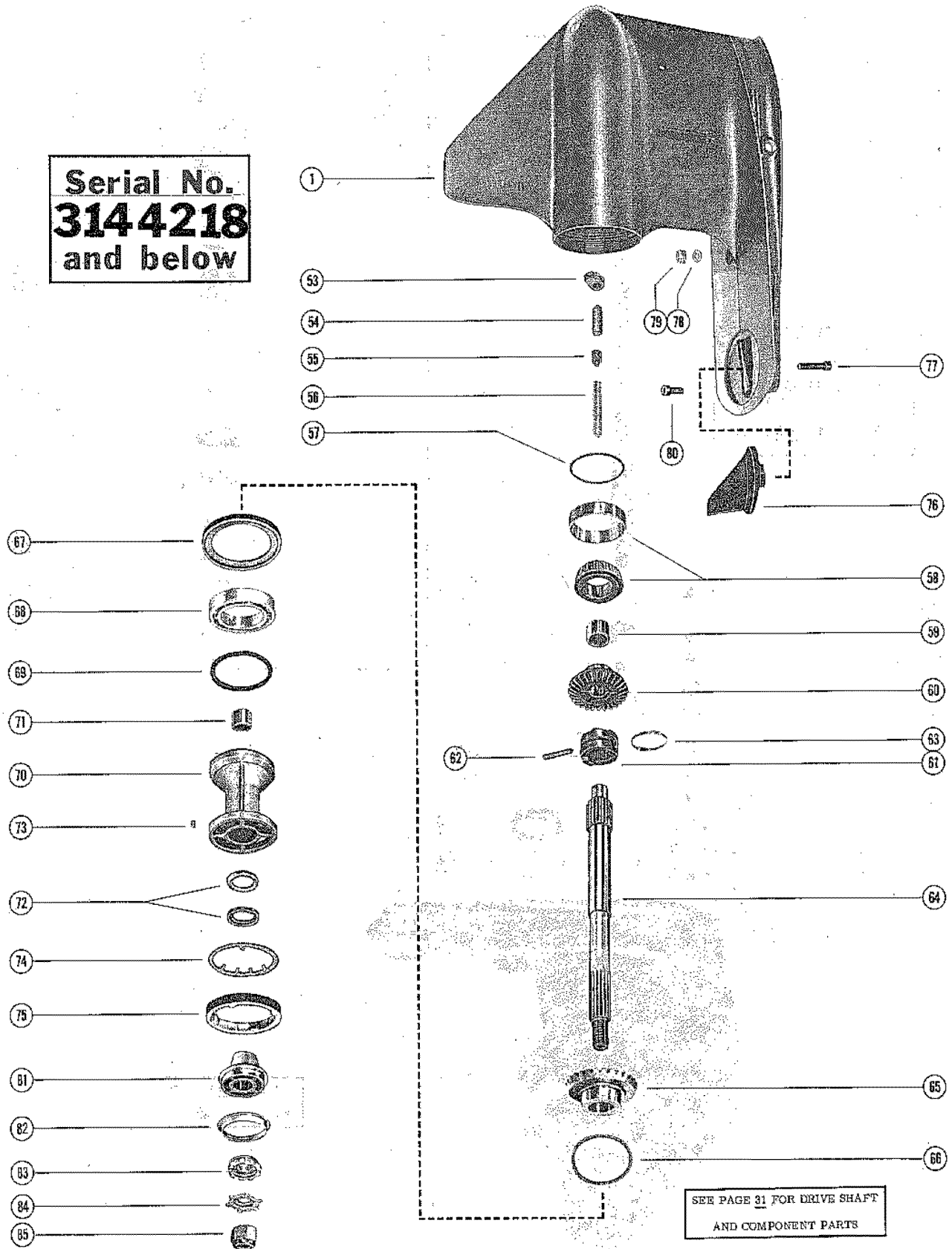


GEAR HOUSING ASSEMBLY, COMPLETE

REF. NO.	PART NO.	SYM.	QTY.	DESCRIPTION
21	27-32433		1	GASKET, LOWER-WATER PUMP BASE TO FACE PLATE
22	32435		1	PLATE, FACE-WATER PUMP BASE TO WATER PUMP BODY
23	27-32434		1	GASKET, UPPER-FACE PLATE TO WATER PUMP BODY
24	46-48743A1		1	WATER PUMP BODY ASSEMBLY
25	48752		1	INSERT, WATER PUMP BODY
26	26-31507		1	OIL SEAL, WATER PUMP BODY
27	26-38970		1	SEAL, RUBBER-WATER INLET TUBE
28	47-30221		1	IMPELLER, WATER PUMP
29	17-29967		1	PIN, IMPELLER DRIVE SERIAL 00000000-02670574
	28-56654		1	KEY, IMPELLER DRIVE SERIAL 02783253-09999999
30	10-30720		1	SCREW, WATER PUMP BODY TO GEAR HOUSING (2 1/4")
31	13-26992		1	LOCKWASHER, WATER PUMP BODY SCREW
32	12-29245		3	WASHER, WATER PUMP BODY FASTENING SCREW AND STUD
33	11-35045		2	NUT, WATER PUMP BODY FASTENING STUD
34	12-36001		1	WASHER, WATER PUMP BODY FASTENING STUD
35	11-45592		1	NUT, WATER PUMP BODY FASTENING STUD
36	25-30271		1	RING, RUBBER-CENTRIFUGAL SLINGER (DRIVE SHAFT)
37	23-29804		1	SLEEVE, GUIDE-WATER INLET TUBE
38	25-30613		1	"O"RING, UPPER-DRIVE SHAFT
39	37641		1	SEAL, EXHAUST TUBE
40	38051		1	PLATE, SUPPORT-EXHAUST TUBE SEAL
41	37432		1	SHAFT, SHIFT-LOWER-SERIAL SERIAL 00000000-02670574
42	18-20233		1	CLIP, RETAINING-SHIFT SHAFT SERIAL 00000000-02670574
41	55421A1		1	SHAFT ASSEMBLY, SHIFT-LOWER SERIAL 02783253-09999999
42	53-29641		1	"E"RING, SHIFT SHAFT SERIAL 02783253-09999999
43	25-25439		1	"O"RING, SHIFT SHAFT BUSHING
44	23-37428A1		1	BUSHING ASSEMBLY, SHIFT SHAFT SERIAL 00000000-02670574
	23-55419A1		1	BUSHING ASSEMBLY, SHIFT SHAFT SERIAL 02783253-09999999
45	26-24590		1	OIL SEAL, SHIFT SHAFT BUSHING (LOWER)
	26-31249		1	OIL SEAL, SHIFT SHAFT BUSHING (UPPER)
46	12-31266		1	WASHER, RUBBER-SHIFT SHAFT BUSHING
47	39019		1	SPACER, LOWER-REVERSE LOCK
48	39021		1	CAM, REVERSE LOCKING
49	10-28634		2	SCREW, GREASE FILLER AND VENT HOLE
50	12-20260		2	WASHER, GREASE FILLER AND VENT HOLE SCREW
51	19-48750		1	PLUG, GEAR HOUSING FLUSHING HOLE
52	12-49221		1	WASHER, GEAR HOUSING FLUSHING HOLE PLUG

GEAR HOUSING ASSEMBLY, COMPLETE (CONT)

Serial No.
3144218
and below



SEE PAGE 31 FOR DRIVE SHAFT
AND COMPONENT PARTS

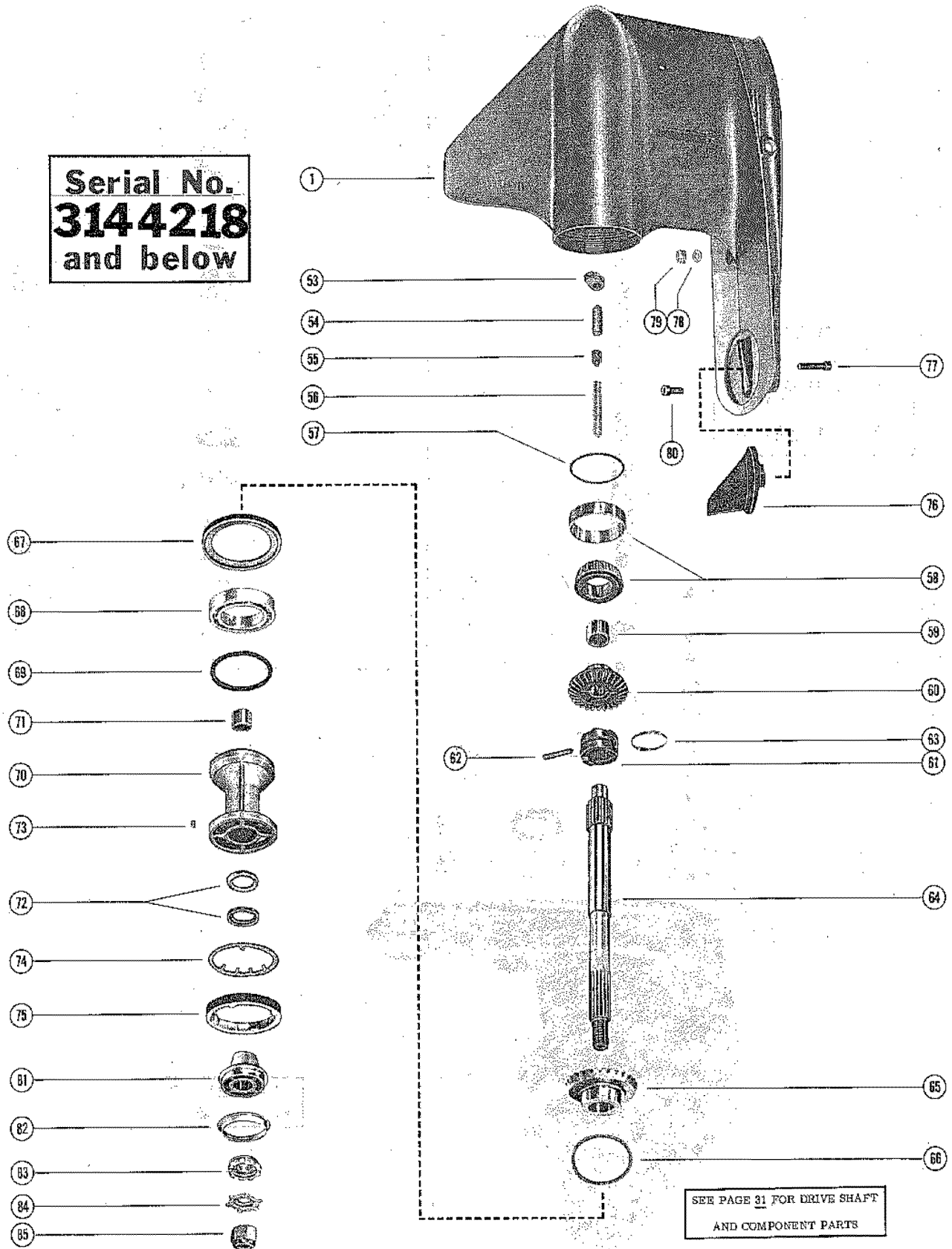
GEAR HOUSING ASSEMBLY, COMPLETE (CONT)

REF. NO.	PART NO.	SYM.	QTY.	DESCRIPTION
-	1623-3486A22		1	GEAR HOUSING ASSEMBLY, COMPLETE (SHORT SHAFT) A-1623-3486A22, A-1623-3486A23, A-1623-39124 AND A-1623-3912A5 GEAR HOUSING ASSEMBLIES, COMPLETE, INCLUDE ALL PARTS FROM REFERENCE #1 THRU #78 AS LISTED ON PAGES 31 AND 34 SERIAL 00000000-02670574
-	1623-3486A23		1	GEAR HOUSING ASSEMBLY, COMPLETE (LONG SHAFT) A-1623-3486A22, A-1623-3486A23, A-1623-39124 AND A-1623-3912A5 GEAR HOUSING ASSEMBLIES, COMPLETE, INCLUDE ALL PARTS FROM REFERENCE #1 THRU #78 AS LISTED ON PAGES 31 AND 34 SERIAL 00000000-02670574
-	1623-3912A4		1	GEAR HOUSING ASSEMBLY, COMPLETE (SHORT SHAFT) A-1623-3486A22, A-1623-3486A23, A-1623-39124 AND A-1623-3912A5 GEAR HOUSING ASSEMBLIES, COMPLETE, INCLUDE ALL PARTS FROM REFERENCE #1 THRU #78 AS LISTED ON PAGES 31 AND 34 SERIAL 02783253-09999999
-	1623-3912A5		1	GEAR HOUSING ASSEMBLY, COMPLETE (LONG SHAFT) A-1623-3486A22, A-1623-3486A23, A-1623-39124 AND A-1623-3912A5 GEAR HOUSING ASSEMBLIES, COMPLETE, INCLUDE ALL PARTS FROM REFERENCE #1 THRU #78 AS LISTED ON PAGES 31 AND 34 SERIAL 02783253-09999999
1	1623-3486A4		1	GEAR HOUSING ASSEMBLY -SEE PAGE 31 FOR BREAKDOWN SERIAL 00000000-02670574
	1623-3912A6		1	GEAR HOUSING ASSEMBLY -SEE PAGE 31 FOR BREAKDOWN SERIAL 02783253-09999999
53	54346		1	CAM, SHIFT
54	30625		1	FOLLOWER, CAM
55	30624		1	SLIDE, CROSS PIN
56	24-30622		1	SPRING, COMPRESSION-CAM FOLLOWER
57	15-30923A1		AR	SHIM, BEARING OUTER RACE TO GEAR HOUSING (.002-3-5-10)
58	31-30894A1		1	TAPERED ROLLER BEARING ASSEMBLY
59	31-30895		1	BEARING, ROLLER-FORWARD GEAR
60	43-53982		1	FORWARD GEAR ASSEMBLY
61	52-34239		1	RATCHET, SLIDING CLUTCH
62	17-30632		1	PIN, CROSS-RATCHET TO PROPELLER SHAFT
63	24-30893		1	SPRING, RETAINING-CROSS PIN
64	44-52542		1	SHAFT, PROPELLER
65	43-53983		1	REVERSE GEAR ASSEMBLY
66	15-29955A1		AR	SHIM, THRUST WASHER TO GEAR HOUSING (.002-3-5-10)
67	12-30633		1	WASHER, THRUST-BEARING CARRIER TO GEAR HOUSING
68	30-31265		1	BEARING, BALL-REVERSE GEAR
69	25-29976		1	"O"RING, BEARING CARRIER
70	52132A1		1	BEARING CARRIER ASSEMBLY
71	31-30956		1	BEARING, ROLLER-BEARING CARRIER
72	26-30550		2	OIL SEAL, BEARING CARRIER
73	28-30281		1	KEY, LOCATING-BEARING CARRIER
74	14-52700		1	TAB WASHER, GEAR HOUSING COVER
75	52699		1	COVER, GEAR HOUSING

CONTINUED ON NEXT PAGE ➡

GEAR HOUSING ASSEMBLY, COMPLETE (CONT)

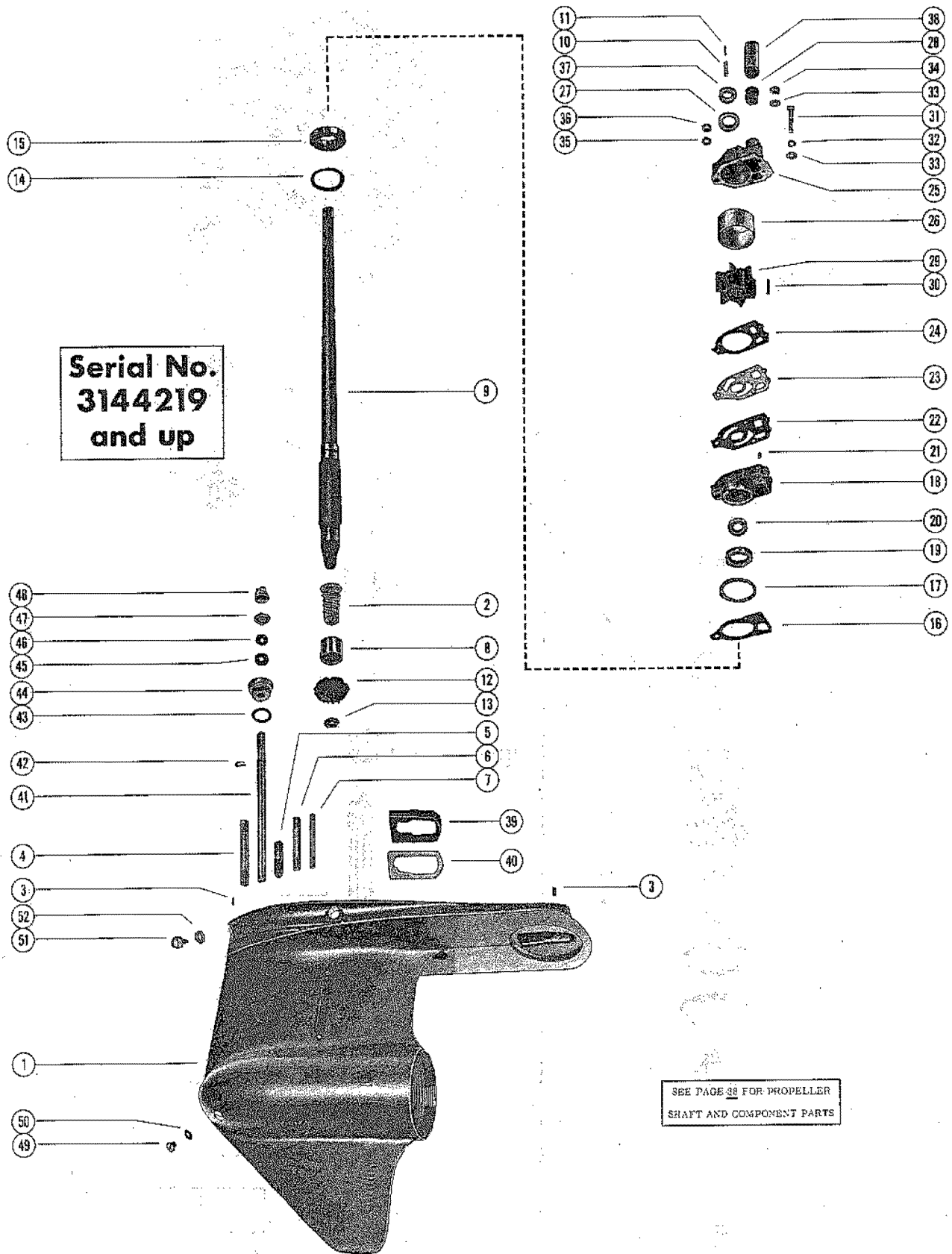
Serial No.
3144218
and below



GEAR HOUSING ASSEMBLY, COMPLETE (CONT)

REF. NO.	PART NO.	SYM.	QTY.	DESCRIPTION
76	31640A1		1	TRIM TAB ASSEMBLY, GEAR HOUSING
77	10-47580		1	SCREW, TRIM TAB TO GEAR HOUSING (1 3/4") SERIAL 00000000-02670574
	10-55726		1	SCREW, TRIM TAB TO GEAR HOUSING (1 3/4") SERIAL 02783253-09999999
78	12-45176		2	WASHER, GEAR HOUSING TO DRIVE SHAFT HOUSING STUDS
79	11-34933		2	NUT, GEAR HOUSING TO DRIVE SHAFT HOUSING STUDS
80	10-34535		1	SCREW, GEAR HOUSING TO DRIVE SHAFT HOUSING (1")
81	46961A1		1	THRUST HUB AND WASHER ASSEMBLY
82	12-29590		1	WASHER, CUPPED-THRUST HUB
83	12-31211		1	WASHER, SPLINED-PROPELLER NUT
84	14-31210		1	TAB WASHER, PROPELLER NUT
85	11-52707		1	NUT, PROPELLER

GEAR HOUSING ASSEMBLY, COMPLETE

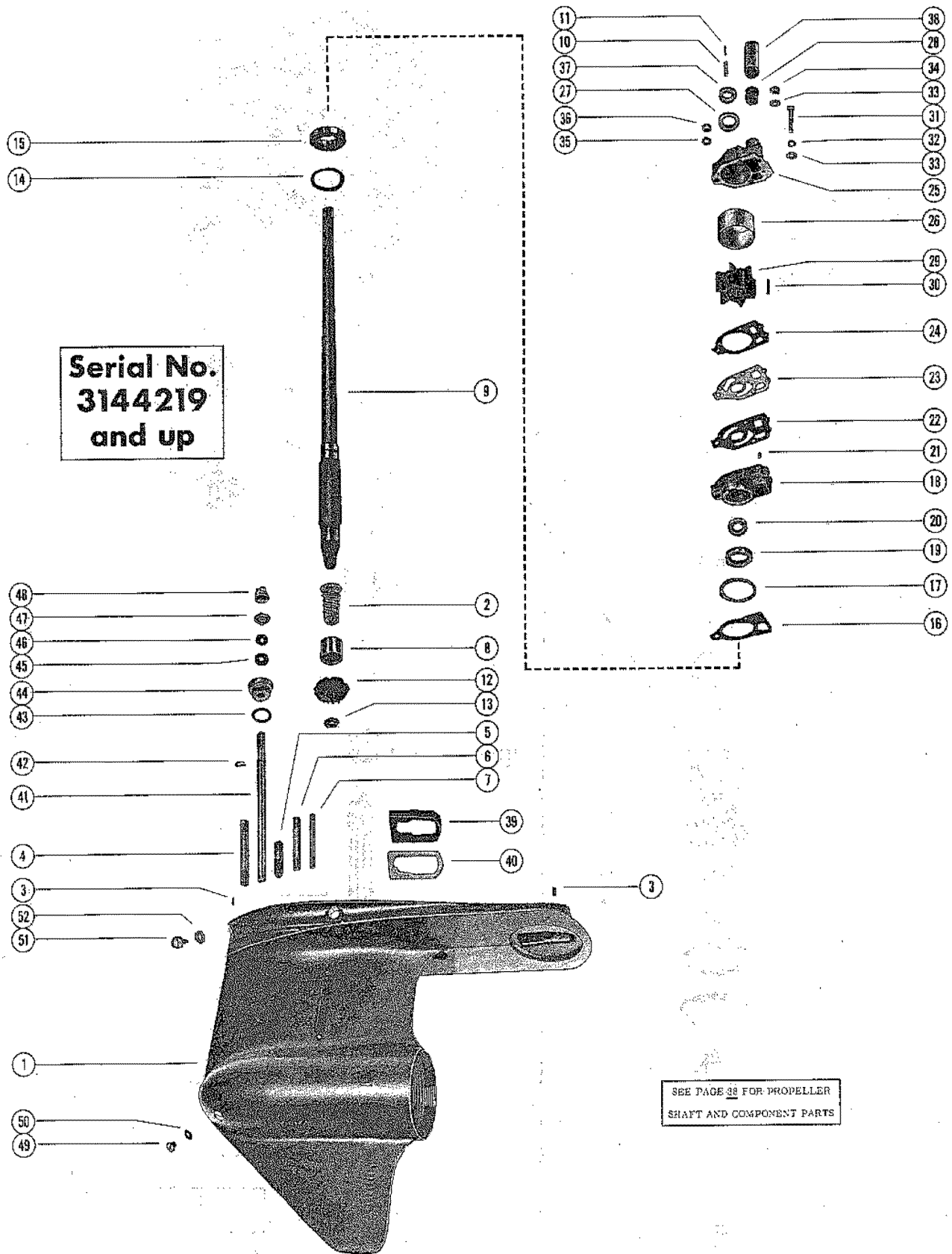


GEAR HOUSING ASSEMBLY, COMPLETE

REF. NO.	PART NO.	SYM.	QTY.	DESCRIPTION
-	1623-4021A4		1	GEAR HOUSING ASSEMBLY, COMPLETE (SHORT SHAFT) A-1623-4021A4 AND A-1623-4021A5 GEAR HOUSING ASSEMBLIES COMPLETE, INCLUDE ALL PARTS FROM REFERENCE #1 THRU #78 AS LISTED ON PAGES 35 AND 38
-	1623-4021A5		1	GEAR HOUSING ASSEMBLY, COMPLETE (LONG SHAFT) A-1623-4021A4 AND A-1623-4021A5 GEAR HOUSING ASSEMBLIES COMPLETE, INCLUDE ALL PARTS FROM REFERENCE #1 THRU #78 AS LISTED ON PAGES 35 AND 38
1	1623-4021A6		1	GEAR HOUSING ASSEMBLY
2	23-56513		1	SLEEVE, LUBRICATION
3	17-21438		2	PIN, GEAR HOUSING
4	16-57921		1	STUD, GEAR HOUSING TO DRIVE SHAFT HOUSING (4")
5	16-57920		2	STUD, GEAR HOUSING TO DRIVE SHAFT HOSUING (2 1/16")
6	16-56297		1	STUD, WATER PUMP BASE AND BODY TO GEAR HOSUING (3 3/8")
7	16-30667		2	STUD, WATER PUMP BASE AND BODY TO GEAR HOUSING (3 1/8")
8	31-32898		1	BEARING, ROLLER - DRIVE SHAFT
9	45-59117A1		1	DRIVE SHAFT ASSEMBLY (SHORT SHAFT)
	45-59116A1		1	DRIVE SHAFT ASSEMBLY (LONG SHAFT)
10	24-34576		1	SPRING, COMPRESSION - DRIVE SHAFT
11	17-30545		1	PIN, COMPRESSION SPRING RETAINING
12	43-56518		1	GEAR, PINION - DRIVE SHAFT
13	11-35921		1	NUT, PINION GEAR TO DRIVE SHAFT
14	15-57007A1		AR	SHIM, TAPERED ROLLER BEARING TO GEAR HOUSING (.002-3-5-10)
15	31-33138A1		1	TAPERED ROLLER BEARING ASSEMBLY, DRIVE SHAFT
16	27-33146		1	GASKET, WATER PUMP BASE TO GEAR HOUSING
17	25-33145		1	"O" RING, WAER PUMP BASE
18	46-58618A1		1	WATER PUMP BASE ASSEMBLY
19	26-31489		1	OIL SEAL, WATER PUMP BASE
20	26-55682		1	OIL SEAL, WATER PUMP BASE
21	17-35973		2	DOWEL PIN, WATER PUMP BASE TO WATER PUMP
22	27-32433		1	GASKET, LOWER - WATER PUMP BASE TO FACE PLATE
23	32435		1	PLATE, FACE - WATER PUMP BASSE TO WATER PUMP BODY
24	27-32434		1	GASKET, UPPER - FACE PLATE TO WATER PUMP BODY
25	46-48743A1		1	WATER PUMP BODY ASSEMBLY
26	48752		1	INSERT, WATER PUMP BODY
27	26-31507		1	OIL SEAL, WATER PUMP BODY
28	26-38970		1	SEAL, RUBBER - WATER INLET TUBE
29	47-30221		1	IMPELLER, WATER PUMP
30	28-56654		1	KEY, IMPELLER DRIVE
31	10-30720		1	SCREW, WATER PUMP BODY TO GEAR HOUSING (2 1/4")
32	13-26992		1	LOCKWASHER, WATER PUMP BODY SCREW

CONTINUED ON NEXT PAGE ➡

GEAR HOUSING ASSEMBLY, COMPLETE

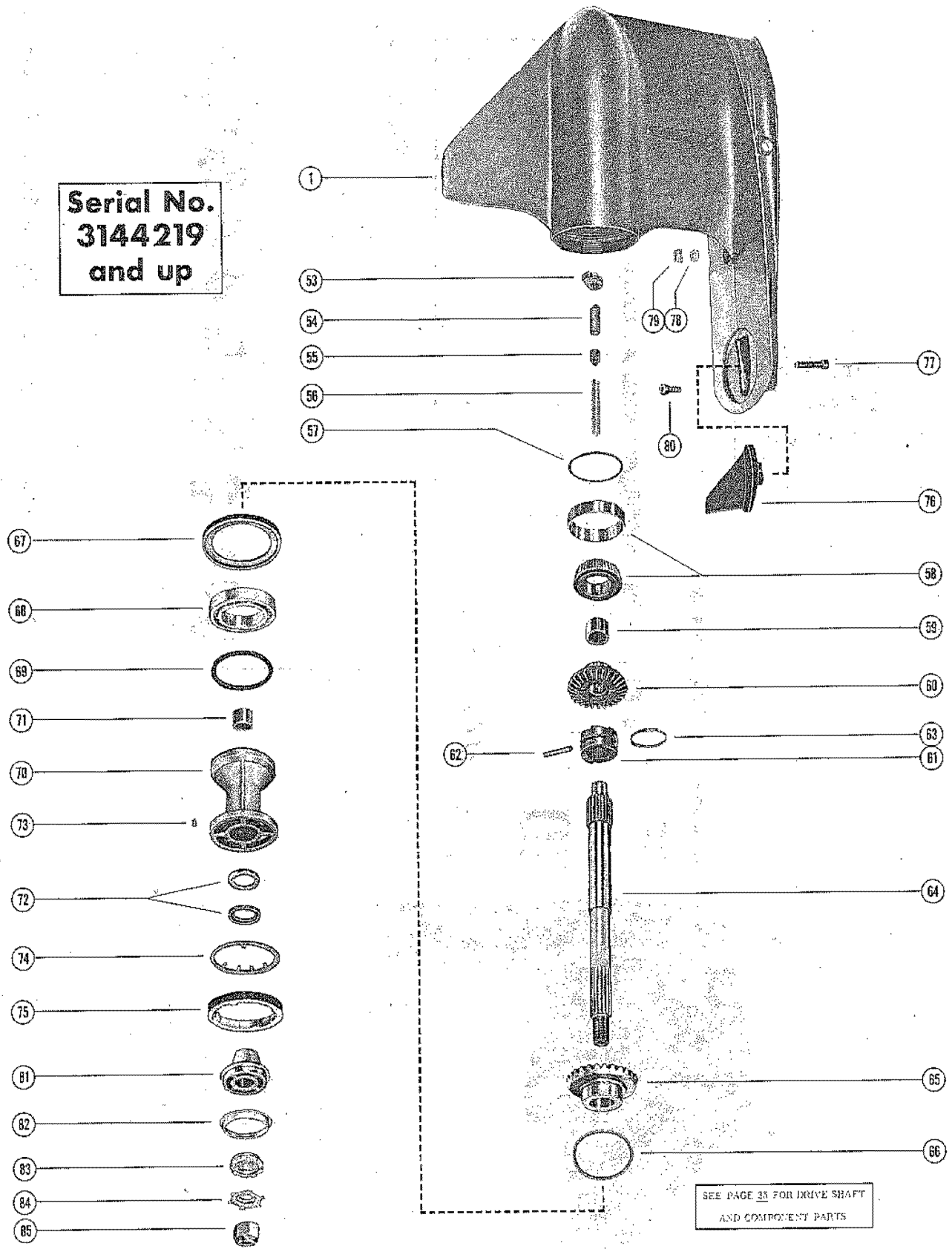


GEAR HOUSING ASSEMBLY, COMPLETE

REF. NO.	PART NO.	SYM.	QTY.	DESCRIPTION
33	12-29245		3	WASHER, WATER PUMP BODY FASTENING SCREW AND STUD
34	11-35045		2	NUT, WATER PUMP BODY FASTENING STUD
35	12-36001		1	WASHER, WATER PUMP BODY FASTENING STUD
37	25-30271		1	RING, RUBBER - CENTRIFUGAL SLINGER (DRIVE SHAFT)
38	23-29804		1	SLEEVE, GUIDE - WATER INLET TUBE
39	37641		1	SEAL, EXHAUST TUBE
40	38051		1	PLATE, SUPPORT - EXHUAST TUBE SEAL
41	55421A1		1	SHAFT ASSEMBLY, SHIFT - LOWER
42	53-29641		1	"E" RING, RETIANING, LOWER SHIFT SHAFT
43	25-25439		1	"O" RING, SHIFT SHAFT BUSHING
44	23-55419A1		1	BUSHING ASSEMBLY, SHIF SHAFT
45	26-24590		1	OIL SEAL, SHIFT SHAFT BUSHING (LOWER)
	26-31249		1	OIL SEAL, SHIFT SHAFT BUSHING (UPPER)
46	12-31266		1	WASHER, RUBBER - SHIF SHAFT BUSHING
47	39019		1	SPACER, LOWER - REVERSE LOCKING
48	39021		1	CAM, REVERSE LOCKING
49	10-28634		2	SCREW, GREASE FILLER AND VENT HOLE
50	12-20260		2	WASHER, GREASE FILLER AND VENT HOLE SRCEW
51	19-48750		1	PLUG, GEAR HOSUING FLUSHING HOLE
52	12-49221		1	WASHER, GEAR HOUSING FLUSHING HOLE PLUG

GEAR HOUSING ASSEMBLY, COMPLETE (CONT)

Serial No.
3144219
and up



GEAR HOUSING ASSEMBLY, COMPLETE (CONT)

REF. NO.	PART NO.	SYM.	QTY.	DESCRIPTION
-	1623-4021A4		1	GEAR HOUSING ASSEMBLY, COMPLETE(SHORT SHAFT) A-1623-4021A4 AND A-1623-4021A5 GEAR HOUSING ASSEMBLIES COMPLETE, INCLUDE ALL PARTS FROM REFERENCE #1 THRU #78 AS LISTED ON PAGES 35 AND 38
-	1623-4021A5		1	GEAR HOUSING ASSEMBLY, COMPLETE(LONG SHAFT) A-1623-4021A4 AND A-1623-4021A5 GEAR HOUSING ASSEMBLIES COMPLETE, INCLUDE ALL PARTS FROM REFERENCE #1 THRU #78 AS LISTED ON PAGES 35 AND 38
1	1623-4021A6		1	GEAR HOUSING ASSEMBLY - SEE PAGE 35 FOR BREAKDOWN
53	54346		1	CAM, SHIFT
54	30625		1	FOLLOWER, CAM
55	30624		1	SLIDE, CROSS PIN
56	24-30622		1	SPRING, COMPRESSION - CAM FOLLOWER
57	15-30923A1		AR	SHIM, BEARING OUTER RACE TO GEAR HOUSING
58	31-30894A1		1	TAPERED ROLLER BEARING ASSEMBLY
59	31-30895		1	BEARING, ROLLER - FORWARD GEAR
60	43-56517		1	FORWARD GEAR ASSEMBLY
61	52-34239		1	RATCHET, SLIDING CLUTCH
62	17-30632		1	PIN, CROSS - RATCHET TO PROPELLAR SHAFT
63	24-30893		1	SPRING, RETAINING - CROSS PIN
64	44-52542		1	SHAFT, PROPELLER
65	43-56516		1	REVERSE GEAR ASSEMBLY
66	15-29955A1		AR	SHIM, THRUST WASHER TO GEAR HOUSING
67	12-30633		1	WASHER, THRUST - BEARING CARRIER TO GEAR HOUSING
68	30-31265		1	BEARING, BALL - REVERSE GEAR
69	25-29976		1	"O" RING, BEARING CARRIER
70	52132A1		1	BEARING CARRIER ASSEMBLY
71	31-30956		1	BEARING, ROLLER - BEARING CARRIER
72	26-30550		2	OIL SEAL, BEARING CARRIER
73	28-30281		1	KEY, LOCATING - BEARING CARRIER
74	14-52700		1	TAB WASHER, GEAR HOUSING COVER
75	52699		1	COVER, GEAR HOUSING
76	31640A1		1	TRIM TAB ASSEMBLY, GEAR HOUSING
77	10-55726		1	SCREW, TRIM TAB TO GEAR HOUSING (1 3/4")
78	12-45176		2	WASHER, GEAR HOUSING TO DRIVE SHAFT HOUSING STUDS
79	11-34933		2	NUT, GEAR HOUSING TO DRIVE SHAFT HOUSING STUDS
80	10-34353		1	SCREW, GEAR HOUSING TO DRIVE SHAFT HOUSING (1")
81	46961A1		1	THRUST HUB AND WASHER ASSEMBLY
82	12-29590		1	WASHER, CUPPED - THRUST HUB
83	12-31211		1	WASHER, SPLINED - PROPELLER NUT
84	14-31210		1	TAB WASHER, PROPELLER NUT
85	11-52707		1	NUT, PROPELLER

PARTS INDEX

Part Number	Description	Pg.	Ref. No.	Part Number	Description	Pg.	Ref. No.
20121	CONNECTOR, SPARK PLUG LEAD	13	--	30187	STEM, CHECK UNIT ADAPTOR	35	25
20140	BELT, TIMING	17	56	30187	STEM, CHECK UNIT ADAPTOR	37	21
22463	KNOB, CHOKE ROD	27	17	30188	CUP WASHER, ADAPTOR	35	28
22789	"D" WASHER, CLAMP FASTENING SCREW	13	27	30188	CUP WASHER, ADAPTOR	37	24
22789	"D" WASHER, CLIP FASTENING SCREW	9	16	30306	PULLEY, FLYWHEEL	9	9
22789	"D" WASHER, WIRING HARNESS CLAMP	21	43	30413	HOOK, COWL LATCH FASTENING	7	11
23004	RETAINER, CHECK VALVE	33	6	30580A1	ECONOMIZER COLLAR ASSEMBLY	15	6
23004	RETAINER, CHECK VALVE	33	6	30585	BRACKET, STOP	17	40
23004	RETAINER, CHECK VALVE	37	6	30624	SLIDE, CROSS PIN	67	55
23014A1	DIAPHRAGM KIT	33	3	30624	SLIDE, CROSS PIN	75	55
23760	BAFFLE, BOTTOM COWL	49	7	30625	FOLLOWER, CAM	67	54
24929	PACKING, "U" CUP	61	28	30625	FOLLOWER, CAM	75	54
25067	BUMPER, RUBBER-MOUNTING SCREW	61	41	30664	TUBE, TILT-CLAMP BRACKET TO SWIVEL BRACKET	55	4
25596	WIRE, STARTER MOTOR TO STARTER SOLENOID AND TOP MOUNT	19	25	31014	MOUNT, RUBBER - REAR SUPPORT BRACKET	3	23
25596	WIRE, STARTER MOTOR TO STARTER SOLENOID AND TOP MOUNT	23	25	31640A1	TRIM TAB ASSEMBLY, GEAR HOUSING	69	76
25661	STARTER SOLENOID	19	27	31640A1	TRIM TAB ASSEMBLY, GEAR HOUSING	75	76
25661	STARTER SOLENOID	23	27	32197	STOP, SPARK ADVANCE-DISTRIBUTOR HOUSING	15	2
25996A1	SWIVEL AND LINK ROD ASSEMBLY	15	10	32435	PLATE, FACE - WATER PUMP BASSE TO WATER PUMP BODY	71	23
26113	RACE, OUTER (PAIR)	45	17	32435	PLATE, FACE-WATER PUMP BASE TO WATER PUMP BODY	65	22
26217	COVER, UPPER MOUNT-INSIDE HALF	61	27	35474	COVER, LOWER MOUNT CLAMP	61	49
26218	COVER, UPPER MOUNT-OUTSIDE HALF	61	26	35496	PAD, BUMPER - TOP COWL RETAINER	3	3
26901	BUMPER, IGNITION COIL	21	56	35496	PAD, BUMPER - TOP COWL RETAINER	3	3
26901	BUMPER, STARTER SOLENOID TO BRACKET	23	36	35496	PAD, BUMPER - TOP COWL RETAINER	3	3
27947	SWIVEL, LINKAGE-ECONOMIZER COLLAR	15	9	35496	PAD, BUMPER - TOP COWL RETAINER	3	3
27948	SWIVEL, UPPER LINK ROD TO THROTTLE CONTROL LEVER	15	13	35496	PAD, BUMPER - TOP COWL RETAINER	3	3
28203	BUMPER, STEERING ARM	55	30	35496	PAD, BUMPER - TOP COWL RETAINER	3	3
28205	STRAP STOP, DRIVE SHAFT HOUSING TO SWIVEL BRACKET	57	39	35608	CLAMP, LOWER MOUNT TO DRIVE SHAFT HOUSING	61	46
28403A3	THUMB SCREW ASSEMBLY	55	2	37396	MOUNT -UPPER	61	25
29359	LUBRICAP, SWIVEL BRACKET GREASE FITTING	55	22	37417	COVER, TRIM-DRIVE SHAFT HOUSING	59	6
29787	HUB, FLYWHEEL PULLEY	9	10	37419	YOKE, BOTTOM	57	42
29788	FLANGE, FLYWHEEL PULLEY	9	8	37432	SHAFT, SHIFT-LOWER-SERIAL	65	41
29906A1	DRIVEN PULLEY ASSEMBLY	17	51	37440	BRACKET, MOUNT SUPPORT-CYLINDER BLOCK	41	40
29907	FLANGE, DRIVEN PULLEY	17	53	37445	SUPPORT, WIRING HARNESS-BOTTOM COWL	49	10
30050	TERMINAL, STATOR LEAD WIRE	9	12	37587	SWIVEL, LOWER-THROTTLE CONTROL LEVER TO THROTTLE CABLE	15	22
30186	ADAPTOR, CHECK UNIT (FUEL LINE)	35	24	37588	ROD, LINK-UPPER	15	12
30186	ADAPTOR, CHECK UNIT (FUEL LINE)	37	20				

PARTS INDEX

Part Number	Description	Pg.	Ref. No.	Part Number	Description	Pg.	Ref. No.
37637	BOOT, FUEL CONNECTOR- BOTTOM COWL	49	9	46785A1	COWL LATCH ASSEMBLY . .	7	10
37638	BOOT, CONTROL CABLES- BOTTOM COWL	49	6	46933A1	GROUND STRAP ASSEMBLY, CRANKCASE TO BOTTOM COWL	53	54
37639	MOUNT, RUBBER - TOP COWL FRAME	3	20	46933A2	GROUND STRAP ASSEMBLY, DRIVE SHAFT HOUSING TO BOTTOM COWL	53	55
37640	MOUNT, RUBBER - FRONT SUPPORT BRACKET	5	35	46961A1	THRUST HUB AND WASHER ASSEMBLY	69	81
37641	SEAL, EXHAUST TUBE	65	39	46961A1	THRUST HUB AND WASHER ASSEMBLY	75	81
37641	SEAL, EXHAUST TUBE	73	39	47271	FRAME, TOP COWL SUPPORT	3	18
37665	STRIP, RETAINING-TRIM COVER SEAL (SIDE)	59	9	47341A1	ROPE, STARTER (FOR MANUAL STARTING ONLY)	3	17
37896	GUIDE BLOCK, LINK ROD . .	51	49	47558	ROD, PUSH-REVERSE LOCK (LONG SHAFT)	59	20
37918	SEAL, EXHAUST EXTENSION PLATE	51	26	47559	YOKE, PUSH ROD	59	22
37919	SEAL, TRIM COVER TO DRIVE SHAFT HOUSING . .	59	8	47591	ROD, PUSH-REVERSE LOCK (SHORT SHAFT)	59	20
37940	PAD, SOUND-DRIP TRAY . .	49	3	47604A1	PROTECTOR, SPARK PLUG LEAD	13	43
38032	STRIP, RETAINING- EXHAUST EXTENSION PLATE SEAL	51	27	47799A1	TILT LOCK ASSEMBLY, STARBOARD	55	23
38051	PLATE, SUPPORT - EXHAUST TUBE SEAL	73	40	47800A1	TILT LOCK ASSEMBLY, PORT	55	24
38051	PLATE, SUPPORT-EXHAUST TUBE SEAL	65	40	47802	TUBE, TILT LOCK	55	25
38052	STRIP, RETAINING-TRIM COVER SEAL (REAR)	59	10	47869A1	BRACKET ASSEMBLY, ANCHOR CONTROL CABLES	51	35
38279	LATCH, CONTROL CABLE FASTENING-ANCHOR BRACKET	53	51	47899A9	SPARK PLUG LEAD ASSEMBLY #1, #2, #3 AND #4	13	42
38448	RETAINER, WATER TUBE SEAL	49	21	48047A1	LINK ROD ASSEMBLY	51	32
38448	RETAINER, WATER TUBE SEAL	49	21	48152	SHUTTER, CHOKE- CARBURETOR	27	25
38469	TUBE, EXHAUST (SHORT SHAFT)	59	12	48187	CHOKE SOLENOID	27	1
38470	TUBE, EXHAUST (LONG SHAFT)	59	12	48203	ROD, CHOKE	27	22
38802	CAP, BRASS BARREL OF THROTTLE CABLE	51	36	48315A2	PLUNGER/LINK ASS"Y, CHOKE SOLENOID	27	6
39015A1	REVERSE LOCK ASSEMBLY	57	46	48562	LEVER, THROTTLE CONTROL	15	14
39019	SPACER, LOWER - REVERSE LOCKING	73	47	48666A1	ADAPTOR ASSEMBLY, DISTRIBUTOR	17	35
39019	SPACER, LOWER-REVERSE LOCK	65	47	48671	PLATE, THROTTLE ACTUATOR	15	28
39021	CAM, REVERSE LOCKING . .	65	48	48692	COLLAR, THROTTLE ACTUATOR	15	24
39021	CAM, REVERSE LOCKING . .	73	48	48752	INSERT, WATER PUMP BODY	65	25
39519	CAP, BARREL RETAINER- ANCHOR BRACKET	51	42	48752	INSERT, WATER PUMP BODY	71	26
39536	LINK, LOCKING LEVER TO COVER	51	46	48755A1	FLUSHING ATTACHMENT . .	1	-
39616	BOOT, CONTROL CABLES- BOTTOM COWL	49	6	49448	SHIELD, TOP COWL - REAR	3	7
39618	LEVER, NYLON-SHIFT CABLE LOCKING	51	43	49589	STRAP, CHOKE KNOB TO CHOKE ROD	27	19
39667	COVER, NYLON-SHIFT CABLE	51	45	49904A1	SHIFT SHAFT ASSEMBLY, UPPER (SHORT SHAFT) . .	51	29
46141	EMBLEM, TOP COWL RETAINER	3	4				
46281	RETAINER, LEADS	13	38				

PARTS INDEX

Part Number	Description	Pg.	Ref. No.	Part Number	Description	Pg.	Ref. No.
49905A1	SHIFT SHAFT ASSEMBLY, UPPER (LONG SHAFT) ..	51	29	52889	NOZZLE, TELL TALE HOSE TO BOTTOM COWL	49	14
49932A1	LEVER ASSEMBLY, CONTROL CABLE LOCKING-ANCHOR BRACKET	51	37	52902	CABLE, STARTER SOLENOID TO STARTER MOTOR	21	34
49935	CAP, BRASS BARREL OF THROTTLE CABLE	51	36	52932A2	PLATE ASSEMBLY, EXHAUST EXTENSION ..	49	19
49993	COVER, WATER JACKET- CYLINDER BLOCK-	41	26	53071	COVER, UPPER AND LOWER SHOCK MOUNTING PIN	57	57
52023	CAP, NYLON-STOP BRACKET ADJUSTING SCREWS	17	45	53078	CAP, PLASTIC-TILT TUBE ..	55	7
52023	CAP, NYLON-THROTTLE ACTUATOR COLLAR ADJUSTING SCREW	15	27	53123A4	FUEL PUMP ASSEMBLY (UPPER AND LOWER) ...	33	1
52098	PLATE, BAFFLE-EXHAUST MANIFOLD	41	31	53123A4	FUEL PUMP ASSEMBLY (UPPER)	33	1
52100	WEAR PLATE, LINK ROD ..	51	50	53216	LUBRICAP, SWIVEL BRACKET GREASE FITTING	55	22
52132A1	BEARING CARRIER ASSEMBLY	67	70	53417	GROUND STRAP ASSEMBLY, DISTRIBUTOR TO CRANKCASE	11	10
52132A1	BEARING CARRIER ASSEMBLY	75	70	53665	INSERT, THROTTLE COUPLING	27	12
52166	COVER, EXHAUST MANIFOLD	41	33	53720A2	THROTTLE PICK-UP COUPLING ASSEMBLY ..	27	10
52391	COVER, TRANSFER PORT .	41	42	54140	MOUNT, RUBBER-LOWER .	61	37
52468	BRACKET, TOP COWL SUPPORT - REAR	3	22	54141A1	BLANKET ASS'Y SOUND ABSORBING - WRAP AROUND COWL	7	12
52518	CLUSTER, THROTTLE LEVER	27	7	54142	BLANKET, SOUND ABSORBING - FRONT COVER	7	7
52635	BRACKET, SUPPORT- FRONT	5	30	54143	SEAL, SOUND - UPPER ...	7	8
52691	BRACKET, SUPPORT- STARTER MOTOR	19	20	54196A1	CARRIER ASSEMBLY, "O"RING	45	5
52691	BRACKET, SUPPORT- STARTER MOTOR	23	20	54239	CAM, THROTTLE ACTUATOR PLATE	15	33
52699	COVER, GEAR HOUSING ..	67	75	54283A1	PLUNGER/LINK ASS'Y, CHOKE SOLENOID	27	6
52699	COVER, GEAR HOUSING ..	75	75	54293A4	CHOKE SOLENOID	27	1
52732	BRACKET, ANCHOR- CONTROL CABLES	51	41	54346	CAM, SHIFT	67	53
52733A1	RETAINER ASSEMBLY, TOP COWL	3	2	54346	CAM, SHIFT	75	53
52733A3	RETAINER ASSEMBLY, TOP COWL	3	2	54567	CAP, DISTRIBUTOR HOUSING	17	49
52733A4	RETAINER ASSEMBLY, TOP COWL	3	2	54817A3	FUEL PUMP ASSEMBLY (LOWER)	33	1
52733A6	RETAINER ASSEMBLY, TOP COWL	3	2	55155	COVER, TRANSFER PORT .	41	42
52737	LEVER, COWL LATCH HINGE	3	11	55156A5	FUEL PUMP ASSEMBLY (UPPER AND LOWER) ...	33	1
52738	HOOK, TOP COWL LATCH - REAR	3	14	55278A1	DIAPHRAGM KIT	33	3
52739	HINGE, COWL LATCH - TOP COWL	3	10	55278A2	DIAPHRAGM KIT	37	3
52771	WIRING HARNESS (INTERNAL)	21	35	55398A4	TACHOMETER ASSEMBLY .	1	-
52862A2	DRIP TRAY ASSEMBLY, BOTTOM COWL	49	2	55421A1	SHAFT ASSEMBLY, SHIFT - LOWER	73	41
52887	GUIDE, PUSH ROD- REVERSE LOCKING	59	19	55421A1	SHAFT ASSEMBLY, SHIFT- LOWER	65	41
				55455	HOOK, TOP COWL LATCH - REAR	3	14
				55482	YOKE, BOTTOM	57	42

PARTS INDEX

Part Number	Description	Pg.	Ref. No.	Part Number	Description	Pg.	Ref. No.
55662	SCREEN, WATER INLET (EARLY MODELS ONLY)	63	2	10-20037	SCREW, RETAINER TO HOUSING	33	7
55692	COUPLING, SHIFT SHAFT	51	30	10-20037	SCREW, RETAINER TO HOUSING	37	7
55804A1	ECONOMIZER COLLAR ASSEMBLY	15	6	10-20055	SCREW, REED STOP MOUNTING	45	13
55805	BRACKET, STOP	17	40	10-20100	SCREW, STRAP TO CHOKE KNOB (1/2")	27	20
56031	COVER, TRANSFER PORT- BOTTOM	41	42	10-20100	SCREW, STRAP TO CHOKE ROD	27	23
56186	EMBLEM, TOP COWL RETAINER	3	4	10-20359	SCREW, CENTER MAIN BEARING LOCKING (1")	39	18
56188	COVER, IGNITION COIL	25	49	10-20362	SCREW, FRONT BRACKET TO TOP COWL FRAME (1 1/2")	5	33
56306A2	PLATE ASSEMBLY, EXHAUST EXTENSION	49	19	10-20362	SCREW, STARTER MOTOR TO CRANKCASE FLANGE (1 1/2")	19	18
56349	SHAFT, REVERSE LOCK PIVOT	57	47	10-20362	SCREW, STARTER MOTOR TO CRANKCASE FLANGE (1 1/2")	23	18
56849	KNOB, COWL FRONT COVER FASTENING	7	2	10-20776	SCREW, WIRING HARNESS LEAD TO BOTTOM COWL (1/2")	21	45
57752	COVER, TRANSFER PORT	41	42	10-20776	SCREW, WIRING HARNESS LEAD TO BOTTOM COWL (1/2")	25	44
57854	RESTRICTOR, CRANKCASE BLEED	39	11A	10-20847	SCREW, CLUSTER TO THROTTLE LEVER	27	8
57931	COVER, UPPER MOUNT- INSIDE HALF	61	27	10-20847	SCREW, THROTTLE STOP LEVER	29	19
58124A7	SWITCH, MERCURY	5	38	10-21091	SCREW, CYLINDER BLOCK COVER MOUNTING (1 1/8")	41	37
58124A9	SWITCH, MERCURY	5	38	10-21574	SCREW, CRANKCASE TO CYLINDER BLOCK (1 5/8")	39	16
58807A1	FLAME ARRESTOR ASSEMBLY, DISTRIBUTOR HOUSING	11	12	10-21625	SCREW, STARTER SOLENOID TO COIL BRACKET (3/4")	19	28
58807A1	FLAME ARRESTOR ASSEMBLY, DISTRIBUTOR HOUSING	13	37	10-21625	SCREW, SWITCH BOX TO FRONT SUPPORT BRACKET (3/4")-SERIAL #27	19	4
58888A4	FUEL PUMP ASSEMBLY	37	1	10-22040	SCREW, DISTRIBUTOR HOUSING TO CRANKCASE (1 1/2")	17	37
58889	COVER, TRANSFER PORT- TOP	41	42	10-22040	SCREW, FRONT SUPPORT BRACKET TO BOTTOM COWL (1 1/2")	5	31
59736	CABLE, STARTER SOLENOID TO STARTER MOTOR (YELLOW-6 1/2")	23	17	10-22523	SCREW, FILTER SCREEN TO CARBURETOR (3/4")	27	29
59739	CABLE, COIL TO SWITCH BOX (GREEN-3 1/4")	25	52	10-22956	SCREW, REAR HOOK TO TOP COWL (7/8")	3	16
59740	CABLE, COIL TO GROUND (BLACK-5 1/4")	25	53	10-22956	SCREW, RETAINER BRACKET TO FRONT SUPPORT BRACKET (7/8")	19	12
59741	WIRING HARNESS (INTERNAL)	23	37	10-22956	SCREW, RETAINER BRACKET TO FRONT SUPPORT BRACKET (7/8")	23	10
59757	BRACKET, RETAINER-HIGH TENSION LEAD	19	11				
59757	BRACKET, RETAINER-HIGH TENSION LEAD	23	9				
59768	BRACKET, SUPPORT - FRONT	5	30				
59769	BRACKET, STARTER SOLENOID	23	33				
60304A10	SHIFT SHAFT ASSEMBLY, UPPER (LONG SHAFT)	51	29				
60304A9	SHIFT SHAFT ASSEMBLY, UPPER (SHORT SHAFT)	51	29				
62301	COVER, TRANSFER PORT- BOTTOM	41	42				
62302	COVER, TRANSFER PORT- TOP	41	42				
10-20037	SCREW, RETAINER TO HOUSING	33	7				

PARTS INDEX

Part Number	Description	Pg.	Ref. No.	Part Number	Description	Pg.	Ref. No.
10-23015	SCREW, FILTER SCREEN TO CARBURETOR	27	29	10-28636	SCREW, STOP BRACKET TO DISTRIBUTOR ADAPTOR (3/4")	17	41
10-23030	SCREW, BODY CHANNEL . .	31	36	10-28636	SCREW, TRANSFER PORT COVER MOUNTING (3/4")	41	44
10-23178	SCREW, BODY (IDLE TUBE)	29	23	10-28636	SCREW, TRANSFER PORT COVER MOUNTING (3/4")	41	44
10-24226	SCREW, EXTENSION PLATE TO DRIVE SHAFT HOUSING (1 1/4")	49	23	10-28773	SCREW, UPPER MOUNT COVER (1 5/8")	61	29
10-24228	SCREW, STOP BRACKET ADJUSTING (1 7/8")	17	43	10-28775	SCREW, UPPER MOUNT COVER (2 1/8")	61	30
10-24234	SCREW, ANCHOR BRACKET TO CYLINDER BLOCK (1")	51	47	10-29072	SCREW, TRIGGER COIL TO DISTRIBUTOR HOUSING	11	7
10-24234	SCREW, BRACKET TO CYLINDER BLOCK (1")	41	41	10-29197	SCREW, GROUND WIRE TO STARTER MOTOR (5/8")	19	26
10-24234	SCREW, RAR SUPPORT BRACKET TO BOTTOM COWL (1')	5	28	10-29197	SCREW, GROUND WIRE TO STARTER MOTOR (5/8")	23	26
10-24234	SCREW, STARTER MOTOR BRACKET TO CRANKCASE (1")	19	23	10-29256	SCREW, LOWER MOUNT CLAMP TO DRIVE SHAFT HOUSING (7/8")	61	48
10-24234	SCREW, STARTER MOTOR BRACKET TO CRANKCASE (1")	23	23	10-29722	SCREW, COVER TO LOWER CLAMP MOUNT	61	51
10-24624	SCREW, IGNITION COIL TO BOTTOM COWL (3/4")	21	50	10-30225	SCREW, END CAP MOUNTING (1")	39	25
10-24866	SCREW, RECTIFIER TO TOP COWL SUPPORT (3/4")	23	7	10-30225	SCREW, END CAP MOUNTING (1")	39	5
10-24866	SCREW, SWITCH BOX TO FRONT SUPPORT BRACKET (3/4")	19	4	10-30273	SCREW, PUMP MOUNTING (1 7/8")	33	9
10-24963	SCREW, RECTIFIER TO BOTTOM COWL (7/8")	19	9	10-30453	BOLT, STEERING ARM TO UPPER MOUNT (5 1/2")	55	31
10-25299	SCREW, CHOKE SOLENOID ATTACHING (3/4")	27	4	10-30663	SCREW, GROUND STRAP ATTACHING (3/8")	11	11
10-25612	SCREW, DRIVE-SERIAL PLATE TO SWIVEL BRACKET	55	37	10-30663	SCREW, GROUND STRAP ATTACHING (3/8")	53	56
10-25764	SCREW, MERCURY SWITCH TO FRONT SUPPORT BRACKET (1/2")	5	39	10-30663	SCREW, MERCURY SWITCH LEAD (3/8")	5	41
10-25822	SCREW, STRAINER COVER FASTENING	29	18	10-30663	SCREW, STATOR LEAD FASTENING (3/8")	9	15
10-26065	SCREW, REAR SUPPORT BRACKET TO TOP COWL FRAME (1")	3	26	10-30663	SCREW, WIRING HARNESS LEAD TO RETAINER BRACKET (3/8")	23	13
10-27281	SCREW, PUMP MOUNTING (1 3/8")	33	8	10-30720	SCREW, WATER PUMP BODY TO GEAR HOUSING (2 1/4")	65	30
10-27281	SCREW, PUMP MOUNTING (1 3/8")	37	8	10-30720	SCREW, WATER PUMP BODY TO GEAR HOUSING (2 1/4")	71	31
10-28009	BOLT, CLAMP BRACKET TO BOAT TRANSOM (3 1/4")	55	14	10-31206	SCREW, WIRING HARNESS CLAMP TO COIL BRACKET	21	42
10-28200	SCREW, STRAP STOP TO DRIVE SHAFT HOUSING (2 7/8")	57	40	10-31294	SCREW, RETAINER BRACKET TO FRONT SUPPORT BRACKET (1")	19	12
10-28405	SCREW, PLUG-MAIN FUEL JET CHANNEL	29	29	10-31471	SCREW, ADAPTOR TO BOTTOM COWL (3 1/4")	35	29
10-28424	SCREW, LOWER SHOCK PIN -LONG SHAFT	57	--	10-31471	SCREW, ADAPTOR TO BOTTOM COWL (3 1/4")	37	25
10-28634	SCREW, GREASE FILLER AND VENT HOLE	65	49	10-31471	SCREW, IGNITION COIL TO BOTTOM COWL (3 1/4")	21	52

PARTS INDEX

Part Number	Description	Pg.	Ref. No.	Part Number	Description	Pg.	Ref. No.
10-31827	BOLT, CLAMP BRACKET TO TRANSOM (3")	55	14	10-38837	SCREW, MANIFOLD COVER MOUNTING (1 1/8")	41	34
10-31830	SCREW, RIDE-GUIDE ATTACHING (1 3/4")	55	34	10-45218	SCREW, IGNITION COIL WIRE TO SWITCH BOX (3/8")	21	55
10-31984	SCREW, STARTER MOTOR CRANKCASE FLANGE (1 3/8")	23	18	10-45775	SCREW, MAIN BEARING CLAMPING	45	9
10-31984	SCREW, STARTER MOTOR TO CRANKCASE FLANGE (1 3/8")	19	18	10-45775	SCREW, MAIN BEARING CLAMPING	45	9
10-32293	SCREW, CRANKCASE TO CYLINDER BLOCK (1 3/4")	39	15	10-45862	SCREW, WIRING HARNESS CLAMP TO BOTTOM COWL (7/8")	21	37
10-32417	SCREW, FLEXIBLE PLATE TO FLYWHEEL	9	5	10-45862	SCREW, WIRING HARNESS CLAMP TO BOTTOM COWL (7/8")	25	39
10-33473	SCREW, CRANKCASE TO CYLINDER BLOCK (2 5/8")	39	15	10-46368	SCREW, IGNITION COIL CLAMPING (2 1/4")	21	48
10-34353	SCREW, GEAR HOUSING TO DRIVE SHAFT HOUSING (1")	75	80	10-46378	SCREW, LEAD RETAINER (1")	13	39
10-34439	SCREW, RETAINER TO EXTENSION PLATE (3/4")	49	22	10-47580	SCREW, TRIM TAB TO GEAR HOUSING (1 3/4")	69	77
10-34439	SCREW, RETAINER TO EXTENSION PLATE (3/4")	49	22	10-47828	SCREW, DRIVE-SWIVEL BRACKET	55	20
10-34535	SCREW, GEAR HOUSING TO DRIVE SHAFT HOUSING (1")	69	80	10-48080	SCREW, REED STOP MOUNTING	45	13
10-35519	SCREW, DRIP TRAY TO BOTTOM COWL (1/2")	49	4	10-48408	SCREW, RETAINING STRIP TO DRIVE SHAFT HOUSING (1/2")	59	5
10-35519	SCREW, TELL TALE NOZZLE TO BOTTOM COWL (1/2")	49	15	10-48409	SCREW, RETAINING STRIP TO DRIVE SHAFT HOUSING (5/8")	59	4
10-37370	SCREW, SHEILD TO TOP COWL (5/8")	3	8	10-48591	SCREW, VENT HOSE CLAMP (1/2")	11	26
10-37558	SCREW, RETAINER TO TOP COWL (1 1/4")	3	5	10-48675	SCREW, ADJUSTING- ACTUATOR COLLAR (1 1/2")	15	25
10-37559	SCREW, THROTTLE LEVER TO EXHAUST COVER (1 3/4")	15	18	10-49006	SCREW, PLATE AND HUB TO FLEXIBLE PLATE	9	6
10-37561	SCREW, SOLENOID BRACKET TO BOTTOM COWL (2 1/2")	23	34	10-49318	SCREW, UPPER MOUNT (5 1/2")	61	38
10-37571	SCREW, SEAL AND STRIP TO EXHAUST EXTENSION PLATE (1/2")	51	28	10-52195	SCREW, FLOAT BOWL COVER (SHORT)	29	10
10-37571	SCREW, TRIM COVER TO BOTTOM COWL (1/2")	59	7	10-52196	SCREW, FLOAT BOWL COVER (LONG)	29	11
10-37892	SCREW, THROTTLE ACTUATOR PLATE TO ECONOMIZER COLLAR (1")	15	29	10-52867	SCREW, BAFFLE TO BOTTOM COWL	49	8
10-37990	SCREW, ADAPTOR TO BOTTOM COWL (1 3/4")	35	29	10-53077	SCREW, UPPER AND LOWER SHOCK MOUNTING PIN (3/4")	57	56
10-37990	SCREW, ADAPTOR TO BOTTOM COWL (1 3/4")	37	25	10-53099	SCREW, STARTER SOLENOID TO BRACKET (3/4")	23	28
10-37990	SCREW, WIRING HARNESS SUPPORT TO BOTTOM COWL (1 3/4")	49	11	10-53167	SCREW, WATER JACKET COVER TO CYLINDER BLOCK (7/8")	41	28
10-38036	SCREW, PUMP MOUNTING (1 1/2")	33	8	10-53556	SCREW, TRANSFER PORT COVER MOUNTING (1")	41	44
				10-53651	SCREW, THROTTLE COUPLING MOUNTING (3/4")	27	11

PARTS INDEX

Part Number	Description	Pg.	Ref. No.	Part Number	Description	Pg.	Ref. No.
10-54281	SCREW, DISTRIBUTOR CAP CLAMP (1")	11	21	11-20509	NUT, THROTTLE CONTROL LEVER SCREW	15	21
10-54803	SCREW, CAP TO CONNECTING ROD	47	26	11-20565	NUT, STRAP TO CHOKE ROD SCREW	27	24
10-55726	SCREW, TRIM TAB TO GEAR HOUSING (1 3/4")	69	77	11-20645	NUT, SOLENOID TERMINAL (#10)	21	33
10-55726	SCREW, TRIM TAB TO GEAR HOUSING (1 3/4")	75	77	11-20645	NUT, SOLENOID TERMINAL (#10)	23	32
10-56214	SCREW, SWITCH BOX TO FRONT SUPPORT BRACKET (5/8")	23	3	11-20645	NUT, WIRE HARNESS LEAD TO CHOKE SOLENOID	27	3
10-57021	SCREW, STATOR TO UPPER END CAP (7/8")	9	13	11-20664	NUT, LINK ROD	53	53
10-57807	SCREW, TRIM COVER TO BOTTOM COWL (3/4")	59	7	11-20890	NUT, STARTER MOTOR TERMINAL	19	17
10-58534	SCREW, PULLEY CLAMPING SCREW	17	55	11-20890	NUT, STARTER MOTOR TERMINAL	23	16
10-59770	SCREW, IGNITION COIL COVER (2")	25	50	11-20890	NUT, STOP BRACKET ADJUSTING SCREWS	17	44
10-59788	SCREW, SWITCH BOX TO FRONT SUPPORT BRACKET (2")	23	3	11-20890	NUT, THROTTLE ACTUATOR COLLAR ADJUSTING SCREW	15	26
10-60251	SCREW, HARNESS LEADS TO SWITCH BOX (3/8")	23	2	11-21528	NUT, POWERHEAD STUDS (5/16-24)	59	15
10-61658	SCREW, ADJUSTING-ACTUATOR COLLAR (1 3/4")	15	25	11-22053	NUT, RUBBER MOUNT TO FRONT SUPPORT BRACKET	5	37
10-62204	SCREW, REED STOP MOUNTING	45	13	11-23161	NUT, POWERHEAD STUDS (3/8-24)	59	15
11-20013	NUT, RETAINER SCREW	13	40	11-24656	NUT, CLAMP FASTENING SCREW	13	28
11-20013	NUT, THRU BOLT-BRACKET TO STARTER MOTOR	19	22	11-25096	NUT, MOUNT SCREW	61	40
11-20013	NUT, THRU BOLT-BRACKET TO STARTER MOTOR	23	22	11-25168	NUT, UPPER LINK ROD ADJUSTING	15	11
11-20083	NUT, DISTRIBUTOR HOUSING SCREW	17	39	11-25269	NUT, STRAP STOP FASTENING SCREW	57	41
11-20083	NUT, SOLENOID TERMINAL-INSIDE (5/16")	19	31	11-26768	NUT, DISTRIBUTOR CAP CLAMP SCREW	11	22
11-20083	NUT, SOLENOID TERMINAL-INSIDE (5/16")	23	30	11-27164	NUT, IGNITION COIL COVER	25	51
11-20088	NUT, RUBBER MOUNT TO REAR SUPPORT BRACKET	3	25	11-28010	NUT, CLAMP BRACKET BOLT	55	16
11-20110	NUT, CARBURETOR SCREEN SCREW	27	30	11-28770	NUT, CLAMP BRACKET STUD	55	11
11-20110	NUT, CHOKE SHUTTER STUD	27	27	11-29489	NUT, GEAR HOUSING AND DRIVE SHAFT HOUSING STUDS	61	44
11-20190	NUT, IGNITION COIL CLAMPING SCREW	21	49	11-30499	NUT, TILT TUBE FASTENING	55	6
11-20361	NUT, RUBBER MOUNT TO TOP COWL FRAME	3	21	11-34933	NUT, GEAR HOUSING AND DRIVE SHAFT HOUSING STUDS	61	42
11-20361	NUT, THROTTLE CABLE TO LOWER SWIVEL	15	23	11-34933	NUT, GEAR HOUSING TO DRIVE SHAFT HOUSING STUDS	69	79
11-20361	NUT, UPPER LINK ROD TO THROTTLE CONTROL LEVER	15	17	11-34933	NUT, GEAR HOUSING TO DRIVE SHAFT HOUSING STUDS	75	79
11-20509	NUT, POWERHEAD STUDS (3/8-24)	59	16	11-34933	NUT, STEERING ARM BOLT FASTENING	55	32
11-20509	NUT, RIDE-GUIDE ATTACHING SCREW	55	35	11-34933	NUT, UPPER MOUNT BOLT	61	36
				11-35045	NUT, WATER PUMP BODY FASTENING STUD	65	33

PARTS INDEX

Part Number	Description	Pg.	Ref. No.	Part Number	Description	Pg.	Ref. No.
11-35521	NUT, LOWER MOUNT CLAMP COVER	61	50	11-47661	NUT, JAM-PUSH ROD	59	21
11-35921	NUT, PINION GEAR TO DRIVE SHAFT	63	11	11-49091	NUT, CONNECTING ROD SCREW	47	27
11-35921	NUT, PINION GEAR TO DRIVE SHAFT	71	13	11-52707	NUT, PROPELLER	69	85
11-37424	NUT, SWIVEL PIN RETAINING	57	43	11-52707	NUT, PROPELLER	75	85
11-45076	NUT, COIL TERMINAL	25	48	11-52901	NUT, FLYWHEEL	9	2
11-45076	NUT, RECTIFIER TERMINAL	19	8	11-53153	NUT, REED STOP MOUNTING SCREW	45	13A
11-45076	NUT, RECTIFIER TERMINAL	23	6	11-54209	NUT, ROTOR SHAFT TO DISTRIBUTOR HOUSING	11	2
11-45076	NUT, SWITCH BOX TERMINAL	19	3	12-20084	WASHER, DISTRIBUTOR HOUSING SCREW	17	38
11-45592	NUT, WATER PUMP BODY FASTENING STUD	65	35	12-20086	WASHER, POWERHEAD STUDS	59	17
11-45774	NUT, MAIN BEARING CLAMPING SCREW	45	10	12-20128	WASHER, THROTTLE ACTUATOR PLATE FASTENING SCREW	15	30
11-45774	NUT, MAIN BEARING CLAMPING SCREW	45	10	12-20128	WASHER, WIRING HARNESS CLAMP SCREW	21	39
11-46793	NUT, CARBURETOR MOUNTING STUD	31	38	12-20128	WASHER, WIRING HARNESS CLAMP SCREW	25	41
11-46793	NUT, CRANKCASE FASTENING SCREW	39	17	12-20260	WASHER, GREASE FILLER AND VENT HOLE SCREW	65	50
11-46793	NUT, FRONT SUPPORT BRACKET SCREW	5	32	12-20260	WASHER, GREASE FILLER AND VENT HOLE SCREW	73	50
11-46793	NUT, RAR SUPPORT BRACKET SCREW	5	27	12-20533	WASHER, STOP BRACKET FASTENING SCREW	17	42
11-46886	NUT, EXHAUST TUBE SCREW	59	14	12-21040	WASHER, CLAMP BRACKET BOLT	55	15
11-46886	NUT, UPPER MOUNT COVER SCREW	61	32	12-21631	WASHER, CONTROL CABLE LATCH LINK ROD	53	52
11-46887	NUT, ADAPTOR FASTENING SCREW	35	30	12-22753	WASHER, CRANKCASE TO CYLINDER BLOCK SCREW (LOWER)	39	--
11-46887	NUT, ADAPTOR FASTENING SCREW	37	26	12-24664	WASHER, LINK ROD (SHIFT LEVER END)	51	33
11-46887	NUT, CHOKE ROD SPRING TO CARBURETOR STUD	27	15	12-26825	WASHER, CRANKCASE TO CYLINDER BLOCK SCREW	39	--
11-46887	NUT, COVER MOUNTING SCREW	41	38	12-27939	WASHER, DISTRIBUTOR HOUSING	17	46
11-46887	NUT, EXHAUST EXTENSION PLATE SCREW	49	24	12-28008	WASHER, CLAMP BRACKET BOLT	55	15
11-46887	NUT, IGNITION COIL SCREW	21	54	12-28196	WASHER, UPPER BUSHING RETAINER (INNER)	57	50
11-46887	NUT, LOWER SHOCK PIN SCREW -LONG SHAFT	57	--	12-28264	WASHER, LOWER BUSHING RETAINER (INNER)	57	51
11-46887	NUT, MAIN BEARING CLAMPING SCREW	45	20	12-28404	WASHER, THUMB SCREW	55	3
11-46887	NUT, RECTIFIER TO TOP COWL SUPPORT	23	8	12-28421	WASHER, UPPER AND LOWER BUSHING RETAINER (OUTER)	57	55
11-46887	NUT, RETAINER BRACKET SCREW	19	14	12-29245	WASHER, RETAINER BRACKET FASTENING SCREW	19	13
11-46887	NUT, RETAINER BRACKET SCREW	23	12	12-29245	WASHER, RETAINER BRACKET FASTENING SCREW	23	11
11-46887	NUT, SOLENOID BRACKET SCREW	23	35	12-29245	WASHER, THROTTLE CONTROL LEVER SWIVEL	15	16
11-46887	NUT, SWITCH BOX SCREW	23	4				
11-46887	NUT, SWITCH BOX TO FRONT SUPPORT BRACKET SCREW	19	5				
11-46887	NUT, WIRING HARNESS SUPPORT SCREW	49	12				

PARTS INDEX

Part Number	Description	Pg.	Ref. No.	Part Number	Description	Pg.	Ref. No.
12-29245	WASHER, WATER PUMP BODY FASTENING SCREW AND STUD	65	32	12-47894	WASHER, RUBBER-UPPER MOUNT BOLT	61	34
12-29245	WASHER, WATER PUMP BODY FASTENING SCREW AND STUD	73	33	12-49221	WASHER, GEAR HOUSING FLUSHING HOLE PLUG . .	65	52
12-29395	WASHER, THROTTLE CONTROL LEVER SCREW	15	19	12-49221	WASHER, GEAR HOUSING FLUSHING HOLE PLUG . .	73	52
12-29590	WASHER, CUPPED - THRUST HUB	75	82	12-49339	WASHER, MOUNT SCREW .	61	39
12-29590	WASHER, CUPPED-THRUST HUB	69	82	12-52864	WASHER, CLAMP BRACKET TILT TUBE	55	5
12-30514	WASHER, UPPER MOUNT BOLT	61	35	12-53540	WASHER, ECONOMIZER COLLAR-DISTRIBUTOR HOUSING	15	5
12-30515	WASHER, UPPER MOUNT BOLT	61	33	12-56850	WASHER, LOWER BUSHING RETAINER (INNER)	57	51
12-30633	WASHER, THRUST - BEARING CARRIER TO GEAR HOUSING	75	67	12-59378	WASHER, LOWER BUSHING RETAINER (INNER)	57	51
12-30633	WASHER, THRUST-BEARING CARRIER TO GEAR HOUSING	67	67	12-59572	WASHER, COVER FASTENING KNOB (STEEL)	7	4
12-30771	WASHER, COVER FASTENING KNOB (RUBBER)	7	3	13-22238	LOCKWASHER, TRIGGER COIL SCREW	11	8
12-31211	WASHER, SPLINED - PROPELLER NUT	75	83	13-22773	LOCKWASHER, RECTIFIER MOUNTING SCREW	19	10
12-31211	WASHER, SPLINED-PROPELLER NUT	69	83	13-24669	LOCKWASHER, THRU BOLT-BRACKET TO STARTER MOTOR	19	21
12-31266	WASHER, RUBBER - SHIF SHAFT BUSHING	73	46	13-24669	LOCKWASHER, THRU BOLT-BRACKET TO STARTER MOTOR	23	21
12-31266	WASHER, RUBBER-SHIFT SHAFT BUSHING	65	46	13-24669	LOCKWASHER, WIRING HARNESS LEAD SCREW .	21	46
12-33001	WASHER, FLYWHEEL NUT .	9	3	13-24669	LOCKWASHER, WIRING HARNESS LEAD SCREW .	25	45
12-36001	WASHER, WATER PUMP BODY FASTENING STUD	65	34	13-24850	WASHER, WAVE-TILT LOCK TUBE	55	28
12-36001	WASHER, WATER PUMP BODY FASTENING STUD	73	35	13-25806	WASHER, WAVE-THROTTLE CONTROL LEVER SWIVEL	15	15
12-37429	WASHER, SWIVEL PIN-LOWER (TOP WASHER OPTIONAL)	55	33	13-26992	LOCKWASHER, IGNITION COIL SCREW	21	51
12-45075	WASHER, RECTIFIER TERMINAL	19	7	13-26992	LOCKWASHER, REAR HOOK MOUNTING SCREW	3	15
12-45075	WASHER, SWITCH BOX TERMINAL	19	2	13-26992	LOCKWASHER, RUBBER MOUNT TO REAR SUPPORT BRACKET	3	24
12-45176	WASHER, GEAR HOUSING TO DRIVE SHAFT HOUSING STUDS	61	43	13-26992	LOCKWASHER, STARTER MOTOR TERMINAL	19	16
12-45176	WASHER, GEAR HOUSING TO DRIVE SHAFT HOUSING STUDS	61	45	13-26992	LOCKWASHER, STARTER MOTOR TERMINAL	23	15
12-45176	WASHER, GEAR HOUSING TO DRIVE SHAFT HOUSING STUDS	69	78	13-26992	LOCKWASHER, STARTER SOLENOID MOUNTING SCREW	19	29
12-45176	WASHER, GEAR HOUSING TO DRIVE SHAFT HOUSING STUDS	75	78	13-26992	LOCKWASHER, WATER PUMP BODY SCREW . . .	65	31
12-46246	WASHER, ADAPTOR-DISTRIBUTOR HOUSING .	17	34	13-26992	LOCKWASHER, WATER PUMP BODY SCREW . . .	71	32
				13-26993	LOCKWASHER, CHOKE SOLENOID ATTACHING SCREW	27	5
				13-26993	LOCKWASHER, CLAMP BRACKET STUD	55	10

PARTS INDEX

Part Number	Description	Pg.	Ref. No.	Part Number	Description	Pg.	Ref. No.
13-26993	LOCKWASHER, FRONT SUPPORT BRACKET SCREW	5	34	14-31210	TAB WASHER, PROPELLER NUT	75	84
13-26993	LOCKWASHER, REAR SUPPORT BRACKET SCREW	5	29	14-52700	TAB WASHER, GEAR HOUSING COVER	67	74
13-26993	LOCKWASHER, RUBBER MOUNT TO FRONT SUPPORT BRACKET	5	36	14-52700	TAB WASHER, GEAR HOUSING COVER	75	74
13-26993	LOCKWASHER, SOLENOID TERMINAL (5/16")	19	30	15-20085A1	SHIM, END CAP TO CRANKCASE (.002-3-5-10)	39	24
13-26993	LOCKWASHER, SOLENOID TERMINAL (5/16")	23	29	15-21148A1	SHIM, ROTOR	11	13
13-26993	LOCKWASHER, STARTER MOTOR BRACKET FASTENING SCREW	19	24	15-29955A1	SHIM, THRUST WASHER TO GEAR HOUSING	75	66
13-26993	LOCKWASHER, STARTER MOTOR BRACKET FASTENING SCREW	23	24	15-29955A1	SHIM, THRUST WASHER TO GEAR HOUSING (.002-3-5-10)	67	66
13-26993	LOCKWASHER, STARTER MOTOR SCREW	19	19	15-30278A1	SHIM, DRIVE SHAFT BALL BEARING TO GEAR HOUSING (.002-3-5-10)	63	12
13-26993	LOCKWASHER, STARTER MOTOR SCREW	23	19	15-30278A1	SHIM, WATER PUMP BASE TO GEAR HOUSING (.002-3-5-10)	63	12
13-26995	LOCKWASHER, FLOAT BOWL COVER SCREW	29	12	15-30923A1	SHIM, BEARING OUTER RACE TO GEAR HOUSING	75	57
13-26996	LOCKWASH, THROTTLE ACTUATOR PLATE FASTENING SCREW	15	31	15-30923A1	SHIM, BEARING OUTER RACE TO GEAR HOUSING (.002-3-5-10)	67	57
13-26996	LOCKWASHER, COIL TERMINAL	25	47	15-47248A1	SHIM ASSEMBLY, END CAP TO CRANKCASE (.006-8-10)	39	4
13-26996	LOCKWASHER, HARNESS LEAD TO CHOKE SOLENOID	27	2	15-55853	SHIM, ROTOR	11	14
13-26996	LOCKWASHER, SOLENOID TERMINAL (#10)	21	32	15-57007A1	SHIM, TAPERED ROLLER BEARING TO GEAR HOUSING (.002-3-5-10)	71	14
13-26996	LOCKWASHER, SOLENOID TERMINAL (#10)	23	31	16-26133	STUD, CRANKCASE TO DRIVE SHAFT HOUSING (1 7/8")	39	9
13-26996	LOCKWASHER, STRAP SCREW	27	21	16-26134	STUD, CYLINDER BLOCK TO DRIVE SHAFT HOUSING (4 1/16")	39	12
13-26996	LOCKWASHER, WIRING HARNESS CLAMP SCREW	21	38	16-26324	STUD, CYLINDER BLOCK TO DRIVE SHAFT HOUSING (2 7/8")	39	14
13-26996	LOCKWASHER, WIRING HARNESS CLAMP SCREW	25	40	16-30667	STUD, WATER PUMP BASE AND BODY TO GEAR HOUSING (3 1/8")	71	7
13-27959	WASHER, WAVE-DISTRIBUTOR BALL BEARING TENSION	17	48	16-35099	STUD, CARBURETOR MOUNTING (1 3/16")	39	8
13-29720	WASHER, WAVE-LINK ROD	51	34	16-39937	STUD, CHOKE ROD SPRING TO CARBURETOR (7/8")	27	13
13-29720	WASHER, WAVE-LINK ROD	51	34	16-48770	STUD, CYLINDER BLOCK TO DRIVE SHAFT HOUSING (3 9/16")	39	13
13-37371	LOCKWASHER, SHIELD SCREW	3	9	16-52898	STUD, FILTER SCREEN TO CARBURETOR (1 1/8")	27	26
13-39107	LOCKWASHER, RETAINER FASTENING SCREW	3	6	16-56295	STUD, DRIVE SHAFT HOUSING TO GEAR HOUSING (2 11/16")	59	2
13-53166	LOCKWASHER, WATER JACKET COVER FASTENING SCREW	41	29	16-56297	STUD, WATER PUMP BASE AND BODY TO GEAR HOUSING (3 3/8")	71	6
14-20091	TAB WASHER, BEARING LOCKING SCREW	39	19				
14-27960	TAB WASHER, ADAPTOR CAP FASTENING	17	47				

PARTS INDEX

Part Number	Description	Pg.	Ref. No.	Part Number	Description	Pg.	Ref. No.
16-57919	STUD, WATER PUMP BASE AND BODY TO GEAR HOUSING (3 5/16")	63	7	17-47246	DOWEL PIN (STEPPED) . . .	45	21
16-57920	STUD, GEAR HOUSING TO DRIVE SHAFT HOSUING (2 1/16")	71	5	17-49840A1	SWIVEL PIN AND STEERING ARM ASSEMBLY (LONG SHAFT)	55	29
16-57920	STUD, GEAR HOUSING TO DRIVE SHAFT HOUSING (2 1/16")	63	5	17-49841A1	SWIVEL PIN AND STEERING ARM ASSEMBLY (SHORT SHAFT)	55	29
16-57921	STUD, GEAR HOUSING TO DRIVE SHAFT HOUSING (4")	63	4	17-49930A1	TILT LOCK PIN ASSEMBLY .	55	12
16-57921	STUD, GEAR HOUSING TO DRIVE SHAFT HOUSING (4")	71	4	18-20233	CLIP, RETAINING-SHIFT SHAFT	65	42
16-59625	STUD, CLAMP BRACKET . .	55	9	18-25191	COTTER PIN, PUSH ROD PIN	59	24
17-20032	DOWEL PIN, CENTER MAIN BEARING	45	15	18-45882	COTTER PIN, REVERSE LOCK TO SHAFT	57	48
17-20032	DOWEL PIN, MAIN BEARING	45	8	18-47959	COTTER PIN, TILT LOCK TUBE	55	26
17-20032	DOWEL PIN, MAIN BEARING	45	8	19-32297	PLUG, PLASTIC-TRIM TAB SCREW HOLE	59	3
17-20033	PIN, DOWEL-CRANKCASE TO CYLINDER BLOCK . . .	39	10	19-45907	PLUG, FLYWHEEL PULLER THREADS	9	1
17-20323	PIN, DOWEL-CYLINDER BLOCK TO MAIN BEARING	39	11	19-47579	PLUG, PLASTIC-TRIM TAB SCREW HOLE	59	3
17-21438	PIN, DOWEL	63	3	19-48750	PLUG, GEAR HOSUING FLUSHING HOLE	73	51
17-21438	PIN, GEAR HOUSING	71	3	19-48750	PLUG, GEAR HOUSING FLUSHING HOLE	65	51
17-23928	PIN, ROLL-CONTROL CABLE LOCKING LEVER	51	39	21-28481A1	CHECK VALVE ASSEMBLY .	41	48
17-25598	PIN, REVERSE LOCK SPRING ATTACHING	57	38	21-28481A1	CHECK VALVE ASSEMBLY, END CAP	39	21
17-26618	PIN, DOWEL - PULLEY TO FLYWHEEL	9	7	21-30430A1	CHECK VALVE ASSEMBLY .	33	2
17-27961	PIN, ECONOMIZER COLLAR-SPRING RETAINER	15	7	21-30430A3	CHECK VALVE ASSEMBLY .	33	2
17-27962	PIN, ANCHOR SPRING-DISTRIBUTOR HOUSING .	15	3	21-30430A5	CHECK VALVE ASSEMBLY .	37	2
17-29077	ROLL PIN, TENSION SPRING TO KNOB	7	6	21-56011A1	CHECK VALVE ASSEMBLY, END CAP	39	21
17-29908	PIN, ROLL-FLANGE LOCATING	17	52	22-20445	CONNECTOR, CYLINDER BLEED HOSE-UPPER . . .	41	45
17-29967	PIN, IMPELLER DRIVE	65	29	22-20781	ELBOW, BALANCE TUBE TO CRANKCASE	43	53
17-30496	PIN, ROLL - MERCURY SWITCH (EARLY MODELS ONLY)	5	40	22-23612	FITTING, GREASE	55	21
17-30545	PIN, COMPRESSION SPRING RETAINING	71	11	22-25094	FITTING, GREASE-DISTRIBUTOR ADAPTOR	17	36
17-30632	PIN, CROSS - RATCHET TO PROPELLAR SHAFT	75	62	22-25094	FITTING, GREASE-ECONOMIZER COLLAR . .	15	8
17-30632	PIN, CROSS-RATCHET TO PROPELLER SHAFT	67	62	22-25885	ELBOW, TELL TALE HOSE TO EXHAUST COVER . . .	49	16
17-33522	PIN, COWL LATCH LEVER TO HINGE	3	12	22-29085	ELBOW (45), UPPER CARBURETOR	33	16
17-35973	DOWEL PIN, WATER PUMP BASE TO WATER PUMP .	71	21	22-29085	ELBOW, UPPER CARBURETOR (45)	37	14
17-35973	DOWEL PIN, WATER PUMP BASE TO WATER PUMP BODY	63	20	22-30174	ELBOW (90), UPPER CARBURETOR	33	12
17-39023	PIN, PUSH ROD TO REVERSE LOCK	59	23	22-30175	SLEEVE, CONNECTOR	35	21
				22-30175	SLEEVE, CONNECTOR	37	17
				22-30175	SLEEVE, UPPER CARBURETOR ELBOW . .	33	13
				22-30175	SLEEVE, UPPER CARBURETOR ELBOW . .	37	11
				22-30177	NUT, CONNECTOR	35	22
				22-30177	NUT, CONNECTOR	37	18

PARTS INDEX

Part Number	Description	Pg.	Ref. No.	Part Number	Description	Pg.	Ref. No.
22-30177	NUT, UPPER CARBURETOR			23-55419A1	BUSHING ASSEMBLY, SHIFT		
	ELBOW	37	12		SHAFT	65	44
22-30468	CONNECTOR, FUEL PUMP	37	16	23-56513	SLEEVE, LUBRICATION	71	2
22-30468	CONNECTOR, UPPER FUEL			23-59624	SPACER, CLAMP BRACKET		
	PUMP	35	20		STUD	55	8
22-31521	ELBOW, VENT -			24-20099	SPRING, LINK ROD TO		
	DISTRIBUTOR CAP	13	37		GUIDE BLOCK	51	48
22-31521	ELBOW, VENT HOSE TO			24-27944	SPRING, HORSESHOE		
	BOTTOM COWL	11	24		-DISTRIBUTOR HOUSING	15	4
22-31521	ELBOW, VENT-			24-28975	SPRING, GARTER-INTERNAL		
	DISTRIBUTOR HOUSING	11	12		WIRING HARNESS	21	40
22-32802	PLUG, BOTTOM FILTER			24-28975	SPRING, GARTER-INTERNAL		
	COVER	37	15		WIRING HARNESS	25	42
22-32802	PLUG, PIPE-CYLINDER			24-29821	SPRING, REVERSE LOCK		
	BLOCK COVER	41	39		TENSION	57	45
22-32802	PLUG, PIPE-FUEL PUMP			24-30189	SPRING, ADAPTOR STEM	35	26
	(LOWER)	33	10	24-30189	SPRING, ADAPTOR STEM	37	22
22-32802	PLUG, PIPE-FUEL PUMP			24-30622	SPRING, COMPRESSION -		
	(UPPER AND LOWER)	33	10		CAM FOLLOWER	75	56
22-53654	"Y" FITTING, UPPER FUEL			24-30622	SPRING, COMPRESSION-		
	PUMP	33	19		CAM FOLLOWER	67	56
22-54153	TEE, BLEED HOSE TO			24-30893	SPRING, RETAINING -		
	CYLINDER BLOCK-LOWER	41	51		CROSS PIN	75	63
22-54818	"Y" FITTING, UPPER FUEL			24-30893	SPRING, RETAINING-CROSS		
	PUMP	35	19		PIN	67	63
22-55262	ELBOW, VENT-			24-32271	SPRING, TENSION - COVER		
	DISTRIBUTOR HOUSING	11	12		FASTENING KNOB	7	5
22-59351	ELBOW, UPPER			24-34576	SPRING, COMPRESSION -		
	CARBURETOR (90)	37	10		DRIVE SHAFT	71	10
22-62365A1	CHECK VALVE ASSEMBLY,			24-35522	SPRING, TENSION-LOWER		
	BLEED HOSE	41	47		MOUNT CLAMP	61	47
23-26600	BUSHING, SHIFT SHAFT	51	31	24-37911	SPRING, CONTROL CABLE		
23-28198	BUSHING, RUBBER-SHOCK				LOCKING LEVER	51	38
	ABSORBER (LOWER)	57	54	24-38472	SPRING, CABLE TENSION-		
23-28199	SPACER, UPPER SHOCK				ANCHOR BRACKET	51	40
	BUSHING TO CLAMP			24-48230	SPRING, TENSION-CHOKE		
	BRACKET	57	49		ROD	27	16
23-29804	SLEEVE, GUIDE - WATER			24-53019	SPRING, COWL LATCH		
	INLET TUBE	73	38		HINGE	3	13
23-29804	SLEEVE, GUIDE-WATER			24-57818	SPRING, FILTER SCREEN	27	--
	INLET TUBE	65	37	25-20081	"O"RING	39	23
23-32171	BUSHING, RUBBER-SHOCK			25-20081	"O"RING	39	23
	ABSORBER (UPPER)	57	53	25-20116	GROMMET, CHOKE ROD	27	18
23-32427	SPACER, CHOKE ROD			25-20415	"O"RING, ADAPTOR STEM	35	27
	SPRING STUD	27	14	25-20415	"O"RING, ADAPTOR STEM	37	23
23-37428A1	BUSHING ASSEMBLY, SHIFT			25-25439	"O" RING, SHIFT SHAFT		
	SHAFT	65	44		BUSHING	73	43
23-45818	BUSHING, THROTTLE			25-25439	"O"RING, SHIFT SHAFT		
	CONTROL LEVER SCREW	15	20		BUSHING	65	43
23-47250	SPACER, DRIVE PULLEY	17	50	25-26547	GROMMET, CABLE	13	30
23-47803	BUSHING, TILT LOCK TUBE	55	27	25-26547	GROMMET, RECTIFIER TO		
23-48674	SPACER, THROTTLE				SWITCH BOX WIRE	21	44
	ACTUATOR PLATE			25-29976	"O" RING, BEARING		
	SCREW	15	32		CARRIER	75	69
23-52933	SPACER, COIL BRACKET TO			25-29976	"O"RING, BEARING		
	BOTTOM COWL	21	53		CARRIER	67	69
23-53538	SPACER, ROTOR SHAFT	11	15	25-30224	"O"RING, WATER PUMP		
23-53539	SLEEVE, ROTOR SHAFT	11	3		BASE	63	16
23-55419A1	BUSHING ASSEMBLY, SHIF						
	SHAFT	73	44				

PARTS INDEX

Part Number	Description	Pg.	Ref. No.	Part Number	Description	Pg.	Ref. No.
25-30271	RING, RUBBER-CENTRIFUGAL SLINGER (DRIVE SHAFT)	65	36	27-32438	GASKET, WATER PUMP BASE TO GEAR HOUSING	63	15
25-30613	"O"RING, DRIVE SHAFT SPLINE	45	4	27-33146	GASKET, WATER PUMP BASE TO GEAR HOUSING	71	16
25-30613	"O"RING, UPPER-DRIVE SHAFT	65	38	27-48164	GASKET, CARBURETOR FLANGE	31	37
25-33145	"O" RING, WAER PUMP BASE	71	17	27-48713	GASKET, POWERHEAD TO EXHAUST EXTENSION PLATE	49	18
25-35126	"O" RING, CARRIER	45	6	27-48801	GASKET, EXHAUST EXTENSION PLATE TO DRIVE SHAFT HOUSING	51	25
25-47254	"O"RING	39	3	27-48801	GASKET, EXHAUST EXTENSION PLATE TO DRIVE SHAFT HOUSING	59	18
25-57806	GROMMET, TRIM COVER SCREW	59	-	27-52891	GASKET, TRANSFER PORT COVER	41	43
26-24590	OIL SEAL, SHIFT SHAFT BUSHING (LOWER)	65	45	27-52892	GASKET, WATER JACKET COVER	41	27
26-24590	OIL SEAL, SHIFT SHAFT BUSHING (LOWER)	73	45	27-52893	GASKET, CYLINDER BLOCK COVER	41	36
26-29476	OIL SEAL	39	2	27-52893A1	GASKET SET (MOTOR OVERHAUL)	1	-
26-29476	OIL SEAL, UPPER	39	22	27-52893A2	GASKET SET (MOTOR OVERHAUL)	1	-
26-29476	OIL SEAL, UPPER	39	22	27-52893A71	GASKET SET (MOTOR OVERHAUL)	1	-
26-30550	OIL SEAL, BEARING CARRIER	67	72	27-52893A72	GASKET SET (MOTOR OVERHAUL)	1	-
26-30550	OIL SEAL, BEARING CARRIER	75	72	27-52894	GASKET, CYLINDER BLOCK TO BAFFLE PLATE	41	30
26-31249	OIL SEAL, SHIFT SHAFT BUSHING (UPPER)	65	45	27-52895	GASKET, BAFFLE PLATE TO EXHAUST MANIFOLD COVER	41	32
26-31249	OIL SEAL, SHIFT SHAFT BUSHING (UPPER)	73	45	27-53650	GASKET, CRANKCASE TO CYLINDER BLOCK	39	7
26-31489	OIL SEAL, WATER PUMP BASE	63	18	27-55896	GASKET, DISTRIBUTOR CAP TO DISTRIBUTOR HOUSING	13	34
26-31489	OIL SEAL, WATER PUMP BASE	71	19	27-56304	GASKET, POWERHEAD TO EXHAUST EXTENSION PLATE	49	18
26-31507	OIL SEAL, WATER PUMP BASE	63	19	27-62107	GASKET, TRANSFER PORT COVER	41	43
26-31507	OIL SEAL, WATER PUMP BODY	65	26	28-29910	KEY, DISTRIBUTOR DRIVER	17	54
26-31507	OIL SEAL, WATER PUMP BODY	71	27	28-30281	KEY, LOCATING - BEARING CARRIER	75	73
26-37448	OIL SEAL, SWIVEL BRACKET	55	19	28-30281	KEY, LOCATING-BEARING CARRIER	67	73
26-38970	SEAL, RUBBER - WATER INLET TUBE	71	28	28-56654	KEY, IMPELLER DRIVE	65	29
26-38970	SEAL, RUBBER-WATER INLET TUBE	49	20	28-56654	KEY, IMPELLER DRIVE	71	30
26-38970	SEAL, RUBBER-WATER INLET TUBE	49	20	29-47270	BEARING, NEEDLE-PISTON PIN	47	29
26-38970	SEAL, RUBBER-WATER INLET TUBE	65	27	29-48410	BEARING, NEEDLE	45	16
26-55682	OIL SEAL, WATER PUMP BASE	71	20	30-20066	BALL BEARING, DISTRIBUTOR HOUSING (UPPER)	11	1
27-32433	GASKET, LOWER - WATER PUMP BASE TO FACE PLATE	71	22	30-20464	BEARING, BALL-DRIVE SHAFT	63	13
27-32433	GASKET, LOWER-WATER PUMP BASE TO FACE PLATE	65	21				
27-32434	GASKET, UPPER - FACE PLATE TO WATER PUMP BODY	71	24				

PARTS INDEX

Part Number	Description	Pg.	Ref. No.	Part Number	Description	Pg.	Ref. No.
30-31265	BEARING, BALL - REVERSE			32-54578A1	FUEL LINE ASSEMBLY,		
	GEAR	75	68		UPPER TO LOWER		
30-31265	BEARING, BALL-REVERSE			32-54578A1	CARBURETOR (5 1/2") ...	33	15
	GEAR	67	68		FUEL LINE, CARB. TO CARB.		
30-32117	BEARING, BALL-UPPER ...	45	2		(5 1/2")	37	13
30-53853	BEARING, BALL-LOWER ...	45	3	32-55826A1	FUEL LINE ASSEMBLY,		
31-30894A1	TAPERED ROLLER BEARING				PUMP TO CARBURETOR		
	ASSEMBLY	67	58		(9 1/4")	33	17
31-30894A1	TAPERED ROLLER BEARING			32-55827A1	FUEL LINE ASSEMBLY,		
	ASSEMBLY	75	58		PUMP TO CARBURETOR		
31-30895	BEARING, ROLLER -			32-55827A1	(9 1/2")	37	9
	FORWARD GEAR	75	59		FUEL LINE ASSEMBLY,		
31-30895	BEARING, ROLLER-				PUMP TO CARBURETOR		
	FORWARD GEAR	67	59	32-55828A1	(9 1/2")-SERIAL #2783 ...	33	11
31-30956	BEARING, ROLLER -				FUEL LINE ASSEMBLY,		
	BEARING CARRIER	75	71	32-55829	PUMP TO PUMP (13 3/4")	33	18
31-30956	BEARING, ROLLER-				FUEL LINE, ADAPTOR TO		
	BEARING CARRIER	67	71	32-55829	UPPER FUEL PUMP (15")	37	19
31-32898	BEARING, ROLLER - DRIVE			32-55829	FUEL LINE, ADAPTOR TO		
	SHAFT	71	8		UPPER FULE PUMP (15")	35	23
31-32898	BEARING, ROLLER-DRIVE			32-59352	FUEL LINE, CARB. TO CARB.		
	SHAFT	63	8		(6 5/8")	37	13
31-33138A1	TAPERED ROLLER BEARING			33-45191	SPARK PLUG (CHAMPION -		
	ASSEMBLY, DRIVE SHAFT	71	15		L19V)	13	41
31-63075A1	BEARING ASSEMBLY,			33-57451	SPARK PLUG (AC V-40FFM)	13	41
	CRANKPIN	47	28	34-48081	REED STOP, MAIN BEARING		
32-26329	TUBE, BALANCE-MAIN				REED VALVES	45	12
	BEARING (2 7/8")	41	50	34-48082A1	REED SET, MATCHED-MAIN		
32-26407	HOSE, TELL TALE-EXHAUST				BEARING	45	11
	COVER TO BOTTOM			34-56007A1	REED SET, MATCHED-MAIN		
	COWL (16")	49	13		BEARING	45	11
32-26527	SLEEVE, SPARK PLUG LEAD			34-56008	REED STOP, MAIN BEARING		
	(LEADS 1, 2, 3, 4)	13	44		REED VALVES	45	12
32-28052	SLEEVE, RUBBER-TILT			35-52900	SCREEN, FILTER-		
	LOCK PIN BUMPER	55	13		CARBURETOR	27	28
32-30176	FUEL LINE, ADAPTOR TO			35-57819	SCREEN, FILTER-		
	UPPER FUEL PUMP (18")	35	23		CARBURETOR	27	28
32-32256A1	FUEL LINE ASSEMBLY,			37-53159A1	DECAL SET	1	-
	PUMP TO CARBURETOR			37-56435A1	DECAL SET	1	-
	(10 1/2")	33	11	37-56435A1	DECAL SET	1	-
32-34395A1	HOSE, VENT- DISTRIBUTOR			37-60204	DECAL, TIMING - TOP COWL		
	TO ELBOW (10 1/2") ...	11	23		FRAME	3	19
32-34395A1	HOSE, VENT- DISTRIBUTOR			37-61039A72	DECAL SET	1	-
	TO ELBOW (7")	11	23	38-56267	SERIAL PLATE	55	36
32-37438	TUBE, WATER INLET (LONG			39-45155A12	RING, PISTON	45	24
	SHAFT)	59	11	39-45204A12	RING, PISTON (.015)	47	--
32-37446	TUBE, WATER INLET			40-52035	LOCK RING, PISTON PIN ..	45	23
	(SHORT SHAFT)	59	11	43-53981	GEAR, PINION-DRIVE SHAFT	63	10
32-46398	SLEEVE, (LEADS 1, 2, 3, 4,) -			43-53982	FORWARD GEAR		
	(3/4")	13	33		ASSEMBLY	67	60
32-52032	HOSE, DRIP TRAY TO			43-53983	REVERSE GEAR ASSEMBLY	67	65
	BOTTOM COWL (8") ...	49	5	43-56516	REVERSE GEAR ASSEMBLY	75	65
32-52742A1	HOSE, CYLINDER BLEED-			43-56517	FORWARD GEAR		
	LOWER (8 1/2")	41	52		ASSEMBLY	75	60
32-52742A1	HOSE, UPPER CYLINDER			43-56518	GEAR, PINION - DRIVE		
	BLEED (13 1/2")	41	46		SHAFT	71	12
32-52943A1	FUEL LINE ASSEMBLY,			44-52542	SHAFT, PROPELLER	67	64
	PUMP TO PUMP (14") ...	33	18	44-52542	SHAFT, PROPELLER	75	64
				45-47433	DRIVE SHAFT (SHORT		
					SHAFT)	63	9

PARTS INDEX

Part Number	Description	Pg.	Ref. No.	Part Number	Description	Pg.	Ref. No.
45-47434	DRIVE SHAFT (LONG SHAFT)	63	9	54-59588	CLAMP, DISTRIBUTOR CAP TO DISTRIBUTOR HOUSING	11	20
45-59116A1	DRIVE SHAFT ASSEMBLY (LONG SHAFT)	71	9	54-60768	CLAMP, DISTRIBUTOR CAP TO DISTRIBUTOR HOUSING	11	20
45-59117A1	DRIVE SHAFT ASSEMBLY (SHORT SHAFT)	71	9	55-28414	PIN, LOWER SHOCK MOUNTING-LONG SHAFT	57	44
46-48743A1	WATER PUMP BODY ASSEMBLY	65	24	55-28416	PIN, UPPER SHOCK MOUNTING	55	17
46-48743A1	WATER PUMP BODY ASSEMBLY	71	25	55-29247	PIN, LOWER SHOCK MOUNTING (SHORT SHAFT)	57	44
46-48743A3	HEAVY DUTY WATER PUMP KIT	1	-	55-31933	SHOCK ABSORBER	57	52
46-48747A1	WATER PUMP BASE ASSEMBLY	63	17	90-52330	MERC 800 (4 CYLINDER) PARTS LIST	1	-
46-58618A1	WATER PUMP BASE ASSEMBLY	71	18	92-25234--1	GLUE, ADHESIVE - SOUND BLANKET FASTENING . . .	7	--
47-30221	IMPELLER, WATER PUMP .	65	28	225-2494A10	FLYWHEEL ASSEMBLY, COMPLETE	9	4
47-30221	IMPELLER, WATER PUMP .	71	29	225-2494A14	FLYWHEEL ASSEMBLY, COMPLETE	9	4
50-45822A1	STARTER MOTOR ASSEMBLY	19	15	332-2854	BOOT, CABLE TO COIL	13	31
50-57867A1	STARTER MOTOR ASSEMBLY	19	15	332-2910A3	RECTIFIER ASSEMBLY, COMPLETE	19	6
50-58788	STARTER MOTOR ASSEMBLY	23	14	332-2910A3	RECTIFIER ASSEMBLY, COMPLETE	23	5
50-58788	STARTER MOTOR ASSEMBLY (SERIAL #2986444 AND UP)	19	15	332-2983A15	IGNITION COIL ASSEMBLY, COMPLETE	21	47
52-34239	RATCHET, SLIDING CLUTCH	67	61	332-2983A19	IGNITION COIL ASSEMBLY, COMPLETE	21	47
52-34239	RATCHET, SLIDING CLUTCH	75	61	332-2986A8	SWITCH BOX ASSEMBLY, COMPLETE (CASTING #332-2986)	19	1
53-26406	RING, RETAINING - BALL BEARING TO DISTRIBUTOR HOUSING .	11	18	332-4177A3	HOUSING ASSEMBLY, DISTRIBUTOR	11	4
53-26933	RING, SNAP-OUTER RACE CLAMPING	45	18	332-4177A3	HOUSING ASSEMBLY, DISTRIBUTOR	15	1
53-29641	"E" RING, RETIANING, LOWER SHIFT SHAFT	73	42	337-4406A2	TRIGGER ASSEMBLY, DISTRIBUTOR	11	6
53-29641	"E"RING, SHIFT SHAFT	65	42	337-4411A2	SWITCH BOX ASSEMBLY, COMPLETE (CASTING #337-4411)	23	1
53-30726	RING, RETAINING-BALL BEARING	63	14	337-4456A1	IGNITION COIL ASSEMBLY, COMPLETE	25	46
54-20386	CLAMP, BALANCE TUBE TO ELBOW AND TEE	43	54	337-4479	HOUSING, DISTRIBUTOR . .	11	5
54-20387	CLAMP, BLEED HOSE TO CONNECTOR	41	49	337-4479	HOUSING, DISTRIBUTOR . .	15	1
54-22875	CLAMP, VENT HOSE TO FRONT SUPPORT BRACKET	11	25	337-4481	CAM, DISTRIBUTOR TRIGGER	11	9
54-22875	CLIP, STATOR LEAD FASTENING (7/16")	9	14	393-1275	SLEEVE, CABLE	13	32
54-26550	CLAMP, WIRING HARNESS TO COIL BRACKET	21	41	393-1275	SLEEVE, SPARK PLUG LEAD TO DISTRIBUTOR	13	45
54-48123	CLAMP, TELL TALE HOSE TO CONNECTOR AND ELBOW	49	17	393-1293A1	BRUSH AND SPRING ASSEMBLY	13	36
54-52876	CLAMP, WIRING HARNESS TO BOTTOM COWL	21	36	393-1293A1	BRUSH AND SPRING ASSEMBLY	13	36
54-52876	CLAMP, WIRING HARNESS TO BOTTOM COWL	25	38	393-3236	DISC, ROTOR	11	16
54-53541	CLAMP, DISTRIBUTOR CAP TO DISTRIBUTOR HOUSING	11	20	393-3294A1	CABLE ASSEMBLY, CAP TO COIL	13	29

PARTS INDEX

Part Number	Description	Pg.	Ref. No.	Part Number	Description	Pg.	Ref. No.
393-3726A2	DISTRIBUTOR CAP ASSEMBLY	13	35	1399-3515	SCREW, IDLE ADJUSTMENT	29	28
393-3738	ROTOR, DISTRIBUTOR	11	19	1399-3522	SCREW, PLUG-MAIN NOZZLE	31	33
393-3836A1	CABLE ASSEMBLY, CAP TO COIL	13	29	1399-3523	GASKET AND PACKING SET (1 PER CARBURETOR)	31	--
393-4371	ROTOR, DISTRIBUTOR	11	19	1399-3527	SHAFT, THROTTLE	29	21
398-4792	STATOR, ALTERNATOR	9	11	1399-3528	SHUTTER, THROTTLE	29	26
440-3488A2	CRANKSHAFT ASSEMBLY	45	1	1399-3690	COVER, STRAINER-LOWER CARBURETOR	29	16
535-3190A1	CENTER MAIN BEARING ASSEMBLY	45	14	1399-3698	COVER, STRAINER-LOWER CARBURETOR	29	16
537-3300A1	MAIN BEARING ASSEMBLY (VALVE TYPE)	45	7	1399-3794	JET, MAIN FUEL (.074)-STANDARD	31	31
540-4857A5	MAIN BEARING ASSEMBLY (VALVE TYPE)	45	7	1399-3795	JET, MAIN FUEL (.072)	31	31
622-4850A4	CONNECTING ROD AND CAP ASSEMBLY	45	25	1399-3796	JET, MAIN FUEL (.076)	31	31
745-4879A2	PISTON AND PISTON PIN ASSEMBLY	45	22	1399-3811	JET, MAIN FUEL (.070)	31	31
745-4912A1	PISTON AND PISTON PIN ASSEMBLY (.015)	47	--	1399-3812	REPAIR PARTS KIT (1 PER CARBURETOR)	31	--
847-3490A3	CYLINDER BLOCK AND CRANKCASE ASSEMBLY (SERIAL #2670574 AND B	39	6	1399-3938	SCREEN, FILTER	29	14
847-3920A3	CYLINDER BLOCK AND CRANKCASE ASSEMBLY (SERIAL #2783253 THRU	39	6	1399-4542	SCREW, PLUG-MAIN NOZZLE	31	33
847-3920A4	CYLINDER BLOCK AND CRANKCASE ASSEMBLY (SERIAL #2986444 AND U	39	6	1399-4559	COVER, FLOAT BOWL	29	9
1021-3514	COVER, CYLINDER BLOCK	41	35	1399-97	LEVER, THROTTLE STOP	29	20
1126-3196A2	END CAP ASSEMBLY, LOWER-SERIAL # AND BELOW	39	20	1440-3291A1	CLAMP BRACKET ASSEMBLY	55	1
1126-3196A3	END CAP ASSEMBLY, LOWER-SERIAL # AND UP	39	20	1447-3257A4	SWIVEL BRACKET ASSEMBLY (LONG SHAFT)	55	18
1134-3197A1	END CAP ASSEMBLY, UPPER	39	1	1453-3258A4	SWIVEL BRACKET ASSEMBLY (SHORT SHAFT)	55	18
1352-3737	CARBURETOR ASSEMBLY, COMPLETE (KD-4A)	29	1	1551-3669A4	DRIVE SHAFT HOUSING ASSEMBLY (LONG SHAFT)	59	1
1352-3737	CARBURETOR ASSEMBLY, COMPLETE (SERIAL #2991033 AND BELOW)	27	9	1551-3918A3	DRIVE SHAFT HOUSING ASSEMBLY (LONG SHAFT)	59	1
1352-4440A1	CARBURETOR ASSEMBLY, COMPLETE (SERIAL #3051041 AND UP)	27	9	1552-3670A3	DRIVE SHAFT HOUSING ASSEMBLY (SHORT SHAFT)	59	1
1352-4440A1	CARBURETOR ASSEMBLY, COMPLETE (WMK-2)	29	1	1552-3911A3	DRIVE SHAFT HOUSING ASSEMBLY (SHORT SHAFT)	59	1
1395-4540	SCREW, BODY (IDLE TUBE)	29	23	1623-3486A22	GEAR HOUSING ASSEMBLY, COMPLETE (SHORT SHAFT)	63	-
1395-4541	SCREW, PLUG-MAIN FUEL JET CHANNEL	29	29	1623-3486A22	GEAR HOUSING ASSEMBLY, COMPLETE (SHORT SHAFT)	67	-
1395-4543	SCREW, BODY CHANNEL	31	36	1623-3486A23	GEAR HOUSING ASSEMBLY, COMPLETE (LONG SHAFT)	63	-
1395-4555	INLET NEEDLE, SEAT AND GASKET	29	6	1623-3486A23	GEAR HOUSING ASSEMBLY, COMPLETE (LONG SHAFT)	67	-
1395-4557	REPAIR PARTS KIT (1 PER CARBURETOR)	31	--	1623-3486A4	GEAR HOUSING ASSEMBLY	63	1
1399-110A1	FLOAT ASSEMBLY	29	2	1623-3486A4	GEAR HOUSING ASSEMBLY	-	1
1399-1133	COVER, FLOAT BOWL	29	9		-SEE PAGE 31 FOR BREAKDOWN	67	1
1399-1473	INLET NEEDLE, SEAT AND GASKET	29	6				

PARTS INDEX

Part Number	Description	Pg.	Ref. No.	Part Number	Description	Pg.	Ref. No.
1623-3912A4	GEAR HOUSING ASSEMBLY, COMPLETE (SHORT SHAFT)	67	-				
1623-3912A5	GEAR HOUSING ASSEMBLY, COMPLETE (LONG SHAFT)	63	-				
1623-3912A5	GEAR HOUSING ASSEMBLY, COMPLETE (LONG SHAFT)	67	-				
1623-3912A6	GEAR HOUSING ASSEMBLY	63	1				
1623-3912A6	GEAR HOUSING ASSEMBLY -SEE PAGE 31 FOR BREAKDOWN	67	1				
1623-4021A4	GEAR HOUSING ASSEMBLY, COMPLETE (SHORT SHAFT)	71	-				
1623-4021A4	GEAR HOUSING ASSEMBLY, COMPLETE(SHORT SHAFT)	75	-				
1623-4021A5	GEAR HOUSING ASSEMBLY, COMPLETE (LONG SHAFT)	71	-				
1623-4021A5	GEAR HOUSING ASSEMBLY, COMPLETE(LONG SHAFT)	75	-				
1623-4021A6	GEAR HOUSING ASSEMBLY	71	1				
1623-4021A6	GEAR HOUSING ASSEMBLY - SEE PAGE 35 FOR BREAKDOWN	75	1				
2104-2654A18	COWL FRONT COVER ASSEMBLY	7	1				
2104-2654A20	COWL FRONT COVER ASSEMBLY	7	1				
2104-2654A22	COWL FRONT COVER ASSEMBLY	7	1				
2104-2654A27	COWL FRONT COVER ASSEMBLY	7	1				
2114-3591	COWL, TOP SERIAL	3	1				
2114-3806	COWL, TOP	3	1				
2115-3786	COWL, BOTTOM	49	1				
2115-3919	COWL, BOTTOM	49	1				
2119-3248A6	WRAP AROUND COWL ASSEMBLY	7	9				