



PARTS CATALOG

225 ENGINE

SERIAL NUMBER

225 (4 BBL.) FORD 302 V-8 1973-1974	3385721 THRU 4166999
225 MIE FORD 302 V-8 1973-1974	3385721 THRU 4176999
225-S (4 BBL.) FORD 302 V-8 1973-1974	3385721 THRU 4166999

TABLE OF CONTENTS:

CARBURETOR ASSEMBLY	28
CRANKSHAFT, PISTON AND CONNECTING ROD	64
CYLINDER BLOCK, CYLINDER HEAD AND INTAKE MANIFOLD	56
DISTRIBUTOR ASSEMBLY	102
DISTRIBUTOR ASSEMBLY, COMPLETE-AUTOLITE	12
DISTRIBUTOR ASSEMBLY, COMPLETE-MALLORY	16
DISTRIBUTOR ASSEMBLY, COMPLETE-MERCURY MARINE	20
ENGINE MOUNTING (STERN DRIVE)	46
ENGINE MOUNTING (STERN DRIVE)	48
EXHAUST MANIFOLD AND EXHAUST ELBOW ASSEMBLY	34
FLYWHEEL HOUSING (MC 225-S)	96
FLYWHEEL HOUSING AND OIL COOLER INBOARD	42
FLYWHEEL HOUSING AND OIL COOLER INBOARD	44
FUEL PUMP, FUEL FILTER AND CARBURETOR	24
OIL PUMP AND OIL PAN	60
PARTS INDEX	112
POWER STEERING COMPONENTS	82
POWER STEERING COMPONENTS(WITH HOSES)	86
REVERSE LOCK VALVE AND SHIFT ACTUATOR (STERN DRIVE)	90
ROCKER COVER, CAMSHAFT AND VALVES	54
SHIFT ACTUATOR ASSEMBLY, COMPLETE (STERN DRIVE)	92
SHIFT BRACKET, REVERSE LOCK VALVE AND ARM ASSEMBLY -MC 225-S	98
STARTER MOTOR AND ALTERNATOR	2
THERMOSTAT HOUSING, COVER AND EXHAUST ELBOW	38
TRANSMISSION AND ENGINE MOUNTING (INBOARD)	72
TRANSMISSION AND ENGINE MOUNTING (INBOARD)	74
TRANSMISSION AND ENGINE MOUNTING (V-DRIVE)	80
TRANSMISSION AND RELATED PARTS (INBOARD)	68
TRANSMISSION AND RELATED PARTS (V-DRIVE)	76
TRANSMISSION ASSEMBLY (STERN DRIVE MC II-TR)	104
TRANSMISSION ASSEMBLY (STERN DRIVE MC II-TR) CONT.	108
WATER DISTRIBUTION HOSES	94
WATER PUMP ASSEMBLY, COMPLETE MC 11-TR AND INBOARD	50
WIRING HARNESS, CIRCUIT BREAKER & STARTER SOLENOID (INBOARD)	6
WIRING HARNESS, CIRCUIT BREAKER & STARTR SOLENOID (STERN DR)	8

NOTE: Indented description indicate that these parts are included in preceeding assembly.

AR = As Required

NSS = Not Sold Separate

OPT = Optional

NS = Not Shown

THESE PARTS BOOKS/FICHE CARD ARE COPYRIGHTED AND MAY NOT BE DISTRIBUTED OR REPRODUCED IN ANY OTHER FORMAT BY ANYONE OTHER THAN MERCURY MARINE WITHOUT THE PRIOR WRITTEN CONSENT OF MERCURY MARINE.

REPLACEMENT PARTS ! WARNING !

Electrical, ignition and fuel system components on MerCruiser Engines and Stern Drives are designed and manufactured to comply with U.S. Coast Guard Rules and Regulations to minimize risks of fire or explosion. Use of replacement electrical, ignition or fuel system components, which do not comply to these rules and regulations, could result in a fire or explosion hazard and should be voided.

When servicing the electrical, ignition and fuel systems, it is extremely important that all components are properly installed and tightened. If not, any electrical or ignition component opening would permit sparks to ignite fuel vapors from fuel system leaks, if they existed.

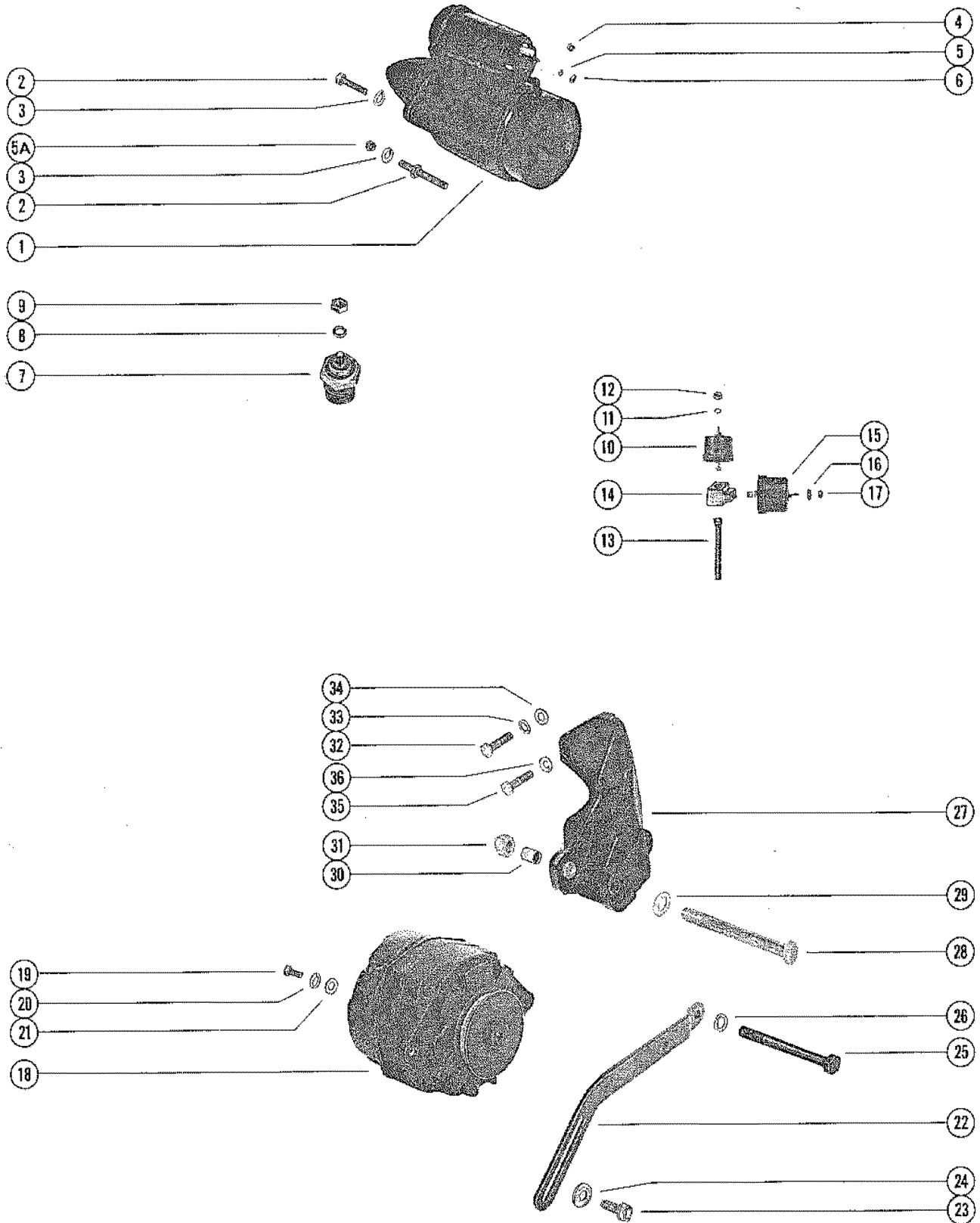
ENGINE MECHANICAL COMPONENTS

Many of the engine mechanical components are designed for marine applications. Unlike automotive engines, marine engines are subjected to extended periods of heavy load and wide- open-throttle operation, therefore, require heavy-duty components. Special marine engine parts have design and manufacturing specifications, which are required to provide long life and dependable performance. Marine engine parts also must be able to resist the corrosive action of salt or brackish water that will rust or corrode standard automotive parts within a short period of time.

Failure to use recommended Mercury Precision Parts OR Quicksilver service replacement parts can result in poor engine performance and/or durability, rapid corrosion of parts subjected to salt water and possibly complete failure of the engine.

Use of parts other than recommended service replacement parts will void the warranty on those parts which are damaged as a result of the use of other than recommended parts.

STARTER MOTOR AND ALTERNATOR

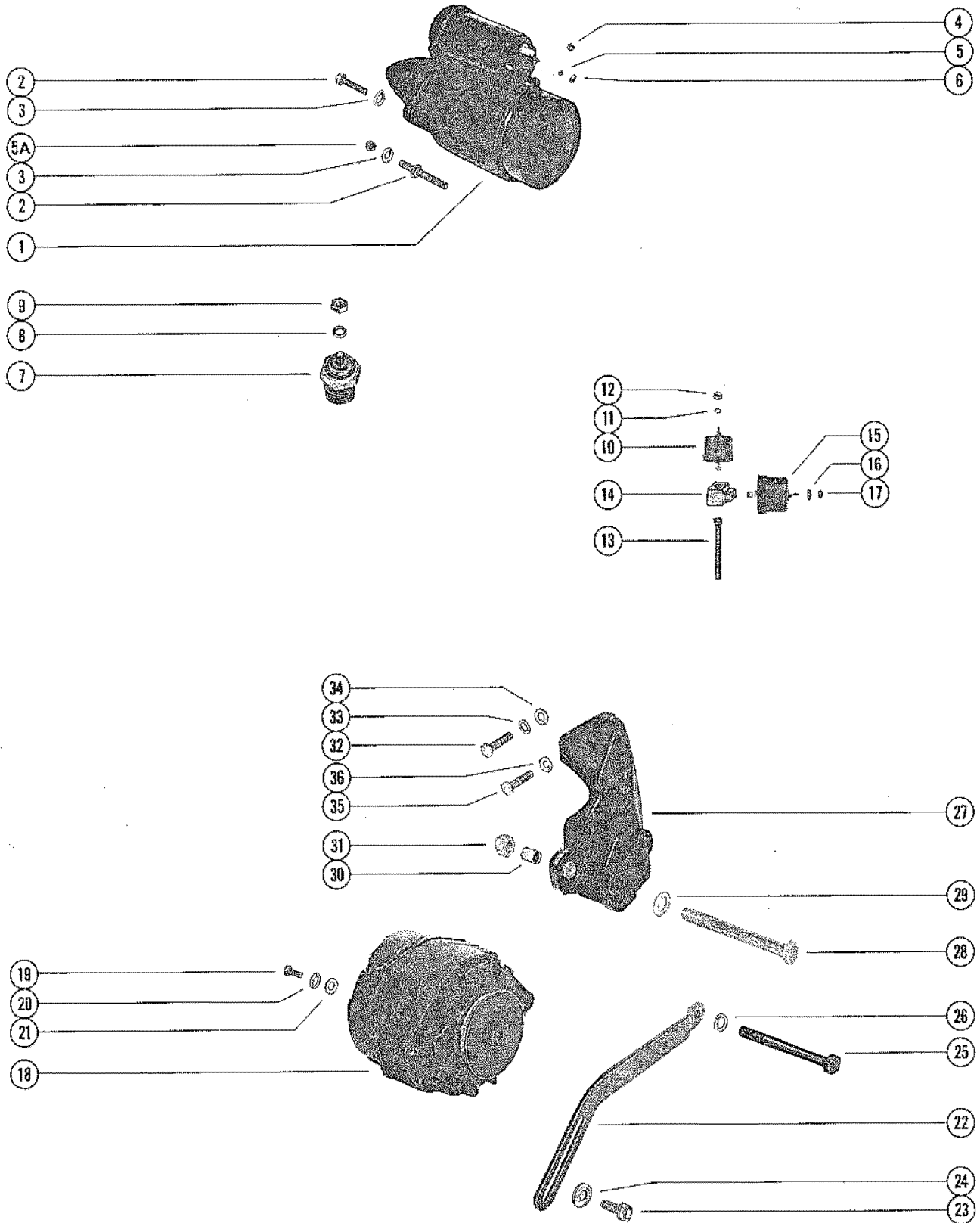


STARTER MOTOR AND ALTERNATOR

REF. NO.	PART NO.	SYM.	QTY.	DESCRIPTION
1	50-65784A1		1	STARTER MOTOR ASSEMBLY (LEFT HAND CRANKSHAFT ROTATION) SEE NOTE INBOARD
	50-65785A1		1	STARTER MOTOR ASSEMBLY (RIGHT HAND CRANKSHAFT ROTATION) SEE NOTE INBOARD
2	10-47462		2	SCREW, STARTER MOTOR TO FLYWHEEL HOUSING (1 1/4") INBOARD
3	13-32993		2	LOCKWASHER, STARTER MOTOR SCREW INBOARD
4	11-28517		1	NUT, STARTER TERMINAL (3/8") INBOARD
5	13-26995		2	LOCKWASHER, STARTER TERMINAL (#8) INBOARD
6	11-26419		2	NUT, STARTER TERMINAL (#8) INBOARD
1	50-56886		1	STARTER MOTOR ASSEMBLY (LEFT HAND CRANKSHAFT ROTATION) SEE NOTE STERN DRIVE
2	10-26632		1	SCREW, STARTER MOTOR TO FLYWHEEL HOUSING (1 1/4") - LOWER STERN DRIVE
	16-64066		1	STUD, STARTER MOTOR TO FLYWHEEL HOUSING - UPPER STERN DRIVE
3	13-37459		2	LOCKWASHER, STARTER MOTOR SCREW AND STUD STERN DRIVE
5	13-26993		1	LOCKWASHER, STARTER MOTOR TERMINAL STERN DRIVE
5A	11-32219		1	NUT, STARTER MOTOR STUD STERN DRIVE
6	11-21908		1	NUT, STARTER MOTOR TERMINAL STERN DRIVE
7	36525		1	WATER TEMPERATURE SENDER ASSEMBLY
8	13-26996		1	LOCKWASHER, WATER TEMPERATURE SENDER TERMINAL (#10)
9	11-20645		1	NUT, WATER TEMPERATURE SENDER TERMINAL (#10)
10	34623		1	OIL PRESSURE SENDER ASSEMBLY (FOR GAUGE)
11	13-26996		1	LOCKWASHER, OIL PRESSURE SENDER TERMINAL (#10)
12	11-20645		1	NUT, OIL PRESSURE SENDER TERMINAL (#10)
13	22-54522		1	NIPPLE, OIL PRESSURE SENDER
14	22-56770		1	COUPLING, OIL PRESSURE SENDER SERIAL 00000000-03386120
	22-64485		1	FITTING, TEE - OIL PRESSURE SENDER SERIAL 03415951-09999999
15	38559		1	SWITCH, OIL PRESSURE (FOR IGNITION LIGHT) SERIAL 03415951-09999999
16	12-20878		1	WASHER, OIL PRESSURE SWITCH TERMINAL (#10) SERIAL 03415951-09999999
17	11-20645		1	NUT, OIL PRESSURE SWITCH TERMINAL (#10) SERIAL 03415951-09999999
18	59755		1	ALTERNATOR ASSEMBLY
19	10-20055		1	SCREW, WIRING HARNESS TO ALTERNATOR (3/8")
20	13-26996		1	LOCKWASHER, WIRING HARNESS SCREW
21	12-30164		1	WASHER, WIRING HARNESS SCREW
22	54479		1	BRACE, ALTERNATOR ADJUSTING
23	10-29198		1	SCREW, ALTERNATOR BRACE TO ALTERNATOR (7/8")
24	12-26168		1	WASHER, ALTERNATOR BRACE SCREW
25	10-55300		1	SCREW, ALTERNATOR BRACE TO CYLINDER BLOCK (5 1/4")

CONTINUED ON NEXT PAGE ➡

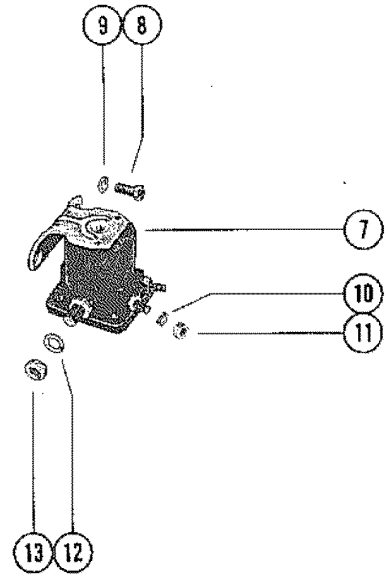
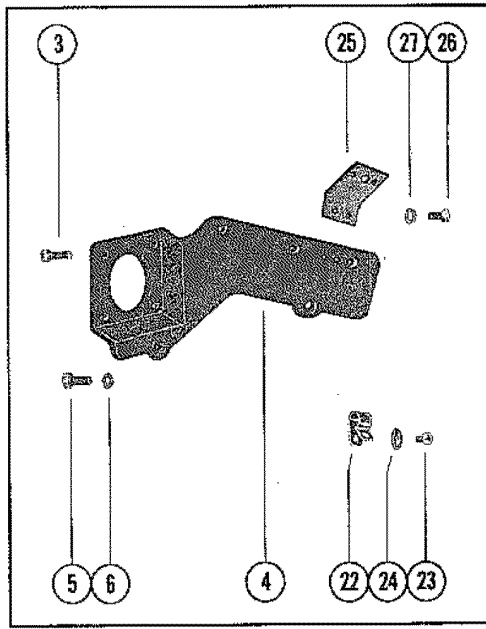
STARTER MOTOR AND ALTERNATOR



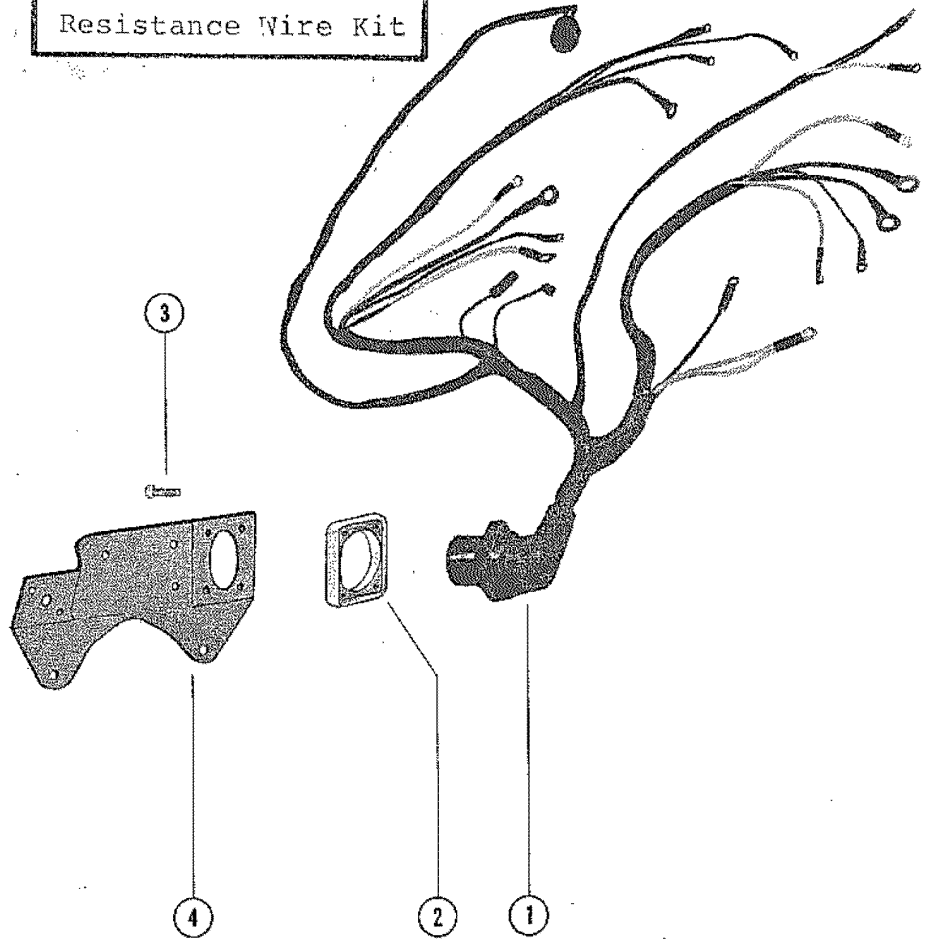
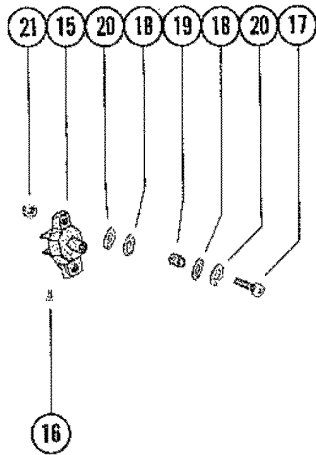
STARTER MOTOR AND ALTERNATOR

REF. NO.	PART NO.	SYM.	QTY.	DESCRIPTION
26	13-39107		1	LOCKWASHER, ALTERNATOR BRACE SCREW
27	61859		1	BRACKET, ALTERNATOR MOUNTING (MC11-TR)
	54464		1	BRACKET, ALTERNATOR MOUNTING (INBOARD AND MC225-S)
28	10-48308		1	SCREW, ALTERNATOR TO ALTERNATOR BRACKET (3 3/4")
29	12-20553		2	WASHER, ALTERNATOR BRACKET SCREW
30	23-63764		1	BUSHING, ALTERNATOR BRACKET SCREW
31	11-23161		1	NUT, ALTERNATOR BRACKET SCREW
32	10-37612		2	SCREW, ALTERNATOR BRACKET TO TIMING COVER (1 1/4")
33	13-37459		2	LOCKWASHER, ALTERNATOR BRACKET SCREW
34	12-38344		2	WASHER, ALTERNATOR BRACKET SCREW- INBOARD
35	10-47462		1	SCREW, ALTERNATOR BRACKET TO ENGINE - INBOARD
36	13-32993		1	LOCKWASHER, ALTERNATOR BRACKET SCREW - INBOARD

WIRING HARNESS, CIRCUIT BREAKER & STARTER SOLENOID (INBOARD)



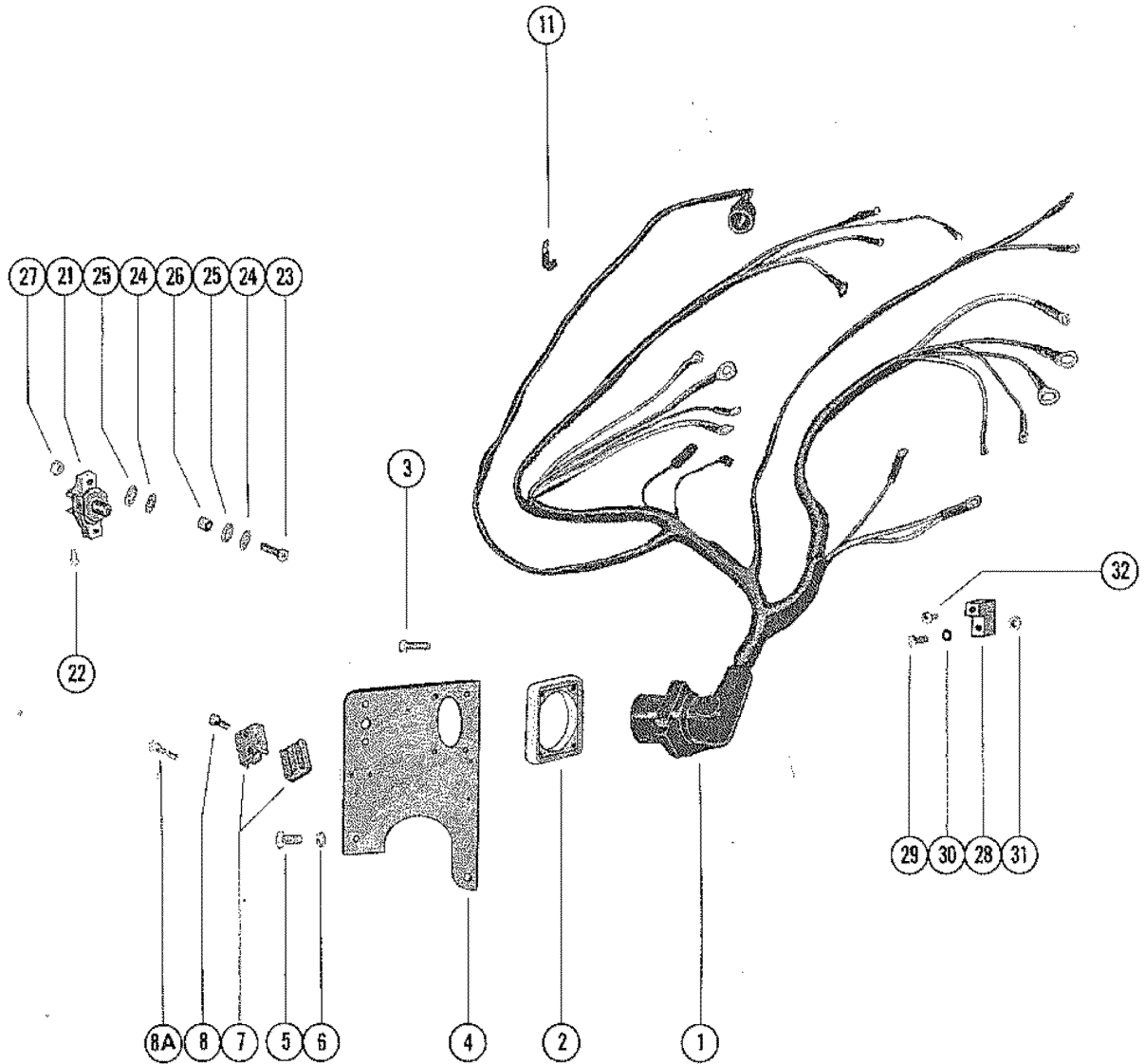
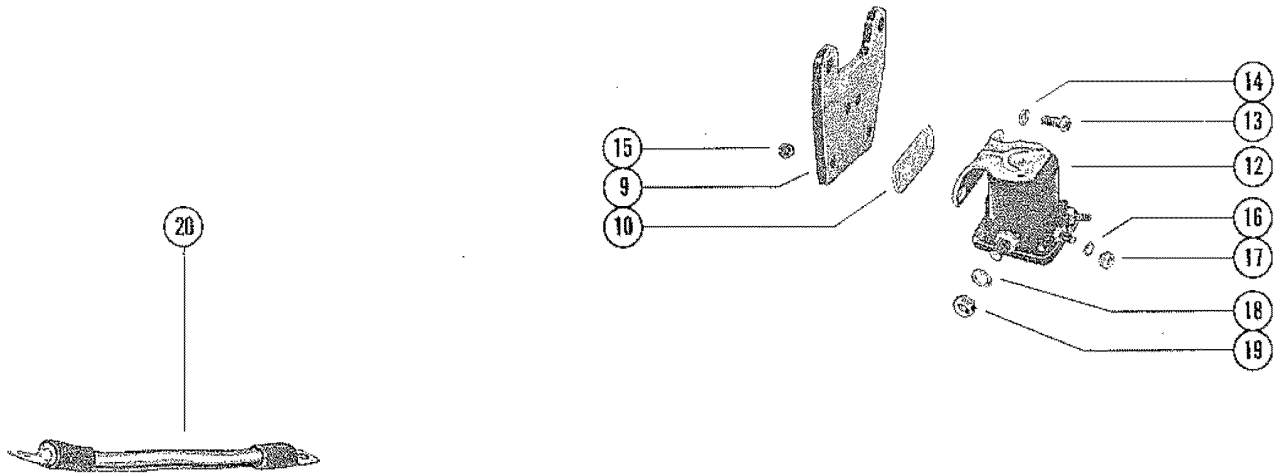
84-94227A2
Resistance Wire Kit



WIRING HARNESS, CIRCUIT BREAKER & STARTER SOLENOID (INBOARD)

REF. NO.	PART NO.	SYM.	QTY.	DESCRIPTION
1	84-64600		1	WIRING HARNESS SERIAL 00000000-03416390
	84-64635		1	WIRING HARNESS (SERIAL # AND UP) SERIAL 03563182-09999999
2	26079		1	PLATE, WIRING HARNESS TO MOUNTING BRACKET
3	10-46718		4	SCREW, WIRING HARNESS TO PLATE TO MOUNTING BRACKET (3/4")
4	54227		1	BRACKET, MOUNTING - ELECTRICAL SERIAL 00000000-03416390
	64709		1	BRACKET, MOUNTING - ELECTRICAL SERIAL 03563182-09999999
5	10-21077		2	SCREW, MOUNTING BRACKET ATTACHING (7/8") , SERIAL 00000000-03416390
6	13-35048		2	LOCKWASHER, MOUNTING BRACKET SCREW SERIAL 00000000-03416390
7	25661		1	STARTER SOLENOID
8	10-28063		2	SCREW, STARTER SOLENOID TO MOUNTING BRACKET (5/8")
9	13-26992		2	LOCKWASHER, STARTER SOLENOID SCREW
10	13-26996		2	LOCKWASHER, STARTER SOLENOID TERMINAL (#10)
11	11-20645		2	NUT, STARTER SOLENOID TERMINAL (10-32)
12	13-26993		2	LOCKWASHER, STARTER SOLENOID TERMINAL (5/16")
13	11-20083		2	NUT, STARTER SOLENOID TERMINAL (5/16")
15	59816		1	CIRCUIT BREAKER
16	10-36046		2	SCREW, WIRING HARNESS LEAD TO TERMINAL (1/4")
17	10-47618		2	SCREW, CIRCUIT BREAKER TO BRACKET (1")
18	25-61999		4	GROMMET, CIRCUIT BREAKER SCREW
19	23-61998		2	SPACER, CIRCUIT BREAKER GROMMET
20	12-47960		4	WASHER, CIRCUIT BREAKER SCREW
21	11-46438		2	NUT, CIRCUIT BREAKER SCREW
22	54-37304		1	CLAMP, HARNESS TO MOUNTING BRACKET SERIAL 00000000-03416390
23	10-20031		1	SCREW, CLAMP TO MOUNTING BRACKET (1/2") SERIAL 00000000-03416390
24	13-26992		1	LOCKWASHER, CLAMP TO MOUNTING SCREW SERIAL 00000000-03416390
25	61969		1	BRACKET, CIRCUIT BREAKER SERIAL 00000000-03416390
26	10-47194		2	SCREW, CIRCUIT BREAKER BRACKET (9/16") SERIAL 00000000-03416390
27	13-26996		2	LOCKWASHER, BRACKET SCREW SERIAL 00000000-03416390

WIRING HARNESS, CIRCUIT BREAKER & STARTR SOLENOID (STERN DR)

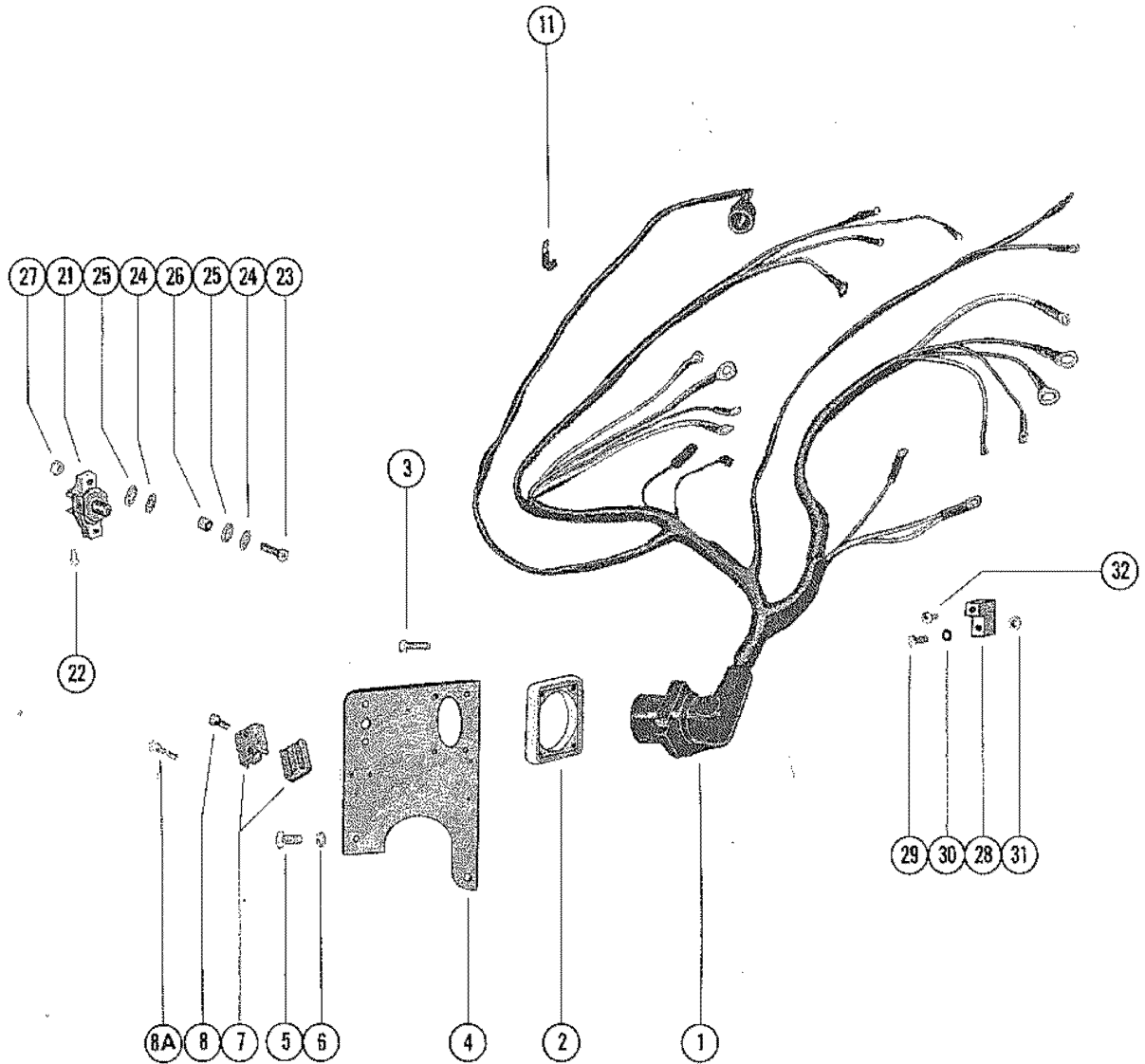
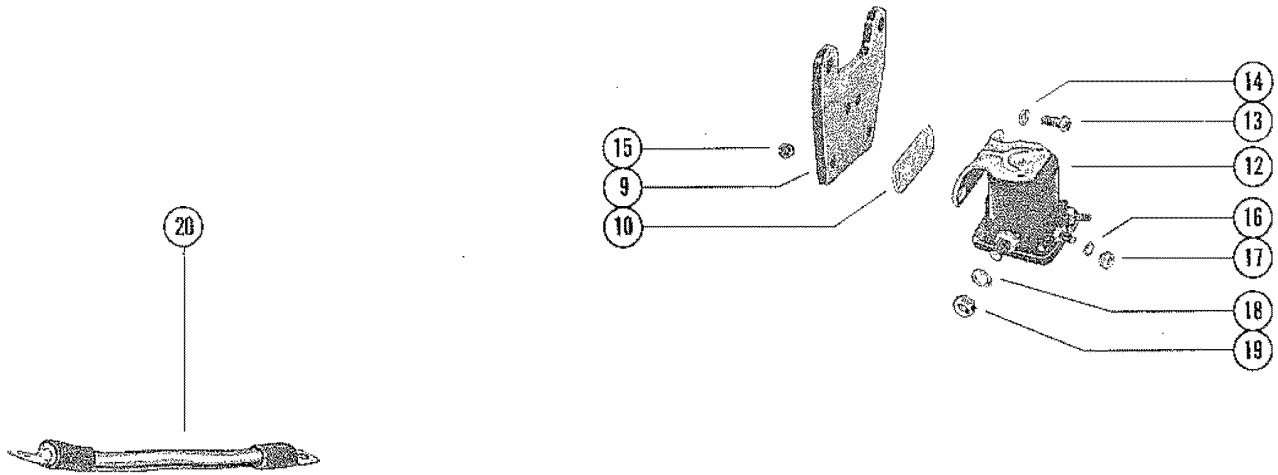


WIRING HARNESS, CIRCUIT BREAKER & STARTR SOLENOID (STERN DR)

REF. NO.	PART NO.	SYM.	QTY.	DESCRIPTION
1	84-62137		1	WIRING HARNESS -MC11-TR SERIAL 00000000-03386120
	84-64606		1	WIRING HARNESS -MC11-TR SERIAL 03523080-09999999
	84-66964		1	WIRING HARNESS (MC 225-S)
2	26079		1	PLATE, WIRING HARNESS TO MOUNTING BRACKET
3	10-46718		4	SCREW, WIRING HARNESS TO PLATE TO MOUNTING BRACKET (3/4")
4	63087		1	BRACKET, MOUNTING - HARNESS AND CIRCUIT BREAKER (MC 11-TR)
	64636		1	BRACKET, MOUNTING - HARNESS AND CIRCUIT BREAKER (MC 225-S)
5	10-25038		2	SCREW, MOUNTING BRACKET ATTACHING (7/8")-MC11-TR
	10-59645		1	SCREW, MOUNTING BRACKET ATTACHING (3/4") MC 225-S
6	13-26993		2	LOCKWASHER, MOUNTING BRACKET SCREW -MC 11-TR
7	39974		2	CONNECTOR, TRIM LEADS - MOUNTING BRACKET -MC 11-TR SERIAL 00000000-03386120
8	10-45862		2	SCREW, CONNECTOR TO BRACKET (3/4") -MC 11-TR SERIAL 00000000-03386120
7	86-63813		1	TERMINAL BLOCK, TRIM LEADS (NOT AS SHOWN) -MC 11-TR SERIAL 03523080-09999999
8	10-48591		2	SCREW, TERMINAL BLOCK TO BRACKE (1/2") -MC 11-TR SERIAL 03523080-09999999
8A	10-62568		1	SCREW, LEAT ATTACHING -MC 11-TR SERIAL 03523080-09999999
9	54869		1	BRACKET, MOUNTING - STARTER SOLENOID
10	36177		1	INSULATOR, SOLENOID TO MOUNTING BRACKET
11	54-61001		1	CLIP, WIRING HARNESS TO ROCKER COVER
12	65057		1	STARTER SOLENOID
13	10-22956		2	SCREW, STARTER SOLENOID TO MOUNTING BRACKET (7/8")
14	12-22937		2	WASHER, STARTER SOLENOID SCREW
15	11-20361		2	NUT, STARTER SOLENOID SCREW
16	13-26996		2	LOCKWASHER, STARTER SOLENOID TERMINAL (#10)
17	11-20645		2	NUT, STARTER SOLENOID TERMINAL (10-32)
18	13-26993		2	LOCKWASHER, STARTER SOLENOID TERMINAL (5/16")
19	11-20083		2	NUT, STARTER SOLENOID TERMINAL (5/16")
20	54979		1	CABLE, STARTER SOLENOID TO STARTER MOTOR (YELLOW - 9 1/2")
21	59816		1	CIRCUIT BREAKER -MC 11-TR
22	10-36046		2	SCREW, WIRING HARNESS LEAD TO CIRCUIT BREAKER -MC 11-TR
21	88-65093		1	CIRCUIT BREAKER (NOT AS SHOWN) -MC 225-S
	11-20645		2	NUT, CIRCUIT BREAKER TERMINAL -MC 225-S
	13-26996		2	LOCKWASHER, CIRCUIT BREAKER TERMINAL -MC 225-S
23	10-47618		2	SCREW, CIRCUIT BREAKER TO BRACKET (1")
24	25-61999		4	GROMMET, CIRCUIT BREAKER SCREW
25	12-47960		4	WASHER, CIRCUIT BREAKER SCREW
26	23-61998		2	SPACER, CIRCUIT BREAKER GROMMET

CONTINUED ON NEXT PAGE ➡

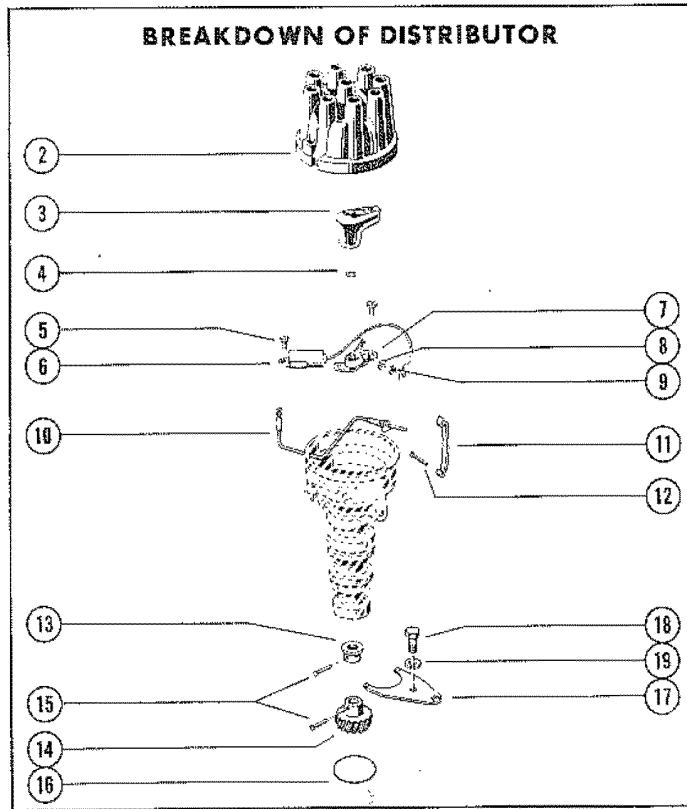
WIRING HARNESS, CIRCUIT BREAKER & STARTR SOLENOID (STERN DR)



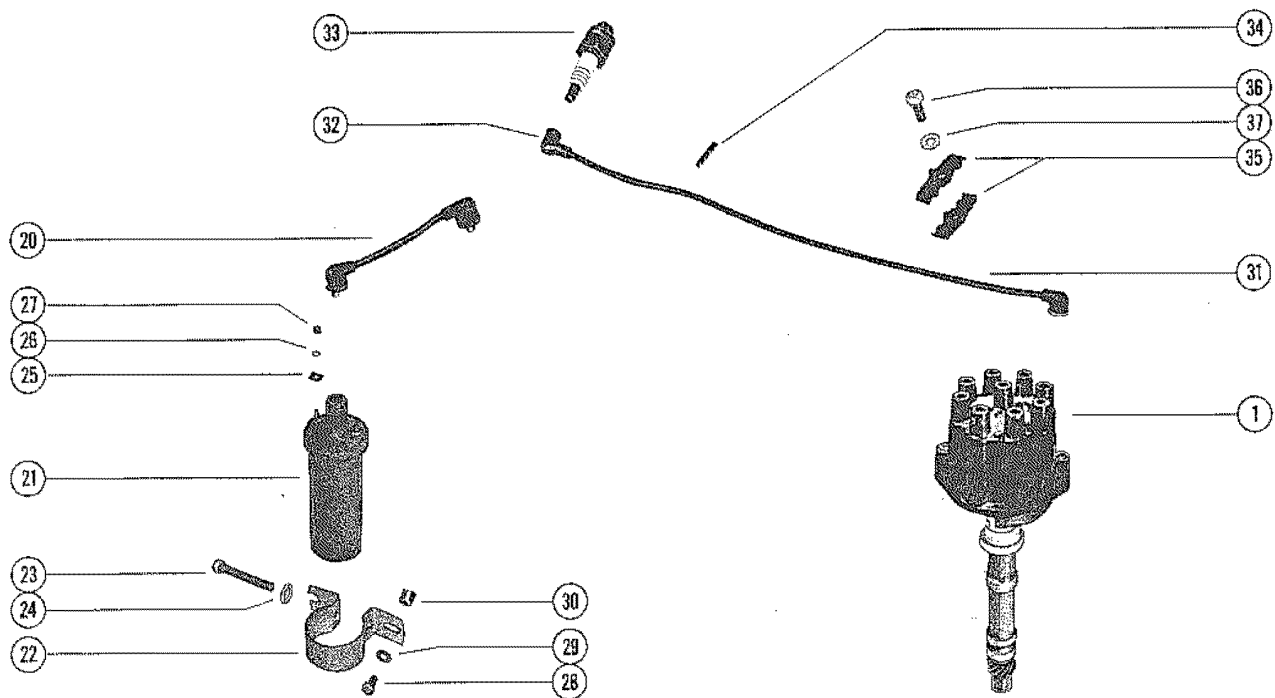
WIRING HARNESS, CIRCUIT BREAKER & STARTR SOLENOID (STERN DR)

REF. NO.	PART NO.	SYM.	QTY.	DESCRIPTION
27	11-46438		2	NUT, CIRCUIT BREAKER SCREW
28	52418		1	TERMINAL BLOCK, NEUTRAL STARTER LEADS MC 11-TR
29	10-21091		1	SCREW, TERMINAL BLOCK TO FLYWHEEL HOUSING (1 1/8") -MC 11-TR
30	13-26992		1	LOCKWASHER, TERMINAL BLOCK SCREW -MC 11-TR
31	11-24652		1	NUT, TERMINAL BLOCK SCREW -MC 11-TR
32	10-38792		1	SCREW, LEAD TO TERMINAL BLOCK -MC 11-TR

DISTRIBUTOR ASSEMBLY, COMPLETE-AUTOLITE



AUTOLITE

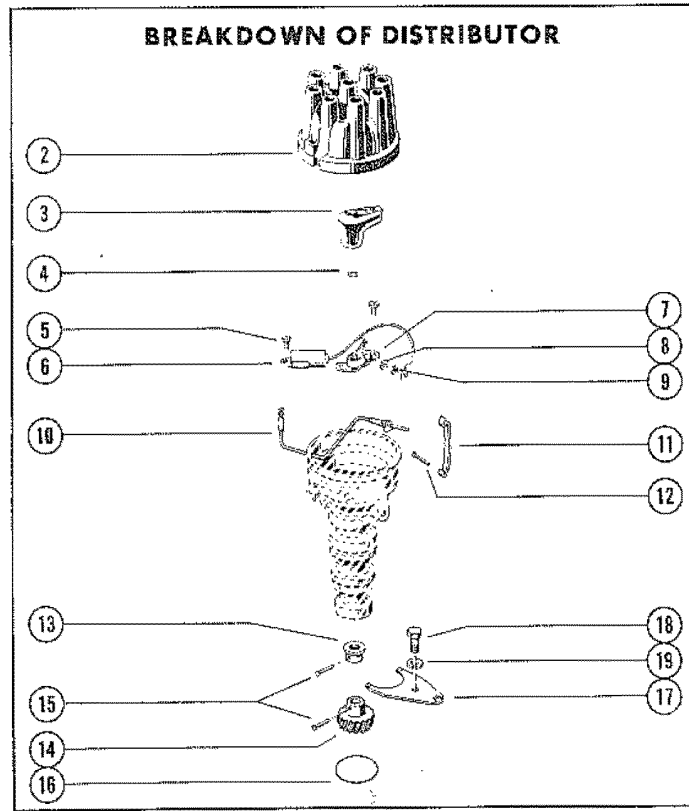


DISTRIBUTOR ASSEMBLY, COMPLETE-AUTOLITE

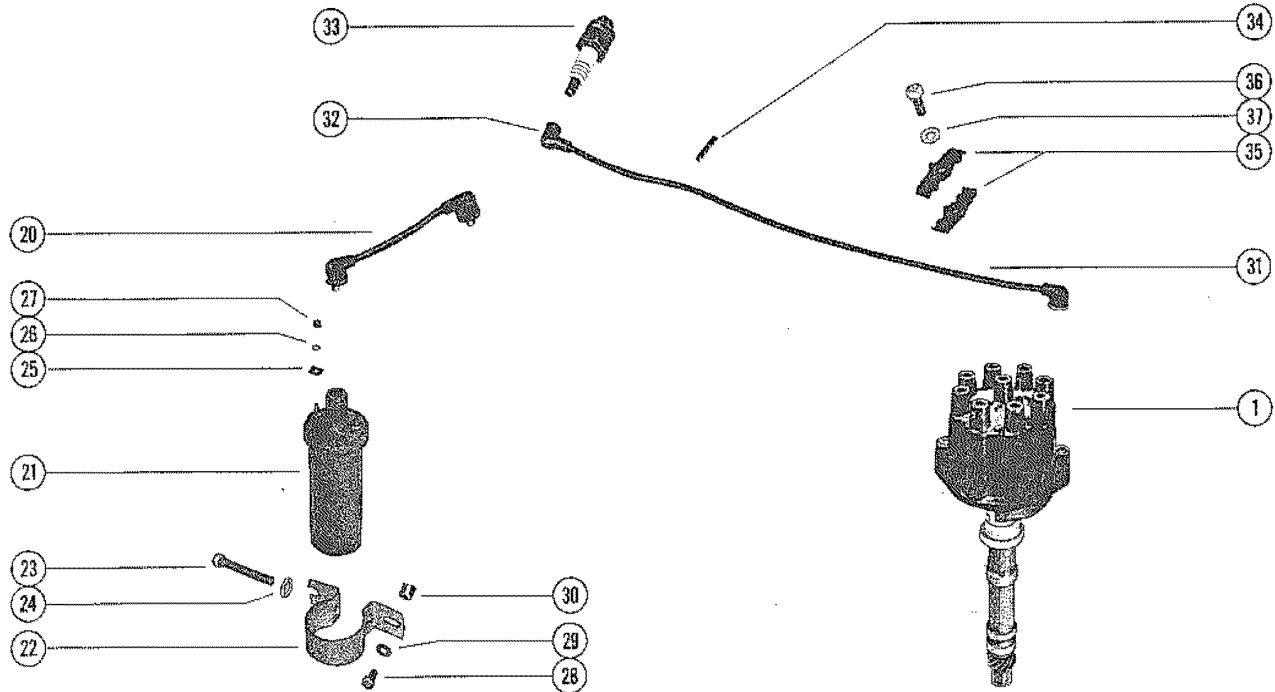
REF. NO.	PART NO.	SYM.	QTY.	DESCRIPTION
1	58015A2		1	DISTRIBUTOR ASSEMBLY, COMPLETE (LEFT HAND CRANKSHAFT ROTATE)
	58016A1		1	DISTRUBUTOR ASSEMBLY, COMPLETE (RIGHT HAND CRANKSHAFT ROTATE)
2	393-4988		1	CAP, DISTRIBUTOR
	37-54675		1	DECAL, DISTRIBUTOR CAP
3	65864		1	ROTOR
4	58027		1	RETAINER, CAM TO SHAFT
5	10-58018		4	SCREW, BREAKER AND CONDENSER ATTACHING
6	58034		1	CONDENSER
7	58033		1	BREAKER ASSEMBLY
8	12-26994		2	WASHER, PRIMARY TERMINAL
9	11-58019		2	NUT, PRIMARY TERMINAL
10	58017		1	LEAD ASSEMBLY, PRIMARY TERMINAL
11	58031		2	CLAMP, DISTRIBUTOR CAP ATTACHING
12	17-58032		2	PIN, CLAMP TO DISTRIBUTOR
13	58022		1	COLLAR, THRUST
14	43-58023		1	GEAR, DRIVE (LEFT HAND CRANKSHAFT ROTATION)
	43-58024		1	GEAR, DRIVE (RIGHT HAND CRANKSHAFT ROTATION)
15	17-58021		2	PIN, THRUST COLLAR AND DRIVE GEAR
16	27-58025		1	GASKET, DISTRIBUTOR
17	58258		1	CLAMP, DISTRIBUTOR TO INTAKE MANIFOLD
18	10-58259		1	SCREW, DISTRIBUTOR CLAMP ATTACHING (7/8")
19	13-58260		1	LOCKWASHER, DISTRIBUTOR CLAMP SCREW
20	60335		1	LEAD ASSEMBLY, DISTRIBUTOR TO COIL (7 1/2")
21	26433		1	COIL, IGNITION
22	33321		1	BRACKET, IGNITION COIL MOUNTING (NOT AS SHOWN)
23	10-33311		1	SCREW, BRACKET TO IGNITION COIL (1 1/2")
24	13-35048		1	LOCKWASHER, IGNITION COIL TERMINAL
25	12-30164		2	WASHER, IGNITION COIL TERMINAL
26	13-26996		2	LOCKWASHER, IGNITION COIL TERMINAL
27	11-20645		2	NUT, IGINATION COIL TERMINAL
28	10-34613		1	SCREW, IGNITION COIL ATTACHING (1 3/4")
29	12-20553		1	WASHER, IGNITNION COIL ATTACHING SCREW
30	23-60339		1	SPACER, IGNITION COIL ATTACHING SCREW
31	47861A11		1	LEAD ASSEMBLY, HIGH TENSION (38 1/2")
	47861A12		1	LEAD ASSEMBLY, HIGH TENSION (35")
	47861A9		1	LEAD ASSEMBLY, HIGH TENSION (34")
	47861A5		1	LEAD ASSEMBLY, HIGH TENSION (31")
	47861A6		2	LEAD ASSEMBLY, HIGH TENSION (28")
	47861A13		1	LEAD ASSEMBLY, HIGH TENSION (24")
	47861A8		1	LEAD ASSEMBLY, HIGH TENSION (21")
32	47604A1		8	PROTECTOR, SPARK PLUG
33	33-61783		8	SPARK PLUG (AC#C83T)

CONTINUED ON NEXT PAGE ➡

DISTRIBUTOR ASSEMBLY, COMPLETE-AUTOLITE



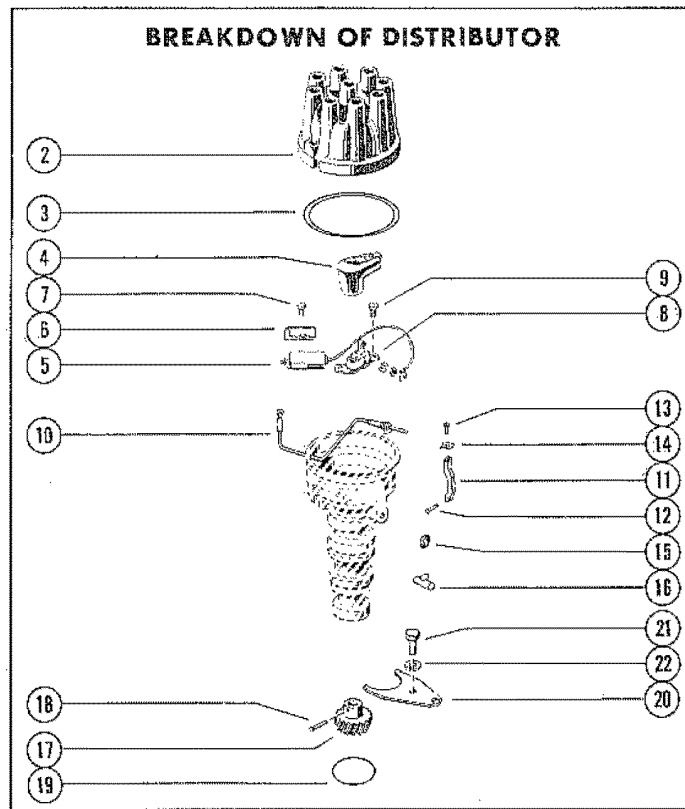
AUTOLITE



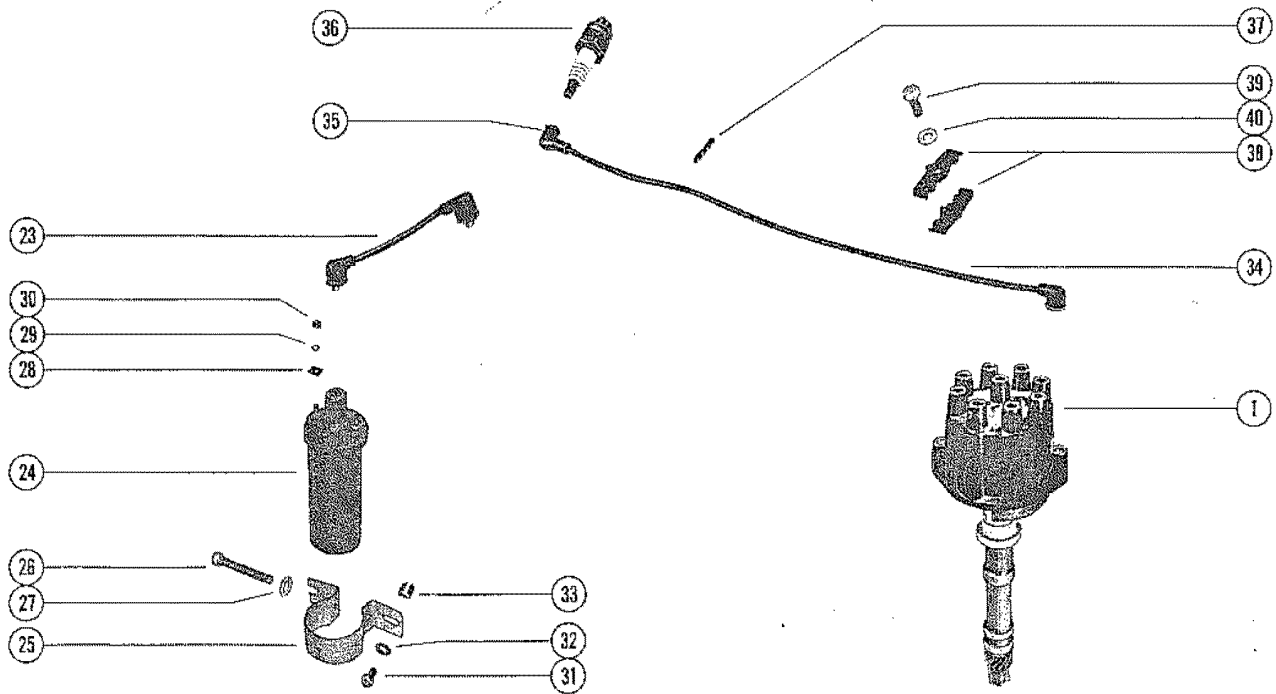
DISTRIBUTOR ASSEMBLY, COMPLETE-AUTOLITE

REF. NO.	PART NO.	SYM.	QTY.	DESCRIPTION
34	54676		2	RETAINER, HIGH TENSION LEADS (2 WIRE)
	32783		2	RETAINER, HIGH TENSION LEADS (3 WIRE)
	32784		3	RETAINER, HIGH TENSION LEADS (4 WIRE)
35	63192		4	RETAINER, HIGH TENSION LEADS
36	10-47462		2	SCREW, RETAINER ATTACHING (1 1/4")
37	12-34567		2	WASHER, RETAINER SCREW

DISTRIBUTOR ASSEMBLY, COMPLETE-MALLORY



MALLORY

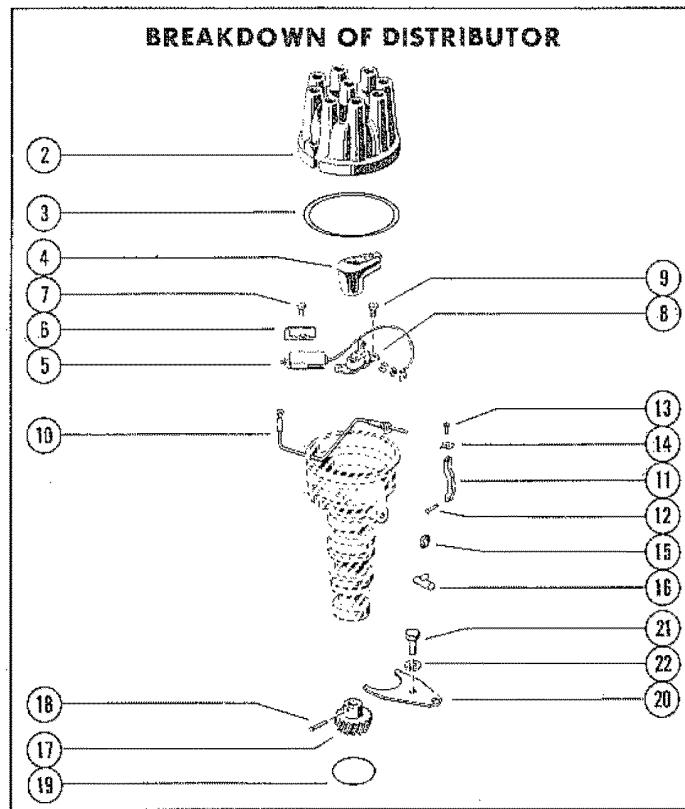


DISTRIBUTOR ASSEMBLY, COMPLETE-MALLORY

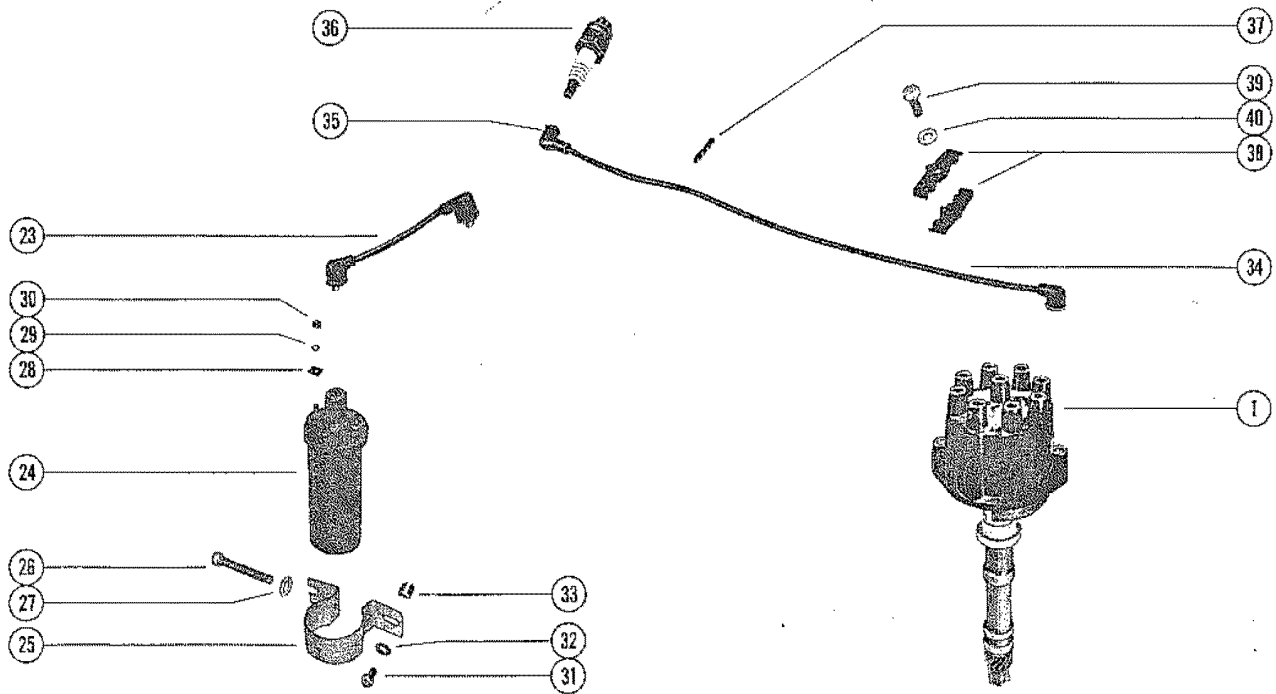
REF. NO.	PART NO.	SYM.	QTY.	DESCRIPTION
1	391-5071		1	DISTRIBUTOR ASSEMBLY, COMPLETE (LEFT HAND CRANKSHAFT ROTATE)
	391-5072		1	DISTRIBUTOR ASSEMBLY, COMPLETE (RIGHT HAND CRANKSHAFT ROTATE)
2	391-5075		1	CAP, DISTRIBUTOR
	37-61593		1	DECAL, DISTRIBUTOR CAP
3	391-5076		1	GASKET, DISTRIBUTOR CAP
4	391-5088		1	ROTOR
5	391-5092		1	CONDENSER
6	391-5093		1	BRACKET, CONDENSER ATTACHING
7	391-5091		1	SCREW, CONDENSER BRACKET ATTACHING
8	391-5090		1	BREAKER ASSEMBLY
9	391-5089		1	SCREW BREAKER ATTACHING
10	391-5077		1	LEAD ASSEMBLY, PRIMARY TERMINAL
11	391-5085		2	CLAMP, DISTRIBUTOR CAP ATTACHING
12	391-5084		2	PIN, CLAMP TO DISTRIBUTOR
13	391-5087		2	SCREW, DISTRIBUTOR CAP ATTACHING
14	391-5086		2	WASHER, DISTRIBUTOR CAP SCREW
15	391-5083		2	VENT, SCREEN
16	391-5080		1	OILER
17	391-5078		1	GEAR, DRIVE (LEFT HAND CRANKSHAFT ROTATION)
	391-5082		1	GEAR, DRIVE (RIGHT HAND CRANKSHAFT ROTATION)
18	391-5079		1	PIN, DRIVE GEAR
19	391-5081		1	"O" RING, DISTRIBUTOR
20	58258		1	CLAMP, DISTRIBUTOR TO INTAKE MANIFOLD
21	10-58259		1	SCREW, DISTRIBUTOR CLAMP ATTACHING (7/8")
22	13-58260		1	LOCKWASHER, DISTRIBUTOR CLAMP ATTACHING SCREW
23	84-61891		1	LEAD ASSEMBLY, DISTRIBUTOR TO COIL (8 1/2")
24	26433		1	COIL, IGNITION
25	33321		1	BRACKET, IGNITION COIL MOUNTING
26	10-33311		1	SCREW, BRACKET TO IGNITION COIL (1 1/2")
27	13-35048		1	LOCKWASHER, BRACKET SCREW
28	12-30164		2	WASHER, IGNITION COIL TERMINAL
29	13-26996		2	LOCKWASHER, IGNITION COIL TERMINAL
30	11-20645		2	NUT, IGNITION COIL TERMIAN
31	10-34613		1	SCREW,IGNITION COIL ATTACHING (1 3/4")
32	12-20553		1	WASHER, IGNITION COIL ATTACHING SCREW
33	23-60339		1	SPACER, IGNITION COIL ATTACHING SCREW
34	84-61801A4		1	LEAD ASSEMBLY, HIGH TENSION (41")
	84-61801A7		1	LEAD ASSEMBLY, HIGH TENSION (38 1/2")
	84-61801A3		1	LEAD ASSEMBLY, HIGH TENSION (36 1/2")
	84-61801A6		1	LEAD ASSEMBLY, HIGH TENSION (33 1/2")
	84-61801A2		2	LEAD ASSEMBLY, HIGH TENSION (30 1/2")
	84-61801A1		1	LEAD ASSEMBLY, HIGH TENSION (27")

CONTINUED ON NEXT PAGE ➡

DISTRIBUTOR ASSEMBLY, COMPLETE-MALLORY



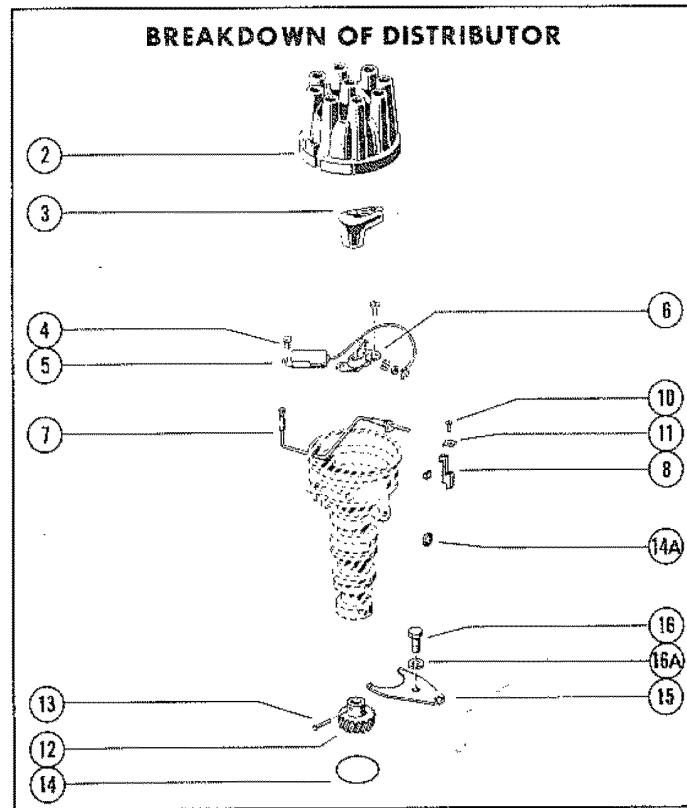
MALLORY



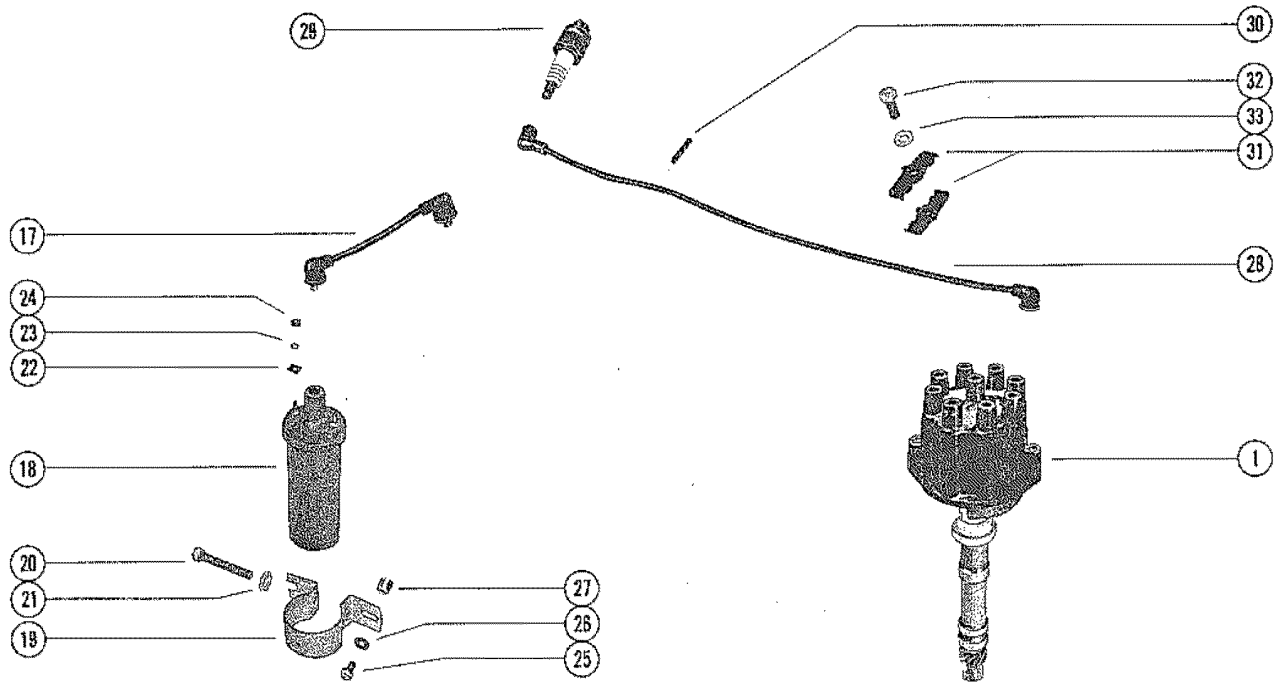
DISTRIBUTOR ASSEMBLY, COMPLETE-MALLORY

REF. NO.	PART NO.	SYM.	QTY.	DESCRIPTION
34	84-61801A5		1	LEAD ASSEMBLY, HIGH TENSION (25")
35	47604A1		8	PROTECTOR, SPARK PLUG
36	33-61783		8	SPARK PLUG (AC#C83T)
37	54676		2	RETAINER, HIGH TENSION LEADS (2 WIRE)
	32783		2	RETAINER, HIGH TENSION LEADS (3 WIRE)
	32784		2	RETAINER, HIGH TENSION LEADS (4 WRIE)
38	63192		4	RETAINER, HIGH TENSION LEADS
39	10-47462		2	SCREW, RETAINER ATTACHING (1 1/4")
40	12-34567		2	WASHER, RETAINER SCREW

DISTRIBUTOR ASSEMBLY, COMPLETE-MERCURY MARINE



MERCURY MARINE

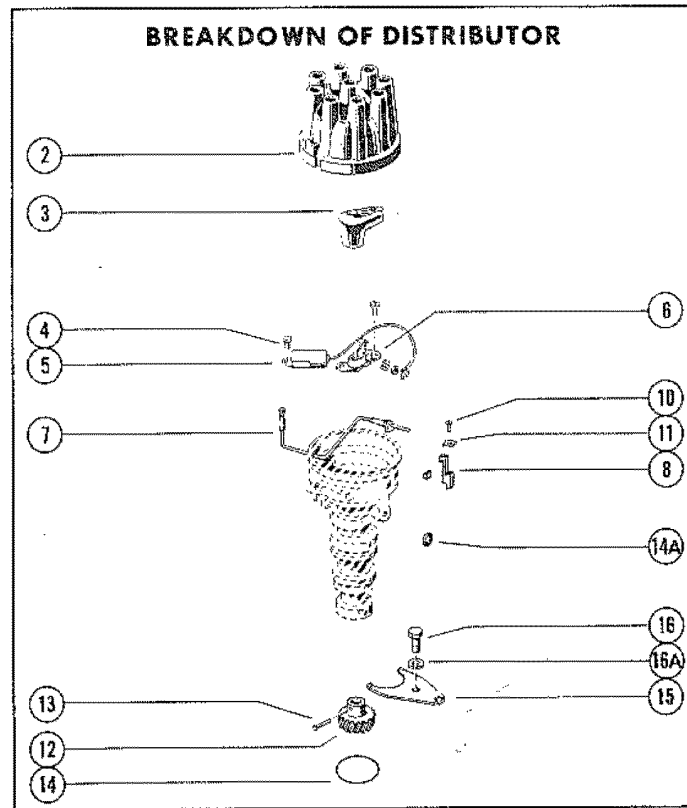


DISTRIBUTOR ASSEMBLY, COMPLETE-MERCURY MARINE

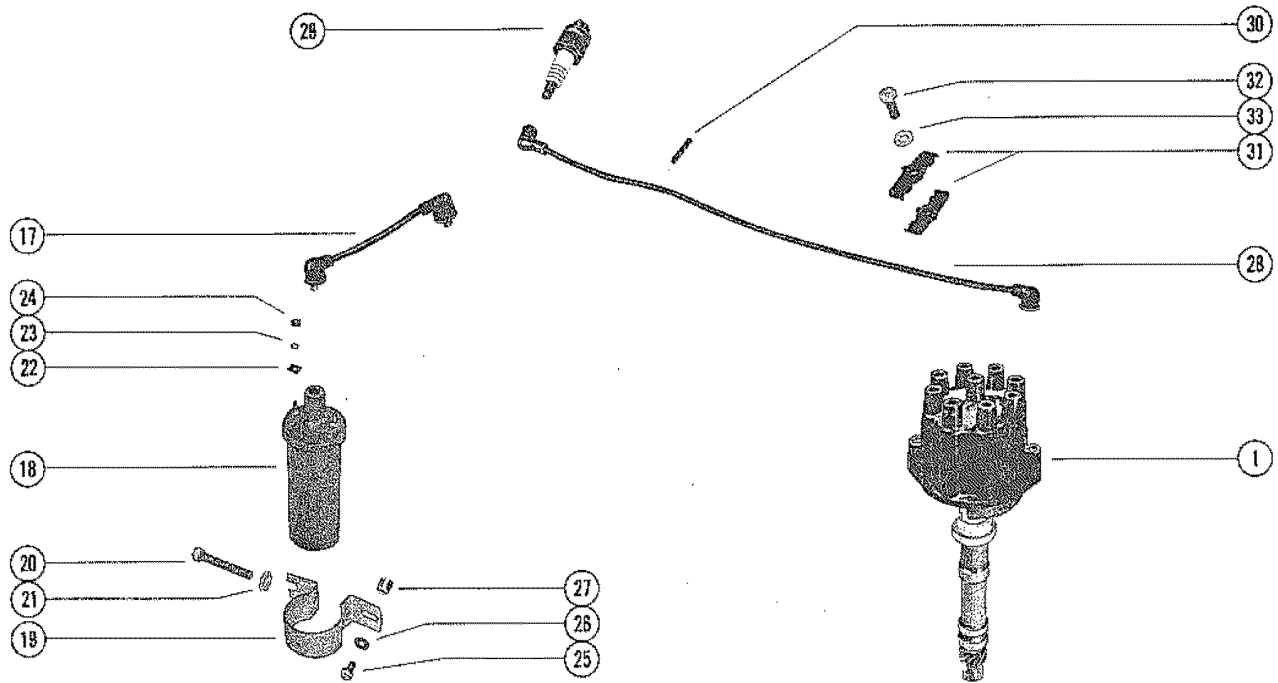
REF. NO.	PART NO.	SYM.	QTY.	DESCRIPTION
1	64025A2		1	DISTRIBUTOR ASSEMBLY, COMPLETE (LEFT HAND CRANKSHAFT ROTATE
	64025A3		1	DISTRIBUTOR ASSEMBLY, COMPLETE (RIGHT HAND CRANKSHAFT ROTATE
2	393-4988		1	CAP, DISTRIBUTOR
	37-54675		1	DECAL, DISTRIBUTOR CAP
3	65864		1	ROTOR
4	10-36046		3	SCREW, BREAKER AND CONDENSER
5	81-64851		1	CONDENSER
6	64850		1	BREAKER ASSEMBLY
7	84-64846		1	LEAD ASSEMBLY, PRIMARY
8	54-65783A2		2	CLAMP ASSEMBLY, DISTRIBUTOR CAP ATTACHING
10	10-21335		2	SCREW, CLAMP TO DISTRIBUTOR (7/8")
11	13-26996		1	LOCKWASHER, DISTRIBUTOR CLAMP SCREW
12	43-58023		1	GEAR, DRIVE (LEFT HAND CRANKSHAFT ROTATION)
	43-58024		1	GEAR, DRIVE (RIGHT HAND CRANKSHAFT ROTATION)
13	17-58021		1	PIN, DRIVE GEAR
14	27-58025		1	"O" RING, DISTRIBUTOR
14A	35-60047A1		2	SCREEN, FLAME ARRESTOR
15	58258		1	CLAMP, DISTRIBUTOR TO INTAKE MANIFOLD
16	10-58259		1	SCREW, DISTRIBUTOR CLAMP ATTACHING (7/8")
16A	13-58260		1	LOCKWASHER, DISTRIBUTOR CLAMP ATTACHING SCREW
17	84-65796		1	LEAD ASSEMBLY, DISTRIBUTOR TO COIL (8 1/2")
18	26433		1	COIL, IGNITION
19	33321		1	BRACKET, IGNITION COIL MOUNTING
20	10-33311		1	SCREW, BRACKET TO IGNITION COIL (1 1/2")
21	13-35048		1	LOCKWASHER, BRACKET SCREW
22	12-30164		2	WASHER, IGNITION COIL TERMINAL
23	13-26996		2	LOCKWASHER, IGNITION COIL TERMINAL
24	11-20645		2	NUT, IGNITION COIL TERMINAL
25	10-34613		1	SCREW, IGNITION COIL ATTACHING (1 3/4")
26	12-20553		1	WASHER, IGNITION COIL ATTACHING SCREW
27	23-60339		1	SPACER, IGNITION COIL ATTACHING SCREW
28	84-65795--5		1	LEAD ASSEMBLY, HIGH TENSION (38 1/2") SERIAL 00000000-03693272
	84-65795--6		1	LEAD ASSEMBLY, HIGH TENSION (35") SERIAL 00000000-03693272
	84-65795--4		1	LEAD ASSEMBLY, HIGH TENSION (34") SERIAL 00000000-03693272
	84-65795--1		1	LEAD ASSEMBLY, HIGH TENSION (31") SERIAL 00000000-03693272
	84-65795--2		1	LEAD ASSEMBLY, HIGH TENSION (28") SERIAL 00000000-03693272
	84-65795--7		2	LEAD ASSEMBLY, HIGH TENSION (24") SERIAL 00000000-03693272

CONTINUED ON NEXT PAGE ➡

DISTRIBUTOR ASSEMBLY, COMPLETE-MERCURY MARINE



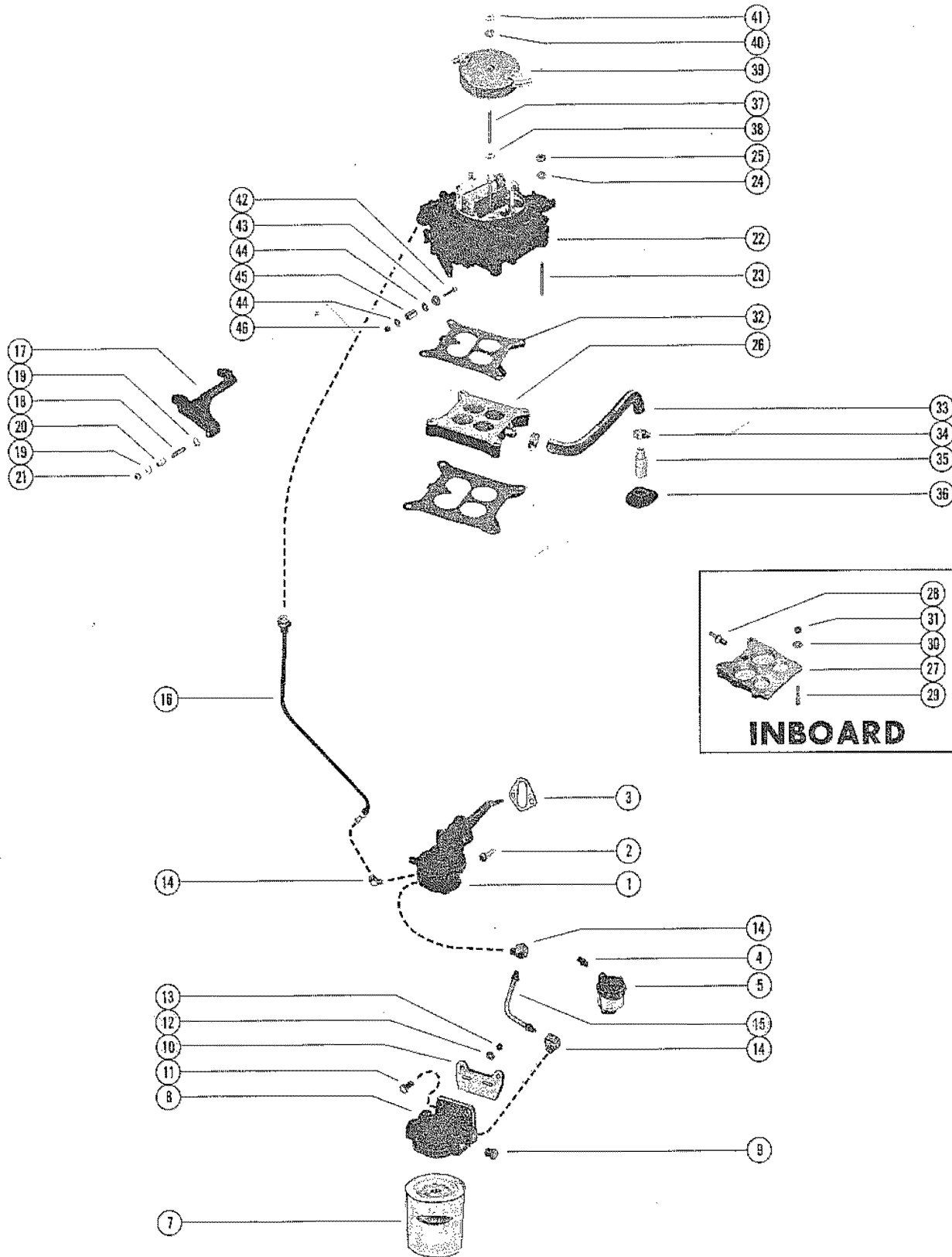
MERCURY MARINE



DISTRIBUTOR ASSEMBLY, COMPLETE-MERCURY MARINE

REF. NO.	PART NO.	SYM.	QTY.	DESCRIPTION
28	84-65795--3		1	LEAD ASSEMBLY, HIGH TENSION (21") SERIAL 00000000-03693272
	84-67957--5		1	LEAD ASSEMBLY, HIGH TENSION (38 1/2") SERIAL 03750508-09999999
	84-67957--6		1	LEAD ASSEMBLY, HIGH TENSION (35") SERIAL 03750508-09999999
	84-67957--4		1	LEAD ASSEMBLY, HIGH TENSION (34") SERIAL 03750508-09999999
	84-67957--1		1	LEAD ASSEMBLY, HIGH TENSION (31") SERIAL 03750508-09999999
	84-67957--2		2	LEAD ASSEMBLY, HIGH TENSION (28") SERIAL 03750508-09999999
	84-67957--3		1	LEAD ASSEMBLY, HIGH TENSION (21") SERIAL 03750508-09999999
29	33-61783		8	SPARK PLUG (AC#C83T)
30	54676		2	RETAINER, HIGH TENSION LEADS (2 WIRE)
	32783		2	RETAINER, HIGH TENSION LEADS (3 WIRE)
	32784		4	RETAINER, HIGH TENSION LEADS (4 WIRE)
31	63192		4	RETAINER, HIGH TENSION LEADS
32	10-47462		2	SCREW, RETAINER ATTACHING (1 1/4")
33	12-34567		2	WASHER, RETAINER SCREW

FUEL PUMP, FUEL FILTER AND CARBURETOR

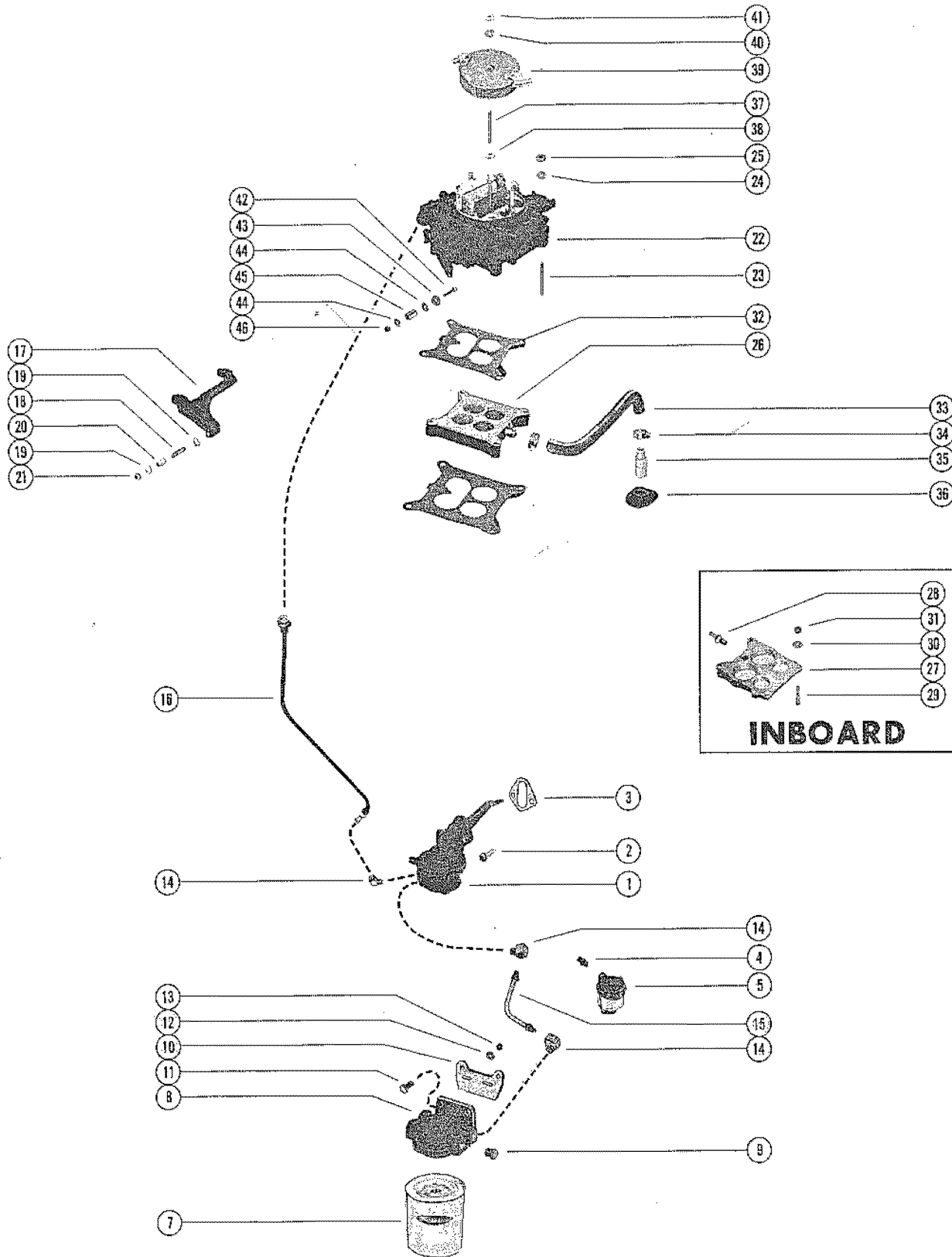


FUEL PUMP, FUEL FILTER AND CARBURETOR

REF. NO.	PART NO.	SYM.	QTY.	DESCRIPTION
1	62092		1	FUEL PUMP ASSEMBLY
2	10-56882		2	SCREW, FUEL PUMP TO CYLINDER BLOCK (1 1/2")
3	27-34213		1	GASKET, FUEL PUMP
4	22-32876		1	NIPPLE, SIGHT GLASS TO FUEL PUMP
5	47816		1	SIGHT GLASS
7	35-60494		1	FUEL FILTER
8	55481		1	BASE, FUEL FILTER
9	22-36382		2	PLUG, PIPE - FUEL FILTER BASE
10	54646		1	BRACKET, FUEL FILTER TO MOUNTING BRACKET (1 1/8")
11	10-20639		2	SCREW, FUEL FILTER TO MOUNTING BRACKET (1 1/8")
12	12-20084		2	WASHER, FUEL FILTER SCREW
13	11-35814		2	NUT, FUEL FILTER SCREW
14	22-33821		3	FITTING, FUEL LINE TO FUEL PUMP, FUEL FILTER AND CARBURETOR
15	32-62373		1	FUEL LINE, PUMP TO CARBURETOR (STERN DRIVE)
16	32-64977		1	FUEL LINE, PUMP TO CARBURETOR (V-DRIVE)
	32-62374		1	FUEL LINE, PUMP TO CARB. (STEEL) - INBOARD
17	54807		1	BRACKET, MOUNTING - THROTTLE CABLE (INBOARD AND MC11-TR)
	67613A1		1	BRACKET, MOUNTING - THROTTLE CABLE (MC 225-S)
18	16-35897		1	STUD, CABLE TO BRACKET (1 11/16") INBOARD AND MC 11-TR
	16-66356		1	STUD, CABLE TO THROTTLE CABLE STUD
19	12-21631		2	WASHER, THROTTLE CABLE STUD
20	23-31866		1	SPACER, THROTTLE CABLE STUD
21	11-20586		1	NUT, THROTTLE CABLE STUD
22	1356-5155		1	CARBURETOR ASSEMBLY
23	16-63004		2	STUD, CARBURETOR TO INTAKE MANIFOLD (2 5/8") STERN DRIVE
	16-63003		2	STUD, CARBURETOR TO INTAKE MANIFOLD # 1/4") STERN DRIVE
24	12-20084		4	WASHER, CARBURETOR STUD STERN DRIVE
25	11-46793		4	NUT, CARBURETOR STUD STERN DRIVE
26	56885		1	SPACER, CARBURETOR STERN DRIVE
27	54554		1	WEDGE, CARBURETOR MOUNTING INBOARD
28	22-38939		1	FITTING, CARBURETOR WEDGE INBOARD
29	16-53724		2	STUD, CARBURETOR MOUNTING 91 3/4") INBOARD
	16-46857		2	STUD, CARBURETOR MOUNTING (1 7/8") INBOARD
	16-63332		2	STUD, CARBURETOR MOUNTING (1 1/4") INBOARD
30	12-20084		6	WASHER CARBURETOR MOUNTING STUD INBOARD
31	11-46793		6	NUT, CARBURETOR MOUNTING STUD INBOARD
32	27-65577		2	GASKET, CARBURETOR
33	32-54681		1	HOSE, CARBURETOR
34	54-32523		2	CLAMP, HOSE ATTACHING

CONTINUED ON NEXT PAGE ➡

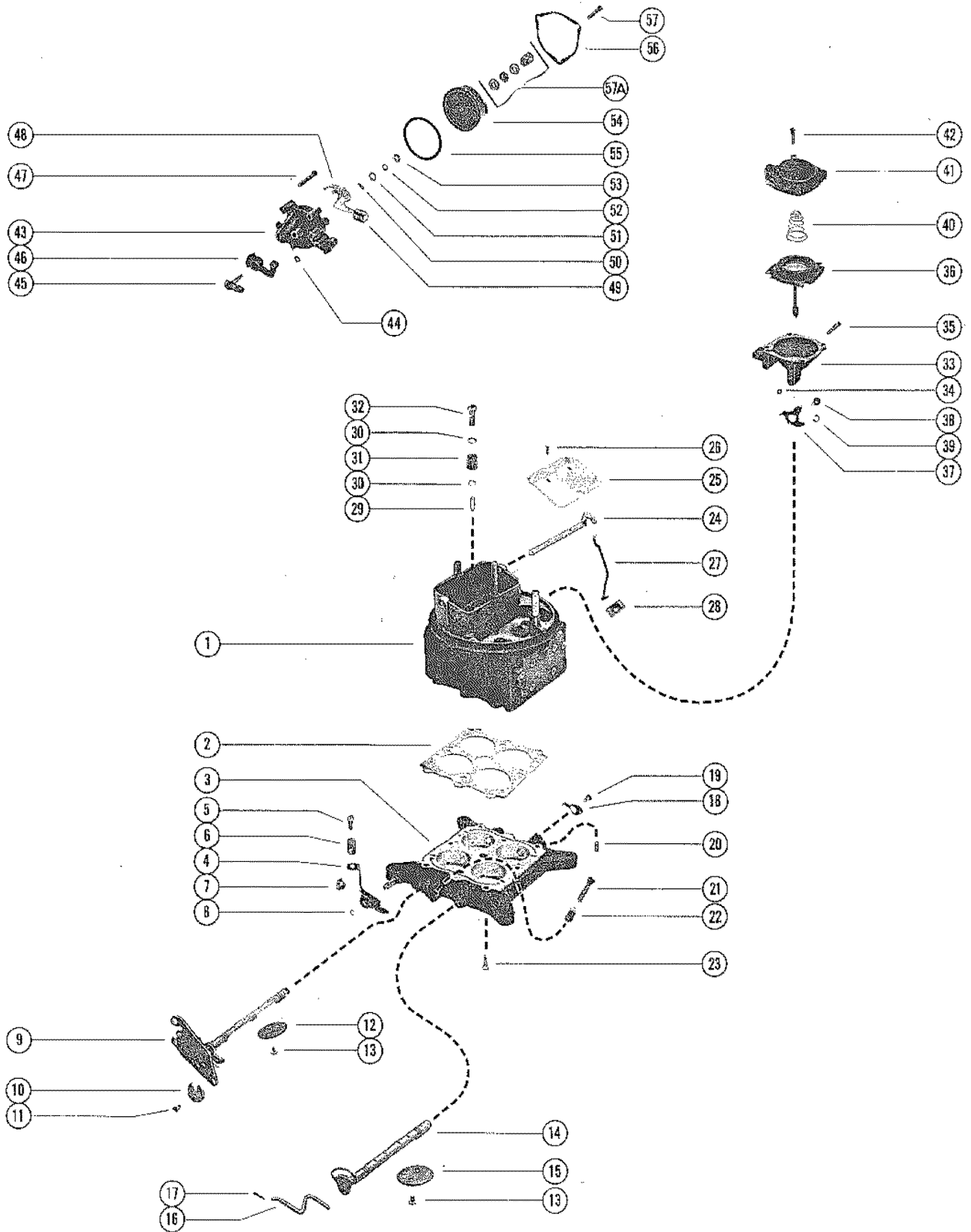
FUEL PUMP, FUEL FILTER AND CARBURETOR



FUEL PUMP, FUEL FILTER AND CARBURETOR

REF. NO.	PART NO.	SYM.	QTY.	DESCRIPTION
35	56863		1	VALVE, HOSE TO ROCKER COVER
36	25-56877		1	GROMMET, ROCKER COVER TO HOSE
37	16-47360		1	STUD, FLAME ARRESTOR MOUNTING - CARBURETOR (1 3/4")
38	11-28941		1	NUT, JAM - FLAME ARRESTOR MOUNTING STUD (BOTTOM)
39	55054		1	FLAME ARRESTOR, CARBURETOR (NOT AS SHOWN)
40	12-22937		1	WASHER, FLAME ARRESTOR STUD
41	11-20586		1	NUT, FLAME ARRESTOR STUD
42	10-37892		1	SCREW, THROTTLE CABLE TO CARBURETOR (NOT AS SHOWN)
43	12-26907		1	WASHER, THROTTLE CABLE SCREW
44	12-20128		2	WASHER, THROTTLE CABLE SCREW
45	23-57938		1	BUSHING, THROTTLE CABLE SCREW
46	11-45812		1	NUT, THROTTLE CABLE SCREW

CARBURETOR ASSEMBLY

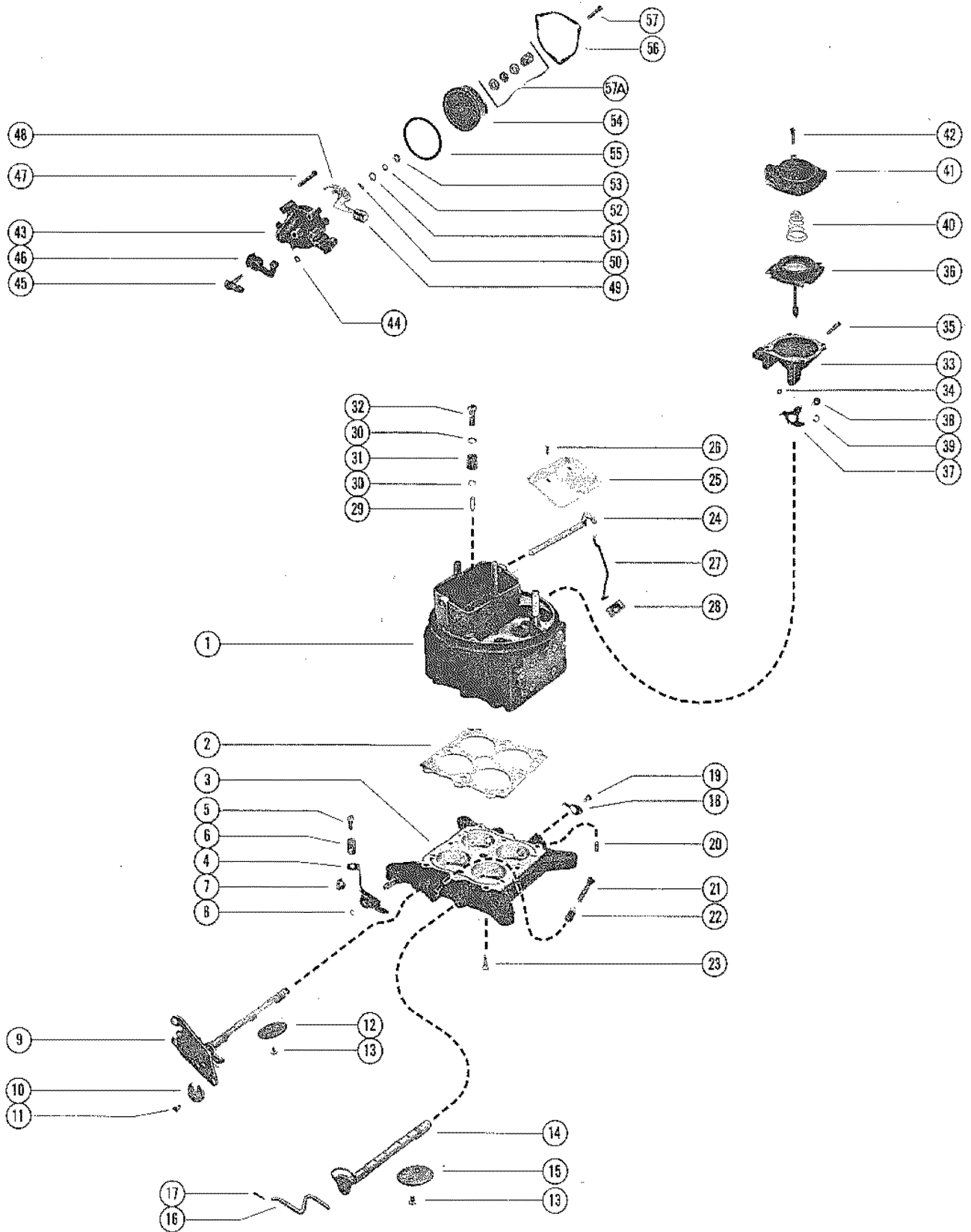


CARBURETOR ASSEMBLY

REF. NO.	PART NO.	SYM.	QTY.	DESCRIPTION
1	1356-5155		1	CARBURETOR ASSEMBLY, COMPLETE SEE NOTE
2			1	GASKET, THROTTLE BODY
3	1396-4086		1	THROTTLE BODY ASSEMBLY,
4	1396-4155		1	LEVER, FUEL PUMP ACTUTION
5	1396-4133		1	SCREW, PUMP LEVER ADJUSTING
6	1396-4105		1	SPRING, PUMP LEVER ADJUSTING SCREW
7	1396-4089		1	NUT, PUMP LEVER ADJUSTING SCREW
8			1	RETAINER, PUMP LEVER
9	N.S.S.		1	ROD, PRIMARY (NOT SOLD SEPARATELY)
10	1396-4143		1	CAM, FUEL PUMP
11	1396-4135		1	SCREW, PUMP CAM ATTACHING
12	1396-4084		2	VALVE, PRIMARY THROTTLE
13			8	SCREW, THROTTLE VALVE ATTACHING
14	N.S.S.		1	ROD, SECONDARY (NOT SOLD SEPARATELY)
15	1396-4085		2	VALVE, SECONDARY THROTTLE
16	1396-4146		1	ROD, SECONDARY CONNECTING
17			1	COTTER PIN, CONNECTING ROD
18	1396-4144		1	LEVER, SECONDARY STOP
19	1396-4131		1	SCREW, SECONDARY STOP LEVER ATTACHING
20	1396-4127		1	SCREW, SECONDARY STOP
21	1396-4123		1	SCREW, THROTTLE STOP
22	1396-4102		1	SPRING, THROTTLE STOP SCREW
23	1396-4128		8	SCREW, THROTTLE STOP SCREW
24	1396-4117		1	CHOKE SHAFT AND LEVER ASSEMBLY
25	1396-4116		1	VALVE, CHOKE
26			2	SCREW, CHOKE VALVE TO CHOKE SHAFT
27	1396-4145		1	LINK, CHOKE
28			1	SEAL, CHOKE LINK
29			1	VALVE, PUMP DISCHARGE
30			2	GASKET, DISCHARGE NOZZLE
31			1	NOZZLE, PUMP DISCHARGE
32	1396-4138		1	SCREW, DISCHARGE NOZZLE
33	1396-4156		1	HOUSING, SECONDARY DIAPHRAGM
34			1	GASKET, SECONDARY DIAPHRAGM HOUSING
35	1396-4129		3	SCREW, SECONDARY DIAPHRAGM HOUSING ATTACHING
36			1	DIAPHRAGM ASSEMBLY, SECONDARY
37	1396-4154		1	LEVER, SECONDARY DIAPHRAGM
38	1396-4131		1	SCREW, ADJUSTING - SECONDARY DIAPHRAGM LEVER
39			1	RETAINER, SECONDARY DIAPHRAGM LEVER
40	1396-4139		1	SPRING, RETURN - SECONDARY DIAPHRAGM
41	1396-4094		1	COVER, SECONDARY DIAPHRAGM HOUSING
42	1396-4124		4	SCREW, SECONDARY DIAPHRAGM COVER ATTACHING
43	1396-4098		1	HOUSING ASSEMBLY, CHOKE

CONTINUED ON NEXT PAGE ➡

CARBURETOR ASSEMBLY

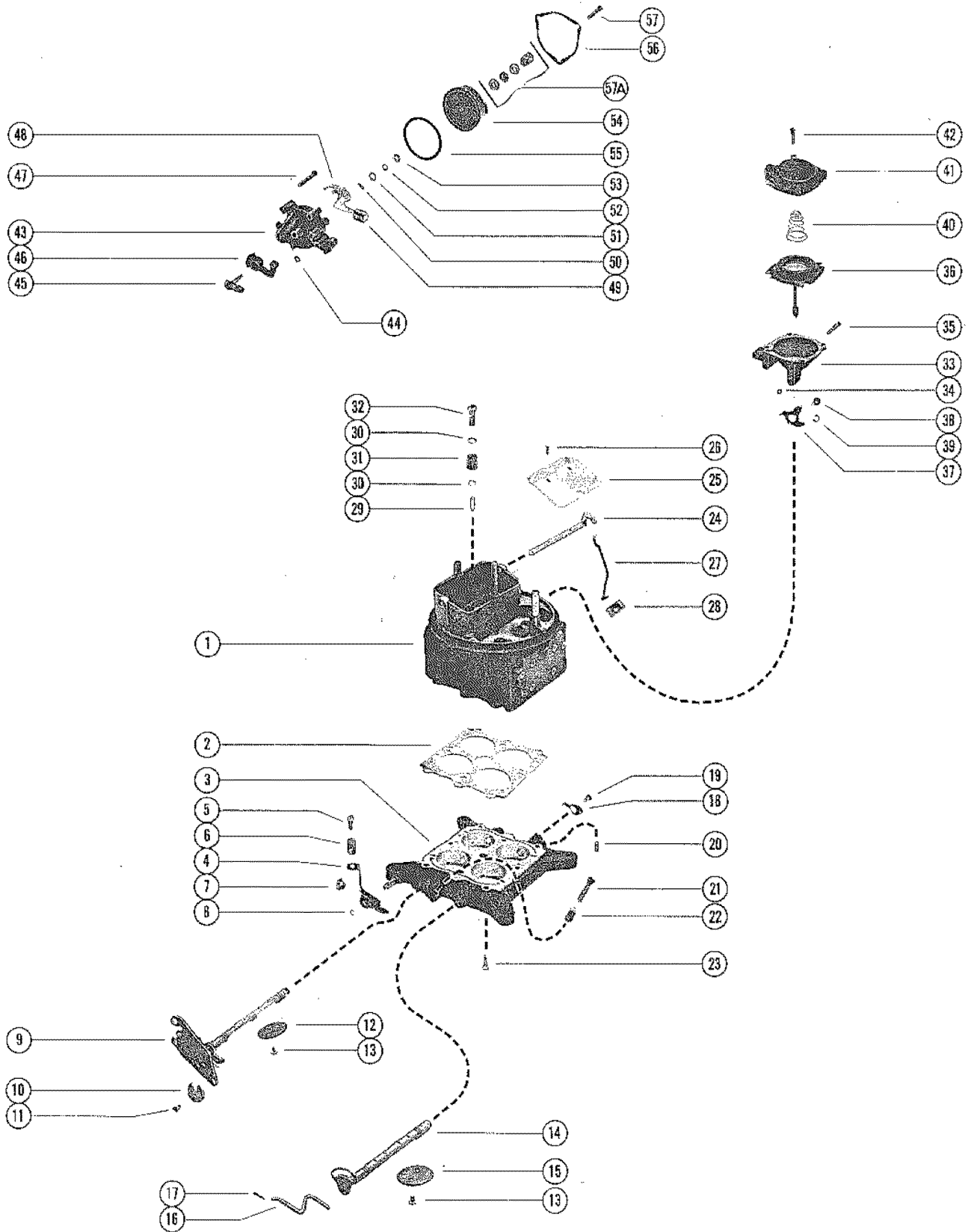


CARBURETOR ASSEMBLY

REF. NO.	PART NO.	SYM.	QTY.	DESCRIPTION
44			2	GASKET, CHOKE HOUSING
45	1396-4119		1	SHAFT ASSEMBLY, CHOKE HOUSING
46	1396-4118		1	LEVER, PICK-UP - FAST IDLE
47	1396-4130		3	SCREW, CHOKE HOUSING ATTACHING
48	1396-4120		1	LEVER, CHOKE THERMOSTAT
49	1396-4121		1	LINK AND PISTON ASSEMBLY
50			1	RETAINER, CHOKE LEVER
51	1396-4142		1	SPACER, CHOKE LEVER
52	1396-4147		1	LOCKWASHER, CHOKE LEVER
53	1396-4141		1	NUT, CHOKE LEVER
54	1396-4148		1	HOUSING ASSEMBLY, THERMOSTAT
55			1	GASKET, THERMOSTAT HOUSING
56	1396-4149		1	CLAMP, THERMOSTAT HOUSING
57	1396-4122		3	SCREW, THERMOSTAT HOUSING ATTACHING
57A	1396-4647A1		1	FITTING, VENTILATING - THERMOSTAT HOUSING
-	1356-5155		1	CARBURETOR ASSEMBLY, COMPLETE SEE NOTE
58	1396-4087		1	TUBE, METERING BODY CONNECTING
59			2	"O" RING, CONNECTING TUBE
60	1396-4101		1	FUEL BOWL ASSEMBLY, PRIMARY
61	1396-4126		4	SCREW, PRIMARY FUEL BOWL ATTACHING
62			8	GASKET, FUEL BOWL SCREW
63	1396-5159		1	FITTING AND SCREEN, FUEL INLET
64			1	GASKET, FUEL INLET FITTING
65	1396-4097		1	COVER, FUEL PUMP
66			1	DIAPHRAGM ASSEMBLY, PRIMARY
67	1396-4103		1	SPRING, DIAPHRAGM RETURN - PRIMARY
68	1396-4124		4	SCREW, FUEL PUMP COVER ATTACHING
69	1396-4088		2	FLOAT ASSEMBLY
70			2	RETAINER, FLOAT
71	1396-4104		2	SPRING, FLOAT
72	1396-4344		2	PLUG, CHECK - FUEL LEVEL
73			2	GASKET, FUEL LEVEL CHECK PLUG
74	1396-4152		1	BAFFLE, FUEL BOWL - PRIMARY
75			1	GASKET, FUEL BOWL
76	1396-4151		1	BAFFLE, PRIMARY METERING BODY
77	1396-4100		1	METERING BODY, PRIMARY
78	1396-4093		2	MAIN JET
79			1	GASKET, PRIMARY METERING BODY
80			1	POWER VALVE ASSEMBLY
81			1	GASKET, POWER VALVE
82			2	NEEDLE, IDLE ADJUSTING
83			2	SEAL, IDLE ADJUSTING NEEDLE
84	1396-4099		1	FUEL BOWL ASSEMBLY, SECONDARY

CONTINUED ON NEXT PAGE ➡

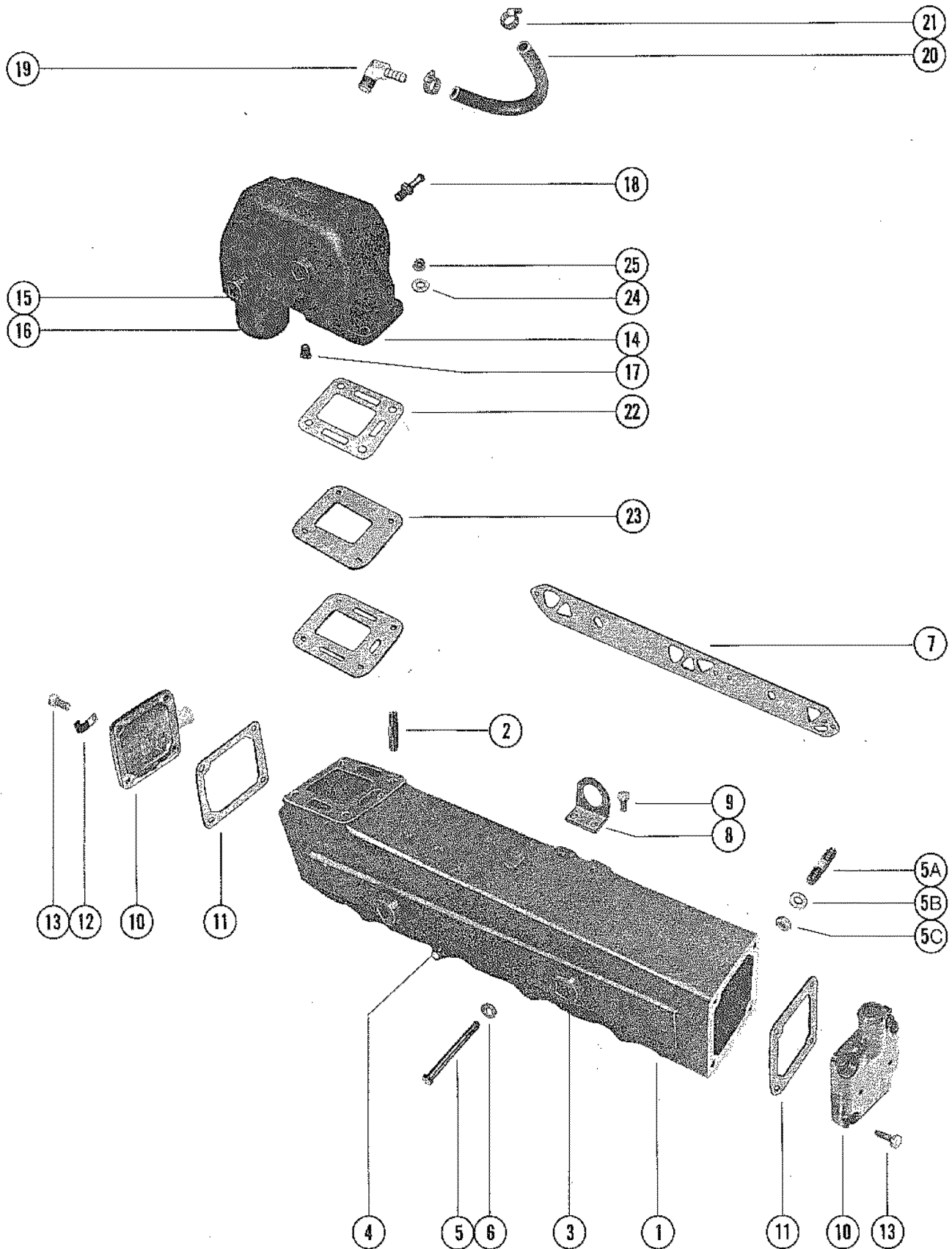
CARBURETOR ASSEMBLY



CARBURETOR ASSEMBLY

REF. NO.	PART NO.	SYM.	QTY.	DESCRIPTION
85	1396-4134		4	SCREW, SECONDARY FUEL BOWL ATTACHING
86	1396-4096		1	METERING BODY, SECONDARY
87	1396-4136		6	SCREW, SECONDARY METERING BODY ATTACHING
88			1	GASKET, SECONDARY METERING BODY
89	1396-4095		1	PLATE, SECONDARY METERING BODY
90			1	GASKET, SECONDARY METERING BODY PLATE
91	1396-4137		2	SCREW, LOCKING - FUEL VALVE SEAT
92			2	GASKET, VALVE SEAT LOCKING SCREW
93	1396-4140		2	NUT, ADJUSTING - FUEL VALVE
94			2	GASKET, VALVE SEAT ADJUSTING NUT
95			2	FUEL VALVE ASSEMBLY
96			2	"O" RING, FUEL VALVE
97	1396-4153		1	BAFFLE, FUEL BOWL - SECONDARY
	1396-5237		1	GASKET KIT
	1396-5238		1	CARBURETOR REPAIR KIT

EXHAUST MANIFOLD AND EXHAUST ELBOW ASSEMBLY

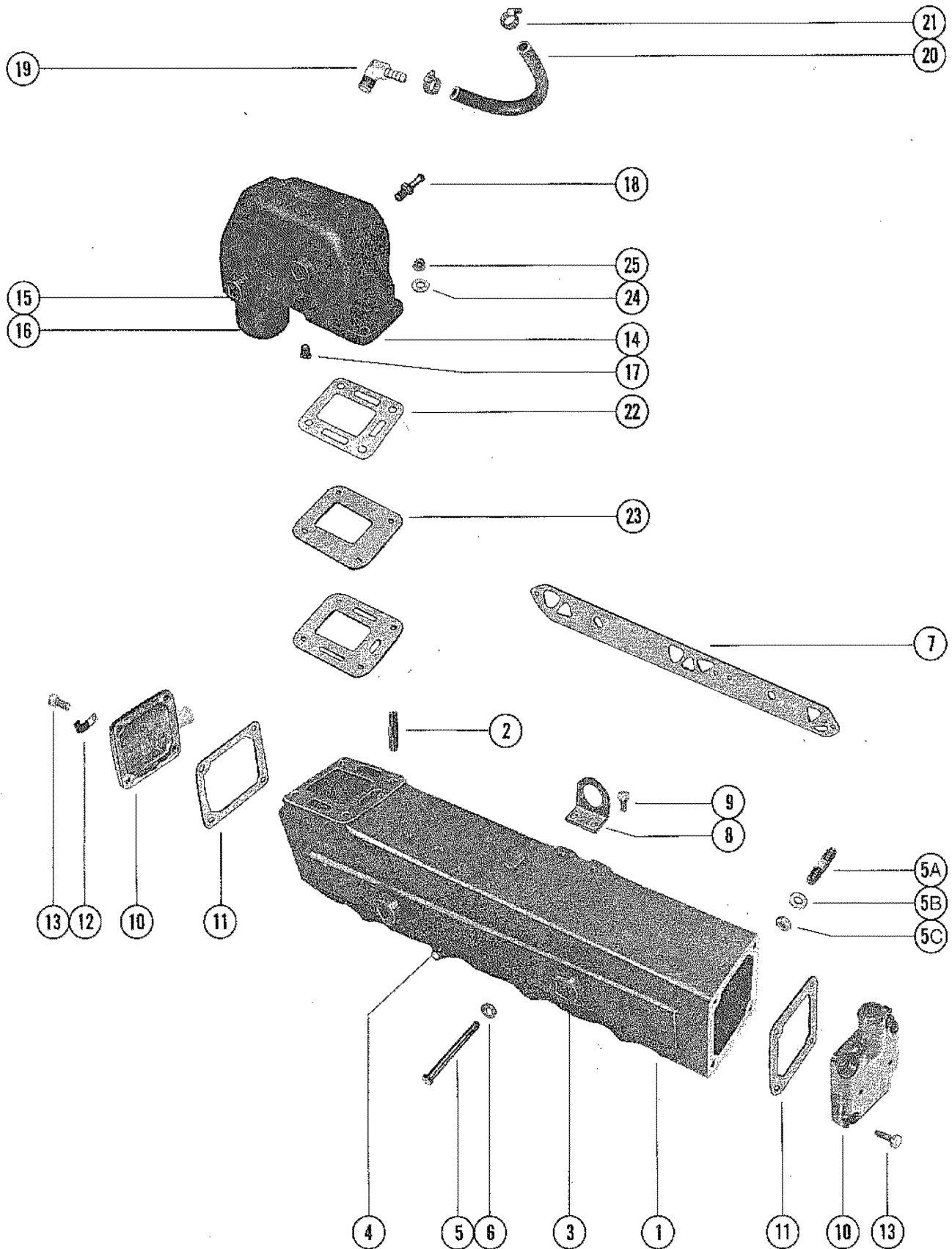


EXHAUST MANIFOLD AND EXHAUST ELBOW ASSEMBLY

REF. NO.	PART NO.	SYM.	QTY.	DESCRIPTION
1	54100A5		1	EXHAUST MANIFOLD ASSEMBLY, PORT SERIAL 00000000-03693272
	54099A5		1	EXHAUST MANIFOLD ASSEMBLY, STARBOARD SERIAL 00000000-03693272
2	16-49545		8	STUD, EXHAUST MANIFOLD TO EXHAUST ELBOW (1 3/4") SERIAL 00000000-03693272
3	22-48118		2	PLUG, EXHAUST MANIFOLD SERIAL 00000000-03693272
4	22-32802		2	PLUG, PIPE - EXHAUST MANIFOLD SERIAL 00000000-03693272
5	10-37612		16	SCREW, EXHAUST MANIFOLD TO CYLINDER HEAD (1 1/4") SERIAL 00000000-03693272
6	13-35048		16	LOCKWASHER, EXHAUST MANIFOLD TO CYLINDER HEAD SCREW SERIAL 00000000-03693272
1	65604A4		1	EXHAUST MANIFOLD ASSEMBLY, PORT SERIAL 03750508-09999999
	65603A4		1	EXHAUST MANIFOLD ASSEMBLY, STARBOARD SERIAL 03750508-09999999
2	16-49545		8	STUD, EXHAUST MANIFOLD TO EXHAUST ELBOW (1 3/4") SERIAL 03750508-09999999
4	22-32802		2	PLUG, PIPE - EXHAUST MANIFOLD SERIAL 03750508-09999999
5A	16-49545		8	STUD, EXHAUST MANIFOLD TO CYL. HEAD (1 3/4") SERIAL 03750508-09999999
	16-65947		8	STUD, EXHAUST MANIFOLD TO CYL. HEAD (3 1/16") SERIAL 03750508-09999999
5B	13-35048		16	WASHER, EXHAUST MANIFOLD STUD SERIAL 03750508-09999999
5C	11-49838		16	NUT, EXHAUST MANIFOLD STUD SERIAL 03750508-09999999
7	27-54566		2	GASKET, EXHAUST MANIFOLD TO CYLINDER HEAD
8	54-54509		2	EYE, LIFTING - EXHAUST MANIFOLD
9	10-27165		4	SCREW, LIFTING EYE ATTACHING (3/4")
10	60252		4	END CAP/CONNECTOR, EXHAUST MANIFOLD
11	27-48043		4	GASKET, END CAP/CONNECTOR TO EXHAUST MANIFOLD
12	54-65308		1	CLIP, HOSE TO MANIFOLD (MC 225-S)
13	10-35386		14	SCREW, END CAP/CONNECTOR TO EXHAUST MANIFOLD (1")
	10-53016		4	SCREW, END CAP/CONNECTOR TO EXHAUST MANIFOLD (1 1/4")
10	54870		2	END CAP, EXHAUST MANIFOLD - REAR V-DRIVE ONLY
11	27-48043		2	GASKET, END CAP TO MANIFOLD V-DRIVE ONLY
13	10-25038		8	SCREW, END CAP TO MANIFOLD (7/8") V-DRIVE ONLY
14	60426A1		2	EXHAUST ELBOW ASSEMBLY (STERN DRIVE)
	60427A2		2	EXHAUST ELBOW ASSEMBLY (INBOARD)
15	22-33198		8	PLUG, EXHAUST ELBOW
16	32-58616A1		2	TUBE, WATER SEPARATION - EXHAUST ELBOW
17	22-32802		2	PLUG, PIPE - EXHAUST ELBOW
18	22-45084		2	FITTING, EXHAUST ELBOW

CONTINUED ON NEXT PAGE ➡

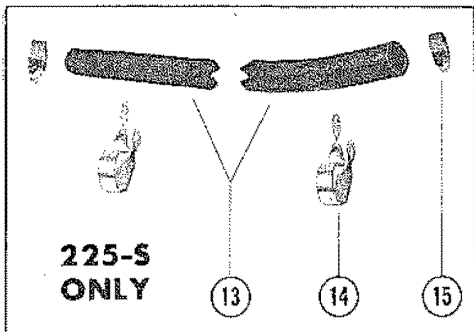
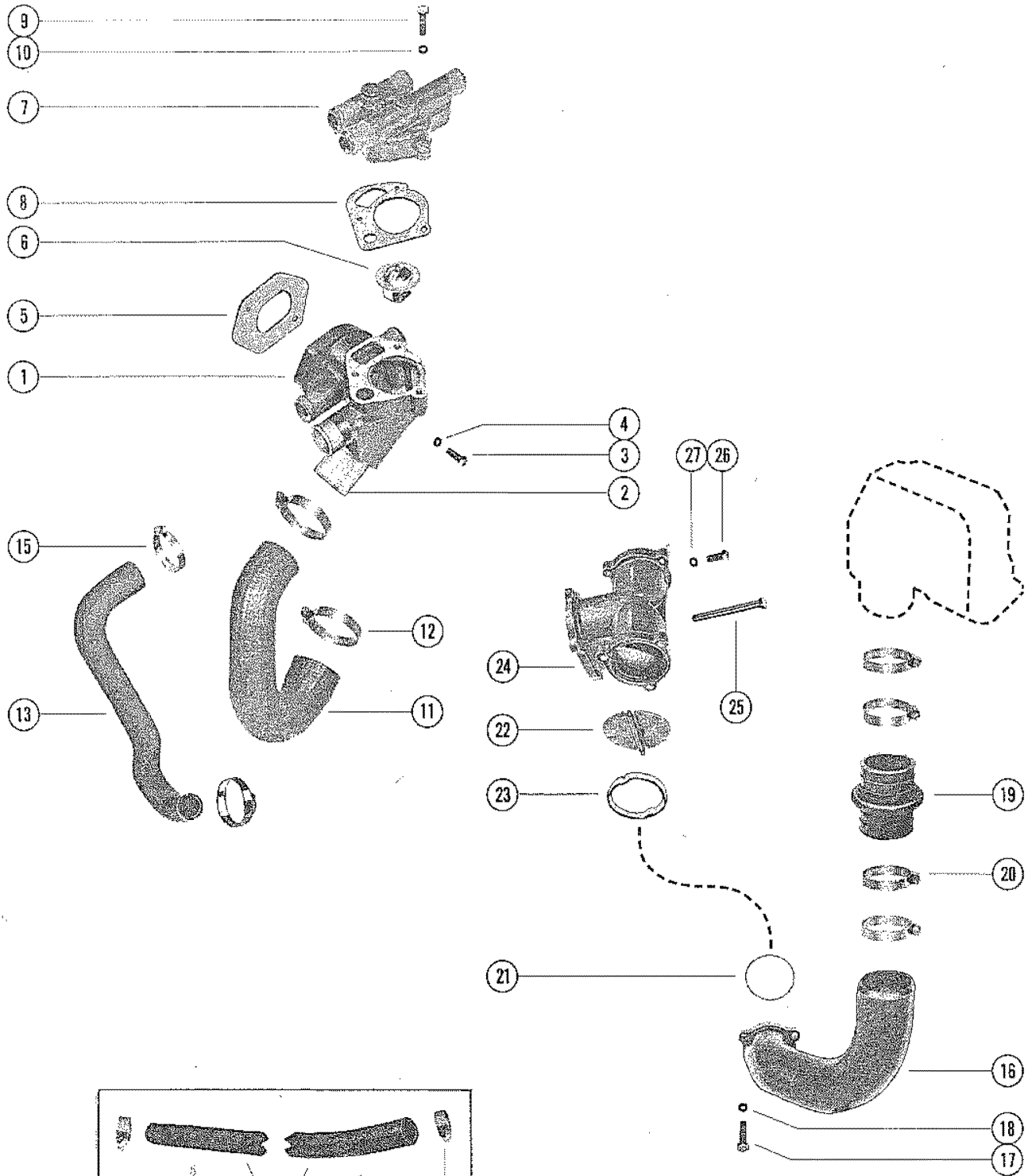
EXHAUST MANIFOLD AND EXHAUST ELBOW ASSEMBLY



EXHAUST MANIFOLD AND EXHAUST ELBOW ASSEMBLY

REF. NO.	PART NO.	SYM.	QTY.	DESCRIPTION
19	22-62910		1	FITTING EXHAUST ELBOW MC 11-TR
20	32-62987--2		1	HOSE, EXHAUST ELBOW TO TRANSMISSION COOLER MC 11-TR
21	54-32523		2	CLAMP, HOSE ATTACHING MC 11-TR
22	27-52076		4	GASKET, EXHAUST ELBOW TO EXHAUST MANIFOLD
23	60207		2	PLATE, EXHAUST ELBOW TO EXHAUST MANIFOLD
24	13-37459		8	LOCKWASHER, EXHAUST ELBOW TO EXHAUST MANIFOLD STUD
25	11-49838		8	NUT, EXHAUST ELBOW TO EXHAUST MANIFOLD

THERMOSTAT HOUSING, COVER AND EXHAUST ELBOW

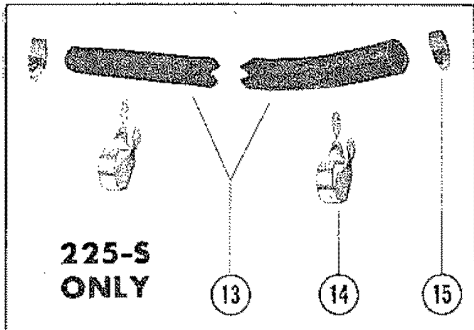
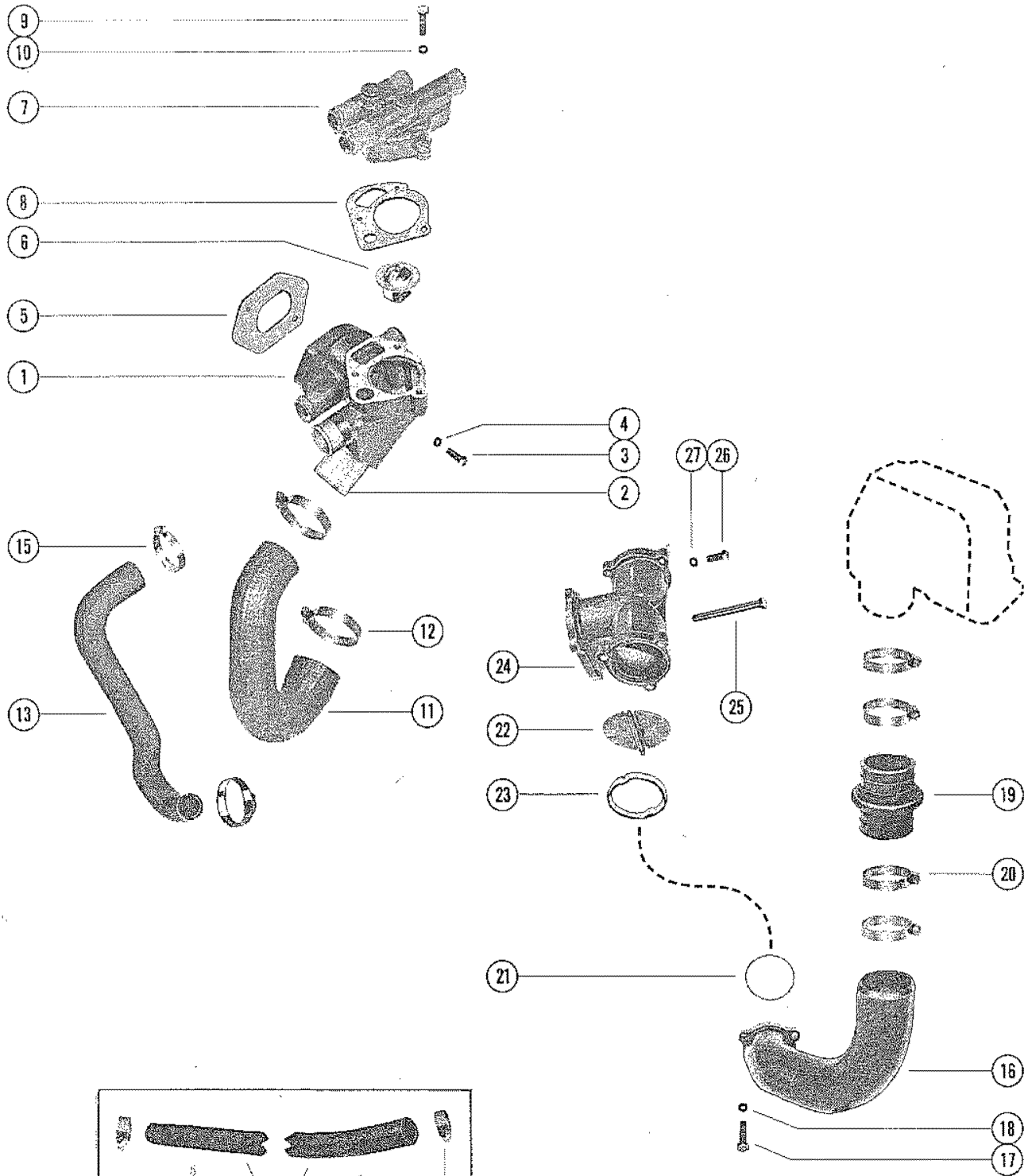


THERMOSTAT HOUSING, COVER AND EXHAUST ELBOW

REF. NO.	PART NO.	SYM.	QTY.	DESCRIPTION
1	59497A1		1	THERMOSTAT HOUSING ASSEMBLY SERIAL 00000000-03693272
	63588A1		1	THERMOSTAT HOUSING ASSEMBLY SERIAL 03750508-09999999
2	23-54476		1	SLEEVE, THERMOSTAT HOUSING
3	10-54523		1	SCREW, HOUSING TO INTAKE MANIFOLD (1") - ALLEN HEAD
	10-35386		1	SCREW, HOUSING TO INTAKE MANIFOLD (1")
4	12-20084		2	WASHER, THERMOSTAT HOUSING SCREW
5	27-54506		1	GASKET, THERMOSTAT HOUSING
6	59137		1	THERMOSTAT
7	59498		1	COVER, THERMOSTAT
	62898		1	COVER, THERMOSTAT (MC 225-S)
8	27-60208		1	GASKET, THERMOSTAT COVER
9	10-24234		3	SCREW, THERMOSTAT COVER TO THERMOSTAT HOUSING (1")
10	13-39107		3	LOCKWASHER, THERMOSTAT COVER SCREW
11	32-54570		1	HOSE, THERMOSTAT HOUSING TO WATER PUMP
12	24-32781		2	CLAMP, HOSE TO THERMOSTAT HOUSING AND WATER PUMP
13	32-54906		1	HOSE, HERMOSTAT HSG. TO WATER PUMP (STERN DRIVE W/O POWER ST
	32-58466		1	HOSE, THERMOSTAT HOUSING TO OIL COOLER (INBOARD) SERIAL 00000000-03416390
	32-64815		1	HOSE, THERMOSTAT HOUSING TO OIL COOLER (INBOARD) SERIAL 03563182-09999999
	32-63576A1		1	HOSE ASSEMBLY, THERMOSTAT HOUSING TO TRANSOM MC 225-S
14	54-64488		1	CLAMP, HOSE ATTACHING MC 225-S
	54-64489		2	CLAMP, HOSE ATTACHING MC 225-S
15	54-32780		2	CLAMP, HOSE ATTACHING MC 225-S
16	62895		1	ELBOW, EXHAUST (STARBOARD SIDE) MC 11-TR
	62894		1	ELBOW, EXHAUST (PORT SIDE) MC 11-TR
17	10-58640		6	SCREW, EXHAUST ELBOW TO TRAMSON PLATE (1 1/4") MC 11-TR
18	13-35048		6	LOCKWASHER, EXHAUST ELBOW SCREW MC 11-TR
19	53821		2	BELLOWS, EXHAUST ELBOW MC 11-TR
20	54-33683		8	CLAMP, BELLOWS TO EXHAUST ELBOW MC 11-TR
21	25-35029		2	"O" RING, EXHAUST ELBOW TO TRANSOM PLATE MC 11-TR
22	60930		2	WATER SHUTTER, EXHAUST ELBOW MC 11-TR
23	63151		2	RETAINER, SHUTTER TO EXHAUST ELBOW MC 11-TR
16	59824		2	ELBOW, EXHAUST MC 225-S
17	10-60992		6	SCREW, EXHAUST ELBOW TO EXHAUST SEPARATOR (1 1/4") MC 225-S
18	13-35048		6	LOCKWASHER, EXHAUST ELBOW SCREW MC 225-S
19	53821		2	BELLOWS, EXHAUST ELBOW MC 225-S
20	54-33683		6	CLAMP, BELLOW TO EXHAUST ELBOW MC 225-S

CONTINUED ON NEXT PAGE ➡

THERMOSTAT HOUSING, COVER AND EXHAUST ELBOW



THERMOSTAT HOUSING, COVER AND EXHAUST ELBOW

REF. NO.	PART NO.	SYM.	QTY.	DESCRIPTION
21	25-35029		2	"O" RING, EXHAUST ELBOW TO TRANSOM PLATE MC 225-S
22	60930		2	SHUTTER, WATER EXHAUST SEPARATOR MC 225-S
23	60931		2	RETAINER, WATER SHUTTER MC 225-S
24	59825		1	SEPARATOR, EXHAUST MC 225-S
25	10-60835		1	SCREW, EXHAUST SEPARATOR TO GIMBAL HOUSING (5") MC 225-S
26	10-37612		4	SCREW, EXHAUST SEPARATOR TO GIMBAL HOUSING (1 1/4")MC 225-S
27	13-35048		5	LOCKWASHER, EXHAUST SEPARATOR SCREW MC 225-S

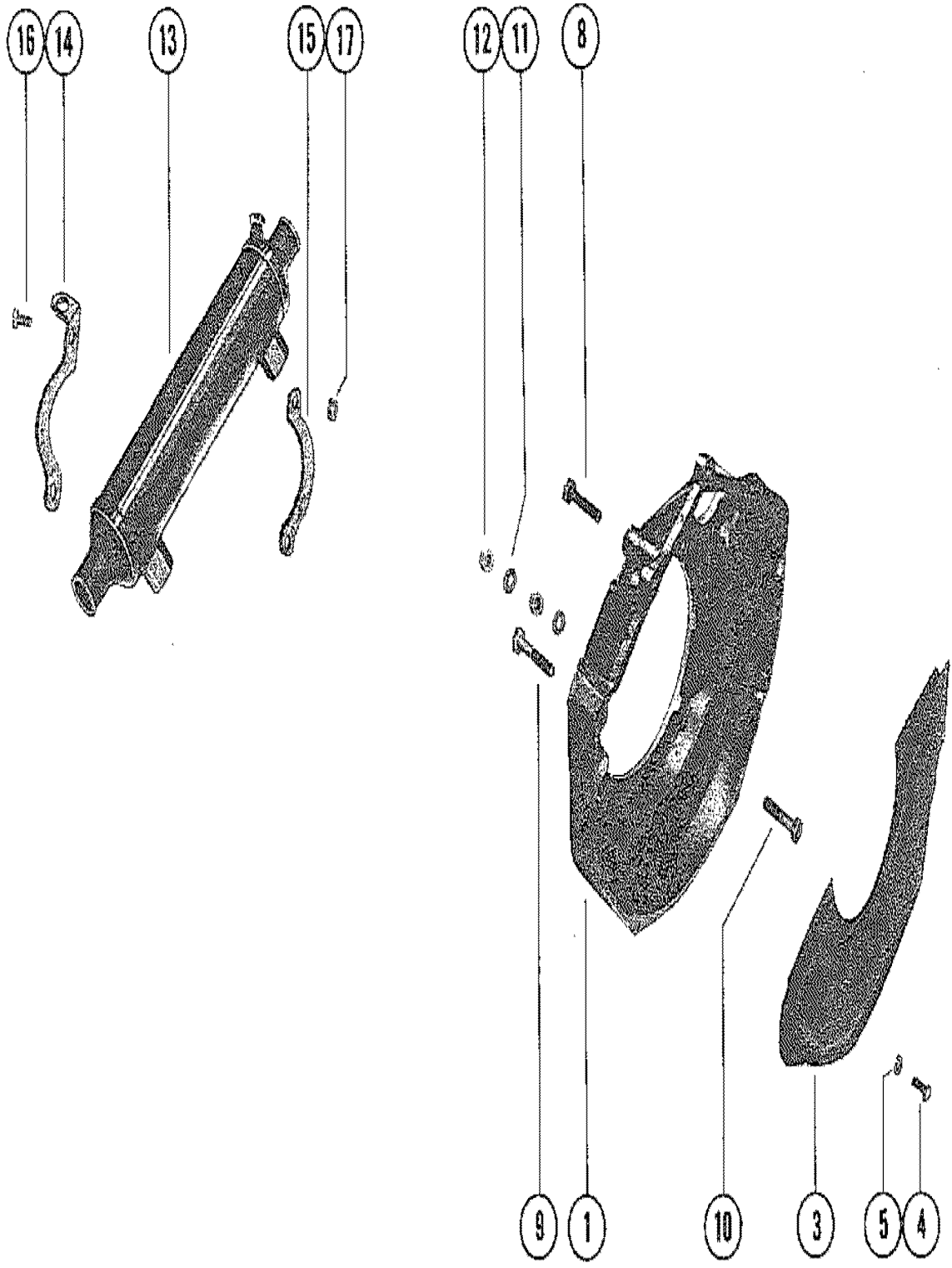
FLYWHEEL HOUSING AND OIL COOLER INBOARD



FLYWHEEL HOUSING AND OIL COOLER INBOARD

REF. NO.	PART NO.	SYM.	QTY.	DESCRIPTION
1	54480		1	HOUSING, FLYWHEEL
2	23-47511		2	SLEEVE, FLYWHEEL HOUSING
3	22-39072		1	PLUG, DRAIN - FLYWHEEL HOUSING
4	47542		1	COVER, FLYWHEEL HOUSING
5	10-28635		4	SCREW, COVER TO FLYWHEEL HOUSING (5/8")
6	13-26992		4	LOCKWASHER, COVER SCREW
7	38-47520		1	SERIAL PLATE
8	10-20314		4	SCREW, SERIAL PLATE ATTACHING (3/16")
9	10-47462		3	SCREW, FLYWHEEL HOUSING TO ENGINE (1 1/4")
10	10-54493		1	SCREW, FLYWHEEL HOUSING TO ENGINE (2 1/2")
	10-47654		1	SCREW, FLYWHEEL HOUSING TO ENGINE (2 3/4")
11	12-57864		2	SASHER, SEALING - FLYWHEEL HOUSING SCREW
12	47610		1	COOLER, OIL
13	62288A1		1	COVER ASSEMBLY, OIL COOLER
14	22-32802		1	PLUG, DRAIN - OIL COOLER COVER
15	27-47495		1	GASKET, OIL COOLER COVER
16	25-47632		2	"O" RING, SEALING - OIL COOLER
17	11-47521		2	NUT, JAM - OIL COOLER
18	22-47917		1	ELECTRODE, OIL COOLER
19	10-20362		6	SCREW, OIL COOLER COVER TO FLYWHEEL HOUSING (1 7/16")
20	12-36533		2	WASHER, OIL COOLER COVER SCREW
	13-26993		4	LOCKWASHER, OIL COOLER COVER SCREW

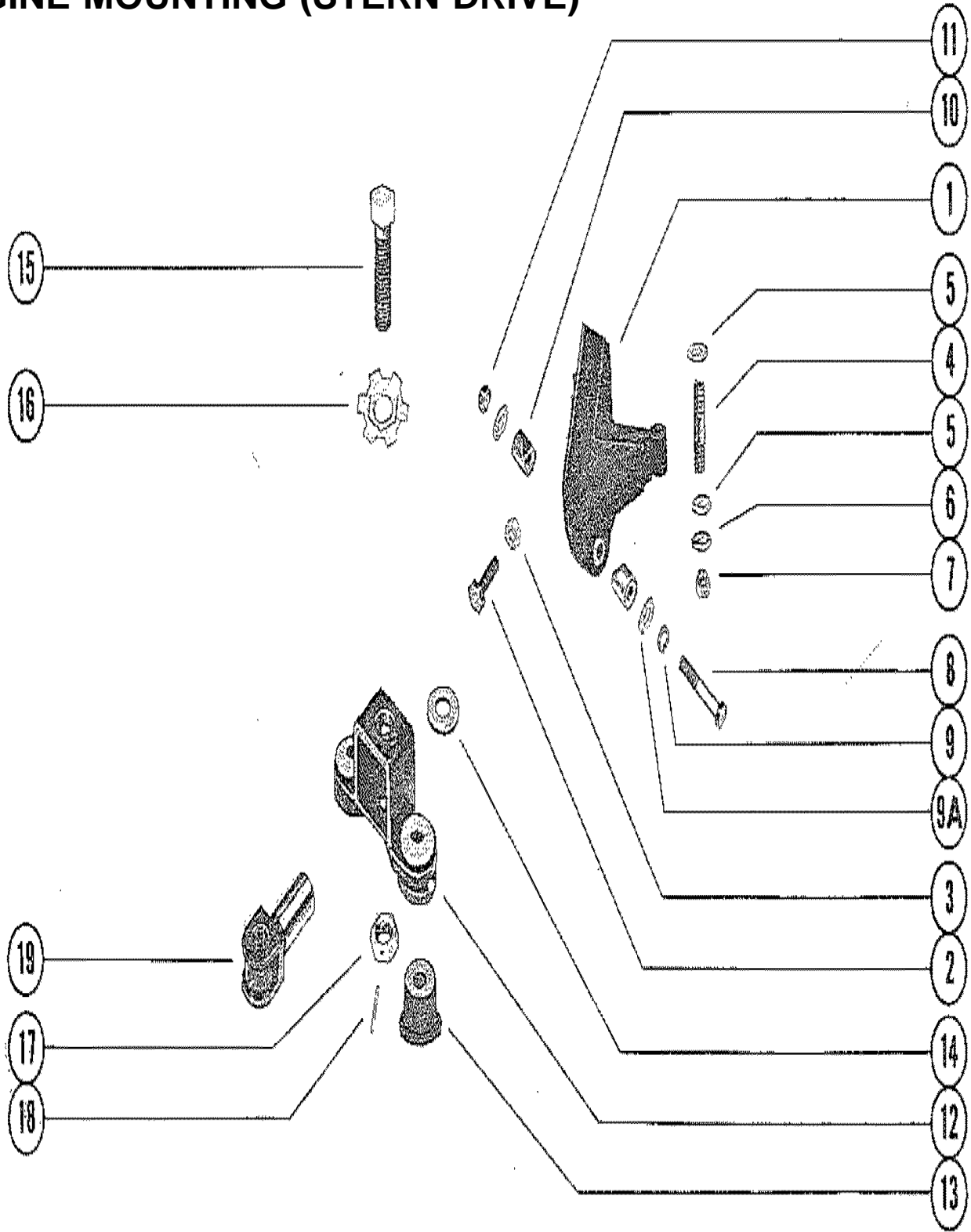
FLYWHEEL HOUSING AND OIL COOLER INBOARD



FLYWHEEL HOUSING AND OIL COOLER INBOARD

REF. NO.	PART NO.	SYM.	QTY.	DESCRIPTION
1	63827		1	HOUSING, FLYWHEEL
3	63833		1	COVER, FLYWHEEL HOUSING
4	10-20031		4	SCREW, COVER TO FLYWHEEL HOUSING (5/8")
5	13-26992		4	LOCKWASHER, COVER SCREW
8	10-47651		2	SCREW, FLYWHEEL HOUSING TO ENGINE (2 1/2")
9	10-59589		4	SCREW, FLYWHEEL HOUSING TO ENGINE (2 1/2")
10	10-34613		1	SCREW, GROUND CABLE TO FLYWHEEL (1 3/4")
11	13-37459		2	LOCKWASHER, GROUND CABLE TO FLYWHEEL SCREW
12	11-32219		2	NUT, GROUND CABLE TO FLYWHEEL SCREW
13	63832--1		1	COOLER, OIL (9")
	63832--2		1	COOLER, OIL (12") V-DRIVE ONLY
14	56329		1	BRACKET, COOLER CLAMPING (LONG)
15	56328		1	BRACKET, COOLER CLAMPING (SHORT)
16	10-21625		2	SCREW, COOLER BRACKET ATTACHING (3/4")
17	11-30506		2	NUT, COOLER BRACKET ATTACHING SCREW

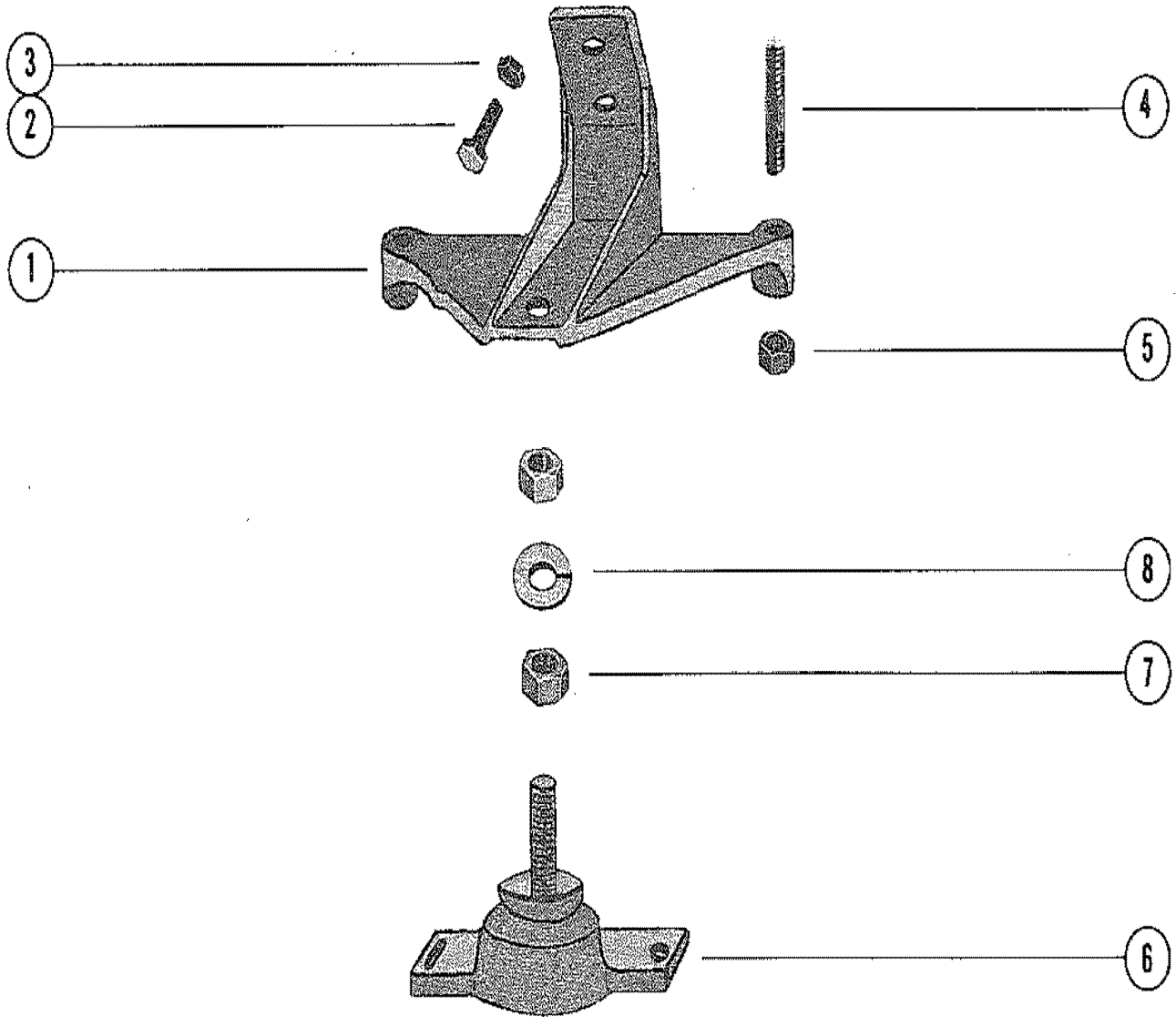
ENGINE MOUNTING (STERN DRIVE)



ENGINE MOUNTING (STERN DRIVE)

REF. NO.	PART NO.	SYM.	QTY.	DESCRIPTION
1	61815		2	BRACKET, MOUNTING (FRONT)
2	10-30155		2	SCREW, ENGINE LOCATING (1 1/4")
3	11-22024		2	NUT, ENGINE LOCATING SCREW
4	16-65737		3	STUD, MTG. BRKT. TO CYL. BLOCK (2 5/8") SEE NOTE
	16-65743		1	STUD, MTG. BRKT. TO CYL. BLOCK (3") - STARBOARD FRONT SEE NOTE
5	12-34567		2	WASHER, MOUNTING BRACKET STUD (STARBOARD FRONT)
6	12-54426		4	WASHER, MOUNTING BRACKET SCREW
7	11-34933		4	NUT, MOUNTING BRACKET TO CYLINDER BLOCK STUD (SEE NOTE BELOW)
8	10-47654		2	SCREW, CLAMP - ADJUSTING TRUNNION (2 3/4")
9	13-32993		2	LOCKWASHER, CLAMP ADJUSTING TRUNNION SCREW
10	54-47528		4	CLAMP, ADJUSTING TRUNNION SCREW
11	11-29553		2	NUT, CLAMP ADJUSTING TRUNNION SCREW
12	60421A5		2	BRACKET ASSEMBLY, MOUNTING - FRONT
13	52753		4	MOUNT MOUNTING BRACKET
14	12-48611		4	WASHER, MOUNTING BRACKET
15	10-52156		2	SCREW, ADJUSTING TRUNNION (4 1/2")
16	14-48467		2	TAB WASHER, ADJUSTING TRUNNION SCREW
17	11-47525		2	NUT, JAM - ADJUSTING TRUNNION SCREW
18	17-22116		2	PIN, ROLL - JAM NUT
19	47518		2	TRUNNION, ADJUSTING - MOUNTING BRACKET

ENGINE MOUNTING (STERN DRIVE)



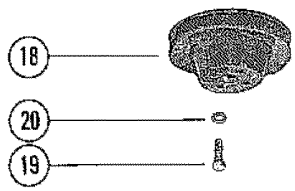
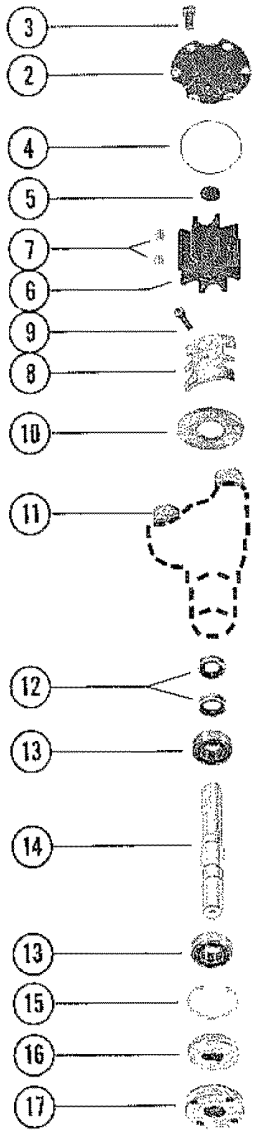
ENGINE MOUNTING (STERN DRIVE)

REF. NO.	PART NO.	SYM.	QTY.	DESCRIPTION
1	63499		2	BRACKET, MOUNTING - ENGINE
2	10-68743		2	SCREW, ENGINE LOCATING
3	11-22024		2	NUT, ENGINE LOCATING SCREW
4	16-65737		3	STUD, BRACKET TO ENGINE (2 5/8")
	16-65743		1	STUD, BRACKET TO ENGINE (3")
5	11-34933		4	NUT, MOUNTING BRACKET STUD
6	66284		2	BRACKET, MOUNTING
7	11-20739		4	NUT, JAM - MOUNTING BRACKET
8	13-68102		2	LOCKWASHER, MOUNTING BRACKET

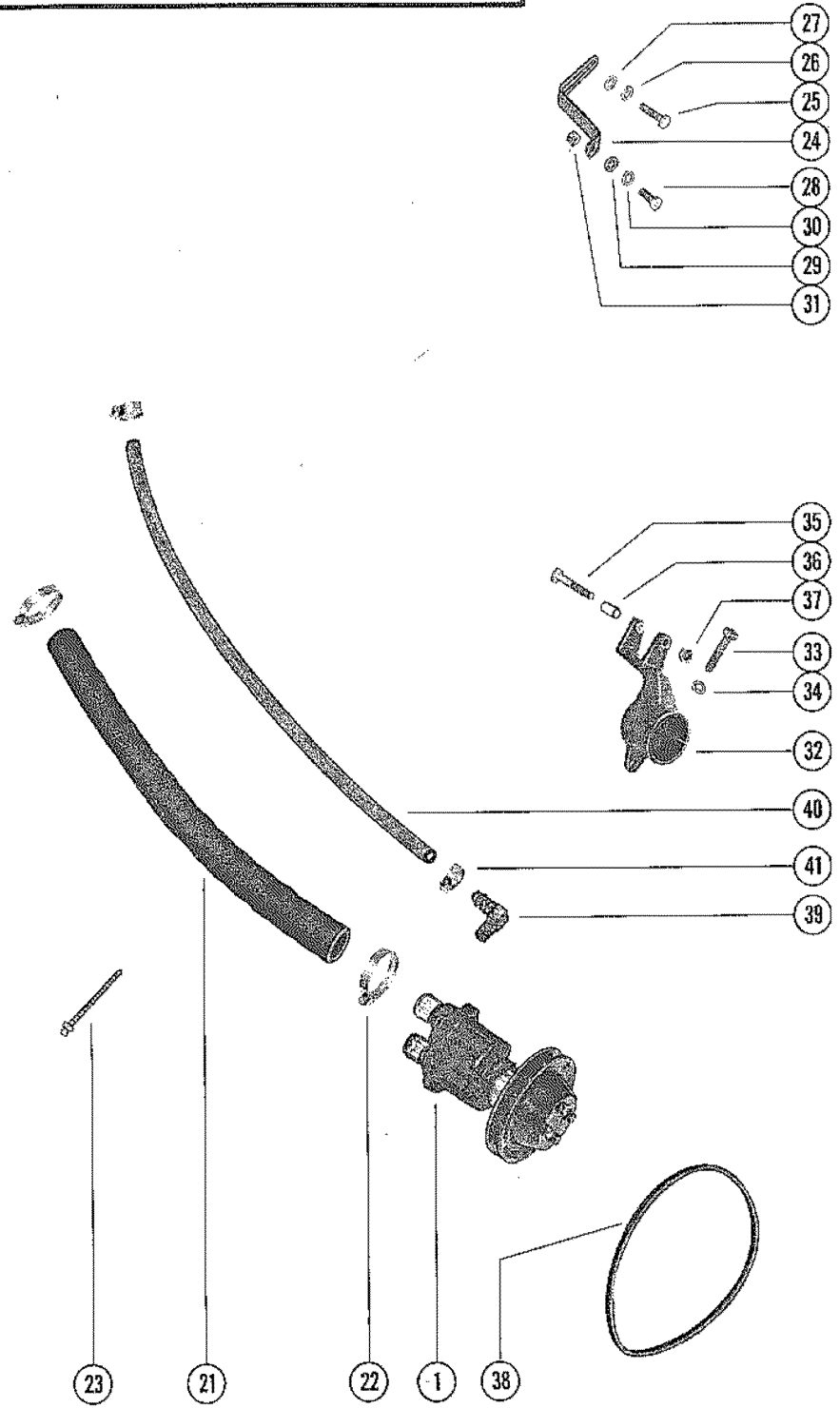
WATER PUMP ASSEMBLY, COMPLETE MC 11-TR AND INBOARD

BREAKDOWN OF WATER PUMP

B-46-63450A2



MC 11-TR and INBOARD



WATER PUMP ASSEMBLY, COMPLETE MC 11-TR AND INBOARD

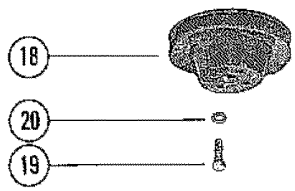
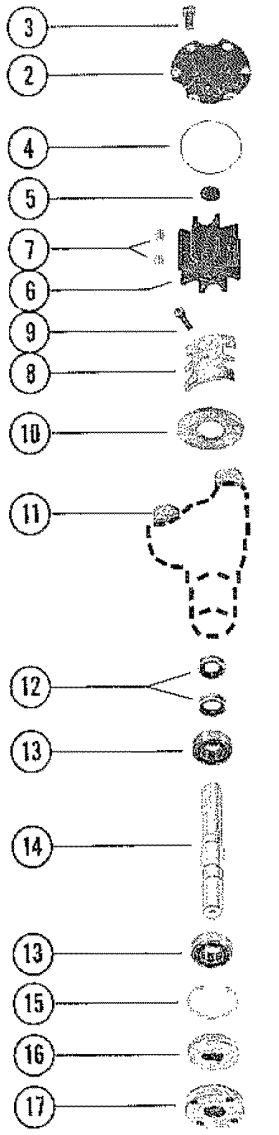
REF. NO.	PART NO.	SYM.	QTY.	DESCRIPTION
1	46-63450A2		1	WATER PUMP ASSEMBLY, COMPLETE
2	59155		1	COVER, WATER PUMP
3	10-28635		6	SCREW, WATER PUMP COVER ATTACHING (5/8")
4	25-59712		1	"O" RING, WATER PUMP COVER
5	19-59504		1	PLUG, IMPELLER
6	47-59362A1		1	IMPELLER ASSEMBLY
7	28-56662		2	KEY, IMPELLER DRIVE
8	59363A1		1	CAM SEGMENT ASSEMBLY, WATER PUMP
9	10-60777		1	SCREW, CAM SEGMENT ATTACHING (1/2")
10	59503		2	WEAR PLATE
11	23-47511		2	SLEEVE, WATER PUMP COVER
12	26-23300		2	OIL SEAL, WATER PUMP SHAFT
13	30-20861		2	BALL BEARING, WATER PUMP SHAFT
14	59501		1	SHAFT, WATER PUMP
15	53-23720		1	RING, SNAP - BALL BEARING RETAINING
16	26-59564		1	OIL SEAL, WATER PUMP SHAFT
17	47530		1	HUB, WATER PUMP PULLEY
18	59762		1	PULLEY, WATER PUMP
19	10-20705		4	SCREW, WATER PUMP PULLEY TO WATER PUMP (3/4")
20	13-39107		4	LOCKWASHER, WATER PUMP PULLEY SCREW
21	32-62010		1	HOSE, PUMP TO OIL COOLER INBOARD
22	54-32780		2	CLAMP, WATER PUMP HOSE INBOARD
23	61990		2	STA STRAP, HOSE ATTACHING
24	61860		1	BRACKE, WATER PUMP ADJUSTING (MC 11-TR0
	54478		1	BRACE, WATER PUMP ADJUSTING INBOARD
25	10-35353		1	SCREW, ADJUSTING BRACE TO OIL PAN (1") INBOARD
26	13-35048		1	LOCKWASHER, ADJUSTING BRACE SCREW
27	12-34714		1	WASHER, ADJUSTING BRACE SCREW (INBOARD)
28	10-37612		2	SCREW, ADJUSTING BRACE TO WATER PUMP (1 1/4") - MC 11-TR
	10-26632		1	SCREW, ADJUSTING BRACE TO WATER PUMP (1 1/4") - INBOARD
29	12-34714		2	WASHER, ADJUSTING BRACE SCREW (MC 11-TR)
	12-20553		1	WASHER, ADJUSTING BRACE SCREW (INBOARD)
30	13-35048		1	LOCKWASHER, ADJUSTING BRACE SCREW
31	11-32219		2	NUT, ADJUSTING BRACE SCREW (MC 11-TR)
	11-28517		1	NUT, ADJUSTING BRACE SCREW (INBOARD)
32	49581		1	BRACKET, WATER PUMP
33	10-34354		1	SCREW, WATER PUMP BRACKET CLAMPING (1 1/2")
34	13-35048		1	LOCKWASHER, WATER PUMP BRACKET CLAMPING SCREW
35	10-52409		1	SCREW, WATER PUMP BRACKET TO ALTERNATOR BRACKET (3 1/4")
36	23-33186		1	BUSHING, WATER PUMP BRACKET SCREW
37	11-23161		1	NUT, WATER PUMP BRACKET SCREW

CONTINUED ON NEXT PAGE ➡

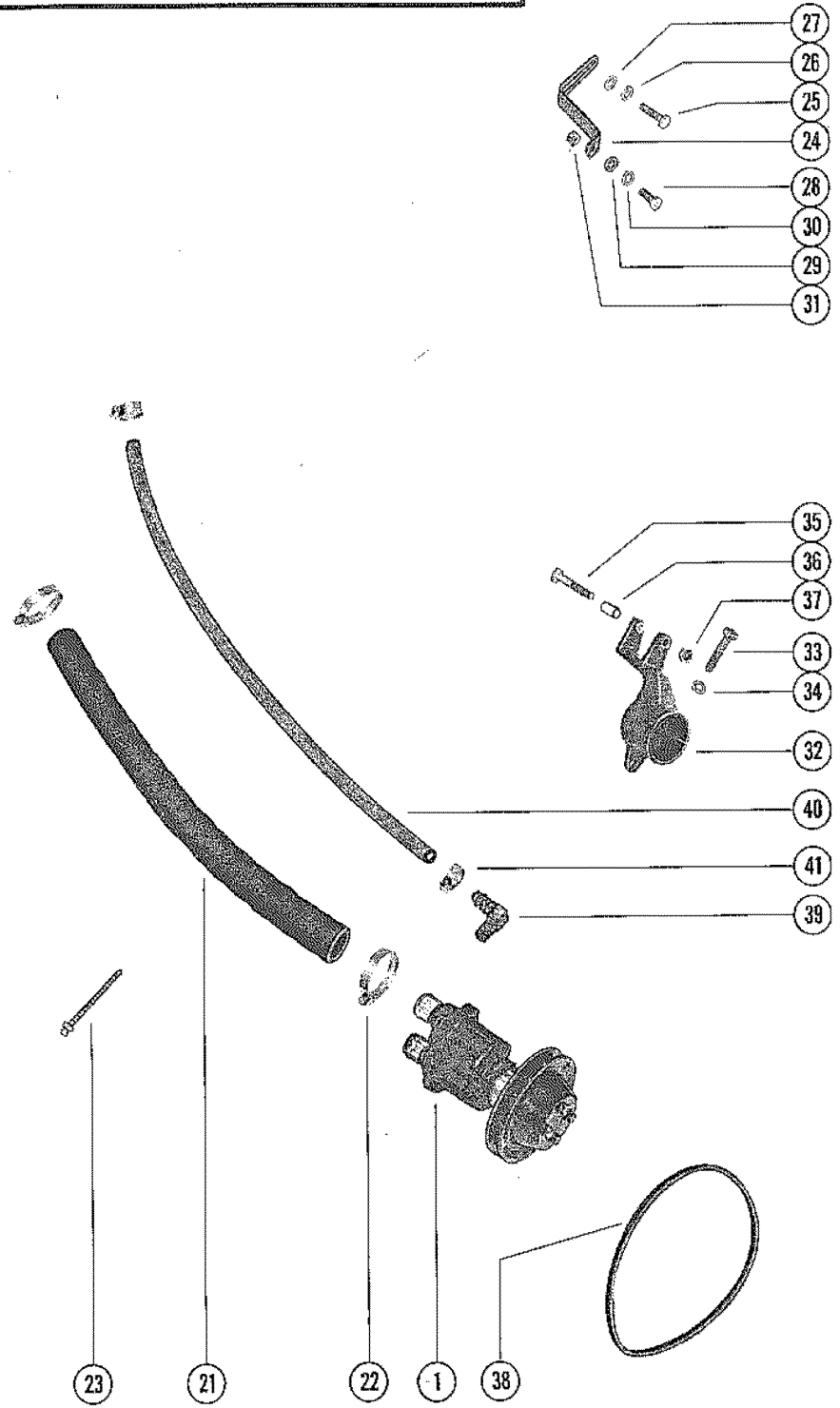
WATER PUMP ASSEMBLY, COMPLETE MC 11-TR AND INBOARD

BREAKDOWN OF WATER PUMP

B-46-63450A2



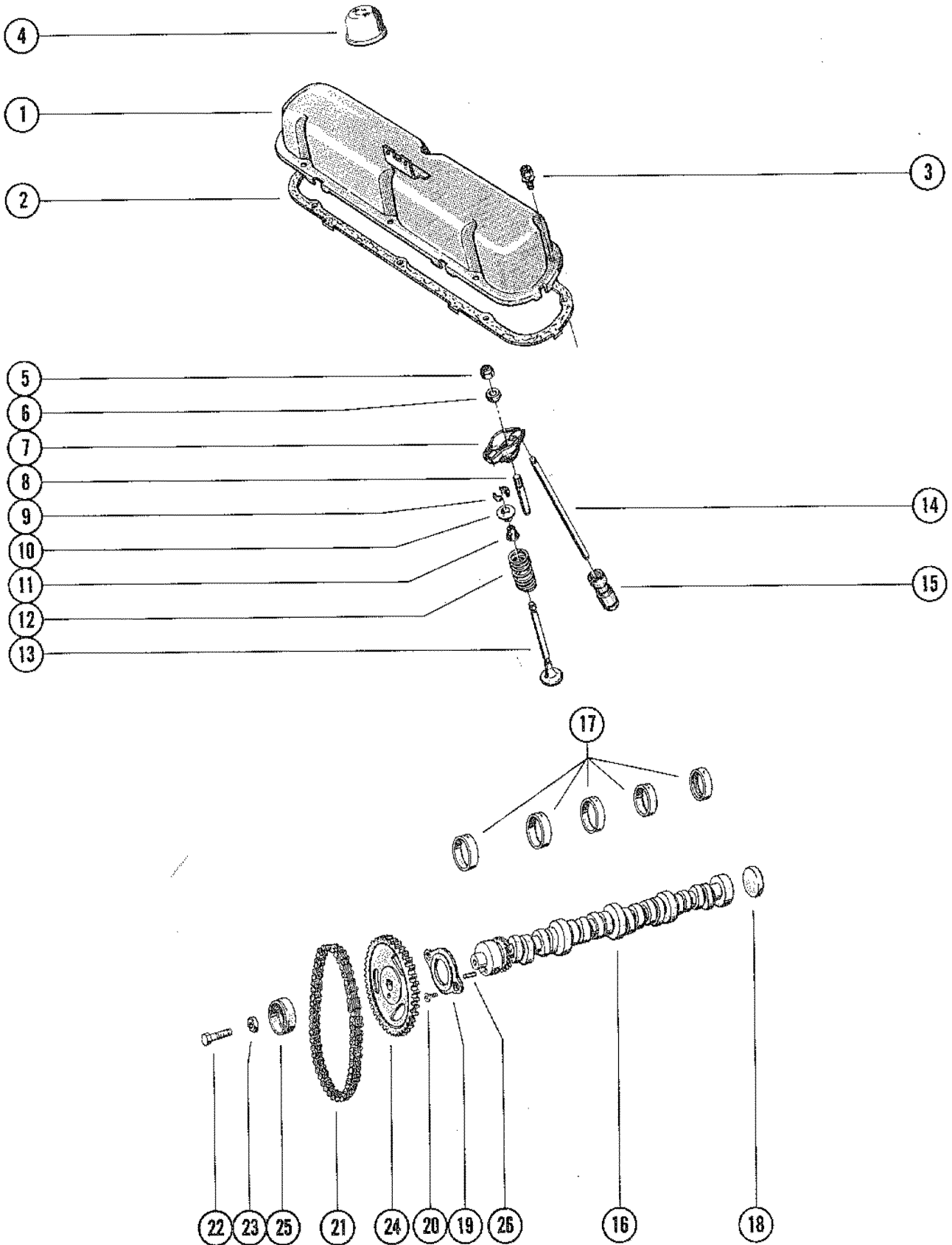
MC 11-TR and INBOARD



WATER PUMP ASSEMBLY, COMPLETE MC 11-TR AND INBOARD

REF. NO.	PART NO.	SYM.	QTY.	DESCRIPTION
38	57-60327		1	BELT, WATER PUMP
39	22-32802		1	PLUG, WATER PUMP BODY (INBOARD) - NOT AS SHOWN
	22-62910		1	FITTING, WATER PUMP BODY MC 11-TR
40	32-62987--2		1	HOSE, PUMP TO TRANSMISSION COOLER MC 11-TR
41	54-32523		2	CLAMP, HOSE ATTACHING MC 11-TR

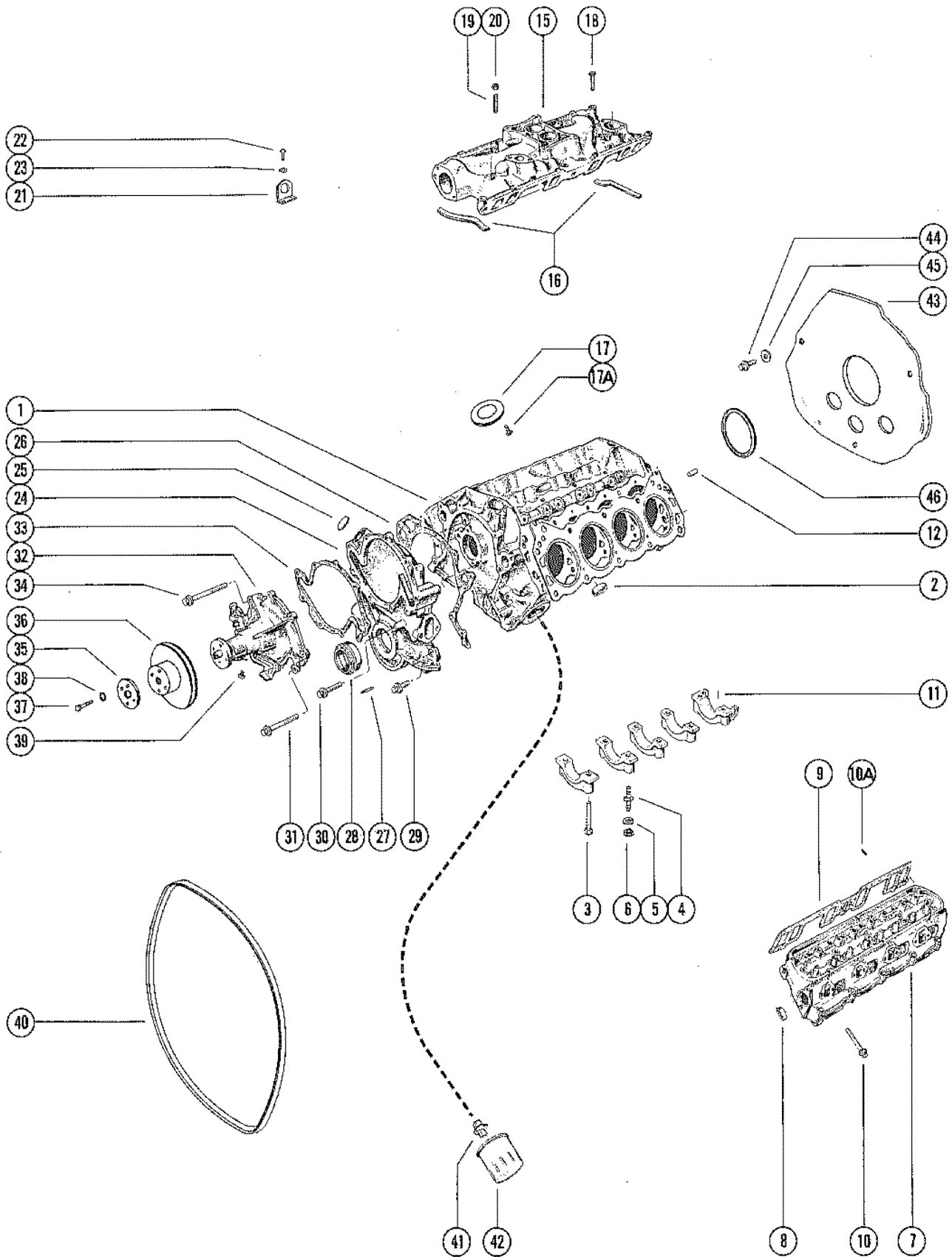
ROCKER COVER, CAMSHAFT AND VALVES



ROCKER COVER, CAMSHAFT AND VALVES

REF. NO.	PART NO.	SYM.	QTY.	DESCRIPTION
1	56156		1	COVER, ROCKER (PORT)
	56171		1	COVER, ROCKER (STARBOARD)
2	27-56173		2	GASKET, ROCKER COVER
3	10-56172		12	SCREW, ROCKER COVER TO CYLINDER HEAD (5/8")
4	56875		1	CAP, OIL FILLER - ROCKER COVER
	37-64707		1	DECAL, ROCKER COVER - "MERCURISER MARINE"
	37-36350		1	DECAL, HORSEPOWER - "225 H.P."
5	11-56167		16	NUT, ROCKER ARM STUD
6	56166		16	BALL, ROCKER ARM
7	56168		16	ARM, ROCKER
8	16-56164		16	STUD, ROCKER ARM - CYLINDER HEAD (STANDARD)
	16-58242		AR	STUD, ROCKER ARM - CYLINDER HEAD (.006 O.S.)
	16-58243		AR	STUD, ROCKER ARM - CYLINDER HEAD (.015 O.S.)
9	28-56162		32	KEY, VALVE STEM (2 PER VALVE)
10	56160		8	CAP, VALVE SPRING (INLET VALVE)
	56161		8	CAP, VALVE SPRING (EXHAUST VALVE)
11	26-58094		16	SEAL, VALVE
12	24-56159		16	SPRING, VALVE
13	56154		8	VALVE, EXHAUST (STANDARD)
	56155		AR	VALVE, EXHAUST (.015 O.S.)
	56157		8	VALVE, INLET (STANDARD)
	56158		AR	VALVE, INLET (.015 O.S.)
14	56169		16	ROD, PUSH
15	56153		16	LIFTER, HYDRAULIC - TAPPET
16	447-5098		1	CAMSHAFT (LEFT HAND CRANKSHAFT ROTATION)
	447-5099		1	CAMSHAFT (RIGHT HAND CRANKSHAFT ROTATION)
17	23-56124		1	BEARING SET, CAMSHAFT
18	19-56128		1	PLUG, EXPANSION - CAMSHAFT BEARING HOLE
19	56130		1	PLATE, THRUST - CAMSHAFT (STANDARD)
	56131		AR	PLATE, THRUST - CAMSHAFT (.002 O.S.)
	56132		AR	PLATE, THRUST - CAMSHAFT (.004 O.S.)
20	10-56133		2	SCREW, THRUST PLATE TO CYLINDER BLOCK (5/8")
21	56129		1	CHAIN, TIMING
22	10-56138		1	SCREW, ECCENTRIC AND SPROCKET TO CAMSHAFT (1 1/2")
23	12-56136		1	WASHER, ECCENTRIC AND SPROCKET SCREW
24	43-56126		1	SPROCKET, CAMSHAFT TIMING (42 TEETH) SEE NOTE
25	56137		1	ECCENTRIC, CAMSHAFT (FUEL PUMP DRIVE) - 1 PIECE SEE NOTE
26	17-66176		1	PIN, DOWEL - CAMSHAFT SEE NOTE
24	43-66177A1		1	SPROCKET ASS'Y, CAMSHAFT TIMING (42 TEETH) SEE NOTE
25	66178A1		1	ECCENTRIC ASS'Y, CAMSHAFT (FUEL PUMP DRIVE) - 2 PIECE SEE NOTE
26	17-66180		1	PIN, DOWEL - CAMSHAFT SEE NOTE

CYLINDER BLOCK, CYLINDER HEAD AND INTAKE MANIFOLD

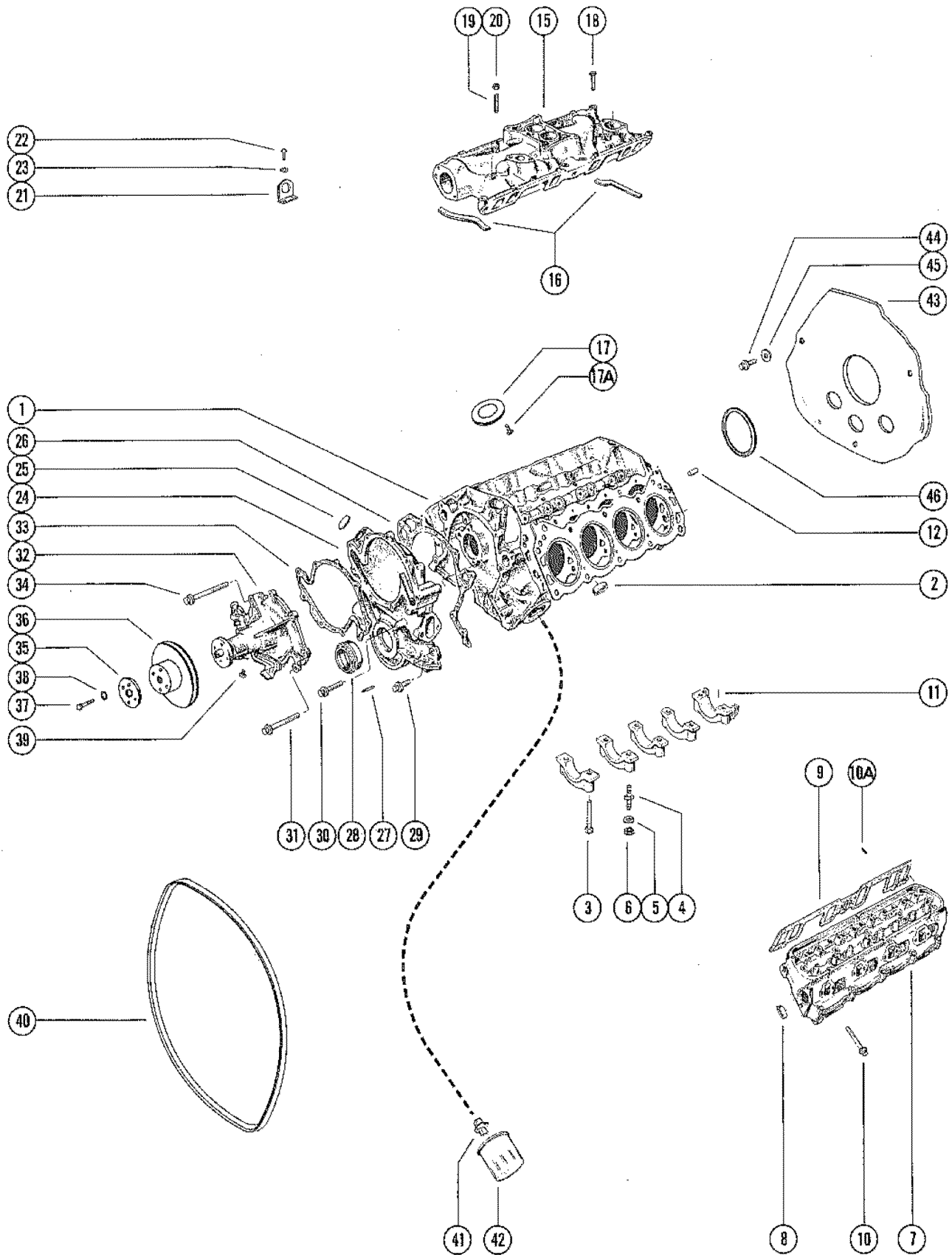


CYLINDER BLOCK, CYLINDER HEAD AND INTAKE MANIFOLD

REF. NO.	PART NO.	SYM.	QTY.	DESCRIPTION
1	853-4056		1	CYLINDER BLOCK ASSEMBLY (INCLUDES BEARING CAPS)
2	19-56102		6	PLUG, EXPANSION - CYLINDER BLOCK (1 1/2")
	19-60669		4	PLUG, CUP - OIL PASSAGE AND MAIN OIL GALLERY (1/2")
	19-60667		5	PLUG, MAIN GALLERY (1/4-18 PIPE)
	19-60668		1	PLUG, EXPANSION - CYLINDER BLOCK (3/4")
	22-63028		6	PLUG, CLEAN OUT (3/4-14 PIPE)
	22-64426		2	PETCOCK, WATER DRAIN - CYLINDER BACK
	22-64970		1	ADAPTOR, (STARBOARD) WATER DRAIN PETCOCK
	22-37682		1	ELBOW, (STARBOARD) WATER DRAIN PETCOCK
3	10-56146		9	BOLT, BEARING CAP TO CYLINDER BLOCK (3 5/32")
4	16-56147		1	STUD, BEARING CAP TO CYLINDER BLOCK (OIL PUMP SCREEN)
5	13-56177		1	LOCKWASHER, OIL PUMP SCREEN STUD
6	11-28517		1	NUT, OIL PUMP SCREEN STUD
7	949-4057		2	CYLINDER HEAD ASSEMBLY
8	19-56102		4	PLUG, EXPANSION - CYLINDER HEAD (1 1/2")
9	27-56110		2	GASKET, CYLINDER HEAD
10	10-56112		10	BOLT, CYLINDER HEAD TO CYLINDER BLOCK (2 1/4")
	10-56113		10	BOLT, CYLINDER HEAD TO CYLINDER BLOCK (5 7/8")
10A	17-60670		4	PIN, DOWEL - CYLINDER HEAD TO CYLINDER BLOCK
11	17-56139		1	PIN, REAR BEARING CAP - REAR SEAL RETAINING
12	17-56151		2	PIN, DOWEL - CYLINDER BLOCK TO FLYWHEEL HSG. (1")
15	56887		1	INTAKE MANIFOLD
	19-60722		1	PLUG, INTAKE MANIFOLD
16	27-56888A1		1	GASKET SET, INTAKE MANIFOLD
17	56163		1	BAFFLE, INTAKE MANIFOLD
17A	10-60707		2	SCREW, BAFFLE TO INTAKE MANIFOLD
18	10-58261		8	BOLT, INTAKE MANIFOLD TO CYLINDER HEAD (2")
19	16-58262		4	STUD, INTAKE MANIFOLD TO CYLINDER HEAD (2 3/8")
20	11-58263		4	NUT, INTAKE MANIFOLD STUD4
21	54-54555		1	LIFTING EYE, INTAKE MANIFOLD
22	10-59645		2	SCREW, LIFTING EYE TO INTAKE MANIFOLD (5/8")
	10-35386		2	SCREW, LIFTING EYE TO INTAKE MANIFOLD (1")-MC 225-S
23	13-39107		2	LOCKWASHER, LIFTING EYE SCREW (STERN DRIVE)
	12-34437		2	WASHER, LIFTING EYE SCREW (INBOARD)
24	56103		1	COVER, TIMING
25	19-21688		1	WELCH PLUG, TIMING COVER
26	27-56108		1	GASKET, TIMING COVER
27	56109		1	POINTER, TIMING COVER
28	26-56866		1	OIL SEAL, TIMING COVER (LEFT HAND CRANKSHAFT ROTATION)
	26-56867		1	OIL SEAL, TIMING COVER (RIGHT HAND CRANKSHAFT ROTATION)
29	10-55511		1	SCREW, TIMING COVER TO CYLINDER BLOCK (1 1/2")

CONTINUED ON NEXT PAGE ➡

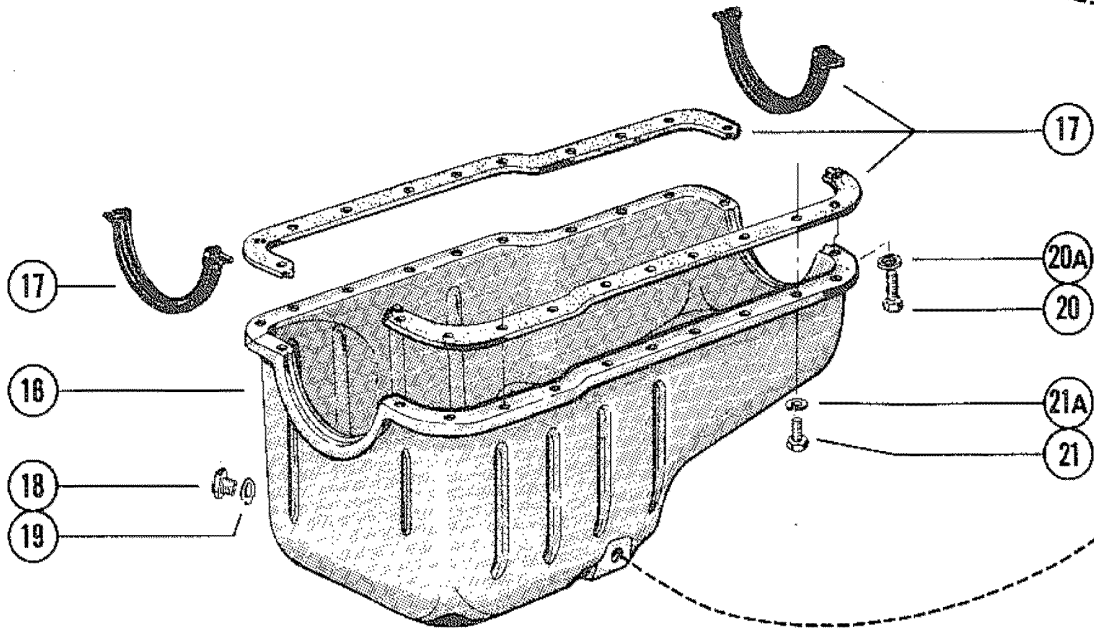
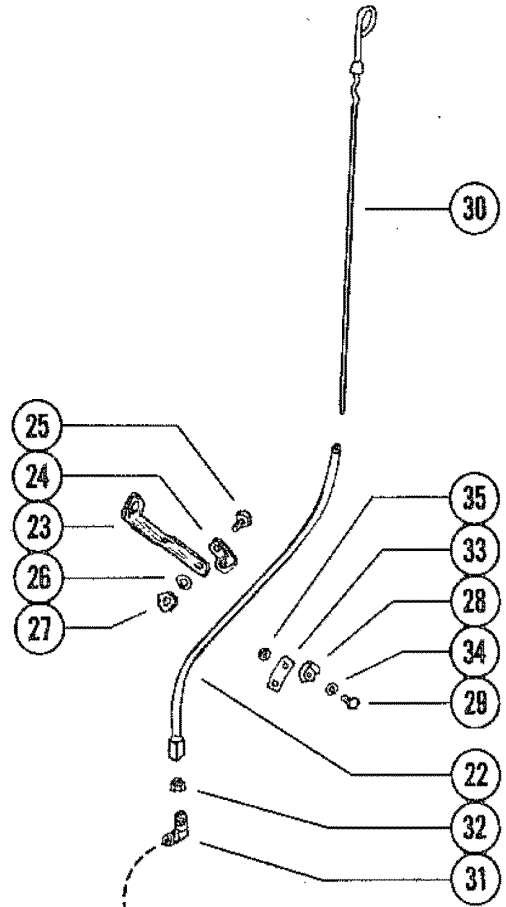
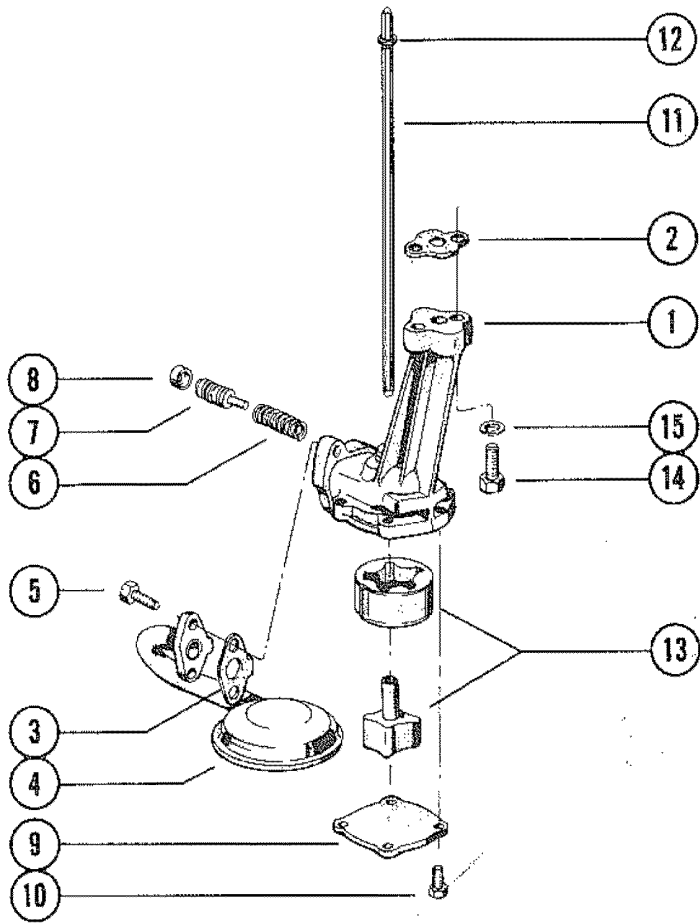
CYLINDER BLOCK, CYLINDER HEAD AND INTAKE MANIFOLD



CYLINDER BLOCK, CYLINDER HEAD AND INTAKE MANIFOLD

REF. NO.	PART NO.	SYM.	QTY.	DESCRIPTION
29	10-28782		3	SCREW, TIMING COVER TO CYLINDER BLOCK (7/8")
30	10-25503		2	SCREW, TIMING COVER TO CYLINDER BLOCK (2")
31	10-52743		3	SCREW, WATER PUMP AND TIMING COVER TO CYLINDER BLOCK (3 3/4")
	10-55300		3	SCREW, WATER PUMP AND TIMING COVER TO CYLINDER BLOCK (5 1/4")
32	58086		1	WATER PUMP ASSEMBLY (LEFT HAND CRANKSHAFT ROTATION)
	56879		1	WATER PUMP ASSEMBLY (RIGHT HAND CRANKSHAFT ROTATION)1
33	27-56880		1	GASKET, WATER PUMP
34	10-45474		1	SCREW, WATER PUMP AND TIMING COVER TO CYLINDER BLOCK (1 1/2")
	10-45474		1	SCREW, WATE PUMP AND TIMING COVER TO CYLINDER BLOCK (2 3/4")
	10-22698		1	SCREW, WATER PUMP AND TIMING COVER TO CYLINDER BLOCK (1 3/4")
35	58265		1	REINFORCEMENT, WATER PUMP PULLEY
36	56881		1	PULLEY, WATER PUMP
37	10-54630		4	SCREW, PULLEY TO WATER PUMP (5/8")
38	13-39107		4	LOCKWASHER, PULLEY SCREW
39	22-36373		1	PLUG, PIPE - WATER PUMP (3/8-14)
40	57-49213		1	BELT, DRIVE - ALTERNATOR AND WATER PUMP
41	22-56876		1	CONNECTOR, OIL FILTER TO CYLINDER BLOCK
42	60565		1	OIL FILTER
43	63006		1	PLATE, COVER-REAR MC 11-TR
44	10-25299		3	SCREW, COVER PLATE TO TRANSMISSION MC 11-TR
45	13-39107		3	LOCKWASHER, COVER PLATE SCREW MC 11-TR
46	27-56152		1	SEAL, REAR COVER PLATE MC 11-TR

OIL PUMP AND OIL PAN

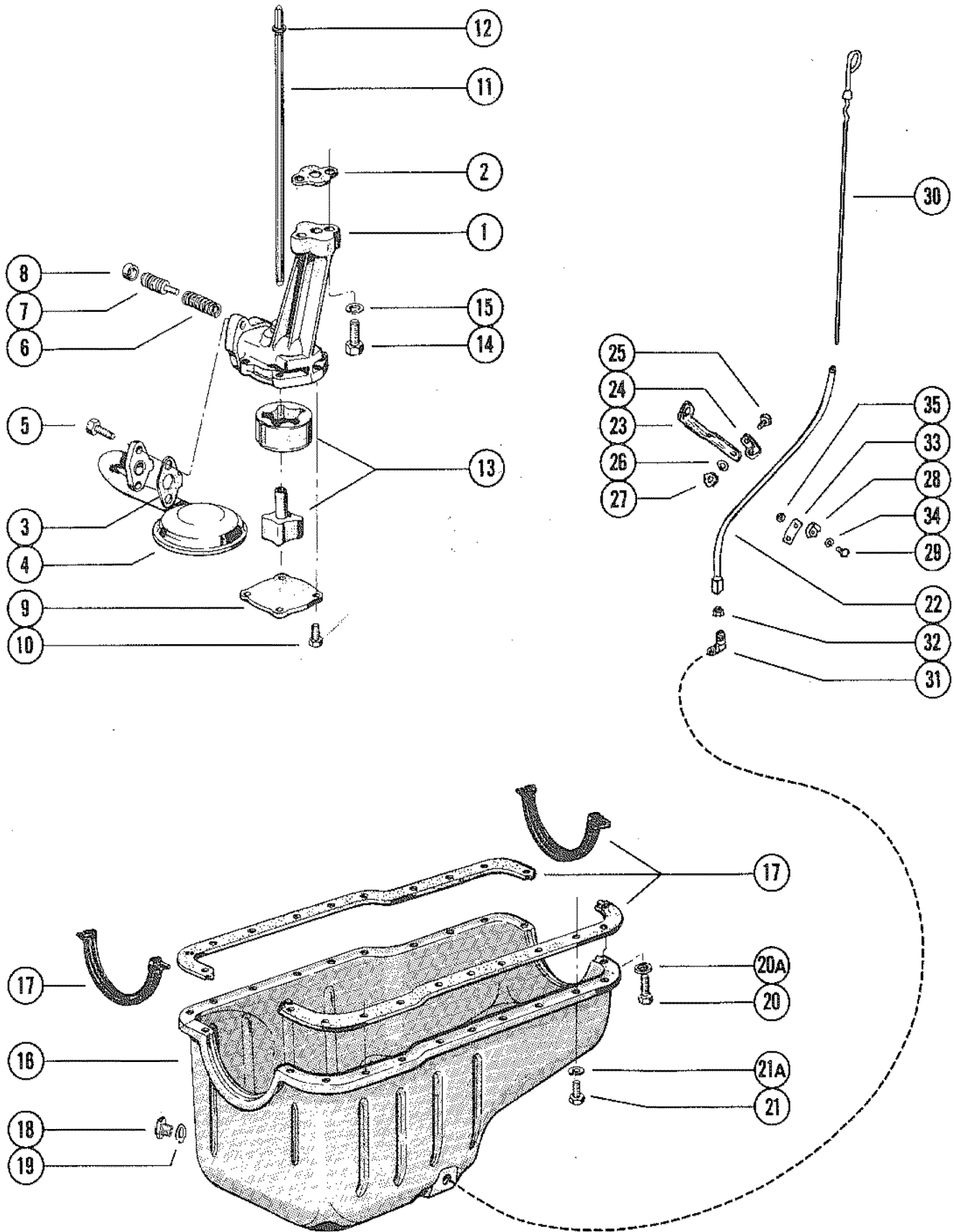


OIL PUMP AND OIL PAN

REF. NO.	PART NO.	SYM.	QTY.	DESCRIPTION
1	56174		1	OIL PUMP ASSEMBLY
2	27-56861		1	GASKET, OIL PUMP
3	27-56859		1	GASKET, OIL PUMP SCREEN
4	56856		1	SCREEN, OIL PUMP
5	10-56858		2	SCREW, SCREEN TO OIL PUMP (7/8")
6	24-56864		1	SPRING, OIL PUMP RELIEF VALVE
7	56865		1	PLUNGER, OIL PUMP RELIEF VALVE
8	19-56854		1	PLUG, OIL PUMP RELIEF VALVE
9	56179		1	PLATE, OIL PUMP
10	10-56133		4	SCREW AND WASHER, PLATE TO OIL PUMP (5/8")
11	56855		1	SHAFT ASSEMBLY, OIL PUMP
12	53-56860		1	RING, RETAINING - OIL PUMP SHAFT
13	56178		1	ROTOR AND SHAFT, OIL PUMP
14	10-56176		2	SCREW, OIL PUMP TO CYLINDER BLOCK (1 1/4")
15	13-56177		2	LOCKWASHER, OIL PUMP SCREW
16	60711		1	OIL PAN STERN DRIVE
17	27-64798		1	GASKET SET, OIL PAN STERN DRIVE
18	22-60720		1	PLUG, PIPE - OIL PAN DRAIN STERN DRIVE
19	27-60721		1	GASKET, DRAIN PLUG STERN DRIVE
20	10-60710		2	SCREW, OIL PAN TO CYLINDER BLOCK (5/16-18 X 7/8") STERN DRIVE
21	10-60708		18	SCREW, OIL PAN TO CYLINDER BLOCK (1/4-20 X 7/8") STERN DRIVE
22	60416		1	TUBE, OIL GUAGE(MC II-TR)-MC 225-S STERN DRIVE SERIAL 00000000-03386120
	65948		1	TUBE, OIL GUAGE (MC II-TR) STERN DRIVE SERIAL 03523081-09999999
23	60606		1	BRACKET, OIL LEVEL GAUGE STERN DRIVE
24	54-61405		1	CLAMP, OIL LEVEL GAUGE TUBE BRACKET STERN DRIVE
25	10-20776		1	SCREW, CLAMP ATTACHING STERN DRIVE
26	12-29245		1	WASHER, CLAMP ATTACHING SCREW STERN DRIVE
27	11-20361		1	NUT, CLAMP ATTACHING SCREW STERN DRIVE
28	54-61405		1	CLIP, OIL LEVEL GAUGE TUBE STERN DRIVE
29	10-21548		1	SCREW, OIL LEVEL GAUGE TUBE CLIP TO BRACKET (1/2") STERN DRI
30	60599		1	GAUGE, OIL LEVEL (DIPSTICK) STERN DRIVE
16	61566		1	OIL PAN INBOARD
17	27-64798		1	GASKET SET, OIL PAN INBOARD
18	22-36373		1	PLUG, PIPE - OIL PAN DRAIN INBOARD
20	10-55714		4	SCREW, OIL PAN TO CYLINDER BLOCK (5/16-18 X 7/8") INBOARD
20A	13-26993		4	LOCKWASHER, OIL PAN SCREW (5/16") INBOARD
21	10-55715		8	SCREW, OIL PAN TO CYLINDER BLOCK (1/4-20 X 7/8") INBOARD
21A	13-26992		8	LOCKWASHER, OIL PAN SCREW (1/4") INBOARD

CONTINUED ON NEXT PAGE ➡

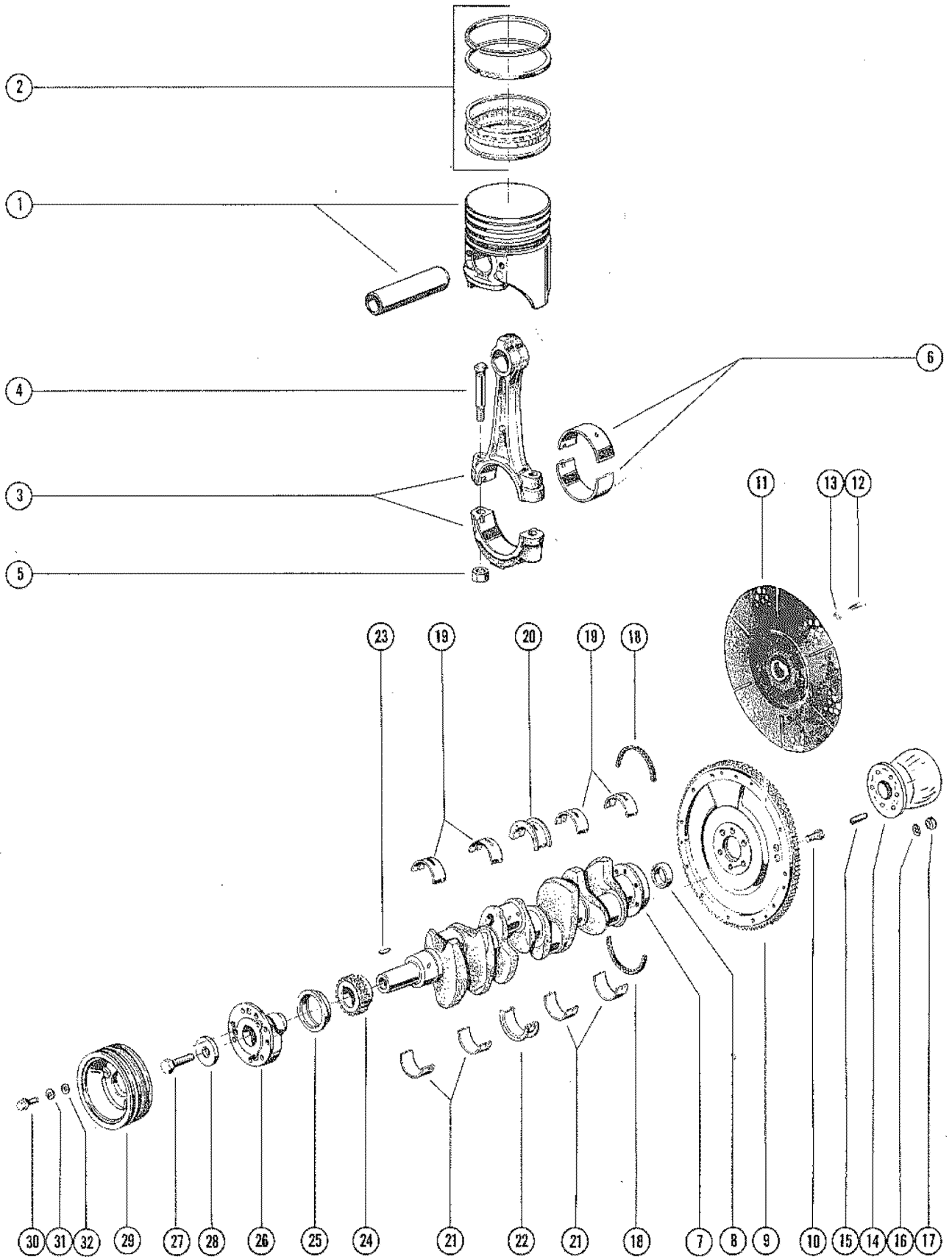
OIL PUMP AND OIL PAN



OIL PUMP AND OIL PAN

REF. NO.	PART NO.	SYM.	QTY.	DESCRIPTION
22	47492		1	TUBE, OIL LEVEL GAUGE INBOARD
28	54-47545		1	CLIP, OIL LEVEL GAUGE TUBE INBOARD
29	10-33524		1	SCREW, OIL LEVEL GAUGE TUBE CLIP TO BRACKET (5/8") INBOARD
30	57403		1	GUAGE, OIL LEVEL (DIPSTICK) INBOARD
31	22-47625		1	ELBOW, OIL LEVEL GUAGE TUBE TO OIL PAN INBOARD
32	11-47626		1	NUT, OIL LEVEL GAUGE TUBE INBOARD
33	47404		1	BRACKET, OIL LEVEL GAUGE TUBE CLIP INBOARD
34	13-39107		1	LOCKWASHER, OIL LEVEL GAUGE TUBE CLIP SCREW INBOARD
35	11-22053		1	NUT, OIL LEVEL GAUGE TUBE CLIP SCREW INBOARD

CRANKSHAFT, PISTON AND CONNECTING ROD

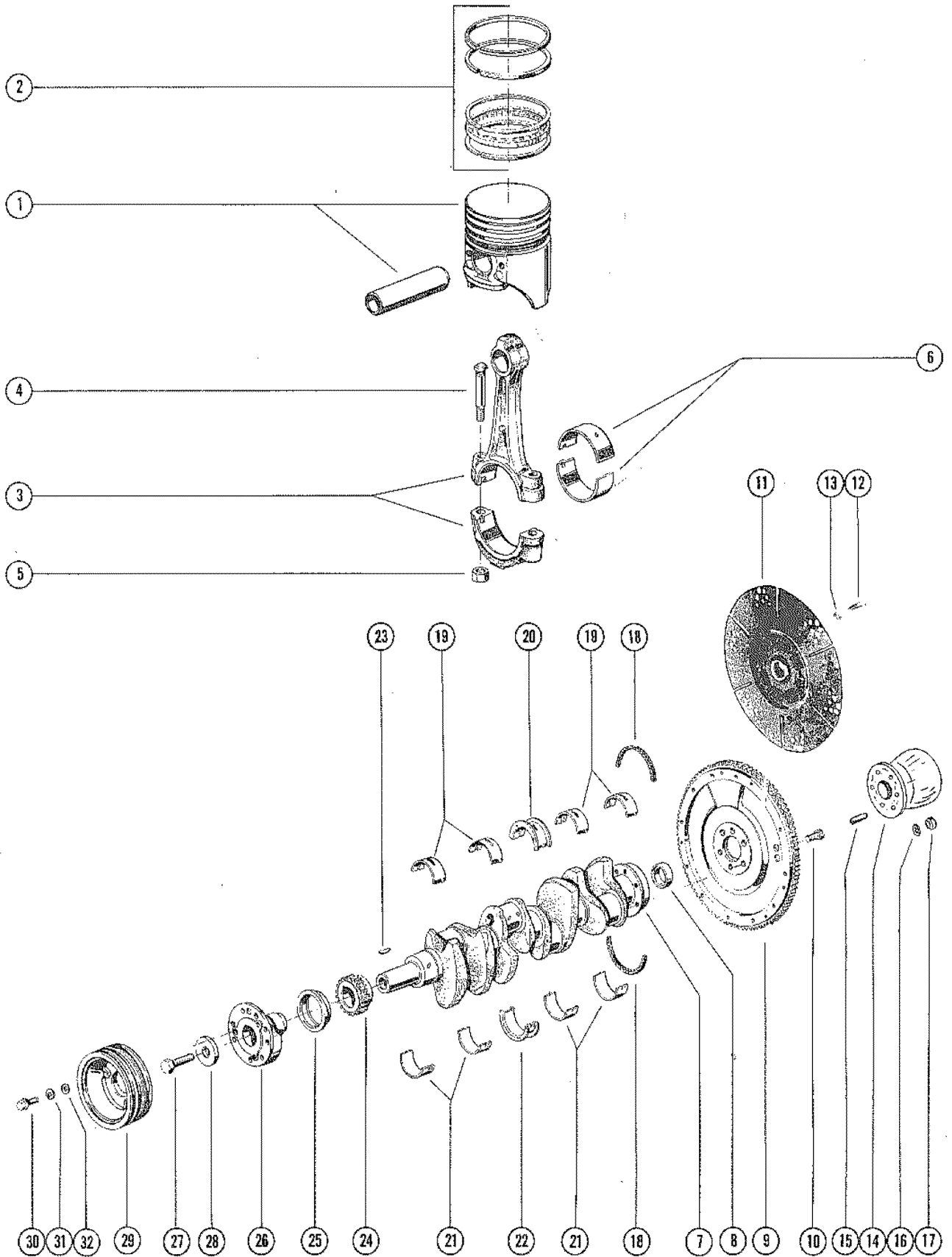


CRANKSHAFT, PISTON AND CONNECTING ROD

REF. NO.	PART NO.	SYM.	QTY.	DESCRIPTION
1	749-4058		8	PISTON AND PISTON PIN ASSEMBLY (STANDARD)
	749-4059		AR	PISTON AND PISTON PIN ASSEMBLY (.003 O.S.) USE STANDARD RING
	749-4060		AR	PISTON AND PISTON PIN ASSEMBLY (.020 O.S.)
2	39-56114		4	RING ASSEMBLY, PISTON (STANDARD)
	39-56115		AR	RING ASSEMBLY, PISTON (.020 O.S.)
3	623-4679		8	CONNECTING ROD ASSEMBLY
4	10-56123		16	BOLT, CONNECTING ROD
5	11-56122		16	NUT, CONNECTING ROD BOLT
6	23-56116		8	BEARING UNIT, CONNECTING ROD (STANDARD)
	23-56117		AR	BEARING UNIT, CONNECTING ROD (.001 U.S.)
	23-56118		AR	BEARING UNIT, CONNECTING ROD (.002 U.S.)
	23-56119		AR	BEARING UNIT, CONNECTING ROD (.010 U.S.)
	23-56121		AR	BEARING UNIT, CONNECTING ROD (.020 U.S.)
7	446-4064		1	CRANKSHAFT (LEFT HAND CRANKSHAFT ROTATION)
	446-4065		1	CRANKSHAFT (RIGHT HAND CRANKSHAFT ROTATION)
8	23-71647		1	BEARING, CLUTCH PILOT
9	238-4428		1	FLYWHEEL ASSEMBLY (LEFT HAND CRANKSHAFT ROTATION)
	238-4055		1	FLYWHEEL ASSEMBLY (RIGHT HAND CRANKSHAFT ROTATION)
10	10-60706		6	BOLT, FLYWHEEL TO CRANKSHAFT (15/16")
11	62819		1	DRIVE PLATE, FLYWHEEL (MC II-TR)
	47608		1	DRIVE PLATE, FLYWHEEL (INBOARD)
12	10-56889		6	SCREW, DRIVE PLATE TO FLYWHEEL MC II-TR AND INBOARD
13	13-26993		6	LOCKWASHER, DRIVE PLATE SCREW MC II-TR AND INBOARD
14	59826A1		1	ENGINE COUPLING ASSEMBLY MC 225-S
15	16-60993		6	STUD, ENGINE COUPLING ATTACHING MC 225-S
16	12-32648		6	WASHER, ENGINE COUPLING ATTACHING STUD MC 225-S
17	11-56407		6	NUT, ENGINE COUPLING ATTACHING STUD MC 225-S
18	26-56868		1	OIL SEAL, CRANKSHAFT REAR (LEFT HAND CRANKSHAFT ROTATION)
	26-56869		1	OIL SEAL, CRANKSHAFT REAR (RIGHT HAND CRANKSHAFT ROTATION)
19	23-56890		4	BEARING, CRANKSHAFT MAIN - UPPER (STANDARD)
	23-56892		AR	BEARING, CRANKSHAFT MAIN - UPPER (.001 U.S.)
	23-56894		AR	BEARING, CRANKSHAFT MAIN - UPPER (.002 U.S.)
	23-56896		AR	BEARING, CRANKSHAFT MAIN - UPPER (.010 U.S.)
	23-56898		AR	BEARING, CRANKSHAFT MAIN - UPPER (.020 U.S.)
20	23-56891		1	BEARING, CRANKSHAFT MAIN - UPPER - CENTER (STANDARD)
	23-56893		AR	BEARING, CRANKSHAFT MAIN - UPPER - CENTER (.002 U.S.)
	23-56895		AR	BEARING, CRANKSHAFT MAIN - UPPER - CENTER (.002 U.S.)
	23-56897		AR	BEARING, CRANKSHAFT MAIN - UPPER - CENTER (.010 U.S.)
	23-56899		AR	BEARING, CRANKSHAFT MAIN - UPPER - CENTER (.020 U.S.)

CONTINUED ON NEXT PAGE ➡

CRANKSHAFT, PISTON AND CONNECTING ROD

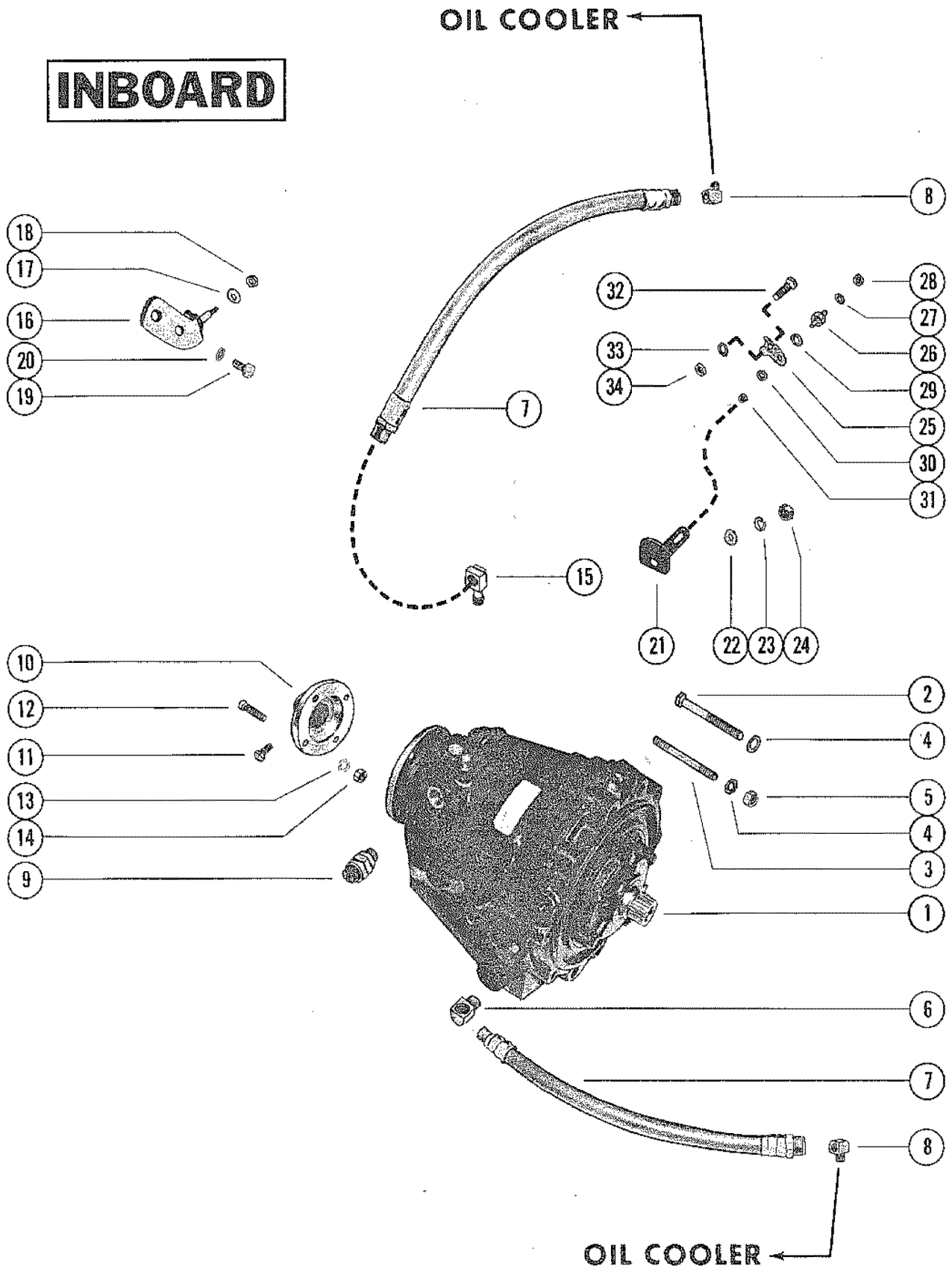


CRANKSHAFT, PISTON AND CONNECTING ROD

REF. NO.	PART NO.	SYM.	QTY.	DESCRIPTION
21	23-56900		4	BEARING, CRANKSHAFT - LOWER (STANDARD)
	23-56902		AR	BEARING, CRANKSHAFT MAIN - LOWER (.001 U.S.)
	23-56904		AR	BEARING, CRANKSHAFT MAIN - LOWER (.002 U.S.)
	23-56906		AR	BEARING, CRANKSHAFT MAIN - LOWER (.010 U.S.)
	23-56901		AR	BEARING, CRANKSHAFT MAIN - LOWER (.020 U.S.)
22	23-56901		1	BEARING, CRANKSHAFT MAIN - LOWER - CENTER (STANDARD)
	23-56903		AR	BEARING, CRANKSHAFT MAIN - LOWER - CENTER (.001 U.S.)
	23-56905		AR	BEARING, CRANKSHAFT MAIN - LOWER - CENTER (.002 U.S.)
	23-56907		AR	BEARING, CRANKSHAFT MAIN - LOWER - CENTER (.010 U.S.)
	23-56909		AR	BEARING, CRANKSHAFT MAIN - LOWER - CENTER (.020 U.S.)
23	28-56142		2	KEY, TIMING SPROCKET AND DAMPER TO CRANKSHAFT
24	43-56141		1	SPROCKET, CRANKSHAFT TIMING (21 TEETH)
25	56143		1	SLINGER, OIL - CRANKSHAFT
26	56145		1	DAMPER ASSEMBLY, CRANKSHAFT (LEFT HAND CRANKSHAFT ROTATION)
	61750		1	DAMPER ASSEMBLY, CRANKSHAFT (RIGHT HAND CRANKSHAFT ROTATION)
27	10-60709		1	BOLT, DAMPER TO CRANKSHAFT (1 3/4")
28	12-56148		1	WASHER, DAMPER TO CRANKSHAFT BOLT
29	56144		1	PULLEY, CRANKSHAFT MCII-TR WITHOUT POWER STEERING, INBOARD AND MC 225-S
30	10-21077		3	SCREW, PULLEY TO DAMPER (7/8") MCII-TR WITHOUT POWER STEERING, INBOARD AND MC 225-S
31	13-35048		3	LOCKWASHER, PULLEY SCREW
32	12-20553		3	WASHER, PULLEY SCREW

TRANSMISSION AND RELATED PARTS (INBOARD)

INBOARD



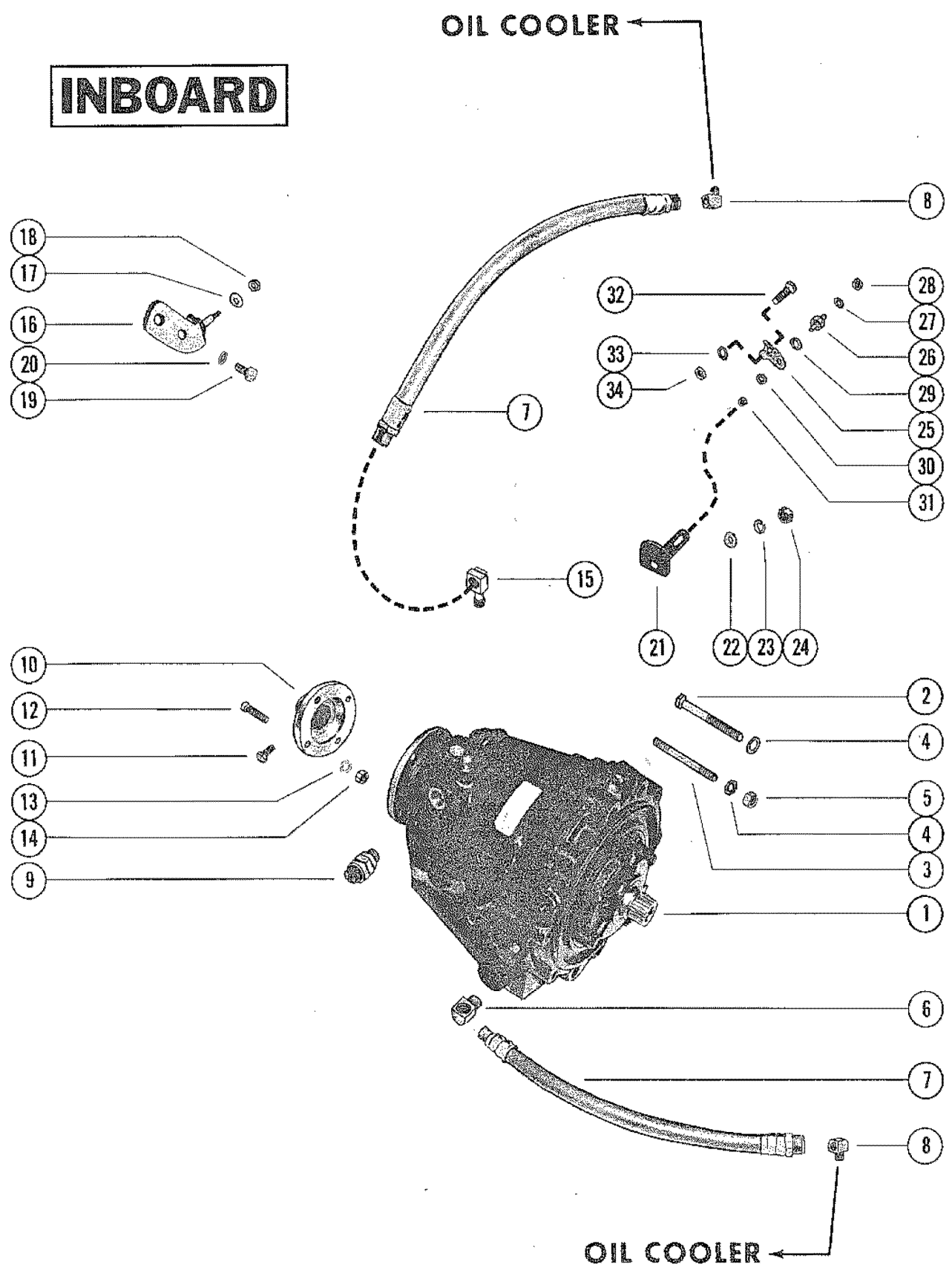
TRANSMISSION AND RELATED PARTS (INBOARD)

REF. NO.	PART NO.	SYM.	QTY.	DESCRIPTION
1	47805		1,,,	TRANSMISSION (DIRECT DRIVE)
	47806		,1,,	TRANSMISSION (1.523:1 REDUCTION)
	47807		,,1,,	TRANSMISSION (1.909:1 REDUCTION)
	47808		,,,1,	TRANSMISSION (2.57:1 REDUCTION)
	47809		,,,1	TRANSMISSION (2.909:1 REDUCTION)
2	10-47724		4,,,	SCREW, TRANSMISSION TO ENGINE (3")
	10-47724		,6,6,6,6	SCREW, TRANSMISSION TO ENGINE (3")
3	16-57921		2,,,	STUD, TRANSMISSION TO ENGINE (4")
4	13-32993		,6,6,6,6,6	LOCKWASHER, TRANSMISSION SCREW AND STUD
5	11-22024		2,,,	NUT, TRANSMISSION STUD
6	22-47629		1,1,1,1,1	ELBOW, HOSE TO TRANSMISSION (90)
7	32-47516-11		1,,,	HOSE, TRANSMISSION TO OIL COOLER (28")
	32-47516-12		,1,1,1,1	HOSE, TRANSMISSION TO OIL COOLER (20")
	32-47516--6		1,1,1,1,1	HOSE, TRANSMISSION TO OIL COOLER (30")
8	22-63835		,1,1,1,1	ELBOW, HOSE TO OIL COOLER
9	47613		1,1,1,1,1	SWITCH, NEUTRAL SAFETY
10	48381A1		OPT,OPT,OP	FLANGE ASSEMBLY (1") SEE NOTE A
	48382A1		OPT,OPT,OP	FLANGE ASSEMBLY (1 1/8") SEE NOTE A
	48383A1		OPT,OPT,OP	FLANGE ASSEMBLY (1 1/4") SEE NOTE A
	48384A1		OPT,OPT,OP	FLANGE ASSEMBLY (1 3/8") SEE NOTE A
	48385A1		OPT,OPT,OP	FLANGE ASSEMBLY (1 1/2") SEE NOTE A
	48386A1		,,OPT,OPT	FLANGE ASSEMBLY (1") SEE NOTE B
	48387A1		,,OPT,OPT	FLANGE ASSEMBLY (1 1/8") SEE NOTE B
	48388A1		,,OPT,OPT	FLANGE ASSEMBLY (1 1/4") SEE NOTE B
	48389A1		,,OPT,OPT	FLANGE ASSEMBLY (1 3/8") SEE NOTE B
48390A1		,,OPT,OPT	FLANGE ASSEMBLY (1 1/2") SEE NOTE B	
11	10-60168		2,2,2,,	SCREW, FLANGE TO PROPELLER SHAFT (1 1/2") SEE NOT A AND B
	10-60171		,,,2,2	SCREW, FLANGE TO PROPELLER SHAFT (1 1/4") SEE NOT A AND B
	10-60170		,,,2,2	SCREW, FLANGE TO PROPELLER SHAFT (1") SEE NOT A AND B
	10-60169		2,2,2,,	SCREW, FLANGE TO PROPELLER SHAFT (3/4") SEE NOT A AND B
12	10-37909		4,4,4,,	SCREW, FLANGE TO TRANSMISSION (1 1/8")
13	13-35048		4,4,4,,	LOCKWASHER, TRANSMISSION FLANGE SCREW
14	11-24883		,4,4,4,4	NUT, TRANSMISSION FLANGE SCREW
15	22-63824		1,1,1,1,1	ELBOW, HOSE TO TRANSMISSION (90)
16	48648		1,1,1,1,1	BRACKET, SHIFT CALBE (SERIAL #3416390 AND BELOW)
	63815A1		1,1,1,1,1	BRACKET, SHIFT CABLE (SERIAL #3563182 AND UP)
17	12-56881		1,1,1,1,1	WASHER, SHIFT CABLE TO BRACKET STUD
18	11-46438		1,1,1,1,1	NUT, SHIFT CABLE TO BRACKET STUD (10-32)
19	10-22469		2,2,2,2,2	SCREW, BRACKET TO TRANSMISSION (3/8")
20	13-26993		2,2,2,2,2	LOCKWASHER, BRACKET SCREW

CONTINUED ON NEXT PAGE ➡

TRANSMISSION AND RELATED PARTS (INBOARD)

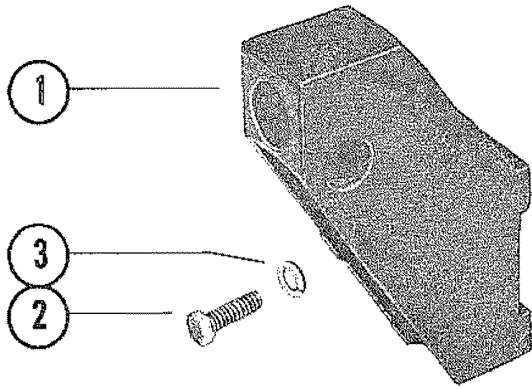
INBOARD



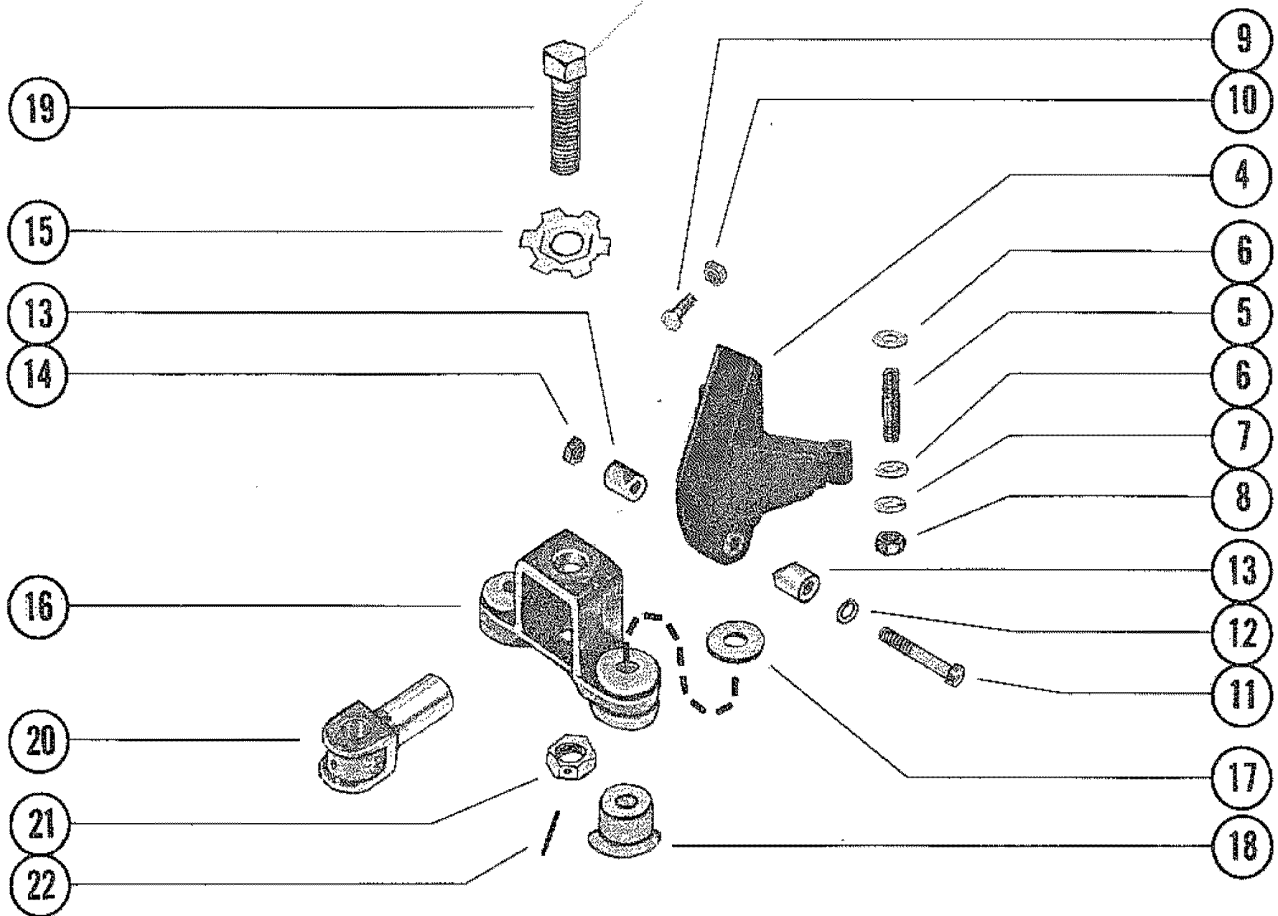
TRANSMISSION AND RELATED PARTS (INBOARD)

REF. NO.	PART NO.	SYM.	QTY.	DESCRIPTION
21	48515		1,1,1,1,1	LEVER, SHIFT - TRANSMISSION
22	12-20722		1,1,1,1,1	WASHER, SHIFT LEVER TO TRANSMISSION
23	13-26993		1,1,1,1,1	LOCKWASHER, SHIFT LEVER TO TRANSMISSION
24	11-20083		1,1,1,1,1	NUT, SHIFT LEVER TO TRANSMISSION
25	48652		1,1,1,1,1	ADAPTOR, SHIFT CALBE TO SHIFT LEVER
26	16-48680		1,1,1,1,1	STUD, SHIFT CALBE ADAPTOR TO SHIFT LEVER (1 1/4")
27	12-20533		1,1,1,1,1	WASHER, SHIFT CABLE ADAPTOR STUD
28	11-46887		1,1,1,1,1	NUT, SHIFT CABLE ADAPTOR STUD (1/4-28)
29	13-29402		1,1,1,1,1	WAVE WASHER, SHIFT CABLE ADAPTOR STUD
30	12-56881		1,1,1,1,1	WASHER, SHIFT CABLE ADAPTOR STUD
31	11-46438		1,1,1,1,1	NUT, SHIFT CABLE ADAPTOR STUD (10-32)
32	10-20639		1,1,1,1,1	SCREW, SHIFT CABLE TO ADAPTOR (1 1/8")
33	12-22753		1,1,1,1,1	WASHER, SHIFT CABLE SCREW
34	11-46793		1,1,1,1,1	NUT, SHIFT CABLE SCREW (5/16-24)

TRANSMISSION AND ENGINE MOUNTING (INBOARD)



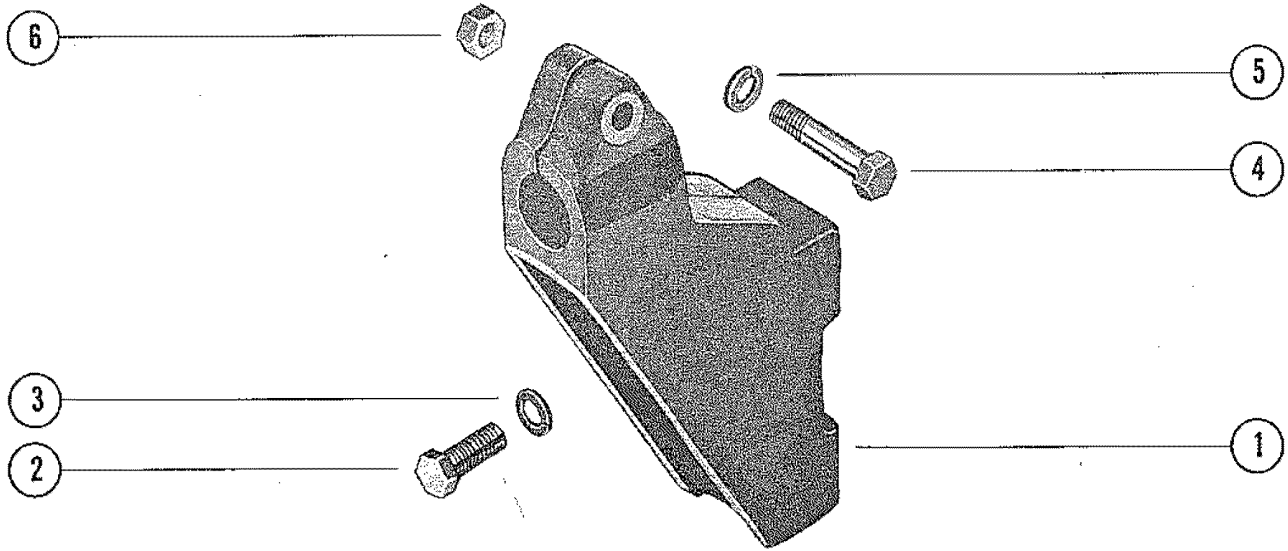
**INBOARD
Serial
#3693272
and below**



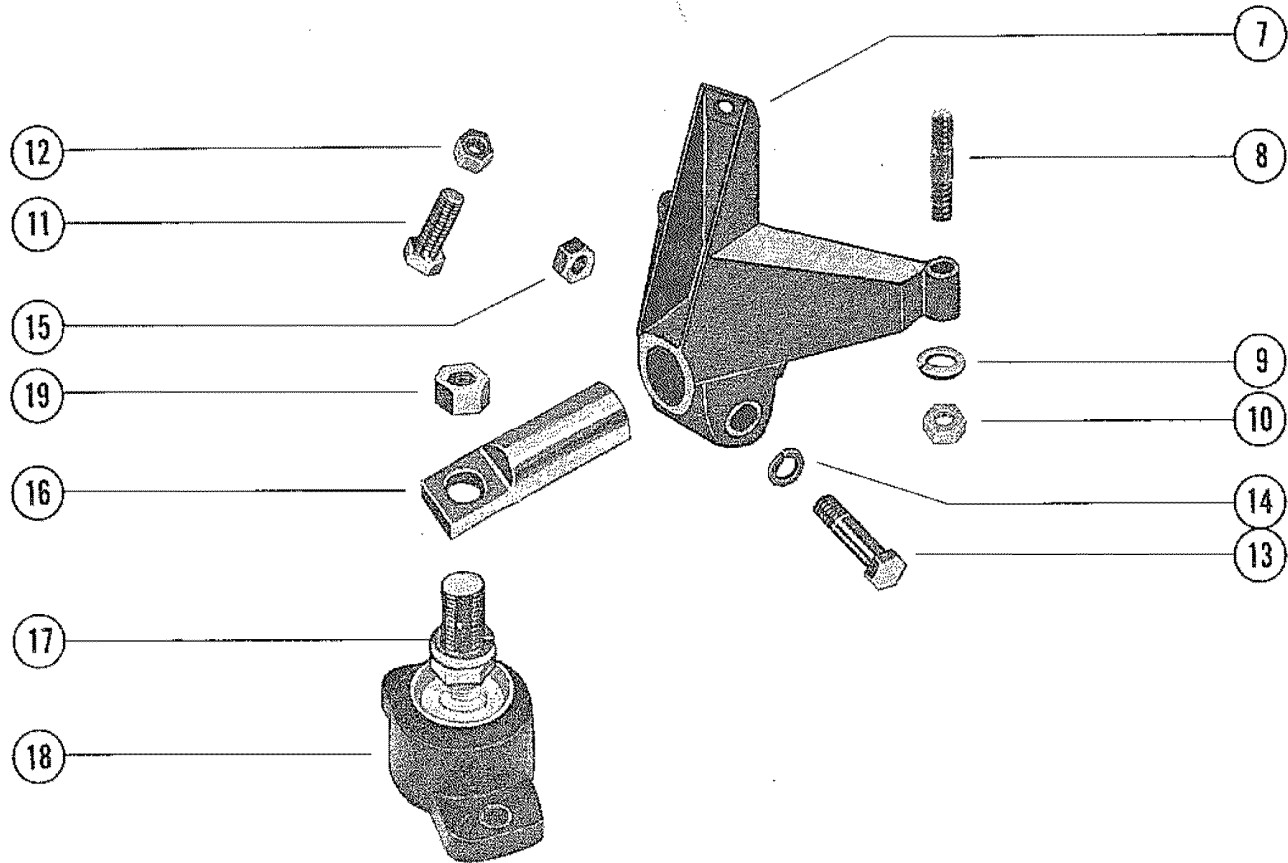
TRANSMISSION AND ENGINE MOUNTING (INBOARD)

REF. NO.	PART NO.	SYM.	QTY.	DESCRIPTION
1	62255		2	BRACKET, MOUNTING (REAR)
2	10-37269		4	SCREW, MOUNTING BRACKET TO TRANSMISSION (2")
3	13-32993		4	LOCKWASHER, MOUNTING BRACKET SCREW
4	61854		2	BRACKET, MOUNTING (FRONT)
5	16-65737		3	STUD, FORNT MOUNTING BRACKET (2 5/8")
	16-65743		1	STUD, FRONT MOUNTING BRACKET STBD. REAR (3") SEE NOTE
6	12-34567		1	WASHER, MOUNTING BRACKET STUD - STBD. REAR SEE NOTE
	12-54426		4	WASHER, MOUNTING BRACKE STUD
7	13-32993		4	LOCKWASHER, MOUNTING BRACKET SCREW
8	11-34933		4	NUT, MOUNTING BRACKET STUD
9	10-30155		2	SCREW, ENGINE LOCATING (1 1/4")
10	11-22024		2	NUT, ENGINE LOCATING SCREW
11	10-47654		4	SCREW, CLAMP - ADJUSTING TRUNNION (2 3/4")
12	13-32993		4	LOCKWASHER, CLAMP ADJUSTING TRUNNION SCREW
13	54-47528		8	CLAMP, ADJUSTING TRUNNION SCREW
14	11-29553		4	NUT, CLAMP ADJUSTING TRUNNION SCREW
15	14-48467		4	TAB WASHER, ADJUSTING TRUNNION SCREW
16	52139A2		4	BRACKET ASSEMBLY, MOUNTING - FRONT AND REAR
17	12-48611		8	WASHER, MOUNTING BRACKET
18	47656		8	MOUNT, MOUNTING BRACKET
19	10-52156		4	SCREW, ADJUSTING TRUNNION (4 1/2")
20	47518		4	TRUNNION, ADJUSTING - MOUNTING BRACKET
21	11-47525		4	NUT, JAM - ADJUSTING TRUNNION SCREW
22	17-22116		4	PIN, ROLL - JAM NUT

TRANSMISSION AND ENGINE MOUNTING (INBOARD)



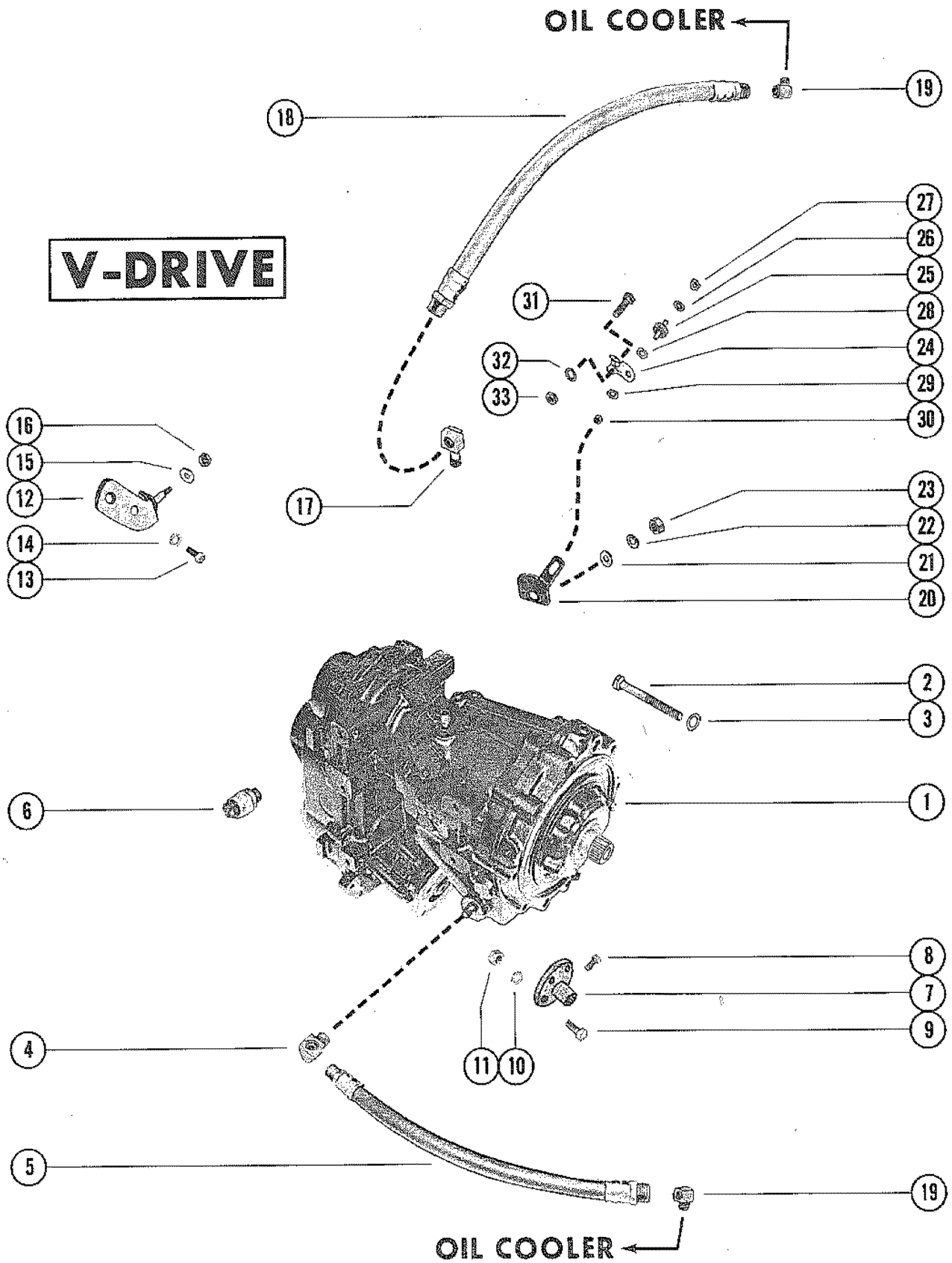
INBOARD Serial #3750508 and up



TRANSMISSION AND ENGINE MOUNTING (INBOARD)

REF. NO.	PART NO.	SYM.	QTY.	DESCRIPTION
1	66417		2	BRACKET, MOUNTING - TRANSMISSION (REAR)
2	10-37269		4	SCREW, BRACKET TO TRANSMISSION (2")
3	13-32993		4	LOCKWASHER, BRACKET SCREW
4	10-57357		2	SCREW, CLAMPING - MOUNTING BRACKET (2 1/4")
5	13-32993		2	LOCKWASHER, CLAMPING SCREW
6	11-29553		2	NUT, CLAMPING SCREW
7	66169		2	BRACKET, MOUNTING - ENGINE (FRONT)
8	16-65737		3	STUD, FRONT MOUNTING BRACKET (2 5/8")
	16-65743		1	STUD, FRONT MOUNTING BRACKET STARBOARD REAR (3")
9	13-32993		2	LOCKWASHER, FRONT MOUNTING BRACKET
10	11-34933		4	NUT, FRONT MOUNTING BRACKET
11	10-68743		2	SCREW, ENGINE LOCATING (1 1/4")
12	11-22024		2	NUT, ENGINE LOCATING SCREW
13	10-37269		2	SCREW, CLAMPING - MOUNTING BRACKET (2")
14	13-32993		2	LOCKWASHER, CLAMPING SCREW
15	11-29553		2	NUT, CLAMPING SCREW
16	66166		4	TRUNNION, ADJUSTING - MOUNTING BRACKET
17	13-68102		4	LOCKWASHER, MOUNTING BRACKET
18	66284		4	BASE, ENGINE MOUNT
19	11-20739		8	NUT, JAM - ENGINE MOUNT BASE

TRANSMISSION AND RELATED PARTS (V-DRIVE)

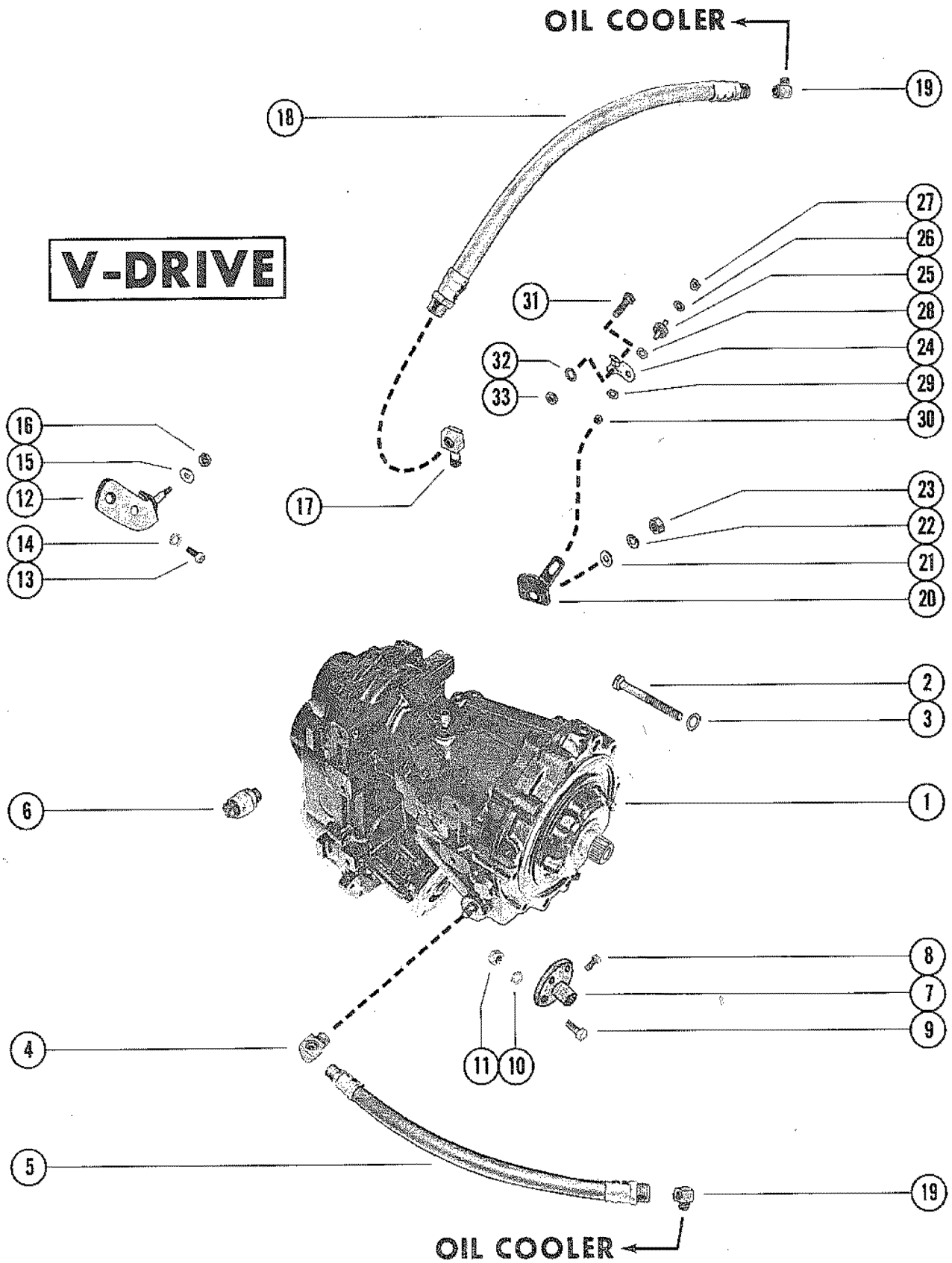


TRANSMISSION AND RELATED PARTS (V-DRIVE)

REF. NO.	PART NO.	SYM.	QTY.	DESCRIPTION
1	60953		1	TRANSMISSION, V-DRIVE (DIRECT DRIVE)
	60588		1	TRANSMISSION, V-DRIVE (1.51:1 REDUCTION)
	60954		1	TRANSMISSION, V-DRIVE (1.99:1 REDUCTION)
	60955		1	TRANSMISSION, V-DRIVE (2.49:1) REDUCTION)
	60956		1	TRANSMISSION, V-DRIVE (3.14:1 REDUCTION)
2	10-47724		6	SCREW, TRANSMISSION TO ENGINE (3")
3	13-32993		6	LOCKWASHER, TRANSMISSION SCREW
4	22-63824		1	ELBOW, HOSE TO TRANSMISSION (90)
5	32-47516--9		1	HOSE, OIL COOLER TO TRANSMISSION (37")
6	47613		1	SWITCH, NEUTRAL SAFETY
7	48386A1		OPT	FLANGE ASSEMBLY (1")
	48387A1		OPT	FLANGE ASSEMBLY (1 1/8")
	48388A1		OPT	FLANGE ASSEMBLY (1 1/4")
	48389A1		OPT	FLANGE ASSEMBLY (1 3/8")
	48390A1		OPT	FLANGE ASSEMBLY (1 1/2")
	57295A1		OPT	FLANGE ASSEMBLY (1 3/4")
	57296A1		OPT	FLANGE ASSEMBLY (2")
8	10-60171		2	SCREW, FLANGE TO PROPELLER SHAFT (1 1/4") SEE NOTE BELOW
	10-60170		2	SCREW, FLANGE TO PROPELLER SHAFT (1") SEE NOTE BELOW
	10-60169		2	SCREW, FLANGE TO PROPELLE SHAFT (3/4") SEE NOTE BELOW
9	10-60106		4	SCREW, TRANSMISSION FLANGE TO PROPELLER FLANGE (1 1/4")
10	13-32993		4	LOCKWASHER, FLANGE SCREW
11	11-22024		4	NUT, FLANGE SCREW
12	63815A1		1	BRACKET, SHIFT CABLE
13	10-22469		2	SCREW, BRACKET TO TRANSMISSION
14	13-26992		2	LOCKWASHER, BRACKET TO TRANSMISSION SCREW
15	12-56881		1	WASHER, SHIFT CALBE TO BRACKET STUD
16	11-46438		1	NUT, SHIFT CABLE TO BRACKE STUD (10-32)
17	22-47629		1	ELBOW, HOSE TO TRANSMISSION (90)
18	32-47516-10		1	HOSE, TRANSMISSION TO OIL COOLER (33")
19	22-47629		2	ELBOW, HOSE TO OIL COOLER (90)
20	48515		1	LEVER, SHIFT - TRANSMISSION
21	12-20722		1	WASHER, SHIFT LEVER TO TRANSMISSION
22	13-26993		1	LOCKWASHER, SHIFT LEVER TO TRANSMISSION
23	11-20083		1	NUT, SHIFT LEVER TO TRANSMISSION
24	48652		1	ADAPTOR, SHIFT CABLE TO SHIFT LEVER
25	16-48680		1	STUD, SHIFT CABLE ADAPTOR TO SHIFT LEVER (1 1/4")
26	12-20533		1	WASHER, SHIFT CABLE ADAPTOR STUD
27	11-46887		1	NUT, SHIFT CABLE ADAPTOR STUD (1/4-28)
28	13-29402		1	WAVE WASHER, SHIFT CABLE ADAPTOR STUD

CONTINUED ON NEXT PAGE ➡

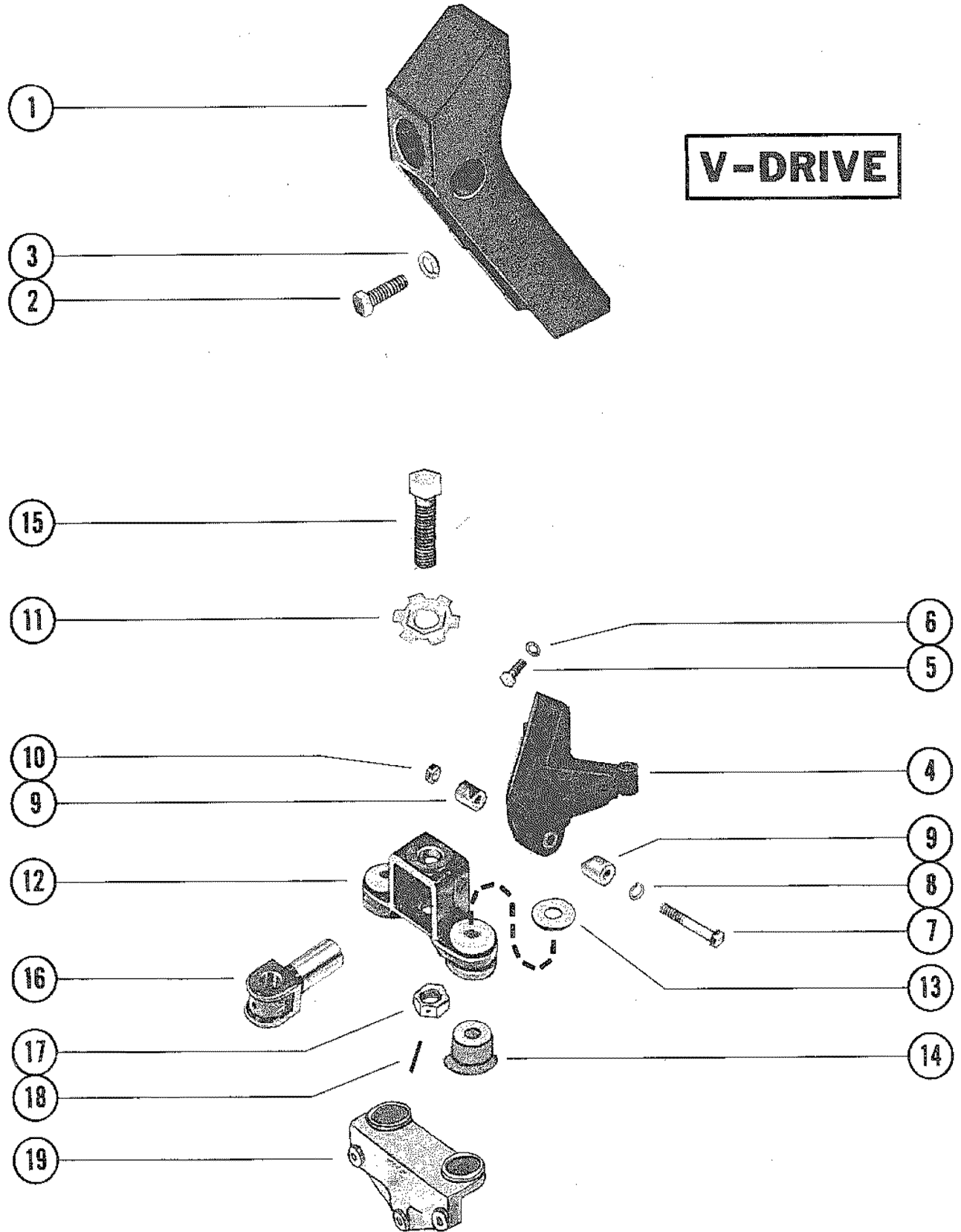
TRANSMISSION AND RELATED PARTS (V-DRIVE)



TRANSMISSION AND RELATED PARTS (V-DRIVE)

REF. NO.	PART NO.	SYM.	QTY.	DESCRIPTION
29	12-56881		1	WASHER, SHIFT CABLE ADAPTOR STUD
30	11-46438		1	NUT, SHIFT CABLE ADAPTOR STUD (10-32)
31	10-20639		1	SCREW, SHIFT CABLE TO ADAPTOR (1 1/8")
32	12-22753		1	WASHER, SHIFT CABLE SCREW
33	11-46793		1	NUT, SHIFT CABLE SCREW (5/16-24)

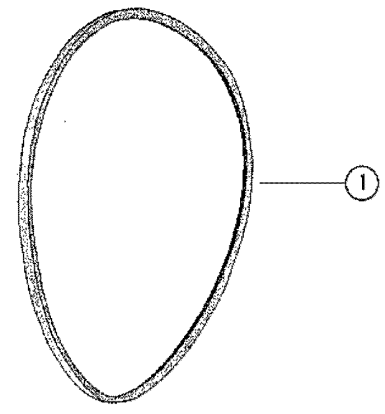
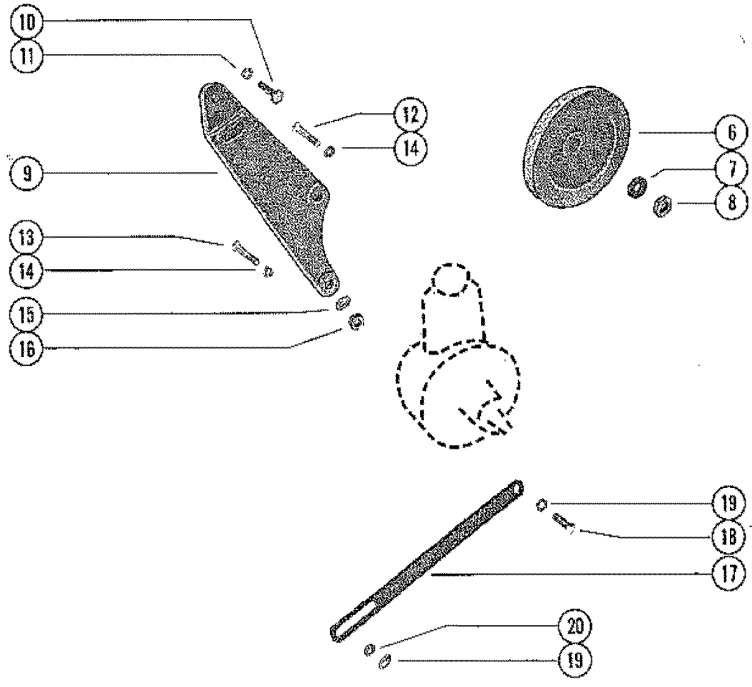
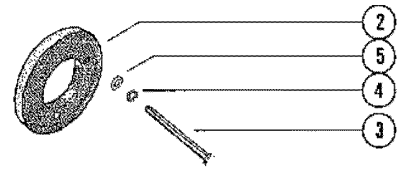
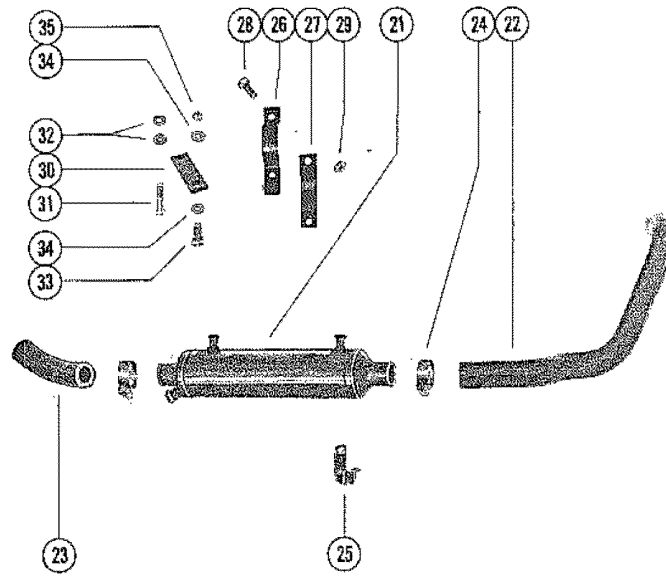
TRANSMISSION AND ENGINE MOUNTING (V-DRIVE)



TRANSMISSION AND ENGINE MOUNTING (V-DRIVE)

REF. NO.	PART NO.	SYM.	QTY.	DESCRIPTION
1	62285		2	BRACKET, MOUNTING (REAR)
2	10-47462		6	SCREW, MOUNTING BRACKET TO TRANSMISSION (1 1/4")
3	13-32993		6	LOCKWASHER, MOUNTING BRACKET SCREW
4	61815		2	BRACKET, MOUNTING (FRONT)
5	10-47724		6	SCREW, MOUNTING BRACKET TO CYLINDER BLOCK (3")
6	13-32993		6	LOCKWASHER, MOUNTING BRACKET SCREW
7	10-47654		4	SCREW, CLAMP - ADJUSTING TRUNNION (2 3/4")
8	13-32993		4	LOCKWASHER, CLAMP ADJUSTING TRUNNION SCREW
9	54-47528		8	CLAMP, ADJUSTING TRUNNION SCREW
10	11-29553		4	NUT, CLAMP ADJUSTING TRUNNION SCREW
11	14-48467		4	TAB WASHER, ADJUSTING TRUNNION SCREW
12	52139A2		4	BRACKET ASSEMBLY, MOUNTING - FRONT AND REAR
13	12-48611		8	WASHER, MOUNTING BRACKET
14	47656		8	MOUNT, MOUNTING BRACKET
15	10-52156		4	SCREW, ADJUSTING TRUNNION (4 1/2")
16	47518		4	TRUNNION, ADJUSTING - MOUNTING BRACKET
17	11-47525		4	NUT, JAM - ADJUSTING TRUNNION SCREW
18	17-22116		4	PIN, ROLL - JAM NUT
19	62255		4	BRACKET, MOUNTING - ENGINE
	27-65577		2	GASKET, CARBURETOR
	16-29208		2	STUD, CARBURETOR MOUNTING (2 1/8")
	16-30669		2	STUD, CARBURETOR MOUNTING (3 1/4")
	55241		1	GAUGE, OIL LEVEL (DIPSTICK)
	60212A1		2	EXHAUST ELBOW RISER
	16-49545		8	STUD, EXHAUST ELBOW TO RISER (1 3/4")
	22-32802		2	PLUG, EXHAUST ELBOW RISER
	22-36305		2	ELBOW, EXHAUST RISER
	16-60607		4	STUD, MANIFOLD TO RISER (2 1/4")
	11-49838		8	NUT, RISER TO EXHAUST ELBOW STUD
	13-37459		8	LOCKWASHER, RISER TO EXHAUST ELBOW STUD
	27-52076		6	GASKET, ELBOW TO RISER

POWER STEERING COMPONENTS

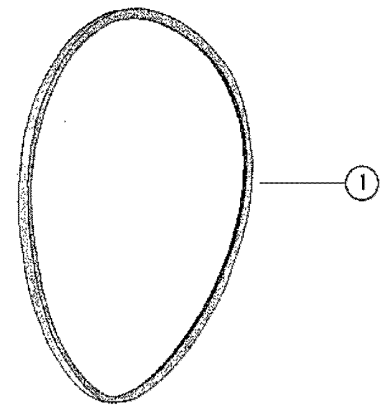
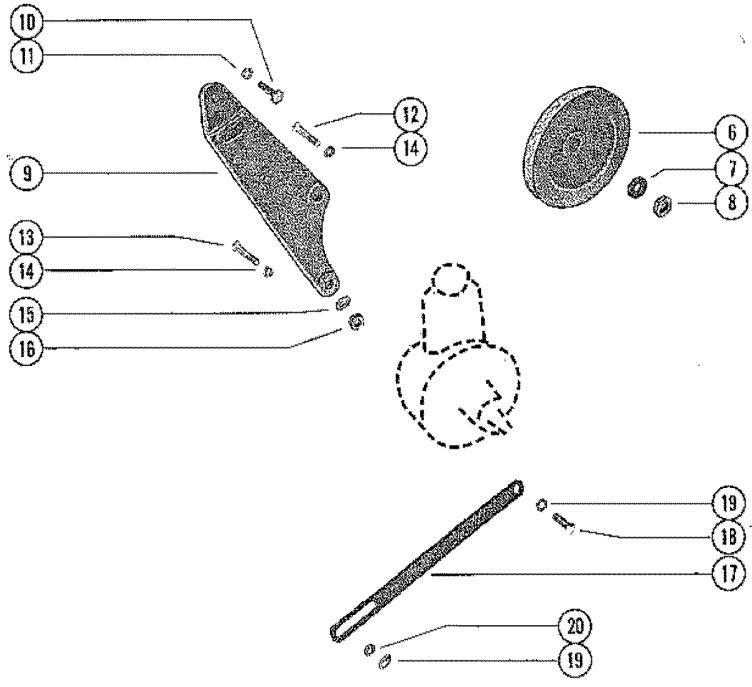
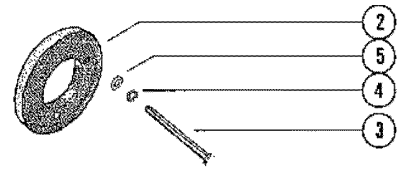
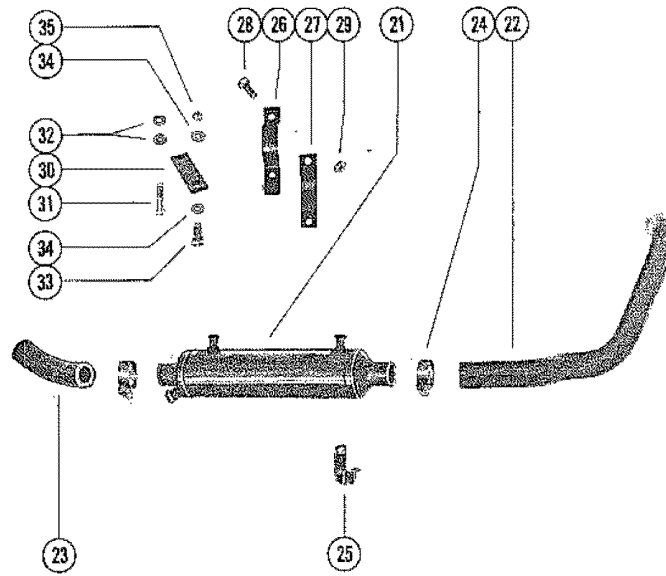


POWER STEERING COMPONENTS

REF. NO.	PART NO.	SYM.	QTY.	DESCRIPTION
1	57-57298		1	"V" BELT, HYDRAULIC PUMP DRIVE
2	56331A1		1	PULLEY ASSEMBLY, CRANKSHAFT (NOT AS SHOWN)
3	10-52693		3	SCREW, PULLEY TO CRANKSHAFT (5")
4	13-35048		3	LOCKWASHER, PULLEY SCREW
5	12-20553		3	WASHER, PULLEY SCREW
6	49181		1	PULLEY, HYDRAULIC PUMP
7	12-21901		1	WASHER, PULLEY TO HYDRAULIC PUMP
8	11-25899		1	NUT, PULLEY TO HYDRAULIC PUMP
9	56313		1	BRACKET, HYDRAULIC PUMP MOUNTING
10	10-47462		2	SCREW, PUMP MOUNTING BRACKET TO CYL. BLOCK (1 1/2")
11	13-37272		2	LOCKWAHSER, PUMP MOUNTING BRACKET SCREW
12	10-37612		1	SCREW, HYDRAULIC PUMP TO MOUNTING BRACKET (1 1/4")
13	10-34354		1	SCREW, HYDRAULIC PUMP TO MOUNING BRACKET (1 1/2")
14	13-37459		2	LOCKWASHER, HYDRAULIC PUMP SCREW
15	12-25909		2	WASHER, HYDRAULIC PUMP SCREW
16	23-57369		1	SPACER, HYDRAULIC PUMP SCREW
17	63005		1	BRACE, HYDRAULIC PUMP
18	10-34353		1	SCREW, BRACE TO HYDRAULIC PUMP (1 1/4")
19	13-35048		2	LOCKWASHER, BRACE SCREW
20	12-34714		1	WASHER, BRACE SCREW
21	62649		1	OIL COOLER SERIAL 00000000-03386129
	64865		1	OIL COOLER SERIAL 03523080-09999999
22	32-57231		1	HOSE, OIL COOLER TO THERMOSTAT HOUSING SERIAL 00000000-03386120
23	32-57230		1	HOSE, OIL COOLER TO WATER PUMP SERIAL 00000000-03386120
22	32-64917		1	HOSE, OIL COOLER TO THERMOSTAT HOUSING SERIAL 03523080-09999999
23	32-62010		1	HOSE, OIL COOLER TO WATER PUMP SERIAL 03523080-09999999
24	54-32780		4	CLAMP, HOSE ATTACHING
25	54-64324		2	CLAMP, HOSE ATTACHING TO OIL COOLER BRACKET
26	62870		1	BRACKET, OIL COOLER SERIAL 00000000-03386120
	64864		1	BRACKET, OIL COOLER SERIAL 03523080-09999999
27	56328		1	BRACKET, CLAMP - OIL COOLER
28	10-21625		2	SCREW, CLAMP BRACKET TO OIL COOLER BRACKET (3/4")
29	11-20361		2	NUT, CLAMP BRACKET SCREW SERIAL # AND BELOW SERIAL 00000000-03386120
30	62871		1	PLATE, MOUNTING - OIL COOLER BRACKET SERIAL 00000000-03386120

CONTINUED ON NEXT PAGE ➡

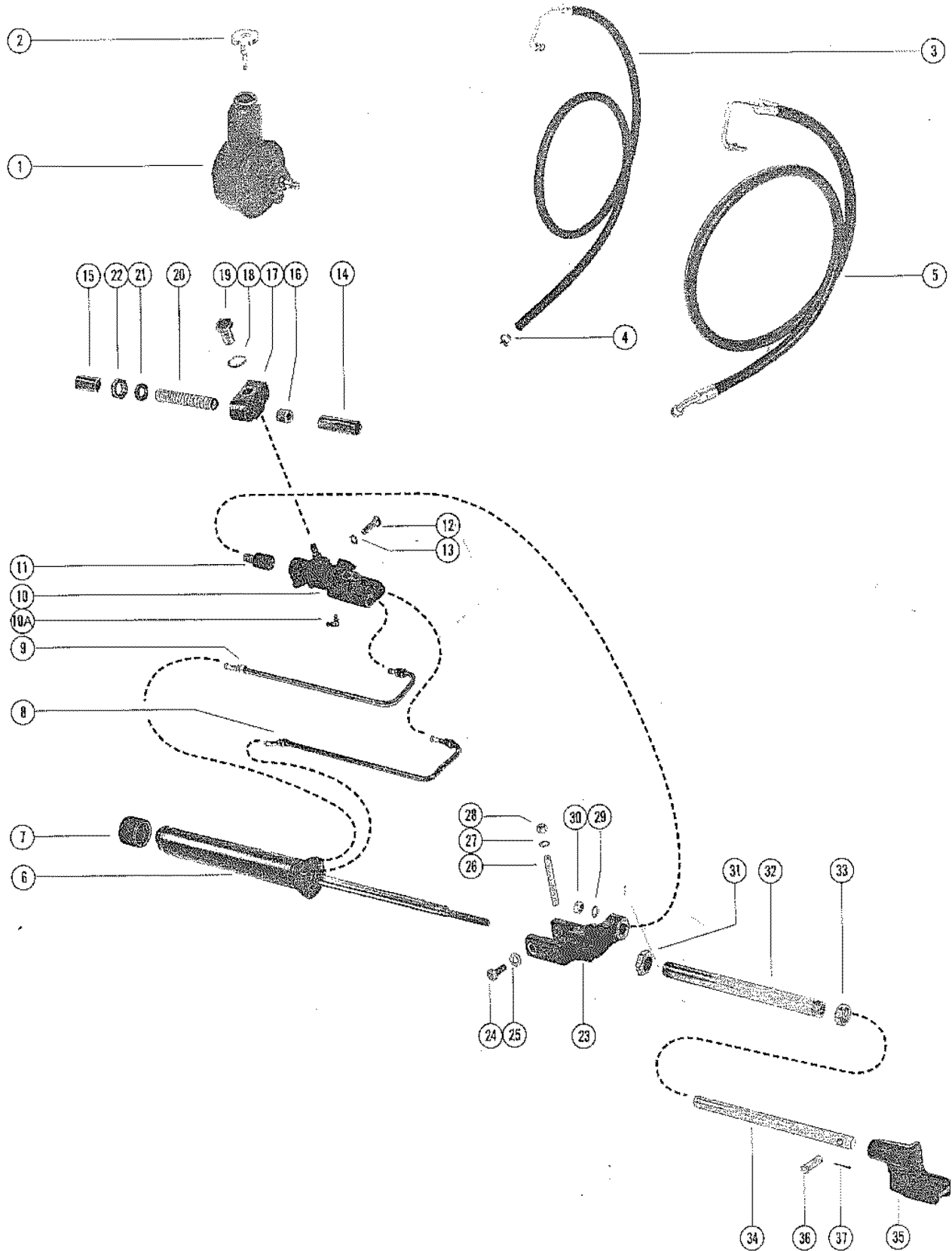
POWER STEERING COMPONENTS



POWER STEERING COMPONENTS

REF. NO.	PART NO.	SYM.	QTY.	DESCRIPTION
31	10-57357		1	SCREW, MOUNT PLATE TO ENGINE MOUNT (2 1/4") SERIAL 00000000-03386120
32	12-34567		2	WASHER, MOUNT PLATE SCREW SERIAL 00000000-03386120
33	10-26065		1	SCREW, OIL COOLER BRACKET TO MOUNT PLATE (1") SERIAL 00000000-03386120
34	12-26825		2	WASHER, OIL COOLER BRACKET SCREW SERIAL 00000000-03386120
35	11-35814		1	NUT, OIL COOLER BRACKET SCREW SERIAL 00000000-03386120

POWER STEERING COMPONENTS(WITH HOSES)

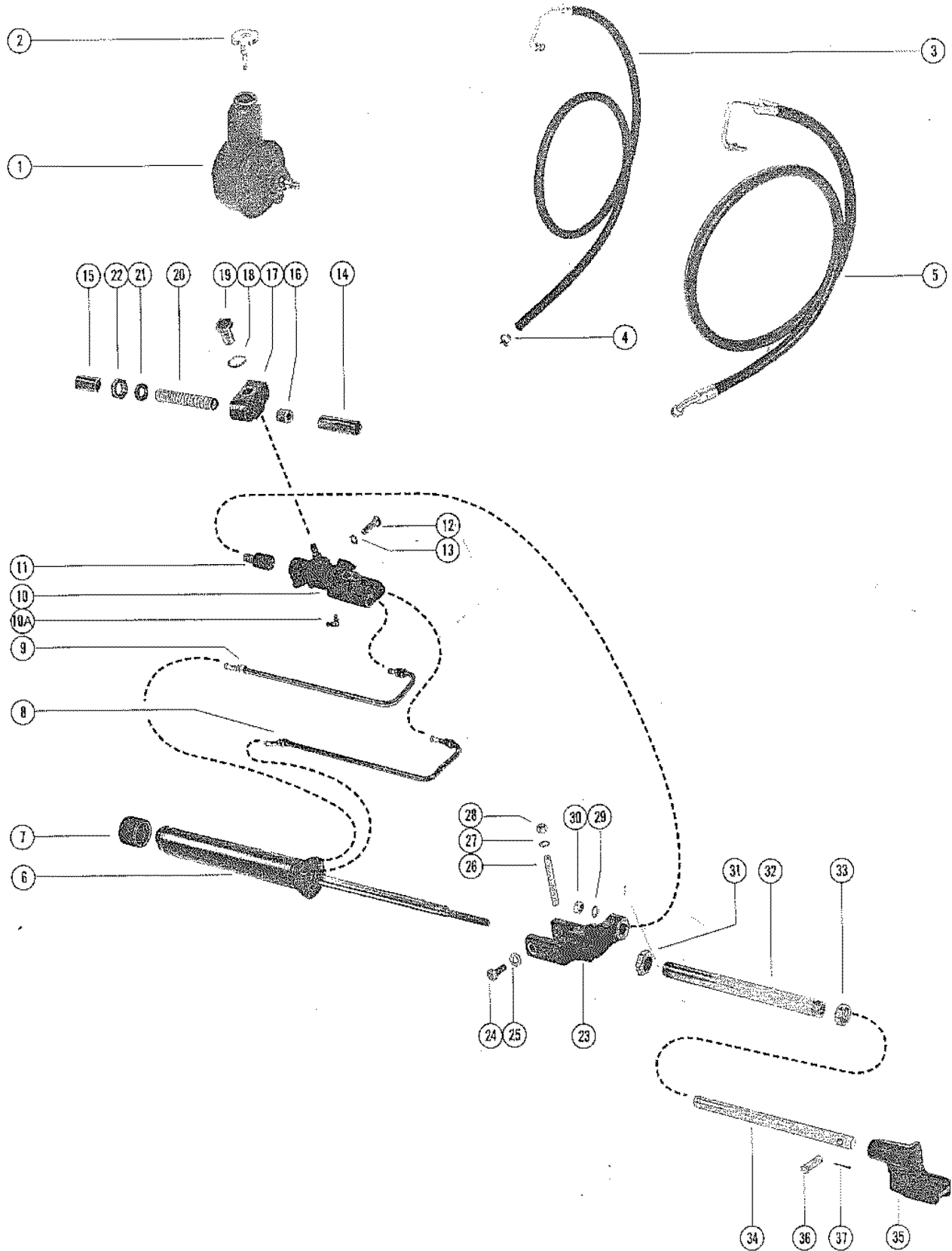


POWER STEERING COMPONENTS(WITH HOSES)

REF. NO.	PART NO.	SYM.	QTY.	DESCRIPTION
1	36368		1	HYDRAULIC PUMP ASSEMBLY, POWER STEERING
2	38333		1	CAP, FILLER - HYDRAULIC PUMP
3	32-55117		1	HOSE, RETURN - POWER STEERING (72") SERIAL 0000000-03386120
	32-65929		1	HOSE, RETURN - POWER STEERING (46") SERIAL 03523080-09999999
	32-65231		1	HOSE, RETURN - POWER STEERING (26") SERIAL 03523080-09999999
4	54-35830		3	CLAMP, HOSE TO HYDRAULIC PUMP
5	32-55116		1	HOSE, PRESSURE - POWER STEERING (72")
6	57969		1	CYLINDER, BOOSTER - POWER STEERING
7	26059		1	CAP, RUBBER - BOOSTER CYLINDER
8	32-57633		1	TUBE, EXTENDING - POWER STEERING STARBOARD MOUNTING
9	32-57634		1	TUBE, RETRACTING - POWER STEERING STARBOARD MOUNTING
8	32-57632		1	TUBE, EXTENDING - POWER STEERING PORT MOUNTING
9	32-57631		1	TUBE, RETRACTING - POWER STEERING PORT MOUNTING
10	52779		1	VALVE, POWER STEERING
10A	22-67305		1	FITTING, GREASE - POWER VALVE
11	16-55109		1	STUD, ADAPTOR - POWER STEERING VALVE
12	10-37612		1	SCREW, CLAMPING (1 1/4")
13	13-37459		1	LOCKWASHER, CLAMPING SCREW
14	23-60652		1	SLEEVE, ADJUSTING - CABLE GUIDE TUBE
15	57972		1	GUIDE, CABLE GUIDE TUBE SERIAL 00000000-03386120
	64414		1	GUIDE, CABLE GUIDE TUBE SERIAL 03523080-09999999
16	23-60773		1	SLEEVE, CABLE GUIDE TUBE
17	55110		1	ADAPTOR, CABLE GUIDE TUBE (DUAL)
18	13-20897		1	LOCKWASHER, DUAL ADAPTOR NUT
19	11-55111		1	NUT, DUAL ADAPTOR TO POWER STEERING VALVE
20	32-55112		1	TUBE, CABLE GUIDE
21	12-37985		1	WASHER, CABLE GUIDE TUBE
22	11-37984		1	NUT, CABLE GUIDE TUBE
23	57286		1	BRACKET, MOUNTING - TRANSOM PLATE
24	10-31832		2	SCREW, MOUNTING BRACKET TO TRANSOM PLATE (1")
25	13-31848		2	LOCKWASHER, MOUNTING BRACKET SCREW
26	10-57968		1	SCREW, ADJUSTING - MOUNTING BRACKET (3")
27	13-37459		1	LOCKWASHER, ADJUSTING SCREW
28	11-24883		1	NUT, ADJUSTING SCREW
29	12-20959		1	WASHER, VALVE ADAPTOR STUD
30	11-28040		1	NUT, VALVE ADAPTOR STUD
31	11-32882		1	NUT, MOUNTING TUBE
32	57971		1	TUBE, MOUNTING - BOOSTER ROD EXTENSION
33	11-55983		1	NUT, JAM - MOUNTING TUBE

CONTINUED ON NEXT PAGE ➡

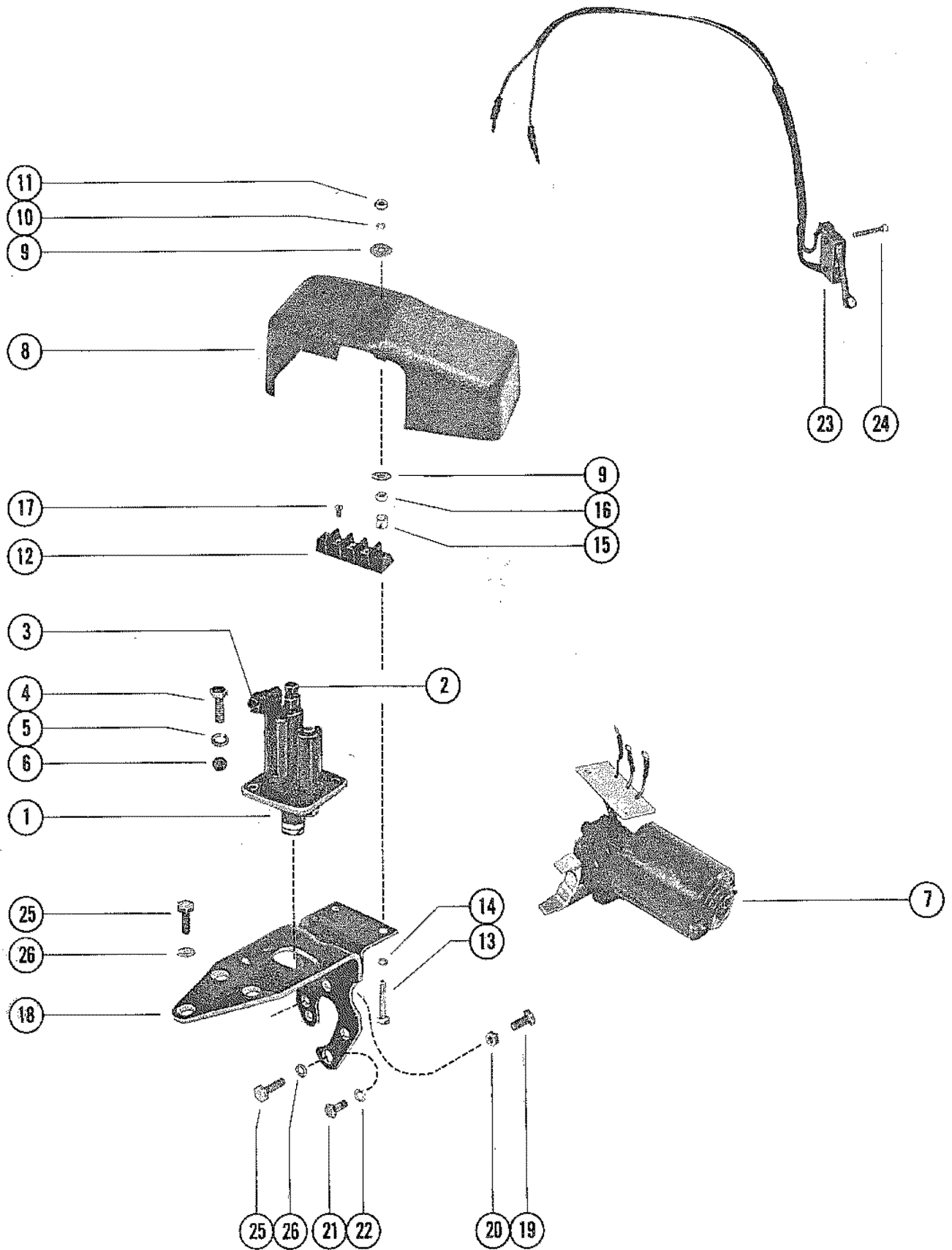
POWER STEERING COMPONENTS(WITH HOSES)



POWER STEERING COMPONENTS(WITH HOSES)

REF. NO.	PART NO.	SYM.	QTY.	DESCRIPTION
34	57970		1	EXTENSION, CYLINDER BOOSTER ROD
35	66626		1	ADAPTOR, ROD END (STARBOARD MOUNTING)
	66627		1	ADAPTOR, ROD END (PORT MOUNTING)
36	17-52798		2	PIN, CLEVIS - STEERING CABLE AND CLEVIS ATTACHING
37	18-46950		2	COTTER PIN, CLEVIS PIN RETAINING

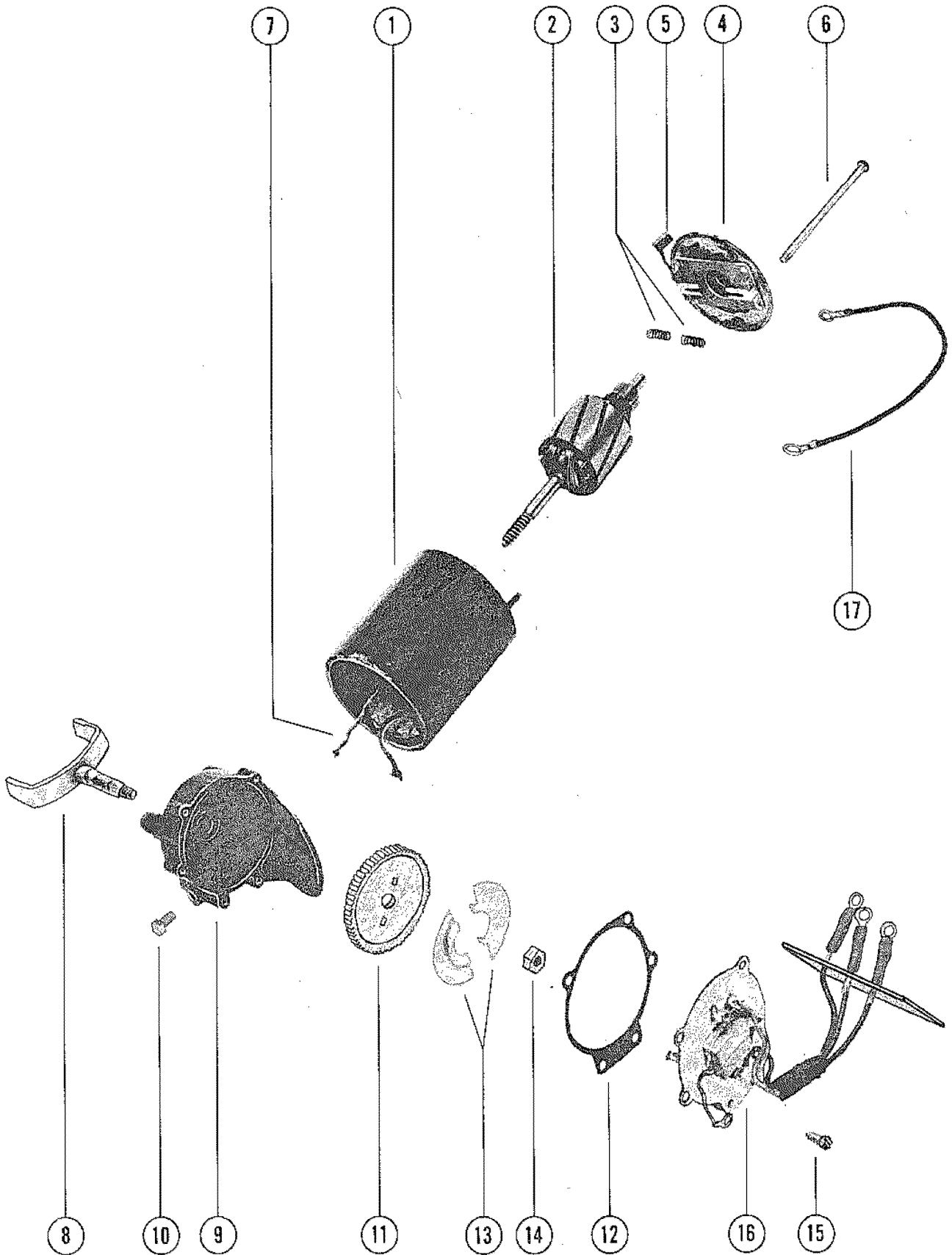
REVERSE LOCK VALVE AND SHIFT ACTUATOR (STERN DRIVE)



REVERSE LOCK VALVE AND SHIFT ACTUATOR (STERN DRIVE)

REF. NO.	PART NO.	SYM.	QTY.	DESCRIPTION
1	54951A2		1	REVERSE LOCK VALVE ASSEMBLY
2	22-48166		1	FITTING, STRAIGHT - REVERSE LOCK VALVE
3	22-52666		1	ELBOW, REVERSE LOCK VALVE
4	10-22485		2	SCREW, REVERSE LOCK VALVE TO CONTROL VALVE (3/4")
5	12-20583		2	WASHER, REVERSE LOCK VALVE SCREW
6	11-46887		2	NUT, REVERSE LOCK VALVE SCREW
7	62845		1	SHIFT ACTUATOR ASSEMBLY (SEE PAGE 57 FOR BREAKDOWN)
8	63038		1	COVER, SHIFT ACTUATOR
9	12-22887		4	WASHER, TERMINAL BLOCK AND COVER SCREW
10	13-26996		2	LOCKWASHER, TERMINAL BLOCK AD COVER SCREW
11	11-20645		2	NUT, TERMINAL BLOCK AND COVER SCREW
12	86-62993		1	TERMINAL BLOCK, MOUNTING BRACKET
13	10-24233		2	SCREW, TERMINAL BLOCK AND COVER TO BRACKET (1 3/8")
14	13-26996		2	LOCKWASHER, TERMINAL BLOCK AND COVER SCREW
15	23-61526		2	SPACER, TERMINAL BLOCK AND COVER SCREW
16	11-24656		2	NUT, TERMINAL BLOCK AND COVER SCREW
17	10-36046		3	SCREW, HARNESS TO TERMINAL BLOCK (1/4")
18	62745A1		1	BRACKET ASSEMBLY, MOUNTING - SHIFT ACTUATOR
19	10-21625		1	SCREW, STOP (3/4")
20	11-46887		1	NUT, STOP SCREW
21	10-34290		3	SCREW, SHIFT ACTUATOR TO MOUNTING BRACKET (5/8")
22	13-26992		3	LOCKWASHER, SHIFT ACTUATOR SCREW
23	39670A2		1	SWITCH ASSEMBLY, CUT OUT
24	10-30902		2	SCREW, SWITCH TO CONTROL VALVE CAP (3/4")
25	10-25299		4	SCREW, MOUNTING BRACKET TO CONTROL VALVE (3/4")
26	13-39107		4	LOCKWASHER, CONTROL VALVE BRACKET SCREW

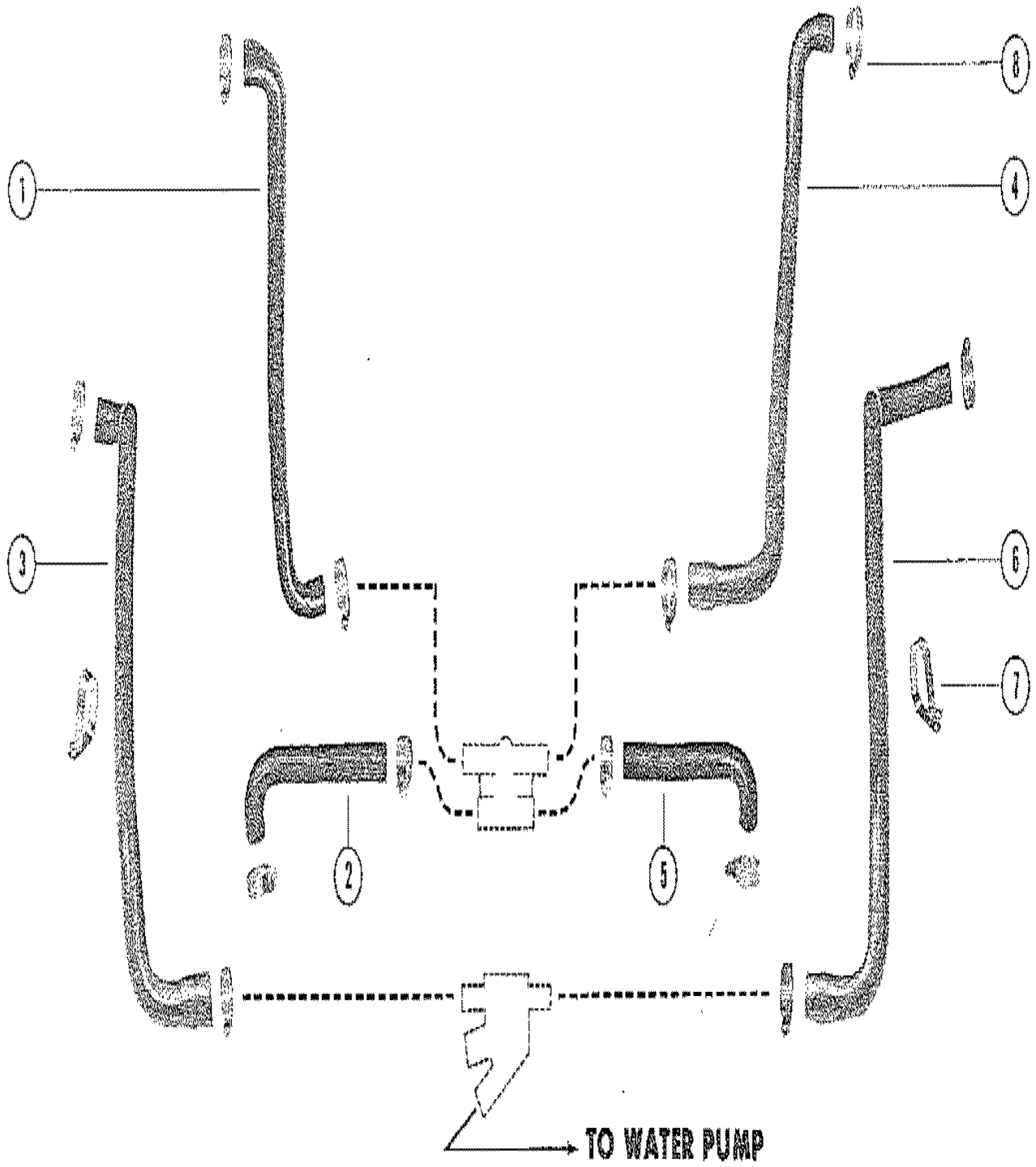
SHIFT ACTUATOR ASSEMBLY, COMPLETE (STERN DRIVE)



SHIFT ACTUATOR ASSEMBLY, COMPLETE (STERN DRIVE)

REF. NO.	PART NO.	SYM.	QTY.	DESCRIPTION
1	62845		1	SHIFT ACTUATOR ASSEMBLY, COMPLETE (SEE NOTE BELOW)
2	392-4949		1	ARMATURE
3	392-4960		1	SPRING SET, BRUSH
4	392-4955		1	HEAD ASSEMBLY, COMMUTATOR END
5	392-4956		1	BRUSH SET
6	392-4962		2	THRU BOLT
7	392-4950		1	FIELD COIL ASSEMBLY
8	392-4951		1	CRANK ARM ASSEMBLY
9	392-4957		1	HEAD ASSEMBLY, DRIVE END
10	392-4959		1	SCREW AND DISC PACKAGE
11	392-4952		1	GEAR AND GASKET PACKAGE
12	392-4953		1	GASKET, COVER
13	392-4958		2	PLATE, CAM
14	11-20890		1	NUT, CRANK ARM
15	10-47220		4	SCREW, COVER ATTACHING (3/8")
16	66401A1		1	HARNESS ASSEMBLY (3 WIRE LEAD)
17	84-60871A5		1	GROUND WIRE ASSEMBLY

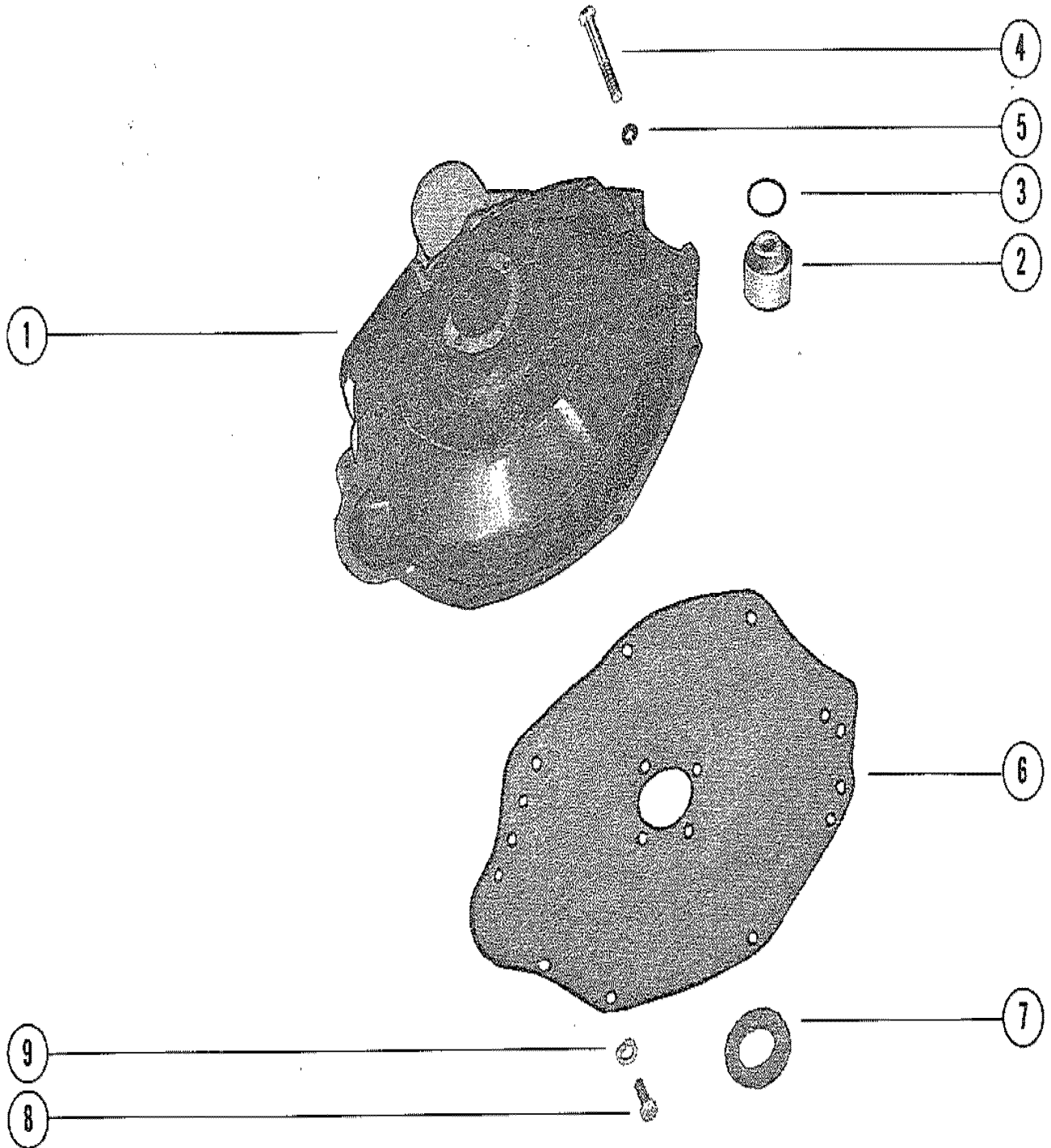
WATER DISTRIBUTION HOSES



WATER DISTRIBUTION HOSES

REF. NO.	PART NO.	SYM.	QTY.	DESCRIPTION
1	32-60198		1	HOSE, THERMOSTAT COVER TO EXHAUST ELBOW STARBOARD
2	32-60202		1	HOSE, THERMOSTAT COVER TO FRONT END CAP STARBOARD
3	32-60200		1	HOSE, THERMOSTAT HOUSING TO REAR END CAP STARBOARD
4	32-60199		1	HOSE, THERMOSTAT COVER TO EXHAUST ELBOW PORT
5	32-60203		1	HOSE, THERMOSTAT COVER TO FRONT END CAP PORT
6	32-60201		1	HOSE, THERMOSTAT HOUSING TO REAR END CAP PORT
7	54-60539		2	CLAMP, HOSE ATTACHING
8	54-32780		12	CLAMP, HOSE ATTACHING

FLYWHEEL HOUSING (MC 225-S)

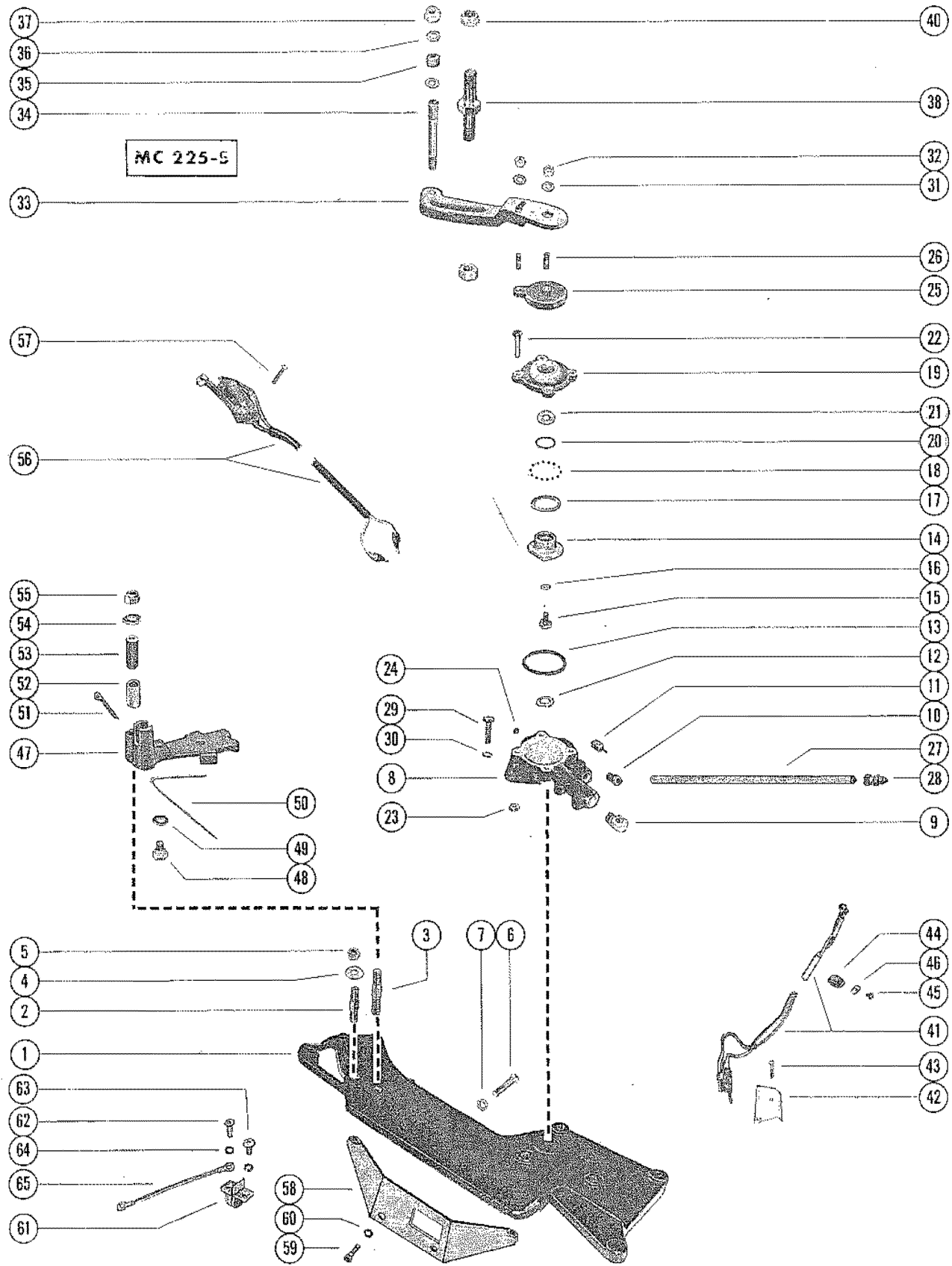


MC 225-S

FLYWHEEL HOUSING (MC 225-S)

REF. NO.	PART NO.	SYM.	QTY.	DESCRIPTION
1	59823A1		1	FLYWHEEL HOUSING ASSEMBLY
2	33149		2	MOUNT, RUBBER - FLYWHEEL HOUSING
3	23-46742		2	SPACER, RUBBER MOUNT - FLYWHEEL HOUSING
4	10-47462		3	SCREW, FLYWHEEL HOUSING ATTACHING (1 1/4")
	10-54847		1	SCREW, FLYWHEEL HOUSING ATTACHING (2")
5	13-32993		3	LOCKWASHER, FLYWHEEL HOUSING SCREW (7/16")
	13-30381		1	LOCKWASHER, FLYWHEEL HOUSING SCREW - SPECIAL (7/16")
6	68651		1	PLATE, COVER - REAR
7	27-56152		1	SEAL, REAR COVER PLATE
8	10-25299		2	SCREW, FLYWHEEL HOUSING ATTACHING (3/4")
9	13-39107		2	LOCKWASHER, FLYWHEEL HOUSING SCREW (5/16")

SHIFT BRACKET, REVERSE LOCK VALVE AND ARM ASSEMBLY -MC 225-S

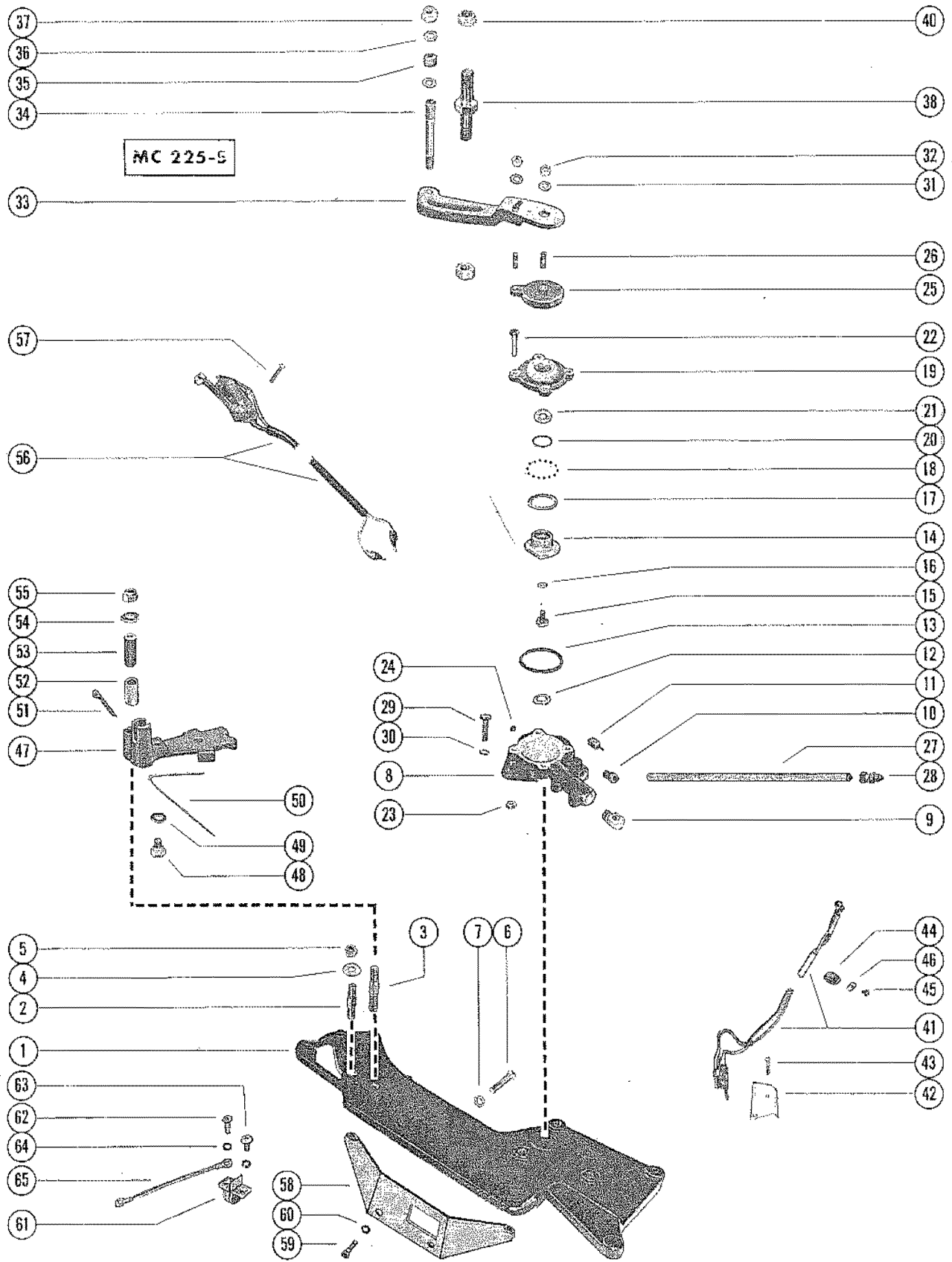


SHIFT BRACKET, REVERSE LOCK VALVE AND ARM ASSEMBLY -MC 225-S

REF. NO.	PART NO.	SYM.	QTY.	DESCRIPTION
1	66057A3		1	SHIFT BRACKET ASSEMBLY
2	16-47360		1	STUD, SHIFT CABLE TO BRACKET (1 3/4")
3	16-66373		1	STUD, SWITCH ACTUATING ARM TO SHIFT BRACKET (2 5/16")
4	12-39143		2	WASHER, SHIFT CABLE TO LEVER STUD
5	11-20361		2	NUT, SHIFT BRACKET STUD
6	10-47651		2	SCREW, SHIFT BRACKET TO FLYWHEEL HOUSING (1 1/2")
7	13-32993		2	LOCKWASHER, SHIFT BRACKET ATTACHING SCREW
8	48165A5		1	REVERSE LOCK VALVE ASSEMBLY
9	22-45794		1	ELBOW, HYDRAULIC TRIM HOSE TO REVERSE LOCK VALVE
10	22-48167		1	CONNECTOR, ELBOW
11	45709		1	FOLLOWER, CAM
12	13-25906		1	WASHER, WAVE - REVERSE LOCK VALVE
13	25-45710		1	"O" RING, REVERSE LOCK VALVE
14	45526		1	CAM, REVERSE LOCK VALVE
15	10-46736		1	SCREW, CAM TO CAM LEVER (1/2")
16	13-26996		1	LOCKWASHER, CAM SCREW
17	12-45713		1	WASHER, RETAINING - BALL TO VALVE COVER
18	30-45712		30	BALL, VALVE COVER
19	45528A2		1	COVER ASSEMBLY, REVERSE LOCK VALVE
20	25-45711		1	"O" RING, VALVE COVER
21	12-59570		1	WASHER, VALVE COVER
22	10-45716		4	SCREW, COVER TO REVERSE LOCK VALVE (15/16")
23	11-20110		4	NUT, COVER SCREW
24	22-21290		1	PLUG, PIPE - REVERSE LOCK VALVE
25	46732A1		1	LEVER ASSEMBLY, CAM
26	16-45715		2	STUD, SHIFT CONTROL LEVER TO CAM LEVER (23/32")
27	32-52951A1		1	TUBING ASSEMBLY, REVERSE LOCK VALVE TO TRIM SENDER
28	22-49718		2	NUT, TUBING ATTACHING
29	10-25038		2	SCREW, REVERSE LOCK VALVE TO SHIFT SUPPORT BRACKET (7/8")
30	13-39107		2	LOCKWASHER, REVERSE LOCK VALVE SCREW
31	12-21273		2	WASHER, CAM LEVER STUD
32	11-20110		2	NUT, SHIFT CONTROL LEVER TO CAM LEVER STUD
33	66397A1		1	LEVER ASSEMBLY, SHIFT CONTROL - CAM LEVER
34	16-63081		1	STUD, SHIFT CABLE TO LEVER
35	23-31866		1	SPACER, SHIFT LEVER STUD
36	12-39143		2	WASHER, SHIFT LEVER STUD
37	11-20361		1	NUT, SHIFT CABLE TO LEVER STUD
38	16-63335		1	STUD, SHIFT CABLE TO SHIFT LEVER
40	11-63341		1	TEE NUT, SHIFT CABLE STUD
41	60556A1		1	SWITCH ASSEMBLY, REVERSE INTERLOCK

CONTINUED ON NEXT PAGE ➡

SHIFT BRACKET, REVERSE LOCK VALVE AND ARM ASSEMBLY -MC 225-S

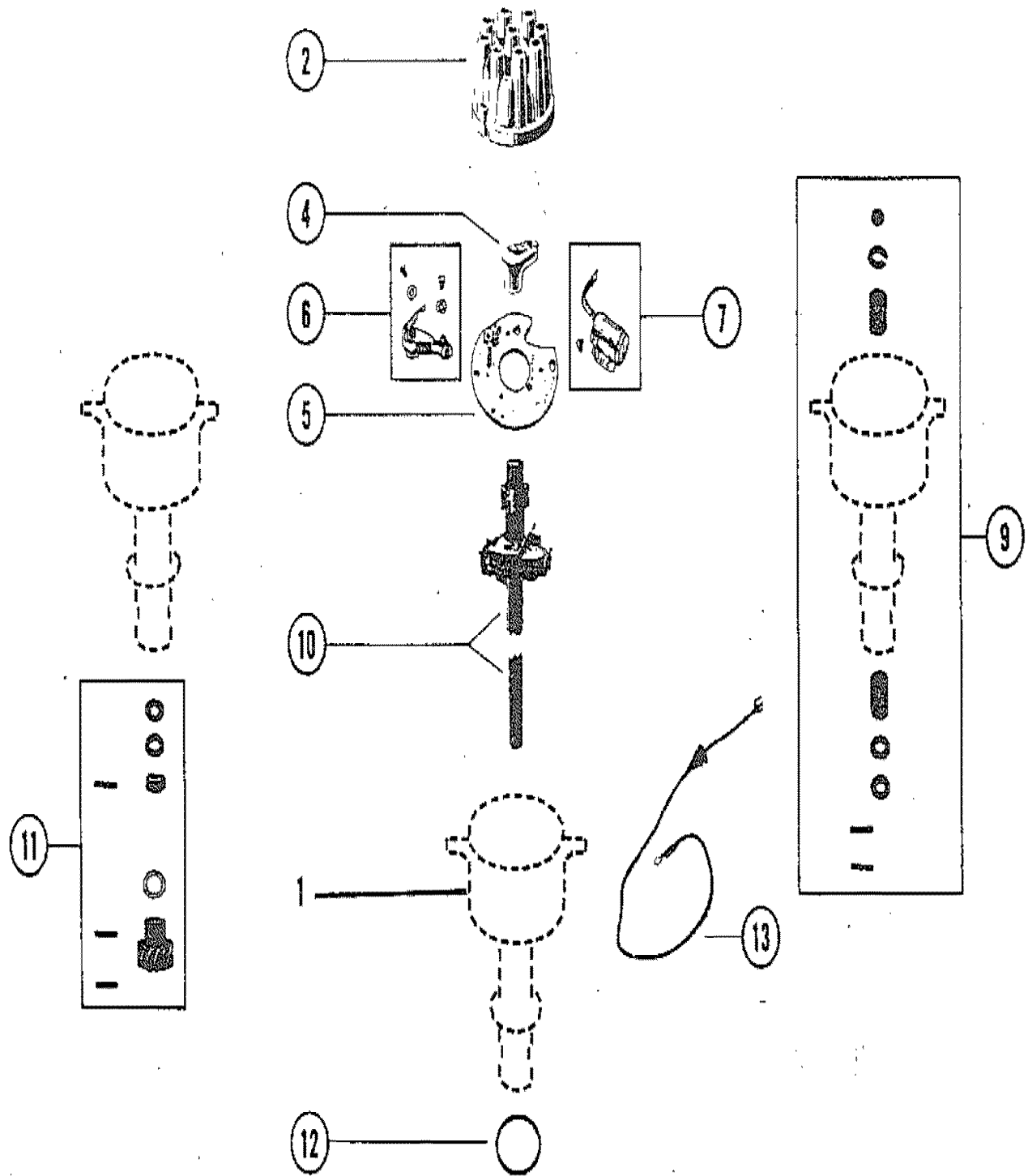


SHIFT BRACKET, REVERSE LOCK VALVE AND ARM ASSEMBLY -MC 225-S

REF. NO.	PART NO.	SYM.	QTY.	DESCRIPTION
42	45717		1	SHIELD, REVERSE INTERLOCK SWITCH
43	10-58332		2	SCREW, SHIELD AND SWITCH TO REVERSE LOCK VALVE (3/4")
44	54-64855		1	"J" CLAMP, REVERSE INTERLOCK SWITCH LEAD
45	10-21643		1	SCREW, REVERSE INTERLOCK SWITCH LEAD CLIP ATTACHING (1/2")
46	22789		1	"D" WASHER, CLIP ATTACHING SCREW
47	45517A2		1	ARM ASSEMBLY, SWITCH ACTUATING
48	10-33231		1	SCREW, TENSION SPRING TO ARM
49	12-26825		1	WASHER, TENSION SPRING SCREW
50	24-45599		1	SPRING, TENSION - SWITCH ACTUATING ARM
51	18-32857		1	COTTER PIN, SHIFT ACTUATING CABLE TO ACTUATING ARM
52	23-45600		1	SLEEVE, SWITCH ACTUATING ARM STUD
53	23-37981		1	SPACER, SWITCH ACTUATING ARM TO TRANSOM PLATE
54	12-26825		2	WASHER, SWITCH ACTUATING ARM STUD
55	11-35814		1	NUT, SWITCH ACTUATING ARM STUD
56	39670A3		1	SWITCH ASSEMBLY, CUT-OUT - TRANSOM PLATE
57	10-30902		2	SCREW, SWITCH ASSEMBLY TO TRANSOM PLATE (3/4")
58	66059		1	BRACKET MOUNTING - SHIFT
59	10-35386		3	SCREW, SHIFT BRACKET ATTACHING
60	13-39107		3	LOCKWASHER, SHIFT BRACKET ATTACHING SCREW
61	86-66986		1	TERMINAL BLOCK, SHIFT BRACKET
62	10-24637		1	SCREW, TERMINAL BLOCK (7/8")
63	10-45218		1	SCREW, TERMINAL BLOCK (3/8")
64	13-26996		2	LOCKWASHER, TERMINAL BLOCK SCREW
65	84-60871A9		1	WIRE, TERMINAL BLOCK (BLACK - 13")

DISTRIBUTOR ASSEMBLY

BREAKDOWN OF DISTRIBUTOR

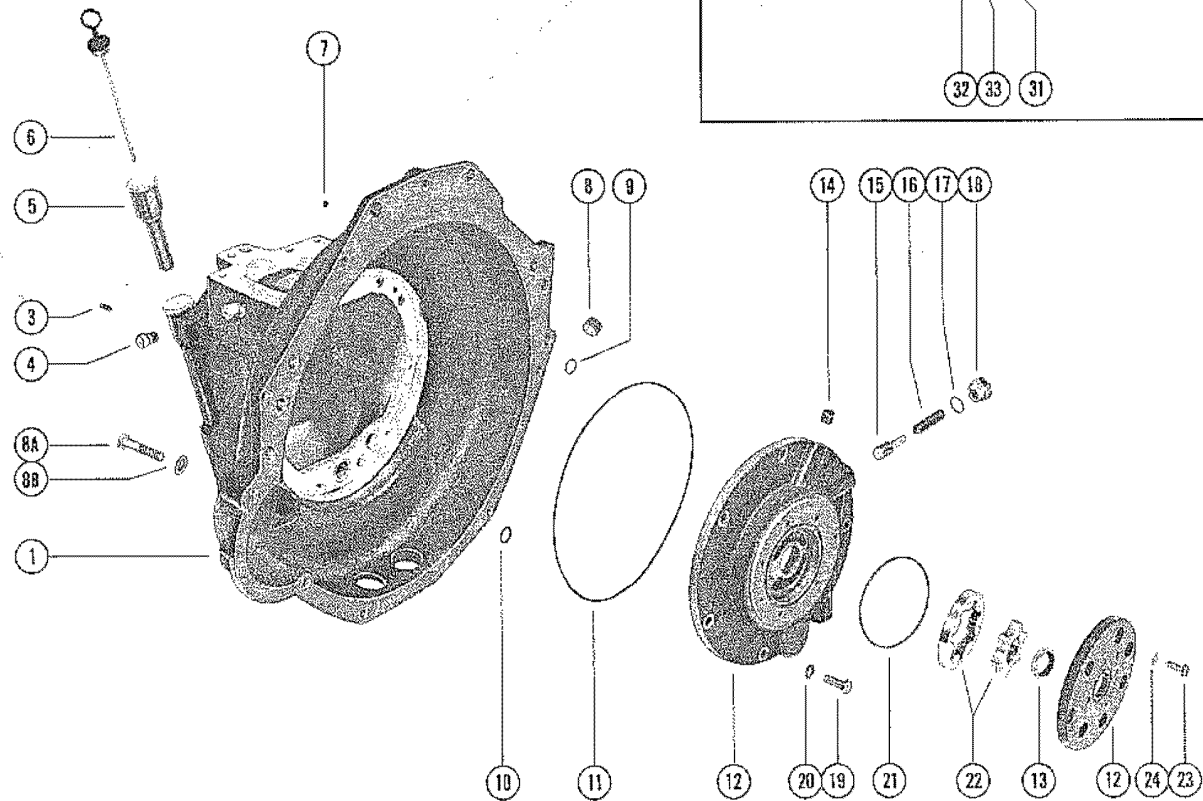
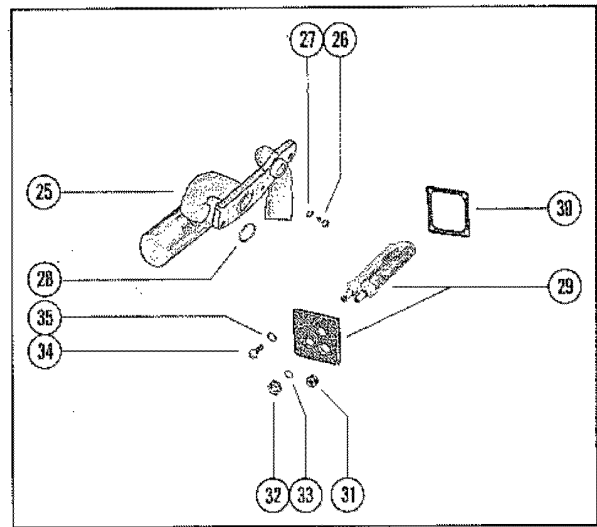
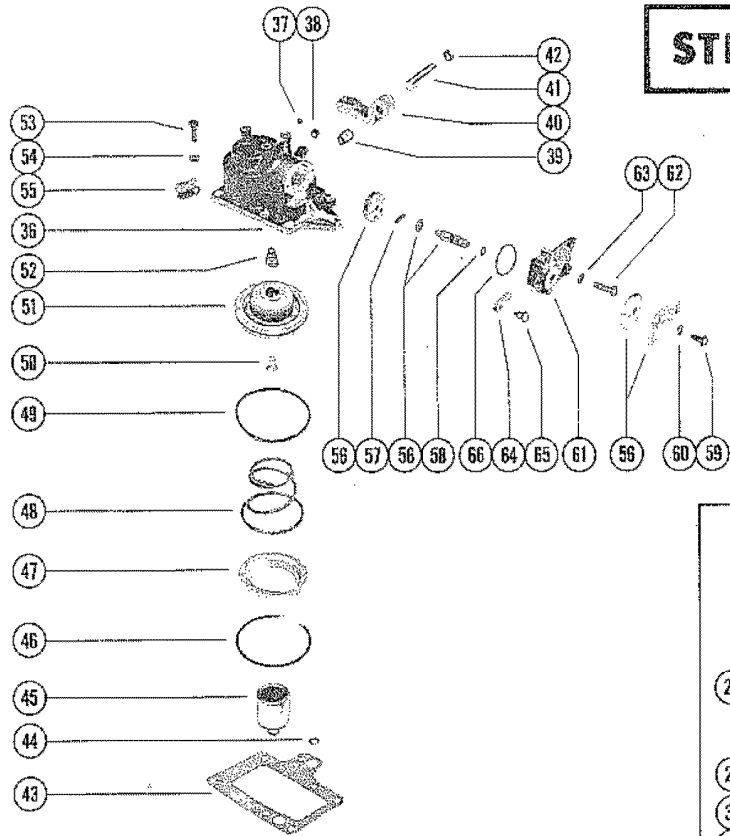


DISTRIBUTOR ASSEMBLY

REF. NO.	PART NO.	SYM.	QTY.	DESCRIPTION
1	392-6316		1	DISTRIBUTOR (L/H CR/SHAFT ROTATION)
	392-8739		1	DISTRIBUTOR (R/H CR/SHAFT ROTATION)
2	392-9766		1	CAP DISTRIBUTOR
4	392-9767		1	ROTOR
5	392-6323		1	PLATE
6	392-6325		1	BREAKER
7	392-6324		1	CONDENSER
9	392-6317		1	BEARING
10	392-9769		1	SHAFT
11	392-9770		1	GEAR AND COLLAR (L/H CR/SHAFT ROTATION)
	392-9771		1	GEAR AND COLLAR (R/H CR/SHAFT ROTATION)
12	392-6333		1	O-RING (1-1/2" O.D.)
13	392-9088		1	PRIMARY LEAD

TRANSMISSION ASSEMBLY (STERN DRIVE MC II-TR)

STERN DRIVE MC II-TR



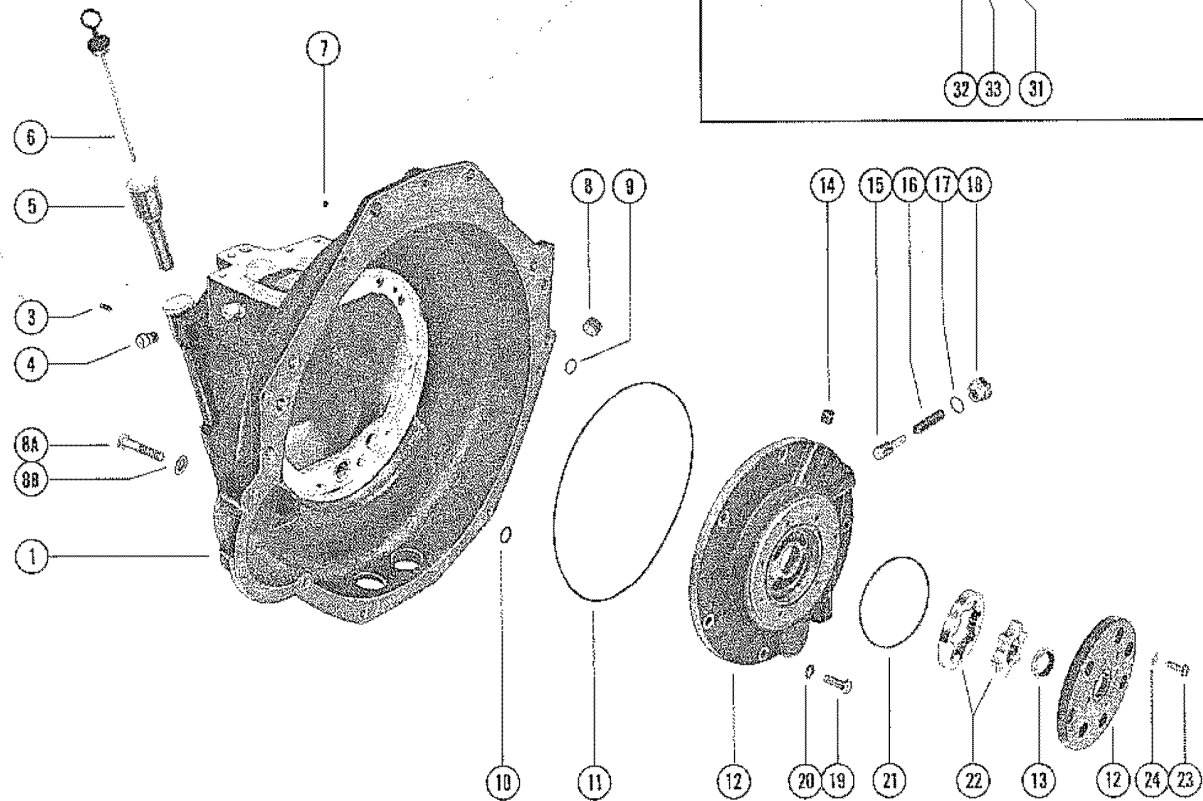
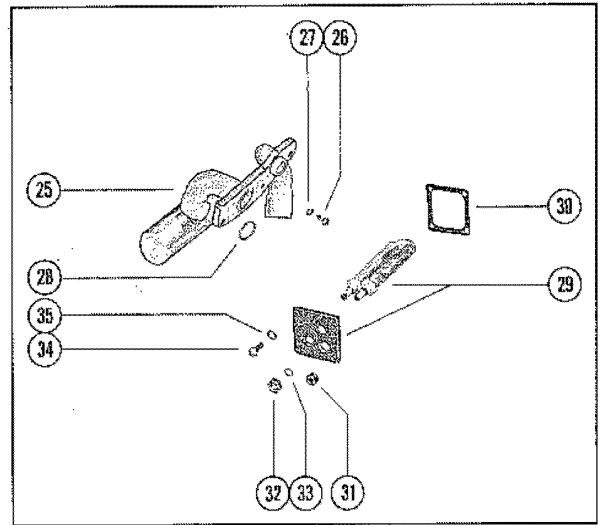
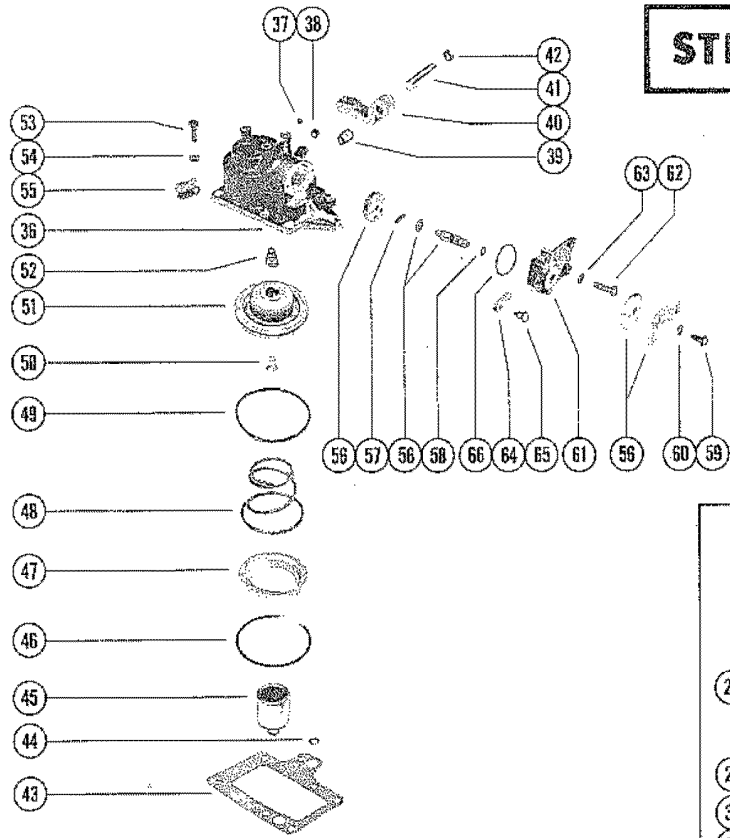
TRANSMISSION ASSEMBLY (STERN DRIVE MC II-TR)

REF. NO.	PART NO.	SYM.	QTY.	DESCRIPTION
-	62767A7		1	TRANSMISSION ASSEMBLY, COMPLETE----- B-62767A7 TRANSMISSION ASSEMBLY INCLUDES ALL PARTS FROM REFERENCE #1 THRU #109 AS LISTED ON PAGES 52 AND 53.
1	62767A4		1	HOUSING ASSEMBLY, TRANSMISSION
3			1	PIN, SPRING - TRANSMISSION HOUSING
4	22-47902		1	VENT, TRANSMISSION HOUSING
5	64090A1		1	TUBE ASSEMBLY, DIPSTICK
6	63037		1	DIPSTICK, OIL LEVEL GAUGE
7			1	BALL, TRANSMISSION HOUSING (1/4")
8	22-36373		1	PLUG, PIPE - TRANSMISSION HOUSING
8A	10-47462		6	SCREW, TRANSMISSION HOUSING TO ENGIEN (1 1/4") NOT INCLUDED WITH TRANSMISSION ASSEMBLY
8B	13-32993		6	LOCKWASHER, TRANSMISSION HOUSING SCREW NOT INCLUDED WITH TRANSMISSION ASSEMBLY
9			2	"O" RING, PUMP TO TRANSMISSION HOUSING (1/2" O.D.)
10			1	"O" RING, PUMP TO TRANSMISSION HOUSING (1" O.D.)
11			1	"O" RING, PUMP TO TRANSMISSION HOUSING (9" O.D.)
12	62718A2		1	PUMP ASSEMBLY
13			1	SEAL, PUMP COVER
14	22-20025		2	PLUG, PUMP
15	62722		1	PISTON, RELIEF VALVE
16	24-62790		1	SPRING, RELIEF VALVE PISTON
17			2	"O" RING, PUMP PLUG (3/4" O.D.)
18	19-62753		2	PLUG, PUMP
19	10-35386		5	SCREW, PUMP TO TRANSMISSION HOUSING (1")
	10-31984		2	SCREW, PUMP TO TRANSMISSION HOUSING (1 3/8")
20			7	WASHER, SEALING - PUMP SCREW
21			1	"O" RING, PUMP (3 7/16" O.D.)
22	62662		1	PUMP, GEROTOR
23	10-60300		7	SCREW, PUMP ATTACHING (3/4")
24	13-26992		7	LOCKWASHER, PUMP SCREW
25	63126		1	FLANGE ASSEMBLY, OIL COOLER
26	10-66137		1	SCREW, FLANGE TO TRANSMISSION HOUSING (1/2")
27	13-26992		1	LOCKWASHER, FLANGE SCREW
28			1	"O" RING, FLANGE TO TRANSMISSION HOUSING (1" O.D.)
29	66515A1		1	COVER ASSEMBLY, OIL COOLER
30	27-62724		1	GASKET, OIL COOLER COVER
31	22-36373		1	PLUG, PIPE - COVER
32	11-21612		2	NUT, JAM - OIL COOLER
33			2	"O" RING, OIL COOLER JAMNUT (9/16" O.D.)
34	10-60300		4	SCREW, COVER TO TRANSMISSION HOUSING (3/4")
35	13-26992		4	LOCKWASHER, COVER SCREW
36	62740A2		1	CONTROL VALVE ASSEMBLY
37			1	BALL, CONTROL VALVE (1/4")

CONTINUED ON NEXT PAGE ➡

TRANSMISSION ASSEMBLY (STERN DRIVE MC II-TR)

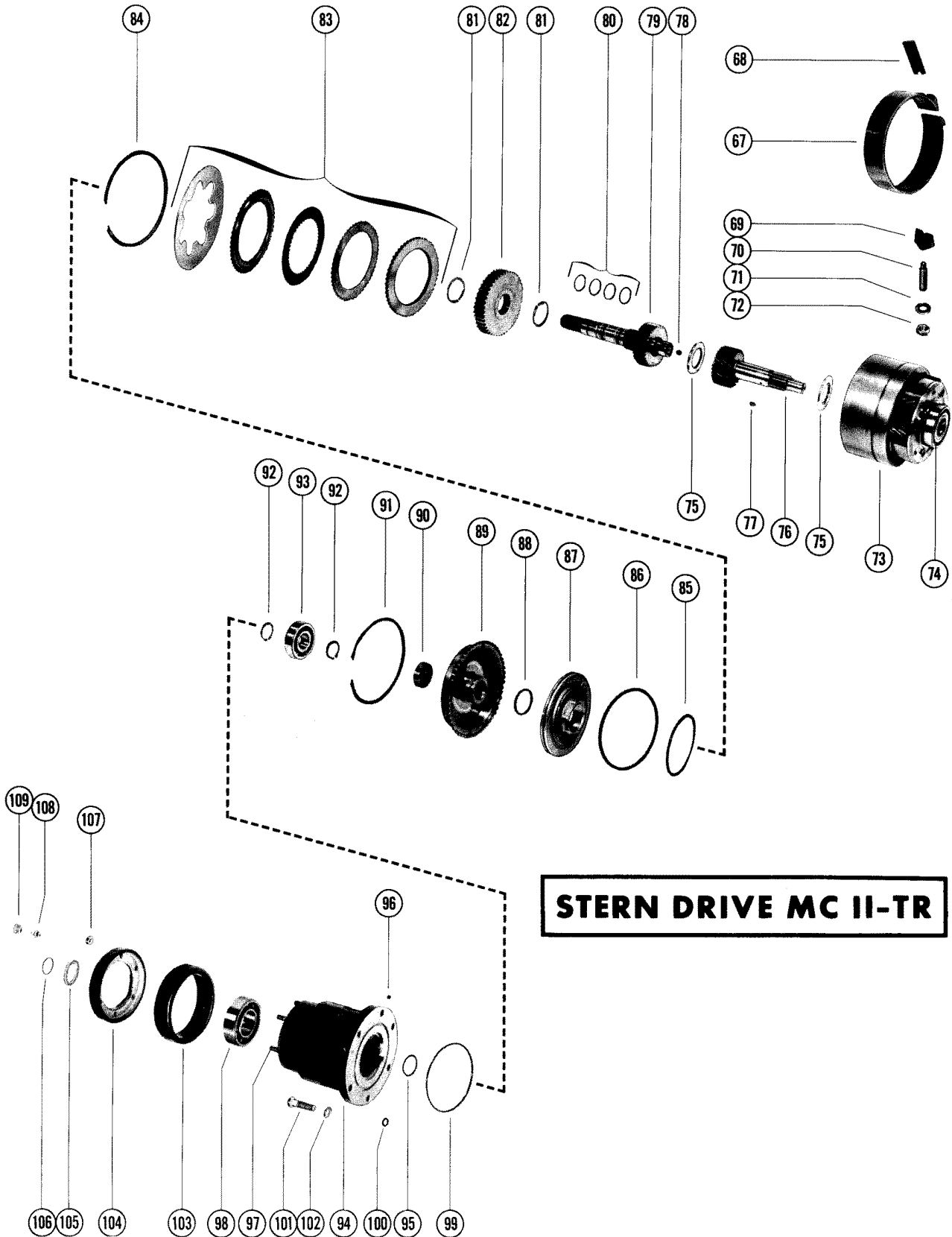
STERN DRIVE MC II-TR



TRANSMISSION ASSEMBLY (STERN DRIVE MC II-TR)

REF. NO.	PART NO.	SYM.	QTY.	DESCRIPTION
38	22-39072		1	PLUG, CONTROL VALVE
39	23-47797		1	BUSHING, REVERSE CLUTCH LEVER
40	62735		1	LEVER, REVERSE CLUTCH
41	17-62730		1	PIN, LEVER TO CONTROL VALVE
42			1	PLUG, EXPANSION - CONTROL VALVE (9/16")
43			1	GASKET, CONTROL VALVE
44			2	"O" RING, CONTROL VALVE (9/16" O.D.)
46			1	SNAP RING
47	62665		1	RETAINER, SPRING
48	24-62677		1	SPRING, SERVO PISTON
49			1	"O" RING, ACCUMULATOR PISTON
50	21-62669		1	CHECK VALVE (EARLY MODELS ONLY)
51	66981A2		1	PISTON, SERVO
52	24-62678		1	SPRING, SERVO ACCUMULATOR
53	10-35386		7	SCREW, CONTROL VALVE TO TRANSMISSION HOUSING (1")
54	13-39107		7	LOCKWASHER, CONTROL VALVE SCREW
55	54-47483		1	"J" CLAMP, CONTROL VALVE SCREW
56	65080A1		1	SHAFT ASSEMBLY, CONTROL VALVE
57	17-24800		1	ROLL PIN, CONTROL SHAFT
58			1	"O" RING, CONTROL SHAFT (7/16" O.D.)
59	10-32417		1	SCREW, LINK AND CAM TO CONTROL SHAFT (5/8")
60	13-26992		1	LOCKWASHER, LINK AND CAM SCREW
61	62747		1	CAP, CONTROL VALVE
62	10-65027		2	SCREW, CAP TO CONTROL VALVE (1")
63	13-26992		2	LOCKWASHER, CAP SCREW
64	62742		1	CAM FOLLOWER
65	10-53192		1	SCREW, CAM FOLLOWER TO CAP (1/2")
66			1	"O" RING, CONTROL VALVE CAP (1 9/16" O.D.)

TRANSMISSION ASSEMBLY (STERN DRIVE MC II-TR) CONT.

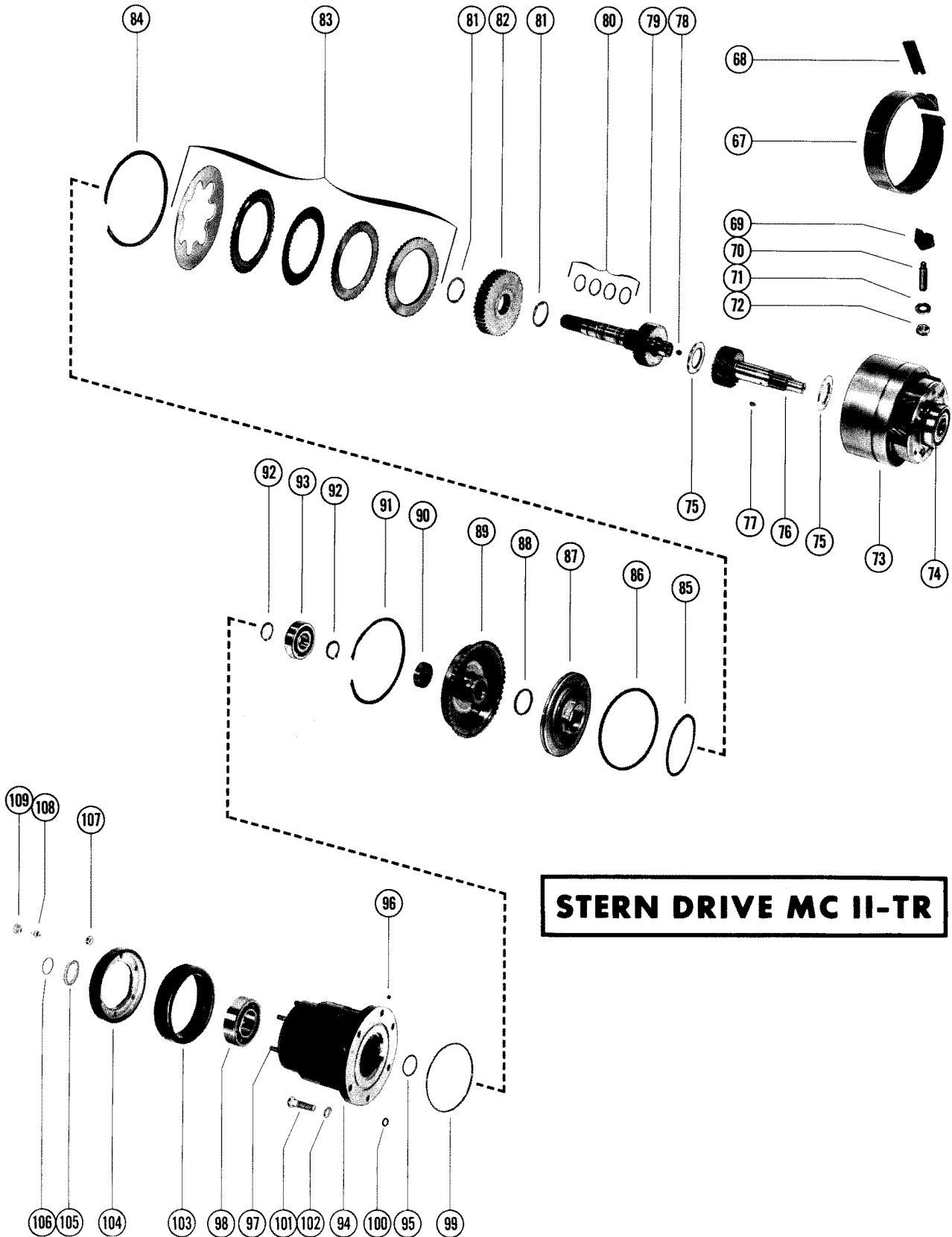


TRANSMISSION ASSEMBLY (STERN DRIVE MC II-TR) CONT.

REF. NO.	PART NO.	SYM.	QTY.	DESCRIPTION
-	62767A7		1	TRANSMISSION ASSEMBLY, COMPLETE SEE NOTE
67	62687		1	BAND, CLUTCH
68	62723		1	LINK, CLUTCH BAND
69	62666		1	STRUT, CLUTCH BAND ANCHOR
70	10-62679		1	SCREW, ADJUSTING - CLUTCH BAND
71	12-62781		1	WASHER, SEALING - ADJUSTING SCREW
72	11-21612		1	NUT, JAM - ADJUSTING SCREW
73	62694A3		1	PLANETARY AND CLUTCH DRUM ASSEMBLY
74	30-62699		1	BALL BEARING, PLANETARY AND CLUTCH DRUM
75	31-62675A1		2	BEARING ASSEMBLY, THRUST - INPUT SHAFT
76	62736A1		1	SHAFT ASSEMBLY, INPUT
77			1	KEY, INPUT SHAFT
78	22-39072		1	PLUG, PIPE - OUTPUT SHAFT
79	62754		1	SHAFT, OUTPUT
80			4	RING SEAL, OUTPUT SHAFT
81			2	SNAP RING, CLUTCH HUB TO OUTPUT SHAFT
82	62693		1	HUB, CLUTCH
83	62691A1		1	CLUTCH PLATE KIT
84			1	SNAP RING, CLUTCH PACK KIT RETAINING
85	62686		1	RING, PRESSURE - CLUTCH SPRING
86			1	SEAL, PISTON - OUTER
87	62667		1	PISTON, CLUTCH
88			1	"O" RING, PISTON - INNER
89	62685A1		1	HOUSING ASSEMBLY, PISTON
90	30-62697		1	BALL BEARING, PISTON HOUSING TO OUTPUT SHAFT
91			1	SNAP RING, PISTON HOUSING TO OUTPUT SHAFT
92			2	SNAP RING, BALL BEARING TO OUTPUT SHAFT
93	30-62698		1	BALL BEARING, OUTPUT SHAFT
94	62739A2		1	HOUSING ASSEMBLY, OUTPUT
95			1	SEAL, OUTPUT HOUSING
96			1	BALL, OUTPUT HOUSING (3/16")
97	16-32027		6	STUD, RETAINER TO OUTPUT HOUSING
98	30-62780		1	BALL BEARING, OUTPUT HOUSING
99			1	"O" RING, OUTPUT HSG./TRANSMISSION HSG. (3 7/16" O.D.)
100			1	"O" RING, OIL PASSAGE - OUTPUT HOUSING (7/16" O.D.)
101	10-53016		6	SCREW, OUTPUT HOUSING TO TRANSMISSION HOUSING (1 1/4")
102	13-39107		6	LOCKWASHER, OUTPUT HOUSING SCREW
103	62734		1	MOUNT, RUBBER - OUTPUT HOUSING (REAR)
104	62733		1	RETAINER, BALL BEARING

CONTINUED ON NEXT PAGE ➡

TRANSMISSION ASSEMBLY (STERN DRIVE MC II-TR) CONT.



TRANSMISSION ASSEMBLY (STERN DRIVE MC II-TR) CONT.

REF. NO.	PART NO.	SYM.	QTY.	DESCRIPTION
105	12-62684		1	WASHER, THRUST - OUTPUT HOUSING
106			1	"O" RING, OUTPUT HOUSING (7/8" O.D.)
107	11-24652		6	NUT, RETAINER STUD
108	22-31345		1	FITTING, GREASE - RETAINER
109	29359		1	LUBRICAP, GREASE FITTING

PARTS INDEX

Part Number	Description	Pg.	Ref. No.	Part Number	Description	Pg.	Ref. No.
22789	"D" WASHER, CLIP			45709	FOLLOWER, CAM	99	11
	ATTACHING SCREW	101	46	45717	SHIELD, REVERSE		
25661	STARTER SOLENOID	7	7		INTERLOCK SWITCH	101	42
26059	CAP, RUBBER - BOOSTER			46732A1	LEVER ASSEMBLY, CAM	99	25
	CYLINDER	87	7	47404	BRACKET, OIL LEVEL		
26079	PLATE, WIRING HARNESS				GAUGE TUBE CLIP		
	TO MOUNTING BRACKET	7	2		INBOARD	63	33
26079	PLATE, WIRING HARNESS			47492	TUBE, OIL LEVEL GAUGE		
	TO MOUNTING BRACKET	9	2		INBOARD	63	22
26433	COIL, IGNITION	13	21	47518	TRUNNION, ADJUSTING -		
26433	COIL, IGNITION	17	24		MOUNTING BRACKET	47	19
26433	COIL, IGNITION	21	18	47518	TRUNNION, ADJUSTING -		
29359	LUBRICAP, GREASE				MOUNTING BRACKET	73	20
	FITTING	111	109	47518	TRUNNION, ADJUSTING -		
					MOUNTING BRACKET	81	16
32783	RETAINER, HIGH TENSION			47530	HUB, WATER PUMP PULLEY	51	17
	LEADS (3 WIRE)	15	34	47542	COVER, FLYWHEEL		
32783	RETAINER, HIGH TENSION				HOUSING	43	4
	LEADS (3 WIRE)	19	37	47604A1	PROTECTOR, SPARK PLUG	19	35
32783	RETAINER, HIGH TENSION			47604A1	PROTECTOR, SPARK PLUG	13	32
	LEADS (3 WIRE)	23	30	47608	DRIVE PLATE, FLYWHEEL		
32784	RETAINER, HIGH TENSION				(INBOARD)	65	11
	LEADS (4 WIRE)	15	34	47610	COOLER, OIL	43	12
32784	RETAINER, HIGH TENSION			47613	SWITCH, NEUTRAL SAFETY	69	9
	LEADS (4 WIRE)	23	30	47613	SWITCH, NEUTRAL SAFETY	77	6
32784	RETAINER, HIGH TENSION			47656	MOUNT, MOUNTING		
	LEADS (4 WIRE)	19	37		BRACKET	73	18
33149	MOUNT, RUBBER -			47656	MOUNT, MOUNTING		
	FLYWHEEL HOUSING	97	2		BRACKET	81	14
33321	BRACKET, IGNITION COIL			47805	TRANSMISSION (DIRECT		
	MOUNTING	17	25		DRIVE)	69	1
33321	BRACKET, IGNITION COIL			47806	TRANSMISSION (1.523:1		
	MOUNTING	21	19		REDUCTION)	69	1
33321	BRACKET, IGNITION COIL			47807	TRANSMISSION (1.909:1		
	MOUNTING (NOT AS				REDUCTION)	69	1
	SHOWN)	13	22	47808	TRANSMISSION (2.57:1		
34623	OIL PRESSURE SENDER				REDUCTION)	69	1
	ASSEMBLY (FOR GAUGE)	3	10	47809	TRANSMISSION (2.909:1		
36177	INSULATOR, SOLENOID TO				REDUCTION)	69	1
	MOUNTING BRACKET	9	10	47816	SIGHT GLASS	25	5
36368	HYDRAULIC PUMP			47861A11	LEAD ASSEMBLY, HIGH		
	ASSEMBLY, POWER				TENSION (38 1/2")	13	31
	STEERING	87	1	47861A12	LEAD ASSEMBLY, HIGH		
36525	WATER TEMPERATURE				TENSION (35")	13	31
	SENDER ASSEMBLY	3	7	47861A13	LEAD ASSEMBLY, HIGH		
38333	CAP, FILLER - HYDRAULIC				TENSION (24")	13	31
	PUMP	87	2	47861A5	LEAD ASSEMBLY, HIGH		
38559	SWITCH, OIL PRESSURE				TENSION (31")	13	31
	(FOR IGNITION LIGHT)	3	15	47861A6	LEAD ASSEMBLY, HIGH		
39670A2	SWITCH ASSEMBLY, CUT				TENSION (28")	13	31
	OUT	91	23	47861A8	LEAD ASSEMBLY, HIGH		
39670A3	SWITCH ASSEMBLY, CUT-				TENSION (21")	13	31
	OUT - TRANSOM PLATE	101	56	47861A9	LEAD ASSEMBLY, HIGH		
39974	CONNECTOR, TRIM LEADS -				TENSION (34")	13	31
	MOUNTING BRACKET -MC			48165A5	REVERSE LOCK VALVE		
	11-TR	9	7		ASSEMBLY	99	8
45517A2	ARM ASSEMBLY, SWITCH			48381A1	FLANGE ASSEMBLY (1")		
	ACTUATING	101	47		SEE NOTE A	69	10
45526	CAM, REVERSE LOCK			48382A1	FLANGE ASSEMBLY (1 1/8")		
	VALVE	99	14		SEE NOTE A	69	10

PARTS INDEX

Part Number	Description	Pg.	Ref. No.	Part Number	Description	Pg.	Ref. No.
48383A1	FLANGE ASSEMBLY (1 1/4") SEE NOTE A	69	10	54479	BRACE, ALTERNATOR ADJUSTING	3	22
48384A1	FLANGE ASSEMBLY (1 3/8") SEE NOTE A	69	10	54480	HOUSING, FLYWHEEL	43	1
48385A1	FLANGE ASSEMBLY (1 1/2") SEE NOTE A	69	10	54554	WEDGE, CARBURETOR MOUNTING INBOARD	25	27
48386A1	FLANGE ASSEMBLY (1")	77	7	54646	BRACKET, FUEL FILTER TO MOUNTING BRACKET (1 1/8")	25	10
48386A1	FLANGE ASSEMBLY (1") SEE NOTE B	69	10	54676	RETAINER, HIGH TENSION LEADS (2 WIRE)	15	34
48387A1	FLANGE ASSEMBLY (1 1/8")	77	7	54676	RETAINER, HIGH TENSION LEADS (2 WIRE)	19	37
48387A1	FLANGE ASSEMBLY (1 1/8") SEE NOTE B	69	10	54676	RETAINER, HIGH TENSION LEADS (2 WIRE)	23	30
48388A1	FLANGE ASSEMBLY (1 1/4")	77	7	54807	BRACKET, MOUNTING - THROTTLE CABLE (INBOARD AND MC11-TR)	25	17
48388A1	FLANGE ASSEMBLY (1 1/4") SEE NOTE B	69	10	54869	BRACKET, MOUNTING - STARTER SOLENOID	9	9
48389A1	FLANGE ASSEMBLY (1 3/8")	77	7	54870	END CAP, EXHAUST MANIFOLD - REAR V- DRIVE ONLY	35	10
48389A1	FLANGE ASSEMBLY (1 3/8") SEE NOTE B	69	10	54951A2	REVERSE LOCK VALVE ASSEMBLY	91	1
48390A1	FLANGE ASSEMBLY (1 1/2")	77	7	54979	CABLE, STARTER SOLENOID TO STARTER MOTOR (YELLOW - 9 1/2")	9	20
48390A1	FLANGE ASSEMBLY (1 1/2") SEE NOTE B	69	10	55054	FLAME ARRESTOR, CARBURETOR (NOT AS SHOWN)	27	39
48515	LEVER, SHIFT - TRANSMISSION	71	21	55110	ADAPTOR, CABLE GUIDE TUBE (DUAL)	87	17
48515	LEVER, SHIFT - TRANSMISSION	77	20	55241	GAUGE, OIL LEVEL (DIPSTICK)	81	19
48648	BRACKET, SHIFT CALBE (SERIAL #3416390 AND BELOW)	69	16	55481	BASE, FUEL FILTER	25	8
48652	ADAPTOR, SHIFT CABLE TO SHIFT LEVER	77	24	56103	COVER, TIMING	57	24
48652	ADAPTOR, SHIFT CALBE TO SHIFT LEVER	71	25	56109	POINTER, TIMING COVER	57	27
49181	PULLEY, HYDRAULIC PUMP	83	6	56129	CHAIN, TIMING	55	21
49581	BRACKET, WATER PUMP	51	32	56130	PLATE, THRUST - CAMSHAFT (STANDARD)	55	19
52139A2	BRACKET ASSEMBLY, MOUNTING - FRONT AND REAR	73	16	56131	PLATE, THRUST - CAMSHAFT (.002 O.S.)	55	19
52139A2	BRACKET ASSEMBLY, MOUNTING - FRONT AND REAR	81	12	56132	PLATE, THRUST - CAMSHAFT (.004 O.S.)	55	19
52418	TERMINAL BLOCK, NEUTRAL STARTER LEADS MC 11-TR	11	28	56137	ECCENTRIC, CAMSHAFT (FUEL PUMP DRIVE) - 1 PIECE	55	25
52753	MOUNT MOUNTING BRACKET	47	13	56143	SLINGER, OIL - CRANKSHAFT	67	25
52779	VALVE, POWER STEERING	87	10	56144	PULLEY, CRANKSHAFT	67	29
53821	BELLOWS, EXHAUST ELBOW MC 11-TR	39	19	56145	DAMPER ASSEMBLY, CRANKSHAFT (LEFT HAND CRANKSHAFT ROTATION)	67	26
53821	BELLOWS, EXHAUST ELBOW MC 225-S	39	19	56153	LIFTER, HYDRAULIC - TAPPET	55	15
54099A5	EXHAUST MANIFOLD ASSEMBLY, STARBOARD	35	1	56154	VALVE, EXHAUST (STANDARD)	55	13
54100A5	EXHAUST MANIFOLD ASSEMBLY, PORT	35	1	56155	VALVE, EXHAUST (.015 O.S.)	55	13
54227	BRACKET, MOUNTING - ELECTRICAL	7	4	56156	COVER, ROCKER (PORT)	55	1
54464	BRACKET, ALTERNATOR MOUNTING (INBOARD AND MC225-S)	5	27				

PARTS INDEX

Part Number	Description	Pg.	Ref. No.	Part Number	Description	Pg.	Ref. No.
56157	VALVE, INLET (STANDARD)	55	13	58016A1	DISTRUBUTOR ASSEMBLY, COMPLETE (RIGHT HAND CRANKSHAFT ROTATE ..	13	1
56158	VALVE, INLET (.015 O.S.) ..	55	13				
56160	CAP, VALVE SPRING (INLET VALVE)	55	10	58017	LEAD ASSEMBLY, PRIMARY TERMINAL	13	10
56161	CAP, VALVE SPRING (EXHAUST VALVE)	55	10	58022	COLLAR, THRUST	13	13
56163	BAFFLE, INTAKE MANIFOLD	57	17	58027	RETAINER, CAM TO SHAFT	13	4
56166	BALL, ROCKER ARM	55	6	58031	CLAMP, DISTRIBUTOR CAP ATTACHING	13	11
56168	ARM, ROCKER	55	7	58033	BREAKER ASSEMBLY	13	7
56169	ROD, PUSH	55	14	58034	CONDENSER	13	6
56171	COVER, ROCKER (STARBOARD)	55	1	58086	WATER PUMP ASSEMBLY (LEFT HAND CRANKSHAFT ROTATION)	59	32
56174	OIL PUMP ASSEMBLY	61	1	58258	CLAMP, DISTRIBUTOR TO INTAKE MANIFOLD	13	17
56178	ROTOR AND SHAFT, OIL PUMP	61	13	58258	CLAMP, DISTRIBUTOR TO INTAKE MANIFOLD	17	20
56179	PLATE, OIL PUMP	61	9	58258	CLAMP, DISTRIBUTOR TO INTAKE MANIFOLD	21	15
56313	BRACKET, HYDRAULIC PUMP MOUNTING	83	9	58265	REINFORCEMENT, WATER PUMP PULLEY	59	35
56328	BRACKET, CLAMP - OIL COOLER	83	27	59137	THERMOSTAT	39	6
56328	BRACKET, COOLER CLAMPING (SHORT)	45	15	59155	COVER, WATER PUMP	51	2
56329	BRACKET, COOLER CLAMPING (LONG)	45	14	59363A1	CAM SEGMENT ASSEMBLY, WATER PUMP	51	8
56331A1	PULLEY ASSEMBLY, CRANKSHAFT (NOT AS SHOWN)	83	2	59497A1	THERMOSTAT HOUSING ASSEMBLY	39	1
56855	SHAFT ASSEMBLY, OIL PUMP	61	11	59498	COVER, THERMOSTAT	39	7
56856	SCREEN, OIL PUMP	61	4	59501	SHAFT, WATER PUMP	51	14
56863	VALVE, HOSE TO ROCKER COVER	27	35	59503	WEAR PLATE	51	10
56865	PLUNGER, OIL PUMP RELIEF VALVE	61	7	59755	ALTERNATOR ASSEMBLY .	3	18
56875	CAP, OIL FILLER - ROCKER COVER	55	4	59762	PULLEY, WATER PUMP ...	51	18
56879	WATER PUMP ASSEMBLY (RIGHT HAND CRANKSHAFT ROTATION)1	59	32	59816	CIRCUIT BREAKER	7	15
56881	PULLEY, WATER PUMP ...	59	36	59816	CIRCUIT BREAKER -MC 11-TR	9	21
56885	SPACER, CARBURETOR STERN DRIVE	25	26	59823A1	FLYWHEEL HOUSING ASSEMBLY	97	1
56887	INTAKE MANIFOLD	57	15	59824	ELBOW, EXHAUST MC 225-S	39	16
57286	BRACKET, MOUNTING - TRANSOM PLATE	87	23	59825	SEPARATOR, EXHAUST MC 225-S	41	24
57295A1	FLANGE ASSEMBLY (1 3/4")	77	7	59826A1	ENGINE COUPLING ASSEMBLY MC 225-S ...	65	14
57296A1	FLANGE ASSEMBLY (2") ...	77	7	60207	PLATE, EXHAUST ELBOW TO EXHAUST MANIFOLD	37	23
57403	GUAGE, OIL LEVEL (DIPSTICK) INBOARD ...	63	30	60212A1	EXHAUST ELBOW RISER ..	81	19
57969	CYLINDER, BOOSTER - POWER STEERING	87	6	60252	END CAP/CONNECTOR, EXHAUST MANIFOLD ...	35	10
57970	EXTENSION, CYLINDER BOOSTER ROD	89	34	60335	LEAD ASSEMBLY, DISTRIBUTOR TO COIL (7 1/2")	13	20
57971	TUBE, MOUNTING - BOOSTER ROD EXTENSION	87	32	60416	TUBE, OIL GUAGE(MC II-TR)-MC 225-S STERN DRIVE	61	22
57972	GUIDE, CABLE GUIDE TUBE	87	15	60421A5	BRACKET ASSEMBLY, MOUNTING - FRONT	47	12
				60426A1	EXHAUST ELBOW ASSEMBLY (STERN DRIVE)	35	14
				60427A2	EXHAUST ELBOW ASSEMBLY (INBOARD) ..	35	14

PARTS INDEX

Part Number	Description	Pg.	Ref. No.	Part Number	Description	Pg.	Ref. No.
60556A1	SWITCH ASSEMBLY, REVERSE INTERLOCK ..	99	41	62685A1	HOUSING ASSEMBLY, PISTON	109	89
60565	OIL FILTER	59	42	62686	RING, PRESSURE - CLUTCH SPRING	109	85
60588	TRANSMISSION, V-DRIVE (1.51:1 REDUCTION)	77	1	62687	BAND, CLUTCH	109	67
60599	GAUGE, OIL LEVEL (DIPSTICK) STERN DRIVE	61	30	62691A1	CLUTCH PLATE KIT	109	83
60606	BRACKET, OIL LEVEL GAUGE STERN DRIVE ..	61	23	62693	HUB, CLUTCH	109	82
60711	OIL PAN STERN DRIVE	61	16	62694A3	PLANETARY AND CLUTCH DRUM ASSEMBLY	109	73
60930	SHUTTER, WATER EXHAUST SEPARATOR MC 225-S	41	22	62718A2	PUMP ASSEMBLY	105	12
60930	WATER SHUTTER, EXHAUST ELBOW MC 11- TR	39	22	62722	PISTON, RELIEF VALVE ...	105	15
60931	RETAINER, WATER SHUTTER MC 225-S	41	23	62723	LINK, CLUTCH BAND	109	68
60953	TRANSMISSION, V-DRIVE (DIRECT DRIVE)	77	1	62733	RETAINER, BALL BEARING .	109	104
60954	TRANSMISSION, V-DRIVE (1.99:1 REDUCTION)	77	1	62734	MOUNT, RUBBER - OUTPUT HOUSING (REAR)	109	103
60955	TRANSMISSION, V-DRIVE (2.49:1 REDUCTION)	77	1	62735	LEVER, REVERSE CLUTCH	107	40
60956	TRANSMISSION, V-DRIVE (3.14:1 REDUCTION)	77	1	62736A1	SHAFT ASSEMBLY, INPUT .	109	76
61566	OIL PAN INBOARD	61	16	62739A2	HOUSING ASSEMBLY, OUTPUT	109	94
61750	DAMPER ASSEMBLY, CRANKSHAFT (RIGHT HAND CRANKSHAFT ROTATION)	67	26	62740A2	CONTROL VALVE ASSEMBLY	105	36
61815	BRACKET, MOUNTING (FRONT)	47	1	62742	CAM FOLLOWER	107	64
61815	BRACKET, MOUNTING (FRONT)	81	4	62745A1	BRACKET ASSEMBLY, MOUNTING - SHIFT ACTUATOR	91	18
61854	BRACKET, MOUNTING (FRONT)	73	4	62747	CAP, CONTROL VALVE	107	61
61859	BRACKET, ALTERNATOR MOUNTING (MC11-TR) ..	5	27	62754	SHAFT, OUTPUT	109	79
61860	BRACKET, WATER PUMP ADJUSTING (MC 11-TR) .	51	24	62767A4	HOUSING ASSEMBLY, TRANSMISSION	105	1
61969	BRACKET, CIRCUIT BREAKER	7	25	62767A7	TRANSMISSION ASSEMBLY, COMPLETE	109	-
61990	STA STRAP, HOSE ATTACHING	51	23	62767A7	TRANSMISSION ASSEMBLY, COMPLETE-----	105	-
62092	FUEL PUMP ASSEMBLY ...	25	1	62819	DRIVE PLATE, FLYWHEEL (MC II-TR)	65	11
62255	BRACKET, MOUNTING (REAR)	73	1	62845	SHIFT ACTUATOR ASSEMBLY (SEE PAGE 57 FOR BREAKDOWN)	91	7
62255	BRACKET, MOUNTING - ENGINE	81	19	62845	SHIFT ACTUATOR ASSEMBLY, COMPLETE (SEE NOTE BELOW)	93	1
62285	BRACKET, MOUNTING (REAR)	81	1	62870	BRACKET, OIL COOLER ...	83	26
62288A1	COVER ASSEMBLY, OIL COOLER	43	13	62871	PLATE, MOUNTING - OIL COOLER BRACKET	83	30
62649	OIL COOLER	83	21	62894	ELBOW, EXHAUST (PORT SIDE) MC 11-TR	39	16
62662	PUMP, GEROTOR	105	22	62895	ELBOW, EXHAUST (STARBOARD SIDE) MC 11-TR	39	16
62665	RETAINER, SPRING	107	47	62898	COVER, THERMOSTAT (MC 225-S)	39	7
62666	STRUT, CLUTCH BAND ANCHOR	109	69	63005	BRACE, HYDRAULIC PUMP	83	17
62667	PISTON, CLUTCH	109	87	63006	PLATE, COVER-REAR MC 11-TR	59	43
				63037	DIPSTICK, OIL LEVEL GAUGE	105	6
				63038	COVER, SHIFT ACTUATOR .	91	8
				63087	BRACKET, MOUNTING - HARNESS AND CIRCUIT BREAKER (MC 11-TR) ...	9	4

PARTS INDEX

Part Number	Description	Pg.	Ref. No.	Part Number	Description	Pg.	Ref. No.
63126	FLANGE ASSEMBLY, OIL COOLER	105	25	66284	BASE, ENGINE MOUNT	75	18
63151	RETAINER, SHUTTER TO EXHAUST ELBOW MC 11-TR	39	23	66284	BRACKET, MOUNTING	49	6
63192	RETAINER, HIGH TENSION LEADS	15	35	66397A1	LEVER ASSEMBLY, SHIFT CONTROL - CAM LEVER	99	33
63192	RETAINER, HIGH TENSION LEADS	19	38	66401A1	HARNES ASSEMBLY (3 WIRE LEAD)	93	16
63192	RETAINER, HIGH TENSION LEADS	23	31	66417	BRACKET, MOUNTING - TRANSMISSION (REAR)	75	1
63499	BRACKET, MOUNTING - ENGINE	49	1	66515A1	COVER ASSEMBLY, OIL COOLER	105	29
63588A1	THERMOSTAT HOUSING ASSEMBLY	39	1	66626	ADAPTOR, ROD END (STARBOARD MOUNTING)	89	35
63815A1	BRACKET, SHIFT CABLE	77	12	66627	ADAPTOR, ROD END (PORT MOUNTING)	89	35
63815A1	BRACKET, SHIFT CABLE (SERIAL #3563182 AND UP)	69	16	66981A2	PISTON, SERVO	107	51
63827	HOUSING, FLYWHEEL	45	1	67613A1	BRACKET, MOUNTING - THROTTLE CABLE (MC 225-S)	25	17
63832--1	COOLER, OIL (9")	45	13	68651	PLATE, COVER - REAR	97	6
63832--2	COOLER, OIL (12") V-DRIVE ONLY	45	13	N.S.S.	ROD, PRIMARY (NOT SOLD SEPARATELY)	29	9
63833	COVER, FLYWHEEL HOUSING	45	3	N.S.S.	ROD, SECONDARY (NOT SOLD SEPARATELY)	29	14
64025A2	DISTRIBUTOR ASSEMBLY, COMPLETE (LEFT HAND CRANKSHAFT ROTATE	21	1	10-20031	SCREW, CLAMP TO MOUNTING BRACKET (1/2")	7	23
64025A3	DISTRIBUTOR ASSEMBLY, COMPLETE (RIGHT HAND CRANKSHAFT ROTATE	21	1	10-20031	SCREW, COVER TO FLYWHEEL HOUSING (5/8")	45	4
64090A1	TUBE ASSEMBLY, DIPSTICK	105	5	10-20055	SCREW, WIRING HARNESS TO ALTERNATOR (3/8")	3	19
64414	GUIDE, CABLE GUIDE TUBE	87	15	10-20314	SCREW, SERIAL PLATE ATTACHING (3/16")	43	8
64636	BRACKET, MOUNTING - HARNESS AND CIRCUIT BREAKER (MC 225-S)	9	4	10-20362	SCREW, OIL COOLER COVER TO FLYWHEEL HOUSING (1 7/16")	43	19
64709	BRACKET, MOUNTING - ELECTRICAL	7	4	10-20639	SCREW, FUEL FILTER TO MOUNTING BRACKET (1 1/8")	25	11
64850	BREAKER ASSEMBLY	21	6	10-20639	SCREW, SHIFT CABLE TO ADAPTOR (1 1/8")	71	32
64864	BRACKET, OIL COOLER	83	26	10-20639	SCREW, SHIFT CABLE TO ADAPTOR (1 1/8")	79	31
64865	OIL COOLER	83	21	10-20705	SCREW, WATER PUMP PULLEY TO WATER PUMP (3/4")	51	19
65057	STARTER SOLENOID	9	12	10-20776	SCREW, CLAMP ATTACHING STERN DRIVE	61	25
65080A1	SHAFT ASSEMBLY, CONTROL VALVE	107	56	10-21077	SCREW, MOUNTING BRACKET ATTACHING (7/8")	7	5
65603A4	EXHAUST MANIFOLD ASSEMBLY, STARBOARD	35	1	10-21077	SCREW, PULLEY TO DAMPER (7/8")	67	30
65604A4	EXHAUST MANIFOLD ASSEMBLY, PORT	35	1	10-21091	SCREW, TERMINAL BLOCK TO FLYWHEEL HOUSING (1 1/8") -MC 11-TR	11	29
65864	ROTOR	13	3	10-21335	SCREW, CLAMP TO DISTRIBUTOR (7/8")	21	10
65864	ROTOR	21	3				
65948	TUBE, OIL GUAGE (MC II-TR) STERN DRIVE	61	22				
66057A3	SHIFT BRACKET ASSEMBLY	99	1				
66059	BRACKET MOUNTING - SHIFT	101	58				
66166	TRUNNION, ADJUSTING - MOUNTING BRACKET	75	16				
66169	BRACKET, MOUNTING - ENGINE (FRONT)	75	7				

PARTS INDEX

Part Number	Description	Pg.	Ref. No.	Part Number	Description	Pg.	Ref. No.
10-21625	SCREW, CLAMP BRACKET TO OIL COOLER BRACKET (3/4")	83	28	10-28063	SCREW, STARTER SOLENOID TO MOUNTING BRACKET (5/8")	7	8
10-21625	SCREW, COOLER BRACKET ATTACHING (3/4")	45	16	10-28635	SCREW, COVER TO FLYWHEEL HOUSING (5/8")	43	5
10-21625	SCREW, STOP (3/4")	91	19	10-28635	SCREW, WATER PUMP COVER ATTACHING (5/8")	51	3
10-21643	SCREW, REVERSE INTERLOCK SWITH LEAD CLIP ATTACHING (1/2")	101	45	10-28782	SCREW, TIMING COVER TO CYLINDER BLOCK (7/8")	59	29
10-22469	SCREW, BRACKET TO TRANSMISSION	77	13	10-29198	SCREW, ALTERNATOR BRACE TO ALTERNATOR (7/8")	3	23
10-22469	SCREW, BRACKET TO TRANSMISSION (3/8")	69	19	10-30155	SCREW, ENGINE LOCATING (1 1/4")	47	2
10-22485	SCREW, REVERSE LOCK VALVE TO CONTROL VALVE (3/4")	91	4	10-30155	SCREW, ENGINE LOCATING (1 1/4")	73	9
10-22698	SCREW, WATER PUMP AND TIMING COVER TO CYLINDER BLOCK (1 3/4")	59	34	10-30902	SCREW, SWITCH ASSEMBLY TO TRAMSOM PLATE (3/4")	101	57
10-22956	SCREW, STARTER SOLENOID TO MOUNTING BRACKET (7/8")	9	13	10-30902	SCREW, SWITCH TO CONTROL VALVE CAP (3/4")	91	24
10-24233	SCREW, TERMINAL BLOCK AND COVER TO BRACKET (1 3/8")	91	13	10-31832	SCREW, MOUNTING BRACKET TO TRAMSOM PLATE (1")	87	24
10-24234	SCREW, THERMOSTAT COVER TO THERMOSTAT HOUSING (1")	39	9	10-31984	SCREW, PUMP TO TRANSMISSION HOUSING (1 3/8")	105	19
10-24637	SCREW, TERMINAL BLOCK (7/8")	101	62	10-32417	SCREW, LINK AND CAM TO CONTROL SHAFT (5/8")	107	59
10-25038	SCREW, END CAP TO MANIFOLD (7/8") V-DRIVE ONLY	35	13	10-33231	SCREW, TENSION SPRING TO ARM	101	48
10-25038	SCREW, MOUNTING BRACKET ATTACHING (7/8")-MC11-TR	9	5	10-33311	SCREW, BRACKET TO IGNITION COIL (1 1/2")	13	23
10-25038	SCREW, REVERSE LOCK VALVE TO SHIFT SUPPORT BRACKET (7/8")	99	29	10-33311	SCREW, BRACKET TO IGNITION COIL (1 1/2")	17	26
10-25299	SCREW, COVER PLATE TO TRANSMISSION MC 11-TR	59	44	10-33311	SCREW, BRACKET TO IGNITION COIL (1 1/2")	21	20
10-25299	SCREW, FLYWHEEL HOUSING ATTACHING (3/4")	97	8	10-33524	SCREW, OIL LEVEL GAUGE TUBE CLIP TO BRACKET (5/8") INBOARD	63	29
10-25299	SCREW, MOUNTING BRACKET TO CONTROL VALVE (3/4")	91	25	10-34290	SCREW, SHIFT ACTUATOR TO MOUNTING BRACKET (5/8")	91	21
10-25503	SCREW, TIMING COVER TO CYLINDER BLOCK (2")	59	30	10-34353	SCREW, BRACE TO HYDRAULIC PUMP (1 1/4")	83	18
10-26065	SCREW, OIL COOLER BRACKET TO MOUNT PLATE (1")	85	33	10-34354	SCREW, HYDRAULIC PUMP TO MOUNING BRACKET (1 1/2")	83	13
10-26632	SCREW, ADJUSTING BRACE TO WATER PUMP (1 1/4") - INBOARD	51	28	10-34354	SCREW, WATER PUMP BRACKET CLAMPING (1 1/2")	51	33
10-26632	SCREW, STARTER MOTOR TO FLYWHEEL HOUSING (1 1/4") - LOWER	3	2	10-34613	SCREW, GROUND CABLE TO FLYWHEEL (1 3/4")	45	10
10-27165	SCREW, LIFTING EYE ATTACHING (3/4")	35	9	10-34613	SCREW, IGNITION COIL ATTACHING (1 3/4")	13	28
				10-34613	SCREW, IGNITNION COIL ATTACHING (1 3/4")	21	25

PARTS INDEX

Part Number	Description	Pg.	Ref. No.	Part Number	Description	Pg.	Ref. No.
10-35353	SCREW, ADJUSTING BRACE TO OIL PAN (1") INBOARD	51	25	10-45474	SCREW, WATE PUMP AND TIMING COVER TO CYLINDER BLOCK (2 3/4")	59	34
10-35386	SCREW, CONTROL VALVE TO TRANSMISSION HOUSING (1")	107	53	10-45474	SCREW, WATER PUMP AND TIMING COVER TO CYLINDER BLOCK (1 1/2")	59	34
10-35386	SCREW, END CAP/CONNECTOR TO EXHAUST MANIFOLD (1")	35	13	10-45716	SCREW, COVER TO REVERSE LOCK VALVE (15/16")	99	22
10-35386	SCREW, HOUSING TO INTAKE MANIFOLD (1")	39	3	10-45862	SCREW, CONNECTOR TO BRACKET (3/4") -MC 11-TR	9	8
10-35386	SCREW, LIFTING EYE TO INTAKE MANIFOLD (1")-MC 225-S	57	22	10-46718	SCREW, WIRING HARNESS TO PLATE TO MOUNTING BRACKET (3/4")	7	3
10-35386	SCREW, PUMP TO TRANSMISSION HOUSING (1")	105	19	10-46718	SCREW, WIRING HARNESS TO PLATE TO MOUNTING BRACKET (3/4")	9	3
10-35386	SCREW, SHIFT BRACKET ATTACHING	101	59	10-46736	SCREW, CAM TO CAM LEVER (1/2")	99	15
10-36046	SCREW, BREAKER AND CONDENSER	21	4	10-47194	SCREW, CIRCUIT BREAKER BRACKET (9/16")	7	26
10-36046	SCREW, HARNESS TO TERMINAL BLOCK (1/4")	91	17	10-47220	SCREW, COVER ATTACHING (3/8")	93	15
10-36046	SCREW, WIRING HARNESS LEAD TO CIRCUIT BREAKER -MC 11-TR	9	22	10-47462	SCREW, ALTERNATOR BRACKET TO ENGINE - INBOARD	5	35
10-36046	SCREW, WIRING HARNESS LEAD TO TERMINAL (1/4")	7	16	10-47462	SCREW, FLYWHEEL HOUSING ATTACHING (1 1/4")	97	4
10-37269	SCREW, BRACKET TO TRANSMISSION (2")	75	2	10-47462	SCREW, FLYWHEEL HOUSING TO ENGINE (1 1/4")	43	9
10-37269	SCREW, CLAMPING - MOUNTING BRACKET (2")	75	13	10-47462	SCREW, MOUNTING BRACKET TO TRANSMISSION (1 1/4")	81	2
10-37269	SCREW, MOUNTING BRACKET TO TRANSMISSION (2")	73	2	10-47462	SCREW, PUMP MOUNTING BRACKET TO CYL. BLOCK (1 1/2")	83	10
10-37612	SCREW, ADJUSTING BRACE TO WATER PUMP (1 1/4") - MC 11-TR	51	28	10-47462	SCREW, RETAINER ATTACHING (1 1/4")	15	36
10-37612	SCREW, ALTERNATOR BRACKET TO TIMING COVER (1 1/4")	5	32	10-47462	SCREW, RETAINER ATTACHING (1 1/4")	19	39
10-37612	SCREW, CLAMPING (1 1/4")	87	12	10-47462	SCREW, RETAINER ATTACHING (1 1/4")	23	32
10-37612	SCREW, EXHAUST MANIFOLD TO CYLINDER HEAD (1 1/4")	35	5	10-47462	SCREW, STARTER MOTOR TO FLYWHEEL HOUSING (1 1/4")	3	2
10-37612	SCREW, EXHAUST SEPARATOR TO GIMBAL HOUSING (1 1/4")MC 225-S	41	26	10-47462	SCREW, TRANSMISSION HOUSING TO ENGIEN (1 1/4")	105	8A
10-37612	SCREW, HYDRAULIC PUMP TO MOUNTING BRACKET (1 1/4")	83	12	10-47618	SCREW, CIRCUIT BREAKER TO BRACKET (1")	7	17
10-37892	SCREW, THROTTLE CABLE TO CARBURETOR (NOT AS SHOWN)	27	42	10-47618	SCREW, CIRCUIT BREAKER TO BRACKET (1")	9	23
10-37909	SCREW, FLANGE TO TRANSMISSION (1 1/8")	69	12	10-47651	SCREW, FLYWHEEL HOUSING TO ENGINE (2 1/2")	45	8
10-38792	SCREW, LEAD TO TERMINAL BLOCK -MC 11-TR	11	32	10-47651	SCREW, SHIFT BRACKET TO FLYWHEEL HOUSING (1 1/2")	99	6

PARTS INDEX

Part Number	Description	Pg.	Ref. No.	Part Number	Description	Pg.	Ref. No.
10-47654	SCREW, CLAMP - ADJUSTING TRUNNION (2 3/4")	47	8	10-55300	SCREW, ALTERNATOR BRACE TO CYLINDER BLOCK (5 1/4")	3	25
10-47654	SCREW, CLAMP - ADJUSTING TRUNNION (2 3/4")	73	11	10-55300	SCREW, WATER PUMP AND TIMING COVER TO CYLINDER BLOCK (5 1/4")	59	31
10-47654	SCREW, CLAMP - ADJUSTING TRUNNION (2 3/4")	81	7	10-55511	SCREW, TIMING COVER TO CYLINDER BLOCK (1 1/2")	57	29
10-47654	SCREW, FLYWHEEL HOUSING TO ENGINE (2 3/4")	43	10	10-55714	SCREW, OIL PAN TO CYLINDER BLOCK (5/16-18 X 7/8") INBOARD	61	20
10-47724	SCREW, MOUNTING BRACKET TO CYLINDER BLOCK (3")	81	5	10-55715	SCREW, OIL PAN TO CYLINDER BLOCK (1/4-20 X 7/8") INBOARD	61	21
10-47724	SCREW, TRANSMISSION TO ENGINE (3")	69	2	10-56112	BOLT, CYLINDER HEAD TO CYLINDER BLOCK (2 1/4")	57	10
10-47724	SCREW, TRANSMISSION TO ENGINE (3")	69	2	10-56113	BOLT, CYLINDER HEAD TO CYLINDER BLOCK (5 7/8")	57	10
10-47724	SCREW, TRANSMISSION TO ENGINE (3")	77	2	10-56123	BOLT, CONNECTING ROD	65	4
10-48308	SCREW, ALTERNATOR TO ALTERNATOR BRACKET (3 3/4")	5	28	10-56133	SCREW AND WASHER, PLATE TO OIL PUMP (5/8")	61	10
10-48591	SCREW, TERMINAL BLOCK TO BRACKE (1/2") -MC 11-TR	9	8	10-56133	SCREW, THRUST PLATE TO CYLINDER BLOCK (5/8")	55	20
10-52156	SCREW, ADJUSTING TRUNNION (4 1/2")	47	15	10-56138	SCREW, ECCENTRIC AND SPROCKET TO CAMSHAFT (1 1/2")	55	22
10-52156	SCREW, ADJUSTING TRUNNION (4 1/2")	73	19	10-56146	BOLT, BEARING CAP TO CYLINDER BLOCK (3 5/32")	57	3
10-52156	SCREW, ADJUSTING TRUNNION (4 1/2")	81	15	10-56172	SCREW, ROCKER COVER TO CYLINDER HEAD (5/8")	55	3
10-52409	SCREW, WATER PUMP BRACKET TO ALTERNATOR BRACKET (3 1/4")	51	35	10-56176	SCREW, OIL PUMP TO CYLINDER BLOCK (1 1/4")	61	14
10-52693	SCREW, PULLEY TO CRANKSHAFT (5")	83	3	10-56858	SCREW, SCREEN TO OIL PUMP (7/8")	61	5
10-52743	SCREW, WATER PUMP AND TIMING COVER TO CYLINDER BLOCK (3 3/4")	59	31	10-56882	SCREW, FUEL PUMP TO CYLINDER BLOCK (1 1/2")	25	2
10-53016	SCREW, END CAP/CONNECTOR TO EXHAUST MANIFOLD (1 1/4")	35	13	10-56889	SCREW, DRIVE PLATE TO FLYWHEEL MC II-TR AND INBOARD	65	12
10-53016	SCREW, OUTPUT HOUSING TO TRANSMISSION HOUSING (1 1/4")	109	101	10-57357	SCREW, CLAMPING - MOUNTING BRACKET (2 1/4")	75	4
10-53192	SCREW, CAM FOLLOWER TO CAP (1/2")	107	65	10-57357	SCREW, MOUNT PLATE TO ENGINE MOUNT (2 1/4")	85	31
10-54493	SCREW, FLYWHEEL HOUSING TO ENGINE (2 1/2")	43	10	10-57968	SCREW, ADJUSTING - MOUNTING BRACKET (3")	87	26
10-54523	SCREW, HOUSING TO INTAKE MANIFOLD (1") - ALLEN HEAD	39	3	10-58018	SCREW, BREAKER AND CONDENSER ATTACHING	13	5
10-54630	SCREW, PULLEY TO WATER PUMP (5/8")	59	37	10-58259	SCREW, DISTRIBUTOR CLAMP ATTACHING (7/8")	13	18
				10-58259	SCREW, DISTRIBUTOR CLAMP ATTACHING (7/8")	17	21
				10-58259	SCREW, DISTRIBUTOR CLAMP ATTACHING (7/8")	21	16
				10-58261	BOLT, INTAKE MANIFOLD TO CYLINDER HEAD (2")	57	18
				10-58332	SCREW, SHIELD AND SWITCH TO REVERSE LOCK VALVE (3/4")	101	43

PARTS INDEX

Part Number	Description	Pg.	Ref. No.	Part Number	Description	Pg.	Ref. No.
10-58640	SCREW, EXHAUST ELBOW TO TRAMSON PLATE (1 1/4") MC 11-TR	39	17	10-62568	SCREW, LEAT ATTACHING -MC 11-TR	9	8A
10-59589	SCREW, FLYWHEEL HOUSING TO ENGINE (2 1/2")	45	9	10-62679	SCREW, ADJUSTING - CLUTCH BAND	109	70
10-59645	SCREW, LIFTING EYE TO INTAKE MANIFOLD (5/8")	57	22	10-65027	SCREW, CAP TO CONTROL VALVE (1")	107	62
10-59645	SCREW, MOUNTING BRACKET ATTACHING (3/4") MC 225-S	9	5	10-66137	SCREW, FLANGE TO TRANSMISSION HOUSING (1/2")	105	26
10-60106	SCREW, TRANSMISSION FLANGE TO PROPELLER FLANGE (1 1/4")	77	9	10-68743	SCREW, ENGINE LOCATING	49	2
10-60168	SCREW, FLANGE TO PROPELLER SHAFT (1 1/2") SEE NOT A AND B	69	11	10-68743	SCREW, ENGINE LOCATING (1 1/4")	75	11
10-60169	SCREW, FLANGE TO PROPELLE SHAFT (3/4") SEE NOTE BELOW	77	8	11-20083	NUT, SHIFT LEVER TO TRANSMISSION	71	24
10-60169	SCREW, FLANGE TO PROPELLER SHAFT (3/4") SEE NOT A AND B	69	11	11-20083	NUT, SHIFT LEVER TO TRANSMISSION	77	23
10-60170	SCREW, FLANGE TO PROPELLER SHAFT (1") SEE NOT A AND B	69	11	11-20083	NUT, STARTER SOLENOID TERMINAL (5/16")	7	13
10-60170	SCREW, FLANGE TO PROPELLER SHAFT (1") SEE NOTE BELOW	77	8	11-20083	NUT, STARTER SOLENOID TERMINAL (5/16")	9	19
10-60171	SCREW, FLANGE TO PROPELLER SHAFT (1 1/4") SEE NOT A AND B	69	11	11-20110	NUT, COVER SCREW	99	23
10-60171	SCREW, FLANGE TO PROPELLER SHAFT (1 1/4") SEE NOTE BELOW	77	8	11-20110	NUT, SHIFT CONTROL LEVER TO CAM LEVER STUD	99	32
10-60300	SCREW, COVER TO TRANSMISSION HOUSING (3/4")	105	34	11-20361	NUT, CLAMP ATTACHING SCREW STERN DRIVE	61	27
10-60300	SCREW, PUMP ATTACHING (3/4")	105	23	11-20361	NUT, CLAMP BRACKET SCREW SERIAL # AND BELOW	83	29
10-60706	BOLT, FLYWHEEL TO CRANKSHAFT (15/16")	65	10	11-20361	NUT, SHIFT BRACKET STUD	99	5
10-60707	SCREW, BAFFLE TO INTAKE MANIFOLD	57	17A	11-20361	NUT, SHIFT CABLE TO LEVER STUD	99	37
10-60708	SCREW, OIL PAN TO CYLINDER BLOCK (1/4-20 X 7/8") STERN DRIVE	61	21	11-20361	NUT, STARTER SOLENOID SCREW	9	15
10-60709	BOLT, DAMPER TO CRANKSHAFT (1 3/4")	67	27	11-20586	NUT, FLAME ARRESTOR STUD	27	41
10-60710	SCREW, OIL PAN TO CYLINDER BLOCK (5/16-18 X 7/8")STERN DRIVE	61	20	11-20586	NUT, THROTTLE CABLE STUD	25	21
10-60777	SCREW, CAM SEGMENT ATTACHING (1/2")	51	9	11-20645	NUT, CIRCUIT BREAKER TERMINAL -MC 225-S	9	21
10-60835	SCREW, EXHAUST SEPARATOR TO GIMBAL HOUSING (5") MC 225-S	41	25	11-20645	NUT, IGINATION COIL TERMINAL	13	27
				11-20645	NUT, IGNITION COIL TERMINIAN	17	30
				11-20645	NUT, IGNITION COIL TERMINAL	21	24
				11-20645	NUT, OIL PRESSURE SENDER TERMINAL (#10)	3	12
				11-20645	NUT, OIL PRESSURE SWITCH TERMINAL (#10)	3	17
				11-20645	NUT, STARTER SOLENOID TERMINAL (10-32)	7	11
				11-20645	NUT, STARTER SOLENOID TERMINAL (10-32)	9	17
				11-20645	NUT, TERMINAL BLOCK AND COVER SCREW	91	11
				11-20645	NUT, WATER TEMPERATURE SENDER TERMINAL (#10)	3	9

PARTS INDEX

Part Number	Description	Pg.	Ref. No.	Part Number	Description	Pg.	Ref. No.
11-20739	NUT, JAM - MOUNTING BRACKET	49	7	11-32219	NUT, GROUND CABLE TO FLYWHEEL SCREW	45	12
11-20890	NUT, CRANK ARM	93	14	11-32219	NUT, STARTER MOTOR STUD	3	5A
11-21612	NUT, JAM - ADJUSTING SCREW	109	72	11-32882	NUT, MOUNTING TUBE	87	31
11-21612	NUT, JAM - OIL COOLER	105	32	11-34933	NUT, FRONT MOUNTING BRACKET	75	10
11-21908	NUT, STARTER MOTOR TERMINAL	3	6	11-34933	NUT, MOUNTING BRACKET STUD	49	5
11-22024	NUT, ENGINE LOCATING SCREW	47	3	11-34933	NUT, MOUNTING BRACKET STUD	73	8
11-22024	NUT, ENGINE LOCATING SCREW	49	3	11-34933	NUT, MOUNTING BRACKET TO CYLINDER BLOCK STUD (SEE NOTE BELOW)	47	7
11-22024	NUT, ENGINE LOCATING SCREW	73	10	11-35814	NUT, FUEL FILTER SCREW	25	13
11-22024	NUT, ENGINE LOCATING SCREW	75	12	11-35814	NUT, OIL COOLER BRACKET SCREW	85	35
11-22024	NUT, FLANGE SCREW	77	11	11-35814	NUT, SWITCH ACTUATING ARM STUD	101	55
11-22024	NUT, TRANSMISSION STUD	69	5	11-37984	NUT, CABLE GUIDE TUBE	87	22
11-22053	NUT, OIL LEVEL GAUGE TUBE CLIP SCREW INBOARD	63	35	11-45812	NUT, THROTTLE CABLE SCREW	27	46
11-23161	NUT, ALTERNATOR BRACKET SCREW	5	31	11-46438	NUT, CIRCUIT BREAKER SCREW	7	21
11-23161	NUT, WATER PUMP BRACKET SCREW	51	37	11-46438	NUT, CIRCUIT BREAKER SCREW	11	27
11-24652	NUT, RETAINER STUD	111	107	11-46438	NUT, SHIFT CABLE ADAPTOR STUD (10-32)	71	31
11-24652	NUT, TERMINAL BLOCK SCREW -MC 11-TR	11	31	11-46438	NUT, SHIFT CABLE ADAPTOR STUD (10-32)	79	30
11-24656	NUT, TERMINAL BLOCK AND COVER SCREW	91	16	11-46438	NUT, SHIFT CABLE TO BRACKET STUD (10-32)	77	16
11-24883	NUT, ADJUSTING SCREW	87	28	11-46438	NUT, SHIFT CABLE TO BRACKET STUD (10-32)	69	18
11-24883	NUT, TRANSMISSION FLANGE SCREW	69	14	11-46793	NUT, CARBURETOR MOUNTING STUD INBOARD	25	31
11-25899	NUT, PULLEY TO HYDRAULIC PUMP	83	8	11-46793	NUT, CARBURETOR STUD STERN DRIVE	25	25
11-26419	NUT, STARTER TERMINAL (#8)	3	6	11-46793	NUT, SHIFT CABLE SCREW (5/16-24)	71	34
11-28040	NUT, VALVE ADAPTOR STUD	87	30	11-46793	NUT, SHIFT CABLE SCREW (5/16-24)	79	33
11-28517	NUT, ADJUSTING BRACE SCREW (INBOARD)	51	31	11-46887	NUT, REVERSE LOCK VALVE SCREW	91	6
11-28517	NUT, OIL PUMP SCREEN STUD	57	6	11-46887	NUT, SHIFT CABLE ADAPTOR STUD (1/4-28)	71	28
11-28517	NUT, STARTER TERMINAL (3/8")	3	4	11-46887	NUT, SHIFT CABLE ADAPTOR STUD (1/4-28)	77	27
11-28941	NUT, JAM - FLAME ARRESTOR MOUNTING STUD (BOTTOM)	27	38	11-46887	NUT, STOP SCREW	91	20
11-29553	NUT, CLAMP ADJUSTING TRUNNION SCREW	47	11	11-47521	NUT, JAM - OIL COOLER	43	17
11-29553	NUT, CLAMP ADJUSTING TRUNNION SCREW	73	14	11-47525	NUT, JAM - ADJUSTING TRUNNION SCREW	47	17
11-29553	NUT, CLAMP ADJUSTING TRUNNION SCREW	81	10	11-47525	NUT, JAM - ADJUSTING TRUNNION SCREW	73	21
11-29553	NUT, CLAMPING SCREW	75	15	11-47525	NUT, JAM - ADJUSTING TRUNNION SCREW	81	17
11-29553	NUT, CLAMPING SCREW	75	6	11-47626	NUT, OIL LEVEL GAUGE TUBE INBOARD	63	32
11-30506	NUT, COOLER BRACKET ATTACHING SCREW	45	17				
11-32219	NUT, ADJUSTING BRACE SCREW (MC 11-TR)	51	31				

PARTS INDEX

Part Number	Description	Pg.	Ref. No.	Part Number	Description	Pg.	Ref. No.
11-49838	NUT, EXHAUST MANIFOLD STUD	35	5C	12-21901	WASHER, PULLEY TO HYDRAULIC PUMP	83	7
11-49838	NUT, RISER TO EXHAUST ELBOW STUD	81	19	12-22753	WASHER, SHIFT CABLE SCREW	71	33
11-55111	NUT, DUAL ADAPTOR TO POWER STEERING VALVE	87	19	12-22753	WASHER, SHIFT CABLE SCREW	79	32
11-55983	NUT, JAM - MOUNTING TUBE	87	33	12-22887	WASHER, TERMINAL BLOCK AND COVER SCREW	91	9
11-56122	NUT, CONNECTING ROD BOLT	65	5	12-22937	WASHER, FLAME ARRESTOR STUD	27	40
11-56167	NUT, ROCKER ARM STUD	55	5	12-22937	WASHER, STARTER SOLENOID SCREW	9	14
11-56407	NUT, ENGINE COUPLING ATTACHING STUD MC 225-S	65	17	12-25909	WASHER, HYDRAULIC PUMP SCREW	83	15
11-58019	NUT, PRIMARY TERMINAL	13	9	12-26168	WASHER, ALTERNATOR BRACE SCREW	3	24
11-58263	NUT, INTAKE MANIFOLD STUD4	57	20	12-26825	WASHER, OIL COOLER BRACKET SCREW	85	34
11-63341	TEE NUT, SHIFT CABLE STUD	99	40	12-26825	WASHER, SWITCH ACTUATING ARM STUD	101	54
12-20084	WASHER CARBURETOR MOUNTING STUD INBOARD	25	30	12-26825	WASHER, TENSION SPRING SCREW	101	49
12-20084	WASHER, CARBURETOR STUD STERN DRIVE	25	24	12-26907	WASHER, THROTTLE CABLE SCREW	27	43
12-20084	WASHER, FUEL FILTER SCREW	25	12	12-26994	WASHER, PRIMARY TERMINAL	13	8
12-20084	WASHER, THERMOSTAT HOUSING SCREW	39	4	12-29245	WASHER, CLAMP ATTACHING SCREW	61	26
12-20128	WASHER, THROTTLE CABLE SCREW	27	44	12-30164	WASHER, IGNITION COIL TERMINAL	13	25
12-20533	WASHER, SHIFT CABLE ADAPTOR STUD	71	27	12-30164	WASHER, IGNITION COIL TERMINAL	17	28
12-20533	WASHER, SHIFT CABLE ADAPTOR STUD	77	26	12-30164	WASHER, IGNITION COIL TERMINAL	21	22
12-20553	WASHER, ADJUSTING BRACE SCREW (INBOARD)	51	29	12-30164	WASHER, WIRING HARNESS SCREW	3	21
12-20553	WASHER, ALTERNATOR BRACKET SCREW	5	29	12-32648	WASHER, ENGINE COUPLING ATTACHING STUD MC 225-S	65	16
12-20553	WASHER, IGNITION COIL ATTACHING SCREW	17	32	12-34437	WASHER, LIFTING EYE SCREW (INBOARD)	57	23
12-20553	WASHER, IGNITION COIL ATTACHING SCREW	13	29	12-34567	WASHER, MOUNT PLATE SCREW	85	32
12-20553	WASHER, PULLEY SCREW	67	32	12-34567	WASHER, MOUNTING BRACKET STUD (STARBOARD FRONT)	47	5
12-20553	WASHER, PULLEY SCREW	83	5	12-34567	WASHER, MOUNTING BRACKET STUD - STBD. REAR	73	6
12-20583	WASHER, REVERSE LOCK VALVE SCREW	91	5	12-34567	WASHER, RETAINER SCREW	15	37
12-20722	WASHER, SHIFT LEVER TO TRANSMISSION	71	22	12-34567	WASHER, RETAINER SCREW	19	40
12-20722	WASHER, SHIFT LEVER TO TRANSMISSION	77	21	12-34567	WASHER, RETAINER SCREW	23	33
12-20878	WASHER, OIL PRESSURE SWITCH TERMINAL (#10)	3	16	12-34714	WASHER, ADJUSTING BRACE SCREW (INBOARD)	51	27
12-20959	WASHER, VALVE ADAPTOR STUD	87	29				
12-21273	WASHER, CAM LEVER STUD	99	31				
12-21631	WASHER, THROTTLE CABLE STUD	25	19				

PARTS INDEX

Part Number	Description	Pg.	Ref. No.	Part Number	Description	Pg.	Ref. No.
12-34714	WASHER, BRACE SCREW	83	20	13-26992	LOCKWASHER, COVER SCREW	45	5
12-36533	WASHER, OIL COOLER COVER SCREW	43	20	13-26992	LOCKWASHER, COVER SCREW	105	35
12-37985	WASHER, CABLE GUIDE TUBE	87	21	13-26992	LOCKWASHER, FLANGE SCREW	105	27
12-38344	WASHER, ALTERNATOR BRACKET SCREW-INBOARD	5	34	13-26992	LOCKWASHER, LINK AND CAM SCREW	107	60
12-39143	WASHER, SHIFT CABLE TO LEVER STUD	99	4	13-26992	LOCKWASHER, OIL PAN SCREW (1/4") INBOARD	61	21A
12-39143	WASHER, SHIFT LEVER STUD	99	36	13-26992	LOCKWASHER, PUMP SCREW	105	24
12-45713	WASHER, RETAINING - BALL TO VALVE COVER	99	17	13-26992	LOCKWASHER, SHIFT ACTUATOR SCREW	91	22
12-47960	WASHER, CIRCUIT BREAKER SCREW	7	20	13-26992	LOCKWASHER, STARTER SOLENOID SCREW	7	9
12-47960	WASHER, CIRCUIT BREAKER SCREW	9	25	13-26992	LOCKWASHER, TERMINAL BLOCK SCREW -MC 11-TR	11	30
12-48611	WASHER, MOUNTING BRACKET	47	14	13-26993	LOCKWASHER, BRACKET SCREW	69	20
12-48611	WASHER, MOUNTING BRACKET	73	17	13-26993	LOCKWASHER, DRIVE PLATE SCREW MC II-TR AND INBOARD	65	13
12-48611	WASHER, MOUNTING BRACKET	81	13	13-26993	LOCKWASHER, MOUNTING BRACKET SCREW -MC 11-TR	9	6
12-54426	WASHER, MOUNTING BRACKET SCREW	73	6	13-26993	LOCKWASHER, OIL COOLER COVER SCREW	43	20
12-54426	WASHER, MOUNTING BRACKET SCREW	47	6	13-26993	LOCKWASHER, OIL PAN SCREW (5/16") INBOARD	61	20A
12-56136	WASHER, ECCENTRIC AND SPROCKET SCREW	55	23	13-26993	LOCKWASHER, SHIFT LEVER TO TRANSMISSION	71	23
12-56148	WASHER, DAMPER TO CRANKSHAFT BOLT	67	28	13-26993	LOCKWASHER, SHIFT LEVER TO TRANSMISSION	77	22
12-56881	WASHER, SHIFT CABLE ADAPTOR STUD	71	30	13-26993	LOCKWASHER, STARTER MOTOR TERMINAL	3	5
12-56881	WASHER, SHIFT CABLE ADAPTOR STUD	79	29	13-26993	LOCKWASHER, STARTER SOLENOID TERMINAL (5/16")	7	12
12-56881	WASHER, SHIFT CABLE TO BRACKET STUD	69	17	13-26993	LOCKWASHER, STARTER SOLENOID TERMINAL (5/16")	9	18
12-56881	WASHER, SHIFT CALBE TO BRACKET STUD	77	15	13-26995	LOCKWASHER, STARTER TERMINAL (#8)	3	5
12-57864	SASHER, SEALING - FLYWHEEL HOUSING SCREW	43	11	13-26996	LOCKWASHER, BRACKET SCREW	7	27
12-59570	WASHER, VALVE COVER	99	21	13-26996	LOCKWASHER, CAM SCREW	99	16
12-62684	WASHER, THRUST - OUTPUT HOUSING	111	105	13-26996	LOCKWASHER, CIRCUIT BREAKER TERMINAL -MC 225-S	9	21
12-62781	WASHER, SEALING - ADJUSTING SCREW	109	71	13-26996	LOCKWASHER, DISTRIBUTOR CLAMP SCREW	21	11
13-20897	LOCKWASHER, DUAL ADAPTOR NUT	87	18	13-26996	LOCKWASHER, IGNITION COIL TERMINAL	13	26
13-25906	WASHER, WAVE - REVERSE LOCK VALVE	99	12	13-26996	LOCKWASHER, IGNITION COIL TERMINAL	17	29
13-26992	LOCKWASHER, BRACKET TO TRANSMISSION SCREW	77	14				
13-26992	LOCKWASHER, CAP SCREW	107	63				
13-26992	LOCKWASHER, CLAMP TO MOUNTING SCREW	7	24				
13-26992	LOCKWASHER, COVER SCREW	43	6				

PARTS INDEX

Part Number	Description	Pg.	Ref. No.	Part Number	Description	Pg.	Ref. No.
13-26996	LOCKWASHER, IGNITION COIL TERMINAL	21	23	13-32993	LOCKWASHER, MOUNTING BRACKET SCREW	81	3
13-26996	LOCKWASHER, OIL PRESSURE SENDER TERMINAL (#10)	3	11	13-32993	LOCKWASHER, MOUNTING BRACKET SCREW	81	6
13-26996	LOCKWASHER, STARTER SOLENOID TERMINAL (#10)	7	10	13-32993	LOCKWASHER, SHIFTER BRACKET ATTACHING SCREW	99	7
13-26996	LOCKWASHER, STARTER SOLENOID TERMINAL (#10)	9	16	13-32993	LOCKWASHER, STARTER MOTOR SCREW	3	3
13-26996	LOCKWASHER, TERMINAL BLOCK AD COVER SCREW	91	10	13-32993	LOCKWASHER, TRANSMISSION HOUSING SCREW	105	8B
13-26996	LOCKWASHER, TERMINAL BLOCK AND COVER SCREW	91	14	13-32993	LOCKWASHER, TRANSMISSION SCREW	77	3
13-26996	LOCKWASHER, TERMINAL BLOCK SCREW	101	64	13-35048	LOCKWASHER, TRANSMISSION SCREW AND STUD	69	4
13-26996	LOCKWASHER, WATER TEMPERATURE SENDER TERMINAL (#10)	3	8	13-35048	LOCKWASHER, ADJUSTING BRACE SCREW	51	26
13-26996	LOCKWASHER, WIRING HARNESS SCREW	3	20	13-35048	LOCKWASHER, ADJUSTING BRACE SCREW	51	30
13-29402	WAVE WASHER, SHIFTER CABLE ADAPTOR STUD	71	29	13-35048	LOCKWASHER, BRACE SCREW	83	19
13-29402	WAVE WASHER, SHIFTER CABLE ADAPTOR STUD	77	28	13-35048	LOCKWASHER, BRACKET SCREW	17	27
13-30381	LOCKWASHER, FLYWHEEL HOUSING SCREW - SPECIAL (7/16")	97	5	13-35048	LOCKWASHER, BRACKET SCREW	21	21
13-31848	LOCKWASHER, MOUNTING BRACKET SCREW	87	25	13-35048	LOCKWASHER, EXHAUST ELBOW SCREW MC 11-TR	39	18
13-32993	LOCKWASHER, ALTERNATOR BRACKET SCREW - INBOARD	5	36	13-35048	LOCKWASHER, EXHAUST ELBOW SCREW MC 225-S	39	18
13-32993	LOCKWASHER, BRACKET SCREW	75	3	13-35048	LOCKWASHER, EXHAUST MANIFOLD TO CYLINDER HEAD SCREW	35	6
13-32993	LOCKWASHER, CLAMP ADJUSTING TRUNNION SCREW	47	9	13-35048	LOCKWASHER, EXHAUST SEPARATOR SCREW MC 225-S	41	27
13-32993	LOCKWASHER, CLAMP ADJUSTING TRUNNION SCREW	73	12	13-35048	LOCKWASHER, IGNITION COIL TERMINAL	13	24
13-32993	LOCKWASHER, CLAMP ADJUSTING TRUNNION SCREW	81	8	13-35048	LOCKWASHER, MOUNTING BRACKET SCREW	7	6
13-32993	LOCKWASHER, CLAMPING SCREW	75	14	13-35048	LOCKWASHER, PULLEY SCREW	67	31
13-32993	LOCKWASHER, CLAMPING SCREW	75	5	13-35048	LOCKWASHER, PULLEY SCREW	83	4
13-32993	LOCKWASHER, FLANGE SCREW	77	10	13-35048	LOCKWASHER, TRANSMISSION FLANGE SCREW	69	13
13-32993	LOCKWASHER, FLYWHEEL HOUSING SCREW (7/16")	97	5	13-35048	LOCKWASHER, WATER PUMP BRACKET CLAMPING SCREW	51	34
13-32993	LOCKWASHER, FRONT MOUNTING BRACKET	75	9	13-37272	WASHER, EXHAUST MANIFOLD STUD	35	5B
13-32993	LOCKWASHER, MOUNTING BRACKET SCREW	73	3	13-37459	LOCKWASHER, PUMP MOUNTING BRACKET SCREW	83	11
					LOCKWASHER, ADJUSTING SCREW	87	27

PARTS INDEX

Part Number	Description	Pg.	Ref. No.	Part Number	Description	Pg.	Ref. No.
13-37459	LOCKWASHER, CLAMPING SCREW	87	13	13-68102	LOCKWASHER, MOUNTING BRACKET	75	17
13-37459	LOCKWASHER, EXHAUST ELBOW TO EXHAUST MANIFOLD STUD	37	24	14-48467	TAB WASHER, ADJUSTING TRUNNION SCREW	47	16
13-37459	LOCKWASHER, GROUND CABLE TO FLYWHEEL SCREW	45	11	14-48467	TAB WASHER, ADJUSTING TRUNNION SCREW	73	15
13-37459	LOCKWASHER, HYDRAULIC PUMP SCREW	83	14	14-48467	TAB WASHER, ADJUSTING TRUNNION SCREW	81	11
13-37459	LOCKWASHER, RISER TO EXHAUST ELBOW STUD	81	19	16-29208	STUD, CARBURETOR MOUNTING (2 1/8")	81	19
13-37459	LOCKWASHER, STARTER MOTOR SCREW AND STUD	3	3	16-30669	STUD, CARBURETOR MOUNTING (3 1/4")	81	19
13-39107	LOCKWASHER, ALTERNATOR BRACE SCREW	5	26	16-32027	STUD, RETAINER TO OUTPUT HOUSING	109	97
13-39107	LOCKWASHER, CONTROL VALVE BRACKET SCREW	91	26	16-35897	STUD, CABLE TO BRACKET (1 11/16") INBOARD AND MC 11-TR	25	18
13-39107	LOCKWASHER, CONTROL VALVE SCREW	107	54	16-45715	STUD, SHIFT CONTROL LEVER TO CAM LEVER (23/32")	99	26
13-39107	LOCKWASHER, COVER PLATE SCREW MC 11-TR	59	45	16-46857	STUD, CARBURETOR MOUNTING (1 7/8") INBOARD	25	29
13-39107	LOCKWASHER, FLYWHEEL HOUSING SCREW (5/16")	97	9	16-47360	STUD, FLAME ARRESTOR MOUNTING - CARBURETOR (1 3/4")	27	37
13-39107	LOCKWASHER, LIFTING EYE SCREW (STERN DRIVE)	57	23	16-47360	STUD, SHIFT CABLE TO BRACKET (1 3/4")	99	2
13-39107	LOCKWASHER, OIL LEVEL GAUGE TUBE CLIP SCREW INBOARD	63	34	16-48680	STUD, SHIFT CABLE ADAPTOR TO SHIFT LEVER (1 1/4")	77	25
13-39107	LOCKWASHER, OUTPUT HOUSING SCREW	109	102	16-48680	STUD, SHIFT CALBE ADAPTOR TO SHIFT LEVER (1 1/4")	71	26
13-39107	LOCKWASHER, PULLEY SCREW	59	38	16-49545	STUD, EXHAUST ELBOW TO RISER (1 3/4")	81	19
13-39107	LOCKWASHER, REVERSE LOCK VALVE SCREW	99	30	16-49545	STUD, EXHAUST MANIFOLD TO CYL. HEAD (1 3/4")	35	5A
13-39107	LOCKWASHER, SHIFT BRACKET ATTACHING SCREW	101	60	16-49545	STUD, EXHAUST MANIFOLD TO EXHAUST ELBOW (1 3/4")	35	2
13-39107	LOCKWASHER, THERMOSTAT COVER SCREW	39	10	16-49545	STUD, EXHAUST MANIFOLD TO EXHAUST ELBOW (1 3/4")	35	2
13-39107	LOCKWASHER, WATER PUMP PULLEY SCREW	51	20	16-53724	STUD, CARBURETOR MOUNTING 91 3/4") INBOARD	25	29
13-56177	LOCKWASHER, OIL PUMP SCREEN STUD	57	5	16-55109	STUD, ADAPTOR - POWER STEERING VALVE	87	11
13-56177	LOCKWASHER, OIL PUMP SCREW	61	15	16-56147	STUD, BEARING CAP TO CYLINDER BLOCK (OIL PUMP SCREEN)	57	4
13-58260	LOCKWASHER, DISTRIBUTOR CLAMP ATTACHING SCREW	17	22	16-56164	STUD, ROCKER ARM - CYLINDER HEAD (STANDARD)	55	8
13-58260	LOCKWASHER, DISTRIBUTOR CLAMP ATTACHING SCREW	21	16A	16-57921	STUD, TRANSMISSION TO ENGINE (4")	69	3
13-58260	LOCKWASHER, DISTRIBUTOR CLAMP SCREW	13	19	16-58242	STUD, ROCKER ARM - CYLINDER HEAD (.006 O.S.)	55	8
13-68102	LOCKWASHER, MOUNTING BRACKET	49	8				

PARTS INDEX

Part Number	Description	Pg.	Ref. No.	Part Number	Description	Pg.	Ref. No.
16-58243	STUD, ROCKER ARM - CYLINDER HEAD (.015 O.S.)	55	8	17-56151	PIN, DOWEL - CYLINDER BLOCK TO FLYWHEEL HSG. (1")	57	12
16-58262	STUD, INTAKE MANIFOLD TO CYLINDER HEAD (2 3/8")	57	19	17-58021	PIN, DRIVE GEAR	21	13
16-60607	STUD, MANIFOLD TO RISER (2 1/4")	81	19	17-58021	PIN, THRUST COLLAR AND DRIVE GEAR	13	15
16-60993	STUD, ENGINE COUPLING ATTACHING MC 225-S	65	15	17-58032	PIN, CLAMP TO DISTRIBUTOR	13	12
16-63003	STUD, CARBURETOR TO INTAKE MANIFOLD # 1/4") STERN DRIVE	25	23	17-60670	PIN, DOWEL - CYLINDER HEAD TO CYLINDER BLOCK	57	10A
16-63004	STUD, CARBURETOR TO INTAKE MANIFOLD (2 5/8") STERN DRIVE	25	23	17-62730	PIN, LEVER TO CONTROL VALVE	107	41
16-63081	STUD, SHIFT CABLE TO LEVER	99	34	17-66176	PIN, DOWEL - CAMSHAFT	55	26
16-63332	STUD, CARBURETOR MOUNTING (1 1/4") INBOARD	25	29	17-66180	PIN, DOWEL - CAMSHAFT	55	26
16-63335	STUD, SHIFT CABLE TO SHIFT LEVER	99	38	18-32857	COTTER PIN, SHIFT ACTUATING CABLE TO ACTUATING ARM	101	51
16-64066	STUD, STARTER MOTOR TO FLYWHEEL HOUSING - UPPER	3	2	18-46950	COTTER PIN, CLEVIS PIN RETAINING	89	37
16-65737	STUD, BRACKET TO ENGINE (2 5/8")	49	4	19-21688	WELCH PLUG, TIMING COVER	57	25
16-65737	STUD, FORNT MOUNTING BRACKET (2 5/8")	73	5	19-56102	PLUG, EXPANSION - CYLINDER BLOCK (1 1/2")	57	2
16-65737	STUD, FRONT MOUNTING BRACKET (2 5/8")	75	8	19-56102	PLUG, EXPANSION - CYLINDER HEAD (1 1/2")	57	8
16-65737	STUD, MTG. BRKT. TO CYL. BLOCK (2 5/8")	47	4	19-56128	PLUG, EXPANSION - CAMSHAFT BEARING HOLE	55	18
16-65743	STUD, BRACKET TO ENGINE (3")	49	4	19-56854	PLUG, OIL PUMP RELIEF VALVE	61	8
16-65743	STUD, FRONT MOUNTING BRACKET STARBOARD REAR (3")	75	8	19-59504	PLUG, IMPELLER	51	5
16-65743	STUD, FRONT MOUNTING BRACKET STBD. REAR (3")	73	5	19-60667	PLUG, MAIN GALLERY (1/4-18 PIPE)	57	2
16-65743	STUD, MTG. BRKT. TO CYL. BLOCK (3") - STARBOARD FRONT	47	4	19-60668	PLUG, EXPANSION - CYLINDER BLOCK (3/4")	57	2
16-65947	STUD, EXHAUST MANIFOLD TO CYL. HEAD (3 1/16")	35	5A	19-60669	PLUG, CUP - OIL PASSAGE AND MAIN OIL GALLERY (1/2")	57	2
16-66356	STUD, CABLE TO THROTTLE CABLE STUD	25	18	19-60722	PLUG, INTAKE MANIFOLD	57	15
16-66373	STUD, SWITCH ACTUATING ARM TO SHIFT BRACKET (2 5/16")	99	3	19-62753	PLUG, PUMP	105	18
17-22116	PIN, ROLL - JAM NUT	47	18	21-62669	CHECK VALVE (EARLY MODELS ONLY)	107	50
17-22116	PIN, ROLL - JAM NUT	73	22	22-20025	PLUG, PUMP	105	14
17-22116	PIN, ROLL - JAM NUT	81	18	22-21290	PLUG, PIPE - REVERSE LOCK VALVE	99	24
17-24800	ROLL PIN, CONTROL SHAFT	107	57	22-31345	FITTING, GREASE - RETAINER	111	108
17-52798	PIN, CLEVIS - STEERING CABLE AND CLEVIS ATTACHING	89	36	22-32802	PLUG, DRAIN - OIL COOLER COVER	43	14
				22-32802	PLUG, EXHAUST ELBOW RISER	81	19
				22-32802	PLUG, PIPE - EXHAUST ELBOW	35	17
				22-32802	PLUG, PIPE - EXHAUST MANIFOLD	35	4
				22-32802	PLUG, PIPE - EXHAUST MANIFOLD	35	4

PARTS INDEX

Part Number	Description	Pg.	Ref. No.	Part Number	Description	Pg.	Ref. No.
22-32876	NIPPLE, SIGHT GLASS TO FUEL PUMP	25	4	22-63028	PLUG, CLEAN OUT (3/4-14 PIPE)	57	2
22-33198	PLUG, EXHAUST ELBOW	35	15	22-63824	ELBOW, HOSE TO TRANSMISSION (90)	69	15
22-33821	FITTING, FUEL LINE TO FUEL PUMP, FUEL FILTER AND CARBURETOR	25	14	22-63824	ELBOW, HOSE TO TRANSMISSION (90)	77	4
22-36305	ELBOW, EXHAUST RISER	81	19	22-63835	ELBOW, HOSE TO OIL COOLER	69	8
22-36373	PLUG, PIPE - COVER	105	31	22-64426	PETCOCK, WATER DRAIN - CYLINDER BACK	57	2
22-36373	PLUG, PIPE - OIL PAN DRAIN INBOARD	61	18	22-64485	FITTING, TEE - OIL PRESSURE SENDER	3	14
22-36373	PLUG, PIPE - TRANSMISSION HOUSING	105	8	22-64970	ADAPTOR, (STARBOARD) WATER DRAIN PETCOCK	57	2
22-36373	PLUG, PIPE - WATER PUMP (3/8-14)	59	39	22-67305	FITTING, GREASE - POWER VALVE	87	10A
22-36382	PLUG, PIPE - FUEL FILTER BASE	25	9	23-31866	SPACER, SHIFT LEVER STUD	99	35
22-37682	ELBOW, (STARBOARD) WATER DRAIN PETCOCK	57	2	23-31866	SPACER, THROTTLE CABLE STUD	25	20
22-38939	FITTING, CARBURETOR WEDGE INBOARD	25	28	23-33186	BUSHING, WATER PUMP BRACKET SCREW	51	36
22-39072	PLUG, CONTROL VALVE	107	38	23-37981	SPACER, SWITCH ACTUATING ARM TO TRANSOM PLATE	101	53
22-39072	PLUG, DRAIN - FLYWHEEL HOUSING	43	3	23-45600	SLEEVE, SWITCH ACTUATING ARM STUD	101	52
22-39072	PLUG, PIPE - OUTPUT SHAFT	109	78	23-46742	SPACER, RUBBER MOUNT - FLYWHEEL HOUSING	97	3
22-45084	FITTING, EXHAUST ELBOW	35	18	23-47511	SLEEVE, FLYWHEEL HOUSING	43	2
22-45794	ELBOW, HYDRAULIC TRIM HOSE TO REVERSE LOCK VALVE	99	9	23-47511	SLEEVE, WATER PUMP COVER	51	11
22-47625	ELBOW, OIL LEVEL GAUGE TUBE TO OIL PAN INBOARD	63	31	23-47797	BUSHING, REVERSE CLUTCH LEVER	107	39
22-47629	ELBOW, HOSE TO OIL COOLER (90)	77	19	23-54476	SLEEVE, THERMOSTAT HOUSING	39	2
22-47629	ELBOW, HOSE TO TRANSMISSION (90)	69	6	23-56116	BEARING UNIT, CONNECTING ROD (STANDARD)	65	6
22-47629	ELBOW, HOSE TO TRANSMISSION (90)	77	17	23-56117	BEARING UNIT, CONNECTING ROD (.001 U.S.)	65	6
22-47902	VENT, TRANSMISSION HOUSING	105	4	23-56118	BEARING UNIT, CONNECTING ROD (.002 U.S.)	65	6
22-47917	ELECTRODE, OIL COOLER	43	18	23-56119	BEARING UNIT, CONNECTING ROD (.010 U.S.)	65	6
22-48118	PLUG, EXHAUST MANIFOLD	35	3	23-56121	BEARING UNIT, CONNECTING ROD (.020 U.S.)	65	6
22-48166	FITTING, STRAIGHT - REVERSE LOCK VALVE	91	2	23-56124	BEARING SET, CAMSHAFT	55	17
22-48167	CONNECTOR, ELBOW	99	10	23-56890	BEARING, CRANKSHAFT MAIN - UPPER (STANDARD)	65	19
22-49718	NUT, TUBING ATTACHING	99	28	23-56891	BEARING, CRANKSHAFT MAIN - UPPER - CENTER (STANDARD)	65	20
22-52666	ELBOW, REVERSE LOCK VALVE	91	3	23-56892	BEARING, CRANKSHAFT MAIN - UPPER (.001 U.S.)	65	19
22-54522	NIPPLE, OIL PRESSURE SENDER	3	13				
22-56770	COUPLING, OIL PRESSURE SENDER	3	14				
22-56876	CONNECTOR, OIL FILTER TO CYLINDER BLOCK	59	41				
22-60720	PLUG, PIPE - OIL PAN DRAIN STERN DRIVE	61	18				
22-62910	FITTING EXHAUST ELBOW MC 11-TR	37	19				
22-62910	FITTING, WATER PUMP BODY MC 11-TR	53	39				

PARTS INDEX

Part Number	Description	Pg.	Ref. No.	Part Number	Description	Pg.	Ref. No.
23-56893	BEARING, CRANKSHAFT MAIN - UPPER - CENTER (.002 U.S.)	65	20	23-61998	SPACER, CIRCUIT BREAKER GROMMET	9	26
23-56894	BEARING, CRANKSHAFT MAIN - UPPER (.002 U.S.)	65	19	23-63764	BUSHING, ALTERNATOR BRACKET SCREW	5	30
23-56895	BEARING, CRANKSHAFT MAIN - UPPER - CENTER (.002 U.S.)	65	20	23-71647	BEARING, CLUTCH PILOT	65	8
23-56896	BEARING, CRANKSHAFT MAIN - UPPER (.010 U.S.)	65	19	24-32781	CLAMP, HOSE TO THERMOSTAT HOUSING AND WATER PUMP	39	12
23-56897	BEARING, CRANKSHAFT MAIN - UPPER - CENTER (.010 U.S.)	65	20	24-45599	SPRING, TENSION - SWITCH ACTUATING ARM	101	50
23-56898	BEARING, CRANKSHAFT MAIN - UPPER (.020 U.S.)	65	19	24-56159	SPRING, VALVE	55	12
23-56899	BEARING, CRANKSHAFT MAIN - UPPER - CENTER (.020 U.S.)	65	20	24-56864	SPRING, OIL PUMP RELIEF VALVE	61	6
23-56900	BEARING, CRANKSHAFT - LOWER (STANDARD)	67	21	24-62677	SPRING, SERVO PISTON	107	48
23-56901	BEARING, CRANKSHAFT MAIN - LOWER (.020 U.S.)	67	21	24-62678	SPRING, SERVO ACCUMULATOR	107	52
23-56901	BEARING, CRANKSHAFT MAIN - LOWER - CENTER (STANDARD)	67	22	24-62790	SPRING, RELIEF VALVE PISTON	105	16
23-56902	BEARING, CRANKSHAFT MAIN - LOWER (.001 U.S.)	67	21	25-35029	"O" RING, EXHAUST ELBOW TO TRANSOM PLATE MC 11-TR	39	21
23-56903	BEARING, CRANKSHAFT MAIN - LOWER - CENTER (.001 U.S.)	67	22	25-35029	"O" RING, EXHAUST ELBOW TO TRANSOM PLATE MC 225-S	41	21
23-56904	BEARING, CRANKSHAFT MAIN - LOWER (.002 U.S.)	67	21	25-45710	"O" RING, REVERSE LOCK VALVE	99	13
23-56905	BEARING, CRANKSHAFT MAIN - LOWER - CENTER (.002 U.S.)	67	22	25-45711	"O" RING, VALVE COVER	99	20
23-56906	BEARING, CRANKSHAFT MAIN - LOWER (.010 U.S.)	67	21	25-47632	"O" RING, SEALING - OIL COOLER	43	16
23-56907	BEARING, CRANKSHAFT MAIN - LOWER - CENTER (.010 U.S.)	67	22	25-56877	GROMMET, ROCKER COVER TO HOSE	27	36
23-56909	BEARING, CRANKSHAFT MAIN - LOWER - CENTER (.020 U.S.)	67	22	25-59712	"O" RING, WATER PUMP COVER	51	4
23-57369	SPACER, HYDRAULIC PUMP SCREW	83	16	25-61999	GROMMET, CIRCUIT BREAKER SCREW	7	18
23-57938	BUSHING, THROTTLE CABLE SCREW	27	45	25-61999	GROMMET, CIRCUIT BREAKER SCREW	9	24
23-60339	SPACER, IGNITION COIL ATTACHING SCREW	13	30	26-23300	OIL SEAL, WATER PUMP SHAFT	51	12
23-60339	SPACER, IGNITION COIL ATTACHING SCREW	17	33	26-56866	OIL SEAL, TIMING COVER (LEFT HAND CRANKSHAFT ROTATION)	57	28
23-60339	SPACER, IGNITION COIL ATTACHING SCREW	21	27	26-56867	OIL SEAL, TIMING COVER (RIGHT HAND CRANKSHAFT ROTATION)	57	28
23-60652	SLEEVE, ADJUSTING - CABLE GUIDE TUBE	87	14	26-56868	OIL SEAL, CRANKSHAFT REAR (LEFT HAND CRANKSHAFT ROTATION)	65	18
23-60773	SLEEVE, CABLE GUIDE TUBE	87	16	26-56869	OIL SEAL, CRANKSHAFT REAR (RIGHT HAND CRANKSHAFT ROTATION)	65	18
23-61526	SPACER, TERMINAL BLOCK AND COVER SCREW	91	15	26-58094	SEAL, VALVE	55	11
				26-59564	OIL SEAL, WATER PUMP SHAFT	51	16
				27-34213	GASKET, FUEL PUMP	25	3
				27-47495	GASKET, OIL COOLER COVER	43	15
				27-48043	GASKET, END CAP TO MANIFOLD V-DRIVE ONLY	35	11

PARTS INDEX

Part Number	Description	Pg.	Ref. No.	Part Number	Description	Pg.	Ref. No.
27-52076	GASKET, ELBOW TO RISER	81	19	32-47516-11	HOSE, TRANSMISSION TO OIL COOLER (28")	69	7
27-52076	GASKET, EXHAUST ELBOW TO EXHAUST MANIFOLD	37	22	32-47516-12	HOSE, TRANSMISSION TO OIL COOLER (20")	69	7
27-54506	GASKET, THERMOSTAT HOUSING	39	5	32-52951A1	TUBING ASSEMBLY, REVERSE LOCK VALVE TO TRIM SENDER	99	27
27-54566	GASKET, EXHAUST MANIFOLD TO CYLINDER HEAD	35	7	32-54570	HOSE, THERMOSTAT HOUSING TO WATER PUMP	39	11
27-56108	GASKET, TIMING COVER	57	26	32-54681	HOSE, CARBURETOR	25	33
27-56110	GASKET, CYLINDER HEAD	57	9	32-54906	HOSE, HERMOSTAT HSG. TO WATER PUMP (STERN DRIVE W/O POWER ST)	39	13
27-56152	SEAL, REAR COVER PLATE	97	7	32-55112	TUBE, CABLE GUIDE	87	20
27-56152	SEAL, REAR COVER PLATE MC 11-TR	59	46	32-55116	HOSE, PRESSURE - POWER STEERING (72")	87	5
27-56173	GASKET, ROCKER COVER	55	2	32-55117	HOSE, RETURN - POWER STEERING (72")	87	3
27-56859	GASKET, OIL PUMP SCREEN	61	3	32-57230	HOSE, OIL COOLER TO WATER PUMP	83	23
27-56861	GASKET, OIL PUMP	61	2	32-57231	HOSE, OIL COOLER TO THERMOSTAT HOUSING	83	22
27-56880	GASKET, WATER PUMP	59	33	32-57631	TUBE, RETRACTING - POWER STEERING PORT MOUNTING	87	9
27-56888A1	GASKET SET, INTAKE MANIFOLD	57	16	32-57632	TUBE, EXTENDING - POWER STEERING PORT MOUNTING	87	8
27-58025	"O" RING, DISTRIBUTOR	21	14	32-57633	TUBE, EXTENDING - POWER STEERING STARBOARD MOUNTING	87	8
27-58025	GASKET, DISTRIBUTOR	13	16	32-57634	TUBE, RETRACTING - POWER STEERING STARBOARD MOUNTING	87	9
27-60208	GASKET, THERMOSTAT COVER	39	8	32-58466	HOSE, THERMOSTAT HOUSING TO OIL COOLER (INBOARD)	39	13
27-60721	GASKET, DRAIN PLUG STERN DRIVE	61	19	32-58616A1	TUBE, WATER SEPARATION - EXHAUST ELBOW	35	16
27-62724	GASKET, OIL COOLER COVER	105	30	32-60198	HOSE, THERMOSTAT COVER TO EXHAUST ELBOW STARBOARD	95	1
27-64798	GASKET SET, OIL PAN INBOARD	61	17	32-60199	HOSE, THERMOSTAT COVER TO EXHAUST ELBOW PORT	95	4
27-64798	GASKET SET, OIL PAN STERN DRIVE	61	17	32-60200	HOSE, THERMOSTAT HOUSING TO REAR END CAP STARBOARD	95	3
27-65577	GASKET, CARBURETOR	25	32	32-60201	HOSE, THERMOSTAT HOUSING TO REAR END CAP PORT	95	6
27-65577	GASKET, CARBURETOR	81	19	32-60202	HOSE, THERMOSTAT COVER TO FRONT END CAP STARBOARD	95	2
28-56142	KEY, TIMING SPROCKET AND DAMPER TO CRANKSHAFT	67	23	32-60203	HOSE, THERMOSTAT COVER TO FRONT END CAP PORT	95	5
28-56162	KEY, VALVE STEM (2 PER VALVE)	55	9	32-62010	HOSE, OIL COOLER TO WATER PUMP	83	23
28-56662	KEY, IMPELLER DRIVE	51	7				
30-20861	BALL BEARING, WATER PUMP SHAFT	51	13				
30-45712	BALL, VALVE COVER	99	18				
30-62697	BALL BEARING, PISTON HOUSING TO OUTPUT SHAFT	109	90				
30-62698	BALL BEARING, OUTPUT SHAFT	109	93				
30-62699	BALL BEARING, PLANETARY AND CLUTCH DRUM	109	74				
30-62780	BALL BEARING, OUTPUT HOUSING	109	98				
31-62675A1	BEARING ASSEMBLY, THRUST - INPUT SHAFT	109	75				
32-47516--6	HOSE, TRANSMISSION TO OIL COOLER (30")	69	7				
32-47516--9	HOSE, OIL COOLER TO TRANSMISSION (37")	77	5				
32-47516-10	HOSE, TRANSMISSION TO OIL COOLER (33")	77	18				

PARTS INDEX

Part Number	Description	Pg.	Ref. No.	Part Number	Description	Pg.	Ref. No.
32-62010	HOSE, PUMP TO OIL COOLER INBOARD	51	21	46-63450A2	WATER PUMP ASSEMBLY, COMPLETE	51	1
32-62373	FUEL LINE, PUMP TO CARBURETOR (STERN DRIVE)	25	15	47-59362A1	IMPELLER ASSEMBLY	51	6
32-62374	FUEL LINE, PUMP TO CARB. (STEEL) - INBOARD	25	16	50-56886	STARTER MOTOR ASSEMBLY (LEFT HAND CRANKSHAFT ROTATION)	3	1
32-62987--2	HOSE, EXHAUST ELBOW TO TRANSMISSION COOLER MC 11-TR	37	20	50-65784A1	STARTER MOTOR ASSEMBLY (LEFT HAND CRANKSHAFT ROTATION)	3	1
32-62987--2	HOSE, PUMP TO TRANSMISSION COOLER MC 11-TR	53	40	50-65785A1	STARTER MOTOR ASSEMBLY (RIGHT HAND CRANKSHAFT ROTATION)	3	1
32-63576A1	HOSE ASSEMBLY, THERMOSTAT HOUSING TO TRANSOM MC 225-S	39	13	53-23720	RING, SNAP - BALL BEARING RETAINING	51	15
32-64815	HOSE, THERMOSTAT HOUSING TO OIL COOLER (INBOARD)	39	13	53-56860	RING, RETAINING - OIL PUMP SHAFT	61	12
32-64917	HOSE, OIL COOLER TO THERMOSTAT HOUSING	83	22	54-32523	CLAMP, HOSE ATTACHING MC 11-TR	37	21
32-64977	FUEL LINE, PUMP TO CARBURETOR (V-DRIVE)	25	16	54-32523	CLAMP, HOSE ATTACHING MC 11-TR	53	41
32-65231	HOSE, RETURN - POWER STEERING (26")	87	3	54-32780	CLAMP, HOSE ATTACHING	83	24
32-65929	HOSE, RETURN - POWER STEERING (46")	87	3	54-32780	CLAMP, HOSE ATTACHING	95	8
33-61783	SPARK PLUG (AC#C83T)	13	33	54-32780	CLAMP, HOSE ATTACHING MC 225-S	39	15
33-61783	SPARK PLUG (AC#C83T)	19	36	54-32780	CLAMP, WATER PUMP HOSE INBOARD	51	22
33-61783	SPARK PLUG (AC#C83T)	23	29	54-33683	CLAMP, BELLOWS TO EXHAUST ELBOW MC 225-S	39	20
35-60047A1	SCREEN, FLAME ARRESTOR	21	14A	54-33683	CLAMP, BELLOWS TO EXHAUST ELBOW MC 11-TR	39	20
35-60494	FUEL FILTER	25	7	54-35830	CLAMP, HOSE TO HYDRAULIC PUMP	87	4
37-36350	DECAL, HORSEPOWER - "225 H.P."	55	4	54-37304	CLAMP, HARNESS TO MOUNTING BRACKET	7	22
37-54675	DECAL, DISTRIBUTOR CAP	13	2	54-47483	"J" CLAMP, CONTROL VALVE SCREW	107	55
37-54675	DECAL, DISTRIBUTOR CAP	21	2	54-47528	CLAMP, ADJUSTING TRUNNION SCREW	47	10
37-61593	DECAL, DISTRIBUTOR CAP	17	2	54-47528	CLAMP, ADJUSTING TRUNNION SCREW	73	13
37-64707	DECAL, ROCKER COVER - "MERCUISER MARINE"	55	4	54-47528	CLAMP, ADJUSTING TRUNNION SCREW	81	9
38-47520	SERIAL PLATE	43	7	54-47545	CLIP, OIL LEVEL GAUGE TUBE INBOARD	63	28
39-56114	RING ASSEMBLY, PISTON (STANDARD)	65	2	54-54509	EYE, LIFTING - EXHAUST MANIFOLD	35	8
39-56115	RING ASSEMBLY, PISTON (.020 O.S.)	65	2	54-54555	LIFTING EYE, INTAKE MANIFOLD	57	21
43-56126	SPROCKET, CAMSHAFT TIMING (42 TEETH)	55	24	54-60539	CLAMP, HOSE ATTACHING	95	7
43-56141	SPROCKET, CRANKSHAFT TIMING (21 TEETH)	67	24	54-61001	CLIP, WIRING HARNESS TO ROCKER COVER	9	11
43-58023	GEAR, DRIVE (LEFT HAND CRANKSHAFT ROTATION)	13	14	54-61405	CLAMP, OIL LEVEL GAUGE TUBE BRACKET STERN DRIVE	61	24
43-58023	GEAR, DRIVE (LEFT HAND CRANKSHAFT ROTATION)	21	12	54-61405	CLIP, OIL LEVEL GAUGE TUBE STERN DRIVE	61	28
43-58024	GEAR, DRIVE (RIGHT HAND CRANKSHAFT ROTATION)	13	14				
43-58024	GEAR, DRIVE (RIGHT HAND CRANKSHAFT ROTATION)	21	12				
43-66177A1	SPROCKET ASS'Y, CAMSHAFT TIMING (42 TEETH)	55	24				

PARTS INDEX

Part Number	Description	Pg.	Ref. No.	Part Number	Description	Pg.	Ref. No.
54-64488	CLAMP, HOSE ATTACHING MC 225-S	39	14	84-66964	WIRING HARNESS (MC 225-S)	9	1
54-64489	CLAMP, HOSE ATTACHING MC 225-S	39	14	84-67957--1	LEAD ASSEMBLY, HIGH TENSION (31")	23	28
54-64855	"J" CLAMP, REVERSE INTERLOCK SWITCH LEAD	101	44	84-67957--2	LEAD ASSEMBLY, HIGH TENSION (28")	23	28
54-65308	CLIP, HOSE TO MANIFOLD (MC 225-S)	35	12	84-67957--3	LEAD ASSEMBLY, HIGH TENSION (21")	23	28
54-65783A2	CLAMP ASSEMBLY, DISTRIBUTOR CAP ATTACHING	21	8	84-67957--4	LEAD ASSEMBLY, HIGH TENSION (34")	23	28
57-49213	BELT, DRIVE - ALTERNATOR AND WATER PUMP	59	40	84-67957--5	LEAD ASSEMBLY, HIGH TENSION (38 1/2")	23	28
57-57298	"V" BELT, HYDRAULIC PUMP DRIVE	83	1	84-67957--6	LEAD ASSEMBLY, HIGH TENSION (35")	23	28
57-60327	BELT, WATER PUMP	53	38	86-62993	TERMINAL BLOCK, MOUNTING BRACKET ...	91	12
81-64851	CONDENSER	21	5	86-63813	TERMINAL BLOCK, TRIM LEADS (NOT AS SHOWN) -MC 11-TR	9	7
84-60871A5	GROUND WIRE ASSEMBLY	93	17	86-66986	TERMINAL BLOCK, SHIFT BRACKET	101	61
84-60871A9	WIRE, TERMINAL BLOCK (BLACK - 13")	101	65	88-65093	CIRCUIT BREAKER (NOT AS SHOWN) -MC 225-S	9	21
84-61801A1	LEAD ASSEMBLY, HIGH TENSION (27")	17	34	238-4055	FLYWHEEL ASSEMBLY (RIGHT HAND CRANKSHAFT ROTATION)	65	9
84-61801A2	LEAD ASSEMBLY, HIGH TENSION (30 1/2")	17	34	238-4428	FLYWHEEL ASSEMBLY (LEFT HAND CRANKSHAFT ROTATION)	65	9
84-61801A3	LEAD ASSEMBLY, HIGH TENSION (36 1/2")	17	34	391-5071	DISTRIBUTOR ASSEMBLY, COMPLETE (LEFT HAND CRANKSHAFT ROTATE ..	17	1
84-61801A4	LEAD ASSEMBLY, HIGH TENSION (41")	17	34	391-5072	DISTRIBUTOR ASSEMBLY, COMPLETE (RIGHT HAND CRANKSHAFT ROTATE ..	17	1
84-61801A5	LEAD ASSEMBLY, HIGH TENSION (25")	19	34	391-5075	CAP, DISTRIBUTOR	17	2
84-61801A6	LEAD ASSEMBLY, HIGH TENSION (33 1/2")	17	34	391-5076	GASKET, DISTRIBUTOR CAP	17	3
84-61801A7	LEAD ASSEMBLY, HIGH TENSION (38 1/2")	17	34	391-5077	LEAD ASSEMBLY, PRIMARY TERMINAL	17	10
84-61891	LEAD ASSEMBLY, DISTRIBUTOR TO COIL (8 1/2")	17	23	391-5078	GEAR, DRIVE (LEFT HAND CRANKSHAFT ROTATION)	17	17
84-62137	WIRING HARNESS -MC11-TR	9	1	391-5079	PIN, DRIVE GEAR	17	18
84-64600	WIRING HARNESS	7	1	391-5080	OILER	17	16
84-64606	WIRING HARNESS -MC11-TR	9	1	391-5081	"O" RING, DISTRIBUTOR ...	17	19
84-64635	WIRING HARNESS (SERIAL # AND UP)	7	1	391-5082	GEAR, DRIVE (RIGHT HAND CRANKSHAFT ROTATION)	17	17
84-64846	LEAD ASSEMBLY, PRIMARY	21	7	391-5083	VENT, SCREEN	17	15
84-65795--1	LEAD ASSEMBLY, HIGH TENSION (31")	21	28	391-5084	PIN, CLAMP TO DISTRIBUTOR	17	12
84-65795--2	LEAD ASSEMBLY, HIGH TENSION (28")	21	28	391-5085	CLAMP, DISTRIBUTOR CAP ATTACHING	17	11
84-65795--3	LEAD ASSEMBLY, HIGH TENSION (21")	23	28	391-5086	WASHER, DISTRIBUTOR CAP SCREW	17	14
84-65795--4	LEAD ASSEMBLY, HIGH TENSION (34")	21	28	391-5087	SCREW, DISTRIBUTOR CAP ATTACHING	17	13
84-65795--5	LEAD ASSEMBLY, HIGH TENSION (38 1/2")	21	28	391-5088	ROTOR	17	4
84-65795--6	LEAD ASSEMBLY, HIGH TENSION (35")	21	28	391-5089	SCREW BREAKER ATTACHING	17	9
84-65795--7	LEAD ASSEMBLY, HIGH TENSION (24")	21	28	391-5090	BREAKER ASSEMBLY	17	8
84-65796	LEAD ASSEMBLY, DISTRIBUTOR TO COIL (8 1/2")	21	17				

PARTS INDEX

Part Number	Description	Pg.	Ref. No.	Part Number	Description	Pg.	Ref. No.
391-5092	CONDENSER	17	5	1356-5155	CARBURETOR ASSEMBLY, COMPLETE	29	1
391-5093	BRACKET, CONDENSER ATTACHING	17	6	1356-5155	CARBURETOR ASSEMBLY, COMPLETE	31	-
392-4949	ARMATURE	93	2	1396-4084	VALVE, PRIMARY THROTTLE	29	12
392-4950	FIELD COIL ASSEMBLY	93	7	1396-4085	VALVE, SECONDARY THROTTLE	29	15
392-4951	CRANK ARM ASSEMBLY	93	8	1396-4086	THROTTLE BODY ASSEMBLY,	29	3
392-4952	GEAR AND GASKET PACKAGE	93	11	1396-4087	TUBE, METERING BODY CONNECTING	31	58
392-4953	GASKET, COVER	93	12	1396-4088	FLOAT ASSEMBLY	31	69
392-4955	HEAD ASSEMBLY, COMMUTATOR END	93	4	1396-4089	NUT, PUMP LEVER ADJUSTING SCREW	29	7
392-4956	BRUSH SET	93	5	1396-4093	MAIN JET	31	78
392-4957	HEAD ASSEMBLY, DRIVE END	93	9	1396-4094	COVER, SECONDARY DIAPHRAGM HOUSING	29	41
392-4958	PLATE, CAM	93	13	1396-4095	PLATE, SECONDARY METERING BODY	33	89
392-4959	SCREW AND DISC PACKAGE	93	10	1396-4096	METERING BODY, SECONDARY	33	86
392-4960	SPRING SET, BRUSH	93	3	1396-4097	COVER, FUEL PUMP	31	65
392-4962	THRU BOLT	93	6	1396-4098	HOUSING ASSEMBLY, CHOKE	29	43
392-6316	DISTRIBUTOR (L/H CR/SHAFT ROTATION)	103	1	1396-4099	FUEL BOWL ASSEMBLY, SECONDARY	31	84
392-6317	BEARING	103	9	1396-4100	METERING BODY, PRIMARY	31	77
392-6323	PLATE	103	5	1396-4101	FUEL BOWL ASSEMBLY, PRIMARY	31	60
392-6324	CONDENSER	103	7	1396-4102	SPRING, THROTTLE STOP SCREW	29	22
392-6325	BREAKER	103	6	1396-4103	SPRING, DIAPHRAGM RETURN - PRIMARY	31	67
392-6333	O-RING (1-1/2" O.D.)	103	12	1396-4104	SPRING, FLOAT	31	71
392-8739	DISTRIBUTOR (R/H CR/SHAFT ROTATION)	103	1	1396-4105	SPRING, PUMP LEVER ADJUSTING SCREW	29	6
392-9088	PRIMARY LEAD	103	13	1396-4116	VALVE, CHOKE	29	25
392-9766	CAP DISTRIBUTOR	103	2	1396-4117	CHOKE SHAFT AND LEVER ASSEMBLY	29	24
392-9767	ROTOR	103	4	1396-4118	LEVER, PICK-UP - FAST IDLE	31	46
392-9769	SHAFT	103	10	1396-4119	SHAFT ASSEMBLY, CHOKE HOUSING	31	45
392-9770	GEAR AND COLLAR (L/H CR/SHAFT ROTATION)	103	11	1396-4120	LEVER, CHOKE THERMOSTAT	31	48
392-9771	GEAR AND COLLAR (R/H CR/SHAFT ROTATION)	103	11	1396-4121	LINK AND PISTON ASSEMBLY	31	49
393-4988	CAP, DISTRIBUTOR	13	2	1396-4122	SCREW, THERMOSTAT HOUSING ATTACHING	31	57
393-4988	CAP, DISTRIBUTOR	21	2	1396-4123	SCREW, THROTTLE STOP	29	21
446-4064	CRANKSHAFT (LEFT HAND CRANKSHAFT ROTATION)	65	7	1396-4124	SCREW, FUEL PUMP COVER ATTACHING	31	68
446-4065	CRANKSHAFT (RIGHT HAND CRANKSHAFT ROTATION)	65	7	1396-4126	SCREW, SECONDARY DIAPHRAGM COVER ATTACHING	29	42
447-5098	CAMSHAFT (LEFT HAND CRANKSHAFT ROTATION)	55	16	1396-4126	SCREW, PRIMARY FUEL BOWL ATTACHING	31	61
447-5099	CAMSHAFT (RIGHT HAND CRANKSHAFT ROTATION)	55	16	1396-4127	SCREW, SECONDARY STOP	29	20
623-4679	CONNECTING ROD ASSEMBLY	65	3				
749-4058	PISTON AND PISTON PIN ASSEMBLY (STANDARD)	65	1				
749-4059	PISTON AND PISTON PIN ASSEMBLY (.003 O.S.) USE STANDARD RING	65	1				
749-4060	PISTON AND PISTON PIN ASSEMBLY (.020 O.S.)	65	1				
853-4056	CYLINDER BLOCK ASSEMBLY (INCLUDES BEARING CAPS)	57	1				
949-4057	CYLINDER HEAD ASSEMBLY	57	7				
1356-5155	CARBURETOR ASSEMBLY	25	22				

PARTS INDEX

Part Number	Description	Pg.	Ref. No.	Part Number	Description	Pg.	Ref. No.
1396-4129	SCREW, SECONDARY DIAPHRAGM HOUSING ATTACHING	29	35				
1396-4130	SCREW, CHOKE HOUSING ATTACHING	31	47				
1396-4131	SCREW, ADJUSTING - SECONDARY DIAPHRAGM LEVER	29	38				
1396-4131	SCREW, SECONDARY STOP LEVER ATTACHING	29	19				
1396-4133	SCREW, PUMP LEVER ADJUSTING	29	5				
1396-4134	SCREW, SECONDARY FUEL BOWL ATTACHING	33	85				
1396-4135	SCREW, PUMP CAM ATTACHING	29	11				
1396-4136	SCREW, SECONDARY METERING BODY ATTACHING	33	87				
1396-4137	SCREW, LOCKING - FUEL VALVE SEAT	33	91				
1396-4138	SCREW, DISCHARGE NOZZLE	29	32				
1396-4139	SPRING, RETURN - SECONDARY DIAPHRAGM	29	40				
1396-4140	NUT, ADJUSTING - FUEL VALVE	33	93				
1396-4141	NUT, CHOKE LEVER	31	53				
1396-4142	SPACER, CHOKE LEVER	31	51				
1396-4143	CAM, FUEL PUMP	29	10				
1396-4144	LEVER, SECONDARY STOP	29	18				
1396-4145	LINK, CHOKE	29	27				
1396-4146	ROD, SECONDARY CONNECTING	29	16				
1396-4147	LOCKWASHER, CHOKE LEVER	31	52				
1396-4148	HOUSING ASSEMBLY, THERMOSTAT	31	54				
1396-4149	CLAMP, THERMOSTAT HOUSING	31	56				
1396-4151	BAFFLE, PRIMARY METERING BODY	31	76				
1396-4152	BAFFLE, FUEL BOWL - PRIMARY	31	74				
1396-4153	BAFFLE, FUEL BOWL - SECONDARY	33	97				
1396-4154	LEVER, SECONDARY DIAPHRAGM	29	37				
1396-4155	LEVER, FUEL PUMP ACTUTION	29	4				
1396-4156	HOUSING, SECONDARY DIAPHRAGM	29	33				
1396-4344	PLUG, CHECK - FUEL LEVEL	31	72				
1396-4647A1	FITTING, VENTILATING - THERMOSTAT HOUSING	31	57A				
1396-5159	FITTING AND SCREEN, FUEL INLET	31	63				
1396-5237	GASKET KIT	33	97				
1396-5238	CARBURETOR REPAIR KIT	33	97				