



PARTS CATALOG

MERC 40

SERIAL NUMBER

40 (1 CYL.)	USA 3296137 THRU 4107219
40 (1 CYL.)	CAN 3305152 THRU 7045757
40 (1 CYL.)	3306257 THRU 8026539
40 (1 CYL.)	BEL 9000306 THRU 90721718

TABLE OF CONTENTS:

BOTTOM COWL ASSEMBLY	34
CARBURETOR ASSEMBLY	10
CARBURETOR CHOKE LINKAGE	14
CLAMP AND SWIVEL BRACKET ASSEMBLY (SERIAL GROUP #1)	40
CLAMP AND SWIVEL BRACKET ASSEMBLY (SERIAL GROUP #2)	44
CRANKSHAFT, PISTON AND CONNECTING ROD ASSEMBLY	28
CYLINDER BLOCK AND CRANKCASE ASSEMBLY	24
DRIVE SHAFT HOUSING ASSEMBLY	36
FLYWHEEL AND IGNITION COIL	6
FUEL PUMP AND FUEL LINE ASSEMBLY	16
GEAR HOUSING ASSEMBLY, COMPLETE (PAGE 1)	48
GEAR HOUSING ASSEMBLY, COMPLETE (PAGE 2)	54
MISCELLANEOUS PARTS/ACCESSORIES	1
PARTS INDEX	58
SHIFT CONTROL LINKAGE	18
STATOR AND IGNITION COMPONENTS	8
STEERING HANDLE ASSEMBLY	30
THROTTLE CONTROL LINKAGE	22
TOP COWL AND STARTER ASSEMBLY	2

NOTE: Indented description indicate that these parts are included in preceeding assembly.

AR = As Required

NSS = Not Sold Separate

OPT = Optional

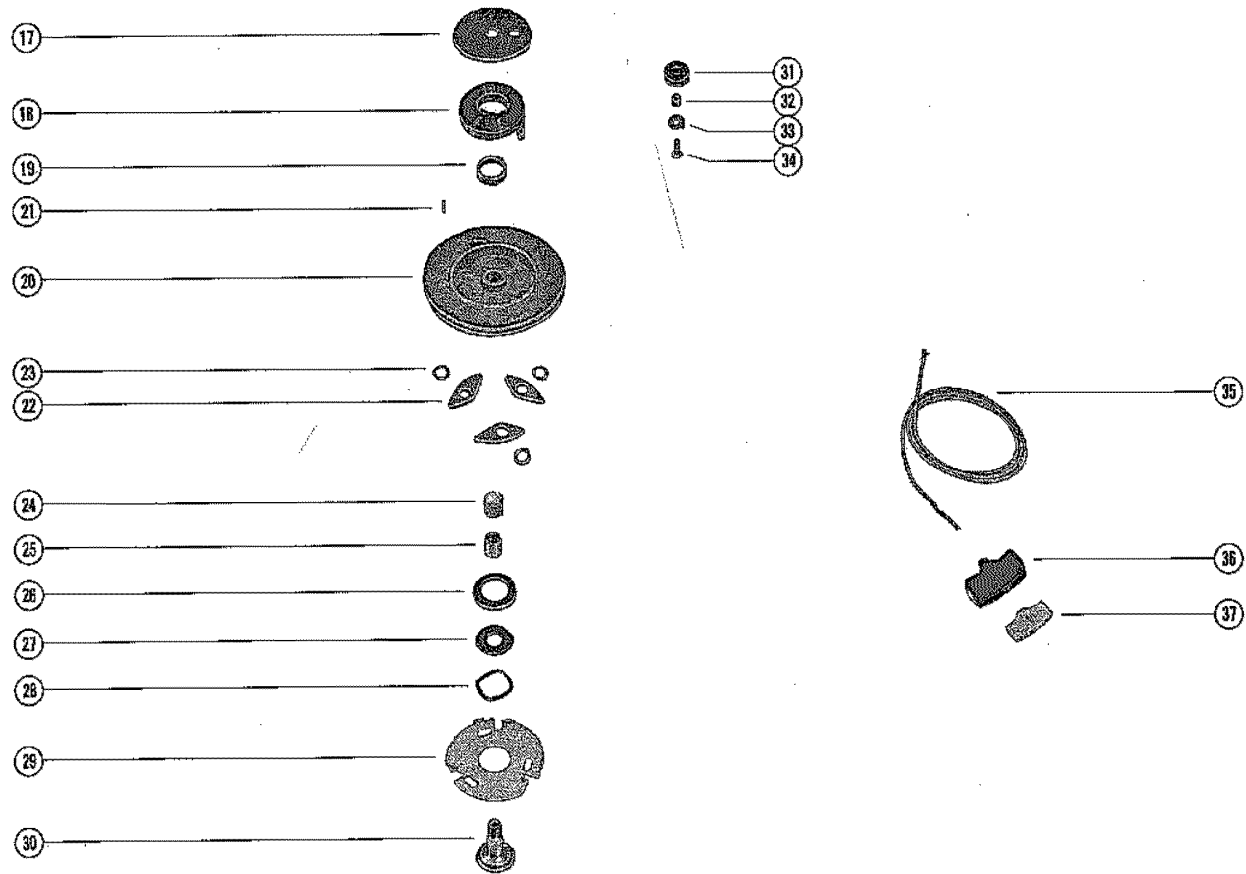
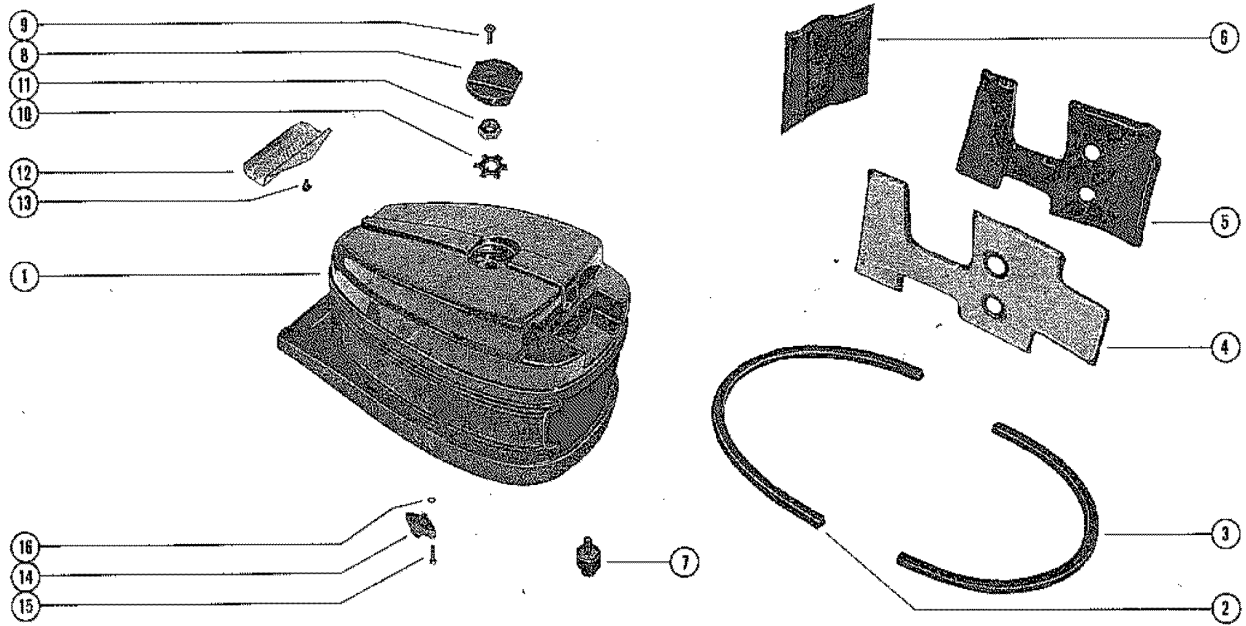
NS = Not Shown

THESE PARTS BOOKS/FICHE CARD ARE COPYRIGHTED AND MAY NOT BE DISTRIBUTED OR REPRODUCED IN ANY OTHER FORMAT BY ANYONE OTHER THAN MERCURY MARINE WITHOUT THE PRIOR WRITTEN CONSENT OF MERCURY MARINE.

MISCELLANEOUS PARTS/ACCESSORIES

REF. NO.	PART NO.	SYM.	QTY.	DESCRIPTION
-	46232A72		0	GASKET SET UNITED STATES 3529445 AND BELOW AUSTRALIA 8005739 AND BELOW BELGIUM 9012108 AND BELOW CANADA 7011057 AND BELOW
-	46232A73		0	GASKET SET UNITED STATES 3529445 AND BELOW AUSTRALIA 8005739 AND BELOW BELGIUM 9012108 AND BELOW CANADA 7011057 AND BELOW
-	37-60973A72		0	DECAL SET UNITED STATES 3529445 AND BELOW AUSTRALIA 8005739 AND BELOW BELGIUM 9012108 AND BELOW CANADA 7011057 AND BELOW
-	37-60973A73		0	DECAL SET UNITED STATES 3529446 THRU 3764824 AUSTRALIA 8005740 THRU 8014364 BELGIUM 9012109 THRU 9029973 CANADA 7011058 THRU 7025897
-	37-65778A74		0	DECAL SET UNITED STATES 3764825 AND UP AUSTRALIA 8014365 AND UP BELGIUM 9029974 AND UP CANADA 7025898 AND UP
-	90-62414		0	MERC 40 PARTS LIST
-	92-25234--1		0	GLUE (BLANKET ADHESIVE)
-	1203-335A23		0	FUEL TANK ASSEMBLY

TOP COWL AND STARTER ASSEMBLY

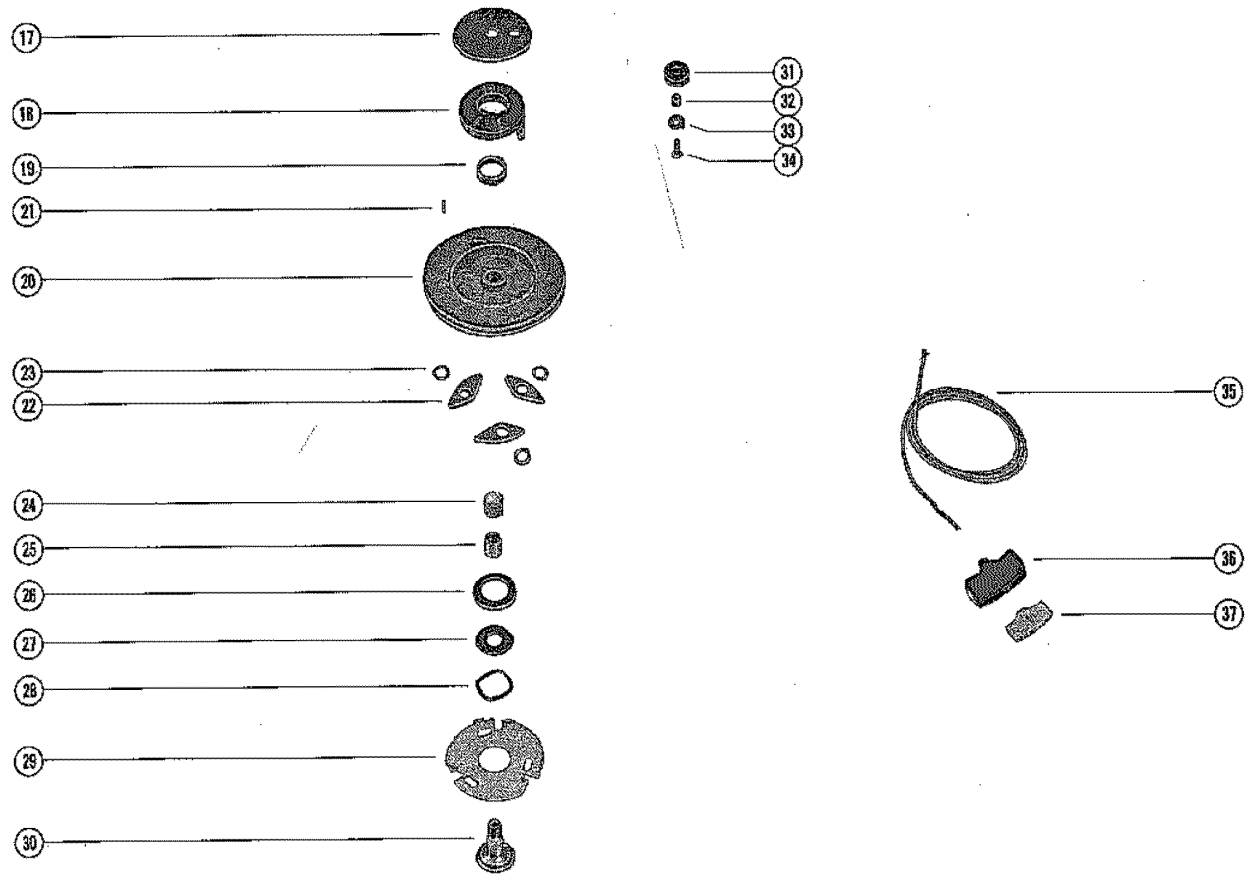
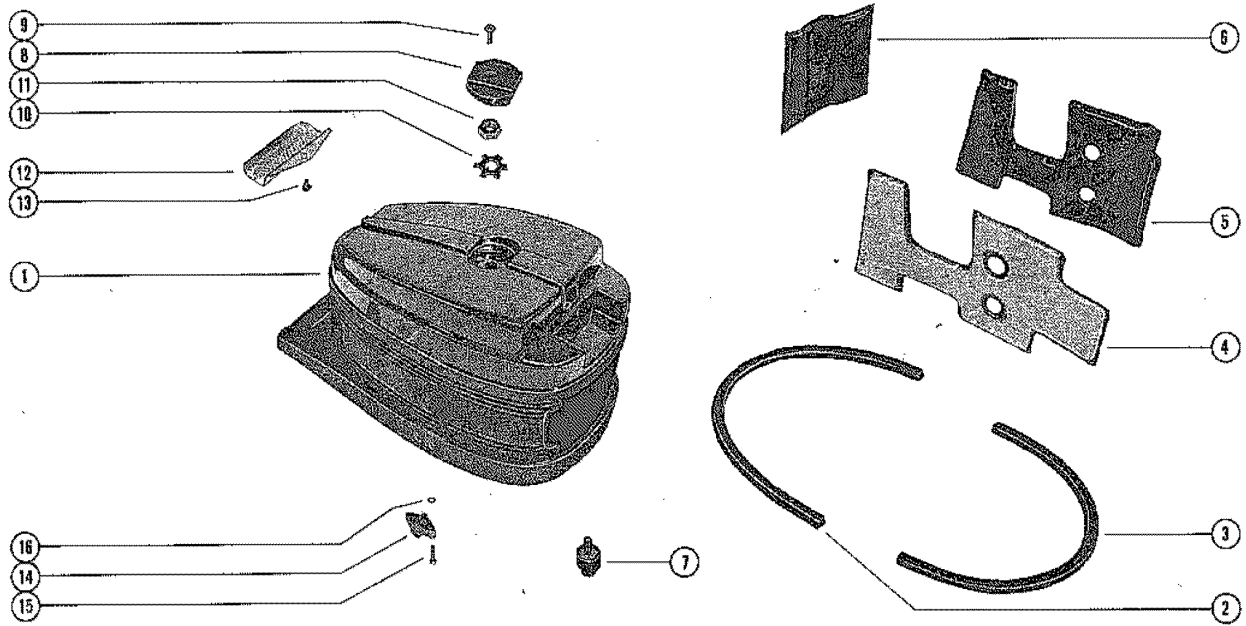


TOP COWL AND STARTER ASSEMBLY

REF. NO.	PART NO.	SYM.	QTY.	DESCRIPTION
1	191-4798A4		1	TOP COWL ASSEMBLY UNITED STATES 3529445 AND BELOW AUSTRALIA 8005739 AND BELOW BELGIUM 9012108 AND BELOW CANADA 7011057 AND BELOW
	191-5032A4		1	TOP COWL ASSEMBLY UNITED STATES 3529446 AND UP AUSTRALIA 8005740 AND UP BELGIUM 9012109 AND UP CANADA 7011058 AND UP
	191-5231A4		1	TOP COWL ASSEMBLY UNITED STATES 3529446 THRU 3764824 AUSTRALIA 8005740 THRU 8014364 BELGIUM 9012109 THRU 9037733 CANADA 7011058 THRU 7025897
2	39538		1	STRIP, SOUND SEAL - REAR
3	39537		1	STRIP, SOUND SEAL - FORWARD
4	46231		1	BLANKET, SOUND ABSORBING - STARBOARD UNITED STATES 3764824 AND BELOW AUSTRALIA 8014364 AND BELOW BELGIUM 9037733 AND BELOW CANADA 7025897 AND BELOW
5	35846		1	BLANKET, SOUND ABSORBING - PORT UNITED STATES 3764824 AND BELOW AUSTRALIA 8014364 AND BELOW BELGIUM 9037733 AND BELOW CANADA 7025897 AND BELOW
6	35848		1	BLANKET, SOUND ABSORBING - REAR UNITED STATES 3529445 AND BELOW AUSTRALIA 8005739 AND BELOW BELGIUM 9012108 AND BELOW CANADA 7011057 AND BELOW
7	53472		2	MOUNT, RUBBER - TOP COWL UNITED STATES 3764824 AND BELOW AUSTRALIA 8014364 AND BELOW BELGIUM 9037733 AND BELOW CANADA 7025897 AND BELOW
	66018		2	MOUNT, RUBBER - TOP COWL UNITED STATES 3529446 THRU 3764824 AUSTRALIA 8005740 THRU 8014364 BELGIUM 9012109 THRU 9037733 CANADA 7011058 THRU 7025897
8	30980		1	COVER, TRIM - TOP COWL UNITED STATES 3529445 AND BELOW AUSTRALIA 8005739 AND BELOW BELGIUM 9012108 AND BELOW CANADA 7011057 AND BELOW
	63170		1	COVER, TRIM - TOP COWL UNITED STATES 3529445 AND BELOW AUSTRALIA 8005739 AND BELOW BELGIUM 9012108 AND BELOW CANADA 7011057 AND BELOW
9	10-23618		1	SCREW, TRIM COVER TO TOP COWL UNITED STATES 3529445 AND BELOW AUSTRALIA 8005739 AND BELOW BELGIUM 9012108 AND BELOW CANADA 7011057 AND BELOW
	10-64652		1	SCREW, TRIM COVER TO TOP COWL UNITED STATES 3529445 AND BELOW AUSTRALIA 8005739 AND BELOW BELGIUM 9012108 AND BELOW CANADA 7011057 AND BELOW
10	14-20165		1	TAB WASHER, CHEAVE SHAFT NUT
11	11-20166		1	NUT, SHEAVE SHAFT (LEFT HAND THREAD)
12	31908		1	SCREEN, VENT - TO COWL UNITED STATES 3529445 AND BELOW AUSTRALIA 8005739 AND BELOW BELGIUM 9012108 AND BELOW CANADA 7011057 AND BELOW

CONTINUED ON NEXT PAGE ➡

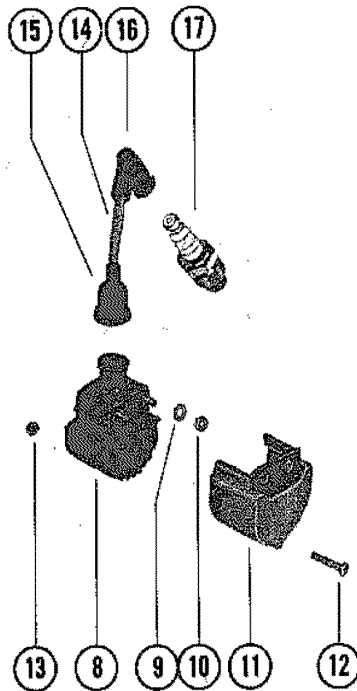
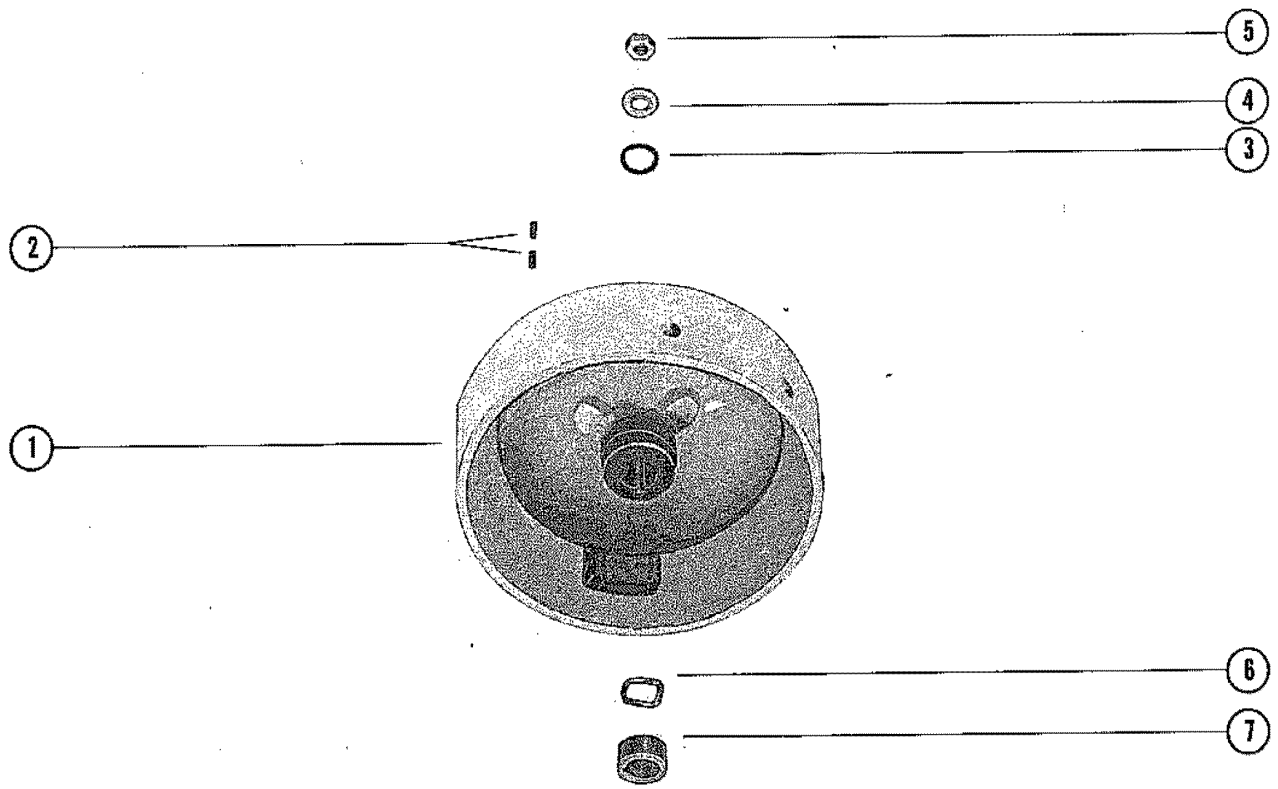
TOP COWL AND STARTER ASSEMBLY



TOP COWL AND STARTER ASSEMBLY

REF. NO.	PART NO.	SYM.	QTY.	DESCRIPTION
12	64601		1	COVER, VENT - TO COWL PART OF A-191-5032A4 TOP COWL ASSEMBLY UNITED STATES 3529445 AND BELOW AUSTRALIA 8005739 AND BELOW BELGIUM 9012108 AND BELOW CANADA 7011057 AND BELOW
13	10-35519		3	SCREW, VENT SCREEN TO TOP COWL (3/8") PART OF A-191-5032A4 TOP COWL ASSEMBLY
14	39257		1	BRACKET, PORT - TOP COWL FASTENING
	39258		1	BRACKET, STARBOARD - TOP COWL FASTENING
15	10-39514		4	SCREW, BRACKET TO TOP COWL (1 1/8")
16	12-29245		4	WASHER, BRACKET SCREW (1/16")
17	20155		1	RETAINER, STARTER SPRING
18	24-29340A1		1	SPRING ASSEMBLY, STARTER REWIND
19	23-28912		1	BUSHING, SPRING GUIDE
20	50-61576A1		1	STARTER SHEAVE ASSEMBLY
21	17-22896		1	PIN, RETAINER - STARTER CABLE
22	30596		3	PAWL, STARTER
23	13-36206		3	WASHER, WAVE - STARTER PAWL
24	23-28919		1	BUSHING, NYLON - SHEAVE SHAFT SPACER
25	23-61005		1	SPACER, SHEAVE SHAFT
26	26179		1	RETAINER, SHEAVE SHAFT TO STARTER CHEAVE
27	12-35559		1	WASHER, SHEAVE SHAFT RETAINER
28	13-20160		1	WASHER, WAVE - RETAINER TENSION
29	30595		1	PLATE, RETAINER - STARTER PAWL
30	35558		1	SHAFT, SHEAVE
31	55860		1	PULLEY, STARTER CABLE
32	23-30977		1	SPACER, CABLE PULLEY
33	12-22887		1	WASHER, PULLEY FASTENING SCREW
34	10-28789		1	SCREW, PULLEY TO TOP COWL (3/4")
35	50-61575A1		1	STARTER CABLE ASSEMBLY
36	30782		1	HANDLE, STARTER CABLE
37	28748		1	RETAINER, STARTER CABLE AND HANDLE

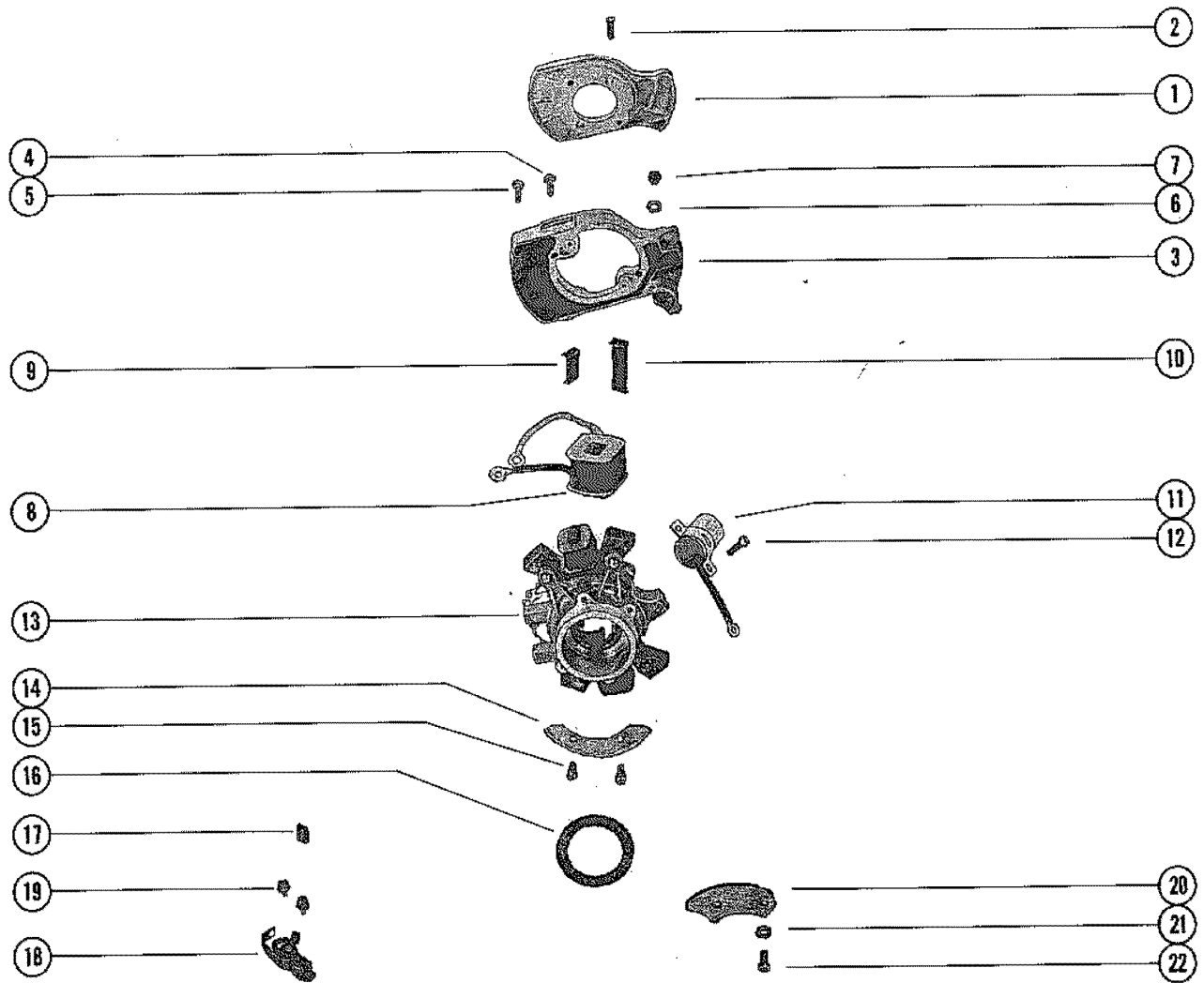
FLYWHEEL AND IGNITION COIL



FLYWHEEL AND IGNITION COIL

REF. NO.	PART NO.	SYM.	QTY.	DESCRIPTION
1	236-4475A1		1	FLYWHEEL ASSEMBLY
2	28-20094		2	KEY, FLYWHEEL DRIVE
3	25-36284		1	"O" RING, FLYWHEEL NUT
4	12-36282		1	WASHER, FLYWHEEL NUT
5	11-20696		1	NUT, FLYWHEEL
6	13-35629		1	WASHER, WAVE - CAM TENSION
7	336-4465		1	CAM, BREAKER
8	336-4528A1		1	COIL ASSEMBLY, IGNITION
9	13-26996		2	LOCKWASER, IGNITION COIL TERMINAL
10	11-45076		2	NUT, IGNITION COIL TERMINAL
11	61532		1	COVER, IGNITION COIL
12	10-61530		3	SCREW, COIL COVER TO REAR SUPPORT GRACKET (3 3/4")
13	11-27164		3	NUT, COIL COVER SCREW
14	47899A9		1	LEAD ASSEMBLY, HIGH TENSION
15	332-2854		1	NIPPLE, IGNITION COIL
16	47604A1		1	PROTECTOR ASSEMBLY, SPAR PLUG
17	33-58194		1	SPARK PLUG (AC #40FFK)

STATOR AND IGNITION COMPONENTS



EXHAUST COVER ← 23 → CONDENSER SCREW

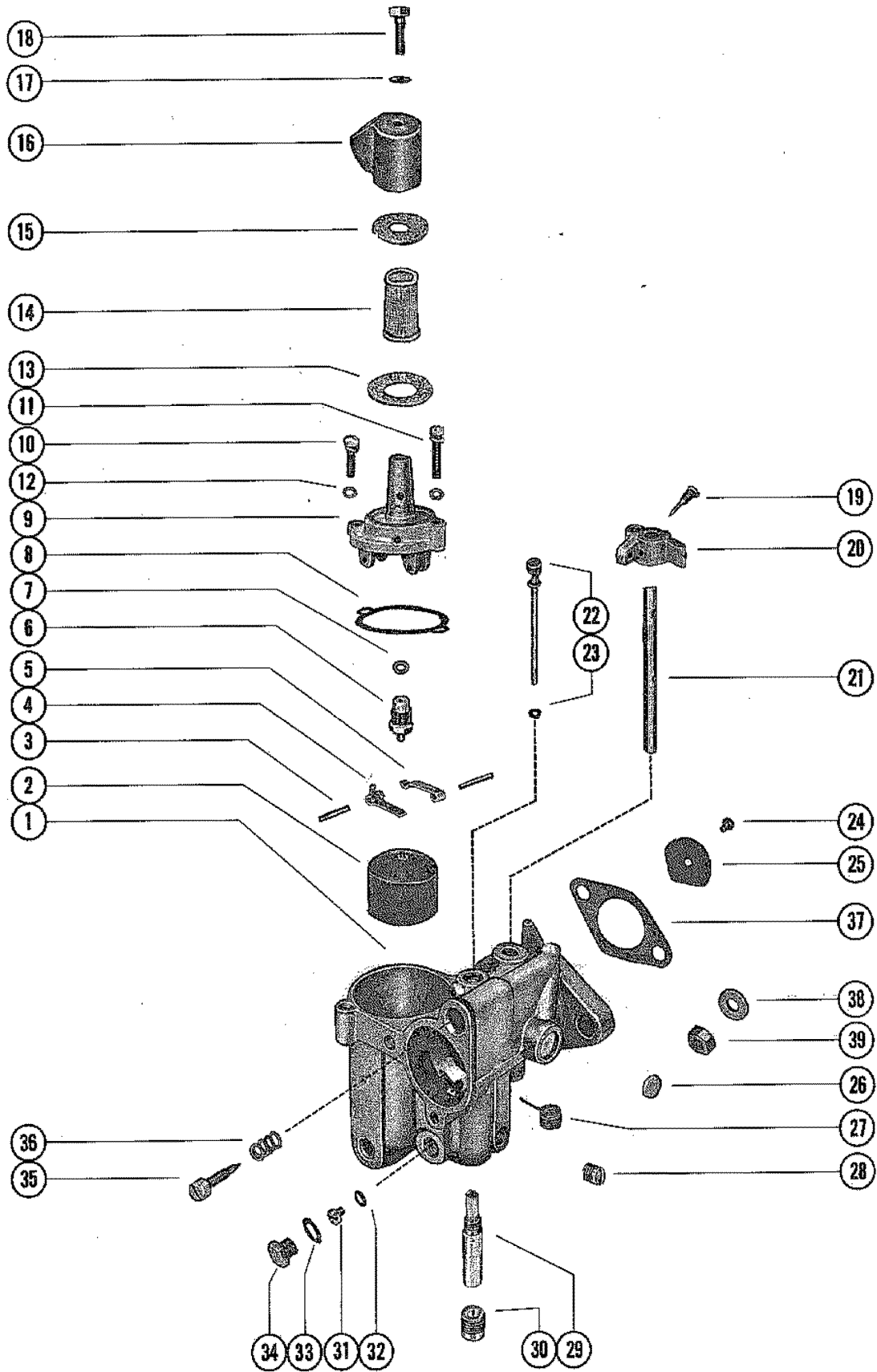
MODULE ← 24 → 25 → IGNITION COIL

STATOR HOUSING ← 29 28 → 26 → 27 → IGNITION COIL

STATOR AND IGNITION COMPONENTS

REF. NO.	PART NO.	SYM.	QTY.	DESCRIPTION
1	336-4524A1		1	COVER ASSEMBLY
2	10-60491		2	SCREW, COVER TO MODULE (5/8")
3	336-4516A2		1	IGNITION MODULE ASSEMBLY
4	10-59800		2	SCREW, MODULE TO STATOR (9/16")
5	10-36046		3	SCREW, MODULE - COIL LEADS (1/4")
6	13-26996		2	LOCKWASHER, MODULE - IGNITION COIL LEAD TERMINALS
7	11-45076		2	NUT, MODULE - IGNITION COIL LEAD TERMINALS
8	336-4470A1		1	COIL, HIGH SPEED
	336-4469A1		1	COIL, LOW SPEED
9	54-59538		2	CLIP, COIL RETAINING
10	54-59539		2	CLIP, COIL RETAINING
11	336-4463		1	CONDENSER ASSEMBLY
12	10-62269		2	SCREW, CONDENSER ATTACHING (7/16")
13	336-4476A1		1	STATOR ASSEMBLY
14	336-4458		2	PLATE, STATOR HOLD DOWN
15	10-35400		4	SCREW, HOLD DOWN PLATE TO STATOR (7/16")
16	15-33910015		1	SHIM, STATOR PLATE TO UPPER END CAP
17	336-3989		1	WICH, CAM WIPER - STATOR ASSEMBLY
18	336-4318A3		1	MAKER ASSEMBLY, STATOR HOUSING
19	10-56266		2	SCREW, MAKER TO STATOR HOUSING (3/8")
20	56520		1	CAM, THROTTLE
21	10-28063		2	SCREW, THROTTLE CAM TO CONTRACT HOUSING
22	12-37998		1	WASHER, THROTTLE CAM ATTACHING SCREW
23	56757A5		1	JUMPER WIRE ASS'Y, CONDENSER TO COVER (BLACK - 4 1/4")
24	56318A11		1	LEAD ASSEMBLY, MODULE TO IDNITION COIL (GREEN - 12 1/4")
25	38938		1	BOOT, LEAD ASSEMBLY
26	56316A4		1	CABLE ASSEMBLY, STATOR HOUSING (WHITE - 10 3/4")
27	38938		1	BOOT, CABLE
28	336-4460		1	INSULATOR, CABLE TO CONTRACT HOUSING
29	11-56325		1	NUT, CABLE INSULATOR

CARBURETOR ASSEMBLY

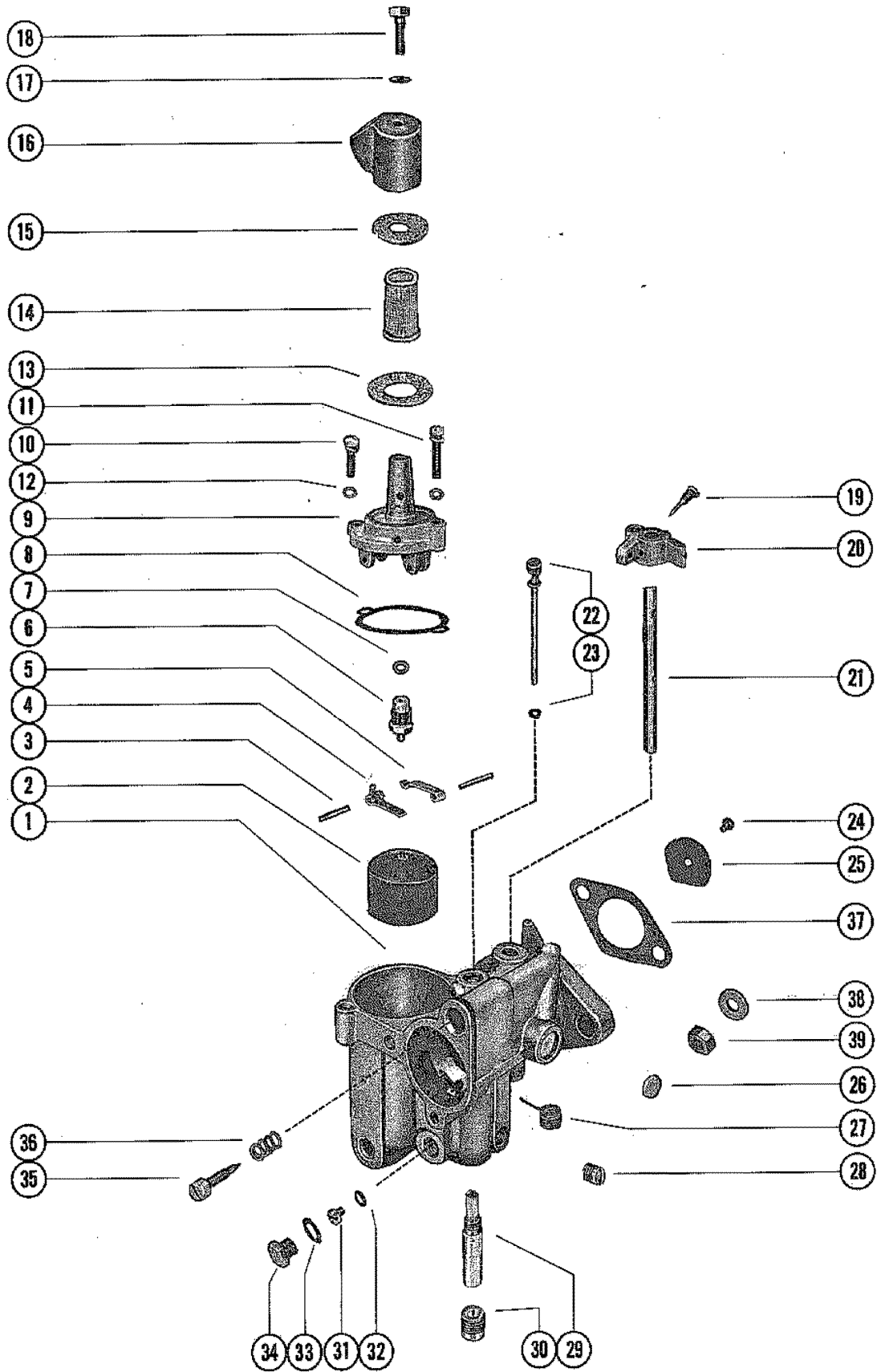


CARBURETOR ASSEMBLY

REF. NO.	PART NO.	SYM.	QTY.	DESCRIPTION
1	1341-3711		1	CARBURETOR ASSEMBLY, COMPLETE (KB-10A)
2	1399-110A1		1	FLOAT ASSEMBLY
3			2	PIN, FLOAT LEVER PINION
4			1	LEVER, FLOAT (LOWER)
5			1	LEVER, FLOAT (UPPER)
6	1399-1138		1	INLET NEEDLE, SEAT AND GASKET
7			1	GASKET, INLET SEAT
8			1	GASKET, FLOAT BOWL COVER
9	1399-1133		1	COVER, FLOAT BOWL
10	10-52195		1	SCREW, FLOAT BOWL COVER (SHORT)
11	10-52196		1	SCREW, FLOAT BOWL COVER (LONG)
12	13-26995		2	LOCKWASHER, FLOAT BOWL COVER SCREW
13			1	GASKET, STRAINER COVER (LARGE)
14	1399-3938		1	SCREEN, FILTER
15			1	GASKET, STRAINER COVER (SMALL)
16	1399-1135		1	COVER, STRAINER
17			1	GASKET, STRAINER COVER SCREW
18	10-25822		1	SCREW, STRAINER COVER
19	10-20847		1	SCREW, THROTTLE STOP LEVER
20	1399-97		1	LEVER, THROTTLE STOP
21	1399-1716		1	SHAFT, THROTTLE
22			1	TUBE, IDLE
23			1	GASKET, IDLE TUBE
24			1	SCREW AND LOCKWASHER, THROTTLE SHUTTER
25	1399-3739		1	SHUTTER, THROTTLE
26			1	WELCH PLUG, BODY CHANNEL
27			1	SPRING, THROTTLE SHAFT RETURN
28	10-28845		1	SCREW, PLUG - BODY CHANNEL
29			1	,MAIN NOZZLE
30	10-23178		1	SCREW, PLUG - MAIN NOZZLE
31	1399-1896		OPT.	JET, MAIN FUEL (.041)
	1399-2407		OPT.	JET, MAIN FUEL (.039)
	1399-3026		1	JET, MAIN FUEL (.036) - STANDARD
	1399-3251		OPT.	JET, MAIN FUEL (.034)
	1399-3252		OPT.	JET, MAIN FUEL (.032)
32			1	GASKET, MAIN FUEL JET
33			1	GASKET, JET CHANNEL PLUG SCREW
34	10-28405		1	SCREW, PLUG - MAIN FUEL JET CHANNEL
35	1399-3740		1	SCREW, IDLE ADJUSTMENT
36			1	SPRING, IDLE ADJUSTMENT SCREW

CONTINUED ON NEXT PAGE ➡

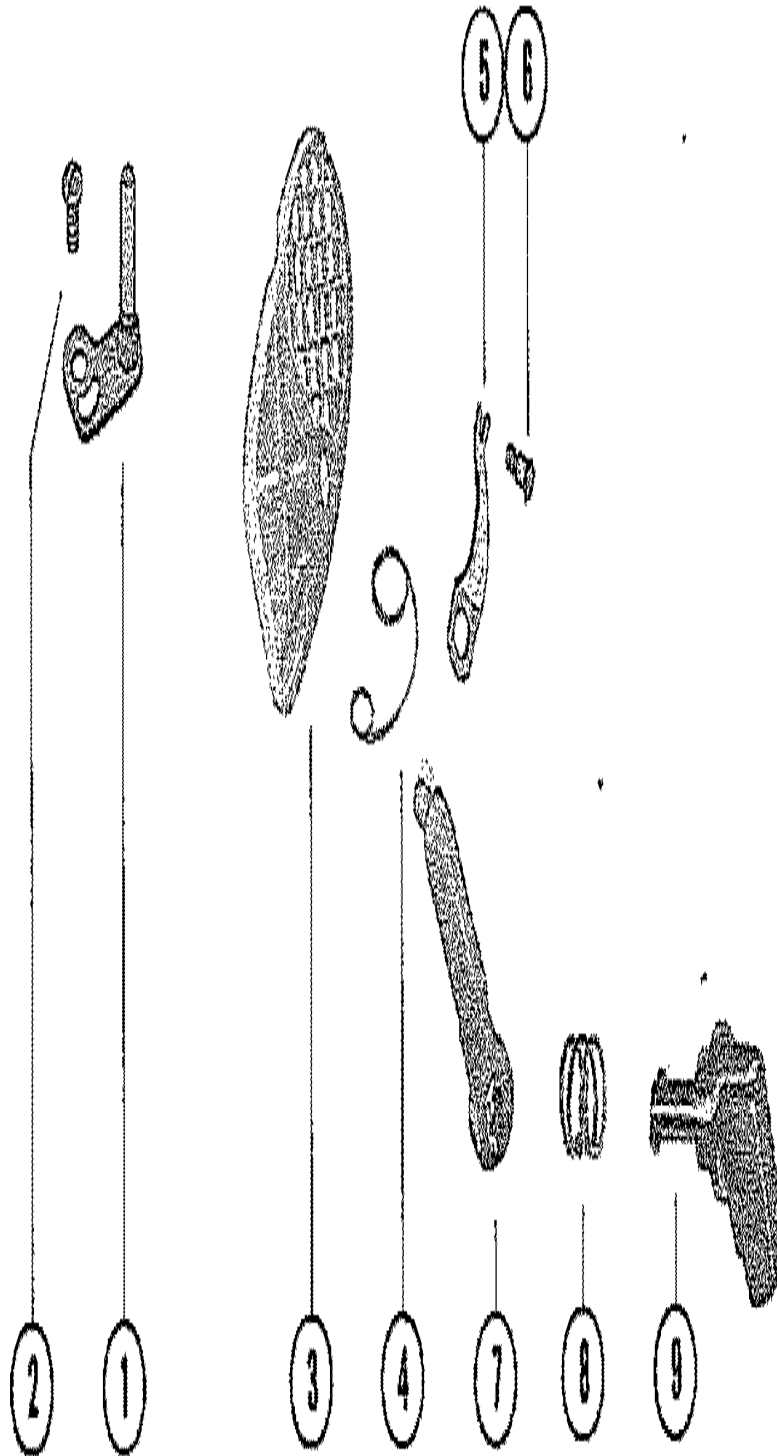
CARBURETOR ASSEMBLY



CARBURETOR ASSEMBLY

REF. NO.	PART NO.	SYM.	QTY.	DESCRIPTION
-	1399-1717		1	GASKET AND PACKING SET
-	1399-3741		1	REPAIR PARTS KIT
37	27-22023		1	GASKET, CARBURETOR TO REED BLOCK
38	12-20583		1	WASHER, CARBURETOR MOUNTING STUD
39	11-24652		2	NUT, CARBURETOR MOUNTING STUD

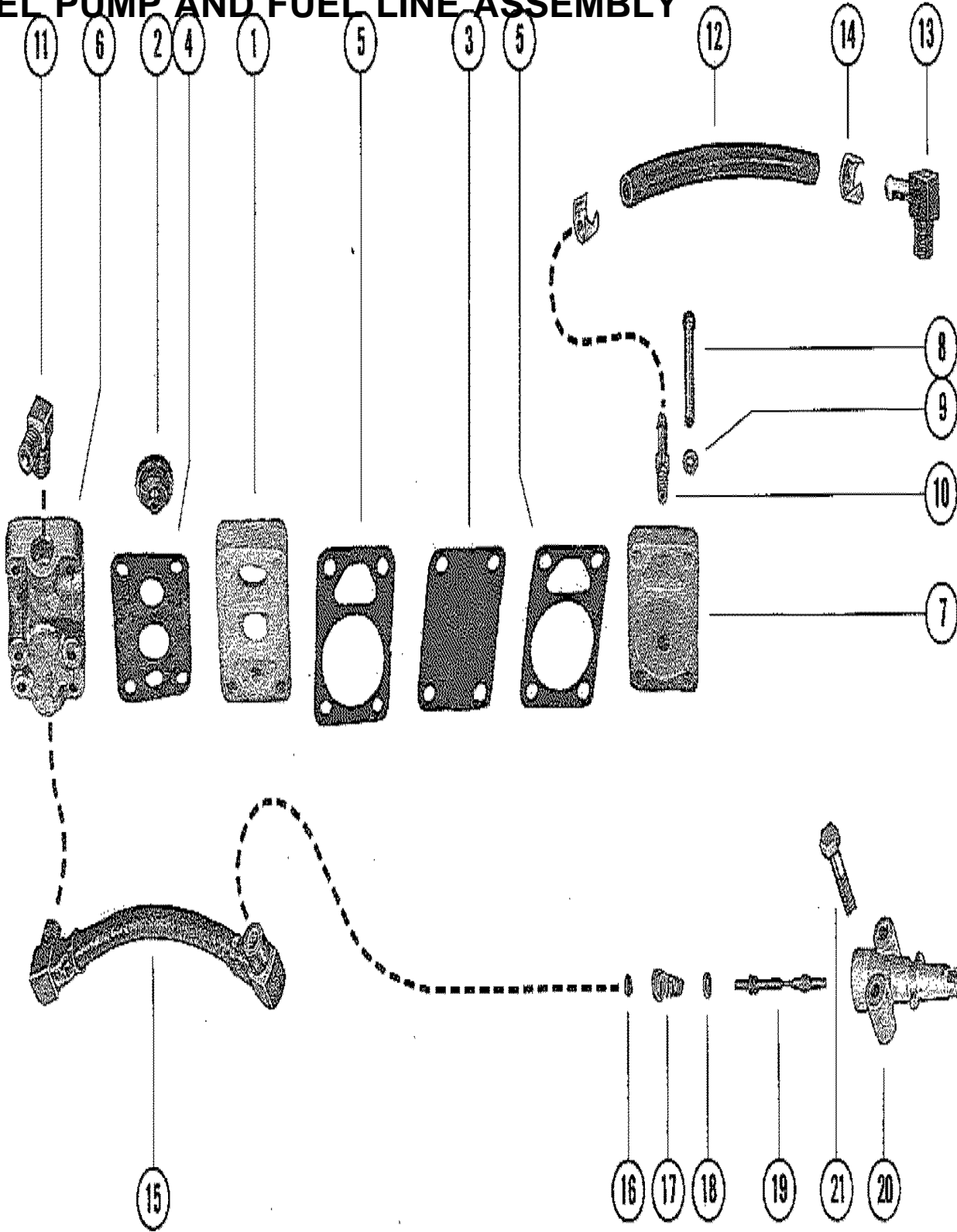
CARBURETOR CHOKE LINKAGE



CARBURETOR CHOKE LINKAGE

REF. NO.	PART NO.	SYM.	QTY.	DESCRIPTION
1	59000		1	THROTTLE LEVER ASSEMBLY
2	10-20597		1	SCREW, THROTTLE LEVER TO CARBURETOR (3/8")
3	53191		1	SHUTTER AND SCREEN, CHOKE - CARBURETOR
4	24-53193		1	SPRING, CHOKE SHUTTER TO LEVER
5	24-55299A1		1	SPRING ASSEMBLY, CARBURETOR
6	10-55298		1	SCREW, SPRING TO CARBURETOR
7	53187		1	LEVER, CHOKE
8	24-53190		1	SPRING, TENSION - CHOKE KNOB
9	53189		1	KNOB, CHOKE

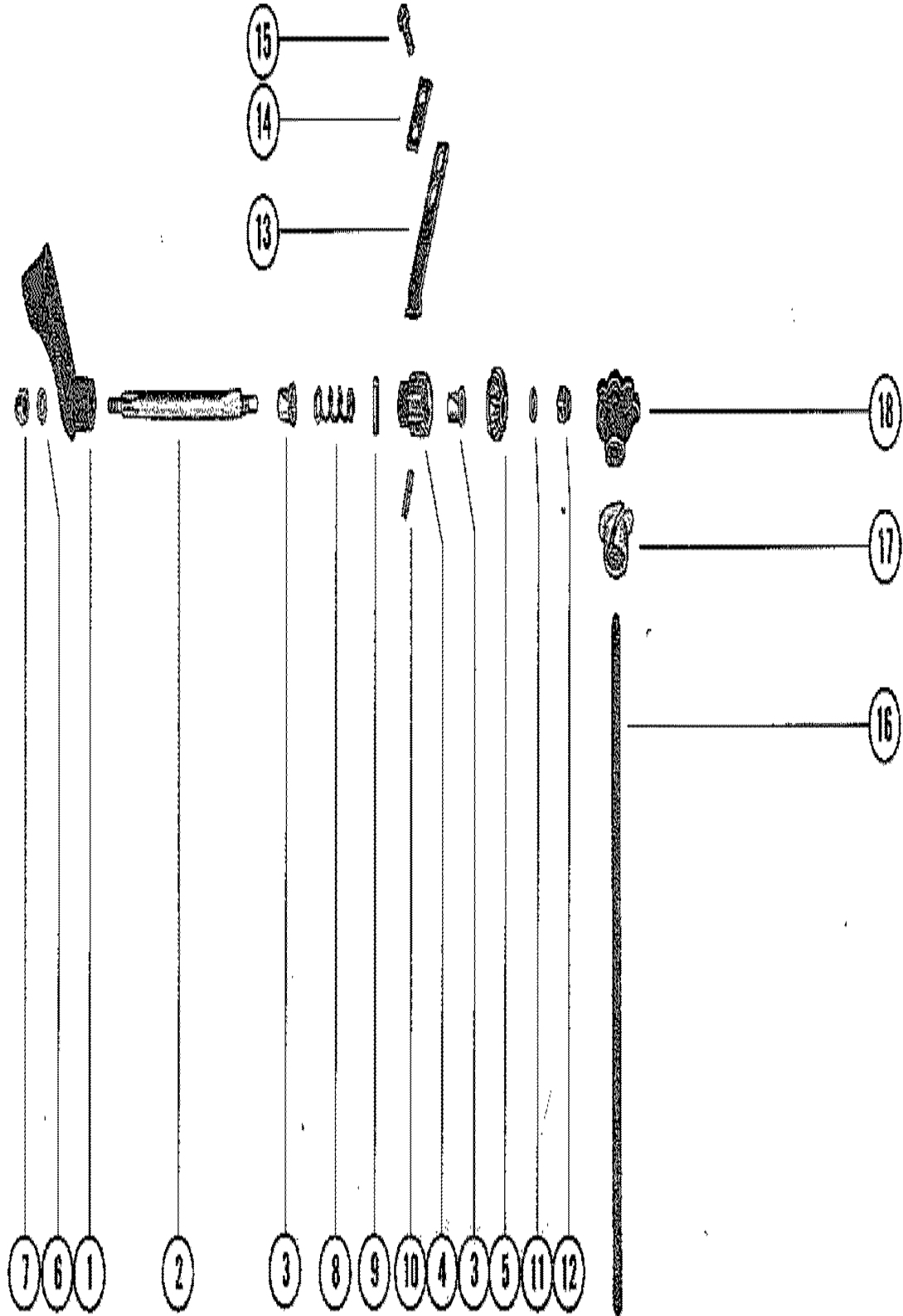
FUEL PUMP AND FUEL LINE ASSEMBLY



FUEL PUMP AND FUEL LINE ASSEMBLY

REF. NO.	PART NO.	SYM.	QTY.	DESCRIPTION
1	53238A3		1	FUEL PUMP ASSEMBLY
2	21-30430A2		2	CHECK VALVE ASSEMBLY
3	53245A1		1	DIAPHRAGM KIT, FUEL PUMP
4			1	GASKET, FUEL PUMP TO BASE
5			2	GASKET, FUEL PUMP
6	53241		1	BASE, FUEL PUMP
7	61541		1	COVER, FUEL PUMP
8	10-32627		4	SCREW, FUEL PUMP TO BASE (1 1/2")
9	12-20128		4	WASHER, FUEL PUMP SCREWS
10	22-54064		1	CONNECTOR, HOSE TO FUEL PUMP UNITED STATES 3529445 AND BELOW AUSTRALIA 8005739 AND BELOW BELGIUM 9012108 AND BELOW CANADA 7011057 AND BELOW
	22-61544		1	ELBOW, HOSE TO FUEL PUMP (45) UNITED STATES 3529445 AND BELOW AUSTRALIA 8005739 AND BELOW BELGIUM 9012108 AND BELOW CANADA 7011057 AND BELOW
11	22-39079		1	ELBOW, FUEL PUMP TO CARBURETOR
12	32-52742A1		1	HOSE ASSEMBLY, FUEL PUMP TO CYLINDER BLOCK (4 1/2")
13	22-33373		1	ELBOW, HOSE TO CYLINDER BLOCK (90)
14	54-20387		2	CLAMP, FUEL PUMP HOSE TO ELBOWS
15	32-61642		1	FUEL LINE, INLET - ADAPTOR TO FUEL PUMP
16	30188		1	CUP WASHER, ADAPTOR
17	24-23067		1	SPRING, ADAPTOR STEM
18	25-20415		1	"O" RING, ADAPTOR STEM
19	23069		1	STEM, CHECK UNIT ADAPTOR
20	22833		1	ADAPTOR, CHECK UNIT
21	10-37923		1	SCREW, CHECK UNIT ADAPTOR TO BOTTOM COWL (1 1/4")

SHIFT CONTROL LINKAGE

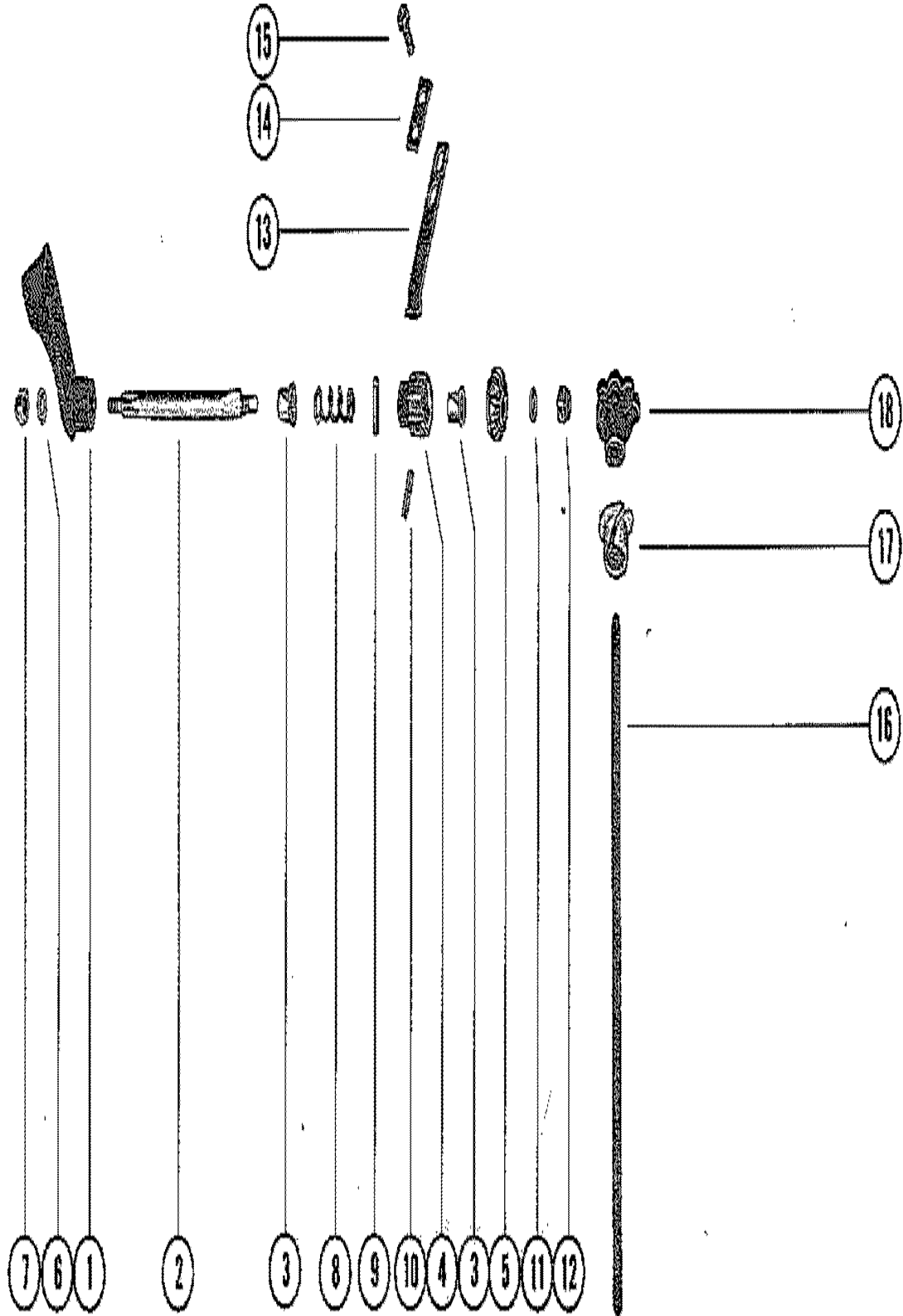


SHIFT CONTROL LINKAGE

REF. NO.	PART NO.	SYM.	QTY.	DESCRIPTION
1	59107		1	HANDLE, SHIFT CONTROL UNITED STATES 3764824 AND BELOW AUSTRALIA 8014364 AND BELOW BELGIUM 9037733 AND BELOW CANADA 7025897 AND BELOW
2	47431		1	SHAFT, SHIFT - CONTROL HANDLE UNITED STATES 3764824 AND BELOW AUSTRALIA 8014364 AND BELOW BELGIUM 9037733 AND BELOW CANADA 7025897 AND BELOW
3	23-30678		2	BUSHING, NYLON - SHIFT CONTROL HANDLE UNITED STATES 3764824 AND BELOW AUSTRALIA 8014364 AND BELOW BELGIUM 9037733 AND BELOW CANADA 7025897 AND BELOW
4	39588		1	CAM, DETENT - SHIFT SHAFT UNITED STATES 3764824 AND BELOW AUSTRALIA 8014364 AND BELOW BELGIUM 9037733 AND BELOW CANADA 7025897 AND BELOW
5	43-30802		1	GEAR, HORIZONTAL - SHIFT CONTROL HANDLE UNITED STATES 3764824 AND BELOW AUSTRALIA 8014364 AND BELOW BELGIUM 9037733 AND BELOW CANADA 7025897 AND BELOW
1	66376		1	HANDLE, SHIFT CONTROL UNITED STATES 3529446 THRU 3764824 AUSTRALIA 8005740 THRU 8014364 BELGIUM 9012109 THRU 9037733 CANADA 7011058 THRU 7025897
2	66378		1	SHIFT, SHIFT - CONTROL HANDLE UNITED STATES 3529446 THRU 3764824 AUSTRALIA 8005740 THRU 8014364 BELGIUM 9012109 THRU 9037733 CANADA 7011058 THRU 7025897
3	23-66375		2	BUSHING, NYLON - SHIFT CONTROL HANDLE UNITED STATES 3529446 THRU 3764824 AUSTRALIA 8005740 THRU 8014364 BELGIUM 9012109 THRU 9037733 CANADA 7011058 THRU 7025897
4	66414		1	CAM, DETENT - SHIFT SHAFT UNITED STATES 3529446 THRU 3764824 AUSTRALIA 8005740 THRU 8014364 BELGIUM 9012109 THRU 9037733 CANADA 7011058 THRU 7025897
5	43-66377		1	GEAR, HORIZONTAL - SHIFT CONTROL HANDLE UNITED STATES 3529446 THRU 3764824 AUSTRALIA 8005740 THRU 8014364 BELGIUM 9012109 THRU 9037733 CANADA 7011058 THRU 7025897
6	12-29245		1	WASHER, SHIFT CONTROL HANDLE TO SHAFT
7	11-39305		1	NUT, SHIFT CONTROL HANDLE TO SHAFT
8	24-30817		1	SPRING, TENSION - SHIFT CONTROL HANDLE UNITED STATES 3764824 AND BELOW AUSTRALIA 8014364 AND BELOW BELGIUM 9037733 AND BELOW CANADA 7025897 AND BELOW
9	17-31224		1	PIN, DOWEL - TENSION SPRING TO HANDLE UNITED STATES 3764824 AND BELOW AUSTRALIA 8014364 AND BELOW BELGIUM 9037733 AND BELOW CANADA 7025897 AND BELOW
10	17-25905		1	PIN, DETENT CAM TO SHIFT SHAFT
11	12-29245		1	WASHER, SHIFT CONTROL HANDLE
12	11-20361		1	NUT, HORIZONTAL GEAR TO SHIFT CONTROL HANDLE
13	24-39627		1	SPRING, DETENT - CRANKCASE

CONTINUED ON NEXT PAGE ➡

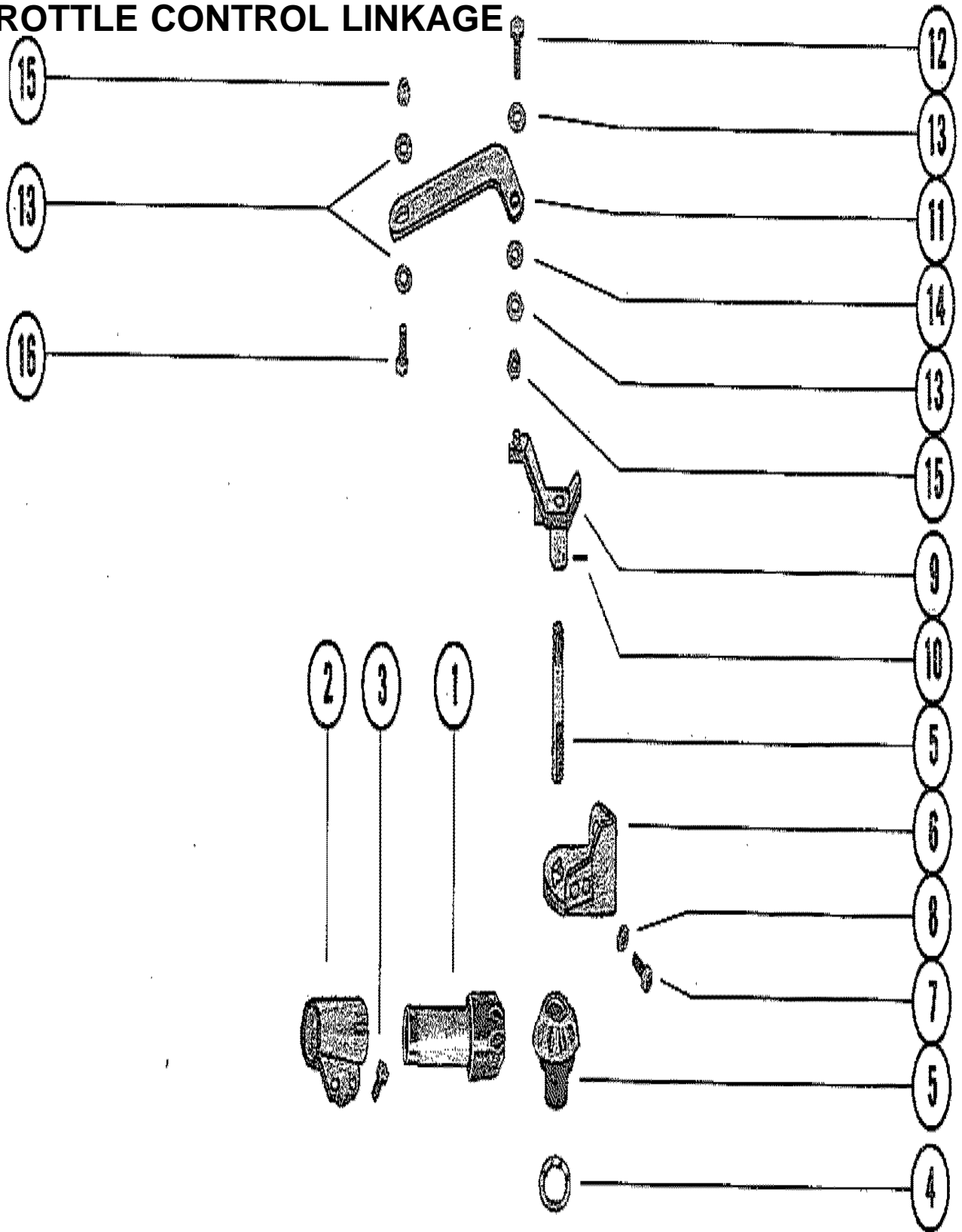
SHIFT CONTROL LINKAGE



SHIFT CONTROL LINKAGE

REF. NO.	PART NO.	SYM.	QTY.	DESCRIPTION
14	39601		1	PLATE, DETENT SPRING
15	10-25764		2	SCREW, PLATE AND SPRING TO CRANKCASE (1/2")
16	63555		1	SHIFT SHAFT, UPPER UNITED STATES 3529445 AND BELOW AUSTRALIA 8005739 AND BELOW BELGIUM 9012108 AND BELOW CANADA 7011057 AND BELOW
17	23-30677		1	BUSHING, NYLON - SHIFT CONTROL SHAFT
18	43-55447		1	GEAR, SECTOR - SHIFT SHAFT

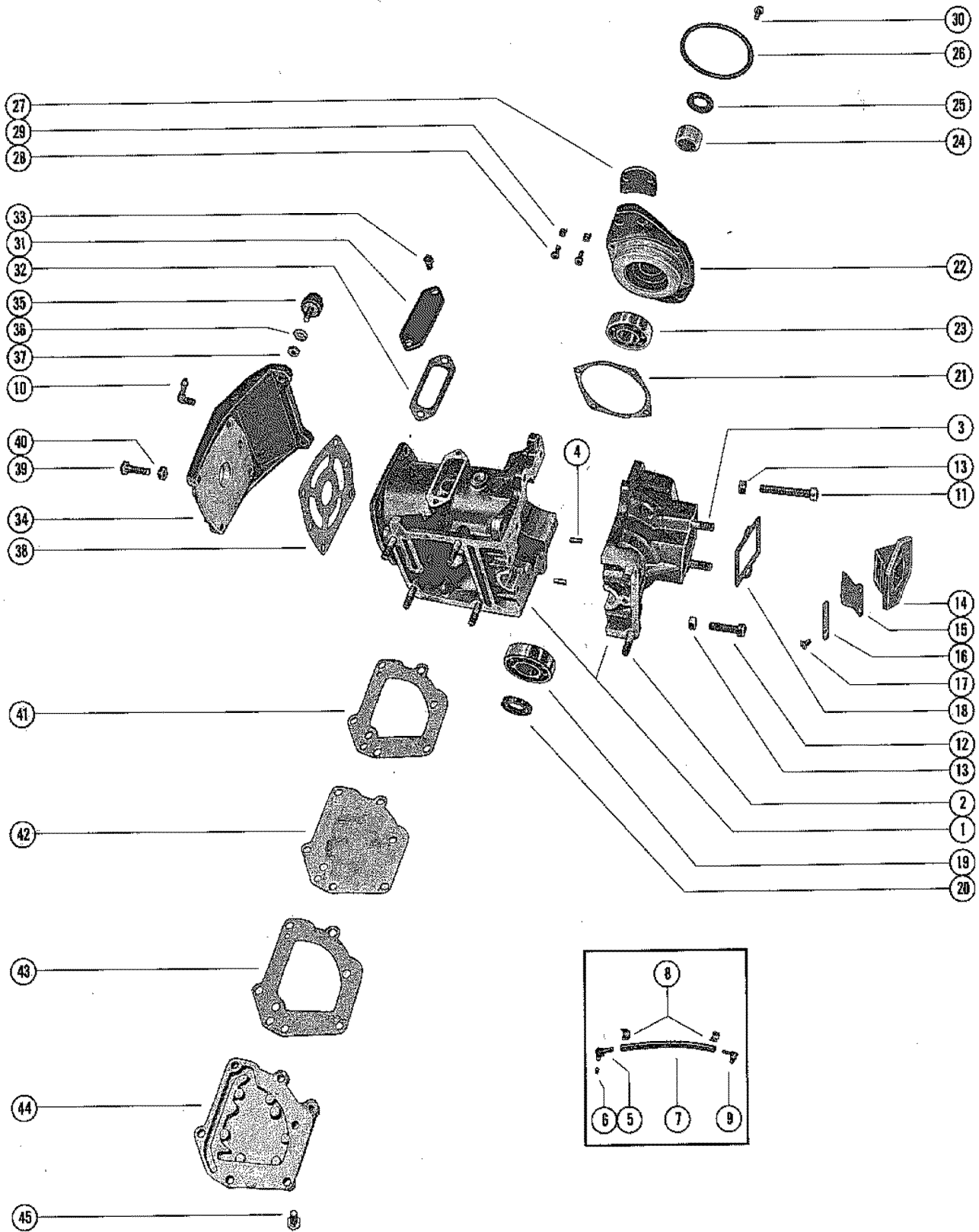
THROTTLE CONTROL LINKAGE



THROTTLE CONTROL LINKAGE

REF. NO.	PART NO.	SYM.	QTY.	DESCRIPTION
1	43-60856		1	GEAR, HORIZONTAL - THROTTLE CONTROL
2	60885		1	HOUSING, HORIZONTAL GEAR
3	10-47910		2	SCREW, THROTTLE CONTROL HOUSING TO BOTTOM COWL (5/8")
4	15-64653A1		1	SHIM, PINION GEAR TO BOTTOM COWL
5	62638A2		1	GEAR AND SHAFT ASS'Y, THROTTLE CONTROL UNITED STATES 3529445 AND BELOW AUSTRALIA 8005739 AND BELOW BELGIUM 9012108 AND BELOW CANADA 7011057 AND BELOW
5&9	63854A1		1	GEAR AND SHAFT ASS'Y, THROTTLE CONTROL UNITED STATES 3529445 AND BELOW AUSTRALIA 8005739 AND BELOW BELGIUM 9012108 AND BELOW CANADA 7011057 AND BELOW
6	62099		1	BRACKET, THROTTLE CONTROL LEVER
7	10-23015		2	SCREW, ADJUSTING - THROTTLE (1")
8	11-20645		2	NUT, LOCK - THROTTLE ADJUSTING SCREWS
9	61643		1	LEVER, THROTTLE CONTROL UNITED STATES 3529445 AND BELOW AUSTRALIA 8005739 AND BELOW BELGIUM 9012108 AND BELOW CANADA 7011057 AND BELOW
10	17-27088		1	PIN, ROLL - LEVER TO VERTICAL SHAFT
11	60920		1	LINK, THROTTLE LEVER TO STATOR PLATE
12	10-34696		1	SCREW, THROTTLE LINK TO THROTTLE LEVER (3/4")
13	12-34392		4	WASHER, THROTTLE LINK CREW
14	13-29720		1	WASHER, WAVE - THROTTLE LINK SCREW
15	11-28656		2	NUT, THROTTLE LINK SCREW
16	10-56027		1	SCREW, THROTTLE LINK TO STATOR PLATE (7/8")

CYLINDER BLOCK AND CRANKCASE ASSEMBLY

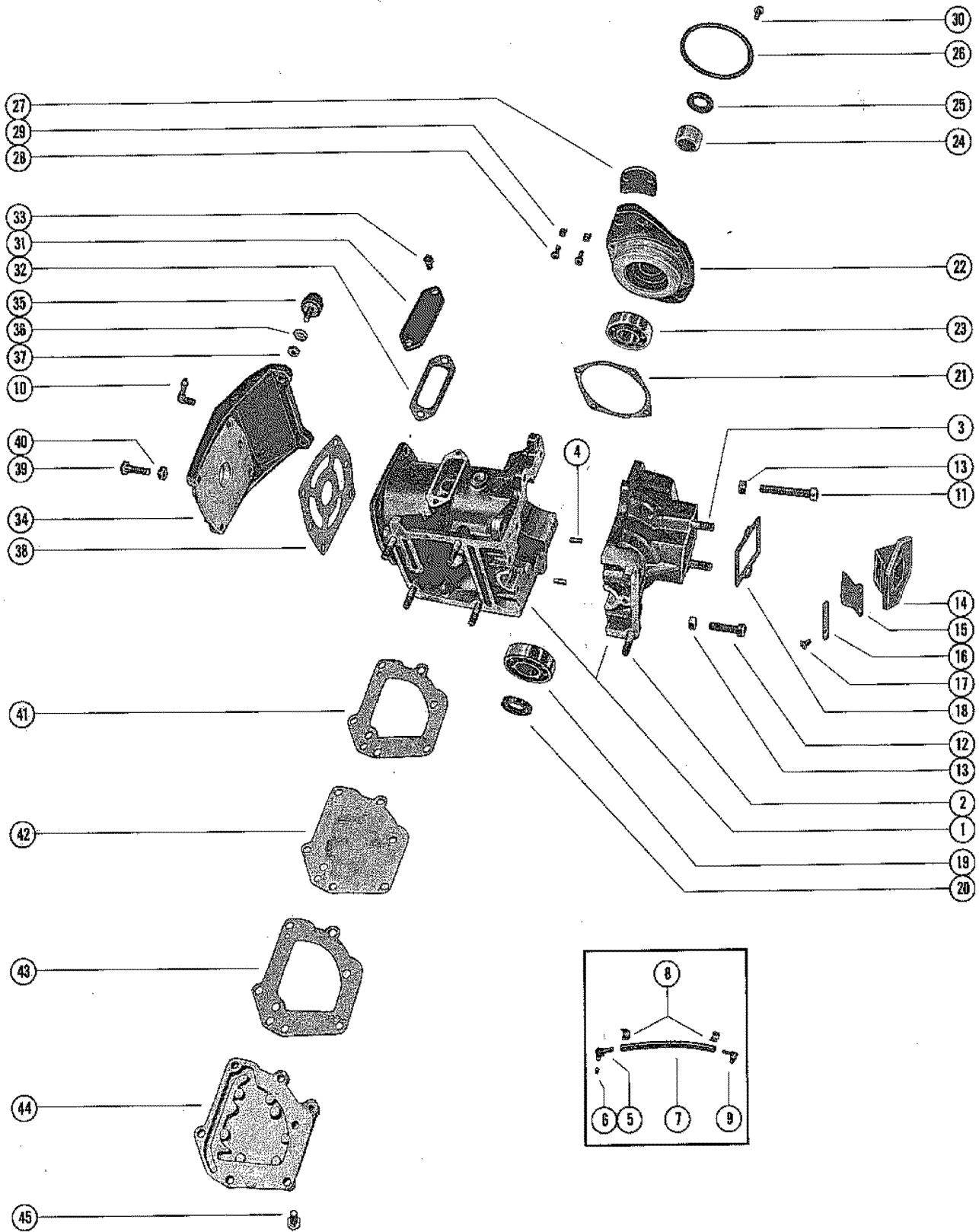


CYLINDER BLOCK AND CRANKCASE ASSEMBLY

REF. NO.	PART NO.	SYM.	QTY.	DESCRIPTION
1	843-4744A3		1	CYLINDER BLOCK AND CRANKCASE ASSEMBLY
2	16-66021		6	STUD, SYLINDER BLOCK AND CRANKCASE TO DRIVE SHAFT HOUSING
3	16-66020		2	STUD, CARBURETOR MOUNTING
4	17-46912		2	PIN, DOWEL - CRANKCASE TO CYLINDER BLOCK
5	22-62035A3		1	ELBOW ASSEMBLY, BLEED DRAIN UNITED STATES 3764824 AND BELOW AUSTRALIA 8014364 AND BELOW BELGIUM 9037733 AND BELOW CANADA 7025897 AND BELOW
6	21-56011A2		1	CHECK VALVE ASSEMBLY UNITED STATES 3764824 AND BELOW AUSTRALIA 8014364 AND BELOW BELGIUM 9037733 AND BELOW CANADA 7025897 AND BELOW
5	21-64871A2		1	FITTING ASSEMBLY, BLEED DRAIN UNITED STATES 3529446 THRU 3764824 AUSTRALIA 8005740 THRU 8014364 BELGIUM 9012109 THRU 9037733 CANADA 7011058 THRU 7025897
7	32-54936		1	HOSE, BLEED DRAIN (7 1/2")
8	54-56223		2	CLAMP, BLEED HOSE ATTACHING
9	22-62034		1	ELBOW, BLEED DRAIN
10	22-25885		1	ELBOW, 90 - 1/8" MALE (TELL TALE)
11	10-24624		2	SCREW, CRANKCASE TO CYLINDER BLOCK (1 3/4")
12	10-31294		8	SCREW, CRANKCASE TO CYLINDER BLOCK (1")
13	11-46887		10	NUT, CRANKCASE FASTENING SCREW
14	35728		1	REED BLOCK
15	34-35836		2	REED, INLET VALVE
16	34-22215		2	RETAINER, REED
17	10-28430		4	SCREW, REED AND RETAINER TO BLOCK (1/4")
18	27-35739		1	GASKET, REED BLOCK TO CRANKCASE
19	30-20861		1	BEARING, BALL - CRANKCASE (LOWER)
20	26-56397		1	OIL SEAL, CRANKCASE (LOWER)
21	15-31412A1		AR	SHIM ASSEMBLY, UPPER HOUSING TO BLOCK (.002-3-5-10)
22	1132-4471A1		1	BEARING HOUSING ASSEMBLY, UPPER
23	30-20861		1	BEARING, BALL - UPPER BEARING HOUSING
24	31-31410		1	BEARING, ROLLER - UPPER BEARING HOUSING
25	26-31411		1	OIL SEAL, UPPER BEARING HOUSING
26	25-20863		1	"O" RING, UPPER BEARING HOUSING
27	54-34598		2	CLAMP, HOLD DOWN RING
28	10-36205		4	SCREW, HOLD DOWN RING CLAMP TO BEARING HOUSING (9/16")
29	24-34731		4	SPRING, HOLD DOWN RING CLAMP
30	10-39002		4	SCREW, UPPER BEARING HOUSING (#12-24 X 1/2)
31	35658		1	COVER, TRANSFER PORT
32	27-35657		1	GASKET, TRANSFER PORT COVER
33	10-20720		2	SCREW, TRANSFER PORT COVER TO CYLINDER BLOCK (5/8")

CONTINUED ON NEXT PAGE ➡

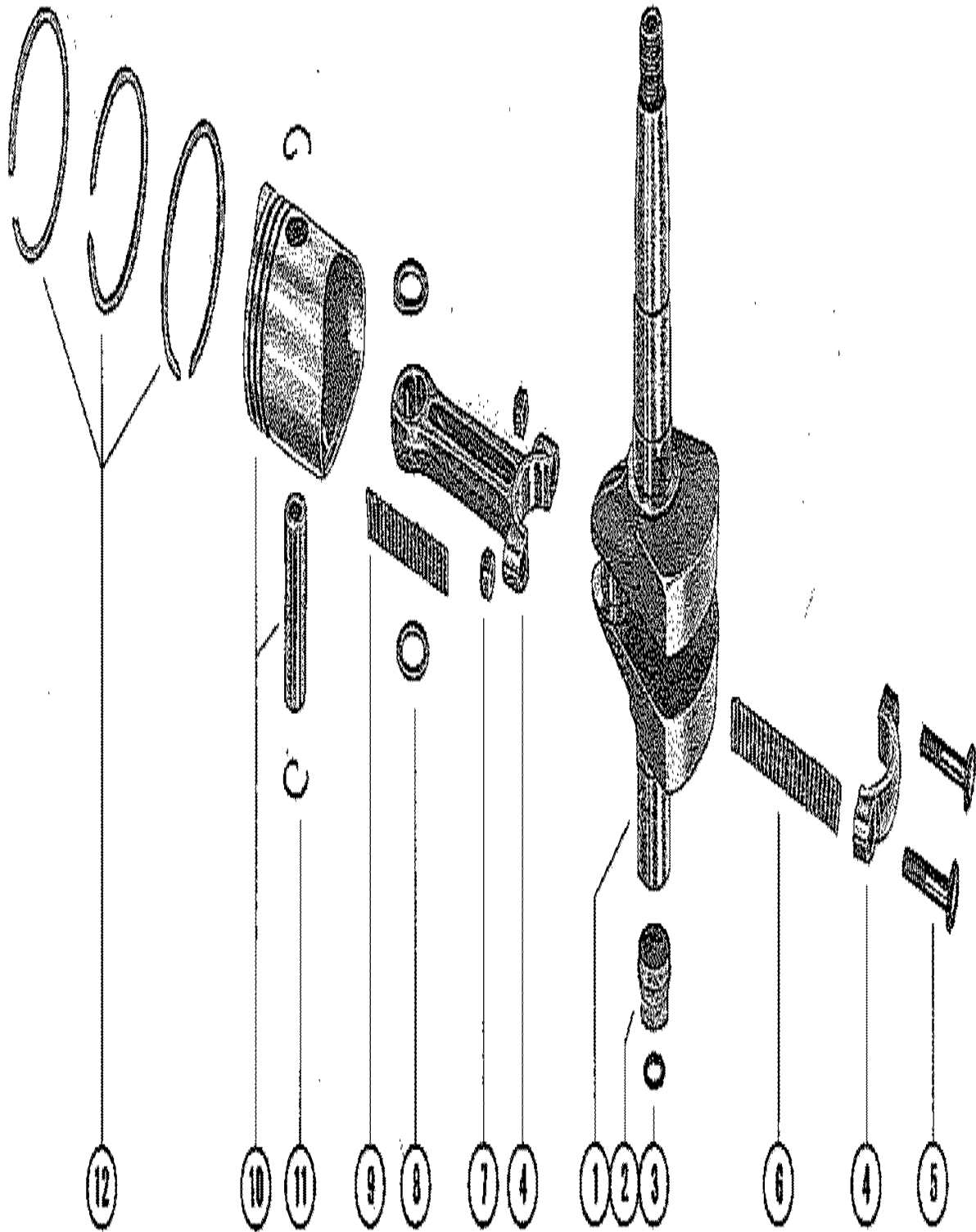
CYLINDER BLOCK AND CRANKCASE ASSEMBLY



CYLINDER BLOCK AND CRANKCASE ASSEMBLY

REF. NO.	PART NO.	SYM.	QTY.	DESCRIPTION
34	1016-4776		1	COVER, CYLINDER BLOCK UNITED STATES 3764824 AND BELOW AUSTRALIA 8014364 AND BELOW BELGIUM 9037733 AND BELOW CANADA 7025897 AND BELOW
35	31014		2	MOUNT, RUBBER - COVER TO TOP COWL UNITED STATES 3764824 AND BELOW AUSTRALIA 8014364 AND BELOW BELGIUM 9037733 AND BELOW CANADA 7025897 AND BELOW
36	13-26992		2	LOCKWASHER, RUBBER MOUNT UNITED STATES 3764824 AND BELOW AUSTRALIA 8014364 AND BELOW BELGIUM 9037733 AND BELOW CANADA 7025897 AND BELOW
37	11-20088		2	NUT, RUBBER MOUNT TO COVER UNITED STATES 3764824 AND BELOW AUSTRALIA 8014364 AND BELOW BELGIUM 9037733 AND BELOW CANADA 7025897 AND BELOW
34	1016-5230A1		1	COVER ASSEMBLY, CYLINDER BLOCK UNITED STATES 3529446 THRU 3764824 AUSTRALIA 8005740 THRU 8014364 BELGIUM 9012109 THRU 9037733 CANADA 7011058 THRU 7025897
35	66019		2	MOUNT, RUBBER - COVER TO TOP COWL UNITED STATES 3529446 THRU 3764824 AUSTRALIA 8005740 THRU 8014364 BELGIUM 9012109 THRU 9037733 CANADA 7011058 THRU 7025897
36	13-20202		2	LOCKWASHER, RUBBER MOUNT UNITED STATES 3529446 THRU 3764824 AUSTRALIA 8005740 THRU 8014364 BELGIUM 9012109 THRU 9037733 CANADA 7011058 THRU 7025897
37	11-20083		2	NUT, RUBBER MOUNT TO COVER UNITED STATES 3529446 THRU 3764824 AUSTRALIA 8005740 THRU 8014364 BELGIUM 9012109 THRU 9037733 CANADA 7011058 THRU 7025897
38	27-35735		1	GASKET, COVER TO CYLINDER BLOCK
39	10-21091		4	SCREW, SYLINDER BLOCK COVER TO CYLINDER BLOCK (1 1/4")
40	11-46887		4	NUT, CYLINDER BLOCK COVER MOUNTING SCREW
41	27-46232		1	GASKET, SYLINDER BLOCK TO BAFFLE PLATE
42	46234		1	PLATE, BAFFLET - EXHAUST MANIFOLD
43	27-46232		1	GASKET, BUFFLE PLATE TO EXHAUST MANIFOLD COVER
44	46171		1	COVER, EXHAUST MANIFOLD
45	10-28636		6	SCREW, PLATE/MANIFOLD COVER TO BLOCK (3/4") UNITED STATES 3529445 AND BELOW AUSTRALIA 8005739 AND BELOW BELGIUM 9012108 AND BELOW CANADA 7011057 AND BELOW
	10-49668		6	SCREW, PLATE/MANIFOLD COVER TO BLOCK (3/4") UNITED STATES 3529445 AND BELOW AUSTRALIA 8005739 AND BELOW BELGIUM 9012108 AND BELOW CANADA 7011057 AND BELOW

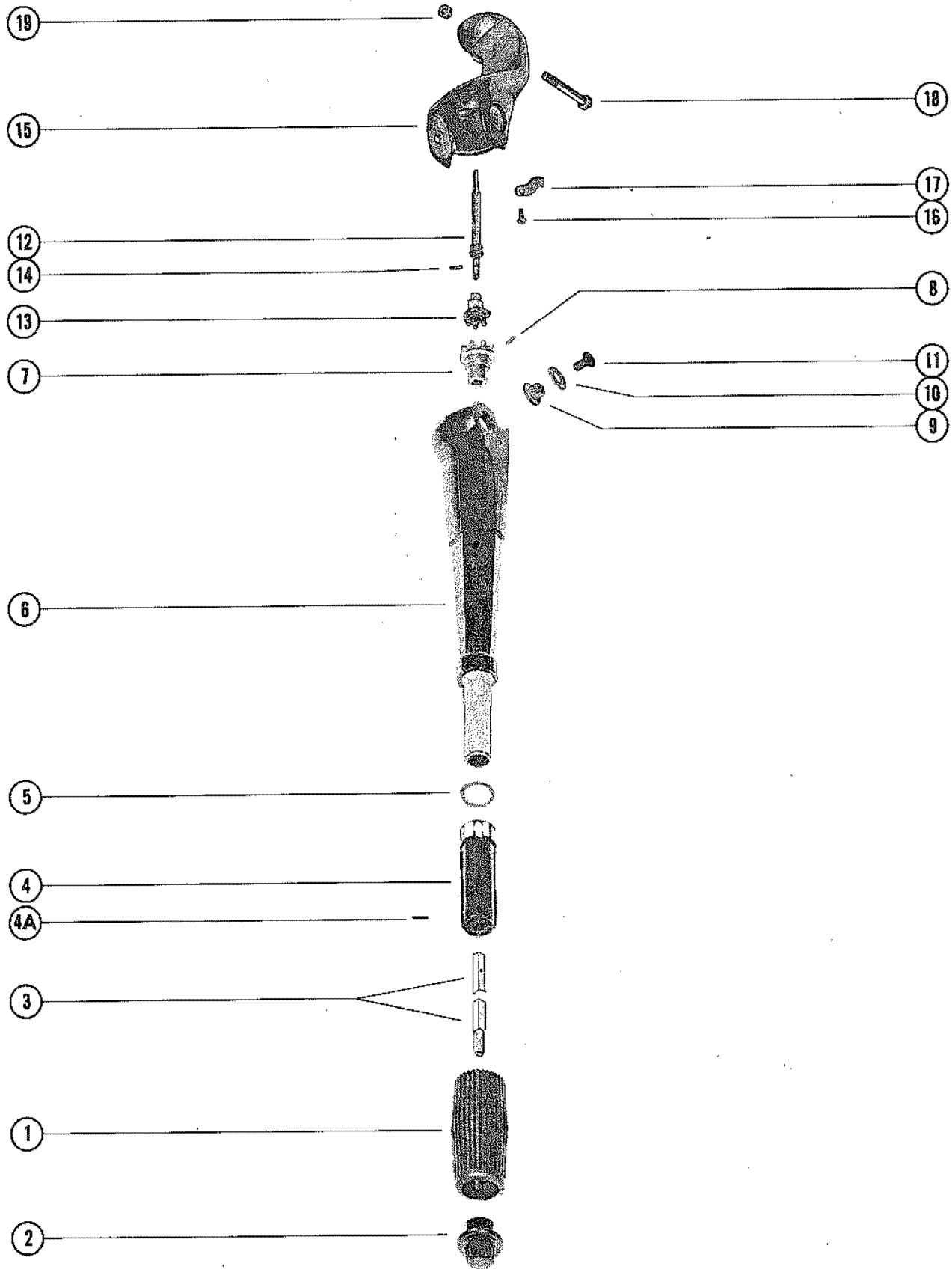
CRANKSHAFT, PISTON AND CONNECTING ROD ASSEMBLY



CRANKSHAFT, PISTON AND CONNECTING ROD ASSEMBLY

REF. NO.	PART NO.	SYM.	QTY.	DESCRIPTION
1	427-3513		1	CRANKSHAFT
2	63991A1		1	CARRIER ASSEMBLY UNITED STATES 3529445 AND BELOW AUSTRALIA 8005739 AND BELOW BELGIUM 9012108 AND BELOW CANADA 7011057 AND BELOW
3	64988		1	SEAL, CARRIER ASSEMBLY UNITED STATES 3529445 AND BELOW AUSTRALIA 8005739 AND BELOW BELGIUM 9012108 AND BELOW CANADA 7011057 AND BELOW
4	608-4246A1		1	CONNECTING ROD ASSEMBLY
5	10-39154		2	SCREW, CONNECTINT ROD
6	29-26815		29	BEARING, NEEDLE - CRANKPIN
7	11-20061		2	NUT, CONNECTING ROD SCREW
8	12-65967		2	WASHER, NEEDLE BEARING RETAINING
9	29-31505		20	BEARING, NEEDLE - PISTON PIN
10	719-3374A2		1	PISTON AND PISTON PIN ASSEMBLY
11	40-21666		2	LOCK RING, PISTON PIN
12	39-21665A12		1	RING, PISTON

STEERING HANDLE ASSEMBLY

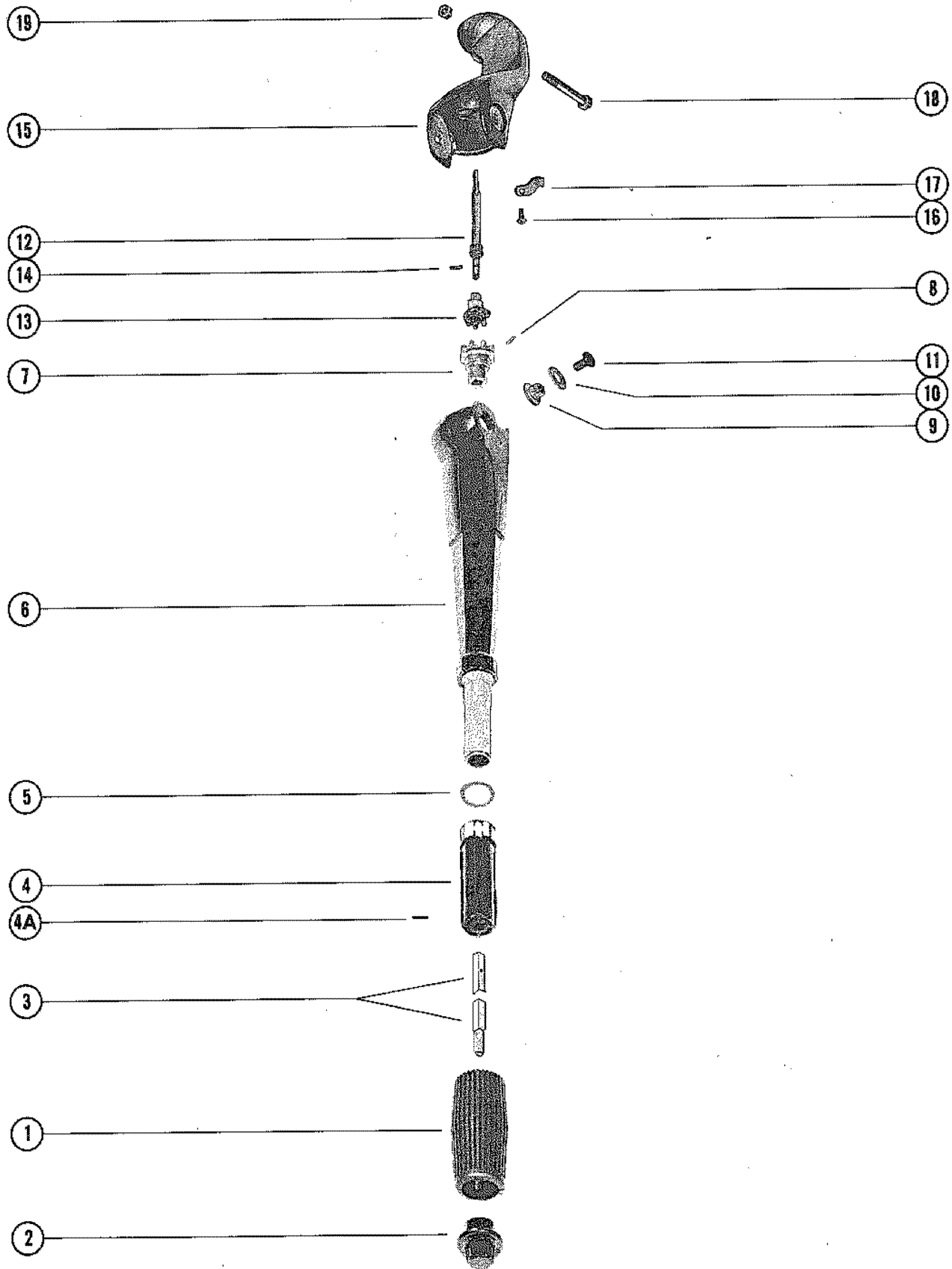


STEERING HANDLE ASSEMBLY

REF. NO.	PART NO.	SYM.	QTY.	DESCRIPTION
-	60850A4		1	STEERING HANDLE ASSEMBLY, COMP. UNITED STATES 3764824 AND BELOW AUSTRALIA 8014364 AND BELOW BELGIUM 9037733 AND BELOW CANADA 7025897 AND BELOW
-	60850A6		1	STEERING HANDLE ASSEMBLY, COMP. UNITED STATES 3529446 THRU 3764824 AUSTRALIA 8005740 THRU 8014364 BELGIUM 9012109 THRU 9037733 CANADA 7011058 THRU 7025897
1	60854		1	GRIP, HANDLE - THROTTLE
2	62251		1	CAP, HANDLE THROTTLE
3	60851		1	SHAFT, THROTTLE UNITED STATES 3764824 AND BELOW AUSTRALIA 8014364 AND BELOW BELGIUM 9037733 AND BELOW CANADA 7025897 AND BELOW
4	65418A1		1	HANDLE ASSEMBLY, THROTTLE SHAFT UNITED STATES 3764824 AND BELOW AUSTRALIA 8014364 AND BELOW BELGIUM 9037733 AND BELOW CANADA 7025897 AND BELOW
3	66393		1	SHAFT, THROTTLE UNITED STATES 3529446 THRU 3764824 AUSTRALIA 8005740 THRU 8014364 BELGIUM 9012109 THRU 9037733 CANADA 7011058 THRU 7025897
4	66394A1		1	HANDLE ASSEMBLY, THROTTLE SHAFT UNITED STATES 3529446 THRU 3764824 AUSTRALIA 8005740 THRU 8014364 BELGIUM 9012109 THRU 9037733 CANADA 7011058 THRU 7025897
4A	17-46152		1	PIN, THROTTLE HANDLE UNITED STATES 3529446 THRU 3764824 AUSTRALIA 8005740 THRU 8014364 BELGIUM 9012109 THRU 9037733 CANADA 7011058 THRU 7025897
5	12-62252		1	WASHER, THROTTLE HANDLE TO STEERING ARM
6	60850		1	ARM, STEERING HANDLE
7	43-60852		1	GEAR, BALL THROTTLE SHAFT
8	17-27088		1	PIN, BALL GEAR TO THROTTLE SHAFT
9	48003		2	PIVOT, STEERING HANDLE TO BRACKET
10	15-48002015		AR	SHIM, HANDLE PIVOT TO BRK. (.015)
11	10-56214		2	SCREW, HANDLE TO ARM BRK. (5/8") UNITED STATES 3529445 AND BELOW AUSTRALIA 8005739 AND BELOW BELGIUM 9012108 AND BELOW CANADA 7011057 AND BELOW
	10-64074		2	SCREW, HANDLE TO ARM BRK. (5/8") UNITED STATES 3529445 AND BELOW AUSTRALIA 8005739 AND BELOW BELGIUM 9012108 AND BELOW CANADA 7011057 AND BELOW
12	60857A2		1	UNIVERSAL JOINT ASSEMBLY
13	43-60852		1	GEAR, BALL - UNIVERSAL JOINT
14	17-68436		1	PIN, BALL GEAR TO UNIVERSAL JOINT

CONTINUED ON NEXT PAGE ➡

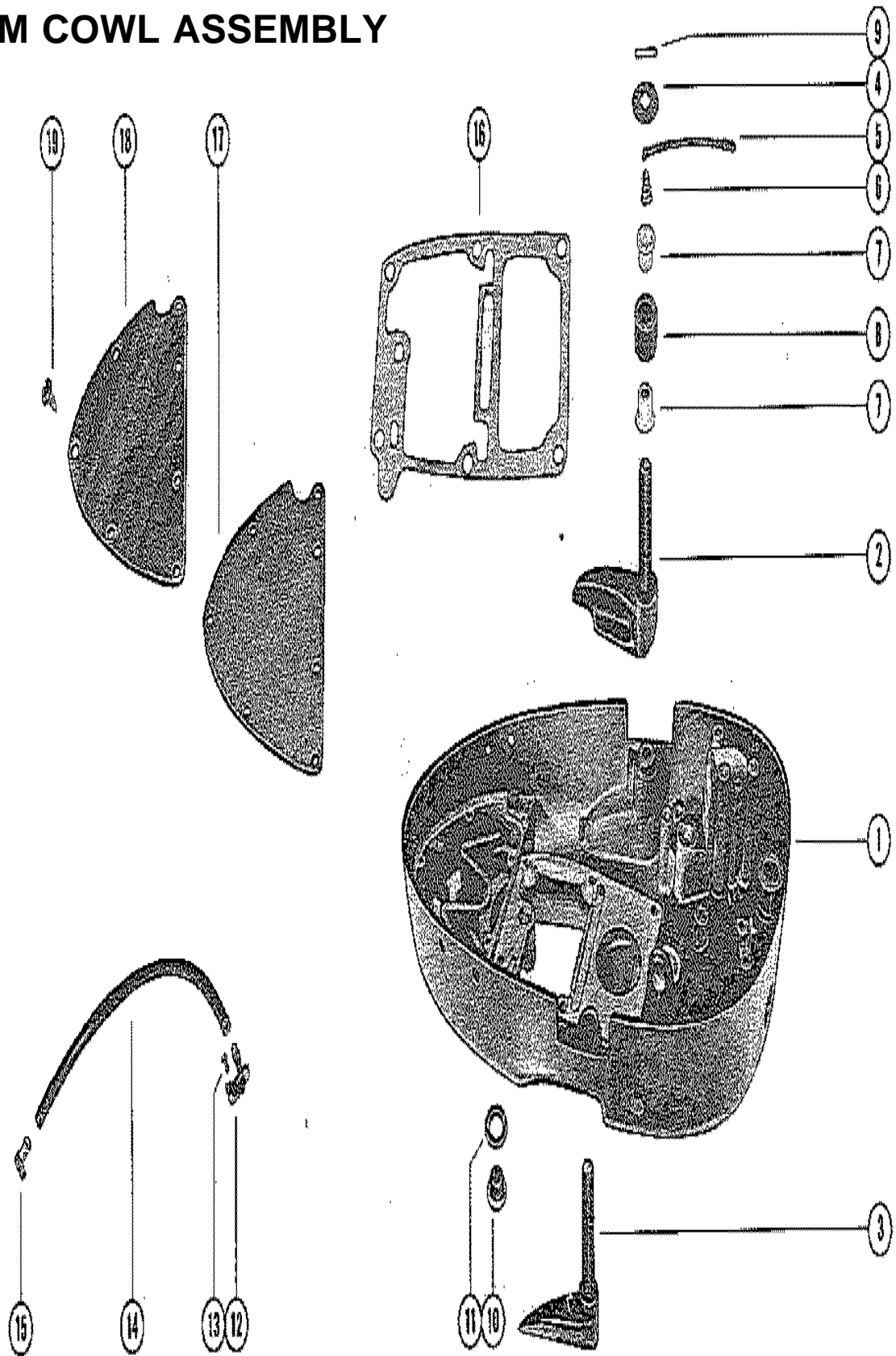
STEERING HANDLE ASSEMBLY



STEERING HANDLE ASSEMBLY

REF. NO.	PART NO.	SYM.	QTY.	DESCRIPTION
15	68768A2		1	BRACKET, STEERING ARM
16	10-62233		2	SCREW, DETENT SPRING TO STEERING ARM BRACKET (5/8")
17	24-47744		2	SPRING, DETENT - STEERING HANDLE
18	10-30679		3	SCREW, STEERING ARM BRACKET TO SADDLE (2 1/2")
19	11-46887		3	NUT, STEERING ARM BRACKET FASTENING SCREW

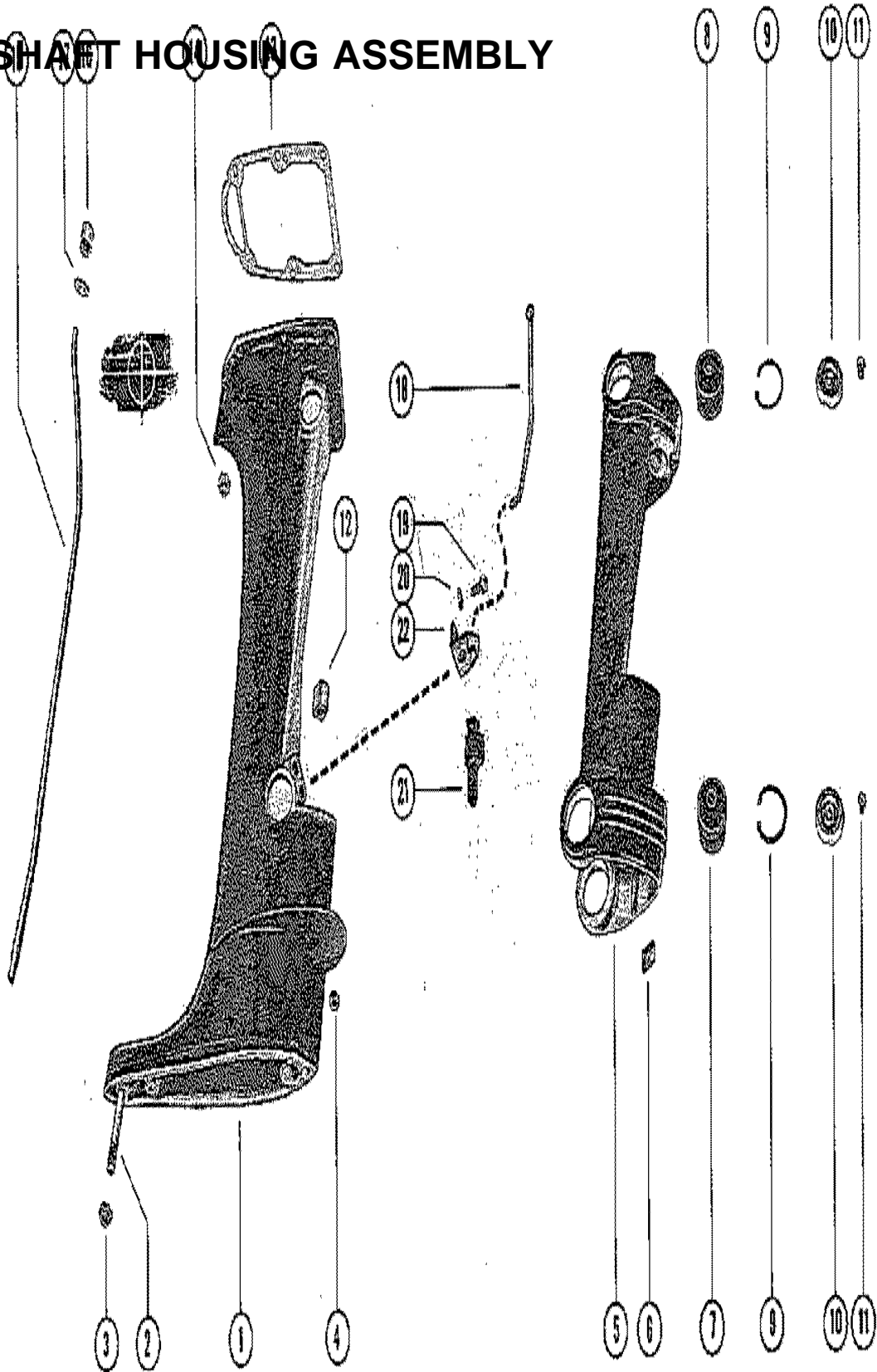
BOTTOM COWL ASSEMBLY



BOTTOM COWL ASSEMBLY

REF. NO.	PART NO.	SYM.	QTY.	DESCRIPTION
1	187-4709		1	BOTTOM COWL UNITED STATES 3764824 AND BELOW AUSTRALIA 8014364 AND BELOW BELGIUM 9037733 AND BELOW CANADA 7025897 AND BELOW
	187-5292		1	BOTTOM COWL UNITED STATES 3529446 THRU 3764824 AUSTRALIA 8005740 THRU 8014364 BELGIUM 9012109 THRU 9037733 CANADA 7011058 THRU 7025897
2	36187A1		1	LEVER ASSEMBLY, CLAMPING - PORT
3	36188A1		1	LEVER ASSEMBLY, CLAMPING - STARBOARD
4	53-55891		2	FASTENER, CLAMPING LEVER
5	84-60871A7		1	GROUND STRAP ASSEMBLY UNITED STATES 3529445 AND BELOW AUSTRALIA 8005739 AND BELOW BELGIUM 9012108 AND BELOW CANADA 7011057 AND BELOW
6	24-63399		1	SPRING, GROUND STRAP UNITED STATES 3529445 AND BELOW AUSTRALIA 8005739 AND BELOW BELGIUM 9012108 AND BELOW CANADA 7011057 AND BELOW
7	23-26819		4	BUSHING, NYLON - CLAMPING LEVER
8	23-31293		2	BUSHING, RUBBER - CLAMPING LEVER
9	17-58997		2	PIN, ROLL - CLAMPING LEVER
10	10-28634		1	SCREW, BOTTOM COWL FLUSHING HOLE
11	12-20260		1	WASHER, BOTTOM COWL FLUSHING HOLE SCREW
12	56712		1	NOZZLE, TELL TALE
13	10-35519		1	SCREW, TELL TALE NOZZLE TO BOTTOM COWL
14	32-34395A1		1	TUBE, TELL TALE (7 1/4")
15	22-25885		1	ELBOW, TELL TALE - HOSE TO CYLINDER BLOCK
16	27-45748		1	GASKET, POWERHEAD TO BOTTOM COWL
17	27-55847		1	GASKET, EXHAUST RELIEF COVER TO BOTTOM COWL
18	55936		1	COVER, EXHAUST RELIEF
19	10-31206		9	SCREW, EXHAUST RELIEF COVER TO BOTTOM COWL (7/16")

DRIVE SHAFT HOUSING ASSEMBLY



DRIVE SHAFT HOUSING ASSEMBLY

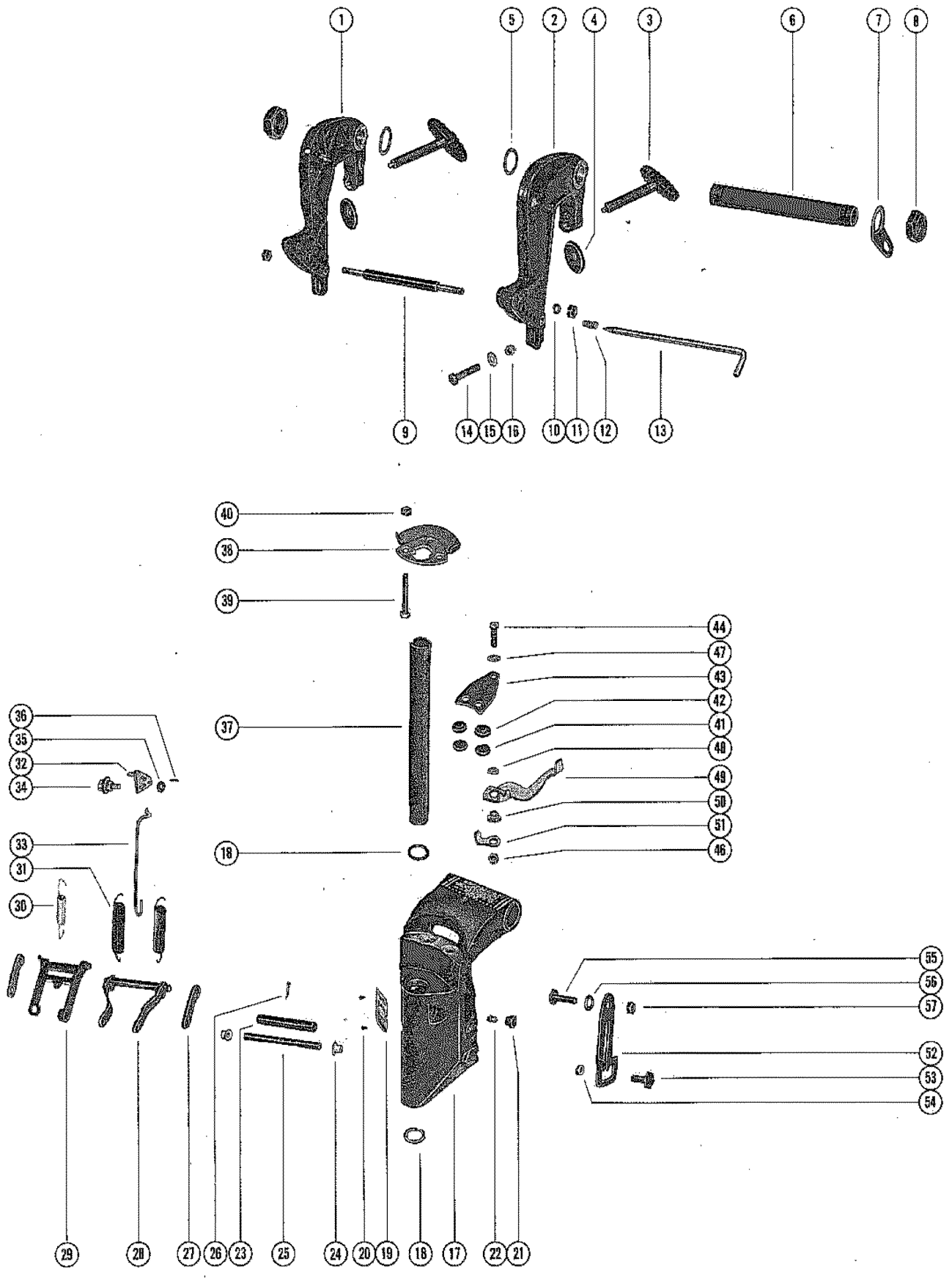
REF. NO.	PART NO.	SYM.	QTY.	DESCRIPTION
1	1538-3889A2		1	DRIVE SHAFT HOUSING ASSEMBLY(SHORT SHAFT) UNITED STATES 3529445 AND BELOW AUSTRALIA 8005739 AND BELOW BELGIUM 9012108 AND BELOW CANADA 7011057 AND BELOW
	1542-3888A2		1	DRIVE SHAFT HOUSING ASSEMBLY(LONG SHAFT) UNITED STATES 3529445 AND BELOW AUSTRALIA 8005739 AND BELOW BELGIUM 9012108 AND BELOW CANADA 7011057 AND BELOW
	1538-4937A2		1	DRIVE SHAFT HOUSING ASSEMBLY(SHORT SHAFT) UNITED STATES 3529445 AND BELOW AUSTRALIA 8005739 AND BELOW BELGIUM 9012108 AND BELOW CANADA 7011057 AND BELOW
	1542-4938A2		1	DRIVE SHAFT HOUSING ASSEMBLY(LONG SHAFT) UNITED STATES 3529445 AND BELOW AUSTRALIA 8005739 AND BELOW BELGIUM 9012108 AND BELOW CANADA 7011057 AND BELOW
2	16-66373		1	STUD, DRIVE SHAFT HOUSING TO GEAR HOUSING
3	11-35814		1	NUT, DRIVE SHAFT HOUSING TO GEAR HOUSING STUD
4	11-34863		1	NUT, GEAR HOUSING TO DRIVE SHAFT HOUSING STUD
5	1539-1935		1	SADDLE UNITED STATES 3529445 AND BELOW AUSTRALIA 8005739 AND BELOW BELGIUM 9012108 AND BELOW CANADA 7011057 AND BELOW
	1539-4927		1	SADDLE UNITED STATES 3529445 AND BELOW AUSTRALIA 8005739 AND BELOW BELGIUM 9012108 AND BELOW CANADA 7011057 AND BELOW
6	64076		1	BUMPER, THRUST - SADDLE UNITED STATES 3529445 AND BELOW AUSTRALIA 8005739 AND BELOW BELGIUM 9012108 AND BELOW CANADA 7011057 AND BELOW
7	30646A2		2	MOUNT ASSEMBLY, LOWER
8	30646A1		2	MOUNT ASSEMBLY, UPPER(SEE NOTE BELOW)
9	53-26406		4	RING, RETAINING - UPPER AND LOWER MOUNT
10	53041		4	COVER, UPPER AND LOWER MOUNT
11	10-45817		4	SCREW, UPPER AND LOWER MOUNT COVER RETAINING (7/16")
12	55435		1	BLOCK, BEARING - DRIVE SHAFT
13	27-59079		1	GASKET, BOTTOM COWL TO DRIVE SHAFT HOUSING
14	11-46887		4	NUT, DRIVE SHAFT HOUSING TO POWERHEAD STUDS
	11-24652		2	NUT, DRIVE SHAFT HOUSING TO POWERHEAD STUDS
15	32-31940		1	TUBE, WATER OUTLET(SHORT SHAFT)
	32-32077		1	TUBE, WATER OUTLET(LONG SHAFT)
16	26-36556		1	SEAL, RUBBER - WATER OUTLET TUBE
17	12-36554		1	WASHER, NYLON - OUTLET TUBE SEAL

CONTINUED ON NEXT PAGE ➡

DRIVE SHAFT HOUSING ASSEMBLY

REF. NO.	PART NO.	SYM.	QTY.	DESCRIPTION
18	63629		1	LINK ROD, REVERSE LOCK UNITED STATES 3529445 AND BELOW AUSTRALIA 8005739 AND BELOW BELGIUM 9012108 AND BELOW CANADA 7011057 AND BELOW
19	10-65414		2	SCREW, CAM RETAINER TO DRIVE SHAFT HOUSING (3/4") UNITED STATES 3529445 AND BELOW AUSTRALIA 8005739 AND BELOW BELGIUM 9012108 AND BELOW CANADA 7011057 AND BELOW
20	13-26992		2	LOCKWASHER, CAM RETAINER SCREW UNITED STATES 3529445 AND BELOW AUSTRALIA 8005739 AND BELOW BELGIUM 9012108 AND BELOW CANADA 7011057 AND BELOW
21	65216		1	CAM, REVERSE LOCK UNITED STATES 3529445 AND BELOW AUSTRALIA 8005739 AND BELOW BELGIUM 9012108 AND BELOW CANADA 7011057 AND BELOW
22	61008		1	RETAINER, REVERSE LOCK CAM UNITED STATES 3529445 AND BELOW AUSTRALIA 8005739 AND BELOW BELGIUM 9012108 AND BELOW CANADA 7011057 AND BELOW

CLAMP AND SWIVEL BRACKET ASSEMBLY (SERIAL GROUP #1)

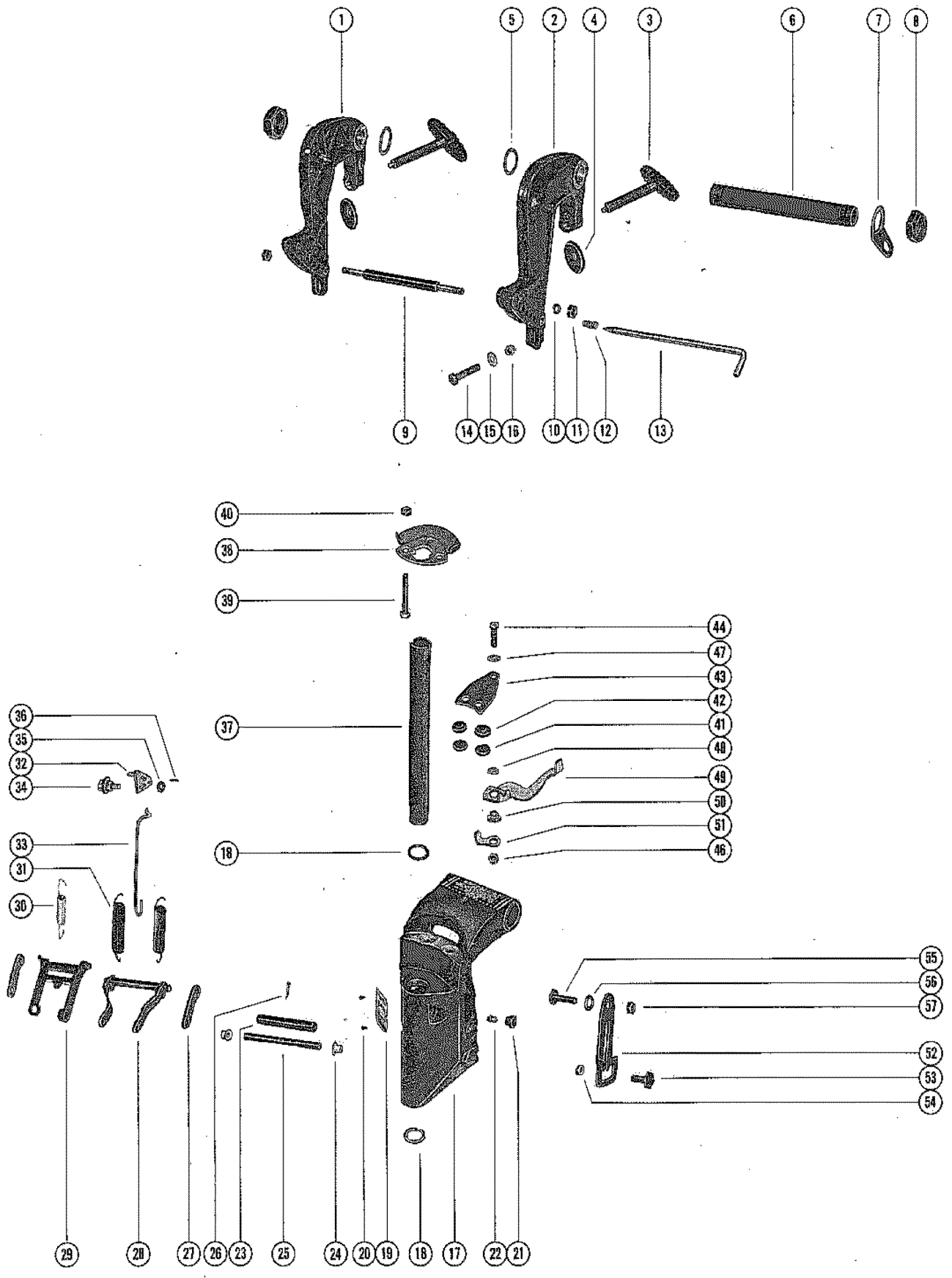


CLAMP AND SWIVEL BRACKET ASSEMBLY (SERIAL GROUP #1)

REF. NO.	PART NO.	SYM.	QTY.	DESCRIPTION
1	1468-4427A1		1	CLAMP BRACKET ASSEMBLY (PORT)
2	1467-4426A1		1	CLAMP BRACKET ASSEMBLY (STARBOARD)
3	59170A3		2	THUMB SCREW ASSEMBLY
4	12-20214		2	WASHER, THUMB SCREW
5	12-52864		2	WASHER, TILT TUBE - CLAMP TO SWIVEL BRACKET
6	45757		1	TITL TUBE, CLAMP TO SWIVEL BRACKET
7	54-30954		1	CLIP, SAFETY CHAIN - TITE TUBE
8	11-30499		2	NUT, TILT TUBE FASTENING
9	16-59622		1	STUD, CLAMP BRACKET
10	13-26992		2	LOCKWASHER, CLAMP BRACKET STUD
11	11-29598		2	NUT, CLAMP BRACKET STUD
12	24-62143		1	SPRING, TILT LOCK PIN
13	17-55952A1		1	TILT LOCK PIN ASSEMBLY
14	10-29326		2	BOLT, CLAMP BRACKET TO BOAT
15	12-31782		2	WASHER, CLAMP BRACKET SCREW
16	11-56374		2	NUT, CLAMP BRACKET SCREW
17	1451-4675		1	SWIVEL BRACKET
18	25-25439		2	"O" RING, SWIVEL BRACKET
19	38-31042		1	SERIAL PLATE
20	10-28642		2	SCREW, DRIVE - SERIAL PLATE TO SWIVEL BRACKET
21	29359		1	LUBRICAP, GREASE FITTING - SWIVEL BRACKET
22	22-31345		1	FITTING, GREASE - SWIVEL BRACKET
23	23-30813		1	SPACER, TUBE - REVERSE LOCK ROD
24	23-26856		2	BUSHING, NYLON - REVERSE LOCK LEVER ROD
25	56663		1	ROD, REVERSE LOCK TO SWIVEL BRACKET
26	18-56206		1	COTTER PIN, RECERSE LOCK LEVER TO ROD
27	30815		2	LINK, REVERSE LOCK LEVER
28	53267A1		1	REVERSE LOCK LEVER ASSEMBLY
29	53435		1	BRACKET, STOP
30	24-53456		1	SPRING, EXTENSION - STOP BRACKET
31	24-30886		2	SPRING, TENSION - REVERSE LOCK LEVER
32	62257A2		1	LINK ASSEMBLY, REVERSE LEVER
33	62256		1	ROD, LINK - REVERSE LOCK LEVER
34	10-60355		1	SCREW, LINK TO SWIVEL BRACKET
35	13-34632		1	WASHER, WAVE - LINK SCREW
36	17-27006		1	ROLL PIN, RELEASE LINK
37	17-30688		1	SWIVEL PIN, SWIVEL BRACKET TO SADDLE
38	35860		1	CO-PILOT DISC
39	10-30679		3	SCREW, CO-PILOT DISC TO SADDLE
40	11-46887		3	NUT, CO-PILOT DISC FASTENING SCREW
41	62342		2	DISC, FRICTION - CLAMP PLATE AND SWIVEL BRACKET (THIN)
42	20203		2	DISC, FRICTION - CLAMP PLATE AND SWIVEL BRACKET (THICK)

CONTINUED ON NEXT PAGE ➡

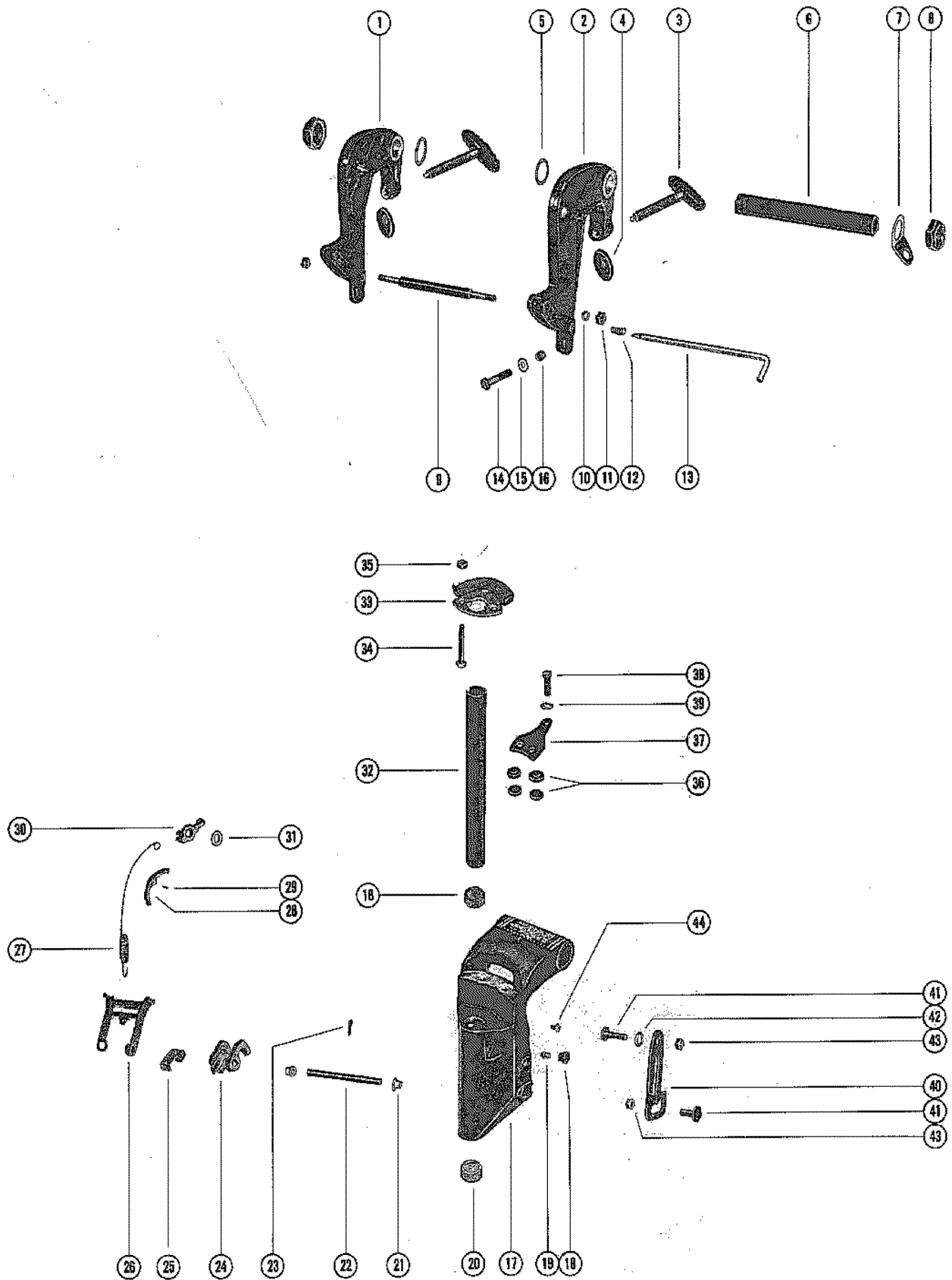
CLAMP AND SWIVEL BRACKET ASSEMBLY (SERIAL GROUP #1)



CLAMP AND SWIVEL BRACKET ASSEMBLY (SERIAL GROUP #1)

REF. NO.	PART NO.	SYM.	QTY.	DESCRIPTION
43	61296		1	PLATE, CLAMP - CO-PILOT
44	10-62506		1	SCREW, CLAMP PLATE ADJUSTING . FOR REPLACEMENT OF SCREW AND COTTER PIN USED ON EARLY MODELS IN THIS APPLICATION, ORDER C-10-62506 SCREW AND C-11-62505 NUT.
45	11-62505		1	NUT, CAMPL PLATE ADJUSTING SCREW . FOR REPLACEMENT OF SCREW AND COTTER PIN USED ON EARLY MODELS IN THIS APPLICATION, ORDER C-10-62506 SCREW AND C-11-62505 NUT.
47	12-35462		2	WSHER, CLAMP PLATE ADJJUSTING SCREW
48	13-48239		1	WASHER, WAVE - CLAMP PLATE ADJUSTING SCREW
49	62024		1	LEVER, CONTROL - REVERSE LOCK
50	23-59573		1	SPACER, CLAMP PLATE ADJUSTING SCREW
51	61602		1	PLATE, LOCKING - CLAMP PLATE ADJUSTING SCREW
52	55851		1	LEVER, TITLE STOP
53	10-29237		1	SCREW, RETAINING - TILT STOP LEVER
54	11-46887		1	NUT, TILT STOP LEVER RETAINING SCREW
55	10-27791		1	SCREW, ANCHOR - TILT STOP LEVER
56	13-20846		1	WASHER, WAVE - LEVER ANCHOR SCREW
57	11-46887		1	NUT, TILT STOP LEVER ANCHOR SCREW

CLAMP AND SWIVEL BRACKET ASSEMBLY (SERIAL GROUP #2)

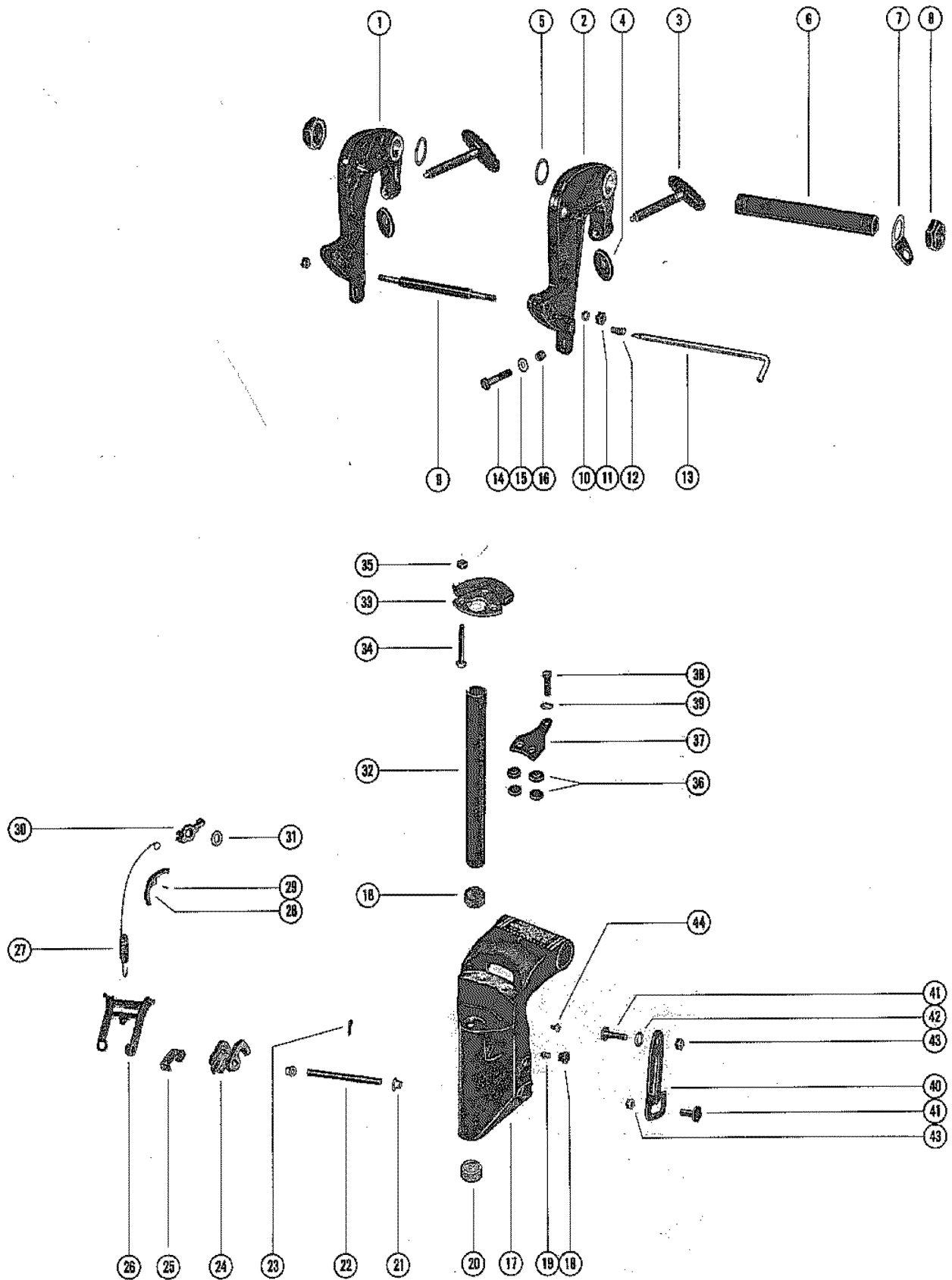


CLAMP AND SWIVEL BRACKET ASSEMBLY (SERIAL GROUP #2)

REF. NO.	PART NO.	SYM.	QTY.	DESCRIPTION
1	1468-4427A1		1	CLAMP BRACKET ASSEMBLY (PORT)
2	1467-4426A1		1	CLAMP BRACKET ASSEMBLY (STARBOARD)
3	59170A3		2	THUMB SCREW ASSEMBLY
4	12-20214		2	WASHER, THUMB SCREW
5	12-52864		2	WASHER, TILT TUBE - CLAMP TO SWIVEL BRACKET
6	45757		1	TILT TUBE, CLAMP TO SWIVEL BRACKET
7	54-30954		1	CLIP, SAFETY CHAIN - TILT TUBE
8	11-56041		2	NUT, TILT TUBE FASTENING
9	16-59622		1	STUD, CLAMP BRACKET
10	13-26992		2	LOCKWASHER, CLAMP BRACKET STUD
11	11-29598		2	NUT, CLAMP BRACKET STUD
12	24-62143		1	SPRING, TILT LOCK PIN
13	17-55952A1		1	TILT LOCK PIN ASSEMBLY
14	10-29326		2	BOLT, CLAMP BRACKET TO BOAT
15	12-31782		2	WASHER, CLAMP BRACKET SCREW
16	11-56374		2	NUT, CLAMP BRACKET SCREW
17	1471-4920		1	SWIVEL BRACKET UNITED STATES 3529446 AND UP AUSTRALIA 8005740 AND UP BELGIUM 9012109 AND UP CANADA 7011058 AND UP
	1471-5295A2		1	SWIVEL BRACKET ASSEMBLY UNITED STATES 3529446 THRU 3764824 AUSTRALIA 8005740 THRU 8014364 BELGIUM 9012109 THRU 9037733 CANADA 7011058 THRU 7025897
18	29359		1	LUBRICAP, GREASE FITTING - SWIVEL BRACKET UNITED STATES 3529446 THRU 3764824 AUSTRALIA 8005740 THRU 8014364 BELGIUM 9012109 THRU 9037733 CANADA 7011058 THRU 7025897
19	22-31345		1	FITTING, GREASE - SWIVEL BRACKET UNITED STATES 3529446 THRU 3764824 AUSTRALIA 8005740 THRU 8014364 BELGIUM 9012109 THRU 9037733 CANADA 7011058 THRU 7025897
20	23-64028		2	BUSHING, SWIVEL BRACKET
21	23-26841		2	BUSHING, NYLON - REVERSE LOCK LEVER ROD
22	63551		1	ROD, REVERSE LOCK TO SWIVEL BRACKET
23	18-45882		1	COTTER PIN, RECERSE LOCK LEVER TO ROD
24	63628		1	LEVER, REVERSE LOCK
25	61007		1	RETAINER, ROD - REVERSE LOCK
26	63559		1	BRACKET, TROLL
27	26-63630		1	SPRING, EXTENSION - TROLL BRACKET
28	63554		1	GUIDE, SPRING
29	17-25319		1	ROLL PIN, SPRING GUIDE
30	63553		1	LEVER, CONTROL - TROLL BRACKET
31	13-63631		1	WASHER, WAVE - TROLL BRACKET LEVER
32	17-63905		1	SWIVEL PIN, SWIVEL BRACKET TO SADDLE UNITED STATES 3529446 AND UP AUSTRALIA 8005740 AND UP BELGIUM 9012109 AND UP CANADA 7011058 AND UP

CONTINUED ON NEXT PAGE ➡

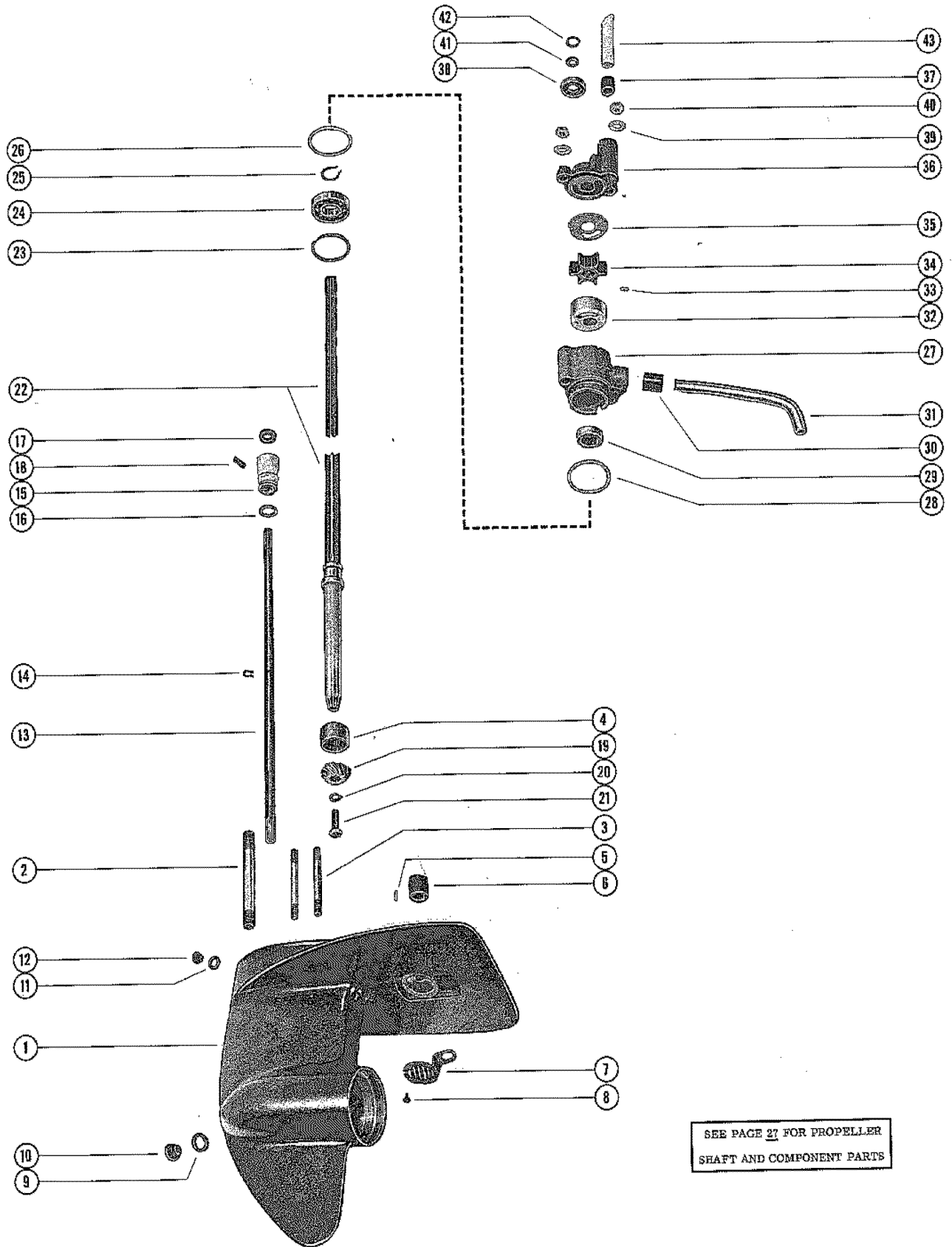
CLAMP AND SWIVEL BRACKET ASSEMBLY (SERIAL GROUP #2)



CLAMP AND SWIVEL BRACKET ASSEMBLY (SERIAL GROUP #2)

REF. NO.	PART NO.	SYM.	QTY.	DESCRIPTION
32	66559		1	SWIVEL PIN, SWIVEL BRACKET TO SADDLE UNITED STATES 3529446 THRU 3764824 AUSTRALIA 8005740 THRU 8014364 BELGIUM 9012109 THRU 9037733 CANADA 7011058 THRU 7025897
33	64004		1	CO-PILOT DISC
34	10-30679		3	SCREW, CO-PILOT DISC TO SADDLE (2 1/4")
35	11-46887		3	NUT, CO-PILOT DISC FASTENING SCREW
36	20203		4	DISC, FRICTION - CLAMP PLATE AND SWIVEL BRACKET
37	63647		1	PLATE, CLAMP - CO-PILOT
38	10-62506		1	SCREW, CLAMP PLATE ADJUSTING (1 5/8")
39	12-35462		1	WASHER, CLAMP PLATE ADJUSTING SCREW
40	63310A1		1	LEVER ASSEMBLY, TILT STOP
41	10-63311		2	SCREW, TILT STOP LEVER
42	13-31030		1	WASHER, WAVE - LEVER ANCHOR SCREW
43	11-35045		2	NUT, TILT STOP LEVER SCREW
44	10-36398		1	SCREW, SWIVEL BRACKET (1/4")

GEAR HOUSING ASSEMBLY, COMPLETE (PAGE 1)



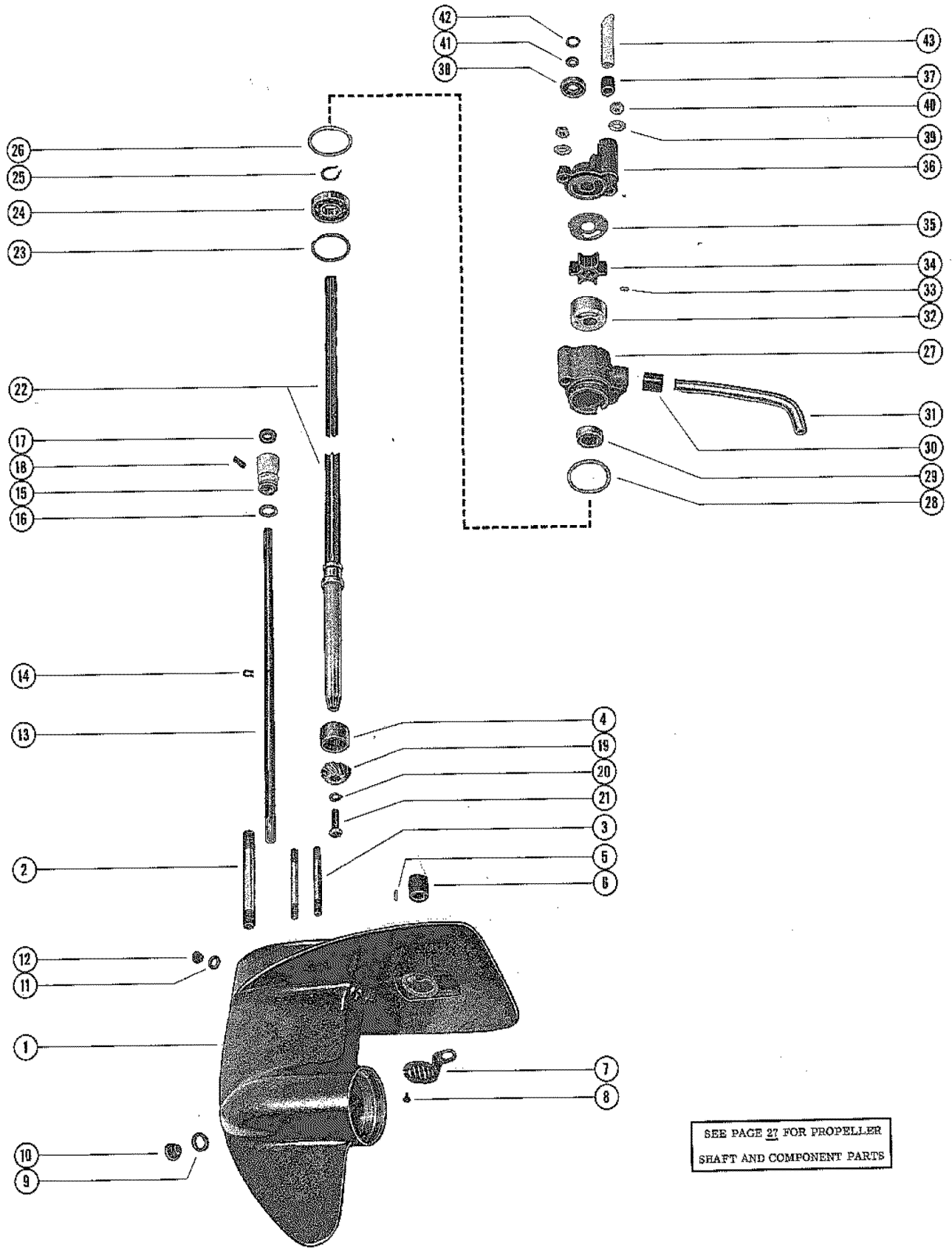
SEE PAGE 27 FOR PROPELLER
SHAFT AND COMPONENT PARTS

GEAR HOUSING ASSEMBLY, COMPLETE (PAGE 1)

REF. NO.	PART NO.	SYM.	QTY.	DESCRIPTION
-	1622-4408A4		1	GEAR HOUSING ASSEMBLY, COMPLETE(SHORT SHAFT) SEE NOTE BELOW UNITED STATES 3529445 AND BELOW AUSTRALIA 8005739 AND BELOW BELGIUM 9012108 AND BELOW CANADA 7011057 AND BELOW
-	1622-4408A5		1	GEAR HOUSING ASSEMBLY, COMPLETE(LONG SHAFT) SEE NOTE BELOW UNITED STATES 3529445 AND BELOW AUSTRALIA 8005739 AND BELOW BELGIUM 9012108 AND BELOW CANADA 7011057 AND BELOW
-	1630-4921A3		1	GEAR HOUSING ASSEMBLY, COMPLETE(SHORT SHAFT) SEE NOTE BELOW UNITED STATES 3529445 AND BELOW AUSTRALIA 8005739 AND BELOW BELGIUM 9012108 AND BELOW CANADA 7011057 AND BELOW
-	1630-4921A2		1	GEAR HOUSING ASSEMBLY, COMPLETE(LONG SHAFT) SEE NOTE BELOW UNITED STATES 3529445 AND BELOW AUSTRALIA 8005739 AND BELOW BELGIUM 9012108 AND BELOW CANADA 7011057 AND BELOW
1	1622-4408A1		1	GEAR HOUSING ASSEMBLY UNITED STATES 3529445 AND BELOW AUSTRALIA 8005739 AND BELOW BELGIUM 9012108 AND BELOW CANADA 7011057 AND BELOW
	1630-4921A1		1	GEAR HOUSING ASSEMBLY UNITED STATES 3529445 AND BELOW AUSTRALIA 8005739 AND BELOW BELGIUM 9012108 AND BELOW CANADA 7011057 AND BELOW
2	16-58138		1	STUD, GEAR HOUSING TO DRIVE SHAFT HOUSING (3 1/2")
3	16-58136		2	STUD, WATER PUMP HOUSING TO GEAR HOUSING (2 3/4")
4	31-22756		1	BEARING, ROLLER - DRIVE SHAFT
5	17-20032		1	PIN, DOWEL - LOCATING
6	26-33613		1	SEAL, RUBBER - WATER INTAKE TUBE
-	12-36555		1	WASHER, NYLON - INTAKE TUBE SEAL
7	35-33425		1	SCREEN WATER INTAKE
8	10-28642		1	SCREW, WATER INTAKE SCREEN TO GEAR HOUSING
9	12-20260		1	WASHER, GREASE FILLER HOLE SCREW
10	10-28634		1	SCREW, GREASE FILLER HOLE
11	12-20262		1	WASHER, GREASE VENT HOLE SCREW
12	10-28653		1	SCREW, GREASE VENT HOLE
13	54640A1		1	SHAFT ASSEMBLY, SHIFT(SHORT SHAFT) UNITED STATES 3529445 AND BELOW AUSTRALIA 8005739 AND BELOW BELGIUM 9012108 AND BELOW CANADA 7011057 AND BELOW
	54641A1		1	SHAFT ASSEMBLY, SHIFT(LONG SHAFT) UNITED STATES 3529445 AND BELOW AUSTRALIA 8005739 AND BELOW BELGIUM 9012108 AND BELOW CANADA 7011057 AND BELOW
	63556A1		1	SHAFT ASSEMBLY, SHIFT(SHORT SHAFT) UNITED STATES 3529445 AND BELOW AUSTRALIA 8005739 AND BELOW BELGIUM 9012108 AND BELOW CANADA 7011057 AND BELOW

CONTINUED ON NEXT PAGE ➡

GEAR HOUSING ASSEMBLY, COMPLETE (PAGE 1)



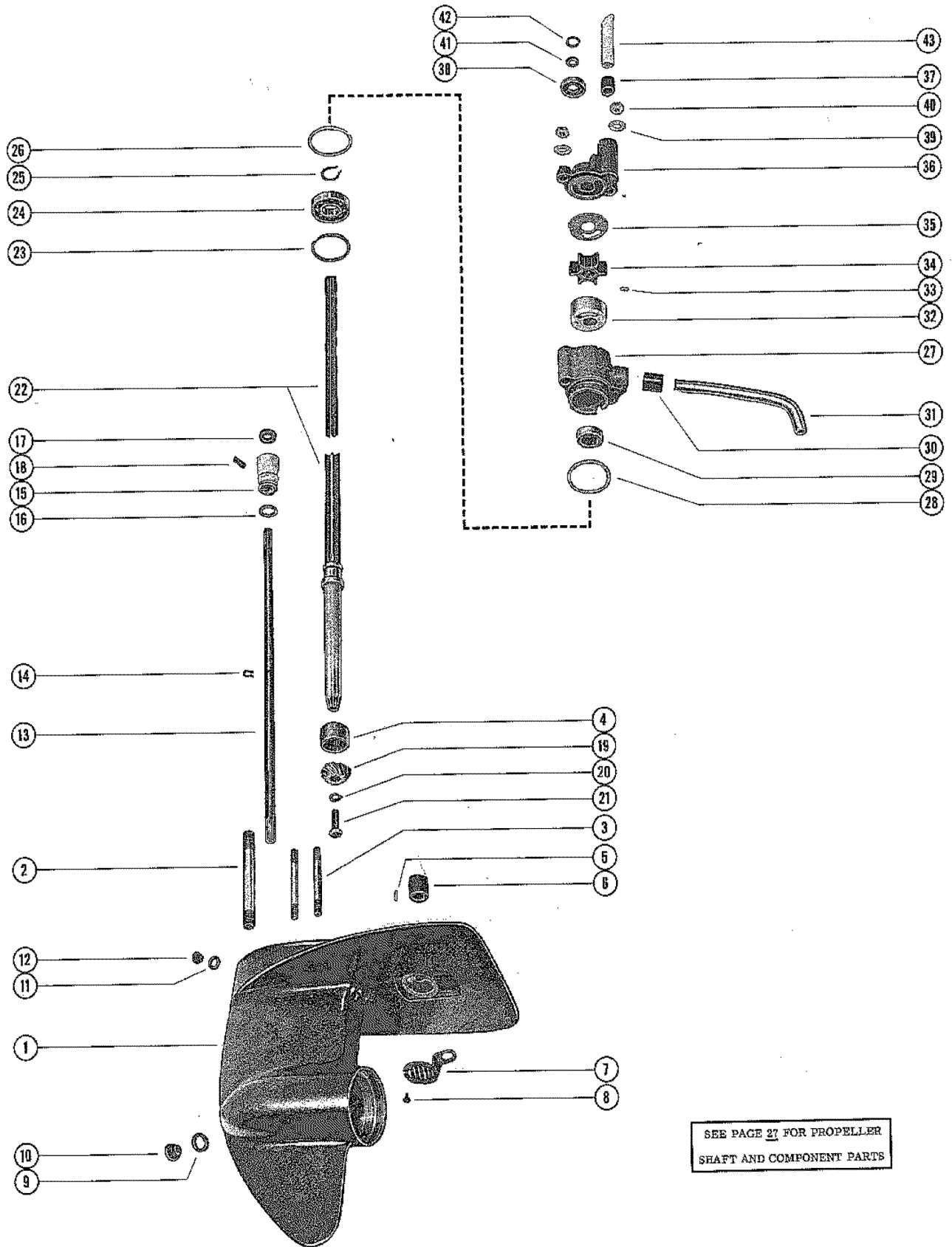
SEE PAGE 27 FOR PROPELLER
SHAFT AND COMPONENT PARTS

GEAR HOUSING ASSEMBLY, COMPLETE (PAGE 1)

REF. NO.	PART NO.	SYM.	QTY.	DESCRIPTION
13	63557A1		1	SHAFT ASSEMBLY, SHIFT(LONG SHAFT) UNITED STATES 3529445 AND BELOW AUSTRALIA 8005739 AND BELOW BELGIUM 9012108 AND BELOW CANADA 7011057 AND BELOW
14	53-22899		1	RING, RETAINING - SHIFT SHAFT
15	23-30676A1		1	BUSHING ASSEMBLY, SHIFT SHAFT
16	25-26802		1	"O" RING, SHIFT SHAFT BUSING
17	26-30696		1	OIL SEAL, SHIFT SHAFT BUSHING
18	10-39149		1	SCREW, SHIFT SHAFT BUSING RETAINER (1/2")
19	43-48579		1	GEAR, PINION
20	14-30377		1	TAB WASHER, PINION GEAR SCREW
21	10-30376		1	SCREW, PINION GEAR TO DRIVE SHAFT (3/4")
22	45-39078		1	DRIVE SHAFT(SHORT SHAFT) UNITED STATES 3529445 AND BELOW AUSTRALIA 8005739 AND BELOW BELGIUM 9012108 AND BELOW CANADA 7011057 AND BELOW
	45-39077		1	DRIVE SHAFT(LONG SHAFT) UNITED STATES 3529445 AND BELOW AUSTRALIA 8005739 AND BELOW BELGIUM 9012108 AND BELOW CANADA 7011057 AND BELOW
	45-64257		1	DRIVE SHAFT(SHORT SHAFT) UNITED STATES 3529445 AND BELOW AUSTRALIA 8005739 AND BELOW BELGIUM 9012108 AND BELOW CANADA 7011057 AND BELOW
	45-64258		1	DRIVE SHAFT(LONG SHAFT) UNITED STATES 3529445 AND BELOW AUSTRALIA 8005739 AND BELOW BELGIUM 9012108 AND BELOW CANADA 7011057 AND BELOW
23	15-30527A1		AR	SHIM ASSEMBLY, BALL BEARING TO GEAR HOUSING (.002-3-5-10)
24	30-33076		1	BEARING, BALL - DRIVE SHAFT
25	53-30523		1	RING, RETAINING - BALL BEARING
26	15-30527A1		AR	SHIM ASSEMBLY, BALL BEARING TO PUMP HOUSING (.002-3-5-10)
27	46-46893A3		1	WATER PUMP HOUSING ASSEMBLY
28	25-29439		1	"O" RING, WATER PUMP HOUSING
29	26-30900		1	OIL SEAL, WATER PUMP HOUSING
30	26-33613		1	SEAL, WATER INTAKE TUBE
31	32-34293		1	TUBE, WATER INTAKE
32	46894		1	INSERT, WATER PUMP HOUSING
33	28-56655		1	KEY, IMPELLER DRIVE
34	47-65957		1	IMPELLER, WATER PUMP
35	46895		1	PLATE, FACE - WATER PUMP HOUSING TO COVER
36	46896A2		1	WATER PUMP COVER ASSEMBLY
37	26-36558		1	SEAL, WATER PUMP COVER
-	12-36554		1	WASHER, NYLON - WATER PUMP COVER
38	26-30913		1	OIL SEAL, WATER PUMP COVER
39	12-20533		2	WASHER, WATER PUMP HOUSING AND COVER STUD
40	11-35045		2	NUT, WATER PUMP HOUSING STUD
41	25-30526		1	RING, RUBBER - CENTRIFUGAL SLINGER

CONTINUED ON NEXT PAGE ➡

GEAR HOUSING ASSEMBLY, COMPLETE (PAGE 1)

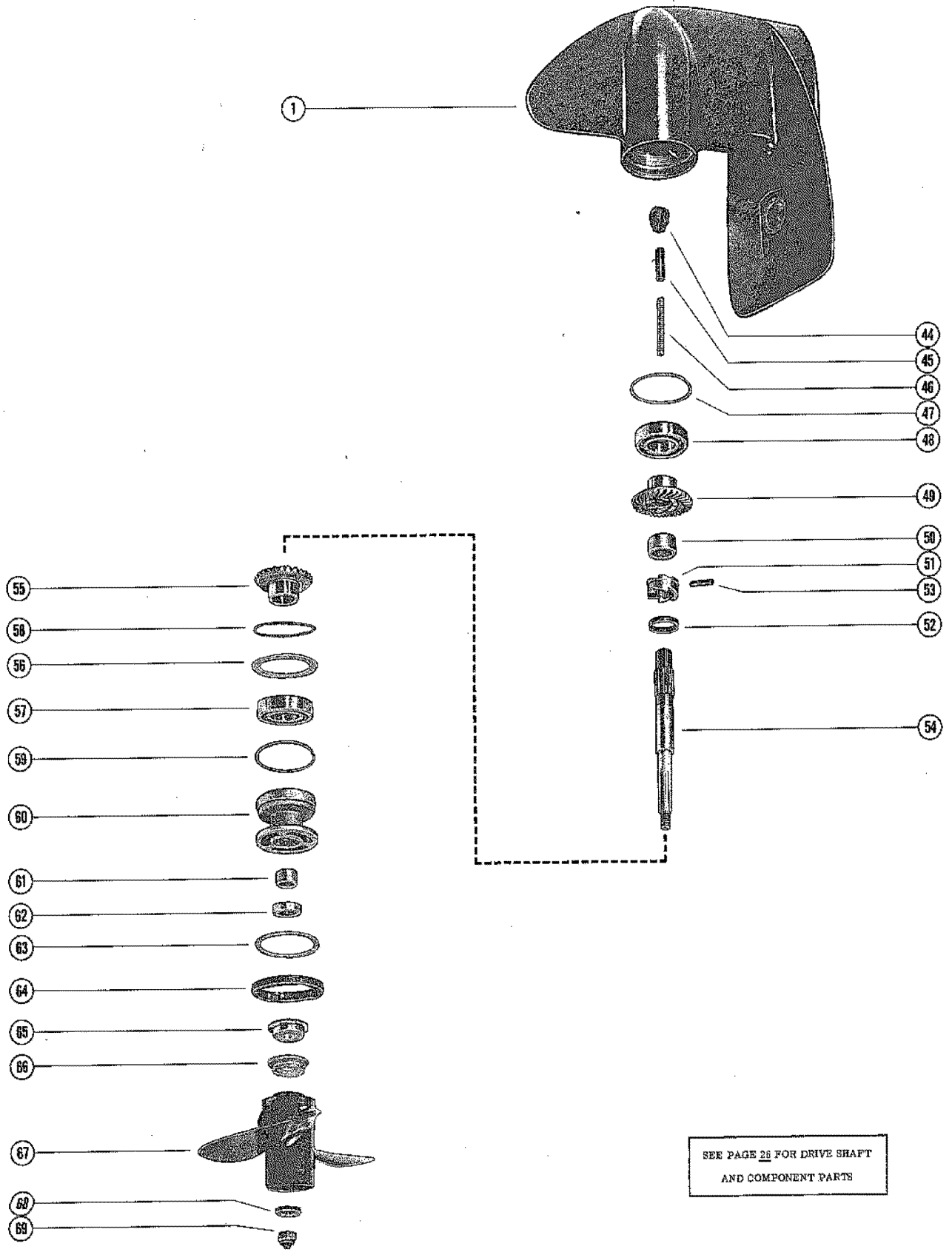


SEE PAGE 27 FOR PROPELLER
SHAFT AND COMPONENT PARTS

GEAR HOUSING ASSEMBLY, COMPLETE (PAGE 1)

REF. NO.	PART NO.	SYM.	QTY.	DESCRIPTION
42	25-21720		1	"O" RING, UPPER - DRIVE SHAFT UNITED STATES 3529445 AND BELOW AUSTRALIA 8005739 AND BELOW BELGIUM 9012108 AND BELOW CANADA 7011057 AND BELOW
43	23-31792		1	SLEEVE, GUIDE - INLET TUBE

GEAR HOUSING ASSEMBLY, COMPLETE (PAGE 2)

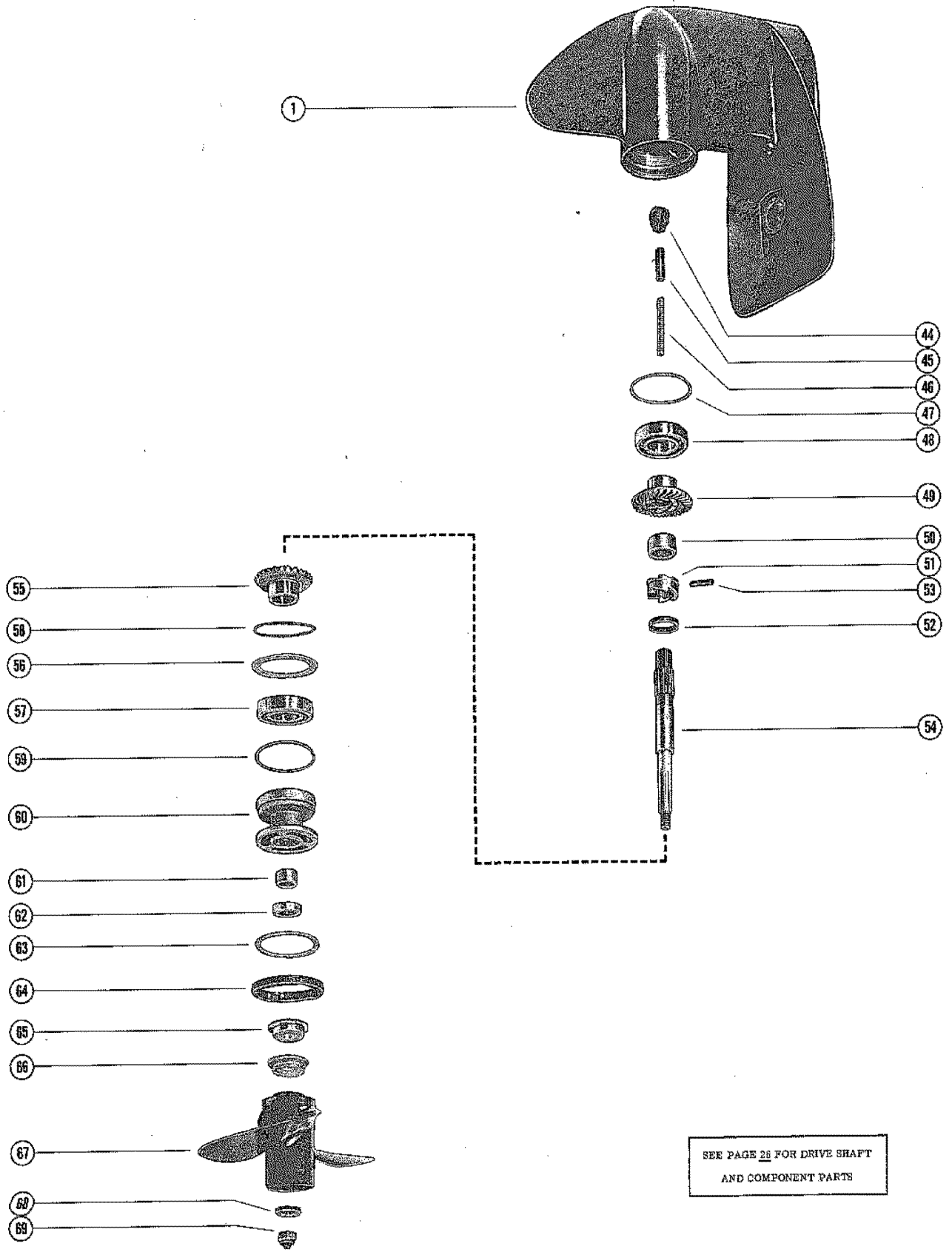


GEAR HOUSING ASSEMBLY, COMPLETE (PAGE 2)

REF. NO.	PART NO.	SYM.	QTY.	DESCRIPTION
-	1622-4408A4		1	GEAR HOUSING ASSEMBLY, COMPLETE(SHORT SHAFT) SEE NOTE BELOW UNITED STATES 3529445 AND BELOW AUSTRALIA 8005739 AND BELOW BELGIUM 9012108 AND BELOW CANADA 7011057 AND BELOW
-	1622-4408A5		1	GEAR HOUSING ASSEMBLY, COMPLETE(LONG SHAFT) SEE NOTE BELOW UNITED STATES 3529445 AND BELOW AUSTRALIA 8005739 AND BELOW BELGIUM 9012108 AND BELOW CANADA 7011057 AND BELOW
-	1630-4921A3		1	GEAR HOUSING ASSEMBLY, COMPLETE(SHORT SHAFT) SEE NOTE BELOW UNITED STATES 3529445 AND BELOW AUSTRALIA 8005739 AND BELOW BELGIUM 9012108 AND BELOW CANADA 7011057 AND BELOW
-	1630-4921A2		1	GEAR HOUSING ASSEMBLY, COMPLETE(LONG SHAFT) SEE NOTE BELOW UNITED STATES 3529445 AND BELOW AUSTRALIA 8005739 AND BELOW BELGIUM 9012108 AND BELOW CANADA 7011057 AND BELOW
1	1622-4408A1		1	GEAR HOUSING ASSEMBLY SEE PAGE 26 FOR PARTS BREAKSOWN UNITED STATES 3529445 AND BELOW AUSTRALIA 8005739 AND BELOW BELGIUM 9012108 AND BELOW CANADA 7011057 AND BELOW
	1630-4921A1		1	GEAR HOUSING ASSEMBLY SEE PAGE 26 FOR PARTS BREAKSOWN UNITED STATES 3529445 AND BELOW AUSTRALIA 8005739 AND BELOW BELGIUM 9012108 AND BELOW CANADA 7011057 AND BELOW
44	58981		1	CAM, SHIFT
45	31334		1	FOLLOWER, CAM
46	24-31333		1	SPRING, COMPRESSION - CAM FOLLOWER
47	15-30522A1		AR	SHIM ASSEMBLY, BEARING TO GEAR HOUSING (.002-3-5-10)
48	30-21889		1	BEARING, BALL - FORWARD GEAR
49	43-48577		1	FORWARD GEAR ASSEMBLY
50	31-22458		1	BEARING, ROLLER - FORWARD GEAR
51	52-47581		1	RATCHET, SLIDING CLUTCH UNITED STATES 3529445 AND BELOW AUSTRALIA 8005739 AND BELOW BELGIUM 9012108 AND BELOW CANADA 7011057 AND BELOW
	52-63314		1	RATCHET, SLIDING CLUTCH UNITED STATES 3529445 AND BELOW AUSTRALIA 8005739 AND BELOW BELGIUM 9012108 AND BELOW CANADA 7011057 AND BELOW
52	53-32449		1	RING, RETAINING - CROSS PIN
53	17-30535		1	PIN, CROSS - RATCHET TO PROPELLER SHAFT
54	44-47935		1	SHAFT, PROPELLER UNITED STATES 3529445 AND BELOW AUSTRALIA 8005739 AND BELOW BELGIUM 9012108 AND BELOW CANADA 7011057 AND BELOW
	44-65440A2		1	SHAFT ASSEMBLY, PROPELLER UNITED STATES 3529445 AND BELOW AUSTRALIA 8005739 AND BELOW BELGIUM 9012108 AND BELOW CANADA 7011057 AND BELOW
55	43-48578		1	REVERSE GEAR ASSEMBLY UNITED STATES 3529445 AND BELOW AUSTRALIA 8005739 AND BELOW BELGIUM 9012108 AND BELOW CANADA 7011057 AND BELOW

CONTINUED ON NEXT PAGE ➡

GEAR HOUSING ASSEMBLY, COMPLETE (PAGE 2)



GEAR HOUSING ASSEMBLY, COMPLETE (PAGE 2)

REF. NO.	PART NO.	SYM.	QTY.	DESCRIPTION
55	43-63316		1	REVERSE GEAR ASSEMBLY UNITED STATES 3529445 AND BELOW AUSTRALIA 8005739 AND BELOW BELGIUM 9012108 AND BELOW CANADA 7011057 AND BELOW
56	12-30531		1	WASHER, THRUST - REVERSE GEAR
57	30-21889		1	BEARING, BALL - REVERSE GEAR
58	15-30532A1		AR	SHIM ASSEMBLY, THRUST WASHER TO HOUSING (.002-3-5-10)
59	25-30529		1	"O" RING, BEARING CARRIER
60	30541A1		1	BEARING CARRIER ASSEMBLY UNITED STATES 3529445 AND BELOW AUSTRALIA 8005739 AND BELOW BELGIUM 9012108 AND BELOW CANADA 7011057 AND BELOW
	63317A1		1	BEARING CARRIER ASSEMBLY UNITED STATES 3529445 AND BELOW AUSTRALIA 8005739 AND BELOW BELGIUM 9012108 AND BELOW CANADA 7011057 AND BELOW
61	31-22458		1	BEARING, ROLLER - BEARING CARRIER
62	26-30530		1	OIL SEAL, BEARING CARRIER
63	12-30528		1	WASHER, GEAR HOUSING COVER
64	30537		1	COVER, GEAR HOUSING
65	23-47871A2		1	THRUST HUB ASSEMBLY, PROPELLER SHAFT UNITED STATES 3529445 AND BELOW AUSTRALIA 8005739 AND BELOW BELGIUM 9012108 AND BELOW CANADA 7011057 AND BELOW
66	12-53380		1	WASHER, CUPPED - THRUST HUB
	23-63466		1	GUIDE COLLAR, PROPELLER UNITED STATES 3529445 AND BELOW AUSTRALIA 8005739 AND BELOW BELGIUM 9012108 AND BELOW CANADA 7011057 AND BELOW
67	48-47940A1		1	PROPELLER ASSEMBLY (2 BLADE - ALUMINUM - 6" PITCH)-SERIAL GR
	48-63494A1		1	PROPELLER ASSEMBLY (2 BLADE - ALUMINUM - 6" PITCH)-SERIAL GR
68	23-27024		1	SPACER, SPLINDER - PROPELLER NUT UNITED STATES 3529445 AND BELOW AUSTRALIA 8005739 AND BELOW BELGIUM 9012108 AND BELOW CANADA 7011057 AND BELOW
	23-65439		1	SPACER, SPLINDER - PROPELLER NUT UNITED STATES 3529445 AND BELOW AUSTRALIA 8005739 AND BELOW BELGIUM 9012108 AND BELOW CANADA 7011057 AND BELOW
69	11-34933		1	NUT, PROPELLER UNITED STATES 3529445 AND BELOW AUSTRALIA 8005739 AND BELOW BELGIUM 9012108 AND BELOW CANADA 7011057 AND BELOW
	11-64075		1	NUT, PROPELLER

PARTS INDEX

Part Number	Description	Pg.	Ref. No.	Part Number	Description	Pg.	Ref. No.
20155	RETAINER, STARTER SPRING	5	17	39588	CAM, DETENT - SHIFT SHAFT	19	4
20203	DISC, FRICTION - CLAMP PLATE AND SWIVEL BRACKET	47	36	39601	PLATE, DETENT SPRING ..	21	14
20203	DISC, FRICTION - CLAMP PLATE AND SWIVEL BRACKET (THICK)	41	42	45757	TILT TUBE, CLAMP TO SWIVEL BRACKET	45	6
22833	ADAPTOR, CHECK UNIT ...	17	20	45757	TITL TUBE, CLAMP TO SWIVEL BRACKET	41	6
23069	STEM, CHECK UNIT ADAPTOR	17	19	46171	COVER, EXHAUST MANIFOLD	27	44
26179	RETAINER, SHEAVE SHAFT TO STARTER CHEAVE ..	5	26	46231	BLANKET, SOUND ABSORBING - STARBOARD	3	4
28748	RETAINER, STARTER CABLE AND HANDLE ...	5	37	46232A72	GASKET SET	1	-
29359	LUBRICAP, GREASE FITTING - SWIVEL BRACKET	41	21	46232A73	GASKET SET	1	-
29359	LUBRICAP, GREASE FITTING - SWIVEL BRACKET	45	18	46234	PLATE, BAFFLET - EXHAUST MANIFOLD	27	42
30188	CUP WASHER, ADAPTOR ..	17	16	46894	INSERT, WATER PUMP HOUSING	51	32
30537	COVER, GEAR HOUSING ..	57	64	46895	PLATE, FACE - WATER PUMP HOUSING TO COVER	51	35
30541A1	BEARING CARRIER ASSEMBLY	57	60	46896A2	WATER PUMP COVER ASSEMBLY	51	36
30595	PLATE, RETAINER - STARTER PAWL	5	29	47431	SHAFT, SHIFT - CONTROL HANDLE	19	2
30596	PAWL, STARTER	5	22	47604A1	PROTECTOR ASSEMBLY, SPAR PLUG	7	16
30646A1	MOUNT ASSEMBLY, UPPER(SEE NOTE BELOW)	37	8	47899A9	LEAD ASSEMBLY, HIGH TENSION	7	14
30646A2	MOUNT ASSEMBLY, LOWER	37	7	48003	PIVOT, STEEREING HANDLE TO BRACKET	31	9
30782	HANDLE, STARTER CABLE .	5	36	53041	COVER, UPPER AND LOWER MOUNT	37	10
30815	LINK, REVERSE LOCK LEVER	41	27	53187	LEVER, CHOKE	15	7
30980	COVER, TRIM - TOP COWL .	3	8	53189	KNOB, CHOKE	15	9
31014	MOUNT, RUBBER - COVER TO TOP COWL	27	35	53191	SHUTTER AND SCREEN, CHOKE - CARBURETOR .	15	3
31334	FOLLOWER, CAM	55	45	53238A3	FUEL PUMP ASSEMBLY ...	17	1
31908	SCREEN, VENT - TO COWL	3	12	53241	BASE, FUEL PUMP	17	6
35558	SHAFT, SHEAVE	5	30	53245A1	DIAPHRAGM KIT, FUEL PUMP	17	3
35658	COVER, TRANSFER PORT .	25	31	53267A1	REVERSE LOCK LEVER ASSEMBLY	41	28
35728	REED BLOCK	25	14	53435	BRACKET, STOP	41	29
35846	BLANKET, SOUND ABSORBING - PORT	3	5	53472	MOUNT, RUBBER - TOP COWL	3	7
35848	BLANKET, SOUND ABSORBING - REAR	3	6	54640A1	SHAFT ASSEMBLY, SHIFT(SHORT SHAFT)	49	13
35860	CO-PILOT DISC	41	38	54641A1	SHAFT ASSEMBLY, SHIFT(LONG SHAFT)	49	13
36187A1	LEVER ASSEMBLY, CLAMPING - PORT	35	2	55435	BLOCK, BEARING - DRIVE SHAFT	37	12
36188A1	LEVER ASSEMBLY, CLAMPING - STARBOARD	35	3	55851	LEVER, TITLE STOP	43	52
38938	BOOT, CABLE	9	27	55860	PULLEY, STARTER CABLE .	5	31
38938	BOOT, LEAD ASSEMBLY ...	9	25	55936	COVER, EXHAUST RELIEF .	35	18
39257	BRACKET, PORT - TOP COWL FASTENING	5	14	56316A4	CABLE ASSEMBLY, STATOR HOUSING (WHITE - 10 3/4")	9	26
39258	BRACKET, STARBOARD - TOP COWL FASTENING .	5	14				
39537	STRIP, SOUND SEAL - FORWARD	3	3				
39538	STRIP, SOUND SEAL - REAR	3	2				

PARTS INDEX

Part Number	Description	Pg.	Ref. No.	Part Number	Description	Pg.	Ref. No.
56520	CAM, THROTTLE	9	20	63554	GUIDE, SPRING	45	28
56663	ROD, REVERSE LOCK TO SWIVEL BRACKET	41	25	63555	SHIFT SHAFT, UPPER	21	16
56712	NOZZLE, TELL TALE	35	12	63556A1	SHAFT ASSEMBLY, SHIFT(SHORT SHAFT)	49	13
56757A5	JUMPER WIRE ASS'Y, CONDENSER TO COVER (BLACK - 4 1/4")	9	23	63557A1	SHAFT ASSEMBLY, SHIFT(LONG SHAFT)	51	13
58981	CAM, SHIFT	55	44	63559	BRACKET, TROLL	45	26
59000	THROTTLE LEVER ASSEMBLY	15	1	63628	LEVER, REVERSE LOCK . . .	45	24
59107	HANDLE, SHIFT CONTROL .	19	1	63629	LINK ROD, REVERSE LOCK	39	18
59170A3	THUMB SCREW ASSEMBLY	41	3	63647	PLATE, CLAMP - CO-PILOT .	47	37
59170A3	THUMB SCREW ASSEMBLY	45	3	63854A1	GEAR AND SHAFT ASS'Y, THROTTLE CONTROL . . .	23	5&9
60850	ARM, STEERING HANDLE . .	31	6	63991A1	CARRIER ASSEMBLY	29	2
60850A4	STEERING HANDLE ASSEMBLY, COMP.	31	-	64004	CO-PILOT DISC	47	33
60850A6	STEERING HANDLE ASSEMBLY, COMP.	31	-	64076	BUMPER, THRUST - SADDLE	37	6
60851	SHAFT, THROTTLE	31	3	64601	COVER, VENT - TO COWL .	5	12
60854	GRIP, HANDLE - THROTTLE	31	1	64988	SEAL, CARRIER ASSEMBLY	29	3
60857A2	UNIVERSAL JOINT ASSEMBLY	31	12	65216	CAM, REVERSE LOCK	39	21
60885	HOUSING, HORIZONTAL GEAR	23	2	65418A1	HANDLE ASSEMBLY, THROTTLE SHAFT	31	4
60920	LINK, THROTTLE LEVER TO STATOR PLATE	23	11	66018	MOUNT, RUBBER - TOP COWL	3	7
61007	RETAINER, ROD - REVERSE LOCK	45	25	66019	MOUNT, RUBBER - COVER TO TOP COWL	27	35
61008	RETAINER, REVERSE LOCK CAM	39	22	66376	HANDLE, SHIFT CONTROL .	19	1
61296	PLATE, CLAMP - CO-PILOT .	43	43	66378	SHIFT, SHIFT - CONTROL HANDLE	19	2
61532	COVER, IGNITION COIL . . .	7	11	66393	SHAFT, THROTTLE	31	3
61541	COVER, FUEL PUMP	17	7	66394A1	HANDLE ASSEMBLY, THROTTLE SHAFT	31	4
61602	PLATE, LOCKING - CLAMP PLATE ADJUSTING SCREW	43	51	66414	CAM, DETENT - SHIFT SHAFT	19	4
61643	LEVER, THROTTLE CONTROL	23	9	66559	SWIVEL PIN, SWIVEL BRACKET TO SADDLE . . .	47	32
62024	LEVER, CONTROL - REVERSE LOCK	43	49	68768A2	BRACKET, STEERING ARM	33	15
62099	BRACKET, THROTTLE CONTROL LEVER	23	6	10-20597	SCREW, THROTTLE LEVER TO CARBURETOR (3/8") .	15	2
62251	CAP, HANDLE THROTTLE . .	31	2	10-20720	SCREW, TRANSFER PORT COVER TO CYLINDER BLOCK (5/8")	25	33
62256	ROD, LINK - REVERSE LOCK LEVER	41	33	10-20847	SCREW, THROTTLE STOP LEVER	11	19
62257A2	LINK ASSEMBLY, REVERSE LEVER	41	32	10-21091	SCREW, SYLINDER BLOCK COVER TO CYLINDER BLOCK (1 1/4")	27	39
62342	DISC, FRICTION - CLAMP PLATE AND SWIVEL BRACKET (THIN)	41	41	10-23015	SCREW, ADJUSTING - THROTTLE (1")	23	7
62638A2	GEAR AND SHAFT ASS'Y, THROTTLE CONTROL . . .	23	5	10-23178	SCREW, PLUG - MAIN NOZZLE	11	30
63170	COVER, TRIM - TOP COWL .	3	8	10-23618	SCREW, TRIM COVER TO TOP COWL	3	9
63310A1	LEVER ASSEMBLY, TILT STOP	47	40	10-24624	SCREW, CRANKCASE TO CYLINDER BLOCK (1 3/4")	25	11
63317A1	BEARING CARRIER ASSEMBLY	57	60	10-25764	SCREW, PLATE AND SPRING TO CRANKCASE (1/2")	21	15
63551	ROD, REVERSE LOCK TO SWIVEL BRACKET	45	22	10-25822	SCREW, STRAINER COVER	11	18
				10-27791	SCREW, ANCHOR - TILT STOP LEVER	43	55

PARTS INDEX

Part Number	Description	Pg.	Ref. No.	Part Number	Description	Pg.	Ref. No.
10-28063	SCREW, THROTTLE CAM TO CONTRACT HOUSING . . .	9	21	10-36398	SCREW, SWIVEL BRACKET (1/4")	47	44
10-28405	SCREW, PLUG - MAIN FUEL JET CHANNEL	11	34	10-37923	SCREW, CHECK UNIT ADAPTOR TO BOTTOM COWL (1 1/4")	17	21
10-28430	SCREW, REED AND RETAINER TO BLOCK (1/4")	25	17	10-39002	SCREW, UPPER BEARING HOUSING (#12-24 X 1/2)	25	30
10-28634	SCREW, BOTTOM COWL FLUSHING HOLE	35	10	10-39149	SCREW, SHIFT SHAFT BUSING RETAINER (1/2")	51	18
10-28634	SCREW, GREASE FILLER HOLE	49	10	10-39154	SCREW, CONNECTINT ROD	29	5
10-28636	SCREW, PLATE/MANIFOLD COVER TO BLOCK (3/4")	27	45	10-39514	SCREW, BRACKET TO TOP COWL (1 1/8")	5	15
10-28642	SCREW, DRIVE - SERIAL PLATE TO SWIVEL BRACKET	41	20	10-45817	SCREW, UPPER AND LOWER MOUNT COVER RETAINING (7/16")	37	11
10-28642	SCREW, WATER INTAKE SCREEN TO GEAR HOUSING	49	8	10-47910	SCREW, THROTTLE CONTROL HOUSING TO BOTTOM COWL (5/8")	23	3
10-28653	SCREW, GREASE VENT HOLE	49	12	10-49668	SCREW, PLATE/MANIFOLD COVER TO BLOCK (3/4")	27	45
10-28789	SCREW, PULLEY TO TOP COWL (3/4")	5	34	10-52195	SCREW, FLOAT BOWL COVER (SHORT)	11	10
10-28845	SCREW, PLUG - BODY CHANNEL	11	28	10-52196	SCREW, FLOAT BOWL COVER (LONG)	11	11
10-29237	SCREW, RETAINING - TILT STOP LEVER	43	53	10-55298	SCREW, SPRING TO CARBURETOR	15	6
10-29326	BOLT, CLAMP BRACKET TO BOAT	41	14	10-56027	SCREW, THROTTLE LINK TO STATOR PLATE (7/8")	23	16
10-29326	BOLT, CLAMP BRACKET TO BOAT	45	14	10-56214	SCREW, HANDLE TO ARM BRK. (5/8")	31	11
10-30376	SCREW, PINION GEAR TO DRIVE SHAFT (3/4")	51	21	10-56266	SCREW, MAKER TO STATOR HOUSING (3/8")	9	19
10-30679	SCREW, CO-PILOT DISC TO SADDLE	41	39	10-59800	SCREW, MODULE TO STATOR (9/16")	9	4
10-30679	SCREW, CO-PILOT DISC TO SADDLE (2 1/4")	47	34	10-60355	SCREW, LINK TO SWIVEL BRACKET	41	34
10-30679	SCREW, STEERING ARM BRACKET TO SADDLE (2 1/2")	33	18	10-60491	SCREW, COVER TO MODULE (5/8")	9	2
10-31206	SCREW, EXHAUST RELEIF COVER TO BOTTOM COWL (7/16")	35	19	10-61530	SCREW, COIL COVER TO REAR SUPPORT GRACKET (3 3/4")	7	12
10-31294	SCREW, CRANKCASE TO CYLINDER BLOCK (1")	25	12	10-62233	SCREW, DETENT SPRING TO STEERING ARM BRACKET (5/8")	33	16
10-32627	SCREW, FUEL PUMP TO BASE (1 1/2")	17	8	10-62269	SCREW, CONDENSER ATTACHING (7/16")	9	12
10-34696	SCREW, THROTTLE LINK TO THROTTLE LEVER (3/4")	23	12	10-62506	SCREW, CLAMP PLATE ADJUSTING	43	44
10-35400	SCREW, HOLD DOWN PLATE TO STATOR (7/16")	9	15	10-62506	SCREW, CLAMP PLATE ADJUSTING (1 5/8")	47	38
10-35519	SCREW, TELL TALE NOZZLE TO BOTTOM COWL	35	13	10-63311	SCREW, TILT STOP LEVER	47	41
10-35519	SCREW, VENT SCREEN TO TOP COWL (3/8")	5	13	10-64074	SCREW, HANDLE TO ARM BRK. (5/8")	31	11
10-36046	SCREW, MODULE - COIL LEADS (1/4")	9	5	10-64652	SCREW, TRIM COVER TO TOP COWL	3	9
10-36205	SCREW, HOLD DOWN RING CLAMP TO BEARING HOUSING (9/16")	25	28	10-65414	SCREW, CAM RETAINER TO DRIVE SHAFT HOUSING (3/4")	39	19
				11-20061	NUT, CONNECTING ROD SCREW	29	7

PARTS INDEX

Part Number	Description	Pg.	Ref. No.	Part Number	Description	Pg.	Ref. No.
11-20083	NUT, RUBBER MOUNT TO COVER	27	37	11-56041	NUT, TILT TUBE FASTENING	45	8
11-20088	NUT, RUBBER MOUNT TO COVER	27	37	11-56325	NUT, CABLE INSULATOR	9	29
11-20166	NUT, SHEAVE SHAFT (LEFT HAND THREAD)	3	11	11-56374	NUT, CLAMP BRACKET SCREW	41	16
11-20361	NUT, HORIZONTAL GEAR TO SHIFT CONTROL HANDLE	19	12	11-56374	NUT, CLAMP BRACKET SCREW	45	16
11-20645	NUT, LOCK - THROTTLE ADJUSTING SCREWS	23	8	11-62505	NUT, CAMPL PLATE ADJUSTING SCREW	43	45
11-20696	NUT, FLYWHEEL	7	5	11-64075	NUT, PROPELLER	57	69
11-24652	NUT, CARBURETOR MOUNTING STUD	13	39	12-20128	WASHER, FUEL PUMP SCREWS	17	9
11-24652	NUT, DRIVE SHAFT HOUSING TO POWERHEAD STUDS	37	14	12-20214	WASHER, THUMB SCREW	41	4
11-27164	NUT, COIL COVER SCREW	7	13	12-20214	WASHER, THUMB SCREW	45	4
11-28656	NUT, THROTTLE LINK SCREW	23	15	12-20260	WASHER, BOTTOM COWL FLUSHING HOLE SCREW	35	11
11-29598	NUT, CLAMP BRACKET STUD	41	11	12-20260	WASHER, GREASE FILLER HOLE SCREW	49	9
11-29598	NUT, CLAMP BRACKET STUD	45	11	12-20262	WASHER, GREASE VENT HOLE SCREW	49	11
11-30499	NUT, TILT TUBE FASTENING	41	8	12-20533	WASHER, WATER PUMP HOUSING AND COVER STUD	51	39
11-34863	NUT, GEAR HOUSING TO DRIVE SHAFT HOUSING STUD	37	4	12-20583	WASHER, CARBURETOR MOUNTING STUD	13	38
11-34933	NUT, PROPELLER	57	69	12-22887	WASHER, PULLEY FASTENING SCREW	5	33
11-35045	NUT, TILT STOP LEVER SCREW	47	43	12-29245	WASHER, BRACKET SCREW (1/16")	5	16
11-35045	NUT, WATER PUMP HOUSING STUD	51	40	12-29245	WASHER, SHIFT CONTROL HANDLE	19	11
11-35814	NUT, DRIVE SHAFT HOUSING TO GEAR HOUSING STUD	37	3	12-29245	WASHER, SHIFT CONTROL HANDLE TO SHAFT	19	6
11-39305	NUT, SHIFT CONTROL HANDLE TO SHAFT	19	7	12-30528	WASHER, GEAR HOUSING COVER	57	63
11-45076	NUT, IGNITION COIL TERMINAL	7	10	12-30531	WASHER, THRUST - REVERSE GEAR	57	56
11-45076	NUT, MODULE - IGNITION COIL LEAD TERMINALS	9	7	12-31782	WASHER, CLAMP BRACKET SCREW	41	15
11-46887	NUT, CO-PILOT DISC FASTENING SCREW	41	40	12-31782	WASHER, CLAMP BRACKET SCREW	45	15
11-46887	NUT, CO-PILOT DISC FASTENING SCREW	47	35	12-34392	WASHER, THROTTLE LINK CREW	23	13
11-46887	NUT, CRANKCASE FASTENING SCREW	25	13	12-35462	WASHER, CLAMP PLATE ADJUSTING SCREW	47	39
11-46887	NUT, CYLINDER BLOCK COVER MOUNTING SCREW	27	40	12-35462	WASHER, CLAMP PLATE ADJUSTING SCREW	43	47
11-46887	NUT, DRIVE SHAFT HOUSING TO POWERHEAD STUDS	37	14	12-35559	WASHER, SHEAVE SHAFT RETAINER	5	27
11-46887	NUT, STEERING ARM BRACKET FASTENING SCREW	33	19	12-36282	WASHER, FLYWHEEL NUT	7	4
11-46887	NUT, TILT STOP LEVER ANCHOR SCREW	43	57	12-36554	WASHER, NYLON - OUTLET TUBE SEAL	37	17
				12-36554	WASHER, NYLON - WATER PUMP COVER	51	--
				12-36555	WASHER, NYLON - INTAKE TUBE SEAL	49	-
				12-37998	WASHER, THROTTLE CAM ATTACHING SCREW	9	22
				12-52864	WASHER, TILT TUBE - CLAMP TO SWIVEL BRACKET	41	5

PARTS INDEX

Part Number	Description	Pg.	Ref. No.	Part Number	Description	Pg.	Ref. No.
12-52864	WASHER, TILT TUBE - CLAMP TO SWIVEL BRACKET	45	5	15-31412A1	SHIM ASSEMBLY, UPPER HOUSING TO BLOCK (.002-3-5-10)	25	21
12-53380	WASHER, CUPPED - THRUST HUB	57	66	15-33910015	SHIM, STATOR PLATE TO UPPER END CAP	9	16
12-62252	WASHER, THROTTLE HANDLE TO STEERING ARM	31	5	15-48002015	SHIM, HANDLE PIVOT TO BRK. (.015)	31	10
12-65967	WASHER, NEEDLE BEARING RETAINING	29	8	15-64653A1	SHIM, PINION GEAR TO BOTTOM COWL	23	4
13-20160	WASHER, WAVE - RETAINER TENSION	5	28	16-58136	STUD, WATER PUMP HOUSING TO GEAR HOUSING (2 3/4")	49	3
13-20202	LOCKWASHER, RUBBER MOUNT	27	36	16-58138	STUD, GEAR HOUSING TO DRIVE SHAFT HOUSING (3 1/2")	49	2
13-20846	WASHER, WAVE - LEVER ANCHOR SCREW	43	56	16-59622	STUD, CLAMP BRACKET	41	9
13-26992	LOCKWASHER, CAM RETAINER SCREW	39	20	16-59622	STUD, CLAMP BRACKET	45	9
13-26992	LOCKWASHER, CLAMP BRACKET STUD	41	10	16-66020	STUD, CARBURETOR MOUNTING	25	3
13-26992	LOCKWASHER, CLAMP BRACKET STUD	45	10	16-66021	STUD, SYLINDER BLOCK AND CRANKCASE TO DRIVE SHAFT HOUSING	25	2
13-26992	LOCKWASHER, RUBBER MOUNT	27	36	16-66373	STUD, DRIVE SHAFT HOUSING TO GEAR HOUSING	37	2
13-26995	LOCKWASHER, FLOAT BOWL COVER SCREW	11	12	17-20032	PIN, DOWEL - LOCATING	49	5
13-26996	LOCKWASER, IGNITION COIL TERMINAL	7	9	17-22896	PIN, RETAINER - STARTER CABLE	5	21
13-26996	LOCKWASHER, MODULE - IGNITION COIL LEAD TERMINALS	9	6	17-25319	ROLL PIN, SPRING GUIDE	45	29
13-29720	WASHER, WAVE - THROTTLE LINK SCREW	23	14	17-25905	PIN, DETENT CAM TO SHIFT SHAFT	19	10
13-31030	WASHER, WAVE - LEVER ANCHOR SCREW	47	42	17-27006	ROLL PIN, RELEASE LINK	41	36
13-34632	WASHER, WAVE - LINK SCREW	41	35	17-27088	PIN, BALL GEAR TO THROTTLE SHAFT	31	8
13-35629	WASHER, WAVE - CAM TENSION	7	6	17-27088	PIN, ROLL - LEVER TO VERTICAL SHAFT	23	10
13-36206	WASHER, WAVE - STARTER PAWL	5	23	17-30535	PIN, CROSS - RATCHET TO PROPELLER SHAFT	55	53
13-48239	WASHER, WAVE - CLAMP PLATE ADJUSTING SCREW	43	48	17-30688	SWIVEL PIN, SWIVEL BRACKET TO SADDLE	41	37
13-63631	WASHER, WAVE - TROLL BRACKET LEVER	45	31	17-31224	PIN, DOWEL - TENSION SPRING TO HANDLE	19	9
14-20165	TAB WASHER, CHEAVE SHAFT NUT	3	10	17-46152	PIN, THROTTLE HANDLE	31	4A
14-30377	TAB WASHER, PINION GEAR SCREW	51	20	17-46912	PIN, DOWEL - CRANKCASE TO CYLINDER BLOCK	25	4
15-30522A1	SHIM ASSEMBLY, BEARING TO GEAR HOUSING (.002-3-5-10)	55	47	17-55952A1	TILT LOCK PIN ASSEMBLY	41	13
15-30527A1	SHIM ASSEMBLY, BALL BEARING TO GEAR HOUSING (.002-3-5-10)	51	23	17-55952A1	TILT LOCK PIN ASSEMBLY	45	13
15-30527A1	SHIM ASSEMBLY, BALL BEARING TO PUMP HOUSING (.002-3-5-10)	51	26	17-58997	PIN, ROLL - CLAMPING LEVER	35	9
				17-63905	SWIVEL PIN, SWIVEL BRACKET TO SADDLE	45	32
				17-68436	PIN, BALL GEAR TO UNIVERSAL JOINT	31	14
				18-45882	COTTER PIN, RECERSE LOCK LEVER TO ROD	45	23
				18-56206	COTTER PIN, RECERSE LOCK LEVER TO ROD	41	26
				21-30430A2	CHECK VALVE ASSEMBLY	17	2
				21-56011A2	CHECK VALVE ASSEMBLY	25	6

PARTS INDEX

Part Number	Description	Pg.	Ref. No.	Part Number	Description	Pg.	Ref. No.
22-25885	ELBOW, 90 - 1/8' MALE (TELL TALE)	25	10	24-30817	SPRING, TENSION - SHIFT CONTROL HANDLE	19	8
22-25885	ELBOW, TELL TALE - HOSE TO CYLINDER BLOCK . . .	35	15	24-30886	SPRING, TENSION - REVERSE LOCK LEVER . .	41	31
22-31345	FITTING, GREASE - SWIVEL BRACKET	41	22	24-31333	SPRING, COMPRESSION - CAM FOLLOWER	55	46
22-31345	FITTING, GREASE - SWIVEL BRACKET	45	19	24-34731	SPRING, HOLD DOWN RING CLAMP	25	29
22-33373	ELBOW, HOSE TO CYLINDER BLOCK (90) . .	17	13	24-39627	SPRING, DETENT - CRANKCASE	19	13
22-39079	ELBOW, FUEL PUMP TO CARBURETOR	17	11	24-47744	SPRING, DETENT - STEERING HANDLE	33	17
22-54064	CONNECTOR, HOSE TO FUEL PUMP	17	10	24-53190	SPRING, TENSION - CHOKE KNOB	15	8
22-61544	ELBOW, HOSE TO FUEL PUMP (45)	17	10	24-53193	SPRING, CHOKE SHUTTER TO LEVER	15	4
22-62034	ELBOW, BLEED DRAIN	25	9	24-53456	SPRING, EXTENSION - STOP BRACKET	41	30
22-62035A3	ELBOW ASSEMBLY, BLEED DRAIN	25	5	24-55299A1	SPRING ASSEMBLY, CARBURETOR	15	5
23-26819	BUSHING, NYLON - CLAMPING LEVER	35	7	24-62143	SPRING, TILT LOCK PIN . . .	41	12
23-26841	BUSHING, NYLON - REVERSE LOCK LEVER ROD	45	21	24-62143	SPRING, TILT LOCK PIN . . .	45	12
23-26856	BUSHING, NYLON - REVERSE LOCK LEVER ROD	41	24	24-63399	SPRING, GROUND STRAP . .	35	6
23-27024	SPACER, SPLINDER - PROPELLER NUT	57	68	25-20415	"O" RING, ADAPTOR STEM . .	17	18
23-28912	BUSHING, SPRING GUIDE . .	5	19	25-20863	"O" RING, UPPER BEARING HOUSING	25	26
23-28919	BUSHING, NYLON - SHEAVE SHAFT SPACER	5	24	25-21720	"O" RING, UPPER - DRIVE SHAFT	53	42
23-30676A1	BUSHING ASSEMBLY, SHIFT SHAFT	51	15	25-25439	"O" RING, SWIVEL BRACKET	41	18
23-30677	BUSHING, NYLON - SHIFT CONTROL SHAFT	21	17	25-26802	"O" RING, SHIFT SHAFT BUSING	51	16
23-30678	BUSHING, NYLON - SHIFT CONTROL HANDLE	19	3	25-29439	"O" RING, WATER PUMP HOUSING	51	28
23-30813	SPACER, TUBE - REVERSE LOCK ROD	41	23	25-30526	RING, RUBBER - CENTRIFUGAL SLINGER . .	51	41
23-30977	SPACER, CABLE PULLEY . .	5	32	25-30529	"O" RING, BEARING CARRIER	57	59
23-31293	BUSHING, RUBBER - CLAMPING LEVER	35	8	25-36284	"O" RING, FLYWHEEL NUT . .	7	3
23-31792	SLEEVE, GUIDE - INLET TUBE	53	43	26-30530	OIL SEAL, BEARING CARRIER	57	62
23-47871A2	THRUST HUB ASSEMBLY, PROPELLER SHAFT	57	65	26-30696	OIL SEAL, SHIFT SHAFT BUSHING	51	17
23-59573	SPACER, CLAMP PLATE ADJUSTING SCREW	43	50	26-30900	OIL SEAL, WATER PUMP HOUSING	51	29
23-61005	SPACER, SHEAVE SHAFT . .	5	25	26-30913	OIL SEAL, WATER PUMP COVER	51	38
23-63466	GUIDE COLLAR, PROPELLER	57	66	26-31411	OIL SEAL, UPPER BEARING HOUSING	25	25
23-64028	BUSHING, SWIVEL BRACKET	45	20	26-33613	SEAL, RUBBER - WATER INTAKE TUBE	49	6
23-65439	SPACER, SPLINDER - PROPELLER NUT	57	68	26-33613	SEAL, WATER INTAKE TUBE	51	30
23-66375	BUSHING, NYLON - SHIFT CONTROL HANDLE	19	3	26-36556	SEAL, RUBBER - WATER OUTLET TUBE	37	16
24-23067	SPRING, ADAPTOR STEM . .	17	17	26-36558	SEAL, WATER PUMP COVER	51	37
				26-56397	OIL SEAL, CRANKCASE (LOWER)	25	20
				26-63630	SPRING, EXTENSION - TROLL BRACKET	45	27
				27-22023	GASKET, CARBURETOR TO REED BLOCK	13	37

PARTS INDEX

Part Number	Description	Pg.	Ref. No.	Part Number	Description	Pg.	Ref. No.
27-35657	GASKET, TRANSFER PORT COVER	25	32	37-60973A73	DECAL SET	1	-
27-35735	GASKET, COVER TO CYLINDER BLOCK	27	38	37-65778A74	DECAL SET	1	-
27-35739	GASKET, REED BLOCK TO CRANKCASE	25	18	38-31042	SERIAL PLATE	41	19
27-45748	GASKET, POWERHEAD TO BOTTOM COWL	35	16	39-21665A12	RING, PISTON	29	12
27-46232	GASKET, BUFFLE PLATE TO EXHAUST MANIFOLD COVER	27	43	40-21666	LOCK RING, PISTON PIN	29	11
27-46232	GASKET, SYLINDER BLOCK TO BAFFLE PLATE	27	41	43-30802	GEAR, HORIZONTAL - SHIFT CONTROL HANDLE	19	5
27-55847	GASKET, EXHAUST RELEIF COVER TO BOTTOM COWL	35	17	43-48577	FORWARD GEAR ASSEMBLY	55	49
27-59079	GASKET, BOTTOM COWL TO DRIVE SHAFT HOUSING	37	13	43-48578	REVERSE GEAR ASSEMBLY	55	55
28-20094	KEY, FLYWHEEL DRIVE	7	2	43-48579	GEAR, PINION	51	19
28-56655	KEY, IMPELLER DRIVE	51	33	43-55447	GEAR, SECTOR - SHIFT SHAFT	21	18
29-26815	BEARING, NEEDLE - CRANKPIN	29	6	43-60852	GEAR, BALL - UNIVERSAL JOINT	31	13
29-31505	BEARING, NEEDLE - PISTON PIN	29	9	43-60852	GEAR, BALL THROTTLE SHAFT	31	7
30-20861	BEARING, BALL - CRANKCASE (LOWER)	25	19	43-60856	GEAR, HORIZONTAL - THROTTLE CONTROL	23	1
30-20861	BEARING, BALL - UPPER BEARING HOUSING	25	23	43-63316	REVERSE GEAR ASSEMBLY	57	55
30-21889	BEARING, BALL - FORWARD GEAR	55	48	43-66377	GEAR, HORIZONTAL - SHIFT CONTROL HANDLE	19	5
30-21889	BEARING, BALL - REVERSE GEAR	57	57	44-47935	SHAFT, PROPELLER	55	54
30-33076	BEARING, BALL - DRIVE SHAFT	51	24	44-65440A2	SHAFT ASSEMBLY, PROPELLER	55	54
31-22458	BEARING, ROLLER - BEARING CARRIER	57	61	45-39077	DRIVE SHAFT(LONG SHAFT)	51	22
31-22458	BEARING, ROLLER - FORWARD GEAR	55	50	45-39078	DRIVE SHAFT(SHORT SHAFT)	51	22
31-22756	BEARING, ROLLER - DRIVE SHAFT	49	4	45-64257	DRIVE SHAFT(SHORT SHAFT)	51	22
31-31410	BEARING, ROLLER - UPPER BEARING HOUSING	25	24	45-64258	DRIVE SHAFT(LONG SHAFT)	51	22
32-31940	TUBE, WATER OUTLET(SHORT SHAFT)	37	15	46-46893A3	WATER PUMP HOUSING ASSEMBLY	51	27
32-32077	TUBE, WATER OUTLET(LONG SHAFT)	37	15	47-65957	IMPELLER, WATER PUMP	51	34
32-34293	TUBE, WATER INTAKE	51	31	48-47940A1	PROPELLER ASSEMBLY (2 BLADE - ALUMINUM - 6" PITCH)-SERIAL GR	57	67
32-34395A1	TUBE, TELL TALE (7 1/4")	35	14	48-63494A1	PROPELLER ASSEMBLY (2 BLADE - ALUMINUM - 6" PITCH)-SERIAL GR	57	67
32-52742A1	HOSE ASSEMBLY, FUEL PUMP TO CYLINDER BLOCK (4 1/2")	17	12	50-61575A1	STARTER CABLE ASSEMBLY	5	35
32-54936	HOSE, BLEED DRAIN (7 1/2")	25	7	50-61576A1	STARTER SHEAVE ASSEMBLY	5	20
32-61642	FUEL LINE, INLET - ADAPTOR TO FUEL PUMP	17	15	52-47581	RATCHET, SLIDING CLUTCH	55	51
33-58194	SPARK PLUG (AC #40FFK)	7	17	52-63314	RATCHET, SLIDING CLUTCH	55	51
34-22215	RETAINER, REED	25	16	53-22899	RING, RETAINING - SHIFT SHAFT	51	14
34-35836	REED, INLET VALVE	25	15	53-26406	RING, RETAINING - UPPER AND LOWER MOUNT	37	9
35-33425	SCREEN WATER INTAKE	49	7	53-30523	RING, RETAINING - BALL BEARING	51	25
37-60973A72	DECAL SET	1	-	53-32449	RING, RETAINING - CROSS PIN	55	52
				53-55891	FASTENER, CLAMPING LEVER	35	4
				54-20387	CLAMP, FUEL PUMP HOSE TO ELBOWS	17	14
				54-30954	CLIP, SAFETY CHAIN - TILT TUBE	45	7

PARTS INDEX

Part Number	Description	Pg.	Ref. No.	Part Number	Description	Pg.	Ref. No.
54-30954	CLIP, SAFETY CHAIN - TITE TUBE	41	7	1399-3251	JET, MAIN FUEL (.034)	11	31
54-34598	CLAMP, HOLD DOWN RING	25	27	1399-3252	JET, MAIN FUEL (.032)	11	31
54-56223	CLAMP, BLEED HOSE ATTACHING	25	8	1399-3739	SHUTTER, THROTTLE	11	25
54-59538	CLIP, COIL RETAINING	9	9	1399-3740	SCREW, IDLE ADJUSTMENT	11	35
54-59539	CLIP, COIL RETAINING	9	10	1399-3741	REPAIR PARTS KIT	13	--
84-60871A7	GROUND STRAP ASSEMBLY	35	5	1399-3938	SCREEN, FILTER	11	14
90-62414	MERC 40 PARTS LIST	1	-	1399-97	LEVER, THROTTLE STOP	11	20
92-25234--1	GLUE (BLANKET ADHESIVE)	1	-	1451-4675	SWIVEL BRACKET	41	17
187-4709	BOTTOM COWL	35	1	1467-4426A1	CLAMP BRACKET ASSEMBLY (STARBOARD)	41	2
187-5292	BOTTOM COWL	35	1	1467-4426A1	CLAMP BRACKET ASSEMBLY (STARBOARD)	45	2
191-4798A4	TOP COWL ASSEMBLY	3	1	1468-4427A1	CLAMP BRACKET ASSEMBLY (PORT)	41	1
191-5032A4	TOP COWL ASSEMBLY	3	1	1468-4427A1	CLAMP BRACKET ASSEMBLY (PORT)	45	1
191-5231A4	TOP COWL ASSEMBLY	3	1	1468-4427A1	CLAMP BRACKET ASSEMBLY (PORT)	45	1
236-4475A1	FLYWHEEL ASSEMBLY	7	1	1471-4920	SWIVEL BRACKET	45	17
332-2854	NIPPLE, IGNITION COIL	7	15	1471-5295A2	SWIVEL BRACKET ASSEMBLY	45	17
336-3989	WICH, CAM WIPER - STATOR ASSEMBLY	9	17	1538-3889A2	DRIVE SHAFT HOUSING ASSEMBLY (SHORT SHAFT)	37	1
336-4318A3	MAKER ASSEMBLY, STATOR HOUSING	9	18	1538-4937A2	DRIVE SHAFT HOUSING ASSEMBLY (SHORT SHAFT)	37	1
336-4458	PLATE, STATOR HOLD DOWN	9	14	1539-1935	SADDLE	37	5
336-4460	INSULATOR, CABLE TO CONTRACT HOUSING	9	28	1539-4927	SADDLE	37	5
336-4463	CONDENSER ASSEMBLY	9	11	1542-3888A2	DRIVE SHAFT HOUSING ASSEMBLY (LONG SHAFT)	37	1
336-4465	CAM, BREAKER	7	7	1542-4938A2	DRIVE SHAFT HOUSING ASSEMBLY (LONG SHAFT)	37	1
336-4469A1	COIL, LOW SPEED	9	8	1622-4408A1	GEAR HOUSING ASSEMBLY	49	1
336-4470A1	COIL, HIGH SPEED	9	8	1622-4408A1	GEAR HOUSING ASSEMBLY	55	1
336-4476A1	STATOR ASSEMBLY	9	13	1622-4408A4	GEAR HOUSING ASSEMBLY, COMPLETE (SHORT SHAFT)	49	-
336-4516A2	IGNITION MODULE ASSEMBLY	9	3	1622-4408A4	GEAR HOUSING ASSEMBLY, COMPLETE (SHORT SHAFT)	55	-
336-4524A1	COVER ASSEMBLY	9	1	1622-4408A5	GEAR HOUSING ASSEMBLY, COMPLETE (LONG SHAFT)	49	-
336-4528A1	COIL ASSEMBLY, IGNITION	7	8	1622-4408A5	GEAR HOUSING ASSEMBLY, COMPLETE (LONG SHAFT)	55	-
427-3513	CRANKSHAFT	29	1	1630-4921A1	GEAR HOUSING ASSEMBLY	49	1
608-4246A1	CONNECTING ROD ASSEMBLY	29	4	1630-4921A1	GEAR HOUSING ASSEMBLY	55	1
719-3374A2	PISTON AND PISTON PIN ASSEMBLY	29	10	1630-4921A2	GEAR HOUSING ASSEMBLY, COMPLETE (LONG SHAFT)	49	-
843-4744A3	CYLINDER BLOCK AND CRANKCASE ASSEMBLY	25	1	1630-4921A2	GEAR HOUSING ASSEMBLY, COMPLETE (LONG SHAFT)	55	-
1016-4776	COVER, CYLINDER BLOCK	27	34	1630-4921A3	GEAR HOUSING ASSEMBLY, COMPLETE (SHORT SHAFT)	49	-
1016-5230A1	COVER ASSEMBLY, CYLINDER BLOCK	27	34	1630-4921A3	GEAR HOUSING ASSEMBLY, COMPLETE (SHORT SHAFT)	55	-
1132-4471A1	BEARING HOUSING ASSEMBLY, UPPER	25	22				
1203-335A23	FUEL TANK ASSEMBLY	1	-				
1341-3711	CARBURETOR ASSEMBLY, COMPLETE (KB-10A)	11	1				
1399-110A1	FLOAT ASSEMBLY	11	2				
1399-1133	COVER, FLOAT BOWL	11	9				
1399-1135	COVER, STRAINER	11	16				
1399-1138	INLET NEEDLE, SEAT AND GASKET	11	6				
1399-1716	SHAFT, THROTTLE	11	21				
1399-1717	GASKET AND PACKING SET	13	--				
1399-1896	JET, MAIN FUEL (.041)	11	31				
1399-2407	JET, MAIN FUEL (.039)	11	31				
1399-3026	JET, MAIN FUEL (.036) - STANDARD	11	31				