



PARTS CATALOG

MERC 1500

SERIAL NUMBER

1500	USA 3502806 THRU 4865677
1500	CAN 7010533 THRU 7112772
1500	8005615 THRU 8052649

TABLE OF CONTENTS:

BOTTOM COWL AND SHIFT LINKAGE	60
CARBURETOR ASSEMBLY	28
CARBURETOR ASSEMBLY	34
CARBURETOR LINKAGE AND CHOKE SOLENOID	24
CLAMP BRACKET AND REVERSE LOCK	72
COWLING AND FRONT COVER	6
CRANKSHAFT, PISTONS AND CONNECTING RODS	56
CYLINDER BLOCK AND CRANKCASE ASSEMBLY	42
DISTRIBUTOR ADAPTOR AND VERTICAL LINKAGE	16
DISTRIBUTOR HOUSING AND ROTOR	10
DRIVE SHAFT HOUSING ASSEMBLY	78
END CAPS, MANIFOLD AND EXHAUST COVERS (CONT)	50
EXHAUST EXTENSION PLATE	64
FLYWHEEL ASSEMBLY AND STATOR	8
FUEL PUMP AND FUEL LINE ASSEMBLY (SERIAL GROUP #1)	32
FUEL PUMP AND FUEL LINE ASSEMBLY (SERIAL GROUP #2)	38
GEAR HOUSING ASSEMBLY, COMPLETE (PAGE 1)	82
GEAR HOUSING ASSEMBLY, COMPLETE (PAGE 2)	92
HYDRAULIC PUMP AND CONTROL PANEL	102
HYDRAULIC PUMP ASSEMBLY	100
IGNITION COIL	14
MISCELLANEOUS PARTS/ACCESSORIES	1
PARTS INDEX	112
POWER TRIM CYLINDER REPAIR KITS	110
STARTER MOTOR, STARTER SOLENOID, RECTIFIER AND WIRING HARNES	20
SWIVEL BRACKET ASSEMBLY	68
TOP COWL AND SUPPORT BRACKETS	2
TRIM CYLINDERS AND HYDRAULIC HOSES	106

NOTE: Indented description indicate that these parts are included in preceeding assembly.

AR = As Required

NSS = Not Sold Separate

OPT = Optional

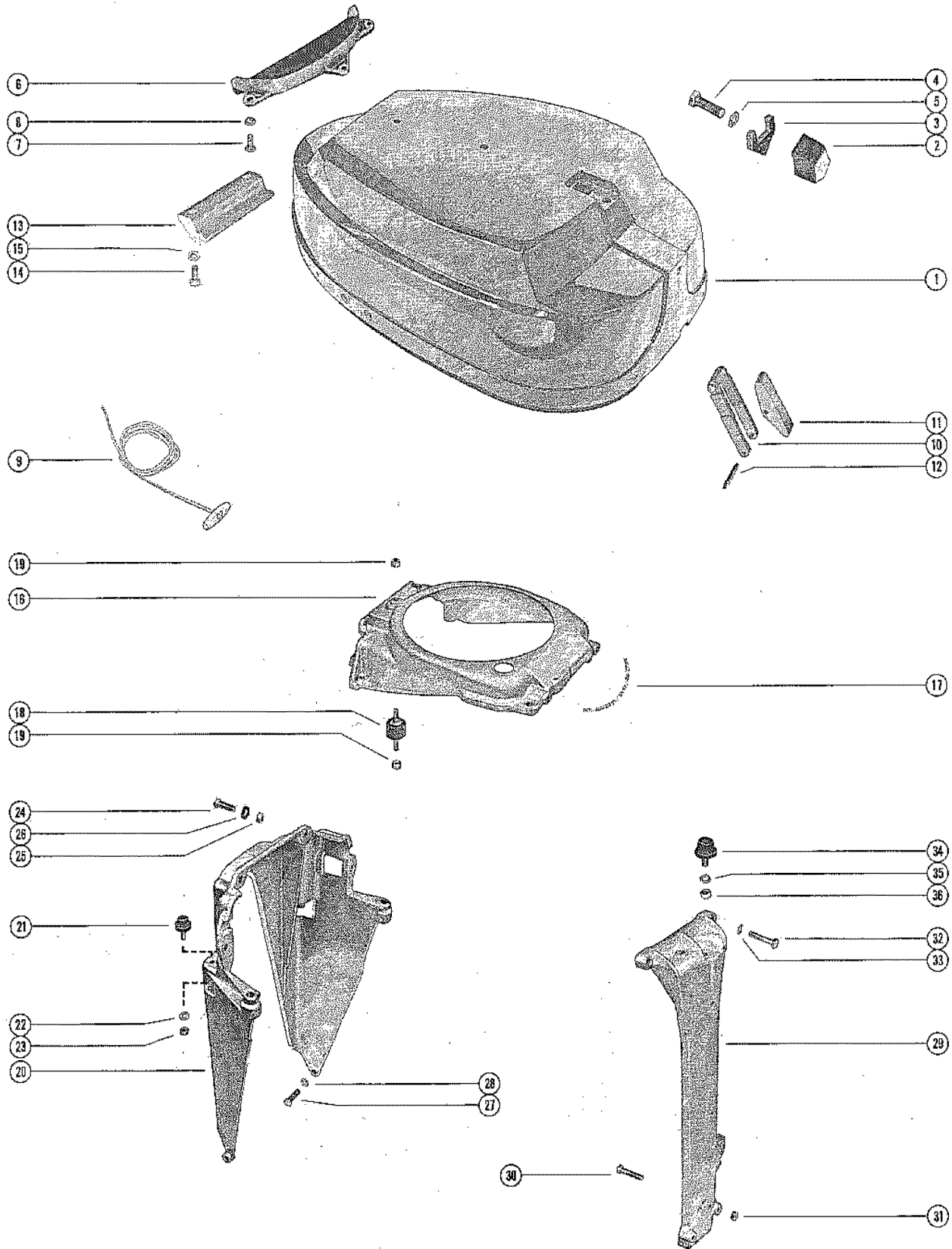
NS = Not Shown

THESE PARTS BOOKS/FICHE CARD ARE COPYRIGHTED AND MAY NOT BE DISTRIBUTED OR REPRODUCED IN ANY OTHER FORMAT BY ANYONE OTHER THAN MERCURY MARINE WITHOUT THE PRIOR WRITTEN CONSENT OF MERCURY MARINE.

MISCELLANEOUS PARTS/ACCESSORIES

REF. NO.	PART NO.	SYM.	QTY.	DESCRIPTION
-	90-63293		0	MERC 1500 PARTS LIST
-	27-60476A73		0	GASKET SET (MOTOR OVERHAUL) UNITED STATES 3751849 AND BELOW AUSTRALIA 8013389 AND BELOW CANADA 7024372 AND BELOW
-	27-60476A74		0	GASKET SET (MOTOR OVERHAUL) UNITED STATES 3751850 THRU 4121434 AUSTRALIA 8013390 THRU 8028039 CANADA 7024373 THRU 7048782
-	27-60476A75		0	GASKET SET (MOTOR OVERHAUL) UNITED STATES 4121435 AND UP AUSTRALIA 8028040 AND UP CANADA 7048783 AND UP
-	37-64309A73		0	DECAL SET UNITED STATES 3752619 AND BELOW AUSTRALIA 8013419 AND BELOW CANADA 7024372 AND BELOW
-	37-66318A74		0	DECAL SET UNITED STATES 3752620 THRU 4121434 AUSTRALIA 8013420 THRU 8028039 CANADA 7024373 THRU 7048782
-	37-70140A75		0	DECAL SET UNITED STATES 4121435 THRU 4319879 AUSTRALIA 8028040 THRU 8034895 CANADA 7048783 THRU 7067284
-	37-74301A76		0	DECAL SET(MERC 1500 XS) UNITED STATES 4319880 THRU 4602011 CANADA 7067248 THRU 7093097
-	37-73891A76		0	DECAL SET(MERC 1500 LONG) UNITED STATES 4319880 THRU 4602011 CANADA 7067248 THRU 7093097
-	37-74301A77		0	DECAL SET(MERC 1500XS) UNITED STATES 4602012 AND UP CANADA 7093038 AND UP
-	37-74301A77		0	DECAL SET(MERC 1500 LONG) UNITED STATES 4602012 AND UP CANADA 7093038 AND UP

TOP COWL AND SUPPORT BRACKETS

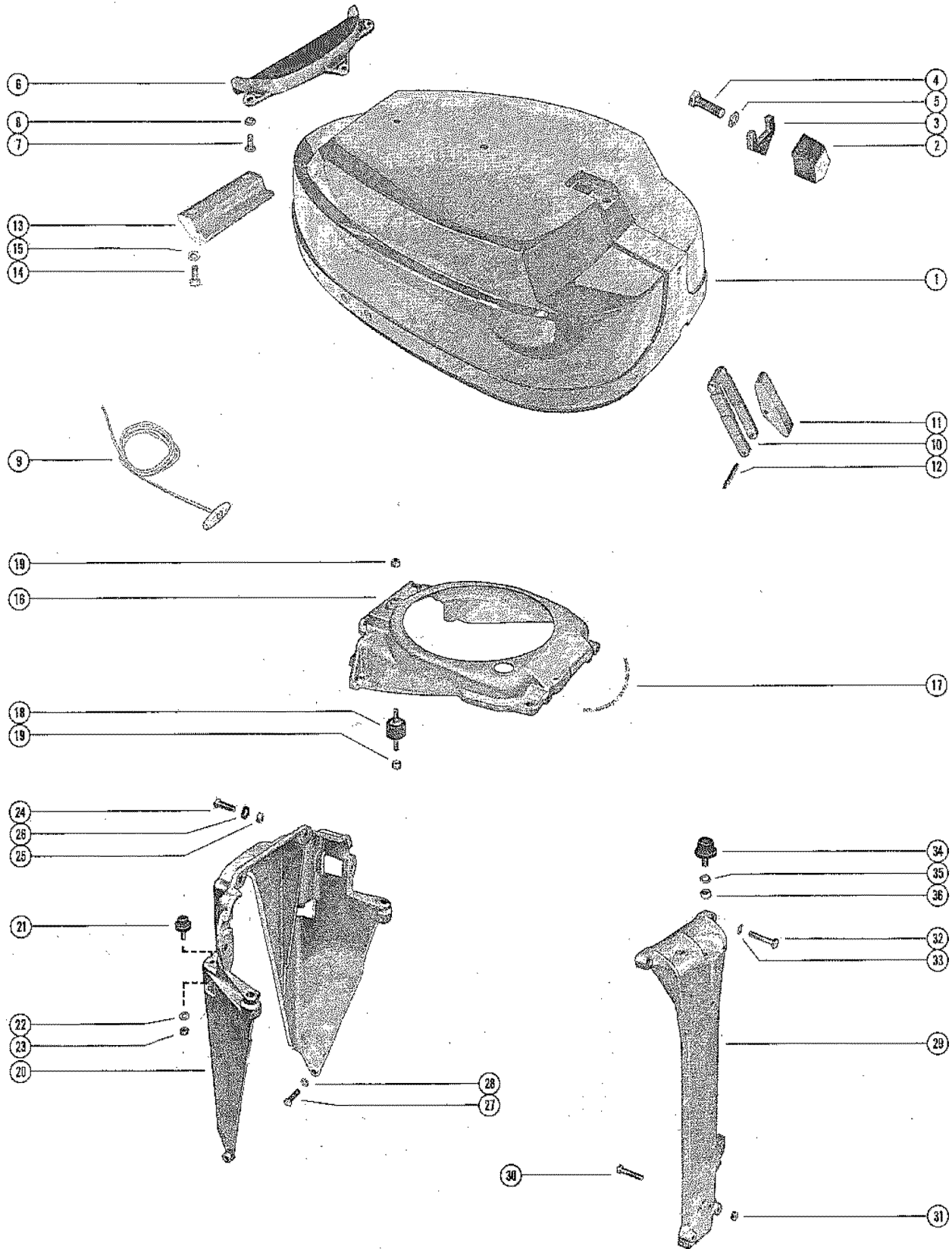


TOP COWL AND SUPPORT BRACKETS

REF. NO.	PART NO.	SYM.	QTY.	DESCRIPTION
1	2114-3806		1	COWL, TOP UNITED STATES 4403386 AND BELOW AUSTRALIA 8034895 AND BELOW CANADA 7067847 AND BELOW
	2114-5999		1	COWL, TOP UNITED STATES 4403387 AND UP
2	52733A9		1	RETAINER ASSEMBLY, TOP COWL
3	35496		1	PAD, BUMPER - TOP COWL RETAINER
4	10-37558		1	SCREW, RETAINER TO TOP COWL (1 1/4")
5	13-39107		1	LOCKWASHER, RETAINER TO TOP COWL SCREW
6	76370		1	SHIELD, TOP COWL - REAR
7	10-37370		3	SCREW, SHIELD TO TOP COWL (5/8")
8	13-37371		3	LOCKWASHER, SHIELD SCREW
9	47341A1		1	ROPE, STARTER (FOR MANUAL STARTING ONLY)
10	52739		1	HINGE, COWL LATCH - TOP COWL
11	52737		1	LEVER, COWL LATCH HINGE
12	17-58998		1	PIN, TOLL - COWL LATCH LEVER TO HINGE
13	55455		1	HOOK, TOP COWL LATCH - REAR
14	10-22956		2	SCREW, REAR HOOK TO TOP COWL (7/8")
15	13-26992		2	LOCKWASHER, REAR HOOK MOUNTING SCREW
16	65609A2		1	FRAME ASSEMBLY, TOP COWL SUPPORT UNITED STATES 4121434 AND BELOW AUSTRALIA 8028039 AND BELOW CANADA 7048782 AND BELOW
	69240A2		1	FRAME ASSEMBLY, TOP COWL SUPPORT UNITED STATES 4121435 THRU 4403386 AUSTRALIA 8028040 THRU 8034895 CANADA 7048783 THRU 7067847
	75971A1		1	FRAME ASSEMBLY, TOP COWL SUPPORT UNITED STATES 4403387 AND UP
17	37-60204		1	DECAL, TIMING UNITED STATES 3628317 AND BELOW AUSTRALIA 8008489 AND BELOW CANADA 7018152 AND BELOW
	37-65601		1	DECAL, TIMING - FLYWHEEL UNITED STATES 3628318 THRU 4319879 AUSTRALIA 8008490 THRU 8034895 CANADA 7018153 THRU 7067247
	37-73291		1	DECAL, TIMING - FLYWHEEL UNITED STATES 4319880 AND UP CANADA 7067248 AND UP
18	37639		3	MOUNT, RUBBER - TOP COWL FRAME
	46096		OPT.	MOUNT, RUBBER - TOP COWL FRAME (HEAVY DUTY)
19	11-35888		6	NUT, RUBBER MOUNT TO TOP COWL FRAME
20	64954		1	BRACKET, TOP COWL SUPPORT - REAR
21	31014		2	MOUNT, RUBBER - REAR SUPPORT BRACKET
22	13-26992		2	LOCKWASHER, RUBBER MOUNT TO REAR SUPPORT BRACKET
23	11-29598		2	NUT, RUBBER MOUNT TO REAR SUPPORT BRACKET
24	10-65263		4	SCREW, REAR BRACKET TO FRAME (1") UNITED STATES 4121434 AND BELOW AUSTRALIA 8028039 AND BELOW CANADA 7048782 AND BELOW
25	11-60049		4	NUT, REAR BRACKET SCREW UNITED STATES 4121434 AND BELOW AUSTRALIA 8028039 AND BELOW CANADA 7048782 AND BELOW

CONTINUED ON NEXT PAGE ➡

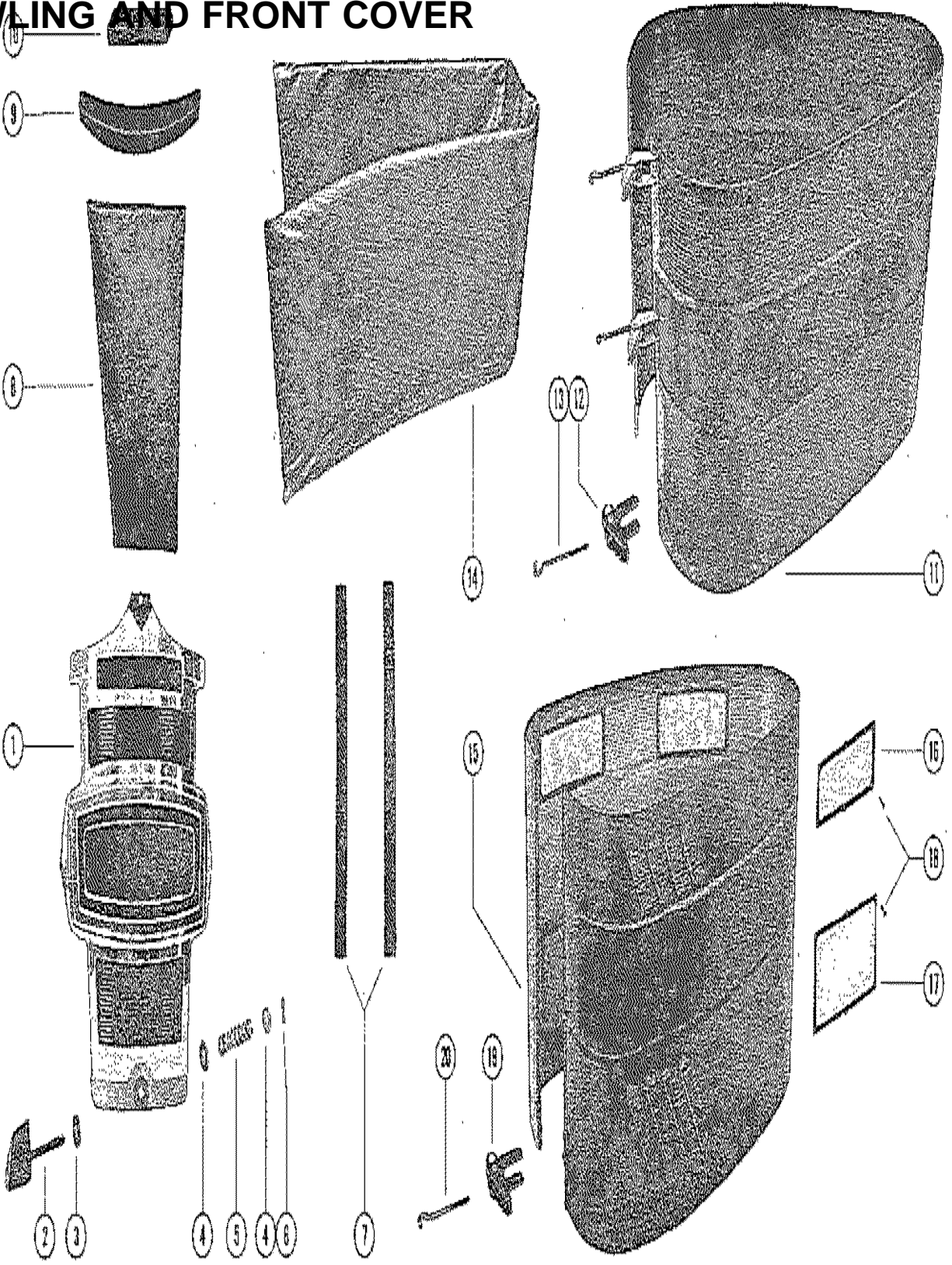
TOP COWL AND SUPPORT BRACKETS



TOP COWL AND SUPPORT BRACKETS

REF. NO.	PART NO.	SYM.	QTY.	DESCRIPTION
24	10-37562		4	SCREW, REAR BRACKET TO FRAME UNITED STATES 4121435 AND UP AUSTRALIA 8028040 AND UP CANADA 7048783 AND UP
26	13-26993		4	LOCKWASHER, REAR BRACKET SCREW UNITED STATES 4121435 AND UP AUSTRALIA 8028040 AND UP CANADA 7048783 AND UP
27	10-37562		4	SCREW, REAR BRACKET TO BOTTOM COWL (1") UNITED STATES 4121435 AND UP AUSTRALIA 8028040 AND UP CANADA 7048783 AND UP
28	13-26993		4	LOCKWASHER, REAR SUPPORT BRACKET SCREW
29	64979A3		1	BRACKET ASSEMBLY, TOP COWL - FRONT UNITED STATES 4121434 AND BELOW AUSTRALIA 8028039 AND BELOW CANADA 7048782 AND BELOW
	69234A2		1	BRACKET ASSEMBLY, TOP COWL - FRONT UNITED STATES 4121435 THRU 4602011 AUSTRALIA 8028040 THRU 8034895 CANADA 7048783 THRU 7093097
	77103A3		1	BRACKET ASSEMBLY, TOP COWL - FRONT UNITED STATES 4602012 AND UP CANADA 7093038 AND UP
30	10-71908		2	SCREW, BRACKET TO BOTTOM COWL (1 1/2") UNITED STATES 4602011 AND BELOW AUSTRALIA 8034895 AND BELOW CANADA 7093097 AND BELOW
31	11-60049		2	NUT, SUPPORT BRACKET SCREW UNITED STATES 4602011 AND BELOW AUSTRALIA 8034895 AND BELOW CANADA 7093097 AND BELOW
30	10-69092		2	SCREW, BRACKET TO BOTTOM COWL (1 1/4") UNITED STATES 4602012 AND UP CANADA 7093038 AND UP
31	13-26993		2	LOCKWASHER, BRACKET SCREW UNITED STATES 4602012 AND UP CANADA 7093038 AND UP
32	10-55511		2	SCRW, BRACKET TO TOP COWL FRAME (1 1/2")
33	13-26993		2	LOCKWASHER, SUPPORT BRACKET SCREW
34	37640		1	MOUNT, RUBBER - SUPPORT BRACKET
35	13-26993		1	LOCKWASHER, RUBBER MOUNT
36	11-28770		1	NUT, RUBBER MOUNT

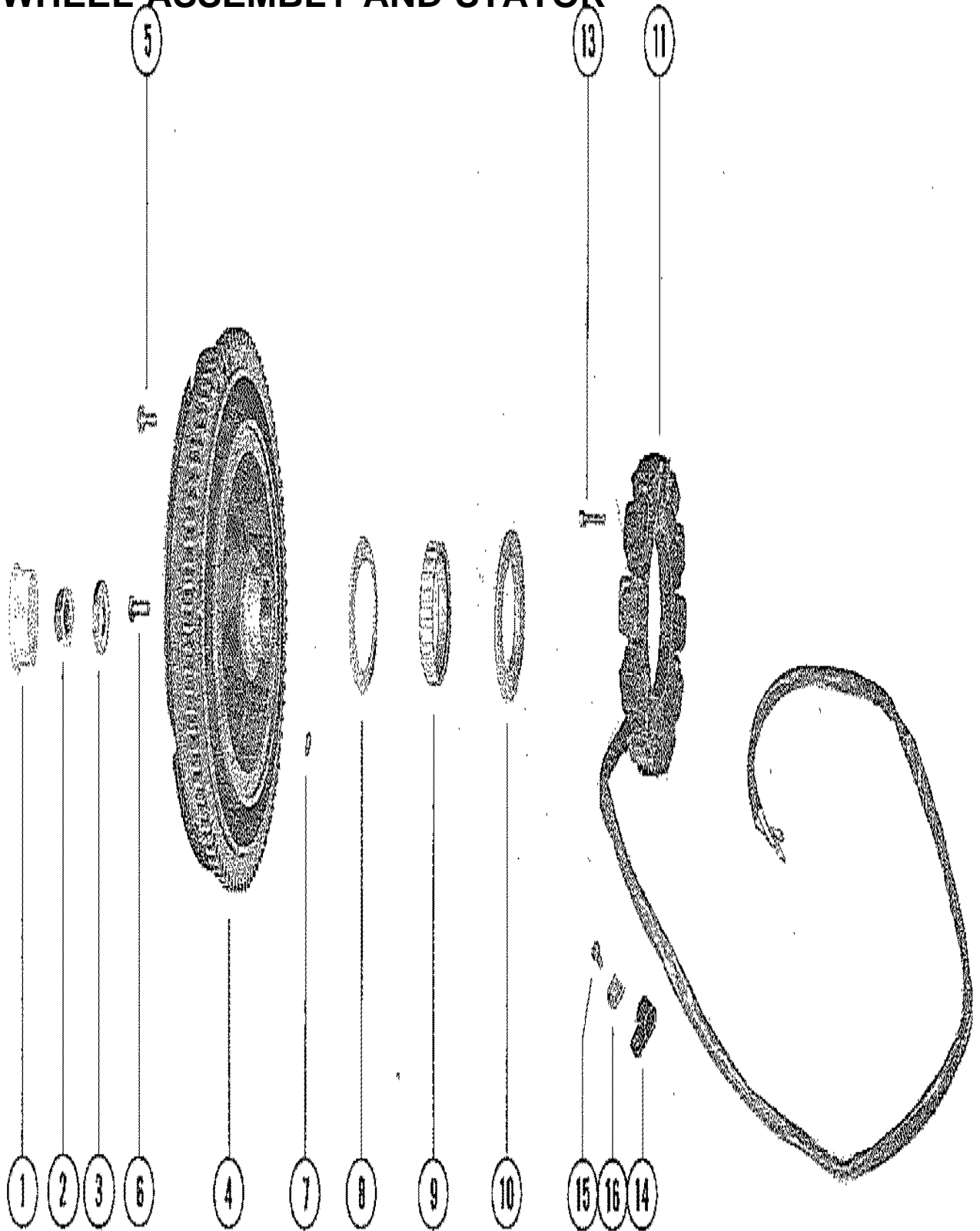
COWLING AND FRONT COVER



COWLING AND FRONT COVER

REF. NO.	PART NO.	SYM.	QTY.	DESCRIPTION
1	2113-2663A18		1	COWL, FRONT COVER ASSEMBLY UNITED STATES 4121434 AND BELOW AUSTRALIA 8028039 AND BELOW CANADA 7048782 AND BELOW
	2113-5631A4		1	COWL FRONT COVER ASSEMBLY UNITED STATES 4121435 AND UP AUSTRALIA 8028040 AND UP CANADA 7048783 AND UP
2	56849		1	KNOB, COWL FRONT COVER FASTENING
3	12-30771		2	WASHER, COVER FASTENING KNOB (RUBBER)
4	12-59572		2	WASHER, COVER FASTENING KNOB (PLASTIC)
5	24-30772		1	SPRING, TENSION - FASTENING KNOB
6	17-29077		1	ROLL PIN, TENSION SPRING TO KNOB
7	31089		2	STRIP, SOUND ABSORBING
8	38675		1	BLANKET, SOUND ABSORBING
9	35769		1	SEAL, SOUND ABSORBING - UPPER
10	53334		1	SEAL, SOUND ABSORBING - TOP
11	2136-4660A4		1	WRAP AROUND COWL ASSEMBLY - NON LOUVERED
12	46785A1		3	COWL LATCH ASSEMBLY - NON LOUVERED
13	30413		3	HOOK, COWL LATCH FASTENING - NON LOUVERED
14	30021		1	BLANKET, SOUND ABSORBING - NON LOUVERED
15	2136-4660A17		1	WRAP AROUND COWL ASSEMBLY - LOUVERED
16	54943		4	SCREEN, COWL - UPPER - LOUVERED
17	54942		4	SCREW, COWL - LOWER - LOUVERED
18	17-54944		48	RIVET, SCREEN ATTACHING - LOUVERED
19	46785A1		3	COWL LATCH ASSEMBLY - LOUVERED
20	30413		1	HOOK, COWL LATCH FASTENING - LOUVERED
-	62-25234--1		1	GLUE, ADHESIVE - BLANKET FASTENING

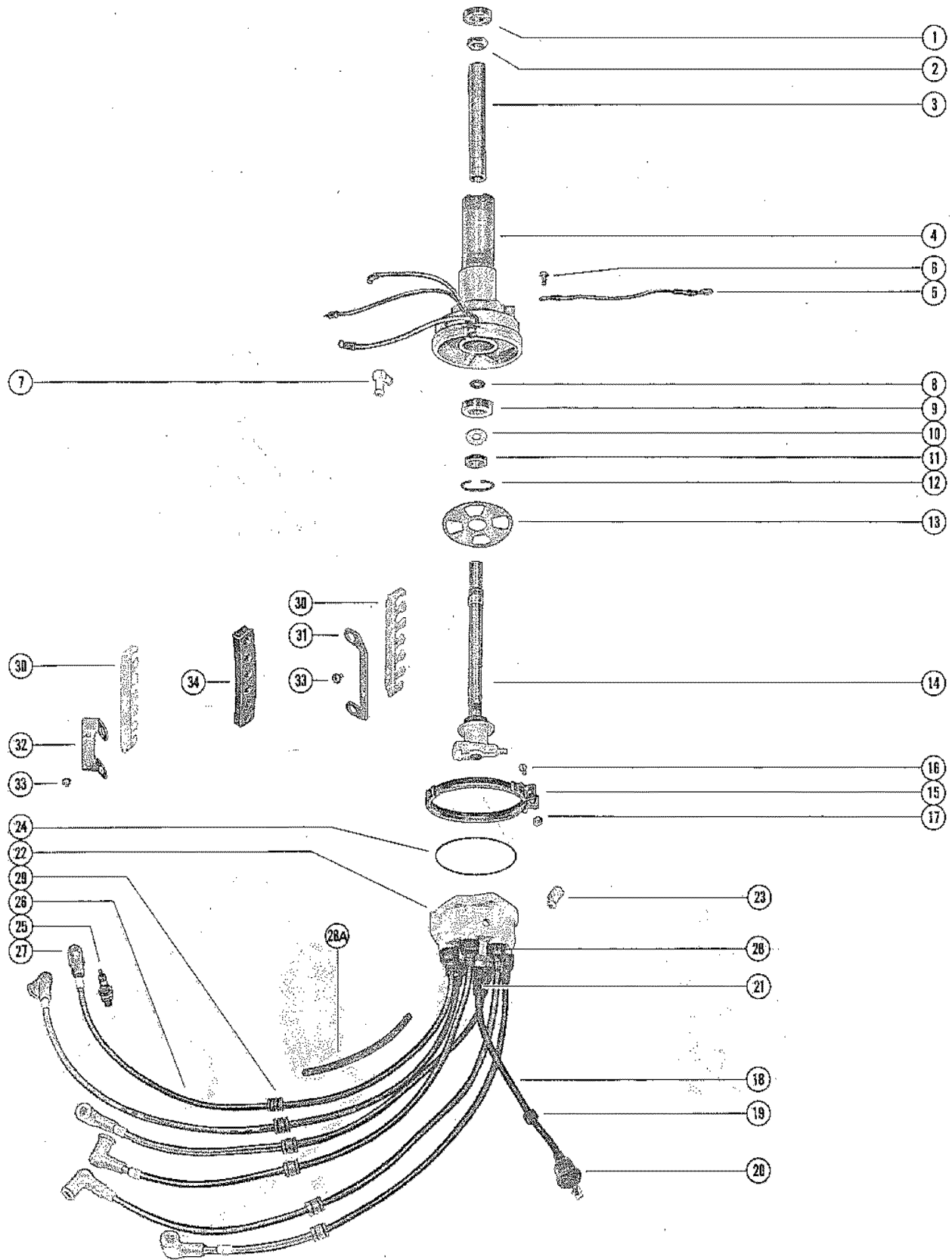
FLYWHEEL ASSEMBLY AND STATOR



FLYWHEEL ASSEMBLY AND STATOR

REF. NO.	PART NO.	SYM.	QTY.	DESCRIPTION
1	19-45907		1	PLUG, FLYWHEEL PULLER THREADS
2	11-52901		1	NUT, FLYWHEEL(PART OF 1-436-4842A3 CRANKSHAFT ASSEMBLY)
3	12-33001		1	WASHER, FLYWHEEL NUT
4	225-2494A14		1	FLYWHEEL ASSEMBLY, COMPLETE UNITED STATES 3628317 AND BELOW AUSTRALIA 8008489 AND BELOW CANADA 7018152 AND BELOW
	225-2494A30		1	FLYWHEEL ASSEMBLY, COMPLETE UNITED STATES 3628318 AND UP AUSTRALIA 8008490 AND UP CANADA 7018153 AND UP
5	10-32417		8	SCREW, FLEXIBLE PLATE TO FLYWHEEL (5/8")
6	10-38398		8	SCREW, PLATE AND HUB TO FLEXIBLE PLATE (7/8")
7	17-26618		1	PIN, DOWEL - PULLEY TO FLYWHEEL
8	29788		1	FLANGE, FLYWHEEL PULLEY
9	30306		1	PULLEY, FLYWHEEL
10	29787		1	HUB, FLYWHEEL PULLEY
11	398-4793		1	STATOR, ALTERNATOR
13	10-63136		4	SCREW, STATOR TO UPPER END CAP (7/8")
14	54-24871		1	CLIP, STATOR LEAD FASTENING (5/8")
	54-22627		1	CLIP, STATOR/WIRING HARNESS LEADS FASTENING (1/2")
15	10-62568		2	SCREW, STATOR LEAD CLIP FASTENING (3/8")
16	69205		2	"D" WASHER, CLIP FASTENING SCREW

DISTRIBUTOR HOUSING AND ROTOR

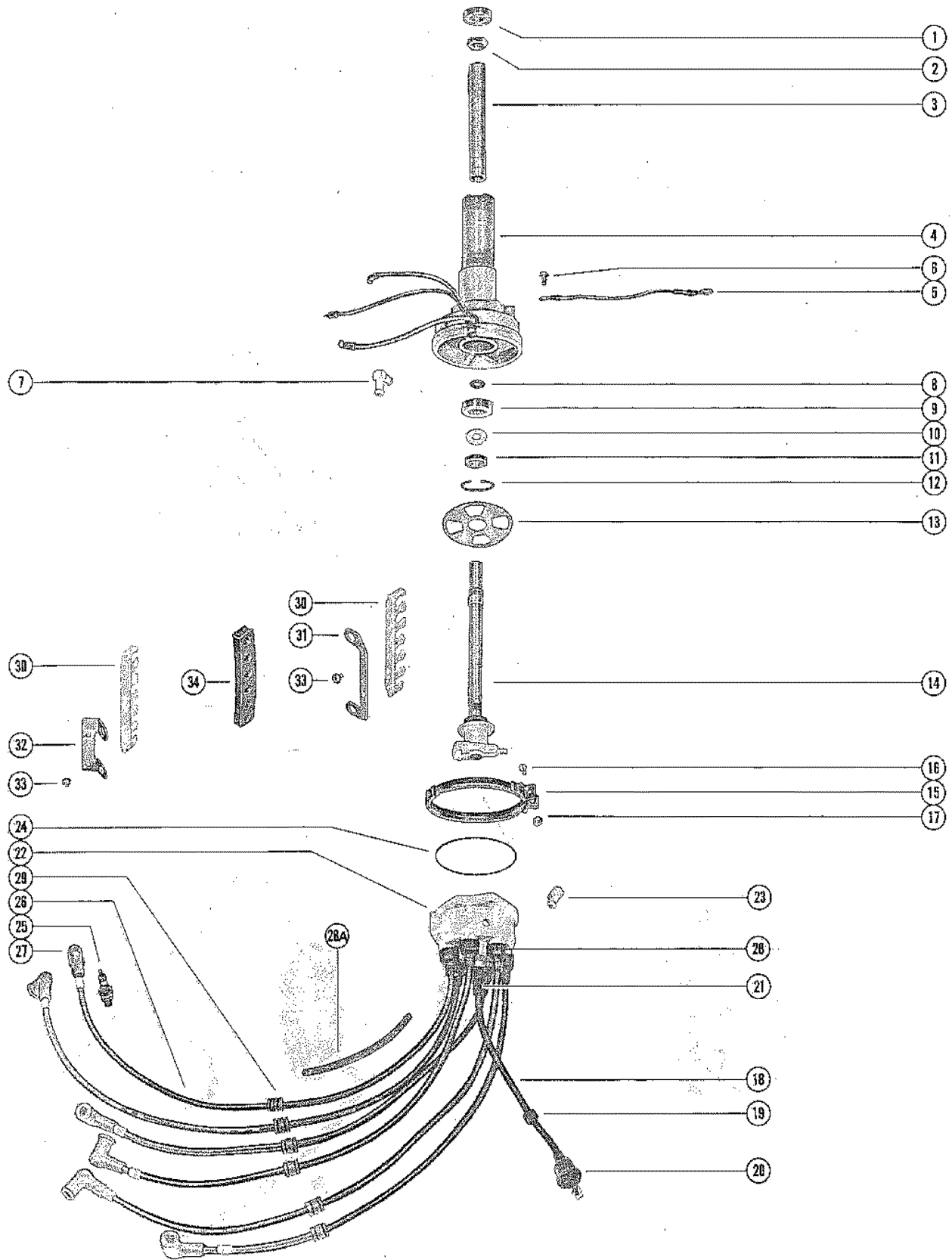


DISTRIBUTOR HOUSING AND ROTOR

REF. NO.	PART NO.	SYM.	QTY.	DESCRIPTION
1	30-20066		1	BALL BEARING, DISTRIBUTOR HOUSING (UPPER)
2	11-54209		1	NUT, ROTOR SHAFT TO DISTRIBUTOR HOUSING
3	23-53539		1	SLEEVE, ROTOR SHAFT
4	393-3736A23		1	HOUSING ASSEMBLY, DISTRIBUTOR
5	53417		1	GROUND STRAP ASSEMBLY, DISTRIBUTOR TO CRANKCASE
6	10-62568		1	SCREW, GROUND STRAP ATTACHING (3/8")
7	58807A1		1	FLAME ARRESTOR, VENT - DISTRIBUTOR HOUSING
8	15-55853		1	SHIM BALL BEARING TO DISTRIBUTOR HOUSING
9	30-26379		1	BALL BEARING, DISTRIBUTOR HOUSING (LOWER)
10	15-21148A1		AR	SHIM, BALL BEARING TO SPACER
11	23-53538		1	SPACER, ROTOR SHAFT
12	53-26406		1	RING, RETAINER - BALL BEARING TO DISTRIBUTOR HOUSING
13	393-4313		1	DISC, ROTOR
14	393-4312		1	ROTOR, DISTRIBUTOR
15	54-60768		1	CLAMP, DISTRIBUTOR CAP TO DISTRIBUTOR HSG PART OF DISTRIBUTOR CAP ASSEMBLY
16	10-65774		1	SCREW, DISTRIBUTOR CAP CLAMP (1 1/8") PART OF DISTRIBUTOR CAP ASSEMBLY
17	11-26768		1	NUT, DISTRIBUTOR CAP CLAMP SCREW PART OF DISTRIBUTOR CAP ASSEMBLY
18	393-3836A1		1	CABLE ASSEMBLY, CAP TO COIL UNITED STATES 4121434 AND BELOW AUSTRALIA 8028039 AND BELOW CANADA 7048782 AND BELOW
	84-69207A1		1	CABLE ASSEMBLY, CAP TO COIL UNITED STATES 4121435 AND UP AUSTRALIA 8028040 AND UP CANADA 7048783 AND UP
19	25-26547		1	GROMMETT, HIGH TENSION CABLE
20	332-2854		1	BOOT, HIGH TENSION CABLE TO COIL
21	60096		1	BOOT, HIGH TENSION CABLE
22	393-4841A2		1	DISTRIBUTOR CAP ASSEMBLY
-	393-1293A1		1	BRUSH AND SPRING ASSEMBLY
23	58807A1		1	FLAME ARRESTOR, VENT - DISTRIBUTOR CAP
24	27-55896		1	GASKET, DISTRIBUTOR CAP
25	33-59599		6	SPARK PLUG (CHAMPION L-77V) UNITED STATES 4121434 AND BELOW AUSTRALIA 8028039 AND BELOW CANADA 7048782 AND BELOW
	33-68057		6	SPARK PLUG (CHAMPION L-76V) UNITED STATES 4121435 AND UP AUSTRALIA 8028040 AND UP CANADA 7048783 AND UP
26	84-63212A2		6	SPARK PLUG LEAD ASSEMBLY #1, #2, #3, #4, #5 AND #6 ORDER A-36549A1 KIT FOR REPLACEMENT OF LEAD WIRE MARKERS
-	20121		6	CONNECTOR, SPARK PLUG LEAD
27	85-71006A1		6	PROTECTOR, SPARK PLUG LEAD
28	60096		6	BOOT, SPARK PLUG LEAD TO DISTRIBUTOR
28A	23-62238--1		6	SLEEVE, SPARK PLUG LEAD (7")

CONTINUED ON NEXT PAGE ➡

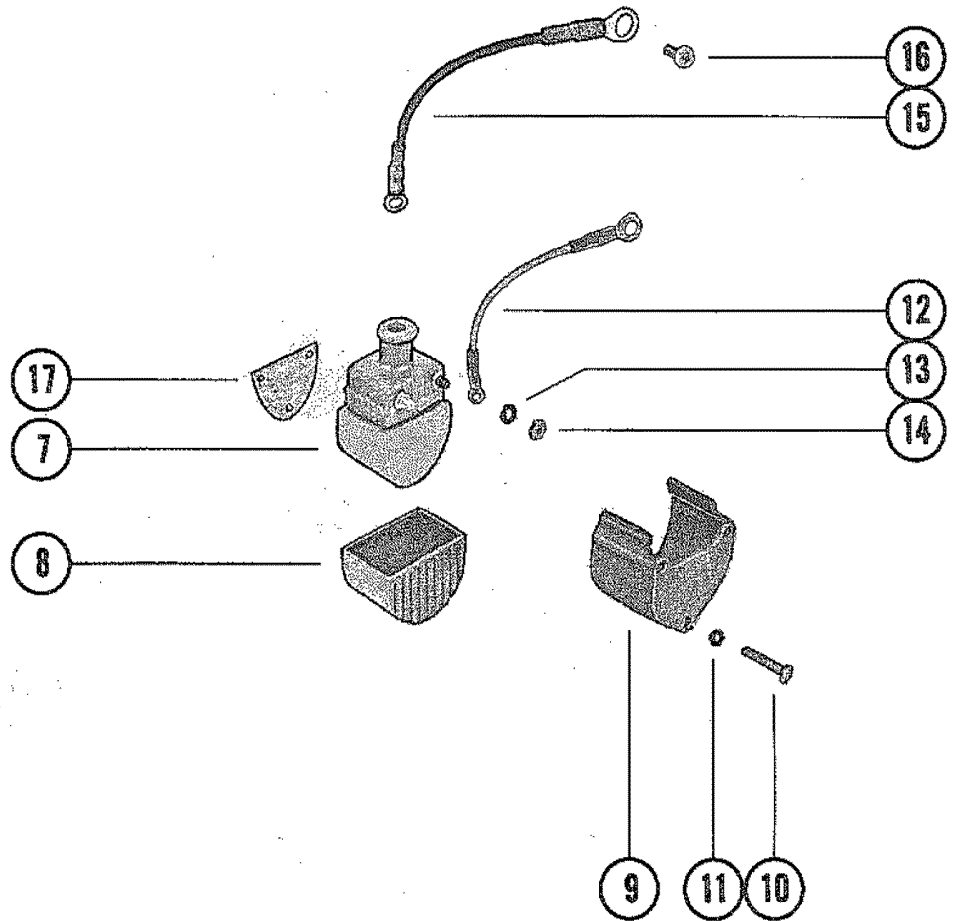
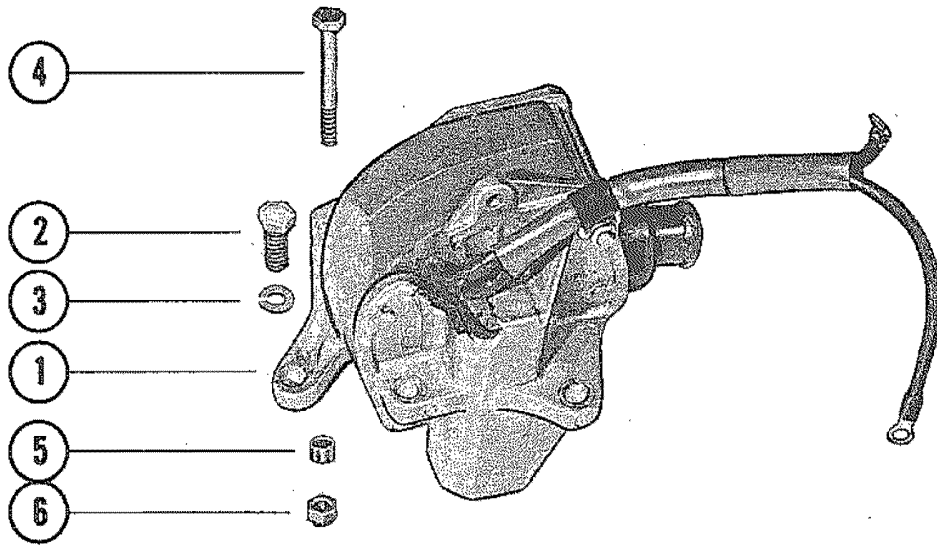
DISTRIBUTOR HOUSING AND ROTOR



DISTRIBUTOR HOUSING AND ROTOR

REF. NO.	PART NO.	SYM.	QTY.	DESCRIPTION
29	25-26547		12	GROMMET, SPARK PLUG LEADS
30	45409		2	WIRE RETAINER, HIGH TENSION LEADS
31	45392		1	BRACKET, FRONT - WIRE RETAINER
	45392		1	BRACKET, FRONT - WIRE RETAINER
32	47398		1	BRACKET, REAR - WIRE RETAINER
33	10-62568		4	SCREW, FRONT AND REAR BRACKET ATTACHING (3/8")
34	45391		2	SPACER, RUBBER - HIGH TENSION LEADS

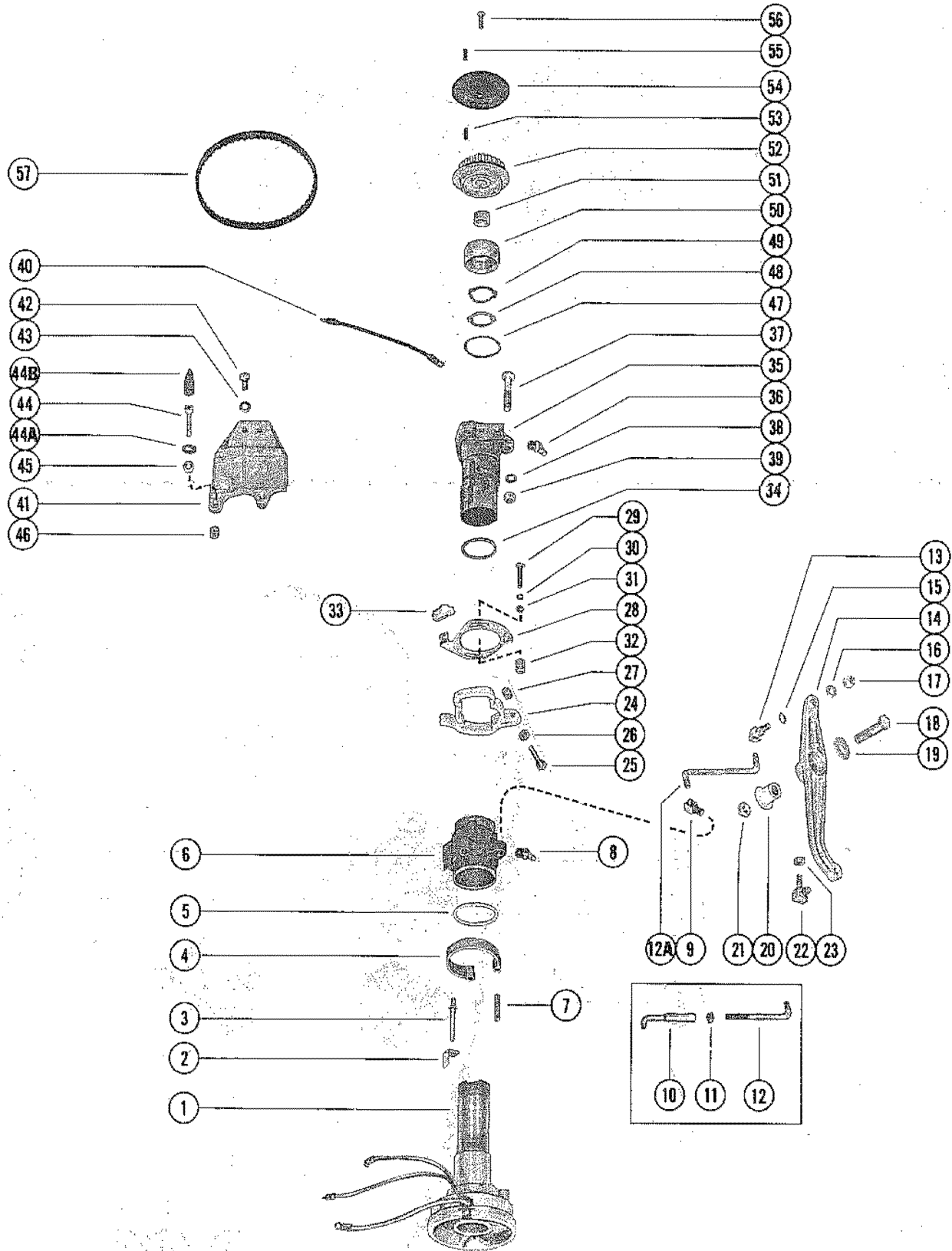
IGNITION COIL



IGNITION COIL

REF. NO.	PART NO.	SYM.	QTY.	DESCRIPTION
1	332-2983A5		1	IGNITION COIL ASSEMBLY, COMPLETE UNITED STATES 4121434 AND BELOW AUSTRALIA 8028039 AND BELOW CANADA 7048782 AND BELOW
2	10-37941		1	SCREW, COIL MOUNTING BRACKET (1 3/4") UNITED STATES 4121434 AND BELOW AUSTRALIA 8028039 AND BELOW CANADA 7048782 AND BELOW
3	13-26992		1	LOCKWAHSER, COIL MOUNTING BRACKET UNITED STATES 4121434 AND BELOW AUSTRALIA 8028039 AND BELOW CANADA 7048782 AND BELOW
4	10-31471		2	SCREW, COIL MOUNTING BRACKET (3 1/4") UNITED STATES 4121434 AND BELOW AUSTRALIA 8028039 AND BELOW CANADA 7048782 AND BELOW
5	23-52933		3	SPACER, COIL BRACKET TO BOTTOM COWL UNITED STATES 4121434 AND BELOW AUSTRALIA 8028039 AND BELOW CANADA 7048782 AND BELOW
6	11-46887		2	NUT, COIL MOUNTING BRACKET SCREW UNITED STATES 4121434 AND BELOW AUSTRALIA 8028039 AND BELOW CANADA 7048782 AND BELOW
7	332-4895A2		1	IGNITION COIL ASSEMBLY UNITED STATES 4121435 AND UP AUSTRALIA 8028040 AND UP CANADA 7048783 AND UP
8	63194		1	PAD, RUBBER - IGNITION COIL UNITED STATES 4121435 AND UP AUSTRALIA 8028040 AND UP CANADA 7048783 AND UP
9	63195		1	COVER, IGNITION COIL UNITED STATES 4121435 AND UP AUSTRALIA 8028040 AND UP CANADA 7048783 AND UP
10	10-69046		3	SCREW, COIL TO CYLINDER BLOCK (2") UNITED STATES 4121435 AND UP AUSTRALIA 8028040 AND UP CANADA 7048783 AND UP
11	12-30164		2	WASHER, COIL SCREW UNITED STATES 4121435 AND UP AUSTRALIA 8028040 AND UP CANADA 7048783 AND UP
12	84-60466A1		1	CABLE ASSEMBLY UNITED STATES 4121435 AND UP AUSTRALIA 8028040 AND UP CANADA 7048783 AND UP
13	13-26996		2	LOCKWASHER, IGNITION COIL TERMINAL (#10) UNITED STATES 4121435 AND UP AUSTRALIA 8028040 AND UP CANADA 7048783 AND UP
14	11-45076		2	NUT, IGNITION COIL TERMINAL (#10) UNITED STATES 4121435 AND UP AUSTRALIA 8028040 AND UP CANADA 7048783 AND UP
15	84-66054A2		1	CABLE ASSEMBLY, COIL TO SWITCH BOX UNITED STATES 4121435 AND UP AUSTRALIA 8028040 AND UP CANADA 7048783 AND UP
16	10-62568		1	SCREW, IGNITION COIL WIRE TO SWITCH BOX (3/8") UNITED STATES 4121435 AND UP AUSTRALIA 8028040 AND UP CANADA 7048783 AND UP
17	69190		1	PLATE, COIL MOUNTING UNITED STATES 4121435 AND UP AUSTRALIA 8028040 AND UP CANADA 7048783 AND UP

DISTRIBUTOR ADAPTOR AND VERTICAL LINKAGE

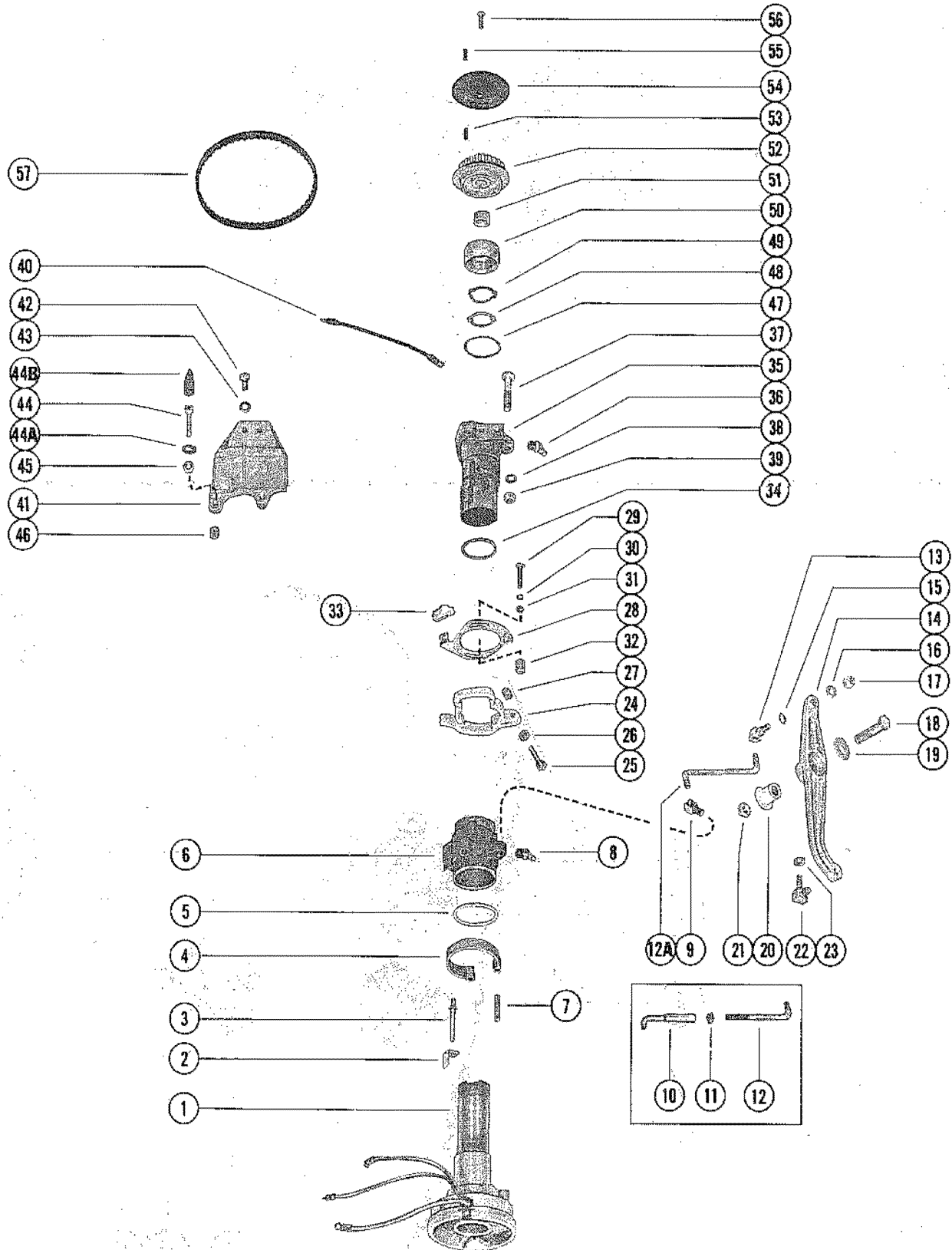


DISTRIBUTOR ADAPTOR AND VERTICAL LINKAGE

REF. NO.	PART NO.	SYM.	QTY.	DESCRIPTION
1	393-3736A23		1	HOUSING ASSEMBLY, DISTRIBUTOR
2	32197		1	STOP, SPARK ADVANCE - DISTRIBUTOR HOUSING
3	17-27962		1	PIN, ANCHOR SPRING - DISTRIBUTOR HOUSING
4	24-27944		1	SPRING, HORSESHOE - DISTRIBUTOR HOUSING
5	12-53540		1	WASHER, ECONOMIZER COLLAR - DISTRIBUTOR HOUSING
6	55804A1		1	ECONOMIZER COLLAR ASSEMBLY
7	17-27961		1	PIN, ECONOMIZER COLLAR - SPRING RETAINER
8	22-25094		1	FITTING, GREASE - ECONOMIZER COLLAR
9	27947		1	SWIVEL, LINKAGE - ECONOMIZER COLLAR
10	25996A1		1	SWIVEL ADN LINK ROD ASSEMBLY - 3 PIECE (SEE PHOTO)
11	11-64484		1	NUT, UPPER LINK ROD ADJUSTING - 3 PIECE (SEE PHOTO)
12	37700		1	ROD, LINK - UPPER - 3 PIECE (SEE PHOTO)
12A	67469		1	ROD LINK - UPPER(1 PIECE)-SEE PHOTO
13	27948		1	SWIVEL, UPPER LINK ROD TO THROTTLE CONTROL LEVER
14	60478		1	LEVER, THROTTLE CONTROL
15	13-39954		1	WASHER, WAVE - THROTTLE CONTROL LEVER SWIVEL
16	12-29245		1	WASHER, THROTTLE CONTROL LEVER SWIVEL
17	11-35888		1	NUT, UPPER LOINK ROD TO THROTTLE CONTROL LEVER
18	10-37559		1	SCREW, THROTTLE LEVER TO EXHAUST COVER (1 3/4"0
19	12-29395		1	WASHER, THROTTLE CONTROL LEVER SCREW
20	23-45818		1	BUSHING, THROTTLE CONTROL LEVER SCREW
21	11-20509		1	NUT, THROTTLE CONTROL LEVER SCREW
22	37587		1	SWIVEL, LOWER - THROTTLE CONTROL LEVER TO THROTTLE CABLE
23	11-35888		1	NUT, THROTTLE CABLE TO LOWER SWIVEL
24	48692		1	COLLAR, THROTTLE ACTUATOR
25	10-48675		1	SCREW, ADJUSTING - THROTTLE ACTUATOR COLLAR (1 1/2")
26	11-64015		1	NUT, THROTTLE ACTUATOR COLLAR ADJUSTING SCREW
27	52023		1	CAP, NYLON - ACTUATOR COLLAR ADJUSING SCRW
28	48671		1	PLATE, THROTTLE ACTUATOR
29	10-37892		2	SCREW, THROTTLE ACTUATOR PLATE TO ECONOMIZER COLLAR (1")
30	12-30164		2	WASHER, THROTTLE ACTUALTOR PLATE FASTENING SCREW
31	13-26996		2	LOCKWASHER, THROTTLE ACTUATOR PLATE FASTENING SCREW
32	23-48674		2	SPACER, THROTTLE ACTUATOR PLATE SCREW
33	58454		1	CAM, THROTTLE ACTUATOR PLATE
34	12-46246		1	WASHER, ADAPTOR - DISTRIBUTOR HOUSING
35	48666A1		1	ADAPTOR ASSEMBLY, DISTRIBUTOR UNITED STATES 3751849 AND BELOW AUSTRALIA 8013389 AND BELOW CANADA 7024372 AND BELOW
	66165A2		1	ADAPTOR ASSEMBLY, DISTRIBUTOR UNITED STATES 3751850 AND UP AUSTRALIA 8013390 AND UP CANADA 7024373 AND UP

CONTINUED ON NEXT PAGE ➡

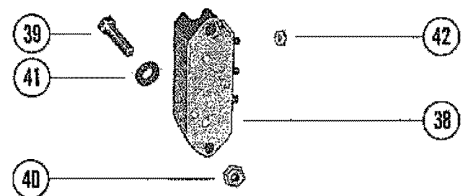
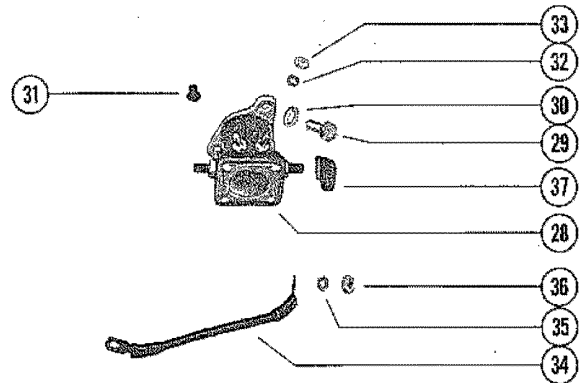
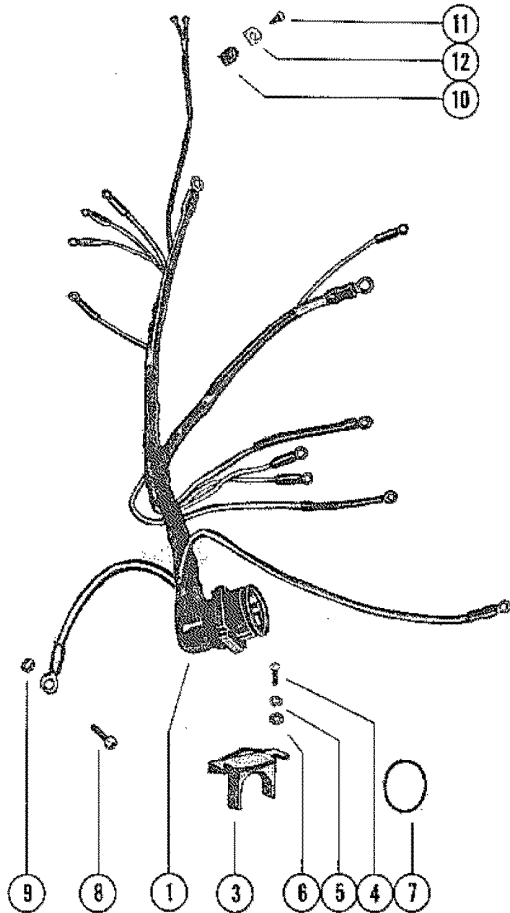
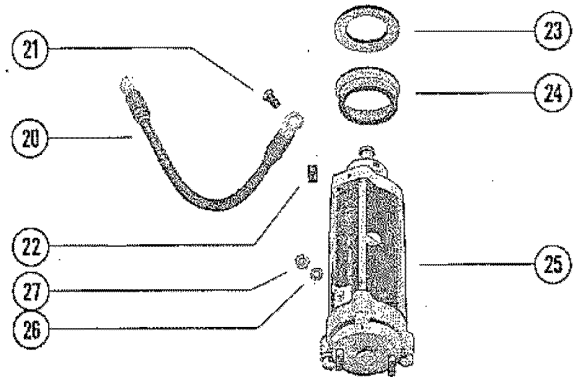
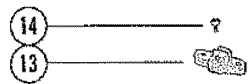
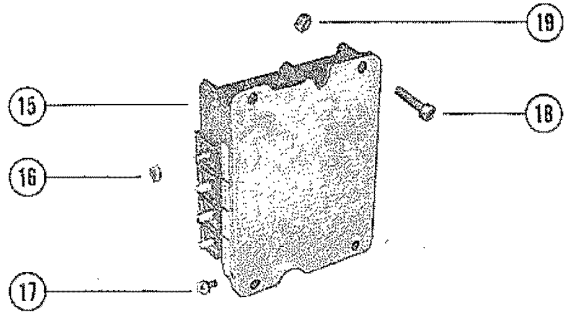
DISTRIBUTOR ADAPTOR AND VERTICAL LINKAGE



DISTRIBUTOR ADAPTOR AND VERTICAL LINKAGE

REF. NO.	PART NO.	SYM.	QTY.	DESCRIPTION
36	22-25094		1	FITTING, GREASE - DISTRIBUTOR ADAPTOR
37	10-22040		3	SCREW, DISTRIBUTOR HOUSING TO CRANKCASE (1 1/2") UNITED STATES 3751849 AND BELOW AUSTRALIA 8013389 AND BELOW CANADA 7024372 AND BELOW
	10-20362		3	SCREW, DISTRIBUTOR HOUSING TO CRANKCASE (1 1/2") UNITED STATES 3751850 AND UP AUSTRALIA 8013390 AND UP CANADA 7024373 AND UP
38	12-20084		3	WASHER, DISTRIBUTOR HOUSING SCREW
39	11-20083		3	NUT, DISTRIBUTOR HOUSING SCREW UNITED STATES 3751849 AND BELOW AUSTRALIA 8013389 AND BELOW CANADA 7024372 AND BELOW
40	57602		1	WIRE, GROUND - DIST. ADAPTOR TO FRONT BRACKET UNITED STATES 3751849 AND BELOW AUSTRALIA 8013389 AND BELOW CANADA 7024372 AND BELOW
	84-66008A1		1	WIRE, GROUND - DIST. ADAPTOR TO FRONT BRACKET UNITED STATES 3751850 AND UP AUSTRALIA 8013390 AND UP CANADA 7024373 AND UP
41	55805		1	BRACKET, STOP
42	10-28636		2	SCREW, DISTRIBUTOR ADAPTOR TO STOP BRACKET (3/4")
43	12-35462		2	WASHER, STOP BRACKET FASTENING SCREW
44	10-64022		3	SCREW, STOP BRACKET ADJUSTING (2 1/8")
44A	12-24391		1	WASHER, STOP BRACKET ADJUSTING SCREW UNITED STATES 4602012 AND UP CANADA 7093038 AND UP
44B	85-76199		1	INSULATOR, STOP BRACKET ADJUSTING SCREW UNITED STATES 4602012 AND UP CANADA 7093038 AND UP
45	11-64015		3	NUT, STOP BRACKET ADJUSTING SCREW
46	52023		3	NYLON - STOP BRACKET ADJUSTING SCREW
47	12-27939		1	WASHER, DISTRIBUTOR HOUSING
48	14-27960		1	TAB WASHER, ADAPTOR CAP FASTENING
49	13-27959		1	WASHER, WAVE - DISTRIBUTOR BALL BEARING BEARING TENSION
50	54567		1	DISTRIBUTOR HOUSING
51	23-47250		1	SPACER, DRIVE PULLEY
52	29906A1		1	DRIVEN PULLEY ASSEMBLY
53	17-29908		1	PIN, ROLL - FLANGE LOCATING
54	29907		1	FLANGE, DRIVEN PULLEY
55	28-29910		1	KEY, DISTRIBUTOR DRIVER
56	10-68554		1	SCREW, PULLEY CLAMPING (1/2")
57	20140		1	BELT, TIMING

STARTER MOTOR, STARTER SOLENOID, RECTIFIER AND WIRING HARNESS

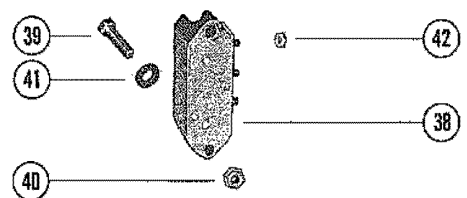
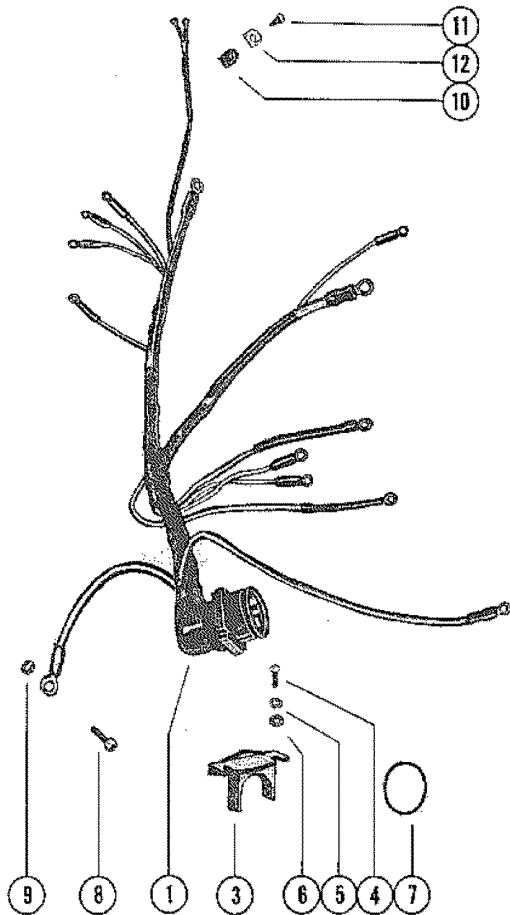
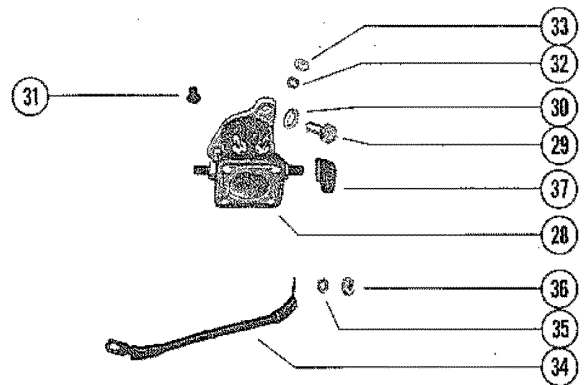
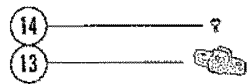
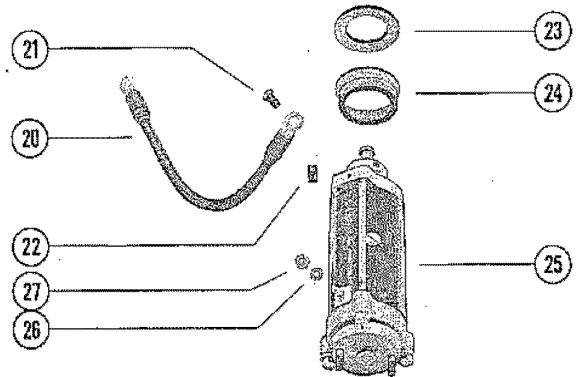
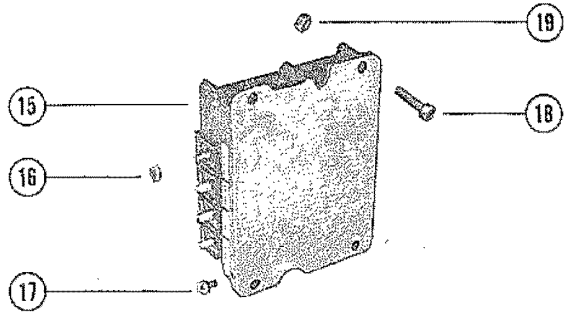


STARTER MOTOR, STARTER SOLENOID, RECTIFIER AND WIRING HARNES

REF. NO.	PART NO.	SYM.	QTY.	DESCRIPTION
1	52769		1	WIRING HARNESS, INTERNAL UNITED STATES 4121434 AND BELOW AUSTRALIA 8028039 AND BELOW CANADA 7048782 AND BELOW
	84-69236		1	WIRING HARNESS, INTERNAL UNITED STATES 4121435 AND UP AUSTRALIA 8028040 AND UP CANADA 7048783 AND UP
3	54-76368		1	CLAMP, WIRING HARNESS TO BOTTOM COWL
4	10-69020		2	SCRW, WIRING HARNESS CLAMP TO BOTTOM COWL (7/8")
5	13-26996		2	LOCKWAHSER, WIRING HARNESS CLAMP SCREW
6	12-30164		2	WASHER, WIRING HARNESS CLAMP SCREW
7	24-28975		1	SPRING, GARTER - INTERNAL WIRING HARNESS
8	10-20776		1	SCREW, GROUND WIRE TO BOTTOM COWL (1/2")
9	13-26992		1	LOCKWASHER, GROUND WIRE SCREW
10	54-22875		1	CLIP, WIRING HARNESS TO FRONT BRACKET (5/8")
11	10-62568		1	SCREW, WIRING HARNESS TO FRONT BRACKET (3/8")
12	69205		1	"D" WASHER, WIRING HARNESS CLIP SCREW
13	45559		1	TERMINAL BLOCK, STATOR LEADS
14	10-62568		4	SCREW, STATOR LEADS TO TERMINAL BLOCK (3/8")
15	332-2986A25		1	SWITCH BOX ASSEMBLY(MERC1500XS)
	3323-2986A21		1	SWITCH BOX ASSEMBLY(MERC 1500 LONG)
16	11-45076		7	NUT, SWITCH BOX TERMINAL
17	10-29794		1	SCRWE, SWITCH BOX (3/8")
18	10-64279		4	SCREW, SWITCH BOX TO FRONT MOUNTING BRACKET (1")
19	11-46887		4	NUT, SWITCH BOX SCREW
20	25596		1	CABLE, WIRE - STARTER MOTOR TO FRONT SUPPORT BRACKET
21	10-69035		1	SCRW, WIRE CABLE TO STARTER MOTOR (5/8")
22	57247		1	STOP, RUBBER - STARTER MOTOR
23	23-56774		AR	SPACER, COLLAR TO TOP MOUNTING CAP
24	56703		2	COLLAR, RUBBER - STARTER MOTOR MOUNT
25	50-57465A1		1	STARTER MOTOR ASSEMBLY UNITED STATES 3752619 AND BELOW AUSTRALIA 8013419 AND BELOW CANADA 7024372 AND BELOW
	50-64975		1	STARTER MOTOR ASSEMBLY(PRESTOLITE)
	50-72467		1	ATARTER MOTOR ASSEMBLY(BOSCH)
26	13-26992		1	LOCKWASHER, STARTER MOTOR TERMINAL
27	11-20890		1	NUT, STARTER MOTOR TERMINAL
28	25661		1	SOLENOID, STARTER UNITED STATES 4121434 AND BELOW AUSTRALIA 8028039 AND BELOW CANADA 7048782 AND BELOW
29	10-21625		2	SCREW, SOLENOID TO COIL BRACKET (3/4") UNITED STATES 4121434 AND BELOW AUSTRALIA 8028039 AND BELOW CANADA 7048782 AND BELOW
28	89-68258		1	SOLENOID, STARTER UNITED STATES 4121435 AND UP AUSTRALIA 8028040 AND UP CANADA 7048783 AND UP
29	10-38601		2	SCREW, SOLENOID TO COIL BRACKET (3/4") UNITED STATES 4121435 AND UP AUSTRALIA 8028040 AND UP CANADA 7048783 AND UP

CONTINUED ON NEXT PAGE ➡

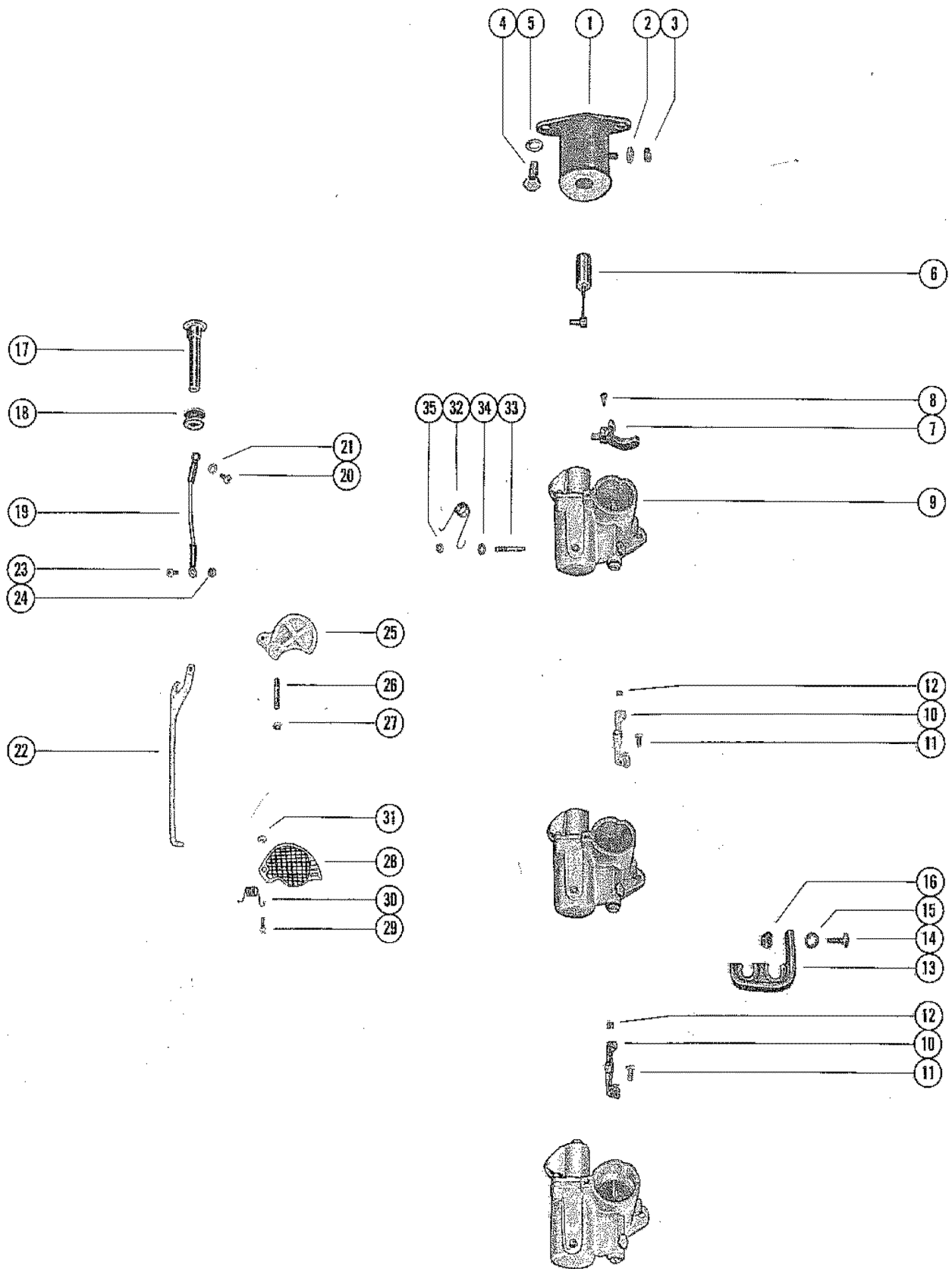
STARTER MOTOR, STARTER SOLENOID, RECTIFIER AND WIRING HARNESS



STARTER MOTOR, STARTER SOLENOID, RECTIFIER AND WIRING HARNES

REF. NO.	PART NO.	SYM.	QTY.	DESCRIPTION
30	13-26992		2	LOCKWASHER, STARTER SOLENOID FASTENING SCREW
31	26901		1	BUMPER, RUBBER - STARTER SOLENOID
32	13-26996		2	LOCKWASHER, SOLENOID TERMINAL (#10)
33	11-68219		2	NUT, SOLENOID TERMINAL (#10)
34	48396		1	CABLE, WIRE - STARTER MOTOR TO SOLENOID UNITED STATES 4121434 AND BELOW AUSTRALIA 8028039 AND BELOW CANADA 7048782 AND BELOW
	84-69237		1	CABLE, WIRE - STARTER MOTOR TO SOLENOID UNITED STATES 4121435 AND UP AUSTRALIA 8028040 AND UP CANADA 7048783 AND UP
35	13-26993		2	LOCKWASHER, SOLENOID TERMINAL (5/16")
36	11-68292		2	NUT, WOLENOID TERMINAL (5/16")
37	46265		1	BOOT, SOLENOID TERMINAL
38	332-2910A3		1	RECTIFIER ASSEMBLY UNITED STATES 4121434 AND BELOW AUSTRALIA 8028039 AND BELOW CANADA 7048782 AND BELOW
39	10-64278		2	SCREW, RECTIFIER TO MOUNTING BRACKET (1") UNITED STATES 4121434 AND BELOW AUSTRALIA 8028039 AND BELOW CANADA 7048782 AND BELOW
	11-64278		2	SCRW, RECTIFIER TO MOUNTING BRACKET (1") UNITED STATES 4121434 AND BELOW AUSTRALIA 8028039 AND BELOW CANADA 7048782 AND BELOW
40	11-46887		2	NUT, RECTIFIER MOUNTING SCREW UNITED STATES 4121434 AND BELOW AUSTRALIA 8028039 AND BELOW CANADA 7048782 AND BELOW
42	11-45076		3	NUT, FASTENING - RECTIFIER STATOR LEADS UNITED STATES 4121434 AND BELOW AUSTRALIA 8028039 AND BELOW CANADA 7048782 AND BELOW
38	62351A1		1	RECTIFIER ASSEMBLY UNITED STATES 4121435 AND UP AUSTRALIA 8028040 AND UP CANADA 7048783 AND UP
39	10-37656		2	SCREW, RECTIFIER TO FRONT BRACKET (5/8") UNITED STATES 4121435 AND UP AUSTRALIA 8028040 AND UP CANADA 7048783 AND UP
41	12-30164		2	WASHER, RECTIFIER SCREW UNITED STATES 4121435 AND UP AUSTRALIA 8028040 AND UP CANADA 7048783 AND UP
42	11-45076		3	NUT, STATOR LEADS TO RECTIFIER UNITED STATES 4121435 AND UP AUSTRALIA 8028040 AND UP CANADA 7048783 AND UP

CARBURETOR LINKAGE AND CHOKE SOLENOID

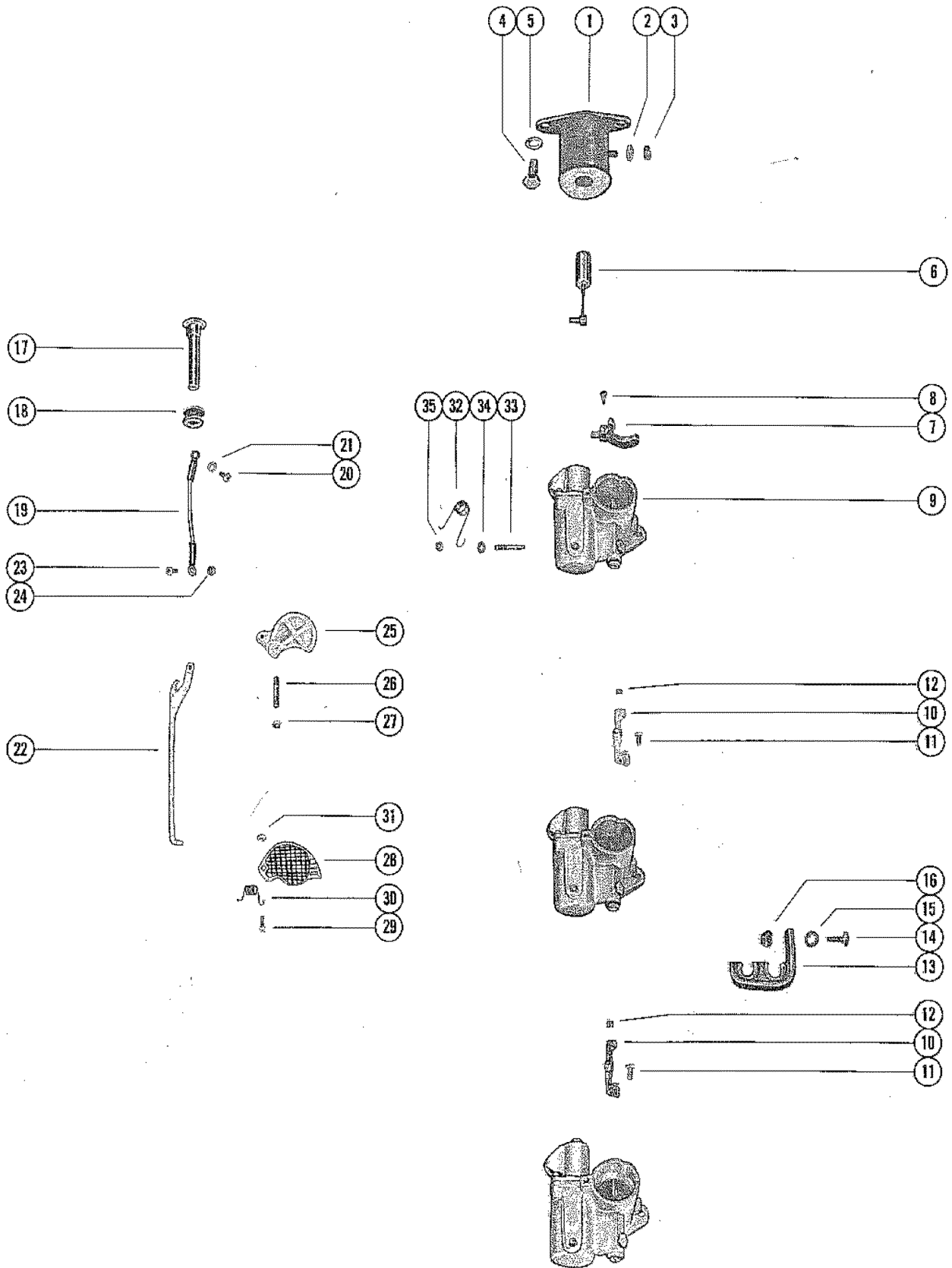


CARBURETOR LINKAGE AND CHOKE SOLENOID

REF. NO.	PART NO.	SYM.	QTY.	DESCRIPTION
1	54293A4		1	CHOKE SOLENOID
2	13-26996		1	LOCKWASHER, SOLENOID TERMINAL
3	11-20645		1	NUT, WOLENOID TERMINAL
4	10-25299		2	SCREW, CHOKE SOLENOID (3/4")
5	13-26993		2	LOCKWASHER, CHOKE SOLENOID SCREW
6	54283A1		1	PLUNGER AND LINK ASSEMBLY, CHOKE SOLENOID
7	52518		1	CLUSTER, THROTTLE LEVER (UPPER CARBUREOTR)
8	10-20847		1	SCREW, CLUSTER TO THROTTLE LEVER
9	1368-5259A16		3	CARBURETOR ASSEMBLY, COMPLETE(MERC 1500XS)
	1368-5038A1		3	CARBURETOR ASSEMBLY, COMPLETE UNITED STATES 3751849 AND BELOW AUSTRALIA 8013389 AND BELOW CANADA 7024372 AND BELOW
	1368-5259A11		3	CARBURETOR ASSEMBLY, COMPLETE UNITED STATES 3751850 THRU 4121434 AUSTRALIA 8013390 THRU 8028039 CANADA 7024373 THRU 7048782
	1368-5701A5		3	CARBURETOR ASSEMBLY, COMPLETE UNITED STATES 4121435 THRU 4602011 AUSTRALIA 8028040 THRU 8034895 CANADA 7048783 THRU 7093097
	1368-5701A13		3	CARBURETOR ASSEMBLY, COMPLETE UNITED STATES 4602012 AND UP CANADA 7093038 AND UP
10	53720A2		2	THROTTLE PICK-UP BRACKET ASSEMBLY
11	10-66104		2	SCREW, THROTTLE BRACKET MOUNTING (3/4")
12	53665		2	INSERT, THROTTLE COUPLING
13	59757		1	BRACKET, COIL LEAD RETAINER UNITED STATES 4121434 AND BELOW AUSTRALIA 8028039 AND BELOW CANADA 7048782 AND BELOW
14	10-64278		1	SCREW, COIL BRACKET (1") UNITED STATES 4121434 AND BELOW AUSTRALIA 8028039 AND BELOW CANADA 7048782 AND BELOW
15	12-29245		1	WASHER, COIL BRACKET SCREW UNITED STATES 4121434 AND BELOW AUSTRALIA 8028039 AND BELOW CANADA 7048782 AND BELOW
16	11-46887		1	NUT, COIL BRACKET SCREW UNITED STATES 4121434 AND BELOW AUSTRALIA 8028039 AND BELOW CANADA 7048782 AND BELOW
17	73755A1		1	KNOB, CHOKE ROD
18	25-20116		1	GROMMET, CHOKE ROD
19	49589		1	STRAP, CHOKE KNOB TO CHOKE ROD
20	10-48591		1	SCREW, STRAP TO CHOKE KNOB (1/2") USE WITH METAL CHOKE KNOB
21	13-26996		1	LOCKWASHER, STRAP SCRW USE WITH METAL CHOKE KNOB
20	10-76196		1	SCREW, STRAP TO CHOKE KNOB (USE WITH NYLON CHOKE KNOB)
22	48203		1	ROD, CHOKE
23	10-48591		1	SCREW, STRAP TO CHOKE ROD (1/2")
24	11-46438		1	NUT, STRAP TO CHOKE ROD SCREW
25	48152		2	SHUTTER, CHOKE - CARBURETOR

CONTINUED ON NEXT PAGE ➡

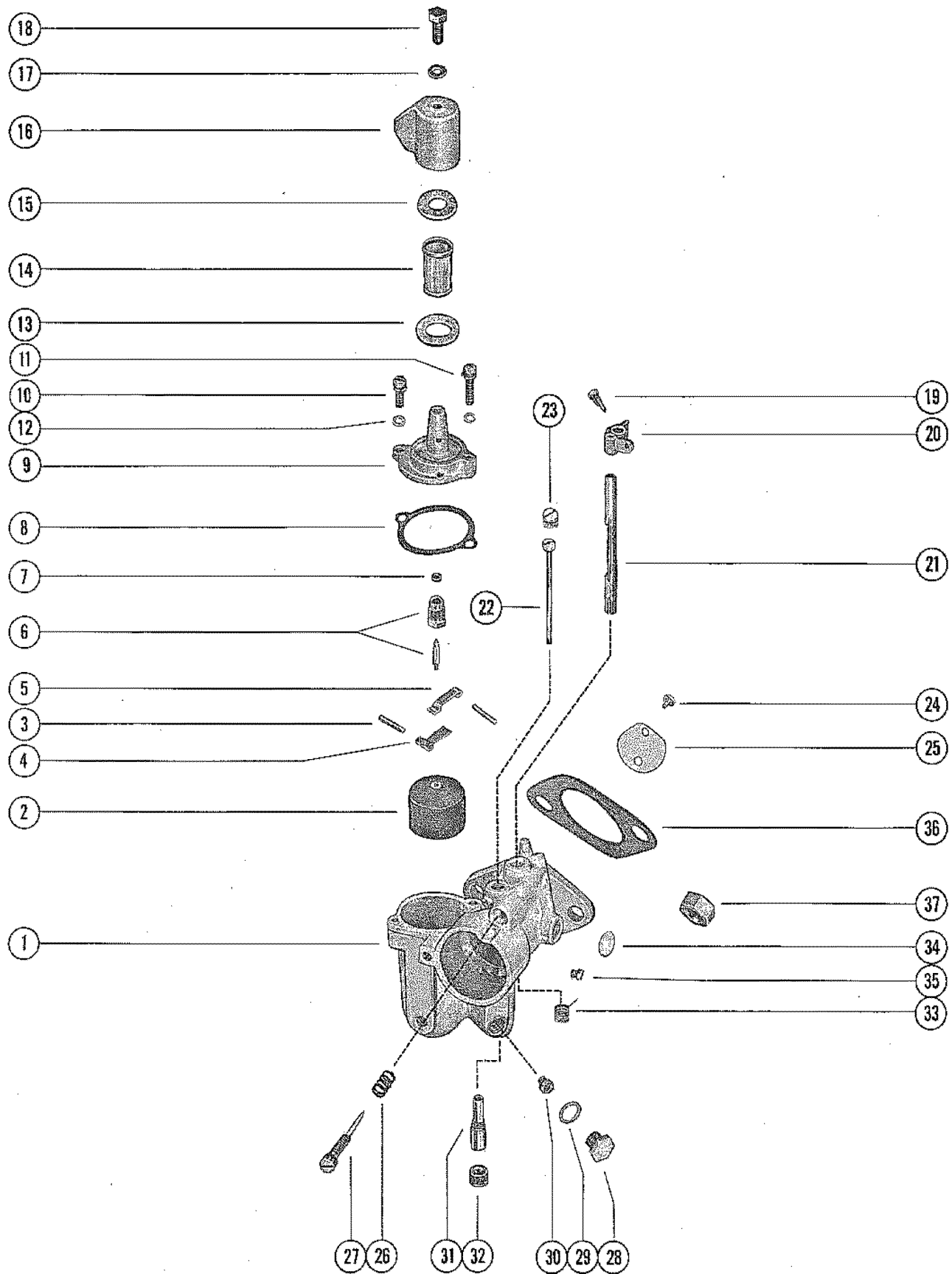
CARBURETOR LINKAGE AND CHOKE SOLENOID



CARBURETOR LINKAGE AND CHOKE SOLENOID

REF. NO.	PART NO.	SYM.	QTY.	DESCRIPTION
26	16-52898		2	STUD, CARBURETOR - CHOKE SHUTTER PIVOT (1 1/8")
27	11-20110		2	NUT, CHOKE SHUTTER TO CARBURETOR STUD
28	35-57819		3	SCREEN ASSEMBLY, FILTER - CARBURETOR
29	10-22523		1	SCREW, LOWER CARB. FILTER SCREEN TO CARB (3/4")
	10-23015		2	SCREW, UPPER CARB. FILTER SCREEN TO CARB. (1")
	24-23015		2	SCREW, UPPER CARB. FILTER SCREEN TO CARB. (1")
30	24-57818		2	SPRING, UPPER FILTER SCREEN SCREW
31	11-20110		3	NUT, CARBURETOR FILTER SCREEN FASTENING SCREW
32	24-48230		1	SPRING, CHOKE ROD TENSION
33	16-39937		1	STUD, CHOKE ROD SPRING TO CARBURETOR (7/8")
34	23-32427		1	SPACER, CHOKE ROD SPRING STUD
35	11-46887		1	NUT, CHOKE ROD SPRING TO CARBURETOR STUD

CARBURETOR ASSEMBLY

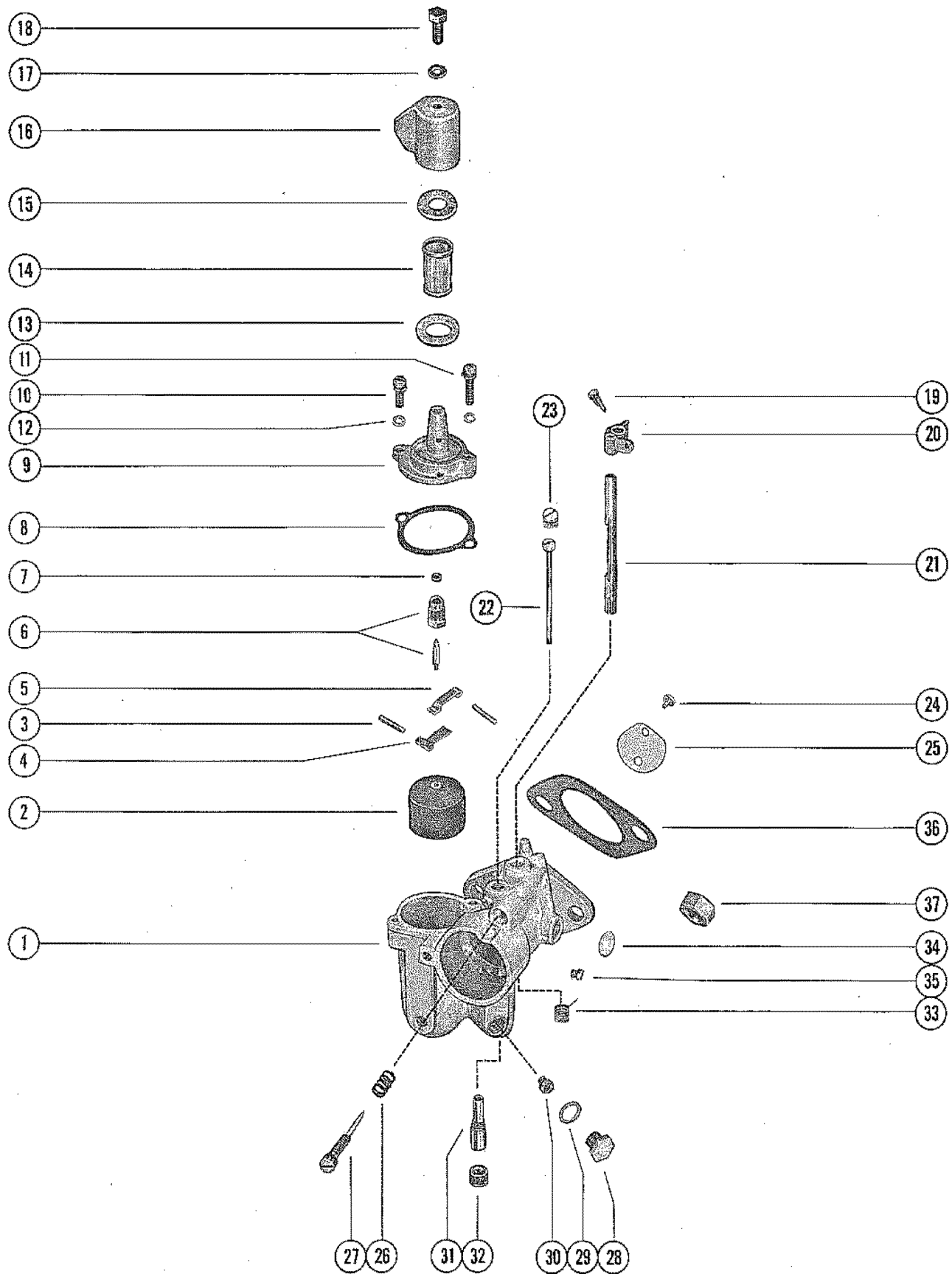


CARBURETOR ASSEMBLY

REF. NO.	PART NO.	SYM.	QTY.	DESCRIPTION
1	1368-5038A1		3	CARBURETOR ASSEMBLY (WMK-11)
2	1399-110A1		3	FLOAT ASSEMBLY
3			6	PIN, FLOAT LEVER PINION
4			3	LEVER, FLOAT (LOWER)
5			3	LEVER, FLOAT (UPPER)
6	4395-4868		3	INLET NEEDLE, SEAT AND GASKET
7			3	GASKET, INLET SEAT
8			3	GASKET, FLOAT BOWL COVER
9	1399-4559		3	COVER, FLOAT BOWL
10	10-52195		3	SCREW, FLOAT BOWL COVER (SHORT)
11	10-52196		3	SCREW, FLOAT BOWL COVER (LONG)
12	43-26995		6	LOCKWASHER, FLOAT BOWL COVER SCREW
13			3	GASKET, STRAINER COVER (LARGE)
14	1399-3938		3	SCREEN, FILTER
15			3	GASKET, STRAINER COVER (SMALL)
16	1399-4791		3	COVER, STRAINER
17			3	GASKET, STRAINER COVER SCREW
18	10-25822		3	SCREW, STRAINER COVER FASTENING
19	10-20847		3	SCREW, THROTTLE STOP LEVER
20	1399-97		3	LEVER, THROTTLE STOP USED ON CENTER AND LOWER CARBURETOR ONLY--REPLACED WITH A-52518 CLUSTER ON UPPER CARBURETOR
21	1399-3527		3	SHAFT, THROTTLE
22			3	TUBE, IDLE
23	1395-4540		3	SCREW, BODY (IDLE TUBE)
24			6	SCREW AND LOCKWASHER, THROTTLE SHUTTER
25	1395-5108		3	SHUTTER, THROTTLE
26			3	SPRING, IDLE ADJUSTMENT SCREW
27	1399-3515		3	SCREW, IDLE ADJUSTMENT
28	1395-4541		3	SCREW, PLUG - MAIN FUEL JET CHANNEL
29			3	GASKET, JET CHANNEL PLUG SCREW
30	1399-3518		OPT.	JET, MAIN FUEL (.082)
	1399-3519		3	JET, MAIN FUEL (.080) - STANDARD
	1399-3520		OPT.	JET, MAIN FUEL (.0785)
	1399-3796		OPT.	JET, MAIN FUEL (.076)
31			3	NOZZLE, MAIN
32	1395-4542		3	SCREW, PLUG - MAIN NOZZLE
33			3	SPRING, THROTTLE SHAFT RETURN
34			3	WELCH PLUG, BODY CHANNEL

CONTINUED ON NEXT PAGE ➡

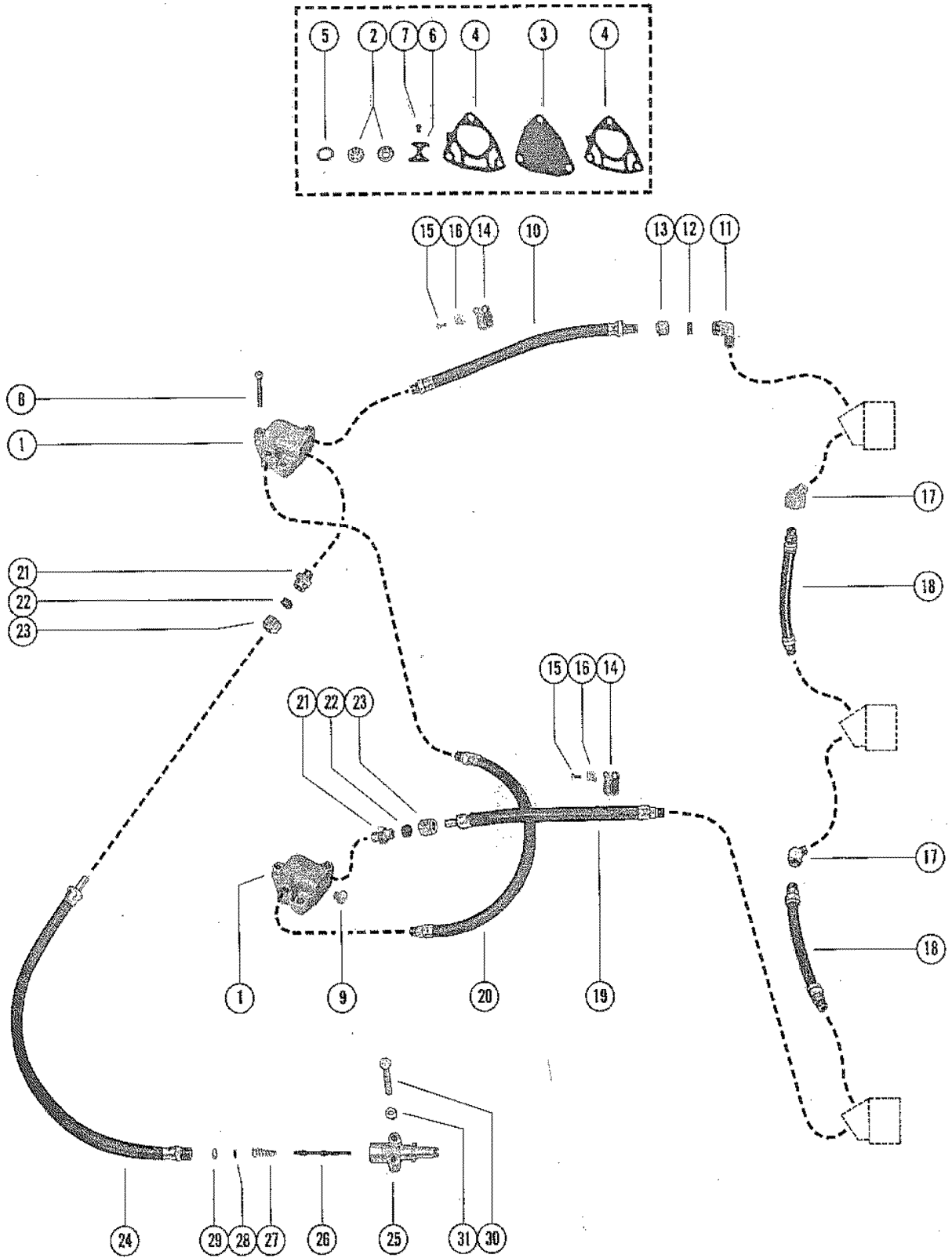
CARBURETOR ASSEMBLY



CARBURETOR ASSEMBLY

REF. NO.	PART NO.	SYM.	QTY.	DESCRIPTION
35	1395-4543		3	SCREW, BODY CHANNEL
-	1399-3523		3	GASKET AND PACKAGING SET (1 PER CARBURETOR)
-	1395-5107		3	REPAIR PARTS KIT (1 PER CARBURETOR)
36	27-48164		3	GASKET, CARBURETOR FLANGE
37	11-46793		6	NUT, CARBURETOR MOUNTING STUD

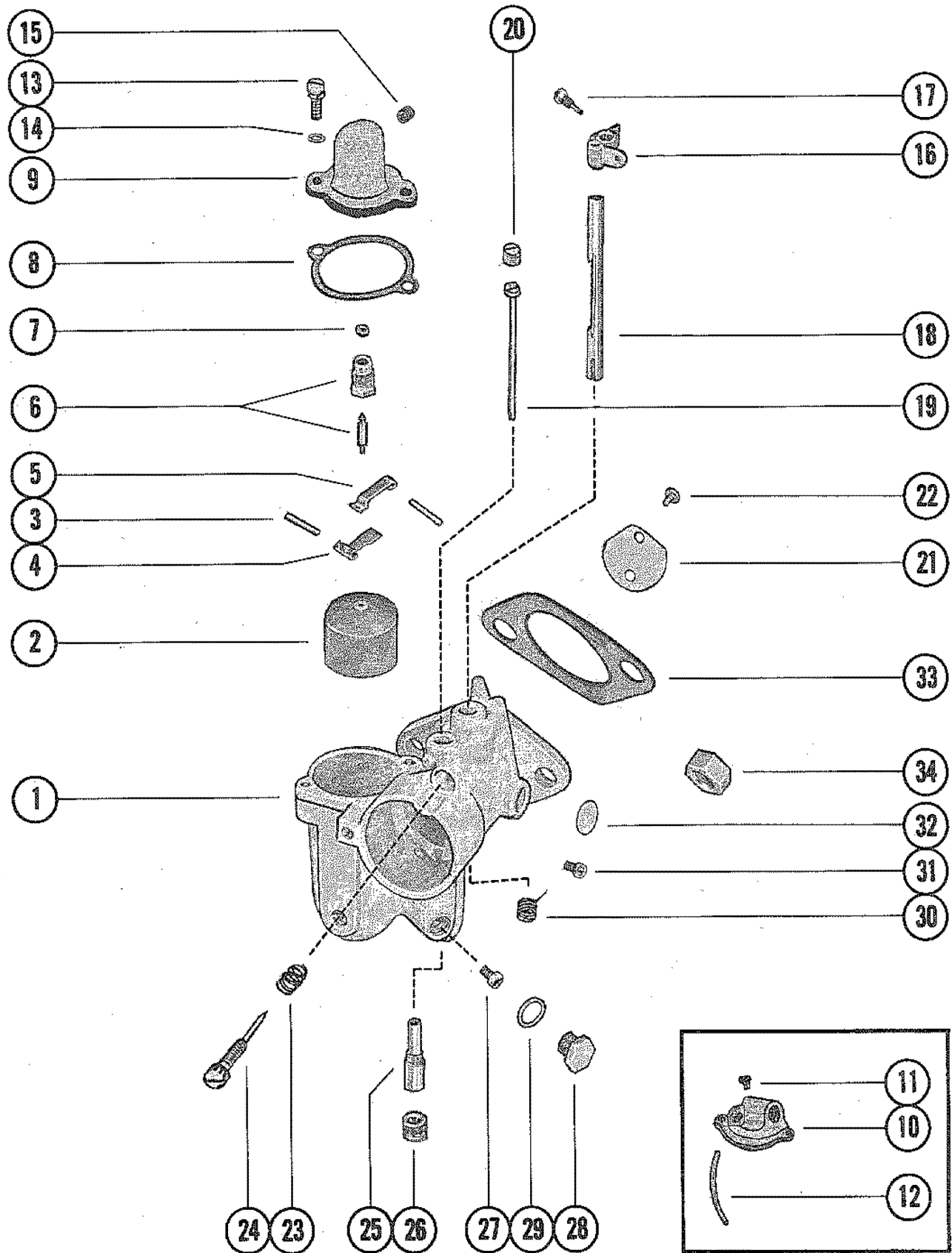
FUEL PUMP AND FUEL LINE ASSEMBLY (SERIAL GROUP #1)



FUEL PUMP AND FUEL LINE ASSEMBLY (SERIAL GROUP #1)

REF. NO.	PART NO.	SYM.	QTY.	DESCRIPTION
1	55156A5		2	FUEL PUMP ASSEMBLY
2	21-30430A3		2	CHECK VALVE ASSEMBLY
3	55278A1		2	DIAPHRAGM KIT
4			4	GASKET, FUEL PUMP
5			4	GASKET, CHECK VALVE TO HOUSING
6	23004		2	RETAINER, CHECK VALVE
7	10-20037		4	SCREW, RETAINER TO HOUSING
8	10-27281		6	SCREW, FUEL PUMP MOUNTING (1 3/8")
	10-27281		6	SCREW, FUEL PUMP MOUNTING (1 3/8")
9	22-32802		1	PLUG, PIPE - BOTTOM PUMP
10	32-33154A1		1	FUEL LINE ASSEMBLY, PUMP TO CARBURETOR (14 1/8")
11	22-30174		1	ELBOW, UPPER CARBURETOR STRAINER COVER (90)
12	22-30175		1	SLEEVE, CARBURETOR STRAINER COVER ELBOW
	22-30175		1	SLEEVE, CARBURETOR STRAINER COVER ELBOW
13	22-30177		1	NUT, UPPER CARBURETOR STRAINER COVER ELBOW
14	54-22627		2	CLIP, FUEL LINE TO CYLINDER BLOCK
15	10-30663		2	SCREW, FUEL LINE CLIP TO CYLINDER BLOCK (3/8")
16	22789		2	"D" WASHER, FUEL LINE CLIP SCREW
17	22-29085		2	ELBOW, FUEL LINE TO CARBURETOR (45)
18	32-31584A1		2	FUEL LINE ASSEMBLY, CARBURETOR TO CARBURETOR (6 9/16")
19	32-55827A1		1	FUEL LINE ASS'Y, PUMP TO CARB. (9 1/2")
20	32-55828A1		1	FUEL LINE ASS'Y, PUMP TO PUMP (13 3/4")
21	22-30468		2	FITTING, TOP AND BOTTOM PUMP
23	22-30177		2	NUT, TOP AND BOTTOM PUMP FITTING
24	32-55829		1	FUEL LINE, ADAPTOR TO LOWER FUEL PUMP (15")
25	30186		1	ADAPTOR, CHECK UNIT (FUEL LINE)
26	30187		1	STEM, CHECK UNIT ADAPTOR
27	24-30189		1	SPRING, ADAPTOR STEM
28	25-20415		1	"O" RING, ADAPTOR STEM
29	30188		1	CUP WASHER, ADAPTOR
30	10-37990		1	SCREW, ADAPTOR TO BOTTOM COWL (1 3/4")
	10-31471		1	SCREW, ADAPTOR TO BOTTOM COWL (3 1/4")
31	11-46887		2	NUT, ADAPTOR FASTENING SCREW

CARBURETOR ASSEMBLY

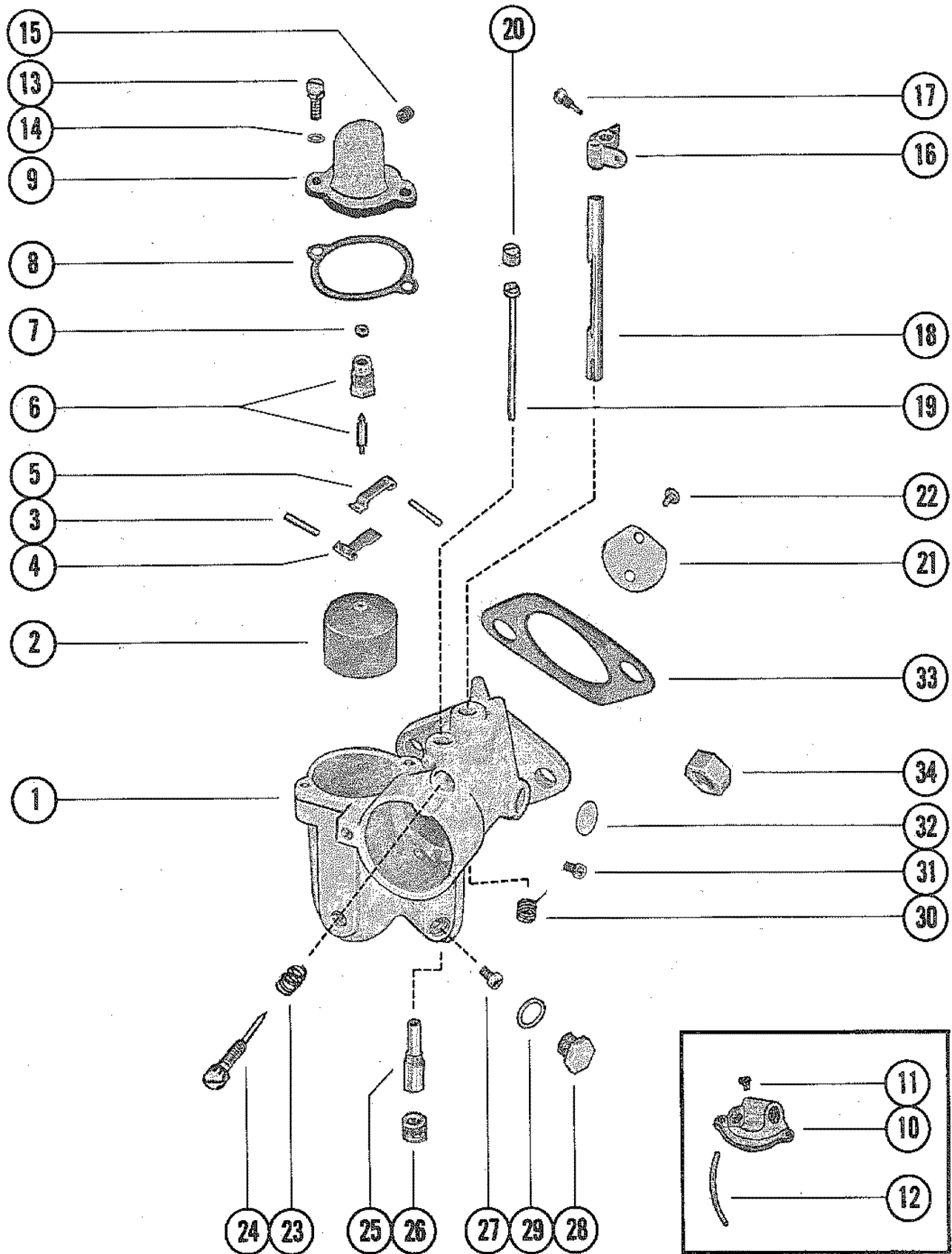


CARBURETOR ASSEMBLY

REF. NO.	PART NO.	SYM.	QTY.	DESCRIPTION
1	1368-5259A16		3	CARBURETOR ASSEMBLY(SHORT SHAFT)
	1368-5259A11		3	CARBURETOR ASSEMBLY(LONG SHAFT) UNITED STATES 3751850 THRU 4121434 AUSTRALIA 8013390 THRU 8028039 CANADA 7024373 THRU 7048782
	1368-5701A5		3	CARBURETOR ASSEMBLY(LONG SHAFT) UNITED STATES 4121435 THRU 4602011 AUSTRALIA 8028040 THRU 8034895 CANADA 7048783 THRU 7093097
	1368-5701A13		3	CARBURETOR ASSEMBLY(LONG SHAFT) UNITED STATES 4602012 AND UP CANADA 7093038 AND UP
2	1395-5353		3	FLOAT ASSEMBLY
3			6	PIN, FLOAT LEVER PINION
4			3	LEVER, FLOAT (LOWER)
5			3	LEVER, FLOAT (UPPER)
6	1395-4868		3	INLET NEEDLE, SEAT AND GASKET
7			3	GASKET, INLET SEAT
8			3	GASKET, FLOAT BOWL COVER
9	1395-5261		3	COVER, FLOAT BOWL (SHORT SHAFT AND) UNITED STATES 3751850 THRU 4121434 AUSTRALIA 8013390 THRU 8028039 CANADA 7024373 THRU 7048782
10	1395-5680		3	COVER, FLOAT BOWL UNITED STATES 4121435 AND UP AUSTRALIA 8028040 AND UP CANADA 7048783 AND UP
11	1395-5733		3	JET, BOWL VENT UNITED STATES 4121435 AND UP AUSTRALIA 8028040 AND UP CANADA 7048783 AND UP
12	1395-5734		3	HOSE, ECONOMIZER UNITED STATES 4121435 AND UP AUSTRALIA 8028040 AND UP CANADA 7048783 AND UP
13	10-52195		6	SCREW, FLOAT BOWL COVER UNITED STATES 3751850 THRU 4121434 AUSTRALIA 8013390 THRU 8028039 CANADA 7024373 THRU 7048782
	10-52195		3	SCREW, FLOAT BOWL COVER UNITED STATES 4121435 AND UP AUSTRALIA 8028040 AND UP CANADA 7048783 AND UP
	1395-4804		3	SCREW, FLOAT BOWL COVER UNITED STATES 4121435 AND UP AUSTRALIA 8028040 AND UP CANADA 7048783 AND UP
14	13-26995		6	LOCKWASHER, FLOAT BOWL COVER SCREW
15	1395-4805		3	SCREEN, FILTER
16	1399-97		3	LEVER, THROTTLE STOP USED ON CENTER AND LOWER CARBURETOR ONLY--REPLACED WITH A-52518 CLUSTER ON UPPER CARBURETOR.
17	10-20847		3	SCREW, THROTTLE STOP LEVER
18	1399-3527		3	SHAFT, THROTTLE
19			3	TUBE, IDLE
20	1395-4540		3	SCREW, BODY (IDLE TUBE)
21	1395-5666		3	SHUTTER, THROTTLE
22			6	SCREW AND LOCKWASHER, THROTTLE SHUTTER
23			3	SPRING, IDLE ADJUSTMENT SCREW
24	1399-3515		3	SCREW, IDLE ADJUSTMENT
25			3	NOZZLE, MAIN

CONTINUED ON NEXT PAGE ➡

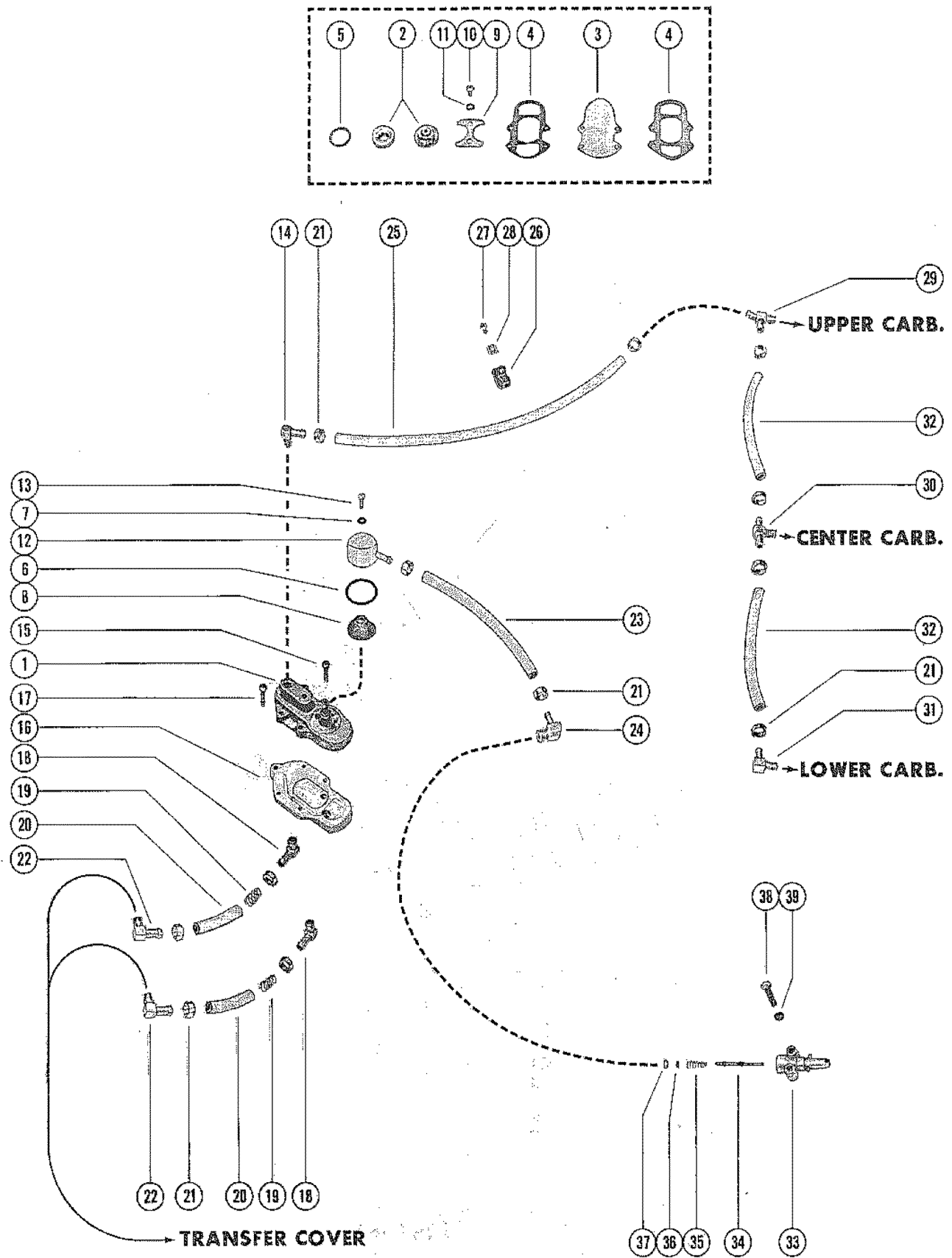
CARBURETOR ASSEMBLY



CARBURETOR ASSEMBLY

REF. NO.	PART NO.	SYM.	QTY.	DESCRIPTION
26	1395-4542		3	SCREW, PLUG - MAIN NOZZLE
27	1399-3518		3	JET, MAIN FUEL (.082) - STANDARD (SHORT SHAFT)
	1399-3519		3	JET, MAIN FUEL (.080) - STANDARD (LONG SHAFT)
	1399-3520		OPT.	JET, MAIN FUEL (.0785)
	1399-3796		OPT.	JET, MAIN FUEL (.076)
28	1395-4541		3	SCREW, PLUG - MAIN FUEL JET CHANNEL
29			3	GASKET, JET CHANNEL PLUG SCREW
30			3	SPRING, THROTTLE SHAFT RETURN
31	1395-4543		3	SCREW, BODY CHANNEL
	1395-4543		3	SCREW, BODY CHANNEL
32			3	WELCH PLUG, BODY CHANNEL
-	1395-4808		3	GASKET AND PAKCING SET (1 PER CARBURETOR)
-	1395-5672		3	REPAIR PARTS KIT (1 PER CARBURETOR)-SHORT SHAFT
-	1395-5355		3	REPAIR PARTS KIT (1 PER CARBURETOR)-LONG SHAFT UNITED STATES 4602011 AND BELOW AUSTRALIA 8034895 AND BELOW CANADA 7093097 AND BELOW
-	1395-6468		3	REPAIR PARTS KIT (1 PER CARBURETOR)-LONG SHAFT UNITED STATES 4602012 AND UP CANADA 7093038 AND UP
33	27-48164		3	GASKET, CARBURETOR FLANGE
34	11-64809		6	NUT, CARBURETOR MOUNTING STUD

FUEL PUMP AND FUEL LINE ASSEMBLY (SERIAL GROUP #2)

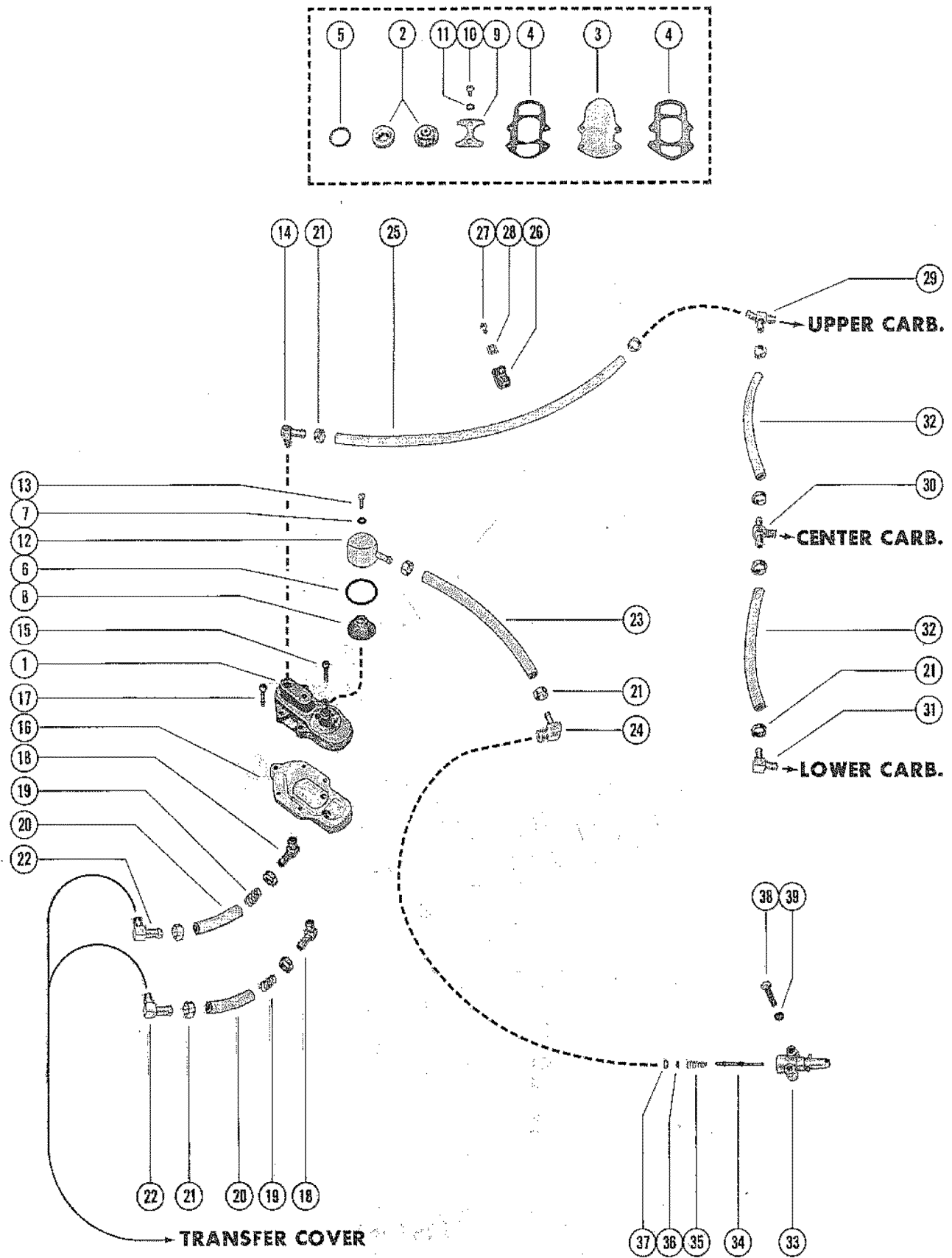


FUEL PUMP AND FUEL LINE ASSEMBLY (SERIAL GROUP #2)

REF. NO.	PART NO.	SYM.	QTY.	DESCRIPTION
1	66530A2		1	FUEL PUMP ASSEMBLY
2	21-30430A7		1	CHECK VALVE ASSEMBLY
3	66599A1		1	DIAPHRAGM ASSEMBLY
4			2	GASEKT, DIAPHRAGM
5			2	GASKET, CHECK VALVE
6			1	"O" RING, COVER TO HOUSING
7			1	GASKET, NYLON - FILTER COVER SCREW
8	35-59072		1	SCREEN, FILTER - INLET
9	23004		1	RETAINER, CHECK VALVE
10	10-20037		2	SCREW, RETAINER TO FUEL PUMP (1/4")
11	13-26994		2	LOCKWASHER, RETAINER SCREW
12	59071		1	COVER, FUEL INLET
13	10-37370		1	SCREW, COVER TO FUEL PUMP (5/8")
14	22-64704		1	FITTING, FUEL OUTLET
15	10-66686		2	SCREW, FUEL PUMP TO BASE (1")
16	66575		1	BASE, FUEL PUMP
17	10-66687		3	SCREW, FUEL PUMP TO BOTTOM COWL (1 1/5")
18	22-64704		2	FITTING, PULSE LINE (90)
19	24-68434		2	SPRING, PULSE LINE
20	32-63146		2	PULSE LINE (3 1/4")
21	54-68424		12	CLAMP, FUEL LINE ATTACHING
22	22-64704		2	FITTING, PULSE LINE TO TRANSFER COVER (90)
23	32-63146		1	FUEL LINE, ADAPTOR TO FUEL PUMP (6 3/4")
24	22-63981		1	ELBOW, FUEL LINE TO ADAPTOR
25	32-63146		1	FUEL LINE, FULE PUMP TO UPPER CARBURETOR (15 3/4")
26	54-22627		1	CLIP, FUEL LINE ATTACHING
27	10-62568		1	SCREW, FUEL LINE CLIP (3/8")
28	69205		1	"D" WASHER, FUEL LINE CLIP SCREW
29	22-66328		1	FITTING, TEE - UPPER CARBURETOR
30	22-64706		1	FITTING, TEE - CENTER CARBURETOR
31	22-64704		1	FITTING, ELBOW - LOWER CARBURETOR
32	32-63146		2	FUEL LINE, CARBURETOR TO CARBURETOR (6 1/4")
33	30186		1	ADAPTOR, CHECK UNIT (FUEL LINE) UNITED STATES 3751850 THRU 4121434 AUSTRALIA 8013390 THRU 8028039 CANADA 7024373 THRU 7048782
34	30187		1	STEM, CHECK UNIT ADAPTOR UNITED STATES 3751850 THRU 4121434 AUSTRALIA 8013390 THRU 8028039 CANADA 7024373 THRU 7048782
35	24-30189		1	SPRING, ADAPTOR STEM UNITED STATES 3751850 THRU 4121434 AUSTRALIA 8013390 THRU 8028039 CANADA 7024373 THRU 7048782
33	22833		1	ADAPTOR, CHECK UNIT (FUEL LINE) UNITED STATES 4121435 AND UP AUSTRALIA 8028040 AND UP CANADA 7048783 AND UP

CONTINUED ON NEXT PAGE ➡

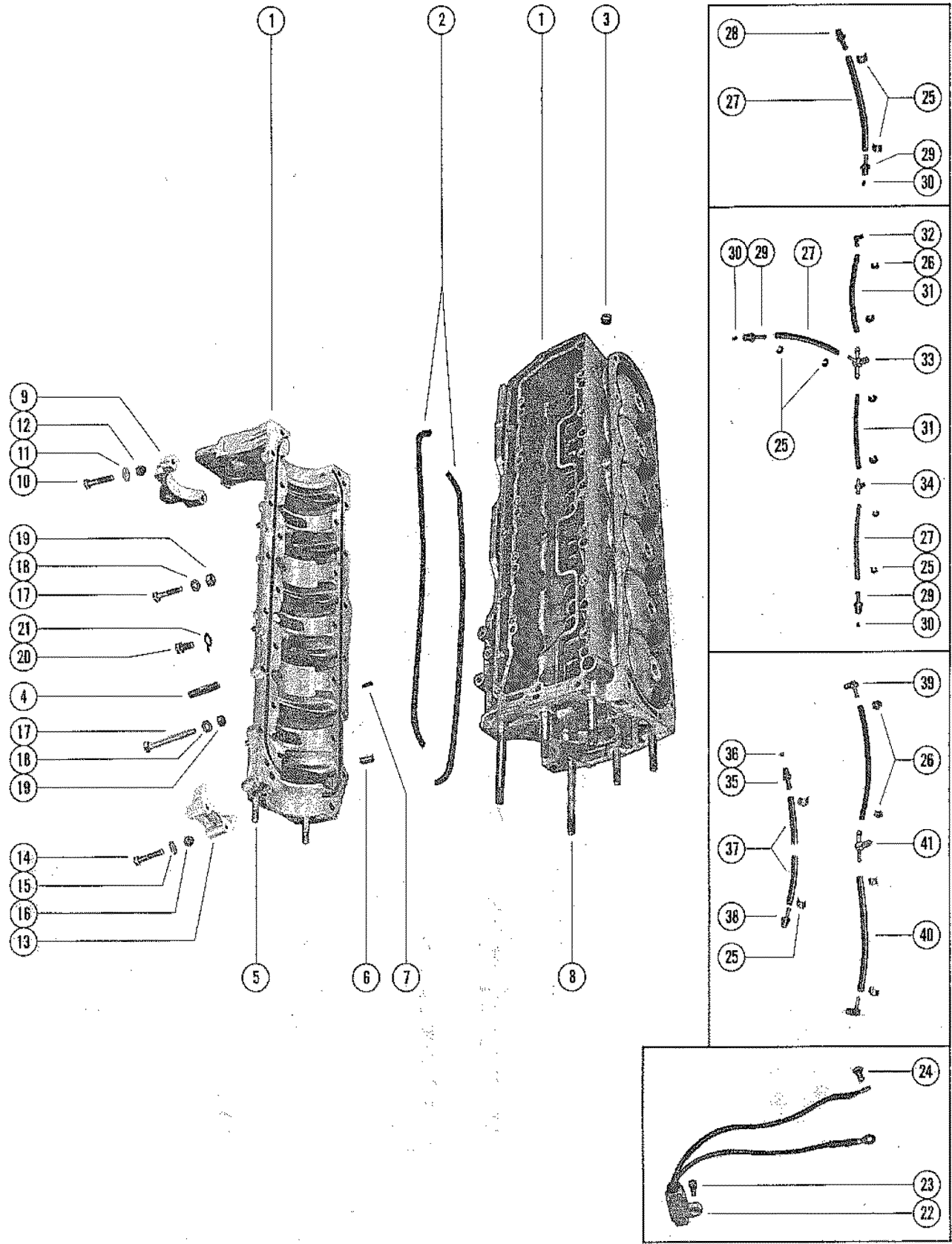
FUEL PUMP AND FUEL LINE ASSEMBLY (SERIAL GROUP #2)



FUEL PUMP AND FUEL LINE ASSEMBLY (SERIAL GROUP #2)

REF. NO.	PART NO.	SYM.	QTY.	DESCRIPTION
34	23069		1	STEM, CHECK UNIT UNITED STATES 4121435 AND UP AUSTRALIA 8028040 AND UP CANADA 7048783 AND UP
35	24-23067		1	SPRING, ADAPTOR STEM UNITED STATES 4121435 AND UP AUSTRALIA 8028040 AND UP CANADA 7048783 AND UP
36	25-20415		1	"O" RING, ADAPTOR STEM
37	30188		1	CUP WASHER, ADAPTOR
38	10-37990		1	SCREW, ADAPTOR TO BOTTOM COWL (1 3/4") UNITED STATES 3751850 THRU 4121434 AUSTRALIA 8013390 THRU 8028039 CANADA 7024373 THRU 7048782
	10-31471		1	SCREW, ADAPTOR TO BOTTOM COWL (3 1/4") UNITED STATES 3751850 THRU 4121434 AUSTRALIA 8013390 THRU 8028039 CANADA 7024373 THRU 7048782
39	11-46887		2	NUT, ADAPTOR FASTENING SCREW UNITED STATES 3751850 THRU 4121434 AUSTRALIA 8013390 THRU 8028039 CANADA 7024373 THRU 7048782
38	10-69029		2	SCREW, ADAPTOR TO BOTTOM COWL (1 3/4") UNITED STATES 4121435 AND UP AUSTRALIA 8028040 AND UP CANADA 7048783 AND UP

CYLINDER BLOCK AND CRANKCASE ASSEMBLY

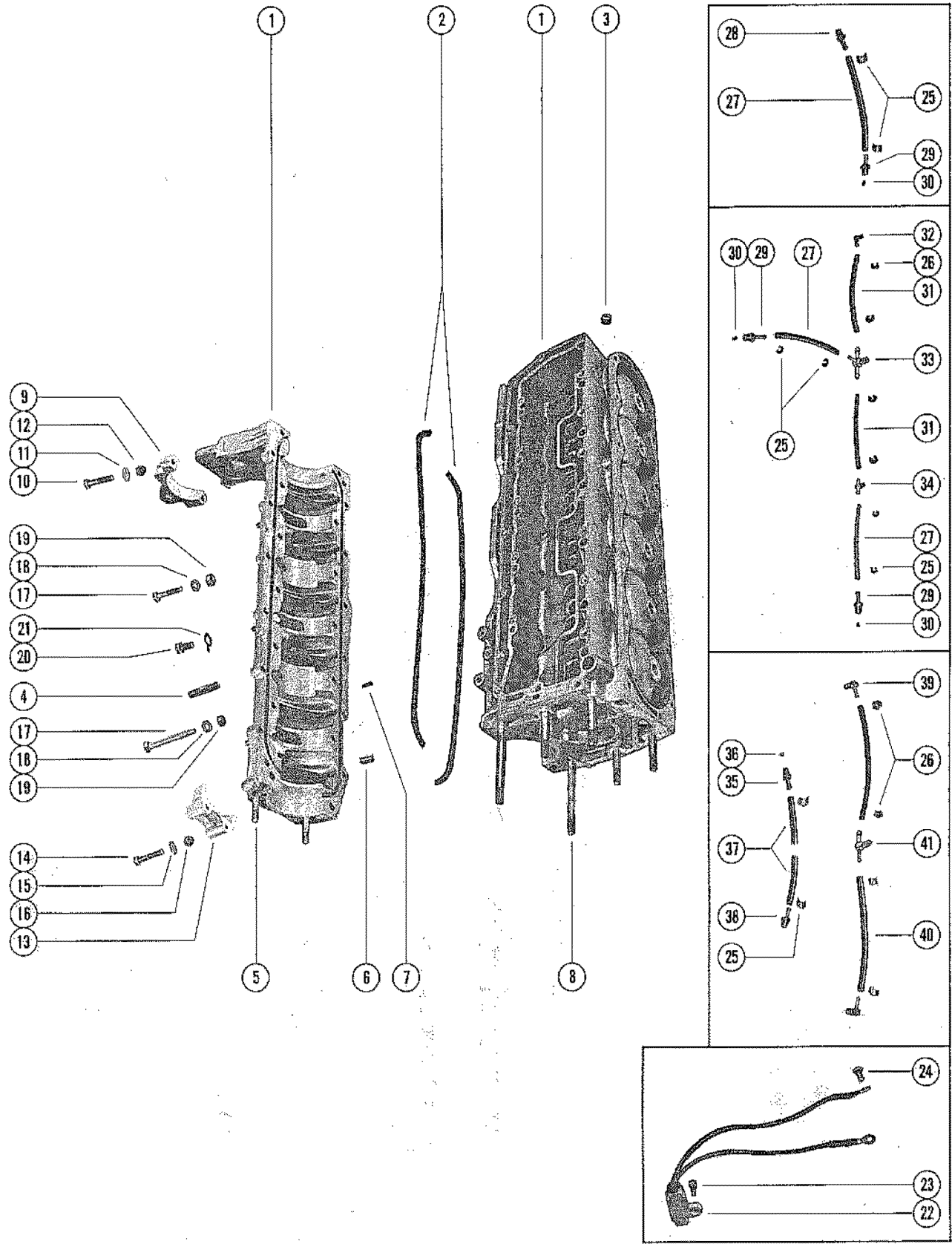


CYLINDER BLOCK AND CRANKCASE ASSEMBLY

REF. NO.	PART NO.	SYM.	QTY.	DESCRIPTION
1	852-5033A5		1	CYLINDER BLOCK AND CRANKCASE ASS'Y UNITED STATES 3628317 AND BELOW AUSTRALIA 8008489 AND BELOW CANADA 7018152 AND BELOW
	852-5033A11		1	CYLINDER BLOCK AND CRANKCASE ASS'Y UNITED STATES 3628318 THRU 3751849 AUSTRALIA 8008490 THRU 8013389 CANADA 7018153 THRU 7024372
	852-5264A5		1	CYLINDER BLOCK AND CRANKCASE ASS'Y UNITED STATES 3751850 THRU 4121434 AUSTRALIA 8013390 THRU 8028039 CANADA 7024373 THRU 7048782
	852-5574A1		1	CYLINDER BLOCK AND CRANKCASE ASS'Y UNITED STATES 4121435 THRU 4403386 AUSTRALIA 8028040 THRU 8034895 CANADA 7048783 THRU 7067847
	852-6191A1		1	CYLINDER BLOCK AND CRANKCASE ASS'Y UNITED STATES 4403387 THRU 4602011
	852-6431A1		1	CYLINDER BLOCK AND CRANKCASE ASS'Y UNITED STATES 4602012 AND UP CANADA 7093038 AND UP
	852-5604A3		1	CYLINDER BLOCK AND CRANKCASE ASS'Y (MERC 1500XS) UNITED STATES 4121434 AND BELOW AUSTRALIA 8028039 AND BELOW CANADA 7048782 AND BELOW
	852-5595A3		1	CYLINDER BLOCK AND CRANKCASE ASS'Y (MERC 1500XS) UNITED STATES 4121435 THRU 4403386 AUSTRALIA 8028040 THRU 8034895 CANADA 7048783 THRU 7067847
	852-5595A3		1	CYLINDER BLOCK AND CRANKCASE ASS'Y (MERC 1500XS) UNITED STATES 4403387 THRU 4602011
	852-6451A3		1	CYLINDER BLOCK AND CRANKCASE ASS'Y (MAERC 1500XS) UNITED STATES 4602012 AND UP CANADA 7093038 AND UP
2	27-53862		2	GASKET, CRANKCASE TO CYLINDER BLOCK
3	66517		5	RESTRICTION, CRANKCASE BLEED
4	16-64280		6	STUD, CARBURATOR MOUNTING (1 3/16")
5	16-64281		2	STUD, CRANKCASE TO EXHAUST EXTENSION PLATE (1 7/8")
6	17-63779		2	PIN, DOWEL-CRANKCASE TO CYLINDER BLOCK
7	17-63779		3	PIN, DOWEL-CYLINDER BLOCK TO MAIN BEARING
8	76-F66193		6	STUD, CYLINDER BLOCK TO DRIVE SHAFT HSG. (4 3/16") SHORT SHAFT
	16-64282		6	STUD, CYLINDER BLOCK TO DRIVE SHAFT HSG. (4") - LONG SHAFT
9	56029		1	COVER, STARTER MOTOR BRACKET-TOP
10	10-26132		1	SCREW, TOP COVER ATTACHING (2 1/2") UNITED STATES 4121434 AND BELOW AUSTRALIA 8028039 AND BELOW CANADA 7048782 AND BELOW
	10-21449		1	SCREW, TOP COVER ATTACHING (2") UNITED STATES 4121434 AND BELOW AUSTRALIA 8028039 AND BELOW CANADA 7048782 AND BELOW
11	12-22753		2	WASHER, TOP COVER ATTACHING SCREWS UNITED STATES 4121434 AND BELOW AUSTRALIA 8028039 AND BELOW CANADA 7048782 AND BELOW
12	11-46793		1	NUT, COVER SCREW UNITED STATES 4121434 AND BELOW AUSTRALIA 8028039 AND BELOW CANADA 7048782 AND BELOW

CONTINUED ON NEXT PAGE ➡

CYLINDER BLOCK AND CRANKCASE ASSEMBLY

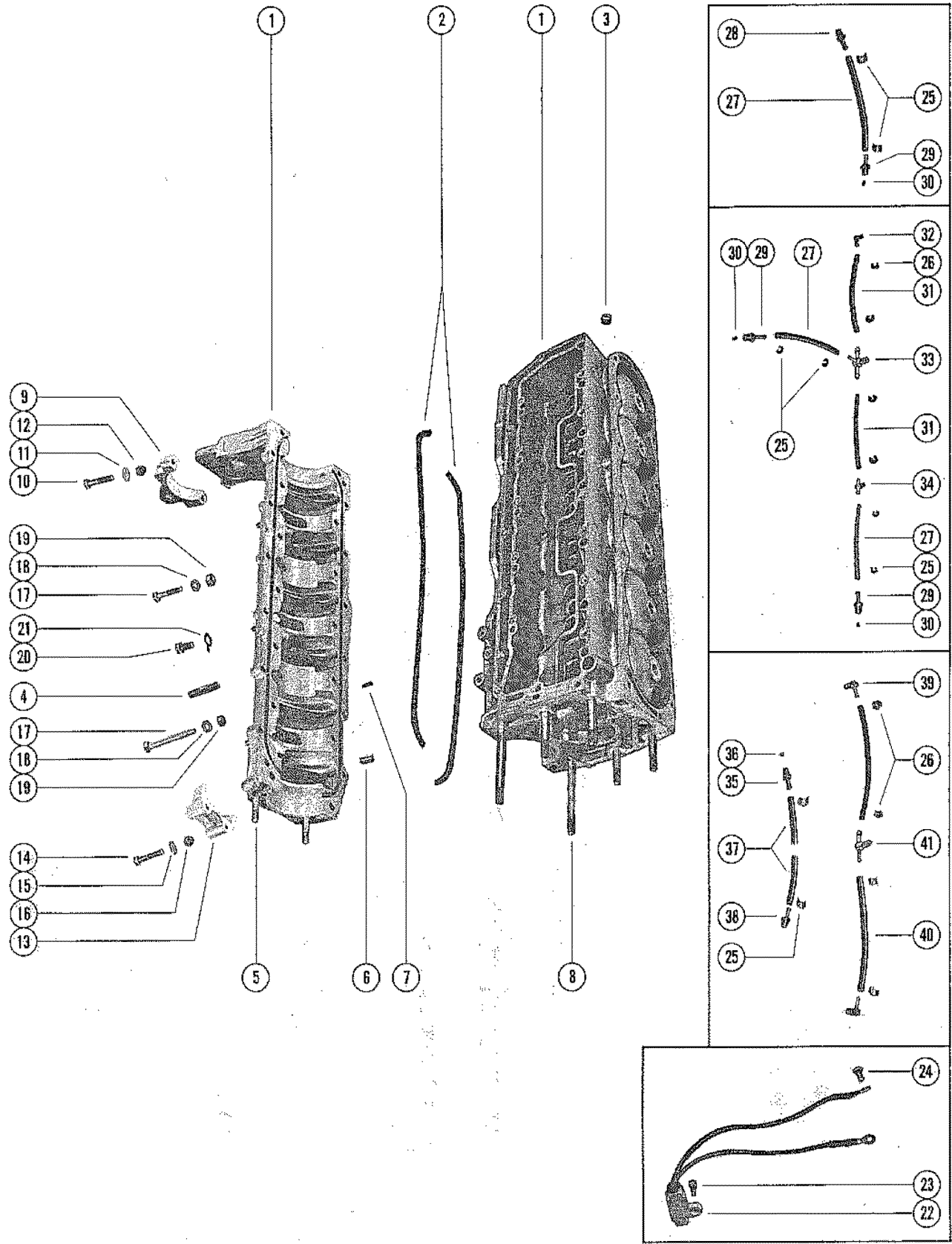


CYLINDER BLOCK AND CRANKCASE ASSEMBLY

REF. NO.	PART NO.	SYM.	QTY.	DESCRIPTION
10	10-69762		1	SCREW, TOP COVER ATTACHING (1 3/8") UNITED STATES 4121435 AND UP AUSTRALIA 8028040 AND UP CANADA 7048783 AND UP
	10-69267		1	SCREW, TOP COVER ATTACHING (1 3/4") UNITED STATES 4121435 AND UP AUSTRALIA 8028040 AND UP CANADA 7048783 AND UP
11	13-26992		2	WASHER, BOTTOM COVER ATTACHING SCREWS UNITED STATES 4121435 AND UP AUSTRALIA 8028040 AND UP CANADA 7048783 AND UP
13	76867		1	COVER, STARTER MOTOR BRACKET-BOTTOM UNITED STATES 4121435 AND UP AUSTRALIA 8028040 AND UP CANADA 7048783 AND UP
14	10-33473		1	SCREW, BOTTOM COVER ATTACHING (2 5/8") UNITED STATES 4121434 AND BELOW AUSTRALIA 8028039 AND BELOW CANADA 7048782 AND BELOW
	10-39767		1	SCREW, BOTTOM COVER ATTCHING (1 7/8") UNITED STATES 4121434 AND BELOW AUSTRALIA 8028039 AND BELOW CANADA 7048782 AND BELOW
15	12-22753		2	WASHER, BOTTOM COVER ATTACHING SCREWS UNITED STATES 4121434 AND BELOW AUSTRALIA 8028039 AND BELOW CANADA 7048782 AND BELOW
16	11-46793		2	NUT, COVER SCREW UNITED STATES 4121434 AND BELOW AUSTRALIA 8028039 AND BELOW CANADA 7048782 AND BELOW
14	10-69268		2	SCREW, BOTTOM COVER ATTACHING (1 7/8") UNITED STATES 4121435 AND UP AUSTRALIA 8028040 AND UP CANADA 7048783 AND UP
15	13-26993		2	WASHER, BOTTOM COVER ATTACHING SCREWS UNITED STATES 4121435 AND UP AUSTRALIA 8028040 AND UP CANADA 7048783 AND UP
17	10-33473		3	SCREW, CRANKCASE TO CYLINDER BLOCK (2 5/8") UNITED STATES 4403386 AND BELOW AUSTRALIA 8034895 AND BELOW CANADA 7067847 AND BELOW
	10-32293		3	SCREW, CRANKCASE TO CYLINDER BLOCK (1 3/4") UNITED STATES 4403386 AND BELOW AUSTRALIA 8034895 AND BELOW CANADA 7067847 AND BELOW
	10-21574		21	SCREW, CRANKCASE TO CYLINDER BLOCK (1 5/8") UNITED STATES 4403386 AND BELOW AUSTRALIA 8034895 AND BELOW CANADA 7067847 AND BELOW
18	12-2253		26	WASHER, CRANKCASE SCREWS UNITED STATES 4403386 AND BELOW AUSTRALIA 8034895 AND BELOW CANADA 7067847 AND BELOW
19	11-46793		26	NUT, CRANKCASE FASTENING SCREWS UNITED STATES 4403386 AND BELOW AUSTRALIA 8034895 AND BELOW CANADA 7067847 AND BELOW
17	10-57841		3	SCREW, CRANKCASE TO CYLINDER BLOCK (2 3/4") UNITED STATES 4403387 AND UP
	10-32293		2	SCREW, CRANKCASE TO CYLINDER BLOCK (1 3/4") UNITED STATES 4403387 AND UP
	10-73657		21	SCREW, CRANKCASE TO CYLINDER BLOCK (1 1/2") UNITED STATES 4403387 AND UP

CONTINUED ON NEXT PAGE ➡

CYLINDER BLOCK AND CRANKCASE ASSEMBLY

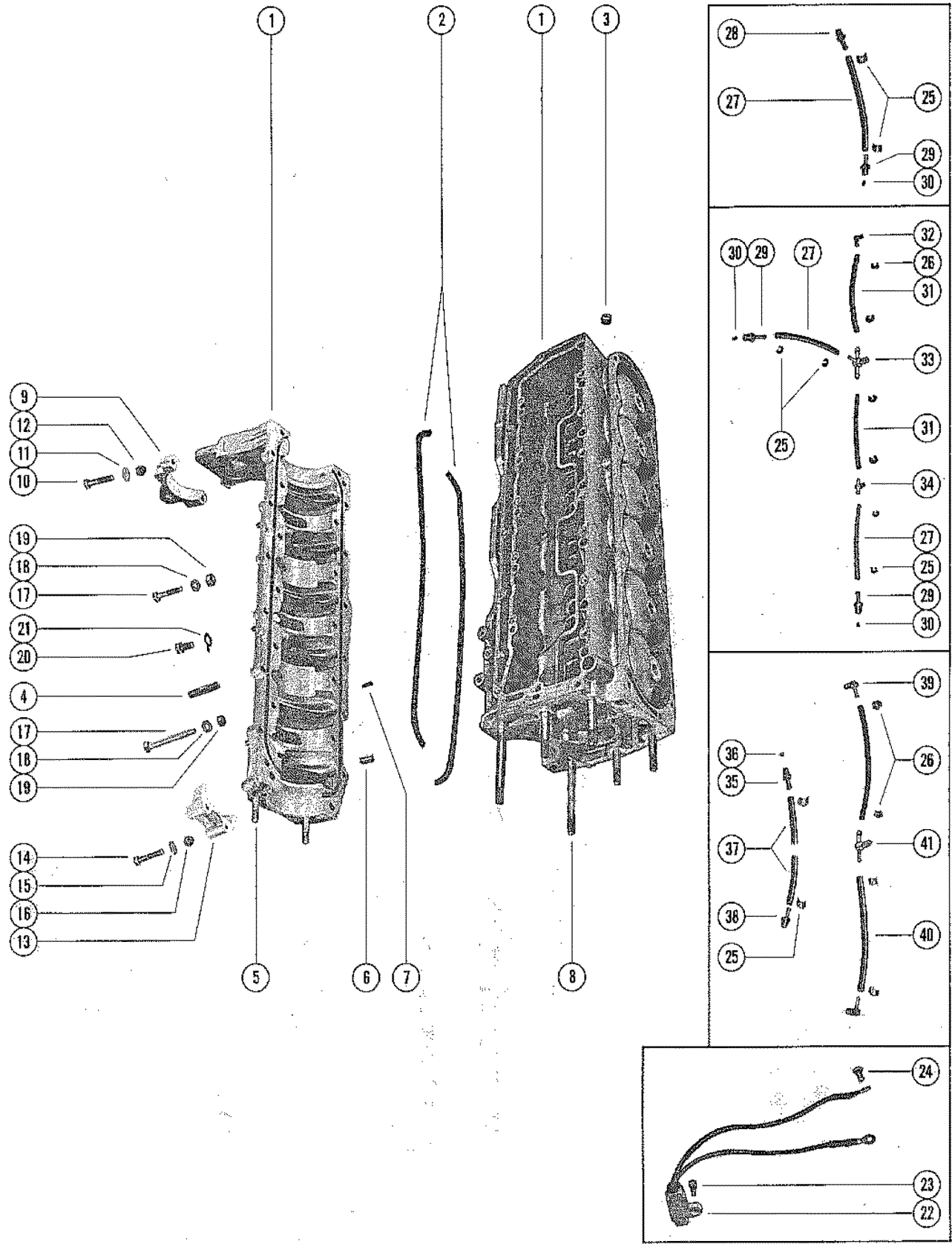


CYLINDER BLOCK AND CRANKCASE ASSEMBLY

REF. NO.	PART NO.	SYM.	QTY.	DESCRIPTION
18	12-22753		26	WASHER, CRANKCASE SCREWS UNITED STATES 4403387 AND UP
19	11-29250		2	NUT, CRANKCASE SCREWS (LOWER) UNITED STATES 4403387 AND UP
20	10-20359		2	SCREW, CENTER MAIN BEARING LOCKING (1")
21	14-20091		2	TAB WASHER, BEARING LOCKING SCREW
22	58124A4		1	SWITCH, MERCURY
23	10-69235		1	SCREW, SWITCH TO FRONT MOUNTING BRACKET (1/2")
24	10-62568		1	SCREW, MERCURY SWITCH LEAD
25	54-20387		6	CLAMP, BLEED HOSE TO CONNECTOR
26	54-20386		4	CLAMP, BALANCE TUBE TO ELBOW AND TEE
27	32-54936		3	HOSE, BLEED (7 1/2", 6 1/2" AND 10") UNITED STATES 3751849 AND BELOW AUSTRALIA 8013389 AND BELOW CANADA 7024372 AND BELOW
28	22-65350		1	FITTING, UPPER CYLINDER BLEED UNITED STATES 3751849 AND BELOW AUSTRALIA 8013389 AND BELOW CANADA 7024372 AND BELOW
29	22-65350A1		3	CHECK VALVE ASSEMBLY, BLEED HOSE UNITED STATES 3751849 AND BELOW AUSTRALIA 8013389 AND BELOW CANADA 7024372 AND BELOW
30	21-56011A2		3	CHECK VALVE ASSEMBLY UNITED STATES 3751849 AND BELOW AUSTRALIA 8013389 AND BELOW CANADA 7024372 AND BELOW
31	32-33960		2	TUBE, BALANCE - MAIN BEARINGS (6 1/4") UNITED STATES 3751849 AND BELOW AUSTRALIA 8013389 AND BELOW CANADA 7024372 AND BELOW
32	22-20781		1	ELBOW, BALANCE TUBE TO MAIN BEARING SCRW UNITED STATES 3751849 AND BELOW AUSTRALIA 8013389 AND BELOW CANADA 7024372 AND BELOW
33	22-65349		1	TEE, BLEED HOSE TO CYLINDER BLOCK - CENTER UNITED STATES 3751849 AND BELOW AUSTRALIA 8013389 AND BELOW CANADA 7024372 AND BELOW
34	22-65348		1	TEE, BLEED HOSE TO CYLINDER BLOCK - LOWER UNITED STATES 3751849 AND BELOW AUSTRALIA 8013389 AND BELOW CANADA 7024372 AND BELOW
35	22-65350A2		1	CONNECTOR ASSEMBLY, BLEED HOSE - UPPER UNITED STATES 3751850 AND UP AUSTRALIA 8013390 AND UP CANADA 7024373 AND UP
36	21-56011A2		1	CHECK VALVE ASSEMBLY UNITED STATES 3751850 AND UP AUSTRALIA 8013390 AND UP CANADA 7024373 AND UP
37	32-54936		1	HOSE, BLEED (22") UNITED STATES 3751850 AND UP AUSTRALIA 8013390 AND UP CANADA 7024373 AND UP
38	22-65670A1		1	CONNECTOR ASSEMBLY, BLEED HOSE - LOWER UNITED STATES 3751850 AND UP AUSTRALIA 8013390 AND UP CANADA 7024373 AND UP
39	22-20781		1	ELBOW, BALANCE HOSE UNITED STATES 3751850 AND UP AUSTRALIA 8013390 AND UP CANADA 7024373 AND UP
40	32-34395A1		2	HOSE, BALANCE - MAIN BEARING (6 1/4") UNITED STATES 3751850 AND UP AUSTRALIA 8013390 AND UP CANADA 7024373 AND UP

CONTINUED ON NEXT PAGE ➡

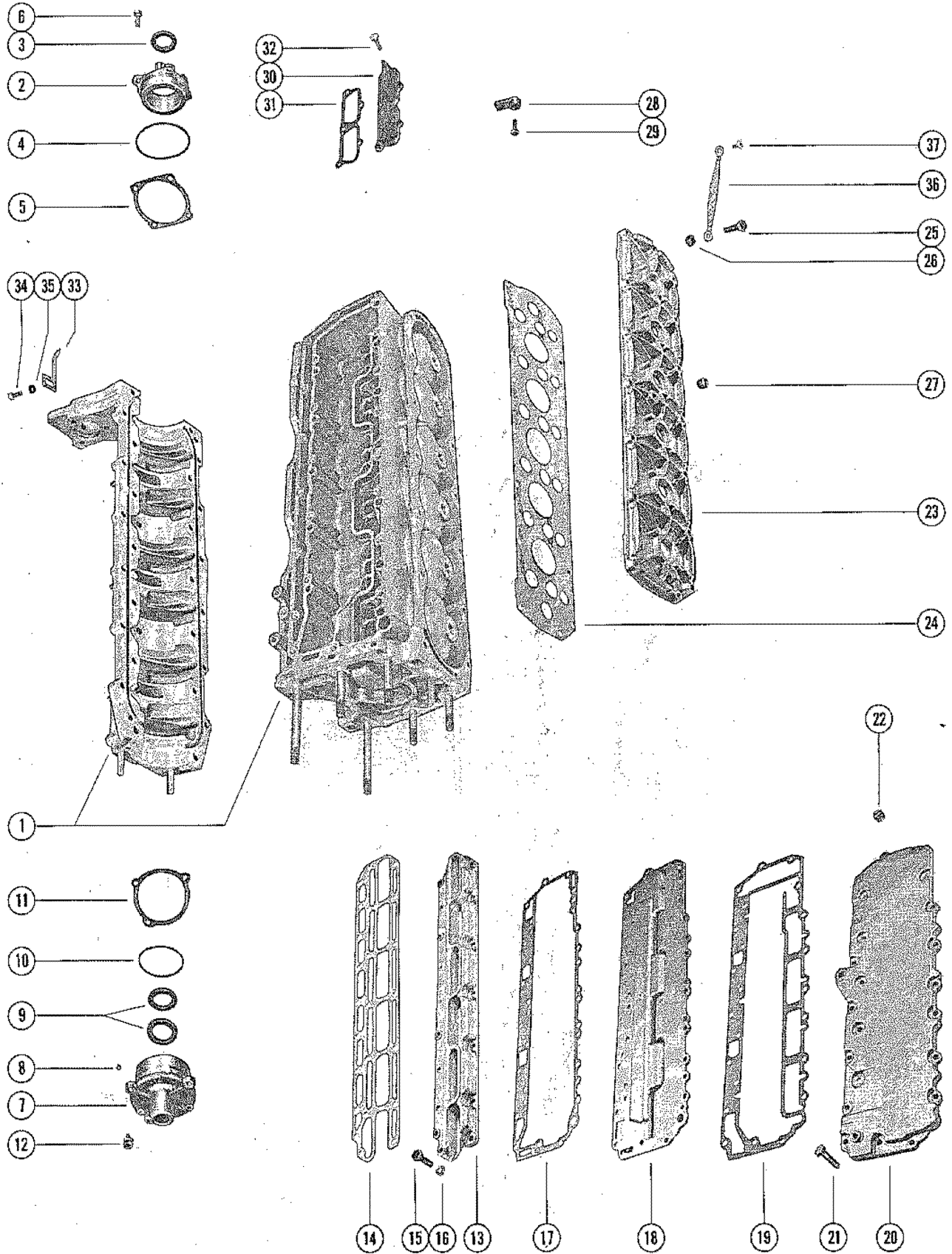
CYLINDER BLOCK AND CRANKCASE ASSEMBLY



CYLINDER BLOCK AND CRANKCASE ASSEMBLY

REF. NO.	PART NO.	SYM.	QTY.	DESCRIPTION
41	22-20931		1	TEE, BALANCE HOSE UNITED STATES 3751850 AND UP AUSTRALIA 8013390 AND UP CANADA 7024373 AND UP

END CAPS, MANIFOLD AND EXHAUST COVERS (CONT)

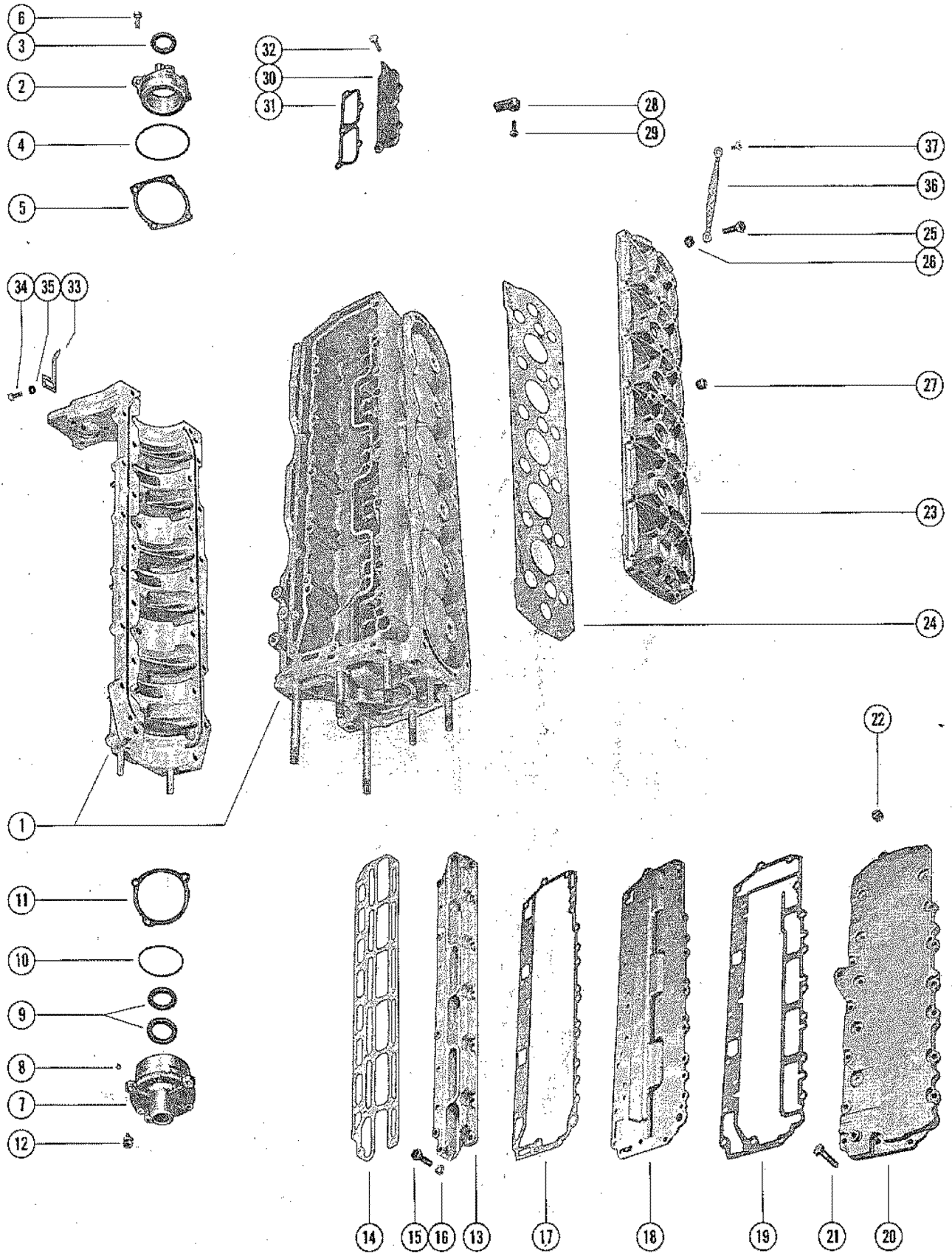


END CAPS, MANIFOLD AND EXHAUST COVERS (CONT)

REF. NO.	PART NO.	SYM.	QTY.	DESCRIPTION
1	852-5033A5		1	CYLINDER BLOCK AND CRANCASE ASS'Y UNITED STATES 3628317 AND BELOW AUSTRALIA 8008489 AND BELOW CANADA 7018152 AND BELOW
	852-5033A11		1	CYLINDER BLOCK AND CRANKCASE ASS'Y UNITED STATES 3628318 THRU 3751849 AUSTRALIA 8008490 THRU 8013389 CANADA 7018153 THRU 7024372
	852-5264A5		1	CYLINDER BLOCK AND CRANKCASE ASS'Y UNITED STATES 3751850 THRU 4121434 AUSTRALIA 8013390 THRU 8028039 CANADA 7024373 THRU 7048782
	852-5574A1		1	CYLINDER BLOCK AND CRANKCASE ASS'Y UNITED STATES 4121435 THRU 4403386 AUSTRALIA 8028040 THRU 8034895 CANADA 7048783 THRU 7067847
	852-6191A1		1	CYLINDER BLOCK AND CRANKCASE ASS'Y UNITED STATES 4403387 THRU 4602011
	852-6431A1		1	CYLINDER BLOCK AND CRANKCASE ASS'Y UNITED STATES 4602012 AND UP CANADA 7093038 AND UP
	852-5604A3		1	CYLINDER BLOCK AND CRANKCASE ASS'Y (MERC 1500XS) UNITED STATES 4121434 AND BELOW AUSTRALIA 8028039 AND BELOW CANADA 7048782 AND BELOW
	852-5595A3		1	CYLINDER BLOCK AND CRANKCASE ASS'Y (MERC 1500XS) UNITED STATES 4121435 THRU 4403386 AUSTRALIA 8028040 THRU 8034895 CANADA 7048783 THRU 7067847
	852-6068A3		1	CYLINDER BLOCK AND CRANKCASE ASS'Y (MERC 1500XS) UNITED STATES 4403387 THRU 4602011
	852-6451A3		1	CYLINDER BLOCK AND CRANKCASE ASS'Y (MERC 1500 XS) UNITED STATES 4602012 AND UP CANADA 7093038 AND UP
2	1134-3197A1		1	END CAP ASSEMBLY, UPPER
3	26-29476		1	OIL SEAL, END CAP
4	25-47254		1	"O" RING
5	15-47248A1		AR	SHIM, END CAP TO CRANKCASE (.002-3-5-10)
6	10-30225		4	SCREW, END CAP MOUNTING (1")
7	1148-4594A1		1	END CAP ASSEMBLY, LOWER UNITED STATES 3751849 AND BELOW AUSTRALIA 8013389 AND BELOW CANADA 7024372 AND BELOW
	1148-5410A1		1	END CAP ASSEMBLY, LOWER UNITED STATES 3751850 AND UP AUSTRALIA 8013390 AND UP CANADA 7024373 AND UP
8	21-56011A2		1	CHECK VALVE ASSEMBLY, END CAP UNITED STATES 3751849 AND BELOW AUSTRALIA 8013389 AND BELOW CANADA 7024372 AND BELOW
9	26-29476		2	OIL SEAL, END CAP
10	25-32546		1	"O" RING, END CAP
11	15-20085A1		AR	SHIM, END CAP TO CRANKCASE (.002-3-5-10)
12	10-30225		3	SCREW, END CAP MOUNTING (1")
13	64944		1	COVER, WATER JACKET - CYLINDER BLOCK UNITED STATES 4121434 AND BELOW AUSTRALIA 8028039 AND BELOW CANADA 7048782 AND BELOW
14	27-60475		1	GASKET, WATER JACKET COVER UNITED STATES 4121434 AND BELOW AUSTRALIA 8028039 AND BELOW CANADA 7048782 AND BELOW

CONTINUED ON NEXT PAGE ➡

END CAPS, MANIFOLD AND EXHAUST COVERS (CONT)

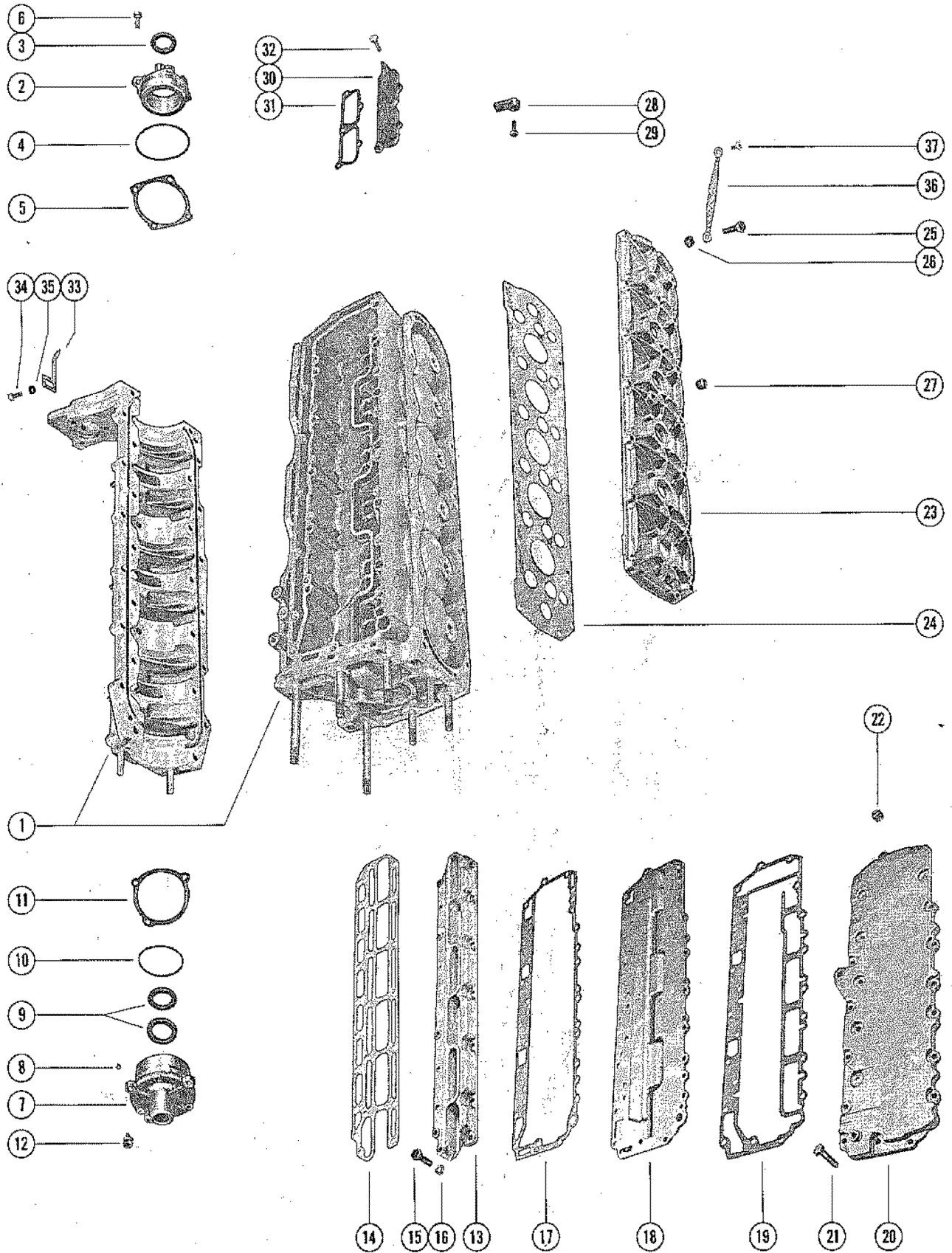


END CAPS, MANIFOLD AND EXHAUST COVERS (CONT)

REF. NO.	PART NO.	SYM.	QTY.	DESCRIPTION
13	71808		1	COVER, WATER JACKET - CYLINDER BLOCK UNITED STATES 4121435 AND UP AUSTRALIA 8028040 AND UP CANADA 7048783 AND UP
14	27-72142		1	GASKET, WATER JACKET COVER UNITED STATES 4121435 AND UP AUSTRALIA 8028040 AND UP CANADA 7048783 AND UP
15	10-53167		23	SCREW, WATER JACKET COVER TO CYLINDER BLOCK (7/8")
16	12-70132		23	WASHER, WATER JACKET COVER FASTENING SCREW
17	27-60476		1	GASKET, CYLINDER BLOCK TO BAFFLE PLATE
18	75778		1	PLATE, BAFFLE - EXHAUST MANIFOLD
19	27-60477		1	GASKET, BAFFLE PLATE TO EXHAUST MANIFOLD COVER
20	60431		1	COVER, EXHAUST MANIFOLD
21	10-53576		24	SCREW, MANIFOLD COVER MOUNTING (1 1/8")
22	22-32802		1	PLUG, PIPE - EXHAUST MANIFOLD COVER UNITED STATES 3751850 AND UP AUSTRALIA 8013390 AND UP CANADA 7024373 AND UP
23	1023-5070		1	COVER, CYLINDER BLOCK
24	27-64940		1	GASKET, CYLINDER BLOCK COVER
25	10-21091		16	SCREW, CYLINDER BLOCK COVER (1 1/8") UNITED STATES 4121434 AND BELOW AUSTRALIA 8028039 AND BELOW CANADA 7048782 AND BELOW
26	11-46887		16	NUT, COVER MOUNTING SCREW UNITED STATES 4121434 AND BELOW AUSTRALIA 8028039 AND BELOW CANADA 7048782 AND BELOW
25	10-53556		16	SCREW, CYLINDER BLOCK COVER (1") UNITED STATES 4121435 AND UP AUSTRALIA 8028040 AND UP CANADA 7048783 AND UP
27	22-32802		1	PLUG, PIPE - CYLINDER BLOCK COVER UNITED STATES 3751849 AND BELOW AUSTRALIA 8013389 AND BELOW CANADA 7024372 AND BELOW
28	37440		1	BRACKET, MOUNT SUPPORT - CYLINDER BLOCK
29	10-24234		1	SCREW, BRACKET TO CYLINDER BLOCK (1")
30	62301		2	COVER, TRANSFER (TOP AND MIDDLE)
	62978		1	COVER, TRANSFER (BOTTOM) UNITED STATES 3751849 AND BELOW AUSTRALIA 8013389 AND BELOW CANADA 7024372 AND BELOW
	66094		1	COVER, TRANSFER (BOTTOM) UNITED STATES 3751850 AND UP AUSTRALIA 8013390 AND UP CANADA 7024373 AND UP
31	27-64941		1	GASKET, TRANSFER COVER
32	10-53556		16	SCREW, TRANSFER COVER MOUNTING (1")
	10-28636		11	SCREW, TRANSFER COVER MOUNTING (3/4")
33	76367		1	POINTER, TIMING UNITED STATES 3628318 AND UP AUSTRALIA 8008490 AND UP CANADA 7018153 AND UP
34	10-28636		1	SCREW, TIMING POINTER ATTACHING (3/4") UNITED STATES 3628318 AND UP AUSTRALIA 8008490 AND UP CANADA 7018153 AND UP
35	12-35462		1	WASHER, TIMING POINTER SCREW UNITED STATES 3628318 AND UP AUSTRALIA 8008490 AND UP CANADA 7018153 AND UP

CONTINUED ON NEXT PAGE ➡

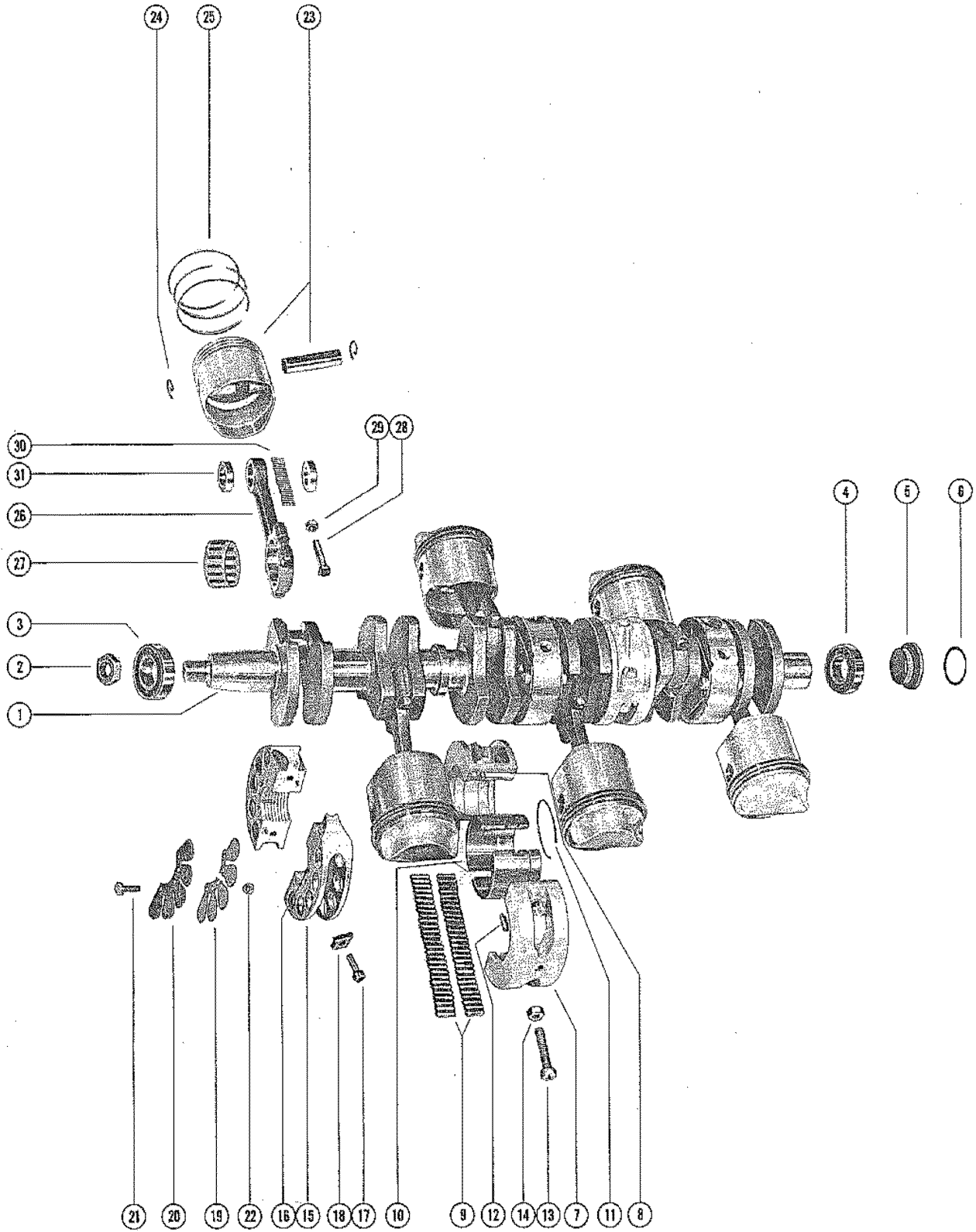
END CAPS, MANIFOLD AND EXHAUST COVERS (CONT)



END CAPS, MANIFOLD AND EXHAUST COVERS (CONT)

REF. NO.	PART NO.	SYM.	QTY.	DESCRIPTION
36	46933A3		2	GROUND STRAP ASSEMBLY, EXHAUS COVER
37	10-62568		2	SCREW, GROUND STRAP ATTACHING (3/8")

CRANKSHAFT, PISTONS AND CONNECTING RODS

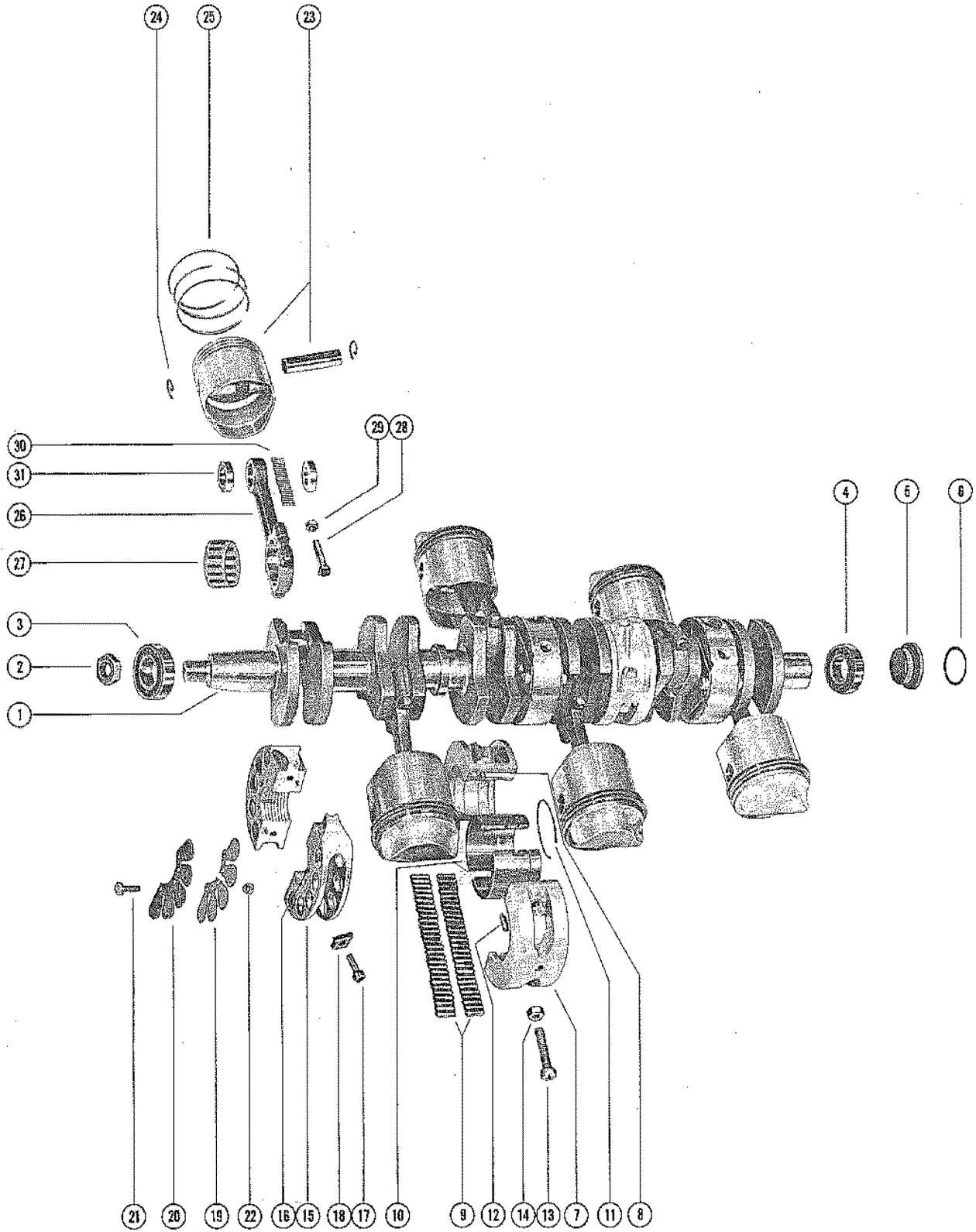


CRANKSHAFT, PISTONS AND CONNECTING RODS

REF. NO.	PART NO.	SYM.	QTY.	DESCRIPTION
1	436-4842A3		1	CRANKSHAFT ASSEMBLY
2	11-52901		1	NUT, FLYWHEEL TO CRANKSHAFT
3	30-62567		1	BEARING, BALL - UPPER
4	30-63742		1	BEARING, BALL - LOWER
5	54196A6		1	CARRIER ASSEMBLY, "O" RING
6	65800		1	PACKING, CARRIER
7	535-3190A2		2	CENTER MAIN BEARING ASSEMBLY UNITED STATES 3751849 AND BELOW AUSTRALIA 8013389 AND BELOW CANADA 7024372 AND BELOW
	535-5397A4		2	CENTER MAIN BEARING ASSEMBLY UNITED STATES 3751850 AND UP AUSTRALIA 8013390 AND UP CANADA 7024373 AND UP
8	17-20032		4	DOWEL PIN, CENTER MAIN BEARING
9	29-52168		112	BEARNG, NEEDLE - OUTER RACE
10	26113		2	RACE, OUTER (PAIR)
11	53-26933		2	RING, SNAP - OUTER RACE
12	17-47246		2	DOWEL PIN, STEPPED
13	10-22968		4	SCREW, CENTER MAIN BEARING CLAMPING (1 1/4")
14	11-46887		4	NUT, BEARING CLAMPING SCREW
15	540-5039A4		3	MAIN BEARING ASSEMBLY, VALVE TYPE UNITED STATES 3751849 AND BELOW AUSTRALIA 8013389 AND BELOW CANADA 7024372 AND BELOW
	540-5266A4		3	MAIN BEARING ASSEMBLY, VALVE TYPE UNITED STATES 3751850 AND UP AUSTRALIA 8013390 AND UP CANADA 7024373 AND UP
16	17-20032		6	DOWEL PIN, MAIN BEARING
17	10-45775		6	SCREW, MAIN BEARING CLAMPING (9/16")
18	11-45774		6	NUT, MAIN BEARING CLAMPING SCREW
19	34-65312A1		3	REED SET, MATCHED - MAIN BEARING
20	34-65319		12	REED STOP, MAIN BEARING REED VALVES
21	10-62204		30	SCREW, REED STOP MOUNTING (1 3/8")
22	11-53153		30	NUT, REED STOP SCREW
23	745-6605A3		6	PISTON AND PISTON PIN ASSEMBLY
24	40-52035		12	LOCK RING, PISTON PIN
25	39-64715A12		2	RING, PISTON (1/16" THICK) UNITED STATES 3751849 AND BELOW AUSTRALIA 8013389 AND BELOW CANADA 7024372 AND BELOW
	39-45155A12		2	RING, PISTON (1/16" THICK) UNITED STATES 3751850 AND UP AUSTRALIA 8013390 AND UP CANADA 7024373 AND UP
26	622-4850A3		6	CONNECTING ROD AND CAP ASSEMBLY
27	31-62596A1		6	BEARING ASSEMBLY, CRANKPIN
28	10-54803		12	SCREW, CONNECTING ROD
29	11-49091		12	NUT, CONNECTING ROD SCREW

CONTINUED ON NEXT PAGE ➡

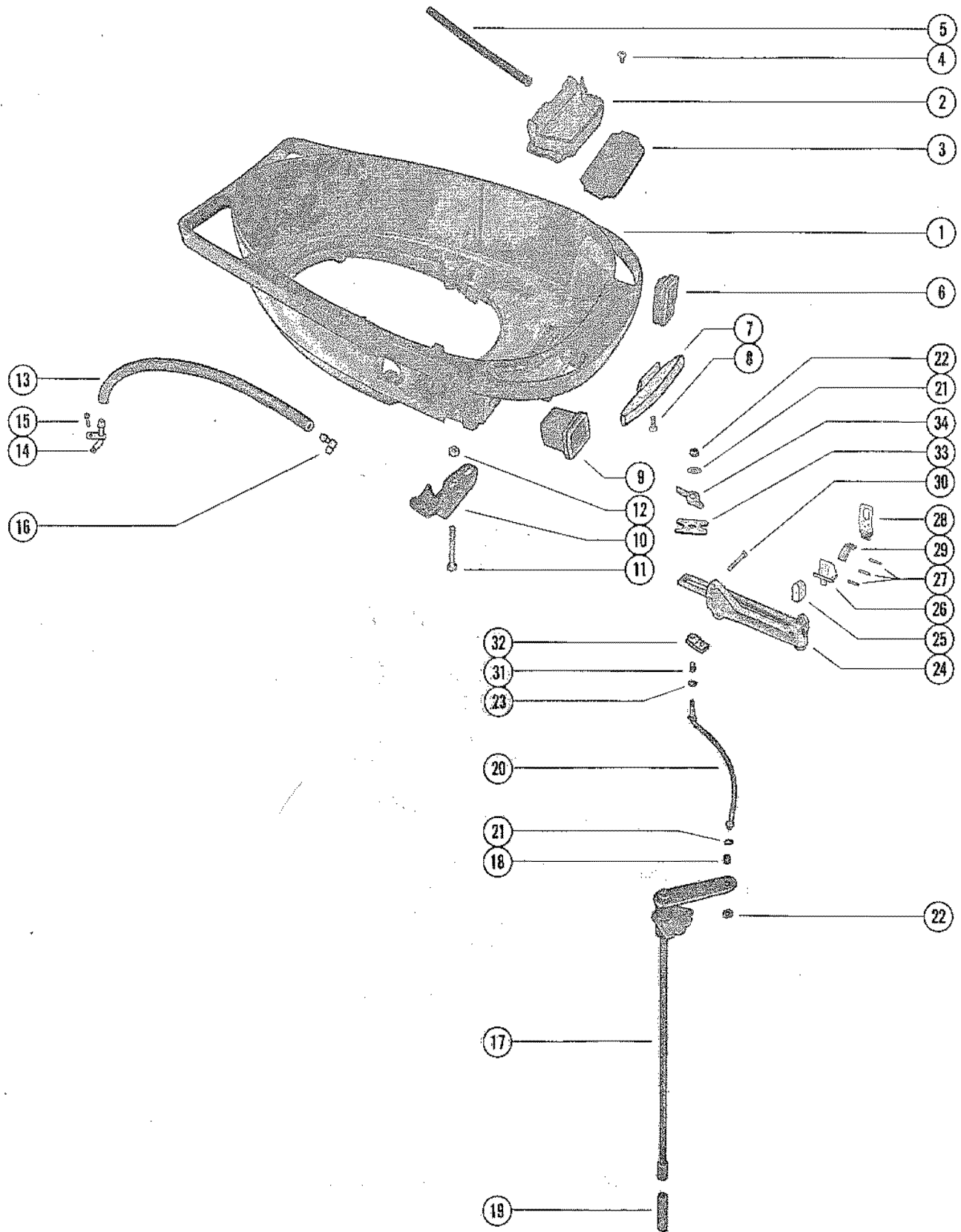
CRANKSHAFT, PISTONS AND CONNECTING RODS



CRANKSHAFT, PISTONS AND CONNECTING RODS

REF. NO.	PART NO.	SYM.	QTY.	DESCRIPTION
30	29-47270		174	BEARING, NEEDLE - PISTON PIN
31	12-47247		12	WASHER, NEEDLE LOCATING
-	745-6697A2		6	PISTON AND PISTON PIN ASSEMBLY .015 OVERSIZE PISTONS AND RINGS
-	39-49839A12		2	RING, PISTON (1/16" THICK) .015 OVERSIZE PISTONS AND RINGS UNITED STATES 3751849 AND BELOW AUSTRALIA 8013389 AND BELOW CANADA 7024372 AND BELOW
-	39-45204A12		2	RING, PISTON (1/16" THICK) .015 OVERSIZE PISTONS AND RINGS UNITED STATES 3751850 AND UP AUSTRALIA 8013390 AND UP CANADA 7024373 AND UP

BOTTOM COWL AND SHIFT LINKAGE

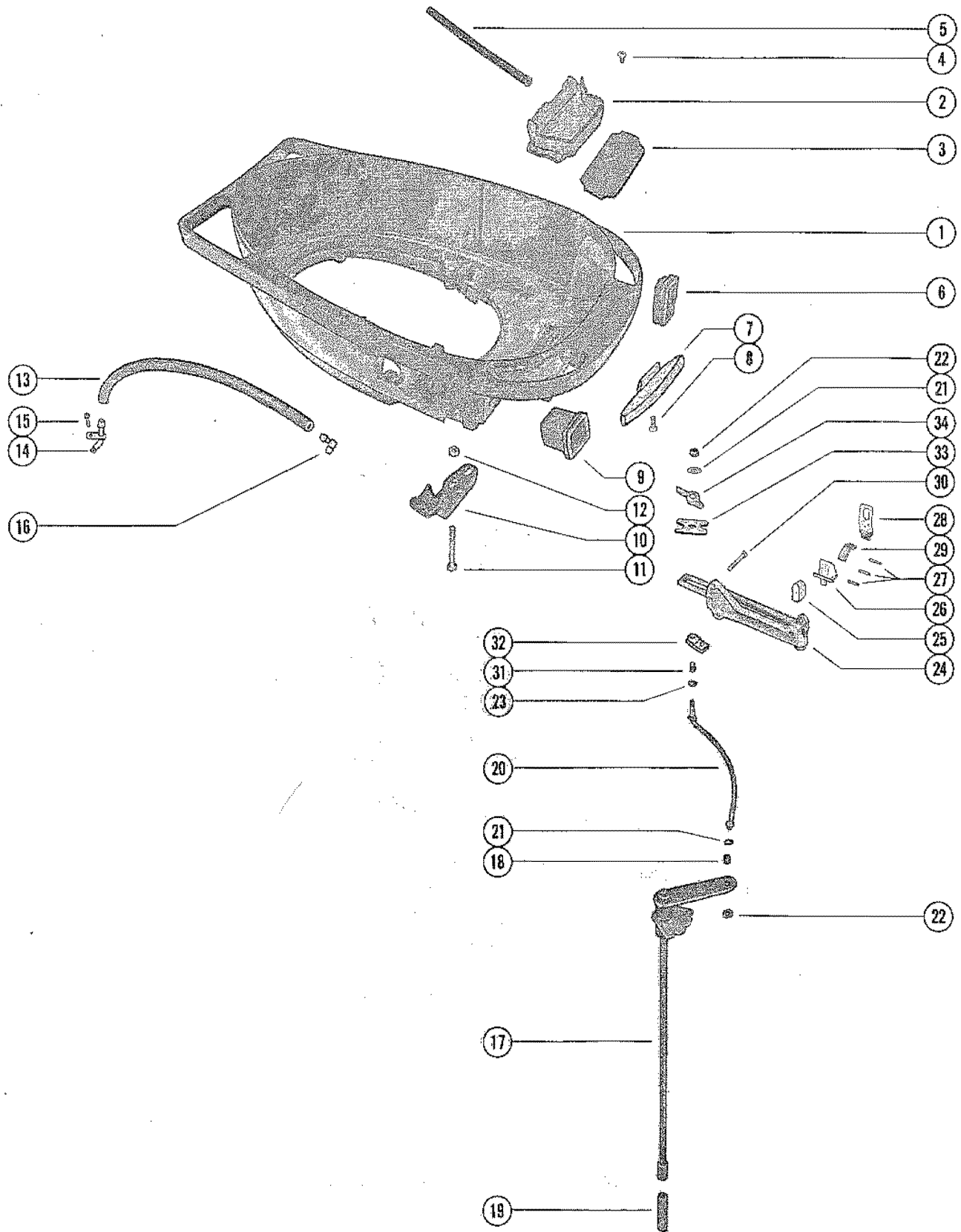


BOTTOM COWL AND SHIFT LINKAGE

REF. NO.	PART NO.	SYM.	QTY.	DESCRIPTION
1	2115-3919		1	COWL, BOTTOM UNITED STATES 3751849 AND BELOW AUSTRALIA 8013389 AND BELOW CANADA 7024372 AND BELOW
	2115-5269		1	COWL, BOTTOM UNITED STATES 3751850 THRU 4602011 AUSTRALIA 8013390 THRU 8034895 CANADA 7024373 THRU 7093097
	2115-6462		1	COWL, BOTTOM UNITED STATES 4602012 AND UP CANADA 7093038 AND UP
2	52862A2		1	DRIP TRAY ASSEMBLY, BOTTOM COWL
3	37940		1	PAD, SOUND - DRIP TRAY
4	10-48408		4	SCREW, DRIP TRAY TO BOTTOM COWL (1/2")
5	32-34395A1		1	HOSE, DRIP TRAY TO BOTTOM COWL (8")
6	39616		1	BOOT, CONTROL CABLES - BOTTOM COWL
7	76369		1	SPACER, BOTTOM COWL (COWL FRONT COVER)
8	10-48591		2	SCREW, SPACER TO BOTTOM COWL (1/2")
9	37637		1	BOOT, FUEL CONNECTOR - BOTTOM COWL
10	37445		1	SUPPORT, WIRING HARNESS - BOTTOM COWL
11	10-37990		1	SCREW, SUPPORT TO BOTTOM COWL (1 3/4") UNITED STATES 4121434 AND BELOW AUSTRALIA 8028039 AND BELOW CANADA 7048782 AND BELOW
	10-31471		1	SCREW, SUPPORT TO BOTTOM COWL (3 1/4") UNITED STATES 4121434 AND BELOW AUSTRALIA 8028039 AND BELOW CANADA 7048782 AND BELOW
12	11-46887		2	NUT, SUPPORT SCREW UNITED STATES 4121434 AND BELOW AUSTRALIA 8028039 AND BELOW CANADA 7048782 AND BELOW
11	10-69029		2	SCREW, SUPPORT TO BOTTOM COWL (1 3/4") UNITED STATES 4121435 AND UP AUSTRALIA 8028040 AND UP CANADA 7048783 AND UP
13	32-34395A1		1	HOSE, TELL TALE - EXHAUST COVER TO BOTTOM COWL (16")
14	52889		1	NOZZLE, TELL TALE HOSE TO BOTTOM COWL
15	10-48408		1	SCREW, TELL TALE NOZZLE TO BOTTOM COWL (1/2")
16	22-25885		1	ELBOW, TELL TALE HOSE TO EXHAUST COVER
17	60304A15		1	SHIFT SHAFT ASSEMBLY, UPPER (SHORT SHAFT) UNITED STATES 4403387 THRU 4602011
	60304A16		1	SHIFT SHAFT ASSEMBLY, UPPER (LONG SHAFT) UNITED STATES 4403387 THRU 4602011
18	23-26600		1	BUSHING, SHIFT SHAFT UNITED STATES 4403387 THRU 4602011
19	55692		1	COUPLING, SHIFT SHAFT UNITED STATES 4403387 THRU 4602011
17	60304A45		1	SHIFT SHAFT ASSEMBLY, UPPER (SHORT SHAFT) UNITED STATES 4602012 AND UP CANADA 7093038 AND UP
	60304A44		1	SHIFT SHAFT ASSEMBLY, UPPER (LONG SHAFT) UNITED STATES 4602012 AND UP CANADA 7093038 AND UP
20	48047A1		1	LINK ROD ASSEMBLY
21	12-35462		2	WASHER, LINK ROD

CONTINUED ON NEXT PAGE ➡

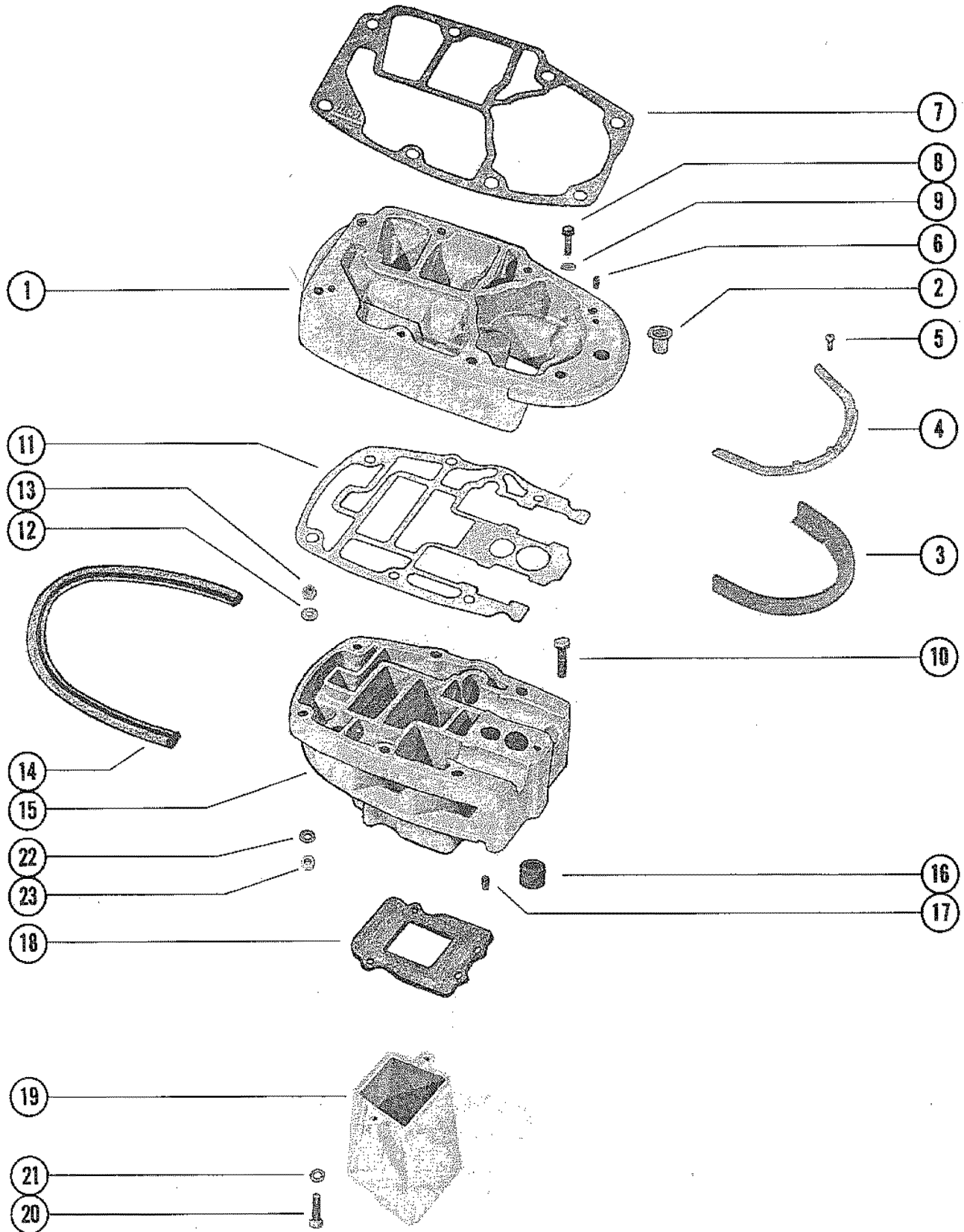
BOTTOM COWL AND SHIFT LINKAGE



BOTTOM COWL AND SHIFT LINKAGE

REF. NO.	PART NO.	SYM.	QTY.	DESCRIPTION
22	11-35045		1	NUT, LINK ROD
23	13-29720		1	WASHER, WAVE - LINK ROD
24	52732		1	BRACKET, ANCHOR - CONTROL CABLES
25	39519		1	CAP, BARREL RETAINER - ANCHOR BRACKET
26	39618		1	LEVER, NYLON - SHIFT CABLE LOCKING
27	17-47175		3	PIN, LOCKING LEVER AND COVER FASTENING
28	39667		1	COVER, NYLON - SHIFT CABLE
29	65799		1	LINK, LOCKING LEVER TO COVER
30	10-24234		3	SCREW, ANCHOR BRACKET TO CYLINDER BLOCK (1")
31	24-20099		1	SPRING, LINK ROD TO GUIDE BLOCK
32	37896		1	GUIDE BLOCK, LINK ROD
33	52100		1	WEAR PLATE, LINK ROD
34	38279		1	LATCH, CONTROL CABLE FASTENING - ANCHOR BRACKET

EXHAUST EXTENSION PLATE

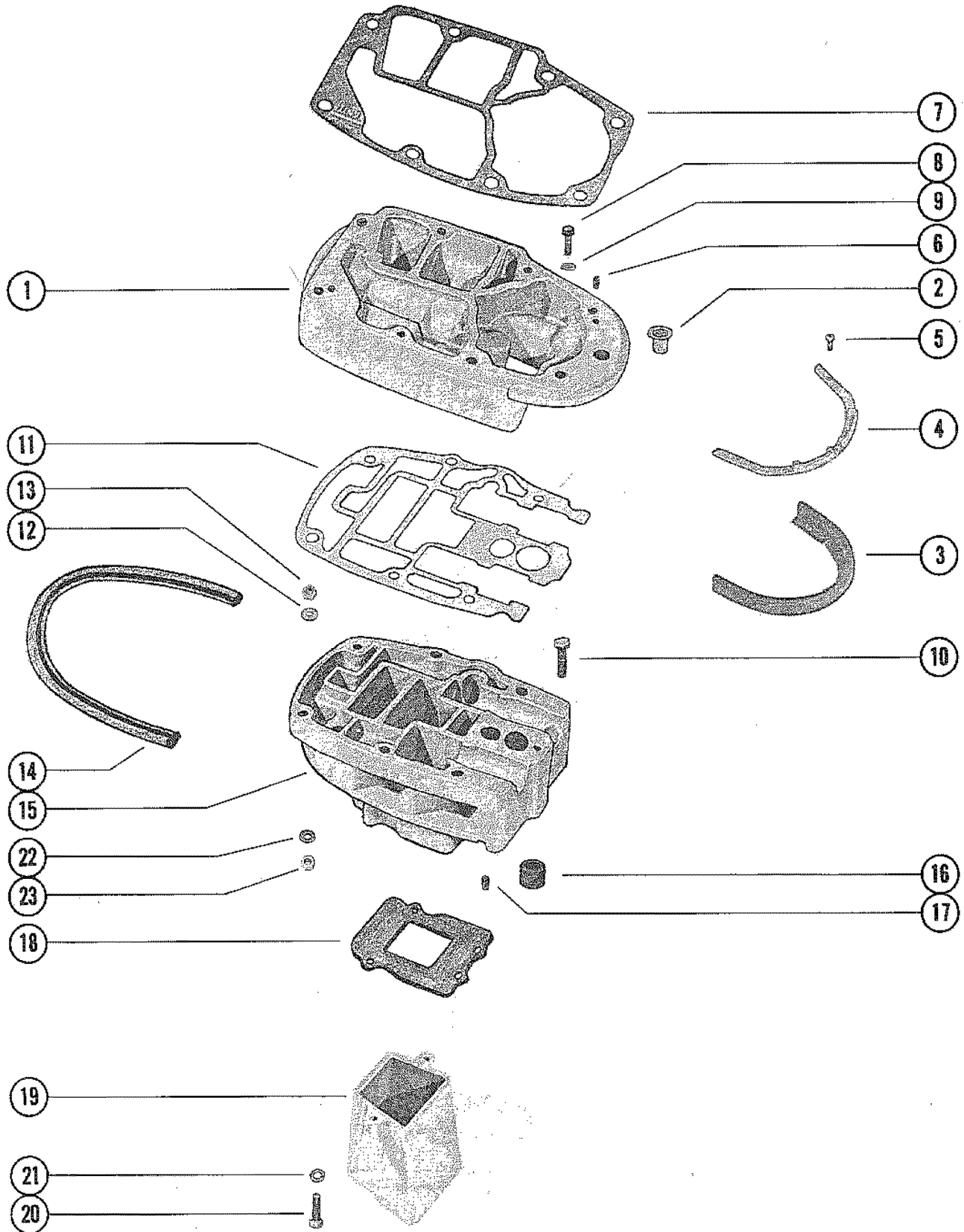


EXHAUST EXTENSION PLATE

REF. NO.	PART NO.	SYM.	QTY.	DESCRIPTION
1	64165A1		1	PLATE ASSEMBLY, EXHAUT EXTENSION UNITED STATES 3751849 AND BELOW AUSTRALIA 8013389 AND BELOW CANADA 7024372 AND BELOW
	66096A1		1	PLATE ASSEMBLY, EXHASUT EXTENSION UNITED STATES 3751850 AND UP AUSTRALIA 8013390 AND UP CANADA 7024373 AND UP
2	23-27132		1	BUSHING, NYLON - EXHAUST EXTENSION PLATE UNITED STATES 3751850 AND UP AUSTRALIA 8013390 AND UP CANADA 7024373 AND UP
3	37918		1	SEAL, EXHAUST EXTENSION PLATE
4	38032		1	STRIP, RETAINING - EXHAUST EXTENSION PLATE SEAL
5	10-37571		5	SCREW, SEAL AND RETAINING STRIP TO EXT. PLATE (1/2")
6	17-23784		2	DOWEL PIN, EXHAUST EXTENSION PLATE
7	27-64173		1	GASKET, POWERHEAD TO EXTENSION PLATE UNITED STATES 3751849 AND BELOW AUSTRALIA 8013389 AND BELOW CANADA 7024372 AND BELOW
	27-66101		1	GASKET, POWERHEAD TO EXTENSION PLATE UNITED STATES 3751850 THRU 4121434 AUSTRALIA 8013390 THRU 8028039 CANADA 7024373 THRU 7048782
	27-69238		1	GASKET, POWERHEAD TO EXTENSION PLATE UNITED STATES 4121435 AND UP AUSTRALIA 8028040 AND UP CANADA 7048783 AND UP
8	10-62644		1	SCREW, ADAPTOR PALTE ATTACHING (5/16") UNITED STATES 3751849 AND BELOW AUSTRALIA 8013389 AND BELOW CANADA 7024372 AND BELOW
9	13-26993		1	LOCKWASHER, ADAPTOR PLATE SCREW UNITED STATES 3751849 AND BELOW AUSTRALIA 8013389 AND BELOW CANADA 7024372 AND BELOW
8	10-66023		2	SCREW, ADAPTOR PLATE TO HOUSING PLATE (2") UNITED STATES 3751850 AND UP AUSTRALIA 8013390 AND UP CANADA 7024373 AND UP
10	10-66023		7	SCREW, HOUSING PLATE TO DRIVE SHAFT HSG. (2") UNITED STATES 3751850 AND UP AUSTRALIA 8013390 AND UP CANADA 7024373 AND UP
11	27-60945		1	GASKET, PLATE TODRIVE SHAFT HSG. PLATE UNITED STATES 3751849 AND BELOW AUSTRALIA 8013389 AND BELOW CANADA 7024372 AND BELOW
	27-66102		1	GASKET, PLATE TO DRIVE SHAFT HSG. PLATE UNITED STATES 3751850 AND UP AUSTRALIA 8013390 AND UP CANADA 7024373 AND UP
12	12-34437		7	WASHER, DRIVES SHAFT HOUSING STUD UNITED STATES 3751849 AND BELOW AUSTRALIA 8013389 AND BELOW CANADA 7024372 AND BELOW
13	11-64809		7	NUT, DRIVE SHAFT HOUSING STUD UNITED STATES 3751849 AND BELOW AUSTRALIA 8013389 AND BELOW CANADA 7024372 AND BELOW
14	26-60898		1	SEAL, DRIVE SHAFT HOUSING PLATE
15	64164A2		1	PLATE ASSEMBLY, DRIVE SHAFT HOUSING UNITED STATES 3751849 AND BELOW AUSTRALIA 8013389 AND BELOW CANADA 7024372 AND BELOW

CONTINUED ON NEXT PAGE ➡

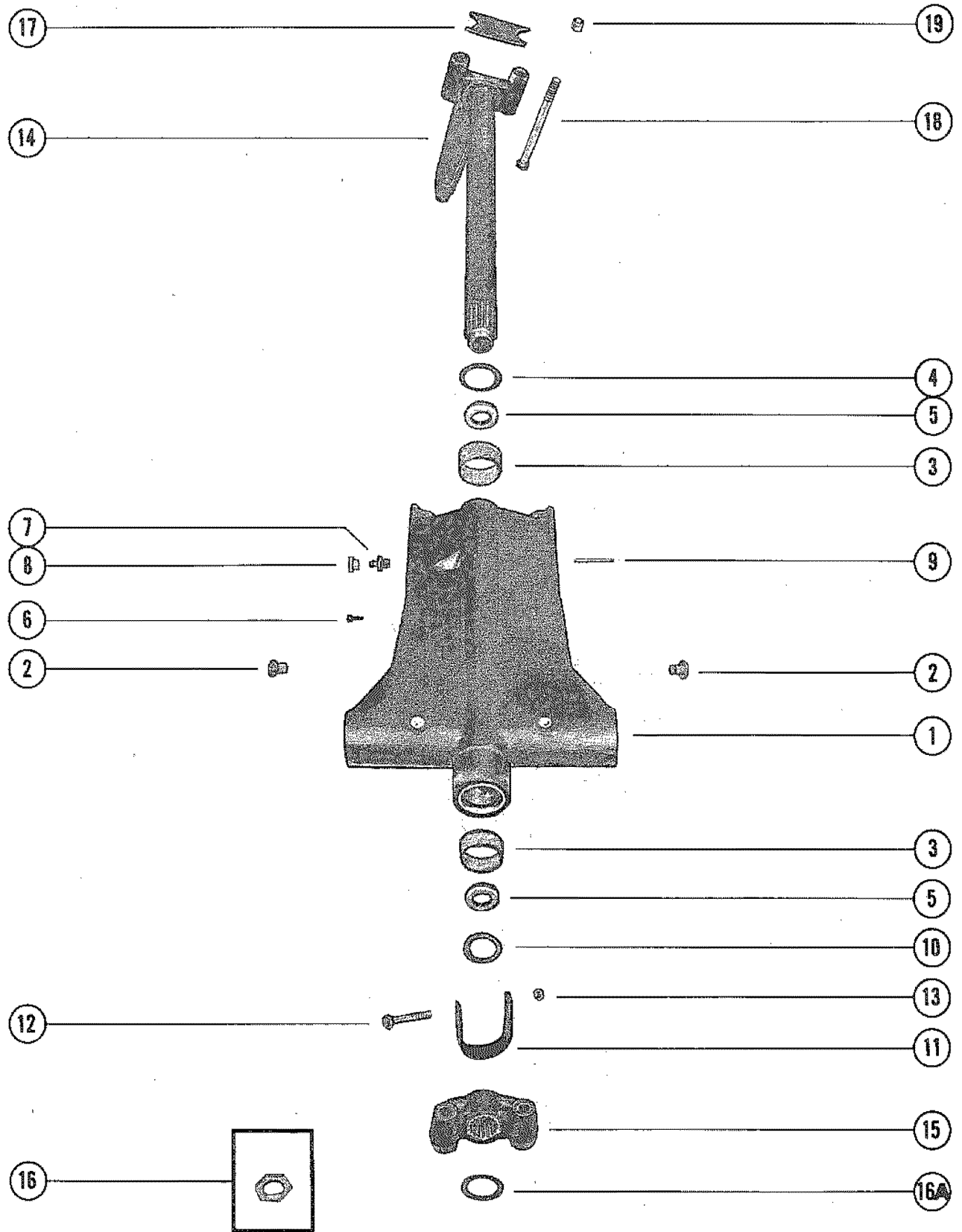
EXHAUST EXTENSION PLATE



EXHAUST EXTENSION PLATE

REF. NO.	PART NO.	SYM.	QTY.	DESCRIPTION
15	66098A2		1	PLATE ASSEMBLY, DRIVE SHAFT HOUSING UNITED STATES 3751850 THRU 4403386 AUSTRALIA 8013390 THRU 8034895 CANADA 7024373 THRU 7067847
	74257A3		1	PLATE ASSEMBLY, DRIVE SHAFT HOUSING UNITED STATES 4403387 AND UP
16	26-38970		1	SEAL, RUBBER - WATER INTAKE TUBE (DRIVE SHAFT HSG.)
17	17-23784		2	DOWEL PIN, DRIVE SHAFT HOUSING PLATE
18	27-62362		1	GASKET, MEGAPHONE TO DRIVE SHAFT HOUSING PLATE
19	60437		1	MEGAPHONE, EXHAUST
20	10-60480		3	SCREW, MEGAPHONE TO DRIVE SHAFT HOUSING PALTE (1 1/8")
21	12-29245		3	WASHER, MEGAPHONE SCREW
22	12-25970		6	WASHER, POWERHEAD STUD
23	11-34932		6	NUT, POWERHEAD STUD

SWIVEL BRACKET ASSEMBLY

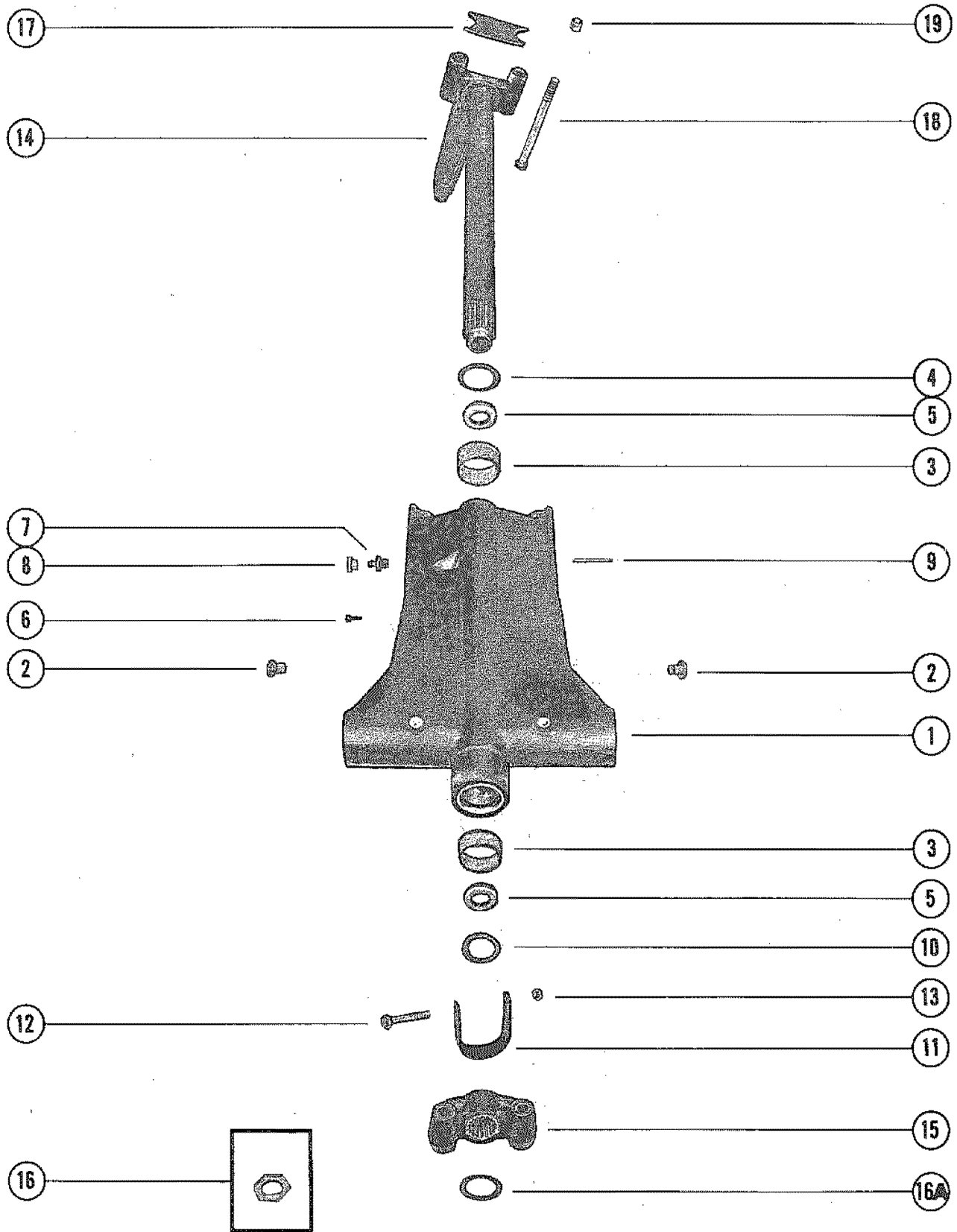


SWIVEL BRACKET ASSEMBLY

REF. NO.	PART NO.	SYM.	QTY.	DESCRIPTION
1	1453-5597A2		1	SWIVEL BRACKET ASSEMBLY (SHORT SHAFT) UNITED STATES 4319879 AND BELOW AUSTRALIA 8034895 AND BELOW CANADA 7067247 AND BELOW
	1447-5596A3		1	SWIVEL BRACKET ASSEMBLY (LONG SHAFT) UNITED STATES 4319879 AND BELOW AUSTRALIA 8034895 AND BELOW CANADA 7067247 AND BELOW
	1453-6019A2		1	SWIVEL BRACKET ASSEMBLY (SHORT SHAFT) UNITED STATES 4319880 THRU 4602011 CANADA 7067248 THRU 7093097
	1447-6017A4		1	SWIVEL BRACKET ASSEMBLY (LONG SHAFT) UNITED STATES 4319880 THRU 4602011 CANADA 7067248 THRU 7093097
	1482-6386A4		1	SWIVEL BRACKET ASSEMBLY (LONG SHAFT) UNITED STATES 4602012 AND UP CANADA 7093038 AND UP
2	23-69132		2	BUSHING, REVERSE LOCK PIVOT SHAFT UNITED STATES 4121435 AND UP AUSTRALIA 8028040 AND UP CANADA 7048783 AND UP
3	23-69341		2	BUSHING, SWIVEL BRACKET UNITED STATES 4121435 AND UP AUSTRALIA 8028040 AND UP CANADA 7048783 AND UP
4	12-69342		1	WASHER, SWIVEL PIN - UPPER UNITED STATES 4121435 AND UP AUSTRALIA 8028040 AND UP CANADA 7048783 AND UP
5	23-37448		2	OIL SEAL, SWIVEL BRACKET
6	10-47828		1	SCREW, DRIVE - SWIVEL BRACKET
7	22-69059		1	FITTING, GREASE - SWIVEL BRACKET UNITED STATES 4319879 AND BELOW AUSTRALIA 8034895 AND BELOW CANADA 7067247 AND BELOW
8	29359		1	LUBRICAP, SWIVEL BRACKET GREASE FITTING UNITED STATES 4319879 AND BELOW AUSTRALIA 8034895 AND BELOW CANADA 7067247 AND BELOW
7	22-74036		3	FITTING, GREASE - SWIVEL BRACKET UNITED STATES 4319880 THRU 4602011 CANADA 7067248 THRU 7093097
	22-74036		4	FITTING, GREASE - SWIVEL BRACKET UNITED STATES 4602012 AND UP CANADA 7093038 AND UP
9	17-25598		1	PIN, REVERSE LOCK SPRING (NOT USED WITH FULL POWER TRIM)
10	12-69380		1	WASHER, SWIVEL PIN - LOWER
11	28205		1	STRAP STOP, DRIVE SHAFT HOUSING TO SWIVEL BRACKET
12	10-56743		1	SCREW, STOP TO DRIVE SHAFT HSG. (3 1/8") - SHORT SHAFT
	10-28200		1	SCREW, STOP TO DRIVE SHAFT HSG. (2 7/8") - LONG SHAFT
13	11-25269		1	NUT, STOP FASTENING SCREW
14	17-49841A1		1	SWIVEL PIN AND ARM ASSEMBLY (SHORT SHAFT) - YOKE IS ATTACHED WITH A NUT
	17-49840A1		1	SWIVEL PIN AND ARM ASSEMBLY (LONG SHAFT) YOKE IS ATTACHED WITH A NUT
15	37419		1	YOKE, BOTTOM YOKE IS ATTACHED WITH A NUT
16	11-37424		1	NUT, BOTTOM YOKE ATTACHING YOKE IS ATTACHED WITH A NUT

CONTINUED ON NEXT PAGE ➡

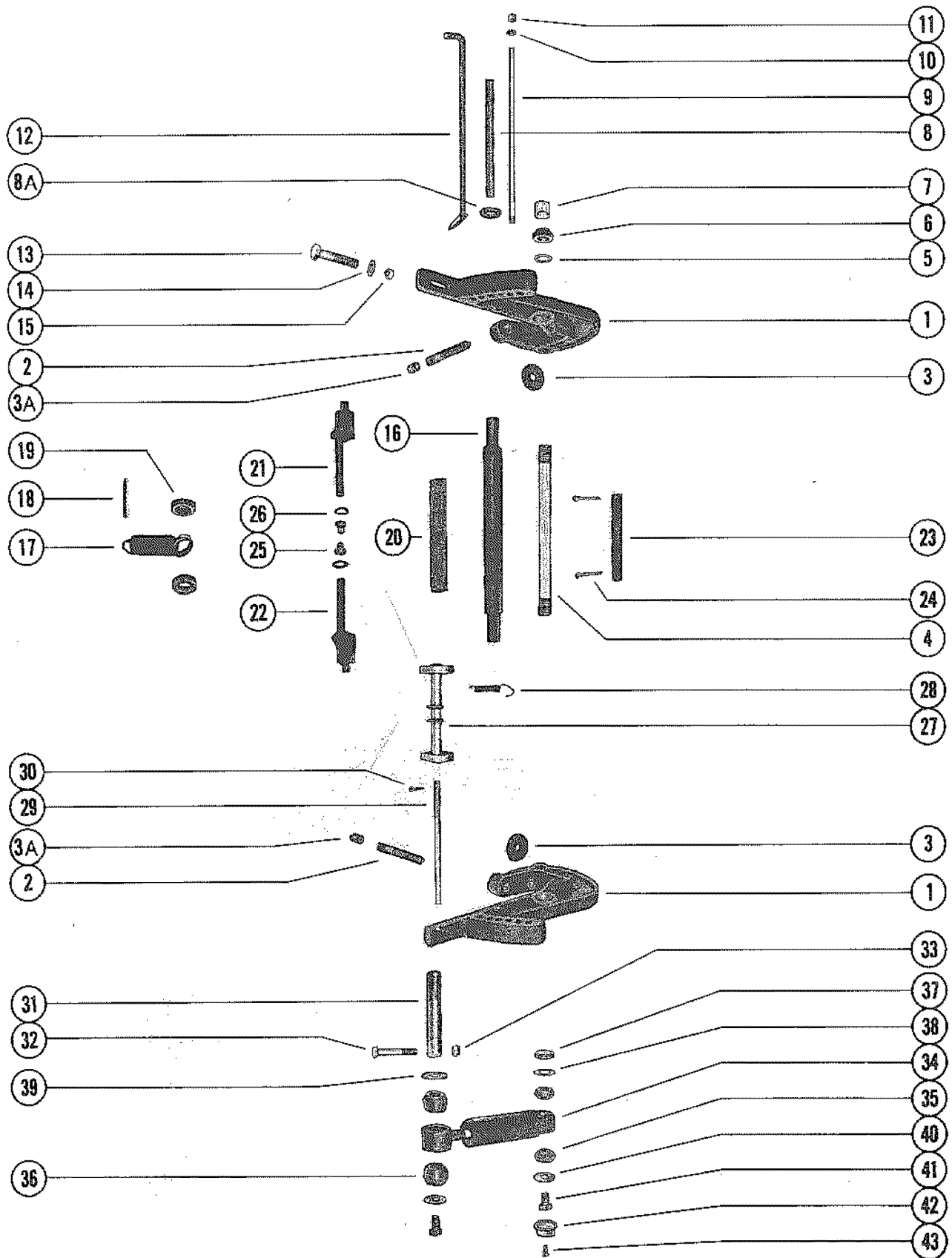
SWIVEL BRACKET ASSEMBLY



SWIVEL BRACKET ASSEMBLY

REF. NO.	PART NO.	SYM.	QTY.	DESCRIPTION
14	17-73594A1		1	SWIVEL PIN AND ARM ASSEMBLY (SHORT SHAFT) YOKE IS ATTACHED WITH A RETAINING RING
	17-73593A1		1	SWIVEL PIN AND ARM ASSEMBLY (LONG SHAFT) YOKE IS ATTACHED WITH A RETAINING RING
15	73984		1	YOKE, BOTTOM YOKE IS ATTACHED WITH A RETAINING RING
16A	53-73591		1	RETAINING RING, BOTTOM YOKE ATTACHING YOKE IS ATTACHED WITH A RETAINING RING
17	28203		1	BUMPER, STEERING ARM
18	10-49554		2	BOLT, STEERING ARM TO UPPER MOUNT (5 7/8")
19	11-34933		2	NUT, STEERING ARM BOLT FASTENING

CLAMP BRACKET AND REVERSE LOCK

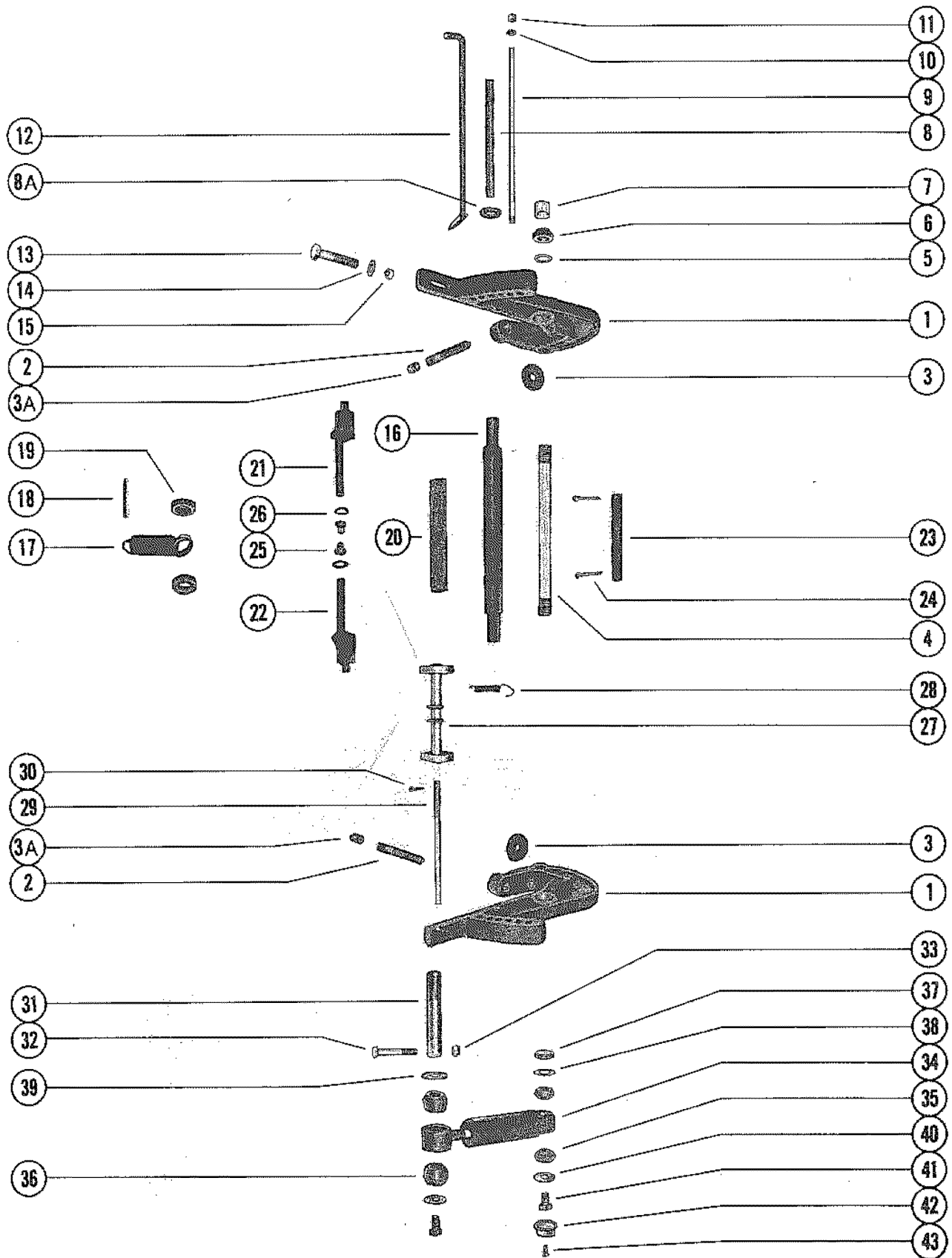


CLAMP BRACKET AND REVERSE LOCK

REF. NO.	PART NO.	SYM.	QTY.	DESCRIPTION
1	1440-5520A1		2	CLAMP BRACKET ASSEMBLY UNITED STATES 4121434 AND BELOW AUSTRALIA 8028039 AND BELOW CANADA 7048782 AND BELOW
2	28403A3		2	THUM SCREW ASSEMBLY UNITED STATES 4121434 AND BELOW AUSTRALIA 8028039 AND BELOW CANADA 7048782 AND BELOW
3	12-28404		2	WASHER, THUMB SCREW UNITED STATES 4121434 AND BELOW AUSTRALIA 8028039 AND BELOW CANADA 7048782 AND BELOW
1	1440-5576A1		2	CLAMP BRACKET ASSEMBLY UNITED STATES 4121435 THRU 4319879 AUSTRALIA 8028040 THRU 8034895 CANADA 7048783 THRU 7067284
2	69214A1		2	THUMB SCREW ASSEMBLY UNITED STATES 4121435 THRU 4319879 AUSTRALIA 8028040 THRU 8034895 CANADA 7048783 THRU 7067284
3	12-70988		2	WASHER, THUMB SCREW UNITED STATES 4121435 THRU 4319879 AUSTRALIA 8028040 THRU 8034895 CANADA 7048783 THRU 7067284
1	1440-6044A2		2	CLAMP BRACKET ASSEMBLY UNITED STATES 4319880 AND UP CANADA 7067248 AND UP
2	10-73649A1		2	THUM SCREW ASSEMBLY UNITED STATES 4319880 AND UP CANADA 7067248 AND UP
3	75043		2	CAP, THUMB SCREW UNITED STATES 4319880 AND UP CANADA 7067248 AND UP
4	30664		1	TUBE, TILT - CLAMP BRACKET TO SWIVEL BRACKET
5	12-52864		2	WASHER, CLAMP BRACKET TILT TUBE
6	11-56041		2	NUT, TILT TUBE FASTENING
7	53078		2	CAP, PLASTIC - TILT TUBE
8	23-59624		1	SPACER, CLAMP BRACKET STUD
8A	12-36001		1	WASHER, CLAMP BRACKET STUD
9	16-59625		1	STUD, CLAMP BRACKET (NOT USED WITH FULL POWER TRIM)
10	13-26993		2	LOCKWASHER, CLAMP BRACKET STUD
11	11-28770		2	NUT, CLAMP BRACKET STUD
12	17-49930A1		1	TILT LOCK PIN ASSEMBLY (NOT USED WIHT FULL POWER TRIM)
13	10-68298		2	BOLT, CLAMP BRACKET TO BOAT TRANSON (LOWER)
	10-68299		2	BOLT, CLAMP BRACKET TO BOAT TRANSON (UPPER)
14	12-68410		2	WASHER, CLAMP BRACKET BOLT (LOWER)
	12-68300		2	WASHER, CLMAP BRACKET BOLT (UPPER)
15	11-68411		4	NUT, CLAMP BRACKET BOLT
16	55-28416		1	PIN, UPPER SHOCK MOUNTING
17	24-28659		1	SPRING, COIL - SWIVEL BRACKET NOT USED WITH FULL POWER TRIM
18	17-38311		1	PIN, COIL SPRING MOUNTING NOT USED WITH FULL POWER TRIM
19	23-28688		2	SPACER, RUBBER - COIL SPRING POSITIONING NOT USED WITH FULL POWER TRIM

CONTINUED ON NEXT PAGE ➡

CLAMP BRACKET AND REVERSE LOCK

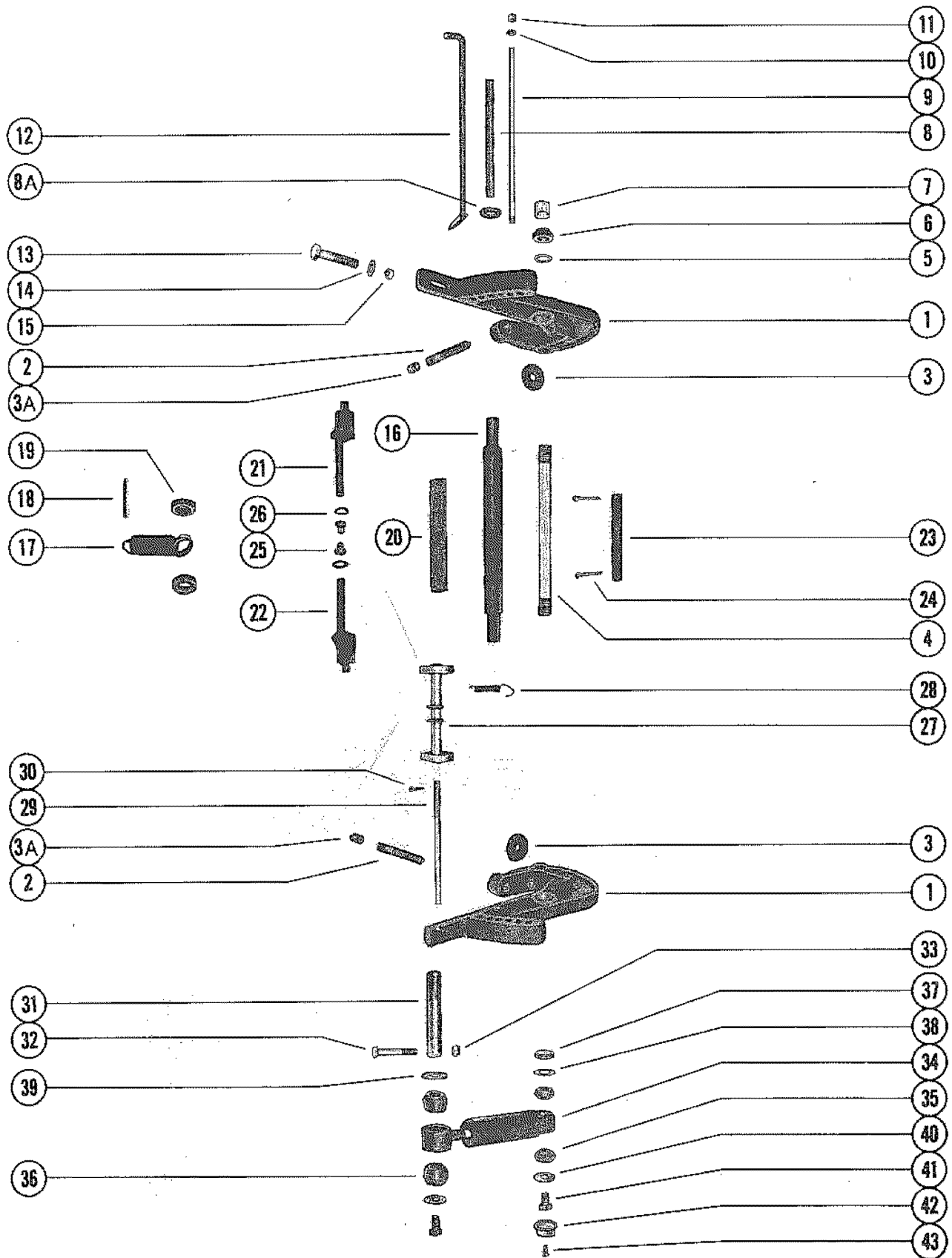


CLAMP BRACKET AND REVERSE LOCK

REF. NO.	PART NO.	SYM.	QTY.	DESCRIPTION
20	63473		1	TUBE, CUSHION - SHOCK PIN (USED WITH FULL POWER TRIM) LONG SHAFT
21	47799A1		1	TILT LOCK ASSEMBLY, STARBOARD UNITED STATES 4602011 AND BELOW AUSTRALIA 8034895 AND BELOW CANADA 7093097 AND BELOW
22	47800A1		1	TILT LOCK ASSEMBLY, PORT UNITED STATES 4602011 AND BELOW AUSTRALIA 8034895 AND BELOW CANADA 7093097 AND BELOW
23	47802		1	TUBE, TILT LOCK UNITED STATES 4602011 AND BELOW AUSTRALIA 8034895 AND BELOW CANADA 7093097 AND BELOW
24	23-47803		2	BUSHING, TILT LOCK UNITED STATES 4602011 AND BELOW AUSTRALIA 8034895 AND BELOW CANADA 7093097 AND BELOW
25	13-69150		2	WASHER, WAVE - TILT LOCK UNITED STATES 4602011 AND BELOW AUSTRALIA 8034895 AND BELOW CANADA 7093097 AND BELOW
21	76386		1	TILT LOCK ASSEMBLY, STARBOARD UNITED STATES 4602012 AND UP CANADA 7093038 AND UP
22	76385		1	TILT LOCK ASSEMBLY, PORT UNITED STATES 4602012 AND UP CANADA 7093038 AND UP
23	76387		1	TUBE, TILT LOCK UNITED STATES 4602012 AND UP CANADA 7093038 AND UP
25	13-69150		1	WASHER, WAVE - TILT LOCK (STARBOARD SIDE ONLY) SER GROUP #19
25A	26-22734		2	OIL SEAL, SWIVEL BRACKET (TILT LOCK) UNITED STATES 4602012 AND UP CANADA 7093038 AND UP
25B	12-76388		1	WASHER, TILT LOCK (STARBOARD SIDE ONLY) UNITED STATES 4602012 AND UP CANADA 7093038 AND UP
25C	25-62702		2	"O" RING, TILT LOCK UNITED STATES 4602012 AND UP CANADA 7093038 AND UP
26	18-47959		2	COTTER PIN, TILT LOCK
27	70692		1	REVERSE LOCK ASSEMBLY NOT USED WITH FULL POWER TRIM
28	24-29821		1	SPRING, REVERSE LOCK TENSION NOT USED WITH FULL POWER TRIM
29	56349		1	SHAFT, REVERSE LOCK PIVOT NOT USED WITH FULL POWER TRIM
30	18-45882		1	COTTER PIN, REVERSE LOCK TO SHAFT NOT USED WITH FULL POWER TRIM
31	55-65447		2	PIN, LOWER SHOCK MOUNTING (SHORT SHAFT)
	55-28414		2	PIN, LOWER SHOCK MOUNTING - LONG SHAFT
32	10-21937		2	SCREW, LOWER SHOCK PIN - LONG SHAFT
33	11-46887		2	NUT, LOWER SHOCK PIN SCREW - LONG SHAFT
34	55-58780A2		2	SHOCK ABSORBER NOT USED WITH FULL POWER TRIM
35	23-32171		4	BUSHING, RUBBER - SHOCK ABSORBER (UPPER) NOT USED WITH FULL POWER TRIM
36	23-28198		4	BUSHING, RUBBER - SHOCK ABSORBER (LOWER) NOT USED WITH FULL POWER TRIM

CONTINUED ON NEXT PAGE ➡

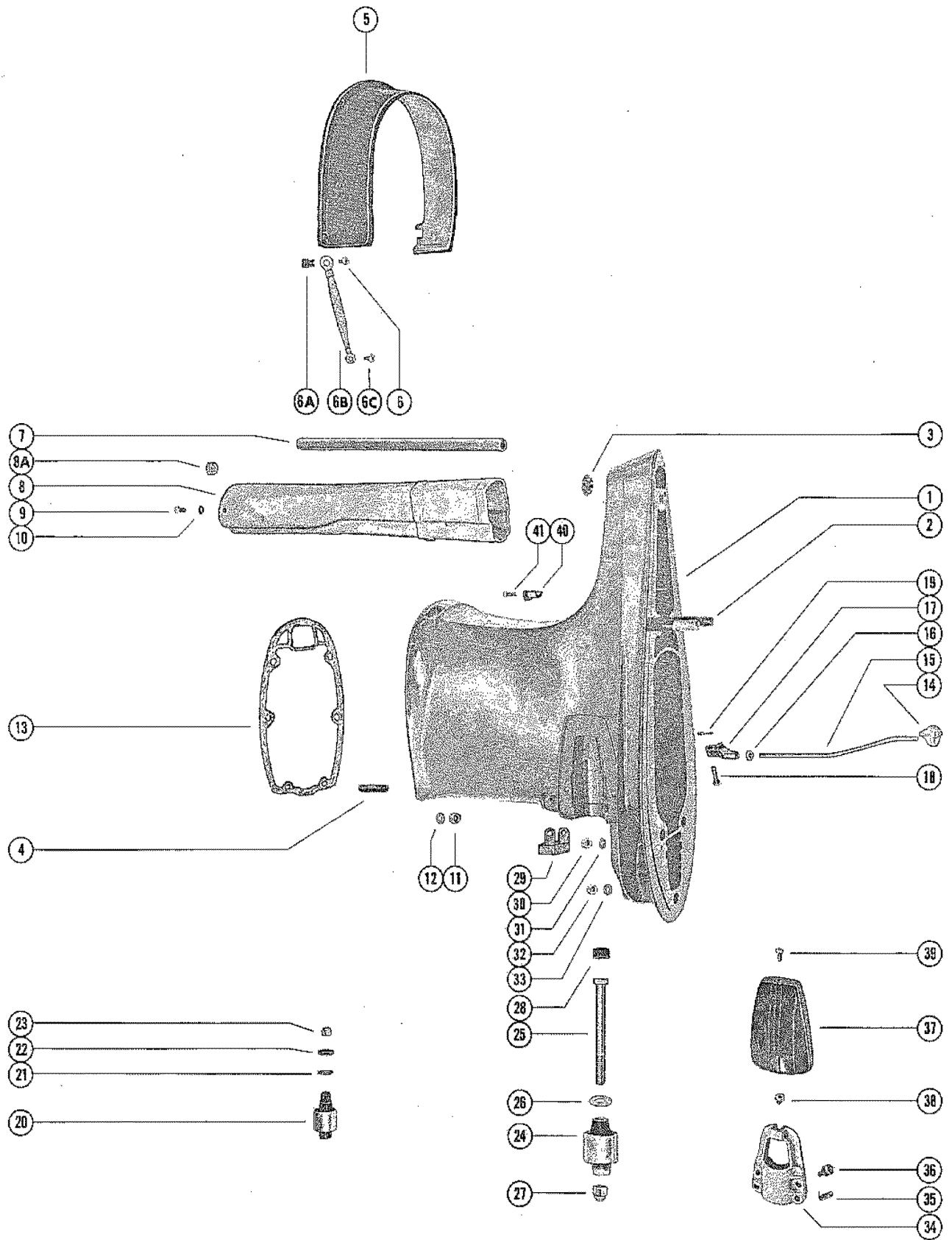
CLAMP BRACKET AND REVERSE LOCK



CLAMP BRACKET AND REVERSE LOCK

REF. NO.	PART NO.	SYM.	QTY.	DESCRIPTION
37	23-28199		2	SPACER, UPPER SHOCK BUSHING TO CLAMP BRACKET-SERIAL. GROUP #18
	23-73203		2	SPACER, UPPER SHOCK BUSHING TO CLAMP BRACKET UNITED STATES 4319880 AND UP CANADA 7067248 AND UP
38	12-28196		2	WASHER, UPPER BUSHING RETAINER (INNER)
39	12-59378		2	WASHER, LOWER BUSHING RETAINER (INNER)
40	12-28421		4	WASHER, UPPER AND LOWER BUSHING RETAINER (OUTER) UNITED STATES 4602011 AND BELOW AUSTRALIA 8034895 AND BELOW CANADA 7093097 AND BELOW
41	10-53077		4	SCREW, UPPER NAD LOWER SHOCK MOUNTING PIN UNITED STATES 4602011 AND BELOW AUSTRALIA 8034895 AND BELOW CANADA 7093097 AND BELOW
40	12-69374		4	WASHER, UPPER AND LOWER BUSHING RETAINER (OUTER) UNITED STATES 4602012 AND UP CANADA 7093038 AND UP
41	10-69375		4	SCREW, UPPER AND LOWER SHOCK MOUNTINGH PIN UNITED STATES 4602012 AND UP CANADA 7093038 AND UP
42	70679		(2)4	COVER, UPER AND LOWER SHOCK MOUNTING PIN UNITED STATES 4602011 AND BELOW AUSTRALIA 8034895 AND BELOW CANADA 7093097 AND BELOW
43	10-37655		(2)4	SCREW, COVER TO SHOCK MOUNTING SCREW UNITED STATES 4602011 AND BELOW AUSTRALIA 8034895 AND BELOW CANADA 7093097 AND BELOW

DRIVE SHAFT HOUSING ASSEMBLY

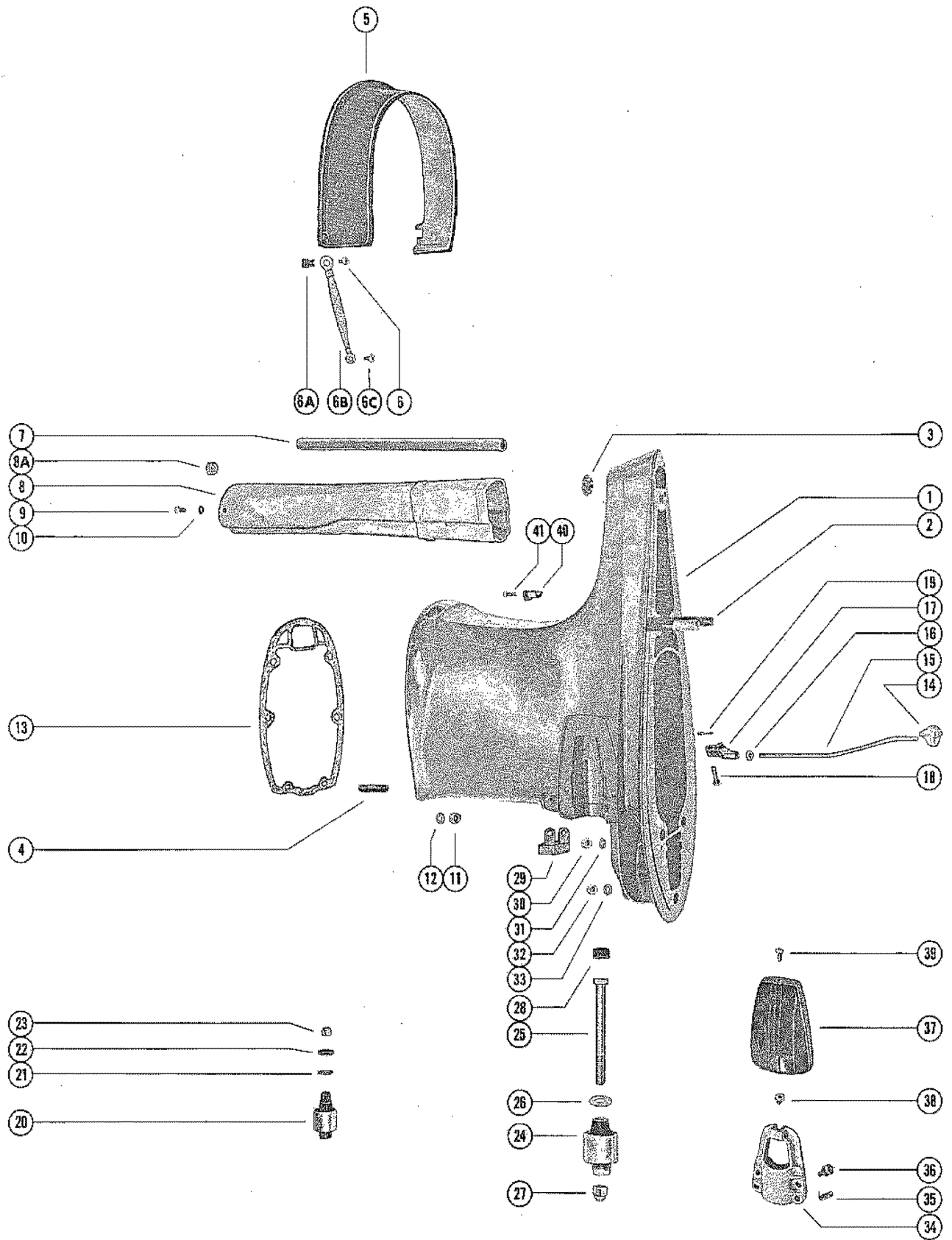


DRIVE SHAFT HOUSING ASSEMBLY

REF. NO.	PART NO.	SYM.	QTY.	DESCRIPTION
1	1575-4971A5		1	DRIVE SHAFT HOUSING ASSEMBLY (SHORT SHAFT) UNITED STATES 3751849 AND BELOW AUSTRALIA 8013389 AND BELOW CANADA 7024372 AND BELOW
	1573-4933A3		1	DRIVE SHAFT HOUSING ASSEMBLY (LONG SHAFT) UNITED STATES 3751849 AND BELOW AUSTRALIA 8013389 AND BELOW CANADA 7024372 AND BELOW
	1575-5240A4		1	DRIVE SHAFT HOUSING ASSEMBLY (SHORT SHAFT) UNITED STATES 3751850 AND UP AUSTRALIA 8013390 AND UP CANADA 7024373 AND UP
	1573-5239A4		1	DRIVE SHAFT HOUSING ASSEMBLY (LONG SHAFT) UNITED STATES 3751850 AND UP AUSTRALIA 8013390 AND UP CANADA 7024373 AND UP
2	16-56295		2	STUD, DRIVE SHAFT HOUSING TO GEAR HOUSING (2 11/16")
3	19-64649		1	PLUG, PLASTIC - TRIM TAB SCREW HOLE
4	16-34378		7	STUD, DRIVE SHAFT HOUSING PLATE (2 5/16") UNITED STATES 3751849 AND BELOW AUSTRALIA 8013389 AND BELOW CANADA 7024372 AND BELOW
5	37417		1	COVER, TRIM - DRIVE SHAFT HOUSING
6	10-57807		4	SCREW, TRIM COVER TO BOTTOM COWL
6A	25-57806		4	GROMMET, PLASTIC - TRIM COVER SCREW
6B	46933A2		2	GROUND STRAP ASSEMBLY, TRIM COVER SCREW
6C	10-62568		2	SCREW, GROUND STRAP ATTACHING
7	32-62864		1	TUBE, WATER INLET - SHORT SHAFT
8	62863		1	TUBE, EXHAUST - - SHORT SHAFT UNITED STATES 3751849 AND BELOW AUSTRALIA 8013389 AND BELOW CANADA 7024372 AND BELOW
	65370		1	TUBE, EXHAUST - - SHORT SHAFT UNITED STATES 3751850 AND UP AUSTRALIA 8013390 AND UP CANADA 7024373 AND UP
7	32-60897		1	TUBE, WATER INLET - LONG SHAFT
8	60435		1	TUBE, EXHAUST - - LONG SHAFT UNITED STATES 3751849 AND BELOW AUSTRALIA 8013389 AND BELOW CANADA 7024372 AND BELOW
	65369		1	TUBE, EXHAUST - - LONG SHAFT UNITED STATES 3751850 AND UP AUSTRALIA 8013390 AND UP CANADA 7024373 AND UP
8A	65638		2	BOOT, EXHASUT TUBE UNITED STATES 3751850 AND UP AUSTRALIA 8013390 AND UP CANADA 7024373 AND UP
9	10-28636		2	SCREW, EXHAUST TUBE ATTACHING (3/4") UNITED STATES 3751849 AND BELOW AUSTRALIA 8013389 AND BELOW CANADA 7024372 AND BELOW
10	13-26992		2	LOCKWASHER, EXHAUST TUBE SCREW UNITED STATES 3751849 AND BELOW AUSTRALIA 8013389 AND BELOW CANADA 7024372 AND BELOW
11	11-69254		2	NUT, POWERHEAD STUDS (3/8-24)
12	12-25970		2	WASHER, POWERHEAD STUDS
13	27-64175		1	GASKET, PLATE TO DRIVE SHAFT HOUSING UNITED STATES 3751849 AND BELOW AUSTRALIA 8013389 AND BELOW CANADA 7024372 AND BELOW

CONTINUED ON NEXT PAGE ➡

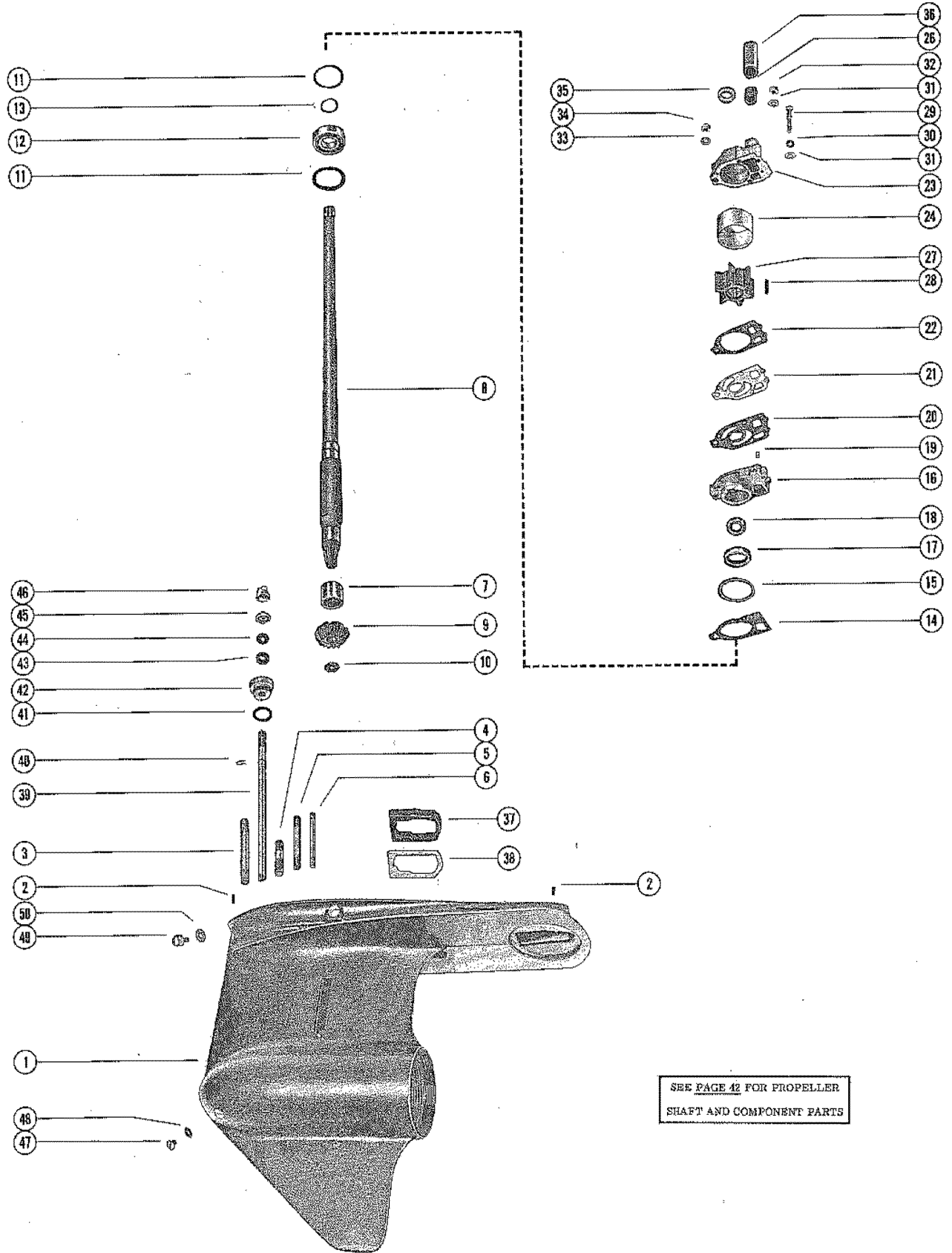
DRIVE SHAFT HOUSING ASSEMBLY



DRIVE SHAFT HOUSING ASSEMBLY

REF. NO.	PART NO.	SYM.	QTY.	DESCRIPTION
13	27-66335		1	GASKET, PLATE TO DRIVE SHAT HOUSING UNITED STATES 3751850 THRU 4121434 AUSTRALIA 8013390 THRU 8028039 CANADA 7024373 THRU 7048782
14	52887		1	GUIDE, PUSH ROD - REVERSE LOCKING NOT USED WITH FULL POWER TRIM
15	47591		1	ROD, PUSH - REVERSE LOCK (SHORT SHAFT) NOT USED WITH FULL POWER TRIM
	47558		1	ROD,PUSH - REVERSE LOCK (LONG SHAFT) NOT USED WITH FULL POWER TRIM
16	11-47661		1	NUT, JAM - PUSH ROD NOT USED WITH FULL POWER TRIM
17	47559		1	YOKE, PUSH ROD NOT USED WITH FULL POWER TRIM
18	17-39023		1	PIN, PUSH ROD TO REVERSE LOCK NOT USED WITH FULL POWER TRIM
19	18-25191		1	COTTER PIN, PUSH ROD PIN NOT USED WITH FULL POWER TRIM
20	75297		2	MOUNT, RUBBER - UPPER (SHORT SHAFT)
	75296		2	MOUNT, RUBBER - UPPER (LONG SHAFT)
21	12-31263		2	WASHER, UPPER MOUNT BOLT
22	12-47840		2	WASHER, RUBBER - UPPER MOUNT BOLT
23	11-34933		2	NUT, UPPER MOUNT BOLT
24	75300		2	MOUNT, RUBBER -LOWER (SHORT SHAFT0
	75299		2	MOUNT, RUBBER - LOWER (LONG SHAFT)
25	10-49318		2	SCREW, LOWER MOUNT (5 1/2"0
26	12-49339		2	WASHER, LOWER MOUNT SCREW
27	11-25096		2	NUT, LOWER MOUNT SCREW
28	25067		2	BUMPER, RUBBER - LOWER MOUNTING SCREW
29	66336		1	BUMPER, RUBBER - DRIVE SHAFT HOUSING (SHORT SHAFT)
30	11-34933		2	NUT, GEAR HOSUING AND DRIVE SAHFT HOUSING STUDS
31	12-45176		2	WASHER, GEAR HOUSING TO DRIVE SHAFT HOUSING STUDS
32	11-29489		1	NUT, GEAR HOUSING AND DRIVE SHAFT HOUSING STUDS
33	12-45176		1	WASHER, GEAR HOUSING TO DRIVE SHAFT HOUSING STUDS
34	35608		2	CLAMP, LOWER MOUNT TO DRIVE SHAFT HOUSING
35	24-35522		4	SPRING, TENSION - LOWER MOUNT CLAMP
36	10-29256		4	SCREW, LOWER MOUNT CLAMP TO DRIVE SHAFT HOUSING (7/8")
37	35474		2	COVER, LOWER MOUNT CLAMP
38	11-35521		2	NUT, LOWER MOUNT CLAMP COVER
39	10-29722		2	SCREW, COVER TO LOWER CLAMP MOUNT (5/8")
40	62497		1	BRACKET, SUPPORT - DRIVE SHAFT -LONG SHAFT
41	10-48409		2	SCREW, SUPPORT BRACKET ATTACHING (5/8") -LONG SHAFT

GEAR HOUSING ASSEMBLY, COMPLETE (PAGE 1)

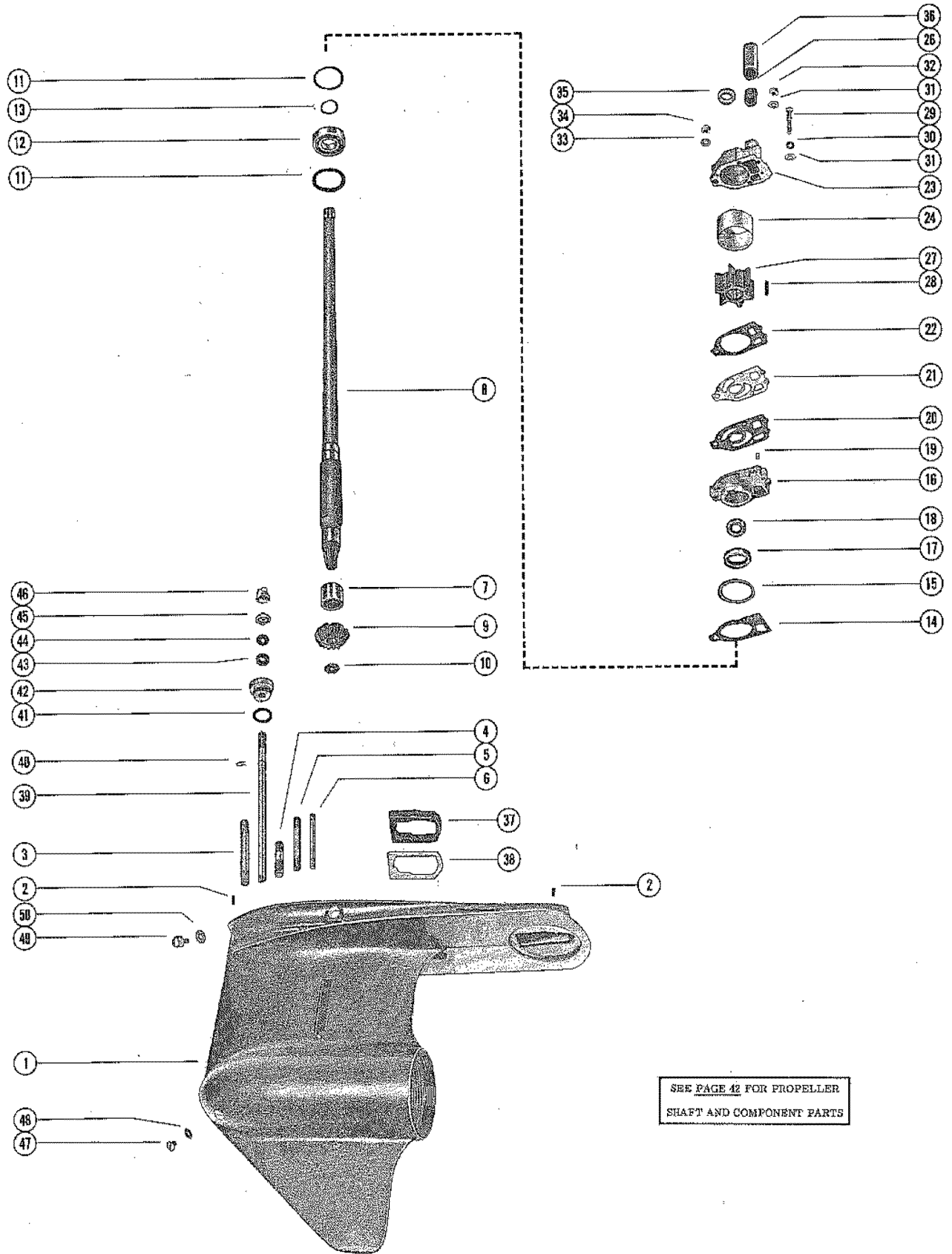


GEAR HOUSING ASSEMBLY, COMPLETE (PAGE 1)

REF. NO.	PART NO.	SYM.	QTY.	DESCRIPTION
-	1623-4934A8		1	GEAR HOUSING ASS'Y, COMP. (SHORT SHAFT) THE ENCLOSED GEAR HOUSINGS INCLUDE ALL PARTS FROM REFERENCE #1 THRU #75 AS LISTED ON D10-D12-D14-E2 UNITED STATES 3751849 AND BELOW AUSTRALIA 8013389 AND BELOW CANADA 7024372 AND BELOW
-	1655-7333A45		1	GEAR HOSUING ASS'Y COMP. (LONG SHAFT) THE ENCLOSED GEAR HOUSINGS INCLUDE ALL PARTS FROM REFERENCE #1 THRU #75 AS LISTED ON D10-D12-D14-E2 UNITED STATES 3751849 AND BELOW AUSTRALIA 8013389 AND BELOW CANADA 7024372 AND BELOW
-	1623-5244A5		1	GEAR HOUSING ASS'Y, COMP (SHORT SHAFT) THE ENCLOSED GEAR HOUSINGS INCLUDE ALL PARTS FROM REFERENCE #1 THRU #75 AS LISTED ON D10-D12-D14-E2 UNITED STATES 3751850 THRU 4121434 AUSTRALIA 8013390 THRU 8028039 CANADA 7024373 THRU 7048782
-	1655-7333A45		1	GEAR HOUSING ASS'Y, COMP. (LONG SHAFT) THE ENCLOSED GEAR HOUSINGS INCLUDE ALL PARTS FROM REFERENCE #1 THRU #75 AS LISTED ON D10-D12-D14-E2 UNITED STATES 3751850 THRU 4121434 AUSTRALIA 8013390 THRU 8028039 CANADA 7024373 THRU 7048782
-	1623-5829A6		1	GEAR HOUSING ASS'Y, COMP. (SHORT SHAFT) THE ENCLOSED GEAR HOUSINGS INCLUDE ALL PARTS FROM REFERENCE #1 THRU #75 AS LISTED ON D10-D12-D14-E2 UNITED STATES 4121435 THRU 4403386 AUSTRALIA 8028040 THRU 8034895 CANADA 7048783 THRU 7067847
-	1655-7333A45		1	GEAR HOUSING ASS'Y, COMP. (LONG SHAFT) THE ENCLOSED GEAR HOUSINGS INCLUDE ALL PARTS FROM REFERENCE #1 THRU #75 AS LISTED ON D10-D12-D14-E2 UNITED STATES 4121435 THRU 4403386 AUSTRALIA 8028040 THRU 8034895 CANADA 7048783 THRU 7067847
-	1623-6048A4		1	GEAR HOUSING ASS'Y, COMP. (MERC 1500XS) THE ENCLOSED GEAR HOUSINGS INCLUDE ALL PARTS FROM REFERENCE #1 THRU #75 AS LISTED ON D10-D12-D14-E2 UNITED STATES 4403387 THRU 4602011
-	1655-7333A45		1	GEAR HOUSING ASS'Y, COMP (MERC 1500 LONG) THE ENCLOSED GEAR HOUSINGS INCLUDE ALL PARTS FROM REFERENCE #1 THRU #75 AS LISTED ON D10-D12-D14-E2 UNITED STATES 4403387 THRU 4602011
-	1623-6048A4		1	GEAR HOUSING ASS'Y, COMP. (MERC 1500XS) THE ENCLOSED GEAR HOUSINGS INCLUDE ALL PARTS FROM REFERENCE #1 THRU #75 AS LISTED ON D10-D12-D14-E2 UNITED STATES 4602012 AND UP CANADA 7093038 AND UP
-	1655-7333A45		1	GEAR HOUSING ASS'Y, COMP. (MERC 1500 LONG) THE ENCLOSED GEAR HOUSINGS INCLUDE ALL PARTS FROM REFERENCE #1 THRU #75 AS LISTED ON D10-D12-D14-E2 UNITED STATES 4602012 AND UP CANADA 7093038 AND UP
1	1623-4934A6		1	GEAR HOUSING ASS'Y UNITED STATES 3751849 AND BELOW AUSTRALIA 8013389 AND BELOW CANADA 7024372 AND BELOW
	1623-5244A6		1	GEAR HOUSING ASS'Y UNITED STATES 3751850 THRU 4121434 AUSTRALIA 8013390 THRU 8028039 CANADA 7024373 THRU 7048782

CONTINUED ON NEXT PAGE ➡

GEAR HOUSING ASSEMBLY, COMPLETE (PAGE 1)

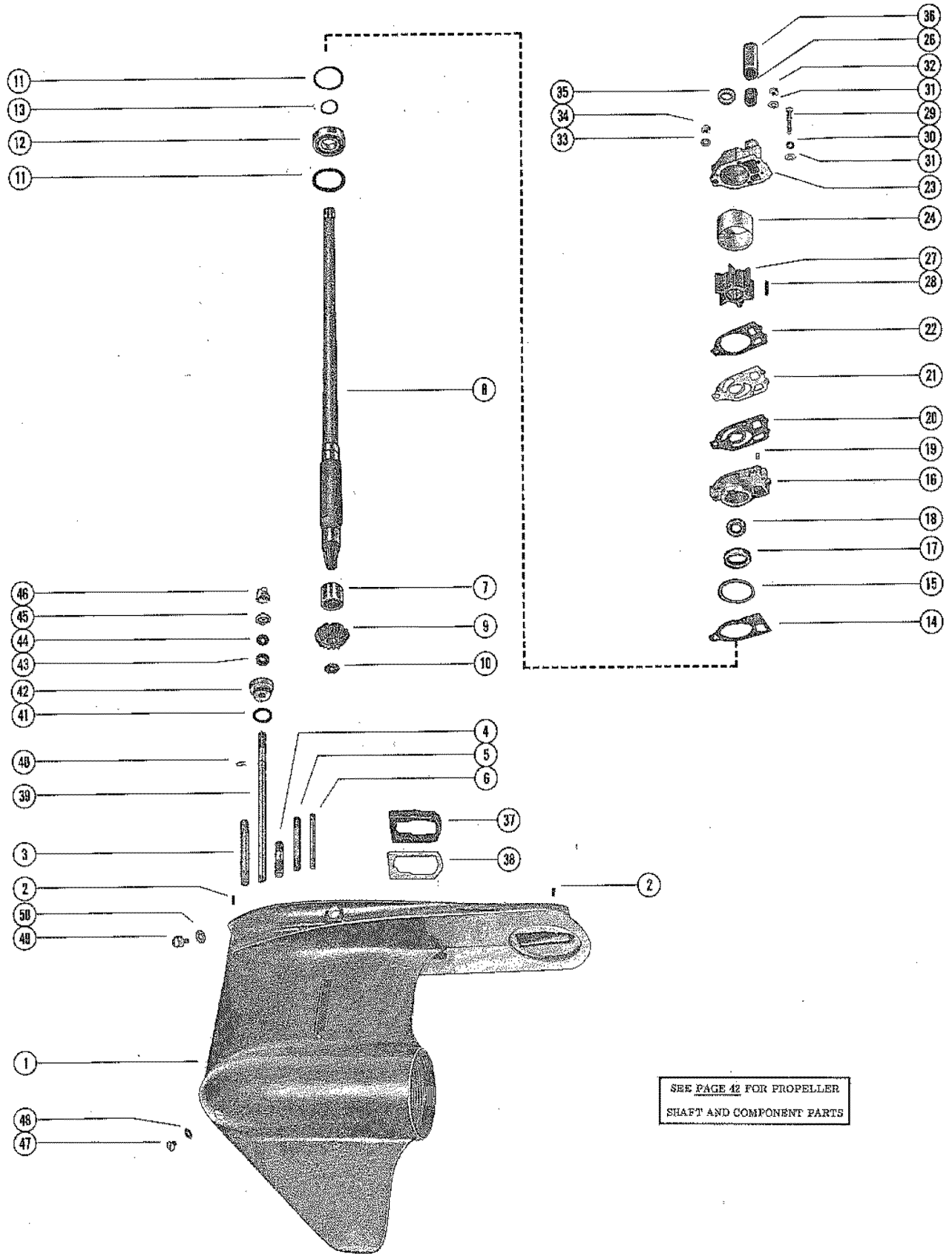


GEAR HOUSING ASSEMBLY, COMPLETE (PAGE 1)

REF. NO.	PART NO.	SYM.	QTY.	DESCRIPTION
1	1623-5829A8		1	GEAR HOUSING ASS'Y UNITED STATES 4121435 THRU 4403386 AUSTRALIA 8028040 THRU 8034895 CANADA 7048783 THRU 7067847
	1623-6048A3		1	GEAR HOUSING ASS'Y (MERC 1500XS) UNITED STATES 4403387 AND UP
	1623-6053A5		1	GEAR HOUSING ASS'Y (MERC 1500 LONG) UNITED STATES 4403387 AND UP
2	17-46912		2	DOWEL PIN, GEAR HOUSING LOCATING
3	16-57921		1	STUD, GEAR HOUSING TO DRIVE SHAFT HOUSING (4")
4	16-57920		2	STUD, GEAR HOUSING TO DRIVE SHAFT HOUSING (2 1/16")
5	16-56297		1	STUD, WATER PUMP BASE AND BODY TO GEAR HOUSING (3 3/8")
6	16-30667		2	STUD, WATER PUMP BASE AND BODY TO GEAR HOUSING (3 1/8")
7	31-32898		1	BEARING, ROLLER - DRIVE SHAFT
8	45-64388		1	DRIVE SHAFT (SHORT SHAFT) UNITED STATES 4121434 AND BELOW AUSTRALIA 8028039 AND BELOW CANADA 7048782 AND BELOW
	45-64389		1	DRIVE SHAFT (LONG SHAFT) UNITED STATES 4121434 AND BELOW AUSTRALIA 8028039 AND BELOW CANADA 7048782 AND BELOW
	45-69250		1	DRIVE SHAFT (SHORT SHAFT) UNITED STATES 4121435 AND UP AUSTRALIA 8028040 AND UP CANADA 7048783 AND UP
	45-69251		1	DRIVE SHAFT (LONG SHAFT) UNITED STATES 4121435 AND UP AUSTRALIA 8028040 AND UP CANADA 7048783 AND UP
9	43-68548		1	GEAR, PINION - DRIVE SHAFT
10	11-35921		1	NUT, PINION GEAR TO DRIVE SHAFT
11	15-30278A1		AR	SHIM, DRIVE SHAFT BALL BRG. TO GEAR HSG. (.002-3-5-10) UNITED STATES 4121434 AND BELOW AUSTRALIA 8028039 AND BELOW CANADA 7048782 AND BELOW
	15-30278A1		AR	SHIM, WATER PUMP BASE TO GEAR HSG. (.002-3-5-10) UNITED STATES 4121434 AND BELOW AUSTRALIA 8028039 AND BELOW CANADA 7048782 AND BELOW
12	30-63326		1	BEARING, BALL - DRIVE SHAFT UNITED STATES 4121434 AND BELOW AUSTRALIA 8028039 AND BELOW CANADA 7048782 AND BELOW
13	53-30726		1	RING, RETAINING - BALL BEARING UNITED STATES 4121434 AND BELOW AUSTRALIA 8028039 AND BELOW CANADA 7048782 AND BELOW
11	23-70412		1	SPACER, ROLLER BEARING TO WATER PUMP BASE UNITED STATES 4121435 AND UP AUSTRALIA 8028040 AND UP CANADA 7048783 AND UP
	15-57007A1		AR	SHIM, ROLLER BEARING TO WATER PUMP BASE UNITED STATES 4121435 AND UP AUSTRALIA 8028040 AND UP CANADA 7048783 AND UP
12	31-69220		1	ROLLER BEARING, DRIVE SHAFT UNITED STATES 4121435 AND UP AUSTRALIA 8028040 AND UP CANADA 7048783 AND UP

CONTINUED ON NEXT PAGE ➡

GEAR HOUSING ASSEMBLY, COMPLETE (PAGE 1)



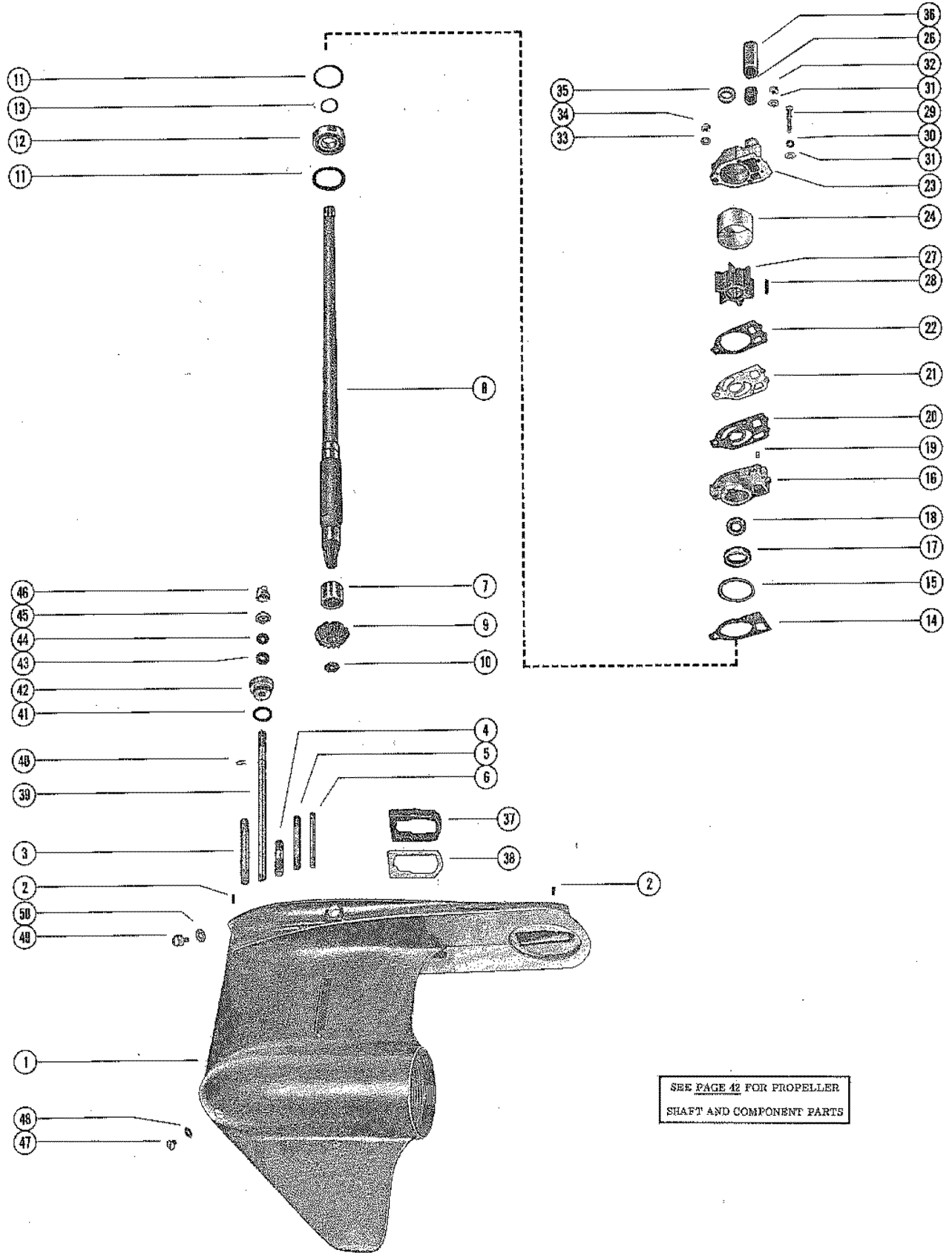
SEE PAGE 42 FOR PROPELLER
SHAFT AND COMPONENT PARTS

GEAR HOUSING ASSEMBLY, COMPLETE (PAGE 1)

REF. NO.	PART NO.	SYM.	QTY.	DESCRIPTION
14	27-32438		1	GASKET, WATER PUMP BASE TO GEAR HOUSING UNITED STATES 4121434 AND BELOW AUSTRALIA 8028039 AND BELOW CANADA 7048782 AND BELOW
15	25-30224		1	"O" RING, WATER PUMP BASE UNITED STATES 4121434 AND BELOW AUSTRALIA 8028039 AND BELOW CANADA 7048782 AND BELOW
14	27-33146		1	GASKET, WATER PUMP BASE TO GEAR HOUSING UNITED STATES 4121435 AND UP AUSTRALIA 8028040 AND UP CANADA 7048783 AND UP
15	25-33145		1	"O" RING, WATER PUMP BASE UNITED STATES 4121435 AND UP AUSTRALIA 8028040 AND UP CANADA 7048783 AND UP
-	1623-4934A8		1	GEAR HOUSING ASS'Y, COMP. (SHORT SHAFT) THE ENCLOSED GEAR HOUSINGS INCLUDE ALL PARTS FROM REFERENCE #1 THRU #75 AS LISTED ON D10-D12-D14-E2 UNITED STATES 3751849 AND BELOW AUSTRALIA 8013389 AND BELOW CANADA 7024372 AND BELOW
-	1655-7333A45		1	GEAR HOUSING ASS'Y, COMP. (LONG SHAFT) THE ENCLOSED GEAR HOUSINGS INCLUDE ALL PARTS FROM REFERENCE #1 THRU #75 AS LISTED ON D10-D12-D14-E2 UNITED STATES 3751849 AND BELOW AUSTRALIA 8013389 AND BELOW CANADA 7024372 AND BELOW
-	1623-5244A5		1	GEAR HOUSING ASS'Y, COMP. (SHORT SHAFT) THE ENCLOSED GEAR HOUSINGS INCLUDE ALL PARTS FROM REFERENCE #1 THRU #75 AS LISTED ON D10-D12-D14-E2 UNITED STATES 3751850 THRU 4121434 AUSTRALIA 8013390 THRU 8028039 CANADA 7024373 THRU 7048782
-	1655-7333A45		1	GEAR HOUSING ASS'Y, COMP. (LONG SHAFT) THE ENCLOSED GEAR HOUSINGS INCLUDE ALL PARTS FROM REFERENCE #1 THRU #75 AS LISTED ON D10-D12-D14-E2 UNITED STATES 3751850 THRU 4121434 AUSTRALIA 8013390 THRU 8028039 CANADA 7024373 THRU 7048782
-	1623-5829A6		1	GEAR HOUSING ASS'Y, COMP. (SHORT SHAFT) THE ENCLOSED GEAR HOUSINGS INCLUDE ALL PARTS FROM REFERENCE #1 THRU #75 AS LISTED ON D10-D12-D14-E2 UNITED STATES 4121435 THRU 4403386 AUSTRALIA 8028040 THRU 8034895 CANADA 7048783 THRU 7067847
-	1655-7333A45		1	GEAR HOUSING ASS'Y, COMP. (LONG SHAFT) THE ENCLOSED GEAR HOUSINGS INCLUDE ALL PARTS FROM REFERENCE #1 THRU #75 AS LISTED ON D10-D12-D14-E2 UNITED STATES 4121435 THRU 4403386 AUSTRALIA 8028040 THRU 8034895 CANADA 7048783 THRU 7067847
-	1623-6048A4		1	GEAR HOUSING ASS'Y, COMP. (MERC 1500XS) THE ENCLOSED GEAR HOUSINGS INCLUDE ALL PARTS FROM REFERENCE #1 THRU #75 AS LISTED ON D10-D12-D14-E2 UNITED STATES 4403387 THRU 4602011
-	1655-7333A45		1	GEAR HOUSING ASS'Y, COMP. (MERC 1500 LONG) THE ENCLOSED GEAR HOUSINGS INCLUDE ALL PARTS FROM REFERENCE #1 THRU #75 AS LISTED ON D10-D12-D14-E2 UNITED STATES 4403387 THRU 4602011
-	1623-6048A4		1	GEAR HOUSING ASS'Y, COMP. (MERC 1500XS) THE ENCLOSED GEAR HOUSINGS INCLUDE ALL PARTS FROM REFERENCE #1 THRU #75 AS LISTED ON D10-D12-D14-E2 UNITED STATES 4602012 AND UP CANADA 7093038 AND UP

CONTINUED ON NEXT PAGE ➡

GEAR HOUSING ASSEMBLY, COMPLETE (PAGE 1)

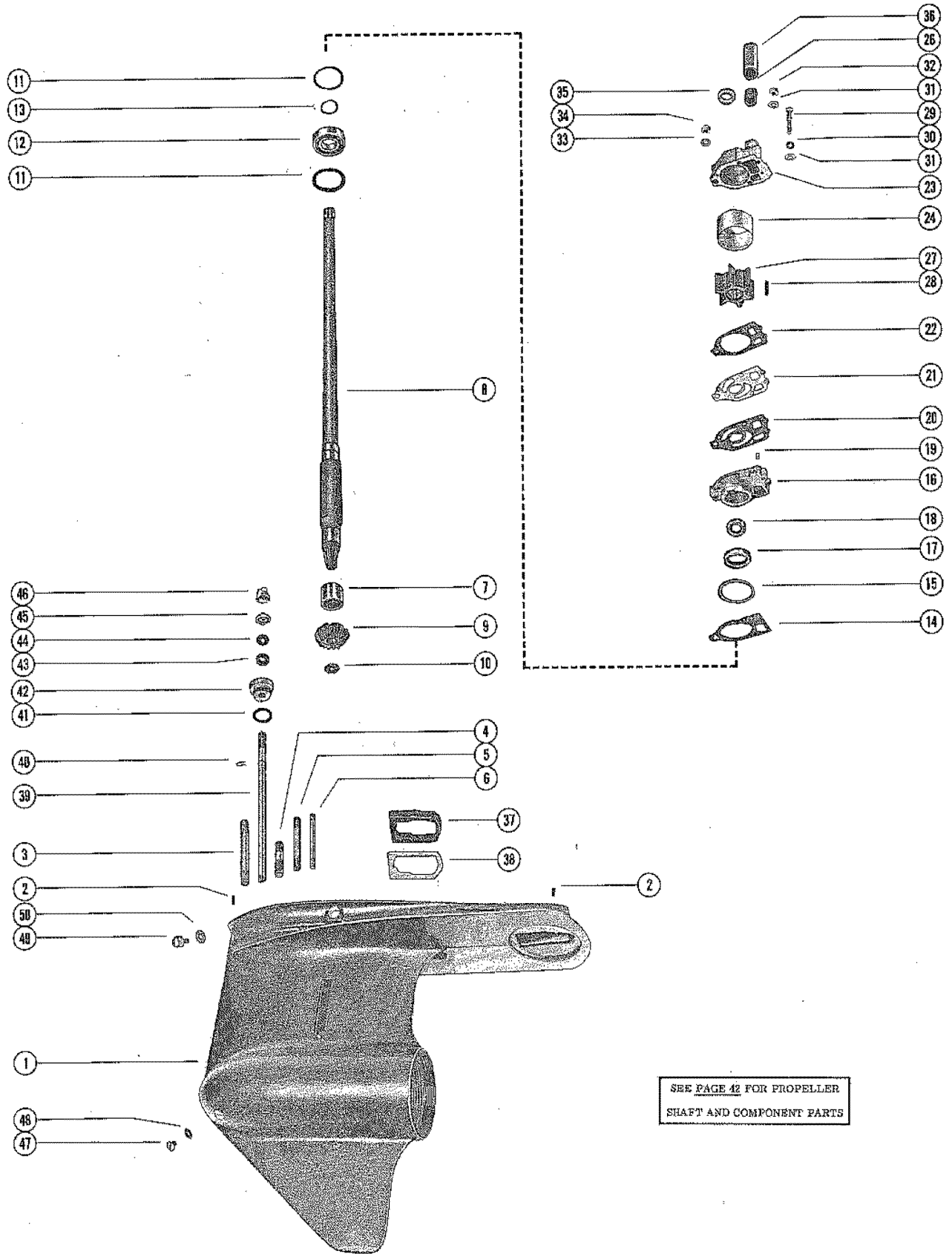


GEAR HOUSING ASSEMBLY, COMPLETE (PAGE 1)

REF. NO.	PART NO.	SYM.	QTY.	DESCRIPTION
-	1655-7333A45		1	GEAR HOUSING ASS'Y, COMP. (MERC 1500 LONG) THE ENCLOSED GEAR HOUSINGS INCLUDE ALL PARTS FROM REFERENCE #1 THRU #75 AS LISTED ON D10-D12-D14-E2 UNITED STATES 4602012 AND UP CANADA 7093038 AND UP
1	1623-4934A6		1	GEAR HOUSING ASS'Y UNITED STATES 3751849 AND BELOW AUSTRALIA 8013389 AND BELOW CANADA 7024372 AND BELOW
	1623-5244A6		1	GEAR HOUSING ASS'Y UNITED STATES 3751850 THRU 4121434 AUSTRALIA 8013390 THRU 8028039 CANADA 7024373 THRU 7048782
	1623-5829A8		1	GEAR HOUSING ASS'Y UNITED STATES 4121435 THRU 4403386 AUSTRALIA 8028040 THRU 8034895 CANADA 7048783 THRU 7067847
	1623-6048A3		1	GEAR HOUSING ASS'Y (MERC 1500XS) UNITED STATES 4403387 AND UP
	1623-6053A5		1	GEAR HOUSING ASS'Y (MERC 1500 LONG)
16	46-48747A1		1	WATER PUMP BASE ASSEMBLY UNITED STATES 4121434 AND BELOW AUSTRALIA 8028039 AND BELOW CANADA 7048782 AND BELOW
	46-69222A1		1	WATER PUMP BASE ASSEMBLY (WITH FLUSH HOLE) UNITED STATES 4121435 AND UP AUSTRALIA 8028040 AND UP CANADA 7048783 AND UP
	46-73804A1		1	WATER PUMP BASE ASSEMBLY (WITHOUT FLUSH HOLE) UNITED STATES 4121435 AND UP AUSTRALIA 8028040 AND UP CANADA 7048783 AND UP
17	26-31489		1	OIL SEAL, WATER PUMP BASE
18	26-31507		1	OIL SEAL, WATER PUMP BASE
19	17-35973		2	DOWEL PIN, WATER PUMP BASE TO WATER PUMP BODY
20	27-32433		1	GASKET, LOWER - WATER PUMP BASE TO FACE PLATE
21	32435		1	PLATE, FACE - WATER PUMP BASE TO WATER PUMP BODY
22	27-32434		1	GASKET, UPPER - FACE PALTE TO WATER PUMP BODY
23	46-64141A1		1	WATER PUMP BODY ASSEMBLY
24	48752		1	INSERT, WATER PUMP BODY
26	26-38970		1	SEAL, RUBBER - WATER INLET TUBE
27	47-65960		1	IMPELLER, WATER PUMP
28	28-56654		1	KEY, IMPELLER DRIVE
29	10-30720		1	SCREW, WATER PUMP BODY TO GEAR HOUSING (2 1/4")
30	13-26992		1	LOCKWASHER, WATER PUMP BODY SCREW
31	12-29245		3	WASHER, WATER PUMP BODY FASTENING SCREW AND STUD
32	11-35045		2	NUT, WATER PUMP FASTENING SCREW
33	12-36001		1	WASHER, WATER PUMP BODY FASTENING STUD
34	11-45592		1	NUT, WATER PUMP BODY FASTENING STUD
35	25-30271		1	RING, RUBBER - CENTRIFUGAL SLINGER (DRIVE SHAFT)
36	23-29804		1	SLEEVE, GUIDE - WATER INLET TUBE

CONTINUED ON NEXT PAGE ➡

GEAR HOUSING ASSEMBLY, COMPLETE (PAGE 1)

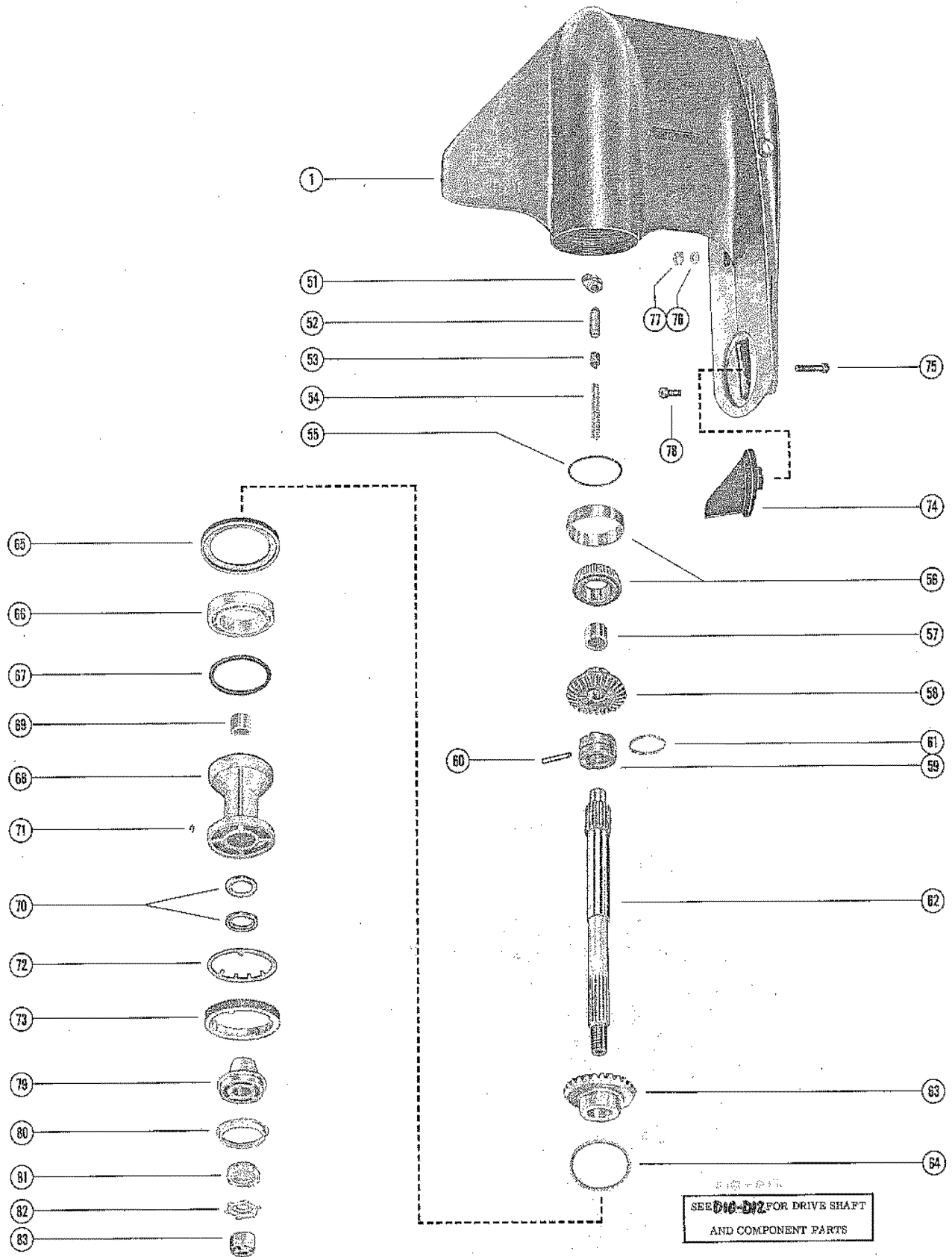


SEE PAGE 42 FOR PROPELLER
SHAFT AND COMPONENT PARTS

GEAR HOUSING ASSEMBLY, COMPLETE (PAGE 1)

REF. NO.	PART NO.	SYM.	QTY.	DESCRIPTION
37	60909		1	SEAL, EXHUAUST TUBE NOT PART OF GEAR HOUSING ASSEMBLY, COMPLETE UNITED STATES 3751849 AND BELOW AUSTRALIA 8013389 AND BELOW CANADA 7024372 AND BELOW
38	60910		1	PLATE, SUPPORT - EXHAUST TUBE SEAL NOT PART OF GEAR HOUSING ASSEMBLY, COMPLETE UNITED STATES 3751849 AND BELOW AUSTRALIA 8013389 AND BELOW CANADA 7024372 AND BELOW
37	37641		1	SEAL, EXHAUST TUBE NOT PART OF GEAR HOUSING ASSEMBLY, COMPLETE UNITED STATES 3751850 AND UP AUSTRALIA 8013390 AND UP CANADA 7024373 AND UP
38	38051		1	PLATE, SUPPORT - EXHAUST TUBE SEAL NOT PART OF GEAR HOUSING ASSEMBLY, COMPLETE UNITED STATES 3751850 AND UP AUSTRALIA 8013390 AND UP CANADA 7024373 AND UP
39	76062A1		1	SHAFT ASSEMBLY, SHIF - LOWER
40	53-29641		1	"E" RING, RETAINING - SHIFT SHAFT
41	25-25439		1	"O" RING, SHIFT SHAFT BUSHING
42	23-55419A1		1	BUSHING ASSEMBLY, SHIFT SHAFT
43	26-24590		1	OIL SEAL, SHIFT SHAFT HOUSING (LOWER)
	26-31249		1	OIL SEAL, SHIFT SHAFT HOUSING (UPPER)
44	12-31266		1	WASHER, RUBBER - SHIFT SHAFT BUSHING
45	39019		1	SPACER, LOWER - REVERSE LOCKING NOT USED WITH FULL POWER TRIM
46	39021		1	CAM, REVERSE LOCKING NOT USED WITH FULL POWER TRIM
47	10-28634		2	SCREW, GREASE FILLER AND VENT HOLE UNITED STATES 4121435 AND UP AUSTRALIA 8028040 AND UP CANADA 7048783 AND UP
	22-67892		1	SCREW, DRAIN (MAGNETIC) - - QUANTITY IS 1 UNITED STATES 4121435 AND UP AUSTRALIA 8028040 AND UP CANADA 7048783 AND UP
48	12-20260		2	WASHER, GREASE FILLER AND VENT HOLE SCREW
49	19-48750		1	PLUG, GEAR HOUSING FLUSHING HOLE USE WHEN APPLICABLE
50	12-49221		1	WASHER, GEAR HOUSING FLUSHING HOLE PLUG USE WHEN APPLICABLE

GEAR HOUSING ASSEMBLY, COMPLETE (PAGE 2)

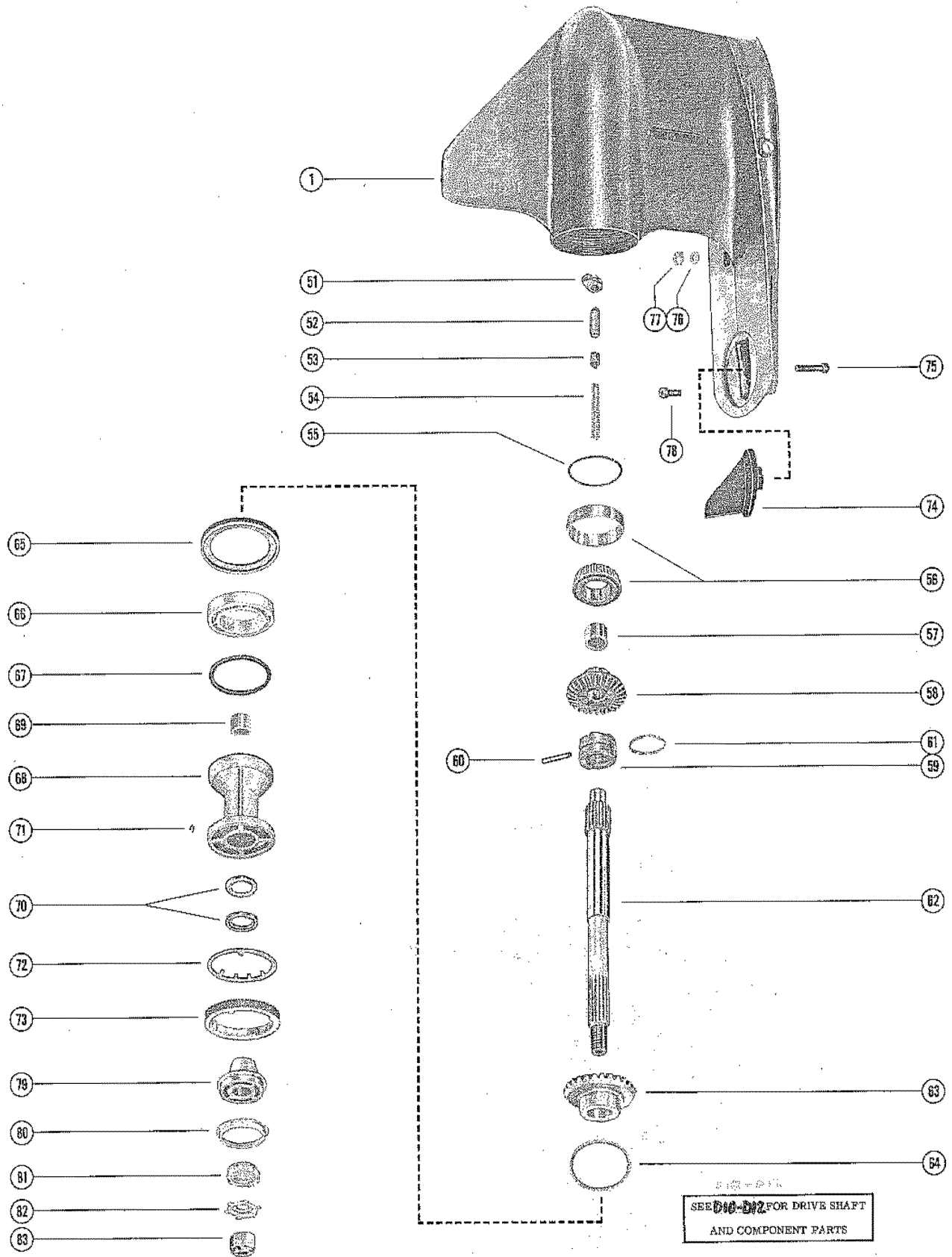


GEAR HOUSING ASSEMBLY, COMPLETE (PAGE 2)

REF. NO.	PART NO.	SYM.	QTY.	DESCRIPTION
-	1623-4934A8		1	GEAR HOUSING ASS'Y, COMP. (SHORT SHAFT) THE ENCLOSED GEAR HOUSINGS INCLUDE ALL PARTS FROM REFERENCE #1 THRU #75 AS LISTED ON D10-D12-D14-E2 UNITED STATES 3751849 AND BELOW AUSTRALIA 8013389 AND BELOW CANADA 7024372 AND BELOW
-	1655-7333A45		1	GEAR HOUSING ASS'Y, COMP. (LONG SHAFT) THE ENCLOSED GEAR HOUSINGS INCLUDE ALL PARTS FROM REFERENCE #1 THRU #75 AS LISTED ON D10-D12-D14-E2 UNITED STATES 3751849 AND BELOW AUSTRALIA 8013389 AND BELOW CANADA 7024372 AND BELOW
-	1623-5244A5		1	GEAR HOUSING ASS'Y, COMP. (SHORT SHAFT) THE ENCLOSED GEAR HOUSINGS INCLUDE ALL PARTS FROM REFERENCE #1 THRU #75 AS LISTED ON D10-D12-D14-E2 UNITED STATES 3751850 THRU 4121434 AUSTRALIA 8013390 THRU 8028039 CANADA 7024373 THRU 7048782
-	1655-7333A45		1	GEAR HOUSING ASS'Y, COMP. (LONG SHAFT) THE ENCLOSED GEAR HOUSINGS INCLUDE ALL PARTS FROM REFERENCE #1 THRU #75 AS LISTED ON D10-D12-D14-E2 UNITED STATES 3751850 THRU 4121434 AUSTRALIA 8013390 THRU 8028039 CANADA 7024373 THRU 7048782
-	1623-5829A6		1	GEAR HOUSING ASS'Y, COMP. (SHORT SHAFT) THE ENCLOSED GEAR HOUSINGS INCLUDE ALL PARTS FROM REFERENCE #1 THRU #75 AS LISTED ON D10-D12-D14-E2 UNITED STATES 4121435 THRU 4403386 AUSTRALIA 8028040 THRU 8034895 CANADA 7048783 THRU 7067847
-	1655-7333A45		1	GEAR HOUSING ASS'Y, COMP. (LONG SHAFT) THE ENCLOSED GEAR HOUSINGS INCLUDE ALL PARTS FROM REFERENCE #1 THRU #75 AS LISTED ON D10-D12-D14-E2 UNITED STATES 4121435 THRU 4403386 AUSTRALIA 8028040 THRU 8034895 CANADA 7048783 THRU 7067847
-	1623-60484		1	GEAR HOUSING ASS'Y, COMP. (MERC 1500XS) THE ENCLOSED GEAR HOUSINGS INCLUDE ALL PARTS FROM REFERENCE #1 THRU #75 AS LISTED ON D10-D12-D14-E2 UNITED STATES 4403387 THRU 4602011
-	1655-7333A45		1	GEAR HOUSING ASS'Y, COMP. (MERC 1500 LONG) THE ENCLOSED GEAR HOUSINGS INCLUDE ALL PARTS FROM REFERENCE #1 THRU #75 AS LISTED ON D10-D12-D14-E2 UNITED STATES 4403387 THRU 4602011
-	1623-6048A4		1	GEAR HOUSING ASS'Y, COMP. (MERC 1500XS) THE ENCLOSED GEAR HOUSINGS INCLUDE ALL PARTS FROM REFERENCE #1 THRU #75 AS LISTED ON D10-D12-D14-E2 UNITED STATES 4602012 AND UP CANADA 7093038 AND UP
-	1655-7333A45		1	GEAR HOUSING ASS'Y, COMP. (MERC 1500 LONG) THE ENCLOSED GEAR HOUSINGS INCLUDE ALL PARTS FROM REFERENCE #1 THRU #75 AS LISTED ON D10-D12-D14-E2 UNITED STATES 4602012 AND UP CANADA 7093038 AND UP
1	1623-4934A6		1	GEAR HOUSING ASS'Y UNITED STATES 3751849 AND BELOW AUSTRALIA 8013389 AND BELOW CANADA 7024372 AND BELOW
	1623-5244A6		1	GEAR HOUSING ASS'Y UNITED STATES 3751850 THRU 4121434 AUSTRALIA 8013390 THRU 8028039 CANADA 7024373 THRU 7048782

CONTINUED ON NEXT PAGE ➡

GEAR HOUSING ASSEMBLY, COMPLETE (PAGE 2)

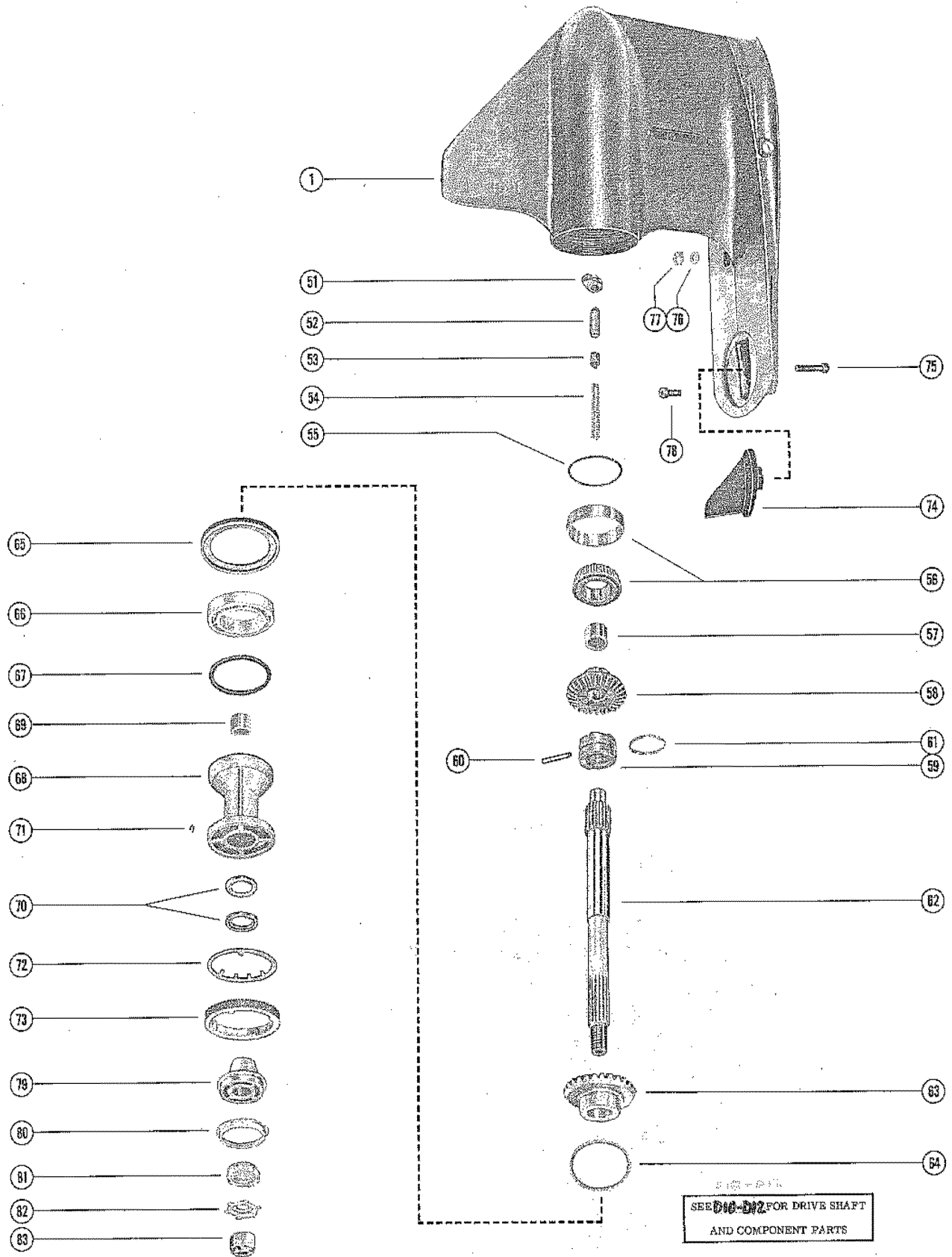


GEAR HOUSING ASSEMBLY, COMPLETE (PAGE 2)

REF. NO.	PART NO.	SYM.	QTY.	DESCRIPTION
1	1623-5829A8		1	GEAR HOUSING ASS'Y UNITED STATES 4121435 THRU 4403386 AUSTRALIA 8028040 THRU 8034895 CANADA 7048783 THRU 7067847
	1623-6048A3		1	GEAR HOUSING ASS'Y (MERC 1500XS) UNITED STATES 4403387 AND UP
	1623-6053A5		1	GEAR HOUSING ASS'Y (MERC 1500 LONG) UNITED STATES 4403387 AND UP
51	54346		1	CAM, SHIFT
52	30625		1	FOLLOWER, CAM
53	30624		1	SLIDE, CROSS PIN
54	24-30622		1	SPRING,COMPRESS - CAM FOLLOWER
55	15-30923A1		AR	SHIM, BEARING OUTER RACE TO GEAR HSG. (.002-3-5-10)
56	31-30894A1		1	TAPERED ROLLER BEARING ASSEMBLY
57	31-30895		1	BEARING ROLLER - FORWARD GEAR
58	43-66342		1	FORWARD GEAR ASSEMBLY UNITED STATES 3751849 AND BELOW AUSTRALIA 8013389 AND BELOW CANADA 7024372 AND BELOW
	43-68447		1	FORWARD GEAR ASSEMBLY UNITED STATES 3751850 AND UP AUSTRALIA 8013390 AND UP CANADA 7024373 AND UP
59	52-34239		1	RATCHET, SLIDING CLUTCH
60	17-30632		1	PIN, CROSS - RATCHET TO PROPELLER SHAFT
61	24-30893		1	SRPING, RETAINING - CROSS PIN
62	44-52542		1	SHAFT, PROPELLER
63	43-68015		1	REVERSE GEAR ASSEMBLY UNITED STATES 4403386 AND BELOW AUSTRALIA 8034895 AND BELOW CANADA 7067847 AND BELOW
	43-68347		1	REVERSE GEAR ASSEMBLY UNITED STATES 4403387 AND UP
64	15-29955A1		AR	SHIM, THRUST WASHER TO GEAR HSG. (.002-3-5-10-20) UNITED STATES 3751849 AND BELOW AUSTRALIA 8013389 AND BELOW CANADA 7024372 AND BELOW
-	1623-4934A8		1	GEAR HOUSING ASS'Y, COMP. (SHORT SHAFT) THE ENCLOSED GEAR HOUSINGS INCLUDE ALL PARTS FROM REFERENCE #1 THRU #75 AS LISTED ON D10-D12-D14-E2 UNITED STATES 3751849 AND BELOW AUSTRALIA 8013389 AND BELOW CANADA 7024372 AND BELOW
-	1655-7333A45		1	GEAR HOUSING ASS'Y, COMP. (LONG SHAFT) THE ENCLOSED GEAR HOUSINGS INCLUDE ALL PARTS FROM REFERENCE #1 THRU #75 AS LISTED ON D10-D12-D14-E2 UNITED STATES 3751849 AND BELOW AUSTRALIA 8013389 AND BELOW CANADA 7024372 AND BELOW
-	1623-5244A5		1	GEAR HOUSING ASS'Y, COMP. (SHORT SHAFT) THE ENCLOSED GEAR HOUSINGS INCLUDE ALL PARTS FROM REFERENCE #1 THRU #75 AS LISTED ON D10-D12-D14-E2 UNITED STATES 3751850 THRU 4121434 AUSTRALIA 8013390 THRU 8028039 CANADA 7024373 THRU 7048782

CONTINUED ON NEXT PAGE ➡

GEAR HOUSING ASSEMBLY, COMPLETE (PAGE 2)

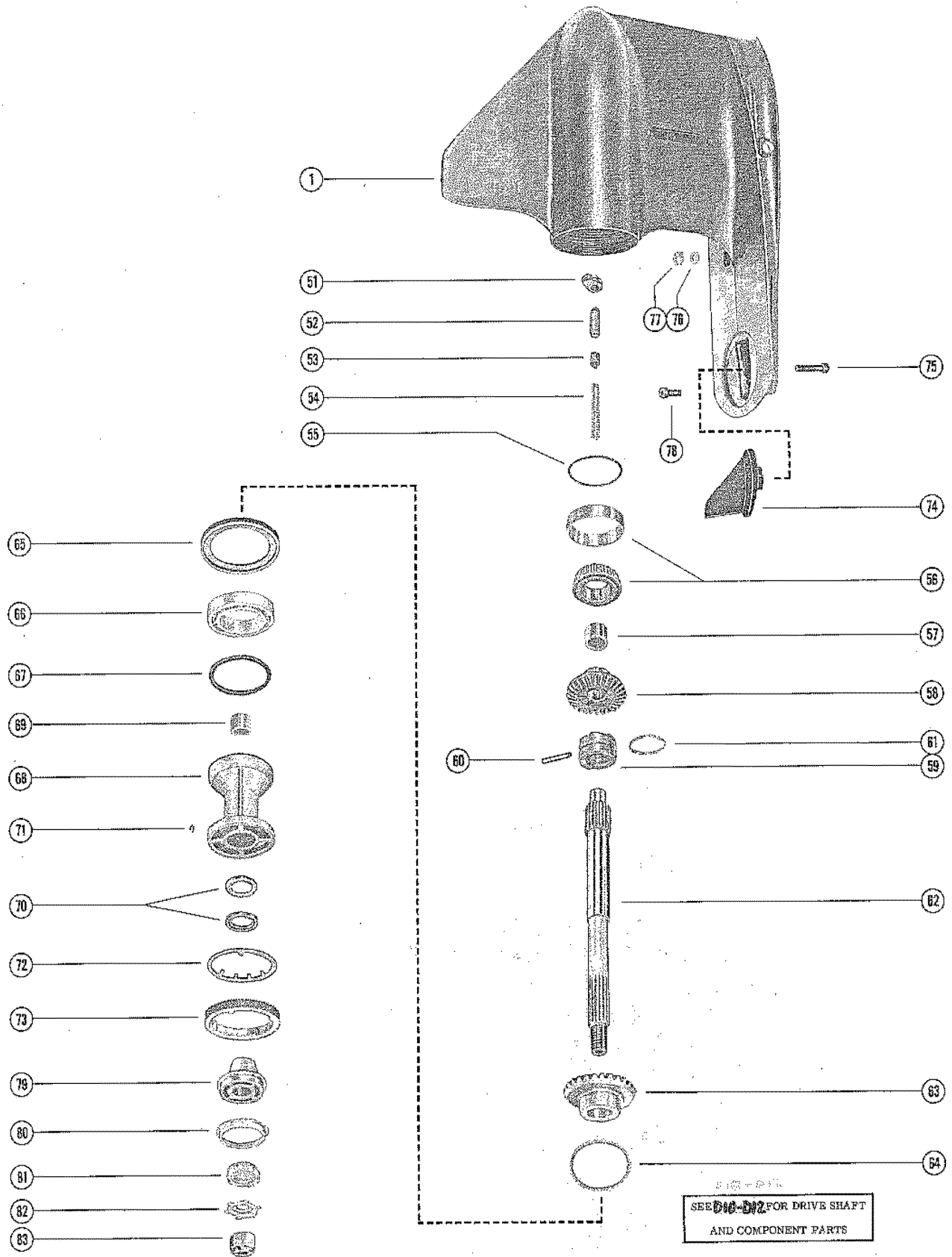


GEAR HOUSING ASSEMBLY, COMPLETE (PAGE 2)

REF. NO.	PART NO.	SYM.	QTY.	DESCRIPTION
-	1655-7333A45		1	GEAR HOUSING ASS'Y, COMP. (LONG SHAFT) THE ENCLOSED GEAR HOUSINGS INCLUDE ALL PARTS FROM REFERENCE #1 THRU #75 AS LISTED ON D10-D12-D14-E2 UNITED STATES 3751850 THRU 4121434 AUSTRALIA 8013390 THRU 8028039 CANADA 7024373 THRU 7048782
-	1623-5829A6		1	GEAR HOUSING ASS'Y, COMP. (SHORT SHAFT) THE ENCLOSED GEAR HOUSINGS INCLUDE ALL PARTS FROM REFERENCE #1 THRU #75 AS LISTED ON D10-D12-D14-E2 UNITED STATES 4121435 THRU 4403386 AUSTRALIA 8028040 THRU 8034895 CANADA 7048783 THRU 7067847
-	1655-7333A45		1	GEAR HOUSING ASS'Y, COMP. (LONG SHAFT) THE ENCLOSED GEAR HOUSINGS INCLUDE ALL PARTS FROM REFERENCE #1 THRU #75 AS LISTED ON D10-D12-D14-E2 UNITED STATES 4121435 THRU 4403386 AUSTRALIA 8028040 THRU 8034895 CANADA 7048783 THRU 7067847
-	1623-6048A4		1	GEAR HOUSING ASS'Y, COMP. (MERC 1500XS) THE ENCLOSED GEAR HOUSINGS INCLUDE ALL PARTS FROM REFERENCE #1 THRU #75 AS LISTED ON D10-D12-D14-E2 UNITED STATES 4403387 THRU 4602011
-	1655-7333A45		1	GEAR HOUSING ASS'Y, COMP. (MERC 1500 LONG) THE ENCLOSED GEAR HOUSINGS INCLUDE ALL PARTS FROM REFERENCE #1 THRU #75 AS LISTED ON D10-D12-D14-E2 UNITED STATES 4403387 THRU 4602011
-	1623-6048A4		1	GEAR HOUSING ASS'Y, COMP. (MERC 1500XS) THE ENCLOSED GEAR HOUSINGS INCLUDE ALL PARTS FROM REFERENCE #1 THRU #75 AS LISTED ON D10-D12-D14-E2 UNITED STATES 4602012 AND UP CANADA 7093038 AND UP
-	1655-7333A45		1	GEAR HOUSING ASS'Y, COMP. (MERC 1500 LONG) THE ENCLOSED GEAR HOUSINGS INCLUDE ALL PARTS FROM REFERENCE #1 THRU #75 AS LISTED ON D10-D12-D14-E2 UNITED STATES 4602012 AND UP CANADA 7093038 AND UP
1	1623-4934A6		1	GEAR HOUSING ASS'Y UNITED STATES 3751849 AND BELOW AUSTRALIA 8013389 AND BELOW CANADA 7024372 AND BELOW
	1623-5244A6		1	GEAR HOUSING ASS'Y UNITED STATES 3751850 THRU 4121434 AUSTRALIA 8013390 THRU 8028039 CANADA 7024373 THRU 7048782
	1623-5829A8		1	GEAR HOUSING ASS'Y UNITED STATES 4121435 THRU 4403386 AUSTRALIA 8028040 THRU 8034895 CANADA 7048783 THRU 7067847
	1623-6048A3		1	GEAR HOUSING ASS'Y (MERC 1500XS) UNITED STATES 4403387 AND UP
	1623-6053A5		1	GEAR HOUSING ASS'Y (MERC 1500 LONG)
65	12-71143A1		1	WASHER, THRUST - BEARING CARRIER TO GEAR HOUSING
66	30-31265		1	BEARING, BALL - REVERSE GEAR
67	25-29976		1	"O" RING, BEARING CARRIER
68	73800A1		1	BEARING CARRIER ASSEMBLY (IDENTIFIED BY CASTING #73800)
	52132A1		1	BEARING CARRIER ASSEMBLY (IDENTIFIED BY CASTING 352132)
69	31-30956		1	BEARING, ROLLER - BEARING CARRIER

CONTINUED ON NEXT PAGE ➡

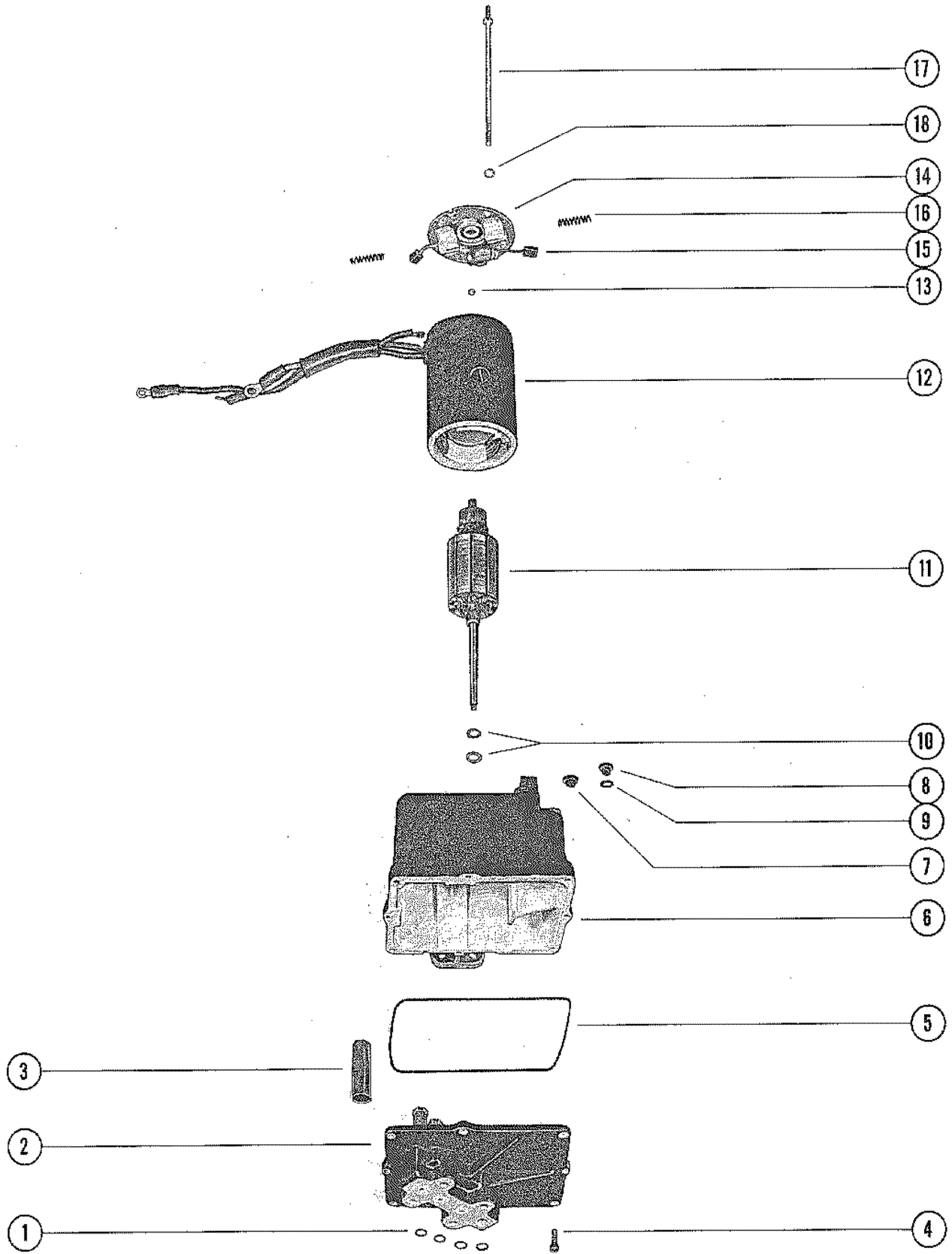
GEAR HOUSING ASSEMBLY, COMPLETE (PAGE 2)



GEAR HOUSING ASSEMBLY, COMPLETE (PAGE 2)

REF. NO.	PART NO.	SYM.	QTY.	DESCRIPTION
70	26-76868		2	OIL SEAL, BEARING CARRIER
-	25-32546		1	"O" RING, BEARING CARRIER (USE WITH A73800A1 ONLY)
71	28-30281		1	KEY, LOCATING - BEARING CARRIER
72	14-52700		1	TAB WASHER, GEAR HOUSING COVER
73	52699		1	COVER, GEAR HOUSING
74	31640A1		1	TRIM TAB, GEAR HOUSING
75	10-66024		1	SCREW, TRIM TAB TO GEAR HOUSING (1 3/4")
76	12-45176		2	WASHER, GEAR HOUSING TO DRIVE SHAFT HOUSING STUDS
77	11-34933		2	NUT, GEAR HOUSING TO DRIVE SHAFT HOUSING STUDS
78	10-65210		1	SCREW, GEAR HOUSING TO DRIVE SHAFT HOUSING (1")
79	46961A1		1	THRUST HUB AND WASHER ASSEMBLY UNITED STATES 3751849 AND BELOW AUSTRALIA 8013389 AND BELOW CANADA 7024372 AND BELOW
80	12-29590		1	WASHER, CUPPED - THRUST HUB UNITED STATES 3751849 AND BELOW AUSTRALIA 8013389 AND BELOW CANADA 7024372 AND BELOW
79	65091		1	THRUST HUB UNITED STATES 3751850 AND UP AUSTRALIA 8013390 AND UP CANADA 7024373 AND UP
81	12-31211		1	WASHER, SPLINED - PROPELLER NUT
82	14-31210		1	TAB WASHER, PROPELLER NUT
83	11-52707		1	NUT, PROPELLER INCLUDED ON ALL GEAR HOUSING ASSEMBLIES, COMPLETE

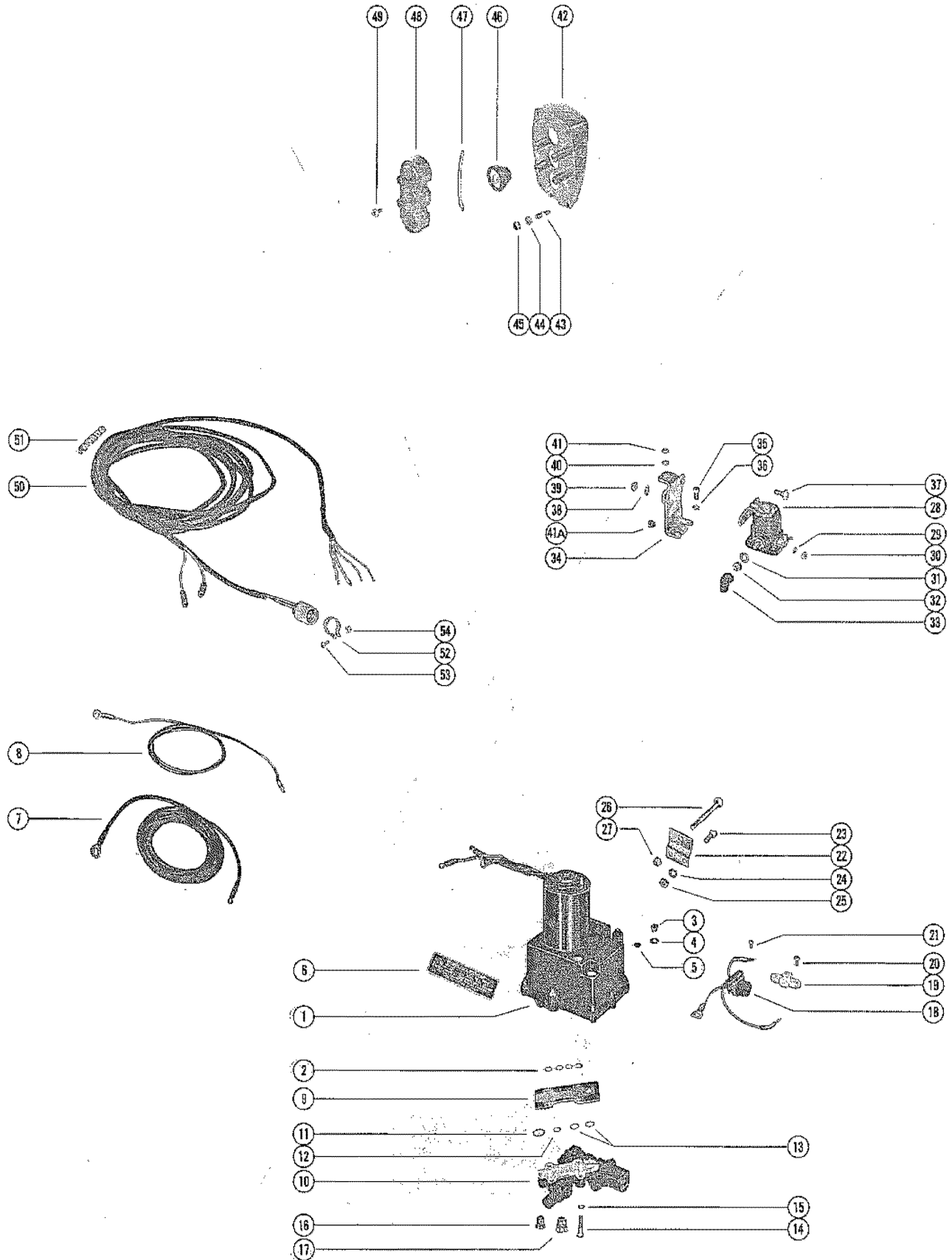
HYDRAULIC PUMP ASSEMBLY



HYDRAULIC PUMP ASSEMBLY

REF. NO.	PART NO.	SYM.	QTY.	DESCRIPTION
-	64461A4		1	HYDRAULIC PUMP ASSEMBLY, COMPLETE
1	25-21720		4	"O" RING, HYDRAULIC PUMP
2	392-2936		1	VALVE BODY AND GEAR ASSEMBLY
3	392-2618		2	CAN, VALVE BODY
4	10-20411		8	SCREW, VALVE BODY TO RESERVIOR (5/8")
5	392-2937		1	SEAL, RESERVIOR TO VALVE BODY AND GEAR
6	392-2939		1	RESERVIOR ASSEMBLY
7	10-38257		1	SCREW, VENT - HYDRAULIC PUMP
8	10-28634		1	SCREW, FILLE - HYDRAULIC PUMP
9	12-20260		1	WASHER, SEALING - FILLER SCREW
10	392-2623		AR	WASHER, THRUST - ARMATURE
11	392-2943		1	ARMATURE, FIELD AND FRAME
12	392-2942		1	FIELD AND FRAME ASSEMBLY
13	392-2944		1	BALL, COMMUTATOR END PLATE
14	392-2940		1	PLATE ASSEMBLY, COMMUTATOR END
15	392-2941		1	BRUSH SET, COMMUTATOR END PLATE
16	392-2529		1	SPRING SET, BRUSH TENSION
17	392-2938		1	BOLT SET, THRU - PLATE AND FRAME TO RESERVOIR
18	13-26996		2	LOCKWASHER, THRU BOLT

HYDRAULIC PUMP AND CONTROL PANEL

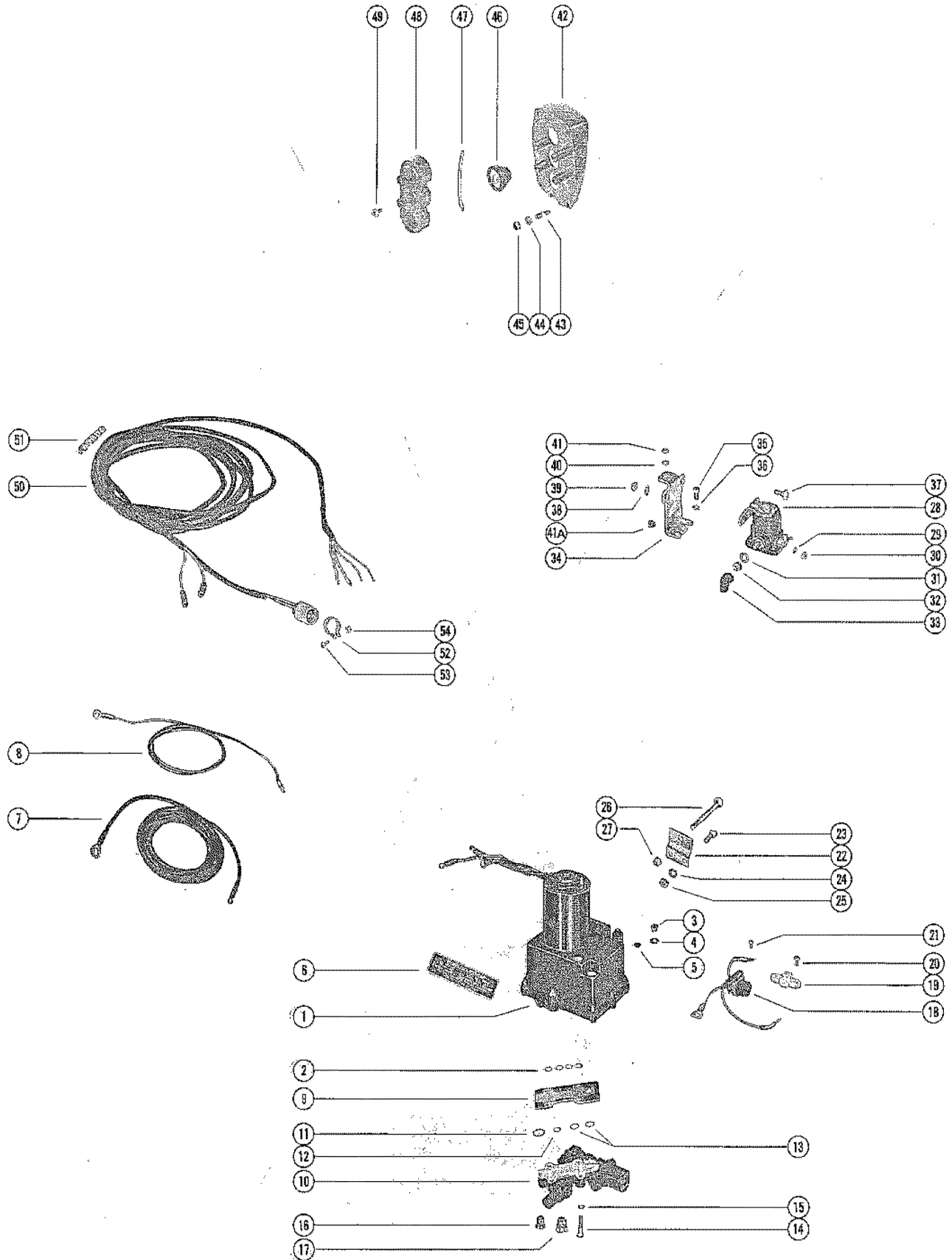


HYDRAULIC PUMP AND CONTROL PANEL

REF. NO.	PART NO.	SYM.	QTY.	DESCRIPTION
1	64461A4		1	HYDRAULIC PUMP ASSEMBLY
2	25-21720		4	"O" RING, HYDRAULIC PUMP TO MANIFOLD PLATE
3	10-28634		1	SCREW, FILLER - HYDRAULIC PUMP
4	12-20260		1	WASHER, SEALING - HYDRAULIC PUMP FILLER SCREW
5	10-38257		1	SCREW, VENT - HYDRAULIC PUMP
6	37-55901		1	DECAL, INSTRUCTION - HYDRAULIC PUMP
7	32979		1	BATTERY LEAD (POSITIVE)
8	32988		1	BATTERY LEAD (NEGATIVE)
9	45336		1	PLATE, MANIFOLD
10	45197A2		1	CONTROL VALVE ASSEMBLY
-	25-21720		4	"O" RING, HYDRAULIC PUMP TO MANIFOLD PLATE
11	25-45254		1	"O" RING, CONTROL VALVE TO MANIFOLD PLATE (3/4"O.D.)
12	25-21720		1	"O" RING, CONTROL VALVE TO MANIFOLD PLATE (1/2"O.D.)
13	25-45253		2	"O" RING, CONTROL VALVE TO MANIFOLD PLATE (5/8"O.D.)
14	10-56500		4	SCREW, CONTROL VALVE AND MANIFOLD PLATE TO HYDRAULIC PUMP (1 1/4")
15	13-26992		4	LOCKWASHER, CONTROL VALVE AND MANIFOLD PLATE SCREW
16	22-38609		2	PLUG, CONTROL VALVE (3/8-24")
17	22-46008		2	PLUG, CONTROL VALVE (1/2-20")
18	45325		1	CONNECTOR AND HARNESS
19	45559		1	TERMINAL BLOCK, HYDRAULIC PUMP
20	10-35519		2	SCREW, TERMINAL BLOCK TO HYDRAULIC PUMP (1/2")
21	10-30663		2	SCREW, HARNESS LEADS TO TERMINAL BLOCK (3/8")
22	45377		2	BRACKET, MOUNTING - HYDRAULIC PUMP TO BOAT
23	10-24234		4	SCREW, MOUNTING BRACKET TO HYDRAULIC PUMP (1")
24	13-39107		4	LOCKWASHER, MOUNTING BRACKET SCREW
25	11-21908		4	NUT, MOUNTING BRACKET SCREW
26	10-28009		2	BOLT, HYDRAULIC PUMP TO BOAT (3 1/4")
27	11-35304		2	NUT, HYDRAULIC PUMP BOLT
28	25661		1	STARTER SOLENOID
29	13-26996		2	LOCKWASHER, STARTER SOLENOID TERMINAL (#10)
30	11-20645		2	NUT, STARTER SOLENOID TERMINAL (#10)
31	13-26993		2	LOCKWASHER, STARTER SOLENOID TERMINAL (5/16")
32	11-20083		2	NUT, STARTER SOLENOID TERMINAL (5/16")
33	46265		2	BOOT, RUBBER - STARTER SOLENOID TERMINAL
34	45321		1	BRACKET, MOUNTING - STARTER SOLENOID
35	10-21140		2	SCREW, MOUNTING BRACKET TO HYDRAULIC PUMP (1/2")
36	13-26992		2	LOCKWASHER, MOUNTING BRACKET SCREW
37	10-34290		2	SCREW, STARTER SOLENOID TO MOUNTING BRACKET (5/8")
38	13-26992		2	LOCKWASHER, STARTER SOLENOID SCREW

CONTINUED ON NEXT PAGE ➡

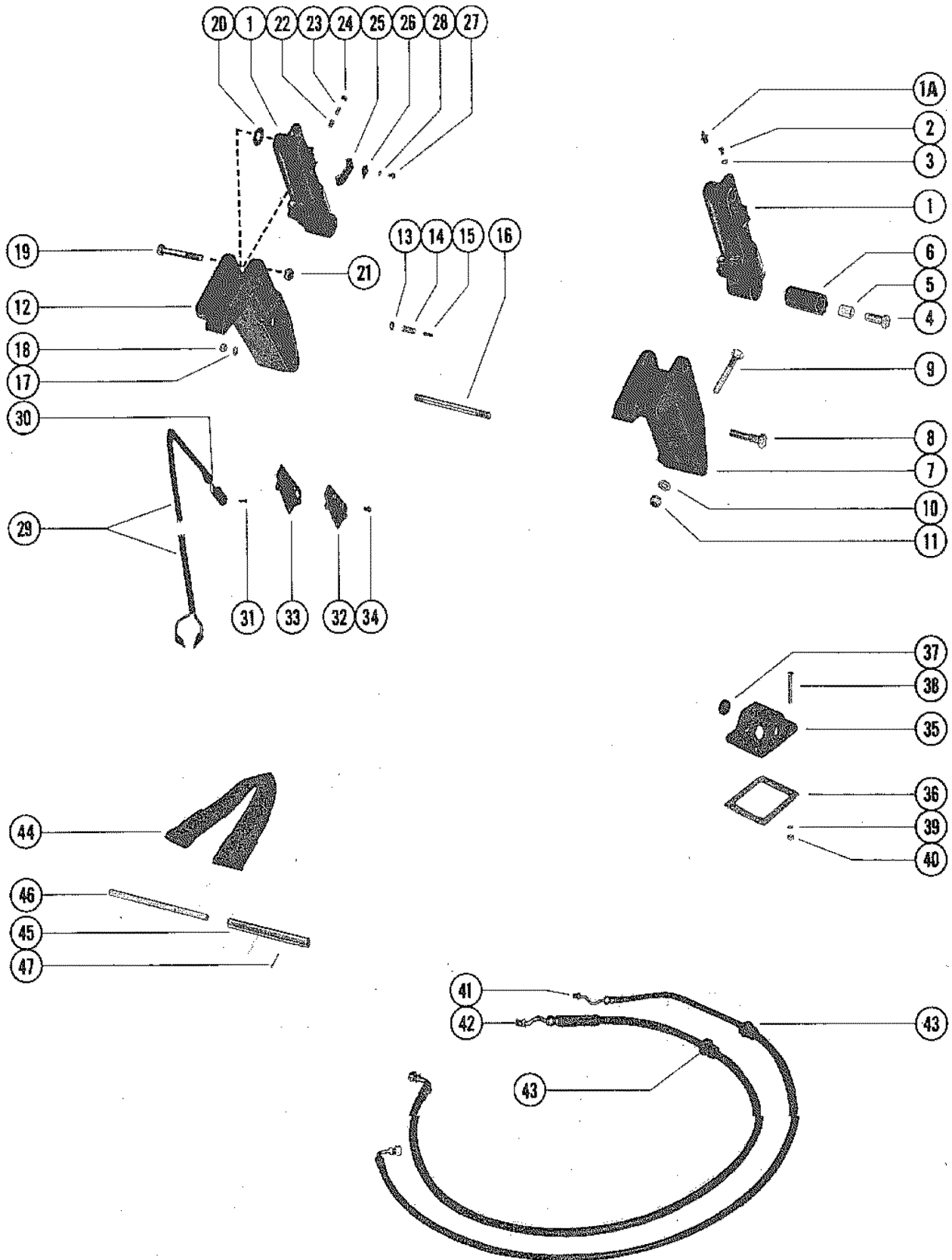
HYDRAULIC PUMP AND CONTROL PANEL



HYDRAULIC PUMP AND CONTROL PANEL

REF. NO.	PART NO.	SYM.	QTY.	DESCRIPTION
39	11-21825		2	NUT, STARTER SOLENOID SCREW
40	13-27660		1	LOCKWASHER, HYDRAULIC PUMP THRU BOLT
41	11-20645		1	NUT, MOUNTING BRACKET TO HYDRAULIC PUMP THRU BOLT
41A	49342		1	BUMPER, RUBBER - SOLENOID BRACKET
-	55642A7		1	CONTROL PANEL ASSEMBLY, COMPLETE
42	55642A1		1	PANEL, CONTROL
43	16-55422		4	STUD, CONTROL PANEL TO BAOT (2")
44	12-24676		4	WASHER, CONTROL PANEL STUD
45	11-27164		4	NUT, CONTROL PANEL STUD
46	55738A1		3	SWITCH, PUSH BUTTON - CONTROL PANEL
47	48078		1	JUMPER WIRE, PUSH BUTTON SWITCH (RED - 3-1/4")
	53107		1	JUMPER WIRE, PUSH BUTTON SWITCH (PURPLE - 3")
48	55641		1	RETAINER, PUSH BUTTON SWITCH
49	10-62568		4	SCREW, SWITCH RETAINER TO CONTROL PANEL (3/8")
50	45341-20		1	HARNESS, CONTROL PANEL (20 FEET)
51	33865		1	BINDER, NYLON - CONTROL PANEL HARNESS
52	54-46770		1	CLAMP, HARNESS FASTENING
53	10-29227		1	SCREW, HARNESS FASTENING CLAMP (1/2")
54	11-34388		1	NUT, HARNESS FASTENING SCREW

TRIM CYLINDERS AND HYDRAULIC HOSES

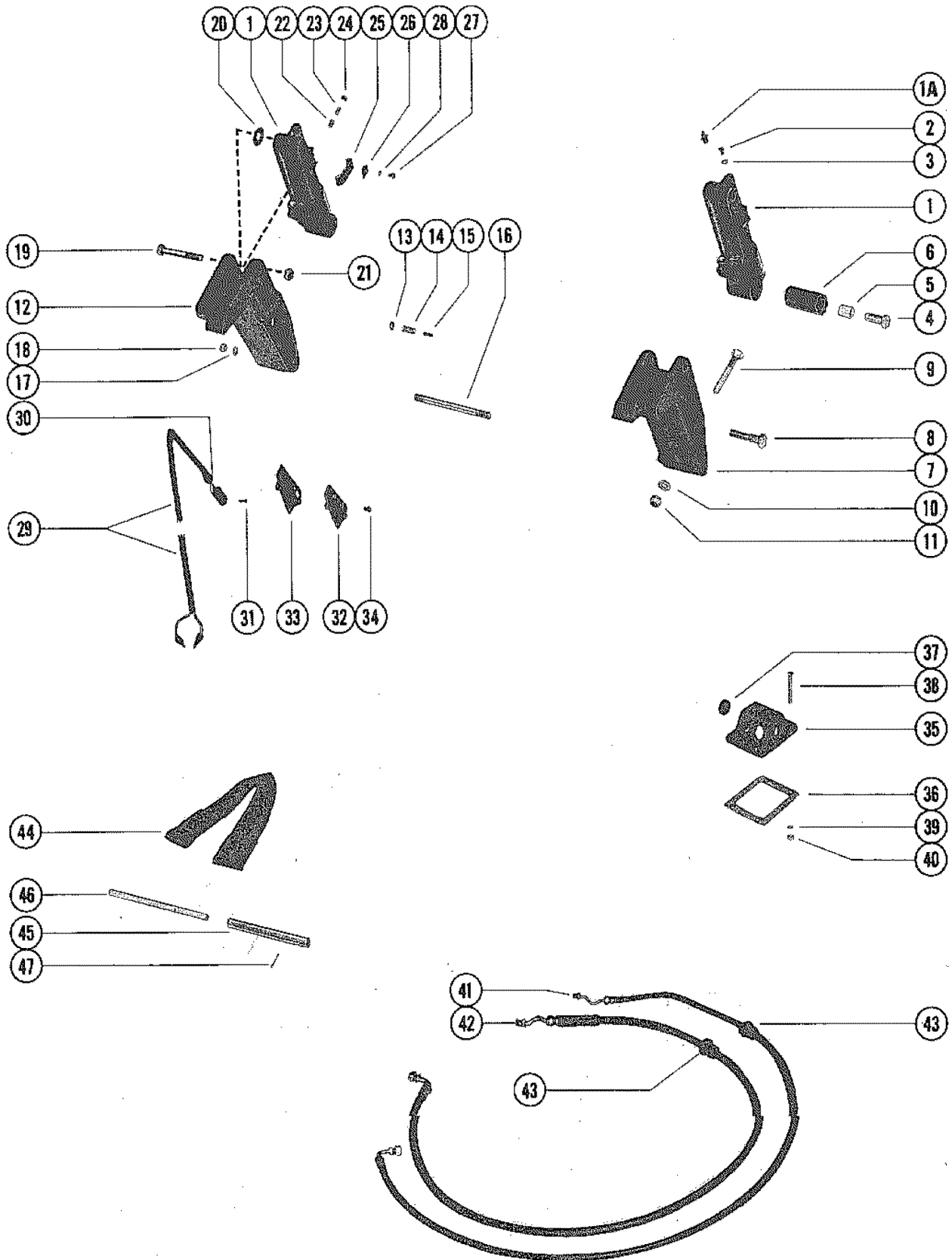


TRIM CYLINDERS AND HYDRAULIC HOSES

REF. NO.	PART NO.	SYM.	QTY.	DESCRIPTION
1	45194A18		2	TRIM CYLINDER ASSEMBLY SEE PAGE 49 FOR REPAIR KIT BREAKDOWN UNITED STATES 4403387 THRU 4602011
	76509A3		2	TRIM CYLINDER ASSEMBLY SEE PAGE 49 FOR REPAIR KIT BREAKDOWN UNITED STATES 4602012 AND UP CANADA 7093038 AND UP
1A	22-74036		2	FITTING, GREASE SEE PAGE 49 FOR REPAIR KIT BREAKDOWN UNITED STATES 4602012 AND UP CANADA 7093038 AND UP
2	10-45265		4	SCREW, BLEED - SHOCK CYLINDER
3	25-45016		4	"O" RING, SHOCK CYLINDER BLEED SCREW
4	10-45264		2	SCREW, SHOCK CYLINDER TO LOWER SHOCK PIN (1 9/16")
5	23-45280		2	SPACER, SHOCK CYLINDER - LOWER
6	23-45281		2	BUSHING, RUBBER - SHOCK CYLINDER
7	66084		1	BRACKET, MOUNTING - SHOCK CYLINDER (PORT)
8	10-45263		2	SCREW, MOUNTING BRACKET TO UPPER SHOCK PIN (2 1/4")
9	10-68298		6	BOLT, MOUNTING BRACKET TO BOAT TRANSOM (3 1/4")
10	12-68410		6	WASHER, MOUNTING BRACKET BOLT
11	11-68411		6	NUT, MOUNTING BRACKET BOLT
12	45196A2		1	BRACKET ASSEMBLY, MOUNTING - SHOCK CYLINDER (STARBOARD)
13	26-70608		1	OIL SEAL, STARBOARD MOUNTING BRACKET
14	45286		1	PLUNGER, LIMIT SWITCH ACTUATING
15	24-45272		1	SPRING, TENSION - LIMIT SWITCH PLUNGER
16	16-45282		1	STUD, MOUNTING BRACKET AND CLAMP BRACKET
17	13-26993		2	LOCKWASHER, MOUNTING BRACKET TO CLAMP BRACKET STUD
18	11-28770		2	NUT, MOUNTING BRACKET TO CLAMP BRACKET STUD
19	10-45328		2	SCREW, SHOCK CYLINDER TO MOUNTING BRACKET (3 9/16")
20	12-37807		1	WASHER, SHOCK CYLINDER SCREW (STARBOARD ONLY)
21	11-20696		2	NUT, SHOCK CYLINDER SCREW
22	24-24390		1	SPRING, TENSION - ADJUSTING STUD
23	16-21085		1	STUD, ADJUSTING - CUT-OUT LIMIT SWITCH (15/16")
24	11-45812		1	NUT, JAM - LIMIT SWITCH ADJUSTING STUD
25	45508		1	CAM, LIMIT SWITCH ADJUSTING STUD
26	45509		1	PLATE, RETAINING - LIMIT SWITCH CAM
27	10-68513		1	SCREW, RETAINING PLATE AND CAM TO SHOCK CYLINDER (3/8")
28	13-26996		1	LOCKWASHER, RETAINING PLATE AND CAM SCREW
29	45326A2		1	SWITCH ASSEMBLY, CUT-OUT LIMIT
30	23-45354		1	BUSHING, RUBBER - CUT-OUT LIMIT SWITCH
31	10-47255		2	SCREW, CUT-OUT LIMIT SWITCH TO MOUNTING BRACKET (9/16")
32	45287		1	COVER, LIMIT SWITCH
33	27-45275		1	GASKET, LIMIT SWITCH COVER
34	10-24942		5	SCREW, LIMIT SWITCH COVER TO MOUNTING BRACKET (7/16")

CONTINUED ON NEXT PAGE ➡

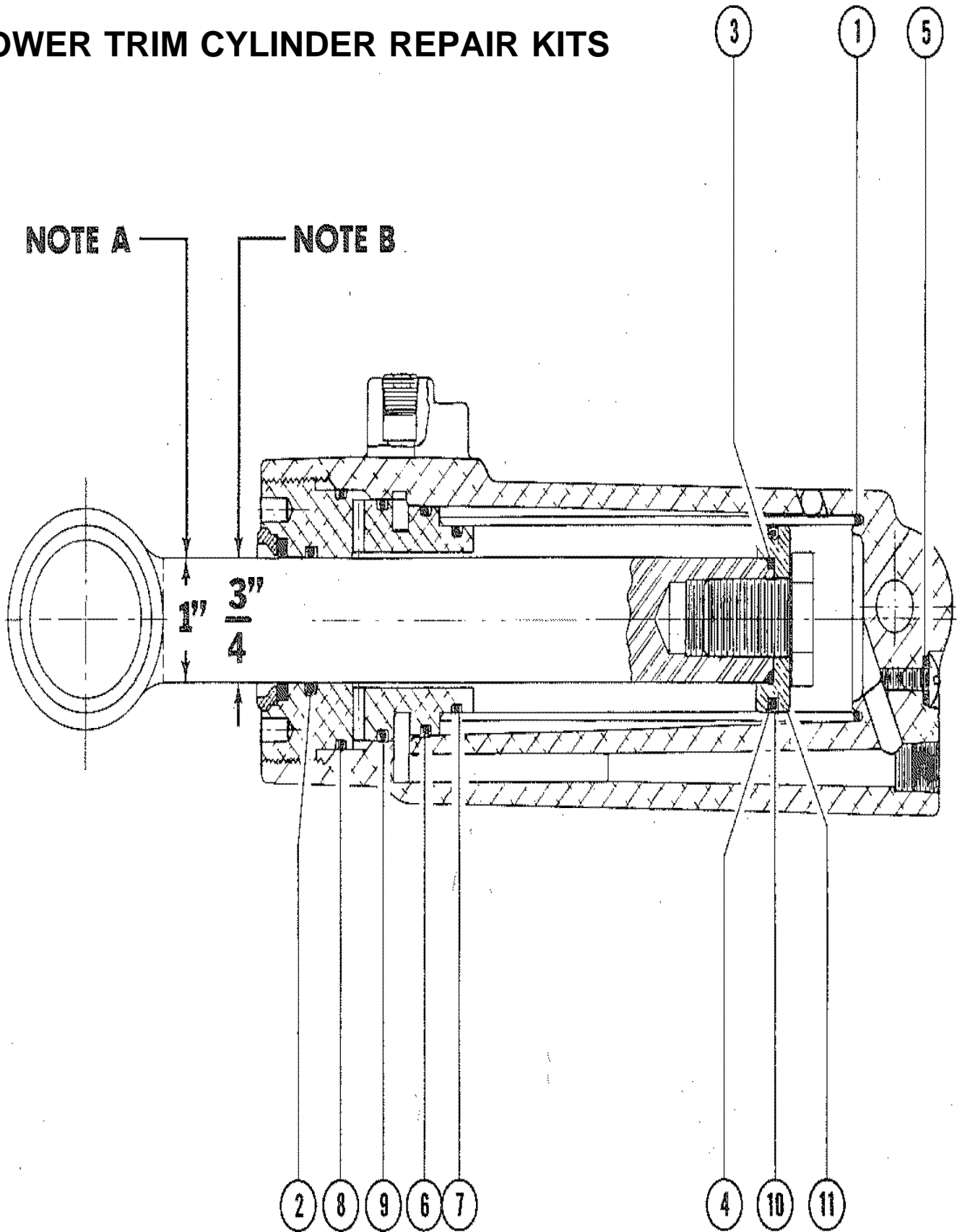
TRIM CYLINDERS AND HYDRAULIC HOSES



TRIM CYLINDERS AND HYDRAULIC HOSES

REF. NO.	PART NO.	SYM.	QTY.	DESCRIPTION
35	45289		1	COVER, INLET - TRANSOM
36	27-45274		1	GASKET, INLET COVER
37	25-45507		1	GROMMET, RUBBER - INLET COVER
38	10-32866		4	SCREW, INLET COVER TO BOAT (2")
39	12-20878		4	WASHER, INLET COVER SCREW
40	11-29488		4	NUT, INLET COVER SCREW
41	32-45327		2	HOSE, TRIM - CYLINDER TO CONTROL VALVE (5') - 13/32" O.D.
42	32-45959		2	HOSE, LIFT - CYLINDER TO CONTROL VALVE (5') - 17/32" O.D.
43	23-35977		4	GROMMET, RUBBER - LIFT HOSE AND TRIM HOSE
44	73519A1		1	TILT STOP
45	63441		1	TUBE, MOUNTING-TILT STOP UNITED STATES 3752619 AND BELOW AUSTRALIA 8013419 AND BELOW CANADA 7024372 AND BELOW
46	17-63442		1	PIN, MOUNTING TUBE UNITED STATES 3752619 AND BELOW AUSTRALIA 8013419 AND BELOW CANADA 7024372 AND BELOW
45	69259		1	TUBE, MOUNTING - TILT STOP UNITED STATES 4121435 THRU 4319879 AUSTRALIA 8028040 THRU 8034895 CANADA 7048783 THRU 7067284
46	69258		1	PIN, MOUNTING TUBE UNITED STATES 4121435 THRU 4319879 AUSTRALIA 8028040 THRU 8034895 CANADA 7048783 THRU 7067284
47	18-36391		1	COTTER PIN, MOUNTING TUBE PIN UNITED STATES 4121435 THRU 4319879 AUSTRALIA 8028040 THRU 8034895 CANADA 7048783 THRU 7067284
-	48664A1		1	REPAIR KIT (SEE NOTE A ABOVE)

POWER TRIM CYLINDER REPAIR KITS



POWER TRIM CYLINDER REPAIR KITS

REF. NO.	PART NO.	SYM.	QTY.	DESCRIPTION
1	N.S.S.		1	"O" RING (1 1/2" X 1 5/8" X 1/16")
2	N.S.S.		1	"O" RING (1" X 1 3/16" X 3/32")
3	N.S.S.		1	"O" RING (7/8" X 1" X 1/16")
4	N.S.S.		1	"O" RING (1 1/4" X 1 7/16" X 1/16")
5	N.S.S.		2	"O" RING (7/32" X 11/32" X 1/16")
6	N.S.S.		1	"O" RIG (1 5/8" X 1 13/16" X 1/8")
7	N.S.S.		1	"O" RING (1 5/16" X 1 1/2" X 1/8")
8	N.S.S.		1	"O" RING (1 7/8" X 2" X 1/8")
9	N.S.S.		1	"O" RING (1 3/4" X 1 5/16" X 1/8")
10	N.S.S.		1	SEAL, SLIPPER - PISTON
11	N.S.S.		1	PISTON, ROD - STANDARD
-	64507A1		1	REPAIR KIT (SEE NOTE B ABOVE)
1	N.S.S.		1	"O" RING (1 1/2" X 1 5/8" X 1/16")
2	N.S.S.		1	"O" RING (3/4" X 15/16" X 1/8")
3	N.S.S.		1	"O" RING (5/8" X 3/4" X 1/16")
4	N.S.S.		1	"O" RING (1 1/4" X 1 7/16" X 1/16")
5	N.S.S.		2	"O" RING (7/32" X 11/32" X 1/16")
6	N.S.S.		1	"O" RING (1 5/8" X 1 13/16" X 1/8")
7	N.S.S.		1	"O" RING (1 5/16" X 1 1/2" X 1/8")
8	N.S.S.		1	"O" RING (1 7/8" X 2" X 1/8")
9	N.S.S.		1	"O" RING (1 3/4" X 1 15/16" X 1/8")
10	N.S.S.		1	SEAL, SLIPPER - PISTON
11	N.S.S.		1	PISTON, ROD - HEAVY DUTY

PARTS INDEX

Part Number	Description	Pg.	Ref. No.	Part Number	Description	Pg.	Ref. No.
20121	CONNECTOR, SPARK PLUG LEAD	11	--	30624	SLIDE, CROSS PIN	95	53
20140	BELT, TIMING	19	57	30625	FOLLOWER, CAM	95	52
22789	"D" WASHER, FUEL LINE CLIP SCREW	33	16	30664	TUBE, TILT - CLAMP BRACKET TO SWIVEL BRACKET	73	4
22833	ADAPTOR, CHECK UNIT (FUEL LINE)	39	33	31014	MOUNT, RUBBER - REAR SUPPORT BRACKET	3	21
23004	RETAINER, CHECK VALVE	33	6	31089	STRIP, SOUND ABSORBING	7	7
23004	RETAINER, CHECK VALVE	39	9	31640A1	TRIM TAB, GEAR HOUSING	99	74
23069	STEM, CHECK UNIT	41	34	32197	STOP, SPARK ADVANCE - DISTRIBUTOR HOUSING	17	2
25067	BUMPER, RUBBER - LOWER MOUNTING SCREW	81	28	32435	PLATE, FACE - WATER PUMP BASE TO WATER PUMP BODY	89	21
25596	CABLE, WIRE - STARTER MOTOR TO FRONT SUPPORT BRACKET	21	20	32979	BATTERY LEAD (POSITIVE)	103	7
25661	SOLENOID, STARTER	21	28	32988	BATTERY LEAD (NEGATIVE)	103	8
25661	STARTER SOLENOID	103	28	33865	BINDER, NYLON - CONTROL PANEL HARNESS	105	51
25996A1	SWIVEL ADN LINK ROD ASSEMBLY - 3 PIECE (SEE PHOTO)	17	10	35474	COVER, LOWER MOUNT CLAMP	81	37
26113	RACE, OUTER (PAIR)	57	10	35496	PAD, BUMPER - TOP COWL RETAINER	3	3
26901	BUMPER, RUBBER - STARTER SOLENOID	23	31	35608	CLAMP, LOWER MOUNT TO DRIVE SHAFT HOUSING	81	34
27947	SWIVEL, LINKAGE - ECONOMIZER COLLAR	17	9	35769	SEAL, SOUND ABSORBING - UPPER	7	9
27948	SWIVEL, UPPER LINK ROD TO THROTTLE CONTROL LEVER	17	13	37417	COVER, TRIM - DRIVE SHAFT HOUSING	79	5
28203	BUMPER, STEERING ARM	71	17	37419	YOKE, BOTOM	69	15
28205	STRAP STOP, DRIVE SHAFT HOUSING TO SWIVEL BRACKET	69	11	37440	BRACKET, MOUNT SUPPORT - CYLINDER BLOCK	53	28
28403A3	THUM SCREW ASSEMBLY	73	2	37445	SUPPORT, WIRING HARNESS - BOTTOM COWL	61	10
29359	LUBRICAP, SWIVEL BRACKET GREASE FITTING	69	8	37587	SWIVEL, LOWER - THROTTLE CONTROL LEVER TO THROTTLE CABLE	17	22
29787	HUB, FLYWHEEL PULLEY	9	10	37637	BOOT, FUEL CONNECTOR - BOTTOM COWL	61	9
29788	FLANGE, FLYWHEEL PULLEY	9	8	37639	MOUNT, RUBBER - TOP COWL FRAME	3	18
29906A1	DRIVEN PULLEY ASSEMBLY	19	52	37640	MOUNT, RUBBER - SUPPORT BRACKET	5	34
29907	FLANGE, DRIVEN PULLEY	19	54	37641	SEAL, EXHAUST TUBE	91	37
30021	BLANKET, SOUND ABSORBING - NON LOUVERED	7	14	37700	ROD, LINK - UPPER - 3 PIECE (SEE PHOTO)	17	12
30186	ADAPTOR, CHECK UNIT (FUEL LINE)	33	25	37896	GUIDE BLOCK, LINK ROD	63	32
30186	ADAPTOR, CHECK UNIT (FUEL LINE)	39	33	37918	SEAL, EXHAUST EXTENSION PLATE	65	3
30187	STEM, CHECK UNIT ADAPTOR	33	26	37940	PAD, SOUND - DRIP TRAY	61	3
30187	STEM, CHECK UNIT ADAPTOR	39	34	38032	STRIP, RETAINING - EXHAUST EXTENSION PLATE SEAL	65	4
30188	CUP WASHER, ADAPTOR	33	29	38051	PLATE, SUPPORT - EXHAUST TUBE SEAL	91	38
30188	CUP WASHER, ADAPTOR	41	37	38279	LATCH, CONTROL CABLE FASTENING - ANCHOR BRACKET	63	34
30306	PULLEY, FLYWHEEL	9	9				
30413	HOOK, COWL LATCH FASTENING - LOUVERED	7	20				
30413	HOOK, COWL LATCH FASTENING - NON LOUVERED	7	13				

PARTS INDEX

Part Number	Description	Pg.	Ref. No.	Part Number	Description	Pg.	Ref. No.
38675	BLANKET, SOUND ABSORBING	7	8	46785A1	COWL LATCH ASSEMBLY - LOUVERED	7	19
39019	SPACER, LOWER - REVERSE LOCKING	91	45	46933A2	GROUND STRAP ASSEMBLY, TRIM COVER SCREW	79	6B
39021	CAM, REVERSE LOCKING ..	91	46	46933A3	GROUND STRAP ASSEMBLY, EXHAUS COVER	55	36
39519	CAP, BARREL RETAINER - ANCHOR BRACKET	63	25	46961A1	THRUST HUB AND WASHER ASSEMBLY	99	79
39616	BOOT, CONTROL CABLES - BOTTOM COLW	61	6	47341A1	ROPE, STARTER (FOR MANUAL STARTING ONLY)	3	9
39618	LEVER, NYLON - SHIFT CABLE LOCKING	63	26	47398	BRACKET, REAR - WIRE RETAINER	13	32
39667	COVER, NYLON - SHIFT CABLE	63	28	47558	ROD,PUSH - REVERSE LOCK (LONG SHAFT) ...	81	15
45194A18	TRIM CYLINDER ASSEMBLY	107	1	47559	YOKE, PUSH ROD	81	17
45196A2	BRACKET ASSEMBLY, MOUNTING - SHOCK CYLINDER (STARBOARD)	107	12	47591	ROD, PUSH - REVERSE LOCK (SHORT SHAFT) ..	81	15
45197A2	CONTROL VALVE ASSEMBLY	103	10	47799A1	TILT LOCK ASSEMBLY, STARBOARD	75	21
45286	PLUNGER, LIMIT SWITCH ACTUATING	107	14	47800A1	TILT LOCK ASSEMBLY, PORT	75	22
45287	COVER, LIMIT SWITCH	107	32	47802	TUBE, TILT LOCK	75	23
45289	COVER, INLET - TRANSOM	109	35	48047A1	LINK ROD ASSEMBLY	61	20
45321	BRACKET, MOUNTING - STARTER SOLENOID ...	103	34	48078	JUMPER WIRE, PUSH BUTTON SWITCH (RED - 3-1/4")	105	47
45325	CONNECTOR AND HARNESS	103	18	48152	SHUTTER, CHOKE - CARBURETOR	25	25
45326A2	SWITCH ASSEMBLY, CUT-OUT LIMIT	107	29	48203	ROD, CHOKE	25	22
45336	PLATE, MANIFOLD	103	9	48396	CABLE, WIRE - STARTER MOTOR TO SOLENOID ..	23	34
45341-20	HARNESS, CONTROL PANEL (20 FEET)	105	50	48664A1	REPAIR KIT (SEE NOTE A ABOVE)	109	-
45377	BRACKET, MOUNTING - HYDRAULIC PUMP TO BOAT	103	22	48666A1	ADAPTOR ASSEMBLY, DISTRIBUTOR	17	35
45391	SPACER, RUBBER - HIGH TENSION LEADS	13	34	48671	PLATE, THROTTLE ACTUATOR	17	28
45392	BRACKET, FRONT - WIRE REAINER	13	31	48692	COLLAR, THROTTLE ACTUATOR	17	24
45392	BRACKET, FRONT - WIRE RETAINER	13	31	48752	INSERT, WATER PUMP BODY	89	24
45409	WIRE RETAINER, HGIH TENSION LEADS	13	30	49342	BUMPER, RUBBER - SOLENOID BRACKET ...	105	41A
45508	CAM, LIMIT SWITCH ADJUSTING STUD	107	25	49589	STRAP, CHOKE KNOB TO CHOKE ROD	25	19
45509	PLATE, RETAINING - LIMIT SWITCH CAM	107	26	52023	CAP, NYLON - ACTUATOR COLLAR ADJUSING SCRW	17	27
45559	TERMINAL BLOCK, HYDRAULIC PUMP	103	19	52023	NYLON - STOP BRACKET ADJUSTING SCREW	19	46
45559	TERMINAL BLOCK, STATOR LEADS	21	13	52100	WEAR PLATE, LINK ROD ..	63	33
46096	MOUNT, RUBBER - TOP COWL FRAME (HEAVY DUTY)	3	18	52132A1	BEARING CARRIER ASSEMBLY (IDENTIFIED BY CASTING 352132) ...	97	68
46265	BOOT, RUBBER - STARTER SOLENOID TERMINAL ...	103	33	52518	CLUSTER, THROTTLE LEVER (UPPER CARBUREOTR)	25	7
46265	BOOT, SOLENOID TERMINAL	23	37	52699	COVER, GEAR HOUSING ..	99	73
46785A1	COWL LATCH ASSEMBLY - NON LOUVERED	7	12				

PARTS INDEX

Part Number	Description	Pg.	Ref. No.	Part Number	Description	Pg.	Ref. No.
52732	BRACKET, ANCHOR - CONTROL CABLES	63	24	56703	COLLAR, RUBBER - STARTER MOTOR MOUNT	21	24
52733A9	RETAINER ASSEMBLY, TOP COWL	3	2	56849	KNOB, COWL FRONT COVER FASTENING	7	2
52737	LEVER, COWL LATCH HINGE	3	11	57247	STOP, RUBBER - STARTER MOTOR	21	22
52739	HINGE, COWL LATCH - TOP COWL	3	10	57602	WIRE, GROUND - DIST. ADAPTOR TO FRONT BRACKET	19	40
52769	WIRING HARNESS, INTERNAL	21	1	58124A4	SWITCH, MERCURY	47	22
52862A2	DRIP TRAY ASSEMBLY, BOTTOM COWL	61	2	58454	CAM, THROTTLE ACTUATOR PLATE	17	33
52887	GUIDE, PUSH ROD - REVERSE LOCKING	81	14	58807A1	FLAME ARRESTOR, VENT - DISTRIBUTOR CAP	11	23
52889	NOZZLE, TELL TALE HOSE TO BOTTOM COWL	61	14	58807A1	FLAME ARRESTOR, VENT - DISTRIBUTOR HOUSING	11	7
53078	CAP, PLASTIC - TILT TUBE	73	7	59071	COVER, FUEL INLET	39	12
53107	JUMPER WIRE, PUSH BUTTON SWITCH (PURPLE - 3")	105	47	59757	BRACKET, COIL LEAD RETAINER	25	13
53334	SEAL, SOUND ABSORBING - TOP	7	10	60096	BOOT, HIGH TENSION CABLE	11	21
53417	GROUND STRAP ASSEMBLY, DISTRIBUTOR TO CRANKCASE	11	5	60096	BOOT, SPARK PLUG LEAD TO DISTRIBUTOR	11	28
53665	INSERT, THROTTLE COUPLING	25	12	60304A15	SHIFT SHAFT ASSEMBLY, UPPER (SHORT SHAFT)	61	17
53720A2	THROTTLE PICK-UP BRACKET ASSEMBLY	25	10	60304A16	SHIFT SHAFT ASSEMBLY, UPPER (LONG SHAFT)	61	17
54196A6	CARRIER ASSEMBLY, "O" RING	57	5	60304A44	SHIFT SHAFT ASSEMBLY, UPPER (LONG SHAFT)	61	17
54283A1	PLUNGER AND LINK ASSEMBLY, CHOKE SOLENOID	25	6	60304A45	SHIFT SHAFT ASSEMBLY, UPPER (SHORT SHAFT)	61	17
54293A4	CHOKE SOLENOID	25	1	60431	COVER, EXHAUST MANIFOLD	53	20
54346	CAM, SHIFT	95	51	60435	TUBE, EXHAUST - - LONG SHAFT	79	8
54567	DISTRIBUTOR HOUSING	19	50	60437	MEGAPHONE, EXHAUST	67	19
54942	SCREW, COWL - LOWER - LOUVERED	7	17	60478	LEVER, THROTTLE CONTROL	17	14
54943	SCREEN, COWL - UPPER - LOUVERED	7	16	60909	SEAL, EXHAUST TUBE	91	37
55156A5	FUEL PUMP ASSEMBLY	33	1	60910	PLATE, SUPPORT - EXHAUST TUBE SEAL	91	38
55278A1	DIAPHRAGM KIT	33	3	62301	COVER, TRANSFER (TOP AND MIDDLE)	53	30
55455	HOOK, TOP COWL LATCH - REAR	3	13	62351A1	RECTIFIER ASSEMBLY	23	38
55641	RETAINER, PUSH BUTTON SWITCH	105	48	62497	BRACKET, SUPPORT - DRIVE SHAFT -LONG SHAFT	81	40
55642A1	PANEL, CONTROL	105	42	62863	TUBE, EXHAUST - - SHORT SHAFT	79	8
55642A7	CONTROL PANEL ASSEMBLY, COMPLETE	105	--	62978	COVER, TRANSFER (BOTTOM)	53	30
55692	COUPLING, SHIFT SHAFT	61	19	63194	PAD, RUBBER - IGNITION COIL	15	8
55738A1	SWITCH, PUSH BUTTON - CONTROL PANEL	105	46	63195	COVER, IGNITION COIL	15	9
55804A1	ECONOMIZER COLLAR ASSEMBLY	17	6	63441	TUBE, MOUNTING-TILT STOP	109	45
55805	BRACKET, STOP	19	41	63473	TUBE, CUSHION - SHOCK PIN (USED WITH FULL POWER TRIM)	75	20
56029	COVER, STARTER MOTOR BRACKET-TOP	43	9				

PARTS INDEX

Part Number	Description	Pg.	Ref. No.	Part Number	Description	Pg.	Ref. No.
64165A1	PLATE ASSEMBLY, EXHAUT			70679	COVER, UPER AND LOWER		
	EXTESNION	65	1		SHOCK MOUNTING PIN	77	42
64461A4	HYDRAULIC PUMP			70692	REVERSE LOCK ASSEMBLY	75	27
	ASSEMBLY	103	1	71808	COVER, WATER JACKET -		
64461A4	HYDRAULIC PUMP				CYLINDER BLOCK	53	13
	ASSEMBLY, COMPLETE	101	-	73519A1	TILT STOP	109	44
64507A1	REPAIR KIT (SEE NOTE B			73755A1	KNOB, CHOKE ROD	25	17
	ABOVE)	111	-	73800A1	BEARING CARRIER		
64944	COVER, WATER JACKET -				ASSEMBLY (IDENTIFIED		
	CYLINDER BLOCK	51	13		BY CASTING #73800)	97	68
64954	BRACKET, TOP COWL			73984	YOKE, BOTTOM	71	15
	SUPPORT - REAR	3	20	74257A3	PLATE ASSEMBLY, DRIVE		
64979A3	BRACKET ASSEMBLY, TOP				SHAFT HOUSING	67	15
	COWL - FRONT	5	29	75043	CAP, THUMB SCREW	73	3
65091	THRUST HUB	99	79	75296	MOUNT, RUBBER - UPPER		
65369	TUBE, EXHAUST - - LONG				(LONG SHAFT)	81	20
	SHAFT	79	8	75297	MOUNT, RUBBER - UPPER		
65370	TUBE, EXHAUST - - SHORT				(SHORT SHAFT)	81	20
	SHAFT	79	8	75299	MOUNT, RUBBER - LOWER		
65609A2	FRAME ASSEMBLY, TOP				(LONG SHAFT)	81	24
	COWL SUPPORT	3	16	75300	MOUNT, RUBBER -LOWER		
65638	BOOT, EXHASUT TUBE	79	8A		(SHORT SHAFT0	81	24
65799	LINK, LOCKING LEVER TO			75778	PLATE, BAFFLE - EXHAUST		
	COVER	63	29		MANIFOLD	53	18
65800	PACKING, CARRIER	57	6	75971A1	FRAME ASSEMBLY, TOP		
66084	BRACKET, MOUNTING -				COWL SUPPORT	3	16
	SHOCK CYLINDER (PORT)	107	7	76062A1	SHAFT ASSEMBLY, SHIF -		
66094	COVER, TRANSFER				LOWER	91	39
	(BOTTOM)	53	30	76367	POINTER, TIMING	53	33
66096A1	PLATE ASSEMBLY,			76369	SPACER, BOTTOM COWL		
	EXHASUT EXTENSION	65	1		(COWL FRONT COVER)	61	7
66098A2	PLATE ASSEMBLY, DRIVE			76370	SHIELD, TOP COWL - REAR	3	6
	SHAFT HOUSING	67	15	76385	TILT LOCK ASSEMBLY,		
66165A2	ADAPTOR ASSEMBLY,				PORT	75	22
	DISTRIBUTOR	17	35	76386	TILT LOCK ASSEMBLY,		
66336	BUMPER, RUBBER - DRIVE				STARBOARD	75	21
	SHAFT HOUSING (SHORT			76387	TUBE, TILT LOCK	75	23
	SHAFT)	81	29	76509A3	TRIM CYLINDER ASSEMBLY	107	1
66517	RESTSRICITION,			76867	COVER, STARTER MOTOR		
	CRANKCASE BLEED	43	3		BRACKET-BOTTOM	45	13
66530A2	FUEL PUMP ASSEMBLY	39	1	77103A3	BRACKET ASSEMBLY, TOP		
66575	BASE, FUEL PUMP	39	16		COWL - FRONT	5	29
66599A1	DIAPHRAGM ASSEMBLY	39	3	N.S.S.	"O" RIG (1 5/8" X 1 13/16" X		
67469	ROD LINK - UPPER(1				1/8")	111	6
	PIECE)-SEE PHOTO	17	12A	N.S.S.	"O" RING (1 1/2" X 1 5/8" X		
69190	PLATE, COIL MOUNTING	15	17		1/16")	111	1
69205	"D" WASHER, CLIP			N.S.S.	"O" RING (1 1/2" X 1 5/8" X		
	FASTENING SCREW	9	16		1/16")	111	1
69205	"D" WASHER, FUEL LINE			N.S.S.	"O" RING (1 1/4" X 1 7/16" X		
	CLIP SCREW	39	28		1/16")	111	4
69205	"D" WASHER, WIRING			N.S.S.	"O" RING (1 1/4" X 1 7/16" X		
	HARNESS CLIP SCREW	21	12		1/16")	111	4
69214A1	THUMB SCREW ASSEMBLY	73	2	N.S.S.	"O" RING (1 3/4" X 1 15/16" X		
69234A2	BRACKET ASSEMBLY, TOP				1/8")	111	9
	COWL - FRONT	5	29	N.S.S.	"O" RING (1 3/4" X 1 5/16" X		
69240A2	FRAME ASSEMBLY, TOP				1/8")	111	9
	COWL SUPPORT	3	16	N.S.S.	"O" RING (1 5/16" X 1 1/2" X		
69258	PIN, MOUNTING TUBE	109	46		1/8")	111	7
69259	TUBE, MOUNTING - TILT			N.S.S.	"O" RING (1 5/16" X 1 1/2" X		
	STOP	109	45		1/8")	111	7

PARTS INDEX

Part Number	Description	Pg.	Ref. No.	Part Number	Description	Pg.	Ref. No.
N.S.S.	"O" RING (1 5/8" X 1 13/16" X 1/8")	111	6	10-23015	SCREW, UPPER CARB. FILTER SCREEN TO CARB. (1")	27	29
N.S.S.	"O" RING (1 7/8" X 2" X 1/8")	111	8				
N.S.S.	"O" RING (1 7/8" X 2" X 1/8")	111	8	10-24234	SCREW, ANCHOR BRACKET TO CYLINDER BLOCK (1")	63	30
N.S.S.	"O" RING (1" X 1 3/16" X 3/32")	111	2	10-24234	SCREW, BRACKET TO CYLINDER BLOCK (1")	53	29
N.S.S.	"O" RING (3/4" X 15/16" X 1/8")	111	2	10-24234	SCREW, MOUNTING BRACKET TO HYDRAULIC PUMP (1")	103	23
N.S.S.	"O" RING (5/8" X 3/4" X 1/16")	111	3				
N.S.S.	"O" RING (7/32" X 11/32" X 1/16")	111	5	10-24942	SCREW, LIMIT SWITCH COVER TO MOUNTING BRACKET (7/16")	107	34
N.S.S.	"O" RING (7/32" X 11/32" X 1/16")	111	5				
N.S.S.	"O" RING (7/8" X 1" X 1/16")	111	3	10-25299	SCREW, CHOKE SOLENOID (3/4")	25	4
N.S.S.	PISTON, ROD - HEAVY DUTY	111	11	10-25822	SCREW, STRAINER COVER FASTENING	29	18
N.S.S.	PISTON, ROD - STANDARD	111	11				
N.S.S.	SEAL, SLIPPER - PISTON	111	10	10-26132	SCREW, TOP COVER ATTACHING (2 1/2")	43	10
N.S.S.	SEAL, SLIPPER - PISTON	111	10				
10-20037	SCREW, RETAINER TO FUEL PUMP (1/4")	39	10	10-27281	SCREW, FUEL PUMP MOUNTING (1 3/8")	33	8
10-20037	SCREW, RETAINER TO HOUSING	33	7	10-27281	SCREW, FUEL PUMP MOUNTING (1 3/8")	33	8
10-20359	SCREW, CENTER MAIN BEARING LOCKING (1")	47	20	10-28009	BOLT, HYDRAULIC PUMP TO BOAT (3 1/4")	103	26
10-20362	SCREW, DISTRIBUTOR HOUSING TO CRANKCASE (1 1/2")	19	37	10-28200	SCREW, STOP TO DRIVE SHAFT HSG. (2 7/8" - LONG SHAFT)	69	12
10-20411	SCREW, VALVE BODY TO RESERVIOR (5/8")	101	4	10-28634	SCREW, FILLE - HYDRAULIC PUMP	101	8
10-20776	SCREW, GROUND WIRE TO BOTTOM COWL (1/2")	21	8	10-28634	SCREW, FILLER - HYDRAULIC PUMP	103	3
10-20847	SCREW, CLUSTER TO THROTTLE LEVER	25	8	10-28634	SCREW, GREASE FILLER AND VENT HOLE	91	47
10-20847	SCREW, THROTTLE STOP LEVER	29	19	10-28636	SCREW, DISTRIBUTOR ADAPTOR TO STOP BRACKET (3/4")	19	42
10-20847	SCREW, THROTTLE STOP LEVER	35	17	10-28636	SCREW, EXHAUST TUBE ATTACHING (3/4")	79	9
10-21091	SCREW, CYLINDER BLOCK COVER (1 1/8")	53	25	10-28636	SCREW, TIMING POINTER ATTACHING (3/4")	53	34
10-21140	SCREW, MOUNTING BRACKET TO HYDRAULIC PUMP (1/2")	103	35	10-28636	SCREW, TRANSFER COVER MOUNTING (3/4")	53	32
10-21449	SCREW, TOP COVER ATTACHING (2")	43	10	10-29227	SCREW, HARNESS FASTENING CLAMP (1/2")	105	53
10-21574	SCREW, CRANKCASE TO CYLINDER BLOCK (1 5/8")	45	17	10-29256	SCREW, LOWER MOUNT CLAMP TO DRIVE SHAFT HOUSING (7/8")	81	36
10-21625	SCREW, SOLENOID TO COIL BRACKET (3/4")	21	29	10-29722	SCREW, COVER TO LOWER CLAMP MOUNT (5/8")	81	39
10-21937	SCREW, LOWER SHOCK PIN - LONG SHAFT	75	32	10-29794	SCRWE, SWITCH BOX (3/8")	21	17
10-22040	SCREW, DISTRIBUTOR HOUSING TO CRANKCASE (1 1/2")	19	37	10-30225	SCREW, END CAP MOUNTING (1")	51	12
10-22523	SCREW, LOWER CARB. FITLER SCREEN TO CARB (3/4")	27	29	10-30225	SCREW, END CAP MOUNTING (1")	51	6
10-22956	SCREW, REAR HOOK TO TOP COWL (7/8")	3	14	10-30663	SCREW, FUEL LINE CLIP TO CYLINDER BLOCK (3/8")	33	15
				10-30663	SCREW, HARNESS LEADS TO TERMINAL BLOCK (3/8")	103	21

PARTS INDEX

Part Number	Description	Pg.	Ref. No.	Part Number	Description	Pg.	Ref. No.
10-30720	SCREW, WATER PUMP BODY TO GEAR HOUSING (2 1/4")	89	29	10-38257	SCREW, VENT - HYDRAULIC PUMP	101	7
10-31471	SCREW, ADAPTOR TO BOTTOM COWL (3 1/4")	33	30	10-38257	SCREW, VENT - HYDRAULIC PUMP	103	5
10-31471	SCREW, ADAPTOR TO BOTTOM COWL (3 1/4")	41	38	10-38398	SCREW, PLATE AND HUB TO FLEXIBLE PLATE (7/8")	9	6
10-31471	SCREW, COIL MOUNTING BRACKET (3 1/4")	15	4	10-38601	SCREW, SOLENOID TO COIL BRACKET (3/4")	21	29
10-31471	SCREW, SUPPORT TO BOTTOM COWL (3 1/4")	61	11	10-39767	SCREW, BOTTOM COVER ATTCHING (1 7/8")	45	14
10-32293	SCREW, CRANKCASE TO CYLINDER BLOCK (1 3/4")	45	17	10-45263	SCREW, MOUNTING BRACKET TO UPPER SHOCK PIN (2 1/4")	107	8
10-32293	SCREW, CRANKCASE TO CYLINDER BLOCK (1 3/4")	45	17	10-45264	SCREW, SHOCK CYLINDER TO LOWER SHOCK PIN (1 9/16")	107	4
10-32417	SCREW, FLEXIBLE PLATE TO FLYWHEEL (5/8")	9	5	10-45265	SCREW, BLEED - SHOCK CYLINDER	107	2
10-32866	SCREW, INLET COVER TO BOAT (2")	109	38	10-45328	SCREW, SHOCK CYLINDER TO MOUNTING BRACKET (3 9/16")	107	19
10-33473	SCREW, BOTTOM COVER ATTACHING (2 5/8")	45	14	10-45775	SCREW, MAIN BEARING CLAMPING (9/16")	57	17
10-33473	SCREW, CRANKCASE TO CYLINDER BLOCK (2 5/8")	45	17	10-47255	SCREW, CUT-OUT LIMIT SWITCH TO MOUNTING BRACKET (9/16")	107	31
10-34290	SCREW, STARTER SOLENOID TO MOUNTING BRACKET (5/8")	103	37	10-47828	SCREW, DRIVE - SWIVEL BRACKET	69	6
10-35519	SCREW, TERMINAL BLOCK TO HYDRAULIC PUMP (1/2")	103	20	10-48408	SCREW, DRIP TRAY TO BOTTOM COWL (1/2")	61	4
10-37370	SCREW, COVER TO FUEL PUMP (5/8")	39	13	10-48408	SCREW, TELL TALE NOZZLE TO BOTTOM COWL (1/2")	61	15
10-37370	SCREW, SHIELD TO TOP COWL (5/8")	3	7	10-48409	SCREW, SUPPORT BRACKET ATTACHING (5/8") -LONG SHAFT	81	41
10-37558	SCREW, RETAINER TO TOP COWL (1 1/4")	3	4	10-48591	SCREW, SPACER TO BOTTOM COWL (1/2")	61	8
10-37559	SCREW, THROTTLE LEVER TO EXHAUST COVER (1 3/4")	17	18	10-48591	SCREW, STRAP TO CHOKE KNOB (1/2")	25	20
10-37562	SCREW, REAR BRACKET TO BOTTOM COWL (1")	5	27	10-48591	SCREW, STRAP TO CHOKE ROD (1/2")	25	23
10-37562	SCREW, REAR BRACKET TO FRAME	5	24	10-48675	SCREW, ADJUSTING - THROTTLE ACTUATOR COLLAR (1 1/2")	17	25
10-37571	SCREW, SEAL AND RETAINING STRIP TO EXT. PLATE (1/2")	65	5	10-49318	SCREW, LOWER MOUNT (5 1/2")	81	25
10-37655	SCREW, COVER TO SHOCK MOUNTING SCREW	77	43	10-49554	BOLT, STEERING ARM TO UPPER MOUNT (5 7/8")	71	18
10-37656	SCREW, RECTIFIER TO FRONT BRACKET (5/8")	23	39	10-52195	SCREW, FLOAT BOWL COVER	35	13
10-37892	SCREW, THROTTLE ACTUATOR PLATE TO ECONOMIZER COLLAR (1")	17	29	10-52195	SCREW, FLOAT BOWL COVER	35	13
10-37941	SCREW, COIL MOUNTING BRACKET (1 3/4")	15	2	10-52195	SCREW, FLOAT BOWL COVER (SHORT)	29	10
10-37990	SCREW, ADAPTOR TO BOTTOM COWL (1 3/4")	33	30	10-52196	SCREW, FLOAT BOWL COVER (LONG)	29	11
10-37990	SCREW, ADAPTOR TO BOTTOM COWL (1 3/4")	41	38	10-53077	SCREW, UPPER NAD LOWER SHOCK MOUNTING PIN	77	41

PARTS INDEX

Part Number	Description	Pg.	Ref. No.	Part Number	Description	Pg.	Ref. No.
10-53556	SCREW, CYLINDER BLOCK COVER (1")	53	25	10-65210	SCREW, GEAR HOUSING TO DRIVE SHAFT HOUSING (1")	99	78
10-53556	SCREW, TRANSFER COVER MOUNTING (1")	53	32	10-65263	SCREW, REAR BRACKET TO FRAME (1")	3	24
10-53576	SCREW, MANIFOLD COVER MOUNTING (1 1/8")	53	21	10-65774	SCREW, DISTRIBUTOR CAP CLAMP (1 1/8")	11	16
10-54803	SCREW, CONNECTING ROD	57	28	10-66023	SCREW, ADAPTOR PLATE TO HOUSING PLATE (2")	65	8
10-55511	SCRW, BRACKET TO TOP COWL FRAME (1 1/2")	5	32	10-66023	SCREW, HOUSING PLATE TO DRIVE SHAFT HSG. (2")	65	10
10-56500	SCREW, CONTROL VALVE AND MANIFOLD PLATE TO HYDRAULIC PUMP	103	14	10-66024	SCREW, TRIM TAB TO GEAR HOUSING (1 3/4")	99	75
10-56743	SCREW, STOP TO DRIVE SHAFT HSG. (3 1/8") - SHORT SHAFT	69	12	10-66104	SCREW, THROTTLE BRACKET MOUNTING (3/4")	25	11
10-57807	SCREW, TRIM COVER TO BOTTOM COWL	79	6	10-66686	SCREW, FUEL PUMP TO BASE (1")	39	15
10-57841	SCREW, CRANKCASE TO CYLINDER BLOCK (2 3/4")	45	17	10-66687	SCREW, FUEL PUMP TO BOTTOM COWL (1 1/5")	39	17
10-60480	SCREW, MEGAPHONE TO DRIVE SHAFT HOUSING PALTE (1 1/8")	67	20	10-68298	BOLT, CLAMP BRACKET TO BOAT TRANSOM (LOWER)	73	13
10-62204	SCREW, REED STOP MOUNTING (1 3/8")	57	21	10-68298	BOLT, MOUNTING BRACKET TO BOAT TRANSOM (3 1/4")	107	9
10-62568	SCREW, FRONT AND REAR BRACKET ATTACHING (3/8")	13	33	10-68299	BOLT, CLAMP BRACKET TO BOAT TRANSOM (UPPER)	73	13
10-62568	SCREW, FUEL LINE CLIP (3/8")	39	27	10-68513	SCREW, RETAINING PLATE AND CAM TO SHOCK CYLINDER (3/8")	107	27
10-62568	SCREW, GROUND STRAP ATTACHING	79	6C	10-68554	SCREW, PULLEY CLAMPING (1/2")	19	56
10-62568	SCREW, GROUND STRAP ATTACHING (3/8")	11	6	10-69020	SCRW, WIRING HARNESS CLAMP TO BOTTOM COWL (7/8")	21	4
10-62568	SCREW, GROUND STRAP ATTACHING (3/8")	55	37	10-69029	SCREW, ADAPTOR TO BOTTOM COWL (1 3/4")	41	38
10-62568	SCREW, IGNITION COIL WIRE TO SWITCH BOX (3/8")	15	16	10-69029	SCREW, SUPPORT TO BOTTOM COWL (1 3/4")	61	11
10-62568	SCREW, MERCURY SWITCH LEAD	47	24	10-69035	SCRW, WIRE CABLE TO STARTER MOTOR (5/8")	21	21
10-62568	SCREW, STATOR LEAD CLIP FASTENING (3/8")	9	15	10-69046	SCREW, COIL TO CYLINDER BLOCK (2")	15	10
10-62568	SCREW, STATOR LEADS TO TERMINAL BLOCK (3/8")	21	14	10-69092	SCREW, BRACKET TO BOTTOM COWL (1 1/4")	5	30
10-62568	SCREW, SWITCH RETAINER TO CONTROL PANEL (3/8")	105	49	10-69235	SCREW, SWITCH TO FRONT MOUNTING BRACKET (1/2")	47	23
10-62568	SCREW, WIRING HARNESS TO FRONT BRACKET (3/8")	21	11	10-69267	SCREW, TOP COVER ATTACHING (1 3/4")	45	10
10-62644	SCREW, ADAPTOR PALTE ATTACHING (5/16")	65	8	10-69268	SCREW, BOTTOM COVER ATTACHING (1 7/8")	45	14
10-63136	SCREW, STATOR TO UPPER END CAP (7/8")	9	13	10-69375	SCREW, UPPER AND LOWER SHOCK MOUNTING PIN	77	41
10-64022	SCREW, STOP BRACKET ADJUSTING (2 1/8")	19	44	10-69762	SCREW, TOP COVER ATTACHING (1 3/8")	45	10
10-64278	SCREW, COIL BRACKET (1")	25	14	10-71908	SCREW, BRACKET TO BOTTOM COWL (1 1/2")	5	30
10-64278	SCREW, RECTIFIER TO MOUNTING BRACKET (1")	23	39				

PARTS INDEX

Part Number	Description	Pg.	Ref. No.	Part Number	Description	Pg.	Ref. No.
10-73649A1	THUM SCREW ASSEMBLY	73	2	11-34933	NUT, GEAR HOUSING TO DRIVE SHAFT HOUSING STUDS	99	77
10-73657	SCREW, CRANKCASE TO CYLINDER BLOCK (1 1/2")	45	17	11-34933	NUT, STEERTING ARM BOLT FASTENING	71	19
10-76196	SCREW, STRAP TO CHOKE KNOB (USE WITH NYLON CHOKE KNOB)	25	20	11-34933	NUT, UPPER MOUNT BOLT	81	23
11-20083	NUT, DISTRIBUTOR HOUSING SCREW	19	39	11-35045	NUT, LINK ROD	63	22
11-20083	NUT, STARTER SOLENOID TERMINAL (5/16")	103	32	11-35045	NUT, WATER PUMP FASTENING SCREW	89	32
11-20110	NUT, CARBURETOR FILTER SCREEN FASTENING SCREW	27	31	11-35304	NUT, HYDRAULIC PUMP BOLT	103	27
11-20110	NUT, CHOKE SHUTTER TO CARBURETOR STUD	27	27	11-35521	NUT, LOWER MOUNT CLAMP COVER	81	38
11-20509	NUT, THROTTLE CONTROL LEVER SCREW	17	21	11-35888	NUT, RUBBER MOUNT TO TOP COWL FRAME	3	19
11-20645	NUT, MOUNTING BRACKET TO HYDRAULIC PUMP THRU BOLT	105	41	11-35888	NUT, THROTTLE CABLE TO LOWER SWIVEL	17	23
11-20645	NUT, STARTER SOLENOID TERMINAL (#10)	103	30	11-35888	NUT, UPPER LOINK ROD TO THROTTLE CONTROL LEVER	17	17
11-20645	NUT, WOLENOID TERMINAL	25	3	11-35921	NUT, PINION GEAR TO DRIVE SHAFT	85	10
11-20696	NUT, SHOCK CYLINDER SCREW	107	21	11-37424	NUT, BOTTOM YOKE ATTACHING	69	16
11-20890	NUT, STARTER MOTOR TERMINAL	21	27	11-45076	NUT, FASTENING - RECTIFIER STATOR LEADS	23	42
11-21825	NUT, STARTER SOLENOID SCREW	105	39	11-45076	NUT, IGNITION COIL TERMINAL (#10)	15	14
11-21908	NUT, MOUNTING BRACKET SCREW	103	25	11-45076	NUT, STATOR LEADS TO RECTIFIER	23	42
11-25096	NUT, LOWER MOUNT SCREW	81	27	11-45076	NUT, SWITCH BOX TERMINAL	21	16
11-25269	NUT, STOP FASTENING SCREW	69	13	11-45592	NUT, WATER PUMP BODY FASTENING STUD	89	34
11-26768	NUT, DISTRIBUTOR CAP CLAMP SCREW	11	17	11-45774	NUT, MAIN BEARING CLAMPING SCREW	57	18
11-27164	NUT, CONTROL PANEL STUD	105	45	11-45812	NUT, JAM - LIMIT SWITCH ADJUSTING STUD	107	24
11-28770	NUT, CLAMP BRACKET STUD	73	11	11-46438	NUT, STRAP TO CHOKE ROD SCREW	25	24
11-28770	NUT, MOUNTING BRACKET TO CLAMP BRACKET STUD	107	18	11-46793	NUT, CARBURETOR MOUNTING STUD	31	37
11-28770	NUT, RUBBER MOUNT	5	36	11-46793	NUT, COVER SCREW	43	12
11-29250	NUT, CRANKCASE SCREWS (LOWER)	47	19	11-46793	NUT, COVER SCREW	45	16
11-29488	NUT, INLET COVER SCREW	109	40	11-46793	NUT, CRANKCASE FASTENING SCREWS	45	19
11-29489	NUT, GEAR HOUSING AND DRIVE SHAFT HOUSING STUDS	81	32	11-46887	NUT, ADAPTOR FASTENING SCREW	33	31
11-29598	NUT, RUBBER MOUNT TO REAR SUPPORT BRACKET	3	23	11-46887	NUT, ADAPTOR FASTENING SCREW	41	39
11-34388	NUT, HARNESS FASTENING SCREW	105	54	11-46887	NUT, BEARING CLAMPING SCREW	57	14
11-34932	NUT, POWERHEAD STUD	67	23	11-46887	NUT, CHOKE ROD SPRING TO CARBURETOR STUD	27	35
11-34933	NUT, GEAR HOSUING AND DRIVE SAHFT HOUSING STUDS	81	30	11-46887	NUT, COIL BRACKET SCREW	25	16
				11-46887	NUT, COIL MOUNTING BRACKET SCREW	15	6

PARTS INDEX

Part Number	Description	Pg.	Ref. No.	Part Number	Description	Pg.	Ref. No.
11-46887	NUT, LOWER SHOCK PN SCREW - LONG SHAFT . . .	75	33	12-22753	WASHER, BOTTOM COVER ATTACHING SCREWS . . .	45	15
11-46887	NUT, RECTIFIER MOUNTING SCREW	23	40	12-22753	WASHER, CRANKCASE SCREWS	47	18
11-46887	NUT, SUPPORT SCREW . . .	61	12	12-22753	WASHER, TOP COVER ATTACHING SCREWS . . .	43	11
11-46887	NUT, SWITCH BOX SCREW	21	19	12-24391	WASHER, STOP BRACKET ADJUSTING SCREW	19	44A
11-47661	NUT, JAM - PUSH ROD	81	16	12-24676	WASHER, CONTROL PANEL STUD	105	44
11-49091	NUT, CONNECTING ROD SCREW	57	29	12-25970	WASHER, POWERHEAD STUD	67	22
11-52707	NUT, PROPELLER	99	83	12-25970	WASHER, POWERHEAD STUDS	79	12
11-52901	NUT, FLYWHEEL TO CRANKSHAFT	57	2	12-27939	WASHER, DISTRIBUTOR HOUSING	19	47
11-52901	NUT, FLYWHEEL(PART OF 1-436-4842A3 CRANKSHAFT ASSEMBLY)	9	2	12-28196	WASHER, UPPER BUSHING RETAINER (INNER)	77	38
11-53153	NUT, REED STOP SCREW . .	57	22	12-28404	WASHER, THUMB SCREW . .	73	3
11-54209	NUT, ROTOR SHAFT TO DISTRIBUTOR HOUSING . .	11	2	12-28421	WASHER, UPPER AND LOWER BUSHING RETAINER (OUTER)	77	40
11-56041	NUT, TILT TUBE FASTENING	73	6	12-29245	WASHER, COIL BRACKET SCREW	25	15
11-60049	NUT, REAR BRACKET SCREW	3	25	12-29245	WASHER, MEGAPHONE SCREW	67	21
11-60049	NUT, SUPPORT BRACKET SCREW	5	31	12-29245	WASHER, THROTTLE CONTROL LEVER SWIVEL	17	16
11-64015	NUT, STOP BRACKET ADJUSTING SCREW	19	45	12-29245	WASHER, WATER PUMP BODY FASTENING SCREW AND STUD	89	31
11-64015	NUT, THROTTLE ACTUATOR COLLAR ADJUSTING SCREW	17	26	12-29395	WASHER, THROTTLE CONTROL LEVER SCREW	17	19
11-64278	SCRW, RECTIFIER TO MOUNTING BRACKET (1")	23	39	12-29590	WASHER, CUPPED - THRUST HUB	99	80
11-64484	NUT, UPPER LINK ROD ADJUSTING - 3 PIECE (SEE PHOTO)	17	11	12-30164	WASHER, COIL SCREW . . .	15	11
11-64809	NUT, CARBURETOR MOUNTING STUD	37	34	12-30164	WASHER, RECTIFIER SCREW	23	41
11-64809	NUT, DRIVE SHAFT HOUSING STUD	65	13	12-30164	WASHER, THROTTLE ACTUALTOR PLATE FASTENING SCREW	17	30
11-68219	NUT, SOLENOID TERMINAL (#10)	23	33	12-30164	WASHER, WIRING HARNESS CLAMP SCREW	21	6
11-68292	NUT, WOLENOID TERMINAL (5/16")	23	36	12-30771	WASHER, COVER FASTENING KNOB (RUBBER)	7	3
11-68411	NUT, CLAMP BRACKET BOLT	73	15	12-31211	WASHER, SPLINED - PROPELLER NUT	99	81
11-68411	NUT, MOUNTING BRACKET BOLT	107	11	12-31263	WASHER, UPPER MOUNT BOLT	81	21
11-69254	NUT, POWERHEAD STUDS (3/8-24)	79	11	12-31266	WASHER, RUBBER - SHIFT SHAFT BUSHING	91	44
12-20084	WASHER, DISTRIBUTOR HOUSING SCREW	19	38	12-33001	WASHER, FLYWHEEL NUT . .	9	3
12-20260	WASHER, GREASE FILLER AND VENT HOLE SCREW	91	48	12-34437	WASHER, DRIVES SHAFT HOUSING STUD	65	12
12-20260	WASHER, SEALING - FILLER SCREW	101	9	12-35462	WASHER, LINK ROD	61	21
12-20260	WASHER, SEALING - HYDRAULIC PUMP FILLER SCREW	103	4	12-35462	WASHER, STOP BRACKET FASTENING SCREW	19	43
12-20878	WASHER, INLET COVER SCREW	109	39	12-35462	WASHER, TIMING POINTER SCREW	53	35

PARTS INDEX

Part Number	Description	Pg.	Ref. No.	Part Number	Description	Pg.	Ref. No.
12-36001	WASHER, CLAMP BRACKET STUD	73	8A	13-26992	LOCKWASHER, CONTROL VALVE AND MANIFOLD PLATE SCREW	103	15
12-36001	WASHER, WATER PUMP BODY FASTENING STUD	89	33	13-26992	LOCKWASHER, EXHAUST TUBE SCREW	79	10
12-37807	WASHER, SHOCK CYLINDER SCREW (STARBOARD ONLY)	107	20	13-26992	LOCKWASHER, GROUND WIRE SCREW	21	9
12-45176	WASHER, GEAR HOUSING TO DRIVE SHAFT HOUSING STUDS	81	31	13-26992	LOCKWASHER, MOUNTING BRACKET SCREW	103	36
12-45176	WASHER, GEAR HOUSING TO DRIVE SHAFT HOUSING STUDS	81	33	13-26992	LOCKWASHER, REAR HOOK MOUNTING SCREW	3	15
12-45176	WASHER, GEAR HOUSING TO DRIVE SHAFT HOUSING STUDS	99	76	13-26992	LOCKWASHER, RUBBER MOUNT TO REAR SUPPORT BRACKET	3	22
12-46246	WASHER, ADAPTOR - DISTRIBUTOR HOUSING	17	34	13-26992	LOCKWASHER, STARTER MOTOR TERMINAL	21	26
12-47247	WASHER, NEEDLE LOCATING	59	31	13-26992	LOCKWASHER, STARTER SOLENOID FASTENING SCREW	23	30
12-47840	WASHER, RUBBER - UPPER MOUNT BOLT	81	22	13-26992	LOCKWASHER, STARTER SOLENOID SCREW	103	38
12-49221	WASHER, GEAR HOUSING FLUSHING HOLE PLUG	91	50	13-26992	LOCKWASHER, WATER PUMP BODY SCREW	89	30
12-49339	WASHER, LOWER MOUNT SCREW	81	26	13-26992	WASHER, BOTTOM COVER ATTACHING SCREWS	45	11
12-52864	WASHER, CLAMP BRACKET TILT TUBE	73	5	13-26993	LOCKWASHER, ADAPTOR PLATE SCREW	65	9
12-53540	WASHER, ECONOMIZER COLLAR - DISTRIBUTOR HOUSING	17	5	13-26993	LOCKWASHER, BRACKET SCREW	5	31
12-59378	WASHER, LOWER BUSHING RETAINER (INNER)	77	39	13-26993	LOCKWASHER, CHOKE SOLENOID SCREW	25	5
12-59572	WASHER, COVER FASTENING KNOB (PLASTIC)	7	4	13-26993	LOCKWASHER, CLAMP BRACKET STUD	73	10
12-68300	WASHER, CLAMP BRACKET BOLT (UPPER)	73	14	13-26993	LOCKWASHER, MOUNTING BRACKET TO CLAMP BRACKET STUD	107	17
12-68410	WASHER, CLAMP BRACKET BOLT (LOWER)	73	14	13-26993	LOCKWASHER, REAR BRACKET SCREW	5	26
12-68410	WASHER, MOUNTING BRACKET BOLT	107	10	13-26993	LOCKWASHER, REAR SUPPORT BRACKET SCREW	5	28
12-69342	WASHER, SWIVEL PIN - UPPER	69	4	13-26993	LOCKWASHER, RUBBER MOUNT	5	35
12-69374	WASHER, UPPER AND LOWER BUSHING RETAINER (OUTER)	77	40	13-26993	LOCKWASHER, SOLENOID TERMINAL (5/16")	23	35
12-69380	WASHER, SWIVEL PIN - LOWER	69	10	13-26993	LOCKWASHER, STARTER SOLENOID TERMINAL (5/16")	103	31
12-70132	WASHER, WATER JACKET COVER FASTENING SCREW	53	16	13-26993	LOCKWASHER, SUPPORT BRACKET SCREW	5	33
12-70988	WASHER, THUMB SCREW	73	3	13-26993	WASHER, BOTTOM COVER ATTACHING SCREWS	45	15
12-71143A1	WASHER, THRUST - BEARING CARRIER TO GEAR HOUSING	97	65	13-26994	LOCKWASHER, RETAINER SCREW	39	11
12-76388	WASHER, TILT LOCK (STARBOARD SIDE ONLY)	75	25B	13-26995	LOCKWASHER, FLOAT BOWL COVER SCREW	35	14
13-26992	LOCKWASHER, COIL MOUNTING BRACKET	15	3	13-26996	LOCKWASHER, WIRING HARNESS CLAMP SCREW	21	5
				13-26996	LOCKWASHER, IGNITION COIL TERMINAL (#10)	15	13

PARTS INDEX

Part Number	Description	Pg.	Ref. No.	Part Number	Description	Pg.	Ref. No.
13-26996	LOCKWASHER, RETAINING PLATE AND CAM SCREW	107	28	15-47248A1	SHIM, END CAP TO CRANKCASE (.002-3-5-10)	51	5
13-26996	LOCKWASHER, SOLENOID TERMINAL	25	2	15-55853	SHIM BALL BEARING TO DISTRIBUTOR HOUSING	11	8
13-26996	LOCKWASHER, SOLENOID TERMINAL (#10)	23	32	15-57007A1	SHIM, ROLLER BEARING TO WATER PUMP BASE	85	11
13-26996	LOCKWASHER, STARTER SOLENOID TERMINAL (#10)	103	29	16-21085	STUD, ADJUSTING - CUT-OUT LIMIT SWITCH (15/16")	107	23
13-26996	LOCKWASHER, STRAP SCRWS	25	21	16-30667	STUD, WATER PUMP BASE AND BODY TO GEAR HOUSING (3 1/8")	85	6
13-26996	LOCKWASHER, THROTTLE ACTUATOR PLATE FASTENING SCREW	17	31	16-34378	STUD, DIRVE SHAFT HOUSING PLATE (2 5/16")	79	4
13-26996	LOCKWASHER, THRU BOLT	101	18	16-39937	STUD, CHOKE ROD SPRING TO CARBURETOR (7/8")	27	33
13-27660	LOCKWASHER, HYDRAULIC PUMP THRU BOLT	105	40	16-45282	STUD, MOUNTING BRACKET AND CLAMP BRACKET	107	16
13-27959	WASHER, WAVE - DISTRIBUTOR BALL BEARING BEARING TENSION	19	49	16-52898	STUD, CARBURETOR - CHOKE SHUTTER PIVOT (1 1/8")	27	26
13-29720	WASHER, WAVE - LINK ROD	63	23	16-55422	STUD, CONTROL PANEL TO BAOT (2")	105	43
13-37371	LOCKWASHER, SHIELD SCREW	3	8	16-56295	STUD, DRIVE SHAFT HOUSING TO GEAR HOUSING (2 11/16")	79	2
13-39107	LOCKWASHER, MOUNTING BRACKET SCREW	103	24	16-56297	STUD, WATER PUMP BASE AND BODY TO GEAR HOUSING (3 3/8")	85	5
13-39107	LOCKWASHER, RETAINER TO TOP COWL SCREW	3	5	16-57920	STUD, GEAR HOUSING TO DRIVE SHAFT HOUSING (2 1/16")	85	4
13-39954	WASHER, WAVE - THROTTLE CONTROL LEVER SWIVEL	17	15	16-57921	STUD, GEAR HOUSING TO DRIVE SHAFT HOUSING (4")	85	3
13-69150	WASHER, WAVE - TILT LOCK	75	25	16-59625	STUD, CLAMP BRACKET (NOT USED WITH FULL POWER TRIM)	73	9
13-69150	WASHER, WAVE - TILT LOCK (STARBOARD SIDE ONLY) SER GROUP #19	75	25	16-64280	STUD, CARBURATOR MOUNTING (1 3/16")	43	4
14-20091	TAB WASHER, BEARING LOCKING SCREW	47	21	16-64281	STUD, CRANKCASE TO EXHAUST EXTENSION PLATE (1 7/8")	43	5
14-27960	TAB WASHER, ADAPTOR CAP FASENING	19	48	16-64282	STUD, CYLINDER BLOCK TO DRIVE SHAFT HSG. (4") - LONG SHAFT	43	8
14-31210	TAB WASHER, PROPELLER NUT	99	82	17-20032	DOWEL PIN, CENTER MAIN BEARING	57	8
14-52700	TAB WASHER, GEAR HOUSING COVER	99	72	17-20032	DOWEL PIN, MAIN BEARING	57	16
15-20085A1	SHIM, END CAP TO CRANKCASE (.002-3-5-10)	51	11	17-23784	DOWEL PIN, DRIVE SHAFT HOUSING PLATE	67	17
15-21148A1	SHIM, BALL BEARING TO SPACER	11	10	17-23784	DOWEL PIN, EXHAUST EXTENSION PLATE	65	6
15-29955A1	SHIM, THRUST WASHER TO GEAR HSG. (.002-3-5-10-20)	95	64	17-25598	PIN, RAVERSE LOCK SPRING (NOT USED WITH FULL POWER TRIM)	69	9
15-30278A1	SHIM, DRIVE SHAFT BALL BRG. TO GEAR HSG. (.002-3-5-10)	85	11	17-26618	PIN, DOWEL - PULLEY TO FLYWHEEL	9	7
15-30278A1	SHIM, WATER PUMP BASE TO GEAR HSG. (.002-3-5-10)	85	11	17-27961	PIN, ECONOMIZER COLLAR - SPRING RETAINER	17	7
15-30923A1	SHIM, BEARING OUTER RACE TO GEAR HSG. (.002-3-5-10)	95	55				

PARTS INDEX

Part Number	Description	Pg.	Ref. No.	Part Number	Description	Pg.	Ref. No.
17-27962	PIN, ANCHOR SPRING - DISTRIBUTOR HOUSING .	17	3	21-56011A2	CHECK VALVE ASSEMBLY .	47	30
17-29077	ROLL PIN, TENSION SPRING TO KNOB	7	6	21-56011A2	CHECK VALVE ASSEMBLY .	47	36
17-29908	PIN, ROLL - FLANGE LOCATING	19	53	22-20781	CHECK VALVE ASSEMBLY, END CAP	51	8
17-30632	PIN, CROSS - RATCHET TO PROPELLER SHAFT	95	60	22-20781	ELBOW, BALANCE HOSE . .	47	39
17-35973	DOWEL PIN, WATER PUMP BASE TO WATER PUMP BODY	89	19	22-20931	ELBOW, BALANCE HOSE TO MAIN BEARING SCRW . .	47	32
17-38311	PIN, COIL SPRING MOUNTING	73	18	22-25094	TEE, BALANCE HOSE	49	41
17-39023	PIN, PUSH ROD TO REVERSE LOCK	81	18	22-25094	FITTING, GREASE - DISTRIBUTOR ADAPTOR	19	36
17-46912	DOWEL PIN, GEAR HOUSING LOCATING . . .	85	2	22-25094	FITTING, GREASE - ECONOMIZER COLLAR . .	17	8
17-47175	PIN, LOCKING LEVER AND COVER FASTENING	63	27	22-25885	ELBOW, TELL TALE HOSE TO EXHAUST COVER . . .	61	16
17-47246	DOWEL PIN, STEPPED	57	12	22-29085	ELBOW, FUEL LINE TO CARBURETOR (45)	33	17
17-49840A1	SWIVEL PIN AND ARM ASSEMBLY (LONG SHAFT)	69	14	22-30174	ELBOW, UPPER CARBURETOR STRAINER COVER (90)	33	11
17-49841A1	SWIVEL PIN AND ARM ASSEMBLY (SHORT SHAFT) - YOKE IS ATTACHED	69	14	22-30175	SLEEVE, CARBURETOR STRAINER COVER ELBOW	33	12
17-49930A1	TILT LOCK PIN ASSEMBLY (NOT USED WIHT FULL POWER TRIM)	73	12	22-30175	SLEEVE, CARBURETOR STRAINER COVER ELBOW	33	12
17-54944	RIVET, SCREEEN ATTACHING - LOUVERED	7	18	22-30177	NUT, TOP AND BOTTOM PUMP FITTING	33	23
17-58998	PIN, TOLL - COWL LATCH LEVER TO HINGE	3	12	22-30177	NUT, UPPER CARBURETOR STRAINER COVER ELBOW	33	13
17-63442	PIN, MOUNTING TUBE	109	46	22-30468	FITTING, TOP AND BOTTOM PUMP	33	21
17-63779	PIN, DOWEL-CRANKCASE TO CYLINDER BLOCK . . .	43	6	22-32802	PLUG, PIPE - BOTTOM PUMP	33	9
17-63779	PIN, DOWWEL-DYLINDER BLOCK TO MAIN BEARING	43	7	22-32802	PLUG, PIPE - CYLINDER BLOCK COVER	53	27
17-73593A1	SWIVEL PIN AND ARM ASSEMBLY (LONG SHAFT)	71	14	22-32802	PLUG, PIPE - EXHUAST MANIFOLD COVER	53	22
17-73594A1	SWIVEL PIN AND ARM ASSEMBLY (SHORT SHAFT)	71	14	22-38609	PLUG, CONTROL VALVE (3/8-24")	103	16
18-25191	COTTER PIN, PUSH ROD PIN	81	19	22-46008	PLUG, CONTROL VALVE (1/2-20")	103	17
18-36391	COTTER PIN, MOUNTING TUBE PIN	109	47	22-63981	ELBOW, FUEL LINE TO ADAPTOR	39	24
18-45882	COTTER PIN, REVERSE LOCK TO SHAFT	75	30	22-64704	FITTING, ELBOW - LOWER CARBURETOR	39	31
18-47959	COTTER PIN, TILT LOCK . .	75	26	22-64704	FITTING, FUEL OUTLET . . .	39	14
19-45907	PLUG, FLYWHEEL PULLER THREADS	9	1	22-64704	FITTING, PULSE LINE (90) .	39	18
19-48750	PLUG, GEAR HOUSING FLUSHING HOLE	91	49	22-64706	FITTING, PULSE LINE TO TRANSFER COVER (90) . .	39	22
19-64649	PLUG, PLASTIC - TRIM TAB SCREW HOLE	79	3	22-65348	FITTING, TEE - CENTER CARBURETOR	39	30
21-30430A3	CHECK VALVE ASSEMBLY .	33	2	22-65349	TEE, BLEED HOSE TO CYLINDER BLOCK - LOWER	47	34
21-30430A7	CHECK VALVE ASSEMBLY .	39	2	22-65350	TEE, BLEED HOSE TO CYLINDER BLOCK - CENTER	47	33
					FITTING, UPPER CYLINDER BLEED	47	28

PARTS INDEX

Part Number	Description	Pg.	Ref. No.	Part Number	Description	Pg.	Ref. No.
22-65350A1	CHECK VALVE ASSEMBLY, BLEED HOSE	47	29	23-59624	SPACER, CLAMP BRACKET STUD	73	8
22-65350A2	CONNECTOR ASSEMBLY, BLEED HOSE - UPPER . .	47	35	23-62238--1	SLEEVE, SPARK PLUG LEAD (7")	11	28A
22-65670A1	CONNECTOR ASSEMBLY, BLEED HOSE - LOWER . .	47	38	23-69132	BUSHING, REVERSE LOCK PIVOT SHAFT	69	2
22-66328	FITTING, TEE - UPPER CARBURETOR	39	29	23-69341	BUSHING, SWIVEL BRACKET	69	3
22-67892	SCREW, DRAIN (MAGNETIC) - - QUANTITY IS 1	91	47	23-70412	SPACER, ROLLER BEARING TO WATER PUMP BASE .	85	11
22-69059	FITTING, GREASE - SWIVEL BRACKET	69	7	23-73203	SPACER, UPPER SHOCK BUSHING TO CLAMP BRACKET	77	37
22-74036	FITTING, GREASE	107	1A	24-20099	SPRING, LINK ROD TO GUIDE BLOCK	63	31
22-74036	FITTING, GREASE - SWIVEL BRACKET	69	7	24-23015	SCREW, UPPER CARB. FILTER SCREEN TO CARB. (1")	27	29
22-74036	FITTING, GREASE - SWIVEL BRACKET	69	7	24-23067	SPRING, ADAPTOR STEM .	41	35
23-26600	BUSHING, SHIFT SHAFT . . .	61	18	24-24390	SPRING, TENSION - ADJUSTING STUD	107	22
23-27132	BUSHING, NYLON - EXHAUST EXTENSION PLATE	65	2	24-27944	SPRING, HORSESHOE - DISTRIBUTOR HOUSING .	17	4
23-28198	BUSHING, RUBBER - SHOCK ABSORBER (LOWER) . . .	75	36	24-28659	SPRING, COIL - SWIVEL BRACKET	73	17
23-28199	SPACER, UPPER SHOCK BUSHING TO CLAMP BRACKET-SERIAL. GROUP #18	77	37	24-28975	SPRING, GARTER - INTERNAL WIRING HARNESS	21	7
23-28688	SPACER, RUBBER - COIL SPRING POSITIONING . .	73	19	24-29821	SPRING, REVERSE LOCK TENSION	75	28
23-29804	SLEEVE, GUIDE - WATER INLET TUBE	89	36	24-30189	SPRING, ADAPTOR STEM .	33	27
23-32171	BUSHING, RUBBER - SHOCK ABSORBER (UPPER)	75	35	24-30189	SPRING, ADAPTOR STEM .	39	35
23-32427	SPACER, CHOKE ROD SPRING STUD	27	34	24-30622	SPRING, COMPRESS - CAM FOLLOWER	95	54
23-35977	GROMMET, RUBBER - LIFT HOSE AND TRIM HOSE . .	109	43	24-30772	SPRING, TENSION - FASTENING KNOB	7	5
23-37448	OIL SEAL, SWIVEL BRACKET	69	5	24-30893	SPRING, RETAINING - CROSS PIN	95	61
23-45280	SPACER, SHOCK CYLINDER - LOWER	107	5	24-35522	SPRING, TENSION - LOWER MOUNT CLAMP	81	35
23-45281	BUSHING, RUBBER - SHOCK CYLINDER	107	6	24-45272	SPRING, TENSION - LIMIT SWITCH PLUNGER	107	15
23-45354	BUSHING, RUBBER - CUT- OUT LIMIT SWITCH	107	30	24-48230	SPRING, CHOKE ROD TENSION	27	32
23-45818	BUSHING, THROTTLE CONTROL LEVER SCREW	17	20	24-57818	SPRING, UPPER FILTER SCREEN SCREW	27	30
23-47250	SPACER, DRIVE PULLEY . .	19	51	24-68434	SPRING, PULSE LINE	39	19
23-47803	BUSHING, TILT LOCK	75	24	25-20116	GROMMET, CHOKE ROD . .	25	18
23-48674	SPACER, THROTTLE ACTUATOR PLATE SCREW	17	32	25-20415	"O" RING, ADAPTOR STEM .	33	28
23-52933	SPACER, COIL BRACKET TO BOTTOM COWL	15	5	25-20415	"O" RING, ADAPTOR STEM .	41	36
23-53538	SPACER, ROTOR SHAFT . .	11	11	25-21720	"O" RING, CONTROL VALVE TO MANIFOLD PLATE (1/2"O.D.)	103	12
23-53539	SLEEVE, ROTOR SHAFT . . .	11	3	25-21720	"O" RING, HYDRAULIC PUMP	101	1
23-55419A1	BUSHING ASSEMBLY, SHIFT SHAFT	91	42	25-21720	"O" RING, HYDRAULIC PUMP TO MANIFOLD PLATE	103	--
23-56774	SPACER, COLLAR TO TOP MOUNTING CAP	21	23				

PARTS INDEX

Part Number	Description	Pg.	Ref. No.	Part Number	Description	Pg.	Ref. No.
25-25439	"O" RING, SHIFT SHAFT BUSHING	91	41	27-32438	GASKET, WATER PUMP BASE TO GEAR HOUSING	87	14
25-26547	GROMMET, SPARK PLUG LEADS	13	29	27-33146	GASKET, WATER PUMP BASE TO GEAR HOUSING	87	14
25-26547	GROMMET, HIGH TENSION CABLE	11	19	27-45274	GASKET, INLET COVER	109	36
25-29976	"O" RING, BEARING CARRIER	97	67	27-45275	GASKET, LIMIT SWITCH COVER	107	33
25-30224	"O" RING, WATER PUMP BASE	87	15	27-48164	GASKET, CARBURETOR FLANGE	31	36
25-30271	RING, RUBBER - CENTRIFUGAL SLINGER (DRIVE SHAFT)	89	35	27-48164	GASKET, CARBURETOR FLANGE	37	33
25-32546	"O" RING, BEARING CARRIER (USE WITH A73800A1 ONLY)	99	--	27-53862	GASKET, CRANKCASE TO CYLINDER BLOCK	43	2
25-32546	"O" RING, END CAP	51	10	27-55896	GASKET, DISTRIBUTOR CAP	11	24
25-33145	"O" RING, WATER PUMP BASE	87	15	27-60475	GASKET, WATER JACKET COVER	51	14
25-45016	"O" RING, SHOCK CYLINDER BLEED SCREW	107	3	27-60476	GASKET, CYLINDER BLOCK TO BAFFLE PLATE	53	17
25-45253	"O" RING, CONTROL VALVE TO MANIFOLD PLATE (5/8"O.D.)	103	13	27-60476A73	GASKET SET (MOTOR OVERHAUL)	1	-
25-45254	"O" RING, CONTROL VALVE TO MANIFOLD PLATE (3/4"O.D.)	103	11	27-60476A74	GASKET SET (MOTOR OVERHAUL)	1	-
25-45507	GROMMET, RUBBER - INLET COVER	109	37	27-60476A75	GASKET SET (MOTOR OVERHAUL)	1	-
25-47254	"O" RING	51	4	27-60477	GASKET, BAFFLE PLATE TO EXHAUST MANIFOLD COVER	53	19
25-57806	GROMMET, PLASTIC - TRIM COVER SCREW	79	6A	27-60945	GASKET, PLATE TODRIVE SHAFT HSG. PLATE	65	11
25-62702	"O" RING, TILT LOCK	75	25C	27-62362	GASKET, MEGAPHONE TO DRIVE SHAFT HOUSING PLATE	67	18
26-22734	OIL SEAL, SWIVEL BRACKET (TILT LOCK)	75	25A	27-64173	GASKET, POWERHEAD TO EXTENSION PLATE	65	7
26-24590	OIL SEAL, SHIFT SHAFT HOUSING (LOWER)	91	43	27-64175	GASKET, PLATE TO DRIVE SHAFT HOUSING	79	13
26-29476	OIL SEAL, END CAP	51	3	27-64940	GASKET, CYLINDER BLOCK COVER	53	24
26-29476	OIL SEAL, END CAP	51	9	27-64941	GASKET, TRANSFER COVER	53	31
26-31249	OIL SEAL, SHIFT SHAFT HOUSING (UPPER)	91	43	27-66101	GASKET, POWERHEAD TO EXTENSION PLATE	65	7
26-31489	OIL SEAL, WATER PUMP BASE	89	17	27-66102	GASKET, PLATE TO DRIVE SHAFT HSG. PLATE	65	11
26-31507	OIL SEAL, WATER PUMP BASE	89	18	27-66335	GASKET, PLATE TO DRIVE SHAT HOUSING	81	13
26-38970	SEAL, RUBBER - WATER INLET TUBE	89	26	27-69238	GASKET, POWERHEAD TO EXTENSION PLATE	65	7
26-38970	SEAL, RUBBER - WATER INTAKE TUBE (DRIVE SHAFT HSG.)	67	16	27-72142	GASKET, WATER JACKET COVER	53	14
26-60898	SEAL, DRIVE SHAFT HOUSING PLATE	65	14	28-29910	KEY, DISTRIBUTOR DRIVER	19	55
26-70608	OIL SEAL, STARBOARD MOUNTING BRACKET	107	13	28-30281	KEY, LOCATING - BEARING CARRIER	99	71
26-76868	OIL SEAL, BEARING CARRIER	99	70	28-56654	KEY, IMPELLER DRIVE	89	28
27-32433	GASKET, LOWER - WATER PUMP BASE TO FACE PLATE	89	20	29-47270	BEARING, NEEDLE - PISTON PIN	59	30
				29-52168	BEARNG, NEEDLE - OUTER RACE	57	9

PARTS INDEX

Part Number	Description	Pg.	Ref. No.	Part Number	Description	Pg.	Ref. No.
30-26379	BALL BEARING, DISTRIBUTOR HOUSING (LOWER)	11	9	32-63146	PULSE LINE (3 1/4")	39	20
30-31265	BEARING, BALL - REVERSE GEAR	97	66	33-59599	SPARK PLUG (CHAMPION L- 77V)	11	25
30-62567	BEARING, BALL - UPPER . .	57	3	33-68057	SPARK PLUG (CHAMPION L- 76V)	11	25
30-63326	BEARING, BALL - DRIVE SHAFT	85	12	34-65312A1	REED SET, MATCHED - MAIN BEARING	57	19
30-63742	BEARING, BALL - LOWER . .	57	4	34-65319	REED STOP, MAIN BEARING REED VALVES	57	20
31-30894A1	TAPERED ROLLER BEARING ASSEMBLY	95	56	35-57819	SCREEN ASSEMBLY, FILTER - CARBURETOR . .	27	28
31-30895	BEARING ROLLER - FORWARD GEAR	95	57	35-59072	SCREEN, FILTER - INLET . .	39	8
31-30956	BEARING, ROLLER - BEARING CARRIER	97	69	37-55901	DECAL, INSTRUCTION - HYDRAULIC PUMP	103	6
31-32898	BEARING, ROLLER - DRIVE SHAFT	85	7	37-60204	DECAL, TIMING	3	17
31-62596A1	BEARING ASSEMBLY, CRANKPIN	57	27	37-64309A73	DECAL SET	1	-
31-69220	ROLLER BEARING, DRIVE SHAFT	85	12	37-65601	DECAL, TIMING - FLYWHEEL	3	17
32-31584A1	FUEL LINE ASSEMBLY, CARBURETOR TO CARBURETOR (6 9/16") . .	33	18	37-66318A74	DECAL SET	1	-
32-33154A1	FUEL LINE ASSEMBLY, PUMP TO CARBURETOR (14 1/8")	33	10	37-70140A75	DECAL SET	1	-
32-33960	TUBE, BALANCE - MAIN BEARINGS (6 1/4")	47	31	37-73291	DECAL, TIMING - FLYWHEEL	3	17
32-34395A1	HOSE, BALANCE - MAIN BEARING (6 1/4")	47	40	37-73891A76	DECAL SET(MERC 1500 LONG)	1	-
32-34395A1	HOSE, DRIP TRAY TO BOTTOM COWL (8")	61	5	37-74301A76	DECAL SET(MERC 1500 XS)	1	-
32-34395A1	HOSE, TELL TALE - EXHAUST COVER TO BOTTOM COWL (16")	61	13	37-74301A77	DECAL SET(MERC 1500 LONG)	1	-
32-45327	HOSE, TRIM - CYLINDER TO CONTROL VALVE (5') - 13/32" O.D.	109	41	37-74301A77	DECAL SET(MERC 1500XS)	1	-
32-45959	HOSE, LIFT - CYLINDER TO CONTROL VALVE (5') - 17/32" O.D.	109	42	39-45155A12	RING, PISTON (1/16" THICK)	57	25
32-54936	HOSE, BLEED (22")	47	37	39-45204A12	RING, PISTON (1/16" THICK)	59	--
32-54936	HOSE, BLEED (7 1/2", 6 1/2" AND 10")	47	27	39-49839A12	RING, PISTON (1/16" THICK)	59	--
32-55827A1	FUEL LINE ASS'Y, PUMP TO CARB. (9 1/2")	33	19	39-64715A12	RING, PISTON (1/16" THICK)	57	25
32-55828A1	FUEL LINE ASS'Y, PUMP TO PUMP (13 3/4")	33	20	40-52035	LOCK RING, PISTON PIN . .	57	24
32-55829	FUEL LINE, ADAPTOR TO LOWER FUEL PUMP (15")	33	24	43-26995	LOCKWASHER, FLOAT BOWL COVER SCREW . .	29	12
32-60897	TUBE, WATER INLET - LONG SHAFT	79	7	43-66342	FORWARD GEAR ASSEMBLY	95	58
32-62864	TUBE, WATER INLET - SHORT SHAFT	79	7	43-68015	REVERSE GEAR ASSEMBLY	95	63
32-63146	FUEL LINE, ADAPTOR TO FUEL PUMP (6 3/4")	39	23	43-68347	REVERSE GEAR ASSEMBLY	95	63
32-63146	FUEL LINE, CARBURETOR TO CARBURETOR (6 1/4")	39	32	43-68447	FORWARD GEAR ASSEMBLY	95	58
				43-68548	GEAR, PINION - DRIVE SHAFT	85	9
				44-52542	SHAFT, PROPELLER	95	62
				45-64388	DRIVE SHAFT (SHORT SHAFT)	85	8
				45-64389	DRIVE SHAFT (LONG SHAFT)	85	8
				45-69250	DRIVE SHAFT (SHORT SHAFT)	85	8
				45-69251	DRIVE SHAFT (LONG SHAFT)	85	8
				46-48747A1	WATER PUMP BASE ASSEMBLY	89	16
				46-64141A1	WATER PUMP BODY ASSEMBLY	89	23
				46-69222A1	WATER PUMP BASE ASSEMBLY (WITH FLUSH HOLE)	89	16
				46-73804A1	WATER PUMP BASE ASSEMBLY (WITHOUT FLUSH HOLE)	89	16

PARTS INDEX

Part Number	Description	Pg.	Ref. No.	Part Number	Description	Pg.	Ref. No.
47-65960	IMPELLER, WATER PUMP	89	27	84-66054A2	CABLE ASSEMBLY, COIL TO SWITCH BOX	15	15
50-57465A1	STARTER MOTOR ASSEMBLY	21	25	84-69207A1	CABLE ASSEMBLY, CAP TO COIL	11	18
50-64975	STARTER MOTOR ASSEMBLY(PRESTOLITE)	21	25	84-69236	WIRING HARNESS, INTERNAL	21	1
50-72467	ATARTER MOTOR ASSEMBLY(BOSCH)	21	25	84-69237	CABLE, WERIE - STARTER MOTOR TO SOLENOID	23	34
52-34239	RATCHET, SLIDING CLUTCH	95	59	85-71006A1	PROTECTOR, SPARK PLUG LEAD	11	27
53-26406	RING, RETAINER - BALL BEARING TO DISTRIBUTOR HOUSING	11	12	85-76199	INSULATOR, STOP BRACKET ADJUSTING SCREW	19	44B
53-26933	RING, SNAP - OUTER RACE	57	11	89-68258	SOLENOID, STARTER	21	28
53-29641	"E" RING, RETAINING - SHIFT SHAFT	91	40	90-63293	MERC 1500 PARTS LIST	1	-
53-30726	RING, RETAINING - BALL BEARING	85	13	225-2494A14	FLYWHEEL ASSEMBLY, COMPLETE	9	4
53-73591	RETAINING RING, BOTTOM YOKE ATTACHING	71	16A	225-2494A30	FLYWHEEL ASSEMBLY, COMPLETE	9	4
54-20386	CLAMP, BALANCE TUBE TO ELBOW AND TEE	47	26	332-2854	BOOT, HIGH TENSION CABLE TO COIL	11	20
54-20387	CLAMP, BLEED HOSE TO CONNECTOR	47	25	332-2910A3	RECTIFIER ASSEMBLY	23	38
54-22627	CLIP, FUEL LINE ATTACHING	39	26	332-2983A5	IGNITION COIL ASSEMBLY, COMPLETE	15	1
54-22627	CLIP, FUEL LINE TO CYLINDER BLOCK	33	14	332-2986A25	SWITCH BOX ASSEMBLY(MERC1500XS)	21	15
54-22627	CLIP, STATOR/WIRING HARNESS LEADS FASTENING (1/2")	9	14	332-4895A2	IGNITION COIL ASSEMBLY	15	7
54-22875	CLIP, WIRING HARNESS TO FRONT BRACKET (5/8")	21	10	392-2529	SPRING SET, BRUSH TENSION	101	16
54-24871	CLIP, STATOR LEAD FASTENING (5/8")	9	14	392-2618	CAN, VALVE BODY	101	3
54-46770	CLAMP, HARNESS FASTENING	105	52	392-2623	WASHER, THRUST - ARMATURE	101	10
54-60768	CLAMP, DISTRIBUTOR CAP TO DISTRIBUTOR HSG	11	15	392-2936	VALVE BODY AND GEAR ASSEMBLY	101	2
54-68424	CLAMP, FUEL LINE ATTACHING	39	21	392-2937	SEAL, RESERVIOR TO VALVE BODY AND GEAR	101	5
54-76368	CLAMP, WIRING HARNESS TO BOTTOM COWL	21	3	392-2938	BOLT SET, THRU - PLATE AND FRAME TO RESERVOIR	101	17
55-28414	PIN, LOWER SHOCK MOUNTING - LONG SHAFT	75	31	392-2939	RESERVIOR ASSEMBLY	101	6
55-28416	PIN, UPPER SHOCK MOUNTING	73	16	392-2940	PLATE ASSEMBLY, COMMUTATOR END	101	14
55-58780A2	SHOCK ABSORBER	75	34	392-2941	BRUSH SET, COMMUTATOR END PLATE	101	15
55-65447	PIN, LOWER SHOCK MOUNTING (SHORT SHAFT)	75	31	392-2942	FIELD AND FRAME ASSEMBLY	101	12
62-25234--1	GLUE, ADHESIVE - BLANKET FASTENING	7	--	392-2943	ARMATURE, FIELD AND FRAME	101	11
76-F66193	STUD, CYLINDER BLOCK TO DRIVE SHAFT HSG. (4 3/16")	43	8	392-2944	BALL, COMMUTATOR END PLATE	101	13
84-60466A1	CABLE ASSEMBLY	15	12	393-1293A1	BRUSH AND SPRING ASSEMBLY	11	--
84-63212A2	SPARK PLUG LEAD ASEMBLY #1, #2, #3, #4, #5 AND #6	11	26	393-3736A23	HOUSING ASSEMBLY, DISTRIBUTOR	11	4
				393-3736A23	HOUSING ASSEMBLY, DISTRIBUTOR	17	1
				393-3836A1	CABLE ASSEMBLY, CAP TO COIL	11	18
				393-4312	ROTOR, DISTRIBUTOR	11	14
				393-4313	DISC, ROTOR	11	13

PARTS INDEX

Part Number	Description	Pg.	Ref. No.	Part Number	Description	Pg.	Ref. No.
393-4841A2	DISTRIIBUTOR CAP ASSEMBLY	11	22	852-6451A3	CYLINDER BLOCK AND CRANKCASE ASS'Y (MAERC 1500XS)	43	1
398-4793	STATOR, ALTERNATOR	9	11	852-6451A3	CYLINDER BLOCK AND CRANKCASE ASS'Y (MERC 1500 XS)	51	1
436-4842A3	CRANKSHAFT ASSEMBLY	57	1	1023-5070	COVER, CYLINDER BLOCK	53	23
535-3190A2	CENTER MAIN BEARING ASSEMBLY	57	7	1134-3197A1	END CAP ASSEMBLY, UPPER	51	2
535-5397A4	CENTER MAIN BEARING ASSEMBLY	57	7	1148-4594A1	END CAP ASSEMBLY, LOWER	51	7
540-5039A4	MAIN BEARING ASSEMBLY, VALVE TYPE	57	15	1148-5410A1	END CAP ASSEMBLY, LOWER	51	7
540-5266A4	MAIN BEARING ASSEMBLY, VALVE TYPE	57	15	1368-5038A1	CARBURETOR ASSEMBLY, COMPLETE	25	9
622-4850A3	CONNECTING ROD AND CAP ASSEMBLY	57	26	1368-5038A1	CARBURETOR ASSEMBLY (WMK-11)	29	1
745-6605A3	PISTON AND PISTON PIN ASSEMBLY	57	23	1368-5259A11	CARBURETOR ASSEMBLY(LONG SHAFT)	35	1
745-6697A2	PISTON AND PISTON PIN ASSEMBLY	59	--	1368-5259A11	CARBURETOR ASSEMBLY, COMPLETE	25	9
852-5033A11	CYLINDER BLOCK AND CRANKCASE ASS'Y	43	1	1368-5259A16	CARBURETOR ASSEMBLY(SHORT SHAFT)	35	1
852-5033A11	CYLINDER BLOCK AND CRANKCASE ASS'Y	51	1	1368-5259A16	CARBURETOR ASSEMBLY, COMPLETE(MERC 1500XS)	25	9
852-5033A5	CYLINDER BLOCK AND CRANKCASE ASS'Y	51	1	1368-5701A13	CARBURETOR ASSEMBLY(LONG SHAFT)	35	1
852-5033A5	CYLINDER BLOCK AND CRANKCASE ASS'Y	43	1	1368-5701A13	CARBURETOR ASSEMBLY, COMPLETE	25	9
852-5264A5	CYLINDER BLOCK AND CRANKCASE ASS'Y	43	1	1368-5701A5	CARBURETOR ASSEMBLY(LONG SHAFT)	35	1
852-5264A5	CYLINDER BLOCK AND CRANKCASE ASS'Y	51	1	1368-5701A5	CARBURETOR ASSEMBLY, COMPLETE	25	9
852-5574A1	CYLINDER BLOCK AND CRANKCASE ASS'Y	43	1	1395-4540	SCREW, BODY (IDLE TUBE)	29	23
852-5574A1	CYLINDER BLOCK AND CRANKCASE ASS'Y	43	1	1395-4540	SCREW, BODY (IDLE TUBE)	35	20
852-5574A1	CYLINDER BLOCK AND CRANKCASE ASS'Y	51	1	1395-4541	SCREW, PLUG - MAIN FUEL JET CHANNEL	29	28
852-5595A3	CYLINDER BLOCK AND CRANKCASE ASS'Y (MERC 1500XS)	43	1	1395-4541	SCREW, PLUG - MAIN FUEL JET CHANNEL	37	28
852-5595A3	CYLINDER BLOCK AND CRANKCASE ASS'Y (MERC 1500XS)	43	1	1395-4542	SCREW, PLUG - MAIN NOZZLE	29	32
852-5595A3	CYLINDER BLOCK AND CRANKCASE ASS'Y (MERC 1500XS)	51	1	1395-4542	SCREW, PLUG - MAIN NOZZLE	37	26
852-5604A3	CYLINDER BLOCK AND CRANKCASE ASS'Y (MERC 1500XS)	43	1	1395-4543	SCREW, BODY CHANNEL	31	35
852-5604A3	CYLINDER BLOCK AND CRANKCASE ASS'Y (MERC 1500XS)	43	1	1395-4543	SCREW, BODY CHANNEL	37	31
852-5604A3	CYLINDER BLOCK AND CRANKCASE ASS'Y (MERC 1500XS)	51	1	1395-4543	SCREW, BODY CHANNEL	37	31
852-5604A3	CYLINDER BLOCK AND CRANKCASE ASS'Y (MERC 1500XS)	51	1	1395-4804	SCREW, FLOAT BOWL COVER	35	13
852-6068A3	CYLINDER BLOCK AND CRANKCASE ASS'Y (MERC 1500XS)	51	1	1395-4805	SCREEN, FILTER	35	15
852-6191A1	CYLINDER BLOCK AND CRANKCASE ASS'Y	43	1	1395-4808	GASKET AND PAKCING SET (1 PER CARBURETOR)	37	--
852-6191A1	CYLINDER BLOCK AND CRANKCASE ASS'Y	43	1	1395-4868	INLET NEEDLE, SEAT AND GASKET	35	6
852-6191A1	CYLINDER BLOCK AND CRANKCASE ASS'Y	51	1	1395-5107	REPAIR PARTS KIT (1 PER CARBURETOR)	31	--
852-6431A1	CYLINDER BLOCK AND CRANKCASE ASS'Y	43	1	1395-5108	SHUTTER, THROTTLE	29	25
852-6431A1	CYLINDER BLOCK AND CRANKCASE ASS'Y	43	1	1395-5261	COVER, FLOAT BOWL (SHORT SHAFT AND)	35	9
852-6431A1	CYLINDER BLOCK AND CRANKCASE ASS'Y	51	1	1395-5353	FLOAT ASSEMBLY	35	2

PARTS INDEX

Part Number	Description	Pg.	Ref. No.	Part Number	Description	Pg.	Ref. No.
1395-5355	REPAIR PARTS KIT (1 PER CARBURETOR)-LONG SHAFT	37	--	1573-4933A3	DRIVE SHAFT HOUSING ASSEMBLY (LONG SHAFT)	79	1
1395-5666	SHUTTER, THROTTLE	35	21	1573-5239A4	DRIVE SHAFT HOUSING ASSEMBLY (LONG SHAFT)	79	1
1395-5672	REPAIR PARTS KIT (1 PER CARBURETOR)-SHORT SHAFT	37	--	1575-4971A5	DRIVE SHAFT HOUSING ASSEMBLY (SHORT SHAFT)	79	1
1395-5680	COVER, FLOAT BOWL	35	10	1575-5240A4	DRIVE SHAFT HOUSING ASSEMBLY (SHORT SHAFT)	79	1
1395-5733	JET, BOWL VENT	35	11				
1395-5734	HOSE, ECONOMIZER	35	12				
1395-6468	REPAIR PARTS KIT (1 PER CARBURETOR)-LONG SHAFT	37	--	1623-4934A6	GEAR HOUSING ASS'Y	83	1
1399-110A1	FLOAT ASSEMBLY	29	2	1623-4934A6	GEAR HOUSING ASS'Y	89	1
1399-3515	SCREW, IDLE ADJUSTMENT	29	27	1623-4934A6	GEAR HOUSING ASS'Y	93	1
1399-3515	SCREW, IDLE ADJUSTMENT	35	24	1623-4934A6	GEAR HOUSING ASS'Y	97	1
1399-3518	JET, MAIN FUEL (.082)	29	30	1623-4934A8	GEAR HOUSING ASS'Y, COMP. (SHORT SHAFT)	83	-
1399-3518	JET, MAIN FUEL (.082) - STANDARD (SHORT RAFT)	37	27	1623-4934A8	GEAR HOUSING ASS'Y, COMP. (SHORT SHAFT)	87	-
1399-3519	JET, MAIN FUEL (.080) - STANDARD	29	30	1623-4934A8	GEAR HOUSING ASS'Y, COMP. (SHORT SHAFT)	93	-
1399-3519	JET, MAIN FUEL (.080) - STANDARD (LONG SHAFT)	37	27	1623-4934A8	GEAR HOUSING ASS'Y, COMP. (SHORT SHAFT)	95	-
1399-3520	JET, MAIN FUEL (.0785)	29	30	1623-5244A5	GEAR HOUSING ASS'Y, COMP. (SHORT SHAFT)	83	-
1399-3520	JET, MAIN FUEL (.0785)	37	27	1623-5244A5	GEAR HOUSING ASS'Y, COMP. (SHORT SHAFT)	87	-
1399-3523	GASKET AND PACKAGING SET (1 PER CARBURETOR)	31	--	1623-5244A5	GEAR HOUSING ASS'Y, COMP. (SHORT SHAFT)	93	-
1399-3527	SHAFT, THROTTLE	29	21	1623-5244A5	GEAR HOUSING ASS'Y, COMP. (SHORT SHAFT)	95	-
1399-3527	SHAFT, THROTTLE	35	18	1623-5244A6	GEAR HOUSING ASS'Y	83	1
1399-3796	JET, MAIN FUEL (.076)	29	30	1623-5244A6	GEAR HOUSING ASS'Y	89	1
1399-3796	JET, MAIN FUEL (.076)	37	27	1623-5244A6	GEAR HOUSING ASS'Y	93	1
1399-3938	SCREEN, FILTER	29	14	1623-5244A6	GEAR HOUSING ASS'Y	97	1
1399-4559	COVER, FLOAT BOWL	29	9	1623-5244A6	GEAR HOUSING ASS'Y, COMP. (SHORT SHAFT)	83	-
1399-4791	COVER, STRAINER	29	16	1623-5829A6	GEAR HOUSING ASS'Y, COMP. (SHORT SHAFT)	87	-
1399-97	LEVER, THROTTLE STOP	29	20	1623-5829A6	GEAR HOUSING ASS'Y, COMP. (SHORT SHAFT)	93	-
1399-97	LEVER, THROTTLE STOP	35	16	1623-5829A6	GEAR HOUSING ASS'Y, COMP. (SHORT SHAFT)	97	1
1440-5520A1	CLAMP BRACKET ASSEMBLY	73	1	1623-5829A6	GEAR HOUSING ASS'Y (MERC 1500XS)	85	1
1440-5576A1	CLAMP BRACKET ASSEMBLY	73	1	1623-5829A6	GEAR HOUSING ASS'Y (MERC 1500XS)	89	1
1440-6044A2	CLAMP BRACKET ASSEMBLY	73	1	1623-5829A8	GEAR HOUSING ASS'Y (MERC 1500XS)	95	1
1447-5596A3	SWIVEL BRACKET ASSEMBLY (LONG SHAFT)	69	1	1623-5829A8	GEAR HOUSING ASS'Y (MERC 1500XS)	97	1
1447-6017A4	SWIVEL BRACKET ASSEMBLY (LONG SHAFT)	69	1	1623-60484	GEAR HOUSING ASS'Y, COMP. (MERC 1500XS)	93	-
1453-5597A2	SWIVEL BRACKET ASSEMBLY (SHORT SHAFT)	69	1	1623-6048A3	GEAR HOUSING ASS'Y (MERC 1500XS)	85	1
1453-6019A2	SWIVEL BRACKET ASSEMBLY (SHORT SHAFT)	69	1	1623-6048A3	GEAR HOUSING ASS'Y (MERC 1500XS)	89	1
1482-6386A4	SWIVEL BRACKET ASSEMBLY (LONG SHAFT)	69	1	1623-6048A3	GEAR HOUSING ASS'Y (MERC 1500XS)	95	1
				1623-6048A4	GEAR HOUSING ASS'Y, COMP. (MERC 1500XS)	97	1
						83	-

PARTS INDEX

Part Number	Description	Pg.	Ref. No.	Part Number	Description	Pg.	Ref. No.
1623-6048A4	GEAR HOUSING ASS'Y, COMP. (MERC 1500XS) ..	83	-	1655-7333A45	GEAR HOUSING ASS'Y, COMP. (MERC 1500 LONG)	97	-
1623-6048A4	GEAR HOUSING ASS'Y, COMP. (MERC 1500XS) ..	87	-	1655-7333A45	GEAR HOUSING ASS'Y, COMP. (MERC 1500 LONG)	97	-
1623-6048A4	GEAR HOUSING ASS'Y, COMP. (MERC 1500XS) ..	87	-	2113-2663A18	COWL, FRONT COVER ASSEMBLY	7	1
1623-6048A4	GEAR HOUSING ASS'Y, COMP. (MERC 1500XS) ..	93	-	2113-5631A4	COWL FRONT COVER ASSEMBLY	7	1
1623-6048A4	GEAR HOUSING ASS'Y, COMP. (MERC 1500XS) ..	97	-	2114-3806	COWL, TOP	3	1
1623-6048A4	GEAR HOUSING ASS'Y, COMP. (MERC 1500XS) ..	97	-	2114-5999	COWL, TOP	3	1
1623-6053A5	GEAR HOUSING ASS'Y (MERC 1500 LONG)	85	1	2115-3919	COWL, BOTTOM	61	1
1623-6053A5	GEAR HOUSING ASS'Y (MERC 1500 LONG)	89	1	2115-5269	COWL, BOTTOM	61	1
1623-6053A5	GEAR HOUSING ASS'Y (MERC 1500 LONG)	95	1	2115-6462	COWL, BOTTOM	61	1
1623-6053A5	GEAR HOUSING ASS'Y (MERC 1500 LONG)	97	1	2136-4660A17	WRAP AROUND COWL ASSEMBLY - LOUVERED	7	15
1655-7333A45	GEAR HOUSING ASS'Y COMP. (LONG SHAFT) ..	83	-	2136-4660A4	WRAP AROUND COWL ASSEMBLY - NON LOUVERED	7	11
1655-7333A45	GEAR HOUSING ASS'Y, COMP. (LONG SHAFT) ..	83	-	3323-2986A21	SWITCH BOX ASSEMBLY(MERC 1500 LONG)	21	15
1655-7333A45	GEAR HOUSING ASS'Y, COMP. (LONG SHAFT) ..	83	-	4395-4868	INLET NEEDLE, SEAT AND GASKET	29	6
1655-7333A45	GEAR HOUSING ASS'Y, COMP. (LONG SHAFT) ..	87	-				
1655-7333A45	GEAR HOUSING ASS'Y, COMP. (LONG SHAFT) ..	87	-				
1655-7333A45	GEAR HOUSING ASS'Y, COMP. (LONG SHAFT) ..	87	-				
1655-7333A45	GEAR HOUSING ASS'Y, COMP. (LONG SHAFT) ..	87	-				
1655-7333A45	GEAR HOUSING ASS'Y, COMP. (LONG SHAFT) ..	93	-				
1655-7333A45	GEAR HOUSING ASS'Y, COMP. (LONG SHAFT) ..	93	-				
1655-7333A45	GEAR HOUSING ASS'Y, COMP. (LONG SHAFT) ..	93	-				
1655-7333A45	GEAR HOUSING ASS'Y, COMP. (LONG SHAFT) ..	95	-				
1655-7333A45	GEAR HOUSING ASS'Y, COMP. (LONG SHAFT) ..	97	-				
1655-7333A45	GEAR HOUSING ASS'Y, COMP. (LONG SHAFT) ..	97	-				
1655-7333A45	GEAR HOUSING ASS'Y, COMP. (MERC 1500 LONG)	83	-				
1655-7333A45	GEAR HOUSING ASS'Y, COMP. (MERC 1500 LONG)	87	-				
1655-7333A45	GEAR HOUSING ASS'Y, COMP. (MERC 1500 LONG)	89	-				
1655-7333A45	GEAR HOUSING ASS'Y, COMP. (MERC 1500 LONG)	93	-				