



PARTS MANUAL

MERC 1150

TABLE OF CONTENTS:

BOTTOM COWL AND SHIFT LINKAGE	59
CARB USA-3761034/Aus.-8014004/Canada-7025597 and Below	31
CARB USA-3761035/Aus.-8014005/Canada-7025598 and Up	35
CARBURETOR LINKAGE AND CHOKE SOLENOID	27
CLAMP BRACKET AND REVERSE LOCK	71
COWLING AND FRONT COVER	9
CRANKSHAFT, PISTONS AND CONNECTING RODS	55
CYLINDER BLOCK AND CRANKCASE ASSEMBLY	45
DISTRIBUTOR ADAPTOR AND VERTICAL LINKAGE	19
DISTRIBUTOR HOUSING AND ROTOR	13
DRIVESHAFT HOUSING ASSEMBLY	77
ELECTRICAL COMPONENTS	23
END CAP, MANIFOLD AND EXHAUST COVERS	51
EXHAUST EXTENSION PLATE	63
FLYWHEEL ASSEMBLY AND STATOR	11
FUEL PUMP USA-3761034/Aus.-8014004/Canada-7025597 and Below	39
FUEL PUMP USA-3761035/Aus.-8014005/Canada-7025598 and Up	41
GEAR HOUSING ASSEMBLY DRIVESHAFT	81
GEAR HOUSING ASSEMBLY Propshaft	89
HYDRAULIC PUMP AND CONTROL PANEL	95
HYDRAULIC PUMP ASSEMBLY	93
IGNITION COIL	17
MISCELLANEOUS PARTS	3
POWER TRIM CYLINDER REPAIR KITS	103
PROPELLERS	105
SWIVEL BRACKET ASSEMBLY	67
TOP COWL AND SUPPORT BRACKETS	5
TRIM CYLINDERS AND HYDRAULIC HOSES	99
PARTS INDEX	106

NOTE: Indented description indicate that these parts are included in preceding assembly.

AR = As Required **NSS** = Not Sold Separate **OPT** = Optional **NS** = Not Shown

NOTE: Following symbols are located in **SYM** column.

■ = COMPONENT OF GASKET SET [27- 60476A75]

❖ = COMPONENT OF CARBURETOR GASKET AND PACKING SET [1399- 3523] OR [1395- 4808]

□ = COMPONENT OF CARBURETOR REPAIR PARTS KIT [1395- 5109] OR [1395- 5405]

THESE PARTS BOOKS/FICHE CARD ARE COPYRIGHTED AND MAY NOT BE DISTRIBUTED OR REPRODUCED IN ANY OTHER FORMAT BY ANYONE OTHER THAN MERCURY MARINE WITHOUT THE PRIOR WRITTEN CONSENT OF MERCURY MARINE.

Models covered by this Parts Manual

Model Part No.	Model Name	Year	Country	Starting Serial No.	Ending Serial No.
1115504					8051949
1115527					8051949
1115627					8051949
1115503					8051949
1115525					8051949
1115526					8051949
1115625					8051949

CONTINUED ON NEXT PAGE ➔

TABLE OF CONTENTS:

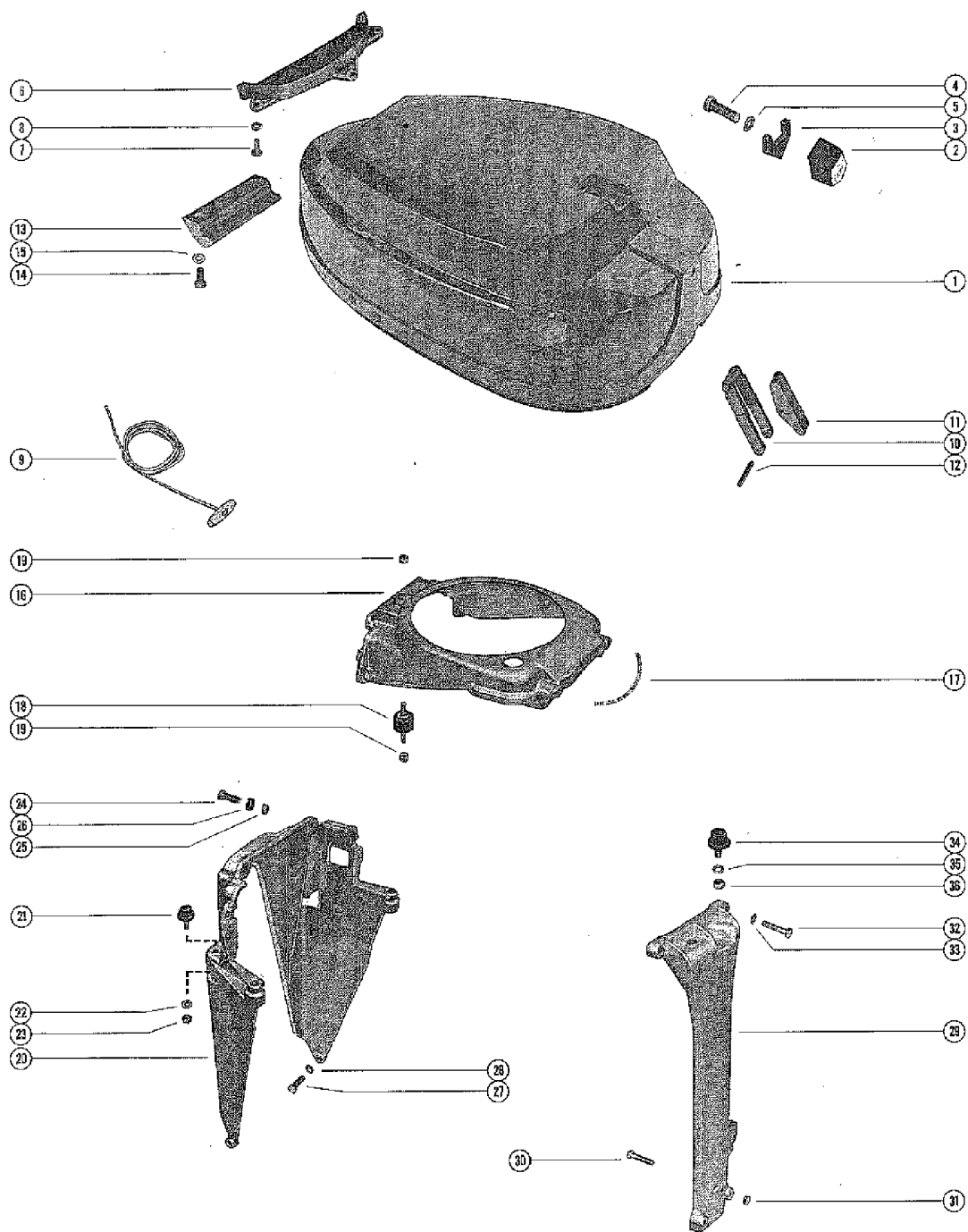
Model Part No.	Model Name	Year	Country	Starting Serial No.	Ending Serial No.
1115626					8051949

MISCELLANEOUS PARTS

MISCELLANEOUS PARTS

REF. NO.	PART NO.	SYM.	QTY.	DESCRIPTION
-	90-63296		1	PARTS MANUAL, MERC 1150
-	27-60476A75		1	GASKET SET
-	46-48743A 3		1	PUMP ASSEMBLY, Water - Heavy Duty
-	37-60893A73		1	DECAL SET (USA-3761034/Australia-8014004/Canada-7025597 and below)
-	37-66323A74		1	DECAL SET (USA-3761035/Australia-8014005/Canada-7025598 thru USA-4112634/Australia-8037114/Canada-7047257)
-	37-69770A75		1	DECAL SET (USA-4112635/Australia-8027115/Canada-7047258 thru USA-4310784/Australia-8027439/Canada-7075522)
-	37-73889A76		1	DECAL SET (USA-4310785/Canada-7075523 thru USA-4567951/Canada-7087422)
-	37-73889A77		1	DECAL SET (USA-4567952/Canada-7087423 and above)
-	79-73370A 2		1	TACHOMETER ASSEMBLY

TOP COWL AND SUPPORT BRACKETS



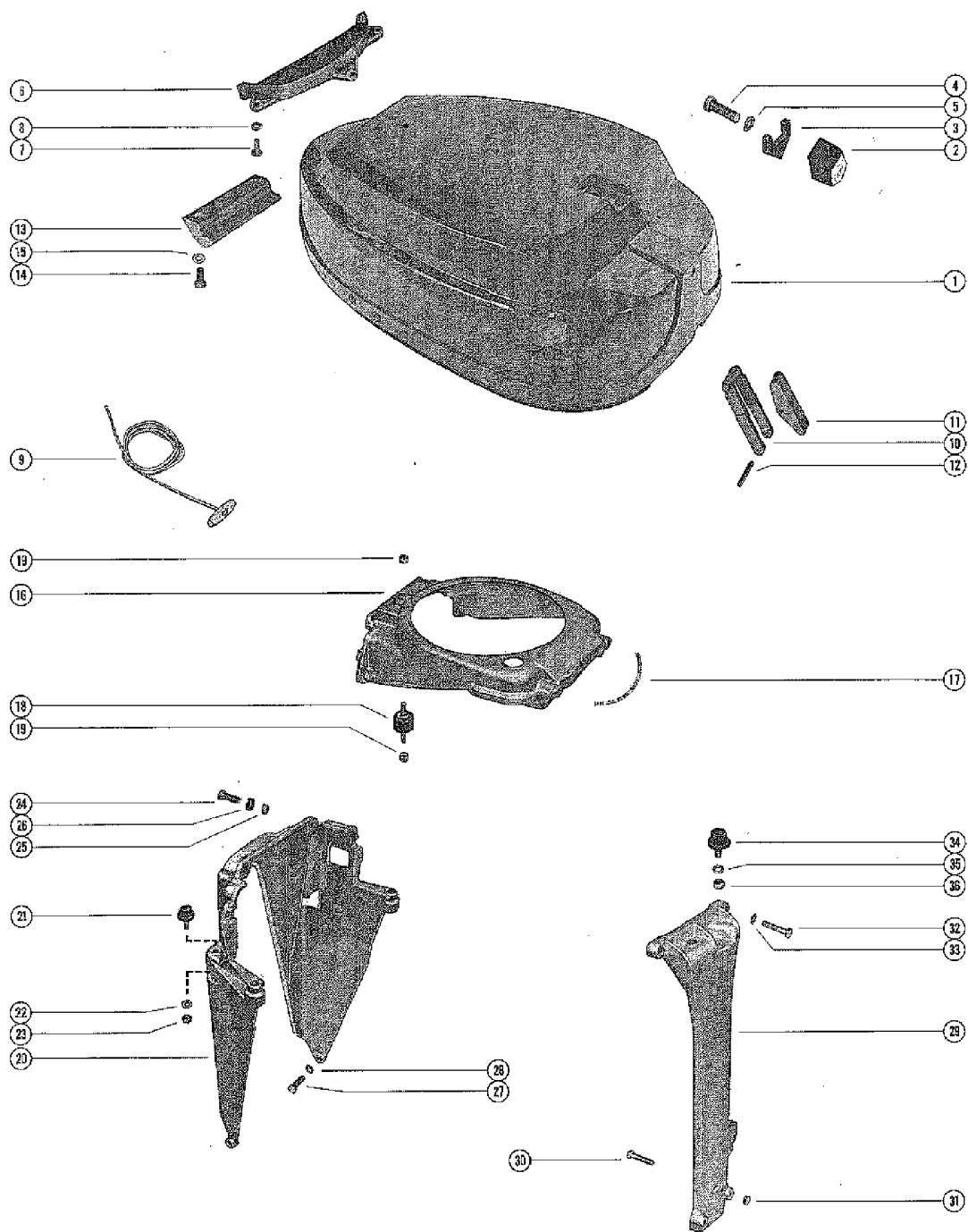
40750

TOP COWL AND SUPPORT BRACKETS

REF. NO.	PART NO.	SYM.	QTY.	DESCRIPTION
1	2114-3806		1	COWL, TOP (USA-4394236/Australia-8027439/Canada-7075522 and below)
	2114-5999		1	COWL, TOP (USA-4394237/Canada-7075523 and above)
2	52733A 5		1	RETAINER ASSEMBLY, TOP COWL (USA-3761034/Australia-8014004/Canada-7025597 and below)
	52733A 9		1	RETAINER ASSEMBLY, TOP COWL (USA-3761035/Australia-8014005/Canada-7025598 and above)
3	35496		1	PAD, BUMPER-TOP COWL RETAINER
4	10-37558		1	SCREW, RETAINER TO TOP COWL (1 1/4")
5	13-39107		1	LOCKWASHER, (.312-24)
6	76370		1	SHIELD, REAR
7	10-37370		3	SCREW, (#10-32 x .580), SHIELD TO TOP COWL
8	13-37371		3	LOCKWASHER, SHIELD SCREW
9	47341A 1		1	ROPE AND HANDLE KIT, (FOR MANUAL STARTING ONLY)
10	52739		1	HINGE, TOP COWL
11	52737		1	LEVER, COWL LATCH HINGE
12	17-58998		1	PIN, ROLL - COWL LATCH LEVER TO HINGE
13	55455		1	HOOK, TOP COWL LATCH - REAR
14	10-22956		2	SCREW, (.250-28 x .880), REAR HOOK TO TOP COWL
15	13-26992		2	LOCKWASHER, (.250) Stainless Steel
16	47271		1	FRAME, TOP COWL SUPPORT (USA-3761034/Australia-8014004/Canada-7025597 and below)
16	65609A 2		1	FRAME, TOP COWL SUPPORT (USA-3761035/Australia-8014005/Canada-7025598 thru USA-4112634/Australia-8027114/Canada-7047257)
16	69240A 2		1	FRAME, TOP COWL SUPPORT (USA-4112635/Australia-8027115/Canada-7047258 thru USA-4394236/Australia-8027439/Canada-7075522)
16	75971A 1		1	FRAME ASSEMBLY, TOP COWL SUPPORT (USA-4394237/Canada-7075523 and above)
17	37-60204		1	DECAL, TIMING (USA-3761034/Australia-8014004/Canada-7025597 and below)
17	37-65601		1	DECAL, TIMING (USA-3761035/Australia-8014005/Canada-7025598 thru USA-4394236/Australia-8027439/Canada-7075522)
17	37-73291		1	DECAL, TIMING (FLYWHEEL) (USA-4394237/Canada-7075523 and above)
18	37639		3	MOUNT, RUBBER - TOP COWL FRAME
	46096		OPT	MOUNT, RUBBER - TOP COWL FRAME (HEAVY DUTY)
19	11-35888		6	NUT, (.250-28) Stainless Steel, RUBBER MOUNT TO TOP COWL FRAME
20	64954		1	BRACKET, TOP COWL SUPPORT - REAR
21	31014		2	MOUNT, RUBBER - REAR SUPPORT BRACKET
22	13-26992		2	LOCKWASHER, (.250) Stainless Steel, RUBBER MOUNT TO REAR SUPPORT BRACKET

CONTINUED ON NEXT PAGE ➡

TOP COWL AND SUPPORT BRACKETS

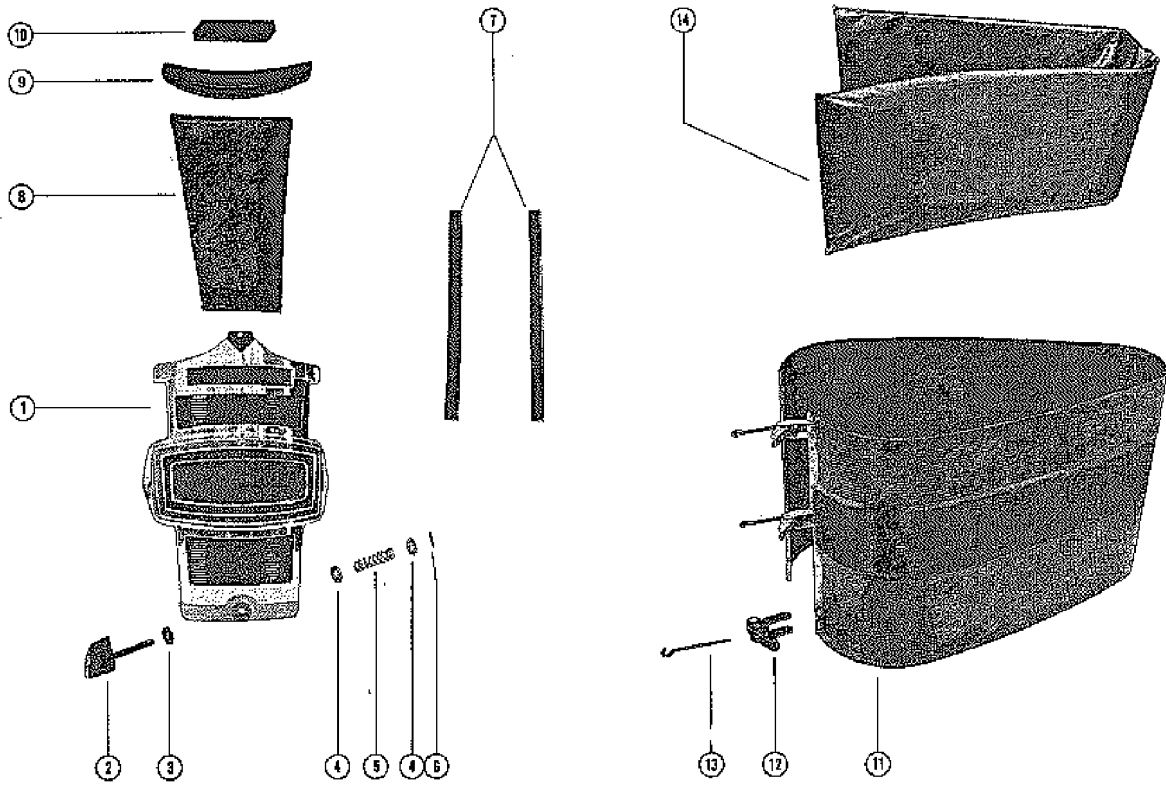


40750

TOP COWL AND SUPPORT BRACKETS

REF. NO.	PART NO.	SYM.	QTY.	DESCRIPTION
23	11-29598		2	NUT, (.250-28) Stainless Steel
24	10-65263		4	SCREW, REAR BRACKET TO FRAME (1") (USA-4112634/ Australia-8027114/Canada-7047257 and below)
24	10-37562		4	SCREW, (.312-18 x 1.00) Stainless Steel, REAR BRACKET TO FRAME (USA-4112635/Australia-8027115/Canada-7047258 and above)
25	11-60049		4	NUT, REAR BRACKET SCREW (USA-4112634/Australia-8027114/ Canada-7047257 and below)
26	13-26993		4	LOCKWASHER, (.312), REAR BRACKET SCREW (USA-4112635/ Australia-8027115/Canada-7047258 and above)
27	10-37562		4	SCREW, (.312-18 x 1.00) Stainless Steel
28	13-26993		4	LOCKWASHER, (.312)
29	64979A 3		1	BRACKET ASSEMBLY, TOP COWL - FRONT (USA-4112634/ Australia-8027114/Canada-7047257 and below)
	69234A 2		1	BRACKET ASSEMBLY, TOP COWL - FRONT (USA-4112635/ Australia-8027115/Canada-7047258 thru USA_4394236/ Australia-8027439/Canada-7075522)
	77103A 3		1	BRACKET ASSEMBLY, TOP COWL - FRONT (USA-4394237/ Canada-7075523 and above)
30	10-71908		2	SCREW, FRONT BRACKET TO BOTTOM COWL (1 1/2") (USA-4394236/ Australia-8027439/Canada-7075522 and below)
30	10-69092		2	SCREW, (1.25), FRONT BRACKET TO BOTTOM COWL (USA-4394237/ Canada-7075523 and above)
31	11-45592		2	NUT, (.312-24), FRONT SUPPORT BRACKET SCREW (USA-4394236/ Australia-8027439/Canada-7075522 and below)
31	13-26992		2	LOCKWASHER, (.250) Stainless Steel, FRONT BRACKET SCREW (USA-4394237/Canada-7075523 and above)
32	10-55511		2	SCREW, (.312-18 x 1.500)
33	13-26993		2	LOCKWASHER, (.312)
34	37640		1	MOUNT, RUBBER
35	13-26993		1	LOCKWASHER, (.312), RUBBER MOUNT TO FRONT SUPPORT BRACKET
36	11-28770		1	NUT, (.312-24) Stainless Steel, RUBBER MOUNT TO FRONT SUPPORT BRACKET

COWLING AND FRONT COVER

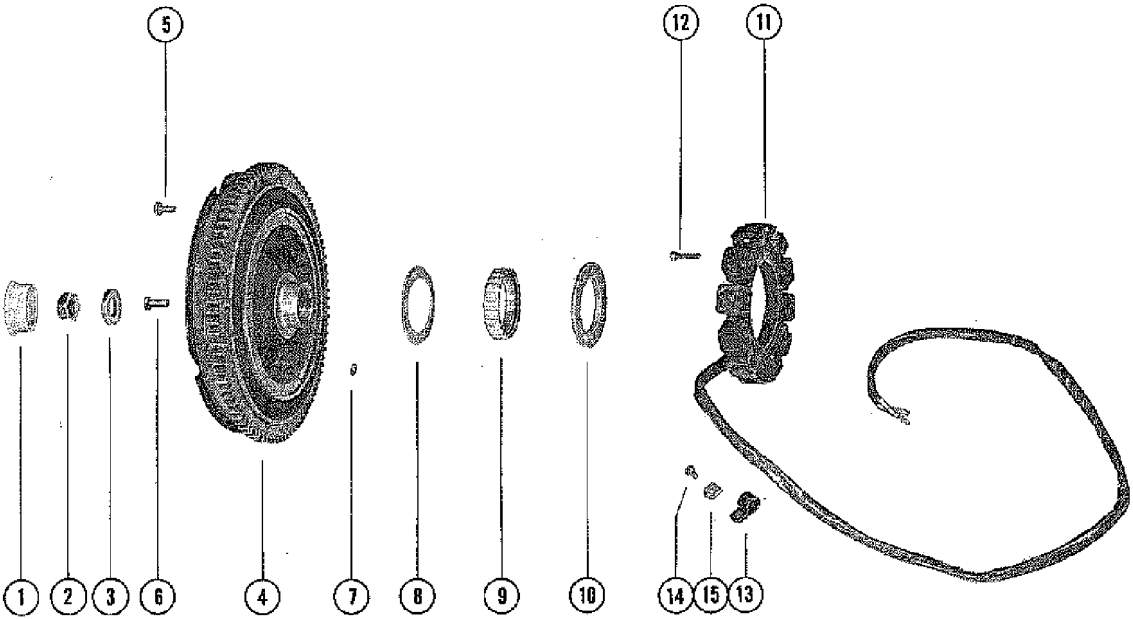


40751

COWLING AND FRONT COVER

REF. NO.	PART NO.	SYM.	QTY.	DESCRIPTION
1	2113-2663A18		1	COVER ASSEMBLY, Cowl - Front (USA-4112634/Australia-8027114/Canada-7047257 and below)
	2113-5631A 1		1	COVER ASSEMBLY, Cowl - Front (USA-4112635/Australia-8027115/Canada-7047258 thru USA-4310784/Australia-8027439/Canada-7075522)
	2113-5631A 4		1	COVER ASSEMBLY, Cowl - Front (USA-4310785/Canada-7075523 and above)
2	56849		1	KNOB, COWL FRONT COVER FASTENING
3	12-30771		2	WASHER, (RUBBER)
4	12-59572		2	WASHER, (PLASTIC)
5	24-30772		1	SPRING, TENSION
6	17-29077		1	PIN, Roll, TENSION SPRING TO KNOB
7	24-31089		2	STRIP, SOUND ABSORBING
8	38675		1	BLANKET, SOUND ABSORBING
9	35769		1	SEAL, SOUND ABSORBING - UPPER
10	53334		1	SEAL, SOUND ABSORBING - TOP
11	2136-4660A 4		1	WRAP AROUND COWL ASSEMBLY
12	46785A 1		3	LATCH ASSEMBLY, Cowl
13	30413		3	HOOK, COWL LATCH FASTENING
14	30021		1	BLANKET, SOUND ABSORBING
-	92-25234 1		1	GLUE, ADHESIVE - BLANKET FASTENING
	92-27109 1		1	ADHESIVE COMPOUND, EMBLEM FASTENING

FLYWHEEL ASSEMBLY AND STATOR

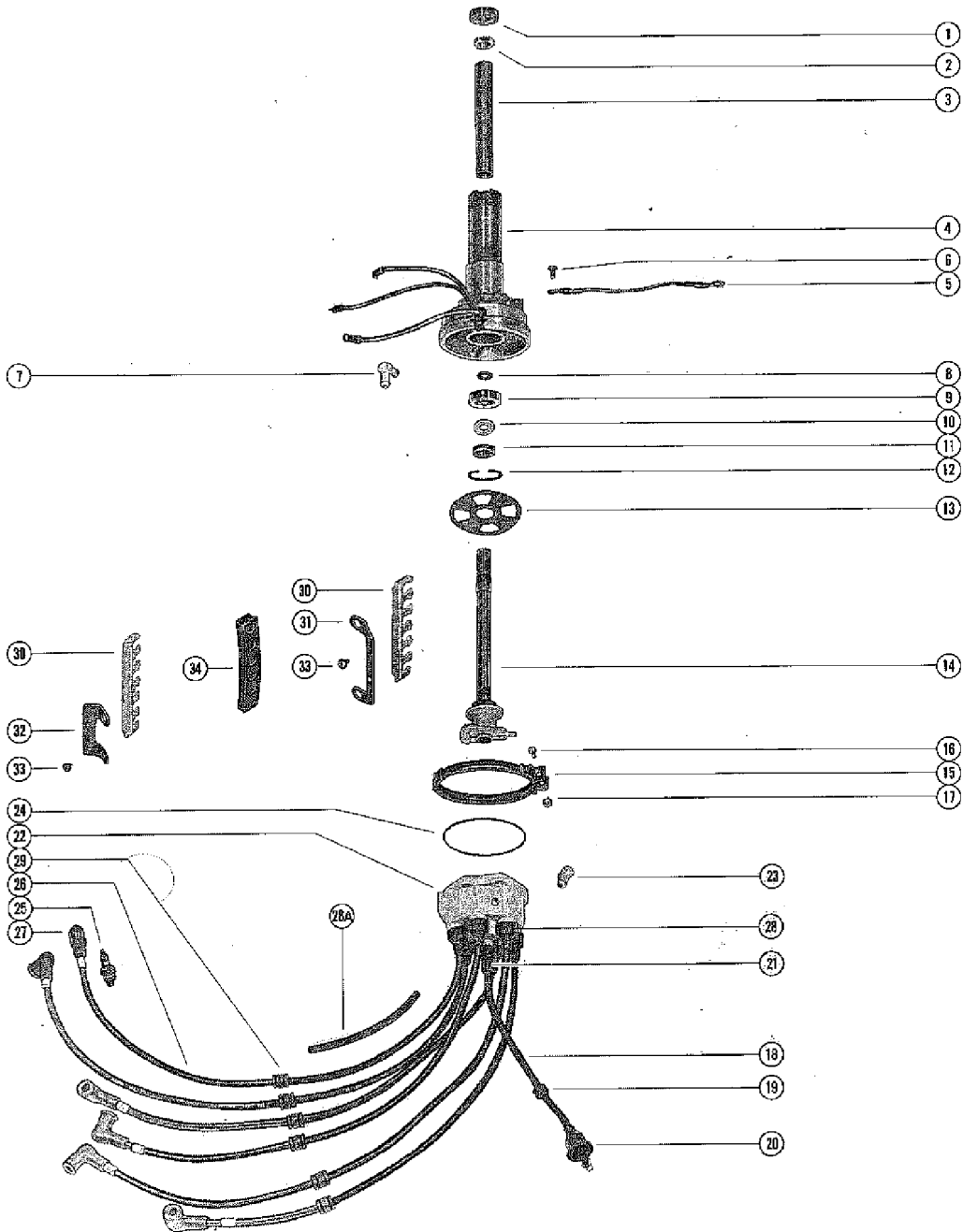


40752

FLYWHEEL ASSEMBLY AND STATOR

REF. NO.	PART NO.	SYM.	QTY.	DESCRIPTION
1	19-45907		1	PLUG, Yellow, FLYWHEEL PULLER THREADS
2	11-52901		1	NUT, (.625-18), FLYWHEEL (PART OF A-436-4842A3 CRANKSHAFT ASSEMBLY)
3	12-33001		1	WASHER, FLYWHEEL NUT
4	225-2494A27		1	FLYWHEEL ASSEMBLY, COMPLETE (USA-3761034/ Australia-8014004/Canada-7025597 and below)
	225-2494A30		1	FLYWHEEL ASSEMBLY, COMPLETE (USA-3761035/ Australia-8014005/Canada-7025598 and above)
5	10-32417		8	SCREW, (.250-28 x .625)
6	10-49006		8	SCREW, PLATE/HUB TO FLEX. PLATE (USA-3761034/ Australia-8014004/Canada-7025597 and below)
	10-38398		8	SCREW, PLATE/HUB TO FLEX. PLATE (USA-3761035/ Australia-8014005/Canada-7025598 and above)
7	17-26618		1	PIN, DOWEL - PULLEY TO FLYWHEEL
8	29788		1	FLANGE, FLYWHEEL PULLEY
9	30306		1	PULLEY, FLYWHEEL
10	29787		1	HUB, FLYWHEEL PULLEY
11	398-4793		1	STATOR, ALTERNATOR (NOT AS SHOWN)
12	10-63136		4	SCREW, (#10-24 x .880), STATOR TO UPPER END CAP
13	54-22875		1	CLIP, STATOR LEAD FASTENING (7/16")
	54-24871		1	CLAMP, STATOR LEAD FASTENING (5/8")
	54-22627		1	CLIP, STATOR/WIRING HARNESS LEADS FASTENING (1/2")
14	10-62568		3	SCREW, (#10-16 x .375), STATOR LEAD CLIP FASTENING
15	69205		3	C WASHER, CLIP FASTENING SCREW

DISTRIBUTOR HOUSING AND ROTOR



40753

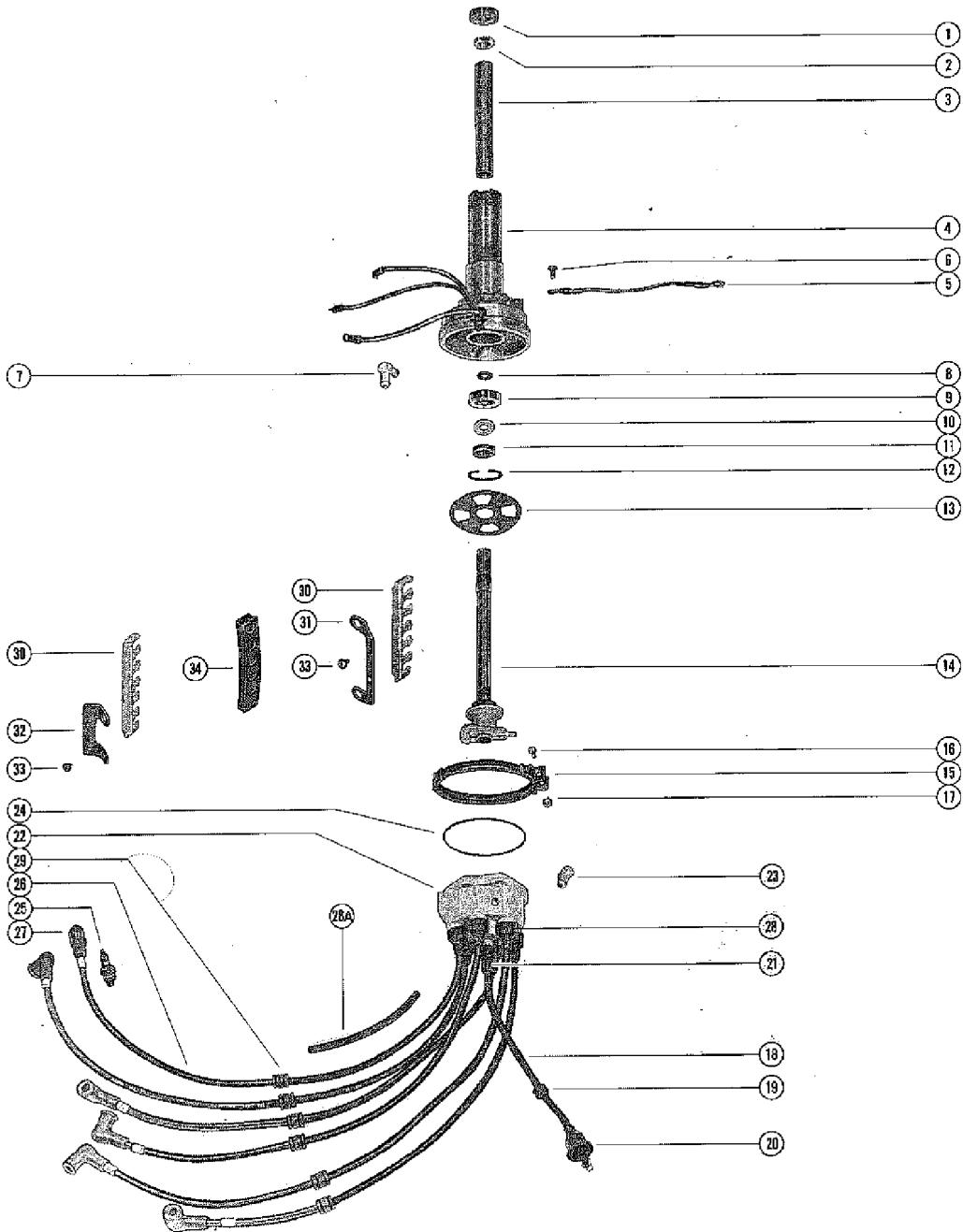
DISTRIBUTOR HOUSING AND ROTOR

REF. NO.	PART NO.	SYM.	QTY.	DESCRIPTION
1	30-20066		1	BEARING, DISTRIBUTOR HOUSING (UPPER)
2	11-54209		1	NUT, ROTOR SHAFT TO DISTRIBUTOR HOUSING
3	23-53539		1	SLEEVE, ROTOR SHAFT
4	393-3736A23		1	HOUSING ASSEMBLY, DISTRIBUTOR
5	53417		1	STRAP ASSEMBLY, Ground, DISTRIBUTOR TO CRANKCASE
6	10-62568		1	SCREW, (#10-16 x .375), GROUND STRAP ATTACHING
7	58807A 1		1	FLAME ARRESTOR ASSEMBLY, VENT - DISTRIBUTOR HOUSING
8	15-55853		1	SHIM, BALL BEARING TO DISTRIBUTOR HOUSING
9	30-26379		1	BEARING, DISTRIBUTOR HOUSING (LOWER)
10	15-21148A 1		AR	SHIM SET, BALL BEARING TO SPACER
11	23-53538		1	SPACER, ROTOR SHAFT
12	53-26406		1	RING, RETAINER - BALL BEARING TO DISTRIBUTOR HOUSING
13	393-4313		1	DISC, ROTOR
14	393-4312		1	ROTOR, DISTRIBUTOR
15	54-60768		1	CLAMP, DISTRIBUTOR CAP TO DISTRIBUTOR HSG PART OF DISTRIBUTOR CAP ASSEMBLY
16	10-65774		1	SCREW, (#8-32 x 1.120), DISTRIBUTOR CAP CLAMP PART OF DISTRIBUTOR CAP ASSEMBLY
17	11-26768		1	NUT, DISTRIBUTOR CAP CLAMP SCREW PART OF DISTRIBUTOR CAP ASSEMBLY
18	393-3836A 1		1	CABLE ASSEMBLY, High Tension, CAP TO COIL (USA-4112634/ Australia-8027114/Canada-7047257 and below)
	84-69207A 1		1	CABLE ASSEMBLY, CAP TO COIL (USA-4112635/Australia-8027115/ Canada-7047258 and above)
19	25-26547		1	GROMMET, HIGH TENSION CABLE
20	332-2854		1	BOOT, HIGH TENSION CABLE TO COIL
21	60096		1	SLEEVE, HIGH TENSION CABLE
22	393-4841A 2		1	CAP ASSEMBLY, Distributor
	393-1293A 1		1	BRUSH KIT
23	58807A 1		1	FLAME ARRESTOR ASSEMBLY, VENT - DISTRIBUTOR CAP
24	27-55896	■	1	GASKET, DISTRIBUTOR CAP
25	33-59599		6	SPARK PLUG, (CHAMPION L-77V) (USA-4112634/Australia-8027114/ Canada-7047257 and below)
	33-68057		6	SPARK PLUG, (CHAMPION L-76V) (USA-4112635/Australia-8027115/ Canada-7047258 and above)
26	84-63212A 2		6	LEAD ASSEMBLY
	20121		6	CONNECTOR, SPARK PLUG LEAD
-	36549A 1		1	MARKER KIT
27	85-71006A 1		6	PROTECTOR, SPARK PLUG LEAD
28	60096		6	SLEEVE, SPARK PLUG LEAD TO DISTRIBUTOR
28A	23-62238 1		6	SLEEVE, SPARK PLUG LEAD (7")

■ = COMPONENT OF GASKET SET [27- 60476A75]

CONTINUED ON NEXT PAGE ➡

DISTRIBUTOR HOUSING AND ROTOR



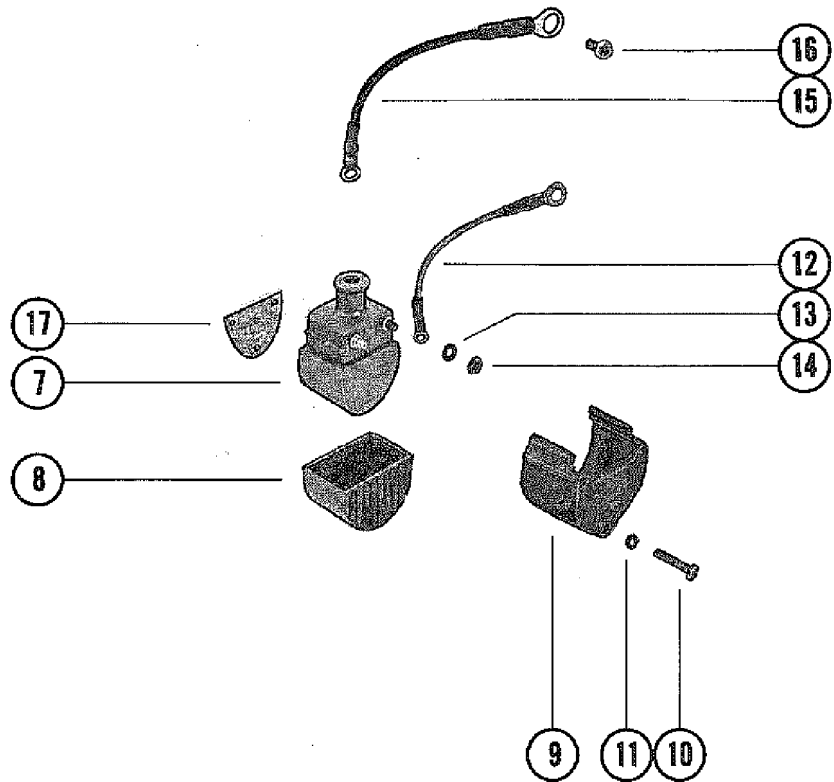
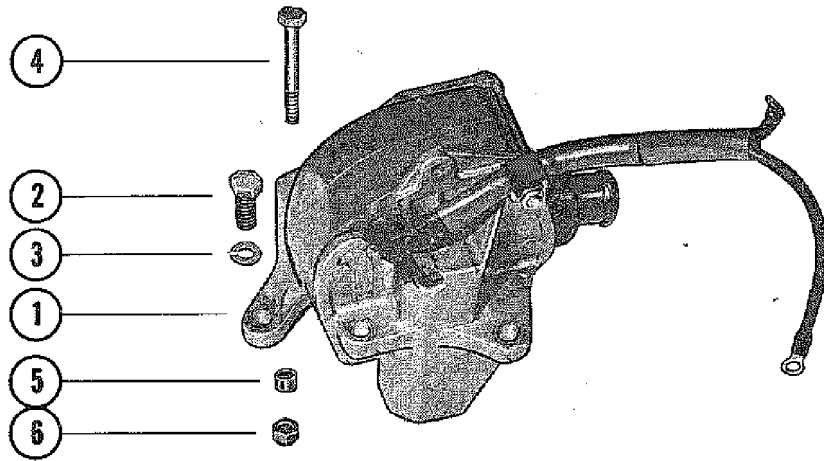
40753

DISTRIBUTOR HOUSING AND ROTOR

REF. NO.	PART NO.	SYM.	QTY.	DESCRIPTION
29	25-26547		12	GROMMET, SPARK PLUG LEADS
30	45409		2	RETAINER, Wire, HIGH TENSION LEADS
31	45392		1	BRACKET, FRONT - WIRE RETAINER
32	47398		1	BRACKET, REAR - WIRE RETAINER
33	10-62568		4	SCREW, (#10-16 x .375), FRONT AND REAR BRACKET ATTACHING
34	45391		2	SPACER, RUBBER - HIGH TENSION LEADS

■ = COMPONENT OF GASKET SET [27- 60476A75]

IGNITION COIL

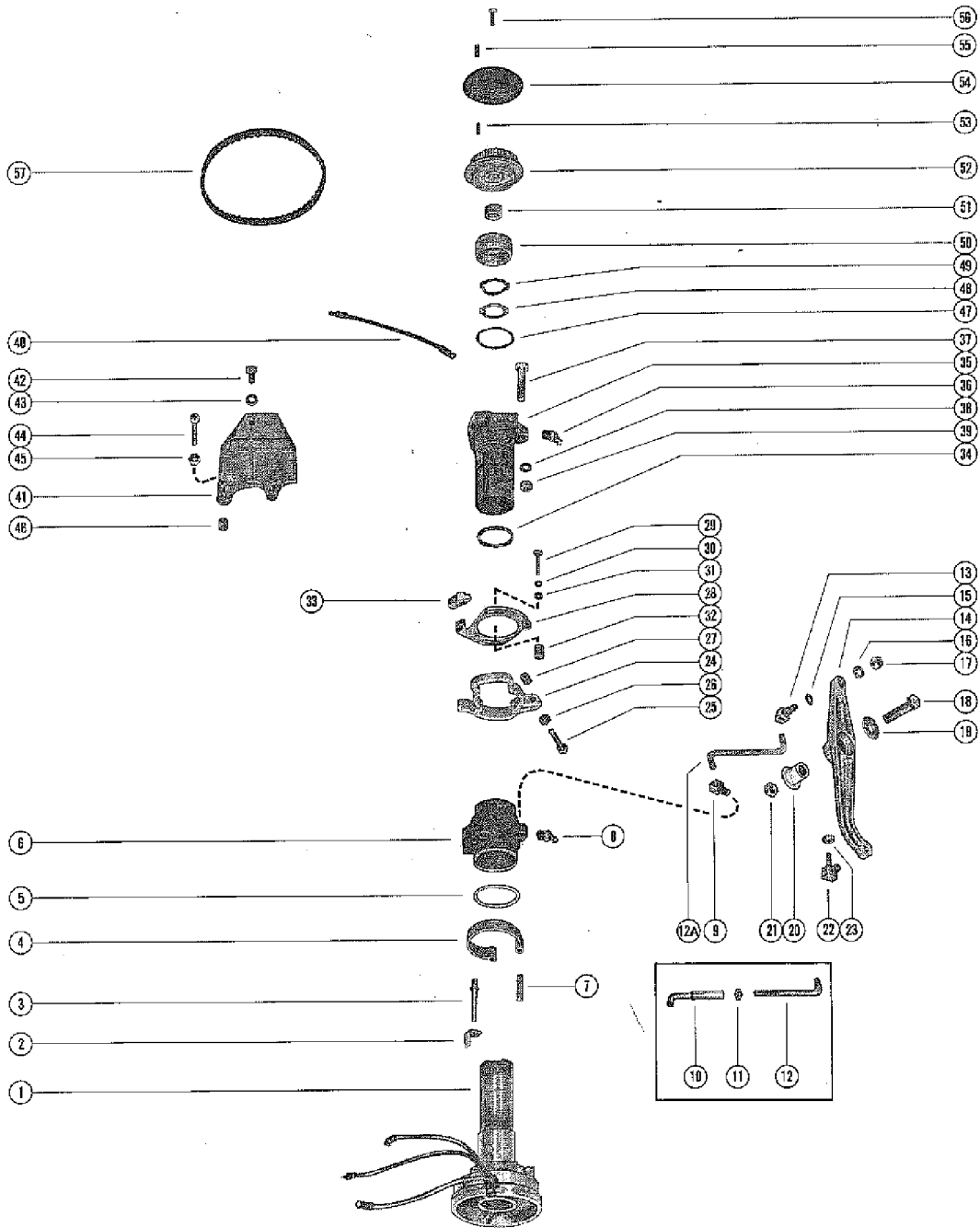


40754

IGNITION COIL

REF. NO.	PART NO.	SYM.	QTY.	DESCRIPTION
1	332-2983A 5		1	COIL ASSEMBLY, Ignition, COMPLETE (USA-4112634/Australia-8027114/Canada-7047257 and below)
2	10-37941		1	SCREW, (.250 x 1.750) (USA-4112634/Australia-8027114/Canada-7047257 and below)
3	13-26992		1	LOCKWASHER, (.250) Stainless Steel (USA-4112634/Australia-8027114/Canada-7047257 and below)
4	10-31471		2	SCREW, (3-1/4") (USA-4112634/Australia-8027114/Canada-7047257 and below)
5	23-52933		3	SPACER (USA-4112634/Australia-8027114/Canada-7047257 and below)
6	11-46887		2	NUT, (1/4-28) (USA-4112634/Australia-8027114/Canada-7047257 and below)
7	332-4895A 2		1	COIL ASSEMBLY, Ignition (USA-4112635/Australia-8027115/Canada-7047258 and above)
8	63194		1	PAD, RUBBER (USA-4112635/Australia-8027115/Canada-7047258 and above)
9	63195		1	COVER, IGNITION COIL (USA-4112635/Australia-8027115/Canada-7047258 and above)
10	10-69046		3	SCREW, (2") (USA-4112635/Australia-8027115/Canada-7047258 and above)
11	12-30164		3	WASHER, (.192 x .375 x .0312) Stainless Steel (USA-4112635/Australia-8027115/Canada-7047258 and above)
12	84-60466A 1		1	CABLE ASSEMBLY, Black (2.50 Inches) (USA-4112635/Australia-8027115/Canada-7047258 and above)
13	13-26996		2	LOCKWASHER, (#10) Stainless Steel, IGNITION COIL TERMINAL (USA-4112635/Australia-8027115/Canada-7047258 and above)
14	11-45076		2	NUT, (#10-32) Brass, IGNITION COIL TERMINAL (USA-4112635/Australia-8027115/Canada-7047258 and above)
15	84-66054A 2		1	CABLE ASSEMBLY, COIL TO SWITCH BOX (USA-4112635/Australia-8027115/Canada-7047258 and above)
16	10-62568		1	SCREW, (#10-16 x .375) (USA-4112635/Australia-8027115/Canada-7047258 and above)
17	69190		1	PLATE, COIL MOUNTING (USA-4112635/Australia-8027115/Canada-7047258 and above)

DISTRIBUTOR ADAPTOR AND VERTICAL LINKAGE



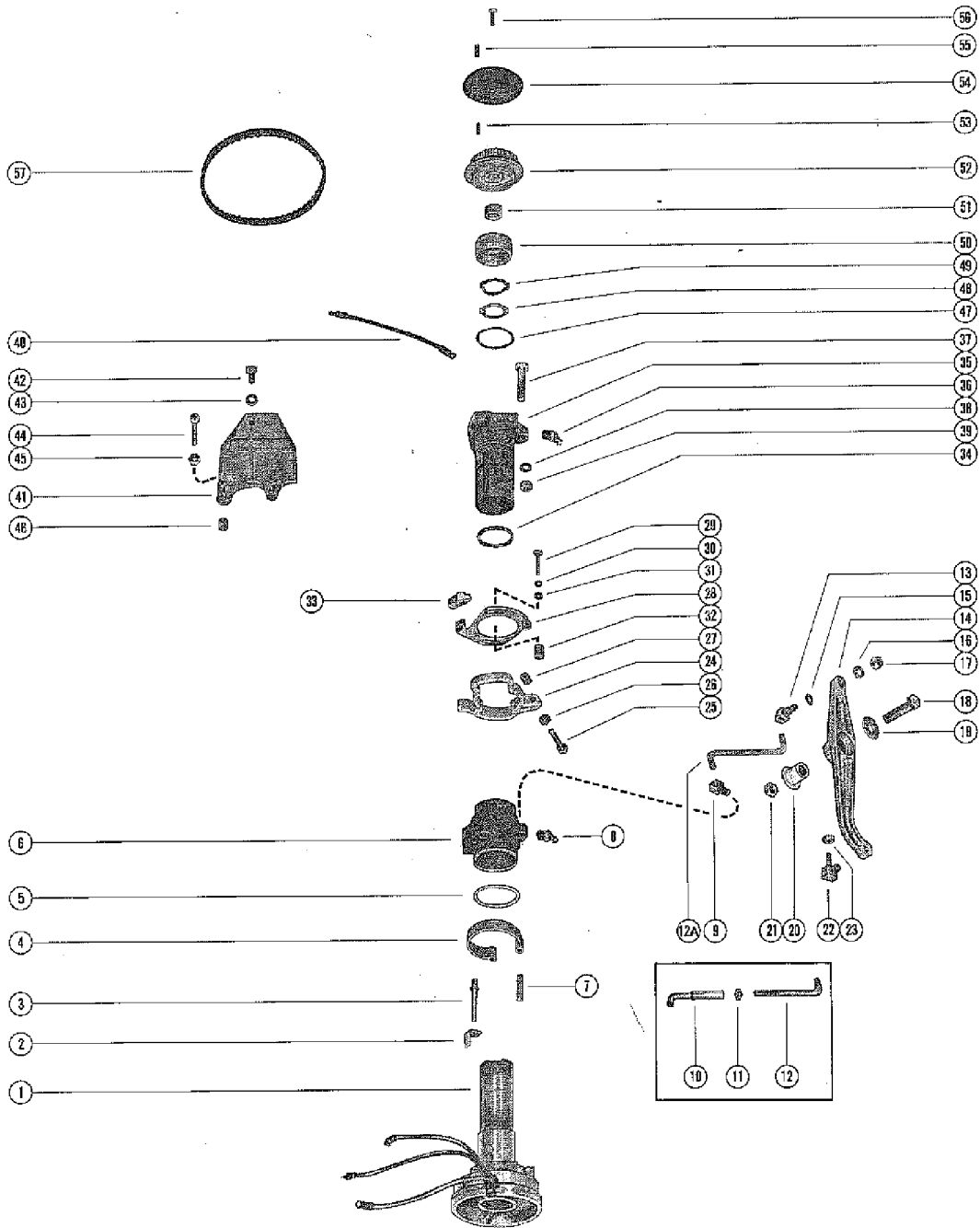
40755

DISTRIBUTOR ADAPTOR AND VERTICAL LINKAGE

REF. NO.	PART NO.	SYM.	QTY.	DESCRIPTION
1	393-3736A23		1	HOUSING ASSEMBLY, DISTRIBUTOR
2	32197		1	STOP, SPARK ADVANCE - DISTRIBUTOR HOUSING
3	17-27962		1	PIN, ANCHOR SPRING - DISTRIBUTOR HOUSING
4	24-27944		1	SPRING, HORSESHOE - DISTRIBUTOR HOUSING
5	12-53540		1	WASHER, ECONOMIZER COLLAR - DISTRIBUTOR HOUSING
6	55804A 1		1	ECONOMIZER COLLAR ASSEMBLY
7	17-27961		1	PIN, ECONOMIZER COLLAR - SPRING RETAINER
8	22-25094		1	FITTING, GREASE - ECONOMIZER COLLAR
9	27947		1	SWIVEL, LINKAGE - ECONOMIZER COLLAR
10	25996A 1		1	SWIVEL AND LINK ROD ASSEMBLY (USA-3761034/Australia-8014004/Canada-7025597 and below)
11	11-64484		1	NUT (USA-3761034/Australia-8014004/Canada-7025597 and below)
12	37700		1	ROD, LINK - UPPER (USA-3761034/Australia-8014004/Canada-7025597 and below)
12A	67469		1	ROD LINK, LINK - UPPER (USA-3761035/Australia-8014005/Canada-7025598 and above)
13	27948		1	SWIVEL, UPPER LINK ROD TO THROTTLE CONTROL LEVER
14	60478		1	LEVER, THROTTLE CONTROL
15	13-39954		1	WAVE WASHER,
16	12-29245		1	WASHER, (.281 x .500 x .060) Stainless Steel
17	11-35888		1	NUT, (.250-28) Stainless Steel
18	10-37559		1	SCREW, (1-3/4")
19	12-29395		1	WASHER, (.390 x 1.00 x .06)
20	23-45818		1	BUSHING
21	11-20509		1	NUT
22	37587		1	SWIVEL, LOWER - THROTTLE CONTROL LEVER TO THROTTLE CABLE
23	11-35888		1	NUT, (.250-28) Stainless Steel
24	48692		1	COLLAR, THROTTLE ACTUATOR
25	10-48675		1	SCREW, ADJUSTING (1-1/2")
26	11-64015		1	NUT, (.250-20)
27	52023		1	CAP, NYLON
28	48671		1	PLATE, THROTTLE ACTUATOR
29	10-37892		2	SCREW, (.190-32 x 1.00)
30	12-30164		2	WASHER, (.192 x .375 x .0312) Stainless Steel, THROTTLE ACTUATOR PLATE FASTENING SCREW
31	13-26996		2	LOCKWASHER, (#10) Stainless Steel, THROTTLE ACTUATOR PLATE FASTENING SCREW
32	23-48674		2	SPACER, THROTTLE ACTUATOR PLATE SCREW
33	58454		1	CAM, THROTTLE ACTUATOR PLATE
34	12-46246		1	WASHER, ADAPTOR - DISTRIBUTOR HOUSING

CONTINUED ON NEXT PAGE ➡

DISTRIBUTOR ADAPTOR AND VERTICAL LINKAGE

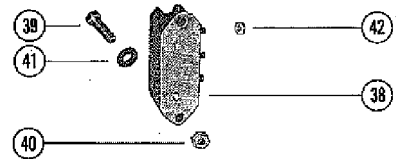
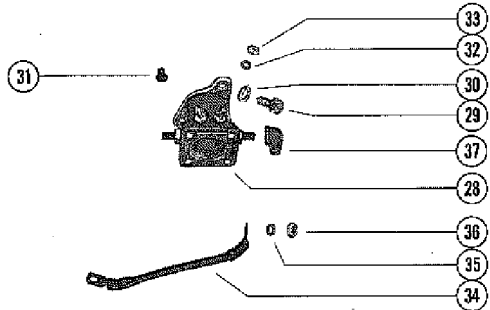
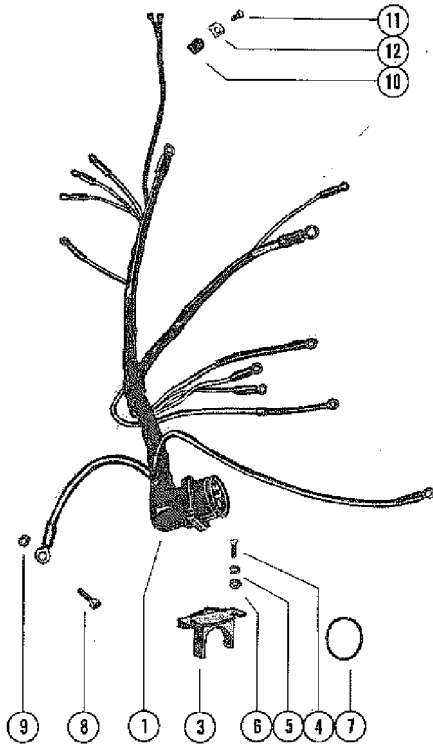
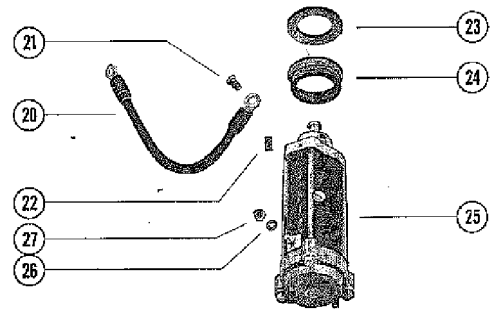
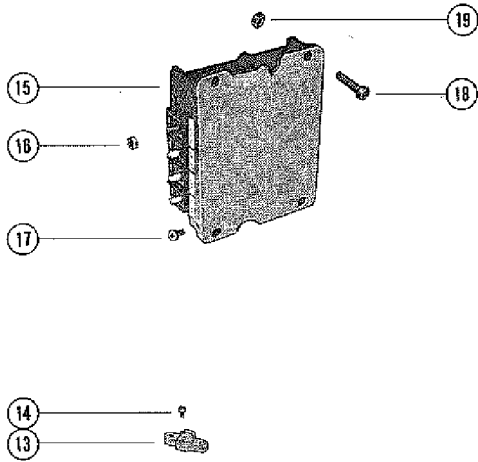


40755

DISTRIBUTOR ADAPTOR AND VERTICAL LINKAGE

REF. NO.	PART NO.	SYM.	QTY.	DESCRIPTION
35	48666A 1		1	ADAPTOR ASSEMBLY, DISTRIBUTOR 3761034 AND BELOW 8014004 AND BELOW 7025597 AND BELOW
	66165A 2		1	ADAPTOR ASSEMBLY, DISTRIBUTOR 3761035 AND UP 8014005 AND UP 7025598 AND UP
36	22-25094		1	FITTING, GREASE - DISTRIBUTOR ADAPTOR
37	10-22040		3	SCREW, DISTRIBUTOR HOUSING TO CRANKCASE (1 1/2") 3761034 AND BELOW 8014004 AND BELOW 7025597 AND BELOW
	10-20362		3	SCREW, (.312-18 x 1.50), DISTRIBUTOR HOUSING TO CRANKCASE (1 1/2")- 3761035 AND UP 8014005 AND UP 7025598 AND UP
38	12-20084		3	WASHER, (.328 x .562 x .062), DISTRIBUTOR HOUSING SCREW
39	11-20083		3	NUT, (5/16-24), DISTRIBUTOR HOUSING SCREW 3761034 AND BELOW 8014004 AND BELOW 7025597 AND BELOW
40	84-66008A 1		1	STRAP ASSEMBLY, Ground, GROUND - DISTRIBUTOR ADAPTOR TO FRONT SUPPORT BRACKET
41	55805		1	BRACKET, STOP
42	10-28636		2	SCREW, (.250-20 x .750)
43	12-35462		2	WASHER, (.2656 x .625 x .0625) Stainless Steel
44	10-64022		3	SCREW, (.250-20 x 2.125)
45	11-64015		3	NUT, (.250-20)
46	52023		3	CAP, NYLON - STOP BRACKET ADJUSTING SCREW
47	12-27939		1	WASHER
48	14-27960		1	TAB WASHER
49	13-27959		1	WASHER, WAVE - DISTRIBUTOR BALL BEARING TENSION
50	54567		1	CAP, DISTRIBUTOR HOUSING
51	23-47250		1	SPACER, DRIVE PULLEY
52	29906A 1		1	PULLEY ASSEMBLY, Driven
53	17-29908		1	PIN, ROLL - FLANGE LOCATING
54	29907		1	FLANGE, DRIVEN PULLEY
55	28-29910		1	KEY, DISTRIBUTOR DRIVER
56	10-68554		1	SCREW, PULLEY CLAMPING
57	20140		1	BELT, TIMING

ELECTRICAL COMPONENTS



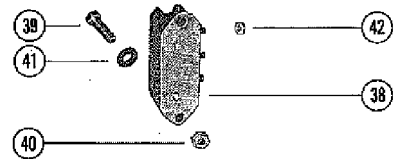
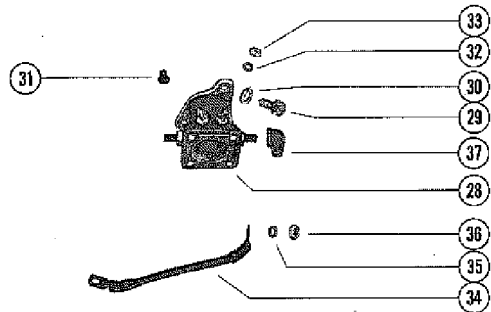
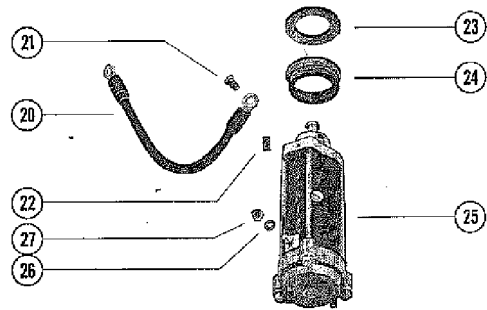
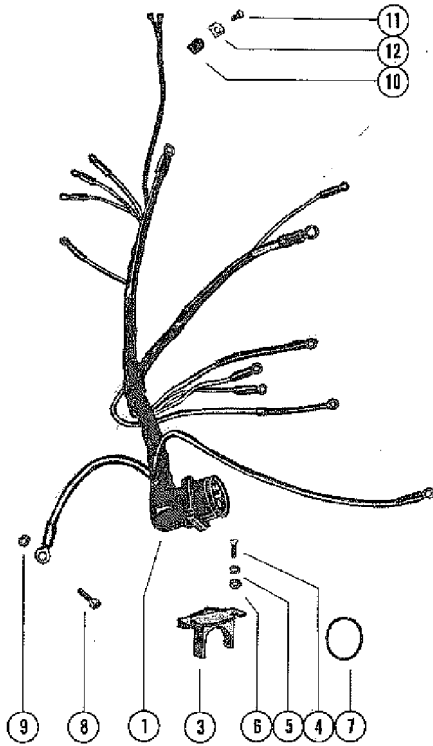
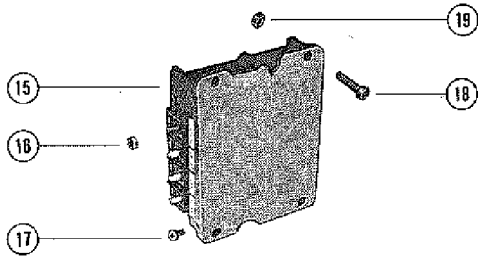
40756

ELECTRICAL COMPONENTS

REF. NO.	PART NO.	SYM.	QTY.	DESCRIPTION
1	52769		1	HARNESS ASSEMBLY (USA-4112634/Australia-8027114/ Canada-7047257 and below)
	84-69236		1	HARNESS ASSEMBLY (USA-4112635/Australia-8027115/ Canada-7047258 and above)
3	54-76368		1	CLAMP, WIRING HARNESS TO BOTTOM COWL
4	10-69020		2	SCREW, (#10-32 x .875)
5	13-26996		2	LOCKWASHER, (#10) Stainless Steel
6	12-30164		2	WASHER, (.192 x .375 x .0312) Stainless Steel
7	24-28975		1	SPRING, GARTER
8	10-20776		1	SCREW, (.250-28 x .50)
9	13-26992		1	LOCKWASHER, (.250) Stainless Steel
10	54-26538		1	CLIP, (1/8")
11	10-62568		1	SCREW, (#10-16 x .375)
12	69205		1	C WASHER
13	45559		1	TERMINAL BLOCK, STATOR LEADS
14	10-62568		4	SCREW, (#10-16 x .375)
15	332-2986A 4		1	SWITCHBOX ASSEMBLY (USA-3761034/Australia-8014004/ Canada-7025597 and below)
	332-2986A21		1	SWITCHBOX ASSEMBLY (USA-3761035/Australia-8014005/ Canada-7025598 and above)
16	11-45076		7	NUT, (#10-32) Brass
17	10-29794		1	SCREW, (3/8")
18	10-64279		4	SCREW, (3/4")
19	11-46887		4	NUT, (1/4-28)
20	25596		1	CABLE
21	10-69035		1	SCREW AND LOCKWASHER, (.250-20 x .625) Stainless Steel
22	57247		2	STOP, RUBBER
23	23-56774		AR	SPACER
24	56703		2	COLLAR, RUBBER
	50-64975		1	STARTER MOTOR ASSEMBLY (PRESTOLITE)
	50-72467		1	STARTER MOTOR ASSEMBLY (BOSCH)
26	13-26992		1	LOCKWASHER, (.250) Stainless Steel
27	11-64015		1	NUT, (.250-20)
28	25661		1	SOLENOID, STARTER (USA-4112634/Australia-8027114/ Canada-7047257 and below)
28	89-68258		1	SOLENOID, Starter (USA-4112635/Australia-8027115/Canada-7047258 and above)
29	10-21625		2	SCREW, (.250-28 x .750) (USA-4112634/Australia-8027114/ Canada-7047257 and below)
29	10-38601		2	SCREW, (.250-28 x 1.250) (USA-4112635/Australia-8027115/ Canada-7047258 and above)
30	13-26992		2	LOCKWASHER, (.250) Stainless Steel

CONTINUED ON NEXT PAGE ➔

ELECTRICAL COMPONENTS

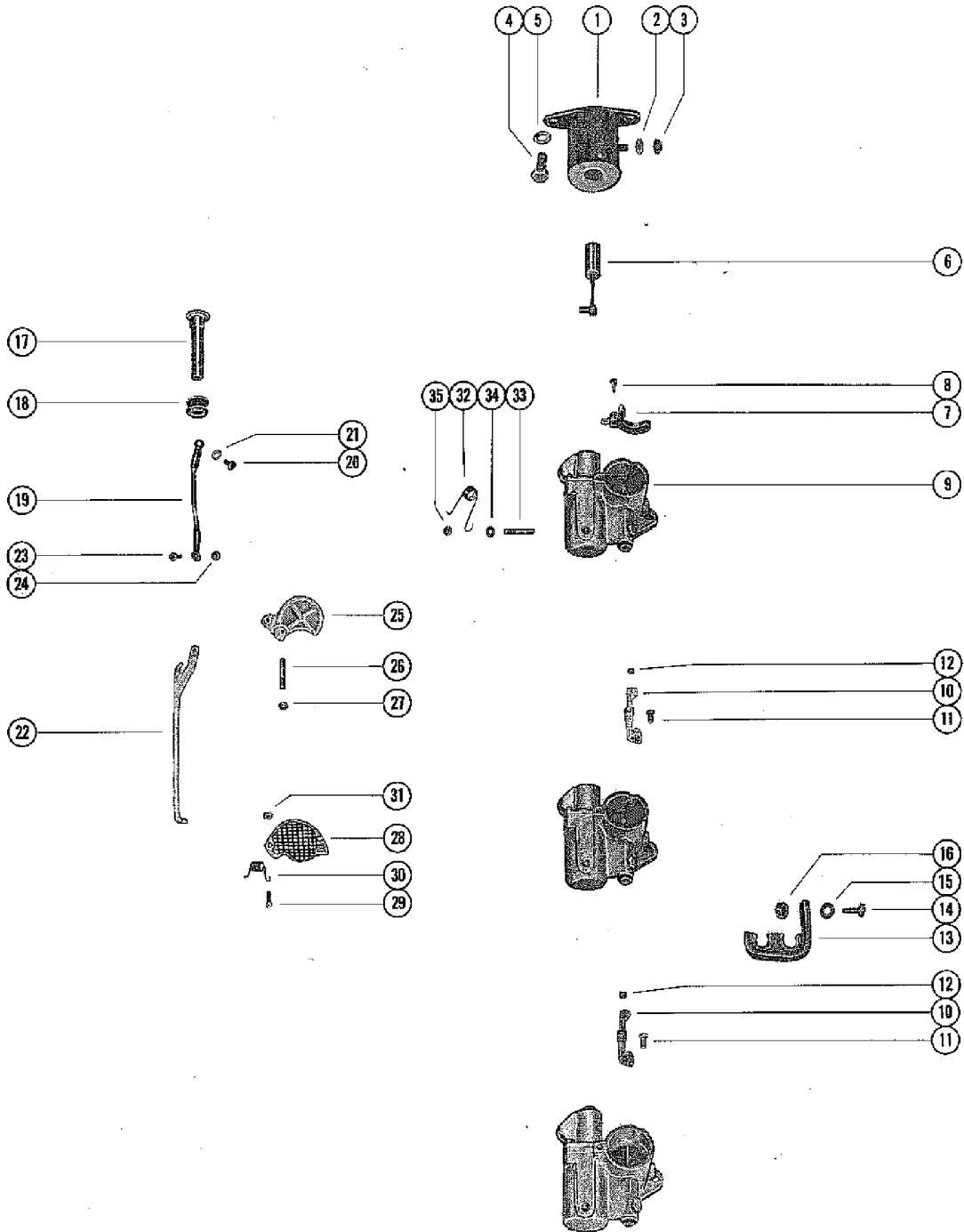


40756

ELECTRICAL COMPONENTS

REF. NO.	PART NO.	SYM.	QTY.	DESCRIPTION
31	26901		1	BUMPER, RUBBER
32	13-26996		2	LOCKWASHER, (#10) Stainless Steel
33	11-68219		2	NUT, (#10-32) Stainless Steel
34	48396		1	CABLE (USA-4112634/Australia-8027114/Canada-7047257 and below)
	84-69237		1	CABLE (USA-4112635/Australia-8027115/Canada-7047258 and above)
35	13-26993		2	LOCKWASHER, (.312)
36	11-68292		2	NUT, (.312-18)
37	46265		1	BOOT, SOLENOID TERMINAL
38	332-2910A 3		1	RECTIFIER ASSEMBLY (USA-4112634/Australia-8027114/ Canada-7047257 and below)
38	62351A 1		1	RECTIFIER (USA-4112635/Australia-8027115/Canada-7047258 and above)
39	10-64278		2	SCREW, (.250-28 x 1.00) (USA-4112634/Australia-8027114/ Canada-7047257 and below)
39	10-37656		2	SCREW, (#10-32 x .620) (USA-4112635/Australia-8027115/ Canada-7047258 and above)
40	11-46887		2	NUT, (1/4-28) (USA-4112634/Australia-8027114/Canada-7047257 and below)
41	12-30164		2	WASHER, (.192 x .375 x .0312) Stainless Steel (USA-4112635/ Australia-8027115/Canada-7047258 and above)
42	11-45076		2	NUT, (#10-32) Brass (USA-4112634/Australia-8027114/ Canada-7047257 and below)
42	11-45076		3	NUT, (#10-32) Brass (USA-4112635/Australia-8027115/ Canada-7047258 and above)

CARBURETOR LINKAGE AND CHOKE SOLENOID



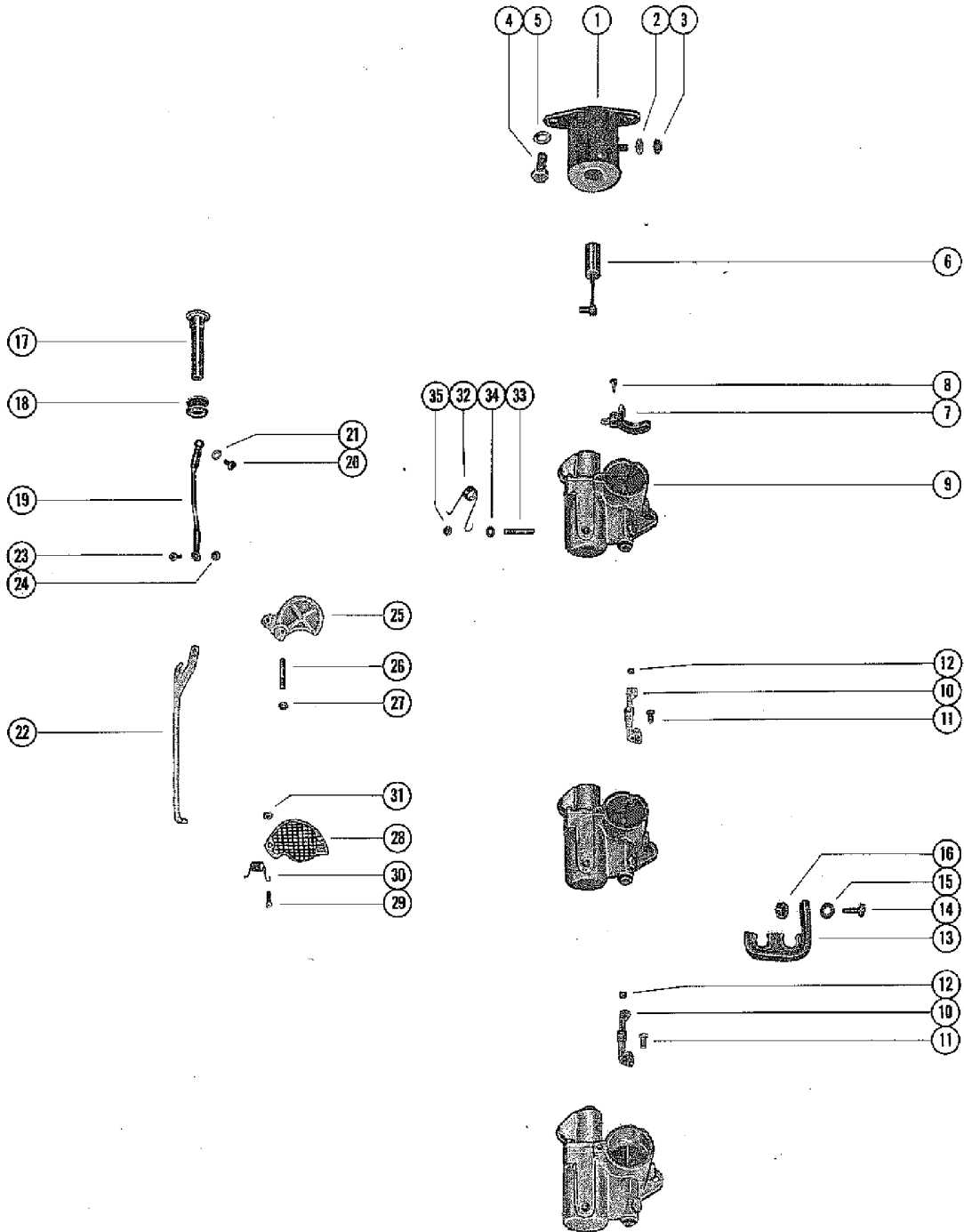
40757

CARBURETOR LINKAGE AND CHOKE SOLENOID

REF. NO.	PART NO.	SYM.	QTY.	DESCRIPTION
1	54293A 4		1	SOLENOID ASSEMBLY, Choke
2	13-26996		1	LOCKWASHER, (#10) Stainless Steel, SOLENOID TERMINAL
3	11-20645		1	NUT, (#10), SOLENOID TERMINAL
4	10-25299		2	SCREW, (.312-18 x .75), CHOKE SOLENOID
5	13-26993		2	LOCKWASHER, (.312), CHOKE SOLENOID SCREW
6	54283A 1		1	PLUNGER AND LINK ASSEMBLY, CHOKE SOLENOID
7	52518		1	CLUSTER, THROTTLE LEVER (UPPER CARBURETOR)
8	10-20847		1	SCREW, CLUSTER TO THROTTLE LEVER
9	1352-4510A24		3	CARBURETOR ASSEMBLY, COMPLETE (USA-3761034/ Australia-8014004/Canada-7025597 and below)
	1368-5290A 6		3	CARBURETOR ASSEMBLY, COMPLETE (USA-3761035/ Australia-8014005/Canada-7025598 thru USA-4112634/ Australia-8027114/Canada-7047257)
	1368-5702A 5		3	CARBURETOR ASSEMBLY, COMPLETE (USA-4112635/ Australia-8027115/Canada-7047258 and above)
10	53720A 2		2	COUPLING ASSEMBLY
11	10-66104		2	SCREW, (#8-32 x .790)
12	53665		2	INSERT, THROTTLE COUPLING
13	59757		1	BRACKET, COIL LEAD RETAINER (USA-4112634/Australia-8027114/ Canada-7047257 and below)
14	10-64278		1	SCREW, (.250-28 x 1.00) (USA-4112634/Australia-8027114/ Canada-7047257 and below)
15	12-29245		1	WASHER, (.281 x .500 x .060) Stainless Steel (USA-4112634/ Australia-8027114/Canada-7047257 and below)
16	11-46887		1	NUT, (1/4-28) (USA-4112634/Australia-8027114/Canada-7047257 and below)
17	73755A 1		1	KNOB, CHOKE ROD
18	25-20116		1	GROMMET, CHOKE ROD
19	49589		1	STRAP, CHOKE KNOB TO CHOKE ROD
20	10-48591		1	SCREW, (#10-32 x .500) (USA-4394236/Australia-8027439/ Canada-7075522 and below)
	10-61159		1	SCREW, (5/8") (USA-4394237/Canada-7075523 and above)
21	13-26996		1	LOCKWASHER, (#10) Stainless Steel
22	48203		1	ROD, CHOKE
23	10-48591		1	SCREW, (#10-32 x .500)
24	11-46438		1	NUT, (#10-32)
25	48152		2	SHUTTER, CHOKE - CARBURETOR
26	16-52898		2	STUD, CARBURETOR - CHOKE SHUTTER PIVOT
27	11-20110		2	NUT, (#10-32)
28	35-57819		3	SCREEN, FILTER - CARBURETOR
29	10-22523		1	SCREW, (.190-32 x .75) (LOWER CARBURETOR)
	10-23051		2	SCREW, (1") (UPPER CARBURETOR)
30	24-57818		2	SPRING, UPPER FILTER SCREEN SCREW

CONTINUED ON NEXT PAGE ➡

CARBURETOR LINKAGE AND CHOKE SOLENOID



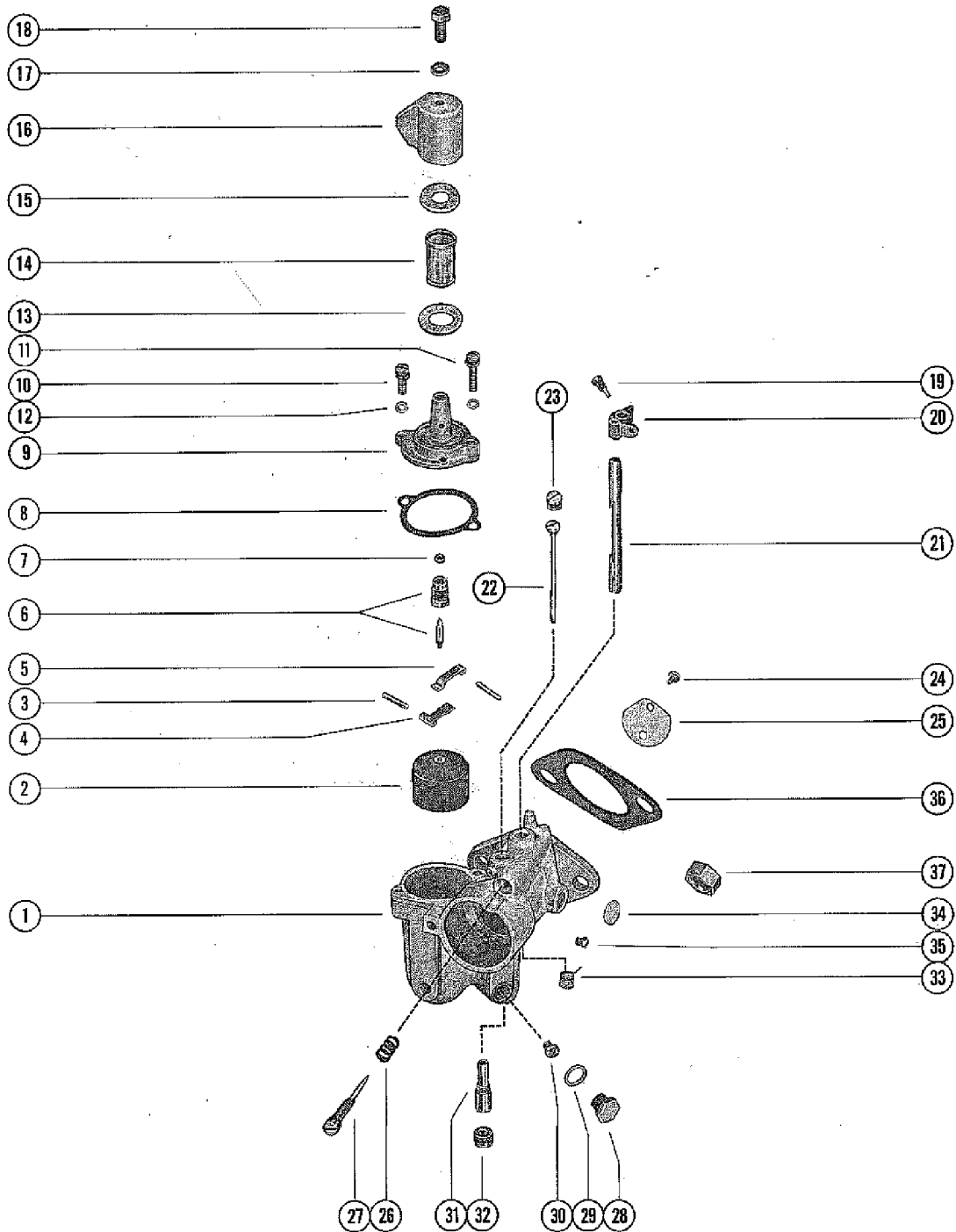
40757

CARBURETOR LINKAGE AND CHOKE SOLENOID

REF. NO.	PART NO.	SYM.	QTY.	DESCRIPTION
31	11-20110		3	NUT, (#10-32)
32	24-48230		1	SPRING, CHOKE ROD TENSION
33	16-39937		1	STUD, CHOKE ROD SPRING TO CARBURETOR
34	23-32427		1	SPACER, CHOKE ROD SPRING STUD
35	11-46887		1	NUT, (1/4-28)

CARB

USA-3761034/Aus.-8014004/Canada-7025597 and Below



40758

REF. NO.	PART NO.	SYM.	QTY.	DESCRIPTION
1	1352-4510A24		3	CARBURETOR ASSEMBLY, (WMK-10)
2	1399-110A 1		3	FLOAT ASSEMBLY
3	NSS	□	6	NOT SOLD SEPARATE, PIN, FLOAT LEVER PINION
4	NSS	□	3	NOT SOLD SEPARATE, LEVER, FLOAT (LOWER)
5	NSS	□	3	NOT SOLD SEPARATE, LEVER, FLOAT (UPPER)
6	1395-4555	□	3	NEEDLE, Inlet, SEAT AND GASKET
7	NSS	❖□	3	NOT SOLD SEPARATE, GASKET, INLET SEAT
8	NSS	❖□	3	NOT SOLD SEPARATE, GASKET, FLOAT BOWL COVER
9	1399-4559		3	COVER, FLOAT BOWL
10	10-52195		3	SCREW, FLOAT BOWL COVER (SHORT)
11	10-52196		3	SCREW, FLOAT BOWL COVER (LONG)
12	13-26995		6	LOCKWASHER, (#8) Stainless Steel, FLOAT BOWL COVER SCREW
13	27-25851		3	GASKET, STRAINER COVER (LARGE)
14	1399-3938	□	3	SCREEN, FILTER
15	27-25849		3	GASKET, STRAINER COVER (SMALL)
16	1399-4791		3	COVER, STRAINER
17	NSS	❖□	3	NOT SOLD SEPARATE, GASKET, STRAINER COVER SCREW
18	10-25822	□	3	SCREW, STRAINER COVER FASTENING
19	10-20847	□	3	SCREW, THROTTLE STOP LEVER
20	1399-97		3	LEVER, THROTTLE STOP USED ON CENTER AND LOWER CARBURETOR ONLY -- REPLACED WITH A-52518 CLUSTER ON UPPER CARBURETOR
	52518		1	CLUSTER Upper CARBURETOR
21	1399-3527		3	SHAFT, THROTTLE
22	NSS	□	3	NOT SOLD SEPARATE, TUBE, IDLE
23	1395-4540		3	SCREW, BODY (IDLE TUBE)
24	NSS	□	6	NOT SOLD SEPARATE, SCREW, THROTTLE SHUTTER
25	1395-5108		3	SHUTTER, THROTTLE
26	NSS	□	3	NOT SOLD SEPARATE, SPRING, IDLE ADJUSTMENT SCREW
27	1399-3515	□	3	SCREW, IDLE ADJUSTMENT
28	1395-4541		3	SCREW, PLUG - MAIN FUEL JET CHANNEL
29	NSS	❖□	3	NOT SOLD SEPARATE, GASKET, JET CHANNEL PLUG SCREW

■ = COMPONENT OF GASKET SET [27- 60476A75]

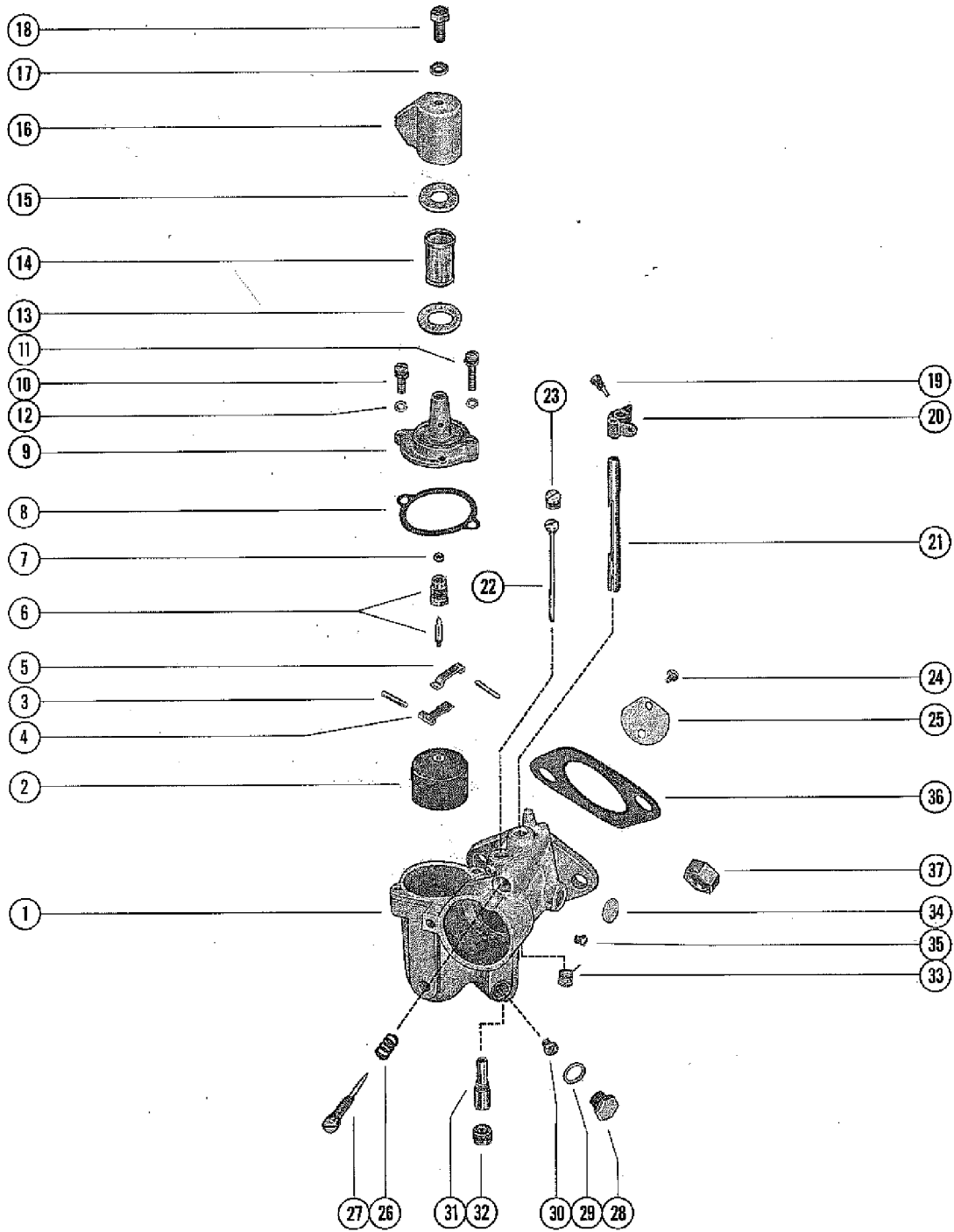
❖ = COMPONENT OF CARBURETOR GASKET AND PACKING SET [1399- 3523] OR [1395- 4808]

□ = COMPONENT OF CARBURETOR REPAIR PARTS KIT [1395- 5109] OR [1395- 5405]

CONTINUED ON NEXT PAGE ➔

CARB

USA-3761034/Aus.-8014004/Canada-7025597 and Below



40758

REF. NO.	PART NO.	SYM.	QTY.	DESCRIPTION
30	1399-3794		OPT	JET, (.074), MAIN FUEL
	1399-3795	□	3	JET, MAIN FUEL (.072) - STANDARD
	1399-3811		OPT	JET, MAIN FUEL (.070)
	1399-4214		OPT	JET, Main Fuel (.068)
31	NSS	□	3	NOT SOLD SEPARATE, NOZZLE, MAIN
32	1395-4542		3	SCREW, PLUG - MAIN NOZZLE
33	NSS	□	2	NOT SOLD SEPARATE, SPRING, THROTTLE SHAFT RETURN
34	NSS	□	3	NOT SOLD SEPARATE, PLUG, BODY CHANNEL
35	1395-4543		3	SCREW
36	27-48164	■	3	GASKET, CARBURETOR FLANGE
37	11-46793		6	NUT, (5/16-24)
-	52106A 1		1	VENTURI, Plastic
-	1399-3523	□	3	GASKET SET, (1 PER CARBURETOR)
	1395-5109		3	REPAIR PARTS KIT, (1 PER CARB.)
-	27-60476A75		1	GASKET SET

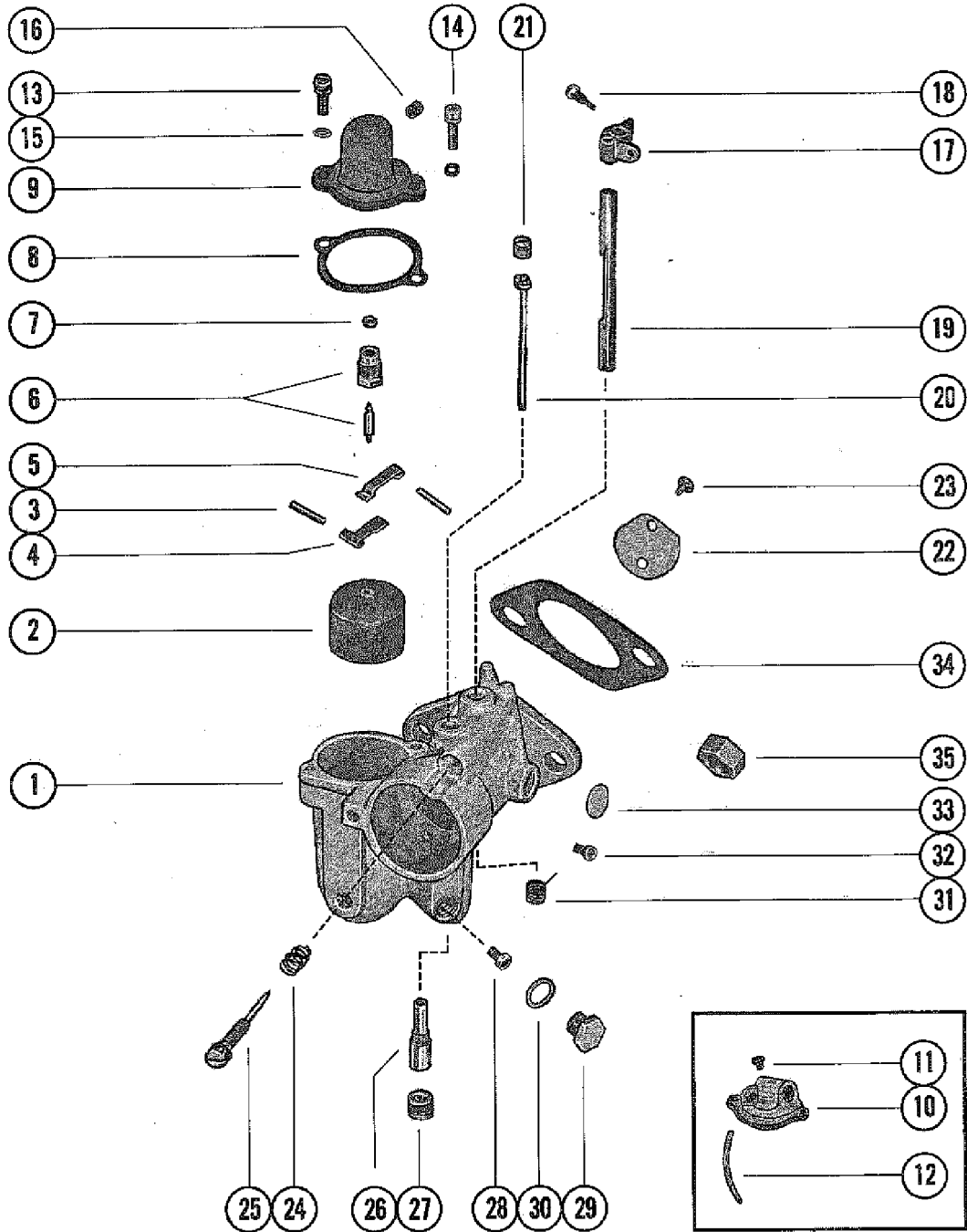
■ = COMPONENT OF GASKET SET [27- 60476A75]

❖ = COMPONENT OF CARBURETOR GASKET AND PACKING SET [1399- 3523] OR [1395- 4808]

□ = COMPONENT OF CARBURETOR REPAIR PARTS KIT [1395- 5109] OR [1395- 5405]

CARB

USA-3761035/Aus.-8014005/Canada-7025598 and Up



40760

REF. NO.	PART NO.	SYM.	QTY.	DESCRIPTION
1	1368-5290A 6		3	CARBURETOR ASSEMBLY (USA-3761035/Australia-8014005/ Canada-7025598 thru USA-4112634/Australia-8027114/ Canada-7047257)
	1368-5702A 5		3	CARBURETOR ASSEMBLY (USA-4112635/Australia-8027115/ Canada-7047258 and above)
2	1395-5353		3	FLOAT ASSEMBLY
3	NSS	□	6	NOT SOLD SEPARATE, PIN, FLOAT LEVER PINION
4	NSS	□	3	NOT SOLD SEPARATE, LEVER, FLOAT (LOWER)
5	NSS	□	3	NOT SOLD SEPARATE, LEVER, FLOAT (UPPER)
6	1395-4555		3	NEEDLE, Inlet, SEAT AND GASKET (USA-3761035/ Australia-8014005/Canada-7025598 thru USA-4112634/ Australia-8027114/Canada-7047257)
	4395-4868		3	NEEDLE, Inlet, SEAT AND GASKET (USA-4112635/ Australia-8027115/Canada-7047258 and above)
7	NSS	❖□	3	NOT SOLD SEPARATE, GASKET, INLET SEAT
8	NSS	❖□	3	NOT SOLD SEPARATE, GASKET, FLOAT BOWL COVER
9	1395-5261		3	COVER, FLOAT BOWL (USA-3761035/Australia-8014005/ Canada-7025598 thru USA-4112634/Australia-8027114/ Canada-7047257)
10	1395-5680		3	COVER, FLOAT BOWL (USA-4112635/Australia-8027115/ Canada-7047258 and above)
11	1395-5733		3	JET, Main (.092), BOWL VENT (USA-4112635/Australia-8027115/ Canada-7047258 and above)
12	1395-5734		3	HOSE, ECONOMIZER (USA-4112635/Australia-8027115/ Canada-7047258 and above)
13	10-52195		6	SCREW, FLOAT BOWL COVER (USA-3761035/Australia-8014005/ Canada-7025598 thru USA-4112634/Australia-8027114/ Canada-7047257)
	10-52195		3	SCREW, FLOAT BOWL COVER (USA-4112635/Australia-8027115/ Canada-7047258 and above)
14	1395-4804		3	SCREW, FLOAT BOWL COVER (USA-4112635/Australia-8027115/ Canada-7047258 and above)
15	13-26995		6	LOCKWASHER, (#8) Stainless Steel
16	1395-4805	□	3	SCREEN, FILTER
17	1399-97		3	LEVER, THROTTLE STOP USED ON CENTER AND LOWER CARBURETOR ONLY -- REPLACED WITH A-52518 CLUSTER
	52518		1	CLUSTER
18	10-20847	□	3	SCREW, THROTTLE STOP LEVER
19	1399-3527		3	SHAFT, THROTTLE
20	NSS	□	3	NOT SOLD SEPARATE, TUBE, IDLE

■ = COMPONENT OF GASKET SET [27- 60476A75]

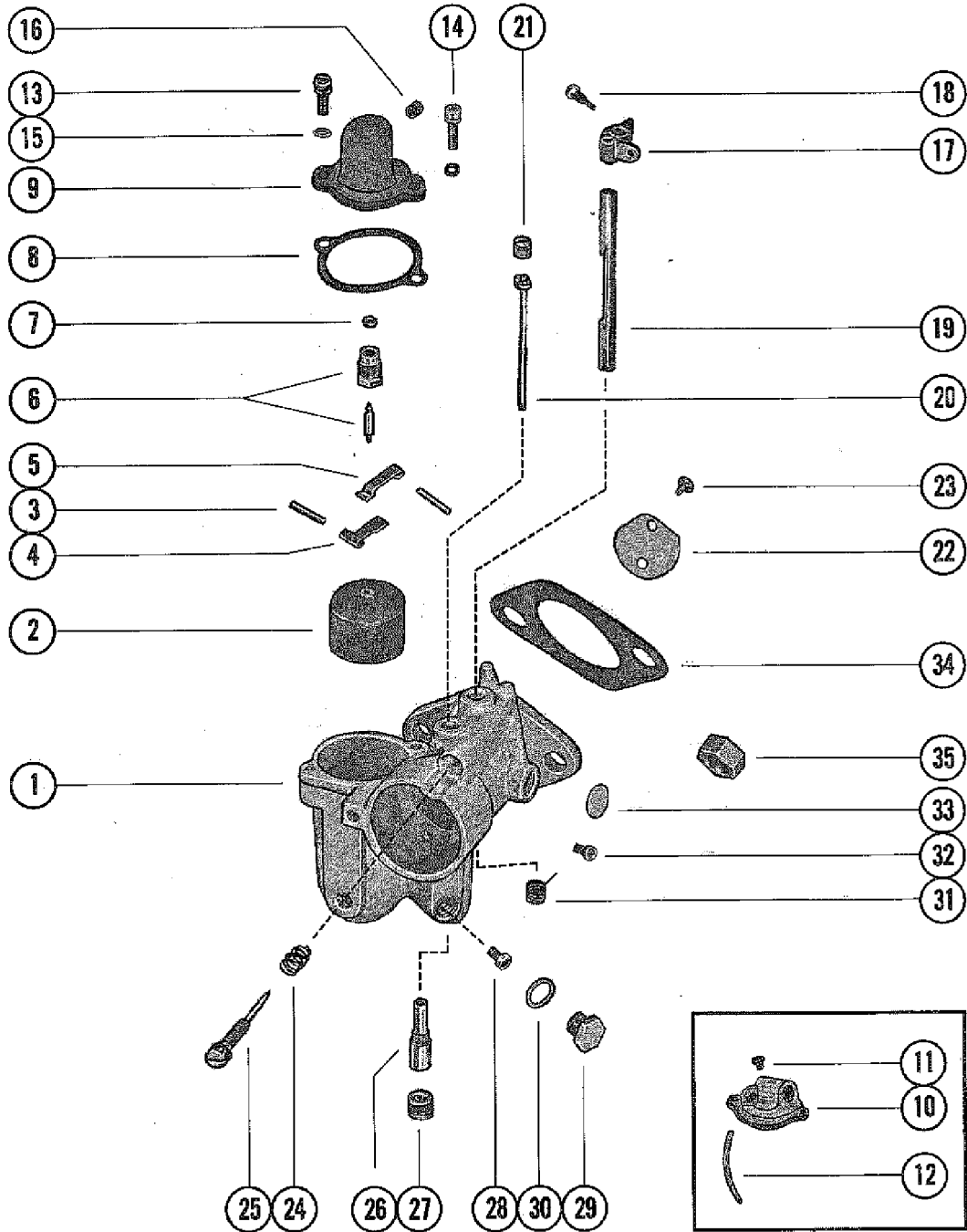
❖ = COMPONENT OF CARBURETOR GASKET AND PACKING SET [1399- 3523] OR [1395- 4808]

□ = COMPONENT OF CARBURETOR REPAIR PARTS KIT [1395- 5109] OR [1395- 5405]

CONTINUED ON NEXT PAGE ➡

CARB

USA-3761035/Aus.-8014005/Canada-7025598 and Up



40760

REF. NO.	PART NO.	SYM.	QTY.	DESCRIPTION
21	1395-4540		3	SCREW, BODY (IDLE TUBE)
22	1395-5108		3	SHUTTER, THROTTLE
23	NSS	□	6	NOT SOLD SEPARATE, SCREW, THROTTLE SHUTTER
24	NSS	□	3	NOT SOLD SEPARATE, SPRING, IDLE ADJUSTMENT SCREW
25	1399-3515		3	SCREW, IDLE ADJUSTMENT
26	NSS	□	3	NOT SOLD SEPARATE, NOZZLE, MAIN
27	1395-4542		3	SCREW, PLUG - MAIN NOZZLE
28	1399-3794		OPT	JET, (.074), MAIN FUEL
	1399-3795	□	3	JET, MAIN FUEL (.072) - STANDARD
	1399-3811		OPT	JET, MAIN FUEL (.070)
	1399-4214		OPT	JET, Main Fuel (.068)
29	1395-4541		3	SCREW, PLUG - MAIN FUEL JET CHANNEL
30	NSS	❖□	3	NOT SOLD SEPARATE, GASKET, JET CHANNEL PLUG SCREW
31	NSS	□	3	NOT SOLD SEPARATE, SPRING, THROTTLE SHAFT RETURN
32	1395-4543		3	SCREW, BODY CHANNEL
33	NSS	□	3	NOT SOLD SEPARATE, PLUG
34	27-48164	■❖□	3	GASKET, CARBURETOR FLANGE
35	11-64809		6	NUT, CARBURETOR MOUNTING STUD
-	1395-4808	□	3	GASKET SET, (1 PER CARBURETOR)
	1395-5405		3	REPAIR PARTS KIT, (1 PER CARBURETOR)
-	27-60476A75		1	GASKET SET
-	52106A 1		1	VENTURI, Plastic

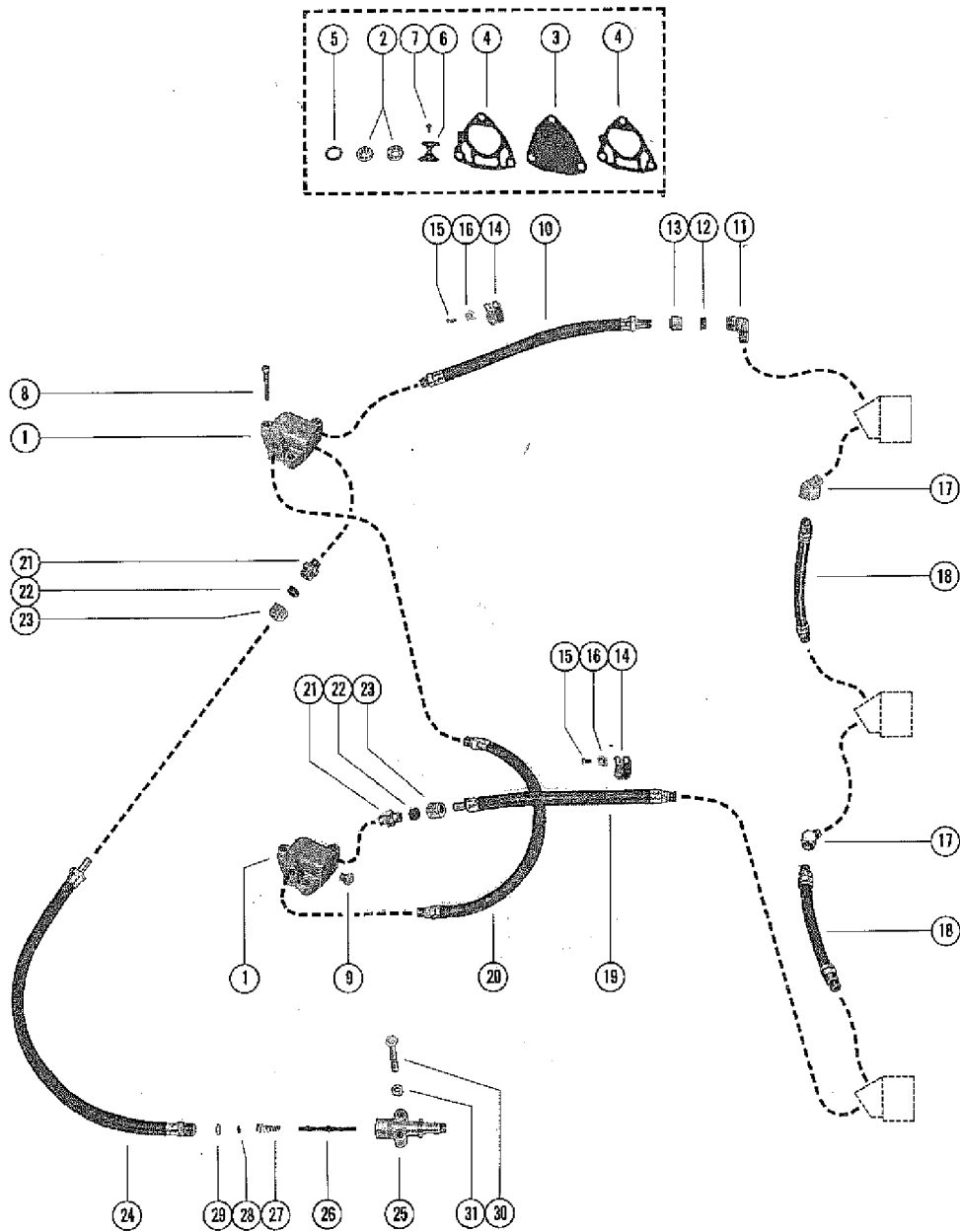
■ = COMPONENT OF GASKET SET [27- 60476A75]

❖ = COMPONENT OF CARBURETOR GASKET AND PACKING SET [1399- 3523] OR [1395- 4808]

□ = COMPONENT OF CARBURETOR REPAIR PARTS KIT [1395- 5109] OR [1395- 5405]

FUEL PUMP

USA-3761034/Aus.-8014004/Canada-7025597 and Below



40759

FUEL PUMP

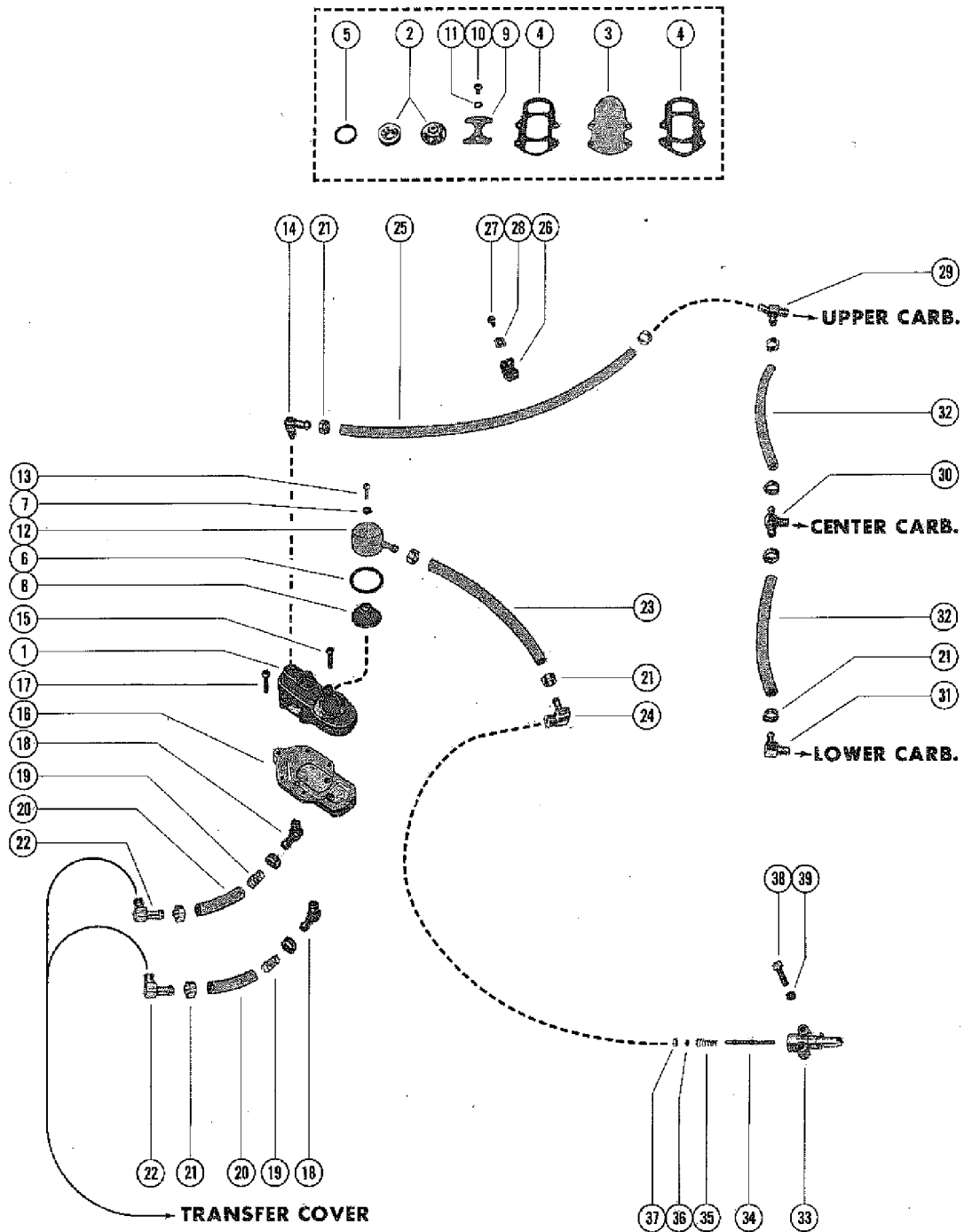
USA-3761034/Aus.-8014004/Canada-7025597 and Below

REF. NO.	PART NO.	SYM.	QTY.	DESCRIPTION
1	55156A 5		2	PUMP ASSEMBLY, Fuel
2	21-30430A 3		2	CHECK VALVE ASSEMBLY
3	55278A 1	■	2	DIAPHRAGM KIT
4	NSS	■	4	NOT SOLD SEPARATE, GASKET, FUEL PUMP
5	NSS	■	4	NOT SOLD SEPARATE, GASKET, CHECK VALVE TO HOUSING
6	23004		2	RETAINER, CHECK VALVE
7	10-20037		4	SCREW, RETAINER TO HOUSING
8	10-27281		6	SCREW, (.250-20 x 1.375)
9	22-32802		1	PLUG, Pipe (.125-27), BOTTOM PUMP
10	32-33154A 1		1	LINE ASSEMBLY, Fuel, PUMP TO CARBURETOR (14-1/8")
11	22-30174		1	ELBOW
12	22-30175		1	SLEEVE
13	22-30177		1	NUT
14	54-22627		2	CLIP, FUEL LINE TO CYLINDER BLOCK
15	10-30663		2	SCREW, (#10-16 x .380)
16	22789		2	D WASHER
17	22-29085		2	FITTING, Elbow (45 Degree) , FUEL LINE TO CARBURETOR
18	32-31584A 1		2	LINE ASSEMBLY, Fuel, CARBURETOR TO CARBURETOR
19	32-55827A 1		1	LINE ASSEMBLY, Fuel, PUMP TO CARB. (9-1/2")
20	32-55828A 1		1	LINE ASSEMBLY, Fuel, PUMP TO PUMP (13-3/4")
21	22-30468		2	CONNECTOR, TOP AND BOTTOM PUMP
22	22-30175		2	SLEEVE
23	22-30177		2	NUT
24	32-55829		1	LINE, Fuel, ADAPTOR TO LOWER FUEL PUMP (15")
25	30186		1	ADAPTOR, CHECK UNIT (FUEL LINE)
26	30187		1	STEM, CHECK UNIT ADAPTOR
27	24-30189		1	SPRING, ADAPTOR STEM
28	25-20415	■	1	O-RING, ADAPTOR STEM
29	30188		1	WASHER, ADAPTOR
30	10-37990		1	SCREW, ADAPTOR TO BOTTOM COWL (1-3/4")
	10-31471		1	SCREW, ADAPTOR TO BOTTOM COWL (3-1/4")
31	11-46887		2	NUT, (1/4-28)
-	27-60476A75		1	GASKET SET

■ = COMPONENT OF GASKET SET [27- 60476A75]

FUEL PUMP

USA-3761035/Aus.-8014005/Canada-7025598 and Up



40761

FUEL PUMP

USA-3761035/Aus.-8014005/Canada-7025598 and Up

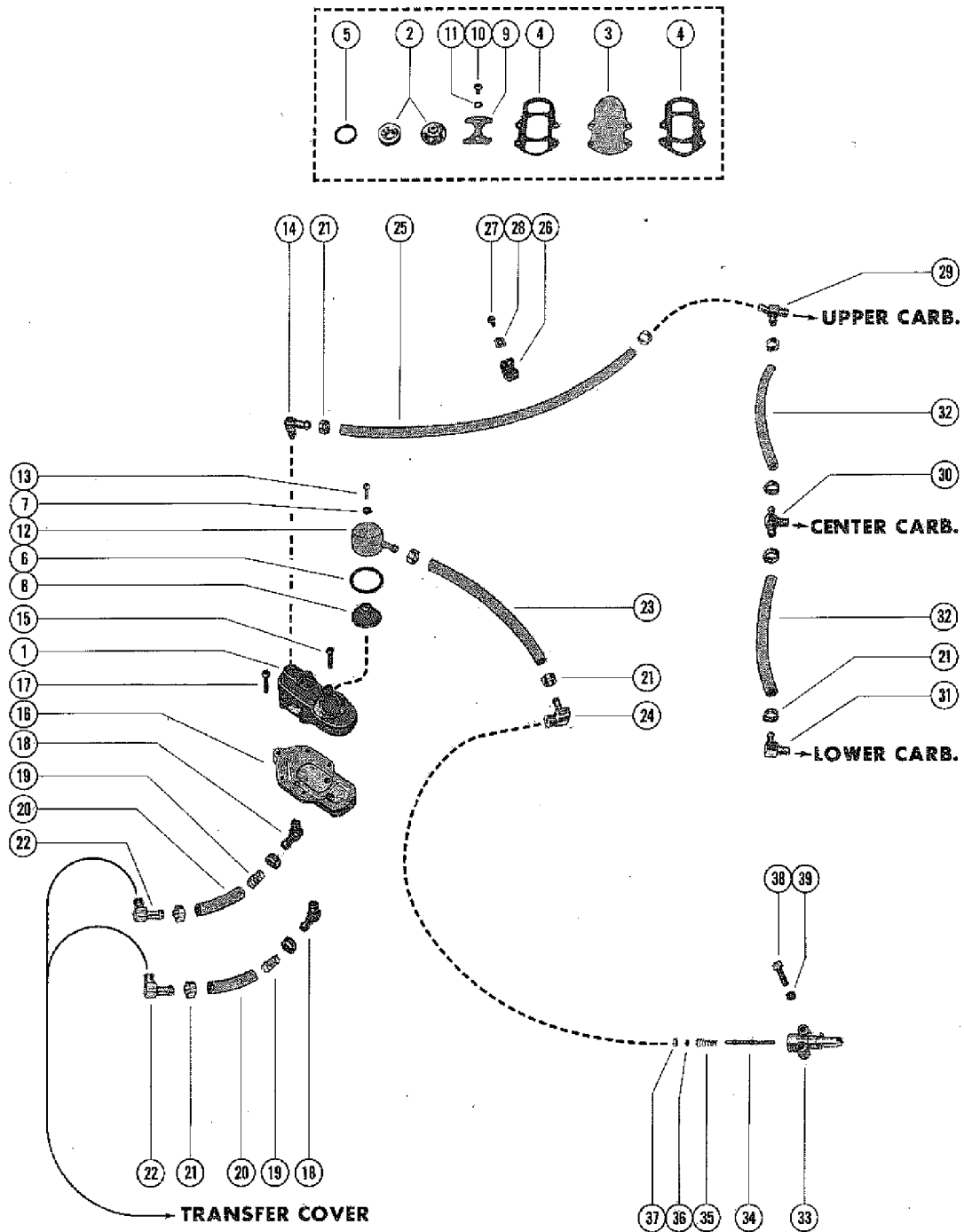
REF. NO.	PART NO.	SYM.	QTY.	DESCRIPTION
1	66530A 2		1	PUMP ASSEMBLY, Fuel
2	21-30430A 7		1	CHECK VALVE ASSEMBLY
3	66599A 1	■	1	DIAPHRAGM ASSEMBLY
4	NSS	■	2	NOT SOLD SEPARATE, GASKET, DIAPHRAGM
5	NSS	■	2	NOT SOLD SEPARATE, GASKET, CHECK VALVE
6	25-47386		1	O-RING, COVER TO HOUSING
7	NSS	■	1	NOT SOLD SEPARATE, GASKET, NYLON - FILTER COVER SCREW
8	35-59072	■	1	SCREEN, FILTER - INLET
9	23004		1	RETAINER, CHECK VALVE
10	10-20037		2	SCREW, RETAINER TO FUEL PUMP (1/4")
11	13-26994		2	LOCKWASHER, RETAINER SCREW
12	59071		1	COVER, FUEL INLET
13	10-37370		1	SCREW, (#10-32 x .580), COVER TO FUEL PUMP
14	22-64704		1	FITTING, FUEL OUTLET
15	10-66686		2	SCREW, (#10-32 x 1.00), FUEL PUMP TO BASE
16	66575		1	BASE, FUEL PUMP
17	10-66687		3	SCREW, (#10-32 x 1.50)
18	22-64704		2	FITTING, PULSE LINE
19	24-68434		2	SPRING, PULSE LINE
20	32-63146		2	LINE, Fuel, (3-1/4")
21	54-68424		12	CLAMP, FUEL LINE ATTACHING
22	22-64704		2	FITTING, PULSE LINE TO TRANSFER COVER
23	32-63146		1	LINE, Fuel, ADAPTOR TO FUEL PUMP (6-3/4")
24	22-63981		1	FITTING, FUEL LINE TO ADAPTOR
25	32-63146		1	LINE, Fuel, FUEL PUMP TO UPPER CARBURETOR (15-3/4")
26	54-22627		1	CLIP, FUEL LINE ATTACHING
27	10-62568		1	SCREW, (#10-16 x .375), FUEL LINE CLIP
28	69205		1	C WASHER, FUEL LINE CLIP SCREW
29	22-66328		1	FITTING, TEE - UPPER CARBURETOR
30	22-64706		1	TEE, TEE - CENTER CARBURETOR
31	22-64704		1	FITTING, ELBOW - LOWER CARBURETOR
32	32-63146		2	LINE, Fuel, CARBURETOR TO CARBURETOR (6-1/4")
33	30186		1	ADAPTOR, CHECK UNIT (FUEL LINE) (USA-4112634/ Australia-8027114/Canada-7047257 and below)
33	22833		1	ADAPTOR, CHECK UNIT (FUEL LINE) (USA-4112635/ Australia-8027115/Canada-7047258 and above)
34	30187		1	STEM, CHECK UNIT ADAPTOR (USA-4112634/Australia-8027114/ Canada-7047257 and below)

■ = COMPONENT OF GASKET SET [27- 60476A75]

CONTINUED ON NEXT PAGE ➔

FUEL PUMP

USA-3761035/Aus.-8014005/Canada-7025598 and Up



40761

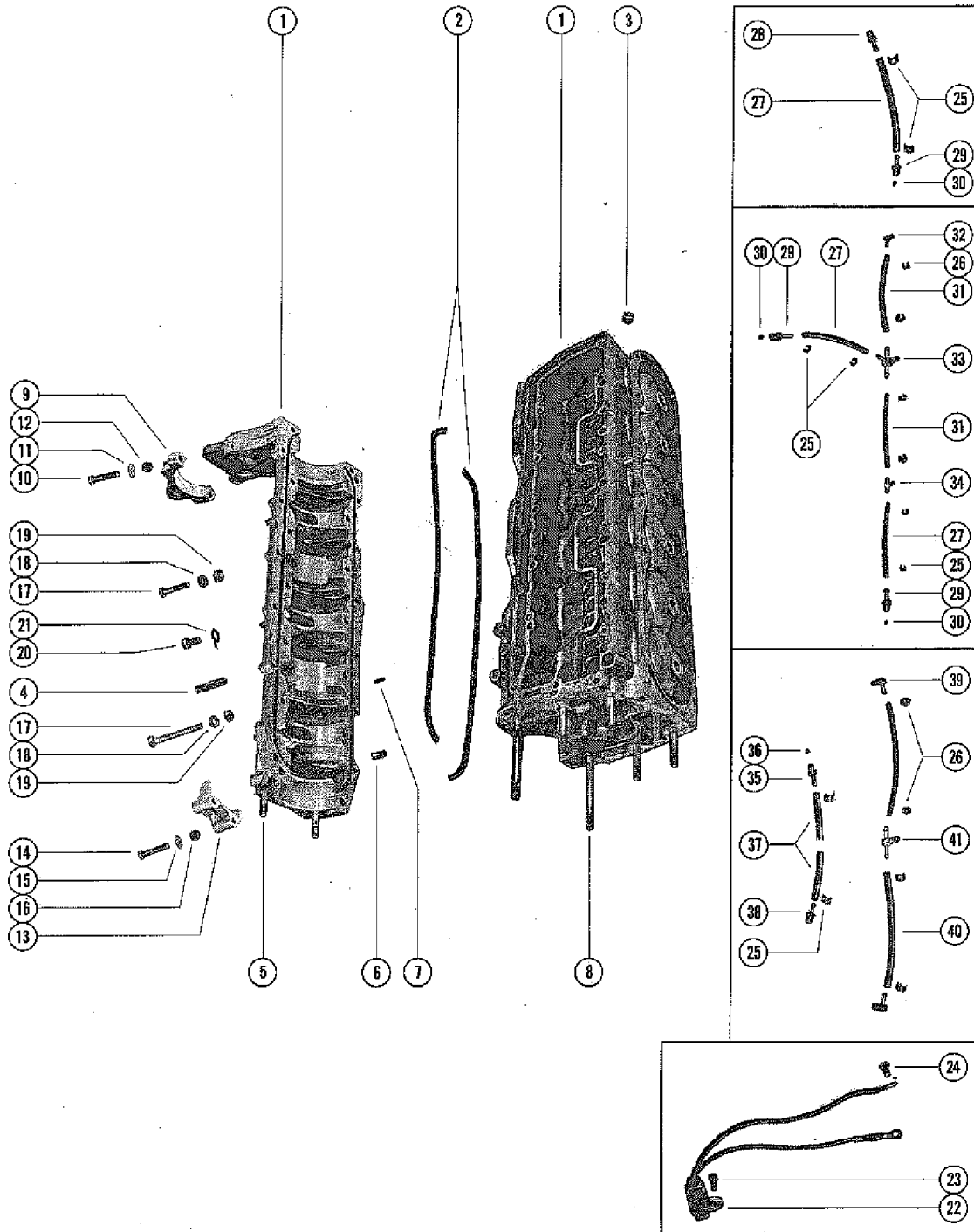
FUEL PUMP

USA-3761035/Aus.-8014005/Canada-7025598 and Up

REF. NO.	PART NO.	SYM.	QTY.	DESCRIPTION
34	23069		1	STEM, CHECK UNIT ADAPTOR (USA-4112635/Australia-8027115/Canada-7047258 and above)
35	24-30189		1	SPRING, ADAPTOR STEM (USA-4112634/Australia-8027114/Canada-7047257 and below)
35	24-23067		1	SPRING, ADAPTOR STEM (USA-4112635/Australia-8027115/Canada-7047258 and above)
36	25-20415	■	1	O-RING, ADAPTOR STEM
37	30188		1	WASHER, ADAPTOR
38	10-37990		1	SCREW, ADAPTOR TO BOTTOM COWL (1-3/4") (USA-4112634/Australia-8027114/Canada-7047257 and below)
	10-31471		1	SCREW, ADAPTOR TO BOTTOM COWL (3-1/4") (USA-4112634/Australia-8027114/Canada-7047257 and below)
38	10-69029		2	SCREW, (.250-28 x 1.750), ADAPTOR TO BOTTOM COWL (USA-4112635/Australia-8027115/Canada-7047258 and above)
39	11-46887		2	NUT, (1/4-28) (USA-4112634/Australia-8027114/Canada-7047257 and below)
-	27-60476A75		1	GASKET SET

■ = COMPONENT OF GASKET SET [27- 60476A75]

CYLINDER BLOCK AND CRANKCASE ASSEMBLY



40762

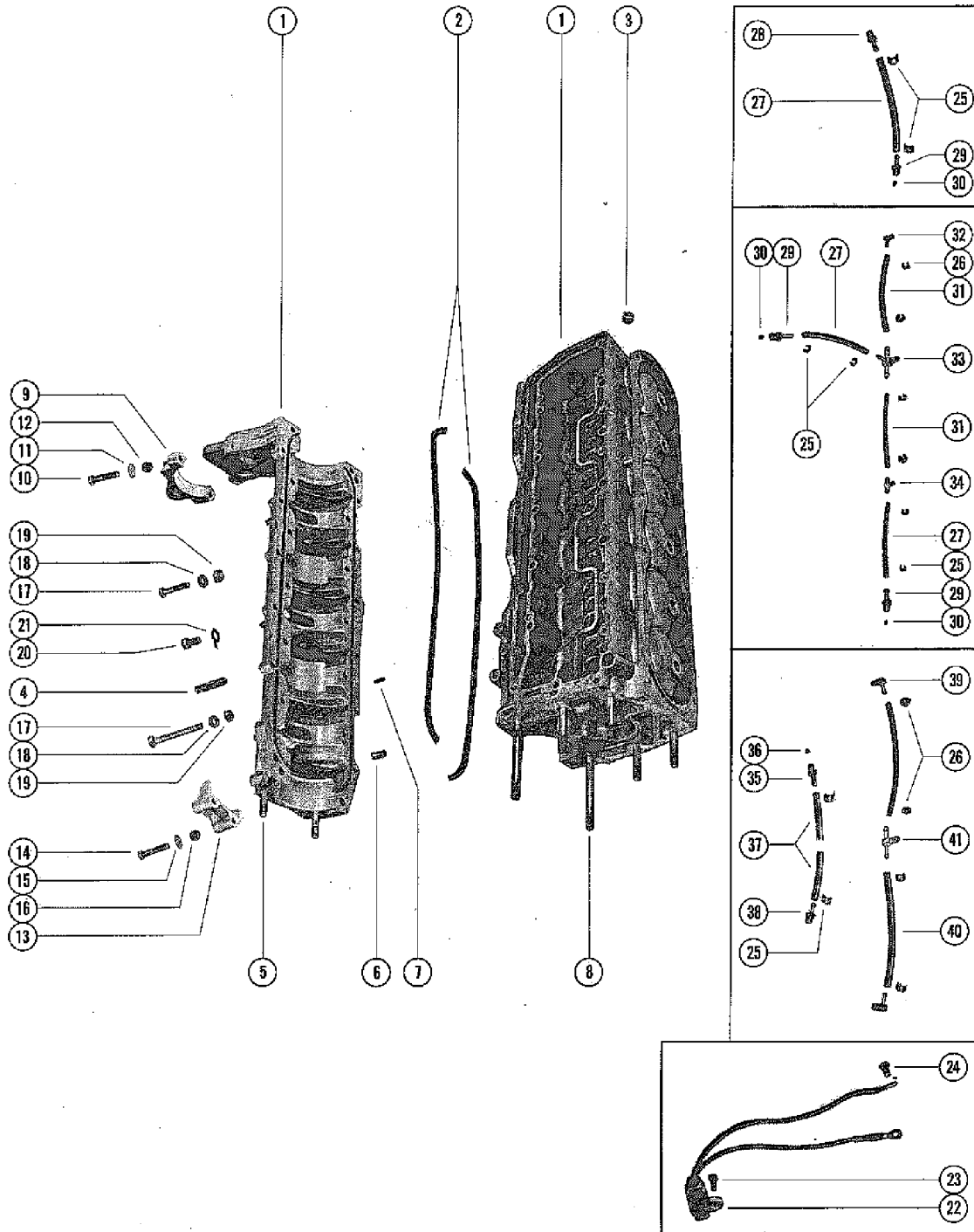
CYLINDER BLOCK AND CRANKCASE ASSEMBLY

REF. NO.	PART NO.	SYM.	QTY.	DESCRIPTION
1	852-5034A 3		1	CYLINDER BLOCK AND CRANKCASE ASSEMBLY (USA-3761034/Australia-8014004/Canada-7025597 and below)
	852-5254A 3		1	CYLINDER BLOCK AND CRANKCASE ASSEMBLY (USA-3761035/Australia-8014005/Canada-7025598 thru USA-4112634/Australia-8027114/Canada-7047257)
	852-5586A 1		1	CYLINDER BLOCK AND CRANKCASE ASSEMBLY (USA-4112635/Australia-8027115/Canada-7047258 thru USA-4394236/Australia-8027439/Canada-7075522)
	852-6192A 1		1	CYLINDER BLOCK ASSEMBLY (USA-4394237/Canada-7075523 thru USA-4567951/Canada-7087422)
	852-6432A 1		1	CYLINDER BLOCK AND CRANKCASE ASSEMBLY (USA-4567952/Canada-7087423 and above)
2	27-53862	■	2	GASKET, CRANKCASE TO CYLINDER BLOCK
3	66517		5	RESTRICTOR, CRANKCASE BLEED
4	16-64280		6	STUD, CARBURETOR MOUNTING (1-3/16")
5	16-64281		2	STUD, (.375-16/.375-24 x 1.880), CRANKCASE TO EXHAUST EXTENSION PLATE
6	17-20033		2	PIN, Dowel, CRANKCASE TO CYLINDER BLOCK
7	17-63779		3	PIN, Dowel (.250 x .625), CYLINDER BLOCK TO MAIN BEARING
8	16-64282		6	STUD, (4 In.), CYLINDER BLOCK TO DRIVESHAFT HOUSING PLATE
9	56029		1	COVER, STARTER MOTOR BRACKET - TOP
10	10-26132		1	SCREW, TOP COVER ATTACHING (1-1/2") (USA-4112634/Australia-8027114/Canada-7047257 and below)
	10-21449		1	SCREW, (.312-24 x 2.00), TOP COVER ATTACHING (USA-4112634/Australia-8027114/Canada-7047257 and below)
10	10-69762		1	SCREW, TOP COVER ATTACHING (1 3/8") (1-3/8") (USA-4112635/Australia-8027115/Canada-7047258 and above)
	10-69267		1	SCREW, (.312-18 x 1.750), TOP COVER ATTACHING (USA-4112635/Australia-8027115/Canada-7047258 and above)
11	12-22753		2	WASHER (USA-4112634/Australia-8027114/Canada-7047257 and below)
11	13-26993		2	LOCKWASHER, (.312) (USA-4112635/Australia-8027115/Canada-7047258 and above)
12	11-46793		2	NUT, (5/16-24) (USA-4112634/Australia-8027114/Canada-7047257 and below)
13	76867		1	COVER, STARTER MOTOR BRACKET - BOTTOM
14	10-33473		1	SCREW, BOTTOM COVER ATTACHING (2 5/8") (2-5/8") (USA-4112634/Australia-8027114/Canada-7047257 and below)
	10-39767		1	SCREW, BOTTOM COVER ATTACHING (1-7/8") (USA-4112634/Australia-8027114/Canada-7047257 and below)
14	10-69268		2	SCREW, BOTTOM COVER ATTACHING (1 7/8") (USA-4112635/Australia-8027115/Canada-7047258 and above)
15	12-22753		2	WASHER (USA-4112634/Australia-8027114/Canada-7047257 and below)

■ = COMPONENT OF GASKET SET [27- 60476A75]

CONTINUED ON NEXT PAGE ➡

CYLINDER BLOCK AND CRANKCASE ASSEMBLY



40762

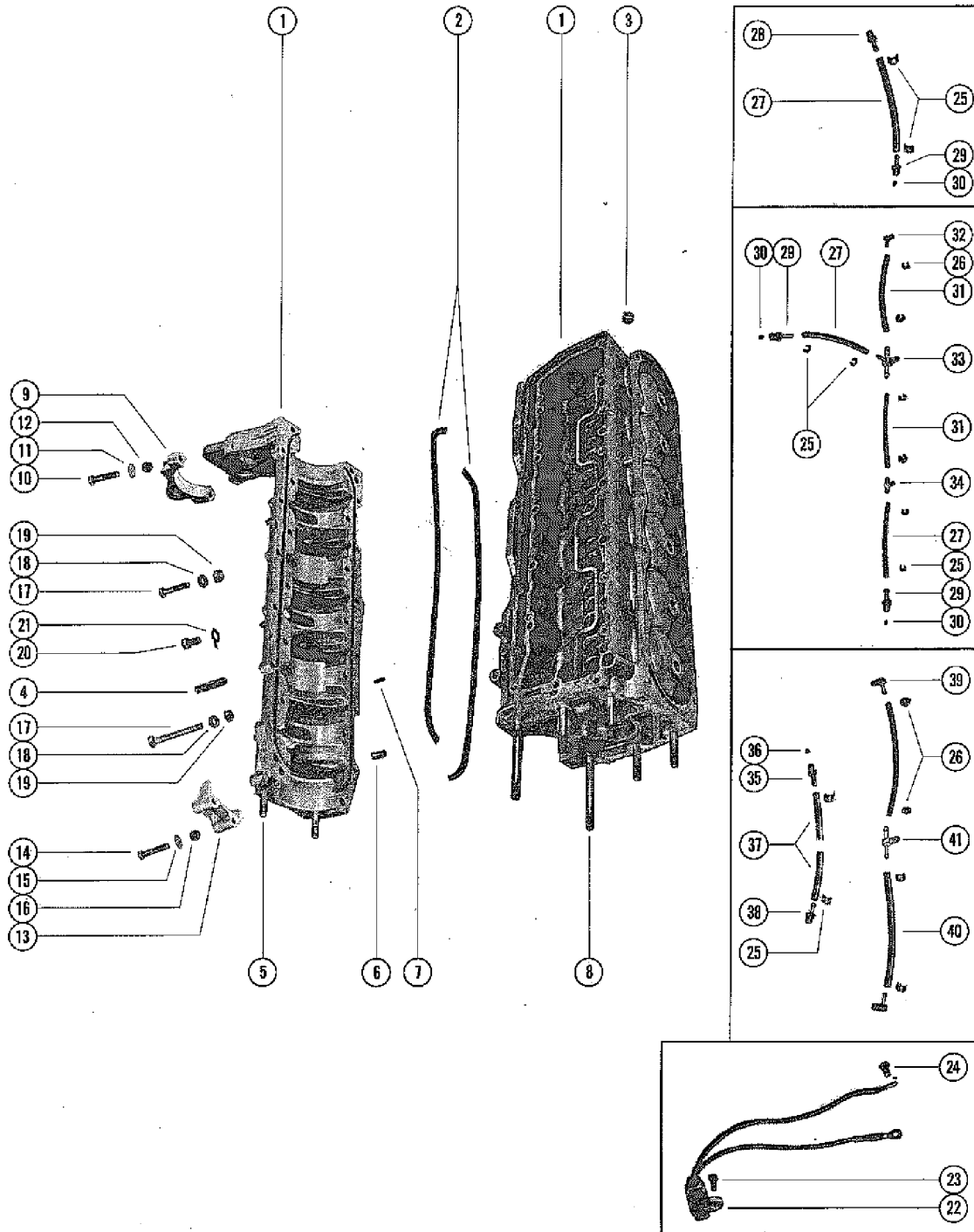
CYLINDER BLOCK AND CRANKCASE ASSEMBLY

REF. NO.	PART NO.	SYM.	QTY.	DESCRIPTION
15	13-26993		2	LOCKWASHER, (.312) (USA-4112635/Australia-8027115/Canada-7047258 and above)
16	11-46793		1	NUT, (5/16-24) (USA-4112634/Australia-8027114/Canada-7047257 and below)
17	10-33473		3	SCREW (2-5/8") (USA-4394236/Australia-8027439/Canada-7075522 and below)
	10-32293		2	SCREW, (.312-24 x 1.75) (USA-4394236/Australia-8027439/Canada-7075522 and below)
	10-21574		21	SCREW (1-5/8") (USA-4394236/Australia-8027439/Canada-7075522 and below)
17	10-57841		3	SCREW, (.312-18 x 2.750) (USA-4394237/Canada-7075523 and above)
	10-32293		2	SCREW, (.312-24 x 1.75) (USA-4394237/Canada-7075523 and above)
	10-73657		21	SCREW, (.312-18 x 1.50) (USA-4394237/Canada-7075523 and above)
18	12-22753		26	WASHER (USA-4394236/Australia-8027439/Canada-7075522 and below)
18	12-22753		26	WASHER (USA-4394237/Canada-7075523 and above)
19	11-46793		26	NUT, (5/16-24) (USA-4394236/Australia-8027439/Canada-7075522 and below)
19	11-29250		2	NUT, (.312-24) (USA-4394237/Canada-7075523 and above)
20	10-20359		2	SCREW, (.375-16 x 1.00), CENTER MAIN BEARING LOCKING
21	14-20091		2	TAB WASHER, BEARING LOCKING SCREW
22	58124A 4		1	SWITCH, MERCURY
23	10-69235		1	SCREW, (.190-24 x .500)
24	10-62568		1	SCREW, (#10-16 x .375), MERCURY SWITCH LEAD
25	54-20387		6	CLAMP
26	54-20386		4	CLAMP, BALANCE TUBE TO ELBOW AND TEE
27	32-54936		3	HOSE, BLEED - (7 1/2", 6 1/2" AND 10") (USA-3761034/Australia-8014004/Canada-7025597 and below)
28	22-65350		1	FITTING, UPPER CYLINDER BLEED (USA-3761034/Australia-8014004/Canada-7025597 and below)
29	22-65350A 1		3	CHECK VALVE ASSEMBLY, BLEED HOSE (USA-3761034/Australia-8014004/Canada-7025597 and below)
30	21-56011A 2		3	CHECK VALVE ASSEMBLY (USA-3761034/Australia-8014004/Canada-7025597 and below)
31	32-33960		2	TUBE, BALANCE - MAIN BEARING (6 1/4") (USA-3761034/Australia-8014004/Canada-7025597 and below)
32	22-20781		1	ELBOW, BALANCE TUBE TO MAIN BEARING SCREW (USA-3761034/Australia-8014004/Canada-7025597 and below)
33	22-65349		1	TEE, BLEED HOSE TO CYLINDER BLOCK - CENTER (USA-3761034/Australia-8014004/Canada-7025597 and below)
34	22-65348		1	FITTING, BLEED HOSE TO CYLINDER BLOCK - LOWER (USA-3761034/Australia-8014004/Canada-7025597 and below)

■ = COMPONENT OF GASKET SET [27- 60476A75]

CONTINUED ON NEXT PAGE ➡

CYLINDER BLOCK AND CRANKCASE ASSEMBLY



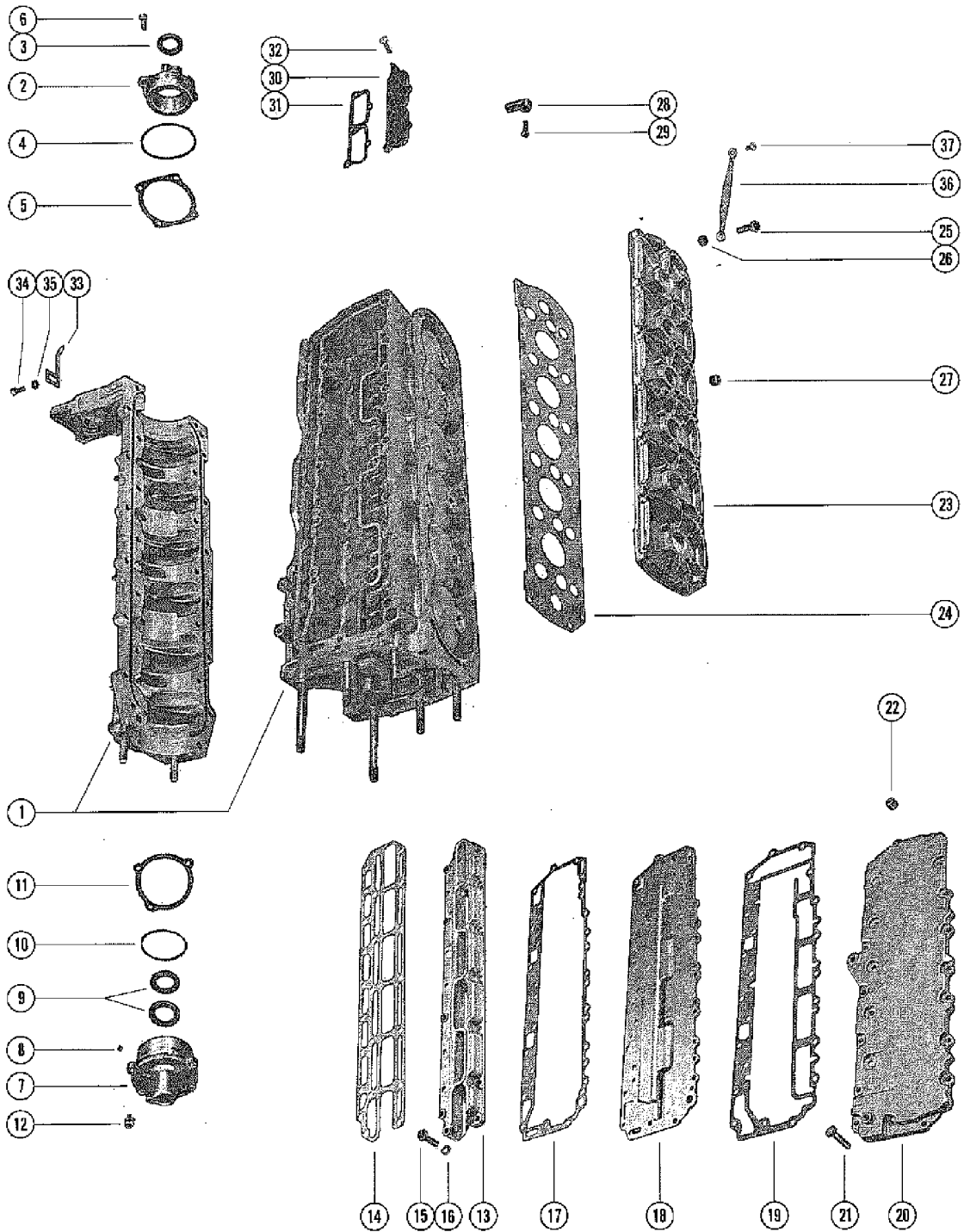
40762

CYLINDER BLOCK AND CRANKCASE ASSEMBLY

REF. NO.	PART NO.	SYM.	QTY.	DESCRIPTION
35	22-65350A 2		1	CHECK VALVE ASSEMBLY, BLEED HOSE - UPPER (USA-3761035/Australia-8014005/Canada-7025598 and above)
36	21-56011A 2		1	CHECK VALVE ASSEMBLY (USA-3761035/Australia-8014005/Canada-7025598 and above)
37	32-54936		1	HOSE, BLEED (22") (USA-3761035/Australia-8014005/Canada-7025598 and above)
38	22-65670A 1		1	CONNECTOR ASSEMBLY, BLEED HOSE - LOWER (USA-3761035/Australia-8014005/Canada-7025598 and above)
39	22-20781		2	ELBOW, BALANCE HOSE (USA-3761035/Australia-8014005/Canada-7025598 and above)
40	32-34395A 1		2	HOSE, BALANCE - MAIN BEARING (6 1/4") (USA-3761035/Australia-8014005/Canada-7025598 and above)
41	22-20931		1	TEE, BALANCE HOSE (USA-3761035/Australia-8014005/Canada-7025598 and above)
-	27-60476A75		1	GASKET SET
-	64816A73		1	POWERHEAD ASSEMBLY (USA-3761034/Australia-8014004/Canada-7025597 and below)
-	64816A74		1	POWERHEAD ASSEMBLY (USA-3761035/Australia-8014005/Canada-7025598 thru USA-4112634/Australia-8027114/Canada-7047257)
-	64816A75		1	POWERHEAD ASSEMBLY (USA-4112635/Australia-8027115/Canada-7047258 thru USA-4394236/Australia-8027439/Canada-7075522)
-	64816A76		1	POWERHEAD ASSEMBLY (USA-4394237/Canada-7075523 thru USA-4567951/Canada-7087422)
-	64816A77		1	POWERHEAD ASSEMBLY (USA-4567952/Canada-7087423 and above)

■ = COMPONENT OF GASKET SET [27- 60476A75]

END CAP, MANIFOLD AND EXHAUST COVERS



40763

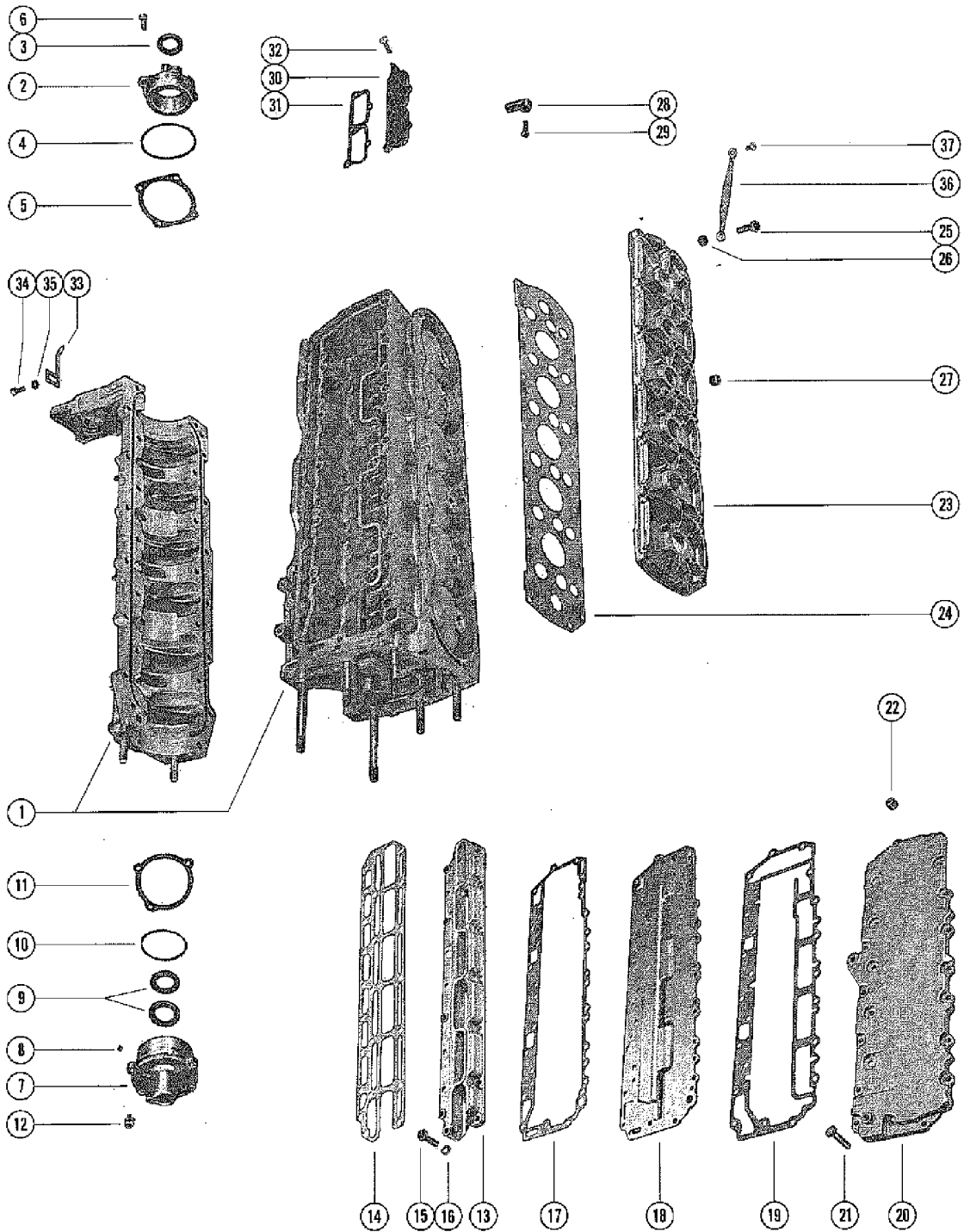
END CAP, MANIFOLD AND EXHAUST COVERS

REF. NO.	PART NO.	SYM.	QTY.	DESCRIPTION
1	852-5034A 3		1	CYLINDER BLOCK AND CRANKCASE ASSEMBLY (USA-3761034/Australia-8014004/Canada-7025597 and below)
	852-5254A 3		1	CYLINDER BLOCK AND CRANKCASE ASSEMBLY (USA-3761035/Australia-8014005/Canada-7025598 thru USA-4112634/Australia-8027114/Canada-7047257)
	852-5586A 1		1	CYLINDER BLOCK AND CRANKCASE ASSEMBLY (USA-4112635/Australia-8027115/Canada-7047258 thru USA-4394236/Australia-8027439/Canada-7075522)
	852-6192A 1		1	CYLINDER BLOCK ASSEMBLY (USA-4394237/Canada-7075523 thru USA-4567951/Canada-7087422)
	852-6432A 1		1	CYLINDER BLOCK AND CRANKCASE ASSEMBLY (USA-4567952/Canada-7087423 and above)
2	1134-3197A 1		1	END CAP ASSEMBLY, UPPER
3	26-29476		1	SEAL, Oil, END CAP
4	25-47254	■	1	O-RING
5	15-47248A 1		AR	SHIM, END CAP TO CRANKCASE (.002-3-5-10)
6	10-30225		4	SCREW WITH LOCKWASHER, (.312-18 x 1.00), END CAP MOUNTING
7	1148-4594A 1		1	END CAP ASSEMBLY, LOWER (USA-3761034/Australia-8014004/Canada-7025597 and below)
	1148-5410A 1		1	END CAP ASSEMBLY, LOWER (USA-3761035/Australia-8014005/Canada-7025598 and above)
8	21-56011A 2		1	CHECK VALVE ASSEMBLY, END CAP (USA-3761034/Australia-8014004/Canada-7025597 and below)
9	26-29476		2	SEAL, Oil, END CAP
10	25-32546	■	1	O-RING, END CAP
11	15-20085A 1		AR	SHIM SET, END CAP TO CRANKCASE (.002-3-5-10)
12	10-30225		3	SCREW WITH LOCKWASHER, (.312-18 x 1.00)
13	64944		1	COVER (USA-4112634/Australia-8027114/Canada-7047257 and below)
	71808		1	COVER (USA-4112635/Australia-8027115/Canada-7047258 and above)
14	27-72142	■	1	GASKET, WATER JACKET COVER
15	10-53167		23	SCREW, (.312-18 x .880)
16	12-70132		23	WASHER, (.323 x .563 x .063) Stainless Steel
17	27-60476	■	1	GASKET, CYLINDER BLOCK TO BAFFLE PLATE
18	75778		1	PLATE, BAFFLE - EXHAUST MANIFOLD
19	27-60477	■	1	GASKET, BAFFLE PLATE TO EXHAUST MANIFOLD COVER
20	60431		1	COVER, EXHAUST MANIFOLD
21	10-53576		24	SCREW, (.312-18 x 1.125)
22	22-32802		1	PLUG, Pipe (.125-27)
23	1023-5070		1	COVER, CYLINDER BLOCK
24	27-72506	■	1	GASKET, CYLINDER BLOCK COVER

■ = COMPONENT OF GASKET SET [27- 60476A75]

CONTINUED ON NEXT PAGE ➡

END CAP, MANIFOLD AND EXHAUST COVERS



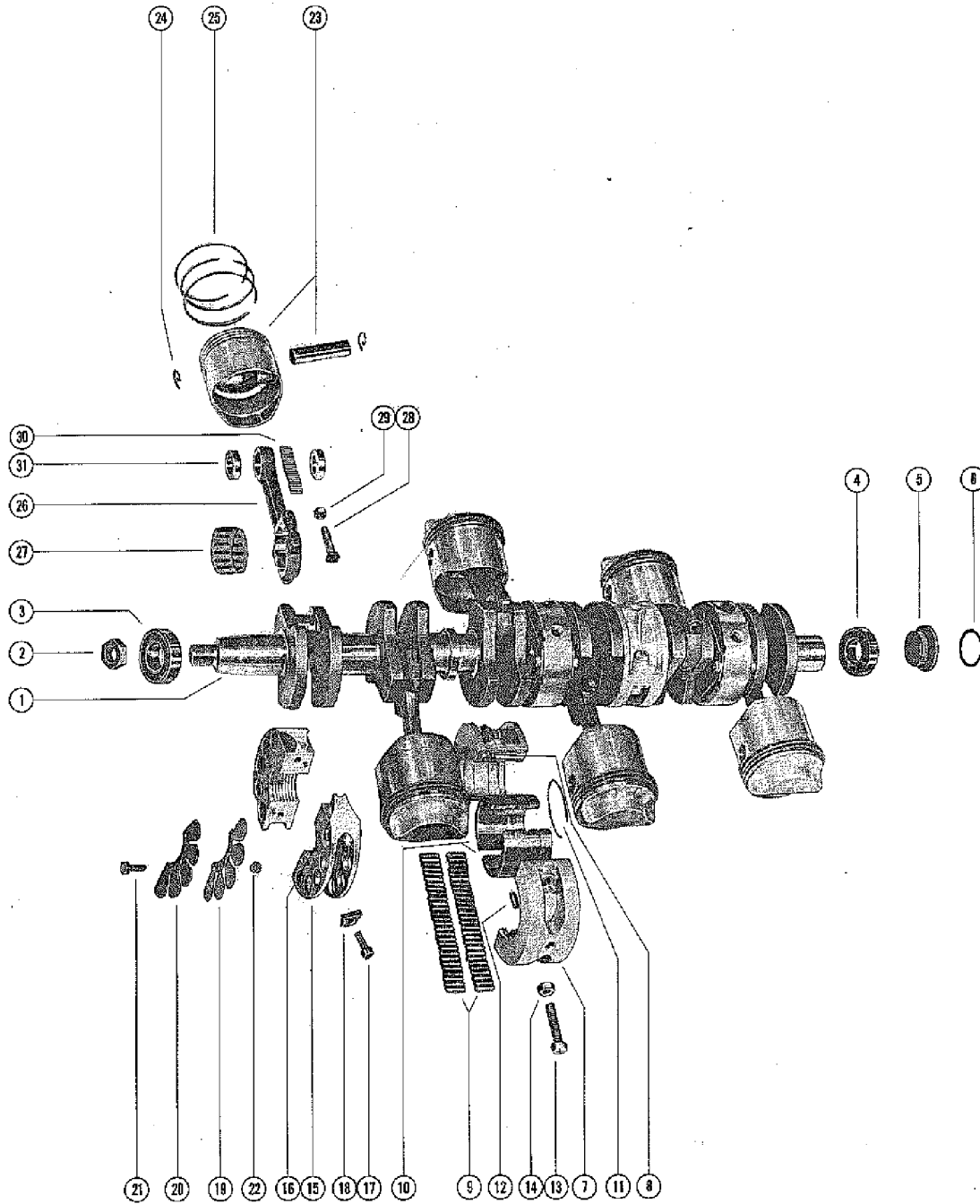
40763

END CAP, MANIFOLD AND EXHAUST COVERS

REF. NO.	PART NO.	SYM.	QTY.	DESCRIPTION
25	10-21091		16	SCREW, (1 1/8") (USA-4112634/Australia-8027114/Canada-7047257 and below)
25	10-53556		16	SCREW, (1/4-20 x 1) (USA-4112635/Australia-8027115/Canada-7047258 and above)
26	11-46887		16	NUT, (1/4-28) (USA-4112634/Australia-8027114/Canada-7047257 and below)
27	22-32802		1	PLUG, Pipe (.125-27)
28	37440		1	BRACKET, MOUNT SUPPORT - CYLINDER BLOCK
29	10-24234		1	SCREW, (.312-18 x 1.00)
30	62301		2	COVER, TRANSFER PORT (TOP/MIDDLE)
	62978		1	COVER, TRANSFER PORT (BOTTOM) (USA-3761034/Australia-8014004/Canada-7025597 and below)
	66094		1	COVER, TRANSFER PORT (BOTTOM) (USA-3761035/Australia-8014005/Canada-7025598 and above)
31	27-64941	■	1	GASKET, TRANSFER PORT COVER
32	10-53556		16	SCREW, (1/4-20 x 1)
	10-28636		11	SCREW, (.250-20 x .750)
33	76367		1	POINTER, TIMING (USA-3761035/Australia-8014005/Canada-7025598 and above)
34	10-28636		1	SCREW, (.250-20 x .750) (USA-3761035/Australia-8014005/Canada-7025598 and above)
35	12-35462		1	WASHER, (.2656 x .625 x .0625) Stainless Steel (USA-3761035/Australia-8014005/Canada-7025598 and above)
36	46933A 1		2	GROUND WIRE, EXHAUST COVER
37	10-62568		2	SCREW, (#10-16 x .375)
-	27-60476A75		1	GASKET SET

■ = COMPONENT OF GASKET SET [27- 60476A75]

CRANKSHAFT, PISTONS AND CONNECTING RODS



40764

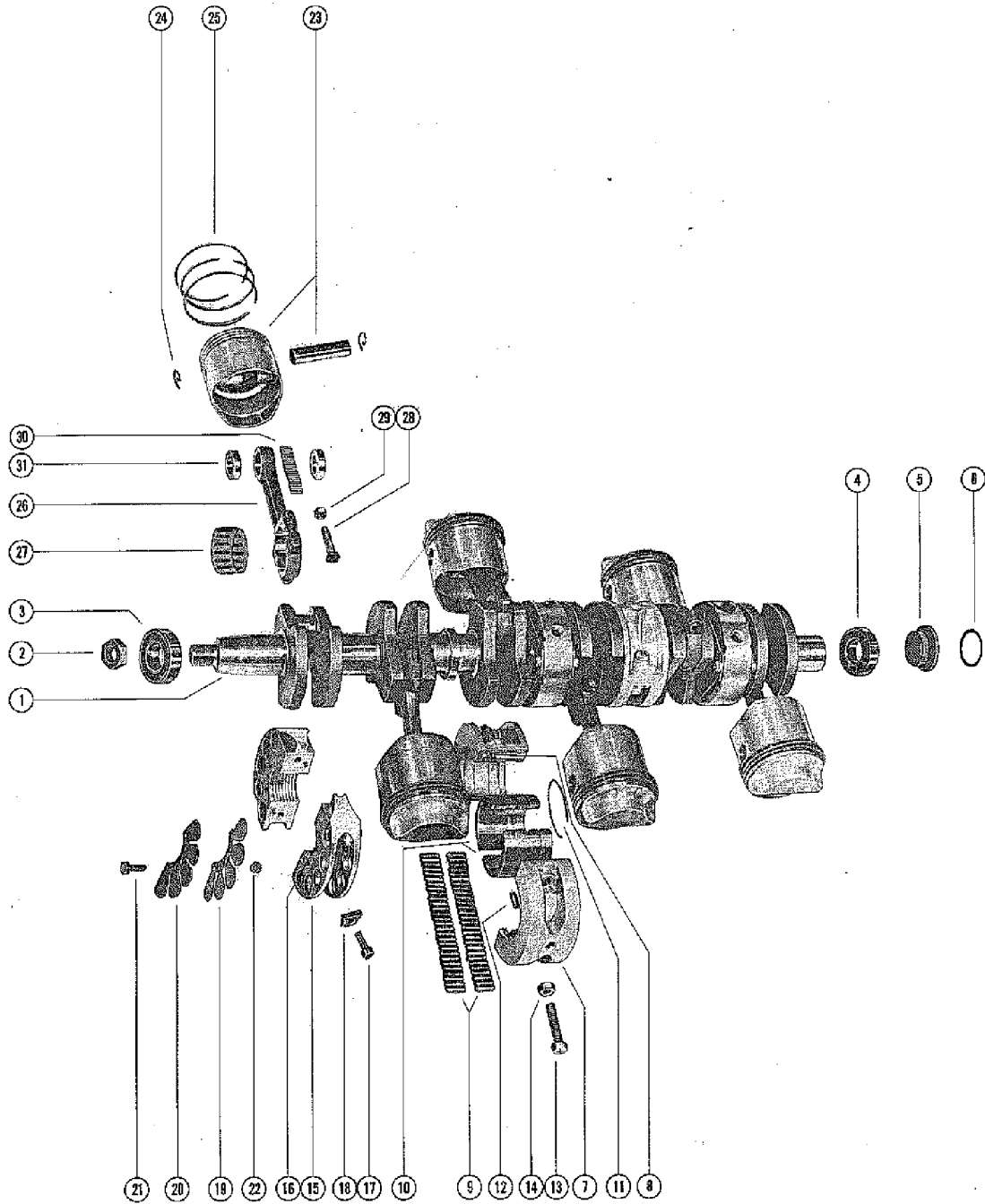
CRANKSHAFT, PISTONS AND CONNECTING RODS

REF. NO.	PART NO.	SYM.	QTY.	DESCRIPTION
1	436-4842A 3		1	CRANKSHAFT ASSEMBLY
2	11-52901		1	NUT, (.625-18), FLYWHEEL TO CRANKSHAFT
3	30-62567		1	BEARING, Ball, UPPER
4	30-63742		1	BEARING, Ball, LOWER
5	54196A 6		1	CARRIER ASSEMBLY, "O" RING
6	65800	■	1	PACKING, CARRIER
7	535-3190A 2		2	BEARING ASSEMBLY, Center Main (USA-3761034/Australia-8014004/Canada-7025597 and below)
	535-5397A 4		2	BEARING ASSEMBLY, Center Main (USA-3761035/Australia-8014005/Canada-7025598 and above)
8	17-20032		4	PIN, Dowel, CENTER MAIN BEARING
9	29-52168		112	BEARING, NEEDLE - OUTER RACE
10	26113		2	RACE, OUTER (PAIR)
11	53-26933		2	RING, Snap, OUTER RACE
12	17-47246		2	PIN, Dowel, STEPPED
13	10-22968		4	SCREW, (.250-28 x 1.25)
14	11-46887		4	NUT, (1/4-28)
15	540-5055A 6		3	BEARING ASSEMBLY, Main, VALVE TYPE (USA-3761034/Australia-8014004/Canada-7025597 and below)
	540-5266A 5		3	BEARING ASSEMBLY, Main, VALVE TYPE (USA-3761035/Australia-8014005/Canada-7025598 and above)
16	17-20032		6	PIN, Dowel, MAIN BEARING
17	10-45775		6	SCREW, (#12-28 x .560)
18	11-45774		6	NUT
19	34-56007A 1		3	REED SET, MATCHED - MAIN BEARING
20	34-56008		12	STOP, Reed, MAIN BEARING REED VALVES
21	10-62204		30	SCREW, REED STOP MOUNTING
22	11-53153		30	NUT, REED STOP SCREW
23	745-5220A 2		6	PISTON ASSEMBLY, (3 RING) (STANDARD)
	745-5306A 2		6	PISTON ASSEMBLY, (3 RING) (.015 OVERSIZE)
	745-6388A 3		6	PISTON ASSEMBLY, (2 RING) (STANDARD)
	745-6415A 2		6	PISTON ASSEMBLY, (2 RING) (.015 OVERSIZE)
24	40-52035		12	RING, Lock, PISTON PIN
25	39-45155A12		2	RING, (1/16" THICK) (STANDARD)
	39-45204A12		2	RING, (1/16" THICK) (.015 OVERSIZE)
26	622-4850A 3		6	CONNECTING ROD ASSEMBLY
27	31-62596A 1		6	BEARING ASSEMBLY, CRANKPIN
28	10-54803		12	SCREW, (.250-28 x 1.500)
29	11-49091		12	NUT
30	29-47270		174	BEARING, NEEDLE - PISTON PIN

■ = COMPONENT OF GASKET SET [27- 60476A75]

CONTINUED ON NEXT PAGE ➔

CRANKSHAFT, PISTONS AND CONNECTING RODS



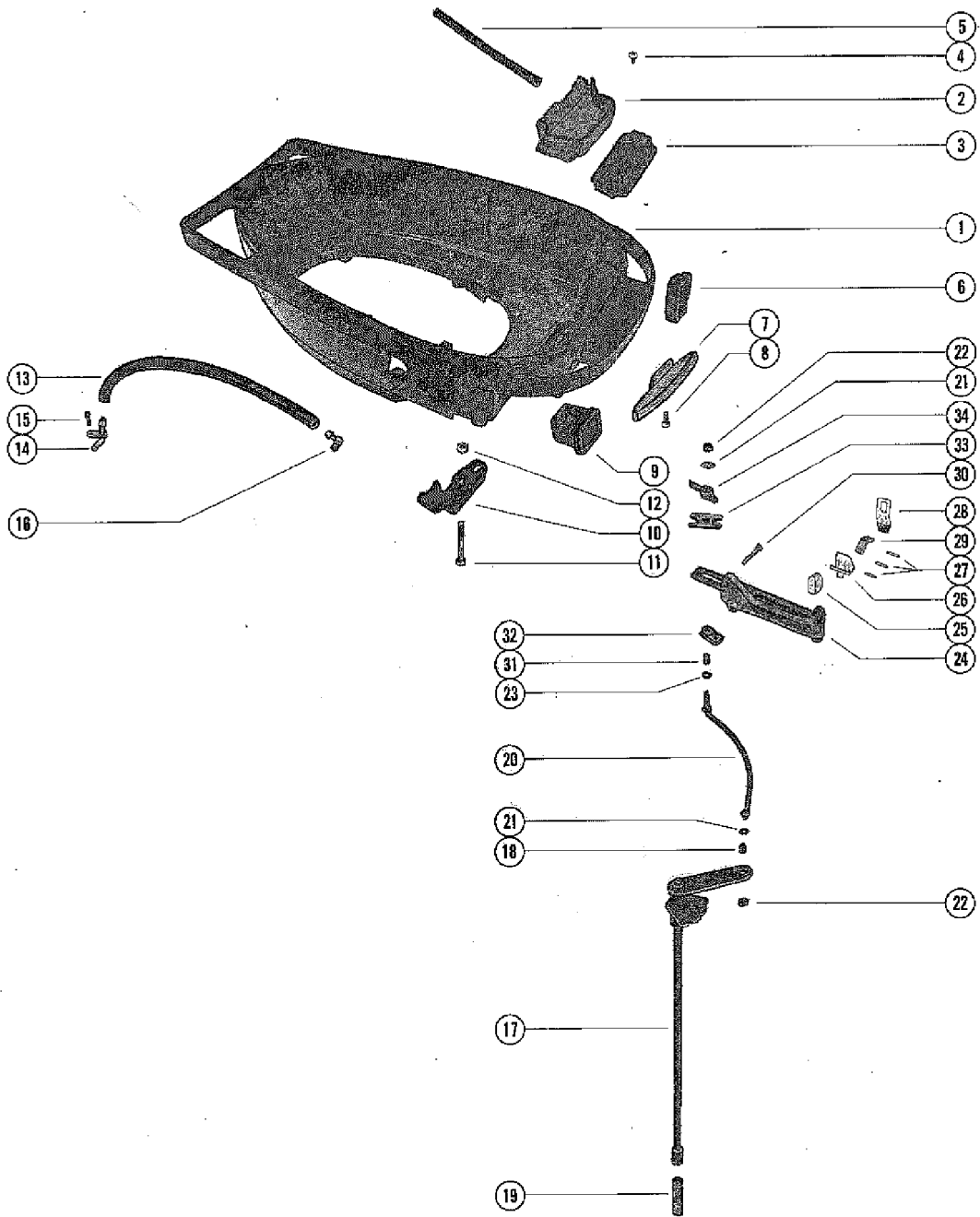
40764

CRANKSHAFT, PISTONS AND CONNECTING RODS

REF. NO.	PART NO.	SYM.	QTY.	DESCRIPTION
31	12-47247		12	WASHER, NEEDLE LOCATING
-	27-60476A75		1	GASKET SET

■ = COMPONENT OF GASKET SET [27- 60476A75]

BOTTOM COWL AND SHIFT LINKAGE



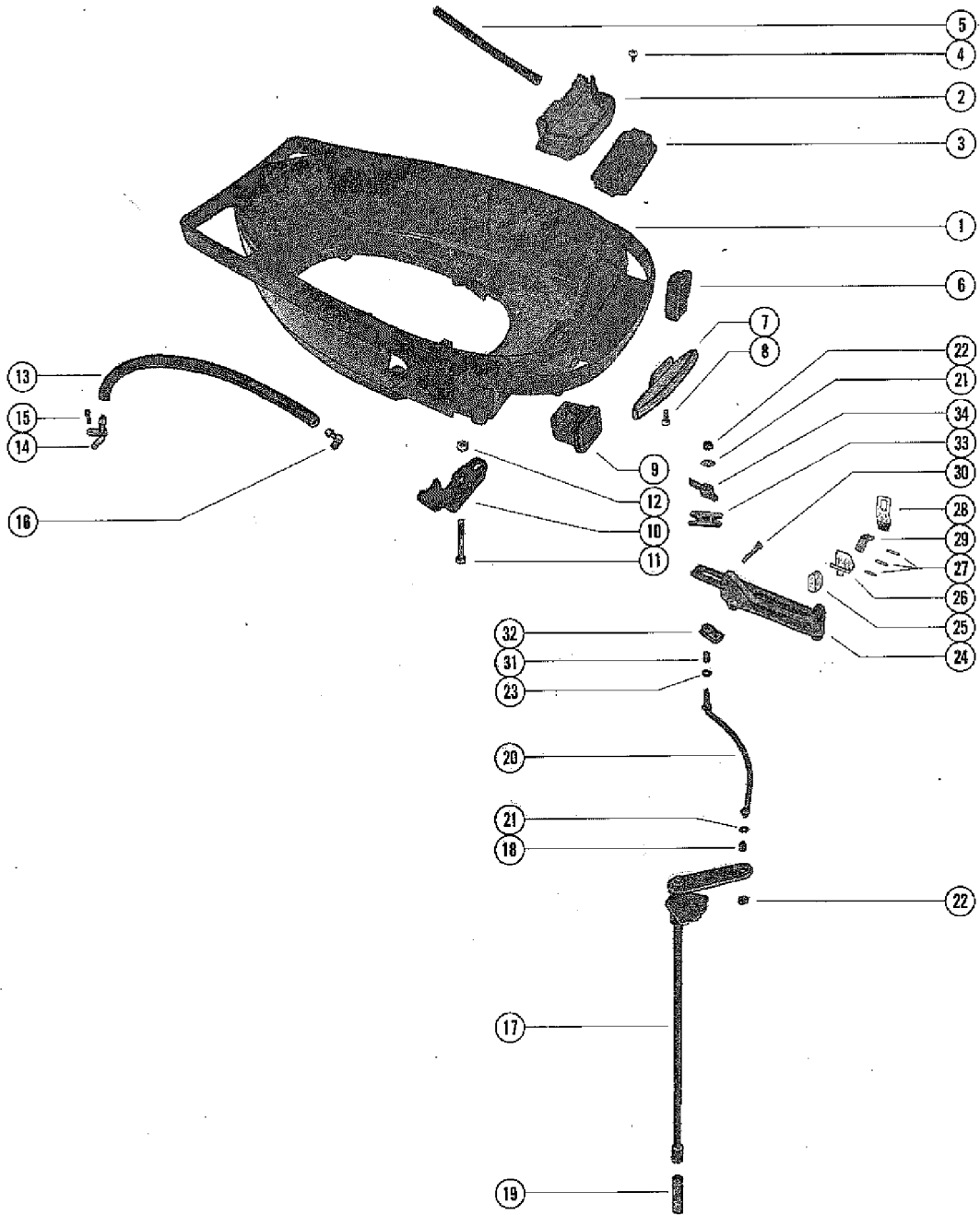
40765

BOTTOM COWL AND SHIFT LINKAGE

REF. NO.	PART NO.	SYM.	QTY.	DESCRIPTION
1	2115-3919		1	COWL, BOTTOM (USA-3761034/Australia-8014004/Canada-7025597 and below)
	2115-5269		1	COWL, BOTTOM (USA-3761035/Australia-8014005/Canada-7025598 thru USA-4394236/Australia-8027439/Canada-7075522)
	2115-6462		1	COWL, BOTTOM (USA-4394237/Canada-7075523 and above)
2	52862A 2		1	DRIP TRAY ASSEMBLY, BOTTOM COWL
3	37940		1	SOUND PAD
4	10-48408		4	SCREW, (#10-16 x .500)
5	32-34395A 1		1	HOSE, (8")
6	39616		1	BOOT, CONTROL CABLES - BOTTOM COWL
7	76369		1	SPACER, BOTTOM COWL (COWL FRONT COVER)
8	10-48591		2	SCREW, (#10-32 x .500)
9	37637		1	BOOT, FUEL CONNECTOR
10	37445		1	SUPPORT, WIRING HARNESS
11	10-37990		1	SCREW (1-3/4") (USA-4112634/Australia-8027114/Canada-7047257 and below)
	10-31471		1	SCREW (3-1/4") (USA-4112634/Australia-8027114/Canada-7047257 and below)
11	10-69029		2	SCREW, (.250-28 x 1.750) (USA-4112635/Australia-8027115/Canada-7047258 and above)
12	11-46887		2	NUT, (1/4-28) (USA-4112634/Australia-8027114/Canada-7047257 and below)
13	32-34395A 1		1	HOSE, TELL TALE - (16")
14	52889		1	NOZZLE, TELL TALE HOSE TO BOTTOM COWL
15	10-48408		1	SCREW, (#10-16 x .500)
16	22-25885		1	ELBOW, TELL TALE HOSE TO EXHAUST COVER
17	60304A15		1	SHIFT SHAFT ASSEMBLY, UPPER (SHORT SHAFT) (USA-4567951/Australia-8027439/Canada-7087422 and below)
	60304A45		1	SHIFT SHAFT ASSEMBLY, UPPER (SHORT SHAFT) (USA-4567952/Canada-7087423 and above)
	60304A16		1	SHIFT SHAFT ASSEMBLY, UPPER (LONG SHAFT) (USA-4567951/Australia-8027439/Canada-7087422 and below)
	60304A44		1	SHIFT SHAFT ASSEMBLY, UPPER (LONG SHAFT) (USA-4567952/Canada-7087423 and above)
18	23-26600		1	BUSHING, SHIFT SHAFT
19	55692		1	COUPLING, SHIFT SHAFT (USA-4567951/Australia-8027439/Canada-7087422 and below)
20	48047A 1		1	LINK ROD ASSEMBLY
21	12-35462		2	WASHER, (.2656 x .625 x .0625) Stainless Steel
22	11-35045		2	NUT, (.250-28)
23	13-29720		1	WAVE WASHER, LINK ROD
24	52732		1	BRACKET, ANCHOR - CONTROL CABLES
25	39519		1	CUP, BARREL RETIANER

CONTINUED ON NEXT PAGE ➡

BOTTOM COWL AND SHIFT LINKAGE

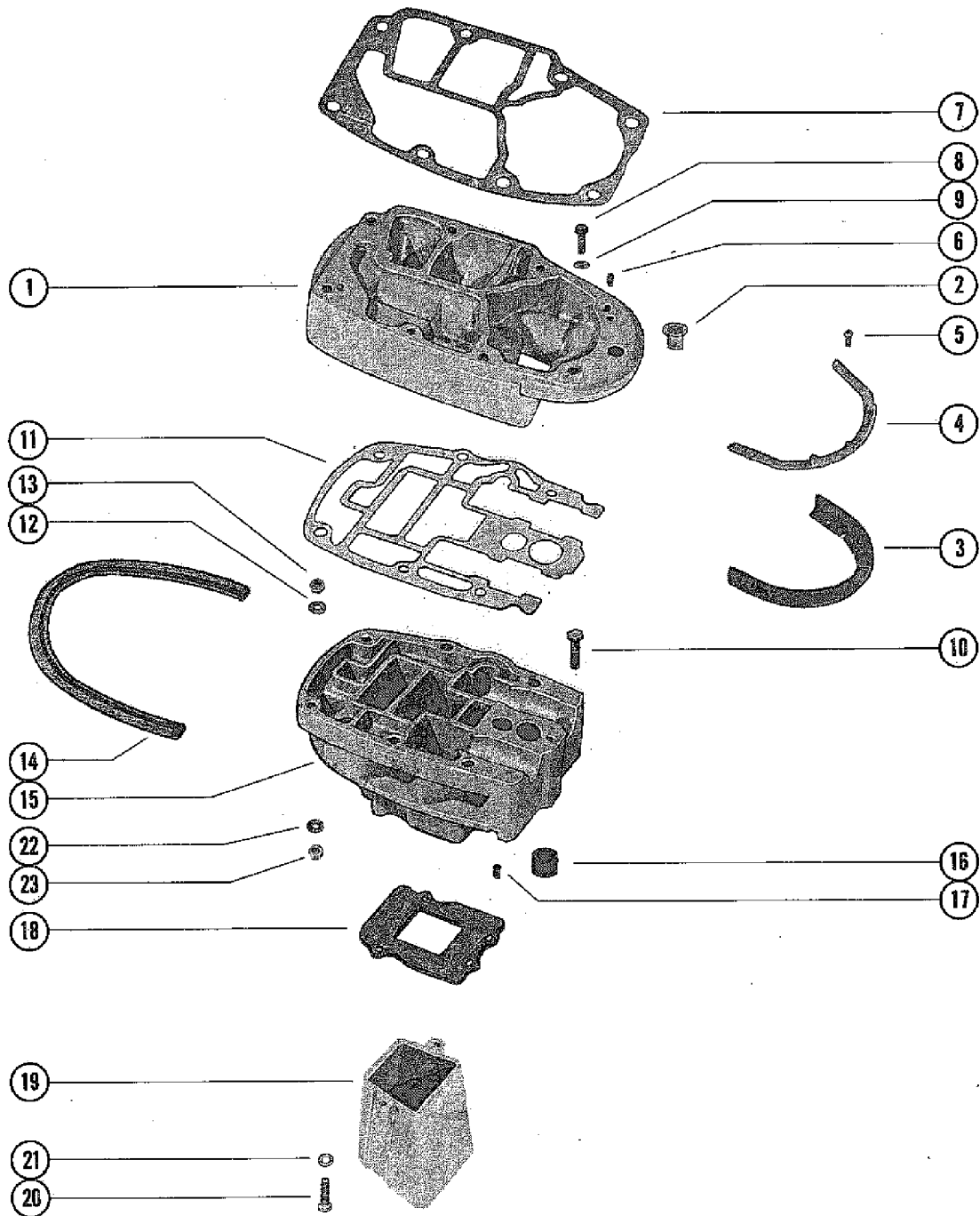


40765

BOTTOM COWL AND SHIFT LINKAGE

REF. NO.	PART NO.	SYM.	QTY.	DESCRIPTION
26	39618		1	LEVER, NYLON - SHIFT CABLE LOCKING
27	17-47175		3	PIN, LOCKING LEVER AND COVER FASTENING
28	39667		1	COVER, NYLON - SHIFT CABLE
29	65799		1	LINK, LOCKING LEVER TO COVER
30	10-24234		3	SCREW, (.312-18 x 1.00)
31	24-20099		1	SPRING, LINK ROD TO GUIDE BLOCK
32	37896		1	GUIDE BLOCK, LINK ROD
33	52100		1	WEAR PLATE, LINK ROD
34	38279		1	LATCH, CONTROL CABLE FASTENING

EXHAUST EXTENSION PLATE



40766

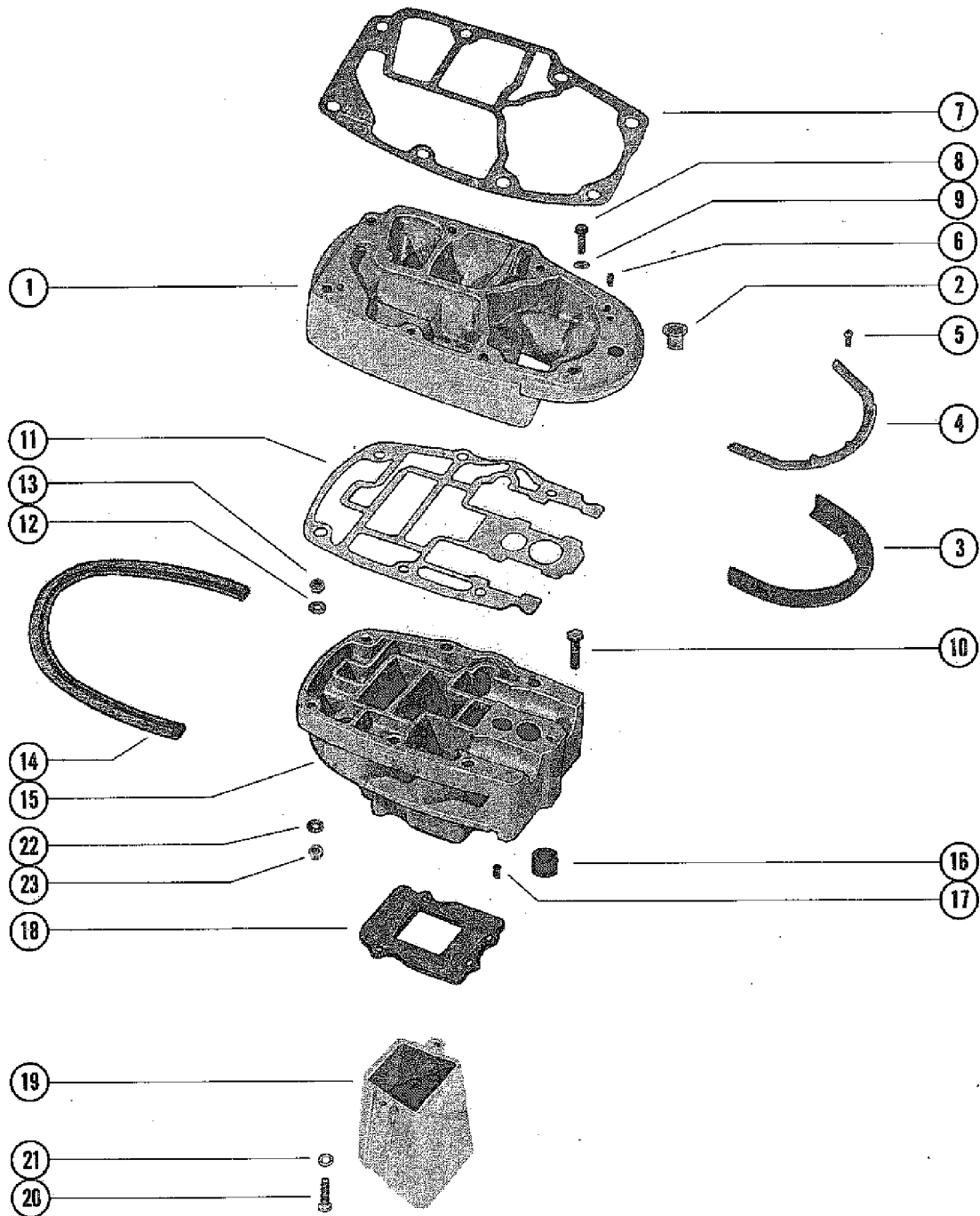
EXHAUST EXTENSION PLATE

REF. NO.	PART NO.	SYM.	QTY.	DESCRIPTION
1	64165A 1		1	PLATE ASSEMBLY, EXHAUST EXTENSION (USA-3761034/Australia-8014004/Canada-7025597 and below)
	66096A 1		1	PLATE ASSEMBLY, EXHAUST EXTENSION (USA-3761035/Australia-8014005/Canada-7025598 and above)
2	23-27132		1	BUSHING, NYLON (USA-3761035/Australia-8014005/Canada-7025598 and above)
3	37918		1	SEAL, EXHAUST EXTENSION PLATE
4	38032		1	STRIP, RETAINING - EXHAUST EXTENSION PLATE SEAL
5	10-37571		5	SCREW, (.190-32 x .500), SEAL AND RETAINING STRIP TO EXT. PLATE (1/2")
6	17-23784		2	PIN, Dowel, EXHAUST EXTENSION PLATE
7	27-64173	■	1	GASKET (USA-3761034/Australia-8014004/Canada-7025597 and below)
	27-66101	■	1	GASKET (USA-3761035/Australia-8014005/Canada-7025598 thru USA-4112634/Australia-8027114/Canada-7047257)
	27-69238	■	1	GASKET (USA-4112635/Australia-8027115/Canada-7047258 and above)
8	10-62644		1	SCREW, (5/16") (USA-3761034/Australia-8014004/Canada-7025597 and below)
8	10-66023		2	SCREW, (.312-18 x 2.00) Flange Head (USA-3761035/Australia-8014005/Canada-7025598 and above)
9	13-26993		1	LOCKWASHER, (.312) (USA-3761034/Australia-8014004/Canada-7025597 and below)
10	10-66023		7	SCREW, (.312-18 x 2.00) Flange Head (USA-3761035/Australia-8014005/Canada-7025598 and above)
11	27-60945	■	1	GASKET (USA-3761034/Australia-8014004/Canada-7025597 and below)
	27-66102	■	1	GASKET (USA-3761035/Australia-8014005/Canada-7025598 and above)
12	12-34437		7	WASHER (USA-3761034/Australia-8014004/Canada-7025597 and below)
13	11-64809		7	NUT (USA-3761034/Australia-8014004/Canada-7025597 and below)
14	26-60898		1	SEAL, DRIVESHAFT HOUSING PLATE
15	64164A 2		1	PLATE ASSEMBLY (USA-3761034/Australia-8014004/Canada-7025597 and below)
	66098A 2		1	PLATE ASSEMBLY (USA-3761035/Australia-8014005/Canada-7025598 thru USA-4394236/Australia-8027439/Canada-7075522)
	74257A 3		1	PLATE ASSEMBLY (USA-4394237/Canada-7075523 and above)
16	26-38970	■	1	SEAL, RUBBER
17	17-23784		2	PIN, Dowel, DRIVESHAFT HOUSING PLATE
18	27-62362	■	1	GASKET, MEGAPHONE TO DRIVESHAFT HOUSING PLATE
19	60437		1	MEGAPHONE, EXHAUST
20	10-60480		3	SCREW, MEGAPHONE TO DRIVESHAFT HOUSING PLATE (1 1/8")

■ = COMPONENT OF GASKET SET [27- 60476A75]

CONTINUED ON NEXT PAGE ➡

EXHAUST EXTENSION PLATE



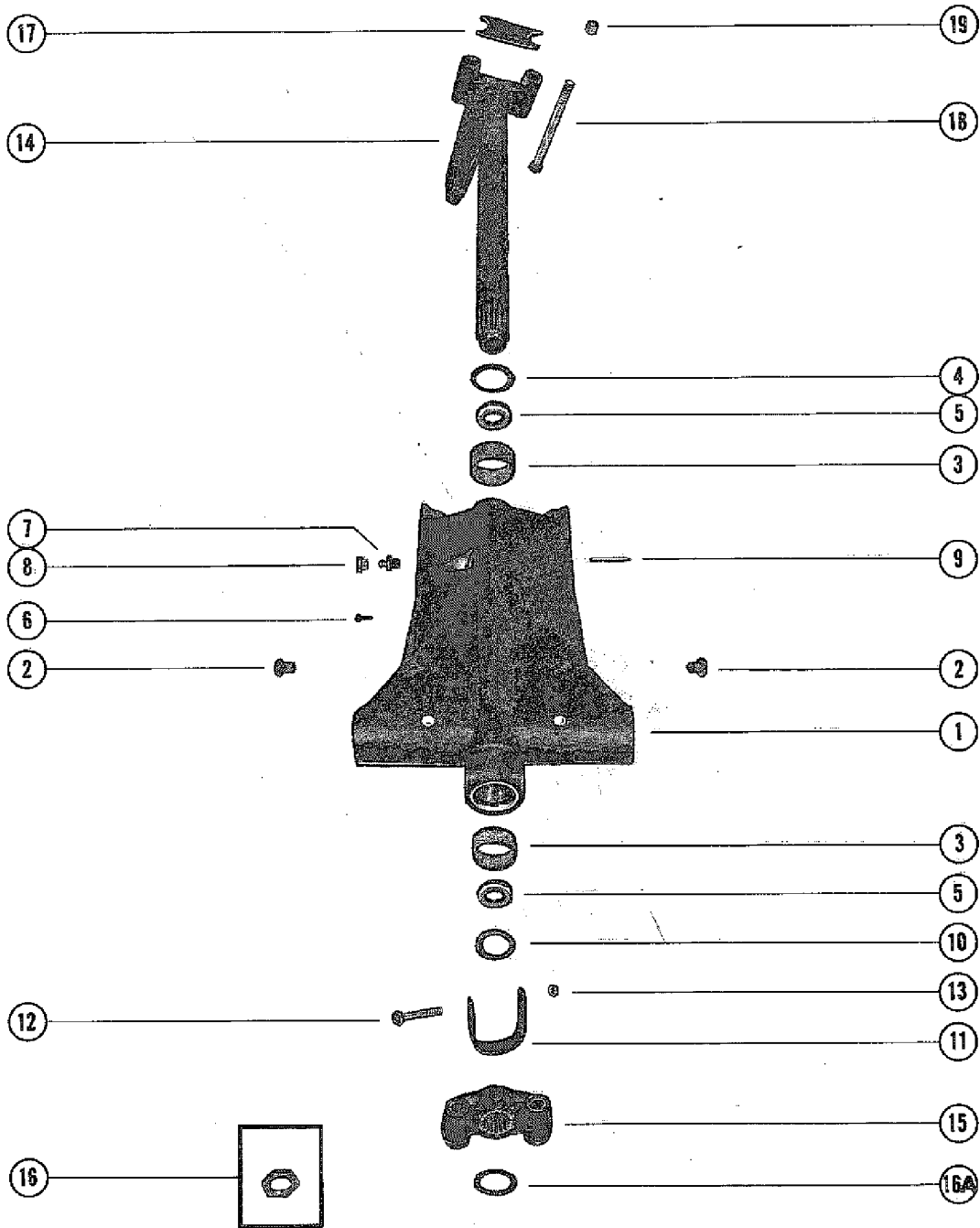
40766

EXHAUST EXTENSION PLATE

REF. NO.	PART NO.	SYM.	QTY.	DESCRIPTION
21	12-29245		3	WASHER, (.281 x .500 x .060) Stainless Steel
22	12-25970		6	WASHER, POWERHEAD STUD
23	11-34932		6	NUT, (.375-24), POWERHEAD STUD
-	27-60476A75		1	GASKET SET

■ = COMPONENT OF GASKET SET [27- 60476A75]

SWIVEL BRACKET ASSEMBLY



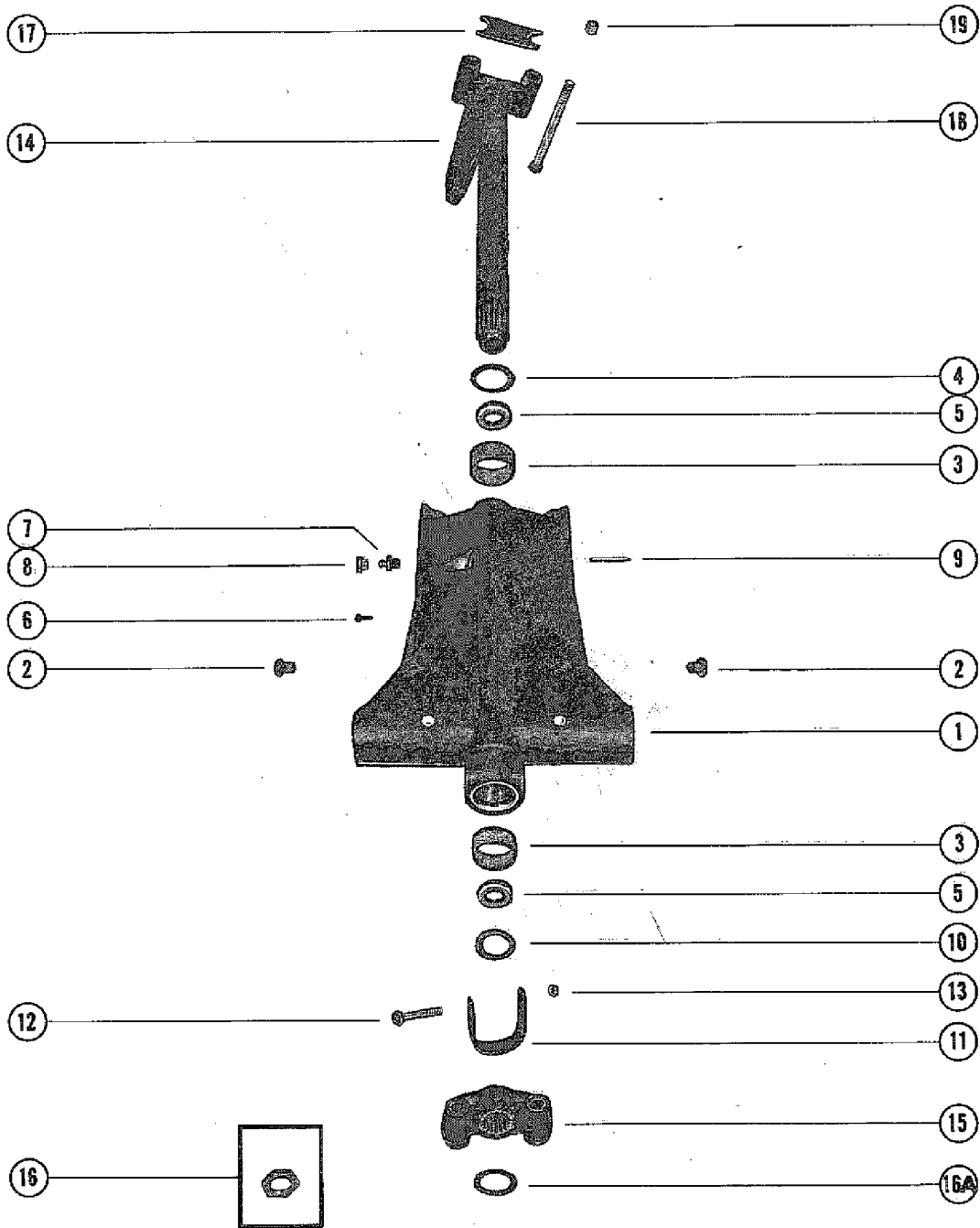
40767

SWIVEL BRACKET ASSEMBLY

REF. NO.	PART NO.	SYM.	QTY.	DESCRIPTION
1	1453-5597A 2		1	SWIVEL BRACKET ASSEMBLY (SHORT SHAFT) (USA-4310784/Australia-8027439/Canada-7075522 and below)
	1453-6019A 2		1	SWIVEL BRACKET ASSEMBLY (SHORT SHAFT) (USA-4310785/Canada-7075523 thru USA-4567951/Canada-7087422)
	1447-5596A 3		1	SWIVEL BRACKET ASSEMBLY (LONG SHAFT) (USA-4310784/Australia-8027439/Canada-7075522 and below)
	1447-6017A 4		1	SWIVEL BRACKET ASSEMBLY (LONG SHAFT) (USA-4310785/Canada-7075523 thru USA-4567951/Canada-7087422)
	1482-6386A 4		1	SWIVEL BRACKET ASSEMBLY (LONG SHAFT) (USA-4567952/Canada-7087423 and above)
2	23-69132		2	BUSHING (USA-4112635/Australia-8027115/Canada-7047258 and above)
3	23-69341		2	BUSHING (USA-4112635/Australia-8027115/Canada-7047258 and above)
4	12-69342		1	WASHER (USA-4112635/Australia-8027115/Canada-7047258 and above)
5	26-37448		2	SEAL, Oil, SWIVEL BRACKET
6	10-47828		1	SCREW, DRIVE
7	22-69059		1	FITTING, GREASE (USA-4310784/Australia-8027439/Canada-7075522 and below)
7	22-74036		3	FITTING, Grease (USA-4310785/Canada-7075523 thru USA-4567951/Canada-7087422)
	22-74036		4	FITTING, Grease (USA-4567952/Canada-7087423 and above)
8	29359		1	LUBRICAP (USA-4310784/Australia-8027439/Canada-7075522 and below)
9	17-25598		1	PIN, REVERSE LOCK SPRING(NOT USED WITH FULL POWER TRIM)
10	12-69380		1	WASHER, SWIVEL PIN - LOWER
11	28205		1	STRAP, Stop, DRIVESHAFT HOUSING TO SWIVEL BRACKET
12	10-28200		1	SCREW, (.375-24 x 2.875)
13	11-25269		1	NUT, (.375-24)
14	17-49841A 1		1	SWIVEL PIN ASSEMBLY, Steering Arm, (SHORT SHAFT) YOKE IS ATTACHED WITH A NUT
	17-49840A 1		1	SWIVEL PIN ASSEMBLY, Steering Arm, (LONG SHAFT) YOKE IS ATTACHED WITH A NUT
14	17-73594A 1		1	SWIVEL PIN ASSEMBLY, Steering Arm, (SHORT SHAFT) YOKE IS ATTACHED WITH A RETAINING RING
	17-73593A 1		1	SWIVEL PIN ASSEMBLY, Steering Arm, (LONG SHAFT) YOKE IS ATTACHED WITH A RETAINING RING
15	37419		1	YOKE, BOTTOM YOKE IS ATTACHED WITH A NUT
15	73984		1	YOKE, BOTTOM YOKE IS ATTACHED WITH A RETAINING RING
16	11-37424		1	NUT, BOTTOM YOKE ATTACHING YOKE IS ATTACHED WITH A NUT
16A	53-73591		1	RING, Retaining YOKE IS ATTACHED WITH A RETAINING RING
17	28203		1	BUMPER, STEERING ARM
18	10-49554		2	BOLT, (.437-20 x 5.875)

CONTINUED ON NEXT PAGE ➡

SWIVEL BRACKET ASSEMBLY

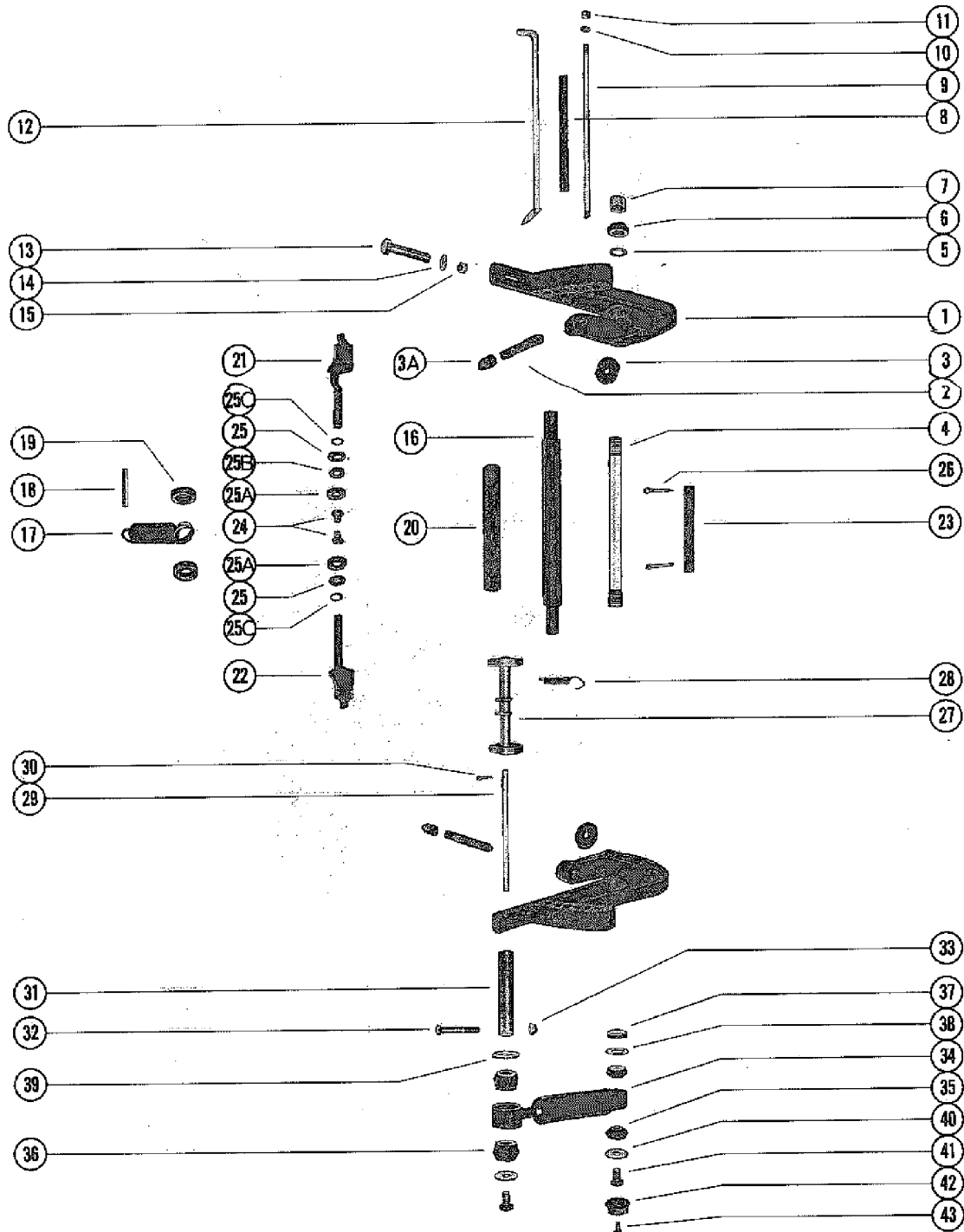


40767

SWIVEL BRACKET ASSEMBLY

REF. NO.	PART NO.	SYM.	QTY.	DESCRIPTION
19	11-34933		2	NUT, (.437-20) Stainless Steel

CLAMP BRACKET AND REVERSE LOCK



40768

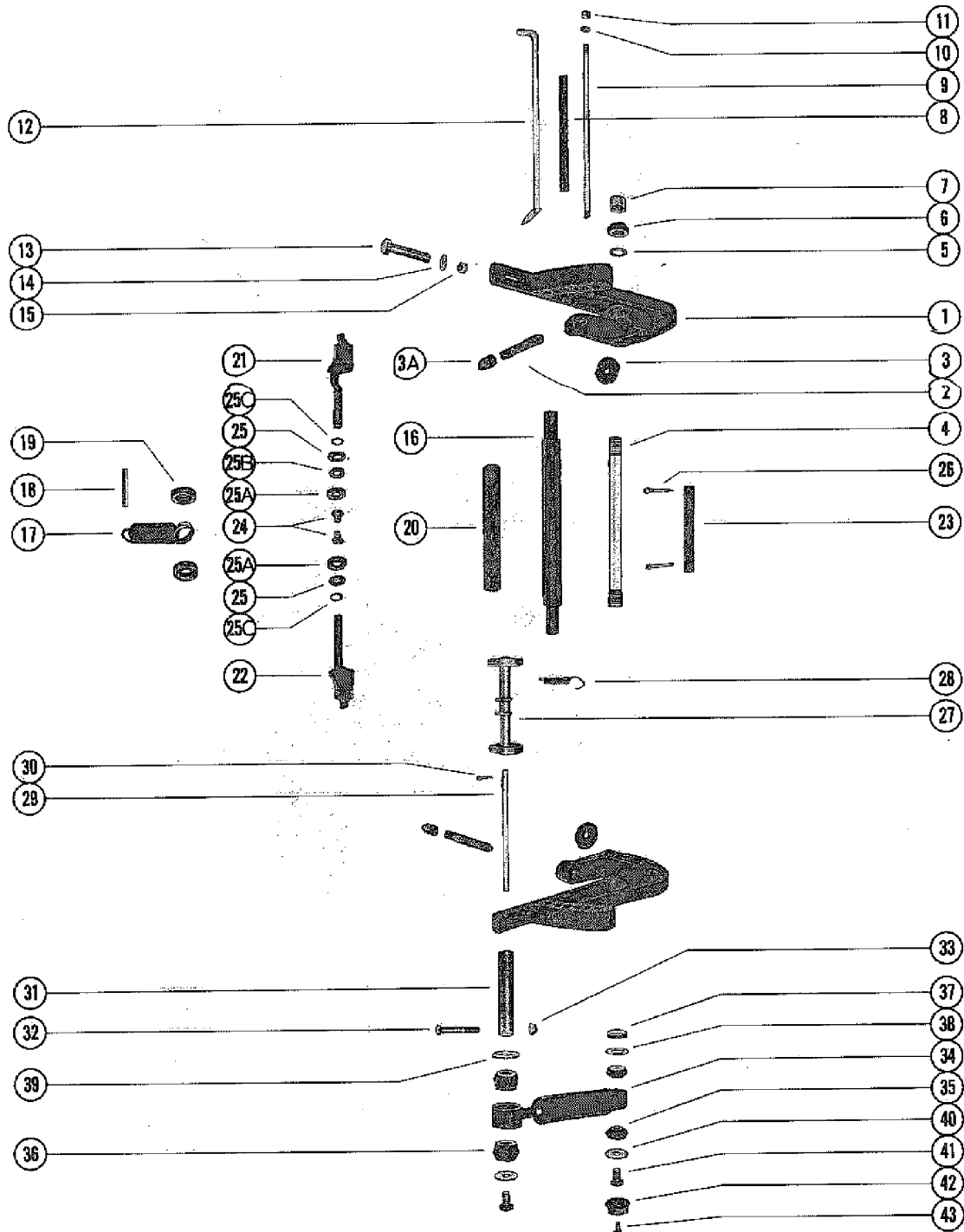
CLAMP BRACKET AND REVERSE LOCK

REF. NO.	PART NO.	SYM.	QTY.	DESCRIPTION
1	1440-5520A 1		2	CLAMP BRACKET ASSEMBLY (USA-4112634/Australia-8027114/Canada-7047257 and below)
1	1440-5576A 1		2	CLAMP BRACKET ASSEMBLY (USA-4112635/Australia-8027115/Canada-7047258 thru USA-4310784/Australia-8027439/Canada-7075522)
1	1440-6044A 2		2	CLAMP BRACKET ASSEMBLY (USA-4310785/Canada-7075523 and above)
2	28403A 3		2	THUMB SCREW ASSEMBLY (USA-4112634/Australia-8027114/Canada-7047257 and below)
2	69214A 1		2	THUMB SCREW ASSEMBLY (USA-4112635/Australia-8027115/Canada-7047258 thru USA-4310784/Australia-8027439/Canada-7075522)
2	10-73649A 1		2	THUMB SCREW ASSEMBLY (USA-4310785/Canada-7075523 and above)
3	12-28404		2	WASHER, THUMB SCREW (USA-4112634/Australia-8027114/Canada-7047257 and below)
3	12-70988		2	WASHER, THUMB SCREW (USA-4112635/Australia-8027115/Canada-7047258 thru USA-4310784/Australia-8027439/Canada-7075522)
3A	75043		2	CAP, THUMB SCREW (USA-4310785/Canada-7075523 and above)
4	30664		1	TUBE, TILT
5	12-52864		2	WASHER
6	11-56041		2	NUT, (.875-14)
7	53078		2	CAP, PLASTIC
8	23-59624		1	SPACER, CLAMP BRACKET STUD
9	16-59625		1	STUD, (NOT USED WITH FULL POWER TRIM)
10	13-26993		2	LOCKWASHER, (.312)
11	11-28770		2	NUT, (.312-24) Stainless Steel
12	17-49930A 1		1	PIN ASSEMBLY, Tilt Lock, (NOT USED WITH FULL POWER TRIM)
13	10-68298		2	BOLT, (.375-16 x 3.250), CLAMP BRACKET TO BOAT TRANSOM (LOWER)
	10-68299		2	SCREW, (.375-16 x 3.00) Stainless Steel, CLAMP BRACKET TO BOAT TRANSOM (UPPER)
14	12-68410		2	WASHER, (LOWER)
	12-68300		2	WASHER, (.88 x .39 x .06), (UPPER)
15	11-68411		4	NUT, (.375-16)
16	55-28416		1	PIN, UPPER SHOCK MOUNTING
17	24-28659		1	SPRING, (NOT USED WITH FULL POWER TRIM)
18	17-38311		1	PIN, (NOT USED WITH FULL POWER TRIM)
19	23-28688		2	SPACER, RUBBER (NOT USED WITH FULL POWER TRIM)
20	63473		1	TUBE, (USED WITH FULL POWER TRIM)-LONG SH (LONG SHAFT)

■ = COMPONENT OF GASKET SET [27- 60476A75]

CONTINUED ON NEXT PAGE ➡

CLAMP BRACKET AND REVERSE LOCK



40768

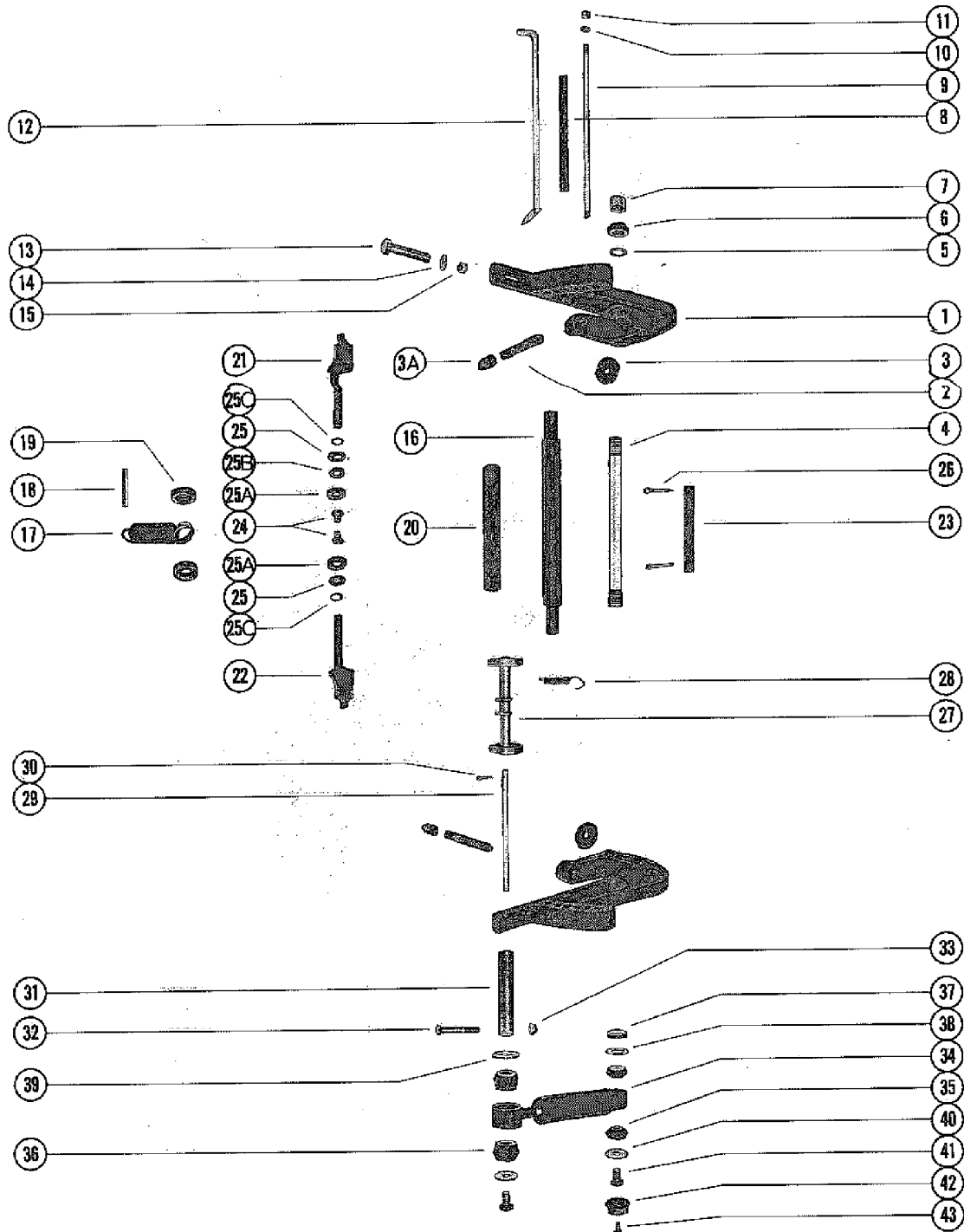
CLAMP BRACKET AND REVERSE LOCK

REF. NO.	PART NO.	SYM.	QTY.	DESCRIPTION
21	47799A 1		1	TILT LOCK ASSEMBLY, STARBOARD (USA-4567951/ Australia-8027439/Canada-7087422 and below)
21	76386		1	TILT LOCK ASSEMBLY, (STARBOARD) (USA-4567952/ Canada-7087423 and above)
22	47800A 1		1	TILT LOCK ASSEMBLY, PORT (USA-4567951/Australia-8027439/ Canada-7087422 and below)
22	76385		1	TILT LOCK ASSEMBLY, (PORT) (USA-4567952/Canada-7087423 and above)
23	47802		1	TUBE, TILT LOCK (USA-4567951/Australia-8027439/Canada-7087422 and below)
23	76387		1	TUBE, TILT LOCK (USA-4567952/Canada-7087423 and above)
24	23-47803		2	BUSHING (USA-4567951/Australia-8027439/Canada-7087422 and below)
25	13-69150		2	WAVE WASHER (USA-4567951/Australia-8027439/Canada-7087422 and below)
25	13-69150		1	WAVE WASHER, (STARBOARD SIDE ONLY) (USA-4567952/ Canada-7087423 and above)
25A	26-22734		2	SEAL, Oil (USA-4567952/Canada-7087423 and above)
25B	12-76388		1	WASHER, (STARBOARD SIDE ONLY) (USA-4567952/Canada-7087423 and above)
25C	25-62702	■	2	O-RING, (.301 x .070) (USA-4567952/Canada-7087423 and above)
26	18-47959		2	COTTER PIN, TILT LOCK
27	70692		1	LOCK ASSEMBLY, Reverse, (NOT USED WITH FULL POWER TRIM)
28	24-29821		1	SPRING, (NOT USED WITH FULL POWER TRIM)
29	56349		1	SHAFT, (NOT USED WITH FULL POWER TRIM)
30	18-45882		1	COTTER PIN, (NOT USED WITH FULL POWER TRIM)
31	55-65447		2	PIN, LOWER SHOCK MOUNTING (SHORT SHAFT)
	55-28414		2	PIN, LOWER SHOCK MOUNTING (LONG SHAFT)
32	10-21937		2	SCREW, LOWER SHOCK PIN (LONG SHAFT)
33	11-46887		2	NUT, (1/4-28) (LONG SHAFT)
34	55-58780A 2		2	SHOCK ABSORBER, (NOT USED WITH FULL POWER TRIM)
35	23-32171		4	BUSHING, RUBBER (UPPER)(NOT USED WITH FULL POWER TRIM)
36	23-28198		4	BUSHING, RUBBER (LOWER)(NOT USED WITH FULL POWER TRIM)
37	23-28199		2	SPACER (USA-4394236/Australia-8027439/Canada-7075522 and below)
	23-73203		2	BUSHING (USA-4394237/Canada-7075523 and above)
38	12-28196		2	WASHER, UPPER BUSHING RETAINER (INNER)
39	12-59378		2	WASHER, LOWER BUSHING RETAINER (INNER)
40	12-28421		4	WASHER, (1.5 x 3.05 x 0.13) Stainless Steel (USA-4567951/ Australia-8027439/Canada-7087422 and below)
40	12-69374		4	WASHER (USA-4567952/Canada-7087423 and above)

■ = COMPONENT OF GASKET SET [27- 60476A75]

CONTINUED ON NEXT PAGE ➡

CLAMP BRACKET AND REVERSE LOCK



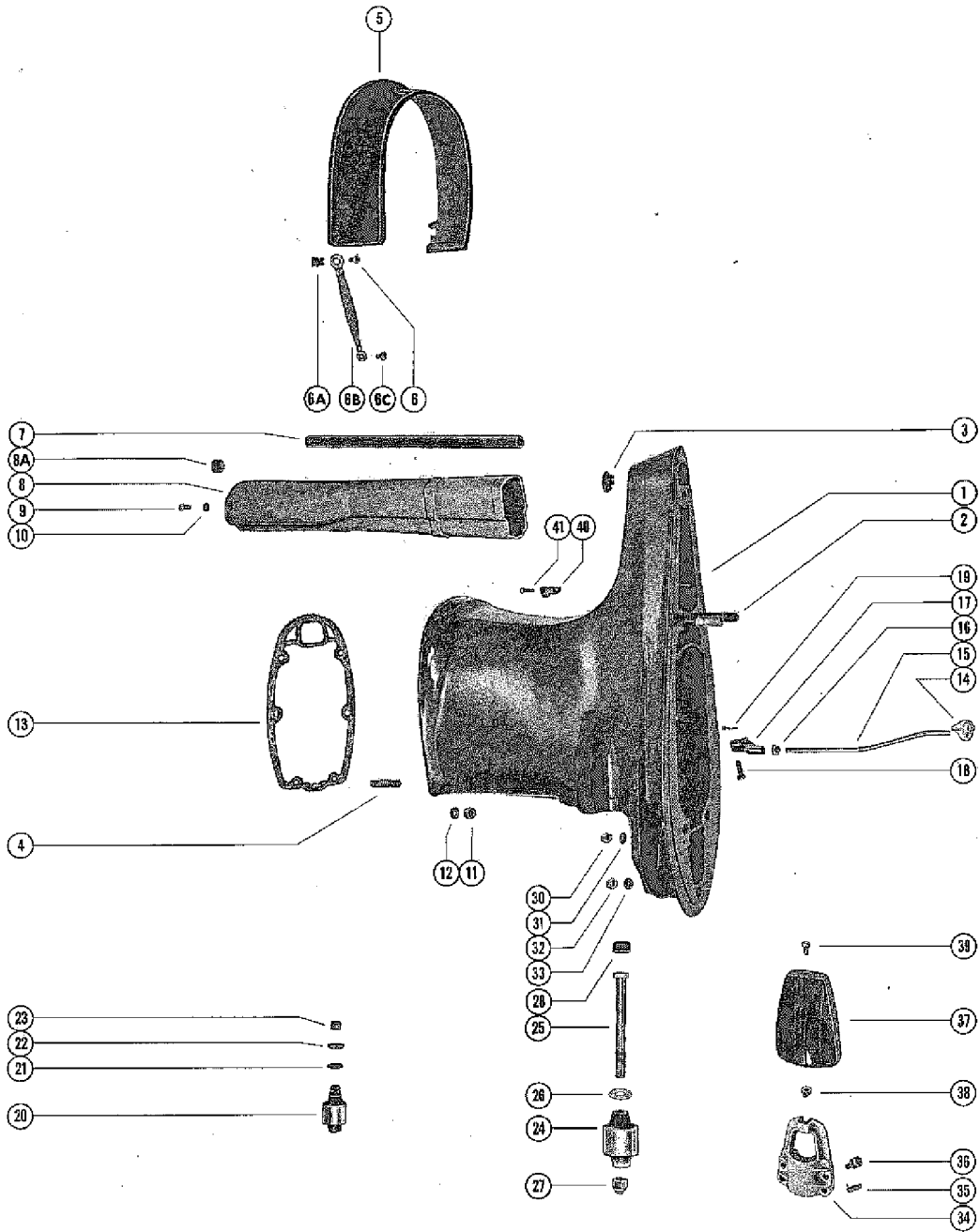
40768

CLAMP BRACKET AND REVERSE LOCK

REF. NO.	PART NO.	SYM.	QTY.	DESCRIPTION
41	10-53077		4	SCREW (USA-4567951/Australia-8027439/Canada-7087422 and below)
41	10-69375		4	SCREW (USA-4567952/Canada-7087423 and above)
42	70679		2 or 4	COVER (USA-4567951/Australia-8027439/Canada-7087422 and below)
43	10-37655		2 or 4	SCREW, (#10-32 x .500) (USA-4567951/Australia-8027439/Canada-7087422 and below)
-	27-60476A75		1	GASKET SET

■ = COMPONENT OF GASKET SET [27- 60476A75]

DRIVESHAFT HOUSING ASSEMBLY



40769

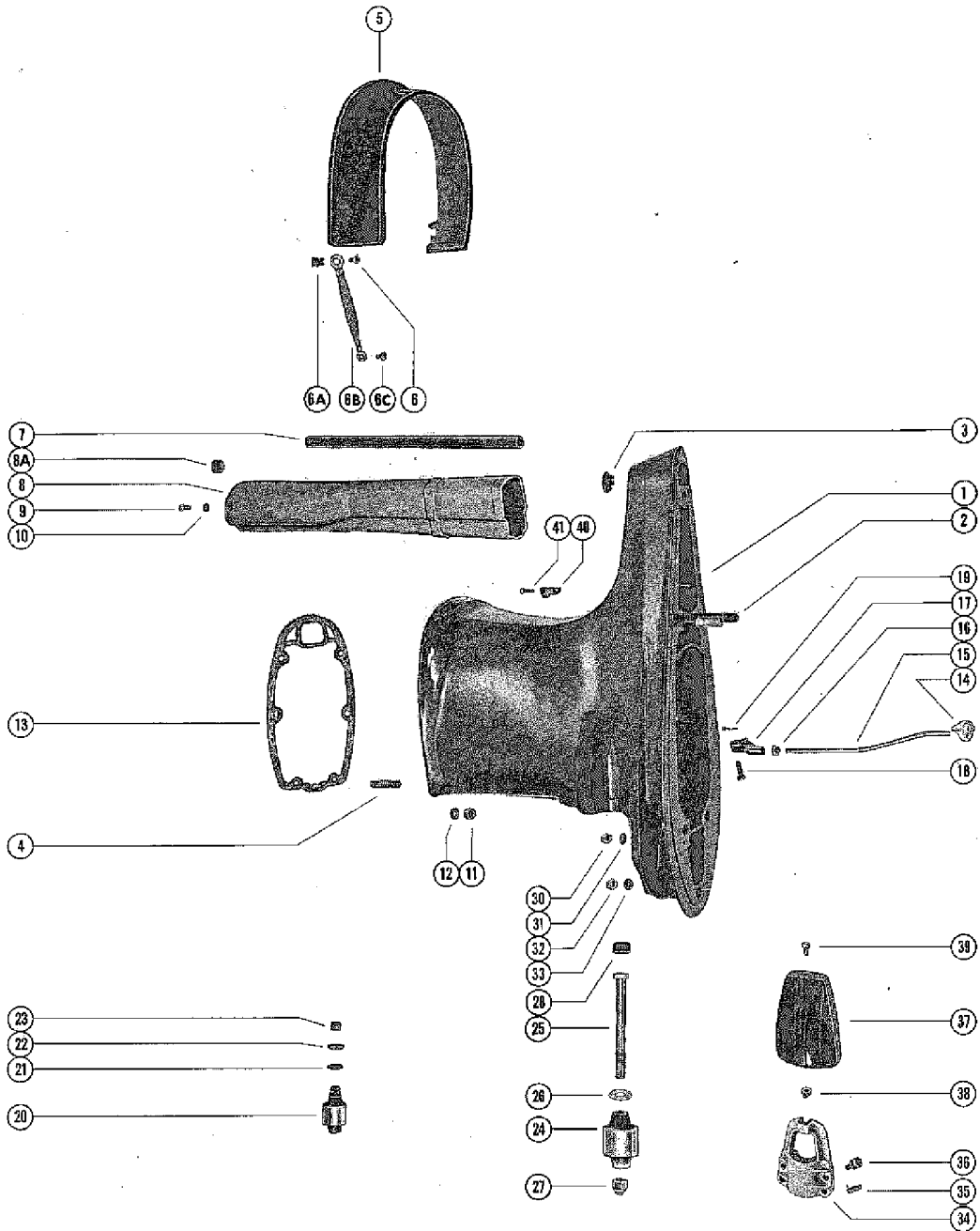
DRIVESHAFT HOUSING ASSEMBLY

REF. NO.	PART NO.	SYM.	QTY.	DESCRIPTION
1	1575-4971A 5		1	HOUSING ASSEMBLY, Driveshaft, (SHORT SHAFT) (USA-3761034/Australia-8014004/Canada-7025597 and below)
	1575-5240A 4		1	HOUSING ASSEMBLY, Driveshaft, (SHORT SHAFT) (USA-3761035/Australia-8014005/Canada-7025598 and above)
	1573-4933A 3		1	HOUSING ASSEMBLY, Driveshaft, (LONG SHAFT) (USA-3761034/Australia-8014004/Canada-7025597 and below)
	1573-5239A 4		1	HOUSING ASSEMBLY, Driveshaft - Mercury, (LONG SHAFT) (USA-3761035/Australia-8014005/Canada-7025598 and above)
2	16-56295		2	STUD, (.437 x 2.69)
3	19-64649		1	PLUG, PLASTIC (USA-3761034/Australia-8014004/Canada-7025597 and below)
4	16-34378		7	STUD, (2-5/16") (USA-3761034/Australia-8014004/Canada-7025597 and below)
5	37417		1	COVER, TRIM
6	10-57807		4	SCREW, (#10-16 x .750) Stainless Steel
6A	25-57806		4	GROMMET, PLASTIC
6B	46933A 2		2	STRAP ASSEMBLY, Ground
6C	10-62568		2	SCREW, (#10-16 x .375)
7	32-62864		1	TUBE, WATER INLET (SHORT SHAFT)
7	32-60897		1	TUBE, WATER INLET (LONG SHAFT)
8	62863		1	TUBE, EXHAUST- (SHORT SHAFT) (USA-3761034/Australia-8014004/Canada-7025597 and below)
	65370		1	TUBE, EXHAUST- (SHORT SHAFT) (USA-3761035/Australia-8014005/Canada-7025598 and above)
8	60435		1	TUBE, EXHAUST- (LONG SHAFT) (USA-3761034/Australia-8014004/Canada-7025597 and below)
	65369		1	TUBE, EXHAUST- (LONG SHAFT) (USA-3761035/Australia-8014005/Canada-7025598 and above)
8A	65638		2	BOOT, TUBE MOUNT (USA-3761035/Australia-8014005/Canada-7025598 and above)
9	10-28636		2	SCREW, (.250-20 x .750) (USA-3761034/Australia-8014004/Canada-7025597 and below)
10	13-26992		2	LOCKWASHER, (.250) Stainless Steel (USA-3761034/Australia-8014004/Canada-7025597 and below)
11	11-69254		2	NUT, POWERHEAD STUDS (3/8-24)
12	12-25970		2	WASHER, POWERHEAD STUDS
13	27-64175	■	1	GASKET (USA-3761034/Australia-8014004/Canada-7025597 and below)
	27-66335	■	1	GASKET (USA-3761035/Australia-8014005/Canada-7025598 thru USA-4112634/Australia-8027114/Canada-7047257)
14	52887		1	GUIDE NOT USED WITH FULL POWER TRIM
15	19-47591		1	ROD, PUSH (SHORT SHAFT) NOT USED WITH FULL POWER TRIM
	47558		1	ROD, PUSH (LONG SHAFT) NOT USED WITH FULL POWER TRIM

■ = COMPONENT OF GASKET SET [27- 60476A75]

CONTINUED ON NEXT PAGE ➡

DRIVESHAFT HOUSING ASSEMBLY



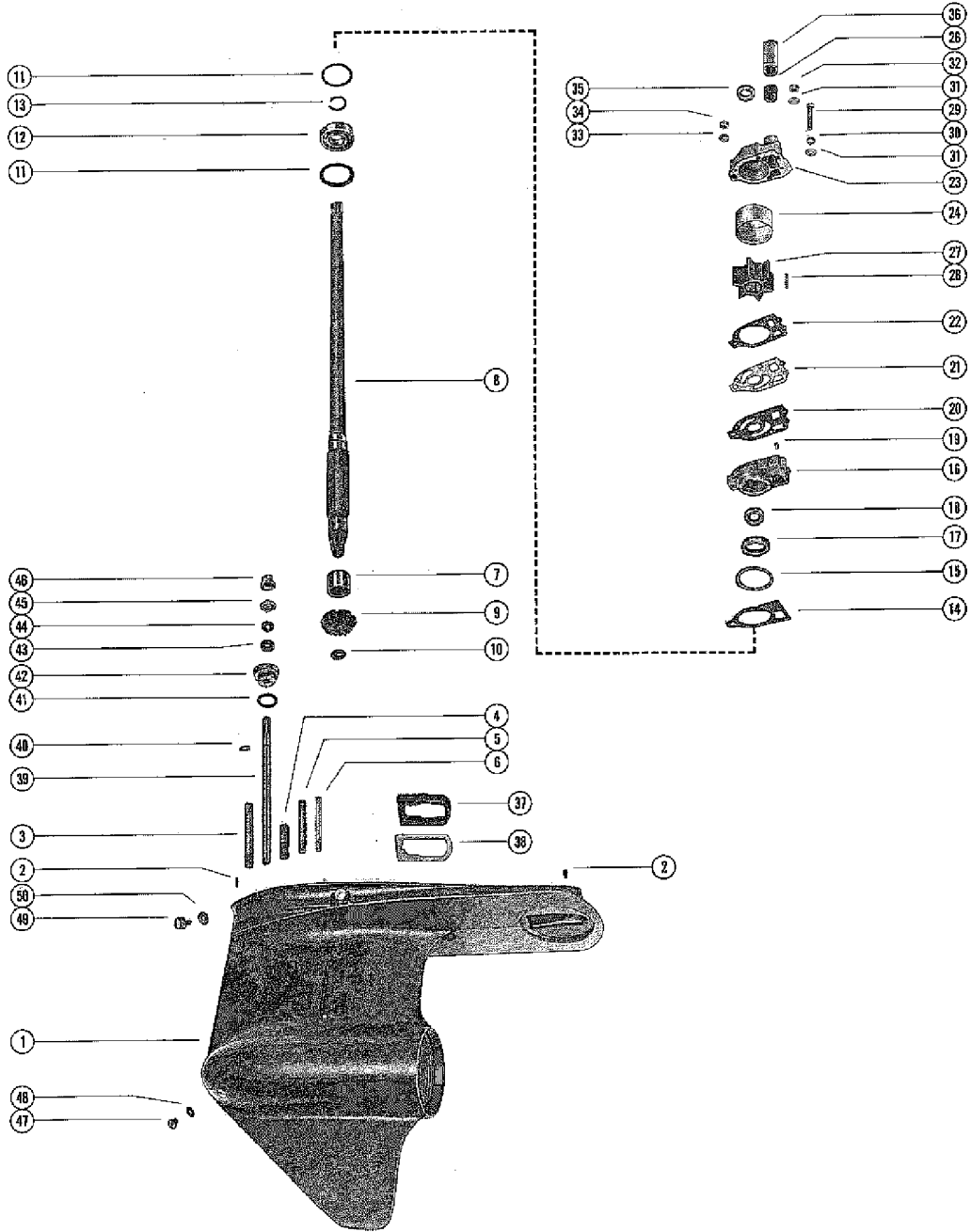
40769

DRIVESHAFT HOUSING ASSEMBLY

REF. NO.	PART NO.	SYM.	QTY.	DESCRIPTION
16	11-47661		1	NUT, JAM NOT USED WITH FULL POWER TRIM
17	47559		1	YOKE NOT USED WITH FULL POWER TRIM
18	17-39023		1	PIN NOT USED WITH FULL POWER TRIM
19	18-25191		1	COTTER PIN NOT USED WITH FULL POWER TRIM
20	75296		2	MOUNT, RUBBER - UPPER
21	12-47840		2	WASHER, RUBBER
22	12-31263		2	WASHER
23	11-34933		2	NUT, (.437-20) Stainless Steel
24	49455		2	MOUNT, RUBBER - LOWER (SHORT SHAFT)
	75299		2	MOUNT, RUBBER - LOWER (LONG SHAFT)
25	10-49318		2	SCREW, LOWER MOUNT (5-1/2")
26	12-49339		2	WASHER, (.8125)
27	11-25096		2	NUT
28	25067		2	BUMPER, RUBBER
30	11-34933		2	NUT, (.437-20) Stainless Steel
31	12-45176		2	WASHER, (.453 x .812 x .105) Stainless Steel
32	11-29489		1	NUT
33	12-45176		1	WASHER, (.453 x .812 x .105) Stainless Steel
34	35608		2	CLAMP
35	24-35522		4	SPRING, TENSION
36	10-29256		4	SCREW, (.312-18 x .875)
37	35474		2	COVER, LOWER MOUNT CLAMP
38	11-35521		2	NUT
39	10-29722		2	SCREW, (#12-24 x .625)
40	62497		1	BRACKET, SUPPORT - DRIVESHAFT (LONG SHAFT)
41	10-48409		2	SCREW, (#10-16 x .625) Stainless Steel (LONG SHAFT)
-	27-60476A75		1	GASKET SET

■ = COMPONENT OF GASKET SET [27- 60476A75]

GEAR HOUSING ASSEMBLY DRIVESHAFT



40770

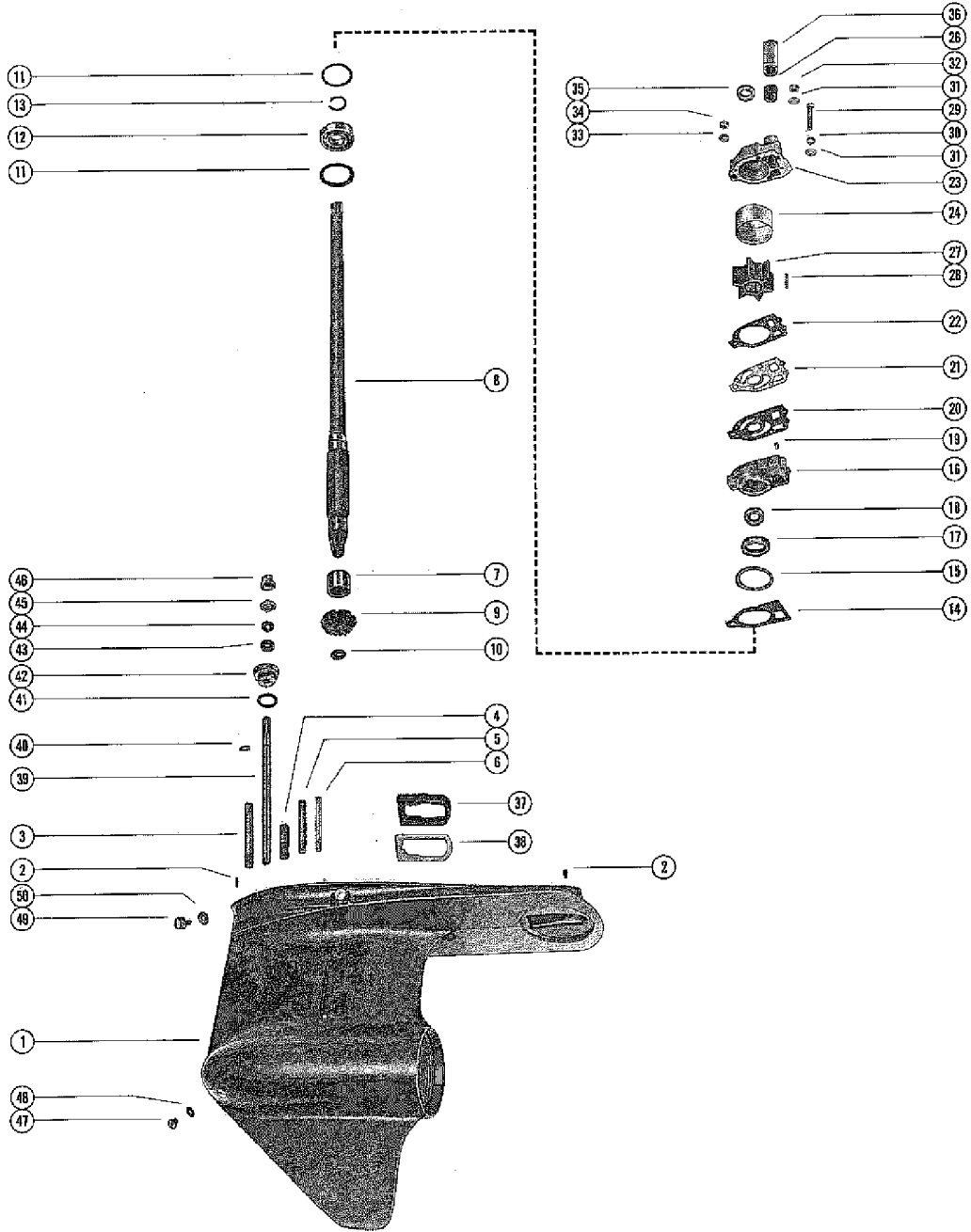
GEAR HOUSING ASSEMBLY DRIVESHAFT

REF. NO.	PART NO.	SYM.	QTY.	DESCRIPTION
-	1623-5244A 5		1	GEAR HOUSING ASSEMBLY, COMPLETE (SHORT SHAFT) (USA-4112634/Australia-8027114/Canada-7047257 and below)
-	1623-5578A 9		1	GEAR HOUSING ASSEMBLY, COMPLETE (SHORT SHAFT) (USA-4112635/Australia-8027115/Canada-7047258 thru USA-4235974/Australia-8027439/Canada-7055307)
-	1623-5829A 6		1	GEAR HOUSING ASSEMBLY, COMPLETE (SHORT SHAFT) (USA-4235975/Canada-7055308 thru USA-4394236/ Canada-7075522)
-	1623-5244A 7		1	GEAR HOUSING ASSEMBLY, COMPLETE (LONG SHAFT) (USA-4112634/Australia-8027114/Canada-7047257 and below)
-	1623-5578A 7		1	GEAR HOUSING ASSEMBLY, COMPLETE (LONG SHAFT) (USA-4112635/Australia-8027115/Canada-7047258 thru USA-4235974/Australia-8027439/Canada-7055307)
-	1623-5829A 7		1	GEAR HOUSING ASSEMBLY, COMPLETE (LONG SHAFT) (USA-4235975/Canada-7055308 thru USA-4394236/ Canada-7075522)
-	1623-6053A 4		1	GEAR HOUSING ASSEMBLY, COMPLETE (LONG SHAFT) (USA-4394237/Canada-7075523 thru USA-4734317/ Canada-7105197)
-	1623-6053A15		1	GEAR HOUSING ASSEMBLY, COMPLETE (LONG SHAFT) (USA-4734318/Australia-8047300/Canada-7105198 and above)
1	1623-4934A 6		1	GEAR HOUSING ASSEMBLY, BASIC (USA-3761034/ Australia-8014004/Canada-7025597 and below)
	1623-5244A 6		1	GEAR HOUSING ASSEMBLY, BASIC (USA-3761035/ Australia-8014005/Canada-7025598 thru USA-4112634/ Australia-8027114/Canada-7047257)
	1623-5578A 8		1	GEAR HOUSING ASSEMBLY, BASIC (USA-4112635/ Australia-8027115/Canada-7047258 thru USA-4235974/ Australia-8027439/Canada-7055307)
	1623-5829A 8		1	GEAR HOUSING ASSEMBLY, BASIC (USA-4235975/ Canada-7055308 thru USA-4394236/Canada-7075522)
	1623-6053A 5		1	GEAR HOUSING ASSEMBLY, BASIC (USA-4394237/ Canada-7075523 and above)
2	17-21438		2	PIN
3	16-57921		1	STUD, (.437-14/.437-20 x 4.00), GEAR HOUSING TO DRIVESHAFT HOUSING
4	16-57920		2	STUD, (.44 x 2.06), GEAR HOUSING TO DRIVESHAFT HOUSING
5	16-56297		1	STUD, (.312 x 3.38), WATER PUMP BASE AND BODY TO GEAR HOUSING
6	16-30667		2	STUD, (.250-20/.250-28 x 3.125), WATER PUMP BASE AND BODY TO GEAR HOUSING
7	31-32898		1	BEARING, ROLLER - DRIVESHAFT

■ = COMPONENT OF GASKET SET [27- 60476A75]

CONTINUED ON NEXT PAGE ➔

GEAR HOUSING ASSEMBLY DRIVESHAFT



40770

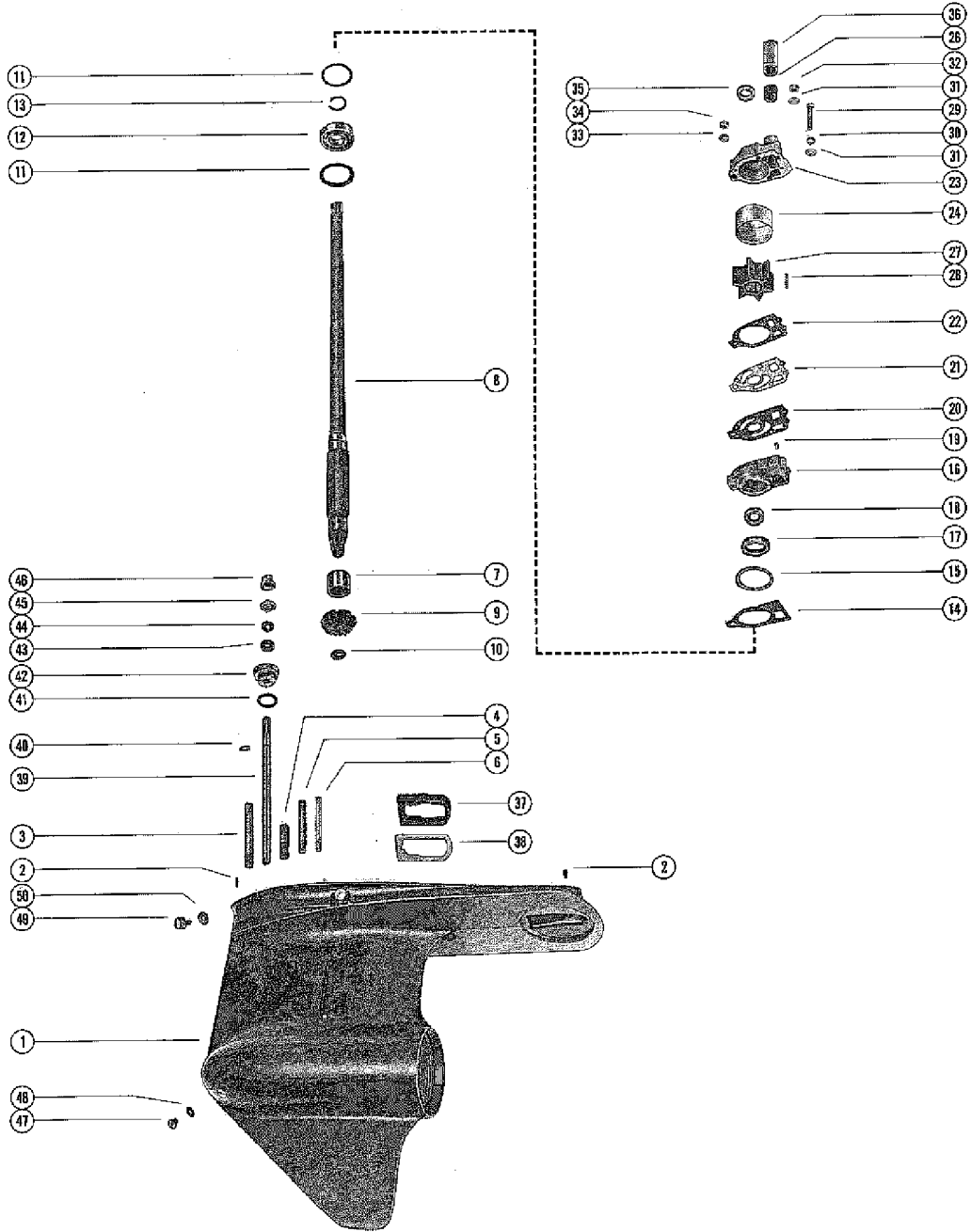
GEAR HOUSING ASSEMBLY DRIVESHAFT

REF. NO.	PART NO.	SYM.	QTY.	DESCRIPTION
8	45-64388		1	DRIVESHAFT (SHORT SHAFT) (USA-4112634/Australia-8027114/Canada-7047257 and below)
	45-69250		1	DRIVESHAFT (SHORT SHAFT) (USA-4112635/Australia-8027115/Canada-7047258 and above)
	45-64389		1	DRIVESHAFT (LONG SHAFT) (USA-4112634/Australia-8027114/Canada-7047257 and below)
	45-69251		1	DRIVESHAFT (LONG SHAFT) (USA-4112635/Australia-8027115/Canada-7047258 and above)
9	43-68548		1	GEAR, PINION
10	11-35921		1	NUT, (.625-18), PINION GEAR TO DRIVESHAFT
11	15-30278A 1		AR	SHIM, DRIVESHAFT BALL BEARING TO GEAR HOUSING (.002-3-5-10) (USA-4112634/Australia-8027114/Canada-7047257 and below)
	15-30278A 1		AR	SHIM, WATER PUMP BASE TO GEAR HOUSING (.002-3-5-10) (USA-4112634/Australia-8027114/Canada-7047257 and below)
11	23-70412		1	SPACER, BALL BEARING TO BASE (USA-4112635/Australia-8027115/Canada-7047258 and above)
	15-57007A 1		AR	SHIM, BALL BEARING TO BASE (USA-4112635/Australia-8027115/Canada-7047258 and above)
12	30-63326		1	BEARING, BALL (USA-4112634/Australia-8027114/Canada-7047257 and below)
12	31-69220		1	BEARING, Roller (USA-4112635/Australia-8027115/Canada-7047258 and above)
13	53-30726		1	RING, RETAINING (USA-4112634/Australia-8027114/Canada-7047257 and below)
14	27-32438	■	1	GASKET (USA-4112634/Australia-8027114/Canada-7047257 and below)
14	27-33146	■	1	GASKET (USA-4112635/Australia-8027115/Canada-7047258 and above)
15	25-30224	■	1	O-RING, (1.859 x .139) (USA-4112634/Australia-8027114/Canada-7047257 and below)
15	25-33145	■	1	O-RING, (1.984 x .139) (USA-4112635/Australia-8027115/Canada-7047258 and above)
16	46-48747A 1		1	BASE ASSEMBLY, Water Pump (USA-4112634/Australia-8027114/Canada-7047257 and below)
	46-69222A 1		1	BASE ASSEMBLY, Water Pump (USA-4112635/Australia-8027115/Canada-7047258 thru USA-4394236/Australia-8027439/Canada-7075522)
	46-73804A 1		1	BASE ASSEMBLY, Water Pump (USA-4394237/Canada-7075523 and above)
17	26-31489		1	SEAL, Oil
18	26-31507		1	SEAL, Oil
19	17-35973		2	PIN, Dowel
20	27-32433	■	1	GASKET, LOWER

■ = COMPONENT OF GASKET SET [27- 60476A75]

CONTINUED ON NEXT PAGE ➡

GEAR HOUSING ASSEMBLY DRIVESHAFT



40770

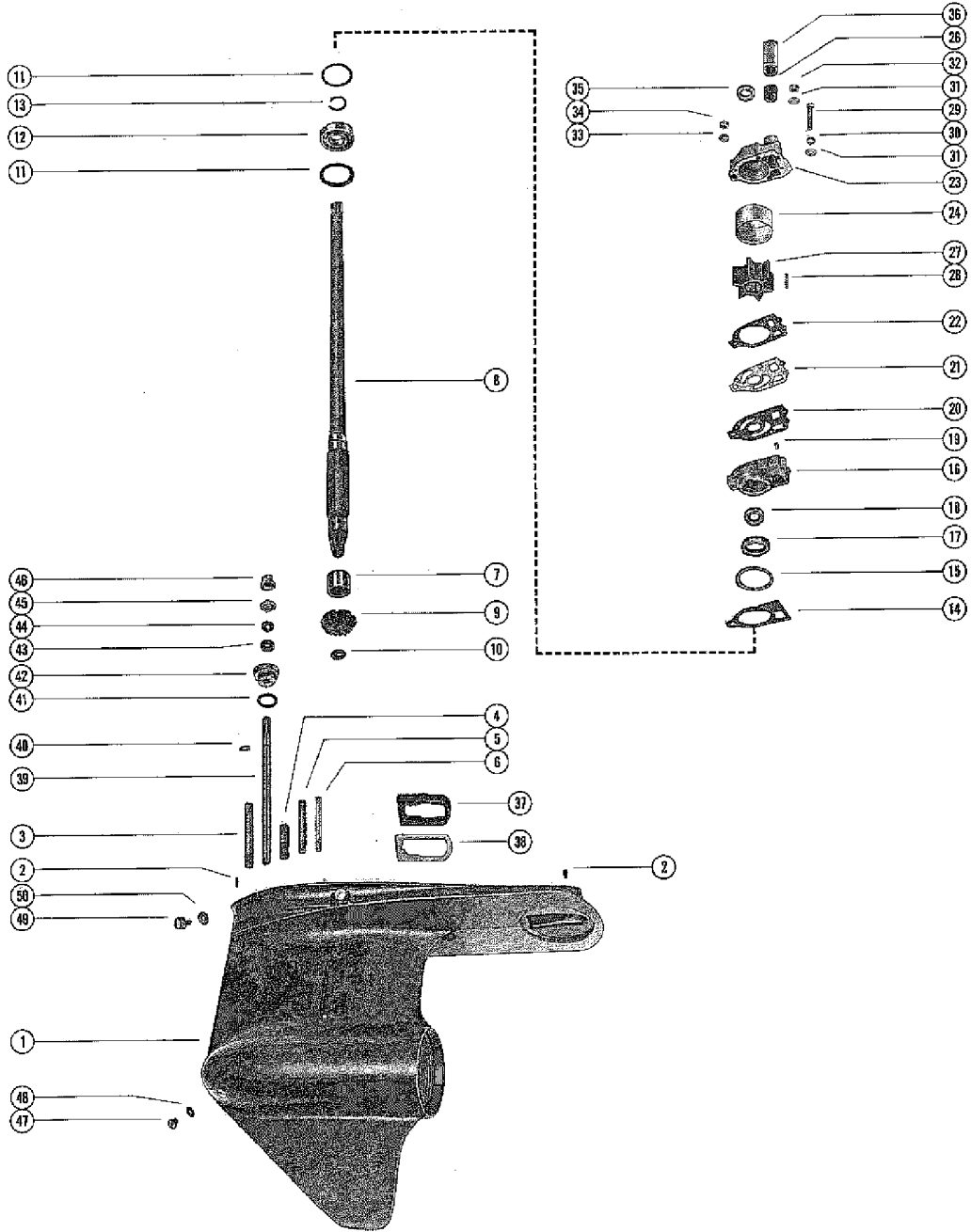
GEAR HOUSING ASSEMBLY DRIVESHAFT

REF. NO.	PART NO.	SYM.	QTY.	DESCRIPTION
21	32435		1	FACE PLATE
22	27-32434	■	1	GASKET, UPPER
23	46-64141A 1		1	BODY ASSEMBLY, Water Pump
24	48752		1	INSERT, WATER PUMP BODY
26	26-38970	■	1	SEAL, RUBBER
27	47-65960		1	IMPELLER
28	28-56654		1	KEY, IMPELLER DRIVE
29	10-30720		1	SCREW, (.250-20 x 2.25)
30	13-26992		1	LOCKWASHER, (.250) Stainless Steel
31	12-29245		3	WASHER, (.281 x .500 x .060) Stainless Steel
32	11-35045		2	NUT, (.250-28)
33	12-36001		1	WASHER
34	11-45592		1	NUT, (.312-24)
35	25-30271	■	1	RING, Rubber
36	23-29804		1	SLEEVE, GUIDE - WATER INLET TUBE
37	60909		1	SEAL NOT PART OF GEAR HOUSING ASSEMBLY COMPLETE 3761034 AND BELOW8014004 AND BELOW7025597 AND BELOW (USA-3761034/Australia-8014004/Canada-7025597 and below)
37	37641		1	SEAL NOT PART OF GEAR HOUSING ASSEMBLY COMPLETE 3761035 AND UP8014005 AND UP7025598 AND UP (USA-3761035/Australia-8014005/Canada-7025598 and above)
38	60910		1	PLATE NOT PART OF GEAR HOUSING ASSEMBLY COMPLETE 3761034 AND BELOW8014004 AND BELOW7025597 AND BELOW (USA-3761034/Australia-8014004/Canada-7025597 and below)
38	38051		1	PLATE NOT PART OF GEAR HOUSING ASSEMBLY COMPLETE 3761035 AND UP8014005 AND UP7025598 AND UP (USA-3761035/Australia-8014005/Canada-7025598 and above)
39	76062A 1		1	SHAFT ASSEMBLY, SHIFT - LOWER
40	53-29641		1	E RING
41	25-25439	■	1	O-RING, (.862 x .103)
42	23-55419A 1		1	BUSHING ASSEMBLY, SHIFT SHAFT
43	26-24590		1	SEAL, Oil, (LOWER)
	26-31249		1	SEAL, Oil, (UPPER)
44	12-31266		1	WASHER, RUBBER
45	39019		1	SPACER, LOWER - REVERSE LOCKING NOT USED WITH FULL POWER TRIM
46	39021		1	CAM, REVERSE LOCKING NOT USED WITH FULL POWER TRIM

■ = COMPONENT OF GASKET SET [27- 60476A75]

CONTINUED ON NEXT PAGE ➡

GEAR HOUSING ASSEMBLY DRIVESHAFT



40770

GEAR HOUSING ASSEMBLY

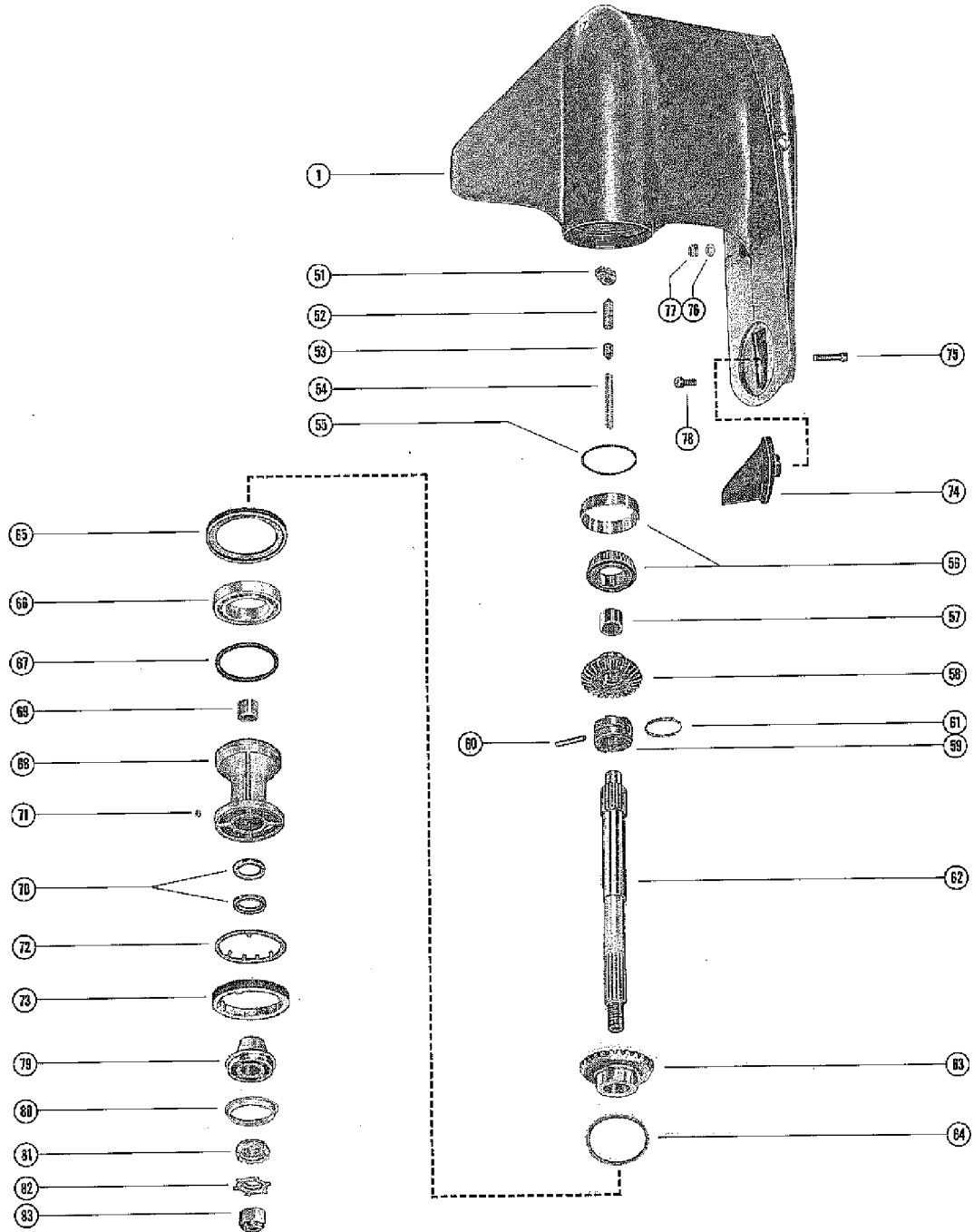
DRIVESHAFT

REF. NO.	PART NO.	SYM.	QTY.	DESCRIPTION
47	10-28634		2	SCREW, (.375-16) (USA-4112634/Australia-8027114/ Canada-7047257 and below)
	10-28634		2	SCREW, (.375-16), GREASE FILLER AND VENT HOLE (USA-4112635/Australia-8027115/Canada-7047258 and above)
	22-67892		1	SCREW, Magnetic, DRAIN (USA-4112635/Australia-8027115/ Canada-7047258 and above)
48	12-20260		2	WASHER
49	19-48750		1	PLUG, GEAR HOUSING FLUSHING HOLE (USA-4394236/ Australia-8027439/Canada-7075522 and below)
50	12-49221		1	WASHER, (.187 x .500 x .062) Neoprene (USA-4394236/ Australia-8027439/Canada-7075522 and below)
-	27-60476A75		1	GASKET SET

■ = COMPONENT OF GASKET SET [27- 60476A75]

GEAR HOUSING ASSEMBLY

Propshaft



40771

GEAR HOUSING ASSEMBLY

Propshaft

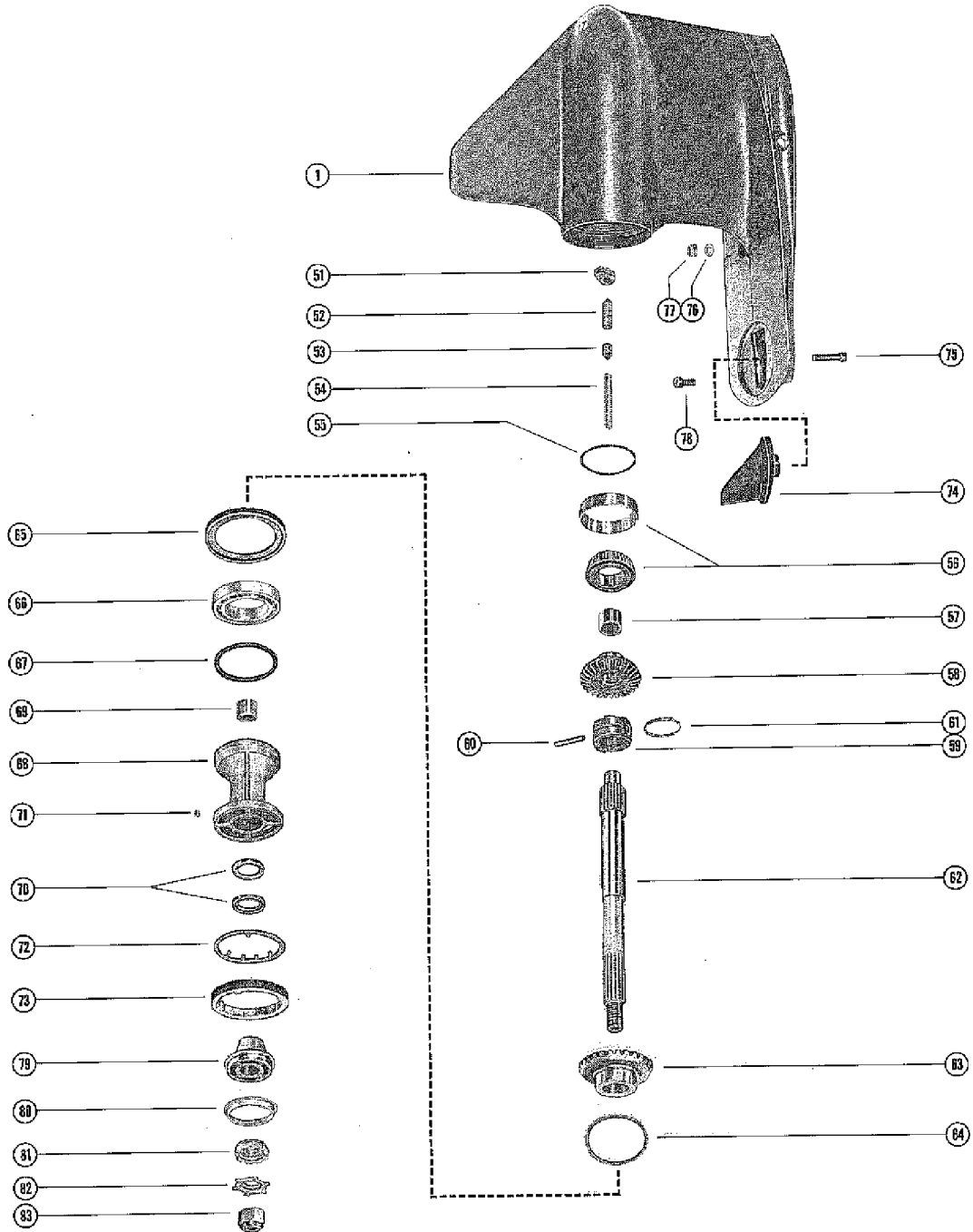
REF. NO.	PART NO.	SYM.	QTY.	DESCRIPTION
-	1623-5244A 5		1	GEAR HOUSING ASSEMBLY, COMPLETE (SHORT SHAFT) (USA-4112634/Australia-8027114/Canada-7047257 and below)
-	1623-5578A 9		1	GEAR HOUSING ASSEMBLY, COMPLETE (SHORT SHAFT) (USA-4112635/Australia-8027115/Canada-7047258 thru USA-4235974/Australia-8027439/Canada-7055307)
-	1623-5829A 6		1	GEAR HOUSING ASSEMBLY, COMPLETE (SHORT SHAFT) (USA-4235975/Canada-7055308 thru USA-4394236/ Canada-7075522)
-	1623-5244A 7		1	GEAR HOUSING ASSEMBLY, COMPLETE (LONG SHAFT) (USA-4112634/Australia-8027114/Canada-7047257 and below)
-	1623-5578A 7		1	GEAR HOUSING ASSEMBLY, COMPLETE (LONG SHAFT) (USA-4112635/Australia-8027115/Canada-7047258 thru USA-4235974/Australia-8027439/Canada-7055307)
-	1623-5829A 7		1	GEAR HOUSING ASSEMBLY, COMPLETE (LONG SHAFT) (USA-4235975/Canada-7055308 thru USA-4394236/ Canada-7075522)
-	1623-6053A 4		1	GEAR HOUSING ASSEMBLY, COMPLETE (LONG SHAFT) (USA-4394237/Canada-7075523 thru USA-4734317/ Canada-7105197)
-	1623-6053A15		1	GEAR HOUSING ASSEMBLY, COMPLETE (LONG SHAFT) (USA-4734318/Australia-8047300/Canada-7105198 and above)
1	1623-4934A 6		1	GEAR HOUSING ASSEMBLY, BASIC (USA-3761034/ Australia-8014004/Canada-7025597 and below)
	1623-5244A 6		1	GEAR HOUSING ASSEMBLY, BASIC (USA-3761035/ Australia-8014005/Canada-7025598 thru USA-4112634/ Australia-8027114/Canada-7047257)
	1623-5578A 8		1	GEAR HOUSING ASSEMBLY, BASIC (USA-4112635/ Australia-8027115/Canada-7047258 thru USA-4235974/ Australia-8027439/Canada-7055307)
	1623-5829A 8		1	GEAR HOUSING ASSEMBLY, BASIC (USA-4235975/ Canada-7055308 thru USA-4394236/Canada-7075522)
	1623-6053A 5		1	GEAR HOUSING ASSEMBLY, BASIC (USA-4394237/ Canada-7075523 and above)
51	54346		1	CAM, SHIFT
52	30625		1	FOLLOWER, CAM
53	30624		1	SLIDE, CROSS PIN
54	24-30622		1	SPRING, COMPRESSION - CAM FOLLOWER
55	15-30923A 1		AR	SHIM, BEARING OUTER RACE TO GEAR HSG. (.002-3-5-10)
56	31-30894A 1		1	BEARING SET, Cup And Cone
57	31-30895		1	BEARING, Needle, FORWARD GEAR
58	43-66342		1	GEAR, Forward (USA-3761034/Australia-8014004/Canada-7025597 and below)
	43-68447		1	GEAR, Forward (USA-3761035/Australia-8014005/Canada-7025598 and above)

■ = COMPONENT OF GASKET SET [27- 60476A75]

CONTINUED ON NEXT PAGE ➔

GEAR HOUSING ASSEMBLY

Propshaft



40771

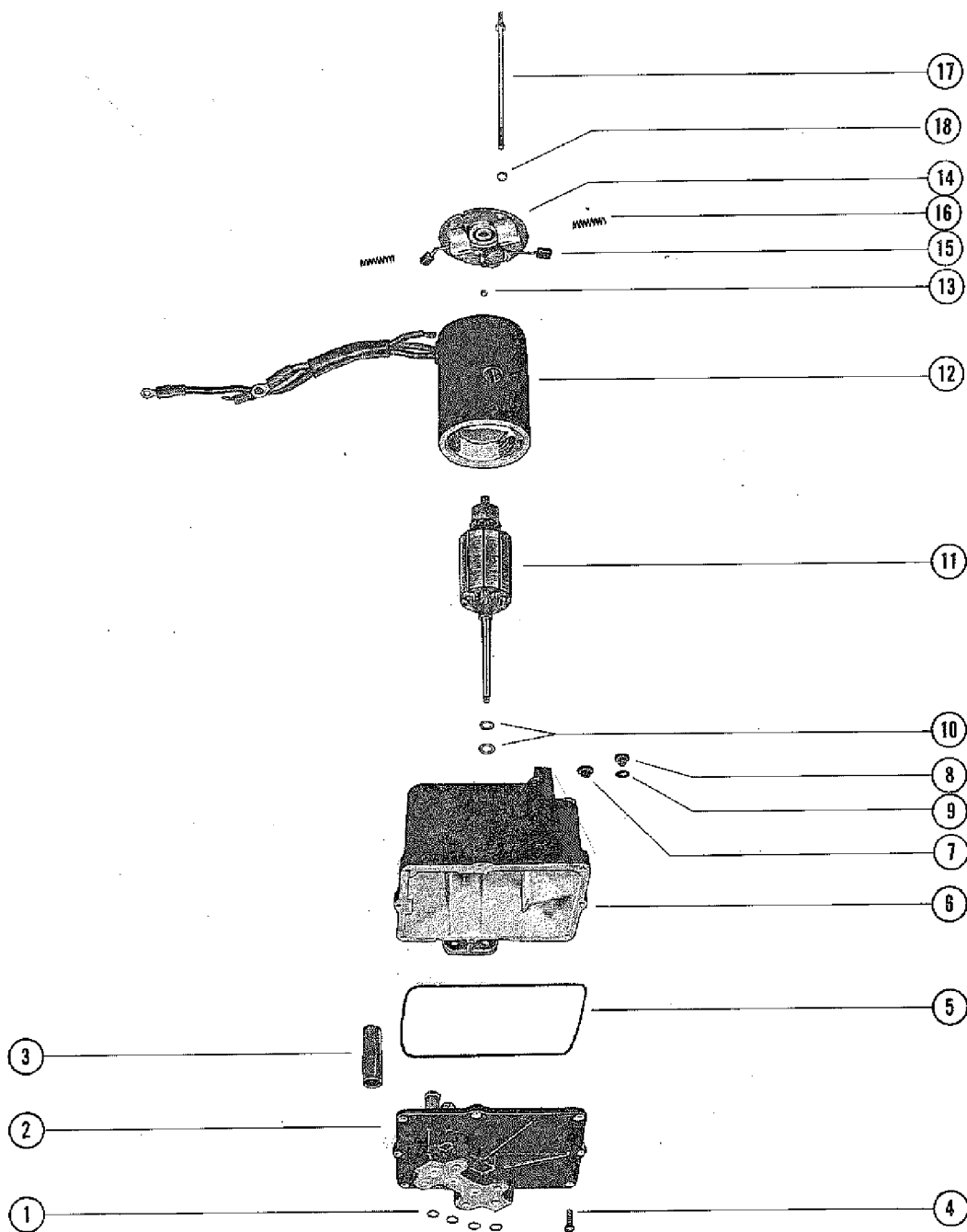
GEAR HOUSING ASSEMBLY

Propshaft

REF. NO.	PART NO.	SYM.	QTY.	DESCRIPTION
59	52-34239		1	RATCHET, SLIDING GEAR
60	17-30632		1	PIN, Cross, RATCHET TO PROPELLER SHAFT
61	24-30893		1	SPRING, RETAINING - CROSS PIN
62	44-52542		1	SHAFT, PROPELLER
63	43-68347		1	GEAR ASSEMBLY, Reverse (USA-4734317/Australia-8047299/ Canada-7105197 and below)
	43-76250		1	GEAR, Reverse (USA-4734318/Australia-8047300/Canada-7105198 and above)
64	15-29955A 1		AR	SHIM SET, THRUST WASHER TO GEAR HOUSING (USA-3761034/ Australia-8014004/Canada-7025597 and below)
65	12-71143A 1		1	WASHER, THRUST (USA-4734317/Australia-8047299/ Canada-7105197 and below)
	12-76805		1	WASHER, THRUST (USA-4734318/Australia-8047300/ Canada-7105198 and above)
66	30-31265		1	BEARING, BALL - REVERSE GEAR (USA-4734317/ Australia-8047299/Canada-7105197 and below)
67	25-29976	■	1	O-RING, BEARING CARRIER
68	52132A 1		1	CARRIER ASSEMBLY, Bearing (USA-4734317/Australia-8047299/ Canada-7105197 and below)
	77520A 1		1	CARRIER ASSEMBLY, Bearing (USA-4734318/Australia-8047300/ Canada-7105198 and above)
69	31-30956		1	BEARING, Needle, BEARING CARRIER
70	26-76868		2	SEAL, BEARING CARRIER
71	28-30281		1	KEY, LOCATING - BEARING CARRIER
72	14-52700		1	TAB WASHER, GEAR HOUSING COVER
73	52699		1	COVER, GEAR HOUSING
74	31640A 1		1	TRIM TAB ASSEMBLY, GEAR HOUSING
75	10-66024		1	SCREW, (.437-14 x 1.75)
76	12-45176		2	WASHER, (.453 x .812 x .105) Stainless Steel
77	11-34933		2	NUT, (.437-20) Stainless Steel
78	10-65210		1	SCREW, (.375-16 x 1.00)
79	46961A 1		1	THRUST HUB AND WASHER ASSEMBLY (USA-3761034/ Australia-8014004/Canada-7025597 and below)
80	12-29590		1	WASHER, CUPPED - THRUST HUB (USA-3761034/ Australia-8014004/Canada-7025597 and below)
79	65091		1	THRUST HUB (USA-3761035/Australia-8014005/Canada-7025598 and above)
81	12-31211		1	WASHER, SPLINED - PROPELLER NUT
82	14-31210		1	TAB WASHER, PROPELLER NUT
83	11-52707		1	NUT, PROPELLER (INCLUDED ON ALL GEAR HOUSING ASSEMBLIES, COMPLETE)
-	27-60476A75		1	GASKET SET

■ = COMPONENT OF GASKET SET [27- 60476A75]

HYDRAULIC PUMP ASSEMBLY

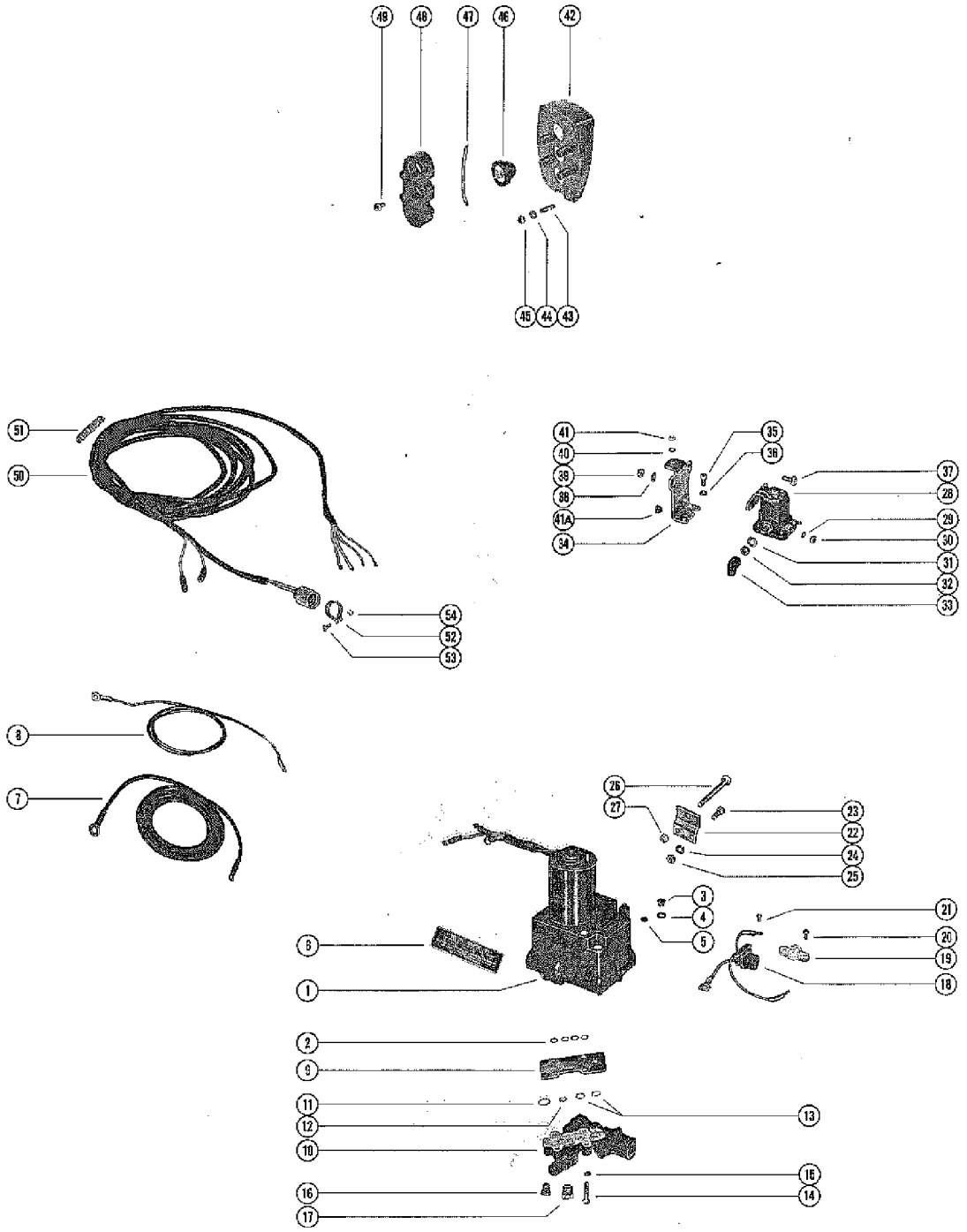


40772

HYDRAULIC PUMP ASSEMBLY

REF. NO.	PART NO.	SYM.	QTY.	DESCRIPTION
-	45060A 7		1	PUMP ASSEMBLY, Hydraulic, COMPLETE
1	25-21720		4	O-RING, HYDRAULIC PUMP
2	392-2936		1	VALVE BODY AND GEAR ASSEMBLY
3	392-2618		2	CAN, VALVE BODY
4	10-20411		8	SCREW, (.190-24 x .62), VALVE BODY TO RESERVIOR
5	392-2937		1	SEAL, RESERVIOR TO VALVE BODY AND GEAR
6	392-2939		1	RESERVOIR ASSEMBLY
7	10-38257		1	SCREW, VENT - HYDRAULIC PUMP
8	10-28634		1	SCREW, (.375-16), FILLER - HYDRAULIC PUMP
9	12-20260		1	WASHER, SEALING - FILLER SCREW
10	392-2623		AR	WASHER, THRUST - ARMATURE
11	392-2943		1	ARMATURE, FIELD AND FRAME
12	392-2942		1	FIELD AND FRAME ASSEMBLY
13	392-2944		1	BALL, COMMUTATOR END PLATE
14	392-2940		1	PLATE ASSEMBLY, COMMUTATOR END
15	392-2941		1	BRUSH SET, COMMUTATOR END PLATE
16	392-2529		1	SPRING SET, BRUSH TENSION
17	392-2938		1	BOLT SET, THRU - PLATE AND FRAME TO RESERVOIR
18	13-26996		2	LOCKWASHER, (#10) Stainless Steel, THRU BOLT

HYDRAULIC PUMP AND CONTROL PANEL



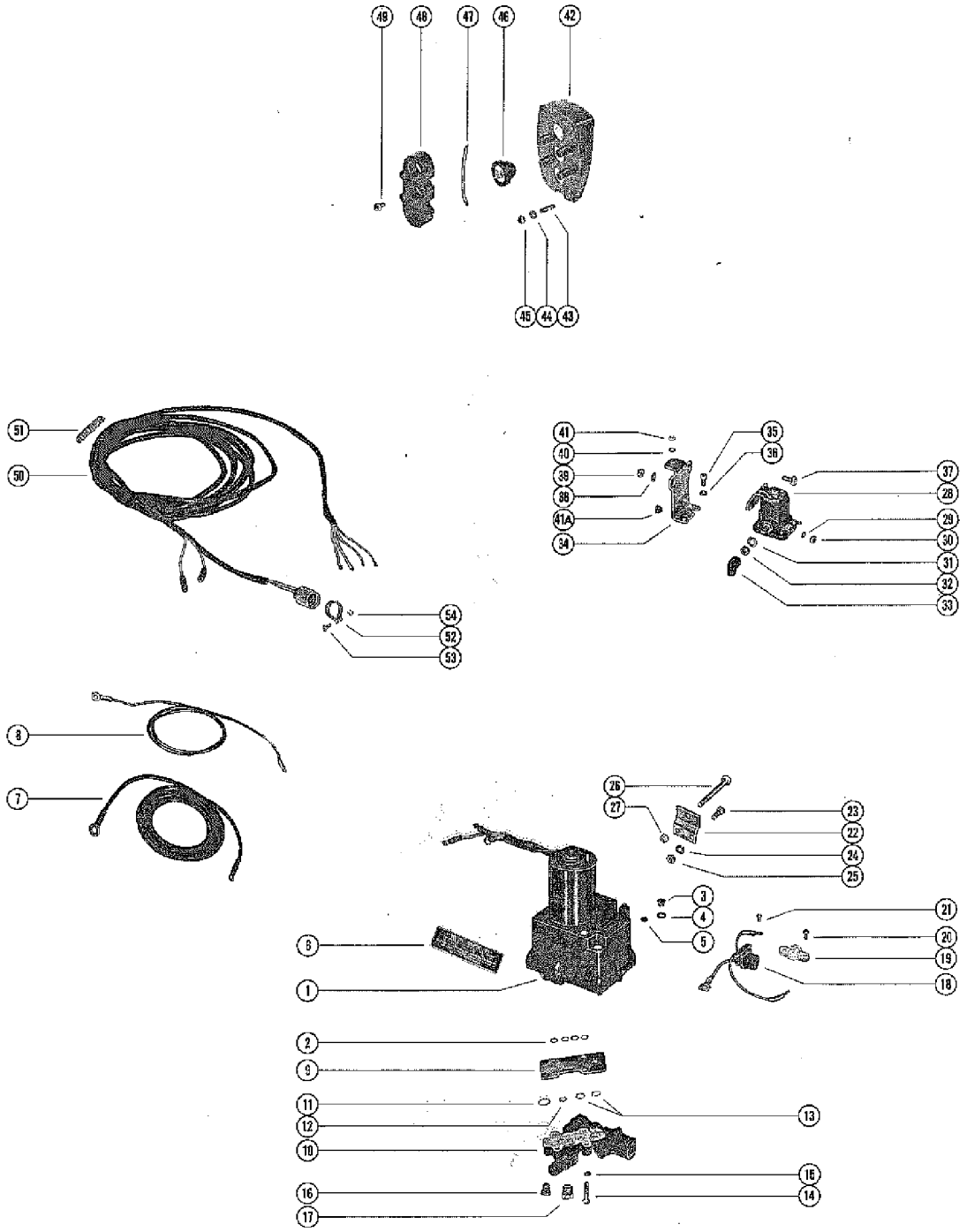
40773

HYDRAULIC PUMP AND CONTROL PANEL

REF. NO.	PART NO.	SYM.	QTY.	DESCRIPTION
1	45060A 7		1	PUMP ASSEMBLY, Hydraulic
2	25-21720		4	O-RING
3	10-28634		1	SCREW, (.375-16), FILLER
4	12-20260		1	WASHER, SEALING
5	10-38257		1	SCREW, VENT
6	37-55901		1	DECAL, INSTRUCTION
7	32979		1	LEAD, Battery, (POSITIVE)
8	32988		1	LEAD, Battery, (NEGATIVE)
9	45336		1	PLATE, MANIFOLD
10	45197A 2		1	VALVE ASSEMBLY, Control
-	25-21720		4	O-RING, HYDRAULIC PUMP TO MANIFOLD PLATE
11	25-45254		1	O-RING, CONTROL VALVE TO MANIFOLD PLATE (3/4" O.D.)
12	25-21720		1	O-RING, CONTROL VALVE TO MANIFOLD PLATE (1/2" O.D.)
13	25-45253		2	O-RING, CONTROL VALVE TO MANIFOLD PLATE (5/8" O.D.)
14	10-56500		4	SCREW, (.250-28 x 1.250)
15	13-26992		4	LOCKWASHER, (.250) Stainless Steel
16	22-38609		2	PLUG, CONTROL VALVE (3/8-24")
17	22-46008		2	PLUG, CONTROL VALVE (1/2-20")
18	45325		1	HARNESS ASSEMBLY
19	45559		1	TERMINAL BLOCK, HYDRAULIC PUMP
20	10-35519		2	SCREW, (#10-16 x .500)
21	10-30663		2	SCREW, (#10-16 x .380)
22	45377		2	BRACKET, MOUNTING - HYDRAULIC PUMP TO BOAT
23	10-24234		4	SCREW, (.312-18 x 1.00)
24	13-39107		4	LOCKWASHER, (.312-24)
25	11-21908		4	NUT, (.312-18) Cad Plated
26	10-28009		2	BOLT, HYDRAULIC PUMP TO BOAT (3-1/4")
27	11-35304		2	NUT, HYDRAULIC PUMP BOLT
28	25661		1	SOLENOID
29	13-26996		2	LOCKWASHER, (#10) Stainless Steel
30	11-20645		2	NUT, (#10)
31	13-26993		2	LOCKWASHER, (.312)
32	11-20083		2	NUT, (5/16-24)
33	46265		2	BOOT, RUBBER
34	45321		1	BRACKET, MOUNTING - STARTER SOLENOID
35	10-21140		2	SCREW, (.250-28 x .50)
36	13-26992		2	LOCKWASHER, (.250) Stainless Steel
37	10-34290		2	SCREW, (.250-20 x .625)
38	13-26992		2	LOCKWASHER, (.250) Stainless Steel
39	11-21825		2	NUT, (.250-28)

CONTINUED ON NEXT PAGE ➔

HYDRAULIC PUMP AND CONTROL PANEL

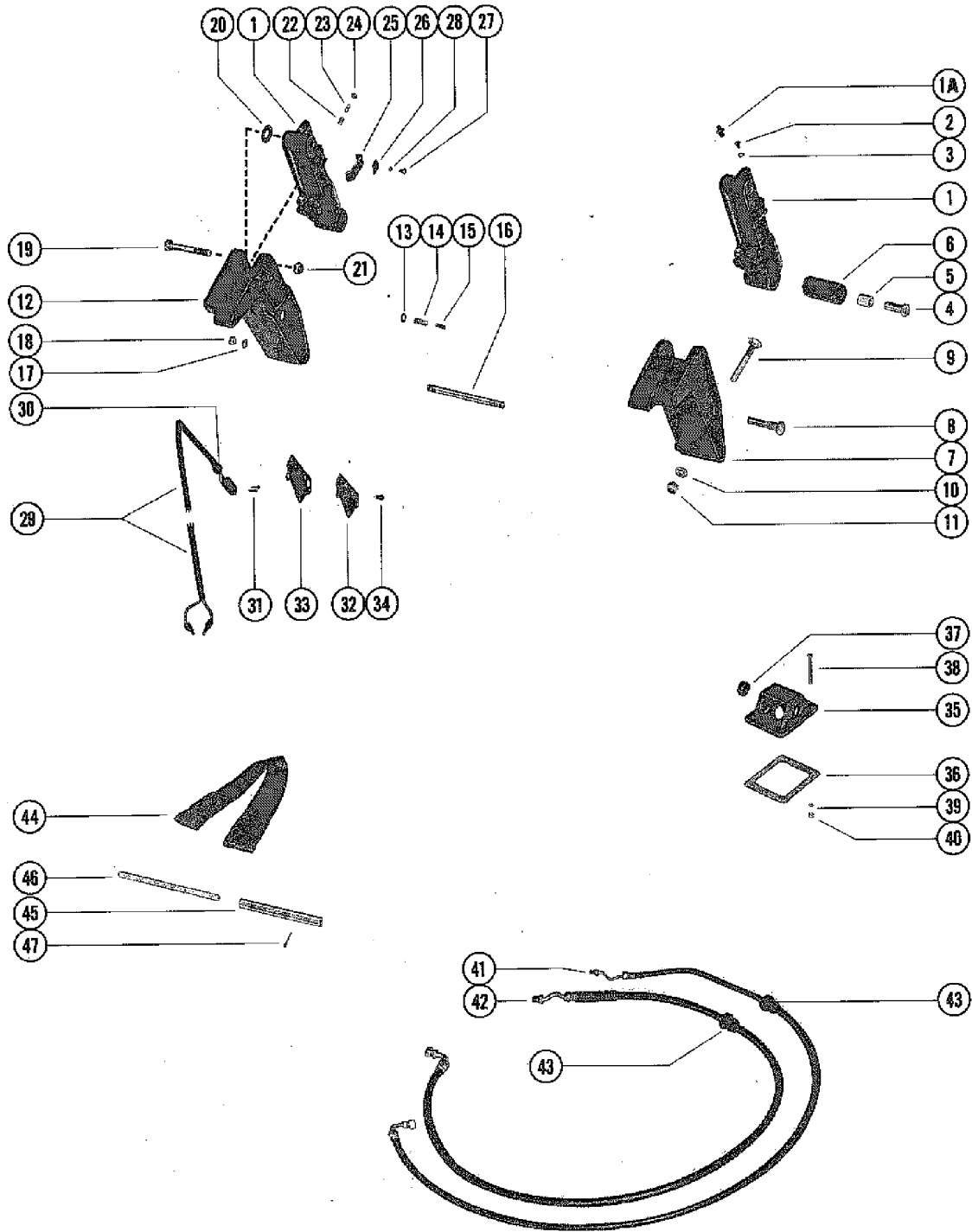


40773

HYDRAULIC PUMP AND CONTROL PANEL

REF. NO.	PART NO.	SYM.	QTY.	DESCRIPTION
40	13-27660		1	LOCKWASHER
41	11-20645		1	NUT, (#10)
41A	49342		1	BUMPER, RUBBER
--	55642A 7		1	CONTROL PANEL ASSEMBLY, COMPLETE
42	55642A 1		1	PANEL, CONTROL
43	16-55422		4	STUD, (#10-32 x 2.00), CONTROL PANEL TO BOAT
44	12-24676		4	WASHER, (.200 x .440 x .032)
45	11-27164		4	NUT AND LOCKWASHER, (#10-32)
46	55738A 1		3	SWITCH ASSEMBLY, PUSH BOTTON - CONTROL PANEL
47	48078		1	WIRE, Jumper, PUSH BOTTON SWITCH (RED - 3-1/4")
	53107		1	WIRE, Jumper (3.00 Inches), PUSH BOTTON SWITCH (PURPLE)
48	55641		4	RETAINER, PUSH BOTTON SWITCH
49	10-62568		1	SCREW, (#10-16 x .375)
50	45341 20		1	HARNESS ASSEMBLY, CONTROL PANEL (20 FEET)
51	33865		1	BINDER, NYLON - CONTROL PANEL HARNESS
52	54-46770		1	CLAMP, HARNESS FASTENING
53	10-29227		1	SCREW, (#8-32 x 0.50)
54	11-34388		1	NUT

TRIM CYLINDERS AND HYDRAULIC HOSES



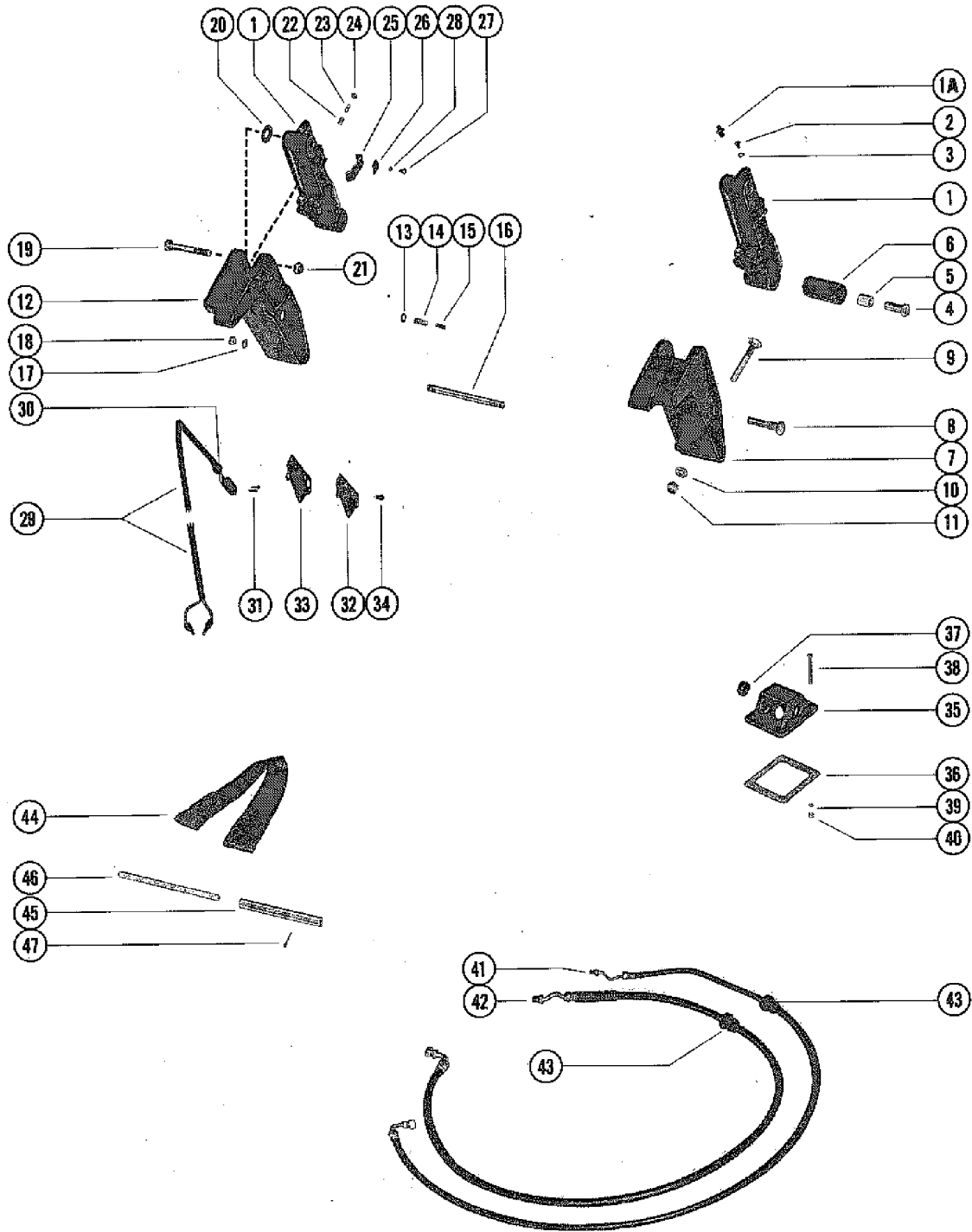
40774

TRIM CYLINDERS AND HYDRAULIC HOSES

REF. NO.	PART NO.	SYM.	QTY.	DESCRIPTION
1	45194A 9		2	TRIM CYLINDER ASSEMBLY
	76509A 3		2	TRIM CYLINDER
1A	22-74036		2	FITTING, Grease, (USE WITH A-76509A3 TRIM CYLINDER)
2	10-45265		4	SCREW, (#10-32 x .3125), BLEED - SHOCK CYLINDER
3	25-45016		4	O-RING, SHOCK CYLINDER BLEED SCREW
4	10-45264		2	SCREW, (.500-20 x 1.500)
5	23-45280		2	SPACER, SHOCK CYLINDER - LOWER
6	23-45281		2	BUSHING, RUBBER - SHOCK CYLINDER
7	66084		1	BRACKET, MOUNTING - SHOCK CYLINDER (PORT)
8	10-45263		2	SCREW, (.500-20 x .2.250)
9	10-68298		4	BOLT, (.375-16 x 3.250), MOUNTING BRACKET TO BOAT TRANSOM
10	12-68410		4	WASHER, MOUNTING BRACKET BOLT
11	11-68411		4	NUT, (.375-16), MOUNTING BRACKET BOLT
12	45196A 2		1	BRACKET ASSEMBLY, MOUNTING - SHOCK CYLINDER (STARBOARD)
13	26-70608		1	SEAL, Oil, STARBOARD MOUNTING BRACKET
14	45286		1	PLUNGER, LIMIT SWITCH ACTUATING
15	24-45272		1	SPRING, TENSION - LIMIT SWITCH PLUNGER
16	16-45282		1	STUD, (.312-24 x 16.620), MOUNTING BRACKET AND CLAMP BRACKET
17	13-26993		2	LOCKWASHER, (.312)
18	11-28770		2	NUT, (.312-24) Stainless Steel
19	10-45328		2	SCREW, (.437-20 x 3.560)
20	12-37807		1	WASHER
21	11-20696		2	NUT
22	24-24390		1	SPRING, TENSION - ADJUSTING STUD
23	16-21085		1	STUD, (#10-32 x .930)
24	11-45812		1	NUT, (#10-32) Stainless Steel
25	45508		1	CAM, LIMIT SWITCH ADJUSTING STUD
26	45509		1	PLATE, RETAINING - LIMIT SWITCH CAM
27	10-68513		1	SCREW, (#10-32 x .375) Stainless Steel
28	13-26996		1	LOCKWASHER, (#10) Stainless Steel
29	45326A 2		1	SWITCH ASSEMBLY, CUT-OUT LIMIT
30	23-45354		1	BUSHING, RUBBER
31	10-47255		2	SCREW, (#4-40 x .625)
32	45287		1	COVER, LIMIT SWITCH
33	27-45275		1	GASKET, LIMIT SWITCH COVER
34	10-24942		5	SCREW, (10-32 x 0.4375)
35	45289		1	COVER, INLET - TRANSOM
36	27-45274		1	GASKET, INLET COVER
37	25-45507		1	GROMMET, RUBBER - INLET COVER

CONTINUED ON NEXT PAGE ➔

TRIM CYLINDERS AND HYDRAULIC HOSES

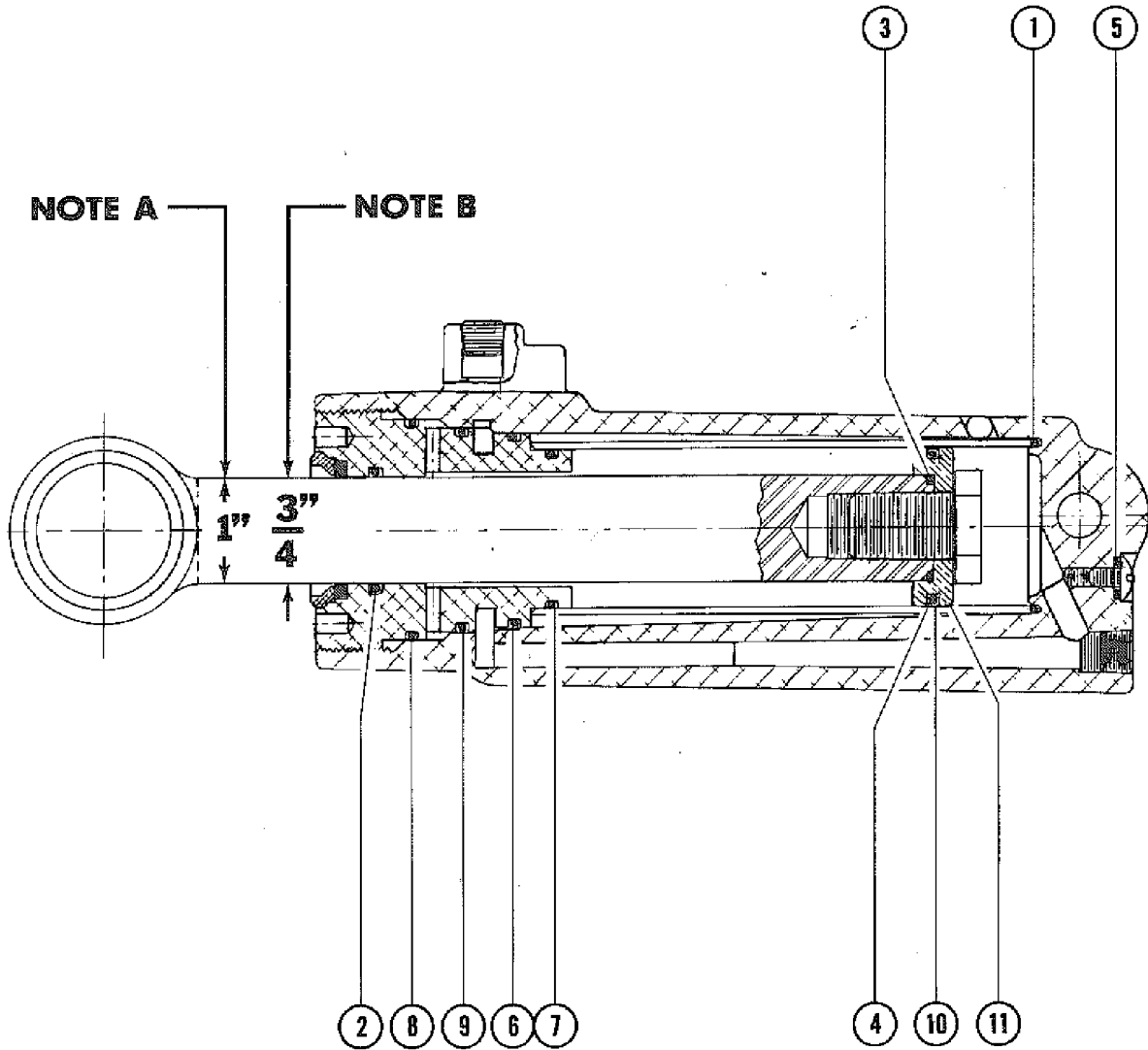


40774

TRIM CYLINDERS AND HYDRAULIC HOSES

REF. NO.	PART NO.	SYM.	QTY.	DESCRIPTION
38	10-32866		4	SCREW, (#10-32 x 2.00) Stainless Steel, INLET COVER TO BOAT
39	12-20878		4	WASHER, INLET COVER SCREW
40	11-29488		4	NUT, (#10-32), INLET COVER SCREW
41	32-45327		2	HOSE, TRIM - CYLINDER TO CONTROL VALVE (5') - 13/32" O.D.
42	32-45959		2	HOSE, LIFT - CYLINDER TO CONTROL VALVE (5') - 13/32" O.D.
43	23-35977		4	GROMMET, RUBBER - LIFT HOSE AND TRIM HOSE
44	73519A 1		1	STRAP, Tilt Stop
45	63441		1	TUBE, MOUNTING - TILT STOP (USA-3761034/Australia-8014004/ Canada-7025597 and below)
45	69259		1	TUBE, MOUNTING - TILT STOP (USA-3761035/Australia-8014005/ Canada-7025598 and above)
46	17-63442		1	PIN, MOUNTING TUBE (USA-3761034/Australia-8014004/ Canada-7025597 and below)
46	69258		1	PIN, MOUNTING TUBE (USA-3761035/Australia-8014005/ Canada-7025598 and above)
47	18-36391		1	COTTER PIN, MOUNTING TUBE PIN (USA-3761035/Australia-8014005/ Canada-7025598 and above)

POWER TRIM CYLINDER REPAIR KITS



40775

POWER TRIM CYLINDER REPAIR KITS

REF. NO.	PART NO.	SYM.	QTY.	DESCRIPTION
-	48664A 1		1	REPAIR KIT (1 INCH)
	64507A 1		1	REPAIR KIT (3/4 INCH)
1	N.S.S.		1	Not Sold Separate, O-Ring (1-1/2" x 1-5/8" x 1/16")
2	N.S.S.		1	Not Sold Separate, O-Ring (1" x 1-3/16" x 3/32") or (3/4" x 15/16" x 1/8")
3	N.S.S.		1	Not Sold Separate, O-Ring (7/8" x 1" x 1/16") or (5/8" x 3/4" x 1/16")
4	N.S.S.		1	Not Sold Separate, O-Ring (1-1/4" x 1-7/16" x 1/16")
5	N.S.S.		2	Not Sold Separate, O-Ring (7/32" x 11/32" x 1/16")
6	N.S.S.		1	Not Sold Separate, O-Ring (1-5/8" x 1-13/16" x 1/8")
7	N.S.S.		1	Not Sold Separate, O-Ring (1-5/16" x 1-1/2" x 1/8")
8	N.S.S.		1	Not Sold Separate, O-Ring (1 7/8" x 2" x 1/8")
9	N.S.S.		1	Not Sold Separate, (1-3/4" x 1-5/16" x 1/8")
10	N.S.S.		1	Not Sold Separate, Seal, slipper-piston
11	N.S.S.		1	Not Sold Separate, Piston, rod-heavy dutyd

NOTE 1 - DO NOT SUBSTITUTE O-RINGS AS THESE ARE OF SPECIAL MANUFACTURED MATERIAL

PROPELLERS

PROPELLERS

REF. NO.	PART NO.	SYM.	QTY.	DESCRIPTION
-	48-35936A 3		1	PROPELLER ASSEMBLY, Aluminum (11 Inch Pitch)
-	48-58826A 3		1	PROPELLER ASSEMBLY, Aluminum (13 Inch Pitch)
-	48-32390A 3		1	PROPELLER ASSEMBLY, Aluminum (15 Inch Pitch)
-	48-31460A 3		1	PROPELLER ASSEMBLY, Bronze (15 Inch Pitch)
-	48-65022A 1		1	PROPELLER ASSEMBLY, Aluminum (17 Inch Pitch)
-	48-53902A 3		1	PROPELLER ASSEMBLY, Bronze (17 Inch Pitch)
-	48-65024A 1		1	PROPELLER ASSEMBLY, Aluminum (19 Inch Pitch)
-	48-53898A 3		1	PROPELLER ASSEMBLY, Bronze (19 Inch Pitch)
-	48-67280A 1		1	PROPELLER ASSEMBLY, Aluminum (21 Inch Pitch)
-	48-32744A 3		1	PROPELLER ASSEMBLY, Bronze (21 Inch Pitch)
-	48-65736A 1		1	PROPELLER ASSEMBLY, Aluminum (23 Inch Pitch)
-	48-52006A 3		1	PROPELLER ASSEMBLY, Bronze (23 Inch Pitch)
-	48-52012A 3		1	PROPELLER ASSEMBLY, Aluminum (25 Inch Pitch)
-	48-52010A 3		1	PROPELLER ASSEMBLY, Bronze (25 Inch Pitch)

PARTS INDEX

Part Number	Description	Pg.	Ref. No.	Part Number	Description	Pg.	Ref. No.
20121	CONNECTOR.....	13	26	39667	COVER.....	61	28
20140	BELT.....	21	57	45060A 7	PUMP ASSEMBLY.....	93	-
22789	D WASHER.....	39	16	45060A 7	PUMP ASSEMBLY.....	95	1
22833	ADAPTOR.....	41	33	45194A 9	TRIM CYLINDER ASSEMBLY.....	99	1
23004	RETAINER.....	39	6	45196A 2	BRACKET ASSEMBLY.....	99	12
23004	RETAINER.....	41	9	45197A 2	VALVE ASSEMBLY.....	95	10
23069	STEM.....	43	34	45286	PLUNGER.....	99	14
25067	BUMPER.....	79	28	45287	COVER.....	99	32
25596	CABLE.....	23	20	45289	COVER.....	99	35
25661	SOLENOID.....	23	28	45321	BRACKET.....	95	34
25661	SOLENOID.....	95	28	45325	HARNES ASSEMBLY.....	95	18
25996A 1	SWIVEL AND LINK ROD ASSEMBLY ...	19	10	45326A 2	SWITCH ASSEMBLY.....	99	29
26113	RACE.....	55	10	45336	PLATE.....	95	9
26901	BUMPER.....	25	31	45341 20	HARNES ASSEMBLY.....	97	50
27947	SWIVEL.....	19	9	45377	BRACKET.....	95	22
27948	SWIVEL.....	19	13	45391	SPACER.....	15	34
28203	BUMPER.....	67	17	45392	BRACKET.....	15	31
28205	STRAP.....	67	11	45409	RETAINER.....	15	30
28403A 3	THUMB SCREW ASSEMBLY.....	71	2	45508	CAM.....	99	25
29359	LUBRICAP.....	67	8	45509	PLATE.....	99	26
29787	HUB.....	11	10	45559	TERMINAL BLOCK.....	23	13
29788	FLANGE.....	11	8	45559	TERMINAL BLOCK.....	95	19
29906A 1	PULLEY ASSEMBLY.....	21	52	46096	MOUNT.....	5	18
29907	FLANGE.....	21	54	46265	BOOT.....	25	37
30021	BLANKET.....	9	14	46265	BOOT.....	95	33
30186	ADAPTOR.....	39	25	46785A 1	LATCH ASSEMBLY.....	9	12
30186	ADAPTOR.....	41	33	46933A 1	GROUND WIRE.....	53	36
30187	STEM.....	39	26	46933A 2	STRAP ASSEMBLY.....	77	6B
30187	STEM.....	41	34	46961A 1	THRUST HUB AND WASHER ASSEMBLY.....	91	79
30188	WASHER.....	39	29	47271	FRAME.....	5	16
30188	WASHER.....	43	37	47341A 1	ROPE AND HANDLE KIT.....	5	9
30306	PULLEY.....	11	9	47398	BRACKET.....	15	32
30413	HOOK.....	9	13	47558	ROD.....	77	15
30624	SLIDE.....	89	53	47559	YOKE.....	79	17
30625	FOLLOWER.....	89	52	47799A 1	TILT LOCK ASSEMBLY.....	73	21
30664	TUBE.....	71	4	47800A 1	TILT LOCK ASSEMBLY.....	73	22
31014	MOUNT.....	5	21	47802	TUBE.....	73	23
31640A 1	TRIM TAB ASSEMBLY.....	91	74	48047A 1	LINK ROD ASSEMBLY.....	59	20
32197	STOP.....	19	2	48078	WIRE.....	97	47
32435	FACE PLATE.....	85	21	48152	SHUTTER.....	27	25
32979	LEAD.....	95	7	48203	ROD.....	27	22
32988	LEAD.....	95	8	48396	CABLE.....	25	34
33865	BINDER.....	97	51	48664A 1	REPAIR KIT.....	103	-
35474	COVER.....	79	37	48666A 1	ADAPTOR ASSEMBLY.....	21	35
35496	PAD.....	5	3	48671	PLATE.....	19	28
35608	CLAMP.....	79	34	48692	COLLAR.....	19	24
35769	SEAL.....	9	9	48752	INSERT.....	85	24
36549A 1	MARKER KIT.....	13	-	49342	BUMPER.....	97	41A
37417	COVER.....	77	5	49455	MOUNT.....	79	24
37419	YOKE.....	67	15	49589	STRAP.....	27	19
37440	BRACKET.....	53	28	52023	CAP.....	19	27
37445	SUPPORT.....	59	10	52023	CAP.....	21	46
37587	SWIVEL.....	19	22	52100	WEAR PLATE.....	61	33
37637	BOOT.....	59	9	52106A 1	VENTURI.....	33	-
37639	MOUNT.....	5	18	52106A 1	VENTURI.....	37	-
37640	MOUNT.....	7	34	52132A 1	CARRIER ASSEMBLY.....	91	68
37641	SEAL.....	85	37	52518	CLUSTER.....	27	7
37700	ROD.....	19	12	52518	CLUSTER.....	31	20
37896	GUIDE BLOCK.....	61	32	52518	CLUSTER.....	35	17
37918	SEAL.....	63	3	52699	COVER.....	91	73
37940	SOUND PAD.....	59	3	52732	BRACKET.....	59	24
38032	STRIP.....	63	4	52733A 5	RETAINER ASSEMBLY.....	5	2
38051	PLATE.....	85	38	52733A 9	RETAINER ASSEMBLY.....	5	2
38279	LATCH.....	61	34	52737	LEVER.....	5	11
38675	BLANKET.....	9	8	52739	HINGE.....	5	10
39019	SPACER.....	85	45	52769	HARNES ASSEMBLY.....	23	1
39021	CAM.....	85	46	52862A 2	DRIP TRAY ASSEMBLY.....	59	2
39519	CUP.....	59	25	52887	GUIDE.....	77	14
39616	BOOT.....	59	6	52889	NOZZLE.....	59	14
39618	LEVER.....	61	26				

PARTS INDEX

Part Number	Description	Pg.	Ref. No.	Part Number	Description	Pg.	Ref. No.
53078	CAP.....	71	7	65800	PACKING.....	55	6
53107	WIRE.....	97	47	66084	BRACKET.....	99	7
53334	SEAL.....	9	10	66094	COVER.....	53	30
53417	STRAP ASSEMBLY.....	13	5	66096A 1	PLATE ASSEMBLY.....	63	1
53665	INSERT.....	27	12	66098A 2	PLATE ASSEMBLY.....	63	15
53720A 2	COUPLING ASSEMBLY.....	27	10	66165A 2	ADAPTOR ASSEMBLY.....	21	35
54196A 6	CARRIER ASSEMBLY.....	55	5	66517	RESTRICTOR.....	45	3
54283A 1	PLUNGER AND LINK ASSEMBLY.....	27	6	66530A 2	PUMP ASSEMBLY.....	41	1
54293A 4	SOLENOID ASSEMBLY.....	27	1	66575	BASE.....	41	16
54346	CAM.....	89	51	66599A 1	DIAPHRAGM ASSEMBLY.....	41	3
54567	CAP.....	21	50	67469	ROD LINK.....	19	12A
55156A 5	PUMP ASSEMBLY.....	39	1	69190	PLATE.....	17	17
55278A 1	DIAPHRAGM KIT.....	39	3	69205	C WASHER.....	11	15
55455	HOOK.....	5	13	69205	C WASHER.....	23	12
55641	RETAINER.....	97	48	69205	C WASHER.....	41	28
55642A 1	PANEL.....	97	42	69214A 1	THUMB SCREW ASSEMBLY.....	71	2
55642A 7	CONTROL PANEL ASSEMBLY.....	97	--	69234A 2	BRACKET ASSEMBLY.....	7	29
55692	COUPLING.....	59	19	69240A 2	FRAME.....	5	16
55738A 1	SWITCH ASSEMBLY.....	97	46	69258	PIN.....	101	46
55804A 1	ECONOMIZER COLLAR ASSEMBLY.....	19	6	69259	TUBE.....	101	45
55805	BRACKET.....	21	41	70679	COVER.....	75	42
56029	COVER.....	45	9	70692	LOCK ASSEMBLY.....	73	27
56349	SHAFT.....	73	29	71808	COVER.....	51	13
56703	COLLAR.....	23	24	73519A 1	STRAP.....	101	44
56849	KNOB.....	9	2	73755A 1	KNOB.....	27	17
57247	STOP.....	23	22	73984	YOKE.....	67	15
58124A 4	SWITCH.....	47	22	74257A 3	PLATE ASSEMBLY.....	63	15
58454	CAM.....	19	33	75043	CAP.....	71	3A
58807A 1	FLAME ARRESTOR ASSEMBLY.....	13	7	75296	MOUNT.....	79	20
58807A 1	FLAME ARRESTOR ASSEMBLY.....	13	23	75299	MOUNT.....	79	24
59071	COVER.....	41	12	75778	PLATE.....	51	18
59757	BRACKET.....	27	13	75971A 1	FRAME ASSEMBLY.....	5	16
60096	SLEEVE.....	13	21	76062A 1	SHAFT ASSEMBLY.....	85	39
60096	SLEEVE.....	13	28	76367	POINTER.....	53	33
60304A15	SHIFT SHAFT ASSEMBLY.....	59	17	76369	SPACER.....	59	7
60304A16	SHIFT SHAFT ASSEMBLY.....	59	17	76370	SHIELD.....	5	6
60304A44	SHIFT SHAFT ASSEMBLY.....	59	17	76385	TILT LOCK ASSEMBLY.....	73	22
60304A45	SHIFT SHAFT ASSEMBLY.....	59	17	76386	TILT LOCK ASSEMBLY.....	73	21
60431	COVER.....	51	20	76387	TUBE.....	73	23
60435	TUBE.....	77	8	76509A 3	TRIM CYLINDER.....	99	1
60437	MEGAPHONE.....	63	19	76867	COVER.....	45	13
60478	LEVER.....	19	14	77103A 3	BRACKET ASSEMBLY.....	7	29
60909	SEAL.....	85	37	77520A 1	CARRIER ASSEMBLY.....	91	68
60910	PLATE.....	85	38	N.S.S.	Not Sold Separate.....	103	1
62301	COVER.....	53	30	N.S.S.	Not Sold Separate.....	103	2
62351A 1	RECTIFIER.....	25	38	N.S.S.	Not Sold Separate.....	103	3
62497	BRACKET.....	79	40	N.S.S.	Not Sold Separate.....	103	4
62863	TUBE.....	77	8	N.S.S.	Not Sold Separate.....	103	5
62978	COVER.....	53	30	N.S.S.	Not Sold Separate.....	103	6
63194	PAD.....	17	8	N.S.S.	Not Sold Separate.....	103	7
63195	COVER.....	17	9	N.S.S.	Not Sold Separate.....	103	8
63441	TUBE.....	101	45	N.S.S.	Not Sold Separate.....	103	9
63473	TUBE.....	71	20	N.S.S.	Not Sold Separate.....	103	10
64164A 2	PLATE ASSEMBLY.....	63	15	N.S.S.	Not Sold Separate.....	103	11
64165A 1	PLATE ASSEMBLY.....	63	1	NSS	NOT SOLD SEPARATE.....	31	3
64507A 1	REPAIR KIT.....	103	-	NSS	NOT SOLD SEPARATE.....	31	4
64816A73	POWERHEAD ASSEMBLY.....	49	-	NSS	NOT SOLD SEPARATE.....	31	5
64816A74	POWERHEAD ASSEMBLY.....	49	-	NSS	NOT SOLD SEPARATE.....	31	7
64816A75	POWERHEAD ASSEMBLY.....	49	-	NSS	NOT SOLD SEPARATE.....	31	8
64816A76	POWERHEAD ASSEMBLY.....	49	-	NSS	NOT SOLD SEPARATE.....	31	17
64816A77	POWERHEAD ASSEMBLY.....	49	-	NSS	NOT SOLD SEPARATE.....	31	22
64944	COVER.....	51	13	NSS	NOT SOLD SEPARATE.....	31	24
64954	BRACKET.....	5	20	NSS	NOT SOLD SEPARATE.....	31	26
64979A 3	BRACKET ASSEMBLY.....	7	29	NSS	NOT SOLD SEPARATE.....	31	29
65091	THRUST HUB.....	91	79	NSS	NOT SOLD SEPARATE.....	33	31
65369	TUBE.....	77	8	NSS	NOT SOLD SEPARATE.....	33	33
65370	TUBE.....	77	8	NSS	NOT SOLD SEPARATE.....	33	34
65609A 2	FRAME.....	5	16	NSS	NOT SOLD SEPARATE.....	35	3
65638	BOOT.....	77	8A	NSS	NOT SOLD SEPARATE.....	35	4
65799	LINK.....	61	29	NSS	NOT SOLD SEPARATE.....	35	5

PARTS INDEX

Part Number	Description	Pg.	Ref. No.	Part Number	Description	Pg.	Ref. No.
NSS	NOT SOLD SEPARATE	35	7	10-33473	SCREW	47	17
NSS	NOT SOLD SEPARATE	35	8	10-34290	SCREW	95	37
NSS	NOT SOLD SEPARATE	35	20	10-35519	SCREW	95	20
NSS	NOT SOLD SEPARATE	37	23	10-37370	SCREW	5	7
NSS	NOT SOLD SEPARATE	37	24	10-37370	SCREW	41	13
NSS	NOT SOLD SEPARATE	37	26	10-37558	SCREW	5	4
NSS	NOT SOLD SEPARATE	37	30	10-37559	SCREW	19	18
NSS	NOT SOLD SEPARATE	37	31	10-37562	SCREW	7	24
NSS	NOT SOLD SEPARATE	37	33	10-37562	SCREW	7	27
NSS	NOT SOLD SEPARATE	39	4	10-37571	SCREW	63	5
NSS	NOT SOLD SEPARATE	39	5	10-37655	SCREW	75	43
NSS	NOT SOLD SEPARATE	41	4	10-37656	SCREW	25	39
NSS	NOT SOLD SEPARATE	41	5	10-37892	SCREW	19	29
NSS	NOT SOLD SEPARATE	41	7	10-37941	SCREW	17	2
10-20037	SCREW	39	7	10-37990	SCREW	39	30
10-20037	SCREW	41	10	10-37990	SCREW	43	38
10-20359	SCREW	47	20	10-37990	SCREW	59	11
10-20362	SCREW	21	37	10-38257	SCREW	93	7
10-20411	SCREW	93	4	10-38257	SCREW	95	5
10-20776	SCREW	23	8	10-38398	SCREW	11	6
10-20847	SCREW	27	8	10-38601	SCREW	23	29
10-20847	SCREW	31	19	10-39767	SCREW	45	14
10-20847	SCREW	35	18	10-45263	SCREW	99	8
10-21091	SCREW	53	25	10-45264	SCREW	99	4
10-21140	SCREW	95	35	10-45265	SCREW	99	2
10-21449	SCREW	45	10	10-45328	SCREW	99	19
10-21574	SCREW	47	17	10-45775	SCREW	55	17
10-21625	SCREW	23	29	10-47255	SCREW	99	31
10-21937	SCREW	73	32	10-47828	SCREW	67	6
10-22040	SCREW	21	37	10-48408	SCREW	59	4
10-22523	SCREW	27	29	10-48408	SCREW	59	15
10-22956	SCREW	5	14	10-48409	SCREW	79	41
10-22968	SCREW	55	13	10-48591	SCREW	27	20
10-23051	SCREW	27	29	10-48591	SCREW	27	23
10-24234	SCREW	53	29	10-48591	SCREW	59	8
10-24234	SCREW	61	30	10-48675	SCREW	19	25
10-24234	SCREW	95	23	10-49006	SCREW	11	6
10-24942	SCREW	99	34	10-49318	SCREW	79	25
10-25299	SCREW	27	4	10-49554	BOLT	67	18
10-25822	SCREW	31	18	10-52195	SCREW	31	10
10-26132	SCREW	45	10	10-52195	SCREW	35	13
10-27281	SCREW	39	8	10-52195	SCREW	35	13
10-28009	BOLT	95	26	10-52196	SCREW	31	11
10-28200	SCREW	67	12	10-53077	SCREW	75	41
10-28634	SCREW	87	47	10-53167	SCREW	51	15
10-28634	SCREW	87	47	10-53556	SCREW	53	25
10-28634	SCREW	93	8	10-53556	SCREW	53	32
10-28634	SCREW	95	3	10-53576	SCREW	51	21
10-28636	SCREW	21	42	10-54803	SCREW	55	28
10-28636	SCREW	53	32	10-55511	SCREW	7	32
10-28636	SCREW	53	34	10-56500	SCREW	95	14
10-28636	SCREW	77	9	10-57807	SCREW	77	6
10-29227	SCREW	97	53	10-57841	SCREW	47	17
10-29256	SCREW	79	36	10-60480	SCREW	63	20
10-29722	SCREW	79	39	10-61159	SCREW	27	20
10-29794	SCREW	23	17	10-62204	SCREW	55	21
10-30225	SCREW WITH LOCKWASHER	51	6	10-62568	SCREW	11	14
10-30225	SCREW WITH LOCKWASHER	51	12	10-62568	SCREW	13	6
10-30663	SCREW	39	15	10-62568	SCREW	15	33
10-30663	SCREW	95	21	10-62568	SCREW	17	16
10-30720	SCREW	85	29	10-62568	SCREW	23	11
10-31471	SCREW	17	4	10-62568	SCREW	23	14
10-31471	SCREW	39	30	10-62568	SCREW	41	27
10-31471	SCREW	43	38	10-62568	SCREW	47	24
10-31471	SCREW	59	11	10-62568	SCREW	53	37
10-32293	SCREW	47	17	10-62568	SCREW	77	6C
10-32293	SCREW	47	17	10-62568	SCREW	97	49
10-32417	SCREW	11	5	10-62644	SCREW	63	8
10-32866	SCREW	101	38	10-63136	SCREW	11	12
10-33473	SCREW	45	14	10-64022	SCREW	21	44

PARTS INDEX

Part Number	Description	Pg.	Ref. No.	Part Number	Description	Pg.	Ref. No.
10-64278	SCREW	25	39	11-45076	NUT	25	42
10-64278	SCREW	27	14	11-45076	NUT	25	42
10-64279	SCREW	23	18	11-45592	NUT	7	31
10-65210	SCREW	91	78	11-45592	NUT	85	34
10-65263	SCREW	7	24	11-45774	NUT	55	18
10-65774	SCREW	13	16	11-45812	NUT	99	24
10-66023	SCREW	63	8	11-46438	NUT	27	24
10-66023	SCREW	63	10	11-46793	NUT	33	37
10-66024	SCREW	91	75	11-46793	NUT	45	12
10-66104	SCREW	27	11	11-46793	NUT	47	16
10-66686	SCREW	41	15	11-46793	NUT	47	19
10-66687	SCREW	41	17	11-46887	NUT	17	6
10-68298	BOLT	71	13	11-46887	NUT	23	19
10-68298	BOLT	99	9	11-46887	NUT	25	40
10-68299	SCREW	71	13	11-46887	NUT	27	16
10-68513	SCREW	99	27	11-46887	NUT	29	35
10-68554	SCREW	21	56	11-46887	NUT	39	31
10-69020	SCREW	23	4	11-46887	NUT	43	39
10-69029	SCREW	43	38	11-46887	NUT	53	26
10-69029	SCREW	59	11	11-46887	NUT	55	14
10-69035	SCREW AND LOCKWASHER	23	21	11-46887	NUT	59	12
10-69046	SCREW	17	10	11-46887	NUT	73	33
10-69092	SCREW	7	30	11-47661	NUT	79	16
10-69235	SCREW	47	23	11-49091	NUT	55	29
10-69267	SCREW	45	10	11-52707	NUT	91	83
10-69268	SCREW	45	14	11-52901	NUT	11	2
10-69375	SCREW	75	41	11-52901	NUT	55	2
10-69762	SCREW	45	10	11-53153	NUT	55	22
10-71908	SCREW	7	30	11-54209	NUT	13	2
10-73649A 1	THUMB SCREW ASSEMBLY	71	2	11-56041	NUT	71	6
10-73657	SCREW	47	17	11-60049	NUT	7	25
11-20083	NUT	21	39	11-64015	NUT	19	26
11-20083	NUT	95	32	11-64015	NUT	21	45
11-20110	NUT	27	27	11-64015	NUT	23	27
11-20110	NUT	29	31	11-64484	NUT	19	11
11-20509	NUT	19	21	11-64809	NUT	37	35
11-20645	NUT	27	3	11-64809	NUT	63	13
11-20645	NUT	95	30	11-68219	NUT	25	33
11-20645	NUT	97	41	11-68292	NUT	25	36
11-20696	NUT	99	21	11-68411	NUT	71	15
11-21825	NUT	95	39	11-68411	NUT	99	11
11-21908	NUT	95	25	11-69254	NUT	77	11
11-25096	NUT	79	27	12-20084	WASHER	21	38
11-25269	NUT	67	13	12-20260	WASHER	87	48
11-26768	NUT	13	17	12-20260	WASHER	93	9
11-27164	NUT AND LOCKWASHER	97	45	12-20260	WASHER	95	4
11-28770	NUT	7	36	12-20878	WASHER	101	39
11-28770	NUT	71	11	12-22753	WASHER	45	11
11-28770	NUT	99	18	12-22753	WASHER	45	15
11-29250	NUT	47	19	12-22753	WASHER	47	18
11-29488	NUT	101	40	12-22753	WASHER	47	18
11-29489	NUT	79	32	12-24676	WASHER	97	44
11-29598	NUT	7	23	12-25970	WASHER	65	22
11-34388	NUT	97	54	12-25970	WASHER	77	12
11-34932	NUT	65	23	12-27939	WASHER	21	47
11-34933	NUT	69	19	12-28196	WASHER	73	38
11-34933	NUT	79	23	12-28404	WASHER	71	3
11-34933	NUT	79	30	12-28421	WASHER	73	40
11-34933	NUT	91	77	12-29245	WASHER	19	16
11-35045	NUT	59	22	12-29245	WASHER	27	15
11-35045	NUT	85	32	12-29245	WASHER	65	21
11-35304	NUT	95	27	12-29245	WASHER	85	31
11-35521	NUT	79	38	12-29395	WASHER	19	19
11-35888	NUT	5	19	12-29590	WASHER	91	80
11-35888	NUT	19	17	12-30164	WASHER	17	11
11-35888	NUT	19	23	12-30164	WASHER	19	30
11-35921	NUT	83	10	12-30164	WASHER	23	6
11-37424	NUT	67	16	12-30164	WASHER	25	41
11-45076	NUT	17	14	12-30771	WASHER	9	3
11-45076	NUT	23	16	12-31211	WASHER	91	81

PARTS INDEX

Part Number	Description	Pg.	Ref. No.	Part Number	Description	Pg.	Ref. No.
12-31263	WASHER	79	22	13-29720	WAVE WASHER	59	23
12-31266	WASHER	85	44	13-37371	LOCKWASHER	5	8
12-33001	WASHER	11	3	13-39107	LOCKWASHER	5	5
12-34437	WASHER	63	12	13-39107	LOCKWASHER	95	24
12-35462	WASHER	21	43	13-39954	WAVE WASHER	19	15
12-35462	WASHER	53	35	13-69150	WAVE WASHER	73	25
12-35462	WASHER	59	21	13-69150	WAVE WASHER	73	25
12-36001	WASHER	85	33	14-20091	TAB WASHER	47	21
12-37807	WASHER	99	20	14-27960	TAB WASHER	21	48
12-45176	WASHER	79	31	14-31210	TAB WASHER	91	82
12-45176	WASHER	79	33	14-52700	TAB WASHER	91	72
12-45176	WASHER	91	76	15-20085A 1	SHIM SET	51	11
12-46246	WASHER	19	34	15-21148A 1	SHIM SET	13	10
12-47247	WASHER	57	31	15-29955A 1	SHIM SET	91	64
12-47840	WASHER	79	21	15-30278A 1	SHIM	83	11
12-49221	WASHER	87	50	15-30278A 1	SHIM	83	11
12-49339	WASHER	79	26	15-30923A 1	SHIM	89	55
12-52864	WASHER	71	5	15-47248A 1	SHIM	51	5
12-53540	WASHER	19	5	15-55853	SHIM	13	8
12-59378	WASHER	73	39	15-57007A 1	SHIM	83	11
12-59572	WASHER	9	4	16-21085	STUD	99	23
12-68300	WASHER	71	14	16-30667	STUD	81	6
12-68410	WASHER	71	14	16-34378	STUD	77	4
12-68410	WASHER	99	10	16-39937	STUD	29	33
12-69342	WASHER	67	4	16-45282	STUD	99	16
12-69374	WASHER	73	40	16-52898	STUD	27	26
12-69380	WASHER	67	10	16-55422	STUD	97	43
12-70132	WASHER	51	16	16-56295	STUD	77	2
12-70988	WASHER	71	3	16-56297	STUD	81	5
12-71143A 1	WASHER	91	65	16-57920	STUD	81	4
12-76388	WASHER	73	25B	16-57921	STUD	81	3
12-76805	WASHER	91	65	16-59625	STUD	71	9
13-26992	LOCKWASHER	5	15	16-64280	STUD	45	4
13-26992	LOCKWASHER	5	22	16-64281	STUD	45	5
13-26992	LOCKWASHER	7	31	16-64282	STUD	45	8
13-26992	LOCKWASHER	17	3	17-20032	PIN	55	8
13-26992	LOCKWASHER	23	9	17-20032	PIN	55	16
13-26992	LOCKWASHER	23	26	17-20033	PIN	45	6
13-26992	LOCKWASHER	23	30	17-21438	PIN	81	2
13-26992	LOCKWASHER	77	10	17-23784	PIN	63	6
13-26992	LOCKWASHER	85	30	17-23784	PIN	63	17
13-26992	LOCKWASHER	95	15	17-25598	PIN	67	9
13-26992	LOCKWASHER	95	36	17-26618	PIN	11	7
13-26992	LOCKWASHER	95	38	17-27961	PIN	19	7
13-26993	LOCKWASHER	7	26	17-27962	PIN	19	3
13-26993	LOCKWASHER	7	28	17-29077	PIN	9	6
13-26993	LOCKWASHER	7	33	17-29908	PIN	21	53
13-26993	LOCKWASHER	7	35	17-30632	PIN	91	60
13-26993	LOCKWASHER	25	35	17-35973	PIN	83	19
13-26993	LOCKWASHER	27	5	17-38311	PIN	71	18
13-26993	LOCKWASHER	45	11	17-39023	PIN	79	18
13-26993	LOCKWASHER	47	15	17-47175	PIN	61	27
13-26993	LOCKWASHER	63	9	17-47246	PIN	55	12
13-26993	LOCKWASHER	71	10	17-49840A 1	SWIVEL PIN ASSEMBLY	67	14
13-26993	LOCKWASHER	95	31	17-49841A 1	SWIVEL PIN ASSEMBLY	67	14
13-26993	LOCKWASHER	99	17	17-49930A 1	PIN ASSEMBLY	71	12
13-26994	LOCKWASHER	41	11	17-58998	PIN	5	12
13-26995	LOCKWASHER	31	12	17-63442	PIN	101	46
13-26995	LOCKWASHER	35	15	17-63779	PIN	45	7
13-26996	LOCKWASHER	17	13	17-73593A 1	SWIVEL PIN ASSEMBLY	67	14
13-26996	LOCKWASHER	19	31	17-73594A 1	SWIVEL PIN ASSEMBLY	67	14
13-26996	LOCKWASHER	23	5	18-25191	COTTER PIN	79	19
13-26996	LOCKWASHER	25	32	18-36391	COTTER PIN	101	47
13-26996	LOCKWASHER	27	2	18-45882	COTTER PIN	73	30
13-26996	LOCKWASHER	27	21	18-47959	COTTER PIN	73	26
13-26996	LOCKWASHER	93	18	19-45907	PLUG	11	1
13-26996	LOCKWASHER	95	29	19-47591	ROD	77	15
13-26996	LOCKWASHER	99	28	19-48750	PLUG	87	49
13-27660	LOCKWASHER	97	40	19-64649	PLUG	77	3
13-27959	WASHER	21	49	21-30430A 3	CHECK VALVE ASSEMBLY	39	2

PARTS INDEX

Part Number	Description	Pg.	Ref. No.	Part Number	Description	Pg.	Ref. No.
21-30430A 7	CHECK VALVE ASSEMBLY	41	2	24-27944	SPRING	19	4
21-56011A 2	CHECK VALVE ASSEMBLY	47	30	24-28659	SPRING	71	17
21-56011A 2	CHECK VALVE ASSEMBLY	49	36	24-28975	SPRING	23	7
21-56011A 2	CHECK VALVE ASSEMBLY	51	8	24-29821	SPRING	73	28
22-20781	ELBOW	47	32	24-30189	SPRING	39	27
22-20781	ELBOW	49	39	24-30189	SPRING	43	35
22-20931	TEE	49	41	24-30622	SPRING	89	54
22-25094	FITTING	19	8	24-30772	SPRING	9	5
22-25094	FITTING	21	36	24-30893	SPRING	91	61
22-25885	ELBOW	59	16	24-31089	STRIP	9	7
22-29085	FITTING	39	17	24-35522	SPRING	79	35
22-30174	ELBOW	39	11	24-45272	SPRING	99	15
22-30175	SLEEVE	39	12	24-48230	SPRING	29	32
22-30175	SLEEVE	39	22	24-57818	SPRING	27	30
22-30177	NUT	39	13	24-68434	SPRING	41	19
22-30177	NUT	39	23	25-20116	GROMMET	27	18
22-30468	CONNECTOR	39	21	25-20415	O-RING	39	28
22-32802	PLUG	39	9	25-20415	O-RING	43	36
22-32802	PLUG	51	22	25-21720	O-RING	93	1
22-32802	PLUG	53	27	25-21720	O-RING	95	2
22-38609	PLUG	95	16	25-21720	O-RING	95	-
22-46008	PLUG	95	17	25-21720	O-RING	95	12
22-63981	FITTING	41	24	25-25439	O-RING	85	41
22-64704	FITTING	41	14	25-26547	GROMMET	13	19
22-64704	FITTING	41	18	25-26547	GROMMET	15	29
22-64704	FITTING	41	22	25-29976	O-RING	91	67
22-64704	FITTING	41	31	25-30224	O-RING	83	15
22-64706	TEE	41	30	25-30271	RING	85	35
22-65348	FITTING	47	34	25-32546	O-RING	51	10
22-65349	TEE	47	33	25-33145	O-RING	83	15
22-65350	FITTING	47	28	25-45016	O-RING	99	3
22-65350A 1	CHECK VALVE ASSEMBLY	47	29	25-45253	O-RING	95	13
22-65350A 2	CHECK VALVE ASSEMBLY	49	35	25-45254	O-RING	95	11
22-65670A 1	CONNECTOR ASSEMBLY	49	38	25-45507	GROMMET	99	37
22-66328	FITTING	41	29	25-47254	O-RING	51	4
22-67892	SCREW	87	47	25-47386	O-RING	41	6
22-69059	FITTING	67	7	25-57806	GROMMET	77	6A
22-74036	FITTING	67	7	25-62702	O-RING	73	25C
22-74036	FITTING	67	7	26-22734	SEAL	73	25A
22-74036	FITTING	99	1A	26-24590	SEAL	85	43
23-26600	BUSHING	59	18	26-29476	SEAL	51	3
23-27132	BUSHING	63	2	26-29476	SEAL	51	9
23-28198	BUSHING	73	36	26-31249	SEAL	85	43
23-28199	SPACER	73	37	26-31489	SEAL	83	17
23-28688	SPACER	71	19	26-31507	SEAL	83	18
23-29804	SLEEVE	85	36	26-37448	SEAL	67	5
23-32171	BUSHING	73	35	26-38970	SEAL	63	16
23-32427	SPACER	29	34	26-38970	SEAL	85	26
23-35977	GROMMET	101	43	26-60898	SEAL	63	14
23-45280	SPACER	99	5	26-70608	SEAL	99	13
23-45281	BUSHING	99	6	26-76868	SEAL	91	70
23-45354	BUSHING	99	30	27-25849	GASKET	31	15
23-45818	BUSHING	19	20	27-25851	GASKET	31	13
23-47250	SPACER	21	51	27-32433	GASKET	83	20
23-47803	BUSHING	73	24	27-32434	GASKET	85	22
23-48674	SPACER	19	32	27-32438	GASKET	83	14
23-52933	SPACER	17	5	27-33146	GASKET	83	14
23-53538	SPACER	13	11	27-45274	GASKET	99	36
23-53539	SLEEVE	13	3	27-45275	GASKET	99	33
23-55419A 1	BUSHING ASSEMBLY	85	42	27-48164	GASKET	33	36
23-56774	SPACER	23	23	27-48164	GASKET	37	34
23-59624	SPACER	71	8	27-53862	GASKET	45	2
23-62238 1	SLEEVE	13	28A	27-55896	GASKET	13	24
23-69132	BUSHING	67	2	27-60476	GASKET	51	17
23-69341	BUSHING	67	3	27-60476A75	GASKET SET	3	-
23-70412	SPACER	83	11	27-60476A75	GASKET SET	33	-
23-73203	BUSHING	73	37	27-60476A75	GASKET SET	37	-
24-20099	SPRING	61	31	27-60476A75	GASKET SET	39	-
24-23067	SPRING	43	35	27-60476A75	GASKET SET	43	-
24-24390	SPRING	99	22	27-60476A75	GASKET SET	49	-

PARTS INDEX

Part Number	Description	Pg.	Ref. No.	Part Number	Description	Pg.	Ref. No.
27-60476A75	GASKET SET	53	-	39-45155A12	RING	55	25
27-60476A75	GASKET SET	57	-	39-45204A12	RING	55	25
27-60476A75	GASKET SET	65	-	40-52035	RING	55	24
27-60476A75	GASKET SET	75	-	43-66342	GEAR	89	58
27-60476A75	GASKET SET	79	-	43-68347	GEAR ASSEMBLY	91	63
27-60476A75	GASKET SET	87	-	43-68447	GEAR	89	58
27-60476A75	GASKET SET	91	-	43-68548	GEAR	83	9
27-60477	GASKET	51	19	43-76250	GEAR	91	63
27-60945	GASKET	63	11	44-52542	SHAFT	91	62
27-62362	GASKET	63	18	45-64388	DRIVESHAFT	83	8
27-64173	GASKET	63	7	45-64389	DRIVESHAFT	83	8
27-64175	GASKET	77	13	45-69250	DRIVESHAFT	83	8
27-64941	GASKET	53	31	45-69251	DRIVESHAFT	83	8
27-66101	GASKET	63	7	46-48743A 3	PUMP ASSEMBLY	3	-
27-66102	GASKET	63	11	46-48747A 1	BASE ASSEMBLY	83	16
27-66335	GASKET	77	13	46-64141A 1	BODY ASSEMBLY	85	23
27-69238	GASKET	63	7	46-69222A 1	BASE ASSEMBLY	83	16
27-72142	GASKET	51	14	46-73804A 1	BASE ASSEMBLY	83	16
27-72506	GASKET	51	24	47-65960	IMPELLER	85	27
28-29910	KEY	21	55	48-31460A 3	PROPELLER ASSEMBLY	105	-
28-30281	KEY	91	71	48-32390A 3	PROPELLER ASSEMBLY	105	-
28-56654	KEY	85	28	48-32744A 3	PROPELLER ASSEMBLY	105	-
29-47270	BEARING	55	30	48-35936A 3	PROPELLER ASSEMBLY	105	-
29-52168	BEARING	55	9	48-52006A 3	PROPELLER ASSEMBLY	105	-
30-20066	BEARING	13	1	48-52010A 3	PROPELLER ASSEMBLY	105	-
30-26379	BEARING	13	9	48-52012A 3	PROPELLER ASSEMBLY	105	-
30-31265	BEARING	91	66	48-53898A 3	PROPELLER ASSEMBLY	105	-
30-62567	BEARING	55	3	48-53902A 3	PROPELLER ASSEMBLY	105	-
30-63326	BEARING	83	12	48-58826A 3	PROPELLER ASSEMBLY	105	-
30-63742	BEARING	55	4	48-65022A 1	PROPELLER ASSEMBLY	105	-
31-30894A 1	BEARING SET	89	56	48-65024A 1	PROPELLER ASSEMBLY	105	-
31-30895	BEARING	89	57	48-65736A 1	PROPELLER ASSEMBLY	105	-
31-30956	BEARING	91	69	48-67280A 1	PROPELLER ASSEMBLY	105	-
31-32898	BEARING	81	7	50-64975	STARTER MOTOR ASSEMBLY	23	25
31-62596A 1	BEARING ASSEMBLY	55	27	50-72467	STARTER MOTOR ASSEMBLY	23	25
31-69220	BEARING	83	12	52-34239	RATCHET	91	59
32-31584A 1	LINE ASSEMBLY	39	18	53-26406	RING	13	12
32-33154A 1	LINE ASSEMBLY	39	10	53-26933	RING	55	11
32-33960	TUBE	47	31	53-29641	E RING	85	40
32-34395A 1	HOSE	49	40	53-30726	RING	83	13
32-34395A 1	HOSE	59	5	53-73591	RING	67	16A
32-34395A 1	HOSE	59	13	54-20386	CLAMP	47	26
32-45327	HOSE	101	41	54-20387	CLAMP	47	25
32-45959	HOSE	101	42	54-22627	CLIP	11	13
32-54936	HOSE	47	27	54-22627	CLIP	39	14
32-54936	HOSE	49	37	54-22627	CLIP	41	26
32-55827A 1	LINE ASSEMBLY	39	19	54-22875	CLIP	11	13
32-55828A 1	LINE ASSEMBLY	39	20	54-24871	CLAMP	11	13
32-55829	LINE	39	24	54-26538	CLIP	23	10
32-60897	TUBE	77	7	54-46770	CLAMP	97	52
32-62864	TUBE	77	7	54-60768	CLAMP	13	15
32-63146	LINE	41	20	54-68424	CLAMP	41	21
32-63146	LINE	41	23	54-76368	CLAMP	23	3
32-63146	LINE	41	25	55-28414	PIN	73	31
32-63146	LINE	41	32	55-28416	PIN	71	16
33-59599	SPARK PLUG	13	25	55-58780A 2	SHOCK ABSORBER	73	34
33-68057	SPARK PLUG	13	25	55-65447	PIN	73	31
34-56007A 1	REED SET	55	19	79-73370A 2	TACHOMETER ASSEMBLY	3	-
34-56008	STOP	55	20	84-60466A 1	CABLE ASSEMBLY	17	12
35-57819	SCREEN	27	28	84-63212A 2	LEAD ASSEMBLY	13	26
35-59072	SCREEN	41	8	84-66008A 1	STRAP ASSEMBLY	21	40
37-55901	DECAL	95	6	84-66054A 2	CABLE ASSEMBLY	17	15
37-60204	DECAL	5	17	84-69207A 1	CABLE ASSEMBLY	13	18
37-60893A73	DECAL SET	3	-	84-69236	HARNES ASSEMBLY	23	1
37-65601	DECAL	5	17	84-69237	CABLE	25	34
37-66323A74	DECAL SET	3	-	85-71006A 1	PROTECTOR	13	27
37-69770A75	DECAL SET	3	-	89-68258	SOLENOID	23	28
37-73291	DECAL	5	17	90-63296	PARTS MANUAL	3	-
37-73889A76	DECAL SET	3	-	92-25234 1	GLUE	9	-
37-73889A77	DECAL SET	3	-	92-27109 1	ADHESIVE COMPOUND	9	-

PARTS INDEX

Part Number	Description	Pg.	Ref. No.	Part Number	Description	Pg.	Ref. No.
225-2494A27	FLYWHEEL ASSEMBLY	11	4	1395-4542	SCREW.....	33	32
225-2494A30	FLYWHEEL ASSEMBLY	11	4	1395-4542	SCREW.....	37	27
332-2854	BOOT.....	13	20	1395-4543	SCREW.....	33	35
332-2910A 3	RECTIFIER ASSEMBLY.....	25	38	1395-4543	SCREW.....	37	32
332-2983A 5	COIL ASSEMBLY	17	1	1395-4555	NEEDLE.....	31	6
332-2986A 4	SWITCHBOX ASSEMBLY.....	23	15	1395-4555	NEEDLE.....	35	6
332-2986A21	SWITCHBOX ASSEMBLY.....	23	15	1395-4804	SCREW.....	35	14
332-4895A 2	COIL ASSEMBLY	17	7	1395-4805	SCREEN.....	35	16
392-2529	SPRING SET	93	16	1395-4808	GASKET SET	37	-
392-2618	CAN.....	93	3	1395-5108	SHUTTER.....	31	25
392-2623	WASHER.....	93	10	1395-5108	SHUTTER.....	37	22
392-2936	VALVE BODY AND GEAR ASSEMBLY	93	2	1395-5109	REPAIR PARTS KIT	33	-
392-2937	SEAL.....	93	5	1395-5261	COVER.....	35	9
392-2938	BOLT SET.....	93	17	1395-5353	FLOAT ASSEMBLY	35	2
392-2939	RESERVOIR ASSEMBLY	93	6	1395-5405	REPAIR PARTS KIT	37	-
392-2940	PLATE ASSEMBLY	93	14	1395-5680	COVER.....	35	10
392-2941	BRUSH SET.....	93	15	1395-5733	JET.....	35	11
392-2942	FIELD AND FRAME ASSEMBLY	93	12	1395-5734	HOSE.....	35	12
392-2943	ARMATURE.....	93	11	1399-110A 1	FLOAT ASSEMBLY	31	2
392-2944	BALL.....	93	13	1399-3515	SCREW.....	31	27
393-1293A 1	BRUSH KIT.....	13	22	1399-3515	SCREW.....	37	25
393-3736A23	HOUSING ASSEMBLY	13	4	1399-3523	GASKET SET	33	-
393-3736A23	HOUSING ASSEMBLY	19	1	1399-3527	SHAFT.....	31	21
393-3836A 1	CABLE ASSEMBLY.....	13	18	1399-3527	SHAFT.....	35	19
393-4312	ROTOR.....	13	14	1399-3794	JET.....	33	30
393-4313	DISC.....	13	13	1399-3794	JET.....	37	28
393-4841A 2	CAP ASSEMBLY	13	22	1399-3795	JET.....	33	30
398-4793	STATOR.....	11	11	1399-3795	JET.....	37	28
436-4842A 3	CRANKSHAFT ASSEMBLY	55	1	1399-3811	JET.....	33	30
535-3190A 2	BEARING ASSEMBLY	55	7	1399-3811	JET.....	37	28
535-5397A 4	BEARING ASSEMBLY	55	7	1399-3938	SCREEN.....	31	14
540-5055A 6	BEARING ASSEMBLY	55	15	1399-4214	JET.....	33	30
540-5266A 5	BEARING ASSEMBLY	55	15	1399-4214	JET.....	37	28
622-4850A 3	CONNECTING ROD ASSEMBLY.....	55	26	1399-4559	COVER.....	31	9
745-5220A 2	PISTON ASSEMBLY	55	23	1399-4791	COVER.....	31	16
745-5306A 2	PISTON ASSEMBLY	55	23	1399-97	LEVER.....	31	20
745-6388A 3	PISTON ASSEMBLY	55	23	1399-97	LEVER.....	35	17
745-6415A 2	PISTON ASSEMBLY	55	23	1440-5520A 1	CLAMP BRACKET ASSEMBLY	71	1
852-5034A 3	CYLINDER BLOCK AND CRANKCASE ASSEMBLY	45	1	1440-5576A 1	CLAMP BRACKET ASSEMBLY	71	1
852-5034A 3	CYLINDER BLOCK AND CRANKCASE ASSEMBLY	51	1	1440-6044A 2	CLAMP BRACKET ASSEMBLY	71	1
852-5254A 3	CYLINDER BLOCK AND CRANKCASE ASSEMBLY	45	1	1447-5596A 3	SWIVEL BRACKET ASSEMBLY	67	1
852-5254A 3	CYLINDER BLOCK AND CRANKCASE ASSEMBLY	45	1	1447-6017A 4	SWIVEL BRACKET ASSEMBLY	67	1
852-5254A 3	CYLINDER BLOCK AND CRANKCASE ASSEMBLY	51	1	1453-5597A 2	SWIVEL BRACKET ASSEMBLY	67	1
852-5254A 3	CYLINDER BLOCK AND CRANKCASE ASSEMBLY	51	1	1453-6019A 2	SWIVEL BRACKET ASSEMBLY	67	1
852-5586A 1	CYLINDER BLOCK AND CRANKCASE ASSEMBLY	45	1	1482-6386A 4	SWIVEL BRACKET ASSEMBLY	67	1
852-5586A 1	CYLINDER BLOCK AND CRANKCASE ASSEMBLY	51	1	1573-4933A 3	HOUSING ASSEMBLY	77	1
852-5586A 1	CYLINDER BLOCK AND CRANKCASE ASSEMBLY	51	1	1573-5239A 4	HOUSING ASSEMBLY	77	1
852-5586A 1	CYLINDER BLOCK AND CRANKCASE ASSEMBLY	51	1	1575-4971A 5	HOUSING ASSEMBLY	77	1
852-5586A 1	CYLINDER BLOCK AND CRANKCASE ASSEMBLY	51	1	1575-5240A 4	HOUSING ASSEMBLY	77	1
852-6192A 1	CYLINDER BLOCK ASSEMBLY	45	1	1623-4934A 6	GEAR HOUSING ASSEMBLY.....	81	1
852-6192A 1	CYLINDER BLOCK ASSEMBLY	51	1	1623-4934A 6	GEAR HOUSING ASSEMBLY.....	89	1
852-6432A 1	CYLINDER BLOCK AND CRANKCASE ASSEMBLY	45	1	1623-5244A 5	GEAR HOUSING ASSEMBLY.....	81	-
852-6432A 1	CYLINDER BLOCK AND CRANKCASE ASSEMBLY	45	1	1623-5244A 5	GEAR HOUSING ASSEMBLY.....	89	-
852-6432A 1	CYLINDER BLOCK AND CRANKCASE ASSEMBLY	51	1	1623-5244A 6	GEAR HOUSING ASSEMBLY.....	81	1
852-6432A 1	CYLINDER BLOCK AND CRANKCASE ASSEMBLY	51	1	1623-5244A 6	GEAR HOUSING ASSEMBLY.....	89	1
852-6432A 1	CYLINDER BLOCK AND CRANKCASE ASSEMBLY	51	1	1623-5244A 7	GEAR HOUSING ASSEMBLY.....	81	-
1023-5070	COVER.....	51	23	1623-5244A 7	GEAR HOUSING ASSEMBLY.....	89	-
1134-3197A 1	END CAP ASSEMBLY.....	51	2	1623-5578A 7	GEAR HOUSING ASSEMBLY.....	81	-
1148-4594A 1	END CAP ASSEMBLY.....	51	7	1623-5578A 7	GEAR HOUSING ASSEMBLY.....	89	-
1148-5410A 1	END CAP ASSEMBLY.....	51	7	1623-5578A 7	GEAR HOUSING ASSEMBLY.....	89	-
1352-4510A24	CARBURETOR ASSEMBLY	27	9	1623-5578A 8	GEAR HOUSING ASSEMBLY.....	81	1
1352-4510A24	CARBURETOR ASSEMBLY	31	1	1623-5578A 8	GEAR HOUSING ASSEMBLY.....	89	1
1368-5290A 6	CARBURETOR ASSEMBLY	27	9	1623-5578A 9	GEAR HOUSING ASSEMBLY.....	81	-
1368-5290A 6	CARBURETOR ASSEMBLY	35	1	1623-5578A 9	GEAR HOUSING ASSEMBLY.....	89	-
1368-5290A 6	CARBURETOR ASSEMBLY	35	1	1623-5829A 6	GEAR HOUSING ASSEMBLY.....	81	-
1368-5702A 5	CARBURETOR ASSEMBLY	27	9	1623-5829A 6	GEAR HOUSING ASSEMBLY.....	89	-
1368-5702A 5	CARBURETOR ASSEMBLY	35	1	1623-5829A 7	GEAR HOUSING ASSEMBLY.....	89	-
1395-4540	SCREW.....	31	23	1623-5829A 7	GEAR HOUSING ASSEMBLY.....	81	-
1395-4540	SCREW.....	37	21	1623-5829A 7	GEAR HOUSING ASSEMBLY.....	89	-
1395-4541	SCREW.....	31	28	1623-5829A 8	GEAR HOUSING ASSEMBLY.....	81	1
1395-4541	SCREW.....	37	29	1623-5829A 8	GEAR HOUSING ASSEMBLY.....	89	1
				1623-6053A 4	GEAR HOUSING ASSEMBLY.....	81	-

PARTS INDEX

Part Number	Description	Pg.	Ref. No.
1623-6053A 4	GEAR HOUSING ASSEMBLY.....	89	-
1623-6053A 5	GEAR HOUSING ASSEMBLY.....	81	1
1623-6053A 5	GEAR HOUSING ASSEMBLY.....	89	1
1623-6053A15	GEAR HOUSING ASSEMBLY.....	81	-
1623-6053A15	GEAR HOUSING ASSEMBLY.....	89	-
2113-2663A18	COVER ASSEMBLY	9	1
2113-5631A 1	COVER ASSEMBLY	9	1
2113-5631A 4	COVER ASSEMBLY	9	1
2114-3806	COWL	5	1
2114-5999	COWL	5	1
2115-3919	COWL	59	1
2115-5269	COWL	59	1
2115-6462	COWL	59	1
2136-4660A 4	WRAP AROUND COWL ASSEMBLY.....	9	11
4395-4868	NEEDLE.....	35	6