



PARTS CATALOG

MARINER 70

SERIAL NUMBER

70 USA 5702220 THRU 6428680
70 CAN 7177688 THRU 7208332

TABLE OF CONTENTS:

| | |
|--|----|
| CARBURETOR ASSEMBLY | 18 |
| CARBURETOR LINKAGE AND CHOKE SOLENOID | 16 |
| CLAMP BRACKET ASSEMBLY | 32 |
| COWL SUPPORT BRACKETS | 4 |
| COWLING AND FRONT COVER | 2 |
| CRANKSHAFT, PISTONS AND CONNECTING RODS | 26 |
| CYLINDER BLOCK AND CRANKCASE ASSEMBLY | 22 |
| DRIVE SHAFT HOUSING ASSEMBLY | 30 |
| EXHAUST AND MANIFOLD COVERS | 24 |
| FLYWHEEL, SWITCH BOX, IGNITION COIL, STATOR | 8 |
| FUEL PUMP, FUEL FILTER AND FUEL LINES | 20 |
| GEAR HOUSING (DRIVE SHAFT) | 36 |
| GEAR HOUSING (PROPELLER SHAFT) | 40 |
| HYDRAULIC PUMP ASSEMBLY (METAL RESERVOIR) | 42 |
| HYDRAULIC PUMP ASSEMBLY (PLASTIC RESERVOIR) | 44 |
| MISCELLANEOUS PARTS/ACCESSORIES | 1 |
| PARTS INDEX | 64 |
| POWER TRIM COMPONENTS | 46 |
| POWER TRIM COMPONENTS | 50 |
| POWER TRIM CYLINDER REPAIR KITS (76509A23 TRIM CYLINDER) | 56 |
| POWER TRIM CYLINDER REPAIR KITS (92194A20 TRIM CYLINDER) | 58 |
| SHIFT LINKAGE AND EXHAUST PLATE | 28 |
| STARTER MOTOR ASSEMBLY (BOSCH) | 60 |
| STARTER MOTOR ASSEMBLY (PRESTOLITE) | 62 |
| STARTER MOTOR, STARTER SOLENOID, RECTIFIER | 12 |
| SWIVEL BRACKET AND REVERSE LOCK | 34 |
| THROTTLE CONTROL LINKAGE AND SPARK ADVANCE | 10 |
| TRIM CYLINDERS AND HYDRAULIC HOSES | 52 |

NOTE: Indented description indicate that these parts are included in preceeding assembly.

AR = As Required

NSS = Not Sold Separate

OPT = Optional

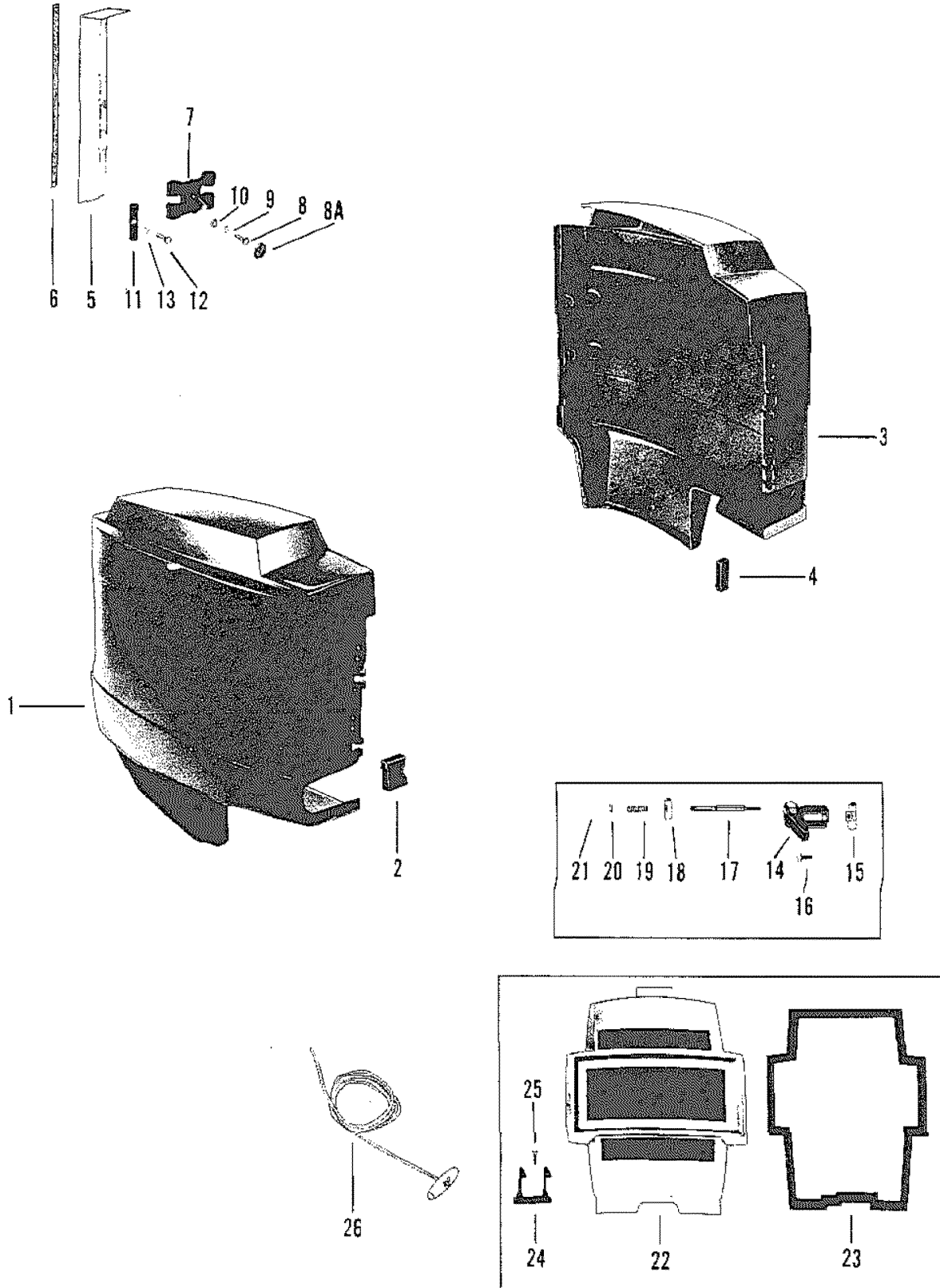
NS = Not Shown

THESE PARTS BOOKS/FICHE CARD ARE COPYRIGHTED AND MAY NOT BE DISTRIBUTED OR REPRODUCED IN ANY OTHER FORMAT BY ANYONE OTHER THAN MERCURY MARINE WITHOUT THE PRIOR WRITTEN CONSENT OF MERCURY MARINE.

MISCELLANEOUS PARTS/ACCESSORIES

| REF. NO. | PART NO. | SYM. | QTY. | DESCRIPTION |
|----------|-------------|------|------|-----------------------------|
| - | 90-84730 | | 0 | MARINER 70 PARTS LIST |
| - | 27-88449A32 | | 0 | GASKET SET (MOTOR OVERHAUL) |
| - | 37-88084A79 | | 0 | DECAL SET |

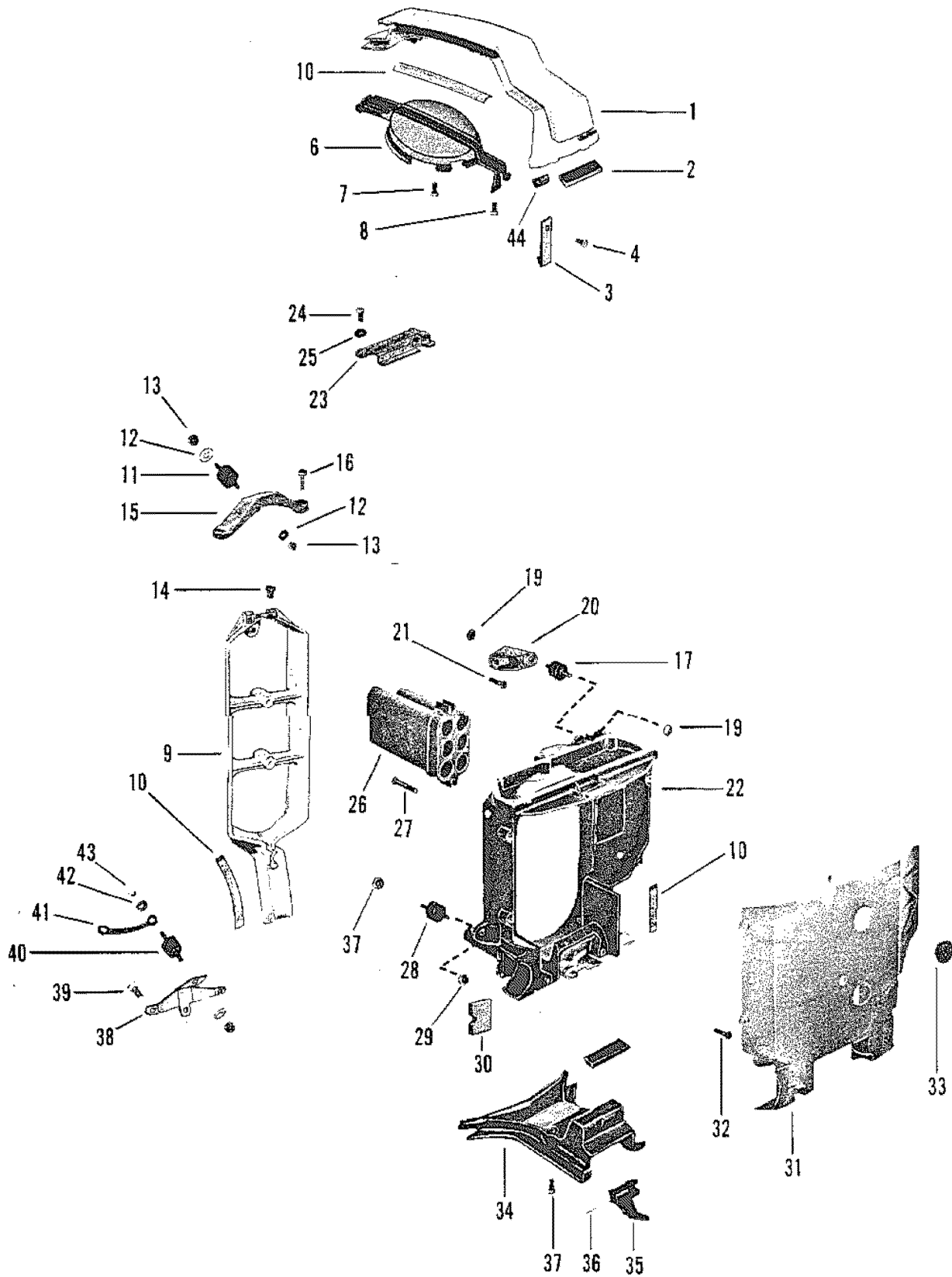
COWLING AND FRONT COVER



COWLING AND FRONT COVER

| REF. NO. | PART NO. | SYM. | QTY. | DESCRIPTION |
|----------|--------------|------|------|---|
| 1 | 2142-6228A2 | | 1 | COWL ASSEMBLY, STARBOARD - WITHOUT DECALS |
| 2 | 26-60297 | | 1 | SEAL, FUEL CONNECTOR - COWL |
| 3 | 2141-6227A12 | | 1 | COWL ASSEMBLY, PORT - WITHOUT DECALS |
| 4 | 26-60298 | | 1 | SEAL, CONTROL CABLES - COWL |
| 5 | 89717 | | 1 | BRACKET, COWL SEALING - REAR |
| 6 | 69876--1 | | 2 | SEAL, REAR BRACKET |
| 7 | 90980 | | 2 | BRACKET, COWL HINGE |
| 8 | 10-45561 | | 2 | SCREW, HING BRACKET - LOWER (1-1/8") |
| | 10-75794 | | 2 | SCREW, HINGE BRACKET - UPPER (1-1/8") |
| 8A | 75805 | | 2 | CAP, HINGE BRACKET SCREW (UPPER) |
| 9 | 13-26992 | | 4 | LOCKWASHER, HINGE BRACKET SCREW |
| 10 | 12-37998 | | 4 | WASHER, HINGE BRACKET SCREW |
| | 12-75806 | | 2 | WASHER, HINGE BRACKET SCREW (UPPER) |
| 11 | 90979 | | 4 | PIN, COWL HINGE |
| 12 | 10-28782 | | 4 | SCREW, PIN TO COWL (7/8") |
| 13 | 13-26993 | | 4 | LOCKWASHER, PIN ATTACHING SCREW |
| 14 | 46785A2 | | 2 | COWL LATCH ASSEMBLY |
| 15 | 62628 | | 2 | BARREL, COWL LATCH |
| 16 | 10-31312 | | 2 | SCREW, LATCH ASSEMBLY TO BARREL (7/8") |
| 17 | 62627 | | 2 | BAR, ADJUSTMENT - COWL LATCH |
| 18 | 62629 | | 2 | BARREL, COWL LATCH |
| 19 | 24-62624 | | 2 | SPRING, TENSION - COWL LATCH |
| 20 | 12-30164 | | 2 | WASHER, ADJUSTMNET BAR TO BARREL |
| 21 | 11-45812 | | 2 | NUT, ADJUSTMENT BAR TO BARREL |
| 22 | 2143-7254A9 | | 1 | FRONT COVER ASSEMBLY, WITHOUT DECALS |
| 23 | 79551 | | 1 | BLANKET, SOUND ABSORBING |
| 24 | 61158 | | 2 | HOOK, FRONT COVER |
| 25 | 10-69570 | | 1 | SCREW, HOOK TO FRONT COVER (3/4") |
| 26 | 47341A1 | | 1 | STARTER ROPE (FOR MANUAL STARTING ONLY) |

COWL SUPPORT BRACKETS

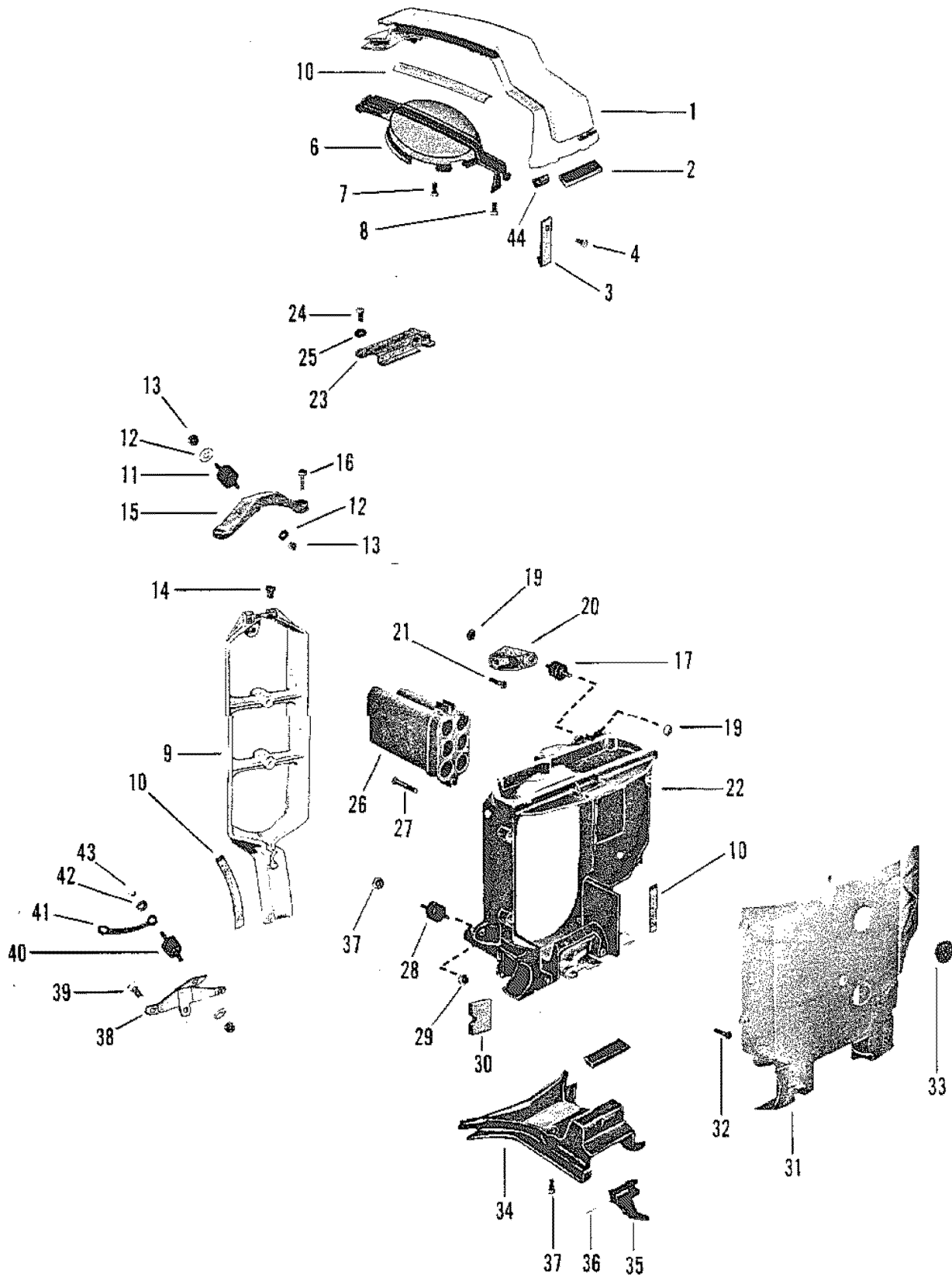


COWL SUPPORT BRACKETS

| REF. NO. | PART NO. | SYM. | QTY. | DESCRIPTION |
|----------|----------|------|------|--|
| 1 | 73641A2 | | 1 | BRACKET, COWL SUPPORT - TOP |
| 2 | 62444 | | 2 | SEAL, RUBBER - TOP BRACKET/MOUNTING PLATE |
| 3 | 79652 | | 1 | CLIP, SUPPORT BRACKET |
| 4 | 10-48408 | | 1 | SCREW, CLIP TO SUPPORT (1/2") |
| 6 | 79490 | | 1 | SHIELD, FLYWHEEL |
| 7 | 10-37656 | | 1 | SCREW, SHIELD TO SUPPORT BRACKET (5/8") |
| 8 | 10-48409 | | 3 | SCREW, SHIELD TO SUPPORT BRACKET (1/2") |
| 9 | 74510A2 | | 1 | BRACKET, COWL SUPPORT - REAR |
| 10 | 69876--1 | | 4 | SEAL, REAR BRACKET AND TOP BRACKET |
| 11 | 90435 | | 1 | MOUNT, RUBBER - REAR SUPPORT BRACKET |
| 12 | 12-20346 | | 2 | WASHER, RUBBER MOUNT |
| 13 | 11-36069 | | 2 | NUT, RUBBER MOUNT |
| 14 | 26901 | | 3 | STOP, RUBBER - REAR SUPPORT BRACKET |
| 15 | 60116 | | 1 | BRACE, COWL SUPPORT BRACKET (TOP) |
| 16 | 10-76596 | | 3 | SCREW, SUPPORT BRACKET (1-1/4") |
| 17 | 90435 | | 1 | MOUNT, RUBBER - FRONT SUPPORT BRACKET |
| 19 | 11-36069 | | 2 | NUT, RUBBER MOUNT |
| 20 | 71097 | | 1 | BRACKET, RUBBER MOUNT |
| 21 | 10-59645 | | 1 | SCREW, BRACKET TO CRANKCASE (3/4") |
| 22 | 88725 | | 1 | ATTENUATOR, SOUND UNITED STATES 6104269 AND BELOW |
| | 97348 | | 1 | ATTENUATOR, SOUND UNITED STATES 6104270 AND UP |
| 23 | 88684 | | 1 | COVER, MANUAL CHOKE |
| 24 | 10-23015 | | 2 | SCREW, COVER TO TOP COVER |
| 25 | 12-53705 | | 1 | WASHER, COVER SCREW |
| 26 | 73986 | | 1 | AIR MANIFOLD |
| 27 | 10-69093 | | 2 | SCREW, AIR MANIFOLD |
| 28 | 90435 | | 1 | MOUNT, RUBBER - FRONT SUPPORT |
| 29 | 11-36069 | | 2 | NUT, RUBBER MOUNT |
| 30 | 76410 | | 1 | SEAL, FUEL CONNECTOR - SOUND ATTENUATOR |
| 31 | 76578 | | 1 | COVER, SOUND ATTENUATOR (FRONT) |
| 32 | 10-37571 | | 8 | SCREW, FRONT COVER (1/2") |
| 33 | 19-73336 | | 2 | PLUG, FRONT COVER |
| 34 | 76251A1 | | 1 | PLATE ASSEMBLY, FRONT COVER |
| 35 | 76264 | | 1 | LATCH, FRONT COVER |
| 36 | 24-60295 | | 1 | SPRING, FRONT COVER LATCH |
| 37 | 10-28635 | | 3 | SCREW, COVER PLATE TO SUPPORT BRACKET (5/8") |
| 38 | 87764 | | 1 | BRACKET, REAR - LOWER MOUNT |
| 39 | 10-76596 | | 3 | SCREW, REAR BRACKET ATTACHING |

CONTINUED ON NEXT PAGE ➡

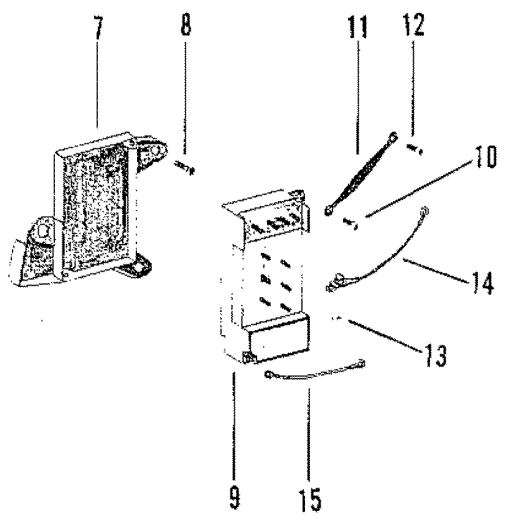
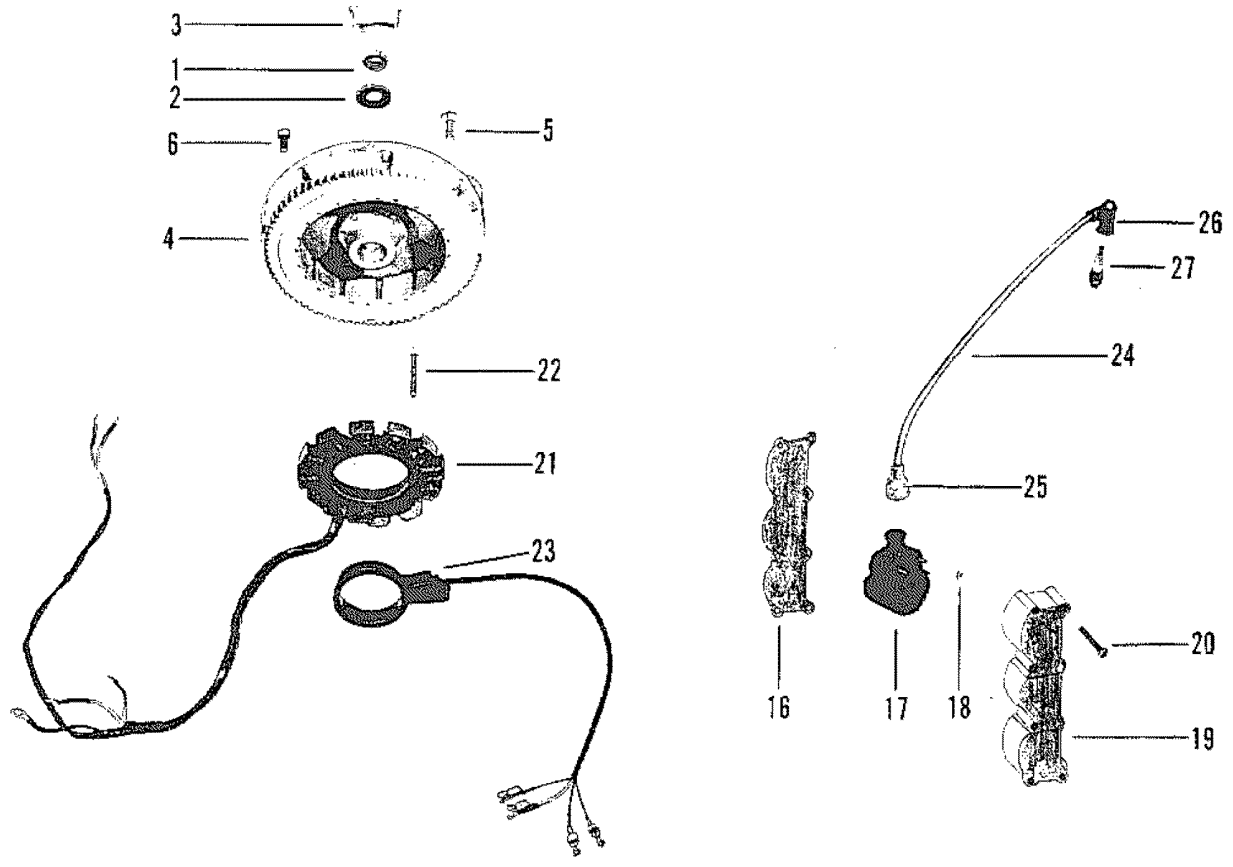
COWL SUPPORT BRACKETS



COWL SUPPORT BRACKETS

| REF. NO. | PART NO. | SYM. | QTY. | DESCRIPTION |
|----------|----------|------|------|-----------------------------------|
| 40 | 90435 | | 1 | MOUNT, RUBBER - REAR COWL SUPPORT |
| 41 | 88238A3 | | 1 | GROUND STRAP ASSEMBLY |
| 42 | 12-20346 | | 2 | WASHER, RUBBER MOUNT |
| 43 | 11-20361 | | 2 | NUT, RUBBER MOUNT |
| 44 | 91891 | | 2 | WEAR PLATE, SOUND ATTENUATOR |

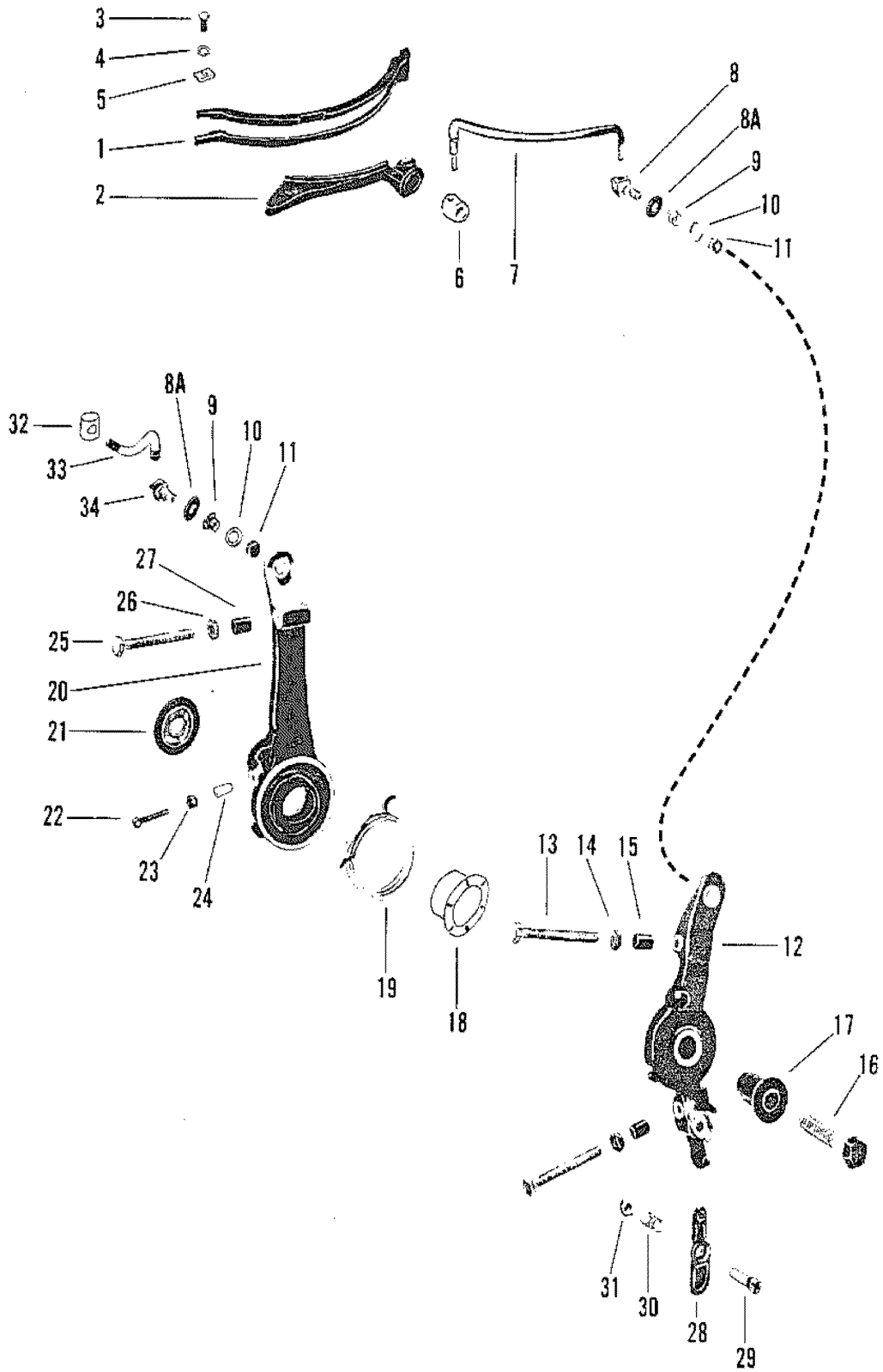
FLYWHEEL, SWITCH BOX, IGNITION COIL, STATOR



FLYWHEEL, SWITCH BOX, IGNITION COIL, STATOR

| REF. NO. | PART NO. | SYM. | QTY. | DESCRIPTION |
|----------|-------------|------|------|--|
| 1 | 11-52901 | | 1 | NUT, FLYWHEEL |
| 2 | 12-68229 | | 1 | WASHER, FLYWHEEL NUT |
| 3 | 19-45907 | | 1 | PLUG, FLYWHEEL PULLER THREADS |
| 4 | 248-5977A25 | | 1 | FLYWHEEL ASSEMBLY UNITED STATES 6322885 AND BELOW |
| | 248-8722A5 | | 1 | FLYWHEEL ASSEMBLY UNITED STATES 6322886 AND UP |
| 5 | 10-68997 | | 8 | SCREW, PLATE/HUB (3/4") |
| 6 | 10-32417 | | 8 | SCREW, FLEXIBLE PLATE TO FLYWHEEL (5/8") |
| 7 | 88935 | | 1 | PLATE, SWITCH BOX |
| 8 | 10-59645 | | 3 | SCREW, SWITCH BOX PLATE (3/4") |
| 9 | 332-7778A3 | | 1 | SWITCH BOX ASSEMBLY |
| 10 | 10-20619 | | 2 | SCREW, SWITCH BOX TO PLATE (1-1/8") |
| 11 | 84-60466A8 | | 2 | WIRE ASSEMBLY, SWITCH BOX SCREW |
| 12 | 10-62568 | | 1 | SCREW, WIRE ATTACHING |
| 13 | 11-45076 | | 10 | NUT, SWITCH BOX TERMINAL |
| 14 | 84-60443A3 | | 1 | WIRE ASSEMBLY, SWITCH BOX TO COIL (GREEN) |
| | 84-62822A1 | | 1 | WIRE ASSEMBLY, SWITCH BOX TO COIL (GREEN/WHITE) |
| | 84-68896A4 | | 1 | WIRE ASSEMBLY, SWITCH BOX TO COIL (GREEN/RED) |
| 15 | 84-60466A1 | | 3 | WIRE ASSEMBLY, SWITCH BOX TO COIL (BLACK) |
| 16 | 73439 | | 1 | PLATE, MOUNTING - IGNITION COIL |
| 17 | 339-7370A8 | | 3 | IGNITION COIL ASSEMBLY |
| 18 | 11-45076 | | 6 | NUT, IGNITION COIL TERMINAL |
| 19 | 73218 | | 1 | COVER, IGNITION COIL |
| 20 | 10-92399 | | 6 | SCREW, COVER TO MOUNTING PLAT (2-1/4") |
| 21 | 398-5704A7 | | 1 | STATOR ASSEMBLY |
| 22 | 10-63136 | | 4 | SCREW, STATOR TO UPPER END CAP (7/8") |
| 23 | 96455A1 | | 1 | TRIGGER PLATE ASSEMBLY |
| 24 | 84-93475A25 | | 3 | WIRE ASSEMBLY, SPARK PLUG |
| 25 | 332-2854 | | 3 | BOOT, IGNITION COIL END |
| 26 | 85-63709A1 | | 3 | PROTECTOR ASSEMBLY |
| 27 | 33-57451 | | 3 | SPARK PLUG (AC#40FFM) |
| | 33-68098 | | 3 | SPARK PLUG (CHAMPION#QL-76V)/CANADA AND BELGIUM |

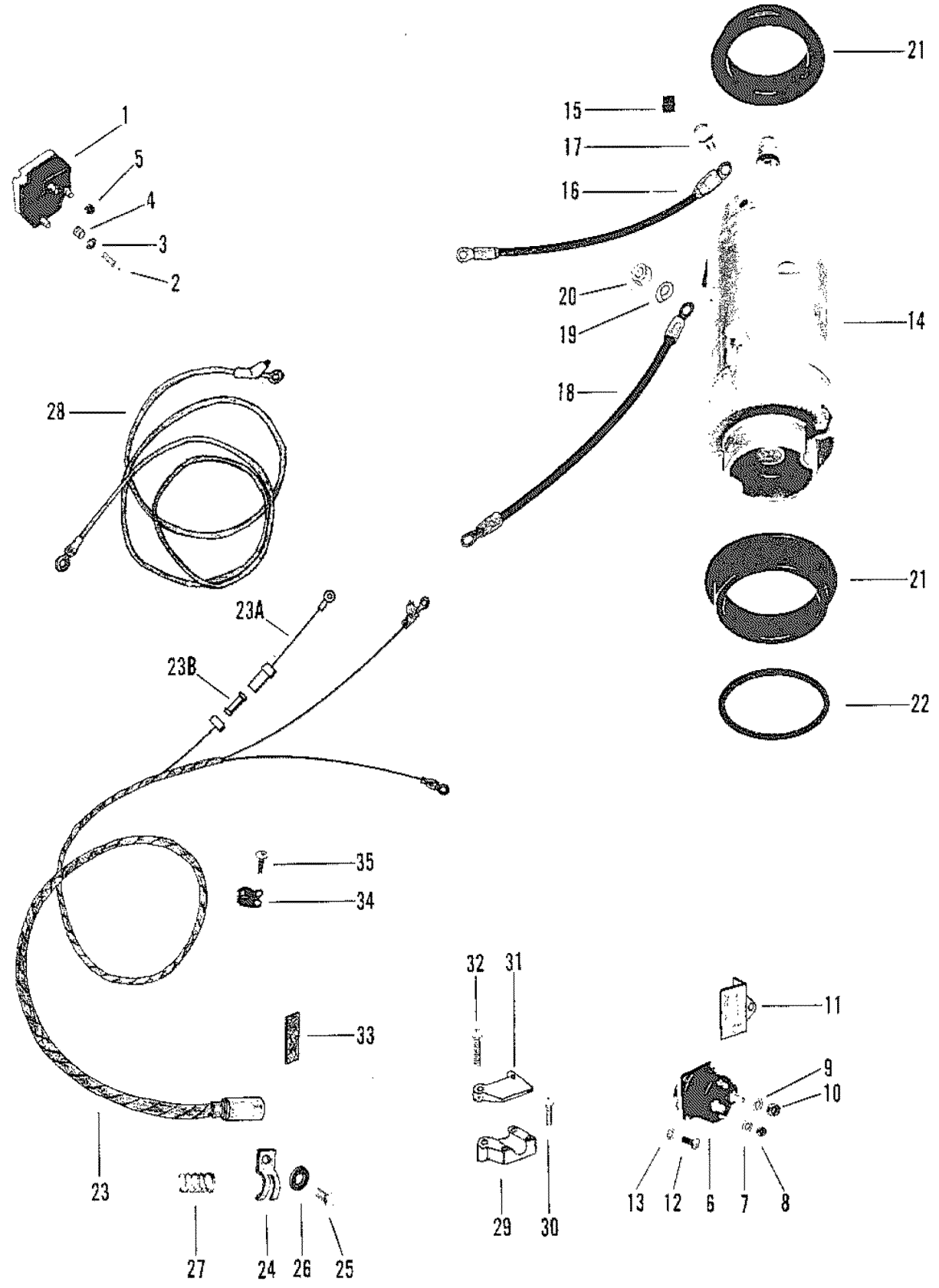
THROTTLE CONTROL LINKAGE AND SPARK ADVANCE



THROTTLE CONTROL LINKAGE AND SPARK ADVANCE

| REF. NO. | PART NO. | SYM. | QTY. | DESCRIPTION |
|----------|----------|------|------|--|
| 1 | 76864 | | 1 | HOUSING, NYLON - THROTTLE ACTUATOR |
| 2 | 77025 | | 1 | CAM, NYLON - THROTTLE ACTUATOR |
| 3 | 10-37571 | | 1 | SCREW, HOUSING (1/2") |
| 4 | 13-26996 | | 1 | LOCKWASHER, HOUSING SCREW |
| 5 | 60570 | | 1 | PLATE, RETAINER - ACTUATOR HOUSING |
| 6 | 23-74213 | | 1 | BARREL, NYLON - THROTTLE LINK ROD |
| 7 | 74164 | | 1 | ROD, LINK - THROTTLE |
| 8 | 77013A1 | | 1 | SWIVEL, LINK ROD TO THROTTLE CONTROL LEVER |
| 8A | 13-29402 | | 2 | WAVE WASHER, LINK ROD SWIVEL |
| 9 | 23-26856 | | 2 | BUSHING, LINK ROD SWIVEL |
| 10 | 12-33786 | | 2 | WASHER, LINK ROD SWIVEL |
| 11 | 11-45774 | | 2 | NUT, LINK ROD SWIVEL |
| 12 | 77032A2 | | 1 | LEVER ASSEMBLY, THROTTLE CONTROL |
| 13 | 10-73655 | | 2 | SCREW, THROTTLE LEVER ADJUSTING (2") |
| 14 | 11-29598 | | 2 | NUT, JAM - ADJUSTING SCREW |
| 15 | 52023 | | 2 | CAP, ADJUSTING SCREW |
| 16 | 10-55337 | | 1 | SCREW, THROTTLE CONTROL LEVER (1-3/4") |
| 17 | 23-55164 | | 1 | BUSHING, THROTTLE CONTROL LEVER SCREW |
| 18 | 23-55171 | | 1 | BUSHING, THROTTLE CONTROL LEVER SCREW |
| 19 | 24-55162 | | 1 | SPRING, RETURN - SPARK ADVANCE LEVER |
| 20 | 77031A2 | | 1 | LEVER ASSEMBLY, SPARK ADVANCE |
| 21 | 12-68410 | | 1 | WASHER, THROTTLE CONTROL LEVER SCREW |
| 22 | 10-73656 | | 1 | SCREW, SPARK ADVANCE ADJUSTING (1-1/2") |
| 23 | 11-68219 | | 1 | NUT, ADJUSTING SCREW |
| 24 | 48039 | | 1 | CAP, ADJUSTING SCREW |
| 25 | 10-77650 | | 1 | SCREW, SPARK ADVANCE LEVER ADJUSTING (2-1/4") |
| 26 | 11-29598 | | 1 | NUT, JAM - ADJUSTING SCREW |
| 27 | 52023 | | 1 | CAP, ADJUSTING SCREW |
| 28 | 39483 | | 1 | LATCH, THROTTLE CONTROL LEVER (THROTTLE CABLE) |
| 29 | 10-22486 | | 1 | SCREW, LATCH TO THROTTLE CONTROL LEVER (7/8") |
| 30 | 24-20099 | | 1 | SPRING, COMPRESSION - LATCH SCREW |
| 31 | 11-20586 | | 1 | NUT, LATCH ATTACHING SCREW |
| 32 | 74897 | | 1 | BARREL, LINK ROD TO STATOR |
| 33 | 74212 | | 1 | ROD, LINK - SPARK ADVANCE |
| 34 | 77013A1 | | 1 | SWIVEL, LINK ROD TO SPARK ADVANCE LEVER |

STARTER MOTOR, STARTER SOLENOID, RECTIFIER

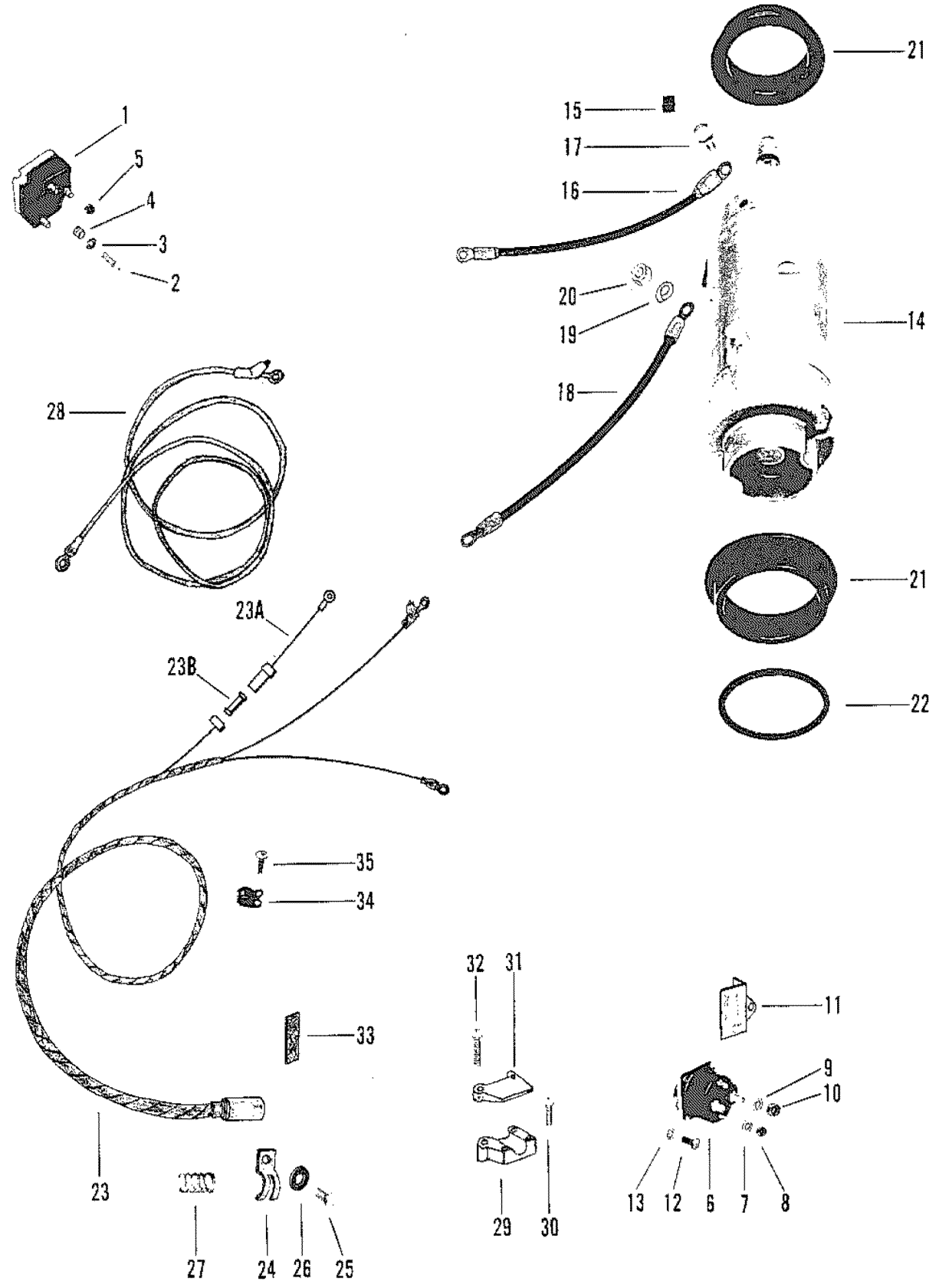


STARTER MOTOR, STARTER SOLENOID, RECTIFIER

| REF. NO. | PART NO. | SYM. | QTY. | DESCRIPTION |
|----------|------------|------|------|--|
| 1 | 62351A1 | | 1 | RECTIFIER |
| 2 | 10-38055 | | 2 | SCREW, RECTIFIER TO PLATE (5/8") |
| 3 | 13-26996 | | 2 | LOCKWASHER, RECTIFIER SCREW |
| 4 | 23-94304 | | 2 | SPACER, RECTIFIER SCREW |
| 5 | 11-45076 | | 3 | NUT, RECTIFIER TERMINAL |
| 6 | 89-76545 | | 1 | STARTER SOLENOID UNITED STATES 6104269 AND BELOW |
| 7 | 13-26996 | | 2 | LOCKWASHER, SOLENOID TERMINAL (#10) UNITED STATES 6104269 AND BELOW |
| 8 | 11-68219 | | 2 | NUT, SOLENOID TERMINAL (#10) UNITED STATES 6104269 AND BELOW |
| 9 | 13-26993 | | 2 | LOCKWASHER, SOLENOID TERMINAL (5/16") UNITED STATES 6104269 AND BELOW |
| 10 | 11-68292 | | 2 | NUT, SOLENOID TERMINAL (5/16") UNITED STATES 6104269 AND BELOW |
| 6 | 89-96054 | | 1 | STARTER SOLENOID UNITED STATES 6104270 AND UP |
| 7 | 13-26995 | | 2 | LOCKWASHER, SOLENOID TERMINAL (#8) UNITED STATES 6104270 AND UP |
| 8 | 11-26419 | | 2 | NUT, SOLENOID TERMINAL (#8-32) UNITED STATES 6104270 AND UP |
| 9 | 13-26992 | | 2 | LOCKWASHER, SOLENOID TERMINAL (#1/4) UNITED STATES 6104270 AND UP |
| 10 | 11-94330 | | 2 | NUT, SOLENOID TERMINAL (1/2-20) UNITED STATES 6104270 AND UP |
| 11 | 85-78866 | | 1 | INSULATOR, STARTER SOLENOID |
| | 85-97861 | | 1 | INSULATOR, STARTER SOLENOID |
| 12 | 10-69054 | | 2 | SCREW, SOLENOID TO ATTENUATOR (5/8") |
| 13 | 13-26992 | | 2 | LOCKWASHER, SOLENOID SCREW |
| 14 | 50-65436 | | 1 | STARTER MOTOR ASSEMBLY |
| 15 | 57247 | | 2 | STOP, RUBBER - STARTER MOTOR |
| 16 | 84-93388A1 | | 1 | CABLE, STARTER TO SOUND ATTENUATOR - BLACK |
| 17 | 10-69035 | | 1 | SCREW, CABLE TO STARTER MOTOR (5/8") |
| 18 | 84-93389A6 | | 1 | CABLE, SOLENOID TO STARTER MOTOR (YELLOW) - 9-1/2" |
| 19 | 13-26992 | | 1 | LOCKWASHER, STARTER MOTOR TERMINAL |
| 20 | 11-20890 | | 1 | NUT, STARTER MOTOR TERMINAL |
| 21 | 56703 | | 2 | COLLAR, RUBBER - STARTER MOUNT |
| 22 | 23-56774 | | AR | SPACER, COLLAR TO MOUNTING BRACKETS |
| 23 | 84-96271A2 | | 1 | WIRING HARNESS (INTERNAL) |
| 23A | 84-95084A2 | | 1 | WIRE ASSEMBLY, FUSE |
| 23B | 88-79091 | | 1 | FUSE |
| 24 | 54-88167 | | 1 | CLAMP, WIRING HARNESS |
| 25 | 10-23702 | | 1 | SCREW, WIRING HARNESS CLAMP |
| 26 | 12-72761 | | 1 | WASHER, WIRING HARNESS CLAMP SCREW |
| 27 | 24-28357 | | 1 | SPRING, WIRING HARNESS |
| 28 | 84-88439A7 | | 1 | BATTERY CABLE (POSITIVE) |
| | 84-88439A4 | | 1 | BATTERY CABLE (NEGATIVE) |

CONTINUED ON NEXT PAGE ➡

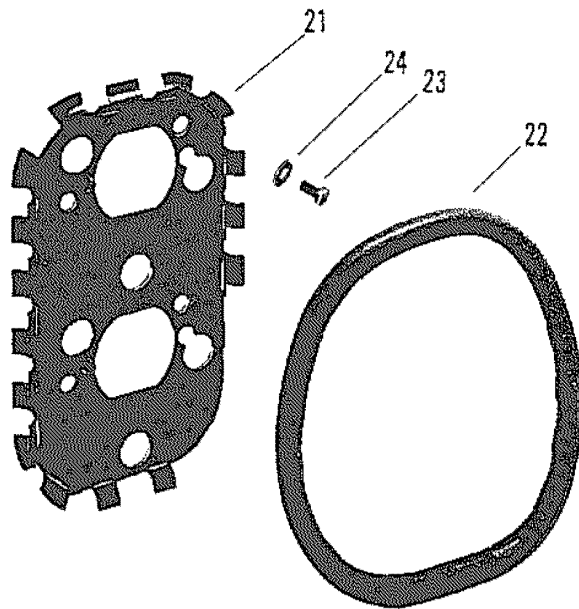
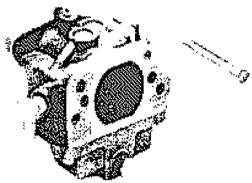
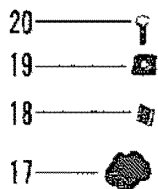
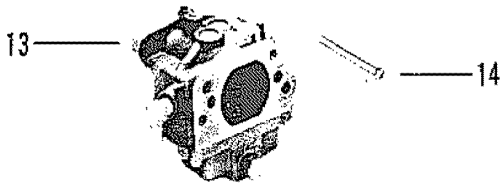
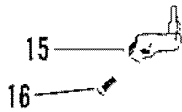
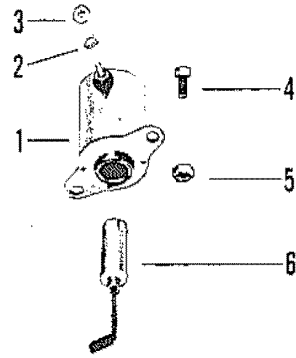
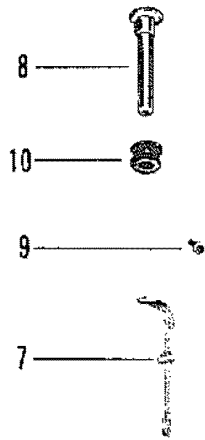
STARTER MOTOR, STARTER SOLENOID, RECTIFIER



STARTER MOTOR, STARTER SOLENOID, RECTIFIER

| REF. NO. | PART NO. | SYM. | QTY. | DESCRIPTION |
|----------|----------|------|------|----------------------------------|
| 29 | 88683 | | 1 | BRACKET, WIRING HARNESS SUPPORT |
| 30 | 10-23015 | | 2 | SCREW, BRACKET ATTACHING |
| 31 | 88682 | | 1 | COVER, HARNESS SUPPORT BRACKET |
| 32 | 10-25158 | | 2 | SCREW, COVER TO BRACKET (1-3/4") |
| 33 | 26-60925 | | 1 | SEAL, WIRING HARNESS BRACKET |
| 34 | 54-28700 | | 1 | CLAMP, WIRING HARNESS |
| 35 | 10-73286 | | 1 | SCREW, WIRING HARNESS CLAMP |

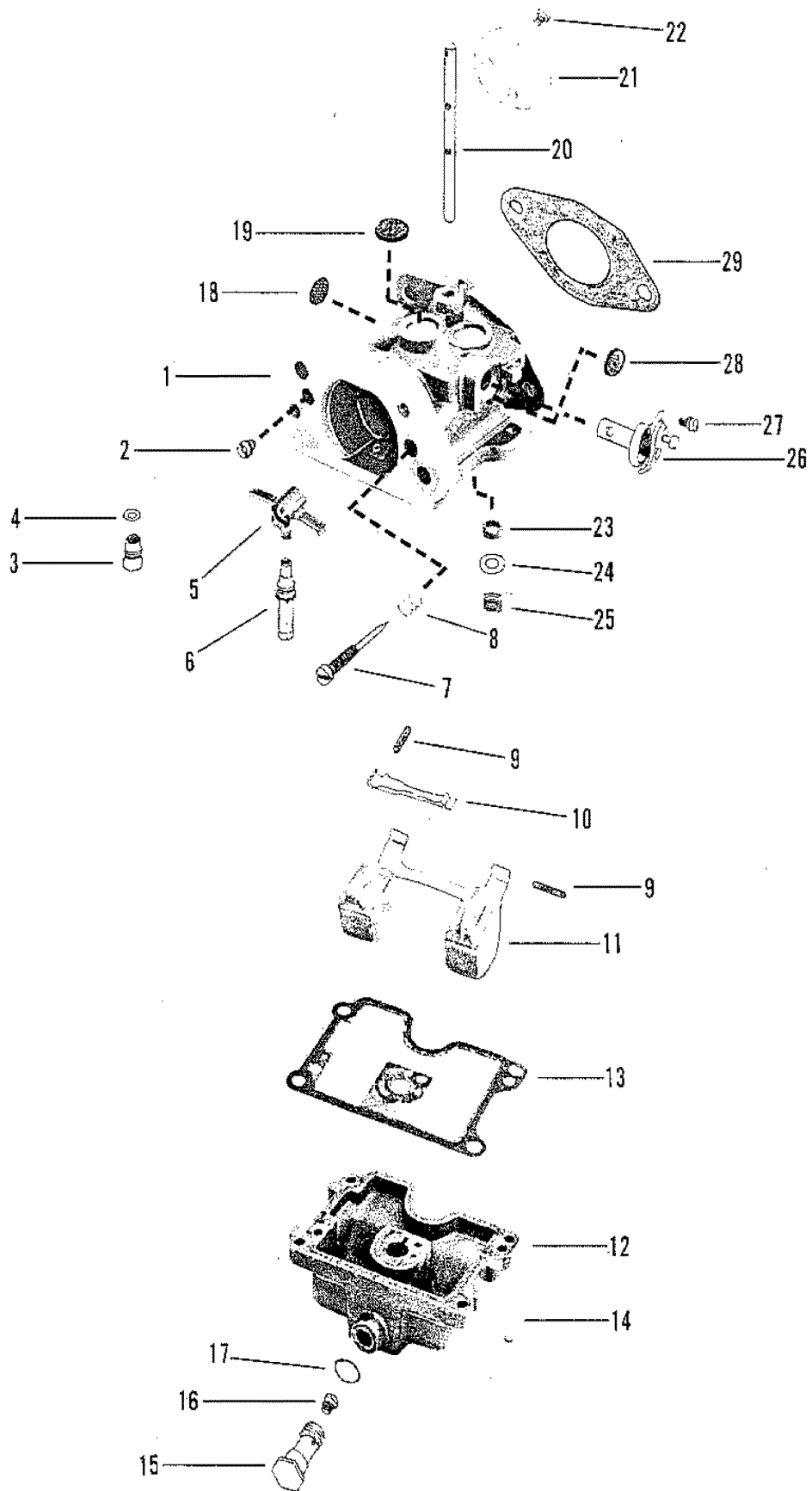
CARBURETOR LINKAGE AND CHOKE SOLENOID



CARBURETOR LINKAGE AND CHOKE SOLENOID

| REF. NO. | PART NO. | SYM. | QTY. | DESCRIPTION |
|----------|--------------|------|------|---|
| 1 | 60549A3 | | 1 | CHOKE SOLENOID |
| 2 | 13-26996 | | 1 | LOCKWASHER, CHOKE SOLENOID TERMINAL |
| 3 | 11-68219 | | 1 | NUT, CHOKE SOLENOID TERMINAL |
| 4 | 10-33524 | | 1 | SCREW, CHOKE SOLENOID (5/8") |
| | 10-69097 | | 1 | SCREW, CHOKE SOLENOID (1-1/2") |
| 5 | 11-29250 | | 2 | NUT, CHOKE SOLENOID SCREWS |
| 6 | 89008A2 | | 1 | PLUNGER ASSEMBLY, CHOKE SOLENOID |
| 7 | 76076A1 | | 1 | CHOKE ROD |
| 8 | 90242A1 | | 1 | CHOKE KNOB ASSEMBLY |
| 9 | 10-77137 | | 1 | SCREW, WIRE TO CHOKE KNOB |
| 10 | 25-20116 | | 1 | GROMMET, CHOKE KNOB |
| 13 | 1379-6071A29 | | AR | CARBURETOR ASSEMBLY (WM-11) |
| | 1379-6071A39 | | AR | CARBURETOR ASSEMBLY (WM-13) |
| 14 | 10-52743 | | 4 | SCREW, CARBURETOR TO CRANKCASE (3-3/4") |
| 15 | 77583 | | 1 | LEVER, THROTTLE |
| 16 | 10-60293 | | 1 | SCREW, LEVER TO CARBURETOR |
| 17 | 60292A1 | | 1 | COUPLING ASSEMBLY |
| 18 | 28-89694 | | 1 | KEY, THROTTLE SHAFT COUPLING |
| 19 | 11-92500 | | 1 | PUSH NUT, ROLLER - COUPLING |
| 20 | 10-60293 | | 1 | SCREW, ROLLED WASHER TO COUPLING |
| 21 | 91996A1 | | 1 | PLATE ASSEMBLY, CARBURETOR |
| 22 | 71090 | | 1 | SEAL, CARBURETOR PLATE |
| 23 | 10-20367 | | 4 | SCREW, PLATE TO CARBURETOR (7/16") |
| 24 | 12-29245 | | 4 | WASHER, PLATE SCREW |

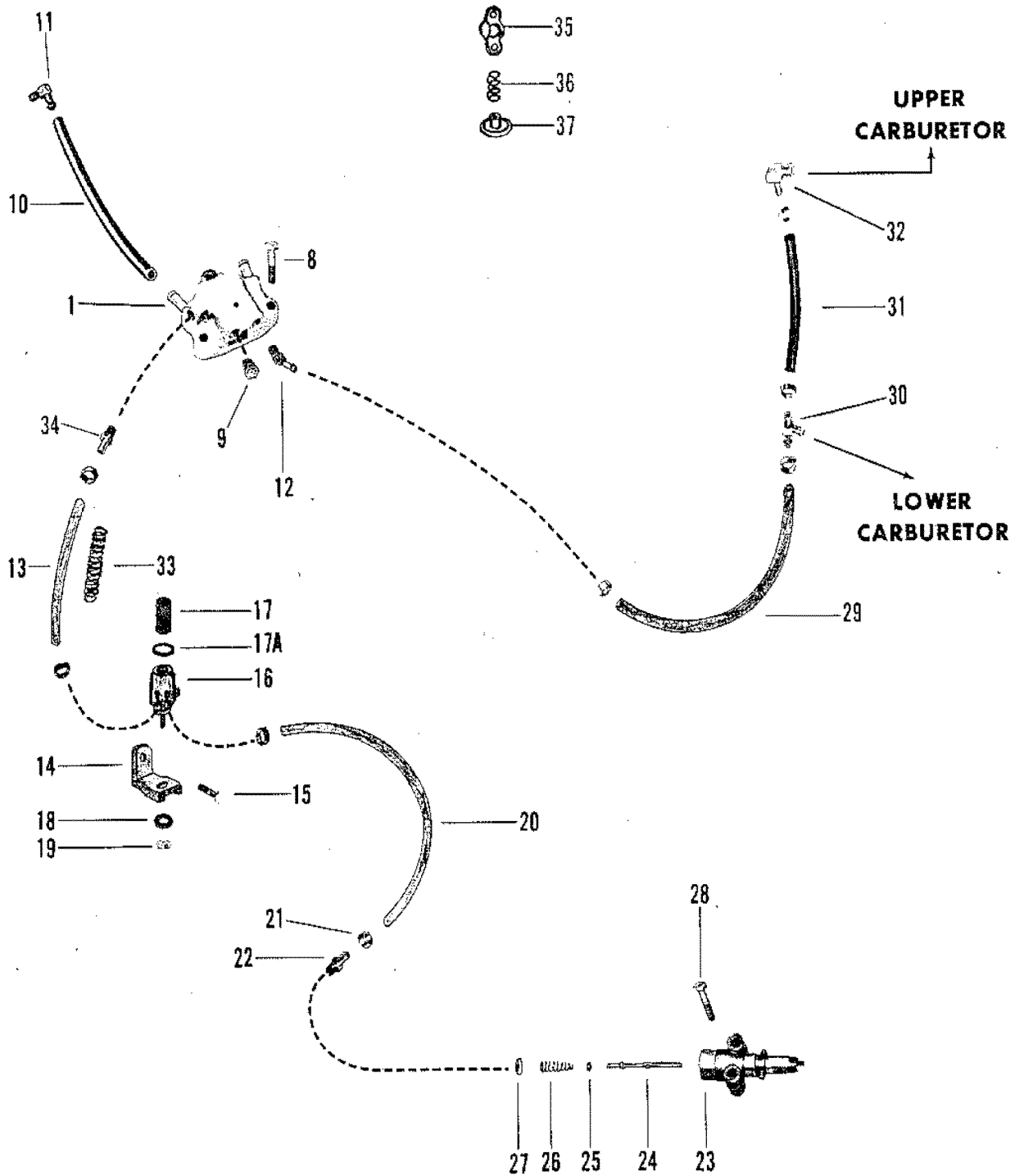
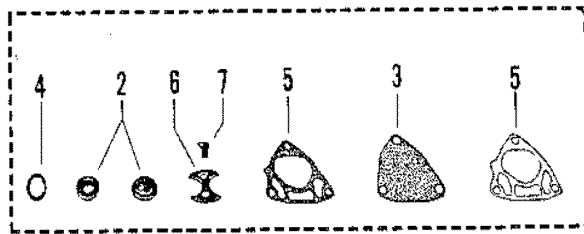
CARBURETOR ASSEMBLY



CARBURETOR ASSEMBLY

| REF. NO. | PART NO. | SYM. | QTY. | DESCRIPTION |
|----------|------------------|------|----------|---------------------------------|
| 1 | 1379-6071A29 | | 2 | CARBURETOR ASSEMBLY (WM-11) |
| | 1379-6071A39 | | 2 | CARBURETOR ASSEMBLY (WM-13) |
| 2 | 1399-6249 | | 2 | JET, VENT BOWL (.096) |
| 3 | 1395-4555 | | 2 | INLET NEEDLE AND SEAT (WM-11) |
| | 1395-8318 | | 2 | INLET NEEDLE AND SEAT (WM-13) |
| 4 | | | 2 | GASKET, INLET NEEDLE AND SEAT |
| 5 | 52106A1 | | 2 | VENTURI |
| 6 | | | 2 | NOZZLE |
| 7 | | | 2 | INLET NOZZLE |
| 8 | | | 2 | SPRING, IDLE MIXTURE |
| 9 | | | 6 | PIN, FLOAT |
| 10 | | | 2 | LEVER, FLOAT |
| 11 | 1395-6197 | | 2 | FLOAT |
| 12 | 1395-7835 | | 2 | FUEL BOWL |
| 13 | | | 2 | GASKET, FUEL BOWL |
| 14 | | | 2 | SCREW, FUEL BOWL |
| 15 | 1395-6199 | | 2 | PLUG, MAIN JET |
| 16 | 1395-6207 | | 2 | JET, MAIN (.072) |
| 17 | | | 2 | GASKET, MAIN JET PLUG |
| 18 | | | 2 | SCREEN, FUEL INLET |
| 19 | | | 4 | WELCH PLUG, (9/16") |
| 20 | 1395-4807 | | 2 | THROTTLE SHAFT |
| 21 | 1395-7833 | | 2 | THROTTLE VALVE |
| 22 | | | 4 | SCREW, VALVE TO THROTTLE SHAFT |
| 23 | 1395-6204 | | 2 | SEAL, THROTTLE SHAFT |
| 24 | 1395-6203 | | 2 | WASHER, THROTTLE SHAFT |
| 25 | | | 2 | SPRING, THROTTLE RETURN |
| 26 | 1395-6198 | | 2 | VALVE ASSEMBLY, ENRICHMENT |
| 27 | | | 2 | SCREW, ENRICHMENT BRACKET |
| 28 | | | 2 | WELCH PLUG (7/16") |
| 29 | 27-73377 | | 2 | GASKET, CARBURETOR |
| - | 1395-6200 | | 2 | GASKET KIT |
| - | 1395-7834 | | 2 | REPAIR PARTS KIT (WM-11) |
| - | 1395-8982 | | 2 | REPAIR PARTS KIT (WM-13) |

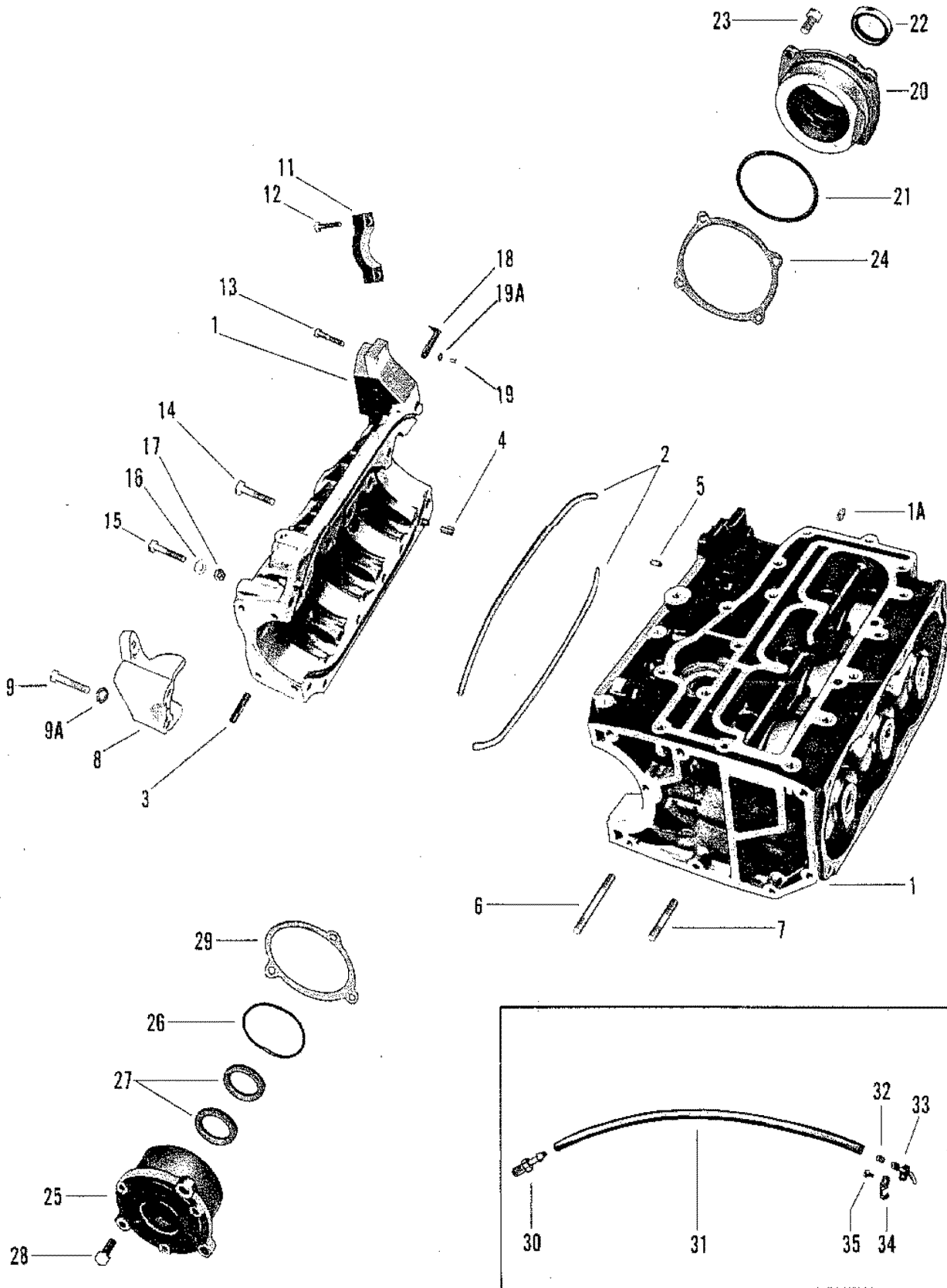
FUEL PUMP, FUEL FILTER AND FUEL LINES



FUEL PUMP, FUEL FILTER AND FUEL LINES

| REF. NO. | PART NO. | SYM. | QTY. | DESCRIPTION |
|----------|-------------|------|------|---|
| 1 | 76575A2 | | 1 | FUEL PUMP ASSEMBLY |
| 2 | 21-92346A3 | | 1 | CHECK VALVE ASSEMBLY |
| 3 | 55278A3 | | 1 | DIAPHRAGM KIT |
| 4 | | | 2 | GASKET, CHECK VALVE TO HOUSING |
| 5 | | | 2 | GASKET, FUEL PUMP |
| 6 | 23004 | | 1 | RETAINER, CHECK VALVE |
| 7 | 10-68789 | | 2 | SCREW, RETAINER TO HOUSING (3/8") |
| 8 | 10-35581 | | 3 | SCREW, PUMP MOUNTING (1-5/8") |
| 9 | 22-32802 | | 1 | PIPE PLUG, FUEL PUMP |
| 10 | 32-77457--2 | | 2 | HOSE, FUEL PUMP TO EXHAUST PLATE (9-1/2") |
| 11 | 22-99664 | | 2 | ELBOW, DRIVE SHAFT HOUSING AND EXHAUST PLATE |
| 12 | 22-70007 | | 1 | FITTING, FUEL PUMP (45) |
| 13 | 32-99127109 | | 1 | FUEL LINE, FUEL PUMP (3-1/2") |
| 14 | 88627 | | 1 | BRACKET, FUEL FILTER |
| 15 | 10-69092 | | 1 | SCREW, BRACKET ATTACHING (1-1/4") |
| 16 | 35-87946A6 | | 1 | FUEL FILTER ASSEMBLY |
| 17 | 35-87946A3 | | 1 | FUEL FILTER ASSEMBLY |
| 17A | 25-98277 | | 1 | SEAL, FUEL FILTER |
| 18 | 12-20346 | | 1 | WASHER, FUEL FILTER STUD |
| 19 | 11-40021--2 | | 1 | NUT, FUEL FILTER STUD |
| 20 | 32-99127109 | | 1 | FUEL LINE, ADAPTOR TO FUEL PUMP (7-1/2") |
| 21 | 54-68424 | | 10 | CLAMP, FUEL LINE ATTACHING |
| 22 | 22-63187 | | 1 | FITTING, FUEL LINE TO ADAPTOR |
| 23 | 22833 | | 1 | ADAPTOR, CHECK UNIT (FUEL PUMP) |
| 24 | 23069 | | 1 | STEM, CHECK UNIT ADAPTOR |
| 25 | 25-20415 | | 1 | "O" RING ADAPTOR STEM |
| 26 | 27-23067 | | 1 | SPRING, ADAPTOR STEM |
| 27 | 30188 | | 1 | CUP WASHER, ADAPTOR |
| 28 | 10-76596 | | 2 | SCREW, ADAPTOR TO SOUND ATTENUATOR (1-1/4") |
| 29 | 32-99127109 | | 1 | FUEL LINE, TO LOWER CARBURETOR (15") |
| 30 | 22-64706 | | 1 | TEE, LOWER CARBURETOR |
| 31 | 32-99127109 | | 1 | FUEL LINE, CARBURETOR TO CARBURETOR (3") |
| 32 | 22-64704 | | 1 | FITTING, UPPER CARBURETOR |
| 33 | 24-89808 | | 1 | SPRING, FUEL LINE |
| 34 | 22-64705 | | 1 | FITTING, FUEL PUMP (STRAIGHT) |
| 35 | 86026 | | 1 | RETAINER, SPRING UNITED STATES 6322886 AND UP |
| 36 | 24-86207 | | 1 | SPRING, COMPRESSION UNITED STATES 6322886 AND UP |
| 37 | 86252 | | 1 | CAP SPRING END UNITED STATES 6322886 AND UP |

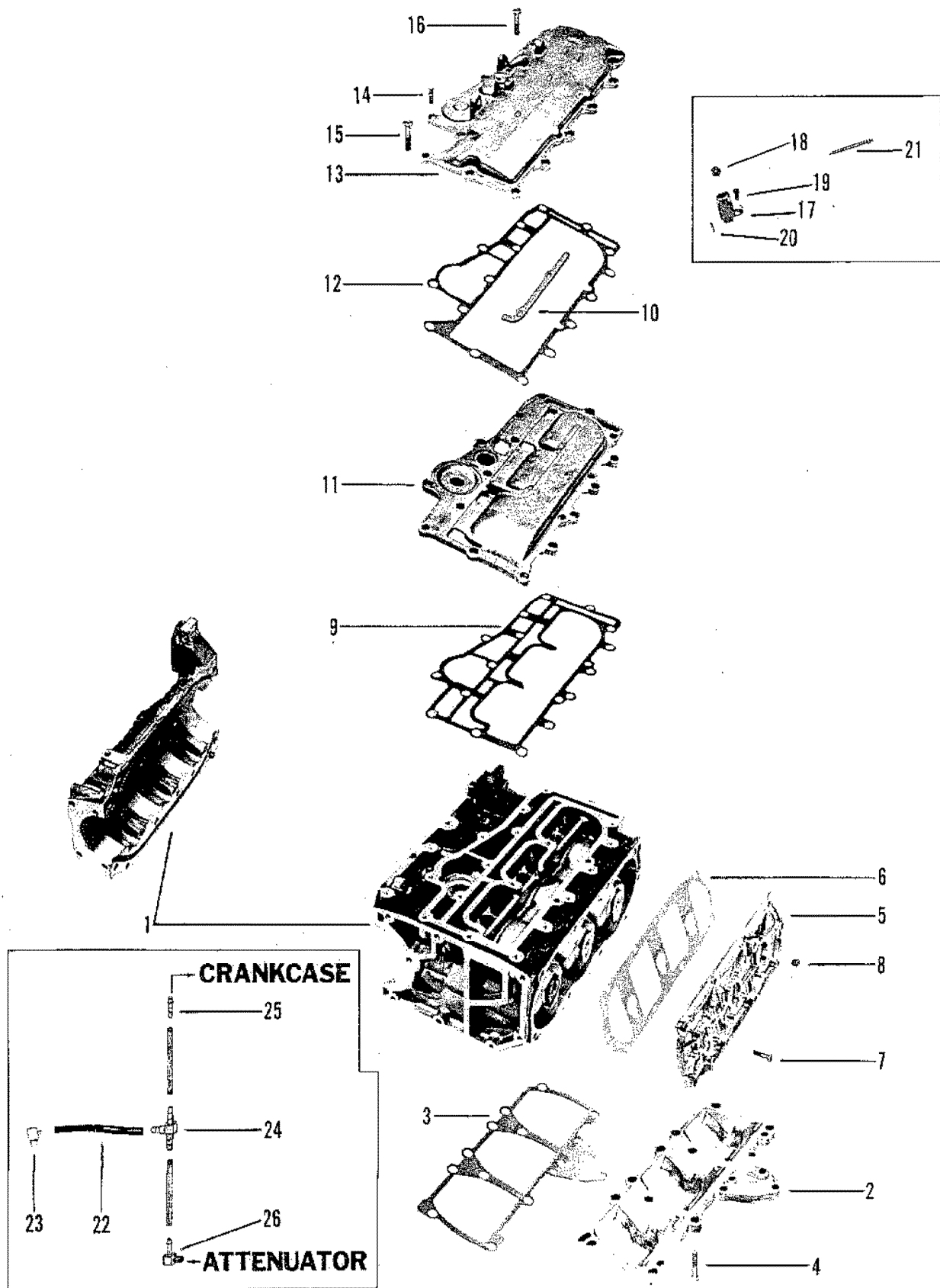
CYLINDER BLOCK AND CRANKCASE ASSEMBLY



CYLINDER BLOCK AND CRANKCASE ASSEMBLY

| REF. NO. | PART NO. | SYM. | QTY. | DESCRIPTION |
|----------|-------------|------|------|---|
| 1 | 865-8362A4 | | 1 | CYLINDER BLOCK AND CRANKCASE ASSEMBLY |
| 1A | 66517 | | 2 | RESTRICTOR, CRANKCASE BLEED |
| 2 | 27-60286 | | 2 | GASKET, CRANKCASE TO CYLINDER BLOCK |
| 3 | 16-68201 | | 2 | STUD, CRANKCASE TO DRIVE SHAFT HOUSING (2-1/4") |
| 4 | 17-20033 | | 2 | DOWEL PIN, CRANKCASE TO CYLINDER BLOCK |
| 5 | 17-20323 | | 2 | DOWEL PIN, CYLINDER BLOCK TO MAIN BEARING |
| 6 | 16-92345 | | 2 | STUD, CYLINDER BLOCK (4 3/8") |
| 7 | 16-68202 | | 1 | STUD, CYLINDER BLOCK (3") - EXHAUST SIDE |
| | 16-68167 | | 1 | STUD, CYLINDER BLOCK (2-9/16") - TRANSFER SIDE |
| 8 | 77636 | | 1 | COVER, STARTER MOTOR (BOTTOM) |
| 9 | 10-77065 | | 2 | SCREW, STARTER MOTOR COVER (2") |
| 9A | 13-26993 | | 4 | LOCKWASHER, STARTER MOTOR COVER SCREW |
| 11 | 79735A1 | | 1 | COVER, STARTER MOTOR (TOP) |
| 12 | 10-58414 | | 1 | SCREW, STARTER MOTOR COVER (2-1/2") |
| | 10-35385 | | 1 | SCREW, STARTER MOTOR COVER (1-3/4") |
| 13 | 10-35385 | | 10 | SCREW, CRANKCASE TO CYLINDER BLOCK (1-3/4") |
| 14 | 10-73657 | | 2 | SCREW, CRANKCASE TO CYLINDER BLOCK (1-1/2") |
| 15 | 10-22039 | | 2 | SCREW, CRANKCASE TO CYLINDER BLOCK (2-3/4") |
| 16 | 12-26020 | | 14 | WASHER, CRANKCASE SCREW (BOTTOM) |
| 17 | 11-29250 | | 2 | NUT, CRANKCASE SCREW (BOTTOM) |
| 18 | 79736 | | 1 | INDICATOR, TIMING |
| 19 | 10-58414 | | 1 | SCREW, INDICATOR TO STARTER COVER |
| 19A | 12-56720 | | 1 | WASHER, INDICATOR SCREW |
| 20 | 1161-6357A1 | | 1 | END CAP ASSEMBLY, UPPER |
| 21 | 25-64966 | | 1 | "O" RING, END CAP |
| 22 | 26-41953 | | 1 | OIL SEAL, END CAP |
| 23 | 10-73169 | | 4 | SCREW, UPPER END CAP MOUNTING (1") |
| 24 | 15-73644A1 | | AR | SHIM, UPPER END CAP (.006-8-10) |
| 25 | 1144-6691A1 | | 1 | END CAP ASSEMBLY, LOWER |
| 26 | 25-32546 | | 1 | "O" RING, END CAP |
| 27 | 26-41953 | | 2 | OIL SEAL, END CAP |
| 28 | 10-69034 | | 3 | SCREW, LOWER END CAP MOUNTING (1") |
| 29 | 15-20085A1 | | AR | SHIM, LOWER END CAP (.002-3-5-10) |
| 30 | 22-29111 | | 1 | CONNECTOR, HOSE TO CYLINDER BLOCK |
| 31 | 32-77457--2 | | 1 | HOSE, TELL TALE (15") |
| 32 | 23-90882 | | 1 | SLEEVE, TELL TALE HOSE |
| 33 | 69555 | | 1 | NOZZLE, TELL TALE - REAR SUPPORT BRACKET |
| 34 | 54-70705 | | 1 | CLAMP, TELL TALE NOZZLE |
| 35 | 10-48408 | | 1 | SCREW, TELL TALE CLAMP |

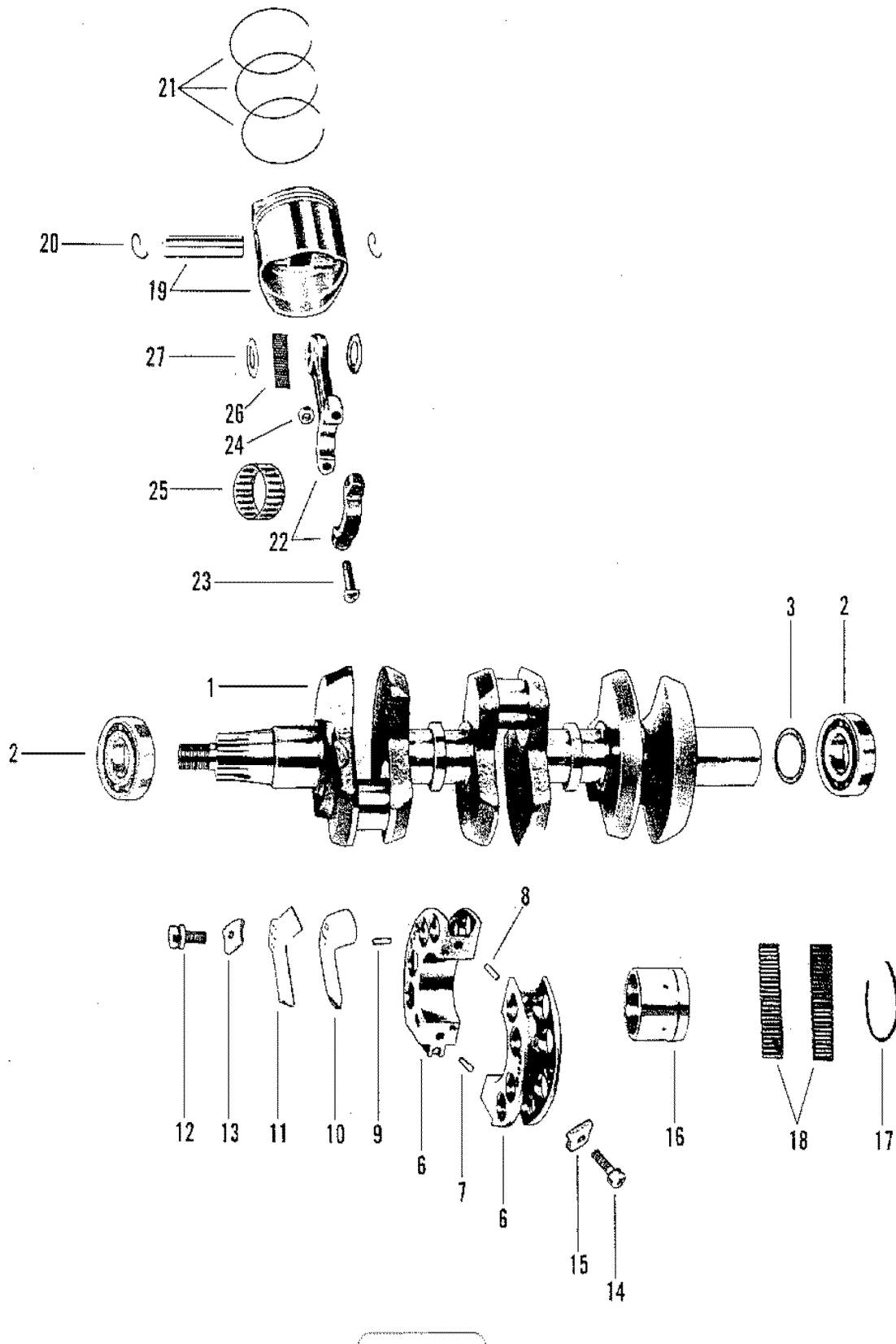
EXHAUST AND MANIFOLD COVERS



EXHAUST AND MANIFOLD COVERS

| REF. NO. | PART NO. | SYM. | QTY. | DESCRIPTION |
|----------|-------------|------|------|---|
| 1 | 865-8362A4 | | 1 | CYLINDER BLOCK AND CRANKCASE ASSEMBLY |
| 2 | 89406A1 | | 1 | COVER ASSEMBLY, TRANSFER UNITED STATES 6322885 AND BELOW |
| | 99523A1 | | 1 | COVER ASSEMBLY, TRANSFER UNITED STATES 6322886 AND UP |
| 3 | 27-76862 | | 1 | GASKET, TRANSFER COVER |
| 4 | 10-38837 | | 10 | SCREW, TRANSFER COVER (1-1/8") |
| 5 | 1025-7610A1 | | 1 | COVER, CYLINDER BLOCK UNITED STATES 6104269 AND BELOW |
| 6 | 27-88449 | | 1 | GASKET, CYLINDER BLOCK COVER UNITED STATES 6104269 AND BELOW |
| 5 | 1025-8364A1 | | 1 | COVER, CYLINDER BLOCK UNITED STATES 6104270 AND UP |
| 6 | 27-96485 | | 1 | GASKET, CYLINDER BLOCK COVER UNITED STATES 6104270 AND UP |
| 7 | 10-69100 | | 4 | SCREW, CYLINDER BLOCK COVER (1") |
| | 10-76596 | | 6 | SCREW, CYLINDER BLOCK COVER (1-1/4") |
| 8 | 22-32802 | | 1 | PLUG, CYLINDER BLOCK COVER |
| 9 | 27-69525 | | 1 | GASKET, BAFFLE PLATE TO CYLINDER BLOCK |
| 10 | 27-70335 | | 1 | GASKET, BAFFLE PLATE TO COVER |
| 11 | 69579 | | 1 | PLATE, BAFFLE - EXHAUST MANIFOLD |
| 12 | 27-69524 | | 1 | GASKET, PLATE TO EXHAUST MANIFOLD COVER |
| 13 | 78529 | | 1 | COVER, EXHAUST MANIFOLD |
| 14 | 10-38837 | | 1 | SCREW, PLATE AND MANIFOLD COVER (1-1/8") |
| 15 | 10-53016 | | 15 | SCREW, PLATE AND MANIFOLD COVER (1-1/4") |
| 16 | 10-70602 | | 2 | SCREW, PLATE/MANIFOLD COVER (2") |
| 17 | 87-33386A3 | | 1 | MERCURY SWITCH |
| 18 | 11-45076 | | 1 | NUT, MERCURY SWITCH TERMINAL |
| 19 | 10-37655 | | 1 | SCREW, MERCURY SWITCH TO CRANKCASE (1/2") |
| 20 | 17-36242 | | 2 | ROLL PIN, MERCURY SWITCH |
| 21 | 61990 | | 1 | STA-STRAP, MERCURY SWITCH LEAD |
| 22 | 32-99130-78 | | 3 | HOSE, CRANKCASE BLEED |
| 23 | 21-77207 | | 1 | FITTING, CRANKCASE BLEED |
| 24 | 22-59169 | | 1 | TEE, CRANKCASE BLEED HOSE |
| 25 | 22-71191 | | 1 | ELBOW, CRANKCASE (PRESS-IN) |
| 26 | 21-77561 | | 1 | CONNECTOR, ATTENUATOR |

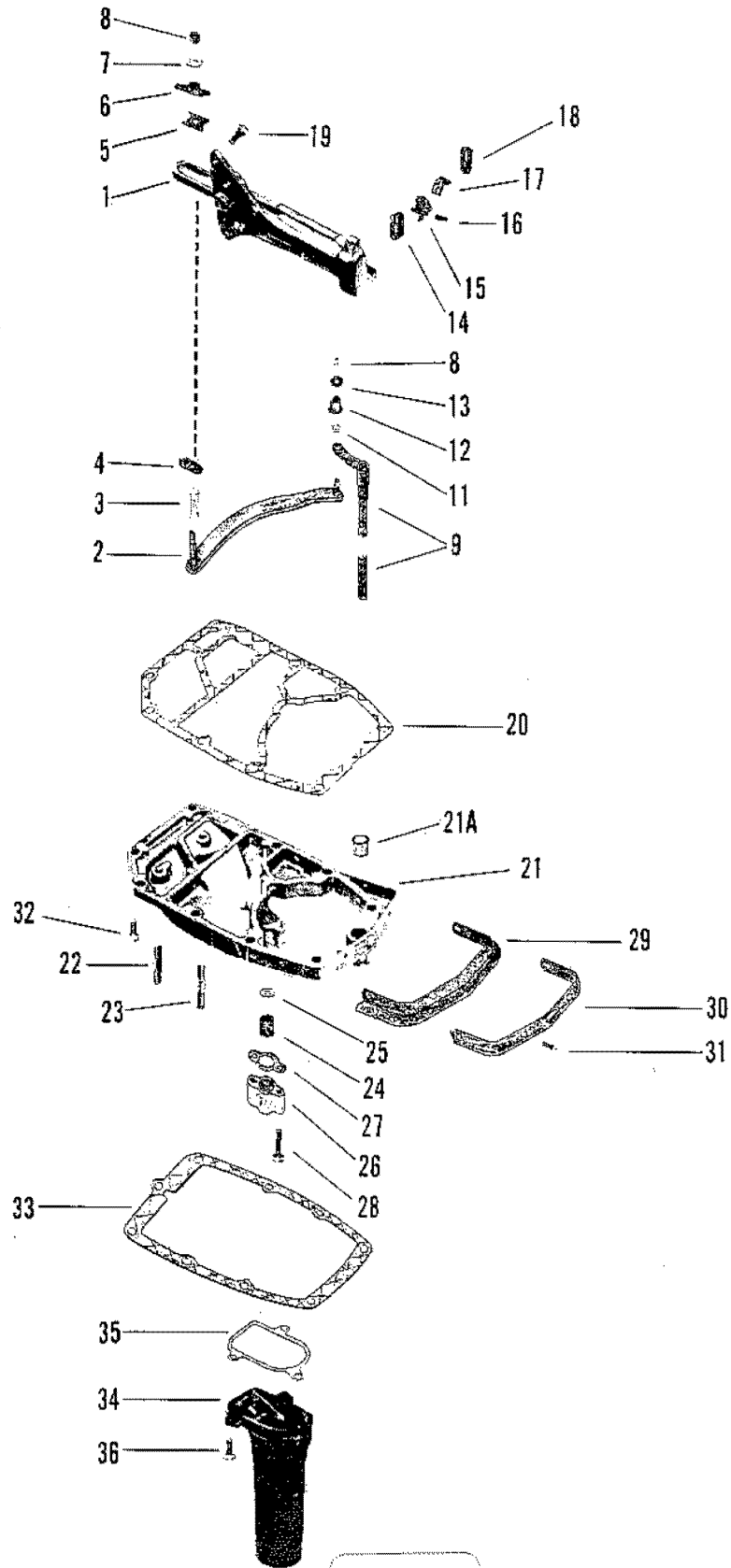
CRANKSHAFT, PISTONS AND CONNECTING RODS



CRANKSHAFT, PISTONS AND CONNECTING RODS

| REF. NO. | PART NO. | SYM. | QTY. | DESCRIPTION |
|----------|-------------|------|------|--|
| 1 | 462-7574A2 | | 1 | CRANKSHAFT ASSEMBLY |
| 2 | 30-64424 | | 2 | BEARING, BALL - LOWER AND UPPER |
| 3 | 15-22369A1 | | AR | SHIM, LOWER BEARING TO CRANKSHAFT |
| 6 | 542-7509A3 | | 2 | MAIN BEARING ASSEMBLY (VALVE TYPE) |
| 7 | 17-20032 | | 4 | DOWEL PIN, MAIN BEARING |
| 8 | 17-60282 | | 2 | DOWEL PIN, (STEPPED) |
| 9 | 17-65855 | | 16 | DOWEL PIN, REED STOP |
| 10 | 34-66051A1 | | 2 | REED SET, MATCHED - MAIN BEARING |
| 11 | 34-65946 | | 8 | REED STOP |
| 12 | 10-77280 | | 8 | SCREW, REED STOP MOUNTING (9/16") |
| 13 | 11-20110 | | 8 | NUT, REED STOP MOUNTING SCREW |
| 14 | 10-45775 | | 4 | SCREW, MAIN BEARING CLAMPING (9/16") |
| 15 | 11-45774 | | 4 | NUT, MAIN BEARING SCREW CLAMPING |
| 16 | 26113 | | 2 | RACE, OUTER (PAIR) |
| 17 | 53-26933 | | 2 | RING, SNAP - OUTER RACE CLAMPING |
| 18 | 29-71422 | | 112 | BEARING NEEDLE |
| 19 | 768-7433A3 | | 3 | PISTON AND PISTON PIN ASSEMBLY (STANDARD) |
| | 768-7434A2 | | AR | PISTON AND PISTON PIN ASSEMBLY (.015 O.S.) |
| | 745-7576A2 | | AR | PISTON AND PISTON PIN ASSEMBLY (.030 O.S.) |
| 20 | 40-52035 | | 6 | LOCK RING, PISTON PIN |
| 21 | 39-78816A12 | | 1 | RING, PISTON (STANDARD) |
| | 39-78811A12 | | AR | RING PISTON (.015 O.S.) |
| | 39-88392A12 | | AR | RING PISTON (.030 O.S.) |
| 22 | 624-8101A3 | | 3 | CONNECTING ROD AND CAP ASSEMBLY |
| 23 | 10-54803 | | 6 | SCREW, CAP TO CONNECTING ROD W/NUT |
| 24 | 11-49091 | | 6 | NUT, CONNECTING ROD SCREW W/NUT |
| 23 | 10-91012 | | 6 | SCREW, CAP TO CONNECTING ROD - W/O NUT |
| 25 | 31-62596A1 | | 3 | BEARING ASSEMBLY |
| 26 | 29-47270 | | 87 | BEARING, NEEDLE - PISTON PIN |
| 27 | 12-47247 | | 6 | WASHER, NEEDLE LOCATING |

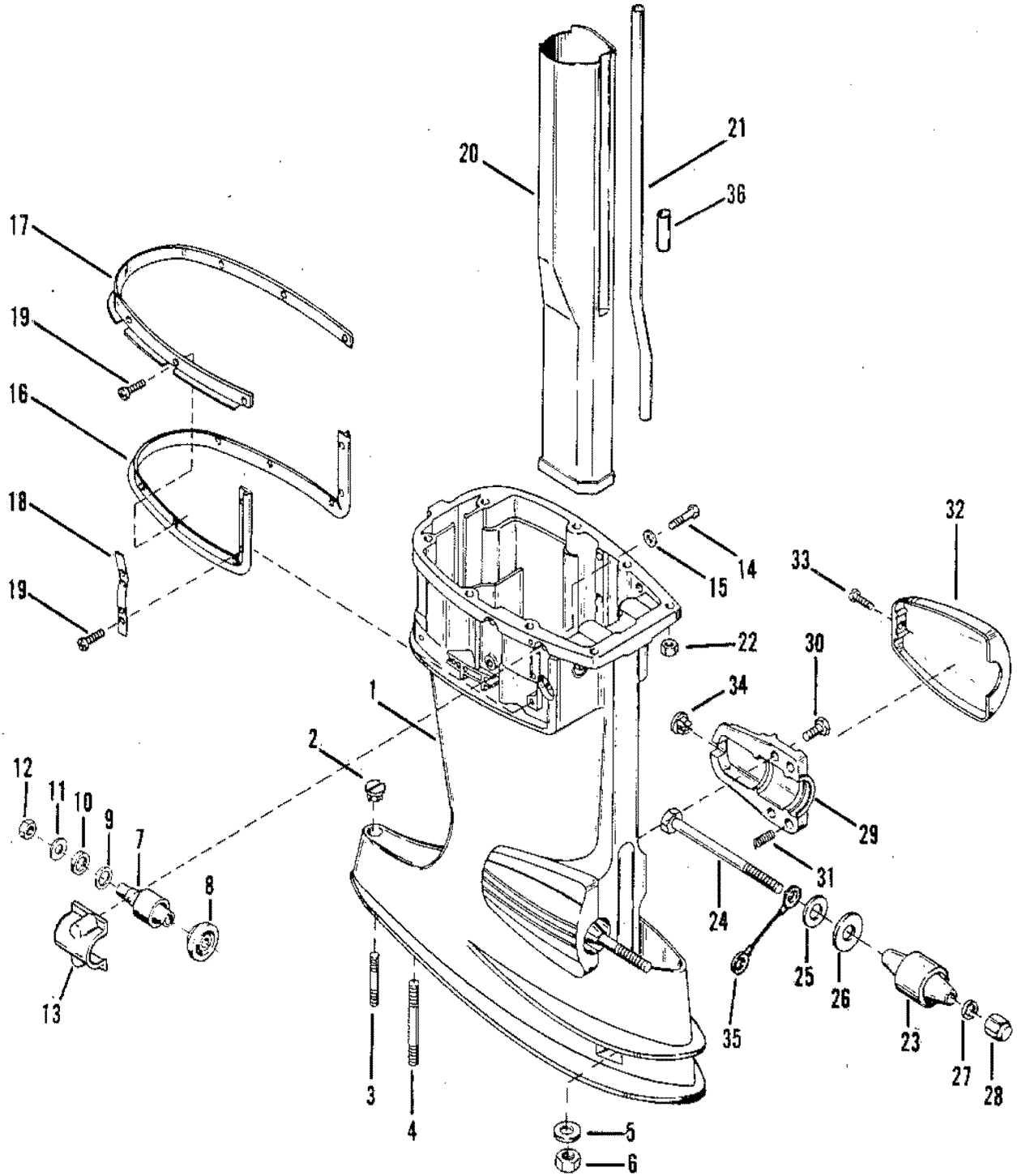
SHIFT LINKAGE AND EXHAUST PLATE



SHIFT LINKAGE AND EXHAUST PLATE

| REF. NO. | PART NO. | SYM. | QTY. | DESCRIPTION |
|----------|----------|------|------|--|
| 1 | 91951 | | 1 | BRACKET, ANCHOR - CONTROL CABLES |
| 2 | 60283A1 | | 1 | LINK ASSEMBLY, SHIFT SHAFT |
| 3 | 24-20099 | | 1 | SPRING, LINK TO ANCHOR BRACKET |
| 4 | 37896 | | 1 | GUIDE BLOCK, LINK |
| 5 | 52100 | | 1 | WEAR PLATE, NYLON - LINK |
| 6 | 38279 | | 1 | LATCH, LINK TO ANCHOR BRACKET |
| 7 | 12-21631 | | 1 | WASHER, LINK LATCH |
| 8 | 11-36069 | | 2 | NUT, LINK ATTACHING |
| 9 | 75355A32 | | 1 | SHIFT SHAFT ASSEMBLY, UPPER (LONG SHAFT) |
| 11 | 13-29720 | | 1 | WASHER, WAVE - SHIFT SHAFT TO LINK |
| 12 | 23-26600 | | 1 | BUSHING, NYLON - SHIFT SHAFT TO LINK |
| 13 | 12-35462 | | 1 | WASHER, LINK (SHIFT SHAFT END) |
| 14 | 39519 | | 1 | CUP, RETAINER - ANCHOR BRACKET |
| 15 | 39618 | | 1 | LEVER, NYLON - SHIFT CABLE LOCKING |
| 16 | 17-47175 | | 3 | PIN, LOCKING LEVER AND COVER |
| 17 | 65799 | | 1 | LINK, LOCKING LEVER TO COVER |
| 18 | 90211 | | 1 | COVER, NYLON - SHIFT CABLE |
| 19 | 10-69101 | | 3 | SCREW, ANCHOR BRACKET (7/8") |
| 20 | 27-88451 | | 1 | GASKET, POWERHEAD |
| 21 | 88730A3 | | 1 | EXHAUST PLATE ASSEMBLY UNITED STATES 5853641 AND BELOW CANADA 7178999 AND BELOW |
| | 93239A2 | | 1 | EXHAUST PLATE ASSEMBLY UNITED STATES 5853642 AND UP |
| 21A | 23-27132 | | 1 | BUSHING, NYLON - EXHAUST PLATE |
| 22 | 16-69058 | | 1 | STUD, EXHAUST PLATE (1-11/16") |
| 23 | 16-68166 | | 1 | STUD, EXHAUST PLATE (2-1/8") |
| 24 | 26-38452 | | 1 | SEAL, WATER INLET TUBE |
| 25 | 12-38453 | | 1 | WASHER, NYLON - WATER SEAL |
| 26 | 79799 | | 1 | HOUSING, WATER SEAL |
| 27 | 27-79797 | | 1 | GASKET, HOUSING |
| 28 | 10-79798 | | 2 | SCREW, HOUSING TO EXHAUST PLATE |
| 29 | 60307 | | 1 | SEAL, EXHAUST PLATE |
| 30 | 60306 | | 1 | STRIP, RETAINING - EXHAUST PLATE SEAL |
| 31 | 10-62568 | | 4 | SCREW, RETAINING STRIP (3/8") |
| 32 | 10-68918 | | 4 | SCREW, EXHAUST PLATE (1") |
| | 10-28668 | | 1 | SCREW, EXHAUST PLATE (7/8") |
| 33 | 27-38501 | | 1 | GASKET, ADAPTOR PLATE |
| 34 | 76903 | | 1 | EXHAUST TUBE, ADAPTOR |
| 35 | 27-60280 | | 1 | GASKET, EXHAUST TUBE |
| 36 | 10-28636 | | 3 | SCREW, EXHAUST TUBE (3/4") |

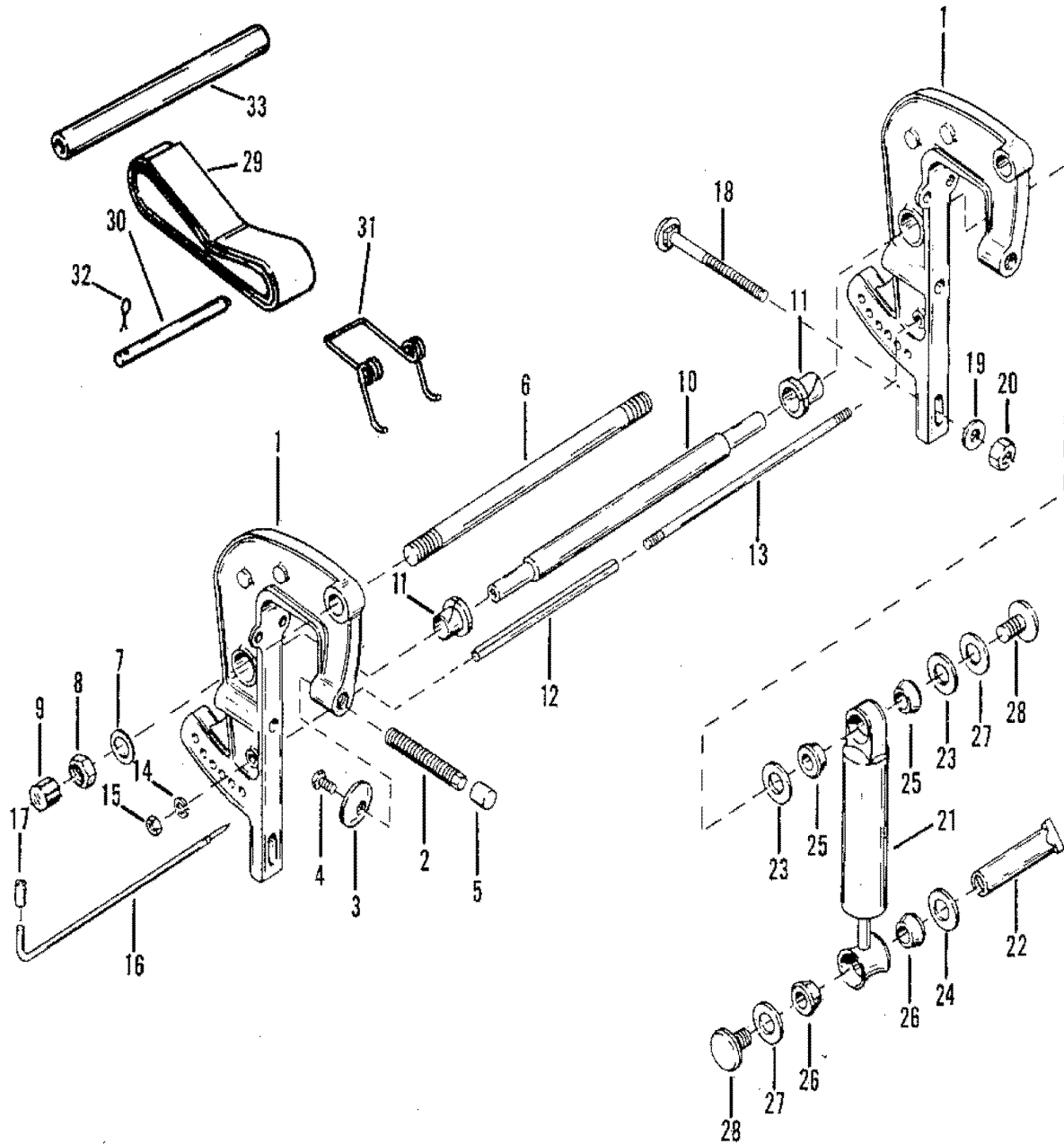
DRIVE SHAFT HOUSING ASSEMBLY



DRIVE SHAFT HOUSING ASSEMBLY

| REF. NO. | PART NO. | SYM. | QTY. | DESCRIPTION |
|----------|--------------|------|------|---|
| 1 | 1593-7513A12 | | 1 | DRIVE SHAFT HOUSING ASSEMBLY (LONG SHAFT) |
| 2 | 19-64649 | | 1 | PLUG, PLASTIC - TRIM TAB SCREW HOLE |
| 3 | 16-57932 | | 1 | STUD, DRIVE SHAFT HOUSING (1-3/4") |
| 4 | 16-57935 | | 1 | STUD, DRIVE SHAFT HOUSING (3") |
| 5 | 12-65791 | | 2 | WASHER, GEAR HOUSING STUDS (7/16") |
| 6 | 11-34933 | | 2 | NUT, GEAR HOUSING STUDS (7/16") |
| 7 | 93445 | | 2 | MOUNT, RUBBER - UPPER |
| 8 | 96401 | | 2 | SEAL, UPPER MOUNT |
| 9 | 12-27727 | | 2 | WASHER, UPPER MOUNT BOLT (37/64 ID) |
| 10 | 12-66966 | | 2 | WASHER, RUBBER - UPPER MOUNT BOLT |
| 11 | 12-30514 | | 2 | WASHER, UPPER MOUNT BOLT |
| 12 | 11-34933 | | 2 | NUT, UPPER MOUNT BOLT |
| 13 | 87883 | | 2 | COVER, UPPER MOUNT |
| 14 | 10-76630 | | 4 | SCREW, UPPER MOUNT COVER |
| 15 | 12-29245 | | 4 | WASHER, UPPER MOUNT COVER SCREW |
| 16 | 38157 | | 1 | SEAL, TRIM COVER TO DRIVE SHAFT HOUSING |
| 17 | 38158 | | 1 | STRIP, RETAINING - TRIM COVER SEAL (REAR) |
| 18 | 38154 | | 2 | STRIP, RETAINING - TRIM COVER SEAL (SIDE) |
| 19 | 10-48408 | | 10 | SCREW, RETAINING STRIP |
| 20 | 69544 | | 1 | TUBE, EXHAUST (LONG SHAFT) |
| 21 | 32-45679 | | 1 | TUBE, WATER INLET (LONG SHAFT) |
| 22 | 11-64809 | | 8 | NUT, POWERHEAD STUDS (5/16") |
| 23 | 75304 | | 2 | MOUNT, RUBBER - LOWER |
| 24 | 10-75284 | | 2 | SCREW, LOWER MOUNT SCREW |
| 25 | 12-28051 | | 2 | WASHER, LOWER MOUNT SCREW |
| 26 | 12-28053 | | 2 | WASHER, RUBBER - LOWER MOUNT SCREW |
| 27 | 12-30119 | | 2 | WASHER, LOWER MOUNT SCREW |
| 28 | 11-25096 | | 2 | NUT, LOWER MOUNT SCREW |
| 29 | 69592 | | 2 | CLAMP, LOWER MOUNT |
| 30 | 10-29256 | | 4 | SCREW, LOWER MOUNT CLAMP |
| 31 | 24-35522 | | 4 | SPRING, TENSION - LOWER MOUNT CLAMP |
| 32 | 35474F2 | | 2 | COVER, LOWER MOUNT CLAMP |
| 33 | 10-87884 | | 2 | SCREW, COVER TO LOWER MOUNT CLAMP |
| 34 | 11-35521 | | 2 | NUT, LOWER MOUNT CLAMP COVER |
| 35 | 88238A2 | | 1 | WIRE ASSEMBLY, GROUND |
| 36 | 23-23651 | | 1 | SLEEVE, WATER INLET TUBE |

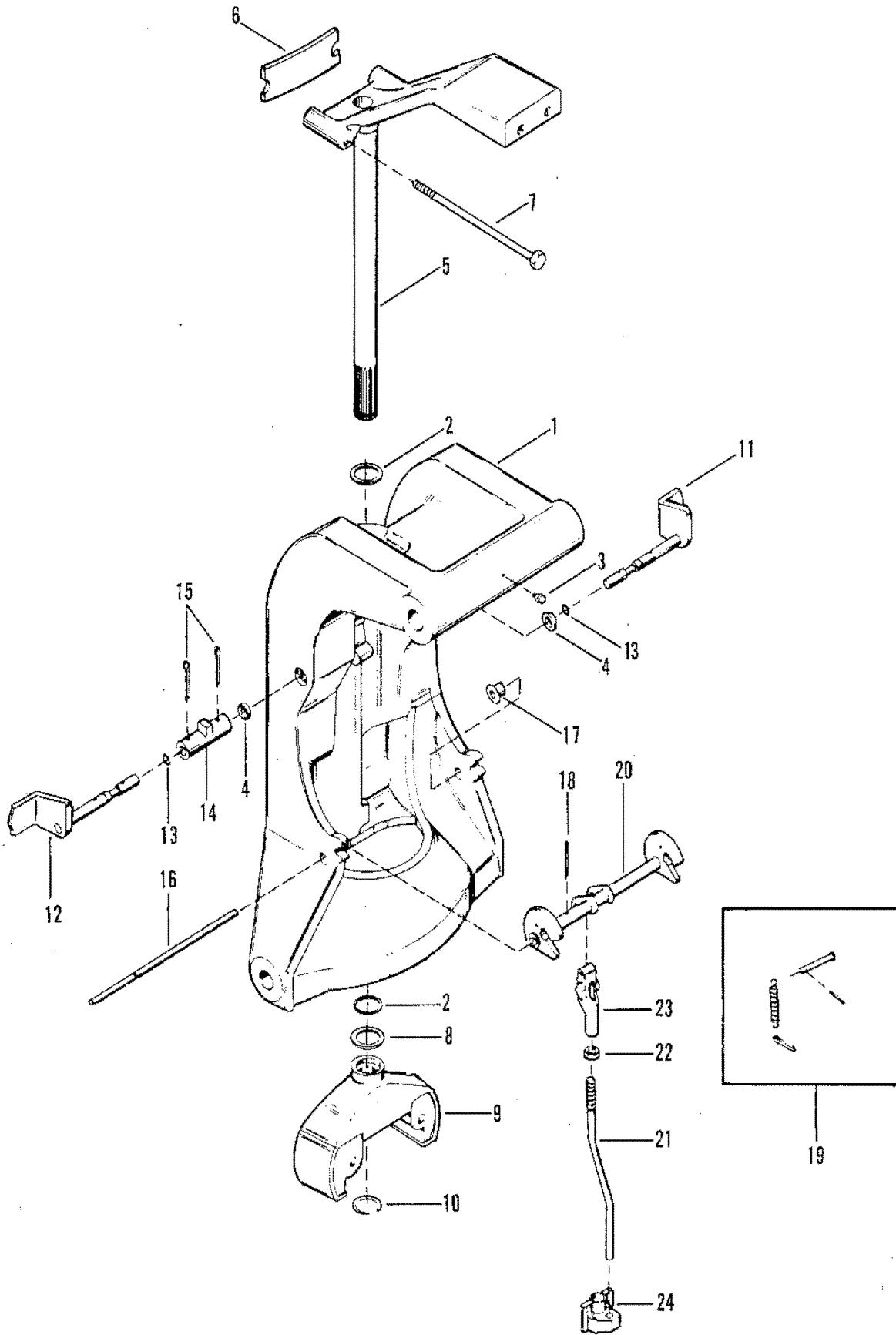
CLAMP BRACKET ASSEMBLY



CLAMP BRACKET ASSEMBLY

| REF. NO. | PART NO. | SYM. | QTY. | DESCRIPTION |
|----------|-------------|------|------|---|
| 1 | 1440-8394A3 | | 2 | CLAMP BRACKET ASSEMBLY |
| 2 | 10-78492A1 | | 2 | THUMB SCREW ASSEMBLY |
| 3 | 12-78493 | | 2 | WASHER, THUMB SCREW |
| 4 | 10-78495 | | 2 | SCREW, WASHER TO THUMB SCREW |
| 5 | 75043 | | 2 | CAP, THUMB SCREW (ELECTRIC) |
| 6 | 74528 | | 1 | TILT TUBE |
| 7 | 12-52864 | | 2 | WASHER, TILT TUBE |
| 8 | 11-56041 | | 2 | NUT, TILT TUBE |
| 9 | 53078 | | 2 | CAP, PLASTIC - TILT TUBE |
| 10 | 55-28416 | | 1 | PIN, UPPER SHOCK (WITH SHOCK ABSORBER) |
| 11 | 23-73203 | | 2 | BUSHING, CLAMP BRACKET |
| 12 | 23-59623 | | 2 | SPACER, CLAMP BRACKET STUD |
| 13 | 16-59625 | | 1 | STUD, CLAMP BRACKET |
| 14 | 13-26993 | | 2 | LOCKWASHER, CLAMP BRACKET STUD |
| 15 | 11-28770 | | 2 | NUT, CLAMP BRACKET STUD |
| 16 | 17-49930A1 | | 1 | TILT LOCK PIN ASSEMBLY |
| 17 | 32-28052 | | 1 | SLEEVE, RUBBER - TILT LOCK PIN |
| 18 | 10-68298 | | 2 | BOLT, CLAMP BRACKET TO TRANSOM (3/1/4") |
| 19 | 12-68410 | | 2 | WASHER, CLAMP BRACKET BOLT |
| 18 | 10-89673 | | 2 | BOLT, CLAMP BRACKET TO TRANSOM (5") |
| 19 | 12-28420 | | 2 | WASHER, CLAMP BRACKET BOLT |
| | 12-68300 | | 2 | WASHER, CLAMP BRACKET BOLT |
| 20 | 11-99405 | | 4 | NUT, CLAMP BRACKET BOLT |
| 21 | 55-58780A4 | | 2 | SHOCK ABSORBER WITH SHOCK ABSORBER |
| 22 | 55-69653 | | 2 | PIN, LOWER SHOCK WITH SHOCK ABSORBER |
| 23 | 12-28196 | | 2 | WASHER, UPPER BUSHING RETAINER (INNER) WITH SHOCK ABSORBER |
| 24 | 12-59378 | | 2 | WASHER, LOWER BUSHING RETAINER (INNER) WITH SHOCK ABSORBER |
| 25 | 23-32171 | | 4 | BUSHING, RUBBER - SHOCK ABSORBER (UPPER) WITH SHOCK ABSORBER |
| 26 | 23-28198 | | 4 | BUSHING, RUBBER - SHOCK ABSORBER (LOWER) WITH SHOCK ABSORBER |
| 27 | 12-69374 | | 4 | WASHER, UPPER AND LOWER BUSHING (OUTER) WITH SHOCK ABSORBER |
| 28 | 10-69375A1 | | 4 | SCREW, UPPER AND LOWER SHOCK PIN (5/8") |
| 29 | 98876 | | 1 | STRAP, TILT STOP WITHOUT SHOCK ABSORBER |
| 30 | 98878 | | 1 | PIN, LOWER MOUNT - WITH SHOCK ABSORBER |
| 31 | 24-98875 | | 1 | SPRING - WITH SHOCK ABSORBER |
| 32 | 18-32857 | | 2 | COTTER PIN - WITH SHOCK ABSORBER |
| 33 | 98877 | | 1 | PIN, UPPER MOUNT - WITH SHOCK ABSORBER |

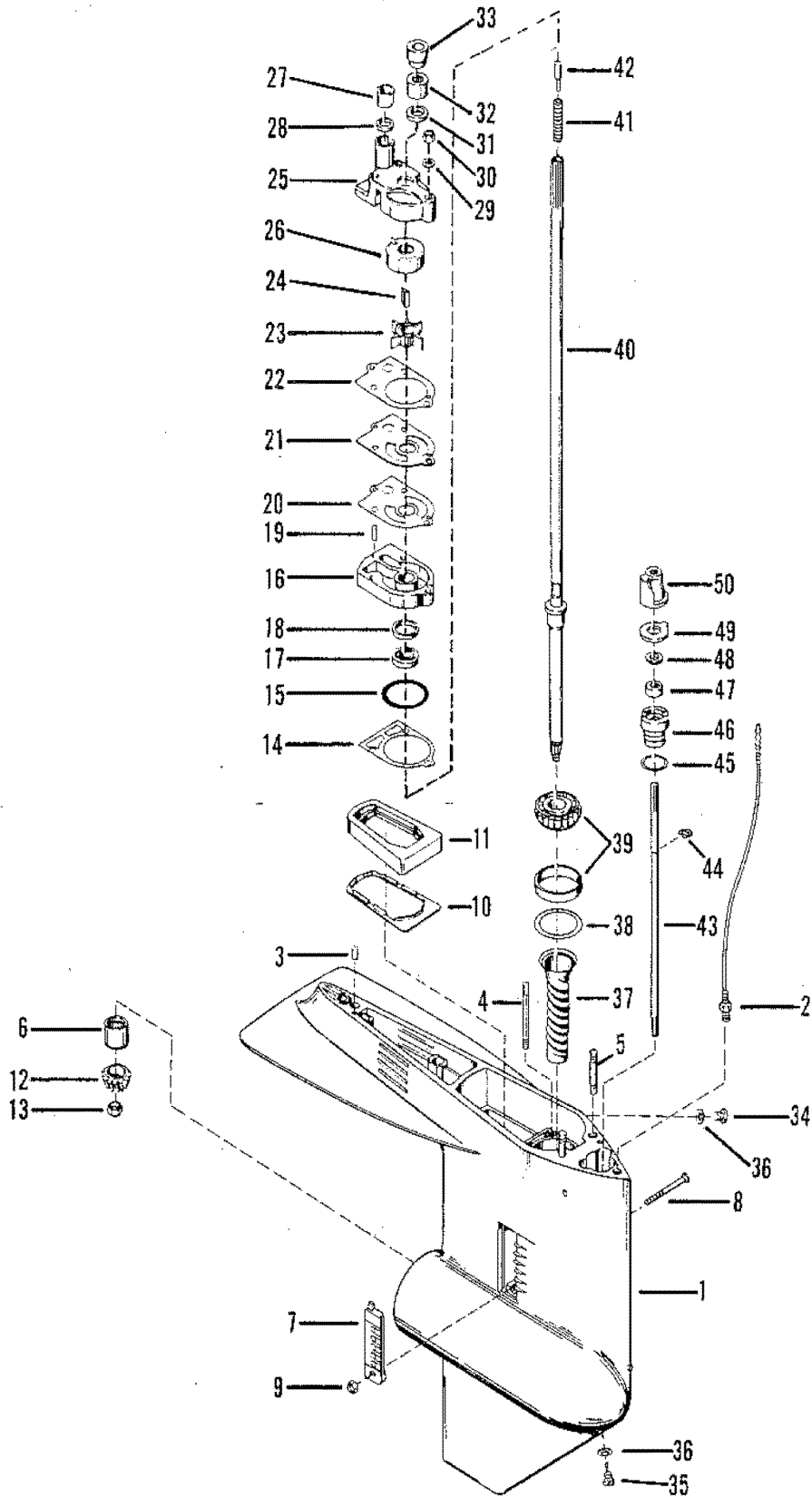
SWIVEL BRACKET AND REVERSE LOCK



SWIVEL BRACKET AND REVERSE LOCK

| REF. NO. | PART NO. | SYM. | QTY. | DESCRIPTION |
|----------|-------------|------|------|---|
| 1 | 1490-8057A6 | | 1 | SWIVEL BRACKET - WITH SHOCK ABSORBER |
| | 1490-8599A6 | | 1 | SWIVEL BRACKET |
| 2 | 26-32911 | | 2 | OIL SEAL, SWIVEL BRACKET |
| 3 | 22-74036 | | 4 | GREASE FITTING |
| 4 | 26-22734 | | 2 | OIL SEAL, SWIVEL BRACKET |
| 5 | 69540A4 | | 1 | SWIVEL PIN ASSEMBLY (LONG SHAFT) |
| 6 | 30711 | | 1 | BUMPER, STEERING ARM |
| 7 | 10-66897 | | 2 | BOLT, UPPER MOUNT TO SWIVEL PIN (5-1/4") |
| 8 | 12-25176 | | 1 | WASHER, SWIVEL PIN TO BOTTOM YOKE (.060) |
| 9 | 77416 | | 1 | BOTTOM YOKE |
| 10 | 53-77415 | | 1 | RETAINING RING, BOTTOM YOKE |
| 11 | 76386 | | 1 | TILT LOCK, STARBOARD UNITED STATES 6322885 AND BELOW |
| 12 | 76385 | | 1 | TILT LOCK PORT UNITED STATES 6322885 AND BELOW |
| 11/12 | 89105 | | 2 | TILT LOCK, STARBOARD/PORT UNITED STATES 6322886 AND UP |
| 13 | 25-62702 | | 2 | "O" RING, TILT LOCK |
| 14 | 79659 | | 1 | COUPLING, TILT LOCK |
| 15 | 18-47959 | | 2 | COTTER PIN, TILT LOCK TUBE |
| 16 | 56349 | | 1 | SHAFT, REVERSE LOCK PIVOT |
| 17 | 23-69132 | | 2 | BUSHING, REVERSE PIVOT SHAFT |
| 18 | 18-45882 | | 1 | COTTER PIN, REVERSE LOCK TO SHAFT |
| 19 | 24-78203A1 | | 1 | SPRING, REVERSE LOCK TENSION UNITED STATES 5853641 AND BELOW CANADA 7178999 AND BELOW |
| 20 | 87432 | | 1 | REVERSE LOCK ASSEMBLY UNITED STATES 5853641 AND BELOW CANADA 7178999 AND BELOW |
| 19 | 24-78203A2 | | 1 | SPRING, REVERSE LOCK TENSION UNITED STATES 5853642 AND UP |
| 20 | 92405A1 | | 1 | REVERSE LOCK ASSEMBLY UNITED STATES 5853642 AND UP |
| 21 | 47836 | | 1 | PUSH ROD, REVERSE LOCK (LONG SHAFT) UNITED STATES 5853641 AND BELOW CANADA 7178999 AND BELOW |
| 22 | 11-28770 | | 1 | JAM NUT, PUSH ROD UNITED STATES 5853641 AND BELOW CANADA 7178999 AND BELOW |
| 23 | 47837 | | 1 | ROD END, PUSH ROD UNITED STATES 5853641 AND BELOW CANADA 7178999 AND BELOW |
| 21 | 92406 | | 1 | PUSH ROD, REVERSE LOCK (LONG SHAFT) UNITED STATES 5853642 AND UP |
| 22 | 11-28770 | | 2 | JAM NUT, PUSH ROD UNITED STATES 5853642 AND UP |
| 23 | 89813 | | 1 | ROD END, PUSH ROD UNITED STATES 5853642 AND UP |
| 24 | 93336 | | 1 | GUIDE, PUSH ROD |

GEAR HOUSING (DRIVE SHAFT)

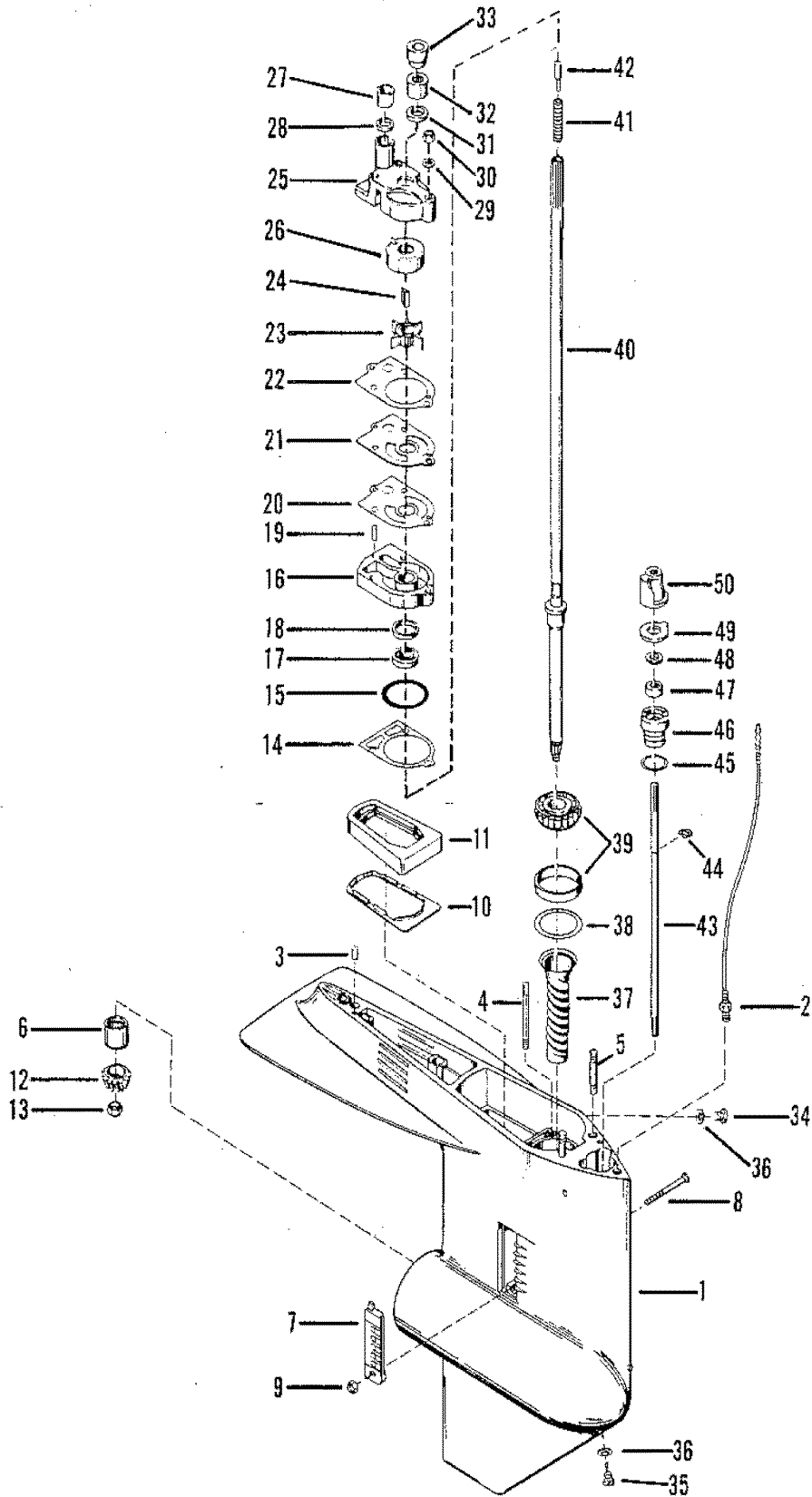


GEAR HOUSING (DRIVE SHAFT)

| REF. NO. | PART NO. | SYM. | QTY. | DESCRIPTION |
|----------|--------------|------|------|---|
| - | 1643-7406A42 | | 1 | GEAR HOUSING ASSEMBLY (LONG SHAFT) |
| 1 | 1643-7406A41 | | 1 | GEAR HOUSING ASSEMBLY |
| 2 | 22-85822A1 | | 1 | CONNECTOR ASSEMBLY, SPEEDOMETER |
| 3 | 17-85500 | | 2 | DOWEL PIN - GEAR HOUSING |
| 4 | 16-33778 | | 3 | STUD, WATER PUMP/BASE (2-5/8") |
| 5 | 16-57933 | | 2 | STUD, GEAR HOUSING |
| 6 | 31-62091 | | 1 | ROLLER BEARING - DRIVE SHAFT |
| 7 | 72849A1 | | 1 | SCREEN, WATER INTAKE - STARBOARD AND PORT |
| 8 | 10-36070 | | 1 | SCREW, WATER INTAKE SCREEN |
| 9 | 11-45812 | | 1 | NUT, WATER INTAKE SCREEN SCREW |
| 10 | 92815 | | 1 | PLATE, SUPPORT - EXHAUST TUBE |
| 11 | 37721 | | 1 | SEAL, EXHAUST TUBE |
| 12 | 43-88019 | | 1 | PINION GEAR - DRIVE SHAFT |
| 13 | 11-55910 | | 1 | NUT, PINION GEAR TO DRIVE SHAFT |
| 14 | 27-77417 | | 1 | GASKET, WATER PUMP |
| 15 | 25-26722 | | 1 | "O" RING, WATER PUMP BASE |
| 16 | 46-77177A1 | | 1 | WATER PUMP BASE ASSEMBLY |
| 17 | 26-79831 | | 1 | OIL SEAL, WATER PUMP BASE |
| 18 | 26-90562 | | 1 | OIL SEAL, WATER PUMP BASE |
| 19 | 17-35973 | | 2 | DOWEL PIN, WATER PUMP BASE |
| 20 | 27-32769 | | 1 | GASKET, LOWER - WATER PUMP |
| 21 | 54705 | | 1 | FACE PLATE - WATER PUMP |
| 22 | 27-32770 | | 1 | GASKET, UPPER - WATER PUMP |
| 23 | 47-89983 | | 1 | IMPELLER, WATER PUMP |
| 24 | 28-56662 | | 1 | KEY, IMPELLER DRIVE |
| 25 | 46-77822A1 | | 1 | WATER PUMP BODY ASSEMBLY |
| 26 | 48753 | | 1 | INSERT, WATER PUMP BODY |
| 27 | 26-38452 | | 1 | SEAL, RUBBER - WATER PUMP |
| 28 | 12-38453 | | 1 | WASHER, NYLON - WATER PUMP |
| 29 | 12-29245 | | 3 | WASHER, WATER PUMP STUDS |
| 30 | 11-35888 | | 3 | NUT, WATER PUMP STUDS |
| 31 | 25-20273 | | 1 | RING, RUBBER (DRIVE SHAFT) |
| 32 | 78654A1 | | 1 | SEAT ASSEMBLY, DRIVE SHAFT |
| 33 | 86304 | | 1 | SEAL, SPLINED - DRIVE SHAFT |
| 34 | 10-79953 | | 1 | SCREW, GREASE FILLER |
| 35 | 22-67892 | | 1 | SCREW, DRAIN (MAGNETIC) |
| 36 | 12-20260 | | 2 | WASHER, GREASE FILLER AND DRAIN SCREW |
| 37 | 88181 | | 1 | SLEEVE, LUBRICATION |
| 38 | 15-92881A1 | | AR | SHIM, ROLLER BEARING (.002-3-5-10-20) |
| 39 | 31-77420A1 | | 1 | ROLLER BEARING ASSEMBLY, TAPERED |
| 40 | 45-88024A2 | | 1 | DRIVE SHAFT ASSEMBLY (LONG SHAFT) |
| 41 | 24-20254 | | 1 | SPRING, COMPRESSION - DRIVE SHAFT |
| 42 | 17-30545 | | 1 | PIN, DRIVE SHAFT |

CONTINUED ON NEXT PAGE ➡

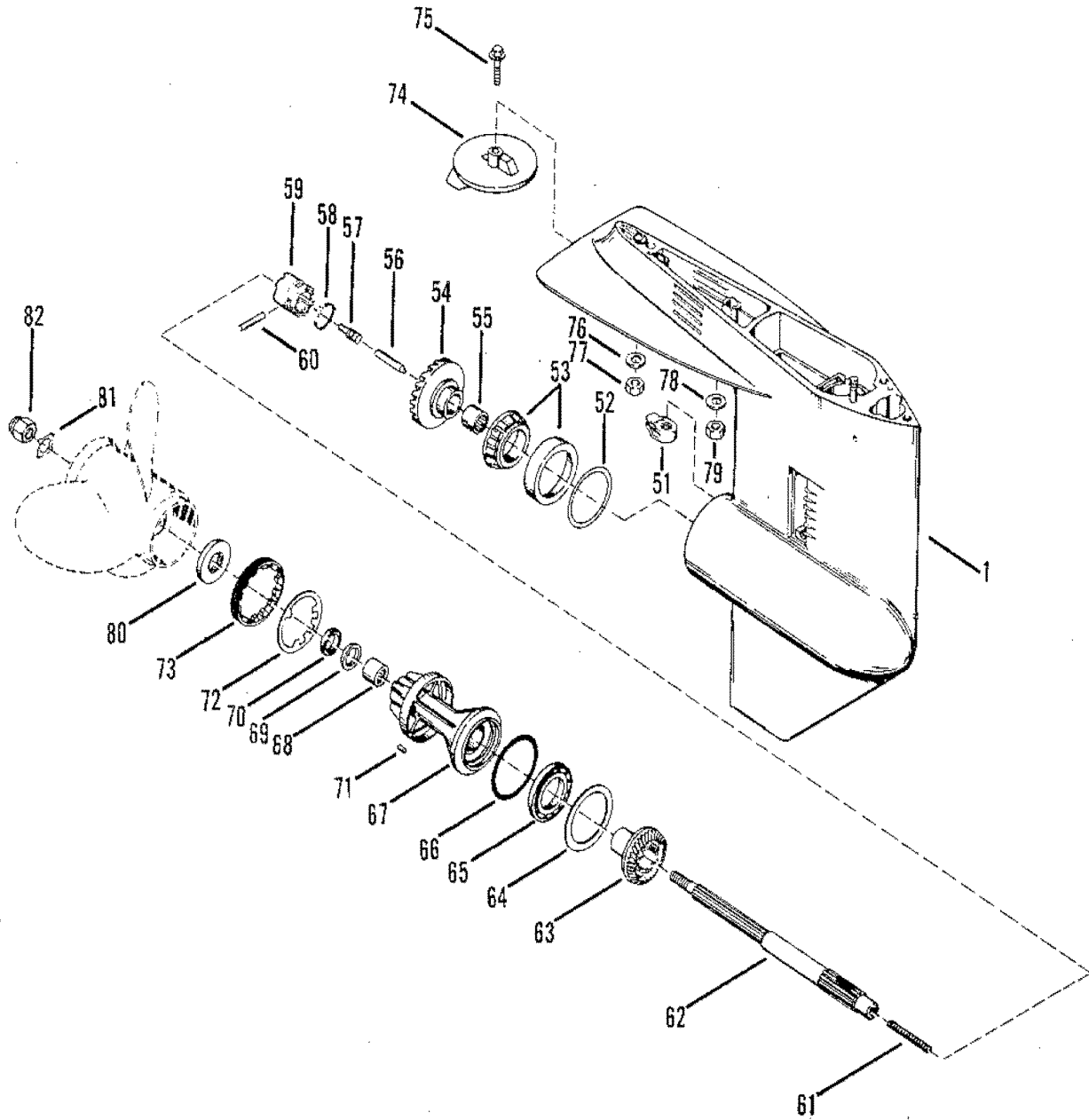
GEAR HOUSING (DRIVE SHAFT)



GEAR HOUSING (DRIVE SHAFT)

| REF. NO. | PART NO. | SYM. | QTY. | DESCRIPTION |
|----------|------------|------|------|--------------------------------|
| 43 | 76063A1 | | 1 | SHAFT ASSY, SHIFT - LOWER |
| 44 | 53-29641 | | 1 | CLIP, RETAINING - SHIFT SHAFT |
| 45 | 25-25439 | | 1 | "O" RING, SHIFT SHAFT BUSHING |
| 46 | 23-77631A2 | | 1 | BUSHING ASSEMBLY, SHIFT SHAFT |
| 47 | 26-89236 | | 1 | OIL SEAL, SHIFT SHAFT BUSHING |
| 48 | 12-77674 | | 1 | WASHER, RUBBER - SHAFT BUSHING |
| 49 | 78036 | | 1 | BASE, REVERSE LOCKING |
| 50 | 98316 | | 1 | CAM, REVERSE LOCKING |

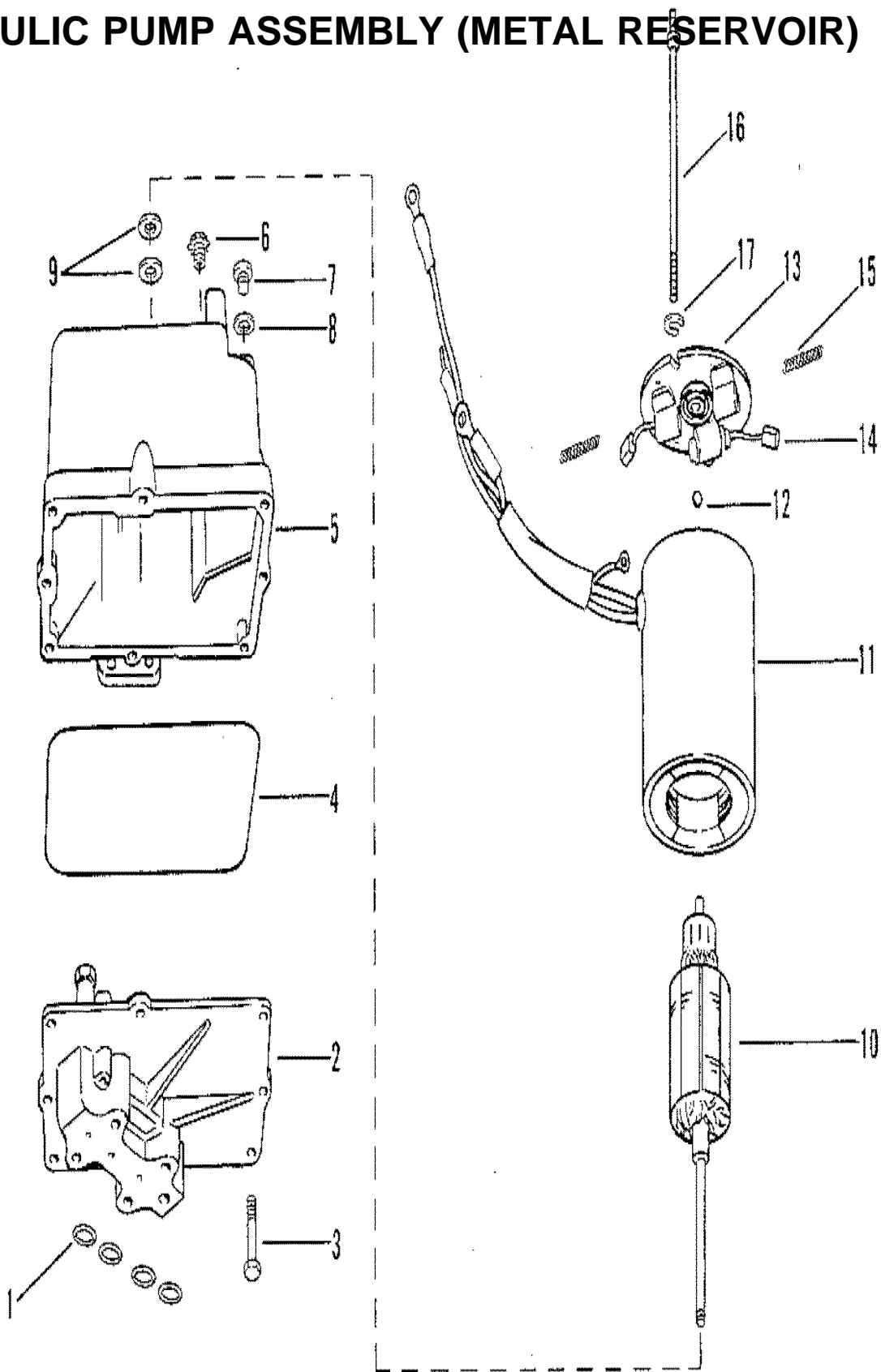
GEAR HOUSING (PROPELLER SHAFT)



GEAR HOUSING (PROPELLER SHAFT)

| REF. NO. | PART NO. | SYM. | QTY. | DESCRIPTION |
|----------|--------------|------|------|--|
| - | 1643-7406A42 | | 1 | GEAR HOUSING ASSEMBLY - COMPLETE (LONG SHAFT) |
| 1 | 1643-7406A41 | | 1 | GEAR HOUSING ASS'Y - SEE PAGE 34 FOR BREAKDOWN |
| 51 | 76039 | | 1 | SHIFT CAM |
| 52 | 15-38374A1 | | AR | SHIM, BEARING CUP (.002-3-5-10) |
| 53 | 31-38356A1 | | 1 | TAPERED ROLLER BEARING ASSEMBLY |
| 54 | 43-88018A1 | | 1 | FORWARD GEAR |
| 55 | 31-21739 | | 1 | ROLLER BEARING, FORWARD GEAR |
| 56 | 38441 | | 1 | CAM FOLLOWER |
| 57 | 20843 | | 1 | SLIDE, CROSS PIN |
| 58 | 24-39845 | | 1 | SPRING, COMPRESSION - CAM FOLLOWER |
| 59 | 52-92911 | | 1 | RATCHET, SLIDING CLUTCH |
| 60 | 17-38113 | | 1 | CROSS PIN, RATCHET TO PROPELLER SHAFT |
| 61 | 24-38114 | | 1 | SPRING, RETAINING - CROSS PIN |
| 62 | 44-75365 | | 1 | PROPELLER SHAFT |
| 63 | 43-88017 | | 1 | REVERSE GEAR |
| 64 | 12-32004 | | 1 | THRUST WASHER, REVERSE GEAR |
| 65 | 30-20839 | | 1 | BALL BEARING, REVERSE GEAR |
| 66 | 25-31986 | | 1 | "O" RING, BEARING CARRIER |
| 67 | 69386A1 | | 1 | BEARING CARRIER ASSEMBLY |
| 68 | 31-21700 | | 1 | ROLLER BEARING, BEARING CARRIER |
| 69 | 26-69188 | | 1 | OIL SEAL, BEARING CARRIER |
| 70 | 26-69189 | | 1 | OIL SEAL, BEARING CARRIER |
| 71 | 28-30281 | | 1 | KEY, LOCATING, BEARING CARRIER |
| 72 | 14-53012 | | 1 | TAB WASHER, GEAR HOUSING NUT |
| 73 | 11-87763 | | 1 | NUT, GEAR HOUSING |
| 74 | 31640A1 | | 1 | TRIM TAB ASSEMBLY, GEAR HOUSING |
| 75 | 10-66024 | | 1 | SCREW, TRIM TAB TO GEAR HOUSING |
| 76 | 12-45175 | | 1 | WASHER, DRIVE SHAFT HOUSING STUD (3/8") |
| 77 | 11-34863 | | 1 | NUT, DRIVE SHAFT HOUSING STUD (3/8") |
| 78 | 12-65791 | | 1 | WASHER, DRIVE SHAFT HOUSING STUD (7/16") |
| 79 | 11-34933 | | 1 | NUT, DRIVE SHAFT HOUSING STUD (7/16") |
| 80 | 73345A1 | | 1 | THRUST HUB, FRONT |
| 81 | 14-76281 | | 1 | TAB WASHER, PROPELLER |
| 82 | 11-69578A1 | | 1 | PROPELLER NUT |

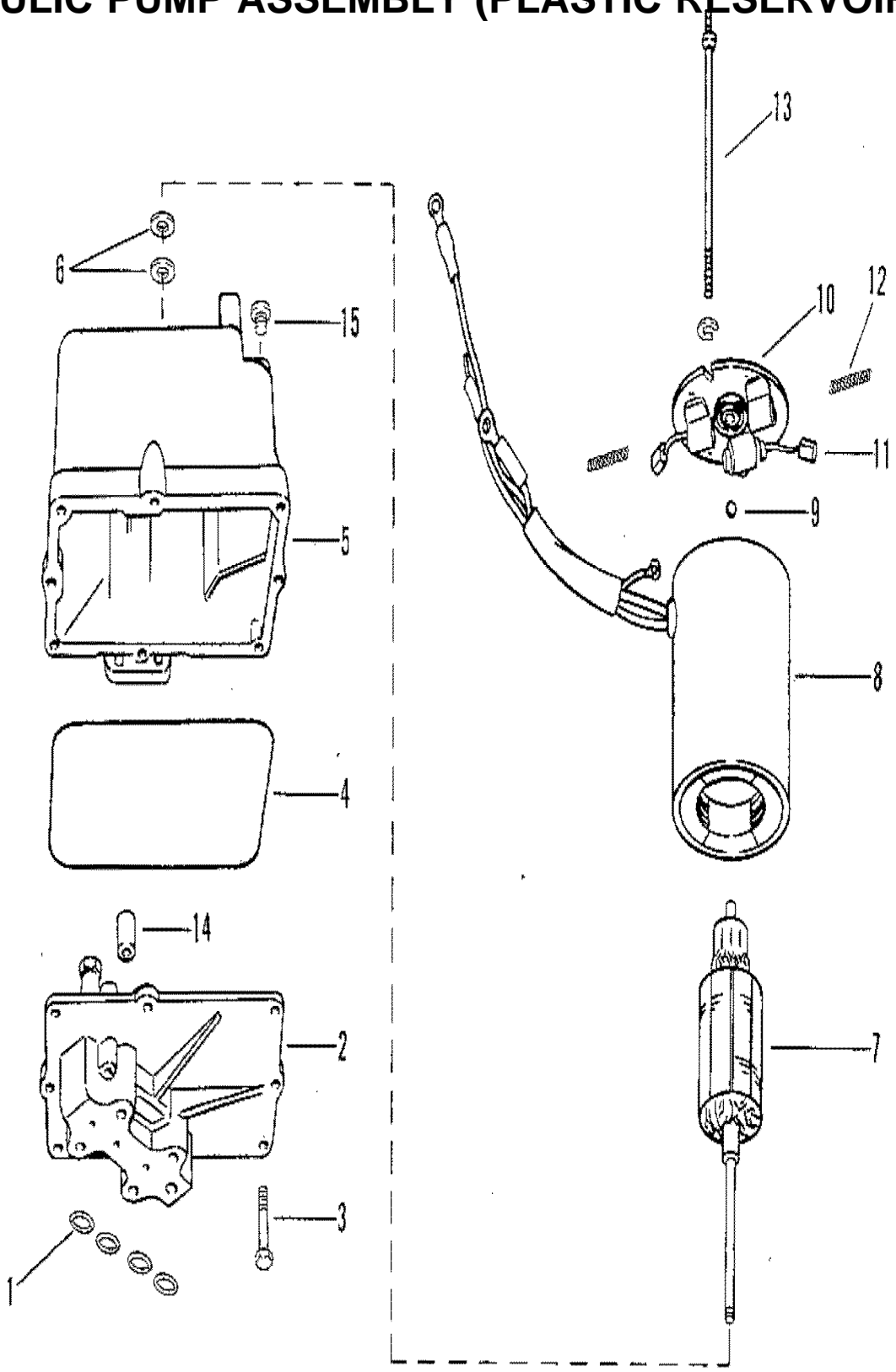
HYDRAULIC PUMP ASSEMBLY (METAL RESERVOIR)



HYDRAULIC PUMP ASSEMBLY (METAL RESERVOIR)

| REF. NO. | PART NO. | SYM. | QTY. | DESCRIPTION |
|----------|----------------|------|------|---|
| - | 76395A5 | | 1 | HYDRAULIC PUMP ASSEMBLY, COMPLETE |
| 1 | 25-48171 | | 4 | "O" RING, HYDRAULIC PUMP |
| 2 | 392-7734 | | 1 | VALVE BODY AND GEAR ASSEMBLY |
| 3 | 10-20411 | | 8 | SCREW, VALVE BODY TO RESERVOIR |
| 4 | 392-2937 | | 1 | SEAL, RESERVOIR TO VALVE BODY AND GEAR |
| 5 | 392-2939 | | 1 | RESERVOIR ASSEMBLY |
| 6 | 10-62269 | | 1 | SCREW, VENT - HYDRAULIC PUMP |
| 7 | 10-79953 | | 1 | SCREW, FILLER - HYDRAULIC PUMP |
| 8 | 12-20260 | | 1 | WASHER, SEALING - FILLER SCREW |
| 9 | 392-2623 | | AR | WASHER, THRUST - ARMATURE |
| 10 | 392-2943 | | 1 | ARMATURE, FIELD AND FRAME |
| 11 | 392-2942 | | 1 | FIELD AND FRAME ASSEMBLY |
| 12 | 392-2944 | | 1 | BALL, COMMUTATOR END PLATE |
| 13 | 392-2940 | | 1 | PLATE ASSEMBLY, COMMUTATOR END |
| 14 | 392-2941 | | 1 | BRUSH SET, COMMUTATOR END PLATE |
| 15 | 392-2529 | | 1 | SPRING SET, BRUSH TENSION |
| 16 | 392-2938 | | 1 | BOLT SET, THRU - PLATE AND FRAME TO RESERVOIR |
| 17 | 13-26996 | | 2 | LOCKWASHER, THRU BOLT |

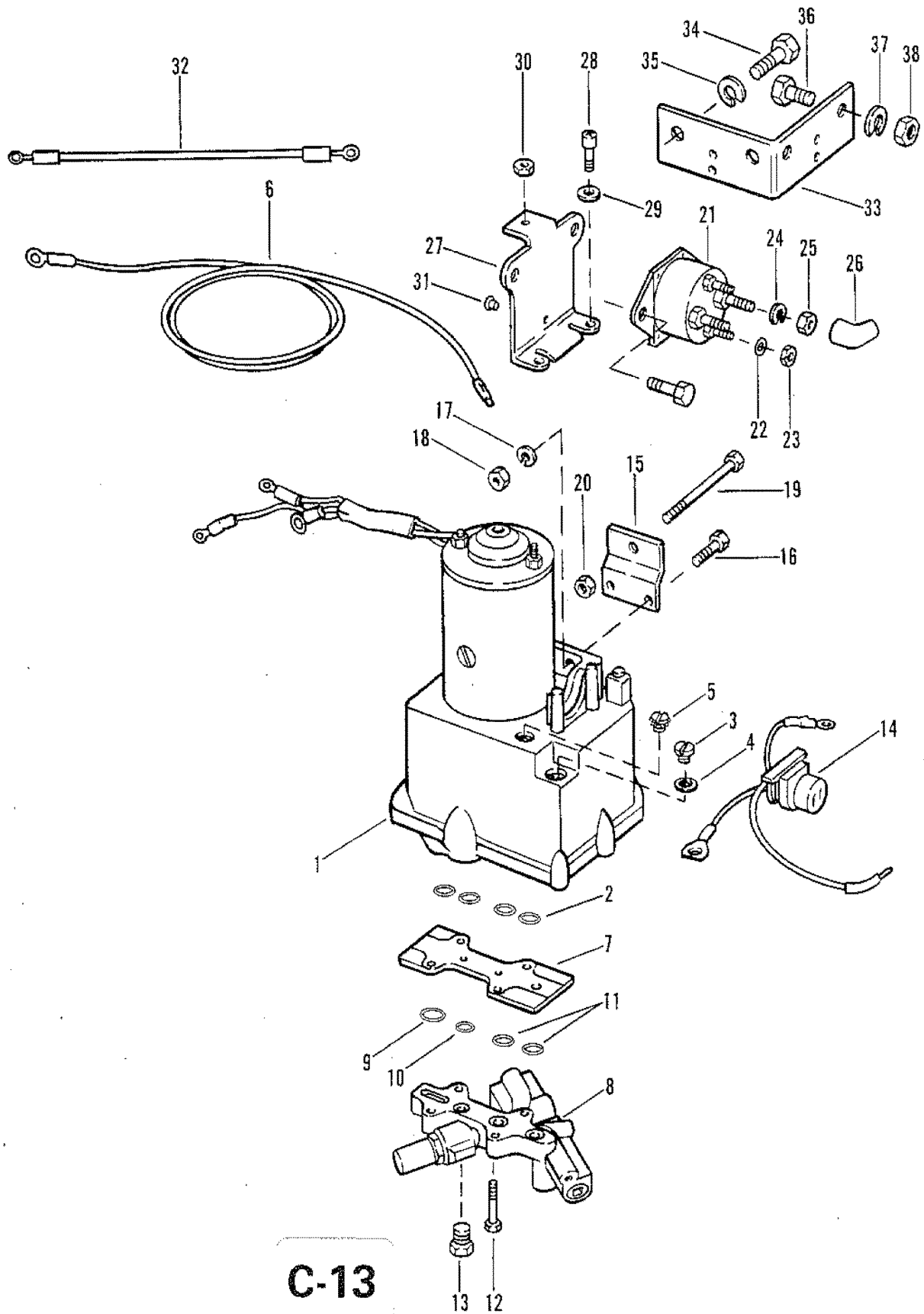
HYDRAULIC PUMP ASSEMBLY (PLASTIC RESERVOIR)



HYDRAULIC PUMP ASSEMBLY (PLASTIC RESERVOIR)

| REF. NO. | PART NO. | SYM. | QTY. | DESCRIPTION |
|----------|----------|------|------|---|
| - | 92975A6 | | 1 | HYDRAULIC PUMP ASSEMBLY |
| 1 | 25-48171 | | 4 | "O" RING, HYDRAULIC PUMP |
| 2 | 392-8317 | | 1 | VALVE BODY AND GEAR ASSEMBLY |
| 3 | 10-69570 | | 8 | SCREW, VALVE BODY TO RESERVOIR |
| 4 | 392-7735 | | 1 | SEAL, RESERVOIR TO VALVE BODY AND GEAR |
| 5 | 392-7731 | | 1 | RESERVOIR ASSEMBLY (PLASTIC) |
| 6 | 392-7732 | | AR | WASHER, THRUST - ARMATURE |
| 7 | 392-7729 | | 1 | ARMATURE, FIELD AND FRAME |
| 8 | 392-8261 | | 1 | FIELD AND FRAME ASSEMBLY |
| 9 | 392-7730 | | 1 | BALL, COMMUTATOR END PLATE |
| 10 | 392-8262 | | 1 | PLATE ASSEMBLY, COMMUTATOR END |
| 11 | 392-2941 | | 1 | BRUSH SET, COMMUTATOR END PLATE |
| 12 | 392-2529 | | 1 | SPRING SET, BRUSH TENSION |
| 13 | 392-7733 | | 1 | BOLT SET, THRU - PLATE AND FRAME TO RESERVOIR |
| 14 | 392-7727 | | 1 | COUPLER AND SHAFT |
| 15 | 392-7728 | | 1 | FILL PLUG, RESERVOIR |

POWER TRIM COMPONENTS



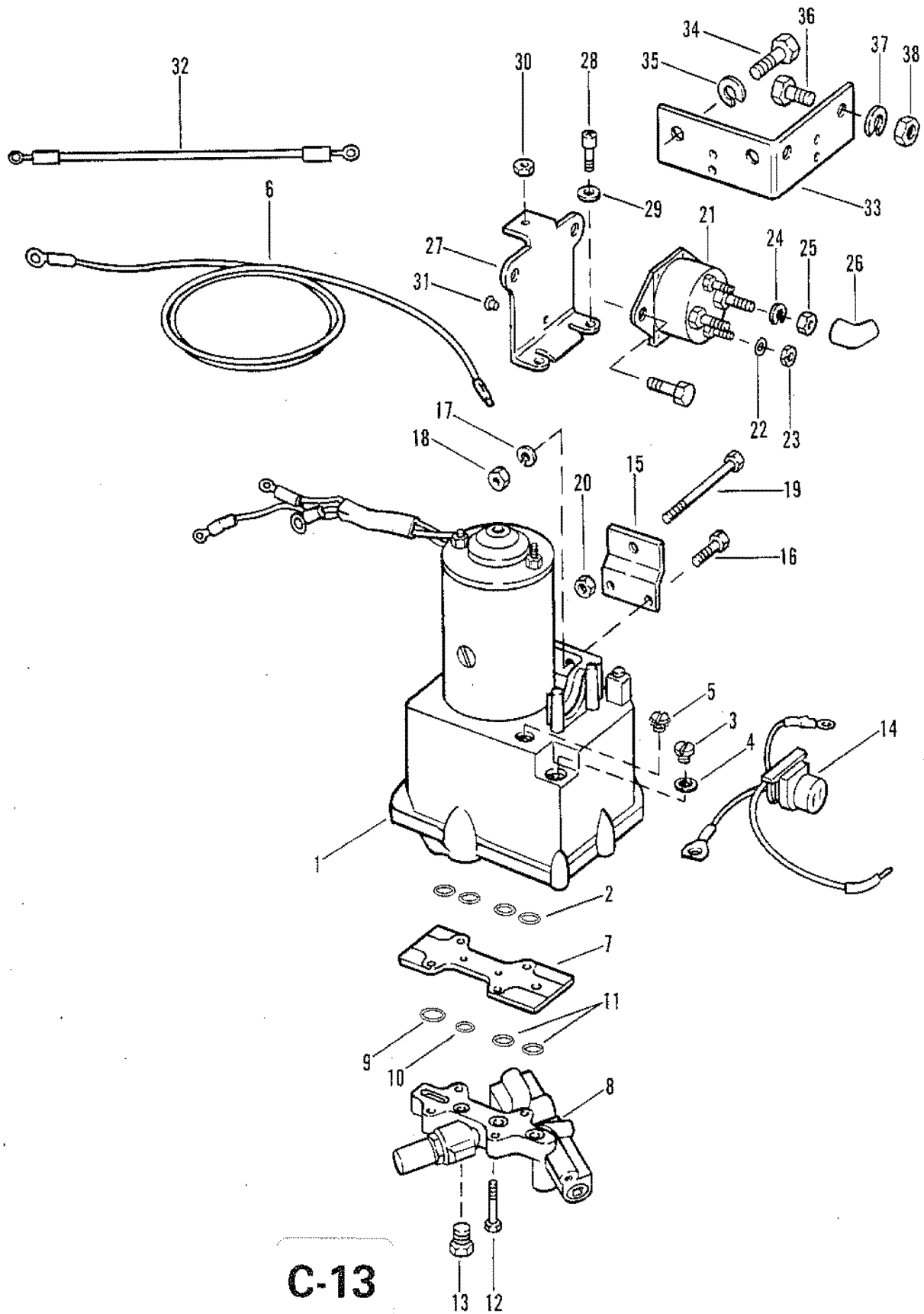
C-13

POWER TRIM COMPONENTS

| REF. NO. | PART NO. | SYM. | QTY. | DESCRIPTION |
|----------|-----------------|------|----------|---|
| 1 | 76395A5 | | 1 | HYDRAULIC PUMP ASS'Y (METAL RESERVOIR) SEE NOTE BELOW |
| | 92975A6 | | 1 | HYDRAULIC PUMP ASS'Y (PLASTIC RESERVOIR) SEE NOTE BELOW |
| 2 | 54-48171 | | 4 | "O" RING, MANIFOLD PLATE |
| 3 | 10-79953 | | 1 | SCREW, FILLER - HYDRAULIC PUMP |
| 4 | 12-20260 | | 1 | WASHER, SEALING - FILLER SCREW |
| 5 | 10-62269 | | 1 | SCREW, VENT - HYDRAULIC PUMP |
| 6 | 32979 | | 1 | BATTERY LEAD (POSITIVE) |
| | 32988 | | 1 | BATTERY LEAD (NEGATIVE) |
| 7 | 45336 | | 1 | PLATE, MANIFOLD |
| 8 | 45197A2 | | 1 | CONTROL VALVE ASSEMBLY |
| - | 25-48171 | | 4 | "O" RING, MANIFOLD PLATE (SEE REF. #2) |
| 9 | 25-45254 | | 1 | "O" RING, CONTROL VALVE (3/4" O.D.) |
| 10 | 25-48171 | | 1 | "O" RING, CONTROL VALVE (1/2" O.D.) |
| 11 | 25-45253 | | 2 | "O" RING, CONTROL VALVE (5/8" O.D.) |
| 12 | 10-56500 | | 4 | SCREW, VALVE AND MANIFOLD PLATE TO PUMP (1-1/4") |
| 13 | 22-46008 | | 2 | PLUG, CONTROL VALVE (1/2-20") |
| 14 | 84-74023A1 | | 1 | CONNECTOR AND HARNESS |
| 15 | 45377 | | 2 | BRACKET, MOUNTING |
| 16 | 10-35386 | | 4 | SCREW, MOUNTING BRACKET TO HYDRAULIC PUMP (1") |
| 17 | 13-39107 | | 4 | LOCKWASHER, MOUNTING BRACKET SCREW |
| 18 | 11-21908 | | 4 | NUT, MOUNTING BRACKET SCREW |
| 19 | 10-68298 | | 2 | BOLT, HYDRAULIC PUMP TO BOAT (3-1/4") |
| 20 | 11-68411 | | 2 | NUT, HYDRAULIC PUMP BOLT |
| 21 | 89-68258 | | 2 | STARTER SOLENOID |
| 22 | 13-26996 | | 4 | LOCKWASHER, SOLENOID TERMINAL (#10) |
| 23 | 11-68219 | | 4 | NUT, SOLENOID TERMINAL (#10) |
| 24 | 13-26993 | | 4 | LOCKWASHER, SOLENOID TERMINAL (5/16") |
| 25 | 11-68292 | | 4 | NUT, SOLENOID TERMINAL (5/16") |
| 26 | 46265 | | 4 | BOOT, RUBBER - STARTER SOLENOID TERMINAL |
| 27 | 74407 | | 1 | BRACKET, MOUNTING - STARTER SOLENOID |
| 28 | 10-21140 | | 2 | SCREW, MOUNTING BRACKET TO HYDRAULIC PUMP (1/2") |
| 29 | 13-26992 | | 2 | LOCKWASHER, MOUNTING BRACKET SCREW |
| 30 | 11-24656 | | 1 | NUT, MOUNTING BRACKET TO HYDRAULIC PUMP THRU BOLT |
| 31 | 26901 | | 1 | BUMPER, RUBBER - SOLENOID BRACKET |
| 32 | 84-79139A2 | | 1 | JUMPER WIRE (POSITIVE) |
| | 55992 | | 1 | JUMPER WIRE (NEGATIVE) |
| 33 | 74406 | | 1 | BRACKET, MOUNTING - STARTER SOLENOID |

CONTINUED ON NEXT PAGE ➡

POWER TRIM COMPONENTS

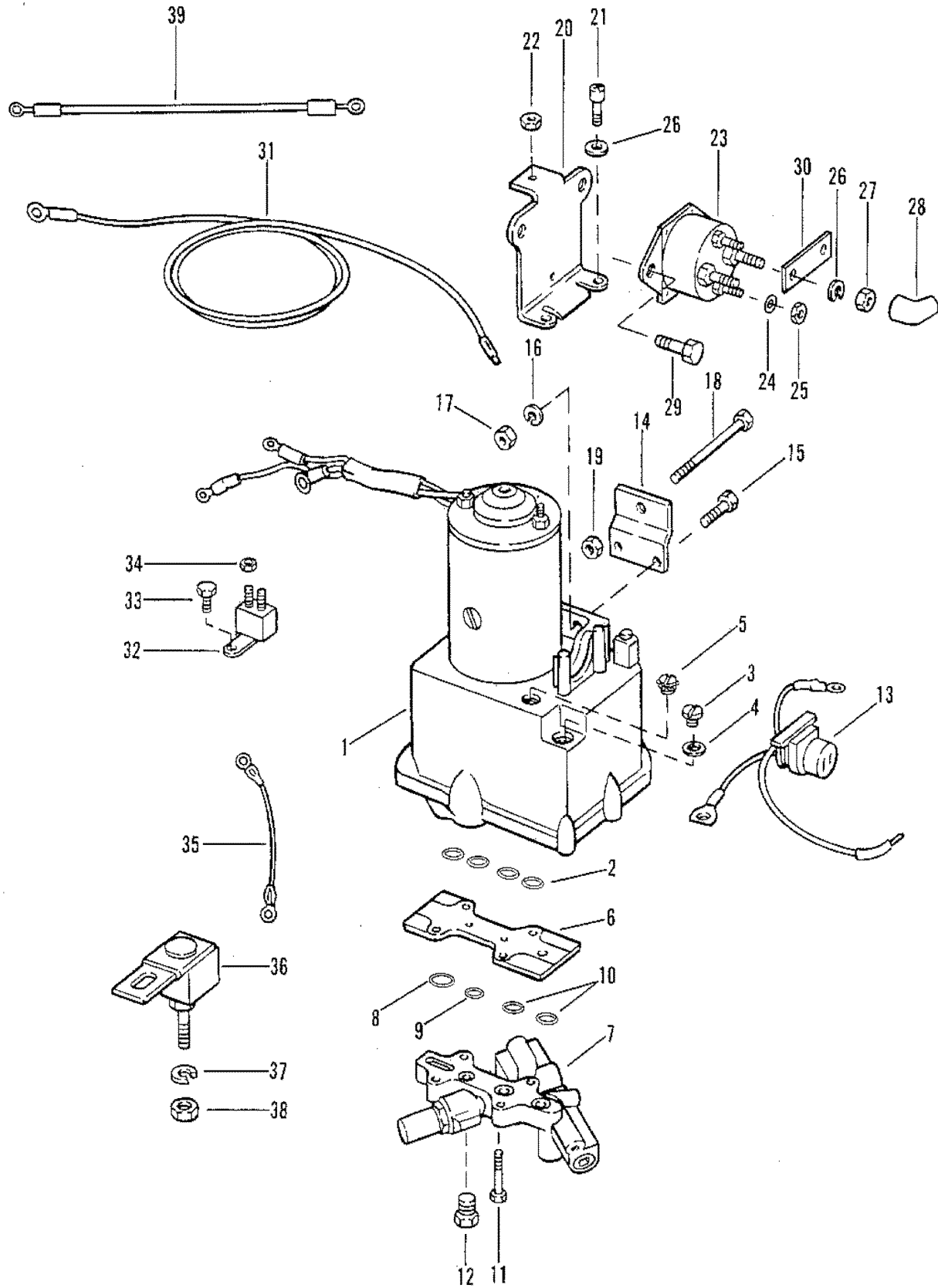


C-13

POWER TRIM COMPONENTS

| REF. NO. | PART NO. | SYM. | QTY. | DESCRIPTION |
|----------|----------|------|------|--|
| 34 | 10-69028 | | 2 | SCREW, MOUNTING BRACKET TO HYDRAULIC PUMP (3/4") |
| 35 | 13-26992 | | 2 | LOCKWASHER, MOUNTING BRACKET SCREW |
| 36 | 10-34290 | | 2 | SCREW, STARTER SOLENOID TO MOUNTING BRACKET (5/8") |
| 37 | 13-26992 | | 2 | LOCKWASHER, STARTER SOLENOID SCREW |
| 38 | 11-21825 | | 4 | NUT, STARTER SOLENOID SCREW |

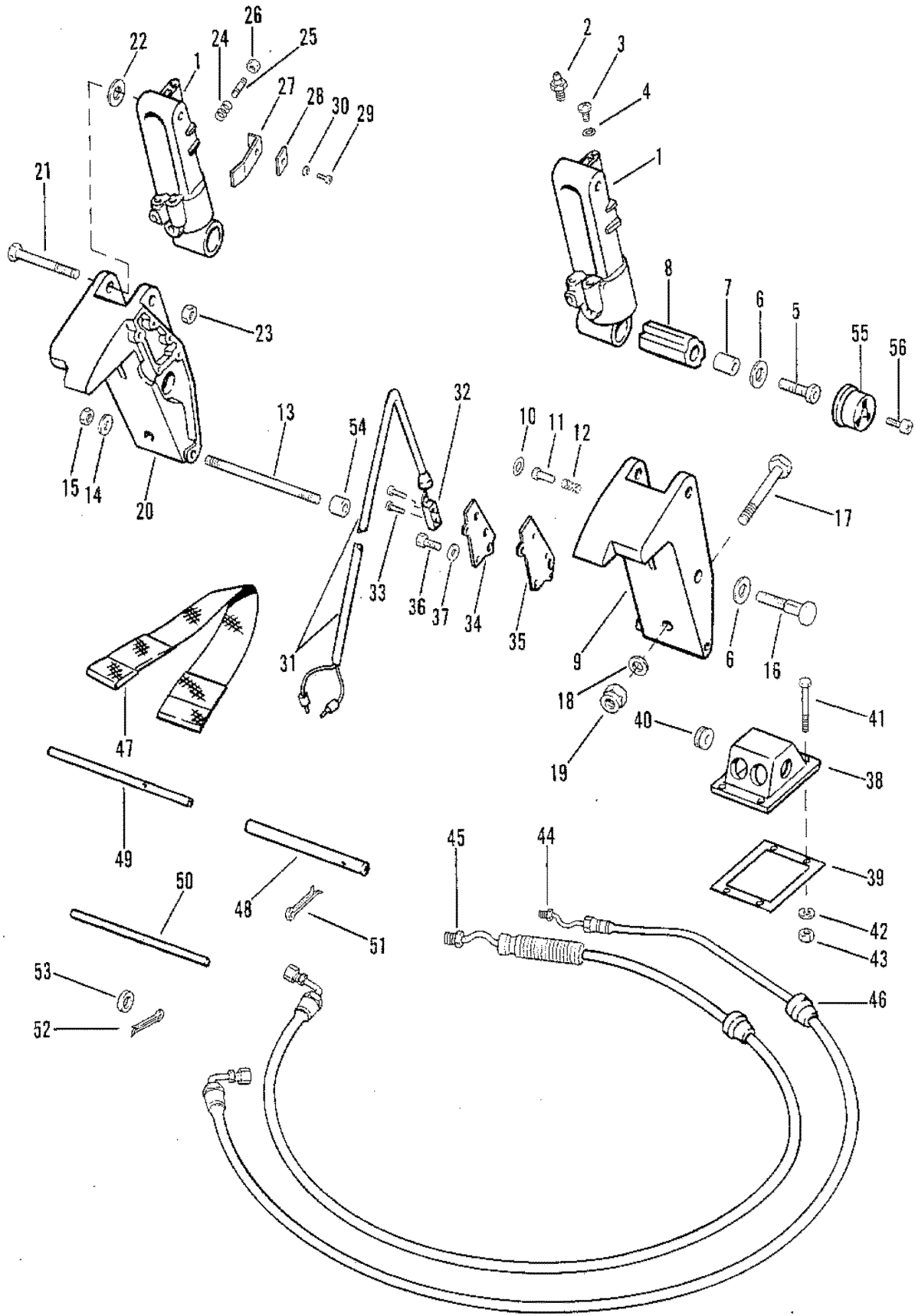
POWER TRIM COMPONENTS



POWER TRIM COMPONENTS

| REF. NO. | PART NO. | SYM. | QTY. | DESCRIPTION |
|----------|-----------------|------|----------|--|
| 1 | 92975A6 | | 1 | HYDRAULIC PUMP ASS'Y (PLASTIC RESERVOIR) SEE NOTE BELOW |
| 2 | 25-48171 | | 4 | "O" RING, MANIFOLD PLATE |
| 3 | 10-79953 | | 1 | SCREW, FILLER - HYDRAULIC PUMP |
| 4 | 12-20260 | | 1 | WASHER, SEALING - FILLER SCREW |
| 5 | 10-62269 | | 1 | SCREW, VENT - HYDRAULIC PUMP |
| 6 | 45336 | | 1 | PLATE, MANIFOLD |
| 7 | 45197A2 | | 1 | CONTROL VALVE ASSEMBLY |
| - | 25-48171 | | 4 | "O" RING, MANIFOLD PLATE (SEE REF. #2) |
| 8 | 25-45254 | | 1 | "O" RING, CONTROL VALVE (3/4" O.D.) |
| 9 | 25-48171 | | 1 | "O" RING, CONTROL VALVE (1/2" O.D.) |
| 10 | 25-45253 | | 2 | "O" RING, CONTROL VALVE (5/8" O.D.) |
| 11 | 10-56500 | | 4 | SCREW, VALVE AND MANIFOLD PLATE TO PUMP (1-1/4") |
| 12 | 22-46008 | | 2 | PLUG, CONTROL VALVE (1/2-20") |
| 13 | 84-79147A1 | | 1 | CONNECTOR AND HARNESS |
| 14 | 45377 | | 2 | BRACKET, MOUNTING |
| 15 | 10-35386 | | 4 | SCREW, MOUNTING BRACKET TO HYDRAULIC PUMP (1") |
| 16 | 13-39107 | | 4 | LOCKWASHER, MOUNTING BRACKET SCREW |
| 17 | 11-21908 | | 4 | NUT, MOUNTING BRACKET SCREW |
| 18 | 10-68298 | | 2 | BOLT, HYDRAULIC PUMP TO BOAT (3-1/4") |
| 19 | 11-68411 | | 2 | NUT, HYDRAULIC PUMP BOLT |
| 20 | 94279 | | 1 | BRACKET, MOUNTING - STARTER SOLENOID |
| 21 | 10-48063 | | 2 | SCREW, MOUNTING BRACKET TO HYDRAULIC PUMP |
| 22 | 11-24656 | | 1 | NUT, MOUNTING BRACKET TO HYDRAULIC PUMP THRU BOLT |
| 23 | 89-96158 | | 2 | STARTER SOLENOID |
| 24 | 13-26995 | | 4 | LOCKWASHER, SOLENOID TERMINAL (#8) |
| 25 | 11-26419 | | 4 | NUT, SOLENOID TERMINAL (8-32) |
| 26 | 13-26992 | | 4 | LOCKWASHER, SOLENOID TERMINAL (1/4) |
| 27 | 11-94330 | | 4 | NUT, SOLENOID TERMINAL (1/4-20) |
| 28 | 85-96535 | | 4 | BOOT, RUBBER - STARTER SOLENOID TERMINAL |
| 29 | 10-91026 | | 2 | SCREW, STARTER SOLENOID TO MOUNTING BRACKET |
| 30 | 94275 | | 1 | LINK, SOLENOID TO SOLENOID |
| 31 | 84-79139A13 | | 1 | BATTER LEAD (POSITIVE) |
| | 84-79138A1 | | 1 | BATTER LEAD (NEGATIVE) |
| 32 | 88-79149 | | 1 | CIRCUIT BREAKER (20 AMP) |
| 33 | 10-30009 | | 2 | SCREW, CIRCUIT BREAKER |
| 34 | 11-45076 | | 2 | NUT, CIRCUIT BREAKER TERMINAL (10-32) |
| 35 | 84-87379A5 | | 1 | WIRE, SOLENOID TO CIRCUIT BREAKER (RED) |
| 36 | 88-79023A90 | | 1 | FUSE ASSEMBLY (90 AMP) |
| 37 | 12-96457 | | 1 | WASHER, FUSE TERMINAL |
| 38 | 11-21825 | | 1 | NUT, FUSE TERMINAL (1/4-28) |
| 39 | 84-61600A9 | | 2 | WIRE, STARTER SOLENOID (BLACK) |

TRIM CYLINDERS AND HYDRAULIC HOSES

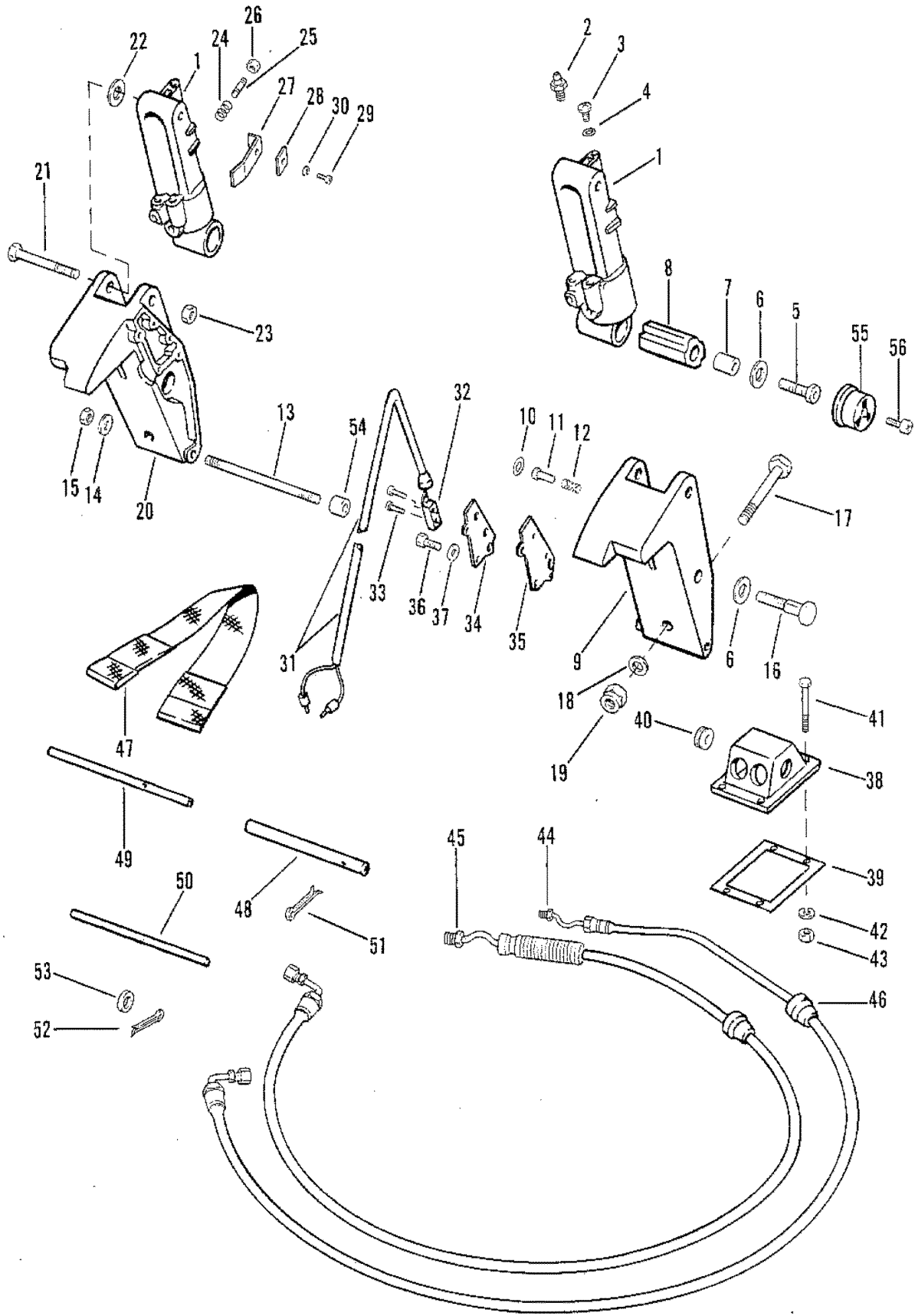


TRIM CYLINDERS AND HYDRAULIC HOSES

| REF. NO. | PART NO. | SYM. | QTY. | DESCRIPTION |
|----------|------------|------|------|---|
| 1 | 76509A23 | | 2 | TRIM CYLINDER ASS'Y (IDENTIFY BY CASTING #78439) |
| | 92194A20 | | 2 | TRIM CYLINDER ASS'Y (IDENTIFY BY NO CASTING #) |
| 2 | 22-74036 | | 2 | GREASE FITTING, TRIM CYLINDER |
| 3 | 10-45265 | | 4 | SCREW, BLEED |
| 4 | 25-45016 | | 4 | "O" RING, BLEED SCREW |
| 5 | 10-45264 | | 2 | SCREW, TRIM CYLINDER (1-1/2") - WITH TAPPED HOLE |
| | 10-92050 | | 2 | SCREW, TRIM CYLINDER (1-1/2") - WITHOUT TAPPED HOLE |
| 6 | 12-28421 | | 4 | WASHER, TRIM CYLINDER BOLT |
| 7 | 23-45280 | | 2 | SPACER, TRIM CYLINDER - LOWER |
| 8 | 23-94907A1 | | 2 | BUSHING, RUBBER - TRIM CYLINDER |
| 9 | 89108A3 | | 1 | BRACKET, TRIM CYLINDER (PORT) |
| 10 | 26-70608 | | 1 | OIL SEAL, PORT BRACKET |
| 11 | 89290 | | 1 | PLUNGER, LIMIT SWITCH ACTUATING |
| 12 | 24-95881 | | 1 | SPRING, TENSION - LIMIT SWITCH PLUNGER |
| 13 | 16-45282 | | 1 | STUD, MOUNTING BRACKET |
| 14 | 13-26993 | | 2 | LOCKWASHER, MOUNTING BRACKET STUD |
| 15 | 11-28770 | | 2 | NUT, MOUNTING BRACKET STUD |
| 16 | 10-45263 | | 2 | SCREW, MOUNTING BRACKET (2-1/4") |
| 17 | 10-68298 | | 6 | BOLT, MOUNTING BRACKET TO TRANSOM (3-1/4") |
| | 10-89673 | | 2 | BOLT, MOUNTING BRACKET TO TRANSOM (5") |
| 18 | 12-68410 | | 6 | WASHER, MOUNTING BRACKET BOLT |
| 19 | 11-68411 | | 8 | NUT, MOUNTING BRACKET BOLT |
| 20 | 89111 | | 1 | BRACKET, TRIM CYLINDER (STARBOARD) |
| 21 | 10-45328 | | 2 | SCREW, TRIM CYLINDER TO MOUNTING BRACKET (3-9/16") |
| 22 | 12-37807 | | 1 | WASHER, TRIM CYLINDER SCREW (STARBOARD ONLY) |
| 23 | 11-20696 | | 2 | NUT, TRIM CYLINDER SCREW |
| 24 | 24-24390 | | 1 | SPRING, TENSION - ADJUSTING STUD |
| 25 | 16-21085 | | 1 | STUD, ADJUSTING - CUT-OUT LIMIT SWITCH |
| 26 | 11-45812 | | 1 | NUT, JAM - LIMIT SWITCH ADJUSTING STUD |
| 27 | 99897 | | 1 | CAM, LIMIT SWITCH ADJUSTING STUD |
| 28 | 86967 | | 1 | PLATE, RETAINING - LIMIT SWITCH CAM |
| 29 | 10-68513 | | 1 | SCREW, RETAINING PLATE AND CAM |
| 30 | 13-26996 | | 1 | LOCKWASHER, RETAINING PLATE AND CAM SCREW |
| 31 | 45326A2 | | 1 | SWITCH ASSEMBLY, CUT-OUT LIMIT |
| 32 | 23-45354 | | 1 | BUSHING, RUBBER - CUT-OUT LIMIT SWITCH |
| 33 | 10-47255 | | 2 | SCREW, CUT-OUT LIMIT SWITCH (9/16") |
| 34 | 89272 | | 1 | COVER, LIMIT SWITCH |
| 35 | 27-89273 | | 1 | GASKET, LIMIT SWITCH COVER |
| 36 | 10-34994 | | 4 | SCREW, LIMIT SWITCH COVER (7/16") |
| 37 | 12-38833 | | 4 | WASHER, LIMIT SWITCH COVER SCREW |
| 38 | 87774A1 | | 1 | COVER, INLET - TRANSOM |
| 39 | 27-87775 | | 1 | GASKET, INLET COVER |
| 40 | 25-45507 | | 1 | GROMMET, RUBBER - INLET COVER |

CONTINUED ON NEXT PAGE ➡

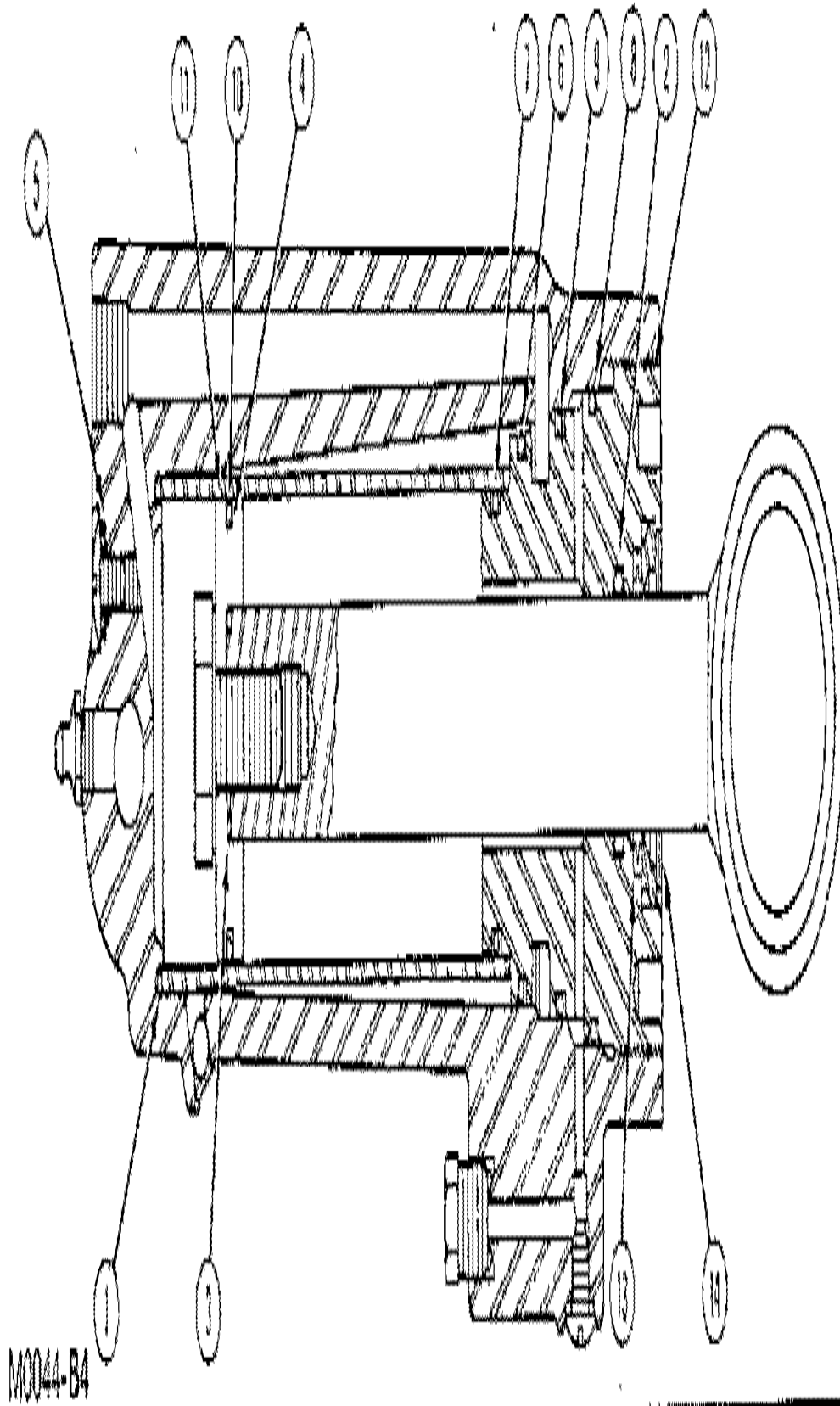
TRIM CYLINDERS AND HYDRAULIC HOSES



TRIM CYLINDERS AND HYDRAULIC HOSES

| REF. NO. | PART NO. | SYM. | QTY. | DESCRIPTION |
|----------|------------|------|------|---|
| 41 | 10-32866 | | 4 | SCREW, INLET COVER TO BOAT (2") |
| 42 | 13-26996 | | 4 | LOCKWASHER, INLET COVER SCREW |
| 43 | 11-68219 | | 4 | NUT, INLET COVER SCREW |
| 44 | 32-88005 | | 2 | HOSE, TRIM - CYLINDER TO CONTROL VALVE (5') - 12/32" O.D. |
| 45 | 32-97154A1 | | 2 | HOSE, LIFT - CYLINDER TO CONTROL VALVE (5') - 17/32" O.D. |
| 46 | 23-35977 | | 4 | GROMMET, RUBBER (3/8" I.D. - 1" LONG) |
| | 25-97191 | | 2 | GROMMET, RUBBER (3/8" I.D. - 7/8" LONG) |
| | 25-97000 | | 2 | GROMMET, RUBBER (7/16" I.D. - 7/8" LONG) |
| 47 | 73519A1 | | 1 | TILT STOP |
| 48 | 69259 | | 1 | TUBE, MOUNTING - TILT STOP |
| 49 | 77669 | | 1 | PIN, MOUNTING TUBE |
| 50 | 63473 | | 1 | TUBE, CUSHION |
| 51 | 18-36391 | | 1 | COTTER PIN, MOUNTING TUBE PIN |
| 52 | 18-45882 | | 1 | COTTER PIN, TILT PIN RETAINING |
| 53 | 12-39304 | | 1 | WASHER, TILT PIN |
| 54 | 23-89112 | | 2 | BUSHING, MOUNTING BRACKET |
| 55 | 70679 | | 2 | COVER, TRIM CYLINDER NOT USED ON LATE MODELS |
| 56 | 10-37655 | | 2 | SCREW, TRIM CYLINDER COVER NOT USED ON LATE MODELS |

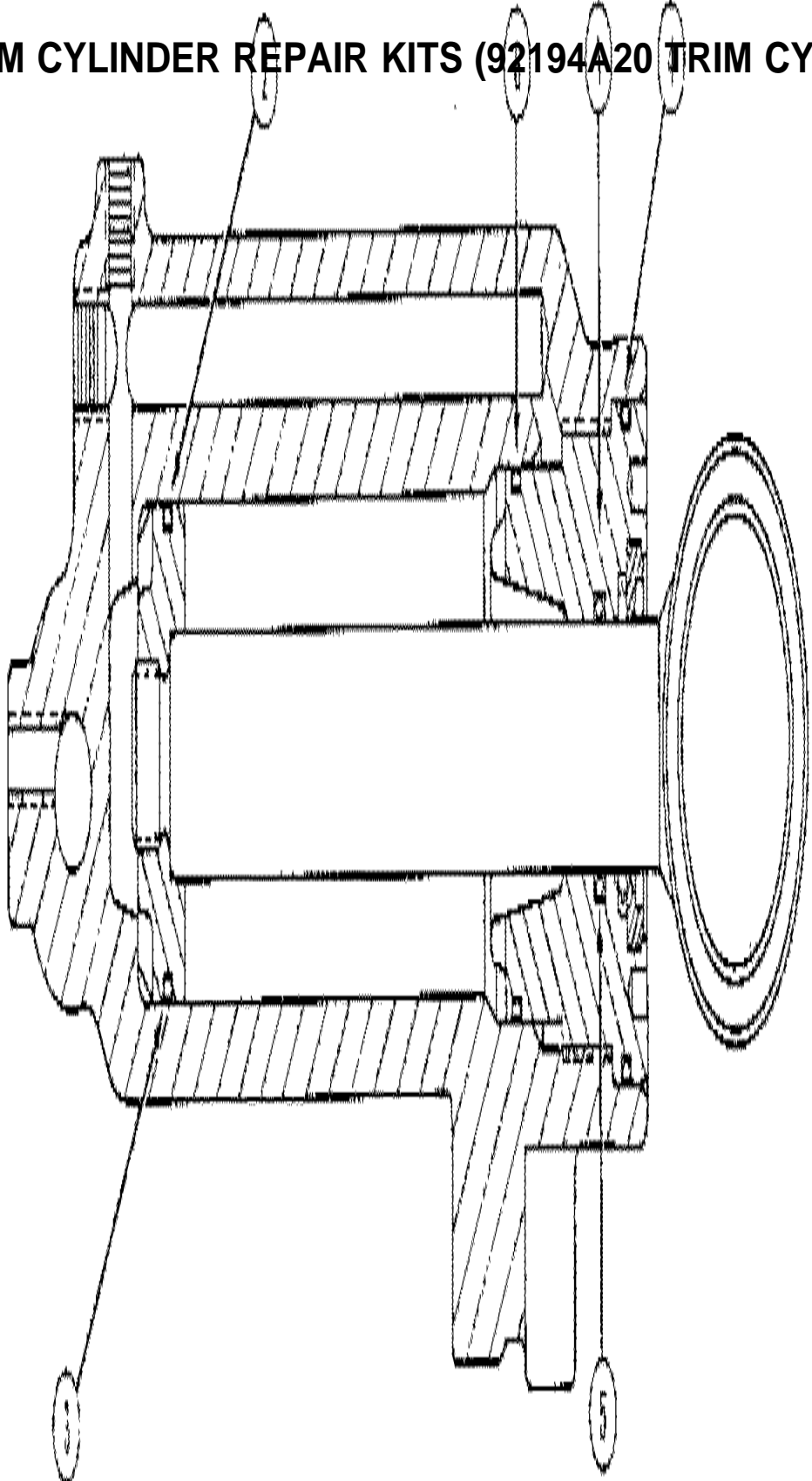
POWER TRIM CYLINDER REPAIR KITS (76509A23 TRIM CYLINDER)



POWER TRIM CYLINDER REPAIR KITS (76509A23 TRIM CYLINDER)

| REF. NO. | PART NO. | SYM. | QTY. | DESCRIPTION |
|-------------|----------|------|------|-------------------------------------|
| - | 64507A1 | | 1 | REPAIR KIT (SEE NOTE BELOW) |
| 1 | N.S.S. | | 1 | "O" RING (1-1/2" X 1-5/8" X 1/16") |
| 2 | N.S.S. | | 1 | "O" RING (3/4" X 15/16" X 1/8") |
| 3 | N.S.S. | | 1 | "O" RING (5/8" X 3/4" X 1/16") |
| 4 | N.S.S. | | 1 | "O" RING (1-1/4" X 1-7/16" X 1/16") |
| 5 | N.S.S. | | 2 | "O" RING (7/32" X 11/32" X 1/16") |
| 6 | N.S.S. | | 1 | "O" RING (1-5/8" X 1-13/16" X 1/8") |
| 7 | N.S.S. | | 1 | "O" RING (1-5/16" X 1-1/2" X 1/8") |
| 8 | N.S.S. | | 1 | "O" RING (1-7/8" X 2" X 1/8") |
| 9 | N.S.S. | | 1 | "O" RING (1-3/4" X 1-15/16" X 1/8") |
| 10 | N.S.S. | | 1 | SEAL, SLIPPER - PISTON |
| 11 | N.S.S. | | 1 | PISTON, ROD - HEAVY DUTY |
| 12 | 64505A1 | | 1 | RETAINER ASSEMBLY, PISTON |
| 13 | N.S.S. | | 1 | ROD, SCRAPER |
| 14 | N.S.S. | | 1 | RETAINER, SCRAPER |

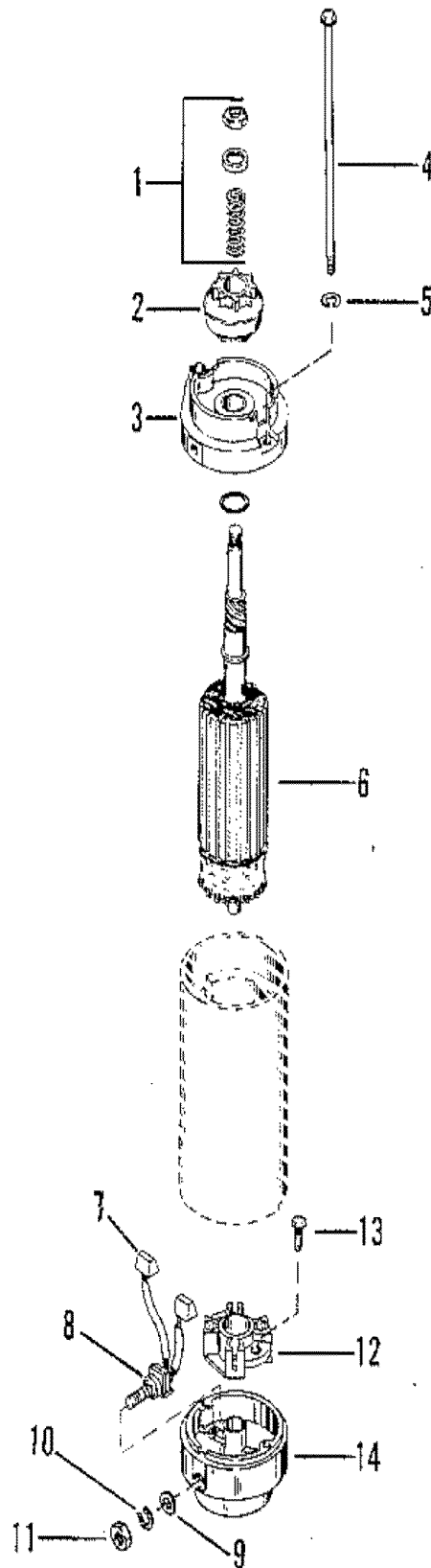
POWER TRIM CYLINDER REPAIR KITS (92194A20 TRIM CYLINDER)



POWER TRIM CYLINDER REPAIR KITS (92194A20 TRIM CYLINDER)

| REF. NO. | PART NO. | SYM. | QTY. | DESCRIPTION |
|-------------|----------|------|------|-------------------------------------|
| - | 92188A2 | | 1 | REPAIR KIT (SEE NOTE BELOW) |
| 1 | N.S.S. | | 1 | CYLINDER CAP |
| 2 | N.S.S. | | 1 | "O" RING (1-1/4" X 1-1/2" X 1/8") |
| 3 | N.S.S. | | 1 | SPACER |
| 4 | N.S.S. | | 1 | "O" RING (1-7/8" X 2-1/16" X 3/32") |
| 5 | N.S.S. | | 1 | "O" RING (3/4" X 15/16" X 3/32") |
| 6 | N.S.S. | | 1 | "O" RING (1-1/2" X 1-3/4" X 3/32") |

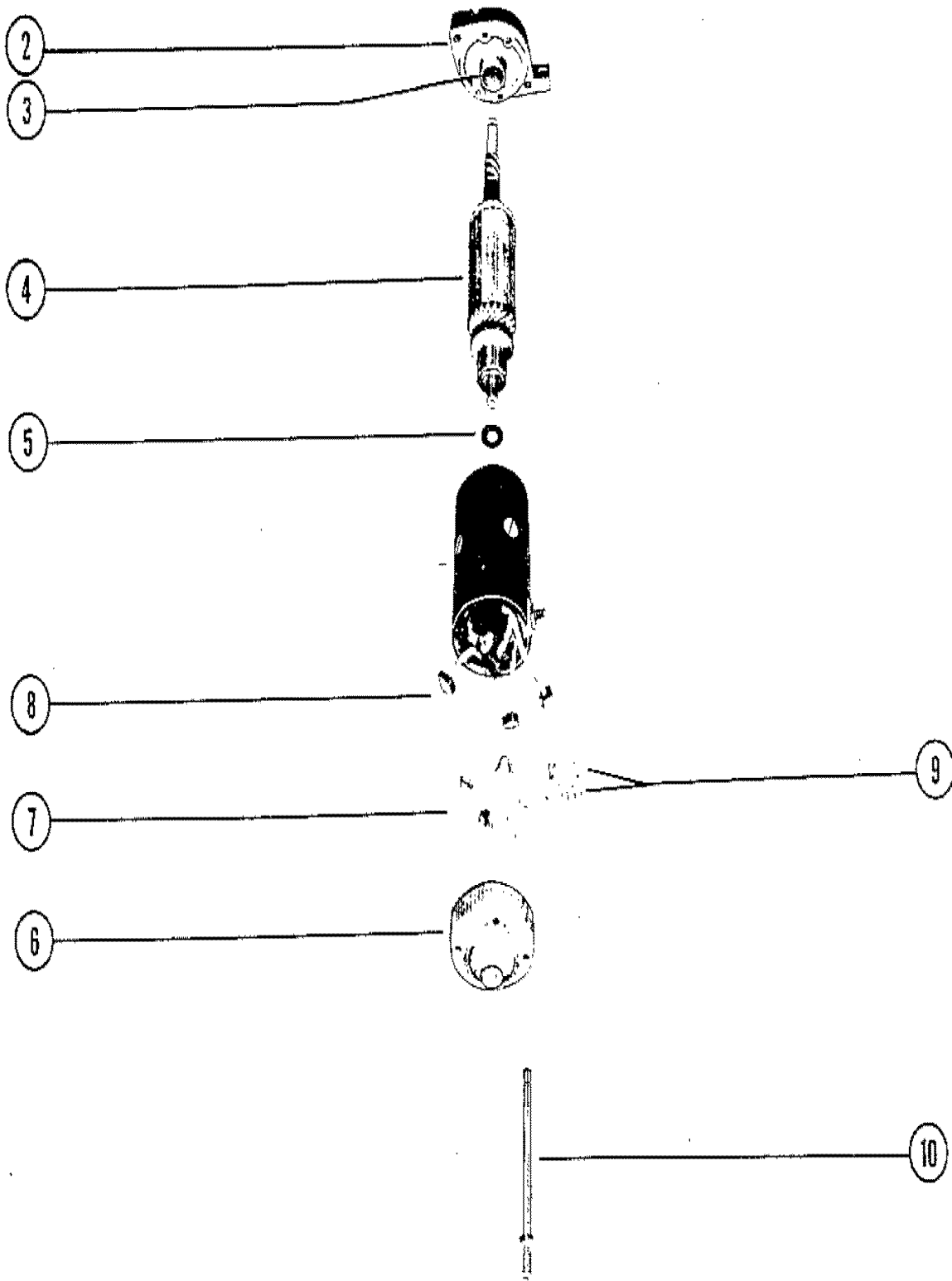
STARTER MOTOR ASSEMBLY (BOSCH)



STARTER MOTOR ASSEMBLY (BOSCH)

| REF. NO. | PART NO. | SYM. | QTY. | DESCRIPTION |
|----------|----------|------|------|----------------------------------|
| - | 50-65436 | | 1 | STARTER MOTOR ASSEMBLY |
| 1 | 90643 | | 1 | DRIVE KIT |
| 2 | 68575 | | 1 | DRIVE ASSEMBLY |
| 3 | N.S.S. | | 1 | PLATE, DRIVE END |
| 4 | 10-68576 | | 2 | BOLT, THRU - PLATE TO END CAP |
| 5 | 13-61789 | | 2 | LOCKWASHER, THRU BOLT |
| 6 | 68578 | | 1 | ARMATURE |
| 7 | 75384 | | 1 | BRUSH SET |
| 8 | 23-57387 | | 1 | BUSHING, INSULATING - INPUT STUD |
| 9 | 12-38013 | | 1 | WASHER, INPUT STUD |
| 10 | 13-26992 | | 1 | LOCKWASHER, INPUT STUD |
| 11 | 11-20890 | | 1 | NUT, INPUT STUD |
| 12 | 61787 | | 2 | HOLDER, BRUSH |
| 13 | 10-68586 | | 2 | SCREW, BRUSH AND HOLDER TO CAP |
| 14 | 79215 | | 1 | END CAP, COMMUTATOR |

STARTER MOTOR ASSEMBLY (PRESTOLITE)



STARTER MOTOR ASSEMBLY (PRESTOLITE)

| REF. NO. | PART NO. | SYM. | QTY. | DESCRIPTION |
|----------|----------|------|------|--|
| 1 | 392-8848 | | 1 | MOTOR DRIVE |
| 2 | 392-8852 | | 1 | PLATE ASSEMBLY, DRIVE END |
| 3 | 392-8853 | | 1 | BUSHING, DRIVE END PLATE |
| 4 | 392-8847 | | 1 | ARMATURE |
| 5 | 392-8856 | | 1 | PACKAGE, ARMATURE THRUST WASHER |
| 6 | 392-8849 | | 1 | END CAP ASSEMBLY, COMMUTATOR |
| 7 | 392-8850 | | 1 | BRUSH PLATE AND HOLDER ASSEMBLY |
| 8 | 392-8851 | | 1 | BRUSH AND TERMINAL SET |
| 9 | 392-8854 | | 2 | SPRING SET, BRUSH (2 SPRINGS PER SET) |
| 10 | 392-8855 | | 1 | BOLT, THRU - END CAP TO END PLATE (1/4-28) |

PARTS INDEX

| Part Number | Description | Pg. | Ref. No. | Part Number | Description | Pg. | Ref. No. |
|-------------|--|-----|----------|-------------|---|-----|----------|
| 20843 | SLIDE, CROSS PIN | 41 | 57 | 52023 | CAP, ADJUSTING SCREW | 11 | 27 |
| 22833 | ADAPTOR, CHECK UNIT (FUEL PUMP) | 21 | 23 | 52100 | WEAR PLATE, NYLON - LINK | 29 | 5 |
| 23004 | RETAINER, CHECK VALVE | 21 | 6 | 52106A1 | VENTURI | 19 | 5 |
| 23069 | STEM, CHECK UNIT ADAPTOR | 21 | 24 | 53078 | CAP, PLASTIC - TILT TUBE | 33 | 9 |
| 26113 | RACE, OUTER (PAIR) | 27 | 16 | 54705 | FACE PLATE - WATER PUMP | 37 | 21 |
| 26901 | BUMPER, RUBBER - SOLENOID BRACKET | 47 | 31 | 55278A3 | DIAPHRAGM KIT | 21 | 3 |
| 26901 | STOP, RUBBER - REAR SUPPORT BRACKET | 5 | 14 | 55992 | JUMPER WIRE (NEGATIVE) | 47 | 32 |
| 30188 | CUP WASHER, ADAPTOR | 21 | 27 | 56349 | SHAFT, REVERSE LOCK PIVOT | 35 | 16 |
| 30711 | BUMPER, STEERING ARM | 35 | 6 | 56703 | COLLAR, RUBBER - STARTER MOUNT | 13 | 21 |
| 31640A1 | TRIM TAB ASSEMBLY, GEAR HOUSING | 41 | 74 | 57247 | STOP, RUBBER - STARTER MOTOR | 13 | 15 |
| 32979 | BATTERY LEAD (POSITIVE) | 47 | 6 | 60116 | BRACE, COWL SUPPORT BRACKET (TOP) | 5 | 15 |
| 32988 | BATTERY LEAD (NEGATIVE) | 47 | 6 | 60283A1 | LINK ASSEMBLY, SHIFT SHAFT | 29 | 2 |
| 35474F2 | COVER, LOWER MOUNT CLAMP | 31 | 32 | 60292A1 | COUPLING ASSEMBLY | 17 | 17 |
| 37721 | SEAL, EXHAUST TUBE | 37 | 11 | 60306 | STRIP, RETAINING - EXHAUST PLATE SEAL | 29 | 30 |
| 37896 | GUIDE BLOCK, LINK | 29 | 4 | 60307 | SEAL, EXHAUST PLATE | 29 | 29 |
| 38154 | STRIP, RETAINING - TRIM COVER SEAL (SIDE) | 31 | 18 | 60549A3 | CHOKE SOLENOID | 17 | 1 |
| 38157 | SEAL, TRIM COVER TO DRIVE SHAFT HOUSING | 31 | 16 | 60570 | PLATE, RETAINER - ACTUATOR HOUSING | 11 | 5 |
| 38158 | STRIP, RETAINING - TRIM COVER SEAL (REAR) | 31 | 17 | 61158 | HOOK, FRONT COVER | 3 | 24 |
| 38279 | LATCH, LINK TO ANCHOR BRACKET | 29 | 6 | 61787 | HOLDER, BRUSH | 61 | 12 |
| 38441 | CAM FOLLOWER | 41 | 56 | 61990 | STA-STRAP, MERCURY SWITCH LEAD | 25 | 21 |
| 39483 | LATCH, THROTTLE CONTROL LEVER (THROTTLE CABLE) | 11 | 28 | 62351A1 | RECTIFIER | 13 | 1 |
| 39519 | CUP, RETAINER - ANCHOR BRACKET | 29 | 14 | 62444 | SEAL, RUBBER - TOP BRACKET/MOUNTING PLATE | 5 | 2 |
| 39618 | LEVER, NYLON - SHIFT CABLE LOCKING | 29 | 15 | 62627 | BAR, ADJUSTMENT - COWL LATCH | 3 | 17 |
| 45197A2 | CONTROL VALVE ASSEMBLY | 47 | 8 | 62628 | BARREL, COWL LATCH | 3 | 15 |
| 45197A2 | CONTROL VALVE ASSEMBLY | 51 | 7 | 62629 | BARREL, COWL LATCH | 3 | 18 |
| 45326A2 | SWITCH ASSEMBLY, CUT- OUT LIMIT | 53 | 31 | 63473 | TUBE, CUSHION | 55 | 50 |
| 45336 | PLATE, MANIFOLD | 47 | 7 | 64505A1 | RETAINER ASSEMBLY, PISTON | 57 | 12 |
| 45336 | PLATE, MANIFOLD | 51 | 6 | 64507A1 | REPAIR KIT (SEE NOTE BELOW) | 57 | - |
| 45377 | BRACKET, MOUNTING | 47 | 15 | 65799 | LINK, LOCKING LEVER TO COVER | 29 | 17 |
| 45377 | BRACKET, MOUNTING | 51 | 14 | 66517 | RESTRICTOR, CRANKCASE BLEED | 23 | 1A |
| 46265 | BOOT, RUBBER - STARTER SOLENOID TERMINAL | 47 | 26 | 68575 | DRIVE ASSEMBLY | 61 | 2 |
| 46785A2 | COWL LATCH ASSEMBLY | 3 | 14 | 68578 | ARMATURE | 61 | 6 |
| 47341A1 | STARTER ROPE (FOR MANUAL STARTING ONLY) | 3 | 26 | 69259 | TUBE, MOUNTING - TILT STOP | 55 | 48 |
| 47836 | PUSH ROD, REVERSE LOCK (LONG SHAFT) | 35 | 21 | 69386A1 | BEARING CARRIER ASSEMBLY | 41 | 67 |
| 47837 | ROD END, PUSH ROD | 35 | 23 | 69540A4 | SWIVEL PIN ASSEMBLY (LONG SHAFT) | 35 | 5 |
| 48039 | CAP, ADJUSTING SCREW | 11 | 24 | 69544 | TUBE, EXHAUST (LONG SHAFT) | 31 | 20 |
| 48753 | INSERT, WATER PUMP BODY | 37 | 26 | 69555 | NOZZLE, TELL TALE - REAR SUPPORT BRACKET | 23 | 33 |
| 52023 | CAP, ADJUSTING SCREW | 11 | 15 | 69579 | PLATE, BAFFLE - EXHAUST MANIFOLD | 25 | 11 |

PARTS INDEX

| Part Number | Description | Pg. | Ref. No. | Part Number | Description | Pg. | Ref. No. |
|-------------|-----------------------------|-----|----------|-------------|-----------------------------|-----|----------|
| 69592 | CLAMP, LOWER MOUNT . . . | 31 | 29 | 76864 | HOUSING, NYLON - | | |
| 69876--1 | SEAL, REAR BRACKET | 3 | 6 | | THROTTLE ACTUATOR . . | 11 | 1 |
| 69876--1 | SEAL, REAR BRACKET AND | | | 76903 | EXHAUST TUBE, ADAPTOR | 29 | 34 |
| | TOP BRACKET | 5 | 10 | 77013A1 | SWIVEL, LINK ROD TO | | |
| 70679 | COVER, TRIM CYLINDER | | | | SPARK ADVANCE LEVER | 11 | 34 |
| | NOT USED ON LATE | | | 77013A1 | SWIVEL, LINK ROD TO | | |
| | MODELS | 55 | 55 | | THROTTLE CONTROL | | |
| 71090 | SEAL, CARBURETOR PLATE | 17 | 22 | | LEVER | 11 | 8 |
| 71097 | BRACKET, RUBBER MOUNT | 5 | 20 | 77025 | CAM, NYLON - THROTTLE | | |
| 72849A1 | SCREEN, WATER INTAKE - | | | | ACTUATOR | 11 | 2 |
| | STARBOARD AND PORT . | 37 | 7 | 77031A2 | LEVER ASSEMBLY, SPARK | | |
| 73218 | COVER, IGNITION COIL . . . | 9 | 19 | | ADVANCE | 11 | 20 |
| 73345A1 | THRUST HUB, FRONT | 41 | 80 | 77032A2 | LEVER ASSEMBLY, | | |
| 73439 | PLATE, MOUNTING - | | | | THROTTLE CONTROL . . . | 11 | 12 |
| | IGNITION COIL | 9 | 16 | 77416 | BOTTOM YOKE | 35 | 9 |
| 73519A1 | TILT STOP | 55 | 47 | 77583 | LEVER, THROTTLE | 17 | 15 |
| 73641A2 | BRACKET, COWL SUPPORT | | | 77636 | COVER, STARTER MOTOR | | |
| | - TOP | 5 | 1 | | (BOTTOM) | 23 | 8 |
| 73986 | AIR MANIFOLD | 5 | 26 | 77669 | PIN, MOUNTING TUBE | 55 | 49 |
| 74164 | ROD, LINK - THROTTLE . . . | 11 | 7 | 78036 | BASE, REVERSE LOCKING . | 39 | 49 |
| 74212 | ROD, LINK - SPARK | | | 78529 | COVER, EXHAUST | | |
| | ADVANCE | 11 | 33 | | MANIFOLD | 25 | 13 |
| 74406 | BRACKET, MOUNTING - | | | 78654A1 | SEAT ASSEMBLY, DRIVE | | |
| | STARTER SOLENOID . . . | 47 | 33 | | SHAFT | 37 | 32 |
| 74407 | BRACKET, MOUNTING - | | | 79215 | END CAP, COMMUTATOR . | 61 | 14 |
| | STARTER SOLENOID . . . | 47 | 27 | 79490 | SHIELD, FLYWHEEL | 5 | 6 |
| 74510A2 | BRACKET, COWL SUPPORT | | | 79551 | BLANKET, SOUND | | |
| | - REAR | 5 | 9 | | ABSORBING | 3 | 23 |
| 74528 | TILT TUBE | 33 | 6 | 79652 | CLIP, SUPPORT BRACKET . | 5 | 3 |
| 74897 | BARREL, LINK ROD TO | | | 79659 | COUPLING, TILT LOCK | 35 | 14 |
| | STATOR | 11 | 32 | 79735A1 | COVER, STARTER MOTOR | | |
| 75043 | CAP, THUMB SCREW | | | | (TOP) | 23 | 11 |
| | (ELECTRIC) | 33 | 5 | 79736 | INDICATOR, TIMING | 23 | 18 |
| 75304 | MOUNT, RUBBER - LOWER | 31 | 23 | 79799 | HOUSING, WATER SEAL . . . | 29 | 26 |
| 75355A32 | SHIFT SHAFT ASSEMBLY, | | | 86026 | RETAINER, SPRING | 21 | 35 |
| | UPPER (LONG SHAFT) . . | 29 | 9 | 86252 | CAP SPRING END | 21 | 37 |
| 75384 | BRUSH SET | 61 | 7 | 86304 | SEAL, SPLINED - DRIVE | | |
| 75805 | CAP, HINGE BRACKET | | | | SHAFT | 37 | 33 |
| | SCREW (UPPER) | 3 | 8A | 86967 | PLATE, RETAINING - LIMIT | | |
| 76039 | SHIFT CAM | 41 | 51 | | SWITCH CAM | 53 | 28 |
| 76063A1 | SHAFT ASSY, SHIFT - | | | 87432 | REVERSE LOCK ASSEMBLY | 35 | 20 |
| | LOWER | 39 | 43 | 87764 | BRACKET, REAR - LOWER | | |
| 76076A1 | CHOKE ROD | 17 | 7 | | MOUNT | 5 | 38 |
| 76251A1 | PLATE ASSEMBLY, FRONT | | | 87774A1 | COVER, INLET - TRANSOM | 53 | 38 |
| | COVER | 5 | 34 | 87883 | COVER, UPPER MOUNT . . . | 31 | 13 |
| 76264 | LATCH, FRONT COVER . . . | 5 | 35 | 88181 | SLEEVE, LUBRICATION . . . | 37 | 37 |
| 76385 | TILT LOCK PORT | 35 | 12 | 88238A2 | WIRE ASSEMBLY, GROUND | 31 | 35 |
| 76386 | TILT LOCK, STARBOARD . . | 35 | 11 | 88238A3 | GROUND STRAP ASSEMBLY | 7 | 41 |
| 76395A5 | HYDRAULIC PUMP ASS'Y | | | 88627 | BRACKET, FUEL FILTER . . . | 21 | 14 |
| | (METAL RESERVOIR) SEE | | | 88682 | COVER, HARNESS | | |
| | NOTE BELOW | 47 | 1 | 88683 | SUPPORT BRACKET | 15 | 31 |
| 76395A5 | HYDRAULIC PUMP | | | | BRACKET, WIRING | | |
| | ASSEMBLY, COMPLETE . | 43 | - | 88684 | HARNESS SUPPORT | 15 | 29 |
| 76410 | SEAL, FUEL CONNECTOR - | | | 88725 | COVER, MANUAL CHOKE . . | 5 | 23 |
| | SOUND ATTENUATOR . . | 5 | 30 | 88730A3 | ATTENUATOR, SOUND | 5 | 22 |
| 76509A23 | TRIM CYLINDER ASS'Y | | | | EXHAUST PLATE | | |
| | (IDENTIFY BY CASTING | | | | ASSEMBLY | 29 | 21 |
| | #78439) | 53 | 1 | 88935 | PLATE, SWITCH BOX | 9 | 7 |
| 76575A2 | FUEL PUMP ASSEMBLY . . . | 21 | 1 | 89008A2 | PLUNGER ASSEMBLY, | | |
| | | | | | CHOKE SOLENOID | 17 | 6 |

PARTS INDEX

| Part Number | Description | Pg. | Ref. No. | Part Number | Description | Pg. | Ref. No. |
|-------------|---|-----|----------|-------------|--|-----|----------|
| 89105 | TILT LOCK, STARBOARD/PORT | 35 | 11/12 | 96455A1 | TRIGGER PLATE ASSEMBLY | 9 | 23 |
| 89108A3 | BRACKET, TRIM CYLINDER (PORT) | 53 | 9 | 97348 | ATTENUATOR, SOUND | 5 | 22 |
| 89111 | BRACKET, TRIM CYLINDER (STARBOARD) | 53 | 20 | 98316 | CAM, REVERSE LOCKING | 39 | 50 |
| 89272 | COVER, LIMIT SWITCH | 53 | 34 | 98876 | STRAP, TILT STOP WITHOUT SHOCK ABSORBER | 33 | 29 |
| 89290 | PLUNGER, LIMIT SWITCH ACTUATING | 53 | 11 | 98877 | PIN, UPPER MOUNT - WITH SHOCK ABSORBER | 33 | 33 |
| 89406A1 | COVER ASSEMBLY, TRANSFER | 25 | 2 | 98878 | PIN, LOWER MOUNT - WITH SHOCK ABSORBER | 33 | 30 |
| 89717 | BRACKET, COWL SEALING - REAR | 3 | 5 | 99523A1 | COVER ASSEMBLY, TRANSFER | 25 | 2 |
| 89813 | ROD END, PUSH ROD | 35 | 23 | 99897 | CAM, LIMIT SWITCH ADJUSTING STUD | 53 | 27 |
| 90211 | COVER, NYLON - SHIFT CABLE | 29 | 18 | N.S.S. | "O" RING (1-1/2" X 1-3/4" X 3/32") | 59 | 6 |
| 90242A1 | CHOKE KNOB ASSEMBLY | 17 | 8 | N.S.S. | "O" RING (1-1/2" X 1-5/8" X 1/16") | 57 | 1 |
| 90435 | MOUNT, RUBBER - FRONT SUPPORT | 5 | 28 | N.S.S. | "O" RING (1-1/4" X 1-1/2" X 1/8") | 59 | 2 |
| 90435 | MOUNT, RUBBER - FRONT SUPPORT BRACKET | 5 | 17 | N.S.S. | "O" RING (1-1/4" X 1-7/16" X 1/16") | 57 | 4 |
| 90435 | MOUNT, RUBBER - REAR COWL SUPPORT | 7 | 40 | N.S.S. | "O" RING (1-3/4" X 1-15/16" X 1/8") | 57 | 9 |
| 90435 | MOUNT, RUBBER - REAR SUPPORT BRACKET | 5 | 11 | N.S.S. | "O" RING (1-5/16" X 1-1/2" X 1/8") | 57 | 7 |
| 90643 | DRIVE KIT | 61 | 1 | N.S.S. | "O" RING (1-5/8" X 1-13/16" X 1/8") | 57 | 6 |
| 90979 | PIN, COWL HINGE | 3 | 11 | N.S.S. | "O" RING (1-7/8" X 2" X 1/8") | 57 | 8 |
| 90980 | BRACKET, COWL HINGE | 3 | 7 | N.S.S. | "O" RING (1-7/8" X 2-1/16" X 3/32") | 59 | 4 |
| 91891 | WEAR PLATE, SOUND ATTENUATOR | 7 | 44 | N.S.S. | "O" RING (3/4" X 15/16" X 1/8") | 57 | 2 |
| 91951 | BRACKET, ANCHOR - CONTROL CABLES | 29 | 1 | N.S.S. | "O" RING (3/4" X 15/16" X 3/32") | 59 | 5 |
| 91996A1 | PLATE ASSEMBLY, CARBURETOR | 17 | 21 | N.S.S. | "O" RING (5/8" X 3/4" X 1/16") | 57 | 3 |
| 92188A2 | REPAIR KIT (SEE NOTE BELOW) | 59 | - | N.S.S. | "O" RING (7/32" X 11/32" X 1/16") | 57 | 5 |
| 92194A20 | TRIM CYLINDER ASS'Y (IDENTIFY BY NO CASTING #) | 53 | 1 | N.S.S. | CYLINDER CAP | 59 | 1 |
| 92405A1 | REVERSE LOCK ASSEMBLY | 35 | 20 | N.S.S. | PISTON, ROD - HEAVY DUTY | 57 | 11 |
| 92406 | PUSH ROD, REVERSE LOCK (LONG SHAFT) | 35 | 21 | N.S.S. | PLATE, DRIVE END | 61 | 3 |
| 92815 | PLATE, SUPPORT - EXHAUST TUBE | 37 | 10 | N.S.S. | RETAINER, SCRAPER | 57 | 14 |
| 92975A6 | HYDRAULIC PUMP ASS'Y (PLASTIC RESERVOIR) | 51 | 1 | N.S.S. | ROD, SCRAPER | 57 | 13 |
| 92975A6 | HYDRAULIC PUMP ASS'Y (PLASTIC RESERVOIR) SEE NOTE BELOW | 47 | 1 | N.S.S. | SEAL, SLIPPER - PISTON | 57 | 10 |
| 92975A6 | HYDRAULIC PUMP ASSEMBLY | 45 | - | N.S.S. | SPACER | 59 | 3 |
| 93239A2 | EXHAUST PLATE ASSEMBLY | 29 | 21 | 10-20367 | SCREW, PLATE TO CARBURETOR (7/16") | 17 | 23 |
| 93336 | GUIDE, PUSH ROD | 35 | 24 | 10-20411 | SCREW, VALVE BODY TO RESERVOIR | 43 | 3 |
| 93445 | MOUNT, RUBBER - UPPER | 31 | 7 | 10-20619 | SCREW, SWITCH BOX TO PLATE (1-1/8") | 9 | 10 |
| 94275 | LINK, SOLENOID TO SOLENOID | 51 | 30 | 10-21140 | SCREW, MOUNTING BRACKET TO HYDRAULIC PUMP (1/2") | 47 | 28 |
| 94279 | BRACKET, MOUNTING - STARTER SOLENOID | 51 | 20 | 10-22039 | SCREW, CRANKCASE TO CYLINDER BLOCK (2-3/4") | 23 | 15 |
| 96401 | SEAL, UPPER MOUNT | 31 | 8 | 10-22486 | SCREW, LATCH TO THROTTLE CONTROL LEVER (7/8") | 11 | 29 |

PARTS INDEX

| Part Number | Description | Pg. | Ref. No. | Part Number | Description | Pg. | Ref. No. |
|-------------|--|-----|----------|-------------|--|-----|----------|
| 10-23015 | SCREW, BRACKET ATTACHING | 15 | 30 | 10-45263 | SCREW, MOUNTING BRACKET (2-1/4") | 53 | 16 |
| 10-23015 | SCREW, COVER TO TOP COVER | 5 | 24 | 10-45264 | SCREW, TRIM CYLINDER (1-1/2") - WITH TAPPED HOLE | 53 | 5 |
| 10-23702 | SCREW, WIRING HARNESS CLAMP | 13 | 25 | 10-45265 | SCREW, BLEED | 53 | 3 |
| 10-25158 | SCREW, COVER TO BRACKET (1-3/4") | 15 | 32 | 10-45328 | SCREW, TRIM CYLINDER TO MOUNTING BRACKET (3-9/16") | 53 | 21 |
| 10-28635 | SCREW, COVER PLATE TO SUPPORT BRACKET (5/8") | 5 | 37 | 10-45561 | SCREW, HING BRACKET - LOWER (1-1/8") | 3 | 8 |
| 10-28636 | SCREW, EXHAUST TUBE (3/4") | 29 | 36 | 10-45775 | SCREW, MAIN BEARING CLAMPING (9/16") | 27 | 14 |
| 10-28668 | SCREW, EXHAUST PLATE (7/8") | 29 | 32 | 10-47255 | SCREW, CUT-OUT LIMIT SWITCH (9/16") | 53 | 33 |
| 10-28782 | SCREW, PIN TO COWL (7/8") | 3 | 12 | 10-48063 | SCREW, MOUNTING BRACKET TO HYDRAULIC PUMP | 51 | 21 |
| 10-29256 | SCREW, LOWER MOUNT CLAMP | 31 | 30 | 10-48408 | SCREW, CLIP TO SUPPORT (1/2") | 5 | 4 |
| 10-30009 | SCREW, CIRCUIT BREAKER | 51 | 33 | 10-48408 | SCREW, RETAINING STRIP | 31 | 19 |
| 10-31312 | SCREW, LATCH ASSEMBLY TO BARREL (7/8") | 3 | 16 | 10-48408 | SCREW, TELL TALE CLAMP | 23 | 35 |
| 10-32417 | SCREW, FLEXIBLE PLATE TO FLYWHEEL (5/8") | 9 | 6 | 10-48409 | SCREW, SHIELD TO SUPPORT BRACKET (1/2") | 5 | 8 |
| 10-32866 | SCREW, INLET COVER TO BOAT (2") | 55 | 41 | 10-52743 | SCREW, CARBURETOR TO CRANKCASE (3-3/4") | 17 | 14 |
| 10-33524 | SCREW, CHOKE SOLENOID (5/8") | 17 | 4 | 10-53016 | SCREW, PLATE AND MANIFOLD COVER (1-1/4") | 25 | 15 |
| 10-34290 | SCREW, STARTER SOLENOID TO MOUNTING BRACKET (5/8") | 49 | 36 | 10-54803 | SCREW, CAP TO CONNECTING ROD W/NUT | 27 | 23 |
| 10-34994 | SCREW, LIMIT SWITCH COVER (7/16") | 53 | 36 | 10-55337 | SCREW, THROTTLE CONTROL LEVER (1-3/4") | 11 | 16 |
| 10-35385 | SCREW, CRANKCASE TO CYLINDER BLOCK (1-3/4") | 23 | 13 | 10-56500 | SCREW, VALVE AND MANIFOLD PLATE TO PUMP (1-1/4") | 51 | 11 |
| 10-35385 | SCREW, STARTER MOTOR COVER (1-3/4") | 23 | 12 | 10-56500 | SCREW, VALVE AND MANIFOLD PLATE TO PUMP (1-1/4") | 47 | 12 |
| 10-35386 | SCREW, MOUNTING BRACKET TO HYDRAULIC PUMP (1") | 47 | 16 | 10-58414 | SCREW, INDICATOR TO STARTER COVER | 23 | 19 |
| 10-35386 | SCREW, MOUNTING BRACKET TO HYDRAULIC PUMP (1") | 51 | 15 | 10-58414 | SCREW, STARTER MOTOR COVER (2-1/2") | 23 | 12 |
| 10-35581 | SCREW, PUMP MOUNTING (1-5/8") | 21 | 8 | 10-59645 | SCREW, BRACKET TO CRANKCASE (3/4") | 5 | 21 |
| 10-36070 | SCREW, WATER INTAKE SCREEN | 37 | 8 | 10-59645 | SCREW, SWITCH BOX PLATE (3/4") | 9 | 8 |
| 10-37571 | SCREW, FRONT COVER (1/2") | 5 | 32 | 10-60293 | SCREW, LEVER TO CARBURETOR | 17 | 16 |
| 10-37571 | SCREW, HOUSING (1/2") | 11 | 3 | 10-60293 | SCREW, ROLLED WASHER TO COUPLING | 17 | 20 |
| 10-37655 | SCREW, MERCURY SWITCH TO CRANKCASE (1/2") | 25 | 19 | 10-62269 | SCREW, VENT - HYDRAULIC PUMP | 43 | 6 |
| 10-37655 | SCREW, TRIM CYLINDER COVER NOT USED ON LATE MODELS | 55 | 56 | 10-62269 | SCREW, VENT - HYDRAULIC PUMP | 47 | 5 |
| 10-37656 | SCREW, SHIELD TO SUPPORT BRACKET (5/8") | 5 | 7 | 10-62269 | SCREW, VENT - HYDRAULIC PUMP | 51 | 5 |
| 10-38055 | SCREW, RECTIFIER TO PLATE (5/8") | 13 | 2 | 10-62568 | SCREW, RETAINING STRIP (3/8") | 29 | 31 |
| 10-38837 | SCREW, PLATE AND MANIFOLD COVER (1-1/8") | 25 | 14 | 10-62568 | SCREW, WIRE ATTACHING | 9 | 12 |

PARTS INDEX

| Part Number | Description | Pg. | Ref. No. | Part Number | Description | Pg. | Ref. No. |
|-------------|--|-----|----------|-------------|---|-----|----------|
| 10-63136 | SCREW, STATOR TO UPPER END CAP (7/8") | 9 | 22 | 10-75284 | SCREW, LOWER MOUNT SCREW | 31 | 24 |
| 10-66024 | SCREW, TRIM TAB TO GEAR HOUSING | 41 | 75 | 10-75794 | SCREW, HINGE BRACKET - UPPER (1-1/8") | 3 | 8 |
| 10-66897 | BOLT, UPPER MOUNT TO SWIVEL PIN (5-1/4") | 35 | 7 | 10-76596 | SCREW, ADAPTOR TO SOUND ATTENUATOR (1-1/4") | 21 | 28 |
| 10-68298 | BOLT, CLAMP BRACKET TO TRANSOM (3/1/4") | 33 | 18 | 10-76596 | SCREW, CYLINDER BLOCK COVER (1-1/4") | 25 | 7 |
| 10-68298 | BOLT, HYDRAULIC PUMP TO BOAT (3-1/4") | 47 | 19 | 10-76596 | SCREW, REAR BRACKET ATTACHING | 5 | 39 |
| 10-68298 | BOLT, HYDRAULIC PUMP TO BOAT (3-1/4") | 51 | 18 | 10-76596 | SCREW, SUPPORT BRACKET (1-1/4") | 5 | 16 |
| 10-68298 | BOLT, MOUNTING BRACKET TO TRANSOM (3-1/4") | 53 | 17 | 10-76630 | SCREW, UPPER MOUNT COVER | 31 | 14 |
| 10-68513 | SCREW, RETAINING PLATE AND CAM | 53 | 29 | 10-77065 | SCREW, STARTER MOTOR COVER (2") | 23 | 9 |
| 10-68576 | BOLT, THRU - PLATE TO END CAP | 61 | 4 | 10-77137 | SCREW, WIRE TO CHOKE KNOB | 17 | 9 |
| 10-68586 | SCREW, BRUSH AND HOLDER TO CAP | 61 | 13 | 10-77280 | SCREW, REED STOP MOUNTING (9/16") | 27 | 12 |
| 10-68789 | SCREW, RETAINER TO HOUSING (3/8") | 21 | 7 | 10-77650 | SCREW, SPARK ADVANCE LEVER ADJUSTING (2-1/4") | 11 | 25 |
| 10-68918 | SCREW, EXHAUST PLATE (1") | 29 | 32 | 10-78492A1 | THUMB SCREW ASSEMBLY | 33 | 2 |
| 10-68997 | SCREW, PLATE/HUB (3/4") | 9 | 5 | 10-78495 | SCREW, WASHER TO THUMB SCREW | 33 | 4 |
| 10-69028 | SCREW, MOUNTING BRACKET TO HYDRAULIC PUMP (3/4") | 49 | 34 | 10-79798 | SCREW, HOUSING TO EXHAUST PLATE | 29 | 28 |
| 10-69034 | SCREW, LOWER END CAP MOUNTING (1") | 23 | 28 | 10-79953 | SCREW, FILLER - HYDRAULIC PUMP | 43 | 7 |
| 10-69035 | SCREW, CABLE TO STARTER MOTOR (5/8") | 13 | 17 | 10-79953 | SCREW, FILLER - HYDRAULIC PUMP | 47 | 3 |
| 10-69054 | SCREW, SOLENOID TO ATTENUATOR (5/8") | 13 | 12 | 10-79953 | SCREW, FILLER - HYDRAULIC PUMP | 51 | 3 |
| 10-69092 | SCREW, BRACKET ATTACHING (1-1/4") | 21 | 15 | 10-79953 | SCREW, GREASE FILLER | 37 | 34 |
| 10-69093 | SCREW, AIR MANIFOLD | 5 | 27 | 10-87884 | SCREW, COVER TO LOWER MOUNT CLAMP | 31 | 33 |
| 10-69097 | SCREW, CHOKE SOLENOID (1-1/2") | 17 | 4 | 10-89673 | BOLT, CLAMP BRACKET TO TRANSOM (5") | 33 | 18 |
| 10-69100 | SCREW, CYLINDER BLOCK COVER (1") | 25 | 7 | 10-89673 | BOLT, MOUNTING BRACKET TO TRANSOM (5") | 53 | 17 |
| 10-69101 | SCREW, ANCHOR BRACKET (7/8") | 29 | 19 | 10-91012 | SCREW, CAP TO CONNECTING ROD - W/O NUT | 27 | 23 |
| 10-69375A1 | SCREW, UPPER AND LOWER SHOCK PIN (5/8") | 33 | 28 | 10-91026 | SCREW, STARTER SOLENOID TO MOUNTING BRACKET | 51 | 29 |
| 10-69570 | SCREW, HOOK TO FRONT COVER (3/4") | 3 | 25 | 10-92050 | SCREW, TRIM CYLINDER (1-1/2") - WITHOUT TAPPED HOLE | 53 | 5 |
| 10-69570 | SCREW, VALVE BODY TO RESERVOIR | 45 | 3 | 10-92399 | SCREW, COVER TO MOUNTING PLAT (2-1/4") | 9 | 20 |
| 10-70602 | SCREW, PLATE/MANIFOLD COVER (2") | 25 | 16 | 11-20110 | NUT, REED STOP MOUNTING SCREW | 27 | 13 |
| 10-73169 | SCREW, UPPER END CAP MOUNTING (1") | 23 | 23 | 11-20361 | NUT, RUBBER MOUNT | 7 | 43 |
| 10-73286 | SCREW, WIRING HARNESS CLAMP | 15 | 35 | 11-20586 | NUT, LATCH ATTACHING SCREW | 11 | 31 |
| 10-73655 | SCREW, THROTTLE LEVER ADJUSTING (2") | 11 | 13 | 11-20696 | NUT, TRIM CYLINDER SCREW | 53 | 23 |
| 10-73656 | SCREW, SPARK ADVANCE ADJUSTING (1-1/2") | 11 | 22 | | | | |

PARTS INDEX

| Part Number | Description | Pg. | Ref. No. | Part Number | Description | Pg. | Ref. No. |
|-------------|---|-----|----------|-------------|---|-----|----------|
| 11-20890 | NUT, INPUT STUD | 61 | 11 | 11-45774 | NUT, LINK ROD SWIVEL . . . | 11 | 11 |
| 11-20890 | NUT, STARTER MOTOR TERMINAL | 13 | 20 | 11-45774 | NUT, MAIN BEARING SCREW CLAMPING | 27 | 15 |
| 11-21825 | NUT, FUSE TERMINAL (1/4- 28) | 51 | 38 | 11-45812 | NUT, ADJUSTMENT BAR TO BARREL | 3 | 21 |
| 11-21825 | NUT, STARTER SOLENOID SCREW | 49 | 38 | 11-45812 | NUT, JAM - LIMIT SWITCH ADJUSTING STUD | 53 | 26 |
| 11-21908 | NUT, MOUNTING BRACKET SCREW | 47 | 18 | 11-45812 | NUT, WATER INTAKE SCREEN SCREW | 37 | 9 |
| 11-21908 | NUT, MOUNTING BRACKET SCREW | 51 | 17 | 11-49091 | NUT, CONNECTING ROD SCREW W/NUT | 27 | 24 |
| 11-24656 | NUT, MOUNTING BRACKET TO HYDRAULIC PUMP THRU BOLT | 47 | 30 | 11-52901 | NUT, FLYWHEEL | 9 | 1 |
| 11-24656 | NUT, MOUNTING BRACKET TO HYDRAULIC PUMP THRU BOLT | 51 | 22 | 11-55910 | NUT, PINION GEAR TO DRIVE SHAFT | 37 | 13 |
| 11-25096 | NUT, LOWER MOUNT SCREW | 31 | 28 | 11-56041 | NUT, TILT TUBE | 33 | 8 |
| 11-26419 | NUT, SOLENOID TERMINAL (#8-32) | 13 | 8 | 11-64809 | NUT, POWERHEAD STUDS (5/16") | 31 | 22 |
| 11-26419 | NUT, SOLENOID TERMINAL (8-32) | 51 | 25 | 11-68219 | NUT, ADJUSTING SCREW . . . | 11 | 23 |
| 11-28770 | JAM NUT, PUSH ROD | 35 | 22 | 11-68219 | NUT, CHOKE SOLENOID TERMINAL | 17 | 3 |
| 11-28770 | JAM NUT, PUSH ROD | 35 | 22 | 11-68219 | NUT, INLET COVER SCREW . . . | 55 | 43 |
| 11-28770 | NUT, CLAMP BRACKET STUD | 33 | 15 | 11-68219 | NUT, SOLENOID TERMINAL (#10) | 13 | 8 |
| 11-28770 | NUT, MOUNTING BRACKET STUD | 53 | 15 | 11-68219 | NUT, SOLENOID TERMINAL (#10) | 47 | 23 |
| 11-29250 | NUT, CHOKE SOLENOID SCREWS | 17 | 5 | 11-68292 | NUT, SOLENOID TERMINAL (5/16") | 13 | 10 |
| 11-29250 | NUT, CRANKCASE SCREW (BOTTOM) | 23 | 17 | 11-68292 | NUT, SOLENOID TERMINAL (5/16") | 47 | 25 |
| 11-29598 | NUT, JAM - ADJUSTING SCREW | 11 | 14 | 11-68411 | NUT, HYDRAULIC PUMP BOLT | 47 | 20 |
| 11-29598 | NUT, JAM - ADJUSTING SCREW | 11 | 26 | 11-68411 | NUT, HYDRAULIC PUMP BOLT | 51 | 19 |
| 11-34863 | NUT, DRIVE SHAFT HOUSING STUD (3/8") . . . | 41 | 77 | 11-68411 | NUT, MOUNTING BRACKET BOLT | 53 | 19 |
| 11-34933 | NUT, DRIVE SHAFT HOUSING STUD (7/16") . . | 41 | 79 | 11-69578A1 | PROPELLER NUT | 41 | 82 |
| 11-34933 | NUT, GEAR HOUSING STUDS (7/16") | 31 | 6 | 11-87763 | NUT, GEAR HOUSING | 41 | 73 |
| 11-34933 | NUT, UPPER MOUNT BOLT . . . | 31 | 12 | 11-92500 | PUSH NUT, ROLLER - COUPLING | 17 | 19 |
| 11-35521 | NUT, LOWER MOUNT CLAMP COVER | 31 | 34 | 11-94330 | NUT, SOLENOID TERMINAL (1/2-20) | 13 | 10 |
| 11-35888 | NUT, WATER PUMP STUDS . . . | 37 | 30 | 11-94330 | NUT, SOLENOID TERMINAL (1/4-20) | 51 | 27 |
| 11-36069 | NUT, LINK ATTACHING | 29 | 8 | 11-99405 | NUT, CLAMP BRACKET BOLT | 33 | 20 |
| 11-36069 | NUT, RUBBER MOUNT | 5 | 13 | 12-20260 | WASHER, GREASE FILLER AND DRAIN SCREW | 37 | 36 |
| 11-36069 | NUT, RUBBER MOUNT | 5 | 19 | 12-20260 | WASHER, SEALING - FILLER SCREW | 43 | 8 |
| 11-36069 | NUT, RUBBER MOUNT | 5 | 29 | 12-20260 | WASHER, SEALING - FILLER SCREW | 47 | 4 |
| 11-40021--2 | NUT, FUEL FILTER STUD . . . | 21 | 19 | 12-20260 | WASHER, SEALING - FILLER SCREW | 51 | 4 |
| 11-45076 | NUT, CIRCUIT BREAKER TERMINAL (10-32) | 51 | 34 | 12-20346 | WASHER, FUEL FILTER STUD | 21 | 18 |
| 11-45076 | NUT, IGNITION COIL TERMINAL | 9 | 18 | 12-20346 | WASHER, RUBBER MOUNT . . . | 5 | 12 |
| 11-45076 | NUT, MERCURY SWITCH TERMINAL | 25 | 18 | 12-20346 | WASHER, RUBBER MOUNT . . . | 7 | 42 |
| 11-45076 | NUT, RECTIFIER TERMINAL . . . | 13 | 5 | 12-21631 | WASHER, LINK LATCH | 29 | 7 |
| | | | | 12-25176 | WASHER, SWIVEL PIN TO BOTTOM YOKE (.060) | 35 | 8 |

PARTS INDEX

| Part Number | Description | Pg. | Ref. No. | Part Number | Description | Pg. | Ref. No. |
|-------------|--|-----|----------|-------------|---|-----|----------|
| 12-26020 | WASHER, CRANKCASE SCREW (BOTTOM) | 23 | 16 | 12-68300 | WASHER, CLAMP BRACKET BOLT | 33 | 19 |
| 12-27727 | WASHER, UPPER MOUNT BOLT (37/64 ID) | 31 | 9 | 12-68410 | WASHER, CLAMP BRACKET BOLT | 33 | 19 |
| 12-28051 | WASHER, LOWER MOUNT SCREW | 31 | 25 | 12-68410 | WASHER, MOUNTING BRACKET BOLT | 53 | 18 |
| 12-28053 | WASHER, RUBBER - LOWER MOUNT SCREW | 31 | 26 | 12-68410 | WASHER, THROTTLE CONTROL LEVER SCREW | 11 | 21 |
| 12-28196 | WASHER, UPPER BUSHING RETAINER (INNER) | 33 | 23 | 12-69374 | WASHER, UPPER AND LOWER BUSHING (OUTER) | 33 | 27 |
| 12-28420 | WASHER, CLAMP BRACKET BOLT | 33 | 19 | 12-72761 | WASHER, WIRING HARNESS CLAMP SCREW | 13 | 26 |
| 12-28421 | WASHER, TRIM CYLINDER BOLT | 53 | 6 | 12-75806 | WASHER, HINGE BRACKET SCREW (UPPER) | 3 | 10 |
| 12-29245 | WASHER, PLATE SCREW | 17 | 24 | 12-77674 | WASHER, RUBBER - SHAFT BUSHING | 39 | 48 |
| 12-29245 | WASHER, UPPER MOUNT COVER SCREW | 31 | 15 | 12-78493 | WASHER, THUMB SCREW | 33 | 3 |
| 12-29245 | WASHER, WATER PUMP STUDS | 37 | 29 | 12-96457 | WASHER, FUSE TERMINAL | 51 | 37 |
| 12-30119 | WASHER, LOWER MOUNT SCREW | 31 | 27 | 13-26992 | LOCKWASHER, HINGE BRACKET SCREW | 3 | 9 |
| 12-30164 | WASHER, ADJUSTMNET BAR TO BARREL | 3 | 20 | 13-26992 | LOCKWASHER, INPUT STUD | 61 | 10 |
| 12-30514 | WASHER, UPPER MOUNT BOLT | 31 | 11 | 13-26992 | LOCKWASHER, MOUNTING BRACKET SCREW | 47 | 29 |
| 12-32004 | THRUST WASHER, REVERSE GEAR | 41 | 64 | 13-26992 | LOCKWASHER, MOUNTING BRACKET SCREW | 49 | 35 |
| 12-33786 | WASHER, LINK ROD SWIVEL | 11 | 10 | 13-26992 | LOCKWASHER, SOLENOID SCREW | 13 | 13 |
| 12-35462 | WASHER, LINK (SHIFT SHAFT END) | 29 | 13 | 13-26992 | LOCKWASHER, SOLENOID TERMINAL (#1/4) | 13 | 9 |
| 12-37807 | WASHER, TRIM CYLINDER SCREW (STARBOARD ONLY) | 53 | 22 | 13-26992 | LOCKWASHER, SOLENOID TERMINAL (1/4) | 51 | 26 |
| 12-37998 | WASHER, HINGE BRACKET SCREW | 3 | 10 | 13-26992 | LOCKWASHER, STARTER MOTOR TERMINAL | 13 | 19 |
| 12-38013 | WASHER, INPUT STUD | 61 | 9 | 13-26992 | LOCKWASHER, STARTER SOLENOID SCREW | 49 | 37 |
| 12-38453 | WASHER, NYLON - WATER PUMP | 37 | 28 | 13-26993 | LOCKWASHER, CLAMP BRACKET STUD | 33 | 14 |
| 12-38453 | WASHER, NYLON - WATER SEAL | 29 | 25 | 13-26993 | LOCKWASHER, MOUNTING BRACKET STUD | 53 | 14 |
| 12-38833 | WASHER, LIMIT SWITCH COVER SCREW | 53 | 37 | 13-26993 | LOCKWASHER, PIN ATTACHING SCREW | 3 | 13 |
| 12-39304 | WASHER, TILT PIN | 55 | 53 | 13-26993 | LOCKWASHER, SOLENOID TERMINAL (5/16") | 13 | 9 |
| 12-45175 | WASHER, DRIVE SHAFT HOUSING STUD (3/8") | 41 | 76 | 13-26993 | LOCKWASHER, SOLENOID TERMINAL (5/16") | 47 | 24 |
| 12-47247 | WASHER, NEEDLE LOCATING | 27 | 27 | 13-26993 | LOCKWASHER, STARTER MOTOR COVER SCREW | 23 | 9A |
| 12-52864 | WASHER, TILT TUBE | 33 | 7 | 13-26995 | LOCKWASHER, SOLENOID TERMINAL (#8) | 13 | 7 |
| 12-53705 | WASHER, COVER SCREW | 5 | 25 | 13-26995 | LOCKWASHER, SOLENOID TERMINAL (#8) | 51 | 24 |
| 12-56720 | WASHER, INDICATOR SCREW | 23 | 19A | 13-26996 | LOCKWASHER, CHOKE SOLENOID TERMINAL | 17 | 2 |
| 12-59378 | WASHER, LOWER BUSHING RETAINER (INNER) | 33 | 24 | 13-26996 | LOCKWASHER, HOUSING SCREW | 11 | 4 |
| 12-65791 | WASHER, DRIVE SHAFT HOUSING STUD (7/16") | 41 | 78 | 13-26996 | LOCKWASHER, INLET COVER SCREW | 55 | 42 |
| 12-65791 | WASHER, GEAR HOUSING STUDS (7/16") | 31 | 5 | 13-26996 | LOCKWASHER, RECTIFIER SCREW | 13 | 3 |
| 12-66966 | WASHER, RUBBER - UPPER MOUNT BOLT | 31 | 10 | | | | |
| 12-68229 | WASHER, FLYWHEEL NUT | 9 | 2 | | | | |

PARTS INDEX

| Part Number | Description | Pg. | Ref. No. | Part Number | Description | Pg. | Ref. No. |
|-------------|---|-----|----------|-------------|--|-----|----------|
| 13-26996 | LOCKWASHER, RETAINING PLATE AND CAM SCREW | 53 | 30 | 17-36242 | ROLL PIN, MERCURY SWITCH | 25 | 20 |
| 13-26996 | LOCKWASHER, SOLENOID TERMINAL (#10) | 13 | 7 | 17-38113 | CROSS PIN, RATCHET TO PROPELLER SHAFT | 41 | 60 |
| 13-26996 | LOCKWASHER, SOLENOID TERMINAL (#10) | 47 | 22 | 17-47175 | PIN, LOCKING LEVER AND COVER | 29 | 16 |
| 13-26996 | LOCKWASHER, THRU BOLT | 43 | 17 | 17-49930A1 | TILT LOCK PIN ASSEMBLY | 33 | 16 |
| 13-29402 | WAVE WASHER, LINK ROD SWIVEL | 11 | 8A | 17-60282 | DOWEL PIN, (STEPPED) | 27 | 8 |
| 13-29720 | WASHER, WAVE - SHIFT SHAFT TO LINK | 29 | 11 | 17-65855 | DOWEL PIN, REED STOP | 27 | 9 |
| 13-39107 | LOCKWASHER, MOUNTING BRACKET SCREW | 51 | 16 | 17-85500 | DOWEL PIN - GEAR HOUSING | 37 | 3 |
| 13-39107 | LOCKWASHER, MOUNTING BRACKET SCREW | 47 | 17 | 18-32857 | COTTER PIN - WITH SHOCK ABSORBER | 33 | 32 |
| 13-61789 | LOCKWASHER, THRU BOLT | 61 | 5 | 18-36391 | COTTER PIN, MOUNTING TUBE PIN | 55 | 51 |
| 14-53012 | TAB WASHER, GEAR HOUSING NUT | 41 | 72 | 18-45882 | COTTER PIN, REVERSE LOCK TO SHAFT | 35 | 18 |
| 14-76281 | TAB WASHER, PROPELLER | 41 | 81 | 18-45882 | COTTER PIN, TILT PIN | 55 | 52 |
| 15-20085A1 | SHIM, LOWER END CAP (.002-3-5-10) | 23 | 29 | 18-47959 | COTTER PIN, TILT LOCK TUBE | 35 | 15 |
| 15-22369A1 | SHIM, LOWER BEARING TO CRANKSHAFT | 27 | 3 | 19-45907 | PLUG, FLYWHEEL PULLER THREADS | 9 | 3 |
| 15-38374A1 | SHIM, BEARING CUP (.002-3-5-10) | 41 | 52 | 19-64649 | PLUG, PLASTIC - TRIM TAB SCREW HOLE | 31 | 2 |
| 15-73644A1 | SHIM, UPPER END CAP (.006-8-10) | 23 | 24 | 19-73336 | PLUG, FRONT COVER | 5 | 33 |
| 15-92881A1 | SHIM, ROLLER BEARING (.002-3-5-10-20) | 37 | 38 | 21-77207 | FITTING, CRANKCASE BLEED | 25 | 23 |
| 16-21085 | STUD, ADJUSTING - CUT-OUT LIMIT SWITCH | 53 | 25 | 21-77561 | CONNECTOR, ATTENUATOR | 25 | 26 |
| 16-33778 | STUD, WATER PUMP/BASE (2-5/8") | 37 | 4 | 21-92346A3 | CHECK VALVE ASSEMBLY | 21 | 2 |
| 16-45282 | STUD, MOUNTING BRACKET | 53 | 13 | 22-29111 | CONNECTOR, HOSE TO CYLINDER BLOCK | 23 | 30 |
| 16-57932 | STUD, DRIVE SHAFT HOUSING (1-3/4") | 31 | 3 | 22-32802 | PIPE PLUG, FUEL PUMP | 21 | 9 |
| 16-57933 | STUD, GEAR HOUSING | 37 | 5 | 22-32802 | PLUG, CYLINDER BLOCK COVER | 25 | 8 |
| 16-57935 | STUD, DRIVE SHAFT HOUSING (3") | 31 | 4 | 22-46008 | PLUG, CONTROL VALVE (1/2-20") | 51 | 12 |
| 16-59625 | STUD, CLAMP BRACKET | 33 | 13 | 22-46008 | PLUG, CONTROL VALVE (1/2-20") | 47 | 13 |
| 16-68166 | STUD, EXHAUST PLATE (2-1/8") | 29 | 23 | 22-59169 | TEE, CRANKCASE BLEED HOSE | 25 | 24 |
| 16-68167 | STUD, CYLINDER BLOCK (2-9/16") - TRANSFER SIDE | 23 | 7 | 22-63187 | FITTING, FUEL LINE TO ADAPTOR | 21 | 22 |
| 16-68201 | STUD, CRANKCASE TO DRIVE SHAFT HOUSING (2-1/4") | 23 | 3 | 22-64704 | FITTING, UPPER CARBURETOR | 21 | 32 |
| 16-68202 | STUD, CYLINDER BLOCK (3") - EXHAUST SIDE | 23 | 7 | 22-64705 | FITTING, FUEL PUMP (STRAIGHT) | 21 | 34 |
| 16-69058 | STUD, EXHAUST PLATE (1-11/16") | 29 | 22 | 22-64706 | TEE, LOWER CARBURETOR | 21 | 30 |
| 16-92345 | STUD, CYLINDER BLOCK (4 3/8") | 23 | 6 | 22-67892 | SCREW, DRAIN (MAGNETIC) | 37 | 35 |
| 17-20032 | DOWEL PIN, MAIN BEARING | 27 | 7 | 22-70007 | FITTING, FUEL PUMP (45) | 21 | 12 |
| 17-20033 | DOWEL PIN, CRANKCASE TO CYLINDER BLOCK | 23 | 4 | 22-71191 | ELBOW, CRANKCASE (PRESS-IN) | 25 | 25 |
| 17-20323 | DOWEL PIN, CYLINDER BLOCK TO MAIN BEARING | 23 | 5 | 22-74036 | GREASE FITTING | 35 | 3 |
| 17-30545 | PIN, DRIVE SHAFT | 37 | 42 | 22-74036 | GREASE FITTING, TRIM CYLINDER | 53 | 2 |
| | | | | 22-85822A1 | CONNECTOR ASSEMBLY, SPEEDOMETER | 37 | 2 |
| | | | | 22-99664 | ELBOW, DRIVE SHAFT HOUSING AND EXHAUST PLATE | 21 | 11 |

PARTS INDEX

| Part Number | Description | Pg. | Ref. No. | Part Number | Description | Pg. | Ref. No. |
|-------------|--|-----|----------|-------------|--|-----|----------|
| 23-23651 | SLEEVE, WATER INLET TUBE | 31 | 36 | 24-62624 | SPRING, TENSION - COWL LATCH | 3 | 19 |
| 23-26600 | BUSHING, NYLON - SHIFT SHAFT TO LINK | 29 | 12 | 24-78203A1 | SPRING, REVERSE LOCK TENSION | 35 | 19 |
| 23-26856 | BUSHING, LINK ROD SWIVEL | 11 | 9 | 24-78203A2 | SPRING, REVERSE LOCK TENSION | 35 | 19 |
| 23-27132 | BUSHING, NYLON - EXHAUST PLATE | 29 | 21A | 24-86207 | SPRING, COMPRESSION | 21 | 36 |
| 23-28198 | BUSHING, RUBBER - SHOCK ABSORBER (LOWER) | 33 | 26 | 24-89808 | SPRING, FUEL LINE | 21 | 33 |
| 23-32171 | BUSHING, RUBBER - SHOCK ABSORBER (UPPER) | 33 | 25 | 24-95881 | SPRING, TENSION - LIMIT SWITCH PLUNGER | 53 | 12 |
| 23-35977 | GROMMET, RUBBER (3/8" I.D. - 1" LONG) | 55 | 46 | 24-98875 | SPRING - WITH SHOCK ABSORBER | 33 | 31 |
| 23-45280 | SPACER, TRIM CYLINDER - LOWER | 53 | 7 | 25-20116 | GROMMET, CHOKE KNOB | 17 | 10 |
| 23-45354 | BUSHING, RUBBER - CUT-OUT LIMIT SWITCH | 53 | 32 | 25-20273 | RING, RUBBER (DRIVE SHAFT) | 37 | 31 |
| 23-55164 | BUSHING, THROTTLE CONTROL LEVER SCREW | 11 | 17 | 25-20415 | "O" RING ADAPTOR STEM | 21 | 25 |
| 23-55171 | BUSHING, THROTTLE CONTROL LEVER SCREW | 11 | 18 | 25-25439 | "O" RING, SHIFT SHAFT BUSHING | 39 | 45 |
| 23-56774 | SPACER, COLLAR TO MOUNTING BRACKETS | 13 | 22 | 25-26722 | "O" RING, WATER PUMP BASE | 37 | 15 |
| 23-57387 | BUSHING, INSULATING - INPUT STUD | 61 | 8 | 25-31986 | "O" RING, BEARING CARRIER | 41 | 66 |
| 23-59623 | SPACER, CLAMP BRACKET STUD | 33 | 12 | 25-32546 | "O" RING, END CAP | 23 | 26 |
| 23-69132 | BUSHING, REVERSE PIVOT SHAFT | 35 | 17 | 25-45016 | "O" RING, BLEED SCREW | 53 | 4 |
| 23-73203 | BUSHING, CLAMP BRACKET | 33 | 11 | 25-45253 | "O" RING, CONTROL VALVE (5/8" O.D.) | 47 | 11 |
| 23-74213 | BARREL, NYLON - THROTTLE LINK ROD | 11 | 6 | 25-45253 | "O" RING, CONTROL VALVE (5/8" O.D.) | 51 | 10 |
| 23-77631A2 | BUSHING ASSEMBLY, SHIFT SHAFT | 39 | 46 | 25-45254 | "O" RING, CONTROL VALVE (3/4" O.D.) | 47 | 9 |
| 23-89112 | BUSHING, MOUNTING BRACKET | 55 | 54 | 25-45254 | "O" RING, CONTROL VALVE (3/4" O.D.) | 51 | 8 |
| 23-90882 | SLEEVE, TELL TALE HOSE | 23 | 32 | 25-45507 | GROMMET, RUBBER - INLET COVER | 53 | 40 |
| 23-94304 | SPACER, RECTIFIER SCREW | 13 | 4 | 25-48171 | "O" RING, CONTROL VALVE (1/2" O.D.) | 47 | 10 |
| 23-94907A1 | BUSHING, RUBBER - TRIM CYLINDER | 53 | 8 | 25-48171 | "O" RING, CONTROL VALVE (1/2" O.D.) | 51 | 9 |
| 24-20099 | SPRING, COMPRESSION - LATCH SCREW | 11 | 30 | 25-48171 | "O" RING, HYDRAULIC PUMP | 43 | 1 |
| 24-20099 | SPRING, LINK TO ANCHOR BRACKET | 29 | 3 | 25-48171 | "O" RING, HYDRAULIC PUMP | 45 | 1 |
| 24-20254 | SPRING, COMPRESSION - DRIVE SHAFT | 37 | 41 | 25-48171 | "O" RING, MANIFOLD PLATE | 51 | 2 |
| 24-24390 | SPRING, TENSION - ADJUSTING STUD | 53 | 24 | 25-48171 | "O" RING, MANIFOLD PLATE (SEE REF. #2) | 47 | -- |
| 24-28357 | SPRING, WIRING HARNESS | 13 | 27 | 25-62702 | "O" RING, MANIFOLD PLATE (SEE REF. #2) | 51 | -- |
| 24-35522 | SPRING, TENSION - LOWER MOUNT CLAMP | 31 | 31 | 25-64966 | "O" RING, TILT LOCK | 35 | 13 |
| 24-38114 | SPRING, RETAINING - CROSS PIN | 41 | 61 | 25-97000 | "O" RING, END CAP | 23 | 21 |
| 24-39845 | SPRING, COMPRESSION - CAM FOLLOWER | 41 | 58 | 25-97191 | GROMMET, RUBBER (7/16" I.D. - 7/8" LONG) | 55 | 46 |
| 24-55162 | SPRING, RETURN - SPARK ADVANCE LEVER | 11 | 19 | 25-98277 | GROMMET, RUBBER (3/8" I.D. - 7/8" LONG) | 55 | 46 |
| | | | | 26-22734 | SEAL, FUEL FILTER | 21 | 17A |
| | | | | 26-32911 | OIL SEAL, SWIVEL BRACKET | 35 | 4 |
| | | | | 26-38452 | OIL SEAL, SWIVEL BRACKET | 35 | 2 |
| | | | | | SEAL, RUBBER - WATER PUMP | 37 | 27 |

PARTS INDEX

| Part Number | Description | Pg. | Ref. No. | Part Number | Description | Pg. | Ref. No. |
|-------------|-----------------------------|-----|----------|-------------|-------------------------------|-----|----------|
| 26-38452 | SEAL, WATER INLET TUBE . | 29 | 24 | 30-64424 | BEARING, BALL - LOWER | | |
| 26-41953 | OIL SEAL, END CAP | 23 | 22 | | AND UPPER | 27 | 2 |
| 26-41953 | OIL SEAL, END CAP | 23 | 27 | 31-21700 | ROLLER BEARING, | | |
| 26-60297 | SEAL, FUEL CONNECTOR - | | | | BEARING CARRIER | 41 | 68 |
| | COWL | 3 | 2 | 31-21739 | ROLLER BEARING, | | |
| 26-60298 | SEAL, CONTROL CABLES - | | | | FORWARD GEAR | 41 | 55 |
| | COWL | 3 | 4 | 31-38356A1 | TAPERED ROLLER BEARING | | |
| 26-60925 | SEAL, WIRING HARNESS | | | | ASSEMBLY | 41 | 53 |
| | BRACKET | 15 | 33 | 31-62091 | ROLLER BEARING - DRIVE | | |
| 26-69188 | OIL SEAL, BEARING | | | | SHAFT | 37 | 6 |
| | CARRIER | 41 | 69 | 31-62596A1 | BEARING ASSEMBLY | 27 | 25 |
| 26-69189 | OIL SEAL, BEARING | | | 31-77420A1 | ROLLER BEARING | | |
| | CARRIER | 41 | 70 | | ASSEMBLY, TAPERED . . | 37 | 39 |
| 26-70608 | OIL SEAL, PORT BRACKET . | 53 | 10 | 32-28052 | SLEEVE, RUBBER - TILT | | |
| 26-79831 | OIL SEAL, WATER PUMP | | | | LOCK PIN | 33 | 17 |
| | BASE | 37 | 17 | 32-45679 | TUBE, WATER INLET (LONG | | |
| 26-89236 | OIL SEAL, SHIFT SHAFT | | | | SHAFT) | 31 | 21 |
| | BUSHING | 39 | 47 | 32-77457--2 | HOSE, FUEL PUMP TO | | |
| 26-90562 | OIL SEAL, WATER PUMP | | | | EXHAUST PLATE (9-1/2") . | 21 | 10 |
| | BASE | 37 | 18 | 32-77457--2 | HOSE, TELL TALE (15") | 23 | 31 |
| 27-23067 | SPRING, ADAPTOR STEM . | 21 | 26 | 32-88005 | HOSE, TRIM - CYLINDER TO | | |
| 27-32769 | GASKET, LOWER - WATER | | | | CONTROL VALVE (5") - | | |
| | PUMP | 37 | 20 | | 12/32" O.D. | 55 | 44 |
| 27-32770 | GASKET, UPPER - WATER | | | 32-97154A1 | HOSE, LIFT - CYLINDER TO | | |
| | PUMP | 37 | 22 | | CONTROL VALVE (5") - | | |
| 27-38501 | GASKET, ADAPTOR PLATE | 29 | 33 | | 17/32" O.D. | 55 | 45 |
| 27-60280 | GASKET, EXHAUST TUBE . | 29 | 35 | 32-99127109 | FUEL LINE, ADAPTOR TO | | |
| 27-60286 | GASKET, CRANKCASE TO | | | | FUEL PUMP (7-1/2") | 21 | 20 |
| | CYLINDER BLOCK | 23 | 2 | 32-99127109 | FUEL LINE, CARBURETOR | | |
| 27-69524 | GASKET, PLATE TO | | | | TO CARBURETOR (3") . . . | 21 | 31 |
| | EXHAUST MANIFOLD | | | 32-99127109 | FUEL LINE, FUEL PUMP (3- | | |
| | COVER | 25 | 12 | | 1/2") | 21 | 13 |
| 27-69525 | GASKET, BAFFLE PLATE TO | | | 32-99127109 | FUEL LINE, TO LOWER | | |
| | CYLINDER BLOCK | 25 | 9 | | CARBURETOR (15") | 21 | 29 |
| 27-70335 | GASKET, BAFFLE PLATE TO | | | 32-99130-78 | HOSE, CRANKCASE BLEED | 25 | 22 |
| | COVER | 25 | 10 | 33-57451 | SPARK PLUG (AC#40FFM) . | 9 | 27 |
| 27-73377 | GASKET, CARBURETOR . . . | 19 | 29 | 33-68098 | SPARK PLUG | | |
| 27-76862 | GASKET, TRANSFER | | | | (CHAMPION#QL- | | |
| | COVER | 25 | 3 | | 76V)/CANADA AND | | |
| 27-77417 | GASKET, WATER PUMP . . . | 37 | 14 | | BELGIUM | 9 | 27 |
| 27-79797 | GASKET, HOUSING | 29 | 27 | 34-65946 | REED STOP | 27 | 11 |
| 27-87775 | GASKET, INLET COVER . . . | 53 | 39 | 34-66051A1 | REED SET, MATCHED - | | |
| 27-88449 | GASKET, CYLINDER BLOCK | | | | MAIN BEARING | 27 | 10 |
| | COVER | 25 | 6 | 35-87946A3 | FUEL FILTER ASSEMBLY . . | 21 | 17 |
| 27-88449A32 | GASKET SET (MOTOR | | | 35-87946A6 | FUEL FILTER ASSEMBLY . . | 21 | 16 |
| | OVERHAUL) | 1 | - | 37-88084A79 | DECAL SET | 1 | - |
| 27-88451 | GASKET, POWERHEAD . . . | 29 | 20 | 39-78811A12 | RING PISTON (.015 O.S.) . . | 27 | 21 |
| 27-89273 | GASKET, LIMIT SWITCH | | | 39-78816A12 | RING, PISTON (STANDARD) | 27 | 21 |
| | COVER | 53 | 35 | 39-88392A12 | RING PISTON (.030 O.S.) . . | 27 | 21 |
| 27-96485 | GASKET, CYLINDER BLOCK | | | 40-52035 | LOCK RING, PISTON PIN . . | 27 | 20 |
| | COVER | 25 | 6 | 43-88017 | REVERSE GEAR | 41 | 63 |
| 28-30281 | KEY, LOCATING, BEARING | | | 43-88018A1 | FORWARD GEAR | 41 | 54 |
| | CARRIER | 41 | 71 | 43-88019 | PINION GEAR - DRIVE | | |
| 28-56662 | KEY, IMPELLER DRIVE | 37 | 24 | | SHAFT | 37 | 12 |
| 28-89694 | KEY, THROTTLE SHAFT | | | 44-75365 | PROPELLER SHAFT | 41 | 62 |
| | COUPLING | 17 | 18 | 45-88024A2 | DRIVE SHAFT ASSEMBLY | | |
| 29-47270 | BEARING, NEEDLE - PISTON | | | | (LONG SHAFT) | 37 | 40 |
| | PIN | 27 | 26 | 46-77177A1 | WATER PUMP BASE | | |
| 29-71422 | BEARING NEEDLE | 27 | 18 | | ASSEMBLY | 37 | 16 |

PARTS INDEX

| Part Number | Description | Pg. | Ref. No. | Part Number | Description | Pg. | Ref. No. |
|-------------|--|-----|----------|-------------|---|-----|----------|
| 47-89983 | IMPELLER, WATER PUMP | 37 | 23 | 85-63709A1 | PROTECTOR ASSEMBLY | 9 | 26 |
| 50-65436 | STARTER MOTOR ASSEMBLY | 13 | 14 | 85-78866 | INSULATOR, STARTER SOLENOID | 13 | 11 |
| 50-65436 | STARTER MOTOR ASSEMBLY | 61 | - | 85-96535 | BOOT, RUBBER - STARTER SOLENOID TERMINAL | 51 | 28 |
| 52-92911 | RATCHET, SLIDING CLUTCH | 41 | 59 | 85-97861 | INSULATOR, STARTER SOLENOID | 13 | 11 |
| 53-26933 | RING, SNAP - OUTER RACE CLAMPING | 27 | 17 | 87-33386A3 | MERCURY SWITCH | 25 | 17 |
| 53-29641 | CLIP, RETAINING - SHIFT SHAFT | 39 | 44 | 88-79023A90 | FUSE ASSEMBLY (90 AMP) | 51 | 36 |
| 53-77415 | RETAINING RING, BOTTOM YOKE | 35 | 10 | 88-79091 | FUSE | 13 | 23B |
| 54-28700 | CLAMP, WIRING HARNESS | 15 | 34 | 88-79149 | CIRCUIT BREAKER (20 AMP) | 51 | 32 |
| 54-48171 | "O" RING, MANIFOLD PLATE | 47 | 2 | 89-68258 | STARTER SOLENOID | 47 | 21 |
| 54-68424 | CLAMP, FUEL LINE ATTACHING | 21 | 21 | 89-76545 | STARTER SOLENOID | 13 | 6 |
| 54-70705 | CLAMP, TELL TALE NOZZLE | 23 | 34 | 89-96054 | STARTER SOLENOID | 13 | 6 |
| 54-88167 | CLAMP, WIRING HARNESS | 13 | 24 | 89-96158 | STARTER SOLENOID | 51 | 23 |
| 55-28416 | PIN, UPPER SHOCK (WITH SHOCK ABSORBER) | 33 | 10 | 90-84730 | MARINER 70 PARTS LIST | 1 | - |
| 55-58780A4 | SHOCK ABSORBER WITH SHOCK ABSORBER | 33 | 21 | 248-5977A25 | FLYWHEEL ASSEMBLY | 9 | 4 |
| 55-69653 | PIN, LOWER SHOCK WITH SHOCK ABSORBER | 33 | 22 | 248-8722A5 | FLYWHEEL ASSEMBLY | 9 | 4 |
| 84-60443A3 | WIRE ASSEMBLY, SWITCH BOX TO COIL (GREEN) | 9 | 14 | 332-2854 | BOOT, IGNITION COIL END | 9 | 25 |
| 84-60466A1 | WIRE ASSEMBLY, SWITCH BOX TO COIL (BLACK) | 9 | 15 | 332-7778A3 | SWITCH BOX ASSEMBLY | 9 | 9 |
| 84-60466A8 | WIRE ASSEMBLY, SWITCH BOX SCREW | 9 | 11 | 339-7370A8 | IGNITION COIL ASSEMBLY | 9 | 17 |
| 84-61600A9 | WIRE, STARTER SOLENOID (BLACK) | 51 | 39 | 392-2529 | SPRING SET, BRUSH TENSION | 43 | 15 |
| 84-62822A1 | WIRE ASSEMBLY, SWITCH BOX TO COIL (GREEN/WHITE) | 9 | 14 | 392-2529 | SPRING SET, BRUSH TENSION | 45 | 12 |
| 84-68896A4 | WIRE ASSEMBLY, SWITCH BOX TO COIL (GREEN/RED) | 9 | 14 | 392-2623 | WASHER, THRUST - ARMATURE | 43 | 9 |
| 84-74023A1 | CONNECTOR AND HARNESS | 47 | 14 | 392-2937 | SEAL, RESERVOIR TO VALVE BODY AND GEAR | 43 | 4 |
| 84-79138A1 | BATTER LEAD (NEGATIVE) | 51 | 31 | 392-2938 | BOLT SET, THRU - PLATE AND FRAME TO RESERVOIR | 43 | 16 |
| 84-79139A13 | BATTER LEAD (POSITIVE) | 51 | 31 | 392-2939 | RESERVOIR ASSEMBLY | 43 | 5 |
| 84-79139A2 | JUMPER WIRE (POSITIVE) | 47 | 32 | 392-2940 | PLATE ASSEMBLY, COMMUTATOR END | 43 | 13 |
| 84-79147A1 | CONNECTOR AND HARNESS | 51 | 13 | 392-2941 | BRUSH SET, COMMUTATOR END PLATE | 43 | 14 |
| 84-87379A5 | WIRE, SOLENOID TO CIRCUIT BREAKER (RED) | 51 | 35 | 392-2941 | BRUSH SET, COMMUTATOR END PLATE | 45 | 11 |
| 84-88439A4 | BATTERY CABLE (NEGATIVE) | 13 | 28 | 392-2942 | FIELD AND FRAME ASSEMBLY | 43 | 11 |
| 84-88439A7 | BATTERY CABLE (POSITIVE) | 13 | 28 | 392-2943 | ARMATURE, FIELD AND FRAME | 43 | 10 |
| 84-93388A1 | CABLE, STARTER TO SOUND ATTENUATOR - BLACK | 13 | 16 | 392-2944 | BALL, COMMUTATOR END PLATE | 43 | 12 |
| 84-93389A6 | CABLE, SOLENOID TO STARTER MOTOR (YELLOW) - 9-1/2" | 13 | 18 | 392-7727 | COUPLER AND SHAFT | 45 | 14 |
| 84-93475A25 | WIRE ASSEMBLY, SPARK PLUG | 9 | 24 | 392-7728 | FILL PLUG, RESERVOIR | 45 | 15 |
| 84-95084A2 | WIRE ASSEMBLY, FUSE | 13 | 23A | 392-7729 | ARMATURE, FIELD AND FRAME | 45 | 7 |
| | | | | 392-7730 | BALL, COMMUTATOR END PLATE | 45 | 9 |
| | | | | 392-7731 | RESERVOIR ASSEMBLY (PLASTIC) | 45 | 5 |
| | | | | 392-7732 | WASHER, THRUST - ARMATURE | 45 | 6 |
| | | | | 392-7733 | BOLT SET, THRU - PLATE AND FRAME TO RESERVOIR | 45 | 13 |
| | | | | 392-7734 | VALVE BODY AND GEAR ASSEMBLY | 43 | 2 |

PARTS INDEX

| Part Number | Description | Pg. | Ref. No. | Part Number | Description | Pg. | Ref. No. |
|--------------|--|-----|----------|--------------|--|-----|----------|
| 392-7735 | SEAL, RESERVOIR TO VALVE BODY AND GEAR | 45 | 4 | 1395-6199 | PLUG, MAIN JET | 19 | 15 |
| 392-8261 | FIELD AND FRAME ASSEMBLY | 45 | 8 | 1395-6200 | GASKET KIT | 19 | -- |
| 392-8262 | PLATE ASSEMBLY, COMMUTATOR END | 45 | 10 | 1395-6203 | WASHER, THROTTLE SHAFT | 19 | 24 |
| 392-8317 | VALVE BODY AND GEAR ASSEMBLY | 45 | 2 | 1395-6204 | SEAL, THROTTLE SHAFT | 19 | 23 |
| 392-8847 | ARMATURE | 63 | 4 | 1395-6207 | JET, MAIN (.072) | 19 | 16 |
| 392-8848 | MOTOR DRIVE | 63 | 1 | 1395-7833 | THROTTLE VALVE | 19 | 21 |
| 392-8849 | END CAP ASSEMBLY, COMMUTATOR | 63 | 6 | 1395-7834 | REPAIR PARTS KIT (WM-11) | 19 | -- |
| 392-8850 | BRUSH PLATE AND HOLDER ASSEMBLY | 63 | 7 | 1395-7835 | FUEL BOWL | 19 | 12 |
| 392-8851 | BRUSH AND TERMINAL SET | 63 | 8 | 1395-8318 | INLET NEEDLE AND SEAT (WM-13) | 19 | 3 |
| 392-8852 | PLATE ASSEMBLY, DRIVE END | 63 | 2 | 1395-8982 | REPAIR PARTS KIT (WM-13) | 19 | -- |
| 392-8853 | BUSHING, DRIVE END PLATE | 63 | 3 | 1399-6249 | JET, VENT BOWL (.096) | 19 | 2 |
| 392-8854 | SPRING SET, BRUSH (2 SPRINGS PER SET) | 63 | 9 | 1440-8394A3 | CLAMP BRACKET ASSEMBLY | 33 | 1 |
| 392-8855 | BOLT, THRU - END CAP TO END PLATE (1/4-28) | 63 | 10 | 1490-8057A6 | SWIVEL BRACKET - WITH SHOCK ABSORBER | 35 | 1 |
| 398-5704A7 | PACKGE, ARMATURE THRUST WASHER | 63 | 5 | 1490-8599A6 | SWIVEL BRACKET | 35 | 1 |
| 462-7574A2 | STATOR ASSEMBLY | 9 | 21 | 1593-7513A12 | DRIVE SHAFT HOUSING ASSEMBLY (LONG SHAFT) | 31 | 1 |
| 542-7509A3 | CRANKSHAFT ASSEMBLY | 27 | 1 | 1643-7406A41 | GEAR HOUSING ASS'Y - SEE PAGE 34 FOR BREAKDOWN | 41 | 1 |
| 624-8101A3 | MAIN BEARING ASSEMBLY (VALVE TYPE) | 27 | 6 | 1643-7406A42 | GEAR HOUSING ASSEMBLY (LONG SHAFT) | 37 | 1 |
| 745-7576A2 | CONNECTING ROD AND CAP ASSEMBLY | 27 | 22 | 1643-7406A42 | GEAR HOUSING ASSEMBLY (LONG SHAFT) | 37 | - |
| 768-7433A3 | PISTON AND PISTON PIN ASSEMBLY (.030 O.S.) | 27 | 19 | 2141-6227A12 | GEAR HOUSING ASSEMBLY - COMPLETE (LONG SHAFT) | 41 | - |
| 768-7434A2 | PISTON AND PISTON PIN ASSEMBLY (STANDARD) | 27 | 19 | 2142-6228A2 | COWL ASSEMBLY, PORT - WITHOUT DECALS | 3 | 3 |
| 768-7434A2 | PISTON AND PISTON PIN ASSEMBLY (.015 O.S.) | 27 | 19 | 2143-7254A9 | COWL ASSEMBLY, STARBOARD - WITHOUT DECALS | 3 | 1 |
| 865-8362A4 | CYLINDER BLOCK AND CRANKCASE ASSEMBLY | 23 | 1 | | FRONT COVER ASSEMBLY, WITHOUT DECALS | 3 | 22 |
| 865-8362A4 | CYLINDER BLOCK AND CRANKCASE ASSEMBLY | 25 | 1 | | | | |
| 1025-7610A1 | COVER, CYLINDER BLOCK | 25 | 5 | | | | |
| 1025-8364A1 | COVER, CYLINDER BLOCK | 25 | 5 | | | | |
| 1144-6691A1 | END CAP ASSEMBLY, LOWER | 23 | 25 | | | | |
| 1161-6357A1 | END CAP ASSEMBLY, UPPER | 23 | 20 | | | | |
| 1379-6071A29 | CARBURETOR ASSEMBLY (WM-11) | 17 | 13 | | | | |
| 1379-6071A29 | CARBURETOR ASSEMBLY (WM-11) | 19 | 1 | | | | |
| 1379-6071A39 | CARBURETOR ASSEMBLY (WM-13) | 17 | 13 | | | | |
| 1379-6071A39 | CARBURETOR ASSEMBLY (WM-13) | 19 | 1 | | | | |
| 1395-4555 | INLET NEEDLE AND SEAT (WM-11) | 19 | 3 | | | | |
| 1395-4807 | THROTTLE SHAFT | 19 | 20 | | | | |
| 1395-6197 | FLOAT | 19 | 11 | | | | |