



# PARTS CATALOG

## MARINER 80

### SERIAL NUMBER

80	.....	USA 5763341 THRU 6432900
80	.....	CAN 7162528 THRU 7208572
80	.....	8066915 AND UP

# TABLE OF CONTENTS:

BOTTOM COWL AND SHIFT LINKAGE .....	30
CARBURETOR ASSEMBLY .....	18
CARBURETOR LINKAGE .....	16
COWLING AND FRONT COVER .....	4
CRANKSHAFT, PISTON AND CONNECTING ROD .....	28
CYLINDER BLOCK AND CRANKCASE ASSEMBLY .....	22
DRIVE SHAFT HOUSING ASSEMBLY .....	40
END CAPS, MANIFOLD AND EXHAUST COVER .....	24
EXHAUST EXTENSION PLATE .....	32
FLYWHEEL, STATOR AND IGNITION COIL .....	6
FUEL PUMP AND FUEL LINES .....	20
GEAR HOUSING (DRIVE SHAFT) .....	44
GEAR HOUSING (PROPELLER SHAFT) .....	48
HYDRAULIC PUMP ASSEMBLY (METAL RESERVOIR) .....	50
HYDRAULIC PUMP ASSEMBLY (PLASTIC RESERVOIR) .....	52
MISCELLANEOUS PARTS/ACCESSORIES .....	1
PARTS INDEX .....	72
POWER TRIM COMPONENTS (WITH CIRCUIT BREAKER AND FUSE) .....	58
POWER TRIM COMPONENTS (WITHOUT CIRCUIT BREAKER AND FUSE) .....	54
POWER TRIM CYLINDER REPAIR KITS (CASTING #78439) .....	64
POWER TRIM CYLINDER REPAIR KITS (NO CASTING #) .....	66
STARTER MOTOR AND WIRING HARNESS .....	12
STARTER MOTOR ASSEMBLY (BOSCH) .....	68
STARTER MOTOR ASSEMBLY (PRESTOLITE) .....	70
SWIVEL BRACKET ASSEMBLY .....	34
THROTTLE LEVER AND SPARK ADVANCE LEVER .....	10
TOP COWL AND SUPPORT BRACKETS .....	2
TRANSOM BRACKET .....	36
TRIM CYLINDERS AND HYDRAULIC HOSES .....	60

**NOTE:** Indented description indicate that these parts are included in preceeding assembly.

**AR** = As Required

**NSS** = Not Sold Separate

**OPT** = Optional

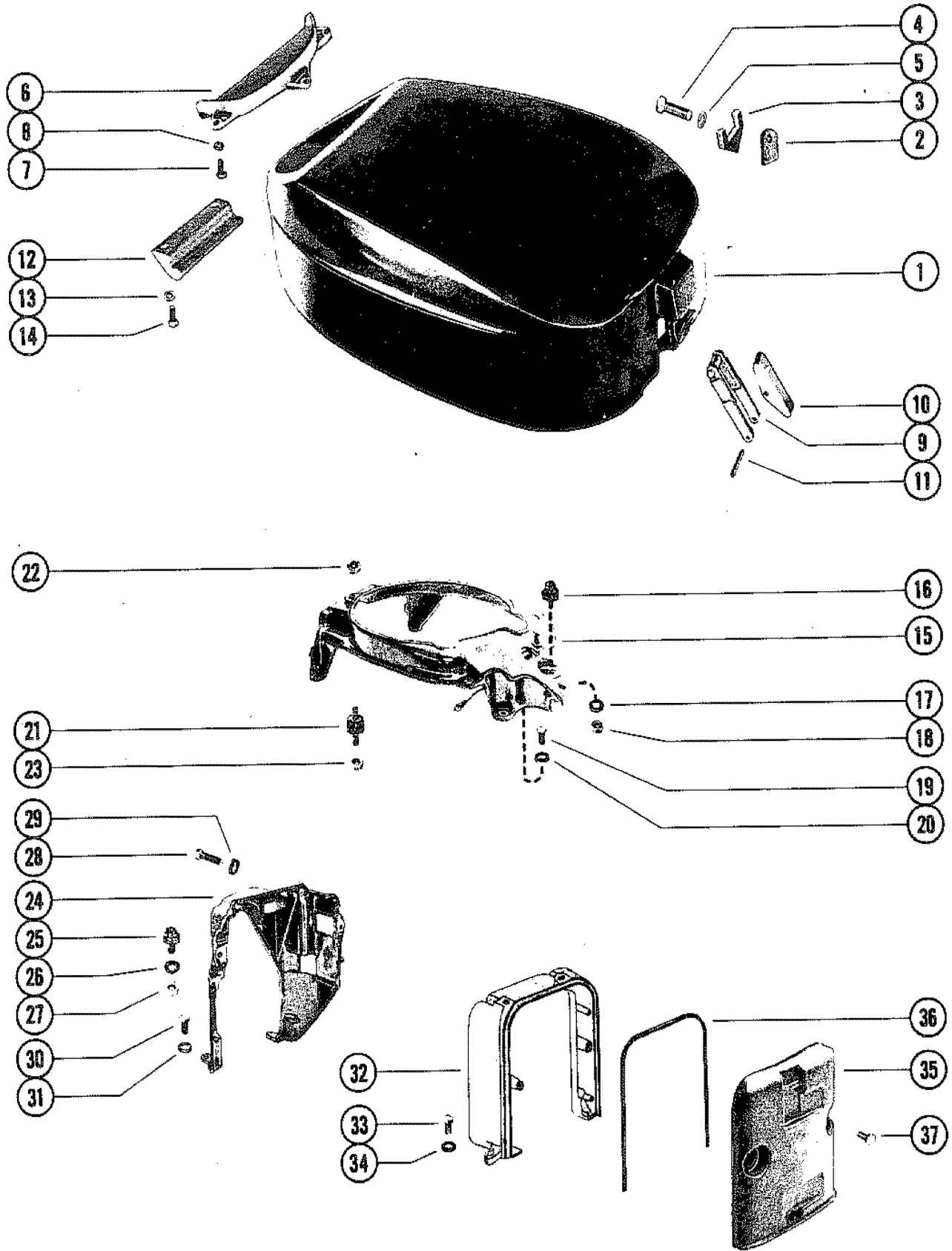
**NS** = Not Shown

**THESE PARTS BOOKS/FICHE CARD ARE COPYRIGHTED AND MAY NOT BE DISTRIBUTED OR REPRODUCED IN ANY OTHER FORMAT BY ANYONE OTHER THAN MERCURY MARINE WITHOUT THE PRIOR WRITTEN CONSENT OF MERCURY MARINE.**

# MISCELLANEOUS PARTS/ACCESSORIES

REF. NO.	PART NO.	SYM.	QTY.	DESCRIPTION
-	90-84951		0	MARINER 80 PARTS LIST
-	27-73645A32		0	GASKET
-	37-87028A79		0	DECAL SET

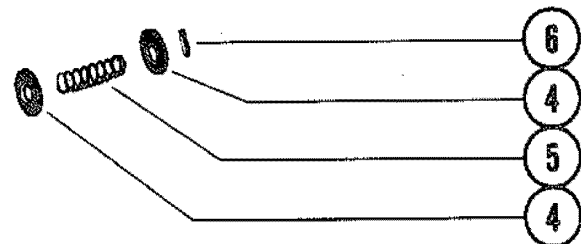
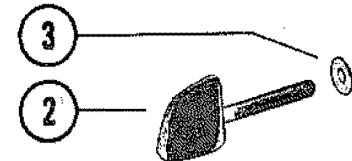
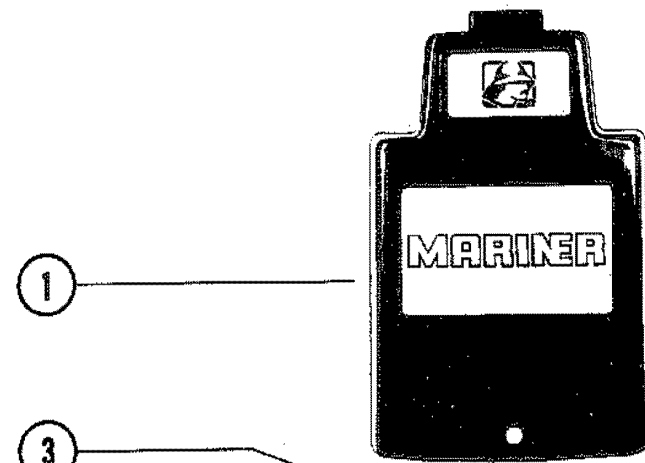
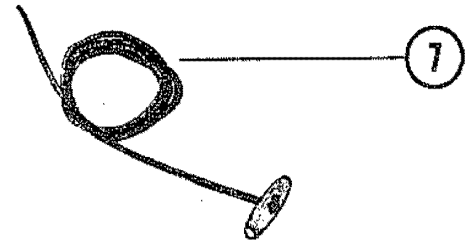
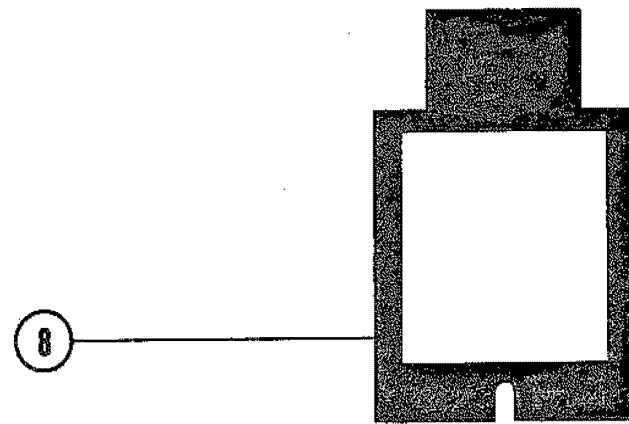
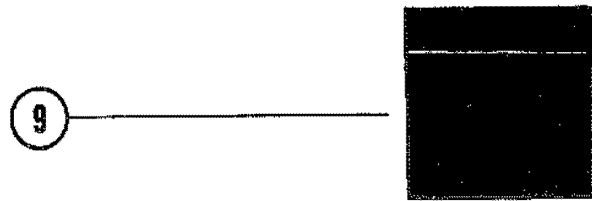
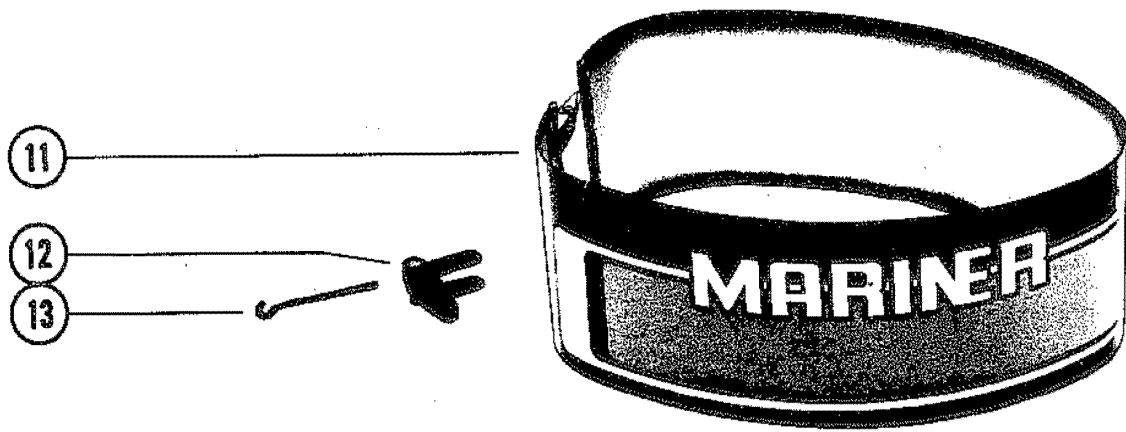
# TOP COWL AND SUPPORT BRACKETS



# TOP COWL AND SUPPORT BRACKETS

REF. NO.	PART NO.	SYM.	QTY.	DESCRIPTION
1	2162-6392		1	COWL, TOP (WITHOUT DECALS)
2	76440		1	RETAINER, TOP COWL
3	76505		1	PAD, BUMPER-TOP COWL RETAINER
4	10-25299		1	SCREW, RETAINER TO TOP COWL
5	13-39107		1	LOCKWASHER, RETAINER SCREW
6	76433		1	SHIELD, TOP COWL-REAR
7	10-37370		3	SCREW, SHIELD TO TOP COWL (5/8")
8	13-37371		3	LOCKWASHER, SHIELD SCREW
9	52739		1	HINGE, COWL LATCH-TOP COWL
10	94918		1	LEVER, COWL LATCH HINGE
11	17-58998		1	PIN, COWL LATCH LEVER TO HINGE
12	55455		1	HOOK, TOP COWL LATCH REAR
13	13-26992		2	LOCKWASHER, REAR HOOK SCREW
14	10-22956		2	SCREW, REAR HOOK TO TOP COWL (7/8")
15	73401		1	FRAME, SUPPORT-TOP COWL
16	37640		1	MOUNT, RUBBER-SUPPORT FRAME
17	13-26993		1	LOCKWEASHER, RUBBER MOUNT
18	11-28770		1	NUT, RUBBER MOUNT
19	10-37562		2	SCREW, SUPPORT FRAME TO FRONT FRAME (1")
20	13-26993		2	LOCKWASHER, SUPPORT FRAME SCREW
21	90435		3	MOUNT, RUBBER- TOP COWL FRAME
22	11-35888		3	NUT, RUBBER MOUNT (UPPER)
23	11-46887		3	NUT, RUBBER MOUNT (LOWER)
24	52468		1	BRACKET, TOP COWL SUPPORT-REAR
25	31014		2	MOUNT, RUBBER-REAR SUPPORT BRACKET
26	13-26992		2	LOCKWASHER, RUBBER MOUNT
27	11-29598		2	NUT, RUBBER MOUNT
28	10-37562		4	SCREW, REAR BRACKET TO FRAME (1")
29	13-26993		4	LOCKWASHER, REAR BRACKET SCREW
30	10-37562		4	SCREW, REAR BRACKET TO BOTTOM COWL (1")
31	13-26993		4	LOCKWASHER, REAR BRACKET SCREW
32	89589		1	FRAME, FRONT SUPPORT
33	10-37562		2	SCREW, SILENCER COVER
34	13-26993		2	LOCKWASHER, FRAME SCREW
35	89590		1	COVER, SILENCER
36	27-76168A2		1	GASKET, SILENCER COVER
37	10-28638		2	SCREW, COVER TO FRONT SUPPORT FRAME (3/4")

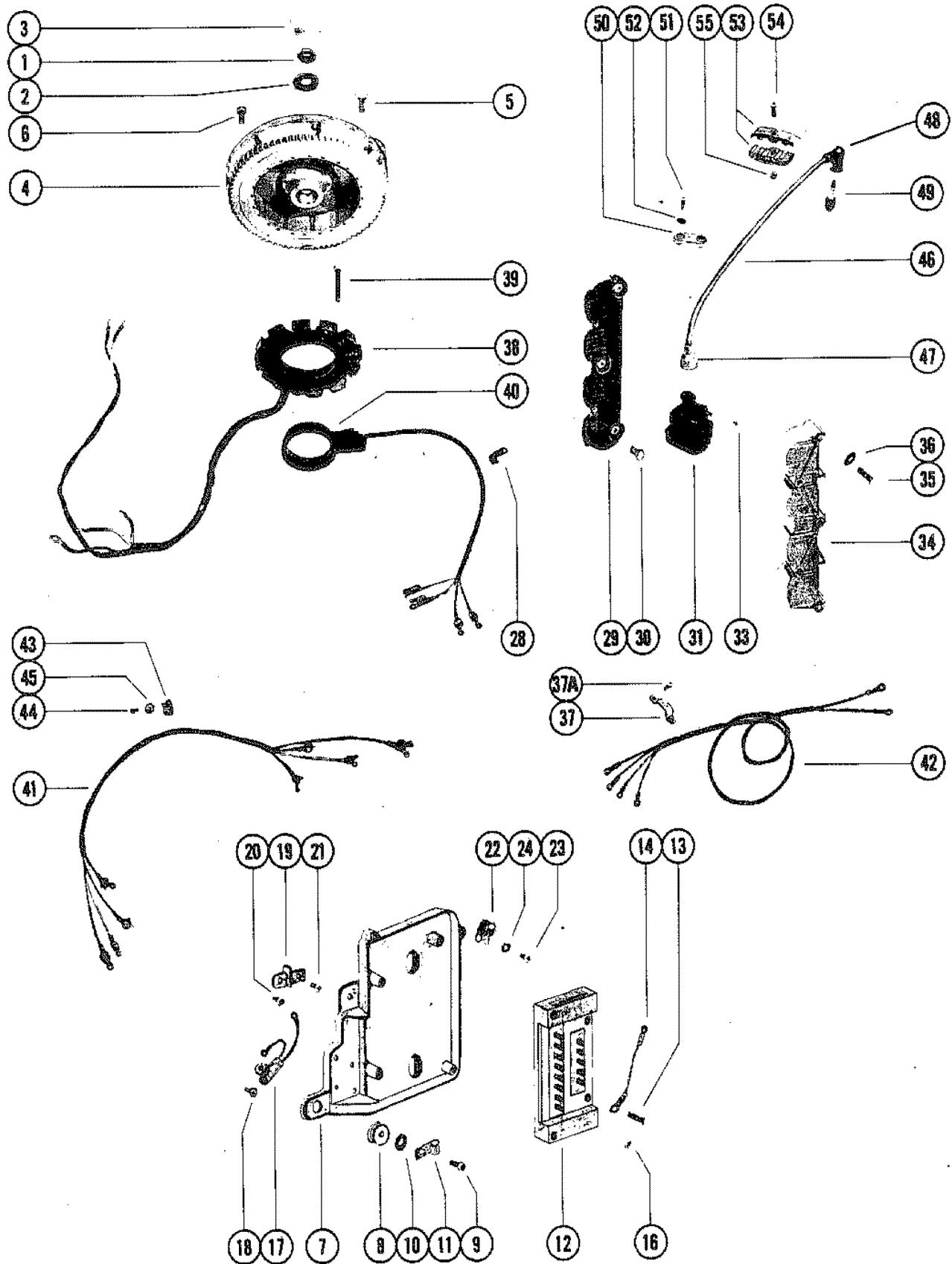
# COWLING AND FRONT COVER



## COWLING AND FRONT COVER

REF. NO.	PART NO.	SYM.	QTY.	DESCRIPTION
1	2163-6393A2		1	FRONT COVER ASS'Y (W/O DECALS)
2	73786		1	KNOB, FRONT COVER
3	12-30771		2	WASHER, COVER KNOB (RUBBER)
4	12-75246		2	WASHER, COVER KNOB (STEEL)
5	24-32271		1	SPRING, TENSION- COVER KNOB
6	17-29077		1	ROLL PIN, TENSION SPRING TO KNOB
7	47341A1		1	ROPE, STARTER (FOR MANUAL STARTING ONLY)
8	76434		1	SEAL, SOUND ABSORBING
9	38674		1	BLANKET, SOUND ABSORBING
11	2164-6394A2		1	WRAP AROUND COWL ASSEMBLY (WITHOUT DECALS)
12	46785A1		2	COWL LATCH ASSEMBLY
13	30413		2	HOOK, COWL LATCH

# FLYWHEEL, STATOR AND IGNITION COIL



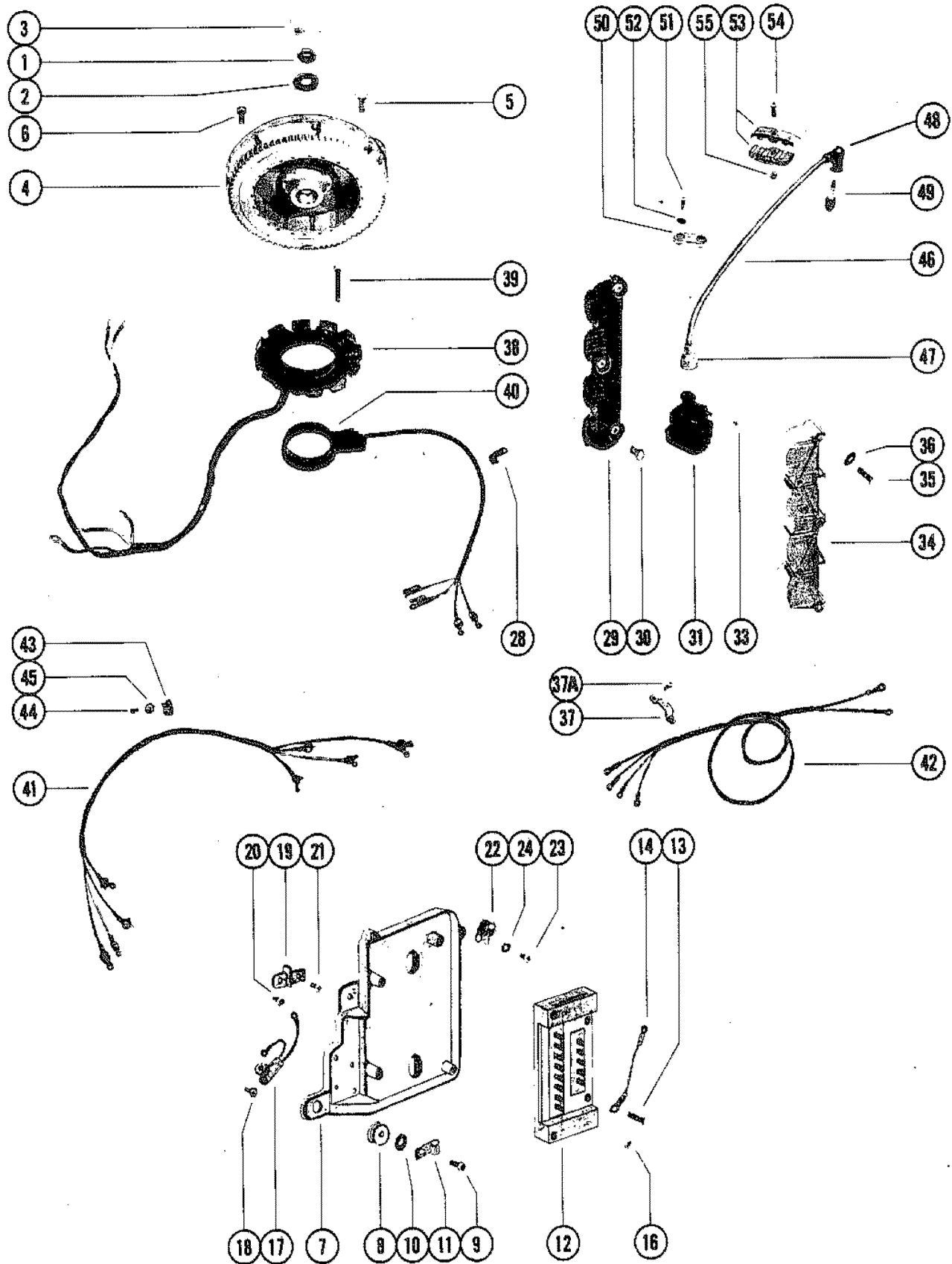


# FLYWHEEL, STATOR AND IGNITION COIL

REF. NO.	PART NO.	SYM.	QTY.	DESCRIPTION
1	11-52901		1	NUT, FLYWHEEL
2	12-68229		1	WASHER, FLYWHEEL NUT
3	19-45907		1	PLUG, FLYWHEEL PULLER THREADS
4	248-5977A24		1	FLYWHEEL ASSEMBLY
5	10-68997		8	SCREW, PLATE/HUB TO FLEXIBLE PLATE (3/4")
6	10-32417		8	SCREW, FLEXIBLE PLATE TO FLYWHEEL (5/8")
7	90332		1	PLATE, SWITCH BOX
8	25-57009		3	GROMMET, SWITCH BOX
9	10-59645		3	SCREW, SWITCH BOX PLATE TO CYLINDER BLOCK (3/4")
10	12-56720		3	WASHER, SWITCH BOX PLATE SCREW
11	54-47483		1	"J" CLIP, SWITCH BOX WIRES AND FUEL LINE
12	332-5772A1		1	SWITCH BOX ASSEMBLY
13	10-20619		4	SCREW, SWITCH BOX TO PLATE (1-3/8")
14	84-65999A5		2	WIRE ASSEMBLY
16	11-45076		13	NUT, SWITCH BOX TERMINAL
17	58124A19		1	MERCURY SWITCH ASSEMBLY
18	10-37571		1	SCREW, MERCURY SWITCH TO PLATE (1/2")
19	86-66986		1	TERMINAL BLOCK
20	10-20646		1	SCREW, TERMINAL BLOCK TO PLATE (5/8")
21	10-37655		1	SCREW, WIRE TO TERMINAL BLOCK (1/2")
22	54-23567		2	CLIP, WIRES AND HARNESS
23	10-48408		2	SCREW, CLIP TO PLATE (3/8")
24	69205		2	"D" WASHER, CLIP SCREW
28	54-47483		1	"J" CLAMP, TRIGGER PLATE HARNESS
29	73395		1	PLATE, MOUNTING-IGNITION COIL
30	10-28668		3	SCREW, MOUNTING PLATE TO CRANKCASE (7/8")
31	339-7370A2		4	IGNITION COIL ASSEMBLY
33	11-45076		8	NUT, IGNITION COIL TERMINAL
34	87554		1	COVER, IGNITION COIL
35	10-88856		5	SCREW, COVER TO MOUNTING PLATE (2")
36	12-30164		5	WASHER, COVER SCREW
37	77672		1	STRAP, PRIMARY HARNESS
37A	10-48408		2	SCREW, STRAP ATTACHING
38	398-5919A3		1	STATOR ASSEMBLY
39	10-75840		4	SCREW, STATOR TO UPPER END CAP (7/8")
40	96453A2		1	TRIGGER PALTE ASSEMBLY
41	84-77617		1	HARNESS, PRIMARY (CYLINDERS 1 AND 2)
42	84-77618		1	HARNESS, PRIMARY (CYLINDERS 3 AND 4)
43	54-39844		1	CLAMP, HARNESS ATTACHING
44	10-48408		1	SCREW, CLAMP TO CRANKCASE (1/2")
45	69205		1	"D" WASHER, HARNESS CLAMP SCREW
46	84-90816A25		4	WIRE ASSEMBLY, SPARK PLUG
47	332-2854		4	BOOT, IGNITION COIL

CONTINUED ON NEXT PAGE ➡

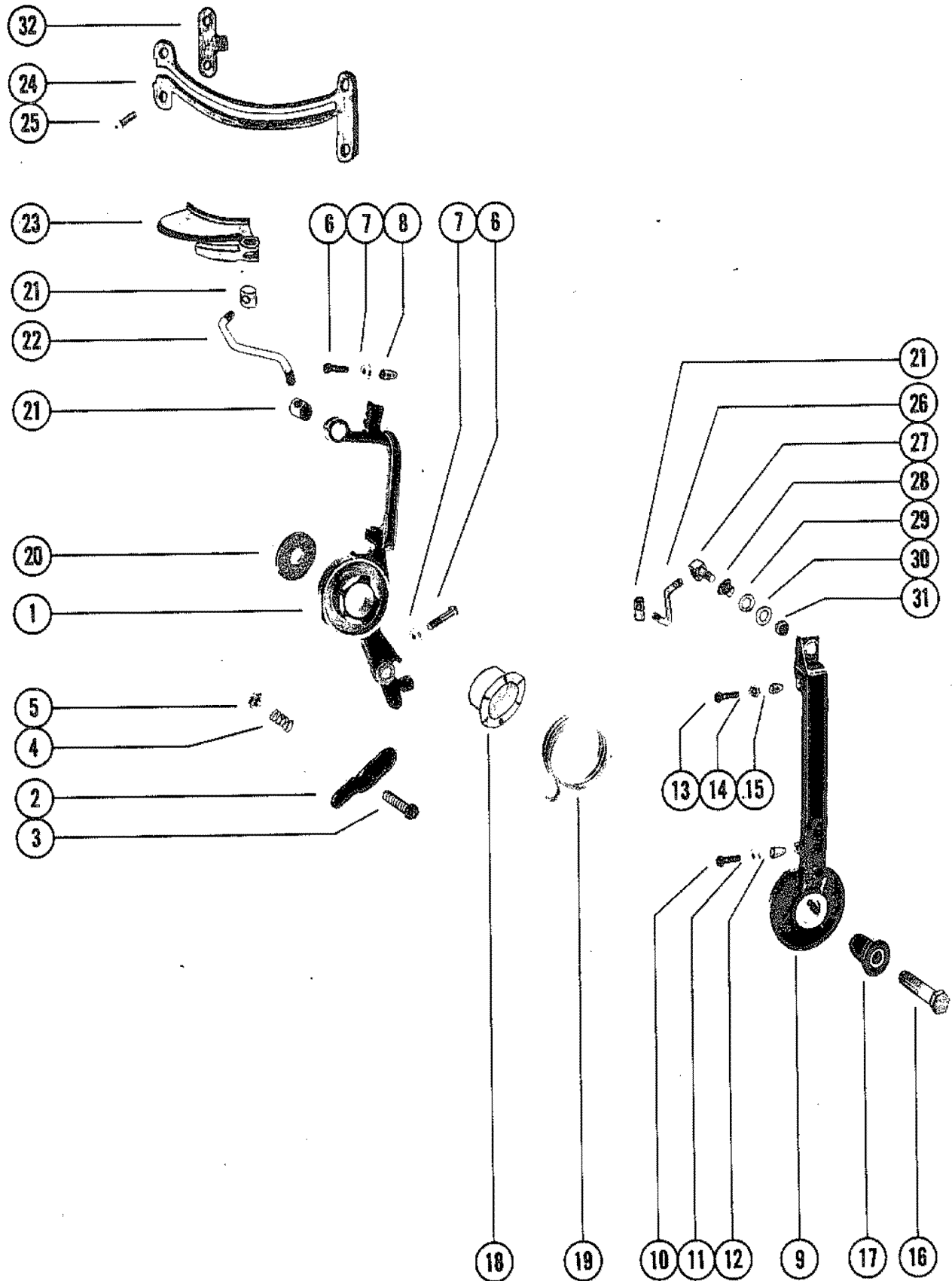
# FLYWHEEL, STATOR AND IGNITION COIL



## FLYWHEEL, STATOR AND IGNITION COIL

REF. NO.	PART NO.	SYM.	QTY.	DESCRIPTION
48	85-63709A1		4	PROTECTOR ASS'Y , SPARK PLUG
49	33-58194		4	SPARK PLUG (AC#V40FFK) <b>FOR CANADA AND BELGIU , USE 33-68098 (CHAMPION #QL-76V)</b>
50	78278		2	RETAINER, WIRE
51	10-48408		2	SCREW, WIRE RETAINER
52	12-21273		2	WASHER, WIRE RETAINER
	12-21273		2	WASHER, WIRE RETAINER SCREW
53	63319		2	RETAINER, SPARK PLUG WIRE
54	10-46378		1	SCREW, RETAINER TO CYLINDER BLOCK COVER(1")
55	11-20013		1	NUT, RETAINER SCREW

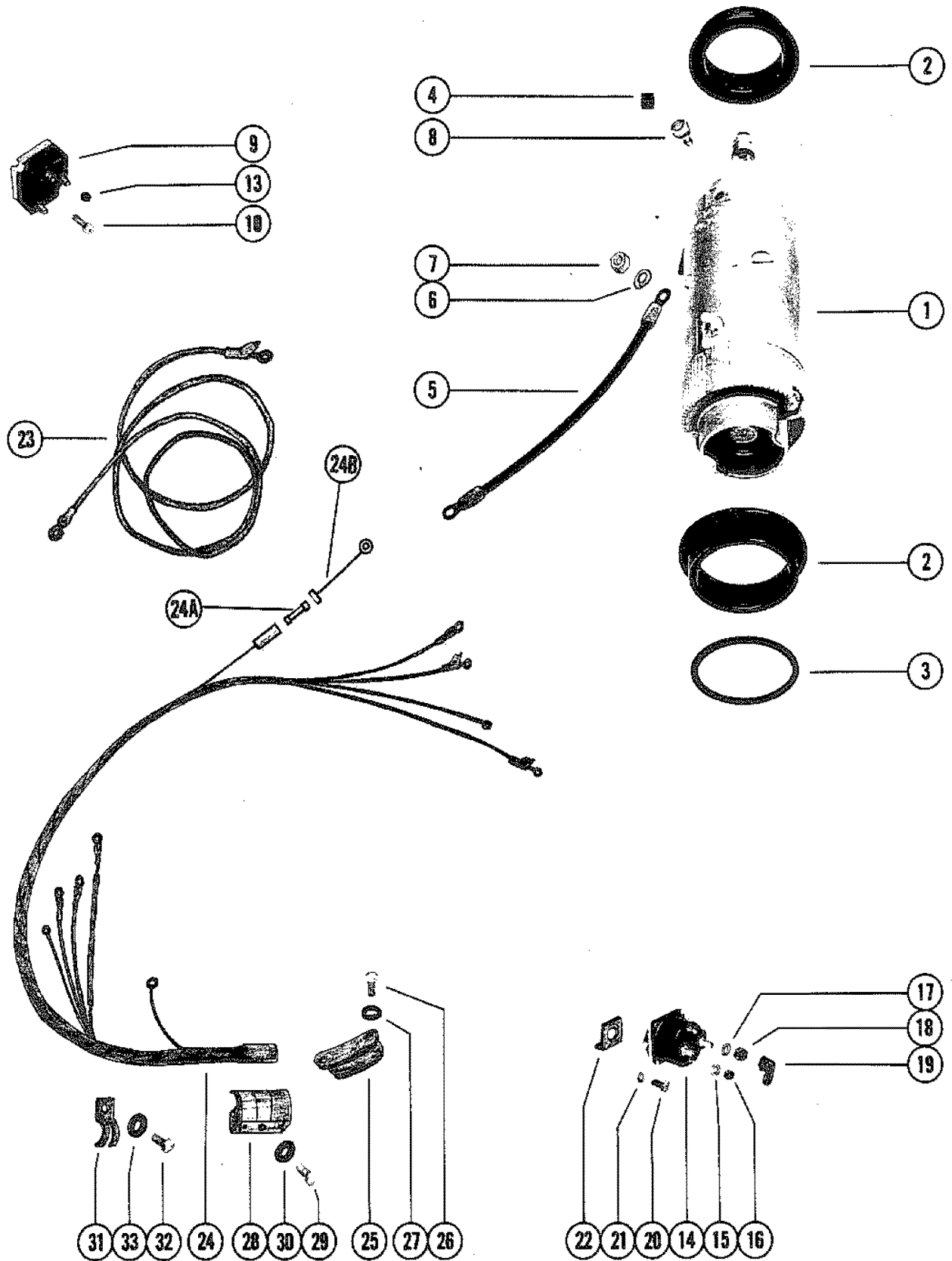
# THROTTLE LEVER AND SPARK ADVANCE LEVER



## THROTTLE LEVER AND SPARK ADVANCE LEVER

REF. NO.	PART NO.	SYM.	QTY.	DESCRIPTION
1	73416		1	THROTTLE LEVER
2	73404		1	LATCH, THROTTLE LEVER (THROTTLE CABLE)
3	10-59702		1	SCREW, LATCH TO THROTTLE LEVER (7/8")
4	24-20099		1	SPRING, LATCH SCREW
5	11-36069		1	NUT, LATCH SCREW
6	10-73654		2	SCREW, ADJUSTING-THROTTLE LEVER (1-3/4")
7	11-64484		2	NUT, JAM -ADJUSTING SCREW
8	52023		1	CAP, NYLON- ADJUSTING SCREW
9	73414		1	ARM, SPARK ADVANCE
10	10-73656		1	SCREW, ADJUSTING- SPARK ADVANCE ARM (1-3/8")
11	11-68219		1	NUT, JAM- ADJUSTING SCREW
12	48039		1	CAO, NYLON-ADJUSTING SCREW
13	10-73655		1	SCREW, ADJUSTING- SPARK ADVANCE ARM (2")
14	11-64484		1	NUT, JAM- ADJUSTING SCREW
15	52023		1	CAP, NYLON-ADJUSTING SCREW
16	10-55337		1	SCREW, LEVER AND ARM TO CYLINDER BLOCK (1-3/4)
17	23-55164		1	BUSHING, LEVER AND ARM SCREW
18	23-55171		1	BUSHING, FLANGE- LEVER AND ARM SCREW
19	24-86310		1	SPRING, RETURN- LEVER AND ARM SCREW
20	12-46765		1	WASHER, LEVER AND ARM SCREW
21	60572		3	BARREL, NYLON -LEVER AND ARM
22	73374		1	LINK ROD, THROTTLE
23	73432		1	THROTTLE CAM
24	77001		1	HOUSING, THROTTLE CAM
25	10-69013		4	SCREW, HOUSING TO CRANKCASE(3/4")
26	77010		1	LINK ROD, SPARK ADVANCE
27	76158A1		1	SWIVEL ASSEMBLY, LINK ROD TO ARM
28	23-26856		1	BUSHING, NYLON- LINK ROD SWIVEL
29	13-29402		1	WAVE WASHER, LINK ROD SWIVEL
30	12-33786		1	WASHER, LINK ROD SWIVEL
31	11-20110		1	NUT, LINK ROD SWIVEL
32	77158		1	SPACER, THROTTLE CAM HOUSING

# STARTER MOTOR AND WIRING HARNESS

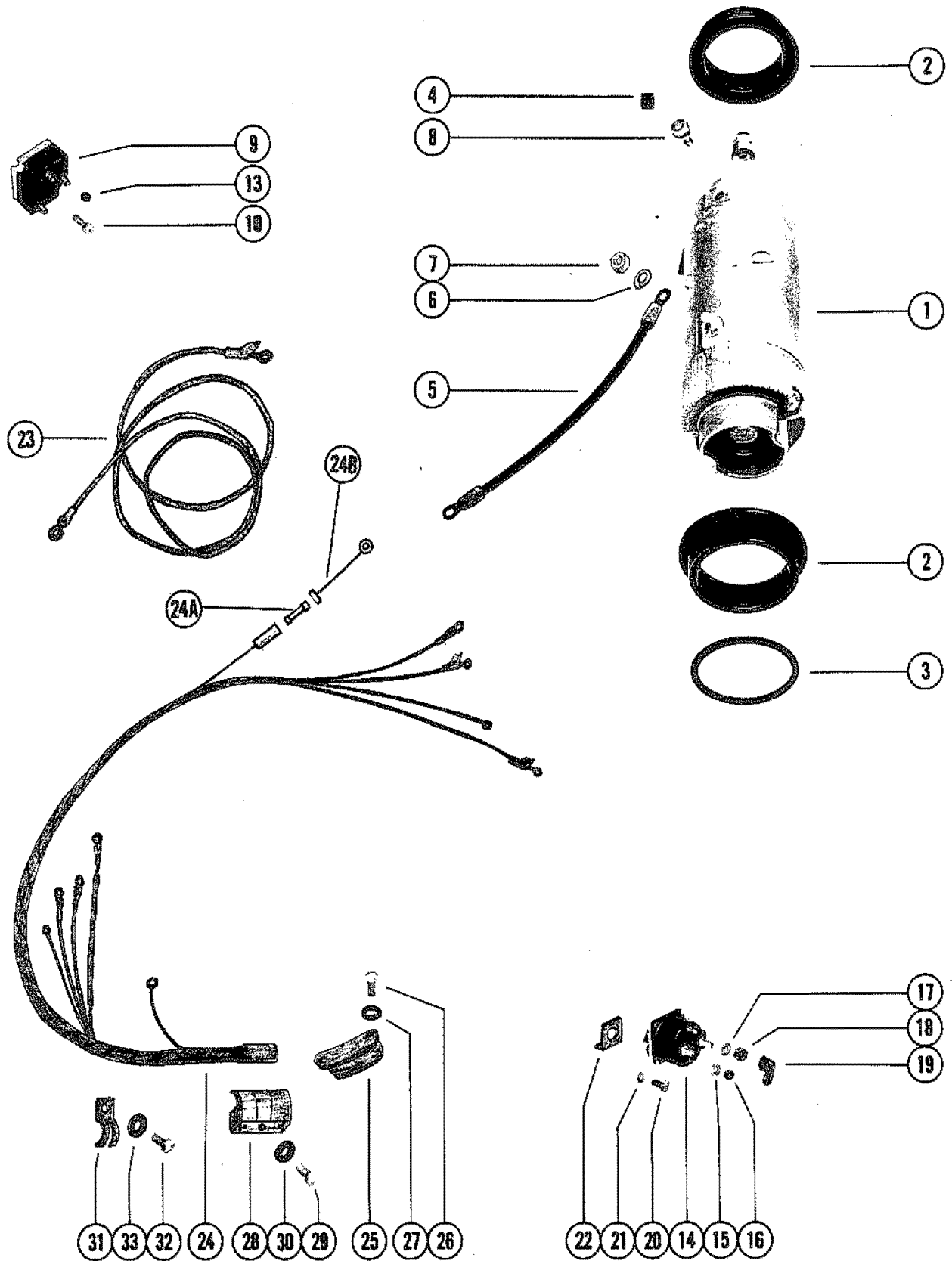


# STARTER MOTOR AND WIRING HARNESS

REF. NO.	PART NO.	SYM.	QTY.	DESCRIPTION
1	50-66015		1	STARTER MOTOR
2	56703		2	COLLAR, RUBBER-STARTER MOTOR
3	23-56774		1	SPACER, COLLAR TO BRACKET
4	57247		2	STOP, RUBBER-STARTER MOTOR
5	84-66053A1		1	WIRE, MOTOR TO SOLENOID <b>UNITED STATES 6076351 AND BELOW CANADA 7188282 AND BELOW</b>
	84-93389A8		1	WIRE, MOTOR TO SOLENOID <b>UNITED STATES 6076352 AND UP CANADA 7188283 AND UP</b>
6	13-26992		1	LOCKWASHER, STARTER MOTOR TERMINAL
7	11-64015		1	NUT, STARTER MOTOR TERMINAL
8	10-69035		1	SCREW, WIRING HARNESS TO STARTER MOTOR(5/8")
9	62351A1		1	RECITIFER
10	10-37656		2	SCREW, RECITIFER TO PLATE (5/8")
13	11-45076		3	NUT, RECITIFER TERMINAL
14	89-68258		1	STARTER SOLENOID <b>UNITED STATES 6076351 AND BELOW CANADA 7188282 AND BELOW</b>
15	13-26996		2	LOCKWASHER, SOLENOID TERMINAL (#10) <b>UNITED STATES 6076351 AND BELOW CANADA 7188282 AND BELOW</b>
16	11-68219		2	NUT, SOLENOID TERMINAL (#10) <b>UNITED STATES 6076351 AND BELOW CANADA 7188282 AND BELOW</b>
17	13-26993		2	LOCKWASHER, SOLENOID TERMINAL (5/1616") <b>UNITED STATES 6076351 AND BELOW CANADA 7188282 AND BELOW</b>
18	11-68292		2	NUT, SOLENOID TERMINAL (5/16") <b>UNITED STATES 6076351 AND BELOW CANADA 7188282 AND BELOW</b>
14	89-96054		1	STARTER SOLENOID <b>UNITED STATES 6076352 AND UP CANADA 7188283 AND UP</b>
15	13-26995		2	LOCKWASHER, SOLENOID TERMINAL (#8) <b>UNITED STATES 6076352 AND UP CANADA 7188283 AND UP</b>
16	11-26419		2	NUT, SOLENOID TERMINAL (#8-32) <b>UNITED STATES 6076352 AND UP CANADA 7188283 AND UP</b>
17	13-26992		2	LOCKWASHER, SOLENOID TERMINAL (1/4") <b>UNITED STATES 6076352 AND UP CANADA 7188283 AND UP</b>
18	11-94330		2	NUT, SOLENOID TERMINAL (1/4-20) <b>UNITED STATES 6076352 AND UP CANADA 7188283 AND UP</b>
19	46265		1	BOOT, TERMINAL-STARTER SOLENOID
20	10-38601		2	SCREW, SOLENOID TO BOTTOM COWL (5/8")
21	13-26992		2	WASHER, SOLENOID SCREW
22	90547		1	LOCATOR, STARTER SOLENOID
23	84-88439A3		1	BATTERY CABLE (POSITIVE)
	84-88439A4		1	BATTERY CABLE (POSITIVE)
	84-88439A4		1	BATTERY CABLE (NEGATIVE)
24	84-89915A1		1	WIRING HARNESS <b>UNITED STATES 6076351 AND BELOW CANADA 7188282 AND BELOW</b>
	84-96233A2		1	WIRING HARNESS <b>UNITED STATES 6076352 AND UP CANADA 7188283 AND UP</b>
24A	88-79091		1	FUSE <b>UNITED STATES 6076352 AND UP CANADA 7188283 AND UP</b>

CONTINUED ON NEXT PAGE ➡

# STARTER MOTOR AND WIRING HARNESS

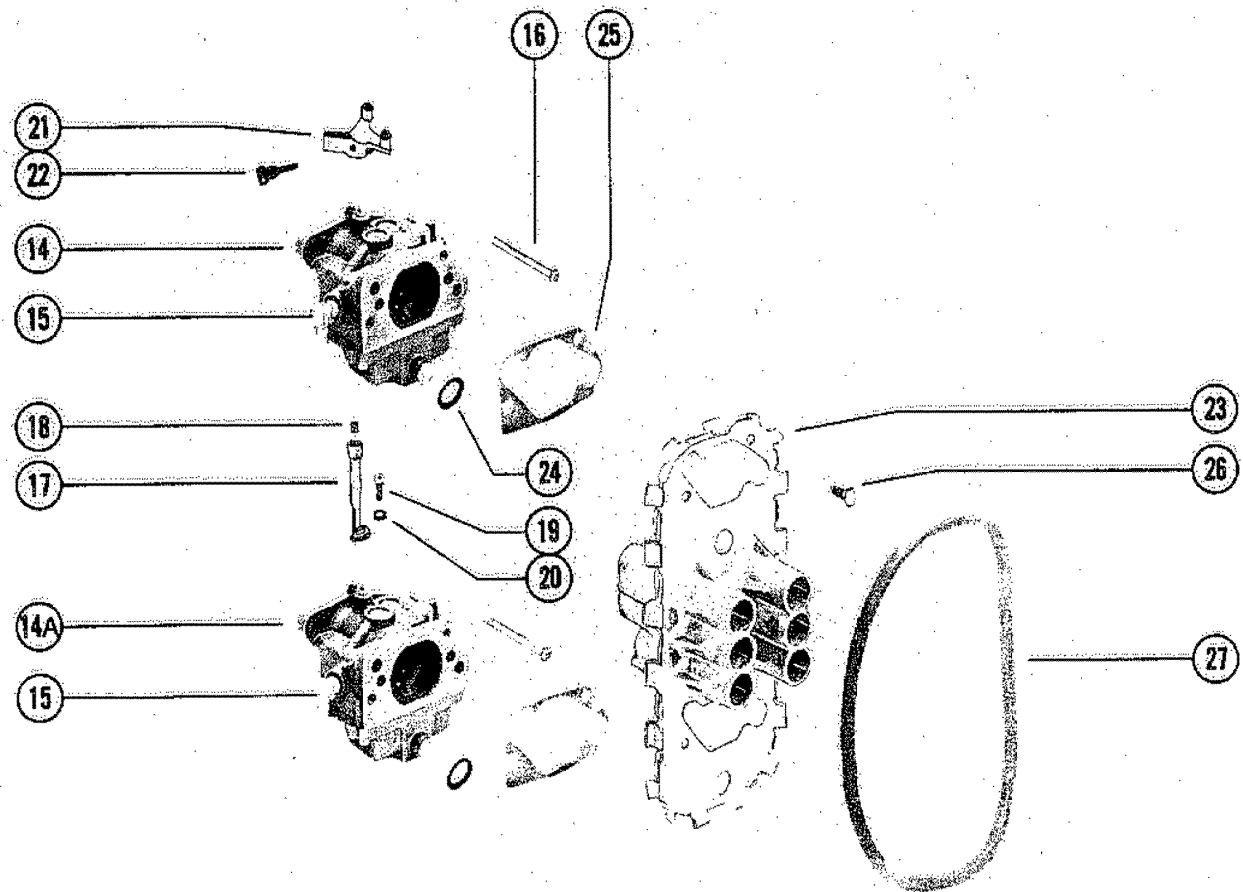
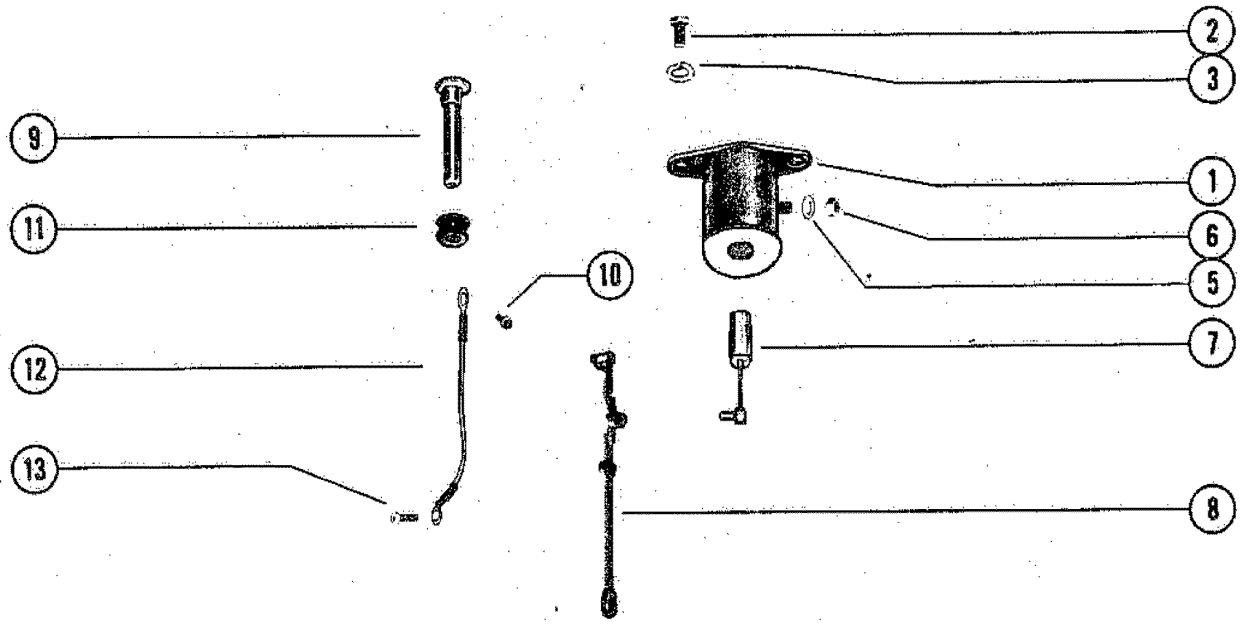




## STARTER MOTOR AND WIRING HARNESS

REF. NO.	PART NO.	SYM.	QTY.	DESCRIPTION
24B	84-95084A2		1	WIRE ASSEMBLY, FUSE UNITED STATES 6076352 AND UP CANADA 7188283 AND UP
25	54-88608		1	CLAMP, WIRING HARNESS
26	10-28636		2	SCREW, WIRING HARNESS CLAMP
27	13-26996		2	LOCKWASHER, WIRING HARNESS CLAMP SCREW
28	89047		1	BRACKET, WIRING HARNESS
29	10-32228		2	SCREW, WIRING HARNESS BRACKET
30	12-38833		2	WASHER, BRACKET SCREW
31	88751		1	CLAMP, WIRING HARNESS
32	10-28636		1	SCREW, WIRING HARNESS CLAMP
33	12-20533		1	WASHER, CLAMP SCREW

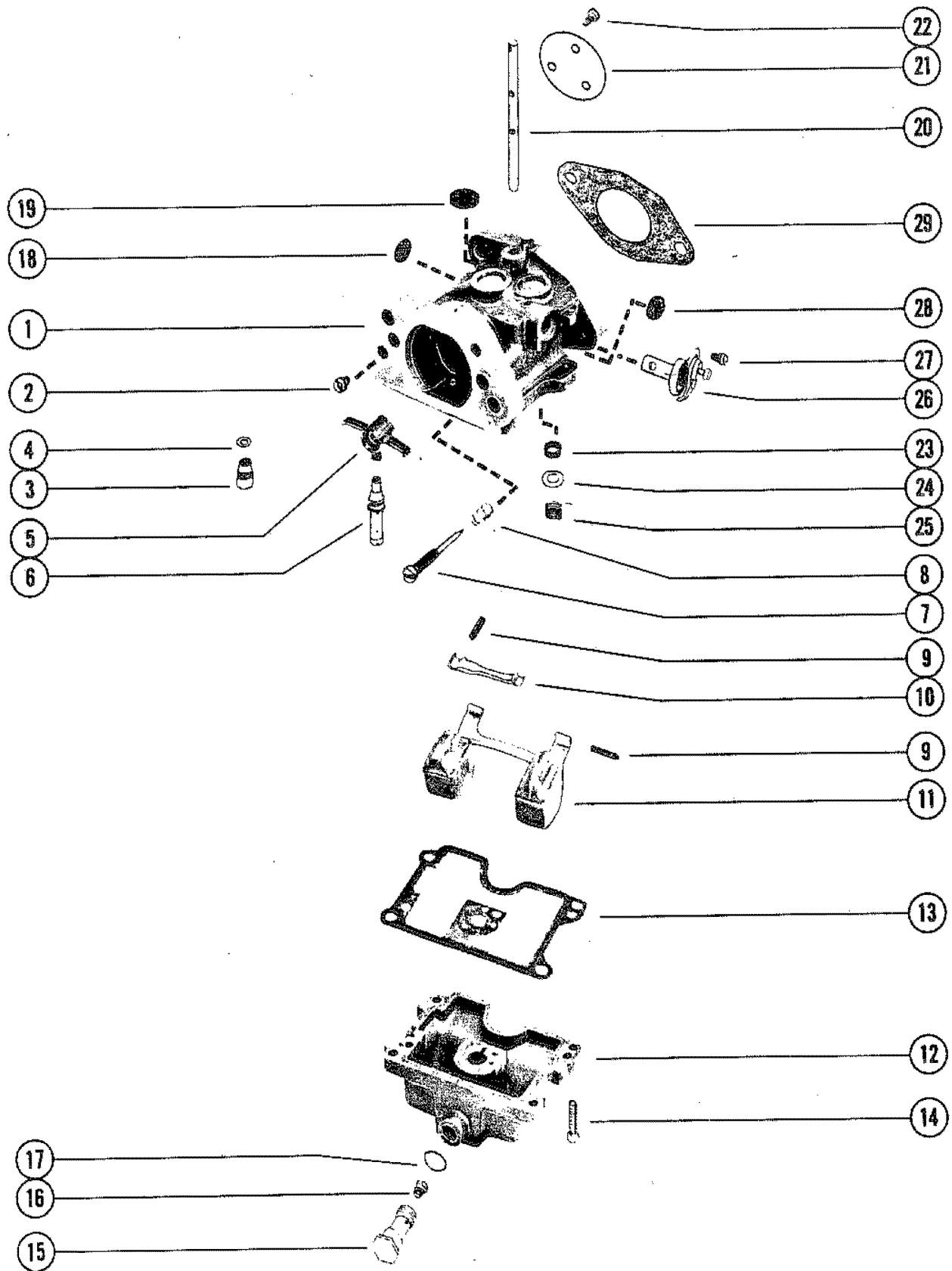
# CARBURETOR LINKAGE



# CARBURETOR LINKAGE

REF. NO.	PART NO.	SYM.	QTY.	DESCRIPTION
1	54293A4		1	CHOKE SOLENOID
2	10-59645		2	SCREW, CHOKE SOLENOID TO FRONT BRACKET(3/4")
3	13-26993		2	LOCKWASHER, CHOKE SOLENOID SCREW
5	13-26996		1	LOCKWASHER, CHOKE SOLENOID TERMINAL
6	11-68219		1	NUT, CHOKE SOLENOID TERMINAL
7	89008A2		1	PLUNGER AND LINK ASSEMBLY
8	73400		1	CHOKE ROD
9	90242A1		1	CHOKE KNOB ASSEMBLY
10	10-77137		1	SCREW, WIRE TO CHOKE KNOB
11	25-20116		1	GROMMET, CHOKE KNOB
12	84-74263		1	WIRE, CHOKE KNOB TO CHOKE ROD(BLACK)
13	10-62568		1	SCREW, WIRE TO CHOKE ROD
14	1379-6071A32		1	CARBURETOR ASSEMBLY(TOP)-STAMPED WM-12
14A	1379-6071A33		1	CARBURETOR ASSEMBLY (BOTTOM) -STAMPED WM-12
14	1379-6071A41		1	CARBURETOR ASSEMBLY (TOP) -STAMPED WM-14
14A	1379-6071A42		1	CARBURETOR ASSEMBLY (BOTTOM) -STAMPED WM-14
15	22-64704		2	ELBOW, CARBURETOR
16	10-52743		4	SCREW, CARBURETOR TO CRANKCASE (3-3/4")
17	53720A2		1	COUPLING ASSEMBLY, LOWER CARBURETOR
18	28-89694		1	KEY, COUPLING
19	10-66104		1	SCREW, COUPLING TO CARBURETOR (3/4")
20	12-74726		1	WASHER, COUPLING SCREW
21	73847		1	ACUATOR, THROTTLE (UPPER VARBURETOR
22	10-60293		1	SCREW, ACUATOR TO UPPER CARBURETOR (1/2")
23	73408		1	PLATE, CARBURETOR
24	27-73398		2	GASKET, CARBURETOR PLATE
25	27-76952		2	GASKET, CARBURETOR PLATE TO CARBURETOR
26	10-28635		4	SCREW, PLATE TO CARBURETOR (5/8")
27	73647		1	SEAL, CARBURETOR PLATE

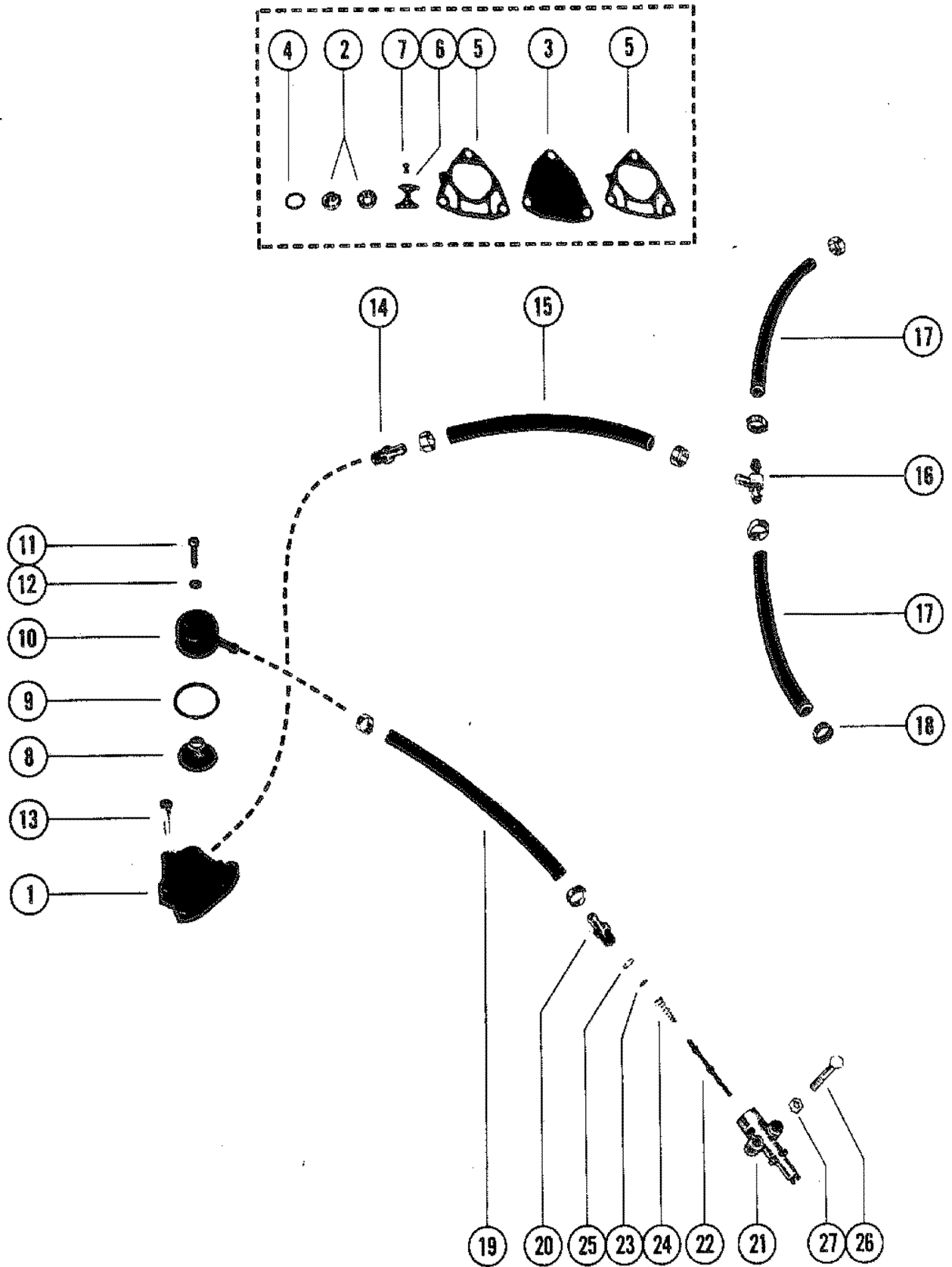
# CARBURETOR ASSEMBLY



# CARBURETOR ASSEMBLY

REF. NO.	PART NO.	SYM.	QTY.	DESCRIPTION
1	1379-6071A32		1	CARBURETOR ASSEMBLY (TOP)- STAMPED WM-12
	1379-6071A33		1	CARBURETOR ASSEMBLY (BOTTOM) STAMPED WM-12
	1379-6071A41		1	CARBURETOR ASSEMBLY (TOP)-STAMPED WM-14
	1379-6071A42		1	CARBURETOR ASSEMBLY (BOTTOM) -STAMPED WM-14
2	1395-6207		2	JET, VENT BOWL (.072) (WM-10)
	1395-5733		2	JET, VENT BOWL (.092)(WM-12)(WM-14)
3	1395-4555		2	INLET NEEDLE AND SEAT
4			2	GASKET, INLET NEEDLE AND SEAT
5	1395-6685		2	VENTURI(WM-10)
	52106A1		2	VENTURI (WM-12)(WM-14)
6			2	NOZZLE
7			2	IDLE NEEDLE
8			2	SPRING, IDLE MIXTURE
9			6	PIN, FLOAT
10			2	LEVER, FLOAT
11	1395-6197		2	FLOAT
12	1395-6488		2	FUEL BOWL
13			2	GASKET, FUEL BOWL
14			8	SCREW, FUWL BOWL
15	1395-6199		2	PLUG, MAIN JET
16	1395-6247		2	JET, MAIN (.090)(WM-10)
	1399-3518		2	JET, MAIN (.082)(WM-12)(WM-14)
17			2	GASKET, MAIN JET PLUG
18			2	SCREEN, FUEL INLET
19			4	WELCK PLUG (9/16")
20	1395-4807		1	SHAFT, THROTTLE (TOP)
	1395-7942		1	SHAFT, THROTTLE (BOTTOM)
21	1395-6196		2	VALVE, THROTTLE (WM-10)
	1395-7639		2	VALVE, THROTTLE (WM-12)(WM-14)
22			4	SCREW, VALVE TO THROTTLE SHAFT
23	1395-6204		2	SEAL, THROTTLE SHAFT
24	1395-6203		2	WASHER, THROTTLE SHAFT
25			2	SPRING, THROTTLE RETURN
26	1395-6198		2	VALVE ASSEMBLY, ENRICHMENT
27			2	SCREW, ENRICHMENT BRACKET
28			2	WELCH PLUG (7/16")
29	27-73377		2	GASKET, CARBURETOR
-	<b>1395-6200</b>		<b>2</b>	<b>GASKET KIT</b>
-	<b>1395-6360</b>		<b>2</b>	<b>REPAIR PARTS KIT (WM-10)</b>
-	<b>1395-7834</b>		<b>2</b>	<b>REPAIR PARTS KIT (WM-12)</b>
-	<b>1395-8982</b>		<b>2</b>	<b>REPAIR PARTS KIT (WM-14)</b>

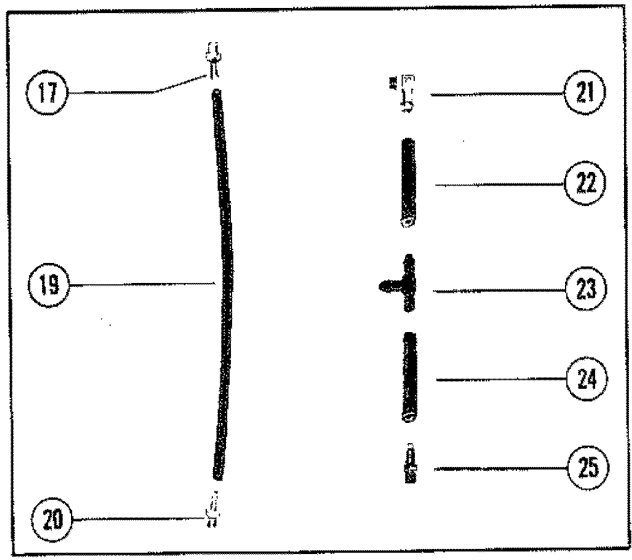
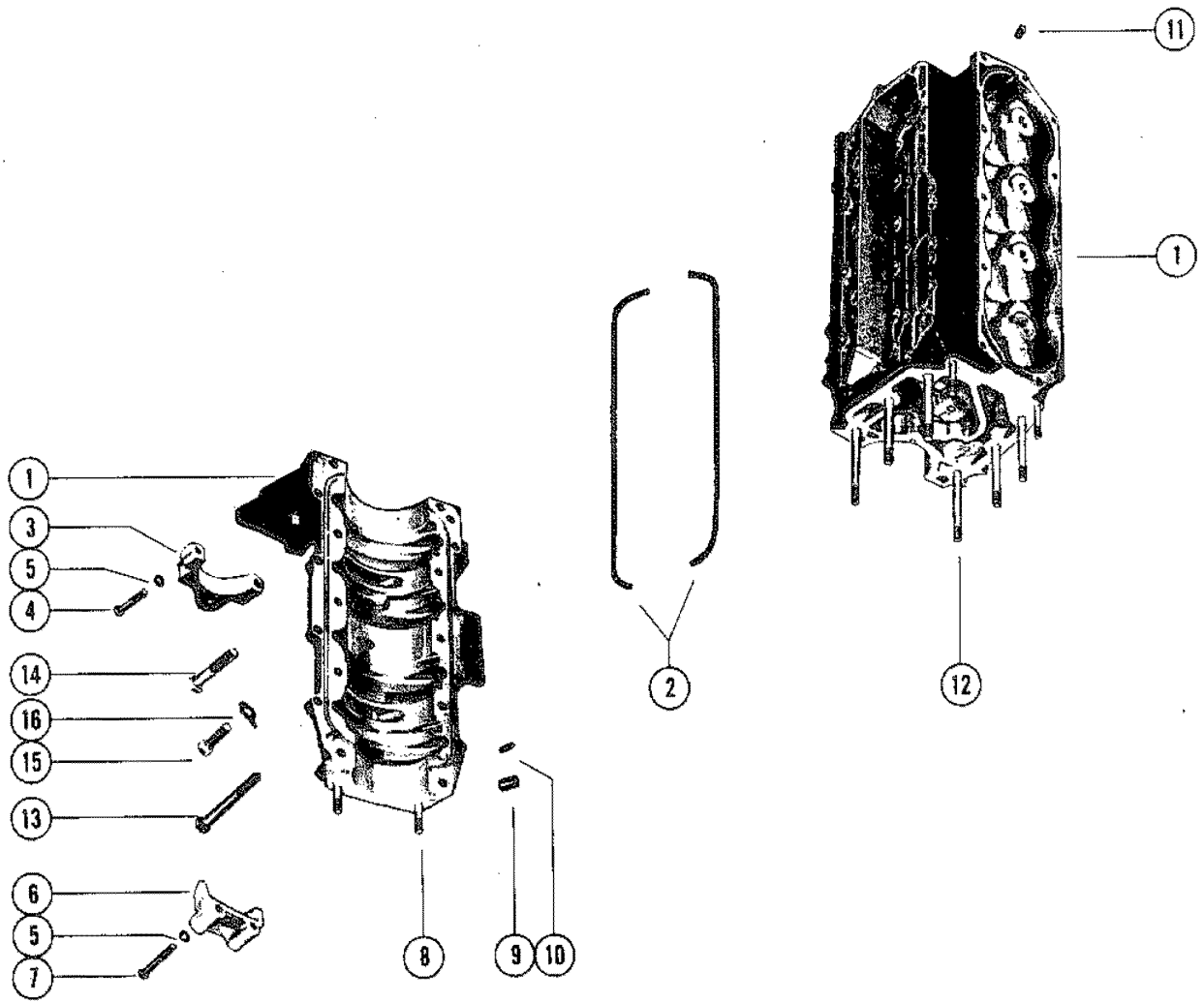
# FUEL PUMP AND FUEL LINES



# FUEL PUMP AND FUEL LINES

REF. NO.	PART NO.	SYM.	QTY.	DESCRIPTION
1	73434A1		1	FUEL PUMP ASSEMBLY
2	21-30430A5		1	CHECK VALVE ASSEMBLY
3	55278A2		1	DIAPHRAGM ASSEMBLY
4			2	GASKET, CHECK VALVE
5			2	GASKET, FUEL PUMP
6	23004		1	RETAINER, CHECK VALVE
7	10-20037		2	SCREW, CHECK VALVE TO FUEL PUMP (1/4")
8	35-73532		1	FUEL FILTER
9	25-35480		1	"O" RING, COVER TO FUEL PUMP
10	94321		1	COVER, FUEL PUMP
11	10-37370		1	SCREW, COVER TO FUEL PUMP (5/8")
12	27-25848		1	GASKET, COVER SCREW
13	10-70939		1	SCREW, FUEL PUMP TO UPPER TRANSFER COVER (1-7/8")
	10-69067		2	SCREW, FUEL PUMP TO UPPER TRANSFER COVER (1-3/8")
14	22-64705		1	FITTING, FUEL PUMP (OUTLET)
15	32-31583109		1	FUEL LINE, TEE TO FUEL PUMP (11")
16	22-73318		1	TEE, FUEL LINE
17	32-31583109		2	FUEL LINE, CARBURETOR TO TEE TO CARBURETOR (3")
18	54-68424		8	CLAMP, FUEL LINE ATTACHING
19	32-31583109		1	FUEL LINE, ADAPTOR TO FUEL PUMP (15")
20	22-63187		1	FITTING, FUEL LINE TO ADAPTOR
21	22833		1	ADAPTOR, CHECK UNIT (FUEL LINE) <b>-IDENTIFIED BY 73419 CASTING ON REF. #21</b>
22	23069		1	STEM, CHECK UNIT ADAPTOR <b>-IDENTIFIED BY 73419 CASTING ON REF. #21</b>
23	25-20415		1	"O"RING, ADAPTOR STEM <b>-IDENTIFIED BY 73419 CASTING ON REF. #21</b>
24	24-23067		1	SPRING, ADAPTOR STEM <b>-IDENTIFIED BY 73419 CASTING ON REF. #21</b>
21	30186		1	ADAPTOR, CHECK UNIT (FUEL LINE) <b>-IDENTIFIED BY 30186 CASTING ON REF. #21</b>
22	30187		1	STEM, CHECK UNIT ADAPTOR <b>-IDENTIFIED BY 30186 CASTING ON REF. #21</b>
23	25-20415		1	"O"RING, ADAPTOR STEM <b>-IDENTIFIED BY 30186 CASTING ON REF. #21</b>
24	24-30189		1	SPRING, ADAPTOR STEM <b>-IDENTIFIED BY 30186 CASTING ON REF. #21</b>
25	30188		1	CUP WASHER, ADAPTOR
26	10-36154		2	SCREW, ADAPTOR TO BOTTOM COWL (1-3/8")
27	11-36069		2	NUT, ADAPTOR SCREW

# CYLINDER BLOCK AND CRANKCASE ASSEMBLY

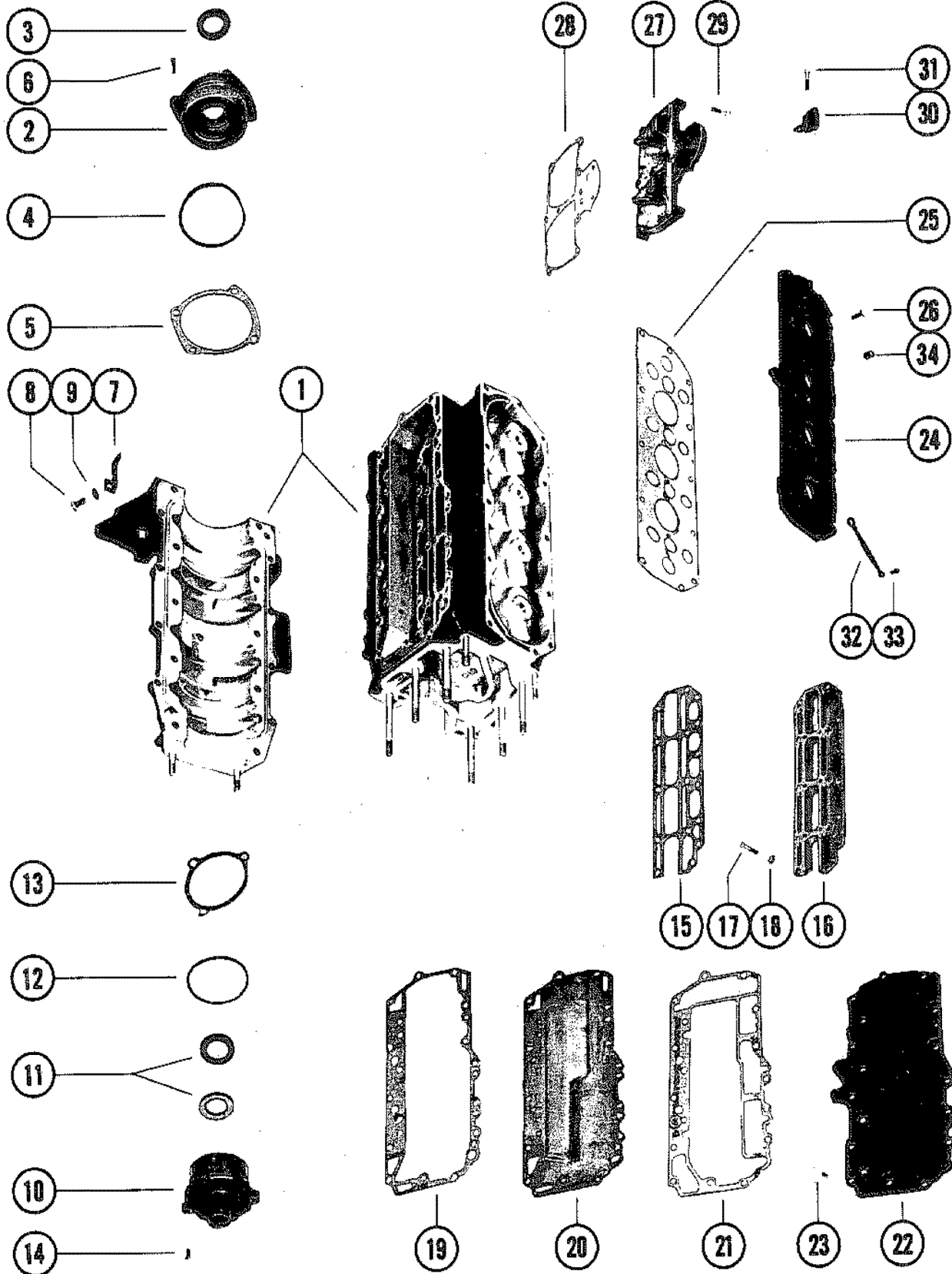




# CYLINDER BLOCK AND CRANKCASE ASSEMBLY

REF. NO.	PART NO.	SYM.	QTY.	DESCRIPTION
1	871-7749A3		1	BLOCK/CRANKCASE ASS'Y UNITED STATES 6076351 AND BELOW CANADA 7188282 AND BELOW
	871-8338A3		1	BLOCK/CRANKCASE ASS'Y UNITED STATES 6076352 AND UP CANADA 7188283 AND UP
2	27-53650		2	GASKET, CRANKCASE TO CYLINDER BLOCK
3	56029		2	COVER, STARTER MOTOR (UPPER)
4	10-31984		1	SCREW, COVER TO CRANKCASE (1-3/8")
	10-35385		1	SCREW, COVER TO CRANKCASE (1-3/4")
5	13-26993		4	LOCKWASHER, COVER SCREW
6	76867		1	COVER, STARTER MOTOR (LOWER)
7	10-39767		1	SCREW, COVER TO CRANKCASE (1-7/8")
	10-73658		1	SCREW, COVER TO CRANKCASE (5-1/2")
8	16-64281		2	STUD, CRANKCASE TO DRIVE SHAFT HOUSING (1-7/8")
9	17-20033		2	PIN, DOWEL- CRANKCASE TO CYLINDER BLOCK
10	17-63779		2	PIN, DOWEL-CYLINDER BLOCK TO MAIN BEARING
11	66517		3	RESTRICTOR, CRANKCASE BLEED
12	16-64282		6	STUD,CYLINDER BLOCK TO EXHAUST PLATE (4")
13	10-57841		2	SCREW, CRANKCASE TO CYLINDER BLOCK 92-3/4")
	10-53016		2	SCREW, CRANKCASE TO CYLINDER BLOCK (1-1/4")
14	10-73657		13	SCREW, CRANKCASE TO CYLINDER BLOCK (1-1/2")
15	10-20359		1	SCREW, CENTER MAIN BEARING LOCKING (1")
16	14-20091		1	TAB WASHER, BEARING LOCKING SCREW
17	21-77560		1	CHECK VALVE, BLEED HOSE-TOP
19	32-54935-79		1	HOSE, CYLINDER BLEED (12-1/2")
20	21-77561		1	CHECK VALVE, BLEED HOSE-BOTTOM
21	22-25885		1	ELBOW, BALANCE HOSE TO CYLINDER BLOCK-UPPER
22	32-34395A1		1	HOSE ASSEMBLY, BALANCE (6-1/4")
23	22-65348		1	TEE, BALANCE HOSE TO CYLINDER BLOCK-LOWER
24	32-54935-79		1	HOSE, BALANCE (5")
25	22-65857		1	FITTING, AIR INLET COVER

# END CAPS, MANIFOLD AND EXHAUST COVER

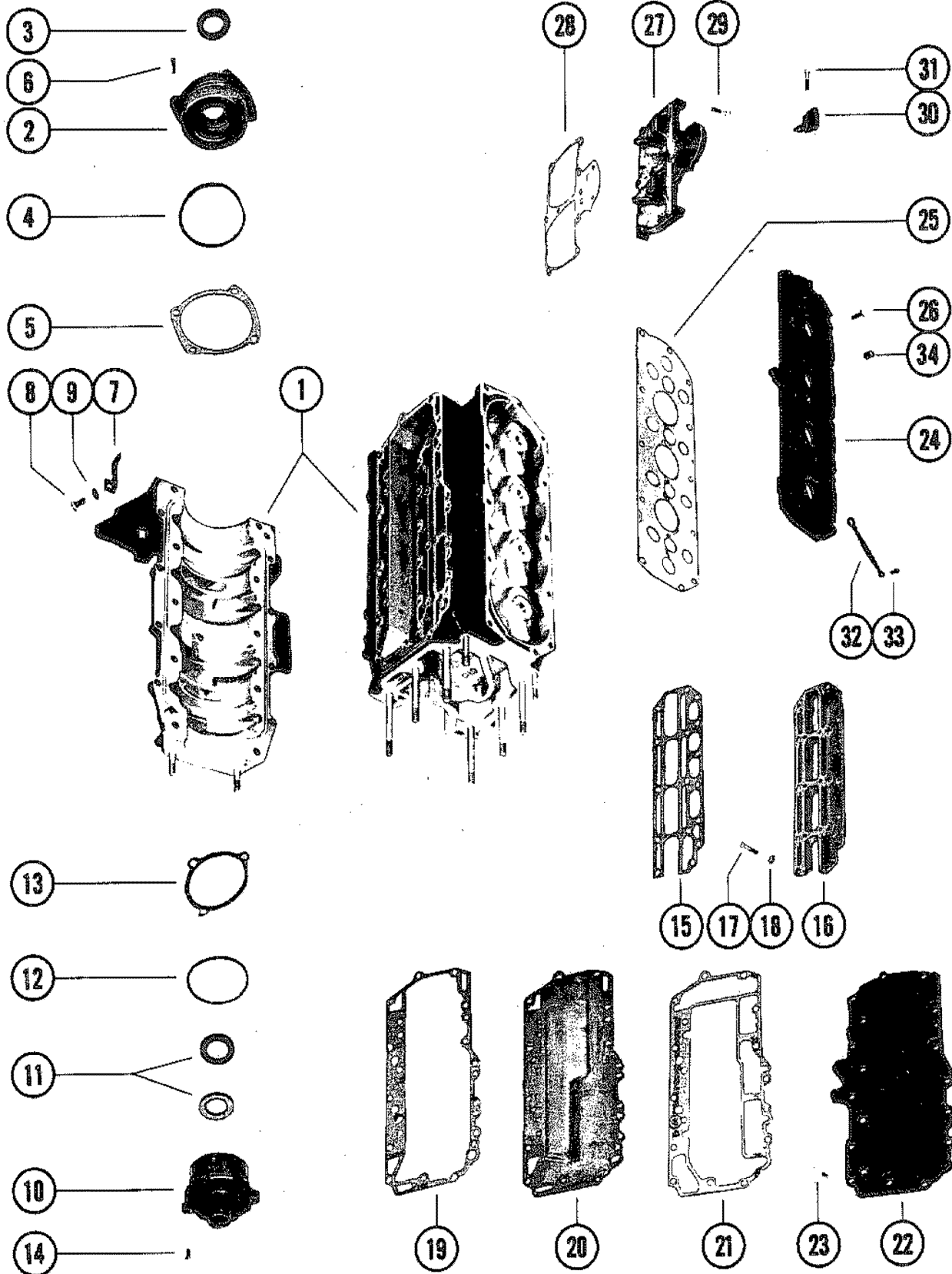


## END CAPS, MANIFOLD AND EXHAUST COVER

REF. NO.	PART NO.	SYM.	QTY.	DESCRIPTION
1	871-7749A3		1	BLOCK/CRANKCASE ASS'Y UNITED STATES 6076351 AND BELOW CANADA 7188282 AND BELOW
	871-8338A3		1	BLOCK/CRANKCASE ASS'Y UNITED STATES 6076352 AND UP CANADA 7188283 AND UP
2	1161-5940A2		1	END CAP ASSEMBLY, UPPER
3	26-29476		1	OIL SEAL
4	25-47254		1	"O"RING
5	15-73644A1		AR	SHIM, END CAP TO CRANKCASE (.006-10)
6	10-73169		4	SCREW, UPPER END CAP (1")
7	76367		1	POINTER, TIMING
8	10-35585		1	SCREW, TIMING POINTER (3/4")
9	12-20533		1	WASHER, TIMING POINTER SCREW
10	1148-5410A1		1	END CAP ASSEMBLY, LOWER
11	26-29476		2	OIL SEAL
12	25-32546		1	"O"RING
13	15-20085A1		AR	SHIM, END CAP TO CRANKCASE (.005-10)
14	10-69034		3	SCREW, LOWER END CAP (1")
15	27-73665		1	GASKET, WATER JACKET COVER
16	76198		1	COVER, WATER JACKET-CYLINDER BLOCK
17	10-53167		16	SCREW, WATER JACKET COVER (7/8")
18	12-70132		16	WASHER, WATER JACKET COVER SCREW
19	27-85498		1	GASKET, CYLINDER BLOCK TO BAFFLE PLATE
20	73436		1	PLATE, BAFFLE
21	27-85496		1	GASKET, BAFFLE PLATE TO EXHAUST COVER
22	78277A1		1	COVER, EXHAUST MANIFOLD
23	10-53576		18	SCREW, MANIFOLD COVER (1-1/8")
24	1021-7699		1	COVER, CYLINDER BLOCK UNITED STATES 6076351 AND BELOW CANADA 7188282 AND BELOW
25	27-85493		1	GASKET, CYLINDER BLOCK COVER UNITED STATES 6076351 AND BELOW CANADA 7188282 AND BELOW
24	1021-8340		1	COVER, CYLINDER BLOCK UNITED STATES 6076352 AND UP CANADA 7188283 AND UP
25	27-96171		1	GASKET, CYLINDER BLOCK COVER UNITED STATES 6076352 AND UP CANADA 7188283 AND UP
26	10-69100		12	SCREW, CYLINDER BLOCK COVER (1")
27	73320		1	COVER, TRANSFER PORT-TOP
	87872		1	COVER, TRANSFER PORT-BOTTOM
28	27-73645		1	GASKET, TRANSFER PORT COVER
29	10-49668		14	SCREW, TRANSFER PORT COVER (3/4")

CONTINUED ON NEXT PAGE ➡

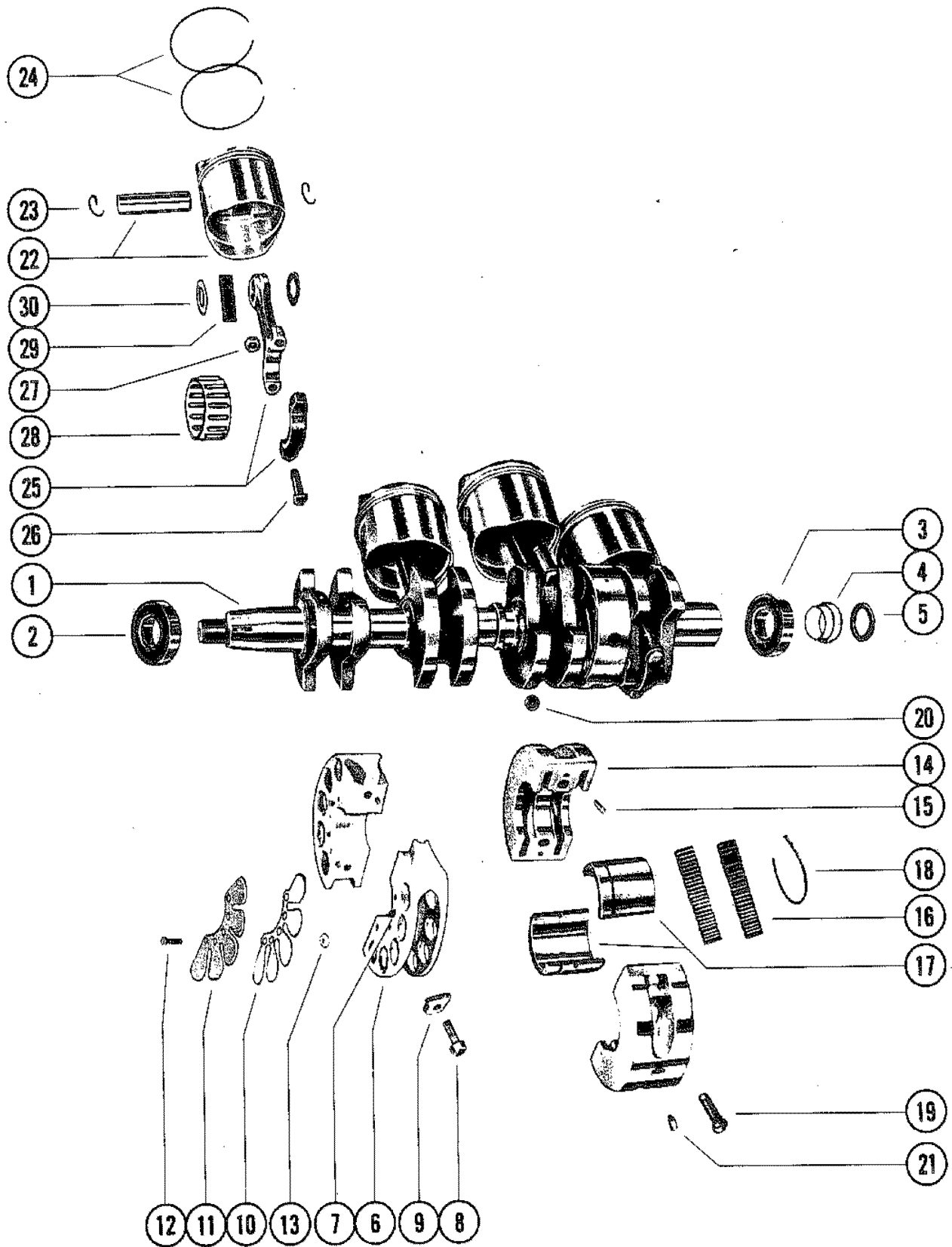
# END CAPS, MANIFOLD AND EXHAUST COVER



## END CAPS, MANIFOLD AND EXHAUST COVER

REF. NO.	PART NO.	SYM.	QTY.	DESCRIPTION
30	37440		1	BRACKET, MOUNT SUPPORT-CYLINDER BLOCK
31	10-24234		1	SCREW, BRACKET TO CYLINDER BLOCK (1")
32	46933A3		2	GROUND STRAP ASEMBLY, EXHAUST COVER SCREW
33	10-62568		2	SCREW, GROUND STRAP (3/8")
34	22-68307		1	PLUG, PIPE-CYLINDER BLOCK COVER

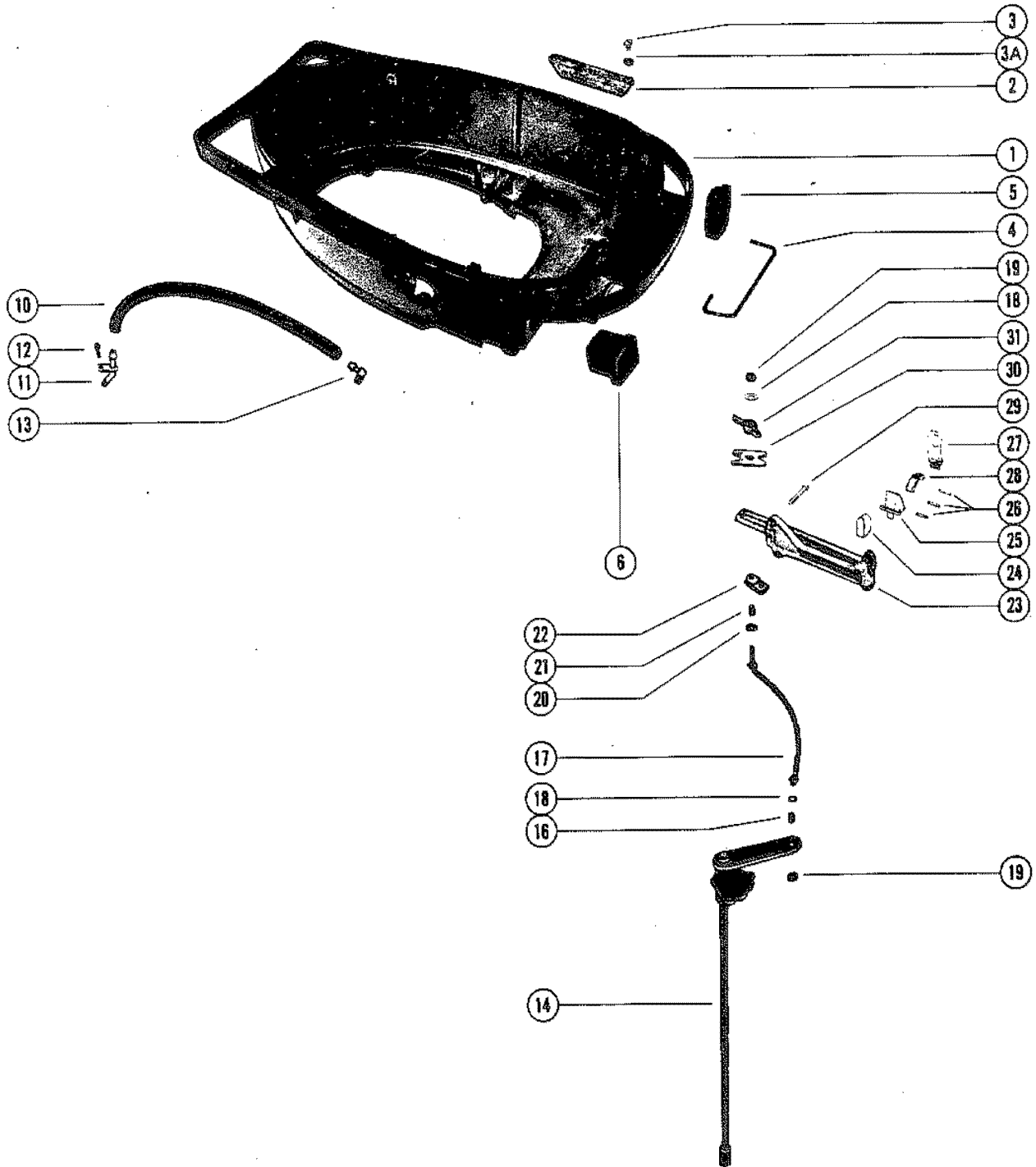
# CRANKSHAFT, PISTON AND CONNECTING ROD



## CRANKSHAFT, PISTON AND CONNECTING ROD

REF. NO.	PART NO.	SYM.	QTY.	DESCRIPTION
1	440-6647A2		1	CRANKSHAFT ASSEMBLY
2	30-62567		1	BALL BEARING, UPPER
3	30-63742		1	BALL BEARING, LOWER
4	54196A6		1	CARRIER ASSEMBLY
5	65800		1	PACKING, CARRIER
6	540-5266A5		2	MAIN BEARING ASSEMBLY (VALVE TYPE)
7	17-20032		4	DOWEL PIN, MAIN BEARING
8	10-45775		4	SCREW, MAIN BEARING CLAMPING
9	11-45774		4	NUT, MAIN BEARING CLAMPING SCREW
10	34-56007A1		2	REED SET, MATCHED - MAIN BEARING
11	34-56008		8	REED STOP, MAIN BEARING REED VALVES
12	10-62204		20	SCREW, REED STOP MOUNTING
13	11-53153		20	NUT, REED STOP MOUNTING SCREW
14	535-5397A4		1	CENTER MAIN BEARING ASSEMBLY
15	17-20032		2	DOWEL PIN, CENTER MAIN BEARING
16	29-71422		56	NEEDLE BEARING
17	26113		1	RACE, OUTER (PAIR)
18	53-26933		1	SNAP RING, OUTER RACE CLAMPING
19	10-22968		2	SCREW, CENTER MAIN BEARING CLAMPING
20	11-20184		2	NUT, MAIN BEARING CLAMPING SCREW
21	17-47246		1	DOWEL PIN, STEPPED
22	768-7435A3		4	PISTON AND PISTON PIN ASSEMBLY
	768-7436A2		AR	PISTON AND PISTON PIN ASSEMBLY (.015 O.S.)
	768-7455A3		AR	PISTON AND PISTON PIN ASSEMBLY (.030 O.S.)
23	40-52035		8	LOCK RING, PISTON PIN
24	39-78816A12		1	PISTON RING (STANDARD)
	39-88392A12		1	PISTON RING (.030 O.S.)
	39-78811A12		1	PISTON RING (.015 O.S.)
25	624-8101A3		4	CONNECTING ROD AND CAP ASSEMBLY
26	10-54803		8	SCREW, CONNECTING ROD -WITH NUT
27	11-49091		8	NUT, CONNECTING ROD SCREW -WITH NUT
26	10-91012		8	SCREW, CONNECTING ROD - W/O NUT
28	31-62596A1		4	BEARING ASSEMBLY, CRANKPIN
29	29-47270		116	NEEDLE BEARING, PISTON PIN
30	12-47247		8	WASHER, NEEDLE LOCATING

# BOTTOM COWL AND SHIFT LINKAGE

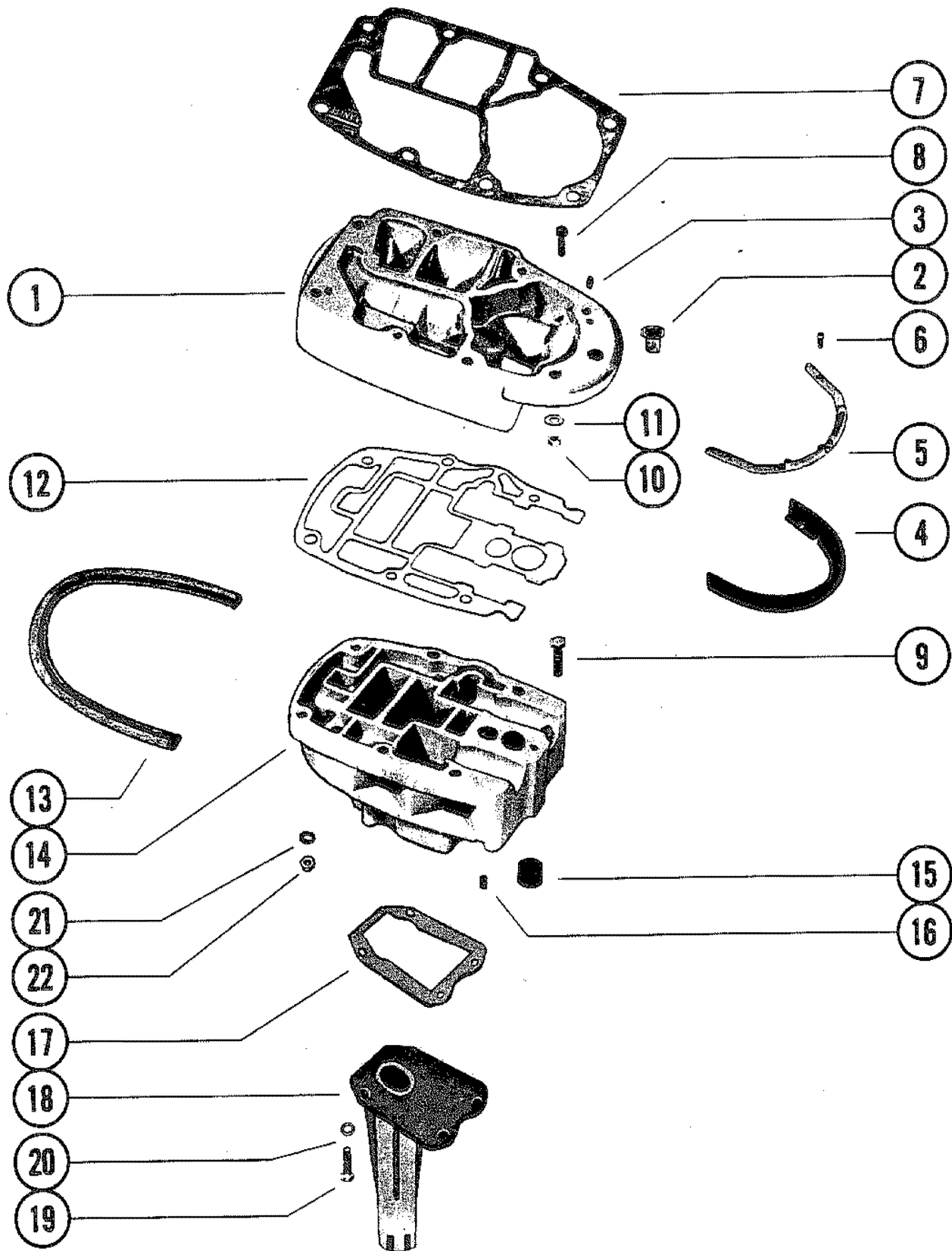




## BOTTOM COWL AND SHIFT LINKAGE

REF. NO.	PART NO.	SYM.	QTY.	DESCRIPTION
1	2158-7638		1	COWL, BOTTOM
2	74303		1	COVER, AIR INLET
3	10-62568		4	SCREW, COVER TO BOTTOM COWL (3/8")
3A	12-30164		4	WASHER, COVER SCREW
4	27-73646		1	GASKET, BOTTOM COWL
5	39616		1	BOOT, CONTROL CABLES - BOTTOM COWL
6	37637		1	BOOT, FUEL CONNECTOR - BOTTOM COWL
10	32-34395A1		1	HOSE, TELL TALE - EXHAUST COVER TO BOTTOM COWL (14-3/4")
11	52889		1	NOZZLE, TELL TALE HOSE TO BOTTOM COWL
12	10-48408		1	SCREW, TELL TALE NOZZLE TO BOTTOM COWL (1/2")
13	22-78279		1	ELBOW, TELL TALE HOSE TO CYLINDER BLOCK
14	60304A54		1	SHIFT SHAFT ASSEMBLY, UPPER
16	23-26856		1	BUSHING, SHIFT SHAFT
17	73402		1	SHIFT LINK
18	12-35462		2	WASHER, LINK ROD (SHIFT LEVER END)
19	11-36069		2	NUT, LINK ROD
20	13-29720		1	WASHER, WAVE - LINK ROD
21	24-20099		1	SPRING, LINK ROD TO GUIDE BLOCK
22	37896		1	GUIDE BLOCK, LINK ROD
23	52732		1	BRACKET, ANCHOR - CONTROL CABLES
24	39519		1	CAP, BARREL RETAINER - ANCHOR
25	39618		1	LEVER, NYLON - SHIFT CABLE LOCKING
26	17-47175		3	PIN, LOCKING LEVER AND COVER FASTENING
27	39667		1	COVER, NYLON - SHIFT CABLE
28	65799		1	LINK, LOCKING LEVER TO COVER
29	10-24234		3	SCREW, ANCHOR BRACKET TO CYLINDER BLOCK (1")
30	52100		1	WEAR PLATE, LINK ROD
31	38279		1	LATCH, CONTROL CABLE FASTENING - ANCHOR BRACKET

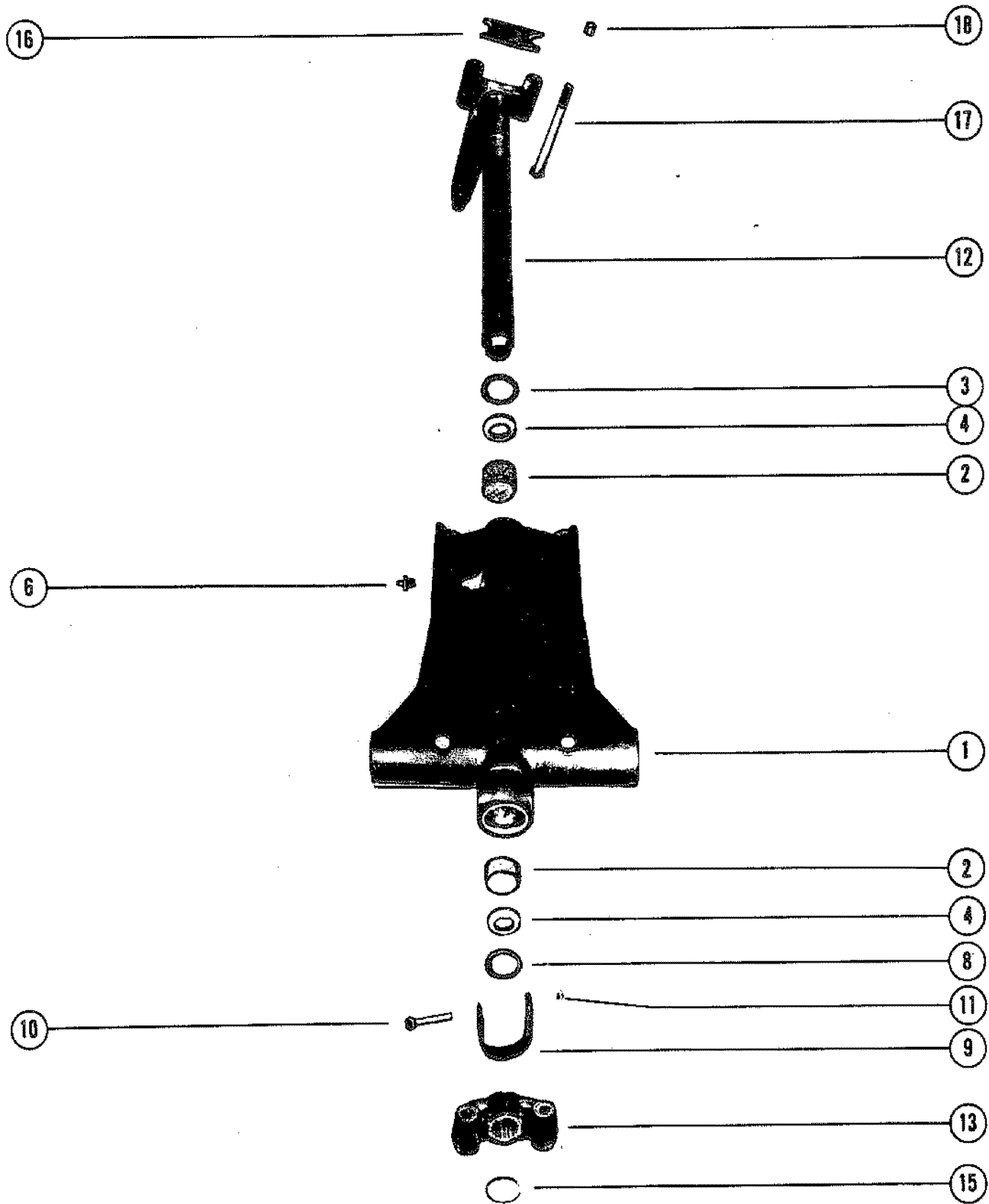
# EXHAUST EXTENSION PLATE



## EXHAUST EXTENSION PLATE

REF. NO.	PART NO.	SYM.	QTY.	DESCRIPTION
1	98517A2		1	PLATE ASSEMBLY, EXHAUST EXTENSION
2	23-27132		1	BUSHING, NYLON - EXHAUST EXTENSION PLATE
3	17-23784		2	DOWEL PIN, EXHAUST EXTENSION PLATE
4	37918		1	SEAL, EXHAUST EXTENSION PLATE
5	99358		1	STRIP RETAINING - EXHAUST EXTENSION PLATE
6	10-37571		5	SCREW, SEAL AND RETAINING STRIP TO EXHAUST PLATE (1/2")
7	27-69238		1	GASKET, POWERHEAD
8	10-66023		2	SCREW, ADAPTOR PLATE TO HOUSING PLATE (2")
9	10-66023		7	SCREW, HOUSING PLATE TO DRIVE SHAFT HOUSING (2")
10	11-69254		2	NUT, CRANKCASE STUDS
11	12-25970		2	WASHER, CRANKCASE STUDS
12	27-66102		1	GASKET, DRIVE SHAFT HOUSING PLATE
13	26-60898		1	SEAL, DRIVE SHAFT HOUSING PLATE
14	98518A4		1	PLATE ASSEMBLY, DRIVE SHAFT HOUSING
15	26-38970		1	SEAL, RUBBER - WATER INLET TUBE
16	17-23784		2	DOWEL PIN, DRIVE SHAFT HOUSING PLATE
17	27-69860		1	GASKET, EXHAUST TUBE
18	74199		1	EXHAUST TUBE
19	10-65414		4	SCREW, EXHAUST TUBE TO DRIVE SHAFT HOUSING PLATE (3/4")
20	13-26992		4	LOCKWASHER, EXHAUST TUBE SCREW
21	12-25970		6	WASHER, POWERHEAD STUDS
22	11-34932		6	NUT, POWERHEAD STUDS

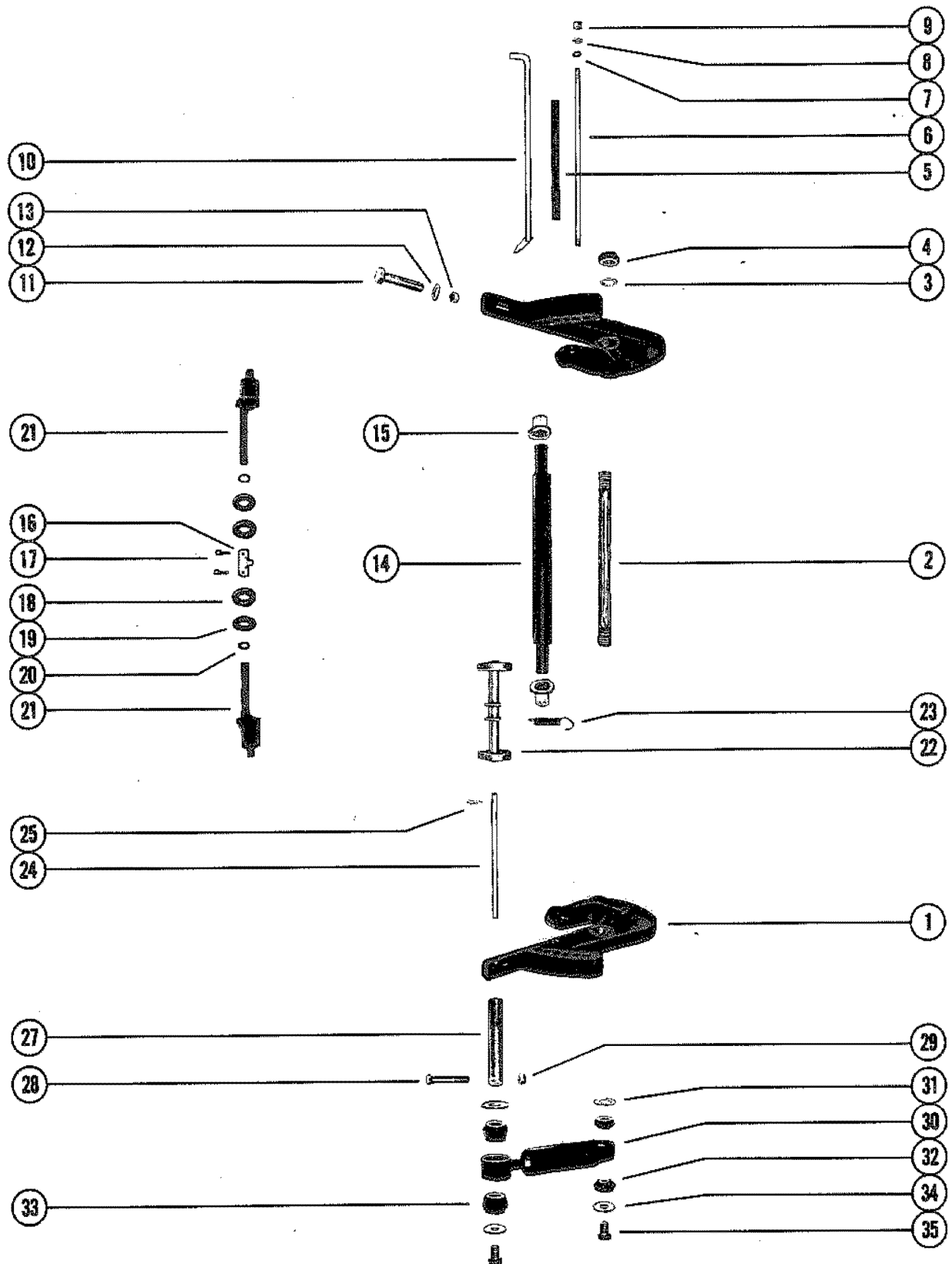
# SWIVEL BRACKET ASSEMBLY



## SWIVEL BRACKET ASSEMBLY

REF. NO.	PART NO.	SYM.	QTY.	DESCRIPTION
1	1482-7670A5		1	SWIVEL BRACKET ASSEMBLY
2	23-69341		2	BUSHING, SWIVEL BRACKET
3	12-69342		1	WASHER, SWIVEL PIN - UPPER
4	26-37448		2	OIL SEAL, SWIVEL BRACKET
6	22-74036		4	GREASE FITTING
8	13-88507		1	WAVE WASHER, SWIVEL PIN (LOWER)
9	28205		1	STRAP STOP, DRIVE SHAFT HOUSING TO SWIVEL BRACKET
10	10-28200		1	SCREW, STRAP STOP TO HOUSING (3-7/8")
11	11-25269		1	NUT, STRAP STOP FASTENING SCREW
12	17-73593A2		1	SWIVEL PIN ASSEMBLY
13	73984		1	YOKE, BOTTOM
15	53-73591		1	SNAP RING, YOKE ATTACHING
16	28203		1	BUMPER, STEERING ARM
17	10-49554		2	BOLT, STEERING ARM TO UPPER MOUNT (5-7/8")
18	11-34933		2	NUT, STEERING ARM BOLT FASTENING

# TRANSOM BRACKET

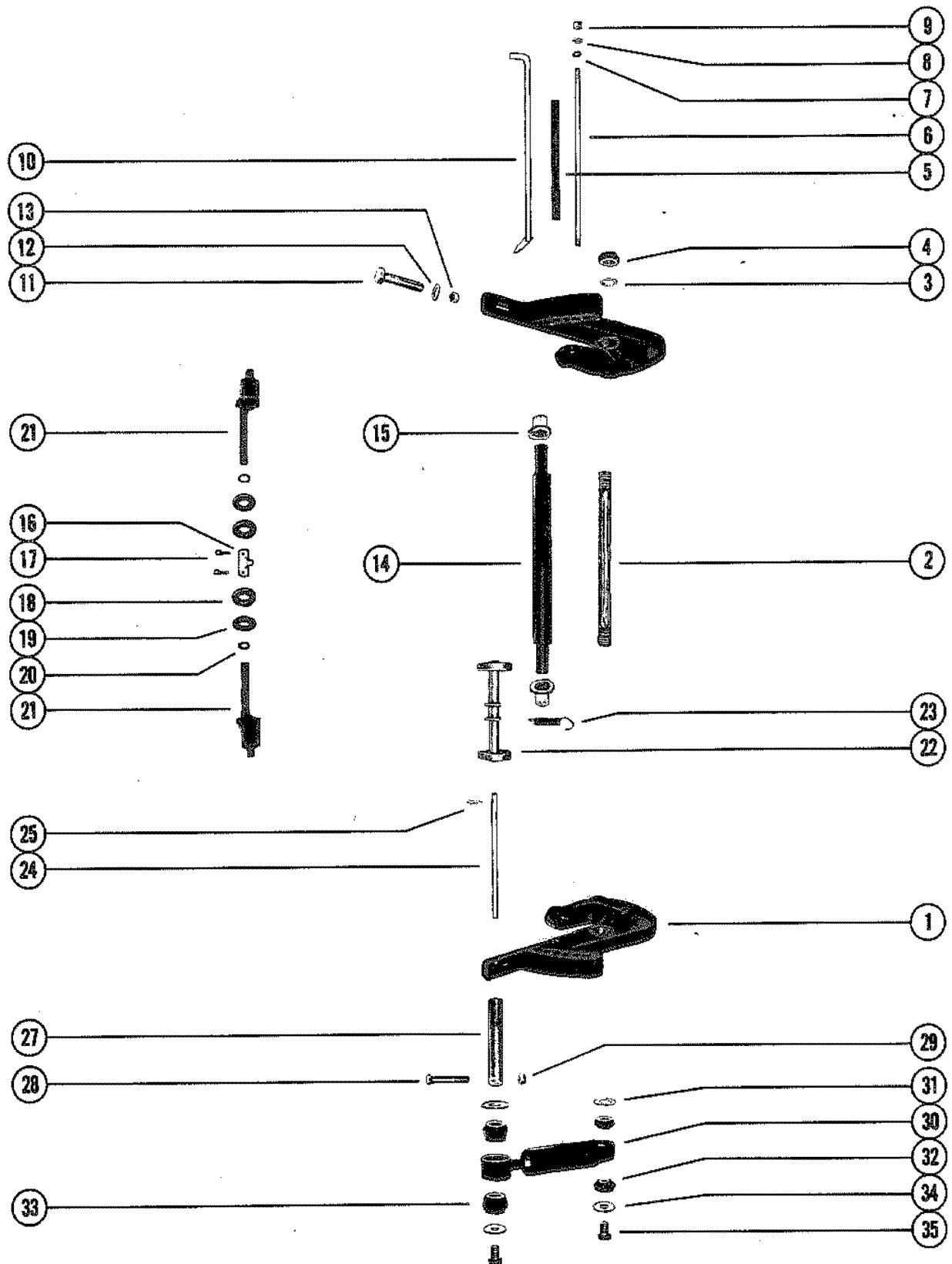


# TRANSOM BRACKET

REF. NO.	PART NO.	SYM.	QTY.	DESCRIPTION
1	1496-7799F2		2	TRANSOM BRACKET
2	89099		1	TILT TUBE
3	13-89297		2	WAVE WASHER, TILT TUBE
4	11-56041		2	NUT, TILT TUBE
5	23-87642		1	SPACER, TRANSOM BRACKET STUD
6	16-87643		1	STUD, TRANSOM BRACKET - NOT USED WITH POWER TRIM
7	12-36001		1	WASHER, TRANSOM BRACKET STUD
8	13-26993		2	LOCKWASHER, TRANSOM BRACKET STUD
9	11-28770		2	NUT, TRANSOM BRACKET STUD
10	17-49930A1		1	TILT PIN ASS'Y-NOT USED WITH POWER TRIM
11	10-89673		2	BOLT, TRANSOM BRACKET TO TRANSOM (5")
12	12-68410		2	WASHER, TRANSOM BRACKET BOLT
13	11-99405		2	NUT, TRANSOM BRACKET BOLT
11	10-67755		2	BOLT, TRANSOM BRACKET TO TRANSOM (6")
12	12-28421		2	WASHER, TRANSOM BRACKET BOLT
13	11-91962		2	NUT, TRANSOM BRACKET BOLT
14	89116		1	PIN, UPPER SHOCK MOUNTING
15	23-89117		2	BUSHING, UPPER SHOCK MOUNTING PIN
16	79659		1	COUPLING, TILT LOCK
17	18-47959		2	COTTER PIN, TILT LOCK
18	26-22734		2	OIL SEAL, SWIVEL BRACKET (TILT LOCK)
19	12-76388		2	WASHER, TILT LOCK
20	25-62702		2	"O" RING, TILT LOCK
21	89105		2	TILT LOCK
22	87431		2	REVERSE LOCK ASS'Y NOT USED WITH POWER TRIM <b>UNITED STATES 5824917 AND BELOW AUSTRALIA 8067014 AND BELOW CANADA 7177747 AND BELOW</b>
23	24-78203A1		1	SPRING ASSEMBLY NOT USED WITH POWER TRIM <b>UNITED STATES 5824917 AND BELOW AUSTRALIA 8067014 AND BELOW CANADA 7177747 AND BELOW</b>
22	92405A1		2	REVERSE LOCK ASS'Y NOT USED WITH POWER TRIM <b>UNITED STATES 5824918 AND UP CANADA 7177748 AND UP</b>
23	24-78203A2		1	SPRING ASSEMBLY NOT USED WITH POWER TRIM <b>UNITED STATES 5824918 AND UP CANADA 7177748 AND UP</b>
24	56349		1	SHAFT, REVERSE LOCK PIVOT NOT USED WITH POWER TRIM
25	18-45882		1	COTTER PIN, LOCK TO SHAFT NOT USED WITH POWER TRIM
27	55-28414		2	PIN, LOWER SHOCK MOUNTING
28	10-21937		2	SCREW, LOWER SHOCK PIN (2")
29	11-20184		2	NUT, LOWER SHOCK PIN SCREW
30	55-58780A4		2	SHOCK ABSORBER NOT USED WITH POWER TRIM

CONTINUED ON NEXT PAGE ➡

# TRANSOM BRACKET

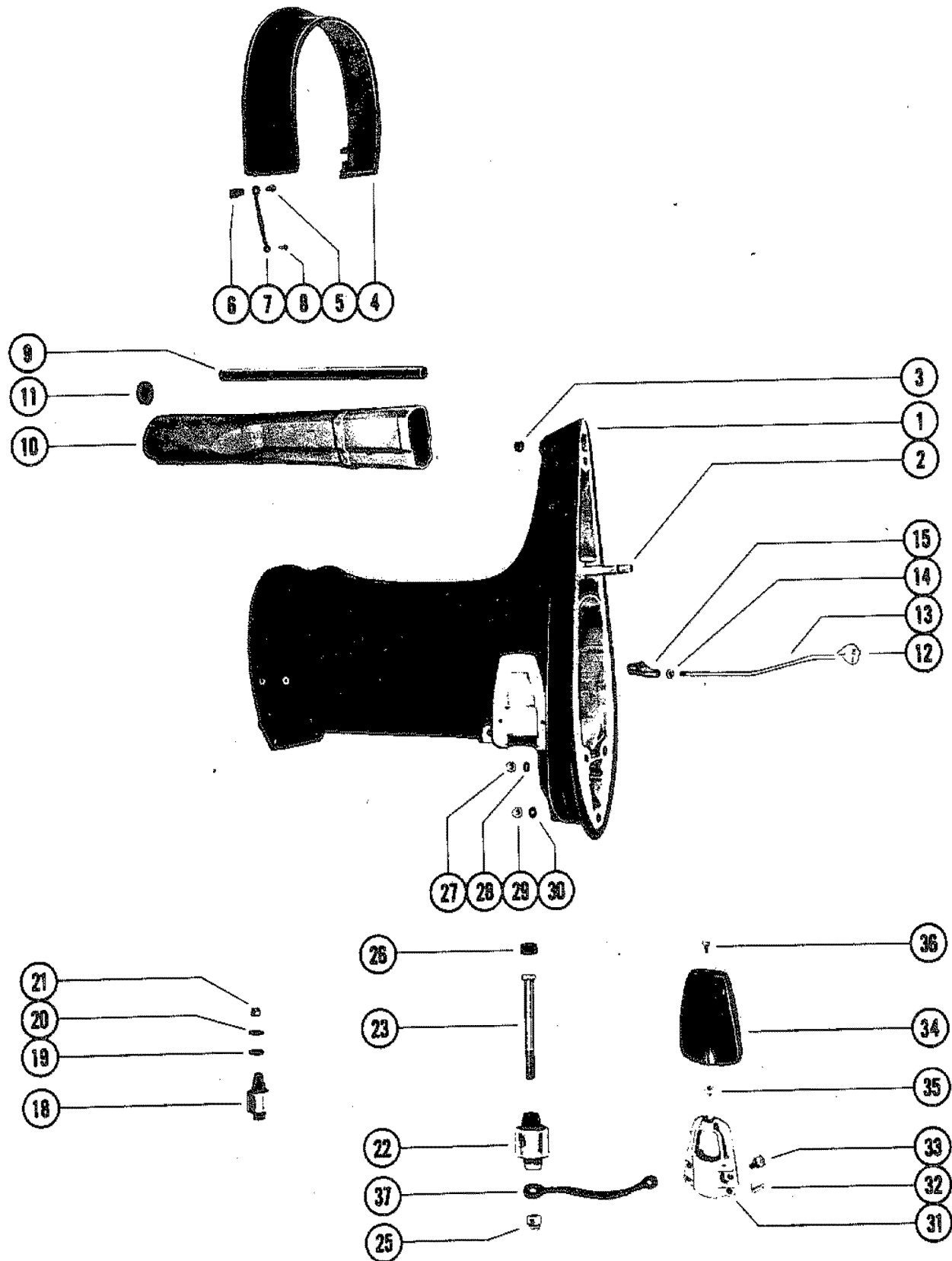




# TRANSOM BRACKET

REF. NO.	PART NO.	SYM.	QTY.	DESCRIPTION
31	12-28196		2	WASHER, UPPER BUSHING RETAINER (INNER) <b>NOT USED WITH POWER TRIM</b>
32	23-32171		4	BUSHING, RUBBER - SHOCK ABSORBER (UPPER) <b>NOT USED WITH POWER TRIM</b>
33	23-28198		4	BUSHING, RUBBER - SHOCK ABSORBER (LOWER) <b>NOT USED WITH POWER TRIM</b>
34	12-69374		4	WASHER, UPPER/LOWER SHOCK PIN (LOWER) <b>NOT USED WITH POWER TRIM</b>
35	10-69375		4	SCREW, UPPER AND LOWER SHOCK PIN <b>NOT USED WITH POWER TRIM</b>

# DRIVE SHAFT HOUSING ASSEMBLY

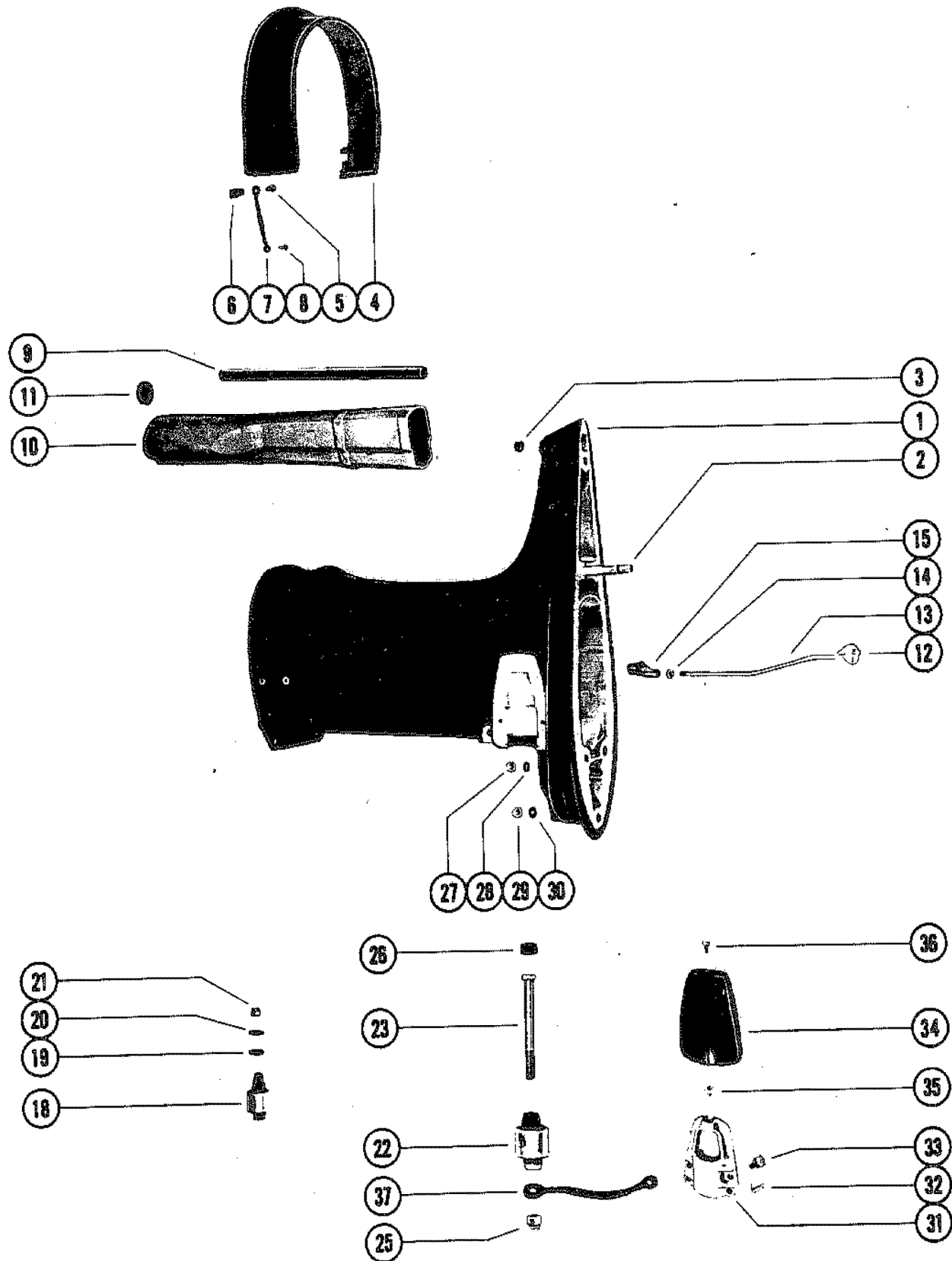


# DRIVE SHAFT HOUSING ASSEMBLY

REF. NO.	PART NO.	SYM.	QTY.	DESCRIPTION
1	1573-5239A51		1	DRIVE SHAFT HOUSING ASSEMBLY
2	16-56295		2	STUD, DRIVE SHAFT HOUSING TO GEAR HOUSING (2-11/16")
3	19-64649		1	PLUB, PLASTIC - TRIM TAB SCREW HOLE
4	37417F2		1	COVER, TRIM - DRIVE SHAFT HOUSING
5	10-57807		4	SCREW, TRIM COVER TO BOTTOM COWL (3/4")
6	25-92012		4	GROMMET, TRIM COVER SCREW
7	88238A4		2	GROUND STRAP ASSEMBLY, TRIM COVER SCREW
8	10-62568		2	SCREW, GROND STRAP ATTACHING
9	32-60897		1	TUBE, WATER INLET
10	78184		1	TUBE, EXHAUST
11	65638		2	BOOT, EXHAUST TUBE
12	52887		1	GUIDE, PUSH ROD NOT USED WITH POWER TRIM <b>UNITED STATES 5824917 AND BELOW AUSTRALIA 8067014 AND BELOW CANADA 7177747 AND BELOW</b>
13	47558		1	ROD, PUSH NOT USED WITH POWER TRIM <b>UNITED STATES 5824917 AND BELOW AUSTRALIA 8067014 AND BELOW CANADA 7177747 AND BELOW</b>
14	11-47661		1	NUT, JAM - PUSH ROD NOT USED WITH POWER TRIM <b>UNITED STATES 5824917 AND BELOW AUSTRALIA 8067014 AND BELOW CANADA 7177747 AND BELOW</b>
15	17559		1	YOKE, PUSH ROD NOT USED WITH POWER TRIM <b>UNITED STATES 5824917 AND BELOW AUSTRALIA 8067014 AND BELOW CANADA 7177747 AND BELOW</b>
12	92704		1	GUIDE, PUSH ROD NOT USED WITH POWER TRIM <b>UNITED STATES 5824918 AND UP CANADA 7177748 AND UP</b>
13	92707		1	ROD, PUSH NOT USED WITH POWER TRIM <b>UNITED STATES 5824918 AND UP CANADA 7177748 AND UP</b>
14	11-28770		2	NUT, JAM - PUSH ROD NOT USED WITH POWER TRIM <b>UNITED STATES 5824918 AND UP CANADA 7177748 AND UP</b>
15	89813		1	YOKE, PUSH ROD NOT USED WITH POWER TRIM <b>UNITED STATES 5824918 AND UP CANADA 7177748 AND UP</b>
17	18-25191		1	COTTER PIN, PUSH ROD PIN NOT USED WITH POWER TRIM
18	75296		2	MOUNT, RUBBER - UPPER
19	12-47840		2	WASHER, RUBBER - UPPER MOUNT BOLT
20	12-31263		2	WASHER, UPPER MOUNT BOLT
21	11-34933		2	NUT, UPPER MOUNT BOLT
22	75298		2	MOUNT, RUBBER - LOWER
23	10-49318		2	SCREW, UPPER MOUNT (5-1/2")
25	11-25096		2	NUT, MOUNT SCREW
26	25067		2	BUMPER, RUBBER - MOUNTING SCREW
27	11-34933		2	NUT, GEAR HOUSING
28	12-45176		2	WASHER, GEAR HOUSING STUDS
29	11-29489		1	NUT, GEAR HOUSING STUDS
30	12-45176		1	WASHER, GEAR HOUSING STUDS
31	35608		2	CLAMP, LOWER MOUNT TO DRIVE SHAFT HOUSING
32	24-35522		4	SPRING, TENSION - LOWER MOUNT CLAMP

CONTINUED ON NEXT PAGE ➡

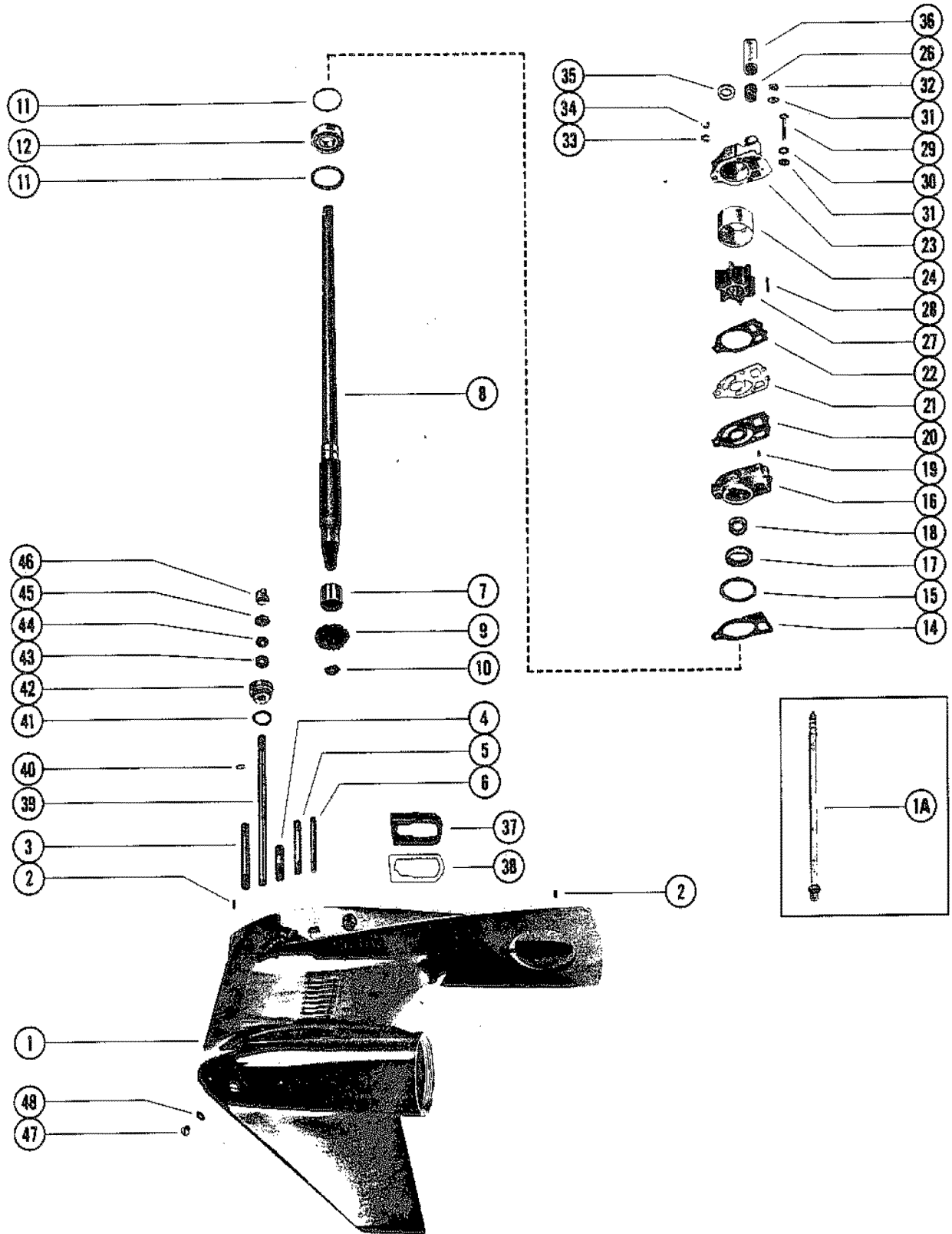
# DRIVE SHAFT HOUSING ASSEMBLY



# DRIVE SHAFT HOUSING ASSEMBLY

REF. NO.	PART NO.	SYM.	QTY.	DESCRIPTION
33	10-29256		4	SCREW, LOWER MOUNT CLAMP TO HOUSING (7/8")
34	35474F2		2	COVER, LOWER MOUNT CLAMP
35	11-35521		2	NUT, LOWER MOUNT CLAMP COVER
36	10-87884		2	SCREW, COVER TO LOWER CLAMP MOUNT (7/8")
37	88238A2		2	GROUND WIRE ASSEMBLY

# GEAR HOUSING (DRIVE SHAFT)

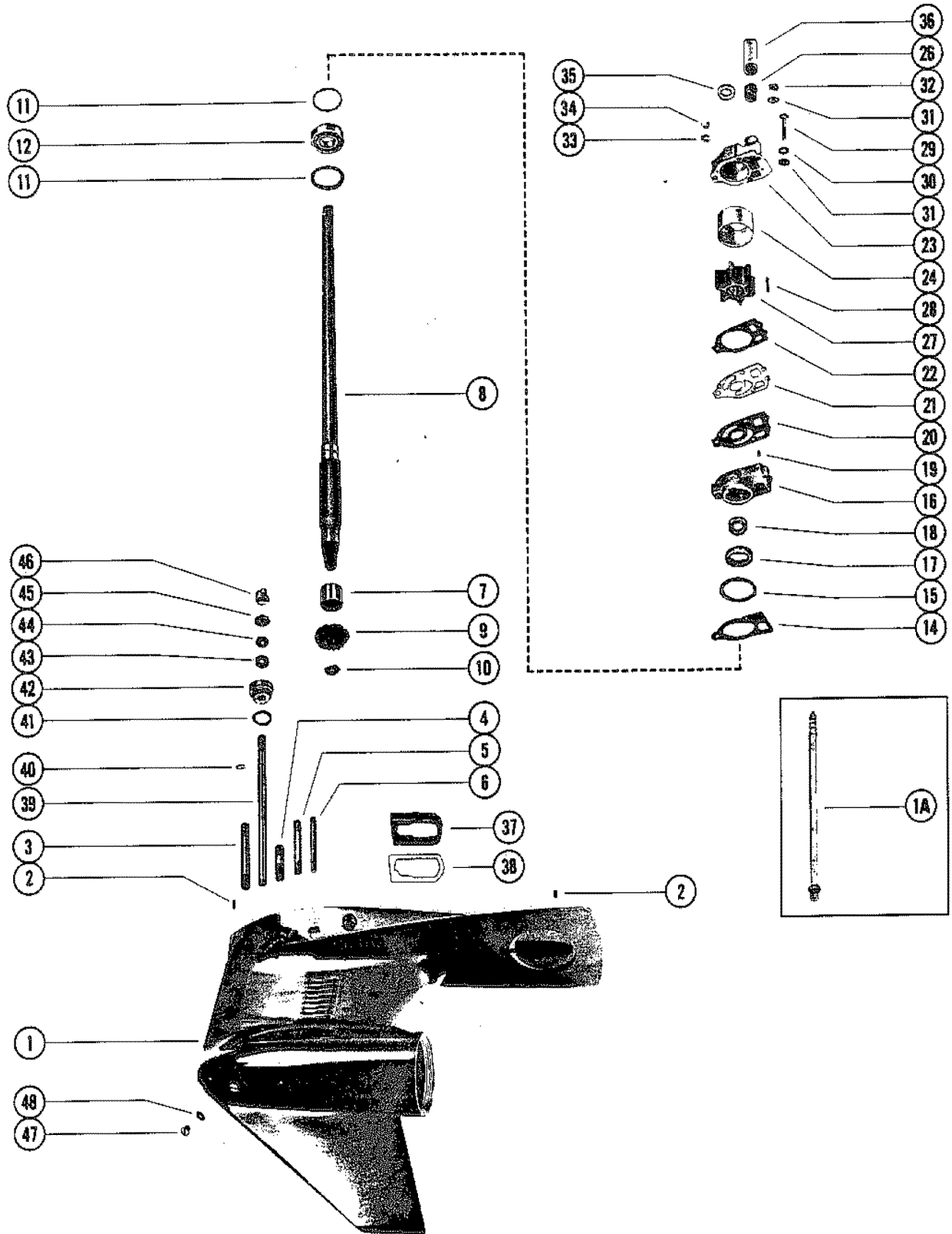


## GEAR HOUSING (DRIVE SHAFT)

REF. NO.	PART NO.	SYM.	QTY.	DESCRIPTION
-	1655-7333A41		1	GEAR HOUSING ASSEMBLY, COMPLETE
1	1655-7333A43		1	GEAR HOUSING ASSEMBLY
1A	22-85822A1		1	CONNECTOR ASSEMBLY, SPEEDOMETER
2	17-46912		2	DOWEL PIN, GEAR HOUSING LOCATING
3	16-57921		1	STUD, GEAR HOUSING (4")
4	16-57920		2	STUD, GEAR HOUSING (2-1/16")
5	16-56297		1	STUD, WATER PUMP (3-3/8")
6	16-69501		2	STUD, WATER PUMP (3-1/8")
7	31-32898		1	BEARING, ROLLER - DRIVE SHAFT
8	45-69251		1	DRIVE SHAFT
9	43-75316		1	PINION GEAR, DRIVE SHAFT
10	11-35921		1	NUT, PINION GEAR TO DRIVE SHAFT
11	23-70412		1	SPACER, BEARING TO WATER PUMP
	15-57007A1		AR	SHIM, BEARING TO WATER PUMP
12	31-69220		1	ROLLER BEARING, DRIVE SHAFT
14	27-33146		1	GASKET, WATER PUMP TO GEAR HOUSING
15	25-33145		1	"O" RING, WATER PUMP
16	46-96146A5		1	WATER PUMP BASE ASSEMBLY
17	26-94038		1	OIL SEAL, WATER PUMP BASE
18	26-79884		1	OIL SEAL, WATER PUMP BASE
19	17-35973		2	DOWEL PIN, WATER PUMP
20	27-32433		1	GASKET, LOWER - WATER PUMP
21	32435		1	PLATE, FACE - WATER PUMP
22	27-32434		1	GASKET, UPPER - WATER PUMP
23	46-96148A1		1	WATER PUMP BODY ASSEMBLY
24	48752		1	INSERT, WATER PUMP
26	26-38970		1	SEAL, RUBBER - WATER INLET TUBE
27	47-89984		1	IMPELLER, WATER PUMP
28	28-56654		1	KEY, IMPELLER DRIVE
29	10-30720		1	SCREW, WATER PUMP (1/4-20 - HEX HEAD)
	10-96411		1	SCREW, WATER PUMP (14-8 - HEX WASHER HEAD)
30	13-26992		1	LOCKWASHER, WATER PUMP SCREW
31	12-29245		3	WASHER, WATER PUMP SCREW AND STUD
32	11-35888		2	NUT, WATER PUMP FASTENING SCREW
33	12-36001		1	WASHER, WATER PUMP STUD
34	11-35814		1	NUT, WATER PUMP STUD
35	25-30271		1	RING, RUBBER DRIVE SHAFT
36	23-29804		1	SLEEVE, GUIDE - WATER INLET TUBE
37	37641		1	SEAL, EXHAUST TUBE
38	38051		1	PLATE, SUPPORT - EXHAUST TUBE SEAL
39	76062A1		1	SHAFT ASSEMBLY, SHIFT
40	53-29641		1	"E" RING, RETAINING - SHIFT SHAFT
41	25-25439		1	"O" RING, SHIFT SHAFT BUSHING

CONTINUED ON NEXT PAGE ➡

# GEAR HOUSING (DRIVE SHAFT)

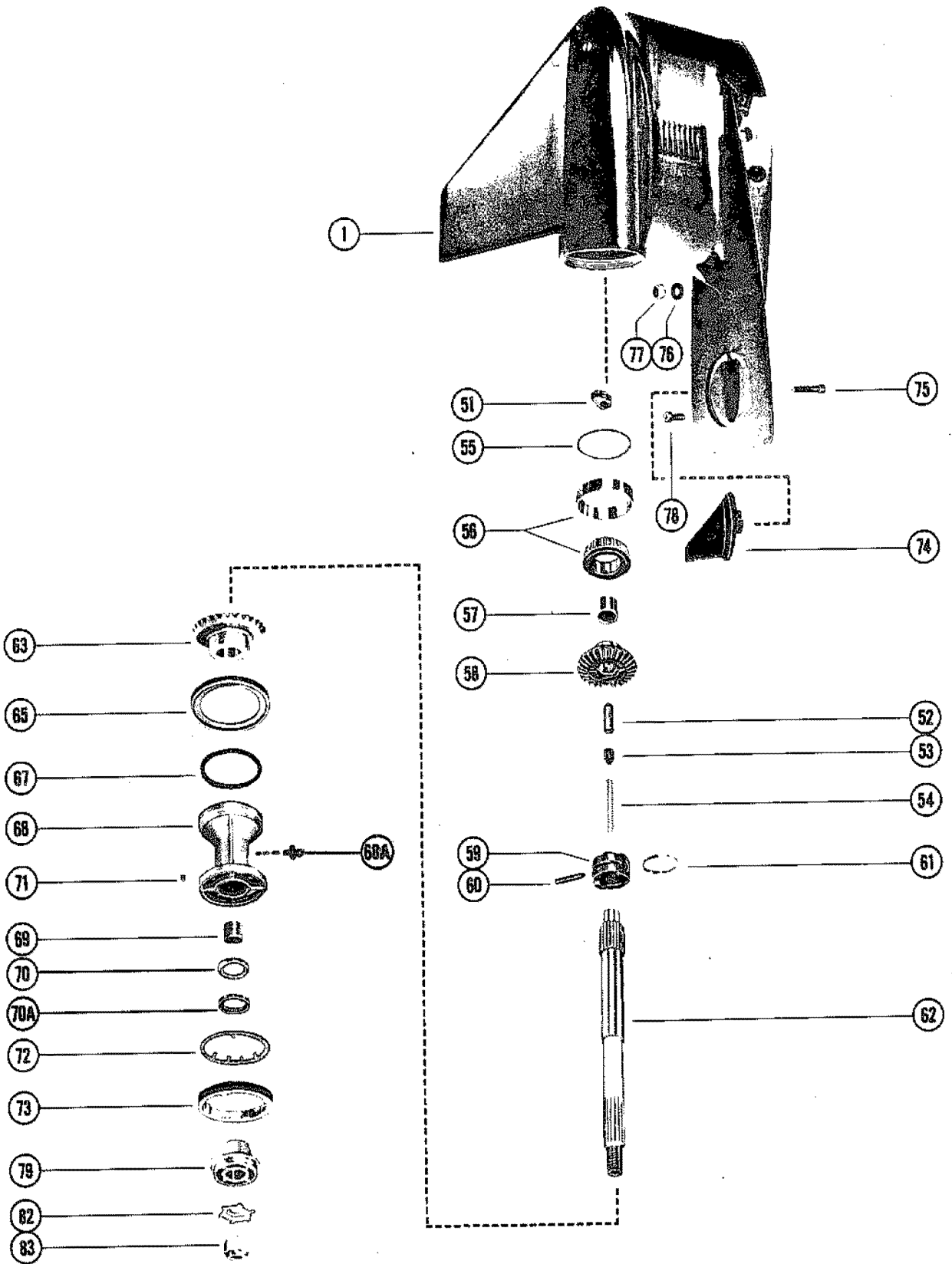




## GEAR HOUSING (DRIVE SHAFT)

REF. NO.	PART NO.	SYM.	QTY.	DESCRIPTION
42	23-77631A2		1	BUSHING ASSEMBLY, SHIFT SHAFT
43	26-76384		1	OIL SEAL, SHIFT SHAFT HOUSING
44	12-77674		1	WASHER, RUBBER - SHIFT SHAFT BUSHING
45	39019		1	SPACER, LOWER - REVERSE LOCKING-NOT USED WITH POWER TRIM
46	39021		1	CAM, REVERSE LOCKING- NOT USED WITH POWER TRIM
47	10-79953		1	SCREW, GREASE FILLER AND VENT HOLE
	22-67892		1	SCREW, DRAIN (MAGNETIC)
48	12-20260		2	WASHER, GREASE FILLER AND VENT HOLE SCREW

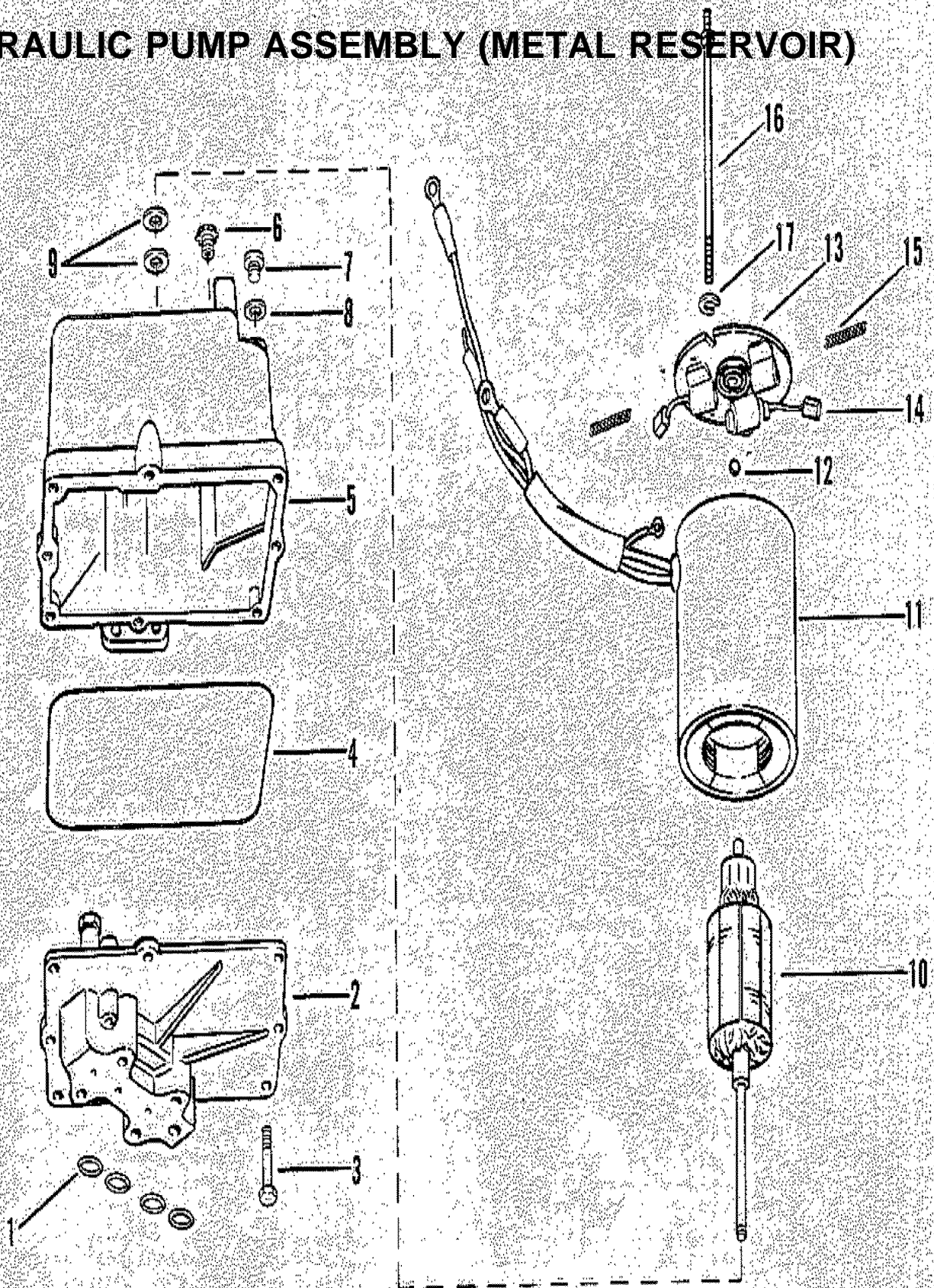
# GEAR HOUSING (PROPELLER SHAFT)



## GEAR HOUSING (PROPELLER SHAFT)

REF. NO.	PART NO.	SYM.	QTY.	DESCRIPTION
-	1655-7333A41		1	<b>GEAR HOUSING ASSEMBLY, COMPLETE</b>
1	1655-7333A43		1	GEAR HOUSING ASS'Y - SEE PAGE 34 FOR BREAKDOWN
51	76039		1	SHIFT CAM
52	30625		1	CAM FOLLOWER
53	30624		1	SLIDE, CROSS PIN
54	24-30622		1	SPRING, COMPRESSION - CAM FOLLOWER
55	15-30923A1		AR	SHIM, BEARING OUTER RACE TO GEAR HOUSING (.002-3-5-10)
56	31-30894A1		1	TAPERED ROLLER BEARING ASSEMBLY
57	31-30895		1	ROLLER BEARING, FORWARD GEAR
58	43-75314A2		1	FORWARD GEAR
59	52-34239		1	RATCHET, SLIDING CLUTCH
60	17-30632		1	CROSS PIN, RATCHET TO PROPELLER SHAFT
61	24-30893		1	SPRING, RETAINING - CROSS PIN
62	44-93003		1	PROPELLER SHAFT
63	43-77562		1	REVERSE GEAR
65	12-76805		1	THRUST WASHER, BEARING CARRIER TO GEAR HOUSING
67	25-29976		1	"O" RING, BEARING CARRIER
68	96074A1		1	BEARING CARRIER ASSEMBLY (W/O GREASE FITTING)
	41529A1		1	BEARING CARRIER ASSEMBLY W/GREASE FITTING
68A	22-98727		2	GREASE FITTING W/GREASE FITTING
69	31-30956		1	ROLLER BEARING, BEARING CARRIER
70	26-76868		1	OIL SEAL, BEARING CARRIER - INNER
70A	26-70081		1	OIL SEAL, BEARING CARRIER - OUTER
71	28-30281		1	KEY, LOCATING - BEARING CARRIER
72	14-52700		1	TAB WASHER, GEAR HOUSING COVER
73	52699		1	COVER, GEAR HOUSING
74	31640A1		1	TRIM TAB, GEAR HOUSING
75	10-66024		1	SCREW, TRIM TAB TO GEAR HOUSING (1-3/4")
76	12-45176		2	WASHER, DRIVE SHAFT HOUSING STUDS
77	11-34933		2	NUT, DRIVE SHAFT HOUSING STUDS
78	10-65210		1	SCREW, GEAR HOUSING (1")
79	75282		1	THRUST HUB
82	14-31210		1	TAB WASHER, PROPELLER NUT
83	11-52707		1	PROPELLER NUT

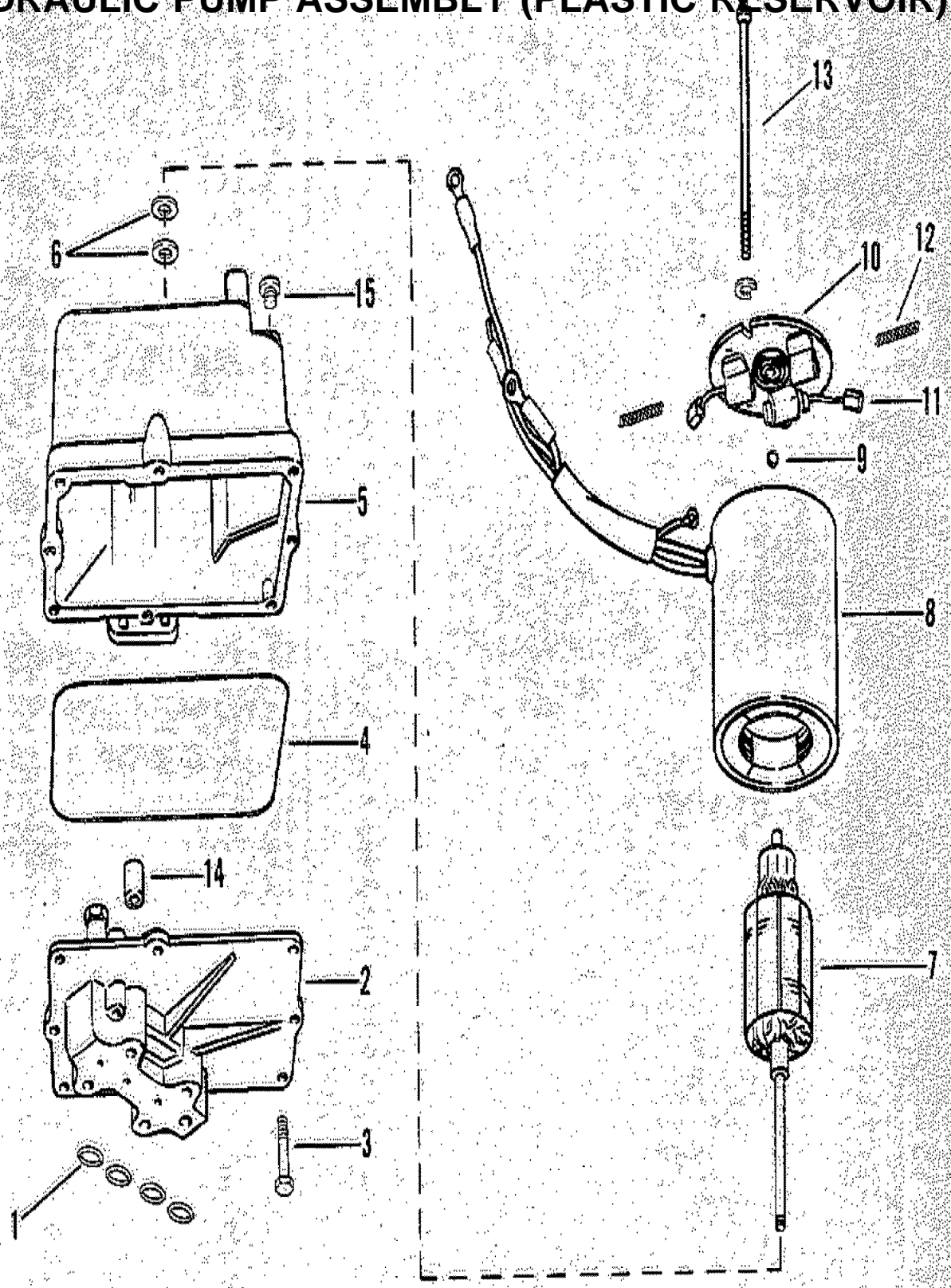
# HYDRAULIC PUMP ASSEMBLY (METAL RESERVOIR)



## HYDRAULIC PUMP ASSEMBLY (METAL RESERVOIR)

REF. NO.	PART NO.	SYM.	QTY.	DESCRIPTION
-	<b>76395A5</b>		1	<b>HYDRAULIC PUMP ASSEMBLY, COMPLETE</b>
1	25-48171		4	"O" RING, HYDRAULIC PUMP
2	392-2936		1	VALVE BODY AND GEAR ASSEMBLY
3	10-20411		8	SCREW, VALVE BODY TO RESERVOIR
4	392-2937		1	SEAL, RESERVOIR TO VALVE BODY AND GEAR
5	392-2939		1	RESERVOIR ASSEMBLY
6	10-38257		1	SCREW, VENT - HYDRAULIC PUMP
7	10-79953		1	SCREW, FILLER - HYDRAULIC PUMP
8	12-20260		1	WASHER, SEALING - FILLER SCREW
9	392-2623		AR	WASHER, THRUST - ARMATURE
10	392-2943		1	ARMATURE, FIELD AND FRAME
11	392-2942		1	FIELD AND FRAME ASSEMBLY
12	392-2944		1	BALL, COMMUTATOR END PLATE
13	392-2940		1	PLATE ASSEMBLY, COMMUTATOR END
14	392-2941		1	BRUSH SET, COMMUTATOR END PLATE
15	392-2529		1	SPRING SET, BRUSH TENSION
16	392-2938		1	BOLT SET, THRU - PLATE AND FRAME TO RESERVOIR
17	13-26996		2	LOCKWASHER, THRU BOLT

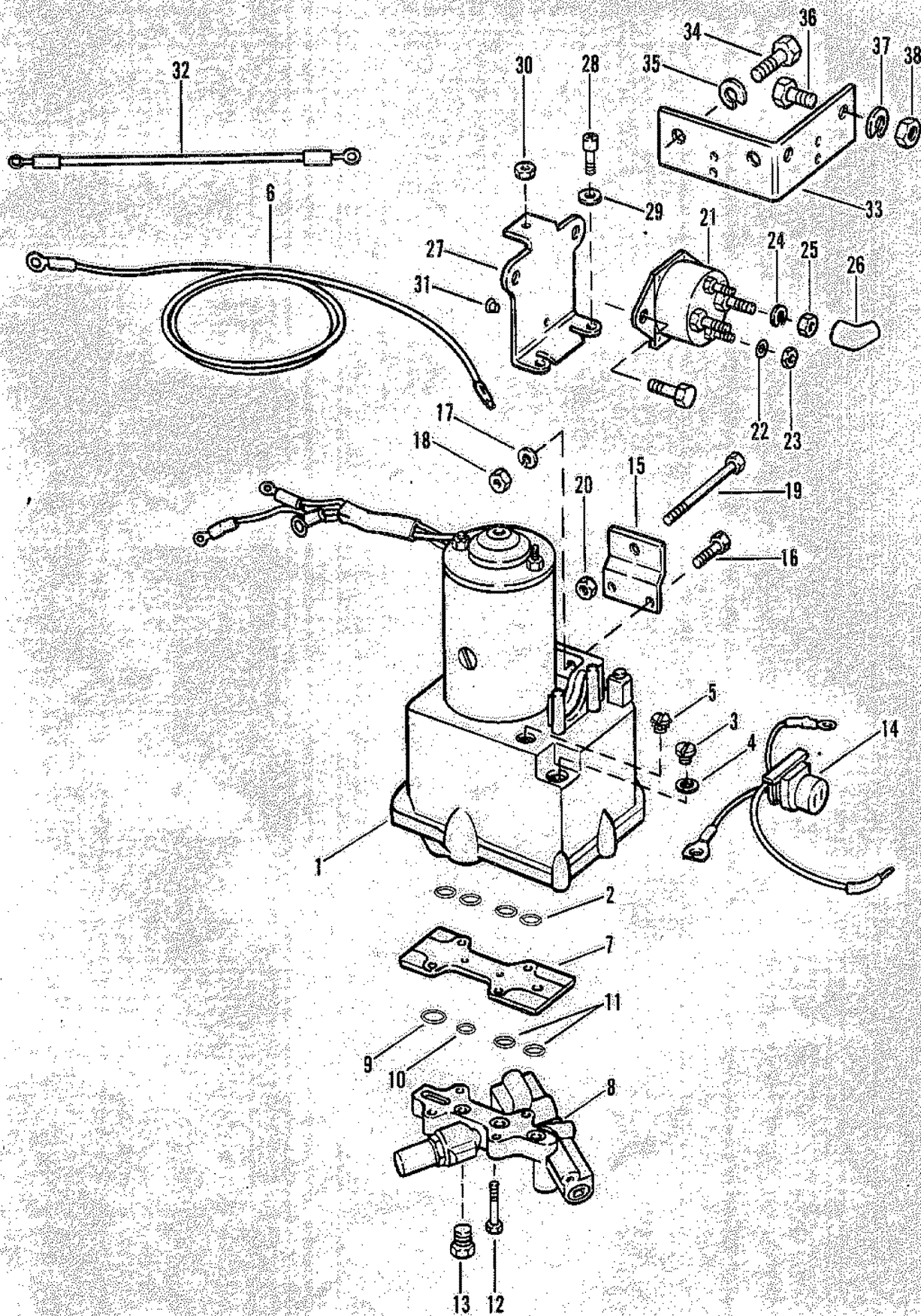
# HYDRAULIC PUMP ASSEMBLY (PLASTIC RESERVOIR)



## HYDRAULIC PUMP ASSEMBLY (PLASTIC RESERVOIR)

REF. NO.	PART NO.	SYM.	QTY.	DESCRIPTION
-	92975A6		1	HYDRAULIC PUMP ASSEMBLY
1	25-48171		4	"O" RING, HYDRAULIC PUMP
2	392-8317		1	VALVE BODY AND GEAR ASSEMBLY
3	10-69570		8	SCREW, VALVE BODY TO RESERVOIR
4	392-7735		1	SEAL, RESERVOIR TO VALVE BODY AND GEAR
5	392-7731		1	RESERVOIR ASSEMBLY (PLASTIC)
6	392-7732		AR	WASHER, THRUST - ARMATURE
7	392-7729		1	ARMATURE, FIELD AND FRAME
8	392-8261		1	FIELD AND FRAME ASSEMBLY
9	392-7730		1	BALL, COMMUTATOR END PLATE
10	392-8262		1	PLATE ASSEMBLY, COMMUTATOR END
11	392-2941		1	BRUSH SET, COMMUTATOR END PLATE
12	392-2529		1	SPRING SET, BRUSH TENSION
13	392-7733		1	BOLT SET, THRU - PLATE AND FRAME TO RESERVOIR
14	392-7727		1	COUPLER AND SHAFT
15	392-7728		1	FILL PLUG, RESERVOIR

# POWER TRIM COMPONENTS (WITHOUT CIRCUIT BREAKER AND FUSE)



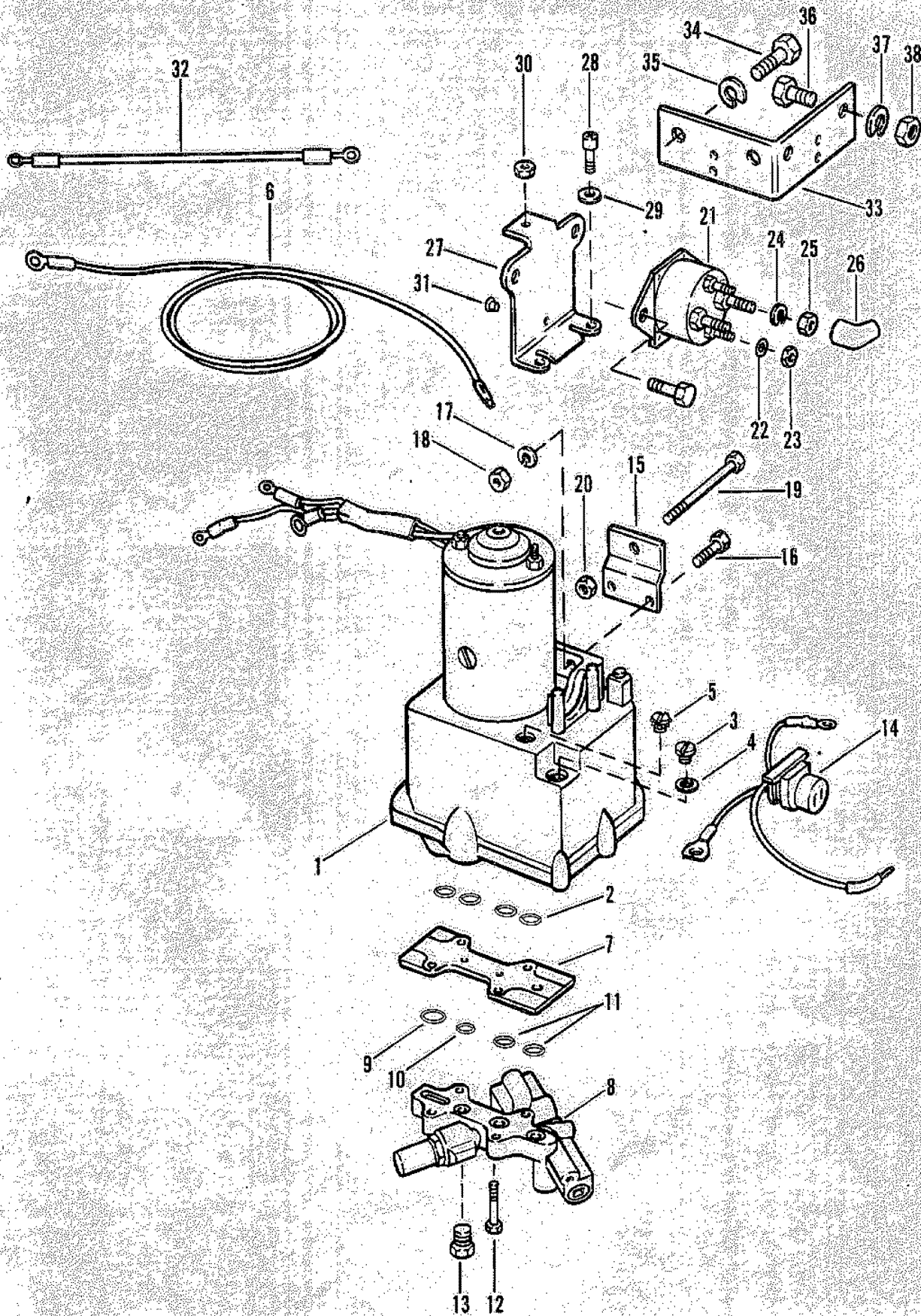


## POWER TRIM COMPONENTS (WITHOUT CIRCUIT BREAKER AND FUSE)

REF. NO.	PART NO.	SYM.	QTY.	DESCRIPTION
1	76395A5		1	HYDRAULIC PUMP ASS'Y (METAL RESERVOIR) SEE NOTE BELOW
	92975A6		1	HYDRAULIC PUMP ASS'Y (PLASTIC RESERVOIR) SEE NOTE BELOW
2	25-48171		4	"O" RING, MANIFOLD PLATE
3	10-79953		1	SCREW, FILLER - HYDRAULIC PUMP
4	12-20260		1	WASHER, SEALING - FILLER SCREW
5	10-38257		1	SCREW, VENT - HYDRAULIC PUMP
6	32979		1	BATTERY LEAD (POSITIVE)
	32988		1	BATTERY LEAD (NEGATIVE)
7	45336		1	PLATE, MANIFOLD
8	45197A2		1	CONTROL VALVE ASSEMBLY
-	<b>25-48171</b>		<b>4</b>	<b>"O" RING, MANIFOLD PLATE (SEE REF. #2)</b>
9	25-45254		1	"O" RING, CONTROL VALVE (3/4" O.D.)
10	25-48171		1	"O" RING, CONTROL VALVE (1/2" O.D.)
11	25-45253		2	"O" RING, CONTROL VALVE (5/8" O.D.)
12	10-56500		4	SCREW, VALVE AND MANIFOLD PLATE TO PUMP (1-1/4")
13	22-46008		2	PLUG, CONTROL VALVE (1/2-20")
14	84-74023A1		1	CONNECTOR AND HARNESS
15	45377		2	BRACKET, MOUNTING
16	10-24234		4	SCREW, MOUNTING BRACKET TO HYDRAULIC PUMP (1")
17	13-39107		4	LOCKWASHER, MOUNTING BRACKET SCREW
18	11-21908		4	NUT, MOUNTING BRACKET SCREW
19	10-68298		2	BOLT, HYDRAULIC PUMP TO BOAT (3-1/4")
20	11-99405		2	NUT, HYDRAULIC PUMP BOLT
21	89-68258		2	STARTER SOLENOID
22	13-26996		4	LOCKWASHER, SOLENOID TERMINAL (#10)
23	11-68219		4	NUT, SOLENOID TERMINAL (#10)
24	13-26993		4	LOCKWASHER, SOLENOID TERMINAL (5/16")
25	11-68292		4	NUT, SOLENOID TERMINAL (5/16")
26	46265		4	BOOT, RUBBER - STARTER SOLENOID TERMINAL
27	74407		1	BRACKET, MOUNTING - STARTER SOLENOID
28	10-21140		2	SCREW, MOUNTING BRACKET TO HYDRAULIC PUMP (1/2")
29	13-26992		2	LOCKWASHER, MOUNTING BRACKET SCREW
30	11-24656		1	NUT, MOUNTING BRACKET TO HYDRAULIC PUMP THRU BOLT
31	26901		1	BUMPER, RUBBER - SOLENOID BRACKET
32	55991		1	JUMPER WIRE (POSITIVE)
	55992		1	JUMPER WIRE (NEGATIVE)
33	74406		1	BRACKET, MOUNTING - STARTER SOLENOID

CONTINUED ON NEXT PAGE ➡

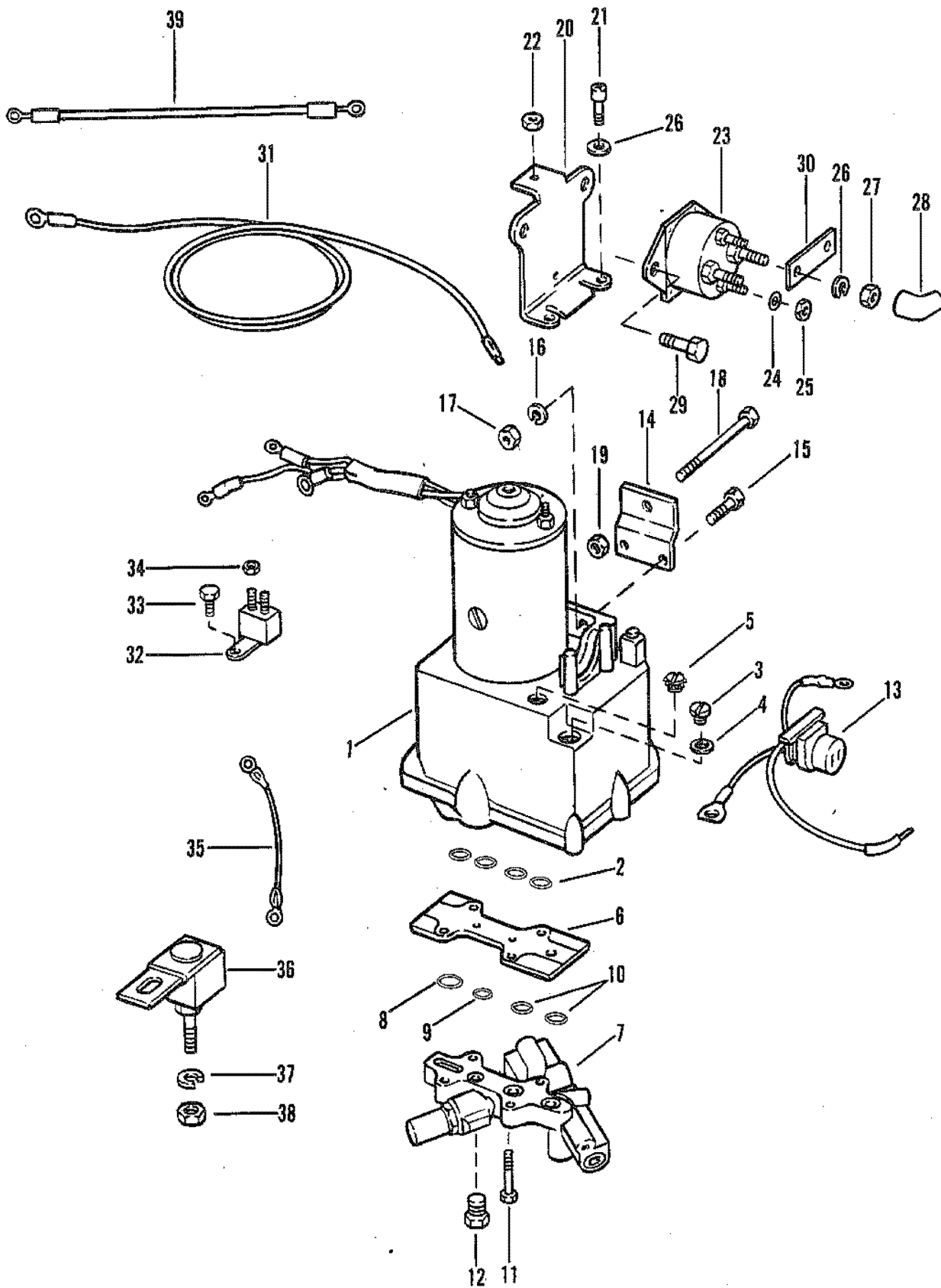
# POWER TRIM COMPONENTS (WITHOUT CIRCUIT BREAKER AND FUSE)



## POWER TRIM COMPONENTS (WITHOUT CIRCUIT BREAKER AND FUSE)

REF. NO.	PART NO.	SYM.	QTY.	DESCRIPTION
34	10-69028		2	SCREW, MOUNTING BRACKET TO HYDRAULIC PUMP (3/4")
35	13-26992		2	LOCKWASHER, MOUNTING BRACKET SCREW
36	10-34290		2	SCREW, STARTER SOLENOID TO MOUNTING BRACKET (5/8")
37	13-26992		2	LOCKWASHER, STARTER SOLENOID SCREW
38	11-21825		4	NUT, STARTER SOLENOID SCREW

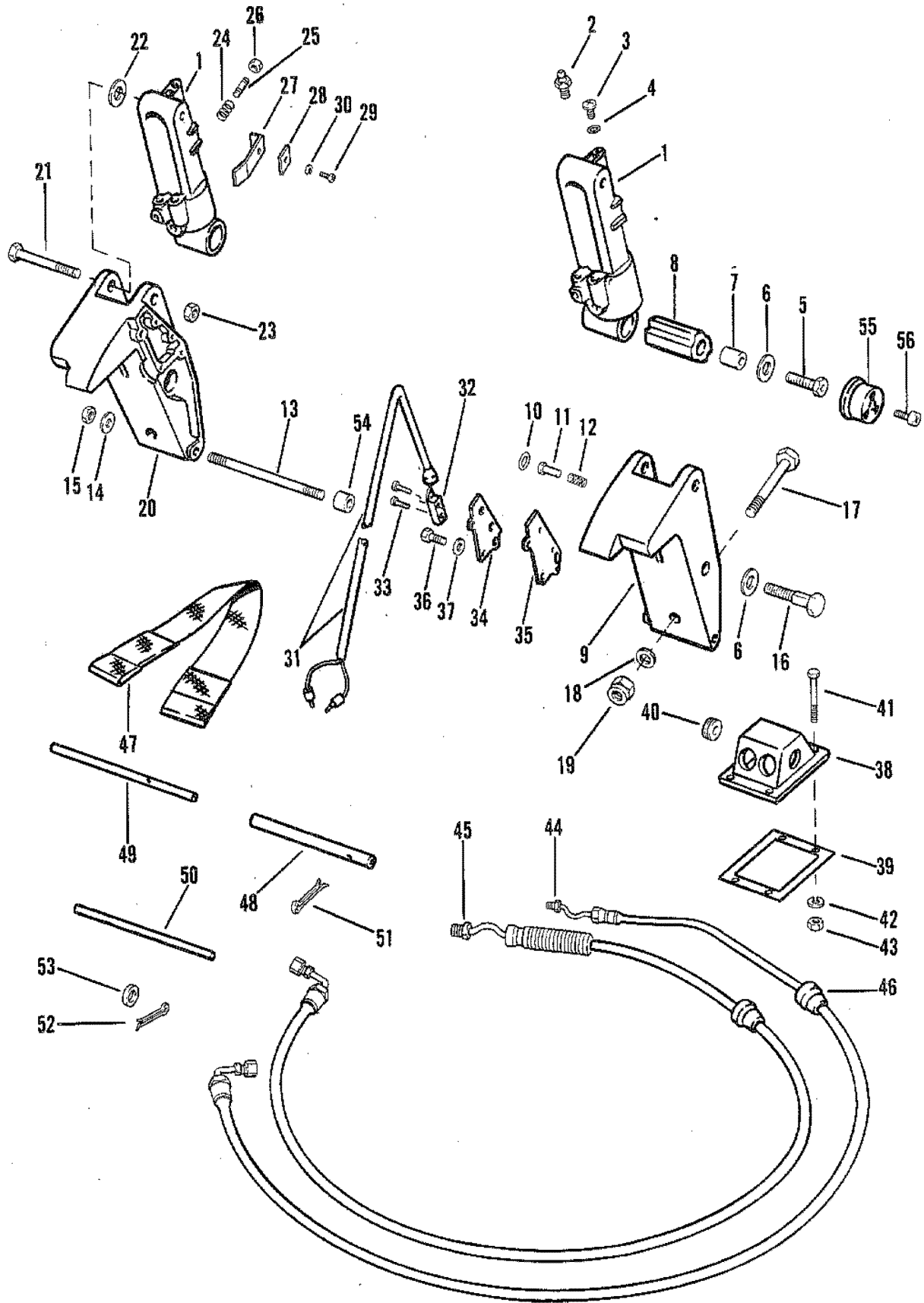
# POWER TRIM COMPONENTS (WITH CIRCUIT BREAKER AND FUSE)



## POWER TRIM COMPONENTS (WITH CIRCUIT BREAKER AND FUSE)

REF. NO.	PART NO.	SYM.	QTY.	DESCRIPTION
1	92975A6		1	HYDRAULIC PUMP ASS'Y (PLASTIC RESERVOIR) SEE NOTE
2	25-48171		4	"O" RING, MANIFOLD PLATE
3	10-79953		1	SCREW, FILLER - HYDRAULIC PUMP
4	12-20260		1	WASHER, SEALING - FILLER SCREW
5	10-38257		1	SCREW, VENT - HYDRAULIC PUMP
6	45336		1	PLATE, MANIFOLD
7	45197A2		1	CONTROL VALVE ASSEMBLY
-	<b>25-48171</b>		<b>4</b>	<b>"O" RING, MANIFOLD PLATE (SEE REF. #2)</b>
8	25-45254		1	"O" RING, CONTROL VALVE (3/4" O.D.)
9	25-48171		1	"O" RING, CONTROL VALVE (1/2" O.D.)
10	25-45253		2	"O" RING, CONTROL VALVE (5/8" O.D.)
11	10-56500		4	SCREW, VALVE AND MANIFOLD PLATE TO PUMP (1-1/4")
12	22-46008		2	PLUG, CONTROL VALVE (1/2-20")
13	84-79147A1		1	CONNECTOR AND HARNESS
14	45377		2	BRACKET, MOUNTING
15	10-24234		4	SCREW, MOUNTING BRACKET TO HYDRAULIC PUMP (1")
16	13-39107		4	LOCKWASHER, MOUNTING BRACKET SCREW
17	11-21908		4	NUT, MOUNTING BRACKET SCREW
18	10-68298		2	BOLT, HYDRAULIC PUMP TO BOAT (3-1/4")
19	11-99405		2	NUT, HYDRAULIC PUMP BOLT
20	94279		1	BRACKET, MOUNTING - STARTER SOLENOID
21	10-48063		2	SCREW, MOUNTING BRACKET TO HYDRAULIC PUMP
22	11-24656		1	NUT, MOUNTING BRACKET TO HYDRAULIC PUMP THRU BOLT
23	89-96158		2	STARTER SOLENOID
24	13-26995		4	LOCKWASHER, SOLENOID TERMINAL (#8)
25	11-26419		4	NUT, SOLENOID TERMINAL (8-32)
26	13-26992		4	LOCKWASHER, SOLENOID TERMINAL (1/4)
27	11-94330		4	NUT, SOLENOID TERMINAL (1/4-20)
28	85-96535		4	BOOT, RUBBER - STARTER SOLENOID TERMINAL
29	10-91026		2	SCREW, STARTER SOLENOID TO MOUNTING BRACKET
30	94275		1	LINK, SOLENOID TO SOLENOID
31	84-79139A13		1	BATTERY LEAD (POSITIVE)
	84-79138A1		1	BATTERY LEAD (NEGATIVE)
32	88-79149		1	CIRCUIT BREAKER (20 AMP.)
33	10-30009		2	SCREW, CIRCUIT BREAKER
34	11-45076		2	NUT, CIRCUIT BREAKER TERMINAL (10-32)
35	84-87379A5		1	WIRE, SOLENOID TO CIRCUIT BREAKER (RED)
36	88-79023A90		1	FUSE ASSEMBLY (90 AMP.)
37	12-96457		1	WASHER, FUSE TERMINAL
38	11-21825		1	NUT, FUSE TERMINAL (1/4-28)
39	84-61600A9		2	WIRE, STARTER SOLENOID (BLACK)

# TRIM CYLINDERS AND HYDRAULIC HOSES

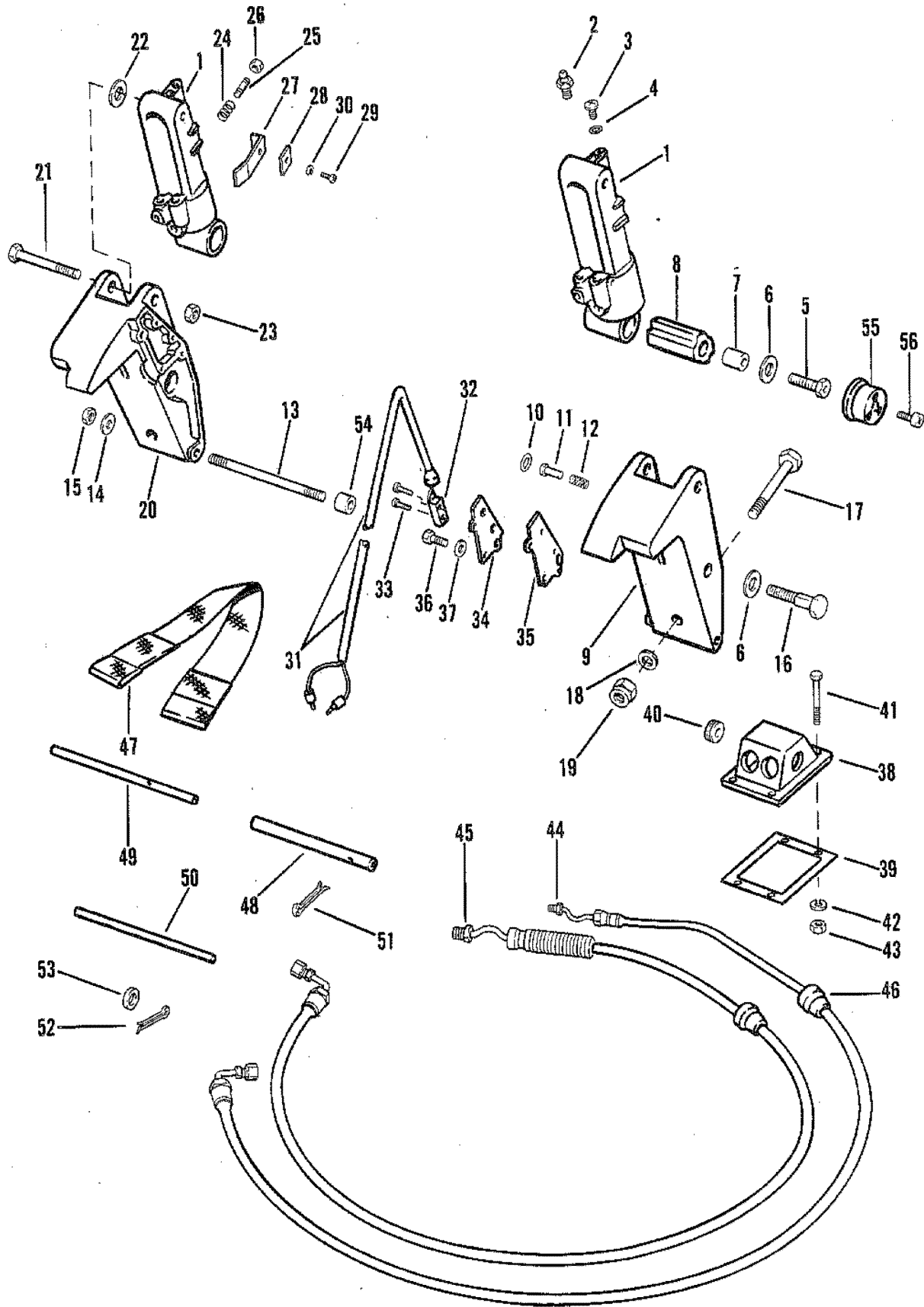


# TRIM CYLINDERS AND HYDRAULIC HOSES

REF. NO.	PART NO.	SYM.	QTY.	DESCRIPTION
1	76509A23		2	TRIM CYLINDER ASS'Y (IDENTIFY BY CASTING #78439)
	92194A20		2	TRIM CYLINDER ASS'Y (IDENTIFY BY NO CASTING #)
2	22-74036		2	GREASE FITTING, TRIM CYLINDER
3	10-45265		4	SCREW, BLEED
4	25-45016		4	"O" RING, BLEED SCREW
5	10-45264		2	SCREW, TRIM CYLINDER (1-1/2") - WITH TAPPED HOLE
	10-92050		2	SCREW, TRIM CYLINDER (1-1/2") - WITHOUT TAPPED HOLE
6	12-28421		4	WASHER, TRIM CYLINDER BOLT
7	23-45280		2	SPACER, TRIM CYLINDER - LOWER
8	23-94907A1		2	BUSHING, RUBBER - TRIM CYLINDER
9	89108A3		1	BRACKET, TRIM CYLINDER (PORT)
10	26-70608		1	OIL SEAL, PORT BRACKET
11	89290		1	PLUNGER, LIMIT SWITCH ACTUATING
12	24-95881		1	SPRING, TENSION - LIMIT SWITCH PLUNGER
13	16-45282		1	STUD, MOUNTING BRACKET
14	13-26993		2	LOCKWASHER, MOUNTING BRACKET STUD
15	11-28770		2	NUT, MOUNTING BRACKET STUD
16	10-45263		2	SCREW, MOUNTING BRACKET (2-1/4")
17	10-68298		6	BOLT, MOUNTING BRACKET TO TRANSOM (3-1/4")
	10-89673		2	BOLT, MOUNTING BRACKET TO TRANSOM (5")
18	12-68410		6	WASHER, MOUNTING BRACKET BOLT
19	11-99405		8	NUT, MOUNTING BRACKET BOLT
20	89111		1	BRACKET, TRIM CYLINDER (STARBOARD)
21	10-45328		2	SCREW, TRIM CYLINDER TO MOUNTING BRACKET (3-9/16")
22	12-37807		1	WASHER, TRIM CYLINDER SCREW (STARBOARD ONLY)
23	11-20696		2	NUT, TRIM CYLINDER SCREW
24	24-24390		1	SPRING, TENSION - ADJUSTING STUD
25	16-21085		1	STUD, ADJUSTING - CUT-OUT LIMIT SWITCH
26	11-45812		1	NUT, JAM - LIMIT SWITCH ADJUSTING STUD
27	45508		1	CAM, LIMIT SWITCH ADJUSTING STUD
28	86967		1	PLATE, RETAINING - LIMIT SWITCH CAM
29	10-68513		1	SCREW, RETAINING PLATE AND CAM
30	13-26996		1	LOCKWASHER, RETAINING PLATE AND CAM SCREW
31	45326A2		1	SWITCH ASSEMBLY, CUT-OUT LIMIT
32	23-45354		1	BUSHING, RUBBER - CUT-OUT LIMIT SWITCH
33	10-47255		2	SCREW, CUT-OUT LIMIT SWITCH (9/16")
34	89272		1	COVER, LIMIT SWITCH
35	27-89273		1	GASKET, LIMIT SWITCH COVER
36	10-34994		4	SCREW, LIMIT SWITCH COVER (7/16")
37	12-38833		4	WASHER, LIMIT SWITCH COVER SCREW
38	87774A1		1	COVER, INLET - TRANSOM
39	27-87775		1	GASKET, INLET COVER
40	25-45507		11	GROMMET, RUBBER - INLET COVER

CONTINUED ON NEXT PAGE ➡

# TRIM CYLINDERS AND HYDRAULIC HOSES

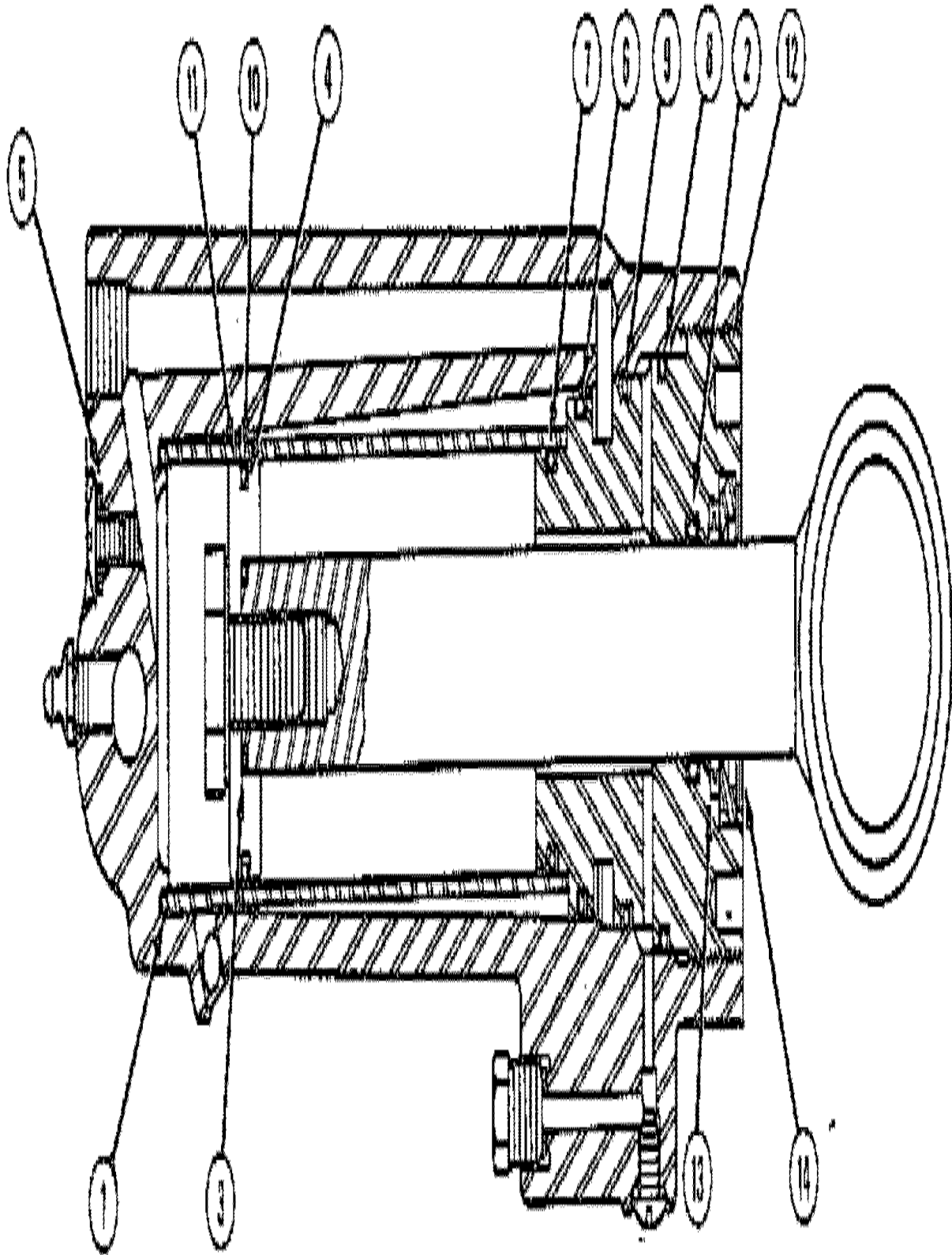




## TRIM CYLINDERS AND HYDRAULIC HOSES

REF. NO.	PART NO.	SYM.	QTY.	DESCRIPTION
41	10-32866		4	SCREW, INLET COVER TO BOAT (2")
42	13-26996		4	LOCKWASHER, INLET COVER SCREW
43	11-68219		4	NUT, INLET COVER SCREW
44	32-97153A1		2	HOSE, TRIM - CYLINDER TO CONTROL VALVE (5') - 12/32" O.D.
45	32-97154A1		2	HOSE, LIFT - CYLINDER TO CONTROL VALVE (5') - 17/32" O.D.
46	23-35977		4	GROMMET, RUBBER (3/8" I.D. - 1" LONG)
	25-97191		2	GROMMET, RUBBER (3/8" I.D. - 7/8" LONG)
	25-97000		2	GROMMET, RUBBER (7/16" I.D. - 7/8" LONG)
47	73519A1		1	TILT STOP
48	69259		1	TUBE, MOUNTING - TILT STOP
49	77669		1	PIN, MOUNTING TUBE
50	63473		1	TUBE, CUSHION
51	18-36391		1	COTTER PIN, MOUNTING TUBE PIN
52	18-45882		1	COTTER PIN, TILT PIN RETAINING
53	12-39304		1	WASHER, TILT PIN
54	23-89112		2	BUSHING, MOUNTING BRACKET
55	70679		2	COVER, TRIM CYLINDER- NOT USED ON LATE MODELS
56	10-37655		2	SCREW, TRIM CYLINDER COVER - NOT USED ON LATE MODELS

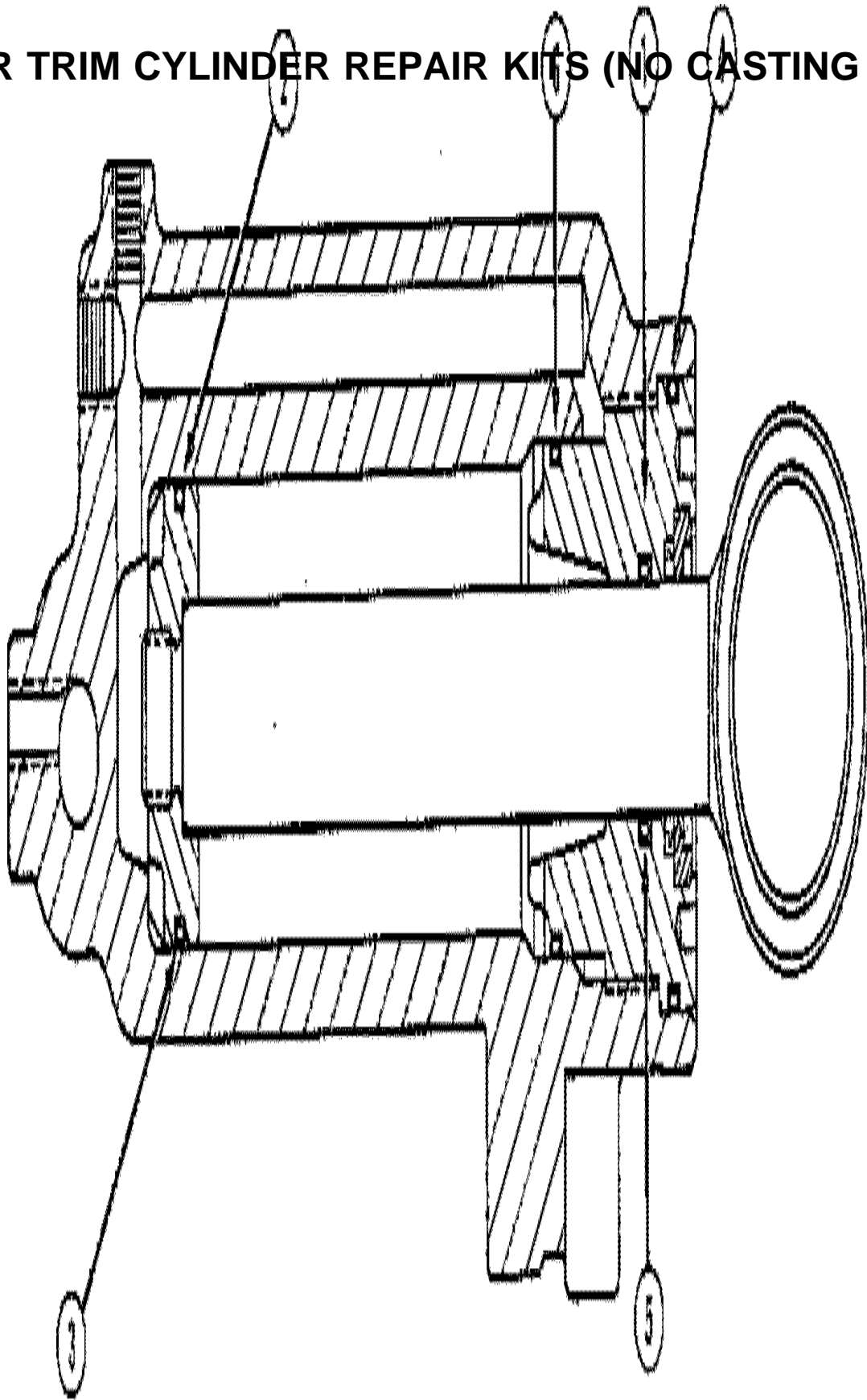
# POWER TRIM CYLINDER REPAIR KITS (CASTING #78439)



## POWER TRIM CYLINDER REPAIR KITS (CASTING #78439)

REF. NO.	PART NO.	SYM.	QTY.	DESCRIPTION
-	64507A1		1	REPAIR KIT (SEE NOTE BELOW)
1	N.S.S.		1	"O" RING (1-1/2" X 1-5/8" X 1/16")
2	N.S.S.		1	"O" RING (3/4" X 15/16" X 1/8")
3	N.S.S.		1	"O" RIONG (5/8" X 3/4" X 1/16")
4	N.S.S.		1	"O" RING (1-1/4" X 1-7/16" X 1/16")
5	N.S.S.		2	"O" RING (7/32" X 11/32" X 1/16")
6	N.S.S.		1	"O" RING (1-5/8" X 1-13/16" X 1/8")
7	N.S.S.		1	"O" RING (1-5/16" X 1-1/2" X 1/8")
8	N.S.S.		1	"O" RING (1-7/8" X 2" X 1/8")
9	N.S.S.		1	"O" RING (1-3/4" X 1-15/16" X 1/8")
10	N.S.S.		1	SEAL, SLIPPER - PISTON
11	N.S.S.		1	PISTON, ROD - HEAVY DUTY
12	64505A1		1	RETAINER ASSEMBLY, PISTON
13	N.S.S.		1	ROD, SCRAPER
14	N.S.S.		1	RETAINER, SCRAPER

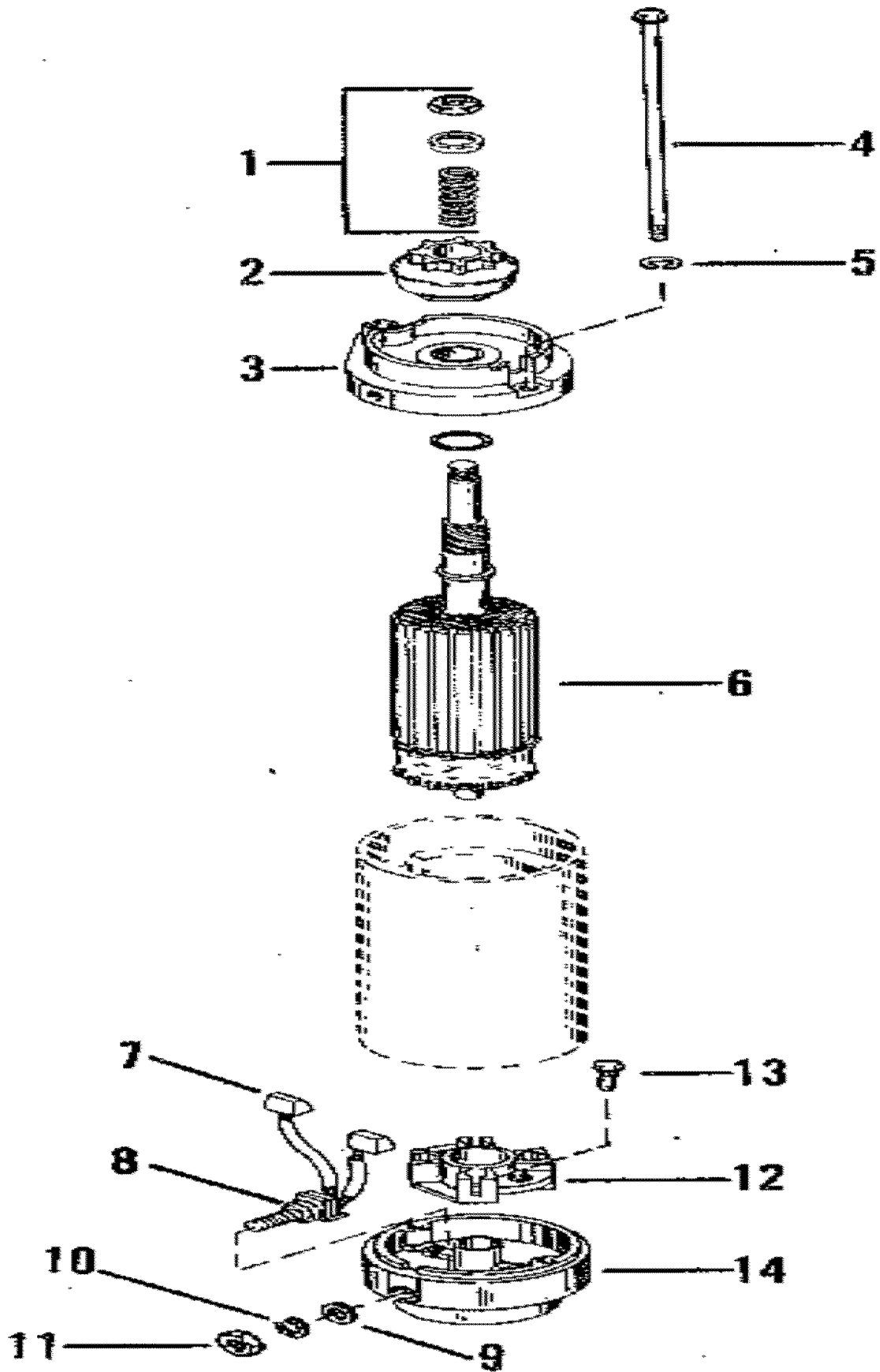
# POWER TRIM CYLINDER REPAIR KITS (NO CASTING #)



## POWER TRIM CYLINDER REPAIR KITS (NO CASTING #)

REF. NO.	PART NO.	SYM.	QTY.	DESCRIPTION
-	92188A2		1	REPAIR KIT (SEE NOTE BELOW)
1	N.S.S.		1	CYLINDER CAP
2	N.S.S.		1	"O" RING (1-1/4" X X1-1/2" X 1/8")
3	N.S.S.		1	SPACER
4	N.S.S.		1	"O" RING (1-7/8" X 2-1/16" X 3/32")
5	N.S.S.		1	"O" RING (3/4" X 15/16" X 3/32")
6	N.S.S.		1	"O" RING (1-1/2" X 1-3/4" X 3/32")

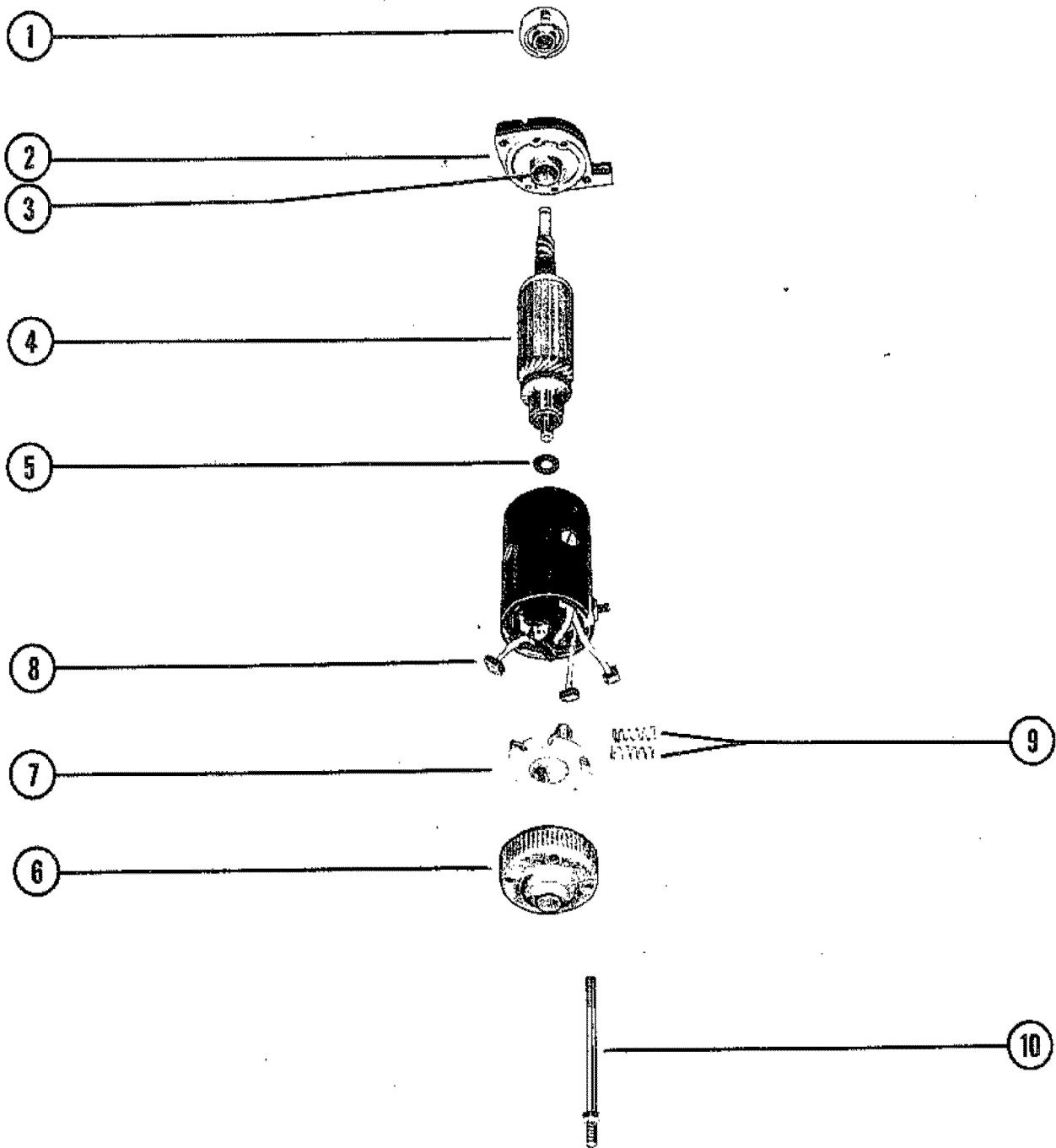
# STARTER MOTOR ASSEMBLY (BOSCH)



## STARTER MOTOR ASSEMBLY (BOSCH)

REF. NO.	PART NO.	SYM.	QTY.	DESCRIPTION
-	50-66015		1	STARTER MOTOR ASSEMBLY
1	90643		1	DRIVE KIT
2	68575		1	DRIVE ASSEMBLY
3	75381		1	PLATE, DRIVE END
4	10-75385		2	BOLT, THRU
5	13-61789		2	LOCKWASHER, THRU BOLT
6	75386		1	ARMATURE
7	75384		1	BRUSH SET
8	23-57387		1	BUSHING, INSULATING
9	12-38013		1	WASHER, INPUT STUD
10	13-38019		1	LOCKWASHER, INPUT STUD
11	11-20890		1	NUT, INPUT STUD
12	61787		2	HOLDER, BRUSH
13	10-68586		2	SCREW, BRUSH AND HOLDER
14	75387		1	END CAP, COMMUTATOR

# STARTER MOTOR ASSEMBLY (PRESTOLITE)





## STARTER MOTOR ASSEMBLY (PRESTOLITE)

REF. NO.	PART NO.	SYM.	QTY.	DESCRIPTION
1	392-8848		1	MOTOR DRIVE
2	392-8852		1	PLATE ASSEMBLY, DRIVE END
3	392-8853		1	BUSHING, DRIVE END PLATE
4	392-8857		1	ARMATURE
5	392-8856		1	PACKAGE, ARMATURE THRUST WASHER
6	392-8849		1	END CAP ASSEMBLY, COMMUTATOR
7	392-8850		1	BRUSH PLATE AND HOLDER ASSEMBLY
8	392-8851		1	BRUSH AND TERMINAL SET
9	392-8854		2	SPRING SET, BRUSH (2 SPRINGS PER SET)
10	392-8855		1	BOLT, THRU - END CAP TO END PLATE (1/4-28)

# PARTS INDEX

Part Number	Description	Pg.	Ref. No.	Part Number	Description	Pg.	Ref. No.
17559	YOKE, PUSH ROD NOT USED WITH POWER TRIM	41	15	39519	CAP, BARREL RETAINER - ANCHOR	31	24
22833	ADAPTOR, CHECK UNIT (FUEL LINE)	21	21	39616	BOOT, CONTROL CABLES - BOTTOM COWL	31	5
23004	RETAINER, CHECK VALVE	21	6	39618	LEVER, NYLON - SHIFT CABLE LOCKING	31	25
23069	STEM, CHECK UNIT ADAPTOR	21	22	39667	COVER, NYLON - SHIFT CABLE	31	27
25067	BUMPER, RUBBER - MOUNTING SCREW	41	26	41529A1	BEARING CARRIER ASSEMBLY W/GREASE FITTING	49	68
26113	RACE, OUTER (PAIR)	29	17	45197A2	CONTROL VALVE ASSEMBLY	55	8
26901	BUMPER, RUBBER - SOLENOID BRACKET	55	31	45197A2	CONTROL VALVE ASSEMBLY	59	7
28203	BUMPER, STEERING ARM	35	16	45326A2	SWITCH ASSEMBLY, CUT-OUT LIMIT	61	31
28205	STRAP STOP, DRIVE SHAFT HOUSING TO SWIVEL BRACKET	35	9	45336	PLATE, MANIFOLD	55	7
30186	ADAPTOR, CHECK UNIT (FUEL LINE)	21	21	45336	PLATE, MANIFOLD	59	6
30187	STEM, CHECK UNIT ADAPTOR	21	22	45377	BRACKET, MOUNTING	55	15
30188	CUP WASHER, ADAPTOR	21	25	45377	BRACKET, MOUNTING	59	14
30413	HOOK, COWL LATCH	5	13	45508	CAM, LIMIT SWITCH ADJUSTING STUD	61	27
30624	SLIDE, CROSS PIN	49	53	46265	BOOT, RUBBER - STARTER SOLENOID TERMINAL	55	26
30625	CAM FOLLOWER	49	52	46265	BOOT, TERMINAL-STARTER SOLENOID	13	19
31014	MOUNT, RUBBER-REAR SUPPORT BRACKET	3	25	46785A1	COWL LATCH ASSEMBLY	5	12
31640A1	TRIM TAB, GEAR HOUSING	49	74	46933A3	GROUND STRAP ASEMBLY, EXHAUST COVER SCREW	27	32
32435	PLATE, FACE - WATER PUMP	45	21	47341A1	ROPE, STARTER (FOR MANUAL STARTING ONLY)	5	7
32979	BATTERY LEAD (POSITIVE)	55	6	47558	ROD, PUSH NOT USED WITH POWER TRIM	41	13
32988	BATTERY LEAD (NEGATIVE)	55	6	48039	CAO, NYLON-ADJUSTING SCREW	11	12
35474F2	COVER, LOWER MOUNT CLAMP	43	34	48752	INSERT, WATER PUMP	45	24
35608	CLAMP, LOWER MOUNT TO DRIVE SHAFT HOUSING	41	31	52023	CAP, NYLON- ADJUSTING SCREW	11	8
37417F2	COVER, TRIM - DRIVE SHAFT HOUSING	41	4	52023	CAP, NYLON-ADJUSTING SCREW	11	15
37440	BRACKET, MOUNT SUPPORT-CYLINDER BLOCK	27	30	52100	WEAR PLATE, LINK ROD	31	30
37637	BOOT, FUEL CONNECTOR - BOTTOM COWL	31	6	52106A1	VENTURI (WM-12)(WM-14)	19	5
37640	MOUNT, RUBBER-SUPPORT FRAME	3	16	52468	BRACKET, TOP COWL SUPPORT-REAR	3	24
37641	SEAL, EXHAUST TUBE	45	37	52699	COVER, GEAR HOUSING	49	73
37896	GUIDE BLOCK, LINK ROD	31	22	52732	BRACKET, ANCHOR - CONTROL CABLES	31	23
37918	SEAL, EXHAUST EXTENSION PLATE	33	4	52739	HINGE, COWL LATCH-TOP COWL	3	9
38051	PLATE, SUPPORT - EXHAUST TUBE SEAL	45	38	52887	GUIDE, PUSH ROD NOT USED WITH POWER TRIM	41	12
38279	LATCH, CONTROL CABLE FASTENING - ANCHOR BRACKET	31	31	52889	NOZZLE, TELL TALE HOSE TO BOTTOM COWL	31	11
38674	BLANKET, SOUND ABSORBING	5	9	53720A2	COUPLING ASSEMBLY, LOWER CARBURETOR	17	17
39019	SPACER, LOWER - REVERSE LOCKING-NOT USED WITH POWER TRIM	47	45	54196A6	CARRIER ASSEMBLY	29	4
				54293A4	CHOKE SOLENOID	17	1
				55278A2	DIAPHRAGM ASSEMBLY	21	3

# PARTS INDEX

Part Number	Description	Pg.	Ref. No.	Part Number	Description	Pg.	Ref. No.
55455	HOOK, TOP COWL LATCH REAR	3	12	73519A1	TILT STOP	63	47
55991	JUMPER WIRE (POSITIVE)	55	32	73647	SEAL, CARBURETOR PLATE	17	27
55992	JUMPER WIRE (NEGATIVE)	55	32	73786	KNOB, FRONT COVER	5	2
56029	COVER, STARTER MOTOR (UPPER)	23	3	73847	ACUATOR, THROTTLE (UPPER VARBURETOR)	17	21
56349	SHAFT, REVERSE LOCK PIVOT NOT USED WITH POWER TRIM	37	24	73984	YOKE, BOTTOM	35	13
56703	COLLAR, RUBBER-STARTER MOTOR	13	2	74199	EXHAUST TUBE	33	18
57247	STOP, RUBBER-STARTER MOTOR	13	4	74303	COVER, AIR INLET	31	2
58124A19	MERCURY SWITCH ASSEMBLY	7	17	74406	BRACKET, MOUNTING - STARTER SOLENOID	55	33
60304A54	SHIFT SHAFT ASSEMBLY, UPPER	31	14	74407	BRACKET, MOUNTING - STARTER SOLENOID	55	27
60572	BARREL, NYLON -LEVER AND ARM	11	21	75282	THRUST HUB	49	79
61787	HOLDER, BRUSH	69	12	75296	MOUNT, RUBBER - UPPER	41	18
62351A1	RECITIFER	13	9	75298	MOUNT, RUBBER - LOWER	41	22
63319	RETAINER, SPARK PLUG WIRE	9	53	75381	PLATE, DRIVE END	69	3
63473	TUBE, CUSHION	63	50	75384	BRUSH SET	69	7
64505A1	RETAINER ASSEMBLY, PISTON	65	12	75386	ARMATURE	69	6
64507A1	REPAIR KIT (SEE NOTE BELOW)	65	-	75387	END CAP, COMMUTATOR	69	14
65638	BOOT, EXHAUST TUBE	41	11	76039	SHIFT CAM	49	51
65799	LINK, LOCKING LEVER TO COVER	31	28	76062A1	SHAFT ASSEMBLY, SHIFT	45	39
65800	PACKING, CARRIER	29	5	76158A1	SWIVEL ASSEMBLY, LINK ROD TO ARM	11	27
66517	RESTRICTOR, CRANKCASE BLEED	23	11	76198	COVER, WATER JACKET-CYLINDER BLOCK	25	16
68575	DRIVE ASSEMBLY	69	2	76367	POINTER, TIMING	25	7
69205	"D" WASHER, CLIP SCREW	7	24	76395A5	HYDRAULIC PUMP ASS'Y (METAL RESERVOIR) SEE NOTE BELOW	55	1
69205	"D" WASHER, HARNESS CLAMP SCREW	7	45	76395A5	HYDRAULIC PUMP ASSEMBLY, COMPLETE	51	-
69259	TUBE, MOUNTING - TILT STOP	63	48	76433	SHIELD, TOP COWL-REAR	3	6
70679	COVER, TRIM CYLINDER-NOT USED ON LATE MODELS	63	55	76434	SEAL, SOUND ABSORBING	5	8
73320	COVER, TRANSFER PORT-TOP	25	27	76440	RETAINER, TOP COWL	3	2
73374	LINK ROD, THROTTLE	11	22	76505	PAD, BUMPER-TOP COWL RETAINER	3	3
73395	PLATE, MOUNTING-IGNITION COIL	7	29	76509A23	TRIM CYLINDER ASS'Y (IDENTIFY BY CASTING #78439)	61	1
73400	CHOKE ROD	17	8	76867	COVER, STARTER MOTOR (LOWER)	23	6
73401	FRAME, SUPPORT-TOP COWL	3	15	77001	HOUSING, THROTTLE CAM	11	24
73402	SHIFT LINK	31	17	77010	LINK ROD, SPARK ADVANCE	11	26
73404	LATCH, THROTTLE LEVER (THROTTLE CABLE)	11	2	77158	SPACER, THROTTLE CAM HOUSING	11	32
73408	PLATE, CARBURETOR	17	23	77669	PIN, MOUNTING TUBE	63	49
73414	ARM, SPARK ADVANCE	11	9	77672	STRAP, PRIMARY HARNESS	7	37
73416	THROTTLE LEVER	11	1	78184	TUBE, EXHAUST	41	10
73432	THROTTLE CAM	11	23	78277A1	COVER, EXHAUST MANIFOLD	25	22
73434A1	FUEL PUMP ASSEMBLY	21	1	78278	RETAINER, WIRE	9	50
73436	PLATE, BAFFLE	25	20	79659	COUPLING, TILT LOCK	37	16
				86967	PLATE, RETAINING - LIMIT SWITCH CAM	61	28
				87431	REVERSE LOCK ASS'Y NOT USED WITH POWER TRIM	37	22
				87554	COVER, IGNITION COIL	7	34
				87774A1	COVER, INLET - TRANSOM	61	38

# PARTS INDEX

Part Number	Description	Pg.	Ref. No.	Part Number	Description	Pg.	Ref. No.
88238A2	GROUND WIRE ASSEMBLY	43	37	96453A2	TRIGGER PALTE ASSEMBLY	7	40
88238A4	GROUND STRAP ASSEMBLY, TRIM COVER SCREW	41	7	98517A2	PLATE ASSEMBLY, EXHAUST EXTENSION	33	1
88751	CLAMP, WIRING HARNESS	15	31	98518A4	PLATE ASSEMBLY, DRIVE SHAFT HOUSING	33	14
89008A2	PLUNGER AND LINK ASSEMBLY	17	7	99358	STRIP RETAINING - EXHAUST EXTENSION PLATE	33	5
89047	BRACKET, WIRING HARNESS	15	28	N.S.S.	"O" RING (1-1/2" X 1-3/4" X 3/32")	67	6
89099	TILT TUBE	37	2	N.S.S.	"O" RING (1-1/2" X 1-5/8" X 1/16")	65	1
89105	TILT LOCK	37	21	N.S.S.	"O" RING (1-1/4" X 1-7/16" X 1/16")	65	4
89108A3	BRACKET, TRIM CYLINDER (PORT)	61	9	N.S.S.	"O" RING (1-1/4" X 1-1/2" X 1/8")	67	2
89111	BRACKET, TRIM CYLINDER (STARBOARD)	61	20	N.S.S.	"O" RING (1-3/4" X 1-15/16" X 1/8")	65	9
89116	PIN, UPPER SHOCK MOUNTING	37	14	N.S.S.	"O" RING (1-5/16" X 1-1/2" X 1/8")	65	7
89272	COVER, LIMIT SWITCH	61	34	N.S.S.	"O" RING (1-5/8" X 1-13/16" X 1/8")	65	6
89290	PLUNGER, LIMIT SWITCH ACTUATING	61	11	N.S.S.	"O" RING (1-7/8" X 2" X 1/8")	65	8
89589	FRAME, FRONT SUPPORT	3	32	N.S.S.	"O" RING (1-7/8" X 2-1/16" X 3/32")	67	4
89590	COVER, SILENCER	3	35	N.S.S.	"O" RING (3/4" X 15/16" X 1/8")	65	2
89813	YOKE, PUSH ROD NOT USED WITH POWER TRIM	41	15	N.S.S.	"O" RING (3/4" X 15/16" X 3/32")	67	5
90242A1	CHOKE KNOB ASSEMBLY	17	9	N.S.S.	"O" RING (7/32" X 11/32" X 1/16")	65	5
90332	PLATE, SWITCH BOX	7	7	N.S.S.	"O" RING (5/8" X 3/4" X 1/16")	65	3
90435	MOUNT, RUBBER- TOP COWL FRAME	3	21	N.S.S.	CYLINDER CAP	67	1
90547	LOCATOR, STARTER SOLENOID	13	22	N.S.S.	PISTON, ROD - HEAVY DUTY	65	11
90643	DRIVE KIT	69	1	N.S.S.	RETAINER, SCRAPER	65	14
92188A2	REPAIR KIT (SEE NOTE BELOW)	67	-	N.S.S.	ROD, SCRAPER	65	13
92194A20	TRIM CYLINDER ASS'Y (IDENTIFY BY NO CASTING #)	61	1	N.S.S.	SEAL, SLIPPER - PISTON	65	10
92405A1	REVERSE LOCK ASS'Y NOT USED WITH POWER TRIM	37	22	N.S.S.	SPACER	67	3
92704	GUIDE, PUSH ROD NOT USED WITH POWER TRIM	41	12	N.S.S.	SCREW, CHECK VALVE TO FUEL PUMP (1/4")	21	7
92707	ROD, PUSH NOT USED WITH POWER TRIM	41	13	10-20037	SCREW, CENTER MAIN BEARING LOCKING (1")	23	15
92975A6	HYDRAULIC PUMP ASS'Y (PLASTIC RESERVOIR) SEE NOTE BELOW	55	1	10-20411	SCREW, VALVE BODY TO RESERVOIR	51	3
92975A6	HYDRAULIC PUMP ASS'Y (PLASTIC RESERVOIR) SEE NOTE	59	1	10-20619	SCREW, SWITCH BOX TO PLATE (1-3/8")	7	13
92975A6	HYDRAULIC PUMP ASSEMBLY	53	-	10-20646	SCREW, TERMINAL BLOCK TO PLATE (5/8")	7	20
94275	LINK, SOLENOID TO SOLENOID	59	30	10-21140	SCREW, MOUNTING BRACKET TO HYDRAULIC PUMP (1/2")	55	28
94279	BRACKET, MOUNTING - STARTER SOLENOID	59	20	10-21937	SCREW, LOWER SHOCK PIN (2")	37	28
94321	COVER, FUEL PUMP	21	10	10-22956	SCREW, REAR HOOK TO TOP COWL (7/8")	3	14
94918	LEVER, COWL LATCH HINGE	3	10	10-22968	SCREW, CENTER MAIN BEARING CLAMPING	29	19
96074A1	BEARING CARRIER ASSEMBLY (W/O GREASE FITTING)	49	68				

# PARTS INDEX

Part Number	Description	Pg.	Ref. No.	Part Number	Description	Pg.	Ref. No.
10-24234	SCREW, BRACKET TO CYLINDER BLOCK (1") ..	27	31	10-37571	SCREW, SEAL AND RETAINING STRIP TO EXHAUST PLATE (1/2") ..	33	6
10-24234	SCREW, MOUNTING BRACKET TO HYDRAULIC PUMP (1") .....	55	16	10-37655	SCREW, TRIM CYLINDER COVER - NOT USED ON LATE MODELS .....	63	56
10-24234	SCREW, MOUNTING BRACKET TO HYDRAULIC PUMP (1") .....	59	15	10-37655	SCREW, WIRE TO TERMINAL BLOCK (1/2") ..	7	21
10-25299	SCREW, RETAINER TO TOP COWL .....	3	4	10-37656	SCREW, RECTIFIER TO PLATE (5/8") .....	13	10
10-28200	SCREW, STRAP STOP TO HOUSING (3-7/8") .....	35	10	10-38257	SCREW, VENT - HYDRAULIC PUMP .....	51	6
10-28635	SCREW, PLATE TO CARBURETOR (5/8") .....	17	26	10-38257	SCREW, VENT - HYDRAULIC PUMP .....	55	5
10-28636	SCREW, WIRING HARNESS CLAMP .....	15	26	10-38257	SCREW, VENT - HYDRAULIC PUMP .....	59	5
10-28636	SCREW, WIRING HARNESS CLAMP .....	15	32	10-38601	SCREW, SOLENOID TO BOTTOM COWL (5/8") .....	13	20
10-28638	SCREW, COVER TO FRONT SUPPORT FRAME (3/4") ..	3	37	10-39767	SCREW, COVER TO CRANKCASE (1-7/8") .....	23	7
10-28668	SCREW, MOUNTING PLATE TO CRANKCASE (7/8") ..	7	30	10-45263	SCREW, MOUNTING BRACKET (2-1/4") .....	61	16
10-29256	SCREW, LOWER MOUNT CLAMP TO HOUSING (7/8") .....	43	33	10-45264	SCREW, TRIM CYLINDER (1-1/2") - WITH TAPPED HOLE .....	61	5
10-30009	SCREW, CIRCUIT BREAKER	59	33	10-45265	SCREW, BLEED .....	61	3
10-30720	SCREW, WATER PUMP (1/4-20 - HEX HEAD) .....	45	29	10-45328	SCREW, TRIM CYLINDER TO MOUNTING BRACKET (3-9/16") .....	61	21
10-31984	SCREW, COVER TO CRANKCASE (1-3/8") .....	23	4	10-45775	SCREW, MAIN BEARING CLAMPING .....	29	8
10-32228	SCREW, WIRING HARNESS BRACKET .....	15	29	10-46378	SCREW, RETAINER TO CYLINDER BLOCK COVER(1") .....	9	54
10-32417	SCREW, FLEXIBLE PLATE TO FLYWHEEL (5/8") .....	7	6	10-47255	SCREW, CUT-OUT LIMIT SWITCH (9/16") .....	61	33
10-32866	SCREW, INLET COVER TO BOAT (2") .....	63	41	10-48063	SCREW, MOUNTING BRACKET TO HYDRAULIC PUMP .....	59	21
10-34290	SCREW, STARTER SOLENOID TO MOUNTING BRACKET (5/8") .....	57	36	10-48408	SCREW, CLAMP TO CRANKCASE (1/2") .....	7	44
10-34994	SCREW, LIMIT SWITCH COVER (7/16") .....	61	36	10-48408	SCREW, CLIP TO PLATE (3/8") .....	7	23
10-35385	SCREW, COVER TO CRANKCASE (1-3/4") .....	23	4	10-48408	SCREW, STRAP ATTACHING	7	37A
10-35585	SCREW, TIMING POINTER (3/4") .....	25	8	10-48408	SCREW, TELL TALE NOZZLE TO BOTTOM COWL (1/2") ..	31	12
10-36154	SCREW, ADAPTOR TO BOTTOM COWL (1-3/8") ..	21	26	10-48408	SCREW, WIRE RETAINER ..	9	51
10-37370	SCREW, COVER TO FUEL PUMP (5/8") .....	21	11	10-49318	SCREW, UPPER MOUNT (5-1/2") .....	41	23
10-37370	SCREW, SHIELD TO TOP COWL (5/8") .....	3	7	10-49554	BOLT, STEERING ARM TO UPPER MOUNT (5-7/8") ..	35	17
10-37562	SCREW, REAR BRACKET TO BOTTOM COWL (1") .....	3	30	10-49668	SCREW, TRANSFER PORT COVER (3/4") .....	25	29
10-37562	SCREW, REAR BRACKET TO FRAME (1") .....	3	28	10-52743	SCREW, CARBURETOR TO CRANKCASE (3-3/4") .....	17	16
10-37562	SCREW, SILENCER COVER	3	33	10-53016	SCREW, CRANKCASE TO CYLINDER BLOCK (1-1/4") ..	23	13
10-37562	SCREW, SUPPORT FRAME TO FRONT FRAME (1") ..	3	19	10-53167	SCREW, WATER JACKET COVER (7/8") .....	25	17
10-37571	SCREW, MERCURY SWITCH TO PLATE (1/2") .....	7	18				

# PARTS INDEX

Part Number	Description	Pg.	Ref. No.	Part Number	Description	Pg.	Ref. No.
10-54803	SCREW, CONNECTING ROD -WITH NUT . . . . .	29	26	10-68997	SCREW, PLATE/HUB TO FLEXIBLE PLATE (3/4") . .	7	5
10-55337	SCREW, LEVER AND ARM TO CYLINDER BLOCK (1- 3/4) . . . . .	11	16	10-69013	SCREW, HOUSING TO CRANKCASE(3/4") . . . . .	11	25
10-56500	SCREW, VALVE AND MANIFOLD PLATE TO PUMP (1-1/4") . . . . .	59	11	10-69028	SCREW, MOUNTING BRACKET TO HYDRAULIC PUMP (3/4") . . . . .	57	34
10-56500	SCREW, VALVE AND MANIFOLD PLATE TO PUMP (1-1/4") . . . . .	55	12	10-69034	SCREW, LOWER END CAP (1") . . . . .	25	14
10-57807	SCREW, TRIM COVER TO BOTTOM COWL (3/4") . . .	41	5	10-69035	SCREW, WIRING HARNESS TO STARTER MOTOR( 5/8") . . . . .	13	8
10-57841	SCREW, CRANKCASE TO CYLINDER BLOCK 92-3/4")	23	13	10-69067	SCREW, FUEL PUMP TO UPPER TRANSFER COVER (1-3/8") . . . . .	21	13
10-59645	SCREW, CHOKE SOLENOID TO FRONT BRACKET(3/4")	17	2	10-69100	SCREW, CYLINDER BLOCK COVER (1") . . . . .	25	26
10-59645	SCREW, SWITCH BOX PLATE TO CYLINDER BLOCK (3/4") . . . . .	7	9	10-69375	SCREW, UPPER AND LOWER SHOCK PIN . . . .	39	35
10-59702	SCREW, LATCH TO THROTTLE LEVER (7/8") .	11	3	10-69570	SCREW, VALVE BODY TO RESERVOIR . . . . .	53	3
10-60293	SCREW, ACUATOR TO UPPER CARBURETOR (1/2") . . . . .	17	22	10-70939	SCREW, FUEL PUMP TO UPPER TRANSFER COVER (1-7/8") . . . . .	21	13
10-62204	SCREW, REED STOP MOUNTING . . . . .	29	12	10-73169	SCREW, UPPER END CAP (1") . . . . .	25	6
10-62568	SCREW, COVER TO BOTTOM COWL (3/8") . . .	31	3	10-73654	SCREW, ADJUSTING- THROTTLE LEVER (1-3/4")	11	6
10-62568	SCREW, GROND STRAP ATTACHING . . . . .	41	8	10-73655	SCREW, ADJUSTING- SPARK ADVANCE ARM (2") . . . . .	11	13
10-62568	SCREW, GROUND STRAP (3/8") . . . . .	27	33	10-73656	SCREW, ADJUSTING- SPARK ADVANCE ARM (1- 3/8") . . . . .	11	10
10-62568	SCREW, WIRE TO CHOKE ROD . . . . .	17	13	10-73657	SCREW, CRANKCASE TO CYLINDER BLOCK (1-1/2")	23	14
10-65210	SCREW, GEAR HOUSING (1") . . . . .	49	78	10-73658	SCREW, COVER TO CRANKCASE (5-1/2") . . . .	23	7
10-65414	SCREW, EXHAUST TUBE TO DRIVE SHAFT HOUSING PLATE (3/4") . . . . .	33	19	10-75385	BOLT, THRU . . . . .	69	4
10-66023	SCREW, ADAPTOR PLATE TO HOUSING PLATE (2") .	33	8	10-75840	SCREW, STATOR TO UPPER END CAP (7/8") . . . . .	7	39
10-66023	SCREW, HOUSING PLATE TO DRIVE SHAFT HOUSING (2") . . . . .	33	9	10-77137	SCREW, WIRE TO CHOKE KNOB . . . . .	17	10
10-66024	SCREW, TRIM TAB TO GEAR HOUSING (1-3/4") .	49	75	10-79953	SCREW, FILLER - HYDRAULIC PUMP . . . . .	51	7
10-66104	SCREW, COUPLING TO CARBURETOR (3/4") . . . .	17	19	10-79953	SCREW, FILLER - HYDRAULIC PUMP . . . . .	55	3
10-67755	BOLT, TRANSOM BRACKET TO TRANSOM (6") . . . . .	37	11	10-79953	SCREW, FILLER - HYDRAULIC PUMP . . . . .	59	3
10-68298	BOLT, HYDRAULIC PUMP TO BOAT (3-1/4") . . . . .	55	19	10-79953	SCREW, GREASE FILLER AND VENT HOLE . . . . .	47	47
10-68298	BOLT, HYDRAULIC PUMP TO BOAT (3-1/4") . . . . .	59	18	10-87884	SCREW, COVER TO LOWER CLAMP MOUNT (7/8") . . .	43	36
10-68298	BOLT, MOUNTING BRACKET TO TRANSOM (3-1/4") . . .	61	17	10-88856	SCREW, COVER TO MOUNTING PLATE (2") . .	7	35
10-68513	SCREW, RETAINING PLATE AND CAM . . . . .	61	29	10-89673	BOLT, MOUNTING BRACKET TO TRANSOM (5") . . . . .	61	17
				10-89673	BOLT, TRANSOM BRACKET TO TRANSOM (5") . . . . .	37	11

# PARTS INDEX

Part Number	Description	Pg.	Ref. No.	Part Number	Description	Pg.	Ref. No.
10-91026	SCREW, STARTER SOLENOID TO MOUNTING BRACKET	59	29	11-35888	NUT, WATER PUMP FASTENING SCREW	45	32
10-92050	SCREW, TRIM CYLINDER (1-1/2") - WITHOUT TAPPED HOLE	61	5	11-35921	NUT, PINION GEAR TO DRIVE SHAFT	45	10
10-96411	SCREW, WATER PUMP (14-8 - HEX WASHER HEAD)	45	29	11-36069	NUT, ADAPTOR SCREW	21	27
11-20013	NUT, RETAINER SCREW	9	55	11-36069	NUT, LATCH SCREW	11	5
11-20110	NUT, LINK ROD SWIVEL	11	31	11-36069	NUT, LINK ROD	31	19
11-20184	NUT, LOWER SHOCK PIN SCREW	37	29	11-45076	NUT, CIRCUIT BREAKER TERMINAL (10-32)	59	34
11-20184	NUT, MAIN BEARING CLAMPING SCREW	29	20	11-45076	NUT, IGNITION COIL TERMINAL	7	33
11-20696	NUT, TRIM CYLINDER SCREW	61	23	11-45076	NUT, RECITIFER TERMINAL	13	13
11-20890	NUT, INPUT STUD	69	11	11-45076	NUT, SWITCH BOX TERMINAL	7	16
11-21825	NUT, FUSE TERMINAL (1/4-28)	59	38	11-45774	NUT, MAIN BEARING CLAMPING SCREW	29	9
11-21825	NUT, STARTER SOLENOID SCREW	57	38	11-45812	NUT, JAM - LIMIT SWITCH ADJUSTING STUD	61	26
11-21908	NUT, MOUNTING BRACKET SCREW	55	18	11-46887	NUT, RUBBER MOUNT (LOWER)	3	23
11-21908	NUT, MOUNTING BRACKET SCREW	59	17	11-47661	NUT, JAM - PUSH ROD NOT USED WITH POWER TRIM	41	14
11-24656	NUT, MOUNTING BRACKET TO HYDRAULIC PUMP THRU BOLT	55	30	11-49091	NUT, CONNECTING ROD SCREW -WITH NUT	29	27
11-24656	NUT, MOUNTING BRACKET TO HYDRAULIC PUMP THRU BOLT	59	22	11-52707	PROPELLER NUT	49	83
11-25096	NUT, MOUNT SCREW	41	25	11-52901	NUT, FLYWHEEL	7	1
11-25269	NUT, STRAP STOP FASTENING SCREW	35	11	11-53153	NUT, REED STOP MOUNTING SCREW	29	13
11-26419	NUT, SOLENOID TERMINAL (#8-32)	13	16	11-56041	NUT, TILT TUBE	37	4
11-26419	NUT, SOLENOID TERMINAL (8-32)	59	25	11-64015	NUT, STARTER MOTOR TERMINAL	13	7
11-28770	NUT, JAM - PUSH ROD NOT USED WITH POWER TRIM	41	14	11-64484	NUT, JAM -ADJUSTING SCREW	11	7
11-28770	NUT, MOUNTING BRACKET STUD	61	15	11-64484	NUT, JAM- ADJUSTING SCREW	11	14
11-28770	NUT, RUBBER MOUNT	3	18	11-68219	NUT, CHOKE SOLENOID TERMINAL	17	6
11-28770	NUT, TRANSOM BRACKET STUD	37	9	11-68219	NUT, INLET COVER SCREW	63	43
11-29489	NUT, GEAR HOUSING STUDS	41	29	11-68219	NUT, JAM- ADJUSTING SCREW	11	11
11-29598	NUT, RUBBER MOUNT	3	27	11-68219	NUT, SOLENOID TERMINAL (#10)	13	16
11-34932	NUT, POWERHEAD STUDS	33	22	11-68219	NUT, SOLENOID TERMINAL (#10)	55	23
11-34933	NUT, DRIVE SHAFT HOUSING STUDS	49	77	11-68292	NUT, SOLENOID TERMINAL (5/16")	13	18
11-34933	NUT, GEAR HOUSING	41	27	11-68292	NUT, SOLENOID TERMINAL (5/16")	55	25
11-34933	NUT, STEERING ARM BOLT FASTENING	35	18	11-69254	NUT, CRANKCASE STUDS	33	10
11-34933	NUT, UPPER MOUNT BOLT	41	21	11-91962	NUT, TRANSOM BRACKET BOLT	37	13
11-35521	NUT, LOWER MOUNT CLAMP COVER	43	35	11-94330	NUT, SOLENOID TERMINAL (1/4-20)	13	18
11-35814	NUT, WATER PUMP STUD	45	34	11-94330	NUT, SOLENOID TERMINAL (1/4-20)	59	27
11-35888	NUT, RUBBER MOUNT (UPPER)	3	22	11-99405	NUT, HYDRAULIC PUMP BOLT	55	20
				11-99405	NUT, HYDRAULIC PUMP BOLT	59	19

# PARTS INDEX

Part Number	Description	Pg.	Ref. No.	Part Number	Description	Pg.	Ref. No.
11-99405	NUT, TRANSOM BRACKET BOLT	37	13	12-56720	WASHER, SWITCH BOX PLATE SCREW	7	10
12-20260	WASHER, GREASE FILLER AND VENT HOLE SCREW	47	48	12-68229	WASHER, FLYWHEEL NUT	7	2
12-20260	WASHER, SEALING - FILLER SCREW	51	8	12-68410	WASHER, MOUNTING BRACKET BOLT	61	18
12-20260	WASHER, SEALING - FILLER SCREW	55	4	12-68410	WASHER, TRANSOM BRACKET BOLT	37	12
12-20260	WASHER, SEALING - FILLER SCREW	59	4	12-69342	WASHER, SWIVEL PIN - UPPER	35	3
12-20533	WASHER, CLAMP SCREW	15	33	12-69374	WASHER, UPPER/LOWER SHOCK PIN (LOWER)	39	34
12-20533	WASHER, TIMING POINTER SCREW	25	9	12-70132	WASHER, WATER JACKET COVER SCREW	25	18
12-21273	WASHER, WIRE RETAINER SCREW	9	52	12-74726	WASHER, COUPLING SCREW	17	20
12-21273	WASHER, WIRE RETAINER SCREW	9	52	12-75246	WASHER, COVER KNOB (STEEL)	5	4
12-25970	WASHER, CRANKCASE STUDS	33	11	12-76388	WASHER, TILT LOCK	37	19
12-25970	WASHER, POWERHEAD STUDS	33	21	12-76805	THRUST WASHER, BEARING CARRIER TO GEAR HOUSING	49	65
12-28196	WASHER, UPPER BUSHING RETAINER (INNER)	39	31	12-77674	WASHER, RUBBER - SHIFT SHAFT BUSHING	47	44
12-28421	WASHER, TRANSOM BRACKET BOLT	37	12	12-96457	WASHER, FUSE TERMINAL	59	37
12-28421	WASHER, TRIM CYLINDER BOLT	61	6	13-26992	LOCKWASHER, EXHAUST TUBE SCREW	33	20
12-29245	WASHER, WATER PUMP SCREW AND STUD	45	31	13-26992	LOCKWASHER, MOUNTING BRACKET SCREW	55	29
12-30164	WASHER, COVER SCREW	7	36	13-26992	LOCKWASHER, MOUNTING BRACKET SCREW	57	35
12-30164	WASHER, COVER SCREW	31	3A	13-26992	LOCKWASHER, REAR HOOK SCREW	3	13
12-30771	WASHER, COVER KNOB (RUBBER)	5	3	13-26992	LOCKWASHER, RUBBER MOUNT	3	26
12-31263	WASHER, UPPER MOUNT BOLT	41	20	13-26992	LOCKWASHER, SOLENOID TERMINAL (1/4")	13	17
12-33786	WASHER, LINK ROD SWIVEL	11	30	13-26992	LOCKWASHER, SOLENOID TERMINAL (1/4)	59	26
12-35462	WASHER, LINK ROD (SHIFT LEVER END)	31	18	13-26992	LOCKWASHER, STARTER MOTOR TERMINAL	13	6
12-36001	WASHER, TRANSOM BRACKET STUD	37	7	13-26992	LOCKWASHER, STARTER SOLENOID SCREW	57	37
12-36001	WASHER, WATER PUMP STUD	45	33	13-26992	LOCKWASHER, WATER PUMP SCREW	45	30
12-37807	WASHER, TRIM CYLINDER SCREW (STARBOARD ONLY)	61	22	13-26992	WASHER, SOLENOID SCREW	13	21
12-38013	WASHER, INPUT STUD	69	9	13-26993	LOCKWASHER, COVER SCREW	23	5
12-38833	WASHER, BRACKET SCREW	15	30	13-26993	LOCKWASHER, FRAME SCREW	3	34
12-38833	WASHER, LIMIT SWITCH COVER SCREW	61	37	13-26993	LOCKWASHER, MOUNTING BRACKET STUD	61	14
12-39304	WASHER, TILT PIN	63	53	13-26993	LOCKWASHER, REAR BRACKET SCREW	3	29
12-45176	WASHER, DRIVE SHAFT HOUSING STUDS	49	76	13-26993	LOCKWASHER, REAR BRACKET SCREW	3	31
12-45176	WASHER, GEAR HOUSING STUDS	41	28	13-26993	LOCKWASHER, SOLENOID TERMINAL (5/16")	55	24
12-45176	WASHER, GEAR HOUSING STUDS	41	30	13-26993	LOCKWASHER, SOLENOID TERMINAL (5/1616")	13	17
12-46765	WASHER, LEVER AND ARM SCREW	11	20				
12-47247	WASHER, NEEDLE LOCATING	29	30				



# PARTS INDEX

Part Number	Description	Pg.	Ref. No.	Part Number	Description	Pg.	Ref. No.
13-26993	LOCKWASHER, SUPPORT FRAME SCREW . . . . .	3	20	16-56297	STUD, WATER PUMP (3-3/8")	45	5
13-26993	LOCKWASHER, TRANSOM BRACKET STUD . . . . .	37	8	16-57920	STUD, GEAR HOUSING (2-1/16") . . . . .	45	4
13-26993	LOCKWEASHER, RUBBER MOUNT . . . . .	3	17	16-57921	STUD, GEAR HOUSING (4")	45	3
13-26993	LOCKWASHER, CHOKE SOLENOID SCREW . . . . .	17	3	16-64281	STUD, CRANKCASE TO DRIVE SHAFT HOUSING (1-7/8") . . . . .	23	8
13-26995	LOCKWASHER, SOLENOID TERMINAL (#8) . . . . .	13	15	16-64282	STUD, CYLINDER BLOCK TO EXHAUST PLATE (4") . . .	23	12
13-26995	LOCKWASHER, SOLENOID TERMINAL (#8) . . . . .	59	24	16-69501	STUD, WATER PUMP (3-1/8")	45	6
13-26996	LOCKWASHER, CHOKE SOLENOID TERMINAL . . .	17	5	16-87643	STUD, TRANSOM BRACKET - NOT USED WITH POWER TRIM . . . . .	37	6
13-26996	LOCKWASHER, INLET COVER SCREW . . . . .	63	42	17-20032	DOWEL PIN, CENTER MAIN BEARING . . . . .	29	15
13-26996	LOCKWASHER, RETAINING PLATE AND CAM SCREW	61	30	17-20032	DOWEL PIN, MAIN BEARING	29	7
13-26996	LOCKWASHER, SOLENOID TERMINAL (#10) . . . . .	13	15	17-20033	PIN, DOWEL- CRANKCASE TO CYLINDER BLOCK . . .	23	9
13-26996	LOCKWASHER, SOLENOID TERMINAL (#10) . . . . .	55	22	17-23784	DOWEL PIN, DRIVE SHAFT HOUSING PLATE . . . . .	33	16
13-26996	LOCKWASHER, THRU BOLT	51	17	17-23784	DOWEL PIN, EXHAUST EXTENSION PLATE . . . . .	33	3
13-26996	LOCKWASHER, WIRING HARNESS CLAMP SCREW	15	27	17-29077	ROLL PIN, TENSION SPRING TO KNOB . . . . .	5	6
13-29402	WAVE WASHER, LINK ROD SWIVEL . . . . .	11	29	17-30632	CROSS PIN, RATCHET TO PROPELLER SHAFT . . . .	49	60
13-29720	WASHER, WAVE - LINK ROD	31	20	17-35973	DOWEL PIN, WATER PUMP	45	19
13-37371	LOCKWASHER, SHIELD SCREW . . . . .	3	8	17-46912	DOWEL PIN, GEAR HOUSING LOCATING . . .	45	2
13-38019	LOCKWASHER, INPUT STUD	69	10	17-47175	PIN, LOCKING LEVER AND COVER FASTENING . . . .	31	26
13-39107	LOCKWASHER, MOUNTING BRACKET SCREW . . . . .	55	17	17-47246	DOWEL PIN, STEPPED . . . .	29	21
13-39107	LOCKWASHER, MOUNTING BRACKET SCREW . . . . .	59	16	17-49930A1	TILT PIN ASS'Y-NOT USED WITH POWER TRIM . . . . .	37	10
13-39107	LOCKWASHER, RETAINER SCREW . . . . .	3	5	17-58998	PIN, COWL LATCH LEVER TO HINGE . . . . .	3	11
13-61789	LOCKWASHER, THRU BOLT	69	5	17-63779	PIN, DOWEL-CYLINDER BLOCK TO MAIN BEARING	23	10
13-88507	WAVE WASHER, SWIVEL PIN (LOWER) . . . . .	35	8	17-73593A2	SWIVEL PIN ASSEMBLY . . .	35	12
13-89297	WAVE WASHER, TILT TUBE	37	3	18-25191	COTTER PIN, PUSH ROD PIN NOT USED WITH POWER TRIM . . . . .	41	17
14-20091	TAB WASHER, BEARING LOCKING SCREW . . . . .	23	16	18-36391	COTTER PIN, MOUNTING TUBE PIN . . . . .	63	51
14-31210	TAB WASHER, PROPELLER NUT . . . . .	49	82	18-45882	COTTER PIN, LOCK TO SHAFT NOT USED WITH POWER TRIM . . . . .	37	25
14-52700	TAB WASHER, GEAR HOUSING COVER . . . . .	49	72	18-45882	COTTER PIN, TILT PIN RETAINING . . . . .	63	52
15-20085A1	SHIM, END CAP TO CRANKCASE (.005-10) . . .	25	13	18-47959	COTTER PIN, TILT LOCK . .	37	17
15-30923A1	SHIM, BEARING OUTER RACE TO GEAR HOUSING (.002-3-5-10) . . . . .	49	55	19-45907	PLUG, FLYWHEEL PULLER THREADS . . . . .	7	3
15-57007A1	SHIM, BEARING TO WATER PUMP . . . . .	45	11	19-64649	PLUG, PLASTIC - TRIM TAB SCREW HOLE . . . . .	41	3
15-73644A1	SHIM, END CAP TO CRANKCASE (.006-10) . . .	25	5	21-30430A5	CHECK VALVE ASSEMBLY .	21	2
16-21085	STUD, ADJUSTING - CUT-OUT LIMIT SWITCH . . . . .	61	25	21-77560	CHECK VALVE, BLEED HOSE-TOP . . . . .	23	17
16-45282	STUD, MOUNTING BRACKET	61	13	21-77561	CHECK VALVE, BLEED HOSE-BOTTOM . . . . .	23	20

# PARTS INDEX

Part Number	Description	Pg.	Ref. No.	Part Number	Description	Pg.	Ref. No.
22-46008	PLUG, CONTROL VALVE (1/2-20")	55	13	23-89117	BUSHING, UPPER SHOCK MOUNTING PIN	37	15
22-46008	PLUG, CONTROL VALVE (1/2-20")	59	12	23-94907A1	BUSHING, RUBBER - TRIM CYLINDER	61	8
22-63187	FITTING, FUEL LINE TO ADAPTOR	21	20	24-20099	SPRING, LATCH SCREW	11	4
22-64704	ELBOW, CARBURETOR	17	15	24-20099	SPRING, LINK ROD TO GUIDE BLOCK	31	21
22-64705	FITTING, FUEL PUMP (OUTLET)	21	14	24-23067	SPRING, ADAPTOR STEM	21	24
22-65348	TEE, BALANCE HOSE TO CYLINDER BLOCK-LOWER	23	23	24-24390	SPRING, TENSION - ADJUSTING STUD	61	24
22-65857	FITTING, AIR INLET COVER	23	25	24-30189	SPRING, ADAPTOR STEM	21	24
22-67892	SCREW, DRAIN (MAGNETIC)	47	47	24-30622	SPRING, COMPRESSION - CAM FOLLOWER	49	54
22-68307	PLUG, PIPE-CYLINDER BLOCK COVER	27	34	24-30893	SPRING, RETAINING - CROSS PIN	49	61
22-73318	TEE, FUEL LINE	21	16	24-32271	SPRING, TENSION- COVER KNOB	5	5
22-74036	GREASE FITTING	35	6	24-35522	SPRING, TENSION - LOWER MOUNT CLAMP	41	32
22-74036	GREASE FITTING, TRIM CYLINDER	61	2	24-78203A1	SPRING ASSEMBLY NOT USED WITH POWER TRIM	37	23
22-78279	ELBOW, TELL TALE HOSE TO CYLINDER BLOCK	31	13	24-78203A2	SPRING ASSEMBLY NOT USED WITH POWER TRIM	37	23
22-85822A1	CONNECTOR ASSEMBLY, SPEEDOMETER	45	1A	24-86310	SPRING, RETURN- LEVER AND ARM SCREW	11	19
22-98727	GREASE FITTING W/GREASE FITTING	49	68A	24-95881	SPRING, TENSION - LIMIT SWITCH PLUNGER	61	12
23-26856	BUSHING, NYLON- LINK ROD SWIVEL	11	28	25-20116	GROMMET, CHOKE KNOB	17	11
23-26856	BUSHING, SHIFT SHAFT	31	16	25-20415	"O"RING, ADAPTOR STEM	21	23
23-27132	BUSHING, NYLON - EXHAUST EXTENSION PLATE	33	2	25-20415	"O"RING, ADAPTOR STEM	21	23
23-28198	BUSHING, RUBBER - SHOCK ABSORBER (LOWER)	39	33	25-25439	"O" RING, SHIFT SHAFT BUSHING	45	41
23-29804	SLEEVE, GUIDE - WATER INLET TUBE	45	36	25-29976	"O" RING, BEARING CARRIER	49	67
23-32171	BUSHING, RUBBER - SHOCK ABSORBER (UPPER)	39	32	25-30271	RING, RUBBER DRIVE SHAFT	45	35
23-35977	GROMMET, RUBBER (3/8" I.D. - 1" LONG)	63	46	25-32546	"O"RING	25	12
23-45280	SPACER, TRIM CYLINDER - LOWER	61	7	25-33145	"O" RING, WATER PUMP	45	15
23-45354	BUSHING, RUBBER - CUT- OUT LIMIT SWITCH	61	32	25-35480	"O" RING, COVER TO FUEL PUMP	21	9
23-55164	BUSHING, LEVER AND ARM SCREW	11	17	25-45016	"O" RING, BLEED SCREW	61	4
23-55171	BUSHING, FLANGE- LEVER AND ARM SCREW	11	18	25-45253	"O" RING, CONTROL VALVE (5/8" O.D.)	55	11
23-56774	SPACER, COLLAR TO BRACKET	13	3	25-45253	"O" RING, CONTROL VALVE (5/8" O.D.)	59	10
23-57387	BUSHING, INSULATING	69	8	25-45254	"O" RING, CONTROL VALVE (3/4" O.D.)	55	9
23-69341	BUSHING, SWIVEL BRACKET	35	2	25-45254	"O" RING, CONTROL VALVE (3/4" O.D.)	59	8
23-70412	SPACER, BEARING TO WATER PUMP	45	11	25-45507	GROMMET, RUBBER - INLET COVER	61	40
23-77631A2	BUSHING ASSEMBLY, SHIFT SHAFT	47	42	25-47254	"O"RING	25	4
23-87642	SPACER, TRANSOM BRACKET STUD	37	5	25-48171	"O" RING, CONTROL VALVE (1/2" O.D.)	55	10
23-89112	BUSHING, MOUNTING BRACKET	63	54	25-48171	"O" RING, CONTROL VALVE (1/2" O.D.)	59	9
				25-48171	"O" RING, HYDRAULIC PUMP	51	1
				25-48171	"O" RING, HYDRAULIC PUMP	53	1

# PARTS INDEX

Part Number	Description	Pg.	Ref. No.	Part Number	Description	Pg.	Ref. No.
25-48171	"O" RING, MANIFOLD PLATE	55	2	27-76952	GASKET, CARBURETOR		
25-48171	"O" RING, MANIFOLD PLATE	59	2		PLATE TO CARBURETOR	17	25
25-48171	"O" RING, MANIFOLD PLATE			27-85493	GASKET, CYLINDER BLOCK		
	(SEE REF. #2)	55	--		COVER	25	25
25-48171	"O" RING, MANIFOLD PLATE			27-85496	GASKET, BAFFLE PLATE TO		
	(SEE REF. #2)	59	--		EXHAUST COVER	25	21
25-57009	GROMMET, SWITCH BOX	7	8	27-85498	GASKET, CYLINDER BLOCK		
25-62702	"O" RING, TILT LOCK	37	20		TO BAFFLE PLATE	25	19
25-92012	GROMMET, TRIM COVER			27-87775	GASKET, INLET COVER	61	39
	SCREW	41	6	27-89273	GASKET, LIMIT SWITCH		
25-97000	GROMMET, RUBBER (7/16"				COVER	61	35
	I.D. - 7/8" LONG)	63	46	27-96171	GASKET, CYLINDER BLOCK		
25-97191	GROMMET, RUBBER (3/8"				COVER	25	25
	I.D. - 7/8" LONG)	63	46	28-30281	KEY, LOCATING - BEARING		
26-22734	OIL SEAL, SWIVEL				CARRIER	49	71
	BRACKET (TILT LOCK)	37	18	28-56654	KEY, IMPELLER DRIVE	45	28
26-29476	OIL SEAL	25	11	28-89694	KEY, COUPLING	17	18
26-29476	OIL SEAL	25	3	29-47270	NEEDLE BEARING, PISTON		
26-37448	OIL SEAL, SWIVEL				PIN	29	29
	BRACKET	35	4	29-71422	NEEDLE BEARING	29	16
26-38970	SEAL, RUBBER - WATER			30-62567	BALL BEARING, UPPER	29	2
	INLET TUBE	33	15	30-63742	BALL BEARING, LOWER	29	3
26-38970	SEAL, RUBBER - WATER			31-30894A1	TAPERED ROLLER BEARING		
	INLET TUBE	45	26		ASSEMBLY	49	56
26-60898	SEAL, DRIVE SHAFT			31-30895	ROLLER BEARING,		
	HOUSING PLATE	33	13		FORWARD GEAR	49	57
26-70081	OIL SEAL, BEARING			31-30956	ROLLER BEARING,		
	CARRIER - OUTER	49	70A		BEARING CARRIER	49	69
26-70608	OIL SEAL, PORT BRACKET	61	10	31-32898	BEARING, ROLLER - DRIVE		
26-76384	OIL SEAL, SHIFT SHAFT				SHAFT	45	7
	HOUSING	47	43	31-62596A1	BEARING ASSEMBLY,		
26-76868	OIL SEAL, BEARING				CRANKPIN	29	28
	CARRIER - INNER	49	70	31-69220	ROLLER BEARING, DRIVE		
26-79884	OIL SEAL, WATER PUMP				SHAFT	45	12
	BASE	45	18	32-31583109	FUEL LINE, ADAPTOR TO		
26-94038	OIL SEAL, WATER PUMP				FUEL PUMP (15")	21	19
	BASE	45	17	32-31583109	FUEL LINE, CARBURETOR		
27-25848	GASKET, COVER SCREW	21	12		TO TEE TO CARBURETOR		
27-32433	GASKET, LOWER - WATER				(3")	21	17
	PUMP	45	20	32-31583109	FUEL LINE, TEE TO FUEL		
27-32434	GASKET, UPPER - WATER				PUMP (11")	21	15
	PUMP	45	22	32-34395A1	HOSE ASSEMBLY, BALANCE		
27-33146	GASKET, WATER PUMP TO				(6-1/4")	23	22
	GEAR HOUSING	45	14	32-34395A1	HOSE, TELL TALE -		
27-53650	GASKET, CRANKCASE TO				EXHAUST COVER TO		
	CYLINDER BLOCK	23	2		BOTTOM COWL (14-3/4")	31	10
27-66102	GASKET, DRIVE SHAFT			32-54935-79	HOSE, BALANCE (5")	23	24
	HOUSING PLATE	33	12	32-54935-79	HOSE, CYLINDER BLEED		
27-69238	GASKET, POWERHEAD	33	7		(12-1/2")	23	19
27-69860	GASKET, EXHAUST TUBE	33	17	32-60897	TUBE, WATER INLET	41	9
27-73377	GASKET, CARBURETOR	19	29	32-97153A1	HOSE, TRIM - CYLINDER TO		
27-73398	GASKET, CARBURETOR				CONTROL VALVE (5') -		
	PLATE	17	24		12/32" O.D.	63	44
27-73645	GASKET, TRANSFER PORT			32-97154A1	HOSE, LIFT - CYLINDER TO		
	COVER	25	28		CONTROL VALVE (5') -		
27-73645A32	GASKET	1	-		17/32" O.D.	63	45
27-73646	GASKET, BOTTOM COWL	31	4	33-58194	SPARK PLUG (AC#V40FFK)	9	49
27-73665	GASKET, WATER JACKET			34-56007A1	REED SET, MATCHED -		
	COVER	25	15		MAIN BEARING	29	10
27-76168A2	GASKET, SILENCER COVER	3	36				

# PARTS INDEX

Part Number	Description	Pg.	Ref. No.	Part Number	Description	Pg.	Ref. No.
35-73532	FUEL FILTER	21	8	84-88439A4	BATTERY CABLE		
37-87028A79	DECAL SET	1	-		(NEGATIVE)	13	23
39-78811A12	PISTON RING (.015 O.S.)	29	24	84-88439A4	BATTERY CABLE (POSITIVE)	13	23
39-78816A12	PISTON RING (STANDARD)	29	24	84-89915A1	WIRING HARNESS	13	24
39-88392A12	PISTON RING (.030 O.S.)	29	24	84-90816A25	WIRE ASSEMBLY, SPARK		
40-52035	LOCK RING, PISTON PIN	29	23		PLUG	7	46
43-75314A2	FORWARD GEAR	49	58	84-93389A8	WIRE, MOTOR TO		
43-75316	PINION GEAR, DRIVE SHAFT	45	9		SOLENOID	13	5
43-77562	REVERSE GEAR	49	63	84-95084A2	WIRE ASSEMBLY, FUSE	15	24B
44-93003	PROPELLER SHAFT	49	62	84-96233A2	WIRING HARNESS	13	24
45-69251	DRIVE SHAFT	45	8	85-63709A1	PROTECTOR ASS'Y, SPARK		
46-96146A5	WATER PUMP BASE				PLUG	9	48
	ASSEMBLY	45	16	85-96535	BOOT, RUBBER - STARTER		
46-96148A1	WATER PUMP BODY				SOLENOID TERMINAL	59	28
	ASSEMBLY	45	23	86-66986	TERMINAL BLOCK	7	19
47-89984	IMPELLER, WATER PUMP	45	27	88-79023A90	FUSE ASSEMBLY (90 AMP.)	59	36
50-66015	STARTER MOTOR	13	1	88-79091	FUSE	13	24A
50-66015	STARTER MOTOR			88-79149	CIRCUIT BREAKER (20		
	ASSEMBLY	69	-		AMP.)	59	32
52-34239	RATCHET, SLIDING CLUTCH	49	59	89-68258	STARTER SOLENOID	13	14
53-26933	SNAP RING, OUTER RACE			89-68258	STARTER SOLENOID	55	21
	CLAMPING	29	18	89-96054	STARTER SOLENOID	13	14
53-29641	"E" RING, RETAINING -			89-96158	STARTER SOLENOID	59	23
	SHIFT SHAFT	45	40	90-84951	MARINER 80 PARTS LIST	1	-
53-73591	SNAP RING, YOKE			248-5977A24	FLYWHEEL ASSEMBLY	7	4
	ATTACHING	35	15	332-2854	BOOT, IGNITION COIL	7	47
54-23567	CLIP, WIRES AND HARNESS	7	22	332-5772A1	SWITCH BOX ASSEMBLY	7	12
54-39844	CLAMP, HARNESS			339-7370A2	IGNITION COIL ASSEMBLY	7	31
	ATTACHING	7	43	392-2529	SPRING SET, BRUSH		
54-47483	"J" CLAMP, TRIGGER PLATE				TENSION	51	15
	HARNESS	7	28	392-2529	SPRING SET, BRUSH		
54-47483	"J" CLIP, SWITCH BOX				TENSION	53	12
	WIRES AND FUEL LINE	7	11	392-2623	WASHER, THRUST -		
54-68424	CLAMP, FUEL LINE				ARMATURE	51	9
	ATTACHING	21	18	392-2936	VALVE BODY AND GEAR		
54-88608	CLAMP, WIRING HARNESS	15	25		ASSEMBLY	51	2
55-28414	PIN, LOWER SHOCK			392-2937	SEAL, RESERVOIR TO		
	MOUNTING	37	27		VALVE BODY AND GEAR	51	4
55-58780A4	SHOCK ABSORBER NOT			392-2938	BOLT SET, THRU - PLATE		
	USED WITH POWER TRIM	37	30		AND FRAME TO		
84-61600A9	WIRE, STARTER SOLENOID				RESERVOIR	51	16
	(BLACK)	59	39	392-2939	RESERVOIR ASSEMBLY	51	5
84-65999A5	WIRE ASSEMBLY	7	14	392-2940	PLATE ASSEMBLY,		
84-66053A1	WIRE, MOTOR TO				COMMUTATOR END	51	13
	SOLENOID	13	5	392-2941	BRUSH SET, COMMUTATOR		
84-74023A1	CONNECTOR AND				END PLATE	51	14
	HARNESS	55	14	392-2941	BRUSH SET, COMMUTATOR		
84-74263	WIRE, CHOKE KNOB TO				END PLATE	53	11
	CHOKE ROD (BLACK)	17	12	392-2942	FIELD AND FRAME		
84-77617	HARNESS, PRIMARY				ASSEMBLY	51	11
	(CYLINDERS 1 AND 2)	7	41	392-2943	ARMATURE, FIELD AND		
84-77618	HARNESS, PRIMARY				FRAME	51	10
	(CYLINDERS 3 AND 4)	7	42	392-2944	BALL, COMMUTATOR END		
84-79138A1	BATTERY LEAD (NEGATIVE)	59	31		PLATE	51	12
84-79139A13	BATTERY LEAD (POSITIVE)	59	31	392-7727	COUPLER AND SHAFT	53	14
84-79147A1	CONNECTOR AND			392-7728	FILL PLUG, RESERVOIR	53	15
	HARNESS	59	13	392-7729	ARMATURE, FIELD AND		
84-87379A5	WIRE, SOLENOID TO				FRAME	53	7
	CIRCUIT BREAKER (RED)	59	35	392-7730	BALL, COMMUTATOR END		
84-88439A3	BATTERY CABLE (POSITIVE)	13	23		PLATE	53	9

# PARTS INDEX

Part Number	Description	Pg.	Ref. No.	Part Number	Description	Pg.	Ref. No.
392-7731	RESERVOIR ASSEMBLY (PLASTIC)	53	5	1379-6071A33	CARBURETOR ASSEMBLY (BOTTOM) -STAMPED WM-12	17	14A
392-7732	WASHER, THRUST - ARMATURE	53	6	1379-6071A33	CARBURETOR ASSEMBLY (BOTTOM) STAMPED WM-12	19	1
392-7733	BOLT SET, THRU - PLATE AND FRAME TO RESERVOIR	53	13	1379-6071A41	CARBURETOR ASSEMBLY (TOP) -STAMPED WM-14	17	14
392-7735	SEAL, RESERVOIR TO VALVE BODY AND GEAR	53	4	1379-6071A41	CARBURETOR ASSEMBLY (TOP)-STAMPED WM-14	19	1
392-8261	FIELD AND FRAME ASSEMBLY	53	8	1379-6071A42	CARBURETOR ASSEMBLY (BOTTOM) -STAMPED WM-14	17	14A
392-8262	PLATE ASSEMBLY, COMMUTATOR END	53	10	1379-6071A42	CARBURETOR ASSEMBLY (BOTTOM) -STAMPED WM-14	19	1
392-8317	VALVE BODY AND GEAR ASSEMBLY	53	2	1395-4555	INLET NEEDLE AND SEAT	19	3
392-8848	MOTOR DRIVE	71	1	1395-4807	SHAFT, THROTTLE (TOP)	19	20
392-8849	END CAP ASSEMBLY, COMMUTATOR	71	6	1395-5733	JET, VENT BOWL (.092)(WM-12)(WM-14)	19	2
392-8850	BRUSH PLATE AND HOLDER ASSEMBLY	71	7	1395-6196	VALVE, THROTTLE (WM-10)	19	21
392-8851	BRUSH AND TERMINAL SET	71	8	1395-6197	FLOAT	19	11
392-8852	PLATE ASSEMBLY, DRIVE END	71	2	1395-6198	VALVE ASSEMBLY, ENRICHMENT	19	26
392-8853	BUSHING, DRIVE END PLATE	71	3	1395-6199	PLUG, MAIN JET	19	15
392-8854	SPRING SET, BRUSH (2 SPRINGS PER SET)	71	9	1395-6200	GASKET KIT	19	--
392-8855	BOLT, THRU - END CAP TO END PLATE (1/4-28)	71	10	1395-6203	WASHER, THROTTLE SHAFT	19	24
392-8856	PACKAGE, ARMATURE THRUST WASHER	71	5	1395-6204	SEAL, THROTTLE SHAFT	19	23
392-8857	ARMATURE	71	4	1395-6207	JET, VENT BOWL (.072) (WM-10)	19	2
398-5919A3	STATOR ASSEMBLY	7	38	1395-6247	JET, MAIN (.090)(WM-10)	19	16
440-6647A2	CRANKSHAFT ASSEMBLY	29	1	1395-6360	REPAIR PARTS KIT (WM-10)	19	--
535-5397A4	CENTER MAIN BEARING ASSEMBLY	29	14	1395-6488	FUEL BOWL	19	12
540-5266A5	MAIN BEARING ASSEMBLY (VALVE TYPE)	29	6	1395-6685	VENTURI(WM-10)	19	5
624-8101A3	CONNECTING ROD AND CAP ASSEMBLY	29	25	1395-7639	VALVE, THROTTLE (WM-12)(WM-14)	19	21
768-7435A3	PISTON AND PISTON PIN ASSEMBLY	29	22	1395-7834	REPAIR PARTS KIT (WM-12)	19	--
768-7436A2	PISTON AND PISTON PIN ASSEMBLY (.015 O.S.)	29	22	1395-7942	SHAFT, THROTTLE (BOTTOM)	19	20
768-7455A3	PISTON AND PISTON PIN ASSEMBLY (.030 O.S.)	29	22	1395-8982	REPAIR PARTS KIT (WM-14)	19	--
871-7749A3	BLOCK/CRANKCASE ASS'Y	23	1	1399-3518	JET, MAIN (.082)(WM-12)(WM-14)	19	16
871-7749A3	BLOCK/CRANKCASE ASS'Y	25	1	1482-7670A5	SWIVEL BRACKET ASSEMBLY	35	1
871-8338A3	BLOCK/CRANKCASE ASS'Y	23	1	1496-7799F2	TRANSOM BRACKET	37	1
871-8338A3	BLOCK/CRANKCASE ASS'Y	25	1	1573-5239A51	DRIVE SHAFT HOUSING ASSEMBLY	41	1
1021-7699	COVER, CYLINDER BLOCK	25	24	1655-7333A41	GEAR HOUSING ASSEMBLY, COMPLETE	45	-
1021-8340	COVER, CYLINDER BLOCK	25	24	1655-7333A41	GEAR HOUSING ASSEMBLY, COMPLETE	49	-
1148-5410A1	END CAP ASSEMBLY, LOWER	25	10	1655-7333A43	GEAR HOUSING ASS'Y - SEE PAGE 34 FOR BREAKDOWN	49	1
1161-5940A2	END CAP ASSEMBLY, UPPER	25	2	2158-7638	GEAR HOUSING ASSEMBLY	45	1
1379-6071A32	CARBURETOR ASSEMBLY (TOP)- STAMPED WM-12	19	1	2162-6392	COWL, BOTTOM	31	1
1379-6071A32	CARBURETOR ASSEMBLY(TOP)-STAMPED WM-12	17	14	2163-6393A2	COWL, TOP (WITHOUT DECALS)	3	1
					FRONT COVER ASS'Y (W/O DECALS)	5	1

# PARTS INDEX

Part Number	Description	Pg.	Ref. No.	Part Number	Description	Pg.	Ref. No.
2164-6394A2	WRAP AROUND COWL ASSEMBLY (WITHOUT DECALS) .....	5	11				