



PARTS CATALOG

MARINER 90

SERIAL NUMBER

90 (6 CYL.) USA 5721325 THRU 6436122
90 (6 CYL.) CAN 7190903 THRU 7208847

TABLE OF CONTENTS:

BOTTOM COWL AND SHIFT LINKAGE	32
CARBURETOR ASSEMBLY	18
CARBURETOR LINKAGE CHOKE SOLENOID	14
COWLING AND FRONT COVER	4
CRANKSHAFT, PISTONS AND CONNECTING RODS	30
CYLINDER BLOCK AND CRANKCASE ASSEMBLY	26
DRIVE SHAFT HOUSING ASSEMBLY	40
END CAPS, MANIFOLD AND EXHAUST COVERS	28
EXHAUST EXTENSION PLATE	34
FLYWHEEL, STARTER MOTOR AND STATOR	6
FUEL PUMP AND FUEL LINE ASSEMBLY	22
GEAR HOUSING (DRIVE SHAFT)	44
GEAR HOUSING (PROPELLER SHAFT)	48
HYDRAULIC PUMP ASSEMBLY (METAL RESERVOIR)	50
HYDRAULIC PUMP ASSEMBLY (PLASTIC RESERVOIR)	52
MISCELLANEOUS PARTS/ACCESSORIES	1
PARTS INDEX	72
POWER TRIM COMPONENTS	54
POWER TRIM COMPONENTS	58
POWER TRIM CYLINDER REPAIR KITS (CASTING #78439)	64
POWER TRIM CYLINDER REPAIR KITS (NO CASTING #)	66
STARTER MOTOR ASSEMBLY	68
SWITCH BOX AND STARTER SOLENOID	10
SWIVEL BRACKET ASSEMBLY	70
THROTTLE LEVER AND LINK RODS	8
TOP COWL AND SUPPORT BRACKETS	2
TRANSOM BRACKET	36
TRIM CYLINDERS AND HYDRAULIC HOSES	60
WIRING HARNESS AND IGNITION COIL	12

NOTE: Indented description indicate that these parts are included in preceeding assembly.

AR = As Required

NSS = Not Sold Separate

OPT = Optional

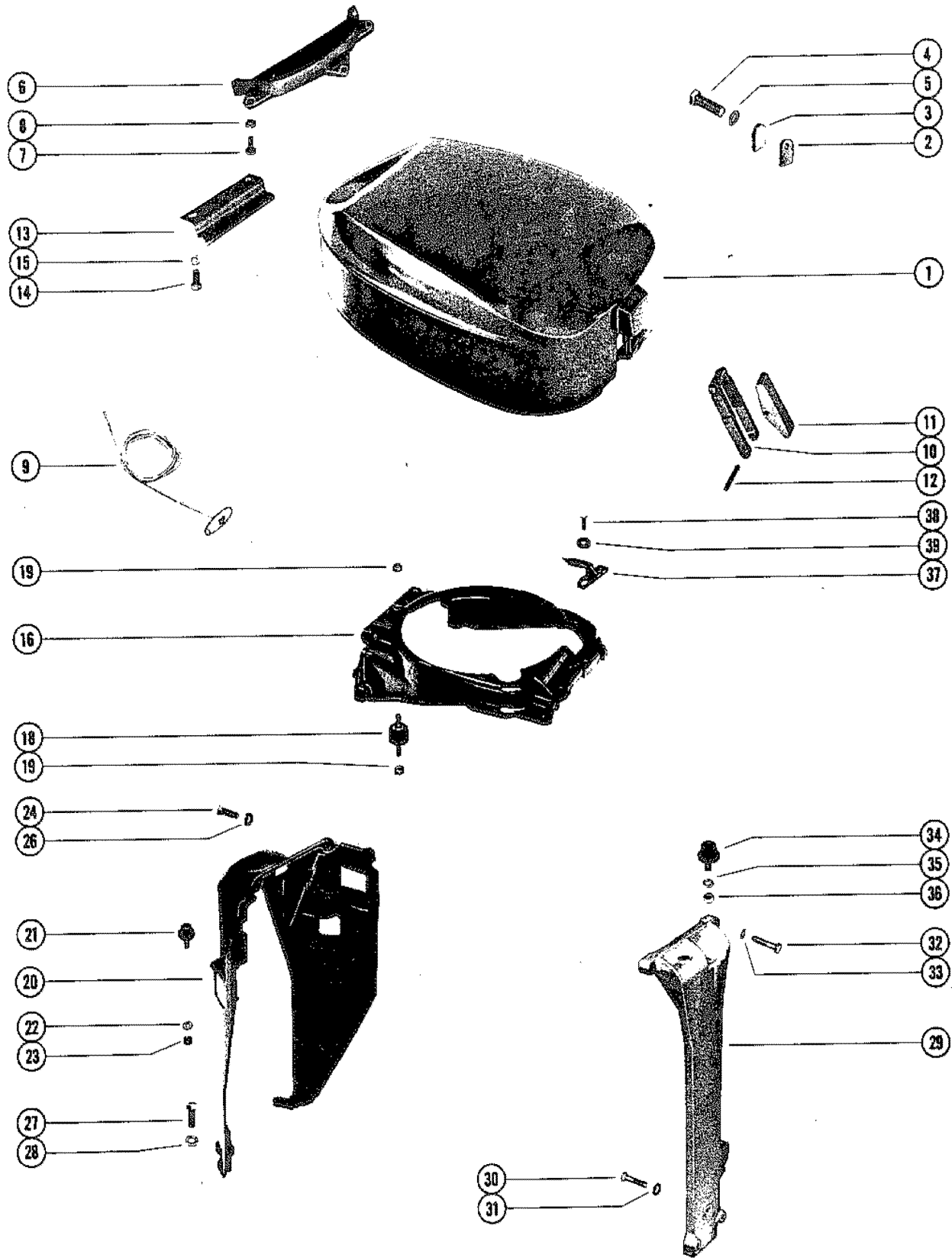
NS = Not Shown

THESE PARTS BOOKS/FICHE CARD ARE COPYRIGHTED AND MAY NOT BE DISTRIBUTED OR REPRODUCED IN ANY OTHER FORMAT BY ANYONE OTHER THAN MERCURY MARINE WITHOUT THE PRIOR WRITTEN CONSENT OF MERCURY MARINE.

MISCELLANEOUS PARTS/ACCESSORIES

REF. NO.	PART NO.	SYM.	QTY.	DESCRIPTION
-	90-84979		0	MARINER 90 PARTS LIST
-	27-85653A32		0	GASKET SET
-	37-87286A79		0	DECAL SET

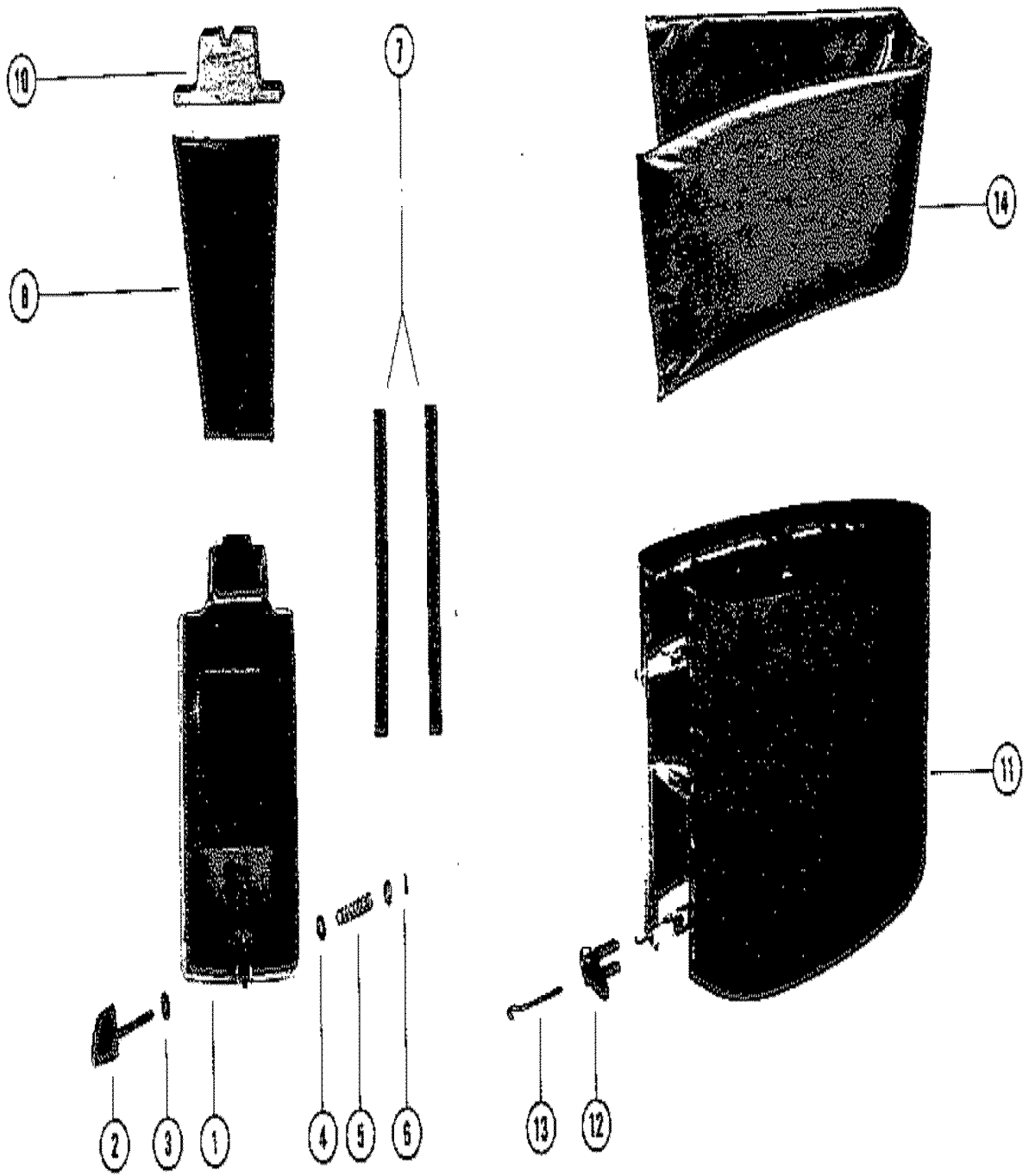
TOP COWL AND SUPPORT BRACKETS



TOP COWL AND SUPPORT BRACKETS

REF. NO.	PART NO.	SYM.	QTY.	DESCRIPTION
1	2162-6392		1	TOP COWL (WITHOUT DECALS)
2	76440		1	RETAINER, TOP COWL
3	76505		1	PAC, BUMPER-TOP COWL RETAINER
4	10-25299		1	SCREW, RETAINER TO TOP COWL
5	13-39107		1	LOCKWASHER, RETAINER SCREW
6	76433		1	SHIELD, TOP COWL-REAR
7	10-37370		3	SCREW, SHIELD TO TOP COWL (5/8")
8	13-37371		3	LOCKWASHER, SHIELD SCREW
9	47341A1		1	ROPE, STARTER (FOR MANUAL STARTING ONLY)
10	52739		1	HINGE, COWL LATCH-TOP COWL
11	94918		1	LEVER, COWL LATCH HINGE
12	17-58998		1	ROLL PIN, COWL LATCH LEVER TO HINGE
13	55455		1	HOOK, TOP COWL LATCH-REAR
14	10-22956		2	SCREW, REAR HOOK TO TOP COWL (7/8")
15	13-26992		2	LOCKWASHER, REAR HOOK SCREW
16	79897		1	FRAME, TOP COWL SUPPORT
18	90435		3	MOUNT, RUBBER-TOP COWL FRAME
	46096		OPT	MOUNT, RUBBER-TOP COWL FRAME (HEAVY DUTY)
19	11-35888		6	NUT, RUBBER MOUNT
20	86472		1	BRACKET, TOP COWL SUPPORT-REAR
21	31014		2	MOUNT, RUBBER-REAR SUPPORT BRACKET
22	13-26992		2	LOCKWASHER, RUBBER MOUNT
23	11-29598		2	NUT, RUBBER MOUNT
24	10-37562		4	SCREW, REAR BRACKET TO FRAME (1")
26	13-26993		4	LOCKWASHER, REAR BRACKET SCREW
27	10-37562		4	SCREW, REAR BRACKET TO BOTTOM COWL (1")
28	13-26993		4	LOCKWASHER, REAR SUPPORT BRACKET SCREW
29	89232A1		1	BRACKET ASSEMBLY, TOP COWL-FRONT
30	10-69092		2	SCREW, FRONT BRACKET TO BOTTOM COWL (1-1/4")
31	13-26993		2	LOCKWASHER, FRONT SUPPORT BRACKET SCREW
32	10-69092		2	SCREW, FRONT BRACKET TO TOP COWL FRAME (1-1/2")
33	13-26993		2	LOCKWASHER, FRONT SUPPORT BRACKET SCREW
34	37640		1	MOUNT, RUBBER-FRONT SUPPORT BRACKET
35	13-26993		1	LOCKWASHER, RUBBER MOUNT
36	11-28770		1	NUT, RUBBER MOUNT
37	87991		1	POINTER, TIMING
38	10-28636		1	SCREW, TIMING POINTER (3/4")
39	12-35462		1	WASHER, TIMING POINTER SCREW

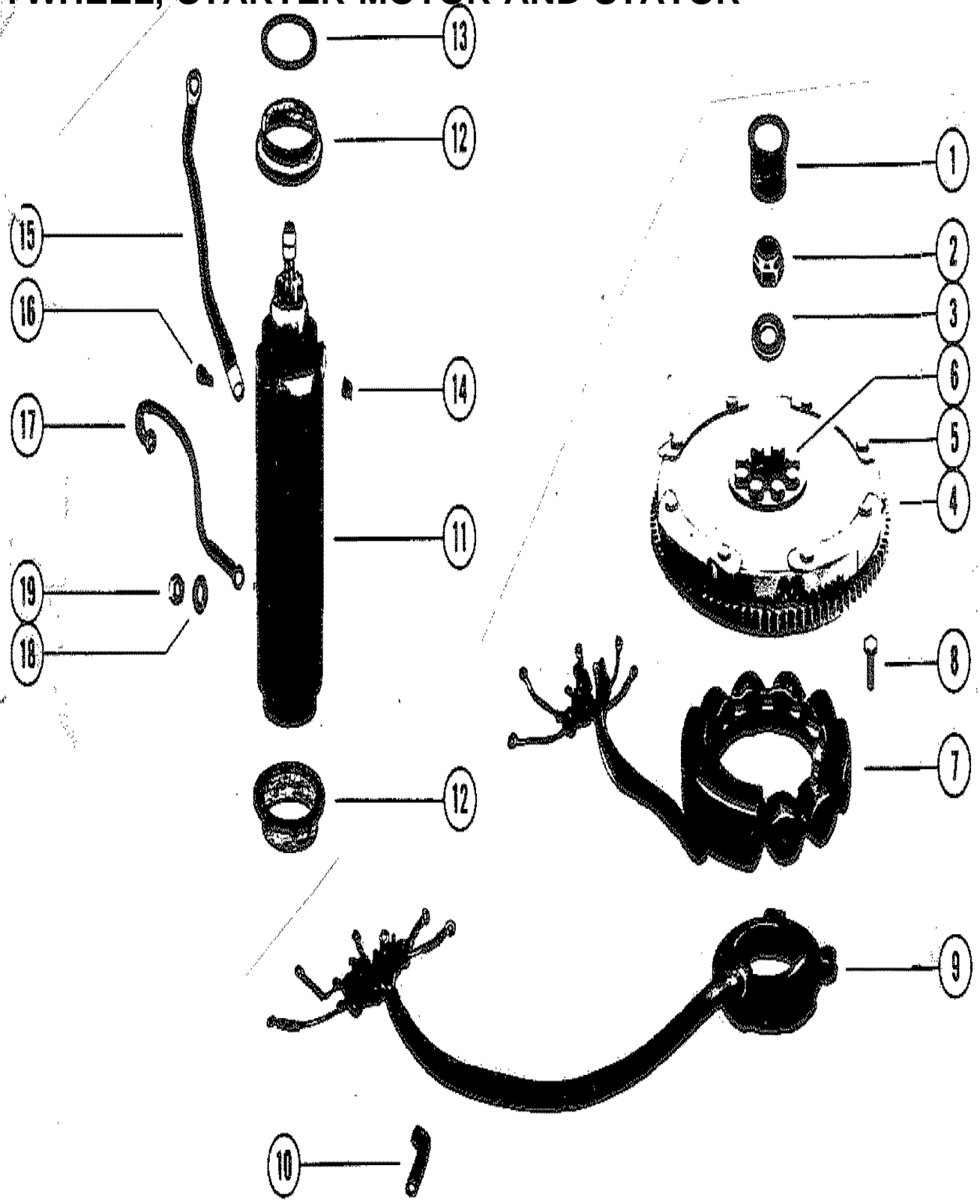
COWLING AND FRONT COVER



COWLING AND FRONT COVER

REF. NO.	PART NO.	SYM.	QTY.	DESCRIPTION
1	2171-6497A2		1	FRONT COVER ASS'Y (W/O DECALS)
2	56849		1	KNOB, FRONT COVER
3	12-30771		2	WASHER, COVER KNOB (RUBBER)
4	12-59572		2	WASHER, COVER KNOB (PLASTIC)
5	24-30772		1	SPRING, TENSION-KNOB
6	17-29077		1	ROLL PIN, TENSION SPRING TO KNOB
7	77790		2	STRIP, SOUND
8	38674		1	BAG, STARTER ROPE
10	77544		1	SEAL, SOUND-TOP
11	2172-6498A3		1	WRAP AROUND COWL ASSEMBLY (W/O DECALS)
12	46785A1		3	COWL LATCH ASSEMBLY
13	30413		3	HOOK, COWL LATCH
14	30021		1	BLANKET, SOUND

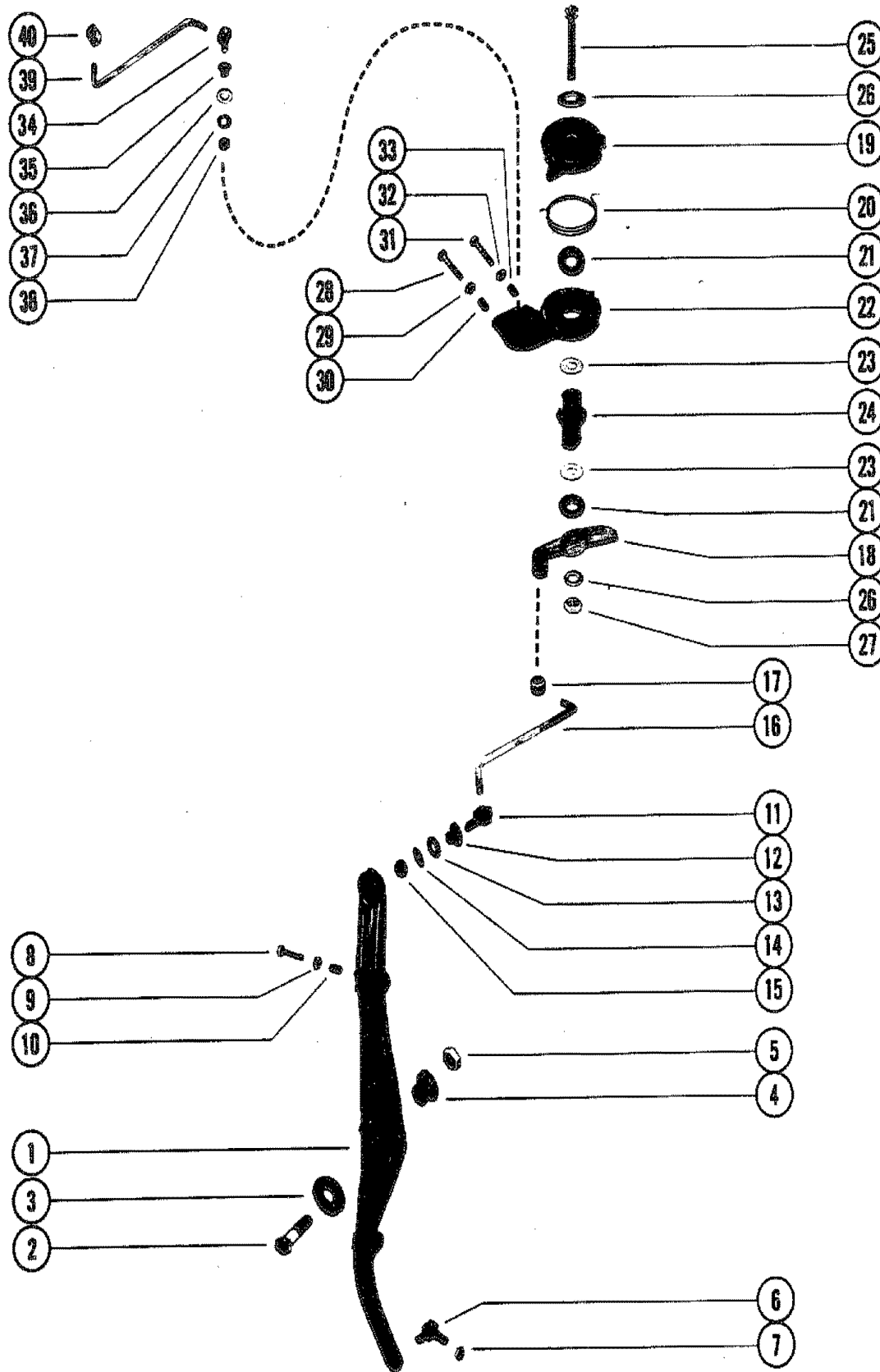
FLYWHEEL, STARTER MOTOR AND STATOR



FLYWHEEL, STARTER MOTOR AND STATOR

REF. NO.	PART NO.	SYM.	QTY.	DESCRIPTION
1	19-45907		1	PLUG, FLYWHEEL
2	11-52901		1	NUT, FLYWHEEL
3	12-68229		1	WASHER, FLYWHEEL
4	248-5977A28		1	FLYWHEEL ASSEMBLY
5	10-32417		8	SCREW, FLYWHEEL PLATE
6	10-68997		8	SCREW, FLYWHEEL HUB
7	398-5454A8		1	STATOR ASSEMBLY
8	10-75840		4	SCREW, STATOR (7/8")
9	96455A6		1	TRIGGER PLATE
10	54-61001		3	CLAMP, TRIGGER HARNESS
11	50-72467		1	STARTER MOTOR
12	56703		2	COLLAR, STARTER MOTOR
13	23-56774		AR	SPACER, STARTER MOTOR
14	57247		2	STOP, RUBBER-STARTER MOTOR
15	84-93388A1		1	WIRE, PLATE TO STARTER MOTOR (BLACK)
16	10-69035		1	SCREW, CABLE TO STARTER MOTOR
17	84-93389A6		1	WIRE, SOLENOID TO STARTER MOTOR (YELLOW)
18	13-26992		1	LOCKWASHER, STARTER MOTOR TERMINAL
19	11-64015		1	NUT, STARTER MOTOR TERMINAL

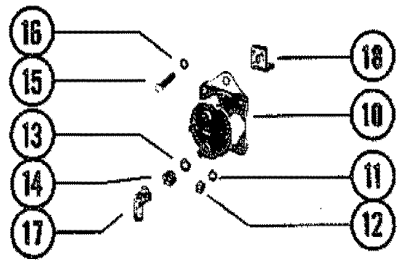
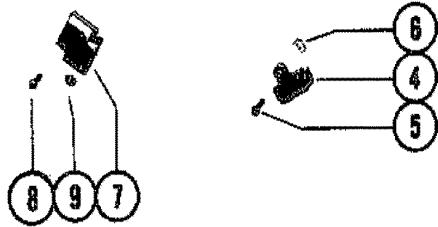
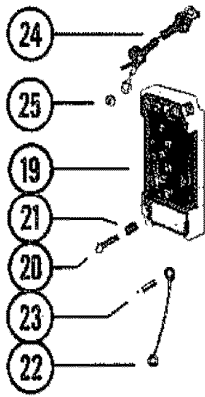
THROTTLE LEVER AND LINK RODS



THROTTLE LEVER AND LINK RODS

REF. NO.	PART NO.	SYM.	QTY.	DESCRIPTION
1	79900		1	LEVER, THROTTLE
2	10-37559		1	SCREW, THROTTLE LEVER TO EXHAUST COVER
3	12-29395		1	WASHER, THROTTLE LEVER SCREW
4	23-45818		1	BUSHING, THROTTLE LEVER SCREW
5	11-20509		1	NUT, THROTTLE LEVER SCREW
6	37587		1	SWIVEL, THROTTLE LEVER TO THROTTLE CABLE
7	11-35888		1	NUT, THROTTLE CABLE TO SWIVEL
8	10-75168		2	SCREW, ADJUSTING-THROTTLE LEVER
9	11-29598		2	NUT, ADJUSTING SCREW
10	52023		2	CAP, NYLON-ADJUSTING SCREW
11	77013A1		1	SWIVEL ASSEMBLY, THROTTLE LEVER
12	23-26856		1	BUSHING, SWIVEL
13	12-33786		1	WASHER, SWIVEL
14	13-29402		1	WAVE WASHER, SWIVEL
15	11-45774		1	NUT, SWIVEL TO THROTTLE LEVER
16	85300		1	LINK ROD, THROTTLE
17	23-74213		1	SWIVEL, LINK ROD TO THROTTLE CAM
18	85441		1	THROTTLE CAM
19	85082		1	HOUSING, THROTTLE-UPPER
20	24-95721		1	SPRING, TORSION-SHAFT
21	12-85303		2	WASHER, PLASTIC-THROTTLE CAM
22	79903		1	HOUSING, THROTTLE-LOWER
23	13-86498		2	WAVE WASHER, SHAFT
24	87937		1	SHAFT, THROTTLE AND SPARK ADVANCE
25	10-28239		1	SCREW, THROTTLE HOUSING
26	12-35462		2	WASHER, THROTTLE HOUSING SCREW
27	11-72008		1	NUT, THROTTLE HOUSING SCREW
28	10-75168		1	SCREW, ADJUSTING-LOWER HOUSING (2-1/4")
29	11-29598		1	NUT, ADJUSTING SCREW
30	52023		1	CAP, NYLON-ADJUSTING SCREW
31	10-60464		1	SCREW, ADJUSTING-LOWER HOUSING (2-1/8")
32	11-68219		1	NUT, ADJUSTING SCREW
33	48039		1	CAP, NYLON-ADJUSTING SCREW
34	77013A1		1	SWIVEL ASSEMBLY, SPARK LINK
35	23-26856		1	BUSHING, SWIVEL
36	12-33786		1	WASHER, SWIVEL
37	13-29402		1	WAVE WASHER, SWIVEL
38	11-45774		1	NUT, SWIVEL
39	85301		1	SPARK LINK
40	74897		1	BARREL, SPARK LINK TO TRIGGER

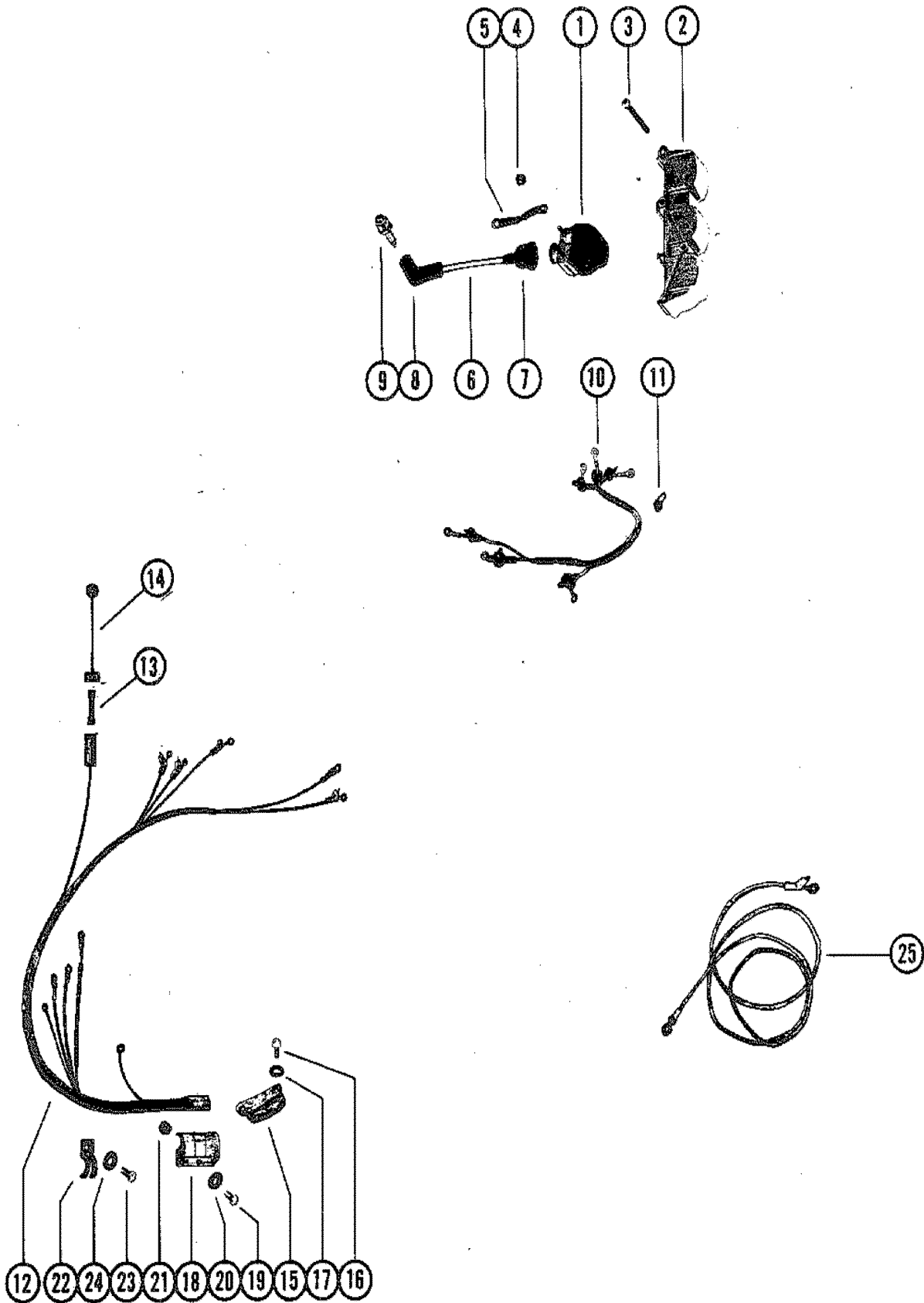
SWITCH BOX AND STARTER SOLENOID



SWITCH BOX AND STARTER SOLENOID

REF. NO.	PART NO.	SYM.	QTY.	DESCRIPTION
1	89748		1	PLATE, ELECTRICAL MOUNTING
2	10-86885		4	SCREW, PLATE TO CYLINDER BLOCK (1-1/2")
	10-28636		3	SCREW, PLATE TO CYLINDER BLOCK (3/4")
	10-45561		2	SCREW, PLATE TO CYLINDER BLOCK (1-1/8")
3	12-29245		7	WASHER, PLATE SCREW
4	87-33386A3		1	SWITCH ASSEMBLY, MERCURY
5	10-25764		1	SCREW, MERCURY SWITCH TO PLATE (5/8")
6	11-45076		1	NUT, WIRE TO MERCURY SWITCH
7	62351A1		1	RECTIFIER
8	10-25764		2	SCREW, RECTIFIER TO IGNITION PLATE (5/8")
9	11-45076		3	NUT, RECTIFIER TERMINALS
10	89-68258		1	STARTER SOLENOID UNITED STATES 6038185 AND BELOW
11	13-26996		2	LOCKWASHER, SOLENOID TERMINALS (#10) UNITED STATES 6038185 AND BELOW
12	11-68219		2	NUT, SOLENOID TERMINALS (10-32) UNITED STATES 6038185 AND BELOW
13	13-26993		2	LOCKWASHER, SOLENOID TERMINALS (5/16") UNITED STATES 6038185 AND BELOW
14	11-68292		2	NUT, SOLENOID TERMINALS (5/16-18) UNITED STATES 6038185 AND BELOW
10	89-96054		1	STARTER SOLENOID UNITED STATES 6038186 AND UP CANADA 7190903 AND UP
11	13-26995		2	LOCKWASHER, SOLENOID TERMINALS (#8) UNITED STATES 6038186 AND UP CANADA 7190903 AND UP
12	11-26419		2	NUT, SOLENOID TERMINALS (8-32) UNITED STATES 6038186 AND UP CANADA 7190903 AND UP
13	13-26992		2	LOCKWASHER, SOLENOID TERMINALS (1/4") UNITED STATES 6038186 AND UP CANADA 7190903 AND UP
14	11-94330		2	NUT, SOLENOID TERMINALS (1/4-20) UNITED STATES 6038186 AND UP CANADA 7190903 AND UP
15	10-38601		2	SCREW, STARTER SOLENOID TO PLATE (1/2")
16	13-26992		2	LOCKWASHER, STARTER SOLENOID SCREW
17	46265		1	BOOT, TERMINAL-STARTER SOLENOID
18	90547		1	LOCATOR, STARTER SOLENOID
19	332-7778A3		2	SWITCH BOX
20	10-20619		4	SCREW, SWITCH BOX (1-3/8")
21	23-94304		4	SPACER, SWITCH BOX SCREW
22	84-60871A10		2	WIRE ASSEMBLY, SWITCH BOX
23	10-62568		2	SCREW, WIRE
24	84-62310A3		1	CABLE ASSEMBLY, SWITCH BOX TO SWITCH BOX (WHITE/BLACK)
25	11-45076		20	NUT, SWITCH BOX TERMINAL

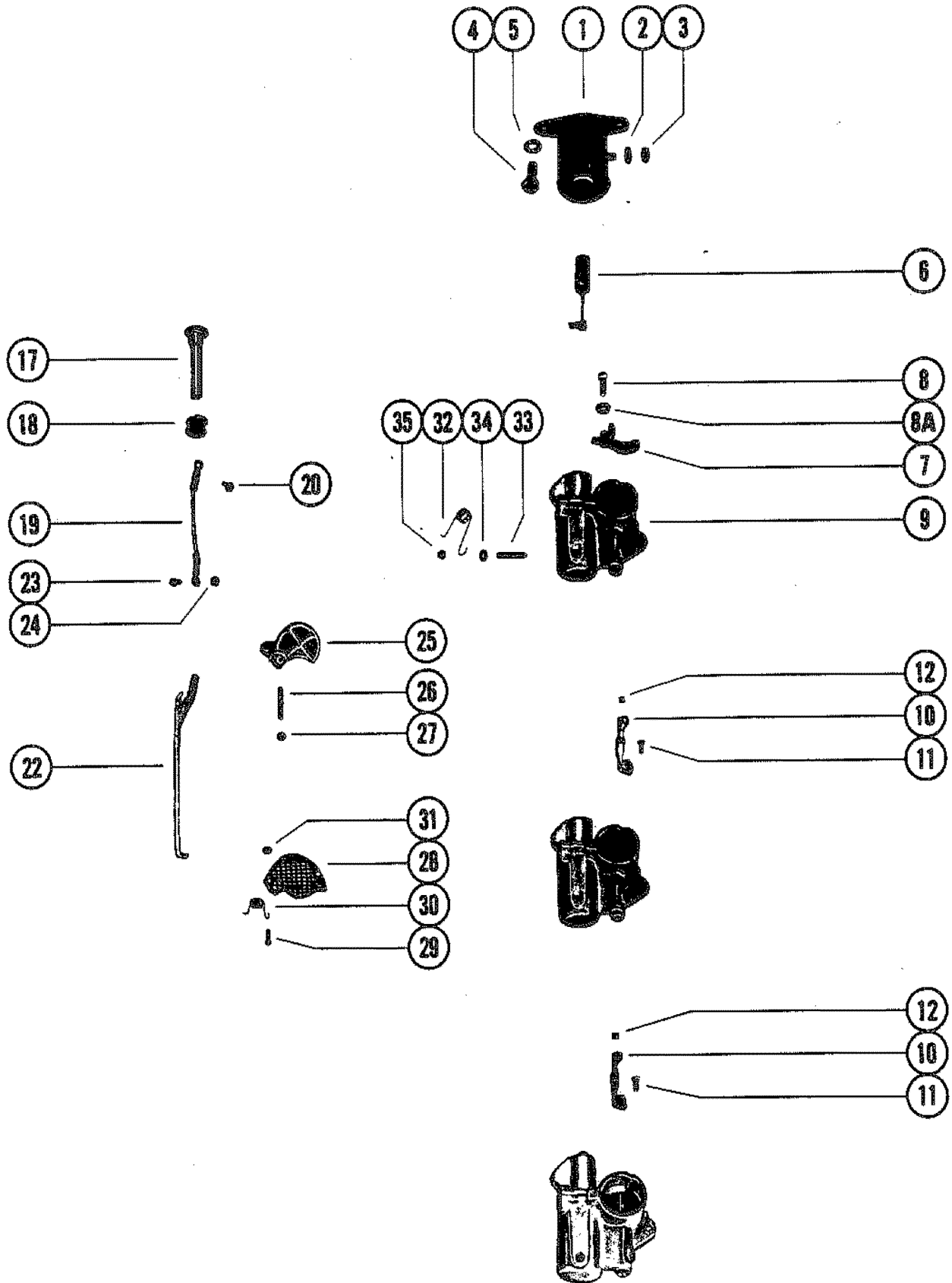
WIRING HARNESS AND IGNITION COIL



WIRING HARNESS AND IGNITION COIL

REF. NO.	PART NO.	SYM.	QTY.	DESCRIPTION
1	339-7370A2		6	IGNITION COIL
2	73218		2	COVER, IGNITION COIL
3	10-88856		12	SCREW, IGNITION COIL COVER (2")
4	11-45076		12	NUT, IGNITION COIL TERMINAL
5	84-60466A1		6	CABLE ASSEMBLY, IGNITION COIL (BLACK)
6	84-90816A25		6	CABLE, HIGH TENSION
7	332-2854		6	BOOT, COIL END
8	85-63709A1		6	PROTECTOR, SPARK PLUG END
9	33-68057		6	SPARK PLUG (CHAMPION #L76-V)
10	84-85537A2		1	HARNESS, COIL TO SWITCH BOX (#2,4 AND 6)
	84-85537A1		1	HARNESS, COIL TO SWITCH BOX (#1,3 AND 5)
11	54-63153		2	CLIP, HARNESS TO COIL COVER
12	84-89564A1		1	WIRING HARNESS UNITED STATES 6038185 AND BELOW
	84-96188A2		1	WIRING HARNESS UNITED STATES 6038186 AND UP CANADA 7190903 AND UP
13	88-79091		1	FUSE UNITED STATES 6038186 AND UP CANADA 7190903 AND UP
14	84-95084A2		1	WIRE, FUSE HOLDER UNITED STATES 6038186 AND UP CANADA 7190903 AND UP
15	54-88608		1	CLAMP, WIRING HARNESS
16	10-28636		2	SCREW, WIRING HARNESS CLAMP
17	13-26996		2	LOCKWASHER, WIRING HARNESS CLAMP SCREW
18	89047		1	BRACKET, WIRING HARNESS
19	10-24637		2	SCREW, WIRING HARNESS BRACKET
20	12-38833		2	WASHER, BRACKET SCREW
21	11-20110		2	NUT, BRACKET SCREW
22	88751		1	CLAMP, WIRING HARNESS
23	10-28636		1	SCREW, WIRING HARNESS CLAMP
24	12-20533		1	WASHER, CLAMP SCREW
25	84-88439A3		1	BATTERY CABLE (POSITIVE)
	84-88439A4		1	BATTERY CABLE (NEGATIVE)

CARBURETOR LINKAGE CHOKE SOLENOID

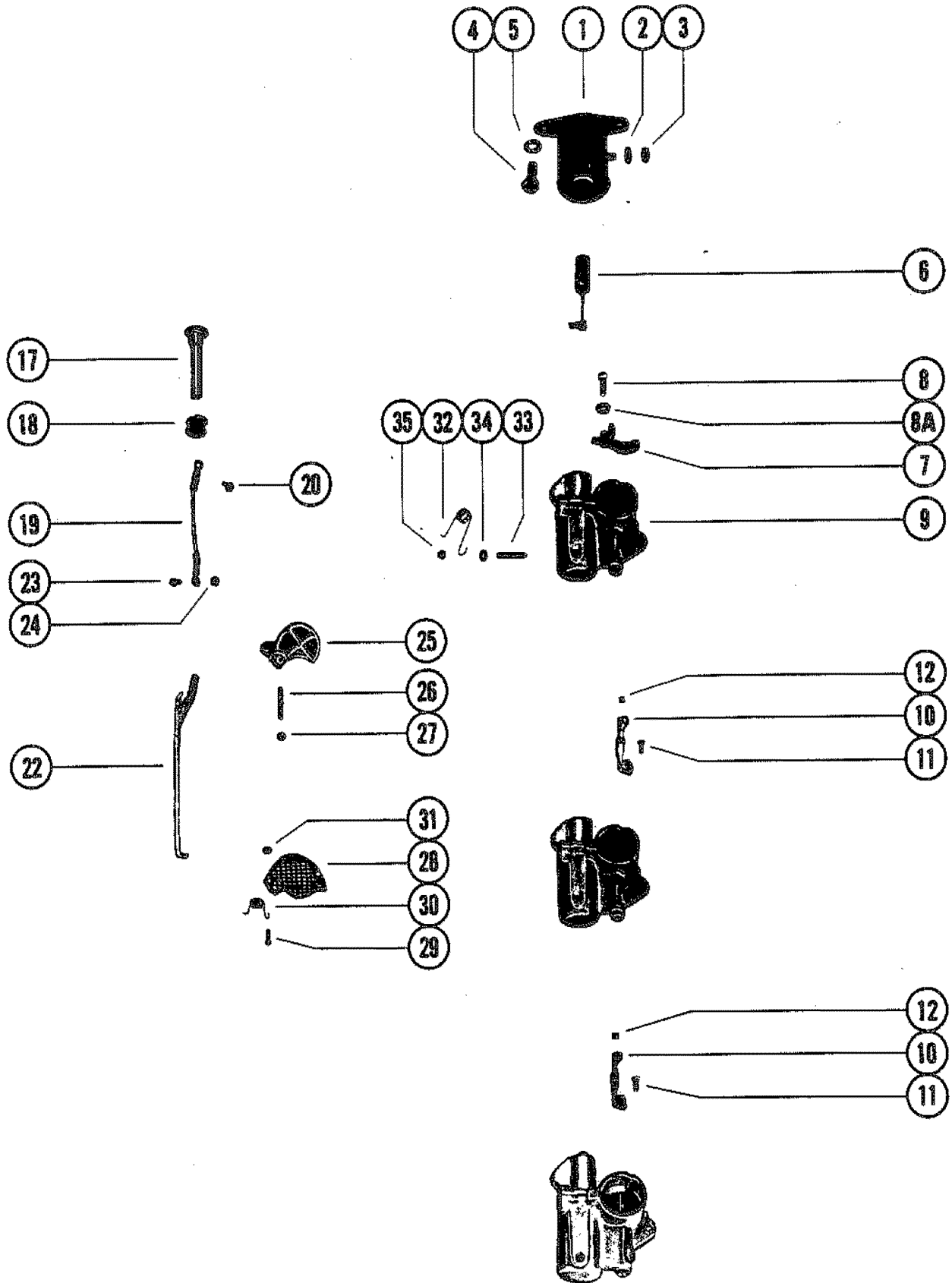


CARBURETOR LINKAGE CHOKE SOLENOID

REF. NO.	PART NO.	SYM.	QTY.	DESCRIPTION
1	54293A4		1	CHOKE SOLENOID UNITED STATES 6038185 AND BELOW
2	13-26996		1	LOCKWASHER, SOLENOID TERMINAL UNITED STATES 6038185 AND BELOW
3	11-68219		1	NUT, SOLENOID TERMINAL UNITED STATES 6038185 AND BELOW
4	10-25299		2	SCREW, CHOKE SOLENOID (3/4") UNITED STATES 6038185 AND BELOW
5	13-26993		2	LOCKWASHER, CHOKE SOLENOID SCREW UNITED STATES 6038185 AND BELOW
6	90548A1		1	PLUNGER AND LINK ASSEMBLY UNITED STATES 6038185 AND BELOW
7	85943A1		1	LEVER, THROTTLE (UPPER CARBURETOR)
8	10-60293		1	SCREW, THROTTLE LEVER
8A	12-74726		1	WASHER, THROTTLE LEVER SCREW
9	1368-7469A6		1	CARBURETOR (TOP)-STAMPED WMK-30
	1368-7469A8		2	CARBURETOR (CENTER/BOTTOM) -STAMPED WMK-30
	1368-7469A10		1	CARBURETOR (TOP)-STAMPED WMK-35
	1368-7469A12		2	CARBURETOR (CENTER/BOTTOM) -STAMPED WMK-35
	1368-7469A14		1	CARBURETOR (TOP)-STAMPED WMK-39
	1368-7469A16		2	CARBURETOR (CENTER/BOTTOM) -STAMPED WMK-39
10	53720A2		2	THROTTLE PICK-UP BRACKET ASSEMBLY
11	10-66104		2	SCREW, THROTTLE BRACKET
12	28-89694		2	KEY, THROTTLE COUPLING
17	90242A1		1	KNOB, CHOKE ROD UNITED STATES 6038185 AND BELOW
18	25-20116		1	GROMMET, CHOKE ROD UNITED STATES 6038185 AND BELOW
19	49589		1	STRAP, CHOKE KNOB TO CHOKE ROD UNITED STATES 6038185 AND BELOW
20	10-76196		1	SCREW, STRAP TO CHOKE KNOB (5/8") UNITED STATES 6038185 AND BELOW
22	48203		1	CHOKE ROD UNITED STATES 6038185 AND BELOW
23	10-48591		1	SCREW, STRAP TO CHOKE ROD (1/2") UNITED STATES 6038185 AND BELOW
24	11-46438		1	NUT, STRAP TO CHOKE ROD SCREW UNITED STATES 6038185 AND BELOW
25	48152		2	CHOKE SHUTTER UNITED STATES 6038185 AND BELOW
26	16-69037		2	STUD, CHOKE SHUTTER PIVOT UNITED STATES 6038185 AND BELOW
27	11-20110		2	NUT, CHOKE SHUTTER STUD UNITED STATES 6038185 AND BELOW
28	35-57819		3	SCREEN ASSEMBLY, FILTER UNITED STATES 6038185 AND BELOW
29	10-22523		1	SCREW, LOWER SCREEN TO CARBURETOR (5/8") UNITED STATES 6038185 AND BELOW
	10-23015		2	SCREW, UPPER SCREEN TO CARBURETOR (1")
30	24-57818		2	SPRING, UPPER SCREEN SCREW UNITED STATES 6038185 AND BELOW

CONTINUED ON NEXT PAGE ➡

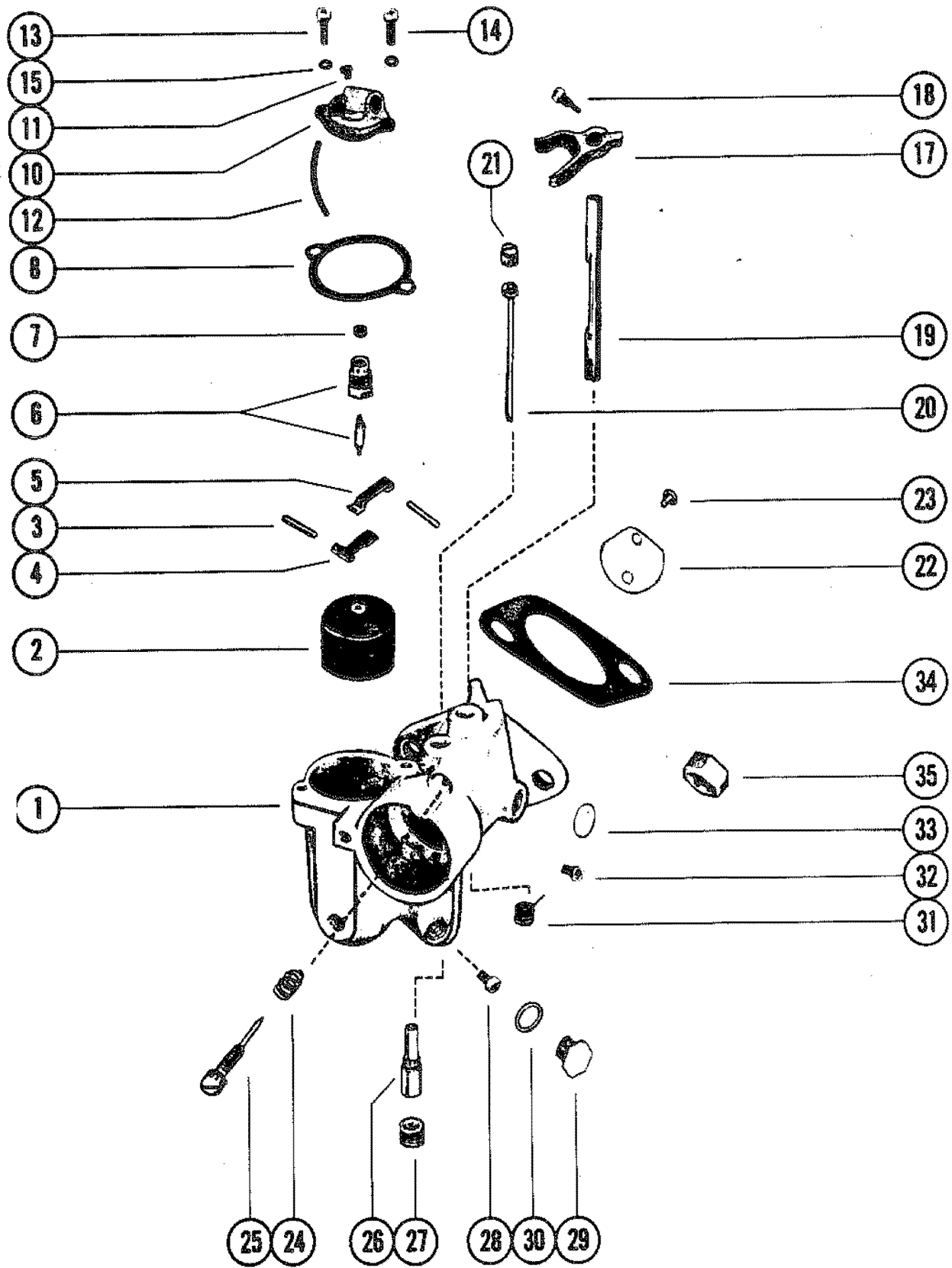
CARBURETOR LINKAGE CHOKE SOLENOID



CARBURETOR LINKAGE CHOKE SOLENOID

REF. NO.	PART NO.	SYM.	QTY.	DESCRIPTION
31	11-20110		3	NUT, SCREEN SCREW UNITED STATES 6038185 AND BELOW
32	24-48230		1	SPRING, CHOKE ROD TENSION UNITED STATES 6038185 AND BELOW
33	16-39937		1	STUD, CHOKE ROD SPRING TO CARBURETOR UNITED STATES 6038185 AND BELOW
34	23-32427		1	SPACER, CHOKE ROD SPRING STUD UNITED STATES 6038185 AND BELOW
35	11-46887		1	NUT, CHOKE ROD SPRING STUD UNITED STATES 6038185 AND BELOW

CARBURETOR ASSEMBLY

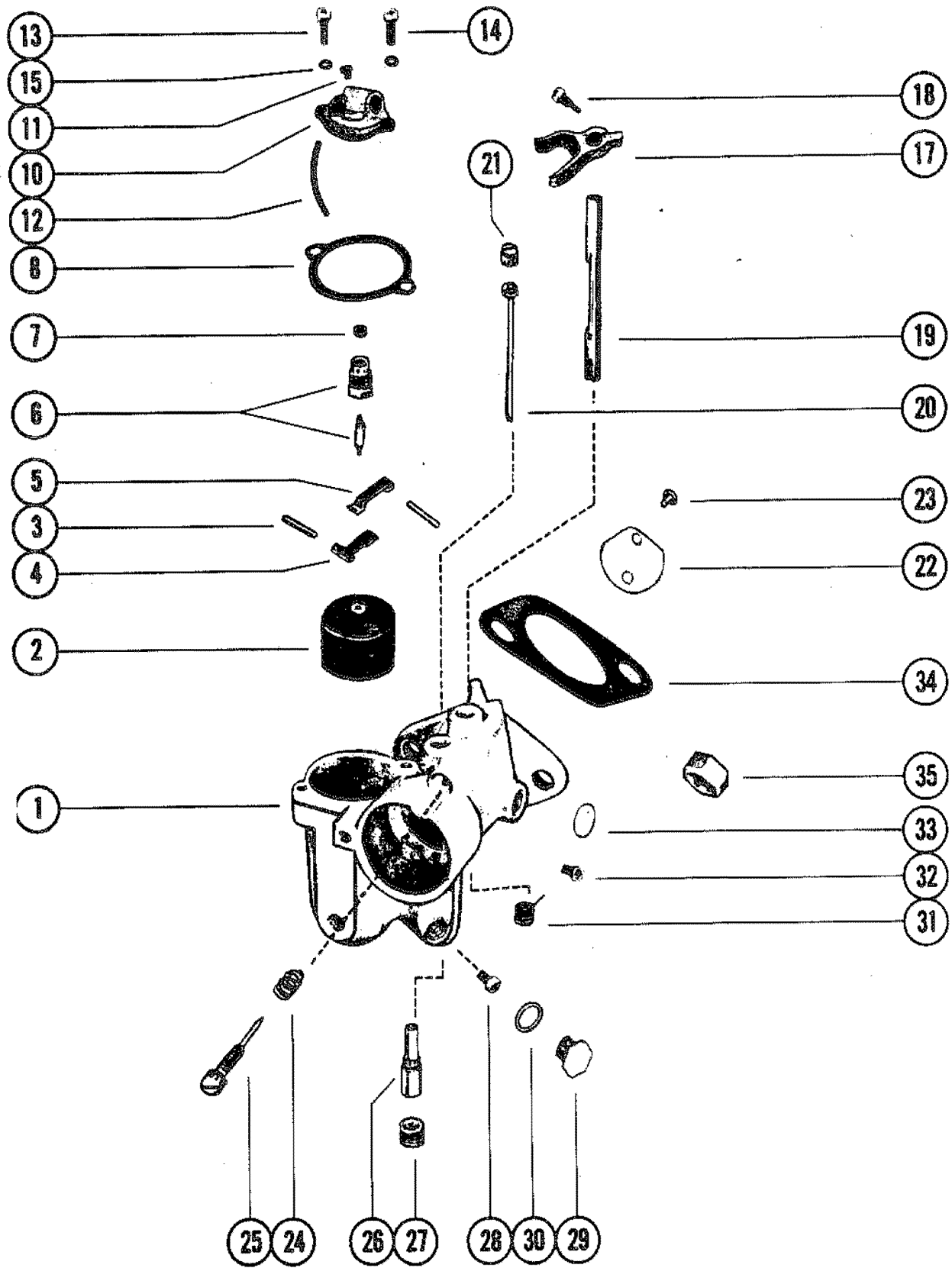


CARBURETOR ASSEMBLY

REF. NO.	PART NO.	SYM.	QTY.	DESCRIPTION
1	1368-7469A6		1	CARBURETOR (TOP)-STAMPED WMK-30
	1368-7469A8		2	CARBURETOR (CENTER/BOTTOM) STAMPED WMK-30
	1368-7469A10		1	CARBURETOR (TOP)-STAMPED WMK-35
	1368-7469A12		2	CARBURETOR (CENTER/BOTTOM) -STAMPED WMK-35
	1368-7469A14		1	CARBURETOR (TOP)-STAMPED WMK-39
	1368-7469A16		2	CARBURETOR (CENTER/BOTTOM) -STAMPED WMK-39
2	1395-5353		3	FLOAT ASSEMBLY-STAMPED WMK-30
	1395-8673		3	FLOAT ASSEMBLY-STAMPED WMK-35
	1395-8983		3	FLOAT ASSEMBLY-STAMPED WMK-39
3			6	PIN, FLOAT LEVER PINION
4			3	LEVER, FLOAT (LOWER)
5			3	LEVER, FLOAT (UPPER)
6	1395-4555		3	INLET NEEDLE, SEAT/GASKET-STAMPED WMK-30
	1395-8318		3	INLET NEEDLE, SEAT/GASKET-STPD WMK-35/WMK-39
7			3	GASKET, INLET SEAT
8			3	GASKET, FLOAT BOWL COVER
10	1395-5680		3	COVER, FLOAT BOWL
11	1395-5733		3	JET, BOWL VENT (.092)
12	1395-5734		3	HOSE, ECONOMIZER
13	10-52195		3	SCREW, FLOAT BOWL COVER
14	1395-4804		3	SCREW, FLOAT BOWL COVER
15	13-26995		6	LOCKWASHER, FLOAT BOWL COVER SCREW
17	1399-97		3	LEVER, THROTTLE (SEE NOTE BELOW)
18	10-20847		3	SCREW, THROTTLE STOP LEVER
19	1395-7614		1	SHAFT, THROTTLE (TOP)
	1399-3527		2	SHAFT, THROTTLE (CENTER/BOTTOM)
20			3	TUBE, IDLE
21	1395-4540		3	SCREW, BODY (IDLE TUBE)
22	1395-7874		3	SHUTTER, THROTTLE
23			6	SCREW, THROTTLE SHUTTER
24			3	SPRING, IDLE ADJUSTMENT SCREW
25			3	SCREW, IDLE ADJUSTMENT
26			3	NOZZLE, MAIN
27	1395-4542		3	SCREW, PLUG-MAIN NOZZLE
28	1399-3794		OPT	JET, MAIN FUEL (.074)
	1395-6207		OPT	JET, MAIN FUEL (.072)
	1395-6030		OPT	JET, MAIN FUEL (.070)
	1395-6029		3	JET, MAIN FUEL (.068)-STANDARD
29	1395-4541		3	SCREW, PLUG-MAIN FUEL JET CHANNEL
30			3	GASKET, JET CHANNEL PLUG SCREW
31			3	SPRING, THOTTLE SHAFT RETURN
32	1395-4543		3	SCREW, BODY CHANNEL
33			3	WELCH PLUG, BODY CHANNEL

CONTINUED ON NEXT PAGE ➡

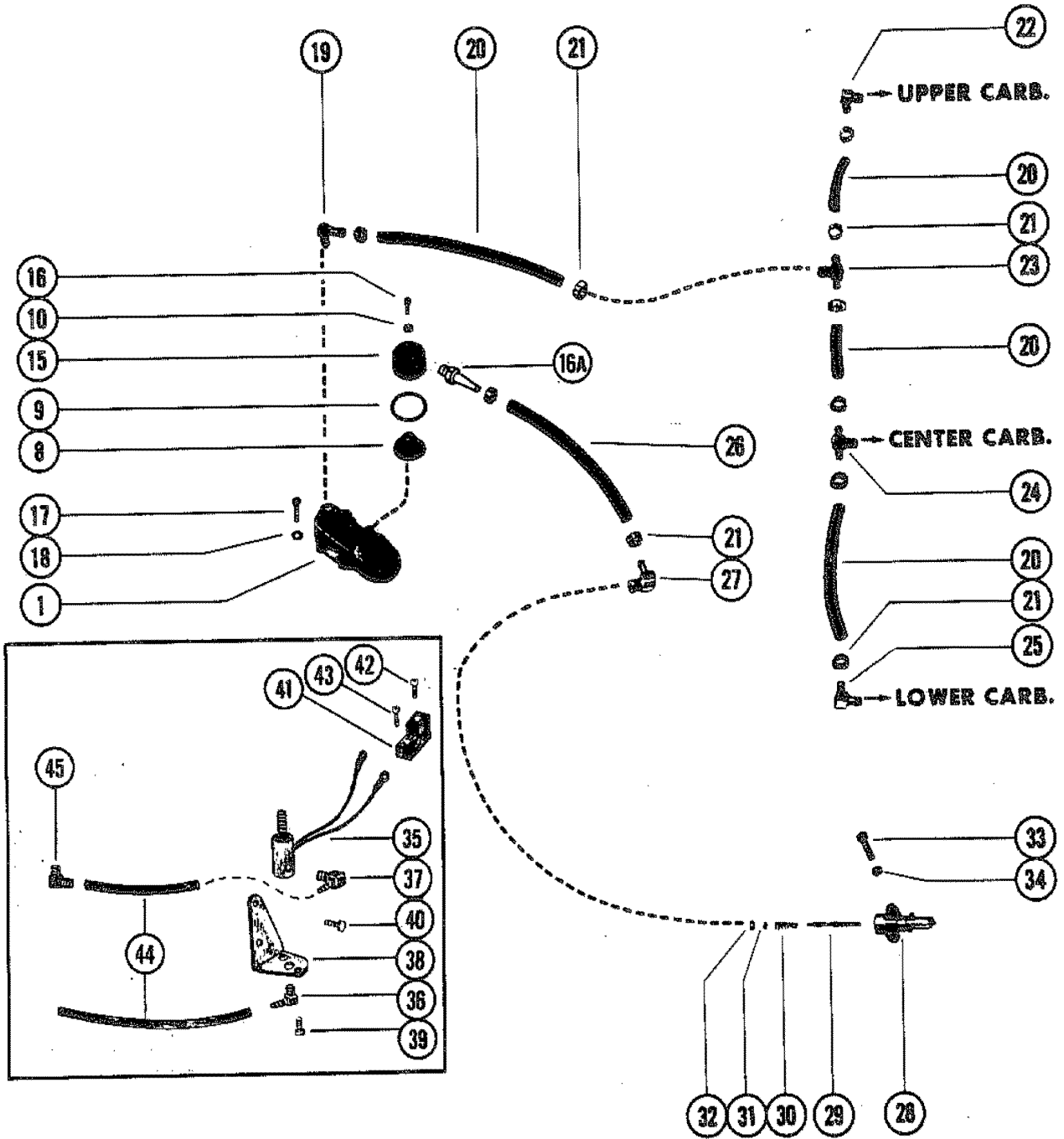
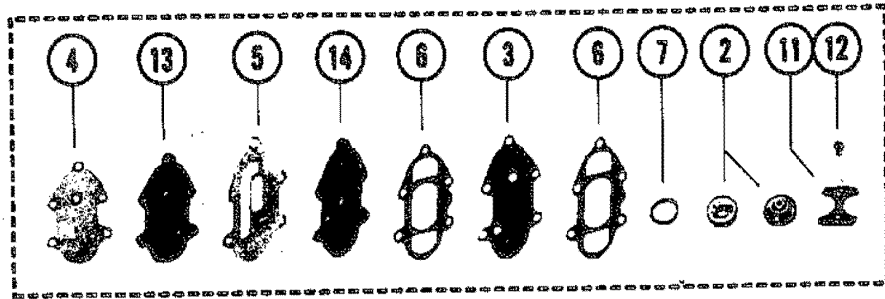
CARBURETOR ASSEMBLY



CARBURETOR ASSEMBLY

REF. NO.	PART NO.	SYM.	QTY.	DESCRIPTION
33	1395-4808		3	GASKET AND PACKING SET (1 PER CARBURETOR)
	1395-7875		3	REPAIR PARTS KIT (1 PER CARBURETOR)-WMK-30/WMK-35
	1395-8984		3	REPAIR PARTS KIT (1 PER CARBURETOR)-WMK-39
34	27-48164		3	GASKET, CARBURETOR FLANGE
35	11-64809		6	NUT, CARBURETOR STUD

FUEL PUMP AND FUEL LINE ASSEMBLY

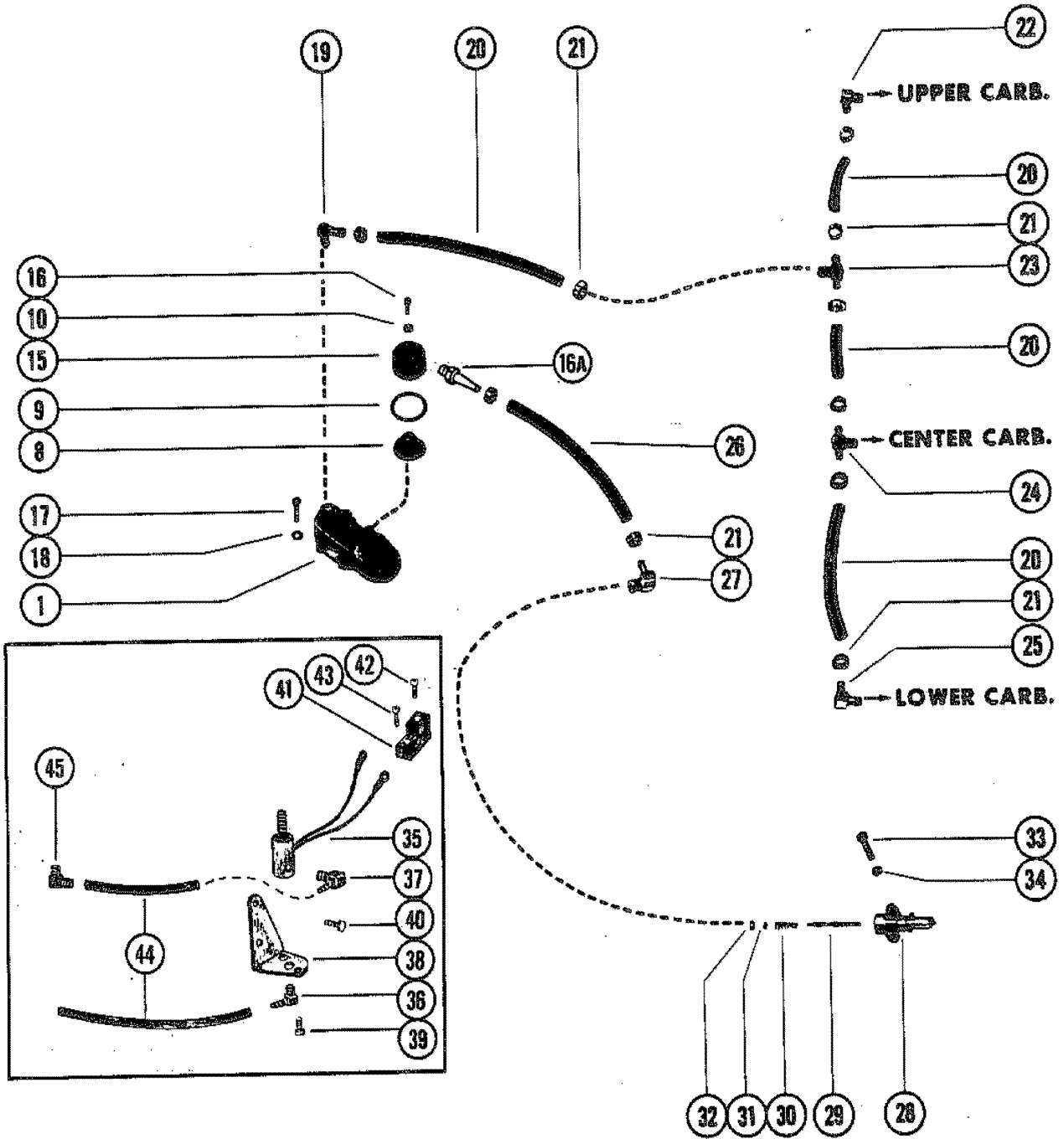
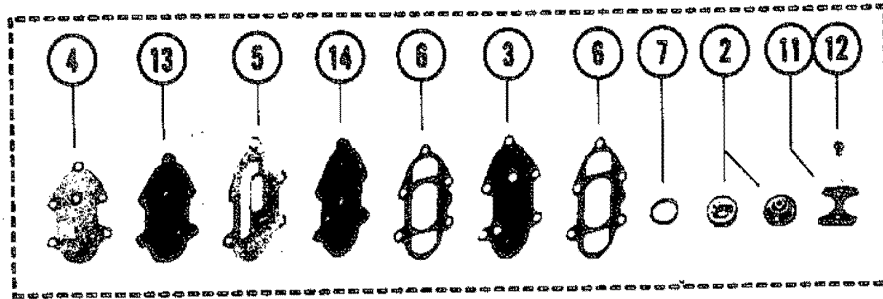


FUEL PUMP AND FUEL LINE ASSEMBLY

REF. NO.	PART NO.	SYM.	QTY.	DESCRIPTION
1	66530A6		1	FUEL PUMP ASSEMBLY
2	21-30430A10		1	CHECK VALVE ASSEMBLY
3	89031A3		1	DIAPHRAGM ASSEMBLY
4			1	GASKET, FUEL PUMP
5			1	GASKET, PULSE CHAMBER
6			2	GASKET, FUEL PUMP
7			2	GASKET, CHECK VALVE TO HOUSING
8	35-59072		1	SCREEN, FUEL INLET
9	25-35480		1	"O"RING, FUEL INLET COVER
10	25-38933		1	GASKET, COVER SCREW
11	23004		1	RETAINER, CHECK VALVE
12	10-20037		2	SCREW, RETAINER
13	86295		1	BASE, FUEL PUMP
14	87990		1	PULSE CHAMBER, FUEL PUMP
15	35-91078A1		1	COVER, FUEL INLET
16	10-89766		1	SCREW, FUEL FILTER COVER (5/8")
16A	22-64705		1	FITTING, INLET COVER
17	10-73013		5	SCREW, FUEL PUMP (1-1/2")
18	13-26996		5	LOCKWASHER, FUEL PUMP SCREW
19	64704		1	FITTING, FUEL OUTLET
20	32-31583109		4	FUEL LINE, FUEL PUMP TO CARBURETOR
21	54-68424		10	CLAMP, FUEL LINE ATTACHING
22	22-64704		1	FITTING, ELBOW-UPPER CARBURETOR
23	22-73318		1	TEE, FUEL LINE
24	22-64706		1	FITTING, TEE-CENTER CARBURETOR
25	22-64704		1	FITTING, ELBOW-LOWER CARBURETOR
26	32-31583109		1	FUEL LINE, ADAPTOR TO FUEL PUMP (11")
27	22-63981		1	ELBOW, FUEL LINE TO ADAPTOR
28	22833		1	ADAPTOR, CHECK UNIT (FUEL LINE) -IDENTIFIED BY 73419 CASTING ON REF. #28
29	23069		1	STEM, CHECK UNIT ADAPTOR -IDENTIFIED BY 73419 CASTING ON REF. #28
30	24-23067		1	SPRING, ADAPTOR STEM -IDENTIFIED BY 73419 CASTING ON REF. #28
28	30186		1	ADAPTOR, CHECK UNIT (FUEL LINE) -IDENTIFIED BY 30186 CASTING ON REF. #28
29	30187		1	STEM, CHECK UNIT ADAPTOR -IDENTIFIED BY 30186 CASTING ON REF. #28
30	24-30189		1	SPRING, ADAPTOR STEM -IDENTIFIED BY 30186 CASTING ON REF. #28
31	25-20415		1	"O"RING, ADAPTOR STEM
32	30188		1	CUP WASHER, ADAPTOR
33	10-36154		2	SCREW, ADAPTOR TO BOTTOM COWL (1 3/8")
34	11-36069		2	NUT, ADAPTOR SCREW

CONTINUED ON NEXT PAGE ➡

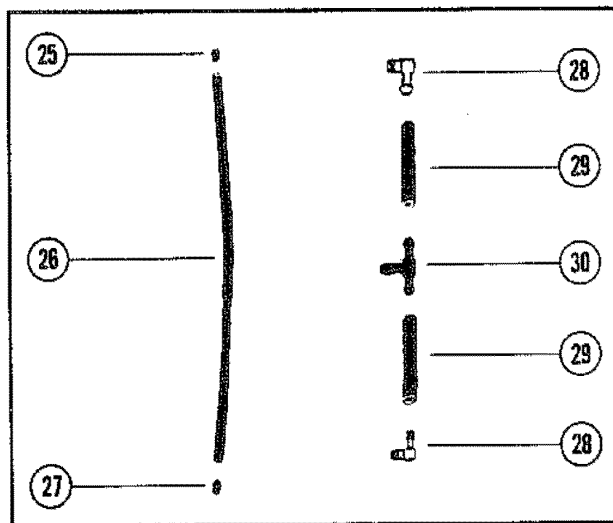
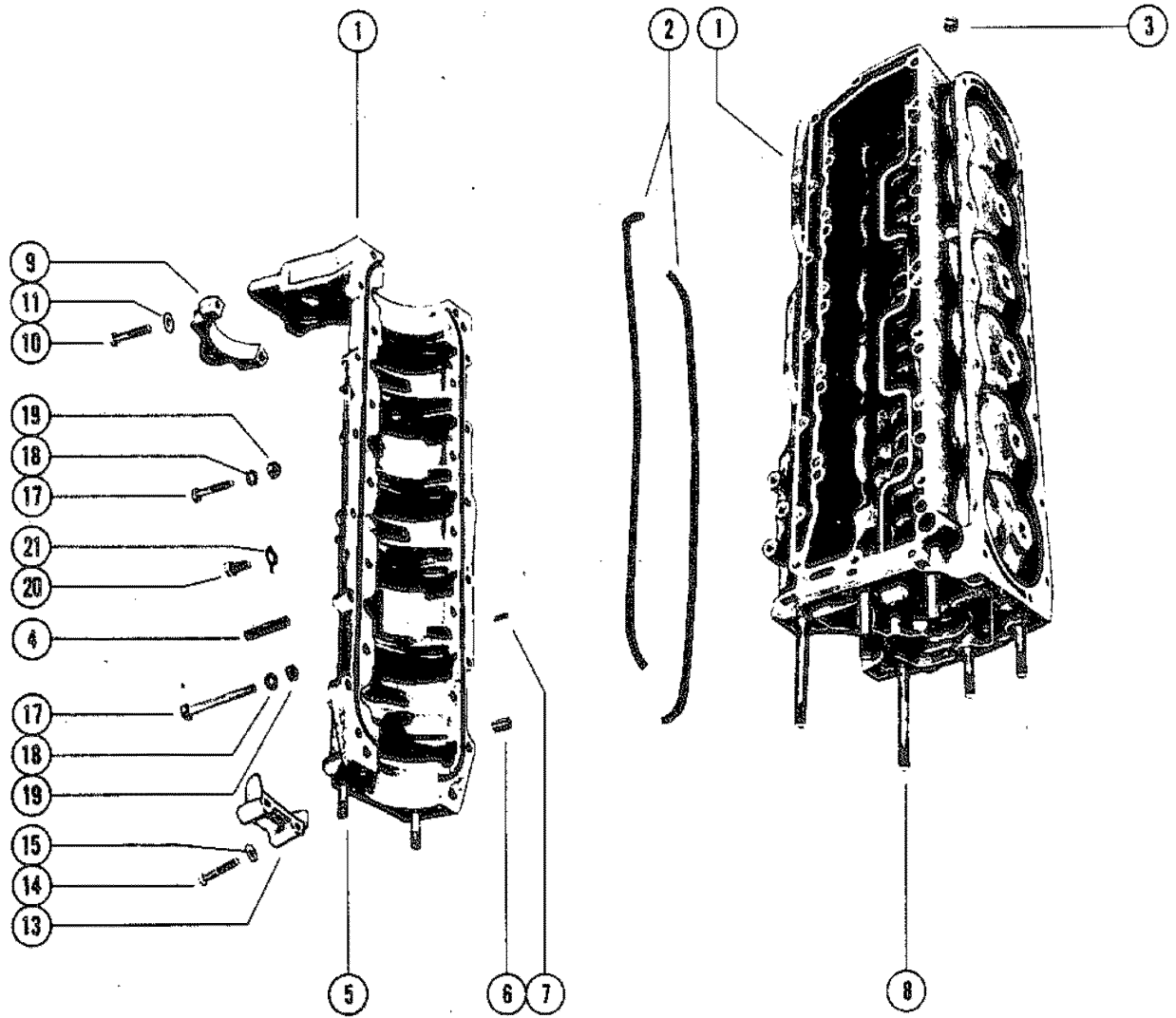
FUEL PUMP AND FUEL LINE ASSEMBLY



FUEL PUMP AND FUEL LINE ASSEMBLY

REF. NO.	PART NO.	SYM.	QTY.	DESCRIPTION
35	90365		1	VALVE, ENRICHER UNITED STATES 6038186 AND UP CANADA 7190903 AND UP
36	22-90275		1	CONNECTOR, ENRICHER VALVE (BOTTOM) UNITED STATES 6038186 AND UP CANADA 7190903 AND UP
37	22-73817		1	CONNECTOR, ENRICHER VALVE (SIDE) UNITED STATES 6038186 AND UP CANADA 7190903 AND UP
38	90345		1	BRACKET, ENRICHER VALVE UNITED STATES 6038186 AND UP CANADA 7190903 AND UP
39	10-89075		2	SCREW, VALVE TO BRACKET UNITED STATES 6038186 AND UP CANADA 7190903 AND UP
40	10-73286		2	SCREW, BRACKET TO REED BLOCK HOUSING (1/2") UNITED STATES 6038186 AND UP CANADA 7190903 AND UP
41	45915		1	TERMINAL BLOCK, REED BLOCK HOUSING UNITED STATES 6038186 AND UP CANADA 7190903 AND UP
42	10-69079		1	SCREW, TERMINAL BLOCK UNITED STATES 6038186 AND UP CANADA 7190903 AND UP
43	10-20411		1	SCREW, WIRE TO TERMINAL BLOCK UNITED STATES 6038186 AND UP CANADA 7190903 AND UP
44	32-26980-88		2	FUEL LINE, ENRICHER VALVE UNITED STATES 6038186 AND UP CANADA 7190903 AND UP
45	22-90275		1	CONNECTOR, TOP CARBURETOR (90)

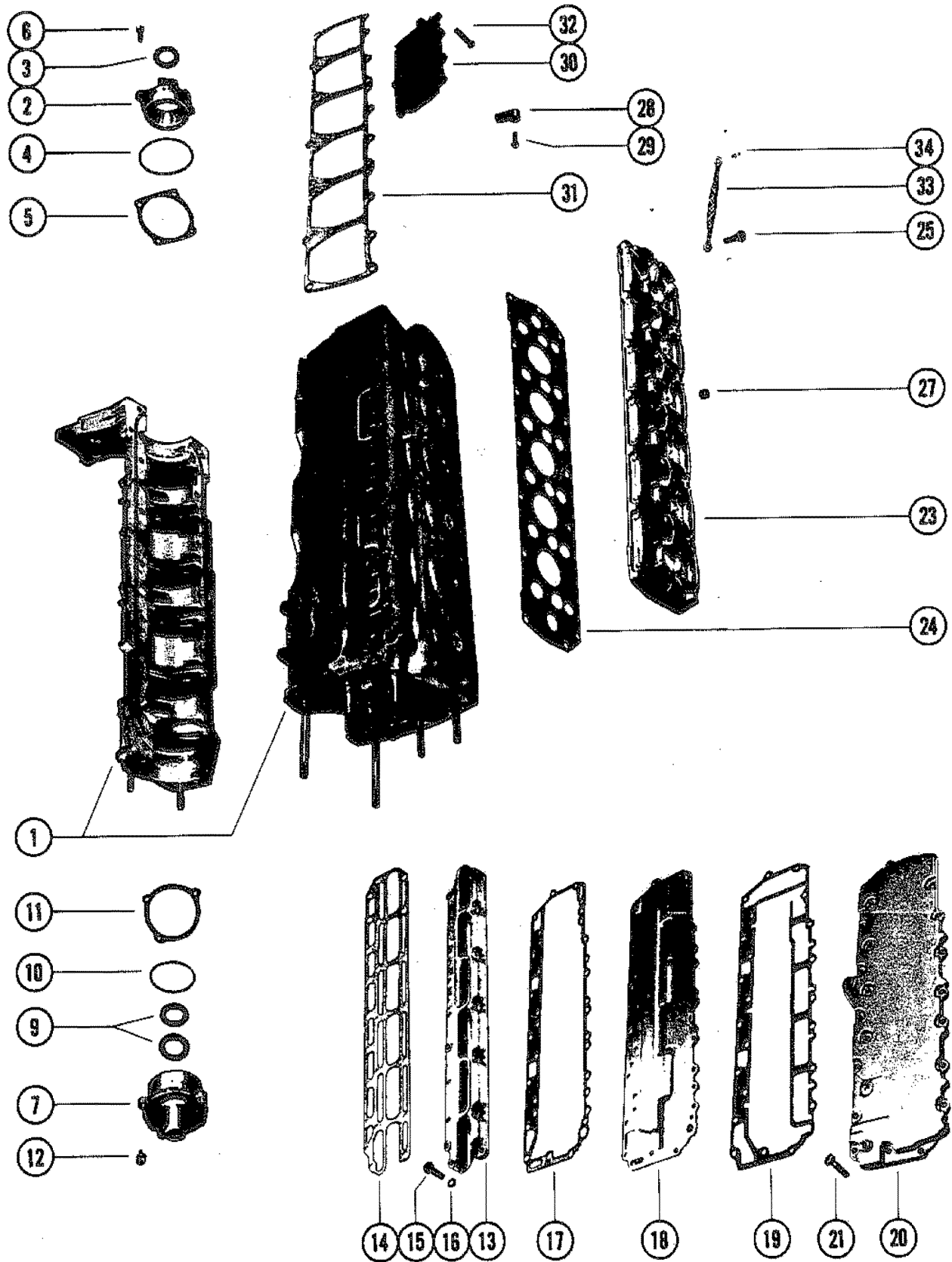
CYLINDER BLOCK AND CRANKCASE ASSEMBLY



CYLINDER BLOCK AND CRANKCASE ASSEMBLY

REF. NO.	PART NO.	SYM.	QTY.	DESCRIPTION
1	852-7697A3		1	BLOCK/CRANKCASE ASS'Y UNITED STATES 6038185 AND BELOW
	852-8311A4		1	BLOCK/CRANKCASE ASS'Y UNITED STATES 6038186 AND UP CANADA 7190903 AND UP
2	27-53862		2	GASKET, CRANKCASE TO CYLINDER BLOCK
3	66517		5	RESTRICITON, CRANKCASE BLEED
4	16-64280		6	STUD, CARBURETOR (1 3/16")
5	16-64281		2	STUD, CRANKCASE TO EXTENSION PLATE (1 7/8")
6	17-20033		2	DOWEL PIN, CRANKCASE TO CYLINDER BLOCK
7	17-63779		3	DOWEL PIN, CYLINDER BLOCK TO MAIN BEARING
8	16-64282		6	STUD, CYLINDER BLOCK TO PLATE (4")
9	86473		1	COVER, STARTER MOTOR-TOP
10	10-69268		2	SCREW, TOP COVER (1 7/8")
11	13-26993		2	LOCKWASHER, TOP COVER SCREWS
13	76867		1	COVER, STARTER MOTOR-BOTTOM
14	10-69268		2	SCREW, BOTTOM COVER (1 7/8")
15	13-26993		2	LOCKWASHER, BOTTOM COVER SCREW
17	10-57841		3	SCREW, CRANKCASE TO CYLINDER BLOCK (2 3/4")
	10-32293		3	SCREW, CRANKCASE TO CYLINDER BLOCK (1 3/4")
	10-73657		20	SCREW, CRANKCASE TO CYLINDER BLOCK (1 1/2")
	10-53016		2	SCREW, CRANKCASE TO CYLINDER BLOCK (1 1/4")
18	12-22753		25	WASHER, CRANKCASE SCREWS
19	11-29250		2	NUT, CRANKCASE SCREWS (LOWER)
20	10-20359		2	SCREW, CENTER MAIN BEARING LOCKING
21	14-20091		2	TAB WASHER, BEARING LOCKING SCREW
25	21-77560		1	CHECK VALVE, BLEED HOSE-UPPER
26	32-54935-79		1	HOSE, BLEED (22")
27	21-77561		1	CHECK VALVE, BLEED HOSE-LOWER
28	22-25885		2	ELBOW, BALANCE HOSE
29	32-34395A1		2	HOSE, BALANCE-MAIN BEARING (6 1/4")
30	22-85578		1	TEE, BALANCE HOSE UNITED STATES 6038185 AND BELOW
	22-97231		1	TEE, BLEED BASE UNITED STATES 6038186 AND UP CANADA 7190903 AND UP

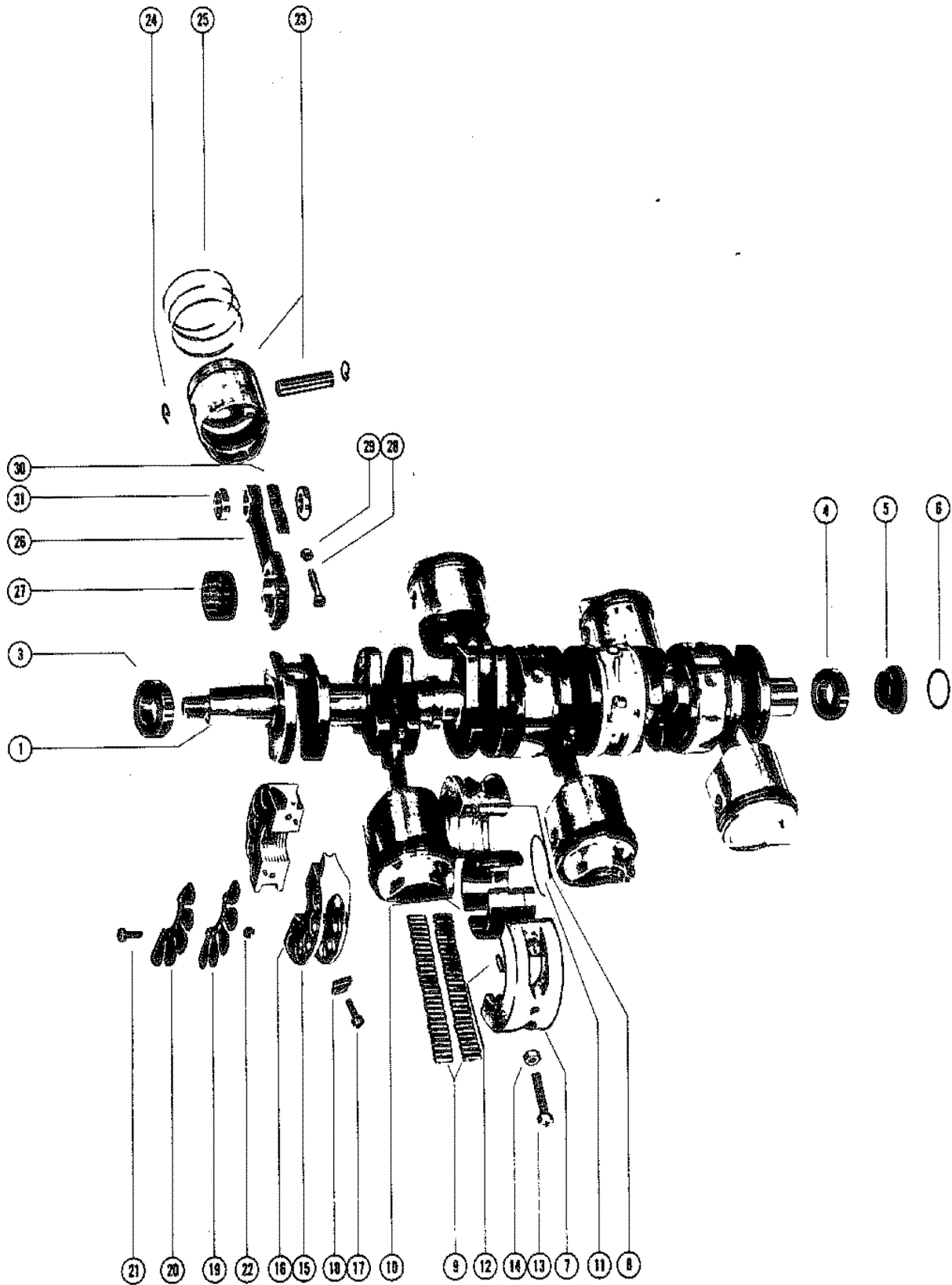
END CAPS, MANIFOLD AND EXHAUST COVERS



END CAPS, MANIFOLD AND EXHAUST COVERS

REF. NO.	PART NO.	SYM.	QTY.	DESCRIPTION
1	852-7697A3		1	BLOCK/CRANKCASE ASS'Y UNITED STATES 6038185 AND BELOW
	852-8311A4		1	BLOCK/CRANKCASE ASS'Y UNITED STATES 6038186 AND UP CANADA 7190903 AND UP
2	1161-7616A2		1	END CAP ASSEMBLY
3	26-29476		1	OIL SEAL, END CAP
4	25-47254		1	"O"RING
5	15-73644A1		AR	SHIM, END CAP (.006-10)
6	10-73169		4	SCREW, END CAP (1")
7	1148-5410A1		1	END CAP ASSEMBLY, LOWER
9	26-29476		2	OIL SEAL, END CAP
10	25-32546		1	"O"RING, END CAP
11	15-20085A1		AR	SHIM, END CAP (.005-10)
12	10-69034		3	SCREW, END CAP (1")
13	71808		1	COVER, WATER JACKET
14	27-72142		1	GASKET, WATER JACKET COVER
15	10-53167		23	SCREW, WATER JACKET COVER (7/8")
16	12-70132		23	WASHER, WATER JACKET COVER SCREW
17	27-85495		1	GASKET, CYLINDER BLOCK TO BAFFLE PLATE
18	75778		1	BAFFLE PLATE, EXHAUST MANIFOLD
19	27-85497		1	GASKET, BAFFLE PLATE TO EXHAUST MANIFOLD COVER
20	86316		1	COVER, EXHAUST MANIFOLD
21	10-53576		24	SCREW, MANIFOLD COVER
23	1023-5070		1	COVER, CYLINDER BLOCK UNITED STATES 6038185 AND BELOW
24	27-85494		1	GASKET, CYLINDER COVER UNITED STATES 6038185 AND BELOW
23	1023-8368A1		1	COVER, CYLINDER BLOCK UNITED STATES 6038186 AND UP CANADA 7190903 AND UP
24	27-98185		1	GASKET, CYLINDER BLOCK UNITED STATES 6038186 AND UP CANADA 7190903 AND UP
25	10-69100		16	SCREW, COVER (1")
27	22-68307		1	PIPE PLUG, CYLINDER BLOCK COVER
28	37440		1	BRACKET, MOUNT SUPPORT
29	10-24234		1	SCREW, BRACKET TO CYLINDER BLOCK (1")
30	87872		3	COVER, TRANSFER PORT
31	27-85653		1	GASKET, TRANSFER PORT COVER
32	10-28636		24	SCREW, TRANSFER PORT COVER (3/4")
33	46933A3		2	GROUND STRAP ASSEMBLY, CYLINDER BLOCK COVER
34	10-62568		2	SCREW, GROUND STRAP (3/8")

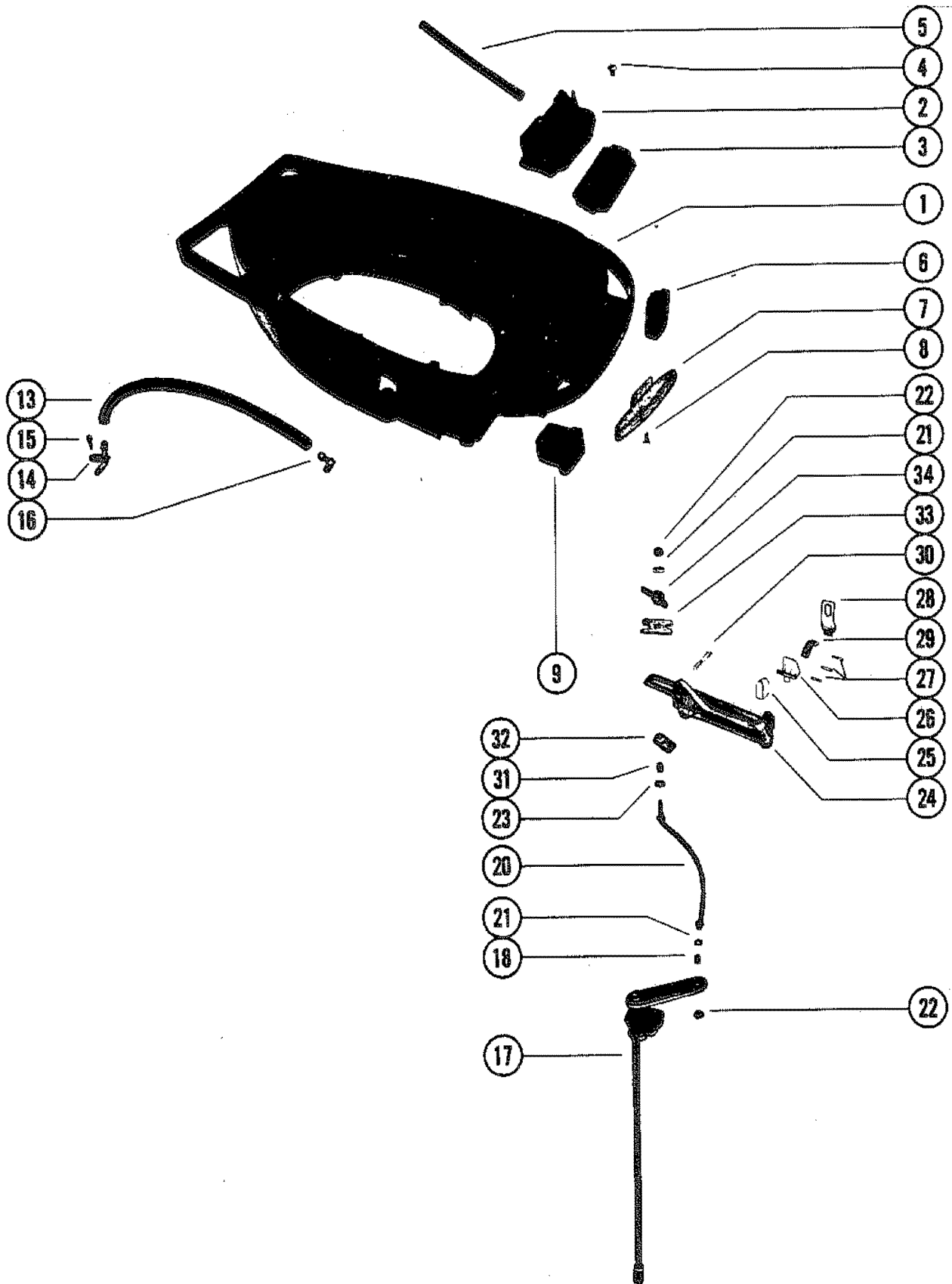
CRANKSHAFT, PISTONS AND CONNECTING RODS



CRANKSHAFT, PISTONS AND CONNECTING RODS

REF. NO.	PART NO.	SYM.	QTY.	DESCRIPTION
1	436-6646A2		1	CRANKSHAFT ASSEMBLY
3	30-62567		1	BALL BEARING, UPPER
4	30-63742		1	BALL BEARING, LOWER
5	54196A6		1	CARRIER ASSEMBLY "O"RING
6	65800		1	"O"RING, CARRIER
7	535-5397A4		2	CENTER MAIN BEARING ASSEMBLY
8	17-20032		4	DOWEL PIN, CENTER MAIN BEARING
9	29-71422		112	NEEDLE BEARING, OUTER RACE
10	26113		2	RACE, OUTER PAIR
11	53-26933		2	SNAP RING, OUTER RACE
12	17-47246		2	DOWEL PIN, STEPPED
13	10-22968		4	SCREW, CENTER MAIN BEARING
14	11-20184		4	NUT, BEARING SCREW
15	40-5266A5		3	MAIN BEARING ASSEMBLY, VALVE TYPE
16	17-20032		6	DOWEL PIN, MAIN BEARING
17	10-45775		6	SCREW, MAIN BEARING
18	11-45774		6	NUT, MAIN BEARING SCREW
19	34-56007A1		3	REED SET, MATCHED
20	34-56008		12	REED STOP, REED VALVES
21	10-62204		30	SCREW, REED STOP
22	11-53153		30	NUT, REED STOP SCREW
23	745-7672A3		6	PISTON/PISTON PIN ASS'Y (STANDARD)
	745-7673A2		AR	PISTON/PISTON PIN ASS'Y (.015 OVERSIZE)
	745-7453A3		AR	PISTON/PISTON PIN ASS'Y (.030 OVERSIZE)
24	40-52035		12	LOCK RING, PISTON PIN
25	39-78816A12		2	PISTON RING (STANDARD)
	39-78811A12		AR	PISTON RING (.015 OVERSIZE)
	39-88392A12		AR	PISTON RING (.030 OVERSIZE)
26	624-8101A3		6	CONNECTING ROD AND CAP ASSEMBLY
27	31-62596A1		6	BEARING ASSEMBLY, CRANKPIN
28	10-54803		12	SCREW, CONNECTING ROD-WITH NUTS
29	11-49091		12	NUT, CONNECTING ROD SCREW -WITH NUTS
28	10-91012		12	SCREW, CONNECTING ROD-W/O NUTS
30	29-47270		174	NEEDLE BEARING, PISTON PIN
31	12-47247		12	WASHER, NEEDLE LOCATING

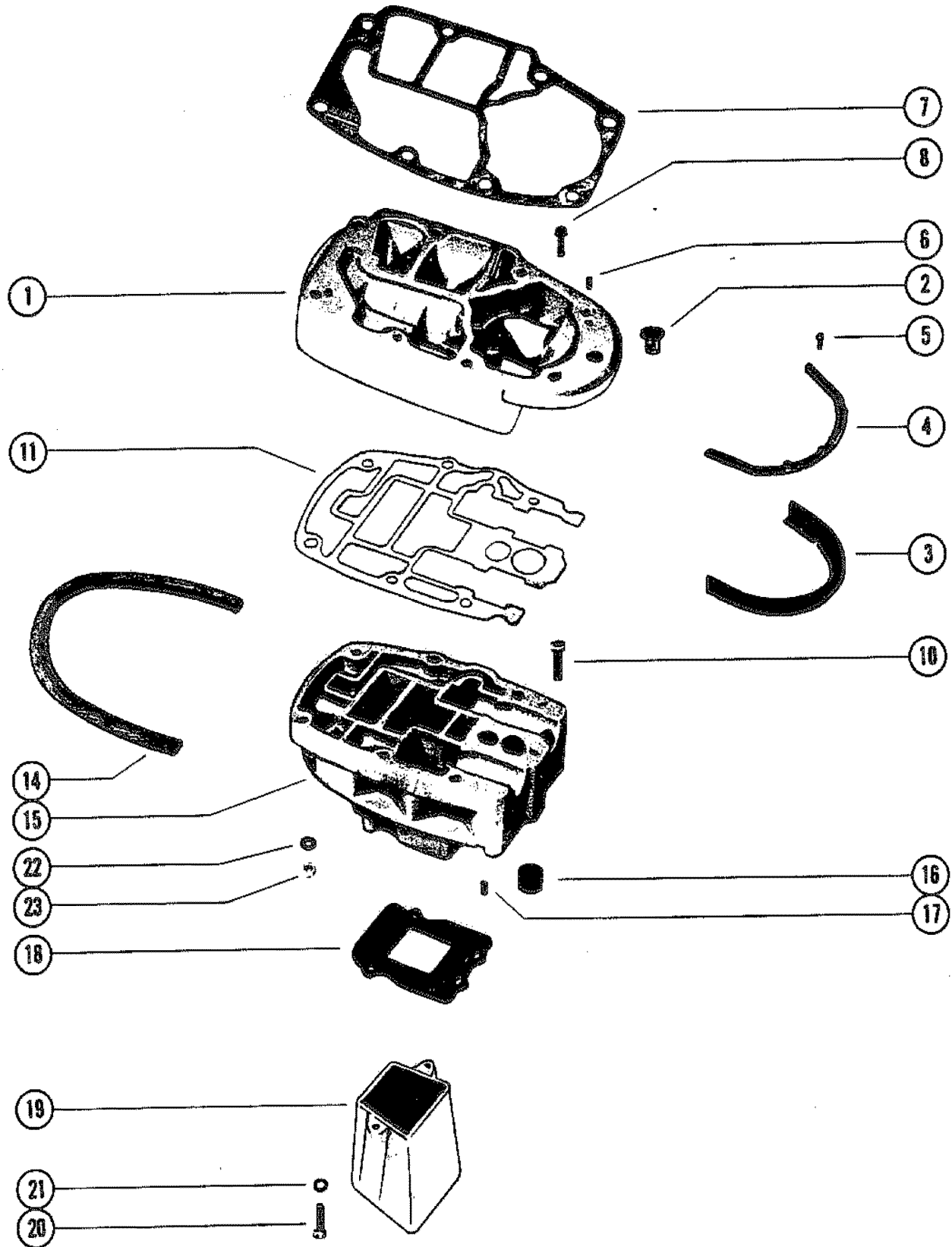
BOTTOM COWL AND SHIFT LINKAGE



BOTTOM COWL AND SHIFT LINKAGE

REF. NO.	PART NO.	SYM.	QTY.	DESCRIPTION
1	2115-7719A1		1	BOTTOM COWL
2	52862A2		1	DRIP TRAY ASSEMBLY, BOTTOM COWL
3	37940		1	PAD, SOUND-DRIP TRAY
4	10-48408		4	SCREW, DRIP TRAY TO BOTTOM COWL (1/2")
5	32-34395A1		1	HOSE, DRIP TRAY TO BOTTOM COWL (8")
6	39616		1	BOOT, CONTROL CABLES
7	76369		1	SPACER, BOTTOM COWL
8	10-48591		2	SCREW, SPACER TO BOTTOM COWL (1/2")
9	37637		1	BOOT, FUEL CONNECTOR
13	32-34395A1		1	HOSE, TELL TALE (21-1/2")
14	52889		1	NOZZLE, TELL TALE HOSE TO BOTTOM COWL
15	10-48408		1	SCREW, TELL TALE NOZZLE TO BOTTOM COWL (1/2")
16	22-78279		1	ELBOW, TELL TALE HOSE TO CYLINDER BLOCK
17	60304A54		1	SHIFT SHAFT ASSEMBLY, UPPER
18	23-26600		1	BUSHING, SHIFT SHAFT
20	48047A1		1	LINK ROD ASSEMBLY
21	12-35462		2	WASHER, LINK ROD
22	11-20664		2	NUT, LINK ROD
23	13-29720		1	WASHER, WAVE-LINK ROD
24	52732		1	BRACKET, ANCHOR-CONTROL CABLES
25	39519		1	CAP, BARREL RETAINER
26	39618		1	LEVER, NYLON-SHIFT CABLE LOCKING
27	17-47175		3	PIN, LOCKING LEVER AND COVER
28	39667		1	COVER, NYLON-SHIFT CABLE
29	65799		1	LINK, LOCKING LEVER TO COVER
30	10-24234		3	SCREW, ANDCHOR BRACKET TO CYLINDER BLOCK (1")
31	24-20099		1	SPRING, LINK ROD TO GUIDE BLOCK
32	37896		1	GUIDE BLOCK, LINK ROD
33	52100		1	WEAR PLATE, LINK ROD
34	38279		1	LATCH, CONTROL CABLE FASTENING

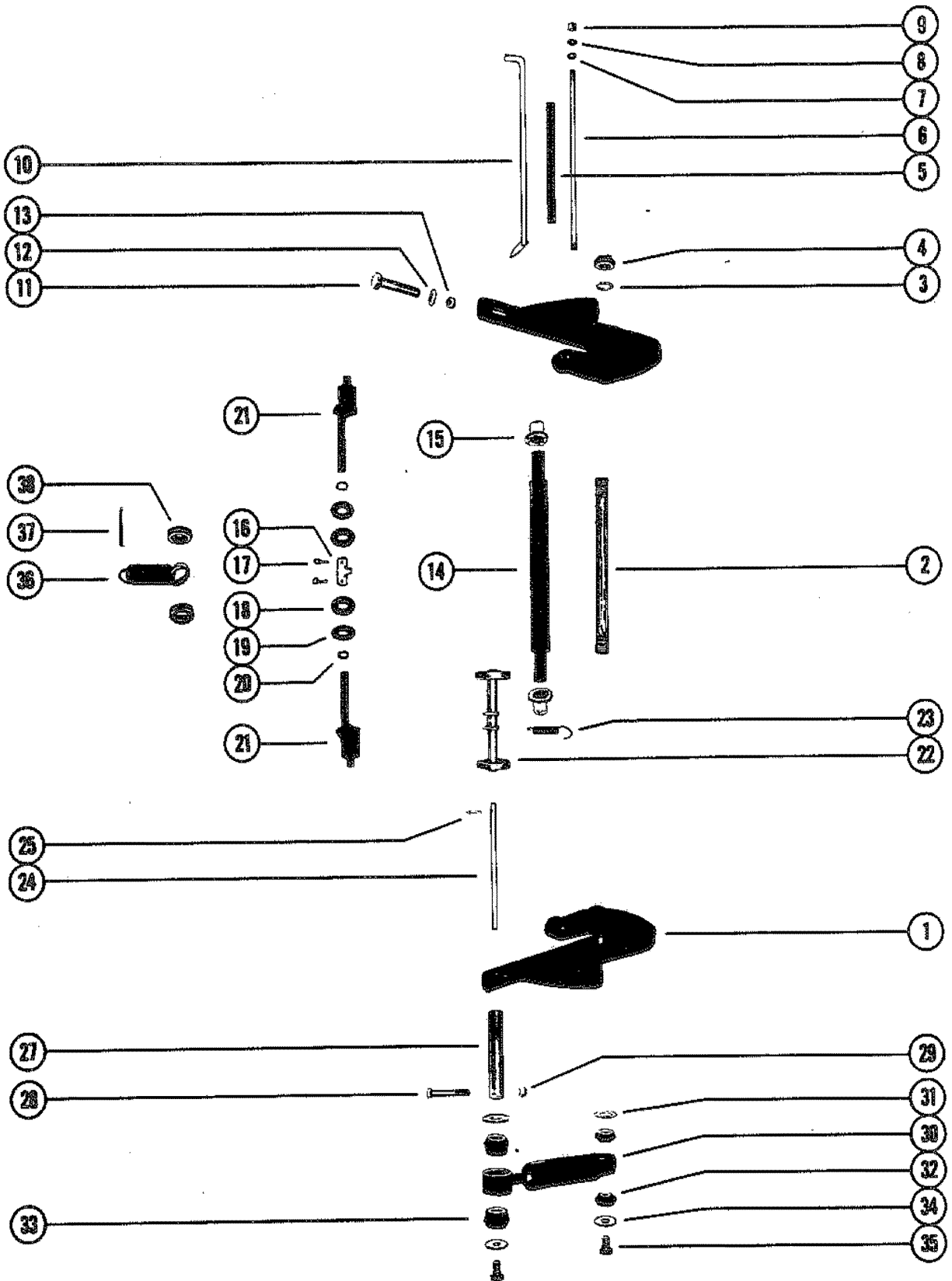
EXHAUST EXTENSION PLATE



EXHAUST EXTENSION PLATE

REF. NO.	PART NO.	SYM.	QTY.	DESCRIPTION
1	98517A2		1	PLATE ASSEMBLY, EXHAUST EXTENSION
2	23-27132		1	BUSHING, NYLON-EXHAUST EXTENSION PLATE
3	37918		1	SEAL, EXHAUST EXTENSION PLATE
4	99358		1	STRIP, RETAINING-PLATE SEAL
5	10-37571		5	SCREW, SEAL AND RETAINING STRIP (1/2")
6	17-23784		2	DOWEL PIN, EXHAUST EXTENSION PLATE
7	27-69238		1	GASKET, POWERHEAD
8	10-66023		2	SCREW, ADAPTOR PLATE TO HOUSING PLATE (2")
10	10-66023		7	SCREW, HOUSING PLATE TO DRIVE SHAFT HOUSING (2")
11	27-66102		1	GASKET, PLATE TO DRIVE SHAFT HOUSING PLATE
14	26-60898		1	SEAL, DRIVE SHAFT HOUSING PLATE
15	98518A4		1	PLATE ASSEMBLY, DRIVE SHAFT HOUSING
16	26-38970		1	SEAL, RUBBER-WATER INLET TUBE
17	17-23784		2	DOWEL PIN, DRIVE SHAFT HOUSING PLATE
18	27-62362		1	GASKET, MEGAPHONE
19	60437		1	MEGAPHONE, EXHAUST
20	10-60480		3	SCREW, MEGAPHONE (1 1/8")
21	12-29245		3	WASHER, MEGAPHONE SCREW
22	12-25970		6	WASHER, POWERHEAD STUD
23	11-34932		6	NUT, POWERHEAD STUD

TRANSOM BRACKET

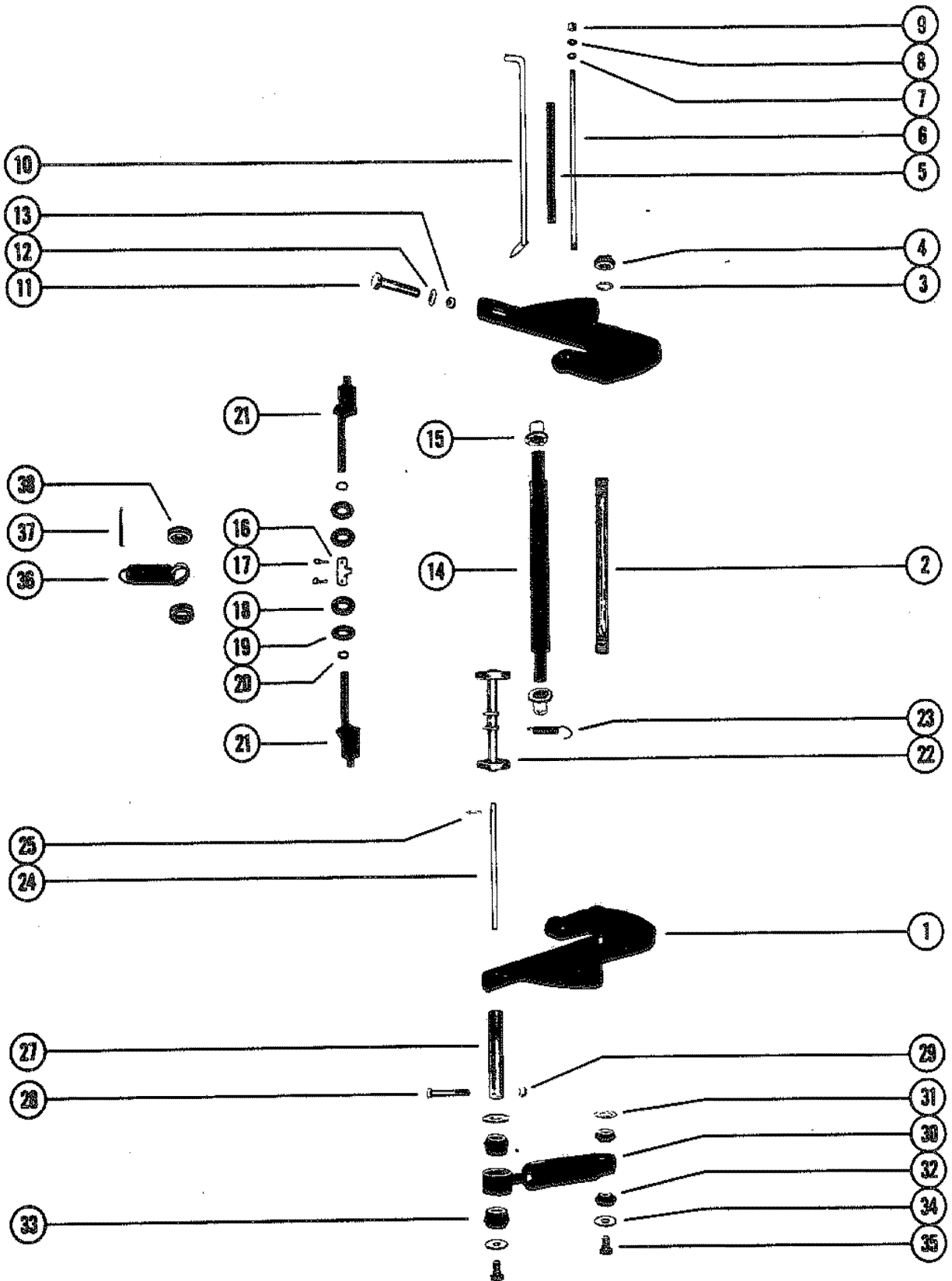


TRANSOM BRACKET

REF. NO.	PART NO.	SYM.	QTY.	DESCRIPTION
1	1496-7799F2		2	TRANSOM BRACKET
2	89099		1	TILT TUBE
3	13-89297		2	WASHER, WAVE-TILT TUBE
4	11-56041		2	NUT, TILT TUBE
5	23-87642		1	SPACER, TRANSOM BRACKET STUD
6	16-87643		1	STUD, TRANSOM BRACKET-NOT USED WITH POWER TRIM
7	12-36001		1	WASHER, TRANSOM BRACKET STUD
8	13-26993		2	LOCKWASHER, TRANSOM BRACKET STUD
9	11-28770		2	NUT, TRANSOM BRACKET STUD
10	17-49930A1		1	TILT LOCK PIN ASSEMBLY-NOT USED WITH POWER TRIM
11	10-89673		2	BOLT, TRANSOM BRACKET (5")
12	12-68410		2	WASHER, TRANSOM BRACKET BOLT
13	11-99405		2	NUT, TRANSOM BRACKET BOLT
11	10-67755		2	BOLT, TRANSOM BRACKET (6")
12	12-28421		2	WASHER, TRANSOM BRACKET BOLT
13	11-91962		2	NUT, TRANSOM BRACKET BOLT
14	89116		1	PIN, UPPER SHOCK MOUNTING
15	23-89117		2	BUSHING, UPPER SHOCK MOUNTING PIN
16	79659		1	COUPLING, TILT LOCK
17	18-47959		2	COTTER PIN, TILT LOCK
18	26-22734		2	OIL SEAL, SWIVEL BRACKET (TILT LOCK)
19	12-76388		2	WASHER, TILT LOCK
20	25-62702		2	"O"RING, TILT LOCK
21	89105		2	TILT LOCK
22	87431		2	REVERSE LOCK ASS'Y NOT USED WITH POWER TRIM UNITED STATES 5855841 AND BELOW
23	24-78203A1		1	SPRING ASS'Y NOT USED WITH POWER TRIM UNITED STATES 5855841 AND BELOW
22	92405A1		2	REVERSE LOCK ASS'Y NOT USED WITH POWER TRIM UNITED STATES 5855842 AND UP
23	24-78203A2		1	SPRING ASSEMBLY NOT USED WITH POWER TRIM UNITED STATES 5855842 AND UP
24	56349		1	SHAFT, REVERSE LOCK PIVOT NOT USED WITH POWER TRIM
25	18-45882		1	COTTER PIN, LOCK TO SHAFT NOT USED WITH POWER TRIM
27	55-28414		2	PIN, LOWER SHOCK MOUNTING
28	10-21937		2	SCREW, LOWER SHOCK PIN (2")
29	11-20184		2	NUT, LOWER SHOCK PIN SCREW
30	55-58780A4		2	SHOCK ABSORBER NOT USED WITH POWER TRIM
31	12-28196		2	WASHER, UPPER BUSHING RETAINER (INNER) NOT USED WITH POWER TRIM
32	23-32171		4	BUSHING, RUBBER-SHOCK ABSORBER (UPPER) NOT USED WITH POWER TRIM
33	23-28198		4	BUSHING, RUBBER-SHOCK ABSORBER (LOWER) NOT USED WITH POWER TRIM

CONTINUED ON NEXT PAGE ➡

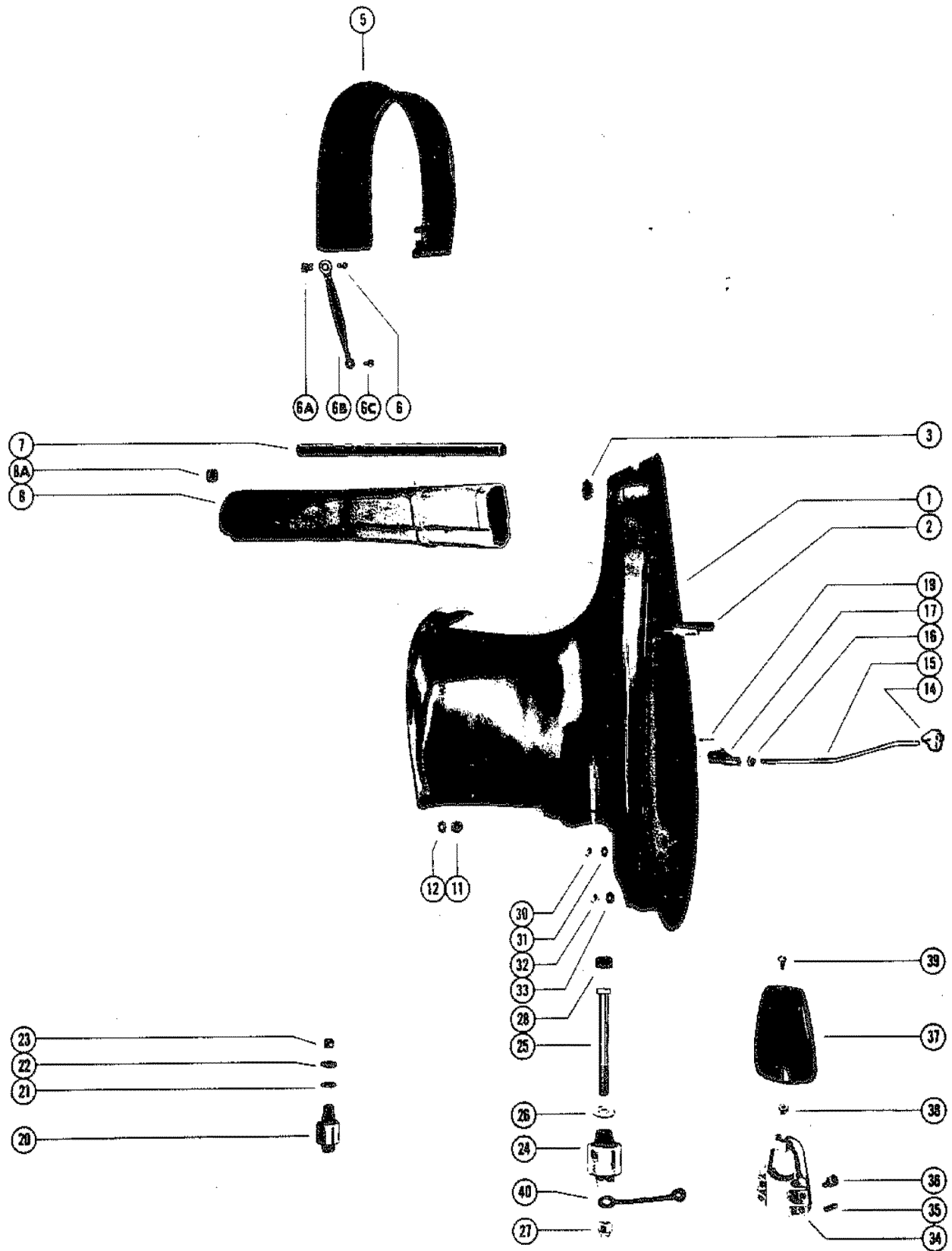
TRANSOM BRACKET



TRANSOM BRACKET

REF. NO.	PART NO.	SYM.	QTY.	DESCRIPTION
34	12-69374		4	WASHER, UPPER/LOWER SHOCK PIN (LOWER) NOT USED WITH POWER TRIM
35	10-69375		4	SCREW, UPPER AND LOWER SHOCK PIN NOT USED WITH POWER TRIM
36	24-94891		1	SPRING, COIL-SWIVEL BRACKET NOT USED WITH POWER TRIM
37	17-38311		1	PIN, COIL SPRING MOUNTING NOT USED WITH POWER TRIM
38	23-28688		2	SPACER, RUBBER-COIL SPRING NOT USED WITH POWER TRIM

DRIVE SHAFT HOUSING ASSEMBLY

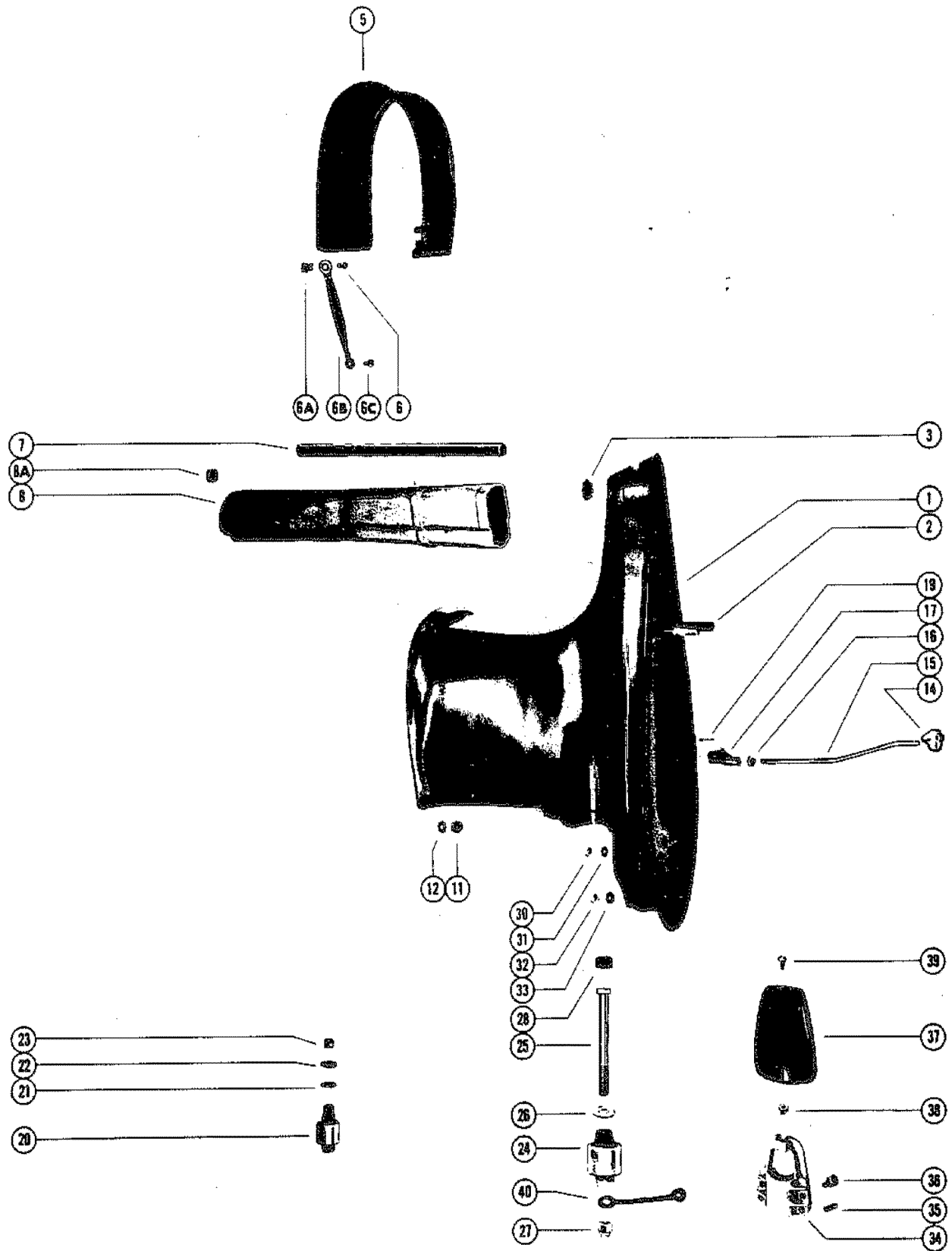


DRIVE SHAFT HOUSING ASSEMBLY

REF. NO.	PART NO.	SYM.	QTY.	DESCRIPTION
1	1573-5239A51		1	DRIVE SHAFT HOUSING ASSEMBLY
2	16-56295		2	STUD, DRIVE SHAFT HOUSING
3	19-64649		1	PLUG, PLASTIC-TRIM TAB SCREW HOLE
5	37417F2		1	COVER, TRIM-DRIVE SHAFT HOUSING
6	10-57807		4	SCREW, TRIM COVER TO BOTTOM COWL
6A	25-92012		4	GROMMET, PLASTIC-TRIM COVER SCREW
6B	88238A4		2	GROUND STRAP ASSEMBLY, TRIM COVER SCREW
6C	10-62568		2	SCREW, GROUND STRAP ATTACHING
7	32-60897		1	TUBE, WATER INLET
8	78184		1	EXHAUST TUBE
8A	65638		2	BOOT, EXHAUST TUBE
11	11-69254		2	NUT, POWERHEAD STUDS (3/8-24)
12	12-25970		2	WASHER, POWERHEAD STUDS
14	52887		1	GUIDE, PUSH ROD--NOT USED WITH FULL POWER TRI NOT USED WITH FULL POWER TRIM UNITED STATES 5855841 AND BELOW
15	47558		1	ROD, PUSH NOT USED WITH FULL POWER TRIM UNITED STATES 5855841 AND BELOW
16	11-47661		1	NUT, JAM-PUSH ROD NOT USED WITH FULL POWER TRIM UNITED STATES 5855841 AND BELOW
17	47559		1	YOKE, PUSH ROD NOT USED WITH FULL POWER TRIM UNITED STATES 5855841 AND BELOW
14	92704		1	GUIDE, PUSH ROD NOT USED WITH FULL POWER TRIM UNITED STATES 5855842 AND UP
15	92707		1	ROD, PUSH NOT USED WITH FULL POWER TRIM UNITED STATES 5855842 AND UP
16	11-28770		2	NUT, JAM-PUSH ROD NOT USED WITH FULL POWER TRIM UNITED STATES 5855842 AND UP
17	89813		1	YOKE, PUSH ROD NOT USED WITH FULL POWER TRIM UNITED STATES 5855842 AND UP
19	18-25191		1	COTTER PIN, PUSH ROD PIN NOT USED WITH FULL POWER TRIM
20	75296		2	MOUNT, RUBBER-UPPER
21	12-47840		2	WASHER, RUBBER-UPPER MOUNT BOLT
22	12-31263		2	WASHER, UPPER MOUNT BOLT
23	11-34933		2	NUT, UPPER MOUNT BOLT
24	75299		2	MOUNT, RUBBER-LOWER
25	10-49318		2	SCREW, LOWER MOUNT (5 1/2")
26	12-49339		2	WASHER, LOWER MOUNT SCREW
27	11-25096		2	NUT, LOWER MOUNT SCREW
28	25067		2	BUMPER, RUBBER-LOWER MOUNTING SCREW
30	11-34933		2	NUT, GEAR HOUSING STUDS
31	12-45176		2	WASHER, GEAR HOUSING STUDS
32	11-29489		1	NUT, GEAR HOUSING STUDS
33	12-45176		1	WASHER, GEAR HOUSING STUDS
34	35608		2	CLAMP, LOWER MOUNT

CONTINUED ON NEXT PAGE ➡

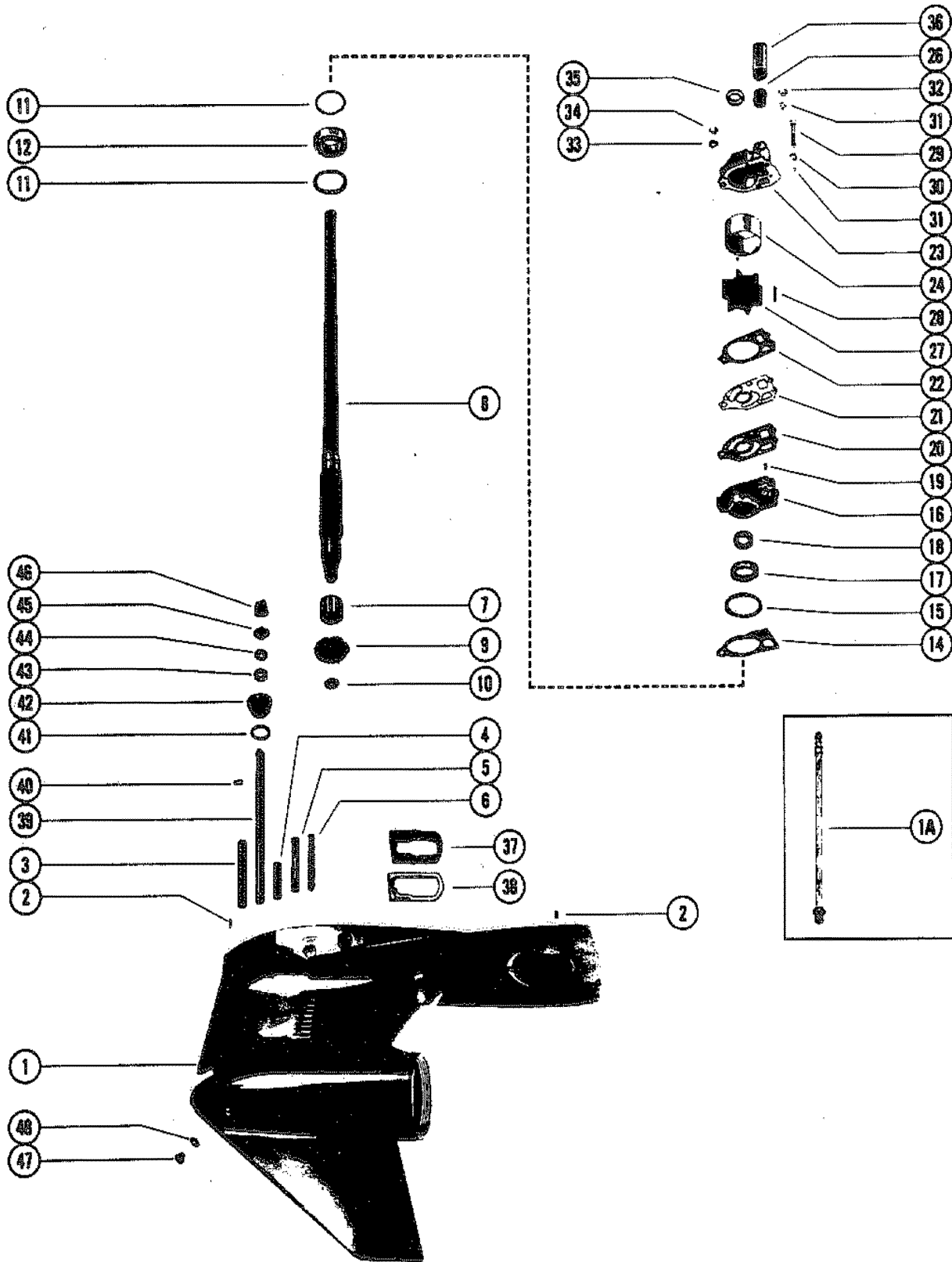
DRIVE SHAFT HOUSING ASSEMBLY



DRIVE SHAFT HOUSING ASSEMBLY

REF. NO.	PART NO.	SYM.	QTY.	DESCRIPTION
35	24-35522		4	SPRING, TENSION-LOWER MOUNT CLAMP
36	10-29256		4	SCREW, LOWER MOUNT CLAMP
37	35474F2		2	COVER, LOWER MOUNT CLAMP
38	11-35521		2	NUT, LOWER MOUNT CLAMP COVER
39	10-87884		2	SCREW, COVER TO LOWER CLAMP MOUNT
40	88238A2		1	WIRE ASSEMBLY, GROUND

GEAR HOUSING (DRIVE SHAFT)

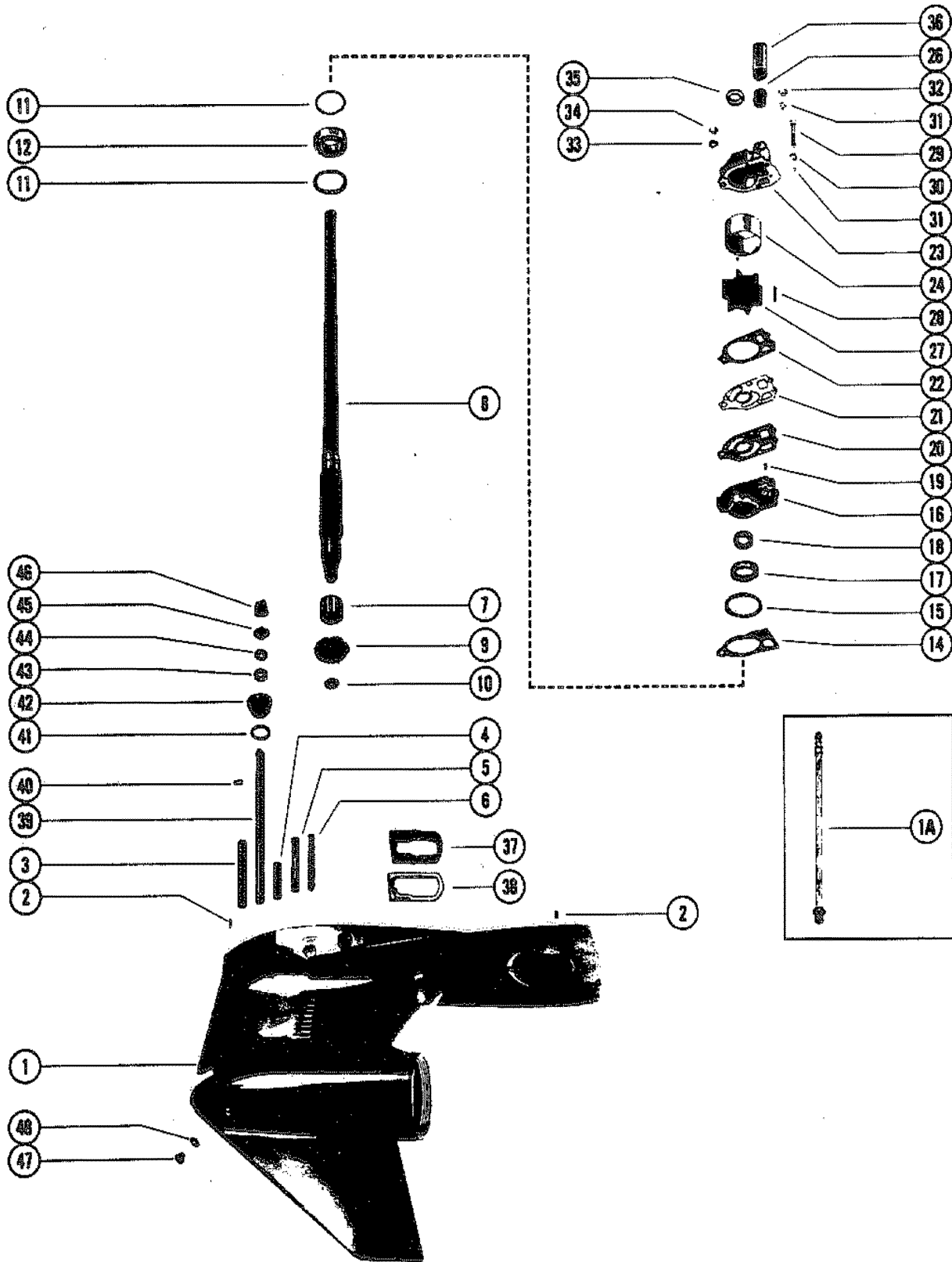


GEAR HOUSING (DRIVE SHAFT)

REF. NO.	PART NO.	SYM.	QTY.	DESCRIPTION
-	1655-7333A42		1	GEAR HOUSING ASSEMBLY, COMPLETE
1	1655-7333A43		1	GEAR HOUSING ASSEMBLY
1A	22-85822A1		1	CONNECTOR ASSEMBLY, SPEEDOMETER
2	17-46912		2	DOWEL PIN, GEAR HOUSING LOCATING
3	16-57921		1	STUD, GEAR HOUSING (4")
4	16-57920		2	STUD, GEAR HOUSING (2-1/16)
5	16-56297		1	STUD, WATER PUMP (3-3/8")
6	16-69501		2	STUD, WATER PUMP (3-1/8")
7	31-32898		1	ROLLER BEARING, DRIVE SHAFT
8	45-76036		1	DRIVE SHAFT
9	43-68548		1	PINION GEAR, DRIVE SHAFT
10	11-35921		1	NUT, PINION GEAR TO DRIVE SHAFT
11	23-70412		1	SPACER, BALL BEARING
	15-57007A1		AR	SHIM, BALL BEARING
12	31-69220		1	ROLLER BEARING, DRIVE SHAFT
14	27-33146		1	GASKET, WATER PUMP
15	25-33145		1	"O"RING, WATER PUMP
16	46-96146A5		1	WATER PUMP BASE ASSEMBLY
17	26-94038		1	OIL SEAL, WATER PUMP
18	26-79884		1	OIL SEAL, WATER PUMP
19	17-35973		AR	DOWEL PIN, WATER PUMP
20	27-32433		1	GASKET, LOWER-WATER PUMP TO FACE PLATE
21	32435		1	FACE PLATE
22	27-32434		1	GASKET, UPPER-FACE PLATE TO WATER PUMP
23	46-96148A1		1	WATER PUMP BODY ASSEMBLY
24	48752		1	INSERT, WATER PUMP
26	26-38970		1	SEAL, RUBBER-WATER INLET TUBE
27	47-89984		1	IMPELLER, WATER PUMP
28	28-56654		1	KEY, IMPELLER DRIVE
29	10-30720		AR	SCREW, WATER PUMP (1/4-20-HEX HEAD)
	10-96411		AR	SCREW, WATER PUMP (14-8-HEX WASHER HEAD)
30	13-26992		1	LOCKWASHER, WATER PUMP SCREW
31	12-29245		3	WASHER, WATER PUMP SCREW AND STUD
32	11-35888		2	NUT, WATER PUMP SCREW
33	12-36001		1	WASHER, WATER PUMP STUD
34	11-35814		1	NUT, WATER PUMP STUD
35	25-30271		1	RING, RUBBER-DRIVE SHAFT
36	23-29804		1	SLEEVE, GUIDE-WATER INLET TUBE
37	37641		1	SEAL, EXHAUST
38	38051		1	PLATE, SUPPORT-EXHAUST TUBE SEAL
39	76062A1		1	SHAFT ASSEMBLY, SHIFT-LOWER
40	53-29641		1	"E"RING, RETAINING-SHIFT SHAFT
41	25-25439		1	"O"RING, SHIFT SHAFT BUSHING

CONTINUED ON NEXT PAGE ➡

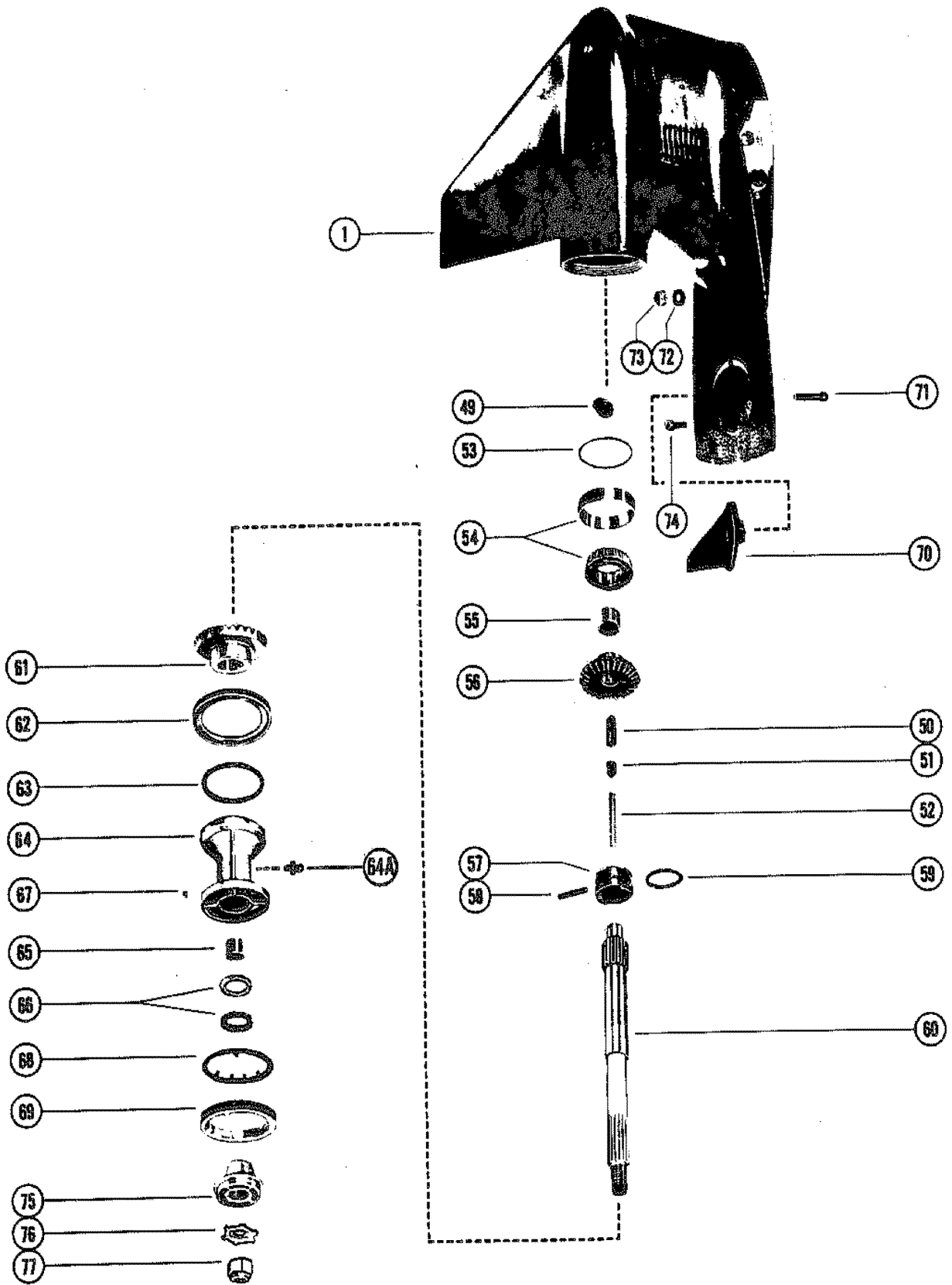
GEAR HOUSING (DRIVE SHAFT)



GEAR HOUSING (DRIVE SHAFT)

REF. NO.	PART NO.	SYM.	QTY.	DESCRIPTION
42	23-77631A2		1	BUSHING ASSEMBLY, SHIFT SHAFT
43	26-76384		1	OIL SEAL, SHIFT SHAFT BUSHING
44	12-77674		1	WASHER, RUBBER-SHIFT SHAFT BUSHING
45	39019		1	SPACER, LOWER NOT USED WITH FULL POWER TRIM
46	39021		1	CAM, REVERSE LOCKING NOT USED WITH FULL POWER TRIM
47	10-79953		1	SCREW, GREASE FILLER AND VENT HOLE
	22-67892		1	PLUG, DRAIN (MAGNETIC)
48	12-20260		2	WASHER, GREASE FILLER AND VENT HOLE SCREW

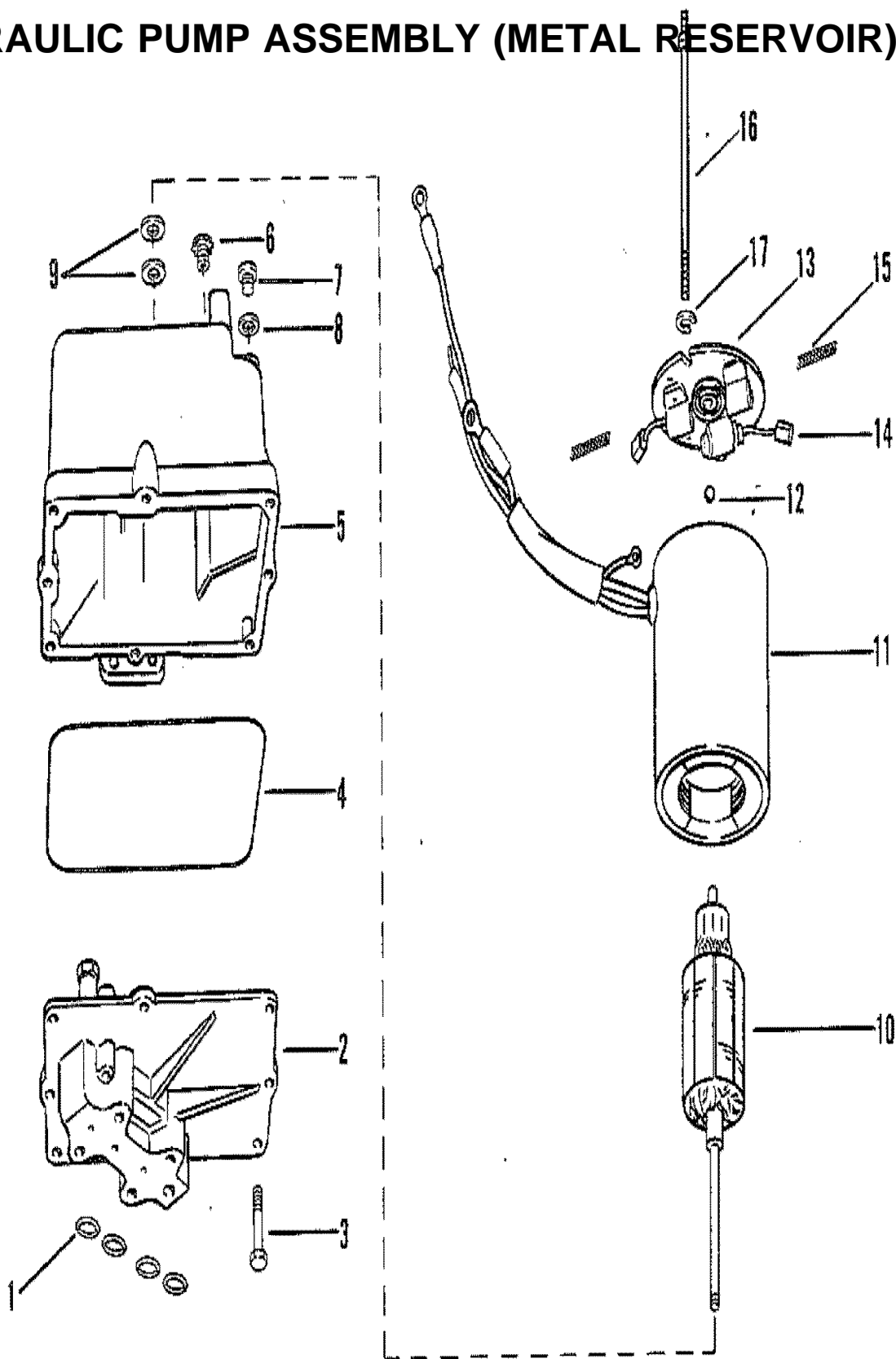
GEAR HOUSING (PROPELLER SHAFT)



GEAR HOUSING (PROPELLER SHAFT)

REF. NO.	PART NO.	SYM.	QTY.	DESCRIPTION
-	1655-7333A42		1	GEAR HOUSING ASSEMBLY, COMPLETE
1	1655-7333A43		1	GEAR HOUSING ASSEMBLY
49	76039		1	SHIFT CAM
50	30625		1	CAM FOLLOWER
51	30624		1	SLIDE, CROSS PIN
52	24-30622		1	SPRING, COMPRESSION - CAM FOLLOWER
53	15-30923A1		AR	SHIM, BEARING OUTER RACE (.0010)
54	31-30894A1		1	TAPERED ROLLER BEARING ASSEMBLY
55	31-30895		1	ROLLER BEARING, FORWARD GEAR
56	43-68447A1		1	FORWARD GEAR
57	52-34239		1	RATCHET, SLIDING GEAR
58	17-30632		1	CROSS PIN, RATCHET TO PROPELLER SHAFT
59	24-30893		1	SPRING, RETAINING - CROSS PIN
60	44-93003		1	PROPELLER SHAFT
61	43-76250		1	REVERSE GEAR
62	12-76805		1	WASHER, THRUST - BEARING CARRIER
63	25-29976		1	"O" RING, BEARING CARRIER
64	96074A1		1	BEARING CARRIER ASSEMBLY (W/O GREASE FITTING)
	41529A1		1	BEARING CARRIER ASSEMBLY - WITH GREASE FITTING
64A	22-98727		2	GREASE FITTING - WITH GREASE FITTING
65	31-30956		1	ROLLER BEARING, BEARING CARRIER
66	26-76868		1	OIL SEAL (INSIDE)
	26-70081		1	OIL SEAL (OUTSIDE) - CUTTER
67	28-30281		1	KEY, LOCATING - BEARING CARRIER
68	14-52700		1	TAB WASHER, GEAR HOUSING COVER
69	52699		1	COVER, GEAR HOUSING
70	31640A1		1	TRIM TAB, GEAR HOUSING
71	10-66024		1	SCREW, TRIM TAB TO GEAR HOUSING (1-3/4)
72	12-45176		2	WASHER, DRIVE SHAFT HOUSING STUDS
73	11-34933		2	NUT, DRIVE SHAFT HOUSING STUDS
74	10-65210		1	SCREW, GEAR HOUSING
75	75282		1	THRUST HUB
76	14-31210		1	TAB WASHER, PROPELLER NUT
77	11-52707		1	PROPELLER NUT

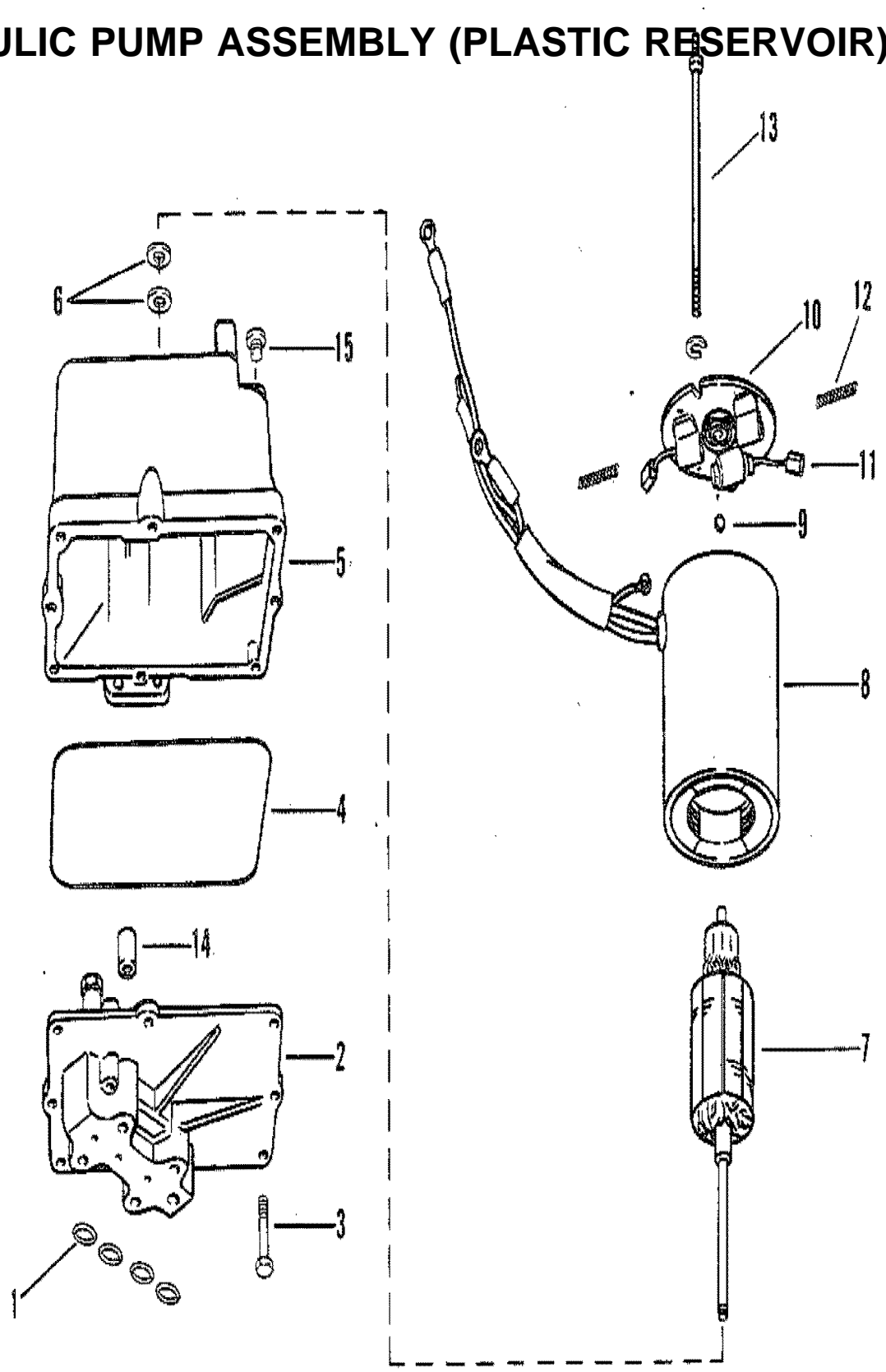
HYDRAULIC PUMP ASSEMBLY (METAL RESERVOIR)



HYDRAULIC PUMP ASSEMBLY (METAL RESERVOIR)

REF. NO.	PART NO.	SYM.	QTY.	DESCRIPTION
-	76395A5		1	HYDRAULIC PUMP ASSEMBLY, COMPLETE
1	25-48171		4	"O" RING, HYDRAULIC PUMP
2	392-2936		1	VALVE BODY AND GEAR ASSEMBLY
3	10-20411		8	SCREW, VALVE BODY TO RESERVOIR
4	392-2937		1	SEAL, RESERVOIR TO VALVE BODY AND GEAR
5	392-2939		1	RESERVOIR ASSEMBLY
6	10-38257		1	SCREW, VENT - HYDRAULIC PUMP
7	10-79953		1	SCREW, FILLER - HYDRAULIC PUMP
8	12-20260		1	WASHER, SEALING - FILLER SCREW
9	392-2623		AR	WASHER, THRUST - ARMATURE
10	392-2943		1	ARMATURE, FIELD AND FRAME
11	392-2942		1	FIELD AND FRAME ASSEMBLY
12	392-2944		1	BALL, COMMUTATOR END PLATE
13	392-2940		1	PLATE ASSEMBLY, COMMUTATOR END
14	392-2941		1	BRUSH SET, COMMUTATOR END PLATE
15	392-2529		1	SPRING SET, BRUSH TENSION
16	392-2938		1	BOLT SET, THRU - PLATE AND FRAME TO RESERVOIR
17	13-26996		2	LOCKWASHER, THRU BOLT

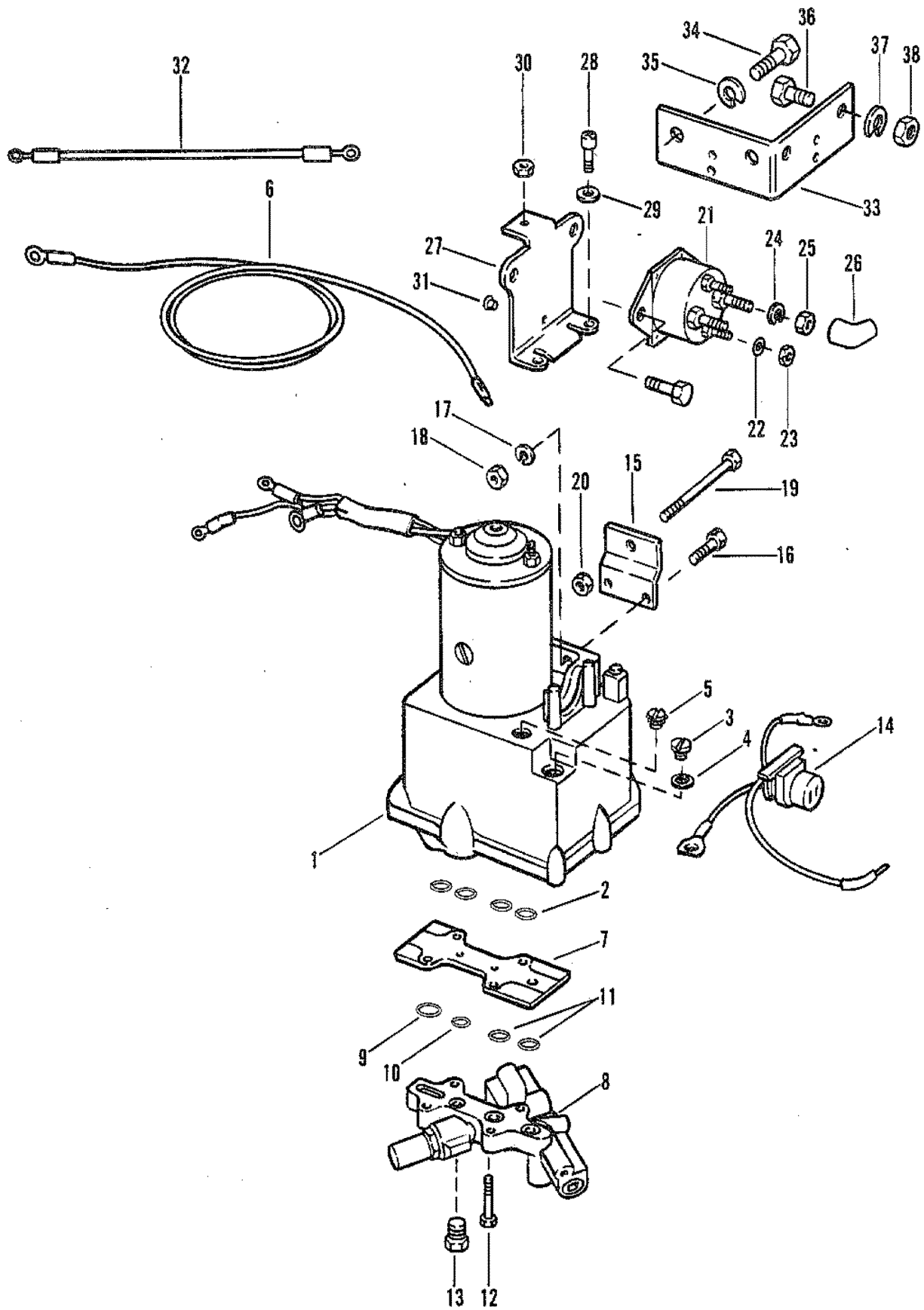
HYDRAULIC PUMP ASSEMBLY (PLASTIC RESERVOIR)



HYDRAULIC PUMP ASSEMBLY (PLASTIC RESERVOIR)

REF. NO.	PART NO.	SYM.	QTY.	DESCRIPTION
-	92975A6		1	HYDRAULIC PUMP ASSEMBLY
1	25-48171		4	"O" RING, HYDRAULIC PUMP
2	392-8317		1	VALVE BODY AND GEAR ASSEMBLY
3	10-69570		8	SCREW, VALVE BODY TO RESERVOIR
4	392-7735		1	SEAL, RESERVOIR TO VALVE BODY AND GEAR
5	392-7731		1	RESERVOIR ASSEMBLY (PLASTIC)
6	392-7732		AR	WASHER, THRUST - ARMATURE
7	392-7729		1	ARMATURE, FIELD AND FRAME
8	392-8261		1	FIELD AND FRAME ASSEMBLY
9	392-7730		1	BALL, COMMUTATOR END PLATE
10	392-8262		1	PLATE ASSEMBLY, COMMUTATOR END
11	392-2941		1	BRUSH SET, COMMUTATOR END PLATE
12	392-2529		1	SPRING SET, BRUSH TENSION
13	392-7733		1	BOLT SET, THRU - PLATE AND FRAME TO RESERVOIR
14	392-7727		1	COUPLER AND SHAFT
15	392-7728		1	FILL PLUG, RESERVOIR

POWER TRIM COMPONENTS

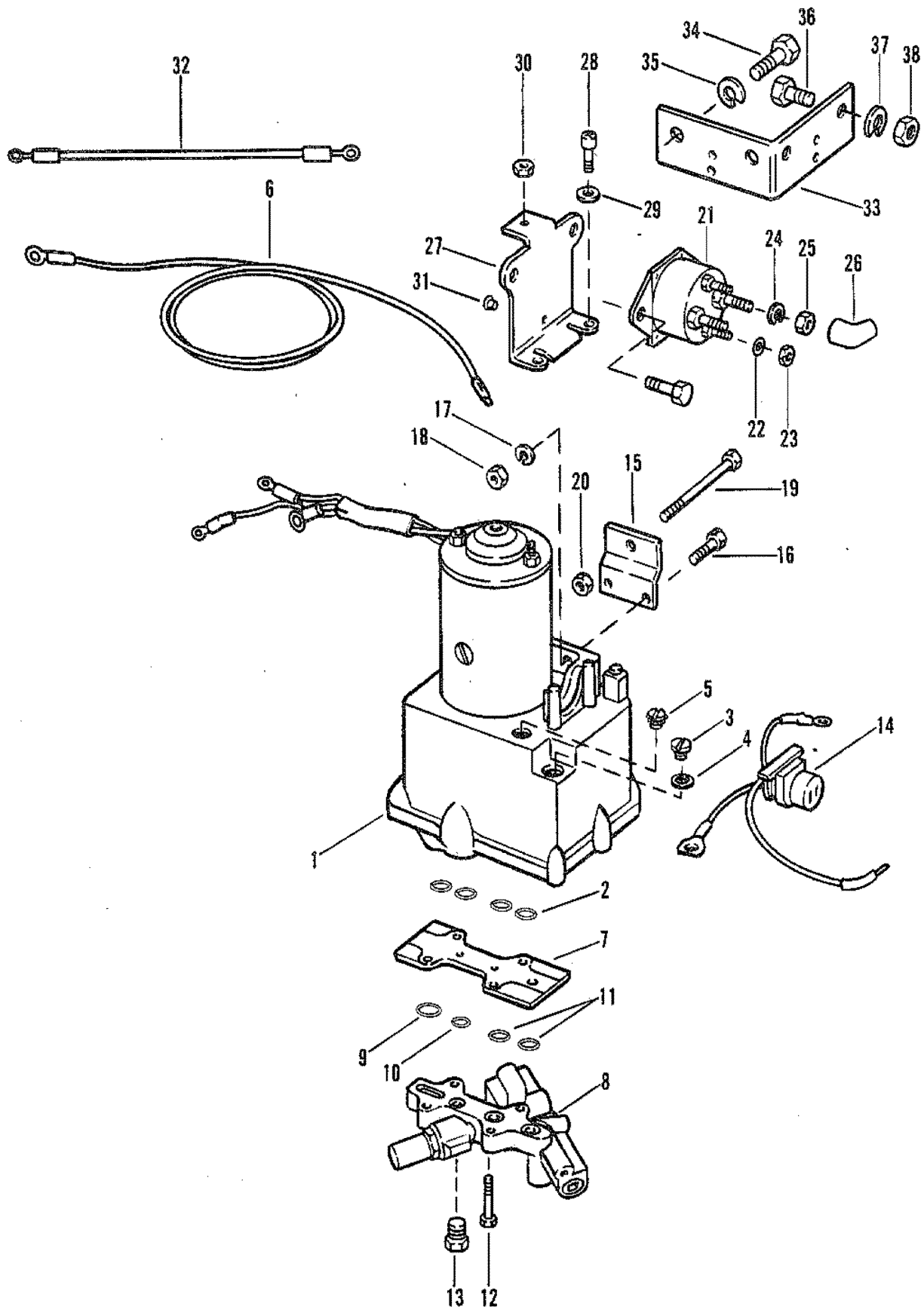


POWER TRIM COMPONENTS

REF. NO.	PART NO.	SYM.	QTY.	DESCRIPTION
1	76395A5		1	HYDRAULIC PUMP ASS'Y (METAL RESERVOIR) - SEE NOTE BELOW
	92975A6		1	HYDRAULIC PUMP ASS'Y (PLASTIC RESERVOIR) - SEE NOTE BELOW
2	25-48171		4	"O" RING, MANIFOLD PLATE
3	10-79953		1	SCREW, FILLER - HYDRAULIC PUMP
4	12-20260		1	WASHER, SEALING - FILLER SCREW
5	10-38257		1	SCREW, VENT - HYDRAULIC PUMP
6	32979		1	BATTERY LEAD (POSITIVE)
	32988		1	BATTERY LEAD (NEGATIVE)
7	45336		1	PLATE, MANIFOLD
8	45197A2		1	CONTROL VALVE ASSEMBLY
-	25-48171		4	"O" RING, MANIFOLD PLATE (SEE REF.#2)
9	25-45254		1	"O" RING, CONTROL VALVE (3.4" O.D.)
10	25-48171		1	"O" RING, CONTROL VALVE (1/2" O.D.)
11	25-45253		2	"O" RING, CONTROL VALVE (5/8" O.D.)
12	10-56500		4	SCREW, VALVE AND MANIFOLD PLATE TO PUMP (1-1/4")
13	22-46008		2	PLUG, CONTROL VALVE (1/2-20")
14	84-74023A1		1	CONNECTOR AND HARNESS
15	45377		2	BRACKET, MOUNTING
16	10-24234		4	SCREW, MOUNTING BRACKET TO HYDRAULIC PUMP (1")
17	13-39107		4	LOCKWASHER, MOUNTING BRACKET SCREW
18	11-21908		4	NUT, MOUNTING BRACKET SCREW
19	10-68298		2	BOLT, HYDRAULIC PUMP TO BOAT (3-1/4")
20	11-99405		2	NUT, HYDRAULIC PUMP BOLT
21	89-68258		2	STARTER SOLENOID
22	13-26996		4	LOCKWASHER, SOLENOID TERMINAL (#10)
23	11-62819		4	NUT, SOLENOID TERMINAL (#10)
24	13-26993		4	LOCKWASHER, SOLENOID TERMINAL (5/16")
25	11-68292		4	NUT, SOLENOID TERMINAL (5/16")
26	46265		4	BOOT, RUBBER - STARTER SOLENOID TERMINAL
27	74407		1	BRACKET, MOUNTING - STARTER SOLENOID
28	10-21140		2	SCREW, MOUNTING BRACKET TO HYDRAULIC PUMP (1/2")
29	13-26992		2	LOCKWASHER, MOUNTING BRACKET SCREW
30	11-24656		1	NUT, MOUNTING BRACKET TO HYDRAULIC PUMP THRU BOLT
31	26901		1	BUMPER, RUBBER - SOLENOID BRACKET
32	55991		1	JUMPER WIRE (POSITIVE)
	55992		1	JUMPER WIRE (NEGATIVE)
33	74406		1	BRACKET, MOUNTING - STARTER SOLENOID

CONTINUED ON NEXT PAGE ➡

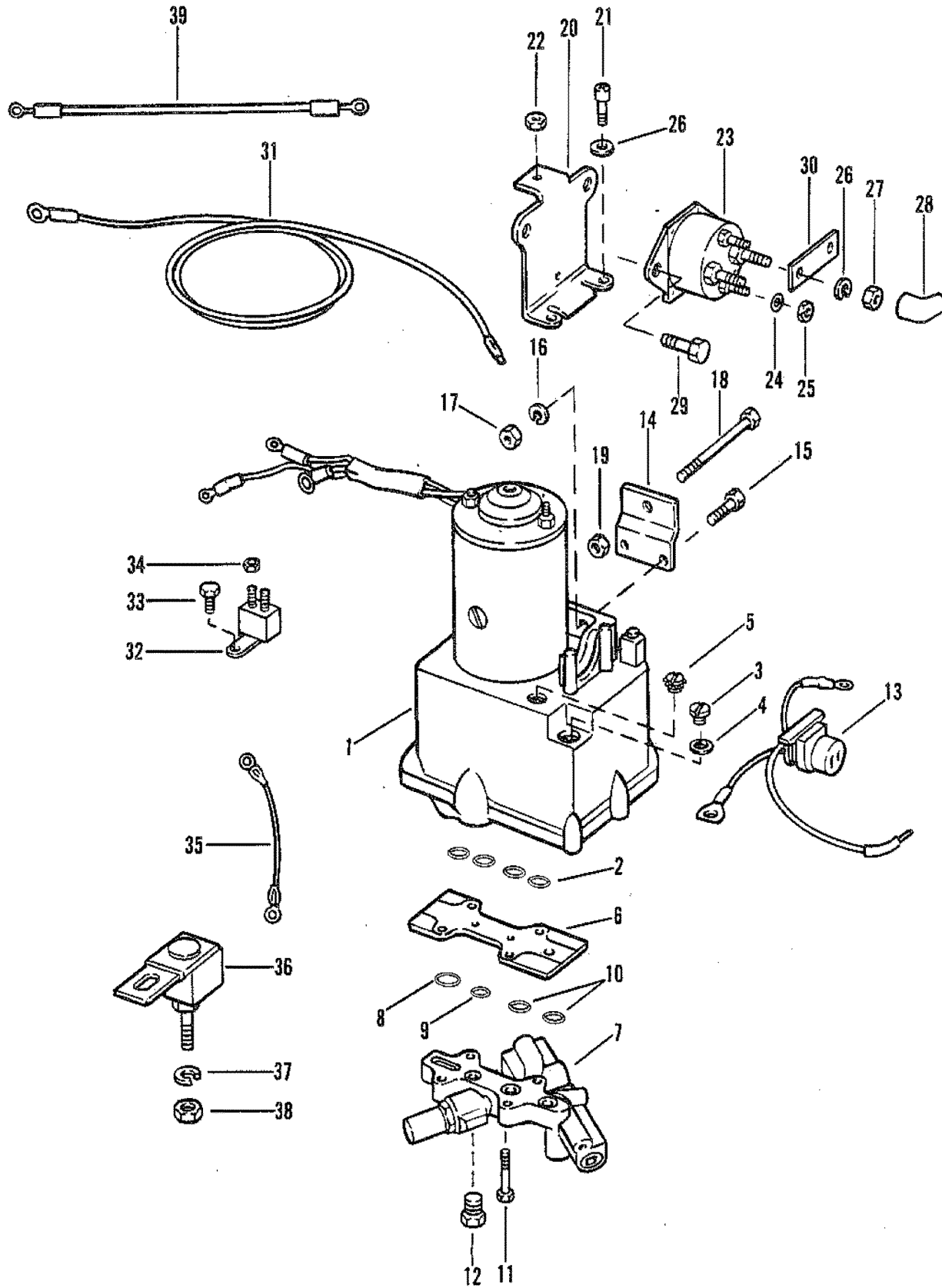
POWER TRIM COMPONENTS



POWER TRIM COMPONENTS

REF. NO.	PART NO.	SYM.	QTY.	DESCRIPTION
34	10-69028		2	SCREW, MOUNTING BRACKET TO HYDRAULIC PUMP (3/4")
35	13-26992		2	LOCKWASHER, MOUNTING BRACKET SCREW
36	10-34290		2	SCREW, STARTER SOLENOID TO MOUNTING BRACKET (5/8")
37	13-26992		2	LOCKWASHER, STARTER SOLENOID SCREW
38	11-21825		4	NUT, STARTER SOLENOID SCREW

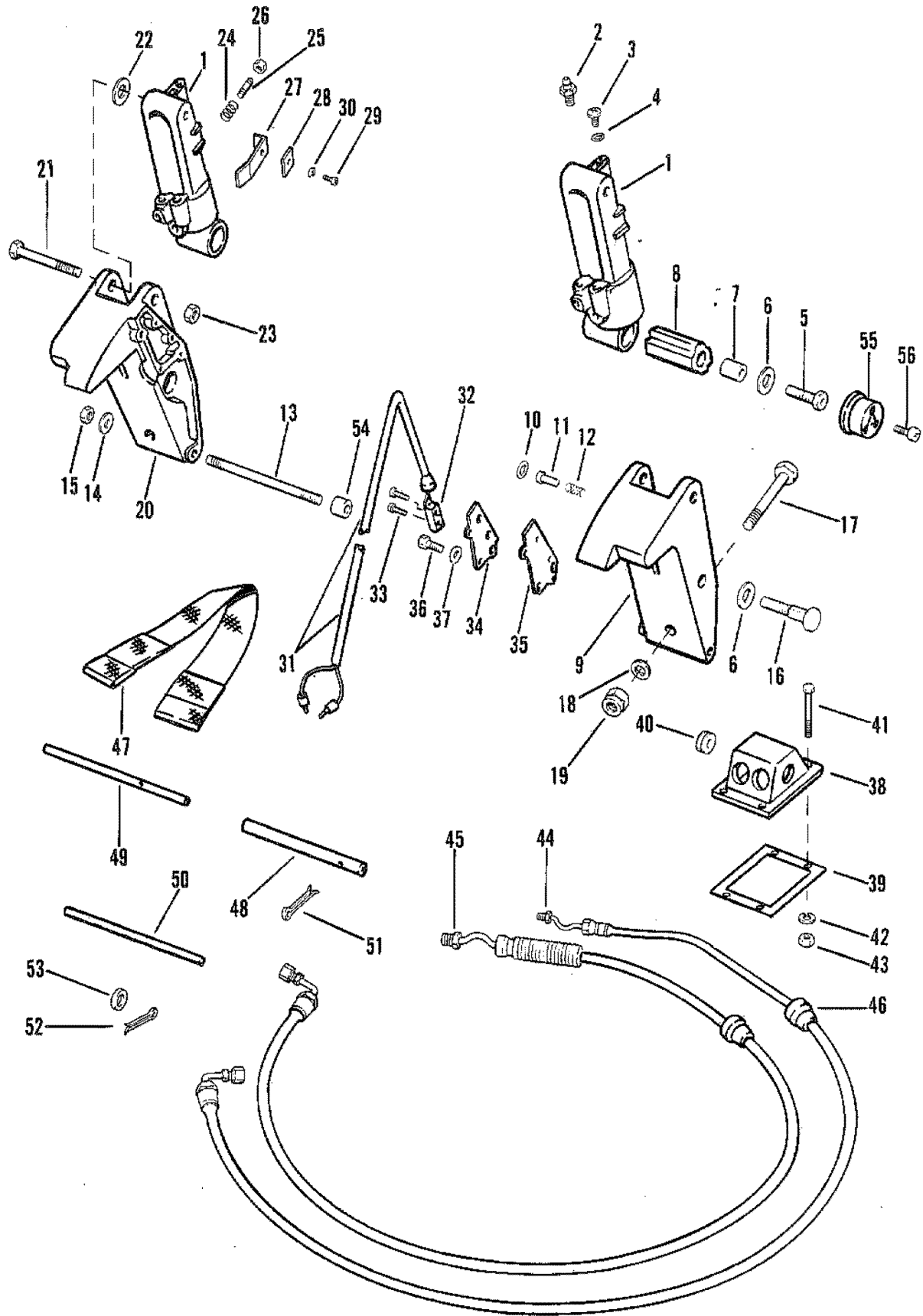
POWER TRIM COMPONENTS



POWER TRIM COMPONENTS

REF. NO.	PART NO.	SYM.	QTY.	DESCRIPTION
1	92975A6		1	HYDRAULIC PUMP ASS'Y (PLASTIC RESERVOIR) SEE NOTE
2	25-48171		4	"O" RING, MANIFOLD PLATE
3	10-79953		1	SCREW, FILLER - HYDRAULIC PUMP
4	12-20260		1	WASHER, SEALING - FILLER SCREW
5	10-38257		1	SCREW, VENT - HYDRAULIC PUMP
6	45336		1	PLATE, MANIFOLD
7	45197A2		1	CONTROL VALVE ASSEMBLY
-	25-48171		4	"O" RING, MANIFOLD PLATE (SEE REF.#2)
8	25-45254		1	"O" RING, CONTROL VALVE (3/4" O.D.)
9	25-48171		1	"O" RING, CONTROL VALVE (1/2" O.D.)
10	25-45253		2	"O" RING, CONTROL VALVE (5/8" O.D.)
11	10-56500		4	SCREW, VALVE AND MANIFOLD PLATE TO PUMP (1-1/4")
12	22-46008		2	PLUG, CONTROL VALVE (1/2-20")
13	84-79147A1		1	CONNECTOR AND HARNESS
14	45377		2	BRACKET, MOUNTING
15	10-24234		4	SCREW, MOUNTING BRACKET TO HYDRAULIC PUMP (1")
16	13-39107		4	LOCKWASHER, MOUNTING BRACKET SCREW
17	11-21908		4	NUT, MOUNTING BRACKET SCREW
18	10-62898		2	BOLT, HYDRAULIC PUMP TO BOAT (3-1/4")
19	11-99405		2	NUT, HYDRAULIC PUMP BOLT
20	94279		1	BRACKET, MOUNTING - STARTER SOLENOID
21	10-48063		2	SCREW, MOUNTING BRACKET TO HYDRAULIC PUMP
22	11-24656		1	NUT, MOUNTING BRACKET TO HYDRAULIC PUMP THRU BOLT
23	89-96158		2	STARTER SOLENOID
24	13-26995		4	LOCKWASHER, SOLENOID TERMINAL (#8)
25	11-26419		4	NUT, SOLENOID TERMINAL (8-32)
26	13-26992		4	LOCKWASHER, SOLENOID TERMINAL (1/4)
27	11-94330		4	NUT, SOLENOID TERMINAL (1/4-20)
28	85-96535		4	BOOT, RUBBER - STARTER SOLENOID TERMINAL
29	10-91026		2	SCREW, STARTER SOLENOID TO MOUNTING BRACKET
30	94275		1	LINK, SOLENOID TO SOLENOID
31	84-79139A13		1	BATTERY LEAD (POSITIVE)
	84-79138A1		1	BATTERY LEAD (NEGATIVE)
32	88-79149		1	CIRCUIT BREAKER (20 AMP.)
33	10-30009		2	SCREW, CIRCUIT BREAKER
34	11-45076		2	NUT, CIRCUIT BREAKER TERMINAL (10-32)
35	84-87379A5		1	WIRE, SOLENOID TO CIRCUIT BREAKER (RED)
36	88-79023A90		1	FUSE ASSEMBLY (90 AMP.)
37	12-96457		1	WASHER, FUSE TERMINAL
38	11-21825		1	NUT, FUSE TERMINAL (1/4-28)
39	84-61600A9		2	WIRE, STARTER SOLENOID (BLACK)

TRIM CYLINDERS AND HYDRAULIC HOSES

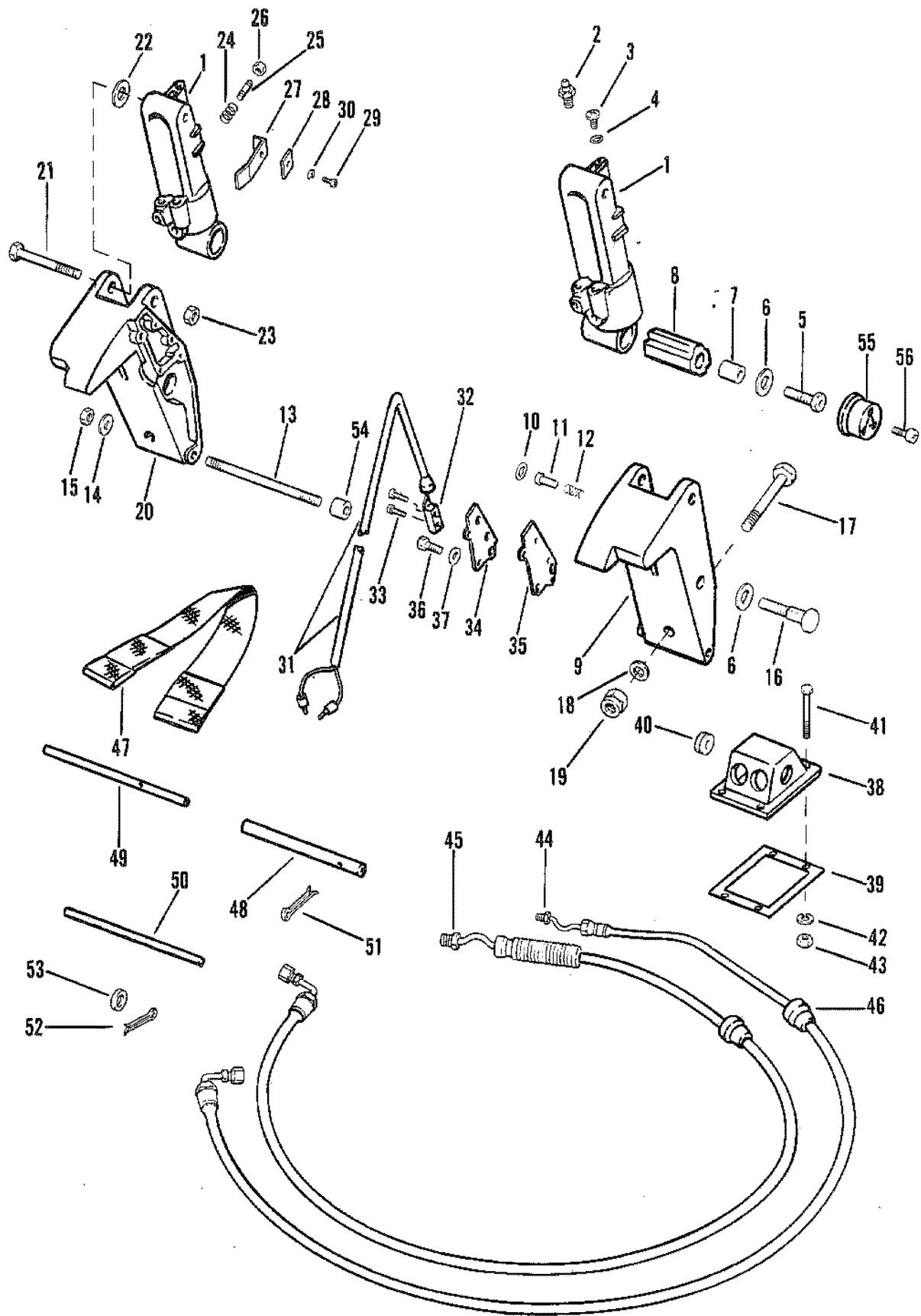


TRIM CYLINDERS AND HYDRAULIC HOSES

REF. NO.	PART NO.	SYM.	QTY.	DESCRIPTION
1	76509A23		2	TRIM CYLINDER ASS'Y (IDENTIFY BY CASTING #78439)
	92194A20		2	TRIM CYLINDER ASS'Y (IDENTIFY BY NO CASTING #)
2	22-74036		2	GREASE FITTING, TRIM CYLINDER
3	10-45265		4	SCREW, BLEED
4	25-45016		4	"O" RING, BLEED SCREW
5	10-45264		2	SCREW, TRIM CYLINDER (1-1/2") - WITH TAPPED HOLE
	10-92050		2	SCREW, TRIM CYLINDER (1-1/2") - WITHOUT TAPPED HOLE
6	12-28421		4	WASHER, TRIM CYLINDER BOLT
7	23-45280		2	SPACER, TRIM CYLINDER - LOWER
8	23-94907A1		2	BUSHING, RUBBER - TRIM CYLINDER
9	89108A3		1	BRACKET, TRIM CYLINDER (PORT)
10	26-70608		1	OIL SEAL, PORT BRACKET
11	89290		1	PLUNGER, LIMIT SWITCH ACTUATING
12	24-95881		1	SPRING, TENSION - LIMIT SWITCH PLUNGER
13	16-45282		1	STUD, MOUNTING BRACKET
14	13-26993		2	LOCKWASHER, MOUNTING BRACKET STUD
15	11-28770		2	NUT, MOUNTING BRACKET STUD
16	10-45263		2	SCREW, MOUNTING BRACKET (2-1/4")
17	10-68298		6	BOLT, MOUNTING BRACKET TO TRANSOM (3-1/4")
	10-89673		2	BOLT, MOUNTING BRACKET TO TRANSOM (5")
18	12-68410		6	WASHER, MOUNTING BRACKET BOLT
19	11-99405		8	NUT, MOUNTING BRACKET BOLT
20	89111		1	BRACKET, TRIM CYLINDER (STARBOARD)
21	10-45328		2	SCREW, TRIM CYLINDER TO MOUNTING BRACKET (3-9/16")
22	12-37807		1	WASHER, TRIM CYLINDER SCREW (STARBOARD ONLY)
23	11-20696		2	NUT, TRIM CYLINDER SCREW
24	24-24390		1	SPRING, TENSION - ADJUSTING STUD
25	16-21085		1	STUD, ADJUSTING - CUT-OUT LIMIT SWITCH
26	11-45812		1	NUT, JAM - LIMIT SWITCH ADJUSTING STUD
27	45508		1	CAM, LIMIT SWITCH ADJUSTING STUD
28	8967		1	PLATE, RETAINING - LIMIT SWITCH CAM
29	10-68513		1	SCREW, RETAINING PLATE AND CAM
30	13-26996		1	LOCKWASHER, RETAINING PLATE AND CAM SCREW
31	45326A2		1	SWITCH ASSEMBLY, CUT-OUT LIMIT
32	23-45354		1	BUSHING, RUBBER - CUT-OUT LIMIT SWITCH
33	10-47255		2	SCREW, CUT-OUT LIMIT SWITCH (9/16")
34	89272		1	COVER, LIMIT SWITCH
35	27-89273		1	GASKET, LIMIT SWITCH COVER
36	10-34994		4	SCREW, LIMIT SWITCH COVER (7/16")
37	12-38833		4	WASHER, LIMIT SWITCH COVER SCREW
38	87774A1		1	COVER, INLET - TRANSOM
39	27-87775		1	GASKET, INLET COVER
40	25-45507		1	GROMMET, RUBBER - INLET COVER

CONTINUED ON NEXT PAGE ➡

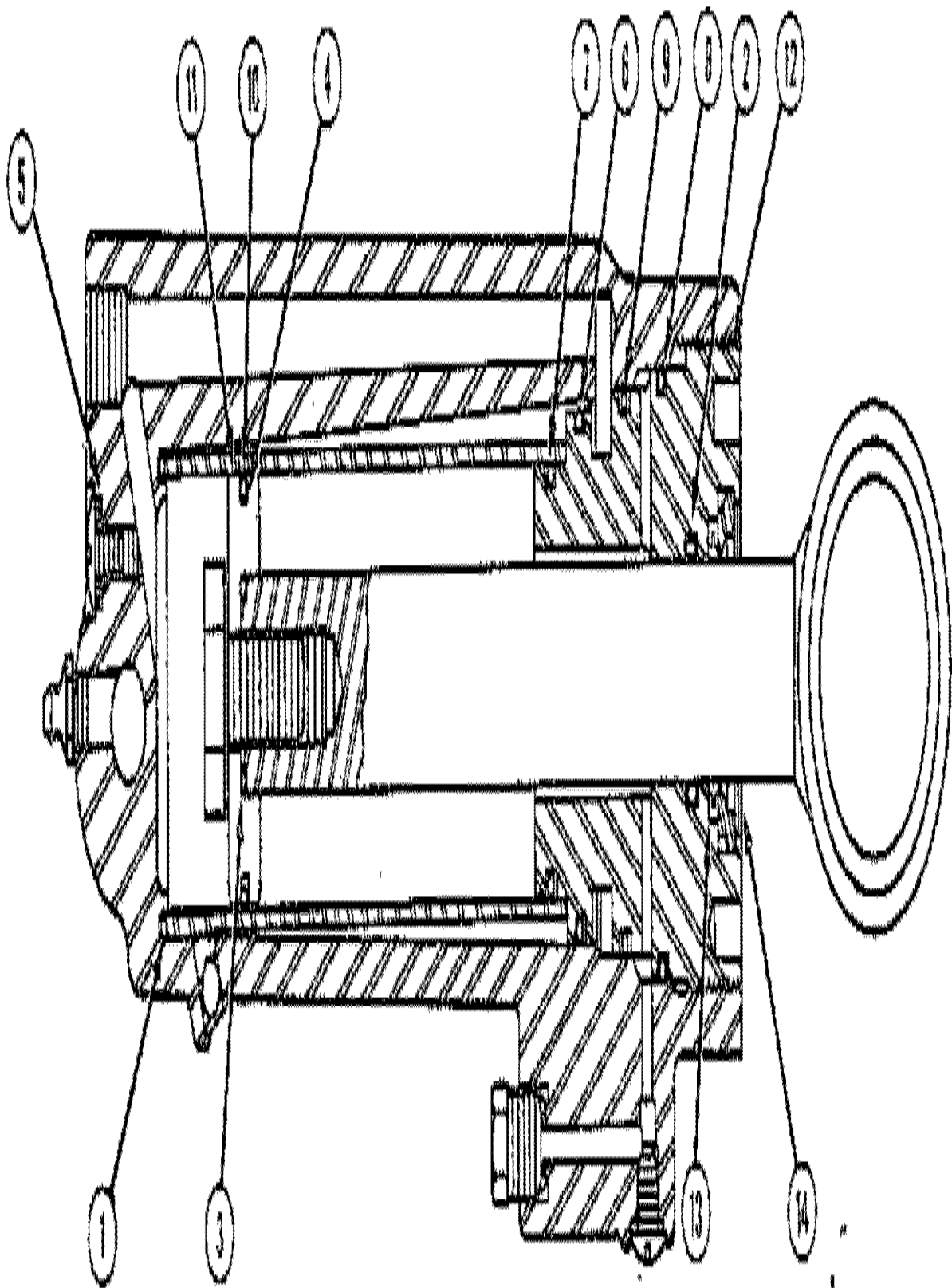
TRIM CYLINDERS AND HYDRAULIC HOSES



TRIM CYLINDERS AND HYDRAULIC HOSES

REF. NO.	PART NO.	SYM.	QTY.	DESCRIPTION
41	10-32866		4	SCREW, INLET COVER TO BOAT (2")
42	13-26996		4	LOCKWASHER, INLET COVER SCREW
43	11-68219		4	NUT, INLET COVER SCREW
44	32-97153A1		2	HOSE, TRIM - CYLINDER TO CONTROL VALVE (5') - 12/32" O.D.
45	32-97154A1		2	HOSE, LIFT - CYLINDER TO CONTROL VALVE (5') - 17/32" O.D.
46	23-35977		4	GROMMET, RUBBER (3/8" I.D. - 1" LONG)
	25-97191		2	GROMMET, RUBBER (3/8" I.D. - 7/8" LONG)
	25-97000		2	GROMMET, RUBBER (7/16" I.D. - 7/8" LONG)
47	73519A1		1	TILT STOP
48	69259		1	TUBE, MOUNTING - TILT STOP
49	77669		1	PIN, MOUNTING TUBE
50	63473		1	TUBE, CUSHION
51	18-36391		1	COTTER PIN, MOUNTING TUBE PIN
52	18-45882		1	COTTER PIN, TILT PIN RETAINING
53	12-39304		1	WASHER, TILT PIN
54	23-89112		2	BUSHING, MOUNTING BRACKET
55	70679		2	COVER, TRIM CYLINDER - NOT USED ON LATE MODELS
56	10-37655		2	SCREW, TRIM CYLINDER COVER - NOT USED ON LATE MODELS

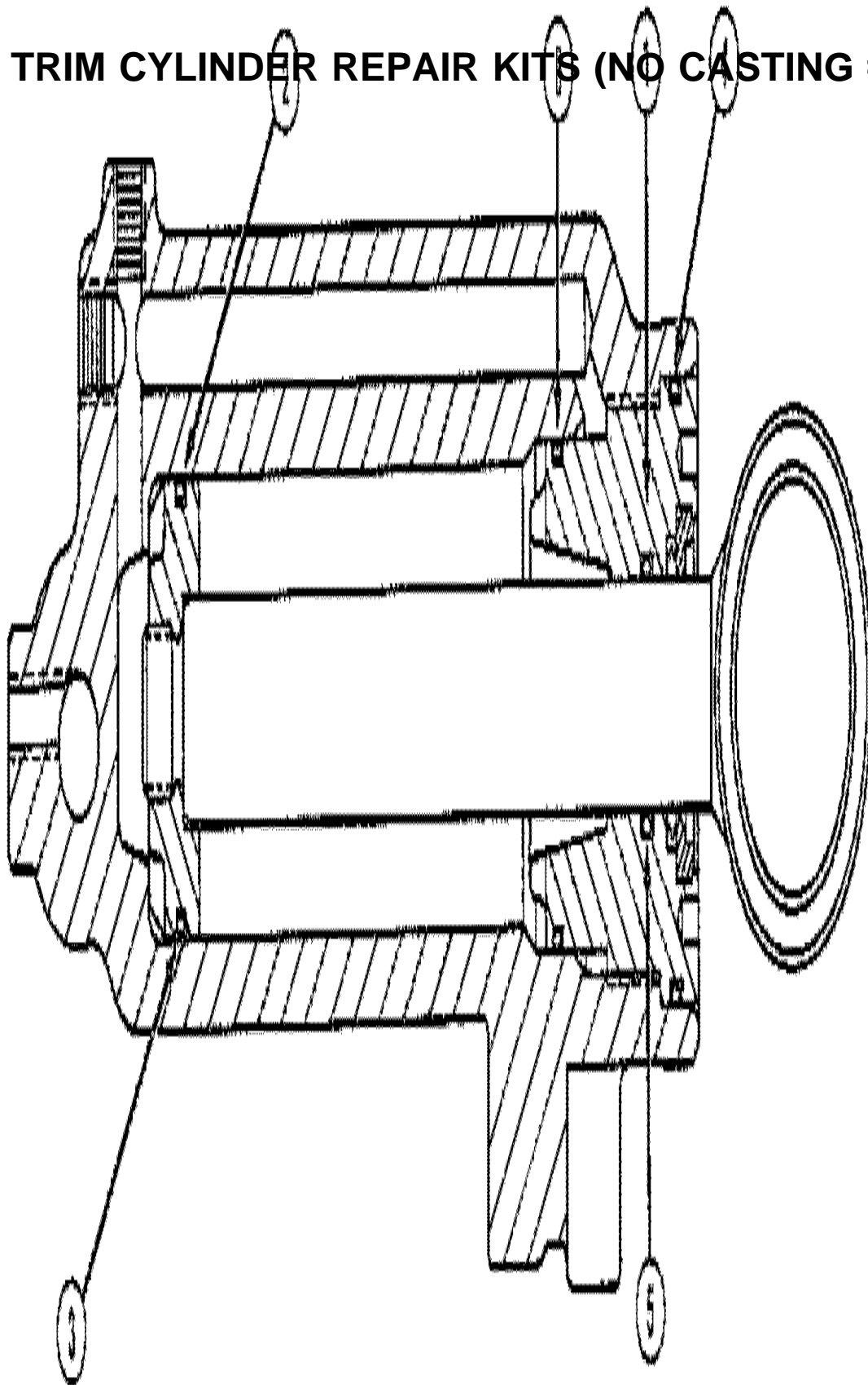
POWER TRIM CYLINDER REPAIR KITS (CASTING #78439)



POWER TRIM CYLINDER REPAIR KITS (CASTING #78439)

REF. NO.	PART NO.	SYM.	QTY.	DESCRIPTION
-	64507A1		1	REPAIR KIT (SEE NOTE BELOW)
1	N.S.S.		1	"O" RING (1-1/2" X 1-5/8" X 1/16")
2	N.S.S.		1	"O" RING (3/4" X 15/16" X 1/8")
3	N.S.S.		1	"O" RING (5/8" X 3/4" X 1/16")
4	N.S.S.		1	"O" RING (1-1/4" X 1-7/16" X 1/16")
5	N.S.S.		2	"O" RING (7/32" X 11/32" X 1/16")
6	N.S.S.		1	"O" RING (1-5/8" X 1-13/16" X 1/8")
7	N.S.S.		1	"O" RING (1-5/16" X 1-1/2" X 1/8")
8	N.S.S.		1	"O" RING (1-7/8" X 2" X 1/8")
9	N.S.S.		1	"O" RING (1-3/4" X 1-15/16" X 1/8")
10	N.S.S.		1	SEAL, SLIPPER - PISTON
11	N.S.S.		1	PISTON, ROD - HEAVY DUTY
12	64505A1		1	RETAINER ASSEMBLY, PISTON
13	N.S.S.		1	ROD, SCRAPER
14	N.S.S.		1	RETAINER, SCRAPER

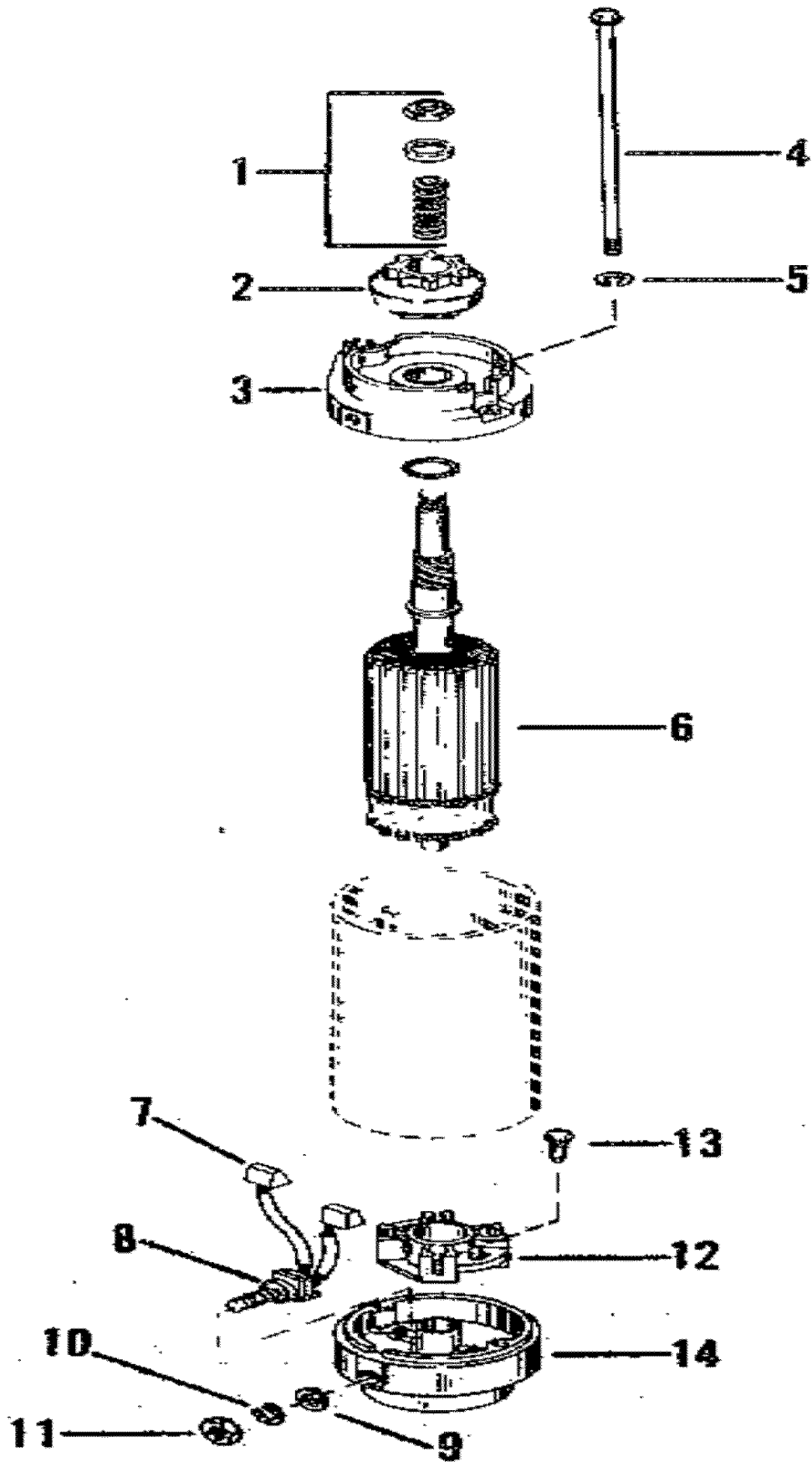
POWER TRIM CYLINDER REPAIR KITS (NO CASTING #)



POWER TRIM CYLINDER REPAIR KITS (NO CASTING #)

REF. NO.	PART NO.	SYM.	QTY.	DESCRIPTION
-	92188A2		1	REPAIR KIT (SEE NOTE BELOW)
1	N.S.S.		1	CYLINDER CAP
2	N.S.S.		1	"O" RING (1-1/4" X 1-1/2" X 1/8")
3	N.S.S.		1	SPACER
4	N.S.S.		1	"O" RING (1-7/8" X 2-1/16" X 3/32")
5	N.S.S.		1	"O" RING (3/4" X 15/16" X 3/32")
6	N.S.S.		1	"O" RING (1-1/2" X 1-3/4" X 3/32")

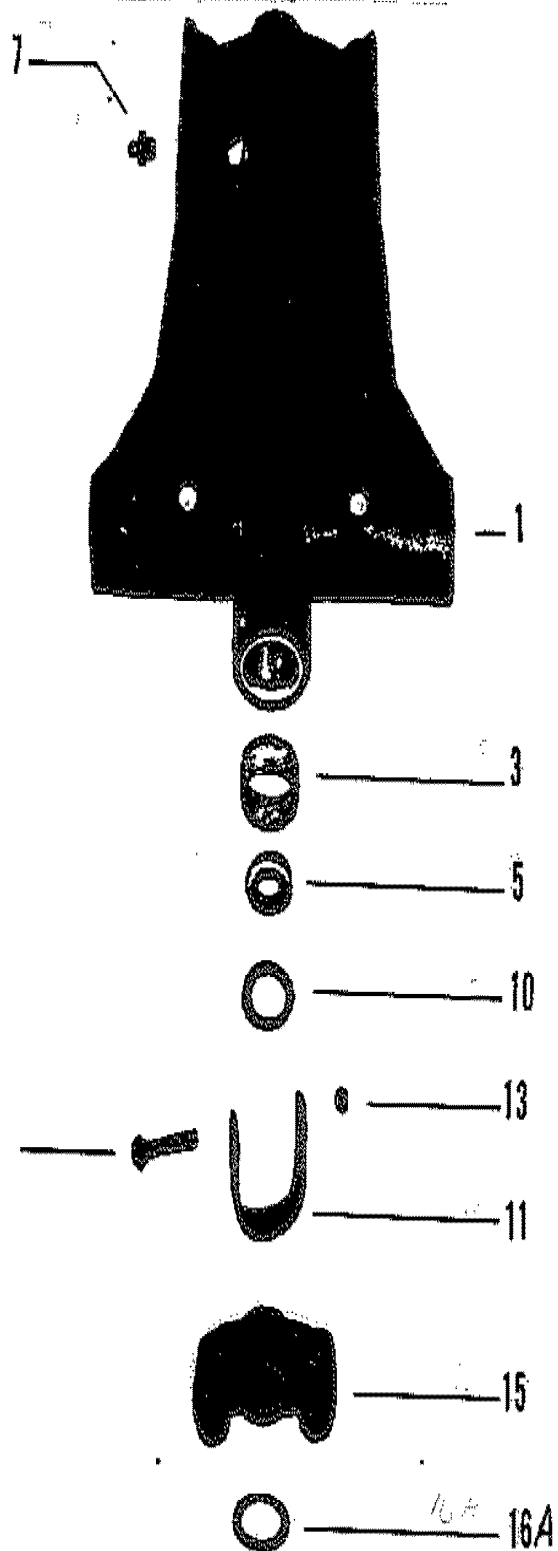
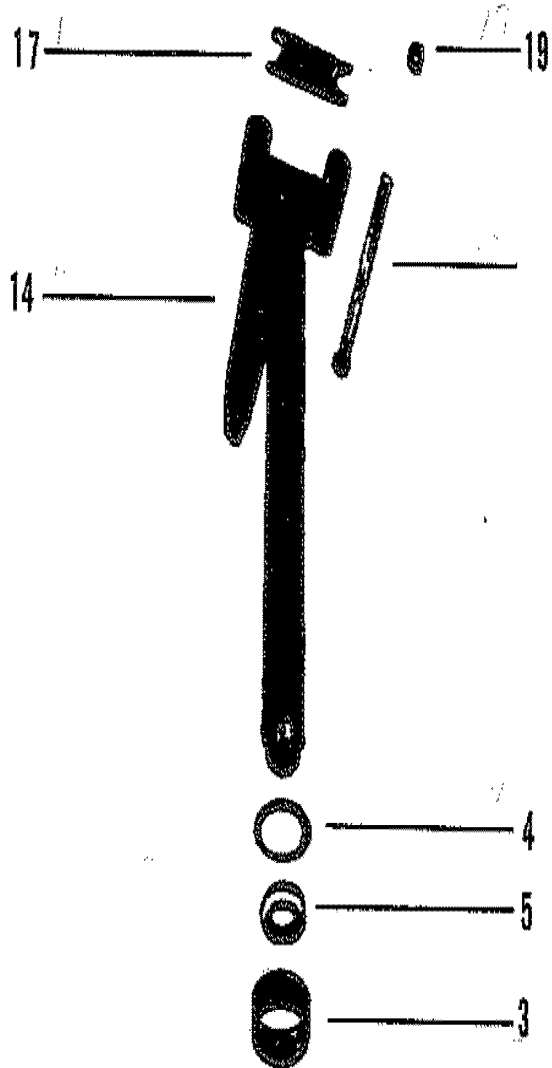
STARTER MOTOR ASSEMBLY



STARTER MOTOR ASSEMBLY

REF. NO.	PART NO.	SYM.	QTY.	DESCRIPTION
-	50-72467		1	STARTER MOTOR ASSEMBLY
1	90644		1	DRIVE KIT
2	68575		1	DRIVE ASSEMBLY
3	74966		1	PLATE, DRIVE END
4	10-74968		2	BOLT, THRU
5	13-61789		2	LOCKWASHER, THRU BOLT
6	74964		1	ARMATURE
7	63292		1	BRUSH SET
8	23-57387		1	BUSHING, INSULATING
9	12-38013		1	WASHER, INPUT STUD
10	13-26992		1	LOCKWASHER, INPUT STUD
11	11-20890		1	NUT, INPUT STUD
12	61787		2	HOLDER, BRUSH
13	10-68586		2	SCREW, BRUSH AND HOLDER
14	68579		1	END CAP, COMMUTATOR

SWIVEL BRACKET ASSEMBLY



SWIVEL BRACKET ASSEMBLY

REF. NO.	PART NO.	SYM.	QTY.	DESCRIPTION
1	1482-7670A5		1	SWIVEL BRACKET ASSEMBLY
3	23-69341		2	BUSHING, SWIVEL BRACKET
4	12-69342		1	WASHER, SWIVEL PIN - UPPER
5	26-37448		2	OIL SEAL, SWIVEL BRACKET
7	22-74036		4	GREASE FITTING, SWIVEL BRACKET
10	13-88507		1	WAVE WASHER, SWIVEL PIN - LOWER
11	28205T		1	STRAP STOP, DRIVE SHAFT HOUSING TO SWIVEL BRACKET
12	10-28200		1	SCREW, STRAP STOP TO DRIVE SHAFT HOUSING (2-7/8")
13	11-25269		1	NUT, STRAP STOP FASTENING SCREW
14	17-73593A2		1	SWIVEL PIN AND ARM ASSEMBLY
15	73984		1	BOTTOM YOKE
16A	53-73591		1	RETAINING RING, BOTTOM YOKE
17	28203		1	BUMPER, STEERING ARM
18	10-49554		2	BOLT, STEERING ARM TO UPPER MOUNT (5-7/8")
19	11-34933		2	NUT, STEERING ARM BOLT

PARTS INDEX

Part Number	Description	Pg.	Ref. No.	Part Number	Description	Pg.	Ref. No.
22833	ADAPTOR, CHECK UNIT (FUEL LINE)	23	28	45197A2	CONTROL VALVE ASSEMBLY	55	8
23004	RETAINER, CHECK VALVE .	23	11	45197A2	CONTROL VALVE ASSEMBLY	59	7
23069	STEM, CHECK UNIT ADAPTOR	23	29	45326A2	SWITCH ASSEMBLY, CUT- OUT LIMIT	61	31
25067	BUMPER, RUBBER-LOWER MOUNTING SCREW	41	28	45336	PLATE, MANIFOLD	55	7
26113	RACE, OUTER PAIR	31	10	45336	PLATE, MANIFOLD	59	6
26901	BUMPER, RUBBER - SOLENOID BRACKET	55	31	45377	BRACKET, MOUNTING	55	15
28203	BUMPER, STEERING ARM .	71	17	45377	BRACKET, MOUNTING	59	14
28205T	STRAP STOP, DRIVE SHAFT HOUSING TO SWIVEL BRACKET	71	11	45508	CAM, LIMIT SWITCH ADJUSTING STUD	61	27
30021	BLANKET, SOUND	5	14	45915	TERMINAL BLOCK, REED BLOCK HOUSING	25	41
30186	ADAPTOR, CHECK UNIT (FUEL LINE)	23	28	46096	MOUNT, RUBBER-TOP COWL FRAME (HEAVY DUTY)	3	18
30187	STEM, CHECK UNIT ADAPTOR	23	29	46265	BOOT, RUBBER - STARTER SOLENOID TERMINAL	55	26
30188	CUP WASHER, ADAPTOR . .	23	32	46265	BOOT, TERMINAL-STARTER SOLENOID	11	17
30413	HOOK, COWL LATCH	5	13	46785A1	COWL LATCH ASSEMBLY . .	5	12
30624	SLIDE, CROSS PIN	49	51	46933A3	GROUND STRAP ASSEMBLY, CYLINDER BLOCK COVER	29	33
30625	CAM FOLLOWER	49	50	47341A1	ROPE, STARTER (FOR MANUAL STARTING ONLY)	3	9
31014	MOUNT, RUBBER-REAR SUPPORT BRACKET	3	21	47558	ROD, PUSH	41	15
31640A1	TRIM TAB, GEAR HOUSING	49	70	47559	YOKE, PUSH ROD	41	17
32435	FACE PLATE	45	21	48039	CAP, NYLON-ADJUSTING SCREW	9	33
32979	BATTERY LEAD (POSITIVE)	55	6	48047A1	LINK ROD ASSEMBLY	33	20
32988	BATTERY LEAD (NEGATIVE)	55	6	48152	CHOKE SHUTTER	15	25
35474F2	COVER, LOWER MOUNT CLAMP	43	37	48203	CHOKE ROD	15	22
35608	CLAMP, LOWER MOUNT . . .	41	34	48752	INSERT, WATER PUMP	45	24
37417F2	COVER, TRIM-DRIVE SHAFT HOUSING	41	5	49589	STRAP, CHOKE KNOB TO CHOKE ROD	15	19
37440	BRACKET, MOUNT SUPPORT	29	28	52023	CAP, NYLON-ADJUSTING SCREW	9	10
37587	SWIVEL, THROTTLE LEVER TO THROTTLE CABLE	9	6	52023	CAP, NYLON-ADJUSTING SCREW	9	30
37637	BOOT, FUEL CONNECTOR .	33	9	52100	WEAR PLATE, LINK ROD . .	33	33
37640	MOUNT, RUBBER-FRONT SUPPORT BRACKET	3	34	52699	COVER, GEAR HOUSING . .	49	69
37641	SEAL, EXHAUST	45	37	52732	BRACKET, ANCHOR- CONTROL CABLES	33	24
37896	GUIDE BLOCK, LINK ROD . .	33	32	52739	HINGE, COWL LATCH-TOP COWL	3	10
37918	SEAL, EXHAUST EXTENSION PLATE	35	3	52862A2	DRIP TRAY ASSEMBLY, BOTTOM COWL	33	2
37940	PAD, SOUND-DRIP TRAY . .	33	3	52887	GUIDE, PUSH ROD--NOT USED WITH FULL POWER TRI	41	14
38051	PLATE, SUPPORT-EXHAUST TUBE SEAL	45	38	52889	NOZZLE, TELL TALE HOSE TO BOTTOM COWL	33	14
38279	LATCH, CONTROL CABLE FASTENING	33	34	53720A2	THROTTLE PICK-UP BRACKET ASSEMBLY	15	10
38674	BAG, STARTER ROPE	5	8	54196A6	CARRIER ASSEMBLY "O"RING	31	5
39019	SPACER, LOWER	47	45	54293A4	CHOKE SOLENOID	15	1
39021	CAM, REVERSE LOCKING . .	47	46				
39519	CAP, BARREL RETAINER . .	33	25				
39616	BOOT, CONTROL CABLES .	33	6				
39618	LEVER, NYLON-SHIFT CABLE LOCKING	33	26				
39667	COVER, NYLON-SHIFT CABLE	33	28				

PARTS INDEX

Part Number	Description	Pg.	Ref. No.	Part Number	Description	Pg.	Ref. No.
55455	HOOK, TOP COWL LATCH- REAR	3	13	76395A5	HYDRAULIC PUMP ASSEMBLY, COMPLETE	51	-
55991	JUMPER WIRE (POSITIVE)	55	32	76433	SHIELD, TOP COWL-REAR	3	6
55992	JUMPER WIRE (NEGATIVE)	55	32	76440	RETAINER, TOP COWL	3	2
56349	SHAFT, REVERSE LOCK PIVOT	37	24	76505	PAC, BUMPER-TOP COWL RETAINER	3	3
56703	COLLAR, STARTER MOTOR	7	12	76509A23	TRIM CYLINDER ASS'Y (IDENTIFY BY CASTING #78439)	61	1
56849	KNOB, FRONT COVER	5	2	76867	COVER, STARTER MOTOR- BOTTOM	27	13
57247	STOP, RUBBER-STARTER MOTOR	7	14	77013A1	SWIVEL ASSEMBLY, SPARK LINK	9	34
60304A54	SHIFT SHAFT ASSEMBLY, UPPER	33	17	77013A1	SWIVEL ASSEMBLY, THROTTLE LEVER	9	11
60437	MEGAPHONE, EXHAUST	35	19	77544	SEAL, SOUND-TOP	5	10
61787	HOLDER, BRUSH	69	12	77669	PIN, MOUNTING TUBE	63	49
62351A1	RECTIFIER	11	7	77790	STRIP, SOUND	5	7
63292	BRUSH SET	69	7	78184	EXHAUST TUBE	41	8
63473	TUBE, CUSHION	63	50	79659	COUPLING, TILT LOCK	37	16
64505A1	RETAINER ASSEMBLY, PISTON	65	12	79897	FRAME, TOP COWL SUPPORT	3	16
64507A1	REPAIR KIT (SEE NOTE BELOW)	65	-	79900	LEVER, THROTTLE	9	1
64704	FITTING, FUEL OUTLET	23	19	79903	HOUSING, THROTTLE- LOWER	9	22
65638	BOOT, EXHAUST TUBE	41	8A	85082	HOUSING, THROTTLE- UPPER	9	19
65799	LINK, LOCKING LEVER TO COVER	33	29	85300	LINK ROD, THROTTLE	9	16
65800	"O"RING, CARRIER	31	6	85301	SPARK LINK	9	39
66517	RESTRICITON, CRANKCASE BLEED	27	3	85441	THROTTLE CAM	9	18
66530A6	FUEL PUMP ASSEMBLY	23	1	85943A1	LEVER, THROTTLE (UPPER CARBURETOR)	15	7
68575	DRIVE ASSEMBLY	69	2	86295	BASE, FUEL PUMP	23	13
68579	END CAP, COMMUTATOR	69	14	86316	COVER, EXHAUST MANIFOLD	29	20
69259	TUBE, MOUNTING - TILT STOP	63	48	86472	BRACKET, TOP COWL SUPPORT-REAR	3	20
70679	COVER, TRIM CYLINDER - NOT USED ON LATE MODELS	63	55	86473	COVER, STARTER MOTOR- TOP	27	9
71808	COVER, WATER JACKET	29	13	87431	REVERSE LOCK ASS'Y	37	22
73218	COVER, IGNITION COIL	13	2	87774A1	COVER, INLET - TRANSOM	61	38
73519A1	TILT STOP	63	47	87872	COVER, TRANSFER PORT	29	30
73984	BOTTOM YOKE	71	15	87937	SHAFT, THROTTLE AND SPARK ADVANCE	9	24
74406	BRACKET, MOUNTING - STARTER SOLENOID	55	33	87990	PULSE CHAMBER, FUEL PUMP	23	14
74407	BRACKET, MOUNTING - STARTER SOLENOID	55	27	87991	POINTER, TIMING	3	37
74897	BARREL, SPARK LINK TO TRIGGER	9	40	88238A2	WIRE ASSEMBLY, GROUND	43	40
74964	ARMATURE	69	6	88238A4	GROUND STRAP ASSEMBLY, TRIM COVER	41	6B
74966	PLATE, DRIVE END	69	3	88751	SCREW	41	6B
75282	THRUST HUB	49	75	89031A3	CLAMP, WIRING HARNESS	13	22
75296	MOUNT, RUBBER-UPPER	41	20	89047	DIAPHRAGM ASSEMBLY	23	3
75299	MOUNT, RUBBER-LOWER	41	24	89099	BRACKET, WIRING HARNESS	13	18
75778	BAFFLE PLATE, EXHAUST MANIFOLD	29	18	89105	TILT TUBE	37	2
76039	SHIFT CAM	49	49	89105	TILT LOCK	37	21
76062A1	SHAFT ASSEMBLY, SHIFT- LOWER	45	39	89108A3	BRACKET, TRIM CYLINDER (PORT)	61	9
76369	SPACER, BOTTOM COWL	33	7				
76395A5	HYDRAULIC PUMP ASS'Y (METAL RESERVOIR) - SEE NOTE BELOW	55	1				

PARTS INDEX

Part Number	Description	Pg.	Ref. No.	Part Number	Description	Pg.	Ref. No.
89116	PIN, UPPER SHOCK MOUNTING	37	14	N.S.S.	"O" RING (1-1/4" X 1-7/16" X 1/16")	65	4
89232A1	BRACKET ASSEMBLY, TOP COWL-FRONT	3	29	N.S.S.	"O" RING (1-3/4" X 1-15/16" X 1/8")	65	9
89272	COVER, LIMIT SWITCH	61	34	N.S.S.	"O" RING (1-5/16" X 1-1/2" X 1/8")	65	7
89290	PLUNGER, LIMIT SWITCH ACTUATING	61	11	N.S.S.	"O" RING (1-5/8" X 1-13/16" X 1/8")	65	6
8967	PLATE, RETAINING - LIMIT SWITCH CAM	61	28	N.S.S.	"O" RING (1-7/8" X 2" X 1/8")	65	8
89748	PLATE, ELECTRICAL MOUNTING	11	1	N.S.S.	"O" RING (1-7/8" X 2-1/16" X 3/32")	67	4
89813	YOKE, PUSH ROD	41	17	N.S.S.	"O" RING (3/4" X 15/16" X 1/8")	65	2
90242A1	KNOB, CHOKE ROD	15	17	N.S.S.	"O" RING (3/4" X 15/16" X 3/32")	67	5
90345	BRACKET, ENRICHER VALVE	25	38	N.S.S.	"O" RING (5/8" X 3/4" X 1/16")	65	3
90365	VALVE, ENRICHER	25	35	N.S.S.	"O" RING (7/32" X 11/32" X 1/16")	65	5
90435	MOUNT, RUBBER-TOP COWL FRAME	3	18	N.S.S.	CYLINDER CAP	67	1
90547	LOCATOR, STARTER SOLENOID	11	18	N.S.S.	PISTON, ROD - HEAVY DUTY	65	11
90548A1	PLUNGER AND LINK ASSEMBLY	15	6	N.S.S.	RETAINER, SCRAPER	65	14
90644	DRIVE KIT	69	1	N.S.S.	ROD, SCRAPER	65	13
92188A2	REPAIR KIT (SEE NOTE BELOW)	67	-	N.S.S.	SEAL, SLIPPER - PISTON	65	10
92194A20	TRIM CYLINDER ASS'Y (IDENTIFY BY NO CASTING #)	61	1	N.S.S.	SPACER	67	3
92405A1	REVERSE LOCK ASS'Y	37	22	10-20037	SCREW, RETAINER	23	12
92704	GUIDE, PUSH ROD	41	14	10-20359	SCREW, CENTER MAIN BEARING LOCKING	27	20
92707	ROD, PUSH	41	15	10-20411	SCREW, VALVE BODY TO RESERVOIR	51	3
92975A6	HYDRAULIC PUMP ASS'Y (PLASTIC RESERVOIR) - SEE NOTE BELOW	55	1	10-20411	SCREW, WIRE TO TERMINAL BLOCK	25	43
92975A6	HYDRAULIC PUMP ASS'Y (PLASTIC RESERVOIR) - SEE NOTE	59	1	10-20619	SCREW, SWITCH BOX (1-3/8")	11	20
92975A6	HYDRAULIC PUMP ASSEMBLY	53	-	10-20847	SCREW, THROTTLE STOP LEVER	19	18
94275	LINK, SOLENOID TO SOLENOID	59	30	10-21140	SCREW, MOUNTING BRACKET TO HYDRAULIC PUMP (1/2")	55	28
94279	BRACKET, MOUNTING - STARTER SOLENOID	59	20	10-21937	SCREW, LOWER SHOCK PIN (2")	37	28
94918	LEVER, COWL LATCH HINGE	3	11	10-22523	SCREW, LOWER SCREEN TO CARBURETOR (5/8")	15	29
96074A1	BEARING CARRIER ASSEMBLY (W/O GREASE FITTING)	49	64	10-22956	SCREW, REAR HOOK TO TOP COWL (7/8")	3	14
96455A6	TRIGGER PLATE	7	9	10-22968	SCREW, CENTER MAIN BEARING	31	13
98517A2	PLATE ASSEMBLY, EXHAUST EXTENSION	35	1	10-23015	SCREW, UPPER SCREEN TO CARBURETOR (1")	15	29
98518A4	PLATE ASSEMBLY, DRIVE SHAFT HOUSING	35	15	10-24234	SCREW, ANDCHOR BRACKET TO CYLINDER BLOCK (1")	33	30
99358	STRIP, RETAINING-PLATE SEAL	35	4	10-24234	SCREW, BRACKET TO CYLINDER BLOCK (1")	29	29
N.S.S.	"O" RING (1-1/2" X 1-3/4" X 3/32")	67	6	10-24234	SCREW, MOUNTING BRACKET TO HYDRAULIC PUMP (1")	55	16
N.S.S.	"O" RING (1-1/2" X 1-5/8" X 1/16")	65	1	10-24234	SCREW, MOUNTING BRACKET TO HYDRAULIC PUMP (1")	59	15

PARTS INDEX

Part Number	Description	Pg.	Ref. No.	Part Number	Description	Pg.	Ref. No.
10-24637	SCREW, WIRING HARNESS BRACKET	13	19	10-38601	SCREW, STARTER SOLENOID TO PLATE (1/2")	11	15
10-25299	SCREW, CHOKE SOLENOID (3/4")	15	4	10-45263	SCREW, MOUNTING BRACKET (2-1/4")	61	16
10-25299	SCREW, RETAINER TO TOP COWL	3	4	10-45264	SCREW, TRIM CYLINDER (1-1/2") - WITH TAPPED HOLE	61	5
10-25764	SCREW, MERCURY SWITCH TO PLATE (5/8")	11	5	10-45265	SCREW, BLEED	61	3
10-25764	SCREW, RECTIFIER TO IGNITION PLATE (5/8")	11	8	10-45328	SCREW, TRIM CYLINDER TO MOUNTING BRACKET (3-9/16")	61	21
10-28200	SCREW, STRAP STOP TO DRIVE SHAFT HOUSING (2-7/8")	71	12	10-45561	SCREW, PLATE TO CYLINDER BLOCK (1-1/8")	11	2
10-28239	SCREW, THROTTLE HOUSING	9	25	10-45775	SCREW, MAIN BEARING	31	17
10-28636	SCREW, PLATE TO CYLINDER BLOCK (3/4")	11	2	10-47255	SCREW, CUT-OUT LIMIT SWITCH (9/16")	61	33
10-28636	SCREW, TIMING POINTER (3/4")	3	38	10-48063	SCREW, MOUNTING BRACKET TO HYDRAULIC PUMP	59	21
10-28636	SCREW, TRANSFER PORT COVER (3/4")	29	32	10-48408	SCREW, DRIP TRAY TO BOTTOM COWL (1/2")	33	4
10-28636	SCREW, WIRING HARNESS CLAMP	13	16	10-48408	SCREW, TELL TALE NOZZLE TO BOTTOM COWL (1/2")	33	15
10-28636	SCREW, WIRING HARNESS CLAMP	13	23	10-48591	SCREW, SPACER TO BOTTOM COWL (1/2")	33	8
10-29256	SCREW, LOWER MOUNT CLAMP	43	36	10-48591	SCREW, STRAP TO CHOKE ROD (1/2")	15	23
10-30009	SCREW, CIRCUIT BREAKER	59	33	10-49318	SCREW, LOWER MOUNT (5 1/2")	41	25
10-30720	SCREW, WATER PUMP (1/4-20-HEX HEAD)	45	29	10-49554	BOLT, STEERING ARM TO UPPER MOUNT (5-7/8")	71	18
10-32293	SCREW, CRANKCASE TO CYLINDER BLOCK (1 3/4")	27	17	10-52195	SCREW, FLOAT BOWL COVER	19	13
10-32417	SCREW, FLYWHEEL PLATE	7	5	10-53016	SCREW, CRANKCASE TO CYLINDER BLOCK (1 1/4")	27	17
10-32866	SCREW, INLET COVER TO BOAT (2")	63	41	10-53167	SCREW, WATER JACKET COVER (7/8")	29	15
10-34290	SCREW, STARTER SOLENOID TO MOUNTING BRACKET (5/8")	57	36	10-53576	SCREW, MANIFOLD COVER	29	21
10-34994	SCREW, LIMIT SWITCH COVER (7/16")	61	36	10-54803	SCREW, CONNECTING ROD-WITH NUTS	31	28
10-36154	SCREW, ADAPTOR TO BOTTOM COWL (1 3/8")	23	33	10-56500	SCREW, VALVE AND MANIFOLD PLATE TO PUMP (1-1/4")	59	11
10-37370	SCREW, SHIELD TO TOP COWL (5/8")	3	7	10-56500	SCREW, VALVE AND MANIFOLD PLATE TO PUMP (1-1/4")	55	12
10-37559	SCREW, THROTTLE LEVER TO EXHAUST COVER	9	2	10-57807	SCREW, TRIM COVER TO BOTTOM COWL	41	6
10-37562	SCREW, REAR BRACKET TO BOTTOM COWL (1")	3	27	10-57841	SCREW, CRANKCASE TO CYLINDER BLOCK (2 3/4")	27	17
10-37562	SCREW, REAR BRACKET TO FRAME (1")	3	24	10-60293	SCREW, THROTTLE LEVER	15	8
10-37571	SCREW, SEAL AND RETAINING STRIP (1/2")	35	5	10-60464	SCREW, ADJUSTING-LOWER HOUSING (2-1/8")	9	31
10-37655	SCREW, TRIM CYLINDER COVER - NOT USED ON LATE MODELS	63	56	10-60480	SCREW, MEGAPHONE (1 1/8")	35	20
10-38257	SCREW, VENT - HYDRAULIC PUMP	51	6	10-62204	SCREW, REED STOP	31	21
10-38257	SCREW, VENT - HYDRAULIC PUMP	55	5	10-62568	SCREW, GROUND STRAP (3/8")	29	34

PARTS INDEX

Part Number	Description	Pg.	Ref. No.	Part Number	Description	Pg.	Ref. No.
10-62568	SCREW, WIRE	11	23	10-79953	SCREW, FILLER - HYDRAULIC PUMP	55	3
10-62898	BOLT, HYDRAULIC PUMP TO BOAT (3-1/4")	59	18	10-79953	SCREW, FILLER - HYDRAULIC PUMP	59	3
10-65210	SCREW, GEAR HOUSING	49	74	10-79953	SCREW, GREASE FILLER AND VENT HOLE	47	47
10-66023	SCREW, ADAPTOR PLATE TO HOUSING PLATE (2")	35	8	10-86885	SCREW, PLATE TO CYLINDER BLOCK (1-1/2")	11	2
10-66023	SCREW, HOUSING PLATE TO DRIVE SHAFT HOUSING (2")	35	10	10-87884	SCREW, COVER TO LOWER CLAMP MOUNT	43	39
10-66024	SCREW, TRIM TAB TO GEAR HOUSING (1-3/4)	49	71	10-88856	SCREW, IGNITION COIL COVER (2")	13	3
10-66104	SCREW, THROTTLE BRACKET	15	11	10-89075	SCREW, VALVE TO BRACKET	25	39
10-67755	BOLT, TRANSOM BRACKET (6")	37	11	10-89673	BOLT, MOUNTING BRACKET TO TRANSOM (5")	61	17
10-68298	BOLT, HYDRAULIC PUMP TO BOAT (3-1/4")	55	19	10-89673	BOLT, TRANSOM BRACKET (5")	37	11
10-68298	BOLT, MOUNTING BRACKET TO TRANSOM (3-1/4")	61	17	10-89766	SCREW, FUEL FILTER COVER (5/8")	23	16
10-68513	SCREW, RETAINING PLATE AND CAM	61	29	10-91012	SCREW, CONNECTING ROD-W/O NUTS	31	28
10-68586	SCREW, BRUSH AND HOLDER	69	13	10-91026	SCREW, STARTER SOLENOID TO MOUNTING BRACKET	59	29
10-68997	SCREW, FLYWHEEL HUB	7	6	10-92050	SCREW, TRIM CYLINDER (1- 1/2") - WITHOUT TAPPED HOLE	61	5
10-69028	SCREW, MOUNTING BRACKET TO HYDRAULIC PUMP (3/4")	57	34	10-96411	SCREW, WATER PUMP (14- 8-HEX WASHER HEAD)	45	29
10-69034	SCREW, END CAP (1")	29	12	11-20110	NUT, BRACKET SCREW	13	21
10-69035	SCREW, CABLE TO STARTER MOTOR	7	16	11-20110	NUT, CHOKE SHUTTER STUD	15	27
10-69079	SCREW, TERMINAL BLOCK	25	42	11-20110	NUT, SCREEN SCREW	17	31
10-69092	SCREW, FRONT BRACKET TO BOTTOM COWL (1- 1/4")	3	30	11-20184	NUT, BEARING SCREW	31	14
10-69092	SCREW, FRONT BRACKET TO TOP COWL FRAME (1- 1/2")	3	32	11-20184	NUT, LOWER SHOCK PIN SCREW	37	29
10-69100	SCREW, COVER (1")	29	25	11-20509	NUT, THROTTLE LEVER SCREW	9	5
10-69268	SCREW, BOTTOM COVER (1 7/8")	27	14	11-20664	NUT, LINK ROD	33	22
10-69268	SCREW, TOP COVER (1 7/8")	27	10	11-20696	NUT, TRIM CYLINDER SCREW	61	23
10-69375	SCREW, UPPER AND LOWER SHOCK PIN	39	35	11-20890	NUT, INPUT STUD	69	11
10-69570	SCREW, VALVE BODY TO RESERVOIR	53	3	11-21825	NUT, FUSE TERMINAL (1/4- 28)	59	38
10-73013	SCREW, FUEL PUMP (1-1/2")	23	17	11-21825	NUT, STARTER SOLENOID SCREW	57	38
10-73169	SCREW, END CAP (1")	29	6	11-21908	NUT, MOUNTING BRACKET SCREW	55	18
10-73286	SCREW, BRACKET TO REED BLOCK HOUSING (1/2")	25	40	11-21908	NUT, MOUNTING BRACKET SCREW	59	17
10-73657	SCREW, CRANKCASE TO CYLINDER BLOCK (1 1/2")	27	17	11-24656	NUT, MOUNTING BRACKET TO HYDRAULIC PUMP THRU BOLT	55	30
10-74968	BOLT, THRU	69	4	11-24656	NUT, MOUNTING BRACKET TO HYDRAULIC PUMP THRU BOLT	59	22
10-75168	SCREW, ADJUSTING- LOWER HOUSING (2-1/4")	9	28	11-25096	NUT, LOWER MOUNT SCREW	41	27
10-75168	SCREW, ADJUSTING- THROTTLE LEVER	9	8				
10-75840	SCREW, STATOR (7/8")	7	8				
10-76196	SCREW, STRAP TO CHOKE KNOB (5/8")	15	20				

PARTS INDEX

Part Number	Description	Pg.	Ref. No.	Part Number	Description	Pg.	Ref. No.
11-26419	NUT, SOLENOID TERMINAL (8-32)	59	25	11-53153	NUT, REED STOP SCREW	31	22
11-26419	NUT, SOLENOID TERMINALS (8-32)	11	12	11-56041	NUT, TILT TUBE	37	4
11-28770	NUT, JAM-PUSH ROD	41	16	11-62819	NUT, SOLENOID TERMINAL (#10)	55	23
11-28770	NUT, MOUNTING BRACKET STUD	61	15	11-64015	NUT, STARTER MOTOR TERMINAL	7	19
11-28770	NUT, RUBBER MOUNT	3	36	11-64809	NUT, CARBURETOR STUD	21	35
11-28770	NUT, TRANSOM BRACKET STUD	37	9	11-68219	NUT, ADJUSTING SCREW	9	32
11-29250	NUT, CRANKCASE SCREWS (LOWER)	27	19	11-68219	NUT, INLET COVER SCREW	63	43
11-29489	NUT, GEAR HOUSING STUDS	41	32	11-68219	NUT, SOLENOID TERMINAL (10-32)	15	3
11-29598	NUT, ADJUSTING SCREW	9	29	11-68219	NUT, SOLENOID TERMINALS (10-32)	11	12
11-29598	NUT, ADJUSTING SCREW	9	9	11-68292	NUT, SOLENOID TERMINAL (5/16")	55	25
11-29598	NUT, RUBBER MOUNT	3	23	11-68292	NUT, SOLENOID TERMINALS (5/16-18)	11	14
11-34932	NUT, POWERHEAD STUD	35	23	11-69254	NUT, POWERHEAD STUDS (3/8-24)	41	11
11-34933	NUT, DRIVE SHAFT HOUSING STUDS	49	73	11-72008	NUT, THROTTLE HOUSING SCREW	9	27
11-34933	NUT, GEAR HOUSING STUDS	41	30	11-91962	NUT, TRANSOM BRACKET BOLT	37	13
11-34933	NUT, STEERING ARM BOLT	71	19	11-94330	NUT, SOLENOID TERMINAL (1/4-20)	59	27
11-34933	NUT, UPPER MOUNT BOLT	41	23	11-94330	NUT, SOLENOID TERMINALS (1/4-20)	11	14
11-35521	NUT, LOWER MOUNT CLAMP COVER	43	38	11-99405	NUT, HYDRAULIC PUMP BOLT	55	20
11-35814	NUT, WATER PUMP STUD	45	34	11-99405	NUT, HYDRAULIC PUMP BOLT	59	19
11-35888	NUT, RUBBER MOUNT	3	19	11-99405	NUT, MOUNTING BRACKET BOLT	61	19
11-35888	NUT, THROTTLE CABLE TO SWIVEL	9	7	11-99405	NUT, TRANSOM BRACKET BOLT	37	13
11-35888	NUT, WATER PUMP SCREW	45	32	12-20260	WASHER, GREASE FILLER AND VENT HOLE SCREW	47	48
11-35921	NUT, PINION GEAR TO DRIVE SHAFT	45	10	12-20260	WASHER, SEALING - FILLER SCREW	51	8
11-36069	NUT, ADAPTOR SCREW	23	34	12-20260	WASHER, SEALING - FILLER SCREW	55	4
11-45076	NUT, CIRCUIT BREAKER TERMINAL (10-32)	59	34	12-20260	WASHER, SEALING - FILLER SCREW	59	4
11-45076	NUT, IGNITION COIL TERMINAL	13	4	12-20533	WASHER, CLAMP SCREW	13	24
11-45076	NUT, RECTIFIER TERMINALS	11	9	12-22753	WASHER, CRANKCASE SCREWS	27	18
11-45076	NUT, SWITCH BOX TERMINAL	11	25	12-25970	WASHER, POWERHEAD STUD	35	22
11-45076	NUT, WIRE TO MERCURY SWITCH	11	6	12-25970	WASHER, POWERHEAD STUDS	41	12
11-45774	NUT, MAIN BEARING SCREW	31	18	12-28196	WASHER, UPPER BUSHING RETAINER (INNER)	37	31
11-45774	NUT, SWIVEL	9	38	12-28421	WASHER, TRANSOM BRACKET BOLT	37	12
11-45774	NUT, SWIVEL TO THROTTLE LEVER	9	15	12-28421	WASHER, TRIM CYLINDER BOLT	61	6
11-45812	NUT, JAM - LIMIT SWITCH ADJUSTING STUD	61	26	12-29245	WASHER, MEGAPHONE SCREW	35	21
11-46438	NUT, STRAP TO CHOKE ROD SCREW	15	24	12-29245	WASHER, PLATE SCREW	11	3
11-46887	NUT, CHOKE ROD SPRING STUD	17	35	12-29245	WASHER, WATER PUMP SCREW AND STUD	45	31
11-47661	NUT, JAM-PUSH ROD	41	16				
11-49091	NUT, CONNECTING ROD SCREW -WITH NUTS	31	29				
11-52707	PROPELLER NUT	49	77				
11-52901	NUT, FLYWHEEL	7	2				

PARTS INDEX

Part Number	Description	Pg.	Ref. No.	Part Number	Description	Pg.	Ref. No.
12-29395	WASHER, THROTTLE LEVER SCREW	9	3	13-26992	LOCKWASHER, INPUT STUD	69	10
12-30771	WASHER, COVER KNOB (RUBBER)	5	3	13-26992	LOCKWASHER, MOUNTING BRACKET SCREW	55	29
12-31263	WASHER, UPPER MOUNT BOLT	41	22	13-26992	LOCKWASHER, MOUNTING BRACKET SCREW	57	35
12-33786	WASHER, SWIVEL	9	13	13-26992	LOCKWASHER, REAR HOOK SCREW	3	15
12-33786	WASHER, SWIVEL	9	36	13-26992	LOCKWASHER, RUBBER MOUNT	3	22
12-35462	WASHER, LINK ROD	33	21	13-26992	LOCKWASHER, SOLENOID TERMINAL (1/4)	59	26
12-35462	WASHER, THROTTLE HOUSING SCREW	9	26	13-26992	LOCKWASHER, SOLENOID TERMINALS (1/4")	11	13
12-35462	WASHER, TIMING POINTER SCREW	3	39	13-26992	LOCKWASHER, STARTER MOTOR TERMINAL	7	18
12-36001	WASHER, TRANSOM BRACKET STUD	37	7	13-26992	LOCKWASHER, STARTER SOLENOID SCREW	11	16
12-36001	WASHER, WATER PUMP STUD	45	33	13-26992	LOCKWASHER, STARTER SOLENOID SCREW	57	37
12-37807	WASHER, TRIM CYLINDER SCREW (STARBOARD ONLY)	61	22	13-26992	LOCKWASHER, WATER PUMP SCREW	45	30
12-38013	WASHER, INPUT STUD	69	9	13-26993	LOCKWASHER, BOTTOM COVER SCREW	27	15
12-38833	WASHER, BRACKET SCREW	13	20	13-26993	LOCKWASHER, CHOKE SOLENOID SCREW	15	5
12-38833	WASHER, LIMIT SWITCH COVER SCREW	61	37	13-26993	LOCKWASHER, FRONT SUPPORT BRACKET SCREW	3	31
12-39304	WASHER, TILT PIN	63	53	13-26993	LOCKWASHER, FRONT SUPPORT BRACKET SCREW	3	33
12-45176	WASHER, DRIVE SHAFT HOUSING STUDS	49	72	13-26993	LOCKWASHER, MOUNTING BRACKET STUD	61	14
12-45176	WASHER, GEAR HOUSING STUDS	41	31	13-26993	LOCKWASHER, REAR BRACKET SCREW	3	26
12-45176	WASHER, GEAR HOUSING STUDS	41	33	13-26993	LOCKWASHER, REAR SUPPORT BRACKET SCREW	3	28
12-47247	WASHER, NEEDLE LOCATING	31	31	13-26993	LOCKWASHER, RUBBER MOUNT	3	35
12-47840	WASHER, RUBBER-UPPER MOUNT BOLT	41	21	13-26993	LOCKWASHER, SOLENOID TERMINAL (5/16")	55	24
12-49339	WASHER, LOWER MOUNT SCREW	41	26	13-26993	LOCKWASHER, SOLENOID TERMINALS (5/16")	11	13
12-59572	WASHER, COVER KNOB (PLASTIC)	5	4	13-26993	LOCKWASHER, TOP COVER SCREWS	27	11
12-68229	WASHER, FLYWHEEL	7	3	13-26993	LOCKWASHER, TRANSOM BRACKET STUD	37	8
12-68410	WASHER, MOUNTING BRACKET BOLT	61	18	13-26995	LOCKWASHER, FLOAT BOWL COVER SCREW	19	15
12-68410	WASHER, TRANSOM BRACKET BOLT	37	12	13-26995	LOCKWASHER, SOLENOID TERMINAL (#8)	59	24
12-69342	WASHER, SWIVEL PIN - UPPER	71	4	13-26995	LOCKWASHER, SOLENOID TERMINALS (#8)	11	11
12-69374	WASHER, UPPER/LOWER SHOCK PIN (LOWER)	39	34	13-26996	LOCKWASHER, FUEL PUMP SCREW	23	18
12-70132	WASHER, WATER JACKET COVER SCREW	29	16	13-26996	LOCKWASHER, INLET COVER SCREW	63	42
12-74726	WASHER, THROTTLE LEVER SCREW	15	8A	13-26996	LOCKWASHER, RETAINING PLATE AND CAM SCREW	61	30
12-76388	WASHER, TILT LOCK	37	19				
12-76805	WASHER, THRUST - BEARING CARRIER	49	62				
12-77674	WASHER, RUBBER-SHIFT SHAFT BUSHING	47	44				
12-85303	WASHER, PLASTIC-THROTTLE CAM	9	21				
12-96457	WASHER, FUSE TERMINAL	59	37				

PARTS INDEX

Part Number	Description	Pg.	Ref. No.	Part Number	Description	Pg.	Ref. No.
13-26996	LOCKWASHER, SOLENOID			17-20032	DOWEL PIN, CENTER MAIN		
	TERMINAL	15	2		BEARING	31	8
13-26996	LOCKWASHER, SOLENOID			17-20032	DOWEL PIN, MAIN BEARING	31	16
	TERMINAL (#10)	55	22	17-20033	DOWEL PIN, CRANKCASE		
13-26996	LOCKWASHER, SOLENOID				TO CYLINDER BLOCK ...	27	6
	TERMINALS (#10)	11	11	17-23784	DOWEL PIN, DRIVE SHAFT		
13-26996	LOCKWASHER, THRU BOLT	51	17		HOUSING PLATE	35	17
13-26996	LOCKWASHER, WIRING			17-23784	DOWEL PIN, EXHAUST		
	HARNES CLAMP SCREW	13	17		EXTENSION PLATE	35	6
13-29402	WAVE WASHER, SWIVEL ..	9	14	17-29077	ROLL PIN, TENSION SPRING		
13-29402	WAVE WASHER, SWIVEL ..	9	37		TO KNOB	5	6
13-29720	WASHER, WAVE-LINK ROD	33	23	17-30632	CROSS PIN, RATCHET TO		
13-37371	LOCKWASHER, SHIELD				PROPELLER SHAFT	49	58
	SCREW	3	8	17-35973	DOWEL PIN, WATER PUMP	45	19
13-39107	LOCKWASHER, MOUNTING			17-38311	PIN, COIL SPRING		
	BRACKET SCREW	55	17		MOUNTING	39	37
13-39107	LOCKWASHER, MOUNTING			17-46912	DOWEL PIN, GEAR		
	BRACKET SCREW	59	16		HOUSING LOCATING ...	45	2
13-39107	LOCKWASHER, RETAINER			17-47175	PIN, LOCKING LEVER AND		
	SCREW	3	5		COVER	33	27
13-61789	LOCKWASHER, THRU BOLT	69	5	17-47246	DOWEL PIN, STEPPED	31	12
13-86498	WAVE WASHER, SHAFT ...	9	23	17-49930A1	TILT LOCK PIN ASSEMBLY-		
13-88507	WAVE WASHER, SWIVEL				NOT USED WITH POWER		
	PIN - LOWER	71	10		TRIM	37	10
13-89297	WASHER, WAVE-TILT TUBE	37	3	17-58998	ROLL PIN, COWL LATCH		
14-20091	TAB WASHER, BEARING				LEVER TO HINGE	3	12
	LOCKING SCREW	27	21	17-63779	DOWEL PIN, CYLINDER		
14-31210	TAB WASHER, PROPELLER				BLOCK TO MAIN BEARING	27	7
	NUT	49	76	17-73593A2	SWIVEL PIN AND ARM		
14-52700	TAB WASHER, GEAR				ASSEMBLY	71	14
	HOUSING COVER	49	68	18-25191	COTTER PIN, PUSH ROD		
15-20085A1	SHIM, END CAP (.005-10) ..	29	11		PIN	41	19
15-30923A1	SHIM, BEARING OUTER			18-36391	COTTER PIN, MOUNTING		
	RACE (.0010)	49	53		TUBE PIN	63	51
15-57007A1	SHIM, BALL BEARING	45	11	18-45882	COTTER PIN, LOCK TO		
15-73644A1	SHIM, END CAP (.006-10) ..	29	5		SHAFT	37	25
16-21085	STUD, ADJUSTING - CUT-			18-45882	COTTER PIN, TILT PIN		
	OUT LIMIT SWITCH	61	25		RETAINING	63	52
16-39937	STUD, CHOKE ROD SPRING			18-47959	COTTER PIN, TILT LOCK ..	37	17
	TO CARBURETOR	17	33	19-45907	PLUG, FLYWHEEL	7	1
16-45282	STUD, MOUNTING BRACKET	61	13	19-64649	PLUG, PLASTIC-TRIM TAB		
16-56295	STUD, DRIVE SHAFT				SCREW HOLE	41	3
	HOUSING	41	2	21-30430A10	CHECK VALVE ASSEMBLY .	23	2
16-56297	STUD, WATER PUMP (3-3/8")	45	5	21-77560	CHECK VALVE, BLEED		
16-57920	STUD, GEAR HOUSING (2-				HOSE-UPPER	27	25
	1/16)	45	4	21-77561	CHECK VALVE, BLEED		
16-57921	STUD, GEAR HOUSING (4")	45	3		HOSE-LOWER	27	27
16-64280	STUD, CARBURETOR (1			22-25885	ELBOW, BALANCE HOSE ..	27	28
	3/16")	27	4	22-46008	PLUG, CONTROL VALVE		
16-64281	STUD, CRANKCASE TO				(1/2-20")	55	13
	EXTENSION PLATE (1			22-46008	PLUG, CONTROL VALVE		
	7/8")	27	5		(1/2-20")	59	12
16-64282	STUD, CYLINDER BLOCK TO			22-63981	ELBOW, FUEL LINE TO		
	PLATE (4")	27	8		ADAPTOR	23	27
16-69037	STUD, CHOKE SHUTTER			22-64704	FITTING, ELBOW-LOWER		
	PIVOT	15	26		CARBURETOR	23	25
16-69501	STUD, WATER PUMP (3-1/8")	45	6	22-64704	FITTING, ELBOW-UPPER		
16-87643	STUD, TRANSOM BRACKET-				CARBURETOR	23	22
	NOT USED WITH POWER			22-64705	FITTING, INLET COVER ...	23	16A
	TRIM	37	6				

PARTS INDEX

Part Number	Description	Pg.	Ref. No.	Part Number	Description	Pg.	Ref. No.
22-67892	PLUG, DRAIN (MAGNETIC)	47	47	23-94304	SPACER, SWITCH BOX		
22-68307	PIPE PLUG, CYLINDER				SCREW	11	21
	BLOCK COVER	29	27	23-94907A1	BUSHING, RUBBER - TRIM		
22-73318	TEE, FUEL LINE	23	23		CYLINDER	61	8
22-73817	CONNECTOR, ENRICHER			24-20099	SPRING, LINK ROD TO		
	VALVE (SIDE)	25	37		GUIDE BLOCK	33	31
22-74036	GREASE FITTING, SWIVEL			24-23067	SPRING, ADAPTOR STEM	23	30
	BRACKET	71	7	24-24390	SPRING, TENSION -		
22-74036	GREASE FITTING, TRIM				ADJUSTING STUD	61	24
	CYLINDER	61	2	24-30189	SPRING, ADAPTOR STEM	23	30
22-78279	ELBOW, TELL TALE HOSE			24-30622	SPRING, COMPRESSION -		
	TO CYLINDER BLOCK	33	16		CAM FOLLOWER	49	52
22-85578	TEE, BALANCE HOSE	27	30	24-30772	SPRING, TENSION-KNOB	5	5
22-85822A1	CONNECTOR ASSEMBLY,			24-30893	SPRING, RETAINING -		
	SPEEDOMETER	45	1A		CROSS PIN	49	59
22-90275	CONNECTOR, ENRICHER			24-35522	SPRING, TENSION-LOWER		
	VALVE (BOTTOM)	25	36		MOUNT CLAMP	43	35
22-90275	CONNECTOR, TOP			24-48230	SPRING, CHOKE ROD		
	CARBURETOR (90)	25	45		TENSION	17	32
22-97231	TEE, BLEED BASE	27	30	24-57818	SPRING, UPPER SCREEN		
22-98727	GREASE FITTING - WITH				SCREW	15	30
	GREASE FITTING	49	64A	24-78203A1	SPRING ASS'Y	37	23
23-26600	BUSHING, SHIFT SHAFT	33	18	24-78203A2	SPRING ASSEMBLY	37	23
23-26856	BUSHING, SWIVEL	9	12	24-94891	SPRING, COIL-SWIVEL		
23-26856	BUSHING, SWIVEL	9	35		BRACKET	39	36
23-27132	BUSHING, NYLON-EXHAUST			24-95721	SPRING, TORSION-SHAFT	9	20
	EXTENSION PLATE	35	2	24-95881	SPRING, TENSION - LIMIT		
23-28198	BUSHING, RUBBER-SHOCK				SWITCH PLUNGER	61	12
	ABSORBER (LOWER)	37	33	25-20116	GROMMET, CHOKE ROD	15	18
23-28688	SPACER, RUBBER-COIL			25-20415	"O"RING, ADAPTOR STEM	23	31
	SPRING	39	38	25-25439	"O"RING, SHIFT SHAFT		
23-29804	SLEEVE, GUIDE-WATER				BUSHING	45	41
	INLET TUBE	45	36	25-29976	"O" RING, BEARING		
23-32171	BUSHING, RUBBER-SHOCK				CARRIER	49	63
	ABSORBER (UPPER)	37	32	25-30271	RING, RUBBER-DRIVE		
23-32427	SPACER, CHOKE ROD				SHAFT	45	35
	SPRING STUD	17	34	25-32546	"O"RING, END CAP	29	10
23-35977	GROMMET, RUBBER (3/8"			25-33145	"O"RING, WATER PUMP	45	15
	I.D. - 1" LONG)	63	46	25-35480	"O"RING, FUEL INLET		
23-45280	SPACER, TRIM CYLINDER -				COVER	23	9
	LOWER	61	7	25-38933	GASKET, COVER SCREW	23	10
23-45354	BUSHING, RUBBER - CUT-			25-45016	"O" RING, BLEED SCREW	61	4
	OUT LIMIT SWITCH	61	32	25-45253	"O" RING, CONTROL VALVE		
23-45818	BUSHING, THROTTLE				(5/8" O.D.)	55	11
	LEVER SCREW	9	4	25-45253	"O" RING, CONTROL VALVE		
23-56774	SPACER, STARTER MOTOR	7	13		(5/8" O.D.)	59	10
23-57387	BUSHING, INSULATING	69	8	25-45254	"O" RING, CONTROL VALVE		
23-69341	BUSHING, SWIVEL				(3.4" O.D.)	55	9
	BRACKET	71	3	25-45254	"O" RING, CONTROL VALVE		
23-70412	SPACER, BALL BEARING	45	11		(3/4" O.D.)	59	8
23-74213	SWIVEL, LINK ROD TO			25-45507	GROMMET, RUBBER - INLET		
	THROTTLE CAM	9	17		COVER	61	40
23-77631A2	BUSHING ASSEMBLY, SHIFT			25-47254	"O"RING	29	4
	SHAFT	47	42	25-48171	"O" RING, CONTROL VALVE		
23-87642	SPACER, TRANSOM				(1/2" O.D.)	55	10
	BRACKET STUD	37	5	25-48171	"O" RING, CONTROL VALVE		
23-89112	BUSHING, MOUNTING				(1/2" O.D.)	59	9
	BRACKET	63	54	25-48171	"O" RING, HYDRAULIC		
23-89117	BUSHING, UPPER SHOCK				PUMP	51	1
	MOUNTING PIN	37	15				

PARTS INDEX

Part Number	Description	Pg.	Ref. No.	Part Number	Description	Pg.	Ref. No.
25-48171	"O" RING, MANIFOLD PLATE	55	2	27-98185	GASKET, CYLINDER BLOCK	29	24
25-48171	"O" RING, MANIFOLD PLATE	59	2	28-30281	KEY, LOCATING - BEARING CARRIER	49	67
25-48171	"O" RING, MANIFOLD PLATE (SEE REF.#2)	55	--	28-56654	KEY, IMPELLER DRIVE	45	28
25-48171	"O" RING, MANIFOLD PLATE (SEE REF.#2)	59	--	28-89694	KEY, THROTTLE COUPLING	15	12
25-62702	"O"RING, TILT LOCK	37	20	29-47270	NEEDLE BEARING, PISTON PIN	31	30
25-92012	GROMMET, PLASTIC-TRIM COVER SCREW	41	6A	29-71422	NEEDLE BEARING, OUTER RACE	31	9
25-97000	GROMMET, RUBBER (7/16" I.D. - 7/8" LONG)	63	46	30-62567	BALL BEARING, UPPER	31	3
25-97191	GROMMET, RUBBER (3/8" I.D. - 7/8" LONG)	63	46	30-63742	BALL BEARING, LOWER	31	4
26-22734	OIL SEAL, SWIVEL BRACKET (TILT LOCK)	37	18	31-30894A1	TAPERED ROLLER BEARING ASSEMBLY	49	54
26-29476	OIL SEAL, END CAP	29	3	31-30895	ROLLER BEARING, FORWARD GEAR	49	55
26-29476	OIL SEAL, END CAP	29	9	31-30956	ROLLER BEARING, BEARING CARRIER	49	65
26-37448	OIL SEAL, SWIVEL BRACKET	71	5	31-32898	ROLLER BEARING, DRIVE SHAFT	45	7
26-38970	SEAL, RUBBER-WATER INLET TUBE	35	16	31-62596A1	BEARING ASSEMBLY, CRANKPIN	31	27
26-38970	SEAL, RUBBER-WATER INLET TUBE	45	26	31-69220	ROLLER BEARING, DRIVE SHAFT	45	12
26-60898	SEAL, DRIVE SHAFT HOUSING PLATE	35	14	32-26980-88	FUEL LINE, ENRICHER VALVE	25	44
26-70081	OIL SEAL (OUTSIDE) - CUTTER	49	66	32-31583109	FUEL LINE, ADAPTOR TO FUEL PUMP (11")	23	26
26-70608	OIL SEAL, PORT BRACKET	61	10	32-31583109	FUEL LINE, FUEL PUMP TO CARBURETOR	23	20
26-76384	OIL SEAL, SHIFT SHAFT BUSHING	47	43	32-34395A1	HOSE, BALANCE-MAIN BEARING (6 1/4")	27	29
26-76868	OIL SEAL (INSIDE)	49	66	32-34395A1	HOSE, DRIP TRAY TO BOTTOM COWL (8")	33	5
26-79884	OIL SEAL, WATER PUMP	45	18	32-34395A1	HOSE, TELL TALE (21-1/2")	33	13
26-94038	OIL SEAL, WATER PUMP	45	17	32-54935-79	HOSE, BLEED (22")	27	26
27-32433	GASKET, LOWER-WATER PUMP TO FACE PLATE	45	20	32-60897	TUBE, WATER INLET	41	7
27-32434	GASKET, UPPER-FACE PLATE TO WATER PUMP	45	22	32-97153A1	HOSE, TRIM - CYLINDER TO CONTROL VALVE (5' - 12/32" O.D.)	63	44
27-33146	GASKET, WATER PUMP	45	14	32-97154A1	HOSE, LIFT - CYLINDER TO CONTROL VALVE (5' - 17/32" O.D.)	63	45
27-48164	GASKET, CARBURETOR FLANGE	21	34	33-68057	SPARK PLUG (CHAMPION #L76-V)	13	9
27-53862	GASKET, CRANKCASE TO CYLINDER BLOCK	27	2	34-56007A1	REED SET, MATCHED	31	19
27-62362	GASKET, MEGAPHONE	35	18	34-56008	REED STOP, REED VALVES	31	20
27-66102	GASKET, PLATE TO DRIVE SHAFT HOUSING PLATE	35	11	35-57819	SCREEN ASSEMBLY, FILTER	15	28
27-69238	GASKET, POWERHEAD	35	7	35-59072	SCREEN, FUEL INLET	23	8
27-72142	GASKET, WATER JACKET COVER	29	14	35-91078A1	COVER, FUEL INLET	23	15
27-85494	GASKET, CYLINDER COVER	29	24	37-87286A79	DECAL SET	1	-
27-85495	GASKET, CYLINDER BLOCK TO BAFFLE PLATE	29	17	39-78811A12	PISTON RING (.015 OVERSIZE)	31	25
27-85497	GASKET, BAFFLE PLATE TO EXHAUST MANIFOLD COVER	29	19	39-78816A12	PISTON RING (STANDARD)	31	25
27-85653	GASKET, TRANSFER PORT COVER	29	31	39-88392A12	PISTON RING (.030 OVERSIZE)	31	25
27-85653A32	GASKET SET	1	-	40-52035	LOCK RING, PISTON PIN	31	24
27-87775	GASKET, INLET COVER	61	39	40-5266A5	MAIN BEARING ASSEMBLY, VALVE TYPE	31	15
27-89273	GASKET, LIMIT SWITCH COVER	61	35	43-68447A1	FORWARD GEAR	49	56

PARTS INDEX

Part Number	Description	Pg.	Ref. No.	Part Number	Description	Pg.	Ref. No.
43-68548	PINION GEAR, DRIVE SHAFT	45	9	85-63709A1	PROTECTOR, SPARK PLUG		
43-76250	REVERSE GEAR	49	61		END	13	8
44-93003	PROPELLER SHAFT	49	60	85-96535	BOOT, RUBBER - STARTER		
45-76036	DRIVE SHAFT	45	8		SOLENOID TERMINAL	59	28
46-96146A5	WATER PUMP BASE			87-33386A3	SWITCH ASSEMBLY,		
	ASSEMBLY	45	16		MERCURY	11	4
46-96148A1	WATER PUMP BODY			88-79023A90	FUSE ASSEMBLY (90 AMP.)	59	36
	ASSEMBLY	45	23	88-79091	FUSE	13	13
47-89984	IMPELLER, WATER PUMP	45	27	88-79149	CIRCUIT BREAKER (20		
50-72467	STARTER MOTOR	7	11		AMP.)	59	32
50-72467	STARTER MOTOR			89-68258	STARTER SOLENOID	11	10
	ASSEMBLY	69	-	89-68258	STARTER SOLENOID	55	21
52-34239	RATCHET, SLIDING GEAR	49	57	89-96054	STARTER SOLENOID	11	10
53-26933	SNAP RING, OUTER RACE	31	11	89-96158	STARTER SOLENOID	59	23
53-29641	"E"RING, RETAINING-SHIFT			90-84979	MARINER 90 PARTS LIST	1	-
	SHAFT	45	40	248-5977A28	FLYWHEEL ASSEMBLY	7	4
53-73591	RETAINING RING, BOTTOM			332-2854	BOOT, COIL END	13	7
	YOKE	71	16A	332-7778A3	SWITCH BOX	11	19
54-61001	CLAMP, TRIGGER HARNESS	7	10	339-7370A2	IGNITION COIL	13	1
54-63153	CLIP, HARNESS TO COIL			392-2529	SPRING SET, BRUSH		
	COVER	13	11		TENSION	51	15
54-68424	CLAMP, FUEL LINE			392-2529	SPRING SET, BRUSH		
	ATTACHING	23	21		TENSION	53	12
54-88608	CLAMP, WIRING HARNESS	13	15	392-2623	WASHER, THRUST -		
55-28414	PIN, LOWER SHOCK				ARMATURE	51	9
	MOUNTING	37	27	392-2936	VALVE BODY AND GEAR		
55-58780A4	SHOCK ABSORBER	37	30		ASSEMBLY	51	2
84-60466A1	CABLE ASSEMBLY,			392-2937	SEAL, RESERVOIR TO		
	IGNITION COIL (BLACK)	13	5		VALVE BODY AND GEAR	51	4
84-60871A10	WIRE ASSEMBLY, SWITCH			392-2938	BOLT SET, THRU - PLATE		
	BOX	11	22		AND FRAME TO		
84-61600A9	WIRE, STARTER SOLENOID				RESERVOIR	51	16
	(BLACK)	59	39	392-2939	RESERVOIR ASSEMBLY	51	5
84-62310A3	CABLE ASSEMBLY, SWITCH			392-2940	PLATE ASSEMBLY,		
	BOX TO SWITCH BOX				COMMUTATOR END	51	13
	(WHITE/BLACK)	11	24	392-2941	BRUSH SET, COMMUTATOR		
84-74023A1	CONNECTOR AND				END PLATE	51	14
	HARNESS	55	14	392-2941	BRUSH SET, COMMUTATOR		
84-79138A1	BATTERY LEAD (NEGATIVE)	59	31		END PLATE	53	11
84-79139A13	BATTERY LEAD (POSITIVE)	59	31	392-2942	FIELD AND FRAME		
84-79147A1	CONNECTOR AND				ASSEMBLY	51	11
	HARNESS	59	13	392-2943	ARMATURE, FIELD AND		
84-85537A1	HARNESS, COIL TO SWITCH				FRAME	51	10
	BOX (#1,3 AND 5)	13	10	392-2944	BALL, COMMUTATOR END		
84-85537A2	HARNESS, COIL TO SWITCH				PLATE	51	12
	BOX (#2,4 AND 6)	13	10	392-7727	COUPLER AND SHAFT	53	14
84-87379A5	WIRE, SOLENOID TO			392-7728	FILL PLUG, RESERVOIR	53	15
	CIRCUIT BREAKER (RED)	59	35	392-7729	ARMATURE, FIELD AND		
84-88439A3	BATTERY CABLE (POSITIVE)	13	25		FRAME	53	7
84-88439A4	BATTERY CABLE			392-7730	BALL, COMMUTATOR END		
	(NEGATIVE)	13	25		PLATE	53	9
84-89564A1	WIRING HARNESS	13	12	392-7731	RESERVOIR ASSEMBLY		
84-90816A25	CABLE, HIGH TENSION	13	6		(PLASTIC)	53	5
84-93388A1	WIRE, PLATE TO STARTER			392-7732	WASHER, THRUST -		
	MOTOR (BLACK)	7	15		ARMATURE	53	6
84-93389A6	WIRE, SOLENOID TO			392-7733	BOLT SET, THRU - PLATE		
	STARTER MOTOR				AND FRAME TO		
	(YELLOW)	7	17		RESERVOIR	53	13
84-95084A2	WIRE, FUSE HOLDER	13	14	392-7735	SEAL, RESERVOIR TO		
84-96188A2	WIRING HARNESS	13	12		VALVE BODY AND GEAR	53	4

PARTS INDEX

Part Number	Description	Pg.	Ref. No.	Part Number	Description	Pg.	Ref. No.
392-8261	FIELD AND FRAME ASSEMBLY	53	8	1395-4542	SCREW, PLUG-MAIN NOZZLE	19	27
392-8262	PLATE ASSEMBLY, COMMUTATOR END	53	10	1395-4543	SCREW, BODY CHANNEL	19	32
392-8317	VALVE BODY AND GEAR ASSEMBLY	53	2	1395-4555	INLET NEEDLE, SEAT/GASKET-STAMPED WMK-30	19	6
398-5454A8	STATOR ASSEMBLY	7	7	1395-4804	SCREW, FLOAT BOWL COVER	19	14
436-6646A2	CRANKSHAFT ASSEMBLY	31	1	1395-4808	GASKET AND PACKING SET (1 PER CARBURETOR)	21	33
535-5397A4	CENTER MAIN BEARING ASSEMBLY	31	7	1395-5353	FLOAT ASSEMBLY-STAMPED WMK-30	19	2
624-8101A3	CONNECTING ROD AND CAP ASSEMBLY	31	26	1395-5680	COVER, FLOAT BOWL	19	10
745-7453A3	PISTON/PISTON PIN ASS'Y (.030 OVERSIZE)	31	23	1395-5733	JET, BOWL VENT (.092)	19	11
745-7672A3	PISTON/PISTON PIN ASS'Y (STANDARD)	31	23	1395-5734	HOSE, ECONOMIZER	19	12
745-7673A2	PISTON/PISTON PIN ASS'Y (.015 OVERSIZE)	31	23	1395-6029	JET, MAIN FUEL (.068)-STANDARD	19	28
852-7697A3	BLOCK/CRANKCASE ASS'Y	27	1	1395-6030	JET, MAIN FUEL (.070)	19	28
852-7697A3	BLOCK/CRANKCASE ASS'Y	29	1	1395-6207	JET, MAIN FUEL (.072)	19	28
852-8311A4	BLOCK/CRANKCASE ASS'Y	27	1	1395-7614	SHAFT, THROTTLE (TOP)	19	19
852-8311A4	BLOCK/CRANKCASE ASS'Y	29	1	1395-7874	SHUTTER, THROTTLE	19	22
1023-5070	COVER, CYLINDER BLOCK	29	23	1395-7875	REPAIR PARTS KIT (1 PER CARBURETOR)-WMK-30/WMK-35	21	33
1023-8368A1	COVER, CYLINDER BLOCK	29	23	1395-8318	INLET NEEDLE, SEAT/GASKET-STPD WMK-35/WMK-39	19	6
1148-5410A1	END CAP ASSEMBLY, LOWER	29	7	1395-8673	FLOAT ASSEMBLY-STAMPED WMK-35	19	2
1161-7616A2	END CAP ASSEMBLY	29	2	1395-8983	FLOAT ASSEMBLY-STAMPED WMK-39	19	2
1368-7469A10	CARBURETOR (TOP)-STAMPED WMK-35	15	9	1395-8984	REPAIR PARTS KIT (1 PER CARBURETOR)-WMK-39	21	33
1368-7469A10	CARBURETOR (TOP)-STAMPED WMK-35	19	1	1399-3527	SHAFT, THROTTLE (CENTER/BOTTOM)	19	19
1368-7469A12	CARBURETOR (CENTER/BOTTOM)-STAMPED WMK-35	15	9	1399-3794	JET, MAIN FUEL (.074)	19	28
1368-7469A12	CARBURETOR (CENTER/BOTTOM)-STAMPED WMK-35	19	1	1399-97	LEVER, THROTTLE (SEE NOTE BELOW)	19	17
1368-7469A14	CARBURETOR (TOP)-STAMPED WMK-39	15	9	1482-7670A5	SWIVEL BRACKET ASSEMBLY	71	1
1368-7469A14	CARBURETOR (TOP)-STAMPED WMK-39	19	1	1496-7799F2	TRANSOM BRACKET	37	1
1368-7469A16	CARBURETOR (CENTER/BOTTOM)-STAMPED WMK-39	15	9	1573-5239A51	DRIVE SHAFT HOUSING ASSEMBLY	41	1
1368-7469A16	CARBURETOR (CENTER/BOTTOM)-STAMPED WMK-39	19	1	1655-7333A42	GEAR HOUSING ASSEMBLY, COMPLETE	45	-
1368-7469A6	CARBURETOR (TOP)-STAMPED WMK-30	15	9	1655-7333A42	GEAR HOUSING ASSEMBLY, COMPLETE	49	-
1368-7469A6	CARBURETOR (TOP)-STAMPED WMK-30	19	1	1655-7333A43	GEAR HOUSING ASSEMBLY	45	1
1368-7469A6	CARBURETOR (TOP)-STAMPED WMK-30	19	1	1655-7333A43	GEAR HOUSING ASSEMBLY	49	1
1368-7469A8	CARBURETOR (CENTER/BOTTOM)-STAMPED WMK-30	15	9	2115-7719A1	BOTTOM COWL	33	1
1368-7469A8	CARBURETOR (CENTER/BOTTOM)-STAMPED WMK-30	19	1	2162-6392	TOP COWL (WITHOUT DECALS)	3	1
1368-7469A8	CARBURETOR (CENTER/BOTTOM)-STAMPED WMK-30	19	1	2171-6497A2	FRONT COVER ASS'Y (W/O DECALS)	5	1
1395-4540	SCREW, BODY (IDLE TUBE)	19	21	2172-6498A3	WRAP AROUND COWL ASSEMBLY (W/O DECALS)	5	11
1395-4541	SCREW, PLUG-MAIN FUEL JET CHANNEL	19	29				