



PARTS CATALOG

FORMULA 1 2 LITRE - EFI

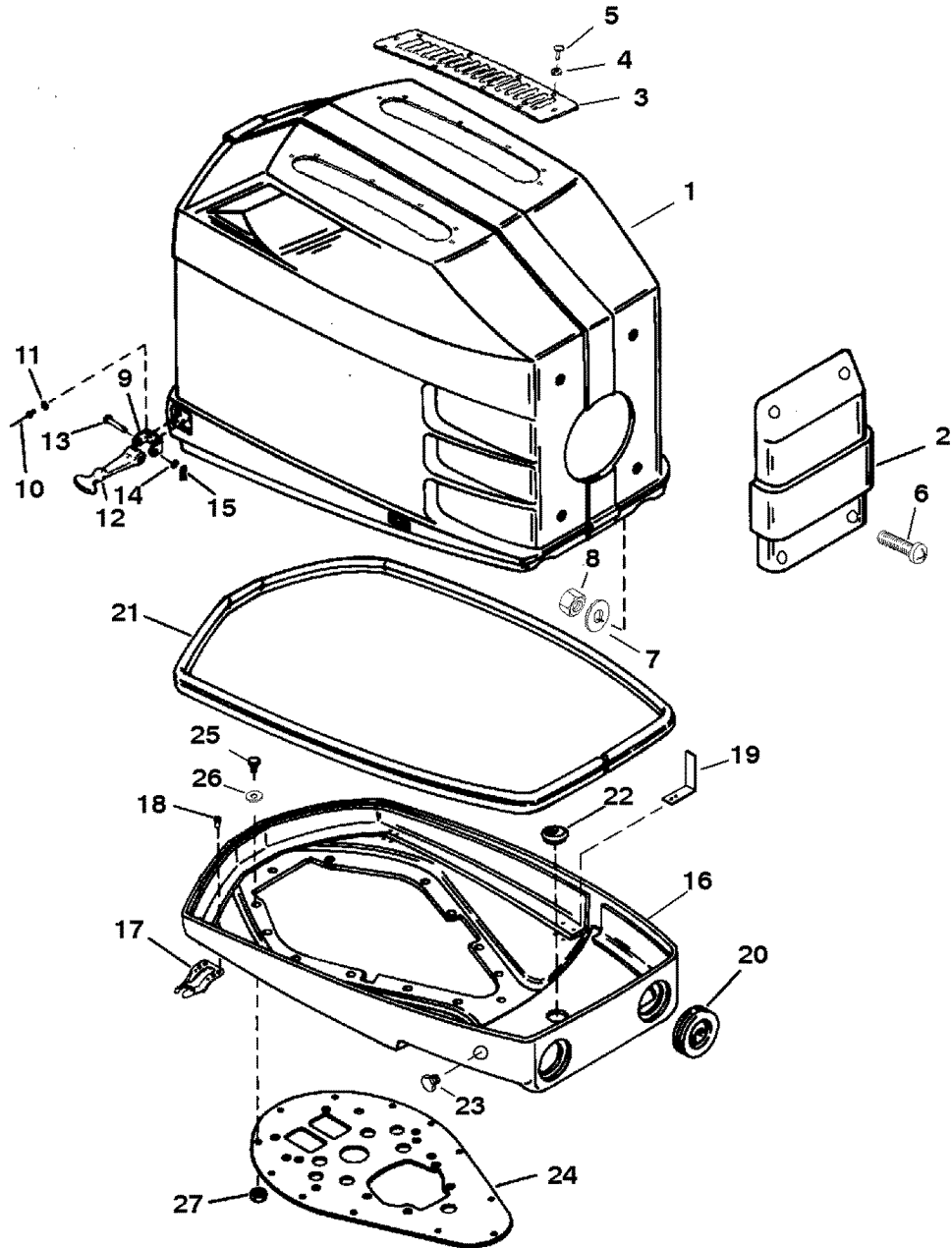
SERIAL NUMBER

FORMULA I (2 LITRE EFI)0A953232 THRU 0A953245

MISCELLANEOUS INFORMATION

REF. NO.	PART NO.	SYM.	QTY.	DESCRIPTION
-	90-849817		1	PARTS MANUAL
-	818451A2		1	SPACER KIT (AIR INLET)
-	91-847620A2		1	DIGITAL ECU TESTER
-	91-39573A1		1	VI SSM TOOL KIT
-	56-90415A23		1	BOLT KIT NEW GEAR HSG TO EARLY STYLE DSH
-	849006A1		1	RADIAL DISCHARGE WATER PUMP KIT VI SSM
-	849021A4		1	SCHRADER VALVE KIT
-	51-847748A20		1	CYLINDER LINER (.020)
-	51-847748A40		1	CYLINDER LINER (.040)
-	91-65494		1	RING COMPRESSOR TOOL
-	91-849963A1		1	CIRCLIP INSTALLATION TOOL

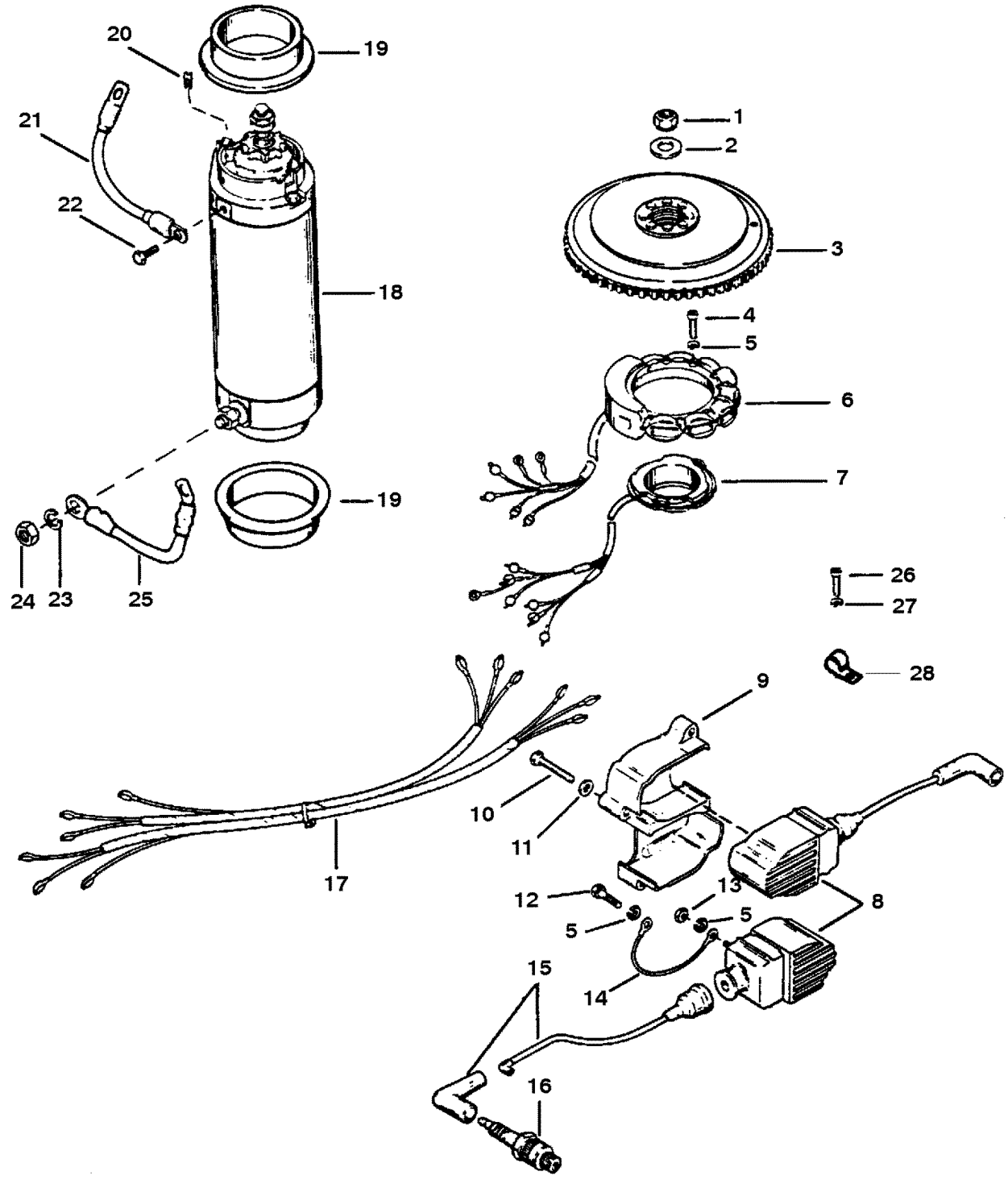
COWLING



COWLING

REF. NO.	PART NO.	SYM.	QTY.	DESCRIPTION
1	4006-848290A15		1	TOP COWL
2	848291		1	FRONT COVER
3	78858--2		2	SHIELD
4	12-57238		20	WASHER
5	17-12147		20	RIVET
6	10-37571		4	SCREW
7	12-56681		4	WASHER
8	11-29488		4	NUT
9	71602		4	YOKE
10	17-816771		12	POP RIVET
11	12-847883		12	WASHER
12	817708		4	HOLD DOWN
13	17-58712		4	CLEVIS PIN
14	12-847883		4	WASHER
15	18-21071		4	COTTER PIN
-	37-849850A1		1	DECAL SET -BASIC
-	37-849850A2		1	DECAL SET -PATCH KIT (1998-1999)
-	37-840323A11		1	DECAL SET -PATCH KIT (2000)
16	4007-848164T3		1	BOTTOM COWL
17	13734		4	RETAINER
18	17-848172		16	POP RIVET
19	848165		2	BRACE
20	25-817713--3		2	GROMMET
21	817712--1		1	SEAL
22	19-815784		2	PLUG
23	19-90585		2	PLUG (JET PLUG)
24	822188--1		1	BASE PLATE
25	10-38601		13	SCREW
26	12-29245		13	WASHER
27	11-35045		13	NUT

FLYWHEEL, STARTER MOTOR AND IGNITION COILS



FLYWHEEL, STARTER MOTOR AND IGNITION COILS

REF. NO.	PART NO.	SYM.	QTY.	DESCRIPTION
1	11-52901		1	NUT
2	12-68229		1	WASHER
3	249-6080A41		1	FLYWHEEL
4	10-90028		6	SCREW
5	13-26996		24	LOCKWASHER
6	398-5454A66		1	STATOR
7	96455A11		1	TRIGGER PLATE
8	339-832757A4		6	IGNITION COIL
9	79743		3	COVER
10	10-88447		12	SCREW (1-5/8 IN.)
11	12-89302		12	WASHER
12	10-68513		6	SCREW
13	11-45076		12	NUT
14	84-88807A6		6	GROUND STRAP (BLACK)
15	84-815358		6	HIGH TENSION CABLE
16	33-97180	■	6	SPARK PLUG (NGK #BUHW)
17	84-69738A7		1	HARNESS ASSEMBLY (#2, 4 & 6)
	84-69739A2		1	HARNESS ASSEMBLY (#1, 3 & 5)
18	50-60594A1		1	STARTER MOTOR
19	56703		2	COLLAR
20	68042		2	RUBBER STOP
21	84-93388A1		1	WIRE (BLACK)
22	10-69035		1	SCREW (1/4-20 X 5/8 IN.)
23	13-26992		1	LOCKWASHER
24	11-64015		1	NUT
25	84-93389A5		1	WIRE (YELLOW)
26	10-68513		1	SCREW
27	13-26996		1	WASHER
28	54-63153		1	J-CLAMP- TRIGGER LEADS
-	61-847634A96		1	REBUILD KIT

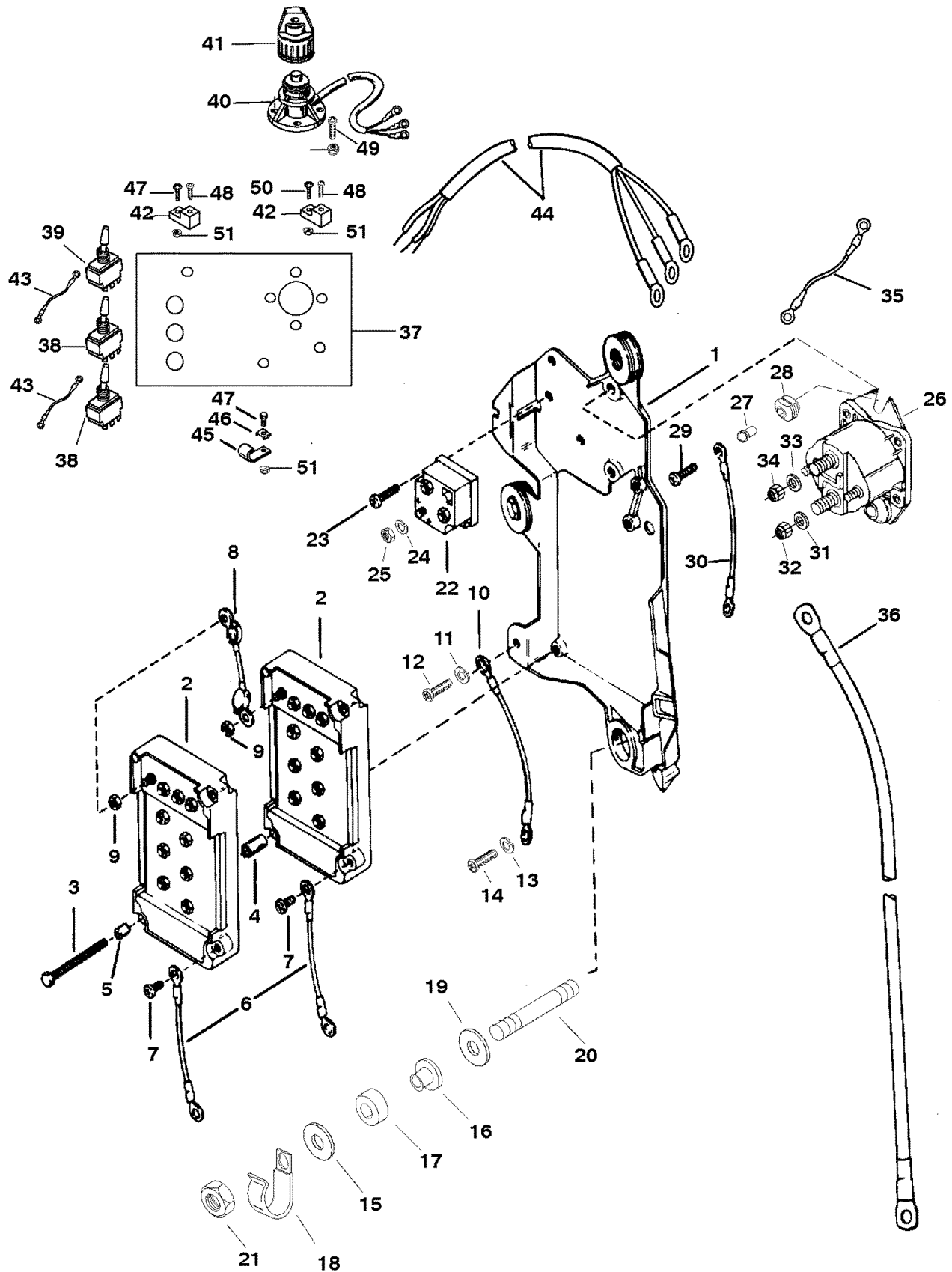
■ = COMPONENT OF REBUILD KIT [61-847634A96]

ELECTRICAL COMPONENTS

REF. NO.	PART NO.	SYM.	QTY.	DESCRIPTION
1	13624		1	IGNITION PLATE
2	332-7778A14		2	SWITCH BOX
3	10-90815		2	SCREW
4	23-94453		2	BUSHING
5	23-94304		2	BUSHING
6	84-60871A10		2	WIRE-SWITCH BOX TO PANEL GROUND
7	10-62568		2	SCREW
8	84-62310A2		1	WIRE-SWITCH BOX TO SWITCH BOX
9	11-45076		20	NUT (10-32)
10	84-65999A3		1	WIRE-PANEL GROUND TO ENGINE GROUND
11	13-26996		1	LOCKWASHER
12	10-38055		1	SCREW-GROUND WIRE TO PANEL
13	13-26996		1	LOCKWASHER
14	10-42813		1	SCREW
15	12-56720		3	WASHER
16	23-19064		3	BUSHING
17	25-825380		3	GROMMET
18	54-814634		2	J-CLAMP
19	12-57792		3	WASHER
20	16-78986		3	STUD-PANEL MOUNTING
21	11-35814		1	NUT
22	816770T		1	RECTIFIER
23	10-38055		2	SCREW-RECTIFIER
24	13-26996		3	LOCKWASHER
25	11-45076		3	NUT (10-32)
26	89-817109A2		1	STARTER SOLENOID
27	25-822179		2	GROMMET
28	23-818968		2	BUSHING
29	10-45561--1		2	SCREW
30	84-65999A2		1	WIRE-SOLENOID GROUND TO ENGINE GROUND
31	13-26996		2	LOCKWASHER
32	11-45076		2	NUT (10-32)
33	12-34437		2	WASHER
34	11-67980		2	NUT (5/16-18)
35	84-60466A10		1	WIRE-SOLENOID TO PANEL GROUND
36	84-88439A14		1	BATTERY CABLE (POSITIVE)
	84-88439A2		1	BATTERY CABLE (NEGATIVE)
-	76366A4		1	ELECTRICAL PANEL ASSEMBLY
37	76366		1	PLATE
38	87-66582		2	MOMENTARY SWITCH (STARTER, PRIMER)
39	87-66581		1	SWITCH-ON/OFF - FUEL
40	65503A4		1	SWITCH HOUSING
41	75095A2		1	CAP

CONTINUED ON NEXT PAGE ➡

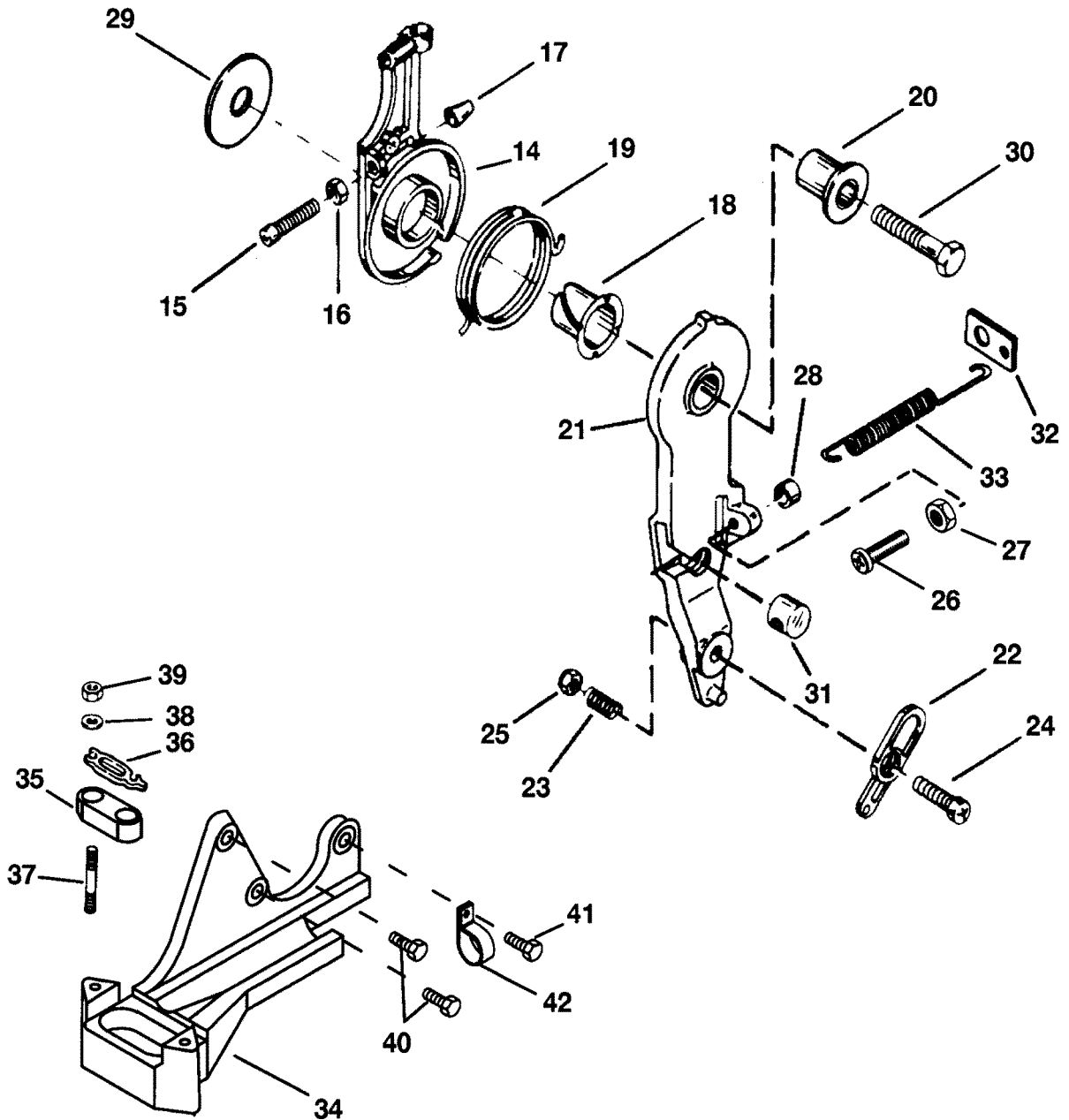
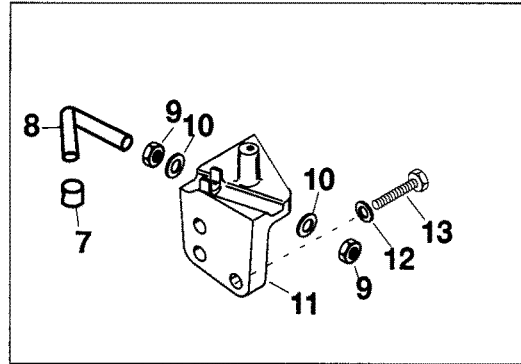
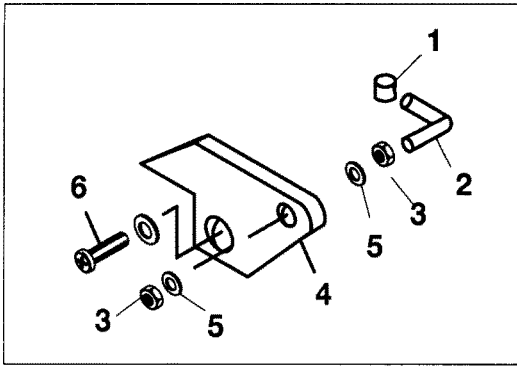
ELECTRICAL COMPONENTS



ELECTRICAL COMPONENTS

REF. NO.	PART NO.	SYM.	QTY.	DESCRIPTION
42	45915		2	TERMINAL BLOCK
43	84-61393A8		2	WIRE-SWITCH TO SWITCH
44	84-93940A2		1	HARNESS
45	54-22875		1	CLIP
46	69205		1	C-WASHER
47	10-48591		2	SCREW
48	10-62568		2	SCREW (10-16 X 3/8)
49	10-29072		2	SCREW (10-32 X 5/8)
50	10-96113		1	SCREW (10-32 X 7/8)
51	11-45812		5	NUT

THROTTLE LINKAGE



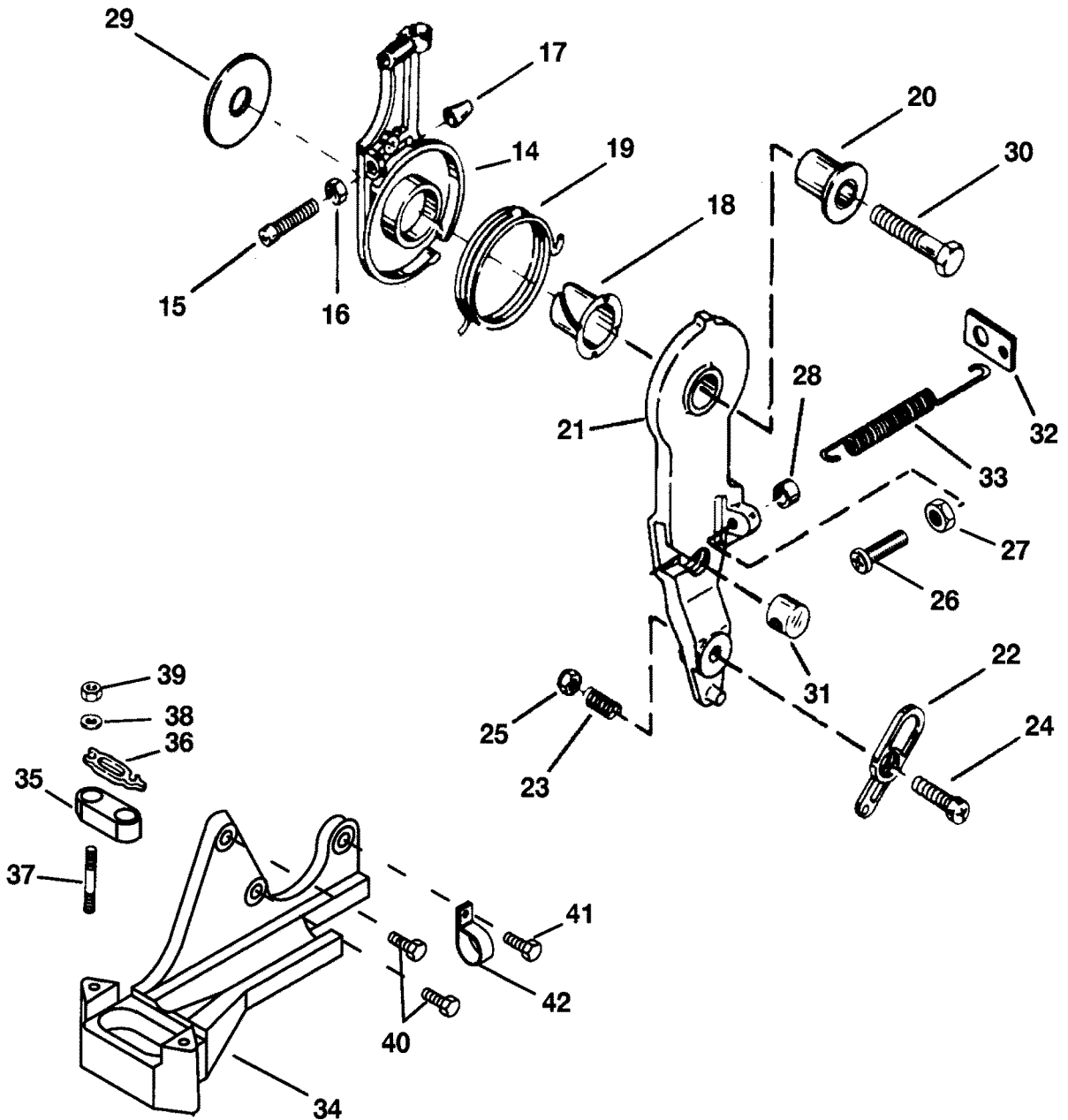
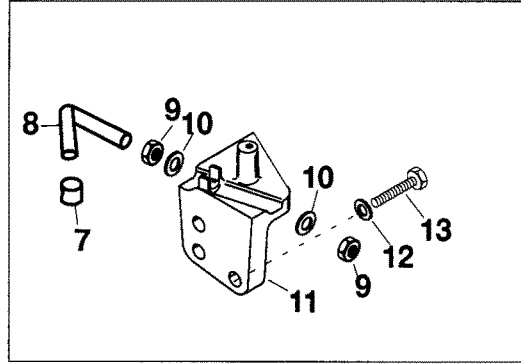
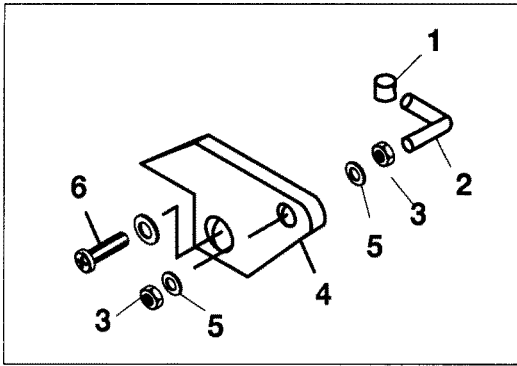
THROTTLE LINKAGE

REF. NO.	PART NO.	SYM.	QTY.	DESCRIPTION
1	74897		1	PIVOT DESIGN I
2	849036		1	LINK ROD DESIGN I
3	11-68219		2	NUT DESIGN I
4	96456--1		1	TIMING BRACKET DESIGN I
5	12-822836		2	WASHER DESIGN I
6	10-72094		1	SCREW DESIGN I
7	74897		1	PIVOT DESIGN II
8	849036	●	1	LINK ROD DESIGN II
9	11-68219	●	2	NUT DESIGN II
10	12-89302	●	2	WASHER DESIGN II
11	848974--2	●	1	TIMING BRACKET DESIGN II
12	12-814806	●	3	WASHER DESIGN II
13	10-53576	●	3	SCREW DESIGN II
14	78441		1	SPARK ADVANCE LEVER
15	10-64022		1	SCREW (1/4-20 X 2-1/8)
16	11-64015		1	NUT
17	26852		1	CAP
18	23-55171		1	BUSHING
19	24-68784		1	SPRING
20	23-55164		1	BUSHING
21	77837		1	THROTTLE LEVER
22	39483		1	LATCH
23	24-20099		1	SPRING
24	10-69026		1	SCREW (1/4-28 X .88)
25	11-35045		1	NUT
26	10-64022		1	SCREW (1/4-20 X 2-1/8)
27	11-64015		1	NUT
28	26852		1	CAP
29	12-46765		1	WASHER
30	10-818165		1	SCREW (3/8-16 X 1-3/4)
31	60572		1	BARREL
32	54-75275		1	CLAMP
33	24-91821		1	SPRING (LIGHT)
	24-848470		1	SPRING (HEAVY)
34	14669--2		1	ANCHOR BRACKET
35	16813		1	CUP
36	16814		1	LATCH
37	16-18101		2	STUD
38	12-73288		2	WASHER

● = COMPONENT OF POWERHEAD [61-847634A13]

CONTINUED ON NEXT PAGE ➡

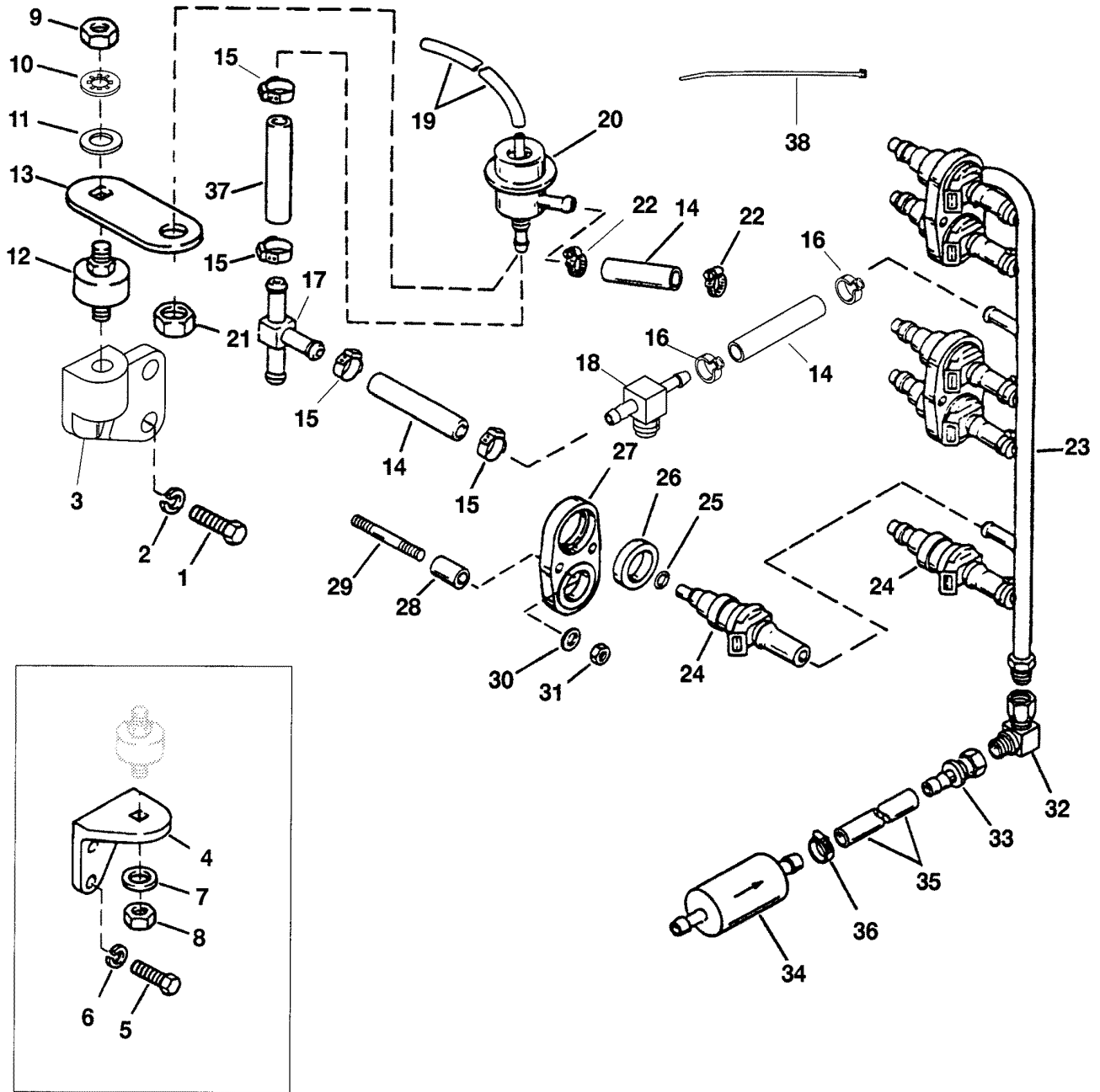
THROTTLE LINKAGE



THROTTLE LINKAGE

REF. NO.	PART NO.	SYM.	QTY.	DESCRIPTION
39	11-18102		2	NUT
40	10-62958		2	SCREW (5/16-18 X 1)
41	10-60147		1	SCREW (1/4-20 X 1-1/4)
42	54-54457		1	J-CLAMP
-	61-847634A13		1	POWERHEAD

FUEL INJECTORS



FUEL INJECTORS

REF. NO.	PART NO.	SYM.	QTY.	DESCRIPTION
1	10-28667		2	SCREW (1/4-20 X 1) DESIGN II
2	13-26992		2	LOCKWASHER DESIGN II
3	849021--1		1	BRACKET DESIGN II
4	99945		1	BRACKET DESIGN I
5	10-28636		2	SCREW DESIGN I
6	13-26992		2	LOCKWASHER DESIGN I
7	12-35462		2	WASHER DESIGN I
8	11-35888		2	NUT DESIGN I
9	11-64015		1	NUT
10	13-78968		1	LOCKWASHER
11	12-35462			WASHER
12	12234		1	RUBBER MOUNT
13	99944		1	SUPPORT
14	32-77457--2		AR	HOSE
15	54-13791		2	CLAMP
16	54-12999		4	CLAMP
17	22-17207		1	FITTING
18	22-849606		1	SCHRADER VALVE
19	32-66285-70		1	HOSE
20	12026--2		1	FUEL REGULATOR (56 PSI)
	94820		1	FUEL REGULATOR (39 PSI)
21	11-15018		1	NUT
22	54-815504104		2	CLAMP
23	17206--3		1	FUEL RAIL
24	98818		6	FUEL INJECTOR
25	26-94219	■●	6	SEAL
26	25-30271		6	GROMMET
27	98716		3	HOLD DOWN
28	98717		6	SPACER
29	16-21184	●	6	STUD (1/4 X 2)
30	12-29245		6	WASHER
31	11-35045		6	NUT
32	22-818699		1	FITTING
33	22-69406		1	FITTING
34	35-818700T		1	FILTER
35	32-848761-77		1	HOSE (84 IN.)
36	54-848763		1	CLAMP (19.8 MM)

● = COMPONENT OF POWERHEAD [61-847634A13]

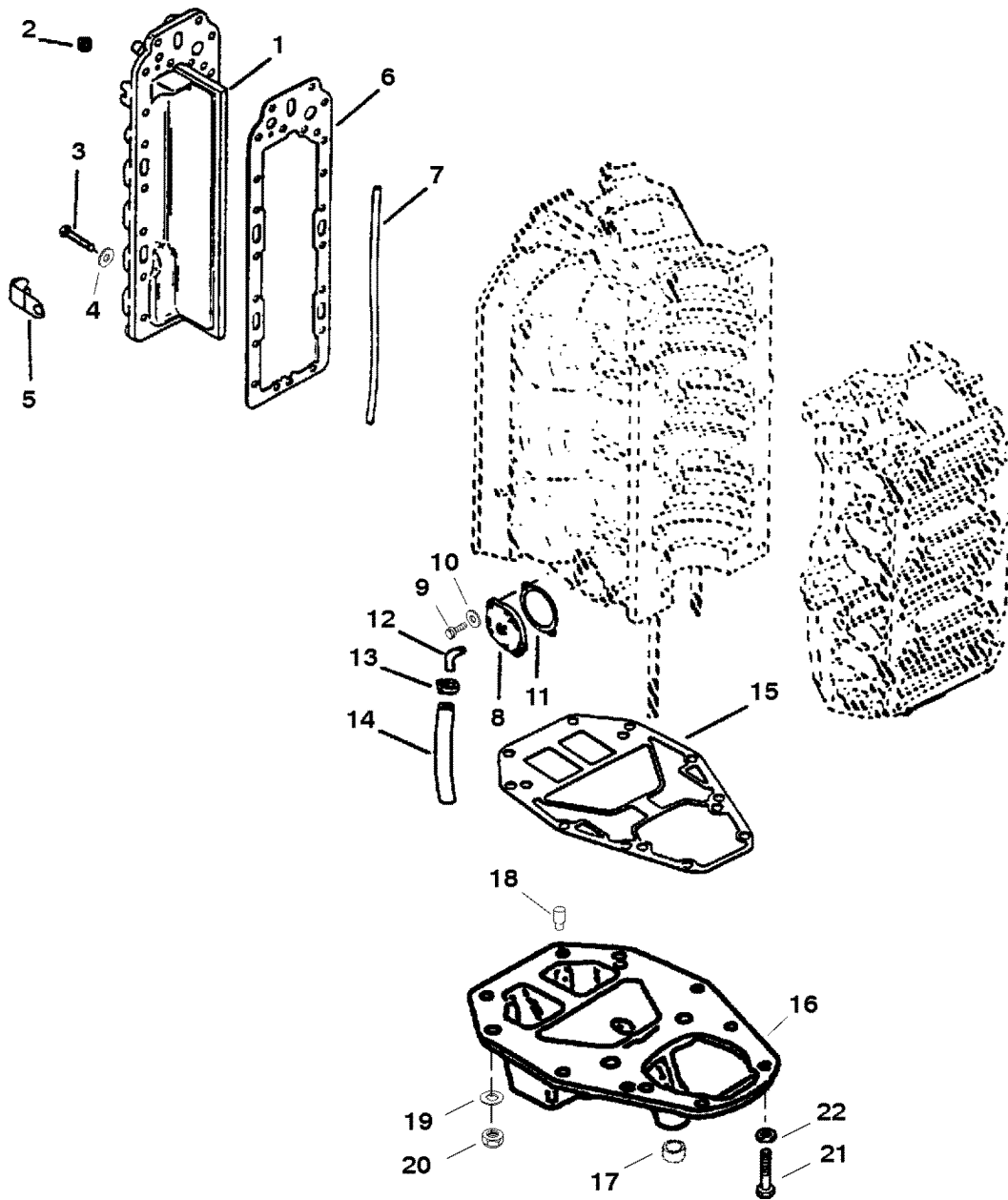
■ = COMPONENT OF ENGINE GASKET SET [27-816743A92]

CONTINUED ON NEXT PAGE ➡

FUEL INJECTORS

REF. NO.	PART NO.	SYM.	QTY.	DESCRIPTION
36	54-848764		1	CLAMP (21 MM)
37	32-89713		1	HOSE
38	56762		2	TY-RAP
-	27-816743A92		1	ENGINE GASKET SET
-	61-847634A13		1	POWERHEAD

EXHAUST PLATE



EXHAUST PLATE

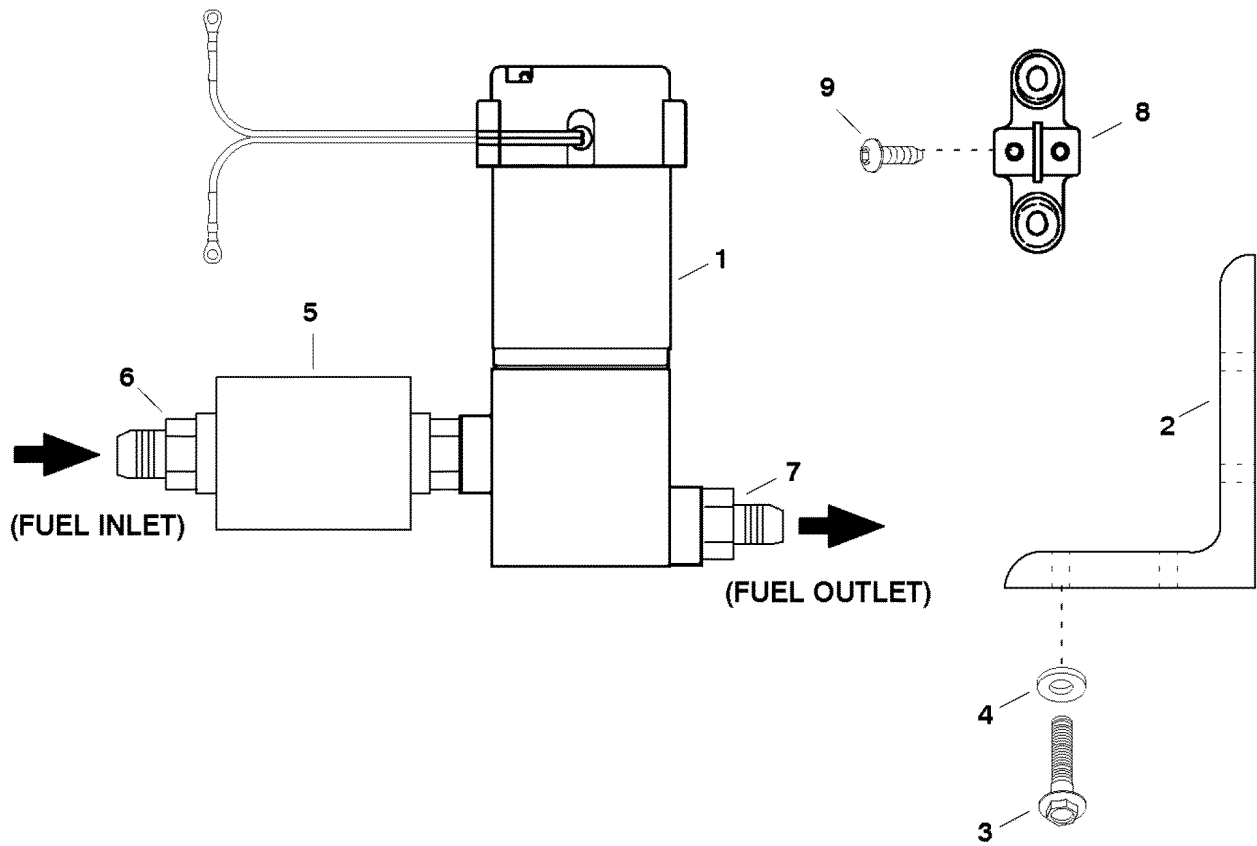
REF. NO.	PART NO.	SYM.	QTY.	DESCRIPTION
1	815552T1	●	1	DIVIDER PLATE
2	22-32802--2	●	1	PIPE PLUG
3	10-823029	●	18	SCREW (1-1/2 IN.)
	10-90073	●	2	SCREW (1 IN.)
4	12-847526	●	20	WASHER
5	54-814634	●	2	J-CLAMP (LARGE)
	54-64235--2	●	1	J-CLAMP (SMALL)
6	27-847525--1	■ ●	1	GASKET
7	26-814754--2	■ ●	1	SEAL
8	99193	●	1	COVER
9	10-28782	●	2	SCREW
10	12-34437	●	2	WASHER
11	27-88907--2	■●	1	GASKET
12	22-68727--1	●	1	FITTING
13	54-815504104		2	STA-STRAP
14	32-77653-77		1	HOSE
15	27-823142	■ ●	2	GASKET
16	822770A2		1	EXHAUST EXTENSION PLATE (1/2 IN. WATER TUBE)
	822770A3		1	EXHAUST EXTENSION PLATE (3/4 IN. WATER TUBE)
17	26-38970		1	SEAL (1/2 IN. WATER TUBE)
	26-88397		1	SEAL (3/4 IN. WATER TUBE)
18	17-16527		2	DOWEL PIN
19	12-822838		8	WASHER
20	11-34932		8	NUT
21	10-818218		2	SCREW (3/8-16 X 3/4)
22	12-37828		2	WASHER
-	27-816743A92		1	ENGINE GASKET SET
-	61-847634A13		1	POWERHEAD
-	61-847634A96		1	REBUILD KIT

● = COMPONENT OF POWERHEAD [61-847634A13]

■ = COMPONENT OF ENGINE GASKET SET [27-816743A92]

| = COMPONENT OF REBUILD KIT [61-847634A96]

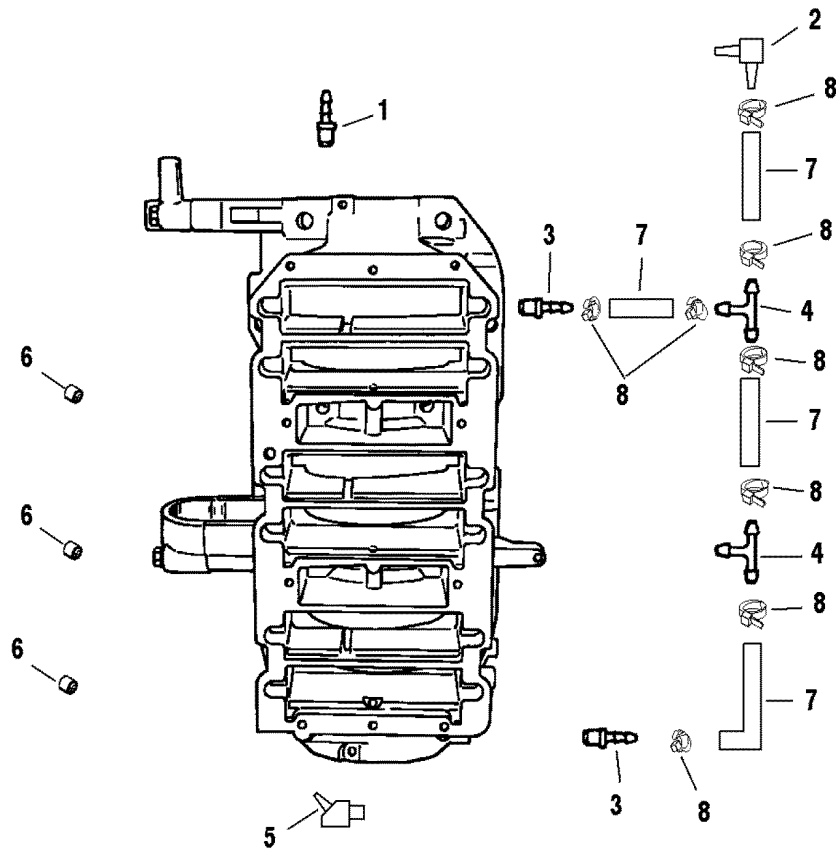
FUEL PUMP



FUEL PUMP

REF. NO.	PART NO.	SYM.	QTY.	DESCRIPTION
-	840368A1		1	FUEL PUMP ASSEMBLY (COMPLETE)
1	840368		1	FUEL PUMP
2	840367		1	BRACKET
3	10-849031--4		2	SCREW
4	83-814866		2	WASHER
5	35-94865		1	FUEL FILTER
6	22-94463		1	FITTING FUEL
7	22-94273		1	FITTING FUEL
8	45559		1	TERMINAL BLOCK
9	10-62568		2	SCREW

BLEED SYSTEM

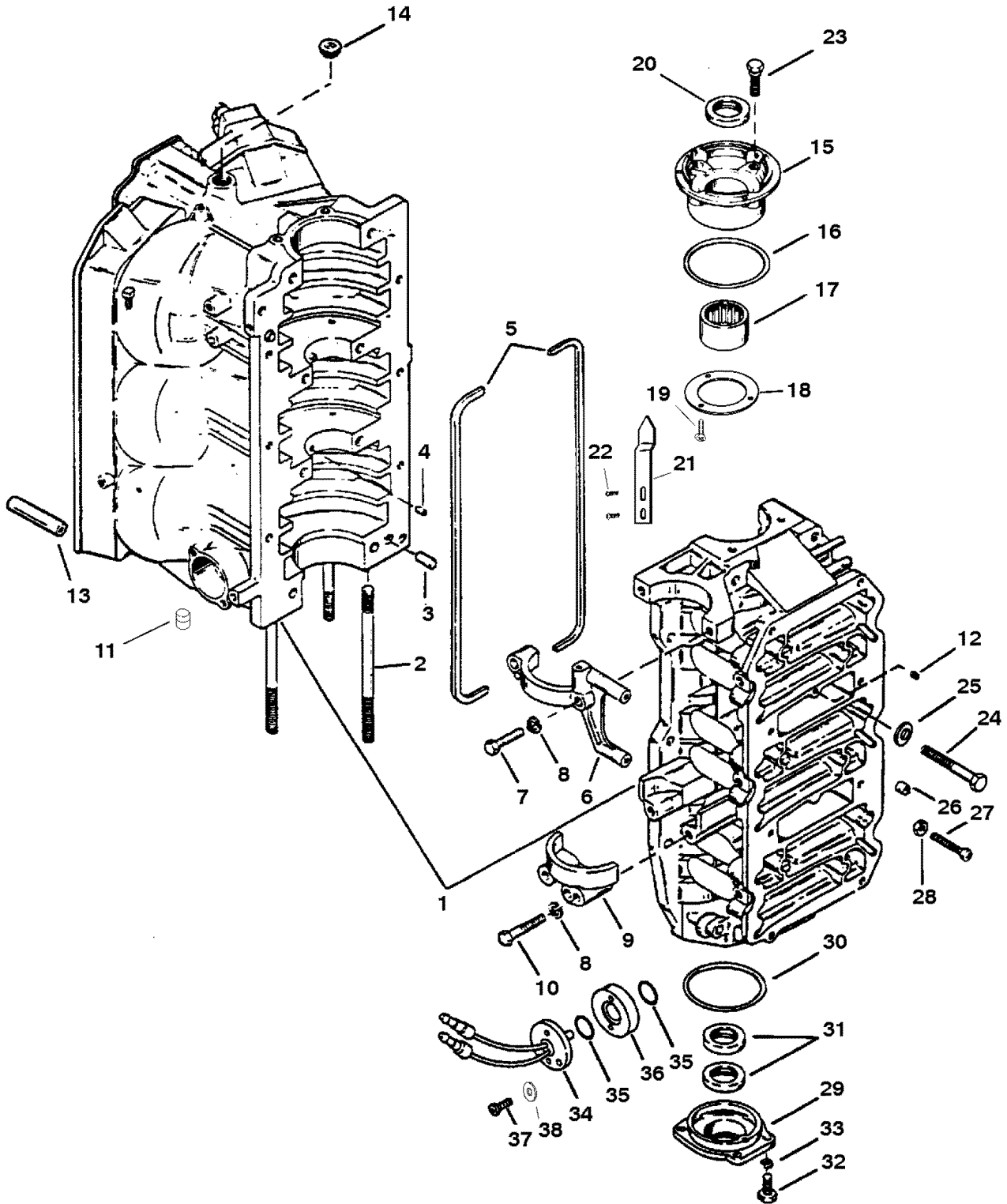


BLEED SYSTEM

REF. NO.	PART NO.	SYM.	QTY.	DESCRIPTION
1	21-42623--1	●	1	CHECK VALVE (TOP OF CRANKCASE)
2	22-15133	●	1	ELBOW (AIR INLET)
3	21-42698--1	●	2	CHECK VALVE (SIDE OF CRANKCASE)
4	22-59169--2		2	TEE FITTING
5	21-818189A1	●	1	CHECK VALVE (BOTTOM OF CRANKCASE)
6	21-42657A3		3	CHECK VALVE (INTERNAL BLEED)
7	32-66285-70	●	AR	TUBING (4 FEET)
	32-66285600		AR	TUBING (50 FEET)
8	56762		8	STA-STRAP
-	61-847634A13		1	POWERHEAD

● = COMPONENT OF POWERHEAD [61-847634A13]

CYLINDER BLOCK AND END CAPS



CYLINDER BLOCK AND END CAPS

REF. NO.	PART NO.	SYM.	QTY.	DESCRIPTION
1	884-816577A16	●	1	CYLINDER BLOCK
-	51-847748A20		1	CYLINDER LINDER ASSEMBLY (.020 O.S.)
-	51-847748A40		1	CYLINDER LINDER ASSEMBLY (.040 O.S.)
2	16-822182--1	●	2	STUD (4-5/8 IN.)
	16-822182	●	6	STUD (4-1/2 IN.)
3	17-43044	●	3	DOWEL PIN
4	17-67296	●	2	DOWEL PIN (BEARING RACE)
5	27-11338	■ ●	2	GASKET
6	42249	●	1	COVER (UPPER)
7	10-840202	●	2	SCREW (1-1/2 IN.)
8	13-26993		4	LOCKWASHER
9	76867	●	1	COVER (LOWER)
10	10-815549	●	2	SCREW (2 IN.)
11	22-56800--2	●	2	PIPE PLUG
12	21-42657A3	●	3	CHECK VALVE
13	32-830756109	●	4	TUBING (1-1/4 IN.)
14	22-38407		1	PLUG (WATER JACKET)
15	1159-847523T2	●	1	UPPER END CAP
16	25-54029	■●	1	O-RING
17	31-74248T	●	1	BEARING
18	96149	●	1	RETAINER
19	10-86843	●	3	SCREW (10-24 X 1/2)
20	26-41953	■●	1	OIL SEAL
21	848465		1	BRACKET-TIMING INDICATOR
22	10-48409		2	SCREW (10-32 X 1/2 IN.)
23	10-69034	●	4	SCREW (1 IN.)
24	10-66717	●	8	SCREW (3/8-16 X 3-1/4 IN.)
	10-823188	●	2	SCREW (3/8-16 X 3-1/2 IN.)
	10-823199--1	●	10	SCREW (3/8-16 X 1-1/4 IN.)
25	12-822838	●	20	WASHER
26	26852	●	1	CAP
27	10-64022	●	1	ADJUSTING SCREW
28	11-64015	●	1	JAM NUT
29	1156-8120A1	●	1	LOWER END CAP
30	25-62700	■●	1	O-RING (3-1/4 IN. I.D.)
31	26-41953	■●	2	OIL SEAL
32	10-28636	●	2	SCREW (1/4-20 X 3/4 - HEX HEAD)
	10-39669	●	2	SCREW (1/4-20 X 3/4 - FLAT HEAD)
33	13-26992	●	2	LOCKWASHER
34	13221A1		1	TEMPERATURE SENSOR
35	25-45711		2	O-RING

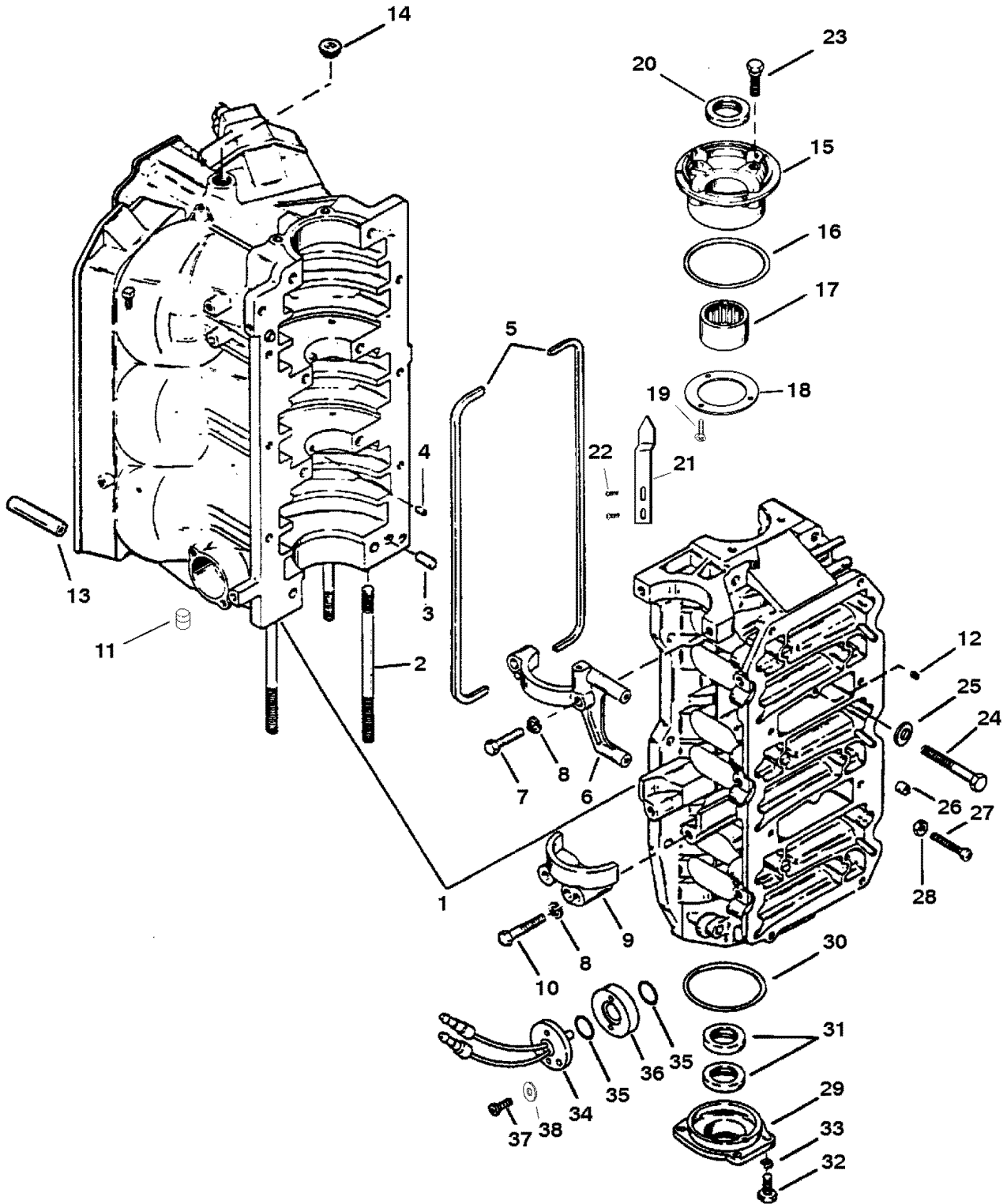
● = COMPONENT OF POWERHEAD [61-847634A13]

■ = COMPONENT OF ENGINE GASKET SET [27-816743A92]

| = COMPONENT OF REBUILD KIT [61-847634A96]

CONTINUED ON NEXT PAGE ➡

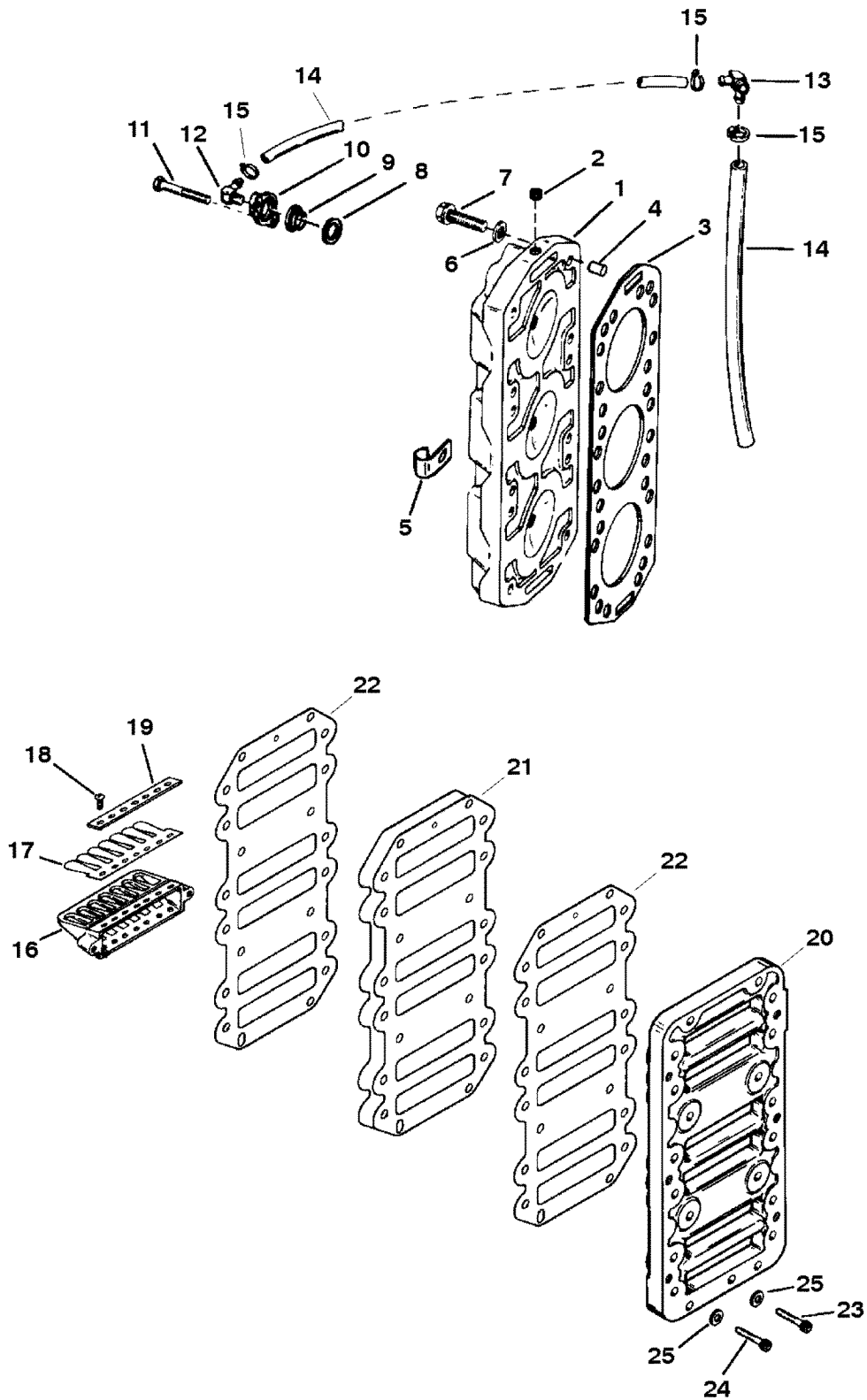
CYLINDER BLOCK AND END CAPS



CYLINDER BLOCK AND END CAPS

REF. NO.	PART NO.	SYM.	QTY.	DESCRIPTION
36	816885		1	ADAPTOR
37	10-34696		2	SCREW (8-32 X 3/4 IN.)
38	12-20670		2	WASHER (BRASS)
	12-847883		2	WASHER
-	27-816743A92		1	ENGINE GASKET SET
-	61-847634A13		1	POWERHEAD
-	61-847634A96		1	REBUILD KIT

REED BLOCK AND CYLINDER HEAD

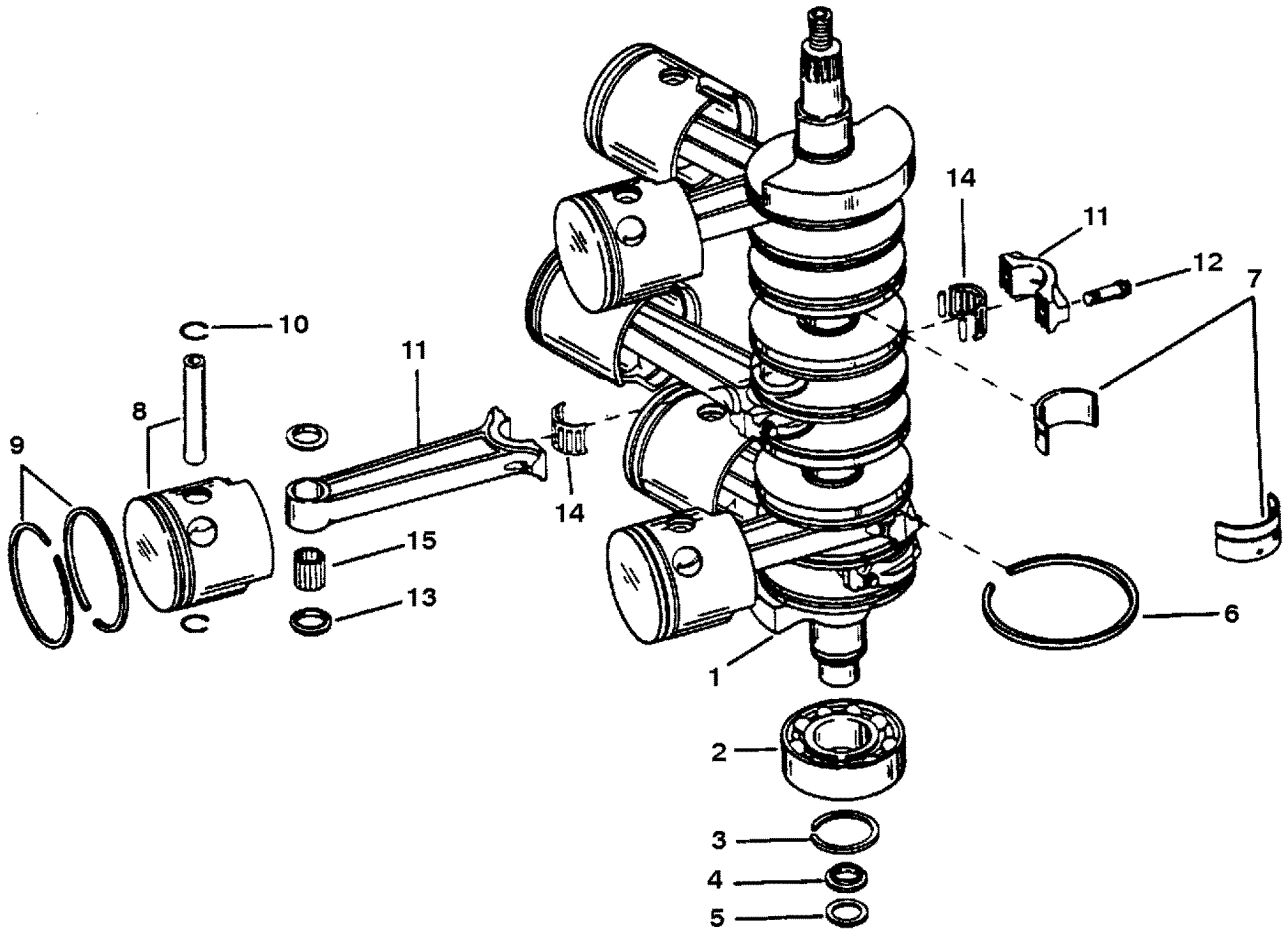


REED BLOCK AND CYLINDER HEAD

REF. NO.	PART NO.	SYM.	QTY.	DESCRIPTION
1	18787A1	●	2	CYLINDER HEAD (21 C.C.)
2	22-32802--2	●	2	PLUG
3	27-816743--1	■ ●	2	GASKET
4	17-63779	●	4	DOWEL PIN
5	54-78945--1	●	1	J-CLAMP
6	12-822838	●	24	WASHER
7	10-98534	●	24	SCREW
8	12-47533--2	●	2	WASHER
9	27-62386	■●	2	GASKET
10	90390A1	●	2	THERMOSTAT COVER
11	10-37562	●	4	SCREW (5/16-18 X 1)
12	22-68727--1	●	1	ELBOW (STARBOARD HEAD)
13	22-68728	●	1	ELBOW (PORT HEAD)
14	32-77457--2	●	1	HOSE
15	54-816311	●	3	STA-STRAP
16	87692--2		6	REED BLOCK
17	34-815242A3		6	REED ASSEMBLY
18	10-823588		14	SCREW (84 PER ENGINE)
19	90391--1		12	REED CLAMP
20	98709--3		1	REED BLOCK PLATE
21	NSS			SPACER PLATE (PART OF 818451A2)
22	27-12775--4	■ ●	2	GASKET
23	10-96529		2	SCREW (1/4-20 X 2)
24	10-848920		16	SCREW (1/4-20 X 2-1/2)
25	12-822837		14	WASHER
-	27-816743A92		1	ENGINE GASKET SET
-	61-847634A96		1	REBUILD KIT
-	61-847634A13		1	POWERHEAD

- = COMPONENT OF POWERHEAD [61-847634A13]
- = COMPONENT OF ENGINE GASKET SET [27-816743A92]
- | = COMPONENT OF REBUILD KIT [61-847634A96]

CRANKSHAFT, PISTONS, AND CONNECTING RODS



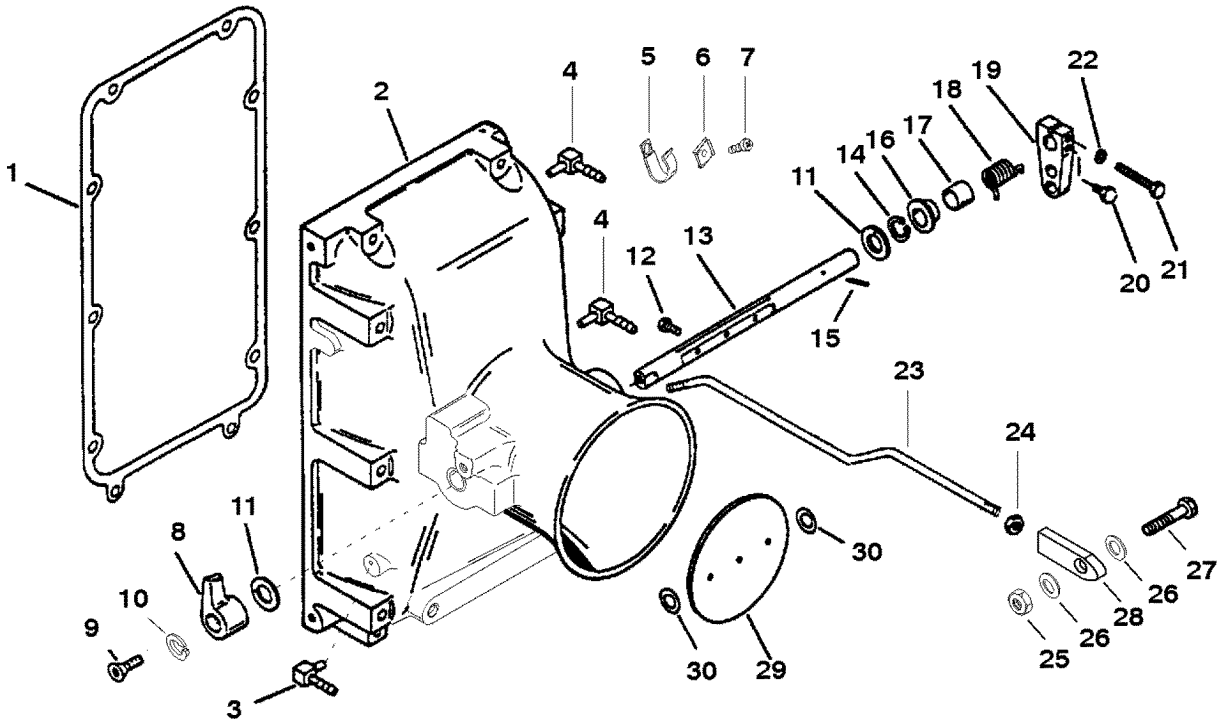
CRANKSHAFT, PISTONS, AND CONNECTING RODS

REF. NO.	PART NO.	SYM.	QTY.	DESCRIPTION
1	455-7251T9	●	1	CRANKSHAFT ASSEMBLY
2	30-67923T	●	1	BALL BEARING (LOWER)
3	53-67446	●	1	RETAINING RING
4	54196A6		1	CARRIER ASSEMBLY
5	65800		1	SEAL
6	39-67377--2	●	7	RING
7	31-16756T8	●	2	ROLLER BEARING
8	703-848436A2	●	3	PISTON ASSEMBLY (STARBOARD)
	703-848437A2	●	3	PISTON ASSEMBLY (PORT)
9	39-16687--2	■●	12	PISTON RING
10	40-52035	●	12	RETAINING RING
11	644-818141A9	●	6	CONNECTING ROD ASSEMBLY
12	10-848475	●	12	SCREW
13	12-812876	●	12	WASHER
14	31-821146A1	■●	6	ROLLER BEARING
15	29-822553	●	174	NEEDLE BEARING
-	61-847634A13		1	POWERHEAD
-	61-847634A96		1	REBUILD KIT

● = COMPONENT OF POWERHEAD [61-847634A13]

■ = COMPONENT OF REBUILD KIT [61-847634A96]

AIR INLET/THROTTLE LINKAGE



AIR INLET/THROTTLE LINKAGE

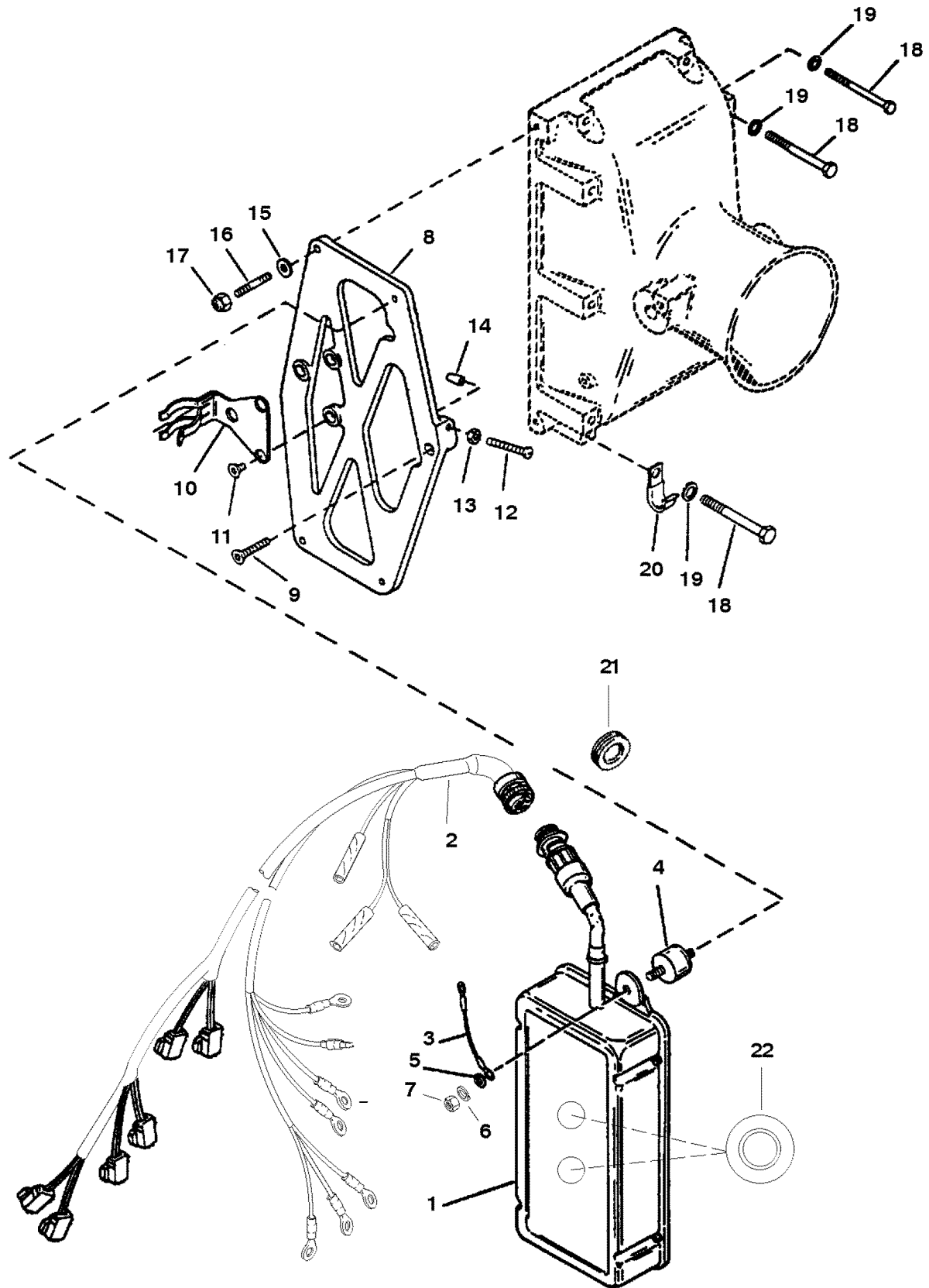
REF. NO.	PART NO.	SYM.	QTY.	DESCRIPTION
1	27-99316--3	■●	1	GASKET
2	816058A6		1	AIR INLET
3	22-822715		1	ELBOW
4	22-15133		2	FITTING
5	54-24836		1	J CLAMP
6	69205		1	C WASHER
7	10-62568		1	SCREW (10-16 X 3/8)
8	848026A1		1	ACTUATOR
9	10-32417		1	SCREW (1/4-28 X 5/8)
10	13-78968		1	LOCKWASHER
11	12-848023		2	THRUST WASHER
12	10-90766		3	SCREW (10-32 X 1/2)
13	815490A3		1	THROTTLE SHAFT
14	53-847882		1	RING-RETAINING
15	17-24800		2	ROLL PIN
16	23-848024		1	BUSHING (W/LIP)
17	23-848025--1		1	BUSHING (W/O LIP)
18	24-98894--1		1	SPRING
19	13726--1		1	THROTTLE LEVER
20	10-41355		1	SET SCREW (10-32 X 1/4)
21	10-41089--1		1	SCREW (8-32 X 1)
22	13-26995		1	LOCKWASHER
23	816250--1		1	THROTTLE LINK
24	11-20013		1	JAM NUT
25	11-56374		1	NUT
26	12-29245		2	WASHER
27	10-816742		2	SCREW (1/4-20 X 1-1/4)
28	847881		1	ROD END
29	98715-10		1	THROTTLE SHUTTER
30	15-848046A1		1	SHIM SET
-	27-816743A92		1	ENGINE GASKET SET
-	61-847634A13		1	POWERHEAD
-	61-847634A96		1	REBUILD KIT

● = COMPONENT OF POWERHEAD [61-847634A13]

■ = COMPONENT OF ENGINE GASKET SET [27-816743A92]

▣ = COMPONENT OF REBUILD KIT [61-847634A96]

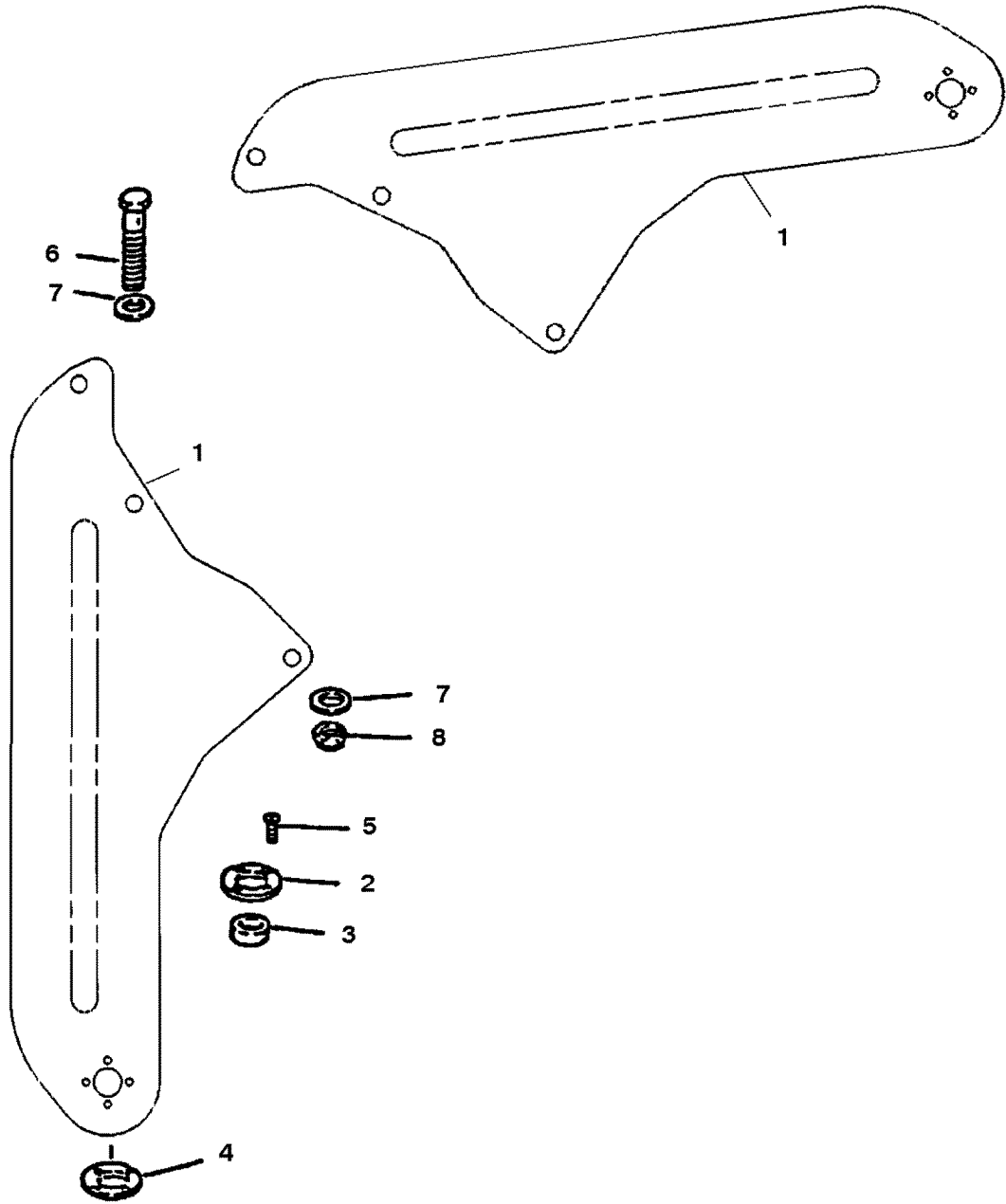
EFI CONTROL BOX



EFI CONTROL BOX

REF. NO.	PART NO.	SYM.	QTY.	DESCRIPTION
1	849849A2		1	E.F.I CONTROL BOX
2	84-98866A27		1	E.F.I HARNESS
3	84-65999A10		1	CABLE (BLACK)
4	12234--2		3	MOUNT
5	12-69056		2	WASHER
6	13-78968		1	LOCKWASHER
7	11-64015		3	NUT
8	816958--2		1	BRACKET
9	10-821035		1	SCREW (1/4-20 X 1-1/4 IN.)
10	54-821603		1	CLIP
11	10-821036		3	SCREW (1/4-20 X 3/8)
12	10-13627		1	SCREW (3/16-32 X 1-1/4)
13	11-68219		1	NUT
14	48039		1	CAP
15	12-39143		2	WASHER (5/8 X .253)
16	16-56766		2	STUD
17	11-35888		2	NUT
18	10-844884		4	SCREW (1/4-20 X 3-5/8 IN.)
	10-63328		6	SCREW (5/16-18 X 3 IN.)
19	12-39143		4	WASHER (1/4 IN. I.D.)
	12-34437		6	WASHER (5/16 IN. I.D.)
20	54-54457		2	J-CLIP
21	19049--1		1	COUPLING RING
22	19-11023		2	PLUG

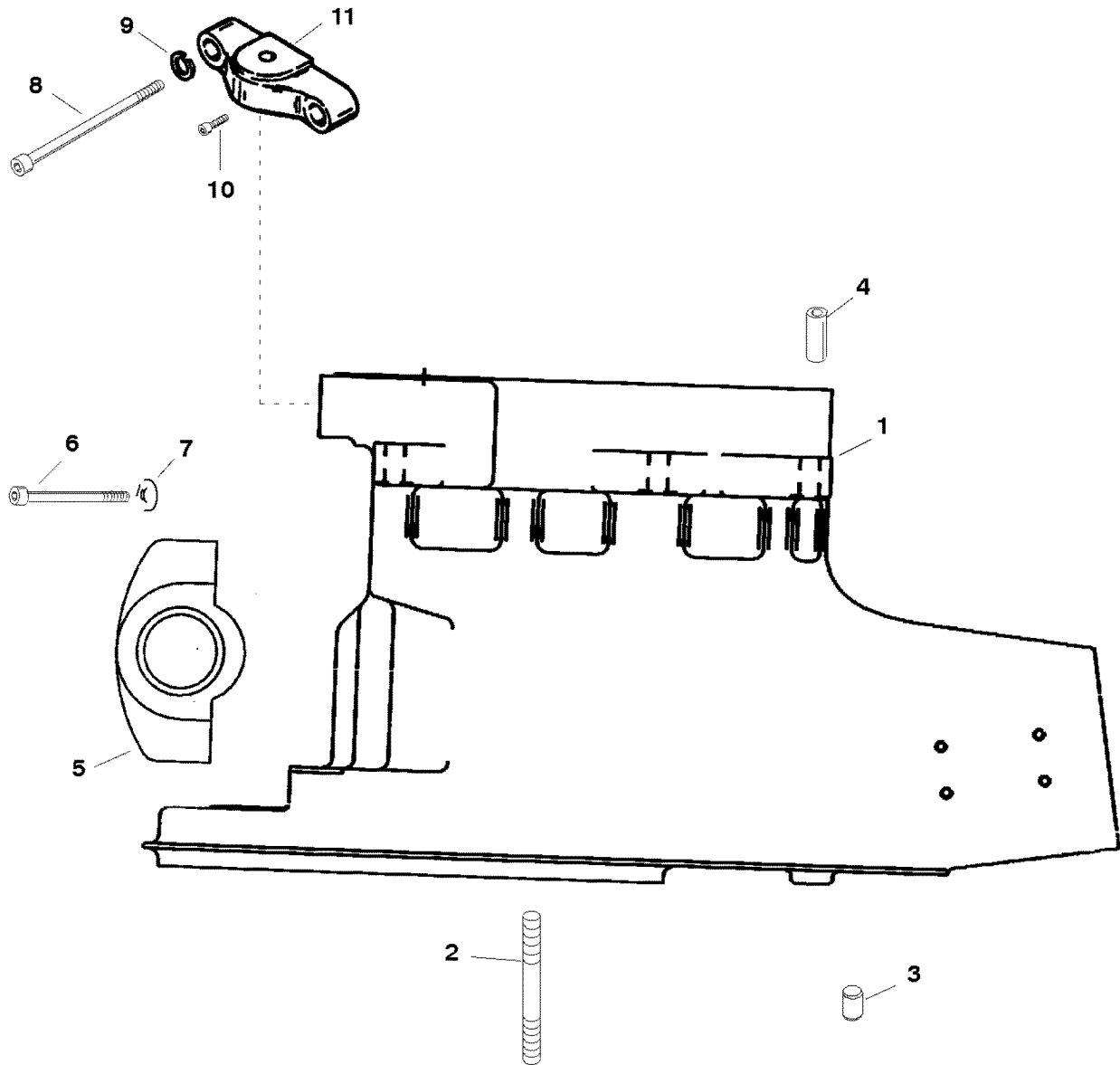
STEERING PLATE



STEERING PLATE

REF. NO.	PART NO.	SYM.	QTY.	DESCRIPTION
-	822112A3		1	STEERING ARM KIT COMPLETE
1	822112A1		1	STEERING ARM (PORT)
	822113A1		1	STEERING ARM (STARBOARD)
2	67022		2	STEERING PLATE (UPPER)
3	30-847793		2	BEARING
4	67024		2	STEERING PLATE (LOWER)
5	10-822116		8	SCREW
6	10-56393		6	SCREW (7/16-20 X 1-3/4)
7	12-34567		12	WASHER
8	11-35053		6	NUT (7-16-20)

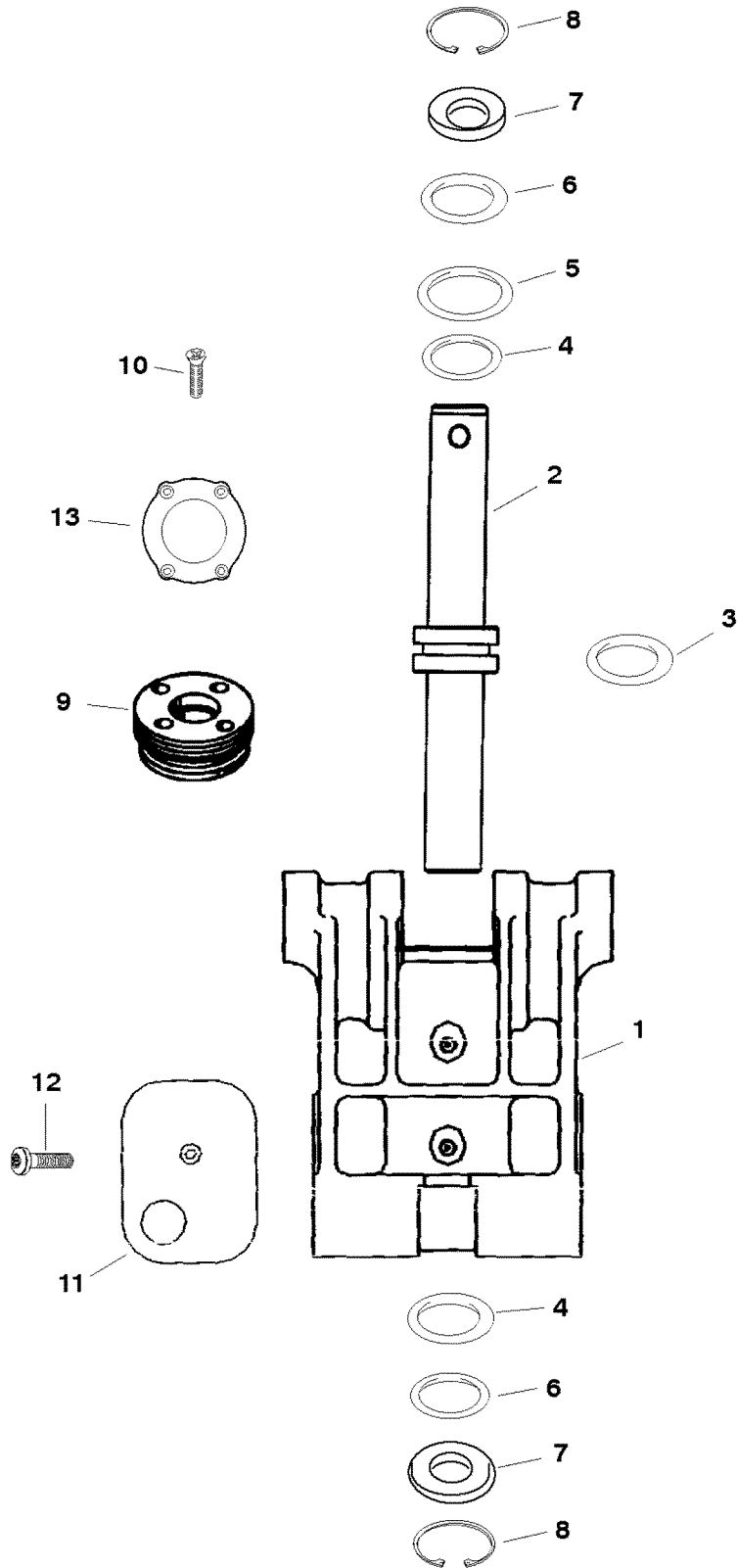
DRIVESHAFT HOUSING



DRIVESHAFT HOUSING

REF. NO.	PART NO.	SYM.	QTY.	DESCRIPTION
1	3526-821986A5		1	DRIVESHAFT HOUSING
2	16-822118		8	STUD (.437 X 2-1/2)
3	17-822107		2	DOWEL PIN
4	23-16541--1		2	SLEEVE-DOWEL
5	822006A1		1	BOTTOM YOKE
6	10-99524--1		2	SCREW (.437-14 X 2)
7	12-32648--1		2	WASHER
8	10-822123--1		2	SCREW (.562 X 2-1/2)
9	12-18045--1		2	WASHER
10	10-822124--1		1	SCREW (.375 X 2)
11	822122--1		2	TOP YOKE (NOT PART OF DRIVESHAFT HOUSING)

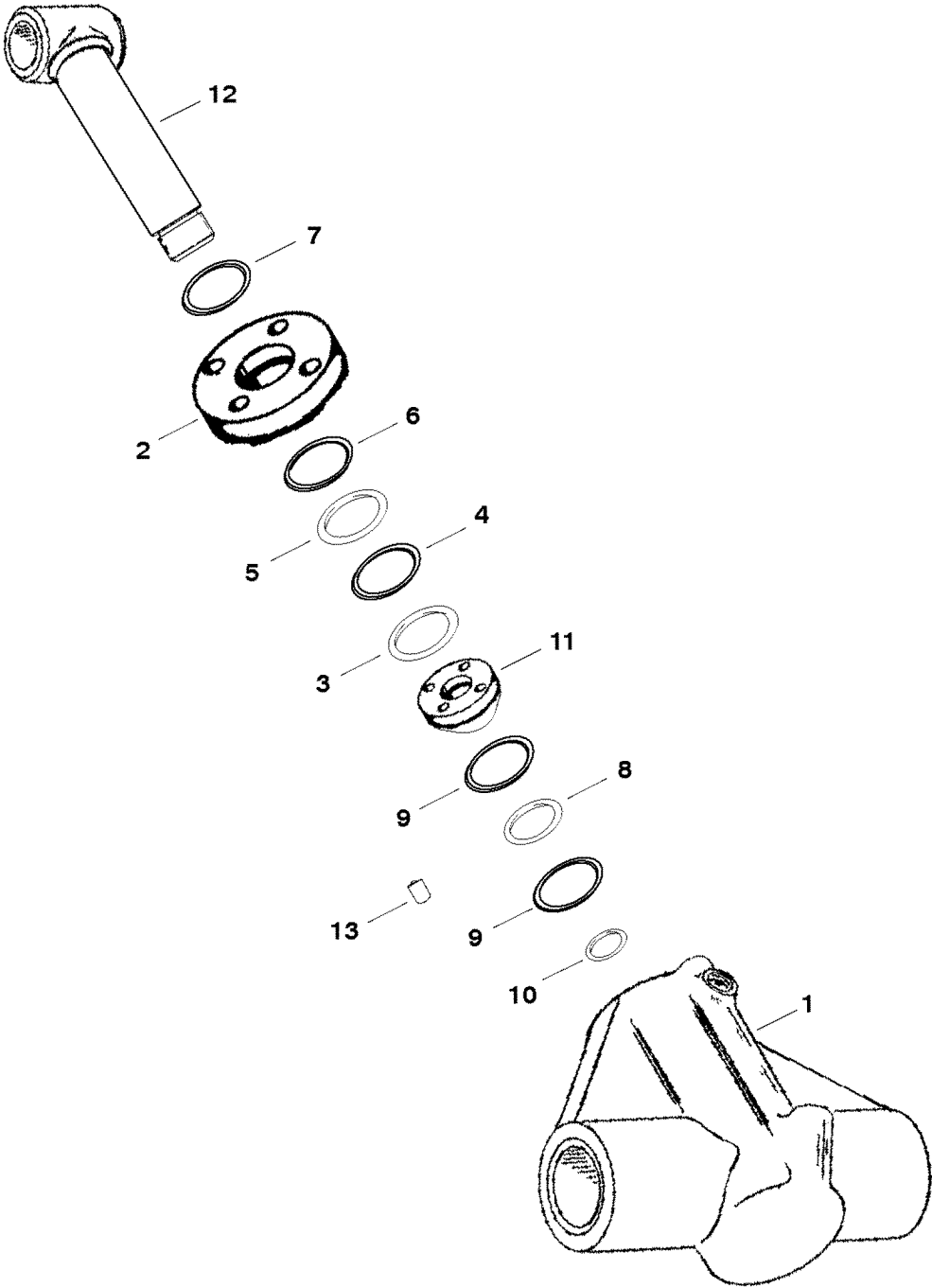
SWIVEL BRACKET ASSEMBLY



SWIVEL BRACKET ASSEMBLY

REF. NO.	PART NO.	SYM.	QTY.	DESCRIPTION
-	3405-821921A15		1	SWIVEL BRACKET ASSEMBLY (COMPLETE)
1	3405-821921A14		1	SWIVEL BRACKET
2	822043		1	ROD
-	25-11167A1		1	O RING SERVICE KIT
3	NSS		1	QUAD RING
4	NSS		2	QUAD RING
5	NSS		1	O RING
6	NSS		2	SCRAPER
7	12-79869		2	WASHER
8	53-79870--1		2	RETAINING RING
9	NSS		1	ROD GUIDE
10	10-86843		4	SCREW (10-24 X 1/2)
11	44132--1		2	WEAR PAD (PORT)
	44132--2		2	WEAR PAD (STARBOARD)
12	10-822037		2	SCREW
13	848691		1	PLATE

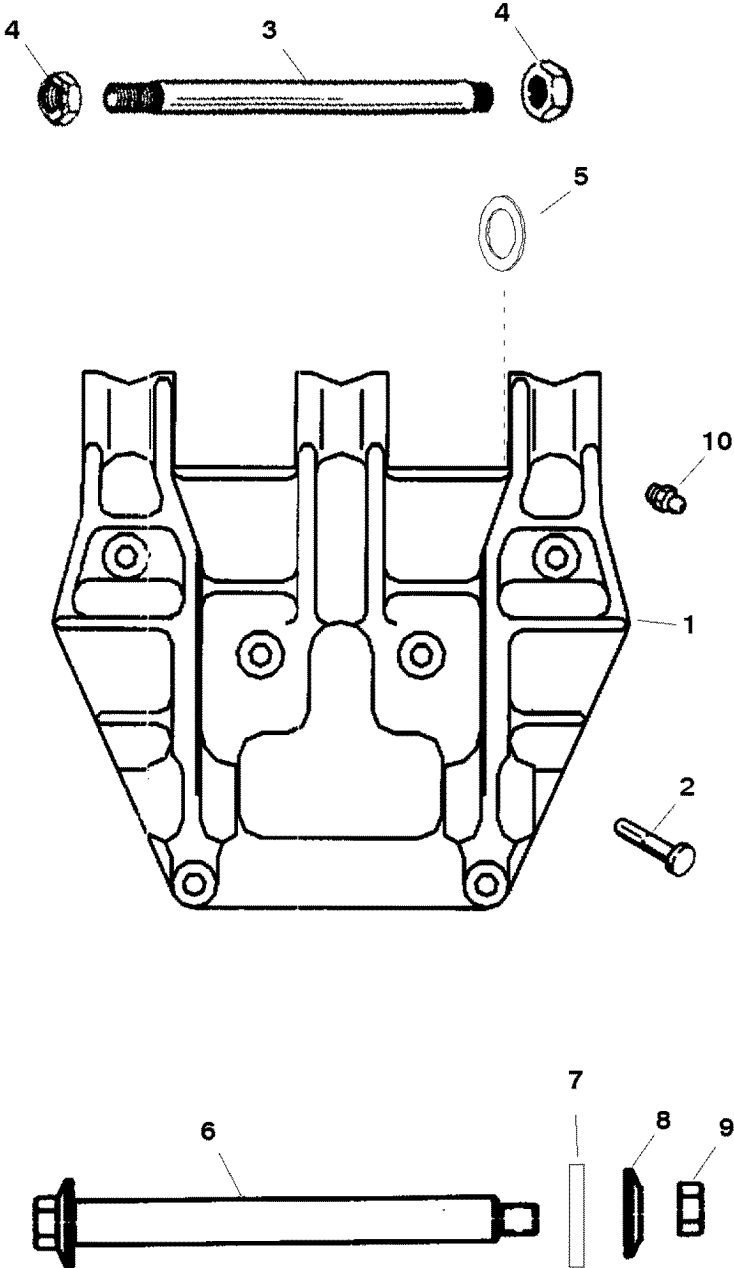
TRIM CYLINDER ASSEMBLY



TRIM CYLINDER ASSEMBLY

REF. NO.	PART NO.	SYM.	QTY.	DESCRIPTION
-	44120A5		1	TRIM CYLINDER ASSEMBLY-COMplete (BLACK)
1	44120--2		1	TRIM CYLINDER HOUSING (BLACK)
2	44123		1	RETAINER
-	25-11163A1		1	TRIM CYLINDER REPAIR KIT
3	NSS		1	O RING
4	NSS		1	BACK UP RING
5	NSS		1	O RING
6	NSS		1	BACK UP RING
7	NSS		1	WIPER
8	NSS		1	O RING
9	NSS		2	BACK UP RING
10	NSS		1	O RING
11	44125		1	TRIM PISTON
12	818516--2		1	TRIM ROD
13	822103		1	GREASE HOLE COVER

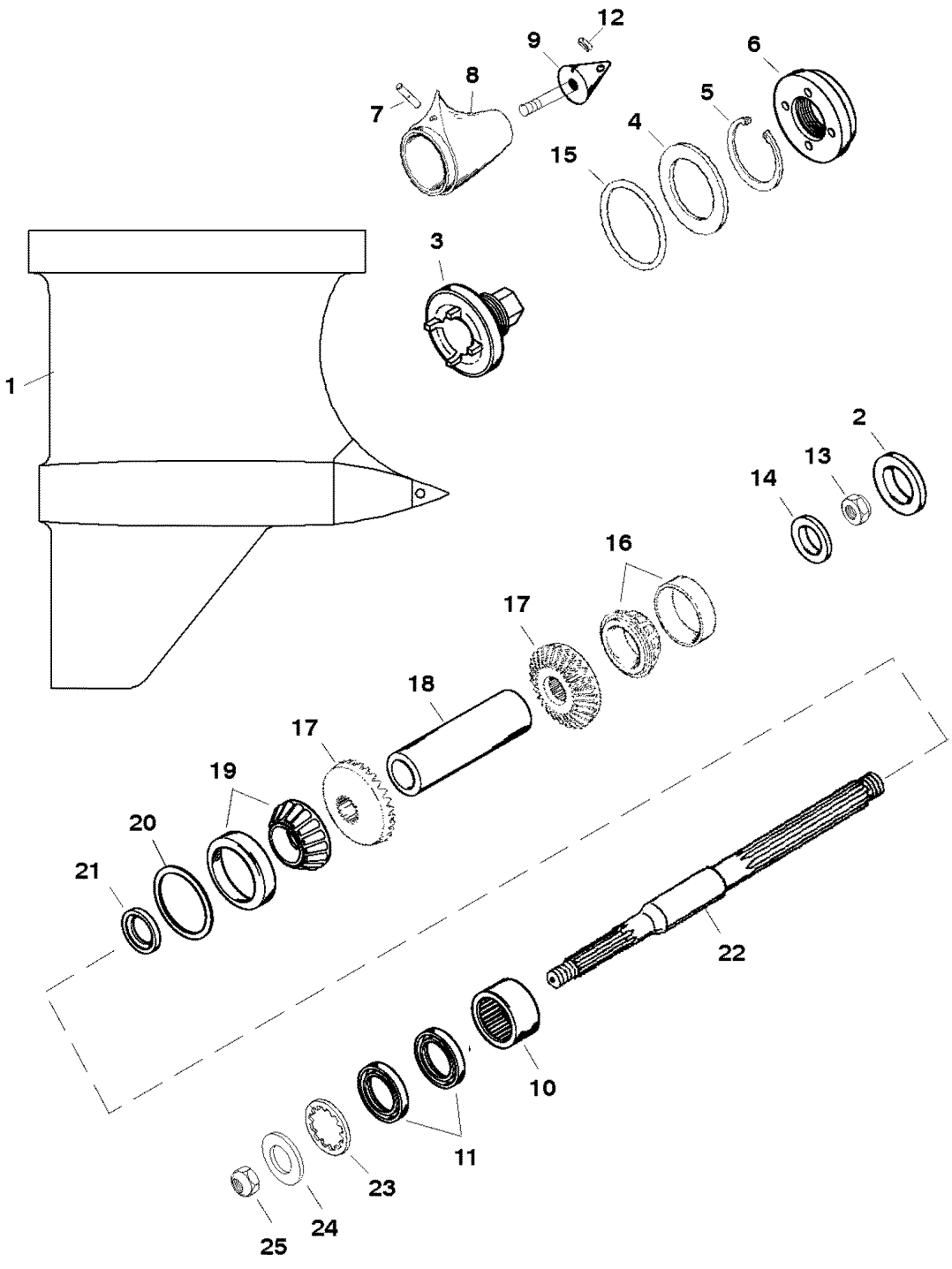
TRANSOM BRACKET ASSEMBLY



TRANSOM BRACKET ASSEMBLY

REF. NO.	PART NO.	SYM.	QTY.	DESCRIPTION
1	847663--1		1	TRANSOM BRACKET (BLACK)
2	17-44133		2	PIN
3	822106		1	TILT TUBE
4	11-34862		2	NUT (1 IN. - 14)
5	15-21158A2		1	SHIM KIT
6	822075		1	TRIM PIN
7	12-59378		1	WASHER
8	822076		1	RETAINER
9	11-20220		1	NUT (1/2-20)
10	22-69059		2	GREASE FITTING
-	56-11241A18		1	TRANSOM ATTACHING KIT
-	10-46196		2	SCREW (7/16-20 X 4)
-	10-70832		4	SCREW (7/16-20 X 5)
-	12-44163		6	WASHER (.45 X 1.75 X .12)
-	12-45176		12	WASHER (.812 X .453 X .105)
-	11-826710-15		6	NUT (7/26-20)

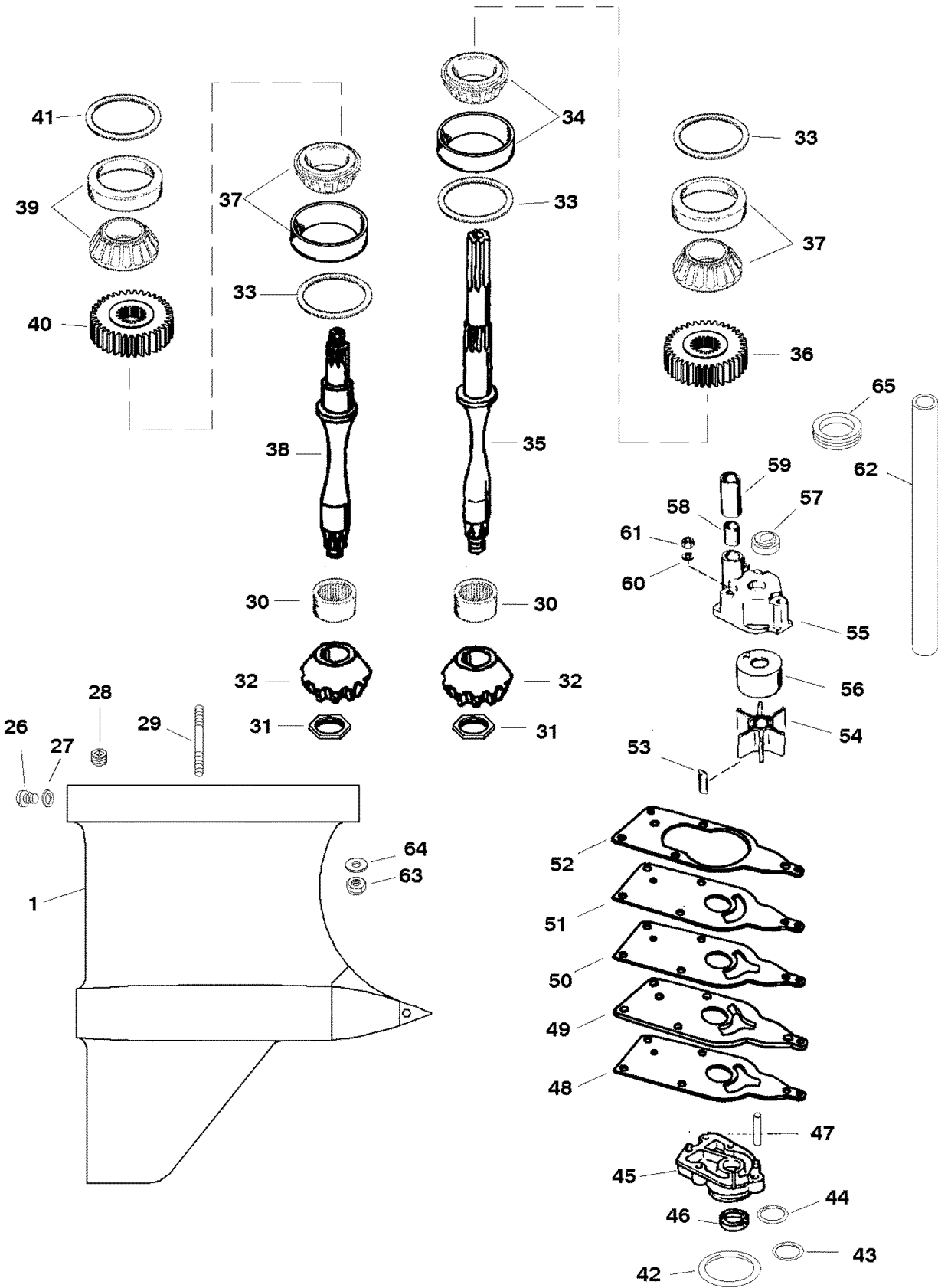
GEAR HOUSING (PROP SHAFT)(VI SSM)



GEAR HOUSING (PROP SHAFT)(VI SSM)

REF. NO.	PART NO.	SYM.	QTY.	DESCRIPTION
-	1657-821964A8		1	GEARCASE ASSEMBLY (COMPLETE)
1	1657-821964A9		1	GEAR HOUSING
2	53-28576		1	NUT
3	NSS		1	ANCHOR STUD
4	12-28565		1	WASHER
5	53-28562		1	RETAINING RING
6	34195		1	COVER
7	17-23803		1	PIN
8	NSS		1	NOSE CONE
9	10-34150		1	SCREW
10	31-87013		1	ROLLER BEARING
11	26-16553		2	OIL SEAL
12	65700		1	PLUG
13	11-22339		1	NUT (5/8-18)
14	12-90404		1	WASHER (CONCAVE)
	12-90405		1	WASHER (CONVEX)
15	25-26855		1	O RING
16	31-70087A1		1	BEARING ASSEMBLY (FRONT)
17	43-815488A1		2	GEAR SET (1 PINION/1 DRIVEN)
18	23-38661		1	SPACER
19	31-32575T1		1	BEARING ASSEMBLY (REAR)
20	15-32563A1		1	SHIM SET
21	12-38688--1		1	WASHER
22	44-78432		1	PROP SHAFT
23	12-39701		1	SPLINED WASHER
24	12-39698		1	WASHER
25	11-52707A1		1	NUT (3/4-16)
-	1657-821964A10		1	VI SSM REBUILD KIT

GEAR HOUSING (DRIVESHAFT)(VI SSM)

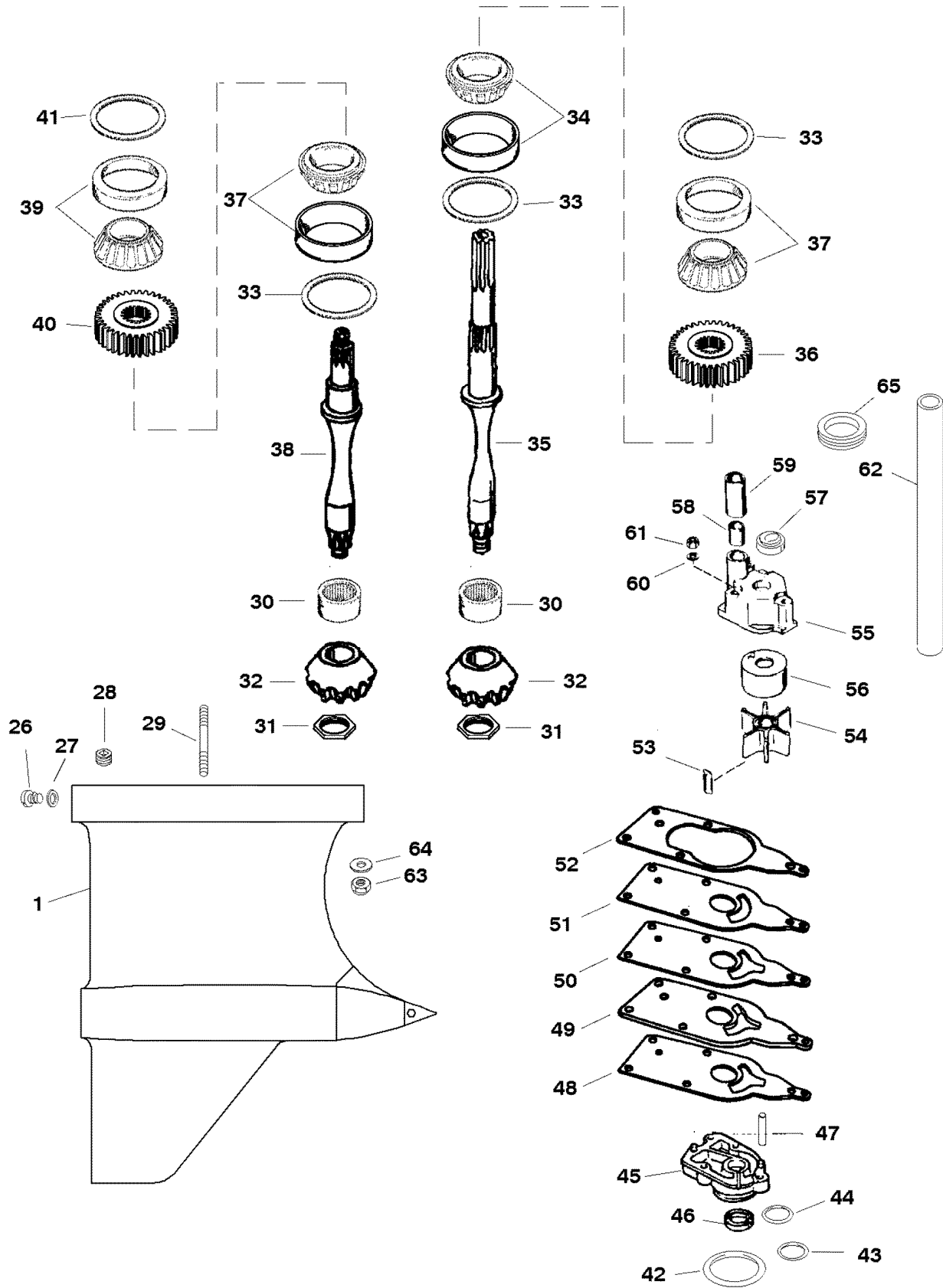


GEAR HOUSING (DRIVESHAFT)(VI SSM)

REF. NO.	PART NO.	SYM.	QTY.	DESCRIPTION
-	1657-821964A8		1	GEARCASE ASSEMBLY (COMPLETE)
1	1657-821964A9		1	GEAR HOUSING
26	10-14834A3		2	MAGNETIC DRAIN PLUG
27	25-805726		2	O RING
28	22-32561		1	PLUG
29	16-814682		3	STUD-WATER PUMP (1/4 X 13/16)
	16-848534		2	STUD-WATER PUMP (1/4 X 3.18)
30	31-31524		2	ROLLER BEARING-DRIVESHAFTS
31	11-30932		2	PINION NUT
32	43-815488A1		2	GEAR SET (1 PINION/1 DRIVEN)
33	15-38657A1		3	SHIM SET
34	31-38680A1		1	BEARING ASSEMBLY (LOWER)
35	45-87014		1	DRIVE SHAFT (FRONT)
36	43-60929		1	GEAR DRIVING
37	31-38678A1		2	BEARING
38	45-87015		1	DRIVE SHAFT (REAR)
39	31-38681A1		1	BEARING
40	43-60928		1	GEAR-DRIVEN
41	15-38668A1		1	SHIM SET
42	25-32069		1	O RING
43	23-59386		1	SPACER-WEDDING BAND
44	25-35276		1	O RING
45	46-38631A1		1	WATER PUMP BASE
46	26-16977		2	OIL SEAL
47	17-29596		2	DOWEL PIN
48	27-848524		1	GASKET
49	848522		1	SPACER-ALUMINUM
50	27-848528		1	GASKET
51	848521--1		1	FACE PLATE-STEEL
52	27-848525		1	GASKET
53	28-56654--1		1	KEY
54	47-89984T4		1	IMPELLER
55	46-848505A1		1	WATER PUMP ASSEMBLY (3/4 IN.)
56	848321--1		1	INSERT
57	26-55905		1	OIL SEAL
58	26-88397		1	SEAL (3/4 IN. WATER TUBE)
59	23-847685--2		1	SLEEVE
60	12-29245		5	WASHER
61	11-30506		5	NUT

CONTINUED ON NEXT PAGE ➡

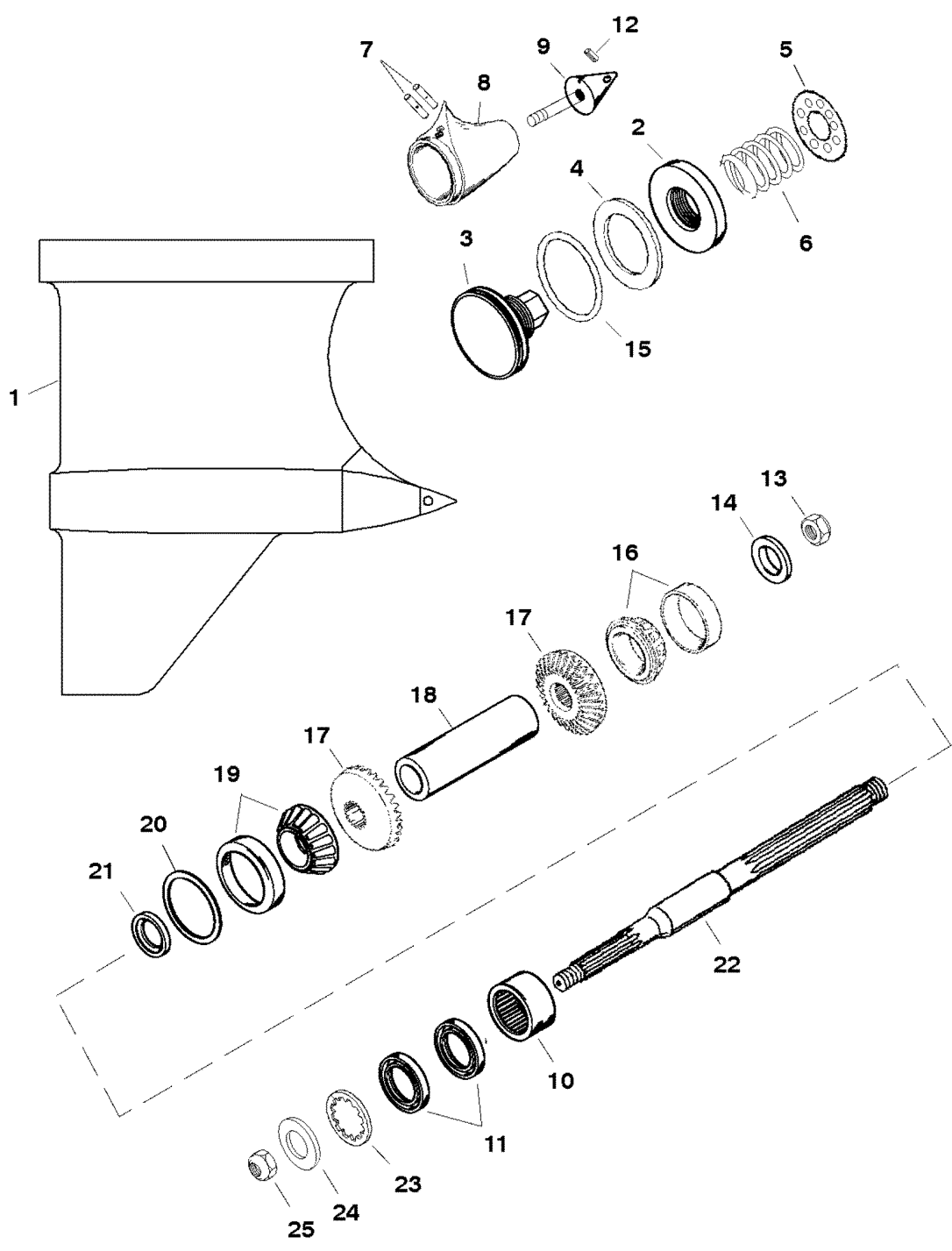
GEAR HOUSING (DRIVESHAFT)(VI SSM)



GEAR HOUSING (DRIVESHAFT)(VI SSM)

REF. NO.	PART NO.	SYM.	QTY.	DESCRIPTION
62	32-847650--6		1	WATER TUBE (3/4 IN.)
63	12-822836		8	WASHER
64	11-826710-15		8	NUT
65	25-30271		1	RUBBER RING
-	1657-821964A10		1	VI SSM REBUILD KIT

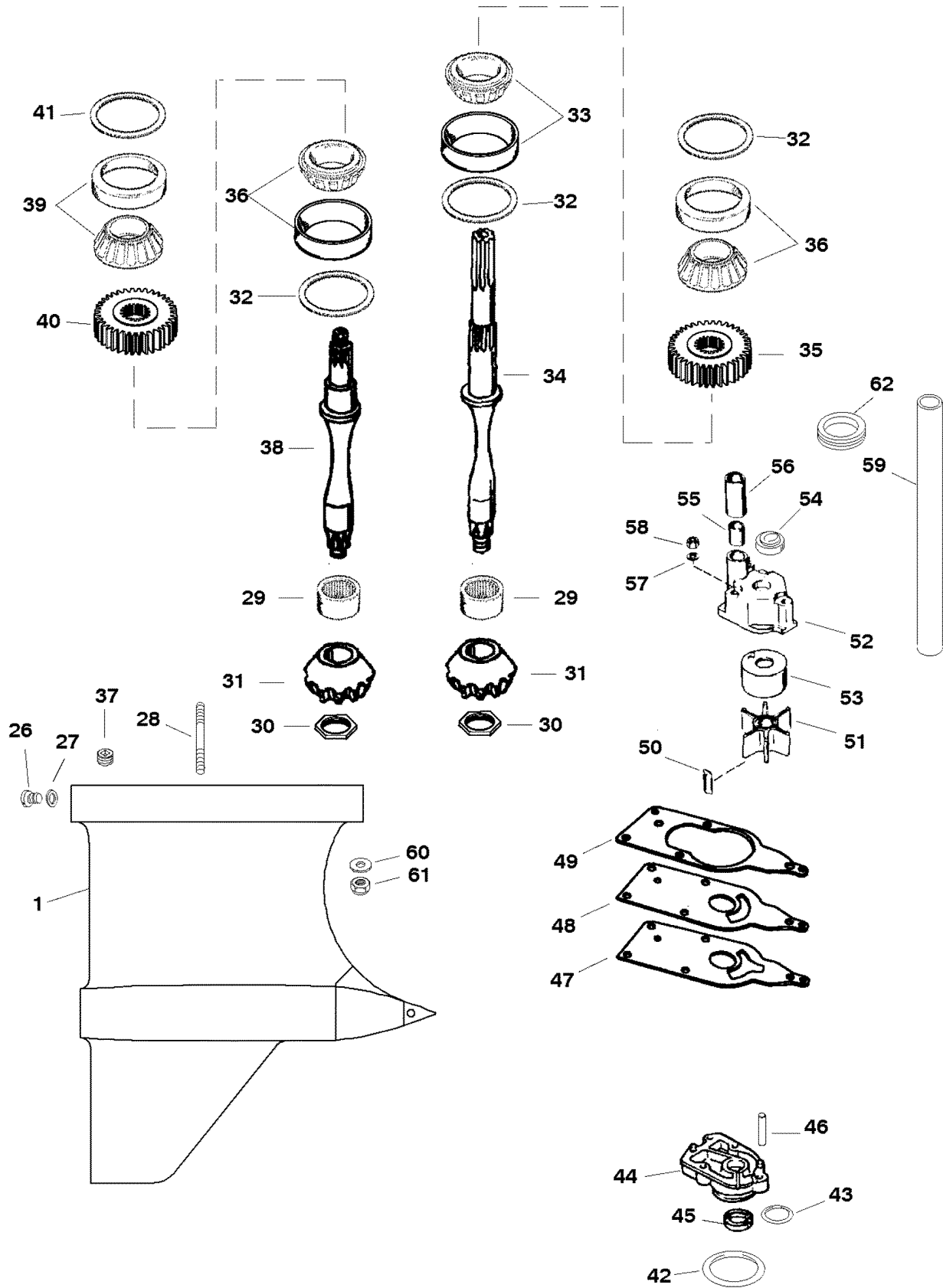
GEAR HOUSING (PROP SHAFT)(IV SSM)



GEAR HOUSING (PROP SHAFT)(IV SSM)

REF. NO.	PART NO.	SYM.	QTY.	DESCRIPTION
-	1681-818877A13		1	GEARCASE ASSEMBLY (COMPLETE)
1	1681-818877A14		1	GEAR HOUSING
2	11-65683		1	NUT
3	NSS		1	ANCHOR STUD
4	12-65690		1	WASHER
5	65682		1	DISC
6	24-65691		1	SPRING
7	17-23803		2	PIN
8	NSS		1	NOSE CONE
9	10-87265		1	SCREW
10	31-65697		1	ROLLER BEARING
11	26-16553		2	OIL SEAL
12	65700		1	PLUG
13	11-25599		1	NUT
14	23-85354		1	BUSHING
15	25-85355		1	QUAD RING
16	31-35924T1		1	BEARING ASSEMBLY (FRONT)
17	43-818931A2		2	GEAR SET (1 PINION/1 DRIVEN)
18	23-39712		1	SPACER
19	31-65695A1		1	BEARING ASSEMBLY (REAR)
20	15-38657A1		1	SHIM SET
21	12-39696		1	WASHER
22	44-65711		1	PROP SHAFT
23	12-39701		1	SPLINED WASHER
24	12-39698		1	WASHER
25	11-52707A1		1	NUT (3/4-16)

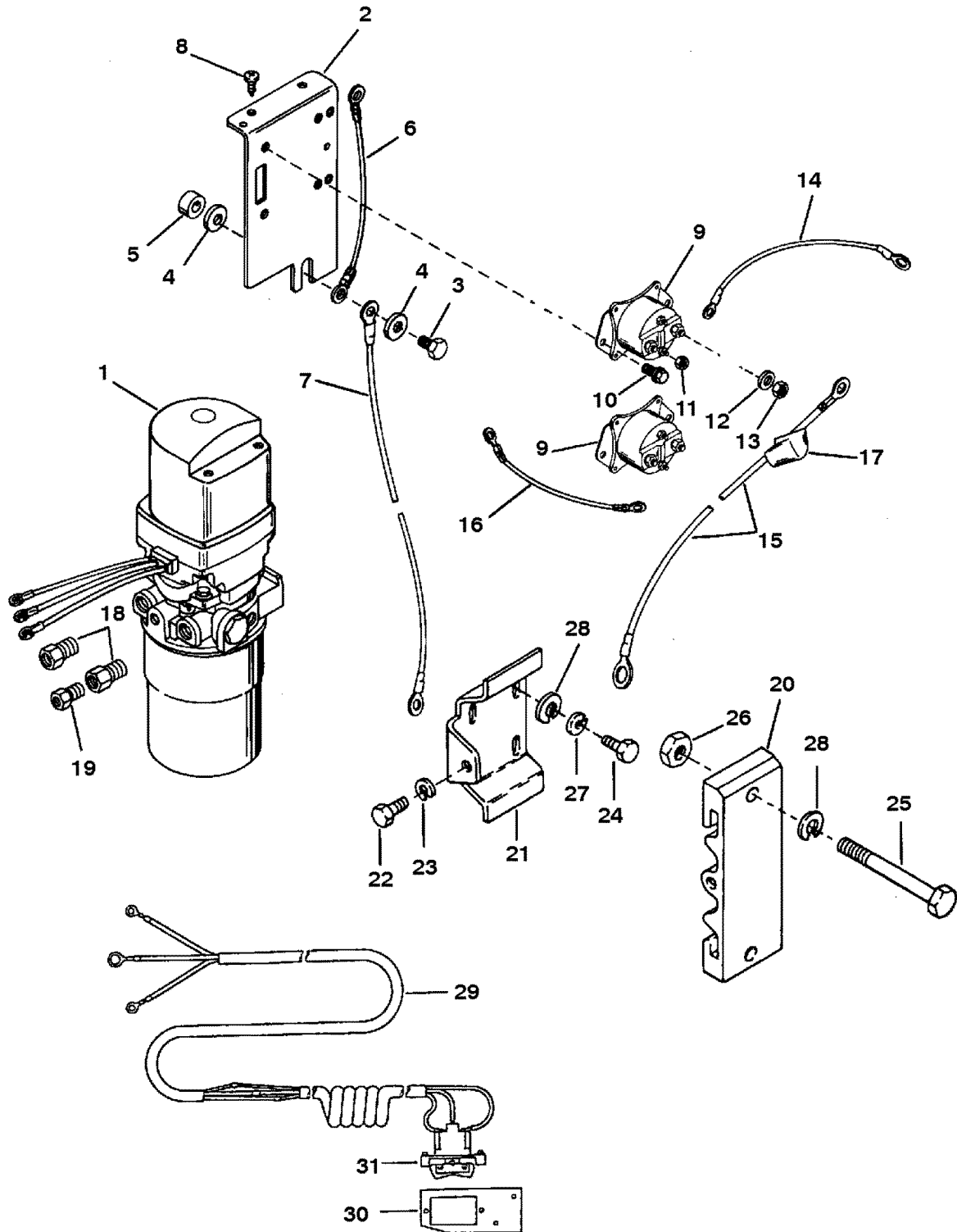
GEAR HOUSING (DRIVESHAFT)(IV SSM)



GEAR HOUSING (DRIVESHAFT)(IV SSM)

REF. NO.	PART NO.	SYM.	QTY.	DESCRIPTION
-	1681-818877A13		1	GEARCASE ASSEMBLY (COMPLETE)
1	1681-818877A14		1	GEAR HOUSING
26	10-14834A3		2	MAGNETIC DRAIN PLUG
27	25-805726		2	O RING
28	16-69058		2	STUD-WATER PUMP (5/16 X 1-5/8)
	16-68166		5	STUD-WATER PUMP (5/16 X 2-1/8)
29	31-818905		2	ROLLER BEARING-DRIVESHAFTS
30	11-35921		1	PINION NUT
31	43-818931A2		2	GEAR SET (1 PINION/1 DRIVEN)
32	15-38657A1		3	SHIM SET
33	31-38680A1		1	BEARING ASSEMBLY (LOWER)
34	45-813781		1	DRIVE SHAFT (FRONT)
35	43-86639		1	GEAR DRIVING
36	31-38678A1		2	BEARING
37	22-73379		1	BRASS PLUG
38	45-815506		1	DRIVE SHAFT (REAR)
39	31-38681A1		1	BEARING
40	43-86640		1	GEAR-DRIVEN
41	15-38668A1		1	SHIM SET
42	25-39695		1	O RING
43	25-35276		1	O RING
44	46-821034A1		1	WATER PUMP BASE
45	26-16977		2	OIL SEAL
46	17-29596		2	DOWEL PIN
47	27-821305		1	GASKET
48	85353		1	FACE PLATE-STEEL
49	27-821304		1	GASKET
50	28-56654		1	KEY
51	47-89984T4		1	IMPELLER
52	46-821541A2		1	WATER PUMP ASSEMBLY (3/4 IN. WATER TUBE)
53	30915		1	INSERT
54	26-55905		1	OIL SEAL
55	26-88397		1	SEAL
56	23-847685		1	SLEEVE
57	12-24812		7	WASHER
58	11-54947		7	NUT
59	32-847650--4		1	WATER TUBE
60	12-822836		8	WASHER
61	11-826710-15		8	NUT
62	25-30271		1	RUBBER RING

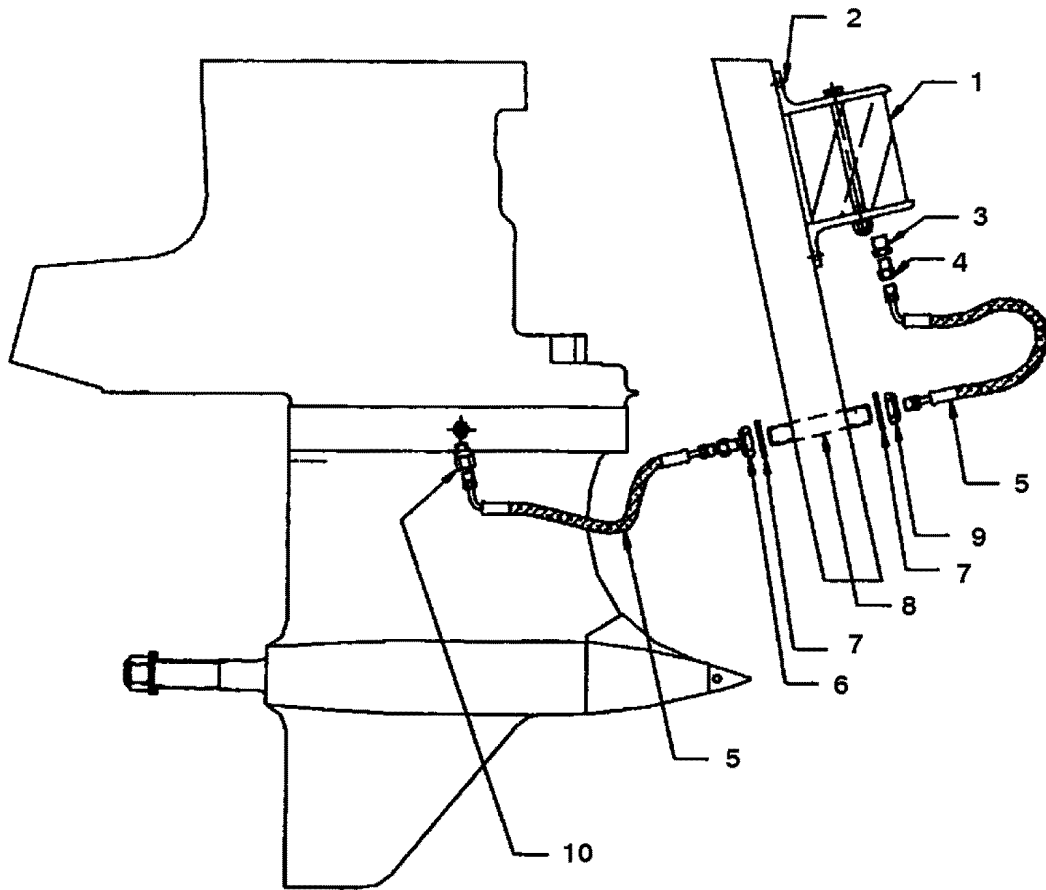
HYDRAULIC TRIM PUMP KIT



HYDRAULIC TRIM PUMP KIT

REF. NO.	PART NO.	SYM.	QTY.	DESCRIPTION
1	818611A2		1	HYDRAULIC TRIM PUMP KIT (UP/DOWN)
	818377A2		1	HYDRAULIC TRIM PUMP KIT (IN/OUT)
2	818567		1	BRACKET
3	10-38837		1	SCREW
4	12-57792		1	WASHER
5	23-34948		2	SPACER
6	84-65999A12		1	GROUND CABLE
7	84-79138A9		1	BATTERY CABLE (NEGATIVE)
8	10-92051		1	SCREW
9	89-76528T1		2	SOLENOID
10	10-41508		4	SCREW
11	11-20110		4	NUT (10-32)
12	12-22753		4	WASHER
13	11-26484		4	NUT (5/16-18)
14	84-65999A11		1	CABLE
15	84-79139A27		1	BATTERY CABLE (POSITIVE)
16	84-79139A26		1	CABLE (RED)
17	46265		3	BOOT
18	22-77366		2	FITTING
19	22-38609		1	FITTING
-	87762A2		1	TRIM PUMP MOUNTING BRACKET KIT
20	87762		1	MOUNTING BRACKET
21	87760T		1	MOUNTING BRACKET
22	10-39349		1	SCREW (5/16-18 X 3/4)
23	13-26993		1	LOCKWASHER
24	10-90271		2	SCREW (3/8-16 X 5/8)
25	10-63826		2	SCREW (3/8-16 X 2-1/2)
26	11-68411		2	NUT (3/8-16)
27	13-58643		2	LOCKWASHER
28	12-856774		4	WASHER
29	84-61703A2		1	TRIM HARNESS ASSEMBLY
30	61626A1		1	TRIM SWITCH PLATE
31	87-61691		1	SWITCH

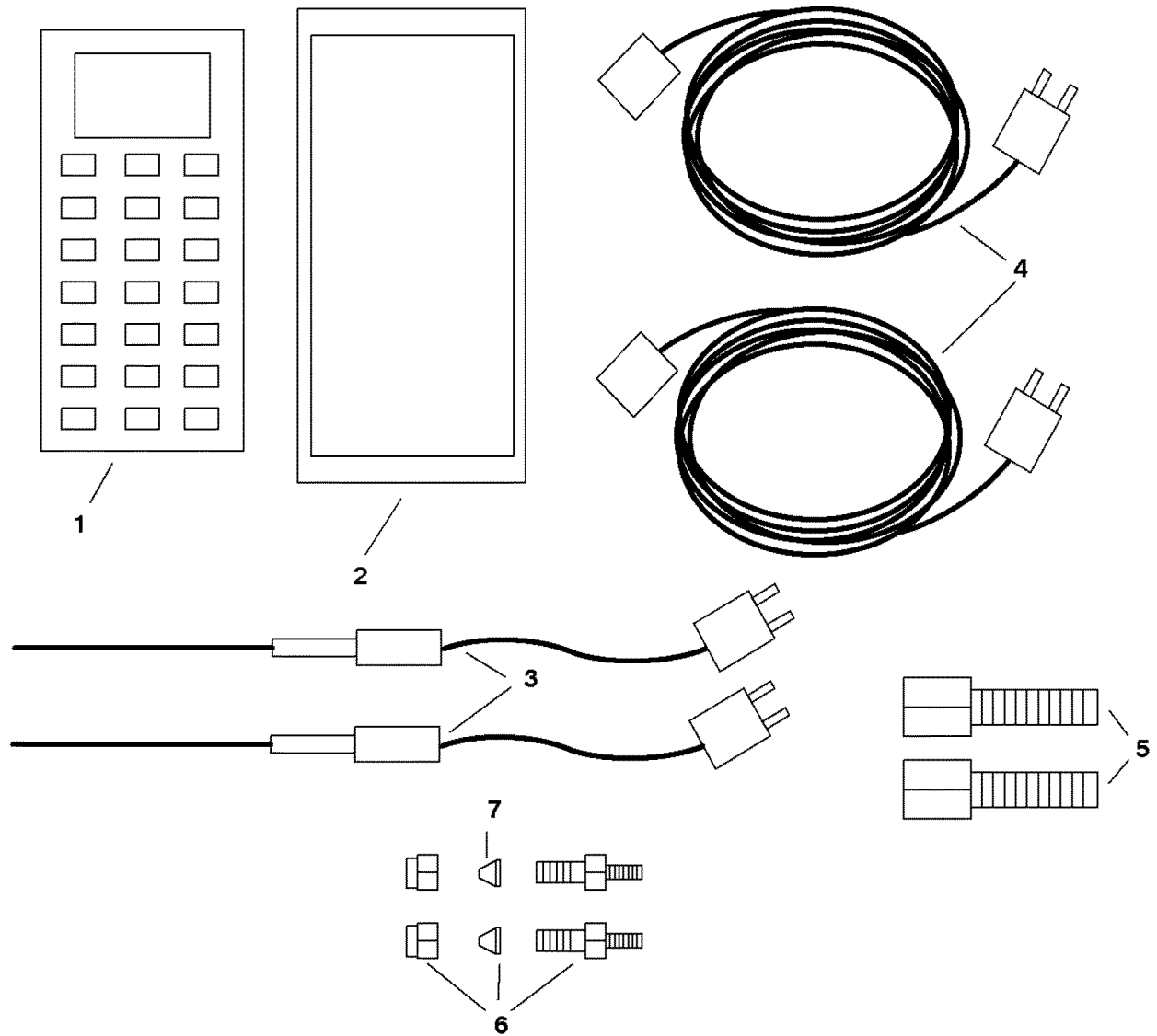
GEARCASE CANISTER KIT



GEARCASE CANISTER KIT

REF. NO.	PART NO.	SYM.	QTY.	DESCRIPTION
-	821085A3		1	GEARCASE CANISTER KIT
1	821085A1		1	GEARCASE CANISTER
2	10-16862		4	SCREW
3	22-48556		1	FITTING
4	22-48166		1	FITTING
5	32-86036		2	HOSE (STEEL BRAIDED)
6	11-22339		1	NUT
7	12-36258		2	WASHER
8	16-847018		1	STUD
9	11-69578A1		1	NUT
10	22-848104A1		1	ADAPTOR ASSEMBLY

E.G.T. KIT



E.G.T. KIT

REF. NO.	PART NO.	SYM.	QTY.	DESCRIPTION
-	91-847564A1		1	E.G.T. KIT
1	91-847564		1	E.G.T. METER
2	91-847564--1		1	METER HOLSTER
3	847558A1		2	E.G.T. PROBE ASSEMBLY
4	84-847562A1		2	WIRE ASSEMBLY
5	91-847802		2	PROBE HOLDER
6	22-847559		2	FERRULE KIT
7	84-847563		2	SLEEVES

PARTS INDEX

Part Number	Description	Pg.	Ref. No.	Part Number	Description	Pg.	Ref. No.
12026--2	FUEL REGULATOR	15	20	815552T1	DIVIDER PLATE	19	1
12234	RUBBER MOUNT	15	12	816058A6	AIR INLET	33	2
12234--2	MOUNT	35	4	816250--1	THROTTLE LINK	33	23
13221A1	TEMPERATURE SENSOR	25	34	816770T	RECTIFIER	7	22
13624	IGNITION PLATE	7	1	816885	ADAPTOR	27	36
13726--1	THROTTLE LEVER	33	19	816958--2	BRACKET	35	8
13734	RETAINER	3	17	817708	HOLD DOWN	3	12
14669--2	ANCHOR BRACKET	11	34	817712--1	SEAL	3	21
16813	CUP	11	35	818377A2	HYDRAULIC TRIM PUMP KIT	57	1
16814	LATCH	11	36	818451A2	SPACER KIT (AIR INLET)	1	-
17206--3	FUEL RAIL	15	23	818516--2	TRIM ROD	43	12
18787A1	CYLINDER HEAD (21 C.C.)	29	1	818567	BRACKET	57	2
19049--1	COUPLING RING	35	21	818611A2	HYDRAULIC TRIM PUMP KIT	57	1
26852	CAP	11	17	821085A1	GEARCASE CANISTER	59	1
26852	CAP	11	28	821085A3	GEARCASE CANISTER KIT	59	-
26852	CAP	25	26	822006A1	BOTTOM YOKE	39	5
30915	INSERT	55	53	822043	ROD	41	2
34195	COVER	47	6	822075	TRIM PIN	45	6
39483	LATCH	11	22	822076	RETAINER	45	8
42249	COVER (UPPER)	25	6	822103	GREASE HOLE COVER	43	13
44120--2	TRIM CYLINDER HOUSING	43	1	822106	TILT TUBE	45	3
44120A5	TRIM CYLINDER ASSEMBLY-COMplete	43	-	822112A1	STEERING ARM	37	1
44123	RETAINER	43	2	822112A3	STEERING ARM KIT COMPLETE	37	-
44125	TRIM PISTON	43	11	822113A1	STEERING ARM	37	1
44132--1	WEAR PAD	41	11	822122--1	TOP YOKE	39	11
44132--2	WEAR PAD	41	11	822188--1	BASE PLATE	3	24
45559	TERMINAL BLOCK	21	8	822770A2	EXHAUST EXTENSION PLATE	19	16
45915	TERMINAL BLOCK	9	42	822770A3	EXHAUST EXTENSION PLATE	19	16
46265	BOOT	57	17	840367	BRACKET	21	2
48039	CAP	35	14	840368	FUEL PUMP	21	1
54196A6	CARRIER ASSEMBLY	31	4	840368A1	FUEL PUMP ASSEMBLY (COMPLETE)	21	-
56703	COLLAR	5	19	847558A1	E.G.T. PROBE ASSEMBLY	61	3
56762	STA-STRAP	23	8	847663--1	TRANSOM BRACKET	45	1
56762	TY-RAP	17	38	847881	ROD END	33	28
60572	BARREL	11	31	848026A1	ACTUATOR	33	8
61626A1	TRIM SWITCH PLATE	57	30	848165	BRACE	3	19
65503A4	SWITCH HOUSING	7	40	848291	FRONT COVER	3	2
65682	DISC	53	5	848321--1	INSERT	49	56
65700	PLUG	47	12	848465	BRACKET-TIMING INDICATOR	25	21
65700	PLUG	53	12	848521--1	FACE PLATE-STEEL	49	51
65800	SEAL	31	5	848522	SPACER-ALUMINUM	49	49
67022	STEERING PLATE (UPPER)	37	2	848691	PLATE	41	13
67024	STEERING PLATE (LOWER)	37	4	848974--2	TIMING BRACKET	11	11
68042	RUBBER STOP	5	20	849006A1	RADIAL DISCHARGE WATER PUMP KIT	1	-
69205	C WASHER	33	6	849021--1	BRACKET	15	3
69205	C-WASHER	9	46	849021A4	SCHRADER VALVE KIT	1	-
71602	YOKE	3	9	849036	LINK ROD	11	2
74897	PIVOT	11	1	849036	LINK ROD	11	8
74897	PIVOT	11	7	849849A2	E.F.I CONTROL BOX	35	1
75095A2	CAP	7	41	85353	FACE PLATE-STEEL	55	48
76366	PLATE	7	37	87692--2	REED BLOCK	29	16
76366A4	ELECTRICAL PANEL ASSEMBLY	7	-	87760T	MOUNTING BRACKET	57	21
76867	COVER (LOWER)	25	9	87762	MOUNTING BRACKET	57	20
77837	THROTTLE LEVER	11	21				
78441	SPARK ADVANCE LEVER	11	14				
78858--2	SHIELD	3	3				
79743	COVER	5	9				
815490A3	THROTTLE SHAFT	33	13				

PARTS INDEX

Part Number	Description	Pg.	Ref. No.	Part Number	Description	Pg.	Ref. No.
90390A1	THERMOSTAT COVER	29	10	10-69034	SCREW (1 IN.)	25	23
90391--1	REED CLAMP	29	19	10-69035	SCREW (1/4-20 X 5/8 IN.)	5	22
94820	FUEL REGULATOR	15	20	10-70832	SCREW (7/16-20 X 5)	45	-
96149	RETAINER	25	18	10-72094	SCREW	11	6
96455A11	TRIGGER PLATE	5	7	10-815549	SCREW (2 IN.)	25	10
96456--1	TIMING BRACKET	11	4	10-816742	SCREW (1/4-20 X 1-1/4)	33	27
98709--3	REED BLOCK PLATE	29	20	10-818165	SCREW (3/8-16 X 1-3/4)	11	30
98715-10	THROTTLE SHUTTER	33	29	10-818218	SCREW (3/8-16 X 3/4)	19	21
98716	HOLD DOWN	15	27	10-821035	SCREW (1/4-20 X 1-1/4 IN.)	35	9
98717	SPACER	15	28	10-821036	SCREW (1/4-20 X 3/8)	35	11
98818	FUEL INJECTOR	15	24	10-822037	SCREW	41	12
99193	COVER	19	8	10-822116	SCREW	37	5
99944	SUPPORT	15	13	10-822123--1	SCREW (.562 X 2-1/2)	39	8
99945	BRACKET	15	4	10-822124--1	SCREW (.375 X 2)	39	10
10-13627	SCREW (3/16-32 X 1-1/4)	35	12	10-823029	SCREW (1-1/2 IN.)	19	3
10-14834A3	MAGNETIC DRAIN PLUG	49	26	10-823188	SCREW (3/8-16 X 3-1/2 IN.)	25	24
10-14834A3	MAGNETIC DRAIN PLUG	55	26	10-823199--1	SCREW (3/8-16 X 1-1/4 IN.)	25	24
10-16862	SCREW	59	2	10-823588	SCREW (84 PER ENGINE)	29	18
10-28636	SCREW	15	5	10-840202	SCREW (1-1/2 IN.)	25	7
10-28636	SCREW	25	32	10-844884	SCREW	35	18
10-28667	SCREW (1/4-20 X 1)	15	1	10-848475	SCREW	31	12
10-28782	SCREW	19	9	10-848920	SCREW (1/4-20 X 2-1/2)	29	24
10-29072	SCREW (10-32 X 5/8)	9	49	10-849031--4	SCREW	21	3
10-32417	SCREW (1/4-28 X 5/8)	33	9	10-86843	SCREW (10-24 X 1/2)	25	19
10-34150	SCREW	47	9	10-86843	SCREW (10-24 X 1/2)	41	10
10-34696	SCREW (8-32 X 3/4 IN.)	27	37	10-87265	SCREW	53	9
10-37562	SCREW (5/16-18 X 1)	29	11	10-88447	SCREW (1-5/8 IN.)	5	10
10-37571	SCREW	3	6	10-90028	SCREW	5	4
10-38055	SCREW-GROUND WIRE TO PANEL	7	12	10-90073	SCREW (1 IN.)	19	3
10-38055	SCREW-RECTIFIER	7	23	10-90271	SCREW (3/8-16 X 5/8)	57	24
10-38601	SCREW	3	25	10-90766	SCREW (10-32 X 1/2)	33	12
10-38837	SCREW	57	3	10-90815	SCREW	7	3
10-39349	SCREW (5/16-18 X 3/4)	57	22	10-92051	SCREW	57	8
10-39669	SCREW	25	32	10-96113	SCREW (10-32 X 7/8)	9	50
10-41089--1	SCREW (8-32 X 1)	33	21	10-96529	SCREW (1/4-20 X 2)	29	23
10-41355	SET SCREW (10-32 X 1/4)	33	20	10-98534	SCREW	29	7
10-41508	SCREW	57	10	10-99524--1	SCREW (.437-14 X 2)	39	6
10-42813	SCREW	7	14	11-15018	NUT	15	21
10-45561--1	SCREW	7	29	11-18102	NUT	13	39
10-46196	SCREW (7/16-20 X 4)	45	-	11-20013	JAM NUT	33	24
10-48409	SCREW (10-32 X 1/2 IN.)	25	22	11-20110	NUT (10-32)	57	11
10-48591	SCREW	9	47	11-20220	NUT (1/2-20)	45	9
10-53576	SCREW	11	13	11-22339	NUT	59	6
10-56393	SCREW (7/16-20 X 1-3/4)	37	6	11-22339	NUT (5/8-18)	47	13
10-60147	SCREW (1/4-20 X 1-1/4)	13	41	11-25599	NUT	53	13
10-62568	SCREW	7	7	11-26484	NUT (5/16-18)	57	13
10-62568	SCREW	21	9	11-29488	NUT	3	8
10-62568	SCREW (10-16 X 3/8)	9	48	11-30506	NUT	49	61
10-62568	SCREW (10-16 X 3/8)	33	7	11-30932	PINION NUT	49	31
10-62958	SCREW (5/16-18 X 1)	13	40	11-34862	NUT (1 IN. - 14)	45	4
10-63328	SCREW	35	18	11-34932	NUT	19	20
10-63826	SCREW (3/8-16 X 2-1/2)	57	25	11-35045	NUT	3	27
10-64022	ADJUSTING SCREW	25	27	11-35045	NUT	11	25
10-64022	SCREW (1/4-20 X 2-1/8)	11	15	11-35045	NUT	15	31
10-64022	SCREW (1/4-20 X 2-1/8)	11	26	11-35053	NUT (7-16-20)	37	8
10-66717	SCREW (3/8-16 X 3-1/4 IN.)	25	24	11-35814	NUT	7	21
10-68513	SCREW	5	12	11-35888	NUT	15	8
10-68513	SCREW	5	26	11-35888	NUT	35	17
10-69026	SCREW (1/4-28 X .88)	11	24	11-35921	PINION NUT	55	30
				11-45076	NUT	5	13

PARTS INDEX

Part Number	Description	Pg.	Ref. No.	Part Number	Description	Pg.	Ref. No.
11-45076	NUT (10-32)	7	25	12-59378	WASHER	45	7
11-45076	NUT (10-32)	7	32	12-65690	WASHER	53	4
11-45076	NUT (10-32)	7	9	12-68229	WASHER	5	2
11-45812	NUT	9	51	12-69056	WASHER	35	5
11-52707A1	NUT (3/4-16)	47	25	12-73288	WASHER	11	38
11-52707A1	NUT (3/4-16)	53	25	12-79869	WASHER	41	7
11-52901	NUT	5	1	12-812876	WASHER	31	13
11-54947	NUT	55	58	12-814806	WASHER	11	12
11-56374	NUT	33	25	12-822836	WASHER	11	5
11-64015	JAM NUT	25	28	12-822836	WASHER	51	63
11-64015	NUT	5	24	12-822836	WASHER	55	60
11-64015	NUT	11	16	12-822837	WASHER	29	25
11-64015	NUT	11	27	12-822838	WASHER	19	19
11-64015	NUT	15	9	12-822838	WASHER	25	25
11-64015	NUT	35	7	12-822838	WASHER	29	6
11-65683	NUT	53	2	12-847526	WASHER	19	4
11-67980	NUT (5/16-18)	7	34	12-847883	WASHER	3	11
11-68219	NUT	11	3	12-847883	WASHER	3	14
11-68219	NUT	11	9	12-847883	WASHER	27	38
11-68219	NUT	35	13	12-848023	THRUST WASHER	33	11
11-68411	NUT (3/8-16)	57	26	12-856774	WASHER	57	28
11-69578A1	NUT	59	9	12-89302	WASHER	5	11
11-826710-15	NUT	51	64	12-89302	WASHER	11	10
11-826710-15	NUT	55	61	12-90404	WASHER	47	14
11-826710-15	NUT (7/26-20)	45	-	12-90405	WASHER	47	14
12-18045--1	WASHER	39	9	13-26992	LOCKWASHER	5	23
12-20670	WASHER	27	38	13-26992	LOCKWASHER	15	2
12-22753	WASHER	57	12	13-26992	LOCKWASHER	15	6
12-24812	WASHER	55	57	13-26992	LOCKWASHER	25	33
12-28565	WASHER	47	4	13-26993	LOCKWASHER	25	8
12-29245	WASHER	3	26	13-26993	LOCKWASHER	57	23
12-29245	WASHER	15	30	13-26995	LOCKWASHER	33	22
12-29245	WASHER	33	26	13-26996	LOCKWASHER	5	5
12-29245	WASHER	49	60	13-26996	LOCKWASHER	7	11
12-32648--1	WASHER	39	7	13-26996	LOCKWASHER	7	13
12-34437	WASHER	7	33	13-26996	LOCKWASHER	7	24
12-34437	WASHER	19	10	13-26996	LOCKWASHER	7	31
12-34437	WASHER	35	19	13-26996	WASHER	5	27
12-34567	WASHER	37	7	13-58643	LOCKWASHER	57	27
12-35462	WASHER	15	11	13-78968	LOCKWASHER	15	10
12-35462	WASHER	15	7	13-78968	LOCKWASHER	33	10
12-36258	WASHER	59	7	13-78968	LOCKWASHER	35	6
12-37828	WASHER	19	22	15-21158A2	SHIM KIT	45	5
12-38688--1	WASHER	47	21	15-32563A1	SHIM SET	47	20
12-39143	WASHER	35	19	15-38657A1	SHIM SET	49	33
12-39143	WASHER (5/8 X .253)	35	15	15-38657A1	SHIM SET	53	20
12-39696	WASHER	53	21	15-38657A1	SHIM SET	55	32
12-39698	WASHER	47	24	15-38668A1	SHIM SET	49	41
12-39698	WASHER	53	24	15-38668A1	SHIM SET	55	41
12-39701	SPLINED WASHER	47	23	15-848046A1	SHIM SET	33	30
12-39701	SPLINED WASHER	53	23	16-18101	STUD	11	37
12-44163	WASHER (.45 X 1.75 X .12)	45	-	16-21184	STUD (1/4 X 2)	15	29
12-45176	WASHER (.812 X .453 X .105)	45	-	16-56766	STUD	35	16
12-46765	WASHER	11	29	16-68166	STUD-WATER PUMP	55	28
12-47533--2	WASHER	29	8	16-69058	STUD-WATER PUMP	55	28
12-56681	WASHER	3	7	16-78986	STUD-PANEL MOUNTING	7	20
12-56720	WASHER	7	15	16-814682	STUD-WATER PUMP	49	29
12-57238	WASHER	3	4	16-822118	STUD (.437 X 2-1/2)	39	2
12-57792	WASHER	7	19	16-822182	STUD (4-1/2 IN.)	25	2
12-57792	WASHER	57	4	16-822182--1	STUD (4-5/8 IN.)	25	2

PARTS INDEX

Part Number	Description	Pg.	Ref. No.	Part Number	Description	Pg.	Ref. No.
16-847018	STUD	59	8	23-38661	SPACER	47	18
16-848534	STUD-WATER PUMP	49	29	23-39712	SPACER	53	18
17-12147	RIVET	3	5	23-55164	BUSHING	11	20
17-16527	DOWEL PIN	19	18	23-55171	BUSHING	11	18
17-23803	PIN	47	7	23-59386	SPACER-WEDDING BAND	49	43
17-23803	PIN	53	7	23-818968	BUSHING	7	28
17-24800	ROLL PIN	33	15	23-847685	SLEEVE	55	56
17-29596	DOWEL PIN	49	47	23-847685--2	SLEEVE	49	59
17-29596	DOWEL PIN	55	46	23-848024	BUSHING	33	16
17-43044	DOWEL PIN	25	3	23-848025--1	BUSHING	33	17
17-44133	PIN	45	2	23-85354	BUSHING	53	14
17-58712	CLEVIS PIN	3	13	23-94304	BUSHING	7	5
17-63779	DOWEL PIN	29	4	23-94453	BUSHING	7	4
17-67296	DOWEL PIN (BEARING RACE)	25	4	24-20099	SPRING	11	23
17-816771	POP RIVET	3	10	24-65691	SPRING	53	6
17-822107	DOWEL PIN	39	3	24-68784	SPRING	11	19
17-848172	POP RIVET	3	18	24-848470	SPRING	11	33
18-21071	COTTER PIN	3	15	24-91821	SPRING	11	33
19-11023	PLUG	35	22	24-98894--1	SPRING	33	18
19-815784	PLUG	3	22	25-11163A1	TRIM CYLINDER REPAIR KIT	43	-
19-90585	PLUG (JET PLUG)	3	23	25-11167A1	O RING SERVICE KIT	41	-
21-42623--1	CHECK VALVE (TOP OF CRANKCASE)	23	1	25-26855	O RING	47	15
21-42657A3	CHECK VALVE	25	12	25-30271	GROMMET	15	26
21-42657A3	CHECK VALVE (INTERNAL BLEED)	23	6	25-30271	RUBBER RING	51	65
21-42698--1	CHECK VALVE (SIDE OF CRANKCASE)	23	3	25-30271	RUBBER RING	55	62
21-818189A1	CHECK VALVE (BOTTOM OF CRANKCASE)	23	5	25-32069	O RING	49	42
22-15133	ELBOW (AIR INLET)	23	2	25-35276	O RING	49	44
22-15133	FITTING	33	4	25-35276	O RING	55	43
22-17207	FITTING	15	17	25-39695	O RING	55	42
22-32561	PLUG	49	28	25-45711	O-RING	25	35
22-32802--2	PIPE PLUG	19	2	25-54029	O-RING	25	16
22-32802--2	PLUG	29	2	25-62700	O-RING (3-1/4 IN. I.D.)	25	30
22-38407	PLUG (WATER JACKET)	25	14	25-805726	O RING	49	27
22-38609	FITTING	57	19	25-805726	O RING	55	27
22-48166	FITTING	59	4	25-817713--3	GROMMET	3	20
22-48556	FITTING	59	3	25-822179	GROMMET	7	27
22-56800--2	PIPE PLUG	25	11	25-825380	GROMMET	7	17
22-59169--2	TEE FITTING	23	4	25-85355	QUAD RING	53	15
22-68727--1	ELBOW	29	12	26-16553	OIL SEAL	47	11
22-68727--1	FITTING	19	12	26-16553	OIL SEAL	53	11
22-68728	ELBOW	29	13	26-16977	OIL SEAL	49	46
22-69059	GREASE FITTING	45	10	26-16977	OIL SEAL	55	45
22-69406	FITTING	15	33	26-38970	SEAL	19	17
22-73379	BRASS PLUG	55	37	26-41953	OIL SEAL	25	20
22-77366	FITTING	57	18	26-41953	OIL SEAL	25	31
22-818699	FITTING	15	32	26-55905	OIL SEAL	49	57
22-822715	ELBOW	33	3	26-55905	OIL SEAL	55	54
22-847559	FERRULE KIT	61	6	26-814754--2	SEAL	19	7
22-848104A1	ADAPTOR ASSEMBLY	59	10	26-88397	SEAL	19	17
22-849606	SCHRADER VALVE	15	18	26-88397	SEAL	55	55
22-94273	FITTING FUEL	21	7	26-88397	SEAL (3/4 IN. WATER TUBE)	49	58
22-94463	FITTING FUEL	21	6	26-94219	SEAL	15	25
23-16541--1	SLEEVE-DOWEL	39	4	27-11338	GASKET	25	5
23-19064	BUSHING	7	16	27-12775--4	GASKET	29	22
23-34948	SPACER	57	5	27-62386	GASKET	29	9
				27-816743--1	GASKET	29	3
				27-816743A92	ENGINE GASKET SET	17	-
				27-816743A92	ENGINE GASKET SET	19	-
				27-816743A92	ENGINE GASKET SET	27	-
				27-816743A92	ENGINE GASKET SET	29	-

PARTS INDEX

Part Number	Description	Pg.	Ref. No.	Part Number	Description	Pg.	Ref. No.
27-816743A92	ENGINE GASKET SET	33	-	39-16687--2	PISTON RING	31	9
27-821304	GASKET	55	49	39-67377--2	RING	31	6
27-821305	GASKET	55	47	40-52035	RETAINING RING	31	10
27-823142	GASKET	19	15	43-60928	GEAR-DRIVEN	49	40
27-847525--1	GASKET	19	6	43-60929	GEAR DRIVING	49	36
27-848524	GASKET	49	48	43-815488A1	GEAR SET (1 PINION/1 DRIVEN)	47	17
27-848525	GASKET	49	52	43-815488A1	GEAR SET (1 PINION/1 DRIVEN)	49	32
27-848528	GASKET	49	50	43-818931A2	GEAR SET (1 PINION/1 DRIVEN)	53	17
27-88907--2	GASKET	19	11	43-818931A2	GEAR SET (1 PINION/1 DRIVEN)	55	31
27-99316--3	GASKET	33	1	43-86639	GEAR DRIVING	55	35
28-56654	KEY	55	50	43-86640	GEAR-DRIVEN	55	40
28-56654--1	KEY	49	53	44-65711	PROP SHAFT	53	22
29-822553	NEEDLE BEARING	31	15	44-78432	PROP SHAFT	47	22
30-67923T	BALL BEARING (LOWER)	31	2	45-813781	DRIVE SHAFT (FRONT)	55	34
30-847793	BEARING	37	3	45-815506	DRIVE SHAFT (REAR)	55	38
31-16756T8	ROLLER BEARING	31	7	45-87014	DRIVE SHAFT (FRONT)	49	35
31-31524	ROLLER BEARING- DRIVESHAFTS	49	30	45-87015	DRIVE SHAFT (REAR)	49	38
31-32575T1	BEARING ASSEMBLY (REAR)	47	19	46-38631A1	WATER PUMP BASE	49	45
31-35924T1	BEARING ASSEMBLY (FRONT)	53	16	46-821034A1	WATER PUMP BASE	55	44
31-38678A1	BEARING	49	37	46-821541A2	WATER PUMP ASSEMBLY (3/4 IN. WATER TUBE)	55	52
31-38678A1	BEARING	55	36	46-848505A1	WATER PUMP ASSEMBLY (3/4 IN.)	49	55
31-38680A1	BEARING ASSEMBLY (LOWER)	49	34	47-89984T4	IMPELLER	49	54
31-38680A1	BEARING ASSEMBLY (LOWER)	55	33	47-89984T4	IMPELLER	55	51
31-38681A1	BEARING	49	39	50-60594A1	STARTER MOTOR	5	18
31-38681A1	BEARING	55	39	51-847748A20	CYLINDER LINDER ASSEMBLY (.020 O.S.)	25	-
31-65695A1	BEARING ASSEMBLY (REAR)	53	19	51-847748A20	CYLINDER LINER (.020)	1	-
31-65697	ROLLER BEARING	53	10	51-847748A40	CYLINDER LINDER ASSEMBLY (.040 O.S.)	25	-
31-70087A1	BEARING ASSEMBLY (FRONT)	47	16	51-847748A40	CYLINDER LINER (.040)	1	-
31-74248T	BEARING	25	17	53-28562	RETAINING RING	47	5
31-818905	ROLLER BEARING- DRIVESHAFTS	55	29	53-28576	NUT	47	2
31-821146A1	ROLLER BEARING	31	14	53-67446	RETAINING RING	31	3
31-87013	ROLLER BEARING	47	10	53-79870--1	RETAINING RING	41	8
32-66285-70	HOSE	15	19	53-847882	RING-RETAINING	33	14
32-66285-70	TUBING	23	7	54-12999	CLAMP	15	16
32-66285600	TUBING	23	7	54-13791	CLAMP	15	15
32-77457--2	HOSE	15	14	54-22875	CLIP	9	45
32-77457--2	HOSE	29	14	54-24836	J CLAMP	33	5
32-77653-77	HOSE	19	14	54-54457	J-CLAMP	13	42
32-830756109	TUBING (1-1/4 IN.)	25	13	54-54457	J-CLIP	35	20
32-847650--4	WATER TUBE	55	59	54-63153	J-CLAMP- TRIGGER LEADS	5	28
32-847650--6	WATER TUBE (3/4 IN.)	51	62	54-64235--2	J-CLAMP (SMALL)	19	5
32-848761-77	HOSE (84 IN.)	15	35	54-75275	CLAMP	11	32
32-86036	HOSE (STEEL BRAIDED)	59	5	54-78945--1	J-CLAMP	29	5
32-89713	HOSE	17	37	54-814634	J-CLAMP	7	18
33-97180	SPARK PLUG (NGK #BUHW)	5	16	54-814634	J-CLAMP (LARGE)	19	5
34-815242A3	REED ASSEMBLY	29	17	54-815504104	CLAMP	15	22
35-818700T	FILTER	15	34	54-815504104	STA-STRAP	19	13
35-94865	FUEL FILTER	21	5	54-816311	STA-STRAP	29	15
37-840323A11	DECAL SET -PATCH KIT (2000)	3	-	54-821603	CLIP	35	10
37-849850A1	DECAL SET -BASIC	3	-	54-848763	CLAMP (19.8 MM)	15	36
				54-848764	CLAMP (21 MM)	17	36
				56-11241A18	TRANSOM ATTACHING KIT	45	-

PARTS INDEX

Part Number	Description	Pg.	Ref. No.	Part Number	Description	Pg.	Ref. No.
56-90415A23	BOLT KIT NEW GEAR HSG TO EARLY STYLE DSH	1	-	91-847564--1	METER HOLSTER	61	2
61-847634A13	POWERHEAD	13	-	91-847564A1	E.G.T. KIT	61	-
61-847634A13	POWERHEAD	17	-	91-847620A2	DIGITAL ECU TESTER	1	-
61-847634A13	POWERHEAD	19	-	91-847802	PROBE HOLDER	61	5
61-847634A13	POWERHEAD	23	-	91-849963A1	CIRCLIP INSTALLATION TOOL	1	-
61-847634A13	POWERHEAD	27	-	249-6080A41	FLYWHEEL	5	3
61-847634A13	POWERHEAD	29	-	332-7778A14	SWITCH BOX	7	2
61-847634A13	POWERHEAD	31	-	339-832757A4	IGNITION COIL	5	8
61-847634A13	POWERHEAD	33	-	398-5454A66	STATOR	5	6
61-847634A96	REBUILD KIT	5	-	455-7251T9	CRANKSHAFT ASSEMBLY	31	1
61-847634A96	REBUILD KIT	19	-	644-818141A9	CONNECTING ROD ASSEMBLY	31	11
61-847634A96	REBUILD KIT	27	-	703-848436A2	PISTON ASSEMBLY (STARBOARD)	31	8
61-847634A96	REBUILD KIT	29	-	703-848437A2	PISTON ASSEMBLY (PORT)	31	8
61-847634A96	REBUILD KIT	31	-	884-816577A16	CYLINDER BLOCK	25	1
61-847634A96	REBUILD KIT	33	-	1156-8120A1	LOWER END CAP	25	29
83-814866	WASHER	21	4	1159-847523T2	UPPER END CAP	25	15
84-60466A10	WIRE-SOLENOID TO PANEL GROUND	7	35	1657-821964A10	VI SSM REBUILD KIT	47	-
84-60871A10	WIRE-SWITCH BOX TO PANEL GROUND	7	6	1657-821964A10	VI SSM REBUILD KIT	51	-
84-61393A8	WIRE-SWITCH TO SWITCH	9	43	1657-821964A8	GEARCASE ASSEMBLY (COMPLETE)	47	-
84-61703A2	TRIM HARNESS ASSEMBLY	57	29	1657-821964A8	GEARCASE ASSEMBLY (COMPLETE)	49	-
84-62310A2	WIRE-SWITCH BOX TO SWITCH BOX	7	8	1657-821964A9	GEAR HOUSING	47	1
84-65999A10	CABLE (BLACK)	35	3	1657-821964A9	GEAR HOUSING	49	1
84-65999A11	CABLE	57	14	1681-818877A13	GEARCASE ASSEMBLY (COMPLETE)	53	-
84-65999A12	GROUND CABLE	57	6	1681-818877A13	GEARCASE ASSEMBLY (COMPLETE)	55	-
84-65999A2	WIRE-SOLENOID GROUND TO ENGINE GROUND	7	30	1681-818877A14	GEAR HOUSING	53	1
84-65999A3	WIRE-PANEL GROUND TO ENGINE GROUND	7	10	1681-818877A14	GEAR HOUSING	55	1
84-69738A7	HARNESS ASSEMBLY (#2, 4 & 6)	5	17	3405-821921A14	SWIVEL BRACKET	41	1
84-69739A2	HARNESS ASSEMBLY (#1, 3 & 5)	5	17	3405-821921A15	SWIVEL BRACKET ASSEMBLY (COMPLETE)	41	-
84-79138A9	BATTERY CABLE (NEGATIVE)	57	7	3526-821986A5	DRIVESHAFT HOUSING	39	1
84-79139A26	CABLE (RED)	57	16	4006-848290A15	TOP COWL	3	1
84-79139A27	BATTERY CABLE (POSITIVE)	57	15	4007-848164T3	BOTTOM COWL	3	16
84-815358	HIGH TENSION CABLE	5	15				
84-847562A1	WIRE ASSEMBLY	61	4				
84-847563	SLEEVES	61	7				
84-88439A14	BATTERY CABLE	7	36				
84-88439A2	BATTERY CABLE	7	36				
84-88807A6	GROUND STRAP (BLACK)	5	14				
84-93388A1	WIRE (BLACK)	5	21				
84-93389A5	WIRE (YELLOW)	5	25				
84-93940A2	HARNESS	9	44				
84-98866A27	E.F.I HARNESS	35	2				
87-61691	SWITCH	57	31				
87-66581	SWITCH-ON/OFF - FUEL	7	39				
87-66582	MOMENTARY SWITCH (STARTER, PRIMER)	7	38				
89-76528T1	SOLENOID	57	9				
89-817109A2	STARTER SOLENOID	7	26				
90-849817	PARTS MANUAL	1	-				
91-39573A1	VI SSM TOOL KIT	1	-				
91-65494	RING COMPRESSOR TOOL	1	-				
91-847564	E.G.T. METER	61	1				