



PARTS CATALOG

30 H.P. (2 CYL./430 CC)

SERIAL NUMBER

30 (2 CYL.)(International) BEL G575500 AND UP

TABLE OF CONTENTS:

ACCESSORIES	48
CARBURETOR	16
CLAMP BRACKET	32
COWLING	2
CRANKSHAFT	24
CYLINDER BLOCK	20
DRIVE SHAFT HOUSING	38
DRIVE SHAFT HOUSING EXTENSION KITS	28
ELECTRIC STARTER COMPONENTS	56
ELECTRIC STARTER OPTIONAL PARTS	58
ELECTRICAL COMPONENTS	8
FUEL PUMP	14
FUEL TANK (PLASTIC - 6.6 GALLON)	62
GEAR HOUSING (DRIVESHAFT)	42
GEAR HOUSING (PROPELLER SHAFT)	46
MANIFOLD/REED	26
MISCELLANEOUS INFORMATION	1
PARTS INDEX	64
RECOIL STARTER	4
REMOTE CONTROL	52
REMOTE CONTROL	54
REMOTE CONTROL ATTACHING KIT	50
STARTER LOCK	6
SWIVEL BRACKET	30
THROTTLE LINKAGE	12
TILLER HANDLE	36
TOOLS	60

NOTE: Indented description indicate that these parts are included in preceding assembly.

AR = As Required

NSS = Not Sold Separate

OPT = Optional

NS = Not Shown

NOTE: Following symbols are located in **SYM** column.

● = PART IS NEW AND LISTED FOR THE FIRST TIME

■ = COMPONENT OF POWERHEAD [853787A1] OR [853787A2]

▣ = COMPONENT OF CARB REPAIR KIT [853780A1]

◇ = COMPONENT OF POWERHEAD GASKET SET [27-812939A1]

⊕ = COMPONENT OF LOWER UNIT GASKET SET [27-95220A1]

† = COMPONENT OF ELECTRIC START KIT [50-853850A2] OR [50-853805A4]

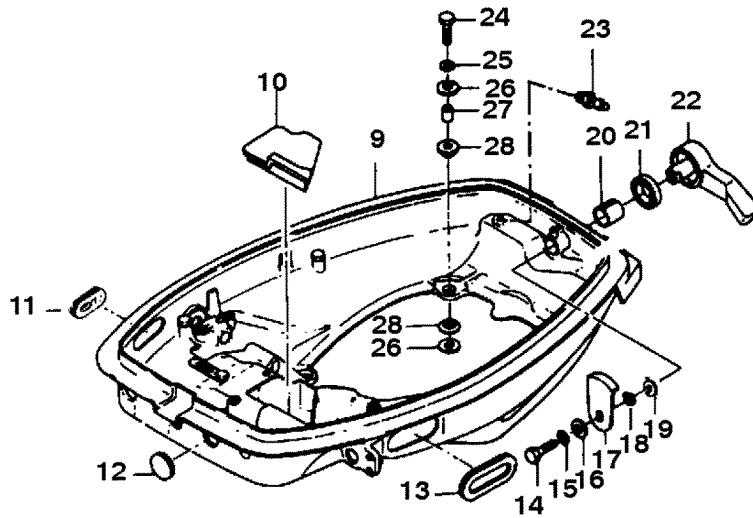
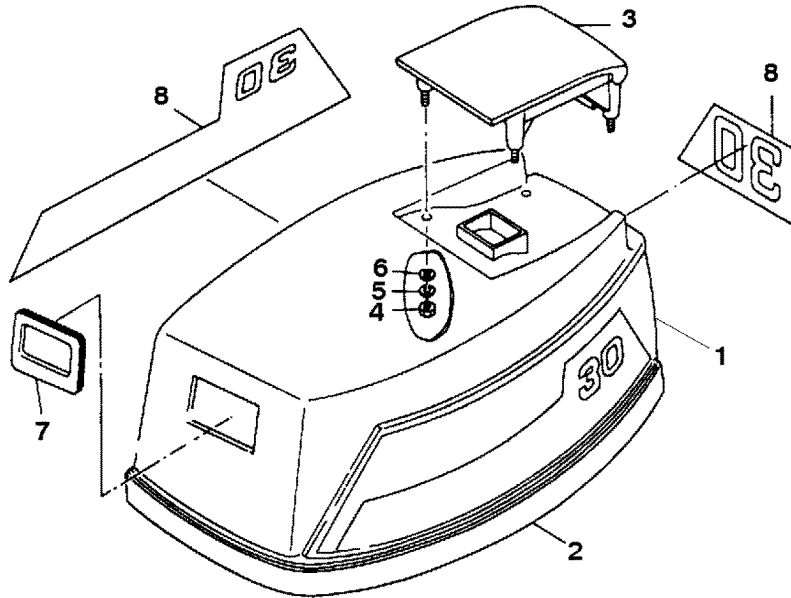
♣ = COMPONENT OF G/H WATER PUMP REPAIR KIT [853792A1]

THESE PARTS BOOKS/FICHE CARD ARE COPYRIGHTED AND MAY NOT BE DISTRIBUTED OR REPRODUCED IN ANY OTHER FORMAT BY ANYONE OTHER THAN MERCURY MARINE WITHOUT THE PRIOR WRITTEN CONSENT OF MERCURY MARINE.

MISCELLANEOUS INFORMATION

REF. NO.	PART NO.	SYM.	QTY.	DESCRIPTION
0	90-853833-97		1	PARTS LIST
	90-853845		1	OWNER'S GUIDE
	90-853985		1	SERVICE MANUAL

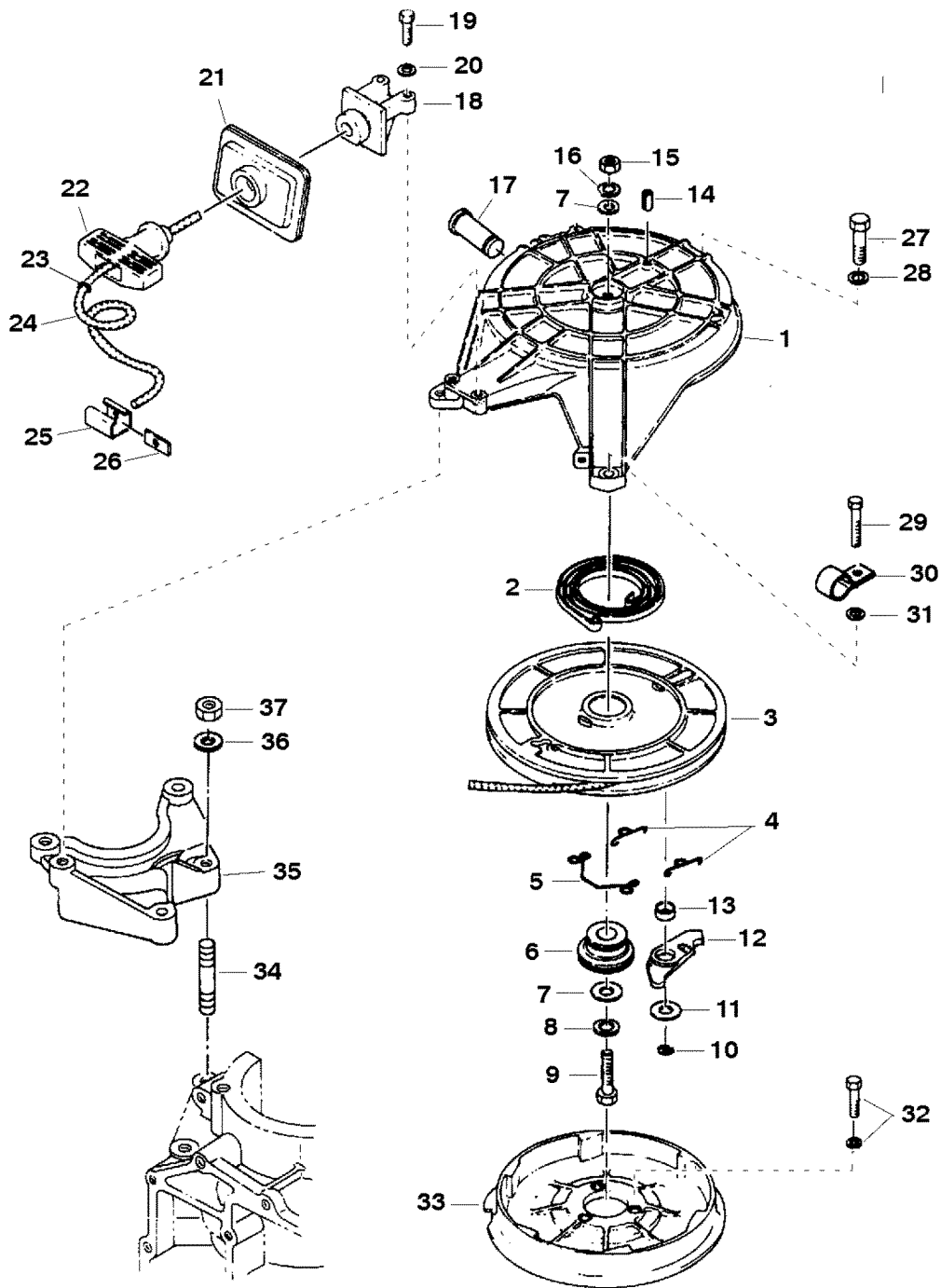
COWLING



COWLING

REF. NO.	PART NO.	SYM.	QTY.	DESCRIPTION
1	2189-853778A1		1	TOP COWL (BLACK)
	2189-853778A2		1	TOP COWL (GRAY)
2	810751--1		1	SEAL
3	853779--1		1	AIR INLET (BLACK)
	853779--2		1	AIR INLET (GRAY)
4	11-40021--2		4	NUT
5	13-40025--6		4	LOCKWASHER
6	12-95392		4	WASHER
7	25-16228--1		1	GROMMET
8	37-853797A1		1	DECAL SET (MERCURY)
	37-853797A2		1	DECAL SET (MARINER)
9	2189-853777--6		1	BOTTOM COWL (BLACK) S/N-0N001324 & UP
	2189-853777--5		1	BOTTOM COWL (GRAY) S/N-0N001324 & UP
	2189-853777--1		1	BOTTOM COWL (BLACK) S/N-0N001323 & BELOW
	2189-853777--2		1	BOTTOM COWL (GRAY) S/N-0N001323 & BELOW
10	25-853709--5		1	GROMMET
11	25-16231--2		1	GROMMET
12	25-16226--1		1	GROMMET
13	25-16231--1		1	GROMMET
14	10-16223		1	BOLT
15	13-40025--6		1	LOCKWASHER
16	12-95392--1		1	WASHER
17	16222--1		1	HOOK COVER
18	13-16221		1	WAVE WASHER
19	12-95392--2		1	WASHER
20	23-16220--1		1	BUSHING
21	26-16219--1		1	SEAL RING
22	16218--6		1	HOOK LEVER (BLACK) S/N-0N001324 & UP
	16218--7		1	HOOK LEVER (GRAY) S/N-0N001324 & UP
	16218--2		1	HOOK LEVER (BLACK) S/N-0N001323 & BELOW
	16218--3		1	HOOK LEVER (GRAY) S/N-0N001323 & BELOW
23	22-812960--3		1	FITTING-TELL-TALE
24	10-16830		4	BOLT
25	13-40025--6		4	LOCKWASHER
26	12-16140--4		8	WASHER
27	23-853715--4		4	SPACER
28	23-853743--7		8	RUBBER BUSHING

RECOIL STARTER

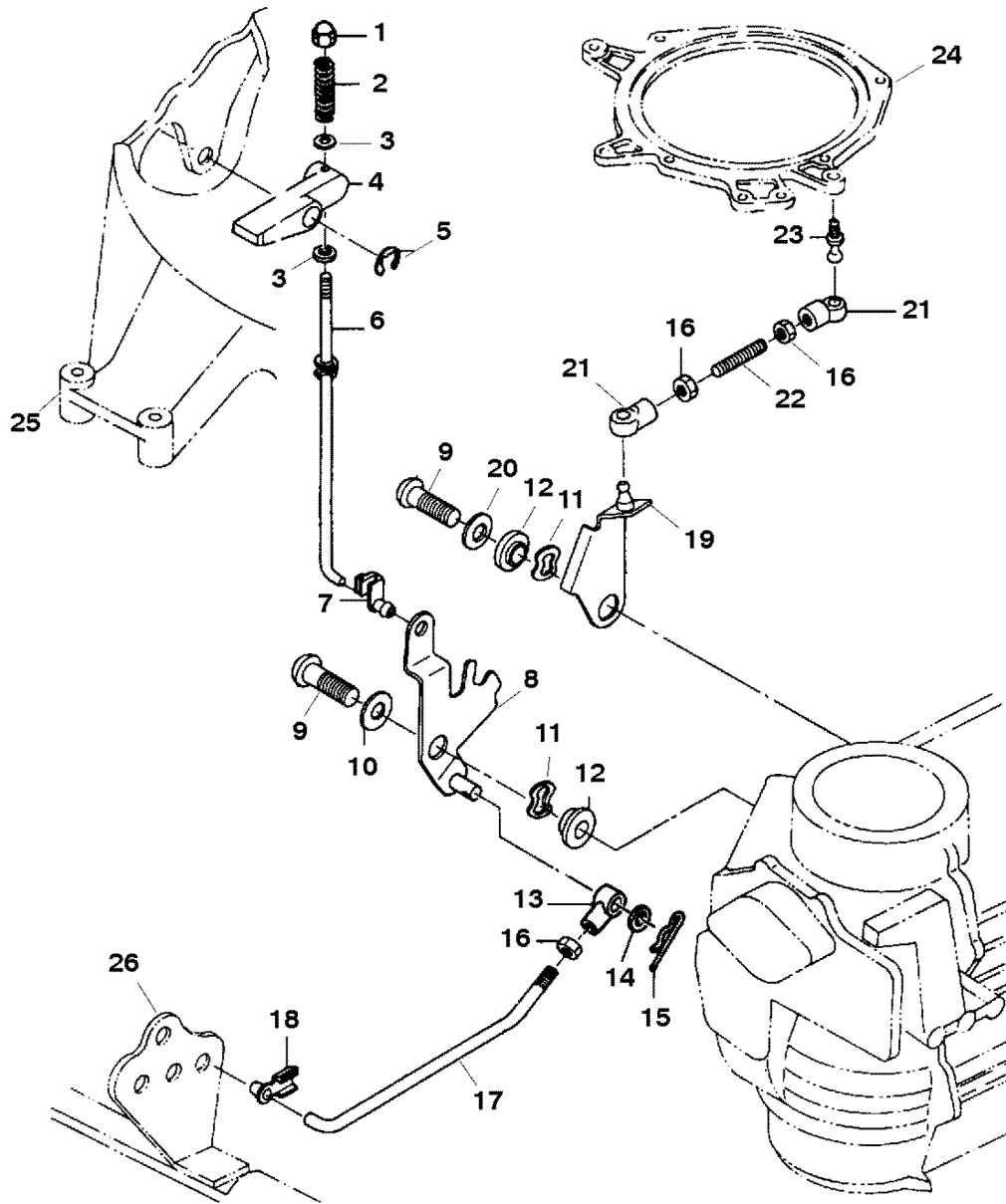


RECOIL STARTER

REF. NO.	PART NO.	SYM.	QTY.	DESCRIPTION
-	812632A2		1	RECOIL STARTER ASSEMBLY
1	812632--1		1	STARTER HOUSING
2	24-812645--1		1	SPRING
3	812633--1		1	REEL
4	24-812634--1		2	SPRING
5	24-812634--2		1	SPRING
6	853753		1	STARTER SHAFT
7	12-40022-17		2	WASHER
8	13-40025--6		1	LOCKWASHER
9	10-16830--3		1	BOLT
10	53-95318--1		1	E RING
11	12-16238		1	WASHER
12	812635--1		1	RATCHET
13	23-853743--2		1	BUSHING
14	17-95218--7		1	ROLL PIN
15	11-40021--3		1	NUT
16	13-853723--3		1	LOCKWASHER
17	853757		1	LEVER-SHIFT INTERLOCK
18	853754		1	GUIDE
19	10-40003-30		2	BOLT
20	13-40025--6		2	LOCKWASHER
21	16110--2		1	SEAL PLATE
22	812640--1		1	STARTER HANDLE
23	25-16109	◇	1	O RING
24	50-812639--1		1	STARTER ROPE
25	853755		1	RETAINER
26	853756		1	PLATE
27	10-16830--3		1	BOLT
28	13-40025--6		1	LOCKWASHER
29	10-40003-30		2	BOLT
30	54-95395--1		1	J CLAMP
31	13-40025--6		2	LOCKWASHER
32	10-16828--4		3	BOLT
33	812642--1		1	PULLEY
34	16-853718--2		2	STUD
35	853758		1	STARTER BRACKET (BLACK)
	853758--1		1	STARTER BRACKET (GRAY)
36	12-40022-17		2	WASHER
37	11-853722--8		2	NUT
-	27-812939A1		1	POWERHEAD GASKET SET

◇ = COMPONENT OF POWERHEAD GASKET SET [27-812939A1]

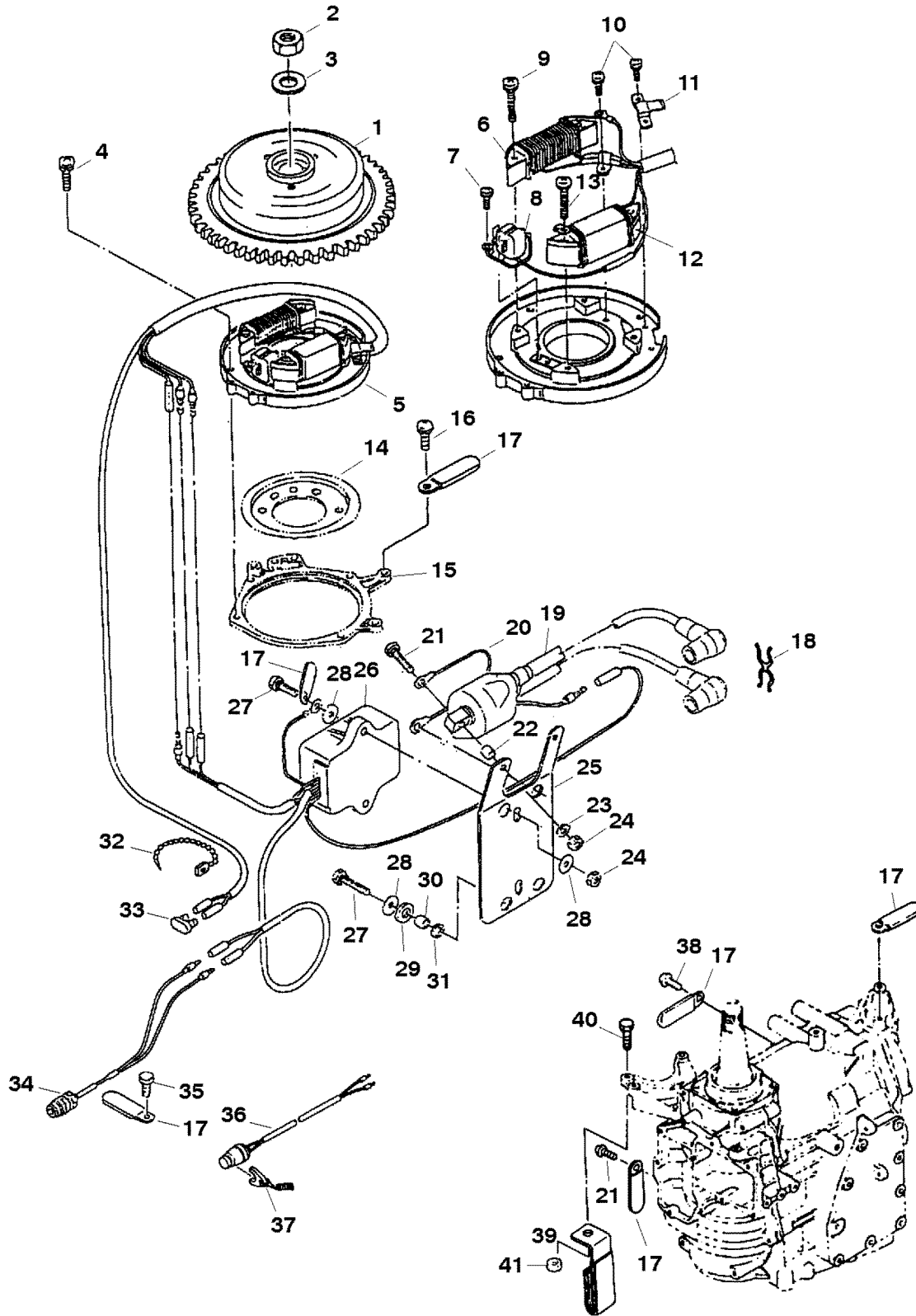
STARTER LOCK



STARTER LOCK

REF. NO.	PART NO.	SYM.	QTY.	DESCRIPTION
1	11-853722--9		1	CAP NUT
2	24-812645--2		1	SPRING
3	12-16335		2	WASHER
4	853761		1	STARTER LOCK LEVER
5	53-16057--2		1	E RING
6	853747--3		1	STARTER LOCK ROD
7	17643		1	ROD SNAP
8	853759		1	INTERLOCK LEVER
9	10-16245--3		2	SCREW
10	12-95392--1		1	WASHER
11	13-853723--2		2	WAVE WASHER
12	23-853743--3		2	BUSHING
13	853745--1		1	ROD JOINT
14	12-95392--5		1	WASHER
15	18-815026--2		1	COTTER PIN
16	11-853722--5		3	NUT
17	853747--2		1	ROD-STARTER LOCK ARM
18	853748		1	ROD SNAP
19	853760		1	STOP LEVER
20	12-16826		1	WASHER
21	853745		2	BALL SOCKET
22	853746--1		1	ROD-THROTTLE STOP ARM
23	853744		1	BALL JOINT
24	853710		1	SET RING SHOWN AS REF. #14 ON "CYLINDER BLOCK"
25	812632--1		1	STARTER HOUSING SHOWN AS REF. #1 ON "RECOIL STARTER"
26	853766		1	STOPPER PLATE SHOWN AS REF. #40 ON "DRIVE SHAFT HOUSING"

ELECTRICAL COMPONENTS



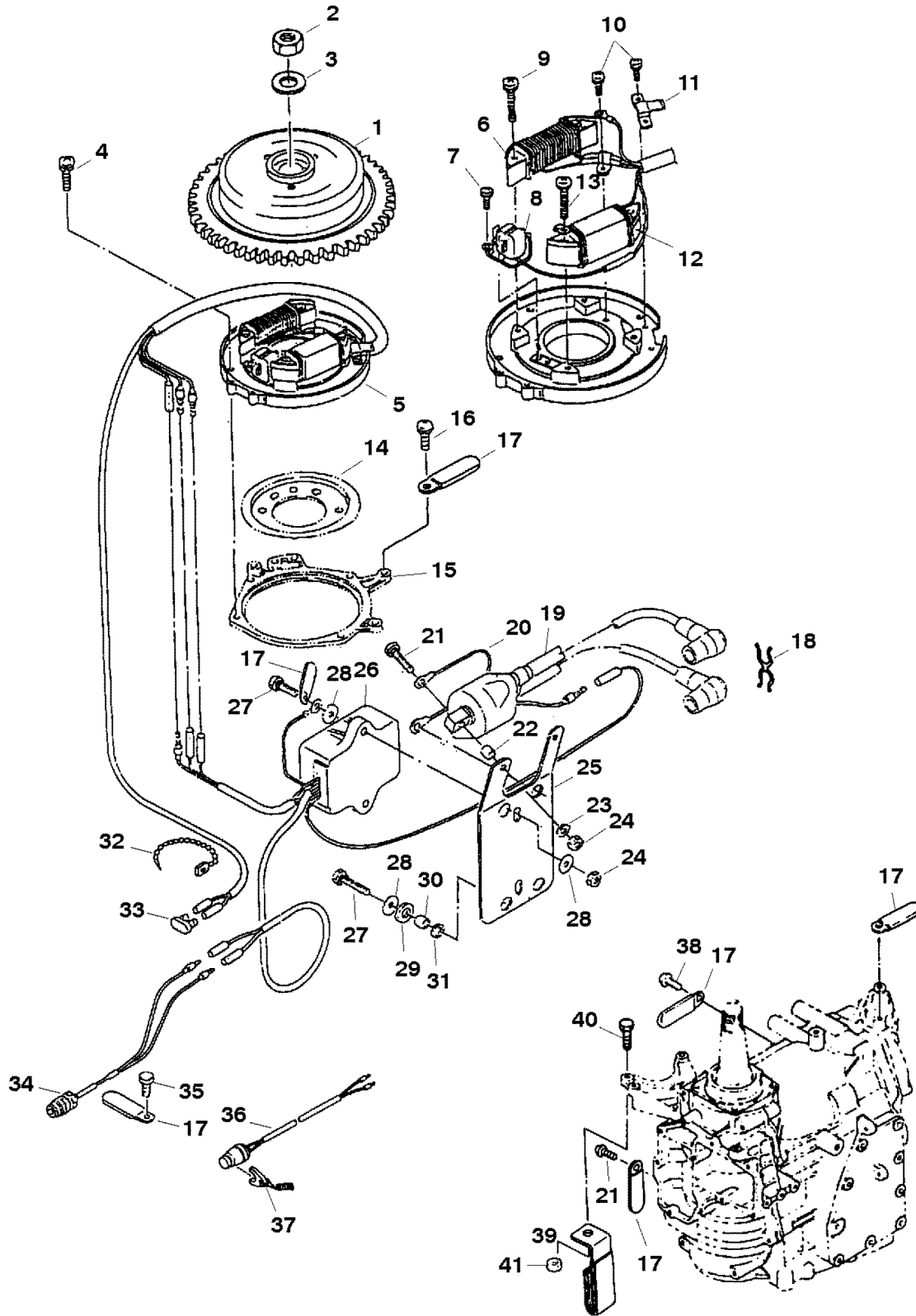
ELECTRICAL COMPONENTS

REF. NO.	PART NO.	SYM.	QTY.	DESCRIPTION
1	262-815024--3	●	1	FLYWHEEL (S/N-0N001324 & UP)
	262-815024--1		1	FLYWHEEL (S/N-0N001323 & BELOW)
2	11-853722--4		1	NUT
3	12-853701--1		1	WASHER
4	10-823031--5		4	SCREW
5	853737A3	●	1	COIL PLATE ASSEMBLY S/N-0N001324 & UP
6	16074--3	●	1	CHARGER COIL S/N-0N001324 & UP
5	853737A1		1	COIL PLATE ASSEMBLY S/N-0N001323 & BELOW
6	16074--1		1	CHARGER COIL S/N-0N001323 & BELOW
7	10-16821		2	SCREW S/N-0N001323 & BELOW
8	16066--2		1	TRIGGER S/N-0N001323 & BELOW
9	10-823031--2		2	SCREW
10	10-823031--4		3	SCREW
11	853738		1	WIRE GUIDE
12	16058--1		1	STATOR
13	10-823031--3		2	SCREW
14	853711		1	GUIDE PLATE SHOWN AS REF. #15 ON "CYLINDER BLOCK"
15	853710		1	SET RING SHOWN AS REF. #14 ON "CYLINDER BLOCK"
16	10-16260--2		1	SCREW
17	54-95306		6	CLAMP
18	54-95395--3		1	CLIP
19	16064--2		1	IGNITION COIL
	16064--3		OPT	IGNITION COIL (WITH RESISTANCE)
20	84-853740		1	GROUND WIRE
21	10-823042		2	BOLT
22	23-853715--1		2	SPACER
23	13-40025--6		2	LOCKWASHER
24	11-40021--2		AR	NUT
25	853739		1	ELECTRICAL PLATE
26	16061--3	●	1	C.D. UNIT (S/N-0N001324 & UP)
	16061--1		1	C.D. UNIT (S/N-0N001323 & BELOW)
27	10-823042--1		AR	BOLT
28	12-95392--1		AR	WASHER
29	12-95392--3		3	WASHER (RUBBER)
30	23-95286--8		3	COLLAR
31	12-95392--4		3	WASHER (RUBBER)
32	54-816311		1	STA STRAP
33	853741		1	CAP
34	87-16069--1		1	STOP SWITCH ELECTRIC
35	10-16828		1	BOLT ELECTRIC
36	87-823037A2		1	LANYARD STOP SWITCH

● = PART IS NEW AND LISTED FOR THE FIRST TIME

CONTINUED ON NEXT PAGE ➡

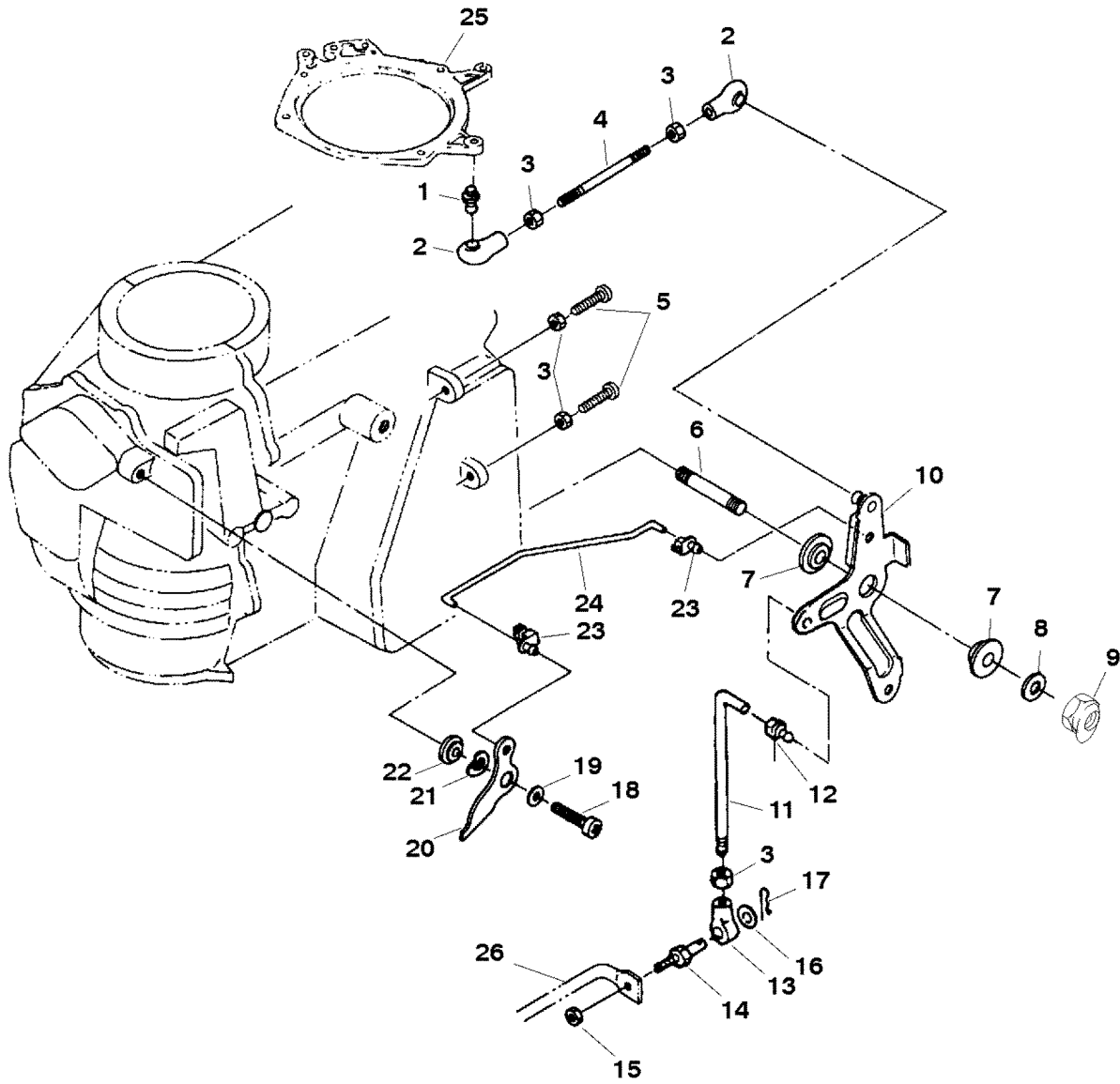
ELECTRICAL COMPONENTS



ELECTRICAL COMPONENTS

REF. NO.	PART NO.	SYM.	QTY.	DESCRIPTION
37	823054		1	LAYNARD
38	10-823031--6		2	SCREW
39	54-95395--2		1	CLAMP
40	10-16830--1		1	BOLT
41	11-853722--3		1	NUT

THROTTLE LINKAGE

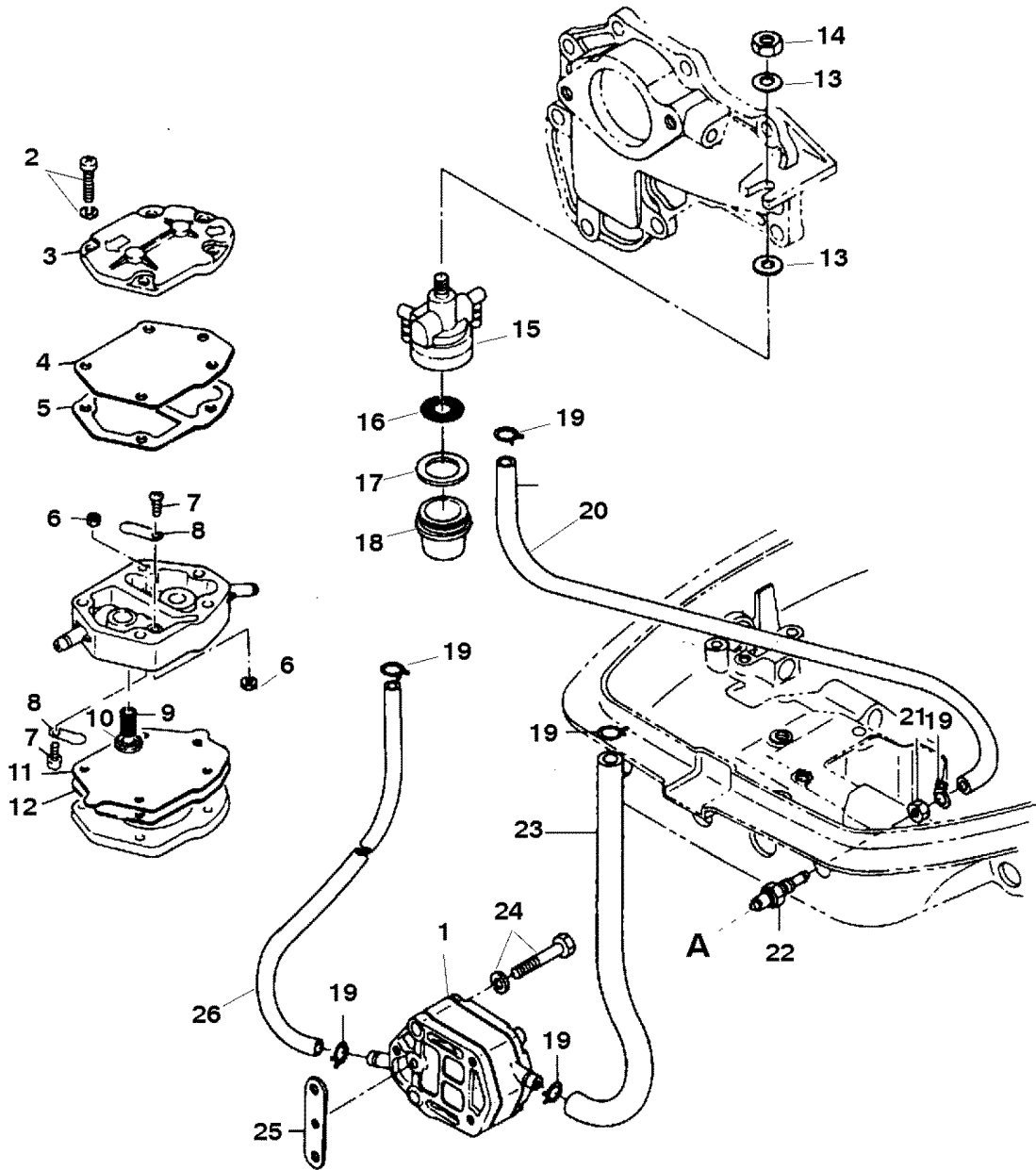


THROTTLE LINKAGE

REF. NO.	PART NO.	SYM.	QTY.	DESCRIPTION
1	853744		1	BALL JOINT
2	853745		2	SOCKET
3	11-853722--5		5	NUT
4	853746--2	●	1	LINK ROD (S/N-0N001324 & UP)
	853746		1	LINK ROD (S/N-0N001323 & BELOW)
5	10-853699		2	SCREW
6	16-853718--1		1	STUD
7	23-853743		2	BUSHING
8	12-853701		1	WASHER
9	11-815088		1	NUT
10	853742--2	●	1	ACTUATOR ARM S/N-0N001324 & UP
11	853747--6	●	1	LINK ROD S/N-0N001324 & UP
10	853742		1	ACTUATOR ARM S/N-0N001323 & BELOW
11	853747		1	LINK ROD S/N-0N001323 & BELOW
12	853748		1	ROD SNAP
13	853745--1		1	ROD JOINT
14	853749		1	PIN
15	11-853722--6		1	NUT
16	12-95392--5		1	WASHER
17	18-815026--2		1	COTTER PIN
18	10-16245--2		1	SCREW
19	12-95392--1		1	WASHER
20	853750--3		1	THROTTLE CAM (S/N-0N001324 & UP)
	853750		1	THROTTLE CAM (S/N-0N001323 & BELOW)
21	13-853723--2		1	WAVE WASHER
22	23-853743--1		1	BUSHING
23	17643		2	ROD SNAP
24	853747--1		1	THROTTLE LINK ROD
25	853710		1	SET RING SHOWN AS REF. #14 ON "CYLINDER BLOCK"
26	16093--2		1	THROTTLE SHAFT SHOWN AS REF. #16 ON "TILLER HANDLE"

● = PART IS NEW AND LISTED FOR THE FIRST TIME

FUEL PUMP



A = TO FUEL CONNECTOR

FUEL PUMP

REF. NO.	PART NO.	SYM.	QTY.	DESCRIPTION
1	853729A1		1	FUEL PUMP ASSEMBLY
2	10-16267--1		3	SCREW
3	853730		1	COVER
4	853731		1	DIAPHRAGM
5	27-853703--1		1	GASKET
6	11-853722--2		2	NUT
7	10-853698		2	SCREW
8	853732		2	CHECK VALVE
9	24-16266--2		1	SPRING
10	24-16266--3		1	SPRING
11	853731--1		1	DIAPHRAGM
12	27-853703		2	GASKET
13	12-853701		2	WASHER
14	11-853722--3		1	NUT
15	35-853733A1		1	FUEL FILTER
16	853734		1	SCREEN
17	27-853702--3	◇	1	GASKET
18	853735		1	CUP
19	54-95395		6	CLAMP
20	32-824965--1		1	TUBING
21	11-17480		1	NUT
22	22-853736		1	FUEL CONNECTOR-ENGINE END
23	32-824965--3		1	TUBING
24	10-16245--1		2	SCREW
25	27-853702--2	◇	1	GASKET
26	32-824965--2		1	TUBING
-	27-812939A1		1	POWERHEAD GASKET SET

◇ = COMPONENT OF POWERHEAD GASKET SET [27-812939A1]

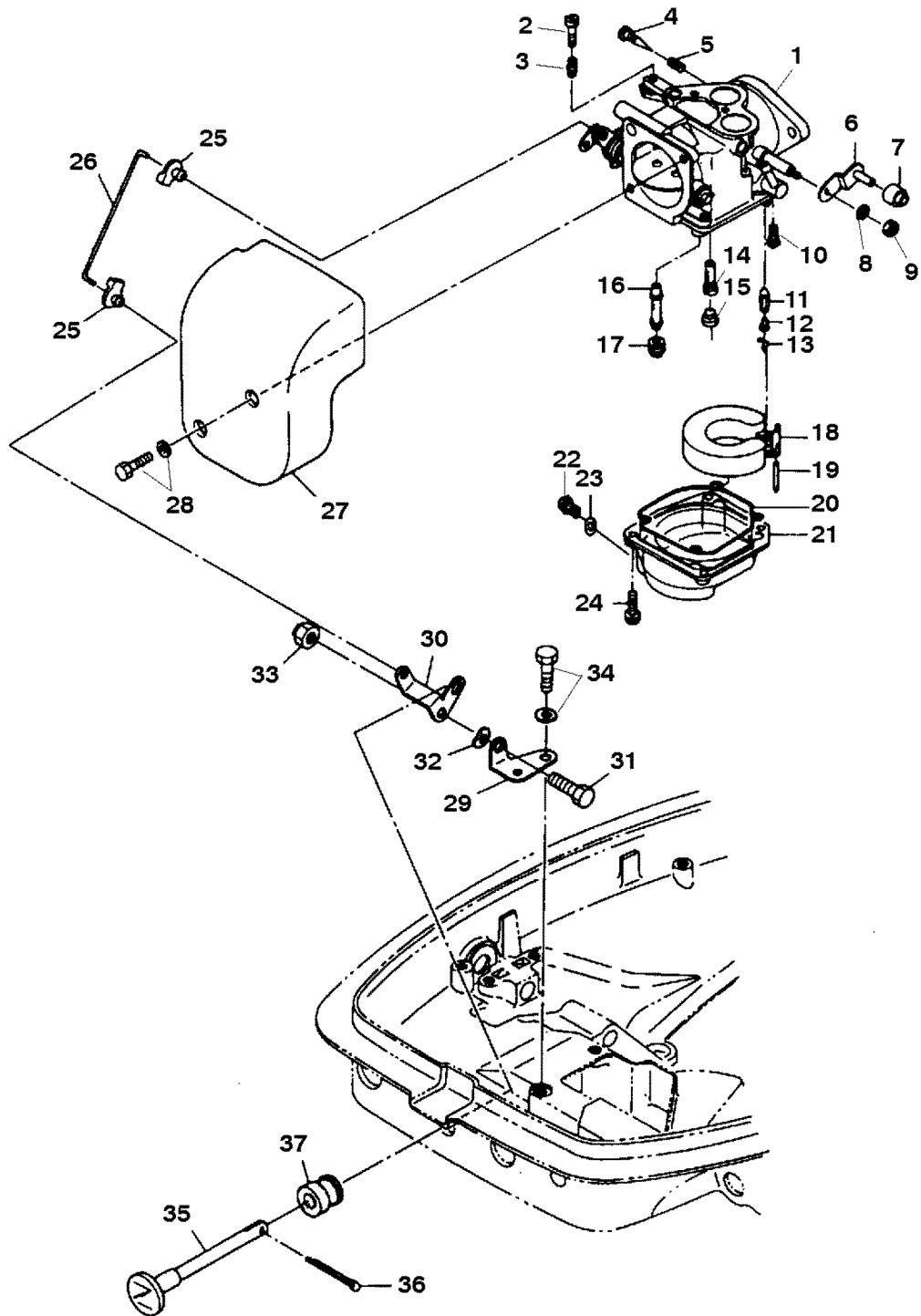
CARBURETOR

REF. NO.	PART NO.	SYM.	QTY.	DESCRIPTION
1	3303-853720A8	●	1	CARBURETOR (S/N-0N001324 & UP)
	3303-853720A1		1	CARBURETOR (S/N-0N001323 & BELOW)
2	10-16263	■	1	STOP SCREW
3	24-16264		1	SPRING
4	10-812935--1	■	1	IDLE SCREW
5	24-16266--1		1	SPRING
6	95268--3		1	THROTTLE LEVER
7	853788		1	ROLLER
8	13-853723		1	LOCKWASHER
9	11-853722		1	NUT
10	10-16257--1		1	SCREW
11	16254--1	■	1	FLOAT NEEDLE
12	853721	■	1	VALVE PIN
13	54-16255	■	1	CLIP
14	16251--1		1	SLOW JET (#85)
15	16252	■	1	CAP
16	812650--1		1	MAIN NOZZLE
17	16250--1		1	MAIN JET (#155)
18	16253--1	■	1	FLOAT
19	17-16256	■	1	ARM
20	25-16259--1	■◇	1	O RING
21	16258--2		1	FLOAT BOWL
22	10-16261--1		1	DRAIN SCREW
23	25-853709--2	■◇	1	O RING
24	10-16260--1	■	4	SCREW
25	16333--1		2	SNAP ROD
26	853727		1	CHOKE LINK ROD
27	853728--1	●	1	COVER (S/N-0N001324 & UP)
	853728		1	COVER (S/N-0N001323 & BELOW)
28	10-16828--5		2	BOLT
29	853726		1	BRACKET-CHOKE LEVER
30	853725		1	CHOKE LEVER
31	10-16223		1	BOLT
32	13-853723--1		1	WAVE WASHER
33	11-853722--1		1	NUT
34	10-16211--1		2	BOLT

- = PART IS NEW AND LISTED FOR THE FIRST TIME
- = COMPONENT OF CARB REPAIR KIT [853780A1]
- ◇ = COMPONENT OF POWERHEAD GASKET SET [27-812939A1]

CONTINUED ON NEXT PAGE ➡

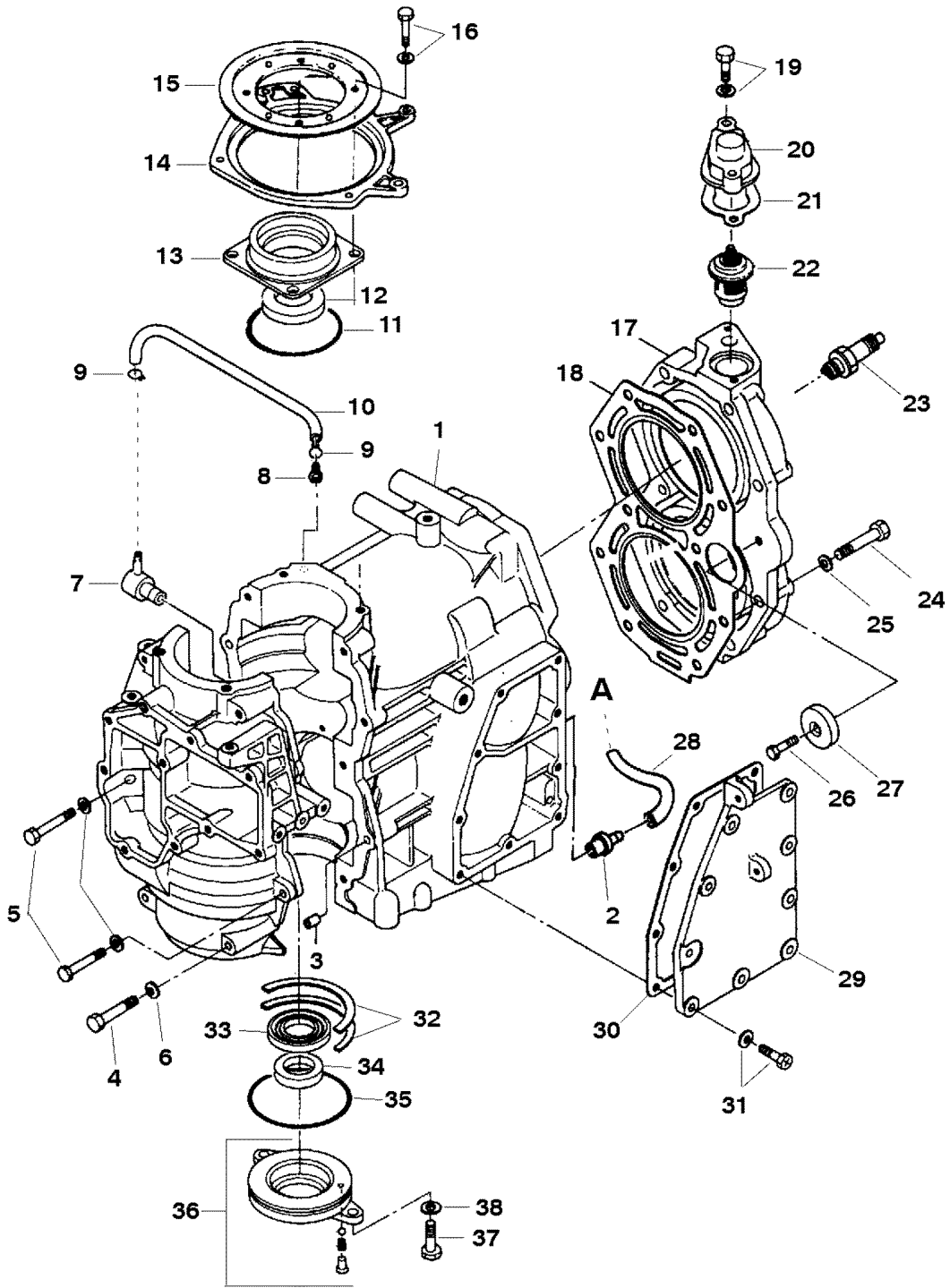
CARBURETOR



CARBURETOR

REF. NO.	PART NO.	SYM.	QTY.	DESCRIPTION
35	853724		1	CHOKE KNOB
36	18-815026--1		1	COTTER PIN
37	25-853709--3		1	BUSHING
-	853780A1		1	CARB REPAIR KIT
-	27-812939A1		1	POWERHEAD GASKET SET

CYLINDER BLOCK



A = TO REF. #23 ON PAGE 2

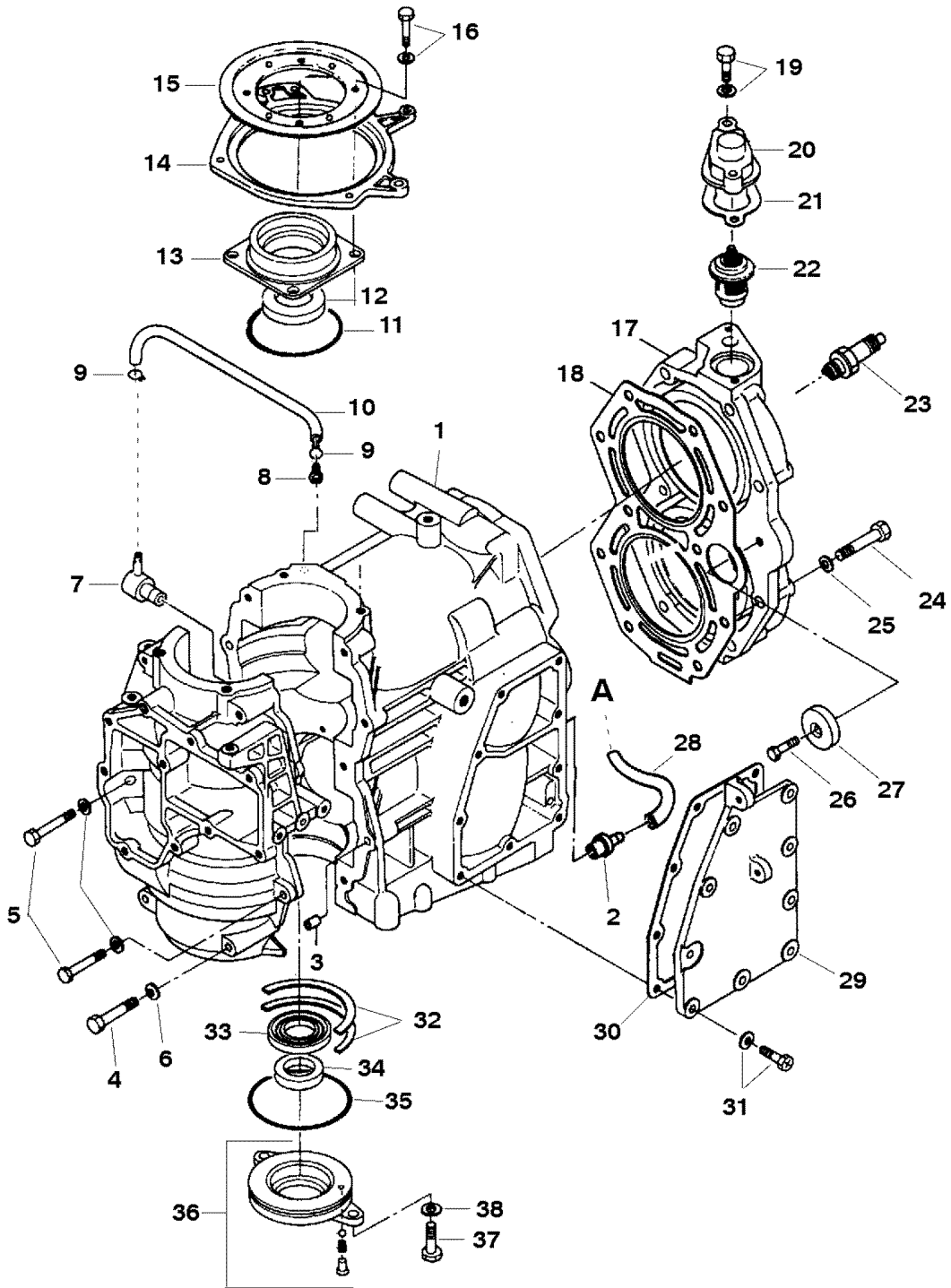
CYLINDER BLOCK

REF. NO.	PART NO.	SYM.	QTY.	DESCRIPTION
1	878-815013A1	■	1	CYLINDER BLOCK
2	22-812960--2	■	1	FITTING-TELL-TALE
3	17-95218--4	■	2	DOWEL PIN
4	10-16695--1	■	8	BOLT
5	10-16695--2	■	2	BOLT
6	12-40022-17	■	10	WASHER
7	21-853696	■	1	VALVE BLEED
8	22-812960--1	■	1	FITTING
9	54-95224	■	2	CLAMP
10	32-95223--4	■	1	TUBING
11	25-853709	■◇	1	O RING
12	26-853707	■	1	OIL SEAL-UPPER
13	1100-853708	■	1	UPPER END CAP
14	853710		1	TIMING PLATE
15	853711		1	GUIDE PLATE
16	10-16828--3	■	4	BOLT
17	979-9630--2	■	1	CYLINDER HEAD
18	27-812939--1	■◇	1	GASKET
19	10-16828--2	■	2	BOLT
20	853705	■	1	COVER
21	27-853702	■◇	1	GASKET
22	853704	■	1	THERMOSTAT
23	33-41263M	■	2	SPARK PLUG (NGK-B7HS-10)
	33-828942		2	SPARK PLUG (NGK-BR7HS-10)
24	10-16698--1	■	10	BOLT
25	12-16238--1	■	10	WASHER
26	10-16832	■	1	BOLT
27	823913	■	1	ANODE
28	32-95394	■	1	HOSE-TELLTALE
29	853706	■	1	EXHAUST COVER
30	27-812939--2	■◇	1	GASKET
31	10-815068--1	■	9	BOLT
32	853712	■	2	THRUST RING
33	26-853707--1	■◇	1	OIL SEAL-LOWER
34	26-853707--2	■◇	1	OIL SEAL
35	25-853709--1	■	1	O RING
36	1100-853713	■	1	LOWER END CAP

- = PART IS NEW AND LISTED FOR THE FIRST TIME
- = COMPONENT OF POWERHEAD [853787A1] OR [853787A2]
- ◇ = COMPONENT OF POWERHEAD GASKET SET [27-812939A1]

CONTINUED ON NEXT PAGE ➡

CYLINDER BLOCK



A = TO REF. #23 ON PAGE 2

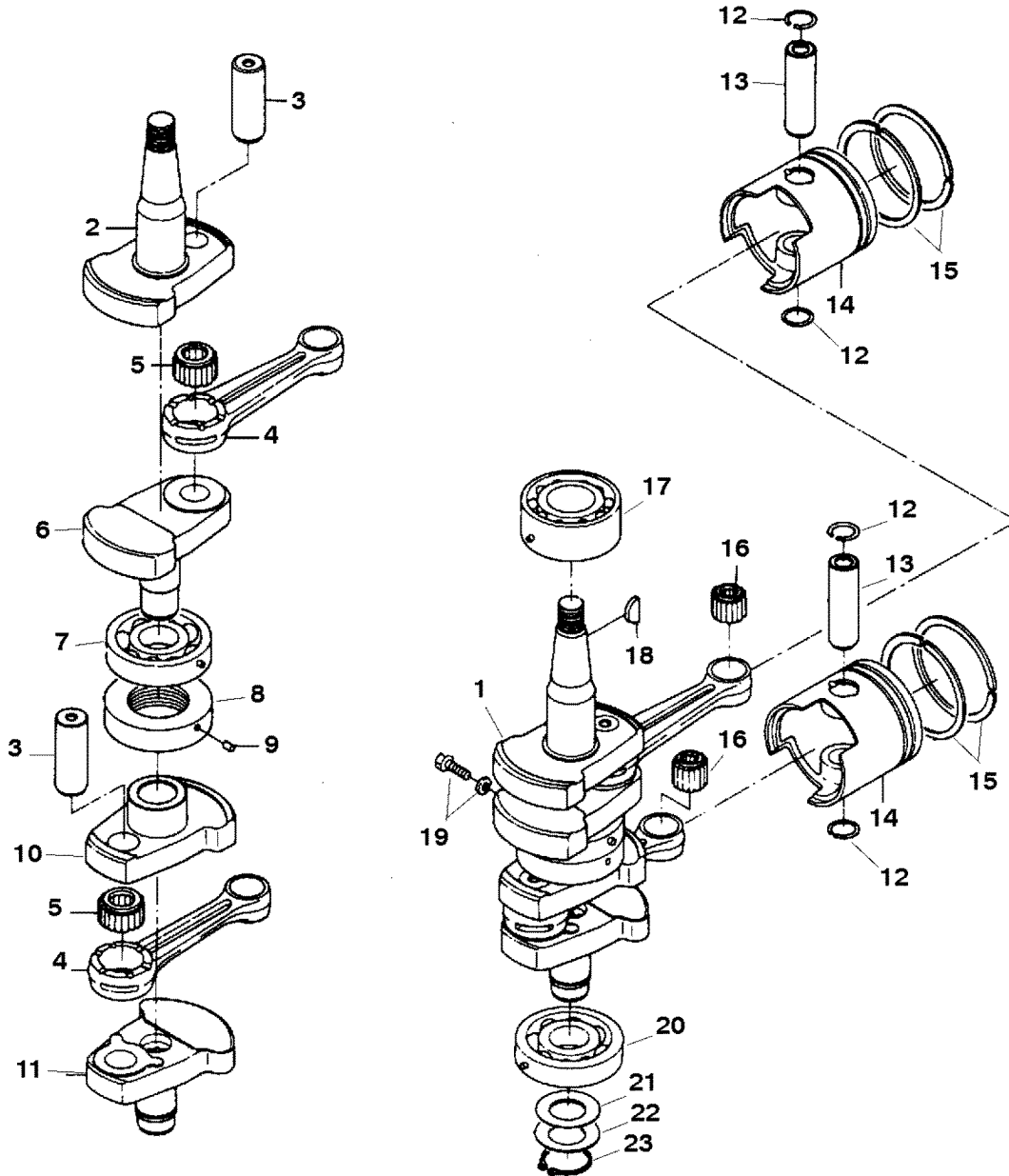
CYLINDER BLOCK

REF. NO.	PART NO.	SYM.	QTY.	DESCRIPTION
37	10-16832	■	2	BOLT
38	13-40025--6	■	2	LOCKWASHER
-	27-812939A1		1	POWERHEAD GASKET SET
-	853787A2	●	1	POWERHEAD (S/N-0N001324 & UP)
-	853787A1		1	POWERHEAD (S/N-0N001323 & BELOW)

● = PART IS NEW AND LISTED FOR THE FIRST TIME

■ = COMPONENT OF POWERHEAD [853787A1] OR [853787A2]

CRANKSHAFT



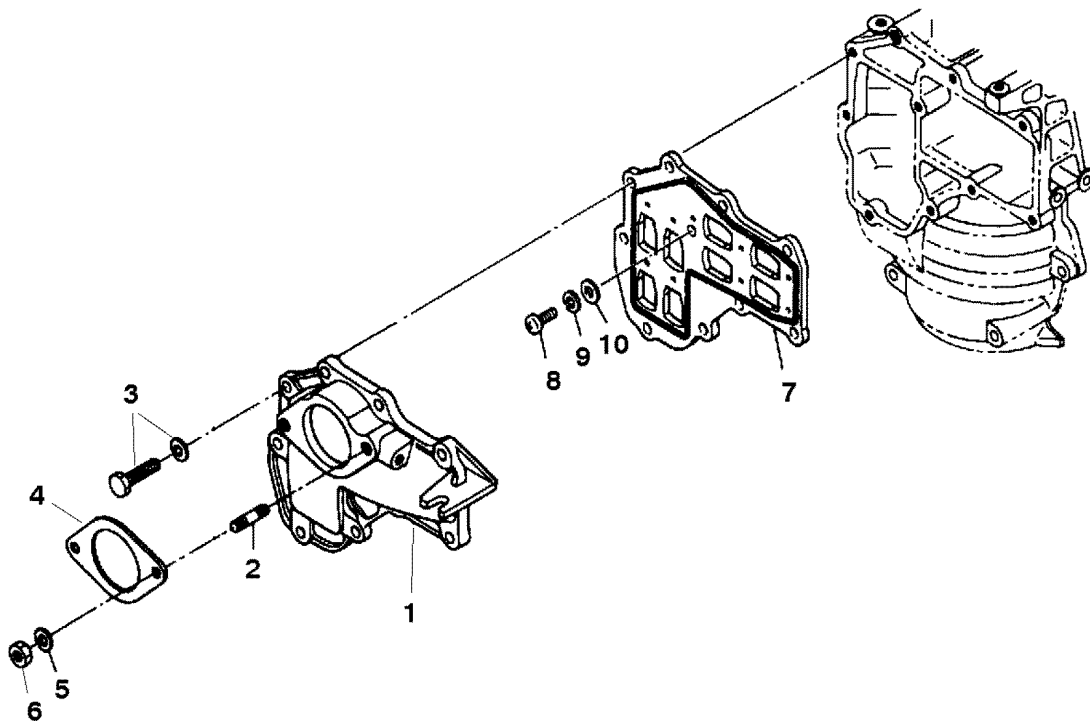
CRANKSHAFT

REF. NO.	PART NO.	SYM.	QTY.	DESCRIPTION
1	474-9614A1	■	1	CRANKSHAFT ASSEMBLY
2	463-813044--1	■	1	CRANKSHAFT
3	813046--1	■	2	CRANK PIN
4	629-813047--1	■	2	CONNECTING ROD
5	31-813048--2	■	2	BEARING-NEEDLE
6	463-813044--2	■	1	CRANKSHAFT
7	30-16049--2	■	1	BALL BEARING
8	26-853707--3	■	1	LABYRINTH SEAL
9	17-95218--5	■	1	DOWEL PIN
10	463-813045--2	■	1	CRANKSHAFT
11	463-813045--1	■	1	CRANKSHAFT
12	53-16057--1	■	4	CLIP
13	41-16056--1	■	2	PISTON PIN
14	779-9615--1	■	2	PISTON (STANDARD)
	779-9616--1		2	PISTON (.5 MM O/S)
15	39-16054A4	■	1	PISTON SET (STANDARD)
	39-16055A4		1	PISTON SET (.5 MM O/S)
16	31-813048--3	■	2	NEEDLE BEARING
17	30-16049--1	■	1	BALL BEARING
18	28-16053--1		1	KEY
19	10-853697	■	1	BOLT
20	30-16049--2	■	1	BALL BEARING
21	15-853716	■	AR	SHIM
22	23-853715	■	1	SPACER
23	53-853714	■	1	C CLIP
-	853787A2	●	1	POWERHEAD (S/N-0N001324 & UP)
-	853787A1		1	POWERHEAD (S/N-0N001323 & BELOW)

● = PART IS NEW AND LISTED FOR THE FIRST TIME

■ = COMPONENT OF POWERHEAD [853787A1] OR [853787A2]

MANIFOLD/REED

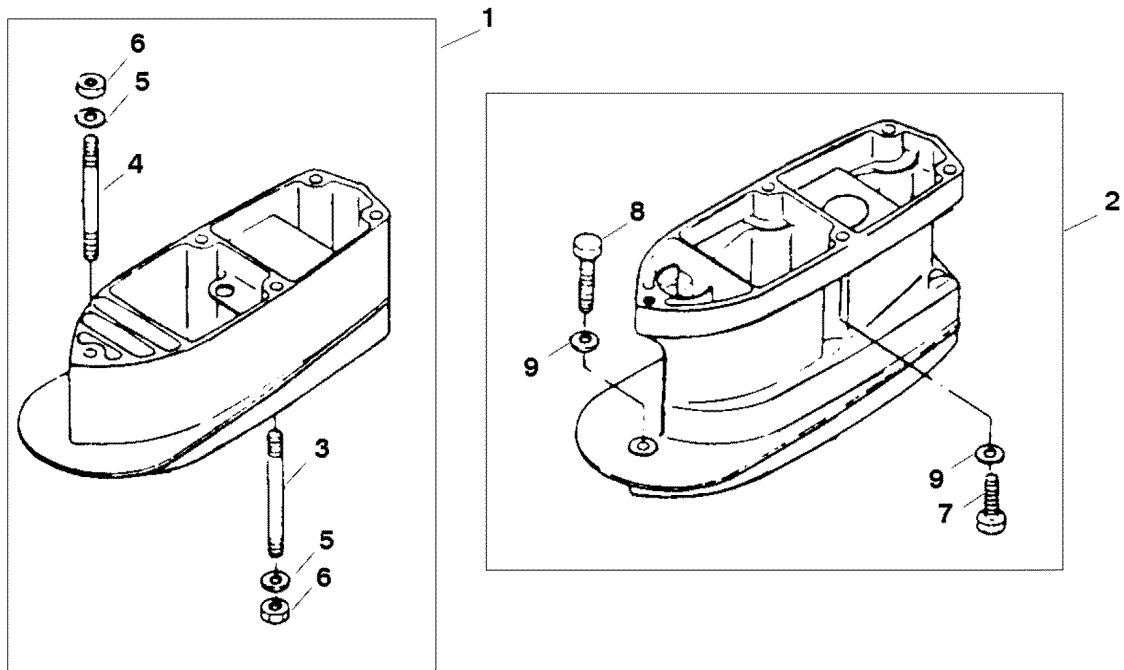


MANIFOLD/REED

REF. NO.	PART NO.	SYM.	QTY.	DESCRIPTION
1	853717A4	●■	1	INLET MANIFOLD ASSEMBLY (S/N-0N001324 & UP)
	853717A1	■	1	INLET MANIFOLD ASSEMBLY (S/N-0N001323 & BELOW)
2	16-853718	■	2	STUD
3	10-16828--4	■	9	BOLT
4	27-853702--1	■◇	1	GASKET
5	13-40025--6		2	LOCKWASHER
6	11-40021--2		2	NUT
7	853719	■	1	REED BLOCK ASSEMBLY
8	10-823031--1	■	1	SCREW
9	13-16818	■	1	LOCKWASHER
10	12-809931044	■	1	WASHER
-	853780A1		1	CARB REPAIR KIT
-	27-812939A1		1	POWERHEAD GASKET SET
-	853787A2	●	1	POWERHEAD (S/N-0N001324 & UP)
-	853787A1		1	POWERHEAD (S/N-0N001323 & BELOW)

- = PART IS NEW AND LISTED FOR THE FIRST TIME
- = COMPONENT OF POWERHEAD [853787A1] OR [853787A2]
- = COMPONENT OF CARB REPAIR KIT [853780A1]
- ◇ = COMPONENT OF POWERHEAD GASKET SET [27-812939A1]

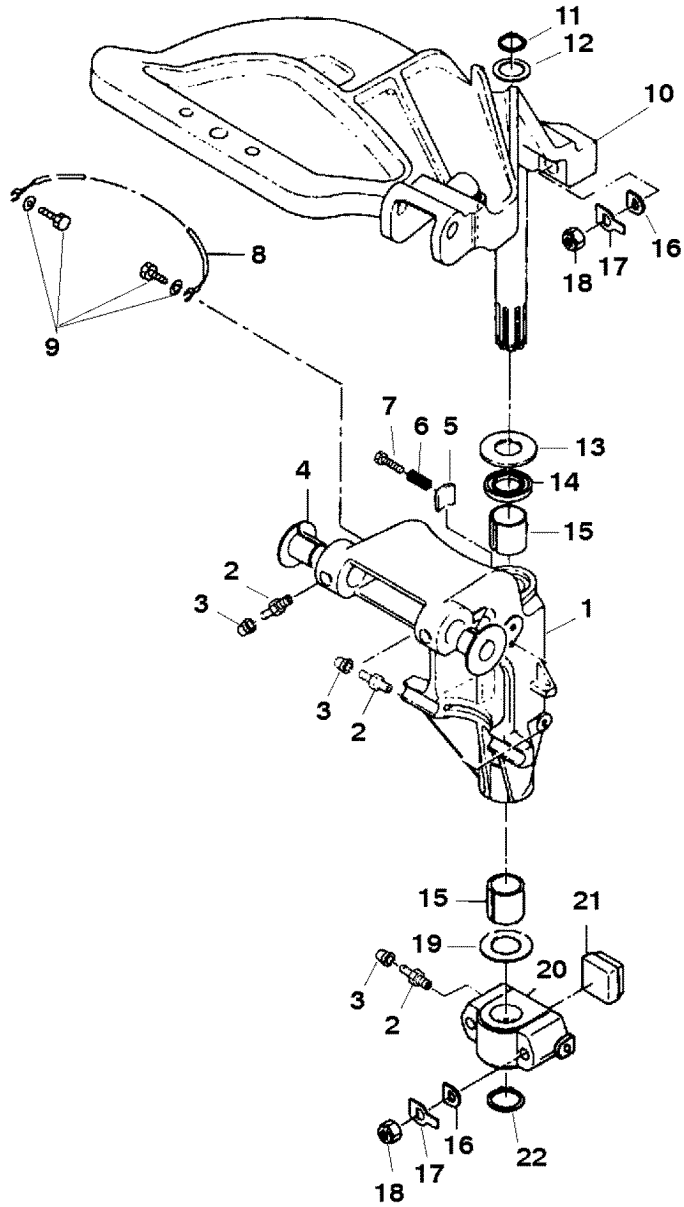
DRIVE SHAFT HOUSING EXTENSION KITS



DRIVE SHAFT HOUSING EXTENSION KITS

REF. NO.	PART NO.	SYM.	QTY.	DESCRIPTION
1	853783A1		1	EXTENSION KIT (XL-BLACK - 3 IN)
	853783A2		1	EXTENSION KIT (XL-GRAY - 3 IN.)
2	853784A1		1	EXTENSION KIT (XXL-BLACK - 5 IN.)
	853784A2		1	EXTENSION KIT (XXL-GRAY - 5 IN.)
3	16-853789		4	STUD X-LONG
4	16-853789--1		1	STUD X-LONG
5	12-853701		5	WASHER X-LONG
6	11-40021--3		5	NUT X-LONG
7	10-16126		4	BOLT XX-LONG
8	10-16126--2		1	BOLT XX-LONG
9	12-853701		5	WASHER XX-LONG

SWIVEL BRACKET

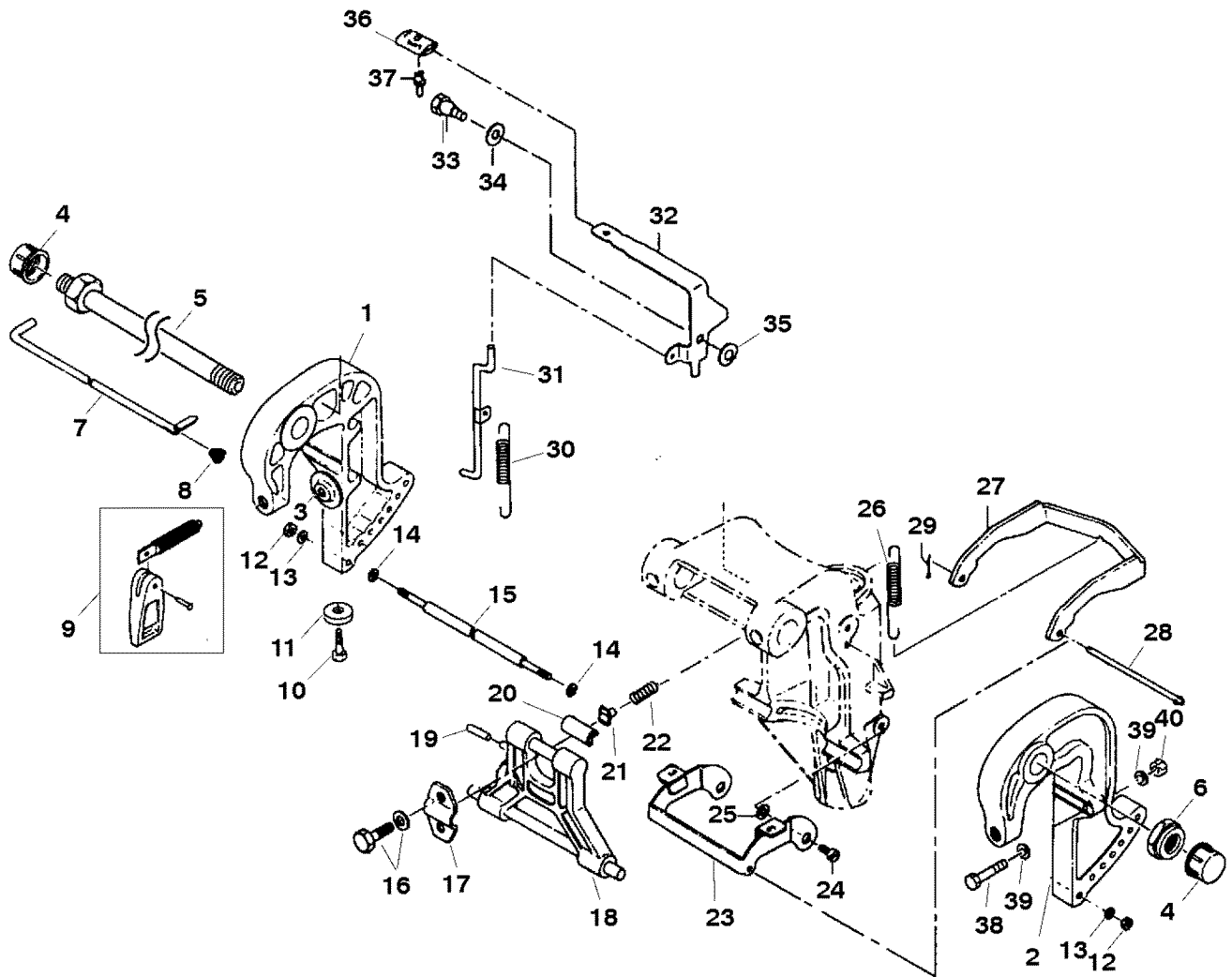


SWIVEL BRACKET

REF. NO.	PART NO.	SYM.	QTY.	DESCRIPTION
1	3407-813029--7	●	1	SWIVEL BRACKET (BLACK) S/N-0N001324 & UP
	3407-813029--8	●	1	SWIVEL BRACKET (GRAY) S/N-0N001324 & UP
	3407-813029--3		1	SWIVEL BRACKET (BLACK) S/N-0N001323 & BELOW
	3407-813029--4		1	SWIVEL BRACKET (GRAY) S/N-0N001323 & BELOW
2	22-824969		5	GREASE FITTING
3	808599		5	CAP
4	23-853743--5		2	BUSHING
5	16205--2		1	FRICITION PLATE
6	24-95383--1		1	SPRING
7	10-40003-54		1	BOLT
8	84-853740--1		1	GROUND WIRE
9	10-823042--7		2	BOLT
10	853770A1		1	STEERING SHAFT (BLACK)
	853770A2		1	STEERING SHAFT (GRAY)
11	53-853714--1		1	C CLIP
12	12-16140--3		1	WASHER
13	16204--1		1	UPPER THRUST PLATE
14	26-853707--6		1	OIL SEAL
15	23-853743--6		2	BUSHING
16	12-16238--2		4	WASHER
17	853772--1		4	LOCK PLATE
18	11-853722-15		4	NUT
19	16204--2		1	LOWER THRUST PLATE
20	853786		1	BOTTOM YOKE (BLACK)
	853786--1		1	BOTTOM YOKE (GRAY)
21	853773--1		1	BUMPER
22	53-853714--2		1	E CLIP

● = PART IS NEW AND LISTED FOR THE FIRST TIME

CLAMP BRACKET

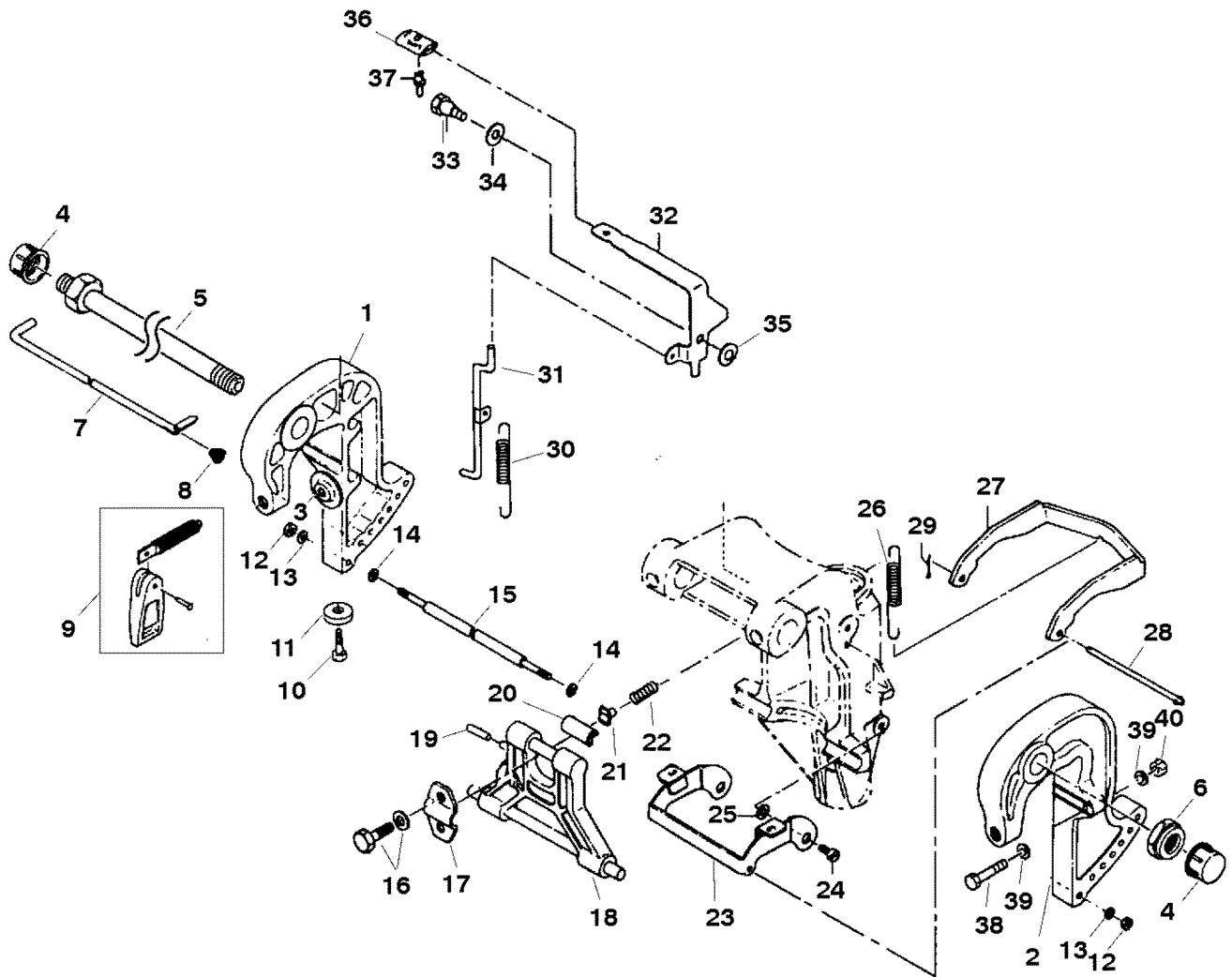


CLAMP BRACKET

REF. NO.	PART NO.	SYM.	QTY.	DESCRIPTION
1	3406-9622--2		1	CLAMP BRACKET (STBD-BLACK)
	3406-9622--3		1	CLAMP BRACKET (STBD-GRAY)
2	3406-9623--2		1	CLAMP BRACKET (PORT-BLACK)
	3406-9623--3		1	CLAMP BRACKET (PORT-GRAY)
3	12-95379		2	PAD
4	11-853722-14		2	CAP NUT
5	853769		1	TILT TUBE
6	11-853722-13		1	NUT
7	16198--1		1	TILT PIN
8	24-812645--5		1	SPRING
9	10-16200A1		1	THUMB SCREW KIT (BLACK)
	10-16200A2		1	THUMB SCREW KIT (GRAY)
10	10-16705--1		1	BOLT
11	823913		1	ANODE
12	11-40021--2		2	NUT
13	13-40025--6		2	LOCKWASHER
14	12-16826		2	WASHER
15	853796		1	SPACER PIN
16	10-823042--6		2	BOLT
17	16210--1		1	SET PLATE
18	825112--1		1	TILT STOPPER (BLACK)
	825112--2		1	TILT STOPPER (GRAY)
19	17-95218-10		1	ROLL PIN
20	825113--1		1	BRACKET
21	853774		1	STOP
22	24-95383--2		1	SPRING
23	16213--2		1	REVERSE LOCK ARM
24	10-853700		2	SCREW
25	12-95392--1		2	WASHER
26	24-95383--4		1	SPRING (SHORT)
	24-95383--5		1	SPRING (LONG/XL/XXL)
27	16213--1		1	REVERSE LOCK
28	853747--4		1	REVERSE LOCK ROD
29	18-815026--1		1	COTTER PIN
30	24-95383--3		1	SPRING
31	853747--5		1	REVERSE LOCK LINK
32	853759--1		1	REVERSE LOCK LEVER
33	10-16261--2		1	BOLT
34	13-17641		1	WAVE WASHER
35	12-95392--1		1	WASHER

CONTINUED ON NEXT PAGE ➡

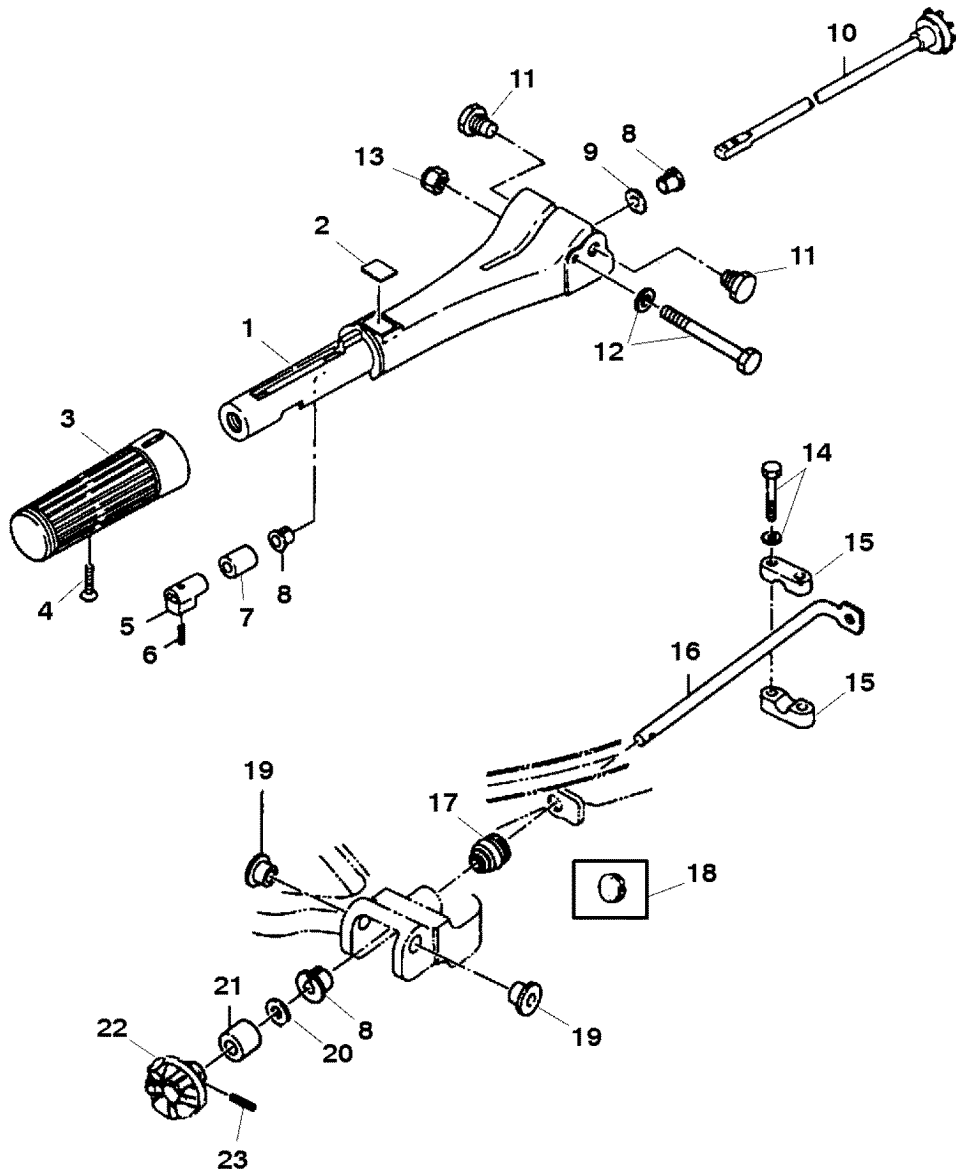
CLAMP BRACKET



CLAMP BRACKET

REF. NO.	PART NO.	SYM.	QTY.	DESCRIPTION
36	853775		1	GRIP
37	853776		1	STOPPER
38	10-16126--3		2	BOLT
39	12-16192		4	WASHER
40	11-40021--2		2	NUT

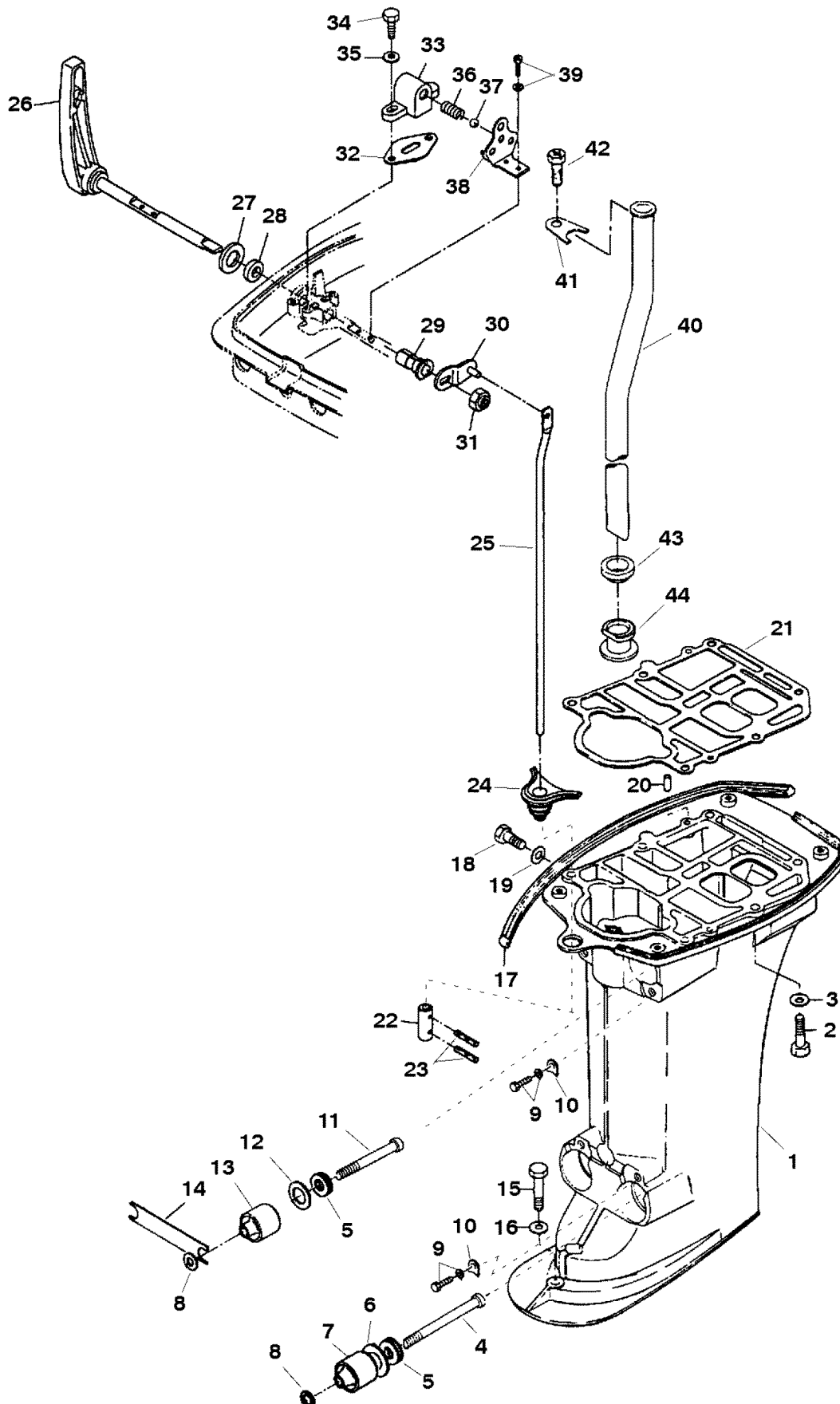
TILLER HANDLE



TILLER HANDLE

REF. NO.	PART NO.	SYM.	QTY.	DESCRIPTION
1	16075--2		1	TILLER HANDLE (BLACK)
	16075--3		1	TILLER HANDLE (GRAY)
2	37-16090		1	DECAL-THROTTLE
3	16086--1		1	GRIP
4	10-815046--1		1	SCREW
5	23-853715--2		1	SPACER
6	18-815026--3		1	COTTER PIN
7	23-16191		1	SPACER
8	23-16336		3	BUSHING
9	13-853723--2		1	WAVE WASHER
10	16093--1		1	THROTTLE SHAFT
11	10-812935--2		2	BOLT
12	10-823042--2		1	BOLT
13	11-853722--7		1	NUT
14	10-16830--2		2	BOLT
15	853752		2	BRACKET
16	16093--2		1	THROTTLE SHAFT
17	25-16823		1	GROMMET
18	25-16226		1	GROMMET (ELECTRIC)
19	23-95286--9		2	COLLAR
20	12-16192		1	WASHER
21	23-95286-10		1	COLLAR
22	43-853751		1	UNIVERSAL PINION
23	17-95218--6		1	ROLL PIN

DRIVE SHAFT HOUSING



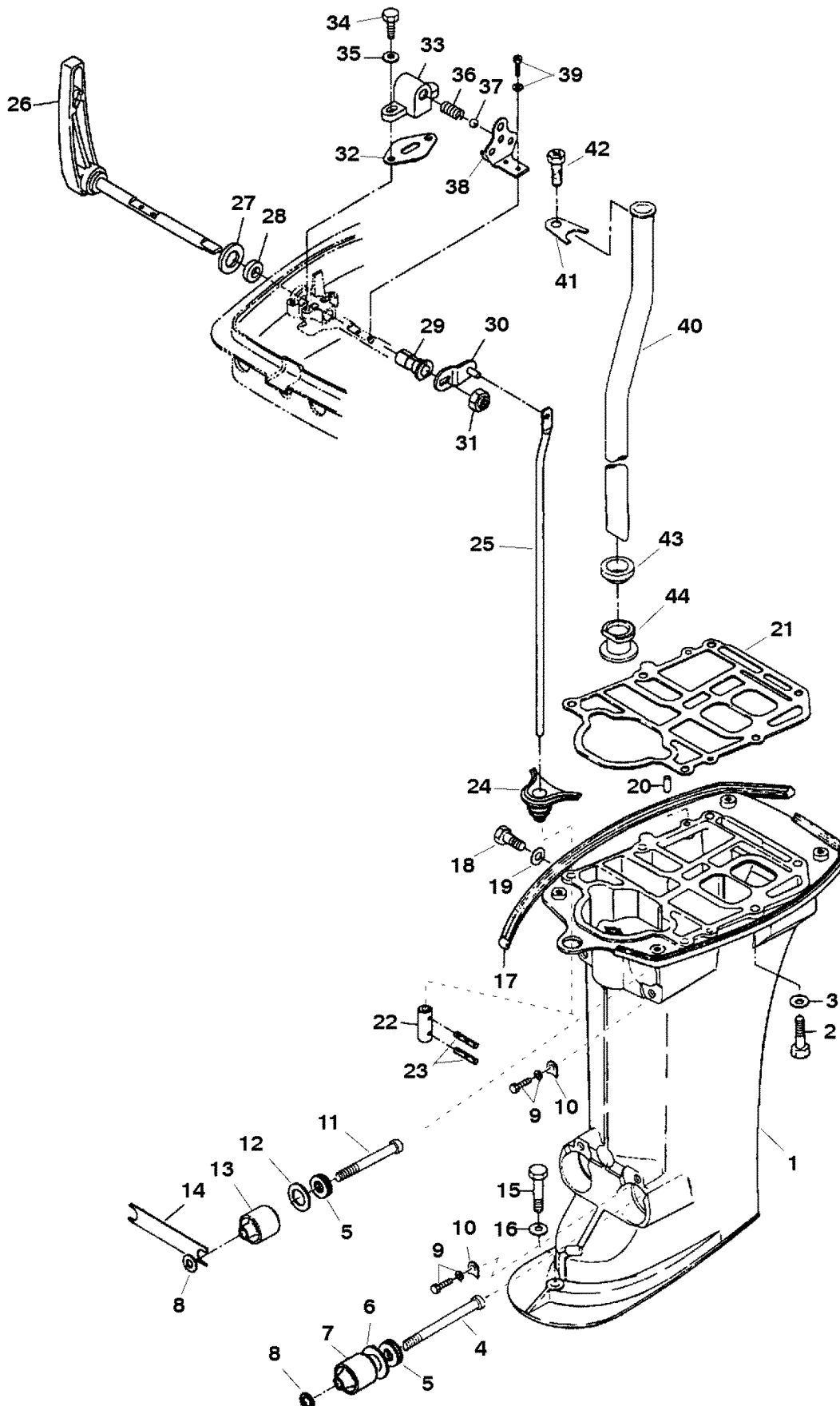
DRIVE SHAFT HOUSING

REF. NO.	PART NO.	SYM.	QTY.	DESCRIPTION
1	1599-812942--1		1	DRIVE SHAFT HOUSING (SHORT-BLACK)
	1599-812942--2		1	DRIVE SHAFT HOUSING) (SHORT-GRAY
	1599-812943--1		1	DRIVE SHAFT HOUSING (LONG-BLACK)
	1599-812943--2		1	DRIVE SHAFT HOUSING (LONG-GRAY)
2	10-823042--3		6	BOLT
3	12-853701		6	WASHER
4	10-812935--4		2	BOLT
5	12-16140--5		4	WASHER
6	12-16140--7		2	WASHER
7	853771--1		2	LOWER MOUNT
8	12-16826--1		4	WASHER
9	10-823042--6		4	BOLT
10	853772		4	RETAINER
11	10-812935--3		2	BOLT
12	12-16140--6		2	WASHER
13	853771		2	UPPER MOUNT
14	853773		1	BUMPER
15	10-16126--1		1	BOLT
	10-16126--2		1	BOLT (FOR 125 MM SPACER ONLY)
16	12-853701		1	WASHER
17	853986		1	SEAL
18	19-16116		1	WATER PLUG
19	27-95220	+	1	GASKET
20	17-16119		2	DOWEL PIN
21	27-853987	◇■	1	GASKET
22	853768		1	SHIFT ROD JOINT INCLUDED WITH COMPLETE GEAR HOUSING REPLACEMENT
23	17-95218--9		2	DOWEL PIN INCLUDED WITH COMPLETE GEAR HOUSING REPLACEMENT
24	25-853709--4		1	GROMMET
25	16186--2		1	SHIFT ROD
26	813027--3		1	SHIFT LEVER (BLACK)
	813027--4		1	SHIFT LEVER (GRAY)
27	23-853715--3		1	SPACER
28	26-853707--5		1	OIL SEAL
29	23-853743--4		1	BUSHING
30	16184--2		1	SHIFT ROD LEVER
31	11-853722-12		1	NUT
32	15-853795		AR	SHIM
33	853767		1	BRACKET
34	10-16832		2	BOLT

- = COMPONENT OF POWERHEAD [853787A1] OR [853787A2]
 ◇ = COMPONENT OF POWERHEAD GASKET SET [27-812939A1]
 + = COMPONENT OF LOWER UNIT GASKET SET [27-95220A1]

CONTINUED ON NEXT PAGE ➡

DRIVE SHAFT HOUSING

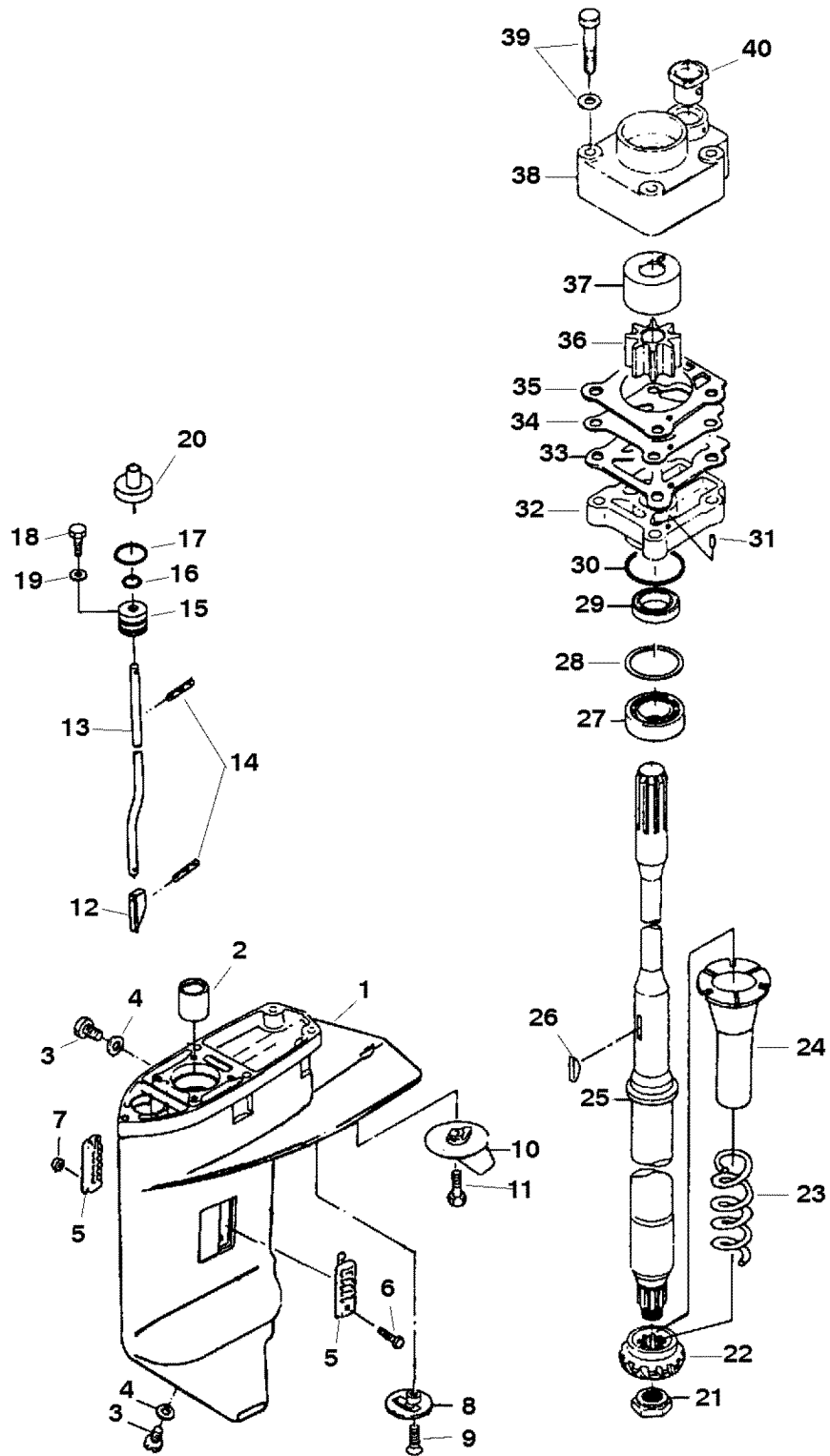


DRIVE SHAFT HOUSING

REF. NO.	PART NO.	SYM.	QTY.	DESCRIPTION
35	12-16826		2	WASHER
36	24-813028--1		1	SPRING
37	30-812937		1	BALL
38	853766		1	PLATE
39	10-95396--2		2	SCREW
40	32-16169--1		1	WATER TUBE (SHORT)
	32-16170--1		1	WATER TUBE (LONG)
	32-16170--2		1	WATER TUBE (X-LONG)
	32-16170--3		1	WATER TUBE (XX-LONG)
41	810753--1		1	LOCK PLATE
42	10-95396--1		1	BOLT
43	26-16171--1		1	SEAL
44	26-853707--4		1	SEAL
-	27-95220A1		1	LOWER UNIT GASKET SET
-	27-812939A1		1	POWERHEAD GASKET SET
-	853787A2	●	1	POWERHEAD (S/N-0N001324 & UP)
-	853787A1		1	POWERHEAD (S/N-0N001323 & BELOW)

● = PART IS NEW AND LISTED FOR THE FIRST TIME

GEAR HOUSING (DRIVESHAFT)



GEAR HOUSING (DRIVESHAFT)

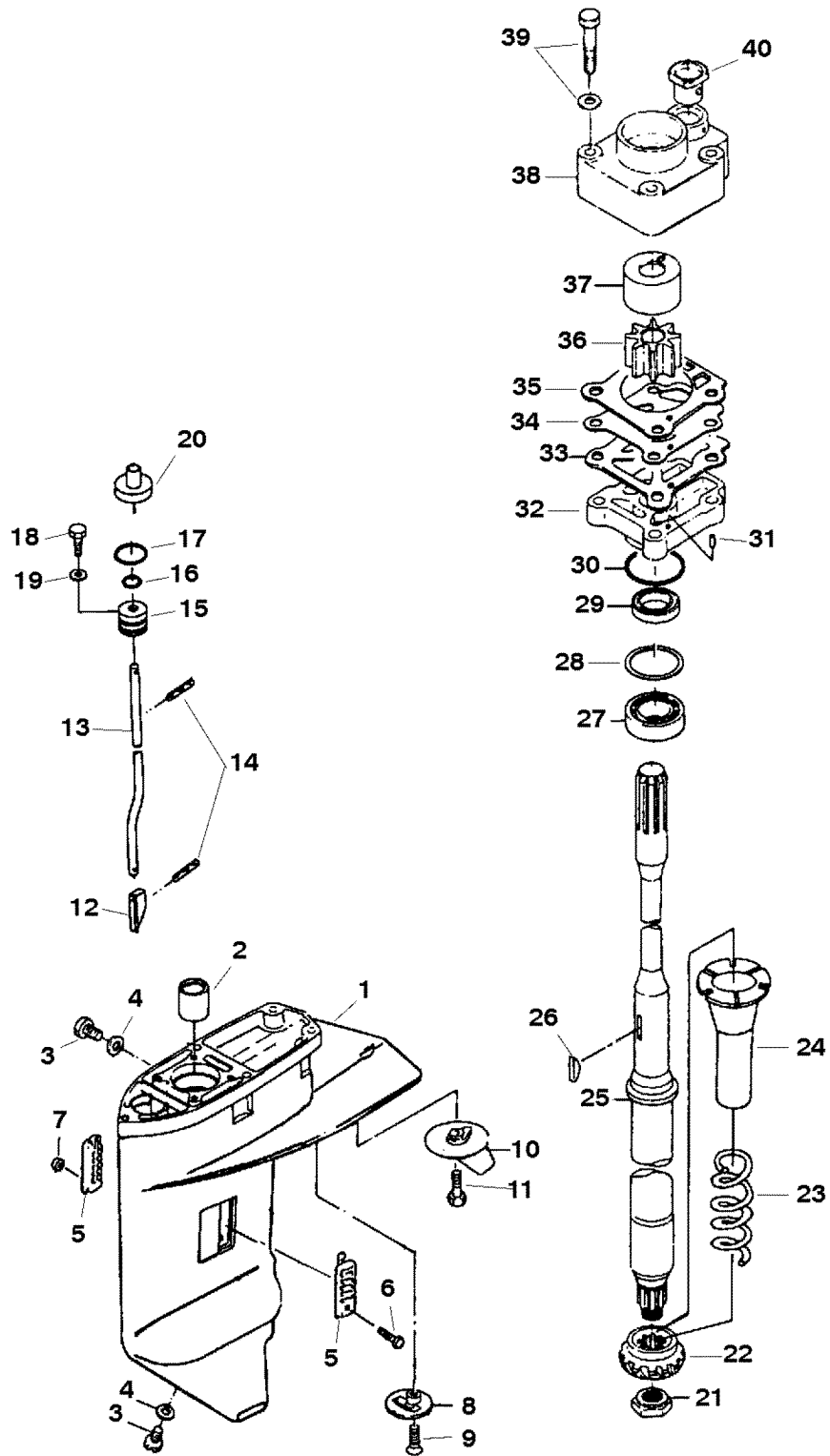
REF. NO.	PART NO.	SYM.	QTY.	DESCRIPTION
-	1668-825132A6		1	GEAR HOUSING (SHORT-BLACK)
-	1668-825132A7		1	GEAR HOUSING (SHORT-GRAY)
-	1668-825132A8		1	GEAR HOUSING (LONG-BLACK)
-	1668-825132A9		1	GEAR HOUSING (LONG-GRAY)
1	1668-825132A4		1	GEAR HOUSING (BASIC-BLACK)
	1668-825132A5		1	GEAR HOUSING (BASIC-GRAY)
2	31-813048--4		1	NEEDLE BEARING
3	22-95368		2	PLUG
4	27-95220	+	2	GASKET
5	853763		1	WATER STRAINER SET
6	10-17635		1	SCREW
7	11-853722-10		1	NUT
8	16133		1	STRAINER
9	10-16094--1		1	SCREW
10	853762		1	TRIM TAB
11	10-823042--4		1	BOLT
12	16172--2		1	SHIFT CAM
13	16173--2		1	CAM ROD (SHORT)
	16174--2		1	CAM ROD (LONG)
	16174--3		1	CAM ROD (X-LONG)
	16174--4		1	CAM ROD (XX-LONG)
14	17-16179		2	PIN
15	23-16176--2		1	BUSHING
16	25-16177--2	+	1	O RING
17	25-16178--2	+	1	O RING
18	10-16211--1		1	BOLT
19	12-95392--1		1	WASHER
20	853794		1	RETAINER (XX-LONG)
21	11-853722-11		1	PINION NUT
22	43-16138--1		1	PINION GEAR
23	24-812645--4		1	SPRING
24	853765		1	PIPE
25	45-16135--2		1	DRIVESHAFT (SHORT)
	45-16136--2		1	DRIVESHAFT (LONG)
	45-16136--3		1	DRIVESHAFT (X_LONG)
	45-16136--4		1	DRIVESHAFT (XX-LONG)
26	28-16155--1	♣	1	KEY
27	30-16128--2		1	BALL BEARING
28	15-813276001		AR	SHIM (0.1)
	15-813276015		AR	SHIM (0.15)
	15-813276003		AR	SHIM (0.3)
	15-813276005		AR	SHIM (0.5)

⊕ = COMPONENT OF LOWER UNIT GASKET SET [27-95220A1]

♣ = COMPONENT OF G/H WATER PUMP REPAIR KIT [853792A1]

CONTINUED ON NEXT PAGE ➡

GEAR HOUSING (DRIVESHAFT)



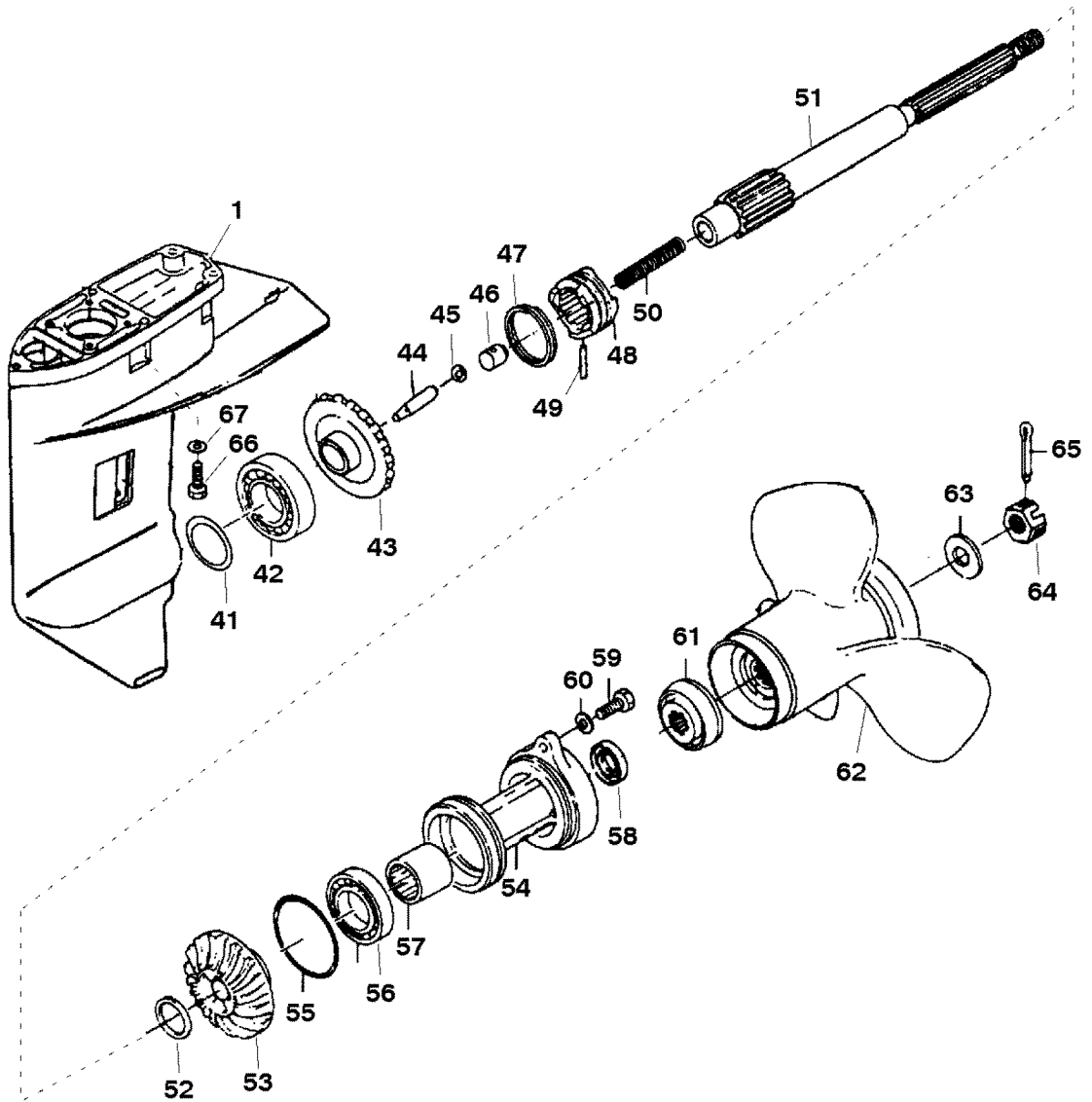
GEAR HOUSING (DRIVESHAFT)

REF. NO.	PART NO.	SYM.	QTY.	DESCRIPTION
29	26-16162--2	+	1	OIL SEAL
30	25-853709--6	+	1	O RING
31	17-95218--8		2	DOWEL PIN
32	46-826053--1		1	WATER PUMP HOUSING-LOWER
33	27-16160--2	+ ♣	1	GASKET
34	16159--2	♣	1	WEAR PLATE
35	27-16158--2	+ ♣	1	GASKET
36	47-16154--1	♣	1	IMPELLER
37	16157--2	♣	1	INSERT
38	46-16156--2		1	WATER PUMP HOUSING-UPPER
39	10-823042--5	♣	4	BOLT
40	26-16168--1		1	SEAL
-	853792A1		1	WATER PUMP REPAIR KIT
-	853792A2		1	CHROME WATER PUMP REPAIR KIT
-	27-95220A1		1	LOWER UNIT GASKET SET

+ = COMPONENT OF LOWER UNIT GASKET SET [27-95220A1]

♣ = COMPONENT OF G/H WATER PUMP REPAIR KIT [853792A1]

GEAR HOUSING (PROPELLER SHAFT)

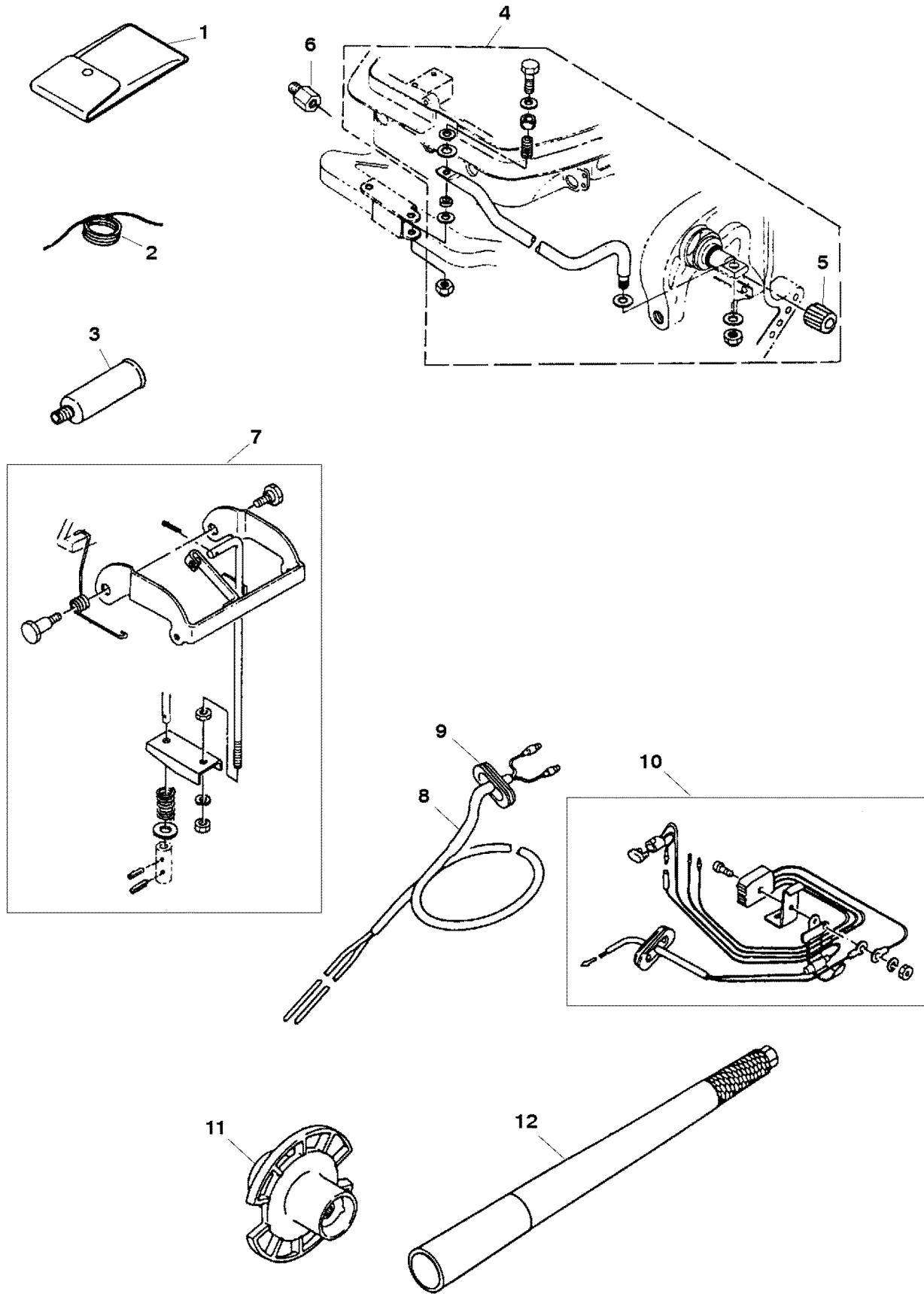


GEAR HOUSING (PROPELLER SHAFT)

REF. NO.	PART NO.	SYM.	QTY.	DESCRIPTION
-	1668-825132A6		1	GEAR HOUSING (SHORT-BLACK)
-	1668-825132A7		1	GEAR HOUSING (SHORT-GRAY)
-	1668-825132A8		1	GEAR HOUSING (LONG-BLACK)
-	1668-825132A9		1	GEAR HOUSING (LONG-GRAY)
1	1668-825132A4		1	GEAR HOUSING (BASIC-BLACK)
	1668-825132A5		1	GEAR HOUSING (BASIC-GRAY)
41	15-16163		AR	SHIM (0.1)
	15-813276		AR	SHIM (0.15)
42	30-16128--1		1	BALL BEARING
43	43-812944--1		1	FORWARD GEAR
44	16152--1		1	CAM FOLLOWER
45	30-16132--2		1	BALL
46	853764		1	HOLDER
47	24-812645--3		1	SPRING
48	52-812946--1		1	CLUTCH
49	17-16150--1		1	PIN
50	24-17667--2		1	SPRING
51	44-19513--1		1	PROPELLER SHAFT
52	12-16140--1		1	WASHER
53	43-812945--2		1	REVERSE GEAR
54	825119A1		1	BEARING CARRIER (BLACK)
	825119A2		1	BEARING CARRIER (GRAY)
55	25-16131--1	+	1	O RING
56	30-16132--1		1	BALL BEARING
57	31-813048--5		1	NEEDLE BEARING
58	26-16130--1	+	1	OIL SEAL
59	10-40003-54		2	BOLT
60	12-853701		2	WASHER
61	16145--2		1	THRUST HUB
62	48-853790		1	PROPELLER (14 IN. PITCH)
	48-853790--1		1	PROPELLER (13 IN. PITCH - STD.)
	48-853790--2		1	PROPELLER (11 IN. PITCH - STD. -LONG)
	48-853790--3		1	PROPELLER (10 IN. PITCH)
	48-853790--4		1	PROPELLER (9 IN. PITCH)
	48-853790--5		1	PROPELLER (8 IN. PITCH)
63	12-16140--2		1	WASHER
64	11-16147--1		1	PROP NUT
65	18-815026--4		1	COTTER PIN
66	10-16126--1		4	BOLT
67	12-853701		4	WASHER
-	27-95220A1		1	LOWER UNIT GASKET SET

+ = COMPONENT OF LOWER UNIT GASKET SET [27-95220A1]

ACCESSORIES

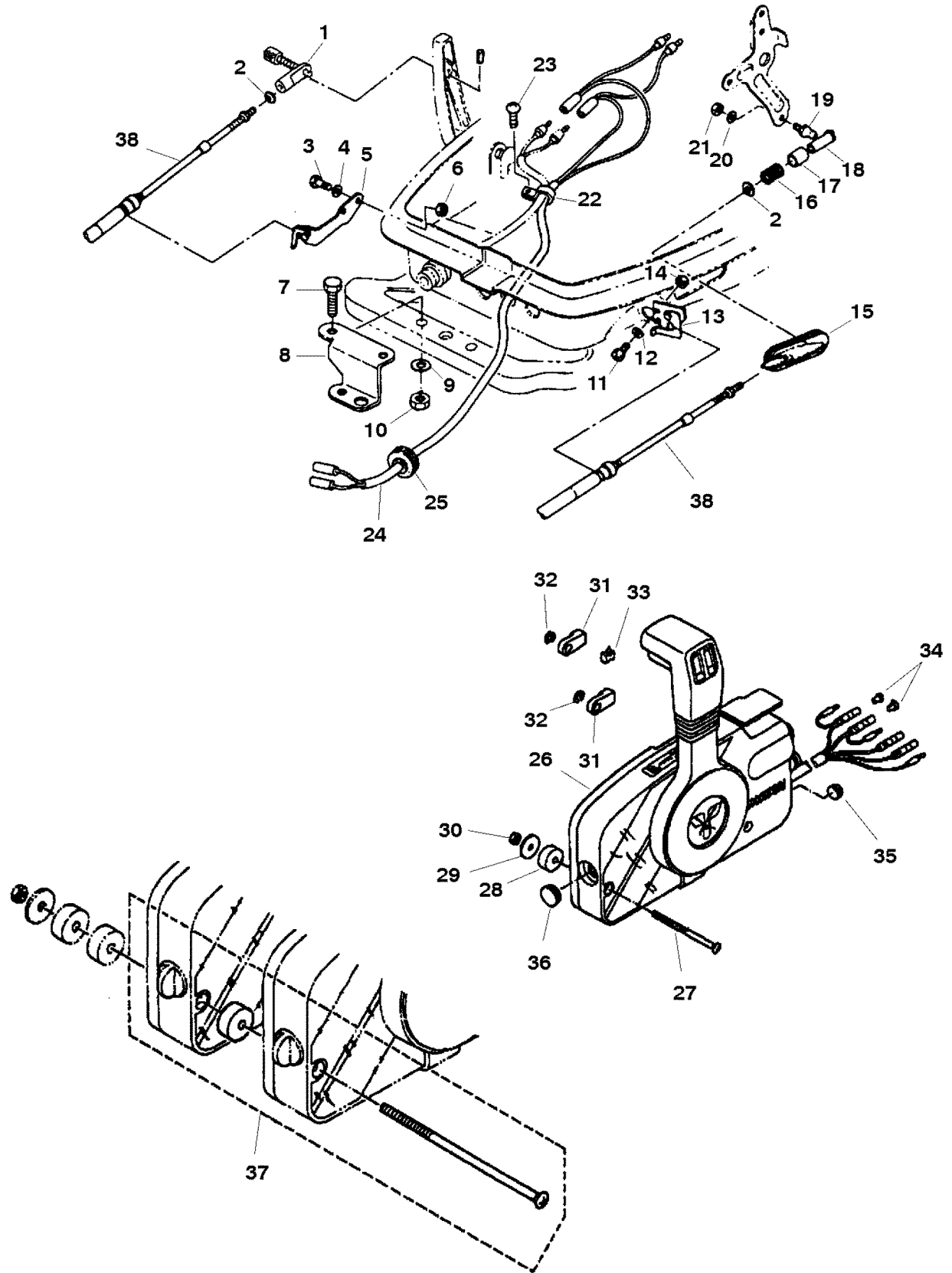


ACCESSORIES

REF. NO.	PART NO.	SYM.	QTY.	DESCRIPTION
1	91-95399--2		1	TOOL KIT
2	50-812639--2		1	ROPE
3	16841A1		1	FLUSHING PLUG
4	853824A1		1	DRAG LINK ASSEMBLY
5	853825		1	CAP
6	23-853826		1	SPACER
7	853827A1		1	REVERSE LOCK KIT
8	84-17175		1	LIGHT HARNESS
9	25-16231--3		1	GROMMET
10	853811--7	●	1	RECTIFIER KIT (S/N-0N001324 & UP)
	853811--1		1	RECTIFIER KIT (S/N-0N001323 & BELOW)
11	48-853790--6		1	TEST PROPELLER
12	853828		1	HANDLE (0.8M)
	853828--1		1	HANDLE (1.0M)
-	832586A2		1	TILLER HANDLE KIT (BLACK)
-	832586A1		1	TILLER HANDLE KIT (GRAY)

● = PART IS NEW AND LISTED FOR THE FIRST TIME

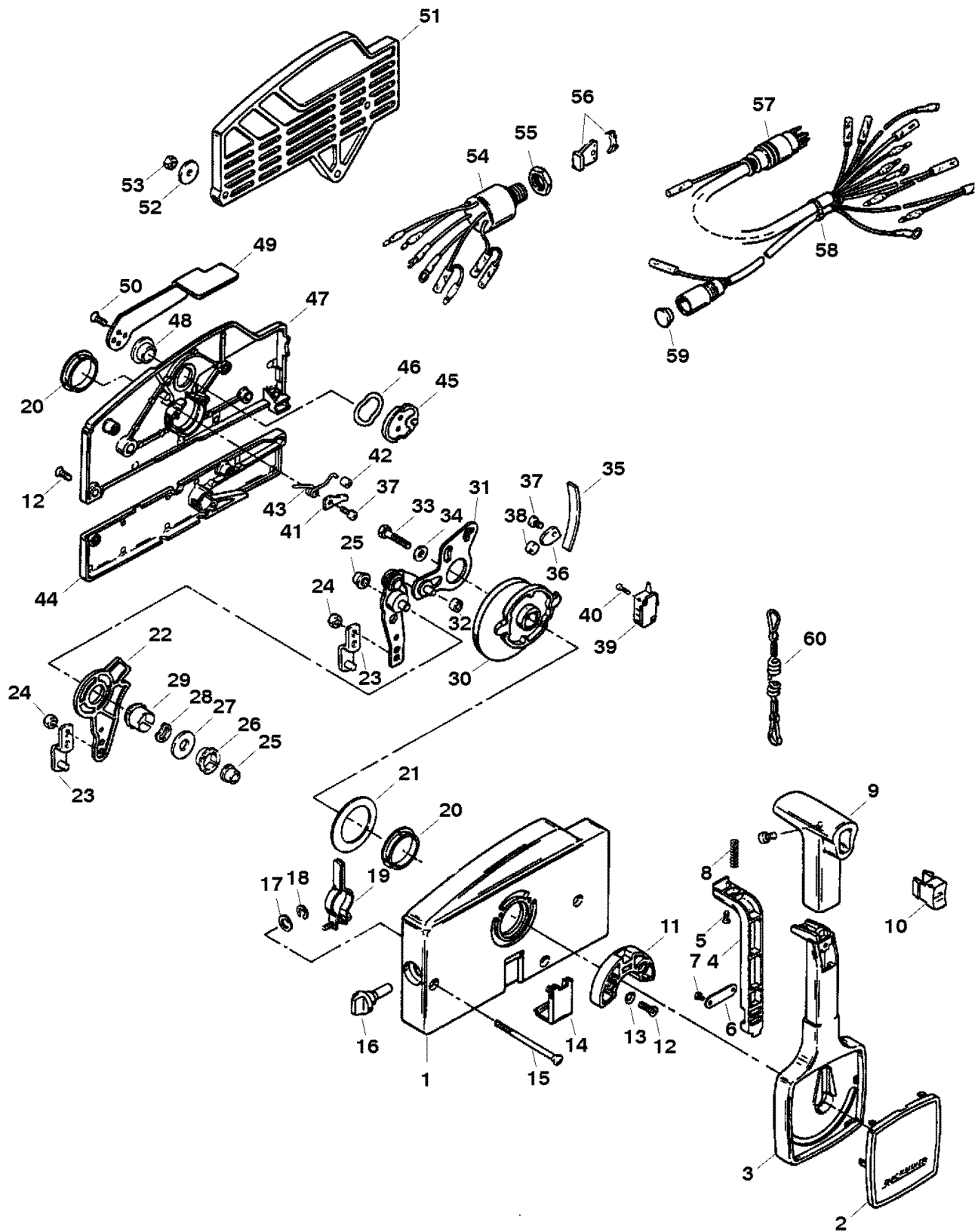
REMOTE CONTROL ATTACHING KIT



REMOTE CONTROL ATTACHING KIT

REF. NO.	PART NO.	SYM.	QTY.	DESCRIPTION
-	853800A1		1	REMOTE CONTROL ATTACHING KIT
1	853804		1	CONNECTOR SHIFT KIT
2	12-17029		2	WASHER
3	10-16705		2	BOLT
4	13-40025--6		2	LOCKWASHER
5	853802--1		1	SHIFT CABLE RETAINER
6	11-40021--2		2	NUT
7	10-823042--8		2	BOLT
8	853802--2		1	STEERING PLATE
9	12-16192		2	WASHER
10	11-40021--3		2	NUT
11	10-815068--1		2	BOLT
12	13-16079		2	LOCKWASHER
13	853802		1	THROTTLE CABLE RETAINER
14	11-16081		2	NUT
15	25-853803		1	GROMMET
16	24-17028		1	SPRING
17	17027		1	CAP
18	17026		1	BALL HOLDER
19	853801		1	BALL JOINT
20	13-40025--6		1	LOCKWASHER
21	11-40021--2		1	NUT
22	54-17169		1	CLAMP
23	10-16827		1	SCREW
24	84-853799A1		1	HARNESS (3.9M)
	84-853799A2		1	HARNESS (5.9M)
25	25-16226--2		1	GROMMET
26	853988A1		1	REMOTE CONTROL (WITHOUT QUICKSILVER DECAL)
27	10-853989		3	SCREW
28	23-853990		3	SPACER
29	12-853991		3	WASHER
30	11-40021--2		3	NUT
31	85-853992		2	TERMINAL EYE
32	53-16057--2		2	E RING
33	25-853993		1	GROMMET
34	19-853994		2	PLUG
35	25-853995		1	GROMMET
36	25-853995--1		1	GROMMET
37	10-853997A1		1	MOUNTING KIT-TWIN REMOTE CONTROL
38	NSS		1	THROTTLE/SHIFT CABLE (SEE ACCESSORY GUIDE)

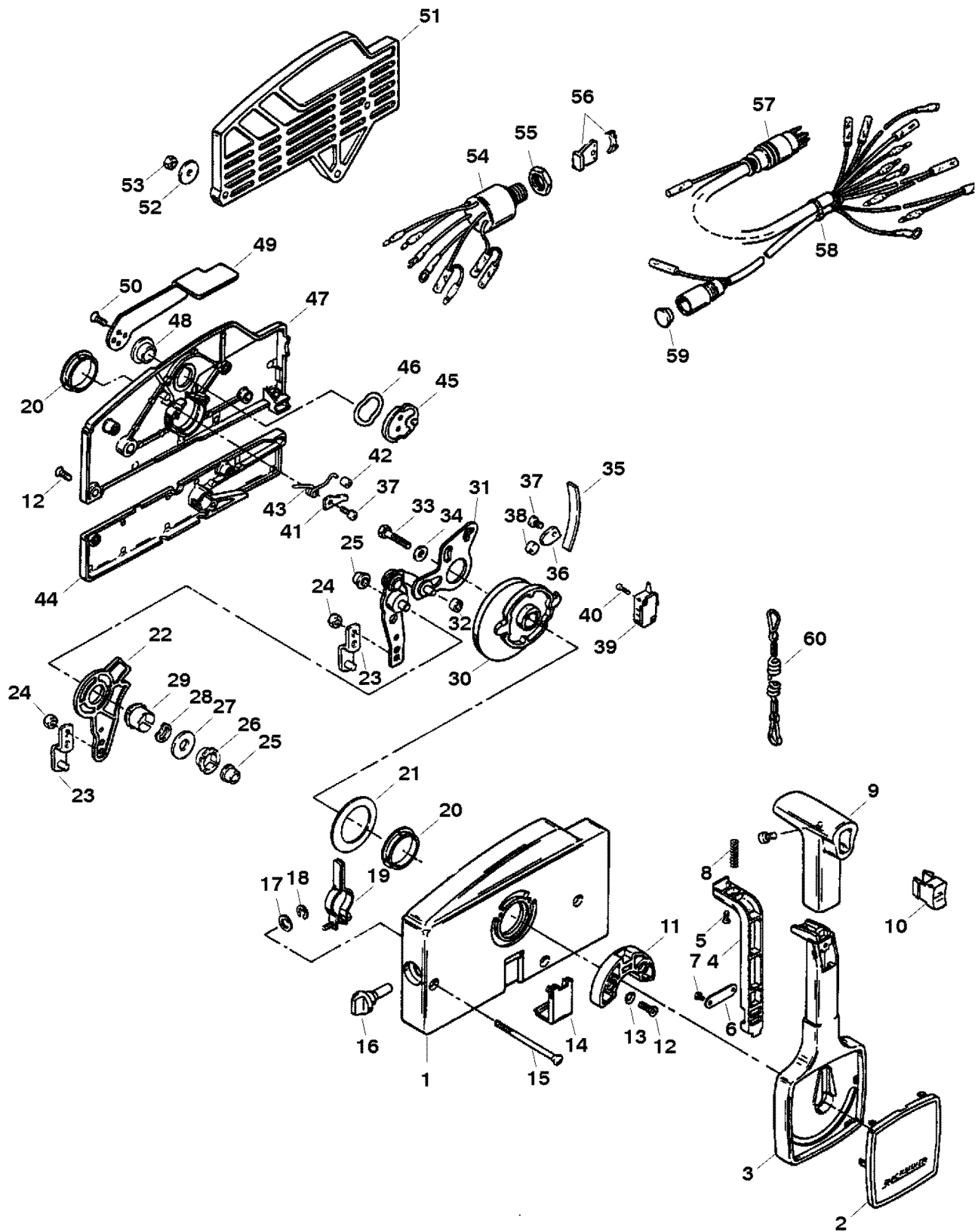
REMOTE CONTROL



REMOTE CONTROL

REF. NO.	PART NO.	SYM.	QTY.	DESCRIPTION
-	16907A1		1	REMOTE CONTROL (W/QUICKSILVER DECAL)
1	16910T		1	FRONT HOUSING
2	16916A1		1	CAP ASSEMBLY
3	16913T		1	HAND LEVER
4	16915		1	LOCK ARM
5	10-40056105		2	SCREW (M5 X 10)
6	16921		1	BRACKET
7	10-40056-85		2	SCREW (M4 X 10)
8	24-16924		1	SPRING
9	16914		1	GRIP
10	17016		1	PLUG
11	16899		1	HOLDER
12	10-40118107		7	SCREW (M5 X 18)
13	13-16923		2	LOCKWASHER
14	16917		1	COVER
15	10-40116110		3	SCREW (M6 X 110)
16	16920		1	BRAKE ADJUSTER
17	12-16896		1	WASHER
18	53-13194		1	RETAINING RING
19	16895		1	BRAKE ARM
20	23-16875		2	BEARING (1-3/4 IN. I.D.)
21	12-16874		1	WASHER
22	16918A1		1	GEAR SHIFT
23	54-85899A1		2	CLIP ASSEMBLY
24	11-40063--3		2	NUT
25	23-16871		2	BEARING (.36 IN. I.D.)
26	23-16868		1	BEARING (.75 IN. I.D.)
27	12-16870		1	WASHER
28	13-16872		1	LOCKWASHER
29	23-16869		1	BEARING (.87 IN I.D.)
30	16892		1	DRIVE GEAR
31	850723A1		1	PLATE/STUD ASSEMBLY
32	16873		1	CAM ROLLER
33	10-40071-54		1	SCREW (M8 X 30)
34	12-12038		1	WASHER

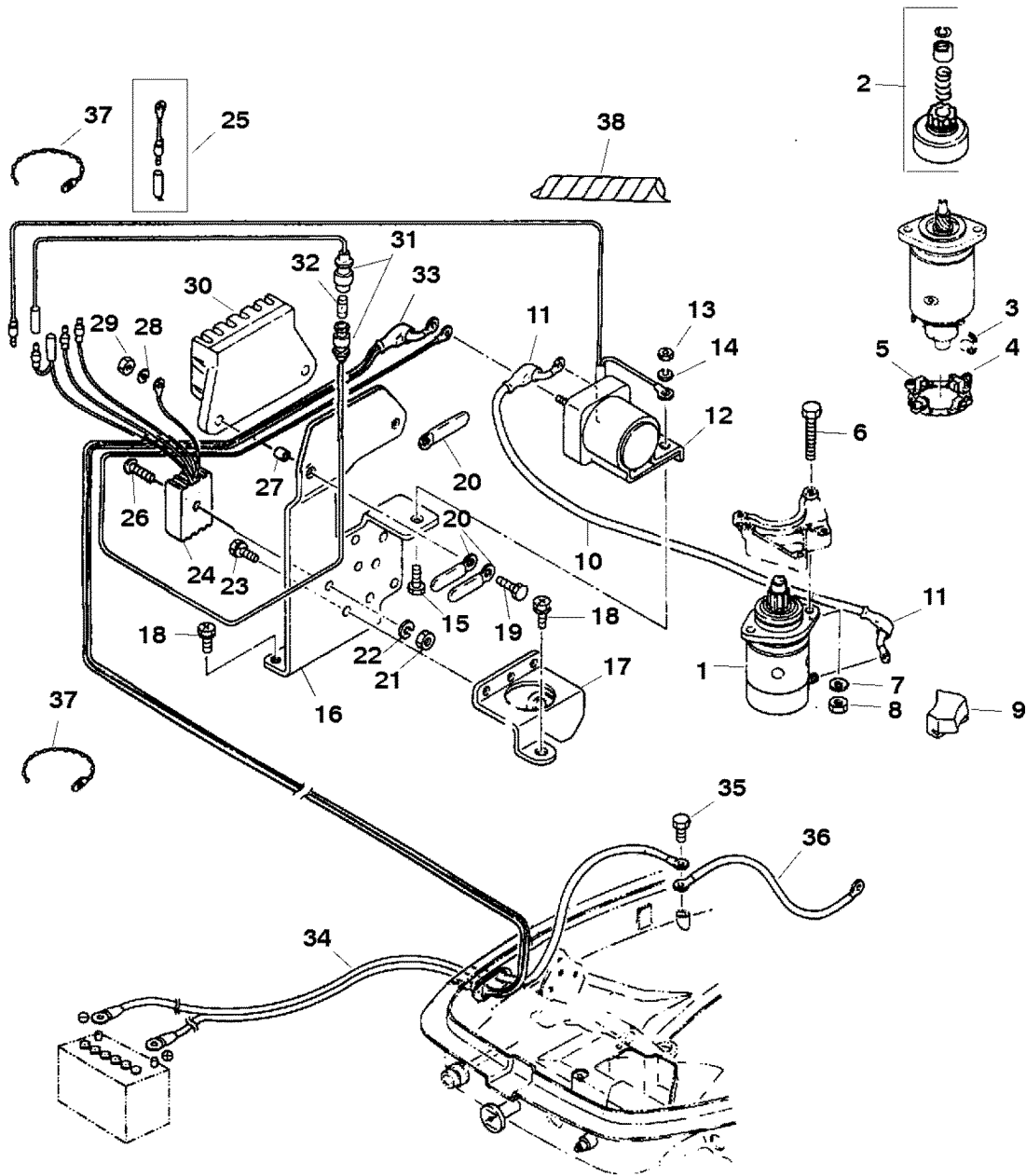
REMOTE CONTROL



REMOTE CONTROL

REF. NO.	PART NO.	SYM.	QTY.	DESCRIPTION
-	16907A1		1	REMOTE CONTROL (W/QUICKSILVER DECAL)
35	24-16882		5	SPRING
36	16880		1	CLIP
37	10-40056-83		1	SCREW (M4 X 6)
38	16879		1	ROLLER
39	87-17277		1	SWITCH
40	10-40056-47		2	SCREW (M3 X 16)
41	16886		1	CLIP
42	16884		1	ROLLER
43	24-16888		1	SPRING
44	16912T		1	COVER (BOTTOM)
45	16883		1	DRUM
46	13-16922		1	WAVE WASHER
47	16911T		1	COVER (TOP)
48	23-16887		1	BEARING (.81 IN. I.D.)
49	16919A1		1	LEVER ASSEMBLY
50	10-40118106		2	SCREW
51	17063T		1	SPACER
52	12-35280		3	WASHER
53	11-40119--6		3	NUT
54	87-17009A2		1	SWITCH (SEE BELOW FOR KEYS)
55	11-93543		1	NUT
56	90468A1		2	COVER ASSEMBLY
57	84-850731A2		1	HARNESS ASSEMBLY
58	54-816311		1	CABLE TIE
59	19-11023		1	PLUG
60	15920A54		1	LANYARD SWITCH
-	89491--1		1	KEY 1A
-	89491--2		1	KEY 1B
-	89491--3		1	KEY 1C
-	89491--4		1	KEY 1D
-	89491--5		1	KEY 1E
-	89491--6		1	KEY 1F
-	89491--7		1	KEY 2A
-	89491--8		1	KEY 2B
-	89491--9		1	KEY 2C
-	89491-10		1	KEY 2D
-	89491-11		1	KEY 2E
-	89491-12		1	KEY 2F

ELECTRIC STARTER COMPONENTS



ELECTRIC STARTER COMPONENTS

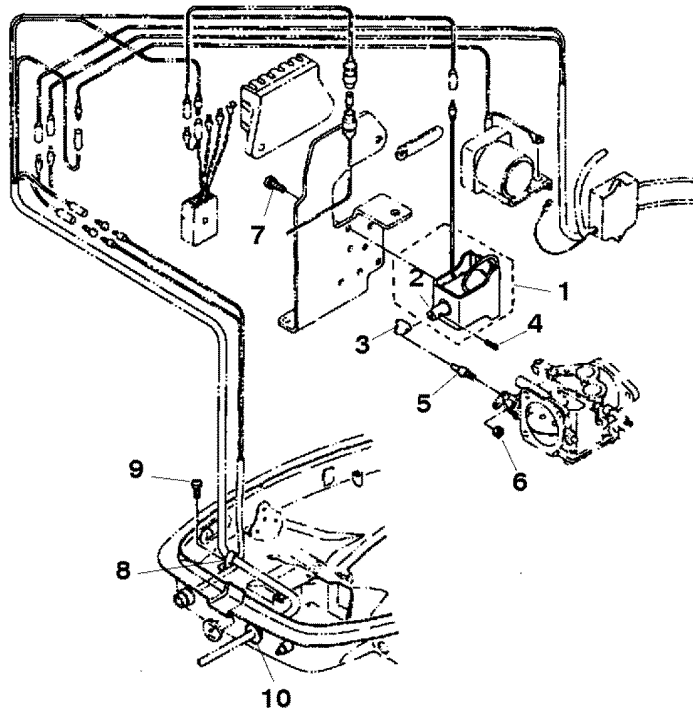
REF. NO.	PART NO.	SYM.	QTY.	DESCRIPTION
-	50-853805A4	●	1	ELECTRIC STARTER KIT (S/N-0N001324 & UP)
-	50-853805A2		1	ELECTRIC STARTER KIT (S/N-0N001323 & BELOW)
1	50-853805A1		1	STARTER MOTOR
2	853806		1	DRIVE KIT
3	853807		2	BRUSH (POSITIVE)
4	853807--1		1	BRUSH (NEGATIVE)
5	853808		1	BRUSH HOLDER
6	10-16126		2	BOLT
7	13-40025--6		2	LOCKWASHER
8	11-40021--3		2	NUT
9	853819		1	RUBBER
10	84-853815--1		1	LEAD WIRE
11	85-853816--1		2	BOOT
12	89-853809		1	STARTER SOLENOID
13	11-40021--2		1	NUT
14	13-40025--6		1	LOCKWASHER
15	10-16832		1	BOLT
16	853810		1	ELECTRICAL PLATE
17	853817		1	BRACKET
18	10-95396--4		3	BOLT
19	10-16705		2	BOLT
20	54-95306		3	CLAMP
21	11-16081		1	NUT
22	13-16079		1	LOCKWASHER
23	10-95396--3		3	BOLT
24	853811--6	●	1	RECTIFIER (S/N-0N001324 & UP)
	853811		1	RECTIFIER (S/N-0N001323 & BELOW)
25	84-803820	●	1	GROUND WIRE (S/N-0N001324 & UP)
26	10-16123		1	SCREW
27	23-95286-11		2	COLLAR
28	13-40025--6		2	LOCKWASHER
29	11-40021--2		2	NUT
30	86-853812		1	TERMINAL BLOCK
31	84-853813A1		1	CABLE ASSEMBLY
32	88-853814		1	FUSE
33	85-853816		1	BOOT
34	84-853815		1	BATTERY LEAD
35	10-16223		1	BOLT
36	84-853740--2		1	GROUND WIRE
37	54-816311		3	STA STRAP
38	853818		1	SPIRAL RAP

● = PART IS NEW AND LISTED FOR THE FIRST TIME

ELECTRIC STARTER OPTIONAL PARTS

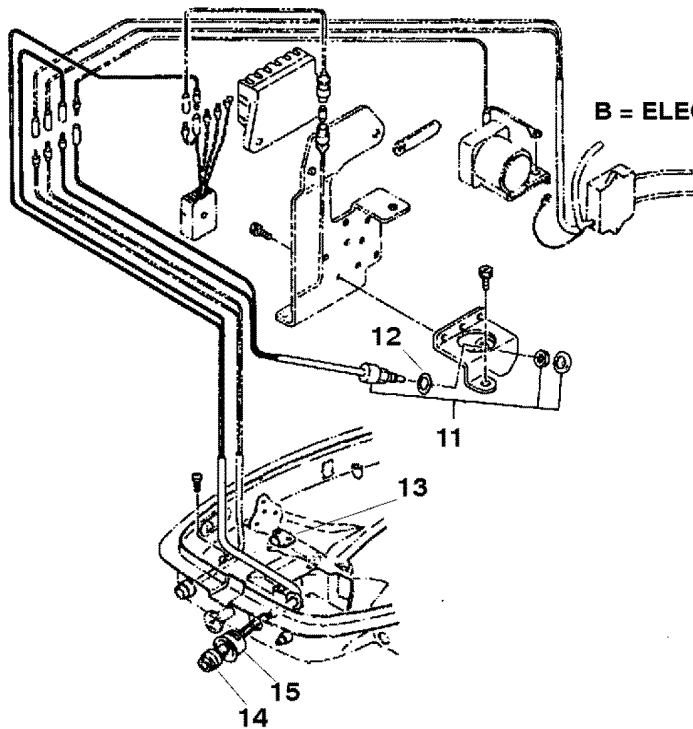
A

A = ELECTRIC REMOTE E-EL



B

B = ELECTRIC TILLER EM-EML

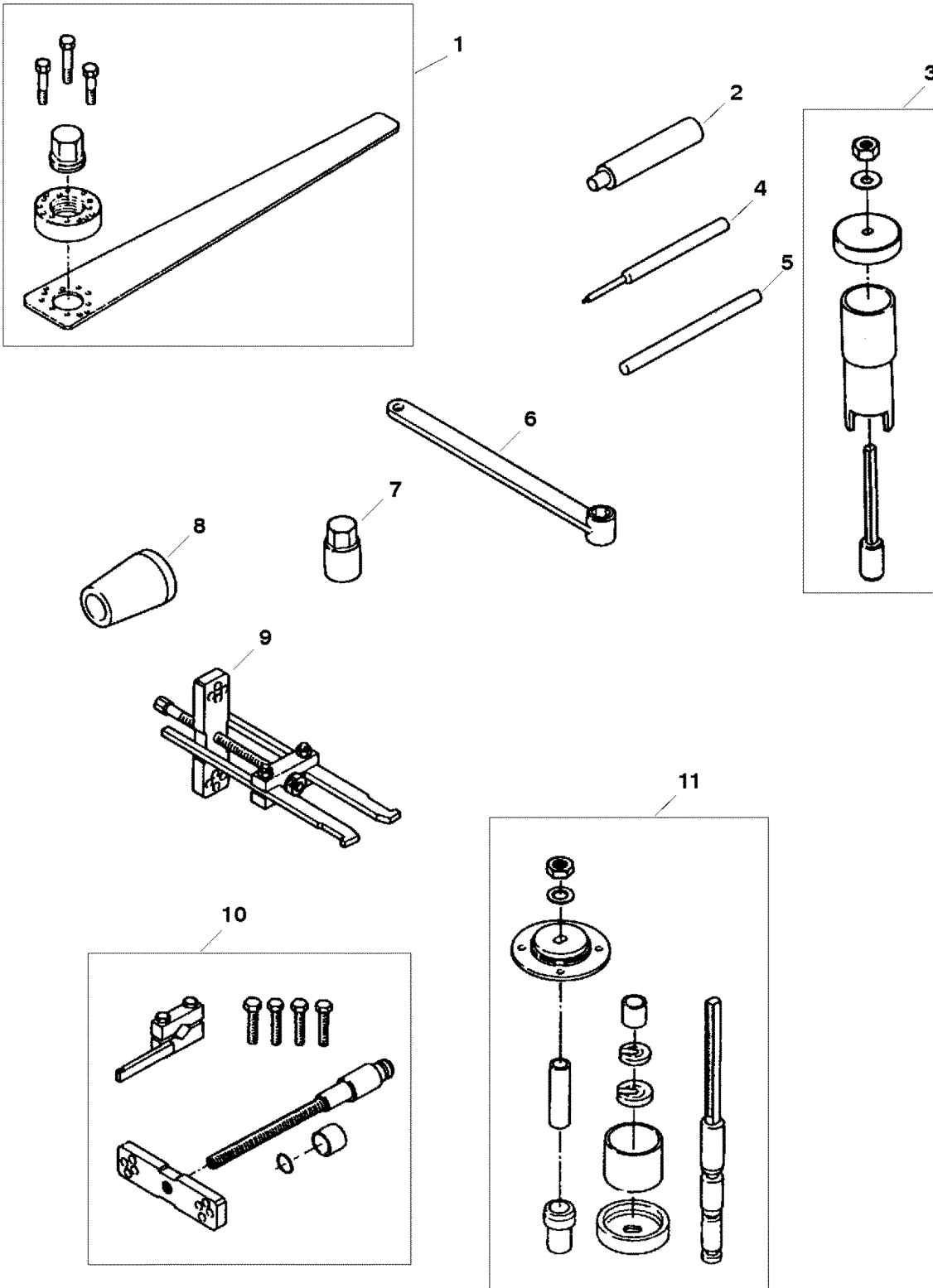


ELECTRIC STARTER OPTIONAL PARTS

REF. NO.	PART NO.	SYM.	QTY.	DESCRIPTION
1	853829A1		1	CHOKE SOLENOID
2	853830		1	PLUNGER
3	853831		1	RETAINER
4	17-95218--9		1	ROLL PIN
5	853832		1	CHOKE SHAFT ROD
6	11-853722-16		1	NUT
7	10-16245--4		3	SCREW
8	54-17169		1	CLAMP
9	10-16827		1	SCREW
10	25-16226--2		1	GROMMET
11	87-17171--1	†	1	NEUTRAL SWITCH
12	12-853822	†	1	WASHER
13	853823	†	1	PLATE
14	87-853820A1	†	1	MAIN SWITCH
15	853821	†	1	PROTECTOR

† = COMPONENT OF ELECTRIC START KIT [50-853850A2] OR [50-853805A4]

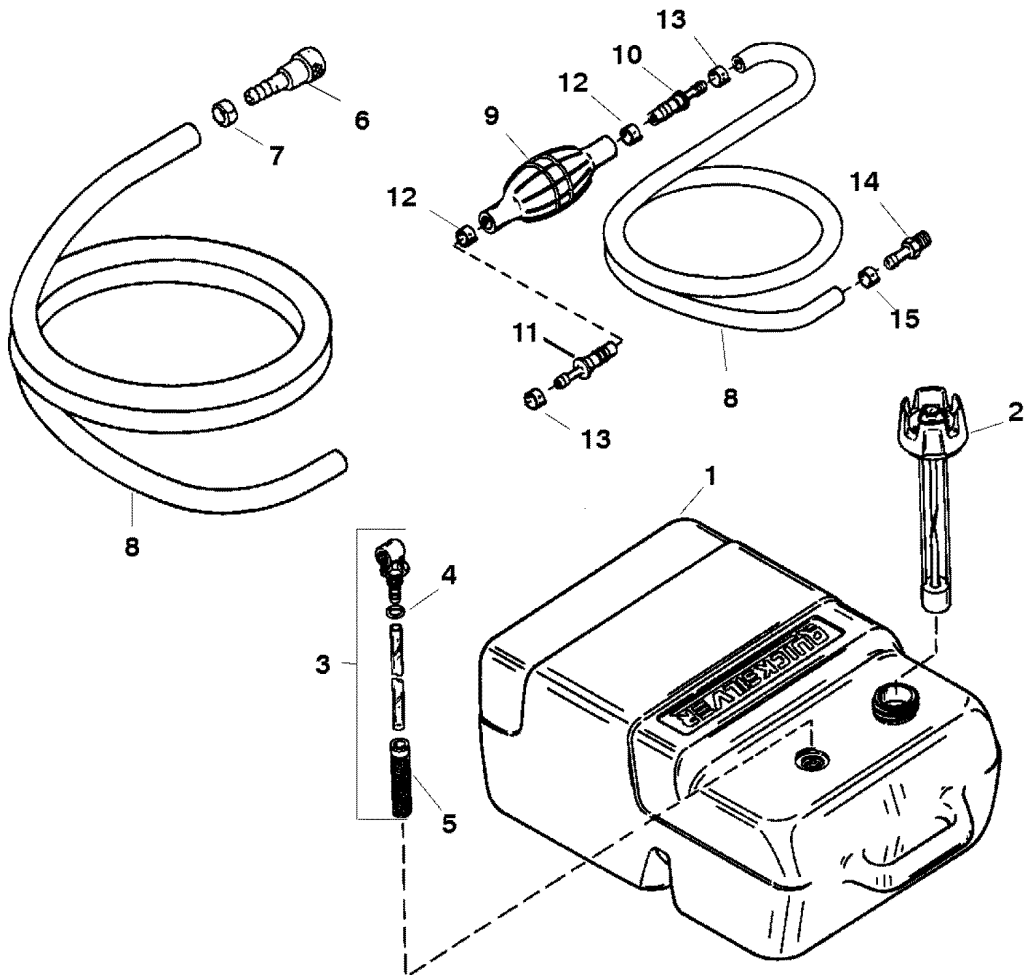
TOOLS



TOOLS

REF. NO.	PART NO.	SYM.	QTY.	DESCRIPTION
1	91-853996		1	FLYWHEEL PULLER ASSEMBLY
2	91-853996--2		1	PISTON PIN TOOL
3	91-853996-18		1	MOUNT RUBBER PULLER KIT
4	91-853996--6		1	SPRING PIN TOOL (FOR REMOVING)
5	91-853996--8		1	SPRING PIN TOOL (FOR REPLACING)
6	91-853996-12		1	WRENCH-BEVEL GEAR B NUT
7	91-853996-14		1	SOCKET-BEVEL GEAR B NUT
8	91-853996-10		1	CLUTCH PIN SNAP TOOL
9	91-853996--4		1	PULLER-BEVEL GEAR A BEARING
10	91-853996-16		1	BACKLASH MEASURING TOOL
11	91-853996-20		1	NEEDLE ROLLER BEARING PULLER
-	91-24697		1	PISTON RING TOOL (NOT SHOWN)

FUEL TANK (PLASTIC - 6.6 GALLON)



FUEL TANK (PLASTIC - 6.6 GALLON)

REF. NO.	PART NO.	SYM.	QTY.	DESCRIPTION
1	1259-823504A1		1	TANK ASSEMBLY-FUEL (PLASTIC-6.6 GALLON)
2	823536		1	GAUGE AND CAP ASSEMBLY
3	22-823532		1	CONNECTOR ASSEMBLY-FUEL
4	25-823533		1	O RING
5	35-823534		1	SCREEN-FUEL PICK UP
6	22-853736--1		1	FUEL CONNECTOR-ENGINE END
7	54-853798		1	CLAMP
8	32-16789A42		1	FUEL LINE ASSEMBLY
9	13330A3		1	PRIMER BULB ASSEMBLY
10	21-13331A1		1	CHECK VALVE (INLET)
11	21-13331A2		1	CHECK VALVE (OUTLET)
12	54-41582-10		2	CLAMP (LARGE)
13	54-41582--7		2	CLAMP (SMALL)
14	22-89771--1		1	CONNECTOR-FUEL TANK
15	54-41582--7		1	CLAMP

PARTS INDEX

Part Number	Description	Pg.	Ref. No.	Part Number	Description	Pg.	Ref. No.
13330A3	PRIMER BULB ASSEMBLY	63	9	16907A1	REMOTE CONTROL (W/QUICKSILVER DECAL)	55	-
15920A54	LANYARD SWITCH	55	60	16910T	FRONT HOUSING	53	1
16058--1	STATOR	9	12	16911T	COVER (TOP)	55	47
16061--1	C.D. UNIT	9	26	16912T	COVER (BOTTOM)	55	44
16061--3	C.D. UNIT	9	26	16913T	HAND LEVER	53	3
16064--2	IGNITION COIL	9	19	16914	GRIP	53	9
16064--3	IGNITION COIL	9	19	16915	LOCK ARM	53	4
16066--2	TRIGGER	9	8	16916A1	CAP ASSEMBLY	53	2
16074--1	CHARGER COIL	9	6	16917	COVER	53	14
16074--3	CHARGER COIL	9	6	16918A1	GEAR SHIFT	53	22
16075--2	TILLER HANDLE	37	1	16919A1	LEVER ASSEMBLY	55	49
16075--3	TILLER HANDLE	37	1	16920	BRAKE ADJUSTER	53	16
16086--1	GRIP	37	3	16921	BRACKET	53	6
16093--1	THROTTLE SHAFT	37	10	17016	PLUG	53	10
16093--2	THROTTLE SHAFT	13	26	17026	BALL HOLDER	51	18
16093--2	THROTTLE SHAFT	37	16	17027	CAP	51	17
16110--2	SEAL PLATE	5	21	17063T	SPACER	55	51
16133	STRAINER	43	8	17643	ROD SNAP	7	7
16145--2	THRUST HUB	47	61	17643	ROD SNAP	13	23
16152--1	CAM FOLLOWER	47	44	808599	CAP	31	3
16157--2	INSERT	45	37	810751--1	SEAL	3	2
16159--2	WEAR PLATE	45	34	810753--1	LOCK PLATE	41	41
16172--2	SHIFT CAM	43	12	812632--1	STARTER HOUSING	5	1
16173--2	CAM ROD	43	13	812632--1	STARTER HOUSING	7	25
16174--2	CAM ROD	43	13	812632A2	RECOIL STARTER ASSEMBLY	5	-
16174--3	CAM ROD	43	13	812633--1	REEL	5	3
16174--4	CAM ROD	43	13	812635--1	RATCHET	5	12
16184--2	SHIFT ROD LEVER	39	30	812640--1	STARTER HANDLE	5	22
16186--2	SHIFT ROD	39	25	812642--1	PULLEY	5	33
16198--1	TILT PIN	33	7	812650--1	MAIN NOZZLE	17	16
16204--1	UPPER THRUST PLATE	31	13	813027--3	SHIFT LEVER	39	26
16204--2	LOWER THRUST PLATE	31	19	813027--4	SHIFT LEVER	39	26
16205--2	FRICITION PLATE	31	5	813046--1	CRANK PIN	25	3
16210--1	SET PLATE	33	17	823054	LAYNARD	9	37
16213--1	REVERSE LOCK	33	27	823536	GAUGE AND CAP ASSEMBLY	63	2
16213--2	REVERSE LOCK ARM	33	23	823913	ANODE	21	27
16218--2	HOOK LEVER	3	22	823913	ANODE	33	11
16218--3	HOOK LEVER	3	22	825112--1	TILT STOPPER	33	18
16218--6	HOOK LEVER	3	22	825112--2	TILT STOPPER	33	18
16218--7	HOOK LEVER	3	22	825113--1	BRACKET	33	20
16222--1	HOOK COVER	3	17	825119A1	BEARING CARRIER	47	54
16250--1	MAIN JET (#155)	17	17	825119A2	BEARING CARRIER	47	54
16251--1	SLOW JET (#85)	17	14	832586A1	TILLER HANDLE KIT	49	-
16252	CAP	17	15	832586A2	TILLER HANDLE KIT	49	-
16253--1	FLOAT	17	18	850723A1	PLATE/STUD ASSEMBLY	53	31
16254--1	FLOAT NEEDLE	17	11	853704	THERMOSTAT	21	22
16258--2	FLOAT BOWL	17	21	853705	COVER	21	20
16333--1	SNAP ROD	17	25	853706	EXHAUST COVER	21	29
16841A1	FLUSHING PLUG	49	3	853710	SET RING	7	24
16873	CAM ROLLER	53	32	853710	SET RING	9	15
16879	ROLLER	55	38	853710	SET RING	13	25
16880	CLIP	55	36	853710	TIMING PLATE	21	14
16883	DRUM	55	45	853711	GUIDE PLATE	9	14
16884	ROLLER	55	42	853711	GUIDE PLATE	21	15
16886	CLIP	55	41	853712	THRUST RING	21	32
16892	DRIVE GEAR	53	30	853717A1	INLET MANIFOLD ASSEMBLY	27	1
16895	BRAKE ARM	53	19				
16899	HOLDER	53	11				
16907A1	REMOTE CONTROL (W/QUICKSILVER DECAL)	53	-				

PARTS INDEX

Part Number	Description	Pg.	Ref. No.	Part Number	Description	Pg.	Ref. No.
853717A4	INLET MANIFOLD ASSEMBLY	27	1	853765	PIPE	43	24
853719	REED BLOCK ASSEMBLY	27	7	853766	PLATE	41	38
853721	VALVE PIN	17	12	853766	STOPPER PLATE	7	26
853724	CHOKE KNOB	19	35	853767	BRACKET	39	33
853725	CHOKE LEVER	17	30	853768	SHIFT ROD JOINT	39	22
853726	BRACKET-CHOKE LEVER	17	29	853769	TILT TUBE	33	5
853727	CHOKE LINK ROD	17	26	853770A1	STEERING SHAFT	31	10
853728	COVER	17	27	853770A2	STEERING SHAFT	31	10
853728--1	COVER	17	27	853771	UPPER MOUNT	39	13
853729A1	FUEL PUMP ASSEMBLY	15	1	853771--1	LOWER MOUNT	39	7
853730	COVER	15	3	853772	RETAINER	39	10
853731	DIAPHRAGM	15	4	853772--1	LOCK PLATE	31	17
853731--1	DIAPHRAGM	15	11	853773	BUMPER	39	14
853732	CHECK VALVE	15	8	853773--1	BUMPER	31	21
853734	SCREEN	15	16	853774	STOP	33	21
853735	CUP	15	18	853775	GRIP	35	36
853737A1	COIL PLATE ASSEMBLY	9	5	853776	STOPPER	35	37
853737A3	COIL PLATE ASSEMBLY	9	5	853779--1	AIR INLET	3	3
853738	WIRE GUIDE	9	11	853779--2	AIR INLET	3	3
853739	ELECTRICAL PLATE	9	25	853780A1	CARB REPAIR KIT	19	-
853741	CAP	9	33	853780A1	CARB REPAIR KIT	27	-
853742	ACTUATOR ARM	13	10	853783A1	EXTENSION KIT	29	1
853742--2	ACTUATOR ARM	13	10	853783A2	EXTENSION KIT	29	1
853744	BALL JOINT	7	23	853784A1	EXTENSION KIT	29	2
853744	BALL JOINT	13	1	853784A2	EXTENSION KIT	29	2
853745	BALL SOCKET	7	21	853786	BOTTOM YOKE	31	20
853745	SOCKET	13	2	853786--1	BOTTOM YOKE	31	20
853745--1	ROD JOINT	7	13	853787A1	POWERHEAD	23	-
853745--1	ROD JOINT	13	13	853787A1	POWERHEAD	25	-
853746	LINK ROD	13	4	853787A1	POWERHEAD	27	-
853746--1	ROD-THROTTLE STOP ARM	7	22	853787A1	POWERHEAD	41	-
853746--2	LINK ROD	13	4	853787A2	POWERHEAD	23	-
853747	LINK ROD	13	11	853787A2	POWERHEAD	25	-
853747--1	THROTTLE LINK ROD	13	24	853787A2	POWERHEAD	27	-
853747--2	ROD-STARTER LOCK ARM	7	17	853787A2	POWERHEAD	41	-
853747--3	STARTER LOCK ROD	7	6	853788	ROLLER	17	7
853747--4	REVERSE LOCK ROD	33	28	853792A1	WATER PUMP REPAIR KIT	45	-
853747--5	REVERSE LOCK LINK	33	31	853792A2	CHROME WATER PUMP REPAIR KIT	45	-
853747--6	LINK ROD	13	11	853794	RETAINER	43	20
853748	ROD SNAP	7	18	853796	SPACER PIN	33	15
853748	ROD SNAP	13	12	853800A1	REMOTE CONTROL ATTACHING KIT	51	-
853749	PIN	13	14	853801	BALL JOINT	51	19
853750	THROTTLE CAM	13	20	853802	THROTTLE CABLE RETAINER	51	13
853750--3	THROTTLE CAM	13	20	853802--1	SHIFT CABLE RETAINER	51	5
853752	BRACKET	37	15	853802--2	STEERING PLATE	51	8
853753	STARTER SHAFT	5	6	853804	CONNECTOR SHIFT KIT	51	1
853754	GUIDE	5	18	853806	DRIVE KIT	57	2
853755	RETAINER	5	25	853807	BRUSH (POSITIVE)	57	3
853756	PLATE	5	26	853807--1	BRUSH (NEGATIVE)	57	4
853757	LEVER-SHIFT INTERLOCK	5	17	853808	BRUSH HOLDER	57	5
853758	STARTER BRACKET	5	35	853810	ELECTRICAL PLATE	57	16
853758--1	STARTER BRACKET	5	35	853811	RECTIFIER	57	24
853759	INTERLOCK LEVER	7	8	853811--1	RECTIFIER KIT	49	10
853759--1	REVERSE LOCK LEVER	33	32	853811--6	RECTIFIER	57	24
853760	STOP LEVER	7	19	853811--7	RECTIFIER KIT	49	10
853761	STARTER LOCK LEVER	7	4	853817	BRACKET	57	17
853762	TRIM TAB	43	10	853818	SPIRAL RAP	57	38
853763	WATER STRAINER SET	43	5				
853764	HOLDER	47	46				

PARTS INDEX

Part Number	Description	Pg.	Ref. No.	Part Number	Description	Pg.	Ref. No.
853819	RUBBER	57	9	10-16705	BOLT	51	3
853821	PROTECTOR	59	15	10-16705	BOLT	57	19
853823	PLATE	59	13	10-16705--1	BOLT	33	10
853824A1	DRAG LINK ASSEMBLY	49	4	10-16821	SCREW	9	7
853825	CAP	49	5	10-16827	SCREW	51	23
853827A1	REVERSE LOCK KIT	49	7	10-16827	SCREW	59	9
853828	HANDLE (0.8M)	49	12	10-16828	BOLT	9	35
853828--1	HANDLE (1.0M)	49	12	10-16828--2	BOLT	21	19
853829A1	CHOKE SOLENOID	59	1	10-16828--3	BOLT	21	16
853830	PLUNGER	59	2	10-16828--4	BOLT	5	32
853831	RETAINER	59	3	10-16828--4	BOLT	27	3
853832	CHOKE SHAFT ROD	59	5	10-16828--5	BOLT	17	28
853986	SEAL	39	17	10-16830	BOLT	3	24
853988A1	REMOTE CONTROL (WITHOUT QUICKSILVER DECAL)	51	26	10-16830--1	BOLT	11	40
89491--1	KEY 1A	55	-	10-16830--2	BOLT	37	14
89491--2	KEY 1B	55	-	10-16830--3	BOLT	5	27
89491--3	KEY 1C	55	-	10-16830--3	BOLT	5	9
89491--4	KEY 1D	55	-	10-16832	BOLT	21	26
89491--5	KEY 1E	55	-	10-16832	BOLT	23	37
89491--6	KEY 1F	55	-	10-16832	BOLT	39	34
89491--7	KEY 2A	55	-	10-16832	BOLT	57	15
89491--8	KEY 2B	55	-	10-17635	SCREW	43	6
89491--9	KEY 2C	55	-	10-40003-30	BOLT	5	19
89491-10	KEY 2D	55	-	10-40003-30	BOLT	5	29
89491-11	KEY 2E	55	-	10-40003-54	BOLT	31	7
89491-12	KEY 2F	55	-	10-40003-54	BOLT	47	59
90468A1	COVER ASSEMBLY	55	56	10-40056-47	SCREW (M3 X 16)	55	40
95268--3	THROTTLE LEVER	17	6	10-40056-83	SCREW (M4 X 6)	55	37
10-16094--1	SCREW	43	9	10-40056-85	SCREW (M4 X 10)	53	7
10-16123	SCREW	57	26	10-40056105	SCREW (M5 X 10)	53	5
10-16126	BOLT	29	7	10-40071-54	SCREW (M8 X 30)	53	33
10-16126	BOLT	57	6	10-40116110	SCREW (M6 X 110)	53	15
10-16126--1	BOLT	39	15	10-40118106	SCREW	55	50
10-16126--1	BOLT	47	66	10-40118107	SCREW (M5 X 18)	53	12
10-16126--2	BOLT	29	8	10-812935--1	IDLE SCREW	17	4
10-16126--2	BOLT	39	15	10-812935--2	BOLT	37	11
10-16126--3	BOLT	35	38	10-812935--3	BOLT	39	11
10-16200A1	THUMB SCREW KIT	33	9	10-812935--4	BOLT	39	4
10-16200A2	THUMB SCREW KIT	33	9	10-815046--1	SCREW	37	4
10-16211--1	BOLT	17	34	10-815068--1	BOLT	21	31
10-16211--1	BOLT	43	18	10-815068--1	BOLT	51	11
10-16223	BOLT	3	14	10-823031--1	SCREW	27	8
10-16223	BOLT	17	31	10-823031--2	SCREW	9	9
10-16223	BOLT	57	35	10-823031--3	SCREW	9	13
10-16245--1	SCREW	15	24	10-823031--4	SCREW	9	10
10-16245--2	SCREW	13	18	10-823031--5	SCREW	9	4
10-16245--3	SCREW	7	9	10-823031--6	SCREW	11	38
10-16245--4	SCREW	59	7	10-823042	BOLT	9	21
10-16257--1	SCREW	17	10	10-823042--1	BOLT	9	27
10-16260--1	SCREW	17	24	10-823042--2	BOLT	37	12
10-16260--2	SCREW	9	16	10-823042--3	BOLT	39	2
10-16261--1	DRAIN SCREW	17	22	10-823042--4	BOLT	43	11
10-16261--2	BOLT	33	33	10-823042--5	BOLT	45	39
10-16263	STOP SCREW	17	2	10-823042--6	BOLT	33	16
10-16267--1	SCREW	15	2	10-823042--6	BOLT	39	9
10-16695--1	BOLT	21	4	10-823042--7	BOLT	31	9
10-16695--2	BOLT	21	5	10-823042--8	BOLT	51	7
10-16698--1	BOLT	21	24	10-853697	BOLT	25	19
				10-853698	SCREW	15	7
				10-853699	SCREW	13	5

PARTS INDEX

Part Number	Description	Pg.	Ref. No.	Part Number	Description	Pg.	Ref. No.
10-853700	SCREW	33	24	12-16238	WASHER	5	11
10-853989	SCREW	51	27	12-16238--1	WASHER	21	25
10-853997A1	MOUNTING KIT-TWIN REMOTE CONTROL	51	37	12-16238--2	WASHER	31	16
10-95396--1	BOLT	41	42	12-16335	WASHER	7	3
10-95396--2	SCREW	41	39	12-16826	WASHER	7	20
10-95396--3	BOLT	57	23	12-16826	WASHER	33	14
10-95396--4	BOLT	57	18	12-16826	WASHER	41	35
11-16081	NUT	51	14	12-16826--1	WASHER	39	8
11-16081	NUT	57	21	12-16870	WASHER	53	27
11-16147--1	PROP NUT	47	64	12-16874	WASHER	53	21
11-17480	NUT	15	21	12-16896	WASHER	53	17
11-40021--2	NUT	3	4	12-17029	WASHER	51	2
11-40021--2	NUT	9	24	12-35280	WASHER	55	52
11-40021--2	NUT	27	6	12-40022-17	WASHER	5	36
11-40021--2	NUT	33	12	12-40022-17	WASHER	5	7
11-40021--2	NUT	35	40	12-40022-17	WASHER	21	6
11-40021--2	NUT	51	21	12-809931044	WASHER	27	10
11-40021--2	NUT	51	30	12-853701	WASHER	13	8
11-40021--2	NUT	51	6	12-853701	WASHER	15	13
11-40021--2	NUT	57	13	12-853701	WASHER	29	5
11-40021--2	NUT	57	29	12-853701	WASHER	29	9
11-40021--3	NUT	5	15	12-853701	WASHER	39	16
11-40021--3	NUT	29	6	12-853701	WASHER	39	3
11-40021--3	NUT	51	10	12-853701	WASHER	47	60
11-40021--3	NUT	57	8	12-853701	WASHER	47	67
11-40021--3	NUT	53	24	12-853701--1	WASHER	9	3
11-40119--6	NUT	55	53	12-853822	WASHER	59	12
11-815088	NUT	13	9	12-853991	WASHER	51	29
11-853722	NUT	17	9	12-95379	PAD	33	3
11-853722--1	NUT	17	33	12-95392	WASHER	3	6
11-853722--2	NUT	15	6	12-95392--1	WASHER	3	16
11-853722--3	NUT	11	41	12-95392--1	WASHER	7	10
11-853722--3	NUT	15	14	12-95392--1	WASHER	9	28
11-853722--4	NUT	9	2	12-95392--1	WASHER	13	19
11-853722--5	NUT	7	16	12-95392--1	WASHER	33	25
11-853722--5	NUT	13	3	12-95392--1	WASHER	33	35
11-853722--6	NUT	13	15	12-95392--1	WASHER	43	19
11-853722--7	NUT	37	13	12-95392--2	WASHER	3	19
11-853722--8	NUT	5	37	12-95392--3	WASHER (RUBBER)	9	29
11-853722--9	CAP NUT	7	1	12-95392--4	WASHER (RUBBER)	9	31
11-853722-10	NUT	43	7	12-95392--5	WASHER	7	14
11-853722-11	PINION NUT	43	21	12-95392--5	WASHER	13	16
11-853722-12	NUT	39	31	13-16079	LOCKWASHER	51	12
11-853722-13	NUT	33	6	13-16079	LOCKWASHER	57	22
11-853722-14	CAP NUT	33	4	13-16221	WAVE WASHER	3	18
11-853722-15	NUT	31	18	13-16818	LOCKWASHER	27	9
11-853722-16	NUT	59	6	13-16872	LOCKWASHER	53	28
11-93543	NUT	55	55	13-16922	WAVE WASHER	55	46
12-12038	WASHER	53	34	13-16923	LOCKWASHER	53	13
12-16140--1	WASHER	47	52	13-17641	WAVE WASHER	33	34
12-16140--2	WASHER	47	63	13-40025--6	LOCKWASHER	3	15
12-16140--3	WASHER	31	12	13-40025--6	LOCKWASHER	3	25
12-16140--4	WASHER	3	26	13-40025--6	LOCKWASHER	3	5
12-16140--5	WASHER	39	5	13-40025--6	LOCKWASHER	5	20
12-16140--6	WASHER	39	12	13-40025--6	LOCKWASHER	5	28
12-16140--7	WASHER	39	6	13-40025--6	LOCKWASHER	5	31
12-16192	WASHER	35	39	13-40025--6	LOCKWASHER	5	8
12-16192	WASHER	37	20	13-40025--6	LOCKWASHER	9	23
12-16192	WASHER	51	9	13-40025--6	LOCKWASHER	23	38
				13-40025--6	LOCKWASHER	27	5

PARTS INDEX

Part Number	Description	Pg.	Ref. No.	Part Number	Description	Pg.	Ref. No.
13-40025--6	LOCKWASHER	33	13	22-95368	PLUG	43	3
13-40025--6	LOCKWASHER	51	20	23-16176--2	BUSHING	43	15
13-40025--6	LOCKWASHER	51	4	23-16191	SPACER	37	7
13-40025--6	LOCKWASHER	57	14	23-16220--1	BUSHING	3	20
13-40025--6	LOCKWASHER	57	28	23-16336	BUSHING	37	8
13-40025--6	LOCKWASHER	57	7	23-16868	BEARING (.75 IN. I.D.)	53	26
13-853723	LOCKWASHER	17	8	23-16869	BEARING (.87 IN. I.D.)	53	29
13-853723--1	WAVE WASHER	17	32	23-16871	BEARING (.36 IN. I.D.)	53	25
13-853723--2	WAVE WASHER	7	11	23-16875	BEARING (1-3/4 IN. I.D.)	53	20
13-853723--2	WAVE WASHER	13	21	23-16887	BEARING (.81 IN. I.D.)	55	48
13-853723--2	WAVE WASHER	37	9	23-853715	SPACER	25	22
13-853723--3	LOCKWASHER	5	16	23-853715--1	SPACER	9	22
15-16163	SHIM (0.1)	47	41	23-853715--2	SPACER	37	5
15-813276	SHIM (0.15)	47	41	23-853715--3	SPACER	39	27
15-813276001	SHIM (0.1)	43	28	23-853715--4	SPACER	3	27
15-813276003	SHIM (0.3)	43	28	23-853743	BUSHING	13	7
15-813276005	SHIM (0.5)	43	28	23-853743--1	BUSHING	13	22
15-813276015	SHIM (0.15)	43	28	23-853743--2	BUSHING	5	13
15-853716	SHIM	25	21	23-853743--3	BUSHING	7	12
15-853795	SHIM	39	32	23-853743--4	BUSHING	39	29
16-853718	STUD	27	2	23-853743--5	BUSHING	31	4
16-853718--1	STUD	13	6	23-853743--6	BUSHING	31	15
16-853718--2	STUD	5	34	23-853743--7	RUBBER BUSHING	3	28
16-853789	STUD	29	3	23-853826	SPACER	49	6
16-853789--1	STUD	29	4	23-853990	SPACER	51	28
17-16119	DOWEL PIN	39	20	23-95286--8	COLLAR	9	30
17-16150--1	PIN	47	49	23-95286--9	COLLAR	37	19
17-16179	PIN	43	14	23-95286-10	COLLAR	37	21
17-16256	ARM	17	19	23-95286-11	COLLAR	57	27
17-95218--4	DOWEL PIN	21	3	24-16264	SPRING	17	3
17-95218--5	DOWEL PIN	25	9	24-16266--1	SPRING	17	5
17-95218--6	ROLL PIN	37	23	24-16266--2	SPRING	15	9
17-95218--7	ROLL PIN	5	14	24-16266--3	SPRING	15	10
17-95218--8	DOWEL PIN	45	31	24-16882	SPRING	55	35
17-95218--9	DOWEL PIN	39	23	24-16888	SPRING	55	43
17-95218--9	ROLL PIN	59	4	24-16924	SPRING	53	8
17-95218-10	ROLL PIN	33	19	24-17028	SPRING	51	16
18-815026--1	COTTER PIN	19	36	24-17667--2	SPRING	47	50
18-815026--1	COTTER PIN	33	29	24-812634--1	SPRING	5	4
18-815026--2	COTTER PIN	7	15	24-812634--2	SPRING	5	5
18-815026--2	COTTER PIN	13	17	24-812645--1	SPRING	5	2
18-815026--3	COTTER PIN	37	6	24-812645--2	SPRING	7	2
18-815026--4	COTTER PIN	47	65	24-812645--3	SPRING	47	47
19-11023	PLUG	55	59	24-812645--4	SPRING	43	23
19-16116	WATER PLUG	39	18	24-812645--5	SPRING	33	8
19-853994	PLUG	51	34	24-813028--1	SPRING	41	36
21-13331A1	CHECK VALVE (INLET)	63	10	24-95383--1	SPRING	31	6
21-13331A2	CHECK VALVE (OUTLET)	63	11	24-95383--2	SPRING	33	22
21-853696	VALVE BLEED	21	7	24-95383--3	SPRING	33	30
22-812960--1	FITTING	21	8	24-95383--4	SPRING	33	26
22-812960--2	FITTING-TELL-TALE	21	2	24-95383--5	SPRING	33	26
22-812960--3	FITTING-TELL-TALE	3	23	25-16109	O RING	5	23
22-823532	CONNECTOR ASSEMBLY- FUEL	63	3	25-16131--1	O RING	47	55
22-824969	GREASE FITTING	31	2	25-16177--2	O RING	43	16
22-853736	FUEL CONNECTOR-ENGINE END	15	22	25-16178--2	O RING	43	17
22-853736--1	FUEL CONNECTOR-ENGINE END	63	6	25-16226	GROMMET	37	18
22-89771--1	CONNECTOR-FUEL TANK	63	14	25-16226--1	GROMMET	3	12
				25-16226--2	GROMMET	51	25
				25-16226--2	GROMMET	59	10
				25-16228--1	GROMMET	3	7

PARTS INDEX

Part Number	Description	Pg.	Ref. No.	Part Number	Description	Pg.	Ref. No.
25-16231--1	GROMMET	3	13	30-812937	BALL	41	37
25-16231--2	GROMMET	3	11	31-813048--2	BEARING-NEEDLE	25	5
25-16231--3	GROMMET	49	9	31-813048--3	NEEDLE BEARING	25	16
25-16259--1	O RING	17	20	31-813048--4	NEEDLE BEARING	43	2
25-16823	GROMMET	37	17	31-813048--5	NEEDLE BEARING	47	57
25-823533	O RING	63	4	32-16169--1	WATER TUBE	41	40
25-853709	O RING	21	11	32-16170--1	WATER TUBE	41	40
25-853709--1	O RING	21	35	32-16170--2	WATER TUBE	41	40
25-853709--2	O RING	17	23	32-16170--3	WATER TUBE	41	40
25-853709--3	BUSHING	19	37	32-16789A42	FUEL LINE ASSEMBLY	63	8
25-853709--4	GROMMET	39	24	32-824965--1	TUBING	15	20
25-853709--5	GROMMET	3	10	32-824965--2	TUBING	15	26
25-853709--6	O RING	45	30	32-824965--3	TUBING	15	23
25-853803	GROMMET	51	15	32-95223--4	TUBING	21	10
25-853993	GROMMET	51	33	32-95394	HOSE-TELLTALE	21	28
25-853995	GROMMET	51	35	33-41263M	SPARK PLUG	21	23
25-853995--1	GROMMET	51	36	33-828942	SPARK PLUG	21	23
26-16130--1	OIL SEAL	47	58	35-823534	SCREEN-FUEL PICK UP	63	5
26-16162--2	OIL SEAL	45	29	35-853733A1	FUEL FILTER	15	15
26-16168--1	SEAL	45	40	37-16090	DECAL-THROTTLE	37	2
26-16171--1	SEAL	41	43	37-853797A1	DECAL SET	3	8
26-16219--1	SEAL RING	3	21	37-853797A2	DECAL SET	3	8
26-853707	OIL SEAL-UPPER	21	12	39-16054A4	PISTON SET	25	15
26-853707--1	OIL SEAL-LOWER	21	33	39-16055A4	PISTON SET	25	15
26-853707--2	OIL SEAL	21	34	41-16056--1	PISTON PIN	25	13
26-853707--3	LABYRINTH SEAL	25	8	43-16138--1	PINION GEAR	43	22
26-853707--4	SEAL	41	44	43-812944--1	FORWARD GEAR	47	43
26-853707--5	OIL SEAL	39	28	43-812945--2	REVERSE GEAR	47	53
26-853707--6	OIL SEAL	31	14	43-853751	UNIVERSAL PINION	37	22
27-16158--2	GASKET	45	35	44-19513--1	PROPELLER SHAFT	47	51
27-16160--2	GASKET	45	33	45-16135--2	DRIVESHAFT	43	25
27-812939--1	GASKET	21	18	45-16136--2	DRIVESHAFT	43	25
27-812939--2	GASKET	21	30	45-16136--3	DRIVESHAFT	43	25
27-812939A1	POWERHEAD GASKET SET	5	-	45-16136--4	DRIVESHAFT	43	25
27-812939A1	POWERHEAD GASKET SET	15	-	46-16156--2	WATER PUMP HOUSING- UPPER	45	38
27-812939A1	POWERHEAD GASKET SET	19	-	46-826053--1	WATER PUMP HOUSING- LOWER	45	32
27-812939A1	POWERHEAD GASKET SET	23	-	47-16154--1	IMPELLER	45	36
27-812939A1	POWERHEAD GASKET SET	27	-	48-853790	PROPELLER	47	62
27-812939A1	POWERHEAD GASKET SET	41	-	48-853790--1	PROPELLER	47	62
27-853702	GASKET	21	21	48-853790--2	PROPELLER	47	62
27-853702--1	GASKET	27	4	48-853790--3	PROPELLER	47	62
27-853702--2	GASKET	15	25	48-853790--4	PROPELLER	47	62
27-853702--3	GASKET	15	17	48-853790--5	PROPELLER	47	62
27-853703	GASKET	15	12	48-853790--6	TEST PROPELLER	49	11
27-853703--1	GASKET	15	5	50-812639--1	STARTER ROPE	5	24
27-853987	GASKET	39	21	50-812639--2	ROPE	49	2
27-95220	GASKET	39	19	50-853805A1	STARTER MOTOR	57	1
27-95220	GASKET	43	4	50-853805A2	ELECTRIC STARTER KIT	57	-
27-95220A1	LOWER UNIT GASKET SET	41	-	50-853805A4	ELECTRIC STARTER KIT	57	-
27-95220A1	LOWER UNIT GASKET SET	45	-	52-812946--1	CLUTCH	47	48
27-95220A1	LOWER UNIT GASKET SET	47	-	53-13194	RETAINING RING	53	18
28-16053--1	KEY	25	18	53-16057--1	CLIP	25	12
28-16155--1	KEY	43	26	53-16057--2	E RING	7	5
30-16049--1	BALL BEARING	25	17	53-16057--2	E RING	51	32
30-16049--2	BALL BEARING	25	20	53-853714	C CLIP	25	23
30-16049--2	BALL BEARING	25	7	53-853714--1	C CLIP	31	11
30-16128--1	BALL BEARING	47	42	53-853714--2	E CLIP	31	22
30-16128--2	BALL BEARING	43	27	53-95318--1	E RING	5	10
30-16132--1	BALL BEARING	47	56				
30-16132--2	BALL	47	45				

PARTS INDEX

Part Number	Description	Pg.	Ref. No.	Part Number	Description	Pg.	Ref. No.
54-16255	CLIP	17	13	91-853996-16	BACKLASH MEASURING TOOL	61	10
54-17169	CLAMP	51	22				
54-17169	CLAMP	59	8	91-853996-18	MOUNT RUBBER PULLER KIT	61	3
54-41582--7	CLAMP	63	15				
54-41582--7	CLAMP (SMALL)	63	13	91-853996-20	NEEDLE ROLLER BEARING PULLER	61	11
54-41582-10	CLAMP (LARGE)	63	12				
54-816311	CABLE TIE	55	58	91-95399--2	TOOL KIT	49	1
54-816311	STA STRAP	9	32	262-815024--1	FLYWHEEL	9	1
54-816311	STA STRAP	57	37	262-815024--3	FLYWHEEL	9	1
54-853798	CLAMP	63	7	463-813044--1	CRANKSHAFT	25	2
54-85899A1	CLIP ASSEMBLY	53	23	463-813044--2	CRANKSHAFT	25	6
54-95224	CLAMP	21	9	463-813045--1	CRANKSHAFT	25	11
54-95306	CLAMP	9	17	463-813045--2	CRANKSHAFT	25	10
54-95306	CLAMP	57	20	474-9614A1	CRANKSHAFT ASSEMBLY	25	1
54-95395	CLAMP	15	19	629-813047--1	CONNECTING ROD	25	4
54-95395--1	J CLAMP	5	30	779-9615--1	PISTON	25	14
54-95395--2	CLAMP	11	39	779-9616--1	PISTON	25	14
54-95395--3	CLIP	9	18	878-815013A1	CYLINDER BLOCK	21	1
84-17175	LIGHT HARNESS	49	8	979-9630--2	CYLINDER HEAD	21	17
84-803820	GROUND WIRE	57	25	1100-853708	UPPER END CAP	21	13
84-850731A2	HARNESS ASSEMBLY	55	57	1100-853713	LOWER END CAP	21	36
84-853740	GROUND WIRE	9	20	1259-823504A1	TANK ASSEMBLY-FUEL (PLASTIC-6.6 GALLON)	63	1
84-853740--1	GROUND WIRE	31	8				
84-853740--2	GROUND WIRE	57	36	1599-812942--1	DRIVE SHAFT HOUSING	39	1
84-853799A1	HARNESS (3.9M)	51	24	1599-812942--2	DRIVE SHAFT HOUSING)	39	1
84-853799A2	HARNESS (5.9M)	51	24	1599-812943--1	DRIVE SHAFT HOUSING	39	1
84-853813A1	CABLE ASSEMBLY	57	31	1599-812943--2	DRIVE SHAFT HOUSING	39	1
84-853815	BATTERY LEAD	57	34	1668-825132A4	GEAR HOUSING	43	1
84-853815--1	LEAD WIRE	57	10	1668-825132A4	GEAR HOUSING	47	1
85-853816	BOOT	57	33	1668-825132A5	GEAR HOUSING	43	1
85-853816--1	BOOT	57	11	1668-825132A5	GEAR HOUSING	47	1
85-853992	TERMINAL EYE	51	31	1668-825132A6	GEAR HOUSING	43	-
86-853812	TERMINAL BLOCK	57	30	1668-825132A6	GEAR HOUSING	47	-
87-16069--1	STOP SWITCH	9	34	1668-825132A7	GEAR HOUSING	43	-
87-17009A2	SWITCH (SEE BELOW FOR KEYS)	55	54	1668-825132A7	GEAR HOUSING	47	-
87-17171--1	NEUTRAL SWITCH	59	11	1668-825132A8	GEAR HOUSING	43	-
87-17277	SWITCH	55	39	1668-825132A8	GEAR HOUSING	47	-
87-823037A2	LANYARD STOP SWITCH	9	36	1668-825132A9	GEAR HOUSING	43	-
87-853820A1	MAIN SWITCH	59	14	1668-825132A9	GEAR HOUSING	47	-
88-853814	FUSE	57	32	2189-853777--1	BOTTOM COWL	3	9
89-853809	STARTER SOLENOID	57	12	2189-853777--2	BOTTOM COWL	3	9
90-853833-97	PARTS LIST	1	0	2189-853777--5	BOTTOM COWL	3	9
90-853845	OWNER'S GUIDE	1	0	2189-853777--6	BOTTOM COWL	3	9
90-853985	SERVICE MANUAL	1	0	2189-853778A1	TOP COWL	3	1
91-24697	PISTON RING TOOL (NOT SHOWN)	61	-	2189-853778A2	TOP COWL	3	1
91-853996	FLYWHEEL PULLER ASSEMBLY	61	1	3303-853720A1	CARBURETOR	17	1
91-853996--2	PISTON PIN TOOL	61	2	3303-853720A8	CARBURETOR	17	1
91-853996--4	PULLER-BEVEL GEAR A BEARING	61	9	3406-9622--2	CLAMP BRACKET	33	1
91-853996--6	SPRING PIN TOOL (FOR REMOVING)	61	4	3406-9622--3	CLAMP BRACKET	33	1
91-853996--8	SPRING PIN TOOL (FOR REPLACING)	61	5	3406-9623--2	CLAMP BRACKET	33	2
91-853996-10	CLUTCH PIN SNAP TOOL	61	8	3406-9623--3	CLAMP BRACKET	33	2
91-853996-12	WRENCH-BEVEL GEAR B NUT	61	6	3407-813029--3	SWIVEL BRACKET	31	1
				3407-813029--4	SWIVEL BRACKET	31	1
				3407-813029--7	SWIVEL BRACKET	31	1
				3407-813029--8	SWIVEL BRACKET	31	1