



PARTS CATALOG

ELECTRIC FISHING MOTOR

SERIAL NUMBER

ELECTRICS	5194909 THRU 5516584
ELECTRICS	5194909 THRU 5516584
ELECTRIC FISHING MOTOR	ALL
ELECTRIC FISHING MOTOR	ALL
ELECTRIC FISHING MOTOR	ALL

TABLE OF CONTENTS:

BASE ASSEMBLY ("RC" AND "DM")	18
CLAMP AND SWIVEL BRACKET ("TM")	16
DRIVE SHAFT AND CONTROL HOUSING ("DM" AND "TM")	12
DRIVE SHAFT AND CONTROL HOUSING ("RC")	10
ELECTRIC MOTOR AND GEAR HOUSING (ALL MODELS)	2
LIFT ARM AND PIVOT SHAFT ("RC" AND "DM")	8
MISCELLANEOUS PARTS/ACCESSORIES	1
PARTS INDEX	20
WIRING HARNESS AND FOOT PLATE ("RC")	4

NOTE: *Indented description indicate that these parts are included in preceding assembly.*

AR = As Required

NSS = Not Sold Separate

OPT = Optional

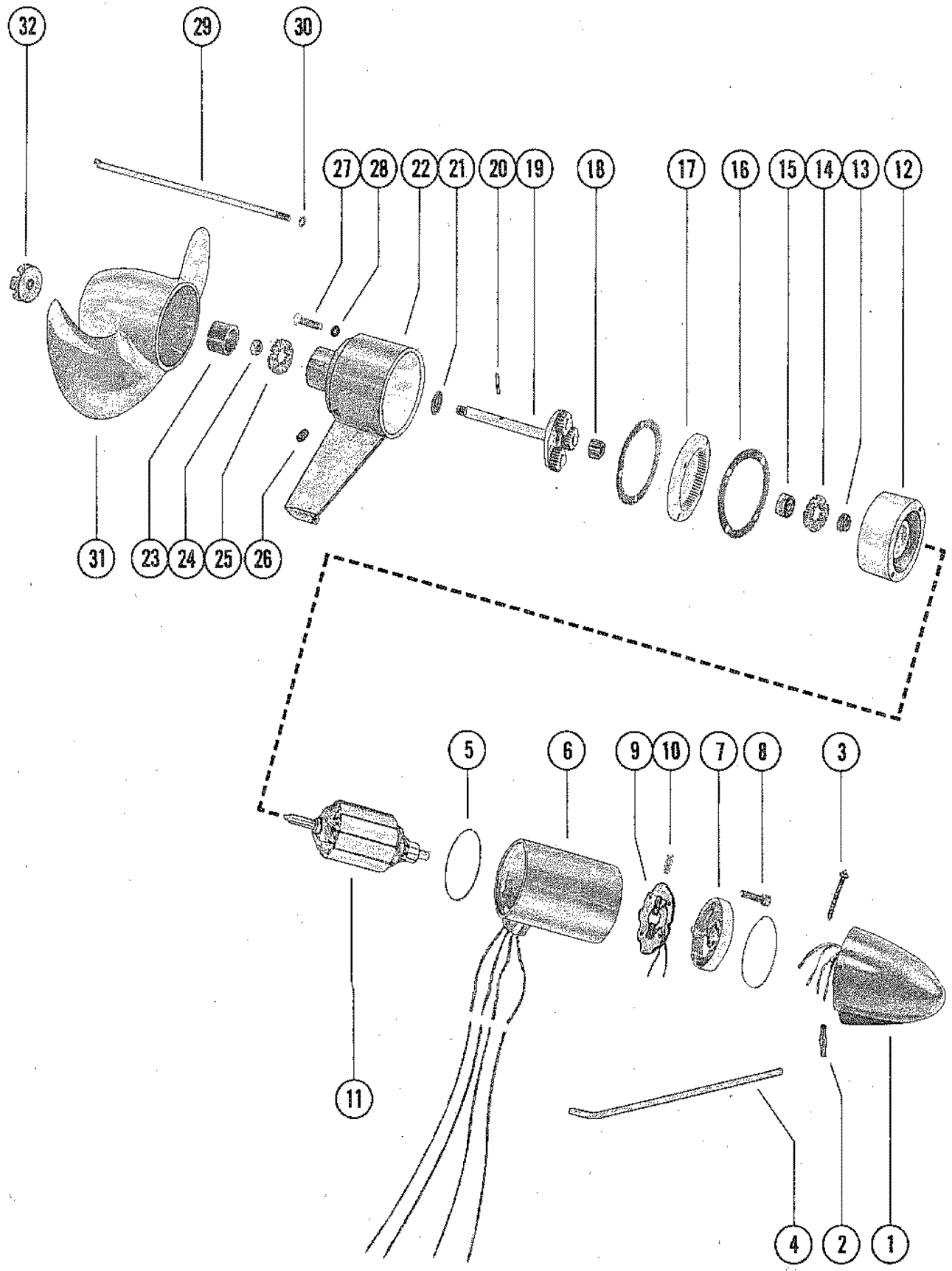
NS = Not Shown

THESE PARTS BOOKS/FICHE CARD ARE COPYRIGHTED AND MAY NOT BE DISTRIBUTED OR REPRODUCED IN ANY OTHER FORMAT BY ANYONE OTHER THAN MERCURY MARINE WITHOUT THE PRIOR WRITTEN CONSENT OF MERCURY MARINE.

MISCELLANEOUS PARTS/ACCESSORIES

REF. NO.	PART NO.	SYM.	QTY.	DESCRIPTION
-	90-86143		0	PARTS MANUAL
-	37-86887A79		0	DECAL SET "RC"
-	37-86880A79		0	DECAL SET "DM" AND "TM"

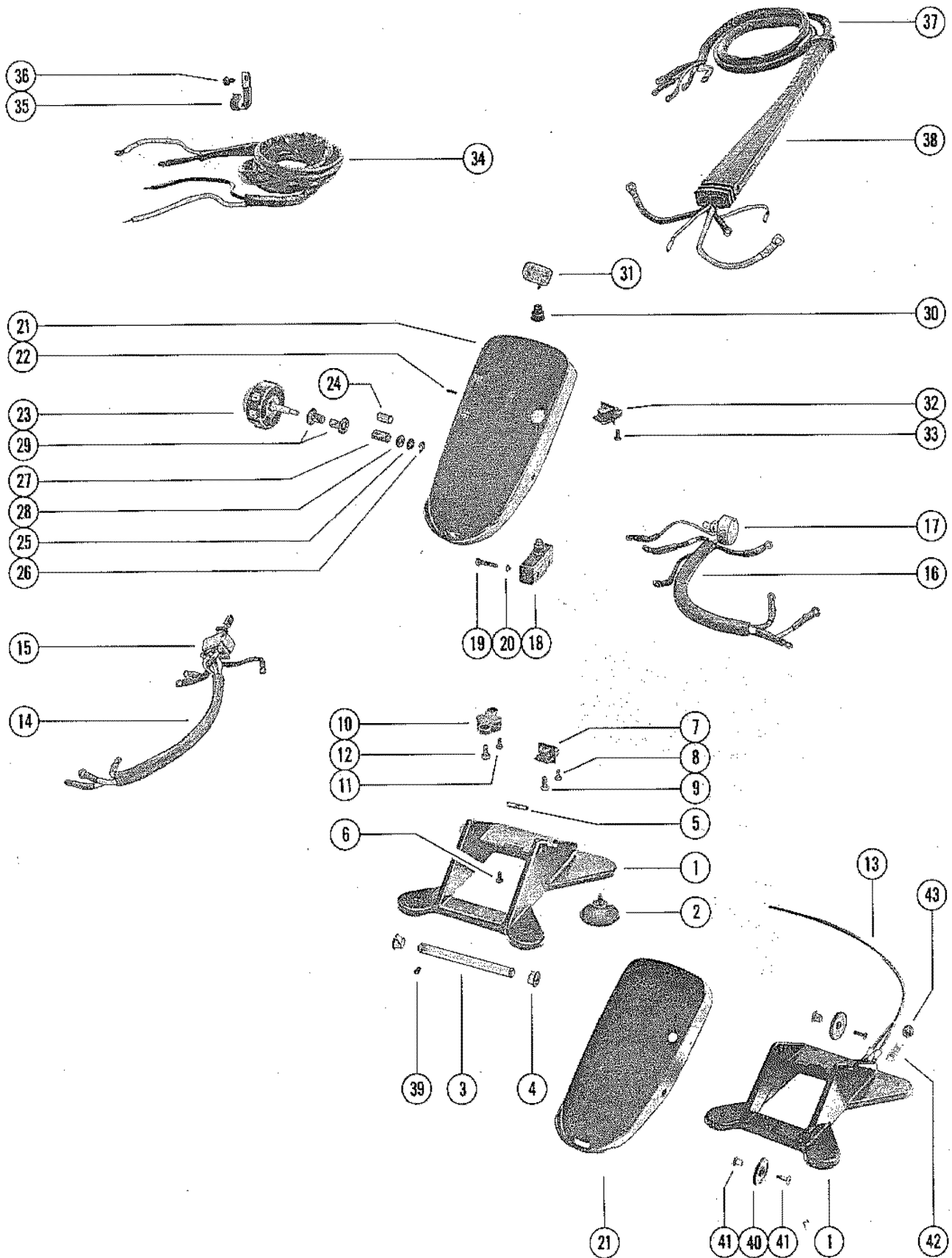
ELECTRIC MOTOR AND GEAR HOUSING (ALL MODELS)



ELECTRIC MOTOR AND GEAR HOUSING (ALL MODELS)

REF. NO.	PART NO.	SYM.	QTY.	DESCRIPTION
1	72081A4		1	NOSE CONE ASS Y
2	57908-2		4	SLEEVE, NOSE CONE LEADS
3	56762		1	STA-STRAP, NOSE CONE LEADS
4	86071		1	SKEG
5	25-59712		2	"O" RING, NOSE CONE AND GEAR HOUSING
6	25-59712		1	ELECTRIC MOTOR ASSEMBLY "RC"
7	72184A1		1	RETAINER AND BEARING ASSEMBLY, NOSE CONE "RC"
8	10-79168		4	SCREW, RETAINER TO ELECTRIC MOTOR "RC"
9	75532A1		1	BRUSH CARD ASSEMBLY "RC"
10	24-75533		2	SPRING, BRUSH "RC"
11	72704		1	ARMATURE "RC"
6	76513A2		1	ELECTRIC MOTOR ASSEMBLY "DM" AND "TM"
7	72184A1		1	RETAINER AND BEARING ASSEMBLY "DM" AND "TM"
8	10-79168		4	SCREW, RETAINER TO ELECTRIC MOTOR "DM" AND "TM"
9	75532A1		2	BRUSH CARD ASSEMBLY "DM" AND "TM"
10	24-75533		1	SPRING, BRUSH "DM" AND "TM"
11	72704		1	ARMATURE "DM" AND "TM"
12	72182A1		1	RETAINER ASSEMBLY, GEAR HOUSING
13	23-72482		1	BUSHING, RETAINER
14	72475		1	RETAINER, BUSHING
15	26-72461		1	SEAL, RETAINER
16	27-85515		2	GASKET, RETAINER TO GEAR HOUSING
17	43-72859		1	RING GEAR
18	43-72385		1	SUN GEAR
19	72390A1		1	GEAR AND PROPELLER SHAFT ASSEMBLY
20	17-70733		1	PIN, PROPELLER DRIVE
21	12-58790		1	WASHER, PROPELLER SHAFT
22	1649-5848A1		1	GEAR HOUSING ASSEMBLY
23	23-72173A1		1	SLEEVE ASSEMBLY, GEAR HOUSING
24	23-72482		1	BUSHING, GEAR HOUSING
25	72475		1	RETAINER, GEAR HOUSING BUSHING
26	22-35268		1	PLUG, PIPE - GEAR HOUSING (DRAIN)
27	10-69010		2	SCREW, RETAINER TO GEAR HOUSING (1")
28	12-29070		2	WASHER, SEALING - RETAINER SCREW
29	10-72378		2	SCREW, GEAR HOUSING TO NOSE COVER (7")
30	12-29070		2	WASHER, SEALING - GEAR HOUSING SCREW
31	48-85644		1	PROPELLER "RC"
	48-85646		1	PROPELLER "DM" AND "TM"
32	79719		1	RETAINER, PROPELLER

WIRING HARNESS AND FOOT PLATE ("RC")

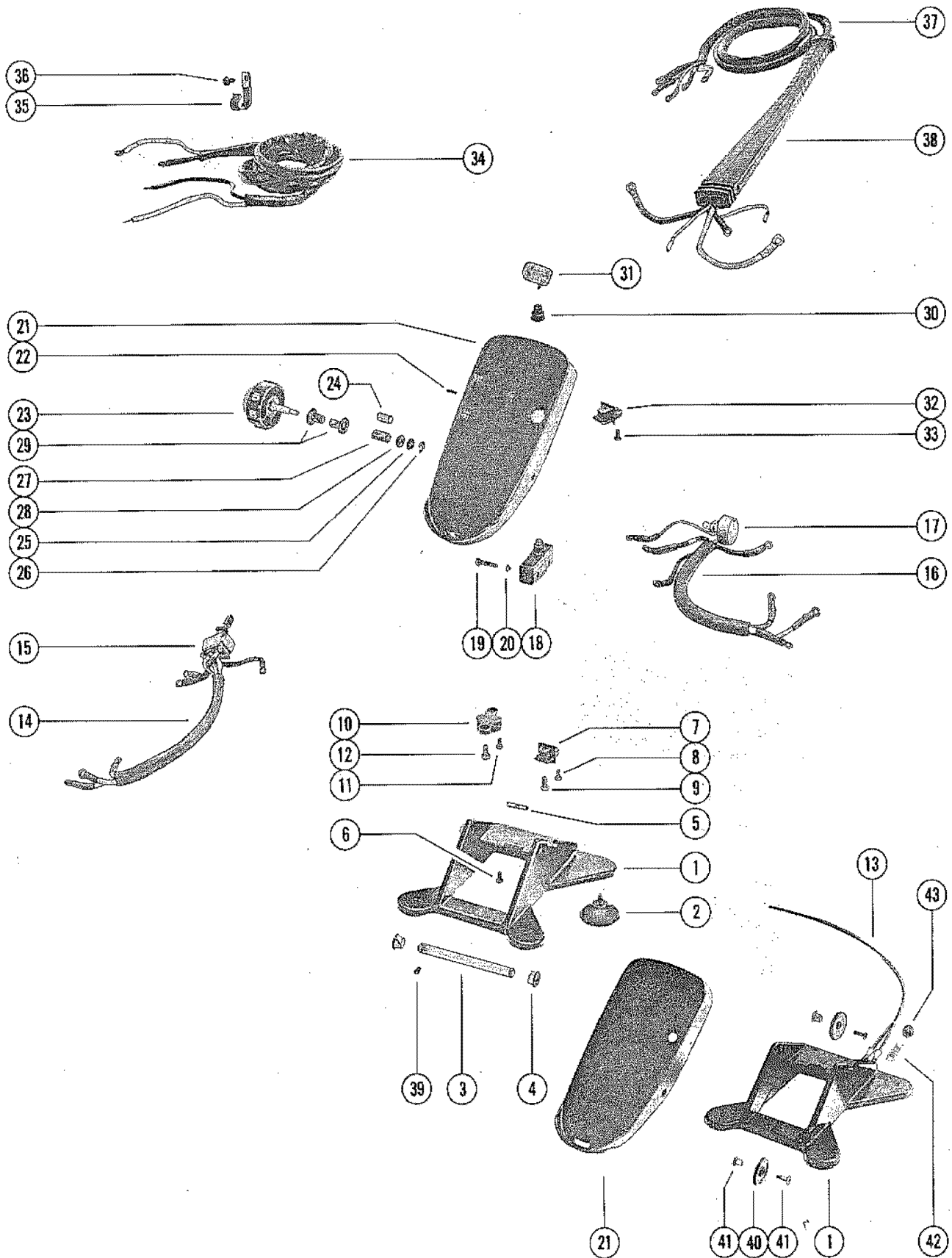


WIRING HARNESS AND FOOT PLATE ("RC")

REF. NO.	PART NO.	SYM.	QTY.	DESCRIPTION
1	78422		1	BASE, FOOT CONTROL
2	72474		4	SUCTION CUPS, FOOT CONTROL BASE
3	72423		1	SHAFT, PIVOT
4	23-29638		2	BUSHING, NYLON - PIVOT SHAFT
5	72179		2	RETAINER, WIRING HARNESS
6	10-20597		2	SCREW, RETAINER TO FOOT CONTROL BASE (3/8")
7	86-66986		1	TERMINAL BLOCK, FOOT CONTROL BASE
8	10-73287		1	SCREW, HARNESS LEADS ATTACHING (3/8")
9	10-37370		3	SCREW, TERMINAL BLOCK ATTACHING (1/2")
10	86-67460		2	TERMINAL BLOCK, FOOT CONTROL BASE
11	10-73287		4	SCREW, HARNESS LEADS ATTACHING (3/8")
12	10-37655		4	SCREW, TERMINAL BLOCK TO FOOT CONTROL BASE (1/2")
13	78418		1	CONTROL CABLE
14	87-85987A1		1	SWITCH AND HARNESS ASSEMBLY
15	87-85987		1	TOGGLE SWITCH
16	82-85427A1		1	POTENTIOMETER AND HARNESS ASSEMBLY
17	82-85427		1	POTENTIOMETER
18	87-72439		1	SWITCH, PUSH BUTTON
19	10-77478		2	SCREW, PUSH BUTTON SWITCH TO FOOT PLATE
20	13-21423		2	LOCKWASHER, PUSH BUTTON SWITCH SCREW
21	85516A2		1	FOOT PLATE ASSEMBLY
22	17-72250		1	ROLL PIN, FOOT PLATE
23	85454A2		1	INDICATOR ASSEMBLY
24	85457		1	COUPLER, INDICATOR (PLASTIC)
25	12-35950		1	WASHER, INDICATOR
26	53-27290		1	RETAINING RING, INDICATOR
27	32-72545		1	TUBE, RUBBER - INDICATOR
28	13-34632		1	WAVE WASHER, COUPLING
29	23-60762		2	BUSHING, NYLON - INDICATOR
30	72473		1	CAP, RUBBER - PUSH BUTTON SWITCH
31	85517		1	PLATE, SWITCH
32	86-66986		1	TERMINAL BLOCK, FOOT PLATE
33	10-37655		2	SCREW, HARNESS LEADS/TERMINAL BLOCK ATTACHING (1/2")
34	84-79611A3		1	BATTERY CABLE ASSEMBLY
35	54-63153		1	"J" CLIP, BATTERY CABLE
36	10-73287		1	SCREW, "J" CLIP ATTACHING
37	84-85007A2		1	WIRING HARNESS AND HANDLE ASSEMBLY
38	79710		1	HANDLE, RUBBER

CONTINUED ON NEXT PAGE ➡

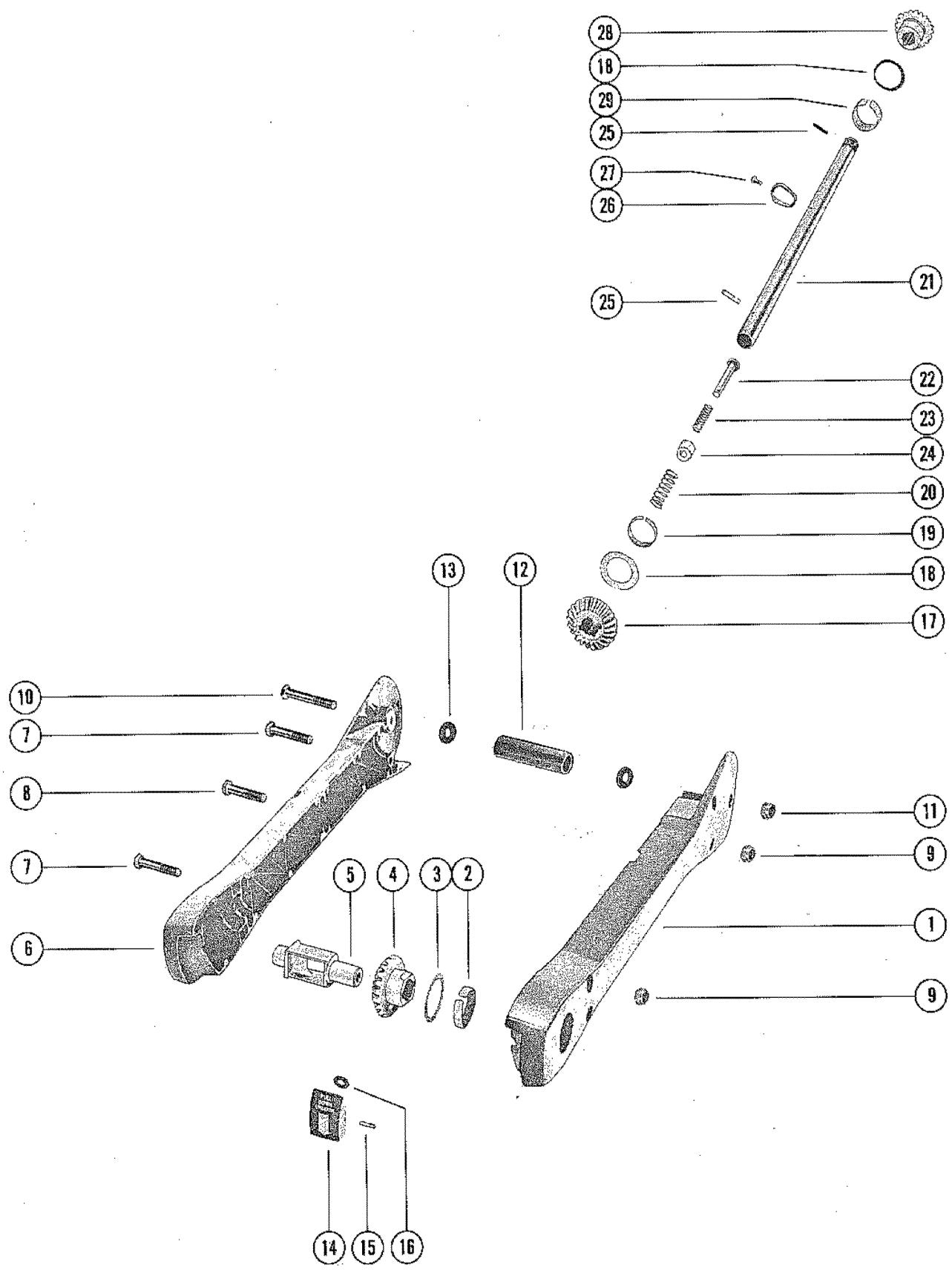
WIRING HARNESS AND FOOT PLATE ("RC")



WIRING HARNESS AND FOOT PLATE ("RC")

REF. NO.	PART NO.	SYM.	QTY.	DESCRIPTION
39	10-22928		1	SCREW, SET - PIVOT SHAFT TO FOOT PLATE
40	78416		2	PULLEY, CONTROL CABLE
41	78417		2	PIVOT, PULLEY
42	24-85010		2	SPRING, CONTROL CABLE
43	11-28770		2	NUT, CONTROL CABLE

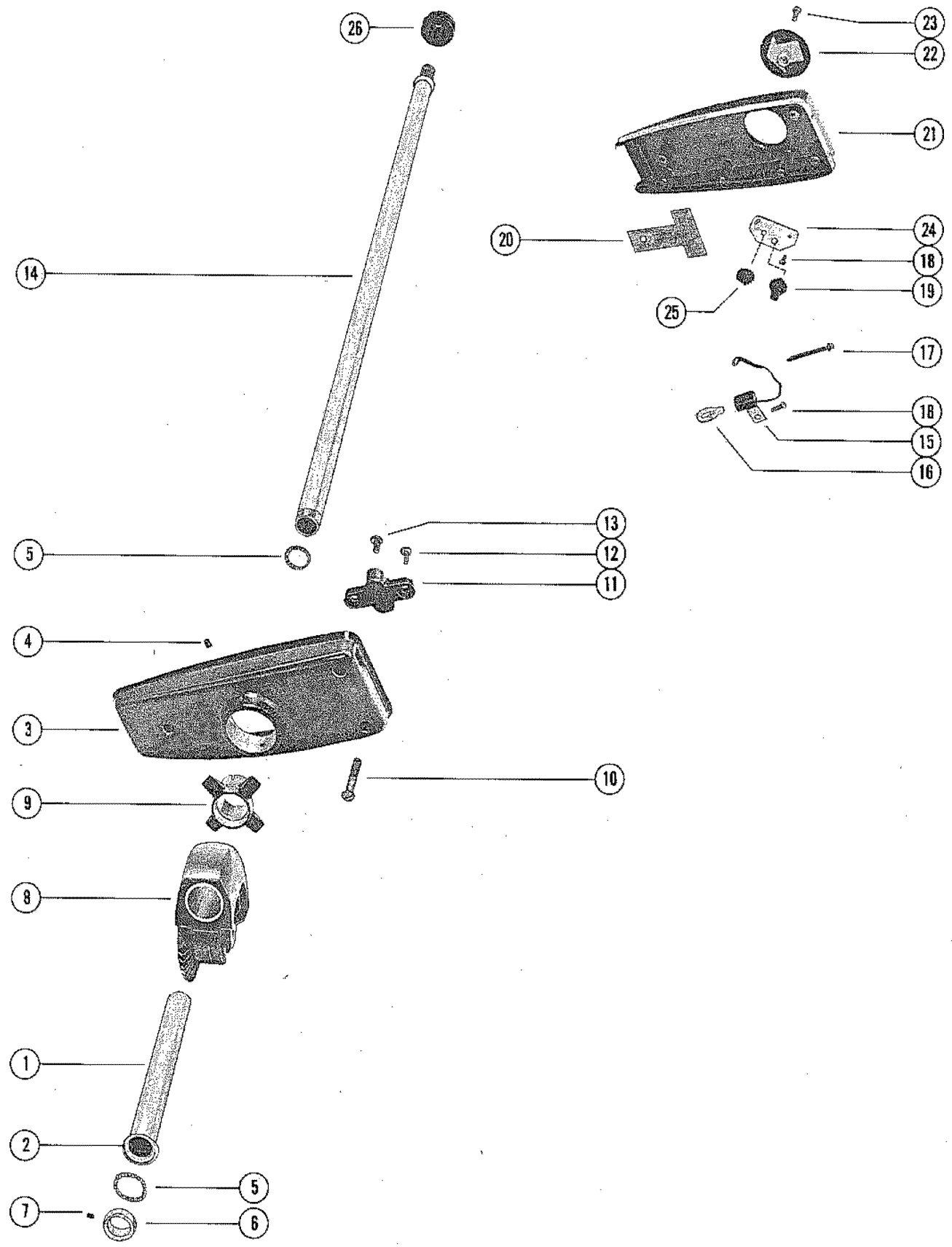
LIFT ARM AND PIVOT SHAFT ("RC" AND "DM")



LIFT ARM AND PIVOT SHAFT ("RC" AND "DM")

REF. NO.	PART NO.	SYM.	QTY.	DESCRIPTION
1	72055A2		1	LIFT ARM ASSEMBLY, PORT
2	23-79827		1	BUSHING, LIFT ARM
3	12-72389		1	WASHER, MITER GEAR
4	43-72860		1	MITER GEAR, PIVOT SHAFT
5	72153		1	SHAFT, PIVOT
6	72054		1	LIFT ARM, STARBOARD
7	10-77951		2	SCREW, LIFT ARM CLAMPING (2 1/4")
8	10-77950		4	SCREW, LIFT ARM CLAMPING (2 3/4")
9	11-45592		4	NUT, LIFT ARM CLAMPING SCREW
10	10-75334		1	SCREW, COLUMN HOUSING TO LIFT ARM (3")
11	11-34932		1	NUT, COLUMN HOUSING TO LIFT ARM (3")
12	23-72253		1	BUSHING, COLUMN HOUSING
13	12-72371		2	WASHER, COLUMN HOUSING BUSHING
14	72155		1	LEVER, RELEASE
15	17-72255		1	ROLL PIN, RELEASE LEVER
16	12-30644		1	WASHER, RELEASE LEVER PIN
17	43-72860		1	MITER GEAR, DRIVE TUBE
18	12-72389		2	WASHER, THRUST - MITER GEAR AND BEVEL GEAR
19	23-79827		1	BUSHING, MITER GEAR
20	24-72257		1	SPRING, COMPRESSION
21	72154A2		1	DRIVE TUBE ASSEMBLY
22	17-72149		1	PIN, RELEASE LEVER
23	24-65553		1	SPRING, RELEASE LEVER PIN
24	23-72146		1	BUSHING, RELEASE LEVER PIN
25	17-72148		2	PIN, MITER GEAR AND BEVEL GEAR TO DRIVE TUBE
26	72150		1	LATCH, DRIVE TUBE
27	10-37655		1	SCREW, LATCH TO DRIVE TUBE
28	43-72861		1	BEVEL GEAR, DRIVE TUBE
29	23-79828		1	BUSHING, BEVEL GEAR

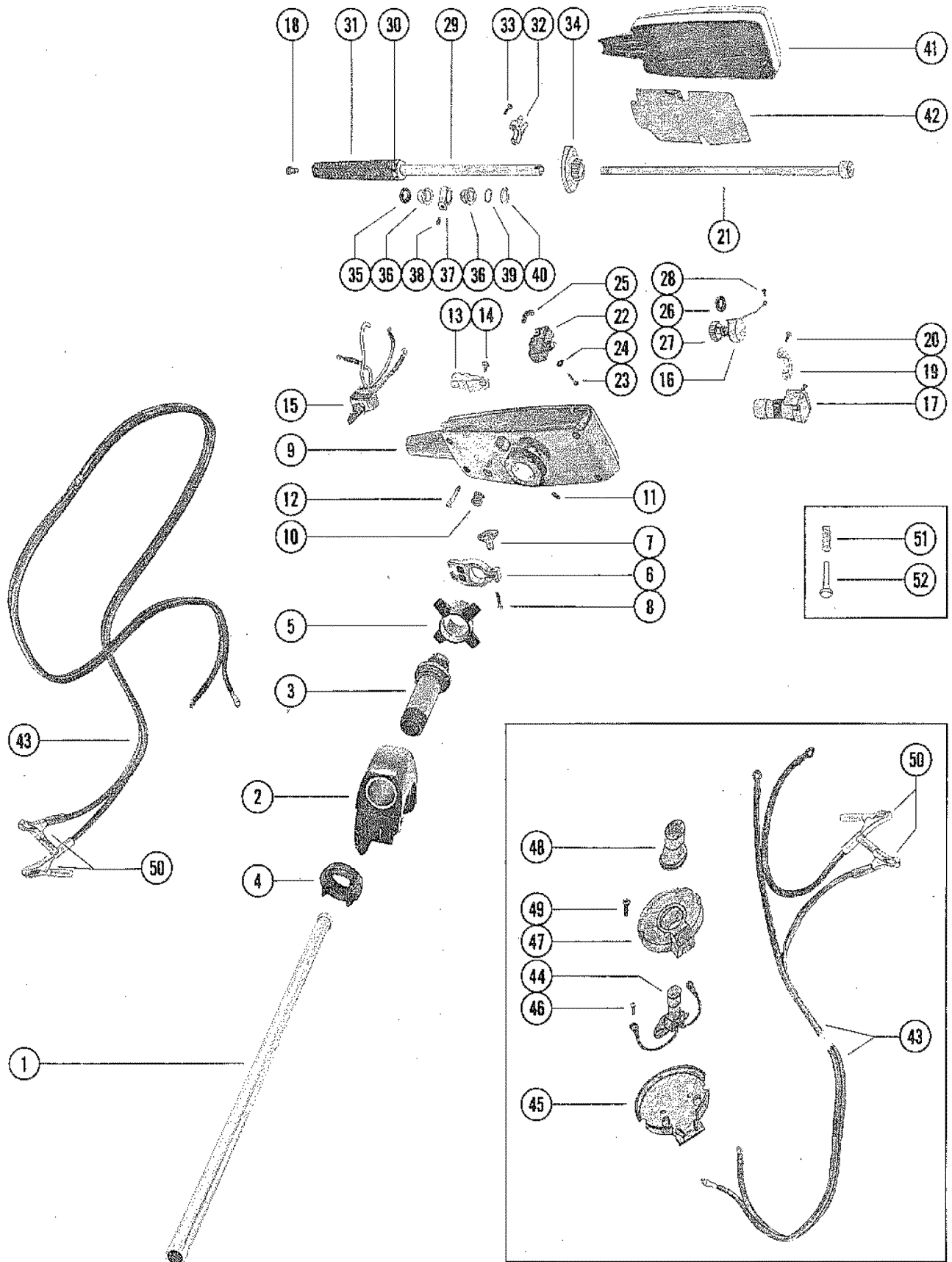
DRIVE SHAFT AND CONTROL HOUSING ("RC")



DRIVE SHAFT AND CONTROL HOUSING ("RC")

REF. NO.	PART NO.	SYM.	QTY.	DESCRIPTION
1	86040A2		1	SHAFT ASSEMBLY, UPPER
2	72252		2	RETAINER, UPPER SHAFT
3	86039A1		1	HOUSING ASSEMBLY, CONTROL
4	10-72398		2	SET SCREW, CONTROL HOUSING TO UPPER SHAFT
5	30-72388		2	BEARING, UPPER SHAFT
6	72172		1	RETAINER, LOWER SHAFT
7	10-22928		2	SET SCREW, RETAINER TO LOWER SHAFT
8	72056A1		1	HOUSING ASSEMBLY, COLUMN
9	72263		1	HANDLE, CLAMPING - COLUMN HOUSING
10	10-68918		3	SCREW, CONTROL HOUSING TO COVER (1")
11	86-67460		1	TERMINAL BLOCK, CONTROL HOUSING
12	10-62568		1	SCREW, TERMINAL BLOCK TO CONTROL HOUSING (3/8")
13	10-73287		2	SCREW, HARNESS LEADS TO TERMINAL BLOCK (3/8")
14	78559A1		1	SHAFT ASSEMBLY, LOWER
15	72517		1	HOLDER, LIGHT BULB
16	88-72729		1	LIGHT BULB
17	56762		1	STA-STRAP, WIRES
18	10-20597		2	SCREW, HOLDER TO CONTROL HOUSING (3/8")
19	43-78413		1	GEAR, INDICATOR
20	85-72661		1	INSULATOR, CONTROL
21	72124		1	COVER, CONTROL HOUSING
22	73636		1	INDICATOR, DIRECTIONAL
23	10-37370		1	SCREW, DIRECTIONAL INDICATOR TO GEAR (5/8")
24	78414		1	RETAINER, IDLER GEAR
25	43-78415		1	IDLER GEAR
26	78419		1	DRUM

DRIVE SHAFT AND CONTROL HOUSING ("DM" AND "TM")

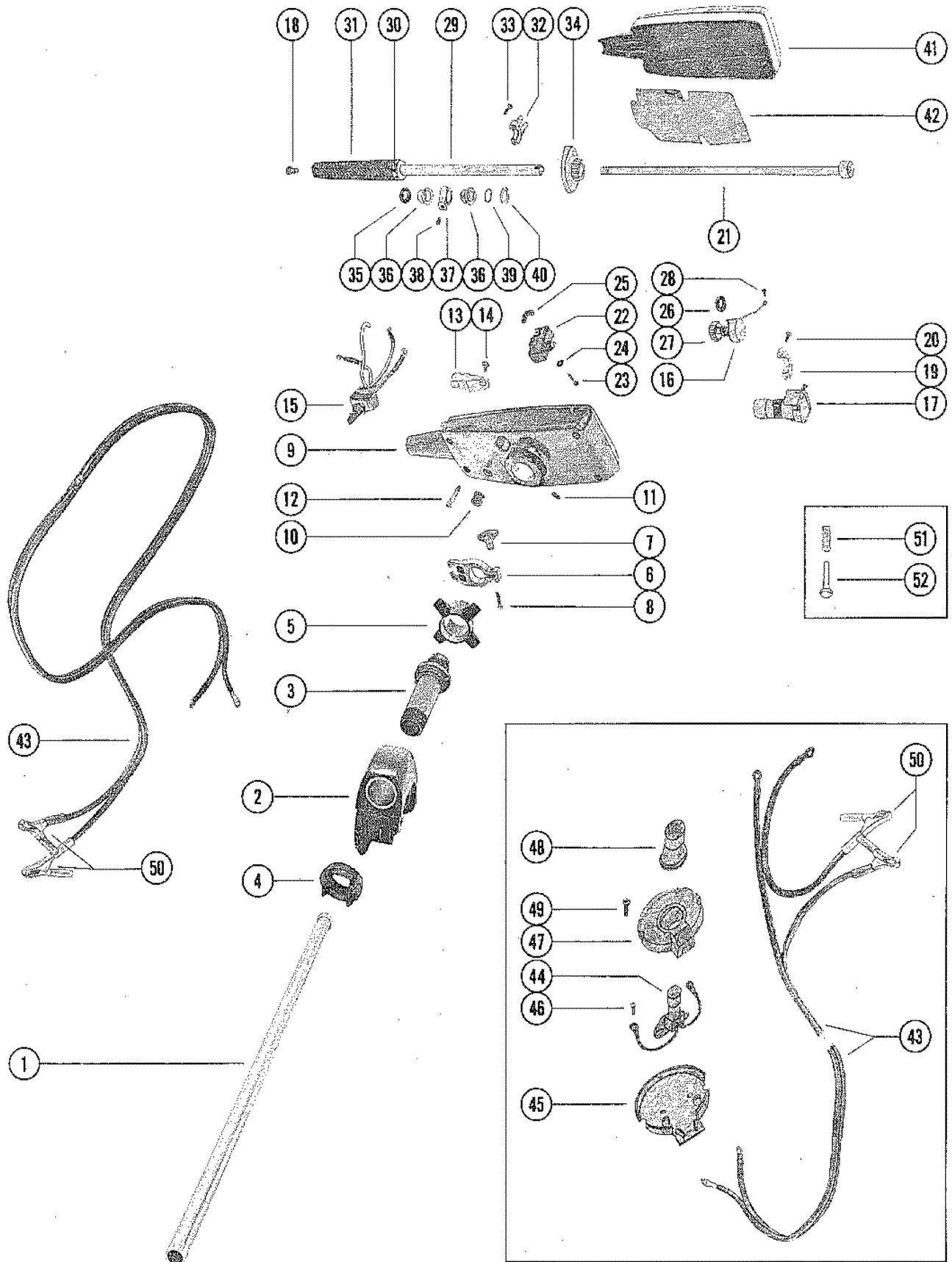


DRIVE SHAFT AND CONTROL HOUSING ("DM" AND "TM")

REF. NO.	PART NO.	SYM.	QTY.	DESCRIPTION
1	45-76487		1	DRIVE SHAFT
2	76460		1	HOUSING, COLUMN "DM"
3	76459		1	TUCE, SWIVEL "DM"
4	76937		1	RETAINER, SWIVEL TUBE "DM"
5	76938		1	KNOB, ADJUSTMENT - SWIVEL TUBE "DM"
6	54-76936A1		1	CLAMP ASSEMBLY
7	76935		1	KNOB, CLAMP
8	10-32228		1	SCREW, CLAMP KNOB (5/8")
9	85370		1	HOUSING, CONTROL
10	25-76468		1	GROMMET, CONTROL HOUSING
11	10-35057		2	SET SCREW, CONTROL HOUSING TO DRIVE SHAFT
12	10-68918		4	SCREW, COVER ATTACHING
13	86-76477		1	TERMINAL BLOCK
14	10-73287		5	SCREW, TERMINAL BLACK AND WIRES ATTACHING (3/8")
-	87-76335A3		1	SWITCH AND POTENTIOMETER ASSEMBLY "DM"
15	87-85987		1	SWITCH, TOGGLE "DM"
16	82-85427		1	POTENTIOMETER "DM"
18	19-48323		1	PLUG, CONTROL SHAFT "DM"
-	87-76335A4		1	SWITCH AND POTENTIOMETER ASSEMBLY "TM"
15	87-85987		1	SWITCH, TOGGLE "TM"
16	82-85427		1	POTENTIOMETER "TM"
17	87-76335		1	SWITCH, PUSH BUTTON "TM"
19	79400		1	CAP, PUSH BUTTON SWITCH "TM"
20	10-76466		2	SCREW, CAP TO CONTROL HOUSING (1/2") "TM"
21	76480		1	PUSH ROD "TM"
22	87-72439		1	SWITCH, PUSH BUTTON
23	10-76465		1	SCREW, PUSH BUTTON SWITCH
24	13-21423		1	LOCKWASHER, SWITCH SCREW
25	76476		1	GROUND PLATE (BRASS)
26	12-29629		1	WASHER, POTENTIOIMETER
27	43-78859		1	GEAR, POTENTIOMETER
28	10-62568		1	SCREW, WIRE TO CONTROL HOUSING (3/8")
29	76482A2		1	SHAFT ASSEMBLYL, CONTROL
30	76483A1		1	INDICATOR ASSEMBLY, SPEED
31	79599		1	GRIP, CONTROL SHAFT
32	76475		1	CAP, CONTROL SHAFT
33	10-76466		2	SCREW, CAP TO CONTROL HOUSING (1/2")
34	76484		1	CAM, HI-SPEED - CONTROL SHAFT
35	12-76472		1	WASHER, FRICTION - CONTROL SHAFT
36	23-76470		2	BUSHING, NYLON - CONTROL SHAFT
37	76469		1	STOP, CONTROL SHAFT
38	10-72398		1	SET SCREW, STOP TO CONTROL SHAFT
39	53-76471		1	SNAP RING, CONTROL SHAFT

CONTINUED ON NEXT PAGE ➡

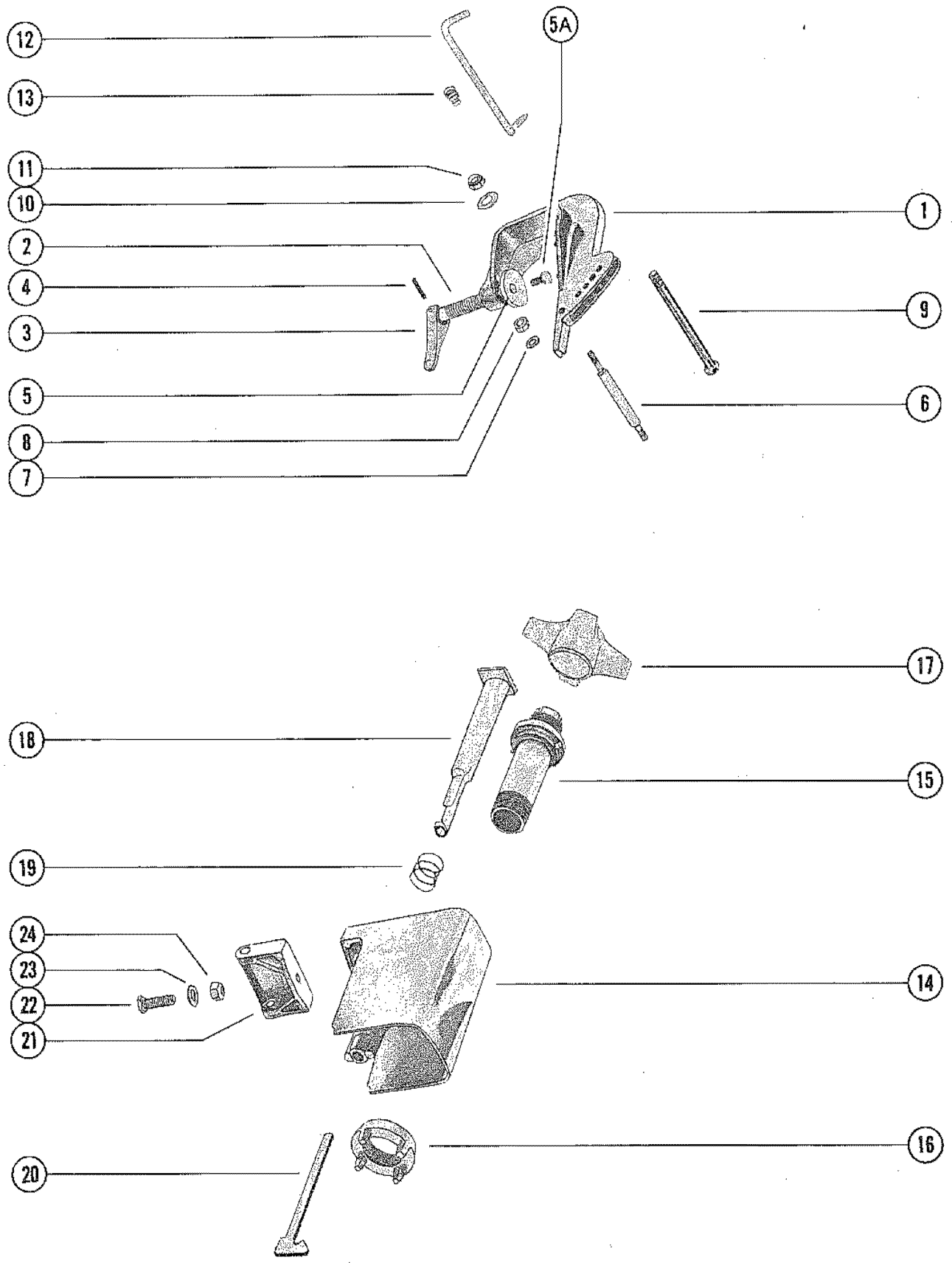
DRIVE SHAFT AND CONTROL HOUSING ("DM" AND "TM")



DRIVE SHAFT AND CONTROL HOUSING ("DM" AND "TM")

REF. NO.	PART NO.	SYM.	QTY.	DESCRIPTION
40	12-76473		1	WASHER, NYLON - CONTROL SHAFT
41	76491		1	COVER, CONTROL HOUSING
42	85-76716		1	INSULATOR, CONTROL HOUSING COVER
43	84-79611A2		1	BATTERY CABLE ASSEMBLY "TM"
	84-79609A2		1	BATTERY CABLE ASSEMBLY "DM"
44	87-76449A1		1	SWITCH AND CABLE ASSEMBLY, REMOTE "DM"
45	76489		1	BASE, SWITCH "DM"
46	10-73287		2	SCREW, SWITCH CABLE TO BASE (3/8") "DM"
47	76490		1	COVER, SWITCH BASE "DM"
48	76488		1	BOOT, SWITCH "DM"
49	10-69013		2	SCREW, SWITCH BASE ATTACHING (7/8") "DM"
50	54-64391-1		1	BATTERY CLIP (POSITIVE) "TM"
	54-64391-2		1	BATTERY CLIP (NEGATIVE) "TM"
51	24-20099		1	SPRING "DM"
52	10-85371		1	SCREW, FRICTION "DM"

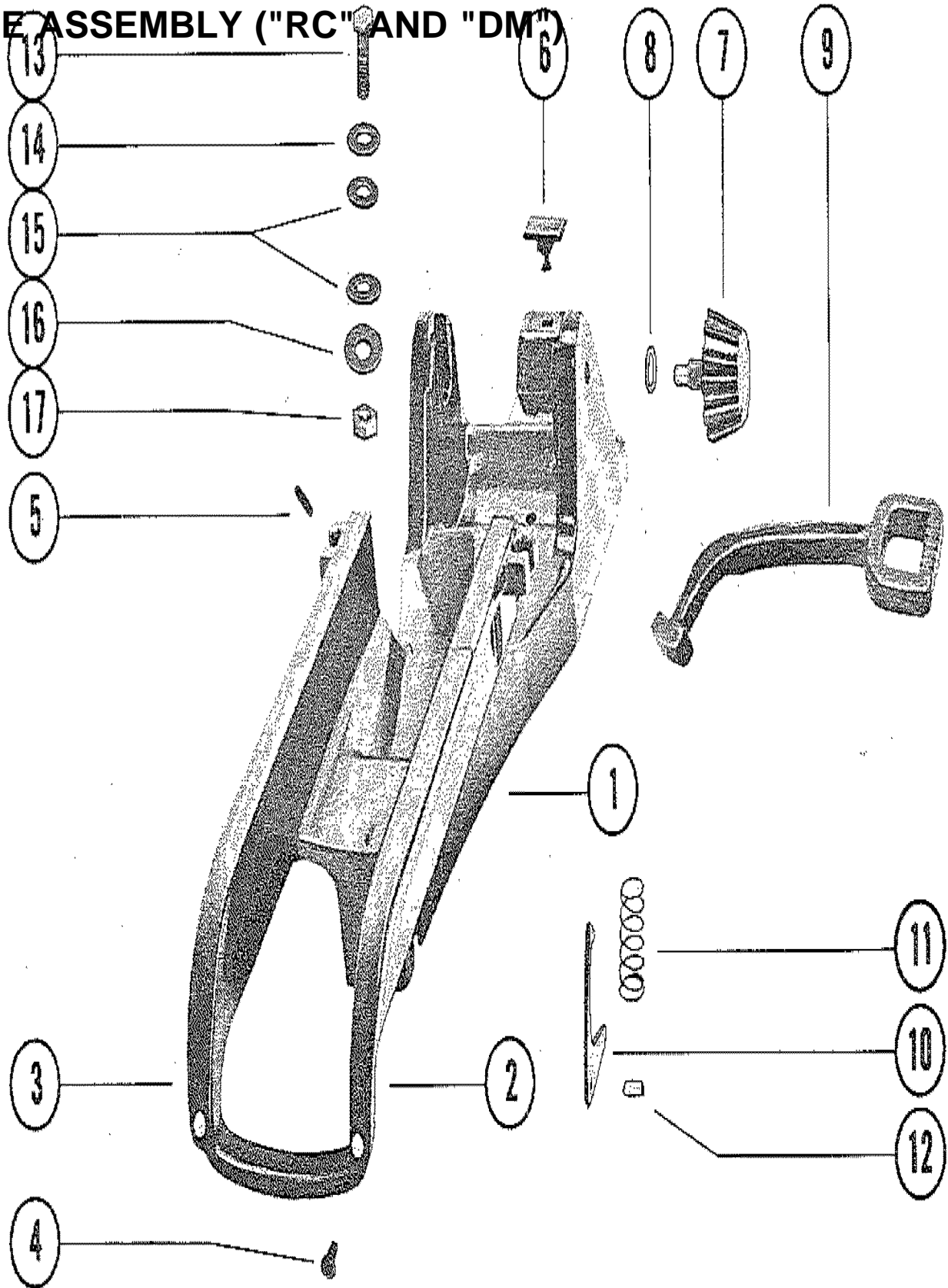
CLAMP AND SWIVEL BRACKET ("TM")



CLAMP AND SWIVEL BRACKET ("TM")

REF. NO.	PART NO.	SYM.	QTY.	DESCRIPTION
1	1479-7044A1		1	CLAMP BRACKET ASSEMBLY (PORT)
	1478-7045A1		1	CLAMP BRACKET ASSEMBLY (STARBOARD)
2	10-77190A4		2	THUMB SCREW ASSEMBLY
3	78971		2	HANDLE, THUMB SCREW
4	17-78970		2	GROOVE PIN, THUMB SCREW
5	12-73719		2	WASHER, THUMB SCREW
5A	10-76804		2	SCREW, THUMB SCREW WASHER
6	16-68925		1	STUD, TILT PIN
7	13-26992		2	LOCKWASHER, TILT PIN STUD
8	11-29598		2	NUT, TILT PIN STUD
9	10-79477		1	SCREW, CLAMP BRACKET
10	10-68920		2	WASHER, CLAMP BRACKET STUD
11	11-34863		1	NUT, CLAMP BRACKET STUD
12	17-68929A1		1	TILT PIN ASSEMBLY
13	24-62143		1	SPRING, TILT PIN
14	1483-6399		1	SWIVEL BRACKET
15	76459		1	TUBE, SWIVEL
16	76937		1	RETAINER, SWIVEL TUBE
17	76938		1	KNOB, ADJUSTMENT - SWIVEL TUBE
18	76464		1	ROD, RELEASE HOOK
19	24-76462		1	SPRING, RELEASE HOOK ROD
20	76461		1	HOOK, RELEASE
21	76463		1	BRACKET, PIVOT
22	10-65263		1	SCREW, PIVOT BRACKET TO SWIVEL BRACKET (1")
23	12-70132		1	WASHER, PIVOT BRACKET SCREW
24	11-35814		1	NUT, PIVOT BRACKET SCREW

BASE ASSEMBLY ("RC" AND "DM")



BASE ASSEMBLY ("RC" AND "DM")

REF. NO.	PART NO.	SYM.	QTY.	DESCRIPTION
1	72079A2		1	BASE ASSEMBLY
2	72402		1	BUMPER, BASE - PORT
3	74413		1	BUMPER, BASE - STARBOARD
4	10-47828		2	SCREW, BUMPER TO BASE
5	17-27055		4	ROLL PIN, BASE
6	25-72421		1	GROMMET, BASE
7	72254		2	KNOB, PIVOT
8	13-39227		2	WAVE WASHER, PIVOT KNOB
9	72544		1	STRAP, HOLD-DOWN
10	72147		1	HOOK
11	24-72256		1	SPRING, COMPRESSION - HOOK
12	17-72250		1	ROLL PIN, HOOK TO BASE
13	10-31471		1	SCREW, BASE TO BOAT (3")
	10-26889		2	SCREW, BASE TO BOAT (2 1/4")
14	12-29245		3	WASHER, BASE SCREW (12" O.D.)
15	12-57428		6	WASHER, BASE SCREW (RUBBER)
16	12-57427		3	WASHER, BASE SCREW (1" O.D.)
17	11-35045		3	NUT, BASE SCREW

PARTS INDEX

Part Number	Description	Pg.	Ref. No.	Part Number	Description	Pg.	Ref. No.
56762	STA-STRAP, NOSE CONE			76464	ROD, RELEASE HOOK	17	18
	LEADS	3	3	76469	STOP, CONTROL SHAFT . .	13	37
56762	STA-STRAP, WIRES	11	17	76475	CAP, CONTROL SHAFT	13	32
57908-2	SLEEVE, NOSE CONE			76476	GROUND PLATE (BRASS) . .	13	25
	LEADS	3	2	76480	PUSH ROD "TM"	13	21
72054	LFIT ARM, STARBOARD . . .	9	6	76482A2	SHAFT ASSEMBLYL, CONTROL	13	29
72055A2	LIFT ARM ASSEMBLY, PORT	9	1				
72056A1	HOUSING ASSEMBLY, COLUMN	11	8	76483A1	INDICATOR ASSEMBLY, SPEED	13	30
72079A2	BASE ASSEMBLY	19	1	76484	CAM, HI-SPEED - CONTROL SHAFT	13	34
72081A4	NOSE CONE ASS Y	3	1	76488	BOOT, SWITCH "DM"	15	48
72124	COVER, CONTROL HOUSING	11	21	76489	BASE, SWITCH "DM"	15	45
72147	HOOK	19	10	76490	COVER, SWITCH BASE "DM"	15	47
72150	LATCH, DRIVE TUBE	9	26	76491	COVER, CONTROL HOUSING	15	41
72153	SHAFT, PIVOT	9	5				
72154A2	DRIVE TUBE ASSEMBLY . . .	9	21	76513A2	ELECTRIC MOTOR ASSEMBLY "DM" AND "TM"	3	6
72155	LEVER, RELEASE	9	14				
72172	RETAINER, LOWER SHAFT .	11	6	76935	KNOB, CLAMP	13	7
72179	RETAINER, WIRING HARNESS	5	5	76937	RETAINER, SWIVEL TUBE .	17	16
72182A1	RETAINER ASSEMBLY, GEAR HOUSING	3	12	76937	RETAINER, SWIVEL TUBE "DM"	13	4
72184A1	RETAINER AND BEARING ASSEMBLY "DM" AND "TM"	3	7	76938	KNOB, ADJUSTMENT - SWIVEL TUBE	17	17
72184A1	RETAINER AND BEARING ASSEMBLY, NOSE CONE "RC"	3	7	76938	KNOB, ADJUSTMENT - SWIVEL TUBE "DM"	13	5
72252	RETAINER, UPPER SHAFT .	11	2	78414	RETAINER, IDLER GEAR . . .	11	24
72254	KNOB, PIVOT	19	7	78416	PULLEY, CONTROL CABLE .	7	40
72263	HANDLE, CLAMPING - COLUMN HOUSING	11	9	78417	PIVOT, PULLEY	7	41
72390A1	GEAR AND PROPELLER SHAFT ASSEMBLY	3	19	78418	CONTROL CABLE	5	13
72402	BUMPER, BASE - PORT . . .	19	2	78419	DRUM	11	26
72423	SHAFT, PIVOT	5	3	78422	BASE, FOOT CONTROL . . .	5	1
72473	CAP, RUBBER - PUSH BUTTON SWITCH	5	30	78559A1	SHAFT ASSEMBLY, LOWER	11	14
72474	SUCTION CUPS, FOOT CONTROL BASE	5	2	78971	HANDLE, THUMB SCREW . .	17	3
72475	RETAINER, BUSHING	3	14	79400	CAP, PUSH BUTTON SWITCH "TM"	13	19
72475	RETAINER, GEAR HOUSING BUSHING	3	25	79599	GRIP, CONTROL SHAFT . . .	13	31
72517	HOLDER, LIGHT BULB	11	15	79710	HANDLE, RUBBER	5	38
72544	STRAP, HOLD-DOWN	19	9	79719	RETAINER, PROPELLER . . .	3	32
72704	ARMATURE "DM" AND "TM"	3	11	85370	HOUSING, CONTROL	13	9
72704	ARMATURE "RC"	3	11	85454A2	INDICATOR ASSEMBLY . . .	5	23
73636	INDICATOR, DIRECTIONAL .	11	22	85457	COUPLER, INDICATOR (PLASTIC)	5	24
74413	BUMPER, BASE - STARBOARD	19	3	85516A2	FOOT PLATE ASSEMBLY . .	5	21
75532A1	BRUSH CARD ASSEMBLY "DM" AND "TM"	3	9	85517	PLATE, SWITCH	5	31
75532A1	BRUSH CARD ASSEMBLY "RC"	3	9	86039A1	HOUSING ASSEMBLY, CONTROL	11	3
76459	TUBE, SWIVEL	17	15	86040A2	SHAFT ASSEMBLY, UPPER	11	1
76459	TUCE, SWIVEL "DM"	13	3	86071	SKEG	3	4
76460	HOUSING, COLUMN "DM" . .	13	2	10-20597	SCREW, HOLDER TO CONTROL HOUSING (3/8")	11	18
76461	HOOK, RELEASE	17	20	10-20597	SCREW, RETAINER TO FOOT CONTROL BASE (3/8")	5	6
76463	BRACKET, PIVOT	17	21	10-22928	SCREW, SET - PIVOT SHAFT TO FOOT PLATE	7	39
				10-22928	SET SCREW, RETAINER TO LOWER SHAFT	11	7

PARTS INDEX

Part Number	Description	Pg.	Ref. No.	Part Number	Description	Pg.	Ref. No.
10-31471	SCREW, BASE TO BOAT (3")	19	13	10-76466	SCREW, CAP TO CONTROL HOUSING (1/2")	13	33
10-32228	SCREW, CLAMP KNOB (5/8")	13	8	10-76466	SCREW, CAP TO CONTROL HOUSING (1/2") "TM"	13	20
10-35057	SET SCREW, CONTROL HOUSING TO DRIVE SHAFT	13	11	10-76804	SCREW, THUMB SCREW WASHER	17	5A
10-37370	SCREW, DIRECTIONAL INDICATOR TO GEAR (5/8")	11	23	10-77190A4	THUMB SCREW ASSEMBLY	17	2
10-37370	SCREW, TERMINAL BLOCK ATTACHING (1/2")	5	9	10-77478	SCREW, PUSH BUTTON SWITCH TO FOOT PLATE	5	19
10-37655	SCREW, HARNESS LEADS/TERMINAL BLOCK ATTACHING (1/2")	5	33	10-77950	SCREW, LIFT ARM CLAMPING (2 3/4")	9	8
10-37655	SCREW, LATCH TO DRIVE TUBE	9	27	10-77951	SCREW, LIFT ARM CLAMPING (2 1/4")	9	7
10-37655	SCREW, TERMINAL BLOCK TO FOOT CONTROL BASE (1/2")	5	12	10-79168	SCREW, RETAINER TO ELECTRIC MOTOR "DM" AND "TM"	3	8
10-47828	SCREW, BUMPER TO BASE	19	4	10-79168	SCREW, RETAINER TO ELECTRIC MOTOR "RC"	3	8
10-62568	SCREW, TERMINAL BLOCK TO CONTROL HOUSING (3/8")	11	12	10-79477	SCREW, CLAMP BRACKET	17	9
10-62568	SCREW, WIRE TO CONTROL HOUSING (3/8")	13	28	10-85371	SCREW, FRICTION "DM"	15	52
10-65263	SCREW, PIVOT BRACKET TO SWIVEL BRACKET (1")	17	22	11-28770	NUT, CONTROL CABLE	7	43
10-68918	SCREW, CONTROL HOUSING TO COVER (1")	11	10	11-29598	NUT, TILT PIN STUD	17	8
10-68918	SCREW, COVER ATTACHING	13	12	11-34863	NUT, CLAMP BRACKET STUD	17	11
10-68920	WASHER, CLAMP BRACKET STUD	17	10	11-34932	NUT, COLUMN HOUSING TO LIFT ARM (3")	9	11
10-69010	SCREW, RETAINER TO GEAR HOUSING (1")	3	27	11-35045	NUT, BASE SCREW	19	17
10-69013	SCREW, SWITCH BASE ATTACHING (7/8") "DM"	15	49	11-35814	NUT, PIVOT BRACKET SCREW	17	24
10-72378	SCREW, GEAR HOUSING TO NOSE COVER (7")	3	29	11-45592	NUT, LIFT ARM CLAMPING SCREW	9	9
10-72398	SET SCREW, CONTROL HOUSING TO UPPER SHAFT	11	4	12-29070	WASHER, SEALING - GEAR HOUSING SCREW	3	30
10-72398	SET SCREW, STOP TO CONTROL SHAFT	13	38	12-29070	WASHER, SEALING - RETAINER SCREW	3	28
10-73287	SCREW, "J" CLIP ATTACHING	5	36	12-29245	WASHER, BASE SCREW (12" O.D.)	19	14
10-73287	SCREW, HARNESS LEADS ATTACHING (3/8")	5	11	12-29629	WASHER, POTENTIOMETER	13	26
10-73287	SCREW, HARNESS LEADS ATTACHING (3/8")	5	8	12-30644	WASHER, RELEASE LEVER PIN	9	16
10-73287	SCREW, HARNESS LEADS TO TERMINAL BLOCK (3/8")	11	13	12-35950	WASHER, INDICATOR	5	25
10-73287	SCREW, SWITCH CABLE TO BASE (3/8") "DM"	15	46	12-57427	WASHER, BASE SCREW (1" O.D.)	19	16
10-73287	SCREW, TERMINAL BLACK AND WIRES ATTACHING (3/8")	13	14	12-57428	WASHER, BASE SCREW (RUBBER)	19	15
10-75334	SCREW, COLUMN HOUSING TO LIFT ARM (3")	9	10	12-58790	WASHER, PROPELLER SHAFT	3	21
				12-70132	WASHER, PIVOT BRACKET SCREW	17	23
				12-72371	WASHER, COLUMN HOUSING BUSHING	9	13
				12-72389	WASHER, MITER GEAR	9	3
				12-72389	WASHER, THRUST - MITER GEAR AND BEVEL GEAR	9	18
				12-73719	WASHER, THUMB SCREW	17	5
				12-76472	WASHER, FRICTION - CONTROL SHAFT	13	35
				12-76473	WASHER, NYLON - CONTROL SHAFT	15	40

PARTS INDEX

Part Number	Description	Pg.	Ref. No.	Part Number	Description	Pg.	Ref. No.
13-21423	LOCKWASHER, SWITCH SCREW	13	24	26-72461	SEAL, RETAINER	3	15
13-26992	LOCKWASHER, TILT PIN STUD	17	7	27-85515	GASKET, RETAINER TO GEAR HOUSING	3	16
13-34632	WAVE WASHER, COUPLING	5	28	30-72388	BEARING, UPPER SHAFT	11	5
13-39227	WAVE WASHER, PIVOT KNOB	19	8	32-72545	TUBE, RUBBER - INDICATOR	5	27
16-68925	STUD, TILT PIN	17	6	37-86880A79	DECAL SET "DM" AND "TM"	1	-
17-27055	ROLL PIN, BASE	19	5	37-86887A79	DECAL SET "RC"	1	-
17-68929A1	TILT PIN ASSEMBLY	17	12	43-72385	SUN GEAR	3	18
17-70733	PIN, PROPELLER DRIVE	3	20	43-72859	RING GEAR	3	17
17-72148	PIN, MITER GEAR AND BEVEL GEAR TO DRIVE TUBE	9	25	43-72860	MITER GEAR, DRIVE TUBE	9	17
17-72149	PIN, RELEASE LEVER	9	22	43-72860	MITER GEAR, PIVOT SHAFT	9	4
17-72250	ROLL PIN, FOOT PLATE	5	22	43-72861	BEVEL GEAR, DRIVE TUBE	9	28
17-72250	ROLL PIN, HOOK TO BASE	19	12	43-78413	GEAR, INDICATOR	11	19
17-72255	ROLL PIN, RELEASE LEVER	9	15	43-78415	IDLER GEAR	11	25
17-78970	GROOVE PIN, THUMB SCREW	17	4	43-78859	GEAR, POTENTIOMETER	13	27
19-48323	PLUG, CONTROL SHAFT "DM"	13	18	45-76487	DRIVE SHAFT	13	1
22-35268	PLUG, PIPE - GEAR HOUSING (DRAIN)	3	26	48-85644	PROPELLER "RC"	3	31
23-29638	BUSHING, NYLON - PIVOT SHAFT	5	4	48-85646	PROPELLER "DM" AND "TM"	3	31
23-60762	BUSHING, NYLON - INDICATOR	5	29	53-27290	RETAINING RING, INDICATOR	5	26
23-72146	BUSHING, RELEASE ELVER PIN	9	24	53-76471	SNAP RING, CONTROL SHAFT	13	39
23-72173A1	SLEEVE ASSEMBLY, GEAR HOUSING	3	23	54-63153	"J" CLIP, BATTERY CABLE	5	35
23-72253	BUSHING, COLUMN HOUSING	9	12	54-64391-1	BATTERY CLIP (POSITIVE) "TM"	15	50
23-72482	BUSHING, GEAR HOUSING	3	24	54-64391-2	BATTERY CLIP (NEGATIVE) "TM"	15	50
23-72482	BUSHING, RETAINER	3	13	54-76936A1	CLAMP ASSEMBLY	13	6
23-76470	BUSHING, NYLON - CONTROL SHAFT	13	36	82-85427	POTENTIOMETER	5	17
23-79827	BUSHING, LIFT ARM	9	2	82-85427	POTENTIOMETER "DM"	13	16
23-79827	BUSHING, MITER GEAR	9	19	82-85427	POTENTIOMETER "TM"	13	16
23-79828	BUSHING, BEVEL GEAR	9	29	82-85427A1	POTENTIOMETER AND HARNESS ASSEMBLY	5	16
24-20099	SPRING "DM"	15	51	84-79609A2	BATTERY CABLE ASSEMBLY "DM"	15	43
24-62143	SPRING, TILT PIN	17	13	84-79611A2	BATTERY CABLE ASSEMBLY "TM"	15	43
24-65553	SPRING, RELEASE LEVER PIN	9	23	84-79611A3	BATTERY CABLE ASSEMBLY	5	34
24-72256	SPRING, COMPRESSION - HOOK	19	11	84-85007A2	WIRING HARNESS AND HANDLE ASSEMBLY	5	37
24-72257	SPRING, COMPRESSION	9	20	85-72661	INSULATOR, CONTROL	11	20
24-75533	SPRING, BRUSH "DM" AND "TM"	3	10	85-76716	INSULATOR, CONTROL HOUSING COVER	15	42
24-75533	SPRING, BRUSH "RC"	3	10	86-66986	TERMINAL BLOCK, FOOT CONTROL BASE	5	7
24-76462	SPRING, RELEASE HOOK ROD	17	19	86-66986	TERMINAL BLOCK, FOOT PLATE	5	32
24-85010	SPRING, CONTROL CABLE	7	42	86-67460	TERMINAL BLOCK, CONTROL HOUSING	11	11
25-59712	"O" RING, NOSE CONE AND GEAR HOUSING	3	5	86-67460	TERMINAL BLOCK, FOOT CONTROL BASE	5	10
25-59712	ELECTRIC MOTOR ASSEMBLY "RC"	3	6	86-76477	TERMINAL BLOCK	13	13
25-72421	GROMMET, BASE	19	6	87-72439	SWITCH, PUSH BUTTON	5	18
				87-72439	SWITCH, PUSH BUTTON	13	22
				87-76335	SWITCH, PUSH BUTTON "TM"	13	17

PARTS INDEX

Part Number	Description	Pg.	Ref. No.	Part Number	Description	Pg.	Ref. No.
87-76335A4	SWITCH AND POTENTIOMETER ASSEMBLY "TM"	13	--				
87-76449A1	SWITCH AND CABLE ASSEMBLY, REMOTE "DM"	15	44				
87-85987	SWITCH, TOGGLE "DM"	13	15				
87-85987	SWITCH, TOGGLE "TM"	13	15				
87-85987	TOGGLE SWITCH	5	15				
87-85987A1	SWITCH AND HARNESS ASSEMBLY	5	14				
88-72729	LIGHT BULB	11	16				
90-86143	PARTS MANUAL	1	-				
1478-7045A1	CLAMP BRACKET ASSEMBLY (STARBOARD)	17	1				
1479-7044A1	CLAMP BRACKET ASSEMBLY (PORT)	17	1				
1483-6399	SWIVEL BRACKET	17	14				
1649-5848A1	GEAR HOUSING ASSEMBLY	3	22				