



# PARTS CATALOG

## 9.9 H.P. OUTBOARD MOTOR

### SERIAL NUMBER

9.9 H.P. (1993 1/2-1994) .....	225.581986
9.9 H.P. (1993 1/2-1994) .....	225.581996

# TABLE OF CONTENTS:

CARBURETOR .....	10
CLAMP BRACKETS .....	24
CRANKSHAFT AND PISTON .....	14
CYLINDER BLOCK .....	16
FUEL AND RECIRCULATION SYSTEM .....	8
FUEL TANK AND LINE .....	32
GEAR HOUSING .....	28
IGNITION SYSTEM .....	4
PARTS INDEX .....	34
SHIFT LINKAGE .....	6
STARTER .....	12
SWIVEL BRACKET AND DRIVESHAFT HOUSING .....	22
THERMOSTAT .....	26
TILLER HANDLE AND THROTTLE LINKAGE .....	18
TOP AND BOTTOM COWL .....	2

**NOTE:** *Indented description indicate that these parts are included in preceding assembly.*

**AR** = As Required

**NSS** = Not Sold Separate

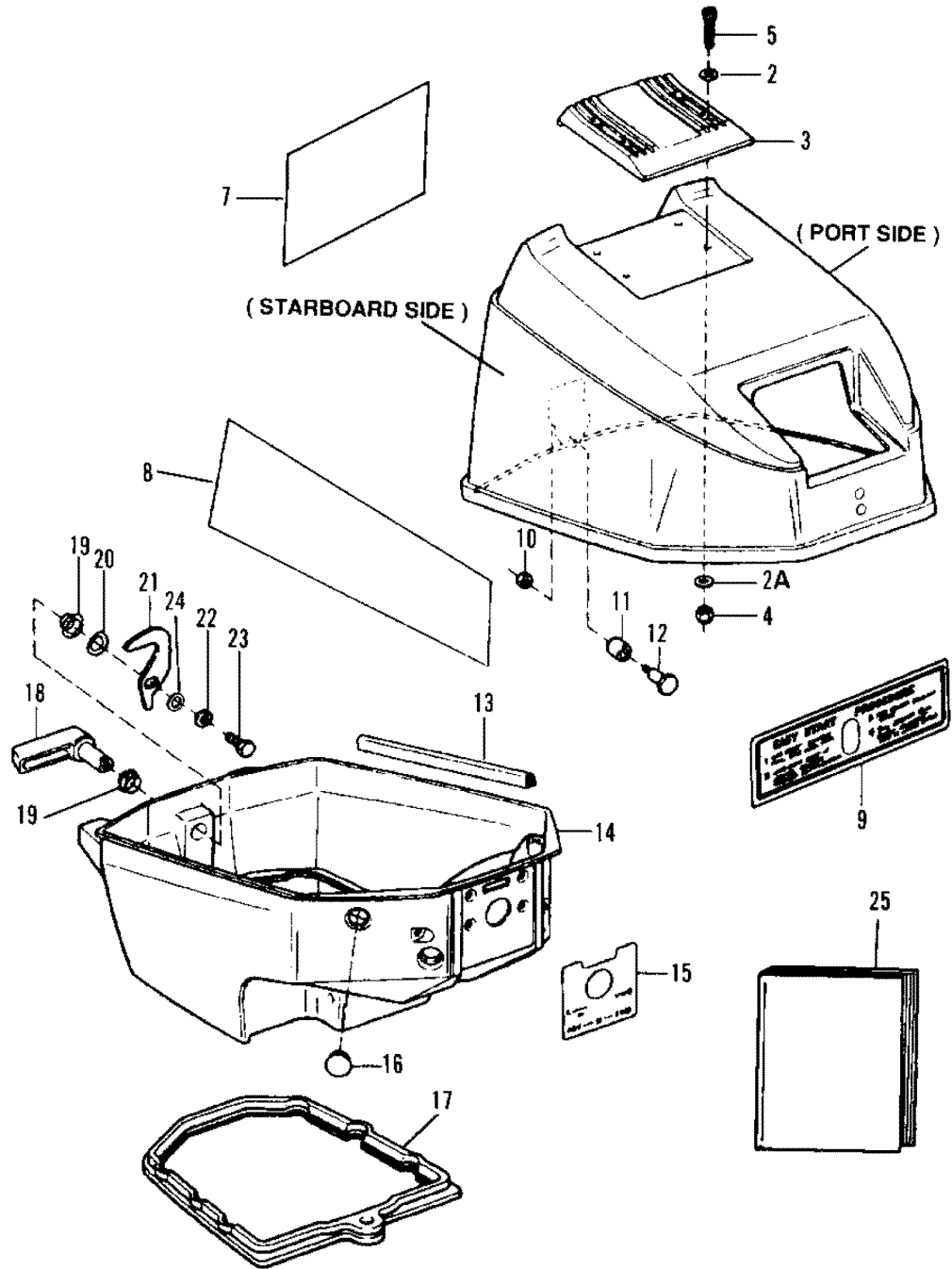
**OPT** = Optional

**NS** = Not Shown

**THESE PARTS BOOKS/FICHE CARD ARE COPYRIGHTED AND MAY NOT BE DISTRIBUTED OR REPRODUCED IN ANY OTHER FORMAT BY ANYONE OTHER THAN MERCURY MARINE WITHOUT THE PRIOR WRITTEN CONSENT OF MERCURY MARINE.**

THIS PAGE INTENTIONALLY LEFT BLANK

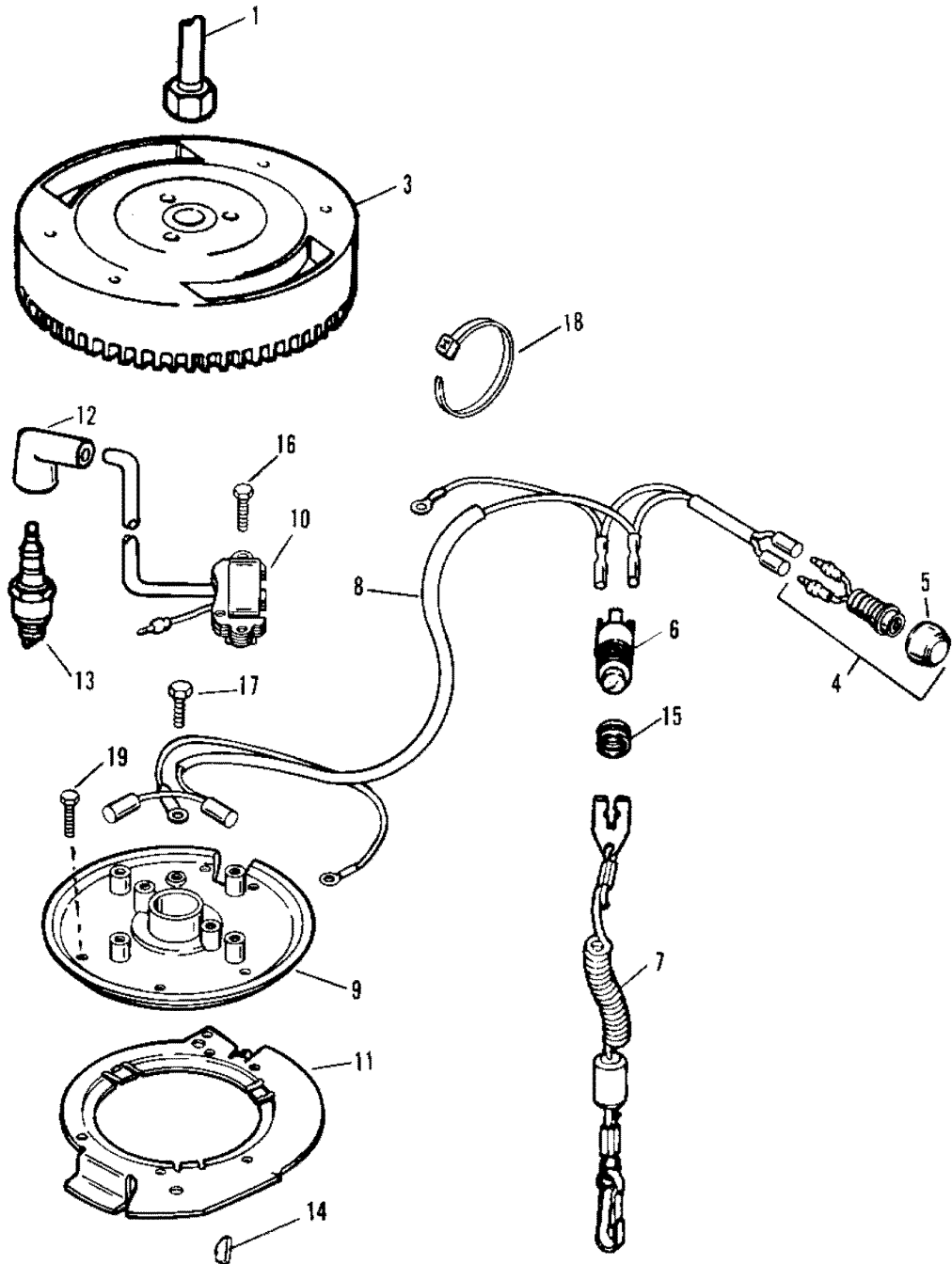
# TOP AND BOTTOM COWL



## TOP AND BOTTOM COWL

REF. NO.	PART NO.	SYM.	QTY.	DESCRIPTION
-	<b>F2C709712</b>		1	<b>TOP COWL (WITH DECALS -PAINTED)</b>
1	FS681712T		1	TOP COWL ( WITHOUT DECALS -PAINTED)
2	F2042		4	WASHER
2A	12-F8143		4	WASHER
3	F681269		1	HANDLE, TILT
4	11-F7009		4	NUT (10-24)
5	10-F2211		4	SCREW (10-24 X 5/8")
7	37-F709528		1	DECAL, REAR
8	37-F709396		1	DECAL, STARBOARD
	37-F709397		1	DECAL, PORT
9	37-F681390		1	DECAL, STARTING INSTRUCTIONS
10	11-F1832		1	NUT (1 /4-20)
11	23-F681759		1	ROLLER, LATCH
12	10-F681026		1	SCREW, LATCH ROLLER
13	F392756		1	PACKING, SUPPORT PLATE
14	100-819280A2		1	BOTTOM COWL KIT (PAINTED)
15	38-819281		1	PLATE, SUPPORT
16	19-73336		2	PLUG
17	819486		1	SEAL, SUPPORT PLATE
18	FA681469T		1	HANDLE ASSEMBLY, COWL LATCH (PAINTED)
19	23-F286818		2	NYLINER
20	13-F2047		1	WAVE WASHER
21	F481777		1	CAM
22	13-26992		1	LOCKWASHER
23	F1854		1	SCREW (1/4-20 X 5/8")
24	12-71055		1	WASHER
25	90-823215931		1	OWNERS MANUAUPARTS MANUAL

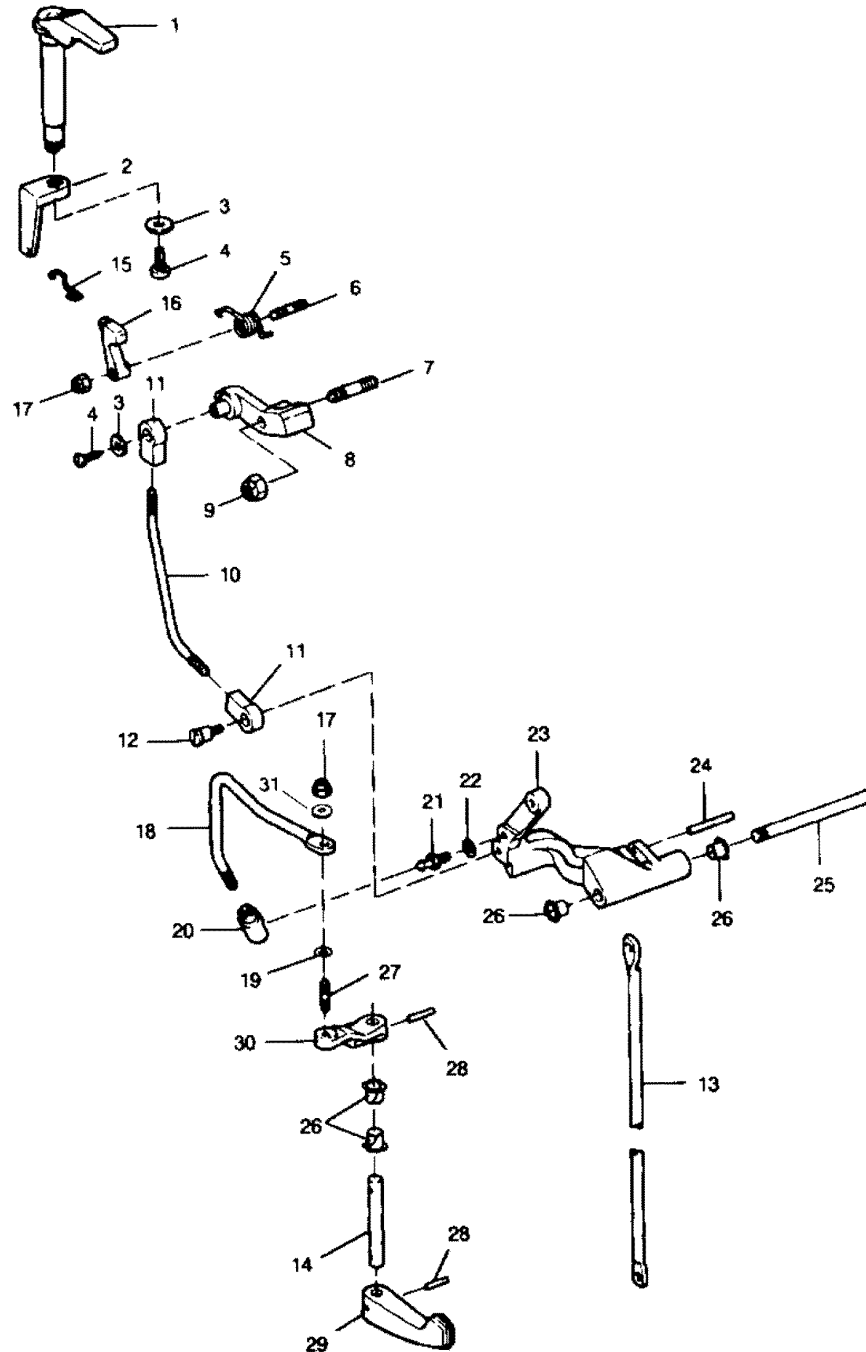
# IGNITION SYSTEM



# IGNITION SYSTEM

REF. NO.	PART NO.	SYM.	QTY.	DESCRIPTION
1	F681091		1	NUT, FLYWHEEL
2	200-824380T		1	FLYWHEEL (PAINTED)
4	87-824440A6		1	STOP SWITCH ASSEMBLY
5	824466A2		1	COVER ASSEMBLY, STOP SWITCH
6	87-F687287		1	SWITCH, EMERGENCY STOP
7	819399A1		1	LANYARD
8	84-819379A5		1	HARNESS ASSEMBLY, ENGINE STOP
9	300-819305T		1	PLATE, STATOR
10	819156T		2	IGNITION MODULE (CUT WIRE AS REQ D)
11	819758T		1	CAM, THROTTLE
12	85-818751		OPT.	BOOT (RFI)
	FK1123		2	BOOT KIT
13	33-19796		OPT.	SPARK PLUG (RFI)
	33-813423		2	SPARK PLUG
14	28-F458498-1		1	KEY
15	22-F681188		1	NUT, STOP SWITCH SLEEVE
16	10-824353		6	SCREW (8-32 X 3/4")
17	10-824352		1	SCREW (10-24 X 3/8")
18	69355		AR	STA-STRAP
19	10-824358		5	SCREW (10-24 X 1 /2")

# SHIFT LINKAGE

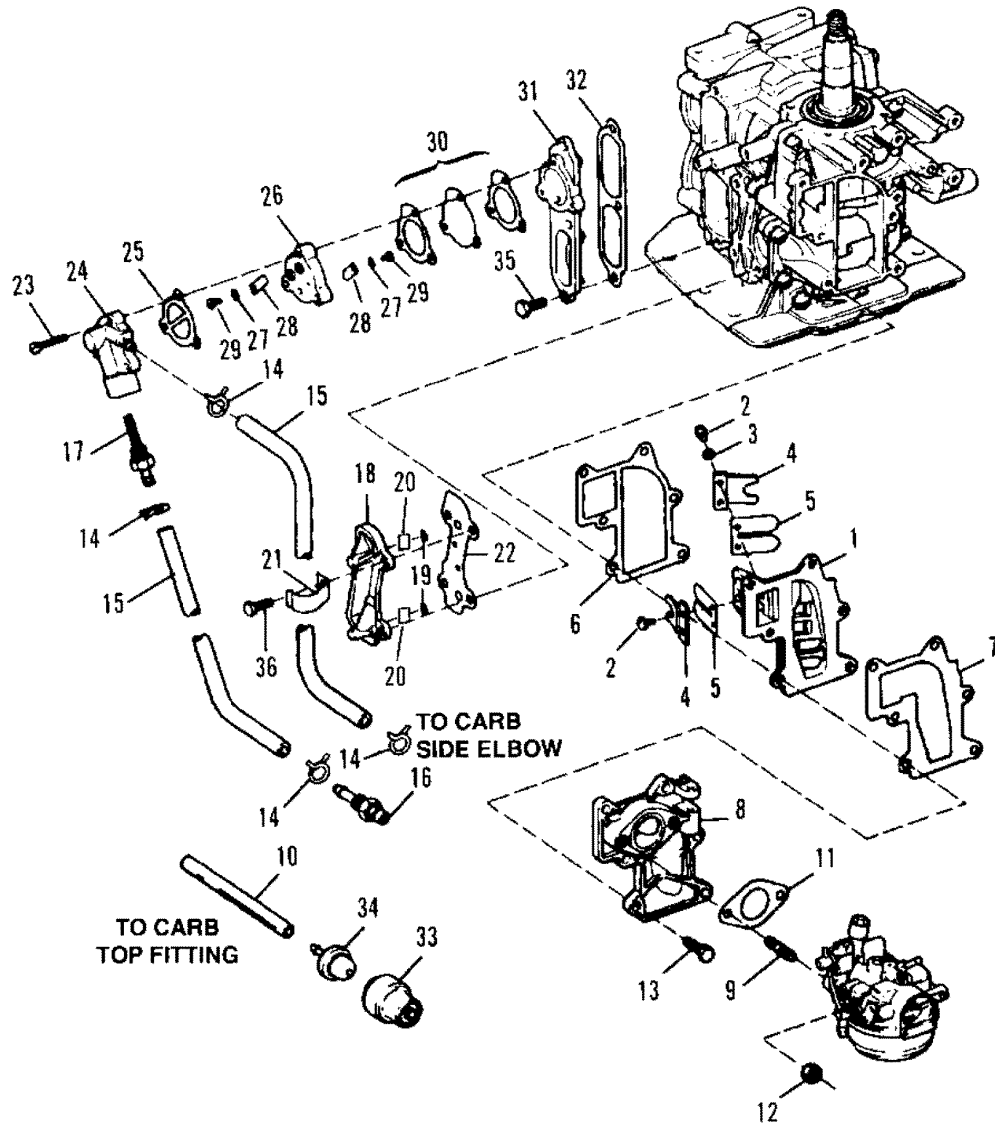




# SHIFT LINKAGE

REF. NO.	PART NO.	SYM.	QTY.	DESCRIPTION
1	F681490		1	STOP, STARTER PULLEY INTERLOCK
2	F681003-1		1	ARM, STARTER INTERLOCK
3	12-F8143		1	WASHER
4	10-F2209		1	SCREW (10-16 X 1 /2")
5	24-F681424		1	SPRING, INTERLOCK LEVER
6	16-F681134		1	STUD, INTERLOCK LEVER
7	16-F681008		1	STUD, NEUTRAL INTERLOCK PIVOT
8	F681997-1		1	LEVER, NEUTRAL INTERLOCK
9	11-F1832		1	NUT (1/4-20)
10	F681531		1	ROD, INTERLOCK
11	816514		2	BEARING
12	10-819625		1	SCREW, SHOULDER
13	F286615		1	ROD, GEAR SHIFT, UPPER
14	F715417		1	SHAFT, GEAR SHIFT HANDLE
15	F681263-1		1	LINK, STARTER INTERLOCK
16	F681742		1	LEVER, INTERMEDIATE INTERLOCK
17	11-20110		2	NUT (10-32)
18	F286611		1	ROD, GEAR SHIFT
19	13-26996		1	LOCKWASHER
20	F286685		1	CONNECTOR, GEAR SHIFT ROD
21	16-F98273		1	STUD
22	13-F8058		1	LOCKWASHER
23	F286876		1	LEVER, GEAR SHIFT
24	17-31656		1	PIN
25	F286871		1	PIN, GEAR SHIFT LEVER
26	23-F307818		4	BUSHING
27	16-F286134		1	STUD, GEAR SHIFT LEVER
28	17-25905		2	PIN
29	819626T		1	HANDLE, GEAR SHIFT (PAINTED)
30	F715619		1	LEVER, SHIFT HANDLE SHAFT
31	13-F8048		1	WAVE WASHER

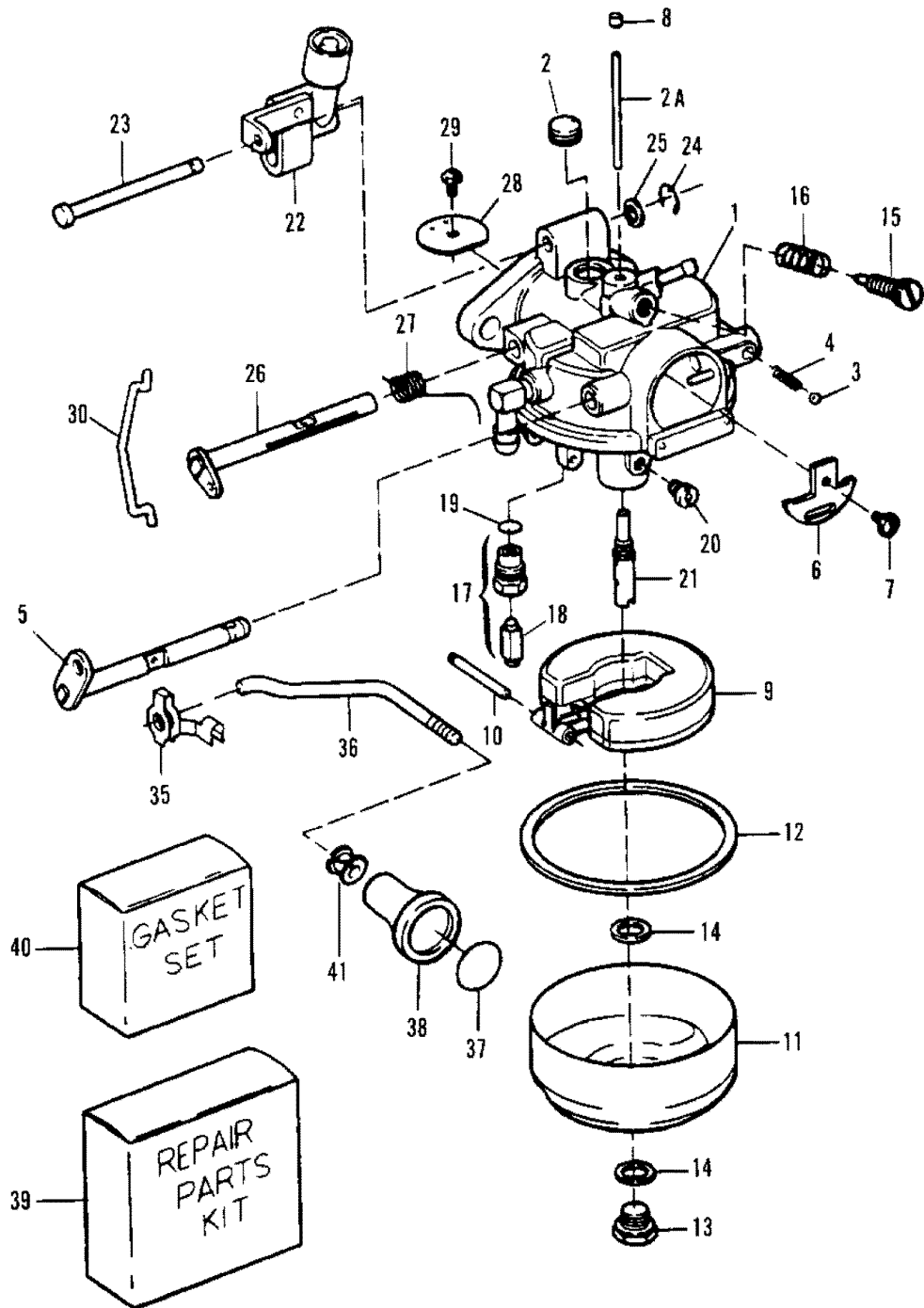
# FUEL AND RECIRCULATION SYSTEM



## FUEL AND RECIRCULATION SYSTEM

REF. NO.	PART NO.	SYM.	QTY.	DESCRIPTION
1	34-FA715158		1	PLATE ASSEMBLY, REED
2	10-28430		8	SCREW (6-32 X 1/4")
3	13-F1704		8	LOCKWASHER
4	34-F715161		4	STOP, REED
5	34-F31160-2		4	REED
6	27-F286159-1		1	GASKET, REED PLATE
7	27-F715168		1	GASKET, MANIFOLD
8	FA714167		1	MANIFOLD KIT
9	16-F2788004		2	STUD
10	32-F40253-1		1	HOSE, PRIMER BULB TO CARB (4.12" -CUT AS REQ D)
11	27-F18906		1	GASKET, CARBURETOR
12	11-F1490		2	NUT (1 /4-20)
13	10-28668		6	SCREW (1/4-20 X 7/8")
14	54-F2706772		4	CLAMP
15	32-F40253-1		2	HOSE, FUEL (9.18" 8 13.38" -CUT AS REQ D)
16	22-F197767-2		1	BUSHING, FUEL
17	22-F901811		1	FILTER, FUEL PUMP
18	FA429471		1	COVER ASSEMBLY, CYLINDER DRAIN
19	F429811		2	SCREEN
20	21-817741A1		2	VALVE KIT
21	54-F286772-1		1	CLAMP
22	27-F429472		1	GASKET, CYLINDER DRAIN COVER
23	10-F1069		3	SCREW (10-24 X 1-1/16")
24	F901746-2		1	COVER, FUEL PUMP
25	27-F24748-2		1	GASKET, FUEL PUMP
26	F2A24757		1	PLATE ASSEMBLY, FUEL PUMP
27	F8003		2	WASHER
28	34-F18160-3		2	REED
29	10-F1286		2	SCREW (4-40 X 3/16")
30	27-818043A1		1	DIAPH RAGM KIT
31	F286222		1	COVER, TRANSFER PORT
32	27-F286223		1	GASKET, TRANSFER PORT COVER
33	F681954-1		1	COVER
34	F681046		1	BULB, PRIMER
35	F1502		3	SCREW (1/4-20 X 5/8")
36	10-F1922		4	SCREW (1/4-20 X 5/8")

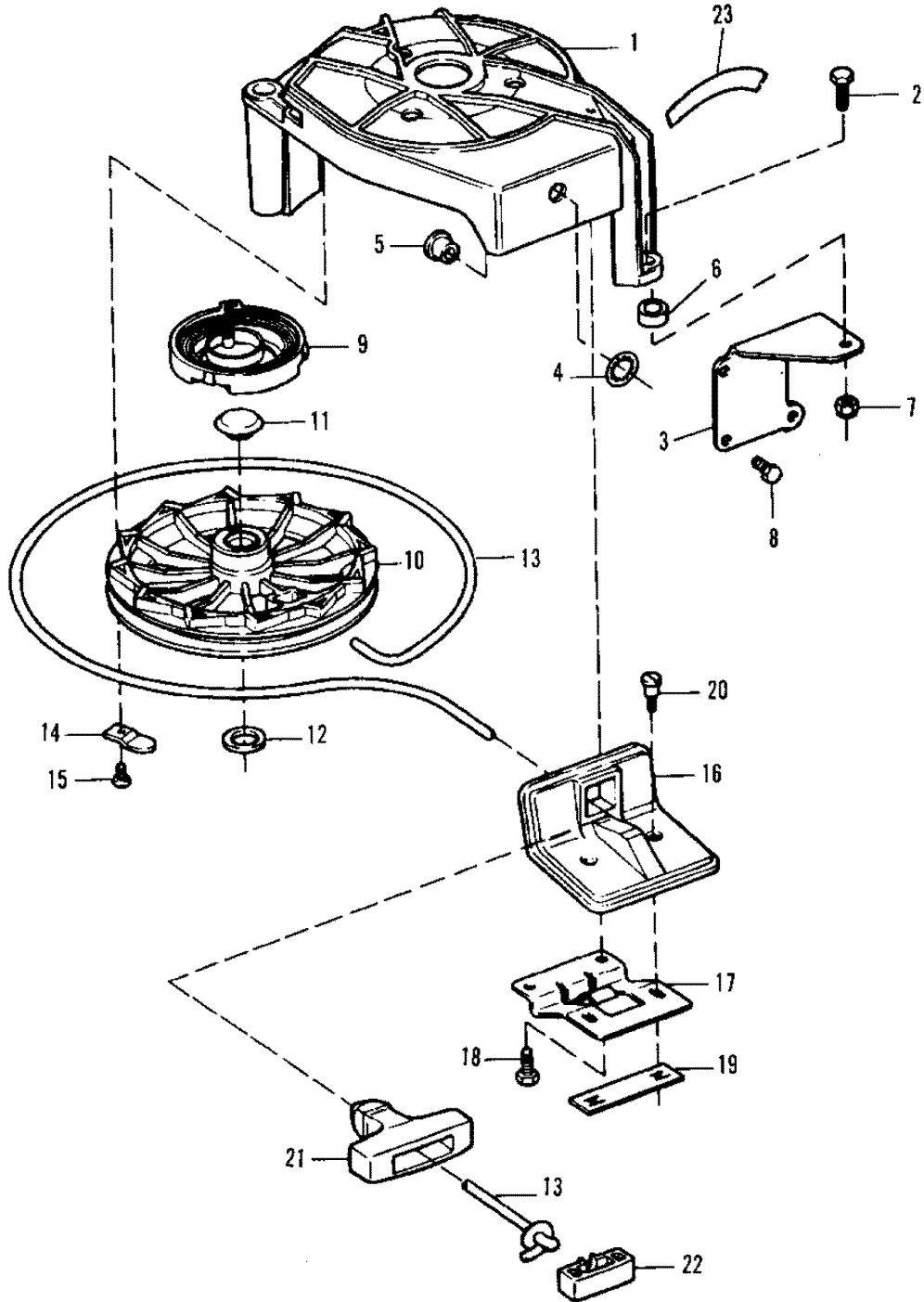
# CARBURETOR



# CARBURETOR

REF. NO.	PART NO.	SYM.	QTY.	DESCRIPTION
1	1300-F714061		1	CARBURETOR (HO-5A)
2	19-FO2531		1	PLUG
2A	F10235		1	TUBE, BY-PASS
3	FO4784		1	BALL
4	FO8805		1	SPRING
5	FO15736		1	SHAFT, CHOKE
6	F10236		1	SHUTTER, CHOKE
7	10-FO10280		1	SCREW
8	19-FO10588		1	PLUG
9	FO13554		1	FLOAT
10	FO13944		1	PIN, FLOAT
11	FO15366		1	BOWL, FUEL
12	27-FO15623		1	GASKET
13	1399-5128		1	SCREW
14	27-FO2510		2	GASKET
15	FO15520		1	NEEDLE, IDLE MIXTURE
16	24-27160		1	SPRING
17	FK10237		1	INLET NEEDLE/SEAT KIT
18	F10265		1	NEEDLE, INLET
19	27-FO10165		1	GASKET
20	1399-1457		AR	MAIN JET (.057)
	1399-1655		AR	MAIN JET (.055)
	FO11765		AR	MAIN JET (.053)
	FO11764		AR	MAIN JET (.051)
21	F10238		1	NOZZLE, MAIN
22	F10290		1	LINKAGE
23	F10240		1	SHAFT, LINKAGE
24	F10241		1	E-RING
25	F10242		1	WASHER
26	F10339		1	SHAFT, THROTTLE
27	24-F10246		1	SPRING
28	F10354		1	SHUTTER, THOTTLE
29	10-F10328		1	SCREW
30	F10338		1	LINK, THROTTLE
35	F341384		1	RETAINER, CHOKE ROD
36	819348		1	ROD, CHOKE
37	F681677		1	INSERT, CHOKE KNOB
38	F286547		1	KNOB, CHOKE
39	FK10295		1	REPAIR KIT, CARBURETOR
40	FK10294		1	GASKET SET, CARBURETOR
41	23-F197319		1	BUSHING

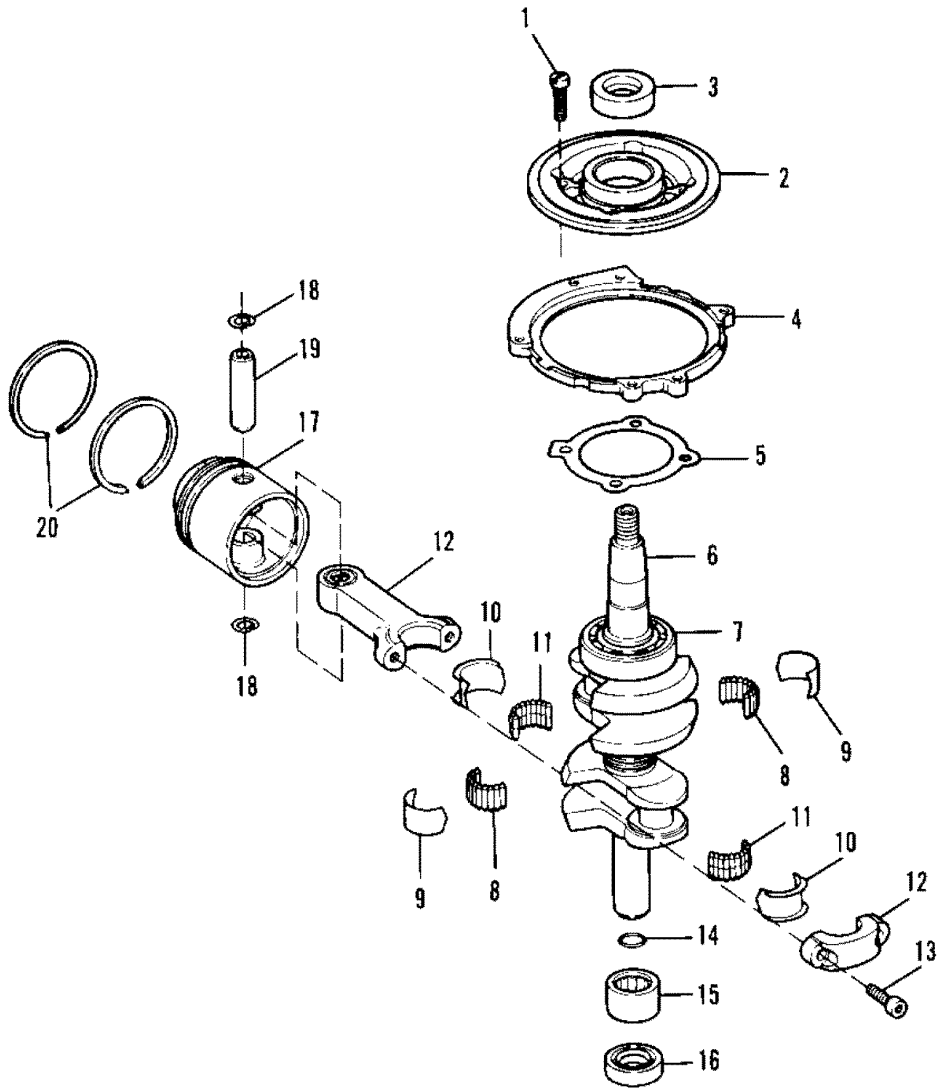
# STARTER



# STARTER

REF. NO.	PART NO.	SYM.	QTY.	DESCRIPTION
1	F681408-1		1	HOUSING, STARTER
2	10-90192		3	SCREW (1/4-20 X 3/4")
3	F681427-2		1	BRACKET, STARTER HOUSING FRONT
4	53-42689		1	RING, RETAINING
5	F681428		1	INSERT, STARTING HOUSING ROPE
6	23-F681405		3	INSE RT, STARTER HOUSING
7	11-F1832		1	NUT (1/4-20)
8	10-F1922		4	SCREW (1/4-20 X 5/8")
9	24-F681970		1	SPRING, STARTER REWIND
10	FA681239		1	PULLEY ASSEMBLY, STARTER REWIND
11	19-817362		1	PLUG
12	26-F681579		1	SEAL, PULLEY BEARING
13	F681232		1	ROPE (65")
14	F681592		3	RETAINER, STARTER PULLEY
15	10-F2209		3	SCREW (10-16 X 1 /2")
16	FA681630		1	SUPPORT ASSEMBLY, HANDLE
17	F681090		1	PLATE, HANDLE SUPPORT
18	10-F2210		2	SCREW (1/4-14 X 1/2")
19	F681874-1		1	FASTENER, HANDLE SUPPORT PLATE
20	10-F84026		2	SCREW, SHOULDER
21	F681132		1	HANDLE, STARTER ROPE
22	F681817		1	RETAINER, STARTER ROPE
23	FA609853		1	DECAL

# CRANKSHAFT AND PISTON

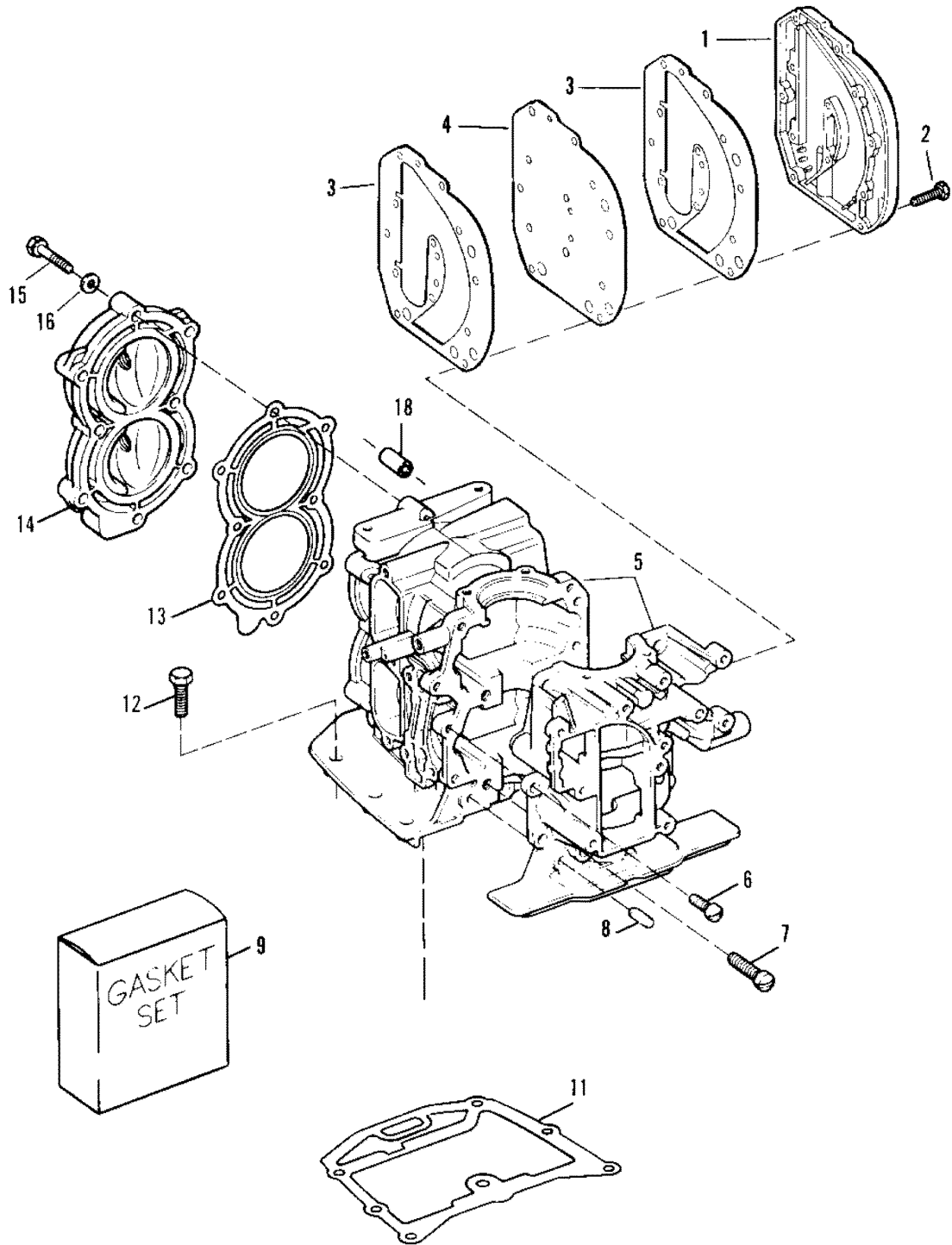




# CRANKSHAFT AND PISTON

REF. NO.	PART NO.	SYM.	QTY.	DESCRIPTION
1	10-F1864		4	SCREW (1/4-20 X 3/4")
2	31-817753A1		1	CAGE ASSEMBLY, CRANKSHAFT BEARING
3	F346146		1	SEAL, CRANKSHAFT, UPPER
4	300-F73082		1	RING, STATOR
5	27-F286277		1	GASKET, CRANKSHAFT BEARING CAGE
6	400-819803A2		1	CRANKSHAFT ASSEMBLY
7	30-F286028		1	BEARING
8	29-F286571		1	ROLLER SET (26 PER SET)
9	FA286155		1	LINER SET, CENTERMAIN BEARINGASSEMBLY
11	FA712228		2	ROLLER SET (2 STRIPS-28 PER)
12	600-FS715016		2	CONNECTING ROD ASSEMBLY
13	10-F175634		4	SCREW
14	25-32509		1	O-RING
15	31-F343014		1	BEARING, CRANKSHAFT LOWER MAIN
16	26-819396		1	SEAL, CRANKSHAFT LOWER
17	700-819946A3		2	PISTON KIT
18	53-F31410		4	RING, RETAINING
19	41-F712017		2	PIN, PISTON
20	39-820484A1		2	RING SET, PISTON (2 RINGS)

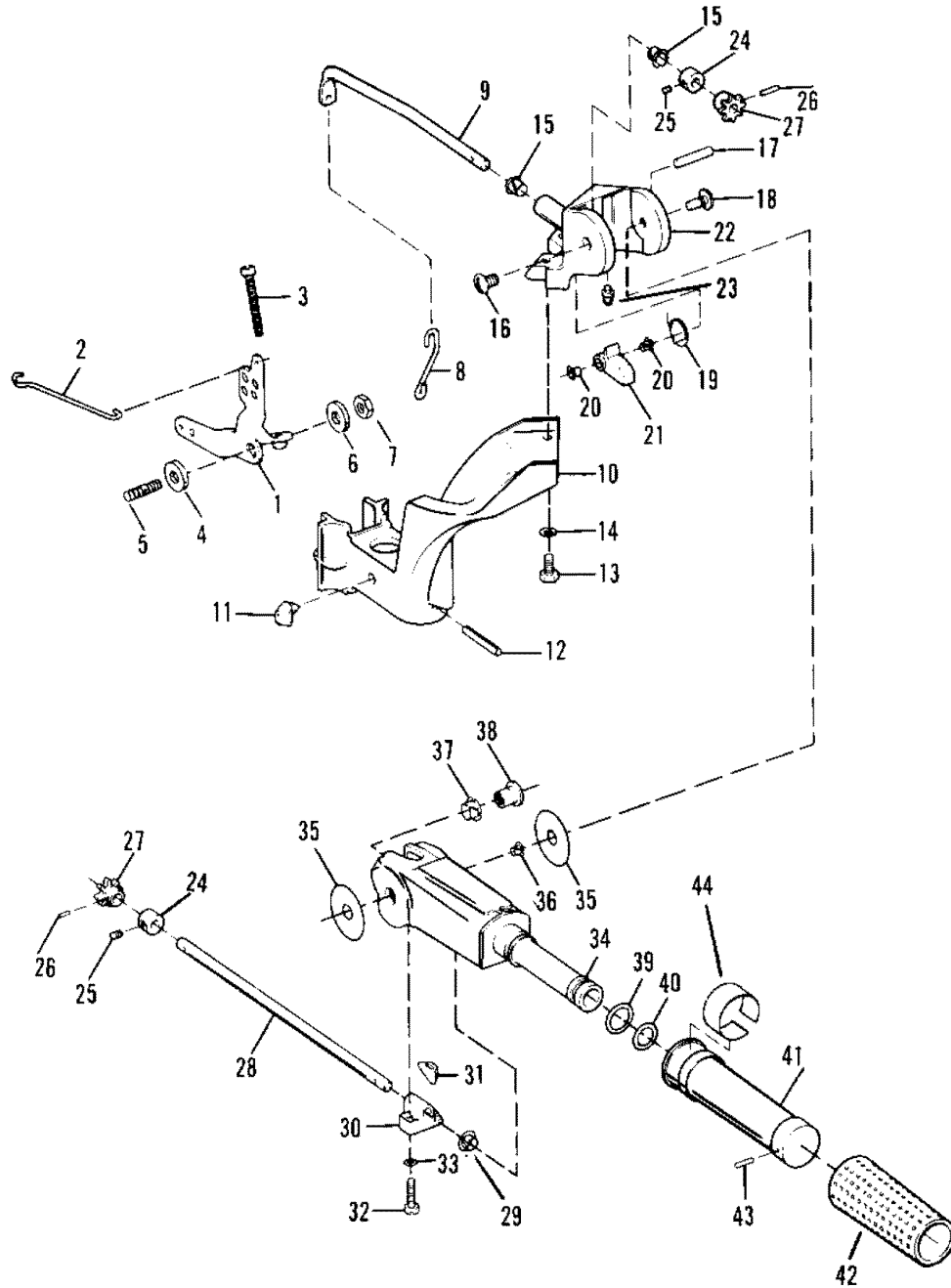
# CYLINDER BLOCK



# CYLINDER BLOCK

REF. NO.	PART NO.	SYM.	QTY.	DESCRIPTION
—	FC71001-O		1	SHORT BLOCK ASSEMBLY (PAINTED)
1	824141T		1	COVER, EXHAUST
2	10-28668		12	SCREW (1/4-20 X 7/8")
3	27-F715154		2	GASKET EXHAUST PORT COVER
4	F715151		1	PLATE, EXHAUST
5	800-819553A5		1	CYLINDER BLOCK ASSEMBLY
6	10-F1107		10	SCREW (1 /4-20 X 3/4")
7	10-F1335		4	SCREW (5/16-18 X 1 -1/4")
8	17-F8559		2	PIN, DOWEL
9	FG1036		1	GASKET SET
11	27-F715279-1		1	GASKET, CYLINDER MOUNTING
12	10-F1823		6	SCREW (5/16-18 X 1")
13	27-F286529-3		1	GASKET, CYLINDER HEAD GASKET SET
14	900-F703518		1	HEAD, CYLINDER
15	10-F901938-1		8	SCREW
16	12-F8025		8	WASHER
18	32-F715943		1	TUBE, CYLINDER WATER JACKET

# TILLER HANDLE AND THROTTLE LINKAGE

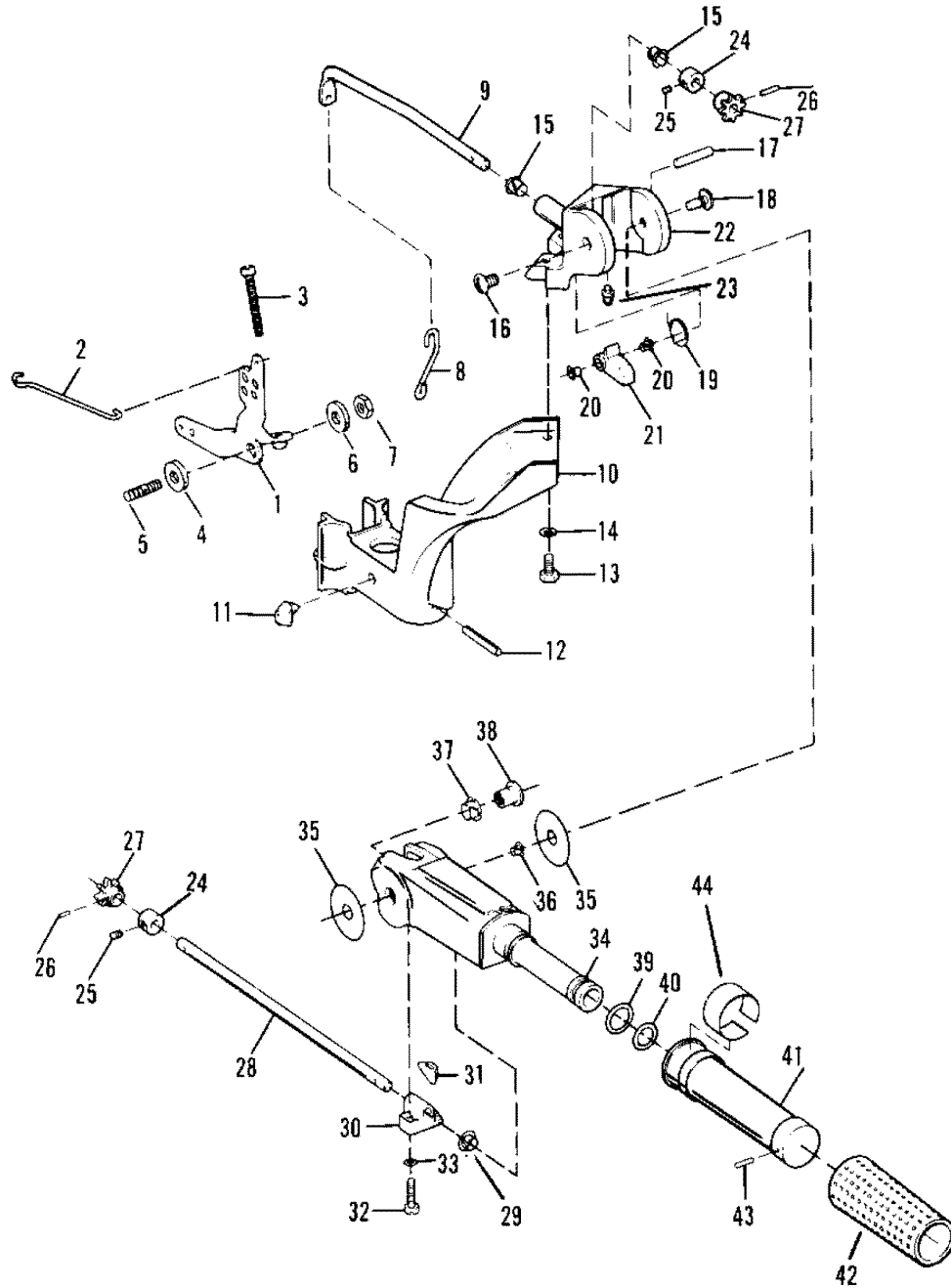


## TILLER HANDLE AND THROTTLE LINKAGE

REF. NO.	PART NO.	SYM.	QTY.	DESCRIPTION
1	819408A1		1	LEVER ASSEMBLY, STATOR CONTROL
2	824142T		1	LINK, THROTTLE CAM
3	10-F2126		1	SCREW (1/4-28 X 2")
4	23-F183813		1	BUSHING
5	16-F660273		1	STUD
6	12-819704		1	WASHER
7	11-F7006		1	NUT (5/16-18)
8	F618445		1	LINK, MAGNETO CONTROL ROD
9	F431838		1	SHAFT, MAGNETO CONTROL
10	FA286582T		1	ARM KIT, STEERING (PAINTED)
11	19-F286539		1	BUMPER
12	17-F1805		1	PIN, SPRING
13	10-28635		2	SCREW (1/4-20 X 5/8")
14	13-78968		2	LOCKWASHER
15	23-F307818		2	BUSHING
16	10-F1799		1	SCREW (5/16-18 X 5/8")
17	17-F1807		1	PIN, GROOVE
18	10-F286080		1	SCREW, STEERING HANDLE PIVOT
19	24-F286868		1	SPRING, STEERING HANDLE STOP
20	23-F197813		2	BUSHING
21	F286490		1	STOP, STEERING HANDLE
22	817751A3		1	BRACKET KIT, STEERING(PAINTED)
23	22-F523274		1	FITTING, GREASE
24	FA343178		2	RETAINER KIT
25	10-F1859		2	SCREW (1/4-28 X 3/16")
26	17-29908		2	PIN
27	43-818009--1		2	GEAR
28	819160		1	SHAFT, STEERING HANDLE
29	23-F85610		1	BUSHING
30	F487816-1		1	BEARING
31	819227		1	WEDGE
32	10-F1829		2	SCREW (10-24 X 7/8")
33	13-F8058		2	LOCKWASHER
34	819279T		1	HANDLE, STEERING (PAINTED)
35	12-F286220		2	WASHER
36	23-F197813		1	BUSHING
37	23-F286818		1	BUSHING
38	F286224-1		1	INSERT, STEERING HANDLE PIVOT
39	25-F53795-1		1	O-RING (LARGE)

CONTINUED ON NEXT PAGE ➡

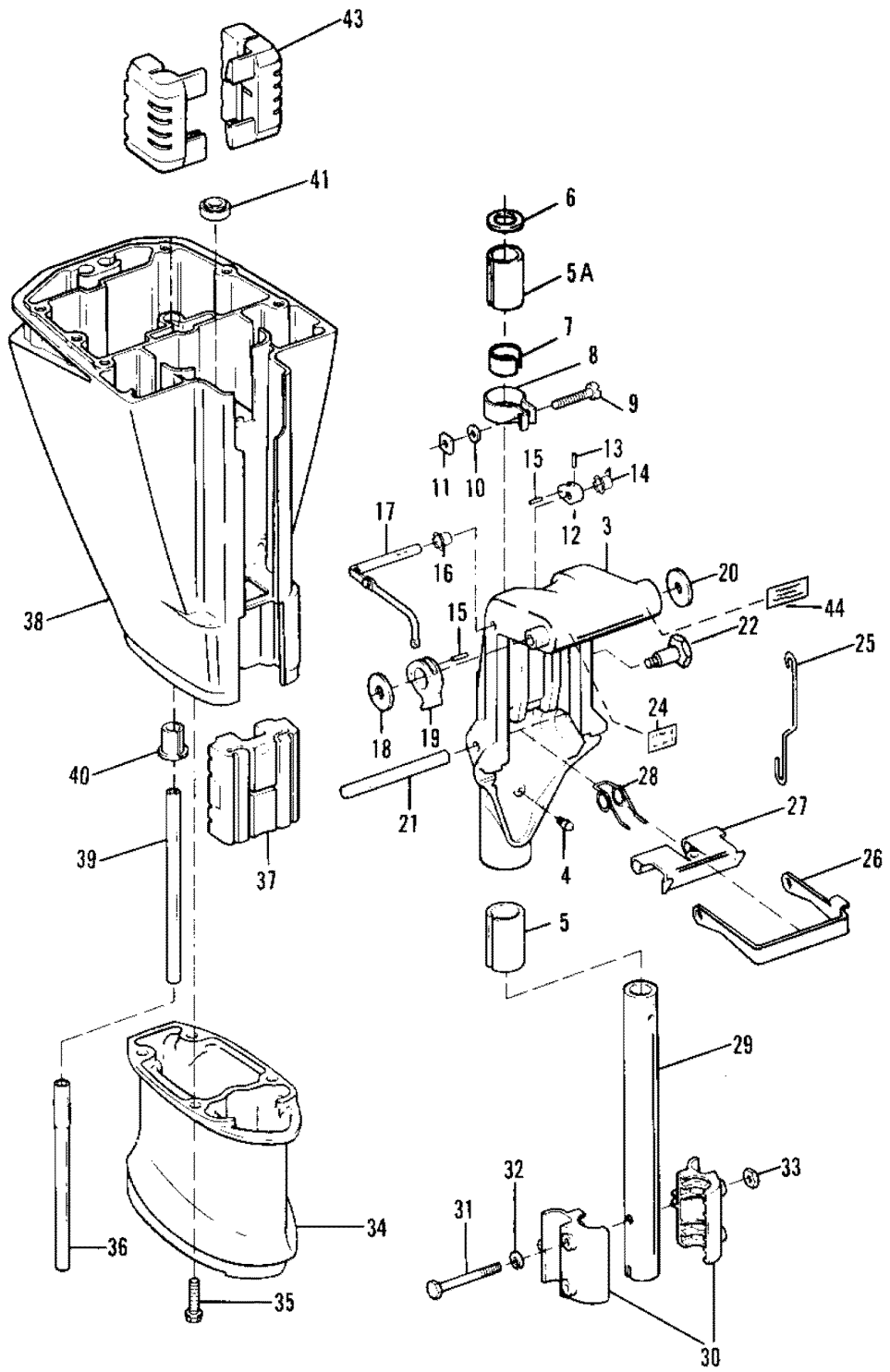
# TILLER HANDLE AND THROTTLE LINKAGE



## TILLER HANDLE AND THROTTLE LINKAGE

REF. NO.	PART NO.	SYM.	QTY.	DESCRIPTION
40	25-F215795		1	O-RING (SMALL)
41	FA456137		1	HANDLE ASSEMBLY, STEERING
42	F458695		1	SLEEVE
43	F8548		1	PIN
44	37-F712894		1	DECAL, SPEED INDICATOR (RED)

# SWIVEL BRACKET AND DRIVESHAFT HOUSING

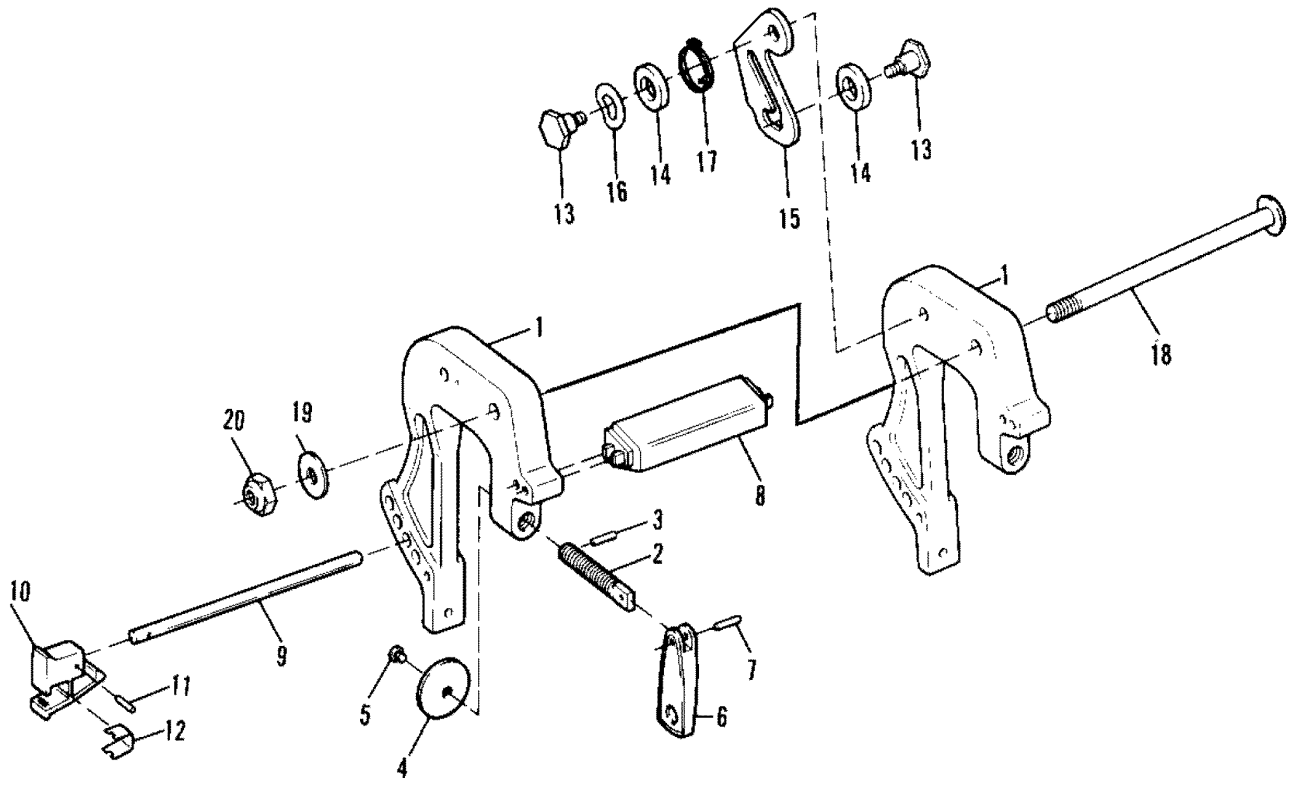




# SWIVEL BRACKET AND DRIVESHAFT HOUSING

REF. NO.	PART NO.	SYM.	QTY.	DESCRIPTION
3	1400-817750A4		1	BRACKET KIT, SWIVEL (PAINTED)
4	22-F213274		2	FITTING, GREASE
5	23-F286169		1	BUSHING, BOTTOM (1-3/4")
5A	23-F681169		1	BUSHING, TOP (1 -1/8")
6	12-F286011		1	WASHER, SWIVEL BRACKET
7	F681631		1	SHOE, FRICTION, SWIVEL BRACKET
8	54-F286573-1		1	CLAMP, STEERING FRICTION
9	10-F1820		1	SCREW (1/4-20 X 1-3/8")
10	12-12038		1	WASHER
11	11-F1608		1	NUT (1 /4-20)
12	F286364		1	LEVER, REVERSE LOCK
13	17-F8538		1	PIN
14	23-F197813		1	BUSHING
15	17-F1794		2	PIN
16	23-F536813		1	BUSHING
17	FA387742		1	LEVER ASSEMBLY, INTERMEDIATE
18	12-F2037		1	WASHER
19	F286827		1	LEVER, REVERSE LOCK
20	12-F286286-1		1	WASHER
21	17-F1806		1	PIN, GROOVE
22	17-819707		1	PIN, TILT LOCK
24	37-F688585		1	DECAL, TILT LOCK
25	FA341510		1	LINK, REVERSE LOCK
26	F286433		1	BRACKET, SHALLOW WATER DRIVE
27	F286349		1	LOCK, REVERSE
28	24-F286300		1	SPRING, REVERSE LOCK
29	F286019		1	KINGPIN
30	819320T		2	BRACKET, SHOCK MOUNT LOWER (PAINTED)
31	FA1844		2	BOLT KIT (1/4-20 X 2-3/8")
32	13-26992		2	LOCKWASHER
33	11-64015		2	NUT (1 /4-20)
34	FA492845T		1	HOUSING KIT (PAINTED) 20" FOR MODEL 225.581986
35	10-F430732		4	SCREW 20" FOR MODEL 225.581986
36	32-FS901244		1	WATERLINE, EXTENSION 20" FOR MODEL 225.581986
37	F286346		1	MOUNT, SHOCK, LOWER
38	1500-819344T		1	HOUSING, DRIVESHAFT (PAINTED)
39	32-F286244		1	TUBE, WATER
40	F286914-1		1	SLEEVE
41	26-F901307-2		1	SEAL
43	F286347		2	MOUNT, SHOCK, LOWER
44	37-818029		1	DECAL, FUEL MIX

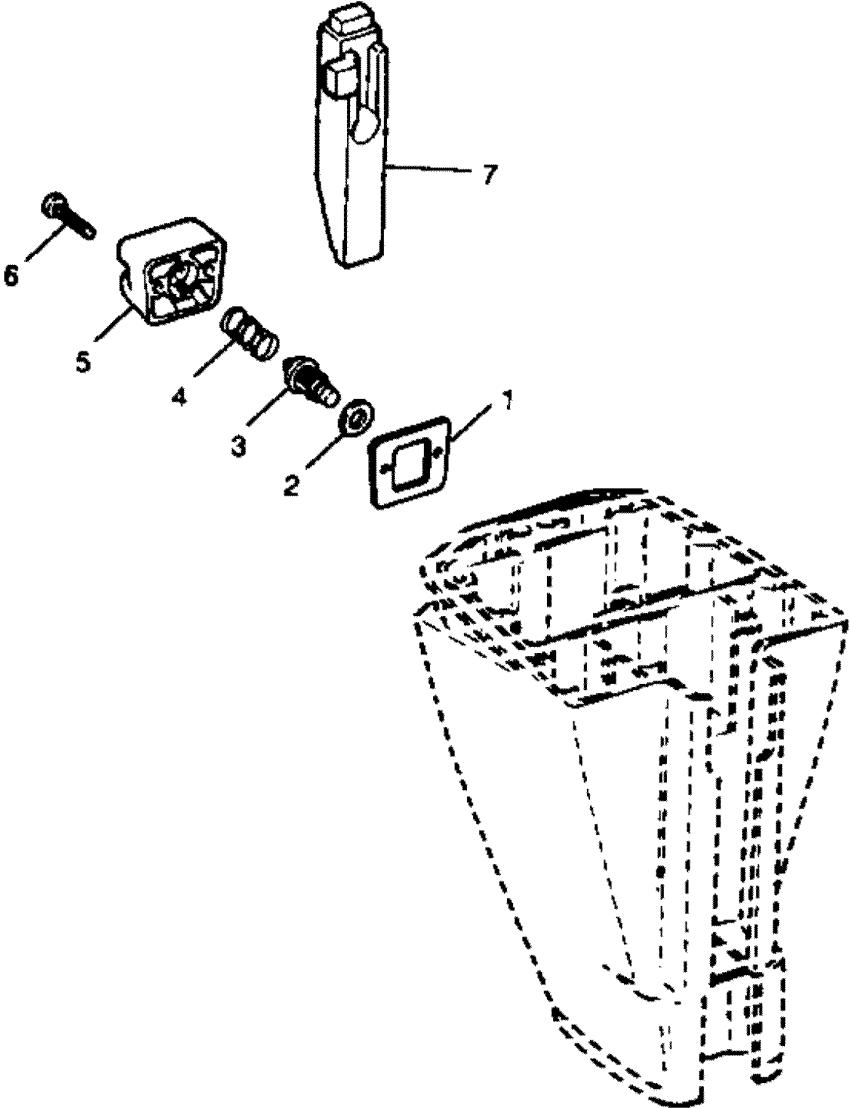
# CLAMP BRACKETS



# CLAMP BRACKETS

REF. NO.	PART NO.	SYM.	QTY.	DESCRIPTION
1	FS617532T		2	BRACKET ASSEMBLY, STERN (PAINTED)
2	817761A2		2	SCREW KIT
3	17-F8537		2	PIN
4	F24074		2	FOOT
5	17-F66480		2	STUD
6	F424075T		2	HANDLE (PAINTED)
7	17-24198		2	PIN
8	F286647		1	HANDLE, CARRYING
9	FA617113		1	LOCK BAR KIT
10	F286114		1	HANDLE
11	17-38489		1	PIN
12	24-F286461		1	SPRING
13	10-F286422-1		2	PIVOT, TILT LOCK
14	23-819226		2	SPACE R
15	F429541		1	LOCK, TILT
16	13-69150		1	WAVE WASHER
17	24-F286544-1		1	SPRING, TILT LOCK
18	10-F617037		1	BOLT, PIVOT
19	12-20553		1	WASHER
20	11-F7026		1	NUT (3/8-16)

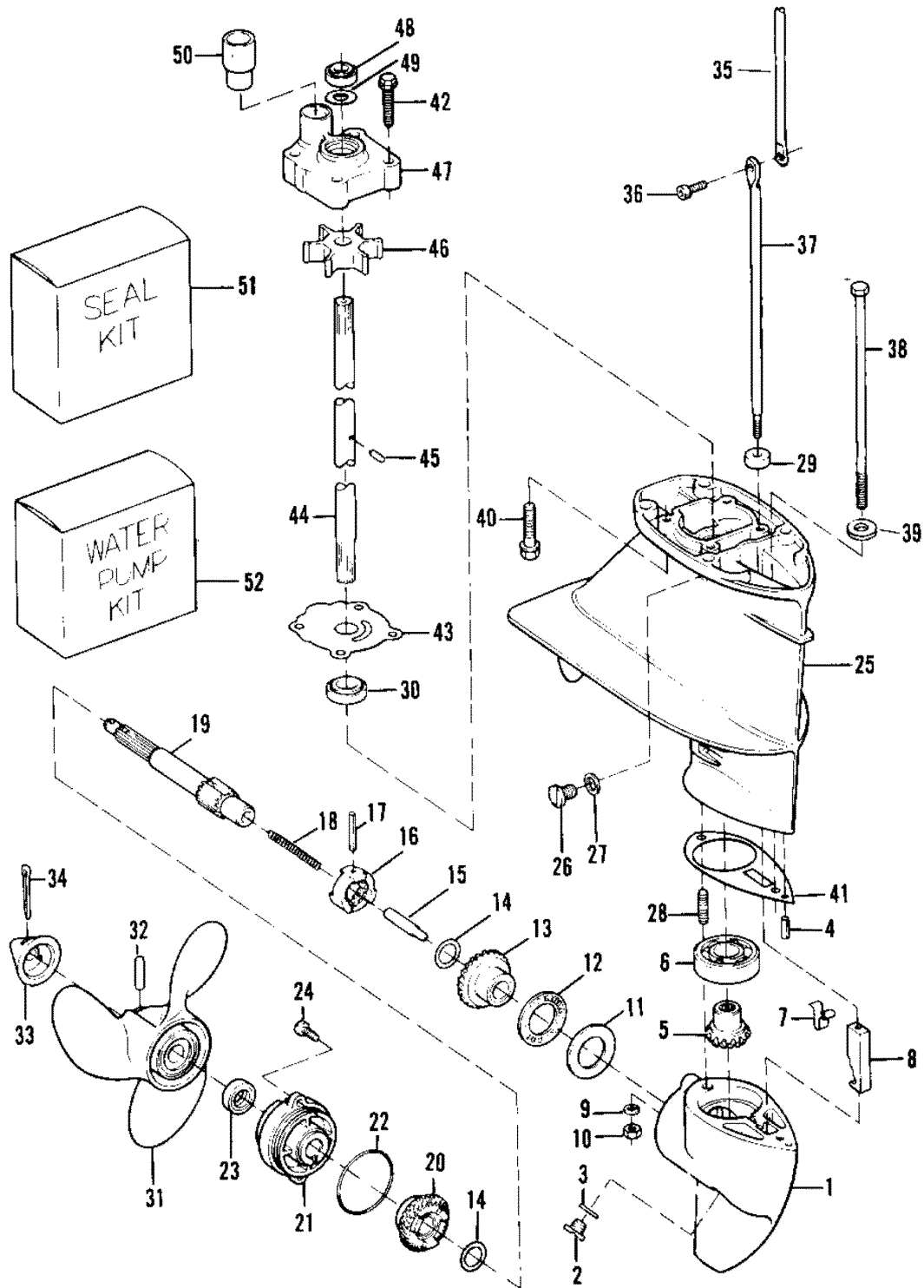
# THERMOSTAT



# THERMOSTAT

REF. NO.	PART NO.	SYM.	QTY.	DESCRIPTION
1	27-819669		1	GASKET, THERMOSTAT COVER
2	12-F658504		1	WASHER, THERMOSTAT
3	819550		1	THERMOSTAT (105-)
4	24-819329		1	SPRING, THERMOSTAT
5	819321		1	COVER, THERMOSTAT
6	10-819382		2	SCREW (1/4-20 X 1 ")
7	823694		1	INSERT, THERMOSTAT

# GEAR HOUSING

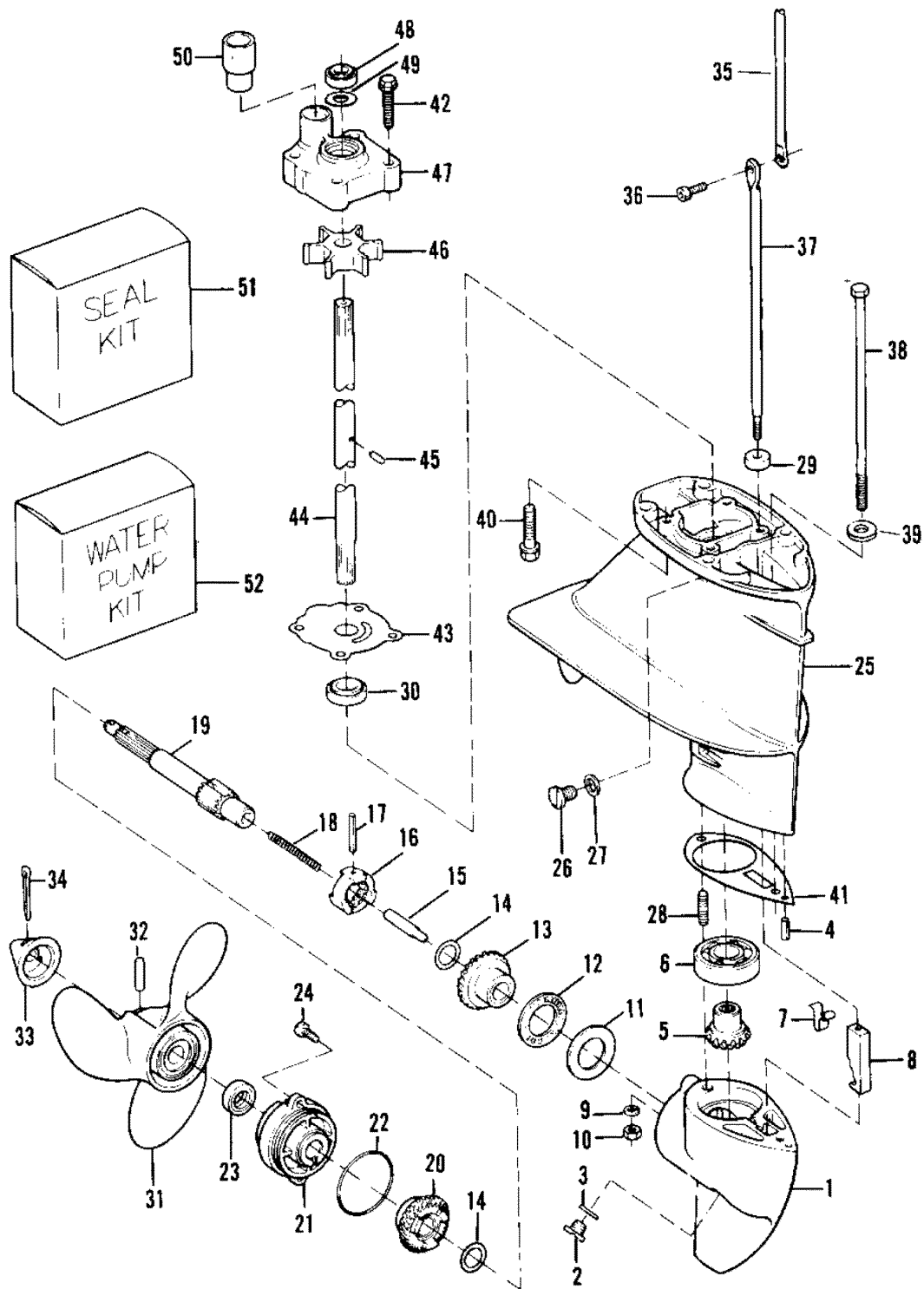


# GEAR HOUSING

REF. NO.	PART NO.	SYM.	QTY.	DESCRIPTION
-	<b>1600-819483A2</b>		1	<b>HOUSING KIT, GEAR (COMPLETE -PAINTED)</b>
1	1600-817749A2		1	HOUSING KIT, GEAR (BASIC -PAINTED)
2	10-F50109		1	PLUG
3	12-19183		1	WASHER
4	17-F8553		1	PIN
5	43-819251A1		1	GEAR ASSEMBLY, PINION
6	30-F127910-2		1	BEARING, BALL
7	24-F286895		1	SPRING, SHIFT CAM
8	F286721		1	CAM, SHIFT
9	13-26992		1	LOCKWASHER
10	11-F1490		1	NUT (1/4-20)
11	12-F286903		1	WASHER
12	31-F286901		1	BEARING, PRONSHAFT
13	43-819252A1		1	GEAR ASSEMBLY, FORWARD
14	12-F456717		2	WASHER, THRUST
15	17-F286728		1	PIN, SHIFT
16	52-819253		1	CLUTCH
17	17-F8564		1	PIN
18	24-F409719		1	SPRING
19	44-F456098		1	PROPSHAFT
20	43-819254A1		1	GEAR ASSEMBLY, REVERSE
21	31-817756A2		1	CAGE ASSEMBLY, PROPSHAFT(PAINTED)
22	25-F455305		1	O-RING
23	26-F346118		1	SEAL
24	F1493		2	SCREW (1/4-20 X 5/8")
25	1600-FA715554T		1	HOUSING KIT, DRIVESHAFT, BIPPER (PAINTED)
26	10-F50109		1	PLUG
27	12-19183		1	WASHER
28	16-F286008		1	STUD
29	26-817472		1	SEAL, OIL
30	26-F901307-2		1	SEAL
31	FP6477		1	PROPELLER (8 X 9-1/4 X 3)
32	FA324101		1	PIN KIT, PROPELLER (3 PINS WITH COTTER PIN)
33	11-817752A1		1	NUT KIT, PROPELLER
34	18-F1846		1	PIN, COTTER
35	F286615		1	ROD, GEAR SHIFT, UPPER
36	10-F1976		1	SCREW (10-24 X 1 1/2")
37	F286705-1		1	ROD, GEAR SHIFT, LOWER-15"-FOR MODEL 225.581996
	F330705		1	ROD, GEAR SHIFT, LOWER-20"-FOR MODEL 225.581986
38	10-F1800		1	BOLT (1/4-20 X 7")
39	12-F8025		1	WASHER
40	10-F430732		4	SCREW (1/4-20 X 1")
41	27-F286555		1	GASKET, GEAR HOUSING

CONTINUED ON NEXT PAGE ➡

# GEAR HOUSING

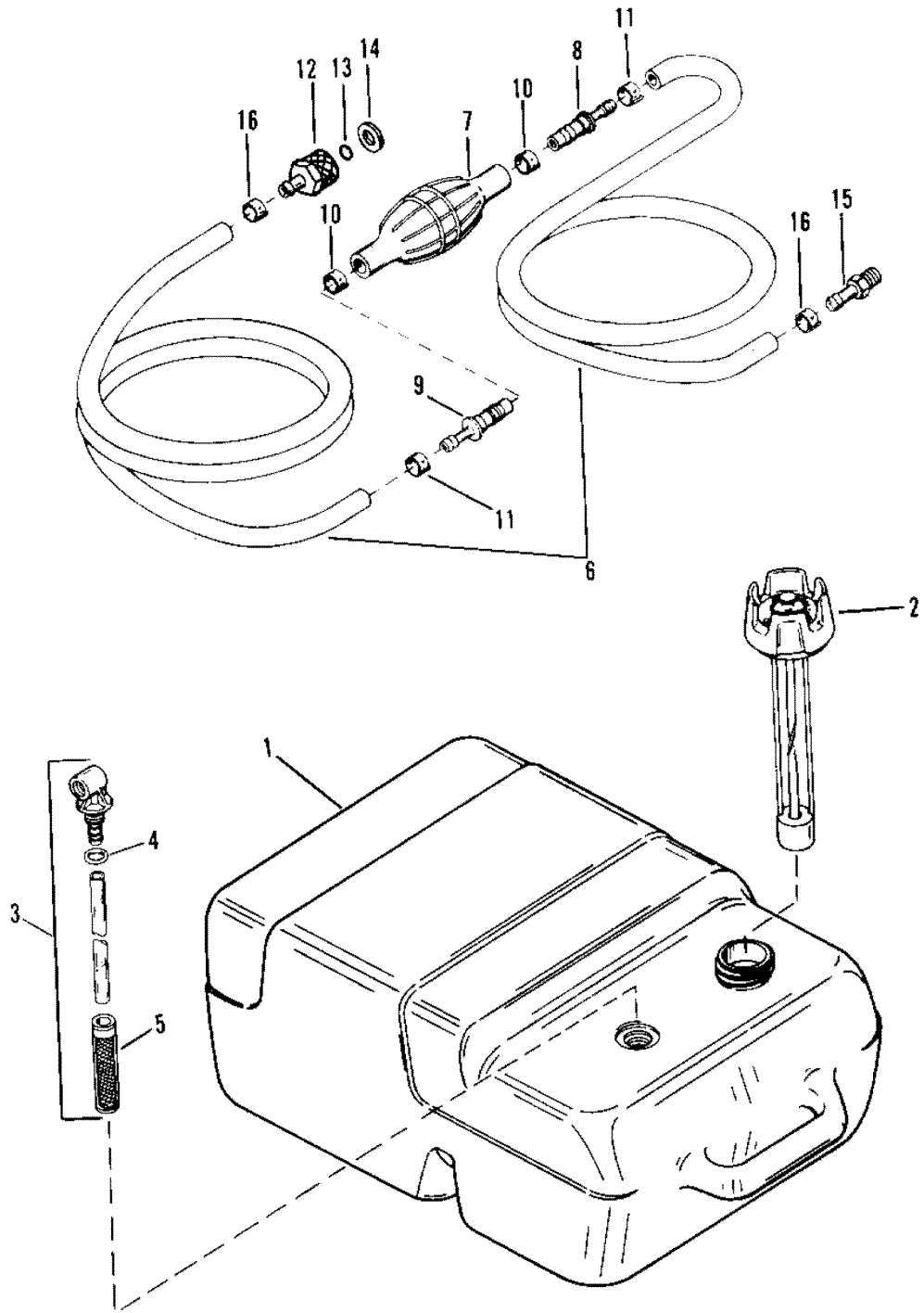




# GEAR HOUSING

REF. NO.	PART NO.	SYM.	QTY.	DESCRIPTION
42	10-F2030		4	SCREW (1/4-20 X 1-1/4N )
43	F341562		1	BACKPLATE, WATER PUMP
44	45-F343128		1	DRIVESHAFT, -15"-FOR MODEL 225.581996
	45-F344128		1	DRIVESHAFT, -20"-FOR MODEL 225.581986
45	17-F901563		1	PIN
46	47-F436065-2		1	IMPELLER
47	46-FA715060		1	BODY ASSEMBLY, WATER PUMP
48	26-F901307-2		1	SEAL
49	F715388		1	DISC
50	FA510914		1	SEAL
51	FK1065		1	SEAL KIT, GEAR HOUSING
52	FK1031--1		1	REPAIR KIT, WATER PUMP

# FUEL TANK AND LINE



## FUEL TANK AND LINE

REF. NO.	PART NO.	SYM.	QTY.	DESCRIPTION
1	1259-823556A2		1	FUEL TANK ASSY. (PLASTIC -6.6 GAL.)
2	823536		1	GAUGE AND CAP
3	22-823532		1	CONNECTOR ASSY., FUEL
4	25-823533		1	O-RING
5	35-823534		1	SCREEN, FILTER
6	32-820572A8		1	LINE, FUEL (5/16" I.D. )
7	13330A3		1	BULB ASSY., PRIMER
8	21-13331A1		1	CHECK VALVE (INLET)
9	21-13331A2		1	CHECK VALVE (OUTLET)
10	54-41582-10		2	CLAMP (LARGE)
11	54-41582--7		2	CLAMP (SMALL)
12	F197787-3		1	CONNECTOR, ENGINE
13	F17815		1	SEAL
14	F17816		1	SEAL
15	22-89771--1		1	CONNECTOR, FUEL TANK
16	54-41582--7		2	CLAMP

# PARTS INDEX

Part Number	Description	Pg.	Ref. No.	Part Number	Description	Pg.	Ref. No.
13330A3	BULB ASSY., PRIMER	33	7	F286490	STOP, STEERING HANDLE	19	21
69355	STA-STRAP	5	18	F286547	KNOB, CHOKE	11	38
816514	BEARING	7	11	F286611	ROD, GEAR SHIFT	7	18
817751A3	BRACKET KIT, STEERING( PAINTED)	19	22	F286615	ROD, GEAR SHIFT, UPPER	7	13
817761A2	SCREW KIT	25	2	F286615	ROD, GEAR SHIFT, UPPER	29	35
819156T	IGNITION MODULE (CUT WIRE AS REQ D)	5	10	F286647	HANDLE, CARRYING	25	8
819160	SHAFT, STEERING HANDLE	19	28	F286685	CONNECTOR, GEAR SHIFT ROD	7	20
819227	WEDGE	19	31	F286705-1	ROD, GEAR SHIFT, LOWER-15"-FOR MODEL	225.581996	29 37
819279T	HANDLE, STEERING (PAINTED)	19	34	F286721	CAM, SHIFT	29	8
819320T	BRACKET, SHOCK MOUNT LOWER (PAINTED)	23	30	F286827	LEVER, REVERSE LOCK	23	19
819321	COVER, THERMOSTAT	27	5	F286871	PIN, GEAR SHIFT LEVER	7	25
819348	ROD, CHOKE	11	36	F286876	LEVER, GEAR SHIFT	7	23
819399A1	LANYARD	5	7	F286914-1	SLEEVE	23	40
819408A1	LEVER ASSEMBLY, STATOR CONTROL	19	1	F2A24757	PLATE ASSEMBLY, FUEL PUMP	9	26
819486	SEAL, SUPPORT PLATE	3	17	F2C709712	TOP COWL (WITH DECALS -PAINTED)	3	-
819550	THERMOSTAT (105-)	27	3	F330705	ROD, GEAR SHIFT, LOWER-20"-FOR MODEL	225.581986	29 37
819626T	HANDLE, GEAR SHIFT (PAINTED)	7	29	F341384	RETAINER, CHOKE ROD	11	35
819758T	CAM, THROTTLE	5	11	F341562	BACKPLATE, WATER PUMP	31	43
823536	GAUGE AND CAP	33	2	F346146	SEAL, CRANKSHAFT, UPPER	15	3
823694	INSERT, THERMOSTAT	27	7	F392756	PACKING, SUPPORT PLATE	3	13
824141T	COVER, EXHAUST	17	1	F424075T	HANDLE (PAINTED)	25	6
824142T	LINK, THROTTLE CAM	19	2	F429541	LOCK, TILT	25	15
824466A2	COVER ASSEMBLY, STOP SWITCH	5	5	F429811	SCREEN	9	19
F10235	TUBE, BY-PASS	11	2A	F431838	SHAFT, MAGNETO CONTROL	19	9
F10236	SHUTTER, CHOKE	11	6	F458695	SLEEVE	21	42
F10238	NOZZLE, MAIN	11	21	F481777	CAM	3	21
F10240	SHAFT, LINKAGE	11	23	F487816-1	BEARING	19	30
F10241	E-RING	11	24	F618445	LINK, MAGNETO CONTROL ROD	19	8
F10242	WASHER	11	25	F681003-1	ARM, STARTER INTERLOCK	7	2
F10265	NEEDLE, INLET	11	18	F681046	BULB, PRIMER	9	34
F10290	LINKAGE	11	22	F681090	PLATE, HANDLE SUPPORT	13	17
F10338	LINK, THROTTLE	11	30	F681091	NUT, FLYWHEEL	5	1
F10339	SHAFT, THROTTLE	11	26	F681132	HANDLE, STARTER ROPE	13	21
F10354	SHUTTER, THOTTLE	11	28	F681232	ROPE (65")	13	13
F1493	SCREW (1/4-20 X 5/8")	29	24	F681263-1	LINK, STARTER INTERLOCK	7	15
F1502	SCREW (1/4-20 X 5/8")	9	35	F681269	HANDLE, TILT	3	3
F17815	SEAL	33	13	F681408-1	HOUSING, STARTER	13	1
F17816	SEAL	33	14	F681427-2	BRACKET, STARTER HOUSING FRONT	13	3
F1854	SCREW (1/4-20 X 5/8")	3	23	F681428	INSERT, STARTING HOUSING ROPE	13	5
F197787-3	CONNECTOR, ENGINE	33	12	F681490	STOP, STARTER PULLEY INTERLOCK	7	1
F2042	WASHER	3	2	F681531	ROD, INTERLOCK	7	10
F24074	FOOT	25	4	F681592	RETAINER, STARTER PULLEY	13	14
F286019	KINGPIN	23	29	F681631	SHOE, FRICTION, SWIVEL BRACKET	23	7
F286114	HANDLE	25	10	F681677	INSERT, CHOKE KNOB	11	37
F286222	COVER, TRANSFER PORT	9	31				
F286224-1	INSERT, STEERING HANDLE PIVOT	19	38				
F286346	MOUNT, SHOCK, LOWER	23	37				
F286347	MOUNT, SHOCK, LOWER	23	43				
F286349	LOCK, REVERSE	23	27				
F286364	LEVER, REVERSE LOCK	23	12				
F286433	BRACKET, SHALLOW WATER DRIVE	23	26				

# PARTS INDEX

Part Number	Description	Pg.	Ref. No.	Part Number	Description	Pg.	Ref. No.
F681817	RETAINER, STARTER ROPE	13	22	FO4784	BALL	11	3
F681874-1	FASTENER, HANDLE			FO8805	SPRING	11	4
	SUPPORT PLATE	13	19	FP6477	PROPELLER (8 X 9-1/4 X 3)	29	31
F681954-1	COVER	9	33	FS617532T	BRACKET ASSEMBLY, STERN (PAINTED)	25	1
F681997-1	LEVER, NEUTRAL INTERLOCK	7	8	FS681712T	TOP COWL ( WITHOUT DECALS -PAINTED)	3	1
F715151	PLATE, EXHAUST	17	4	10-28430	SCREW (6-32 X 1/4")	9	2
F715388	DISC	31	49	10-28635	SCREW (1/4-20 X 5/8")	19	13
F715417	SHAFT, GEAR SHIFT HANDLE	7	14	10-28668	SCREW (1/4-20 X 7/8")	9	13
F715619	LEVER, SHIFT HANDLE SHAFT	7	30	10-28668	SCREW (1/4-20 X 7/8")	17	2
F8003	WASHER	9	27	10-819382	SCREW (1/4-20 X 1 ")	27	6
F8548	PIN	21	43	10-819625	SCREW, SHOULDER	7	12
F901746-2	COVER, FUEL PUMP	9	24	10-824352	SCREW (10-24 X 3/8")	5	17
FA1844	BOLT KIT (1/4-20 X 2-3/8")	23	31	10-824353	SCREW (8-32 X 3/4")	5	16
FA286155	LINER SET, CENTERMAIN BEARINGASSEMBLY	15	9	10-824358	SCREW (10-24 X 1 /2")	5	19
FA286582T	ARM KIT, STEERING (PAINTED)	19	10	10-90192	SCREW (1/4-20 X 3/4")	13	2
FA324101	PIN KIT, PROPELLER (3 PINS WITH COTTER PIN)	29	32	10-F10328	SCREW	11	29
FA341510	LINK, REVERSE LOCK	23	25	10-F1069	SCREW (10-24 X 1-1/16")	9	23
FA343178	RETAINER KIT	19	24	10-F1107	SCREW (1 /4-20 X 3/4")	17	6
FA387742	LEVER ASSEMBLY, INTERMEDIATE	23	17	10-F1286	SCREW (4-40 X 3/16")	9	29
FA429471	COVER ASSEMBLY, CYLINDER DRAIN	9	18	10-F1335	SCREW (5/16-18 X 1 -1/4")	17	7
FA456137	HANDLE ASSEMBLY, STEERING	21	41	10-F175634	SCREW	15	13
FA492845T	HOUSING KIT (PAINTED)	23	34	10-F1799	SCREW (5/16-18 X 5/8")	19	16
FA510914	SEAL	31	50	10-F1800	BOLT (1/4-20 X 7")	29	38
FA609853	DECAL	13	23	10-F1820	SCREW (1/4-20 X 1-3/8")	23	9
FA617113	LOCK BAR KIT	25	9	10-F1823	SCREW (5/16-18 X 1")	17	12
FA681239	PULLEY ASSEMBLY, STARTER REWIND	13	10	10-F1829	SCREW (10-24 X 7/8")	19	32
FA681469T	HANDLE ASSEMBLY, COWL LATCH (PAINTED)	3	18	10-F1859	SCREW (1/4-28 X 3/16")	19	25
FA681630	SUPPORT ASSEMBLY, HANDLE	13	16	10-F1864	SCREW (1/4-20 X 3/4")	15	1
FA712228	ROLLER SET (2 STRIPS-28 PER)	15	11	10-F1922	SCREW (1/4-20 X 5/8")	9	36
FA714167	MANIFOLD KIT	9	8	10-F1922	SCREW (1/4-20 X 5/8")	13	8
FC71001-O	SHORT BLOCK ASSEMBLY (PAINTED)	17	-	10-F1976	SCREW (10-24 X 1 /2")	29	36
FG1036	GASKET SET	17	9	10-F2030	SCREW (1/4-20 X 1-1/4N )	31	42
FK10237	INLET NEEDLE/SEAT KIT	11	17	10-F2126	SCREW (1/4-28 X 2")	19	3
FK10294	GASKET SET, CARBURETOR	11	40	10-F2209	SCREW (10-16 X 1 /2")	7	4
FK10295	REPAIR KIT, CARBURETOR	11	39	10-F2209	SCREW (10-16 X 1 /2")	13	15
FK1031--1	REPAIR KIT, WATER PUMP	31	52	10-F2210	SCREW (1/4-14 X 1/2")	13	18
FK1065	SEAL KIT, GEAR HOUSING	31	51	10-F2211	SCREW (10-24 X 5/8")	3	5
FK1123	BOOT KIT	5	12	10-F286080	SCREW, STEERING HANDLE PIVOT	19	18
FO11764	MAIN JET (.051)	11	20	10-F286422-1	PIVOT, TILT LOCK	25	13
FO11765	MAIN JET (.053)	11	20	10-F430732	SCREW	23	35
FO13554	FLOAT	11	9	10-F430732	SCREW (1/4-20 X 1")	29	40
FO13944	PIN, FLOAT	11	10	10-F50109	PLUG	29	2
FO15366	BOWL, FUEL	11	11	10-F50109	PLUG	29	26
FO15520	NEEDLE, IDLE MIXTURE	11	15	10-F617037	BOLT, PIVOT	25	18
FO15736	SHAFT, CHOKE	11	5	10-F681026	SCREW, LATCH ROLLER	3	12
				10-F84026	SCREW, SHOULDER	13	20
				10-F901938-1	SCREW	17	15
				10-FO10280	SCREW	11	7
				11-20110	NUT (10-32)	7	17
				11-64015	NUT (1 /4-20)	23	33
				11-817752A1	NUT KIT, PROPELLER	29	33
				11-F1490	NUT (1 /4-20)	9	12
				11-F1490	NUT (1/4-20)	29	10
				11-F1608	NUT (1 /4-20)	23	11
				11-F1832	NUT (1 /4-20)	3	10
				11-F1832	NUT (1/4-20)	7	9
				11-F1832	NUT (1/4-20)	13	7

# PARTS INDEX

Part Number	Description	Pg.	Ref. No.	Part Number	Description	Pg.	Ref. No.
11-F7006	NUT (5/16-18)	19	7	19-F286539	BUMPER	19	11
11-F7009	NUT (10-24)	3	4	19-FO10588	PLUG	11	8
11-F7026	NUT (3/8-16)	25	20	19-FO2531	PLUG	11	2
12-12038	WASHER	23	10	21-13331A1	CHECK VALVE (INLET)	33	8
12-19183	WASHER	29	27	21-13331A2	CHECK VALVE (OUTLET)	33	9
12-19183	WASHER	29	3	21-817741A1	VALVE KIT	9	20
12-20553	WASHER	25	19	22-823532	CONNECTOR ASSY., FUEL	33	3
12-71055	WASHER	3	24	22-89771--1	CONNECTOR, FUEL TANK	33	15
12-819704	WASHER	19	6	22-F197767-2	BUSHING, FUEL	9	16
12-F2037	WASHER	23	18	22-F213274	FITTING, GREASE	23	4
12-F286011	WASHER, SWIVEL BRACKET	23	6	22-F523274	FITTING, GREASE	19	23
12-F286220	WASHER	19	35	22-F681188	NUT, STOP SWITCH SLEEVE	5	15
12-F286286-1	WASHER	23	20	22-F901811	FILTER, FUEL PUMP	9	17
12-F286903	WASHER	29	11	23-819226	SPACE R	25	14
12-F456717	WASHER, THRUST	29	14	23-F183813	BUSHING	19	4
12-F658504	WASHER, THERMOSTAT	27	2	23-F197319	BUSHING	11	41
12-F8025	WASHER	17	16	23-F197813	BUSHING	19	20
12-F8025	WASHER	29	39	23-F197813	BUSHING	19	36
12-F8143	WASHER	3	2A	23-F197813	BUSHING	23	14
12-F8143	WASHER	7	3	23-F286169	BUSHING, BOTTOM (1-3/4")	23	5
13-26992	LOCKWASHER	3	22	23-F286818	BUSHING	19	37
13-26992	LOCKWASHER	23	32	23-F286818	NYLINER	3	19
13-26992	LOCKWASHER	29	9	23-F307818	BUSHING	7	26
13-26996	LOCKWASHER	7	19	23-F307818	BUSHING	19	15
13-69150	WAVE WASHER	25	16	23-F536813	BUSHING	23	16
13-78968	LOCKWASHER	19	14	23-F681169	BUSHING, TOP (1 -1/8")	23	5A
13-F1704	LOCKWASHER	9	3	23-F681405	INSE RT, STARTER HOUSING	13	6
13-F2047	WAVE WASHER	3	20	23-F681759	ROLLER, LATCH	3	11
13-F8048	WAVE WASHER	7	31	23-F85610	BUSHING	19	29
13-F8058	LOCKWASHER	7	22	24-27160	SPRING	11	16
13-F8058	LOCKWASHER	19	33	24-819329	SPRING, THERMOSTAT	27	4
16-F2788004	STUD	9	9	24-F10246	SPRING	11	27
16-F286008	STUD	29	28	24-F286300	SPRING, REVERSE LOCK	23	28
16-F286134	STUD, GEAR SHIFT LEVER	7	27	24-F286461	SPRING	25	12
16-F660273	STUD	19	5	24-F286544-1	SPRING, TILT LOCK	25	17
16-F681008	STUD, NEUTRAL INTERLOCK PIVOT	7	7	24-F286868	SPRING, STEERING HANDLE STOP	19	19
16-F681134	STUD, INTERLOCK LEVER	7	6	24-F286895	SPRING, SHIFT CAM	29	7
16-F98273	STUD	7	21	24-F409719	SPRING	29	18
17-24198	PIN	25	7	24-F681424	SPRING, INTERLOCK LEVER	7	5
17-25905	PIN	7	28	24-F681970	SPRING, STARTER REWIND	13	9
17-29908	PIN	19	26	25-32509	O-RING	15	14
17-31656	PIN	7	24	25-823533	O-RING	33	4
17-38489	PIN	25	11	25-F215795	O-RING (SMALL)	21	40
17-819707	PIN, TILT LOCK	23	22	25-F455305	O-RING	29	22
17-F1794	PIN	23	15	25-F53795-1	O-RING (LARGE)	19	39
17-F1805	PIN, SPRING	19	12	26-817472	SEAL, OIL	29	29
17-F1806	PIN, GROOVE	23	21	26-819396	SEAL, CRANKSHAFT LOWER	15	16
17-F1807	PIN, GROOVE	19	17	26-F346118	SEAL	29	23
17-F286728	PIN, SHIFT	29	15	26-F681579	SEAL, PULLEY BEARING	13	12
17-F66480	STUD	25	5	26-F901307-2	SEAL	23	41
17-F8537	PIN	25	3	26-F901307-2	SEAL	29	30
17-F8538	PIN	23	13	26-F901307-2	SEAL	31	48
17-F8553	PIN	29	4	27-818043A1	DIAPH RAGM KIT	9	30
17-F8559	PIN, DOWEL	17	8	27-819669	GASKET, THERMOSTAT COVER	27	1
17-F8564	PIN	29	17	27-F18906	GASKET, CARBURETOR	9	11
17-F901563	PIN	31	45	27-F24748-2	GASKET, FUEL PUMP	9	25
18-F1846	PIN, COTTER	29	34				
19-73336	PLUG	3	16				
19-817362	PLUG	13	11				

# PARTS INDEX

Part Number	Description	Pg.	Ref. No.	Part Number	Description	Pg.	Ref. No.
27-F286159-1	GASKET, REED PLATE . . . .	9	6	43-819251A1	GEAR ASSEMBLY, PINION . . . .	29	5
27-F286223	GASKET, TRANSFER PORT COVER . . . . .	9	32	43-819252A1	GEAR ASSEMBLY, FORWARD . . . . .	29	13
27-F286277	GASKET, CRANKSHAFT BEARING CAGE . . . . .	15	5	43-819254A1	GEAR ASSEMBLY, REVERSE . . . . .	29	20
27-F286529-3	GASKET, CYLINDER HEAD GASKET SET . . . . .	17	13	44-F456098	PROPSHAFT . . . . .	29	19
27-F286555	GASKET, GEAR HOUSING . . . .	29	41	45-F343128	DRIVESHAFT, -15"-FOR MODEL 225.581996 . . . . .	31	44
27-F429472	GASKET, CYLINDER DRAIN COVER . . . . .	9	22	45-F344128	DRIVESHAFT, -20"-FOR MODEL 225.581986 . . . . .	31	44
27-F715154	GASKET EXHAUST PORT COVER . . . . .	17	3	46-FA715060	BODY ASSEMBLY, WATER PUMP . . . . .	31	47
27-F715168	GASKET, MANIFOLD . . . . .	9	7	47-F436065-2	IMPELLER . . . . .	31	46
27-F715279-1	GASKET, CYLINDER MOUNTING . . . . .	17	11	52-819253	CLUTCH . . . . .	29	16
27-FO10165	GASKET . . . . .	11	19	53-42689	RING, RETAINING . . . . .	13	4
27-FO15623	GASKET . . . . .	11	12	53-F31410	RING, RETAINING . . . . .	15	18
27-FO2510	GASKET . . . . .	11	14	54-41582--7	CLAMP . . . . .	33	16
28-F458498-1	KEY . . . . .	5	14	54-41582--7	CLAMP (SMALL) . . . . .	33	11
29-F286571	ROLLER SET (26 PER SET)	15	8	54-41582-10	CLAMP (LARGE) . . . . .	33	10
30-F127910-2	BEARING, BALL . . . . .	29	6	54-F2706772	CLAMP . . . . .	9	14
30-F286028	BEARING . . . . .	15	7	54-F286573-1	CLAMP, STEERING FRICTION . . . . .	23	8
31-817753A1	CAGE ASSEMBLY, CRANKSHAFT BEARING . . . . .	15	2	54-F286772-1	CLAMP . . . . .	9	21
31-817756A2	CAGE ASSEMBLY, PROPSHAFT(PAINTED) . . . . .	29	21	84-819379A5	HARNES ASSEMBLY, ENGINE STOP . . . . .	5	8
31-F286901	BEARING, PRONSHAFT . . . . .	29	12	85-818751	BOOT (RFI) . . . . .	5	12
31-F343014	BEARING, CRANKSHAFT LOWER MAIN . . . . .	15	15	87-824440A6	STOP SWITCH ASSEMBLY . . . . .	5	4
32-820572A8	LINE, FUEL (5/16" I.D. ) . . . .	33	6	87-F687287	SWITCH, EMERGENCY STOP . . . . .	5	6
32-F286244	TUBE, WATER . . . . .	23	39	90-823215931	OWNERS MANUAUPARTS MANUAL . . . . .	3	25
32-F40253-1	HOSE, FUEL (9.18" 8 13.38" -CUT AS REQ D) . . . . .	9	15	100-819280A2	BOTTOM COWL KIT (PAINTED) . . . . .	3	14
32-F40253-1	HOSE, PRIMER BULB TO CARB (4.12" -CUT AS REQ D) . . . . .	9	10	200-824380T	FLYWHEEL (PAINTED) . . . . .	5	2
32-F715943	TUBE, CYLINDER WATER JACKET . . . . .	17	18	300-819305T	PLATE, STATOR . . . . .	5	9
32-FS901244	WATERLINE, EXTENSION . . . .	23	36	300-F73082	RING, STATOR . . . . .	15	4
33-19796	SPARK PLUG (RFI) . . . . .	5	13	400-819803A2	CRANKSHAFT ASSEMBLY . . . . .	15	6
33-813423	SPARK PLUG . . . . .	5	13	600-FS715016	CONNECTING ROD ASSEMBLY . . . . .	15	12
34-F18160-3	REED . . . . .	9	28	700-819946A3	PISTON KIT . . . . .	15	17
34-F31160-2	REED . . . . .	9	5	800-819553A5	CYLINDER BLOCK ASSEMBLY . . . . .	17	5
34-F715161	STOP, REED . . . . .	9	4	900-F703518	HEAD, CYLINDER . . . . .	17	14
34-FA715158	PLATE ASSEMBLY, REED . . . .	9	1	1259-823556A2	FUEL TANK ASSY. (PLASTIC -6.6 GAL.) . . . . .	33	1
35-823534	SCREEN, FILTER . . . . .	33	5	1300-F714061	CARBURETOR (HO-5A) . . . . .	11	1
37-818029	DECAL, FUEL MIX . . . . .	23	44	1399-1457	MAIN JET (.057) . . . . .	11	20
37-F681390	DECAL, STARTING INSTRUCTIONS . . . . .	3	9	1399-1655	MAIN JET (.055) . . . . .	11	20
37-F688585	DECAL, TILT LOCK . . . . .	23	24	1399-5128	SCREW . . . . .	11	13
37-F709396	DECAL, STARBOARD . . . . .	3	8	1400-817750A4	BRACKET KIT, SWIVEL (PAINTED) . . . . .	23	3
37-F709397	DECAL, PORT . . . . .	3	8	1500-819344T	HOUSING, DRIVESHAFT (PAINTED) . . . . .	23	38
37-F709528	DECAL, REAR . . . . .	3	7	1600-817749A2	HOUSING KIT, GEAR (BASIC -PAINTED) . . . . .	29	1
37-F712894	DECAL, SPEED INDICATOR (RED) . . . . .	21	44	1600-819483A2	HOUSING KIT, GEAR (COMPLETE -PAINTED) . . . . .	29	-
38-819281	PLATE, SUPPORT . . . . .	3	15	1600-FA715554T	HOUSING KIT, DRIVESHAFT, BIPPER (PAINTED) . . . . .	29	25
39-820484A1	RING SET, PISTON (2 RINGS) . . . . .	15	20				
41-F712017	PIN, PISTON . . . . .	15	19				
43-818009--1	GEAR . . . . .	19	27				