



PARTS CATALOG

120 H.P.

SERIAL NUMBER

120 H.P. (1990-1994) 0E000001 THRU 0E093699

TABLE OF CONTENTS:

BOTTOM COWL	8
CARBURETOR (0E009500 - 0E093699)	30
CARBURETOR (90A,92C)	26
CRANKSHAFT AND PISTON	50
CYLINDER BLOCK	46
DESIGN I - POWER TRIM UNIT WITH BAYONET CONNECTORS	80
DESIGN II - POWER TRIM UNIT WITH BULLET CONNECTORS	82
DESIGN III - POWER TRIM UNIT WITH BULLET CONNECTORS	86
DRIVESHAFT HOUSING	62
ELECTRICAL COMPONENTS	18
FLARED HUB PROPS	2
FUEL PUMP ASSEMBLY (0E065372 - 0E093699)	36
FUEL PUMP ASSEMBLY (90A,92C)	34
FUEL TANK AND LINE (90A ,92C)	98
FUEL TANK AND LINE (PLASTIC - 6.6 GALLON)	100
GEAR HOUSING	70
GEAR SHIFT LINKAGE (0E009500 - 0E093699)	68
GEAR SHIFT LINKAGE (90A,92C)	66
IGNITION COMPONENTS (90A,91C)	10
IGNITION COMPONENTS (91D,92C)	14
MISCELLANEOUS ENGINE PARTS	104
OVERHEAT BUZZER	56
PARTS INDEX	105
PUMP/MOTOR KIT	88
RECIRCULATION SYSTEM (0E065372 - 0E093699)	44
RECIRCULATION SYSTEM (90A,92C)	42
REED PLATE AND PRIMER	22
REMOTE CONTROL (90A,92C)	94
STARTER	20
STEERING LINK KIT	58
SWIVEL BRACKET/STERN BRACKETS	60
THERMOSTAT	54
TILT CYLINDER & MOTOR & PUMP (DESIGN I)	92
TOOLS - SPECIAL	102
TOP COWL	4
TOWERSHAFT AND THROTTLE LINKAGE (0E009500 - 0E093699)	40
TOWERSHAFT AND THROTTLE LINKAGE (90A,92C)	38
TRIM CYLINDER	90

NOTE: Indented description indicate that these parts are included in preceding assembly.

AR = As Required

NSS = Not Sold Separate

OPT = Optional

NS = Not Shown

NOTE: Following symbols are located in **SYM** column.

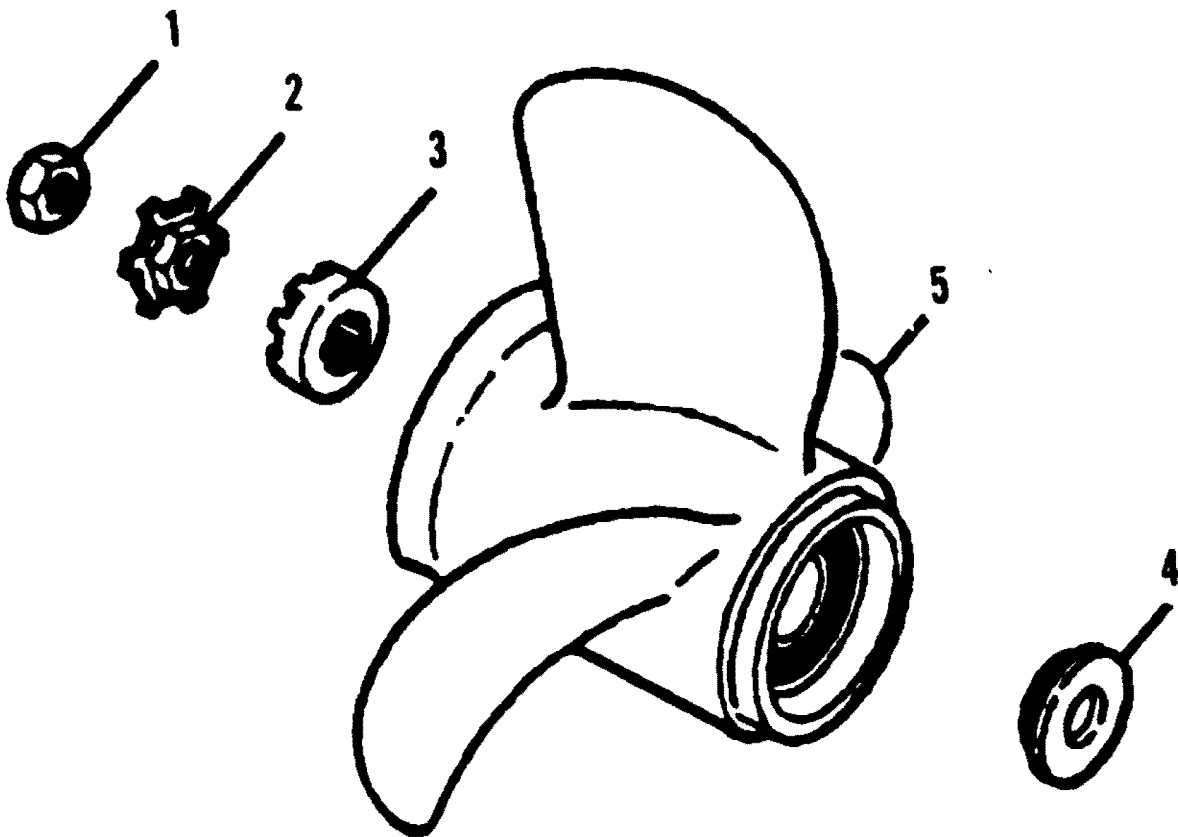
- = COMPONENT OF POWERHEAD ASSY [800-818154A12]
- = CONTENTS OF POWERHEAD GASKET SET [FG1026-2] OR [27-820726A1]
- ▣ = CONTENTS OF CARB REPAIR KIT [FK10103-2]
- ▲ = COMPONENT OF GASKET SET [27-820726A1]

- ✚ = CONTENTS OF CARB GASKET SET [FK10023]
- † = CONTENTS OF GEAR HOUSING SEAL KIT [FK1203-1]
- = CONTENTS OF POWERHEAD GASKET SET [FG1026-2]
- ✦ = CONTENTS OF WATER PUMP KIT [FK1204-1]

THESE PARTS BOOKS/FICHE CARD ARE COPYRIGHTED AND MAY NOT BE DISTRIBUTED OR REPRODUCED IN ANY OTHER FORMAT BY ANYONE OTHER THAN MERCURY MARINE WITHOUT THE PRIOR WRITTEN CONSENT OF MERCURY MARINE.

THIS PAGE INTENTIONALLY LEFT BLANK

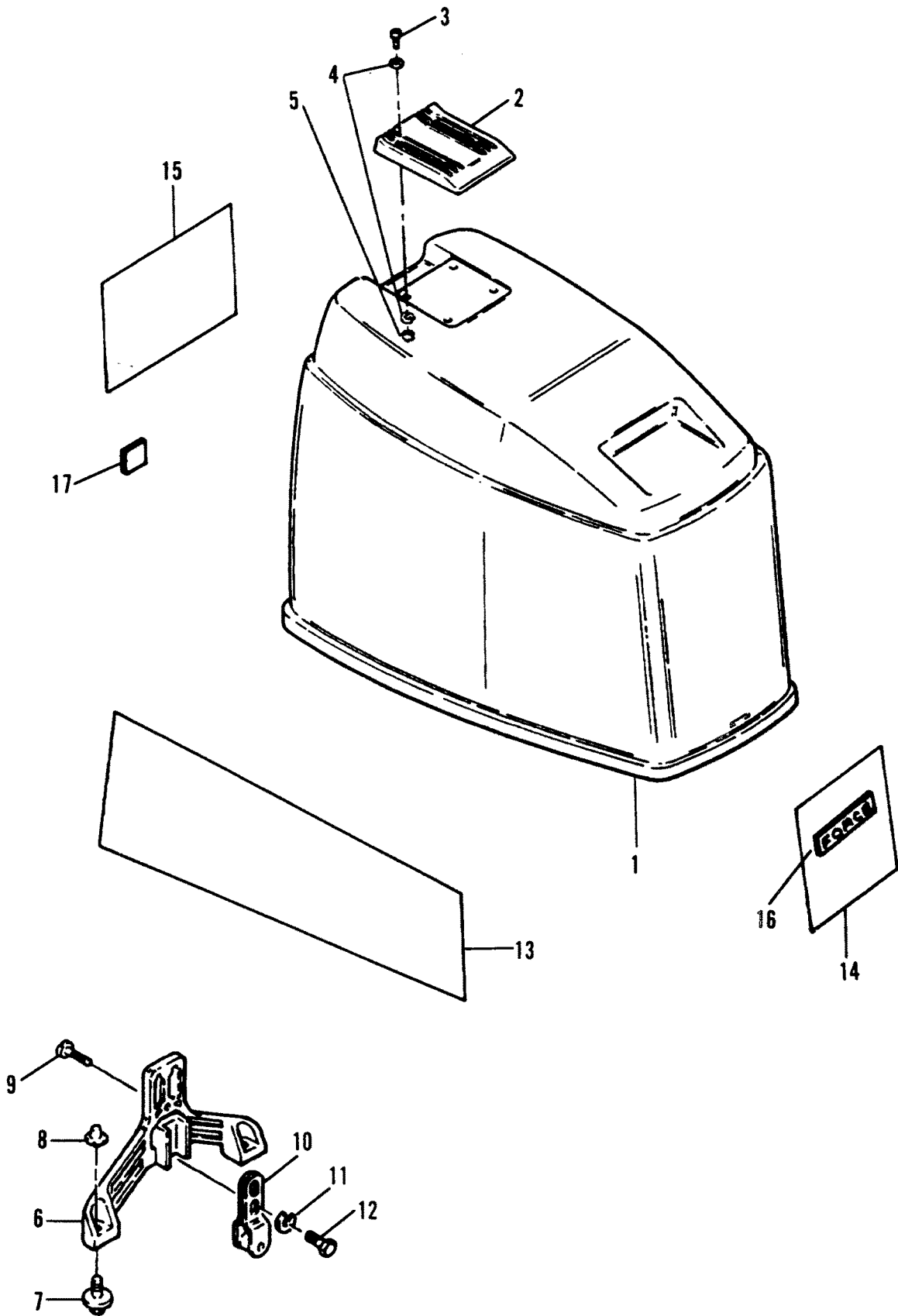
FLARED HUB PROPS



FLARED HUB PROPS

REF. NO.	PART NO.	SYM.	QTY.	DESCRIPTION
01	11-52707A1		1	NUT KIT (3/4-16)
02	114-816629		1	WASHER, TAB
03	F697299		1	WASHER, SPLINED
04	F698099-1		1	SPACER

TOP COWL

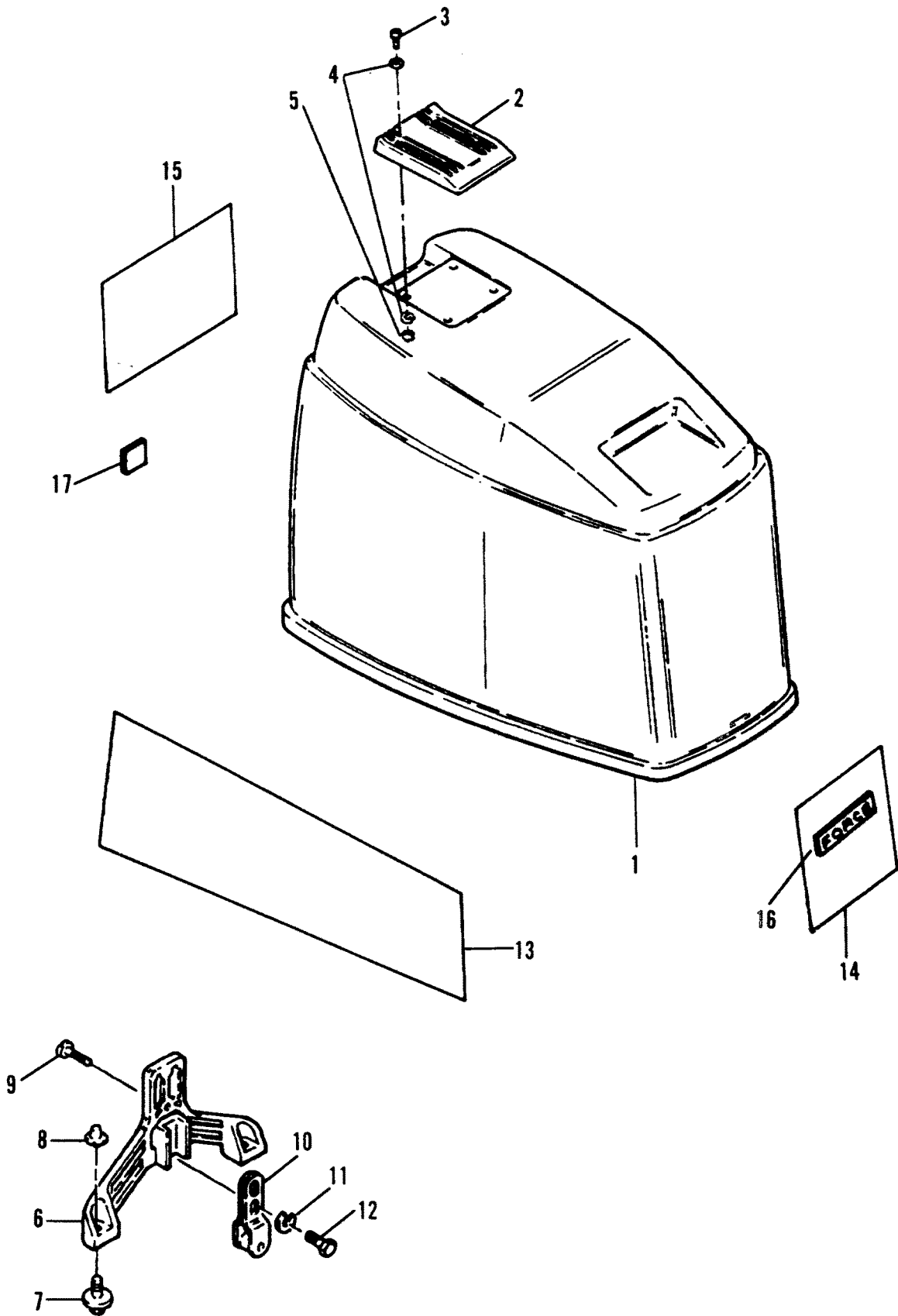


TOP COWL

REF. NO.	PART NO.	SYM.	QTY.	DESCRIPTION
-	F2C720712		1	TOP COWL 1990 MODELS WITH DECALS FORCE
-	100-818099A1		1	TOP COWL 1990 MODELS WITH DECALS MAXUM
-	100-819094A1		1	TOP COWL 1991 MODELS WITH DECALS BAYLINER
-	100-819405A1		1	TOP COWL 1992 MODELS WITH DECALS FORCE
-	100-819646A1		1	TOP COWL 1992 MODELS WITH DECALS BAYLINER
-	100-819651A1		1	TOP COWL 1992 MODELS WITH DECALS MAXUM
1	100-819747A3		1	COWL ASSY-TOP (WITHOUT DECALS)(PAINTED)(ALL MODELS)
2	816518		1	HANDLE-TILT
3	10-F2143		4	SCREW (1/4-20 X 1")
4	12-29245		8	WASHER
5	11-13855		4	NUT (1/4-20)
6	F663774-2		1	BRACKET-COWL LATCH
7	F481434		2	GUIDE-COWL LATCH BRACKET
8	F2088		2	FASTENER
9	10-28639		3	SCREW (1/4-20 X 5/8")
10	18173		1	BRACKET ASSEMBLY-LATCH ROLLER
11	13-53166		2	LOCKWASHER (5/16")
12	10-90285		2	SCREW (5/16-18 X 5/8")
-	F663984-1		1	BLANKET-SOUND-TOP
-	F664985		2	BLANKET-SOUND-SIDE
13	37-F720396		1	DECAL-STARBOARD 1990 FORCE MODELS
	37-F720397		1	DECAL-PORT 1990 FORCE MODELS FORCE
14	37-F720892		1	DECAL-FRONT 1990 FORCE MODELS
15	37-F720528		1	DECAL-REAR 1990 FORCE MODELS
13	37-FX720396		1	DECAL-STARBOARD 1990 BAYLINER MODELS
	37-FX720397		1	DECAL-PORT 1990 BAYLINER MODELS BAYLINER
14	37-FX720892		1	DECAL-FRONT 1990 BAYLINER MODELS
15	37-FX720528		1	DECAL-REAR 1990 BAYLINER MODELS
13	37-FZ720396		1	DECAL-STARBOARD 1990 MAXUM MODELS
	37-FZ720397		1	DECAL-PORT 1990 MAXUM MODELS MAXUM
14	37-FZ720892		1	DECAL-FRONT 1990 MAXUM MODELS
15	37-FZ720528		1	DECAL-REA 1990 MAXUM MODELS
13	37-F744396		1	DECAL-STARBOARD 1991 FORCE MODELS
	37-F744397		1	DECAL-PORT 1991 FORCE MODELS FORCE
14	37-F744892		1	DECAL-FRONT 1991 FORCE MODELS
15	37-F744528		1	DECAL-REAR 1991 FORCE MODELS
13	37-FX744396		1	DECAL-STARBOARD 1991 BAYLINER MODELS
	37-FX744397		1	DECAL-PORT 1991 BAYLINER MODELS BAYLINER
14	37-FX744892		1	DECAL-FRONT 1991 BAYLINER MODELS
15	37-FX744528		1	DECAL-REAR 1991 BAYLINER MODELS
13	37-FZ744396		1	DECAL-STARBOARD 1991 MAXUM MODELS
	37-FZ744397		1	DECAL-PORT 1991 MAXUM MODELS MAXUM

CONTINUED ON NEXT PAGE ➡

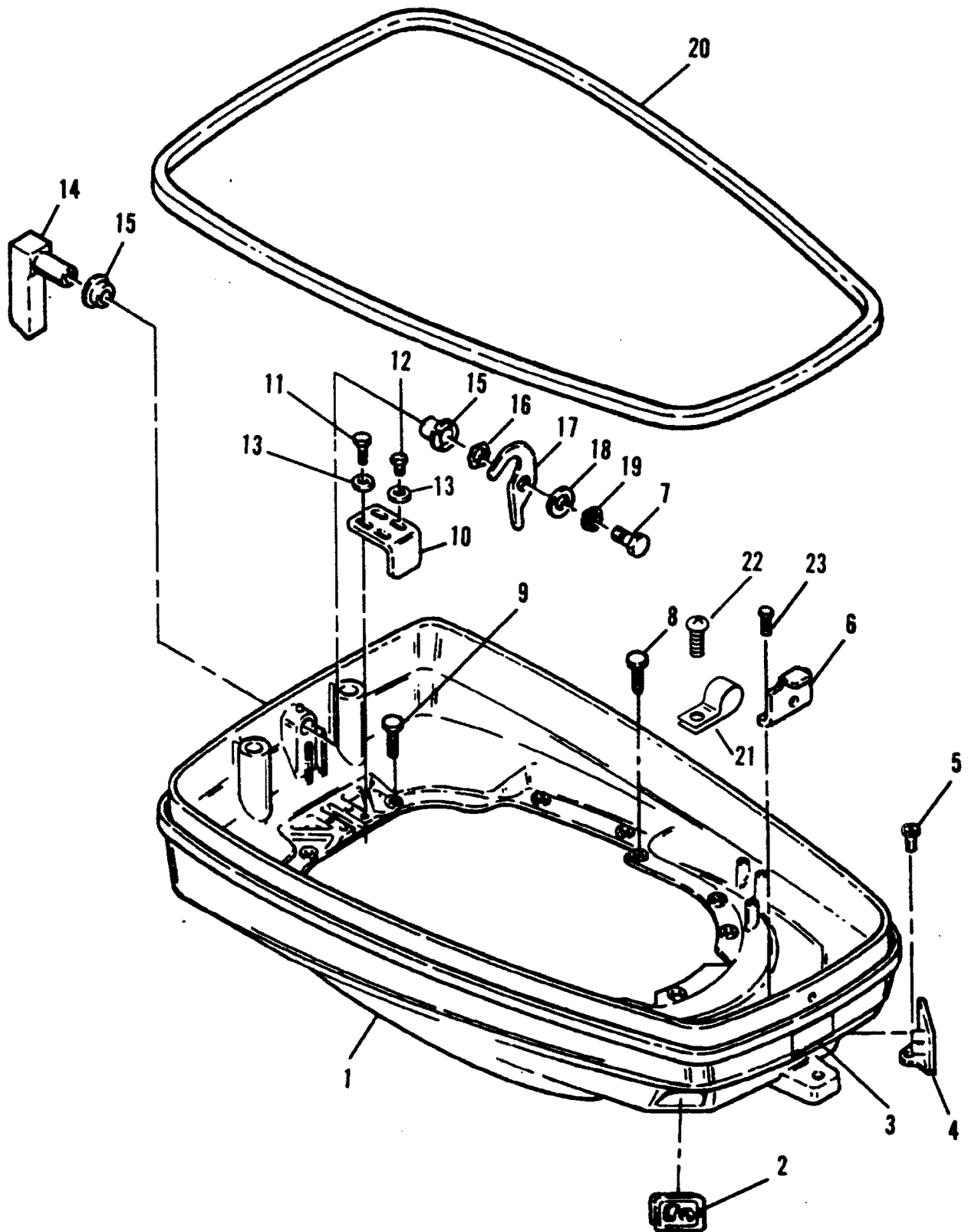
TOP COWL



TOP COWL

REF. NO.	PART NO.	SYM.	QTY.	DESCRIPTION
14	37-FZ744892		1	DECAL-FRONT 1991 MAXUM MODELS
15	37-FZ744528		1	DECAL-REAR 1991 MAXUM MODELS
13	37-FP744396		1	DECAL-STARBOARD 1992 FORCE MODELS
	37-FP744397		1	DECAL-PORT 1992 FORCE MODELS FORCE
14	37-FP744892		1	DECAL-FRONT 1992 FORCE MODELS
15	37-FP744528		1	DECAL-REAR 1992 FORCE MODELS
13	37-819572		1	DECAL-STARBOARD 1992 BAYLINER MODELS
	37-819573		1	DECAL-PORT 1992 BAYLINER MODELS BAYLINER
14	37-819575		1	DECAL-FRONT 1992 BAYLINER MODELS
15	37-819574		1	DECAL-REAR 1992 BAYLINER MODELS
13	37-819593		1	DECAL-STARBOARD 1992 MAXUM MODELS
	37-819594		1	DECAL-PORT 1992 MAXUM MODELS MAXUM
14	37-819596		1	DECAL-FRONT 1992 MAXUM MODELS
15	37-819595		1	DECAL-REAR 1992 MAXUM MODELS
16	819169		1 OR 2	MEDALLION- (SILVER) FORCE
	FZ721366		2	MEDALLION- (GOLD) FORCE SERIAL 0E000001-0E009499
17	37-817985--1		1	MEDALLION-US MARINE (RED) SERIAL 0E000001-0E009499
	37-F694366-1		1	MEDALLION-US MARINE (SILVER) SERIAL 0E000001-0E009499
	FZ718366		1	MEDALLION-US MARINE (GOLD) SERIAL 0E000001-0E009499
-	37-820524A93		1	DECAL SET FORCE SERIAL 0E000001-E093699)
-	37-820525A93		1	DECAL SET BAYLINER SERIAL 0E000001-0E031999
-	37-820525A94		1	DECAL SET BAYLINER SERIAL 0E032000-0E093699

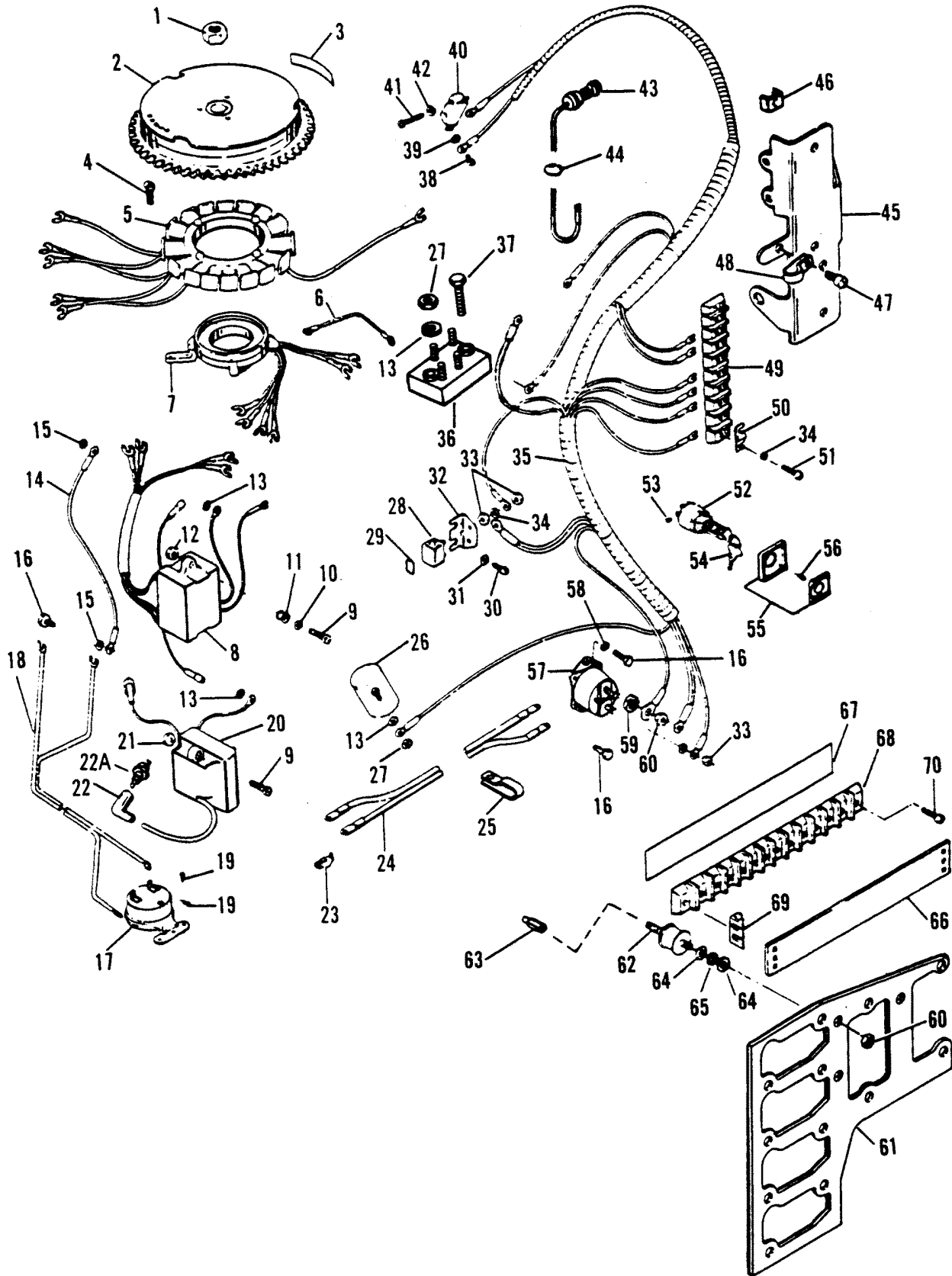
BOTTOM COWL



BOTTOM COWL

REF. NO.	PART NO.	SYM.	QTY.	DESCRIPTION
1	100-817606F		1	PLATE-SUPPORT (PAINTED)
2	23-819006--2		1	BUSHING-CABLE ENTRY
3	37-818029		1	DECAL-FUEL MIX
4	23-828763		1	BUSHING-CABLE ENTRY
5	10-F1733		3	SCREW (10-24 X 9/16")
6	F663480-1		1	RETAINER-COWL FRONT
7	10-19923062		1	SCREW (1/4-20 X 5/8") WITH DRI LOC
8	10-49668		7	SCREW (1/4-20 X 3/4")
9	10-76630		4	SCREW (1/4-20 X 1")
10	F335654-2		1	STOP-DEFLECTION
11	10-90285		2	SCREW (5/16-18 X 5/8")
12	10-F1858		2	SCREW (5/16-18 X 1")
13	13-53166		4	LOCKWASHER (5/16")
14	820000A4		1	HANDLE ASSEMBLY-COWL LATCH (PAINTED)
15	23-812707		2	BUSHING
16	13-F2047		1	WASHER-WAVE
17	F481777		1	CAM-LATCH SHAFT
18	12-40023-16		1	WASHER
19	13-26992		1	LOCKWASHER (1/4")
20	F663756-1		1	PACKING-SUPPORT PLATE
21	54-F407446		1	CLAMP-BATTERY CABLE
22	10-34939		1	SCREW (1/4-20 X 1/2")
23	10-28635		2	SCREW (1/4-20 X 5/8")

IGNITION COMPONENTS (90A,91C)

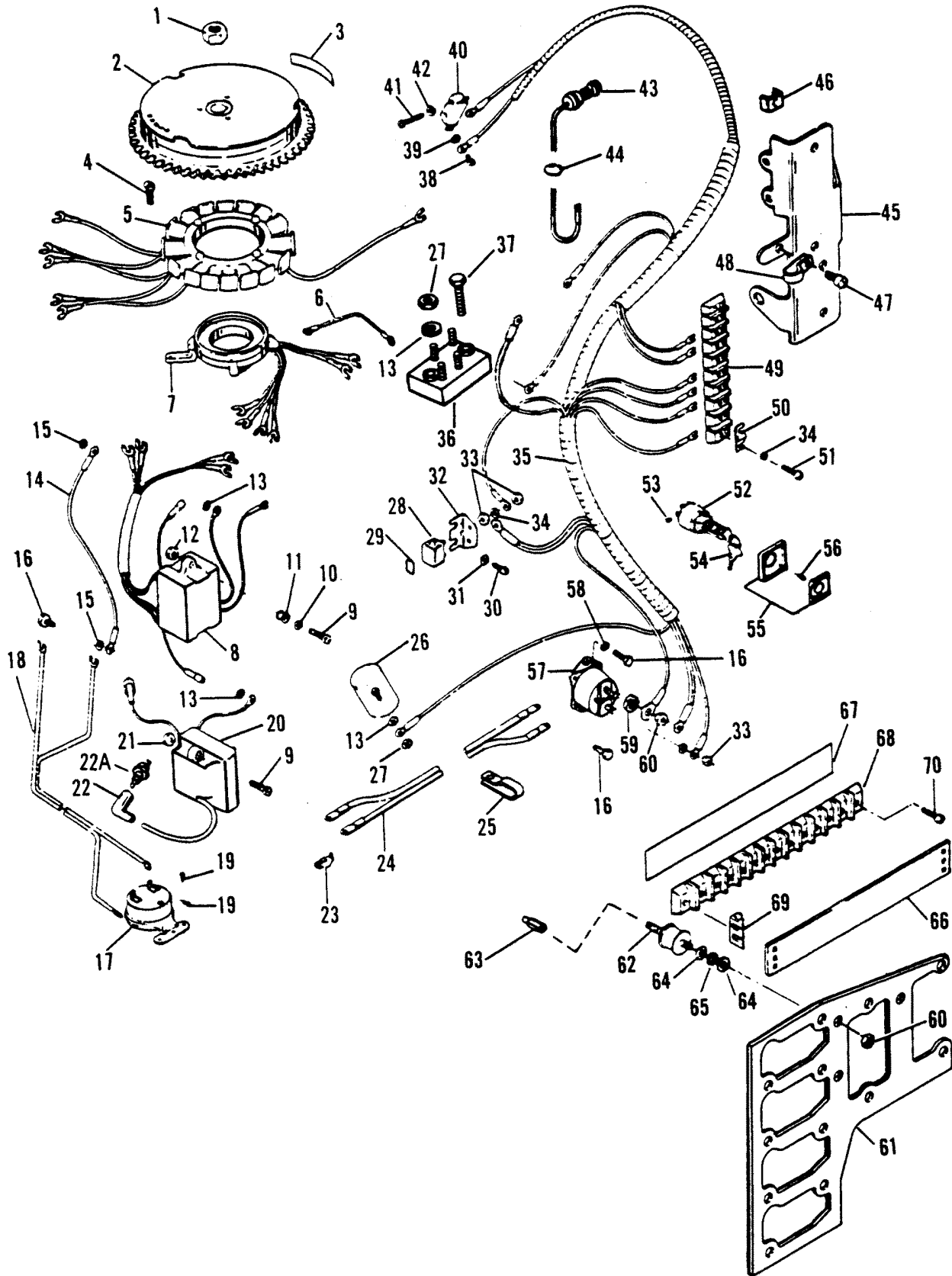


IGNITION COMPONENTS (90A,91C)

REF. NO.	PART NO.	SYM.	QTY.	DESCRIPTION
1	11-F1968		1	NUT (3/4-16)
2	200-817865A1		1	FLYWHEEL KIT
3	FA609853		1	DECAL KIT-SHIFT TO NEUTRAL
4	10-F2200		4	SCREW (12-24 X 1")
5	300-F663095-4		1	STATOR ASSEMBLY
6	84-F345683		1	WIRE-GROUND
7	300-F654029-1		1	TRIGGER ASSEMBLY
8	300-F685301-2		2	CD MODULE (BLUE)
9	10-F2008		10	SCREW (1/4-20 X 7/8")
10	12-35044		4	WASHER
11	25-F475504		4	GROMMET-CD MOUNTING
12	11-814101		4	NUT (1/4-20)
13	13-F8056		5	LOCKWASHER (#8)
14	84-F319908		1	WIRE-GROUND
15	13-78968		2	LOCKWASHER (1/4" INTERNAL)
16	10-28636		3	SCREW (1/4-20 X 3/4")
17	F5H043		1	BUZZER KIT-HEAT INDICATOR
18	84-65017A24		1	HARNESS
19	10-F1741		2	SCREW (#8 X 3/4")
	10-69080		2	SCREW (6-32 X 1/4")
20	F684475-1		4	COIL-IGNITION (BLUE)
21	11-64015		6	NUT (1/4-20)
22	FK1123		4	SPARKIE KIT
22A	33-818007--1		4	SPARK PLUG (CHAMPION # UL-18V)
23	F5H041		1	TERMINAL KIT-BATTERY
24	84-F381896-4		1	CABLE-BATTERY
25	54-F407446		1	CLAMP
26	89-F654924-1		1	SOLENOID-CHOKE
27	11-F1647		8	NUT (8-32)
28	88-F510460		1	BREAKER-CIRCUIT
29	37-F510374-1		1	DECAL-CIRCUIT BREAKER
30	10-F1760		2	SCREW (10-24 X 3/8")
31	12-89302		2	WASHER
32	F91446-2		1	BRACKET-CIRCUIT BREAKER
33	11-68219		6	NUT (10-32)
34	13-26996		6	LOCKWASHER (#10)
35	84-F653744-1		1	HARNESS-WIRE
36	F369450-1		1	RECTIFIER (RECTANGULAR)
37	10-F2016		2	SCREW (6-32 X 7/8")
38	10-69080		2	SCREW (6-32 X 1/4")
39	13-F1704		2	LOCKWASHER (#6 INTERNAL)
40	87-F84449		1	SWITCH-NEUTRAL INTERLOCK
41	10-F2016		2	SCREW (6-32 X 7/8")

CONTINUED ON NEXT PAGE ➡

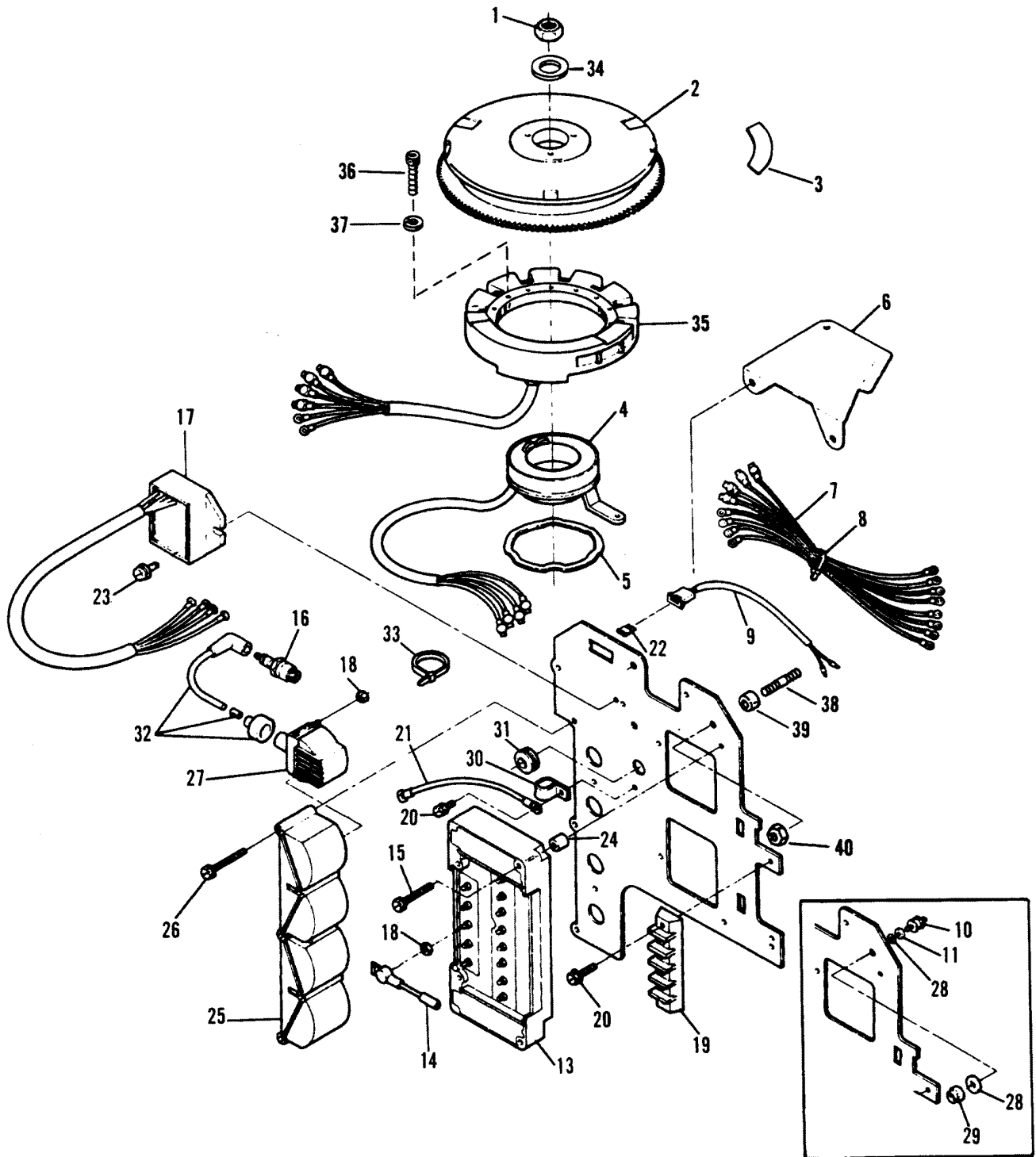
IGNITION COMPONENTS (90A,91C)



IGNITION COMPONENTS (90A,91C)

REF. NO.	PART NO.	SYM.	QTY.	DESCRIPTION
42	12-27882		2	WASHER
43	F629449-2		1	THERMOSWITCH
44	53-F428096		1	RETAINER
45	F439493-1		1	BRACKET-TERMINAL BLOCK
46	54-F438668		1	RETAINER-CABLE CLAMP
47	10-34939		2	SCREW (1/4-20 X 1/2")
48	54-F289446-1		1	CLAMP
49	FA616497		1	BLOCK KIT-TERMINAL
50	54-F307317		2	CLIP-GROUND
51	10-41069		2	SCREW (10-24 X 3/4")
52	F5H078		1	SWITCH KIT-IGNITION (LONG)
53	10-F1280		6	SCREW (8-32 X 1/4")
54	817782--1		AR	KEY SET (NO LETTER OR STAMPED A)
	817883--1		AR	KEY SET (STAMPED B)
	817891--1		AR	KEY SET (STAMPED C)
	817928--1		AR	KEY SET (STAMPED D)
	817929--1		AR	KEY SET (STAMPED E)
55	F5H038		1	MOUNTING KIT-IGNITION SWITCH
56	10-F1934		4	SCREW (#6 X 1/2")
57	89-F460917-1		1	RELAY-STARTER
58	13-26992		1	LOCKWASHER (1/4")
59	13-53166		2	LOCKWASHER (5/16")
60	11-68292		5	NUT (5/16-18)
61	FS664358		1	BRACKET-ELECTRICAL MOUNT (PAINTED)
62	819869		3	MOUNT-SHOCK
63	F322273-1		1	STUD
64	13-F8124		6	LOCKWASHER (5/16" EXTERNAL)
65	12-F8090		3	WASHER
66	F664672		1	COVER-TERMINAL BLOCK
67	F664025		1	PAD-INSULATING
68	86-F664497		1	BLOCK-TERMINAL (12 POSITION)
69	54-F664384		2	CLIP-TERMINAL BLOCK COVER
70	10-41069		2	SCREW (10-24 X 3/4")
-	50-12066A9		1	ROPE AND HANDLE-EMERGENCY STARTER
-	54-816311		AR	CABLE TIE (8")

IGNITION COMPONENTS (91D,92C)

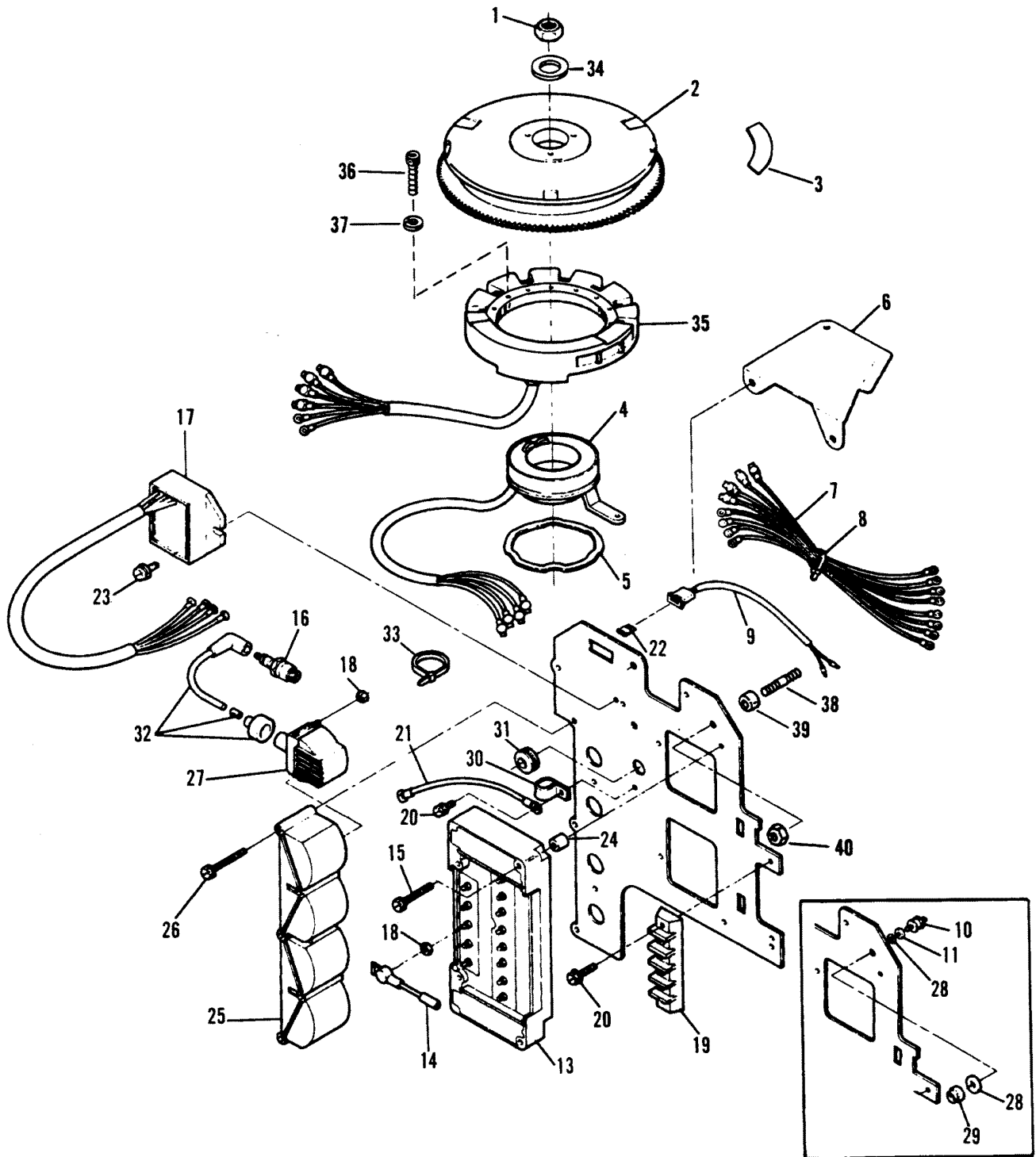


IGNITION COMPONENTS (91D,92C)

REF. NO.	PART NO.	SYM.	QTY.	DESCRIPTION
1	11-F1968		1	NUT (3/4-16)
2	200-817494A2		1	FLYWHEEL ASSEMBLY
3	FA609853		1	DECAL KIT-SHIFT TO NEUTRAL
4	817029A4		1	TRIGGER ASSEMBLY
5	13-F2442		1	WASHER-WAVE
6	819111		1	GUARD-IGNITION HARNESS
7	84-817441A2		1	HARNESS-COIL TO SWITCHBOX
8	54-816311		1	CABLE TIE (8")
9	88-19637		1	SOCKET-FUSE
10	819869		3	MOUNT-SHOCK SERIAL 0E000001-0E065371
11	12-F8090		3	WASHER SERIAL 0E000001-0E065371
12	817269		1	PLATE-IGNITION MOUNT
13	332-5772A5		1	SWITCHBOX ASSEMBLY
14	84-88807A34		1	CABLE ASSEMBLY-ADAPTER
15	10-812987		4	SCREW (10-24 X 1-1/4")
16	33-827C		4	SPARK PLUG (CHAMPION # L-76V)
	33-898		4	SPARK PLUG (RFI) (CHAMPION # QL-76V)
17	817411		1	RECTIFIER SERIAL 0E000001-0E009499
	817411--1		1	RECTIFIER SERIAL 0E009500-0E065371
	815279T4		1	VOLTAGE REGULATOR SERIAL 0E065372-0E093699
18	11-45076		21	NUT (10-32)
19	817492		1	BLOCK-TERMINAL SERIAL 0E000001-0E009499
20	10-41805		2 OR 5	SCREW (10-24 X 5/8")
21	84-88807A29		1	CABLE ASSEMBLY (BLACK)
22	88-812619		1	FUSE (20 AMP)
23	10-817505		2	SCREW(1/4-20 X 5/8") SERIAL 0E000001-0E065371
	10-817504		2	SCREW (1/4-20 X 1-1/2") SERIAL 0E065372-0E093699
24	23-91912		4	BUSHING
25	87554		1	COVER-COIL
26	10-817458		5	SCREW (10-24 X 2-1/4")
27	339-7370A23		4	COIL ASSEMBLY-IGNITION
28	13-53166		6	LOCKWASHER (5/16") SERIAL 0E000001-0E065371
29	11-68292		3	NUT (5/16-18) SERIAL 0E000001-0E065371
30	54-63153		2	J CLIP SERIAL 0E000001-0E009499
31	25-64872		1	GROMMET
32	84-821945A28		4	CABLE ASSEMBLY-HIGH TENSION
33	54-823461		1	CABLE TIE (8-1/2")
34	12-31247		1	WASHER SERIAL 0E009500-0E093699
35	398-8778A23		1	STATOR ASSY SERIAL 0E000001-0E009499
	398-8778A27		1	STATOR ASSEMBLY SERIAL 0E009500-0E093699
36	10-19926100		6	SCREW (10-24 X 1") W/DL SERIAL 0E065372-0E093699

CONTINUED ON NEXT PAGE ➡

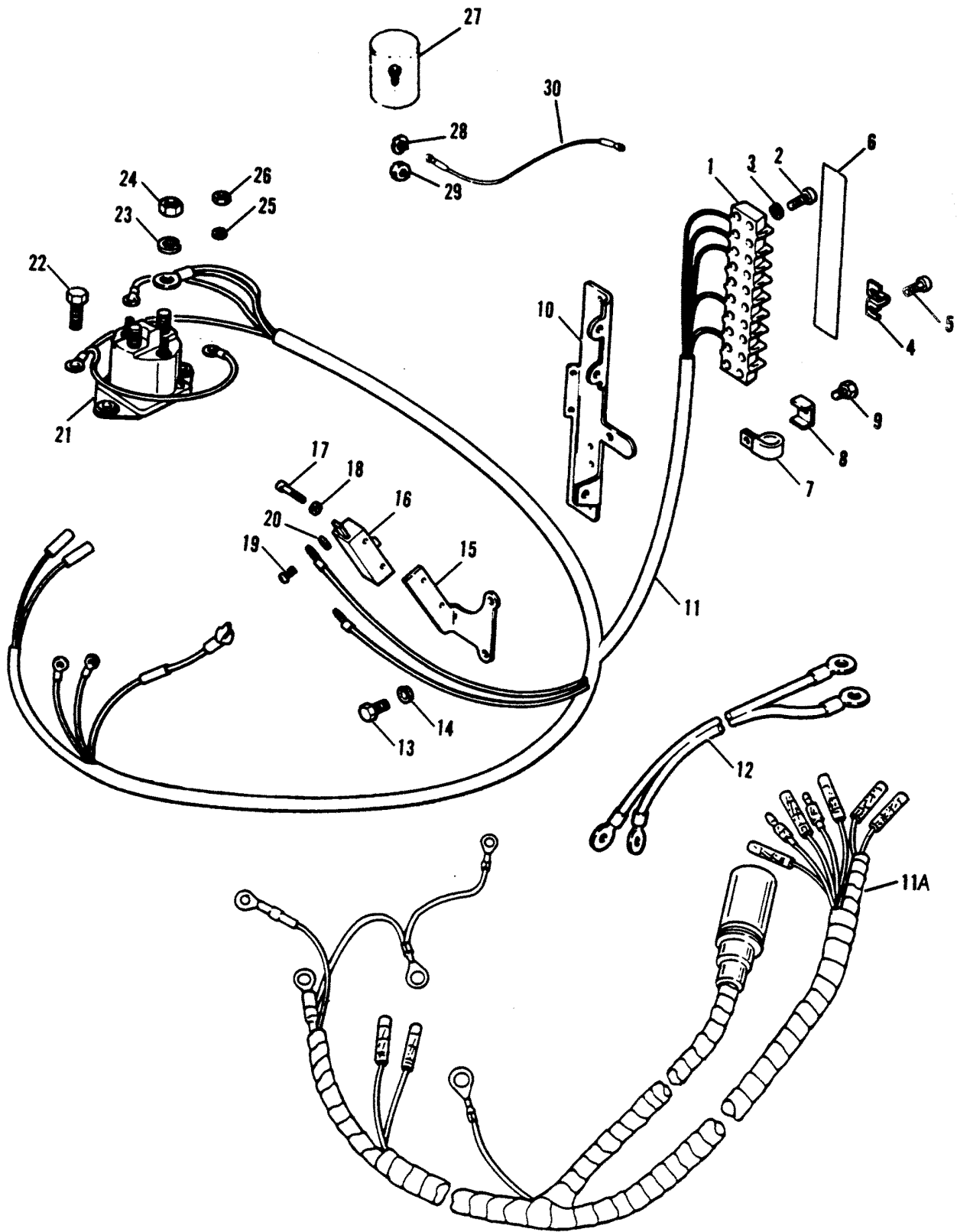
IGNITION COMPONENTS (91D,92C)



IGNITION COMPONENTS (91D,92C)

REF. NO.	PART NO.	SYM.	QTY.	DESCRIPTION
36	10-76566		6	SCREW (10-24 X 1") SERIAL 0E000001-0E065371
37	13-26996		6	LOCKWASHER (#10) SERIAL 0E000001-0E065371
38	16-826393		3	STUD (5/16-18 X 2-1/4") WITH DRI LOC SERIAL 0E065372-0E093699
39	23-F722932		3	SPACER SERIAL 0E065372-0E093699
40	11-F7006		3	NUT (5/16-18) SERIAL 0E065372-0E093699

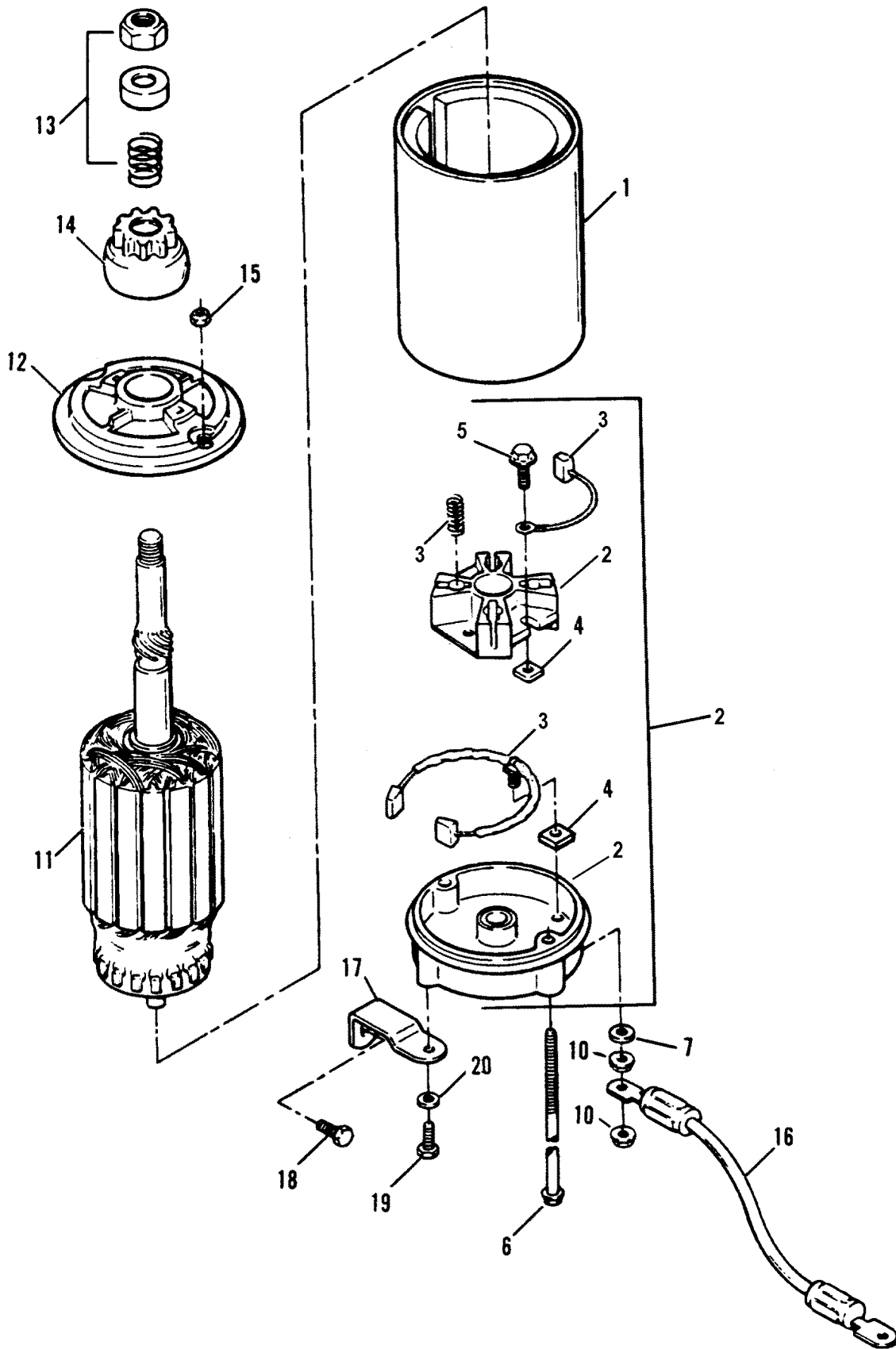
ELECTRICAL COMPONENTS



ELECTRICAL COMPONENTS

REF. NO.	PART NO.	SYM.	QTY.	DESCRIPTION
1	FA616497		1	BLOCK KIT-TERMINAL SERIAL 0E000001-0E009499
2	10-41069		2	SCREW (10-24 X 3/4") SERIAL 0E000001-0E009499
3	13-26996		2	LOCKWASHER (#10) SERIAL 0E000001-0E009499
4	54-F307317		2	CLIP-GROUND SERIAL 0E000001-0E009499
5	10-41069		2	SCREW (10-24 X 3/4") SERIAL 0E000001-0E009499
6	37-F529398-1		1	DECAL-WIRING SERIAL 0E000001-0E009499
7	54-F289446-1		1	CLAMP SERIAL 0E000001-0E009499
8	54-F438668		1	RETAINER-CABLE SERIAL 0E000001-0E009499
9	10-34939		1	SCREW (1/4-20 X 1/2") SERIAL 0E000001-0E009499
10	F439493-1		1	BRACKET-TERMINAL BLOCK SERIAL 0E000001-0E009499
11	84-817459A1		1	HARNESS-WIRING SERIAL 0E000001-0E009499
11A	84-823392A1		1	HARNESS-WIRING SERIAL 0E009500-0E093699
12	84-F381896-4		1	CABLE-BATTERY (ALL MODELS)
13	10-F1532		2	SCREW (1/4-20 X 1") SERIAL 0E000001-0E009499
14	13-26996		2	LOCKWASHER (#10) SERIAL 0E000001-0E009499
15	F749551-1		1	BRACKET-INTERLOCK SWITCH SERIAL 0E000001-0E009499
16	87-F84449		1	SWITCH-INTERLOCK SERIAL 0E000001-0E009499
17	10-F2193		2	SCREW (6-32 X 7/8") SERIAL 0E000001-0E009499
18	12-27882		2	WASHER SERIAL 0E000001-0E009499
19	10-69080		2	SCREW (6-32 X 1/4") SERIAL 0E000001-0E009499
20	13-F1704		2	LOCKWASHER (#6 INTERNAL) SERIAL 0E000001-0E009499
21	89-F460917-1		1	RELAY-STARTER SERIAL 0E000001-0E093699
22	10-90192		2	SCREW (1/4-20 X 3/4") SERIAL 0E000001-0E093699
23	13-53166		2	LOCKWASHER (5/16") SERIAL 0E000001-0E093699
24	11-68292		2	NUT (5/16-18) SERIAL 0E000001-0E093699
25	13-26996		2	LOCKWASHER (#10) SERIAL 0E000001-0E093699
26	11-68219		2	NUT (10-32) SERIAL 0E000001-0E093699
-	54-816311		AR	CABLE TIE (8") SERIAL 0E009500-0E093699
-	54-823461		AR	CABLE TIE (8-1/2") SERIAL 0E009500-0E093699
27	89-F654924-1		1	SOLENOID-CHOKE SERIAL 0E000001-0E009499
28	13-F8056		1	LOCKWASHER (#8) SERIAL 0E000001-0E009499
29	11-F1647		1	NUT (8-32) SERIAL 0E000001-0E009499
30	84-819210A1		1	WIRE ASSEMBLY SERIAL 0E000001-0E009499

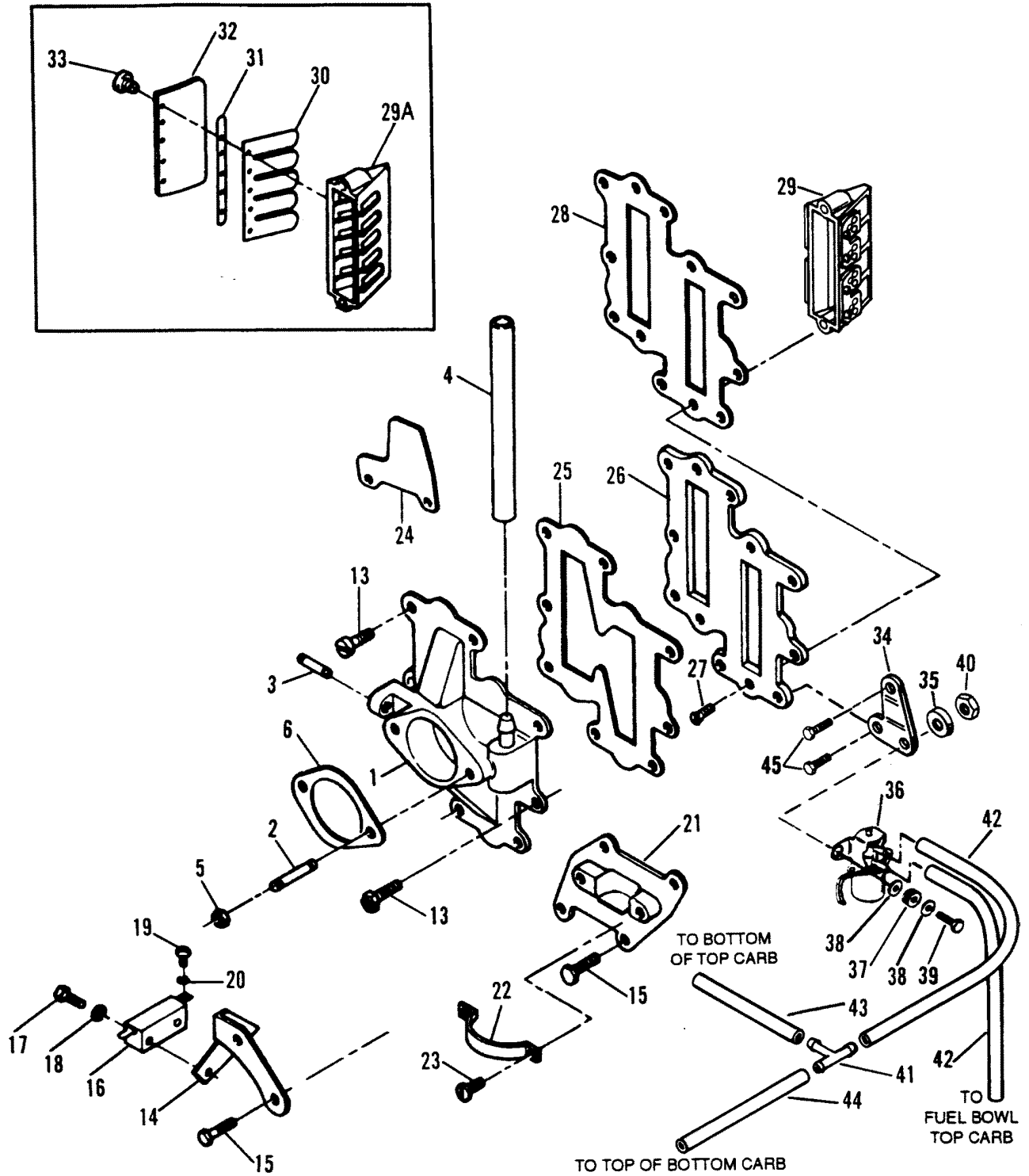
STARTER



STARTER

REF. NO.	PART NO.	SYM.	QTY.	DESCRIPTION
1	50-819085		1	STARTER ASSEMBLY
2	F15189		1	END CAP ASSEMBLY STARTER MOTOR STAMPED 50-F616955-1 OR 50-819085
	F15179		1	END CAP ASSEMBLY STARTER MOTOR STAMPED 50-F616955
3	F15190		1	BRUSH KIT STARTER MOTOR STAMPED 50-F616955-1 OR 50-819085
	75384		1	BRUSH KIT STARTER MOTOR STAMPED 50-F616955
4	F15159		2	INSULATOR
5	F15158		2	SCREW
6	F15178		2	THRU BOLT
7	F15160		1	WASHER
10	F15162		2	NUT
11	F15177		1	ARMATURE
12	F15176		1	END CAP-DRIVE
13	90644		1	DRIVE KIT
14	819222		1	PINION
15	11-20361		2	NUT (1/4-28)
16	84-F85908-1		1	WIRE-STARTER
17	F616675		1	BRACKET-STARTER MOUNT
18	10-19923062		1	SCREW (1/4-20 X 5/8") WITH DRI LOC
19	10-19923062		1	SCREW (1/4-20 X 5/8") WITH DRI LOC
20	13-26992		1	WASHER
-	37-825064		1	DECAL-CAUTION-START IN GEAR
-	37-825066		1	DECAL-WARNING-HI-VOLTAGE

REED PLATE AND PRIMER



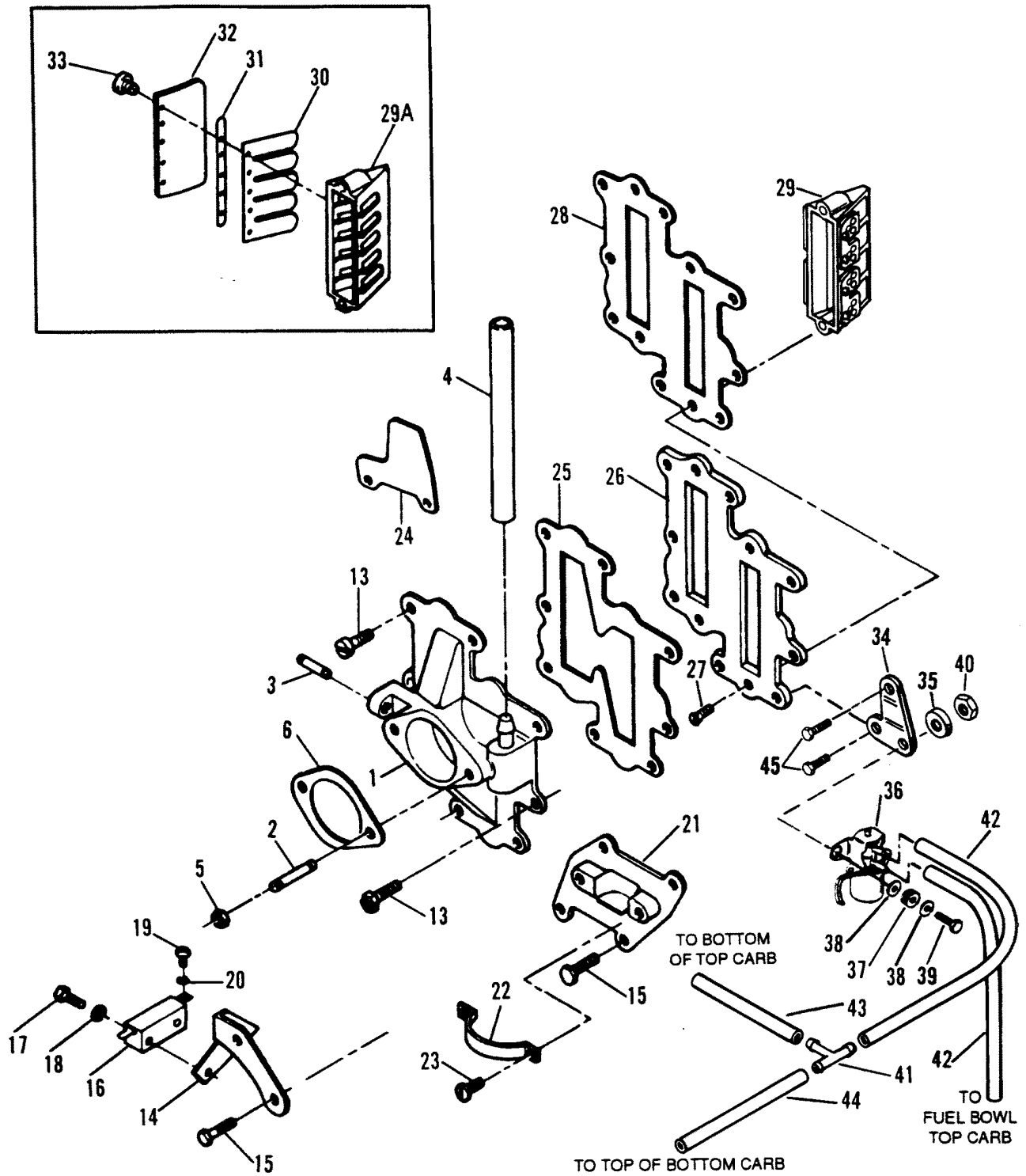
REED PLATE AND PRIMER

REF. NO.	PART NO.	SYM.	QTY.	DESCRIPTION
1	817799A1	●	1	ADAPTER ASSEMBLY-UPPER
2	16-826387		2	STUD (3/8-16 X 1-5/8") WITH DRI LOC
1	817800A1	●	1	ADAPTER ASSEMBLY-LOWER
2	16-826387		2	STUD (3/8-16 X 1-5/8") WITH DRI LOC
3	16-826389		1	STUD (1/4-20 X 1") WITH DRI LOC
4	32-817736		1	HOSE (6")
5	11-86226		4	NUT (3/8-16)
6	27-F440906	▲+	2	GASKET-CARBURETOR
13	10-F1532	●	14	SCREW (1/4-20 X 7/8")
14	819776		1	BRACKET-INTERLOCK SERIAL 0E000001-0E009499
15	10-F1532		4	SCREW (1/4-20 X 1") SERIAL 0E000001-0E009499
16	87-F84449		1	SWITCH-INTERLOCK SERIAL 0E000001-0E009499
17	10-F2016		2	SCREW (6-32 X 7/8") SERIAL 0E000001-0E009499
18	12-27882		2	WASHER SERIAL 0E000001-0E009499
19	10-69080		2	SCREW (6-32 X 1/4") SERIAL 0E000001-0E009499
20	13-F1704		2	LOCKWASHER (#6 INT) SERIAL 0E000001-0E009499
21	F372958		1	BRACKET-CHOKE SERIAL 0E000001-0E009499
22	54-F85317-3		1	CLAMP-CHOKE SERIAL 0E000001-0E009499
23	10-98253		2	SCREW (1/4-20 X 1/2") SERIAL 0E000001-0E009499
24	F500894	●	1	POINTER-TIMING
25	27-F178168-1	▲●	2	GASKET-CARBURETOR ADAPTER
26	820501	●	2	PLATE-DEFLECTOR
27	10-826380	●	8	SCREW (1/4-20 X 5/8") WITH DRI LOC
28	27-F406406	▲●	2	GASKET-DEFLECTOR PLATE
29	11645	●	4	REED PLATE ASSY SERIAL 0E009500-0E093699
29A	818108A1		4	REED PLATE ASSEMBLY SERIAL 0E000001-0E009499
30	34-F530160		8	REED (5 PETAL) SERIAL 0E000001-0E009499
31	F523451		8	SPACER SERIAL 0E000001-0E009499
32	34-F85161-1		8	STOP-REED SERIAL 0E000001-0E009499
33	10-F2293		24	SCREW (6-32 X 5/16") SERIAL 0E000001-0E009499
34	819705		1	BRACKET-SOLENOID SERIAL 0E009500-0E093699
35	23-F694359		1	SPACER SERIAL 0E009500-0E093699
36	89-819503		1	SOLENOID-PRIMER SERIAL 0E009500-0E093699
37	25-F694504		1	GROMMET SERIAL 0E009500-0E093699
38	12-35044		2	WASHER SERIAL 0E009500-0E093699
39	10-28636		1	SCREW (1/4-20 X 3/4") SERIAL 0E009500-0E093699
40	11-814101		1	NUT (1/4-20) SERIAL 0E009500-0E093699
41	22-F694922		1	FITTING-TEE SERIAL 0E009500-0E093699
42	32-99126-88		2	TUBING (4-3/4") CUT AS REQ'D SERIAL 0E009500-0E093699
43	32-99126-88		1	TUBING (1-1/4") CUT AS REQ'D SERIAL 0E009500-0E093699
44	32-99126-88		1	TUBING (8") CUT AS REQ'D SERIAL 0E009500-0E093699

- = COMPONENT OF POWERHEAD ASSY [800-818154A12]
▲ = COMPONENT OF GASKET SET [27-820726A1]
+ = CONTENTS OF CARB GASKET SET [FK10023]

CONTINUED ON NEXT PAGE ➡

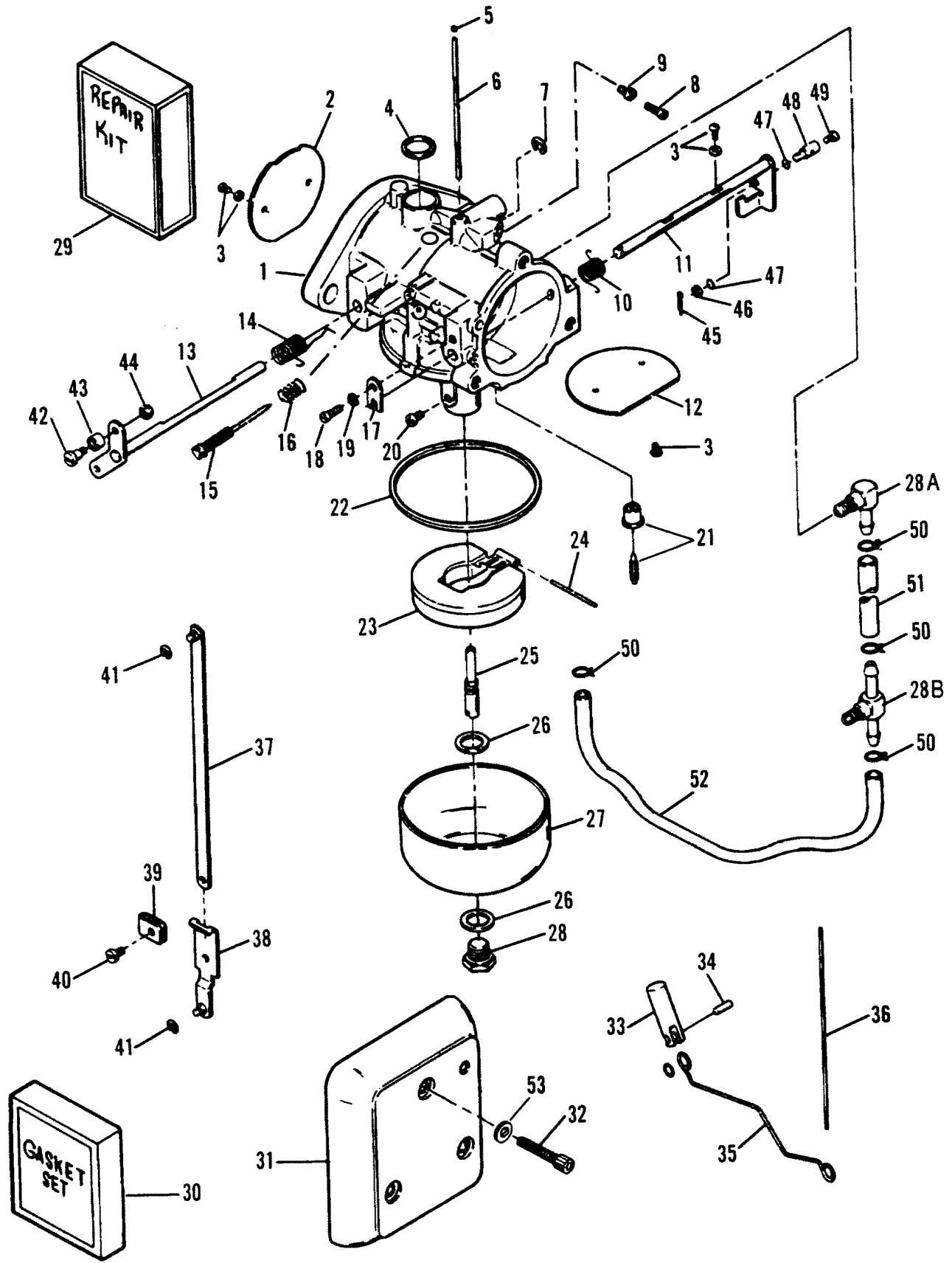
REED PLATE AND PRIMER



REED PLATE AND PRIMER

REF. NO.	PART NO.	SYM.	QTY.	DESCRIPTION
45	10-F2030		2	SCREW (1/4-20 X 1-1/4") SERIAL 0E009500-0E093699
-	56762		3	CABLE TIE (4")
-	FG1026-2		0	POWERHEAD GASKET SET
-	27-820726A1		0	POWERHEAD GASKET SET
-	800-818154A12		0	POWERHEAD ASSEMBLY
-	FK10023		0	CARB. GASKET SET

CARBURETOR (90A,92C)



CARBURETOR (90A,92C)

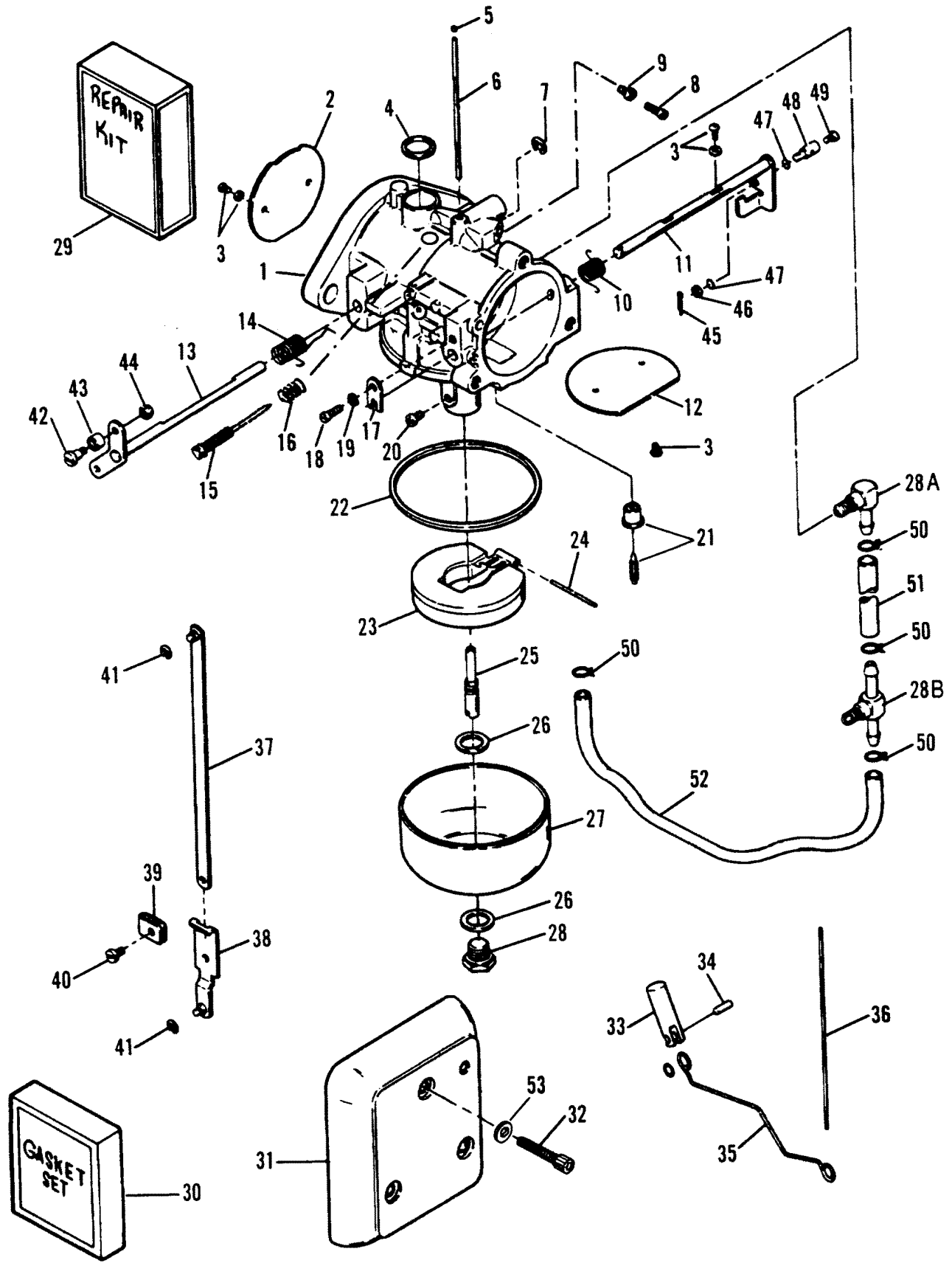
REF. NO.	PART NO.	SYM.	QTY.	DESCRIPTION
1	1300-F589061-3		1	CARBURETOR (TOP - TC-106A)
	1300-F664061-2		1	CARBURETOR (BOTTOM - TC-107A)
2	FO16142		1	SHUTTER-THROTTLE
3	10-F10328	■	4	SCREW-SHUTTER
4	19-FO16128	■	1	PLUG-WELCH
5	19-FO10588		8	PLUG-CUP
6	FO16993		1	TUBE-BY-PASS
7	FO16620		1	E-RING-SHAFT
8	F10275		1	SCREW-SEALING
9	F10273		1	JET (.047)
10	F10285		1	SPRING-CHOKE SHAFT
11	FO16301		1	SHAFT AND LEVER-CHOKE
12	FO17719		1	SHUTTER-CHOKE
13	FO17884		1	SHAFT AND LEVER-THROTTLE
14	FO16143	■	1	SPRING-THROTTLE SHAFT
15	F10268		1	SCREW-IDLE MIXTURE
16	24-27160	■	1	SPRING-IDLE MIXTURE SCREW
17	FO9678		1	CLIP-CHOKE SHAFT
18	10-FO1974		1	SCREW
19	FO992		1	LOCKWASHER
20	FO14191		1	JET-MAIN FUEL (.094) (0 - 1500')
	1395-5733		OPT.	JET-MAIN FUEL (.092) (1500' - 3000')
	1395-6247		OPT.	JET-MAIN FUEL (.090) (3000' - 4500')
	FO13193		OPT.	JET-MAIN FUEL (.088) (4500' - 6000')
	FO13949		OPT.	JET-MAIN FUEL (.086) (6000' - 10000')
21	FK10264	■	1	NEEDLE AND SEAT KIT-INLET
22	27-FO15623	+	1	GASKET-FUEL BOWL
23	F10346		1	FLOAT-FUEL BOWL
24	17-FO13944	■	1	PIN-FLOAT
25	FO16133	■	1	NOZZLE-MAIN
26	27-FO5323	+	2	GASKET-FUEL BOWL
27	FO16130		1	BOWL-FUEL
28	FO16132		1	SCREW-FUEL BOWL
28A	22-F84314-2		1	ELBOW (L) (TOP CARB)
28B	22-F85314-1		1	TEE (T) (BOTTOM CARB)
29	FK10103-2		1	REPAIR KIT-CARBURETOR
30	FK10023	■	1	GASKET SET-CARBURETOR
31	F511708-3		2	COVER-CARBURETOR
32	10-F2192		6	SCREW (1/4-20 X 1-3/8")
33	F391926-1		1	PLUNGER-CHOKE
34	17-F2033		1	PIN-GROOVE
35	F440925		1	ROD-CHOKE

■ = CONTENTS OF CARB REPAIR KIT [FK10103-2]

⊕ = CONTENTS OF CARB GASKET SET [FK10023]

CONTINUED ON NEXT PAGE ➡

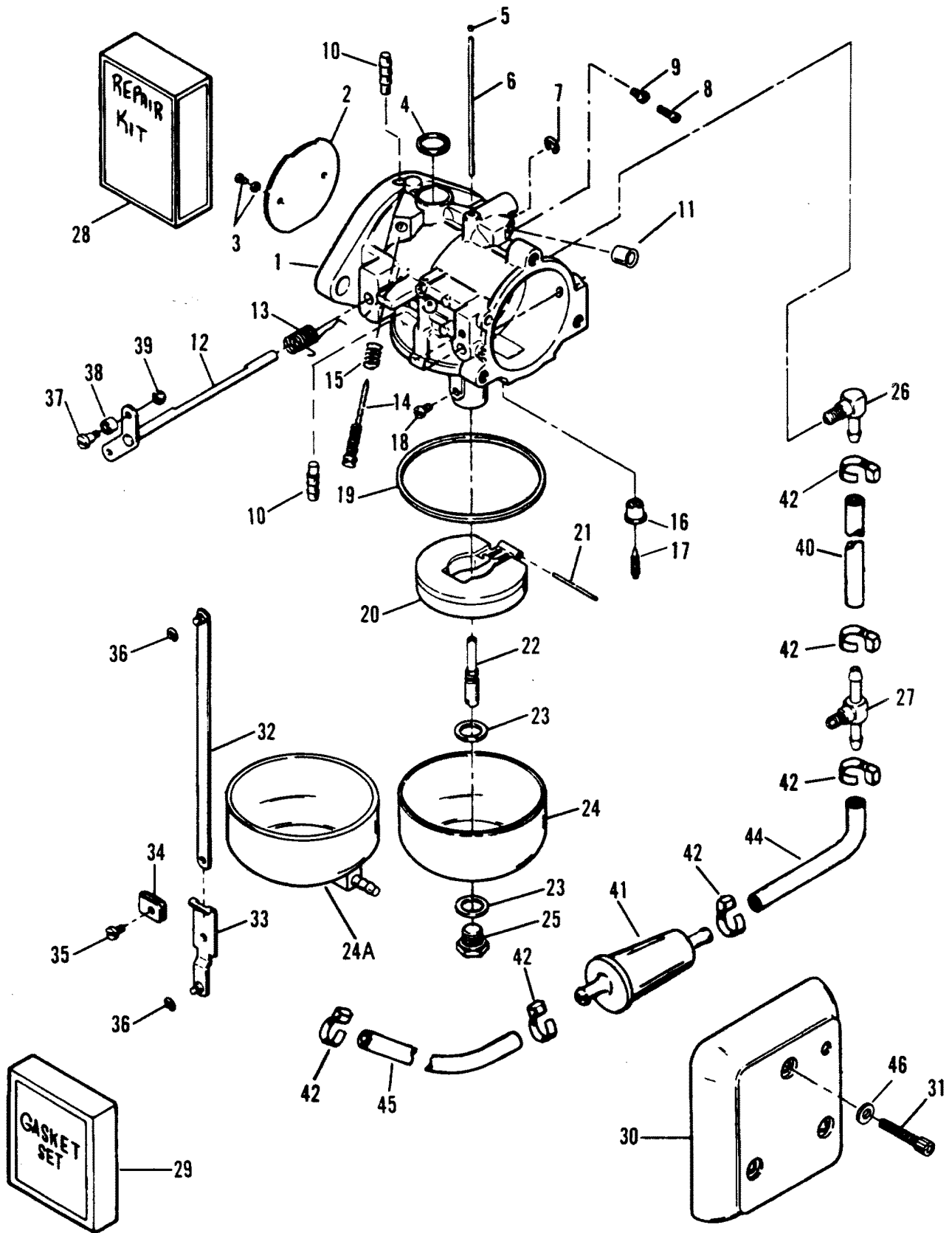
CARBURETOR (90A,92C)



CARBURETOR (90A,92C)

REF. NO.	PART NO.	SYM.	QTY.	DESCRIPTION
36	F85509-1		1	LINK-CHOKE
37	FA178233		1	TIE BAR ASSEMBLY-THROTTLE
38	FA85193		1	END ASSEMBLY-TIE BAR
39	11-F1693		1	NUT (8-32)
40	10-F1064		1	SCREW (8-32 X 3/8")
41	53-21058		2	RING-RETAINER
42	F333316		1	SHAFT-THROTTLE ROLLER
43	819225		1	ROLLER-THROTTLE CAM
44	11-F1997		1	NUT (8-32)
45	18-26953		2	PIN-COTTER
46	12-27882		3	WASHER
47	25-F184579		5	O-RING
48	F184033-1		1	SWIVEL (TOP CARB)
	F85033		1	SWIVEL (BOTTOM CARB)
49	10-F1059		2	SCREW (6-32 X 1/4")
50	54-63933		4	CLAMP
51	32-99127109		1	HOSE (7-1/2") CUT AS REQ'D
52	32-99127109		1	HOSE (21-1/2") CUT AS REQ'D
53	12-29245		6	WASHER
-	FK10103-2		0	CARB. REPAIR KIT
-	FK10023		0	CARB. GASKET SET

CARBURETOR (0E009500 - 0E093699)



CARBURETOR (0E009500 - 0E093699)

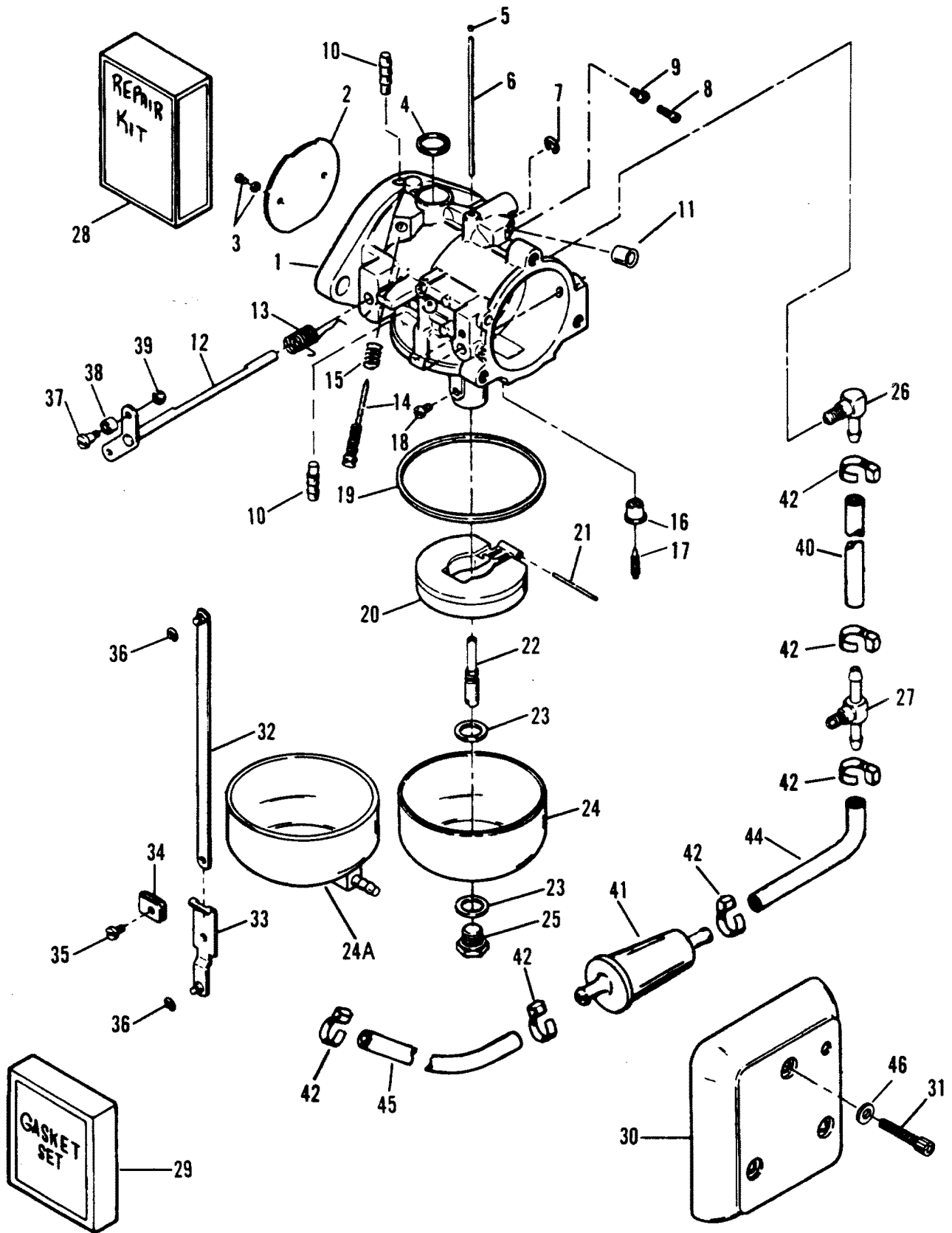
REF. NO.	PART NO.	SYM.	QTY.	DESCRIPTION
1	1300-820203		1	CARBURETOR (TOP) (TC-119A)
	1300-820195		1	CARBURETOR (BOTTOM) (TC-120A)
2	FO16142		1	SHUTTER-THROTTLE
3	10-F10328	■	2	SCREW-SHUTTER
4	19-FO16128	■	1	PLUG-WELCH
5	19-FO10588		5 OR 6	PLUG-CUP
6	FO16993		1	TUBE-BY-PASS
7	FO16620		1	E-RING-THROTTLE SHAFT
8	F10275		1	SCREW-SEALING
9	F10273		1	JET (.047)-IDLE AIR
10	F10274		1	NOZZLE-PRIMER
11	F10263		1	CUP-METERING
12	FO17884		1	SHAFT AND LEVER-THROTTLE
13	FO16143	■	1	SPRING-THROTTLE SHAFT
14	F10268		1	SCREW-IDLE MIXTURE
15	24-27160	■	1	SPRING-IDLE MIXTURE SCREW
16	F10367	■	1	SEAT-INLET
17	F10265	■	1	NEEDLE-INLET
18	FO14191		1	JET-MAIN FUEL (.094) (0 - 1500')
	1395-5733		OPT.	JET-MAIN FUEL (.092) (1500' - 3000')
	1395-6247		OPT.	JET-MAIN FUEL (.090) (3000' - 4500')
	FO13193		OPT.	JET-MAIN FUEL (.088) (4500' - 6000')
	FO13949		OPT.	JET-MAIN FUEL (.086) (6000' - 10000')
19	27-FO15623	+	1	GASKET-FUEL BOWL
20	F10346		1	FLOAT-FUEL BOWL
21	17-FO13944	■	1	PIN-FLOAT
22	FO16133	■	1	NOZZLE-MAIN
23	27-FO5323	+	2	GASKET-FUEL BOWL
24A	820492		1	BOWL-FUEL (TOP CARB)
24	FO16130		1	BOWL-FUEL (BOTTOM CARB)
25	FO16132		1	SCREW-FUEL BOWL
26	22-F84314-2		1	ELBOW (L) (TOP CARB)
27	22-F85314-1		1	TEE (T) (BOTTOM CARB)
28	FK10103-2		1	REPAIR KIT-CARBURETOR
29	FK10023	■	1	GASKET SET-CARBURETOR
30	F511708-3		2	COVER-CARBURETOR
31	10-F2192		6	SCREW (1/4-20 X 1-3/4")
32	FA178233		1	TIE BAR ASSEMBLY-THROTTLE
33	FA85193		1	END ASSEMBLY-TIE BAR
34	11-F1693		1	NUT (8-32)
35	10-F1064		1	SCREW (8-32 X 3/8")
36	53-21058		2	E RING-RETAINING

■ = CONTENTS OF CARB REPAIR KIT [FK10103-2]

⊕ = CONTENTS OF CARB GASKET SET [FK10023]

CONTINUED ON NEXT PAGE ➡

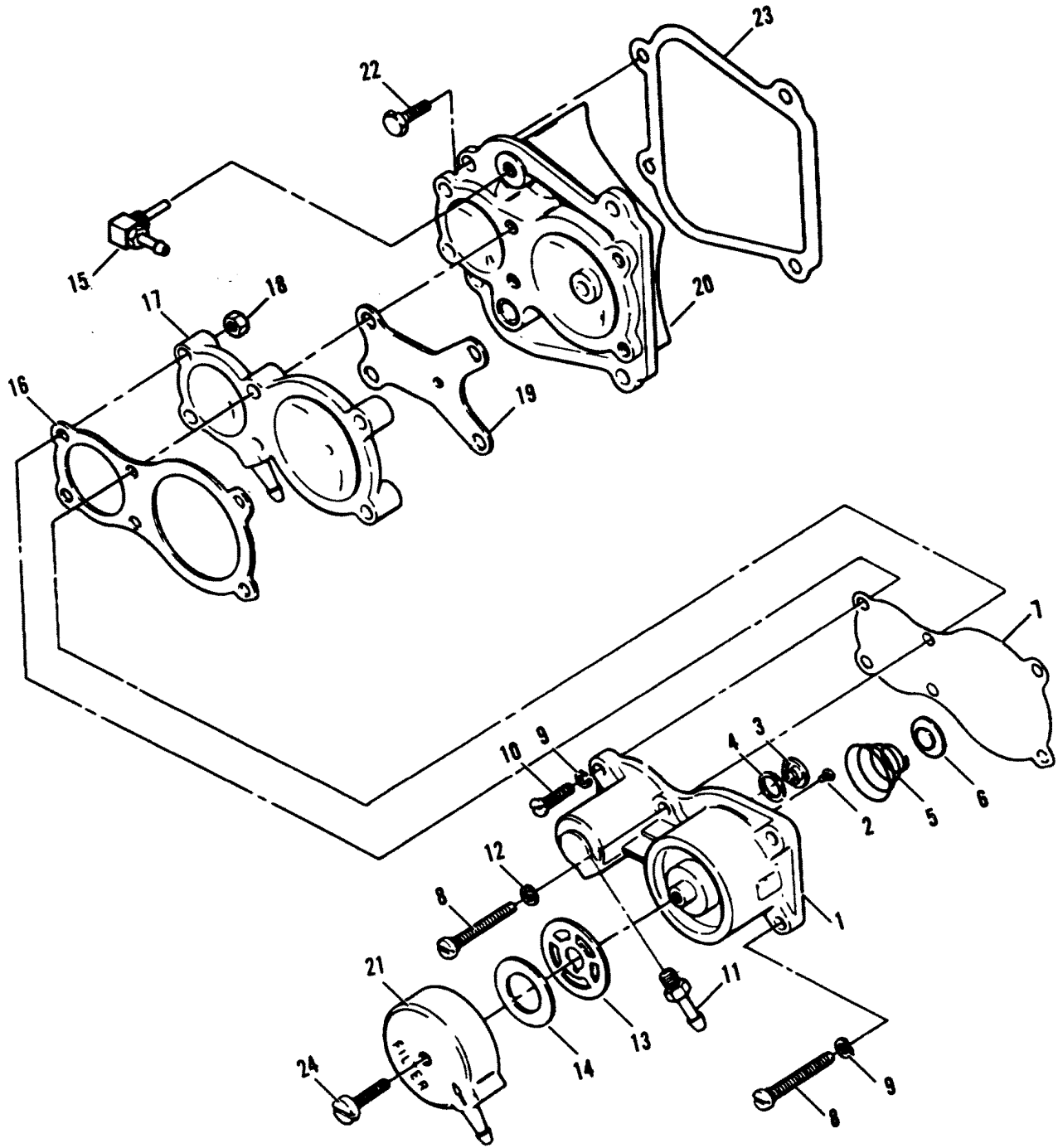
CARBURETOR (0E009500 - 0E093699)



CARBURETOR (0E009500 - 0E093699)

REF. NO.	PART NO.	SYM.	QTY.	DESCRIPTION
37	F333316		1	SHAFT-THROTTLE ROLLER
38	819225		1	ROLLER
39	11-F1997		1	NUT (8-32)
40	32-99127109		1	HOSE (7-1/2") CUT AS REQ'D
41	35-816296		1	FILTER-FUEL
42	54-816311		6	CABLE TIE (8")
44	32-99127109		1	HOSE (5-1/4") CUT AS REQ'D
45	32-99127109		1	HOSE (21") CUT AS REQ'D
46	12-29245		6	WASHER
-	FK10103-2		0	CARB. REPAIR KIT
-	FK10023		0	CARB. REPAIR KIT

FUEL PUMP ASSEMBLY (90A,92C)



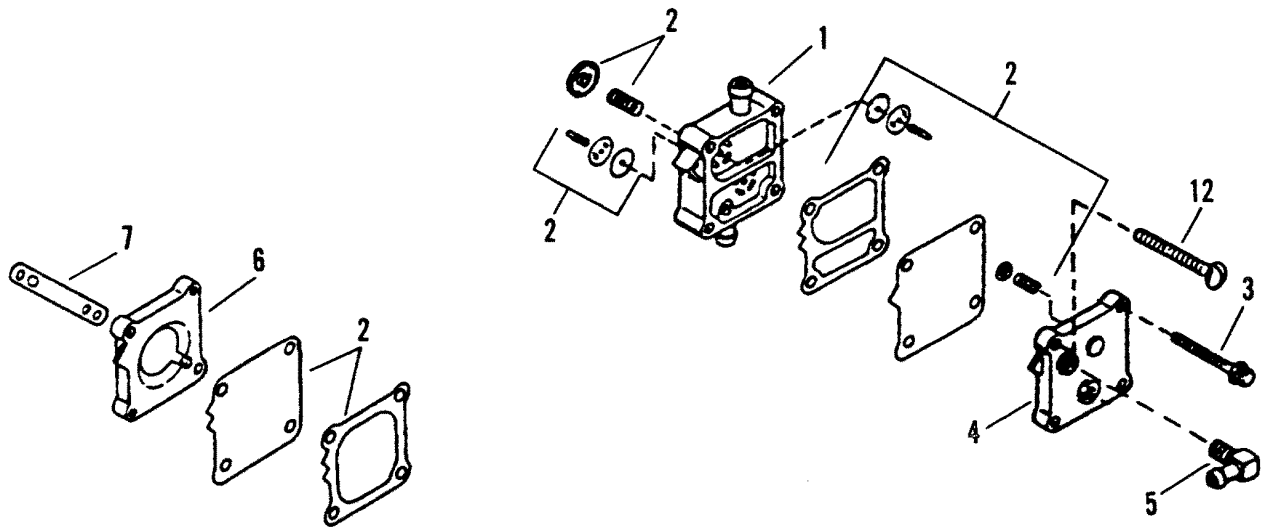
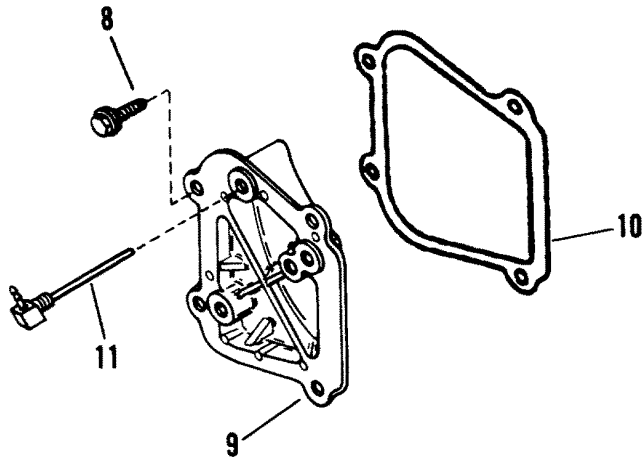
FUEL PUMP ASSEMBLY (90A,92C)

REF. NO.	PART NO.	SYM.	QTY.	DESCRIPTION
-	817919A1		1	PUMP KIT-FUEL SERIAL 0E000001-0E009499
-	820581A1	●	1	PUMP KIT-FUEL SERIAL 0E009500-0E065371
1	819843A1		1	BODY ASSEMBLY-FUEL PUMP
2	10-28430		2	SCREW (6-32 X 1/4")
3	21-F177330		3	VALVE-FUEL PUMP
4	27-F84792		1	GASKET-CENTER VALVE
5	24-F686300		1	SPRING-FUEL PUMP BOOST
6	F686096		1	RETAINER-BOOSTER SPRING
7	F438747		1	DIAPHRAGM-FUEL PUMP
8	10-F1504		4	SCREW (1/4-20 X 1-1/4")
9	13-26996		2	LOCKWASHER (#10)
10	10-41069		2	SCREW (10-24 X 3/4") (DESIGN I)
	10-55515		2	SCREW (10-32 X 3/4") (DESIGN II)
11	22-64705		1	FITTING
12	13-26992		4	LOCKWASHER (1/4")
13	27-823606		1	GASKET-FUEL PUMP BOWL
14	35-F438653		1	SCREEN-FUEL PUMP
15	22-F404314		1	ELBOW SERIAL 0E000001-0E009499
	22-F743314		1	ELBOW SERIAL 0E009500-0E065371
16	27-820490		1	GASKET-FUEL PUMP
17	F658836		1	SPACER-FUEL PUMP
18	11-79989		2	NUT (10-24) (DESIGN I)
	11-68219		2	NUT (10-32) (DESIGN II)
19	27-F658803		1	GASKET-FUEL PUMP SPACER
20	817870A1		1	COVER KIT-FUEL PUMP
21	817066		1	BOWL SERIAL 0E000001-0E009499
	F695500		1	BOWL-FUEL PUMP SERIAL 0E009500-0E065371
22	10-98254	●	4	SCREW (1/4-20 X 5/8")
23	27-820500	●○	1	GASKET-FUEL PUMP COVER
24	10-56682		1	SCREW (10-24 X 3/4")
-	32-99127109		1	HOSE (4-1/2")-CUT AS REQ'D-PUMP TO BLOCK
-	800-818154A12		0	POWERHEAD ASSEMBLY
-	FG1026-2		0	POWERHEAD GASKET SET

● = COMPONENT OF POWERHEAD ASSY [800-818154A12]

○ = CONTENTS OF POWERHEAD GASKET SET [FG1026-2]

FUEL PUMP ASSEMBLY (0E065372 - 0E093699)



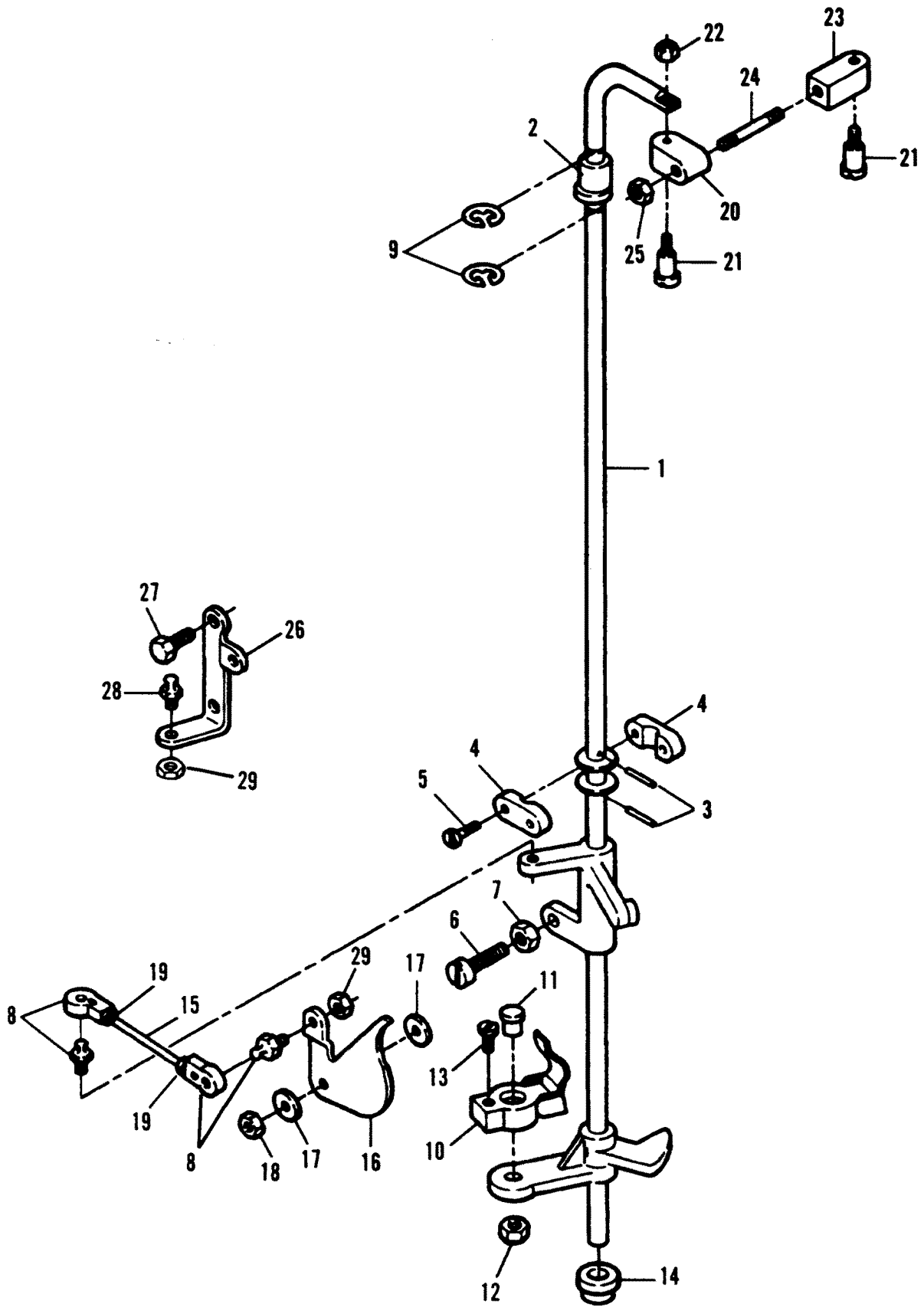
FUEL PUMP ASSEMBLY (0E065372 - 0E093699)

REF. NO.	PART NO.	SYM.	QTY.	DESCRIPTION
1	14360A49	●	1	PUMP KIT-FUEL
2	21-42990A10		1	DIAPHRAGM KIT
3	10-821045-40		2	SCREW (M5 X .8 X 40)-FUEL PUMP
4	98775--2		1	PLATE-FUEL PUMP
5	22-99664		1	ELBOW
6	14430--3		1	BASE-FUEL PUMP
7	27-98769--1	▲	1	GASKET-FUEL PUMP BASE
8	10-98254	●	4	SCREW (1/4-20 X 5/8")
9	817870--2	●	1	COVER-FUEL PUMP
10	27-820500	▲●	1	GASKET-FUEL PUMP COVER
11	22-F743314	●	1	ELBOW-RECIRCULATING
12	10-16452	●	2	SCREW (#12-24 X 2")
-	32-99127109		1	HOSE (4-1/2") CUT AS REQ'D-PUMP TO BLOCK
-	27-820726A1		0	GASKET SET
-	800-817608A12		0	POWERHEAD ASSEMBLY

● = COMPONENT OF POWERHEAD ASSY [800-818154A12]

▲ = COMPONENT OF GASKET SET [27-820726A1]

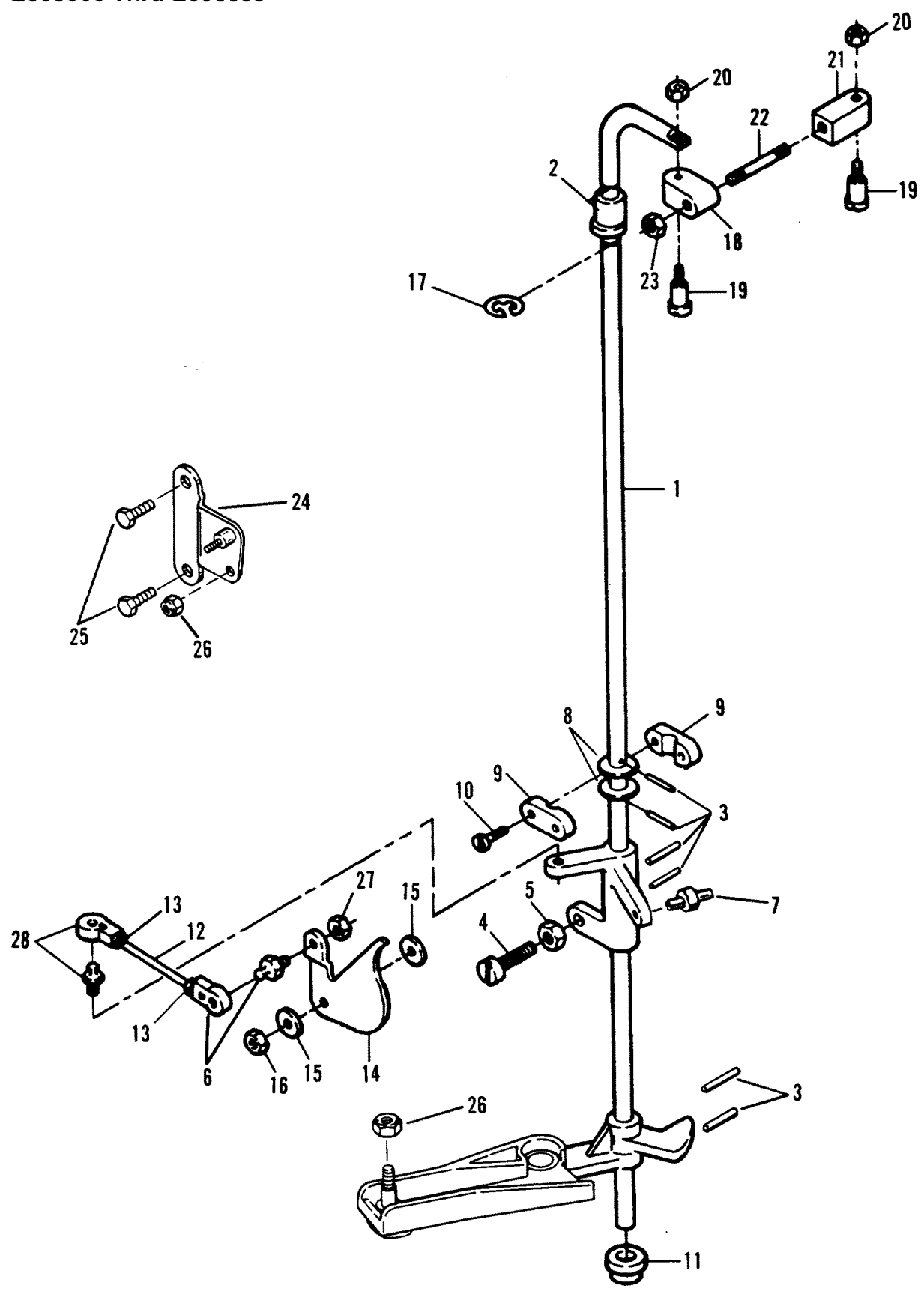
TOWERSHAFT AND THROTTLE LINKAGE (90A,92C)



TOWERSHAFT AND THROTTLE LINKAGE (90A,92C)

REF. NO.	PART NO.	SYM.	QTY.	DESCRIPTION
1	817960A2		1	TOWERSHAFT KIT
2	23-819513		1	BUSHING
3	17-38489		6	PIN-ROLL
4	F607689		2	BEARING
5	10-F1829		2	SCREW (10-24 X 7/8")
6	10-F1504		1	SCREW (1/4-20 X 1-1/4")
7	11-64015		1	NUT (1/4-20)
8	817747--1		1	BALL JOINT ASSEMBLY
9	53-13194		2	E RING-RETAINING
10	FK405020		1	SWIVEL KIT-CABLE CLAMP
11	10-F405457		1	PIVOT-CABLE CLAMP SWIVEL
12	11-72008		1	NUT (1/4-20)
13	10-F2217		1	SCREW (10-24 X 3/8")
14	23-F40689-1		1	BEARING-TOWERSHAFT LOWER
15	819002		2	LINK-THROTTLE
16	F440192-2		1	CAM-THROTTLE
17	23-F269319		2	BEARING
18	11-72008		1	NUT (1/4-20)
19	11-68219		2	NUT (10-32)
20	F499035		1	END-CONTROL ROD
21	F499026		2	SWIVEL-TOWERSHAFT
22	11-F7009		1	NUT (10-24)
23	F499036-1		1	END-CONTROL ROD (1/4-28 LH)
24	F85445-1		1	ROD-SPARK CONTROL
25	11-F2015		1	NUT (1/4-28)
26	F85872-2		1	BRACKET-REMOTE CABLE
27	10-28636		2	SCREW (1/4-20 X 3/4")
28	16-F98273		2	STUD-ROD END CONNECTOR
29	11-20110		2	NUT (10-32)
30	817747--1		1	BALL JOINT ASSEMBLY

TOWERSHAFT AND THROTTLE LINKAGE (0E009500 - 0E093699)

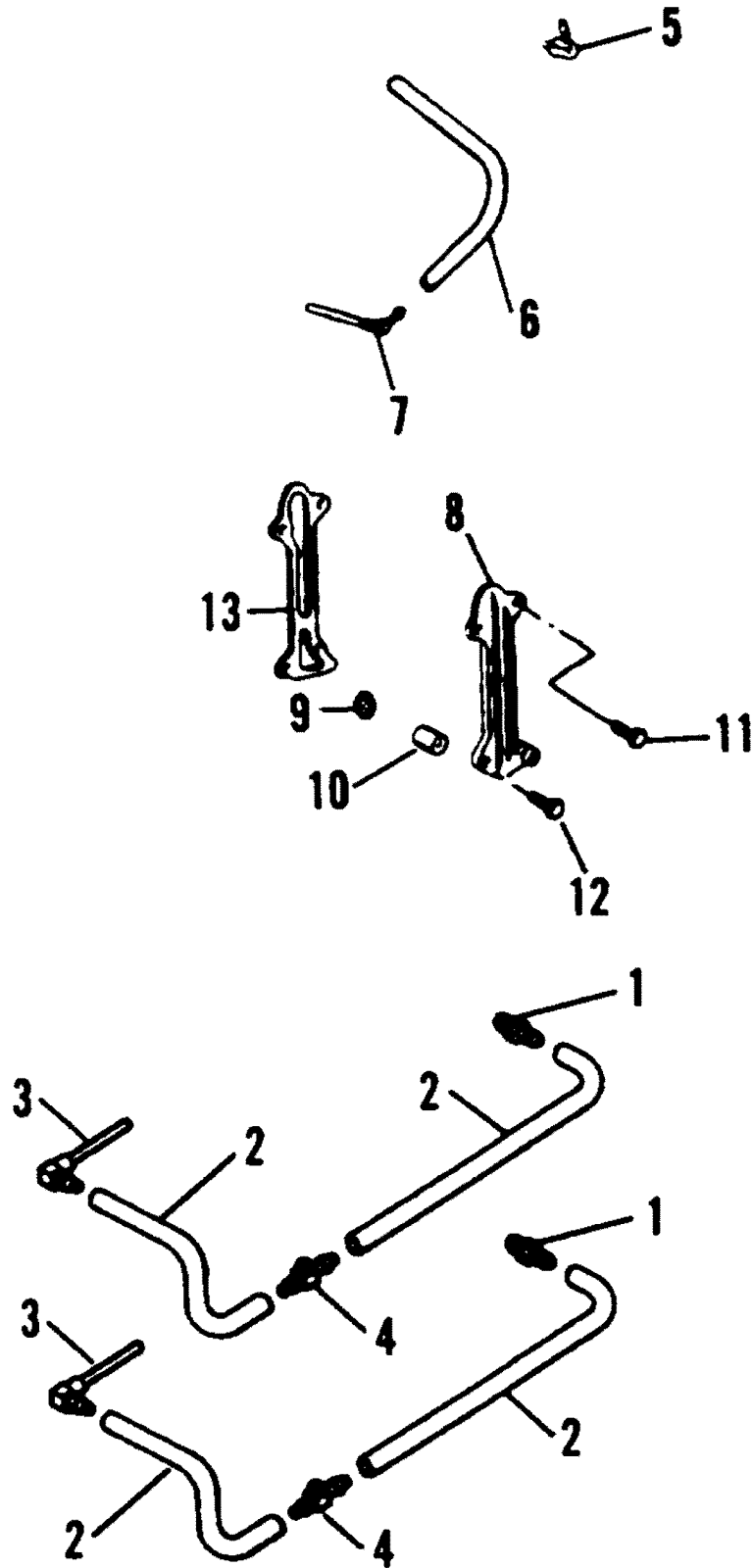


TOWERSHAFT AND THROTTLE LINKAGE (0E009500 - 0E093699)

REF. NO.	PART NO.	SYM.	QTY.	DESCRIPTION
1	819474A1		1	TOWERSHAFT ASSEMBLY
2	23-819513		1	BUSHING
3	17-38489		6	PIN-ROLL
4	10-F1504		1	SCREW (1/4-20 X 1-1/4")
5	11-64015		1	NUT (1/4-20)
6	817747--1		1	BALL JOINT ASSEMBLY
7	17-F1727		1	RIVET-NYLON
8	12-F1856		2	WASHER
9	F607689		2	BEARING-TOWERSHAFT CENTER
10	10-19931088		2	SCREW (10-24 X 7/8") WITH DRI LOC
11	23-F40689-1	●	1	BEARING-TOWERSHAFT LOWER
12	819002		1	LINK-THROTTLE
13	11-68219		2	NUT (10-32)
14	F440192-2		1	CAM-THROTTLE
15	23-F269319		2	BEARING-THROTTLE CAM
16	11-72008		1	NUT (1/4-20)
17	53-13194		1	E RING-RETAINING
18	F499035		1	END-CONTROL ROD
19	F499026		2	SWIVEL-TOWERSHAFT
20	11-F7009		2	NUT (10-24)
21	F499036-1		1	END-CONTROL ROD (1/4-28 LH)
22	F85445-1		1	ROD-SPARK CONTROL
23	11-F2015		1	NUT (1/4-28)
24	819458A1		1	BRACKET ASSEMBLY-REMOTE CABLE
25	10-49668		2	SCREW (1/4-20 X 3/4")
26	11-34059		2	NUT (10-32)
27	11-20110		1	NUT (10-32)
28	817747--1		1	BALL JOINT ASSEMBLY
-	800-818154A12		0	POWERHEAD ASSEMBLY

● = COMPONENT OF POWERHEAD ASSY [800-818154A12]

RECIRCULATION SYSTEM (90A,92C)

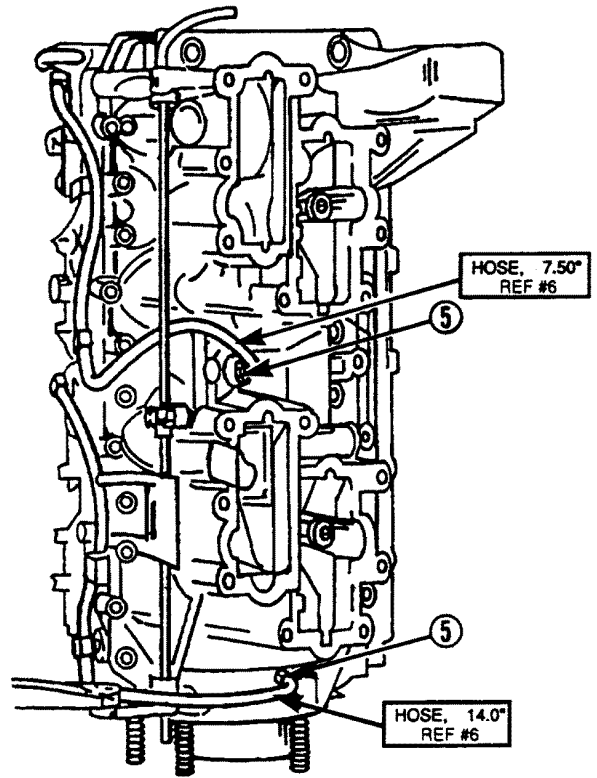
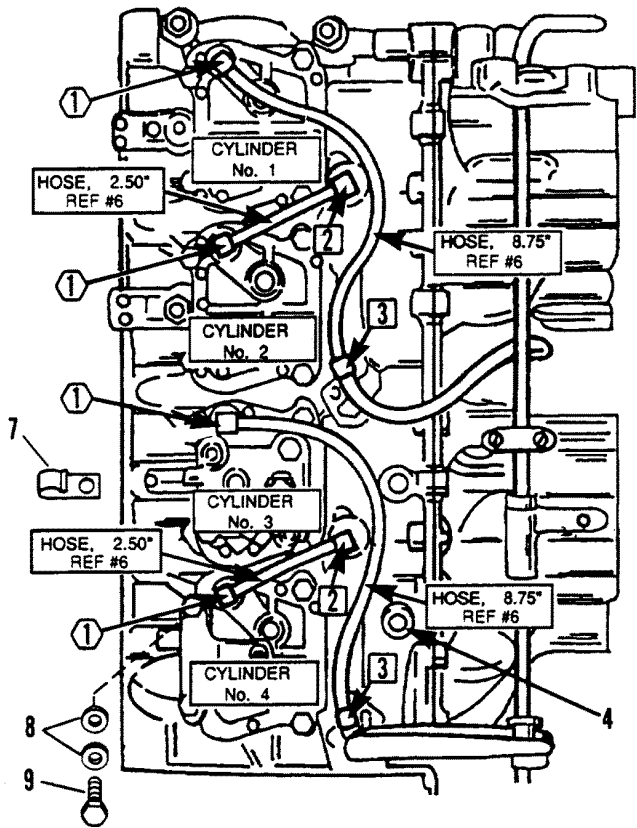


RECIRCULATION SYSTEM (90A,92C)

REF. NO.	PART NO.	SYM.	QTY.	DESCRIPTION
1	21-42658		2	VALVE-CHECK
2	32-99130122		1	TUBING (CUT AS REQ'D)
3	22-F743314		2	FITTING
4	22-F745801		2	TEE
5	22-818103--1		2	ELBOW 1990A THRU 1992A MODELS
6	32-99128-78		1	TUBING (CUT AS REQ'D) 1990A THRU 1992A MODELS
7	22-F404314		2	FITTING 1990A THRU 1992A MODELS
8	817877A3		2	COVER ASSEMBLY-CYLINDER DRAIN
9	F429811		2	SCREEN
10	21-42657A1		4	VALVE ASSYEMBLY-CHECK
11	10-F1699		7	SCREW (1/4-20 X 1-1/8")
12	10-55715		1	SCREW (1/4-20 X 7/8")
13	27-F686472	○	2	GASKET-CYLINDER DRAIN
-	FG1026-2		0	GASKET SET

○ = CONTENTS OF POWERHEAD GASKET SET [FG1026-2]

RECIRCULATION SYSTEM (0E065372 - 0E093699)

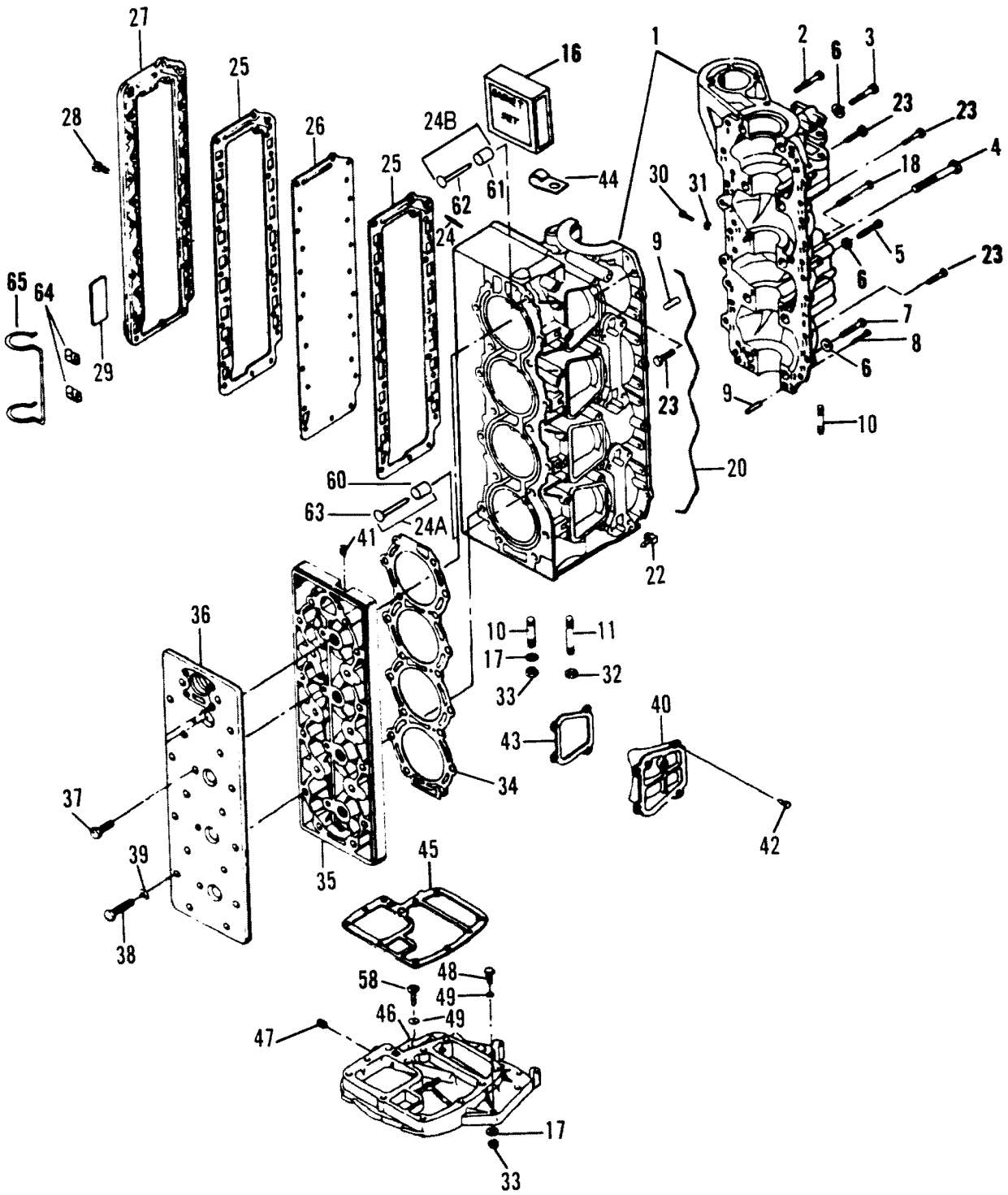


RECIRCULATION SYSTEM (0E065372 - 0E093699)

REF. NO.	PART NO.	SYM.	QTY.	DESCRIPTION
1	22-F743314	●	4	ELBOW-RECIRCULATING
2	21-42864	●	2	FITTING (90 DEG.)
3	21-820706	●	3	ELBOW-RECIRCULATING TUBING
4	22-99664	●	1	ELBOW-FUEL PUMP HOSE
5	21-42658	●	2	CHECK VALVE
6	32-99130122	●	1	HOSE (2=2-1/2")(2=8-3/4")(1=7-1/2")(1=14") CUT AS REQ'D
7	54-55098	●	1	J CLIP-FUEL HOSE
8	13-78968		2	WASHER-GROUND
9	10-28636		1	SCREW (1/4-20 X 3/4")-GROUND
-	800-818154A12		0	POWERHEAD ASSEMBLY

● = COMPONENT OF POWERHEAD ASSY [800-818154A12]

CYLINDER BLOCK



CYLINDER BLOCK

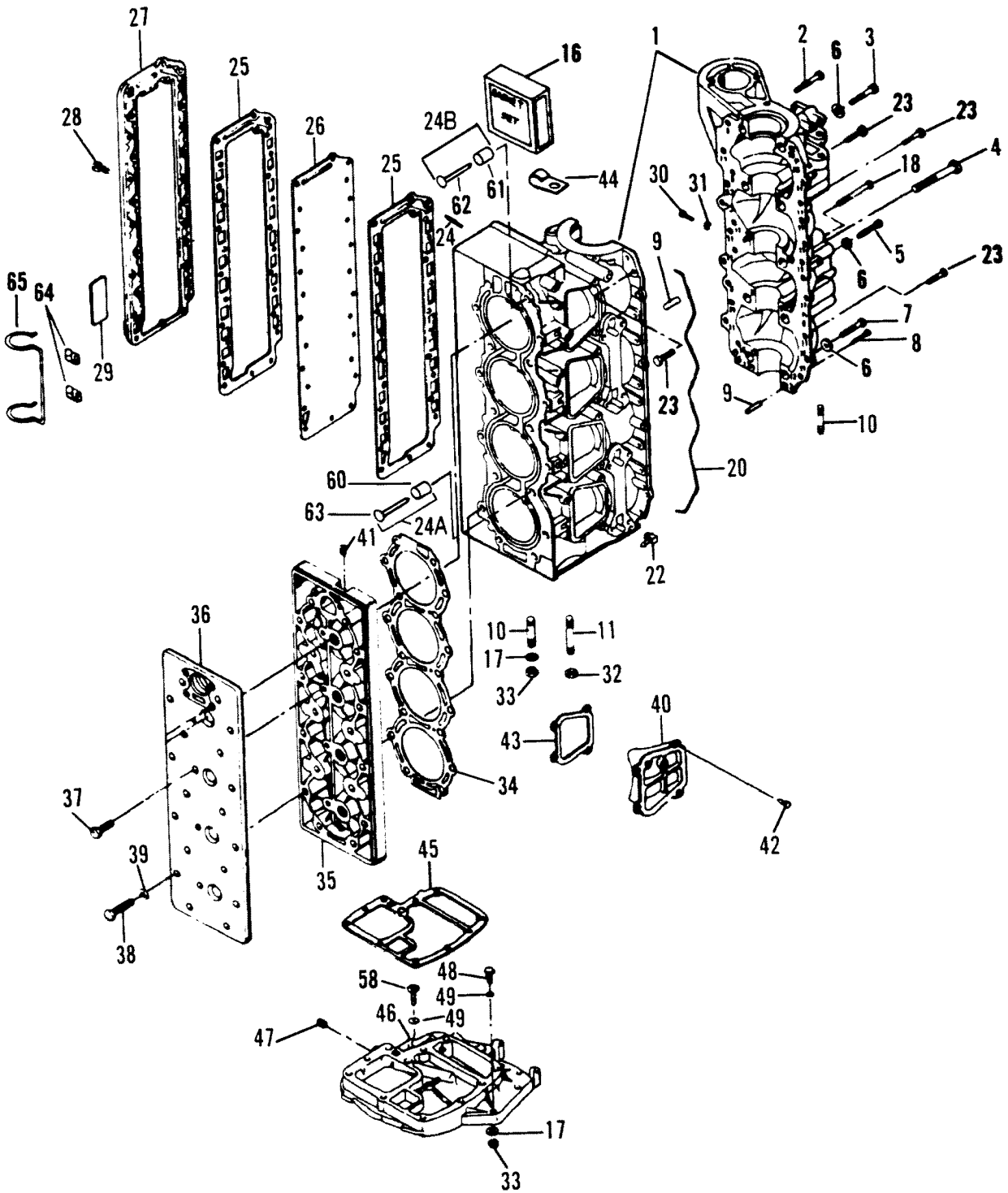
REF. NO.	PART NO.	SYM.	QTY.	DESCRIPTION
-	800-818154A12		1	POWERHEAD ASSEMBLY (PAINTED) (ALL MODELS)
1	800-817872A3		1	CYLINDER BLOCK KIT (1990A MODELS)
	800-819428A3		1	CYLINDER BLOCK KIT SERIAL 0E000001-0E065371
	800-818154A17	●	1	CYLINDER BLOCK KIT SERIAL 0E065372-0E093699
2	10-F1874		1	SCREW (3/8-16 X 3-1/8")
3	10-47688		1	SCREW (3/8-16 X 2-3/4")
4	10-53734		2	SCREW (3/8-16 X 3")
5	10-94207		4	SCREW (3/8-16 X 2")
6	12-37828		6	WASHER
7	10-32132		2	SCREW (3/8-16 X 1-3/4")
8	10-820589		2	SCREW (1/4-20 X 1-1/4")
9	17-20433		2	PIN-DOWEL (3/8" X 1") (STYLE I)
	17-43044		2	PIN-DOWEL (3/8" X 5/8") (STYLE II)
10	16-826395		4	STUD (3/8-16 X 2-1/4") WITH DRI LOC
11	16-826391		6	STUD (3/8-16 X 3.11") WITH DRI LOC
16	FG1026-2		1	GASKET SET SERIAL 00000000-0000E065
	27-820726A1		1	GASKET SET SERIAL 0E065372-0E093699
17	12-37828	●	4	WASHER
18	10-45561		1	SCREW (1/4-20 X 1-1/8")
20	F698122	■	1	SEAL-CRANKCASE COVER (1990A MODELS)
22	22-F84314-2	●	1	ELBOW SERIAL 0E000001-0E065371
23	10-F2008	●	24	SCREW (1/4-20 X 7/8")
24A	32-820485A1		3	TUBE & PIN KIT-WATER JACKET 1990A MODELS
24B	FK686943		1	TUBE & PIN KIT-WATER JACKET-(TOP) 1990A MODELS
25	27-819024	■●	2	GASKET-EXHAUST PLATE
26	819779--1	●	1	PLATE-EXHAUST
27	F686152	●	1	COVER-EXHAUST
28	10-76213	●	27	SCREW (1/4-20 X 1-1/8")
29	37-F664398-1		1	DECAL-WIRING (1990A MODELS)
	37-817910--1		1	DECAL-WIRING SERIAL 0E000001-0E009499
30	10-F2000		1	SCREW (5/16-18 X 3/4")-BATTERY CABLE GROUND
31	13-53166		1	LOCKWASHER (5/16")-BATTERY CABLE GROUND
32	12-20553	●	6	WASHER
33	11-68411	●	10	NUT (3/8-16)
34	27-F476529-4	■●	1	GASKET-CYLINDER HEAD
35	900-F665518		1	HEAD-CYLINDER (1990A MODELS)
	900-F720518		1	HEAD-CYLINDER SERIAL 0E000001-0E065371
	900-819777	●	1	HEAD-CYLINDER SERIAL 0E065372-0E093699
-	800-818154A12		1	POWERHEAD ASSEMBLY (PAINTED) (ALL MODELS)
1	800-817872A3		1	CYLINDER BLOCK KIT (1990A MODELS)
	800-819428A3		1	CYLINDER BLOCK KIT SERIAL 0E000001-0E065371
	800-818154A17	●	1	CYLINDER BLOCK KIT SERIAL 0E065372-0E093699

● = COMPONENT OF POWERHEAD ASSY [800-818154A12]

■ = CONTENTS OF POWERHEAD GASKET SET [FG1026-2] OR [27-820726A1]

CONTINUED ON NEXT PAGE ➡

CYLINDER BLOCK



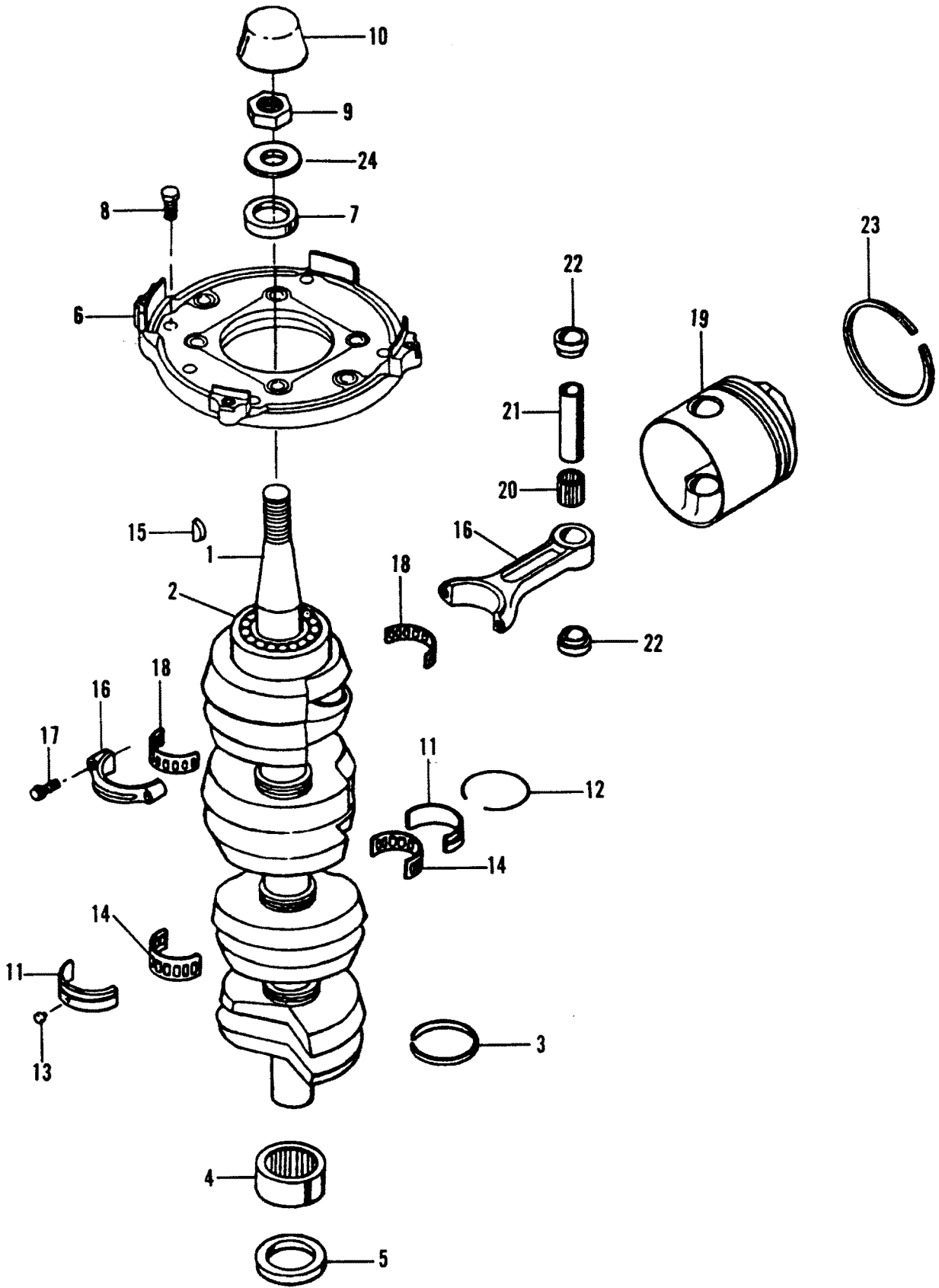
CYLINDER BLOCK

REF. NO.	PART NO.	SYM.	QTY.	DESCRIPTION
36	F665995	●	1	COVER-CYLINDER HEAD
37	10-98254	●	4	SCREW (1/4-20 X 5/8")
38	10-F1883	●	18	SCREW (5/16-18 X 2-3/8")
39	12-34437	●	18	WASHER
40	817790A1	●	3	COVER KIT-TRANSFER PORT
41	22-F722109-1	●	1	PLUG-CYLINDER HEAD
42	10-98254	●	14	SCREW (1/4-20 X 5/8")
43	27-820500	■●	3	GASKET-TRANSFER PORT COVER
44	54-55098	●	1	J CLIP
45	27-819381	■●	1	GASKET-SPACER PLATE
46	819750A1	●	1	PLATE KIT-SPACER
47	22-F695275		1	FITTING (1/2-14)
48	10-37612		4	SCREW (3/8-16 X 1-1/4")
49	13-58643		6	LOCKWASHER (3/8")
58	10-68101		2	SCREW (3/8-16 X 1-3/8")
60	32-F719418	●	3	TUBE-WATER JACKET (PART OF 800-819428A3) (PART OF 800-818154A17) SERIAL 0E000001-0E093699
61	32-F719943	●	1	TUBE-WATER JACKET (TOP) (PART OF 800-819428A3) (PART OF 800-818154A17) SERIAL 0E000001-0E093699
62	17-F691372	●	1	PIN-WATER JACKET TUBE (TOP) (PART OF 800-819428A3) (PART OF 800-818154A17) SERIAL 0E000001-0E093699
63	17-F719372	●	3	PIN-WATER JACKET TUBE (PART OF 800-819428A3) (PART OF 800-818154A17) SERIAL 0E000001-0E093699
64	54-820437		2	CLIP-WIRING HARNESS RETAINER
65	92753		1	RETAINER-WIRING HARNESS CLIP
-	37-819526		1	DECAL-CABLE ADJUSTING SERIAL 0E009500-0E093699
-	56762		AR	CABLE TIE (4")
-	800-818154A12		0	POWERHEAD ASSEMBLY
-	FG1026-2		0	POWERHEAD GASKET SET
-	820726A1		0	POWERHEAD GASKET SET

● = COMPONENT OF POWERHEAD ASSY [800-818154A12]

■ = CONTENTS OF POWERHEAD GASKET SET [FG1026-2] OR [27-820726A1]

CRANKSHAFT AND PISTON



CRANKSHAFT AND PISTON

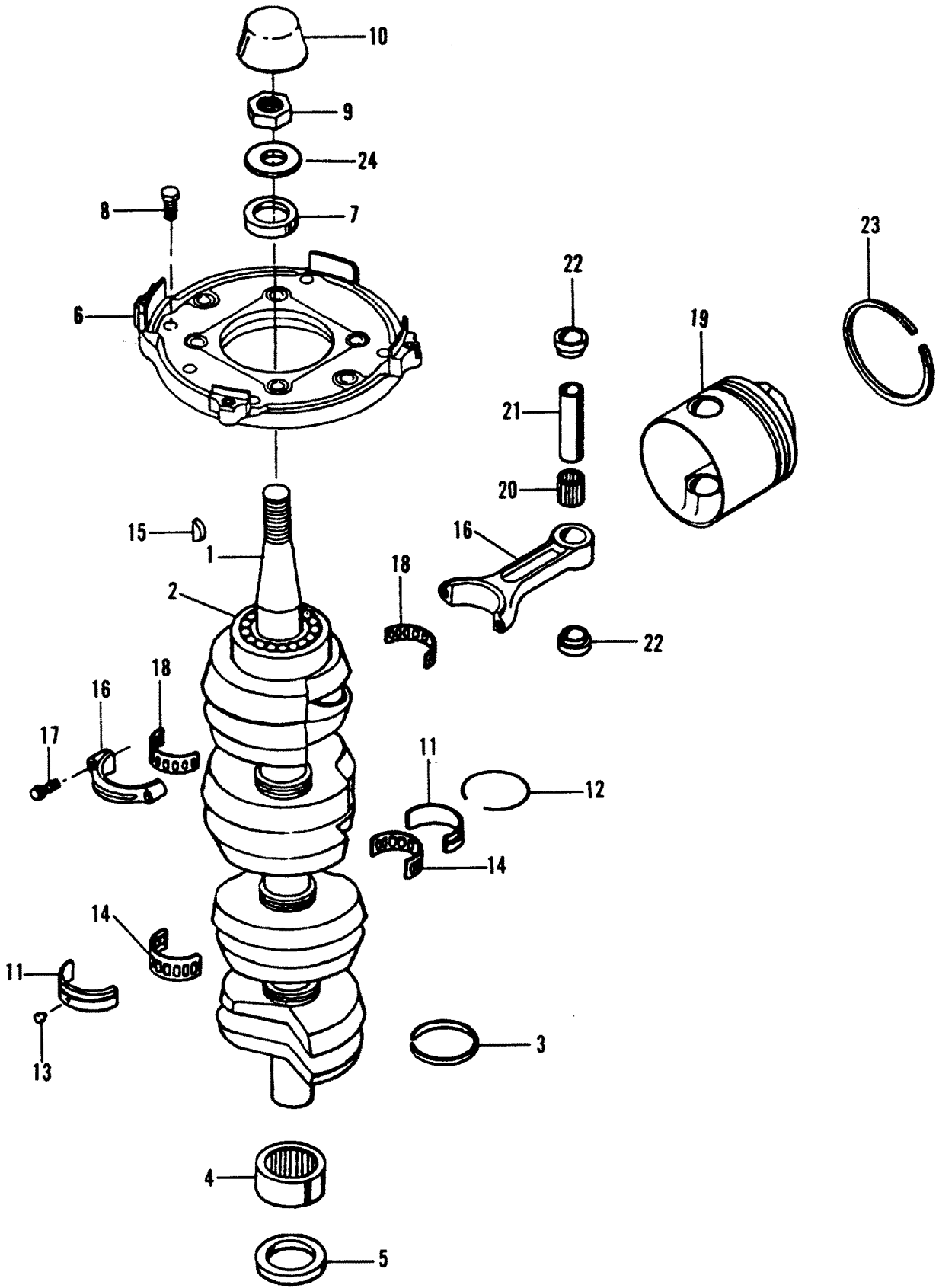
REF. NO.	PART NO.	SYM.	QTY.	DESCRIPTION
1	400-817400A3	●	1	CRANKSHAFT ASSEMBLY
2	30-F284659-2		1	BEARING-UPPER
3	F316579	●	3	SEAL-CRANKCASE
4	31-FA523014	●	1	BEARING ASSEMBLY-LOWER
5	26-F523146-1	■	1	SEAL
6	1100-818070A1		1	CAGE ASSEMBLY-BEARING (1990A THRU 1991C)
	1100-819312A1	●	1	CAGE ASSY-BEARING SERIAL 0E000001-E093699
7	26-F523146-1	■	1	SEAL
8	10-92160	●	5	SCREW (1/4-20 X 3/4")
9	11-F1968		1	NUT (3/4-16)
10	19-F2067		1	CAP-CRANKSHAFT END
11	31-FA85655-1	●	3	BEARING ASSEMBLY-CENTER MAIN
12	53-F85410		3	RING-SNAP
13	17-823605	●	4	PIN-LOCATING (PRESSED INTO BLOCK)
14	31-819193	●	3	CAGE/ROLLER SET
15	28-F85498-1		1	KEY-CRANKSHAFT/FLYWHEEL
16	600-818052A6	●	4	CONNECTING ROD ASSEMBLY
17	10-91012		8	SCREW-CONNECTING ROD
18	31-62596A2	●	4	CAGE/ROLLER SET-CONNECTING ROD
19	700-F691015		4	PISTON (STANDARD) 1990A MODELS NOTE: THIS IS NOT A KIT. ORDER EACH AS REQ'D
	FSA691015		OPT.	PISTON (.010 O.S.) 1990A MODELS NOTE: THIS IS NOT A KIT. ORDER EACH AS REQ'D
	700-818133A1		OPT.	PISTON (.030 O.S.) 1990A MODELS NOTE: THIS IS NOT A KIT. ORDER EACH AS REQ'D
20	31-F335217-1		4	BEARING SET (26)-PISTON PIN 1990A MODELS NOTE: THIS IS NOT A KIT. ORDER EACH AS REQ'D
21	41-F85017-3		4	PIN-PISTON 1990A MODELS NOTE: THIS IS NOT A KIT. ORDER EACH AS REQ'D
22	23-826806		8	SPACER-PISTON PIN 1990A MODELS NOTE: THIS IS NOT A KIT. ORDER EACH AS REQ'D
23	39-817869A1		4	RING SET (2)-PISTON-(STANDARD) 1990A MODELS NOTE: THIS IS NOT A KIT. ORDER EACH AS REQ'D
	FSA663260		OPT.	RING SET (2)-PISTON-(.010 O.S.) 1990A MODELS NOTE: THIS IS NOT A KIT. ORDER EACH AS REQ'D
	39-817869A3		OPT.	RING SET (2)-PISTON-(.030 O.S.) 1990A MODELS NOTE: THIS IS NOT A KIT. ORDER EACH AS REQ'D
19	700-819690A1	●	4	PISTON KIT (STANDARD) SERIAL 0E000001-0E093699
	700-819690A2		OPT.	PISTON KIT (.010 O.S.) SERIAL 0E000001-0E093699
	700-819690A3		OPT.	PISTON KIT (.030 O.S.) SERIAL 0E000001-0E093699
20	31-F335217-1		4	BEARING SET (26)-PISTON PIN SERIAL 0E000001-0E093699
21	41-F85017-3		4	PIN-PISTON SERIAL 0E000001-0E093699
22	23-826806		8	SPACER-PISTON PIN SERIAL 0E000001-0E093699

● = COMPONENT OF POWERHEAD ASSY [800-818154A12]

■ = CONTENTS OF POWERHEAD GASKET SET [FG1026-2] OR [27-820726A1]

CONTINUED ON NEXT PAGE ➡

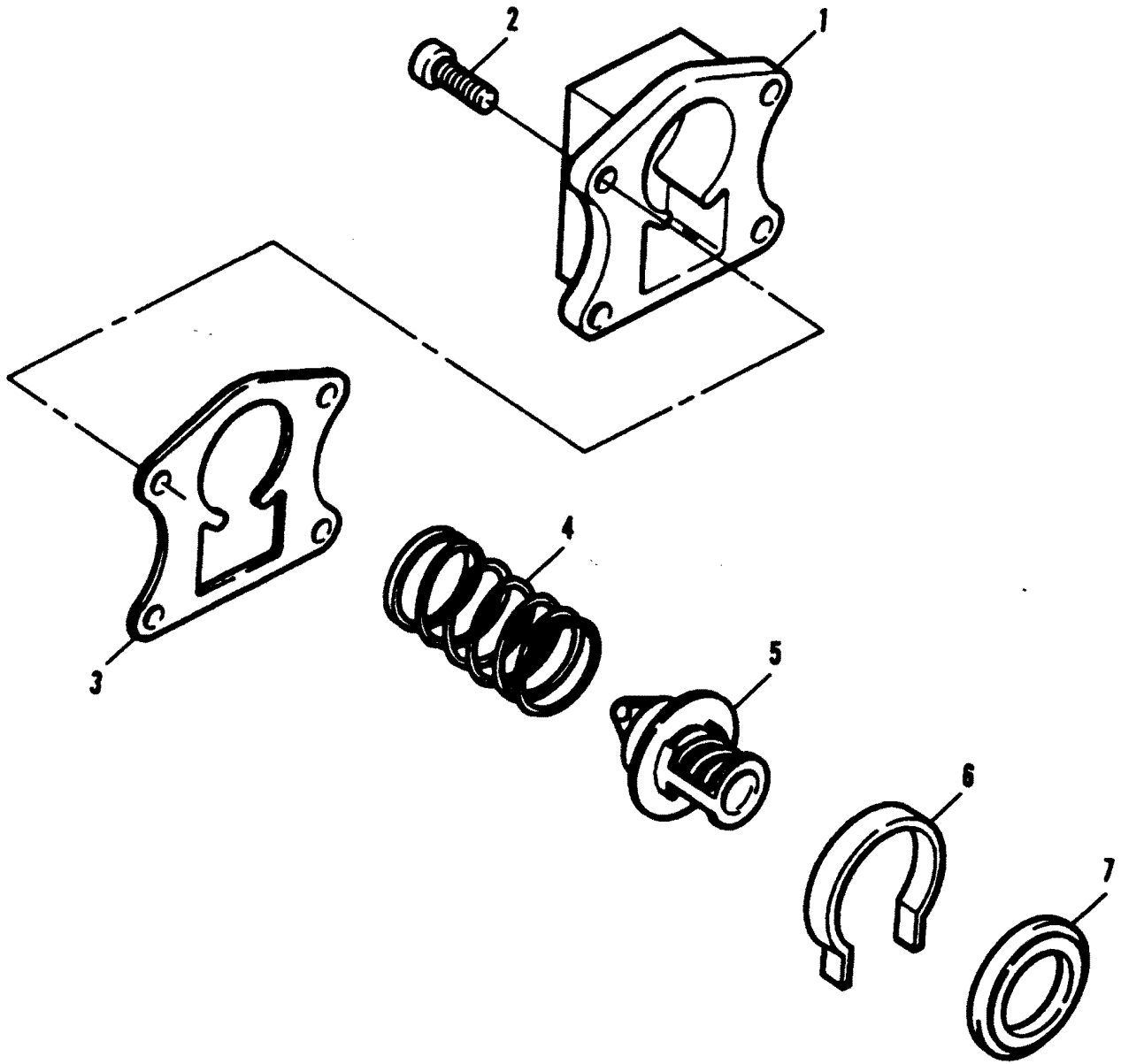
CRANKSHAFT AND PISTON



CRANKSHAFT AND PISTON

REF. NO.	PART NO.	SYM.	QTY.	DESCRIPTION
23	39-820457A2		4	RING SET (2)-PISTON-(STANDARD) SERIAL 0E000001-0E093699
	39-820641A1		OPT.	RING SET (2)-PISTON-(.010 O.S.) SERIAL 0E000001-0E093699
	39-818129A2		OPT.	RING SET (2)-PISTON-(.030 O.S.) SERIAL 0E000001-0E093699
24	12-31247		1	WASHER
-	800-818154A12		0	POWERHEAD ASSEMBLY
-	27-820726A1		0	GASKET SET
-	FG1026-2		0	GASKET SET

THERMOSTAT



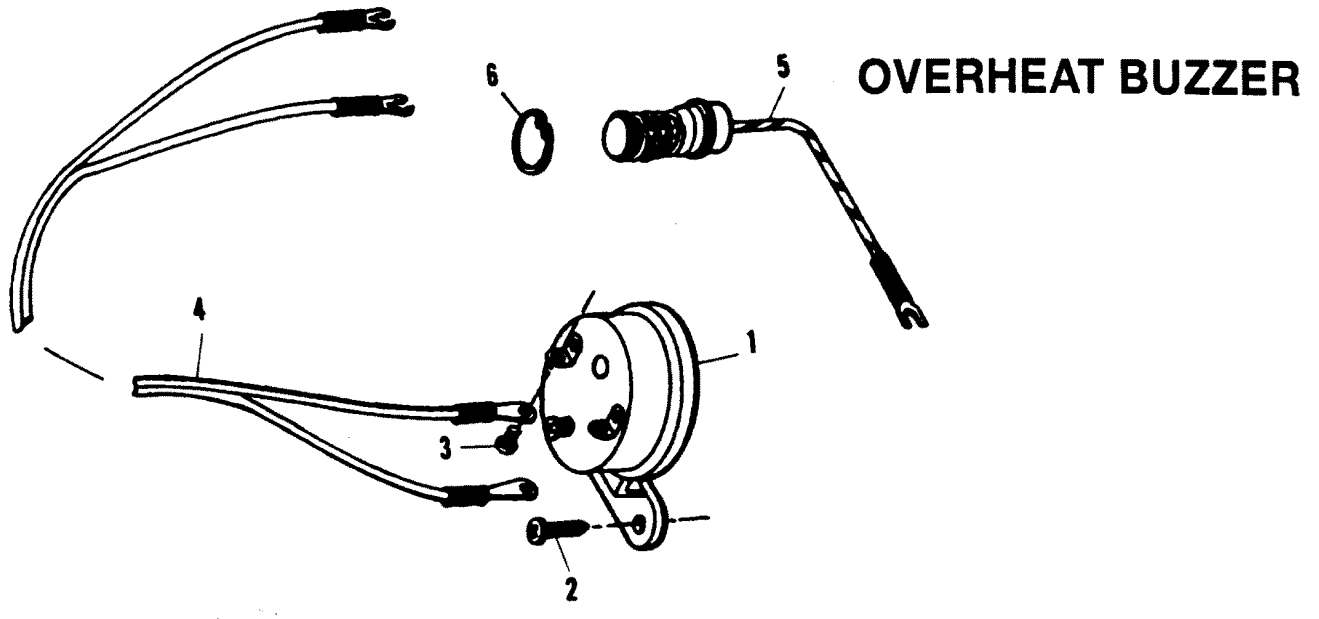
THERMOSTAT

REF. NO.	PART NO.	SYM.	QTY.	DESCRIPTION
1	F476066-1	●	1	COVER-THERMOSTAT
2	10-19927075	●	4	SCREW (1/4-20 X 3/4") W/DRI LOC
3	27-F476067	■●	1	GASKET-THERMOSTAT COVER
4	24-F664268		1	SPRING SERIAL 0E000001-0E009499
	24-F692268	●	1	SPRING (RED) SERIAL 0E009500-0E093699
5	F664068	●	1	THERMOSTAT (130 DEGREES)
6	F719902	●	1	SPACER
7	26-F664914	■●	1	SEAL-THERMOSTAT
-	800-818154A12		0	POWERHEAD ASSEMBLY
-	FG1026-2		0	POWERHEAD GASKET SET
-	27-820726A1		0	POWERHEAD GASKET SET

● = COMPONENT OF POWERHEAD ASSY [800-818154A12]

■ = CONTENTS OF POWERHEAD GASKET SET [FG1026-2] OR [27-820726A1]

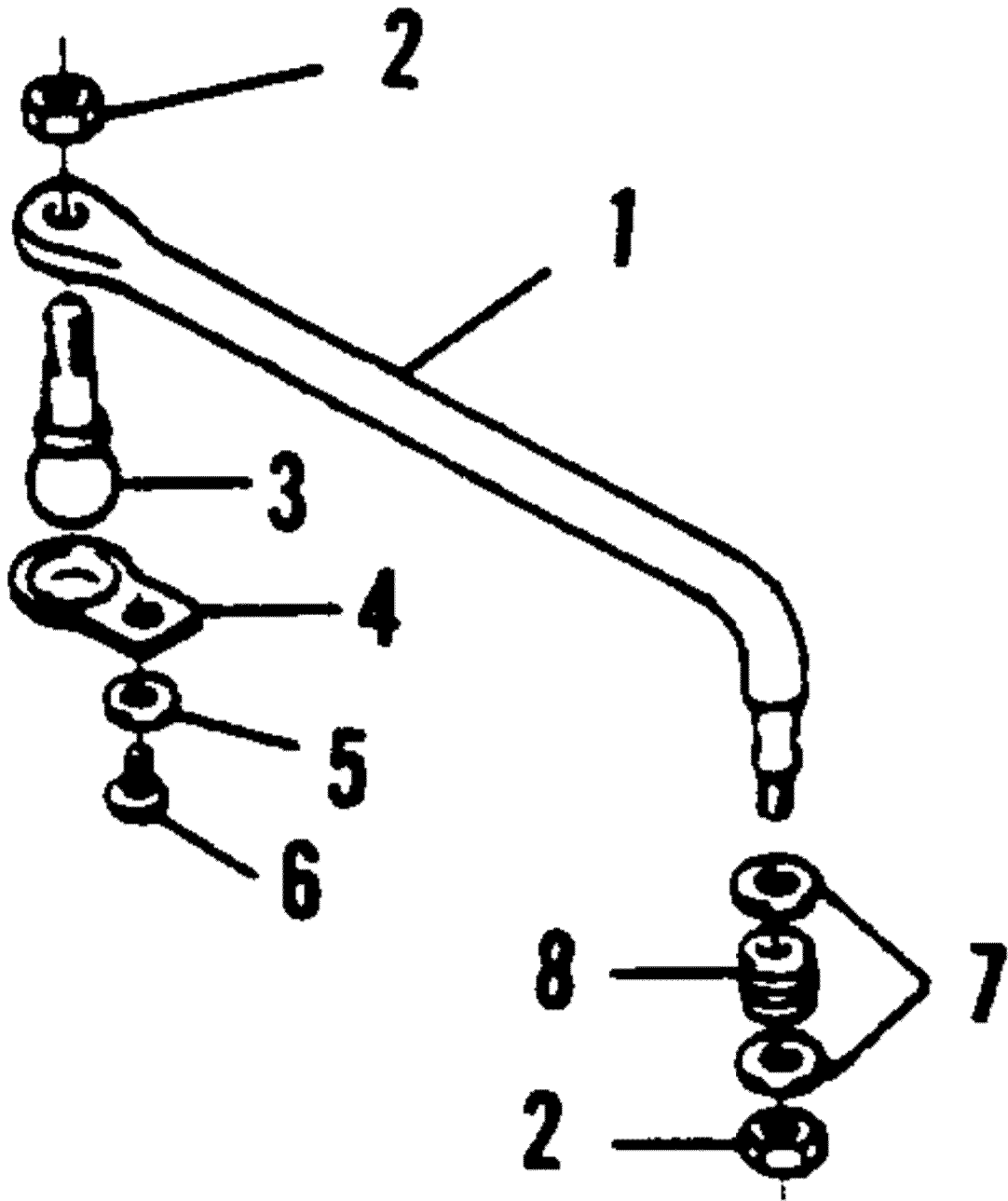
OVERHEAT BUZZER



OVERHEAT BUZZER

REF. NO.	PART NO.	SYM.	QTY.	DESCRIPTION
1	F5H043		1	BUZZER KIT-HEAT INDICATOR SERIAL 0E000001-0E009499
2	10-F1741		2	SCREW (#8 X 3/4") SERIAL 0E000001-0E009499
3	10-69080		2	SCREW (6-32 X 1/4") SERIAL 0E000001-0E009499
4	84-65017A24		1	HARNESS ASSY SERIAL 0E000001-0E009499
5	F629449-2		1	THERMOSWITCH SERIAL 0E000001-0E009499
	87-819022--1		1	THERMOSWITCH SERIAL 0E009500-0E093699
6	53-F717096		1	RING-THERMOSWITCH

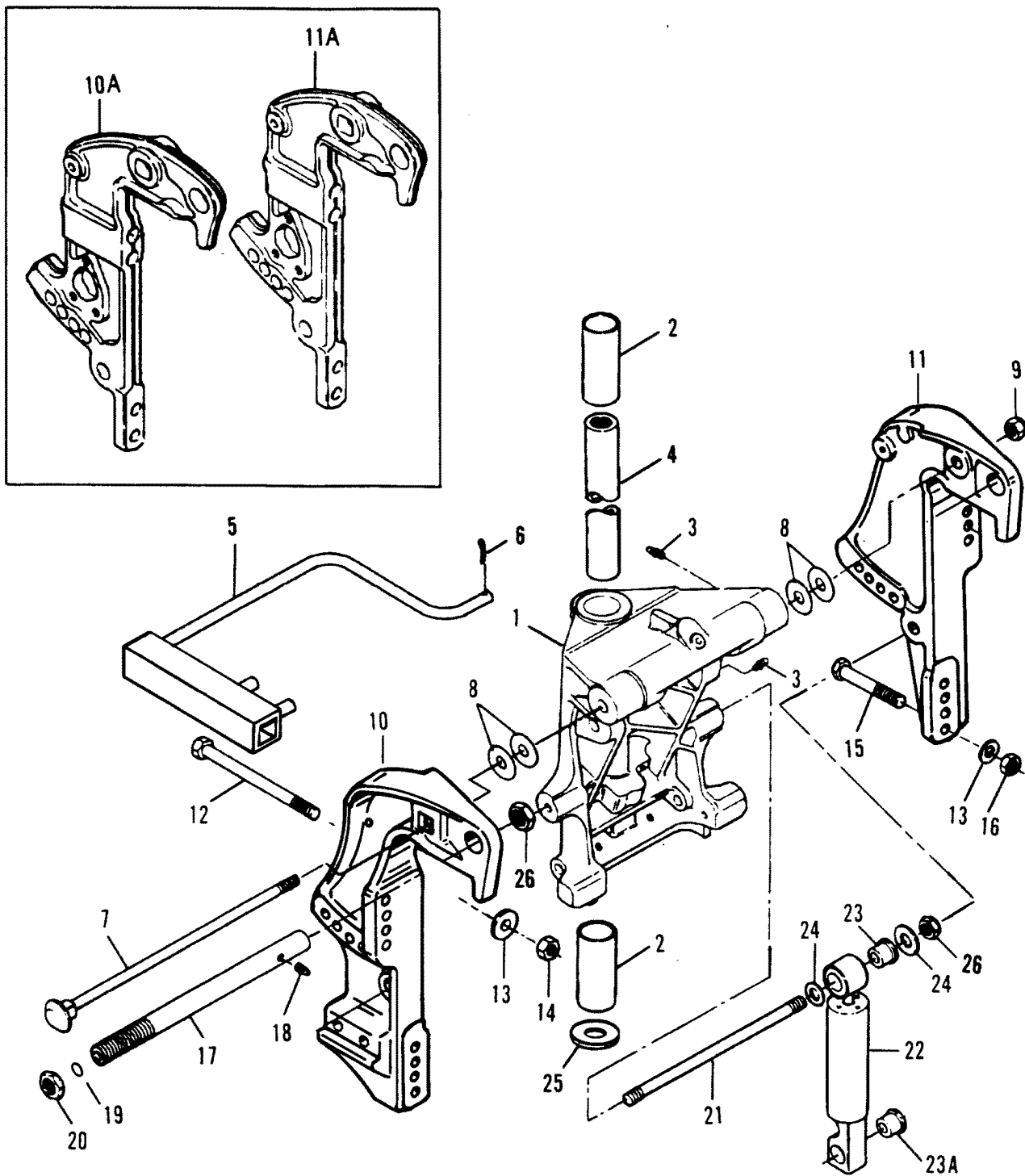
STEERING LINK KIT



STEERING LINK KIT

REF. NO.	PART NO.	SYM.	QTY.	DESCRIPTION
1	F5H094		1	STEERING LINK KIT
2	11-34863		2	NUT (3/8-24)
3	F523273		1	STUD-STEERING BALL
4	F523930		1	RETAINER-STUD
5	13-26995		1	LOCKWASHER (#8)
6	10-F1280		1	SCREW (8-32 X 1/4")
7	12-37828		2	WASHER
8	24-F523300-1		1	SPRING-STEERING LINK

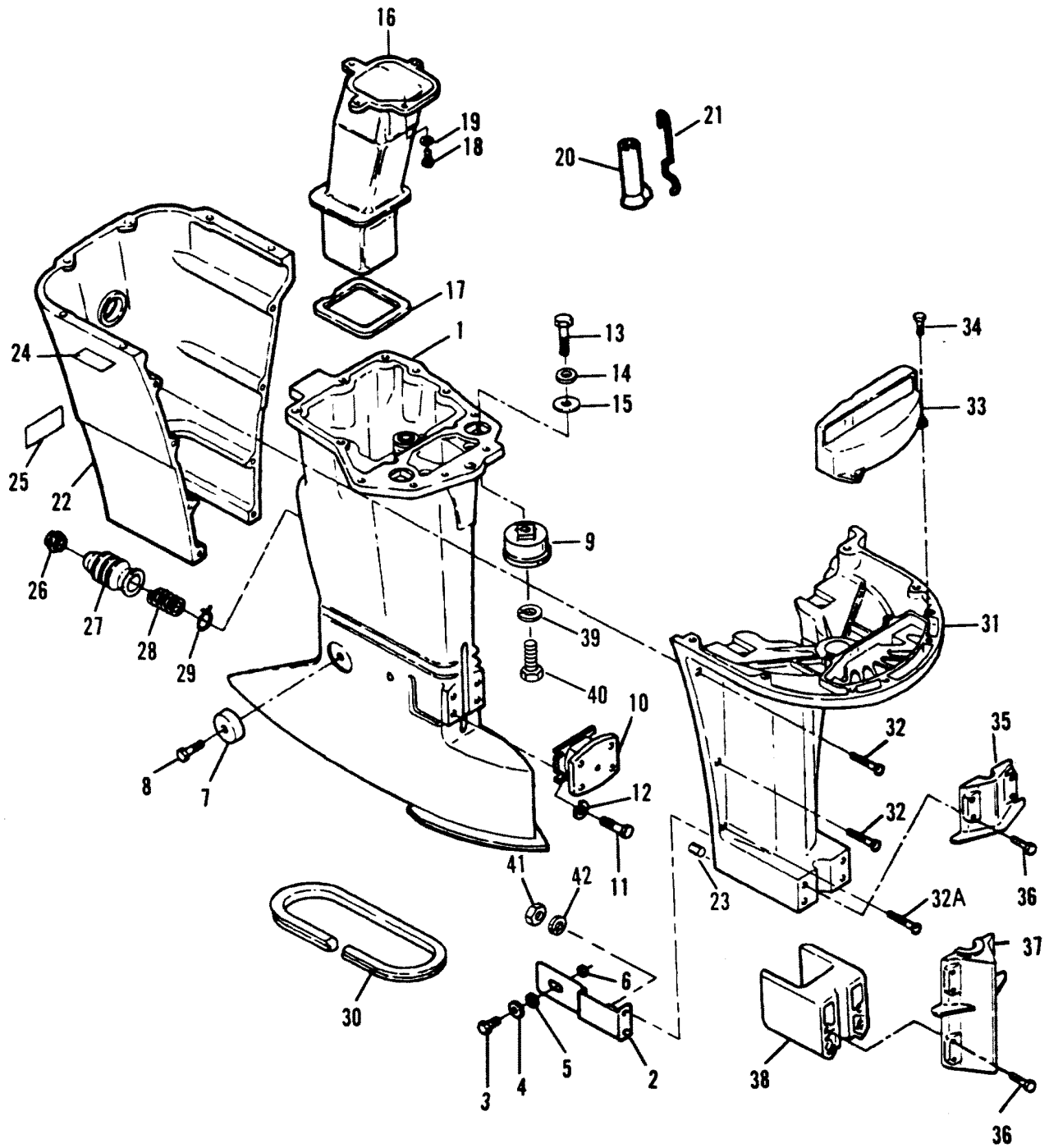
SWIVEL BRACKET/STERN BRACKETS



SWIVEL BRACKET/STERN BRACKETS

REF. NO.	PART NO.	SYM.	QTY.	DESCRIPTION
1	817783A5		1	BRACKET KIT-SWIVEL (PAINTED)
2	23-819493		2	BEARING
3	22-F213274		3	FITTING-GREASE
4	FS85019		1	KINGPIN ASSEMBLY (20")
	FA500019		1	KINGPIN ASSEMBLY (25")
5	819504A1		1	BRACKET KIT-TRAILERING
6	18-F525629		1	PIN-COTTER
7	10-F85037-1		1	BOLT-PIVOT-STERN BRACKET
8	12-F84286-1		4	WASHER
9	11-28040		1	NUT (1/2-20)
10A	1400-820445F		1	BRACKET-STERN-(STBD) (PAINTED) SERIAL 0E000001-0E009499
11A	1400-820446F		1	BRACKET-STERN-(PORT) (PAINTED) SERIAL 0E000001-0E009499
12	10-F685632		2	BOLT (1/2-20 X 7") SERIAL 0E000001-0E009499
13	FK684201		4	WASHER KIT SERIAL 0E000001-0E009499
14	11-91962		2	NUT (1/2-20) SERIAL 0E000001-0E009499
15	10-F2428		2	SCREW (3/8-16 X 5") SERIAL 0E000001-0E009499
	10-F2185		2	SCREW (3/8-16 X 3-1/2") SERIAL 0E000001-0E009499
16	11-86226		2	NUT (3/8-16) SERIAL 0E000001-0E009499
10	1400-819424F		1	BRACKET-STERN-(STBD) (PAINTED) SERIAL 0E009500-0E093699
11	1400-819425F		1	BRACKET-STERN-(PORT) (PAINTED) SERIAL 0E009500-0E093699
12	10-67755--1		2	SCREW (1/2-20 X 4-1/2") SERIAL 0E009500-0E093699
13	12-28421		4	WASHER SERIAL 0E009500-0E093699
14	11-91962		2	NUT (1/2-20) SERIAL 0E009500-0E093699
15	10-67755--1		2	SCREW (1/2-20 X 4-1/2") SERIAL 0E009500-0E093699
16	11-91962		2	NUT (1/2-20) SERIAL 0E009500-0E093699
17	32-818066A3		1	TUBE ASSEMBLY-STEERING
18	22-F523274		1	FITTING-GREASE
19	25-F316599		1	O-RING-STEERING TUBE
20	11-F523280		2	NUT-STEERING SUPPORT TUBE
21	F449889		1	SHAFT-UPPER SHOCK
22	55-FS631962		1	SHOCK ABSORBER ASSEMBLY (PAINTED)
23	23-F178344		1	BUSHING-UPPER
23A	23-F449362		1	BEARING-LOWER
24	12-F1960		2	WASHER
25	12-F84011		1	WASHER
26	11-35778		2	NUT (1/2-20)
-	19-F9018		1	CAP-STARBOARD STERN BRACKET
-	19-F9052		1	PLUG-STEERING TUBE ASSEMBLY-PORT SIDE

DRIVESHAFT HOUSING

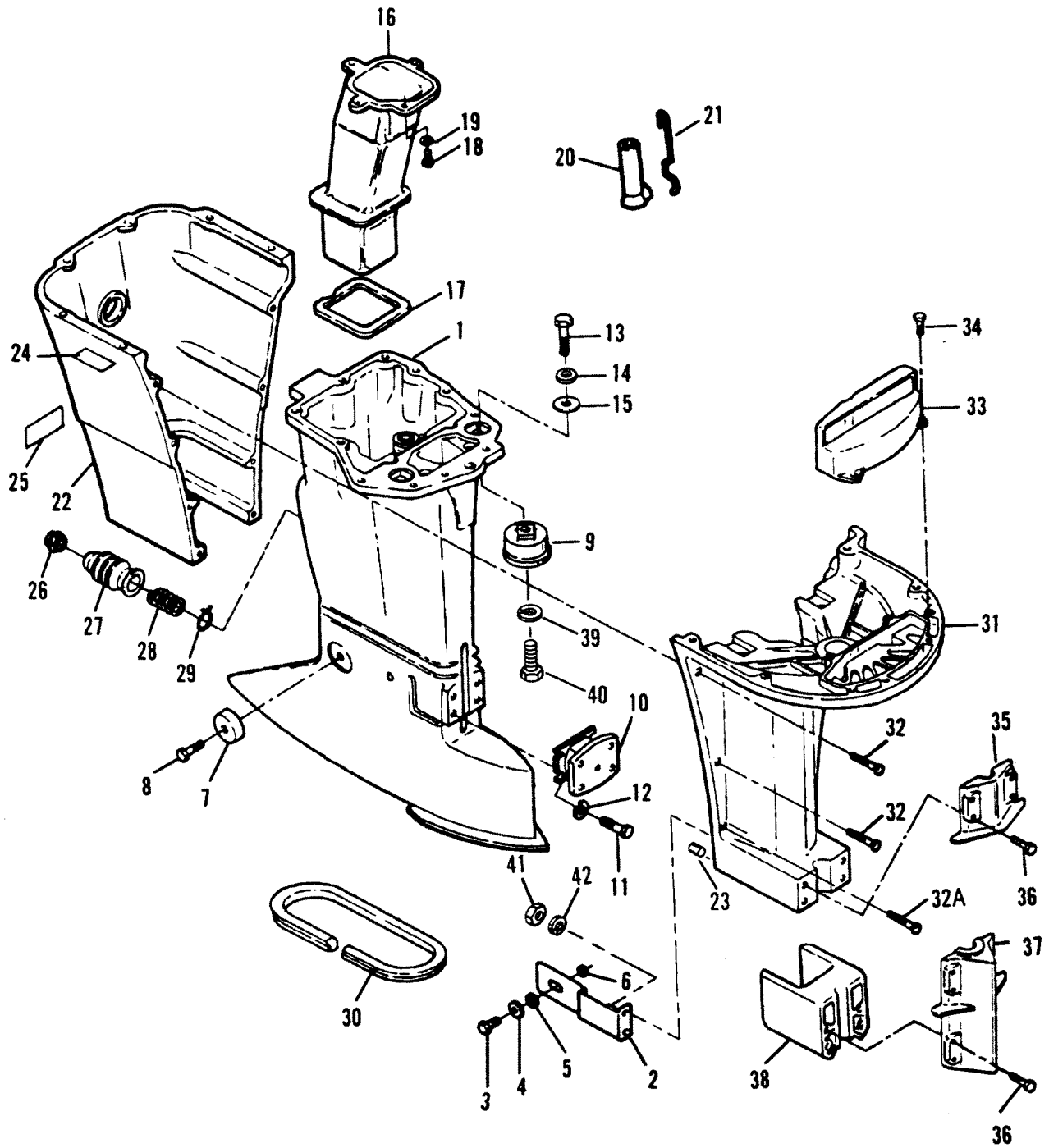


DRIVESHAFT HOUSING

REF. NO.	PART NO.	SYM.	QTY.	DESCRIPTION
1	1500-819432A2		1	HOUSING KIT-DRIVESHAFT (20") (PAINTED)
	1500-819433A2		1	HOUSING KIT-DRIVESHAFT (25") (PAINTED)
2	F720835-1		2	STRAP SERIAL 0E000001-0E093699
3	10-826377		2	SCREW (5/16-18 X 3/4")W/DL SERIAL 0E000001-0E093699
4	12-F513286		2	WASHER SERIAL 0E000001-0E093699
5	13-69150		2	WASHER SERIAL 0E000001-0E093699
6	23-F720201		2	SPACER SERIAL 0E000001-0E093699
7	F438962		2	MOUNT-LOWER SHOCK
8	10-F1263		2	SCREW (5/16-18 X 9/16")
9	F85965		2	MOUNT-UPPER SHOCK (1990A MODELS)
	F699965-1		2	MOUNT-UPPER SHOCK SERIAL 0E000001-0E093699
10	F438346		1	MOUNT-LOWER SHOCK
11	10-F1822		4	SCREW (5/16-18 X 7/8")
12	13-53166		4	LOCKWASHER (5/16")
13	10-19922075		2	SCREW (3/8-16 X 3/4") WITH DRI LOC
14	12-20553		2	WASHER
15	FA85355-1		2	WASHER SET
16	F85660-1		1	TUBE-EXHAUST
17	25-F439736		1	SEAL-EXHAUST TUBE
18	10-19934075		4	SCREW (1/4-20 X 3/4") WITH DRI LOC
19	13-26992		4	LOCKWASHER (1/4") (FOR SCREWS WITHOUT DRI LOC)
20	816515		2	STANDTUBE-EXHAUST RELIEF
21	54-F686491		2	CLIP-STANDTUBE RETAINER
22	100-819317F		1	COVER-REAR (PAINTED) SERIAL 0E000001-0E093699
	817931A7		1	COVER KIT-REAR (PAINTED) (1990A THRU 1990B)
23	17-F1664		2	PIN-SPRING
24	37-F717893		2	DECAL-SIDE (1990 & 1991 MODELS) BAYLINER & MAXUM
25	37-F716374		1	DECAL-REAR SERIAL 0E000001-0E009499
26	816513		1	INSERT-IDLE EXHAUST BOOT
27	F85130		1	BOOT-IDLE EXHAUST
28	24-F85380		1	SPRING-IDLE EXHAUST BOOT
29	54-F85772		1	CLAMP
30	F178323		1	SEAL-DRIVESHAFT HOUSING
31	FK719135F		1	COVER KIT-FRONT (PAINTED)
32	10-F2030		4	SCREW (1/4-20 X 1-1/4")
32A	10-F2288		2	SCREW (1/4-20 X 1-1/2")
33	FK692779		1	BAFFLE KIT-AIR INTAKE
34	10-41772		4	SCREW (10-24 X 1/2")
35	FK85606		1	CAP (20") (1990A MODELS)
	F720606F		1	CAP (20") SERIAL 0E000001-0E093699
36	10-F2312		4 OR 8	SCREW (5/16-18 X 2-1/8")
37	F694606		1	CAP (25") (1990A MODELS)
	F721606F		1	CAP (25") (PAINTED) SERIAL 0E000001-0E093699

CONTINUED ON NEXT PAGE ➡

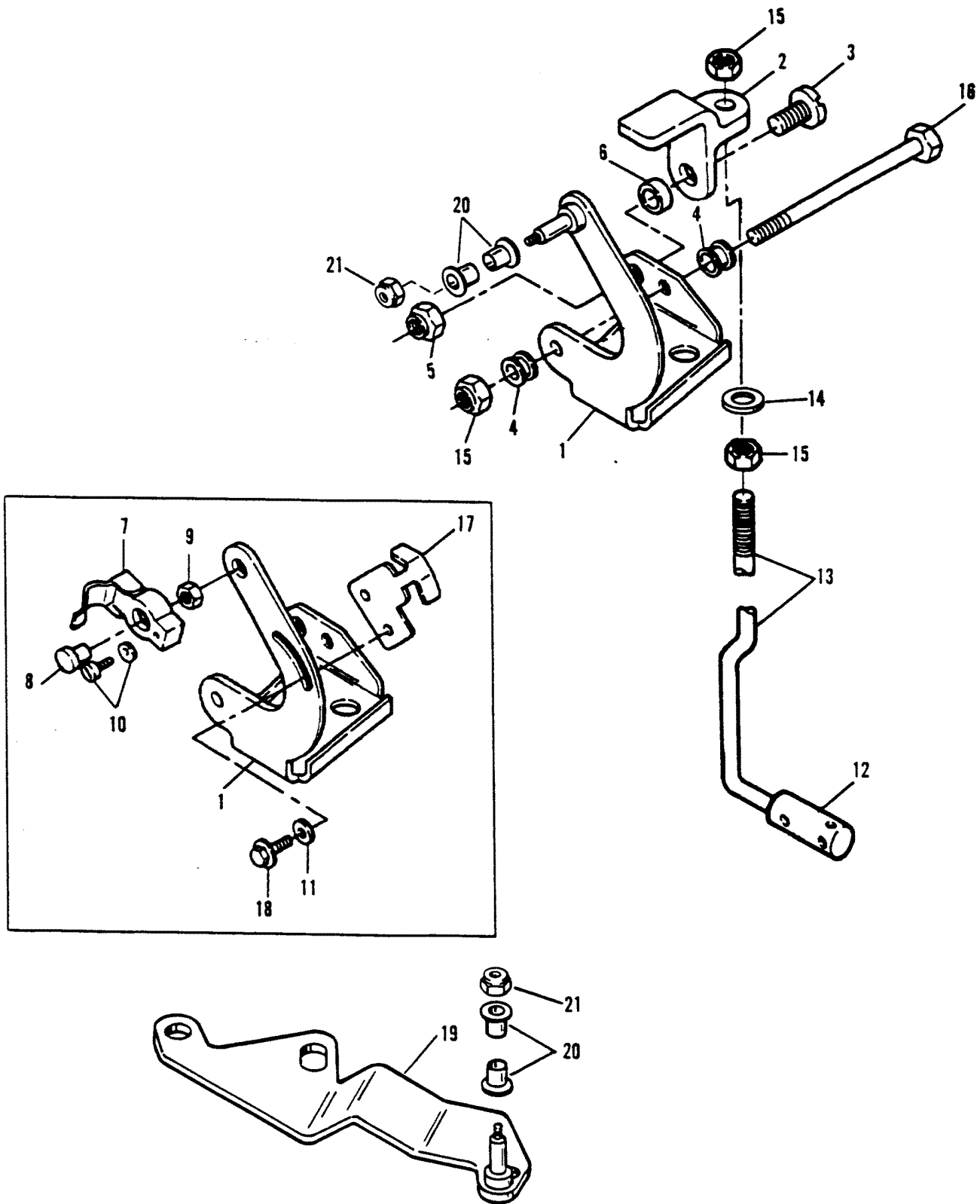
DRIVESHAFT HOUSING



DRIVESHAFT HOUSING

REF. NO.	PART NO.	SYM.	QTY.	DESCRIPTION
38	F631707F		1	COVER-SHOCK MOUNT (25") (PAINTED)
39	13-35048		2	LOCKWASHER (3/8") (1990A MODELS)
	13-38829		2	LOCKWASHER (1/2") SERIAL 0E000001-0E093699
40	10-98261		2	SCREW (3/8-16 X 3/4") (1990A MODELS)
	10-826577		2	SCREW(1/2-13X7/8")W/DL SERIAL 0E000001-0E093699
41	11-68292		4	NUT (5/16-18)
42	13-53166		4	LOCKWASHER (5/16")
-	19-F1729		2	PLUG-REAR COVER

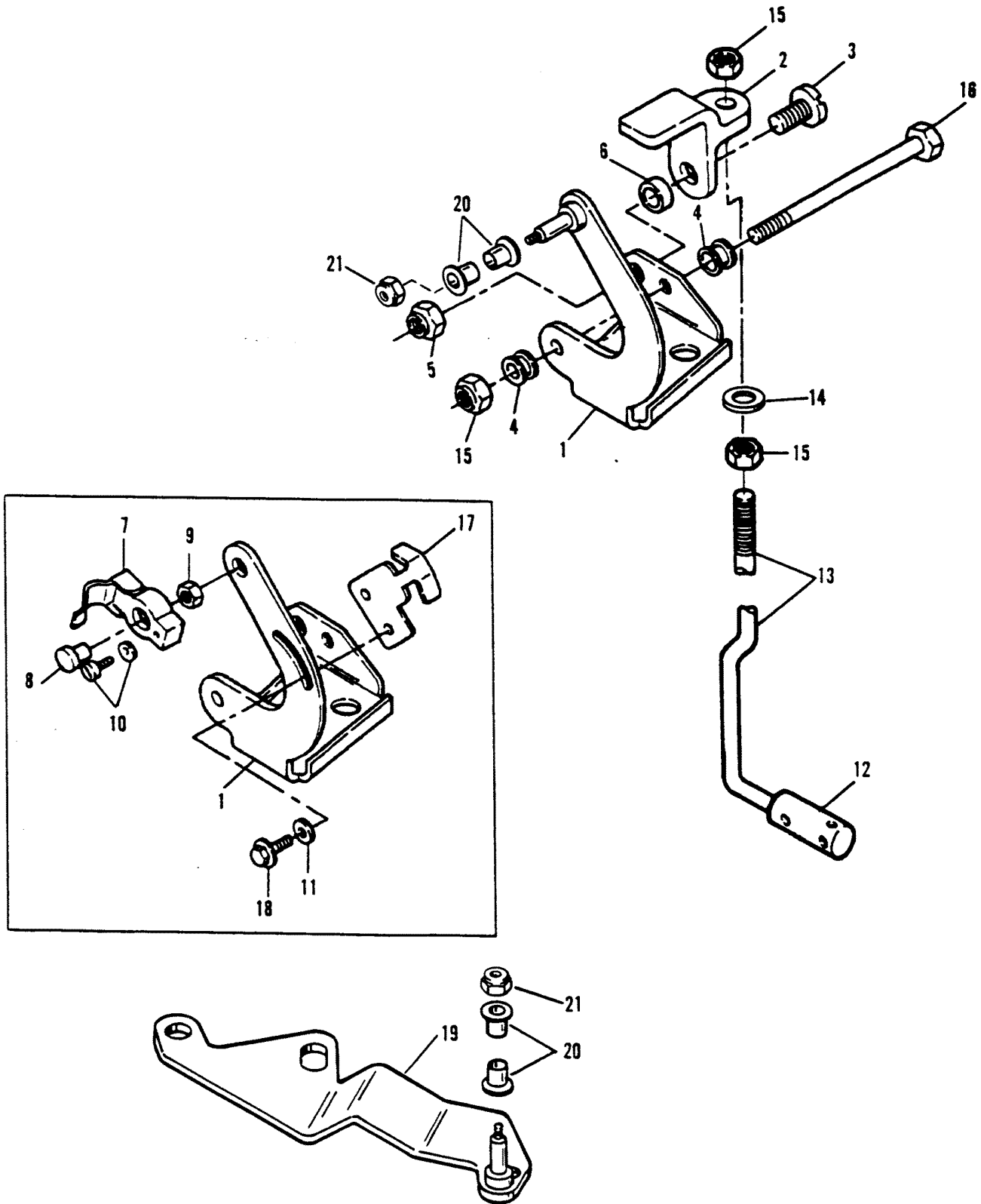
GEAR SHIFT LINKAGE (90A,92C)



GEAR SHIFT LINKAGE (90A,92C)

REF. NO.	PART NO.	SYM.	QTY.	DESCRIPTION
1	FA480876		1	ARM ASSEMBLY-GEAR SHIFT
2	819932--1		1	ARM-INTERLOCK
3	10-F369887		1	SCREW-SHOULDER
4	23-97896		2	BUSHING
5	11-814101		1	NUT (1/4-20)
6	23-F369610		1	BUSHING
7	FK405020		1	SWIVEL KIT-CABLE CLAMP
8	10-F405457		1	SCREW-PIVOT
9	11-72008		1	NUT (1/4-20)
10	10-F2217		1	SCREW (10-24 X 3/8")
11	12-89302		2	WASHER
12	F85704		1	COUPLING-SHIFT ROD
13	F85615-1		1	ROD-UPPER GEAR SHIFT (20")
	F500615-2		1	ROD-UPPER GEAR SHIFT (25")
14	12-34437		1	WASHER
15	11-F2108		3	NUT (5/16-18)
16	10-F1885		1	SCREW (5/16-18 X 4-1/4")
17	F480107-2		1	CAM-STARTER INTERLOCK
18	10-F2217		2	SCREW (10-24 X 3/8")

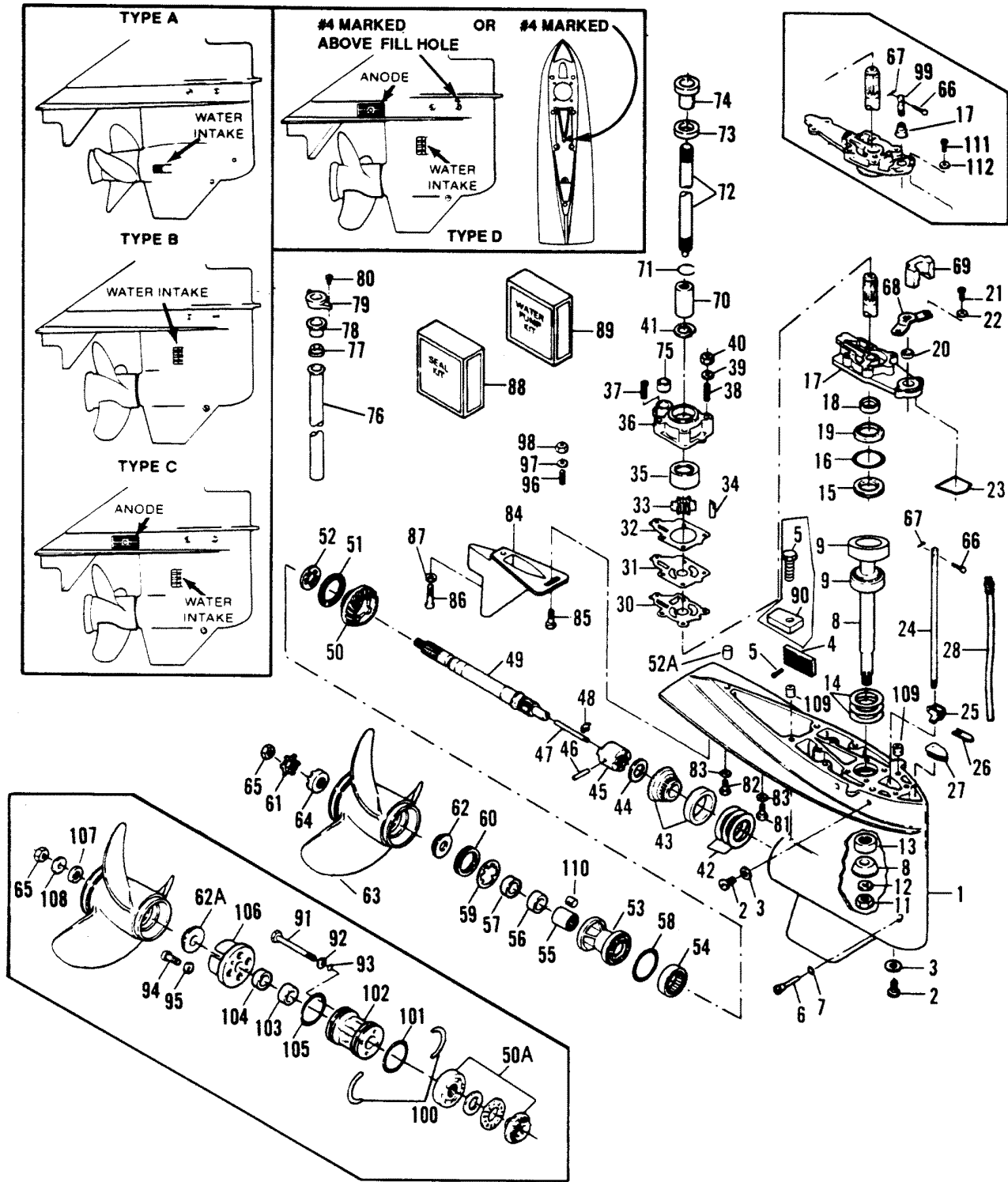
GEAR SHIFT LINKAGE (0E009500 - 0E093699)



GEAR SHIFT LINKAGE (0E009500 - 0E093699)

REF. NO.	PART NO.	SYM.	QTY.	DESCRIPTION
1	819469A1		1	ARM ASSEMBLY-GEAR SHIFT
2	819932--1		1	ARM-INTERLOCK
3	10-F369887		1	SCREW-SHOULDER
4	23-97896		2	BUSHING
5	11-814101		1	NUT (1/4-20)
6	23-F369610		1	BUSHING
12	F85704		1	COUPLING-SHIFT ROD
13	F85615-1		1	ROD-UPPER GEAR SHIFT (20")
	F500615-2		1	ROD-UPPER GEAR SHIFT (25")
15	11-F2108		3	NUT (5/16-18)
16	10-F1885		1	SCREW (5/16-18 X 4-1/4")
19	819457A4		1	BRACKET ASSEMBLY-THROTTLE
20	23-819452		4	BUSHING
21	11-34059		2	NUT (10-32)

GEAR HOUSING



GEAR HOUSING

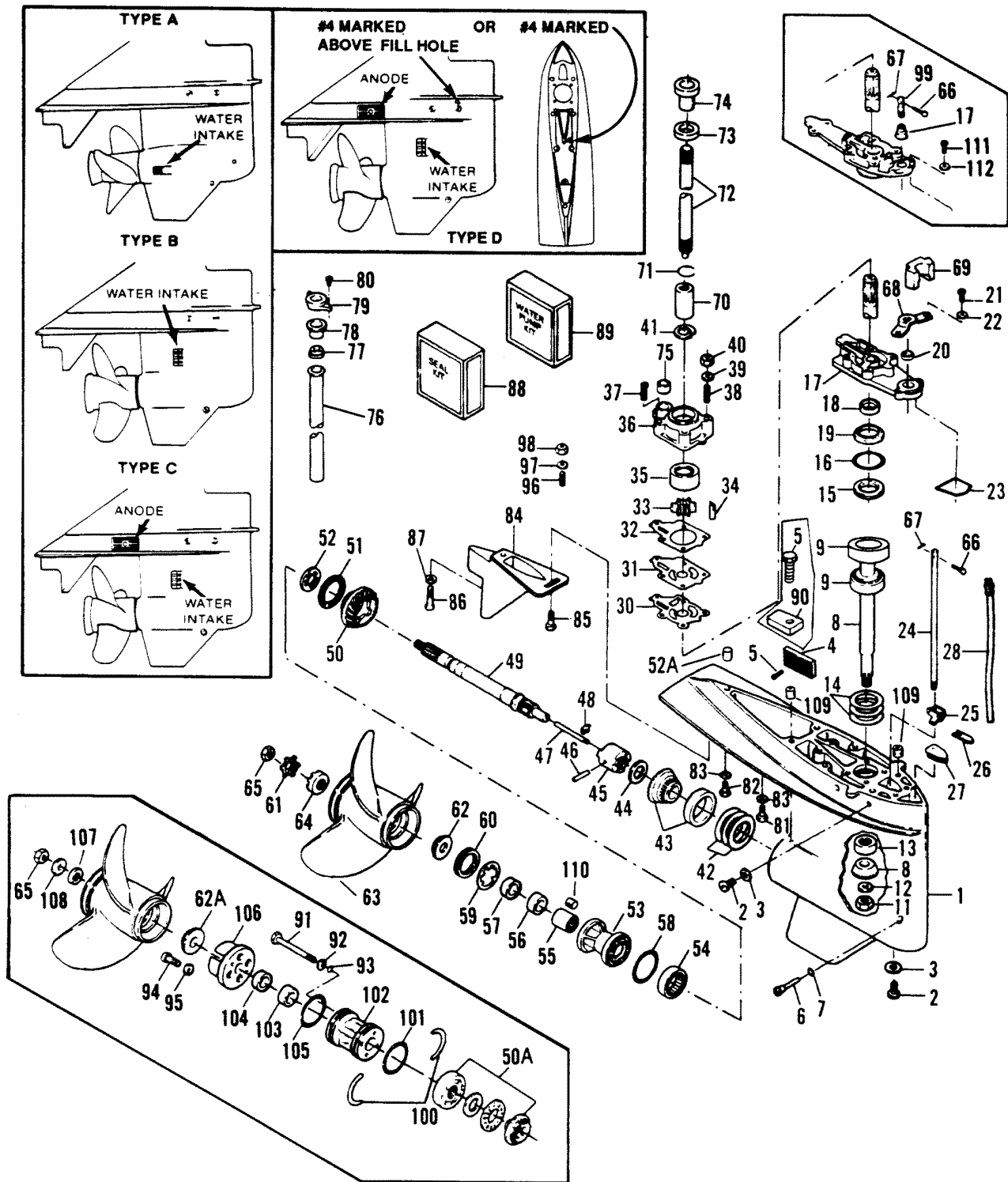
REF. NO.	PART NO.	SYM.	QTY.	DESCRIPTION
-	1600-817925A5		1	GEAR HSG. (COMPLETE-PAINTED-1.93:1) TYPE A & B
1	1600-819190A3		1	GEAR HSG. (BASIC-PAINTED) TYPE A & B
-	1600-820588A1		1	GEAR HSG. (COMPLETE-PAINTED-1.93:1) TYPE C
	1600-819231A13		1	GEAR HSG. KIT (BASIC-PAINTED) TYPE C
-	1600-820588A1		1	GEAR HSG. (COMP.-PAINTED-1.93:1) TYPE D SERIAL 0E016973-0E093699
-	1600-820588A7		1	GEAR HSG. (HI-ALT) (PAINTED-2.2:1) TYPE D SERIAL 0E016973-0E093699
	1600-820588A6		1	GEAR HSG. (BASIC-PAINTED) TYPE D SERIAL 0E016973-0E093699
2	10-F50109		3	PLUG
3	12-19183	†	3	WASHER COMPONENT OF GEAR HOUSING SEAL KIT FK1203-1
4	819232		2	ANODE (TYPE C & D)
5	10-F2317		2	SCREW (1/4-20 X 7/8")
6	826374		1	PIN-GEAR SHIFT ARM-W/DRI LOC
7	25-25007	†	1	O RING COMPONENT OF GEAR HOUSING SEAL KIT FK1203-1
8	45-FS694628		1	D'SHAFT/PINION ASSY-LOWER(1.93:1 -TYPE A)
	45-FS707628		1	D'SHAFT/PINION ASSY-LOWER(1.93:1 -TYPE B & C)
	45-819738A2		1	D'SHAFT/PINION ASSY-LOWER(1.93:1 -TYPE D)
	45-820214A1		1	D'SHAFT/PINION ASSY-LOWER(2.2:1 -TYPE C & D)
9	31-35924A1		1	BEARING SET
11	11-826375		1	NUT (5/8-18) W/DRI LOC
12	12-92721		1	WASHER
13	31-42647A1		1	BEARING ASSEMBLY
14	15-819415A1		AR	SHIM SET
15	824519		1	RETAINER-DRIVESHAFT BEARING UPPER
16	25-90011	†	1	SEAL-DRIVESHAFT COVER
17	FK721706		1	COVER KIT (TYPE A -NOTE: BELLOWS ARE NLA)
	818074A1		1	COVER ASSEMBLY (TYPE B & C & D)
18	26-819740	†	1	SEAL-DRIVESHAFT WATER PUMP
19	26-F694305	†	1	SEAL-DRIVESHAFT
20	26-817472	†	1	SEAL-GEAR SHIFT ROD-LOWER
21	10-F1999		2	SCREW (1/4-20 X 7/8")
22	13-26992		2	LOCKWASHER (1/4")
23	25-F707305		1	O RING
24	F694705		1	ROD-GEAR SHIFT-LOWER (TYPE A)
	F523705-1		1	ROD-GEAR SHIFT-LOWER (TYPE B & C & D)
25	FA84621-1		1	COUPLING ASSEMBLY-GEAR SHIFT
26	F707885		1	RETAINER-PITOT PLUG
27	F694226		1	PLUG-PITOT PLUG
28	22-85822A12		1	CONNECTOR ASSEMBLY
30	27-F694830	❖	1	GASKET-WATER PUMP-LOWER

† = CONTENTS OF GEAR HOUSING SEAL KIT [FK1203-1]

❖ = CONTENTS OF WATER PUMP KIT [FK1204-1]

CONTINUED ON NEXT PAGE ➡

GEAR HOUSING



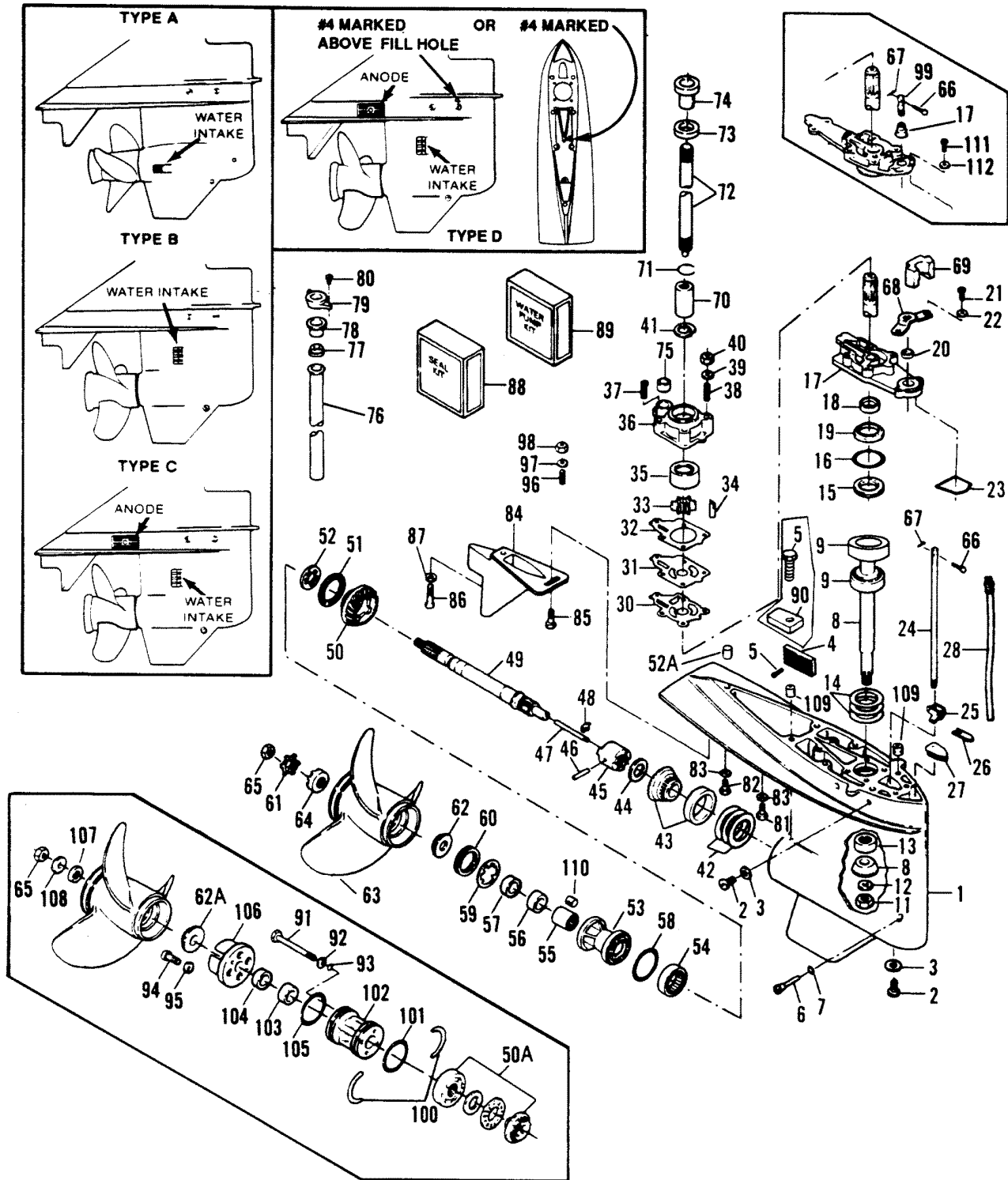
GEAR HOUSING

REF. NO.	PART NO.	SYM.	QTY.	DESCRIPTION
31	F699562	❖	1	PLATE -WATER PUMP
32	27-F694031	❖	1	GASKET-WATER PUMP-UPPER
33	47-F694065	❖	1	IMPELLER -WATER PUMP
34	28-F694498	❖	1	KEY-DRIVESHAFT
35	F694564-1	❖	1	INSERT-WATER PUMP
36	46-F694060-2	❖	1	BODY-WATER PUMP
37	10-F2234		1	SCREW (#10 X 1-1/8") (TYPE B & C & D)
38	16-826372		4	STUD (1/4-28 X 3-1/8") WITH DRI LOC
39	12-71055		4	WASHER
-	1600-817925A5		1	GEAR HSG. (COMPLETE-PAINTED-1.93:1) TYPE A & B
1	1600-819190A3		1	GEAR HSG. (BASIC-PAINTED) TYPE A & B
-	1600-820588A1		1	GEAR HSG. (COMPLETE-PAINTED-1.93:1) TYPE C
	1600-819231A13		1	GEAR HSG. KIT (BASIC-PAINTED) TYPE C
-	1600-820588A1		1	GEAR HSG. (COMP.-PAINTED-1.93:1) TYPE D SERIAL 0E016973-0E093699
-	1600-820588A7		1	GEAR HSG. (HI-ALT) (PAINTED-2.2:1) TYPE D SERIAL 0E016973-0E093699
	1600-820588A6		1	GEAR HSG. (BASIC-PAINTED) TYPE D SERIAL 0E016973-0E093699
40	11-13438		4	NUT (1/4-28)
41	25-F695830	❖	1	SEAL
42	15-819416A1		AR	SHIM SET
43	43-FS694023		1	GEAR ASSY.-FORWARD (1.93:1 - TYPE A)
	FS707023		1	GEAR ASSY.-FORWARD (1.93:1 - TYPE B & C)
	43-816434A5		1	GEAR ASSY.-FORWARD (1.93:1 - TYPE D) SEE PROP REFERENCE CHART BOOK 90-826171940
	43-819287A2		1	GEAR ASSY.-FORWARD (2.2:1 - TYPE C & D) SEE PROP REFERENCE CHART BOOK 90-826171940
44	23-819414A1		AR	SPACER SET (1990A THRU 1992C MODELS) SEE PROP REFERENCE CHART BOOK 90-826171940
45	52-816433		1	CLUTCH-SHIFT SEE PROP REFERENCE CHART BOOK 90-826171940
46	17-F2419		1	PIN-SPRING SEE PROP REFERENCE CHART BOOK 90-826171940
47	17-F84871-1		1	PIN-SHIFT SEE PROP REFERENCE CHART BOOK 90-826171940
48	F90619-2		1	YOKE-GEAR SHIFT SEE PROP REFERENCE CHART BOOK 90-826171940
49	44-FA694098		1	PROPELLER SHAFT (TYPE A) SEE PROP REFERENCE CHART BOOK 90-826171940
	44-819284A3		1	PROPELLER SHAFT (TYPE B & C & D)
50A	43-F2A694662		1	GEAR ASSY.-REVERSE (1.93:1 -TYPE A)
50	43-816435		1	GEAR-REVERSE (1.93:1 -TYPE B & C & D)
	F722662		1	GEAR-REVERSE (2.2:1 -TYPE C & D)
51	31-12576		1	RING-THRUST

❖ = CONTENTS OF WATER PUMP KIT [FK1204-1]

CONTINUED ON NEXT PAGE ➡

GEAR HOUSING



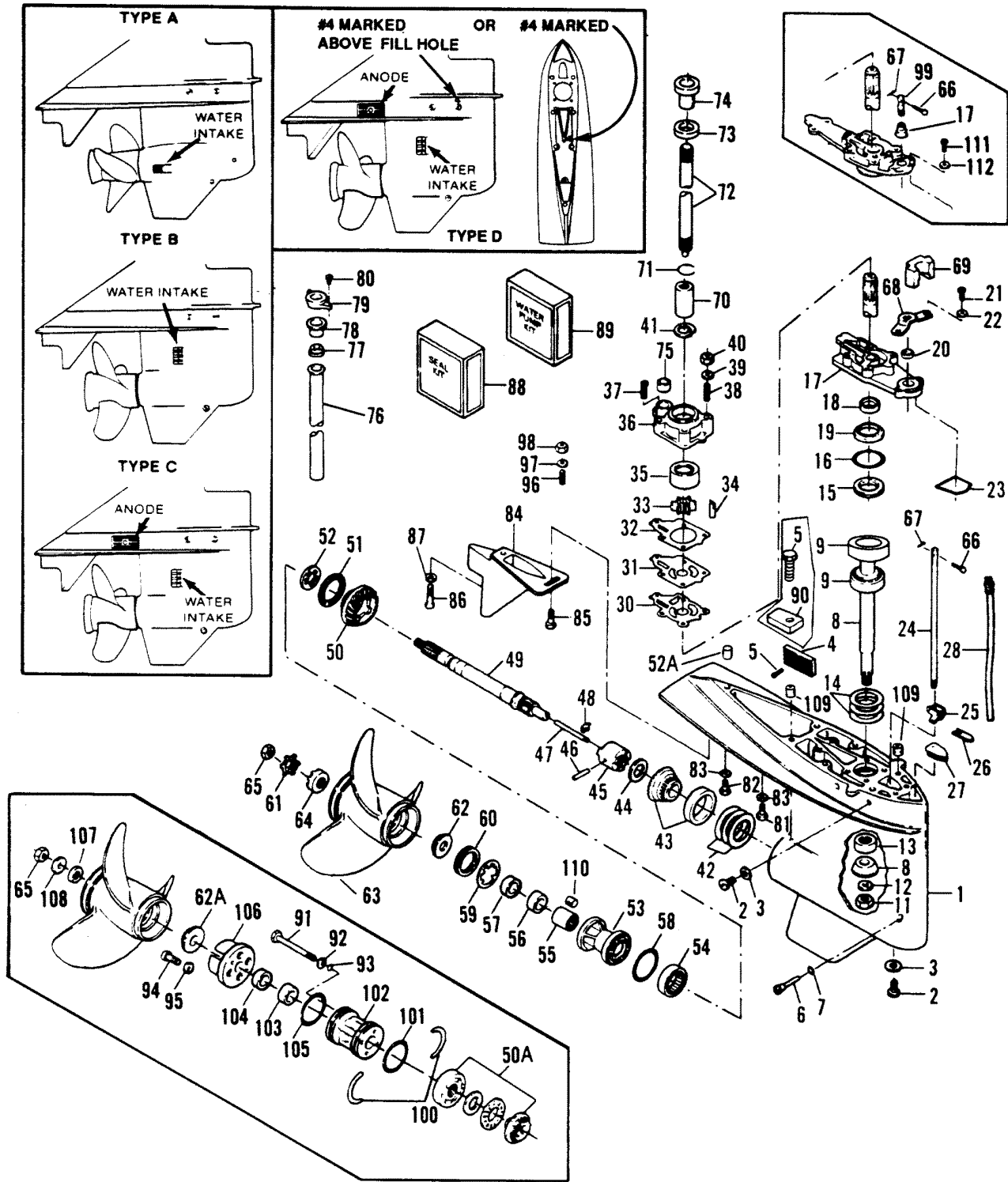
GEAR HOUSING

REF. NO.	PART NO.	SYM.	QTY.	DESCRIPTION
52	F707902		1	RING-THRUST
52A	17-F8580		1	PIN-LOCATING
53	FA707239		1	SPOOL ASSEMBLY-PROP SHAFT
54	31-12578		1	BEARING-NEEDLE
55	31-30956		1	BEARING-ROLLER
56	26-F697555	†	1	SEAL -PROP SHAFT SPOOL
57	26-12224	†	1	SEAL -PROP SHAFT SPOOL
58	25-F707278	†	1	SEAL-PROP SHAFT SPOOL
59	14-F707286		1	WASHER-TAB
60	819217		1	RETAINER
61	14-816629		1	WASHER-TAB SEE PROPELLER REFERENCE CHART BOOK 90-826171940
62A	23-F523099-1		1	SPACER (TYPE A) SEE PROPELLER REFERENCE CHART BOOK 90-826171940
62	F698099-1		1	SPACER (TYPE B & C & D) SEE PROPELLER REFERENCE CHART BOOK 90-826171940
	23-819057		1	SPACER (TYPE B & C & D) SEE PROPELLER REFERENCE CHART BOOK 90-826171940
63			1	PROPELLER SEE PROPELLER REFERENCE CHART BOOK 90-826171940
64	F697299		1	WASHER (TYPE B & C & D) SEE PROPELLER REFERENCE CHART BOOK 90-826171940
	12-F523282		1	WASHER (TYPE B & C & D) SEE PROPELLER REFERENCE CHART BOOK 90-826171940
65	11-52707A1		1	NUT KIT-PROP (3/4-16) SEE PROPELLER REFERENCE CHART BOOK 90-826171940
66	17-F85372		1	PIN-GEAR SHIFT ROD LOWER
67	18-F1015		1	PIN-COTTER
68	819176		1	RETAINER-SHIFT ROD SEAL
69	F698735-1		1	SEAL-EXHAUST
70	F694125		1	COUPLING-DRIVESHAFT
71	53-818826		1	RING-RETAINING
-	1600-817925A5		1	GEAR HSG. (COMPLETE-PAINTED-1.93:1) TYPE A & B
1	1600-819190A3		1	GEAR HSG. (BASIC-PAINTED) TYPE A & B
-	1600-820588A1		1	GEAR HSG. (COMPLETE-PAINTED-1.93:1) TYPE C
	1600-819231A13		1	GEAR HSG. KIT (BASIC-PAINTED) TYPE C
-	1600-820588A1		1	GEAR HSG. (COMP.-PAINTED-1.93:1) TYPE D SERIAL 0E016973-0E093699
-	1600-820588A7		1	GEAR HSG. (HI-ALT) (PAINTED-2.2:1) TYPE D SERIAL 0E016973-0E093699
	1600-820588A6		1	GEAR HSG. (BASIC-PAINTED) TYPE D SERIAL 0E016973-0E093699
72	45-F694128		1	DRIVESHAFT (20")
	45-F693128		1	DRIVESHAFT (25")
73	23-F438271		1	RETAINER-DRIVESHAFT SPLINE SEAL

† = CONTENTS OF GEAR HOUSING SEAL KIT [FK1203-1]

CONTINUED ON NEXT PAGE ➡

GEAR HOUSING



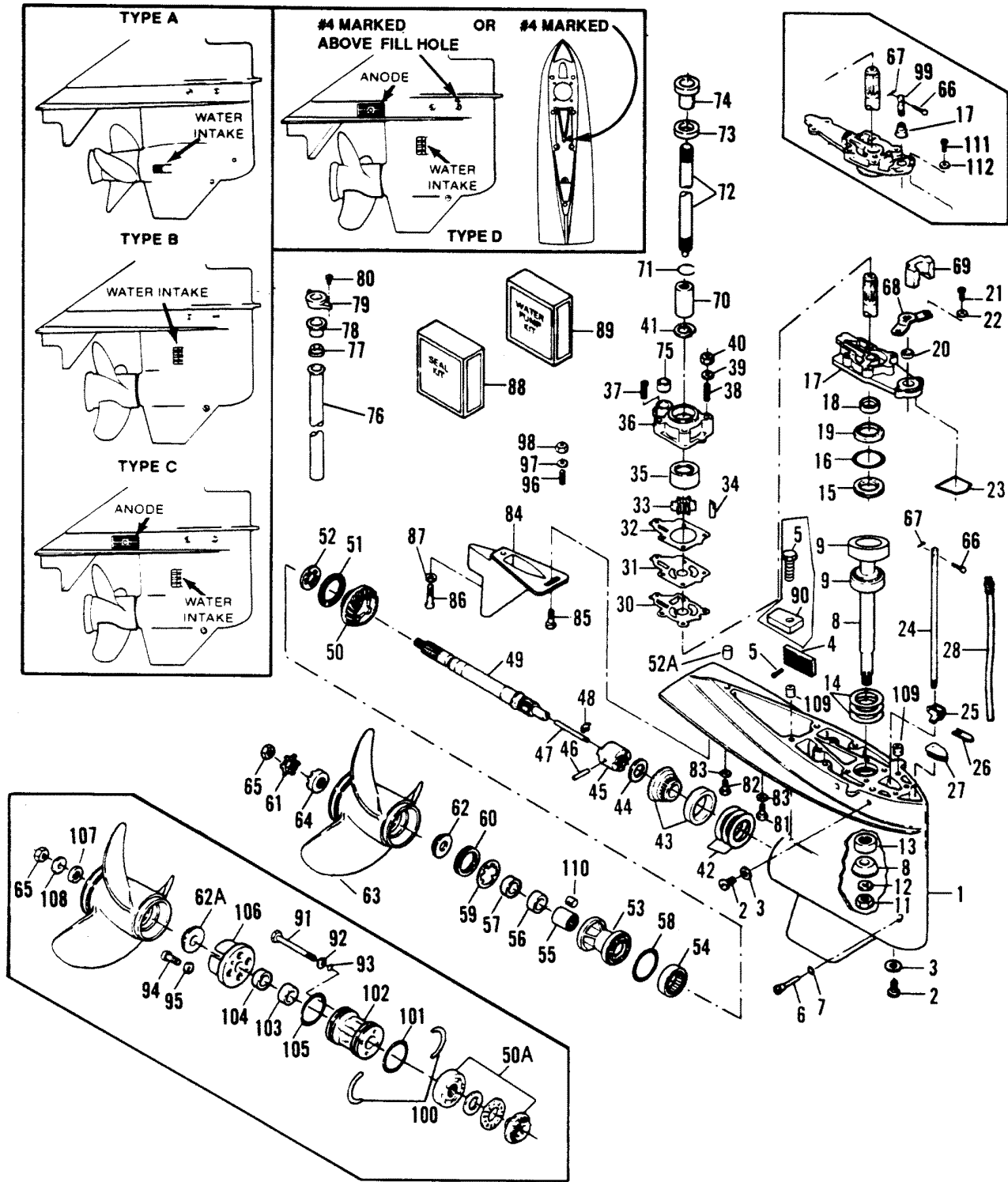
GEAR HOUSING

REF. NO.	PART NO.	SYM.	QTY.	DESCRIPTION
74	25-819427		1	SEAL-DRIVESHAFT SPLINE
75	26-F694735-1	❖	1	SEAL-WATERLINE
76	32-F523244		1	WATERLINE (20")
	32-F500244		1	WATERLINE (25")
77	25-817491		1	GROMMET
78	25-F84342		1	SEAL-INLET WATERLINE UPPER
79	F692117		1	BRACKET-WATERLINE
80	10-28636		2	SCREW (1/4-20 X 3/4")
81	10-19924325		6	SCREW (5/16-18 X 3-1/4") WITH DRI LOC
82	10-19928100		1	SCREW (5/16-18 X 1") WITH DRI LOC
83	12-F506186		7	WASHER
84	F523116-4		1	SNOUT-EXHAUST
85	10-826377		1	SCREW (5/16-18 X 3/4") WITH DRI LOC-EXHAUST SNOUT
86	10-19924100		1	SCREW (5/16-18 X 1") WITH DRI LOC
87	12-F1856		1	WASHER
88	FK1203-1		1	SEAL KIT
89	FK1204-1		1	WATER PUMP KIT
90	F707485		1	ANODE (TYPE B)
91	10-F1885		4	SCREW (5/16-18 X 4-1/4") TYPE A
92	12-12038		4	WASHER (TYPE A)
93	25-62702		4	O RING (TYPE A)
94	10-F1112		2	SCREW (1/4-20 X 7/8") TYPE A
95	13-26992		2	LOCKWASHER (1/4") TYPE A
96	16-F694211		1	STUD (#10 X 1.34") TYPE A
97	12-F8143		1	WASHER TYPE A
98	11-29488		1	NUT (10-32) TYPE A
99	F694615		1	ROD-INTERMEDIATE SHIFT TYPE A
100	53-F523411		1	RING-RETAINING TYPE A
101	25-32507		1	O RING TYPE A
102	F2A523239		1	SPOOL ASSEMBLY-PROPSHAFT (TYPE A)
103	31-30956		1	BEARING-ROLLER (TYPE A)
104	26-F506118-1		1	SEAL-PROPSHAFT SPOOL (TYPE A)
105	25-F24278		1	SEAL-PROPSHAFT SPOOL (TYPE A)
106	FA523485		1	ANODE KIT-ANTICORROSION (TYPE A)
107	12-F523282		1	WASHER-SPLINED (TYPE A)
108	12-F8167		1	WASHER (TYPE A)
109	23-F694043-2		2	SLEEVE
110	16-F8586		1	PIN-DOWEL
111	10-F1999		4	SCREW (1/4-20 X 7/8") TYPE A
112	13-26992		4	LOCKWASHER (TYPE A)
-	FK719059		AR	SKEG REPAIR KIT
-	F719735-1		1	SEAL-EXHAUST (NOT ALL MODELS)

❖ = CONTENTS OF WATER PUMP KIT [FK1204-1]

CONTINUED ON NEXT PAGE ➡

GEAR HOUSING

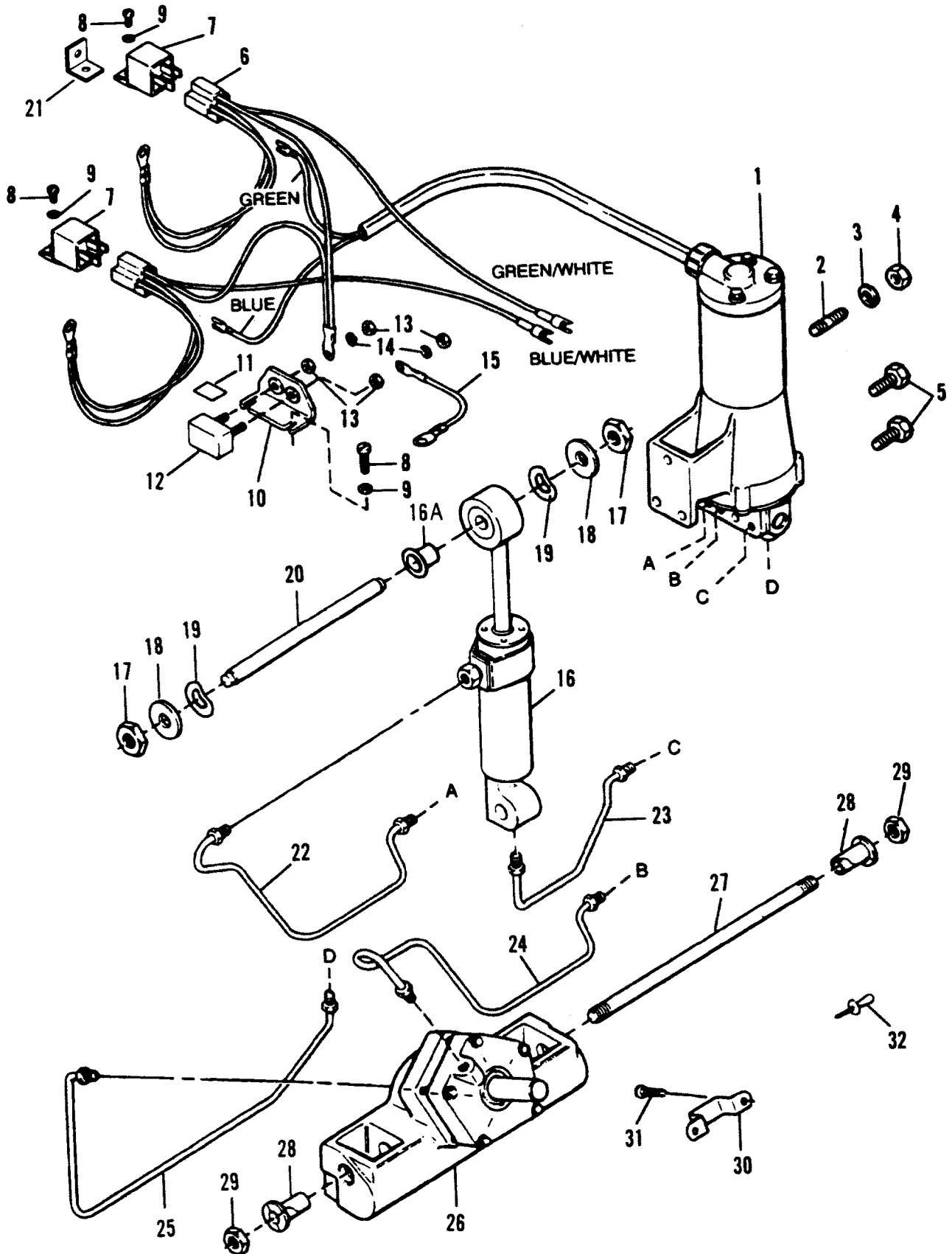


GEAR HOUSING

REF. NO.	PART NO.	SYM.	QTY.	DESCRIPTION
-	FK1229		1	GEAR SET (W/SHIMS) HI-ALTITUDE (2.2:1) (TYPE C & D)
-	FK1203-1		1	GEAR HOUSING SEAL KIT
-	FK1204-1		1	WATER PUMP KIT

HI-ALTITUDE GEAR SET (W/SHIMS) 2.2:1 GEAR RATIO TYPE C & D FK1229

DESIGN I - POWER TRIM UNIT WITH BAYONET CONNECTORS



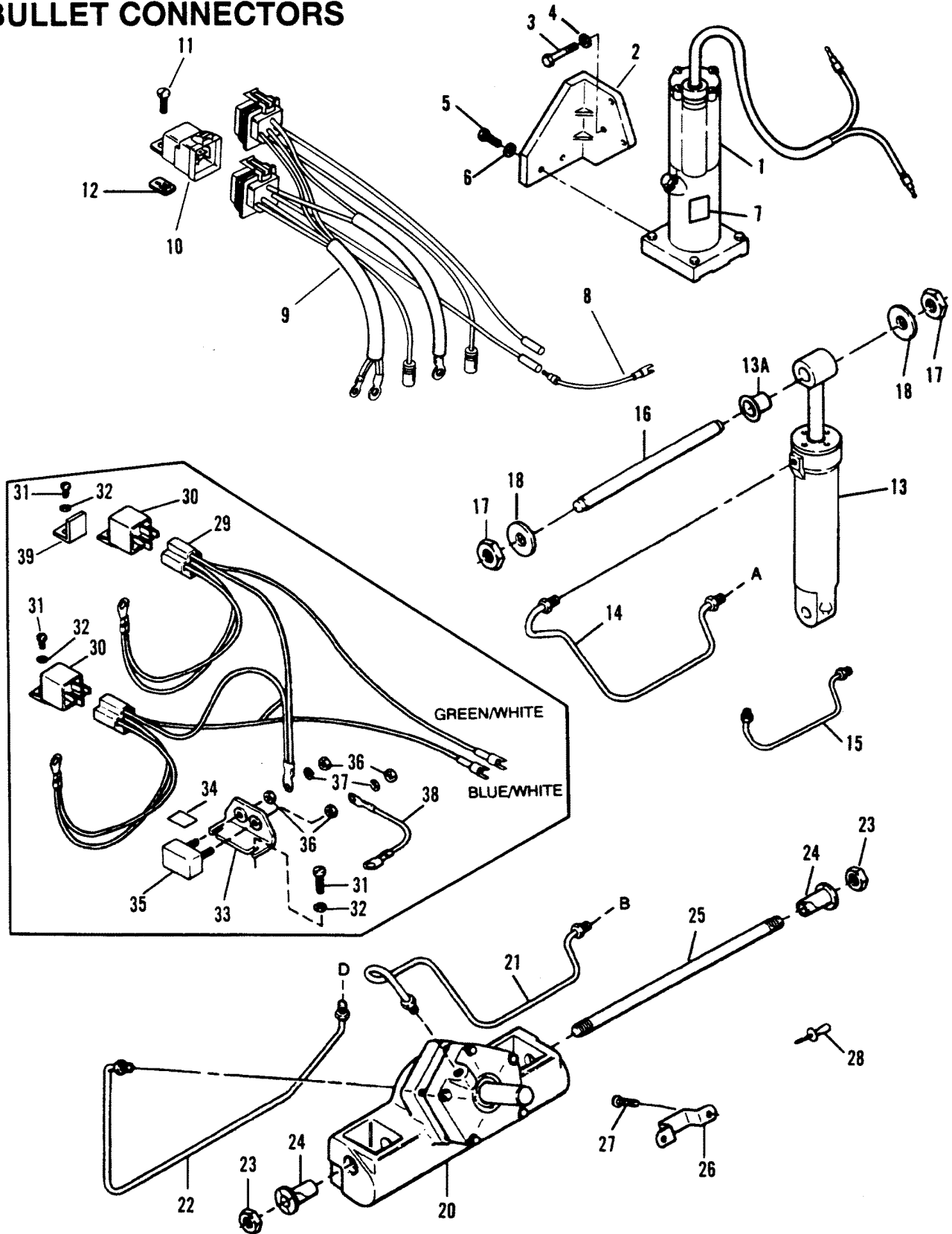
DESIGN I - POWER TRIM UNIT WITH BAYONET CONNECTORS

REF. NO.	PART NO.	SYM.	QTY.	DESCRIPTION
-	F5H196	■	1	POWER TRIM ASSEMBLY
1	F694541-2		1	PUMP/MOTOR KIT SEE "TILT CYLINDER & MOTOR & PUMP (DESIGN I)" FOR A BREAKDOWN
2	16-F660273		1	STUD
3	13-53166		1	LOCKWASHER (5/16")
4	11-68292		1	NUT (5/16-18)
5	10-F1822		2	SCREW (5/16-18 X 7/8")
6	FA663744		1	WIRE KIT
7	87-F660917		2	RELAY
8	10-F1760		4	SCREW (10-24 X 3/8")
9	12-89302		4	WASHER
10	F91446-2		1	BRACKET-CIRCUIT BREAKER
11	37-F510374-1		1	DECAL-CIRCUIT BREAKER
12	88-F510460		1	BREAKER-CIRCUIT
13	11-68219		4	NUT (10-32)
14	13-26996		2	LOCKWASHER (#10)
15	84-F660908		1	WIRE (RED)
16	819108F		1	CYLINDER ASSY-TILT (PAINTED) SEE "TILT CYLINDER & MOTOR & PUMP (DESIGN I)" FOR A BREAKDOWN
16A	23-F178344		1	BUSHING
17	11-35778		2	NUT (1/2-20)
18	12-F1710		2	WASHER
19	13-F1711		2	WASHER-BOWED
20	F449889		1	SHAFT-SHOCK UPPER
21	F660978		2	BRACKET-RELAY
22	32-F660758		1	LINE-HYDRAULIC-UPPER (TILT)
23	32-F660754		1	LINE-HYDRAULIC-LOWER (TILT)
24	32-F660254		1	LINE-HYDRAULIC-UPPER (TRIM)
25	32-F660253		1	LINE-HYDRAULIC-LOWER (TRIM)
26	818055A3		1	HOUSING-TRIM (PAINTED) SEE "TRIM CYLINDER" FOR BREAKDOWN
27	F449632		1	SHAFT-TRIM HOUSING
28	23-F449362		2	BEARING-TRIM HOUSING SHAFT
29	11-F7053		2	NUT (5/8-18)
30	F449354		1	BRACKET-THRUST
31	10-34939		2	SCREW (1/4-20 X 1/2")
32	19-F1966		1	PLUG

■ = CONTENTS OF POWERHEAD GASKET SET [FG1026-2] OR [27-820726A1]

DESIGN II - POWER TRIM UNIT WITH BULLET CONNECTORS

DESIGN II - POWER TRIM UNIT WITH BULLET CONNECTORS



PAGE 54

120 H P

REVISED AUGUST 1994

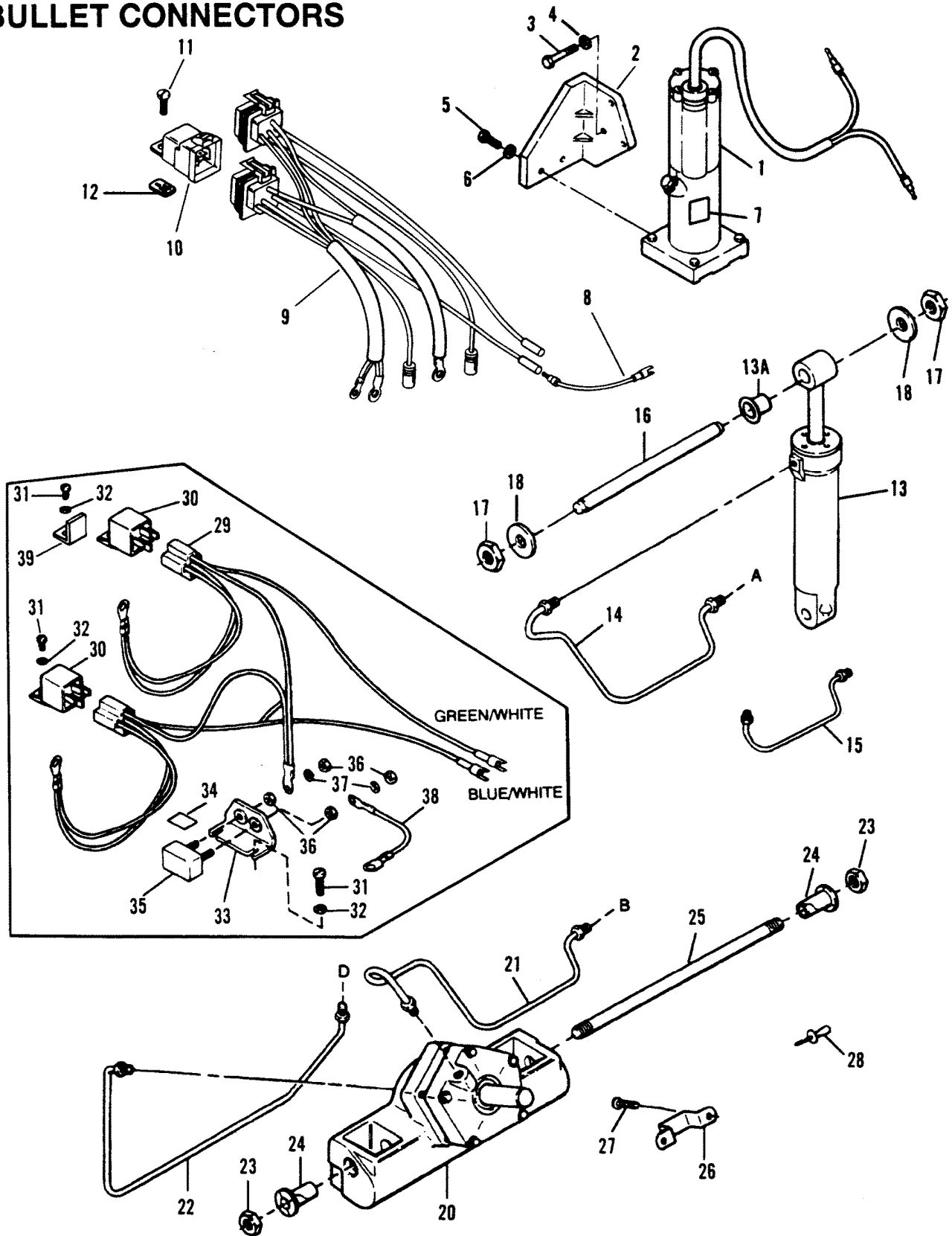
DESIGN II - POWER TRIM UNIT WITH BULLET CONNECTORS

REF. NO.	PART NO.	SYM.	QTY.	DESCRIPTION
-	819762A4		1	POWER TRIM ASSEMBLY
1	819480A1		1	PUMP/MOTOR ASSY (BULLET) SEE "PUMP MOTOR KIT" FOR BREAKDOWN
	819480A2		1	PUMP/MOTOR KIT (BAYONET) SEE "PUMP MOTOR KIT" FOR BREAKDOWN
2	F743454F		1	BRACKET-TRIM MOUNT (PAINTED)
3	10-90086		3	SCREW (5/16-18 X 1-1/2")
4	13-53166		3	LOCKWASHER (5/16")
5	10-F2008		2	SCREW (1/4-20 X 7/8")
6	13-26992		2	LOCKWASHER (1/4")
7	37-43530--1		1	DECAL-CAUTION-TRIM PRESSURE
8	84-88819A2		1	WIRE ASSEMBLY (GREEN/WHITE)
	84-88212A4		1	WIRE ASSEMBLY (BLUE/WHITE)
9	84-819514A1		1	HARNESS ASSEMBLY
10	87-819509		2	RELAY
11	10-F1733		2	SCREW (10-24 X 9/16")
12	819485		2	PLATE-ADAPTER
13	819108F		1	CYLINDER ASSY-TILT (PAINTED) SEE "TILT CYLINDER & MOTOR & PUMP (DESIGN I)" FOR BREAKDOWN
13A	23-F178344		1	BUSHING
14	32-F719758		1	LINE-HYDRAULIC (DOWN)
15	32-F719865		1	LINE-HYDRAULIC (UP)
16	F449889		1	SHAFT-UPPER SHOCK
17	11-35778		2	NUT (1/2-20)
18	12-F1960		2	WASHER
20	818055A3		1	TRIM HOUSING (PAINTED) SEE " TRIM CYLINDER" FOR BREAKDOWN
21	32-F719254		1	LINE-HYDRAULIC (DOWN)
22	32-F719253		1	LINE-HYDRAULIC (UP)
23	11-F7053		2	NUT (5/8-18)
24	23-F449362		2	BEARING-TRIM HOUSING SHAFT
25	F449632		1	SHAFT-TRIM HOUSING
26	F449354		1	BRACKET-THRUST
27	10-34939		2	SCREW (1/4-20 X 1/2")
28	19-F1966		1	PLUG
-	55-FS631962		1	SHOCK ABSORBER ASSEMBLY (PAINTED)
-	23-F178344		1	BUSHING
-	819504A1		1	BRACKET KIT-LOCK-TRAILERING
-	18-F525629		1	PIN-COTTER
29	FA663744		1	WIRE KIT BAYONET MODELS
30	87-F660917		2	RELAY BAYONET MODELS
31	10-F1760		4	SCREW (10-24 X 3/8") BAYONET MODELS
32	12-89302		4	WASHER BAYONET MODELS
33	F91446-2		1	BRACKET-CIRCUIT BREAKER BAYONET MODELS

CONTINUED ON NEXT PAGE ➡

DESIGN II - POWER TRIM UNIT WITH BULLET CONNECTORS

DESIGN II - POWER TRIM UNIT WITH BULLET CONNECTORS



PAGE 54

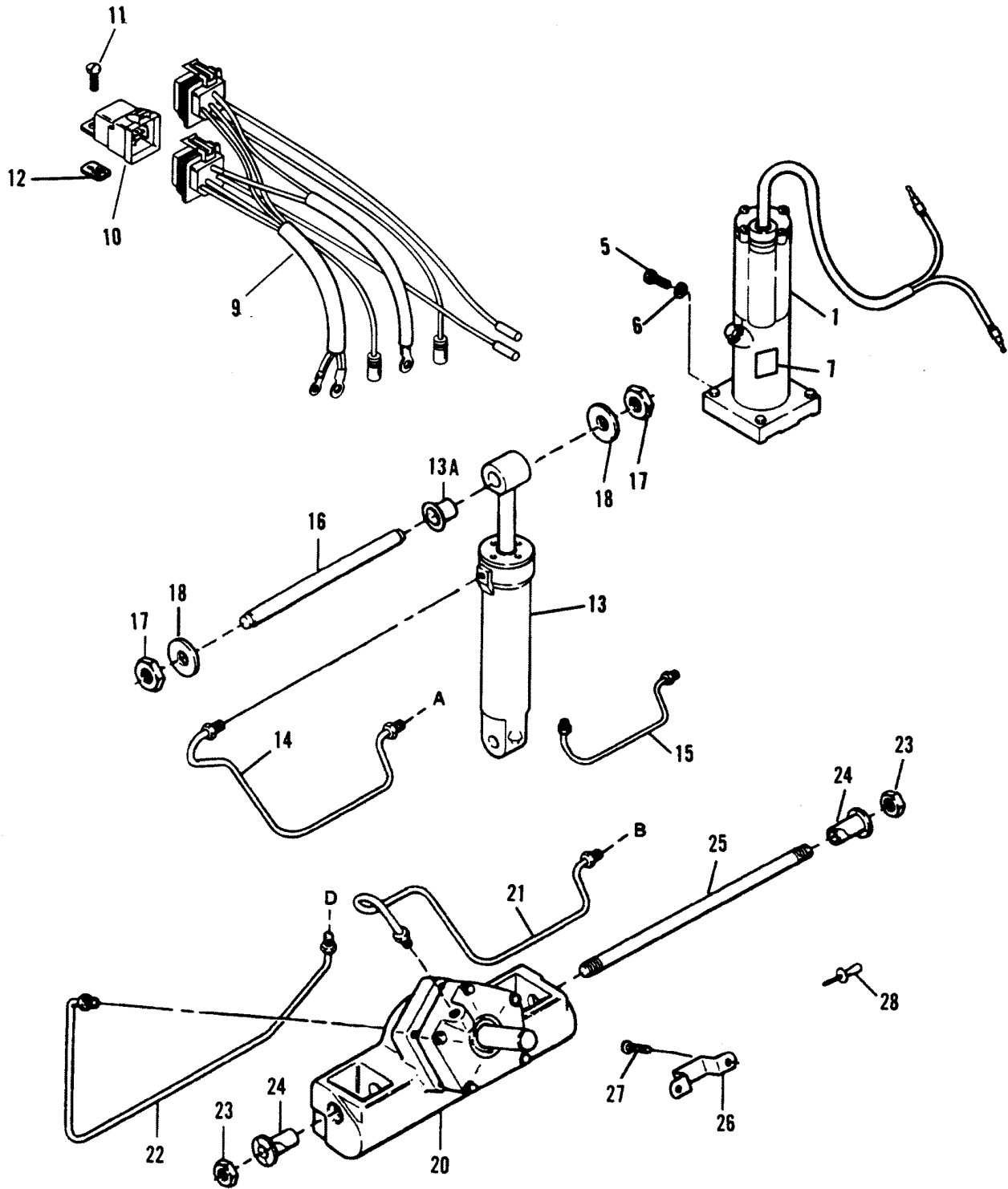
120 H.P.

REVISED AUGUST 1994

DESIGN II - POWER TRIM UNIT WITH BULLET CONNECTORS

REF. NO.	PART NO.	SYM.	QTY.	DESCRIPTION
34	37-F510374-1		1	DECAL-CIRCUIT BREAKER BAYONET MODELS
35	88-F510460		1	BREAKER-CIRCUIT BAYONET MODELS
36	11-68219		4	NUT (10-32) BAYONET MODELS
37	13-26996		2	LOCKWASHER (#10) BAYONET MODELS
38	84-F660908		1	WIRE (RED) BAYONET MODELS
39	F660978		2	BRACKET-RELAY BAYONET MODELS

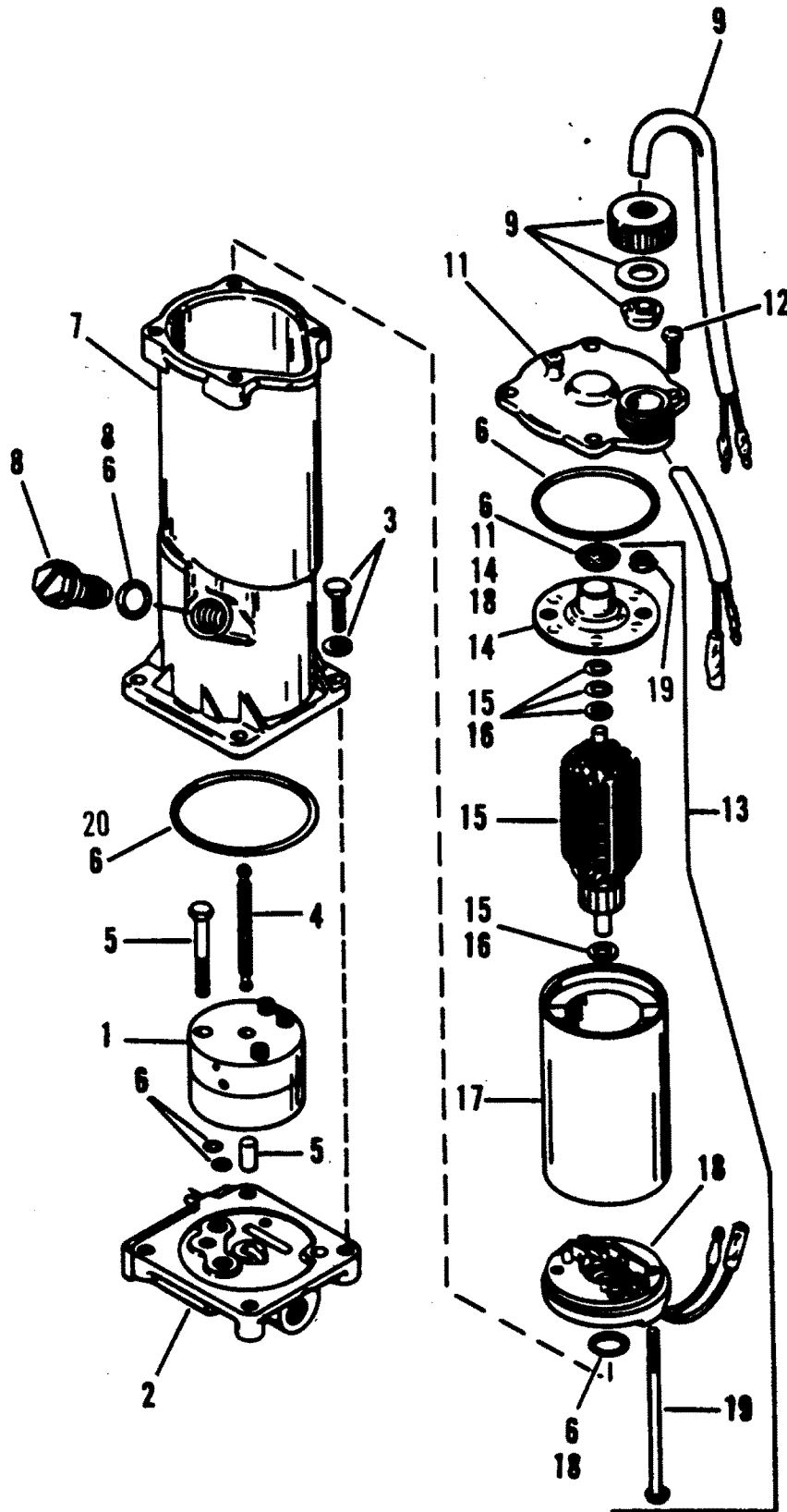
DESIGN III - POWER TRIM UNIT WITH BULLET CONNECTORS



DESIGN III - POWER TRIM UNIT WITH BULLET CONNECTORS

REF. NO.	PART NO.	SYM.	QTY.	DESCRIPTION
-	819762A7		1	POWER TRIM ASSEMBLY
1	819480A1		1	PUMP/MOTOR KIT SEE "PUMP/MOTOR KIT" FOR BREAKDOWN
5	10-19923088		2	SCREW (1/4-20 X 7/8") WITH DRI LOC
6	13-26992		2	LOCKWASHER (1/4")
7	37-43530--1		1	DECAL-CAUTION-TRIM PRESSURE
9	84-819514A6		1	HARNESS ASSEMBLY
10	87-819509		2	RELAY
11	10-F1733		2	SCREW (10-24 X 9/16")
12	819485		2	PLATE-ADAPTER
13	819108F		1	CYLINDER ASSY-TILT (PAINTED) SEE "TILT CYLINDER & MOTOR & PUMP (DESIGN I)" FOR BREAKDOWN
13A	23-F178344		1	BUSHING
14	32-819422		1	LINE-HYDRAULIC (DOWN)
15	32-819423		1	LINE-HYDRAULIC (UP)
16	F449889		1	SHAFT-UPPER SHOCK
17	11-35778		2	NUT (1/2-20)
18	12-F1960		2	WASHER
20	818055A3		1	TRIM HOUSING (PAINTED) SEE "TRIM CYLINDER" FOR BREAKDOWN
21	32-819421		1	LINE-HYDRAULIC (DOWN)
22	32-819420		1	LINE-HYDRAULIC (UP)
23	11-F7053		2	NUT (5/8-18)
24	23-F449362		2	BEARING-TRIM HOUSING SHAFT
25	F449632		1	SHAFT-TRIM HOUSING
26	F449354		1	BRACKET-THRUST
27	10-34939		2	SCREW (1/4-20 X 1/2")
28	19-F1966		1	PLUG
-	54-816311		2	CABLE TIE (8")
-	55-FS631962		1	SHOCK ABSORBER ASSEMBLY (PAINTED)
-	23-F178344		1	BUSHING

PUMP/MOTOR KIT

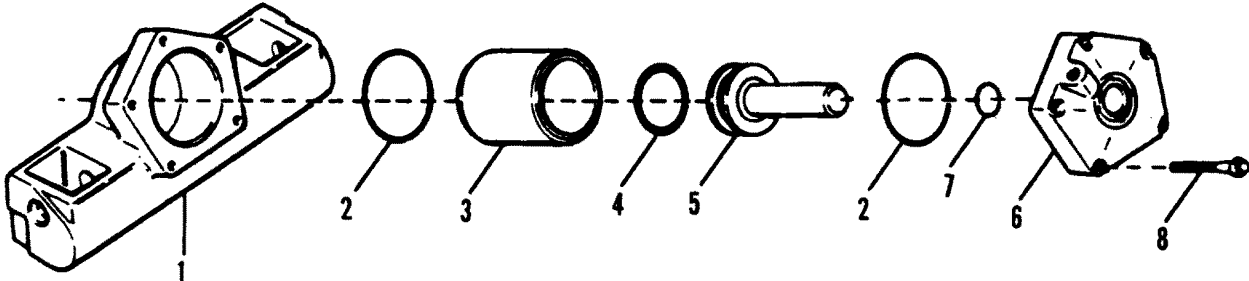


PUMP/MOTOR KIT

REF. NO.	PART NO.	SYM.	QTY.	DESCRIPTION
-	819480A1		1	PUMP/MOTOR KIT
1	811702		1	PUMP KIT
2	823085		1	MANIFOLD KIT
3	10-813436		1	SCREW AND WASHER KIT (4 PCS EACH)
4	813437		1	DRIVE SHAFT
5	811697		1	SCREW/DOWEL PIN KIT
6	25-813439A2		1	SEAL KIT
7	813434A1		1	RESERVOIR
8	22-813435		1	PLUG KIT
9	84-811698		1	WIRING HARNESS
11	813445		1	RESERVOIR CAP KIT
12	10-813446		1	SCREW KIT (4 PCS)
13	813447		1	MOTOR KIT
14	813448		1	END CAP
15	813449A1		1	ARMATURE
16	12-813450		1	THRUST WASHER KIT
17	813451		1	SHELL AND MAGNET KIT
18	813452		1	END FRAME KIT
19	10-813453		1	BOLT AND NUT KIT
20	25-819638		1	O RING

ALSO USE THIS PAGE TO SERVICE YOUR DESING II POWER TRIM SYSTEM IF YOUR REFERENCE #1 PUMP/MOTOR HAS BAYONET CONNECTORS. PART NUMBER [819480A2] IS A CONVERSION KIT TO THE NEW DESIGN BULLET CONNECTORS AND RELAY SYSTEM. KIT INCLUDES NECESSARY INSTRUCTIONS, CABLES, RELAYS AND ADAPTER PLATE. IF YOU HAVE THE OLDER DESIGN PUMP/MOTOR WITH BAYONET CONNECTORS YOU CAN USE THIS BREAKDOWN ON THIS PAGE EXCEPT FOR REF. NO. 9

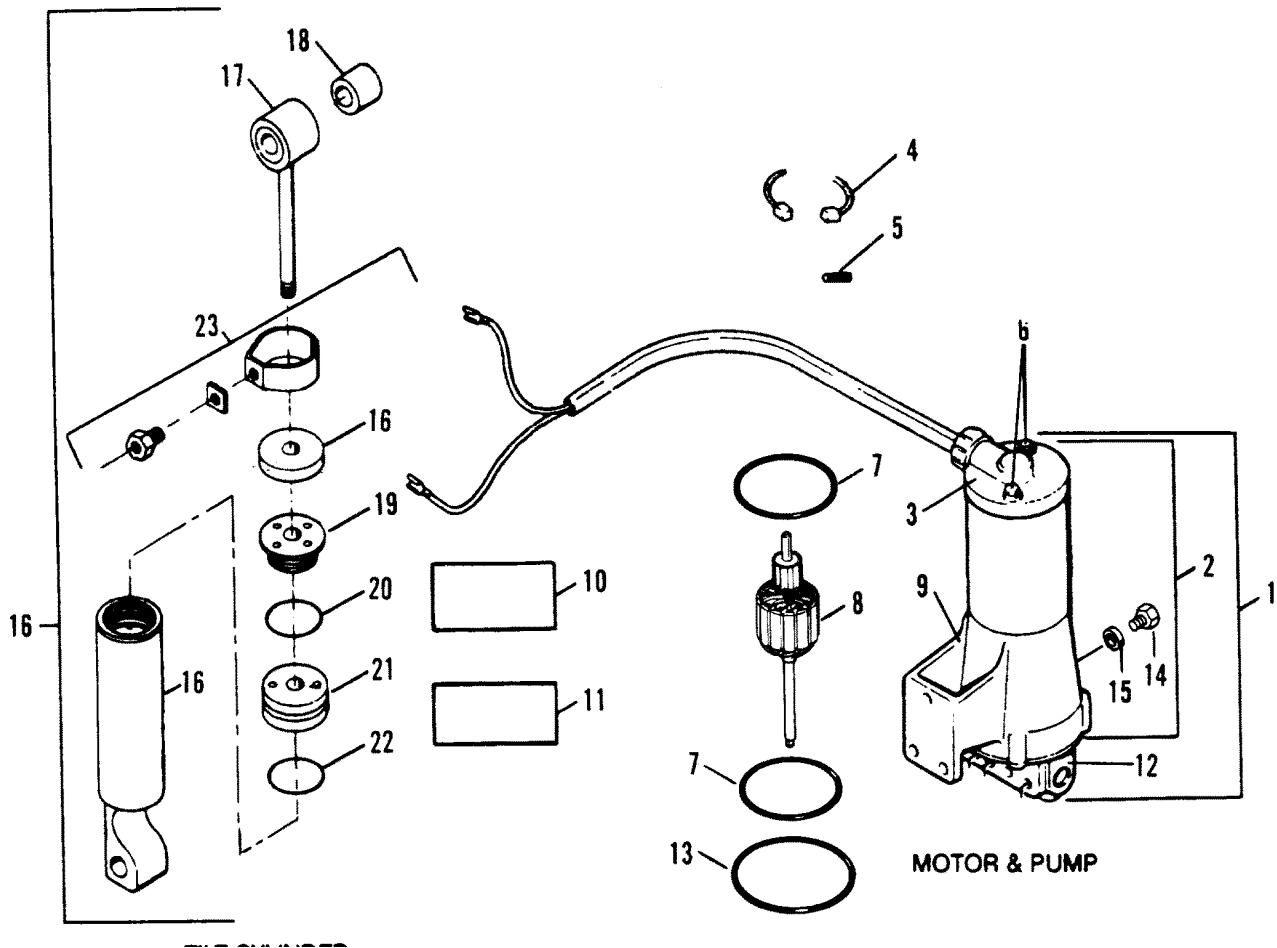
TRIM CYLINDER



TRIM CYLINDER

REF. NO.	PART NO.	SYM.	QTY.	DESCRIPTION
1	818055F		1	HOUSING-TRIM CYLINDER (PAINTED)
2	25-F40278		2	SEAL
3	F449010		1	CYLINDER-HYDRAULIC
4	25-F449278		1	SEAL-PISTON
5	FA449015		1	PISTON-POWER TRIM
6	817802A3		1	COVER ASSEMBLY (PAINTED)
7	25-F449342		1	SEAL
8	10-F1959		5	SCREW (1/4-20 X 1-3/4")

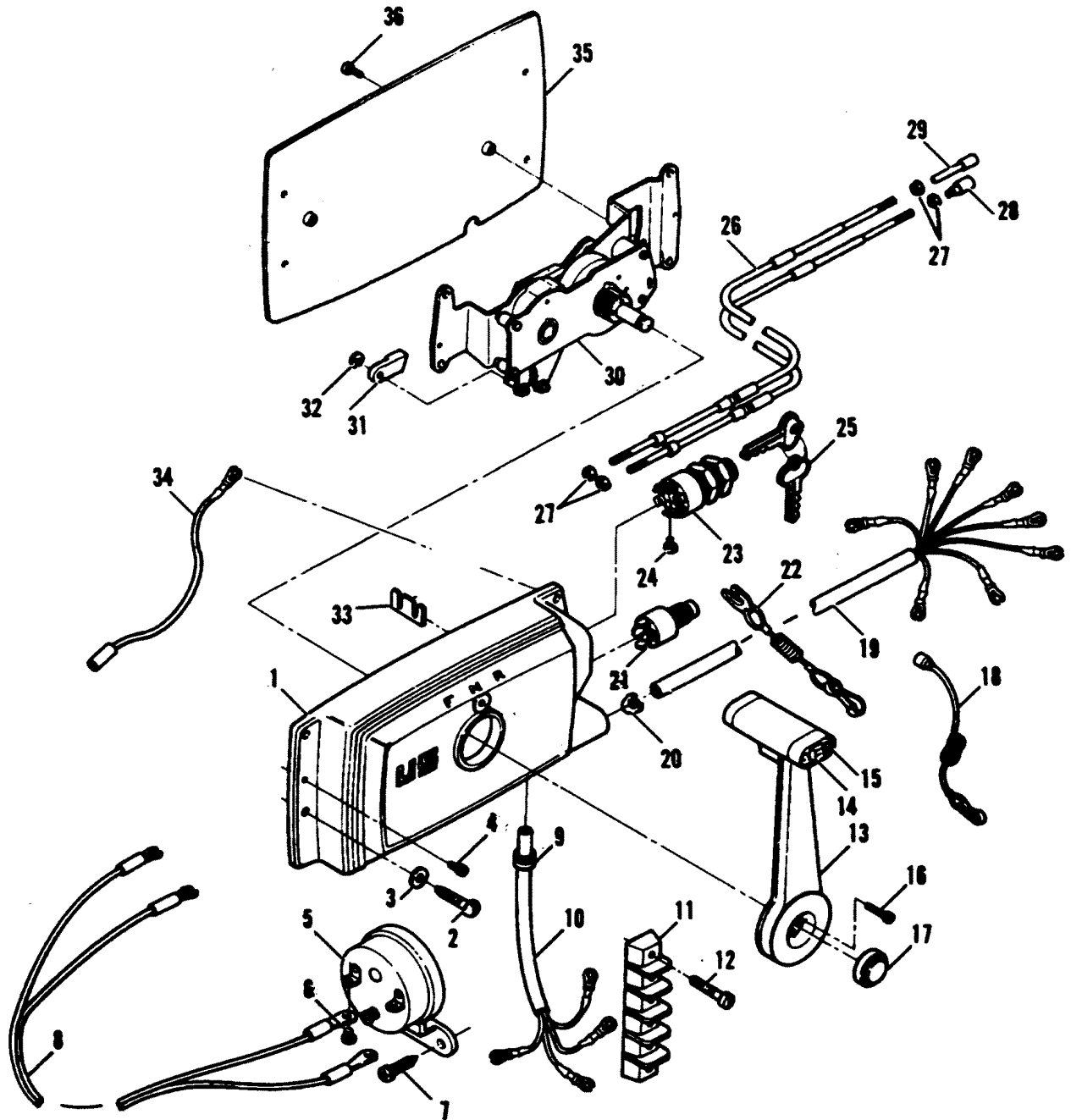
TILT CYLINDER & MOTOR & PUMP (DESIGN I)



TILT CYLINDER & MOTOR & PUMP (DESIGN I)

REF. NO.	PART NO.	SYM.	QTY.	DESCRIPTION
1	F694541-2		1	MOTOR & PUMP ASSEMBLY
2	820545		1	MOTOR & RESERVOIR ASSY.
3	F17624		1	HEAD ASSY.
4	392-8989		1	BRUSH SET
5	392-2529		1	SPRING SET
6	820549		1	THRU BOLT & SEAL PACKAGE
7	392-8992		2	GASKET KIT
8	820546		1	ARMATURE
9	F17625		1	RESERVOIR
10	820547		1	BEARING & RETAINER KIT
11	820548		1	SEAL KIT-ARMATURE SHAFT
12	820550		1	BODY & CASE ASSEMBLY-VALVE
13	392-2525		1	O RING (3.125 O.D.)
14	F17518		1	CAP-FILLER
15	25-62702		1	O RING
16	819108F		1	CYLINDER ASSEMBLY-TILT
17	F2A654017		1	ROD ASSEMBLY
18	23-F178344		1	BUSHING
19	FA654055		1	CAP KIT
20	25-F654618		1	O RING
21	FA654015		1	PISTON ASSEMBLY
22	25-F654984		1	O RING
23	F2A654983		1	BAND ASSEMBLY-TILT CYLINDER

REMOTE CONTROL (90A,92C)

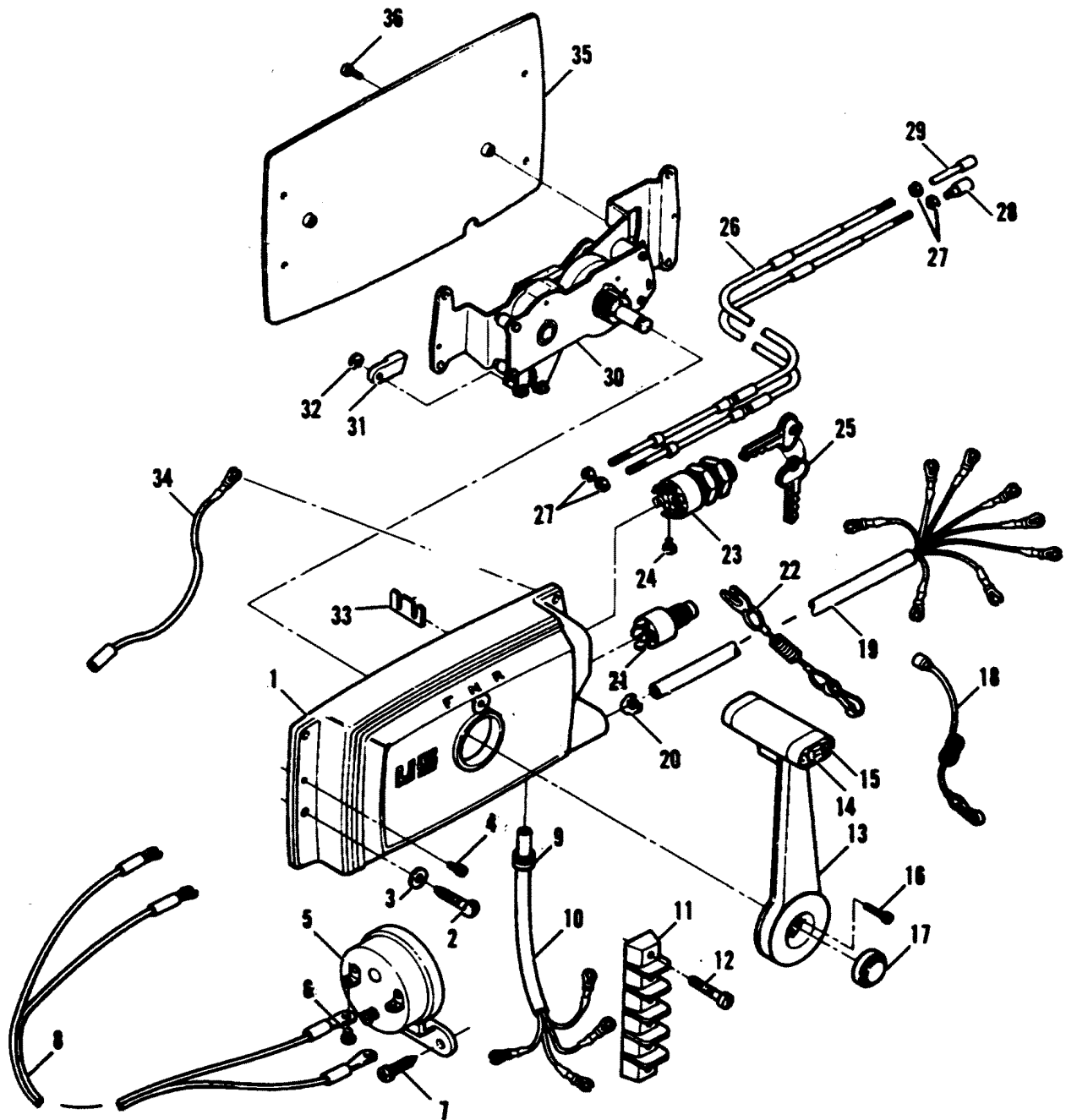


REMOTE CONTROL (90A,92C)

REF. NO.	PART NO.	SYM.	QTY.	DESCRIPTION
-	F5H267		1	REMOTE CONTROL ASSEMBLY
1	F660995		1	COVER
2	10-F660732		4	SCREW
3	12-F660595		4	WASHER
4	10-F660480		2	SCREW
5	F5H043		1	BUZZER KIT-HEAT INDICATOR
6	10-69080		2	SCREW (6-32 X 1/4")
7	10-F1741		2	SCREW (#8 X 3/4")
8	84-65017A24		1	HARNESS
9	25-F660504		1	GROMMET
10	84-F660353		1	CABLE (5')
11	817492		1	BLOCK-TERMINAL
12	10-F1741		2	SCREW(#8 X 3/4")
13	F660611		1	LEVER ASSEMBLY
14	F17864		1	SWITCH
15	F17863		1	PLATE KIT-BUTTON
16	10-F660165		4	SCREW
17	F660332		1	PLUG
18	FK681602		1	LANYARD KIT (TO REPLACE CUP STYLE)
19	84-819200A1		1	CABLE (15-1/2' - STANDARD)
	84-819203A1		OPT.	CABLE (19')
	84-819204A1		OPT.	CABLE (22')
	84-819205A1		OPT.	CABLE (25')
	F5H193		OPT.	CABLE (7' EXTENSION)
20	54-F660446		1	CLAMP
21	FK681602		1	SWITCH KIT-EMERGENCY STOP
22	819399A1		1	LANYARD (FORK TYPE)
23	F5H268		1	SWITCH KIT-IGNITION (SHORT)
24	10-F1280		6	SCREW (8-32 X 1/4")
25	819012		1	KEY SET (STAMPED 51)
	819013		1	KEY SET (STAMPED 55)
	819014		1	KEY SET (STAMPED 65)
	819015		1	KEY SET (STAMPED 66)
	819016		1	KEY SET (STAMPED 67)
	817782--1		1	KEY SET (STAMPED A)
	817883--1		1	KEY SET (STAMPED B)
	817891--1		1	KEY SET (STAMPED C)
	817928--1		1	KEY SET (STAMPED D)
	817929--1		1	KEY SET (STAMPED E)
26	F195/_		1	CABLE KIT (SPECIFY LENGTH)
27	11-68219		4	NUT (10-32)
28	F58685-2		1	CONNECTOR-SHIFT
29	FA58976-1		1	CONNECTOR-THROTTLE

CONTINUED ON NEXT PAGE ➡

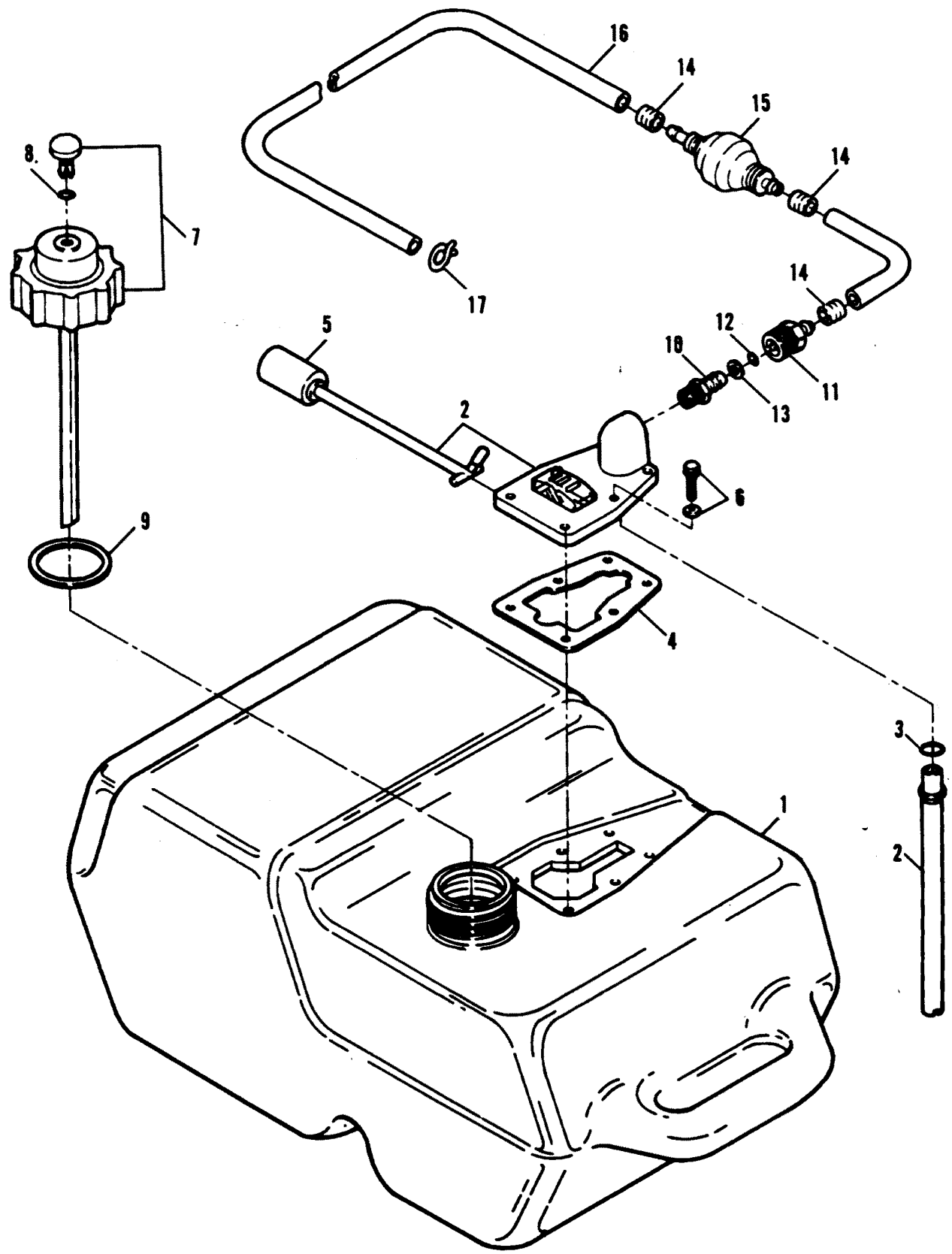
REMOTE CONTROL (90A,92C)



REMOTE CONTROL (90A,92C)

REF. NO.	PART NO.	SYM.	QTY.	DESCRIPTION
30	F660327		1	ACTUATOR
31	F660141-1		2	CONNECTOR
32	F660411		2	RING-RETAINING
33	F660642		1	RETAINER
34	84-F660664		1	WIRE
35	F660911		1	PLATE
36	10-F660751		2	SCREW

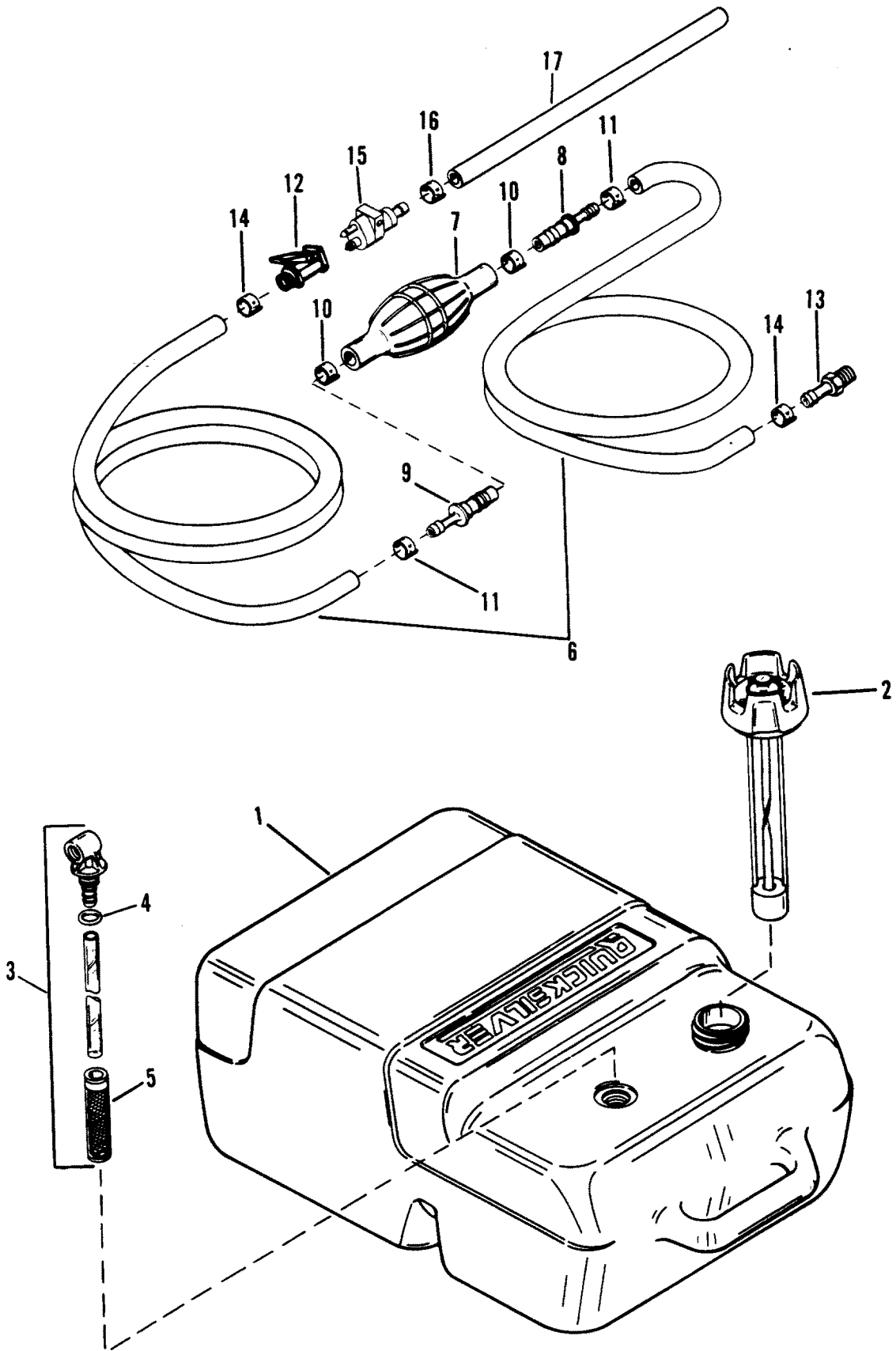
FUEL TANK AND LINE (90A ,92C)



FUEL TANK AND LINE (90A ,92C)

REF. NO.	PART NO.	SYM.	QTY.	DESCRIPTION
-	FS409752		1	FUEL LINE (COMPLETE) FORCE
1	1200-819039A1		1	FUEL TANK (COMPLETE)
2	F17828		1	GAUGE ASSEMBLY
3	F17827		1	SEAL
4	F17823-1		1	GASKET
5	F17826		1	FLOAT
6	F17824		6	SCREW
7	F17821		1	CAP ASSEMBLY
8	F17825		1	SEAL
9	F17822-1		1	GASKET
10	23-F213238-2		1	BUSHING-FUEL
11	F197787-3		1	COUPLER-FUEL
12	F17815		1	SEAL (SMALL)
13	F17816		1	SEAL (LARGE)
14	54-41582--7		3	CLAMP
15	89396A38		1	BULB KIT-PRIMER
16	32-817738A1		1	FUEL LINE KIT
17	54-63933		1	CLAMP

FUEL TANK AND LINE (PLASTIC - 6.6 GALLON)



FUEL TANK AND LINE (PLASTIC - 6.6 GALLON)

REF. NO.	PART NO.	SYM.	QTY.	DESCRIPTION
-	1259-823504A2		1	FUEL TANK ASSEMBLY (COMPLETE)
1	1259-823504A1		1	FUEL TANK ASSEMBLY (PLASTIC - 6.6 GAL.)
2	823536		1	GAUGE & CAP ASSEMBLY
3	22-823532		1	CONNECTOR ASSEMBLY-FUEL
4	25-823533		1	O RING
5	35-823534		1	SCREEN-FILTER
6	32-17146A8		1	FUEL LINE ASSEMBLY (5/16" I.D.) (8') (30" & 60")
7	13330A3		1	BULB ASSEMBLY-PRIMER
8	21-13331A1		1	VALVE-CHECK (INLET)
9	21-13331A2		1	VALVE-CHECK (OUTLET)
10	54-41582-10		2	CLAMP (LARGE)
11	54-41582--7		2	CLAMP (SMALL)
12	22-13563A3		1	CONNECTOR-ENGINE
13	22-89771--1		1	CONNECTOR-FUEL TANK
14	54-41582--7		2	CLAMP
6	32-16789A26		1	FUEL LINE ASSEMBLY (5/16" I.D.) (8') (18" & 72")
7	13330A3		1	BULB ASSEMBLY-PRIMER
8	21-13331A1		1	VALVE-CHECK (INLET)
9	21-13331A2		1	VALVE-CHECK (OUTLET)
10	54-41582-10		2	CLAMP (LARGE)
11	54-41582--7		2	CLAMP (SMALL)
12	22-13563A3		1	CONNECTOR-ENGINE
13	22-89771--1		1	CONNECTOR-FUEL TANK
14	54-F698772		1	CLAMP
15	22-816856A3		1	CONNECTOR ASSEMBLY-FUEL
16	54-41582--7		1	CLAMP
17	32-16789-78		AR	FUEL LINE (9') CUT AS REQ'D
-	32-16789100		AR	FUEL LINE (100') CUT AS REQ'D

TOOLS - SPECIAL

REF. NO.	PART NO.	SYM.	QTY.	DESCRIPTION
-	FT8948-1		1	PULLER KIT-FLYWHEEL
-	10-F1800		2	SCREW (1/4-20 X 7")
-	10-F1972		3	SCREW (1/4-20 X 2-1/2")
-	10-40003-58		3	SCREW (M8 X 50)
-	12-35044		3	WASHER (.281 X .625 X .065)
-	12-F8012		2	WASHER (.203 X .469 X .049)
-	12-25909		3	WASHER (.406 X .812 X .065)
-	FT2991		1	BRUSH-WIRE-CARBON REMOVER
-	FT8914		1	REMOVER-SEAL-CRANKSHAFT CAGE
-	FT8903		1	INSTALLER-SEAL-CRANKSHAFT CAGE
-	FT8907		1	HANDLE-DRIVER-USE WITH FT8903
-	FT8925		1	INSTALLER-SEAL-LOWER CRANKSHAFT
-	FT2953		1	SOCKET-CONNECTING ROD SCREWS
-	FT2990-1		1	PISTON PIN TOOLS-PISTON PINS
-	FT2996		1	COMPRESSER-PISTON RINGS
-	FT8926		1	EXPANDER-PISTON RINGS
-	FT8933		1	HOOK-LIFTING-CRANKSHAFT END
-	FT8900		1	PLIERS-HOSE CLAMPS-FUEL LINE
-	FT8957		1	INSTALLER-SEAL-SHIFT ROD
-	FT8919		1	PUNCH-CLUTCH SPRING PIN
-	FT11275		1	WRENCH-SPANNER-SPOOL RETAINER
-	FT16813		1	REMOVER-BEARING CUP-FORWARD GEAR
-	FT16814		1	INSTALLER-BEARING CUP-FORWARD GEAR
-	FT16433		1	REMOVER-BEARING-LOWER DRIVESHAFT
-	FT16496		1	INSTALLER-BEARING-LOWER DRIVESHAFT
-	FT11293		1	WRENCH-SPANNER-UPPER DRIVESHAFT RETAINER
-	FT16536		1	ADAPTER TOOL-TORQUING
-	FT11240		1	WRENCH-SPANNER-TRIM/TILT CYLINDER
-	FT8985		1	INSTALLER-SEAL-DRIVESHAFT
-	FT11209		1	GUIDE SET-INSTALLER/REMOVER-GEAR BEARING RACE
-	FT11292		1	PULLER ASSEMBLY-DRIVESHAFT REMOVER
-	FT3012		1	INSTALLER-SEAL
-	FT1081		1	PLIERS-SNAP RING
-	FT8978-1		1	TIMING LIGHT-IGNITION
-	FT2951		1	CIRCUIT TRACER-ELECTRICAL SYSTEM
-	FT8950		1	LEAKAGE TESTER-LOWER UNIT
-	FT11295		1	SPARK TESTER-IGNITION SYSTEM
-	FT2938-1		1	CONTINUITY TESTER-ELECTRICAL CIRCUITS
-	91-99750A1		1	MULTIMETER TESTER-ELECTRICAL COMPONENTS
-	FT2969		1	HELI-COIL KIT (10-24)
-	FT2970		1	HELI-COIL KIT (1/4-20)
-	FT2971		1	HELI-COIL KIT (5/16-18)
-	FT2948		1	HELI-COIL KIT (3/8-16)

CONTINUED ON NEXT PAGE ➡

TOOLS - SPECIAL

REF. NO.	PART NO.	SYM.	QTY.	DESCRIPTION
-	92-825265A1		1	COMPOUND (8 OZ)-NEEDLE BEARINGS
-	92-FT2987-1		1	LUBICANT-ANTI-SEEZ
-	FT8969		1	LUBICANT-LPS #1
-	92-90113--2		1	SEALANT-RTV #1473
-	FT8936-1		1	SEALANT-LOCTITE RC-609
-	FT2962-2		1	SEALANT-LOCTITE H
-	92-823089--1		1	SEALANT-LOCTITE 8831
-	92-59327--1		1	SEALANT-LOCQUIC PRIMER

MISCELLANEOUS ENGINE PARTS

REF. NO.	PART NO.	SYM.	QTY.	DESCRIPTION
-	90-819683		1	OPERATORS MANUAL SERIAL 0E000001-0E009499
-	90-819683930		1	OPERATORS MANUAL SERIAL 0E009500-0E031999
-	90-819683941		1	OPERATORS MANUAL SERIAL 0E032000-0E093699
-	92-819104-12		AR	LACQUER GRAY ACRYLIC, SPRAY CAN (12 PER CASE)
-	92-825321-12		AR	LACQUER GRAY ACRYLIC, BRUSH BOTTLE (12 PER BOX)
-	92-819107-12		AR	LACQUER GRAY ACRYLIC, SPRAY CAN (12 PER CASE)

PARTS INDEX

Part Number	Description	Pg.	Ref. No.	Part Number	Description	Pg.	Ref. No.
11645	REED PLATE ASSY	23	29	817928--1	KEY SET (STAMPED D)	95	25
13330A3	BULB ASSEMBLY-PRIMER . .	101	7	817929--1	KEY SET (STAMPED E)	13	54
13330A3	BULB ASSEMBLY-PRIMER . .	101	7	817929--1	KEY SET (STAMPED E)	95	25
14360A49	PUMP KIT-FUEL	37	1	817931A7	COVER KIT-REAR (PAINTED) (1990A THRU 1990B)	63	22
14430--3	BASE-FUEL PUMP	37	6	817960A2	TOWERSHAFT KIT	39	1
18173	BRACKET ASSEMBLY- LATCH ROLLER	5	10	818055A3	HOUSING-TRIM (PAINTED) . .	81	26
56762	CABLE TIE (4")	25	-	818055A3	TRIM HOUSING (PAINTED) . .	83	20
56762	CABLE TIE (4")	49	-	818055A3	TRIM HOUSING (PAINTED) . .	87	20
75384	BRUSH KIT	21	3	818055F	HOUSING-TRIM CYLINDER (PAINTED)	91	1
811697	SCREW/DOWEL PIN KIT . . .	89	5	818074A1	COVER ASSEMBLY (TYPE B & C & D)	71	17
811702	PUMP KIT	89	1	818108A1	REED PLATE ASSEMBLY . . .	23	29A
813434A1	RESERVOIR	89	7	819002	LINK-THROTTLE	39	15
813437	DRIVE SHAFT	89	4	819002	LINK-THROTTLE	41	12
813445	RESERVOIR CAP KIT	89	11	819012	KEY SET (STAMPED 51) . . .	95	25
813447	MOTOR KIT	89	13	819013	KEY SET (STAMPED 55) . . .	95	25
813448	END CAP	89	14	819014	KEY SET (STAMPED 65) . . .	95	25
813449A1	ARMATURE	89	15	819015	KEY SET (STAMPED 66) . . .	95	25
813451	SHELL AND MAGNET KIT . .	89	17	819016	KEY SET (STAMPED 67) . . .	95	25
813452	END FRAME KIT	89	18	819108F	CYLINDER ASSEMBLY-TILT	93	16
815279T4	VOLTAGE REGULATOR . . .	15	17	819108F	CYLINDER ASSY-TILT (PAINTED)	81	16
816513	INSERT-IDLE EXHAUST BOOT	63	26	819108F	CYLINDER ASSY-TILT (PAINTED)	83	13
816515	STANDTUBE-EXHAUST RELIEF	63	20	819108F	CYLINDER ASSY-TILT (PAINTED)	87	13
816518	HANDLE-TILT	5	2	819111	GUARD-IGNITION HARNESS	15	6
817029A4	TRIGGER ASSEMBLY	15	4	819169	MEDALLION- (SILVER) FORCE	7	16
817066	BOWL	35	21	819176	RETAINER-SHIFT ROD SEAL	75	68
817269	PLATE-IGNITION MOUNT . .	15	12	819217	RETAINER	75	60
817411	RECTIFIER	15	17	819222	PINION	21	14
817411--1	RECTIFIER	15	17	819225	ROLLER	33	38
817492	BLOCK-TERMINAL	15	19	819225	ROLLER-THROTTLE CAM . . .	29	43
817492	BLOCK-TERMINAL	95	11	819232	ANODE (TYPE C & D)	71	4
817747--1	BALL JOINT ASSEMBLY . . .	39	30	819399A1	LANYARD (FORK TYPE) . . .	95	22
817747--1	BALL JOINT ASSEMBLY . . .	39	8	819457A4	BRACKET ASSEMBLY- THROTTLE	69	19
817747--1	BALL JOINT ASSEMBLY . . .	41	28	819458A1	BRACKET ASSEMBLY- REMOTE CABLE	41	24
817747--1	BALL JOINT ASSEMBLY . . .	41	6	819469A1	ARM ASSEMBLY-GEAR SHIFT	69	1
817782--1	KEY SET (NO LETTER OR STAMPED A)	13	54	819474A1	TOWERSHAFT ASSEMBLY . .	41	1
817782--1	KEY SET (STAMPED A)	95	25	819480A1	PUMP/MOTOR ASSY (BULLET)	83	1
817783A5	BRACKET KIT-SWIVEL (PAINTED)	61	1	819480A1	PUMP/MOTOR KIT	87	1
817790A1	COVER KIT-TRANSFER PORT	49	40	819480A1	PUMP/MOTOR KIT	89	-
817799A1	ADAPTER ASSEMBLY- UPPER	23	1	819480A2	PUMP/MOTOR KIT (BAYONET)	83	1
817800A1	ADAPTER ASSEMBLY- LOWER	23	1	819485	PLATE-ADAPTER	83	12
817802A3	COVER ASSEMBLY (PAINTED)	91	6	819485	PLATE-ADAPTER	87	12
817870--2	COVER-FUEL PUMP	37	9	819504A1	BRACKET KIT-LOCK- TRAILERING	83	-
817870A1	COVER KIT-FUEL PUMP . . .	35	20	819504A1	BRACKET KIT-TRAILERING . .	61	5
817877A3	COVER ASSEMBLY- CYLINDER DRAIN	43	8	819705	BRACKET-SOLENOID	23	34
817883--1	KEY SET (STAMPED B)	13	54	819750A1	PLATE KIT-SPACER	49	46
817883--1	KEY SET (STAMPED B)	95	25	819762A4	POWER TRIM ASSEMBLY . . .	83	-
817891--1	KEY SET (STAMPED C)	13	54	819762A7	POWER TRIM ASSEMBLY . . .	87	-
817891--1	KEY SET (STAMPED C)	95	25				
817919A1	PUMP KIT-FUEL	35	-				
817928--1	KEY SET (STAMPED D)	13	54				

PARTS INDEX

Part Number	Description	Pg.	Ref. No.	Part Number	Description	Pg.	Ref. No.
819776	BRACKET-INTERLOCK	23	14	F17624	HEAD ASSY.	93	3
819779--1	PLATE-EXHAUST	47	26	F17625	RESERVOIR	93	9
819843A1	BODY ASSEMBLY-FUEL PUMP	35	1	F17815	SEAL (SMALL)	99	12
819869	MOUNT-SHOCK	13	62	F17816	SEAL (LARGE)	99	13
819869	MOUNT-SHOCK	15	10	F17821	CAP ASSEMBLY	99	7
819932--1	ARM-INTERLOCK	67	2	F17822-1	GASKET	99	9
819932--1	ARM-INTERLOCK	69	2	F17823-1	GASKET	99	4
820000A4	HANDLE ASSEMBLY-COWL LATCH (PAINTED)	9	14	F17824	SCREW	99	6
820492	BOWL-FUEL (TOP CARB)	31	24A	F17825	SEAL	99	8
820501	PLATE-DEFLECTOR	23	26	F17826	FLOAT	99	5
820545	MOTOR & RESERVOIR ASSY.	93	2	F17827	SEAL	99	3
820546	ARMATURE	93	8	F17828	GAUGE ASSEMBLY	99	2
820547	BEARING & RETAINER KIT	93	10	F178323	SEAL-DRIVESHAFT HOUSING	63	30
820548	SEAL KIT-ARMATURE SHAFT	93	11	F17863	PLATE KIT-BUTTON	95	15
820549	THRU BOLT & SEAL PACKAGE	93	6	F17864	SWITCH	95	14
820550	BODY & CASE ASSEMBLY-VALVE	93	12	F184033-1	SWIVEL (TOP CARB)	29	48
820581A1	PUMP KIT-FUEL	35	-	F195/_	CABLE KIT (SPECIFY LENGTH)	95	26
820726A1	POWERHEAD GASKET SET	49	-	F197787-3	COUPLER-FUEL	99	11
823085	MANIFOLD KIT	89	2	F2088	FASTENER	5	8
823536	GAUGE & CAP ASSEMBLY	101	2	F2A523239	SPOOL ASSEMBLY-PROPSHAFT (TYPE A)	77	102
824519	RETAINER-DRIVESHAFT BEARING UPPER	71	15	F2A654017	ROD ASSEMBLY	93	17
826374	PIN-GEAR SHIFT ARM-W/DRI LOC	71	6	F2A654983	BAND ASSEMBLY-TILT CYLINDER	93	23
87554	COVER-COIL	15	25	F2C720712	TOP COWL 1990 MODELS WITH DECALS FORCE	5	-
89396A38	BULB KIT-PRIMER	99	15	F316579	SEAL-CRANKCASE	51	3
90644	DRIVE KIT	21	13	F322273-1	STUD	13	63
92753	RETAINER-WIRING HARNESS CLIP	49	65	F333316	SHAFT-THROTTLE ROLLER	29	42
98775--2	PLATE-FUEL PUMP	37	4	F333316	SHAFT-THROTTLE ROLLER	33	37
F10263	CUP-METERING	31	11	F335654-2	STOP-DEFLECTION	9	10
F10265	NEEDLE-INLET	31	17	F369450-1	RECTIFIER (RECTANGULAR)	11	36
F10268	SCREW-IDLE MIXTURE	27	15	F372958	BRACKET-CHOKE	23	21
F10268	SCREW-IDLE MIXTURE	31	14	F391926-1	PLUNGER-CHOKE	27	33
F10273	JET (.047)	27	9	F429811	SCREEN	43	9
F10273	JET (.047)-IDLE AIR	31	9	F438346	MOUNT-LOWER SHOCK	63	10
F10274	NOZZLE-PRIMER	31	10	F438747	DIAPHRAGM-FUEL PUMP	35	7
F10275	SCREW-SEALING	27	8	F438962	MOUNT-LOWER SHOCK	63	7
F10275	SCREW-SEALING	31	8	F439493-1	BRACKET-TERMINAL BLOCK	13	45
F10285	SPRING-CHOKE SHAFT	27	10	F439493-1	BRACKET-TERMINAL BLOCK	19	10
F10346	FLOAT-FUEL BOWL	27	23	F440192-2	CAM-THROTTLE	39	16
F10346	FLOAT-FUEL BOWL	31	20	F440192-2	CAM-THROTTLE	41	14
F10367	SEAT-INLET	31	16	F440925	ROD-CHOKE	27	35
F15158	SCREW	21	5	F449010	CYLINDER-HYDRAULIC	91	3
F15159	INSULATOR	21	4	F449354	BRACKET-THRUST	81	30
F15160	WASHER	21	7	F449354	BRACKET-THRUST	83	26
F15162	NUT	21	10	F449354	BRACKET-THRUST	87	26
F15176	END CAP-DRIVE	21	12	F449632	SHAFT-TRIM HOUSING	81	27
F15177	ARMATURE	21	11	F449632	SHAFT-TRIM HOUSING	83	25
F15178	THRU BOLT	21	6	F449632	SHAFT-TRIM HOUSING	87	25
F15179	END CAP ASSEMBLY	21	2	F449632	SHAFT-TRIM HOUSING	87	25
F15189	END CAP ASSEMBLY	21	2	F449889	SHAFT-SHOCK UPPER	81	20
F15190	BRUSH KIT	21	3	F449889	SHAFT-UPPER SHOCK	61	21
F17518	CAP-FILLER	93	14	F449889	SHAFT-UPPER SHOCK	83	16
				F449889	SHAFT-UPPER SHOCK	87	16
				F476066-1	COVER-THERMOSTAT	55	1
				F480107-2	CAM-STARTER INTERLOCK	67	17
				F481434	GUIDE-COWL LATCH BRACKET	5	7

PARTS INDEX

Part Number	Description	Pg.	Ref. No.	Part Number	Description	Pg.	Ref. No.
F481777	CAM-LATCH SHAFT	9	17	F660995	COVER	95	1
F499026	SWIVEL-TOWERSHAFT	39	21	F663480-1	RETAINER-COWL FRONT	9	6
F499026	SWIVEL-TOWERSHAFT	41	19	F663756-1	PACKING-SUPPORT PLATE	9	20
F499035	END-CONTROL ROD	39	20	F663774-2	BRACKET-COWL LATCH	5	6
F499035	END-CONTROL ROD	41	18	F663984-1	BLANKET-SOUND-TOP	5	-
F499036-1	END-CONTROL ROD (1/4-28 LH)	39	23	F664025	PAD-INSULATING	13	67
F499036-1	END-CONTROL ROD (1/4-28 LH)	41	21	F664068	THERMOSTAT (130 DEGREES)	55	5
F500615-2	ROD-UPPER GEAR SHIFT (25")	67	13	F664672	COVER-TERMINAL BLOCK	13	66
F500615-2	ROD-UPPER GEAR SHIFT (25")	69	13	F664985	BLANKET-SOUND-SIDE	5	-
F500894	POINTER-TIMING	23	24	F665995	COVER-CYLINDER HEAD	49	36
F511708-3	COVER-CARBURETOR	27	31	F684475-1	COIL-IGNITION (BLUE)	11	20
F511708-3	COVER-CARBURETOR	31	30	F686096	RETAINER-BOOSTER SPRING	35	6
F523116-4	SNOUT-EXHAUST	77	84	F686152	COVER-EXHAUST	47	27
F523273	STUD-STEERING BALL	59	3	F692117	BRACKET-WATERLINE	77	79
F523451	SPACER	23	31	F694125	COUPLING-DRIVESHAFT	75	70
F523705-1	ROD-GEAR SHIFT-LOWER (TYPE B & C & D)	71	24	F694226	PLUG-PITOT PLUG	71	27
F523930	RETAINER-STUD	59	4	F694541-2	MOTOR & PUMP ASSEMBLY	93	1
F58685-2	CONNECTOR-SHIFT	95	28	F694541-2	PUMP/MOTOR KIT	81	1
F5H038	MOUNTING KIT-IGNITION SWITCH	13	55	F694564-1	INSERT-WATER PUMP	73	35
F5H041	TERMINAL KIT-BATTERY	11	23	F694606	CAP (25") (1990A MODELS)	63	37
F5H043	BUZZER KIT-HEAT INDICATOR	11	17	F694615	ROD-INTERMEDIATE SHIFT TYPE A	77	99
F5H043	BUZZER KIT-HEAT INDICATOR	57	1	F694705	ROD-GEAR SHIFT-LOWER (TYPE A)	71	24
F5H043	BUZZER KIT-HEAT INDICATOR	95	5	F695500	BOWL-FUEL PUMP	35	21
F5H078	SWITCH KIT-IGNITION (LONG)	13	52	F697299	WASHER (TYPE B & C & D)	75	64
F5H094	STEERING LINK KIT	59	1	F697299	WASHER, SPLINED	3	03
F5H193	CABLE (7' EXTENSION)	95	19	F698099-1	SPACER	3	04
F5H196	POWER TRIM ASSEMBLY	81	-	F698099-1	SPACER (TYPE B & C & D)	75	62
F5H267	REMOTE CONTROL ASSEMBLY	95	-	F698122	SEAL-CRANKCASE COVER (1990A MODELS)	47	20
F5H268	SWITCH KIT-IGNITION (SHORT)	95	23	F698735-1	SEAL-EXHAUST	75	69
F607689	BEARING	39	4	F699562	PLATE -WATER PUMP	73	31
F607689	BEARING-TOWERSHAFT CENTER	41	9	F699965-1	MOUNT-UPPER SHOCK	63	9
F616675	BRACKET-STARTER MOUNT	21	17	F707485	ANODE (TYPE B)	77	90
F629449-2	THERMOSWITCH	13	43	F707885	RETAINER-PITOT PLUG	71	26
F629449-2	THERMOSWITCH	57	5	F707902	RING-THRUST	75	52
F631707F	COVER-SHOCK MOUNT (25") (PAINTED)	65	38	F719735-1	SEAL-EXHAUST (NOT ALL MODELS)	77	-
F658836	SPACER-FUEL PUMP	35	17	F719902	SPACER	55	6
F660141-1	CONNECTOR	97	31	F720606F	CAP (20")	63	35
F660327	ACTUATOR	97	30	F720835-1	STRAP	63	2
F660332	PLUG	95	17	F721606F	CAP (25") (PAINTED)	63	37
F660411	RING-RETAINING	97	32	F722662	GEAR-REVERSE (2.2:1 -TYPE C & D)	73	50
F660611	LEVER ASSEMBLY	95	13	F743454F	BRACKET-TRIM MOUNT (PAINTED)	83	2
F660642	RETAINER	97	33	F749551-1	BRACKET-INTERLOCK SWITCH	19	15
F660911	PLATE	97	35	F85033	SWIVEL (BOTTOM CARB)	29	48
F660978	BRACKET-RELAY	81	21	F85130	BOOT-IDLE EXHAUST	63	27
F660978	BRACKET-RELAY BAYONET MODELS	85	39	F85445-1	ROD-SPARK CONTROL	39	24
				F85445-1	ROD-SPARK CONTROL	41	22
				F85509-1	LINK-CHOKE	29	36
				F85615-1	ROD-UPPER GEAR SHIFT (20")	67	13
				F85615-1	ROD-UPPER GEAR SHIFT (20")	69	13

PARTS INDEX

Part Number	Description	Pg.	Ref. No.	Part Number	Description	Pg.	Ref. No.
F85660-1	TUBE-EXHAUST	63	16	FK10264	NEEDLE AND SEAT KIT- INLET	27	21
F85704	COUPLING-SHIFT ROD	67	12	FK1123	SPARKIE KIT	11	22
F85704	COUPLING-SHIFT ROD	69	12	FK1203-1	GEAR HOUSING SEAL KIT	79	-
F85872-2	BRACKET-REMOTE CABLE	39	26	FK1203-1	SEAL KIT	77	88
F85965	MOUNT-UPPER SHOCK (1990A MODELS)	63	9	FK1204-1	WATER PUMP KIT	77	89
F90619-2	YOKE-GEAR SHIFT	73	48	FK1204-1	WATER PUMP KIT	79	-
F91446-2	BRACKET-CIRCUIT BREAKER	81	10	FK1229	GEAR SET (W/SHIMS) HI- ALTITUDE (2.2:1) (TYPE C & D)	79	-
F91446-2	BRACKET-CIRCUIT BREAKER BAYONET MODELS	83	33	FK405020	SWIVEL KIT-CABLE CLAMP	39	10
F91446-2	BRACKET-CIRCUIT BREAKER	11	32	FK405020	SWIVEL KIT-CABLE CLAMP	67	7
FA178233	TIE BAR ASSEMBLY- THROTTLE	29	37	FK681602	LANYARD KIT (TO REPLACE CUP STYLE)	95	18
FA178233	TIE BAR ASSEMBLY- THROTTLE	31	32	FK681602	SWITCH KIT-EMERGENCY STOP	95	21
FA449015	PISTON-POWER TRIM	91	5	FK684201	WASHER KIT	61	13
FA480876	ARM ASSEMBLY-GEAR SHIFT	67	1	FK686943	TUBE & PIN KIT-WATER JACKET-(TOP) 1990A MODELS	47	24B
FA500019	KINGPIN ASSEMBLY (25")	61	4	FK692779	BAFFLE KIT-AIR INTAKE	63	33
FA523485	ANODE KIT- ANTICORROSION (TYPE A)	77	106	FK719059	SKEG REPAIR KIT	77	-
FA58976-1	CONNECTOR-THROTTLE	95	29	FK719135F	COVER KIT-FRONT (PAINTED)	63	31
FA609853	DECAL KIT-SHIFT TO NEUTRAL	11	3	FK721706	COVER KIT (TYPE A -NOTE: BELLOWS ARE NLA)	71	17
FA609853	DECAL KIT-SHIFT TO NEUTRAL	15	3	FK85606	CAP (20") (1990A MODELS)	63	35
FA616497	BLOCK KIT-TERMINAL	13	49	FO13193	JET-MAIN FUEL (.088) (4500' - 6000')	27	20
FA616497	BLOCK KIT-TERMINAL	19	1	FO13193	JET-MAIN FUEL (.088) (4500' - 6000')	31	18
FA654015	PISTON ASSEMBLY	93	21	FO13949	JET-MAIN FUEL (.086) (6000' - 10000')	27	20
FA654055	CAP KIT	93	19	FO13949	JET-MAIN FUEL (.086) (6000' - 10000')	31	18
FA663744	WIRE KIT	81	6	FO14191	JET-MAIN FUEL (.094) (0 - 1500')	27	20
FA663744	WIRE KIT BAYONET MODELS	83	29	FO14191	JET-MAIN FUEL (.094) (0 - 1500')	31	18
FA707239	SPOOL ASSEMBLY-PROP SHAFT	75	53	FO16130	BOWL-FUEL	27	27
FA84621-1	COUPLING ASSEMBLY- GEAR SHIFT	71	25	FO16130	BOWL-FUEL (BOTTOM CARB)	31	24
FA85193	END ASSEMBLY-TIE BAR	29	38	FO16132	SCREW-FUEL BOWL	27	28
FA85193	END ASSEMBLY-TIE BAR	31	33	FO16132	SCREW-FUEL BOWL	31	25
FA85355-1	WASHER SET	63	15	FO16133	NOZZLE-MAIN	27	25
FG1026-2	GASKET SET	43	-	FO16133	NOZZLE-MAIN	31	22
FG1026-2	GASKET SET	47	16	FO16142	SHUTTER-THROTTLE	27	2
FG1026-2	GASKET SET	53	-	FO16142	SHUTTER-THROTTLE	31	2
FG1026-2	POWERHEAD GASKET SET	25	-	FO16143	SPRING-THROTTLE SHAFT	27	14
FG1026-2	POWERHEAD GASKET SET	35	-	FO16143	SPRING-THROTTLE SHAFT	31	13
FG1026-2	POWERHEAD GASKET SET	49	-	FO16301	SHAFT AND LEVER-CHOKE	27	11
FG1026-2	POWERHEAD GASKET SET	55	-	FO16620	E-RING-SHAFT	27	7
FK10023	CARB. GASKET SET	25	-	FO16620	E-RING-THROTTLE SHAFT	31	7
FK10023	CARB. GASKET SET	29	-	FO16993	TUBE-BY-PASS	27	6
FK10023	CARB. REPAIR KIT	33	-	FO16993	TUBE-BY-PASS	31	6
FK10023	GASKET SET-CARBURETOR	27	30	FO17719	SHUTTER-CHOKE	27	12
FK10023	GASKET SET-CARBURETOR	31	29	FO17884	SHAFT AND LEVER- THROTTLE	27	13
FK10103-2	CARB. REPAIR KIT	29	-	FO17884	SHAFT AND LEVER- THROTTLE	31	12
FK10103-2	CARB. REPAIR KIT	33	-				
FK10103-2	REPAIR KIT-CARBURETOR	27	29				
FK10103-2	REPAIR KIT-CARBURETOR	31	28				

PARTS INDEX

Part Number	Description	Pg.	Ref. No.	Part Number	Description	Pg.	Ref. No.
FO9678	CLIP-CHOKE SHAFT	27	17	FT8914	REMOVER-SEAL-		
FO992	LOCKWASHER	27	19		CRANKSHAFT CAGE	102	-
FS409752	FUEL LINE (COMPLETE)			FT8919	PUNCH-CLUTCH SPRING		
	FORCE	99	-		PIN	102	-
FS664358	BRACKET-ELECTRICAL			FT8925	INSTALLER-SEAL-LOWER		
	MOUNT (PAINTED)	13	61		CRANKSHAFT	102	-
FS707023	GEAR ASSY.-FORWARD			FT8926	EXPANDER-PISTON RINGS	102	-
	(1.93:1 - TYPE B & C) . . .	73	43	FT8933	HOOK-LIFTING-		
FS85019	KINGPIN ASSEMBLY (20") . .	61	4		CRANKSHAFT END	102	-
FSA663260	RING SET (2)-PISTON-(.010			FT8936-1	SEALANT-LOCTITE RC-609 .	103	-
	O.S.)	51	23	FT8948-1	PULLER KIT-FLYWHEEL . . .	102	-
FSA691015	PISTON (.010 O.S.) 1990A			FT8950	LEAKAGE TESTER-LOWER		
	MODELS	51	19		UNIT	102	-
FT1081	PLIERS-SNAP RING	102	-	FT8957	INSTALLER-SEAL-SHIFT		
FT11209	GUIDE SET-				ROD	102	-
	INSTALLER/REMOVER-			FT8969	LUBICANT-LPS #1	103	-
	GEAR BEARING RACE . . .	102	-	FT8978-1	TIMING LIGHT-IGNITION . . .	102	-
FT11240	WRENCH-SPANNER-			FT8985	INSTALLER-SEAL-		
	TRIM/TILT CYLINDER . . .	102	-		DRIVESHAFT	102	-
FT11275	WRENCH-SPANNER-SPOOL			FZ718366	MEDALLION-US MARINE		
	RETAINER	102	-		(GOLD)	7	17
FT11292	PULLER ASSEMBLY-			FZ721366	MEDALLION- (GOLD) FORCE	7	16
	DRIVESHAFT REMOVER . . .	102	-	10-16452	SCREW (#12-24 X 2")	37	12
FT11293	WRENCH-SPANNER-UPPER			10-19922075	SCREW (3/8-16 X 3/4") WITH		
	DRIVESHAFT RETAINER . . .	102	-		DRI LOC	63	13
FT11295	SPARK TESTER-IGNITION			10-19923062	SCREW (1/4-20 X 5/8") WITH		
	SYSTEM	102	-		DRI LOC	9	7
FT16433	REMOVER-BEARING-			10-19923062	SCREW (1/4-20 X 5/8") WITH		
	LOWER DRIVESHAFT	102	-		DRI LOC	21	18
FT16496	INSTALLER-BEARING-			10-19923062	SCREW (1/4-20 X 5/8") WITH		
	LOWER DRIVESHAFT	102	-		DRI LOC	21	19
FT16536	ADAPTER TOOL-TORQUING	102	-	10-19923088	SCREW (1/4-20 X 7/8") WITH		
FT16813	REMOVER-BEARING CUP-				DRI LOC	87	5
	FORWARD GEAR	102	-	10-19924100	SCREW (5/16-18 X 1") WITH		
FT16814	INSTALLER-BEARING CUP-				DRI LOC	77	86
	FORWARD GEAR	102	-	10-19924325	SCREW (5/16-18 X 3-1/4")		
FT2938-1	CONTINUITY TESTER-				WITH DRI LOC	77	81
	ELECTRICAL CIRCUITS . . .	102	-	10-19926100	SCREW (10-24 X 1") W/DL . .	15	36
FT2948	HELI-COIL KIT (3/8-16)	102	-	10-19927075	SCREW (1/4-20 X 3/4") W/DRI		
FT2951	CIRCUIT TRACER-				LOC	55	2
	ELECTRICAL SYSTEM	102	-	10-19928100	SCREW (5/16-18 X 1") WITH		
FT2953	SOCKET-CONNECTING ROD				DRI LOC	77	82
	SCREWS	102	-	10-19931088	SCREW (10-24 X 7/8") WITH		
FT2962-2	SEALANT-LOCTITE H	103	-		DRI LOC	41	10
FT2969	HELI-COIL KIT (10-24)	102	-	10-19934075	SCREW (1/4-20 X 3/4") WITH		
FT2970	HELI-COIL KIT (1/4-20)	102	-		DRI LOC	63	18
FT2971	HELI-COIL KIT (5/16-18)	102	-	10-28430	SCREW (6-32 X 1/4")	35	2
FT2990-1	PISTON PIN TOOLS-PISTON			10-28635	SCREW (1/4-20 X 5/8")	9	23
	PINS	102	-	10-28636	SCREW (1/4-20 X 3/4")	11	16
FT2991	BRUSH-WIRE-CARBON			10-28636	SCREW (1/4-20 X 3/4")	23	39
	REMOVER	102	-	10-28636	SCREW (1/4-20 X 3/4")	39	27
FT2996	COMPRESSER-PISTON			10-28636	SCREW (1/4-20 X 3/4")	77	80
	RINGS	102	-	10-28636	SCREW (1/4-20 X 3/4")-		
FT3012	INSTALLER-SEAL	102	-		GROUND	45	9
FT8900	PLIERS-HOSE CLAMPS-			10-28639	SCREW (1/4-20 X 5/8")	5	9
	FUEL LINE	102	-	10-32132	SCREW (3/8-16 X 1-3/4") . . .	47	7
FT8903	INSTALLER-SEAL-			10-34939	SCREW (1/4-20 X 1/2")	9	22
	CRANKSHAFT CAGE	102	-	10-34939	SCREW (1/4-20 X 1/2")	13	47
FT8907	HANDLE-DRIVER-USE WITH			10-34939	SCREW (1/4-20 X 1/2")	19	9
	FT8903	102	-	10-34939	SCREW (1/4-20 X 1/2")	81	31

PARTS INDEX

Part Number	Description	Pg.	Ref. No.	Part Number	Description	Pg.	Ref. No.
10-34939	SCREW (1/4-20 X 1/2")	83	27	10-98254	SCREW (1/4-20 X 5/8")	37	8
10-34939	SCREW (1/4-20 X 1/2")	87	27	10-98254	SCREW (1/4-20 X 5/8")	49	37
10-37612	SCREW (3/8-16 X 1-1/4")	49	48	10-98254	SCREW (1/4-20 X 5/8")	49	42
10-40003-58	SCREW (M8 X 50)	102	-	10-98261	SCREW (3/8-16 X 3/4")		
10-41069	SCREW (10-24 X 3/4")	13	51		(1990A MODELS)	65	40
10-41069	SCREW (10-24 X 3/4")	13	70	10-F10328	SCREW-SHUTTER	27	3
10-41069	SCREW (10-24 X 3/4")	19	2	10-F10328	SCREW-SHUTTER	31	3
10-41069	SCREW (10-24 X 3/4")	19	5	10-F1059	SCREW (6-32 X 1/4")	29	49
10-41069	SCREW (10-24 X 3/4")			10-F1064	SCREW (8-32 X 3/8")	29	40
	(DESIGN I)	35	10	10-F1064	SCREW (8-32 X 3/8")	31	35
10-41772	SCREW (10-24 X 1/2")	63	34	10-F1112	SCREW (1/4-20 X 7/8") TYPE		
10-41805	SCREW (10-24 X 5/8")	15	20		A	77	94
10-45561	SCREW (1/4-20 X 1-1/8")	47	18	10-F1263	SCREW (5/16-18 X 9/16")	63	8
10-47688	SCREW (3/8-16 X 2-3/4")	47	3	10-F1280	SCREW (8-32 X 1/4")	13	53
10-49668	SCREW (1/4-20 X 3/4")	9	8	10-F1280	SCREW (8-32 X 1/4")	59	6
10-49668	SCREW (1/4-20 X 3/4")	41	25	10-F1280	SCREW (8-32 X 1/4")	95	24
10-53734	SCREW (3/8-16 X 3")	47	4	10-F1504	SCREW (1/4-20 X 1-1/4")	35	8
10-55515	SCREW (10-32 X 3/4")			10-F1504	SCREW (1/4-20 X 1-1/4")	39	6
	(DESIGN II)	35	10	10-F1504	SCREW (1/4-20 X 1-1/4")	41	4
10-55715	SCREW (1/4-20 X 7/8")	43	12	10-F1532	SCREW (1/4-20 X 1")	19	13
10-56682	SCREW (10-24 X 3/4")	35	24	10-F1532	SCREW (1/4-20 X 1")	23	15
10-67755--1	SCREW (1/2-20 X 4-1/2")	61	12	10-F1532	SCREW (1/4-20 X 7/8")	23	13
10-67755--1	SCREW (1/2-20 X 4-1/2")	61	15	10-F1699	SCREW (1/4-20 X 1-1/8")	43	11
10-68101	SCREW (3/8-16 X 1-3/8")	49	58	10-F1733	SCREW (10-24 X 9/16")	9	5
10-69080	SCREW (6-32 X 1/4")	11	19	10-F1733	SCREW (10-24 X 9/16")	83	11
10-69080	SCREW (6-32 X 1/4")	11	38	10-F1733	SCREW (10-24 X 9/16")	87	11
10-69080	SCREW (6-32 X 1/4")	19	19	10-F1741	SCREW (#8 X 3/4")	11	19
10-69080	SCREW (6-32 X 1/4")	23	19	10-F1741	SCREW (#8 X 3/4")	57	2
10-69080	SCREW (6-32 X 1/4")	57	3	10-F1741	SCREW (#8 X 3/4")	95	7
10-69080	SCREW (6-32 X 1/4")	95	6	10-F1741	SCREW(#8 X 3/4")	95	12
10-76213	SCREW (1/4-20 X 1-1/8")	47	28	10-F1760	SCREW (10-24 X 3/8")	11	30
10-76566	SCREW (10-24 X 1")	17	36	10-F1760	SCREW (10-24 X 3/8")	81	8
10-76630	SCREW (1/4-20 X 1")	9	9	10-F1760	SCREW (10-24 X 3/8")		
10-812987	SCREW (10-24 X 1-1/4")	15	15		BAYONET MODELS	83	31
10-813436	SCREW AND WASHER KIT			10-F1800	SCREW (1/4-20 X 7")	102	-
	(4 PCS EACH)	89	3	10-F1822	SCREW (5/16-18 X 7/8")	63	11
10-813446	SCREW KIT (4 PCS)	89	12	10-F1822	SCREW (5/16-18 X 7/8")	81	5
10-813453	BOLT AND NUT KIT	89	19	10-F1829	SCREW (10-24 X 7/8")	39	5
10-817458	SCREW (10-24 X 2-1/4")	15	26	10-F1858	SCREW (5/16-18 X 1")	9	12
10-817504	SCREW (1/4-20 X 1-1/2")	15	23	10-F1874	SCREW (3/8-16 X 3-1/8")	47	2
10-817505	SCREW(1/4-20 X 5/8")	15	23	10-F1883	SCREW (5/16-18 X 2-3/8")	49	38
10-820589	SCREW (1/4-20 X 1-1/4")	47	8	10-F1885	SCREW (5/16-18 X 4-1/4")	67	16
10-821045-40	SCREW (M5 X .8 X 40)-FUEL			10-F1885	SCREW (5/16-18 X 4-1/4")	69	16
	PUMP	37	3	10-F1885	SCREW (5/16-18 X 4-1/4")		
10-826377	SCREW (5/16-18 X 3/4")				TYPE A	77	91
	WITH DRI LOC-EXHAUST			10-F1934	SCREW (#6 X 1/2")	13	56
	SNOUT	77	85	10-F1959	SCREW (1/4-20 X 1-3/4")	91	8
10-826377	SCREW (5/16-18 X 3/4")W/DL	63	3	10-F1972	SCREW (1/4-20 X 2-1/2")	102	-
10-826380	SCREW (1/4-20 X 5/8") WITH			10-F1999	SCREW (1/4-20 X 7/8")	71	21
	DRI LOC	23	27	10-F1999	SCREW (1/4-20 X 7/8") TYPE		
10-826577	SCREW(1/2-13X7/8")W/DL	65	40		A	77	111
10-90086	SCREW (5/16-18 X 1-1/2")	83	3	10-F2000	SCREW (5/16-18 X 3/4")-		
10-90192	SCREW (1/4-20 X 3/4")	19	22		BATTERY CABLE		
10-90285	SCREW (5/16-18 X 5/8")	5	12		GROUND	47	30
10-90285	SCREW (5/16-18 X 5/8")	9	11	10-F2008	SCREW (1/4-20 X 7/8")	11	9
10-91012	SCREW-CONNECTING ROD	51	17	10-F2008	SCREW (1/4-20 X 7/8")	47	23
10-92160	SCREW (1/4-20 X 3/4")	51	8	10-F2008	SCREW (1/4-20 X 7/8")	83	5
10-94207	SCREW (3/8-16 X 2")	47	5	10-F2016	SCREW (6-32 X 7/8")	11	37
10-98253	SCREW (1/4-20 X 1/2")	23	23	10-F2016	SCREW (6-32 X 7/8")	11	41
10-98254	SCREW (1/4-20 X 5/8")	35	22	10-F2016	SCREW (6-32 X 7/8")	23	17

PARTS INDEX

Part Number	Description	Pg.	Ref. No.	Part Number	Description	Pg.	Ref. No.
10-F2030	SCREW (1/4-20 X 1-1/4")	25	45	11-68219	NUT (10-32) (DESIGN II)	35	18
10-F2030	SCREW (1/4-20 X 1-1/4")	63	32	11-68292	NUT (5/16-18)	13	60
10-F2143	SCREW (1/4-20 X 1")	5	3	11-68292	NUT (5/16-18)	15	29
10-F2185	SCREW (3/8-16 X 3-1/2")	61	15	11-68292	NUT (5/16-18)	19	24
10-F2192	SCREW (1/4-20 X 1-3/4")	31	31	11-68292	NUT (5/16-18)	65	41
10-F2192	SCREW (1/4-20 X 1-3/8")	27	32	11-68292	NUT (5/16-18)	81	4
10-F2193	SCREW (6-32 X 7/8")	19	17	11-68411	NUT (3/8-16)	47	33
10-F2200	SCREW (12-24 X 1")	11	4	11-72008	NUT (1/4-20)	39	12
10-F2217	SCREW (10-24 X 3/8")	39	13	11-72008	NUT (1/4-20)	39	18
10-F2217	SCREW (10-24 X 3/8")	67	10	11-72008	NUT (1/4-20)	41	16
10-F2217	SCREW (10-24 X 3/8")	67	18	11-72008	NUT (1/4-20)	67	9
10-F2234	SCREW (#10 X 1-1/8") (TYPE B & C & D)	73	37	11-79989	NUT (10-24) (DESIGN I)	35	18
10-F2288	SCREW (1/4-20 X 1-1/2")	63	32A	11-814101	NUT (1/4-20)	11	12
10-F2293	SCREW (6-32 X 5/16")	23	33	11-814101	NUT (1/4-20)	23	40
10-F2312	SCREW (5/16-18 X 2-1/8")	63	36	11-814101	NUT (1/4-20)	67	5
10-F2317	SCREW (1/4-20 X 7/8")	71	5	11-814101	NUT (1/4-20)	69	5
10-F2428	SCREW (3/8-16 X 5")	61	15	11-826375	NUT (5/8-18) W/DRI LOC	71	11
10-F369887	SCREW-SHOULDER	67	3	11-86226	NUT (3/8-16)	23	5
10-F369887	SCREW-SHOULDER	69	3	11-86226	NUT (3/8-16)	61	16
10-F405457	PIVOT-CABLE CLAMP SWIVEL	39	11	11-91962	NUT (1/2-20)	61	14
10-F405457	SCREW-PIVOT	67	8	11-91962	NUT (1/2-20)	61	14
10-F50109	PLUG	71	2	11-91962	NUT (1/2-20)	61	16
10-F660165	SCREW	95	16	11-F1647	NUT (8-32)	11	27
10-F660480	SCREW	95	4	11-F1647	NUT (8-32)	19	29
10-F660732	SCREW	95	2	11-F1693	NUT (8-32)	29	39
10-F660751	SCREW	97	36	11-F1693	NUT (8-32)	31	34
10-F685632	BOLT (1/2-20 X 7")	61	12	11-F1968	NUT (3/4-16)	11	1
10-F85037-1	BOLT-PIVOT-STERN BRACKET	61	7	11-F1968	NUT (3/4-16)	15	1
10-FO1974	SCREW	27	18	11-F1968	NUT (3/4-16)	51	9
11-13438	NUT (1/4-28)	73	40	11-F1997	NUT (8-32)	29	44
11-13855	NUT (1/4-20)	5	5	11-F1997	NUT (8-32)	33	39
11-20110	NUT (10-32)	39	29	11-F2015	NUT (1/4-28)	39	25
11-20110	NUT (10-32)	41	27	11-F2015	NUT (1/4-28)	41	23
11-20361	NUT (1/4-28)	21	15	11-F2108	NUT (5/16-18)	67	15
11-28040	NUT (1/2-20)	61	9	11-F2108	NUT (5/16-18)	69	15
11-29488	NUT (10-32) TYPE A	77	98	11-F523280	NUT-STEERING SUPPORT TUBE	61	20
11-34059	NUT (10-32)	41	26	11-F7006	NUT (5/16-18)	17	40
11-34059	NUT (10-32)	69	21	11-F7009	NUT (10-24)	39	22
11-34863	NUT (3/8-24)	59	2	11-F7009	NUT (10-24)	41	20
11-35778	NUT (1/2-20)	61	26	11-F7053	NUT (5/8-18)	81	29
11-35778	NUT (1/2-20)	81	17	11-F7053	NUT (5/8-18)	83	23
11-35778	NUT (1/2-20)	83	17	11-F7053	NUT (5/8-18)	87	23
11-35778	NUT (1/2-20)	87	17	12-12038	WASHER (TYPE A)	77	92
11-45076	NUT (10-32)	15	18	12-19183	WASHER	71	3
11-52707A1	NUT KIT (3/4-16)	3	01	12-20553	WASHER	47	32
11-52707A1	NUT KIT-PROP (3/4-16)	75	65	12-20553	WASHER	63	14
11-64015	NUT (1/4-20)	11	21	12-25909	WASHER (.406 X .812 X .065)	102	-
11-64015	NUT (1/4-20)	39	7	12-27882	WASHER	13	42
11-64015	NUT (1/4-20)	41	5	12-27882	WASHER	19	18
11-68219	NUT (10-32)	11	33	12-27882	WASHER	23	18
11-68219	NUT (10-32)	19	26	12-27882	WASHER	29	46
11-68219	NUT (10-32)	39	19	12-28421	WASHER	61	13
11-68219	NUT (10-32)	41	13	12-29245	WASHER	5	4
11-68219	NUT (10-32)	81	13	12-29245	WASHER	29	53
11-68219	NUT (10-32)	95	27	12-29245	WASHER	33	46
11-68219	NUT (10-32) BAYONET MODELS	85	36	12-31247	WASHER	15	34
				12-31247	WASHER	53	24
				12-34437	WASHER	49	39
				12-34437	WASHER	67	14

PARTS INDEX

Part Number	Description	Pg.	Ref. No.	Part Number	Description	Pg.	Ref. No.
12-35044	WASHER	11	10	13-53166	LOCKWASHER (5/16")	19	23
12-35044	WASHER	23	38	13-53166	LOCKWASHER (5/16")	63	12
12-35044	WASHER (.281 X .625 X .065)	102	-	13-53166	LOCKWASHER (5/16")	65	42
12-37828	WASHER	47	17	13-53166	LOCKWASHER (5/16")	81	3
12-37828	WASHER	47	6	13-53166	LOCKWASHER (5/16")	83	4
12-37828	WASHER	59	7	13-53166	LOCKWASHER (5/16")- BATTERY CABLE		
12-40023-16	WASHER	9	18		GROUND	47	31
12-71055	WASHER	73	39	13-58643	LOCKWASHER (3/8")	49	49
12-813450	THRUST WASHER KIT	89	16	13-69150	WASHER	63	5
12-89302	WASHER	11	31	13-78968	LOCKWASHER (1/4" INTERNAL)	11	15
12-89302	WASHER	67	11	13-78968	WASHER-GROUND	45	8
12-89302	WASHER	81	9	13-F1704	LOCKWASHER (#6 INT)	23	20
12-89302	WASHER BAYONET MODELS	83	32	13-F1704	LOCKWASHER (#6 INTERNAL)	11	39
12-92721	WASHER	71	12	13-F1704	LOCKWASHER (#6 INTERNAL)	19	20
12-F1710	WASHER	81	18	13-F1711	WASHER-BOWED	81	19
12-F1856	WASHER	41	8	13-F2047	WASHER-WAVE	9	16
12-F1856	WASHER	77	87	13-F2442	WASHER-WAVE	15	5
12-F1960	WASHER	61	24	13-F8056	LOCKWASHER (#8)	11	13
12-F1960	WASHER	83	18	13-F8056	LOCKWASHER (#8)	19	28
12-F1960	WASHER	87	18	13-F8124	LOCKWASHER (5/16" EXTERNAL)	13	64
12-F506186	WASHER	77	83	14-816629	WASHER-TAB	75	61
12-F513286	WASHER	63	4	14-F707286	WASHER-TAB	75	59
12-F523282	WASHER (TYPE B & C & D)	75	64	15-819415A1	SHIM SET	71	14
12-F523282	WASHER-SPLINED (TYPE A)	77	107	15-819416A1	SHIM SET	73	42
12-F660595	WASHER	95	3	16-826372	STUD (1/4-28 X 3-1/8") WITH DRI LOC	73	38
12-F8012	WASHER (.203 X .469 X .049)	102	-	16-826387	STUD (3/8-16 X 1-5/8") WITH DRI LOC	23	2
12-F8090	WASHER	13	65	16-826387	STUD (3/8-16 X 1-5/8") WITH DRI LOC	23	2
12-F8090	WASHER	15	11	16-826389	STUD (1/4-20 X 1") WITH DRI LOC	23	3
12-F8143	WASHER TYPE A	77	97	16-826391	STUD (3/8-16 X 3.11") WITH DRI LOC	47	11
12-F8167	WASHER (TYPE A)	77	108	16-826393	STUD (5/16-18 X 2-1/4") WITH DRI LOC	17	38
12-F84011	WASHER	61	25	16-826395	STUD (3/8-16 X 2-1/4") WITH DRI LOC	47	10
12-F84286-1	WASHER	61	8	16-F660273	STUD	81	2
13-26992	LOCKWASHER (1/4")	9	19	16-F694211	STUD (#10 X 1.34") TYPE A	77	96
13-26992	LOCKWASHER (1/4")	13	58	16-F8586	PIN-DOWEL	77	110
13-26992	LOCKWASHER (1/4")	35	12	16-F98273	STUD-ROD END CONNECTOR	39	28
13-26992	LOCKWASHER (1/4")	63	19	17-20433	PIN-DOWEL (3/8" X 1") (STYLE I)	47	9
13-26992	LOCKWASHER (1/4")	71	22	17-38489	PIN-ROLL	39	3
13-26992	LOCKWASHER (1/4")	83	6	17-38489	PIN-ROLL	41	3
13-26992	LOCKWASHER (1/4")	87	6	17-43044	PIN-DOWEL (3/8" X 5/8") (STYLE II)	47	9
13-26992	LOCKWASHER (1/4") TYPE A	77	95	17-823605	PIN-LOCATING (PRESSED INTO BLOCK)	51	13
13-26992	LOCKWASHER (TYPE A)	77	112	17-F1664	PIN-SPRING	63	23
13-26992	WASHER	21	20	17-F1727	RIVET-NYLON	41	7
13-26995	LOCKWASHER (#8)	59	5	17-F2033	PIN-GROOVE	27	34
13-26996	LOCKWASHER (#10)	11	34	17-F2419	PIN-SPRING	73	46
13-26996	LOCKWASHER (#10)	17	37				
13-26996	LOCKWASHER (#10)	19	14				
13-26996	LOCKWASHER (#10)	19	25				
13-26996	LOCKWASHER (#10)	19	3				
13-26996	LOCKWASHER (#10)	19	9				
13-26996	LOCKWASHER (#10)	35	9				
13-26996	LOCKWASHER (#10)	81	14				
13-26996	LOCKWASHER (#10) BAYONET MODELS	85	37				
13-35048	LOCKWASHER (3/8") (1990A MODELS)	65	39				
13-38829	LOCKWASHER (1/2")	65	39				
13-53166	LOCKWASHER (5/16")	5	11				
13-53166	LOCKWASHER (5/16")	9	13				
13-53166	LOCKWASHER (5/16")	13	59				
13-53166	LOCKWASHER (5/16")	15	28				

PARTS INDEX

Part Number	Description	Pg.	Ref. No.	Part Number	Description	Pg.	Ref. No.
17-F691372	PIN-WATER JACKET TUBE (TOP)	49	62	22-F722109-1	PLUG-CYLINDER HEAD	49	41
17-F719372	PIN-WATER JACKET TUBE	49	63	22-F743314	ELBOW	35	15
17-F84871-1	PIN-SHIFT	73	47	22-F743314	ELBOW-RECIRCULATING	37	11
17-F85372	PIN-GEAR SHIFT ROD LOWER	75	66	22-F743314	ELBOW-RECIRCULATING	45	1
17-F8580	PIN-LOCATING	75	52A	22-F745801	FITTING	43	3
17-FO13944	PIN-FLOAT	27	24	22-F745801	TEE	43	4
17-FO13944	PIN-FLOAT	31	21	22-F84314-2	TEE	47	22
18-26953	PIN-COTTER	29	45	22-F84314-2	ELBOW (L) (TOP CARB)	27	28A
18-F1015	PIN-COTTER	75	67	22-F84314-2	ELBOW (L) (TOP CARB)	31	26
18-F525629	PIN-COTTER	61	6	22-F85314-1	TEE (T) (BOTTOM CARB)	27	28B
18-F525629	PIN-COTTER	83	-	22-F85314-1	TEE (T) (BOTTOM CARB)	31	27
19-F1729	PLUG-REAR COVER	65	-	23-812707	BUSHING	9	15
19-F1966	PLUG	81	32	23-819006--2	BUSHING-CABLE ENTRY	9	2
19-F1966	PLUG	83	28	23-819057	SPACER (TYPE B & C & D)	75	62
19-F1966	PLUG	87	28	23-819414A1	SPACER SET (1990A THRU 1992C MODELS)	73	44
19-F2067	CAP-CRANKSHAFT END	51	10	23-819452	BUSHING	69	20
19-F9018	CAP-STARBOARD STERN BRACKET	61	-	23-819493	BEARING	61	2
19-F9052	PLUG-STEERING TUBE ASSEMBLY-PORT SIDE	61	-	23-819513	BUSHING	39	2
19-FO10588	PLUG-CUP	27	5	23-819513	BUSHING	41	2
19-FO10588	PLUG-CUP	31	5	23-819513	BUSHING	41	2
19-FO16128	PLUG-WELCH	27	4	23-826806	SPACER-PISTON PIN	51	22
19-FO16128	PLUG-WELCH	31	4	23-826806	SPACER-PISTON PIN 1990A MODELS	51	22
21-13331A1	VALVE-CHECK (INLET)	101	8	23-826806	BUSHING-CABLE ENTRY	9	4
21-13331A1	VALVE-CHECK (INLET)	101	8	23-828763	BUSHING	15	24
21-13331A2	VALVE-CHECK (OUTLET)	101	9	23-91912	BUSHING	67	4
21-13331A2	VALVE-CHECK (OUTLET)	101	9	23-97896	BUSHING	67	4
21-42657A1	VALVE ASSYEMBLY-CHECK	43	10	23-97896	BUSHING	69	4
21-42658	CHECK VALVE	45	5	23-F178344	BUSHING	81	16A
21-42658	VALVE-CHECK	43	1	23-F178344	BUSHING	83	-
21-42864	FITTING (90 DEG.)	45	2	23-F178344	BUSHING	83	13A
21-42990A10	DIAPHRAGM KIT	37	2	23-F178344	BUSHING	87	-
21-820706	ELBOW-RECIRCULATING TUBING	45	3	23-F178344	BUSHING	87	13A
21-F177330	VALVE-FUEL PUMP	35	3	23-F178344	BUSHING	93	18
22-13563A3	CONNECTOR-ENGINE	101	12	23-F178344	BUSHING-UPPER	61	23
22-13563A3	CONNECTOR-ENGINE	101	12	23-F213238-2	BUSHING-FUEL	99	10
22-64705	FITTING	35	11	23-F269319	BEARING	39	17
22-813435	PLUG KIT	89	8	23-F269319	BEARING-THROTTLE CAM	41	15
22-816856A3	CONNECTOR ASSEMBLY-FUEL	101	15	23-F369610	BUSHING	67	6
22-818103--1	ELBOW 1990A THRU 1992A MODELS	43	5	23-F369610	BUSHING	69	6
22-823532	CONNECTOR ASSEMBLY-FUEL	101	3	23-F40689-1	BEARING-TOWERSHAFT LOWER	39	14
22-85822A12	CONNECTOR ASSEMBLY	71	28	23-F40689-1	BEARING-TOWERSHAFT LOWER	41	11
22-89771--1	CONNECTOR-FUEL TANK	101	13	23-F40689-1	RETAINER-DRIVESHAFT SPLINE SEAL	75	73
22-89771--1	CONNECTOR-FUEL TANK	101	13	23-F438271	BEARING-LOWER	61	23A
22-99664	ELBOW	37	5	23-F449362	BEARING-TRIM HOUSING SHAFT	81	28
22-99664	ELBOW-FUEL PUMP HOSE	45	4	23-F449362	BEARING-TRIM HOUSING SHAFT	83	24
22-F213274	FITTING-GREASE	61	3	23-F449362	BEARING-TRIM HOUSING SHAFT	87	24
22-F404314	ELBOW	35	15	23-F523099-1	SPACER (TYPE A)	75	62A
22-F404314	FITTING 1990A THRU 1992A MODELS	43	7	23-F694043-2	SLEEVE	77	109
22-F523274	FITTING-GREASE	61	18	23-F694359	SPACER	23	35
22-F694922	FITTING-TEE	23	41	23-F720201	SPACER	63	6
22-F695275	FITTING (1/2-14)	49	47	23-F722932	SPACER	17	39
				24-27160	SPRING-IDLE MIXTURE SCREW	27	16

PARTS INDEX

Part Number	Description	Pg.	Ref. No.	Part Number	Description	Pg.	Ref. No.
24-F523300-1	SPRING-STEERING LINK	59	8	27-820726A1	POWERHEAD GASKET SET	25	-
24-F664268	SPRING	55	4	27-820726A1	POWERHEAD GASKET SET	55	-
24-F686300	SPRING-FUEL PUMP BOOST	35	5	27-823606	GASKET-FUEL PUMP BOWL	35	13
24-F692268	SPRING (RED)	55	4	27-98769--1	GASKET-FUEL PUMP BASE	37	7
24-F85380	SPRING-IDLE EXHAUST BOOT	63	28	27-F178168-1	GASKET-CARBURETOR ADAPTER	23	25
25-25007	O RING	71	7	27-F406406	GASKET-DEFLECTOR PLATE	23	28
25-32507	O RING TYPE A	77	101	27-F440906	GASKET-CARBURETOR	23	6
25-62702	O RING	93	15	27-F476067	GASKET-THERMOSTAT COVER	55	3
25-62702	O RING (TYPE A)	77	93	27-F476529-4	GASKET-CYLINDER HEAD	47	34
25-64872	GROMMET	15	31	27-F658803	GASKET-FUEL PUMP SPACER	35	19
25-813439A2	SEAL KIT	89	6	27-F686472	GASKET-CYLINDER DRAIN	43	13
25-817491	GROMMET	77	77	27-F694031	GASKET-WATER PUMP- UPPER	73	32
25-819427	SEAL-DRIVESHAFT SPLINE	77	74	27-F694830	GASKET-WATER PUMP- LOWER	71	30
25-819638	O RING	89	20	27-F84792	GASKET-CENTER VALVE	35	4
25-823533	O RING	101	4	27-FO15623	GASKET-FUEL BOWL	27	22
25-90011	SEAL-DRIVESHAFT COVER	71	16	27-FO15623	GASKET-FUEL BOWL	31	19
25-F184579	O-RING	29	47	27-FO5323	GASKET-FUEL BOWL	27	26
25-F24278	SEAL-PROPSHAFT SPOOL (TYPE A)	77	105	27-FO5323	GASKET-FUEL BOWL	31	23
25-F316599	O-RING-STEERING TUBE	61	19	28-F694498	KEY-DRIVESHAFT	73	34
25-F40278	SEAL	91	2	28-F85498-1	KEY- CRANKSHAFT/FLYWHEEL	51	15
25-F439736	SEAL-EXHAUST TUBE	63	17	30-F284659-2	BEARING-UPPER	51	2
25-F449278	SEAL-PISTON	91	4	31-12576	RING-THRUST	73	51
25-F449342	SEAL	91	7	31-12578	BEARING-NEEDLE	75	54
25-F475504	GROMMET-CD MOUNTING	11	11	31-30956	BEARING-ROLLER	75	55
25-F654618	O RING	93	20	31-30956	BEARING-ROLLER (TYPE A)	77	103
25-F654984	O RING	93	22	31-35924A1	BEARING SET	71	9
25-F660504	GROMMET	95	9	31-42647A1	BEARING ASSEMBLY	71	13
25-F694504	GROMMET	23	37	31-62596A2	CAGE/ROLLER SET- CONNECTING ROD	51	18
25-F695830	SEAL	73	41	31-819193	CAGE/ROLLER SET	51	14
25-F707278	SEAL-PROP SHAFT SPOOL	75	58	31-F335217-1	BEARING SET (26)-PISTON PIN	51	20
25-F707305	O RING	71	23	31-F335217-1	BEARING SET (26)-PISTON PIN 1990A MODELS	51	20
25-F84342	SEAL-INLET WATERLINE UPPER	77	78	31-FA523014	BEARING ASSEMBLY- LOWER	51	4
26-12224	SEAL -PROP SHAFT SPOOL	75	57	31-FA85655-1	BEARING ASSEMBLY- CENTER MAIN	51	11
26-817472	SEAL-GEAR SHIFT ROD- LOWER	71	20	32-16789-78	FUEL LINE (9') CUT AS REQ'D	101	17
26-819740	SEAL-DRIVESHAFT WATER PUMP	71	18	32-16789100	FUEL LINE (100') CUT AS REQ'D	101	-
26-F506118-1	SEAL-PROPSHAFT SPOOL (TYPE A)	77	104	32-16789A26	FUEL LINE ASSEMBLY (5/16" I.D.) (8') (18" & 72")	101	6
26-F523146-1	SEAL	51	5	32-17146A8	FUEL LINE ASSEMBLY (5/16" I.D.) (8') (30" & 60")	101	6
26-F523146-1	SEAL	51	7	32-817736	HOSE (6")	23	4
26-F664914	SEAL-THERMOSTAT	55	7	32-817738A1	FUEL LINE KIT	99	16
26-F694305	SEAL-DRIVESHAFT	71	19	32-818066A3	TUBE ASSEMBLY-STEERING	61	17
26-F694735-1	SEAL-WATERLINE	77	75	32-819420	LINE-HYDRAULIC (UP)	87	22
26-F697555	SEAL -PROP SHAFT SPOOL	75	56	32-819421	LINE-HYDRAULIC (DOWN)	87	21
27-819024	GASKET-EXHAUST PLATE	47	25	32-819422	LINE-HYDRAULIC (DOWN)	87	14
27-819381	GASKET-SPACER PLATE	49	45	32-819423	LINE-HYDRAULIC (UP)	87	15
27-820490	GASKET-FUEL PUMP	35	16				
27-820500	GASKET-FUEL PUMP COVER	35	23				
27-820500	GASKET-FUEL PUMP COVER	37	10				
27-820500	GASKET-TRANSFER PORT COVER	49	43				
27-820726A1	GASKET SET	37	-				
27-820726A1	GASKET SET	47	16				
27-820726A1	GASKET SET	53	-				

PARTS INDEX

Part Number	Description	Pg.	Ref. No.	Part Number	Description	Pg.	Ref. No.
32-820485A1	TUBE & PIN KIT-WATER JACKET 1990A MODELS	47	24A	37-819573	DECAL-PORT 1992 BAYLINER MODELS		
32-99126-88	TUBING (1-1/4") CUT AS REQ'D	23	43	37-819574	DECAL-REAR 1992 BAYLINER MODELS	7	13
32-99126-88	TUBING (4-3/4") CUT AS REQ'D	23	42	37-819575	DECAL-FRONT 1992 BAYLINER MODELS	7	14
32-99126-88	TUBING (8") CUT AS REQ'D	23	44	37-819593	DECAL-STARBOARD 1992 MAXUM MODELS	7	13
32-99127109	HOSE (21") CUT AS REQ'D	33	45	37-819594	DECAL-PORT 1992 MAXUM MODELS	7	13
32-99127109	HOSE (21-1/2") CUT AS REQ'D	29	52	37-819595	DECAL-REAR 1992 MAXUM MODELS	7	15
32-99127109	HOSE (4-1/2") CUT AS REQ'D-PUMP TO BLOCK	37	-	37-819596	DECAL-FRONT 1992 MAXUM MODELS	7	14
32-99127109	HOSE (4-1/2")-CUT AS REQ'D-PUMP TO BLOCK	35	-	37-820524A93	DECAL SET FORCE	7	-
32-99127109	HOSE (5-1/4") CUT AS REQ'D	33	44	37-820525A93	DECAL SET BAYLINER	7	-
32-99127109	HOSE (7-1/2") CUT AS REQ'D	29	51	37-820525A94	DECAL SET BAYLINER	7	-
32-99127109	HOSE (7-1/2") CUT AS REQ'D	33	40	37-825064	DECAL-CAUTION-START IN GEAR	21	-
32-99128-78	TUBING (CUT AS REQ'D)	43	6	37-825066	DECAL-WARNING-HI-VOLTAGE	21	-
32-99130122	HOSE	45	6	37-F510374-1	DECAL-CIRCUIT BREAKER	81	11
32-99130122	TUBING (CUT AS REQ'D)	43	2	37-F510374-1	DECAL-CIRCUIT BREAKER	11	29
32-F500244	WATERLINE (25")	77	76	37-F510374-1	DECAL-CIRCUIT BREAKER BAYONET MODELS	85	34
32-F523244	WATERLINE (20")	77	76	37-F529398-1	DECAL-WIRING	19	6
32-F660253	LINE-HYDRAULIC-LOWER (TRIM)	81	25	37-F664398-1	DECAL-WIRING (1990A MODELS)	47	29
32-F660254	LINE-HYDRAULIC-UPPER (TRIM)	81	24	37-F694366-1	MEDALLION-US MARINE (SILVER)	7	17
32-F660754	LINE-HYDRAULIC-LOWER (TILT)	81	23	37-F716374	DECAL-REAR	63	25
32-F660758	LINE-HYDRAULIC-UPPER (TILT)	81	22	37-F717893	DECAL-SIDE	63	24
32-F719253	LINE-HYDRAULIC (UP)	83	22	37-F720396	DECAL-STARBOARD 1990 FORCE MODELS	5	13
32-F719254	LINE-HYDRAULIC (DOWN)	83	21	37-F720397	DECAL-PORT 1990 FORCE MODELS	5	13
32-F719418	TUBE-WATER JACKET	49	60	37-F720528	DECAL-REAR 1990 FORCE MODELS	5	15
32-F719758	LINE-HYDRAULIC (DOWN)	83	14	37-F720892	DECAL-FRONT 1990 FORCE MODELS	5	14
32-F719865	LINE-HYDRAULIC (UP)	83	15	37-F744396	DECAL-STARBOARD 1991 FORCE MODELS	5	13
32-F719943	TUBE-WATER JACKET (TOP)	49	61	37-F744397	DECAL-PORT 1991 FORCE MODELS	5	13
33-818007--1	SPARK PLUG (CHAMPION # UL-18V)	11	22A	37-F744528	DECAL-REAR 1991 FORCE MODELS	5	15
33-827C	SPARK PLUG (CHAMPION # L-76V)	15	16	37-F744892	DECAL-FRONT 1991 FORCE MODELS	5	14
33-898	SPARK PLUG (RFI) (CHAMPION # QL-76V)	15	16	37-FP744396	DECAL-STARBOARD 1992 FORCE MODELS	7	13
34-F530160	REED (5 PETAL)	23	30	37-FP744397	DECAL-PORT 1992 FORCE MODELS	7	13
34-F85161-1	STOP-REED	23	32	37-FP744528	DECAL-REAR 1992 FORCE MODELS	7	15
35-816296	FILTER-FUEL	33	41	37-FP744892	DECAL-FRONT 1992 FORCE MODELS	7	14
35-823534	SCREEN-FILTER	101	5	37-FX720396	DECAL-STARBOARD 1990 BAYLINER MODELS	5	13
35-F438653	SCREEN-FUEL PUMP	35	14				
37-43530--1	DECAL-CAUTION-TRIM PRESSURE	83	7				
37-43530--1	DECAL-CAUTION-TRIM PRESSURE	87	7				
37-817910--1	DECAL-WIRING	47	29				
37-817985--1	MEDALLION-US MARINE (RED)	7	17				
37-818029	DECAL-FUEL MIX	9	3				
37-819526	DECAL-CABLE ADJUSTING	49	-				

PARTS INDEX

Part Number	Description	Pg.	Ref. No.	Part Number	Description	Pg.	Ref. No.
37-FX720528	DECAL-REAR 1990 BAYLINER MODELS	5	15	45-F693128	DRIVESHAFT (25")	75	72
37-FX720892	DECAL-FRONT 1990 BAYLINER MODELS	5	14	45-F694128	DRIVESHAFT (20")	75	72
37-FX744396	DECAL-STARBOARD 1991 BAYLINER MODELS	5	13	45-FS694628	D'SHAFT/PINION ASSY- LOWER(1.93:1 -TYPE A) .	71	8
37-FX744397	DECAL-PORT 1991 BAYLINER MODELS BAYLINER	5	13	45-FS707628	D'SHAFT/PINION ASSY- LOWER(1.93:1 -TYPE B & C)	71	8
37-FX744528	DECAL-REAR 1991 BAYLINER MODELS	5	15	46-F694060-2	BODY-WATER PUMP	73	36
37-FX744892	DECAL-FRONT 1991 BAYLINER MODELS	5	14	47-F694065	IMPELLER -WATER PUMP .	73	33
37-FZ720396	DECAL-STARBOARD 1990 MAXUM MODELS	5	13	50-12066A9	ROPE AND HANDLE- EMERGENCY STARTER .	13	-
37-FZ720397	DECAL-PORT 1990 MAXUM MODELS MAXUM	5	13	50-819085	STARTER ASSEMBLY	21	1
37-FZ720528	DECAL-REA 1990 MAXUM MODELS	5	15	52-816433	CLUTCH-SHIFT	73	45
37-FZ720892	DECAL-FRONT 1990 MAXUM MODELS	5	14	53-13194	E RING-RETAINING	39	9
37-FZ744396	DECAL-STARBOARD 1991 MAXUM MODELS	5	13	53-13194	E RING-RETAINING	41	17
37-FZ744397	DECAL-PORT 1991 MAXUM MODELS MAXUM	5	13	53-21058	E RING-RETAINING	31	36
37-FZ744528	DECAL-REAR 1991 MAXUM MODELS	7	15	53-21058	RING-RETAINER	29	41
37-FZ744892	DECAL-FRONT 1991 MAXUM MODELS	7	14	53-818826	RING-RETAINING	75	71
39-817869A1	RING SET (2)-PISTON-(STANDARD)	51	23	53-F428096	RETAINER	13	44
39-817869A3	RING SET (2)-PISTON-(.030 O.S.)	51	23	53-F523411	RING-RETAINING TYPE A . .	77	100
39-818129A2	RING SET (2)-PISTON-(.030 O.S.)	53	23	53-F717096	RING-THERMOSWITCH	57	6
39-820457A2	RING SET (2)-PISTON-(STANDARD)	53	23	53-F85410	RING-SNAP	51	12
39-820641A1	RING SET (2)-PISTON-(.010 O.S.)	53	23	54-41582--7	CLAMP	99	14
41-F85017-3	PIN-PISTON	51	21	54-41582--7	CLAMP	101	14
41-F85017-3	PIN-PISTON 1990A MODELS	51	21	54-41582--7	CLAMP	101	16
43-816434A5	GEAR ASSY.-FORWARD (1.93:1 - TYPE D)	73	43	54-41582--7	CLAMP (SMALL)	101	11
43-816435	GEAR-REVERSE (1.93:1 -TYPE B & C & D)	73	50	54-41582--7	CLAMP (SMALL)	101	11
43-819287A2	GEAR ASSY.-FORWARD (2.2:1 - TYPE C & D)	73	43	54-41582-10	CLAMP (LARGE)	101	10
43-F2A694662	GEAR ASSY.-REVERSE (1.93:1 -TYPE A)	73	50A	54-41582-10	CLAMP (LARGE)	101	10
43-FS694023	GEAR ASSY.-FORWARD (1.93:1 - TYPE A)	73	43	54-55098	J CLIP	49	44
44-819284A3	PROPELLER SHAFT (TYPE B & C & D)	73	49	54-55098	J CLIP-FUEL HOSE	45	7
44-FA694098	PROPELLER SHAFT (TYPE A)	73	49	54-63153	J CLIP	15	30
45-819738A2	D'SHAFT/PINION ASSY- LOWER(1.93:1 -TYPE D) .	71	8	54-63933	CLAMP	29	50
45-820214A1	D'SHAFT/PINION ASSY- LOWER(2.2:1 -TYPE C & D)	71	8	54-63933	CLAMP	99	17
				54-816311	CABLE TIE (8")	13	-
				54-816311	CABLE TIE (8")	15	8
				54-816311	CABLE TIE (8")	19	-
				54-816311	CABLE TIE (8")	33	42
				54-816311	CABLE TIE (8")	87	-
				54-820437	CLIP-WIRING HARNESS RETAINER	49	64
				54-823461	CABLE TIE (8-1/2")	15	33
				54-823461	CABLE TIE (8-1/2")	19	-
				54-F289446-1	CLAMP	13	48
				54-F289446-1	CLAMP	19	7
				54-F307317	CLIP-GROUND	13	50
				54-F307317	CLIP-GROUND	19	4
				54-F407446	CLAMP	11	25
				54-F407446	CLAMP-BATTERY CABLE . .	9	21
				54-F438668	RETAINER-CABLE	19	8
				54-F438668	RETAINER-CABLE CLAMP .	13	46
				54-F660446	CLAMP	95	20
				54-F664384	CLIP-TERMINAL BLOCK COVER	13	69
				54-F686491	CLIP-STANDTUBE RETAINER	63	21
				54-F698772	CLAMP	101	14
				54-F85317-3	CLAMP-CHOKE	23	22
				54-F85772	CLAMP	63	29

PARTS INDEX

Part Number	Description	Pg.	Ref. No.	Part Number	Description	Pg.	Ref. No.
55-FS631962	SHOCK ABSORBER ASSEMBLY (PAINTED) ..	83	-	89-F654924-1	SOLENOID-CHOKE	11	26
55-FS631962	SHOCK ABSORBER ASSEMBLY (PAINTED) ..	87	-	89-F654924-1	SOLENOID-CHOKE	19	27
84-65017A24	HARNESS	11	18	90-819683	OPERATORS MANUAL	104	-
84-65017A24	HARNESS	95	8	90-819683930	OPERATORS MANUAL	104	-
84-65017A24	HARNESS ASSY	57	4	90-819683941	OPERATORS MANUAL	104	-
84-811698	WIRING HARNESS	89	9	91-99750A1	MULTIMETER TESTER-ELECTRICAL COMPONENTS	102	-
84-817441A2	HARNESS-COIL TO SWITCHBOX	15	7	92-59327--1	SEALANT-LOCQUIC PRIMER	103	-
84-817459A1	HARNESS-WIRING	19	11	92-819104-12	LACQUER	104	-
84-819200A1	CABLE (15-1/2' - STANDARD)	95	19	92-819107-12	LACQUER	104	-
84-819203A1	CABLE (19')	95	19	92-823089--1	SEALANT-LOCTITE 8831 ...	103	-
84-819204A1	CABLE (22')	95	19	92-825265A1	COMPOUND (8 OZ)-NEEDLE BEARINGS	103	-
84-819205A1	CABLE (25')	95	19	92-825321-12	LACQUER	104	-
84-819210A1	WIRE ASSEMBLY	19	30	92-90113--2	SEALANT-RTV #1473	103	-
84-819514A1	HARNESS ASSEMBLY	83	9	92-FT2987-1	LUBICANT-ANTI-SEEZ	103	-
84-819514A6	HARNESS ASSEMBLY	87	9	100-817606F	PLATE-SUPPORT (PAINTED)	9	1
84-821945A28	CABLE ASSEMBLY-HIGH TENSION	15	32	100-818099A1	TOP COWL 1990 MODELS WITH DECALS MAXUM ..	5	-
84-823392A1	HARNESS-WIRING	19	11A	100-819094A1	TOP COWL 1991 MODELS WITH DECALS BAYLINER	5	-
84-88212A4	WIRE ASSEMBLY (BLUE/WHITE)	83	8	100-819317F	COVER-REAR (PAINTED) ..	63	22
84-88807A29	CABLE ASSEMBLY (BLACK)	15	21	100-819405A1	TOP COWL 1992 MODELS WITH DECALS FORCE ..	5	-
84-88807A34	CABLE ASSEMBLY-ADAPTER	15	14	100-819646A1	TOP COWL 1992 MODELS WITH DECALS BAYLINER	5	-
84-88819A2	WIRE ASSEMBLY (GREEN/WHITE)	83	8	100-819651A1	TOP COWL 1992 MODELS WITH DECALS MAXUM ..	5	-
84-F319908	WIRE-GROUND	11	14	100-819747A3	COWL ASSY-TOP (WITHOUT DECALS)(PAINTED)(ALL MODELS)	5	1
84-F345683	WIRE-GROUND	11	6	114-816629	WASHER, TAB	3	02
84-F381896-4	CABLE-BATTERY	11	24	200-817494A2	FLYWHEEL ASSEMBLY	15	2
84-F381896-4	CABLE-BATTERY (ALL MODELS)	19	12	200-817865A1	FLYWHEEL KIT	11	2
84-F653744-1	HARNESS-WIRE	11	35	300-F654029-1	TRIGGER ASSEMBLY	11	7
84-F660353	CABLE (5')	95	10	300-F663095-4	STATOR ASSEMBLY	11	5
84-F660664	WIRE	97	34	300-F685301-2	CD MODULE (BLUE)	11	8
84-F660908	WIRE (RED)	81	15	332-5772A5	SWITCHBOX ASSEMBLY ..	15	13
84-F660908	WIRE (RED) BAYONET MODELS	85	38	339-7370A23	COIL ASSEMBLY-IGNITION .	15	27
84-F85908-1	WIRE-STARTER	21	16	392-2525	O RING (3.125 O.D.)	93	13
86-F664497	BLOCK-TERMINAL (12 POSITION)	13	68	392-2529	SPRING SET	93	5
87-819022--1	THERMOSWITCH	57	5	392-8989	BRUSH SET	93	4
87-819509	RELAY	83	10	392-8992	GASKET KIT	93	7
87-819509	RELAY	87	10	398-8778A23	STATOR ASSY	15	35
87-F660917	RELAY	81	7	398-8778A27	STATOR ASSEMBLY	15	35
87-F660917	RELAY BAYONET MODELS .	83	30	400-817400A3	CRANKSHAFT ASSEMBLY .	51	1
87-F84449	SWITCH-INTERLOCK	19	16	600-818052A6	CONNECTING ROD ASSEMBLY	51	16
87-F84449	SWITCH-INTERLOCK	23	16	700-818133A1	PISTON (.030 O.S.) 1990A MODELS	51	19
87-F84449	SWITCH-NEUTRAL INTERLOCK	11	40	700-819690A1	PISTON KIT (STANDARD) ..	51	19
88-19637	SOCKET-FUSE	15	9	700-819690A2	PISTON KIT (.010 O.S.) ...	51	19
88-812619	FUSE (20 AMP)	15	22	700-819690A3	PISTON KIT (.030 O.S.) ...	51	19
88-F510460	BREAKER-CIRCUIT	11	28	700-F691015	PISTON (STANDARD) 1990A MODELS	51	19
88-F510460	BREAKER-CIRCUIT	81	12	800-817608A12	POWERHEAD ASSEMBLY ..	37	-
88-F510460	BREAKER-CIRCUIT BAYONET MODELS	85	35	800-817872A3	CYLINDER BLOCK KIT (1990A MODELS)	47	1
89-819503	SOLENOID-PRIMER	23	36				
89-F460917-1	RELAY-STARTER	13	57				
89-F460917-1	RELAY-STARTER	19	21				

PARTS INDEX

Part Number	Description	Pg.	Ref. No.	Part Number	Description	Pg.	Ref. No.
800-818154A12	POWERHEAD ASSEMBLY ..	25	-	1600-817925A5	GEAR HSG. (COMPLETE-PAINTED-1.93:1) TYPE A & B	75	-
800-818154A12	POWERHEAD ASSEMBLY ..	35	-				
800-818154A12	POWERHEAD ASSEMBLY ..	41	-				
800-818154A12	POWERHEAD ASSEMBLY ..	45	-	1600-819190A3	GEAR HSG. (BASIC-PAINTED) TYPE A & B ...	71	1
800-818154A12	POWERHEAD ASSEMBLY ..	49	-				
800-818154A12	POWERHEAD ASSEMBLY ..	53	-	1600-819190A3	GEAR HSG. (BASIC-PAINTED) TYPE A & B ...	73	1
800-818154A12	POWERHEAD ASSEMBLY ..	55	-				
800-818154A12	POWERHEAD ASSEMBLY (PAINTED) (ALL MODELS)	47	-	1600-819190A3	GEAR HSG. (BASIC-PAINTED) TYPE A & B ...	75	1
800-818154A12	POWERHEAD ASSEMBLY (PAINTED) (ALL MODELS)	47	-	1600-819231A13	GEAR HSG. KIT (BASIC-PAINTED) TYPE C	71	1
800-818154A17	CYLINDER BLOCK KIT	47	1	1600-819231A13	GEAR HSG. KIT (BASIC-PAINTED) TYPE C	73	1
800-818154A17	CYLINDER BLOCK KIT	47	1				
800-819428A3	CYLINDER BLOCK KIT	47	1	1600-819231A13	GEAR HSG. KIT (BASIC-PAINTED) TYPE C	75	1
800-819428A3	CYLINDER BLOCK KIT	47	1				
900-819777	HEAD-CYLINDER	47	35	1600-820588A1	GEAR HSG. (COMP.-PAINTED-1.93:1) TYPE D .	71	-
900-F665518	HEAD-CYLINDER (1990A MODELS)	47	35	1600-820588A1	GEAR HSG. (COMP.-PAINTED-1.93:1) TYPE D .	73	-
900-F720518	HEAD-CYLINDER	47	35	1600-820588A1	GEAR HSG. (COMP.-PAINTED-1.93:1) TYPE D .	75	-
1100-818070A1	CAGE ASSEMBLY-BEARING (1990A THRU 1991C)	51	6	1600-820588A1	GEAR HSG. (COMPLETE-PAINTED-1.93:1) TYPE C .	71	-
1100-819312A1	CAGE ASSY-BEARING	51	6	1600-820588A1	GEAR HSG. (COMPLETE-PAINTED-1.93:1) TYPE C .	73	-
1200-819039A1	FUEL TANK (COMPLETE) ..	99	1	1600-820588A1	GEAR HSG. (COMPLETE-PAINTED-1.93:1) TYPE C .	75	-
1259-823504A1	FUEL TANK ASSEMBLY (PLASTIC - 6.6 GAL.)	101	1	1600-820588A6	GEAR HSG. (BASIC-PAINTED) TYPE D	71	1
1259-823504A2	FUEL TANK ASSEMBLY (COMPLETE)	101	-	1600-820588A6	GEAR HSG. (BASIC-PAINTED) TYPE D	73	1
1300-820195	CARBURETOR (BOTTOM) (TC-120A)	31	1	1600-820588A6	GEAR HSG. (BASIC-PAINTED) TYPE D	75	1
1300-820203	CARBURETOR (TOP) (TC-119A)	31	1	1600-820588A7	GEAR HSG. (HI-ALT) (PAINTED-2.2:1) TYPE D .	71	-
1300-F589061-3	CARBURETOR (TOP - TC-106A)	27	1	1600-820588A7	GEAR HSG. (HI-ALT) (PAINTED-2.2:1) TYPE D .	73	-
1300-F664061-2	CARBURETOR (BOTTOM - TC-107A)	27	1	1600-820588A7	GEAR HSG. (HI-ALT) (PAINTED-2.2:1) TYPE D .	75	-
1395-5733	JET-MAIN FUEL (.092) (1500' - 3000')	27	20				
1395-5733	JET-MAIN FUEL (.092) (1500' - 3000')	31	18				
1395-6247	JET-MAIN FUEL (.090) (3000' - 4500')	27	20				
1395-6247	JET-MAIN FUEL (.090) (3000' - 4500')	31	18				
1400-819424F	BRACKET-STERN-(STBD) (PAINTED)	61	10				
1400-819425F	BRACKET-STERN-(PORT) (PAINTED)	61	11				
1400-820445F	BRACKET-STERN-(STBD) (PAINTED)	61	10A				
1400-820446F	BRACKET-STERN-(PORT) (PAINTED)	61	11A				
1500-819432A2	HOUSING KIT-DRIVESHAFT (20") (PAINTED)	63	1				
1500-819433A2	HOUSING KIT-DRIVESHAFT (25") (PAINTED)	63	1				
1600-817925A5	GEAR HSG. (COMPLETE-PAINTED-1.93:1) TYPE A & B	71	-				