



# PARTS MANUAL

## 454 EFI SKI ENGINE

## TABLE OF CONTENTS:

ALTERNATOR (MANDO) .....	5
AUDIO WARNING SYSTEM .....	15
CRANKSHAFT PISTONS AND CONNECTING RODS .....	43
CYLINDER BLOCK AND CAMSHAFT .....	41
CYLINDER HEAD AND ROCKER COVER .....	39
DISTRIBUTOR AND IGNITION COMPONENTS .....	11
ELECTRICAL BOX AND COMPONENTS (ELECTRONIC CONTROL MODULE) .....	21
ELECTRICAL BOX AND COMPONENTS (FLYWHEEL HOUSING) .....	23
EXHAUST MANIFOLD AND EXHAUST ELBOW .....	35
FUEL PUMP AND FUEL FILTER .....	25
INTAKE MANIFOLD AND INTAKE PLENUM .....	31
OIL FILTER AND ADAPTOR .....	49
OIL PAN AND OIL PUMP .....	47
SEA WATER PUMP .....	51
SENDERS AND HARNESS BRACKET .....	13
STARTER MOTOR (2-7/8" DIAMETER END CAP) .....	9
STARTER MOTOR (3-1/2" DIAMETER END CAP) .....	7
STARTER MOTOR AND ALTERNATOR .....	3
THERMOSTAT HOUSING (STANDARD COOLING) .....	37
TRANSMISSION AND ENGINE MOUNTING .....	53
TRANSMISSION AND RELATED PARTS .....	55
VAPOR SEPARATOR TANK .....	29
VAPOR SEPARATOR TANK AND FUEL RAIL .....	27
WATER PUMP AND FRONT COVER .....	45
WIRING HARNESS (EFI) .....	19
WIRING HARNESS (ENGINE) .....	17
PARTS INDEX .....	56

**NOTE:** Indented description indicate that these parts are included in preceding assembly.

**AR** = As Required      **NSS** = Not Sold Separate      **OPT** = Optional      **NS** = Not Shown

**NOTE:** Following symbols are located in **SYM** column.

- = 1 = DRIVE HOUSING INCLUDES STARTER SWITCH, PLUNGER, RETURN SPRING, AND SHIFT LEVER.
- = [93320A7] RISER KIT (3") Each kit
- ▮ = [93322A5] RISER KIT (6") contains 2 Risers
- = COMPONENT OF OVERHALL GASKET SET [27-811572A94]

**THESE PARTS BOOKS/FICHE CARD ARE COPYRIGHTED AND MAY NOT BE DISTRIBUTED OR REPRODUCED IN ANY OTHER FORMAT BY ANYONE OTHER THAN MERCURY MARINE WITHOUT THE PRIOR WRITTEN CONSENT OF MERCURY MARINE.**

Models covered by this Parts Manual

Model Part No.	Model Name	Year	Country	Starting Serial No.	Ending Serial No.
374B169HS					9999999999999999
Last Row					9999999999999999
374B169GS					9999999999999999
374B169JS					9999999999999999

# REPLACEMENT PARTS ! WARNING !

Electrical, ignition and fuel system components on MerCruiser Engines and Stern Drives are designed and manufactured to comply with U.S. Coast Guard Rules and Regulations to minimize risks of fire or explosion. Use of replacement electrical, ignition or fuel system components, which do not comply to these rules and regulations, could result in a fire or explosion hazard and should be voided.

When servicing the electrical, ignition and fuel systems, it is extremely important that all components are properly installed and tightened. If not, any electrical or ignition component opening would permit sparks to ignite fuel vapors from fuel system leaks, if they existed.

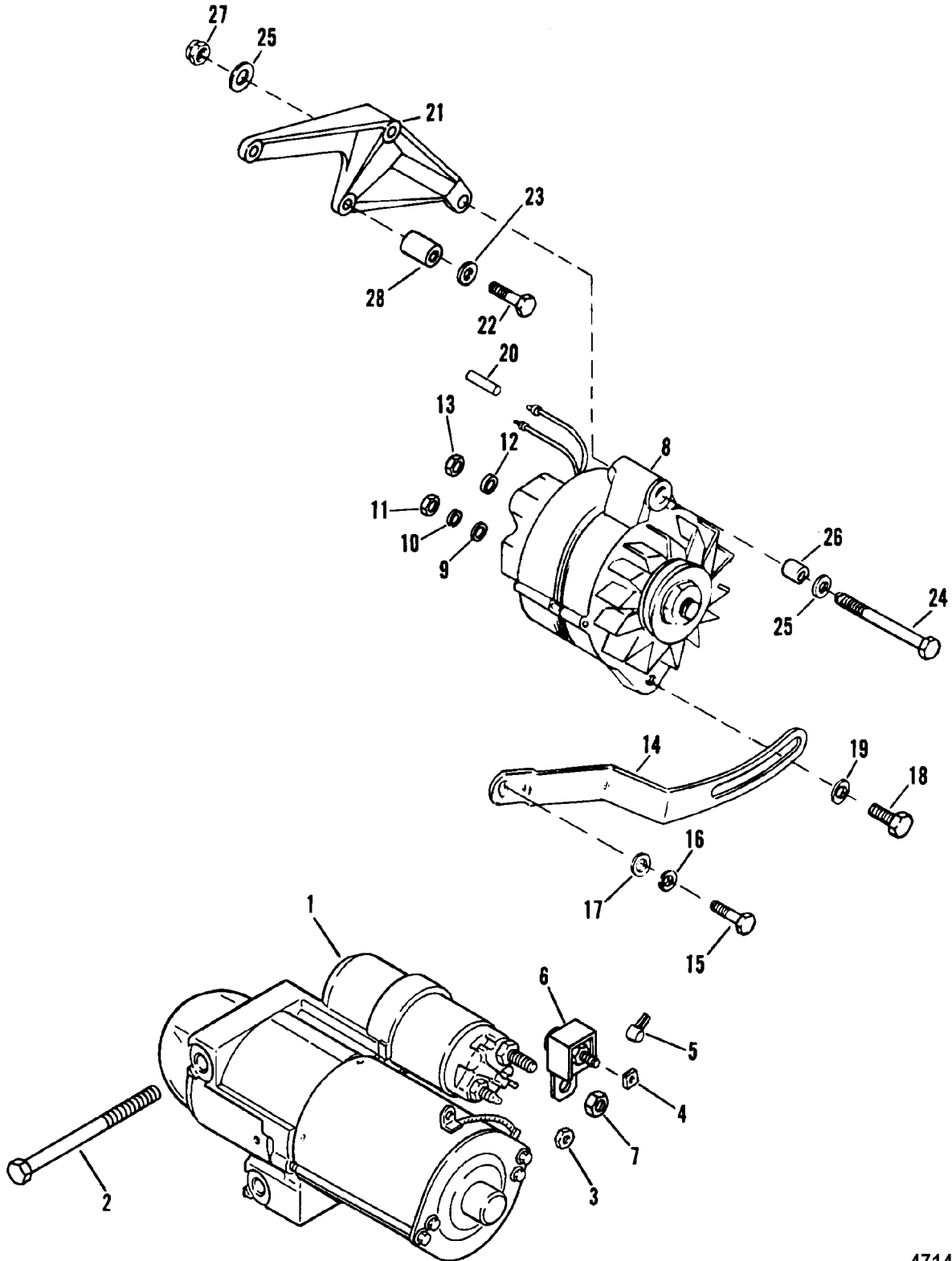
## ENGINE MECHANICAL COMPONENTS

Many of the engine mechanical components are designed for marine applications. Unlike automotive engines, marine engines are subjected to extended periods of heavy load and wide- open-throttle operation, therefore, require heavy-duty components. Special marine engine parts have design and manufacturing specifications, which are required to provide long life and dependable performance. Marine engine parts also must be able to resist the corrosive action of salt or brackish water that will rust or corrode standard automotive parts within a short period of time.

Failure to use recommended Mercury Precision Parts OR Quicksilver service replacement parts can result in poor engine performance and/or durability, rapid corrosion of parts subjected to salt water and possibly complete failure of the engine.

Use of parts other than recommended service replacement parts will void the warranty on those parts which are damaged as a result of the use of other than recommended parts.

# STARTER MOTOR AND ALTERNATOR

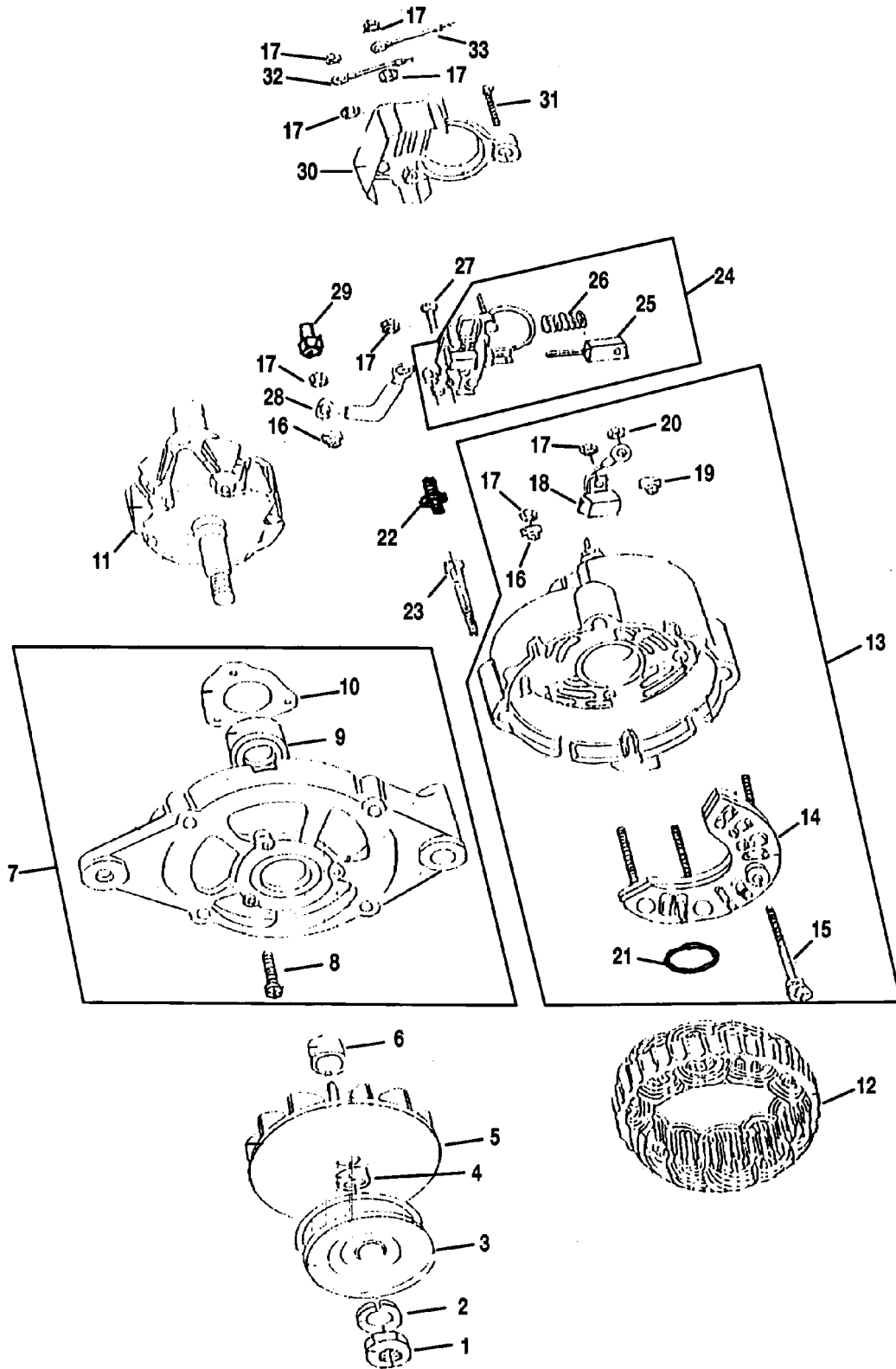


47140

# STARTER MOTOR AND ALTERNATOR

REF. NO.	PART NO.	SYM.	QTY.	DESCRIPTION
1	50-822330A 2		1	STARTER MOTOR ASSEMBLY
2	10-805343 2		2	SCREW, (.375-16 x 4.33)
3	11-15874		1	NUT, (M10), (10MM) 3-1/2" DIAMETER END CAP
4	11-40021 1		2	NUT, (M5) Stainless Steel, (5MM) 3-1/2" DIAMETER END CAP
1	50-806964A 2		1	STARTER MOTOR ASSEMBLY, 2-7/8 Diameter End Cap
2	10-805343 2		2	SCREW, (.375-16 x 4.33)
3	11-806949		1	NUT, (M8-1.5), (8MM) 2-7/8" DIAMETER END CAP
4	11-40021 1		2	NUT, (M5) Stainless Steel, (5MM) 2-7/8" DIAMETER END CAP
5	85-79695		1	BOOT, Insulator - Black
6	88-79023A91		1	FUSE ASSEMBLY, 90 Ampere, (90 AMP.)
7	11-21825		1	NUT, (.250-28)
8	805884T		1	ALTERNATOR
9	12-96457		1	WASHER, Phenolic (.27 x .81 x .062)
10	13-26996		1	LOCKWASHER, (#10) Stainless Steel
11	11-79989		1	NUT, (#10-24) Stainless Steel, (10-24)
12	13-26992		1	LOCKWASHER, (.250) Stainless Steel
13	11-94330		1	NUT, (.250-20) Brass, (1/4-20)
14	85013T		1	BRACE
15	10-47462		1	SCREW, (.437-14 x 1.250)
16	13-32993		1	LOCKWASHER, (.437)
17	12-31263		1	WASHER
18	10-29198		1	SCREW AND LOCKWASHER, (.312-18 x .875), (7/8")
19	12-26168		1	WASHER
20	32-73815 67		2	TUBING, (42.00 Inches Bulk)
21	806394T		1	BRACKET
22	10-47462		1	SCREW, (.437-14 x 1.250), (1-1/4")
	10-91903		2	SCREW, (.437-14 x 1.750), (1-5/8")
23	12-22248		3	WASHER, (.453 x .875 x .060)
24	10-48308		1	SCREW, (.375-24 x 3.750), (3-3/4")
25	12-20553		3	WASHER, (.406 x .734 x .063)
26	23-33186		1	BUSHING
27	11-23161		1	NUT, (.375-24)
28	23-90520 1		1	SPACER, (.750 x .250)

# ALTERNATOR (MANDO)

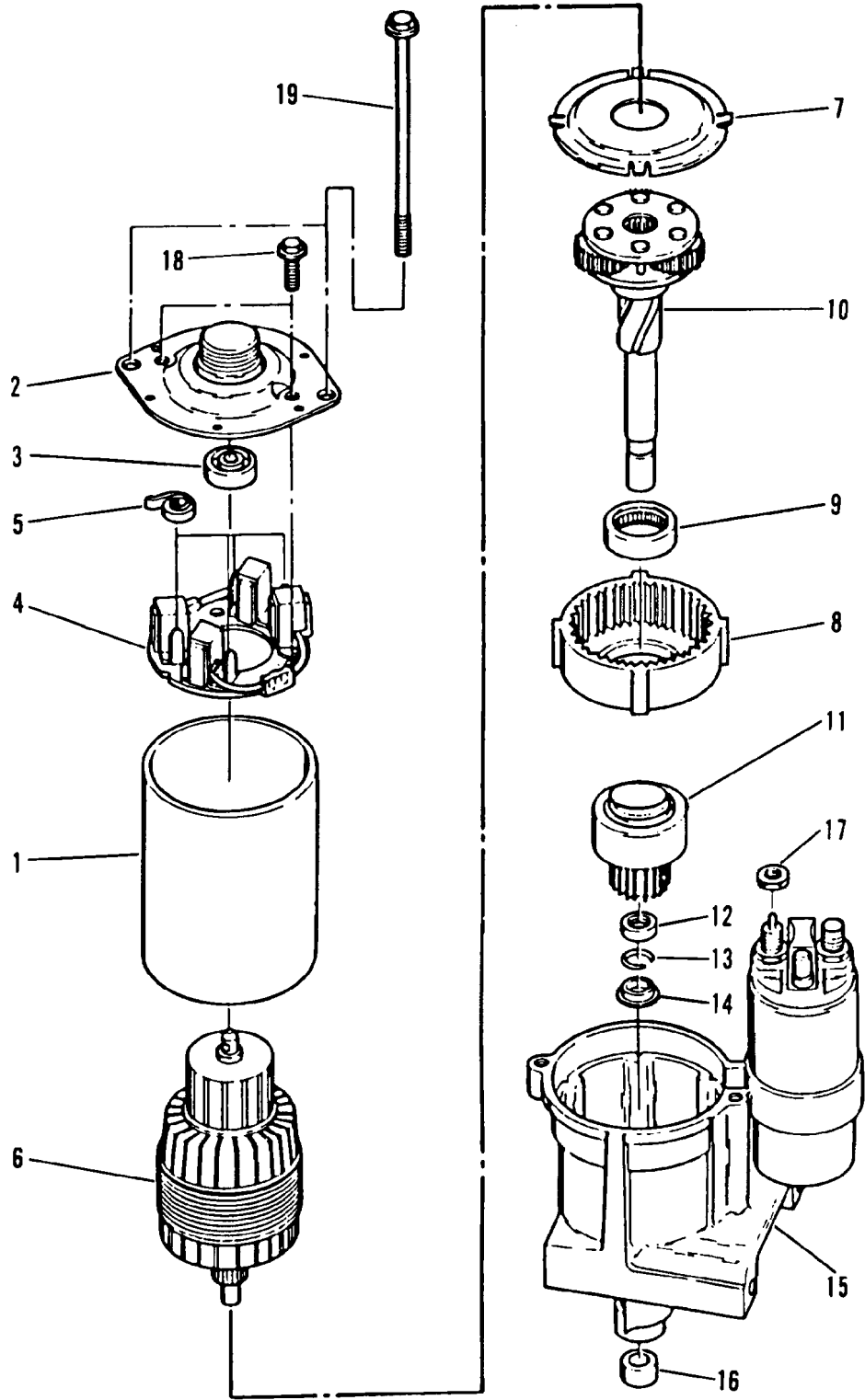


47141

# ALTERNATOR (MANDO)

REF. NO.	PART NO.	SYM.	QTY.	DESCRIPTION
-	805884T		1	ALTERNATOR
1	11-809136		1	NUT
2	13-809137		1	LOCKWASHER
3	809134		1	PULLEY
4	23-809135		1	SPACER
5	809139		1	FAN ASSEMBLY
6	23-809140		1	SPACER
7	809151		1	BRACKET ASSEMBLY
8	10-809154		3	SCREW
9	30-809153		1	BEARING
10	809152		1	RETAINER
11	809150		1	ROTOR
12	809133		1	STATOR
13	809155		1	BRACKET ASSEMBLY
14	809162		1	RECTIFIER
15	10-809160		1	SET SCREW
16	809146		2	MOLD
17	11-809143		8	NUT
18	809161		1	CONDENSER
19	809158		1	MOLD
20	11-809157		1	NUT
21	25-809156		1	O-RING
22	10-809159		1	BOLT
23	10-809138		4	BOLT
24	809163		1	REGULATOR ASSEMBLY
25	809164		2	BRUSH
26	24-809165		2	SPRING
27	10-809141		2	SCREW
28	809142		1	TERMINAL
29	809149		2	CAP
30	809144		1	COVER
31	10-809145		1	SET SCREW
32	84-809148		1	LEAD WIRE
33	84-809147		1	LEAD WIRE

# STARTER MOTOR (3-1/2" DIAMETER END CAP)



47142



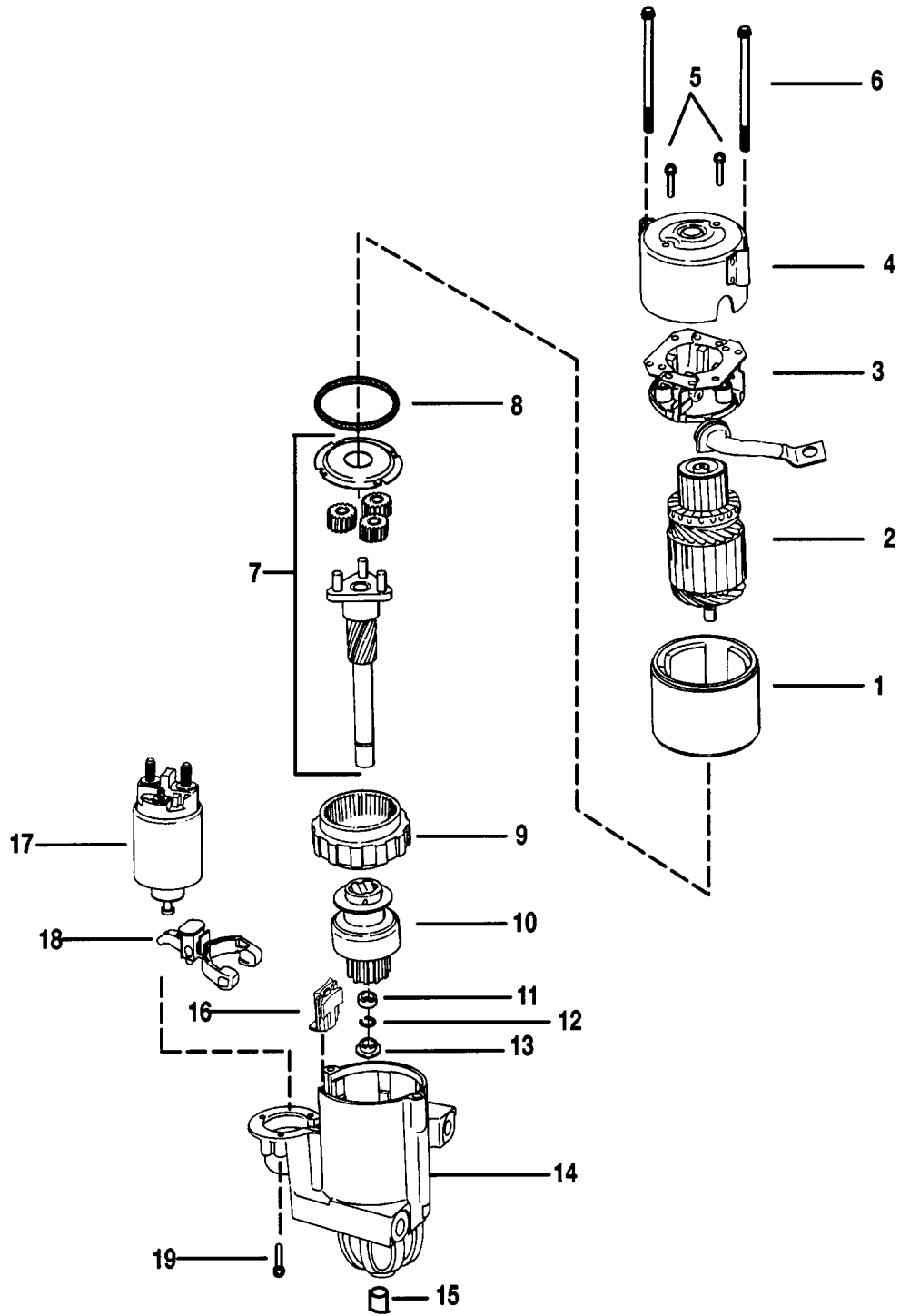
# STARTER MOTOR

(3-1/2" DIAMETER END CAP)

REF. NO.	PART NO.	SYM.	QTY.	DESCRIPTION
1	50-822330A 2		1	STARTER MOTOR ASSEMBLY
2	811862		1	FRAME
3	30-814465		1	BEARING, Ball
4	811863		1	HOLDER, Brush
5	24-814467		4	SPRING
6	814469		1	ARMATURE
7	811882		1	SHIELD
8	811897		1	GEAR AND BEARING
9	814479		1	BEARING, Roller
10	814472		1	SHAFT/GEAR ASSEMBLY
11	811896		1	DRIVE
12	33291		1	COLLAR
13	53-33290		1	RING, Retaining
14	814474		1	COLLAR
15	814475	●	1	HOUSING, Drive
16	23-814476		1	BUSHING
17	N.S.S.		1	Not Sold Separate
18	10-814468		2	SCREW
19	10-814477		2	THRU BOLT

● = 1 = DRIVE HOUSING INCLUDES STARTER SWITCH, PLUNGER, RETURN SPRING, AND SHIFT LEVER.

# STARTER MOTOR (2-7/8" DIAMETER END CAP)



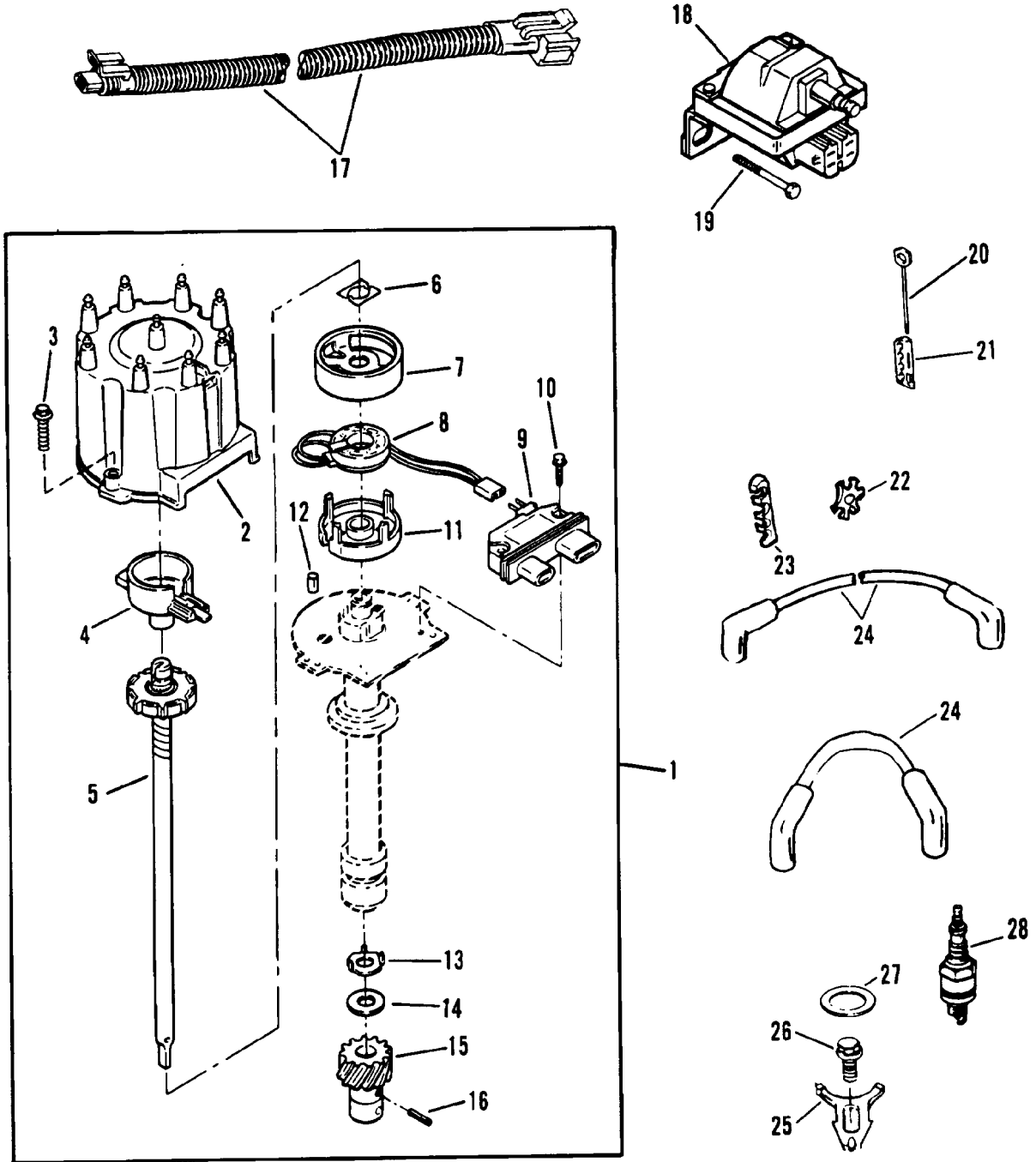
47143

# STARTER MOTOR

(2-7/8" DIAMETER END CAP)

REF. NO.	PART NO.	SYM.	QTY.	DESCRIPTION
1	50-806964A 2		1	STARTER MOTOR ASSEMBLY, 2-7/8 Diameter End Cap
2	809454		1	ARMATURE
3	809453		1	HOLDER, Brush And Spring
4	809452		1	FRAME
5	10-809451		2	SCREW
6	10-809450		2	THRU BOLT
7	809461		1	SHAFT AND GEAR
8	27-809460		1	GASKET
9	43-809455		1	GEAR
10	809456		1	DRIVE
11	33291		1	COLLAR
12	53-33290		1	RING, Retaining
13	23-809457		1	THRUST COLLAR
14	809459		1	HOUSING
15	23-814476		1	BUSHING
16	25-809465		1	GROMMET
17	809463		1	SOLENOID
18	809464		1	LEVER
19	10-809466		3	SCREW

# DISTRIBUTOR AND IGNITION COMPONENTS



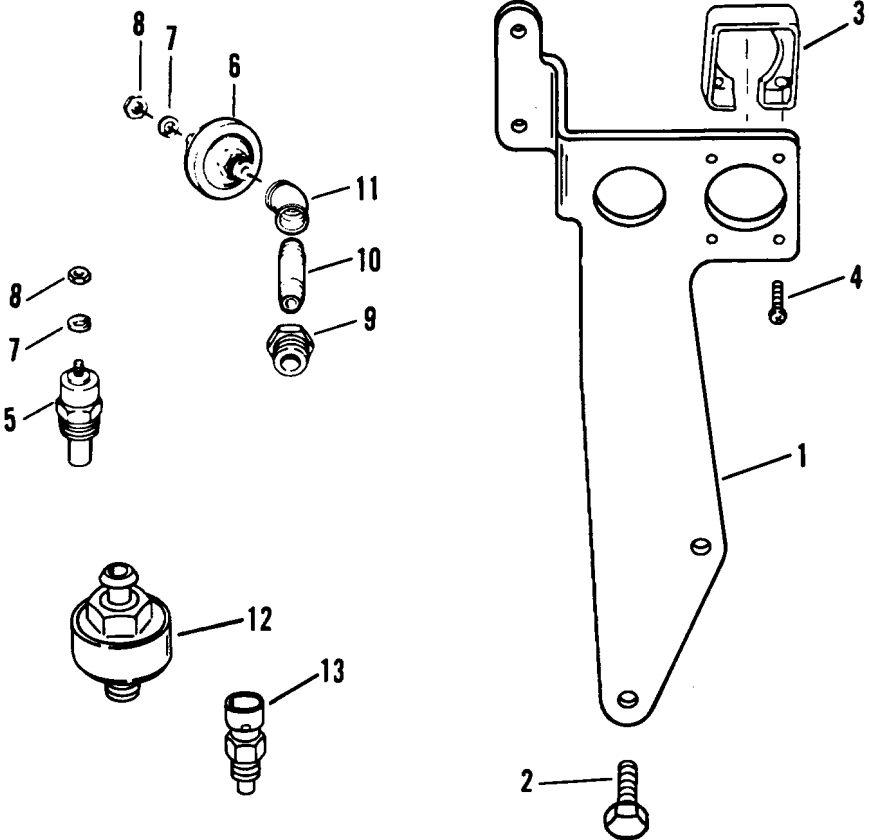
47144

# DISTRIBUTOR AND IGNITION COMPONENTS

REF. NO.	PART NO.	SYM.	QTY.	DESCRIPTION
1	805222A 1		1	DISTRIBUTOR ASSEMBLY
2	808483		1	CAP
3	10-808491		2	SCREW
4	808484		1	ROTOR
5	808485		1	SHAFT ASSEMBLY, Main
6	808487		1	RETAINER
7	808486		1	SHIELD
8	811639		1	COIL
9	811637		1	MODULE
10	10-811638		2	SCREW
11	811641		1	POLE PIECE
12	17-808488		1	PIN
13	12-46350		1	WASHER
14	12-808489		1	WASHER
15	43-808490		1	GEAR
16	17-34109		1	PIN
17	84-817376T		1	HARNESS ASSEMBLY, Distributor Module to Ignition Coil
18	817378T		1	COIL, Ignition
19	10-805189		2	SCREW, (.375-16 x .750)
20	16-90096A 1		2	STUD ASSEMBLY, (#10-32 x Special)
21	54-72821		2	RETAINER
22	54676		2	RETAINER, Two Wire, (2 WIRE)
23	32783		2	RETAINER, Three Wire, (3 WIRE)
24	84-816608A68		1	CABLE KIT, Ignition
25	52185		1	CLAMP
26	10-805559		1	SCREW, (.375-16 x .875) Stainless Steel
27	27-34486 3	○	1	GASKET
28	33-59571		8	SPARK PLUG

○ = COMPONENT OF OVERHALL GASKET SET [27-811572A94]

# SENDERS AND HARNESS BRACKET

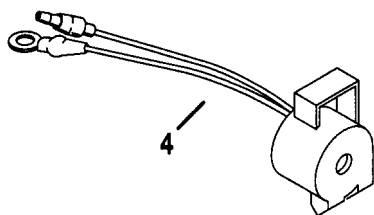
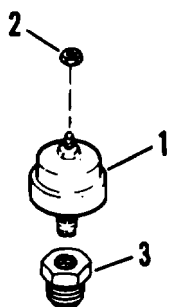


47145

# SENDERS AND HARNESS BRACKET

REF. NO.	PART NO.	SYM.	QTY.	DESCRIPTION
1	805441T 1		1	BRACKET/LIFTING EYE, REAR
2	10-47461		2	SCREW, (.437-14 x 1.00)
3	26079A 2		1	PLATE KIT, Wire Harness Mount
4	10-15001		4	SCREW, (#8-16 x .875)
5	97257A 1		1	SENDER ASSEMBLY, Water Temperature
	49734A 1		OPT.	SENDER ASSEMBLY, Water Temperature (DUAL)
6	815425		1	SENDER ASSEMBLY, Oil Pressure
	37293		OPT.	SENDER ASSEMBLY, Oil Pressure (DUAL)
7	13-26996		2	LOCKWASHER, (#10) Stainless Steel
8	11-68219		2	NUT, (#10-32) Stainless Steel
9	22-48556		1	BUSHING , Reducer (.250 To .125)
10	22-42554		1	NIPPLE
11	22-46932		1	ELBOW
12	805544T		1	SENSOR ASSEMBLY
13	805218T		1	SENSOR

# AUDIO WARNING SYSTEM



47146

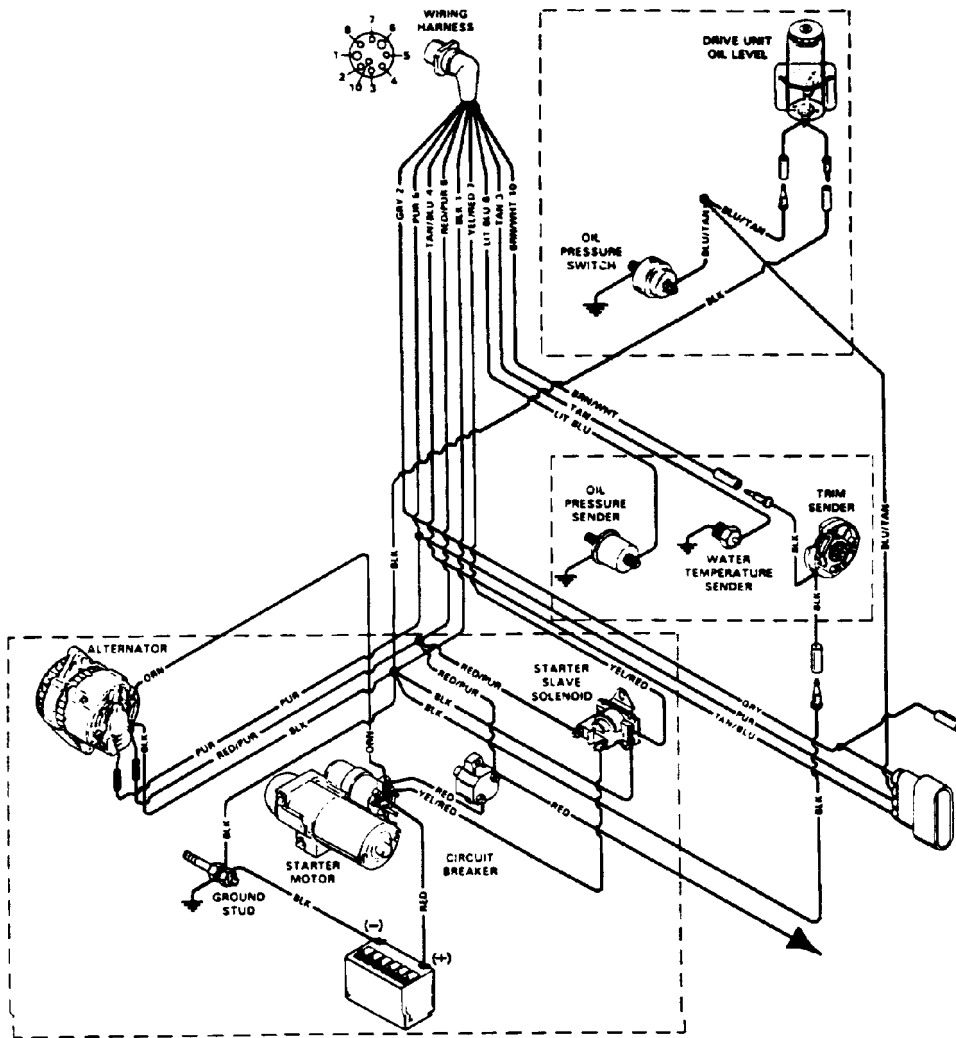


# AUDIO WARNING SYSTEM

REF. NO.	PART NO.	SYM.	QTY.	DESCRIPTION
1	87-805605A 1		1	SWITCH ASSEMBLY
2	11-45076		1	NUT, (#10-32) Brass, (10-32)
3	22-64013		1	FITTING, (.375 Male To .125 Female)
4	816492A 6		1	ALARM KIT

# WIRING HARNESS (ENGINE)

84-806217A13



14076

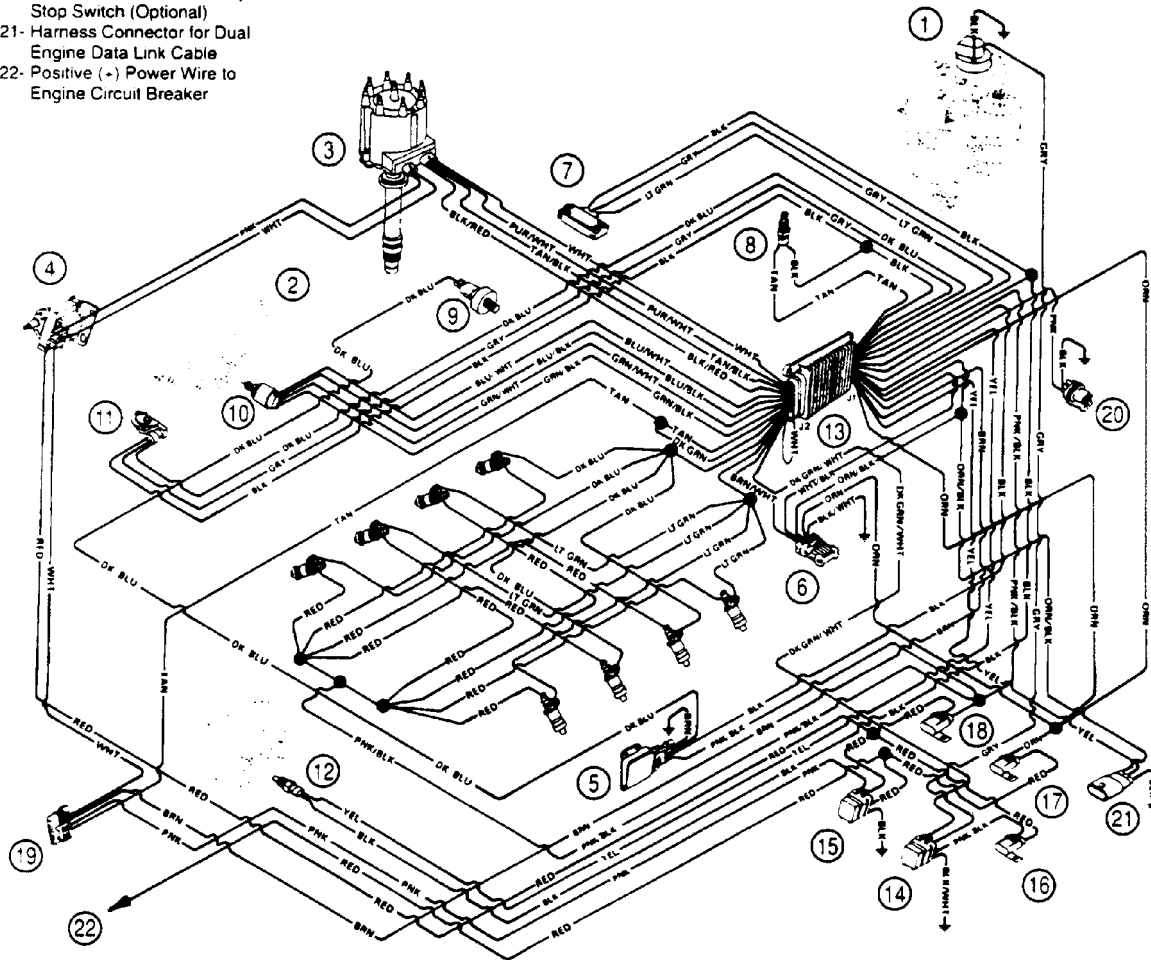
# WIRING HARNESS (ENGINE)

REF. NO.	PART NO.	SYM.	QTY.	DESCRIPTION
-	84-806217A13			HARNESS ASSEMBLY, (ENGINE)

# WIRING HARNESS (EFI)

**84-805232A4**

- 1 - Vapor Separator Tank (VST)
- 2 - Throttle Body
- 3 - Distributor
- 4 - Coil
- 5 - Electronic Spark Control (ESC) Module
- 6 - Assembly Line Data Link (ALDL)
- 7 - Manifold Absolute Pressure (MAP) Sensor
- 8 - Manifold Air Temperature (MAT) Sensor
- 9 - Knock Sensor
- 10- Idle Air Control (IAC)
- 11- Throttle Position Sensor (TPS)
- 12- Coolant Temperature Sensor (CTS)
- 13- Electronic Control Module (ECM)
- 14- Fuel Pump Relay
- 15- System Relay
- 16- Fuel Pump Fuse
- 17- ECM/Battery Fuse
- 18- ECM/Injector Fuse
- 19- Harness Connector to Starting/Charging Harness
- 20- Harness Connector to Lanyard Stop Switch (Optional)
- 21- Harness Connector for Dual Engine Data Link Cable
- 22- Positive (+) Power Wire to Engine Circuit Breaker



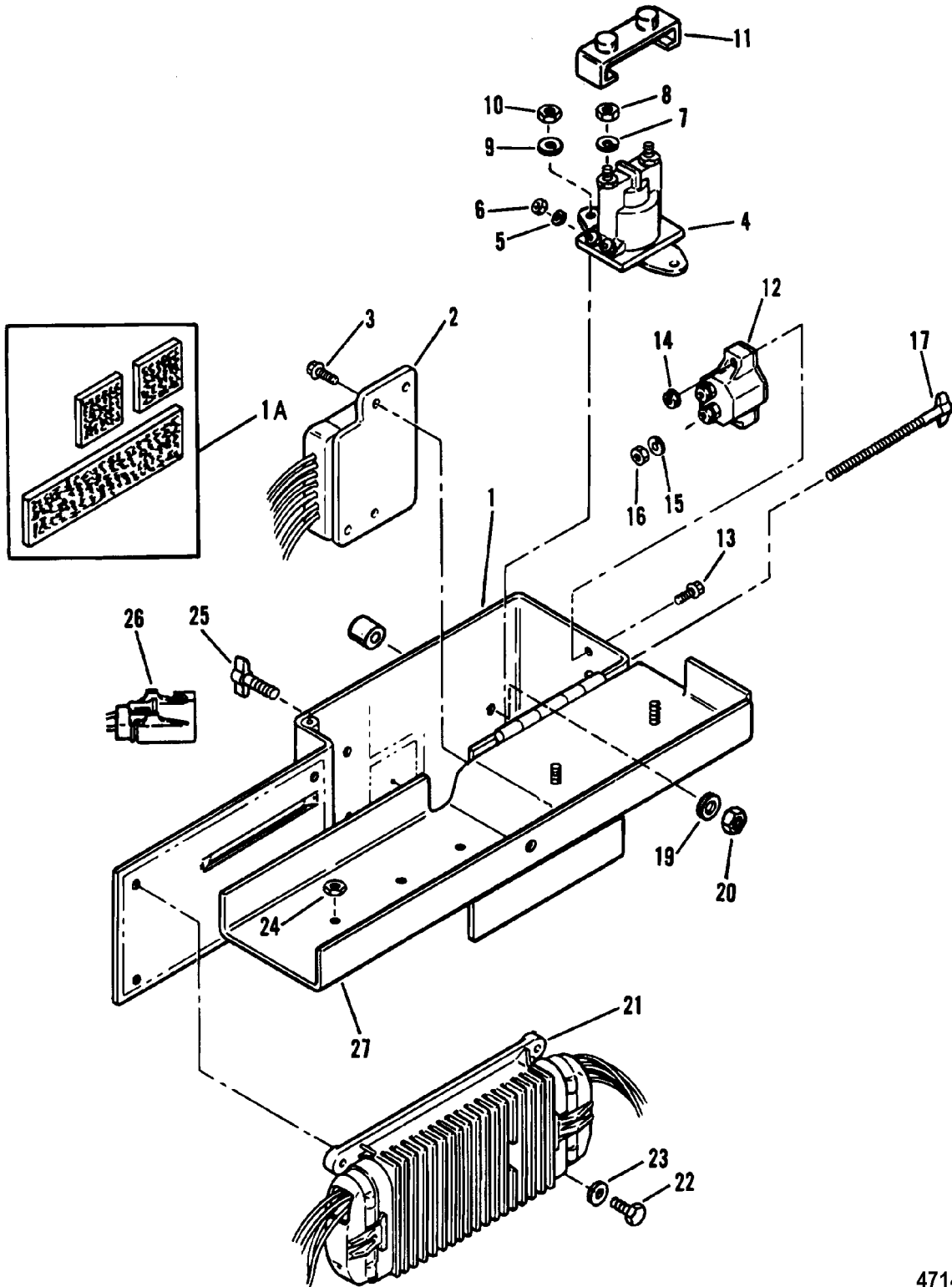
14077

# WIRING HARNESS (EFI)

REF. NO.	PART NO.	SYM.	QTY.	DESCRIPTION
-	84-805232A 4			HARNESS ASSEMBLY, (EFI)

# ELECTRICAL BOX AND COMPONENTS

(ELECTRONIC CONTROL MODULE)



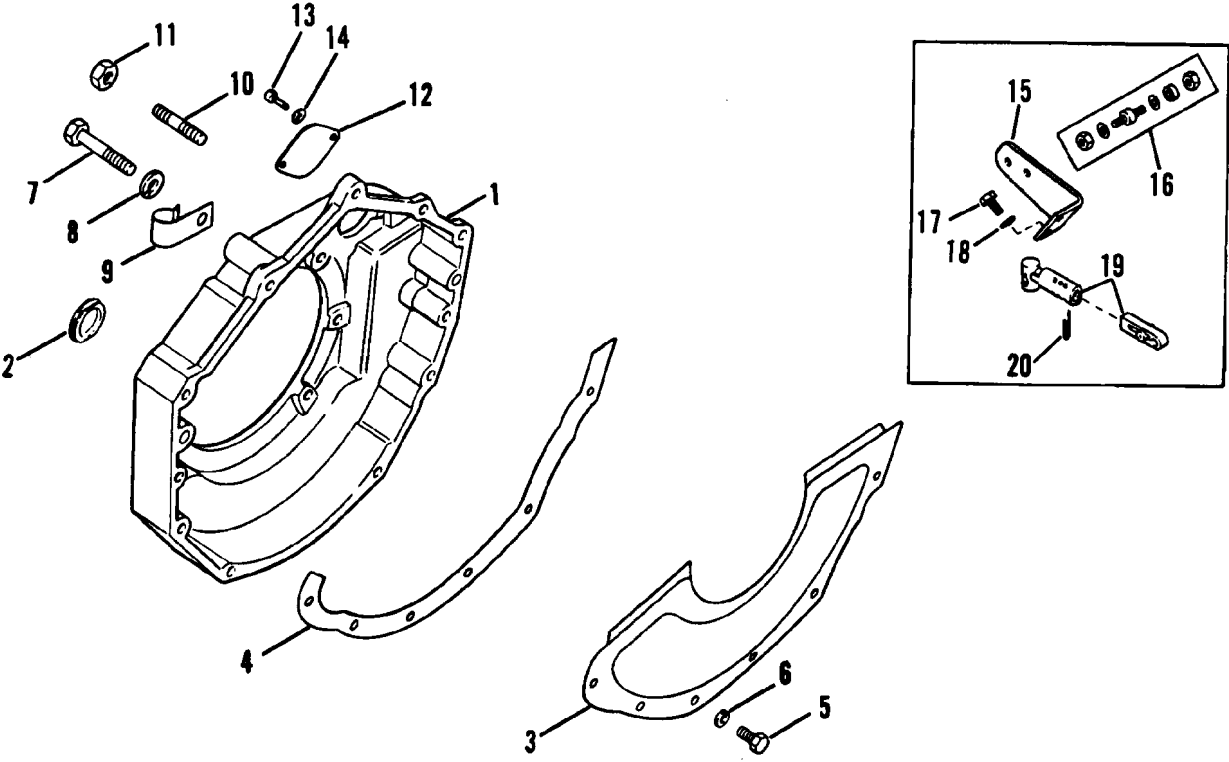
47147

# ELECTRICAL BOX AND COMPONENTS

(ELECTRONIC CONTROL MODULE)

REF. NO.	PART NO.	SYM.	QTY.	DESCRIPTION
1	805439T		1	BOX, Electrical, (USE WITH REF. #25)
	805439A 9		1	BOX ASSEMBLY, Electrical Components - Use With Locking Clip
1A	806762A 1		1	VELCRO KIT
2	805443T		1	MODULE ASSEMBLY
3	10-73286		2	SCREW, (.250-20 x .500) Stainless Steel
4	89-96054		1	SOLENOID ASSEMBLY, Starter
5	13-26995		2	LOCKWASHER, (#8) Stainless Steel, (#8)
6	11-26419		2	NUT, (#8-32) Brass, (8-32)
7	13-26992		2	LOCKWASHER, (.250) Stainless Steel, (1/4")
8	11-94330		2	NUT, (.250-20) Brass, (1/4-20)
9	12-35462		2	WASHER, (.2656 x .625 x .0625) Stainless Steel
10	11-64015		2	NUT, (.250-20)
11	85-97861		1	INSULATOR
12	88-11178		1	BREAKER, Circuit - 50 Ampere
13	10-45862		2	SCREW, (#10-32 x .875)
14	11-61356		2	NUT, (#10-32) Reduced Hex
15	13-26996		2	LOCKWASHER, (#10) Stainless Steel
16	11-68219		2	NUT, (#10-32) Stainless Steel
17	805615A 2		1	THUMB SCREW ASSEMBLY
18	23-92152		3	SPACER, (.27 x .75 x .38)
19	12-35462		3	WASHER, (.2656 x .625 x .0625) Stainless Steel
20	11-64015		3	NUT, (.250-20)
21	806719T 4		1	ECM, Engine Control Module
22	10-54615		4	SCREW, (.250-20 x .625)
23	12-20533		4	WASHER
24	11-805562		3	NUT, (#10-24)
25	805615A 1		1	THUMB SCREW ASSEMBLY, (EARLY DESIGN)
26	805704		1	FUSE, 15 Ampere, (15 AMP)
	805703		1	FUSE, 10 Ampere, (10 AMP)
27	805439T 1		1	COVER, Electrical, (USE WITH REF. #25)
	805439T 3		1	LID, Electrical Box, (USE WITH LOCKING CLIP)

# ELECTRICAL BOX AND COMPONENTS (FLYWHEEL HOUSING)



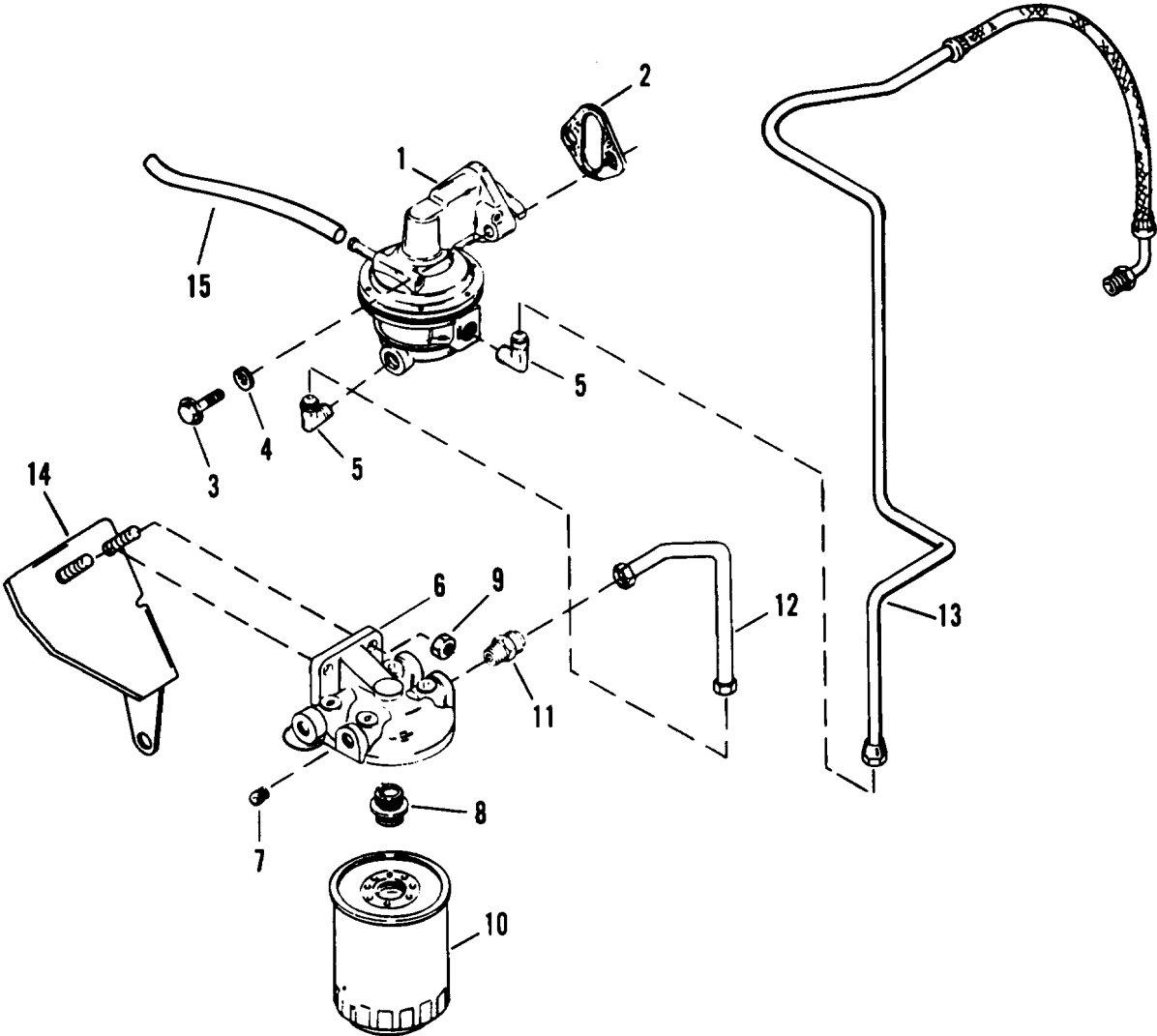
47148



# ELECTRICAL BOX AND COMPONENTS (FLYWHEEL HOUSING)

REF. NO.	PART NO.	SYM.	QTY.	DESCRIPTION
1	814309A 1		1	HOUSING ASSEMBLY
2	19-12304		1	PLUG
3	818718A 3		1	COVER KIT
4	27-86015		1	GASKET
5	10-98253		6	SCREW, (.250-20 x .500), (1/2")
6	13-26992		6	LOCKWASHER, (.250) Stainless Steel
7	10-34353		1	SCREW, (.375-16 x 1.00), (1") 5/16-24 THREADS
	10-47688		2	SCREW, (.375-16 x 2.750), (2-3/4") 5/16-24 THREADS
	10-37612		3	SCREW, (.375-16 x 1.250), (1-1/4") 5/16-24 THREADS
8	13-35048		8	LOCKWASHER, (.375)
7	10-47277		1	SCREW, (.312-24 x .750), (3/4") 3/8-16 THREADS
8	13-39107		1	LOCKWASHER, (.312-24)
9	54-78945		2	J CLAMP, Harness Support
10	16-64066		2	STUD, (.375-16 x 2.750) Special
11	11-32219		2	NUT, (.375-16)
12	93920 1		1	PLATE
13	10-92913		2	SCREW, (.437-14 x .750)
14	13-32993		2	LOCKWASHER, (.437)
15	18351A 1		1	BRACKET ASSEMBLY
16	16-97477A 3		1	STUD KIT
17	10-54615		2	SCREW, (.250-20 x .625)
18	13-26992		2	LOCKWASHER, (.250) Stainless Steel
19	12505A 1		1	ADAPTOR KIT
20	12506		1	CLIP

# FUEL PUMP AND FUEL FILTER



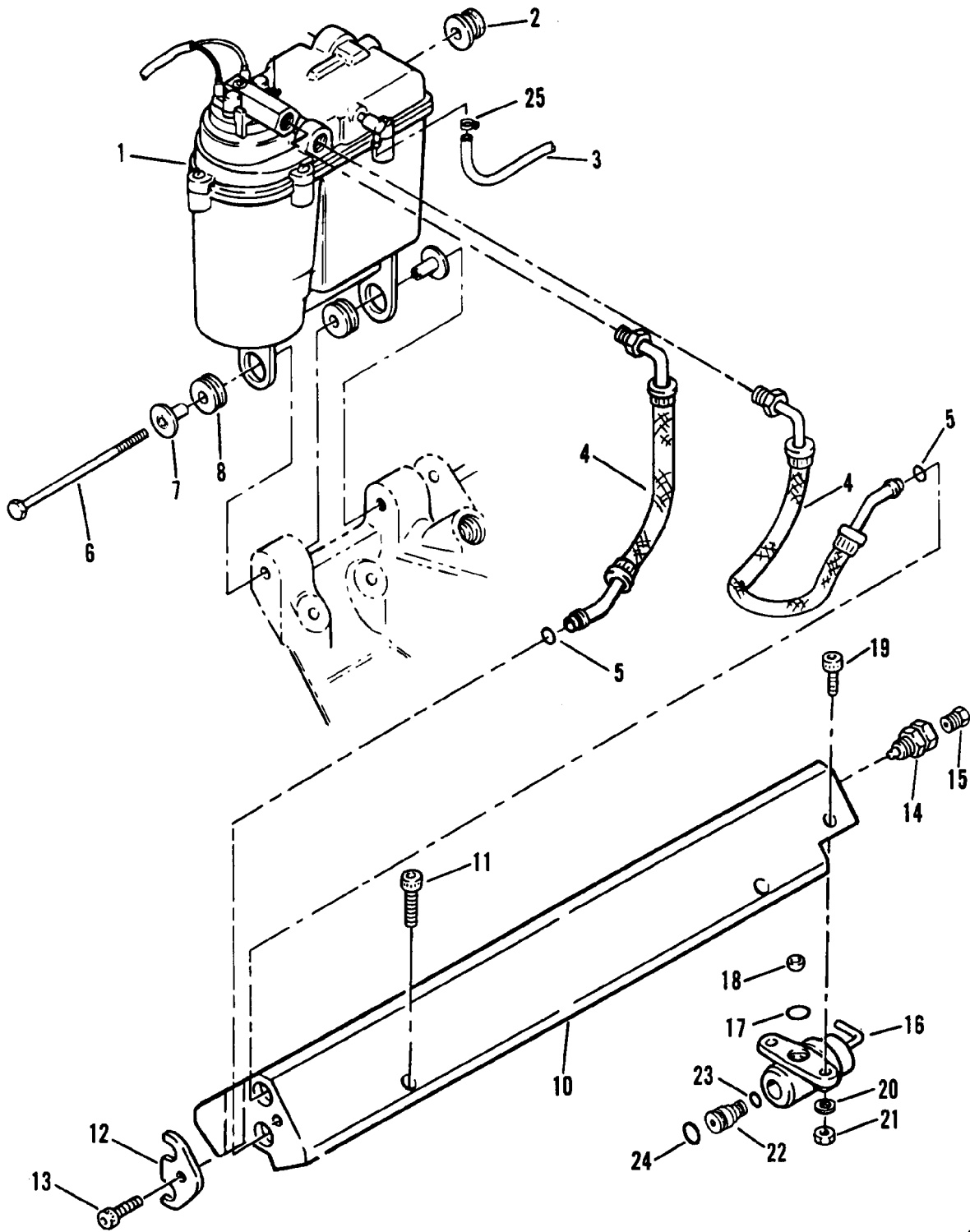
47149

# FUEL PUMP AND FUEL FILTER

REF. NO.	PART NO.	SYM.	QTY.	DESCRIPTION
1	818383T		1	PUMP ASSEMBLY
2	27-34213	○	1	GASKET
3	10-34354		2	SCREW, (.375-16 x 1.50)
4	13-35048		2	LOCKWASHER, (.375)
5	22-43276		2	ELBOW, (90 Degree), (90DEGREES)
6	89876A 3		1	BASE ASSEMBLY, Fuel Filter/Water Seperator
7	22-32561		2	PLUG, Pipe - Allen Head (.250-18)
8	22-816133 1		1	FITTING
9	11-35814		2	NUT, (.312-24) Stainless Steel
10	35-807172		1	FILTER, Fuel/Water Separator
11	22-42897		1	FITTING, (STRAIGHT)
12	32-818385T		1	LINE, Fuel, fuel filter to fuel pump
13	32-805432T		1	LINE, Fuel, fuel pump to VST
14	805556T 1		1	BRACKET
15	32-73815 67		1	TUBING, (42.00 Inches Bulk), fuel pump to throttle body

○ = COMPONENT OF OVERHALL GASKET SET [27-811572A94]

# VAPOR SEPARATOR TANK AND FUEL RAIL



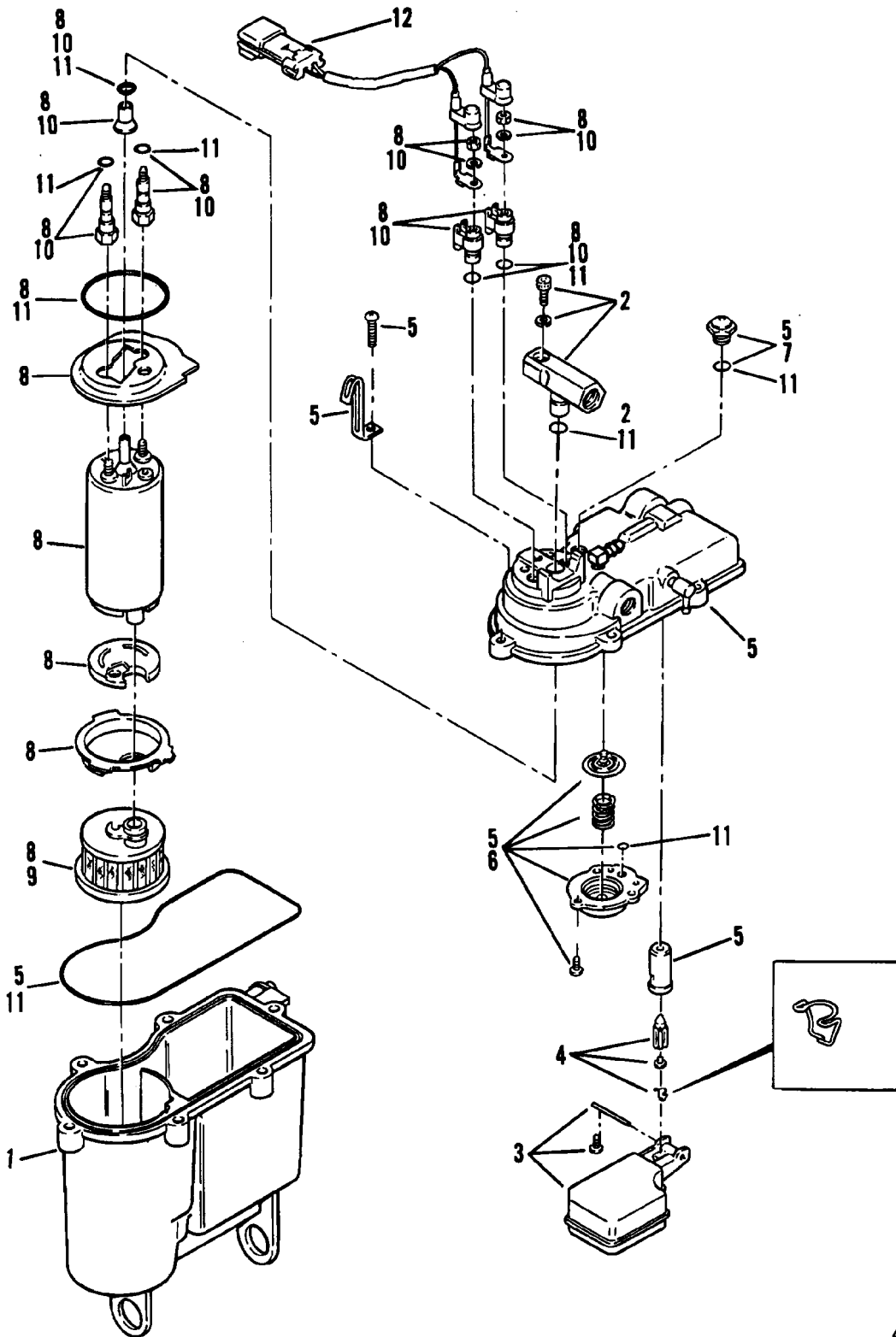
47150

# VAPOR SEPARATOR TANK AND FUEL RAIL

REF. NO.	PART NO.	SYM.	QTY.	DESCRIPTION
1	806787A 3		1	TANK ASSEMBLY
2	25-88033 1		1	GROMMET
3	32-805689 32		1	HOSE
4	32-805435A 1		2	LINE ASSEMBLY, Fuel
5	25-805970	○	2	O-RING
6	10-805392		1	SCREW, (1/4-20 x 5.0)
7	23-19064		2	BUSHING
8	25-88033		2	GROMMET
10	805405T		1	FUEL RAIL
11	10-805698		4	SCREW, (1/4-20 x 1.75)
12	54-805437		1	CLIP
13	10-805557		1	SCREW, (5/16-18 x .50)
14	22-805408		1	VALVE, Rail Pressure Service
15	22-805515		1	CAP, Shrader Valve - Brass
16	805227A 1		1	REGULATOR ASSEMBLY, Fuel Pressure
17	25-805531	○	1	O-RING, (.476 x .075)
18	35-805406		1	FILTER
19	10-56682		2	SCREW, (#10-24 x .750)
20	12-89302		2	WASHER, (.203 x .406 x .040)
21	11-805562		2	NUT, (#10-24)
22	22-805514A 1		1	FITTING ASSEMBLY
23	25-805553	○	1	O-RING
24	25-805407	○	1	O-RING, (.346 x .075)
25	54-815504105		2	CLAMP, Worm Gear (11-18 mm)

○ = COMPONENT OF OVERHALL GASKET SET [27-811572A94]

# VAPOR SEPARATOR TANK

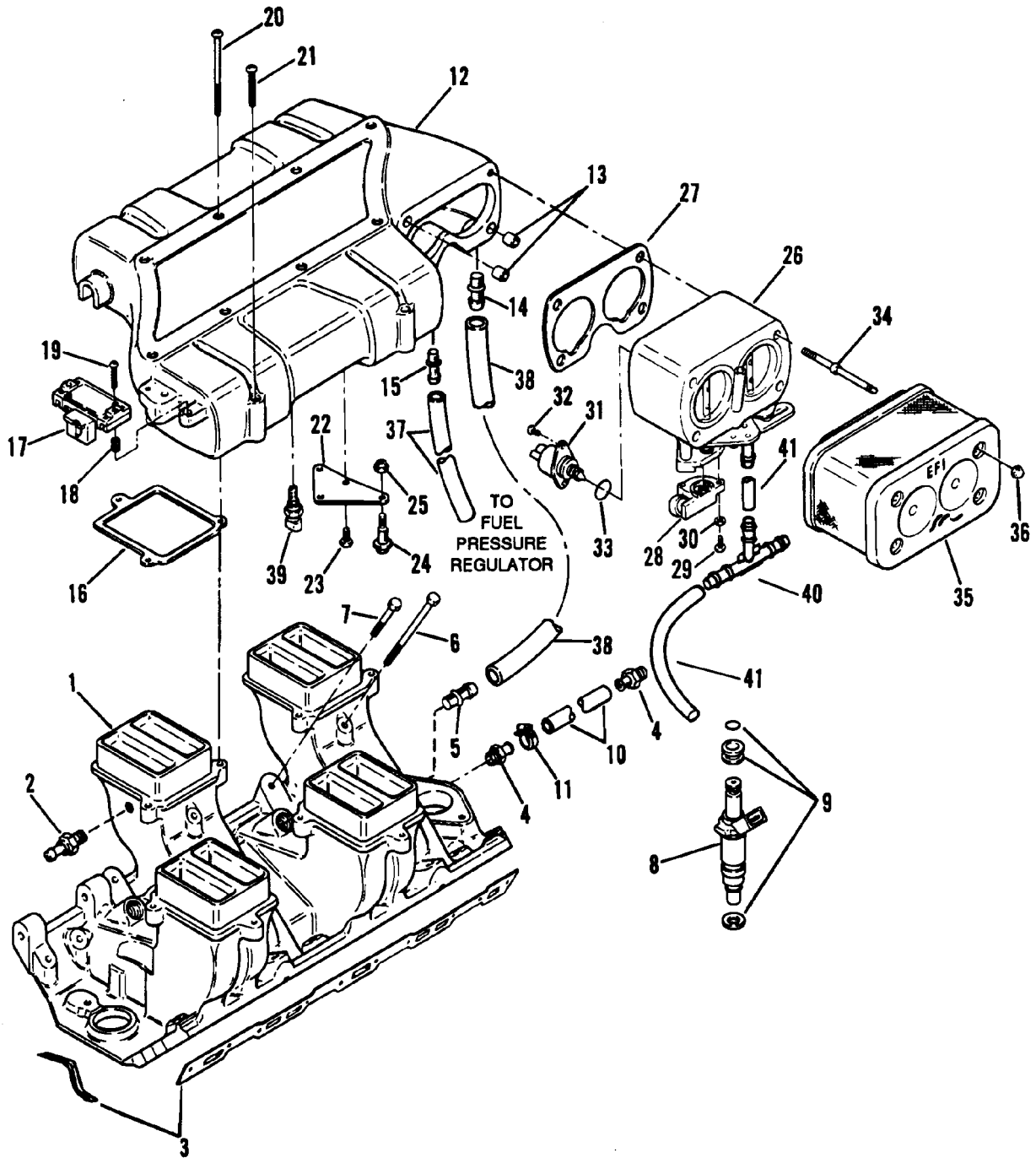


47151

# VAPOR SEPARATOR TANK

REF. NO.	PART NO.	SYM.	QTY.	DESCRIPTION
1	806787A 3		1	TANK ASSEMBLY
2	808502		1	L-JOINT KIT
3	808506		1	FLOAT KIT
4	808507		1	FLOAT VALVE KIT
5	827655		1	TOP COVER KIT
6	808509		1	DIAPHRAGM KIT
7	808501		1	PLUG KIT
8	808505		1	PUMP KIT
9	808504 1		1	STRAINER KIT, Fuel
10	808503		1	CONNECTOR KIT, Electrical
11	808500		1	O-RING KIT
12	808510		1	HARNESS KIT

# INTAKE MANIFOLD AND INTAKE PLENUM



47153



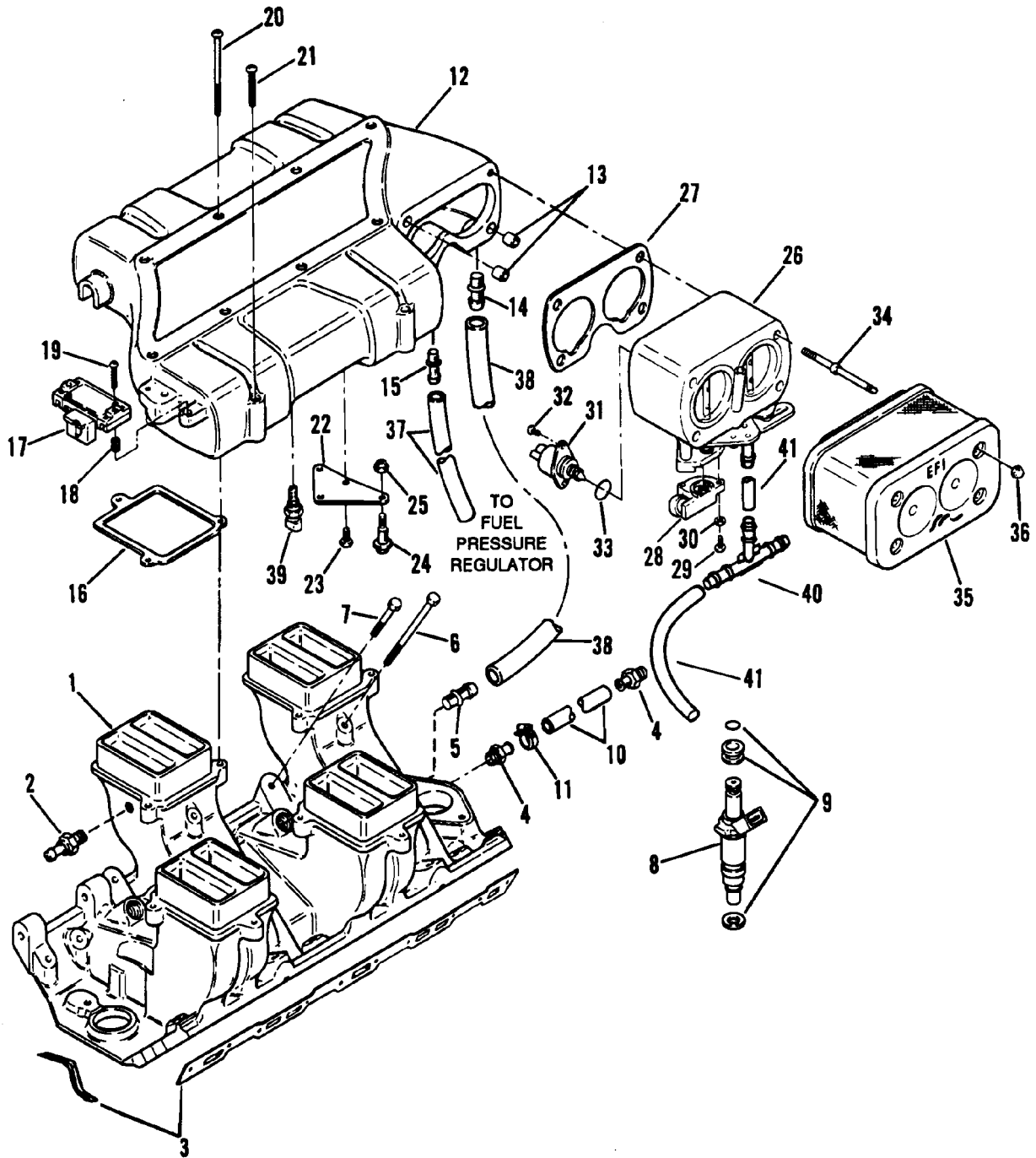
# INTAKE MANIFOLD AND INTAKE PLENUM

REF. NO.	PART NO.	SYM.	QTY.	DESCRIPTION
1	805233A 2		1	MANIFOLD ASSEMBLY, Intake
2	22-805691		1	FITTING, (.250) Barb
3	27-805403A 1	○	1	GASKET SET
4	22-806242		2	CONNECTOR
5	22-805519		1	FITTING, Barb (.250 Inch), (1/4" BARB)
6	10-805388		4	SCREW, (.375-16 x 5.500), (5-1/2")
7	10-805389		12	SCREW, (.375-16 x 1.750), (1-1/2")
8	805225A 1		8	INJECTOR ASSEMBLY, Fuel
9	25-805511A 1	○	8	SEALING KIT, Fuel Injector
10	32-805987 1		1	HOSE, Water Pump To Intake Manifold
11	54-815504412		2	CLAMP, Worm Gear
12	805240A 1		1	PLENUM ASSEMBLY, Intake
13	23-52698		2	SLEEVE
14	22-805519		1	FITTING, Barb (.250 Inch), (1/4" BARB)
15	22-805598		1	FITTING, (.1875) Barb, (3/16" BARB)
16	27-805522A 1	○	1	GASKET SET
17	805217A 1		1	SENSOR ASSEMBLY
18	26-805412	○	1	SEAL
19	10-807120		2	SCREW, (#10-24 x 1.00)
20	10-805391		8	SCREW, (.312-18 x 4.500), (4-1/2")
21	10-805390		4	SCREW, (.312-18 x 2.250), (2-1/4")
22	805413T		1	BRACKET, Throttle Cable
23	10-73286		3	SCREW, (.250-20 x .500) Stainless Steel
24	10-96430		1	SHOULDER SCREW
25	11-814101		1	NUT, (.250-20) Stainless Steel
26	805243A 2		1	THROTTLE BODY ASSEMBLY
27	27-805396	○	1	GASKET, Throttle Body
28	805226A 1		1	SENSOR ASSEMBLY, TPS
29	10-805400		2	SCREW, (#8-32 x .500) Stainless Steel
30	12-28001		2	WASHER, (.188 x .438 x .049)
31	805224A 1		1	MOTOR ASSEMBLY, IAC
32	10-805400		2	SCREW, (#8-32 x .500) Stainless Steel
33	25-808547		1	O-RING
34	16-805399		4	STUD
35	805401A 2		1	FLAME ARRESTOR
36	11-805402		4	NUT, Acorn
37	32-805521		1	TUBING
38	32-73815 67		1	TUBING, (42.00 Inches Bulk)
39	805223T		1	SENSOR

○ = COMPONENT OF OVERHALL GASKET SET [27-811572A94]

CONTINUED ON NEXT PAGE ➡

# INTAKE MANIFOLD AND INTAKE PLENUM



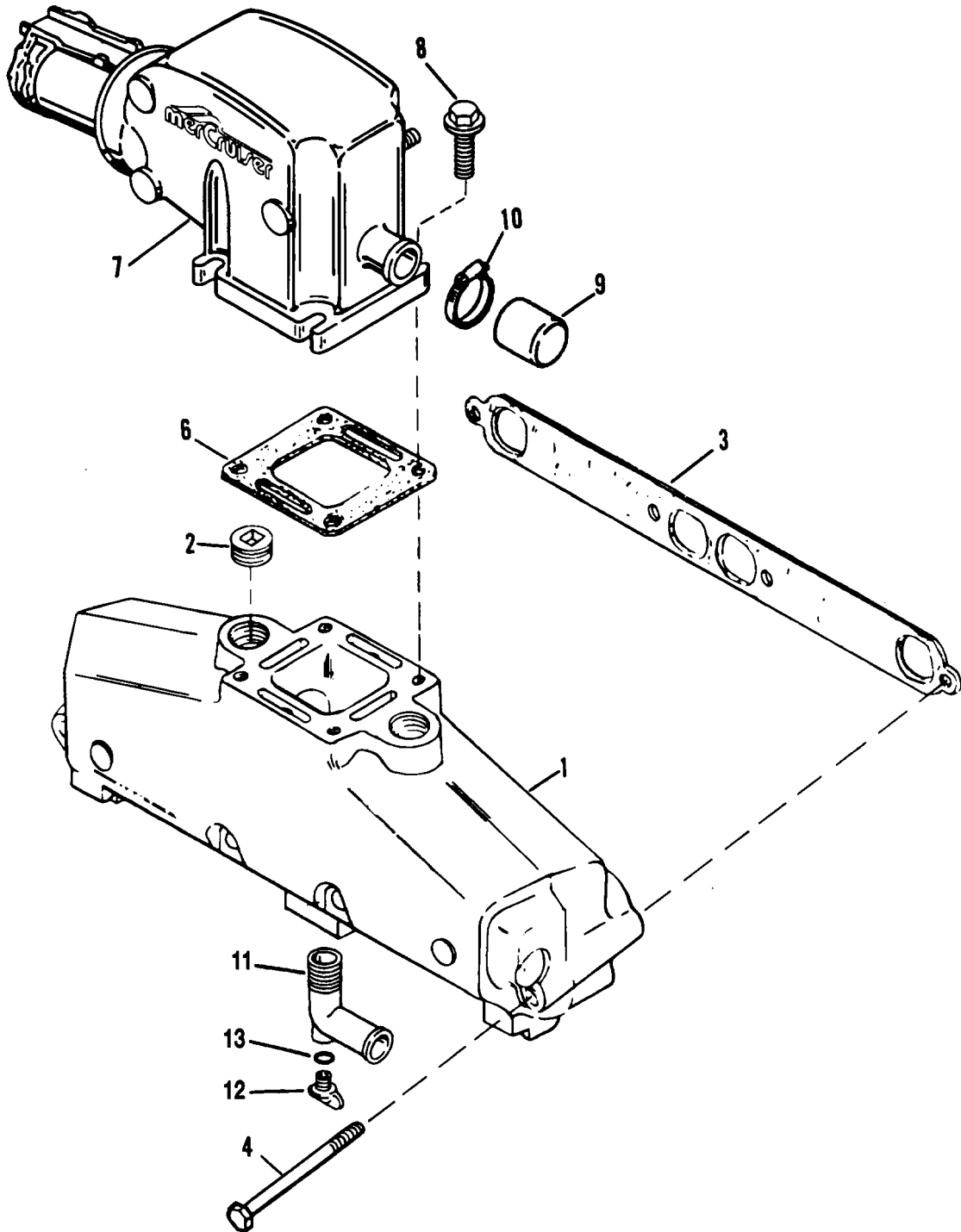
47153

# INTAKE MANIFOLD AND INTAKE PLENUM

REF. NO.	PART NO.	SYM.	QTY.	DESCRIPTION
40	22-806689		1	FITTING, Tee
41	32-73815 67		2	TUBING, (42.00 Inches Bulk)

○ = COMPONENT OF OVERHALL GASKET SET [27-811572A94]

# EXHAUST MANIFOLD AND EXHAUST ELBOW



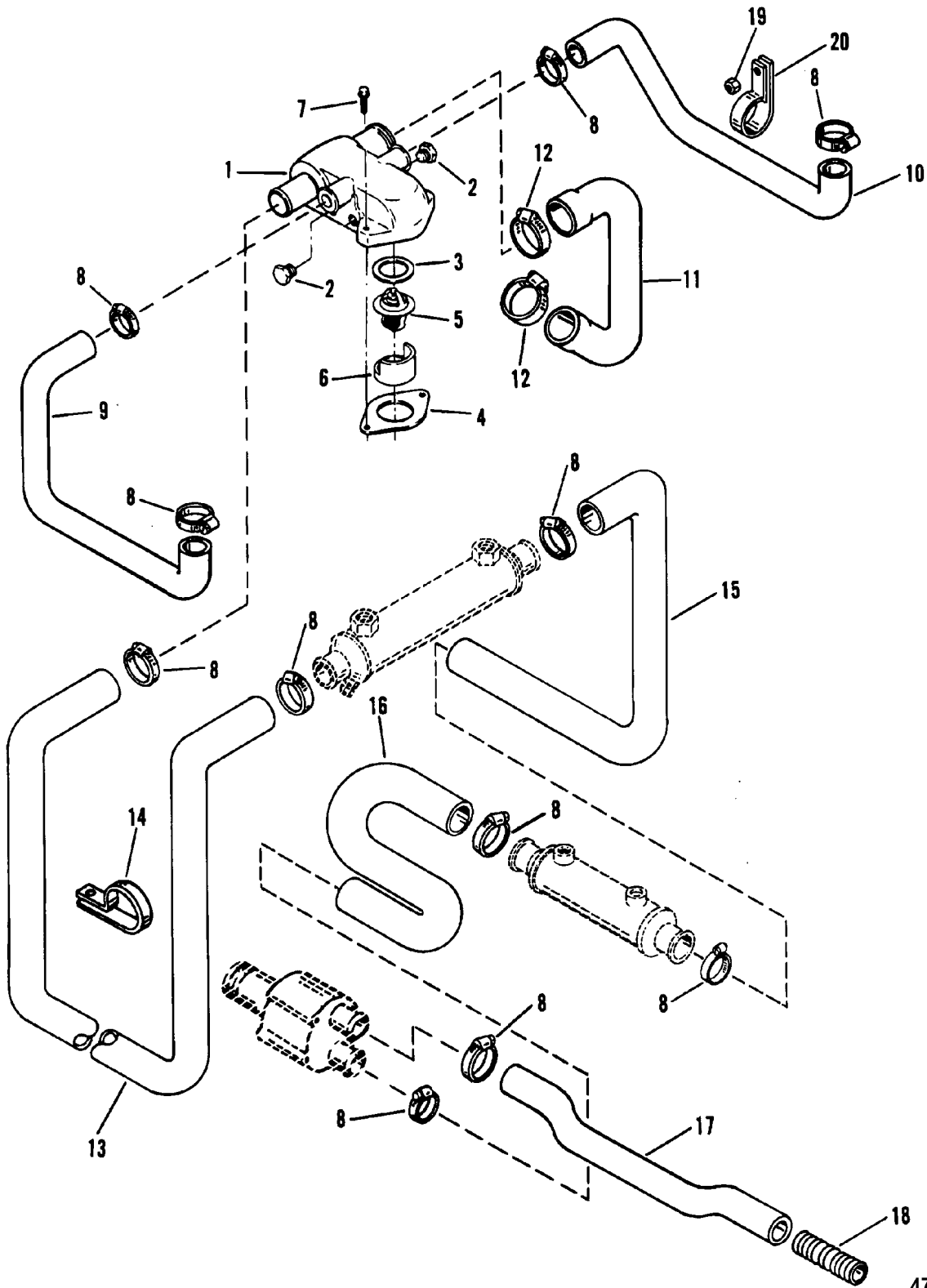
47154

# EXHAUST MANIFOLD AND EXHAUST ELBOW

REF. NO.	PART NO.	SYM.	QTY.	DESCRIPTION
1	89011A 8		2	MANIFOLD ASSEMBLY
2	22-33198A 1		8	PLUG, (3/4-14)
3	27-46820	○	2	GASKET
4	10-37612		16	SCREW, (.375-16 x 1.250), (1-1/4")
6	27-41813	○	2	GASKET
7	816900A 5		1	ELBOW ASSEMBLY, Exhaust, (PORT)
	816900A 9		1	ELBOW ASSEMBLY, (STARBOARD)
8	10-12244		6	SCREW, (.375-16 x 1.00) , (1")
	10-98534		2	SCREW, (.375-16 x 2.30), (2-1/2")
9	19-805727		2	CAP, Rubber
10	54-815504220		2	CLAMP, Worm Gear
11	22-806926A 1		2	ELBOW KIT, Drain
12	22-806608A 1		2	PLUG KIT, (.500-13) Royal Blue
13	25-806609		2	QUAD RING

○ = COMPONENT OF OVERHALL GASKET SET [27-811572A94]

# THERMOSTAT HOUSING (STANDARD COOLING)



47155

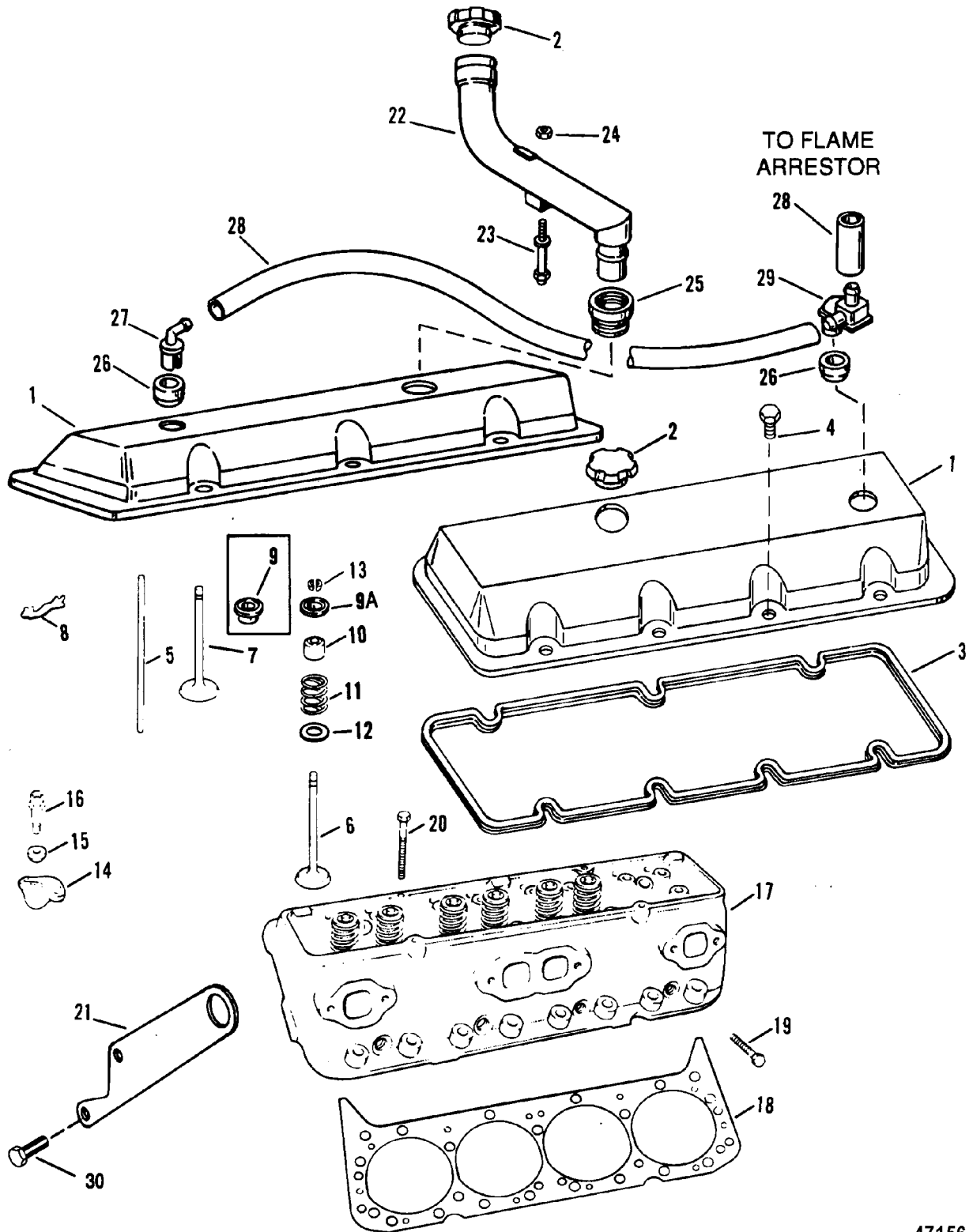
# THERMOSTAT HOUSING

(STANDARD COOLING)

REF. NO.	PART NO.	SYM.	QTY.	DESCRIPTION
1	806235A 1		1	HOUSING ASSEMBLY, Thermostat
2	22-32803		2	PLUG, Pipe (.375-18) Brass
3	27-806871	○	1	GASKET
4	27-53045 1	○	1	GASKET
5	805273 2		1	THERMOSTAT
6	23-806922		1	SLEEVE
7	10-98794		2	SCREW, (.375-16 x 1.00)
8	54-815504220		AR	CLAMP, Worm Gear
9	32-89749 1		1	HOSE, thermostat housing (PORT)
10	32-89730 1		1	HOSE, thermostat housing (STARBOARD)
11	32-89718 3		1	HOSE, thermostat housing to water pump
12	54-815504232		2	CLAMP, Worm Gear (2.50 Diameter)
13	32-806488		1	HOSE, oil cooler to thermostat housing
14	54-47715		1	CLIP
15	32-806487		1	HOSE, oil cooler to oil cooler
16	32-821416		1	HOSE, sea pump to oil cooler
17	32-821415		1	HOSE, Seawater Pump To T-Fitting, sea pump inlet
18	805135		1	COUPLER, Hose
19	54-806616		1	CLAMP
20	11-22024		1	NUT, (.437-14)

○ = COMPONENT OF OVERHALL GASKET SET [27-811572A94]

# CYLINDER HEAD AND ROCKER COVER



47156

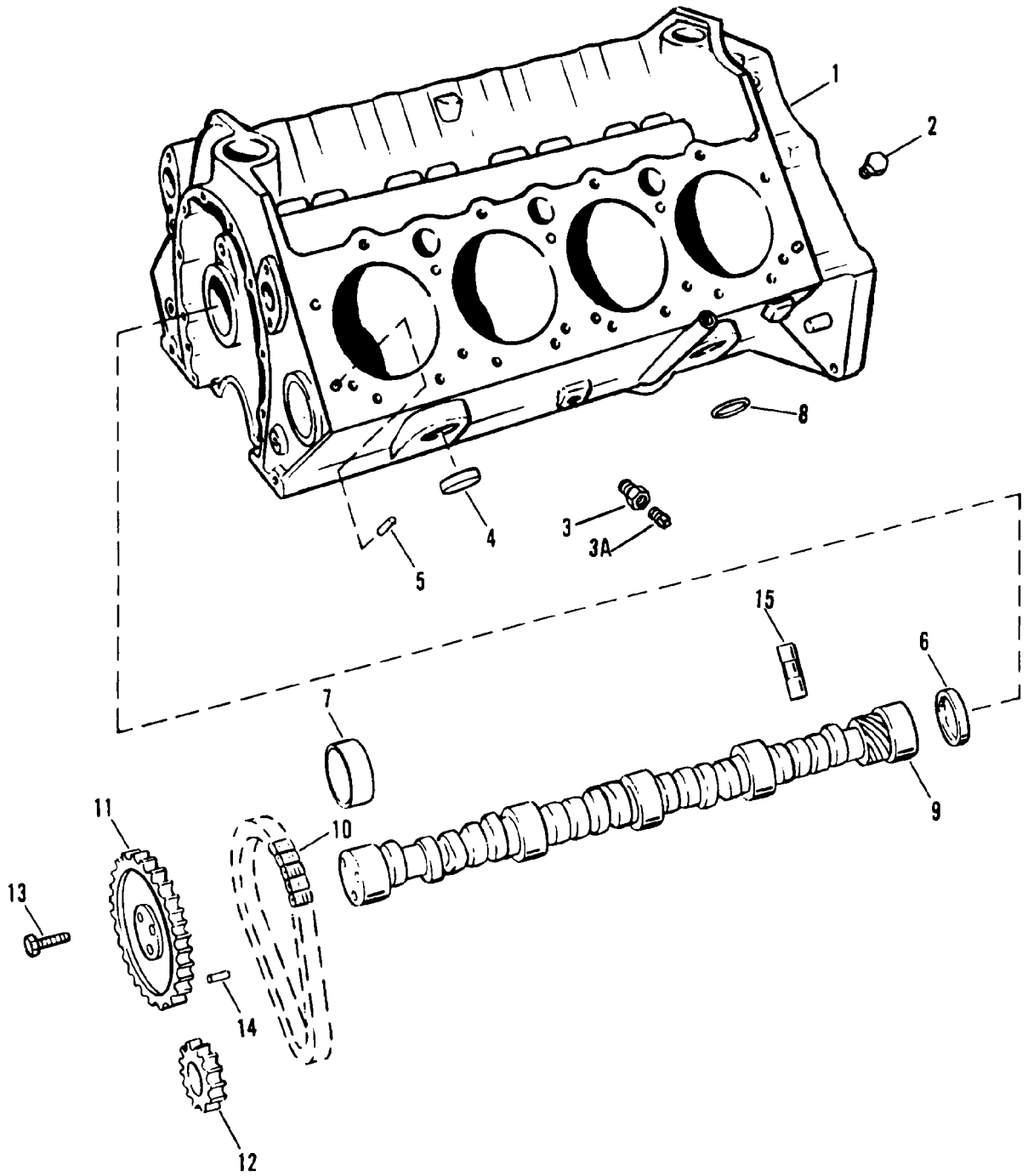


# CYLINDER HEAD AND ROCKER COVER

REF. NO.	PART NO.	SYM.	QTY.	DESCRIPTION
1	811587		2	ROCKER COVER
2	36-811569		2	CAP, Oil Tank
3	27-811588	○	2	GASKET, Rocker Cover
4	10-811589		14	BOLT, (1/4-20 x 0.875)
5	811581		8	PUSH ROD, (INLET)
	811582		8	PUSH ROD, (EXHAUST)
6	816962		8	VALVE, Exhaust, (STANDARD)
	816963		AR	VALVE, Exhaust, (.015 O.S.)
7	801877		8	VALVE, Intake, (STANDARD)
	801878		AR	VALVE, Intake, (.015 O.S.)
8	811586		8	GUIDE
9	19325	○	16	CAP AND SHIELD, (ONE PIECE DESIGN)
9A	827644		16	CAP
10	26-827645		16	SEAL, Valve
11	24-801879		16	SPRING, Valve
12	15-54531		16	SHIM, Valve Spring (.015)
13	28-54530		32	KEY
14	811591		16	ARM, Rocker
15	811592		16	BALL, Rocker Arm
16	10-811593		16	BOLT, Rocker Arm
17	938-827495		2	CYLINDER HEAD ASSEMBLY
18	27-811547	○	2	GASKET
19	10-49106		8	BOLT, (2.00 Inch), (2")
20	10-49105		24	BOLT, (4.125 Inch), (4-1/8")
21	805442T 1		1	BRACKET, Lifting Eye, FRONT
22	36-805621A 1		1	TUBE, Oil Fill
23	16-805706		1	STUD
24	11-35045		1	NUT, (.250-28)
25	26-805622		1	GROMMET
26	25-811553		2	GROMMET
27	97850		1	ELBOW, 90 Degree, Breather
28	32-805933		2	BREATHER HOSE
29	805558A 2		1	BAFFLE ASSEMBLY, Breather
30	10-47461		2	SCREW, (.437-14 x 1.00)

○ = COMPONENT OF OVERHAUL GASKET SET [27-811572A94]

# CYLINDER BLOCK AND CAMSHAFT

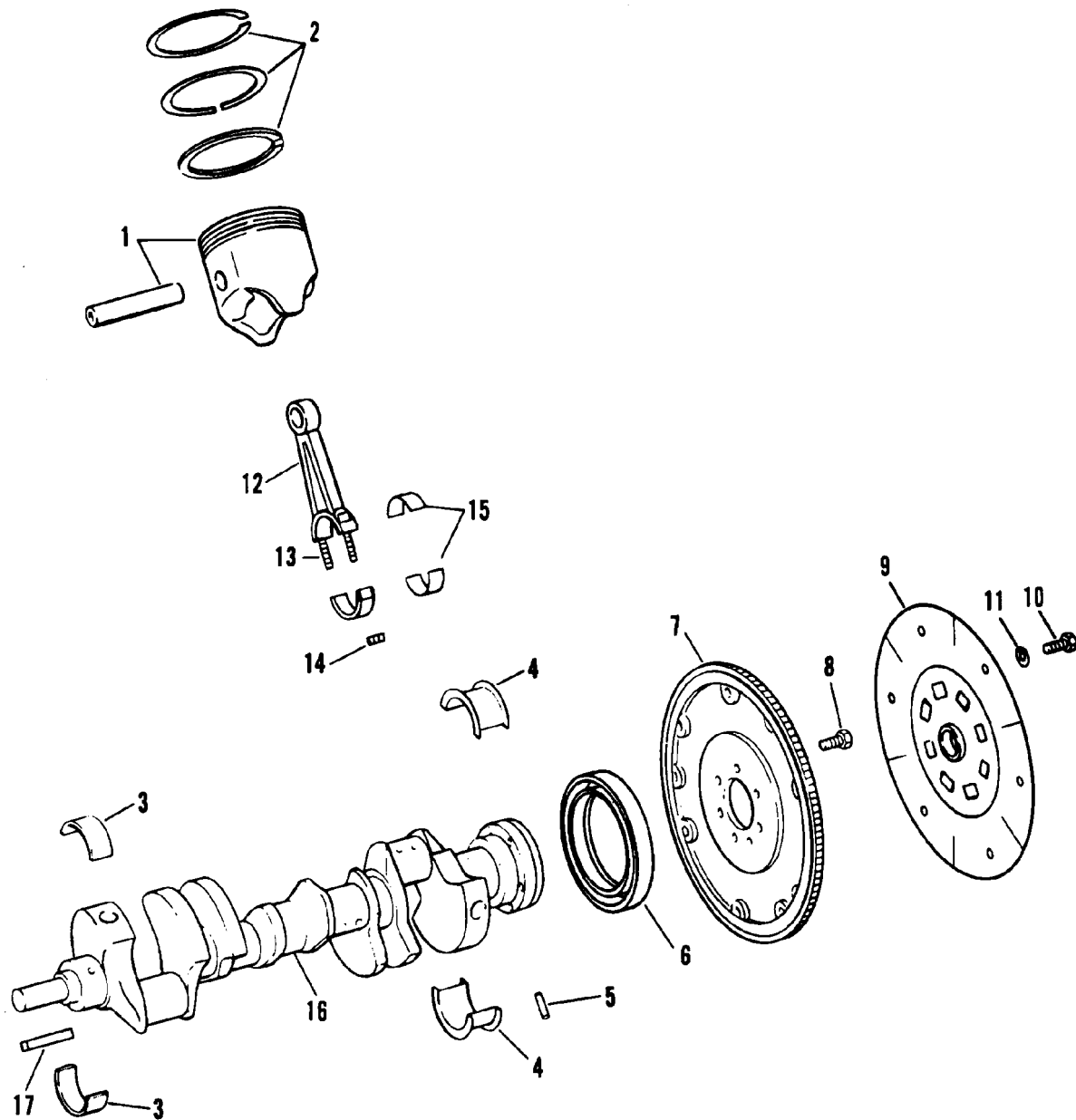


47157

# CYLINDER BLOCK AND CAMSHAFT

REF. NO.	PART NO.	SYM.	QTY.	DESCRIPTION
1	842-801999		1	BLOCK ASSEMBLY, Cylinder
2	22-48340		4	PLUG, (.250-18 x .41), (1/4")
3	22-48556		2	BUSHING , Reducer (.250 To .125)
3A	22-32802		2	PLUG, Pipe (.125-27)
4	19-34270		8	EXPANSION PLUG, (1.625), Expansion (1-5/8" Dia.)
5	17-52190		4	PIN
6	19-94140		1	EXPANSION PLUG
7	23-85684		1	BEARING SET
8	25-811528		1	O-RING, (.500 Inch), (1/2")
9	431-9830		1	CAMSHAFT
10	811580		1	CHAIN
11	43-811578		1	SPROCKET
12	43-811579		1	SPROCKET
13	10-35339		3	SCREW, (.312-18 x .750)
14	17-35312		1	PIN, Dowel (1/4 In. Diameter), (1/4" Dia.)
15	811583		16	LIFTER
-	806360A 1		1	MARINE LONG BLOCK ENGINE <b>SEE NOTE</b>
-	27-811572A94		1	GASKET SET, Overhaul, overhaul (Contents indicated by #) <b>SEE NOTE</b>
-	92-91601 1		1	SEALER, Red RTV, red RTV <b>SEE NOTE</b>
-	92-34227 1		1	SEALING COMPOUND, (16 Ounce) <b>SEE NOTE</b>

# CRANKSHAFT PISTONS AND CONNECTING RODS



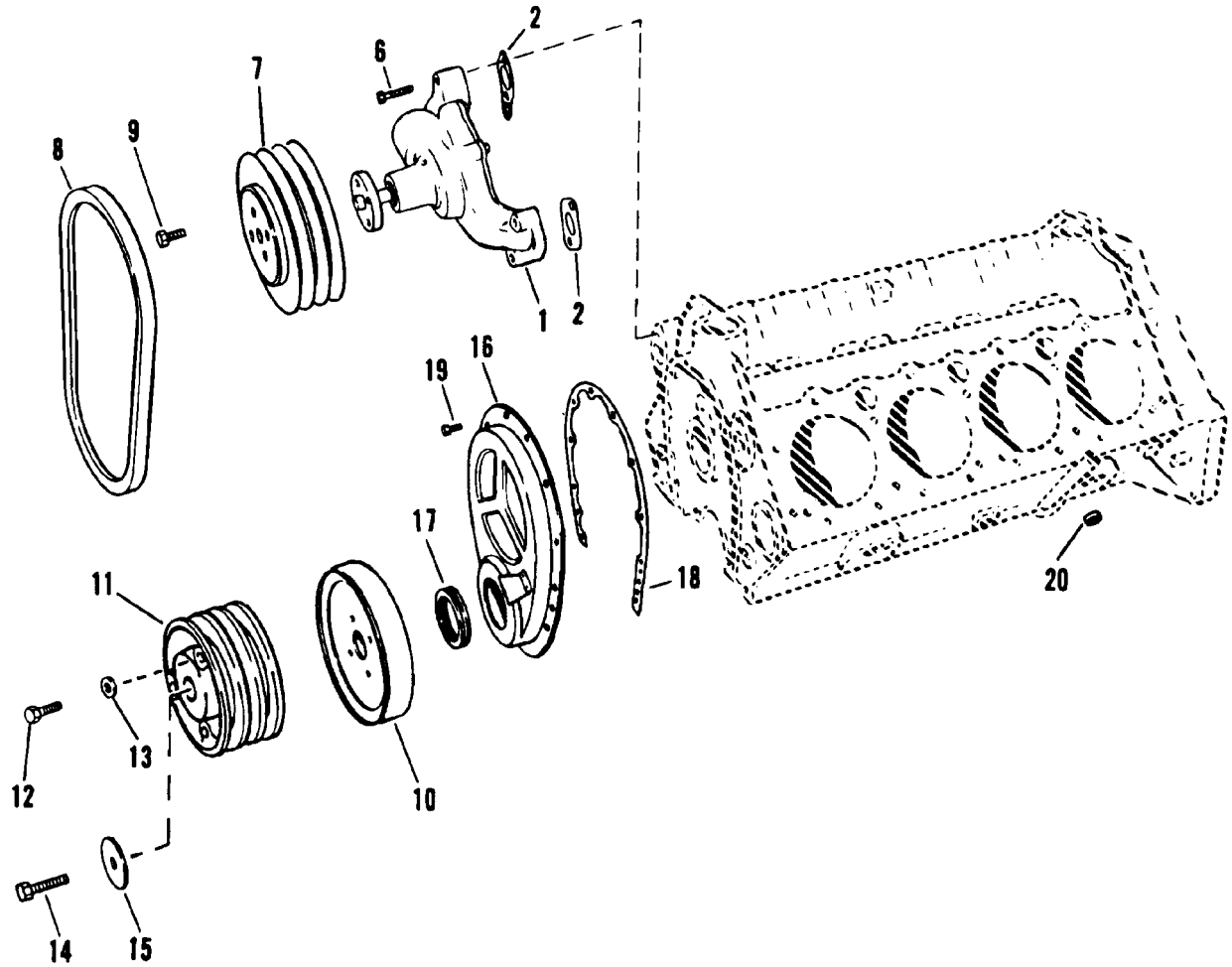
47158

# CRANKSHAFT PISTONS AND CONNECTING RODS

REF. NO.	PART NO.	SYM.	QTY.	DESCRIPTION
1	737-827653		8	PISTON ASSEMBLY, (STANDARD)
	737-827654		AR	PISTON ASSEMBLY, (.030 O.S.)
2	39-827651		8	RING, Piston, (STANDARD)
	39-827652		AR	RING, Piston, (.030 O.S.)
3/4	23-818473		1	BEARING SET, Main - Standard, (STANDARD)
	23-818474		AR	BEARING SET, Main - .001 Undersize, (.001 USA)
	23-818475		AR	BEARING SET, Main - .002 Undersize, (.002 USA)
	23-818476		AR	BEARING SET, Main - .010 Undersize, (.010 USA)
	23-818477		AR	BEARING SET, Main - .020 Undersize, (.020 USA)
5	17-35312		1	PIN, Dowel (1/4 In. Diameter), (1/4" Dia.)
6	26-811554	○	1	SEAL
7	230-811561		1	FLYWHEEL
8	10-49845		6	SCREW, (.437-20 x 1.00)
9	47607A 1		1	DRIVE PLATE
10	10-35091		6	SCREW, (.375-16 x 1.00)
11	13-35048		6	LOCKWASHER, (.375)
12	614-9641		8	CONNECTING ROD ASSEMBLY
13	10-19234		16	SCREW, (.437-20)
14	11-58056		16	NUT
15	23-85726		8	BEARING SET, Connecting Rod - Standard, (STANDARD)
	23-85727		AR	BEARING SET, Connecting Rod - (.001 Undersize), (PAIR - .001 USA)
	23-85728		AR	BEARING SET, Connecting Rod - (.002 Undersize), (PAIR - .002 USA)
	23-85691		AR	BEARING SET, Connecting Rod - (.010 Undersize), (PAIR - .010 USA)
	23-85729		AR	BEARING SET, Connecting Rod - (.020 Undersize), (PAIR - .020 USA)
16	429-811552		1	CRANKSHAFT
17	28-811558		1	KEY

○ = COMPONENT OF OVERHALL GASKET SET [27-811572A94]

# WATER PUMP AND FRONT COVER



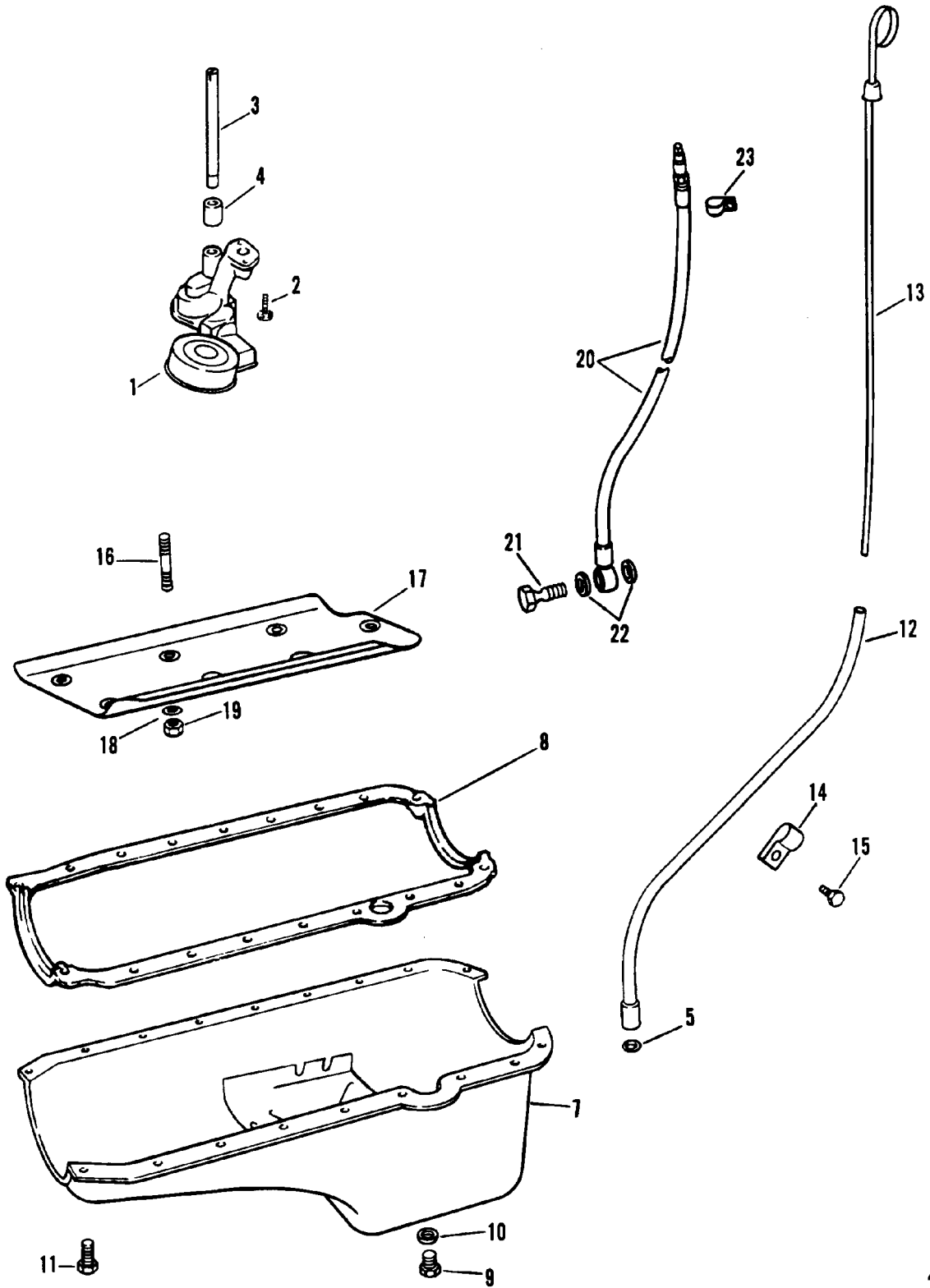
47159

# WATER PUMP AND FRONT COVER

REF. NO.	PART NO.	SYM.	QTY.	DESCRIPTION
1	811573		1	PUMP ASSEMBLY
2	27-49110	○	2	GASKET, Circulating Water Pump Mount
6	10-811574		4	SCREW, (.375-16 x 1.750)
7	19692T		1	PULLEY, (7 In. Diameter)
8	57-48122		1	BELT, (48 Inches)
9	10-47277		4	SCREW, (.312-24 x .750), (3/4")
10	811557		1	HARMONIC BALANCER
11	90081T		1	PULLEY
12	10-35870 1		3	SCREW, (.375-16 x 2.00)
13	12-34714		3	WASHER
14	10-811559		1	SCREW, (.500-20 x 2.500)
15	12-49103		1	WASHER
16	811570		1	COVER ASSEMBLY
17	26-821947 1	○	1	SEAL
18	27-811572	○	1	GASKET
19	10-35366		10	SCREW, (.250-20 x .563)
20	34543		2	VALVE, Oil Bypass

○ = COMPONENT OF OVERHALL GASKET SET [27-811572A94]

# OIL PAN AND OIL PUMP



47160

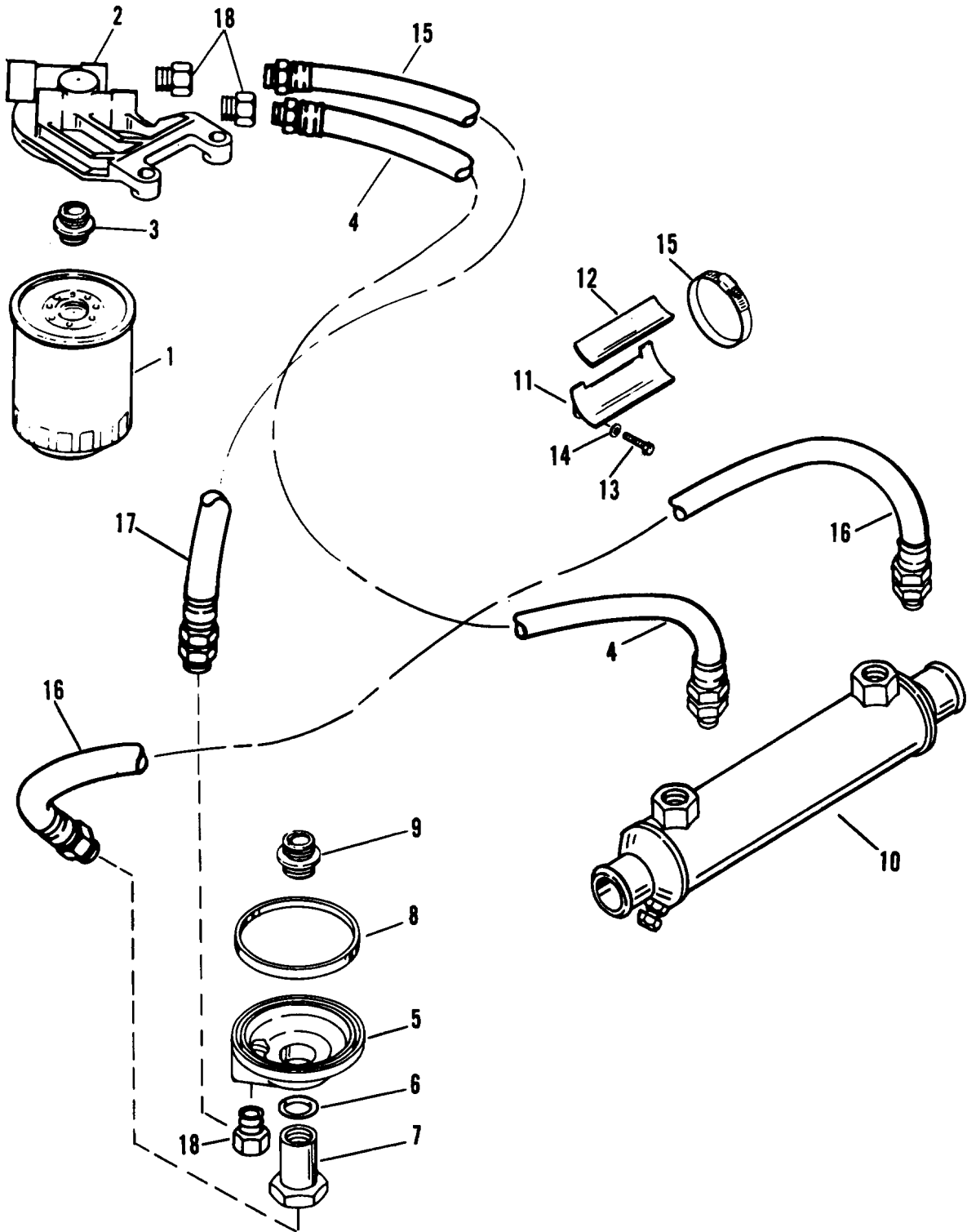


# OIL PAN AND OIL PUMP

REF. NO.	PART NO.	SYM.	QTY.	DESCRIPTION
1	827643		1	PUMP ASSEMBLY, Oil
2	10-813071		1	SCREW
3	14761		1	SHAFT AND RETAINER
4	23-36183		1	RETAINER
5	25-62704	○	1	O-RING, (.362 x .103)
7	811549		1	PAN ASSEMBLY
8	27-811566	○	1	GASKET
9	10-49956		1	SCREW, Drain
10	27-49955	○	1	GASKET, Drain
11	10-34500		20	SCREW, (.312-18 x .625)
12	818631A 8		1	TUBE
13	805567T		1	DIPSTICK
14	54-42553		1	J CLIP
15	10-35366		1	SCREW, (.250-20 x .563)
16	16-811683		4	STUD, (.375-16/.500-12 x 5.500)
17	811682		1	BAFFLE
18	12-49112		4	WASHER
19	11-37500		4	NUT, (3/8-16)
20	32-805505A 1		1	HOSE ASSEMBLY
21	10-805498		1	BOLT, Banjo (1/2-20)
22	27-49955	○	2	GASKET, Drain
23	54-805524		1	CLIP

○ = COMPONENT OF OVERHALL GASKET SET [27-811572A94]

# OIL FILTER AND ADAPTOR



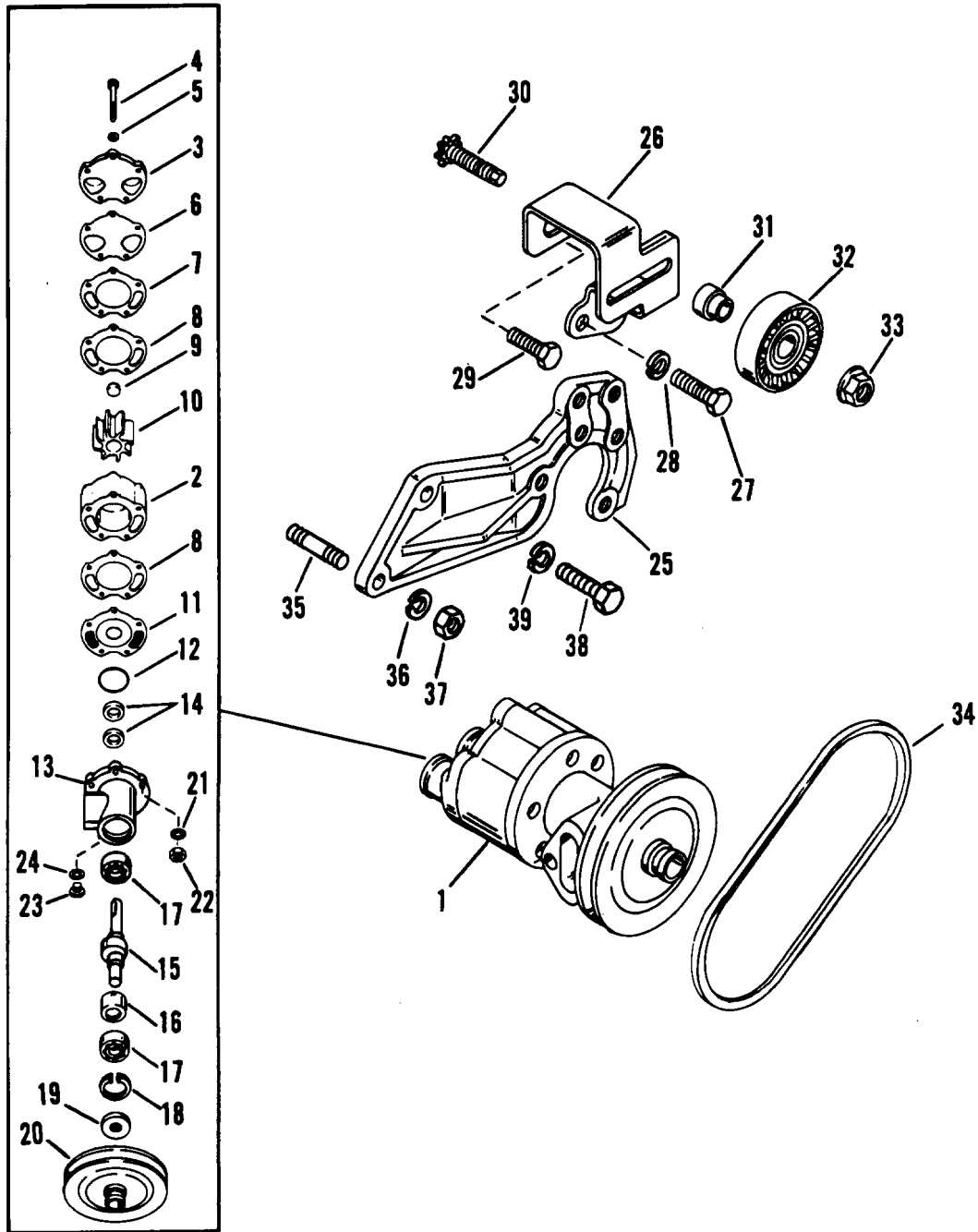
47161

# OIL FILTER AND ADAPTOR

REF. NO.	PART NO.	SYM.	QTY.	DESCRIPTION
1	14957		1	FILTER, Oil
2	817403A 4		1	BRACKET ASSEMBLY
3	22-814822		1	FITTING
4	32-806263 2		1	HOSE
5	35-818400T		1	ADAPTOR
6	26-42077	○	1	SEAL
7	22-806121		1	FITTING
8	27-91892	○	1	GASKET
9	22-805632		1	CONNECTOR
10	806427T		1	COOLER, Oil
11	805546A 2		1	BRACKET, Oil Cooler
12	77223 3		1	PAD
13	10-68101		1	SCREW, (.375-16 x 1.375)
14	13-35048		1	LOCKWASHER, (.375)
15	54-815504232		1	CLAMP, Worm Gear (2.50 Diameter)
16	32-806261 1		1	HOSE
17	32-806262 1		1	HOSE
18	22-805563		2	CONNECTOR, (.500 Inch NPTF To .500 Inch Inverted Flare), (.50 Inch NPTF to .50 Inch Inv. Flare)

○ = COMPONENT OF OVERHALL GASKET SET [27-811572A94]

# SEA WATER PUMP

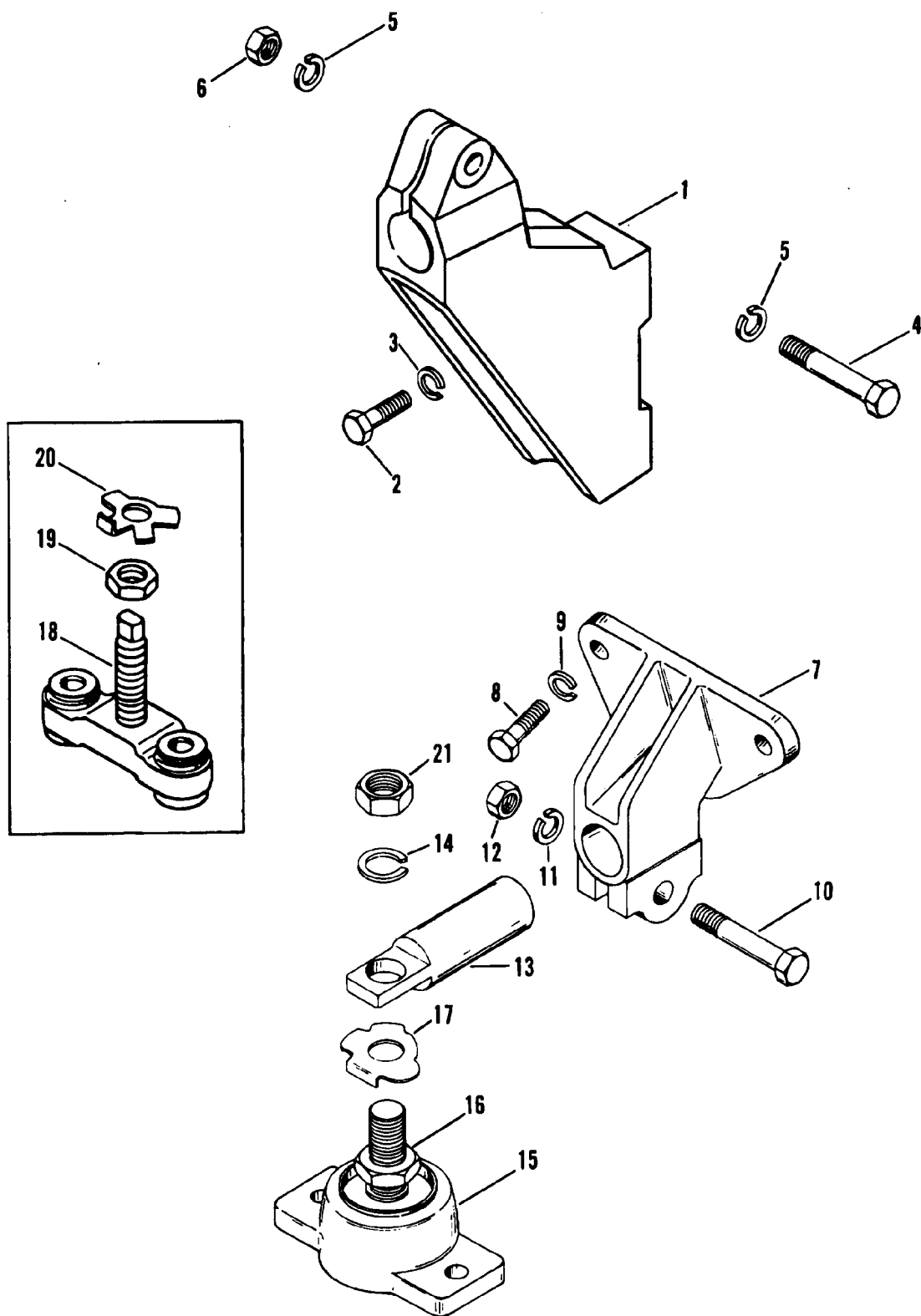


47162

# SEA WATER PUMP

REF. NO.	PART NO.	SYM.	QTY.	DESCRIPTION
1	46-72774A69		1	PUMP ASSEMBLY, Sea Water - Complete
2	46-72774A40		1	BODY ASSEMBLY, Sea Water - Complete
3	87631A 4		1	COVER KIT
4	10-99347		5	SCREW, (.312-18 x 3.75)
5	12-20084		5	WASHER, (.328 x .562 x .062)
6	27-805215 1		1	GASKET
7	94916		1	WEAR PLATE
8	27-94914		2	GASKET
9	19-59504		1	PLUG
10	47-59362 1		1	IMPELLER
11	94576		1	WEAR PLATE
12	25-94288		1	QUAD RING
13	818367A 1		1	HOUSING ASSEMBLY
14	26-90562		2	SEAL, (1.254 x .312)
15	818366A 1		1	SHAFT KIT
16	818745A 1		1	RING KIT
17	30-72961		2	BEARING, Ball
18	53-23720		1	RING, Retaining
19	26-806930		1	SEAL
20	818365T		1	PULLEY
21	13-39107		1	LOCKWASHER, (.312-24)
22	11-21908		1	NUT, (.312-18) Cad Plated
23	10-28634A 1		1	SCREW KIT
	10-14834A 1		1	SCREW, (MAGNETIC)
24	25-805726		2	O-RING, Rubber
25	818368T 1		1	BRACKET
26	818379T		1	BRACKET
27	10-76926		2	SCREW, (.375-16 x .875)
28	13-35048		2	LOCKWASHER, (.375)
29	10-17965		1	SCREW, (.437-14 x .70)
30	43-818381 1		1	PINION/STUD
31	818380		1	BUSHING
32	818382		1	PULLEY
33	11-817618		1	NUT, (.437-20)
34	57-69143T		1	V BELT
35	16-806591		1	STUD, (7/16-14)
36	13-32993		1	LOCKWASHER, (.437)
37	11-22024		1	NUT, (.437-14)
38	10-47462		1	SCREW, (.437-14 x 1.250)
39	13-32993		1	LOCKWASHER, (.437)

# TRANSMISSION AND ENGINE MOUNTING

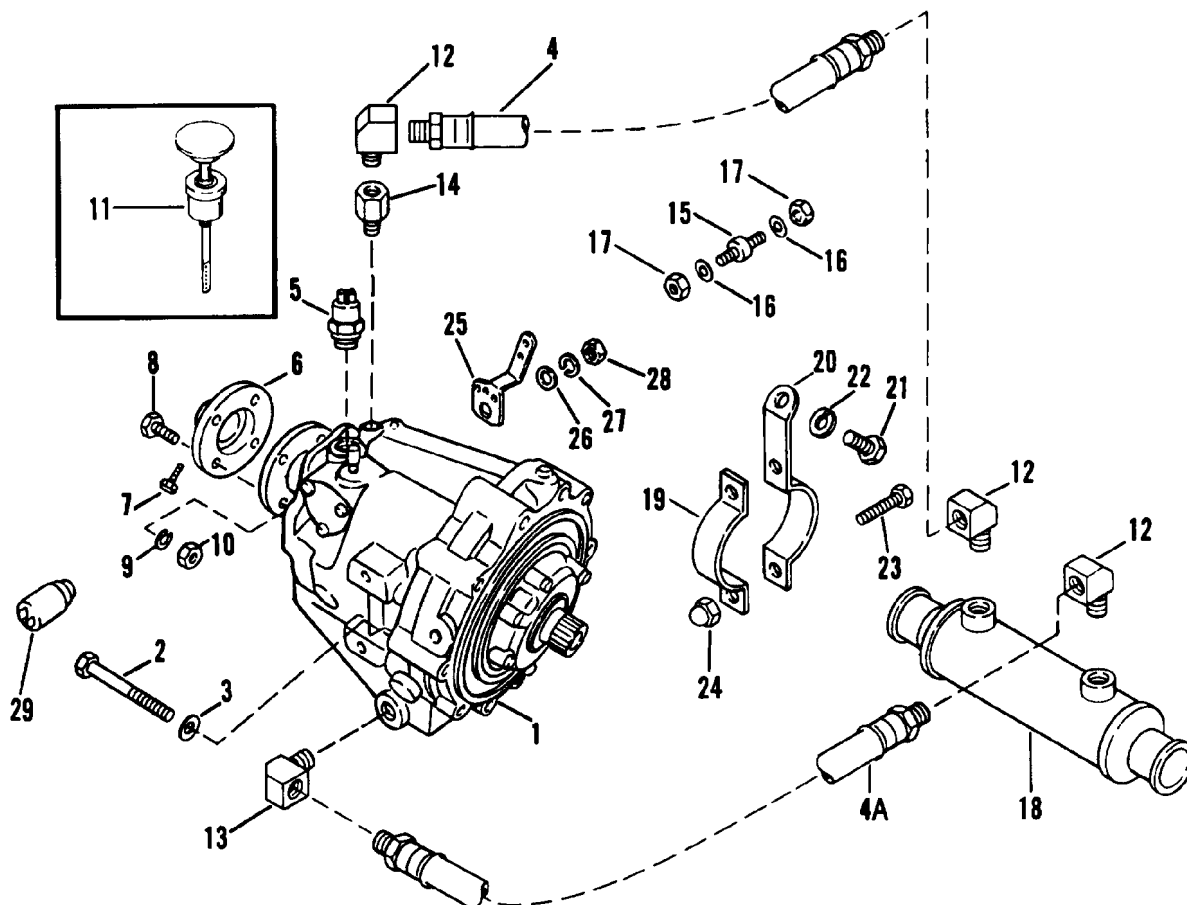


47163

# TRANSMISSION AND ENGINE MOUNTING

REF. NO.	PART NO.	SYM.	QTY.	DESCRIPTION
1	805597T		2	BRACKET, (REAR)
2	10-37269		4	SCREW, (.437-14 x 2.00), (2")
3	13-32993		4	LOCKWASHER, (.437)
4	10-57357		2	SCREW, (.437-13 x 2.250), (2-1/4")
5	13-32993		2	LOCKWASHER, (.437)
6	11-29553		2	NUT, (.437-14)
7	71128A 2		2	BRACKET, (FRONT)
8	10-68101		6	SCREW, (.375-16 x 1.375), (1-3/8")
9	13-35048		6	LOCKWASHER, (.375)
10	10-57357		2	SCREW, (.437-13 x 2.250)
11	13-32993		2	LOCKWASHER, (.437)
12	11-29553		2	NUT, (.437-14)
13	66166A 4		4	TRUNNION
14	13-68102		4	LOCKWASHER, (.750)
15	66284A 2		2	BASE ASSEMBLY
16	11-20739		2	NUT, (.750-16)
17	14-66658		2	TAB WASHER
18	816326A 2		2	BASE ASSEMBLY
19	11-816331		2	NUT, (.750-16)
20	14-66658		2	TAB WASHER
21	11-20739		4	NUT, (.750-16)

# TRANSMISSION AND RELATED PARTS



47164



# TRANSMISSION AND RELATED PARTS

REF. NO.	PART NO.	SYM.	QTY.	DESCRIPTION
1	47810A19		1	TRANSMISSION, (1.1:1 DIRECT DRIVE)
2	10-60179		6	SCREW, (.437-14 x 3.500)
3	13-32993		6	LOCKWASHER, (.437)
4	32-47516 6		1	HOSE ASSEMBLY, (30.00 Inches)
4A	32-47516 6		1	HOSE ASSEMBLY, (30.00 Inches)
5	87-88031		1	SWITCH ASSEMBLY
6	79476A 1		Opt	FLANGE ASSEMBLY, (5.00 x 1.00), (1")
	79476A 2		Opt	FLANGE ASSEMBLY, (5.00 x 1.125), (1-1/8")
	79476A 3		Opt	FLANGE ASSEMBLY, (5.00 x 1.25), (1-1/4")
	79476A 4		Opt	FLANGE ASSEMBLY, (5.00 x 1.375), (1-3/8")
	79476A 5		Opt	FLANGE ASSEMBLY, (5.00 x 1.50), (1-1/2")
	79476A 6		Opt	FLANGE ASSEMBLY, (5.00 x 1.75), (1-3/4")
	79476A 7		Opt	FLANGE ASSEMBLY, (5.00 x 2.00), (2")
7	10-60171		2	SCREW, (.375-16 x 1.250), (1-1/4")
	10-60169		2	SCREW, (.375-16 x .750), (3/4")
8	10-52498		4	SCREW, (.437-20 x 1.500), (1-1/2")
9	13-32993		4	LOCKWASHER, (.437)
10	11-22024		4	NUT, (.437-14)
11	806701A 1		1	DIPSTICK
12	22-47629		3	ELBOW, 90 Degree, (90DEGREES)
13	22-63835		1	ELBOW, 45 Degree, (45DEGREES)
14	22-88517		1	FITTING, Reducing
15	16-96112		1	STUD, (.250-28 x 2.00), Throttle Cable Anchor
16	12-29245		3	WASHER, (.281 x .500 x .060) Stainless Steel
17	11-20361		2	NUT, (.250-28)
18	63832A 1		1	COOLER
19	56328A 1		1	BRACKET, (SHORT)
20	63820T 1		1	BRACKET, (LONG)
21	10-60300		2	SCREW, (.250-28 x .750), (3/4")
22	11-30506		2	NUT, (.250-28)
23	10-47258		1	SCREW, (.312-18 x .620)
24	13-39107		1	LOCKWASHER, (.312-24)
25	43325		1	LEVER
26	12-20722		1	WASHER, (.328 x .625 x .060)
27	13-26993		1	LOCKWASHER, (.312)
28	11-22053		1	NUT, (.312-24)
29	47613		1	SWITCH

# PARTS INDEX

Part Number	Description	Pg.	Ref. No.	Part Number	Description	Pg.	Ref. No.
12505A 1	ADAPTOR KIT .....	23	19	805884T	ALTERNATOR .....	5	-
12506	CLIP .....	23	20	806235A 1	HOUSING ASSEMBLY .....	37	1
14761	SHAFT AND RETAINER .....	47	3	806360A 1	MARINE LONG BLOCK ENGINE .....	41	-
14957	FILTER .....	49	1	806394T	BRACKET .....	3	21
18351A 1	BRACKET ASSEMBLY .....	23	15	806427T	COOLER .....	49	10
19325	CAP AND SHIELD .....	39	9	806701A 1	DIPSTICK .....	55	11
19692T	PULLEY .....	45	7	806719T 4	ECM .....	21	21
26079A 2	PLATE KIT .....	13	3	806762A 1	VELCRO KIT .....	21	1A
32783	RETAINER .....	11	23	806787A 3	TANK ASSEMBLY .....	27	1
33291	COLLAR .....	7	12	806787A 3	TANK ASSEMBLY .....	29	1
33291	COLLAR .....	9	11	808483	CAP .....	11	2
34543	VALVE .....	45	20	808484	ROTOR .....	11	4
37293	SENDER ASSEMBLY .....	13	6	808485	SHAFT ASSEMBLY .....	11	5
43325	LEVER .....	55	25	808486	SHIELD .....	11	7
47607A 1	DRIVE PLATE .....	43	9	808487	RETAINER .....	11	6
47613	SWITCH .....	55	29	808500	O-RING KIT .....	29	11
47810A19	TRANSMISSION .....	55	1	808501	PLUG KIT .....	29	7
49734A 1	SENDER ASSEMBLY .....	13	5	808502	L-JOINT KIT .....	29	2
52185	CLAMP .....	11	25	808503	CONNECTOR KIT .....	29	10
54676	RETAINER .....	11	22	808504 1	STRAINER KIT .....	29	9
56328A 1	BRACKET .....	55	19	808505	PUMP KIT .....	29	8
63820T 1	BRACKET .....	55	20	808506	FLOAT KIT .....	29	3
63832A 1	COOLER .....	55	18	808507	FLOAT VALVE KIT .....	29	4
66166A 4	TRUNNION .....	53	13	808509	DIAPHRAGM KIT .....	29	6
66284A 2	BASE ASSEMBLY .....	53	15	808510	HARNESS KIT .....	29	12
71128A 2	BRACKET .....	53	7	809133	STATOR .....	5	12
77223 3	PAD .....	49	12	809134	PULLEY .....	5	3
79476A 1	FLANGE ASSEMBLY .....	55	6	809139	FAN ASSEMBLY .....	5	5
79476A 2	FLANGE ASSEMBLY .....	55	6	809142	TERMINAL .....	5	28
79476A 3	FLANGE ASSEMBLY .....	55	6	809144	COVER .....	5	30
79476A 4	FLANGE ASSEMBLY .....	55	6	809146	MOLD .....	5	16
79476A 5	FLANGE ASSEMBLY .....	55	6	809149	CAP .....	5	29
79476A 6	FLANGE ASSEMBLY .....	55	6	809150	ROTOR .....	5	11
79476A 7	FLANGE ASSEMBLY .....	55	6	809151	BRACKET ASSEMBLY .....	5	7
801877	VALVE .....	39	7	809152	RETAINER .....	5	10
801878	VALVE .....	39	7	809155	BRACKET ASSEMBLY .....	5	13
805135	COUPLER .....	37	18	809158	MOLD .....	5	19
805217A 1	SENSOR ASSEMBLY .....	31	17	809161	CONDENSER .....	5	18
805218T	SENSOR .....	13	13	809162	RECTIFIER .....	5	14
805222A 1	DISTRIBUTOR ASSEMBLY .....	11	1	809163	REGULATOR ASSEMBLY .....	5	24
805223T	SENSOR .....	31	39	809164	BRUSH .....	5	25
805224A 1	MOTOR ASSEMBLY .....	31	31	809452	FRAME .....	9	4
805225A 1	INJECTOR ASSEMBLY .....	31	8	809453	HOLDER .....	9	3
805226A 1	SENSOR ASSEMBLY .....	31	28	809454	ARMATURE .....	9	2
805227A 1	REGULATOR ASSEMBLY .....	27	16	809456	DRIVE .....	9	10
805233A 2	MANIFOLD ASSEMBLY .....	31	1	809459	HOUSING .....	9	14
805240A 1	PLENUM ASSEMBLY .....	31	12	809461	SHAFT AND GEAR .....	9	7
805243A 2	THROTTLE BODY ASSEMBLY .....	31	26	809463	SOLENOID .....	9	17
805273 2	THERMOSTAT .....	37	5	809464	LEVER .....	9	18
805401A 2	FLAME ARRESTOR .....	31	35	811549	PAN ASSEMBLY .....	47	7
805405T	FUEL RAIL .....	27	10	811557	HARMONIC BALANCER .....	45	10
805413T	BRACKET .....	31	22	811570	COVER ASSEMBLY .....	45	16
805439A 9	BOX ASSEMBLY .....	21	1	811573	PUMP ASSEMBLY .....	45	1
805439T	BOX .....	21	1	811580	CHAIN .....	41	10
805439T 1	COVER .....	21	27	811581	PUSH ROD .....	39	5
805439T 3	LID .....	21	27	811582	PUSH ROD .....	39	5
805441T 1	BRACKET/LIFTING EYE .....	13	1	811583	LIFTER .....	41	15
805442T 1	BRACKET .....	39	21	811586	GUIDE .....	39	8
805443T	MODULE ASSEMBLY .....	21	2	811587	ROCKER COVER .....	39	1
805544T	SENSOR ASSEMBLY .....	13	12	811591	ARM .....	39	14
805546A 2	BRACKET .....	49	11	811592	BALL .....	39	15
805556T 1	BRACKET .....	25	14	811637	MODULE .....	11	9
805558A 2	BAFFLE ASSEMBLY .....	39	29	811639	COIL .....	11	8
805567T	DIPSTICK .....	47	13	811641	POLE PIECE .....	11	11
805597T	BRACKET .....	53	1	811682	BAFFLE .....	47	17
805615A 1	THUMB SCREW ASSEMBLY .....	21	25	811862	FRAME .....	7	2
805615A 2	THUMB SCREW ASSEMBLY .....	21	17	811863	HOLDER .....	7	4
805703	FUSE .....	21	26	811882	SHIELD .....	7	7
805704	FUSE .....	21	26	811896	DRIVE .....	7	11
805884T	ALTERNATOR .....	3	8	811897	GEAR AND BEARING .....	7	8

# PARTS INDEX

Part Number	Description	Pg.	Ref. No.	Part Number	Description	Pg.	Ref. No.
814309A 1	HOUSING ASSEMBLY	23	1	10-49106	BOLT	39	19
814469	ARMATURE	7	6	10-49845	SCREW	43	8
814472	SHAFT/GEAR ASSEMBLY	7	10	10-49956	SCREW	47	9
814474	COLLAR	7	14	10-52498	SCREW	55	8
814475	HOUSING	7	15	10-54615	SCREW	21	22
814479	BEARING	7	9	10-54615	SCREW	23	17
815425	SENDER ASSEMBLY	13	6	10-56682	SCREW	27	19
816326A 2	BASE ASSEMBLY	53	18	10-57357	SCREW	53	4
816492A 6	ALARM KIT	15	4	10-57357	SCREW	53	10
816900A 5	ELBOW ASSEMBLY	35	7	10-60169	SCREW	55	7
816900A 9	ELBOW ASSEMBLY	35	7	10-60171	SCREW	55	7
816962	VALVE	39	6	10-60179	SCREW	55	2
816963	VALVE	39	6	10-60300	SCREW	55	21
817378T	COIL	11	18	10-68101	SCREW	49	13
817403A 4	BRACKET ASSEMBLY	49	2	10-68101	SCREW	53	8
818365T	PULLEY	51	20	10-73286	SCREW	21	3
818366A 1	SHAFT KIT	51	15	10-73286	SCREW	31	23
818367A 1	HOUSING ASSEMBLY	51	13	10-76926	SCREW	51	27
818368T 1	BRACKET	51	25	10-805189	SCREW	11	19
818379T	BRACKET	51	26	10-805343 2	SCREW	3	2
818380	BUSHING	51	31	10-805343 2	SCREW	3	2
818382	PULLEY	51	32	10-805388	SCREW	31	6
818383T	PUMP ASSEMBLY	25	1	10-805389	SCREW	31	7
818631A 8	TUBE	47	12	10-805390	SCREW	31	21
818718A 3	COVER KIT	23	3	10-805391	SCREW	31	20
818745A 1	RING KIT	51	16	10-805392	SCREW	27	6
827643	PUMP ASSEMBLY	47	1	10-805400	SCREW	31	29
827644	CAP	39	9A	10-805400	SCREW	31	32
827655	TOP COVER KIT	29	5	10-805498	BOLT	47	21
85013T	BRACE	3	14	10-805557	SCREW	27	13
87631A 4	COVER KIT	51	3	10-805559	SCREW	11	26
89011A 8	MANIFOLD ASSEMBLY	35	1	10-805698	SCREW	27	11
89876A 3	BASE ASSEMBLY	25	6	10-807120	SCREW	31	19
90081T	PULLEY	45	11	10-808491	SCREW	11	3
93920 1	PLATE	23	12	10-809138	BOLT	5	23
94576	WEAR PLATE	51	11	10-809141	SCREW	5	27
94916	WEAR PLATE	51	7	10-809145	SET SCREW	5	31
97257A 1	SENDER ASSEMBLY	13	5	10-809154	SCREW	5	8
97850	ELBOW	39	27	10-809159	BOLT	5	22
N.S.S.	Not Sold Separate	7	17	10-809160	SET SCREW	5	15
10-12244	SCREW	35	8	10-809450	THRU BOLT	9	6
10-14834A 1	SCREW	51	23	10-809451	SCREW	9	5
10-15001	SCREW	13	4	10-809466	SCREW	9	19
10-17965	SCREW	51	29	10-811559	SCREW	45	14
10-19234	SCREW	43	13	10-811574	SCREW	45	6
10-28634A 1	SCREW KIT	51	23	10-811589	BOLT	39	4
10-29198	SCREW AND LOCKWASHER	3	18	10-811593	BOLT	39	16
10-34353	SCREW	23	7	10-811638	SCREW	11	10
10-34354	SCREW	25	3	10-813071	SCREW	47	2
10-34500	SCREW	47	11	10-814468	SCREW	7	18
10-35091	SCREW	43	10	10-814477	THRU BOLT	7	19
10-35339	SCREW	41	13	10-91903	SCREW	3	22
10-35366	SCREW	45	19	10-92913	SCREW	23	13
10-35366	SCREW	47	15	10-96430	SHOULDER SCREW	31	24
10-35870 1	SCREW	45	12	10-98253	SCREW	23	5
10-37269	SCREW	53	2	10-98534	SCREW	35	8
10-37612	SCREW	23	7	10-98794	SCREW	37	7
10-37612	SCREW	35	4	10-99347	SCREW	51	4
10-45862	SCREW	21	13	11-15874	NUT	3	3
10-47258	SCREW	55	23	11-20361	NUT	55	17
10-47277	SCREW	23	7	11-20739	NUT	53	16
10-47277	SCREW	45	9	11-20739	NUT	53	21
10-47461	SCREW	13	2	11-21825	NUT	3	7
10-47461	SCREW	39	30	11-21908	NUT	51	22
10-47462	SCREW	3	15	11-22024	NUT	37	20
10-47462	SCREW	3	22	11-22024	NUT	51	37
10-47462	SCREW	51	38	11-22024	NUT	55	10
10-47688	SCREW	23	7	11-22053	NUT	55	28
10-48308	SCREW	3	24	11-23161	NUT	3	27
10-49105	BOLT	39	20	11-26419	NUT	21	6

# PARTS INDEX

Part Number	Description	Pg.	Ref. No.	Part Number	Description	Pg.	Ref. No.
11-29553	NUT.....	53	6	13-35048	LOCKWASHER.....	53	9
11-29553	NUT.....	53	12	13-39107	LOCKWASHER.....	23	8
11-30506	NUT.....	55	22	13-39107	LOCKWASHER.....	51	21
11-32219	NUT.....	23	11	13-39107	LOCKWASHER.....	55	24
11-35045	NUT.....	39	24	13-68102	LOCKWASHER.....	53	14
11-35814	NUT.....	25	9	13-809137	LOCKWASHER.....	5	2
11-37500	NUT.....	47	19	14-66658	TAB WASHER.....	53	17
11-40021 1	NUT.....	3	4	14-66658	TAB WASHER.....	53	20
11-40021 1	NUT.....	3	4	15-54531	SHIM.....	39	12
11-45076	NUT.....	15	2	16-64066	STUD.....	23	10
11-58056	NUT.....	43	14	16-805399	STUD.....	31	34
11-61356	NUT.....	21	14	16-805706	STUD.....	39	23
11-64015	NUT.....	21	10	16-806591	STUD.....	51	35
11-64015	NUT.....	21	20	16-811683	STUD.....	47	16
11-68219	NUT.....	13	8	16-90096A 1	STUD ASSEMBLY.....	11	20
11-68219	NUT.....	21	16	16-96112	STUD.....	55	15
11-79989	NUT.....	3	11	16-97477A 3	STUD KIT.....	23	16
11-805402	NUT.....	31	36	17-34109	PIN.....	11	16
11-805562	NUT.....	21	24	17-35312	PIN.....	41	14
11-805562	NUT.....	27	21	17-35312	PIN.....	43	5
11-806949	NUT.....	3	3	17-52190	PIN.....	41	5
11-809136	NUT.....	5	1	17-808488	PIN.....	11	12
11-809143	NUT.....	5	17	19-12304	PLUG.....	23	2
11-809157	NUT.....	5	20	19-34270	EXPANSION PLUG.....	41	4
11-814101	NUT.....	31	25	19-59504	PLUG.....	51	9
11-816331	NUT.....	53	19	19-805727	CAP.....	35	9
11-817618	NUT.....	51	33	19-94140	EXPANSION PLUG.....	41	6
11-94330	NUT.....	3	13	22-32561	PLUG.....	25	7
11-94330	NUT.....	21	8	22-32802	PLUG.....	41	3A
12-20084	WASHER.....	51	5	22-32803	PLUG.....	37	2
12-20533	WASHER.....	21	23	22-33198A 1	PLUG.....	35	2
12-20553	WASHER.....	3	25	22-42554	NIPPLE.....	13	10
12-20722	WASHER.....	55	26	22-42897	FITTING.....	25	11
12-22248	WASHER.....	3	23	22-43276	ELBOW.....	25	5
12-26168	WASHER.....	3	19	22-46932	ELBOW.....	13	11
12-28001	WASHER.....	31	30	22-47629	ELBOW.....	55	12
12-29245	WASHER.....	55	16	22-48340	PLUG.....	41	2
12-31263	WASHER.....	3	17	22-48556	BUSHING.....	13	9
12-34714	WASHER.....	45	13	22-48556	BUSHING.....	41	3
12-35462	WASHER.....	21	9	22-63835	ELBOW.....	55	13
12-35462	WASHER.....	21	19	22-64013	FITTING.....	15	3
12-46350	WASHER.....	11	13	22-805408	VALVE.....	27	14
12-49103	WASHER.....	45	15	22-805514A 1	FITTING ASSEMBLY.....	27	22
12-49112	WASHER.....	47	18	22-805515	CAP.....	27	15
12-808489	WASHER.....	11	14	22-805519	FITTING.....	31	5
12-89302	WASHER.....	27	20	22-805519	FITTING.....	31	14
12-96457	WASHER.....	3	9	22-805563	CONNECTOR.....	49	18
13-26992	LOCKWASHER.....	3	12	22-805598	FITTING.....	31	15
13-26992	LOCKWASHER.....	21	7	22-805632	CONNECTOR.....	49	9
13-26992	LOCKWASHER.....	23	6	22-805691	FITTING.....	31	2
13-26992	LOCKWASHER.....	23	18	22-806121	FITTING.....	49	7
13-26993	LOCKWASHER.....	55	27	22-806242	CONNECTOR.....	31	4
13-26995	LOCKWASHER.....	21	5	22-806608A 1	PLUG KIT.....	35	12
13-26996	LOCKWASHER.....	3	10	22-806689	FITTING.....	33	40
13-26996	LOCKWASHER.....	13	7	22-806926A 1	ELBOW KIT.....	35	11
13-26996	LOCKWASHER.....	21	15	22-814822	FITTING.....	49	3
13-32993	LOCKWASHER.....	3	16	22-816133 1	FITTING.....	25	8
13-32993	LOCKWASHER.....	23	14	22-88517	FITTING.....	55	14
13-32993	LOCKWASHER.....	51	36	23-19064	BUSHING.....	27	7
13-32993	LOCKWASHER.....	51	39	23-33186	BUSHING.....	3	26
13-32993	LOCKWASHER.....	53	3	23-36183	RETAINER.....	47	4
13-32993	LOCKWASHER.....	53	5	23-52698	SLEEVE.....	31	13
13-32993	LOCKWASHER.....	53	11	23-806922	SLEEVE.....	37	6
13-32993	LOCKWASHER.....	55	3	23-809135	SPACER.....	5	4
13-32993	LOCKWASHER.....	55	9	23-809140	SPACER.....	5	6
13-35048	LOCKWASHER.....	23	8	23-809457	THRUST COLLAR.....	9	13
13-35048	LOCKWASHER.....	25	4	23-814476	BUSHING.....	7	16
13-35048	LOCKWASHER.....	43	11	23-814476	BUSHING.....	9	15
13-35048	LOCKWASHER.....	49	14	23-818473	BEARING SET.....	43	3/4
13-35048	LOCKWASHER.....	51	28	23-818474	BEARING SET.....	43	3/4

# PARTS INDEX

Part Number	Description	Pg.	Ref. No.	Part Number	Description	Pg.	Ref. No.
23-818475	BEARING SET .....	43	3/4	32-73815 67	TUBING.....	33	41
23-818476	BEARING SET .....	43	3/4	32-805432T	LINE .....	25	13
23-818477	BEARING SET .....	43	3/4	32-805435A 1	LINE ASSEMBLY.....	27	4
23-85684	BEARING SET .....	41	7	32-805505A 1	HOSE ASSEMBLY .....	47	20
23-85691	BEARING SET .....	43	15	32-805521	TUBING.....	31	37
23-85726	BEARING SET .....	43	15	32-805689 32	HOSE.....	27	3
23-85727	BEARING SET .....	43	15	32-805933	BREATHER HOSE .....	39	28
23-85728	BEARING SET .....	43	15	32-805987 1	HOSE.....	31	10
23-85729	BEARING SET .....	43	15	32-806261 1	HOSE.....	49	16
23-90520 1	SPACER .....	3	28	32-806262 1	HOSE.....	49	17
23-92152	SPACER .....	21	18	32-806263 2	HOSE.....	49	4
24-801879	SPRING .....	39	11	32-806487	HOSE.....	37	15
24-809165	SPRING .....	5	26	32-806488	HOSE.....	37	13
24-814467	SPRING .....	7	5	32-818385T	LINE .....	25	12
25-62704	O-RING .....	47	5	32-821415	HOSE.....	37	17
25-805407	O-RING .....	27	24	32-821416	HOSE.....	37	16
25-805511A 1	SEALING KIT .....	31	9	32-89718 3	HOSE.....	37	11
25-805531	O-RING .....	27	17	32-89730 1	HOSE.....	37	10
25-805553	O-RING .....	27	23	32-89749 1	HOSE.....	37	9
25-805726	O-RING .....	51	24	33-59571	SPARK PLUG .....	11	28
25-805970	O-RING .....	27	5	35-805406	FILTER.....	27	18
25-806609	QUAD RING.....	35	13	35-807172	FILTER.....	25	10
25-808547	O-RING .....	31	33	35-818400T	ADAPTOR.....	49	5
25-809156	O-RING .....	5	21	36-805621A 1	TUBE.....	39	22
25-809465	GROMMET .....	9	16	36-811569	CAP .....	39	2
25-811528	O-RING .....	41	8	39-827651	RING .....	43	2
25-811553	GROMMET .....	39	26	39-827652	RING .....	43	2
25-88033	GROMMET .....	27	8	43-808490	GEAR.....	11	15
25-88033 1	GROMMET .....	27	2	43-809455	GEAR.....	9	9
25-94288	QUAD RING.....	51	12	43-811578	SPROCKET .....	41	11
26-42077	SEAL .....	49	6	43-811579	SPROCKET .....	41	12
26-805412	SEAL .....	31	18	43-818381 1	PINION/STUD .....	51	30
26-805622	GROMMET .....	39	25	46-72774A40	BODY ASSEMBLY .....	51	2
26-806930	SEAL .....	51	19	46-72774A69	PUMP ASSEMBLY .....	51	1
26-811554	SEAL .....	43	6	47-59362 1	IMPELLER .....	51	10
26-821947 1	SEAL .....	45	17	50-806964A 2	STARTER MOTOR ASSEMBLY.....	3	1
26-827645	SEAL .....	39	10	50-806964A 2	STARTER MOTOR ASSEMBLY.....	9	1
26-90562	SEAL .....	51	14	50-822330A 2	STARTER MOTOR ASSEMBLY.....	3	1
27-34213	GASKET .....	25	2	50-822330A 2	STARTER MOTOR ASSEMBLY.....	7	1
27-34486 3	GASKET .....	11	27	53-23720	RING .....	51	18
27-41813	GASKET .....	35	6	53-33290	RING .....	7	13
27-46820	GASKET .....	35	3	53-33290	RING .....	9	12
27-49110	GASKET .....	45	2	54-42553	J CLIP .....	47	14
27-49955	GASKET .....	47	10	54-47715	CLIP .....	37	14
27-49955	GASKET .....	47	22	54-72821	RETAINER.....	11	21
27-53045 1	GASKET .....	37	4	54-78945	J CLAMP .....	23	9
27-805215 1	GASKET .....	51	6	54-805437	CLIP .....	27	12
27-805396	GASKET .....	31	27	54-805524	CLIP .....	47	23
27-805403A 1	GASKET SET .....	31	3	54-806616	CLAMP.....	37	19
27-805522A 1	GASKET SET .....	31	16	54-815504105	CLAMP.....	27	25
27-806871	GASKET .....	37	3	54-815504220	CLAMP.....	35	10
27-809460	GASKET .....	9	8	54-815504220	CLAMP.....	37	8
27-811547	GASKET .....	39	18	54-815504232	CLAMP.....	37	12
27-811566	GASKET .....	47	8	54-815504232	CLAMP.....	49	15
27-811572	GASKET .....	45	18	54-815504412	CLAMP.....	31	11
27-811572A94	GASKET SET .....	41	-	57-48122	BELT .....	45	8
27-811588	GASKET .....	39	3	57-69143T	V BELT.....	51	34
27-86015	GASKET .....	23	4	84-805232A 4	HARNES ASSEMBLY .....	19	-
27-91892	GASKET .....	49	8	84-806217A13	HARNES ASSEMBLY .....	17	-
27-94914	GASKET .....	51	8	84-809147	LEAD WIRE .....	5	33
28-54530	KEY .....	39	13	84-809148	LEAD WIRE .....	5	32
28-811558	KEY .....	43	17	84-816608A68	CABLE KIT.....	11	24
30-72961	BEARING.....	51	17	84-817376T	HARNES ASSEMBLY .....	11	17
30-809153	BEARING.....	5	9	85-79695	BOOT.....	3	5
30-814465	BEARING.....	7	3	85-97861	INSULATOR.....	21	11
32-47516 6	HOSE ASSEMBLY .....	55	4	87-805605A 1	SWITCH ASSEMBLY.....	15	1
32-47516 6	HOSE ASSEMBLY .....	55	4A	87-88031	SWITCH ASSEMBLY.....	55	5
32-73815 67	TUBING.....	3	20	88-11178	BREAKER.....	21	12
32-73815 67	TUBING.....	25	15	88-79023A91	FUSE ASSEMBLY .....	3	6
32-73815 67	TUBING.....	31	38	89-96054	SOLENOID ASSEMBLY .....	21	4

# PARTS INDEX

Part Number	Description	Pg.	Ref. No.
92-34227 1	SEALING COMPOUND .....	41	-
92-91601 1	SEALER .....	41	-
230-811561	FLYWHEEL.....	43	7
429-811552	CRANKSHAFT .....	43	16
431-9830	CAMSHAFT .....	41	9
614-9641	CONNECTING ROD ASSEMBLY.....	43	12
737-827653	PISTON ASSEMBLY .....	43	1
737-827654	PISTON ASSEMBLY .....	43	1
842-801999	BLOCK ASSEMBLY .....	41	1
938-827495	CYLINDER HEAD ASSEMBLY .....	39	17