



PARTS CATALOG

GAMEFISHER 9.9 H.P.

SERIAL NUMBER

9.9 H.P. (1995)	225.581987
9.9 H.P. (1995)	225.581997

TABLE OF CONTENTS:

CARBURETOR	10
CLAMP BRACKETS	22
COWL ASSEMBLY - TOP & BOTTOM	2
CRANKSHAFT AND PISTON	14
CYLINDER BLOCK	16
FUEL AND RECIRCULATION SYSTEM	8
FUEL TANK AND LINE	30
GEAR HOUSING	26
IGNITION SYSTEM	4
PARTS INDEX	32
SHIFT LINKAGE	6
STARTER ASSEMBLY	12
STEERING HANDLE/TWIST GRIP THROTTLE	18
SWIVEL BRACKET AND DRIVESHAFT HOUSING	20
THERMOSTAT	24

NOTE: Indented description indicate that these parts are included in preceding assembly.

AR = As Required

NSS = Not Sold Separate

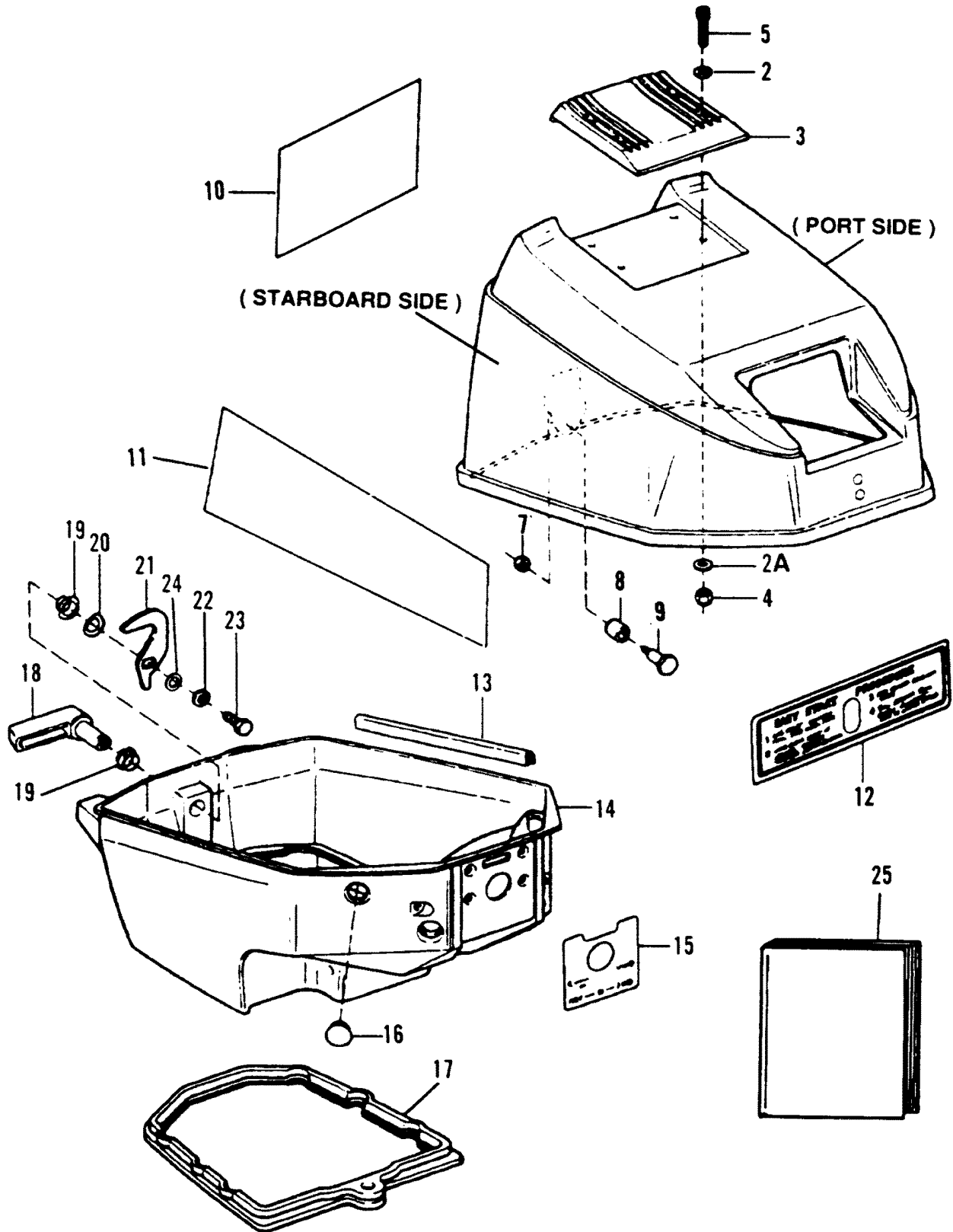
OPT = Optional

NS = Not Shown

THESE PARTS BOOKS/FICHE CARD ARE COPYRIGHTED AND MAY NOT BE DISTRIBUTED OR REPRODUCED IN ANY OTHER FORMAT BY ANYONE OTHER THAN MERCURY MARINE WITHOUT THE PRIOR WRITTEN CONSENT OF MERCURY MARINE.

THIS PAGE INTENTIONALLY LEFT BLANK

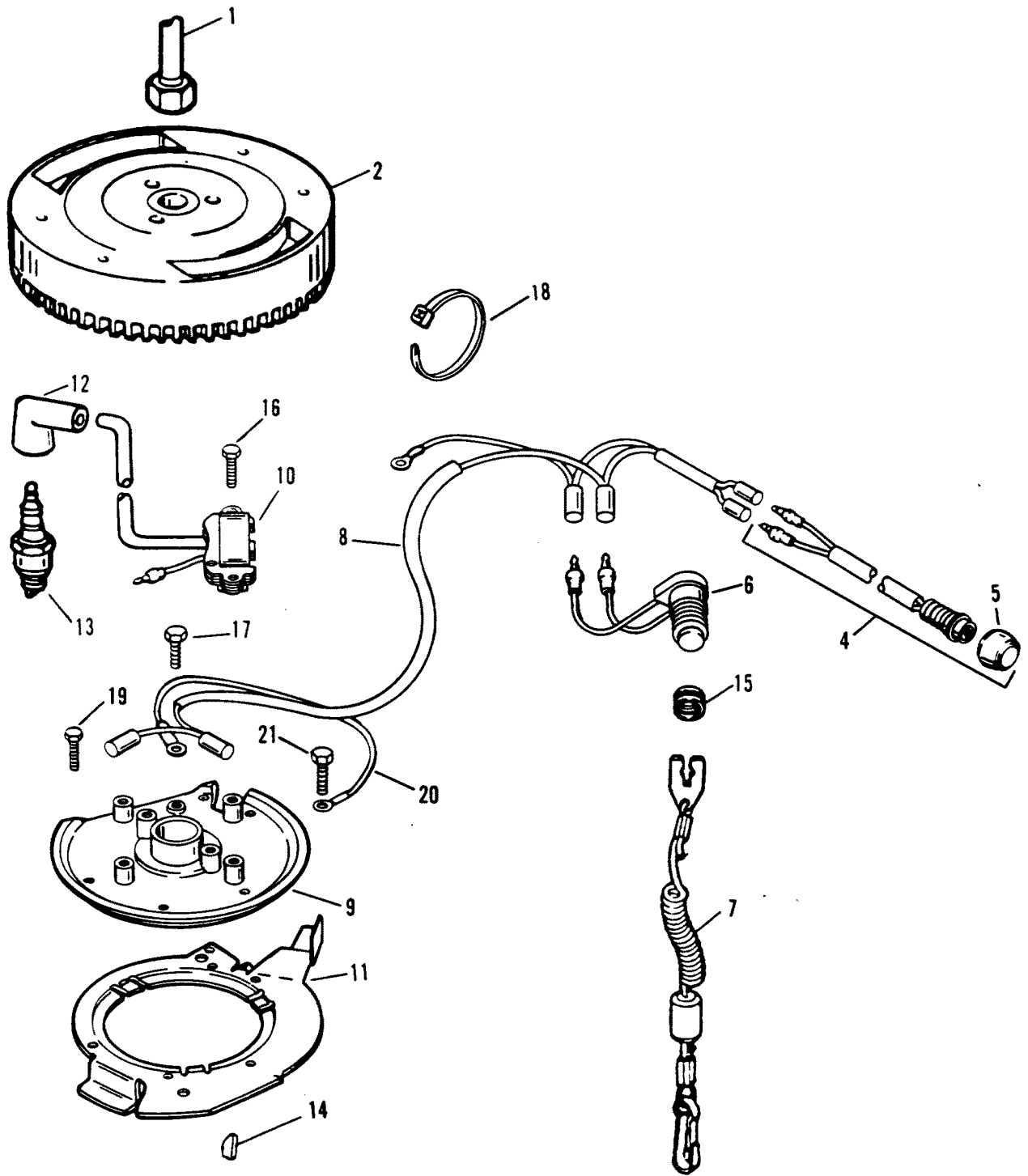
COWL ASSEMBLY - TOP & BOTTOM



COWL ASSEMBLY - TOP & BOTTOM

REF. NO.	PART NO.	SYM.	QTY.	DESCRIPTION
-	F2C709712		1	COWL ASSEMBLY, TOP (WITH DECALS) (PAINTED)
1	100-820154A2		1	COWL ASSEMBLY, TOP (WITHOUT DECALS)(PAINTED)
2	12-89302		4	WASHER
2A	12-F8143		4	WASHER
3	F681269		1	HANDLE, TILT
4	11-F7009		4	NUT (10-24)
5	10-F2211		4	SCREW (10-24 X 5/8")
7	11-814101		1	NUT (1/4-20)
8	23-F681759		1	ROLLER, LATCH
9	10-F681026		1	SCREW, LATCH ROLLER
10	37-F709528		1	DECAL, REAR
11	37-F709396		1	DECAL, STARBOARD
	37-F709397		1	DECAL, PORT
12	37-F681390		1	DECAL, STARTER INSTRUCTIONS
13	F392756		1	PACKING, SUPPORT PLATE (CUT AS REQ D)
14	100-819280A2		1	PLATE KIT, BOTTOM SUPPORT (PAINTED)
15	38-819281--1		1	PLATE, FRONT, BOTTOM SUPPORT PLATE
16	19-73336		2	PLUG
17	819486		1	SEAL, SUPPORT PLATE
18	FA681469T		1	HANDLE ASSEMBLY, COWL LATCH (PAINTED)
19	23-812707		2	BUSHING
20	13-F2047		1	WASHER, WAVE
21	F481777		1	CAM, LATCH SHAFT
22	13-26992		1	LOCKWASHER (1/4")
23	10-28635		1	SCREW (1/4-20 X 5/8")
24	12-35044		1	WASHER
25	90-827591950		1	OWNERS MANUAL/PARTS MANUAL

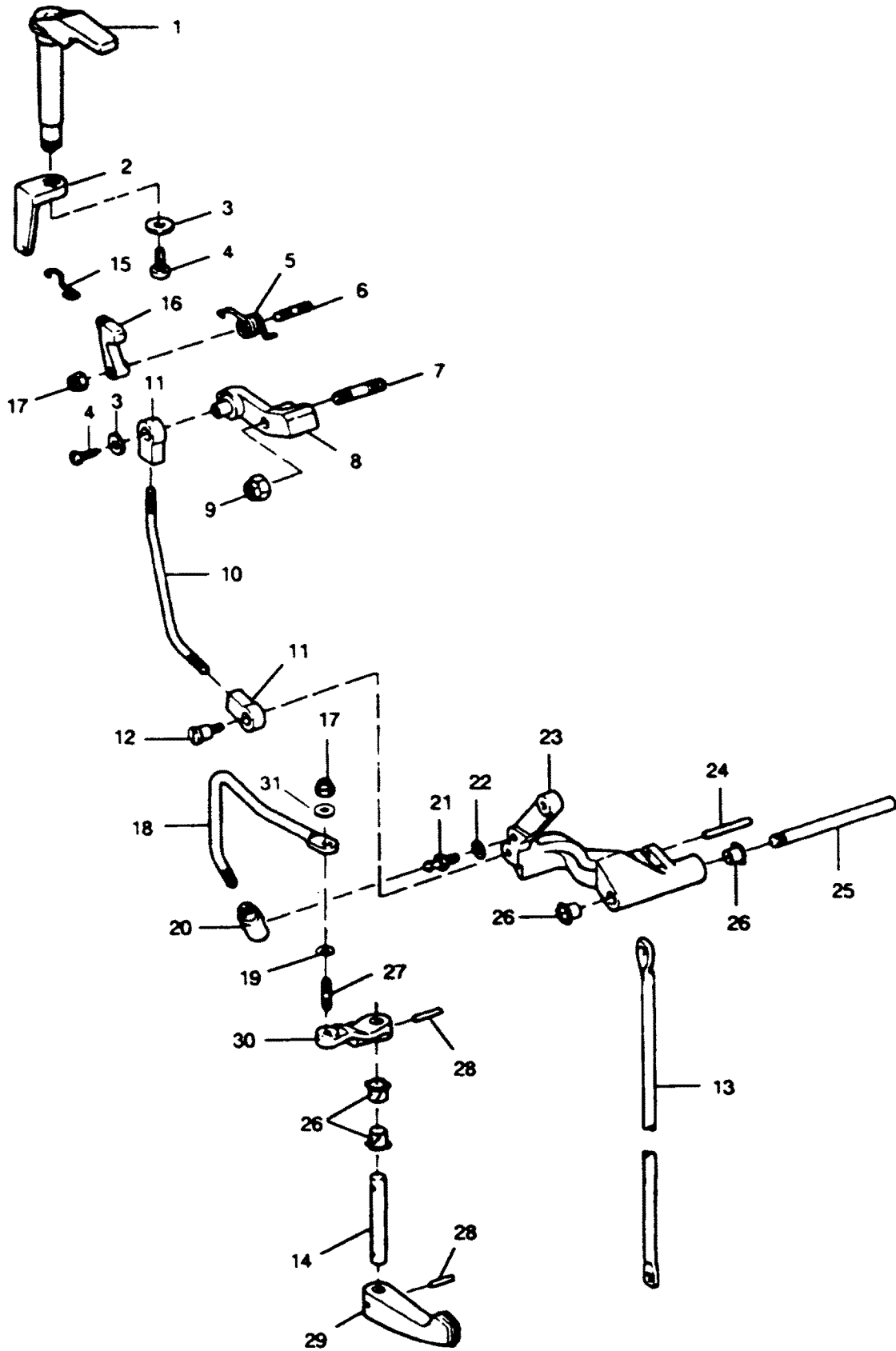
IGNITION SYSTEM



IGNITION SYSTEM

REF. NO.	PART NO.	SYM.	QTY.	DESCRIPTION
1	F681091		1	NUT, FLYWHEEL
2	200-824380T		1	FLYWHEEL (PAINTED)
4	87-824440A9		1	SWITCH ASSEMBLY, STOP
5	824466A3		1	COVER ASSEMBLY, STOP SWITCH
6	87-826214A1		1	SWITCH ASSEMBLY, EMERGENCY STOP
7	819399A1		1	LANYARD ASSEMBLY
8	84-819379A7		1	HARNESS ASSEMBLY, ENGINE STOP
9	300-826692T		1	PLATE, STATOR
10	819156T		2	MODULE, IGNITION (CUT WIRE AS REQ D)
11	826691		1	CAM, THROTTLE
12	85-818751		OPT	COVER, SPARK PLUG (RFI)
	FK1123		2	BOOT KIT, SPARK PLUG
13	33-19796		OPT	SPARK PLUG (RFI)
	33-813423		2	SPARK PLUG
14	28-F458498-1		1	KEY, CRANKSHAFT/FLYWHEEL
15	22-F681188		1	NUT, STOP SWITCH SLEEVE
16	10-824353		6	SCREW (8-32 X 3/4"), IGNITION MODULE
17	10-824352		1	SCREW (10-24 X 3/8"), GROUND
18	56762		1	CABLE TIE (4")
19	10-824358		5	SCREW (10-24 X 1/2"), STATOR PLATE
20	84-60466A16		1	WIRE ASSEMBLY, GROUND
21	10-824358		1	SCREW (10-24 X 1/2"), GROUND
-	54-816311		2	CABLE TIE (8")

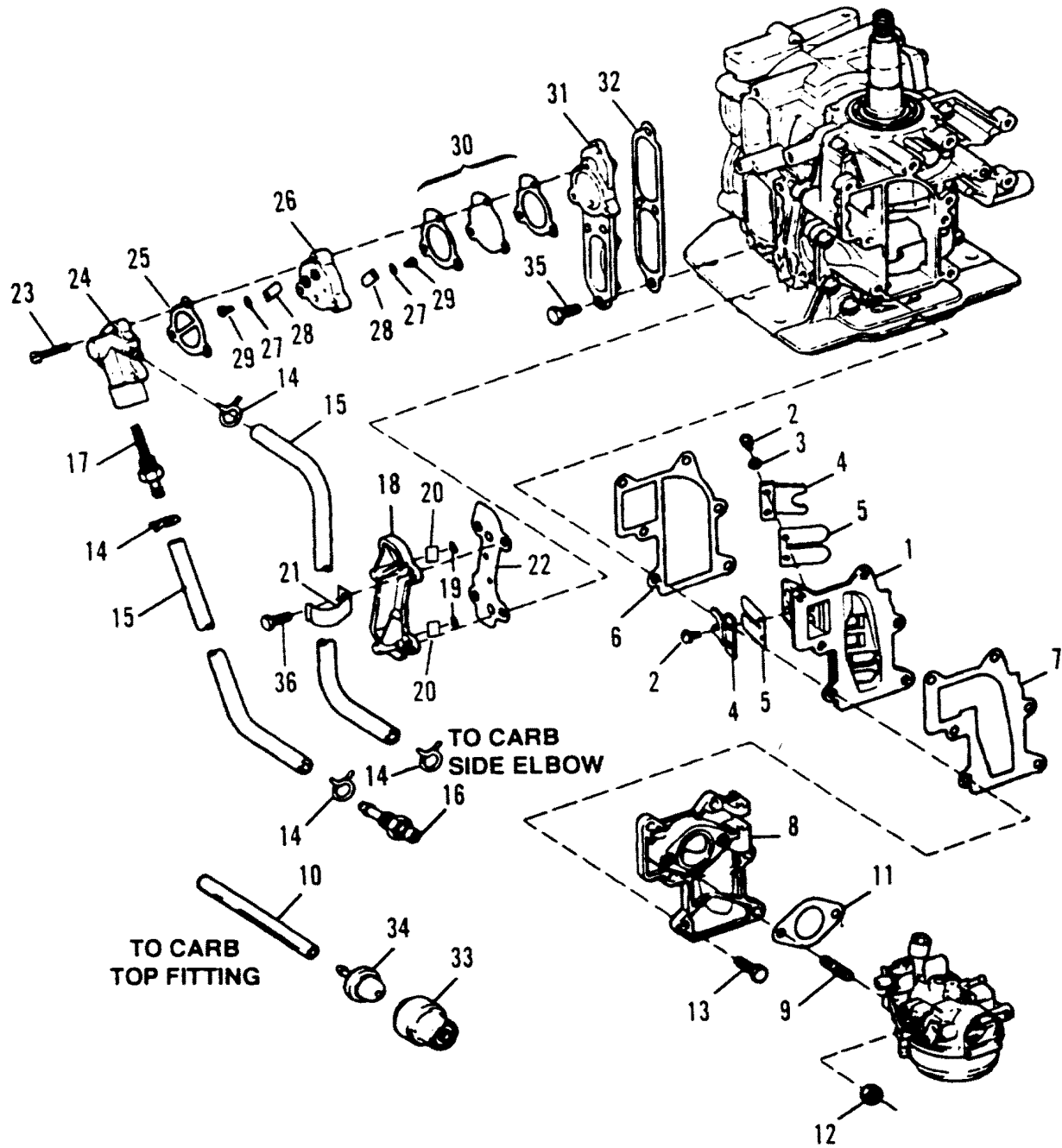
SHIFT LINKAGE



SHIFT LINKAGE

REF. NO.	PART NO.	SYM.	QTY.	DESCRIPTION
1	F681490		1	STOP, STARTER PULLEY INTERLOCK
2	F681003-1		1	ARM, STARTER INTERLOCK
3	12-F8143		1	WASHER
4	10-48408		1	SCREW (10-16 X 1/2")
5	24-F681424		1	SPRING, INTERLOCK LEVER
6	16-F681134		1	STUD, INTERLOCK LEVER
7	16-826590		1	STUD (1/4-20 X 1.69) W/DRY LOC, NEUTRAL INTERLOCK PIVOT
8	824357		1	LEVER, NEUTRAL INTERLOCK
9	11-814101		1	NUT (1/4-20)
10	F681531-1		1	ROD, INTERLOCK
11	816514		2	BEARING
12	10-819625		1	SCREW, SHOULDER
13	F286615		1	ROD, GEAR SHIFT, UPPER
14	824826		1	SHAFT, GEAR SHIFT HANDLE
15	F681263-1		1	LINK, STARTER INTERLOCK
16	F681742		1	LEVER, INTERMEDIATE INTERLOCK
17	11-20110		2	NUT (10-32)
18	825402		1	LINK, SHIFT LEVER
19	13-26996		1	LOCKWASHER (#10)
20	F286685		1	CONNECTOR, GEAR SHIFT ROD
21	16-F98273		1	STUD, ROD END CONNECTOR
22	13-F8058		1	LOCKWASHER (#10 INTERNAL)
23	819508T		1	LEVER, GEAR SHIFT (PAINTED)
24	17-31656		1	PIN, ROLL
25	F286871		1	PIN, GEAR SHIFT LEVER
26	23-26841		4	BUSHING
27	16-F286134		1	STUD, GEAR SHIFT LEVER
28	17-25905		2	PIN, ROLL
29	819626T		1	HANDLE, GEAR SHIFT (PAINTED)
30	820367--1		1	LEVER, SHIFT HANDLE SHAFT
31	13-F8048		1	WASHER, BOWED

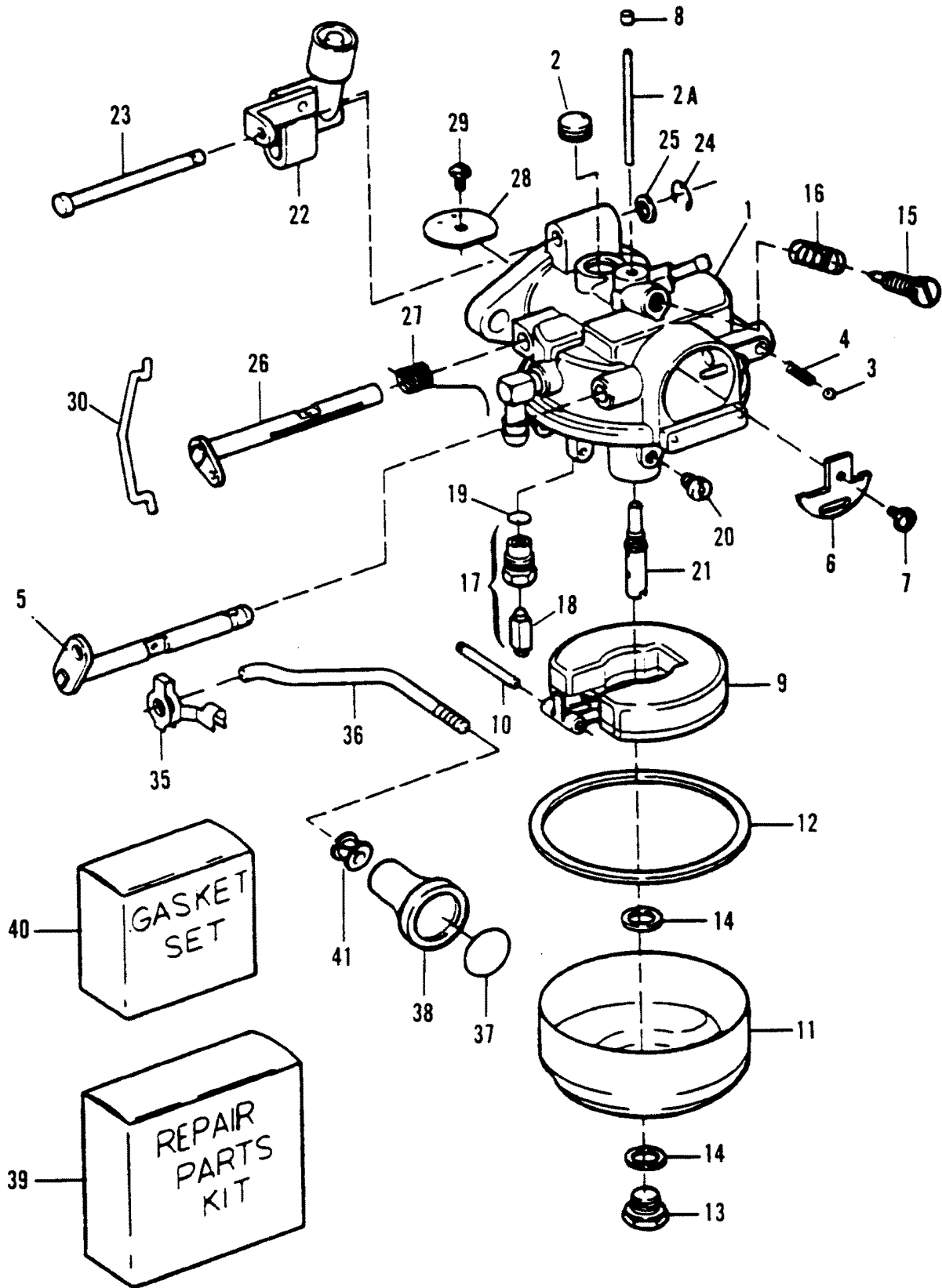
FUEL AND RECIRCULATION SYSTEM



FUEL AND RECIRCULATION SYSTEM

REF. NO.	PART NO.	SYM.	QTY.	DESCRIPTION
1	34-FA715158		1	PLATE ASSEMBLY, REED
2	10-28430		8	SCREW (6-32 X 1/4")
3	13-F1704		8	LOCKWASHER (#6 INTERNAL)
4	34-F715161		4	STOP, REED
5	34-F31160-2		4	REED
6	27-F286159-1		1	GASKET, REED PLATE
7	27-F715168		1	GASKET, MANIFOLD
8	FA714167		1	MANIFOLD KIT, CARBURETOR
9	16-826622		2	STUD (1/4-20 X .91) WITH DRY LOC
10	32-F40253-1		1	HOSE, PRIMER BULB TO CARB (5-3/4") (CUT AS REQ D)
11	27-F18906		1	GASKET, CARBURETOR
12	11-20890		2	NUT (1/4-20)
13	10-28668		6	SCREW (1/4-20 X 7/8")
14	54-F2706772		4	CLAMP
15	32-F40253-1		2	HOSE, FUEL (8-1/4") (13.38") (CUT AS REQ D)
16	22-F197767-2		1	BUSHING, FUEL
17	22-F901811		1	FILTER, FUEL PUMP
18	FA429471		1	COVER ASSEMBLY, CYLINDER DRAIN
19	F429811		2	SCREEN
20	21-817741A1		2	VALVE KIT
21	54-F286772-1		1	CLAMP
22	27-825188		1	GASKET, CYLINDER DRAIN COVER
23	10-F1069		3	SCREW (10-24 X 1-1/16")
24	819993T1		1	COVER, FUEL PUMP (PAINTED)
25	27-F24748-2		1	GASKET, FUEL PUMP
26	F2A24757		1	PLATE ASSEMBLY, FUEL PUMP
27	12-18552		2	WASHER
28	34-F18160-3		2	REED
29	10-F1286		2	SCREW (4-40 X 3/16")
30	27-818043A1		1	GASKET/DIAPHRAGM SET
31	820116--2		1	COVER, TRANSFER PORT
32	27-825183		1	GASKET, TRANSFER PORT COVER
33	F681954-1		1	COVER, PRIMER BULB
34	F681046		1	BULB, PRIMER
35	10-98254		4	SCREW (1/4-20 X 5/8")
36	10-F1922		4	SCREW (1/4-20 X 5/8")

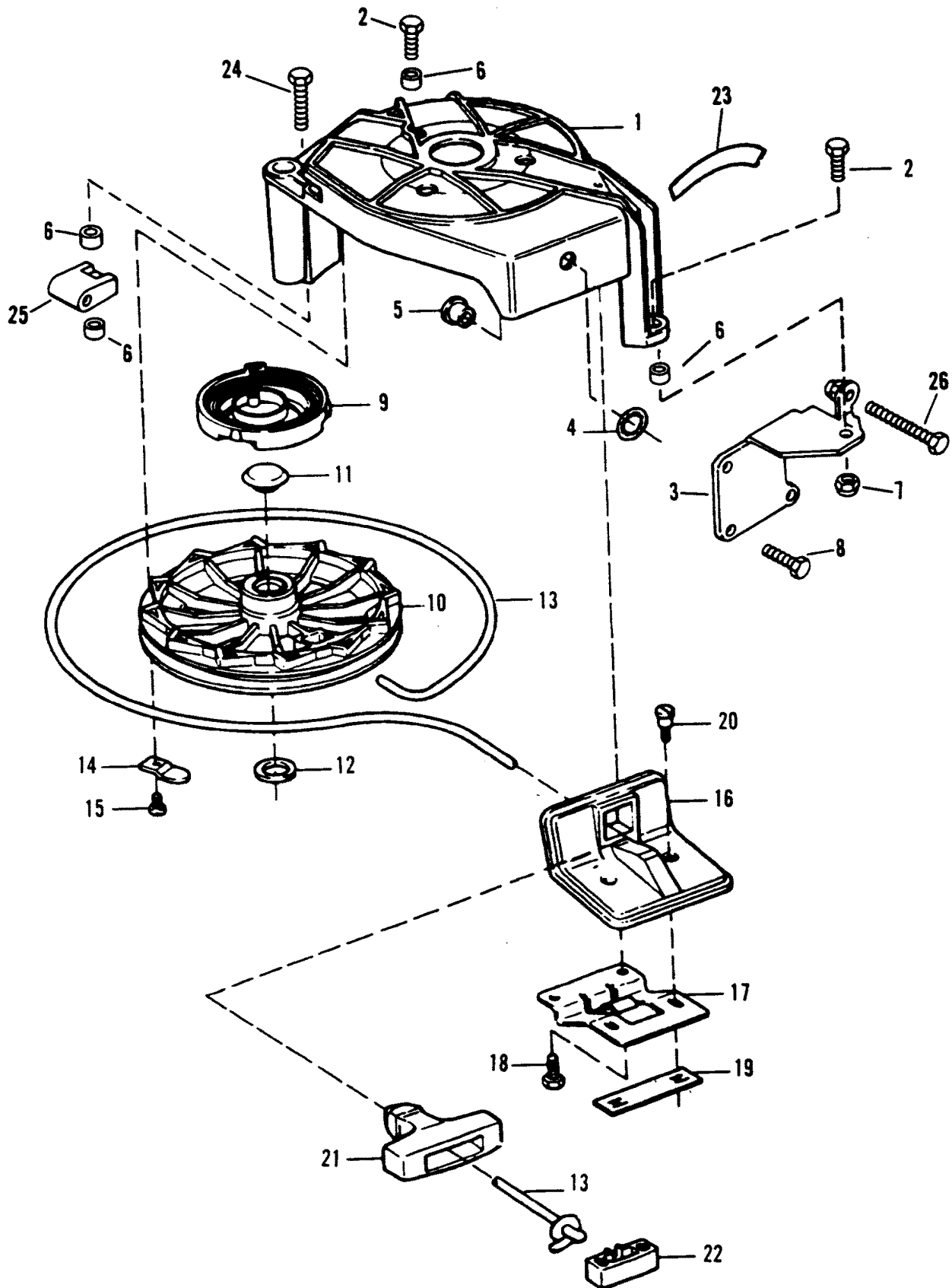
CARBURETOR



CARBURETOR

REF. NO.	PART NO.	SYM.	QTY.	DESCRIPTION
1	1300-F714061		1	CARBURETOR (HO-5A)
2	19-FO2531		1	PLUG, BY-PASS CHAMBER
3	FO4784		1	BALL, CHOKE FRICTION
4	FO8805		1	SPRING, CHOKE FRICTION
5	FO15736		1	SHAFT, CHOKE
6	F10236		1	SHUTTER, CHOKE
7	10-FO10280		1	SCREW, SHUTTER
8	19-FO10588		1	PLUG, BODY CHANNEL
9	F10346		1	FLOAT , FUEL BOWL
10	FO13944		1	PIN, FLOAT
11	FO15366		1	BOWL, FUEL
12	27-FO15623		1	GASKET, FUEL BOWL
13	1399-5128		1	SCREW, FUEL BOWL
14	27-FO2510		2	GASKET, FUEL BOWL
15	FO15520		1	NEEDLE, IDLE MIXTURE
16	24-27160		1	SPRING, IDLE MIXTURE NEEDLE
17	FK10237		1	NEEDLE/SEAT KIT, INLET
18	F10265		1	NEEDLE, INLET
19	27-FO10165		1	GASKET, INLET
20	1399-1457		1	JET, MAIN (.057) (0 - 2500)
	1399-1655		OPT	JET, MAIN (.055) (2500 - 5000)
	FO11765		OPT	JET, MAIN (.053) (5000 - 7500)
	FO11764		OPT	JET, MAIN (.051) (7500 - 10000)
21	F10238		1	NOZZLE, MAIN
22	F10290		1	LINKAGE, THROTTLE CAM FOLLOWER
23	F10240		1	SHAFT, LINKAGE
24	F10241		1	E-RING, LINKAGE SHAFT
25	F10242		1	WASHER, LINKAGE SHAFT
26	F10339		1	SHAFT, THROTTLE
27	24-F10246		1	SPRING, THROTTLE SHAFT
28	F10354		1	SHUTTER, THOTTLE
29	10-F10328		1	SCREW, SHUTTER
30	F10338		1	LINK, THROTTLE
35	F341384		1	RETAINER , CHOKE ROD
36	819348		1	ROD, CHOKE
37	F681677		1	INSERT, CHOKE KNOB
38	F286547		1	KNOB, CHOKE
39	FK10295		1	REPAIR KIT, CARBURETOR
40	FK10294		1	GASKET SET, CARBURETOR
41	23-F197319		1	BUSHING, CHOKE ROD

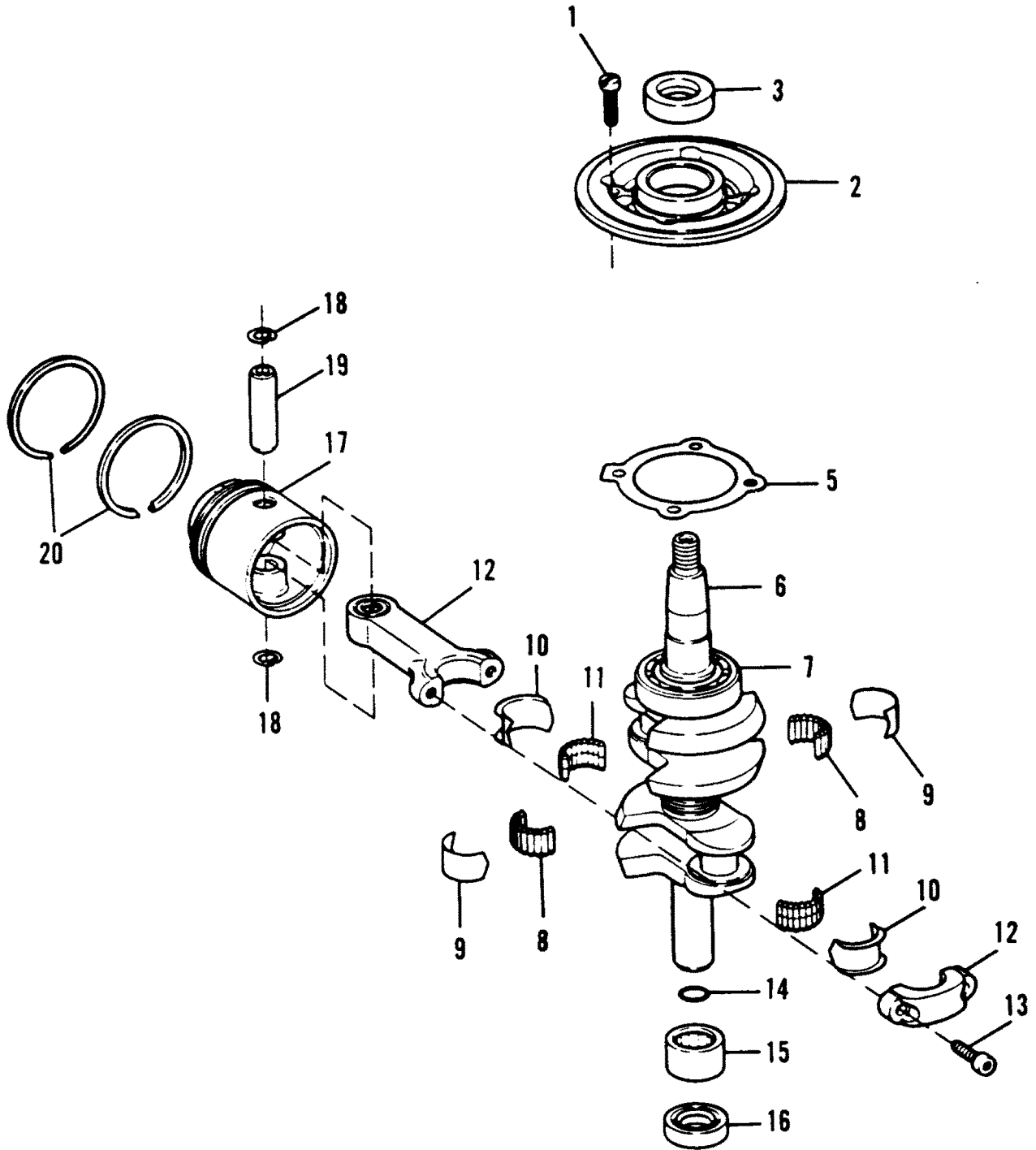
STARTER ASSEMBLY



STARTER ASSEMBLY

REF. NO.	PART NO.	SYM.	QTY.	DESCRIPTION
1	826693		1	HOUSING, STARTER
2	10-90192		2	SCREW (1/4-20 X 3/4")
3	826559A1		1	BRACKET ASSEMBLY, STARTER HOUSING FRONT
4	53-42689		1	RING, RETAINING
5	F681428		1	INSERT, STARTING HOUSING ROPE
6	23-F681405		4	INSERT, STARTER HOUSING
7	11-814101		1	NUT (1/4-20)
8	10-F1922		4	SCREW (1/4-20 X 5/8")
9	24-F681970		1	SPRING, STARTER REWIND
10	42034A1		1	PULLEY ASSEMBLY, STARTER REWIND
11	19-817362		1	PLUG
12	26-F681579		1	SEAL, PULLEY BEARING
13	F681232		1	ROPE (65")
14	F681592		3	RETAINER, STARTER PULLEY
15	10-48408		3	SCREW (10-16 X 1/2")
16	FA681630T		1	SUPPORT ASSEMBLY, HANDLE
17	F681090		1	PLATE, HANDLE SUPPORT
18	10-F2210		2	SCREW (1/4-14 X 1/2")
19	F681874-1		1	FASTENER, HANDLE SUPPORT PLATE
20	10-819625		2	SCREW, SHOULDER
21	F681132		1	HANDLE, STARTER ROPE
22	F681817		1	RETAINER, STARTER ROPE
23	FA609853		1	DECAL KIT, SHIFT TO NEUTRAL
24	10-F2030		1	SCREW (1/4-20 X 1-1/4")
25	F702668		1	RETAINER, SPEED CONTROL CABLE
26	10-826676		1	SCREW (1/4-28 X 2"), IDLE ADJUST

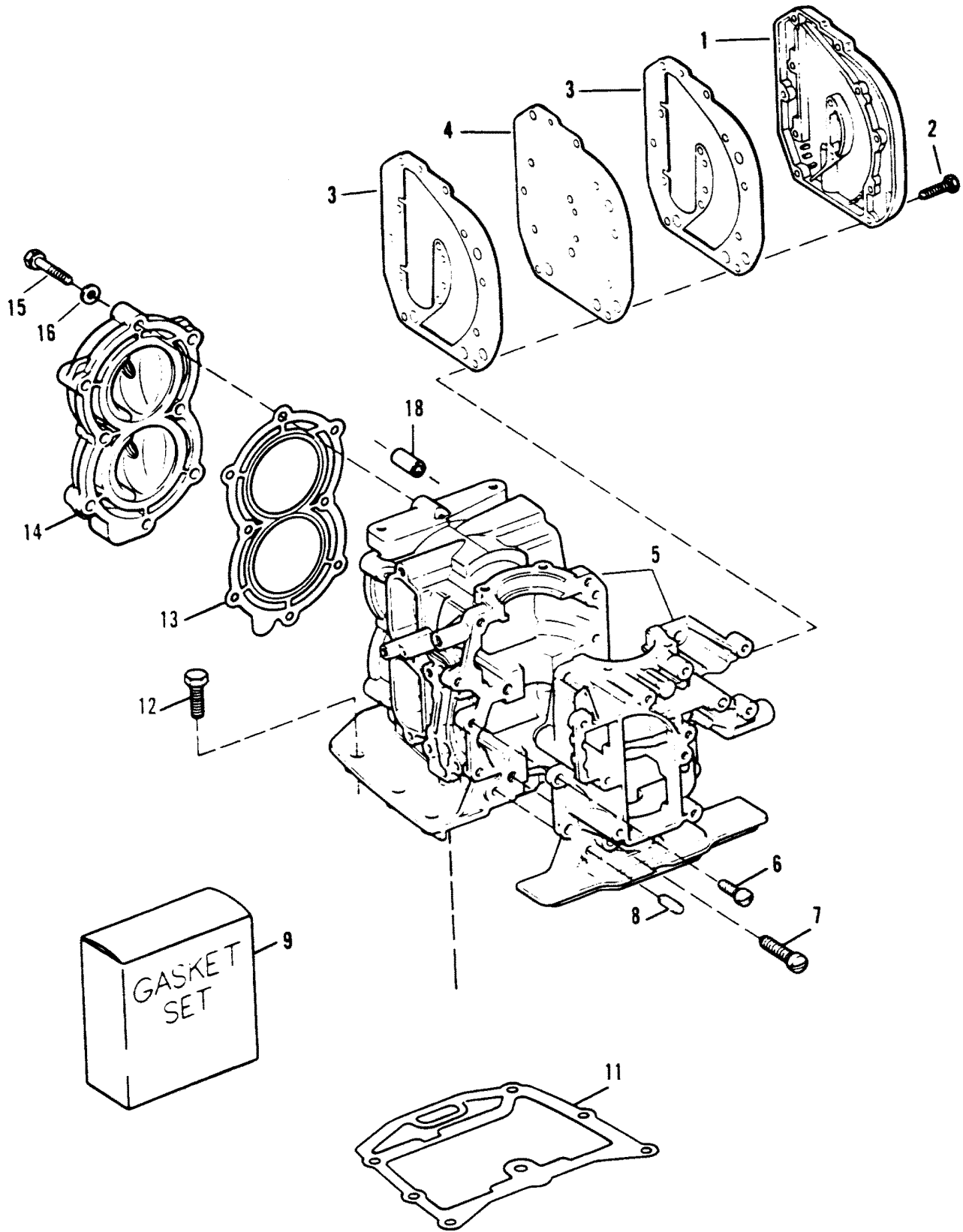
CRANKSHAFT AND PISTON



CRANKSHAFT AND PISTON

REF. NO.	PART NO.	SYM.	QTY.	DESCRIPTION
1	10-28636		4	SCREW (1/4-20 X 3/4")
2	1100-817753A1		1	CAGE ASSEMBLY, CRANKSHAFT BEARING
3	26-819801		1	SEAL, CRANKSHAFT, UPPER
5	27-F286277		1	GASKET, CRANKSHAFT BEARING CAGE
6	400-819803A2		1	CRANKSHAFT ASSEMBLY
7	30-F286028		1	BEARING, BALL
8	29-F286571		1	ROLLER SET (26 PER SET)
9	FA286155		1	LINER SET, CENTERMAIN BEARING
11	FA712228		2	ROLLER SET (2 STRIPS-28 PER)
12	600-FS715016		2	CONNECTING ROD ASSEMBLY
13	10-F175634		4	SCREW, CONN ROD
14	25-32509		1	O RING
15	31-F343014		1	BEARING, CRANKSHAFT LOWER MAIN
16	26-819396		1	SEAL, CRANKSHAFT LOWER
17	700-819946A3		2	PISTON KIT
18	53-F31410		4	RING, RETAINING
19	41-F712017		2	PIN, PISTON
20	39-820484A1		2	RING SET, PISTON (2 RINGS)

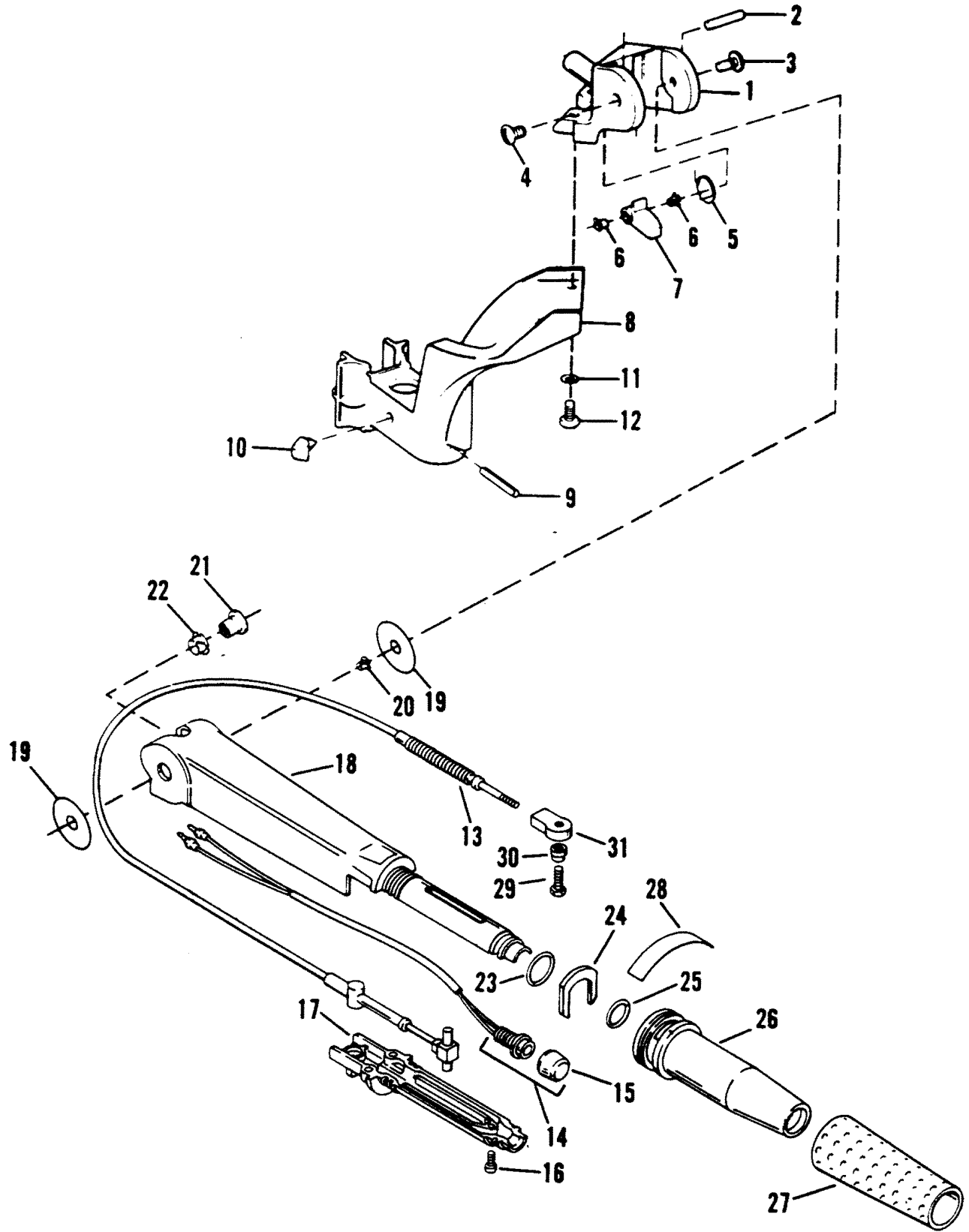
CYLINDER BLOCK



CYLINDER BLOCK

REF. NO.	PART NO.	SYM.	QTY.	DESCRIPTION
-	800-819553A14		1	SHORT BLOCK ASSEMBLY (PAINTED)
1	824141T		1	COVER, EXHAUST (PAINTED)
2	10-28668		12	SCREW (1/4-20 X 7/8")
3	27-F715154		2	GASKET, EXHAUST PORT COVER
4	F715151		1	PLATE, EXHAUST
5	800-819553A12		1	CYLINDER KIT
6	10-F1107		8	SCREW (1/4-20 X 3/4")
7	10-F1335		4	SCREW (5/16-18 X 1-1/4")
8	17-F8559		2	PIN, DOWEL
9	FG1036		1	GASKET SET
11	27-F715279-1		1	GASKET, CYLINDER MOUNTING
12	10-35386		6	SCREW (5/16-18 X 1")
13	27-F286529-3		1	GASKET, CYLINDER HEAD
14	900-F703518T		1	HEAD, CYLINDER (PAINTED)
15	10-F901938-1		8	SCREW, CYLINDER HEAD
16	12-37998		8	WASHER
18	32-F715943		1	TUBE , CYLINDER WATER JACKET

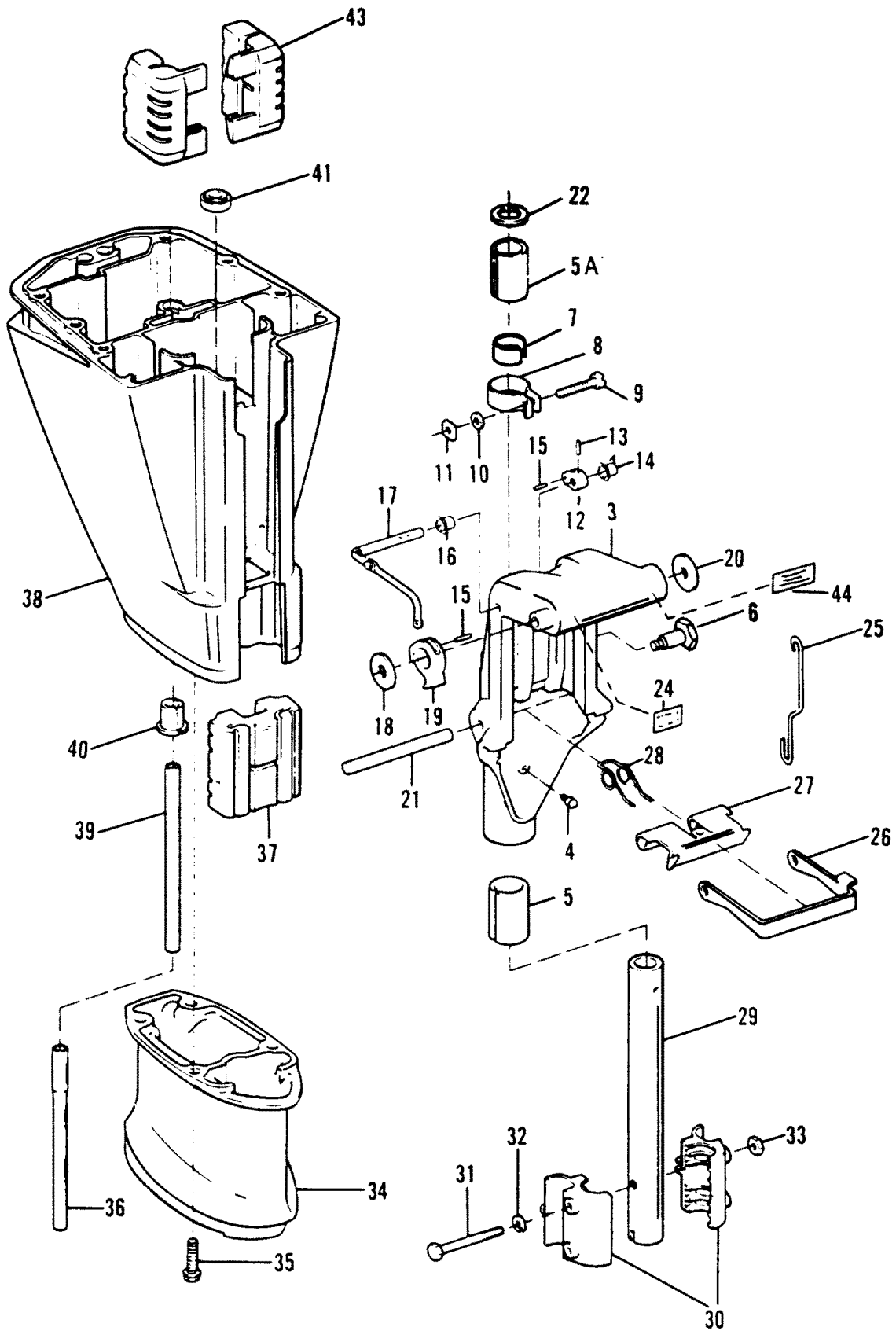
STEERING HANDLE/TWIST GRIP THROTTLE



STEERING HANDLE/TWIST GRIP THROTTLE

REF. NO.	PART NO.	SYM.	QTY.	DESCRIPTION
1	817751T1		1	BRACKET, STEERING (PAINTED)
2	17-F1807		1	PIN, GROOVE
3	10-823595		1	SCREW, STEERING HANDLE PIVOT
4	10-823594		1	SCREW, STEERING HANDLE PIVOT
5	24-F286868		1	SPRING, STEERING HANDLE STOP
6	23-26856		2	BUSHING
7	F286490		1	STOP, STEERING HANDLE
8	FA286582T		1	ARM KIT, STEERING (PAINTED)
9	17-F1805		1	PIN, SPRING
10	19-F286539		1	BUMPER
11	13-78968		2	LOCKWASHER (1/4" INTERNAL)
12	10-28635		2	SCREW (1/4-20 X 5/8")
13	826592		1	CABLE ASSEMBLY, THROTTLE
14	87-824440A9		1	SWITCH ASSEMBLY, STOP
15	824466A3		1	COVER ASSEMBLY, STOP SWITCH
16	10-826575		3	SCREW (8-32 X 5/8")
17	827252		1	ARM, STEERING (LOWER)
18	826609T		1	HANDLE, STEERING (PAINTED)
19	12-F286220		2	WASHER
20	23-26856		2	BUSHING
21	F286224-1		1	INSERT, STEERING HANDLE PIVOT
22	23-812707		1	BUSHING
23	25-21836		1	O RING (LARGE)
24	F702178		1	RETAINER, GRIP
25	25-23145		1	O RING (SMALL)
26	F702137		1	GRIP, STEERING HANDLE
27	F458695		1	SLEEVE, STEERING HANDLE GRIP
28	37-F712894		1	DECAL, SPEED INDICATOR
29	10-824352		1	SCREW (10-24 X 3/8")
30	826591		1	BUSHING
31	F702035		1	BEARING, CONNECTOR (10-24 RH)

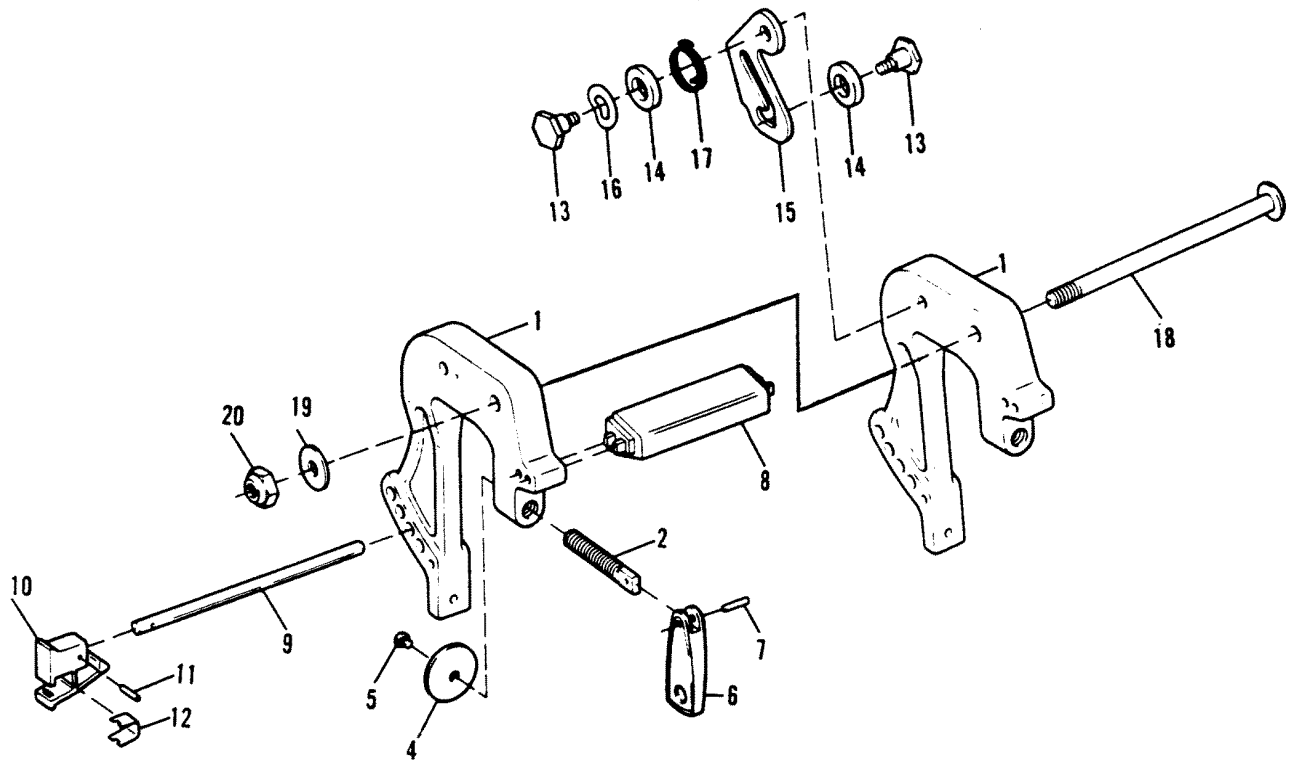
SWIVEL BRACKET AND DRIVESHAFT HOUSING



SWIVEL BRACKET AND DRIVESHAFT HOUSING

REF. NO.	PART NO.	SYM.	QTY.	DESCRIPTION
3	1400-817750A4		1	BRACKET KIT, SWIVEL (PAINTED)
4	22-F213274		2	FITTING, GREASE
5	23-F286169		1	BUSHING, BOTTOM (1-3/4")
5A	23-F681169		1	BUSHING, TOP (1-1/8")
6	17-819707		1	PIN, TILT LOCK
7	F681631		1	SHOE, FRICTION, SWIVEL BRACKET
8	54-F286573-1		1	CLAMP, STEERING FRICTION
9	10-F1820		1	SCREW (1/4-20 X 1-3/8")
10	12-12038		1	WASHER
11	11-F1608		1	NUT (1/4-20)
12	F286364		1	LEVER, REVERSE LOCK
13	17-F8538		1	PIN, SPRING
14	23-26856		1	BUSHING
15	17-F1794		2	PIN, SPRING
16	23-F536813		1	BUSHING
17	FA387742		1	LEVER ASSEMBLY, INTERMEDIATE
18	12-F2037		1	WASHER
19	F286827		1	LEVER, REVERSE LOCK
20	12-F286286-1		1	WASHER
21	17-F1806		1	PIN, GROOVE
22	12-F286011		1	WASHER, SWIVEL BRACKET
24	37-F688585		1	DECAL, TILT LOCK
25	FA341510		1	LINK, REVERSE LOCK
26	F286433		1	BRACKET, SHALLOW WATER DRIVE
27	F286349		1	LOCK, REVERSE
28	24-F286300		1	SPRING, REVERSE LOCK
29	F286019T		1	KINGPIN
30	819320T		2	BRACKET, SHOCK MOUNT LOWER (PAINTED)
31	FA1844		2	SCREW KIT (1/4-20 X 2-3/8")
32	13-26992		2	LOCKWASHER (1/4")
33	11-64015		2	NUT (1/4-20)
34	FA492845T		1	EXTENSION KIT (PAINTED) 20" FOR MODEL 225.581987
35	10-F430732		4	SCREW (5/16-18 X 1-1/4") 20" FOR MODEL 225.581987
36	32-FS901244		1	LINE, WATER, EXTENSION 20" FOR MODEL 225.581987
37	F286346		1	MOUNT, SHOCK, LOWER
38	1500-819344T		1	HOUSING, DRIVESHAFT (PAINTED)
39	32-F286244		1	LINE, WATER
40	F286914-1		1	SLEEVE, WATER LINE
41	26-F901307-2		1	SEAL, DRIVESHAFT
43	F286347		2	MOUNT, SHOCK, UPPER
44	37-818029		1	DECAL, FUEL MIX

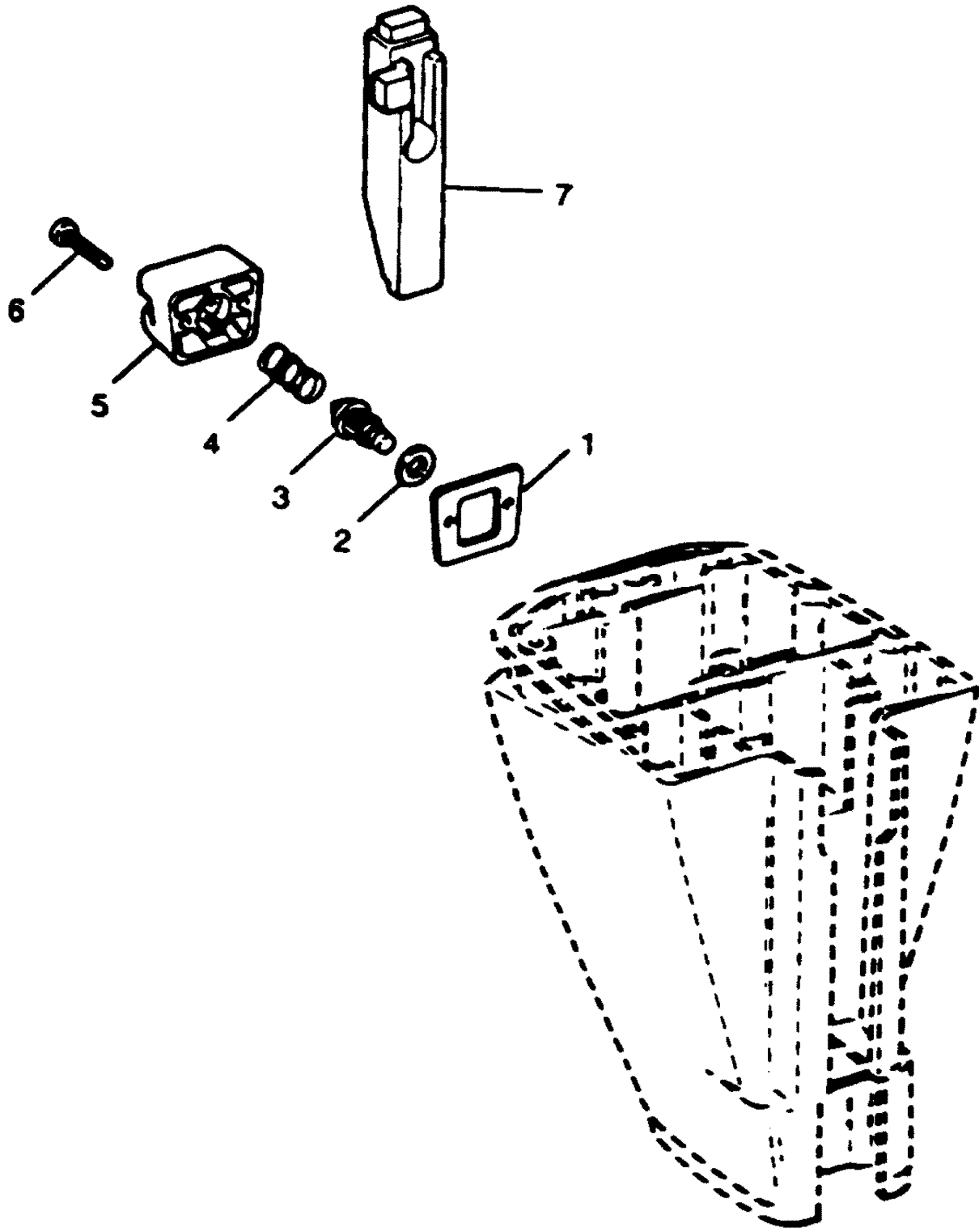
CLAMP BRACKETS



CLAMP BRACKETS

REF. NO.	PART NO.	SYM.	QTY.	DESCRIPTION
1	1400-820068T1		2	BRACKET, STERN (PAINTED)
2	10-826248		2	SCREW, STERN BRACKET
4	F24074		2	FOOT, STERN BRACKET SCREW
5	10-69022		2	SCREW (10-32 X 1/2")
6	F424075T		2	HANDLE (PAINTED)
7	17-24198		2	PIN, ROLL
8	F286647		1	HANDLE, CARRYING
9	FA617113		1	BAR KIT, LOCK
10	F286114		1	HANDLE, LOCK BAR
11	17-38489		1	PIN, ROLL
12	24-F286461		1	SPRING, LOCK BAR HANDLE
13	10-F286422-1		2	SCREW, TILT LOCK
14	23-819226		2	SPACER, TILT LOCK
15	F429541		1	LOCK, TILT
16	13-69150		1	WASHER, WAVE
17	24-F286544-1		1	SPRING, TILT LOCK
18	10-F617037		1	BOLT, STERN BRACKET PIVOT
19	12-20553		1	WASHER
20	11-F7026		1	NUT (3/8-16)

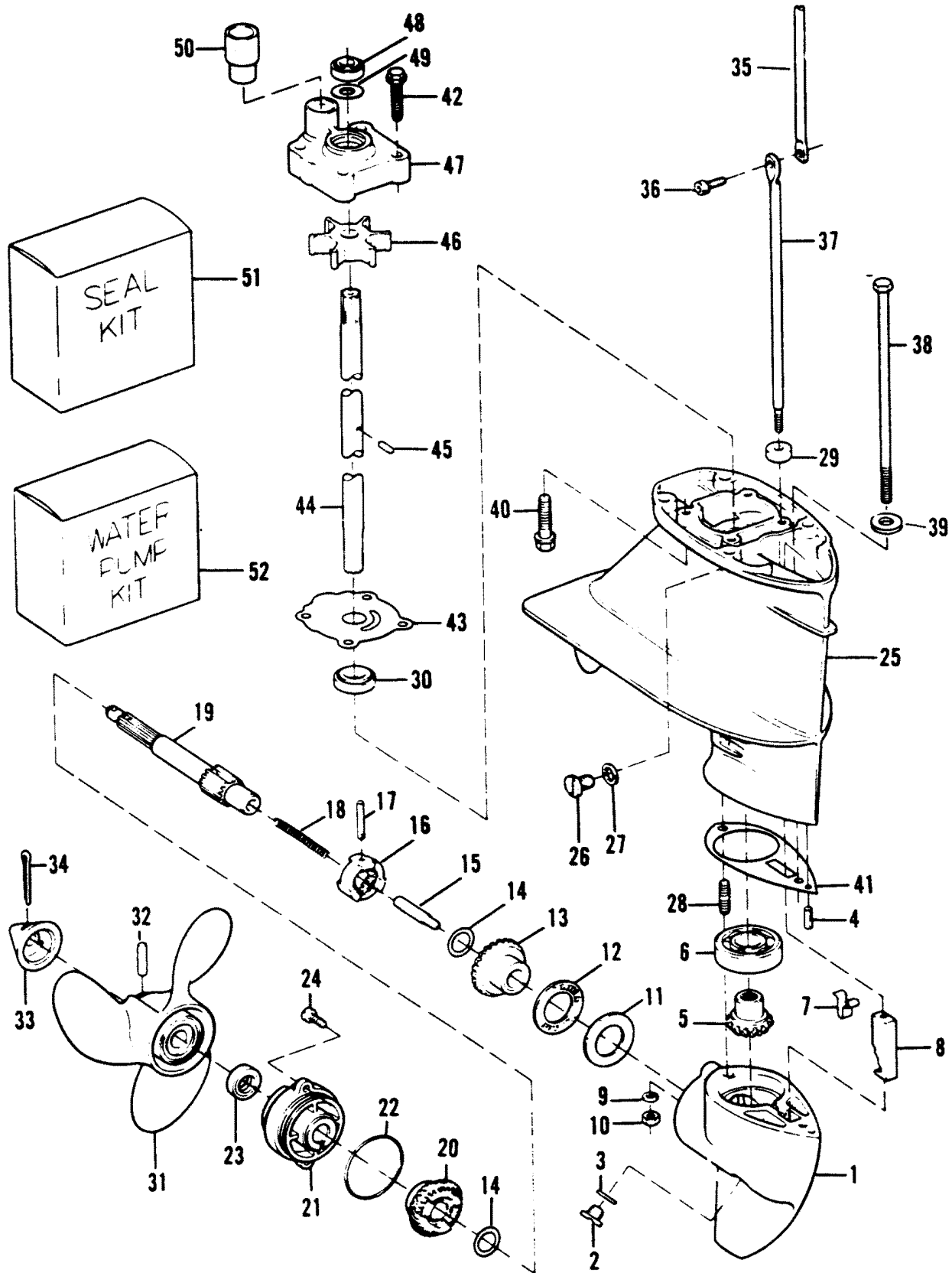
THERMOSTAT



THERMOSTAT

REF. NO.	PART NO.	SYM.	QTY.	DESCRIPTION
1	27-819669		1	GASKET, THERMOSTAT COVER
2	12-F658504		1	WASHER, THERMOSTAT
3	819550		1	THERMOSTAT (105\$)
4	24-819329		1	SPRING, THERMOSTAT
5	819321		1	COVER, THERMOSTAT
6	10-819382		2	SCREW (1/4-20 X 1")
7	823694		1	INSERT, THERMOSTAT

GEAR HOUSING

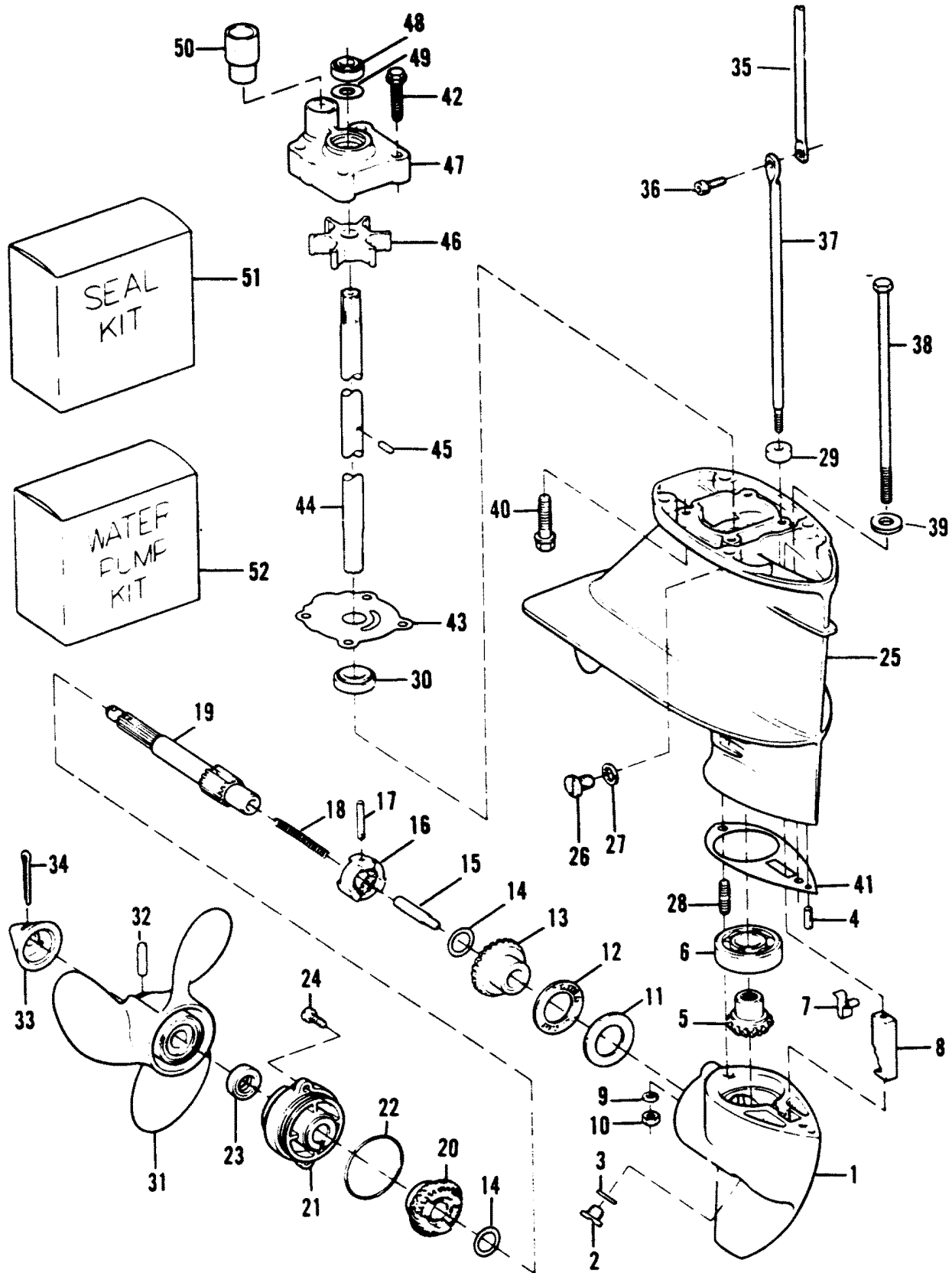


GEAR HOUSING

REF. NO.	PART NO.	SYM.	QTY.	DESCRIPTION
-	1600-819483A2		1	HOUSING KIT, GEAR (COMPLETE) (PAINTED)
1	1600-817749A2		1	HOUSING KIT, GEAR (BASIC) (PAINTED)
2	10-F50109		1	PLUG
3	12-19183		1	WASHER
4	17-48450		1	PIN, DOWEL
5	43-819251A1		1	GEAR ASSEMBLY, PINION
6	30-F127910-2		1	BEARING, BALL
7	24-F286895		1	SPRING, SHIFT CAM
8	F286721		1	CAM, SHIFT
9	13-26992		1	LOCKWASHER (1/4")
10	11-20890		1	NUT (1/4-20)
11	12-F286903		1	WASHER
12	31-48913		1	BEARING, PROPSHAFT
13	43-819252A1		1	GEAR ASSEMBLY, FORWARD
14	12-F456717		2	WASHER, THRUST
15	17-F286728		1	PIN, SHIFT
16	52-819253		1	CLUTCH
17	17-F8564		1	PIN, SPIROL
18	24-F409719		1	SPRING, CLUTCH
19	44-F456098		1	PROPSHAFT
20	43-819254A1		1	GEAR ASSEMBLY, REVERSE
21	31-817756A2		1	CAGE ASSEMBLY, PROPSHAFT (PAINTED)
22	25-F455305		1	SEAL
23	26-66022		1	SEAL
24	10-28639		2	SCREW (1/4-20 X 5/8")
25	1500-824916A1		1	HOUSING KIT, DRIVESHAFT, UPPER (PAINTED)
26	10-F50109		1	PLUG
27	12-19183		1	WASHER
28	16-826542		1	STUD (1/4-20 X 1.36)
29	26-817472		1	SEAL, GEAR SHIFT ROD
30	26-F901307-2		1	SEAL, DRIVESHAFT
4	17-48450		1	PIN, DOWEL
31	FP6477		1	PROPELLER (8 X 9-1/4 X 3)
32	FA324101		1	PIN KIT, PROPELLER (3 PINS WITH COTTER PIN)
33	11-817752A1		1	NUT KIT, PROPELLER
34	18-45882		1	PIN, COTTER
35	F286615		1	ROD, GEAR SHIFT, UPPER
36	10-F1976		1	SCREW (10-24 X 1/2")
37	F286705-1		1	ROD, GEAR SHIFT, LOWER-15"-FOR MODEL 225.581997
	819962		1	ROD, GEAR SHIFT, LOWER-20"-FOR MODEL 225.581987
38	10-F1800		1	BOLT (1/4-20 X 7")
39	12-37998		1	WASHER
40	10-F430732		4	SCREW (5/16-18 X 1-1/4")

CONTINUED ON NEXT PAGE ➡

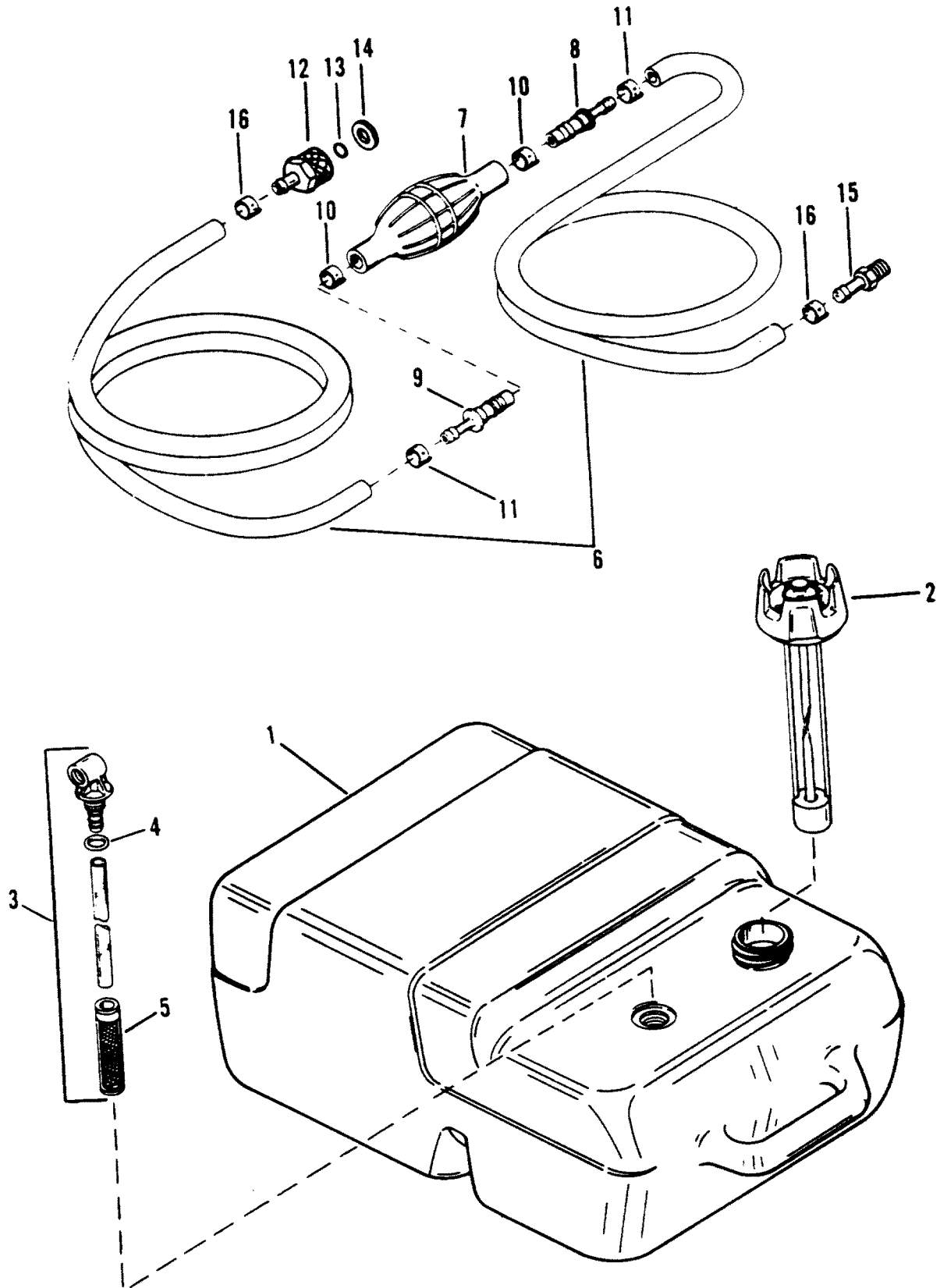
GEAR HOUSING



GEAR HOUSING

REF. NO.	PART NO.	SYM.	QTY.	DESCRIPTION
41	27-F286555		1	GASKET, GEAR HOUSING
42	10-F2030		4	SCREW (1/4-20 X 1-1/4")
43	F341562		1	PLATE, WATER PUMP
44	45-F343128		1	DRIVESHAFT -15"- FOR MODEL 225.581997
	45-F344128		1	DRIVESHAFT -20"- FOR MODEL 225.581987
45	17-F901563		1	PIN, DRIVE
46	47-F436065-2		1	IMPELLER
47	46-FA715060		1	BODY ASSEMBLY, WATER PUMP
48	26-F901307-2		1	SEAL, DRIVESHAFT
49	F715388		1	DISC
50	FA510914		1	SEAL, WATER LINE
51	FK1065		1	SEAL KIT, GEAR HOUSING
52	FK1031-1		1	REPAIR KIT, WATER PUMP

FUEL TANK AND LINE



FUEL TANK AND LINE

REF. NO.	PART NO.	SYM.	QTY.	DESCRIPTION
1	1259-823504A2		1	TANK ASSEMBLY, FUEL (PLASTIC) (6.6 GALLON)
2	823536		1	GAUGE ASSEMBLY
3	22-823532		1	CONNECTOR ASSEMBLY, FUEL
4	25-823533		1	O RING
5	35-823534		1	SCREEN, FILTER
6	32-820572A8		1	LINE ASSEMBLY, FUEL (5/16" I.D.) (8 FT)
7	13330A3		1	BULB ASSEMBLY, PRIMER
8	21-13331A1		1	CHECK VALVE (INLET)
9	21-13331A2		1	CHECK VALVE (OUTLET)
10	54-41582-10		2	CLAMP (LARGE)
11	54-41582--7		2	CLAMP (SMALL)
12	F197787-3		1	COUPLER, ENGINE
13	F17815		1	SEAL, FUEL COUPLER
14	F17816		1	SEAL, FUEL COUPLER
15	22-89771--1		1	CONNECTOR, FUEL TANK
16	54-41582--7		2	CLAMP

PARTS INDEX

Part Number	Description	Pg.	Ref. No.	Part Number	Description	Pg.	Ref. No.
13330A3	BULB ASSEMBLY, PRIMER	31	7	F10338	LINK, THROTTLE	11	30
42034A1	PULLEY ASSEMBLY, STARTER REWIND	13	10	F10339	SHAFT, THROTTLE	11	26
56762	CABLE TIE (4")	5	18	F10346	FLOAT , FUEL BOWL	11	9
816514	BEARING	7	11	F10354	SHUTTER, THOTTLE	11	28
817751T1	BRACKET, STEERING (PAINTED)	19	1	F17815	SEAL, FUEL COUPLER	31	13
819156T	MODULE, IGNITION (CUT WIRE AS REQ D)	5	10	F17816	SEAL, FUEL COUPLER	31	14
819320T	BRACKET, SHOCK MOUNT LOWER (PAINTED)	21	30	F197787-3	COUPLER, ENGINE	31	12
819321	COVER, THERMOSTAT	25	5	F24074	FOOT, STERN BRACKET SCREW	23	4
819348	ROD, CHOKE	11	36	F286019T	KINGPIN	21	29
819399A1	LANYARD ASSEMBLY	5	7	F286114	HANDLE, LOCK BAR	23	10
819486	SEAL, SUPPORT PLATE	3	17	F286224-1	INSERT, STEERING HANDLE PIVOT	19	21
819508T	LEVER, GEAR SHIFT (PAINTED)	7	23	F286346	MOUNT, SHOCK, LOWER	21	37
819550	THERMOSTAT (105\$)	25	3	F286347	MOUNT, SHOCK, UPPER	21	43
819626T	HANDLE, GEAR SHIFT (PAINTED)	7	29	F286349	LOCK, REVERSE	21	27
819962	ROD, GEAR SHIFT, LOWER- 20"-FOR MODEL 225.581987	27	37	F286364	LEVER, REVERSE LOCK	21	12
819993T1	COVER, FUEL PUMP (PAINTED)	9	24	F286433	BRACKET, SHALLOW WATER DRIVE	21	26
820116--2	COVER, TRANSFER PORT	9	31	F286490	STOP, STEERING HANDLE	19	7
820367--1	LEVER, SHIFT HANDLE SHAFT	7	30	F286547	KNOB, CHOKE	11	38
823536	GAUGE ASSEMBLY	31	2	F286615	ROD, GEAR SHIFT, UPPER	7	13
823694	INSERT, THERMOSTAT	25	7	F286615	ROD, GEAR SHIFT, UPPER	27	35
824141T	COVER, EXHAUST (PAINTED)	17	1	F286647	HANDLE, CARRYING	23	8
824357	LEVER, NEUTRAL INTERLOCK	7	8	F286685	CONNECTOR, GEAR SHIFT ROD	7	20
824466A3	COVER ASSEMBLY, STOP SWITCH	5	5	F286705-1	ROD, GEAR SHIFT, LOWER- 15"-FOR MODEL 225.581997	27	37
824466A3	COVER ASSEMBLY, STOP SWITCH	19	15	F286721	CAM, SHIFT	27	8
824826	SHAFT, GEAR SHIFT HANDLE	7	14	F286827	LEVER, REVERSE LOCK	21	19
825402	LINK, SHIFT LEVER	7	18	F286871	PIN, GEAR SHIFT LEVER	7	25
826559A1	BRACKET ASSEMBLY, STARTER HOUSING FRONT	13	3	F286914-1	SLEEVE, WATER LINE	21	40
826591	BUSHING	19	30	F2A24757	PLATE ASSEMBLY, FUEL PUMP	9	26
826592	CABLE ASSEMBLY, THROTTLE	19	13	F2C709712	COWL ASSEMBLY, TOP (WITH DECALS) (PAINTED)	3	-
826609T	HANDLE, STEERING (PAINTED)	19	18	F341384	RETAINER , CHOKE ROD	11	35
826691	CAM, THROTTLE	5	11	F341562	PLATE, WATER PUMP	29	43
826693	HOUSING, STARTER	13	1	F392756	PACKING, SUPPORT PLATE (CUT AS REQ D)	3	13
827252	ARM, STEERING (LOWER)	19	17	F424075T	HANDLE (PAINTED)	23	6
F10236	SHUTTER, CHOKE	11	6	F429541	LOCK, TILT	23	15
F10238	NOZZLE, MAIN	11	21	F429811	SCREEN	9	19
F10240	SHAFT, LINKAGE	11	23	F458695	SLEEVE, STEERING HANDLE GRIP	19	27
F10241	E-RING, LINKAGE SHAFT	11	24	F481777	CAM, LATCH SHAFT	3	21
F10242	WASHER, LINKAGE SHAFT	11	25	F681003-1	ARM, STARTER INTERLOCK	7	2
F10265	NEEDLE, INLET	11	18	F681046	BULB, PRIMER	9	34
F10290	LINKAGE, THROTTLE CAM FOLLOWER	11	22	F681090	PLATE, HANDLE SUPPORT	13	17
				F681091	NUT, FLYWHEEL	5	1
				F681132	HANDLE, STARTER ROPE	13	21
				F681232	ROPE (65")	13	13
				F681263-1	LINK, STARTER INTERLOCK	7	15
				F681269	HANDLE, TILT	3	3
				F681428	INSERT, STARTING HOUSING ROPE	13	5
				F681490	STOP, STARTER PULLEY INTERLOCK	7	1

PARTS INDEX

Part Number	Description	Pg.	Ref. No.	Part Number	Description	Pg.	Ref. No.
F681531-1	ROD, INTERLOCK	7	10	FO15366	BOWL, FUEL	11	11
F681592	RETAINER, STARTER PULLEY	13	14	FO15520	NEEDLE, IDLE MIXTURE	11	15
F681631	SHOE, FRICTION, SWIVEL BRACKET	21	7	FO15736	SHAFT, CHOKE	11	5
F681677	INSERT, CHOKE KNOB	11	37	FO4784	BALL, CHOKE FRICTION	11	3
F681742	LEVER, INTERMEDIATE INTERLOCK	7	16	FO8805	SPRING, CHOKE FRICTION	11	4
F681817	RETAINER, STARTER ROPE	13	22	FP6477	PROPELLER (8 X 9-1/4 X 3)	27	31
F681874-1	FASTENER, HANDLE SUPPORT PLATE	13	19	10-28430	SCREW (6-32 X 1/4")	9	2
F681954-1	COVER, PRIMER BULB	9	33	10-28635	SCREW (1/4-20 X 5/8")	3	23
F702035	BEARING, CONNECTOR (10-24 RH)	19	31	10-28635	SCREW (1/4-20 X 5/8")	19	12
F702137	GRIP, STEERING HANDLE	19	26	10-28636	SCREW (1/4-20 X 3/4")	15	1
F702178	RETAINER, GRIP	19	24	10-28639	SCREW (1/4-20 X 5/8")	27	24
F702668	RETAINER, SPEED CONTROL CABLE	13	25	10-28668	SCREW (1/4-20 X 7/8")	9	13
F715151	PLATE, EXHAUST	17	4	10-28668	SCREW (1/4-20 X 7/8")	17	2
F715388	DISC	29	49	10-35386	SCREW (5/16-18 X 1")	17	12
FA1844	SCREW KIT (1/4-20 X 2-3/8")	21	31	10-48408	SCREW (10-16 X 1/2")	7	4
FA286155	LINER SET, CENTERMAIN BEARING	15	9	10-48408	SCREW (10-16 X 1/2")	13	15
FA286582T	ARM KIT, STEERING (PAINTED)	19	8	10-69022	SCREW (10-32 X 1/2")	23	5
FA324101	PIN KIT, PROPELLER (3 PINS WITH COTTER PIN)	27	32	10-819382	SCREW (1/4-20 X 1")	25	6
FA341510	LINK, REVERSE LOCK	21	25	10-819625	SCREW, SHOULDER	7	12
FA387742	LEVER ASSEMBLY, INTERMEDIATE	21	17	10-819625	SCREW, SHOULDER	13	20
FA429471	COVER ASSEMBLY, CYLINDER DRAIN	9	18	10-823594	SCREW, STEERING HANDLE PIVOT	19	4
FA492845T	EXTENSION KIT (PAINTED) 20" FOR MODEL 225.581987	21	34	10-823595	SCREW, STEERING HANDLE PIVOT	19	3
FA510914	SEAL, WATER LINE	29	50	10-824352	SCREW (10-24 X 3/8")	19	29
FA609853	DECAL KIT, SHIFT TO NEUTRAL	13	23	10-824352	SCREW (10-24 X 3/8"), GROUND	5	17
FA617113	BAR KIT, LOCK	23	9	10-824353	SCREW (8-32 X 3/4"), IGNITION MODULE	5	16
FA681469T	HANDLE ASSEMBLY, COWL LATCH (PAINTED)	3	18	10-824358	SCREW (10-24 X 1/2"), GROUND	5	21
FA681630T	SUPPORT ASSEMBLY, HANDLE	13	16	10-824358	SCREW (10-24 X 1/2"), STATOR PLATE	5	19
FA712228	ROLLER SET (2 STRIPS-28 PER)	15	11	10-826248	SCREW, STERN BRACKET	23	2
FA714167	MANIFOLD KIT, CARBURETOR	9	8	10-826575	SCREW (8-32 X 5/8")	19	16
FG1036	GASKET SET	17	9	10-826676	SCREW (1/4-28 X 2"), IDLE ADJUST	13	26
FK10237	NEEDLE/SEAT KIT, INLET	11	17	10-90192	SCREW (1/4-20 X 3/4")	13	2
FK10294	GASKET SET, CARBURETOR	11	40	10-98254	SCREW (1/4-20 X 5/8")	9	35
FK10295	REPAIR KIT, CARBURETOR	11	39	10-F10328	SCREW, SHUTTER	11	29
FK1031-1	REPAIR KIT, WATER PUMP	29	52	10-F1069	SCREW (10-24 X 1-1/16")	9	23
FK1065	SEAL KIT, GEAR HOUSING	29	51	10-F1107	SCREW (1/4-20 X 3/4")	17	6
FK1123	BOOT KIT, SPARK PLUG	5	12	10-F11286	SCREW (4-40 X 3/16")	9	29
FO11764	JET, MAIN (.051) (7500 - 10000)	11	20	10-F1286	SCREW (5/16-18 X 1-1/4")	17	7
FO11765	JET, MAIN (.053) (5000 - 7500)	11	20	10-F1335	SCREW (5/16-18 X 1-1/4")	17	7
FO13944	PIN, FLOAT	11	10	10-F175634	SCREW, CONN ROD	15	13
				10-F1800	BOLT (1/4-20 X 7")	27	38
				10-F1820	SCREW (1/4-20 X 1-3/8")	21	9
				10-F1922	SCREW (1/4-20 X 5/8")	9	36
				10-F1922	SCREW (1/4-20 X 5/8")	13	8
				10-F1976	SCREW (10-24 X 1/2")	27	36
				10-F2030	SCREW (1/4-20 X 1-1/4")	13	24
				10-F2030	SCREW (1/4-20 X 1-1/4")	29	42
				10-F2210	SCREW (1/4-14 X 1/2")	13	18
				10-F2211	SCREW (10-24 X 5/8")	3	5
				10-F286422-1	SCREW, TILT LOCK	23	13
				10-F430732	SCREW (5/16-18 X 1-1/4")	27	40
				10-F430732	SCREW (5/16-18 X 1-1/4") 20" FOR MODEL 225.581987	21	35
				10-F50109	PLUG	27	2
				10-F50109	PLUG	27	26

PARTS INDEX

Part Number	Description	Pg.	Ref. No.	Part Number	Description	Pg.	Ref. No.
10-F617037	BOLT, STERN BRACKET PIVOT	23	18	17-38489	PIN, ROLL	23	11
10-F681026	SCREW, LATCH ROLLER	3	9	17-48450	PIN, DOWEL	27	4
10-F901938-1	SCREW, CYLINDER HEAD	17	15	17-48450	PIN, DOWEL	27	4
10-FO10280	SCREW, SHUTTER	11	7	17-819707	PIN, TILT LOCK	21	6
11-20110	NUT (10-32)	7	17	17-F1794	PIN, SPRING	21	15
11-20890	NUT (1/4-20)	9	12	17-F1805	PIN, SPRING	19	9
11-20890	NUT (1/4-20)	27	10	17-F1806	PIN, GROOVE	21	21
11-64015	NUT (1/4-20)	21	33	17-F1807	PIN, GROOVE	19	2
11-814101	NUT (1/4-20)	3	7	17-F286728	PIN, SHIFT	27	15
11-814101	NUT (1/4-20)	7	9	17-F8538	PIN, SPRING	21	13
11-814101	NUT (1/4-20)	13	7	17-F8559	PIN, DOWEL	17	8
11-817752A1	NUT KIT, PROPELLER	27	33	17-F8564	PIN, SPIROL	27	17
11-F1608	NUT (1/4-20)	21	11	17-F901563	PIN, DRIVE	29	45
11-F7009	NUT (10-24)	3	4	18-45882	PIN, COTTER	27	34
11-F7026	NUT (3/8-16)	23	20	19-73336	PLUG	3	16
12-12038	WASHER	21	10	19-817362	PLUG	13	11
12-18552	WASHER	9	27	19-F286539	BUMPER	19	10
12-19183	WASHER	27	27	19-FO10588	PLUG, BODY CHANNEL	11	8
12-19183	WASHER	27	3	19-FO2531	PLUG, BY-PASS CHAMBER	11	2
12-20553	WASHER	23	19	21-13331A1	CHECK VALVE (INLET)	31	8
12-35044	WASHER	3	24	21-13331A2	CHECK VALVE (OUTLET)	31	9
12-37998	WASHER	17	16	21-817741A1	VALVE KIT	9	20
12-37998	WASHER	27	39	22-823532	CONNECTOR ASSEMBLY, FUEL	31	3
12-89302	WASHER	3	2	22-89771--1	CONNECTOR, FUEL TANK	31	15
12-F2037	WASHER	21	18	22-F197767-2	BUSHING, FUEL	9	16
12-F286011	WASHER, SWIVEL BRACKET	21	22	22-F213274	FITTING, GREASE	21	4
12-F286220	WASHER	19	19	22-F681188	NUT, STOP SWITCH SLEEVE	5	15
12-F286286-1	WASHER	21	20	22-F901811	FILTER, FUEL PUMP	9	17
12-F286903	WASHER	27	11	23-26841	BUSHING	7	26
12-F456717	WASHER, THRUST	27	14	23-26856	BUSHING	19	20
12-F658504	WASHER, THERMOSTAT	25	2	23-26856	BUSHING	19	6
12-F8143	WASHER	3	2A	23-26856	BUSHING	21	14
12-F8143	WASHER	7	3	23-812707	BUSHING	3	19
13-26992	LOCKWASHER (1/4")	3	22	23-812707	BUSHING	19	22
13-26992	LOCKWASHER (1/4")	21	32	23-819226	SPACER, TILT LOCK	23	14
13-26992	LOCKWASHER (1/4")	27	9	23-F197319	BUSHING, CHOKE ROD	11	41
13-26996	LOCKWASHER (#10)	7	19	23-F286169	BUSHING, BOTTOM (1-3/4")	21	5
13-69150	WASHER, WAVE	23	16	23-F536813	BUSHING	21	16
13-78968	LOCKWASHER (1/4" INTERNAL)	19	11	23-F681169	BUSHING, TOP (1-1/8")	21	5A
13-F1704	LOCKWASHER (#6 INTERNAL)	9	3	23-F681405	INSERT, STARTER HOUSING	13	6
13-F2047	WASHER, WAVE	3	20	23-F681759	ROLLER, LATCH	3	8
13-F8048	WASHER, BOWED	7	31	24-27160	SPRING, IDLE MIXTURE NEEDLE	11	16
13-F8058	LOCKWASHER (#10 INTERNAL)	7	22	24-819329	SPRING, THERMOSTAT	25	4
16-826542	STUD (1/4-20 X 1.36)	27	28	24-F10246	SPRING, THROTTLE SHAFT	11	27
16-826590	STUD (1/4-20 X 1.69) W/DRY LOC, NEUTRAL	7	7	24-F286300	SPRING, REVERSE LOCK	21	28
16-826622	STUD (1/4-20 X .91) WITH DRY LOC	9	9	24-F286461	SPRING, LOCK BAR HANDLE	23	12
16-F286134	STUD, GEAR SHIFT LEVER	7	27	24-F286544-1	SPRING, TILT LOCK	23	17
16-F681134	STUD, INTERLOCK LEVER	7	6	24-F286868	SPRING, STEERING HANDLE STOP	19	5
16-F98273	STUD, ROD END CONNECTOR	7	21	24-F286895	SPRING, SHIFT CAM	27	7
17-24198	PIN, ROLL	23	7	24-F409719	SPRING, CLUTCH	27	18
17-25905	PIN, ROLL	7	28	24-F681424	SPRING, INTERLOCK LEVER	7	5
17-31656	PIN, ROLL	7	24	24-F681970	SPRING, STARTER REWIND	13	9
				25-21836	O RING (LARGE)	19	23
				25-23145	O RING (SMALL)	19	25
				25-32509	O RING	15	14

PARTS INDEX

Part Number	Description	Pg.	Ref. No.	Part Number	Description	Pg.	Ref. No.
25-823533	O RING	31	4	34-F31160-2	REED	9	5
25-F455305	SEAL	27	22	34-F715161	STOP, REED	9	4
26-66022	SEAL	27	23	34-FA715158	PLATE ASSEMBLY, REED	9	1
26-817472	SEAL, GEAR SHIFT ROD	27	29	35-823534	SCREEN, FILTER	31	5
26-819396	SEAL, CRANKSHAFT LOWER	15	16	37-818029	DECAL, FUEL MIX	21	44
26-819801	SEAL, CRANKSHAFT, UPPER	15	3	37-F681390	DECAL, STARTER INSTRUCTIONS	3	12
26-F681579	SEAL, PULLEY BEARING	13	12	37-F688585	DECAL, TILT LOCK	21	24
26-F901307-2	SEAL, DRIVESHAFT	21	41	37-F709396	DECAL, STARBOARD	3	11
26-F901307-2	SEAL, DRIVESHAFT	27	30	37-F709397	DECAL, PORT	3	11
26-F901307-2	SEAL, DRIVESHAFT	29	48	37-F709528	DECAL, REAR	3	10
27-818043A1	GASKET/DIAPHRAGM SET	9	30	37-F712894	DECAL, SPEED INDICATOR	19	28
27-819669	GASKET, THERMOSTAT COVER	25	1	38-819281--1	PLATE, FRONT, BOTTOM SUPPORT PLATE	3	15
27-825183	GASKET, TRANSFER PORT COVER	9	32	39-820484A1	RING SET, PISTON (2 RINGS)	15	20
27-825188	GASKET, CYLINDER DRAIN COVER	9	22	41-F712017	PIN, PISTON	15	19
27-F18906	GASKET, CARBURETOR	9	11	43-819251A1	GEAR ASSEMBLY, PINION	27	5
27-F24748-2	GASKET, FUEL PUMP	9	25	43-819252A1	GEAR ASSEMBLY, FORWARD	27	13
27-F286159-1	GASKET, REED PLATE	9	6	43-819254A1	GEAR ASSEMBLY, REVERSE	27	20
27-F286277	GASKET, CRANKSHAFT BEARING CAGE	15	5	44-F456098	PROPSHAFT	27	19
27-F286529-3	GASKET, CYLINDER HEAD	17	13	45-F343128	DRIVESHAFT -15"- FOR MODEL 225.581997	29	44
27-F286555	GASKET, GEAR HOUSING	29	41	45-F344128	DRIVESHAFT -20"- FOR MODEL 225.581987	29	44
27-F715154	GASKET, EXHAUST PORT COVER	17	3	46-FA715060	BODY ASSEMBLY, WATER PUMP	29	47
27-F715168	GASKET, MANIFOLD	9	7	47-F436065-2	IMPELLER	29	46
27-F715279-1	GASKET, CYLINDER MOUNTING	17	11	52-819253	CLUTCH	27	16
27-FO10165	GASKET, INLET	11	19	53-42689	RING, RETAINING	13	4
27-FO15623	GASKET, FUEL BOWL	11	12	53-F31410	RING, RETAINING	15	18
27-FO2510	GASKET, FUEL BOWL	11	14	54-41582--7	CLAMP	31	16
28-F458498-1	KEY, CRANKSHAFT/FLYWHEEL	5	14	54-41582--7	CLAMP (SMALL)	31	11
29-F286571	ROLLER SET (26 PER SET)	15	8	54-41582-10	CLAMP (LARGE)	31	10
30-F127910-2	BEARING, BALL	27	6	54-816311	CABLE TIE (8")	5	--
30-F286028	BEARING, BALL	15	7	54-F2706772	CLAMP	9	14
31-48913	BEARING, PROPSHAFT	27	12	54-F286573-1	CLAMP, STEERING FRICTION	21	8
31-817756A2	CAGE ASSEMBLY, PROPSHAFT (PAINTED)	27	21	54-F286772-1	CLAMP	9	21
31-F343014	BEARING, CRANKSHAFT LOWER MAIN	15	15	84-60466A16	WIRE ASSEMBLY, GROUND	5	20
32-820572A8	LINE ASSEMBLY, FUEL (5/16" I.D.) (8 FT)	31	6	84-819379A7	HARNESS ASSEMBLY, ENGINE STOP	5	8
32-F286244	LINE, WATER	21	39	85-818751	COVER, SPARK PLUG (RFI)	5	12
32-F40253-1	HOSE, FUEL (8-1/4") (13.38") (CUT AS REQ D)	9	15	87-824440A9	SWITCH ASSEMBLY, STOP	5	4
32-F40253-1	HOSE, PRIMER BULB TO CARB (5-3/4") (CUT AS REQ D)	9	10	87-824440A9	SWITCH ASSEMBLY, STOP	19	14
32-F715943	TUBE , CYLINDER WATER JACKET	17	18	87-826214A1	SWITCH ASSEMBLY, EMERGENCY STOP	5	6
32-FS901244	LINE, WATER, EXTENSION 20" FOR MODEL 225.581987	21	36	90-827591950	OWNERS MANUAL/PARTS MANUAL	3	25
33-19796	SPARK PLUG (RFI)	5	13	100-819280A2	PLATE KIT, BOTTOM SUPPORT (PAINTED)	3	14
33-813423	SPARK PLUG	5	13	100-820154A2	COWL ASSEMBLY, TOP (WITHOUT DECALS)(PAINTED)	3	1
34-F18160-3	REED	9	28	200-824380T	FLYWHEEL (PAINTED)	5	2
				300-826692T	PLATE, STATOR	5	9
				400-819803A2	CRANKSHAFT ASSEMBLY	15	6

PARTS INDEX

Part Number	Description	Pg.	Ref. No.	Part Number	Description	Pg.	Ref. No.
700-819946A3	PISTON KIT	15	17				
800-819553A12	CYLINDER KIT	17	5				
800-819553A14	SHORT BLOCK ASSEMBLY (PAINTED)	17	--				
900-F703518T	HEAD, CYLINDER (PAINTED)	17	14				
1100-817753A1	CAGE ASSEMBLY, CRANKSHAFT BEARING .	15	2				
1259-823504A2	TANK ASSEMBLY, FUEL (PLASTIC) (6.6 GALLON) .	31	1				
1300-F714061	CARBURETOR (HO-5A)	11	1				
1399-1457	JET, MAIN (.057) (0 - 2500) .	11	20				
1399-1655	JET, MAIN (.055) (2500 - 5000)	11	20				
1399-5128	SCREW, FUEL BOWL	11	13				
1400-817750A4	BRACKET KIT, SWIVEL (PAINTED)	21	3				
1400-820068T1	BRACKET, STERN (PAINTED)	23	1				
1500-819344T	HOUSING, DRIVESHAFT (PAINTED)	21	38				
1500-824916A1	HOUSING KIT, DRIVESHAFT, UPPER (PAINTED)	27	25				
1600-817749A2	HOUSING KIT, GEAR (BASIC) (PAINTED)	27	1				
1600-819483A2	HOUSING KIT, GEAR (COMPLETE) (PAINTED) .	27	-				