



# PARTS CATALOG

## HINO 175/220

### SERIAL NUMBER

EH700 (175/220HP) HINO 393 I/L6 ..... ALL

# TABLE OF CONTENTS:

AIR INTAKE AND EXHAUST SYSTEM (175 H.P.)	32
AIR INTAKE AND EXHAUST SYSTEM (220 H.P.) PAGE 1/2	36
AIR INTAKE AND EXHAUST SYSTEM (220 H.P.) PAGE 2/2	40
ALTERNATOR ASSEMBLY	130
BLOCK ASSEMBLY - CYLINDER	8
CAMSHAFT AND IDLER GEAR	26
CLEANER ASSEMBLY - AIR (175 H.P.)	44
CLEANER ASSEMBLY - AIR (220 H.P.) (837202610)	156
CLEANER ASSEMBLY - AIR (220 H.P.) (837204321)	158
COOLER ASSEMBLY - OIL	56
COOLING SYSTEM - GEAR OIL	148
COOLING SYSTEM - RAW WATER (175 H.P.)	96
COOLING SYSTEM - RAW WATER (220 H.P.)	100
CYLINDER BLOCK COMPONENTS	10
CYLINDER BLOCK COMPONENTS	14
CYLINDER HEAD COMPONENTS	4
ELECTRICAL COMPONENTS	164
ELECTRICAL PARTS	108
ENGINE MOUNTS AND BREATHER	162
FILTER ASSEMBLY - FUEL	78
FILTER ASSEMBLY - OIL	54
FUEL SYSTEM - PAGE 1/2	60
FUEL SYSTEM - PAGE 2/2	64
GOVERNOR ASSEMBLY (833301710) (220 H.P.) - PAGE 1/2	72
GOVERNOR ASSEMBLY (833301710) (220 H.P.) - PAGE 2/2	76
GOVERNOR ASSEMBLY (834999973) (175 H.P.) - PAGE 1/2	66
GOVERNOR ASSEMBLY (834999973) (175 H.P.) - PAGE 2/2	70
HEAD ASSEMBLY - CYLINDER	2
HOLDER ASSEMBLY - NOZZLE	80
INTERCOOLER ASSEMBLY (833001041)	154
INTERCOOLER ASSEMBLY (833001201)	152
LUBRICATING SYSTEM (175 H.P.)	46
LUBRICATING SYSTEM (220 H.P.)	50
MAIN MOVING PARTS	20
MAIN MOVING PARTS	24
MANIFOLD ASSEMBLY - EXHAUST	42
MISCELLANEOUS ENGINE PARTS	166
PARTS INDEX	168
PUMP ASSEMBLY - COOLANT (831001170)	104
PUMP ASSEMBLY - FUEL FEED	88
PUMP ASSEMBLY - OIL	58
PUMP ASSEMBLY - RAW WATER (831002480) (831002481)	106
PUMP BODY - FUEL INJECTION - PAGE 1/2	82
PUMP BODY - FUEL INJECTION - PAGE 2/2	86
SEPARATOR ASSEMBLY - WATER (175 H.P.)	90
SEPARATOR ASSEMBLY - WATER (220 H.P.)	92
STARTER ASS'Y (831001671) (831001672) - PAGE 1/2	132
STARTER ASS'Y (831001671) (831001672) - PAGE 2/2	136
STARTER ASS'Y (831002050) (831002051) (831002052)-PAGE 1/2	140
STARTER ASS'Y (831002050) (831002051) (831002052)-PAGE 2/2	144
THROTTLE AND SHIFT LINKAGE	160
TIMER ASSEMBLY - AUTOMATIC	94
TIMING GEAR COVER AND FLYWHEEL HOUSING	16
TURBOCHARGER ASSEMBLY (831001751)	146
TURBOCHARGER ASSEMBLY (831001980)	150
TURBOCHARGER-220 H.P. (DESIGN I) S/N 2188 & BELOW - PAGE 1/2	112
TURBOCHARGER-220 H.P. (DESIGN I) S/N 2188 & BELOW - PAGE 2/2	116
TURBOCHARGER-220 H.P. (DESIGN II) - PAGE 1/2	118
TURBOCHARGER-220 H.P. (DESIGN II) - PAGE 2/2	122
TURBOCHARGER-220 H.P. (DESIGN III) - PAGE 1/2	124

CONTINUED ON NEXT PAGE ➡

# TABLE OF CONTENTS:

TURBOCHARGER-220 H.P. (DESIGN III) - PAGE 2/2 .....	128
VALVE SYSTEM .....	28

**NOTE:** Indented description indicate that these parts are included in preceeding assembly.

**AR** = As Required                      **NSS** = Not Sold Separate

**OPT** = Optional                        **NS** = Not Shown

**NOTE:** Following symbols are located in **SYM** column.

● = SUPERSEDES TO ANOTHER PART  
NUMBER

■ = COMPONENT OF ENGINE GASKET SET  
[FG1030]

**THESE PARTS BOOKS/FICHE CARD ARE COPYRIGHTED AND MAY NOT BE DISTRIBUTED OR REPRODUCED IN ANY OTHER FORMAT BY ANYONE OTHER THAN MERCURY MARINE WITHOUT THE PRIOR WRITTEN CONSENT OF MERCURY MARINE.**

THIS PAGE INTENTIONALLY LEFT BLANK

# **REPLACEMENT PARTS ! WARNING !**

Electrical, ignition and fuel system components on MerCruiser Engines and Stern Drives are designed and manufactured to comply with U.S. Coast Guard Rules and Regulations to minimize risks of fire or explosion. Use of replacement electrical, ignition or fuel system components, which do not comply to these rules and regulations, could result in a fire or explosion hazard and should be voided.

When servicing the electrical, ignition and fuel systems, it is extremely important that all components are properly installed and tightened. If not, any electrical or ignition component opening would permit sparks to ignite fuel vapors from fuel system leaks, if they existed.

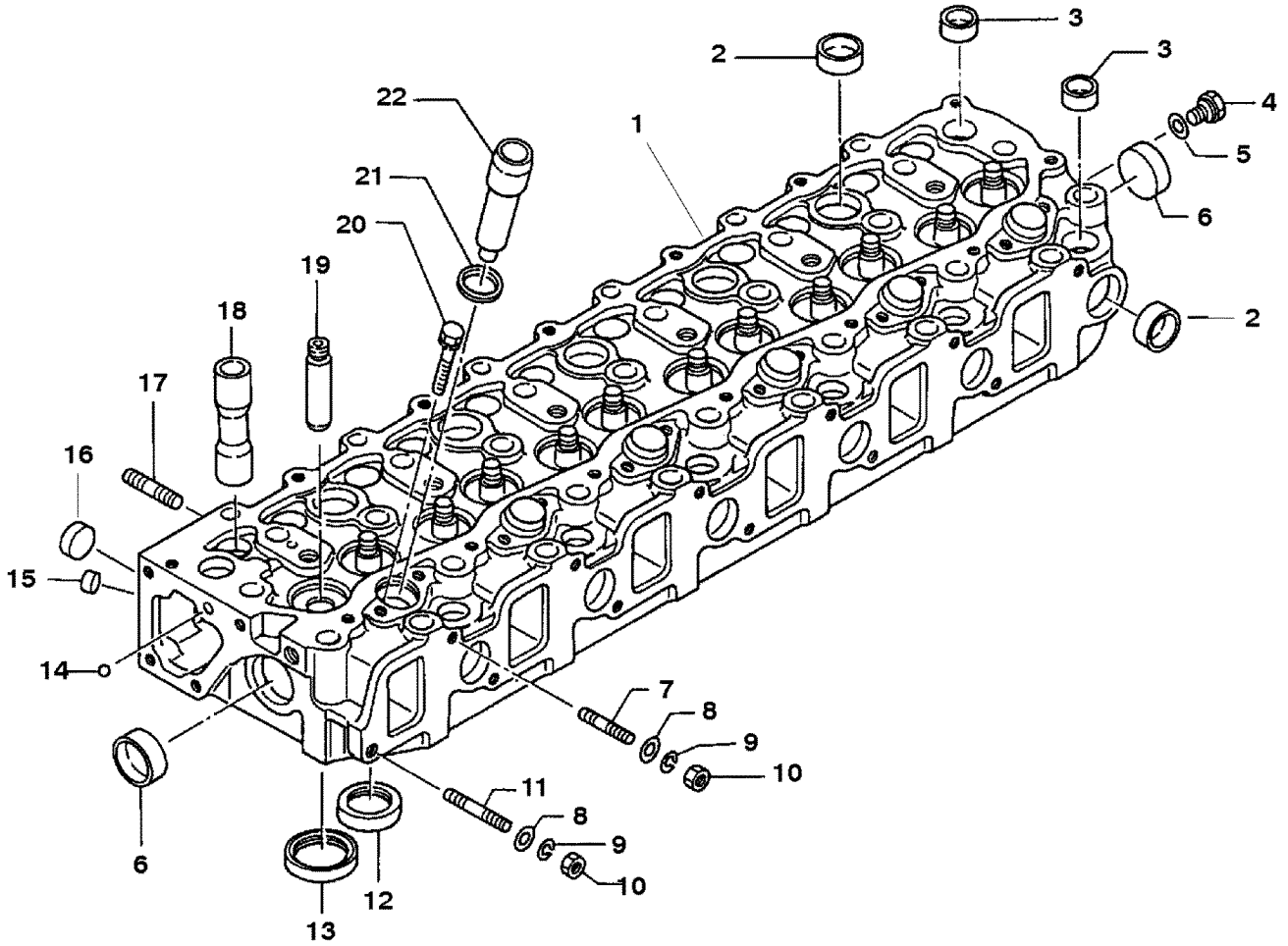
## **ENGINE MECHANICAL COMPONENTS**

Many of the engine mechanical components are designed for marine applications. Unlike automotive engines, marine engines are subjected to extended periods of heavy load and wide- open-throttle operation, therefore, require heavy-duty components. Special marine engine parts have design and manufacturing specifications, which are required to provide long life and dependable performance. Marine engine parts also must be able to resist the corrosive action of salt or brackish water that will rust or corrode standard automotive parts within a short period of time.

Failure to use recommended Mercury Precision Parts OR Quicksilver service replacement parts can result in poor engine performance and/or durability, rapid corrosion of parts subjected to salt water and possibly complete failure of the engine.

Use of parts other than recommended service replacement parts will void the warranty on those parts which are damaged as a result of the use of other than recommended parts.

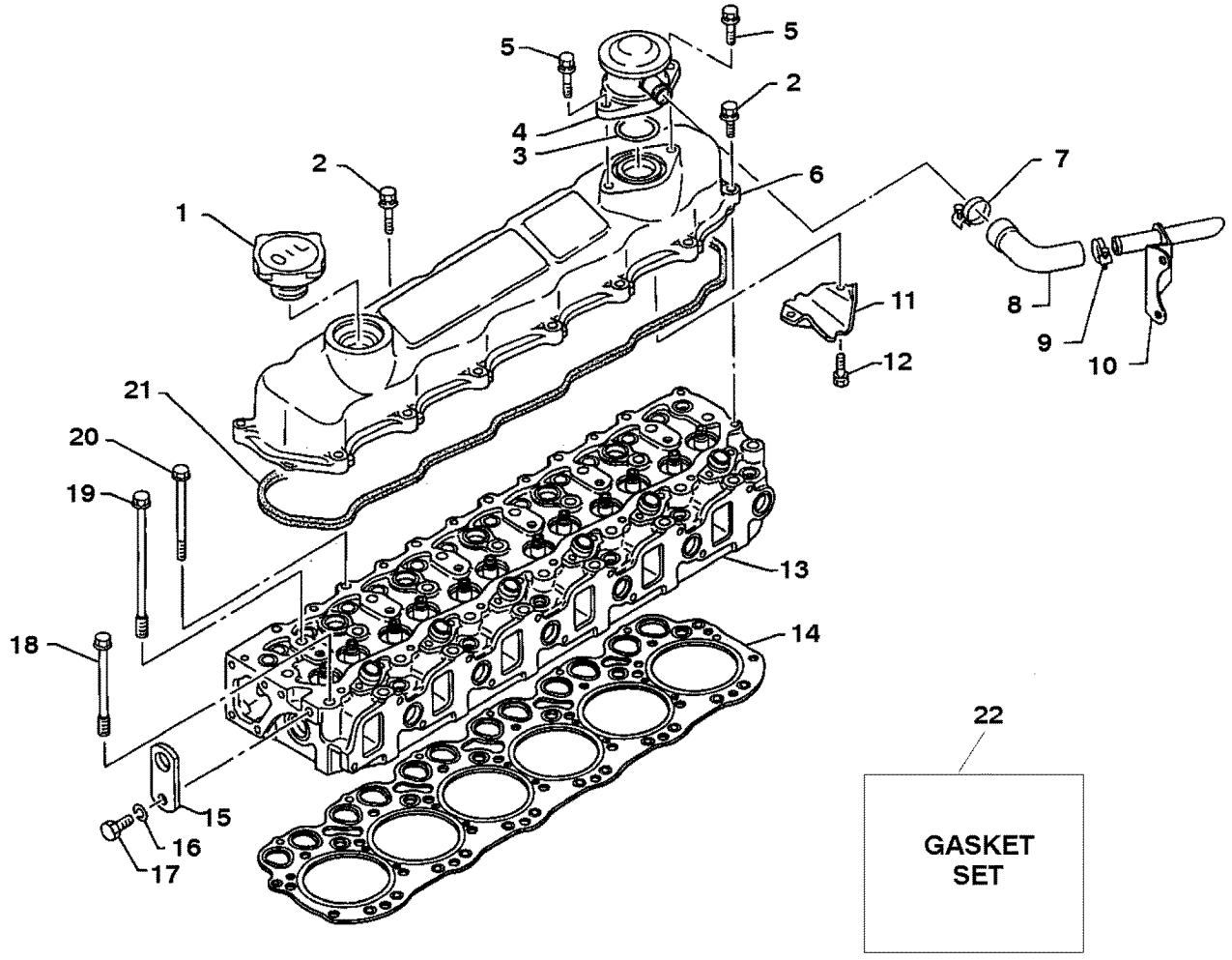
# HEAD ASSEMBLY - CYLINDER



# HEAD ASSEMBLY - CYLINDER

REF. NO.	PART NO.	SYM.	QTY.	DESCRIPTION
1	831101511		1	HEAD ASSEMBLY-CYLINDER (175 H.P.) (SERIAL # 2372 AND BELOW)
	831103830		1	HEAD ASSEMBLY-CYLINDER (175 H.P.) (SERIAL # 2373 THRU 2724)
	831104020		1	HEAD ASSEMBLY-CYLINDER (175 H.P.) (SERIAL # 2725 AND UP)
	831103830		1	HEAD ASSEMBLY-CYLINDER (220 H.P.)
2	19-833930105		11	PLUG-EXPANSION
3	19-833924103		8	PLUG-EXPANSION
4	830410110		1	PLUG
5	12-835410100		1	WASHER
6	19-833936102		2	PLUG-EXPANSION
7	831108320		11	STUD
8	836008140		12	WASHER
9	13-838008200		12	LOCKWASHER
10	11-830908106		12	NUT
11	831108650		1	STUD
12	831351240		6	SEAT-VALVE EXHAUST (175 H.P.) (SERIAL # 2724 AND BELOW)
	831351250		6	SEAT-VALVE EXHAUST (175 H.P.) (SERIAL # 2725 AND UP)
	831351240		6	SEAT-VALVE EXHAUST (220 H.P.)
13	831311230		6	SEAT-VALVE INTAKE
14	830004060		1	BALL-STEEL
15	19-833914101		5	PLUG-EXPANSION
16	19-833922105		11	PLUG-EXPANSION
17	834910120		12	STUD
18	831441110		12	PIPE-PUSH ROD GUIDE
19	23-831221200		12	BUSHING-VALVE GUIDE INTAKE (175 H.P.) (SERIAL # 2724 AND BELOW)
	831221180		12	BUSHING-VALVE GUIDE INTAKE (175 H.P.) (SERIAL # 2725 AND UP)
	23-831221200		12	BUSHING-VALVE GUIDE INTAKE (220 H.P.)
20	838908114		12	BOLT
21	830115214		6	GASKET
22	831761110		6	SEAT-INJECTOR NOZZLE
	831761120		6	SEAT-INJECTOR NOZZLE (FOR HEAD ASSY 831104020) (HINO BLOCK SER. # 225661 & UP)

# CYLINDER HEAD COMPONENTS





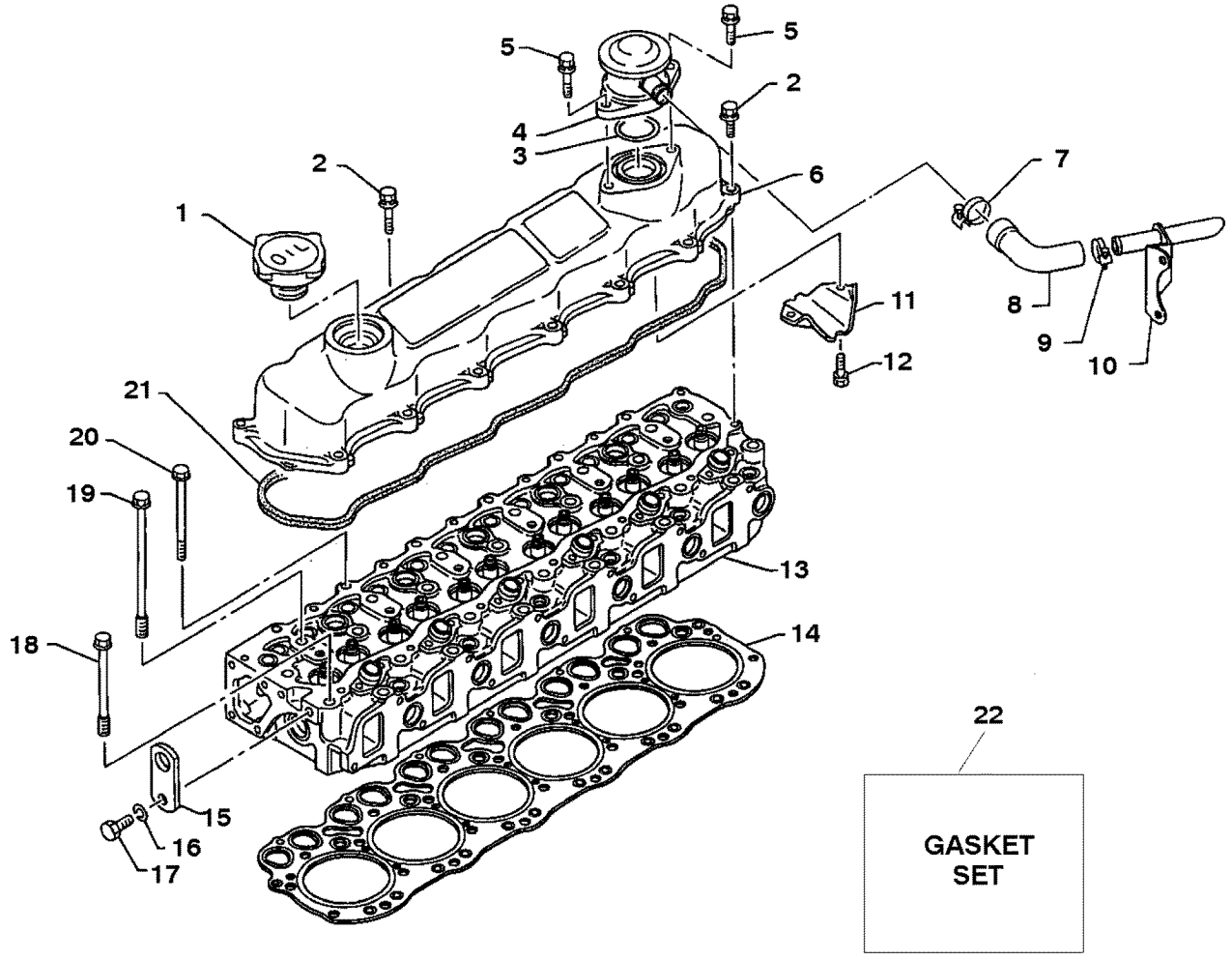
# CYLINDER HEAD COMPONENTS

REF. NO.	PART NO.	SYM.	QTY.	DESCRIPTION
1	36-831811140		1	CAP-OIL FILLER
2	10-839108351		14	BOLT
3	25-835154102		1	O RING
4	832101112		1	VENTILATOR ASSEMBLY
5	10-831110251		2	BOLT
6	832111990		1	COVER-CYLINDER HEAD
7	836603610		1	CLAMP (175 H.P.) -
8	830236215		1	HOSE-VENT (175 H.P.) -
9	836602810		1	CLAMP (175 H.P.) -
10	832011760		1	PIPE ASSEMBLY-VENT (175 H.P.) -
11	832381020		1	PLATE-VENT BAFFLE
12	10-838106120		2	BOLT
13	831101511		1	HEAD ASSEMBLY-CYLINDER (175 H.P.) (SEE HEAD ASSEMBLY- CYLINDER) (SERIAL # 2372 & BELOW)
	831103830		1	HEAD ASSEMBLY-CYLINDER (175 H.P.) (SEE HEAD ASSEMBLY- CYLINDER) (SERIAL # 2373 THRU 2724)
	831104020		1	HEAD ASSEMBLY-CYLINDER (175 H.P.) (SEE HEAD ASSEMBLY- CYLINDER) (SERIAL # 2725 & UP)
	831103830		1	HEAD ASSEMBLY-CYLINDER (220 H.P.) (SEE HEAD ASSEMBLY- CYLINDER)
14	831151122	■	1	GASKET-CYLINDER HEAD
15	832811031		1	HANGER-ENGINE
16	838012300		1	LOCKWASHER
17	832212251		1	BOLT
18	831851170		20	BOLT-CYLINDER HEAD (175 H.P.)
	831851760		20	BOLT-CYLINDER HEAD (220 H.P.)
19	10-831851520		6	BOLT-CYLINDER HEAD
20	10-831851160		6	BOLT-CYLINDER HEAD
21	832131680	■	1	GASKET-CYLINDER HEAD COVER
22	FG1030		1	GASKET SET CONTENTS INDICATED BY FOOTNOTE 11.
-	<b>831041140</b>		<b>1</b>	<b>GASKET</b>
-	<b>832131680</b>		<b>1</b>	<b>GASKET</b>
-	<b>25-834711050</b>		<b>1</b>	<b>O RING</b>
-	<b>833251111</b>		<b>1</b>	<b>GASKET</b>
-	<b>27-833251290</b>		<b>1</b>	<b>GASKET</b>
-	<b>27-831041090</b>		<b>1</b>	<b>GASKET</b>
-	<b>27-831041100</b>		<b>6</b>	<b>GASKET</b>
-	<b>27-831041111</b>		<b>1</b>	<b>GASKET</b>
-	<b>27-831711450</b>		<b>6</b>	<b>GASKET</b>
-	<b>12-838471110</b>		<b>12</b>	<b>WASHER</b>
-	<b>27-831351050</b>		<b>1</b>	<b>GASKET</b>

■ = COMPONENT OF ENGINE GASKET SET [FG1030]

CONTINUED ON NEXT PAGE ➡

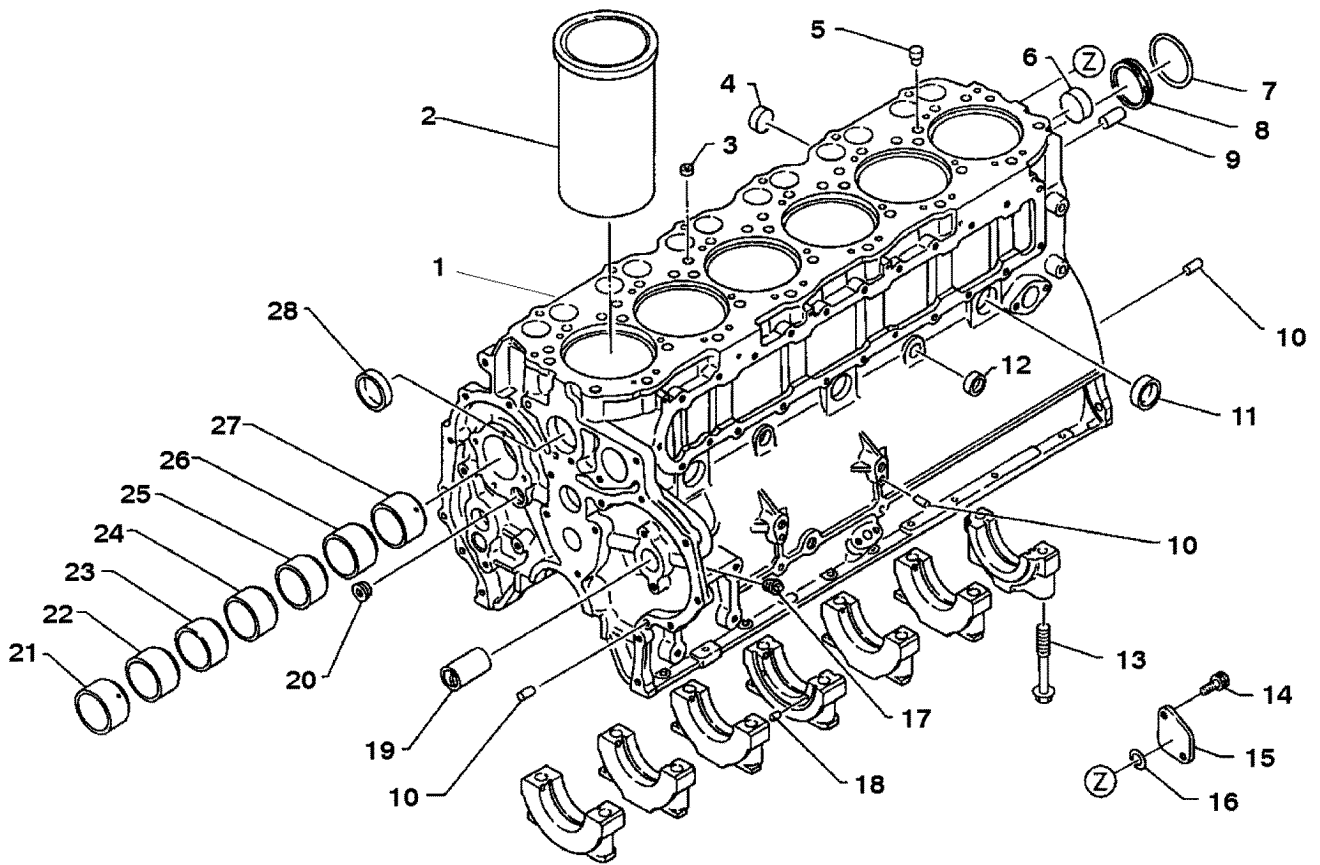
# CYLINDER HEAD COMPONENTS



# CYLINDER HEAD COMPONENTS

REF. NO.	PART NO.	SYM.	QTY.	DESCRIPTION
-	27-831791090		1	GASKET
-	12-835912111		8	WASHER
-	12-835914104		6	WASHER
-	25-835131103		1	O RING
-	831151122		1	GASKET

# BLOCK ASSEMBLY - CYLINDER

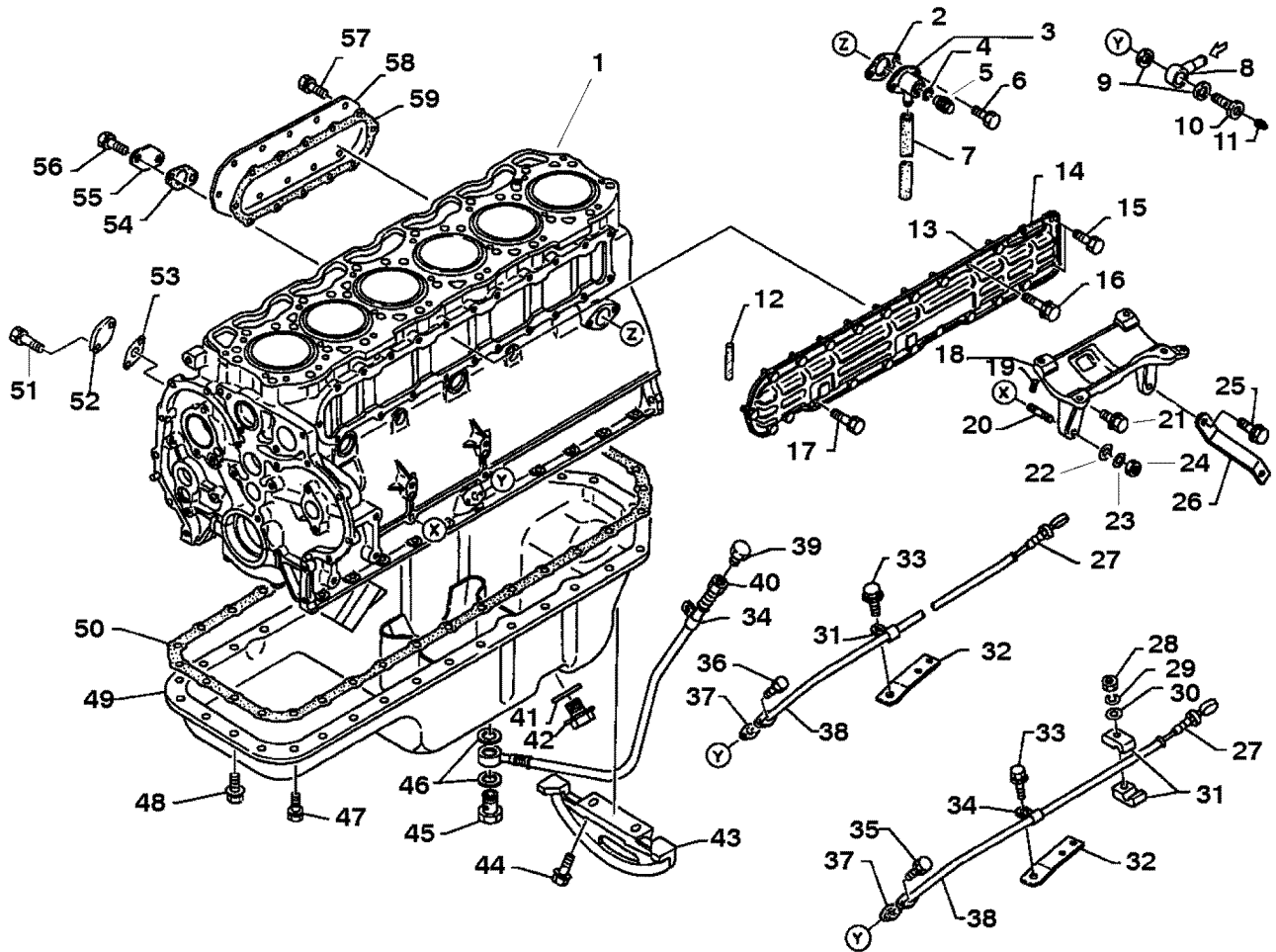


# BLOCK ASSEMBLY - CYLINDER

REF. NO.	PART NO.	SYM.	QTY.	DESCRIPTION
1	834103900		1	BLOCK ASSEMBLY-CYLINDER
2	834671201		6	LINER-CYLINDER (W)
	834671211		6	LINER-CYLINDER (X)
	51-834671221	●	6	LINER-CYLINDER (Y)
	834671232		6	LINER-CYLINDER (Z)
3	19-833914101		4	PLUG-EXPANSION
4	19-833928103		4	PLUG-EXPANSION
5	830914103		2	PIN
6	19-833940104		1	PLUG-EXPANSION
7	25-835160102		1	O RING
8	834391011		1	PLATE-SEAL
9	830912103		2	PIN
10	830408200		6	PIN-STRAIGHT
11	19-833936102		4	PLUG-EXPANSION
12	19-833920101		2	PLUG-EXPANSION
13	835211181		14	BOLT-BEARING CAP
14	830110160		2	BOLT
15	834999997		1	FLANGE
16	834403135		1	O RING
17	19-832910115		1	PLUG
18	830404080		4	PIN-STRAIGHT
19	838821010		1	BEARING-DRIVESHAFT
20	19-834999987		2	PLUG
21	838121051		1	BEARING-CAMSHAFT # 1
22	31-838221110		1	BEARING-CAMSHAFT # 2
23	31-838321080		1	BEARING-CAMSHAFT # 3
24	31-838421080		1	BEARING-CAMSHAFT # 4
25	23-838521060		1	BEARING-CAMSHAFT # 5
26	23-838621040		1	BEARING-CAMSHAFT # 6
27	23-838721030		1	BEARING-CAMSHAFT # 7
28	19-833950103		2	PLUG-EXPANSION

● = SUPERSEDES TO ANOTHER PART NUMBER

# CYLINDER BLOCK COMPONENTS

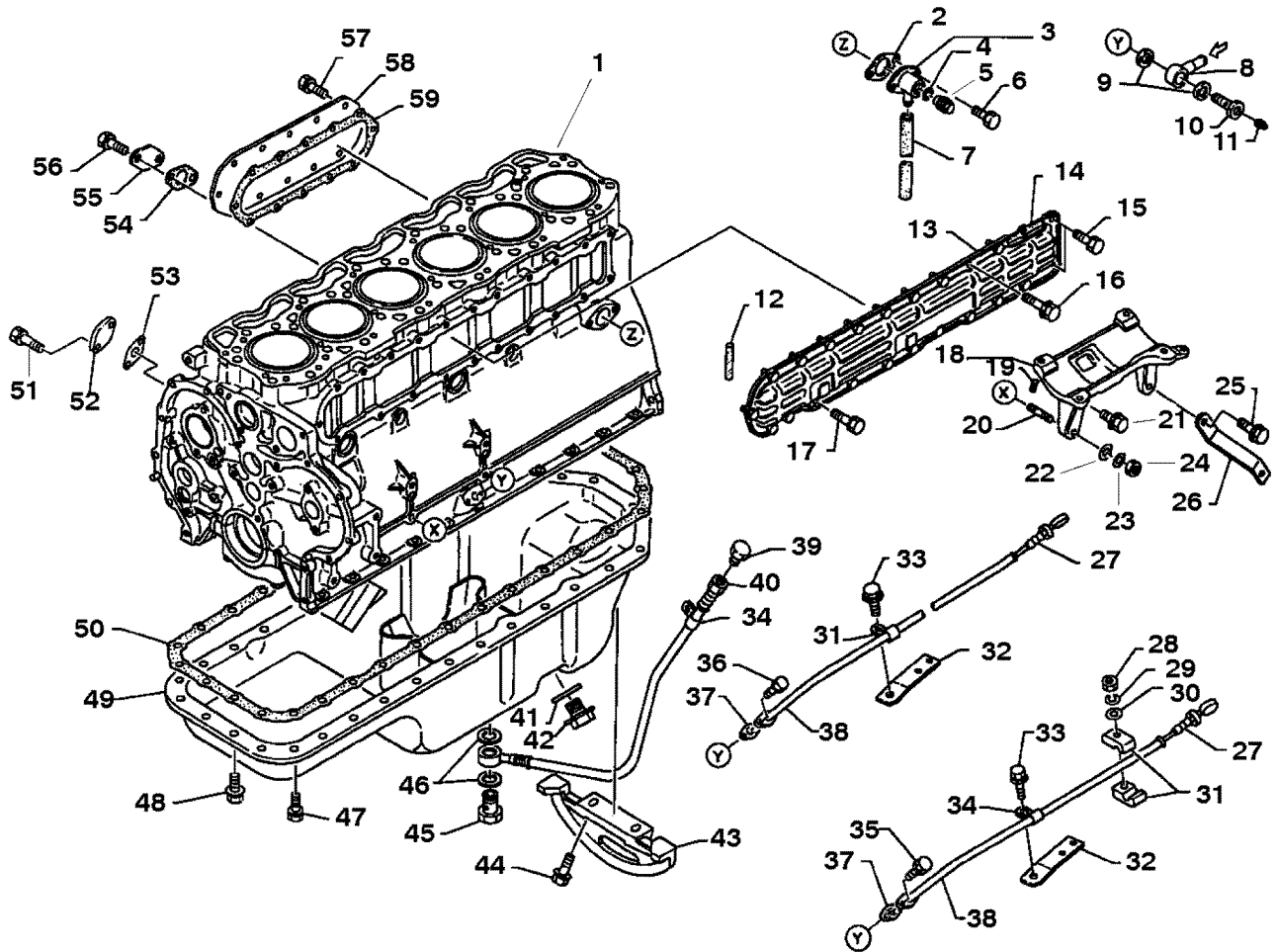


# CYLINDER BLOCK COMPONENTS

REF. NO.	PART NO.	SYM.	QTY.	DESCRIPTION
1	834103900		1	BLOCK ASSEMBLY-CYLINDER (SEE BLOCK ASSEMBLY - CYLINDER)
2	27-830115221		1	GASKET
3	831801071		1	COCK ASSEMBLY-COOLANT
4	25-835113103		1	O RING
5	831811170		1	VALVE-COOLANT COCK
6	10-838108200		2	BOLT
7	830234121		1	HOSE-WATER
8	22-832681510		1	PIPE-COOLANT BY PASS (220 H.P.) -
9	12-835422150		2	WASHER (220 H.P.) -
10	10-830124295		1	BOLT (220 H.P.) -
11	19-832910115		1	PLUG (220 H.P.) -
12	27-832671010		1	GASKET-WATER GALLERY COVER
13	832071040		1	COVER ASSEMBLY-WATER GALLERY (175 H.P.)
	832071040		1	COVER ASSEMBLY-WATER GALLERY (220 H.P.) (SER. # 2371 AND BELOW)
	832071190		1	COVER ASSEMBLY-WATER GALLERY (220 H.P.) (SERIAL # 2372 AND UP)
14	832671030		1	GASKET-WATER GALLERY COVER
15	10-838108250		2	BOLT (175 H.P.)
	10-838108250		3	BOLT (220 H.P.)
16	10-839108252		1	BOLT
17	10-838108200		20	BOLT (175 H.P.)
	10-838108200		17	BOLT (220 H.P.)
18	834091010		1	BRACKET ASSEMBLY-INJECTOR PUMP
19	830113120		4	HELISERT
20	834110300		2	STUD
21	10-831110301		1	BOLT
22	12-836010180		2	WASHER
23	838010250		2	LOCKWASHER
24	830010080		2	NUT
25	831110402		1	BOLT
26	834922560		1	HOLDER-CLIP
27	833013980		1	GAGE ASSEMBLY-OIL LEVEL (175 H.P.) (SERIAL # 2774 AND BELOW)
	833014120		1	GAGE ASSEMBLY-OIL LEVEL (175 H.P.) (SERIAL # 2775 AND UP)
	833013980		1	GAGE ASSEMBLY-OIL LEVEL (220 H.P.)
28	11-830108070		1	NUT (220 H.P.) -
29	13-838008200		1	LOCKWASHER (220 H.P.) -
30	12-836008180		1	WASHER (220 H.P.) -
31	54-839041300		1	CLIP ASSEMBLY (175 H.P.) -
	54-839042180		2	CLIP ASSEMBLY (220 H.P.) -
32	834914480		1	BRACKET-PIPE

CONTINUED ON NEXT PAGE ➡

# CYLINDER BLOCK COMPONENTS

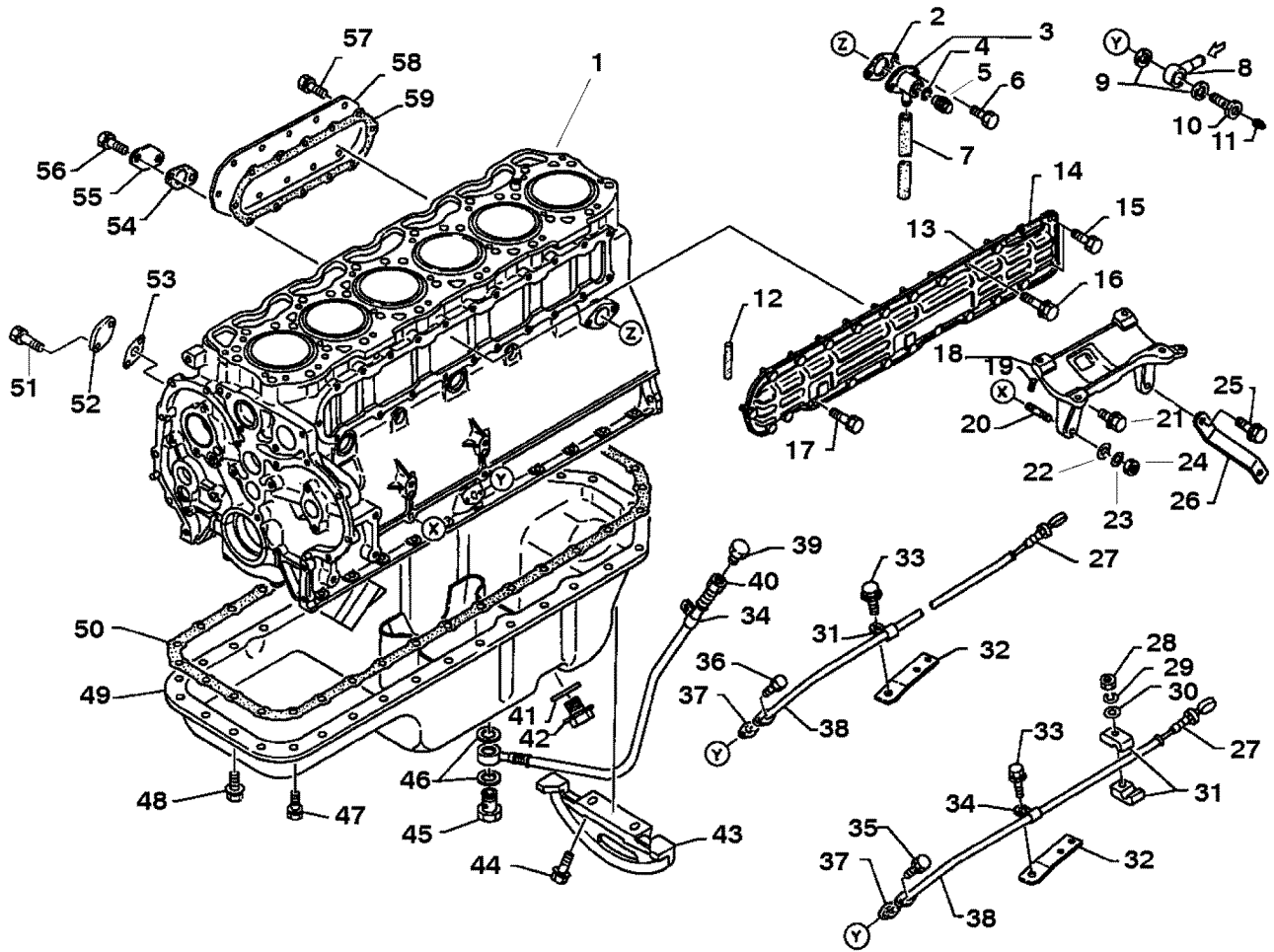




# CYLINDER BLOCK COMPONENTS

REF. NO.	PART NO.	SYM.	QTY.	DESCRIPTION
33	10-839108162		1	BOLT
34	839041230		1	CLIP ASSEMBLY (175 H.P.) -
	54-839041300		1	CLIP ASSEMBLY (220 H.P.) -
35	10-838106250		2	BOLT (220 H.P.) -
36	10-838206350		2	BOLT-WITH WASHER (175 H.P.) (SERIAL # 3188 AND BELOW)
	838206300		2	BOLT-WITH WASHER(175 H.P.) (SERIAL # 3189 AND UP)

# CYLINDER BLOCK COMPONENTS

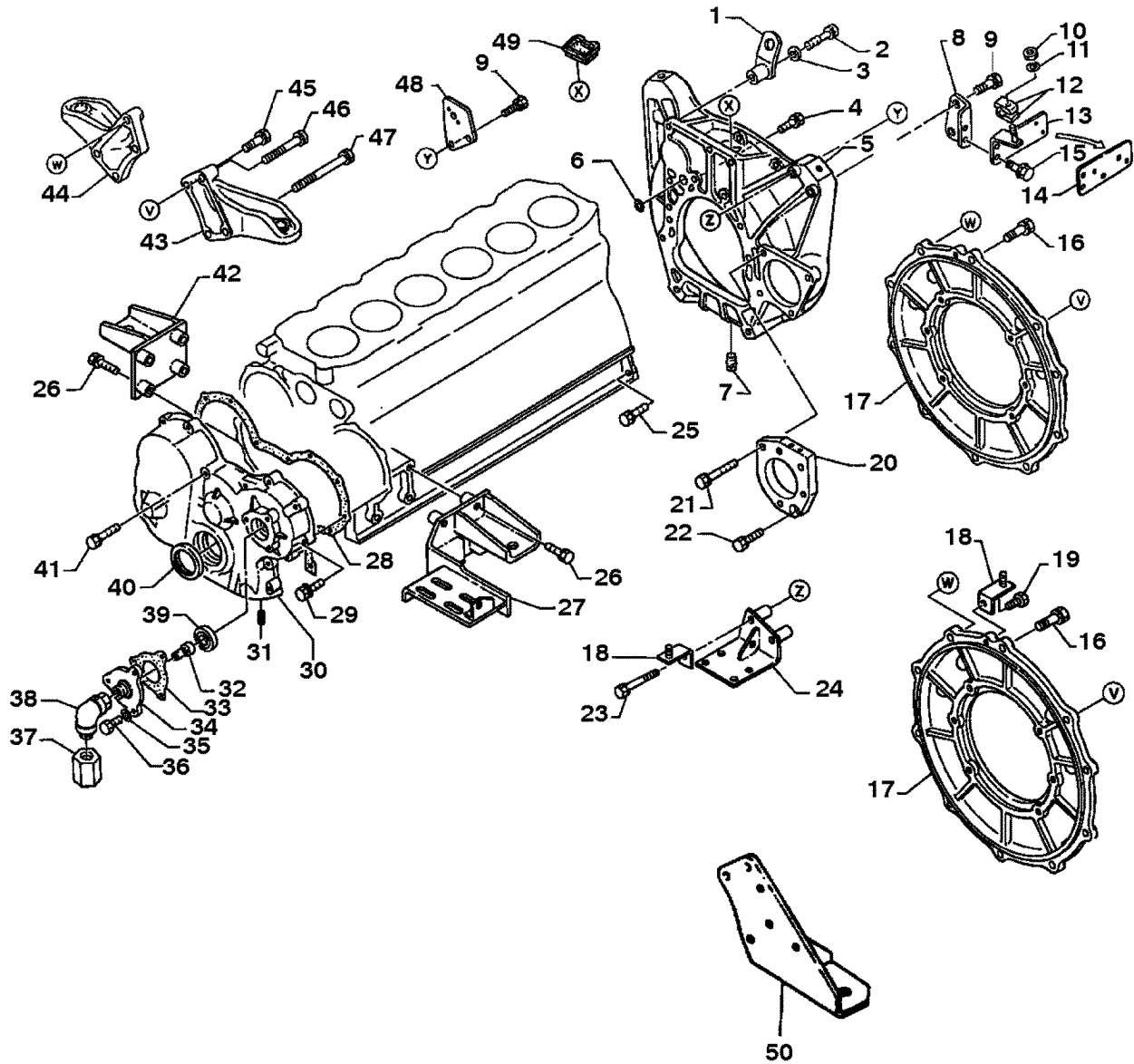


# CYLINDER BLOCK COMPONENTS

REF. NO.	PART NO.	SYM.	QTY.	DESCRIPTION
37	27-830115218		1	GASKET
38	831412270		1	GUIDE-OIL LEVEL GAGE (175 H.P.) <b>(SERIAL # 2183 AND BELOW)</b>
	831412450		1	GUIDE-OIL LEVEL GAGE (175 H.P.) <b>(SERIAL # 2184 THRU 3188)</b>
	831412870		1	GUIDE-OIL LEVEL GAGE (175 H.P.) <b>(SERIAL # 3189 AND UP)</b>
	831412270		1	GUIDE-OIL LEVEL GAGE (220 H.P.)
39	19-832917111		1	PLUG
40	834611650		1	HOSE-OIL
41	12-835918111	●	1	WASHER (175 H.P.)
	12-835918113		1	WASHER (220 H.P.)
42	19-830918104		1	PLUG
43	833061012		1	COVER ASSEMBLY
44	10-839108351		2	BOLT
45	10-830124297		1	BOLT
46	835922101		2	WASHER
47	10-838108200		24	BOLT
48	10-839108202		6	BOLT
49	831011782		1	PAN ASSEMBLY-OIL
50	831512081		1	GASKET-OIL PAN
51	10-838108200		2	BOLT (175 H.P.) <b>(SERIAL # 2481 AND BELOW)</b>
	838908110		2	BOLT (175 H.P.) <b>(SERIAL # 2482 THRU 2741)</b>
	10-838108200		2	BOLT (175 H.P.) <b>(SERIAL # 2742 AND UP)</b>
	10-838108200		2	BOLT (220 H.P.) -
52	830211159		1	FLANGE (175 H.P.) <b>(SERIAL # 2481 AND BELOW)</b>
	830211285		1	FLANGE (175 H.P.) <b>(SERIAL # 2482 THRU 2741)</b>
	830211159		1	FLANGE (175 H.P.) <b>(SERIAL # 2742 AND UP)</b>
	830211159		1	FLANGE (220 H.P.)
53	27-830115219	●	1	GASKET-OIL OUTLET
54	27-836923102		1	GASKET-FLANGE (175 H.P.)
55	834999997		1	FLANGE1.5 (175 H.P.)
56	10-830110250		2	BOLT (175 H.P.)
57	838908110		12	BOLT
58	832511231		1	COVER-VALVE PUSH ROD
59	832531340	●	1	GASKET-VALVE PUSH ROD COVER

● = SUPERSEDES TO ANOTHER PART NUMBER

# TIMING GEAR COVER AND FLYWHEEL HOUSING



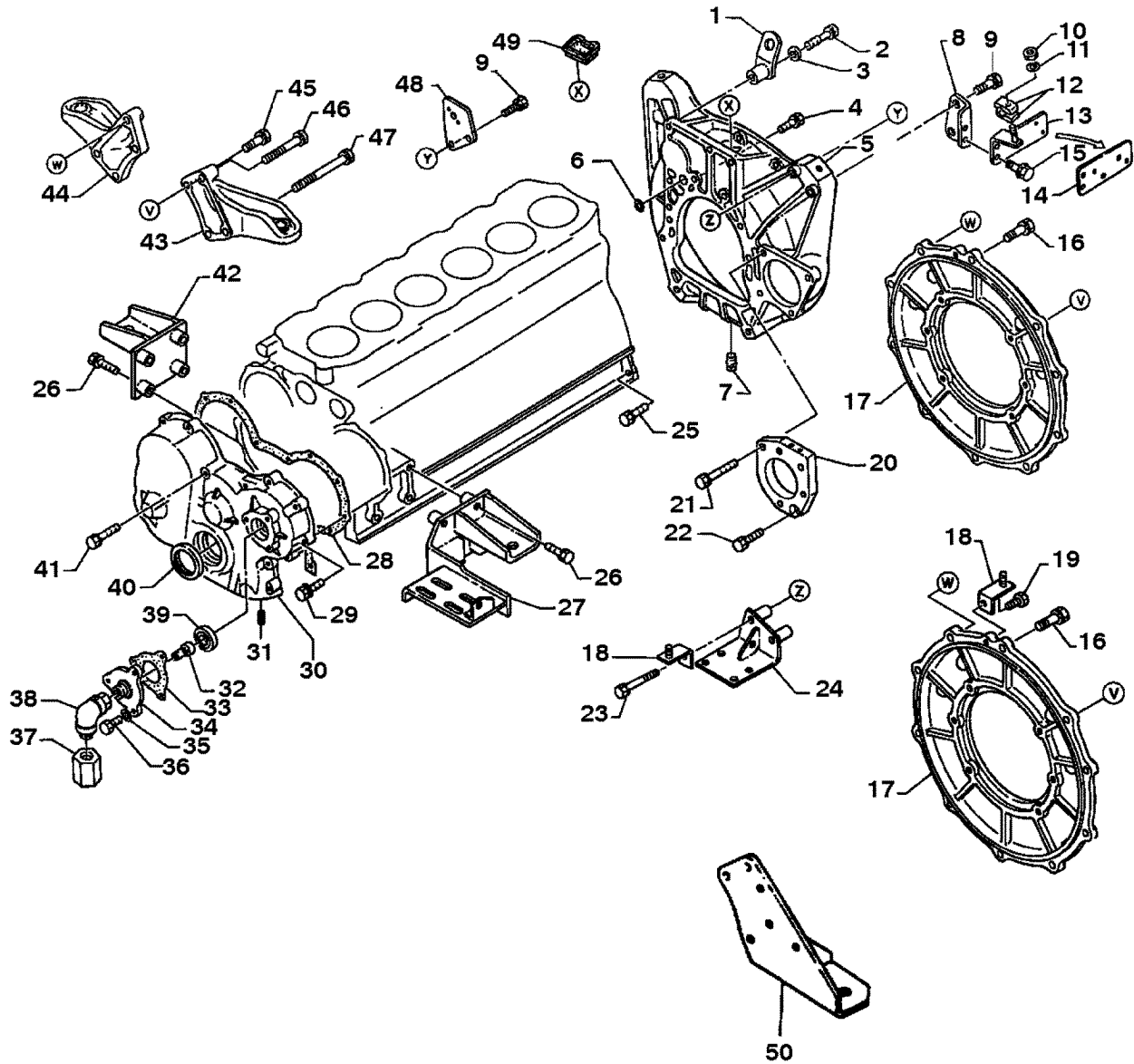
# TIMING GEAR COVER AND FLYWHEEL HOUSING

REF. NO.	PART NO.	SYM.	QTY.	DESCRIPTION
1	832031020		2	HANGER ASSEMBLY-ENGINE (220 H.P.)
2	830912123		2	BOLT
3	830116279		2	SPACER
4	10-831110403		6	BOLT
5	833511430		1	HOUSING-FLYWHEEL
6	25-835123107		1	O RING
7	19-832910115		1	PLUG
8	836911200		1	BRACKET-SOLENOID (175 H.P.)
9	10-830114300		4	BOLT (175 H.P.)
10	830008070		1	NUT (175 H.P.) <b>(SERIAL # 2774 AND BELOW)</b>
11	13-838008200		1	LOCKWASHER (175 H.P.) <b>(SERIAL # 2774 AND BELOW)</b>
12	54-839042180		2	CLIP ASSEMBLY (175 H.P.) <b>(SERIAL # 2774 AND BELOW)</b>
13	836911221		1	BRACKET-SOLENOID (175 H.P.) <b>(SERIAL # 2774 AND BELOW)</b>
14	836911490		1	BRACKET-SOLENOID (175 H.P.) <b>(SERIAL # 2775 AND UP)</b>
15	10-839108201		2	BOLT (175 H.P.)
16	10-831110401		6	BOLT
17	833513481		1	HOUSING-FLYWHEEL
18	839931640		2	HOLDER-CLIP (220 H.P.)
19	831110252		1	BOLT (220 H.P.)
20	830116335		1	SPACER
21	10-830112400		2	BOLT
22	10-830112250		1	BOLT
23	10-831110602		2	BOLT
24	836011121		1	BRACKET ASSEMBLY-SOLENOID
25	10-830912116		2	BOLT
26	10-831912438		8	BOLT
27	833021282		1	BRACKET ASSEMBLY-ENGINE MOUNTING
28	27-833291100		1	GASKET-TIMING GEAR CASE COVER
29	10-839108401		13	BOLT (175 H.P.)
	10-839108401		11	BOLT (220 H.P.)
30	833201150		1	COVER ASSEMBLY-TIMING GEAR CASE
31	830113120		6	HELISERT
32	836191020		1	SHAFT-TACH DRIVE
33	27-830115141		1	GASKET
34	836451030		1	PLATE-SET
35	13-838008200		3	LOCKWASHER
36	831108200		3	BOLT
37	836941122		1	ADAPTER-TACH GEN
38	22-836401020		1	DRIVE ASSEMBLY-TACH
39	26-832820111		1	SEAL-OIL
40	26-832865119		1	SEAL-OIL
41	10-839108601		1	BOLT
42	833011350	●	1	BRACKET ASSEMBLY-ENGINE MOUNTING

● = SUPERSEDES TO ANOTHER PART NUMBER

CONTINUED ON NEXT PAGE ➡

# TIMING GEAR COVER AND FLYWHEEL HOUSING

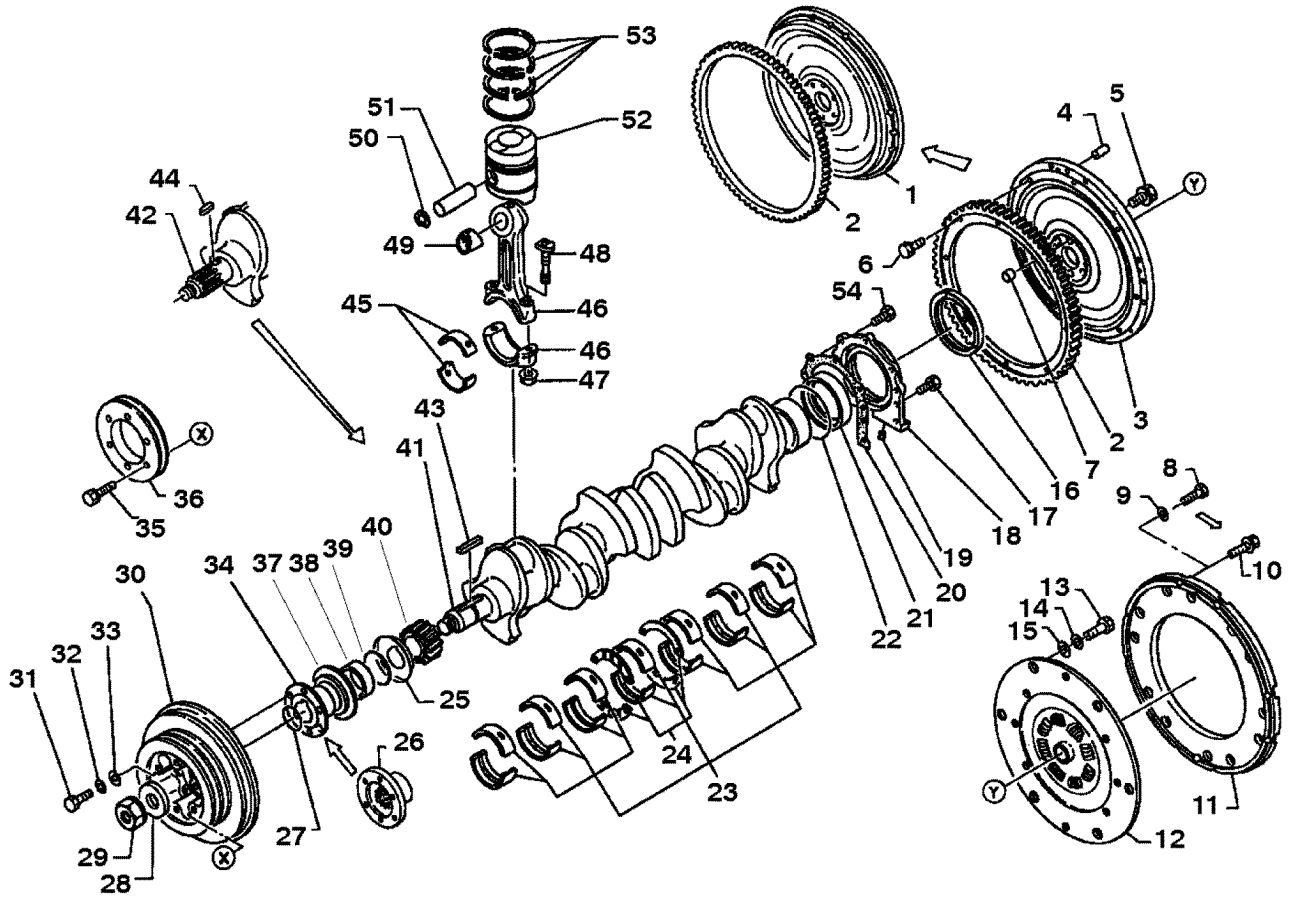


## TIMING GEAR COVER AND FLYWHEEL HOUSING

REF. NO.	PART NO.	SYM.	QTY.	DESCRIPTION
43	833251500		1	BRACKET-ENGINE MOUNTING
44	833211680		1	BRACKET-ENGINE MOUNTING
45	831210401		4	BOLT-WITH WASHER
46	831210851		2	BOLT-WITH WASHER
47	831910119		2	BOLT
48	839681350		1	BRACKET-SWITCH (175 H.P.)
49	25-833611170		1	COVER-DUST-FLYWHEEL HOUSING
50	833031332		1	BRACKET-ENGINE MOUNT (RR)
	833041220	●	1	BRACKET-ENGINE MOUNT (LHR)

● = SUPERSEDES TO ANOTHER PART NUMBER

# MAIN MOVING PARTS



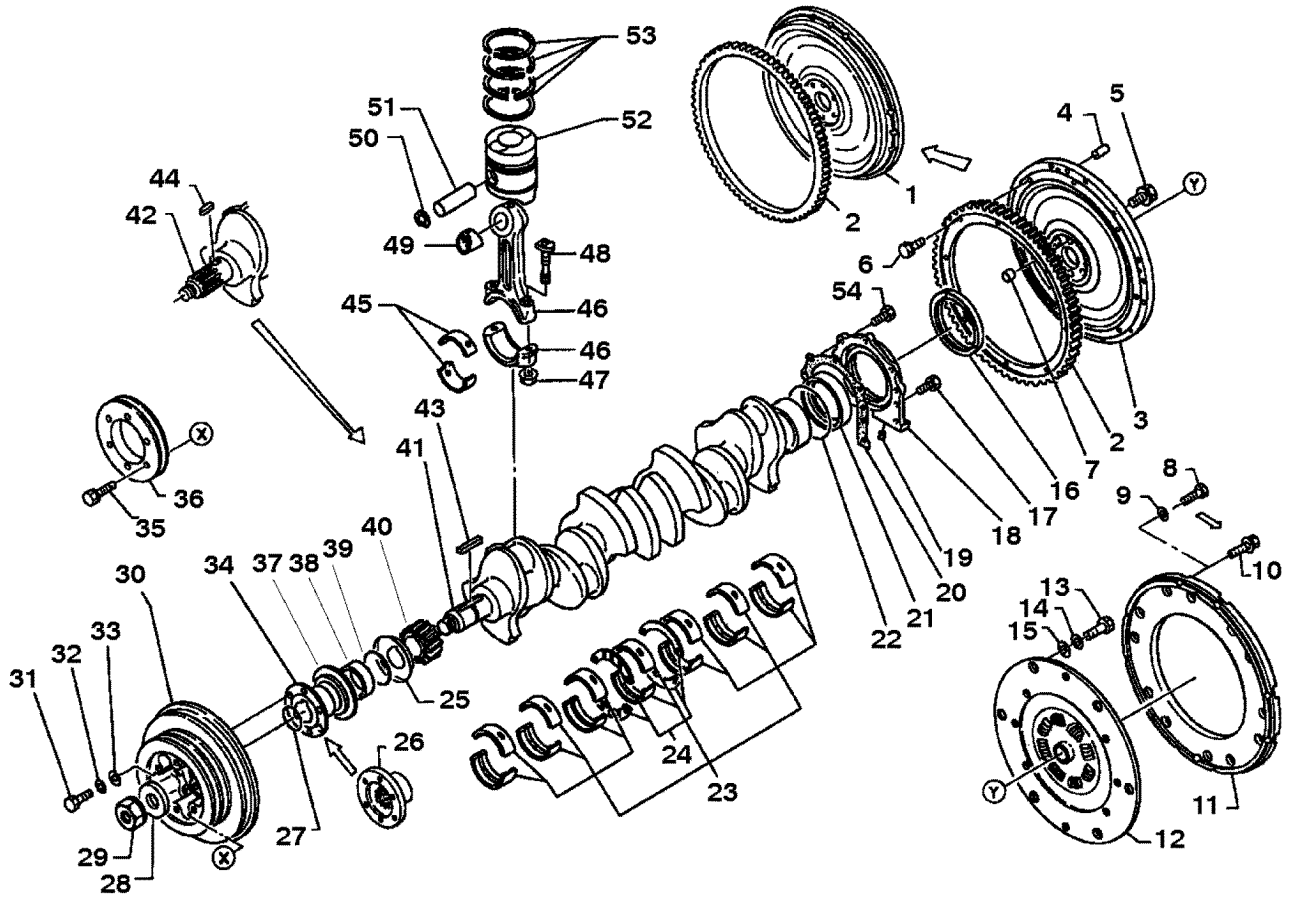


# MAIN MOVING PARTS

REF. NO.	PART NO.	SYM.	QTY.	DESCRIPTION
1	834502211		1	FLYWHEEL ASSEMBLY (175 H.P.) (SERIAL # 2885 AND UP)
	834502211		1	FLYWHEEL ASSEMBLY (220 H.P.) (SERIAL # 2885 AND UP)
2	834531401		1	GEAR-FLYWHEEL RING (114 TEETH)
3	834512832		1	FLYWHEEL (175 H.P.) (SERIAL # 2884 AND BELOW)
	834512831		1	FLYWHEEL (220 H.P.) (SERIAL # 2182 AND BELOW)
	834512832		1	FLYWHEEL (220 H.P.) (SERIAL # 2183 THRU 2884)
4	830410240		2	PIN-STRAIGHT
5	10-834551100		6	BOLT-FLYWHEEL
6	10-838908117		8	BOLT
7	23-830129119		1	COLLAR
8	832910112		8	BOLT WITH WASHER
9	838010250		8	LOCKWASHER
10	830210300		8	BOLT WITH WASHER
11	830116343		1	SPACER (175 H.P.)
12	832503100		1	DISC ASSEMBLY-CLUTCH
13	10-832910241		6	BOLT
14	838010250		6	LOCKWASHER
15	12-836010180		6	WASHER
16	26-832801167		1	SEAL-OIL
17	10-839108351		2	BOLT
18	833801040		1	RETAINER ASSEMBLY-OIL SEAL
19	830113120		2	HELISERT
20	27-833831150		1	GASKET-OIL SEAL RETAINER
21	834371130		1	SLEEVE
22	25-835100104		1	O RING
23	837011271		1	BEARING SET-CRANKSHAFT (STANDARD)
	23-837031441		OPT	BEARING SET-CRANKSHAFT (US 0.25)
	837041271		OPT	BEARING SET-CRANKSHAFT (US 0.50)
	837051271		OPT	BEARING SET-CRANKSHAFT (US 0.75)
	837061271		OPT	BEARING SET-CRANKSHAFT (US 1.00)
24	12-830111110		1	WASHER SET-CRANKSHAFT THRUST (STANDARD)
	12-830121110		OPT	WASHER SET-CRANKSHAFT THRUST (OVERSIZE 0.25)
25	834351030		1	SLINGER-CRANKSHAFT OIL
26	834999986		1	CENTER-CRANKSHAFT PULLEY (220 H.P.) (SERIAL # 2273 AND BELOW)
27	25-835139103		1	O RING (175 H.P.)
	25-835136104		1	O RING (220 H.P.) (SERIAL # 2273 AND BELOW)
	25-835139103		1	O RING (220 H.P.) (SERIAL # 2274 AND UP)
28	23-830116148		1	SPACER
29	11-830927103		1	NUT
30	834702610		1	PULLEY ASSEMBLY-CRANKSHAFT (175 H.P.)
	834701650		1	PULLEY ASSEMBLY-CRANKSHAFT (220 H.P.) (SERIAL # 2273 AND BELOW)

CONTINUED ON NEXT PAGE ➡

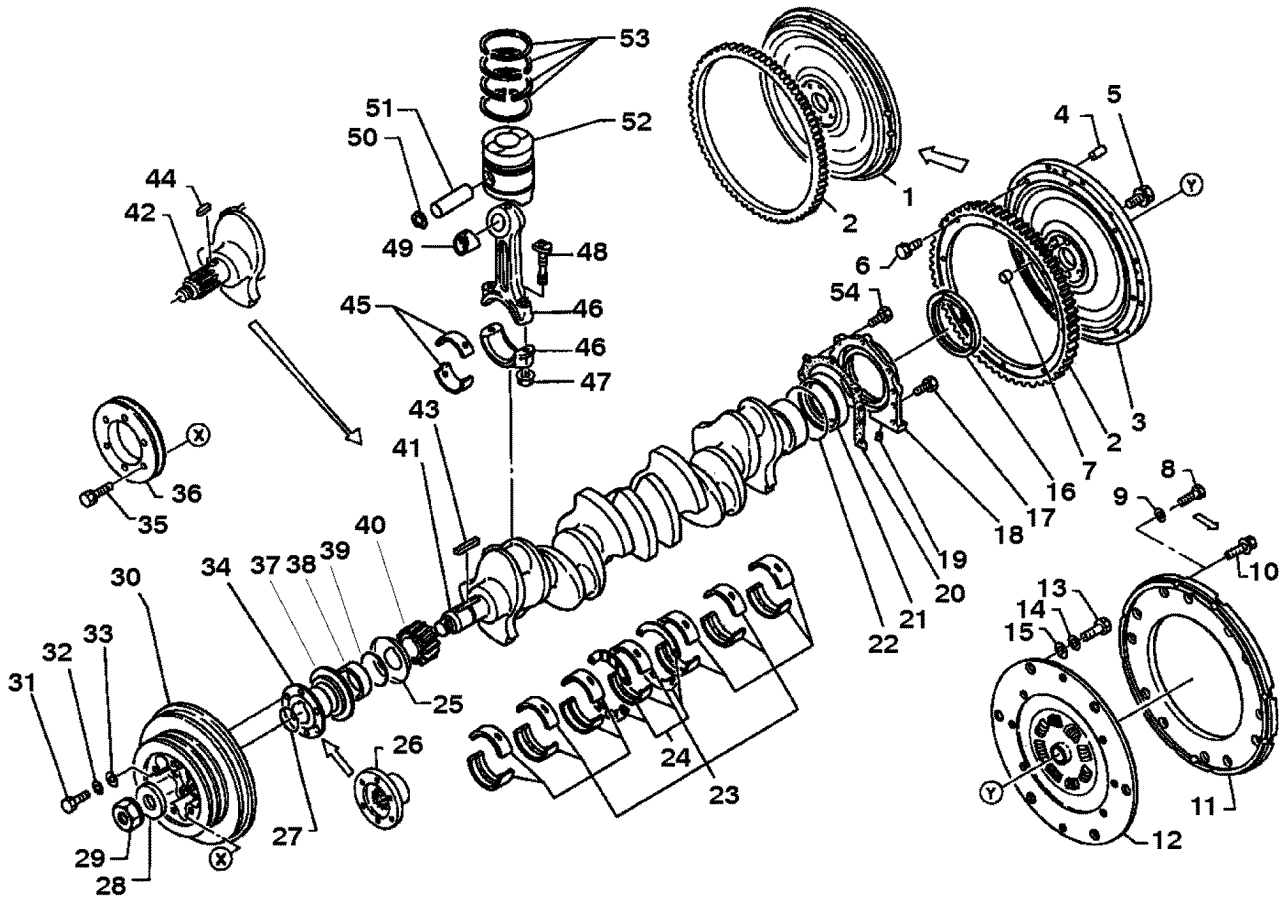
# MAIN MOVING PARTS



# MAIN MOVING PARTS

REF. NO.	PART NO.	SYM.	QTY.	DESCRIPTION
30	834702610		1	PULLEY ASSEMBLY-CRANKSHAFT (220 H.P.) (SERIAL # 2274 AND UP)
31	10-831110300		6	BOLT
32	13-839010300		6	LOCKWASHER
33	12-836010220		6	WASHER-PLAIN
34	834721061		1	CENTER-CRANKSHAFT PULLEY (220 H.P.)

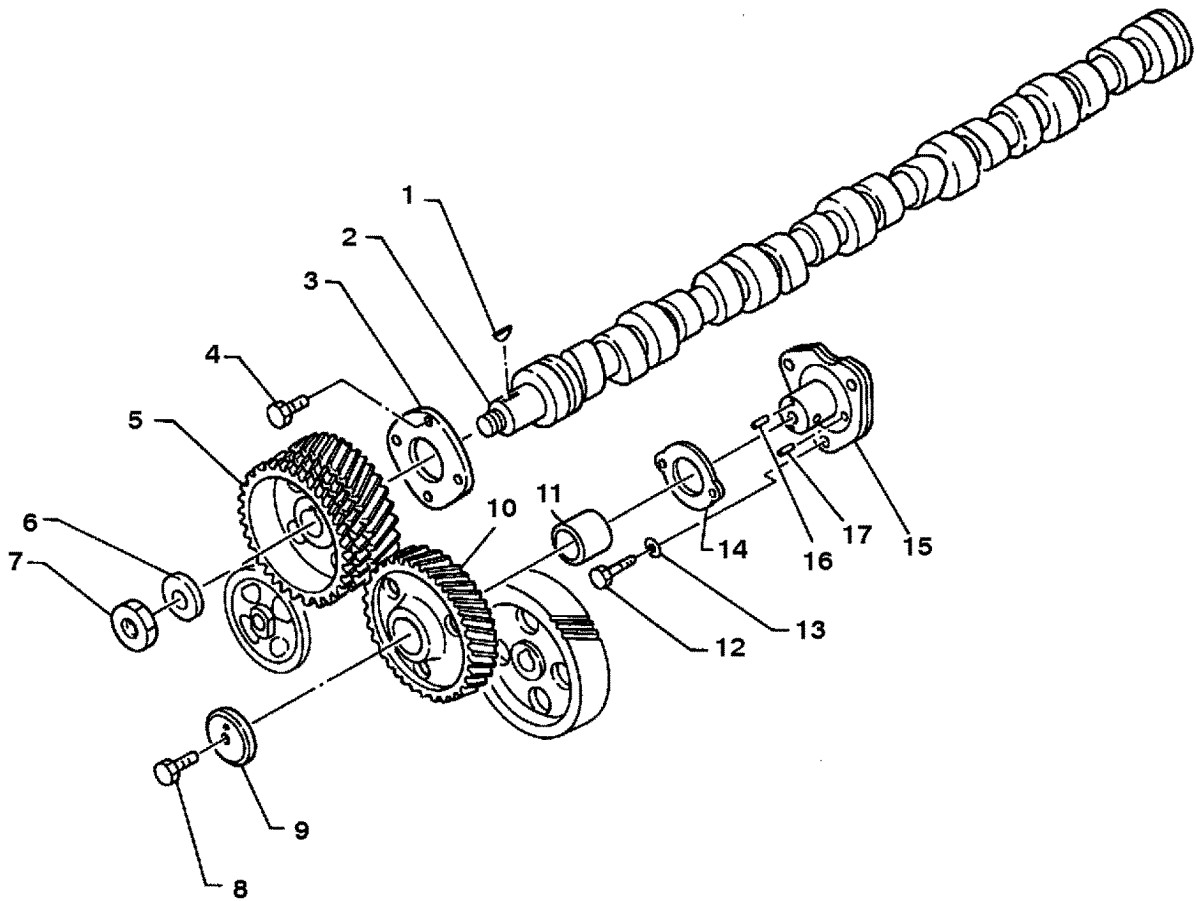
# MAIN MOVING PARTS



# MAIN MOVING PARTS

REF. NO.	PART NO.	SYM.	QTY.	DESCRIPTION
35	10-831110451		6	BOLT
36	834712960		1	PULLEY-CRANKSHAFT
37	834741030		1	SLINGER-CRANK PULLEY
38	23-834371090		1	SLEEVE
39	25-835160101		1	O RING
40	43-835211040		1	GEAR-CRANKSHAFT
41	834111291		1	CRANKSHAFT (175 H.P.)
	834111291		1	CRANKSHAFT (220 H.P.) <b>(SERIAL # 2274 AND UP)</b>
42	834111511		1	CRANKSHAFT (220 H.P.) <b>(SERIAL # 2273 AND BELOW)</b>
43	833110550		1	KEY
44	28-833310280		1	KEY (220 H.P.)
45	23-832011261		1	BEARING SET-CONROD (STANDARD)
	832031321		OPT	BEARING SET-CONROD (US 0.25)
	832041301		OPT	BEARING SET-CONROD (US 0.50)
	832051311		OPT	BEARING SET-CONROD (US 0.75)
	832061291		OPT	BEARING SET-CONROD (US 1.00)
46	832601340		6	ROD ASSEMBLY-CONNECTING
47	11-832661090		12	NUT-CONROD
48	10-832651291		12	BOLT-CONROD
49	832721270		6	BUSHING-CONROD
50	53-831939101		12	RING-RETAINER
51	41-832511150		6	PIN-PISTON (STANDARD)
52	832161181		6	PISTON (175 H.P.)
	832161960		6	PISTON (220 H.P.)
53	830112090		1	RING SET-PISTON (STANDARD)
54	10-839108301		5	BOLT

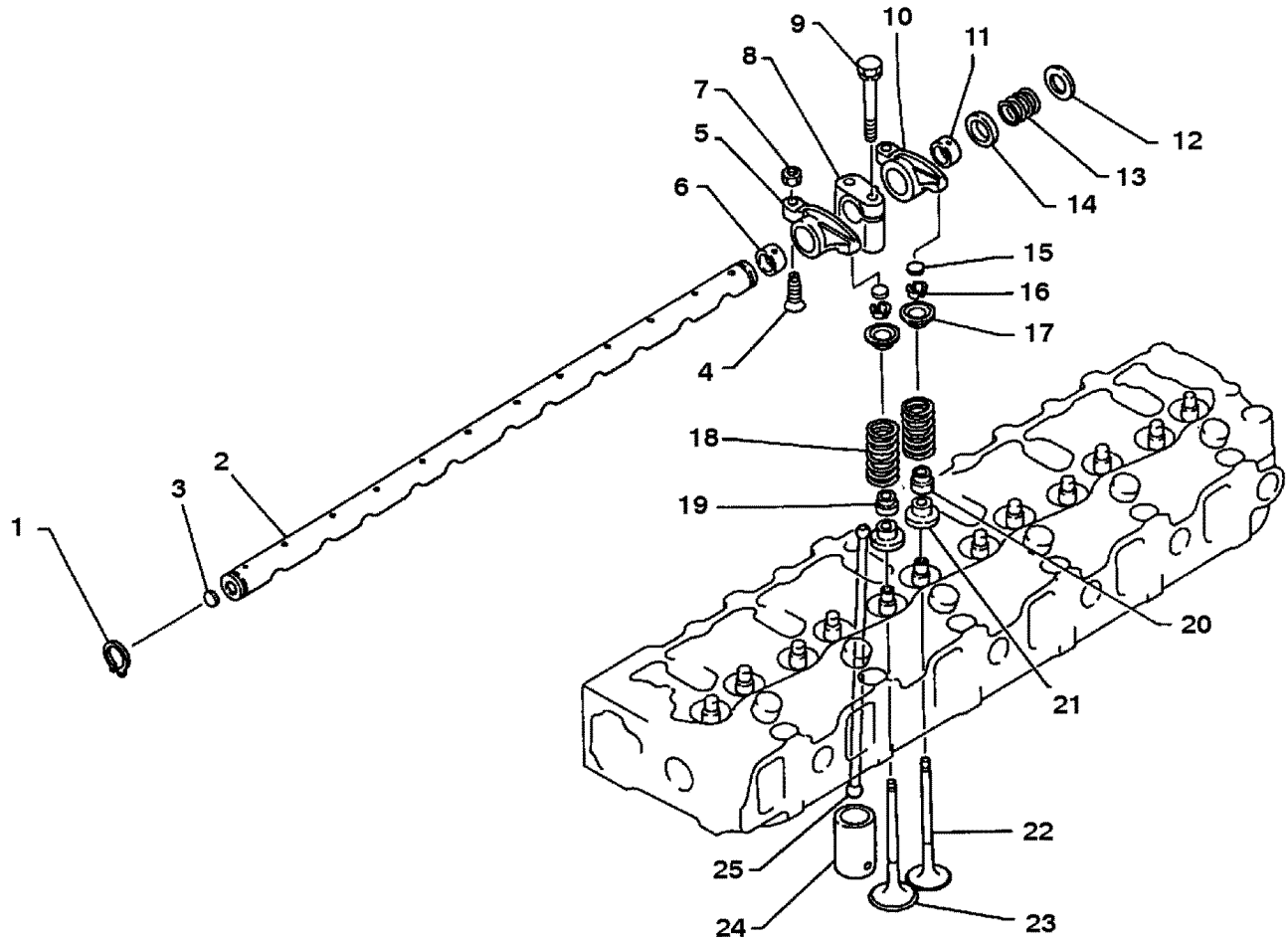
# CAMSHAFT AND IDLER GEAR



## CAMSHAFT AND IDLER GEAR

REF. NO.	PART NO.	SYM.	QTY.	DESCRIPTION
1	833407220		1	KEY-WOODRUFF
2	835111431		1	CAMSHAFT
3	835711180		1	PLATE-CAMSHAFT THRUST
4	831908202		4	BOLT
5	835231350		1	GEAR-CAMSHAFT
6	830129176		1	COLLAR
7	11-834999988		1	NUT
8	830124137		1	BOLT
9	835721021		1	PLATE-IDLE GEAR THRUST
10	835051200		1	GEAR ASSEMBLY-IDLE
11	836734103		1	BUSHING
12	830124138		3	BOLT
13	838010250		3	LOCKWASHER
14	835721050		1	PLATE-IDLE GEAR THRUST
15	835801260		1	SHAFT ASSEMBLY-IDLE GEAR
16	830404100		2	PIN-STRAIGHT
17	830904105		2	PIN

# VALVE SYSTEM



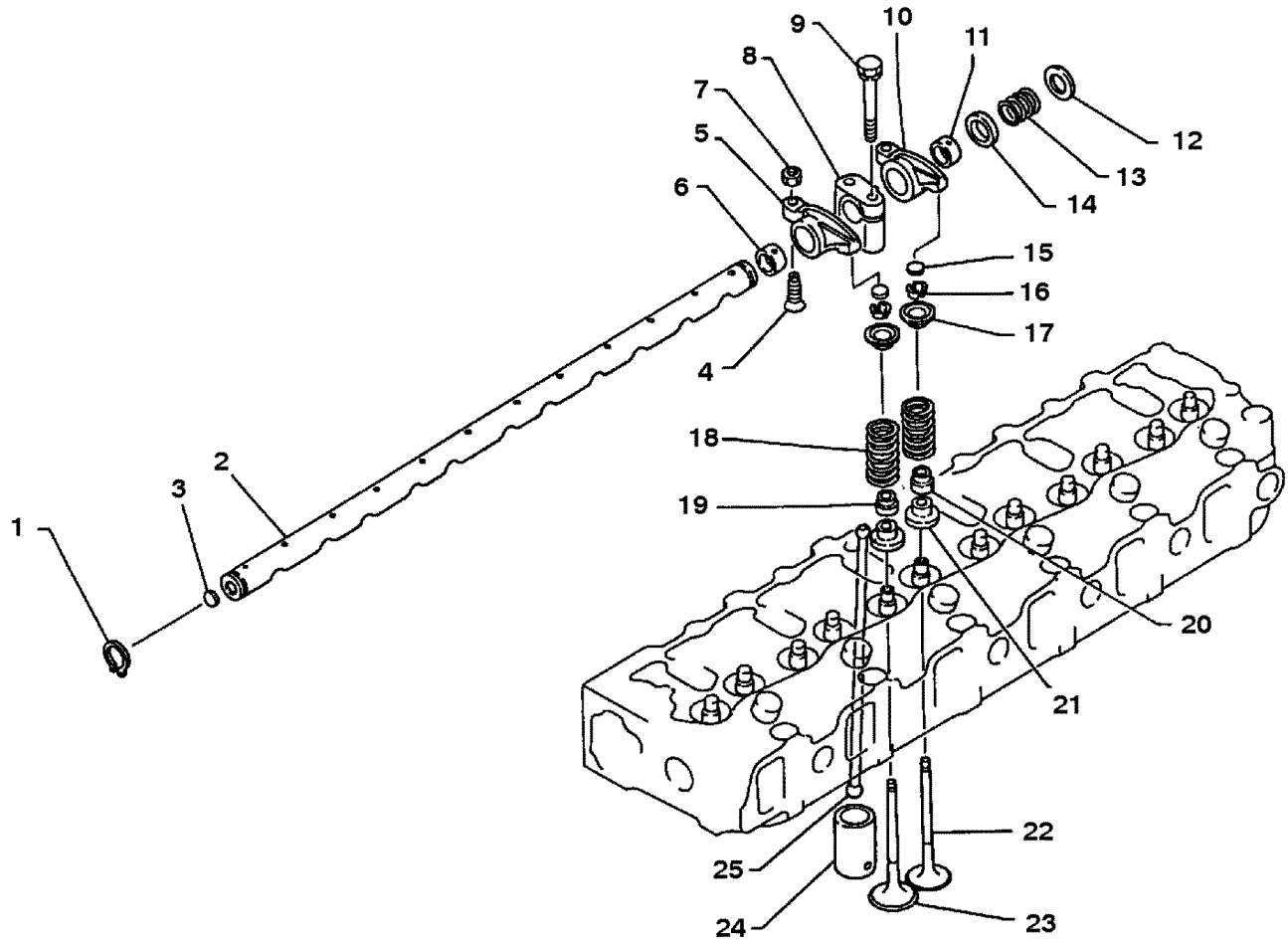


# VALVE SYSTEM

REF. NO.	PART NO.	SYM.	QTY.	DESCRIPTION
1	831924109		1	RING-RETAINER
2	839011210		1	SHAFT ASSEMBLY-VALVE ROCKER (175 H.P.) ( <b>SER. # 3129 AND BELOW</b> )
	839011250		1	SHAFT ASSEMBLY-VALVE ROCKER (175 H.P.) ( <b>SERIAL # 3130 &amp; UP</b> )
	839011250		1	SHAFT ASSEMBLY-VALVE ROCKER (220 H.P.) -
3	19-833016140		2	PLUG-EXPANSION
4	837871100		12	SCREW-VALVE ADJUST
5	838301470		6	ARM ASSEMBLY-VALVE ROCKER
6	838311032		6	BUSHING-ROCKER ARM
7	11-831910107		12	NUT
8	839511650		6	SUPPORT-VALVE ROCKER (175 H.P.) ( <b>SERIAL # 2723 AND BELOW</b> )
	839511720		6	SUPPORT-VALVE ROCKER (175 H.P.) ( <b>SERIAL # 2724 THRU 3129</b> )
	839511730		6	SUPPORT-VALVE ROCKER (175 H.P.) ( <b>SERIAL # 3130 AND UP</b> )
	839511740		6	SUPPORT-VALVE ROCKER (220 H.P.) -
9	830124158		6	BOLT (175 H.P.) ( <b>SERIAL # 2723 AND BELOW</b> )
	10-830124320		6	BOLT (175 H.P.) ( <b>SERIAL # 2724 THRU 3129</b> )
	836112701		6	BOLT (175 H.P.) ( <b>SERIAL # 3130 AND UP</b> )
	830124350		6	BOLT (220 H.P.) -
10	838401330		6	ARM ASSEMBLY-VALVE ROCKER ARM
11	838311032		6	BUSHING-ROCKER ARM
12	836924109		11	WASHER-PLAIN
13	837102114		5	SPRING-COMPRESSION
14	830116156		1	SPACER
15	19-837391030		12	CAP-VALVE STEM (175 H.P.) ( <b>SERIAL # 2377 AND BELOW</b> )
	837391120		12	CAP-VALVE STEM (175 H.P.) ( <b>SERIAL # 2378 AND UP</b> )
	837391120		12	CAP-VALVE STEM (220 H.P.) -
16	830126119		24	LOCK-VALVE SPRING RETAINER
17	837351051		12	SEAT-VALVE SPRING (175 H.P.) ( <b>SERIAL # 2723 AND BELOW</b> )
	837351310		12	SEAT-VALVE SPRING (175 H.P.) ( <b>SERIAL # 2724 AND UP</b> )
	837351290		12	SEAT-VALVE SPRING (220 H.P.) -
18	24-837311260		12	SPRING-VALVE (175 H.P.) ( <b>SERIAL # 2723 AND BELOW</b> )
	24-837311440		12	SPRING-VALVE (175 H.P.) ( <b>SERIAL # 2724 AND UP</b> )
	24-837311360		12	SPRING-VALVE (220 H.P.) -
19	837191340		12	SEAL-VALVE STEM OIL (175 H.P.) -
	837191350		6	SEAL-VALVE STEM OIL (220 H.P.) ( <b>SERIAL # 2378 AND UP</b> )
20	837191340		6	SEAL-VALVE STEM OIL (220 H.P.) ( <b>SERIAL # 2378 AND UP</b> )
21	837031161		12	SEAT ASSEMBLY-VALVE SPRING (175 H.P.) ( <b>SERIAL # 2377 AND BELOW</b> )
	837031220		12	SEAT ASSEMBLY-VALVE SPRING (175 H.P.) ( <b>SERIAL # 2378 THRU 2723</b> )

CONTINUED ON NEXT PAGE ➡

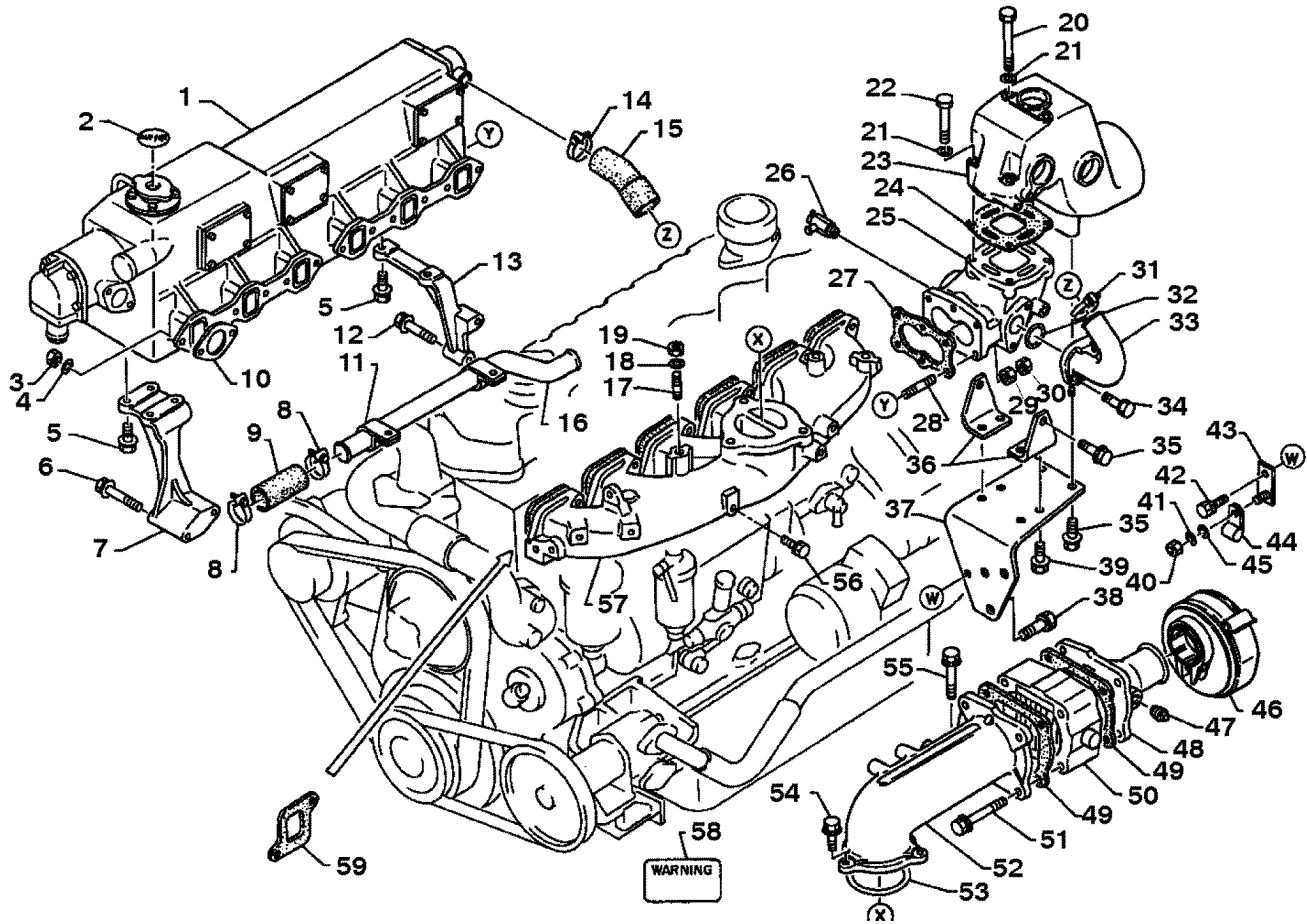
# VALVE SYSTEM



# VALVE SYSTEM

REF. NO.	PART NO.	SYM.	QTY.	DESCRIPTION
21	837341230		12	SEAT-VALVE SPRING-LOWER (175 H.P.) <b>(SERIAL # 2724 AND UP)</b>
	837341250		12	SEAT-VALVE SPRING-LOWER (220 H.P.) -
22	837151201		6	VALVE-EXHAUST (175 H.P.) <b>(SERIAL # 2723 AND BELOW)</b>
	834999974		6	VALVE-EXHAUST (175 H.P.) <b>(SERIAL # 2724 AND UP)</b>
	837151201		6	VALVE-EXHAUST (220 H.P.) -
23	837111471		6	VALVE-INTAKE (175 H.P.) <b>(SERIAL # 2723 AND BELOW)</b>
	837111550		6	VALVE-INTAKE (175 H.P.) <b>(SERIAL # 2724 AND UP)</b>
	837111471		6	VALVE-INTAKE (220 H.P.) -
24	837511340		12	LIFTER-VALVE
25	837811310		12	ROD-VALVE PUSH (175 H.P.) <b>(SERIAL # 2723 AND BELOW)</b>
	837811300		12	ROD-VALVE PUSH (175 H.P.) <b>(SERIAL # 2724 AND UP)</b>
	837811310		12	ROD-VALVE PUSH (220 H.P.) -

# AIR INTAKE AND EXHAUST SYSTEM (175 H.P.)



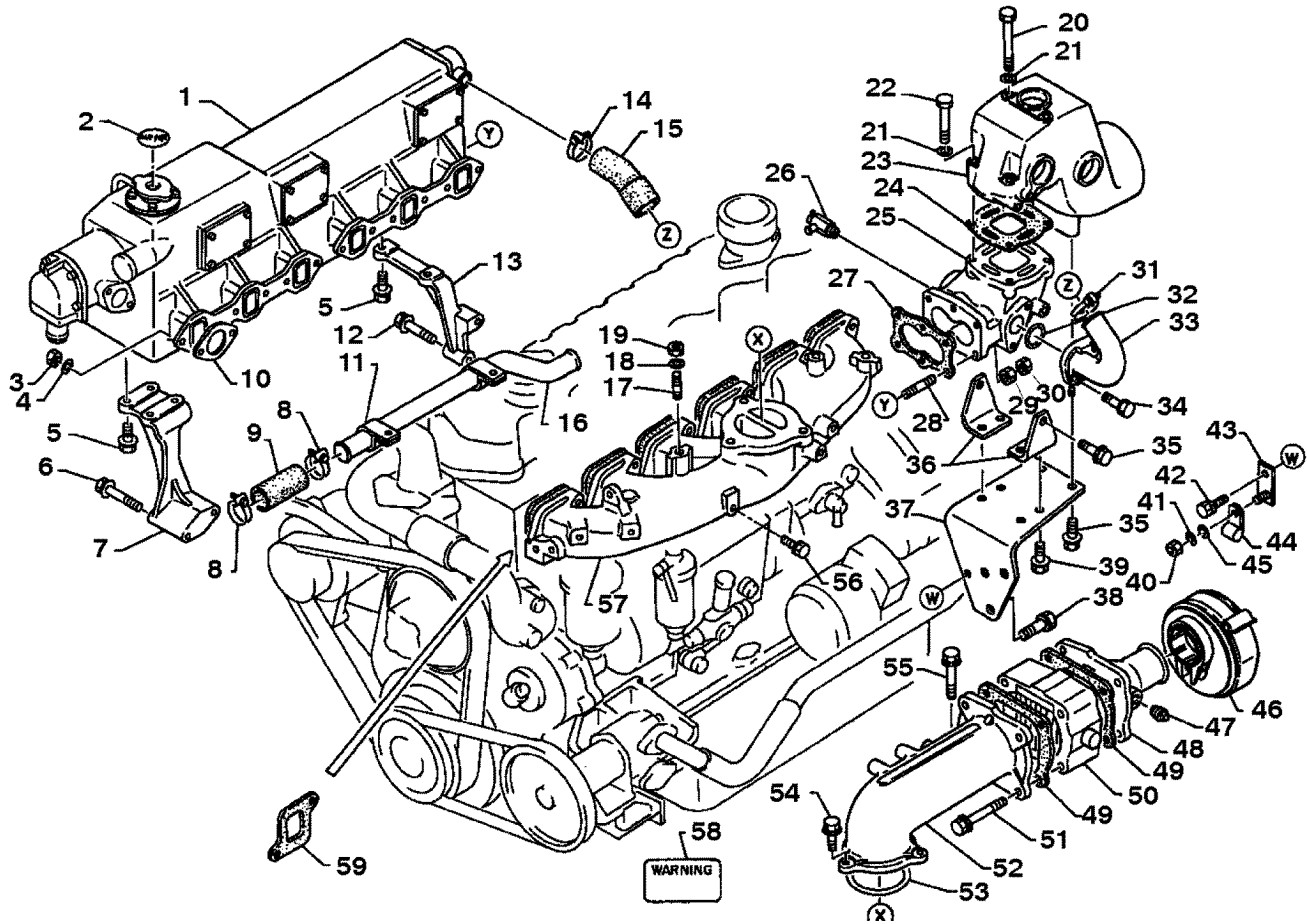
## AIR INTAKE AND EXHAUST SYSTEM (175 H.P.)

REF. NO.	PART NO.	SYM.	QTY.	DESCRIPTION
1	831401110		1	MANIFOLD ASSEMBLY-EXHAUST SEE MANIFOLD ASSEMBLY-EXHAUST
2	37-835614470		1	PLATE-CAUTION
3	830910133		12	NUT
4	12-836010180		12	WASHER
5	10-830110300		6	BOLT
6	10-831110952		2	BOLT
7	831521160		1	BRACKET-EXHAUST MANIFOLD
8	54-836404220		2	CLAMP
9	32-830234165		1	HOSE-WATER
10	27-831041100	■	6	GASKET ASSEMBLY-EXHAUST MANIFOLD
11	54-830119118		2	CLIP
12	10-830110650		2	BOLT
13	831521150		1	BRACKET-EXHAUST MANIFOLD
14	836404420		1	CLAMP
15	32-830234326		1	HOSE-WATER
16	32-834999996		1	PIPE-COOLANT
17	831008280		3	STUD
18	13-838008200		4	LOCKWASHER
19	830008070		4	NUT
20	10-832910195		2	BOLT
21	838010250		4	LOCKWASHER
22	10-832910187		2	BOLT
23	830211111		1	PIPE ASSEMBLY-EXHAUST
24	831041140	■	1	GASKET ASSEMBLY-EXHAUST MANIFOLD
25	830211101		1	PIPE ASSEMBLY-EXHAUST
26	22-830511100		1	COCK ASSEMBLY-COOLANT
27	27-831041090	■	1	GASKET ASSEMBLY-EXHAUST MANIFOLD
28	16-836910103		6	STUD
29	11-830910141		6	NUT
30	11-830910142		6	NUT
31	836404820		1	CLAMP
32	25-835135102		1	O RING
33	836911160		1	PIPE-COOLANT
34	10-831910127		2	BOLT
35	10-831110301		2	BOLT
36	834581760		2	BRACKET-EXHAUST PIPE
37	834094071		1	BRACKET ASSEMBLY-EXHAUST PIPE
38	10-830114300		4	BOLT
39	10-839110202		4	BOLT
40	11-830108070		1	NUT
41	13-838008200		1	LOCKWASHER
42	839108161		1	BOLT

■ = COMPONENT OF ENGINE GASKET SET [FG1030]

CONTINUED ON NEXT PAGE ➡

# AIR INTAKE AND EXHAUST SYSTEM (175 H.P.)

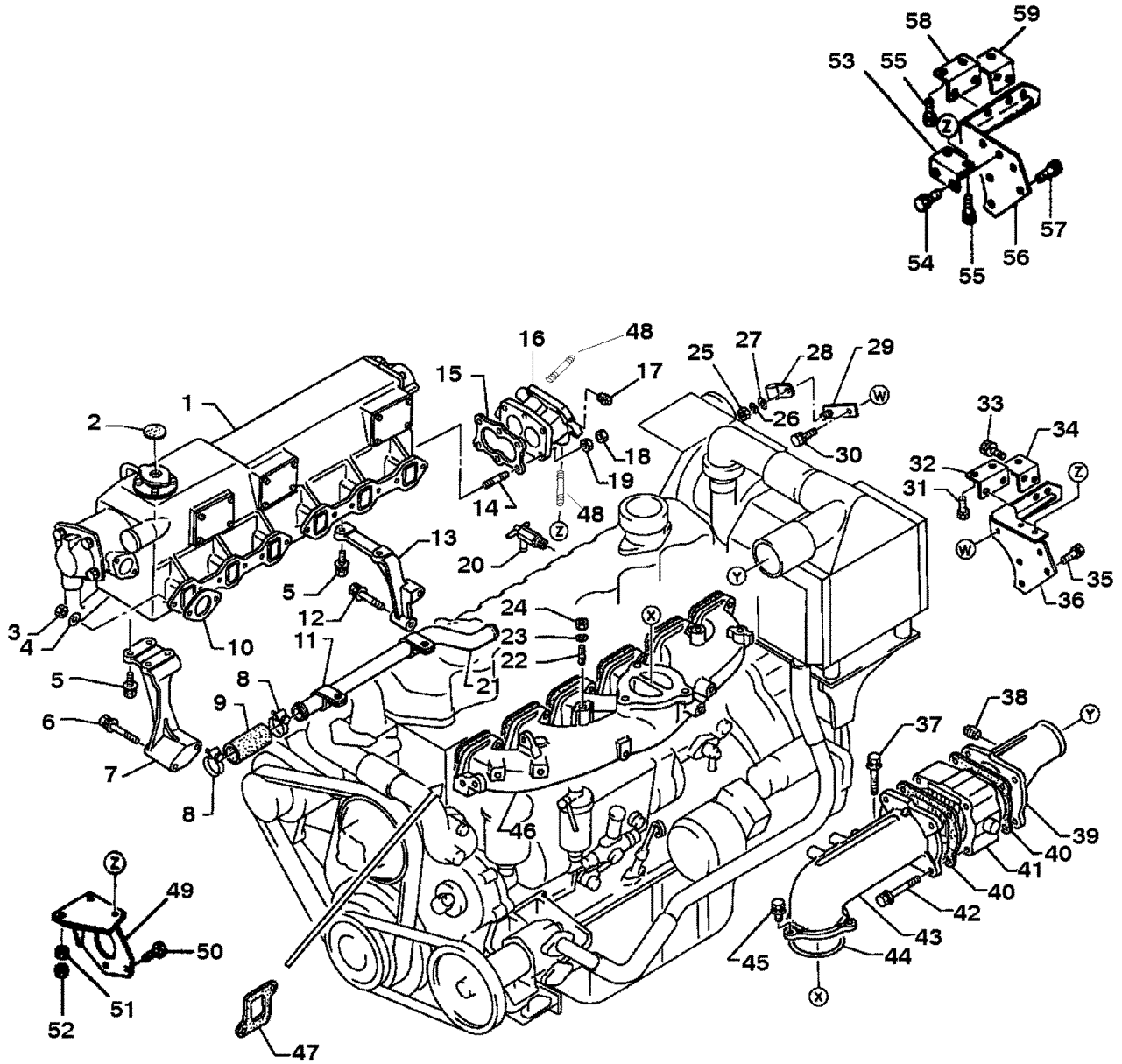


## AIR INTAKE AND EXHAUST SYSTEM (175 H.P.)

REF. NO.	PART NO.	SYM.	QTY.	DESCRIPTION
43	839935260		1	HOLDER-CLIP
44	839041140		1	CLIP ASSEMBLY
45	836008220		1	WASHER
46	35-837202770		1	CLEANER ASSEMBLY-AIR (SEE CLEANER ASSEMBLY - AIR (175 H.P.))
47	19-832017120		1	PLUG
48	831132920		1	PIPE-INTAKE
49	27-830115215		2	GASKET
50	832011150		1	HEATER ASSEMBLY-AIR INTAKE
51	10-831110801		4	BOLT
52	831131311		1	PIPE-INTAKE
53	25-834711050	■	1	GASKET-CYLINDER LINER
54	10-831110301		3	BOLT
55	10-831110702		1	BOLT
56	10-839108202		1	BOLT
57	831111274		1	MANIFOLD-INTAKE
58	37-835796000		1	PLATE-CAUTION
59	27-831711450	■	6	GASKET-INTAKE MANIFOLD
-	<b>FG1030</b>		-	<b>GASKET SET CONTENTS INDICATED BY FOOTNOTE 11.</b>

■ = COMPONENT OF ENGINE GASKET SET [FG1030]

# AIR INTAKE AND EXHAUST SYSTEM (220 H.P.) PAGE 1/2





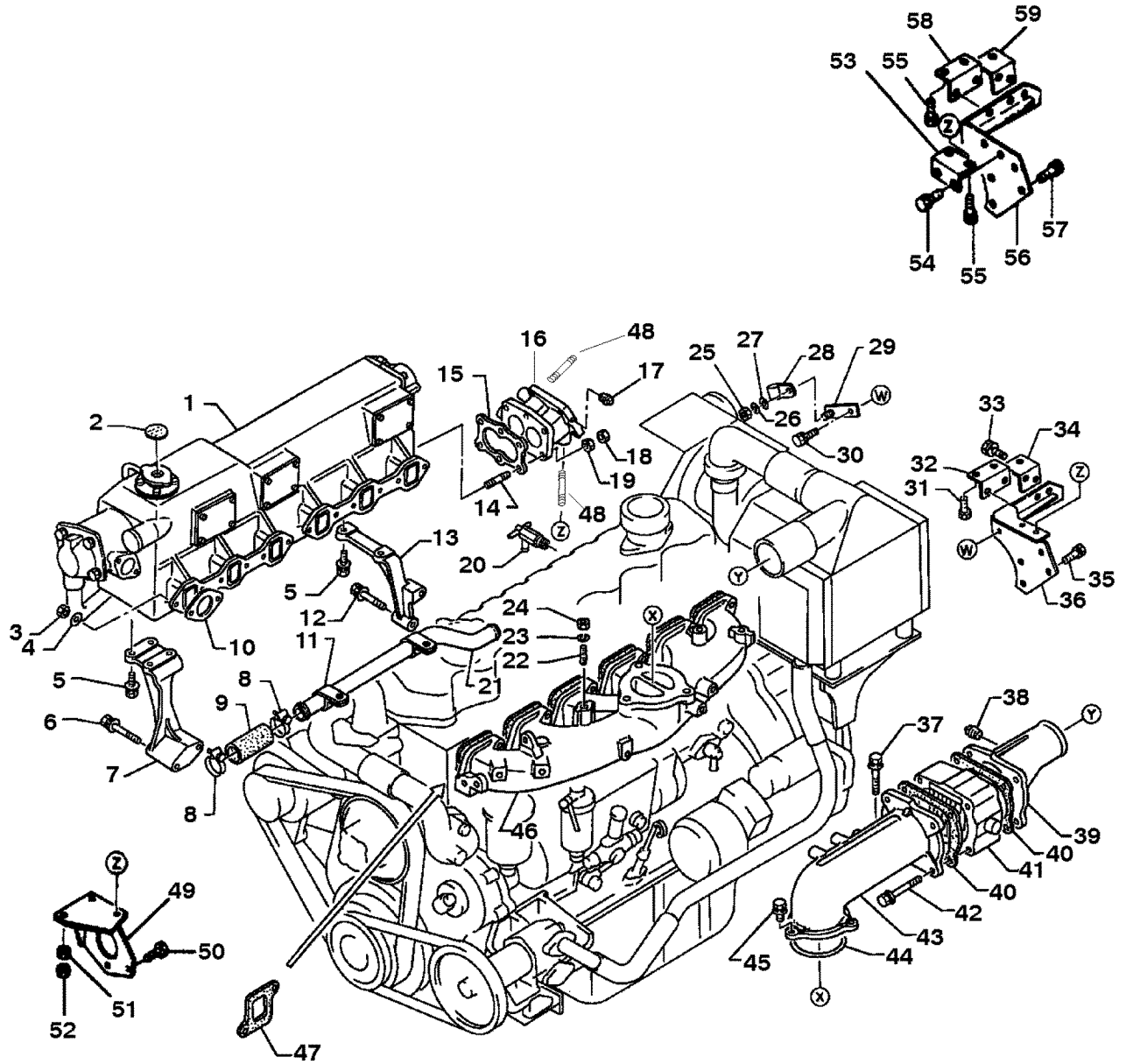
# AIR INTAKE AND EXHAUST SYSTEM (220 H.P.) PAGE 1/2

REF. NO.	PART NO.	SYM.	QTY.	DESCRIPTION
1	831401110		1	MANIFOLD ASSEMBLY-EXHAUST (SEE CLEANER ASSEMBLY-AIR (175 .P)
2	37-835614470		1	PLATE-CAUTION
3	830910133		12	NUT
4	12-836010180		12	WASHER
5	10-830110300		6	BOLT
6	10-831110952		2	BOLT
7	831521160		1	BRACKET-EXHAUST MANIFOLD
8	54-836404220		2	CLAMP
9	32-830234165		1	HOSE-WATER
10	27-831041100	■	6	GASKET ASSEMBLY-EXHAUST MANIFOLD
11	54-830119118		2	CLIP
12	10-830110650		2	BOLT
13	831521150		1	BRACKET-EXHAUST MANIFOLD
14	16-836910103		6	STUD
15	27-831041090	■	1	GASKET ASSEMBLY-EXHAUST MANIFOLD
16	831413381		1	BRACKET
17	832010080		1	PLUG
18	11-830910142		6	NUT
19	11-830910141		6	NUT
20	22-830511100		1	COCK ASSEMBLY-COOLANT
21	32-834999996		1	PIPE-COOLANT
22	831008280		3	STUD
23	13-838008200		4	LOCKWASHER
24	830008070		4	NUT
25	11-830108070		1	NUT
26	13-838008200		1	LOCKWASHER
27	836008220		1	WASHER
28	839041140		1	CLIP ASSEMBLY
29	839935260		1	HOLDER-CLIP
30	839108161		1	BOLT
31	831210251		5	BOLT
32	834581900		1	BRACKET-EXHAUST PIPE
33	10-839110202		4	BOLT
34	834581910		1	BRACKET-EXHAUST PIPE
35	10-830114300		4	BOLT
36	834094750		1	BRACKET ASSEMBLY-EXHAUST PIPE
37	10-831110702		1	BOLT
38	19-832017120		1	PLUG
39	831132180		1	PIPE-INTAKE
40	27-830115215		2	GASKET
41	832011150		1	HEATER ASSEMBLY-AIR INTAKE
42	10-831110801		4	BOLT

■ = COMPONENT OF ENGINE GASKET SET [FG1030]

CONTINUED ON NEXT PAGE ➡

# AIR INTAKE AND EXHAUST SYSTEM (220 H.P.) PAGE 1/2

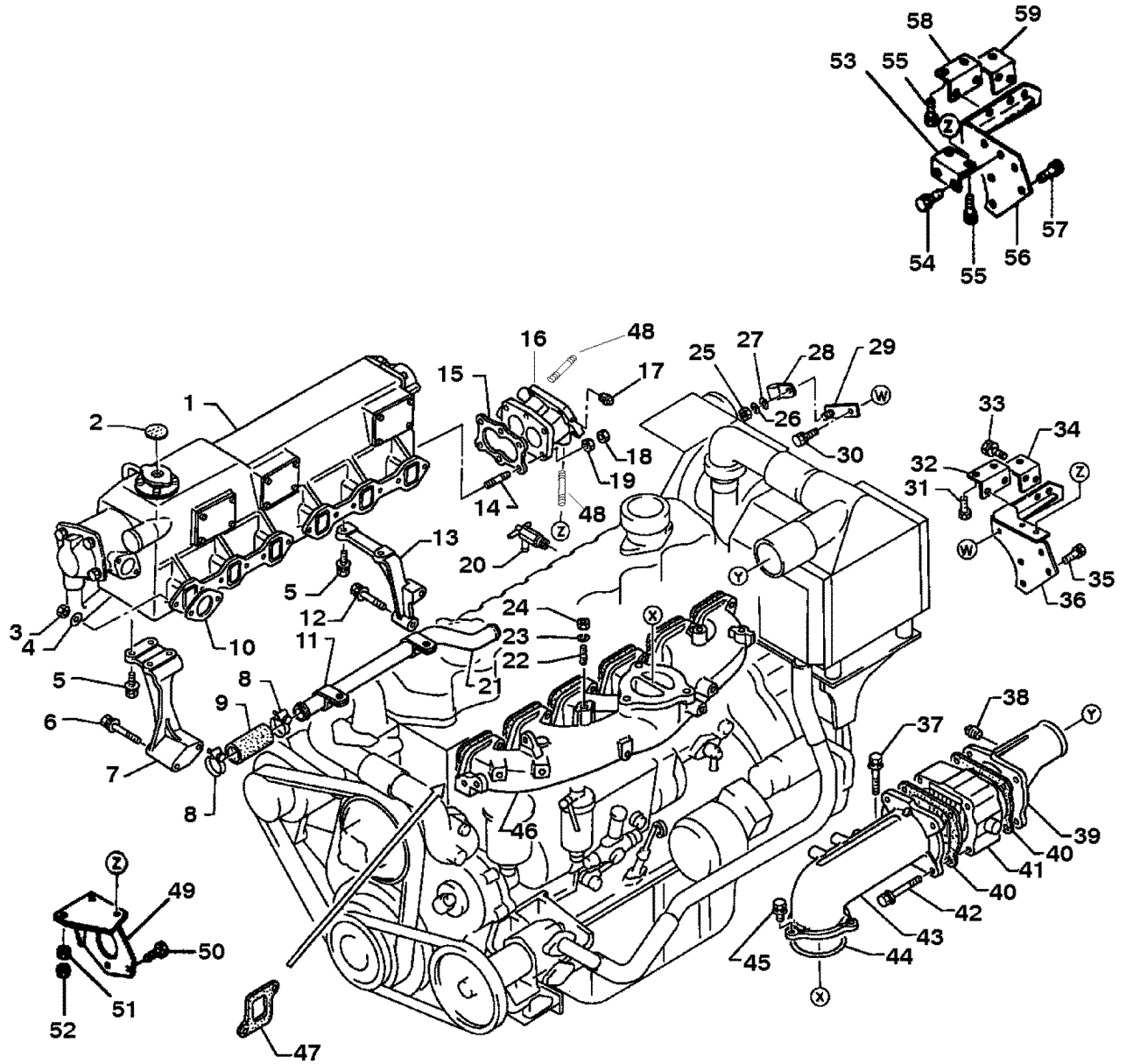


# AIR INTAKE AND EXHAUST SYSTEM (220 H.P.) PAGE 1/2

REF. NO.	PART NO.	SYM.	QTY.	DESCRIPTION
43	831131311		1	PIPE-INTAKE
44	25-834711050	■	1	GASKET-CYLINDER LINER
45	10-831110301		3	BOLT
46	831111274		1	MANIFOLD-INTAKE
47	27-831711450	■	6	GASKET-INTAKE MANIFOLD
-	<b>FG1030</b>		-	<b>GASKET SET CONTENTS INDICATED BY FOOTNOTE 11.</b>

■ = COMPONENT OF ENGINE GASKET SET [FG1030]

# AIR INTAKE AND EXHAUST SYSTEM (220 H.P.) PAGE 2/2

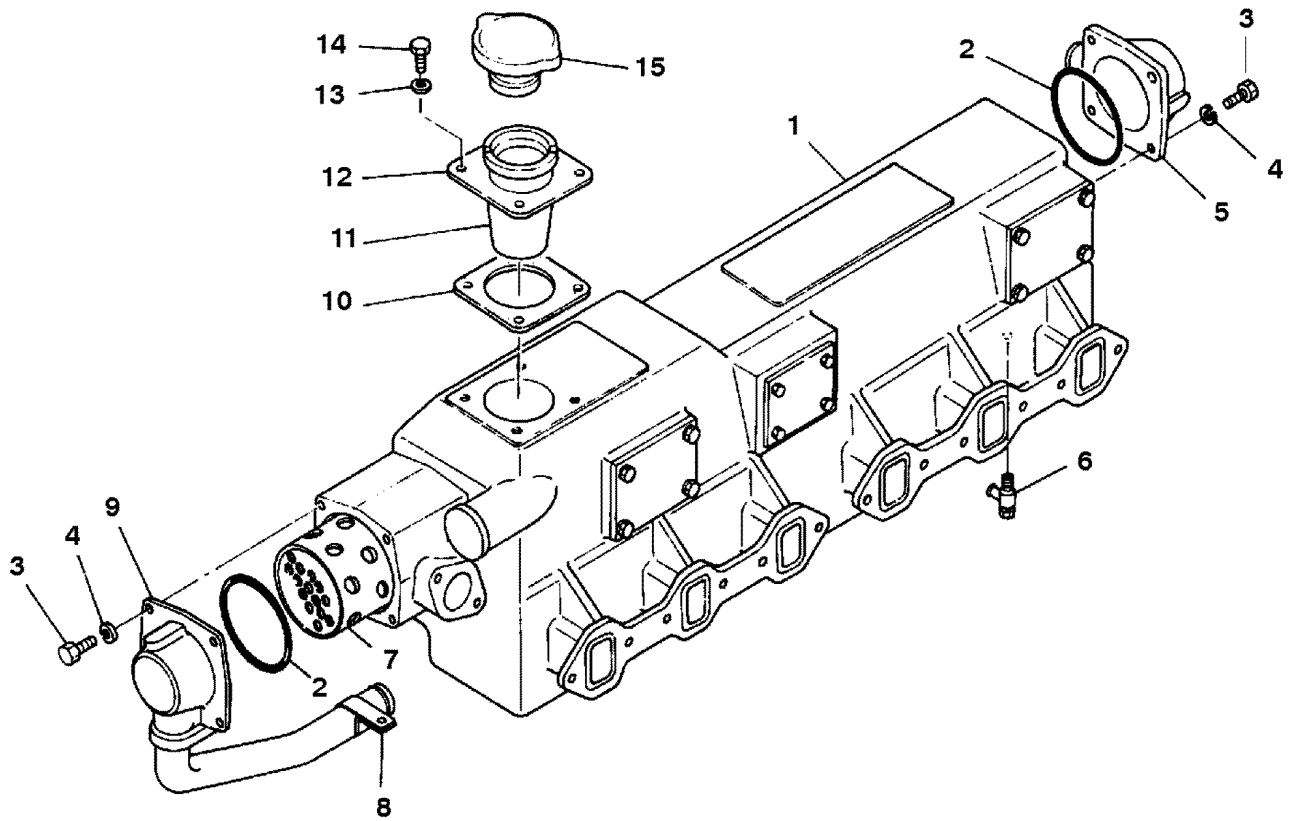


# AIR INTAKE AND EXHAUST SYSTEM (220 H.P.) PAGE 2/2

REF. NO.	PART NO.	SYM.	QTY.	DESCRIPTION
48	16-836910103		5	STUD
49	835713050		1	BRACKET-TURBO ADAPTOR SUPPORT ( <b>EARLY VERSIONS ONLY</b> )
50	10-830114300		2	BOLT ( <b>EARLY VERSIONS ONLY</b> )
51	11-830910141		3	NUT ( <b>EARLY VERSIONS ONLY</b> )
52	11-830910142		3	NUT ( <b>EARLY VERSIONS ONLY</b> )
53	834511230		1	BRACKET ( <b>EARLY VERSIONS ONLY</b> )
54	10-839110202		6	BOLT ( <b>EARLY VERSIONS ONLY</b> )
55	831910131	●	5	BOLT ( <b>EARLY VERSIONS ONLY</b> )
56	834094060		1	BRACKET ( <b>EARLY VERSIONS ONLY</b> )
57	10-830114300		3	BOLT ( <b>EARLY VERSIONS ONLY</b> )
58	834511240		1	BRACKET ( <b>EARLY VERSIONS ONLY</b> )
59	834511260		1	BRACKET ( <b>EARLY VERSIONS ONLY</b> )

● = SUPERSEDES TO ANOTHER PART NUMBER

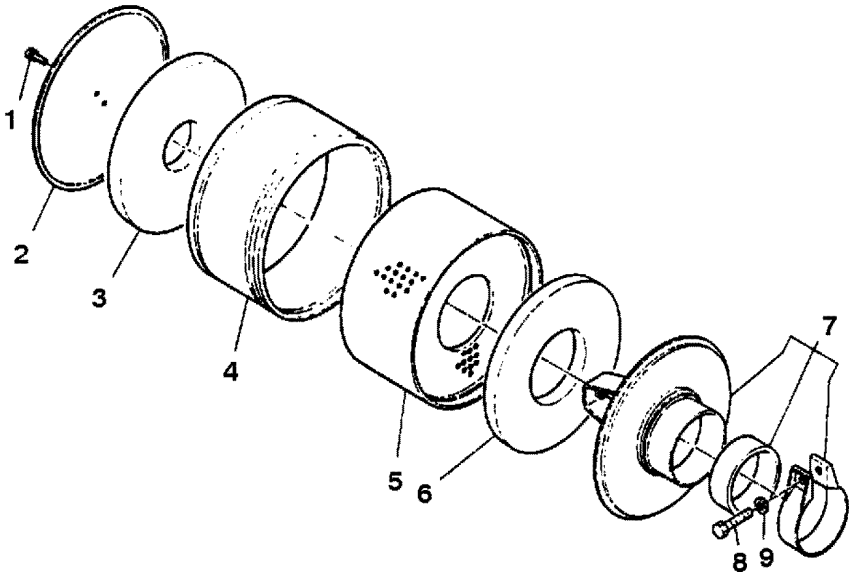
# MANIFOLD ASSEMBLY - EXHAUST



# MANIFOLD ASSEMBLY - EXHAUST

REF. NO.	PART NO.	SYM.	QTY.	DESCRIPTION
1	831401110		1	MANIFOLD ASSEMBLY-EXHAUST
2	25-831391330		2	GASKET
3	10-833221090		8	BOLT
4	13-833241060		8	LOCKWASHER
5	832071210		1	COVER ASSEMBLY-WATER GALLERY
6	831801530		1	COCK ASSEMBLY-COOLANT
7	834051030		1	ELEMENT ASSEMBLY-HEAT EXCHANGER
8	54-833361200		1	BRACKET-COOLANT PIPE
9	832071180		1	COVER ASSEMBLY-WATER GALLERY
10	27-834131050		1	GASKET-FILLER PIPE
11	91-836751020		1	GAUGE-LEVEL
12	835851030		1	SEAT-FILLER PIPE
13	13-833241050		4	LOCKWASHER
14	10-833221080		4	BOLT
15	36-834011270		1	CAP ASSEMBLY

# CLEANER ASSEMBLY - AIR (175 H.P.)

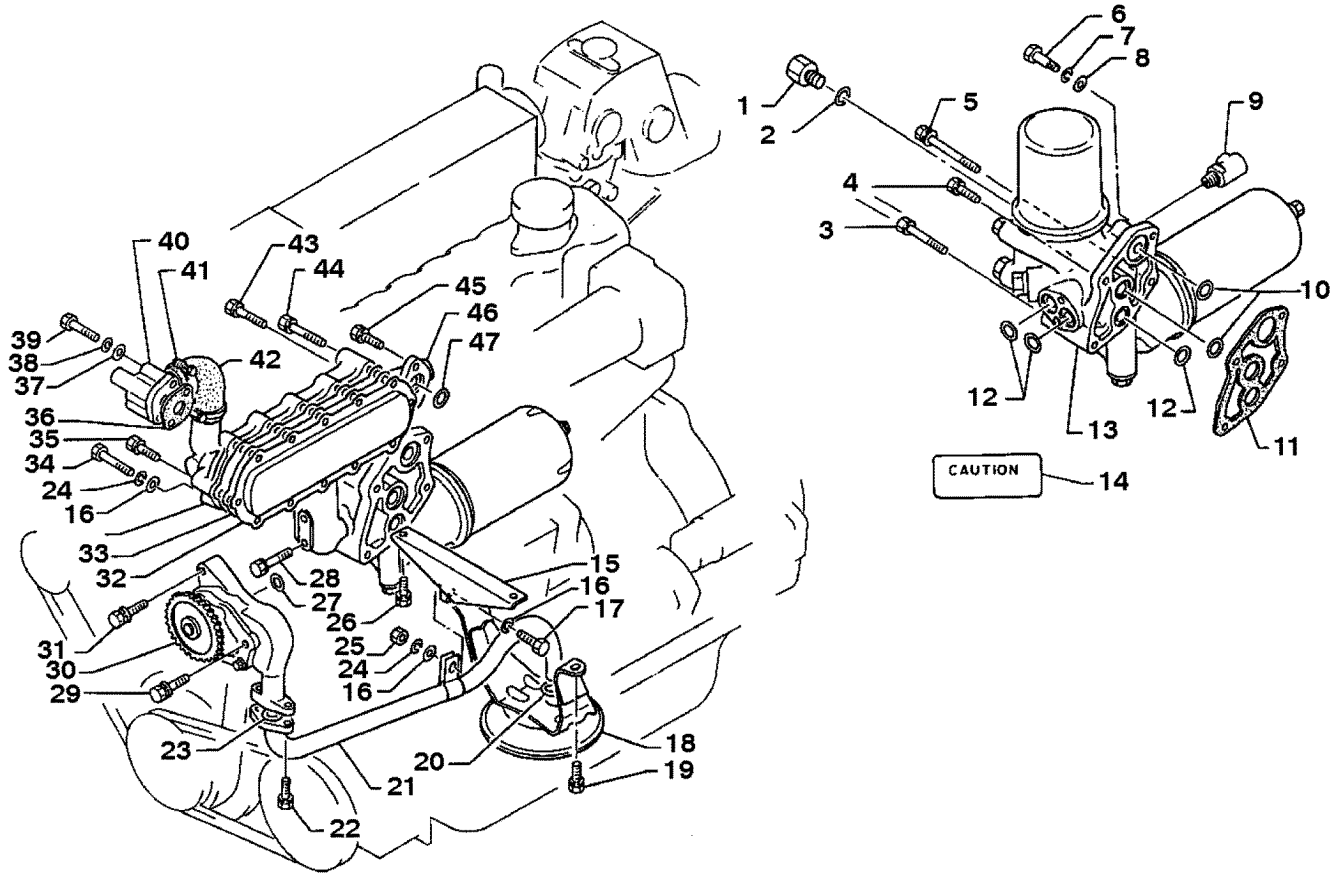




## CLEANER ASSEMBLY - AIR (175 H.P.)

REF. NO.	PART NO.	SYM.	QTY.	DESCRIPTION
-	<b>35-837202770</b>		1	<b>CLEANER ASSEMBLY-AIR (175 H.P.)</b>
1	839006161		1	BOLT
2	837141280		1	COVER-AIR CLEANER
3	27-838111240		1	GASKET-FILTER ELEMENT
4	838012450		1	ELEMENT ASSEMBLY-AIR CLEANER FILTER
5	837013110		1	BODY ASSEMBLY-AIR CLEANER
6	27-838111230		1	GASKET-FILTER ELEMENT
7	837012970		1	BODY ASSEMBLY-AIR CLEANER
8	833008450		1	BOLT
9	13-838008200		1	LOCKWASHER

# LUBRICATING SYSTEM (175 H.P.)



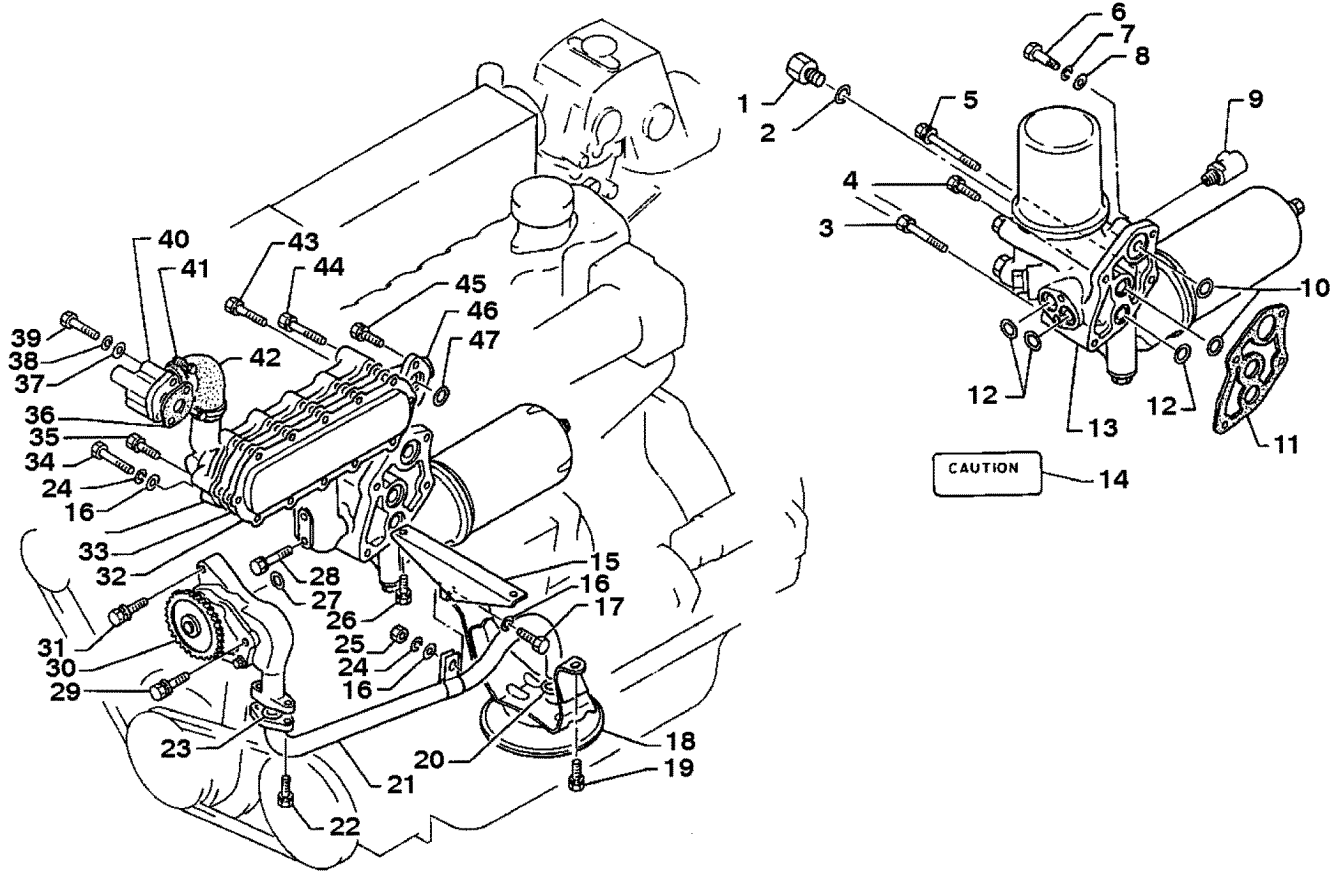
# LUBRICATING SYSTEM (175 H.P.)

REF. NO.	PART NO.	SYM.	QTY.	DESCRIPTION
1	830124277		1	BOLT
2	12-835912111	■	1	WASHER
3	10-831110001		1	BOLT
4	10-831110352		1	BOLT
5	10-831910104		1	BOLT
6	835910130		1	BOLT
7	838012300		1	LOCKWASHER
8	836012220		1	WASHER
9	22-830235125		1	CONNECTOR PIPE
10	25-835125103		2	O RING
11	836911190		1	GASKET-OIL FILTER
12	25-834402135		3	O RING
13	836002880		1	FILTER ASSEMBLY-OIL (SEE FILTER ASSEMBLY - OIL)
14	835818181		1	PLATE-CAUTION
15	830481160		1	BRACKET ASSEMBLY-OIL PIPE
16	12-836010220		4	WASHER
17	10-831110200		1	BOLT
18	831041240		1	STRAINER ASSEMBLY-OIL
19	10-839108162		2	BOLT
20	25-834402135		1	O RING
21	834111370		1	PIPE-OIL PUMP INLET
22	10-838108250		2	BOLT
23	25-835125103		1	O RING
24	838010250		3	LOCKWASHER
25	830010080		1	NUT
26	838908110		2	BOLT
27	25-834402135		1	O RING
28	10-839108552		2	BOLT
29	10-831110651		2	BOLT
30	831101382		1	PUMP ASSEMBLY-OIL (SEE PUMP ASSEMBLY - OIL)
31	10-831110401		1	BOLT
32	832531050		2	GASKET-OIL COOLER CASE
33	837111210		1	CASE-OIL COOLER
34	10-835908103		2	BOLT
35	10-839108452		7	BOLT
36	27-836925101		1	GASKET-FLANGE
37	12-836008180		2	WASHER
38	13-838008200		2	LOCKWASHER
39	10-839008176		2	BOLT
40	831341040		1	PIPE-COOLANT OIL COOLER
41	836404420		2	CLAMP
42	32-830234144		1	HOSE-WATER

■ = COMPONENT OF ENGINE GASKET SET [FG1030]

CONTINUED ON NEXT PAGE ➡

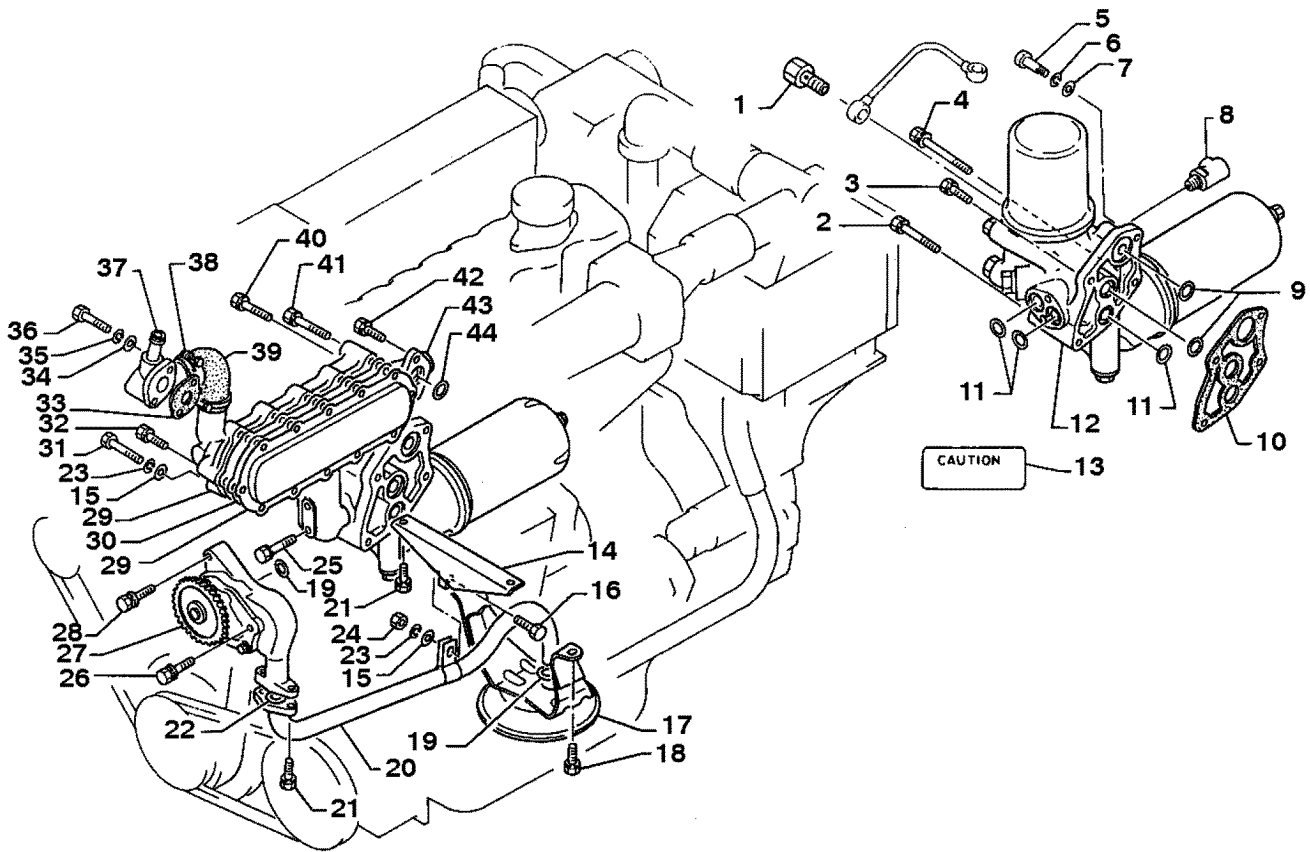
# LUBRICATING SYSTEM (175 H.P.)



## LUBRICATING SYSTEM (175 H.P.)

REF. NO.	PART NO.	SYM.	QTY.	DESCRIPTION
43	10-839108652		2	BOLT
44	10-839108802		1	BOLT
45	10-839108202		2	BOLT
46	837101020		1	COOLER ASSEMBLY-OIL (SEE COOLER ASSEMBLY - OIL)
47	834402936		1	O RING
-	<b>FG1030</b>		-	<b>GASKET SET CONTENTS INDICATED BY FOOTNOTE 11.</b>

# LUBRICATING SYSTEM (220 H.P.)

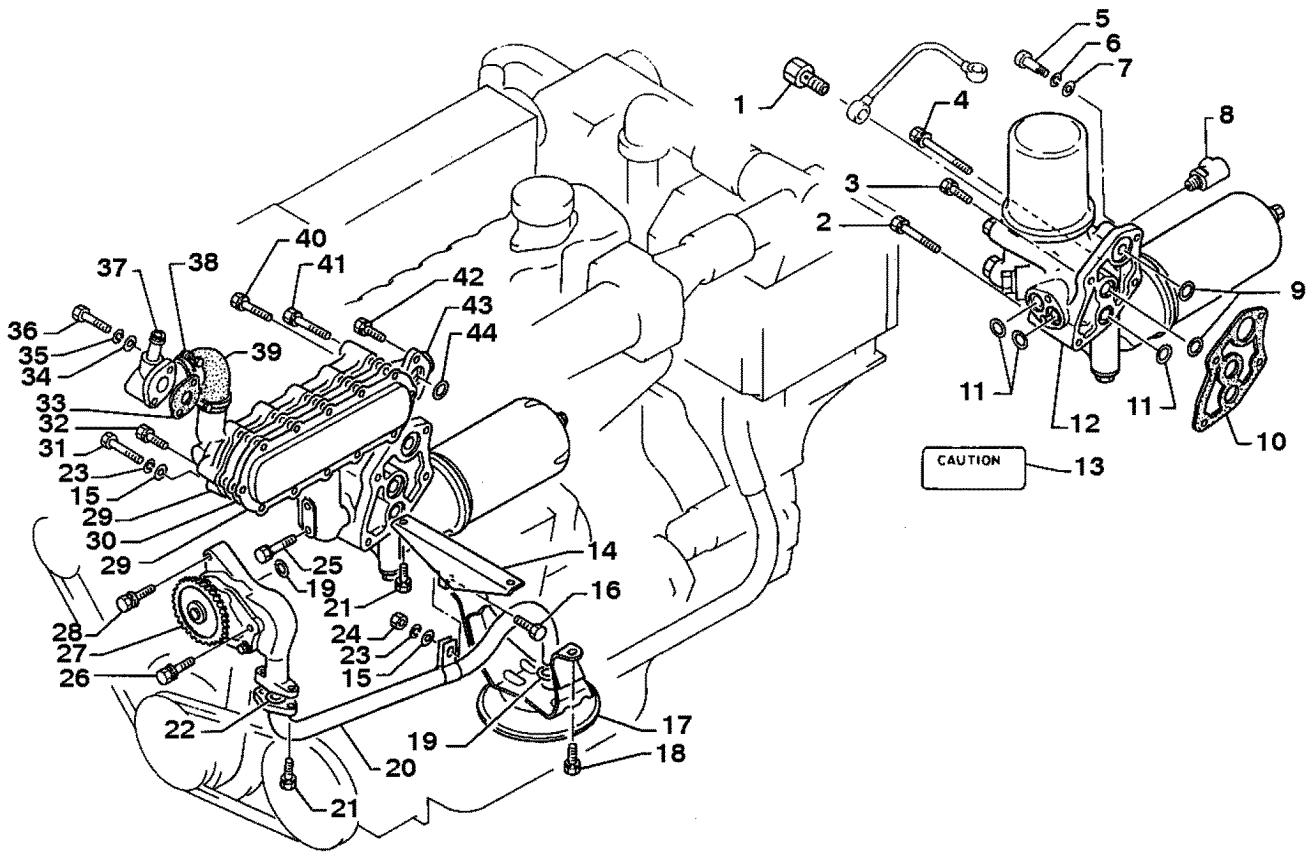


## LUBRICATING SYSTEM (220 H.P.)

REF. NO.	PART NO.	SYM.	QTY.	DESCRIPTION
1	830124294		1	BOLT
2	10-831110001		1	BOLT
3	10-831110352		1	BOLT
4	10-831910104		1	BOLT
5	835910130		1	BOLT
6	838012300		1	LOCKWASHER
7	836012220		1	WASHER
8	22-830235125		1	CONNECTOR PIPE
9	834402531		2	O RING
10	836911190		1	GASKET-OIL FILTER
11	25-834402135		3	O RING
12	836002880		1	FILTER ASSEMBLY-OIL (SEE FILTER ASSEMBLY - OIL)
13	835818181		1	PLATE-CAUTION
14	830481160		1	BRACKET ASSEMBLY-OIL PIPE
15	12-836010220		4	WASHER
16	10-831110200		1	BOLT
17	831041240		1	STRAINER ASSEMBLY-OIL
18	10-839108162		2	BOLT
19	25-834402135		2	O RING
20	834111370		1	PIPE-OIL INLET
21	10-838108250		4	BOLT
22	25-835125103		1	O RING
23	838010250		3	LOCKWASHER
24	830010080		1	NUT
25	10-839108552		2	BOLT
26	10-831110651		2	BOLT
27	831101382		1	PUMP ASSEMBLY-OIL (SEE PUMP ASSEMBLY - OIL)
28	10-831110401		1	BOLT
29	832531050		2	GASKET-OIL COOLER CASE
30	837111210		1	CASE-OIL COOLER
31	10-835908103		2	BOLT
32	10-839108452		7	BOLT
33	27-836925101		1	GASKET-FLANGE
34	12-836008180		2	WASHER
35	13-838008200		2	LOCKWASHER
36	10-839008176		2	BOLT
37	830872930		1	PIPE ASSEMBLY-COOLANT BY PASS
38	836404420		2	CLAMP
39	32-830234144		1	HOSE-WATER

CONTINUED ON NEXT PAGE ➡

# LUBRICATING SYSTEM (220 H.P.)

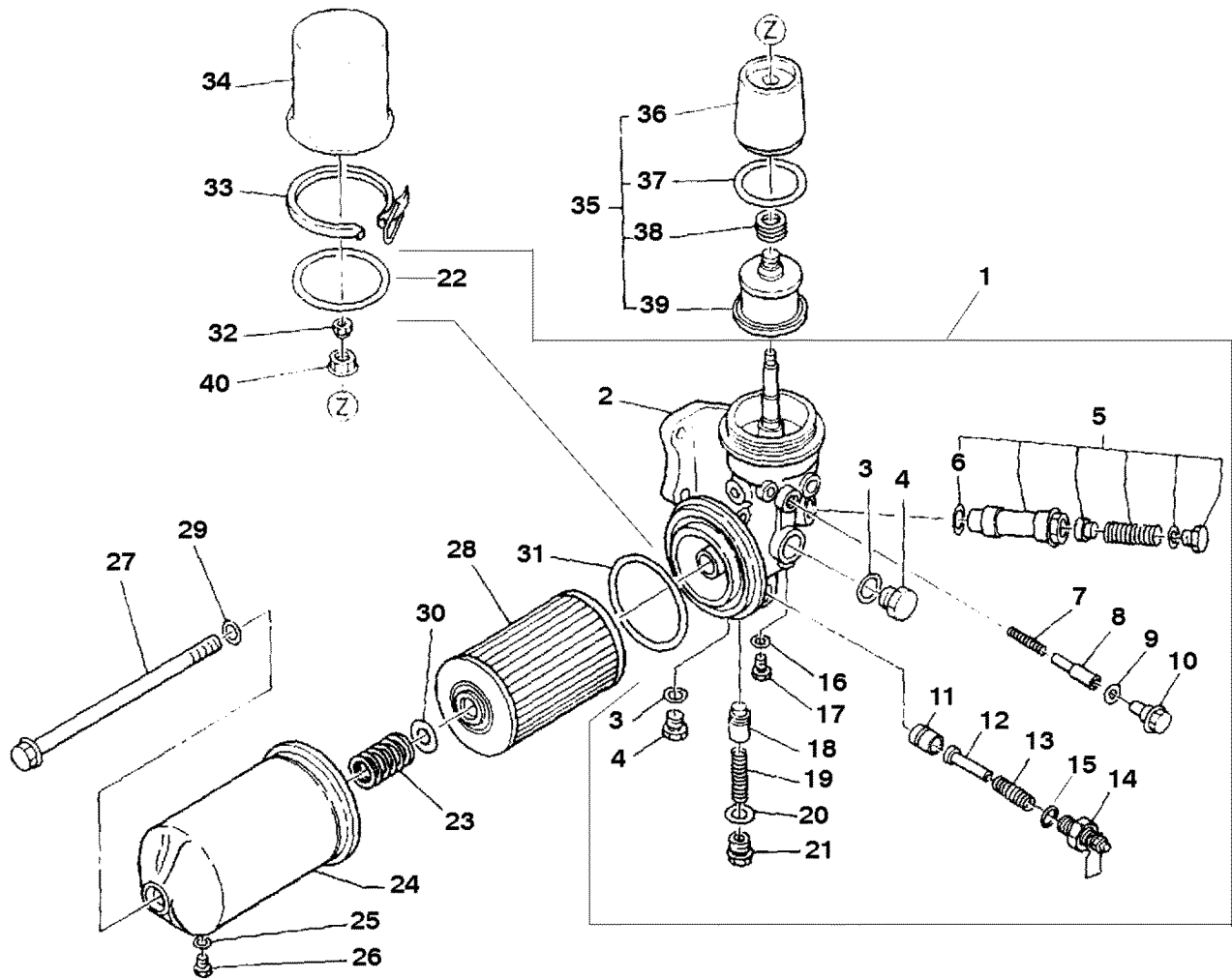




## LUBRICATING SYSTEM (220 H.P.)

REF. NO.	PART NO.	SYM.	QTY.	DESCRIPTION
40	10-839108652		2	BOLT
41	10-839108802		1	BOLT
42	10-839108202		2	BOLT
43	837101020		1	COOLER ASSEMBLY-OIL (SEE COOLER ASSEMBLY - OIL)
44	834402936		1	O RING

# FILTER ASSEMBLY - OIL

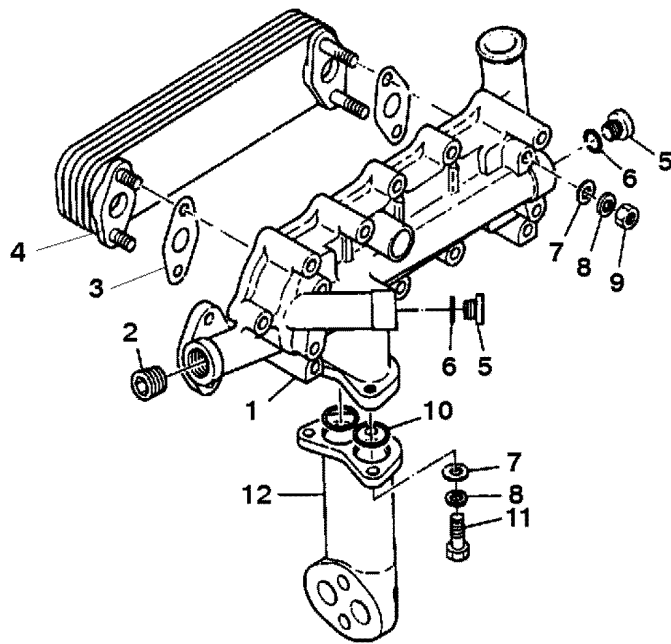


# FILTER ASSEMBLY - OIL

REF. NO.	PART NO.	SYM.	QTY.	DESCRIPTION
-	<b>836002880</b>		1	<b>FILTER ASSEMBLY-OIL</b>
1	836201940		1	CAP ASSEMBLY-OIL FILTER
2	836121670		1	COVER-OIL FILTER ELEMENT
3	25-835120107		2	O RING
4	830922103		2	PLUG
5	836051040		1	VALVE ASSEMBLY-OIL CHECK
6	25-835122109		1	O RING
7	836611100		1	SPRING-OIL VALVE
8	836241140		1	VALVE-FILTER SAFETY
9	25-834401521		1	O RING
10	836621100		1	PLUG-OIL VALVE
11	836241040		1	VALVE-FILTER SAFETY
12	836041020		1	VALVE ASSEMBLY-OIL SAFETY
13	24-836611160		1	SPRING-OIL VALVE
14	836601020		1	PLUG ASSEMBLY-OIL
15	25-835120107		1	O RING
16	25-835108101		1	O RING
17	836621010		1	PLUG-OIL VALVE
18	836241130		1	VALVE-FILTER SAFETY
19	836611170		1	SPRING-OIL VALVE
20	27-836321060		1	GASKET-OIL PLUG
21	836621080		1	PLUG-OIL VALVE
22	25-835185102		1	O RING
23	836151150	●	1	SPRING-OIL FILTER ELEMENT
24	836141660		1	COVER-OIL FILTER ELEMENT
25	25-835108101		1	O RING
26	10-836431020		1	PLUG-OIL FILTER DRAIN
27	10-836511210		1	BOLT
28	836071521		1	ELEMENT SET-OIL FILTER
29	25-835116114		1	O RING
30	12-836291020		1	WASHER
31	25-835101147		1	O RING
32	830906124		1	NUT
33	54-835091010		1	CLAMP ASSEMBLY
34	835081030		1	BODY ASSEMBLY-ROTOR
35	835101080		1	ROTOR ASSEMBLY
36	835171030		1	COVER
37	25-835167104		1	O RING
38	835351020		1	SPRING-OIL FILTER ROTOR SUPPORT
39	835251020		1	SUPPORT-CENTRIFUGAL FILTER
40	830916116		1	NUT

● = SUPERSEDES TO ANOTHER PART NUMBER

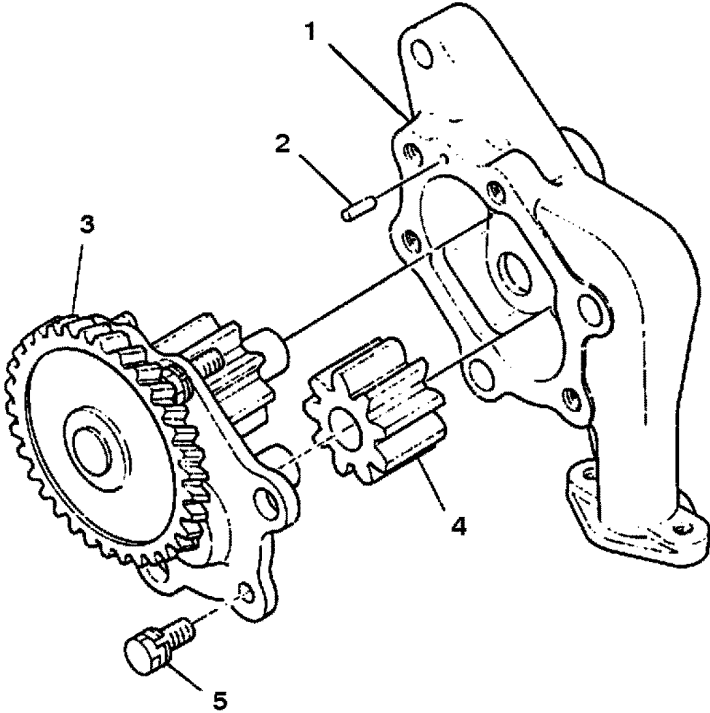
# COOLER ASSEMBLY - OIL



# COOLER ASSEMBLY - OIL

REF. NO.	PART NO.	SYM.	QTY.	DESCRIPTION
-	837101020		1	COOLER ASSEMBLY-OIL
1	837111021		1	CASE-OIL COOLER
2	837261070		1	PLUG-BLIND
3	27-837171160		2	GASKET-OIL COOLER ELEMENT
4	837121250		1	ELEMENT-OIL COOLER
5	830920102		2	PLUG
6	25-835118111		2	O RING
7	836909103		7	WASHER
8	13-838008200		7	LOCKWASHER
9	830908137		4	NUT
10	25-834402135		2	O RING
11	831108220		3	BOLT
12	837711150		1	PIPE-OIL

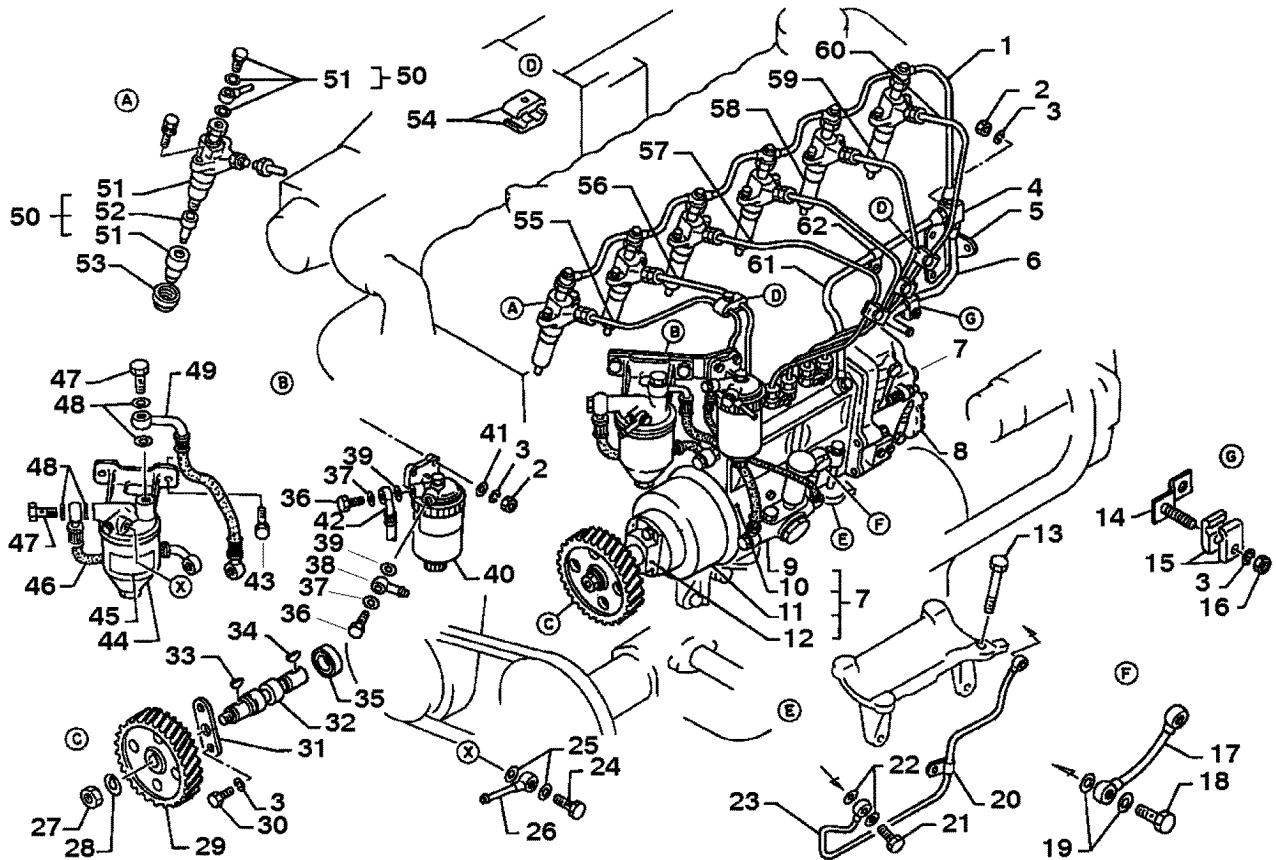
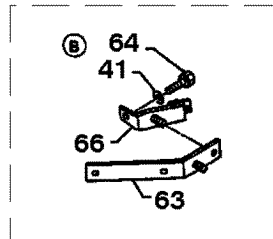
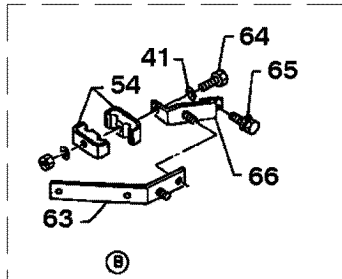
# PUMP ASSEMBLY - OIL



# PUMP ASSEMBLY - OIL

REF. NO.	PART NO.	SYM.	QTY.	DESCRIPTION
-	831101382		1	PUMP ASSEMBLY-OIL
1	831111181		1	BODY-OIL PUMP
2	830305100		1	PIN-STRAIGHT
3	830121112		1	COVER ASSEMBLY-OIL PUMP
4	831071070		1	GEAR ASSEMBLY-OIL PUMP
5	10-838108200		4	BOLT

# FUEL SYSTEM - PAGE 1/2



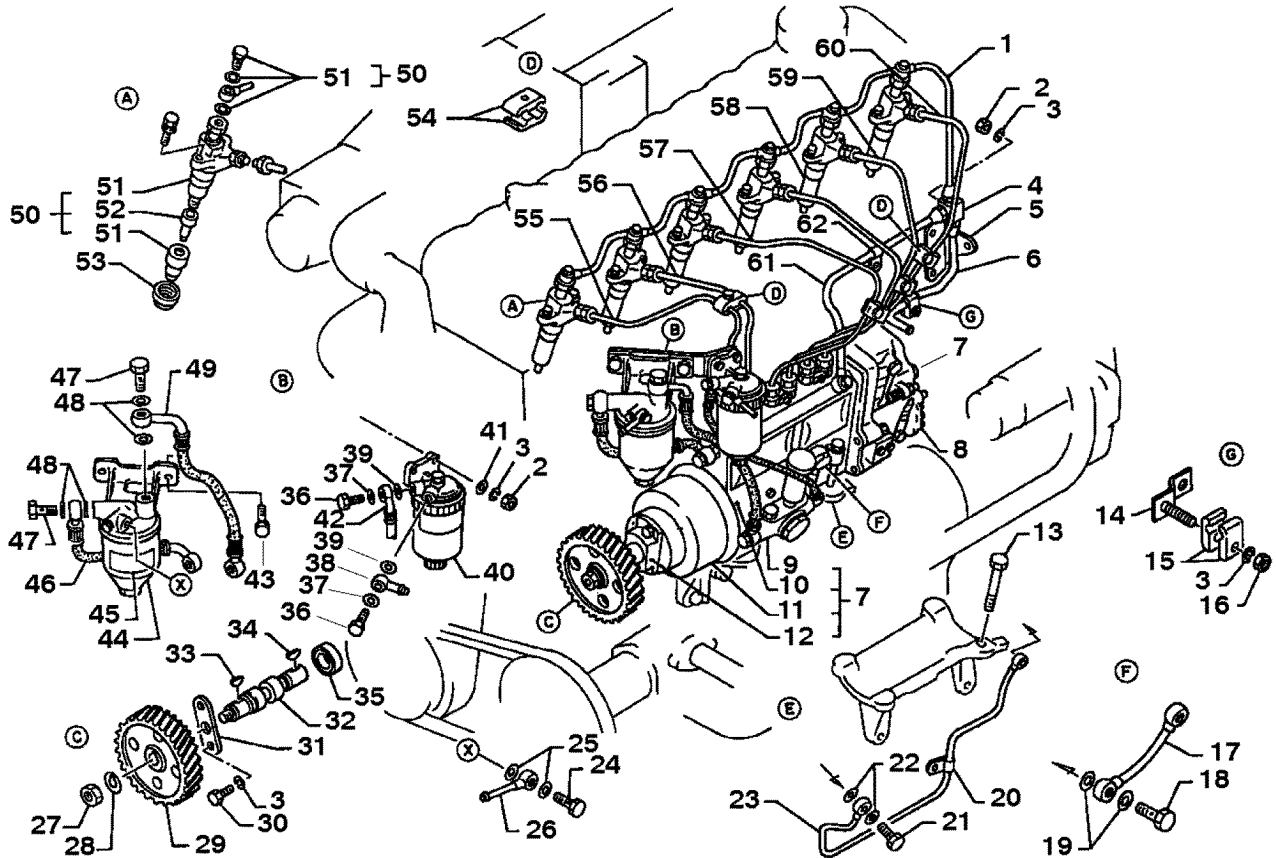
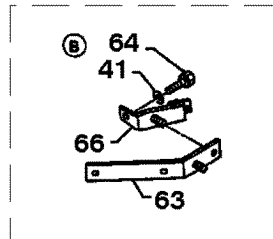
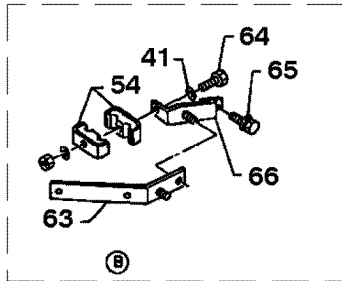


## FUEL SYSTEM - PAGE 1/2

REF. NO.	PART NO.	SYM.	QTY.	DESCRIPTION
1	32-830811610		1	PIPE ASSEMBLY-NOZZLE LEAKAGE
2	830008070		3	NUT
3	13-838008200		6	LOCKWASHER
4	839021030		1	JOINT ASSEMBLY-3 WAY
5	837681210		1	BRACKET-FUEL PIPE
6	32-833912000		1	PIPE-FUEL LEAKAGE
7	830302060		1	PUMP ASSEMBLY-INJECTOR (175 H.P.) -
	830301853		1	PUMP ASSEMBLY-INJECTOR (220 H.P.) -
8	834999973		1	GOVERNOR ASSEMBLY (175 H.P.) (SEE GOVERNOR ASSY 834999973 175 HP)
	833301710		1	GOVERNOR ASSEMBLY (220 H.P.) (SEE GOVERNOR ASSY 833301710 220 HP)
9	835701250		1	PUMP ASSEMBLY-FUEL FEED (SEE PUMP ASSY - FUEL FEED)
10	831301260		1	BODY ASSEMBLY-INJECTOR PUMP (175 H.P.) (SEE PUMP BODY -FUEL INJECTION)
	831301310		1	BODY ASSEMBLY-INJECTOR PUMP (220 H.P.) (SEE PUMP BODY - FUEL INJECTION)
11	835101160		1	TIMER ASSEMBLY-AUTOMATIC (175 H.P.) (SEE TIMER ASSY - AUTOMATIC)
	835101420		1	TIMER ASSEMBLY-AUTOMATIC (220 H.P.) (SEE TIMER ASSY - AUTOMATIC)
12	836101080		1	COUPLING ASSEMBLY
13	10-839908118		3	BOLT
14	834921040		1	HOLDER-CLIP
15	839041220		2	CLIP ASSEMBLY
16	11-830108070		1	NUT
17	32-837741060		1	PIPE-OIL
18	10-831916148		1	BOLT
19	12-835916105		2	WASHER
20	839041010		1	CLIP ASSEMBLY
21	832910248		1	BOLT
22	12-835910105		2	WASHER
23	32-837731460		1	PIPE-OIL (175 H.P.) (SERIAL # 2503 AND BELOW)
	837731461		1	PIPE-OIL (175 H.P.) (SERIAL # 2504 AND UP)
	837731461		1	PIPE-OIL (220 H.P.) -
24	10-831908191		1	BOLT
25	12-835908104		2	WASHER
26	22-830911130		1	PIPE ASSEMBLY-DRAIN
27	831914101		1	NUT
28	837314080		1	LOCKWASHER
29	836131170		1	GEAR-INJECTOR PUMP DRIVE
30	831908117		2	BOLT
31	835731020		1	PLATE-INJECTOR PUMP GEAR THRUST

CONTINUED ON NEXT PAGE ➡

# FUEL SYSTEM - PAGE 1/2

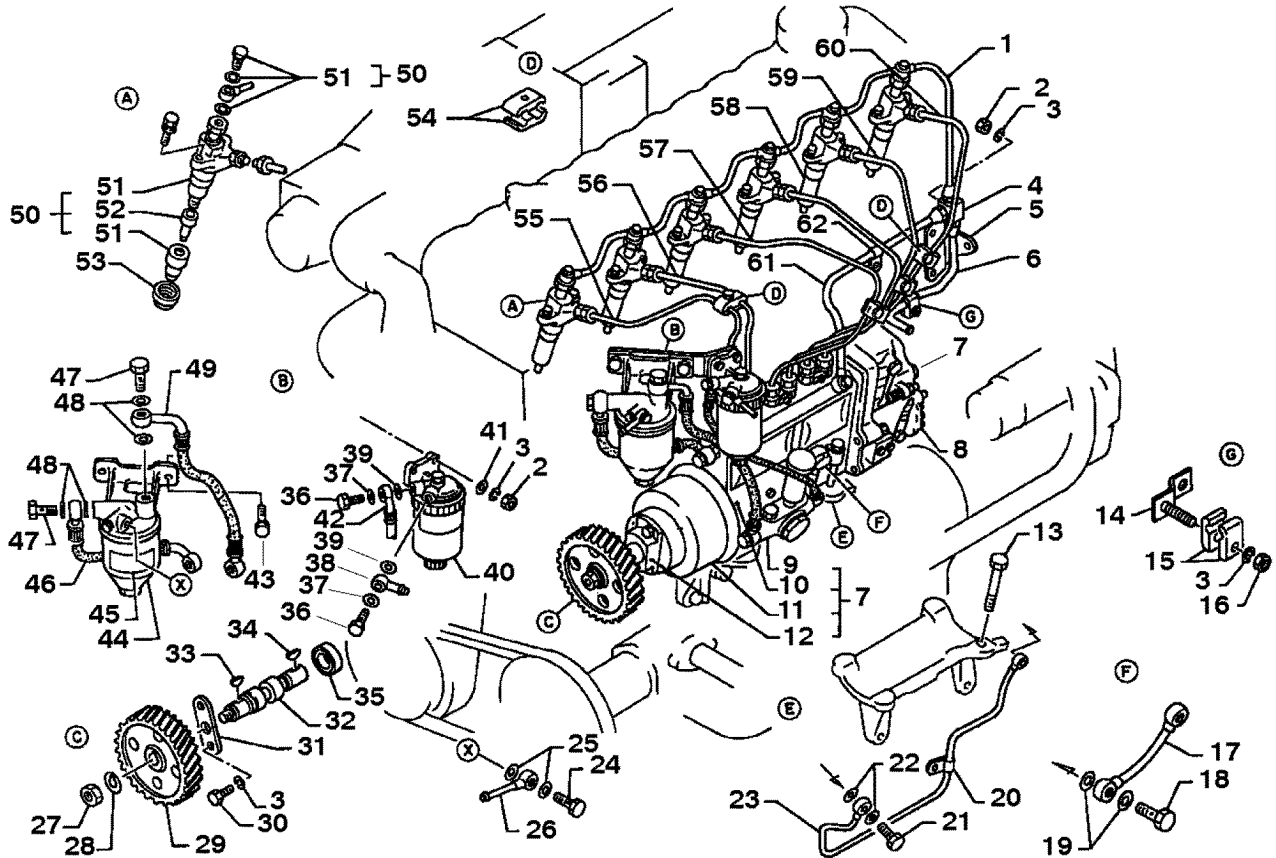
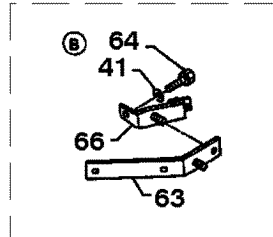
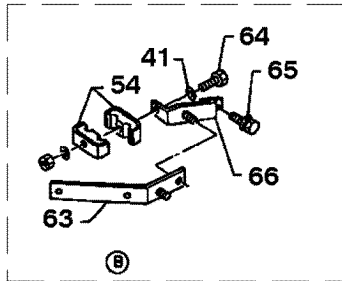


## FUEL SYSTEM - PAGE 1/2

REF. NO.	PART NO.	SYM.	QTY.	DESCRIPTION
32	836111070		1	SHAFT-INJECTOR PUMP DRIVE (175 H.P.) <b>(SERIAL # 2377 AND BELOW)</b>
	836111400		1	SHAFT-INJECTOR PUMP DRIVE (175 H.P.) <b>(SERIAL # 2378 AND UP)</b>
	836111400		1	SHAFT-INJECTOR PUMP DRIVE (220 H.P.) -
33	833405190		1	KEY-WOODRUFF (175 H.P.) <b>(SERIAL # 2377 AND BELOW)</b>
	833405160		1	KEY-WOODRUFF (175 H.P.) <b>(SERIAL # 2378 AND UP)</b>
	833405160		1	KEY-WOODRUFF (220 H.P.) -
34	833904103		1	KEY-WOODRUFF (175 H.P.) <b>(SERIAL # 2377 AND BELOW)</b>
	833404160		1	KEY-WOODRUFF (175 H.P.) <b>(SERIAL # 2378 AND UP)</b>
	833404160		1	KEY-WOODRUFF (220 H.P.) -
35	26-832825108		1	SEAL-OIL
36	10-831913101		2	BOLT
37	12-835914104	■	2	WASHER
38	32-837811620		1	PIPE-FUEL
-	<b>FG1030</b>		-	<b>GASKET SET CONTENTS INDICATED BY FOOTNOTE 11.</b>

■ = COMPONENT OF ENGINE GASKET SET [FG1030]

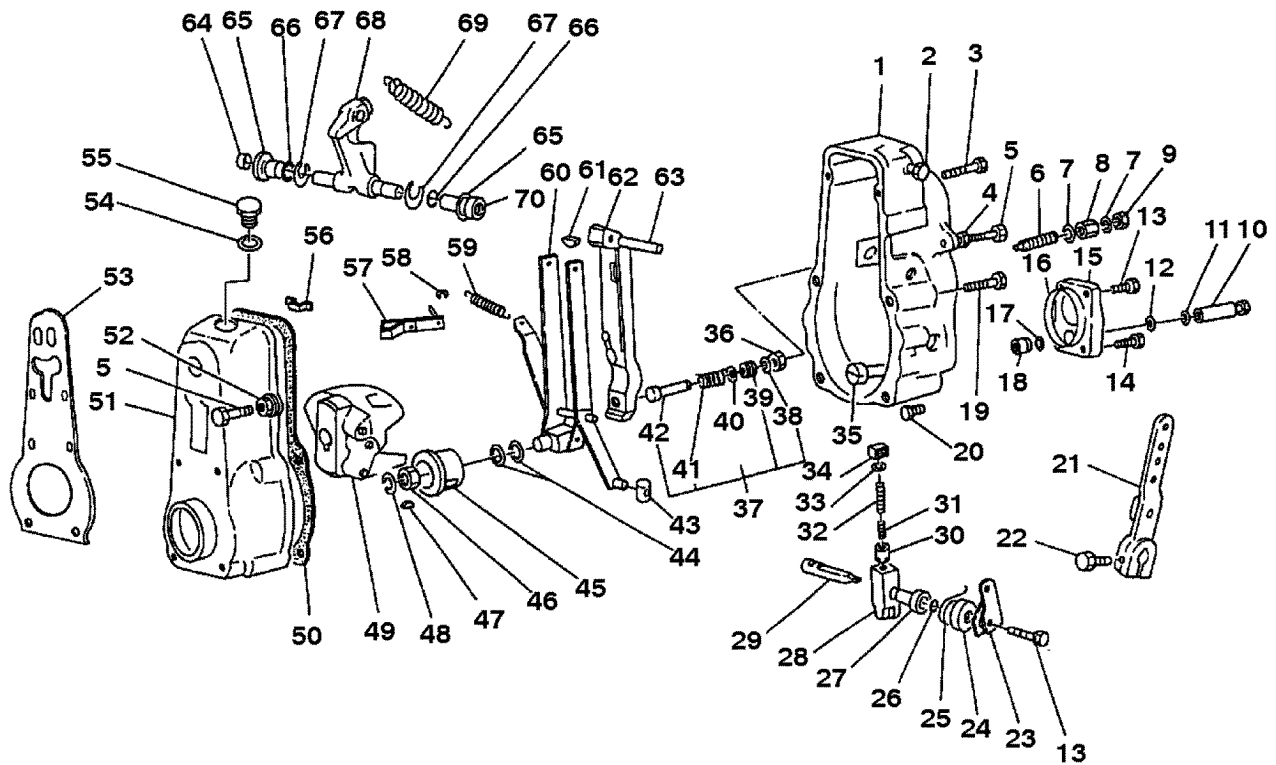
# FUEL SYSTEM - PAGE 2/2



## FUEL SYSTEM - PAGE 2/2

REF. NO.	PART NO.	SYM.	QTY.	DESCRIPTION
39	12-835913110		2	WASHER
40	838031080		1	SEPARATOR ASSEMBLY-WATER (175 H.P.) (SEE SEPARATOR ASSY - WATER (175 H. P.))
	838031160		1	SEPARATOR ASSEMBLY-WATER (220 H.P.) (SEE SEPARATOR ASSY - WATER (220 H. P.))
41	12-836008180		3	WASHER
42	32-838061440		1	HOSE ASSEMBLY-FUEL
43	10-831110301		2	BOLT
44	830101190		1	FILTER ASSEMBLY-FUEL (SEE FILTER ASSEMBLY - FUEL)
45	835818171		1	PLATE-CAUTION
46	32-838061370		1	HOSE ASSEMBLY-FUEL
47	10-831914184		2	BOLT
48	12-835914104		4	WASHER
49	32-838063030		1	HOSE ASSEMBLY-FUEL
50	836101150		6	NOZZLE AND HOLDER SET (175 H.P.) -
	836101650		6	NOZZLE AND HOLDER SET (220 H.P.) -
51	836301080		6	HOLDER ASSEMBLY-NOZZLE (175 H.P.) (SEE HOLDER ASSEMBLY - NOZZLE)
	836301210		6	HOLDER ASSEMBLY-NOZZLE (220 H.P.) (SEE HOLDER ASSEMBLY - NOZZLE)
52	836501100		6	NOZZLE ASSEMBLY (175 H.P.) -
	836501550		6	NOZZLE ASSEMBLY (220 H.P.) -
53	25-836671031		6	RING-PACKING
54	839041250		8	CLIP ASSEMBLY
55	32-837111660		1	PIPE-INJECTOR (#1)
56	32-837121650		1	PIPE-INJECTOR (#2)
57	32-837131590		1	PIPE-INJECTOR (#3)
58	32-837141620		1	PIPE-INJECTOR (#4)
59	32-837151640		1	PIPE-INJECTOR (#5)
60	32-837161580		1	PIPE-INJECTOR (#6)
61	32-837661260		1	PIPE-THROUGH FEED
62	839041090		1	CLIP ASSEMBLY
63	833941580		1	BRACKET-FUEL FILTER
64	10-831108400		1	BOLT
65	10-839108202		1	BOLT (220 H.P.) -
66	833941591		1	BRACKET-FUEL FILTER

# GOVERNOR ASSEMBLY (834999973) (175 H.P.) - PAGE 1/2

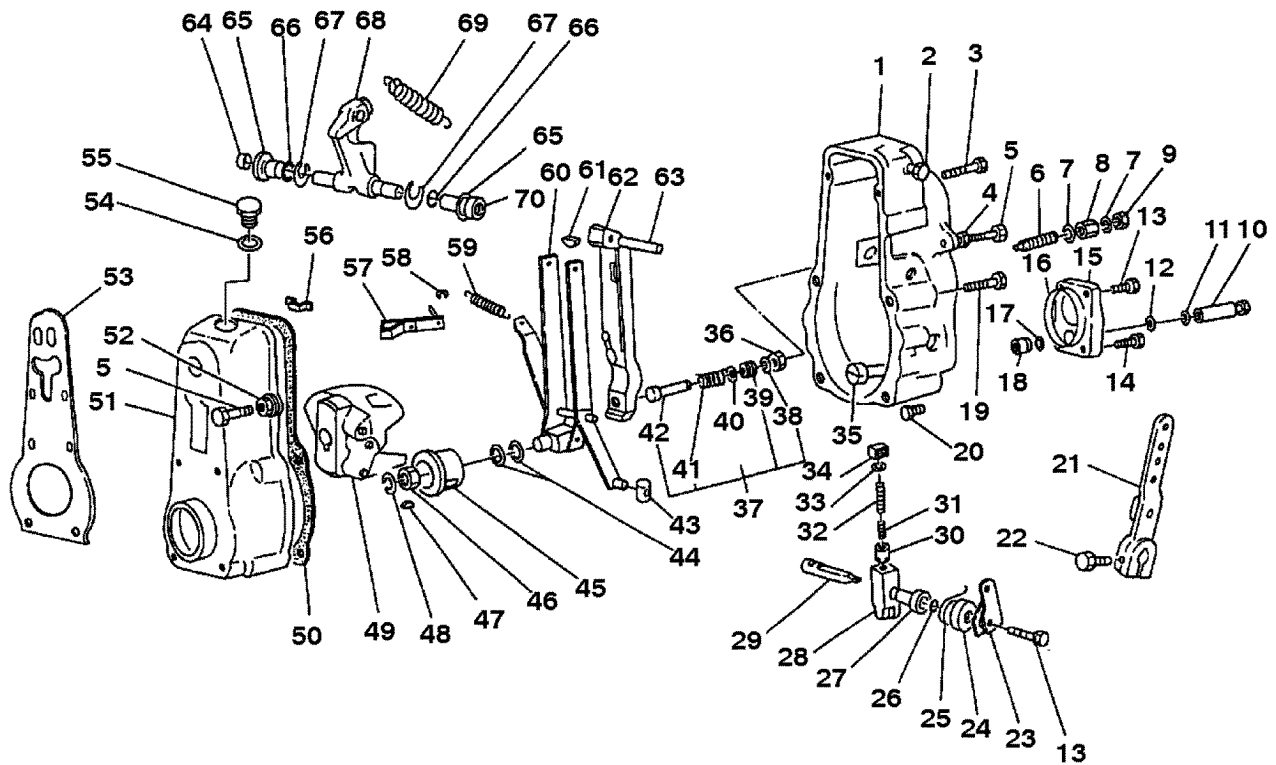


# GOVERNOR ASSEMBLY (83499973) (175 H.P.) - PAGE 1/2

REF. NO.	PART NO.	SYM.	QTY.	DESCRIPTION
-	<b>83499973</b>		1	<b>GOVERNOR ASSEMBLY</b>
1	833021420		1	COVER ASSEMBLY-GOVERNOR
2	838451210		2	PLUG-SCREW
3	838151490		2	BOLT
4	838251080		1	NUT
5	833951010		2	SCREW-STOPPER
6	834121160		1	SPRING-IDLING
7	835912109		2	WASHER
8	838251400		1	NUT
9	838252060		1	NUT
10	833421580		1	NUT-CAP
11	835106118		1	O RING
12	838471870		1	GASKET
13	838151480		3	BOLT
14	838151430		2	BOLT
15	833861540		1	COVER-END
16	838171070		1	O RING
17	838171080		1	O RING
18	833221370		1	BUSH
19	838151860		4	BOLT
20	833931100		1	PLUG-GOVERNOR HOUSING
21	83499972		1	LEVER ASSEMBLY-LOAD CONTROL
22	838151230		1	BOLT
23	833482010		1	LEVER-STOP
24	833511650		1	SEAT
25	833412500		1	SPRING-RETURN
26	838171440		1	O RING
27	833221180		1	BUSH
28	830451030		1	LEVER ASSEMBLY-INNER
29	833491120		1	LEVER-SLIDING
30	833581490		1	PIN-STRAIGHT
31	833411610		1	SPRING
32	833411620		1	SPRING-RETURN
33	833511320		1	SEAT
34	833511330		1	SEAT
35	833961320		1	SCREW-STROKE ADJUST
36	838251820		1	NUT
37	834041710		1	CAPSULE ASSEMBLY-ADAPTER SPRING
38	838631280		1	WASHER
39	833852060		1	ADAPTER
40	838855530		5	SHIM (0.1)

CONTINUED ON NEXT PAGE ➡

# GOVERNOR ASSEMBLY (834999973) (175 H.P.) - PAGE 1/2

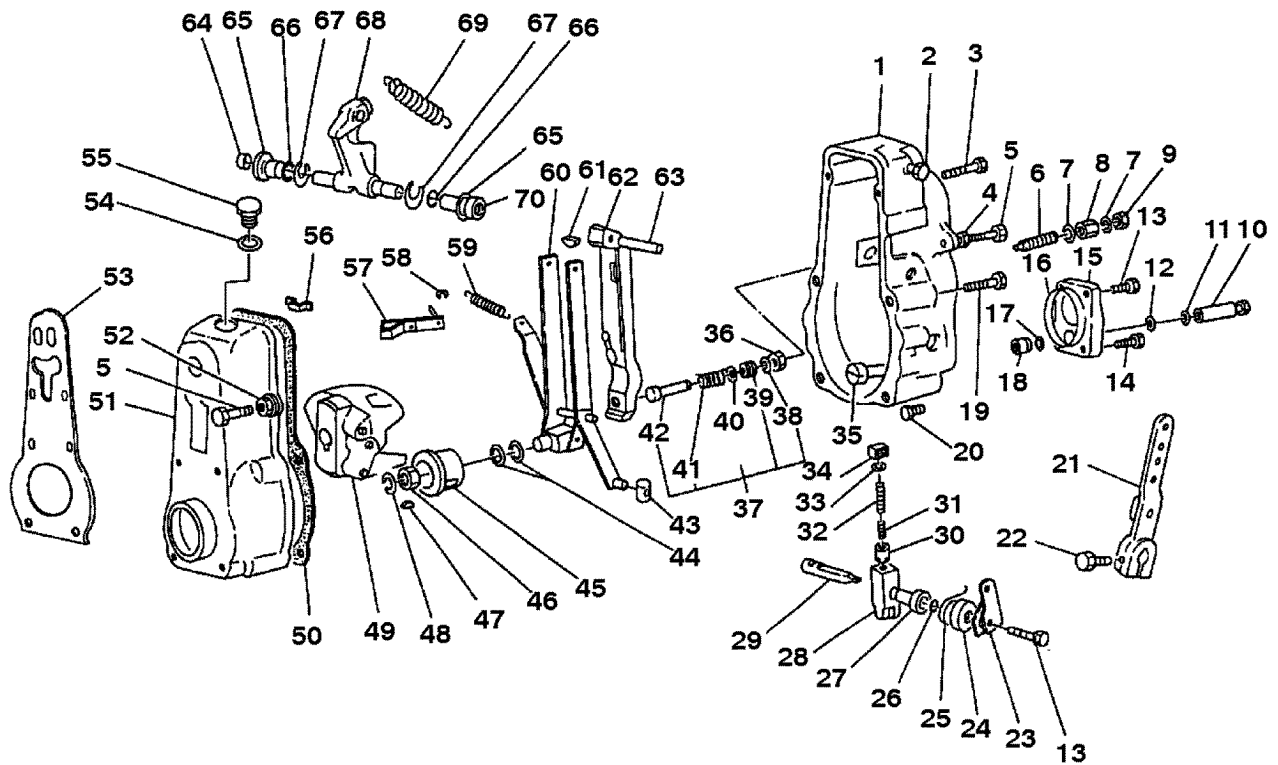




# GOVERNOR ASSEMBLY (834999973) (175 H.P.) - PAGE 1/2

REF. NO.	PART NO.	SYM.	QTY.	DESCRIPTION
40	838855540		5	SHIM (0.25)
	838855550		5	SHIM (0.5)
	838856810		5	SHIM
41	834112110		1	SPRING-IDLING
42	834041550		1	CAPSULE ASSEMBLY-ADAPTER SPRING

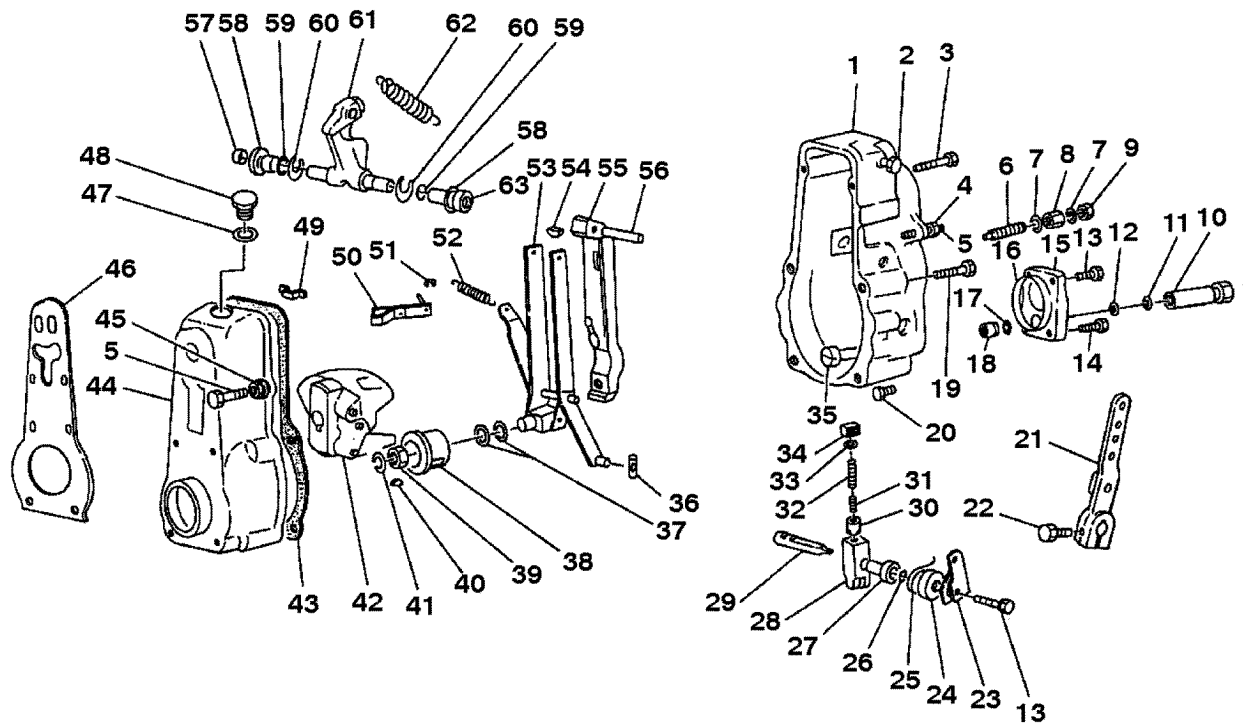
# GOVERNOR ASSEMBLY (834999973) (175 H.P.) - PAGE 2/2



# GOVERNOR ASSEMBLY (834999973) (175 H.P.) - PAGE 2/2

REF. NO.	PART NO.	SYM.	QTY.	DESCRIPTION
-	834999973		1	GOVERNOR ASSEMBLY
43	833221620		1	BUSH
44	838855120		1	SHIM (0.2)
	838855130		1	SHIM (0.3)
	838855140		1	SHIM (0.4)
	838855150		1	SHIM (0.1)
	838855160		1	SHIM (1.0)
45	833051080		1	SLEEVE ASSEMBLY-FLYWEIGHT
46	833531070		1	NUT-ROUND
47	838951020		1	KEY
48	838771220		1	WASHER
49	833601350		1	FLYWEIGHT ASSEMBLY
50	838471200		1	GASKET
51	833011230		1	HOUSING ASSEMBLY-GOVERNOR
52	838251950		1	NUT
53	838471570		1	GASKET
54	12-835422150		1	WASHER
55	838451110		1	PLUG-SCREW
56	833431460		1	BRACKET
57	833171140		1	LINK
58	838631820		1	WASHER
59	833311280		1	SPRING-START
60	833071920		1	LEVER ASSEMBLY-GUIDE
61	838911060		1	KEY
62	833081170		1	LEVER ASSEMBLY-TENSION
63	833181240		1	SHAFT-TENSION
64	833221350		1	BUSH
65	833221360		2	BUSH
66	838171060		2	O RING
67	838871050		2	RING-RETAINER
68	833601090		1	FLYWEIGHT ASSEMBLY
69	833212390		1	SPRING-GOVERNOR
70	838271370		1	SEAL-OIL

# GOVERNOR ASSEMBLY (833301710) (220 H.P.) - PAGE 1/2

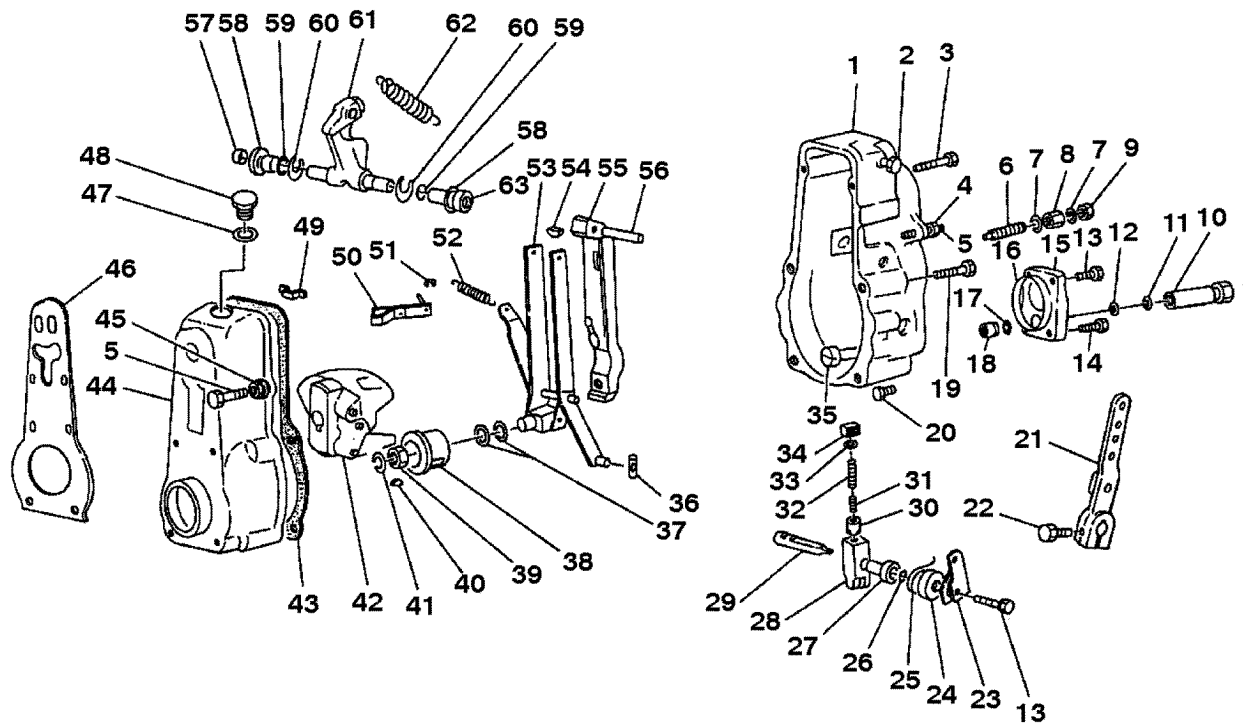


# GOVERNOR ASSEMBLY (833301710) (220 H.P.) - PAGE 1/2

REF. NO.	PART NO.	SYM.	QTY.	DESCRIPTION
-	<b>833301710</b>		1	<b>GOVERNOR ASSEMBLY</b>
1	833021420		1	COVER ASSEMBLY-GOVERNOR
2	838411560		2	PLUG-SCREW
3	838151490		2	BOLT
4	838251080		2	NUT
5	833951010		2	SCREW-STOPPER
6	834021330		1	SPRING-IDLING
7	838431280		2	WASHER
8	838251400		1	NUT
9	838252060		1	NUT
10	833421580		1	NUT-CAP
11	835106118		1	O RING
12	838471870		1	GASKET
13	838151480		3	BOLT
14	838151430		2	BOLT
15	833861180		1	COVER-END
16	838171070		1	O RING
17	838171080		1	O RING
18	833321370		1	BUSH
19	838151860		4	BOLT
20	833931100		1	PLUG-GOVERNOR HOUSING
21	834999972		1	LEVER ASSEMBLY-LOAD CONTROL
22	838151200		1	BOLT
23	833482010		1	LEVER-STOP
24	833511650		1	SEAT
25	837310103		1	SPRING-RETURN
26	838131240		1	O RING
27	833221180		1	SPRING
28	830451030		1	LEVER ASSEMBLY-INNER
29	833491120		1	LEVER-SLIDING
30	837910128		1	PIN-STRAIGHT
31	833411610		1	SPRING-RETURN
32	833411620		1	SPRING-RETURN
33	833511320		1	SEAT
34	833511330		1	SEAT
35	833961320		1	SCREW
36	833221620		1	BUSH
37	838855120		1	SHIM (0.2)
	838855130		1	SHIM (0.3)
	838855140		1	SHIM (0.4)
	838855150		1	SHIM (0.1)

CONTINUED ON NEXT PAGE ➡

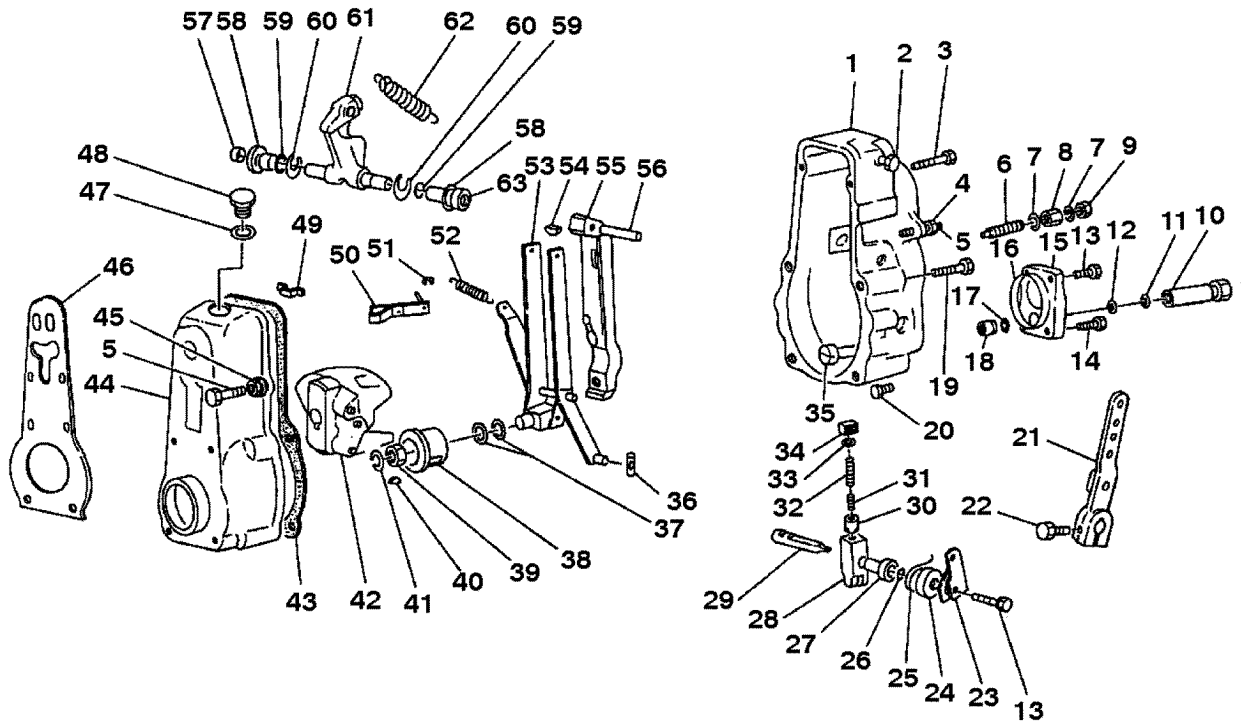
# GOVERNOR ASSEMBLY (833301710) (220 H.P.) - PAGE 1/2



# GOVERNOR ASSEMBLY (833301710) (220 H.P.) - PAGE 1/2

REF. NO.	PART NO.	SYM.	QTY.	DESCRIPTION
37	838855160		1	SHIM (1.0)
38	833051080		1	SLEEVE ASSEMBLY-FLYWEIGHT
39	833531070		1	NUT
40	838911040		1	KEY
41	838771220		1	WASHER

# GOVERNOR ASSEMBLY (833301710) (220 H.P.) - PAGE 2/2

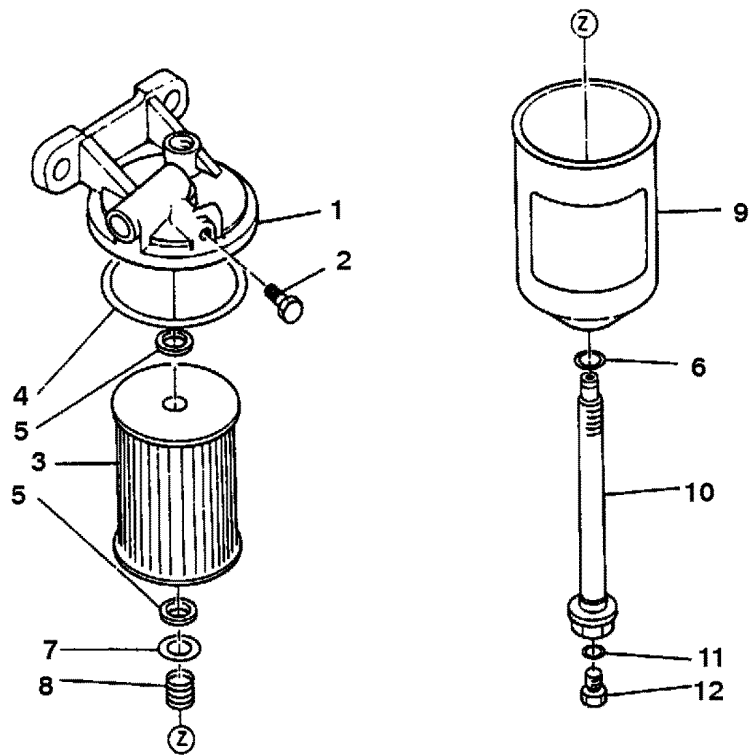




# GOVERNOR ASSEMBLY (833301710) (220 H.P.) - PAGE 2/2

REF. NO.	PART NO.	SYM.	QTY.	DESCRIPTION
-	<b>833301710</b>		1	<b>GOVERNOR ASSEMBLY</b>
42	833601100		1	FLYWEIGHT ASSEMBLY
43	838471200		1	GASKET
44	833911230		1	HOUSING ASSEMBLY-GOVERNOR
45	838251950		1	NUT
46	838471570		1	GASKET
47	838471160		1	WASHER
48	838451110		1	PLUG-SCREW
49	833431460		1	BRACKET
50	833171140		1	LINK
51	838631820		1	WASHER
52	833311280		1	SPRING-START
53	830411230		1	LEVER ASSEMBLY-GUIDE
54	838911060		1	KEY
55	833081170		1	LEVER ASSEMBLY-TENSION
56	833181040		1	SHAFT-TENSION
57	833221350		1	BUSH
58	833221360		2	BUSH
59	838171060		2	O RING
60	838631400		2	RING-RETAINER
61	833601090		1	FLYWEIGHT ASSEMBLY
62	833212390		1	SPRING-GOVERNOR
63	838271370		1	SEAL-OIL

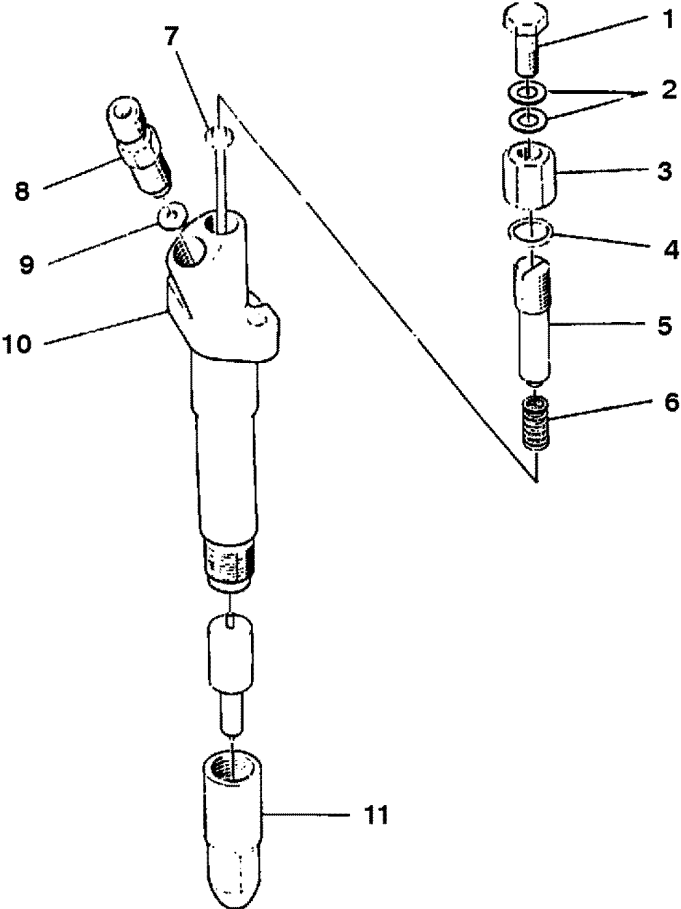
# FILTER ASSEMBLY - FUEL



# FILTER ASSEMBLY - FUEL

REF. NO.	PART NO.	SYM.	QTY.	DESCRIPTION
-	<b>830101190</b>		<b>1</b>	<b>FILTER ASSEMBLY-FUEL</b>
1	833101350		1	COVER ASSEMBLY-FUEL FILTER
2	833161040		1	PLUG-AIR
3	35-834999999		1	ELEMENT SET-FUEL FILTER
4	27-833121050		1	GASKET-FILTER BOWL
5	27-833351030		2	GASKET-FILTER BOWL
6	25-835115112		1	O RING
7	833341020		1	PLATE
8	24-833331100		1	SPRING-FILTER ELEMENT SET
9	833211210		1	COVER-FUEL FILTER
10	833291050		1	BOLT
11	25-835107103		1	O RING
12	833221070		1	PLUG-DRAIN

# HOLDER ASSEMBLY - NOZZLE

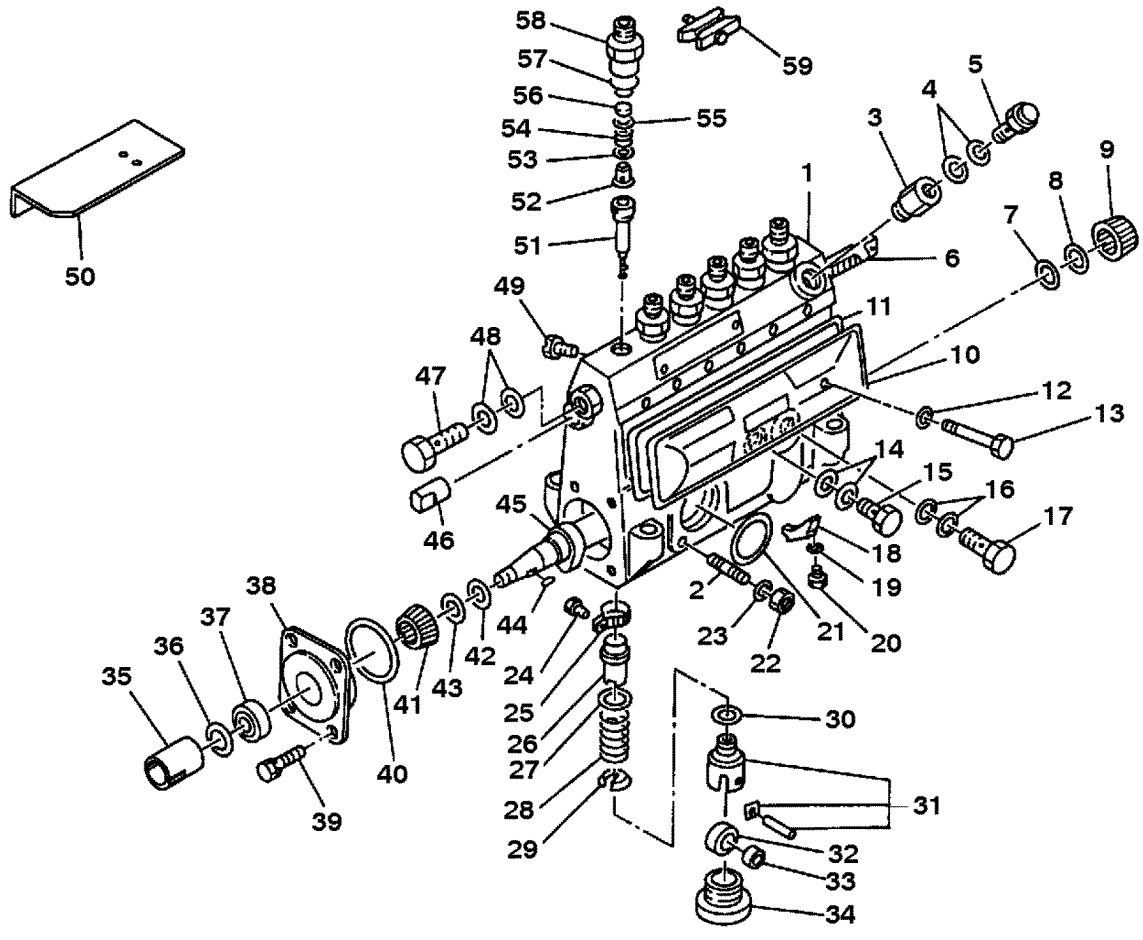


# HOLDER ASSEMBLY - NOZZLE

REF. NO.	PART NO.	SYM.	QTY.	DESCRIPTION
-	<b>836301080</b>		1	<b>HOLDER ASSEMBLY-NOZZLE (175 H.P.) -</b>
-	<b>836301210</b>		1	<b>HOLDER ASSEMBLY-NOZZLE (220 H.P.) -</b>
1	10-838351130		1	BOLT-JOINT
2	12-838471110	■	2	GASKET
3	836231110		1	NUT-NOZZLE HOLDER CAP
4	15-836431010		1	GASKET-RETAINING NUT
5	10-834999984		1	SCREW-NOZZLE HOLDER ADJUST
6	24-836151060		1	SPRING-NOZZLE
7	17-836161030		1	PIN-NOZZLE HOLDER PRESS
8	836111040		1	INLET CONNECTOR (175 H.P.) -
	836111180		1	INLET CONNECTOR (220 H.P.) -
9	15-836211070		1	GASKET
10	836021040		1	BODY ASSEMBLY-NOZZLE HOLDER (175 H.P.) -
	836021160		1	BODY ASSEMBLY-NOZZLE HOLDER (220 H.P.) -
11	836331030		1	NUT-NOZZLE RETAINING
-	<b>FG1030</b>		-	<b>GASKET SET CONTENTS INDICATED BY FOOTNOTE 11.</b>

■ = COMPONENT OF ENGINE GASKET SET [FG1030]

# PUMP BODY - FUEL INJECTION - PAGE 1/2

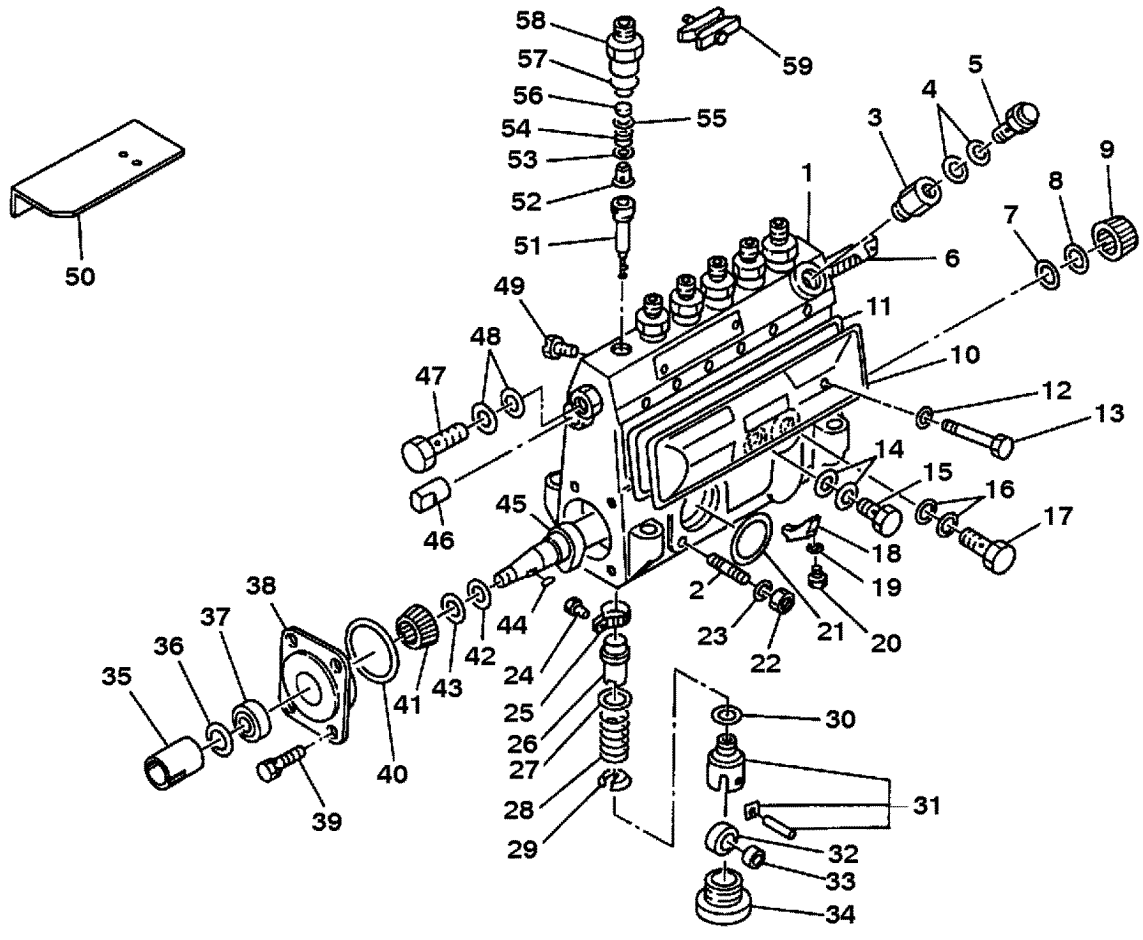


## PUMP BODY - FUEL INJECTION - PAGE 1/2

REF. NO.	PART NO.	SYM.	QTY.	DESCRIPTION
-	831301260		1	BODY ASSEMBLY-INJECTION PUMP (175 H.P.) -
-	831301310		1	BODY ASSEMBLY-INJECTION PUMP (220 H.P.) -
1	831011221		1	HOUSING ASSEMBLY-INJECTION PUMP (175 H.P.) -
	831011620		1	HOUSING ASSEMBLY-INJECTION PUMP (220 H.P.) -
2	838571060		3	BOLT-STUD
3	831311050		1	ADAPTER
4	838771090		2	WASHER (220 H.P.) -
5	831071090		1	VALVE ASSEMBLY-OVER FLOW (220 H.P.) -
6	831131320		1	RACK-CONTROL
7	831241160		1	RING-CAMSHAFT ADJUST
8	838854900		1	SHIM (0.1)
	838854910		1	SHIM (0.12)
	838854920		1	SHIM (0.14)
	838854930		1	SHIM (0.16)
	838854940		1	SHIM (0.18)
	838854950		1	SHIM (0.5)
	831291190		1	PLATE-CAMSHAFT SHIM
	831291200		1	PLATE-CAMSHAFT SHIM
9	838371230		1	BEARING
10	831701040		1	COVER ASSEMBLY
11	831271140		1	PUMP-INJECTION PUMP COVER
12	838471890		2	GASKET
13	838152490		2	BOLT
14	838471900		2	GASKET
15	838351110		1	BOLT-JOINT
16	838471920		2	GASKET
17	838351180		1	BALL-JOINT
18	838371090		1	BEARING
19	838671020		2	WASHER
20	838112640		2	BOLT
21	838171540		1	O RING
22	838251480		3	NUT (220 H.P.) -
23	832191110		3	WASHER-START (220 H.P.) -
24	838651280		6	SCREW
25	831281020		6	PINION-PLUNGER CONTROL
26	834999971		6	SLEEVE-PLUNGER CONTROL
27	831191010		6	SEAT-PLUNGER SPRING-UPPER
28	831211170		6	SPRING-PUMP PLUNGER (175 H.P.) -
	831211031		6	SPRING-PUMP PLUNGER (220 H.P.) -
29	831221120		6	SEAT-PLUNGER SPRING-LOWER
30	838851130		1	SHIM (0.6)
	838851140		1	SHIM (0.7)
	838851150		1	SHIM (0.8)

CONTINUED ON NEXT PAGE ➡

# PUMP BODY - FUEL INJECTION - PAGE 1/2

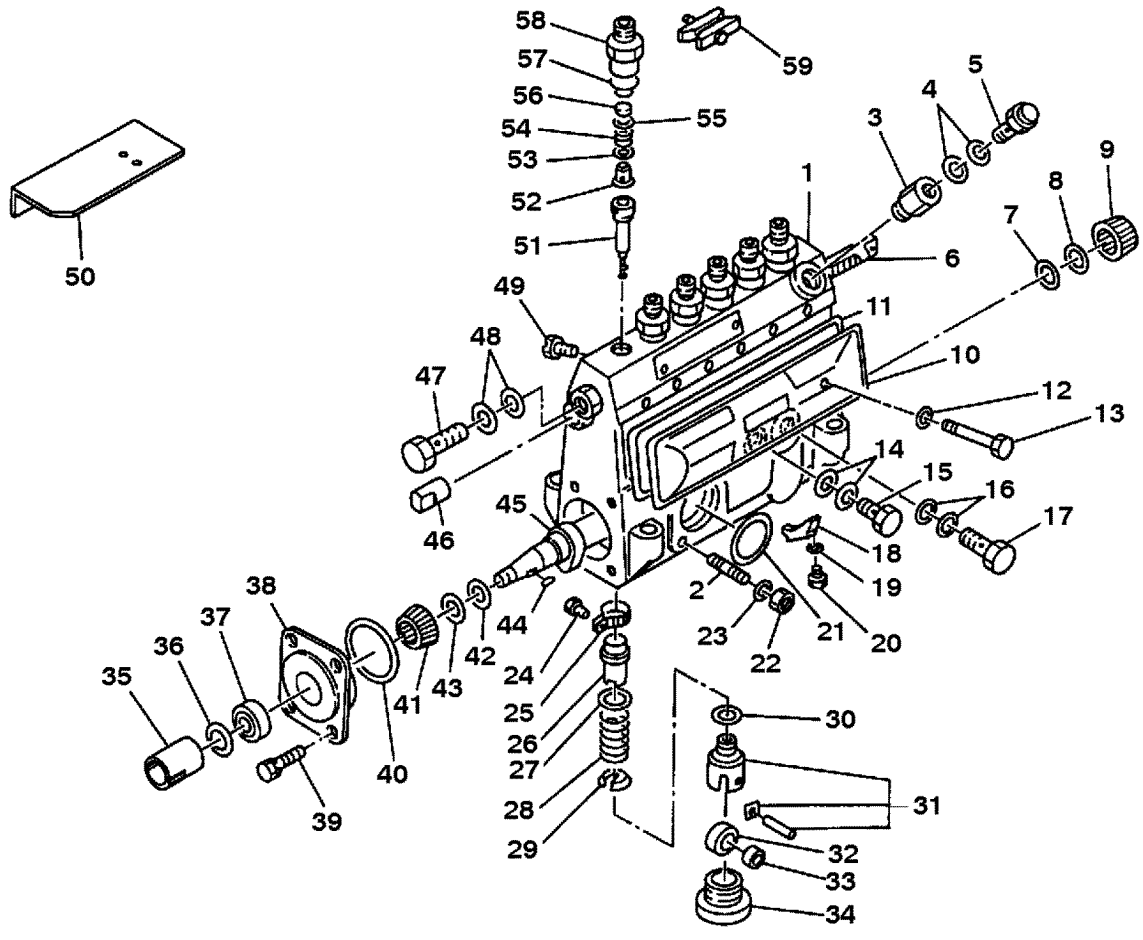




## PUMP BODY - FUEL INJECTION - PAGE 1/2

REF. NO.	PART NO.	SYM.	QTY.	DESCRIPTION
30	838851160		1	SHIM (0.9)
	838851170		1	SHIM (1.0)
	838851180		1	SHIM (1.1)
	838851190		1	SHIM (1.2)
	838851330		1	SHIM (1.3)
	838851340		1	SHIM (1.4)
	838851230		1	SHIM (0.1)
	838851240		1	SHIM (0.2)
	838851350		1	SHIM (0.3)
	838851360		1	SHIM (0.4)
	838851370		1	SHIM (0.5)
	838851250		1	SHIM (0.15)
	838852270		1	SHIM (0.13)
	838851270		1	SHIM (0.3)

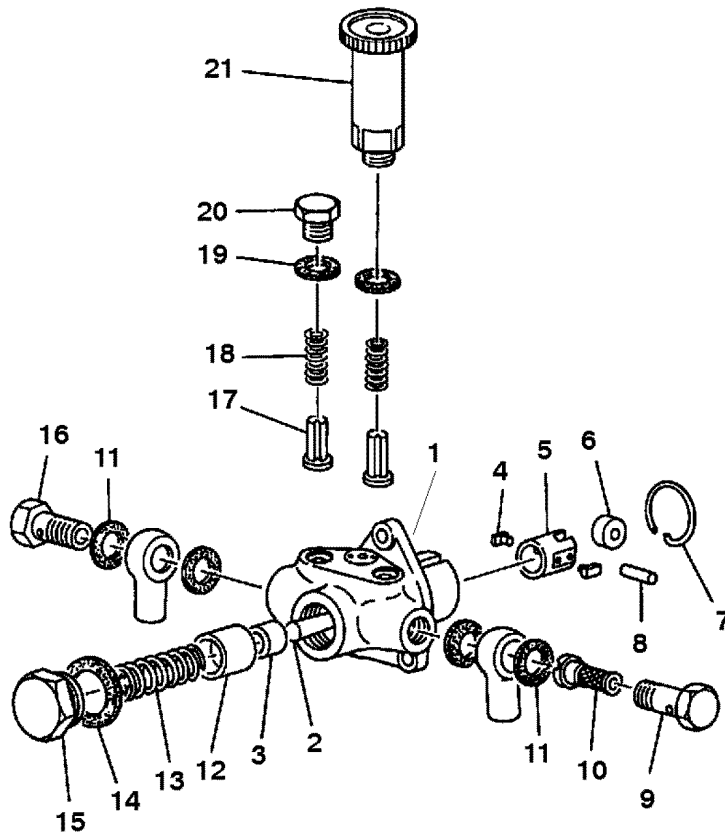
# PUMP BODY - FUEL INJECTION - PAGE 2/2



## PUMP BODY - FUEL INJECTION - PAGE 2/2

REF. NO.	PART NO.	SYM.	QTY.	DESCRIPTION
-	831301260		1	BODY ASSEMBLY-INJECTION PUMP (175 H.P.) -
-	831301310		1	BODY ASSEMBLY-INJECTION PUMP (220 H.P.) -
31	834999970		6	TAPPET ASSEMBLY-INJECTION PUMP
32	831461010		6	ROLLER-TAPPET
33	838371140		6	BEARING
34	838451160		6	PLUG-SCREW
35	835111070		1	NUT-TIMER ROUND (175 H.P.) -
36	838771710		1	WASHER (175 H.P.) -
37	838271040		1	SEAL-OIL
38	831111030		1	COVER-BEARING
39	838152500		4	BOLT
40	838171110		1	O RING
41	838371100		1	BEARING
42	838851550		1	SHIM (0.1)
	838851560		1	SHIM (0.16)
	838851570		1	SHIM (0.3)
	838851580		1	SHIM (0.5)
	831291170		1	PLATE-CAMSHAFT SHIM
	831291180		1	PLATE-CAMSHAFT SHIM
43	831241090		1	RING-CAMSHAFT ADJUST
44	838951010		1	KEY (220 H.P.) -
45	831231050		1	CAMSHAFT-INJECTION PUMP
46	831141020		1	COVER-CONTROL RACK (220 H.P.) -
47	838351310		1	BOLT-JOINT
48	838771100		2	WASHER
49	838651290		1	SCREW
50	833441140		1	FLYWEIGHT
51	831041630		6	ELEMENT ASSEMBLY-INJECTION PUMP (175 H.P.) -
	831041620		6	ELEMENT ASSEMBLY-INJECTION PUMP (220 H.P.) -
52	831031080		6	VALVE ASSEMBLY-DELIVERY
53	838471090		6	GASKET
54	831251020		6	SPRING-DELIVERY VALVE
55	838851440		6	SHIM (0.1)
	838851450		6	SHIM (0.2)
	838851460		6	SHIM (0.15)
56	834999968		6	STOPPER-DELIVERY VALVE
57	838171130		6	O RING
58	834999969		6	HOLDER-DELIVERY VALVE
59	831091170		3	PLATE ASSEMBLY-VALVE HOLDER LOCK

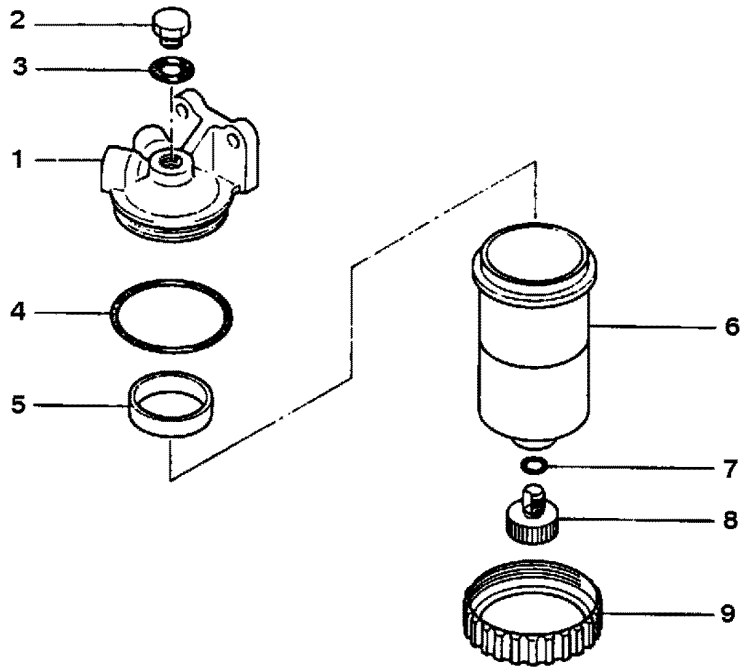
# PUMP ASSEMBLY - FUEL FEED



## PUMP ASSEMBLY - FUEL FEED

REF. NO.	PART NO.	SYM.	QTY.	DESCRIPTION
-	<b>835701250</b>		<b>1</b>	<b>PUMP ASSEMBLY-FUEL FEED</b>
1	835801080		1	HOUSING ASSEMBLY-FEED PUMP
2	835651140		1	ROD-FEED PUMP PUSH (.10)
	835651150		1	ROD-FEED PUMP PUSH (.30)
	835651160		1	ROD-FEED PUMP PUSH (.40)
	835651170		1	ROD-FEED PUMP PUSH (.50)
	835651180		1	ROD-FEED PUMP PUSH (.60)
	835651190		1	ROD-FEED PUMP PUSH (.70)
3	838271090		1	SEAL-OIL
4	835721080		2	BLOCK-FEED PUMP TAPPET SLIDING
5	835681180		1	TAPPET-FEED PUMP
6	835691110		1	ROLLER-FEED PUMP TAPPET
7	838871160		1	RING-RETAINER
8	835711100		1	PIN-FEED PUMP TAPPET ROLLER
9	838351370		1	BOLT-JOINT
10	835741040		1	FILTER-FEED PUMP
11	27-838471040		4	GASKET
12	835661110		1	PISTON-FEED PUMP
13	835671020		1	PLUG-SCREW
14	838471690		1	GASKET
15	838451360		1	PLUG-SCREW
16	838351310		1	BOLT-JOINT
17	835631041		2	VALVE-FEED PUMP CHECK
18	835621020		2	PLUG-SCREW
19	838471680		2	GASKET
20	838451350		1	PLUG-SCREW
21	835091160		1	BOLT-JOINT

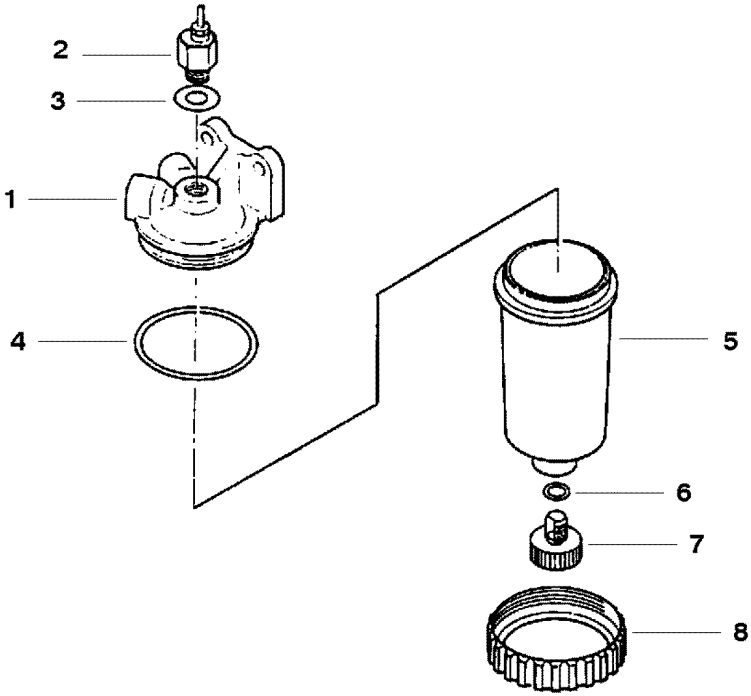
# SEPARATOR ASSEMBLY - WATER (175 H.P.)



## SEPARATOR ASSEMBLY - WATER (175 H.P.)

REF. NO.	PART NO.	SYM.	QTY.	DESCRIPTION
-	<b>838031080</b>		1	<b>SEPARATOR ASSEMBLY-WATER (175 H.P.) -</b>
1	833601010		1	COVER ASSEMBLY-WATER SEPARATOR
2	10-833161030		1	PLUG-AIR
3	12-833641010		1	GASKET-AIR PLUG
4	25-835159101		1	O RING
5	23-833721010		1	FLOAT
6	833701010		1	BODY ASSEMBLY-WATER SEPARATOR
7	25-835109103		1	O RING
8	19-833221030		1	PLUG-DRAIN
9	53-833621020		1	RING-RETAINER

# SEPARATOR ASSEMBLY - WATER (220 H.P.)

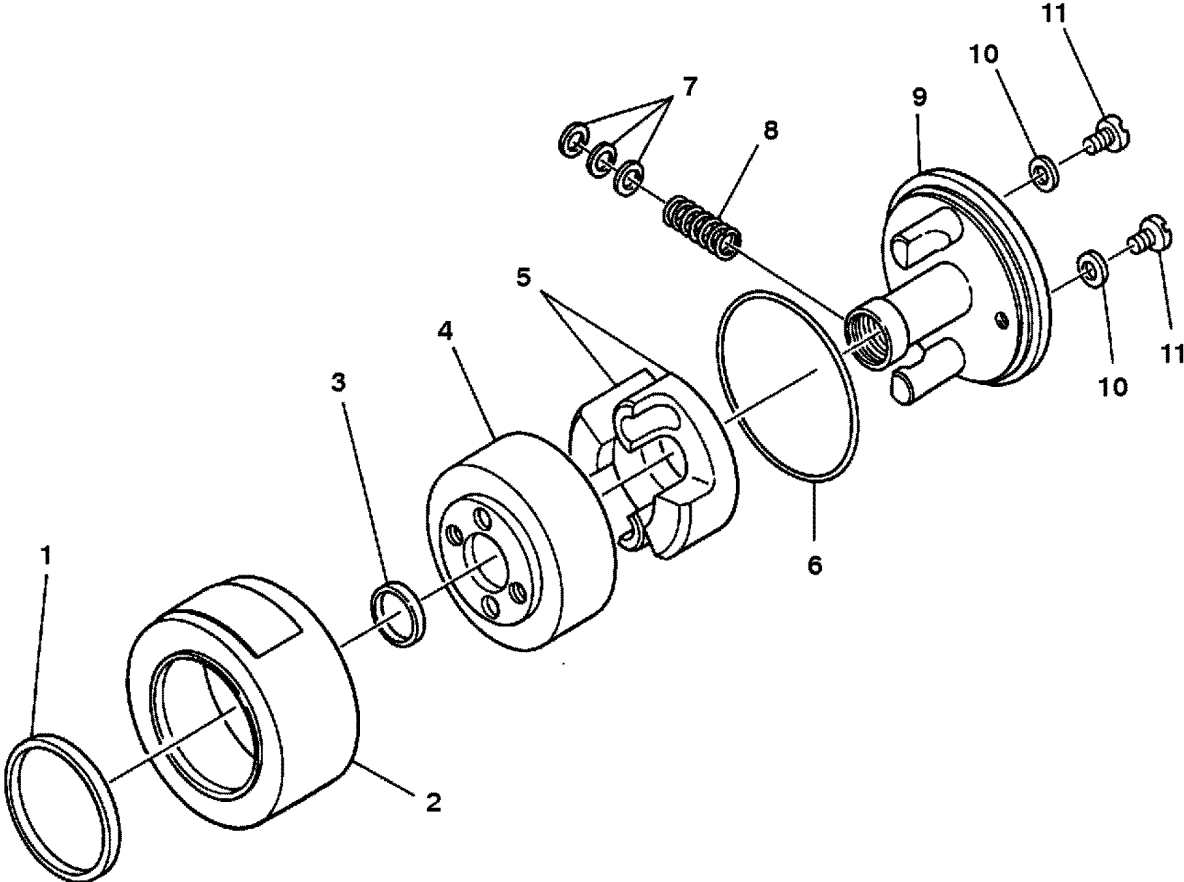




## SEPARATOR ASSEMBLY - WATER (220 H.P.)

REF. NO.	PART NO.	SYM.	QTY.	DESCRIPTION
-	838031160		1	SEPARATOR ASSEMBLY-WATER (220 H.P.)
1	833601020		1	COVER ASSEMBLY-WATER SEPARATOR
2	87-834601150		1	SWITCH ASSEMBLY-LEVEL WARNING
3	12-833641010		1	GASKET-AIR PLUG
4	25-835159101		1	O RING
5	833701050		1	BODY ASSEMBLY-WATER SEPARATOR
6	25-835109103		1	O RING
7	19-833221030		1	PLUG-DRAIN
8	53-833621020		1	RING-RETAINER

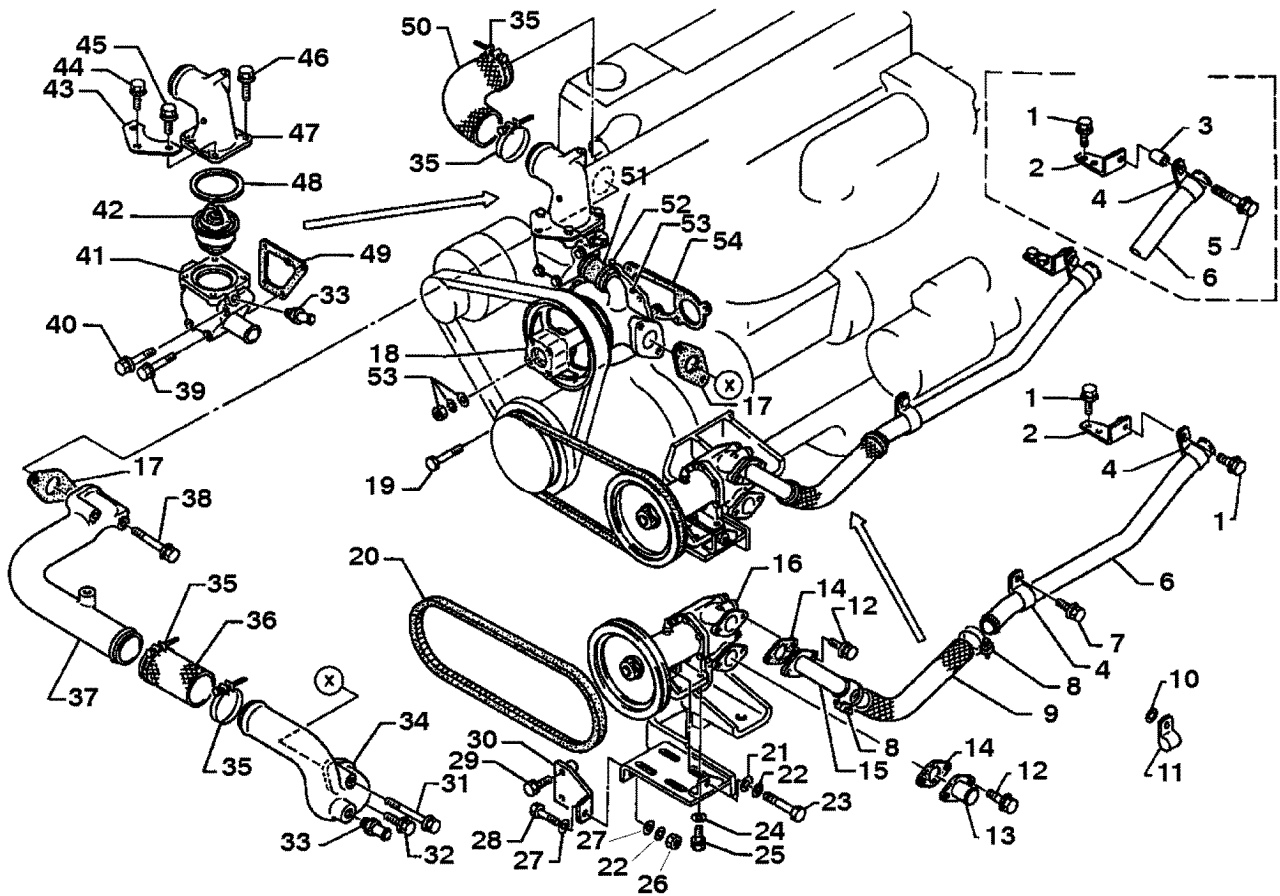
# TIMER ASSEMBLY - AUTOMATIC



## TIMER ASSEMBLY - AUTOMATIC

REF. NO.	PART NO.	SYM.	QTY.	DESCRIPTION
-	835101160		1	TIMER ASSEMBLY-AUTOMATIC (175 H.P.) -
-	835101420		1	TIMER ASSEMBLY-AUTOMATIC (220 H.P.) -
1	838271050		1	SEAL-OIL
2	835121060		1	COVER-TIMER
3	838271210		1	SEAL-OIL
4	835131160		1	FLANGE-TIMER DRIVING (175 H.P.) -
	835131530		1	FLANGE-TIMER DRIVING (220 H.P.) -
5	835141090		1	WEIGHT-TIMER (175 H.P.) -
	835141300		2	WEIGHT-TIMER (220 H.P.) -
6	838131170		1	O RING
7	834999967		1	SHIM (.07)
	834999966		1	SHIM (.08)
	834999965		1	SHIM (.09)
	834999964		1	SHIM (1.0)
	834999963		1	SHIM (1.1)
8	835151150		2	SPRING-TIMER (175 H.P.) -
	835151620		2	SPRING-TIMER (220 H.P.) -
9	835161100		1	HUB-TIMER
10	838631180		2	WASHER
11	838611130		2	SCREW

# COOLING SYSTEM - RAW WATER (175 H.P.)



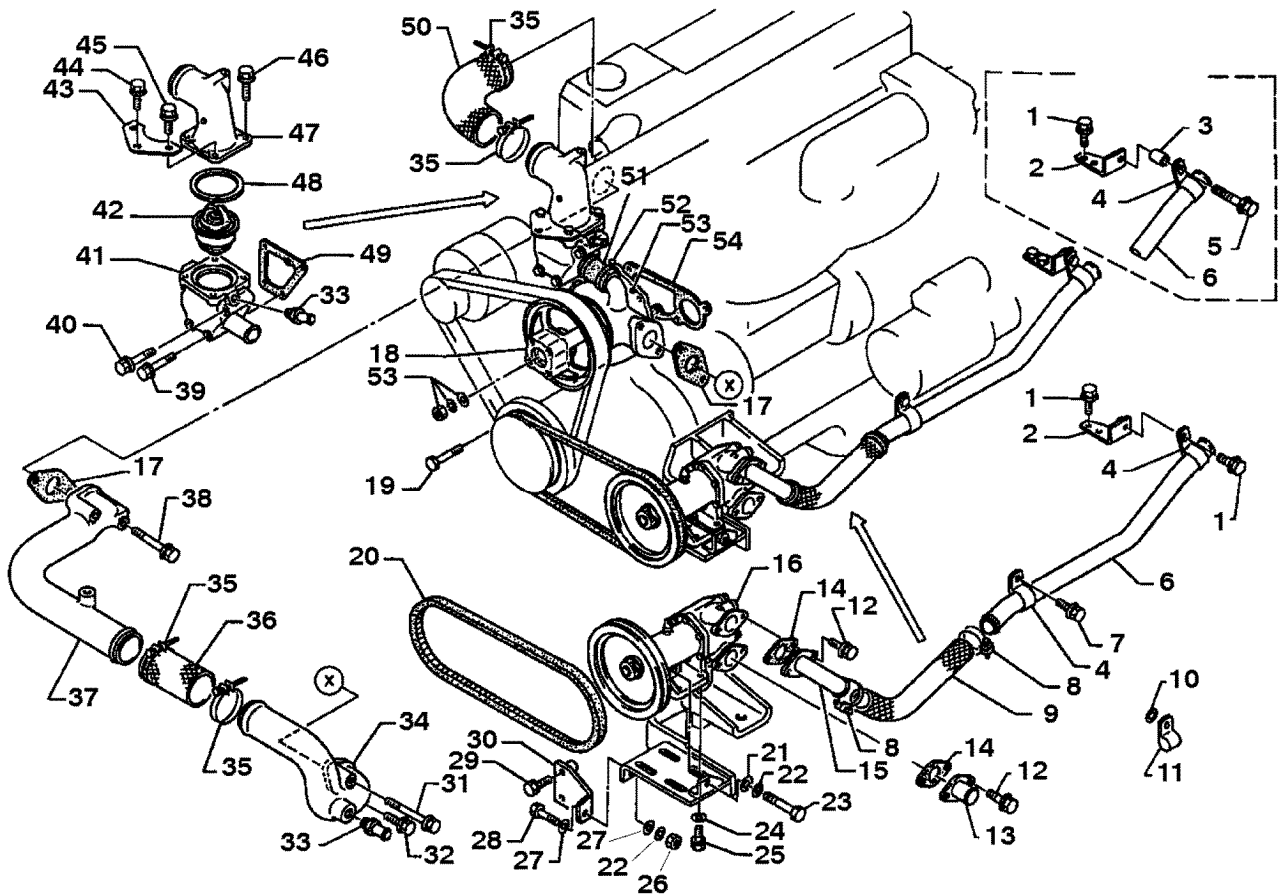
## COOLING SYSTEM - RAW WATER (175 H.P.)

REF. NO.	PART NO.	SYM.	QTY.	DESCRIPTION
1	10-839108201		2	BOLT
2	834922551		1	HOLDER-CLIP
3	830116199		1	SPACER
4	836932101		2	CLAMP
5	10-839108452		1	BOLT
6	831151120		1	PIPE-RAW WATER PUMP OUTLET
7	839108122		1	BOLT
8	54-836404220		2	CLAMP
9	32-830234363		1	HOSE-WATER
10	12-836008180		1	WASHER
11	839041230		1	CLIP ASSEMBLY
12	10-839108202		4	BOLT
13	830211250		1	PIPE ASSEMBLY-RAW WATER PUMP SUCTION
14	830115229		2	GASKET
15	32-830231120		1	PUMP ASSEMBLY-RAW WATER PUMP OUTLET
16	831002480	●	1	PUMP ASSY-RAW WATER (SEE PUMP ASSEMBLY - RAW WATER 831001170) (SERIAL # 2900 & BELOW)
	831002481		1	PUMP ASSY-RAW WATER (SEE PUMP ASSEMBLY - RAW WATER 831001170, (SERIAL # 2901 & UP)
17	27-830115217		2	GASKET
18	831731201		1	PULLEY-COOLANT PUMP
19	831110601		4	BOLT
20	830149104		1	V BELT SET (2 BELTS)
21	12-836010220		1	WASHER
22	838010250		2	LOCKWASHER
23	10-831910281		1	BOLT
24	836010300		4	WASHER
25	10-830110250		4	BOLT
26	830110080		1	NUT
27	12-836010180		2	WASHER
28	10-831110300		1	BOLT
29	839108701		2	BOLT
30	833291170		1	BRACKET
31	10-831110651		1	BOLT
32	10-831110251		1	BOLT
33	833211020		2	JOINT-WATER HOSE THROUGH
34	831131500		1	PIPE-COOLANT PUMP SUCTION
35	836962101		4	CLAMP
36	32-830234169		1	HOSE-WATER
37	831131442		1	PIPE-COOLANT PUMP SUCTION
38	831110701		2	BOLT
39	831110852		3	BOLT
40	831110802		1	BOLT

● = SUPERSEDES TO ANOTHER PART NUMBER

CONTINUED ON NEXT PAGE ➡

# COOLING SYSTEM - RAW WATER (175 H.P.)

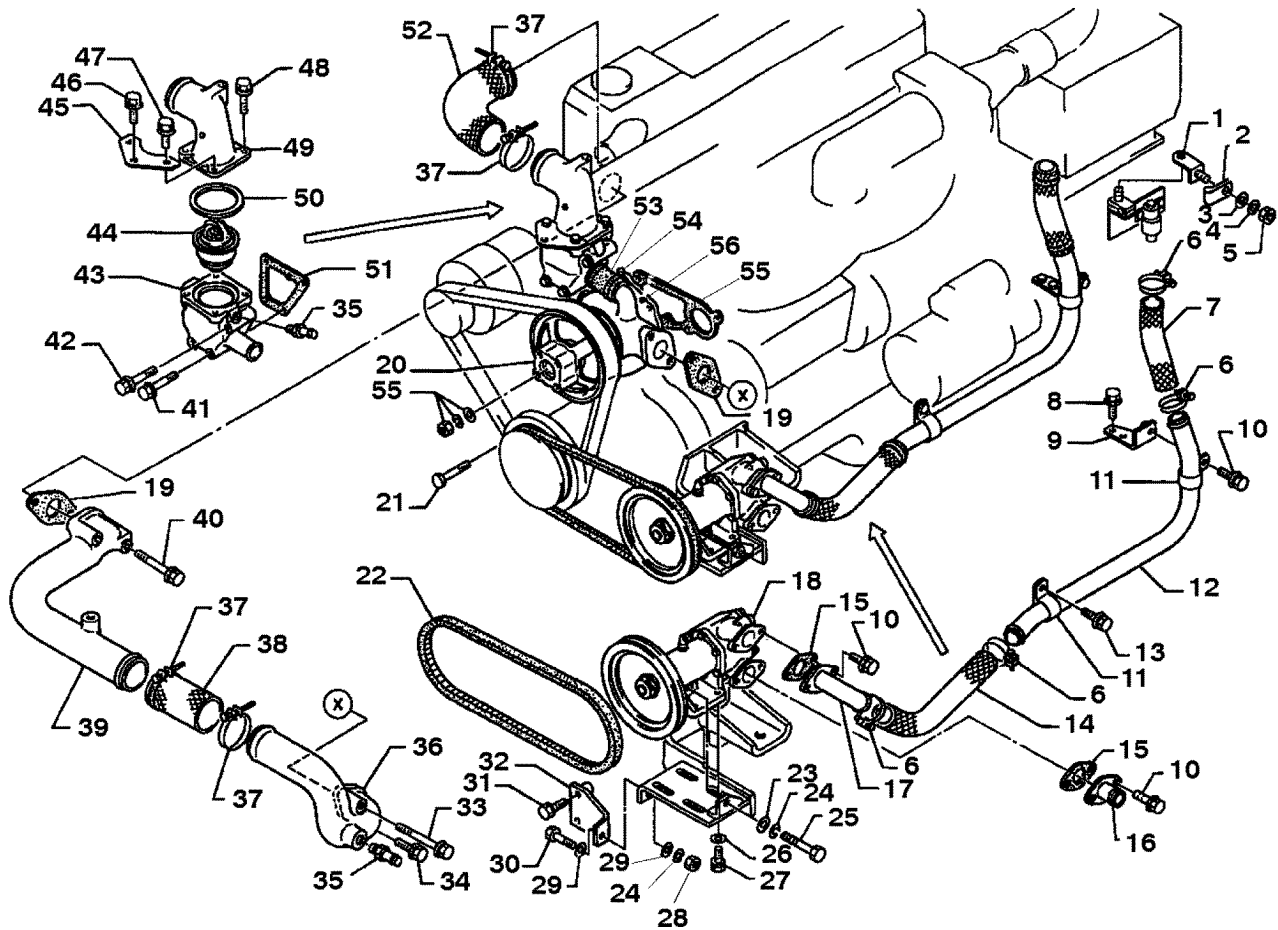


## COOLING SYSTEM - RAW WATER (175 H.P.)

REF. NO.	PART NO.	SYM.	QTY.	DESCRIPTION
41	833211882		1	CASE-THERMOSTAT
42	830146187		1	THERMOSTAT
43	833361140		1	BRACKET-COOLANT PIPE
44	831110252		1	BOLT
45	10-831110401		2	BOLT
46	10-831110301		2	BOLT
47	833231240		1	COVER-THERMOSTAT CASE
48	833251111	■	1	GASKET-THERMOSTAT
49	27-833251290	■●	1	GASKET-THERMOSTAT
50	32-830234337		1	HOSE-WATER
51	32-830234167		1	HOSE-WATER
52	836948103		2	CLAMP
53	831001170		1	PUMP ASSEMBLY-COOLANT (SEE PUMP ASSEMBLY - RAW WATER 831001170)
54	27-831391022		1	GASKET
-	<b>FG1030</b>		-	<b>GASKET SET CONTENTS INDICATED BY FOOTNOTE 11.</b>

- = SUPERSEDES TO ANOTHER PART NUMBER
- = COMPONENT OF ENGINE GASKET SET [FG1030]

# COOLING SYSTEM - RAW WATER (220 H.P.)



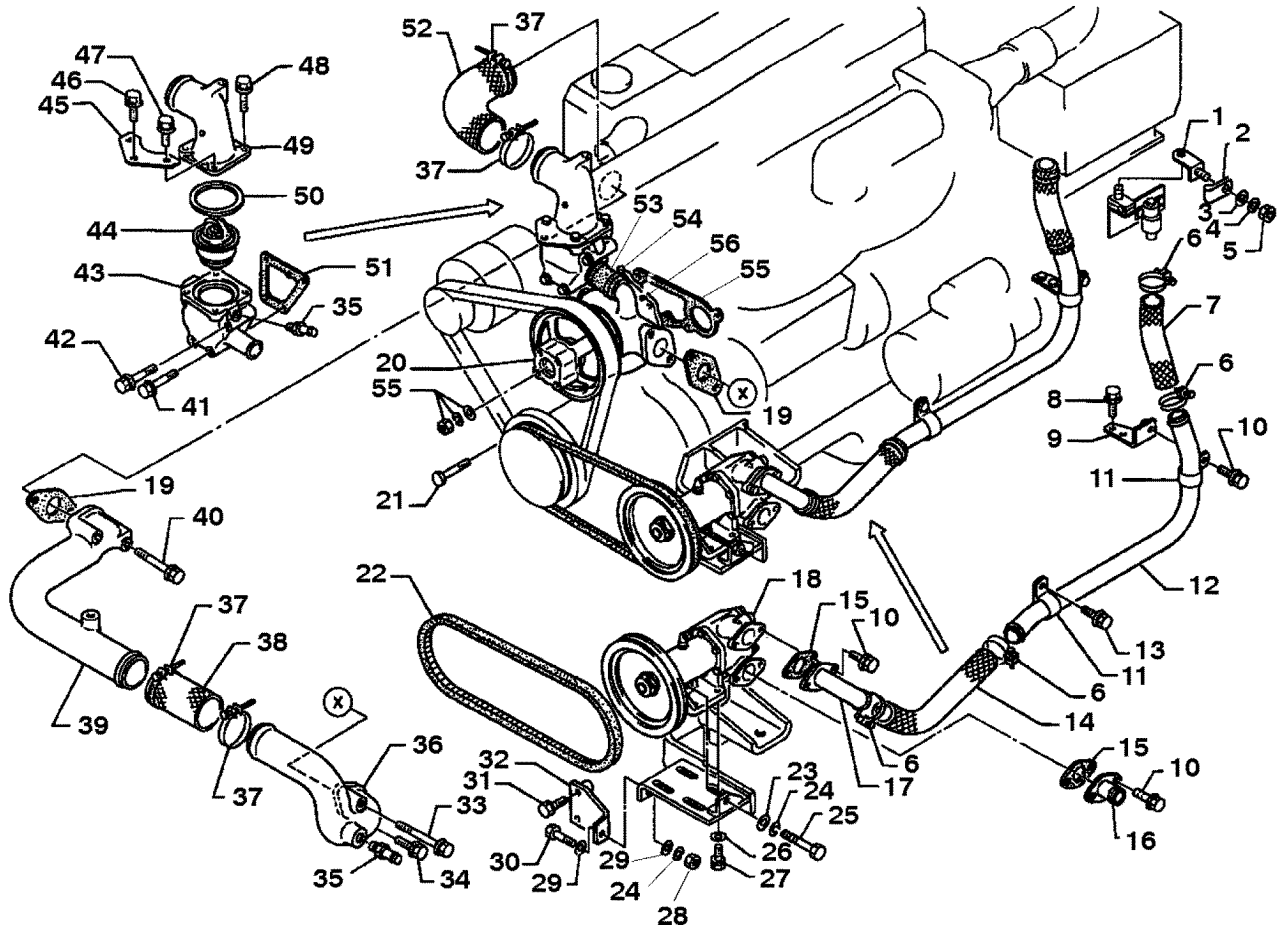


## COOLING SYSTEM - RAW WATER (220 H.P.)

REF. NO.	PART NO.	SYM.	QTY.	DESCRIPTION
1	834921120		1	HOLDER-CLIP
2	839041230		1	CLIP ASSEMBLY
3	12-836008180		1	WASHER
4	13-838008200		1	LOCKWASHER
5	11-830108070		1	NUT
6	54-836404220		4	CLAMP
7	32-830234156		1	HOSE-WATER
8	10-839108201		2	BOLT
9	834922551		1	HOLDER-CLIP
10	10-839108202		5	BOLT
11	836932101		2	CLAMP
12	831151110		1	PIPE-RAW WATER PUMP OUTLET
13	839108122		1	BOLT
14	32-830234363		1	HOSE-WATER
15	830115229		2	GASKET
16	830211250		1	PIPE ASSEMBLY-RAW WATER PUMP SUCTION
17	32-830231120		1	PIPE ASSEMBLY-RAW WATER PUMP OUTLET
18	831002481		1	PUMP ASSEMBLY-RAW WATER ( <b>SEE PUMP ASSEMBLY - RAW WATER 831002480, 831002481</b> )
19	27-830115217		2	GASKET
20	831731201		1	PULLEY-COOLANT PUMP
21	831110601		4	BOLT
22	830149104		1	V BELT SET (2 BELTS)
23	12-836010220		1	WASHER
24	838010250		2	LOCKWASHER
25	10-831910281		1	BOLT
26	836010300		4	WASHER
27	10-830110250		4	BOLT
28	830110080		1	NUT
29	12-836010180		2	WASHER
30	10-831110300		1	BOLT
31	839108701		2	BOLT
32	833291170		1	BRACKET
33	10-831110651		1	BOLT
34	10-831110251		1	BOLT
35	833211020		2	JOINT-WATER HOSE THROUGH
36	831131500		1	PIPE-COOLANT PUMP SUCTION
37	836962101		4	CLAMP
38	32-830234169		1	HOSE-WATER
39	831131442		1	PIPE-COOLANT PUMP SUCTION
40	831110701		2	BOLT
41	831110852		4	BOLT
42	831110802		1	BOLT

CONTINUED ON NEXT PAGE ➡

# COOLING SYSTEM - RAW WATER (220 H.P.)

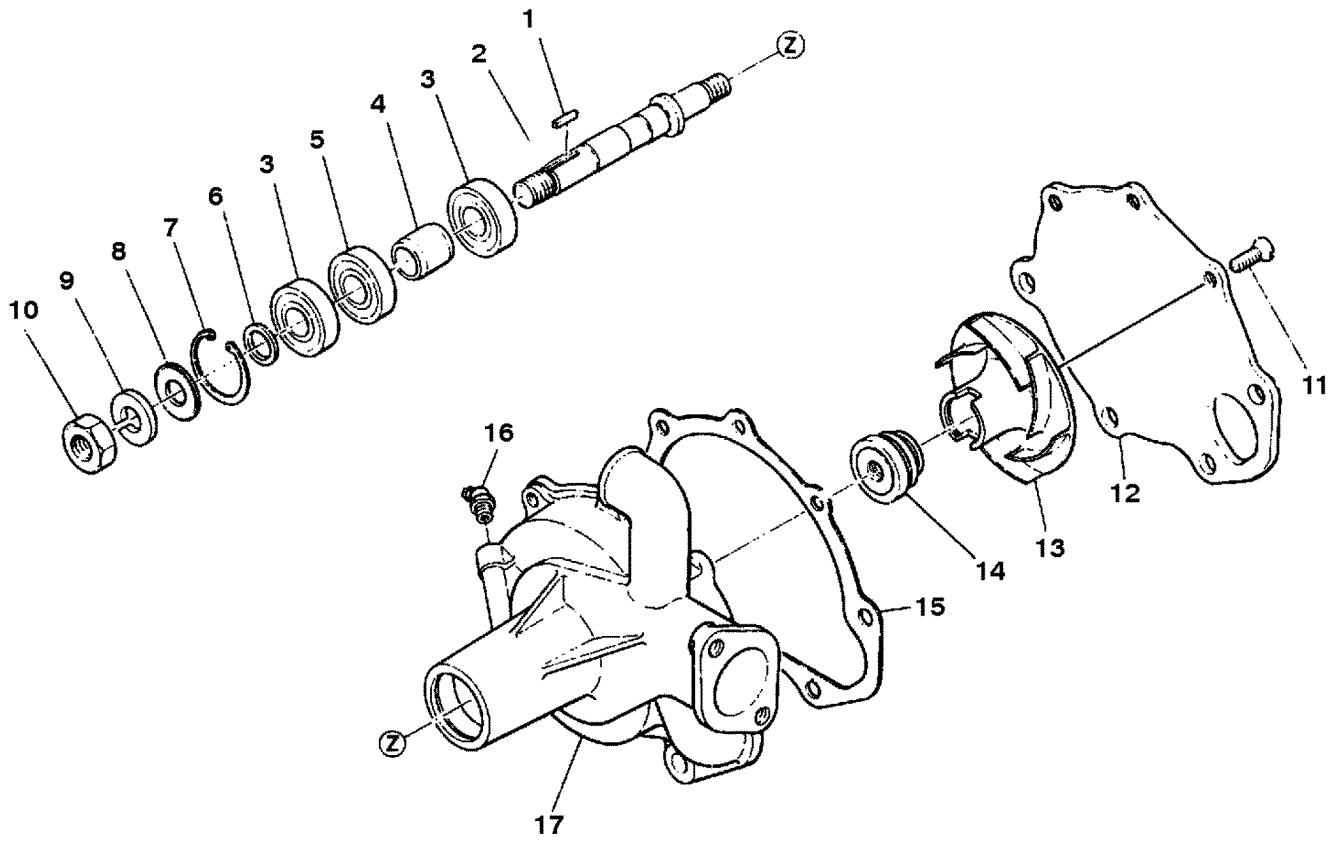


## COOLING SYSTEM - RAW WATER (220 H.P.)

REF. NO.	PART NO.	SYM.	QTY.	DESCRIPTION
43	833211882		1	CASE-THERMOSTAT
44	830146187		1	THERMOSTAT
45	833361140		1	BRACKET-COOLANT PIPE
46	831110252		1	BOLT
47	10-831110401		2	BOLT
48	10-831110301		2	BOLT
49	833231240		1	COVER-THERMOSTAT CASE
50	833251111	■	1	GASKET-THERMOSTAT
51	27-833251290	■●	1	GASKET-THERMOSTAT
52	32-830234337		1	HOSE-WATER
53	32-830234167		1	HOSE-WATER
54	836404620		2	CLAMP
55	831001170		1	PUMP ASSEMBLY-COOLANT (SEE PUMP ASSEMBLY - RAW WATER 831002480, 831002481)
56	27-831391022		1	GASKET
-	<b>FG1030</b>		-	<b>GASKET SET CONTENTS INDICATED BY FOOTNOTE 11.</b>

- = SUPERSEDES TO ANOTHER PART NUMBER
- = COMPONENT OF ENGINE GASKET SET [FG1030]

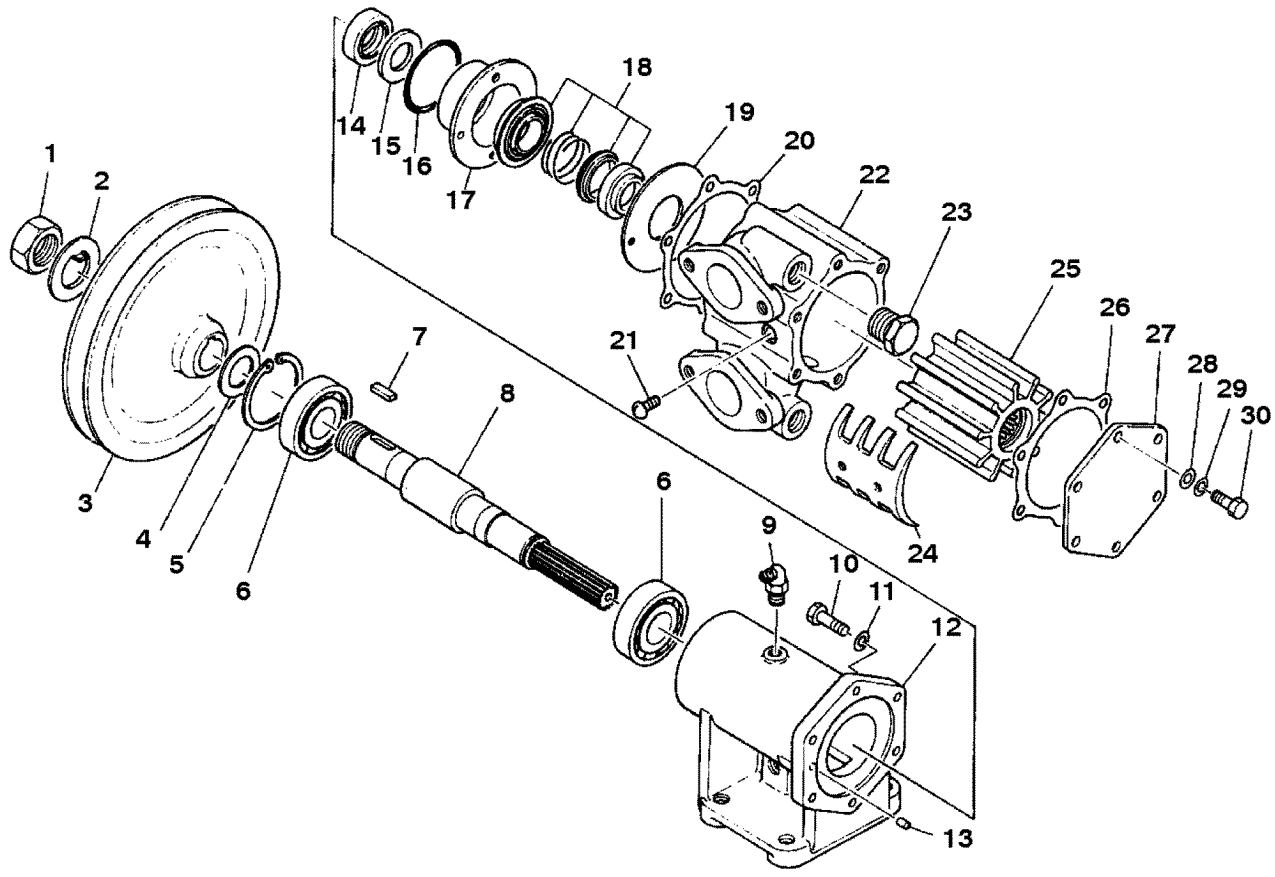
# PUMP ASSEMBLY - COOLANT (831001170)



## PUMP ASSEMBLY - COOLANT (831001170)

REF. NO.	PART NO.	SYM.	QTY.	DESCRIPTION
-	<b>831001170</b>		1	<b>PUMP ASSEMBLY-COOLANT</b>
1	833907104		1	KEY
2	831451091		1	SHAFT-COOLANT PUMP
3	30-838125122		2	BEARING-BALL
4	23-830129127		1	COLLAR
5	30-838125121		1	BEARING-BALL
6	12-836924106		1	WASHER
7	53-831352200		1	RING-RETAINER
8	12-836218360		1	WASHER
9	13-838018460		1	LOCKWASHER
10	11-830118150		1	NUT
11	10-831008200		3	BOLT
12	831211120		1	COVER-COOLANT PUMP
13	831311300		1	VANE-COOLANT PUMP
14	26-831041160		1	SEAL ASSEMBLY-COOLANT PUMP
15	27-831291130		1	GASKET-COOLANT PUMP COVER
16	830210101		1	FITTING-LUBRICATION
17	831111470		1	CASE-COOLANT PUMP

# PUMP ASSEMBLY - RAW WATER (831002480) (831002481)

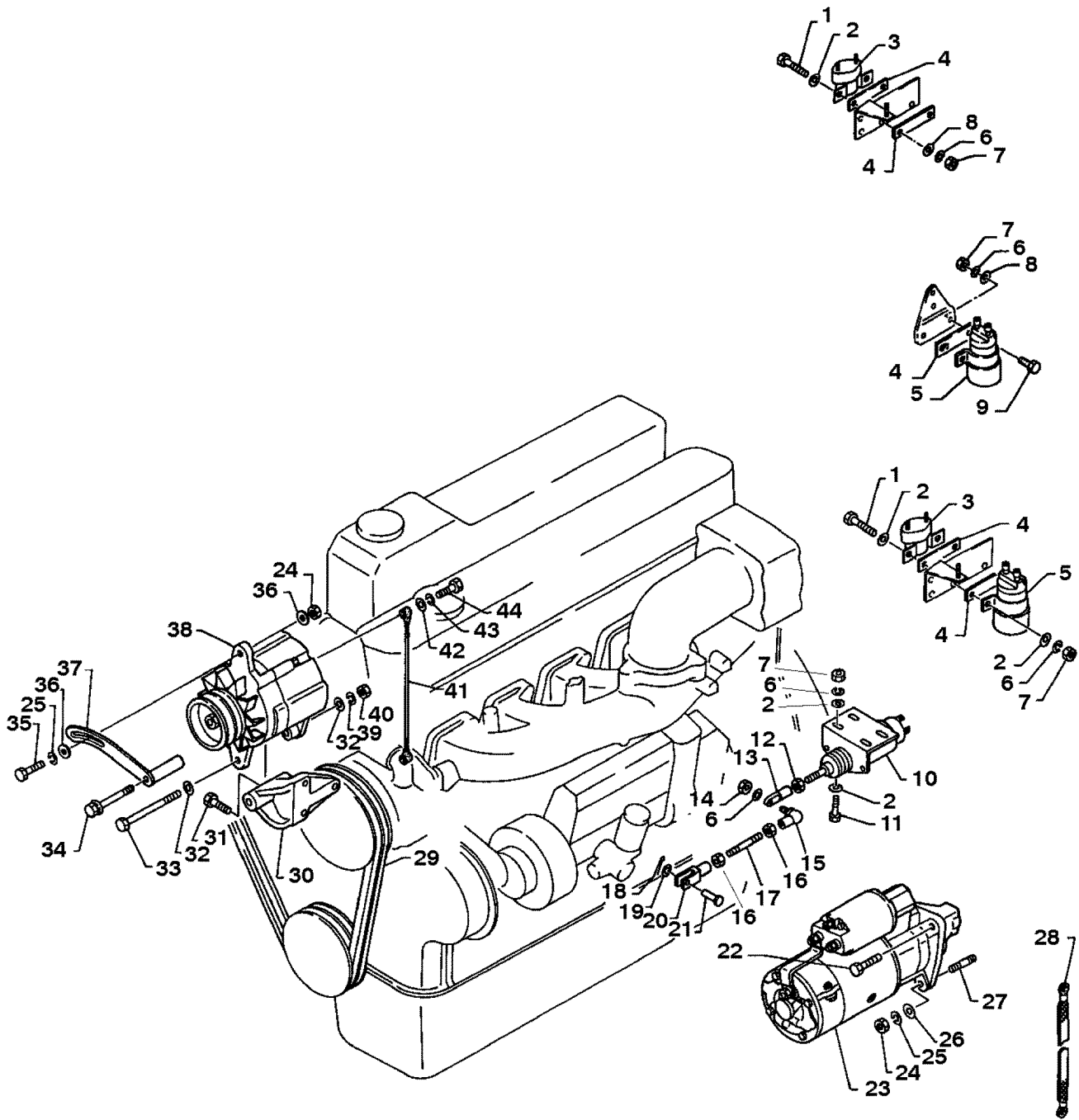


# PUMP ASSEMBLY - RAW WATER (831002480) (831002481)

REF. NO.	PART NO.	SYM.	QTY.	DESCRIPTION
-	831002480	●	1	PUMP ASSEMBLY-RAW WATER (WITH REF NO. 9)
-	831002481		1	PUMP ASSEMBLY-RAW WATER (WITHOUT REF NO. 9)
1	11-831481020		1	NUT (FOR PUMP ASSY [831002480])
	11-831481070		1	NUT (FOR PUMP ASSY [831002481])
2	14-831171040		1	PLATE-RAW WATER PUMP (FOR PUMP ASSY [831002480])
	831171080		1	PLATE-RAW WATER PUMP (FOR PUMP ASSY [831002481])
3	831732350		1	PULLEY-RAW WATER PUMP
4	23-831171030		1	PLATE-RAW WATER PUMP (FOR PUMP ASSY [831002480])
	23-831171070		2	PLATE-RAW WATER PUMP (FOR PUMP ASSY [831002481])
5	53-831261080		1	RETAINER-RAW WATER PUMP BEARING
6	30-831721080		2	BEARING (FOR PUMP ASSY [831002480])
	30-831721140		2	BEARING (FOR PUMP ASSY [831002481])
7	28-838911110		1	KEY
8	831451630		1	SHAFT-RAW WATER PUMP (FOR PUMP ASSY [831002480])
	831451780		1	SHAFT-RAW WATER PUMP (FOR PUMP ASSY [831002481])
9	22-830511310		1	COCK ASSEMBLY-RAW WATER (FOR PUMP ASSY [831002480])
10	10-831451210		6	BOLT
11	13-831641030		6	SPRING-RAW WATER PUMP
12	831111690		1	CASE-RAW WATER PUMP (FOR PUMP ASSY [831002480])
	831111960		1	CASE-RAW WATER PUMP (FOR PUMP ASSY [831002481])
13	831471110		1	PIN
14	26-831621050		1	SEAL-RAW WATER PUMP SHAFT
15	12-831471040		1	SLINGER
16	25-831391300		1	GASKET
17	831661020		1	SEAT-RAW WATER PUMP FLOATING
18	26-831041200		1	SEAL ASSEMBLY-RAW WATER PUMP
19	12-831211310		1	COVER-RAW WATER PUMP
20	27-831191200		1	GASKET-RAW WATER PUMP CASE
21	10-831361090		2	SCREW
22	831111680		1	CASE-RAW WATER PUMP
23	19-831161070		2	PLUG
24	831661030		1	SEAT-RAW WATER PUMP FLOATING
25	47-809866		1	VANE-RAW WATER PUMP
26	27-831191200		1	GASKET-RAW WATER PUMP CASE
27	831211320		1	COVER-RAW WATER PUMP
28	12-831171050		6	PLATE-RAW WATER PUMP
29	13-831641020		6	SPRING-RAW WATER PUMP
30	10-831451200		6	BOLT

● = SUPERSEDES TO ANOTHER PART NUMBER

# ELECTRICAL PARTS





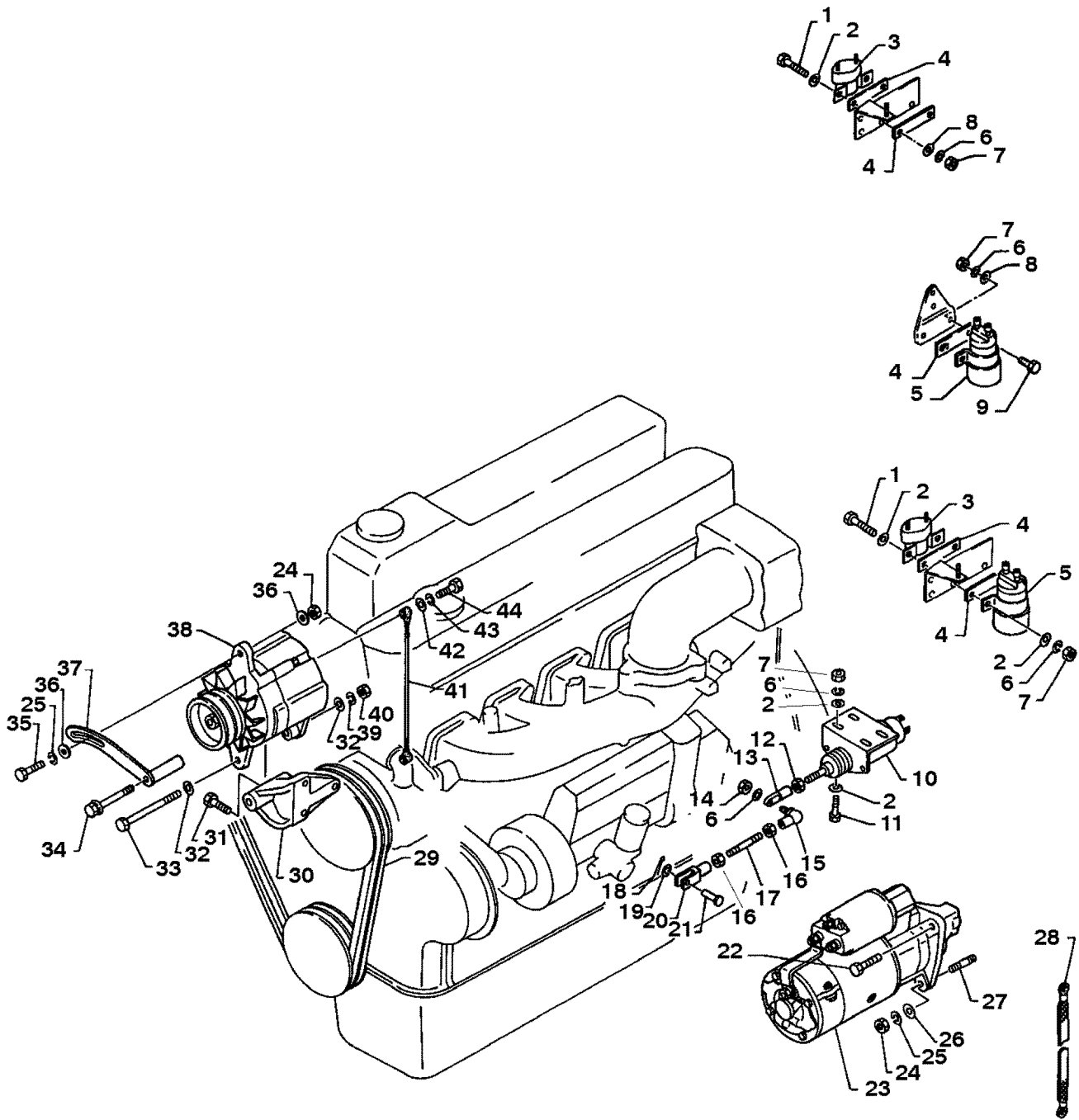
# ELECTRICAL PARTS

REF. NO.	PART NO.	SYM.	QTY.	DESCRIPTION
1	831106250		2	BOLT
2	836006140		12	WASHER (175 H.P.) -
	836006140		10	WASHER (220 H.P.) -
3	834101220		1	RELAY ASSEMBLY-START BLOCK
4	834551130		2	PLATE (175 H.P.) -
	834551130		4	PLATE (220 H.P.) -
5	836201260		1	RELAY ASSEMBLY-INTAKE AIR HEATER
6	13-838006150		7	LOCKWASHER (175 H.P.) -
	13-838006150		9	LOCKWASHER (220 H.P.) -
7	11-830106050		6	NUT (175 H.P.) -
	11-830106050		8	NUT (220 H.P.) -
8	836006240		4	WASHER (220 H.P.) -
9	831106250		2	BOLT (220 H.P.) -
10	89-817230		1	SOLENOID ASSEMBLY
11	10-831106200		4	BOLT
12	11-830906125		1	NUT
13	835906123		1	CLEVIS
14	11-830006050		1	NUT
15	832501020		1	JOINT ASSEMBLY-LINK ROD
16	11-831006040		2	LOCKNUT
17	16-836030110		1	ROD-LINK
18	17-830901101		1	PIN
19	12-836006120		1	WASHER
20	17-835106200		1	CLEVIS
21	17-831106170		1	PIN-CLEVIS
22	10-831110352		2	BOLT
23	831001671	●	1	STARTER ASSEMBLY (SERIAL # 2562 AND BELOW) (SEE STARTER ASSEMBLY 831001671, 831001672)
	831001672	●	1	STARTER ASSEMBLY (SERIAL # 2563 THRU 2910) (SEE STARTER ASSEMBLY 831001671, 831001672)
	831002050	●	1	STARTER ASSEMBLY (SERIAL # 2911 THRU 2918) (SEE STARTER ASSEMBLY 831002050, 831002051, 831002052)
	831002051		1	STARTER ASSEMBLY (SERIAL # 2919 THRU 3188) (SEE STARTER ASSEMBLY 831002050, 831002051, 831002052)
	831002052		1	STARTER ASSEMBLY (SERIAL # 3189 AND UP) (SEE STARTER ASSEMBLY 831002050, 831002051, 831002052)
24	830110080		2	NUT
25	838010250		2	LOCKWASHER
26	12-836010220		1	WASHER
27	834110300		1	STUD
28	84-830803116		1	STRAP-BAND
29	830149119		1	V BELT SET (2 BELTS)
30	835111690		1	BRACKET-ALTERNATOR
31	10-831110251		3	BOLT

● = SUPERSEDES TO ANOTHER PART NUMBER

CONTINUED ON NEXT PAGE ➡

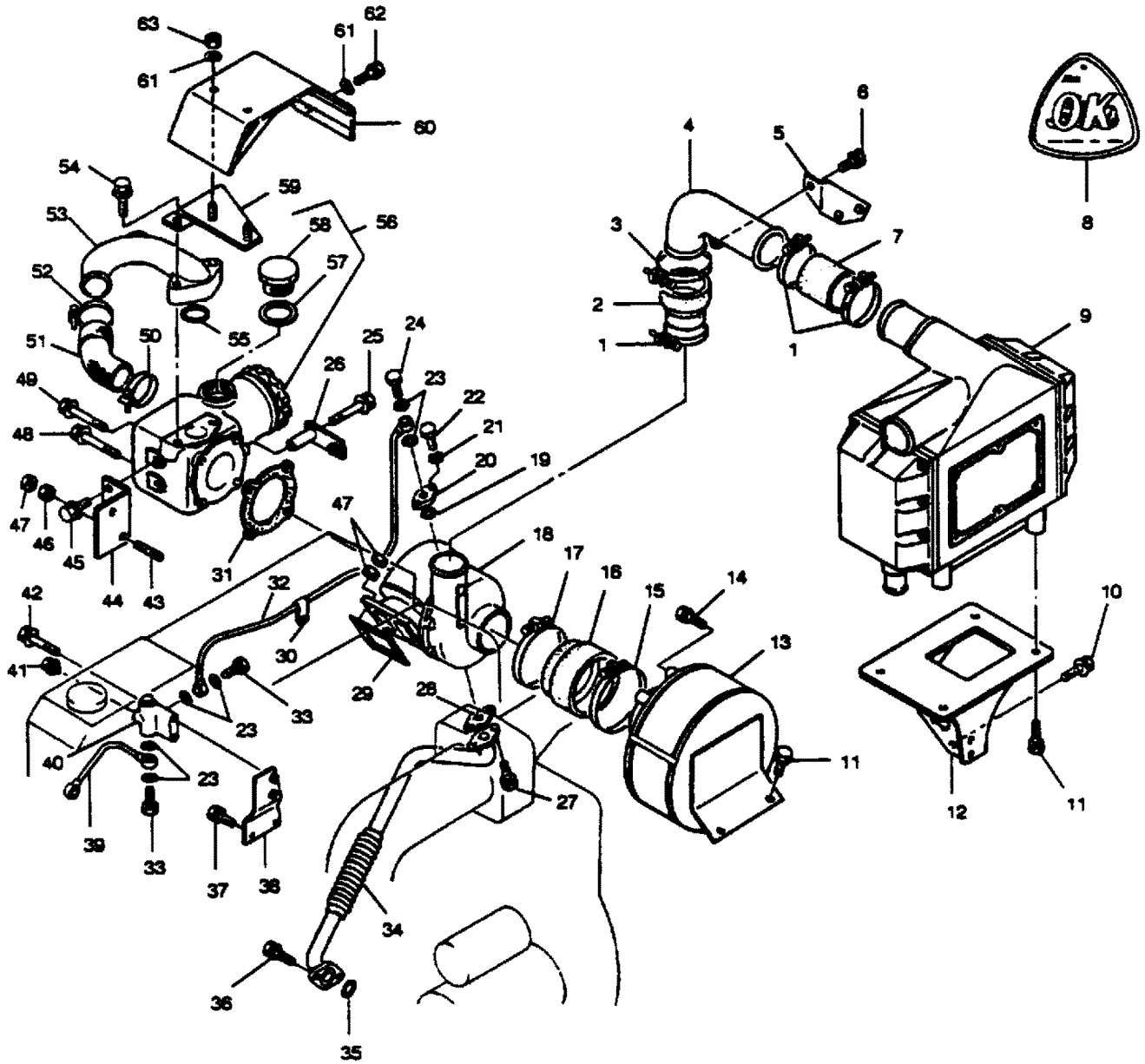
# ELECTRICAL PARTS



# ELECTRICAL PARTS

REF. NO.	PART NO.	SYM.	QTY.	DESCRIPTION
32	12-836014270		2	WASHER
33	10-831914102		1	BOLT
34	831910105		1	BOLT
35	10-831110400		1	BOLT
36	12-836010330		2	SPACER
37	835091220		1	BRACE ASSEMBLY-ALTERNATOR
38	830401261		1	ALTERNATOR ASSEMBLY-WITH REGULATOR ( <b>SEE ALTERNATOR ASSY</b> )
	830401262		1	ALTERNATOR ASSEMBLY-WITH REGULATOR ( <b>SEE ALTERNATOR ASSY</b> )
39	13-838014350		1	LOCKWASHER
40	11-830114110		1	NUT
41	830642530		1	HARNESS ASSEMBLY-ENGINE
42	12-836008180		1	WASHER
43	13-838008200		1	LOCKWASHER
44	831108160		1	BOLT
NS	F734455		1	HARNESS-WIRING (PORT)
	F734456		1	HARNESS-WIRING (STARBOARD)

# TURBOCHARGER-220 H.P. (DESIGN I) S/N 2188 & BELOW - PAGE 1/2



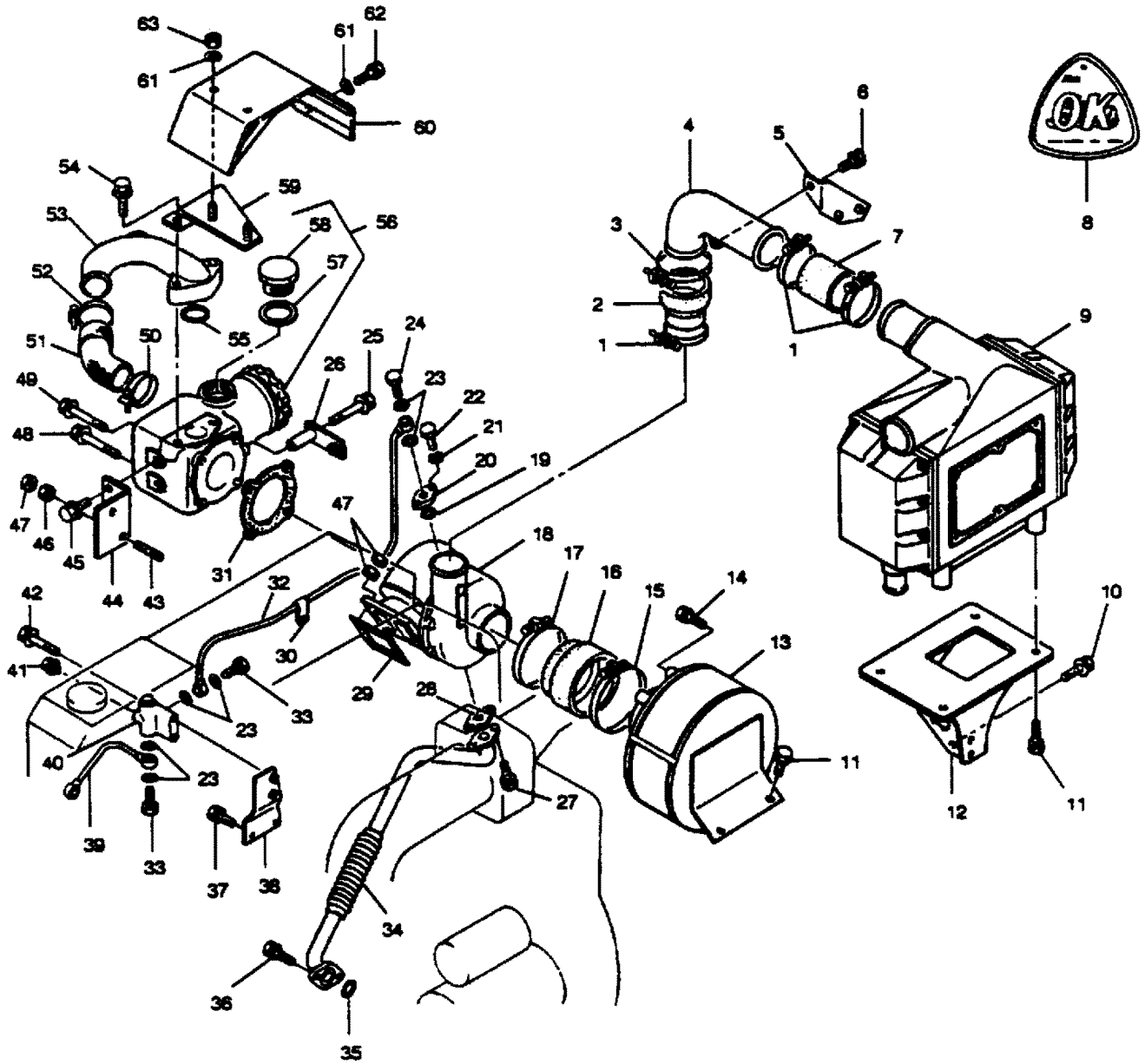
# TURBOCHARGER-220 H.P. (DESIGN I) S/N 2188 & BELOW - PAGE 1/2

REF. NO.	PART NO.	SYM.	QTY.	DESCRIPTION
1	836975103		3	CLAMP
2	32-830233380		1	HOSE-AIR
3	836607010		1	CLAMP
4	32-831132170		1	PIPE-AIR
5	831361590		1	BRACKET-AIR PIPE RETAINER
6	10-839108202		1	BOLT
7	32-830233363		1	HOSE-AIR
8	835794030		1	PLATE-ENGINE CAUTION
9	833001041		1	INTERCOOLER ASSEMBLY (SEE INTERCOOLER ASSY 833001041)
10	10-830114300		4	BOLT
11	10-839108162		6	BOLT
12	833021050		1	BRACKET-INTERCOOLER MOUNTING
13	837202610		1	CLEANER ASSEMBLY-AIR (SEE CLEANER ASSY (220 H.P. 837202610)
14	10-839110252		2	BOLT
15	836901112		1	CLAMP
16	32-830233375		1	HOSE-AIR
17	836994102		1	CLAMP
18	831001501		1	TURBOCHARGER ASSEMBLY
19	25-835113103		1	O RING
20	831371010		1	ADAPTOR-OIL SUPPLY
21	13-838006150		2	LOCKWASHER
22	831106300		2	BOLT
23	12-835912111		7	WASHER
24	10-831912179		2	BOLT
25	10-839108702		1	BOLT
26	830431250		1	BRACKET
27	838106200		2	BOLT
28	27-831351050	■	1	GASKET-TURBO OIL DRAIN
29	27-831041111	■	1	GASKET-TURBO TO EXHAUST MANIFOLD ADAPTOR
30	839041380		1	CLIP-TURBO OIL SUPPLY LINE HOLDER
31	27-831791090	■	1	GASKET-TURBO TO EXHAUST ELBOW
32	831711400		1	LINE-TURBO OIL SUPPLY
33	10-831912179		2	BOLT
34	831071060		1	DRAIN TUBE-TURBO OIL
35	25-835131103	■	1	O RING
36	838110250		2	BOLT
37	10-838108200		2	BOLT
38	831921041		1	BRACKET-OIL LINE ADAPTOR
39	32-831711080		1	PIPE-OIL SUPPLY
40	836021070		1	VALVE-OIL SUPPLY
41	830912102		1	PLUG

■ = COMPONENT OF ENGINE GASKET SET [FG1030]

CONTINUED ON NEXT PAGE ➡

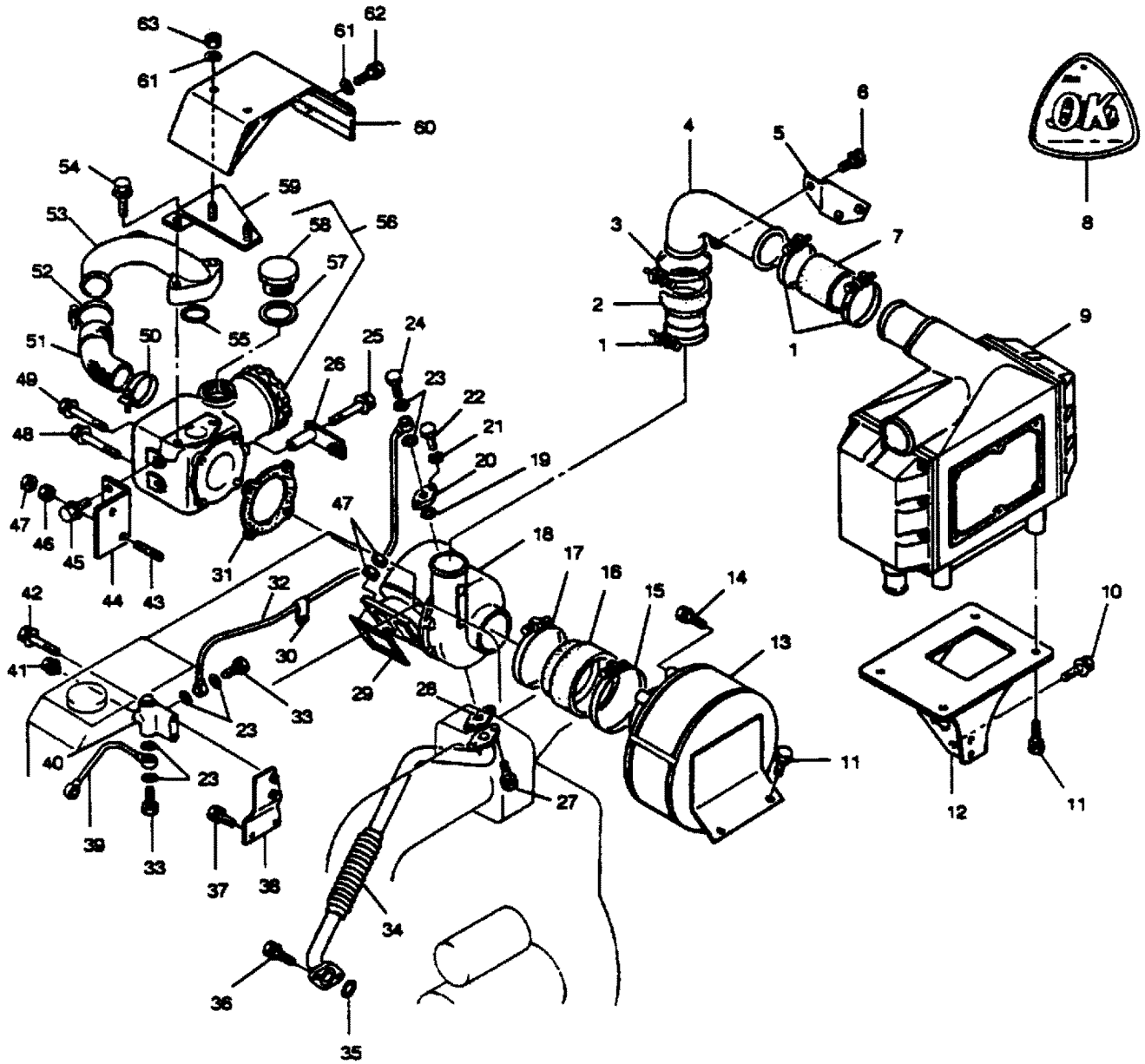
# TURBOCHARGER-220 H.P. (DESIGN I) S/N 2188 & BELOW - PAGE 1/2



# TURBOCHARGER-220 H.P. (DESIGN I) S/N 2188 & BELOW - PAGE 1/2

REF. NO.	PART NO.	SYM.	QTY.	DESCRIPTION
42	839108651		2	BOLT
43	16-836910103		2	STUD
44	834511211		1	BRACKET
45	10-831110251		2	BOLT
46	11-830910141		2	NUT
-	<b>FG1030</b>		-	<b>GASKET SET CONTENTS INDICATED BY FOOTNOTE 11.</b>

# TURBOCHARGER-220 H.P. (DESIGN I) S/N 2188 & BELOW - PAGE 2/2

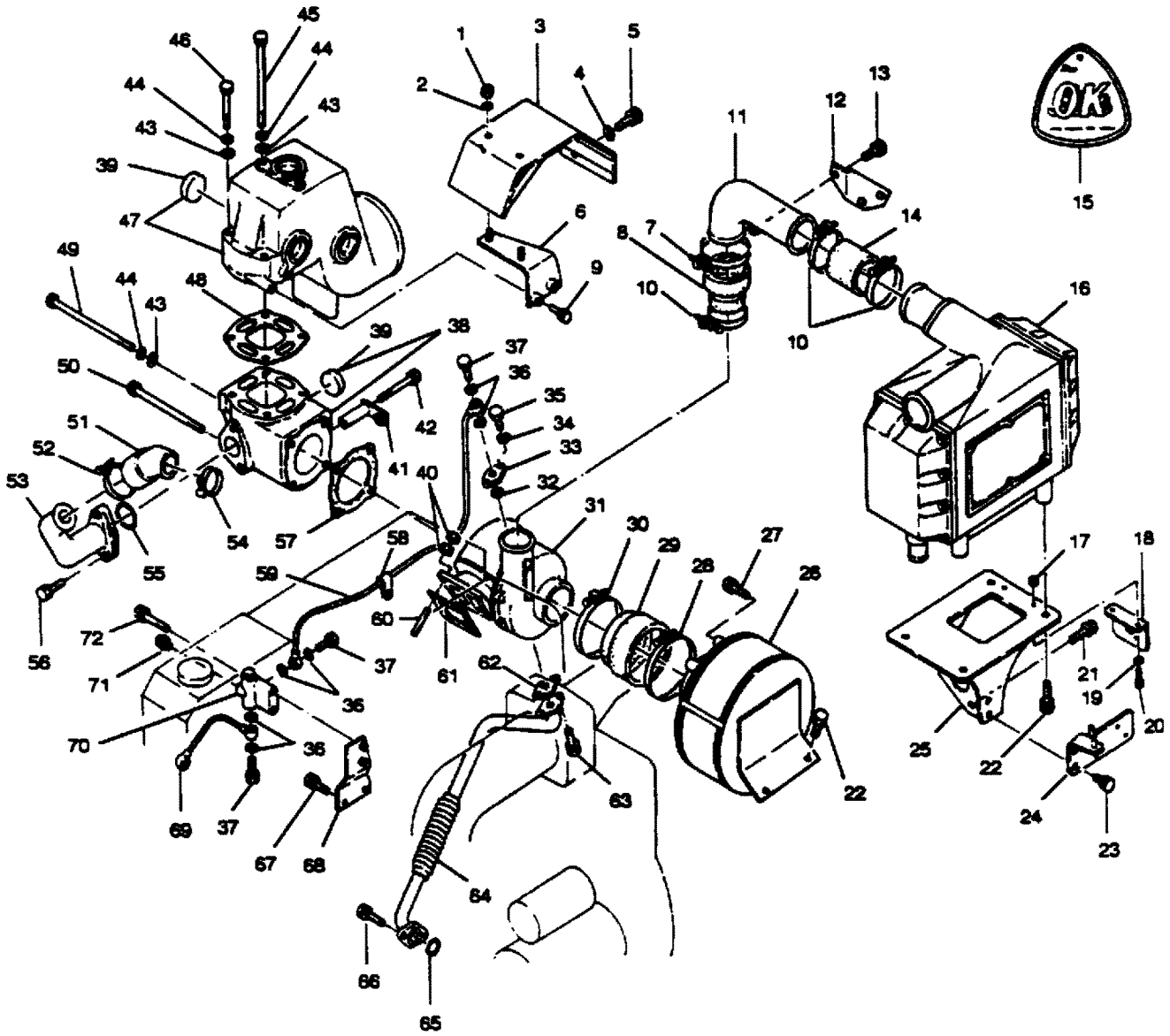




# TURBOCHARGER-220 H.P. (DESIGN I) S/N 2188 & BELOW - PAGE 2/2

REF. NO.	PART NO.	SYM.	QTY.	DESCRIPTION
47	11-830910142		8	NUT
48	10-831910110		2	BOLT
49	10-832910229		2	BOLT
50	836404420		1	CLAMP-HOSE
51	32-830234326		1	HOSE-WATER
52	836404820		1	CLAMP-HOSE
53	836911180		1	PIPE-COOLANT
54	10-831910127		2	BOLT
55	25-835135102		1	O RING
56	830211160		1	OUTLET-EXHAUST (ALL 2:1 RATIO M GEARS ONLY)
	F734075		1	OUTLET-OFFSET-EXHAUST (ALL 1.5:1 RATIO M GEARS ONLY)
57	12-835912111		1	WASHER
58	19-833940104		1	PLUG
59	830431260		1	BRACKET
60	830413930		1	BRACKET
61	836008270		3	WASHER
62	838908110		1	BOLT
63	11-830108070		2	NUT

# TURBOCHARGER-220 H.P. (DESIGN II) - PAGE 1/2



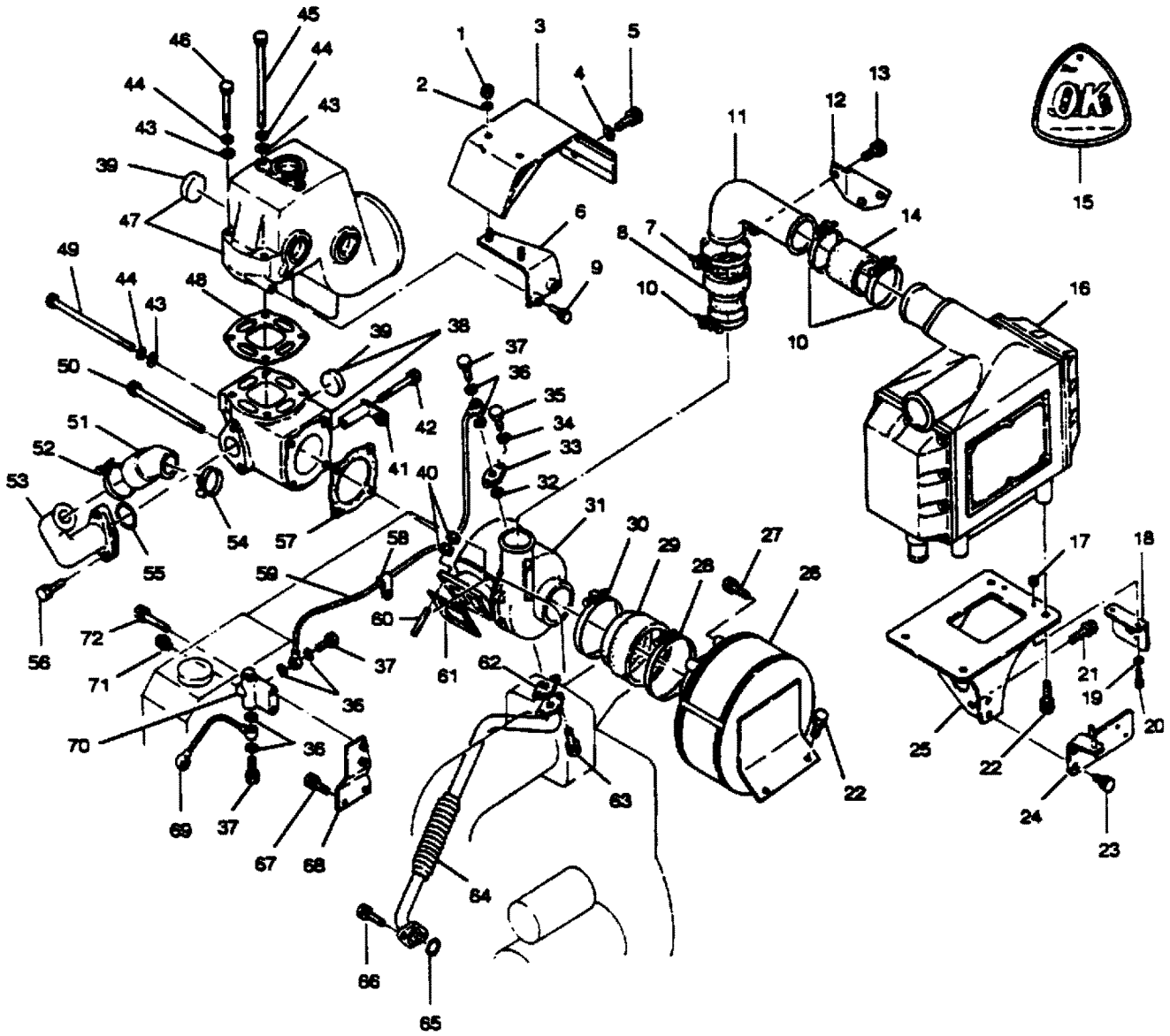
# TURBOCHARGER-220 H.P. (DESIGN II) - PAGE 1/2

REF. NO.	PART NO.	SYM.	QTY.	DESCRIPTION
1	11-830108070		2	NUT
2	836008270		2	WASHER
3	830413930		1	BRACKET-EXHAUST RISER SUPPORT
4	836008270		1	WASHER
5	838908110		1	BOLT
6	830431260		1	BRACKET-EXHAUST RISER SUPPORT
7	836607010		1	CLAMP
8	32-830233380		1	HOSE-AIR
9	10-839108302		2	BOLT
10	836975103		4	CLAMP
11	32-831132170		1	PIPE-AIR INLET
12	831361590		1	BRACKET-AIR INLET PIPE SUPPORT
13	10-839108202		1	BOLT
14	32-830233268	●	2	HOSE-AIR INLET
15	835794030		1	PLATE-CAUTION
16	833001041		1	INTERCOOLER ASSEMBLY <b>(SEE INTERCOOLER ASSY 833001041)</b>
17	11-830006050		2	NUT
18	839681360		1	BRACKET-SWITCH MOUNTING
19	836006140		2	WASHER
20	831006160		2	BOLT
21	10-830114300		4	BOLT
22	10-839108162		6	BOLT
23	10-839108201		2	BOLT
24	836911221		1	BRACKET-SOLENOID MOUNTING
25	833021050		1	BRACKET-INTERCOOLER MOUNTING
26	837202610		1	CLEANER ASSEMBLY-AIR <b>(SEE CLEANER ASSY - AIR 220HP 837202610)</b>
27	10-839110252		2	BOLT
28	836901112		1	CLAMP
29	32-830233375		1	HOSE-AIR
30	836994102		1	CLAMP
31	831001751		1	TURBOCHARGER ASSEMBLY <b>(SEE TURBOCHARGER ASSY 831001751)</b>
32	25-835113103		1	O RING
33	831371010		1	ADAPTOR-OIL SUPPLY
34	13-838006150		2	LOCKWASHER
35	831106300		2	BOLT
36	12-835912111		7	WASHER
37	10-831912179		2	BOLT
38	830211080	●	1	ELBOW ASSEMBLY-EXHAUST
39	19-833940104		6	PLUG-CORE
40	11-830910142		8	NUT

● = SUPERSEDES TO ANOTHER PART NUMBER

CONTINUED ON NEXT PAGE ➡

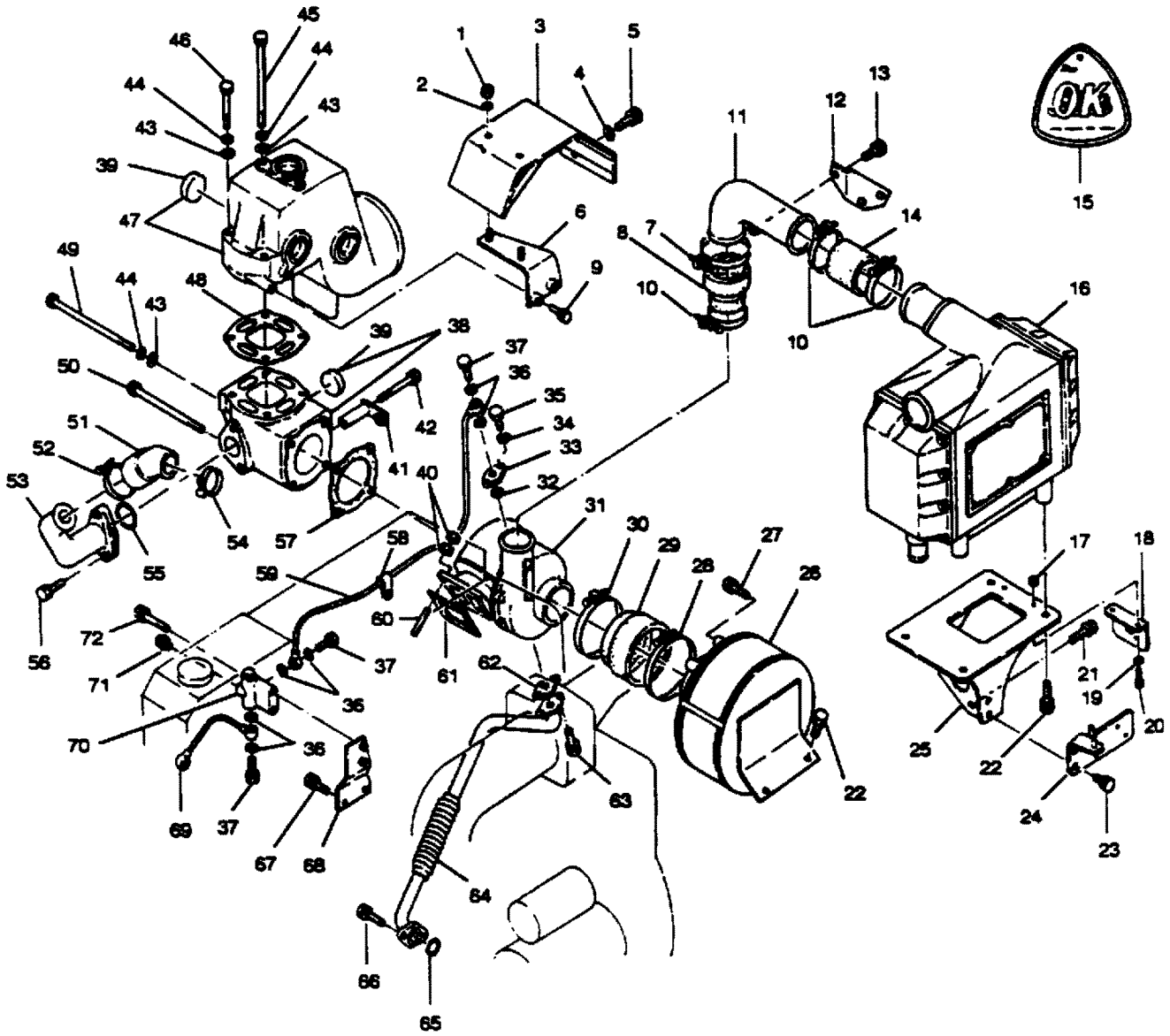
# TURBOCHARGER-220 H.P. (DESIGN II) - PAGE 1/2



# TURBOCHARGER-220 H.P. (DESIGN II) - PAGE 1/2

REF. NO.	PART NO.	SYM.	QTY.	DESCRIPTION
41	830431250		1	BRACKET
42	10-839108702		1	BOLT
43	12-836010220		4	WASHER
44	838010250		4	LOCKWASHER
45	10-832910195		2	BOLT
46	10-832910187		2	BOLT

# TURBOCHARGER-220 H.P. (DESIGN II) - PAGE 2/2

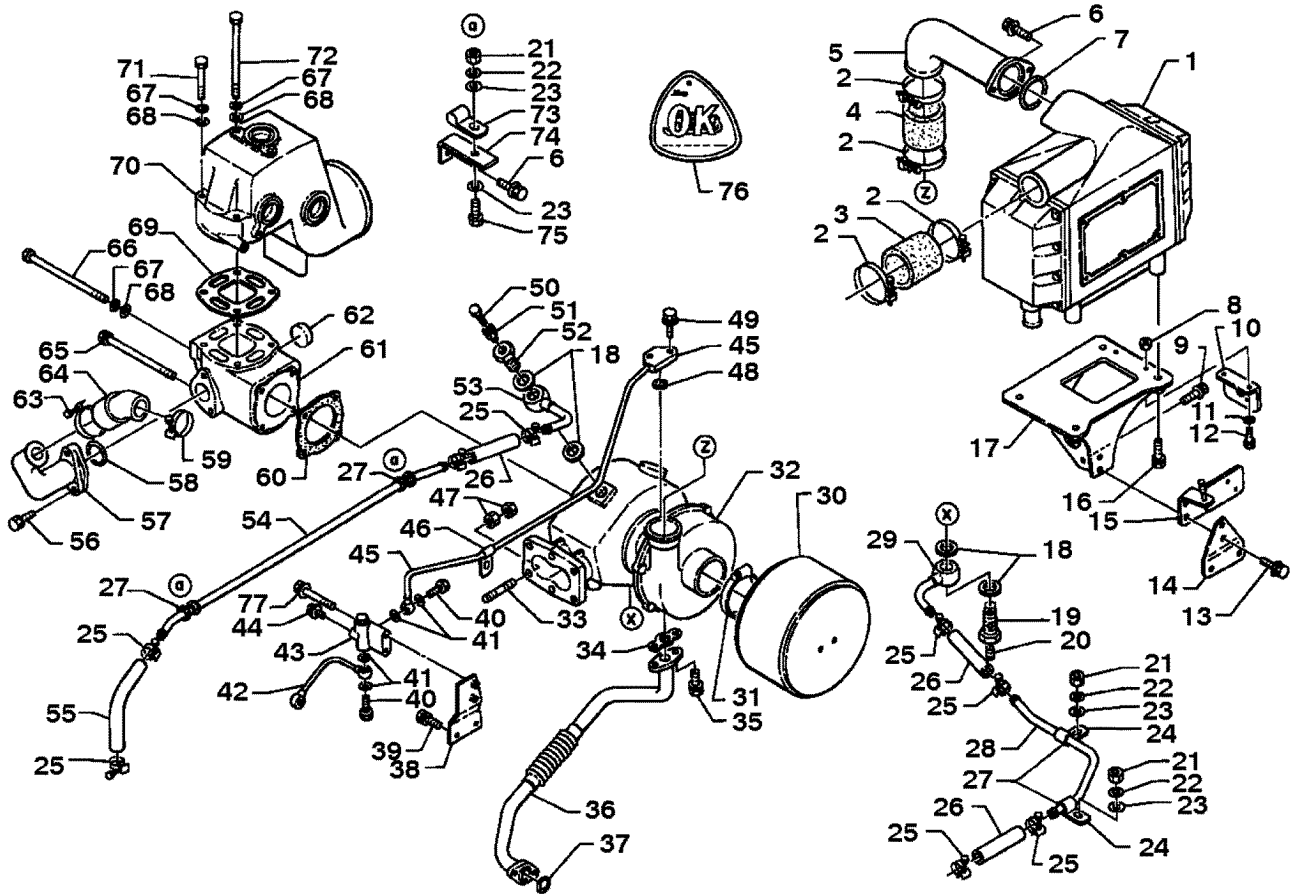


## TURBOCHARGER-220 H.P. (DESIGN II) - PAGE 2/2

REF. NO.	PART NO.	SYM.	QTY.	DESCRIPTION
47	830211111		1	RISER ASSEMBLY
48	831041140		1	GASKET-RISER TO ELBOW
49	10-832910229		2	BOLT
50	10-831910110		2	BOLT
51	32-830234326		1	HOSE-WATER
52	836404820		1	CLAMP
53	836911180		1	PIPE-COOLANT
54	836404420		1	CLAMP
55	25-835135102		1	O RING
56	10-831910127		2	BOLT
57	27-831791090	■	1	GASKET-ELBOW TO TURBO
58	839041380		1	CLIP-OIL PIPE RETAINER
59	831711400		1	PIPE-OIL SUPPLY
60	16-836910106		4	STUD
61	27-831041111	■	1	GASKET-TURBO TO MANIFOLD ADAPTOR
62	27-831351050	■	1	GASKET-TURBO DRAIN PIPE
63	838106200		2	BOLT
64	831071060		1	PIPE-TURBO OIL DRAIN
65	25-835131103	■	1	O RING-TURBO OIL DRAIN
66	838110250		2	BOLT
67	10-838108200		2	BOLT
68	831921041		1	BRACKET-TURBO OIL DRAIN PIPE SUPPORT
69	32-831711080		1	PIPE-OIL SUPPLY
70	836021070		1	VALVE
71	830912102		1	PLUG
72	839108651		2	BOLT
-	<b>FG1030</b>		-	<b>GASKET SET CONTENTS INDICATED BY FOOTNOTE 11.</b>

■ = COMPONENT OF ENGINE GASKET SET [FG1030]

# TURBOCHARGER-220 H.P. (DESIGN III) - PAGE 1/2





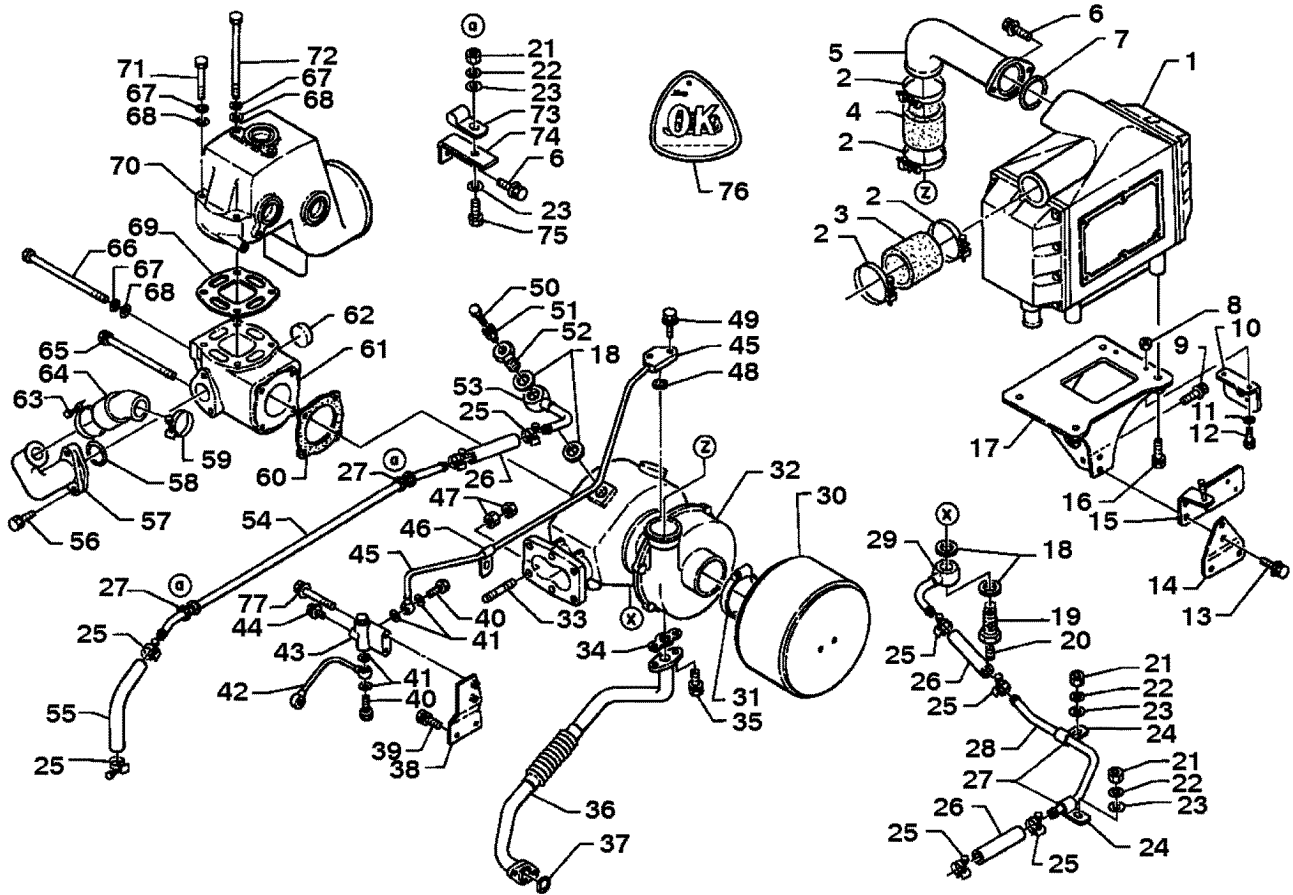
# TURBOCHARGER-220 H.P. (DESIGN III) - PAGE 1/2

REF. NO.	PART NO.	SYM.	QTY.	DESCRIPTION
1	833001201		1	INTERCOOLER ASSEMBLY (SEE INTERCOOLER ASSY 833001201)
2	836975103		4	CLAMP
3	32-830233363		1	HOSE-AIR
4	32-830233438		1	HOSE-AIR
5	831133301		1	PIPE-INTAKE
6	10-839108252		4	BOLT
7	25-835160102		1	O RING
8	11-830006050		2	NUT
9	10-830114300		4	BOLT
10	839681360		1	BRACKET-SWITCH
11	836006140		2	WASHER
12	831006160		2	BOLT
13	839108251		2	BOLT
14	836911450		1	BRACKET-SOLENOID
15	836911221		1	BRACKET-SOLENOID
16	10-839108162		4	BOLT
17	833021060		1	BRACKET ASSEMBLY-INTERCOOLER
18	12-835422150		4	WASHER
19	830124317		1	BOLT
20	832217120		1	PLUG
21	830008070		4	NUT
22	13-838008200		4	LOCKWASHER
23	12-836008180		6	WASHER
24	839041970		2	CLIP ASSEMBLY
25	837802420		8	CLAMP
26	32-830234114		3	HOSE-WATER
27	837916106		4	GROMMET
28	32-832681500		1	PIPE-COOLANT BY PASS
29	32-832681520		1	PIPE-COOLANT BY PASS
30	837204321		1	CLEANER ASSEMBLY-AIR (SEE CLEANER ASSY -AIR 220HP 837204321)
31	837711360		1	CLAMP-AIR CLEANER
32	831001980		1	TURBOCHARGER ASSEMBLY (SEE TURBOCHARGER ASSY 831001980)
33	16-836910106		2	STUD
34	27-831351070		1	GASKET-OIL OUTLET
35	838110250		2	BOLT
36	32-831071271		1	PIPE ASSEMBLY-OIL OUTLET
37	25-835131103	■	1	O RING
38	831921041		1	BRACKET-OIL PIPE TURBOCHARGER
39	10-838108200		2	BOLT
40	10-831912179		2	BOLT

■ = COMPONENT OF ENGINE GASKET SET [FG1030]

CONTINUED ON NEXT PAGE ➡

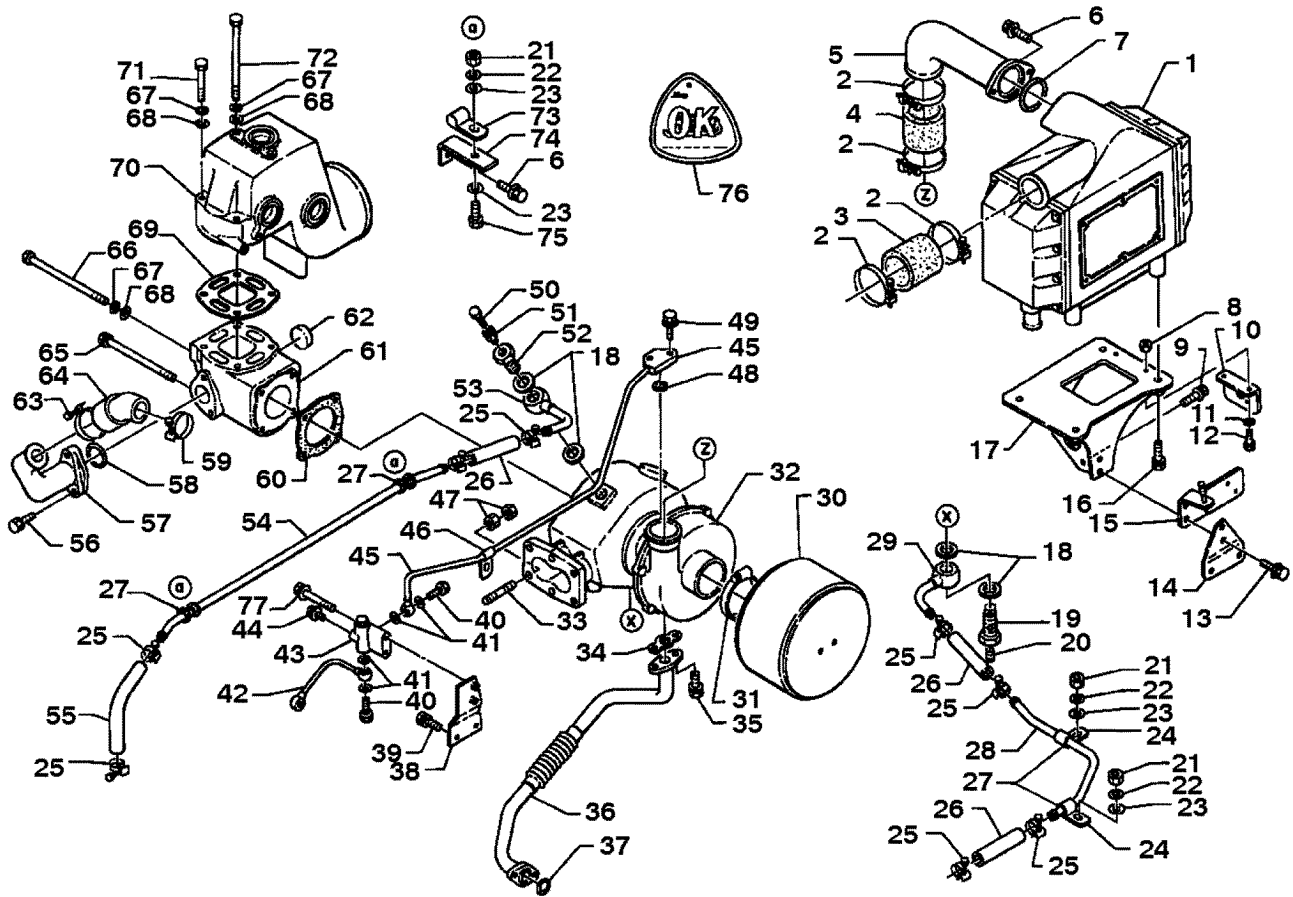
# TURBOCHARGER-220 H.P. (DESIGN III) - PAGE 1/2



# TURBOCHARGER-220 H.P. (DESIGN III) - PAGE 1/2

REF. NO.	PART NO.	SYM.	QTY.	DESCRIPTION
41	12-835912111		7	WASHER
42	32-831711080		1	PIPE-OIL INLET
43	836021070		1	VALVE ASSEMBLY-OIL PRESSURE
44	830912102		1	PLUG
45	32-831711540		1	PIPE-OIL INLET
46	839041380		1	CLIP ASSEMBLY
-	<b>FG1030</b>		-	<b>GASKET SET CONTENTS INDICATED BY FOOTNOTE 11.</b>

# TURBOCHARGER-220 H.P. (DESIGN III) - PAGE 2/2

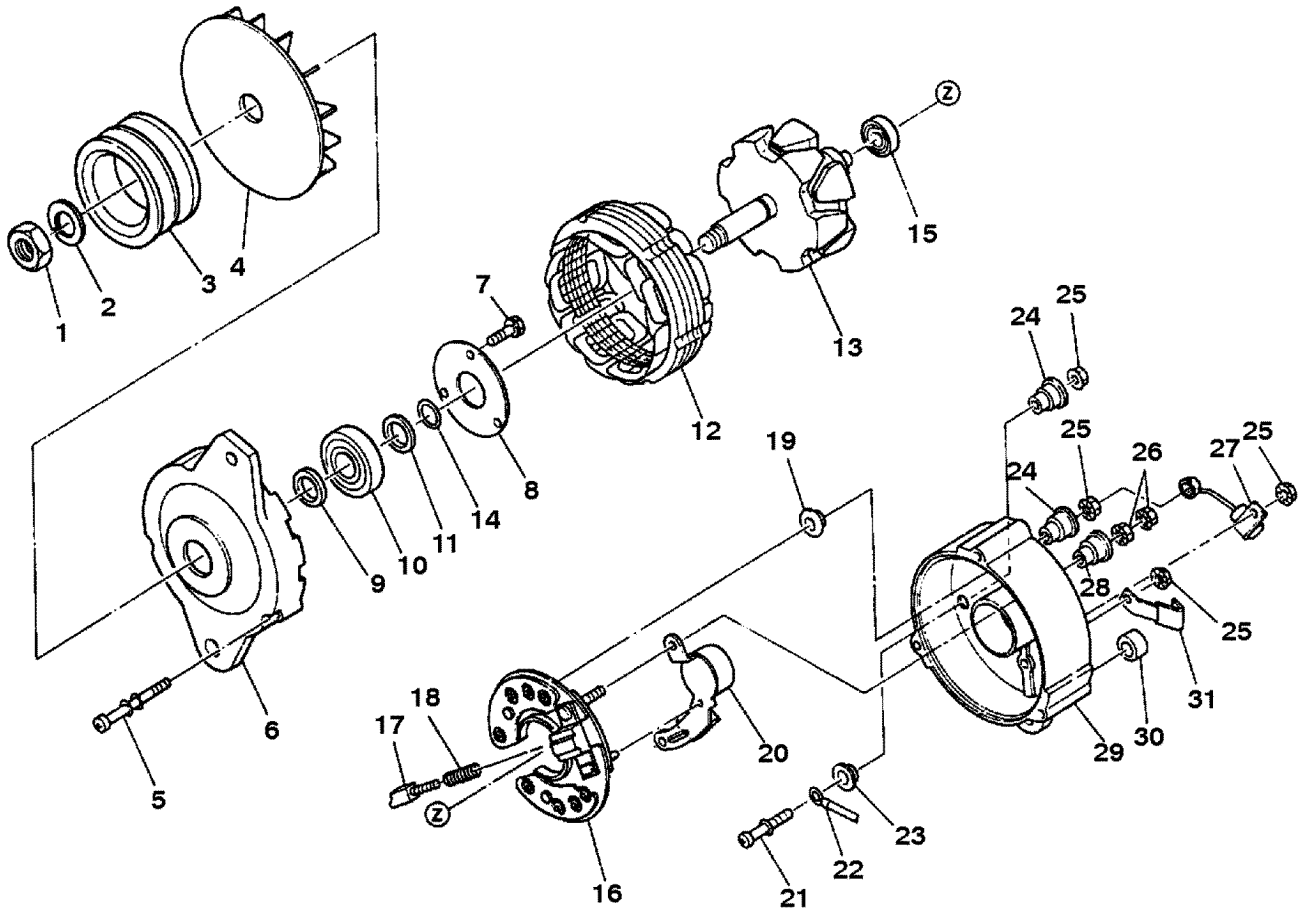


## TURBOCHARGER-220 H.P. (DESIGN III) - PAGE 2/2

REF. NO.	PART NO.	SYM.	QTY.	DESCRIPTION
47	11-830910142		8	NUT
48	25-835113103		1	O RING
49	10-839108302		2	BOLT
50	22-831851110		1	BODY-COOLANT COCK
51	831881020		1	SEAT-COOLANT COCK SPRING
52	10-830124295		1	BOLT
53	32-832681490		1	PIPE-COOLANT BY PASS
54	32-832681480		1	PIPE-COOLANT BY PASS
55	32-830231183		1	HOSE-FUEL
56	10-831910127		2	BOLT
57	836911180		1	PIPE-COOLANT
58	25-835135102		1	O RING
59	836404420		1	CLAMP
60	27-831791090	■	1	GASKET
61	830211160		1	PIPE ASSEMBLY-EXHAUST
62	19-833940104		1	PLUG-EXPANSION
63	836405020		1	CLAMP
64	32-830234326		1	HOSE-WATER
65	10-831910110		2	BOLT
66	10-832910229		2	BOLT
67	838010250		6	LOCKWASHER
68	12-836010220		6	WASHER
69	831041140		1	GASKET ASSEMBLY-EXHAUST MANIFOLD
70	830211111		1	PIPE ASSEMBLY-EXHAUST
71	10-832910187		2	BOLT
72	10-832910195		2	BOLT
73	836922103		2	CLAMP
74	839931590		2	HOLDER-CLIP
75	10-831008200		2	BOLT
76	835794030		1	PLATE-CAUTION-ENGINE
77	839108651		2	BOLT
-	<b>FG1030</b>		-	<b>GASKET SET CONTENTS INDICATED BY FOOTNOTE 11.</b>

■ = COMPONENT OF ENGINE GASKET SET [FG1030]

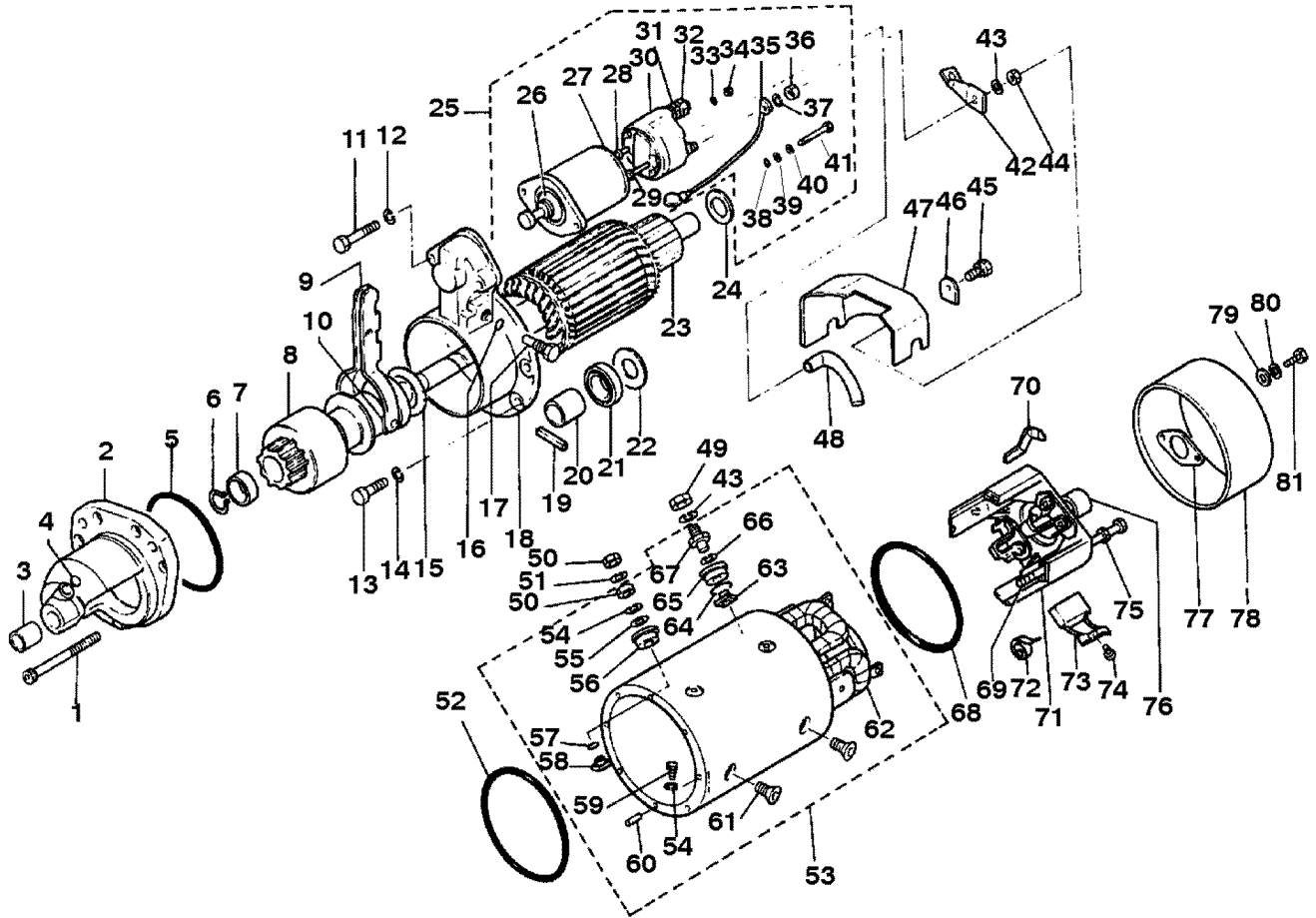
# ALTERNATOR ASSEMBLY



# ALTERNATOR ASSEMBLY

REF. NO.	PART NO.	SYM.	QTY.	DESCRIPTION
-	830401261		1	ALTERNATOR ASSEMBLY-WITH REGULATOR
-	830401262		1	ALTERNATOR ASSEMBLY-WITH REGULATOR
1	831016080		1	NUT-LOCK
2	839016480		1	LOCKWASHER
3	834311380		1	PULLEY-ALTERNATOR
4	834411170		1	FAN-ALTERNATOR
5	833171440		3	BOLT-THROUGH
6	833101510		1	FRAME ASSEMBLY-ALTERNATOR DRIVE SIDE
7	833621090		3	BOLT-THROUGH
8	833121520		1	PLATE-RETAINER
9	834121140		1	COLLAR-SPACE
10	30-838120122		1	BEARING-BALL (FOR ALTERNATOR ASSY 830401261)
	832521630		1	BEARING-BALL (FOR ALTERNATOR ASSY 830401262)
11	834121150		1	COLLAR-SPACE
12	834101600		1	STATOR ASSEMBLY
13	833301530		1	ROTOR ASSEMBLY-ALTERNATOR
14	833331030		1	RING-SPACE
15	838112102		1	BEARING-BALL
16	833561220		1	HOLDER-WITH RECTIFIER
17	833711170		2	BRUSH-ALTERNATOR
18	833761030		2	HOLDER-BRUSH B
19	833871170		1	INSULATOR-TERMINAL B
20	837001520		1	REGULATOR ASSEMBLY
21	833641450		1	BOLT-TERMINAL
22	833651080		1	WIRE-LEAD
23	833781600		1	INSULATOR-TERMINAL
24	833871160		2	INSULATOR-TERMINAL B
25	830105040		4	NUT
26	11-830106050		2	NUT
27	833551180		1	CONDENSER-ALTERNATOR
28	833871150		1	INSULATOR-TERMINAL B
29	833591810		1	FRAME-RECTIFIER END
30	833511020		1	BUSH-FRAME
31	834451190		1	CLAMP

# STARTER ASS'Y (831001671) (831001672) - PAGE 1/2





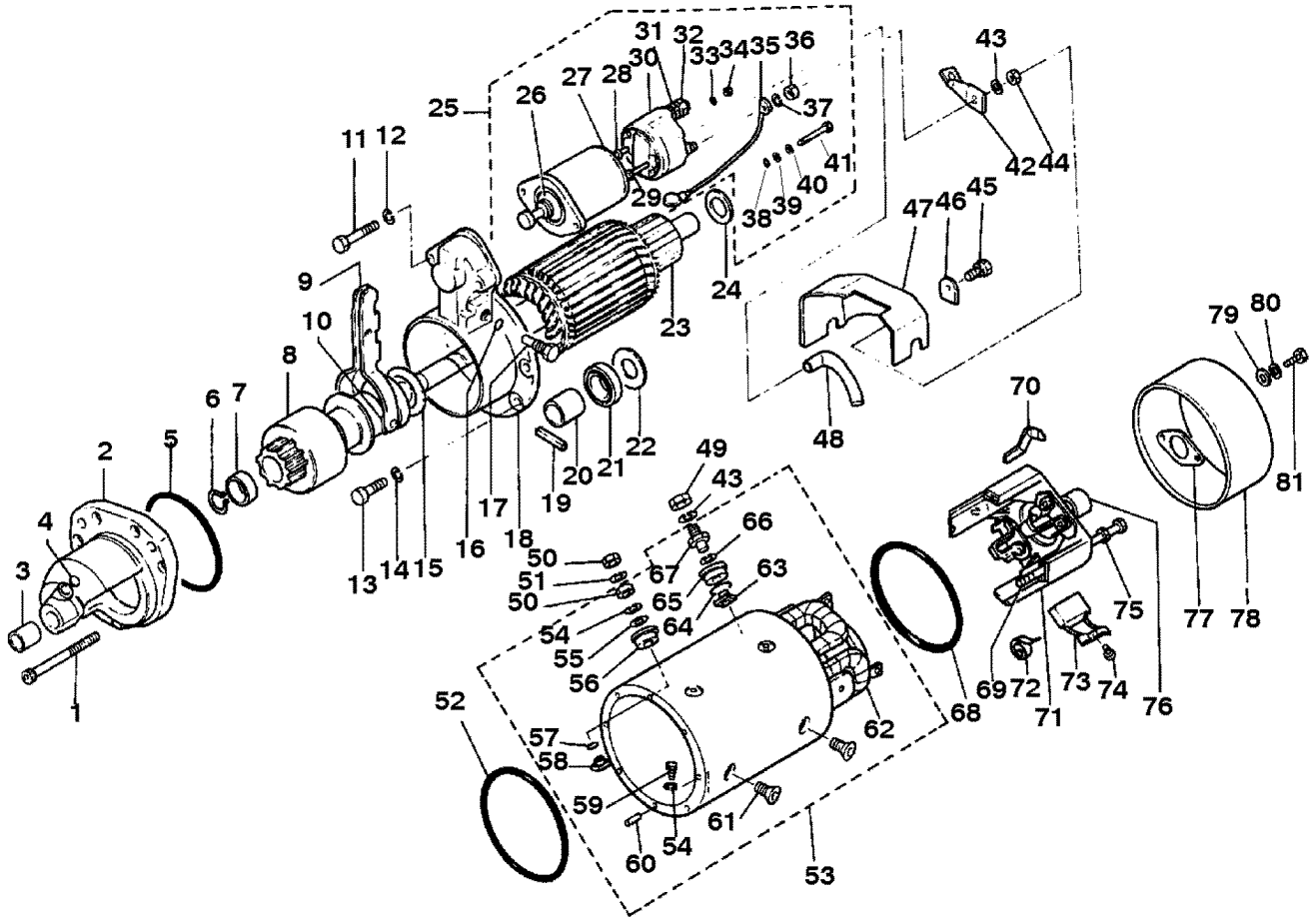
# STARTER ASS'Y (831001671) (831001672) - PAGE 1/2

REF. NO.	PART NO.	SYM.	QTY.	DESCRIPTION
-	831001671	●	1	STARTER ASSEMBLY
-	831001672	●	1	STARTER ASSEMBLY
1	831121680		6	BOLT-HOUSING SET
2	831101040		1	HOUSING ASSEMBLY-START DRIVE LEVER
3	831111350		1	BOSH-DRIVE HOUSING
4	831151590		2	HOUSING-START DRIVE
5	831381250		1	PACKING
6	831681320		1	RING-RETAINER
7	831021070		1	STOPPER-PINION SET
8	830111310		1	CLUTCH ASSEMBLY-START
9	831131210		1	LEVER-PINION DRIVE
10	831141070		2	PIN-DRIVE LEVER SET
11	831121700		2	BOLT-HOUSING SET
12	832191110		2	WASHER-START
13	831121670		2	BOLT-HOUSING SET
14	832191170		2	WASHER-START
15	832411050		1	WASHER-CONTACT PLATE LOCK
16	835111110		1	O RING
17	831121690		1	BOLT-HOUSING SET
18	831261420		1	BEARING-CENTER
19	831271080		1	PLATE-CENTER
20	831371090		1	FELT-OIL
21	831261430		1	BEARING-CENTER
22	832191210		1	WASHER-START
23	831601390		1	ARMATURE ASSEMBLY-START
24	832191220		AR	WASHER-START
25	831501670		1	SWITCH ASSEMBLY-START MAGNET
26	832201270		1	CORE ASSEMBLY-WITH JOINT
27	831541110		1	BOOT-START MAGNET
28	831381260		1	PACKING
29	831381270		1	PACKING
30	832401480		1	COVER ASSEMBLY-CONTRACTOR WITH TERMINAL
31	832191120		1	WASHER-START
32	11-832311040		1	NUT-START
33	832191190		1	WASHER-START
34	11-832311050		1	NUT-START
35	831391050		1	LEADWIRE
36	832311060		1	NUT-START

● = SUPERSEDES TO ANOTHER PART NUMBER

CONTINUED ON NEXT PAGE ➡

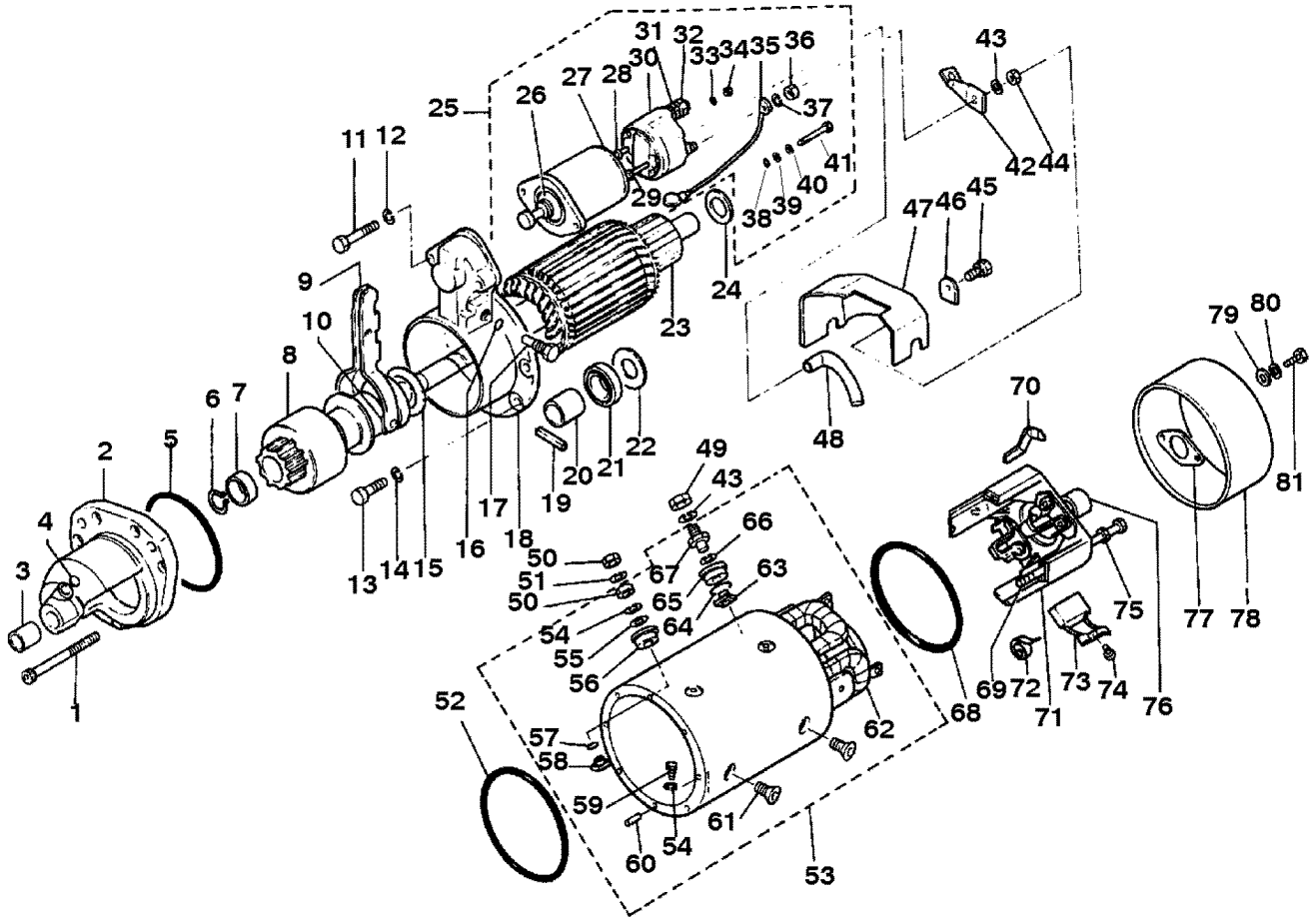
# STARTER ASS'Y (831001671) (831001672) - PAGE 1/2



# STARTER ASS'Y (831001671) (831001672) - PAGE 1/2

REF. NO.	PART NO.	SYM.	QTY.	DESCRIPTION
37	838731380		1	WASHER
38	835106118		1	O RING
39	832411030		2	WASHER-CONTACT PLATE LOCK
40	832191110		2	WASHER-START
41	831121640		2	BOLT-HOUSING SET

# STARTER ASS'Y (831001671) (831001672) - PAGE 2/2



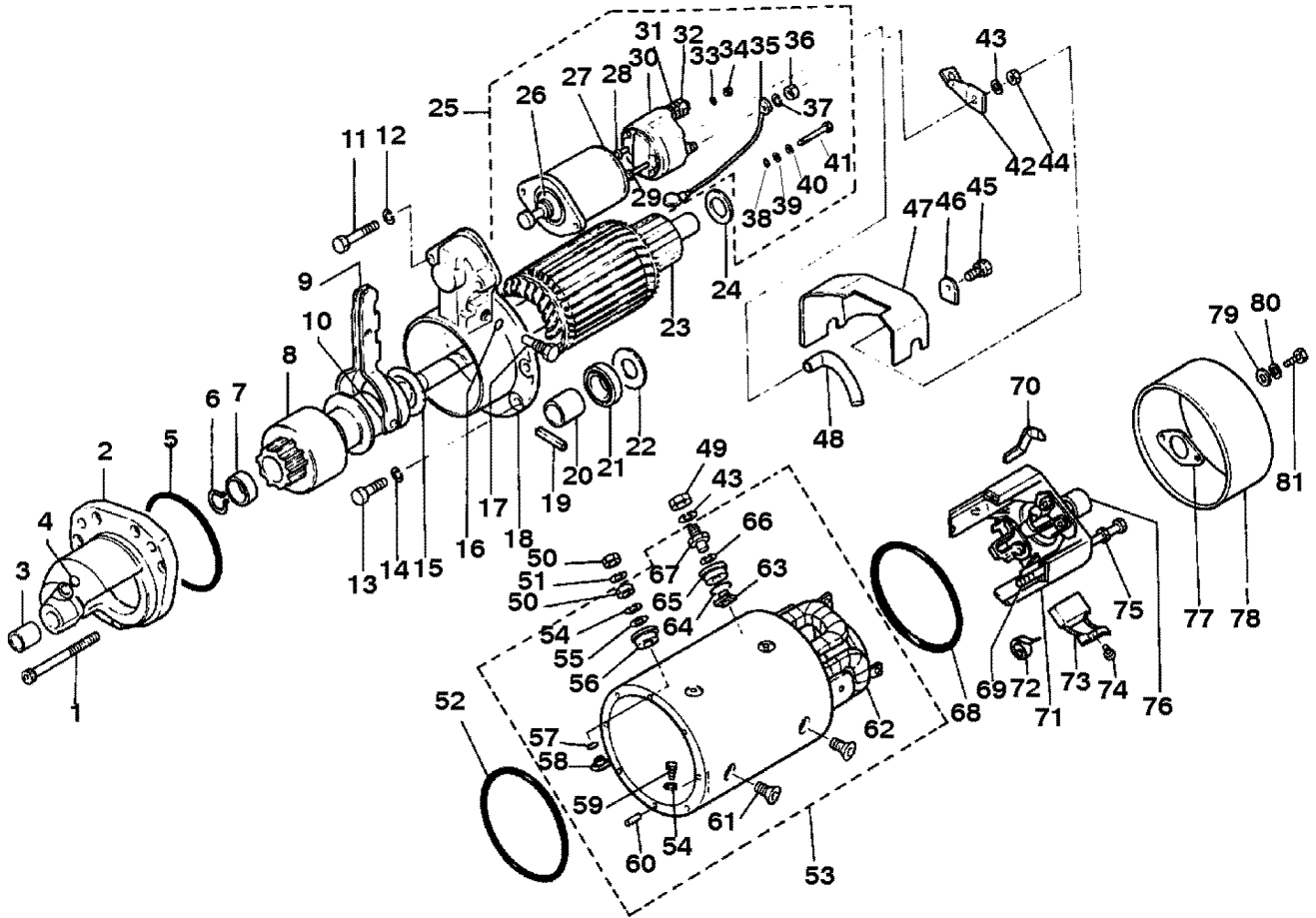
# STARTER ASS'Y (831001671) (831001672) - PAGE 2/2

REF. NO.	PART NO.	SYM.	QTY.	DESCRIPTION
-	831001671	●	1	STARTER ASSEMBLY
-	831001672	●	1	STARTER ASSEMBLY
42	831391040		1	LEADWIRE
43	832191120		2	WASHER-START
44	11-832311040		1	NUT-START
45	831121720		1	BOLT-HOUSING SET
46	832621100		1	HOLDER
47	832481280		1	PLATE-INSL
48	831591270		1	COVER-MAGNET SWITCH
49	831010060		1	NUT-LOCK (FOR [831001672] STARTER)
50	832311030		2	NUT-START
51	838731380		1	WASHER
52	835101174		1	O RING
53	831201320		1	YOKE ASSEMBLY-START
54	838731380		2	WASHER
55	832411020		1	WASHER-CONTACT PLATE LOCK
56	831351210		1	BUSH-TERMINAL INSL
57	835105107		1	O RING
58	831251150		1	BUSH-CENTER BEARING
59	831121660		1	BOLT-HOUSING SET
60	832631090		1	PIN-WEIGHT
61	831121730		8	BOLT-HOUSING SET
62	831211220		1	COIL-START FIELD
63	831351220		1	BUSH-TERMINAL INSL
64	835110126		1	O RING
65	831251140		1	BUSH-CENTER BEARING
66	832191200		1	WASHER
67	831121740		1	BOLT-HOUSING SET
68	831381240		1	PACKING
69	831121650		2	BOLT-HOUSING SET
70	831391030		2	LEADWIRE
71	831401240		1	HOLDER ASSEMBLY (FOR [831001671] STARTER)
	831401241		1	HOLDER ASSEMBLY (FOR [831001672] STARTER)
72	831431120		4	SPRING-START BRUSH (FOR [831001671] STARTER)
	24-831431121		4	SPRING-START BRUSH (FOR [831001672] STARTER)
73	831421240		4	BRUSH-START (FOR [831001671] STARTER)
	831421241		4	BRUSH-START (FOR [831001672] STARTER)
74	834999962		4	PACKING
75	832191170		2	WASHER-START
76	831111350		1	BOSH-DRIVE HOUSING

● = SUPERSEDES TO ANOTHER PART NUMBER

CONTINUED ON NEXT PAGE ➡

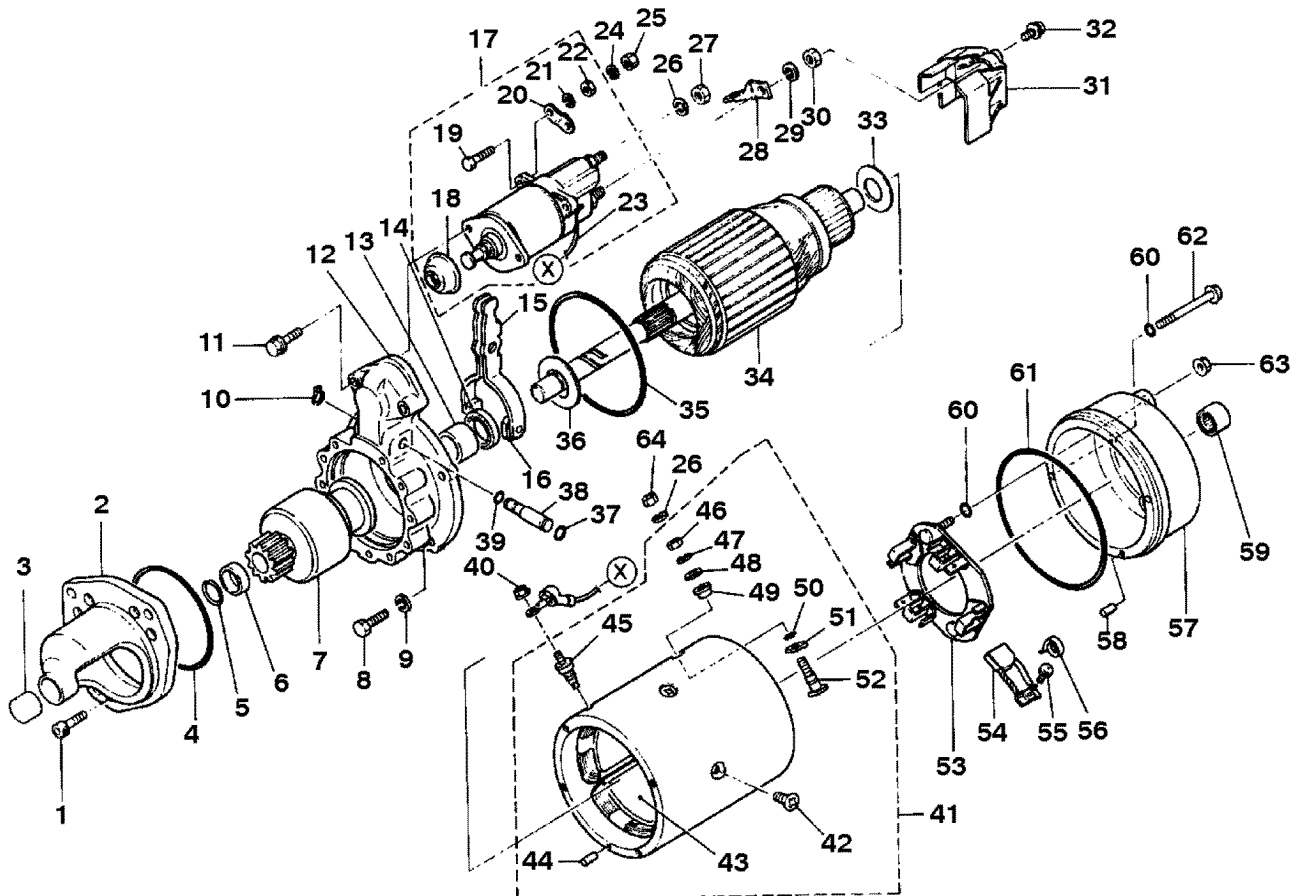
# STARTER ASS'Y (831001671) (831001672) - PAGE 2/2



# STARTER ASS'Y (831001671) (831001672) - PAGE 2/2

REF. NO.	PART NO.	SYM.	QTY.	DESCRIPTION
77	831371100		1	FELT-OIL
78	831331340		1	FRAME-COMMUTATOR END
79	832411020		2	WASHER-CONTACT PLATE LOCK
80	838731380		2	WASHER
81	831121660		2	BOLT-HOUSING SET

# STARTER ASS'Y (831002050) (831002051) (831002052)-PAGE 1/2





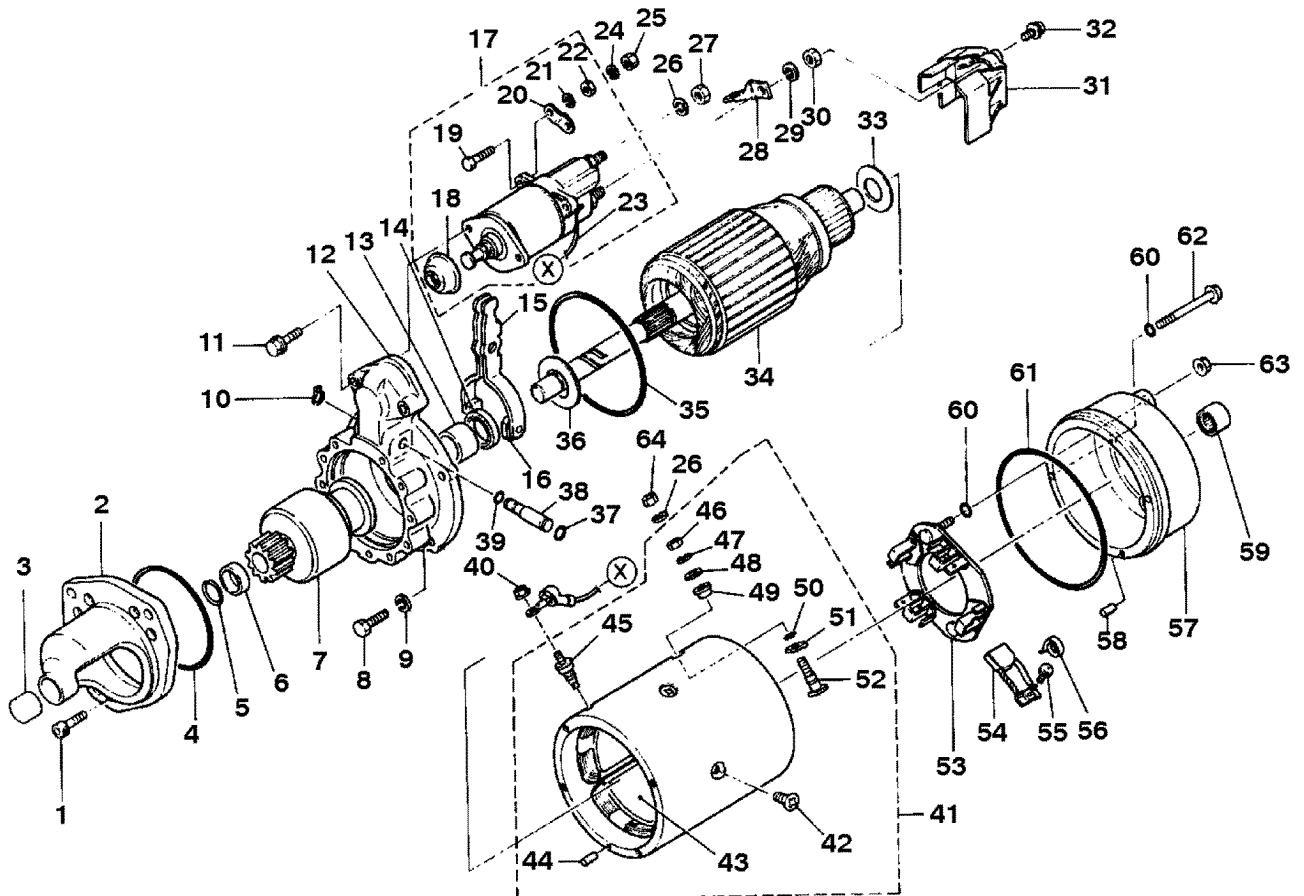
# STARTER ASS'Y (831002050) (831002051) (831002052)-PAGE 1/2

REF. NO.	PART NO.	SYM.	QTY.	DESCRIPTION
-	831002050	■	1	STARTER ASSEMBLY
-	831002051		1	STARTER ASSEMBLY
-	831002052		1	STARTER ASSEMBLY
1	831122180		6	BOLT-HOUSING SET
2	831101080		1	HOUSING ASSEMBLY-START DRIVE LEVER
3	832521400		1	BEARING
4	831381250		1	PACKING
5	831681320		1	RING-RETAINER
6	831021090		1	STOPPER-PINION SET
7	830111440		1	CLUTCH ASSEMBLY-START
8	831122140		4	BOLT-HOUSING SET
9	832191170		4	WASHER
10	831681340		1	RING
11	831122200		2	BOLT-HOUSING SET
12	831191130		1	HOUSING-GEAR (FOR [831002050] STARTER)
	831191160		1	HOUSING-GEAR (FOR [831002051] AND [831002052] STARTERS)
13	831261510		1	BEARING-CENTER
14	831371140		1	FELT-OIL
15	831131270		1	LEVER-PINION DRIVE
16	831141090		2	PIN-DRIVE LEVER SET
17	831501790		1	SWITCH ASSEMBLY-START MAGNET
18	832201380		1	CORE ASSEMBLY-WITH JOINT
19	831122150		1	BOLT-HOUSING SET
20	832411100		1	WASHER-CONTACT PLATE LOCK
21	838731380		1	WASHER
22	832311070		1	NUT
23	84-831391120		1	LEADWIRE
24	838731380		1	WASHER
25	832311060		1	NUT
26	832191120		2	WASHER
27	11-832311040		1	NUT
28	831391130		1	LEADWIRE
29	832191310		1	WASHER
30	832311140		1	NUT
31	832481310		1	PLATE-INSL
32	838304102		1	BOLT
33	832191220		4	WASHER
34	831601510		1	ARMATURE ASSEMBLY-START
35	831381410		1	PACKING

■ = COMPONENT OF ENGINE GASKET SET [FG1030]

CONTINUED ON NEXT PAGE ➡

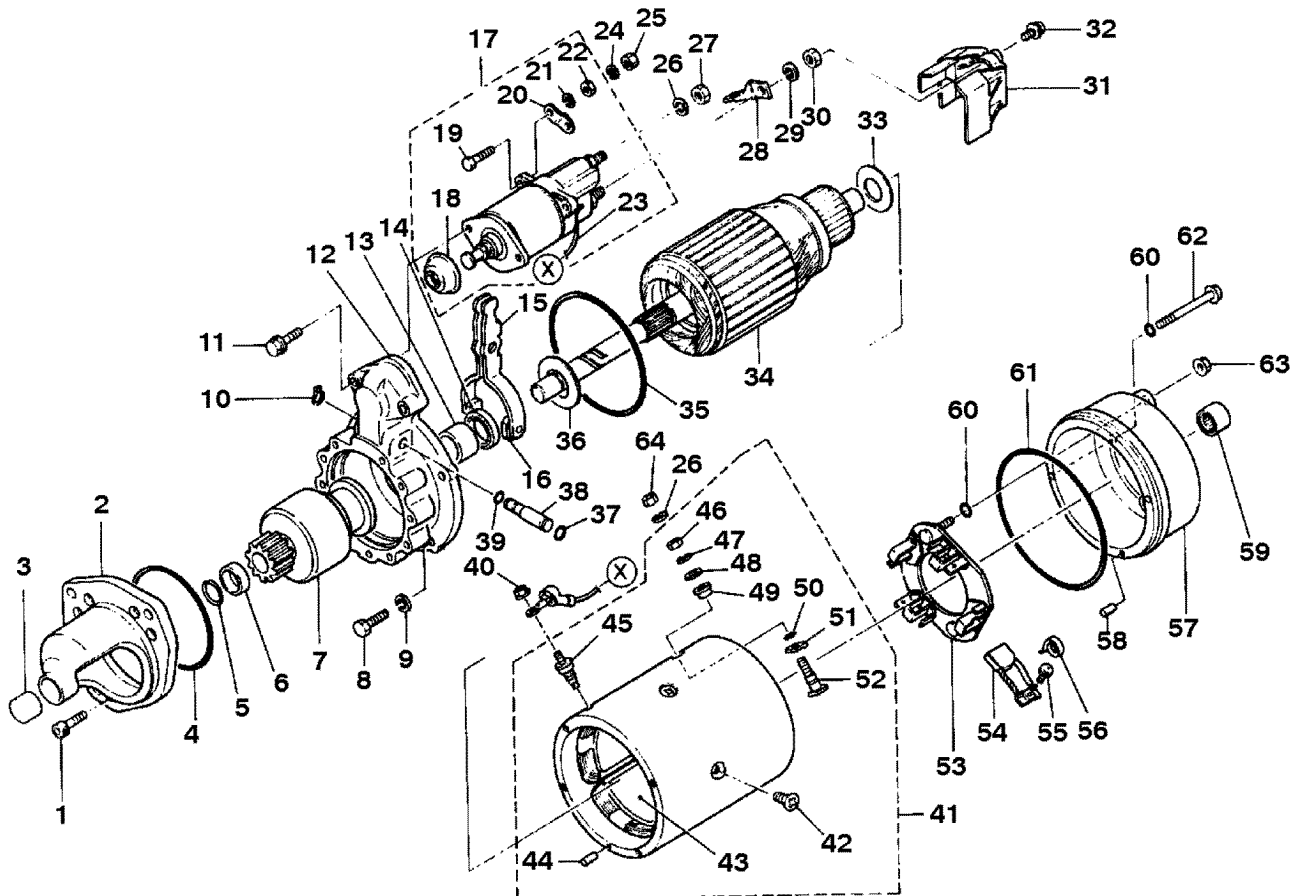
# STARTER ASS'Y (831002050) (831002051) (831002052)-PAGE 1/2



# STARTER ASS'Y (831002050) (831002051) (831002052)-PAGE 1/2

REF. NO.	PART NO.	SYM.	QTY.	DESCRIPTION
36	832191320		1	WASHER
37	831381390		1	PACKING
38	831141100		1	PIN-DRIVE LEVER SET
39	831381400		1	PACKING
40	832311110		1	NUT

# STARTER ASS'Y (831002050) (831002051) (831002052)-PAGE 2/2

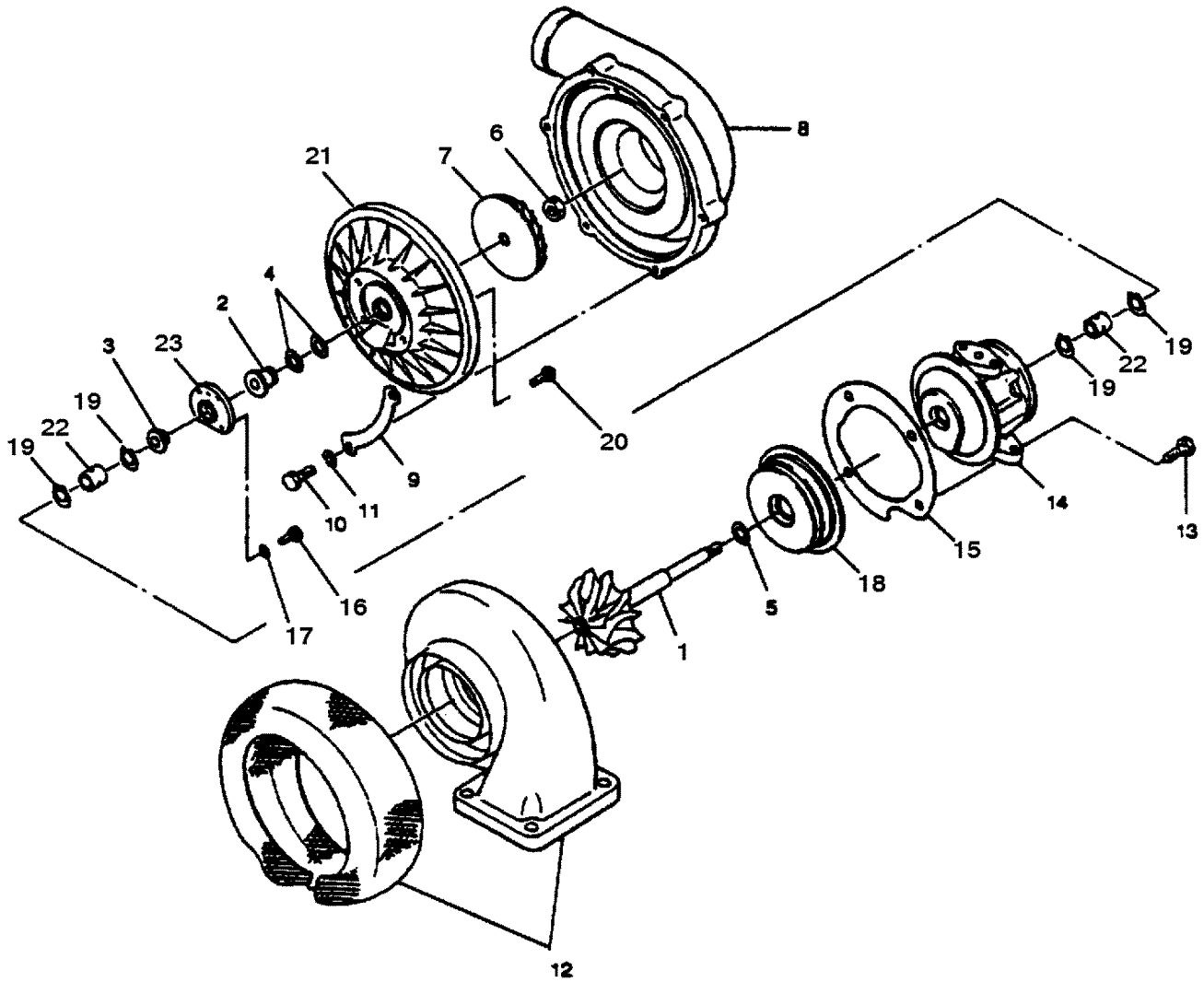


# STARTER ASS'Y (831002050) (831002051) (831002052)-PAGE 2/2

REF. NO.	PART NO.	SYM.	QTY.	DESCRIPTION
-	831002050	●	1	STARTER ASSEMBLY
-	831002051		1	STARTER ASSEMBLY
-	831002052		1	STARTER ASSEMBLY
41	831201490		1	YOKE ASSEMBLY-START
42	831122160		4	BOLT-HOUSING SET
43	831211380		1	COIL-START FIELD
44	832631090		1	PIN-WEIGHT
45	831122170		1	BOLT-HOUSING SET
46	832311120		1	NUT
47	832191120		1	WASHER
48	832191200		1	WASHER
49	831251230		1	BUSH-CENTER BEARING
50	835110126		1	O RING
51	831251220		1	BUSH-CENTER BEARING
52	832411090		1	WASHER-CONTACT PLATE LOCK
53	831401340		1	HOLDER ASSEMBLY-START BRUSH
54	831421330		4	BRUSH-START
55	831121050		4	BOLT-HOUSING SET
56	24-831431121		4	SPRING-START BRUSH
57	831331600		1	FRAME-COMMUTATOR END
58	832631090		1	PIN-WEIGHT
59	832521400		1	BEARING
60	835106118		4	O RING
61	831381420		1	PACKING
62	831122190		2	BOLT-HOUSING SET
63	832311130		2	NUT
64	831010060		1	NUT-LOCK

● = SUPERSEDES TO ANOTHER PART NUMBER

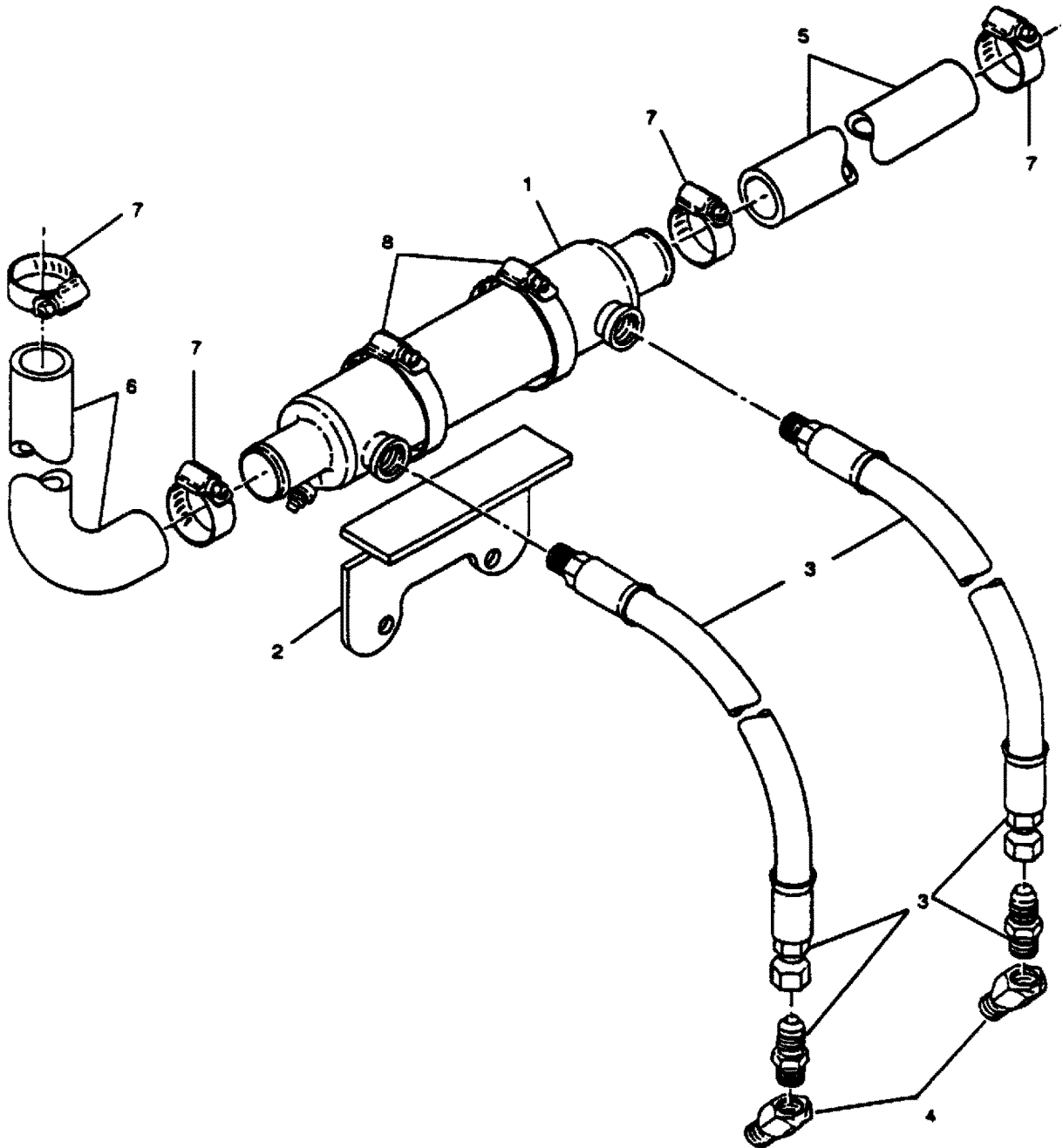
# TURBOCHARGER ASSEMBLY (831001751)



## TURBOCHARGER ASSEMBLY (831001751)

REF. NO.	PART NO.	SYM.	QTY.	DESCRIPTION
-	831001751		1	TURBOCHARGER ASSEMBLY
1	831501050		1	ROTOR ASSEMBLY
2	831161020		1	SLINGER-OIL
3	831421070		1	SPACER-THRUST
4	831241190		2	SEAL
5	831241170		1	SEAL
6	831171140		1	NUT
7	831181020		1	IMPELLER
8	831141040		1	CASE-COMPRESSER
9	831231110		3	PLATE
10	831451130		6	BOLT
11	13-838006150		6	LOCKWASHER
12	831111110		1	CASE-HOT SECTION
13	831451100		4	BOLT
14	831211040		1	CASE-BEARING
15	831231120		1	PLATE
16	831361070		4	SCREW
17	831131160		4	PLATE-LOCK
18	831411030		1	SHIELD-HEAT
19	831131120		4	PLATE-LOCK
20	831361040		4	SCREW
21	831271020		1	BACKING PLATE
22	831311110		2	BUSHING
23	831431040		1	BEARING-THRUST

# COOLING SYSTEM - GEAR OIL

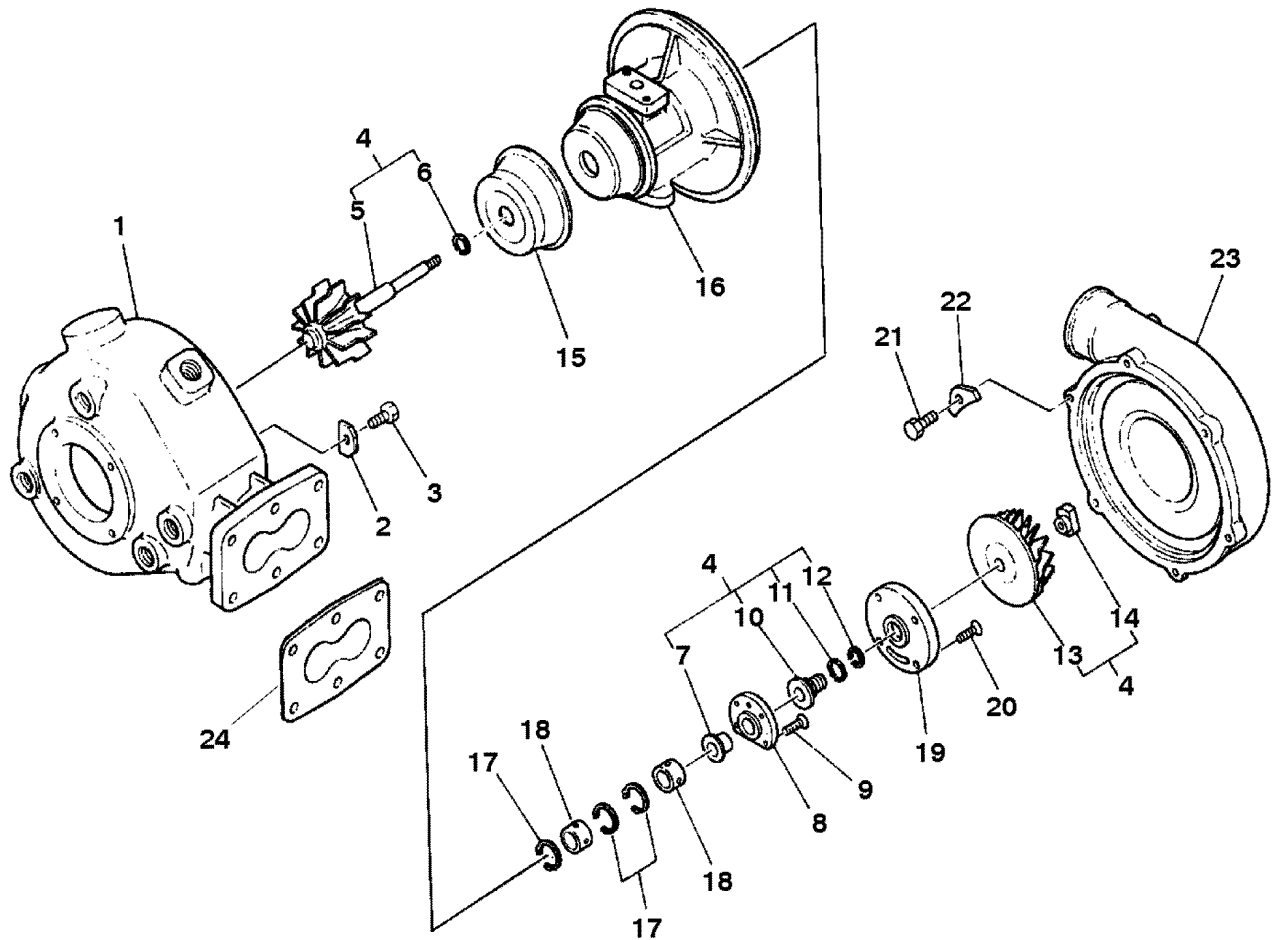




## COOLING SYSTEM - GEAR OIL

REF. NO.	PART NO.	SYM.	QTY.	DESCRIPTION
1	FI159790		1	COOLER-GEAR OIL MODELS WITH TWIN DISK M GEARS ONLY
2	FI159941		1	BRACKET-MOUNTING MODELS WITH TWIN DISK M GEARS ONLY
3	FI1510435		2	HOSE ASSEMBLY MODELS WITH TWIN DISK M GEARS ONLY
4	FI1510412		2	FITTING-BRASS MODELS WITH TWIN DISK M GEARS ONLY
5	ORDLOCAL		1	HOSE (1.250 IN. ID X 21.00 INS.) MODELS WITH TWIN DISK M GEARS ONLY
6	FI5410179		1	HOSE-MOLDED MODELS WITH TWIN DISK M GEARS ONLY
7	54-815504220		4	CLAMP MODELS WITH TWIN DISK M GEARS ONLY
8	54-815504232		2	CLAMP MODELS WITH TWIN DISK M GEARS ONLY
1	63832A1		1	COOLER-GEAR OIL MODELS WITH HURTH M GEARS ONLY
2	817190		1	BRACKET-MOUNTING MODELS WITH HURTH M GEARS ONLY
3	32-817172--2		2	HOSE ASSEMBLY (8.250 INS.) MODELS WITH HURTH M GEARS ONLY
4	F700580		2	FITTING-BRASS MODELS WITH HURTH M GEARS ONLY
5	F734232		1	HOSE (1.125 IN. ID X 20.00 INS.) MODELS WITH HURTH M GEARS ONLY
6	FI5410179		1	HOSE-MOLDED MODELS WITH HURTH M GEARS ONLY
7	54-815504220		4	CLAMP MODELS WITH HURTH M GEARS ONLY
8	54-815504232		2	CLAMP MODELS WITH HURTH M GEARS ONLY

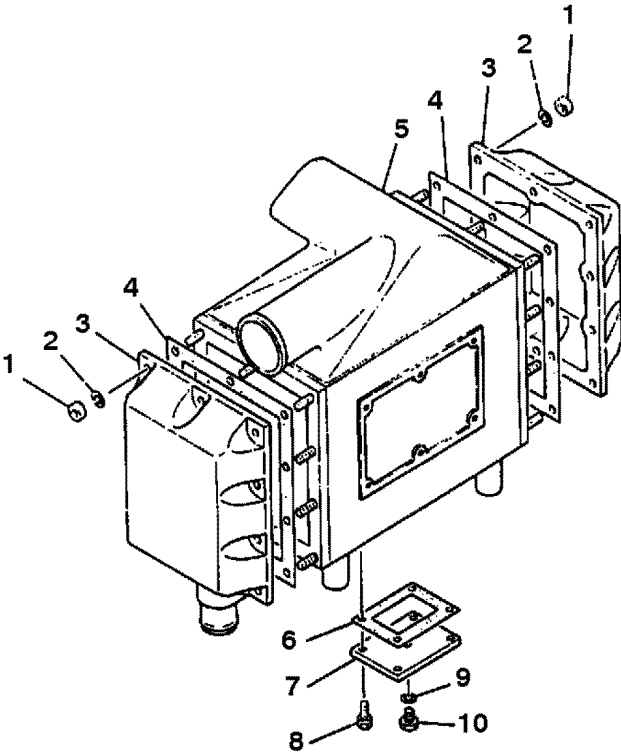
# TURBOCHARGER ASSEMBLY (831001980)



## TURBOCHARGER ASSEMBLY (831001980)

REF. NO.	PART NO.	SYM.	QTY.	DESCRIPTION
-	<b>831001980</b>		1	<b>TURBOCHARGER ASSEMBLY</b>
1	831111330		1	CASE-TURBINE
2	831231270		1	PLATE
3	831451270		6	BOLT
4	831501280		1	ROTOR ASSEMBLY
5	831151240		1	ROTOR-TURBINE
6	831241170		1	SEAL-RING
7	831421070		1	SPACER-THRUST
8	831431060		1	BEARING-INBOARD THRUST
9	831361120		4	SCREW
10	831161040		1	THROWER-OIL
11	831241180		1	SEAL-RING
12	831241190		1	SEAL-RING
13	831181160		1	IMPELLER-BLOWER
14	831171140		1	NUT-LOCK
15	831411060		1	PROTECTOR-HEAT
16	831211140		1	CASE-BEARING
17	831321080		3	RING-NOZZLE
18	831311110		2	BEARING
19	831271120		1	PLATE-BACK
20	831361170		4	SCREW
21	831451260		6	BOLT
22	831231260		6	PLATE
23	831141180		1	CASE-BLOWER
24	27-831041090		1	GASKET

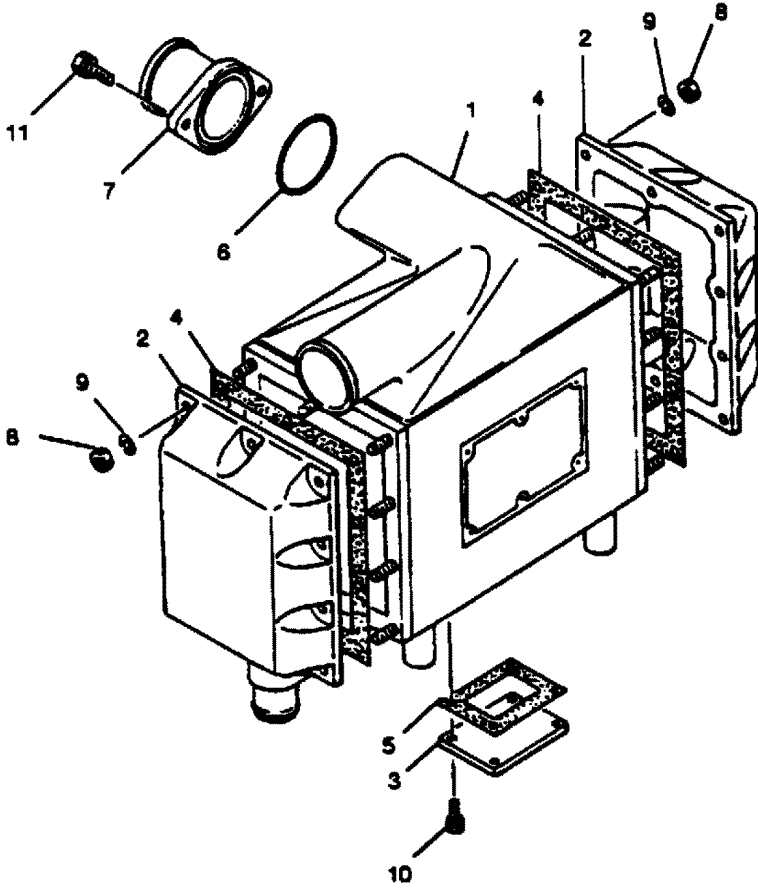
# INTERCOOLER ASSEMBLY (833001201)



## INTERCOOLER ASSEMBLY (833001201)

REF. NO.	PART NO.	SYM.	QTY.	DESCRIPTION
-	833001201		1	INTERCOOLER ASSEMBLY
1	11-830108070		20	NUT
2	13-838008200		20	LOCKWASHER
3	833051010		2	TANK ASSEMBLY-INTERCOOLER
4	27-833141040		2	GASKET-INTERCOOLER TANK
5	833041051		1	CORE ASSEMBLY-INTERCOOLER
6	27-833141050		1	GASKET-INTERCOOLER PLATE
7	833171020		1	PLATE-INTERCOOLER
8	838106200		4	BOLT
9	12-835908104		1	WASHER
10	19-834999994		1	PLUG

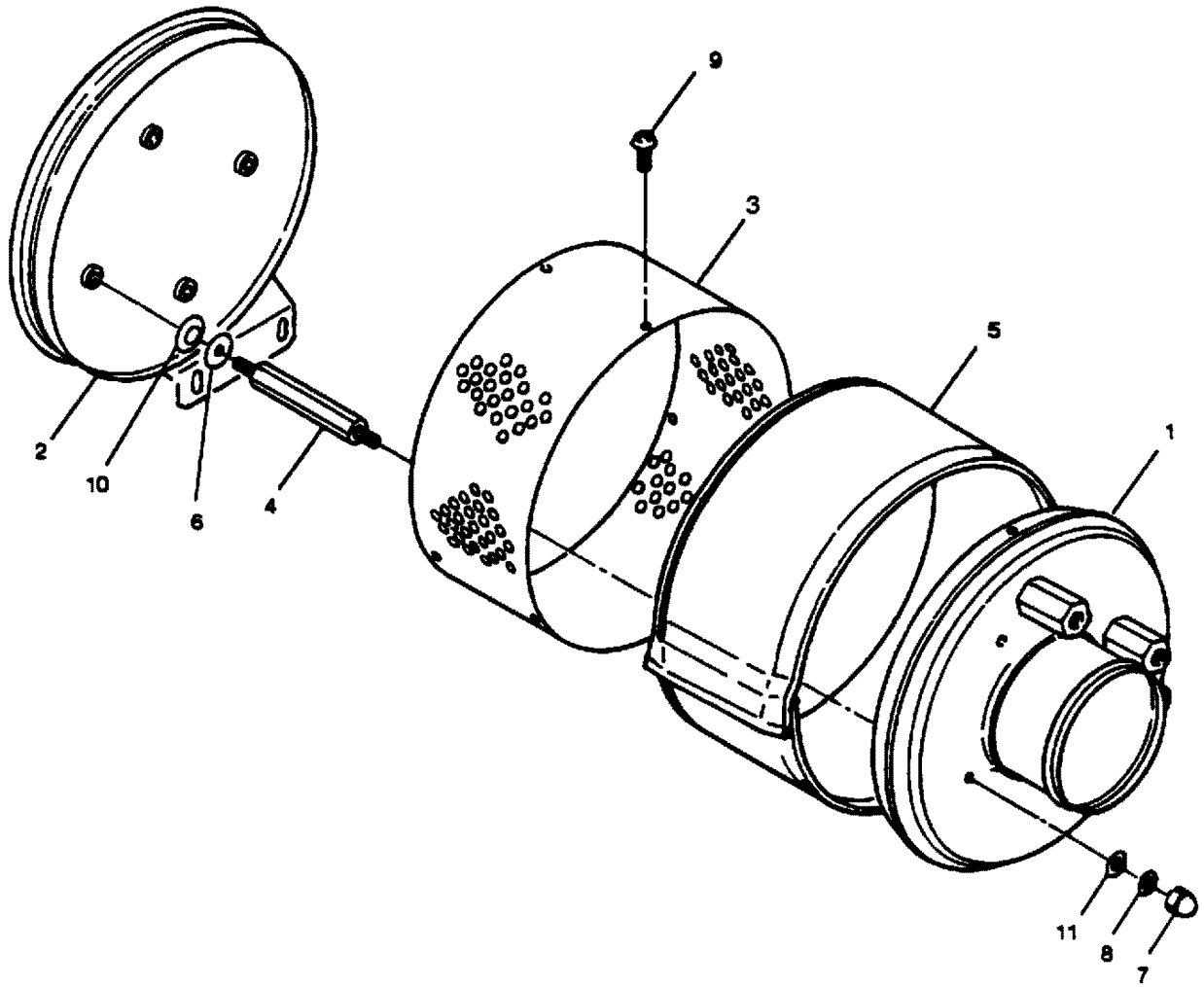
# INTERCOOLER ASSEMBLY (833001041)



## INTERCOOLER ASSEMBLY (833001041)

REF. NO.	PART NO.	SYM.	QTY.	DESCRIPTION
-	833001041		1	INTERCOOLER ASSEMBLY
1	833041050		1	CORE-INTERCOOLER
2	833051010		2	TANK-INTERCOOLER
3	833171010		1	PLATE-INSPECTION
4	27-833141040		2	GASKET-INTERCOOLER TANK
5	27-833141050		1	GASKET-INSPECTION COVER
6	25-835159105		1	O RING
7	833161010		1	PIPE-INTERCOOLER
8	11-830108070		20	NUT
9	13-838008200		20	LOCKWASHER
10	838106200		4	BOLT
11	10-838108250		2	BOLT

# CLEANER ASSEMBLY - AIR (220 H.P.) (837202610)

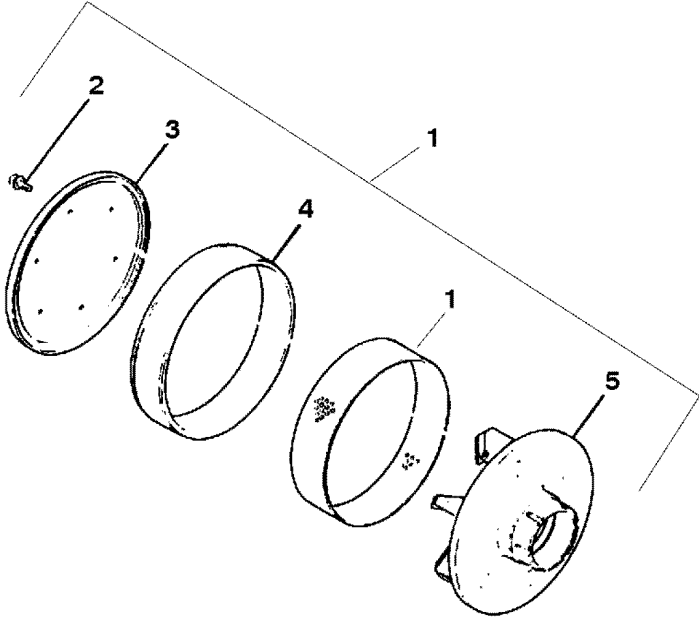




# CLEANER ASSEMBLY - AIR (220 H.P.) (837202610)

REF. NO.	PART NO.	SYM.	QTY.	DESCRIPTION
-	837202610		1	CLEANER ASSEMBLY-AIR (220 H.P.)
1	837012240		1	BODY-CLEANER TO TURBO
2	837012250		1	BODY-END
3	837691020		1	SCREEN
4	834999976		4	STUD
5	838012130		1	ELEMENT-CLEANER
6	836006220		4	WASHER
7	837151060		4	NUT
8	13-838006150		4	LOCKWASHER
9	838004080		3	BOLT
10	838112210		4	LOCKWASHER (INTERNAL)
11	836006140		4	WASHER

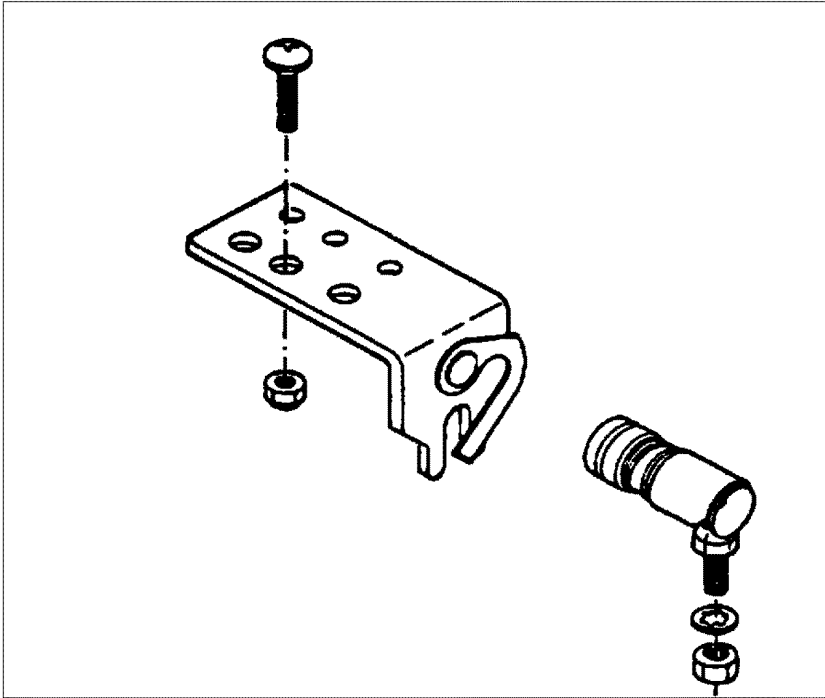
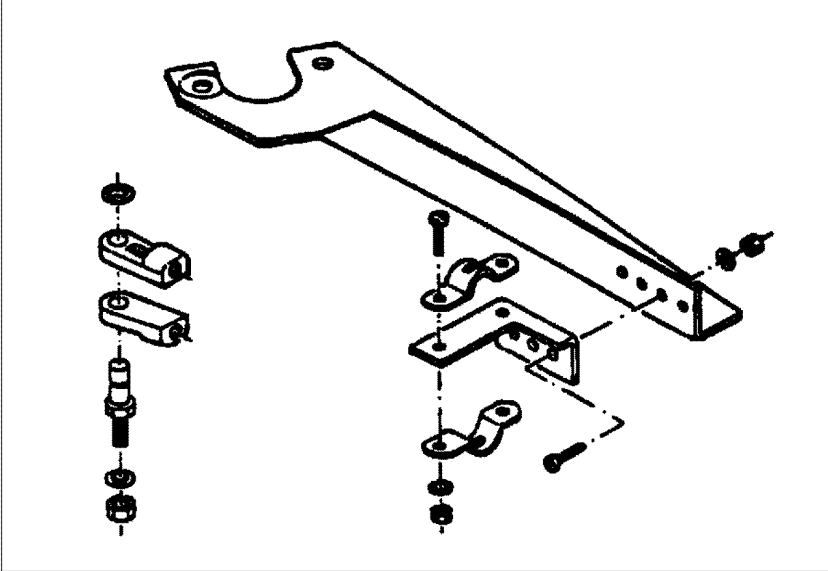
# CLEANER ASSEMBLY - AIR (220 H.P.) (837204321)



## CLEANER ASSEMBLY - AIR (220 H.P.) (837204321)

REF. NO.	PART NO.	SYM.	QTY.	DESCRIPTION
1	837204321		1	CLEANER ASSEMBLY-AIR (220 H.P.) -
2	839106122		6	BOLT
3	837051300		1	COVER ASSEMBLY-AIR CLEANER
4	838012790		1	ELEMENT ASSEMBLY-AIR CLEANER
5	837014190		1	BODY ASSEMBLY-AIR CLEANER

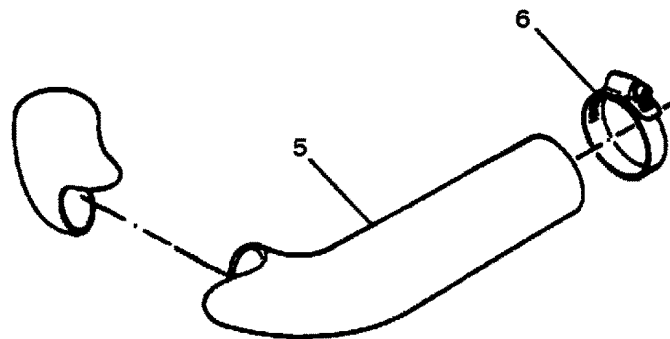
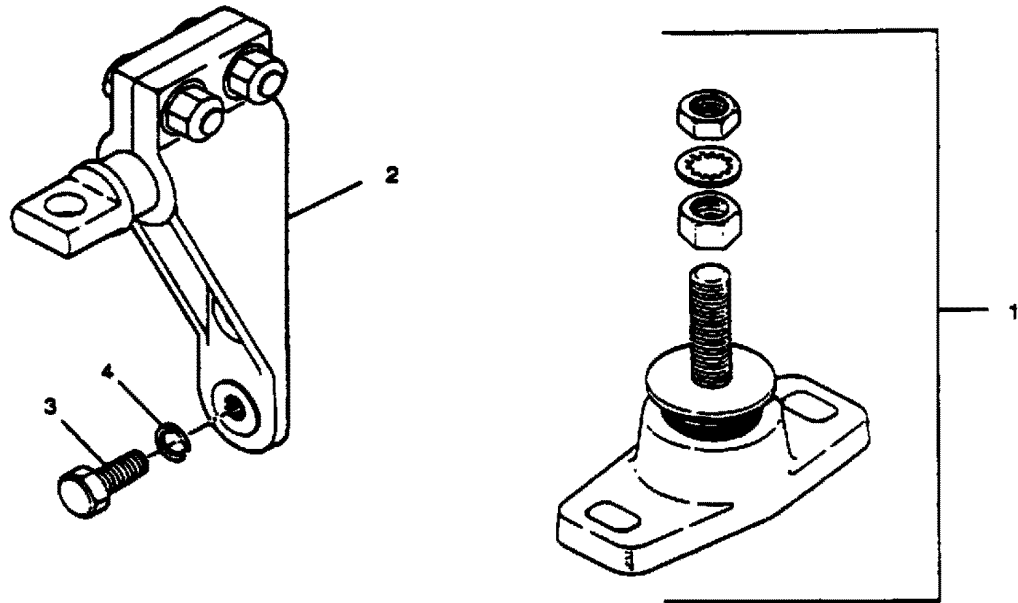
# THROTTLE AND SHIFT LINKAGE



## THROTTLE AND SHIFT LINKAGE

REF. NO.	PART NO.	SYM.	QTY.	DESCRIPTION
1	F1153509		1	LINKAGE KIT-GEAR SHIFT (TWIN DISK MODELS ONLY)
	F708820		1	LINKAGE KIT-GEAR SHIFT (HURTH M GEAR ONLY)
2	F708821		1	LINKAGE KIT-THROTTLE (ALL MODELS)

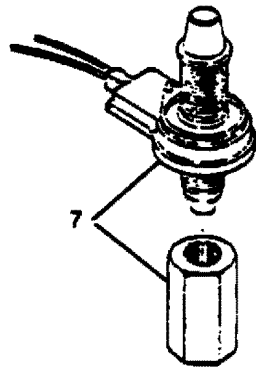
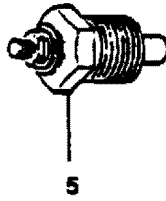
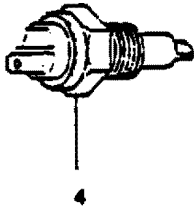
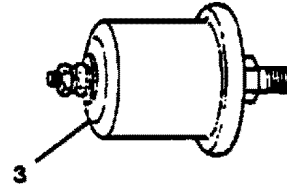
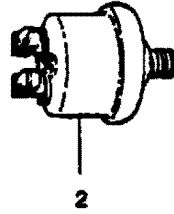
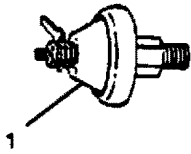
# ENGINE MOUNTS AND BREATHER



## ENGINE MOUNTS AND BREATHER

REF. NO.	PART NO.	SYM.	QTY.	DESCRIPTION
1	F734735		4	MOUNT ASSEMBLY-ISOLATOR (175 H.P.) <b>(ALL GEAR MODELS)</b>
	817176		4	MOUNT ASSEMBLY-ISOLATOR (220 H.P.) <b>(ALL GEAR MODELS)</b>
2	F1159793		2	MOUNT ASSEMBLY-TRANSMISSION <b>(TWIN DISK MODELS ONLY)</b>
3	F11510840		4	BOLT (.500-13 X 1.250) <b>(TWIN DISK MODELS ONLY)</b>
4	13-38829		4	LOCKWASHER (.500) <b>(TWIN DISK MODELS ONLY)</b>
5	F734232		1	HOSE (1.125 INS. X 20.00 INS.)
6	54-815504220		1	CLAMP

# ELECTRIAL COMPONENTS

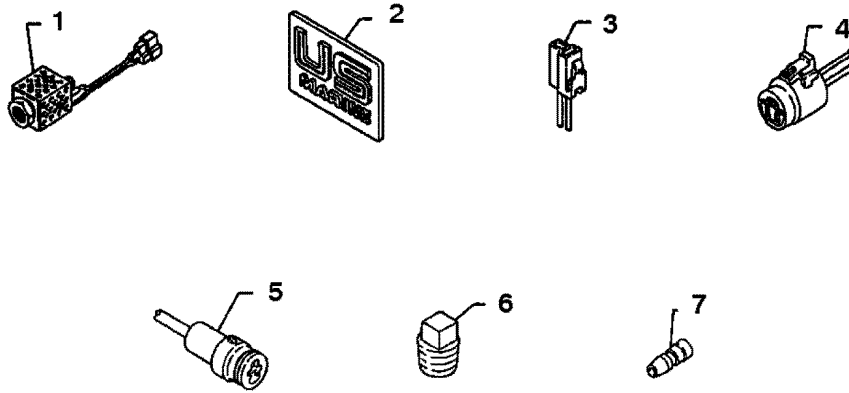




# ELECTRIAL COMPONENTS

REF. NO.	PART NO.	SYM.	QTY.	DESCRIPTION
1	87-817169		1	SWITCH-OIL PRESSURE ALARM
2	817165		1	INTERRUPTOR
3	817164		1	SENDER-OIL PRESSURE <b>(DUAL STATION)</b>
	F700918		1	SENDER-OIL PRESSURE <b>(SINGLE STATION)</b>
4	84-817157		1	SWITCH-WATER TEMPERATURE
5	F733431		1	SENDER-WATER TEMPERATURE <b>(DUAL STATION)</b>
	97258A1		1	SENDER-WATER TEMPERATURE <b>(SINGLE STATION)</b>
6	59816		1	BREAKER-CIRCUIT (40 AMP)
7	817189		1	SENDER-TACHOMETER

# MISCELLANEOUS ENGINE PARTS



## MISCELLANEOUS ENGINE PARTS

REF. NO.	PART NO.	SYM.	QTY.	DESCRIPTION
1	835501270		1	CONTROLLER ASSEMBLY-GLOW PLUG
2	835542942		1	PLATE-NAME <b>(SERIAL # 2688 AND BELOW)</b>
	38-835543360		1	PLATE-NAME <b>(SERIAL # 2689 AND UP)</b>
3	835802430		2	CONNECTOR ASSEMBLY
4	22-835803320		1	CONNECTOR ASSEMBLY
5	835803230		1	CONNECTOR ASSEMBLY
6	832221150		2	PLUG
7	838304050		2	TERMINAL

# PARTS INDEX

Part Number	Description	Pg.	Ref. No.	Part Number	Description	Pg.	Ref. No.
59816	BREAKER-CIRCUIT (40 AMP)	165	6	830211101	PIPE ASSEMBLY-EXHAUST	33	25
63832A1	COOLER-GEAR OIL	149	1	830211111	PIPE ASSEMBLY-EXHAUST	33	23
817164	SENDER-OIL PRESSURE	165	3	830211111	PIPE ASSEMBLY-EXHAUST	129	70
817165	INTERRUPTOR	165	2	830211111	RISER ASSEMBLY	123	47
817176	MOUNT ASSEMBLY- ISOLATOR (220 H.P.)	163	1	830211159	FLANGE (175 H.P.)	15	52
817189	SENDER-TACHOMETER	165	7	830211159	FLANGE (175 H.P.)	15	52
817190	BRACKET-MOUNTING	149	2	830211159	FLANGE (220 H.P.)	15	52
830004060	BALL-STEEL	3	14	830211160	OUTLET-EXHAUST	117	56
830008070	NUT	33	19	830211160	PIPE ASSEMBLY-EXHAUST	129	61
830008070	NUT	37	24	830211250	PIPE ASSEMBLY-RAW WATER PUMP SUCTION	97	13
830008070	NUT	61	2	830211250	PIPE ASSEMBLY-RAW WATER PUMP SUCTION	101	16
830008070	NUT	125	21	830211285	FLANGE (175 H.P.)	15	52
830008070	NUT (175 H.P.)	17	10	830234121	HOSE-WATER	11	7
830010080	NUT	11	24	830236215	HOSE-VENT (175 H.P.)	5	8
830010080	NUT	47	25	830301853	PUMP ASSEMBLY- INJECTOR (220 H.P.)	61	7
830010080	NUT	51	24	830302060	PUMP ASSEMBLY- INJECTOR (175 H.P.)	61	7
830101190	FILTER ASSEMBLY-FUEL	65	44	830305100	PIN-STRAIGHT	59	2
830101190	FILTER ASSEMBLY-FUEL	79	-	830401261	ALTERNATOR ASSEMBLY- WITH REGULATOR	111	38
830105040	NUT	131	25	830401261	ALTERNATOR ASSEMBLY- WITH REGULATOR	131	-
830110080	NUT	97	26	830401262	ALTERNATOR ASSEMBLY- WITH REGULATOR	111	38
830110080	NUT	101	28	830401262	ALTERNATOR ASSEMBLY- WITH REGULATOR	131	-
830110080	NUT	109	24	830401262	ALTERNATOR ASSEMBLY- WITH REGULATOR	111	38
830110160	BOLT	9	14	830401262	ALTERNATOR ASSEMBLY- WITH REGULATOR	131	-
830111310	CLUTCH ASSEMBLY-START	133	8	830404080	PIN-STRAIGHT	9	18
830111440	CLUTCH ASSEMBLY-START	141	7	830404100	PIN-STRAIGHT	27	16
830112090	RING SET-PISTON (STANDARD)	25	53	830408200	PIN-STRAIGHT	9	10
830113120	HELISERT	11	19	830410110	PLUG	3	4
830113120	HELISERT	17	31	830410240	PIN-STRAIGHT	21	4
830113120	HELISERT	21	19	830411230	LEVER ASSEMBLY-GUIDE	77	53
830115214	GASKET	3	21	830413930	BRACKET	117	60
830115229	GASKET	97	14	830413930	BRACKET-EXHAUST RISER SUPPORT	119	3
830115229	GASKET	101	15	830431250	BRACKET	113	26
830116156	SPACER	29	14	830431250	BRACKET	121	41
830116199	SPACER	97	3	830431260	BRACKET	117	59
830116279	SPACER	17	3	830431260	BRACKET-EXHAUST RISER SUPPORT	119	6
830116335	SPACER	17	20	830451030	LEVER ASSEMBLY-INNER	67	28
830116343	SPACER (175 H.P.)	21	11	830451030	LEVER ASSEMBLY-INNER	73	28
830121112	COVER ASSEMBLY-OIL PUMP	59	3	830481160	BRACKET ASSEMBLY-OIL PIPE	47	15
830124137	BOLT	27	8	830481160	BRACKET ASSEMBLY-OIL PIPE	51	14
830124138	BOLT	27	12	830642530	HARNES ASSEMBLY- ENGINE	111	41
830124158	BOLT (175 H.P.)	29	9	830872930	PIPE ASSEMBLY-COOLANT BY PASS	51	37
830124277	BOLT	47	1	830904105	PIN	27	17
830124294	BOLT	51	1	830906124	NUT	55	32
830124317	BOLT	125	19	830908137	NUT	57	9
830124350	BOLT (220 H.P.)	29	9	830910133	NUT	33	3
830126119	LOCK-VALVE SPRING RETAINER	29	16	830910133	NUT	37	3
830129176	COLLAR	27	6	830912102	PLUG	113	41
830146187	THERMOSTAT	99	42	830912102	PLUG	123	71
830146187	THERMOSTAT	103	44				
830149104	V BELT SET (2 BELTS)	97	20				
830149104	V BELT SET (2 BELTS)	101	22				
830149119	V BELT SET (2 BELTS)	109	29				
830210101	FITTING-LUBRICATION	105	16				
830210300	BOLT WITH WASHER	21	10				
830211080	ELBOW ASSEMBLY- EXHAUST	119	38				

# PARTS INDEX

Part Number	Description	Pg.	Ref. No.	Part Number	Description	Pg.	Ref. No.
830912102	PLUG	127	44	831041140	GASKET	5	-
830912103	PIN	9	9	831041140	GASKET ASSEMBLY- EXHAUST MANIFOLD	33	24
830912123	BOLT	17	2	831041140	GASKET ASSEMBLY- EXHAUST MANIFOLD	129	69
830914103	PIN	9	5	831041140	GASKET-RISER TO ELBOW	123	48
830916116	NUT	55	40	831041240	STRAINER ASSEMBLY-OIL	47	18
830920102	PLUG	57	5	831041240	STRAINER ASSEMBLY-OIL	51	17
830922103	PLUG	55	4	831041620	ELEMENT ASSEMBLY- INJECTION PUMP (220 H.P.)	87	51
831001170	PUMP ASSEMBLY-COOLANT	99	53	831041630	ELEMENT ASSEMBLY- INJECTION PUMP (175 H.P.)	87	51
831001170	PUMP ASSEMBLY-COOLANT	103	55	831071060	DRAIN TUBE-TURBO OIL	113	34
831001170	PUMP ASSEMBLY-COOLANT	105	-	831071060	PIPE-TURBO OIL DRAIN	123	64
831001501	TURBOCHARGER ASSEMBLY	113	18	831071070	GEAR ASSEMBLY-OIL PUMP	59	4
831001671	STARTER ASSEMBLY	109	23	831071090	VALVE ASSEMBLY-OVER FLOW (220 H.P.)	83	5
831001671	STARTER ASSEMBLY	133	-	831091170	PLATE ASSEMBLY-VALVE HOLDER LOCK	87	59
831001671	STARTER ASSEMBLY	137	-	831101040	HOUSING ASSEMBLY- START DRIVE LEVER	133	2
831001672	STARTER ASSEMBLY	109	23	831101080	HOUSING ASSEMBLY- START DRIVE LEVER	141	2
831001672	STARTER ASSEMBLY	133	-	831101382	PUMP ASSEMBLY-OIL	47	30
831001672	STARTER ASSEMBLY	137	-	831101382	PUMP ASSEMBLY-OIL	51	27
831001751	TURBOCHARGER ASSEMBLY	119	31	831101382	PUMP ASSEMBLY-OIL	59	-
831001751	TURBOCHARGER ASSEMBLY	147	-	831101511	HEAD ASSEMBLY-CYLINDER	3	1
831001980	TURBOCHARGER ASSEMBLY	125	32	831101511	HEAD ASSEMBLY-CYLINDER (175 H.P.)	5	13
831001980	TURBOCHARGER ASSEMBLY	151	-	831103830	HEAD ASSEMBLY-CYLINDER	3	1
831002050	STARTER ASSEMBLY	109	23	831103830	HEAD ASSEMBLY-CYLINDER	3	1
831002050	STARTER ASSEMBLY	141	-	831103830	HEAD ASSEMBLY-CYLINDER (175 H.P.)	5	13
831002050	STARTER ASSEMBLY	145	-	831103830	HEAD ASSEMBLY-CYLINDER (220 H.P.)	5	13
831002051	STARTER ASSEMBLY	109	23	831104020	HEAD ASSEMBLY-CYLINDER	3	1
831002051	STARTER ASSEMBLY	141	-	831104020	HEAD ASSEMBLY-CYLINDER (175 H.P.)	5	13
831002051	STARTER ASSEMBLY	145	-	831106250	BOLT	109	1
831002051	STARTER ASSEMBLY	145	-	831106250	BOLT (220 H.P.)	109	9
831002052	STARTER ASSEMBLY	109	23	831106300	BOLT	113	22
831002052	STARTER ASSEMBLY	141	-	831106300	BOLT	119	35
831002052	STARTER ASSEMBLY	145	-	831108160	BOLT	111	44
831002480	PUMP ASSEMBLY-RAW WATER	107	-	831108200	BOLT	17	36
831002480	PUMP ASSY-RAW WATER	97	16	831108220	BOLT	57	11
831002481	PUMP ASSEMBLY-RAW WATER	101	18	831108320	STUD	3	7
831002481	PUMP ASSEMBLY-RAW WATER	107	-	831108650	STUD	3	11
831002481	PUMP ASSY-RAW WATER	97	16	831110252	BOLT	99	44
831006160	BOLT	119	20	831110252	BOLT	103	46
831006160	BOLT	125	12	831110252	BOLT (220 H.P.)	17	19
831008280	STUD	33	17	831110402	BOLT	11	25
831008280	STUD	37	22	831110601	BOLT	97	19
831010060	NUT-LOCK	137	49	831110601	BOLT	101	21
831010060	NUT-LOCK	145	64	831110701	BOLT	97	38
831011221	HOUSING ASSEMBLY- INJECTION PUMP (175 H.P.)	83	1	831110701	BOLT	101	40
831011620	HOUSING ASSEMBLY- INJECTION PUMP (220 H.P.)	83	1	831110802	BOLT	97	40
831011782	PAN ASSEMBLY-OIL	15	49	831110802	BOLT	101	42
831016080	NUT-LOCK	131	1	831110852	BOLT	97	39
831021070	STOPPER-PINION SET	133	7				
831021090	STOPPER-PINION SET	141	6				

# PARTS INDEX

Part Number	Description	Pg.	Ref. No.	Part Number	Description	Pg.	Ref. No.
831110852	BOLT	101	41	831151122	GASKET	7	-
831111030	COVER-BEARING	87	38	831151122	GASKET-CYLINDER HEAD	5	14
831111110	CASE-HOT SECTION	147	12	831151240	ROTOR-TURBINE	151	5
831111181	BODY-OIL PUMP	59	1	831151590	HOUSING-START DRIVE	133	4
831111274	MANIFOLD-INTAKE	35	57	831161020	SLINGER-OIL	147	2
831111274	MANIFOLD-INTAKE	39	46	831161040	THROWER-OIL	151	10
831111330	CASE-TURBINE	151	1	831171080	PLATE-RAW WATER PUMP	107	2
831111350	BOSH-DRIVE HOUSING	133	3	831171140	NUT	147	6
831111350	BOSH-DRIVE HOUSING	137	76	831171140	NUT-LOCK	151	14
831111470	CASE-COOLANT PUMP	105	17	831181020	IMPELLER	147	7
831111680	CASE-RAW WATER PUMP	107	22	831181160	IMPELLER-BLOWER	151	13
831111690	CASE-RAW WATER PUMP	107	12	831191010	SEAT-PLUNGER SPRING- UPPER	83	27
831111960	CASE-RAW WATER PUMP	107	12	831191130	HOUSING-GEAR	141	12
831121050	BOLT-HOUSING SET	145	55	831191160	HOUSING-GEAR	141	12
831121640	BOLT-HOUSING SET	135	41	831201320	YOKE ASSEMBLY-START	137	53
831121650	BOLT-HOUSING SET	137	69	831201490	YOKE ASSEMBLY-START	145	41
831121660	BOLT-HOUSING SET	137	59	831210251	BOLT	37	31
831121660	BOLT-HOUSING SET	139	81	831210401	BOLT-WITH WASHER	19	45
831121670	BOLT-HOUSING SET	133	13	831210851	BOLT-WITH WASHER	19	46
831121680	BOLT-HOUSING SET	133	1	831211031	SPRING-PUMP PLUNGER (220 H.P.)	83	28
831121690	BOLT-HOUSING SET	133	17	831211040	CASE-BEARING	147	14
831121700	BOLT-HOUSING SET	133	11	831211120	COVER-COOLANT PUMP	105	12
831121720	BOLT-HOUSING SET	137	45	831211140	CASE-BEARING	151	16
831121730	BOLT-HOUSING SET	137	61	831211170	SPRING-PUMP PLUNGER (175 H.P.)	83	28
831121740	BOLT-HOUSING SET	137	67	831211220	COIL-START FIELD	137	62
831122140	BOLT-HOUSING SET	141	8	831211320	COVER-RAW WATER PUMP	107	27
831122150	BOLT-HOUSING SET	141	19	831211380	COIL-START FIELD	145	43
831122160	BOLT-HOUSING SET	145	42	831221120	SEAT-PLUNGER SPRING- LOWER	83	29
831122170	BOLT-HOUSING SET	145	45	831221180	BUSHING-VALVE GUIDE INTAKE	3	19
831122180	BOLT-HOUSING SET	141	1	831231050	CAMSHAFT-INJECTION PUMP	87	45
831122190	BOLT-HOUSING SET	145	62	831231110	PLATE	147	9
831122200	BOLT-HOUSING SET	141	11	831231120	PLATE	147	15
831131120	PLATE-LOCK	147	19	831231260	PLATE	151	22
831131160	PLATE-LOCK	147	17	831231270	PLATE	151	2
831131210	LEVER-PINION DRIVE	133	9	831241090	RING-CAMSHAFT ADJUST	87	43
831131270	LEVER-PINION DRIVE	141	15	831241160	RING-CAMSHAFT ADJUST	83	7
831131311	PIPE-INTAKE	35	52	831241170	SEAL	147	5
831131311	PIPE-INTAKE	39	43	831241170	SEAL-RING	151	6
831131320	RACK-CONTROL	83	6	831241180	SEAL-RING	151	11
831131442	PIPE-COOLANT PUMP SUCTION	97	37	831241190	SEAL	147	4
831131442	PIPE-COOLANT PUMP SUCTION	101	39	831241190	SEAL-RING	151	12
831131500	PIPE-COOLANT PUMP SUCTION	97	34	831251020	SPRING-DELIVERY VALVE	87	54
831131500	PIPE-COOLANT PUMP SUCTION	101	36	831251140	BUSH-CENTER BEARING	137	65
831132180	PIPE-INTAKE	37	39	831251150	BUSH-CENTER BEARING	137	58
831132920	PIPE-INTAKE	35	48	831251220	BUSH-CENTER BEARING	145	51
831133301	PIPE-INTAKE	125	5	831251230	BUSH-CENTER BEARING	145	49
831141020	COVER-CONTROL RACK (220 H.P.)	87	46	831261420	BEARING-CENTER	133	18
831141040	CASE-COMPRESSOR	147	8	831261430	BEARING-CENTER	133	21
831141070	PIN-DRIVE LEVER SET	133	10	831261510	BEARING-CENTER	141	13
831141090	PIN-DRIVE LEVER SET	141	16	831271020	BACKING PLATE	147	21
831141100	PIN-DRIVE LEVER SET	143	38	831271080	PLATE-CENTER	133	19
831141180	CASE-BLOWER	151	23	831271120	PLATE-BACK	151	19
831151110	PIPE-RAW WATER PUMP OUTLET	101	12	831271140	PUMP-INJECTION PUMP COVER	83	11

# PARTS INDEX

Part Number	Description	Pg.	Ref. No.	Part Number	Description	Pg.	Ref. No.
831281020	PINION-PLUNGER CONTROL	83	25	831391050	LEADWIRE .....	133	35
831291170	PLATE-CAMSHAFT SHIM ..	87	42	831391130	LEADWIRE .....	141	28
831291180	PLATE-CAMSHAFT SHIM ..	87	42	831401110	MANIFOLD ASSEMBLY- EXHAUST .....	33	1
831291190	PLATE-CAMSHAFT SHIM ..	83	8	831401110	MANIFOLD ASSEMBLY- EXHAUST .....	37	1
831291200	PLATE-CAMSHAFT SHIM ..	83	8	831401110	MANIFOLD ASSEMBLY- EXHAUST .....	43	1
831301260	BODY ASSEMBLY- INJECTION PUMP (175 H.P.) .....	83	-	831401240	HOLDER ASSEMBLY .....	137	71
831301260	BODY ASSEMBLY- INJECTION PUMP (175 H.P.) .....	87	-	831401241	HOLDER ASSEMBLY .....	137	71
831301260	BODY ASSEMBLY-INJECTOR PUMP (175 H.P.) .....	61	10	831401340	HOLDER ASSEMBLY-START BRUSH .....	145	53
831301310	BODY ASSEMBLY- INJECTION PUMP (220 H.P.) .....	83	-	831411030	SHIELD-HEAT .....	147	18
831301310	BODY ASSEMBLY- INJECTION PUMP (220 H.P.) .....	87	-	831411060	PROTECTOR-HEAT .....	151	15
831301310	BODY ASSEMBLY-INJECTOR PUMP (220 H.P.) .....	61	10	831412270	GUIDE-OIL LEVEL GAGE (175 H.P.) .....	15	38
831311050	ADAPTER .....	83	3	831412270	GUIDE-OIL LEVEL GAGE (220 H.P.) .....	15	38
831311110	BEARING .....	151	18	831412450	GUIDE-OIL LEVEL GAGE (175 H.P.) .....	15	38
831311110	BUSHING .....	147	22	831412870	GUIDE-OIL LEVEL GAGE (175 H.P.) .....	15	38
831311230	SEAT-VALVE INTAKE .....	3	13	831413381	BRACKET .....	37	16
831311300	VANE-COOLANT PUMP ....	105	13	831421070	SPACER-THRUST .....	147	3
831321080	RING-NOZZLE .....	151	17	831421070	SPACER-THRUST .....	151	7
831331340	FRAME-COMMUTATOR END	139	78	831421240	BRUSH-START .....	137	73
831331600	FRAME-COMMUTATOR END	145	57	831421241	BRUSH-START .....	137	73
831341040	PIPE-COOLANT OIL COOLER .....	47	40	831421330	BRUSH-START .....	145	54
831351210	BUSH-TERMINAL INSL ....	137	56	831431040	BEARING-THRUST .....	147	23
831351220	BUSH-TERMINAL INSL ....	137	63	831431060	BEARING-INBOARD THRUST	151	8
831351240	SEAT-VALVE EXHAUST ...	3	12	831431120	SPRING-START BRUSH ...	137	72
831351240	SEAT-VALVE EXHAUST ...	3	12	831441110	PIPE-PUSH ROD GUIDE ...	3	18
831351250	SEAT-VALVE EXHAUST ...	3	12	831451091	SHAFT-COOLANT PUMP ...	105	2
831361040	SCREW .....	147	20	831451100	BOLT .....	147	13
831361070	SCREW .....	147	16	831451130	BOLT .....	147	10
831361120	SCREW .....	151	9	831451260	BOLT .....	151	21
831361170	SCREW .....	151	20	831451270	BOLT .....	151	3
831361590	BRACKET-AIR INLET PIPE SUPPORT .....	119	12	831451630	SHAFT-RAW WATER PUMP	107	8
831361590	BRACKET-AIR PIPE RETAINER .....	113	5	831451780	SHAFT-RAW WATER PUMP	107	8
831371010	ADAPTOR-OIL SUPPLY ....	113	20	831461010	ROLLER-TAPPET .....	87	32
831371010	ADAPTOR-OIL SUPPLY ....	119	33	831471110	PIN .....	107	13
831371090	FELT-OIL .....	133	20	831501050	ROTOR ASSEMBLY .....	147	1
831371100	FELT-OIL .....	139	77	831501280	ROTOR ASSEMBLY .....	151	4
831371140	FELT-OIL .....	141	14	831501670	SWITCH ASSEMBLY-START MAGNET .....	133	25
831381240	PACKING .....	137	68	831501790	SWITCH ASSEMBLY-START MAGNET .....	141	17
831381250	PACKING .....	133	5	831512081	GASKET-OIL PAN .....	15	50
831381250	PACKING .....	141	4	831521150	BRACKET-EXHAUST MANIFOLD .....	33	13
831381260	PACKING .....	133	28	831521150	BRACKET-EXHAUST MANIFOLD .....	37	13
831381270	PACKING .....	133	29	831521160	BRACKET-EXHAUST MANIFOLD .....	33	7
831381390	PACKING .....	143	37	831521160	BRACKET-EXHAUST MANIFOLD .....	37	7
831381400	PACKING .....	143	39	831541110	BOOT-START MAGNET ....	133	27
831381410	PACKING .....	141	35	831591270	COVER-MAGNET SWITCH .	137	48
831381420	PACKING .....	145	61	831601390	ARMATURE ASSEMBLY- START .....	133	23
831391030	LEADWIRE .....	137	70				
831391040	LEADWIRE .....	137	42				

# PARTS INDEX

Part Number	Description	Pg.	Ref. No.	Part Number	Description	Pg.	Ref. No.
831601510	ARMATURE ASSEMBLY-START .....	141	34	832071040	COVER ASSEMBLY-WATER GALLERY (220 H.P.) .....	11	13
831661020	SEAT-RAW WATER PUMP FLOATING .....	107	17	832071180	COVER ASSEMBLY-WATER GALLERY .....	43	9
831661030	SEAT-RAW WATER PUMP FLOATING .....	107	24	832071190	COVER ASSEMBLY-WATER GALLERY (220 H.P.) .....	11	13
831681320	RING-RETAINER .....	133	6	832071210	COVER ASSEMBLY-WATER GALLERY .....	43	5
831681320	RING-RETAINER .....	141	5	832101112	VENTILATOR ASSEMBLY ..	5	4
831681340	RING .....	141	10	832111990	COVER-CYLINDER HEAD ..	5	6
831701040	COVER ASSEMBLY .....	83	10	832131680	GASKET .....	5	-
831711400	LINE-TURBO OIL SUPPLY ..	113	32	832131680	GASKET-CYLINDER HEAD COVER .....	5	21
831711400	PIPE-OIL SUPPLY .....	123	59	832161181	PISTON (175 H.P.) .....	25	52
831731201	PULLEY-COOLANT PUMP ..	97	18	832161960	PISTON (220 H.P.) .....	25	52
831731201	PULLEY-COOLANT PUMP ..	101	20	832191110	WASHER-START .....	133	12
831732350	PULLEY-RAW WATER PUMP	107	3	832191110	WASHER-START .....	135	40
831761110	SEAT-INJECTOR NOZZLE ..	3	22	832191110	WASHER-START (220 H.P.) .	83	23
831761120	SEAT-INJECTOR NOZZLE (FOR HEAD ASSY 831104020) .....	3	22	832191120	WASHER .....	141	26
831801071	COCK ASSEMBLY-COOLANT	11	3	832191120	WASHER .....	145	47
831801530	COCK ASSEMBLY-COOLANT	43	6	832191120	WASHER-START .....	133	31
831811170	VALVE-COOLANT COCK ...	11	5	832191120	WASHER-START .....	137	43
831851170	BOLT-CYLINDER HEAD (175 H.P.) .....	5	18	832191170	WASHER .....	141	9
831851760	BOLT-CYLINDER HEAD (220 H.P.) .....	5	18	832191170	WASHER-START .....	133	14
831881020	SEAT-COOLANT COCK SPRING .....	129	51	832191170	WASHER-START .....	137	75
831908117	BOLT .....	61	30	832191190	WASHER-START .....	133	33
831908202	BOLT .....	27	4	832191200	WASHER .....	137	66
831910105	BOLT .....	111	34	832191200	WASHER .....	145	48
831910119	BOLT .....	19	47	832191210	WASHER-START .....	133	22
831910131	BOLT .....	41	55	832191220	WASHER .....	141	33
831914101	NUT .....	61	27	832191220	WASHER-START .....	133	24
831921041	BRACKET-OIL LINE ADAPTOR .....	113	38	832191310	WASHER .....	141	29
831921041	BRACKET-OIL PIPE TURBOCHARGER .....	125	38	832191320	WASHER .....	143	36
831921041	BRACKET-TURBO OIL DRAIN PIPE SUPPORT ..	123	68	832201270	CORE ASSEMBLY-WITH JOINT .....	133	26
831924109	RING-RETAINER .....	29	1	832201380	CORE ASSEMBLY-WITH JOINT .....	141	18
832010080	PLUG .....	37	17	832212251	BOLT .....	5	17
832011150	HEATER ASSEMBLY-AIR INTAKE .....	35	50	832217120	PLUG .....	125	20
832011150	HEATER ASSEMBLY-AIR INTAKE .....	37	41	832221150	PLUG .....	167	6
832011760	PIPE ASSEMBLY-VENT (175 H.P.) .....	5	10	832311030	NUT-START .....	137	50
832031020	HANGER ASSEMBLY-ENGINE (220 H.P.) .....	17	1	832311060	NUT .....	141	25
832031321	BEARING SET-CONROD (US 0.25) .....	25	45	832311060	NUT-START .....	133	36
832041301	BEARING SET-CONROD (US 0.50) .....	25	45	832311070	NUT .....	141	22
832051311	BEARING SET-CONROD (US 0.75) .....	25	45	832311110	NUT .....	143	40
832061291	BEARING SET-CONROD (US 1.00) .....	25	45	832311120	NUT .....	145	46
832071040	COVER ASSEMBLY-WATER GALLERY (175 H.P.) .....	11	13	832311130	NUT .....	145	63
				832311140	NUT .....	141	30
				832381020	PLATE-VENT BAFFLE .....	5	11
				832401480	COVER ASSEMBLY-CONTRACTOR WITH TERMINAL .....	133	30
				832411020	WASHER-CONTACT PLATE LOCK .....	137	55
				832411020	WASHER-CONTACT PLATE LOCK .....	139	79
				832411030	WASHER-CONTACT PLATE LOCK .....	135	39
				832411050	WASHER-CONTACT PLATE LOCK .....	133	15



# PARTS INDEX

Part Number	Description	Pg.	Ref. No.	Part Number	Description	Pg.	Ref. No.
832411090	WASHER-CONTACT PLATE LOCK	145	52	833041220	BRACKET-ENGINE MOUNT (LHR)	19	50
832411100	WASHER-CONTACT PLATE LOCK	141	20	833051010	TANK ASSEMBLY- INTERCOOLER	153	3
832481280	PLATE-INSL	137	47	833051010	TANK-INTERCOOLER	155	2
832481310	PLATE-INSL	141	31	833051080	SLEEVE ASSEMBLY- FLYWEIGHT	71	45
832501020	JOINT ASSEMBLY-LINK ROD	109	15	833051080	SLEEVE ASSEMBLY- FLYWEIGHT	75	38
832503100	DISC ASSEMBLY-CLUTCH	21	12	833061012	COVER ASSEMBLY	15	43
832511231	COVER-VALVE PUSH ROD	15	58	833071920	LEVER ASSEMBLY-GUIDE	71	60
832521400	BEARING	141	3	833081170	LEVER ASSEMBLY-TENSION	71	62
832521400	BEARING	145	59	833081170	LEVER ASSEMBLY-TENSION	77	55
832521630	BEARING-BALL	131	10	833101350	COVER ASSEMBLY-FUEL FILTER	79	1
832531050	GASKET-OIL COOLER CASE	47	32	833101510	FRAME ASSEMBLY- ALTERNATOR DRIVE SIDE	131	6
832531050	GASKET-OIL COOLER CASE	51	29	833110550	KEY	25	43
832531340	GASKET-VALVE PUSH ROD COVER	15	59	833121520	PLATE-RETAINER	131	8
832601340	ROD ASSEMBLY- CONNECTING	25	46	833161010	PIPE-INTERCOOLER	155	7
832621100	HOLDER	137	46	833161040	PLUG-AIR	79	2
832631090	PIN-WEIGHT	137	60	833171010	PLATE-INSPECTION	155	3
832631090	PIN-WEIGHT	145	44	833171020	PLATE-INTERCOOLER	153	7
832631090	PIN-WEIGHT	145	58	833171140	LINK	71	57
832671030	GASKET-WATER GALLERY COVER	11	14	833171140	LINK	77	50
832721270	BUSHING-CONROD	25	49	833171440	BOLT-THROUGH	131	5
832811031	HANGER-ENGINE	5	15	833181040	SHAFT-TENSION	77	56
832910112	BOLT WITH WASHER	21	8	833181240	SHAFT-TENSION	71	63
832910248	BOLT	61	21	833201150	COVER ASSEMBLY-TIMING GEAR CASE	17	30
833001041	INTERCOOLER ASSEMBLY	113	9	833211020	JOINT-WATER HOSE THROUGH	97	33
833001041	INTERCOOLER ASSEMBLY	119	16	833211020	JOINT-WATER HOSE THROUGH	101	35
833001041	INTERCOOLER ASSEMBLY	155	-	833211210	COVER-FUEL FILTER	79	9
833001201	INTERCOOLER ASSEMBLY	125	1	833211680	BRACKET-ENGINE MOUNTING	19	44
833001201	INTERCOOLER ASSEMBLY	153	-	833211882	CASE-THERMOSTAT	99	41
833008450	BOLT	45	8	833211882	CASE-THERMOSTAT	103	43
833011230	HOUSING ASSEMBLY- GOVERNOR	71	51	833212390	SPRING-GOVERNOR	71	69
833011350	BRACKET ASSEMBLY- ENGINE MOUNTING	17	42	833212390	SPRING-GOVERNOR	77	62
833013980	GAGE ASSEMBLY-OIL LEVEL (175 H.P.)	11	27	833221070	PLUG-DRAIN	79	12
833013980	GAGE ASSEMBLY-OIL LEVEL (220 H.P.)	11	27	833221180	BUSH	67	27
833014120	GAGE ASSEMBLY-OIL LEVEL (175 H.P.)	11	27	833221180	SPRING	73	27
833021050	BRACKET-INTERCOOLER MOUNTING	113	12	833221350	BUSH	71	64
833021050	BRACKET-INTERCOOLER MOUNTING	119	25	833221350	BUSH	77	57
833021060	BRACKET ASSEMBLY- INTERCOOLER	125	17	833221360	BUSH	71	65
833021282	BRACKET ASSEMBLY- ENGINE MOUNTING	17	27	833221360	BUSH	77	58
833021420	COVER ASSEMBLY- GOVERNOR	67	1	833221370	BUSH	67	18
833021420	COVER ASSEMBLY- GOVERNOR	73	1	833221620	BUSH	71	43
833031332	BRACKET-ENGINE MOUNT (RR)	19	50	833221620	BUSH	73	36
833041050	CORE-INTERCOOLER	155	1	833231240	COVER-THERMOSTAT CASE	99	47
				833231240	COVER-THERMOSTAT CASE	103	49
				833251111	GASKET	5	-
				833251111	GASKET-THERMOSTAT	99	48
				833251111	GASKET-THERMOSTAT	103	50
				833251500	BRACKET-ENGINE MOUNTING	19	43
				833291050	BOLT	79	10
				833291170	BRACKET	97	30

# PARTS INDEX

Part Number	Description	Pg.	Ref. No.	Part Number	Description	Pg.	Ref. No.
833291170	BRACKET	101	32	833701010	BODY ASSEMBLY-WATER SEPARATOR	91	6
833301530	ROTOR ASSEMBLY-ALTERNATOR	131	13	833701050	BODY ASSEMBLY-WATER SEPARATOR	93	5
833301710	GOVERNOR ASSEMBLY	73	-	833711170	BRUSH-ALTERNATOR	131	17
833301710	GOVERNOR ASSEMBLY	77	-	833761030	HOLDER-BRUSH B	131	18
833301710	GOVERNOR ASSEMBLY (220 H.P.)	61	8	833781600	INSULATOR-TERMINAL	131	23
833311280	SPRING-START	71	59	833801040	RETAINER ASSEMBLY-OIL SEAL	21	18
833311280	SPRING-START	77	52	833852060	ADAPTER	67	39
833321370	BUSH	73	18	833861180	COVER-END	73	15
833331030	RING-SPACE	131	14	833861540	COVER-END	67	15
833341020	PLATE	79	7	833871150	INSULATOR-TERMINAL B	131	28
833361140	BRACKET-COOLANT PIPE	99	43	833871160	INSULATOR-TERMINAL B	131	24
833361140	BRACKET-COOLANT PIPE	103	45	833871170	INSULATOR-TERMINAL B	131	19
833404160	KEY-WOODRUFF (175 H.P.)	63	34	833904103	KEY-WOODRUFF (175 H.P.)	63	34
833404160	KEY-WOODRUFF (220 H.P.)	63	34	833907104	KEY	105	1
833405160	KEY-WOODRUFF (175 H.P.)	63	33	833911230	HOUSING ASSEMBLY-GOVERNOR	77	44
833405160	KEY-WOODRUFF (220 H.P.)	63	33	833931100	PLUG-GOVERNOR HOUSING	67	20
833405190	KEY-WOODRUFF (175 H.P.)	63	33	833931100	PLUG-GOVERNOR HOUSING	73	20
833407220	KEY-WOODRUFF	27	1	833941580	BRACKET-FUEL FILTER	65	63
833411610	SPRING	67	31	833941591	BRACKET-FUEL FILTER	65	66
833411610	SPRING-RETURN	73	31	833951010	SCREW-STOPPER	67	5
833411620	SPRING-RETURN	67	32	833951010	SCREW-STOPPER	73	5
833411620	SPRING-RETURN	73	32	833961320	SCREW	73	35
833412500	SPRING-RETURN	67	25	833961320	SCREW-STROKE ADJUST	67	35
833421580	NUT-CAP	67	10	834021330	SPRING-IDLING	73	6
833421580	NUT-CAP	73	10	834041550	CAPSULE ASSEMBLY-ADAPTER SPRING	69	42
833431460	BRACKET	71	56	834041710	CAPSULE ASSEMBLY-ADAPTER SPRING	67	37
833431460	BRACKET	77	49	834051030	ELEMENT ASSEMBLY-HEAT EXCHANGER	43	7
833441140	FLYWEIGHT	87	50	834091010	BRACKET ASSEMBLY-INJECTOR PUMP	11	18
833482010	LEVER-STOP	67	23	834094060	BRACKET	41	56
833482010	LEVER-STOP	73	23	834094071	BRACKET ASSEMBLY-EXHAUST PIPE	33	37
833491120	LEVER-SLIDING	67	29	834094750	BRACKET ASSEMBLY-EXHAUST PIPE	37	36
833491120	LEVER-SLIDING	73	29	834101220	RELAY ASSEMBLY-START BLOCK	109	3
833511020	BUSH-FRAME	131	30	834101600	STATOR ASSEMBLY	131	12
833511320	SEAT	67	33	834103900	BLOCK ASSEMBLY-CYLINDER	9	1
833511320	SEAT	73	33	834103900	BLOCK ASSEMBLY-CYLINDER	11	1
833511330	SEAT	67	34	834110300	STUD	11	20
833511330	SEAT	73	34	834110300	STUD	109	27
833511430	HOUSING-FLYWHEEL	17	5	834111291	CRANKSHAFT (175 H.P.)	25	41
833511650	SEAT	67	24	834111291	CRANKSHAFT (220 H.P.)	25	41
833511650	SEAT	73	24	834111370	PIPE-OIL INLET	51	20
833513481	HOUSING-FLYWHEEL	17	17	834111370	PIPE-OIL PUMP INLET	47	21
833531070	NUT	75	39	834111511	CRANKSHAFT (220 H.P.)	25	42
833531070	NUT-ROUND	71	46	834112110	SPRING-IDLING	69	41
833551180	CONDENSER-ALTERNATOR	131	27	834121140	COLLAR-SPACE	131	9
833561220	HOLDER-WITH RECTIFIER	131	16	834121150	COLLAR-SPACE	131	11
833581490	PIN-STRAIGHT	67	30	834121160	SPRING-IDLING	67	6
833591810	FRAME-RECTIFIER END	131	29	834311380	PULLEY-ALTERNATOR	131	3
833601010	COVER ASSEMBLY-WATER SEPARATOR	91	1				
833601020	COVER ASSEMBLY-WATER SEPARATOR	93	1				
833601090	FLYWEIGHT ASSEMBLY	71	68				
833601090	FLYWEIGHT ASSEMBLY	77	61				
833601100	FLYWEIGHT ASSEMBLY	77	42				
833601350	FLYWEIGHT ASSEMBLY	71	49				
833621090	BOLT-THROUGH	131	7				
833641450	BOLT-TERMINAL	131	21				
833651080	WIRE-LEAD	131	22				

# PARTS INDEX

Part Number	Description	Pg.	Ref. No.	Part Number	Description	Pg.	Ref. No.
834351030	SLINGER-CRANKSHAFT OIL	21	25	834999972	LEVER ASSEMBLY-LOAD		
834371130	SLEEVE	21	21		CONTROL	67	21
834391011	PLATE-SEAL	9	8	834999972	LEVER ASSEMBLY-LOAD		
834402531	O RING	51	9		CONTROL	73	21
834402936	O RING	49	47	834999973	GOVERNOR ASSEMBLY	67	-
834402936	O RING	53	44	834999973	GOVERNOR ASSEMBLY	71	-
834403135	O RING	9	16	834999973	GOVERNOR ASSEMBLY (175		
834411170	FAN-ALTERNATOR	131	4		H.P.)	61	8
834451190	CLAMP	131	31	834999974	VALVE-EXHAUST (175 H.P.)	31	22
834502211	FLYWHEEL ASSEMBLY (175			834999976	STUD	157	4
	H.P.)	21	1	834999986	CENTER-CRANKSHAFT		
834502211	FLYWHEEL ASSEMBLY (220				PULLEY (220 H.P.)	21	26
	H.P.)	21	1	834999997	FLANGE	9	15
834511211	BRACKET	115	44	834999997	FLANGE1.5 (175 H.P.)	15	55
834511230	BRACKET	41	53	835051200	GEAR ASSEMBLY-IDLE	27	10
834511240	BRACKET	41	58	835081030	BODY ASSEMBLY-ROTOR	55	34
834511260	BRACKET	41	59	835091160	BOLT-JOINT	89	21
834512831	FLYWHEEL (220 H.P.)	21	3	835091220	BRACE ASSEMBLY-		
834512832	FLYWHEEL (175 H.P.)	21	3		ALTERNATOR	111	37
834512832	FLYWHEEL (220 H.P.)	21	3	835101080	ROTOR ASSEMBLY	55	35
834531401	GEAR-FLYWHEEL RING (114			835101160	TIMER ASSEMBLY-		
	TEETH)	21	2		AUTOMATIC (175 H.P.)	61	11
834551130	PLATE (175 H.P.)	109	4	835101160	TIMER ASSEMBLY-		
834551130	PLATE (220 H.P.)	109	4		AUTOMATIC (175 H.P.)	95	-
834581760	BRACKET-EXHAUST PIPE	33	36	835101174	O RING	137	52
834581900	BRACKET-EXHAUST PIPE	37	32	835101420	TIMER ASSEMBLY-		
834581910	BRACKET-EXHAUST PIPE	37	34		AUTOMATIC (220 H.P.)	61	11
834611650	HOSE-OIL	15	40	835101420	TIMER ASSEMBLY-		
834671201	LINER-CYLINDER (W)	9	2		AUTOMATIC (220 H.P.)	95	-
834671211	LINER-CYLINDER (X)	9	2	835105107	O RING	137	57
834671232	LINER-CYLINDER (Z)	9	2	835106118	O RING	67	11
834701650	PULLEY ASSEMBLY-			835106118	O RING	73	11
	CRANKSHAFT (220 H.P.)	21	30	835106118	O RING	135	38
834702610	PULLEY ASSEMBLY-			835106118	O RING	145	60
	CRANKSHAFT (175 H.P.)	21	30	835110126	O RING	137	64
834702610	PULLEY ASSEMBLY-			835110126	O RING	145	50
	CRANKSHAFT (220 H.P.)	23	30	835111070	NUT-TIMER ROUND (175		
834712960	PULLEY-CRANKSHAFT	25	36		H.P.)	87	35
834721061	CENTER-CRANKSHAFT			835111110	O RING	133	16
	PULLEY (220 H.P.)	23	34	835111431	CAMSHAFT	27	2
834741030	SLINGER-CRANK PULLEY	25	37	835111690	BRACKET-ALTERNATOR	109	30
834910120	STUD	3	17	835121060	COVER-TIMER	95	2
834914480	BRACKET-PIPE	11	32	835131160	FLANGE-TIMER DRIVING		
834921040	HOLDER-CLIP	61	14		(175 H.P.)	95	4
834921120	HOLDER-CLIP	101	1	835131530	FLANGE-TIMER DRIVING		
834922551	HOLDER-CLIP	97	2		(220 H.P.)	95	4
834922551	HOLDER-CLIP	101	9	835141090	WEIGHT-TIMER (175 H.P.)	95	5
834922560	HOLDER-CLIP	11	26	835141300	WEIGHT-TIMER (220 H.P.)	95	5
834999962	PACKING	137	74	835151150	SPRING-TIMER (175 H.P.)	95	8
834999963	SHIM (1.1)	95	7	835151620	SPRING-TIMER (220 H.P.)	95	8
834999964	SHIM (1.0)	95	7	835161100	HUB-TIMER	95	9
834999965	SHIM (.09)	95	7	835171030	COVER	55	36
834999966	SHIM (.08)	95	7	835211181	BOLT-BEARING CAP	9	13
834999967	SHIM (.07)	95	7	835231350	GEAR-CAMSHAFT	27	5
834999968	STOPPER-DELIVERY VALVE	87	56	835251020	SUPPORT-CENTRIFUGAL		
834999969	HOLDER-DELIVERY VALVE	87	58		FILTER	55	39
834999970	TAPPET ASSEMBLY-			835351020	SPRING-OIL FILTER ROTOR		
	INJECTION PUMP	87	31		SUPPORT	55	38
834999971	SLEEVE-PLUNGER			835501270	CONTROLLER ASSEMBLY-		
	CONTROL	83	26		GLOW PLUG	167	1

# PARTS INDEX

Part Number	Description	Pg.	Ref. No.	Part Number	Description	Pg.	Ref. No.
835542942	PLATE-NAME	167	2	836006140	WASHER (175 H.P.)	109	2
835621020	PLUG-SCREW	89	18	836006140	WASHER (220 H.P.)	109	2
835631041	VALVE-FEED PUMP CHECK	89	17	836006220	WASHER	157	6
835651140	ROD-FEED PUMP PUSH (.10)	89	2	836006240	WASHER (220 H.P.)	109	8
835651150	ROD-FEED PUMP PUSH (.30)	89	2	836008140	WASHER	3	8
835651160	ROD-FEED PUMP PUSH (.40)	89	2	836008220	WASHER	35	45
835651170	ROD-FEED PUMP PUSH (.50)	89	2	836008220	WASHER	37	27
835651180	ROD-FEED PUMP PUSH (.60)	89	2	836008270	WASHER	117	61
835651190	ROD-FEED PUMP PUSH (.70)	89	2	836008270	WASHER	119	2
835661110	PISTON-FEED PUMP	89	12	836008270	WASHER	119	4
835671020	PLUG-SCREW	89	13	836010300	WASHER	97	24
835681180	TAPPET-FEED PUMP	89	5	836010300	WASHER	101	26
835691110	ROLLER-FEED PUMP TAPPET	89	6	836011121	BRACKET ASSEMBLY- SOLENOID	17	24
835701250	PUMP ASSEMBLY-FUEL FEED	61	9	836012220	WASHER	47	8
835701250	PUMP ASSEMBLY-FUEL FEED	89	-	836012220	WASHER	51	7
835711100	PIN-FEED PUMP TAPPET ROLLER	89	8	836021040	BODY ASSEMBLY-NOZZLE HOLDER (175 H.P.)	81	10
835711180	PLATE-CAMSHAFT THRUST	27	3	836021070	VALVE	123	70
835713050	BRACKET-TURBO ADAPTOR SUPPORT	41	49	836021070	VALVE ASSEMBLY-OIL PRESSURE	127	43
835721021	PLATE-IDLE GEAR THRUST	27	9	836021070	VALVE-OIL SUPPLY	113	40
835721050	PLATE-IDLE GEAR THRUST	27	14	836021160	BODY ASSEMBLY-NOZZLE HOLDER (220 H.P.)	81	10
835721080	BLOCK-FEED PUMP TAPPET SLIDING	89	4	836041020	VALVE ASSEMBLY-OIL SAFETY	55	12
835731020	PLATE-INJECTOR PUMP GEAR THRUST	61	31	836051040	VALVE ASSEMBLY-OIL CHECK	55	5
835741040	FILTER-FEED PUMP	89	10	836071521	ELEMENT SET-OIL FILTER	55	28
835794030	PLATE-CAUTION	119	15	836101080	COUPLING ASSEMBLY	61	12
835794030	PLATE-CAUTION-ENGINE	129	76	836101150	NOZZLE AND HOLDER SET (175 H.P.)	65	50
835794030	PLATE-ENGINE CAUTION	113	8	836101650	NOZZLE AND HOLDER SET (220 H.P.)	65	50
835801080	HOUSING ASSEMBLY-FEED PUMP	89	1	836111040	INLET CONNECTOR (175 H.P.)	81	8
835801260	SHAFT ASSEMBLY-IDLE GEAR	27	15	836111070	SHAFT-INJECTOR PUMP DRIVE (175 H.P.)	63	32
835802430	CONNECTOR ASSEMBLY	167	3	836111180	INLET CONNECTOR (220 H.P.)	81	8
835803230	CONNECTOR ASSEMBLY	167	5	836111400	SHAFT-INJECTOR PUMP DRIVE (175 H.P.)	63	32
835818171	PLATE-CAUTION	65	45	836111400	SHAFT-INJECTOR PUMP DRIVE (220 H.P.)	63	32
835818181	PLATE-CAUTION	47	14	836112701	BOLT (175 H.P.)	29	9
835818181	PLATE-CAUTION	51	13	836121670	COVER-OIL FILTER ELEMENT	55	2
835851030	SEAT-FILLER PIPE	43	12	836131170	GEAR-INJECTOR PUMP DRIVE	61	29
835906123	CLEVIS	109	13	836141660	COVER-OIL FILTER ELEMENT	55	24
835910130	BOLT	47	6	836151150	SPRING-OIL FILTER ELEMENT	55	23
835910130	BOLT	51	5	836191020	SHAFT-TACH DRIVE	17	32
835912109	WASHER	67	7	836201260	RELAY ASSEMBLY-INTAKE AIR HEATER	109	5
835922101	WASHER	15	46	836201940	CAP ASSEMBLY-OIL FILTER	55	1
836002880	FILTER ASSEMBLY-OIL	47	13	836231110	NUT-NOZZLE HOLDER CAP	81	3
836002880	FILTER ASSEMBLY-OIL	51	12	836241040	VALVE-FILTER SAFETY	55	11
836002880	FILTER ASSEMBLY-OIL	55	-	836241130	VALVE-FILTER SAFETY	55	18
836006140	WASHER	119	19				
836006140	WASHER	125	11				
836006140	WASHER	157	11				

# PARTS INDEX

Part Number	Description	Pg.	Ref. No.	Part Number	Description	Pg.	Ref. No.
836241140	VALVE-FILTER SAFETY	55	8	836941122	ADAPTER-TACH GEN	17	37
836301080	HOLDER ASSEMBLY- NOZZLE (175 H.P.)	65	51	836948103	CLAMP	99	52
836301080	HOLDER ASSEMBLY- NOZZLE (175 H.P.)	81	-	836962101	CLAMP	97	35
836301210	HOLDER ASSEMBLY- NOZZLE (220 H.P.)	65	51	836962101	CLAMP	101	37
836301210	HOLDER ASSEMBLY- NOZZLE (220 H.P.)	81	-	836975103	CLAMP	113	1
836331030	NUT-NOZZLE RETAINING	81	11	836975103	CLAMP	119	10
836404420	CLAMP	33	14	836975103	CLAMP	125	2
836404420	CLAMP	47	41	836994102	CLAMP	113	17
836404420	CLAMP	51	38	836994102	CLAMP	119	30
836404420	CLAMP	123	54	837001520	REGULATOR ASSEMBLY	131	20
836404420	CLAMP	129	59	837011271	BEARING SET-CRANKSHAFT (STANDARD)	21	23
836404420	CLAMP-HOSE	117	50	837012240	BODY-CLEANER TO TURBO	157	1
836404620	CLAMP	103	54	837012250	BODY-END	157	2
836404820	CLAMP	33	31	837012970	BODY ASSEMBLY-AIR CLEANER	45	7
836404820	CLAMP	123	52	837013110	BODY ASSEMBLY-AIR CLEANER	45	5
836404820	CLAMP-HOSE	117	52	837014190	BODY ASSEMBLY-AIR CLEANER	159	5
836405020	CLAMP	129	63	837031161	SEAT ASSEMBLY-VALVE SPRING (175 H.P.)	29	21
836451030	PLATE-SET	17	34	837031220	SEAT ASSEMBLY-VALVE SPRING (175 H.P.)	29	21
836501100	NOZZLE ASSEMBLY (175 H.P.)	65	52	837041271	BEARING SET-CRANKSHAFT (US 0.50)	21	23
836501550	NOZZLE ASSEMBLY (220 H.P.)	65	52	837051271	BEARING SET-CRANKSHAFT (US 0.75)	21	23
836601020	PLUG ASSEMBLY-OIL	55	14	837051300	COVER ASSEMBLY-AIR CLEANER	159	3
836602810	CLAMP (175 H.P.)	5	9	837061271	BEARING SET-CRANKSHAFT (US 1.00)	21	23
836603610	CLAMP (175 H.P.)	5	7	837101020	COOLER ASSEMBLY-OIL	49	46
836607010	CLAMP	113	3	837101020	COOLER ASSEMBLY-OIL	53	43
836607010	CLAMP	119	7	837101020	COOLER ASSEMBLY-OIL	57	-
836611100	SPRING-OIL VALVE	55	7	837102114	SPRING-COMPRESSION	29	13
836611170	SPRING-OIL VALVE	55	19	837111021	CASE-OIL COOLER	57	1
836621010	PLUG-OIL VALVE	55	17	837111210	CASE-OIL COOLER	47	33
836621080	PLUG-OIL VALVE	55	21	837111210	CASE-OIL COOLER	51	30
836621100	PLUG-OIL VALVE	55	10	837111471	VALVE-INTAKE (175 H.P.)	31	23
836734103	BUSHING	27	11	837111471	VALVE-INTAKE (220 H.P.)	31	23
836901112	CLAMP	113	15	837111550	VALVE-INTAKE (175 H.P.)	31	23
836901112	CLAMP	119	28	837121250	ELEMENT-OIL COOLER	57	4
836909103	WASHER	57	7	837141280	COVER-AIR CLEANER	45	2
836911160	PIPE-COOLANT	33	33	837151060	NUT	157	7
836911180	PIPE-COOLANT	117	53	837151201	VALVE-EXHAUST (175 H.P.)	31	22
836911180	PIPE-COOLANT	123	53	837151201	VALVE-EXHAUST (220 H.P.)	31	22
836911180	PIPE-COOLANT	129	57	837191340	SEAL-VALVE STEM OIL (175 H.P.)	29	19
836911190	GASKET-OIL FILTER	47	11	837191340	SEAL-VALVE STEM OIL (220 H.P.)	29	20
836911190	GASKET-OIL FILTER	51	10	837191350	SEAL-VALVE STEM OIL (220 H.P.)	29	19
836911200	BRACKET-SOLENOID (175 H.P.)	17	8	837202610	CLEANER ASSEMBLY-AIR	113	13
836911221	BRACKET-SOLENOID	125	15	837202610	CLEANER ASSEMBLY-AIR	119	26
836911221	BRACKET-SOLENOID (175 H.P.)	17	13	837202610	CLEANER ASSEMBLY-AIR (220 H.P.)	157	-
836911221	BRACKET-SOLENOID MOUNTING	119	24	837204321	CLEANER ASSEMBLY-AIR	125	30
836911450	BRACKET-SOLENOID	125	14	837204321	CLEANER ASSEMBLY-AIR (220 H.P.)	159	1
836911490	BRACKET-SOLENOID (175 H.P.)	17	14				
836922103	CLAMP	129	73				
836924109	WASHER-PLAIN	29	12				
836932101	CLAMP	97	4				
836932101	CLAMP	101	11				

# PARTS INDEX

Part Number	Description	Pg.	Ref. No.	Part Number	Description	Pg.	Ref. No.
837261070	PLUG-BLIND	57	2	838106200	BOLT	153	8
837310103	SPRING-RETURN	73	25	838106200	BOLT	155	10
837314080	LOCKWASHER	61	28	838110250	BOLT	113	36
837341230	SEAT-VALVE SPRING- LOWER (175 H.P.)	31	21	838110250	BOLT	123	66
837341250	SEAT-VALVE SPRING- LOWER (220 H.P.)	31	21	838110250	BOLT	125	35
837351051	SEAT-VALVE SPRING (175 H.P.)	29	17	838112102	BEARING-BALL	131	15
837351290	SEAT-VALVE SPRING (220 H.P.)	29	17	838112210	LOCKWASHER (INTERNAL)	157	10
837351310	SEAT-VALVE SPRING (175 H.P.)	29	17	838112640	BOLT	83	20
837391120	CAP-VALVE STEM (175 H.P.)	29	15	838121051	BEARING-CAMSHAFT # 1	9	21
837391120	CAP-VALVE STEM (220 H.P.)	29	15	838131170	O RING	95	6
837511340	LIFTER-VALVE	31	24	838131240	O RING	73	26
837681210	BRACKET-FUEL PIPE	61	5	838151200	BOLT	73	22
837691020	SCREEN	157	3	838151230	BOLT	67	22
837711150	PIPE-OIL	57	12	838151430	BOLT	67	14
837711360	CLAMP-AIR CLEANER	125	31	838151430	BOLT	73	14
837731461	PIPE-OIL (175 H.P.)	61	23	838151480	BOLT	67	13
837731461	PIPE-OIL (220 H.P.)	61	23	838151480	BOLT	73	13
837802420	CLAMP	125	25	838151490	BOLT	67	3
837811300	ROD-VALVE PUSH (175 H.P.)	31	25	838151490	BOLT	73	3
837811310	ROD-VALVE PUSH (175 H.P.)	31	25	838151860	BOLT	67	19
837811310	ROD-VALVE PUSH (220 H.P.)	31	25	838151860	BOLT	73	19
837871100	SCREW-VALVE ADJUST	29	4	838152490	BOLT	83	13
837910128	PIN-STRAIGHT	73	30	838152500	BOLT	87	39
837916106	GROMMET	125	27	838171060	O RING	71	66
838004080	BOLT	157	9	838171060	O RING	77	59
838010250	LOCKWASHER	11	23	838171070	O RING	67	16
838010250	LOCKWASHER	21	14	838171070	O RING	73	16
838010250	LOCKWASHER	21	9	838171080	O RING	67	17
838010250	LOCKWASHER	27	13	838171080	O RING	73	17
838010250	LOCKWASHER	33	21	838171110	O RING	87	40
838010250	LOCKWASHER	47	24	838171130	O RING	87	57
838010250	LOCKWASHER	51	23	838171440	O RING	67	26
838010250	LOCKWASHER	97	22	838171540	O RING	83	21
838010250	LOCKWASHER	101	24	838206300	BOLT-WITH WASHER(175 H.P.)	13	36
838010250	LOCKWASHER	109	25	838251080	NUT	67	4
838010250	LOCKWASHER	121	44	838251080	NUT	73	4
838010250	LOCKWASHER	129	67	838251400	NUT	67	8
838012130	ELEMENT-CLEANER	157	5	838251400	NUT	73	8
838012300	LOCKWASHER	5	16	838251480	NUT (220 H.P.)	83	22
838012300	LOCKWASHER	47	7	838251820	NUT	67	36
838012300	LOCKWASHER	51	6	838251950	NUT	71	52
838012450	ELEMENT ASSEMBLY-AIR CLEANER FILTER	45	4	838251950	NUT	77	45
838012790	ELEMENT ASSEMBLY-AIR CLEANER	159	4	838252060	NUT	67	9
838031080	SEPARATOR ASSEMBLY- WATER (175 H.P.)	65	40	838252060	NUT	73	9
838031080	SEPARATOR ASSEMBLY- WATER (175 H.P.)	91	-	838271040	SEAL-OIL	87	37
838031160	SEPARATOR ASSEMBLY- WATER (220 H.P.)	65	40	838271050	SEAL-OIL	95	1
838031160	SEPARATOR ASSEMBLY- WATER (220 H.P.)	93	-	838271090	SEAL-OIL	89	3
838106200	BOLT	113	27	838271210	SEAL-OIL	95	3
838106200	BOLT	123	63	838271370	SEAL-OIL	71	70
				838271370	SEAL-OIL	77	63
				838301470	ARM ASSEMBLY-VALVE ROCKER	29	5
				838304050	TERMINAL	167	7
				838304102	BOLT	141	32
				838311032	BUSHING-ROCKER ARM	29	11
				838311032	BUSHING-ROCKER ARM	29	6
				838351110	BOLT-JOINT	83	15
				838351180	BALL-JOINT	83	17
				838351310	BOLT-JOINT	87	47

# PARTS INDEX

Part Number	Description	Pg.	Ref. No.	Part Number	Description	Pg.	Ref. No.
838351310	BOLT-JOINT	89	16	838851250	SHIM (0.15)	85	30
838351370	BOLT-JOINT	89	9	838851270	SHIM (0.3)	85	30
838371090	BEARING	83	18	838851330	SHIM (1.3)	85	30
838371100	BEARING	87	41	838851340	SHIM (1.4)	85	30
838371140	BEARING	87	33	838851350	SHIM (0.3)	85	30
838371230	BEARING	83	9	838851360	SHIM (0.4)	85	30
838401330	ARM ASSEMBLY-VALVE			838851370	SHIM (0.5)	85	30
	ROCKER ARM	29	10	838851440	SHIM (0.1)	87	55
838411560	PLUG-SCREW	73	2	838851450	SHIM (0.2)	87	55
838431280	WASHER	73	7	838851460	SHIM (0.15)	87	55
838451110	PLUG-SCREW	71	55	838851550	SHIM (0.1)	87	42
838451110	PLUG-SCREW	77	48	838851560	SHIM (0.16)	87	42
838451160	PLUG-SCREW	87	34	838851570	SHIM (0.3)	87	42
838451210	PLUG-SCREW	67	2	838851580	SHIM (0.5)	87	42
838451350	PLUG-SCREW	89	20	838852270	SHIM (0.13)	85	30
838451360	PLUG-SCREW	89	15	838854900	SHIM (0.1)	83	8
838471090	GASKET	87	53	838854910	SHIM (0.12)	83	8
838471160	WASHER	77	47	838854920	SHIM (0.14)	83	8
838471200	GASKET	71	50	838854930	SHIM (0.16)	83	8
838471200	GASKET	77	43	838854940	SHIM (0.18)	83	8
838471570	GASKET	71	53	838854950	SHIM (0.5)	83	8
838471570	GASKET	77	46	838855120	SHIM (0.2)	71	44
838471680	GASKET	89	19	838855120	SHIM (0.2)	73	37
838471690	GASKET	89	14	838855130	SHIM (0.3)	71	44
838471870	GASKET	67	12	838855130	SHIM (0.3)	73	37
838471870	GASKET	73	12	838855140	SHIM (0.4)	71	44
838471890	GASKET	83	12	838855140	SHIM (0.4)	73	37
838471900	GASKET	83	14	838855150	SHIM (0.1)	71	44
838471920	GASKET	83	16	838855150	SHIM (0.1)	73	37
838571060	BOLT-STUD	83	2	838855160	SHIM (1.0)	71	44
838611130	SCREW	95	11	838855160	SHIM (1.0)	75	37
838631180	WASHER	95	10	838855530	SHIM (0.1)	67	40
838631280	WASHER	67	38	838855540	SHIM (0.25)	69	40
838631400	RING-RETAINER	77	60	838855550	SHIM (0.5)	69	40
838631820	WASHER	71	58	838856810	SHIM	69	40
838631820	WASHER	77	51	838871050	RING-RETAINER	71	67
838651280	SCREW	83	24	838871160	RING-RETAINER	89	7
838651290	SCREW	87	49	838908110	BOLT	15	57
838671020	WASHER	83	19	838908110	BOLT	47	26
838731380	WASHER	135	37	838908110	BOLT	117	62
838731380	WASHER	137	51	838908110	BOLT	119	5
838731380	WASHER	137	54	838908110	BOLT (175 H.P.)	15	51
838731380	WASHER	139	80	838908114	BOLT	3	20
838731380	WASHER	141	21	838911040	KEY	75	40
838731380	WASHER	141	24	838911060	KEY	71	61
838771090	WASHER (220 H.P.)	83	4	838911060	KEY	77	54
838771100	WASHER	87	48	838951010	KEY (220 H.P.)	87	44
838771220	WASHER	71	48	838951020	KEY	71	47
838771220	WASHER	75	41	839006161	BOLT	45	1
838771710	WASHER (175 H.P.)	87	36	839011210	SHAFT ASSEMBLY-VALVE		
838821010	BEARING-DRIVESHAFT	9	19		ROCKER (175 H.P.)	29	2
838851130	SHIM (0.6)	83	30	839011250	SHAFT ASSEMBLY-VALVE		
838851140	SHIM (0.7)	83	30		ROCKER (175 H.P.)	29	2
838851150	SHIM (0.8)	83	30	839011250	SHAFT ASSEMBLY-VALVE		
838851160	SHIM (0.9)	85	30		ROCKER (220 H.P.)	29	2
838851170	SHIM (1.0)	85	30	839016480	LOCKWASHER	131	2
838851180	SHIM (1.1)	85	30	839021030	JOINT ASSEMBLY-3 WAY	61	4
838851190	SHIM (1.2)	85	30	839041010	CLIP ASSEMBLY	61	20
838851230	SHIM (0.1)	85	30	839041090	CLIP ASSEMBLY	65	62
838851240	SHIM (0.2)	85	30	839041140	CLIP ASSEMBLY	35	44

# PARTS INDEX

Part Number	Description	Pg.	Ref. No.	Part Number	Description	Pg.	Ref. No.
839041140	CLIP ASSEMBLY	37	28	FG1030	GASKET SET	49	-
839041220	CLIP ASSEMBLY	61	15	FG1030	GASKET SET	63	-
839041230	CLIP ASSEMBLY	97	11	FG1030	GASKET SET	81	-
839041230	CLIP ASSEMBLY	101	2	FG1030	GASKET SET	99	-
839041230	CLIP ASSEMBLY (175 H.P.)	13	34	FG1030	GASKET SET	103	-
839041250	CLIP ASSEMBLY	65	54	FG1030	GASKET SET	115	-
839041380	CLIP ASSEMBLY	127	46	FG1030	GASKET SET	123	-
839041380	CLIP-OIL PIPE RETAINER	123	58	FG1030	GASKET SET	127	-
839041380	CLIP-TURBO OIL SUPPLY LINE HOLDER	113	30	FG1030	GASKET SET	129	-
839041970	CLIP ASSEMBLY	125	24	FI1510412	FITTING-BRASS	149	4
839106122	BOLT	159	2	FI1510435	HOSE ASSEMBLY	149	3
839108122	BOLT	97	7	FI1510840	BOLT (.500-13 X 1.250)	163	3
839108122	BOLT	101	13	FI153509	LINKAGE KIT-GEAR SHIFT	161	1
839108161	BOLT	33	42	FI159790	COOLER-GEAR OIL	149	1
839108161	BOLT	37	30	FI159793	MOUNT ASSEMBLY- TRANSMISSION	163	2
839108251	BOLT	125	13	FI159941	BRACKET-MOUNTING	149	2
839108651	BOLT	115	42	FI5410179	HOSE-MOLDED	149	6
839108651	BOLT	123	72	FI5410179	HOSE-MOLDED	149	6
839108651	BOLT	129	77	ORDLOCAL	HOSE (1.250 IN. ID X 21.00 INS.)	149	5
839108701	BOLT	97	29	10-830110250	BOLT	97	25
839108701	BOLT	101	31	10-830110250	BOLT	101	27
839511650	SUPPORT-VALVE ROCKER (175 H.P.)	29	8	10-830110250	BOLT (175 H.P.)	15	56
839511720	SUPPORT-VALVE ROCKER (175 H.P.)	29	8	10-830110300	BOLT	33	5
839511730	SUPPORT-VALVE ROCKER (175 H.P.)	29	8	10-830110300	BOLT	37	5
839511740	SUPPORT-VALVE ROCKER (220 H.P.)	29	8	10-830110650	BOLT	33	12
839681350	BRACKET-SWITCH (175 H.P.)	19	48	10-830110650	BOLT	37	12
839681360	BRACKET-SWITCH	125	10	10-830112250	BOLT	17	22
839681360	BRACKET-SWITCH MOUNTING	119	18	10-830112400	BOLT	17	21
839931590	HOLDER-CLIP	129	74	10-830114300	BOLT	33	38
839931640	HOLDER-CLIP (220 H.P.)	17	18	10-830114300	BOLT	37	35
839935260	HOLDER-CLIP	35	43	10-830114300	BOLT	41	50
839935260	HOLDER-CLIP	37	29	10-830114300	BOLT	41	57
97258A1	SENDER-WATER TEMPERATURE	165	5	10-830114300	BOLT	113	10
F700580	FITTING-BRASS	149	4	10-830114300	BOLT	119	21
F700918	SENDER-OIL PRESSURE	165	3	10-830114300	BOLT	125	9
F708820	LINKAGE KIT-GEAR SHIFT	161	1	10-830114300	BOLT (175 H.P.)	17	9
F708821	LINKAGE KIT-THROTTLE	161	2	10-830124295	BOLT	129	52
F733431	SENDER-WATER TEMPERATURE	165	5	10-830124295	BOLT (220 H.P.)	11	10
F734075	OUTLET-OFFSET-EXHAUST	117	56	10-830124297	BOLT	15	45
F734232	HOSE (1.125 IN. ID X 20.00 INS.)	149	5	10-830124320	BOLT (175 H.P.)	29	9
F734232	HOSE (1.125 INS. X 20.00 INS.)	163	5	10-830912116	BOLT	17	25
F734455	HARNESS-WIRING (PORT)	111	NS	10-831008200	BOLT	105	11
F734456	HARNESS-WIRING (STARBOARD)	111	NS	10-831008200	BOLT	129	75
F734735	MOUNT ASSEMBLY- ISOLATOR (175 H.P.)	163	1	10-831106200	BOLT	109	11
FG1030	GASKET SET	5	22	10-831108400	BOLT	65	64
FG1030	GASKET SET	35	-	10-831110001	BOLT	47	3
FG1030	GASKET SET	39	-	10-831110001	BOLT	51	2
				10-831110200	BOLT	47	17
				10-831110200	BOLT	51	16
				10-831110251	BOLT	5	5
				10-831110251	BOLT	97	32
				10-831110251	BOLT	101	34
				10-831110251	BOLT	109	31
				10-831110251	BOLT	115	45
				10-831110300	BOLT	23	31
				10-831110300	BOLT	97	28
				10-831110300	BOLT	101	30
				10-831110301	BOLT	11	21



# PARTS INDEX

Part Number	Description	Pg.	Ref. No.	Part Number	Description	Pg.	Ref. No.
10-831110301	BOLT	33	35	10-832910195	BOLT	129	72
10-831110301	BOLT	35	54	10-832910229	BOLT	117	49
10-831110301	BOLT	39	45	10-832910229	BOLT	123	49
10-831110301	BOLT	65	43	10-832910229	BOLT	129	66
10-831110301	BOLT	99	46	10-832910241	BOLT	21	13
10-831110301	BOLT	103	48	10-833161030	PLUG-AIR	91	2
10-831110352	BOLT	47	4	10-833221080	BOLT	43	14
10-831110352	BOLT	51	3	10-833221090	BOLT	43	3
10-831110352	BOLT	109	22	10-834551100	BOLT-FLYWHEEL	21	5
10-831110400	BOLT	111	35	10-834999984	SCREW-NOZZLE HOLDER ADJUST	81	5
10-831110401	BOLT	17	16	10-835908103	BOLT	47	34
10-831110401	BOLT	47	31	10-835908103	BOLT	51	31
10-831110401	BOLT	51	28	10-836431020	PLUG-OIL FILTER DRAIN	55	26
10-831110401	BOLT	99	45	10-836511210	BOLT	55	27
10-831110401	BOLT	103	47	10-838106120	BOLT	5	12
10-831110403	BOLT	17	4	10-838106250	BOLT (220 H.P.)	13	35
10-831110451	BOLT	25	35	10-838108200	BOLT	11	6
10-831110602	BOLT	17	23	10-838108200	BOLT	15	47
10-831110651	BOLT	47	29	10-838108200	BOLT	59	5
10-831110651	BOLT	51	26	10-838108200	BOLT	113	37
10-831110651	BOLT	97	31	10-838108200	BOLT	123	67
10-831110651	BOLT	101	33	10-838108200	BOLT	125	39
10-831110702	BOLT	35	55	10-838108200	BOLT (175 H.P.)	11	17
10-831110702	BOLT	37	37	10-838108200	BOLT (175 H.P.)	15	51
10-831110801	BOLT	35	51	10-838108200	BOLT (175 H.P.)	15	51
10-831110801	BOLT	37	42	10-838108200	BOLT (220 H.P.)	11	17
10-831110952	BOLT	33	6	10-838108200	BOLT (220 H.P.)	15	51
10-831110952	BOLT	37	6	10-838108250	BOLT	47	22
10-831361090	SCREW	107	21	10-838108250	BOLT	51	21
10-831451200	BOLT	107	30	10-838108250	BOLT	155	11
10-831451210	BOLT	107	10	10-838108250	BOLT (175 H.P.)	11	15
10-831851160	BOLT-CYLINDER HEAD	5	20	10-838108250	BOLT (220 H.P.)	11	15
10-831851520	BOLT-CYLINDER HEAD	5	19	10-838206350	BOLT-WITH WASHER (175 H.P.)	13	36
10-831908191	BOLT	61	24	10-838351130	BOLT-JOINT	81	1
10-831910104	BOLT	47	5	10-838908117	BOLT	21	6
10-831910104	BOLT	51	4	10-839008176	BOLT	47	39
10-831910110	BOLT	117	48	10-839008176	BOLT	51	36
10-831910110	BOLT	123	50	10-839108162	BOLT	13	33
10-831910110	BOLT	129	65	10-839108162	BOLT	47	19
10-831910127	BOLT	33	34	10-839108162	BOLT	51	18
10-831910127	BOLT	117	54	10-839108162	BOLT	113	11
10-831910127	BOLT	123	56	10-839108162	BOLT	119	22
10-831910127	BOLT	129	56	10-839108162	BOLT	125	16
10-831910281	BOLT	97	23	10-839108201	BOLT	97	1
10-831910281	BOLT	101	25	10-839108201	BOLT	101	8
10-831912179	BOLT	113	24	10-839108201	BOLT	119	23
10-831912179	BOLT	113	33	10-839108201	BOLT (175 H.P.)	17	15
10-831912179	BOLT	119	37	10-839108202	BOLT	15	48
10-831912179	BOLT	125	40	10-839108202	BOLT	35	56
10-831912438	BOLT	17	26	10-839108202	BOLT	49	45
10-831913101	BOLT	63	36	10-839108202	BOLT	53	42
10-831914102	BOLT	111	33	10-839108202	BOLT	97	12
10-831914184	BOLT	65	47	10-839108202	BOLT	101	10
10-831916148	BOLT	61	18	10-839108202	BOLT	113	6
10-832651291	BOLT-CONROD	25	48	10-839108202	BOLT	119	13
10-832910187	BOLT	33	22	10-839108202	BOLT (220 H.P.)	65	65
10-832910187	BOLT	121	46	10-839108252	BOLT	11	16
10-832910187	BOLT	129	71	10-839108252	BOLT	125	6
10-832910195	BOLT	33	20				
10-832910195	BOLT	121	45				

# PARTS INDEX

Part Number	Description	Pg.	Ref. No.	Part Number	Description	Pg.	Ref. No.
10-839108301	BOLT	25	54	11-832311040	NUT	141	27
10-839108302	BOLT	119	9	11-832311040	NUT-START	133	32
10-839108302	BOLT	129	49	11-832311040	NUT-START	137	44
10-839108351	BOLT	5	2	11-832311050	NUT-START	133	34
10-839108351	BOLT	15	44	11-832661090	NUT-CONROD	25	47
10-839108351	BOLT	21	17	11-834999988	NUT	27	7
10-839108401	BOLT (175 H.P.)	17	29	12-830111110	WASHER SET-CRANKSHAFT THRUST (STANDARD)	21	24
10-839108401	BOLT (220 H.P.)	17	29	12-830121110	WASHER SET-CRANKSHAFT THRUST (OVERSIZE 0.25)	21	24
10-839108452	BOLT	47	35	12-831171050	PLATE-RAW WATER PUMP	107	28
10-839108452	BOLT	51	32	12-831211310	COVER-RAW WATER PUMP	107	19
10-839108452	BOLT	97	5	12-831471040	SLINGER	107	15
10-839108552	BOLT	47	28	12-833641010	GASKET-AIR PLUG	91	3
10-839108552	BOLT	51	25	12-833641010	GASKET-AIR PLUG	93	3
10-839108601	BOLT	17	41	12-835410100	WASHER	3	5
10-839108652	BOLT	49	43	12-835422150	WASHER	71	54
10-839108652	BOLT	53	40	12-835422150	WASHER	125	18
10-839108702	BOLT	113	25	12-835422150	WASHER (220 H.P.)	11	9
10-839108702	BOLT	121	42	12-835908104	WASHER	61	25
10-839108802	BOLT	49	44	12-835908104	WASHER	153	9
10-839108802	BOLT	53	41	12-835910105	WASHER	61	22
10-839110202	BOLT	33	39	12-835912111	WASHER	7	-
10-839110202	BOLT	37	33	12-835912111	WASHER	47	2
10-839110202	BOLT	41	54	12-835912111	WASHER	113	23
10-839110252	BOLT	113	14	12-835912111	WASHER	117	57
10-839110252	BOLT	119	27	12-835912111	WASHER	119	36
10-839908118	BOLT	61	13	12-835912111	WASHER	127	41
11-830006050	NUT	109	14	12-835913110	WASHER	65	39
11-830006050	NUT	119	17	12-835914104	WASHER	7	-
11-830006050	NUT	125	8	12-835914104	WASHER	63	37
11-830106050	NUT	131	26	12-835914104	WASHER	65	48
11-830106050	NUT (175 H.P.)	109	7	12-835916105	WASHER	61	19
11-830106050	NUT (220 H.P.)	109	7	12-835918111	WASHER (175 H.P.)	15	41
11-830108070	NUT	33	40	12-835918113	WASHER (220 H.P.)	15	41
11-830108070	NUT	37	25	12-836006120	WASHER	109	19
11-830108070	NUT	61	16	12-836008180	WASHER	47	37
11-830108070	NUT	101	5	12-836008180	WASHER	51	34
11-830108070	NUT	117	63	12-836008180	WASHER	65	41
11-830108070	NUT	119	1	12-836008180	WASHER	97	10
11-830108070	NUT	153	1	12-836008180	WASHER	101	3
11-830108070	NUT	155	8	12-836008180	WASHER	111	42
11-830108070	NUT (220 H.P.)	11	28	12-836008180	WASHER	125	23
11-830114110	NUT	111	40	12-836008180	WASHER (220 H.P.)	11	30
11-830118150	NUT	105	10	12-836010180	WASHER	11	22
11-830906125	NUT	109	12	12-836010180	WASHER	21	15
11-830908106	NUT	3	10	12-836010180	WASHER	33	4
11-830910141	NUT	33	29	12-836010180	WASHER	37	4
11-830910141	NUT	37	19	12-836010180	WASHER	97	27
11-830910141	NUT	41	51	12-836010180	WASHER	101	29
11-830910141	NUT	115	46	12-836010220	WASHER	47	16
11-830910142	NUT	33	30	12-836010220	WASHER	51	15
11-830910142	NUT	37	18	12-836010220	WASHER	97	21
11-830910142	NUT	41	52	12-836010220	WASHER	101	23
11-830910142	NUT	117	47	12-836010220	WASHER	109	26
11-830910142	NUT	119	40	12-836010220	WASHER	121	43
11-830910142	NUT	129	47	12-836010220	WASHER	129	68
11-830927103	NUT	21	29	12-836010220	WASHER-PLAIN	23	33
11-831006040	LOCKNUT	109	16	12-836010330	SPACER	111	36
11-831481020	NUT	107	1	12-836014270	WASHER	111	32
11-831481070	NUT	107	1				
11-831910107	NUT	29	7				

# PARTS INDEX

Part Number	Description	Pg.	Ref. No.	Part Number	Description	Pg.	Ref. No.
12-836218360	WASHER	105	8	19-833016140	PLUG-EXPANSION	29	3
12-836291020	WASHER	55	30	19-833221030	PLUG-DRAIN	91	8
12-836924106	WASHER	105	6	19-833221030	PLUG-DRAIN	93	7
12-838471110	GASKET	81	2	19-833914101	PLUG-EXPANSION	3	15
12-838471110	WASHER	5	-	19-833914101	PLUG-EXPANSION	9	3
13-38829	LOCKWASHER (.500)	163	4	19-833920101	PLUG-EXPANSION	9	12
13-831641020	SPRING-RAW WATER PUMP	107	29	19-833922105	PLUG-EXPANSION	3	16
13-831641030	SPRING-RAW WATER PUMP	107	11	19-833924103	PLUG-EXPANSION	3	3
13-833241050	LOCKWASHER	43	13	19-833928103	PLUG-EXPANSION	9	4
13-833241060	LOCKWASHER	43	4	19-833930105	PLUG-EXPANSION	3	2
13-838006150	LOCKWASHER	113	21	19-833936102	PLUG-EXPANSION	3	6
13-838006150	LOCKWASHER	119	34	19-833936102	PLUG-EXPANSION	9	11
13-838006150	LOCKWASHER	147	11	19-833940104	PLUG	117	58
13-838006150	LOCKWASHER	157	8	19-833940104	PLUG-CORE	119	39
13-838006150	LOCKWASHER (175 H.P.)	109	6	19-833940104	PLUG-EXPANSION	9	6
13-838006150	LOCKWASHER (220 H.P.)	109	6	19-833940104	PLUG-EXPANSION	129	62
13-838008200	LOCKWASHER	3	9	19-833950103	PLUG-EXPANSION	9	28
13-838008200	LOCKWASHER	17	35	19-834999987	PLUG	9	20
13-838008200	LOCKWASHER	33	18	19-834999994	PLUG	153	10
13-838008200	LOCKWASHER	33	41	19-837391030	CAP-VALVE STEM (175 H.P.)	29	15
13-838008200	LOCKWASHER	37	23	22-830235125	CONNECTOR PIPE	47	9
13-838008200	LOCKWASHER	37	26	22-830235125	CONNECTOR PIPE	51	8
13-838008200	LOCKWASHER	45	9	22-830511100	COCK ASSEMBLY-COOLANT	33	26
13-838008200	LOCKWASHER	47	38	22-830511100	COCK ASSEMBLY-COOLANT	37	20
13-838008200	LOCKWASHER	51	35	22-830511310	COCK ASSEMBLY-RAW WATER	107	9
13-838008200	LOCKWASHER	57	8	22-830911130	PIPE ASSEMBLY-DRAIN	61	26
13-838008200	LOCKWASHER	61	3	22-831851110	BODY-COOLANT COCK	129	50
13-838008200	LOCKWASHER	101	4	22-832681510	PIPE-COOLANT BY PASS (220 H.P.)	11	8
13-838008200	LOCKWASHER	111	43	22-835803320	CONNECTOR ASSEMBLY	167	4
13-838008200	LOCKWASHER	125	22	22-836401020	DRIVE ASSEMBLY-TACH	17	38
13-838008200	LOCKWASHER	153	2	23-830116148	SPACER	21	28
13-838008200	LOCKWASHER	155	9	23-830129119	COLLAR	21	7
13-838008200	LOCKWASHER (175 H.P.)	17	11	23-830129127	COLLAR	105	4
13-838008200	LOCKWASHER (220 H.P.)	11	29	23-831171030	PLATE-RAW WATER PUMP	107	4
13-838014350	LOCKWASHER	111	39	23-831171070	PLATE-RAW WATER PUMP	107	4
13-838018460	LOCKWASHER	105	9	23-831221200	BUSHING-VALVE GUIDE INTAKE	3	19
13-839010300	LOCKWASHER	23	32	23-831221200	BUSHING-VALVE GUIDE INTAKE	3	19
14-831171040	PLATE-RAW WATER PUMP	107	2	23-832011261	BEARING SET-CONROD (STANDARD)	25	45
15-836211070	GASKET	81	9	23-833721010	FLOAT	91	5
15-836431010	GASKET-RETAINING NUT	81	4	23-834371090	SLEEVE	25	38
16-836030110	ROD-LINK	109	17	23-837031441	BEARING SET-CRANKSHAFT (US 0.25)	21	23
16-836910103	STUD	33	28	23-838521060	BEARING-CAMSHAFT # 5	9	25
16-836910103	STUD	37	14	23-838621040	BEARING-CAMSHAFT # 6	9	26
16-836910103	STUD	41	48	23-838721030	BEARING-CAMSHAFT # 7	9	27
16-836910103	STUD	115	43	24-831431121	SPRING-START BRUSH	137	72
16-836910106	STUD	123	60	24-831431121	SPRING-START BRUSH	145	56
16-836910106	STUD	125	33	24-833331100	SPRING-FILTER ELEMENT SET	79	8
17-830901101	PIN	109	18	24-836151060	SPRING-NOZZLE	81	6
17-831106170	PIN-CLEVIS	109	21	24-836611160	SPRING-OIL VALVE	55	13
17-835106200	CLEVIS	109	20	24-837311260	SPRING-VALVE (175 H.P.)	29	18
17-836161030	PIN-NOZZLE HOLDER PRESS	81	7	24-837311360	SPRING-VALVE (220 H.P.)	29	18
19-830918104	PLUG	15	42	24-837311440	SPRING-VALVE (175 H.P.)	29	18
19-831161070	PLUG	107	23	25-831391300	GASKET	107	16
19-832017120	PLUG	35	47				
19-832017120	PLUG	37	38				
19-832910115	PLUG	9	17				
19-832910115	PLUG	17	7				
19-832910115	PLUG (220 H.P.)	11	11				
19-832917111	PLUG	15	39				

# PARTS INDEX

Part Number	Description	Pg.	Ref. No.	Part Number	Description	Pg.	Ref. No.
25-831391330	GASKET	43	2	26-832801167	SEAL-OIL	21	16
25-833611170	COVER-DUST-FLYWHEEL HOUSING	19	49	26-832820111	SEAL-OIL	17	39
25-834401521	O RING	55	9	26-832825108	SEAL-OIL	63	35
25-834402135	O RING	47	12	26-832865119	SEAL-OIL	17	40
25-834402135	O RING	47	20	27-830115141	GASKET	17	33
25-834402135	O RING	47	27	27-830115215	GASKET	35	49
25-834402135	O RING	51	11	27-830115215	GASKET	37	40
25-834402135	O RING	51	19	27-830115217	GASKET	97	17
25-834402135	O RING	57	10	27-830115217	GASKET	101	19
25-834711050	GASKET-CYLINDER LINER	35	53	27-830115218	GASKET	15	37
25-834711050	GASKET-CYLINDER LINER	39	44	27-830115219	GASKET-OIL OUTLET	15	53
25-834711050	O RING	5	-	27-830115221	GASKET	11	2
25-835100104	O RING	21	22	27-831041090	GASKET	5	-
25-835101147	O RING	55	31	27-831041090	GASKET	151	24
25-835107103	O RING	79	11	27-831041090	GASKET ASSEMBLY- EXHAUST MANIFOLD	33	27
25-835108101	O RING	55	16	27-831041090	GASKET ASSEMBLY- EXHAUST MANIFOLD	37	15
25-835108101	O RING	55	25	27-831041100	GASKET	5	-
25-835109103	O RING	91	7	27-831041100	GASKET ASSEMBLY- EXHAUST MANIFOLD	33	10
25-835109103	O RING	93	6	27-831041100	GASKET ASSEMBLY- EXHAUST MANIFOLD	37	10
25-835113103	O RING	11	4	27-831041111	GASKET	5	-
25-835113103	O RING	113	19	27-831041111	GASKET-TURBO TO EXHAUST MANIFOLD ADAPTOR	113	29
25-835113103	O RING	119	32	27-831041111	GASKET-TURBO TO MANIFOLD ADAPTOR	123	61
25-835113103	O RING	129	48	27-831191200	GASKET-RAW WATER PUMP CASE	107	20
25-835115112	O RING	79	6	27-831191200	GASKET-RAW WATER PUMP CASE	107	26
25-835116114	O RING	55	29	27-831291130	GASKET-COOLANT PUMP COVER	105	15
25-835118111	O RING	57	6	27-831351050	GASKET	5	-
25-835120107	O RING	55	15	27-831351050	GASKET-TURBO DRAIN PIPE	123	62
25-835120107	O RING	55	3	27-831351050	GASKET-TURBO OIL DRAIN	113	28
25-835122109	O RING	55	6	27-831351070	GASKET-OIL OUTLET	125	34
25-835123107	O RING	17	6	27-831391022	GASKET	99	54
25-835125103	O RING	47	10	27-831391022	GASKET	103	56
25-835125103	O RING	47	23	27-831711450	GASKET	5	-
25-835125103	O RING	51	22	27-831711450	GASKET-INTAKE MANIFOLD	35	59
25-835131103	O RING	7	-	27-831711450	GASKET-INTAKE MANIFOLD	39	47
25-835131103	O RING	113	35	27-831791090	GASKET	7	-
25-835131103	O RING	125	37	27-831791090	GASKET	129	60
25-835131103	O RING-TURBO OIL DRAIN	123	65	27-831791090	GASKET-ELBOW TO TURBO	123	57
25-835135102	O RING	33	32	27-831791090	GASKET-TURBO TO EXHAUST ELBOW	113	31
25-835135102	O RING	117	55	27-832671010	GASKET-WATER GALLERY COVER	11	12
25-835135102	O RING	123	55	27-833121050	GASKET-FILTER BOWL	79	4
25-835135102	O RING	129	58	27-833141040	GASKET-INTERCOOLER TANK	153	4
25-835136104	O RING (220 H.P.)	21	27	27-833141040	GASKET-INTERCOOLER TANK	155	4
25-835139103	O RING (175 H.P.)	21	27	27-833141050	GASKET-INSPECTION COVER	155	5
25-835139103	O RING (220 H.P.)	21	27				
25-835154102	O RING	5	3				
25-835159101	O RING	91	4				
25-835159101	O RING	93	4				
25-835159105	O RING	155	6				
25-835160101	O RING	25	39				
25-835160102	O RING	9	7				
25-835160102	O RING	125	7				
25-835167104	O RING	55	37				
25-835185102	O RING	55	22				
25-836671031	RING-PACKING	65	53				
26-831041160	SEAL ASSEMBLY-COOLANT PUMP	105	14				
26-831041200	SEAL ASSEMBLY-RAW WATER PUMP	107	18				

# PARTS INDEX

Part Number	Description	Pg.	Ref. No.	Part Number	Description	Pg.	Ref. No.
27-833251290	GASKET	5	-	32-830234363	HOSE-WATER	101	14
27-833251290	GASKET-THERMOSTAT	99	49	32-830811610	PIPE ASSEMBLY-NOZZLE LEAKAGE	61	1
27-833251290	GASKET-THERMOSTAT	103	51	32-831071271	PIPE ASSEMBLY-OIL OUTLET	125	36
27-833291100	GASKET-TIMING GEAR CASE COVER	17	28	32-831132170	PIPE-AIR	113	4
27-833351030	GASKET-FILTER BOWL	79	5	32-831132170	PIPE-AIR INLET	119	11
27-833831150	GASKET-OIL SEAL RETAINER	21	20	32-831711080	PIPE-OIL INLET	127	42
27-834131050	GASKET-FILLER PIPE	43	10	32-831711080	PIPE-OIL SUPPLY	113	39
27-836321060	GASKET-OIL PLUG	55	20	32-831711080	PIPE-OIL SUPPLY	123	69
27-836923102	GASKET-FLANGE (175 H.P.)	15	54	32-831711540	PIPE-OIL INLET	127	45
27-836925101	GASKET-FLANGE	47	36	32-832681480	PIPE-COOLANT BY PASS	129	54
27-836925101	GASKET-FLANGE	51	33	32-832681490	PIPE-COOLANT BY PASS	129	53
27-837171160	GASKET-OIL COOLER ELEMENT	57	3	32-832681500	PIPE-COOLANT BY PASS	125	28
27-838111230	GASKET-FILTER ELEMENT	45	6	32-832681520	PIPE-COOLANT BY PASS	125	29
27-838111240	GASKET-FILTER ELEMENT	45	3	32-833912000	PIPE-FUEL LEAKAGE	61	6
27-838471040	GASKET	89	11	32-834999996	PIPE-COOLANT	33	16
28-833310280	KEY (220 H.P.)	25	44	32-834999996	PIPE-COOLANT	37	21
28-838911110	KEY	107	7	32-837111660	PIPE-INJECTOR (#1)	65	55
30-831721080	BEARING	107	6	32-837121650	PIPE-INJECTOR (#2)	65	56
30-831721140	BEARING	107	6	32-837131590	PIPE-INJECTOR (#3)	65	57
30-838120122	BEARING-BALL	131	10	32-837141620	PIPE-INJECTOR (#4)	65	58
30-838125121	BEARING-BALL	105	5	32-837151640	PIPE-INJECTOR (#5)	65	59
30-838125122	BEARING-BALL	105	3	32-837161580	PIPE-INJECTOR (#6)	65	60
31-838221110	BEARING-CAMSHAFT # 2	9	22	32-837661260	PIPE-THROUGH FEED	65	61
31-838321080	BEARING-CAMSHAFT # 3	9	23	32-837731460	PIPE-OIL (175 H.P.)	61	23
31-838421080	BEARING-CAMSHAFT # 4	9	24	32-837741060	PIPE-OIL	61	17
32-817172--2	HOSE ASSEMBLY (8.250 INS.)	149	3	32-837811620	PIPE-FUEL	63	38
32-830231120	PIPE ASSEMBLY-RAW WATER PUMP OUTLET	101	17	32-838061370	HOSE ASSEMBLY-FUEL	65	46
32-830231120	PUMP ASSEMBLY-RAW WATER PUMP OUTLET	97	15	32-838061440	HOSE ASSEMBLY-FUEL	65	42
32-830231183	HOSE-FUEL	129	55	32-838063030	HOSE ASSEMBLY-FUEL	65	49
32-830233268	HOSE-AIR INLET	119	14	35-834999999	ELEMENT SET-FUEL FILTER	79	3
32-830233363	HOSE-AIR	113	7	35-837202770	CLEANER ASSEMBLY-AIR	35	46
32-830233363	HOSE-AIR	125	3	35-837202770	CLEANER ASSEMBLY-AIR	45	-
32-830233375	HOSE-AIR	113	16	36-831811140	CAP-OIL FILLER	5	1
32-830233375	HOSE-AIR	119	29	36-834011270	CAP ASSEMBLY	43	15
32-830233380	HOSE-AIR	113	2	37-835614470	PLATE-CAUTION	33	2
32-830233380	HOSE-AIR	119	8	37-835614470	PLATE-CAUTION	37	2
32-830233438	HOSE-AIR	125	4	37-835796000	PLATE-CAUTION	35	58
32-830234114	HOSE-WATER	125	26	38-835543360	PLATE-NAME	167	2
32-830234144	HOSE-WATER	47	42	41-832511150	PIN-PISTON (STANDARD)	25	51
32-830234144	HOSE-WATER	51	39	43-835211040	GEAR-CRANKSHAFT	25	40
32-830234156	HOSE-WATER	101	7	47-809866	VANE-RAW WATER PUMP	107	25
32-830234165	HOSE-WATER	33	9	51-834671221	LINER-CYLINDER (Y)	9	2
32-830234165	HOSE-WATER	37	9	53-831261080	RETAINER-RAW WATER PUMP BEARING	107	5
32-830234167	HOSE-WATER	99	51	53-831352200	RING-RETAINER	105	7
32-830234167	HOSE-WATER	103	53	53-831939101	RING-RETAINER	25	50
32-830234169	HOSE-WATER	97	36	53-833621020	RING-RETAINER	91	9
32-830234169	HOSE-WATER	101	38	53-833621020	RING-RETAINER	93	8
32-830234326	HOSE-WATER	33	15	54-815504220	CLAMP	149	7
32-830234326	HOSE-WATER	117	51	54-815504220	CLAMP	149	7
32-830234326	HOSE-WATER	123	51	54-815504220	CLAMP	163	6
32-830234326	HOSE-WATER	129	64	54-815504232	CLAMP	149	8
32-830234337	HOSE-WATER	99	50	54-815504232	CLAMP	149	8
32-830234337	HOSE-WATER	103	52	54-830119118	CLIP	33	11
32-830234363	HOSE-WATER	97	9	54-830119118	CLIP	37	11
				54-833361200	BRACKET-COOLANT PIPE	43	8
				54-835091010	CLAMP ASSEMBLY	55	33
				54-836404220	CLAMP	33	8

# PARTS INDEX

Part Number	Description	Pg.	Ref. No.	Part Number	Description	Pg.	Ref. No.
54-836404220	CLAMP .....	37	8				
54-836404220	CLAMP .....	97	8				
54-836404220	CLAMP .....	101	6				
54-839041300	CLIP ASSEMBLY (175 H.P.) .	11	31				
54-839041300	CLIP ASSEMBLY (220 H.P.) .	13	34				
54-839042180	CLIP ASSEMBLY (175 H.P.) .	17	12				
54-839042180	CLIP ASSEMBLY (220 H.P.) .	11	31				
84-817157	SWITCH-WATER TEMPERATURE .....	165	4				
84-830803116	STRAP-BAND .....	109	28				
84-831391120	LEADWIRE .....	141	23				
87-817169	SWITCH-OIL PRESSURE ALARM .....	165	1				
87-834601150	SWITCH ASSEMBLY-LEVEL WARNING .....	93	2				
89-817230	SOLENOID ASSEMBLY ....	109	10				
91-836751020	GAUGE-LEVEL .....	43	11				