



**PARTS MANUAL  
350 MAGNUM EFI  
TOURNAMENT SKI**

## TABLE OF CONTENTS:

ALTERNATOR (MANDO) .....	9
CRANKSHAFT PISTONS AND CONN. RODS .....	37
CYLINDER BLOCK AND CAMSHAFT .....	35
CYLINDER HEAD AND ROCKER COVER .....	33
DISTRIBUTOR AND IGNITION COMPONENTS .....	11
ELECTRICAL BOX AND COMPONENTS .....	19
EXHAUST MANIFOLD AND EXHAUST ELBOW .....	27
FLYWHEEL HOUSING .....	47
FUEL PUMP AND FUEL FILTER .....	21
Gasket Set Components (27-807670A96) Engine Overhaul .....	49
INTAKE MANIFOLD AND FUEL RAILS .....	25
INTAKE PLENUM AND FLAME ARRESTOR .....	23
MISCELLANEOUS INFORMATION .....	3
OIL PAN AND OIL PUMP .....	41
SEA WATER PUMP ASSEMBLY .....	31
SENDERS AND SENSORS .....	13
STARTER AND ALTERNATOR .....	5
STARTER MOTOR .....	7
THERMOSTAT HOUSING (STANDARD COOLING) .....	29
TRANSMISSION AND ENGINE MOUNTING .....	45
TRANSMISSION AND RELATED PARTS .....	43
WATER PUMP AND FRONT COVER .....	39
WIRING HARNESS (EFI) .....	17
WIRING HARNESS (ENGINE) .....	15
PARTS INDEX .....	50

**NOTE:** Indented description indicate that these parts are included in preceding assembly.

**AR** = As Required      **NSS** = Not Sold Separate      **OPT** = Optional      **NS** = Not Shown

**NOTE:** Following symbols are located in **SYM** column.

- = COMPONENT OF OVERHAUL GASKET SET
- = NOT SOLD SEPARATE
- ▮ = OPTIONAL
- ◇ = AS REQUIRED
- ▲ = SUPERSEDES TO ANOTHER PART NUMBER
- ⊕ = NOT SHOWN

**THESE PARTS BOOKS/FICHE CARD ARE COPYRIGHTED AND MAY NOT BE DISTRIBUTED OR REPRODUCED IN ANY OTHER FORMAT BY ANYONE OTHER THAN MERCURY MARINE WITHOUT THE PRIOR WRITTEN CONSENT OF MERCURY MARINE.**

Models covered by this Parts Manual

Model Part No.	Model Name	Year	Country	Starting Serial No.	Ending Serial No.
357ME99JS					9999999999999999
357ME11JS					9999999999999999

# REPLACEMENT PARTS ! WARNING !

Electrical, ignition and fuel system components on MerCruiser Engines and Stern Drives are designed and manufactured to comply with U.S. Coast Guard Rules and Regulations to minimize risks of fire or explosion. Use of replacement electrical, ignition or fuel system components, which do not comply to these rules and regulations, could result in a fire or explosion hazard and should be voided.

When servicing the electrical, ignition and fuel systems, it is extremely important that all components are properly installed and tightened. If not, any electrical or ignition component opening would permit sparks to ignite fuel vapors from fuel system leaks, if they existed.

## ENGINE MECHANICAL COMPONENTS

Many of the engine mechanical components are designed for marine applications. Unlike automotive engines, marine engines are subjected to extended periods of heavy load and wide- open-throttle operation, therefore, require heavy-duty components. Special marine engine parts have design and manufacturing specifications, which are required to provide long life and dependable performance. Marine engine parts also must be able to resist the corrosive action of salt or brackish water that will rust or corrode standard automotive parts within a short period of time.

Failure to use recommended Mercury Precision Parts OR Quicksilver service replacement parts can result in poor engine performance and/or durability, rapid corrosion of parts subjected to salt water and possibly complete failure of the engine.

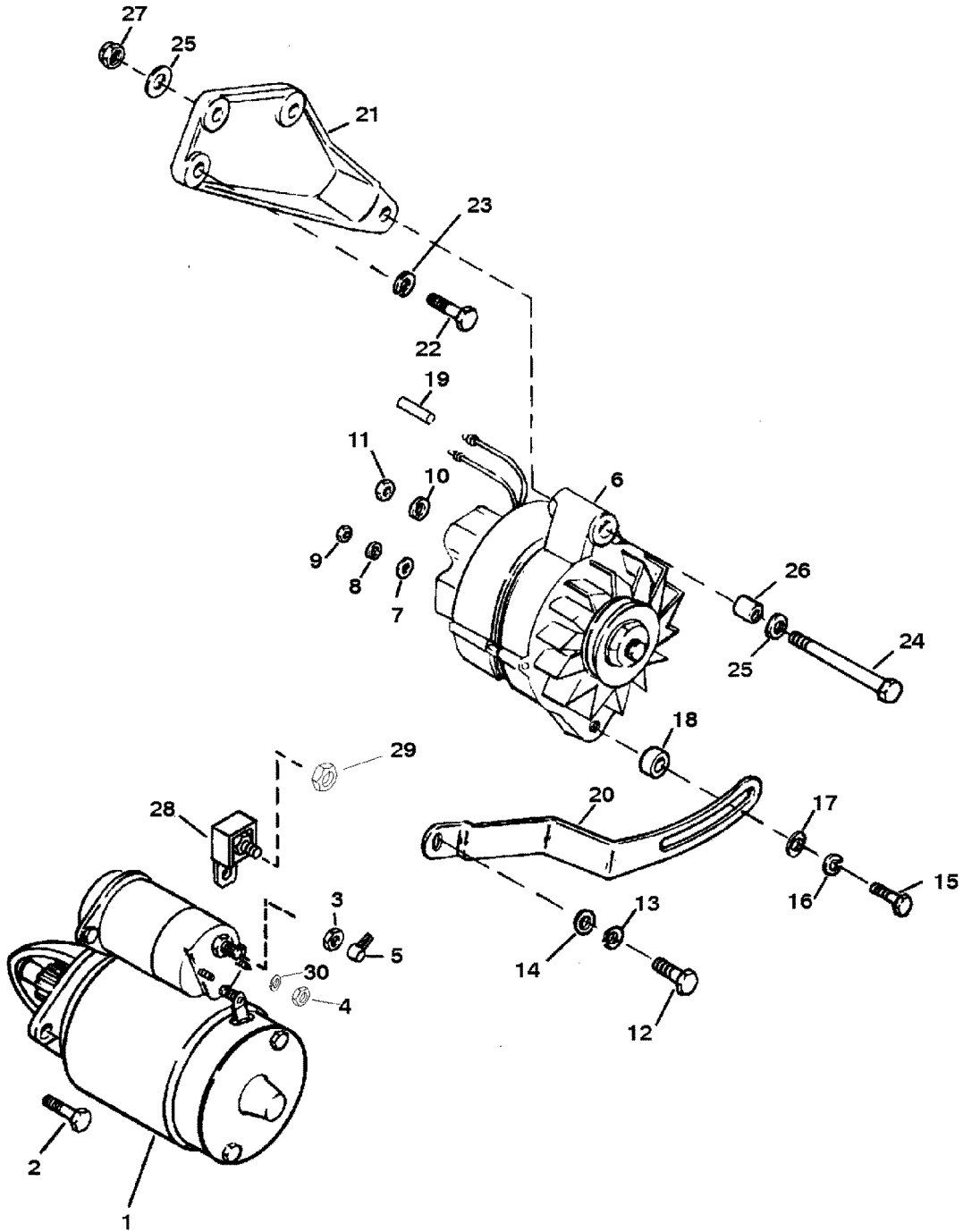
Use of parts other than recommended service replacement parts will void the warranty on those parts which are damaged as a result of the use of other than recommended parts.

# MISCELLANEOUS INFORMATION

# MISCELLANEOUS INFORMATION

REF. NO.	PART NO.	SYM.	QTY.	DESCRIPTION
-	90-835003695			PARTS LIST
-	90-807784961			OWNERS GUIDE
-	37-805364A 1			DECAL SET

# STARTER AND ALTERNATOR

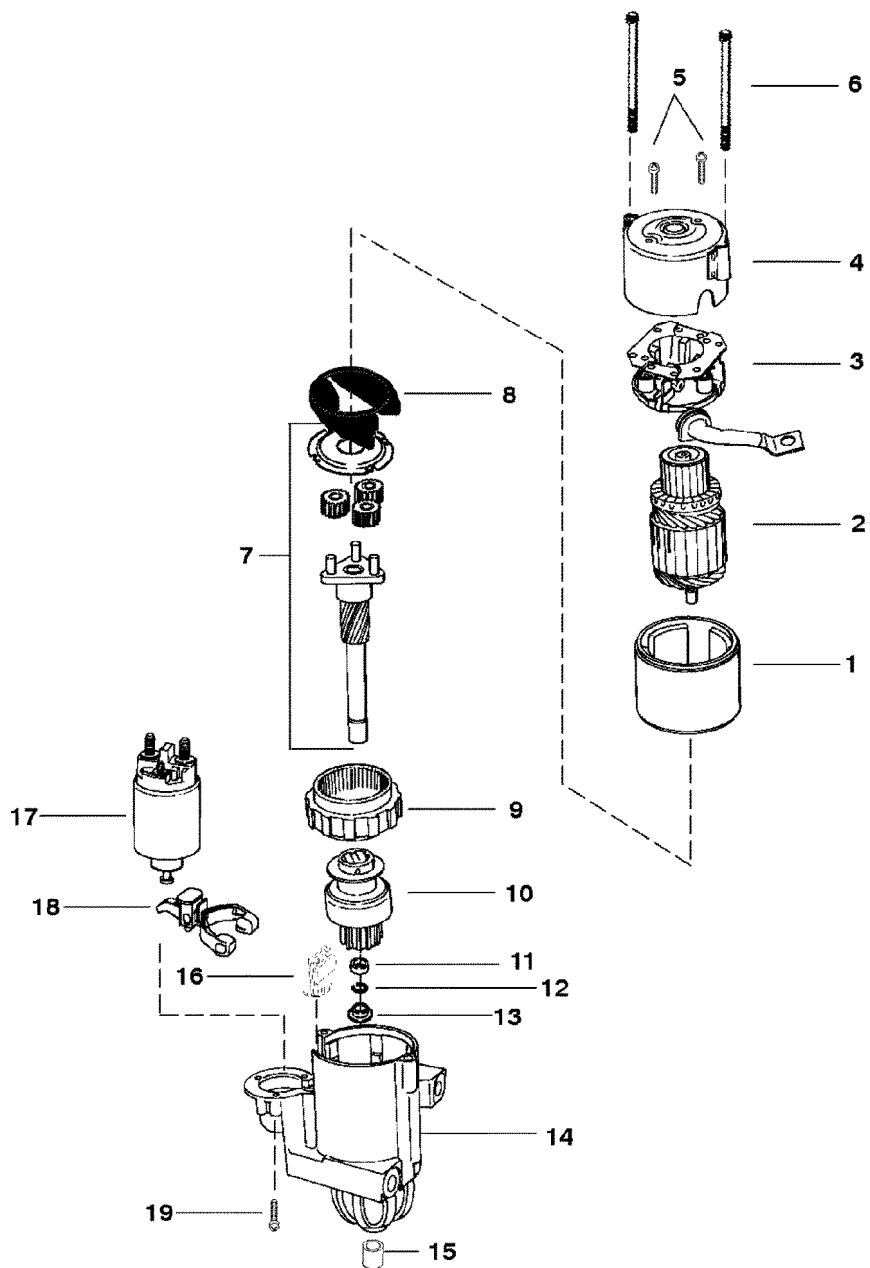


46662

# STARTER AND ALTERNATOR

REF. NO.	PART NO.	SYM.	QTY.	DESCRIPTION
1	50-806964A 3		1	STARTER MOTOR ASSEMBLY
2	10-805343 2		2	SCREW, (.375-16 x 4.33)
3	11-806949		1	NUT, (M8-1.5), (8MM)
4	11-40021 1		1	NUT, (M5) Stainless Steel, (5MM)
5	85-79695		1	BOOT, Insulator - Black
6	805884T		1	ALTERNATOR
7	12-96457		1	WASHER, Phenolic (.27 x .81 x .062)
8	13-26996		1	LOCKWASHER, (#10) Stainless Steel
9	11-79989		1	NUT, (#10-24) Stainless Steel, (10-24)
10	13-26992		1	LOCKWASHER, (.250) Stainless Steel
11	11-94330		1	NUT, (.250-20) Brass, (1/4-20)
12	10-26487		1	SCREW, (.375-16 x 1.12)
13	13-35048		1	LOCKWASHER, (.375)
14	12-34714		1	WASHER
15	10-74824		1	SCREW, (.312-18 x 1.250), (1-1/4")
16	13-39107		1	LOCKWASHER, (.312-24)
17	12-26168		1	WASHER
18	23-52095		1	SPACER
19	57908 11		2	SLEEVE, (10.00 Inches Bulk)
20	85013T		1	BRACE
21	93175T		1	BRACKET
22	10-37612		3	SCREW, (.375-16 x 1.250), (1-1/4")
23	13-35048		3	LOCKWASHER, (.375)
24	10-48308		1	SCREW, (.375-24 x 3.750), (3-3/4")
25	12-20553		2	WASHER, (.406 x .734 x .063)
26	23-33186		1	BUSHING
27	11-23161		1	NUT, (.375-24)
28	88-79023A91		1	FUSE ASSEMBLY, 90 Ampere, (90 AMP)
29	11-21825		1	NUT, (.250-28)
30	13-26996		1	LOCKWASHER, (#10) Stainless Steel

# STARTER MOTOR



46663

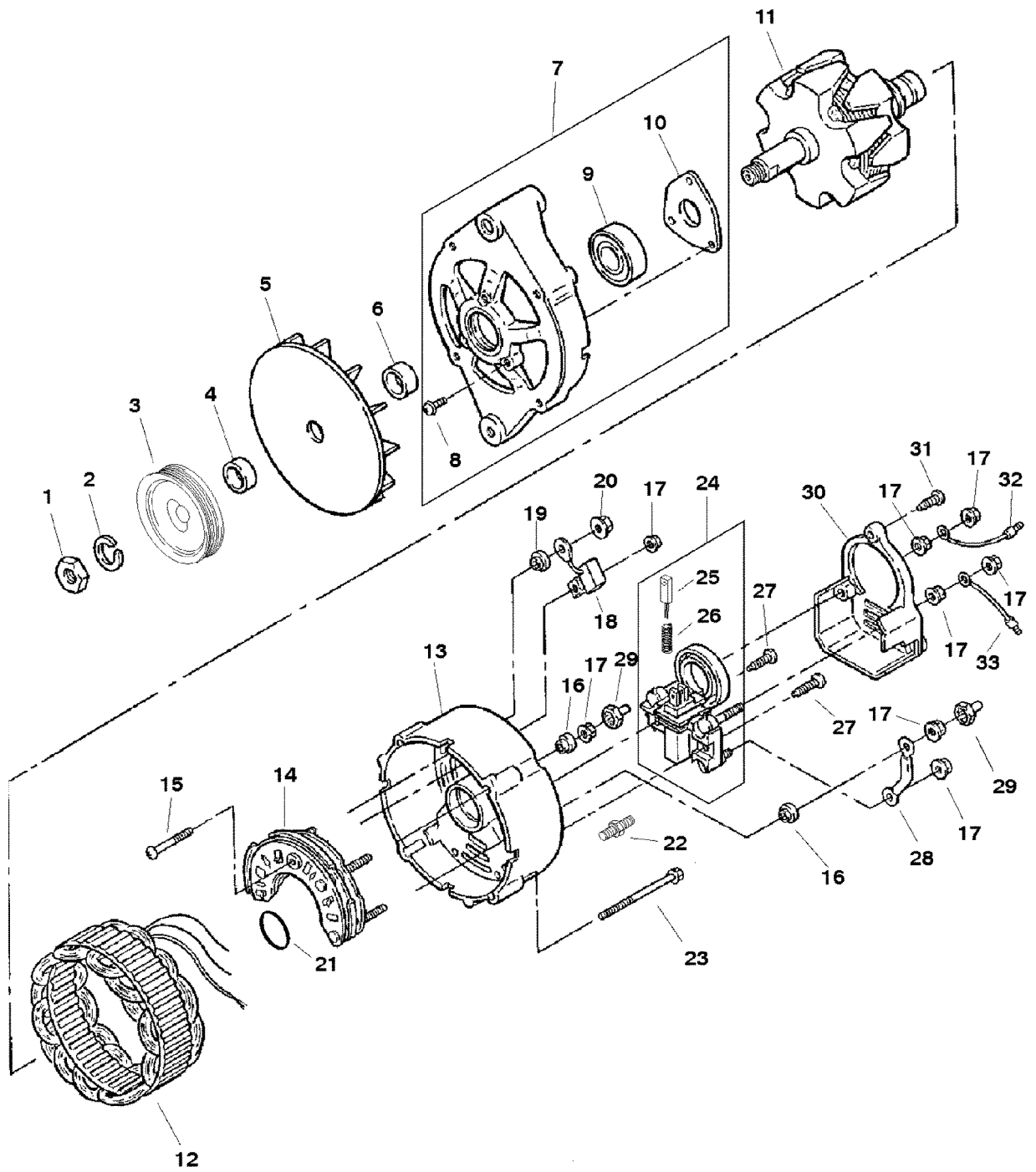


# STARTER MOTOR

REF. NO.	PART NO.	SYM.	QTY.	DESCRIPTION
1	50-806964A 3		1	STARTER MOTOR ASSEMBLY
2	NSS	■	1	NOT SOLD SEPARATE
3	NSS	■	1	NOT SOLD SEPARATE
4	NSS	■	1	NOT SOLD SEPARATE
5	NSS	■	2	NOT SOLD SEPARATE
6	NSS	■	2	NOT SOLD SEPARATE
7	NSS	■	1	NOT SOLD SEPARATE
8	NSS	■	1	NOT SOLD SEPARATE
9	NSS	■	1	NOT SOLD SEPARATE
10	NSS	■	1	NOT SOLD SEPARATE
11	33291		1	COLLAR
12	53-33290		1	RING, Retaining
13	NSS	■	1	NOT SOLD SEPARATE
14	809459		1	HOUSING
15	23-814476		1	BUSHING
16	NSS	■	1	NOT SOLD SEPARATE
17	809463A 1		1	SOLENOID KIT
18	NSS	■	1	NOT SOLD SEPARATE
19	NSS	■	3	NOT SOLD SEPARATE

■ = NOT SOLD SEPARATE

# ALTERNATOR (MANDO)

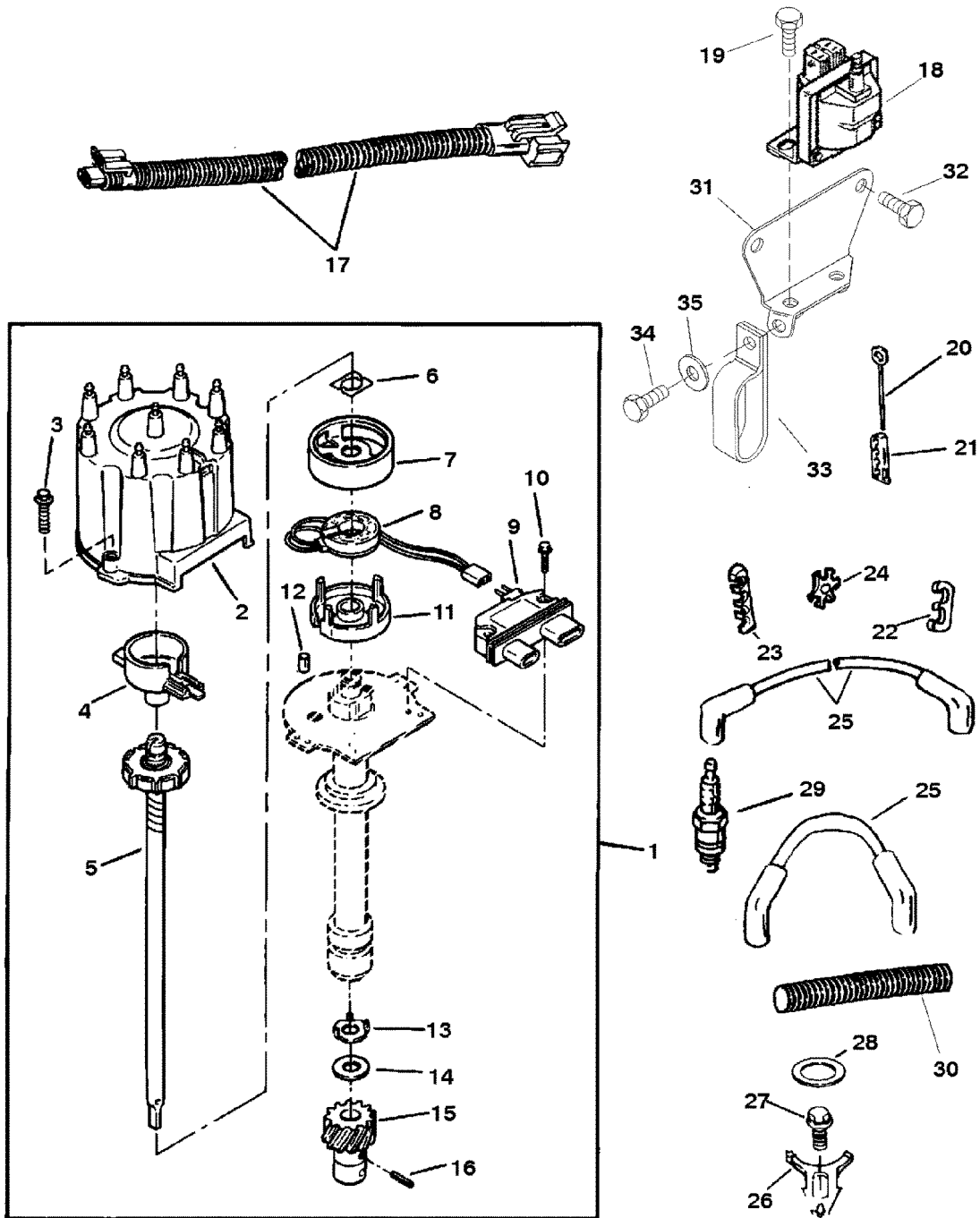


46664

# ALTERNATOR (MANDO)

REF. NO.	PART NO.	SYM.	QTY.	DESCRIPTION
-	805884T		1	ALTERNATOR
1	11-809136		1	NUT
2	13-809137		1	LOCKWASHER
3	809134		1	PULLEY
4	23-809135		1	SPACER
5	809139		1	FAN ASSEMBLY
6	23-809140		1	SPACER
7	809151		1	BRACKET ASSEMBLY
8	10-809154		3	SCREW
9	30-809153		1	BEARING
10	809152		1	RETAINER
11	809150		1	ROTOR
12	809133		1	STATOR
13	809155		1	BRACKET ASSEMBLY
14	809162		1	RECTIFIER
15	10-809160		1	SET SCREW
16	809146		2	MOLD
17	11-809143		8	NUT
18	809161		1	CONDENSER
19	809158		1	MOLD
20	11-809157		1	NUT
21	25-809156		1	O-RING
22	10-809159		1	BOLT
23	10-809138		4	BOLT
24	809163		1	REGULATOR ASSEMBLY
25	809164		2	BRUSH
26	24-809165		2	SPRING
27	10-809141		2	SCREW
28	809142		1	TERMINAL
29	809149		2	CAP
30	809144		1	COVER
31	10-809145		1	SET SCREW
32	84-809148		1	LEAD WIRE, (BLACK)
33	84-809147		1	LEAD WIRE, (RED)

# DISTRIBUTOR AND IGNITION COMPONENTS



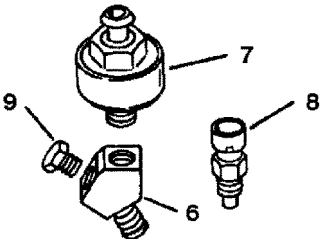
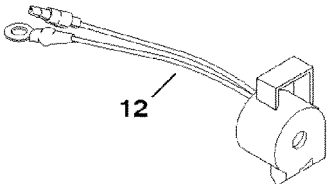
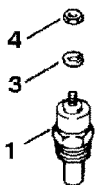
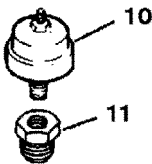
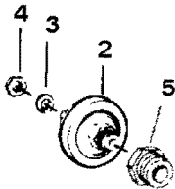
46665

# DISTRIBUTOR AND IGNITION COMPONENTS

REF. NO.	PART NO.	SYM.	QTY.	DESCRIPTION
1	805222A 1		1	DISTRIBUTOR ASSEMBLY
2	808483		1	CAP
3	10-808491		2	SCREW
4	808484		1	ROTOR
5	808485		1	SHAFT ASSEMBLY, Main
6	808487		1	RETAINER
7	808486		1	SHIELD
8	811639		1	COIL
9	811637		1	MODULE
10	10-811638		2	SCREW
11	811641		1	POLE PIECE
12	17-808488		1	PIN
13	12-46350		1	WASHER
14	12-808489		1	WASHER
15	43-808490		1	GEAR
16	17-34109		1	PIN
17	84-817376T		1	HARNESS ASSEMBLY, Distributor Module to Ignition Coil
18	817378T		1	COIL, Ignition
19	10-805189		2	SCREW, (.375-16 x .750)
20	16-90096A 1		2	STUD ASSEMBLY, (#10-32 x Special)
21	54-72821		2	RETAINER
22	54676		2	RETAINER, Two Wire, (2 WIRE)
23	32783		2	RETAINER, Three Wire, (3 WIRE)
24	32784		2	RETAINER, Four Wire, (4 WIRE)
25	84-816608A78		1	CABLE KIT, Ignition
26	52185		1	CLAMP
27	10-805559		1	SCREW, (.375-16 x .875) Stainless Steel
28	27-34486 3	●	1	GASKET
29	33-816336		8	SPARK PLUG
30	32-15894 18		1	HOSE, Breather
31	807673T		1	BRACKET
32	10-805189		2	SCREW, (.375-16 x .750)
33	54-97521		1	CLAMP, (DOUBLE TUBE)
34	10-98260		1	SCREW, (.375-16 x .620)
35	12-20553		1	WASHER, (.406 x .734 x .063)
-	27-807670A96		1	GASKET/SEAL SET, Engine Overhaul

● = COMPONENT OF OVERHAUL GASKET SET

# SENDERS AND SENSORS



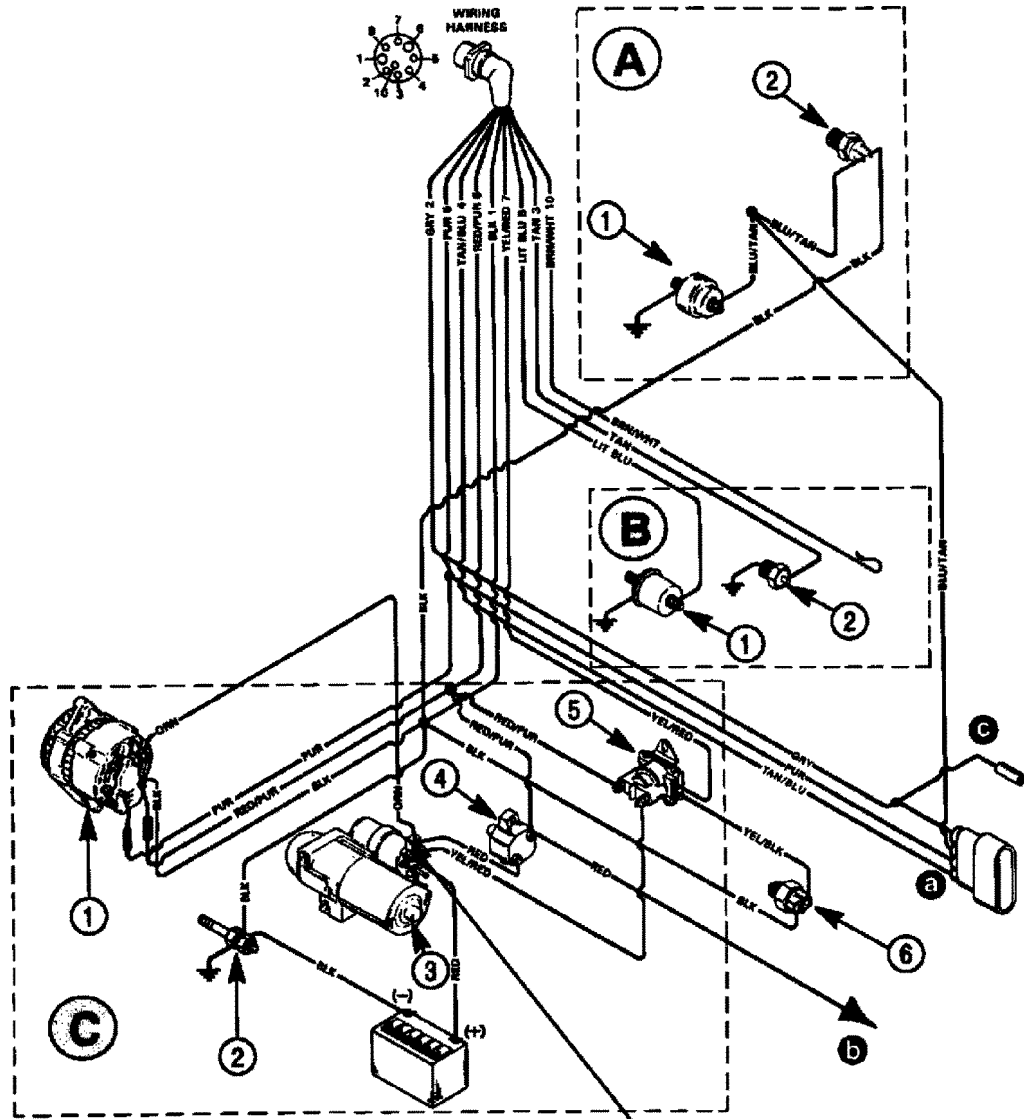
46666

# SENDERS AND SENSORS

REF. NO.	PART NO.	SYM.	QTY.	DESCRIPTION
1	97257A 1		1	SENDER ASSEMBLY, Water Temperature
	49734A 1	■	OPT	SENDER ASSEMBLY, Water Temperature <b>(DUAL STATION)</b>
2	815425		1	SENDER ASSEMBLY, Oil Pressure
	37293	■	OPT	SENDER ASSEMBLY, Oil Pressure <b>(DUAL STATION)</b>
3	13-26996		2	LOCKWASHER, (#10) Stainless Steel
4	11-68219		2	NUT, (#10-32) Stainless Steel
5	22-805059		1	FITTING
6	22-806705		1	Y-FITTING
7	806612T		1	SENSOR, Knock
8	805218T		1	SENSOR
9	22-36382		1	FITTING, (.250-18 x .62) Brass
10	87-805605A 1		1	SWITCH ASSEMBLY
11	22-805328 1		1	FITTING, Elbow (90 Degree - .125), (90 DEG.)
12	816492A 6		1	ALARM KIT

■ = OPTIONAL

# WIRING HARNESS (ENGINE)



- A - Audio Warning System**
- 1 - Oil Pressure Switch
- 2 - Transmission Fluid Temperature Switch
- B - Instrumentation System**
- 1 - Oil Pressure Sender
- 2 - Water Temperature Sender

### 90 Amp System Fuse

- C - Charging And Starting System**
- 1 - Alternator
- 2 - Ground Stud
- 3 - starter
- 4 - Circuit Breaker
- 5 - Starter Slave Solenoid
- 6 - Neutral Safety Switch

- a - Harness Connector
- b - Positive (+) Power Wire to EFI Harness
- c - Auxiliary Tachometer Lead

46667



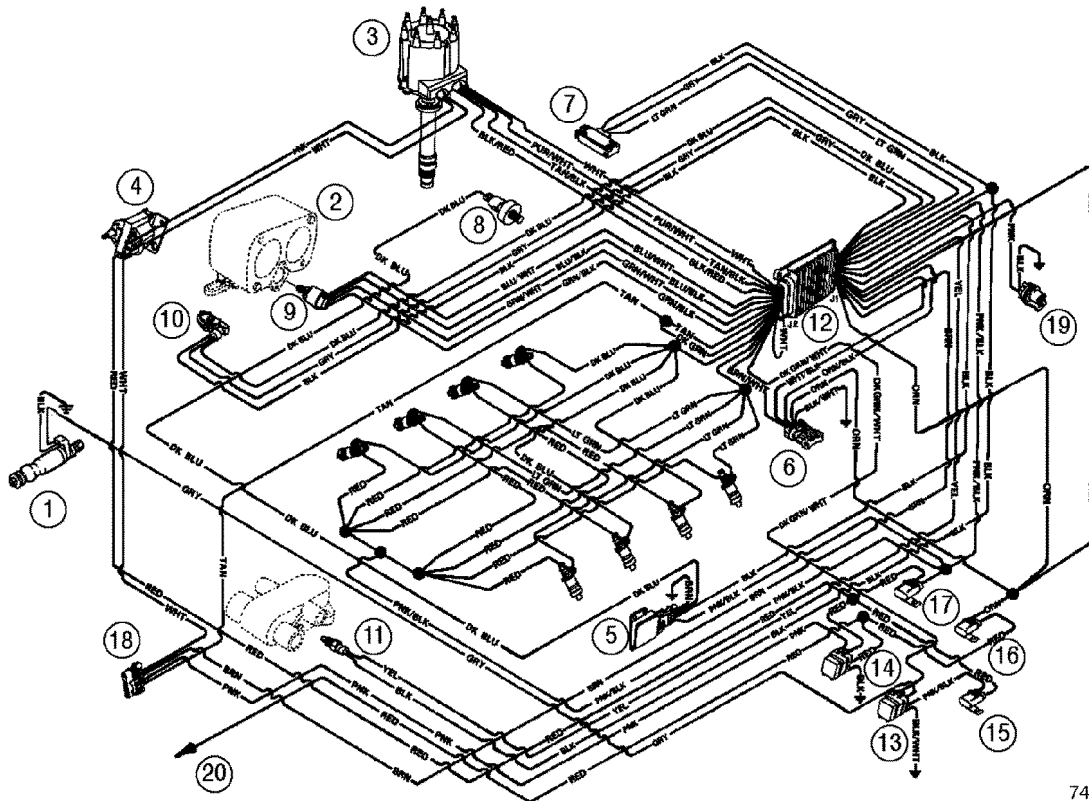
# WIRING HARNESS

(ENGINE)

REF. NO.	PART NO.	SYM.	QTY.	DESCRIPTION
1	84-807677A 2		1	HARNESS ASSEMBLY, Engine

# WIRING HARNESS (EFI)

- 1 - Electric Fuel Pump
- 2 - Throttle Body
- 3 - Distributor
- 4 - Coil
- 5 - Electronic Spark Control (KS) Module
- 6 - Data Link Connector (DLC)
- 7 - Manifold Absolute Pressure (MAP) Sensor
- 8 - Knock Sensor
- 9 - Idle Air Control (IAC)
- 10 - Throttle Position (TP) Sensor
- 11 - Engine Coolant Temperature (ECT) Sensor
- 12 - Electronic Control Module (ECM)
- 13 - Fuel Pump Relay
- 14 - Ignition/System Relay
- 15 - Fuse (15 Amp) Fuel Pump
- 16 - Fuse (15 Amp) ECM/DLC/Battery
- 17 - Fuse (10 Amp) ECM/Injector/Ignition/Knock Module
- 18 - Harness Connector To Starting/Charging Harness
- 19 - Harness Connector To Lanyard Stop Switch (Optional)
- 20 - Positive (+) Power Wire To Engine Circuit Breaker



74858

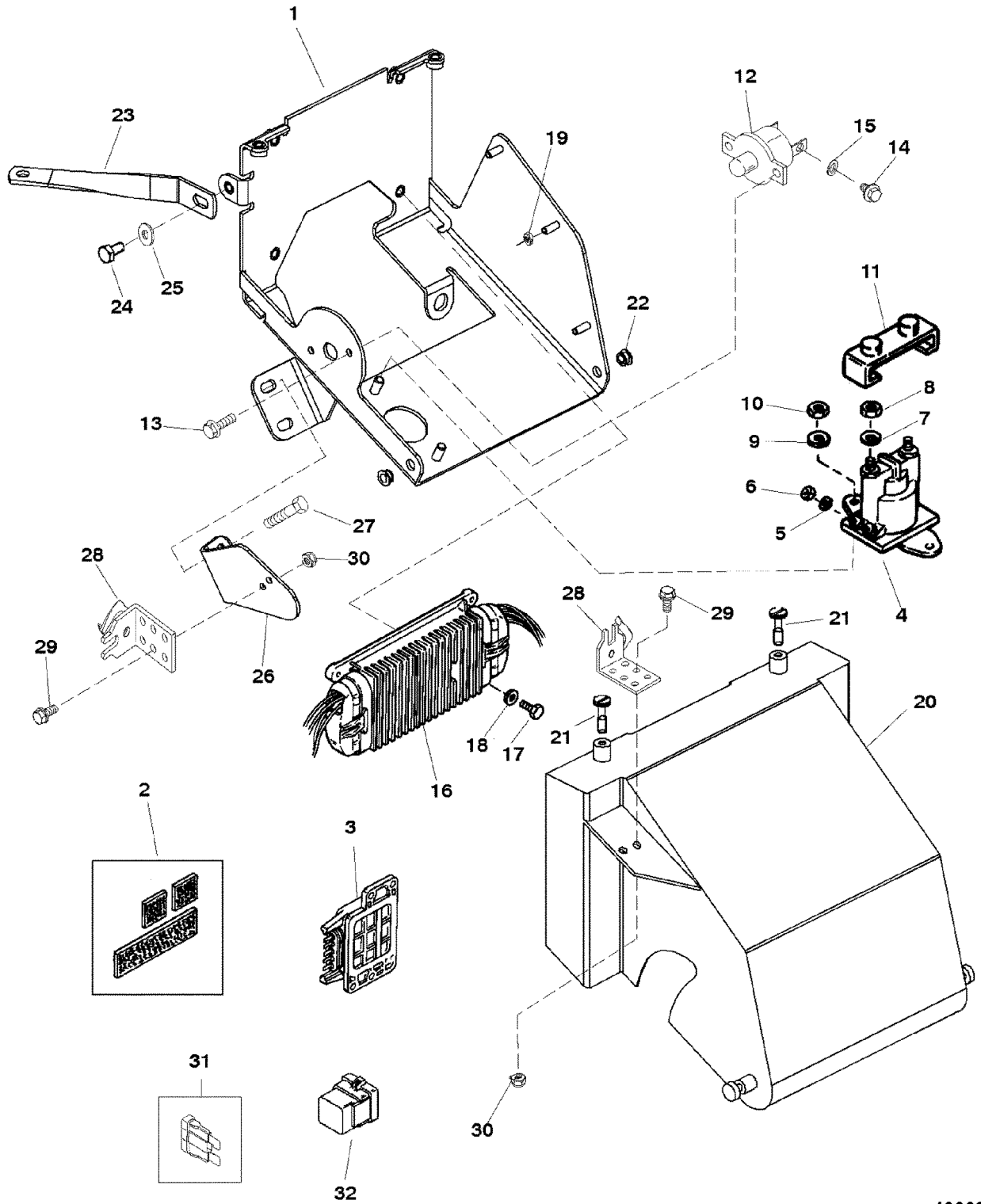
46668

# WIRING HARNESS

(EFI)

REF. NO.	PART NO.	SYM.	QTY.	DESCRIPTION
1	84-807977A 2		1	HARNESS ASSEMBLY, Engine

# ELECTRICAL BOX AND COMPONENTS



46669

# ELECTRICAL BOX AND COMPONENTS

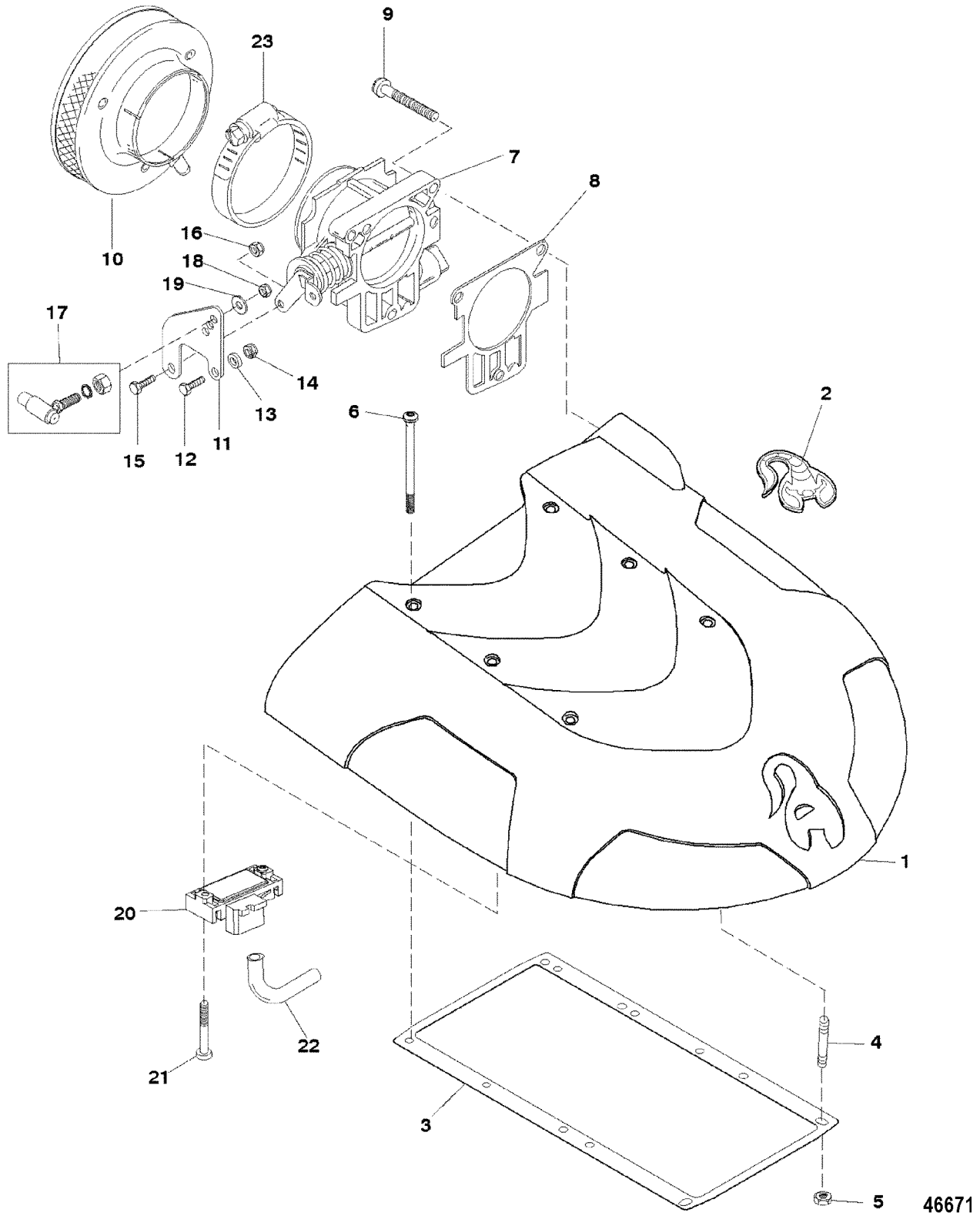
REF. NO.	PART NO.	SYM.	QTY.	DESCRIPTION
1	807938A 1		1	BASE KIT, Electrical Components
2	806762A 1		1	VELCRO KIT
3	806611T		1	MODULE, Knock Control
4	89-96054		1	SOLENOID ASSEMBLY, Starter
5	13-26995		2	LOCKWASHER, (#8) Stainless Steel, (#8)
6	11-26419		2	NUT, (#8-32) Brass, (8-32)
7	13-26992		2	LOCKWASHER, (.250) Stainless Steel, (1/4")
8	11-94330		2	NUT, (.250-20) Brass, (1/4-20)
9	12-35462		2	WASHER, (.2656 x .625 x .0625) Stainless Steel
10	11-64015		2	NUT, (.250-20)
11	85-97861		1	INSULATOR
12	88-806950		1	BREAKER, Circuit - 50 Ampere
13	10-57583		2	SCREW, (#8-32 x .375)
14	10-68513		2	SCREW, (#10-32 x .375) Stainless Steel
15	13-26996		2	LOCKWASHER, (#10) Stainless Steel
16	807696T 2		1	ECM, Engine Control Module
17	10-76596		4	SCREW, (.250-20 x 1.250), (1-1/4")
18	12-20533		4	WASHER
19	11-805562		3	NUT, (#10-24)
20	807678A 2		1	COVER ASSEMBLY, Electrical
21	10-860137		2	SCREW, (.250-20 x .940)
22	23-48475		2	BUSHING
23	54-807966		1	STRAP
24	10-54615		1	SCREW, (.250-20 x .625)
25	12-20533		1	WASHER
26	807719T		1	BRACKET ASSEMBLY
27	10-65746		2	SCREW, (.250-20 x .750)
28	807485T		2	BRACKET ASSEMBLY
29	10-89766		4	SCREW, (#10-32 x .620) Stainless Steel
30	11-29488		4	NUT, (#10-32)
31	805703		1	FUSE, 10 Ampere (10 AMP)
	805704		1	FUSE, 15 Ampere (15 AMP)
32	807057		1	RELAY, Fuel Pump
	807057		1	RELAY, Fuel Pump



# FUEL PUMP AND FUEL FILTER

REF. NO.	PART NO.	SYM.	QTY.	DESCRIPTION
1	807782A 3		1	PUMP ASSEMBLY, Fuel
-	805616A 1		1	FILTER KIT, RFI
2	805030T		1	BRACKET, Fuel Pump
3	10-47277		1	SCREW, (.312-24 x .750)
4	25-817491		1	GROMMET, (.56 Inside Diameter)
5	22-805027A 1		1	FITTING ASSEMBLY
6	25-805063		1	O-RING, (.301 x .070)
7	25-13467		1	GROMMET, (.88 Inside Diameter)
8	22-805026A 1		1	FITTING
9	25-805062		1	O-RING, (.530 x .082)
10	22-93385		1	FITTING, (90 Degree)
11	12-26825		1	WASHER, (.328 x .750 x .06)
12	11-35814		1	NUT, (.312-24) Stainless Steel
13	808021A 1		1	BRACKET
14	77223 3		1	PAD
15	89876A 3		1	BASE ASSEMBLY, Fuel Filter/Water Separator
16	22-816133 1		1	FITTING
17	22-32561		2	PLUG, Pipe - Allen Head (.250-18)
18	88641		1	INSULATOR
19	11-67980		2	NUT, (.312-18)
20	35-807172		1	FILTER, Fuel/Water Separator
21	22-33821		1	CONNECTOR
22	808020T		1	COOLER, Fuel
23	54-815504232		2	CLAMP, Worm Gear (2.50 Diameter)
24	808062A 1		1	REGULATOR ASSEMBLY, Fuel Pressure ( <b>REGULATOR WITH ADAPTOR FITTING</b> )
	32-860062A 1		1	LINE KIT, Fuel ( <b>REGULATOR W/O FITTING</b> )
25	25-805531		1	O-RING, (.476 x .075)
26	22-808002A 1		1	FITTING KIT
27	12-36533		1	WASHER, (.328 x .562 x .0312) Copper
28	10-69022		2	SCREW, (#10-32 x .500) Stainless Steel
29	12-89302		2	WASHER, (.203 x .406 x .040)
30	35-807174T		1	FILTER, Fuel
31	54-18904		1	CLIP
32	11-64015		1	NUT, (.250-20)
33	32-807681T		1	LINE, Fuel
34	32-807680T		1	LINE, Fuel
35	32-807679T		1	LINE, Fuel
36	32-860062T		1	LINE, Fuel ( <b>REGULATOR WITH FITTING</b> )
	32-860062A 1		1	LINE KIT, Fuel ( <b>REGULATOR W/O FITTING</b> )
37	32-807683T		1	LINE, Fuel

# INTAKE PLENUM AND FLAME ARRESTOR



46671

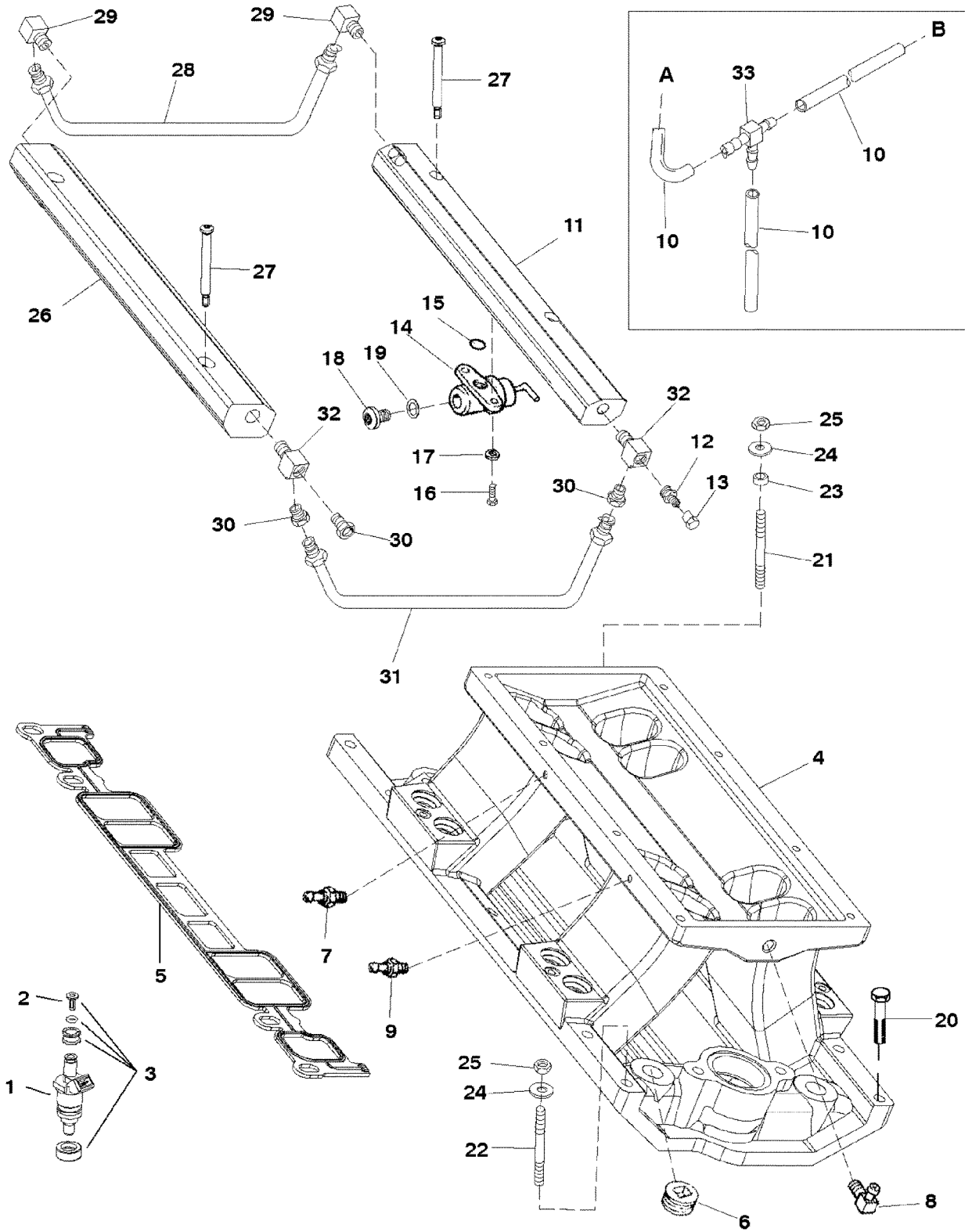


# INTAKE PLENUM AND FLAME ARRESTOR

REF. NO.	PART NO.	SYM.	QTY.	DESCRIPTION
1	807669A 1		1	PLENUM ASSEMBLY, Intake
2	807895		1	EMBLEM, Scorpion (Black Rubber)
3	27-807670	●	1	GASKET
4	16-72809		2	STUD, (.250-20/.250-28 x 1.620)
5	11-807082		2	NUT, (.250-28)
6	10-806953		6	SCREW, (.250-20 x 2.750)
7	807671A 1		1	THROTTLE BODY ASSEMBLY
NS	853677		1	VALVE, Intake Air Control
NS	853678		1	SENSOR, Throttle Position
NS	10-853680		1	SCREW KIT
8	27-807672	●	1	GASKET, TBU Relocator Tube
9	10-807054		3	SCREW, (.250-20 x 1.00)
10	807674T		1	FLAME ARRESTOR
11	807720T		1	BRACKET
12	10-22476		1	SCREW, (.250-28 x .875)
13	23-12706		1	SPACER, (.194 x .375)
14	11-20361		1	NUT, (.250-28)
15	10-54630		1	SCREW, (.312-24 x .625)
16	11-35814		1	NUT, (.312-24) Stainless Steel
17	807484		1	BALL JOINT ASSEMBLY, Quick Release
18	11-20361		1	NUT, (.250-28)
19	12-22937		1	WASHER
20	805217A 1		1	SENSOR ASSEMBLY
21	10-807120		2	SCREW, (#10-24 x 1.00)
22	32-19409 71		1	HOSE, (54.00 Inches Bulk)
23	54-815504256		1	CLAMP, Worm Gear <b>(PART OF FLAME ARRESTOR)</b>
-	27-807670A96		1	GASKET/SEAL SET, Engine Overhaul

● = COMPONENT OF OVERHAUL GASKET SET

# INTAKE MANIFOLD AND FUEL RAILS



46672

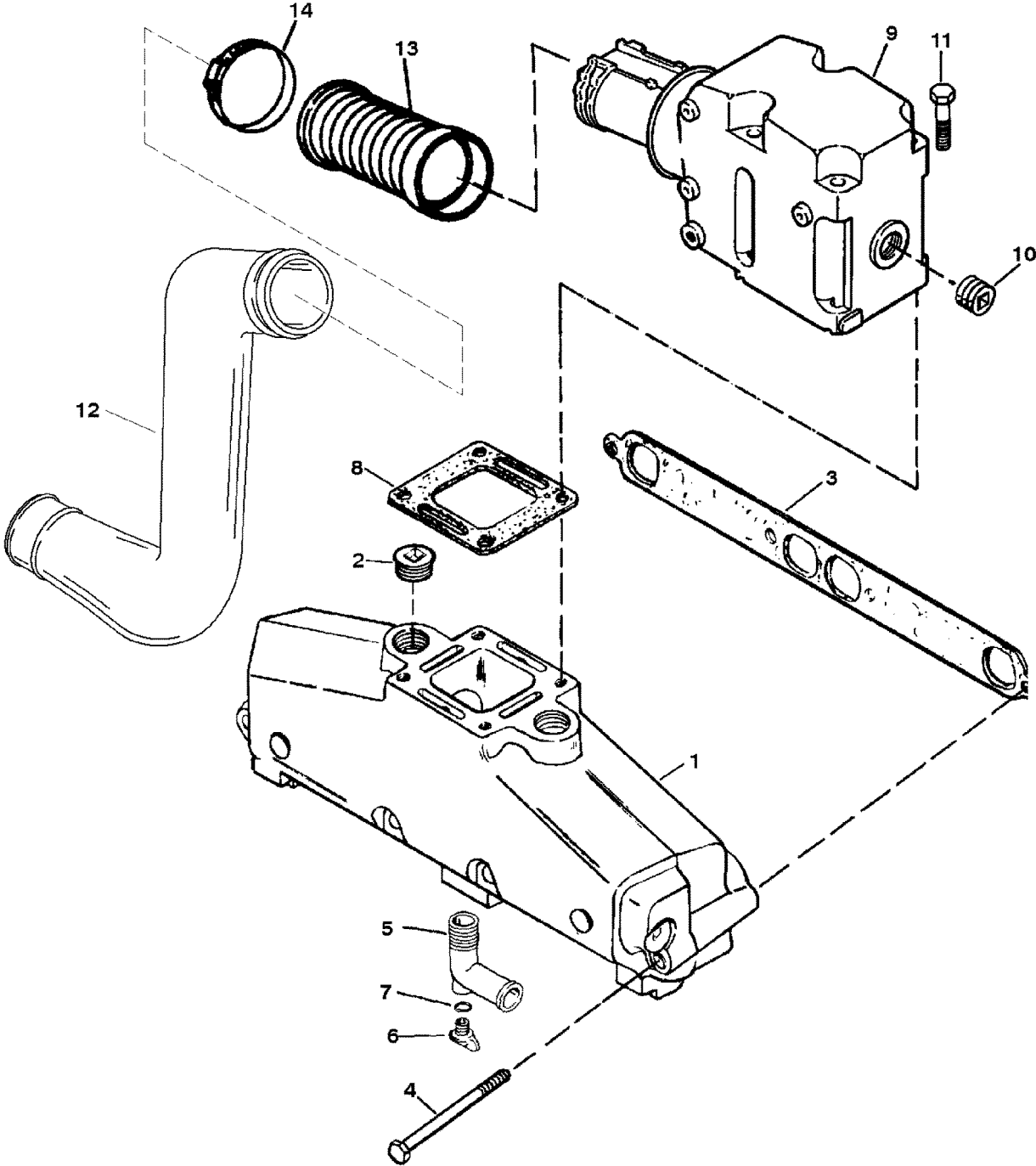
# INTAKE MANIFOLD AND FUEL RAILS

REF. NO.	PART NO.	SYM.	QTY.	DESCRIPTION
1	806807A 1		8	INJECTOR ASSEMBLY, Fuel
2	35-807288		8	FILTER
3	25-805511A 1	●	8	SEALING KIT, Fuel Injector
4	807352A 2		1	MANIFOLD ASSEMBLY, Intake
5	27-807473A 1	●	1	GASKET SET
6	22-38407 1		2	FITTING, (1/2-14)
7	22-805691		1	FITTING, (.250) Barb, (1/4" BARB)
8	22-68727		1	FITTING, (.250-18) 90 Degree - Brass, (90 DEG.)
9	22-805598		1	FITTING, (.1875) Barb, (3/16" BARB)
10	32-806173 70		3	HOSE
11	807985T		1	FUEL RAIL ( <b>PORT</b> )
12	22-805408		1	VALVE, Rail Pressure Service
13	22-805515		1	CAP, Shrader Valve - Brass
14	808062A 1		1	REGULATOR ASSEMBLY, Fuel Pressure
15	25-805531	●	1	O-RING, (.476 x .075)
16	10-69022		2	SCREW, (#10-32 x .500) Stainless Steel
17	12-89302		2	WASHER, (.203 x .406 x .040)
18	10-807675		1	SCREW, (.312-24 x .380)
19	12-36533		1	WASHER, (.328 x .562 x .0312) Copper
20	10-75206		6	SCREW, (.312-18 x 1.750)
21	16-70237		1	STUD, (.312-18/.312-24 x 2.620), (2-5/8")
22	16-73563		1	STUD, (.312-18/.312-24 x 2.310), (2-5/16") - FRONT
23	23-52095		1	SPACER
24	12-20084		2	WASHER, (.328 x .562 x .062)
25	11-35814		2	NUT, (.312-24) Stainless Steel
26	806805T		1	FUEL RAIL ( <b>STARBOARD</b> )
27	10-806943		4	SHOULDER SCREW, (.250-20 x 2.625)
28	32-807690T		1	LINE, Fuel, (REAR)
29	22-93385		2	FITTING, (90 Degree)
30	22-33821		3	CONNECTOR
31	32-807684T		1	LINE, Fuel, (FRONT)
32	22-65060		2	FITTING, Tee
33	22-806689		1	FITTING, Tee
-	27-807670A96		1	GASKET/SEAL SET, Engine Overhaul

NOTE 1 - A = TO REF. # 9; B = TO REF.#14

● = COMPONENT OF OVERHAUL GASKET SET

# EXHAUST MANIFOLD AND EXHAUST ELBOW



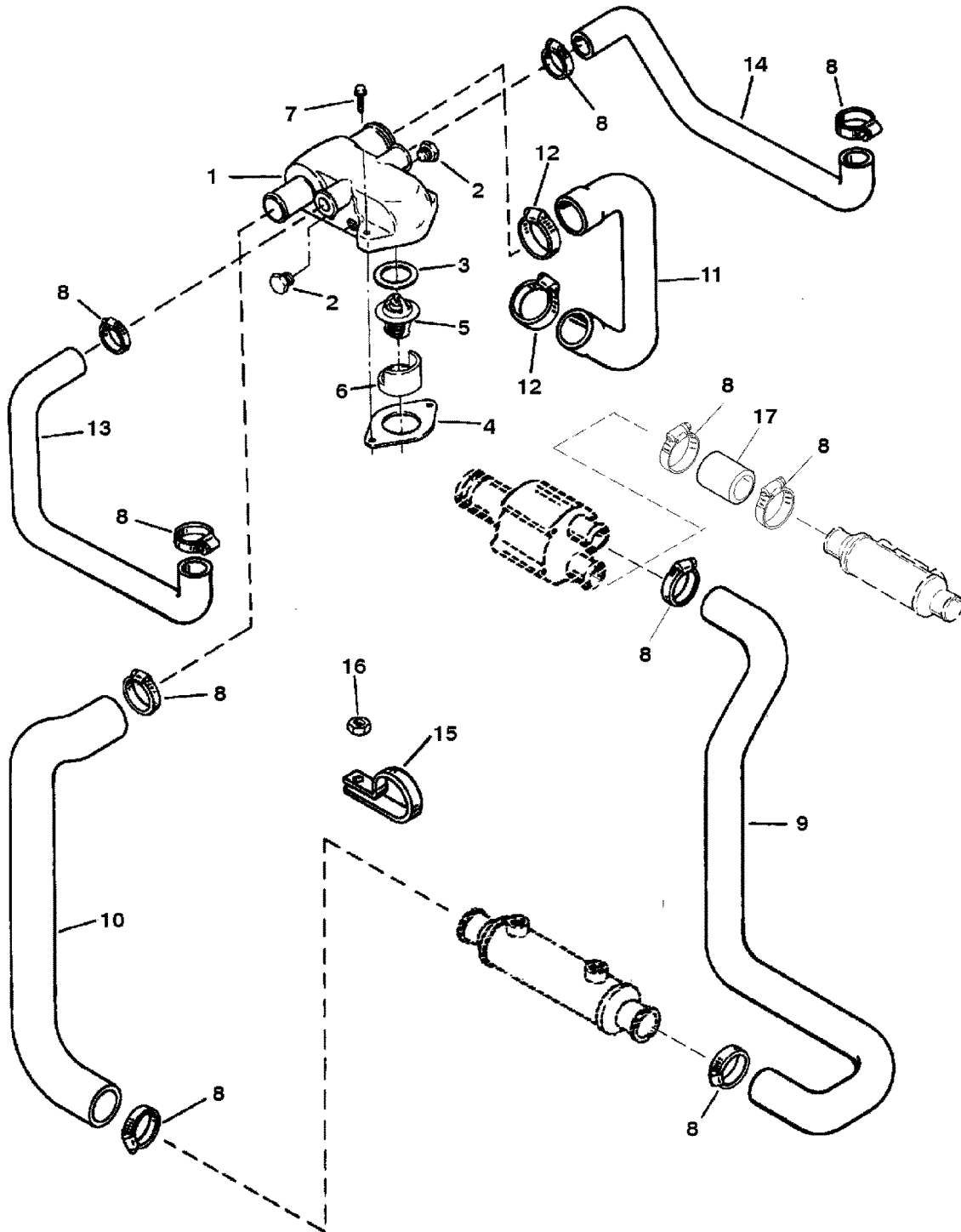
46673

# EXHAUST MANIFOLD AND EXHAUST ELBOW

REF. NO.	PART NO.	SYM.	QTY.	DESCRIPTION
1	87114A19		2	MANIFOLD ASSEMBLY, Exhaust
2	22-33198A 1		4	PLUG, (3/4-14)
3	27-33395	●	2	GASKET
4	10-53728		8	SCREW, (.375-16 x 4.75), (4-5/8")
5	22-806926A 1		2	ELBOW KIT, Drain
6	22-806608A 1		2	PLUG KIT, (.500-13) Royal Blue
7	25-806609	●	2	QUAD RING
8	27-41813	●	2	GASKET
9	807914A 1		2	ELBOW ASSEMBLY, Exhaust
10	22-33198A 1		2	PLUG, (3/4-14)
11	10-43749		8	SCREW, (.375-16 x 5.750)
12	807611T		2	PIPE, Exhaust
13	32-44348T		2	TUBE, Exhaust
14	54-815504372		8	CLAMP, Worm Gear
-	93320A 6		1	ELBOW KIT, Exhaust, (3")
-	93322A 6		1	RISER KIT, Exhaust Elbow (6 In.), (6")
-	27-807670A96		1	GASKET/SEAL SET, Engine Overhaul

● = COMPONENT OF OVERHAUL GASKET SET

# THERMOSTAT HOUSING (STANDARD COOLING)



46674

# THERMOSTAT HOUSING

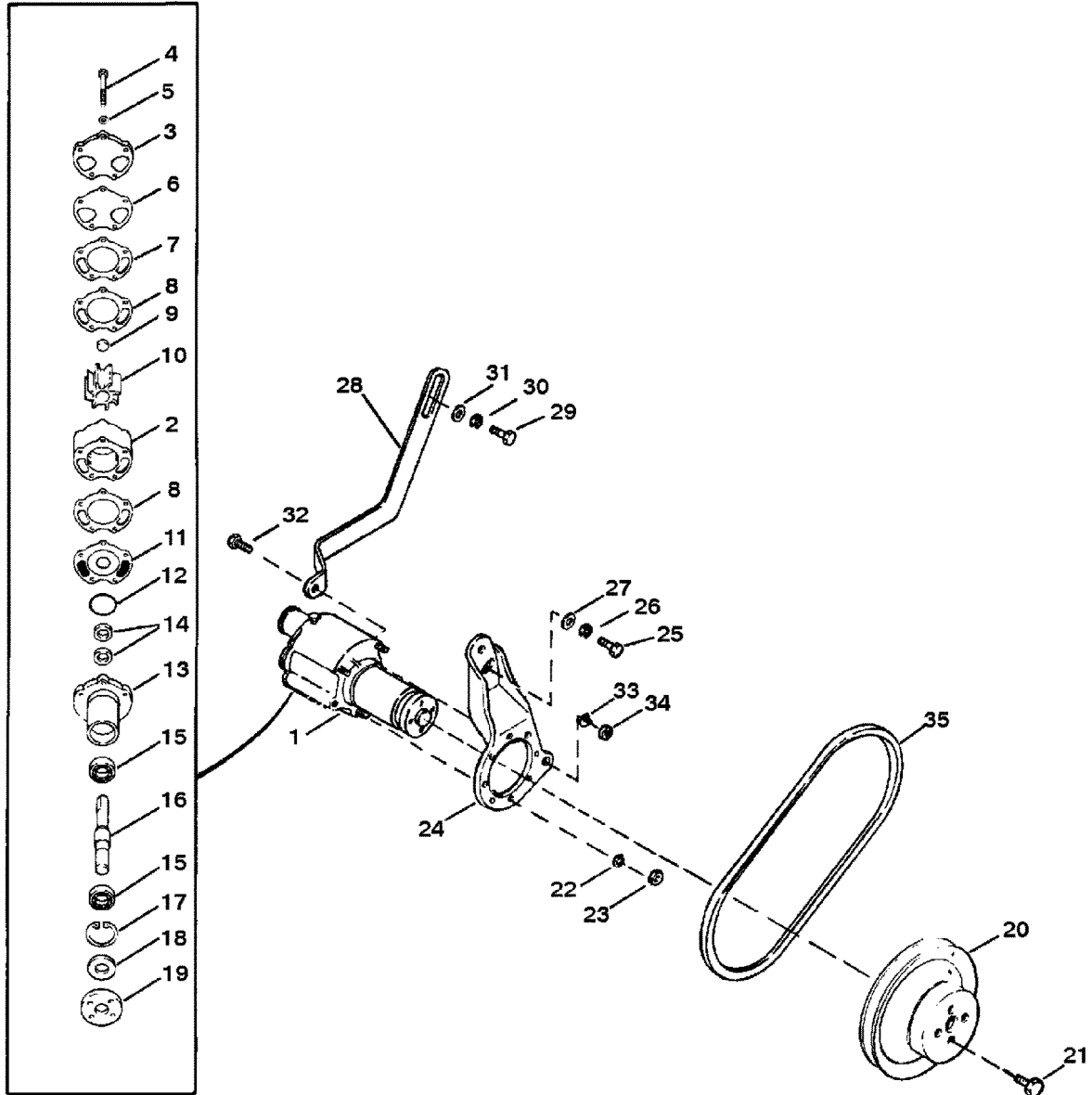
(STANDARD COOLING)

REF. NO.	PART NO.	SYM.	QTY.	DESCRIPTION
1	860256A 2		1	HOUSING ASSEMBLY, Thermostat
2	22-32803		2	PLUG, Pipe (.375-18) Brass
3	27-806871	●	1	GASKET
4	27-53045 1	●	1	GASKET
5	807252 2		1	THERMOSTAT, 71°C (160°F)
6	23-806922		1	SLEEVE
7	10-98508		2	SCREW, (.375-16 x 3.00)
8	54-815504220	◇	AR	CLAMP, Worm Gear
9	32-88795		1	HOSE
10	32-806856		1	HOSE
11	32-806825		1	HOSE
12	54-815504232		2	CLAMP, Worm Gear (2.50 Diameter)
13	32-806635 1		1	HOSE (PORT)
14	32-806636 1		1	HOSE (STARBOARD)
15	54-47715		1	CLIP
16	11-29250		1	NUT, (.312-24)
17	32-807694 25		1	HOSE
-	27-807670A96		1	GASKET/SEAL SET, Engine Overhaul

● = COMPONENT OF OVERHAUL GASKET SET

◇ = AS REQUIRED

# SEA WATER PUMP ASSEMBLY



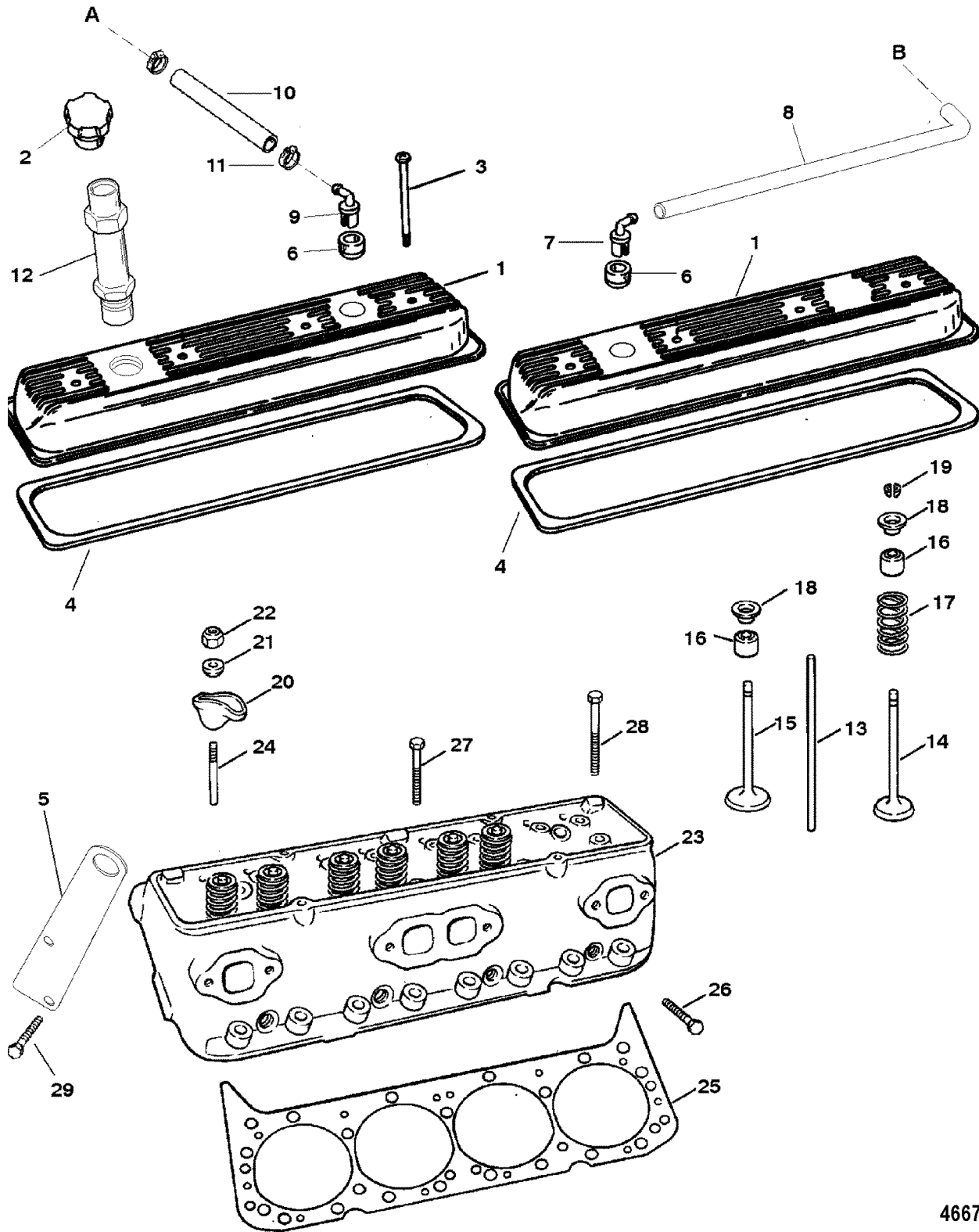
46675



# SEA WATER PUMP ASSEMBLY

REF. NO.	PART NO.	SYM.	QTY.	DESCRIPTION
1	46-72774A50		1	PUMP ASSEMBLY, Sea Water - Complete
2	46-72774A40		1	BODY ASSEMBLY, Sea Water - Complete
3	87631A 4		1	COVER KIT
4	10-73275		2	SCREW, (.312-18 x 2.88), (2-7/8")
	10-99347		3	SCREW, (.312-18 x 3.75), (3-3/4")
5	12-20084		5	WASHER, (.328 x .562 x .062)
6	27-805215 1		1	GASKET
7	94916		1	WEAR PLATE
8	27-94914		2	GASKET
9	19-59504		1	PLUG
10	47-59362 1		1	IMPELLER
11	94576		1	WEAR PLATE
12	25-94288		1	QUAD RING
13	46-94913A 2		1	HOUSING ASSEMBLY, Water Pump
14	26-90562		2	SEAL, (1.254 x .312)
15	30-72961		2	BEARING, Ball
16	59501A 1		1	SHAFT
17	53-23720		1	RING, Retaining
18	26-72785		1	SEAL
19	47530		1	HUB
20	52822T		1	PULLEY
21	10-47277		4	SCREW, (.312-24 x .750), (3/4")
22	13-39107		3	LOCKWASHER, (.312-24)
23	11-21908		3	NUT, (.312-18) Cad Plated
24	89535T 1		1	BRACKET
25	10-34353		2	SCREW, (.375-16 x 1.00), (1")
26	13-35048		2	LOCKWASHER, (.375)
27	12-34714		1	WASHER
28	89609 1		1	BRACE
29	10-26487		1	SCREW, (.375-16 x 1.12), (1")
30	13-35048		1	LOCKWASHER, (.375)
31	12-34714		1	WASHER
32	10-35786		1	SCREW, (.375-24 x 1.00), (1")
33	13-35048		1	LOCKWASHER, (.375)
34	11-46335		1	NUT, (.375-24)
35	57-13457T		1	BELT

# CYLINDER HEAD AND ROCKER COVER



46676

# CYLINDER HEAD AND ROCKER COVER

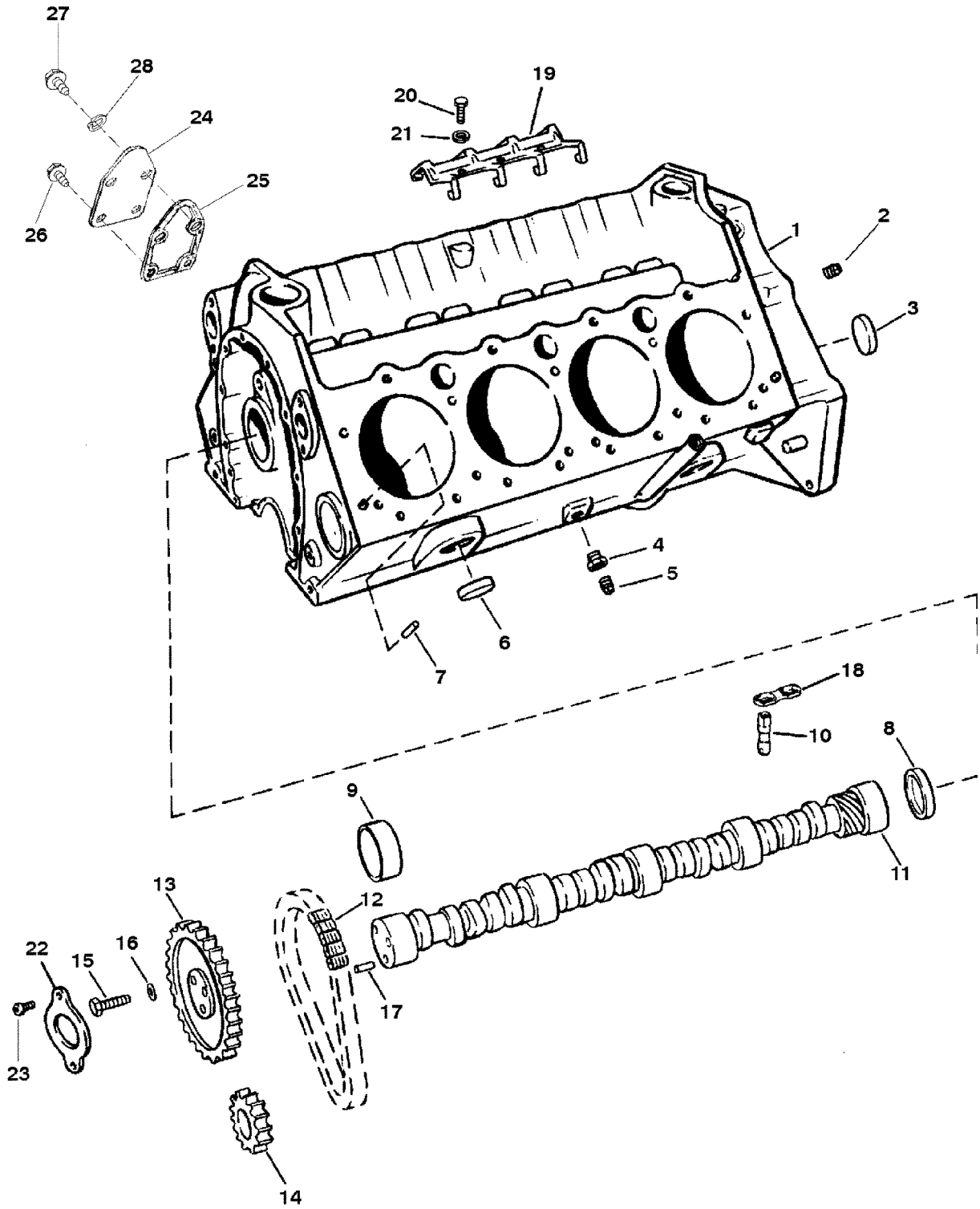
REF. NO.	PART NO.	SYM.	QTY.	DESCRIPTION
1	809995		1	COVER, Rocker ( <b>STARBOARD</b> )
	809996		1	COVER, Rocker ( <b>PORT</b> )
2	36-18710 1		2	CAP, Oil Fill
3	10-17344		8	SCREW
4	27-17467	●	2	GASKET, Rocker Cover
5	806815T		2	BRACKET, Lifting Eye
6	25-52188		2	GROMMET
7	97850		1	ELBOW, 90 Degree, Breather
8	32-807786		1	HOSE, Molded
9	806947T		1	PCV VALVE
10	32-806174 50		1	HOSE, PVC (22.50 Inch Bulk)
11	54-815504105		2	CLAMP, Worm Gear (11-18 mm)
12	807688T		1	TUBE, Oil Fill
13	17339 1		16	PUSH ROD
14	824317 1		8	VALVE, Exhaust ( <b>STANDARD</b> )
	824318 1	◇	AR	VALVE, Exhaust (.5MM O.S.)
15	809992		8	VALVE, Intake ( <b>STANDARD</b> )
16	26-97664 1	●	16	SEAL
17	24-48347 1		16	SPRING
18	48348 1		16	CAP
19	28-54797 1		32	KEY
20	35329		16	ARM KIT, Rocker
21	35331		16	BALL, Rocker Arm
22	11-34516		16	NUT
23	938-9718 1		2	CYLINDER HEAD ASSEMBLY
24	16-34522	◇	AR	STUD (.003 O.S.)
	16-34521	◇	AR	STUD (.013 O.S.)
25	27-75611	●	2	GASKET
26	10-11968		16	SCREW, (.437-14 x 1.750), (1-3/4")
27	10-11967 1		4	SCREW, (.437-14 x 3.00), (3")
28	10-11966		14	SCREW, (.437-14 x 3.750), (3-3/4")
29	10-98261		2	SCREW, (.375-16 x .750), (3/4") - REAR
-	27-807670A96		1	GASKET/SEAL SET, Engine Overhaul

NOTE 2 - A = TO INTAKE MANIFOLD; B = TO FLAME ARRESTOR

● = COMPONENT OF OVERHAUL GASKET SET

◇ = AS REQUIRED

# CYLINDER BLOCK AND CAMSHAFT



46677

# CYLINDER BLOCK AND CAMSHAFT

REF. NO.	PART NO.	SYM.	QTY.	DESCRIPTION
1	NSS		1	NOT SOLD SEPARATE (ORDER LONG BLOCK 807449A1)
2	22-48340		3	PLUG, (.250-18 x .41), (1/4")
3	19-816565		5	PLUG, Pipe(.468), (15/32")
4	22-48556		2	BUSHING , Reducer (.250 To .125)
5	22-32802 1		2	PLUG, Pipe (.125-27)
6	19-34270		8	EXPANSION PLUG, (1.625), Expansion (1-5/8" DIA.)
7	17-35465		4	PIN, Dowel (.312), Dowel (5/16" DIA.)
8	22-72640		1	PLUG, Expansion
9	23-85674		1	BEARING SET, (SET)
10	17340 1		16	LIFTER, Roller
11	431-811658		1	CAMSHAFT
12	17161		1	CHAIN, Timing
13	43-811659 1		1	SPROCKET, Camshaft
14	43-17160		1	SPROCKET, Crankshaft
15	10-35339		3	SCREW, (.312-18 x .750), (3/4")
16	12-848136		3	WASHER, (.328 x .680 x .190)
17	17-35312		1	PIN, Dowel (1/4 In. Diameter)
18	17341		8	GUIDE, Lifter
19	811662		1	RETAINER, Lifter Guide
20	10-34500		3	SCREW, (.312-18 x .625)
21	12-811664		3	WASHER, (.3125 Inch)
22	811663		1	RETAINER
23	10-17343		2	SCREW, (.250-20 x .500)
24	807695T		1	PLATE
25	27-34898	●	1	GASKET
26	10-35366		2	SCREW, (.250-20 x .563), (1/4-20X9/16")
27	10-98261		2	SCREW, (.375-16 x .750), (3/8-16X3/4")
28	13-35048		2	LOCKWASHER, (.375)
-	27-807670A96		1	GASKET/SEAL SET, Engine Overhaul
-	92-809825		1	RTV SILICONE, (3 Ounce Tube) Metallic Blue, (WHERE APPLICABLE)
-	92-34227 1		1	SEALING COMPOUND, (16 Ounce), (WHERE APPLICABLE)
-	807449A 1		1	MARINE LONG BLOCK ENGINE, (SEE NOTE)

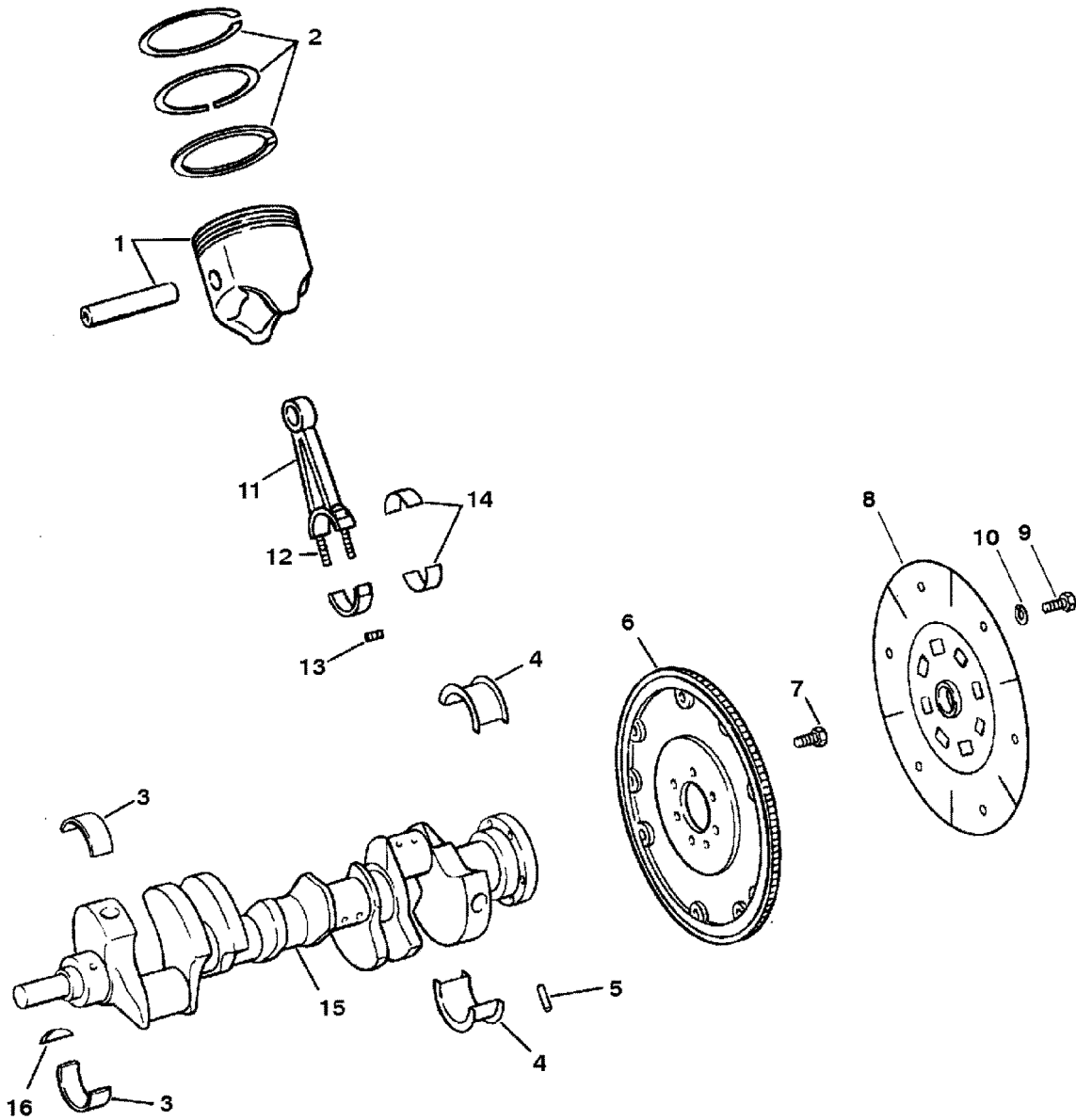
NOTE 1 - NOTE: ORDER MARINE LONG BLOCK ENGINE PART # .

NOTE 2 - NOTE : MARINE LONG BLOCK ENGINE INCLUDES INTERNAL PARTS AND CYLINDER HEADS.

● = COMPONENT OF OVERHAUL GASKET SET

# CRANKSHAFT

## PISTONS AND CONN. RODS



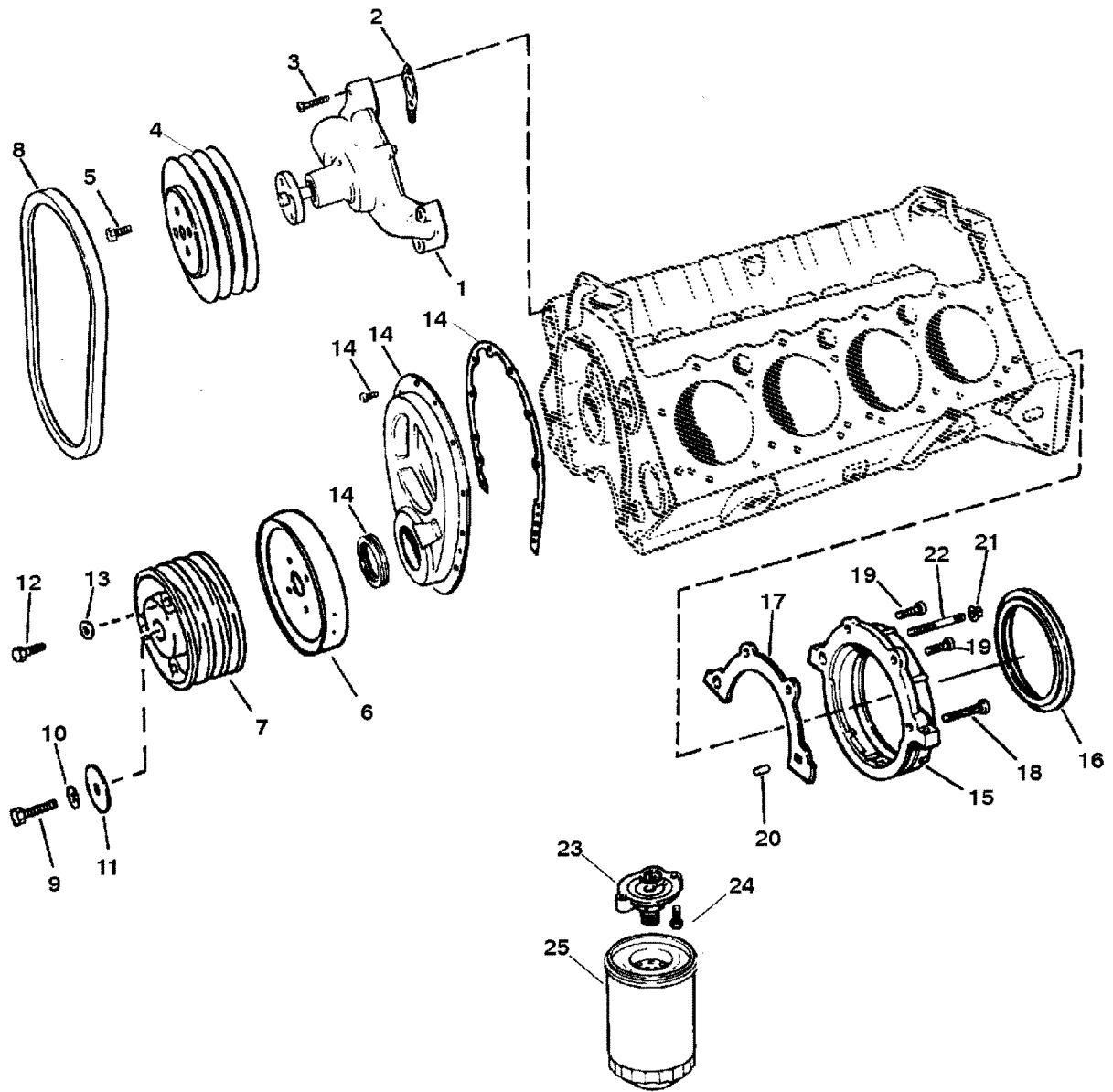
46678

# CRANKSHAFT PISTONS AND CONN. RODS

REF. NO.	PART NO.	SYM.	QTY.	DESCRIPTION
1	735-835001		8	PISTON ASSEMBLY (STANDARD)
	735-835002	◇	AR	PISTON ASSEMBLY (.5MM O.S.)
2	39-801861 1		8	RING SET (STANDARD)
	39-835000	◇	AR	RING SET, Piston (.5MM O.S.)
3/4	23-818465		1	BEARING SET, 5 Pair (STANDARD)
	23-818466	◇	AR	BEARING SET, 5 Pair (.001 USA)
	23-818467	◇	AR	BEARING SET, 5 Pair (.010 USA)
	23-818468	◇	AR	BEARING SET, 5 Pair (.020 USA)
5	FI1100096		1	PIN, Dowel (1/4 Diameter), (1/4" DIA.)
6	222-9520		1	FLYWHEEL
7	10-49845		6	SCREW, (.437-20 x 1.00)
8	19750T		1	DRIVEPLATE ASSEMBLY
9	10-35091		6	SCREW, (.375-16 x 1.00)
10	13-35048		6	LOCKWASHER, (.375)
11	614-8164		8	CONNECTING ROD
12	10-85802		16	SCREW, (.375-24 x Special)
13	11-37493		16	NUT, (.375-24)
14	23-85701		8	BEARING (PAIR - STANDARD)
	23-85702	◇	AR	BEARING (PAIR - .001 USA)
	23-85703	◇	AR	BEARING (PAIR - .002 USA)
	23-85704	◇	AR	BEARING (PAIR - .010 USA)
	23-85705	◇	AR	BEARING (PAIR - .020 USA)
15	429-9521 1		1	CRANKSHAFT
16	28-34466		2	KEY

◇ = AS REQUIRED

# WATER PUMP AND FRONT COVER



46679

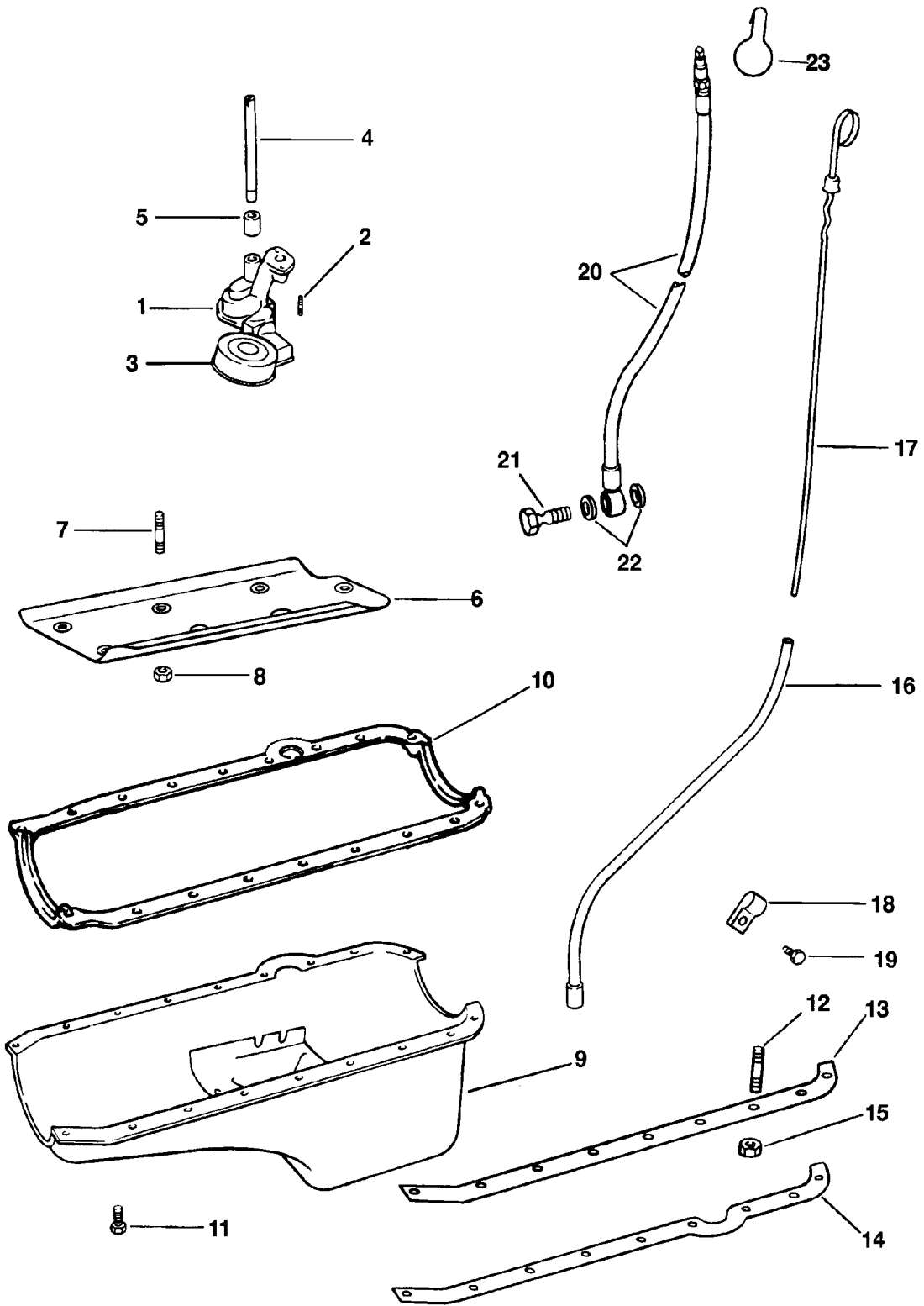


# WATER PUMP AND FRONT COVER

REF. NO.	PART NO.	SYM.	QTY.	DESCRIPTION
1	811841		1	PUMP ASSEMBLY, Water
2	27-34897	●	2	GASKET
3	10-32132		2	SCREW, (.375-16 x 1.750), (1-3/4")
	10-47688		1	SCREW, (.375-16 x 2.750), (2-3/4")
	10-52200		1	SCREW, (1.625 In.), (1-1/2")
4	19692T		1	PULLEY, (7 In. Diameter)
5	10-47277		4	SCREW, (.312-24 x .750)
6	809892		1	BALANCER, Harmonic
7	90081A 1		1	PULLEY
8	57-48120A 1		1	V BELT, (46 Inch)
9	10-32515		1	SCREW, (.437-20 x 2.50)
10	13-39131		1	LOCKWASHER, (.437)
11	12-35332		1	WASHER
12	10-53833		3	BOLT, (.375-24 x 2.00)
13	12-34714		3	WASHER
14	835005		1	COVER ASSEMBLY, Timing (SCREWS-GROMMETS-OIL SEAL AND GASKET ARE NOT SOLD SEPARATELY)
15	14239		1	RETAINER, Oil Seal
16	26-14240	●	1	SEAL, Oil
17	27-14241	●	1	GASKET
18	10-14243		1	BOLT, (.250-20 x 1.750)
19	10-14242		2	BOLT, (.250-20 x .875)
20	17-14263		1	PIN, Dowel, Dowel
21	11-816730		1	NUT, (.250-20)
22	16-14827		1	STUD, (.250-20 x 2.180)
23	53338		1	VALVE ASSEMBLY, Filter
24	10-54786		2	SCREW, (.312-18 x 1.250)
25	14957		1	FILTER, Oil
-	27-807670A96		1	GASKET/SEAL SET, Engine Overhaul

● = COMPONENT OF OVERHAUL GASKET SET

# OIL PAN AND OIL PUMP



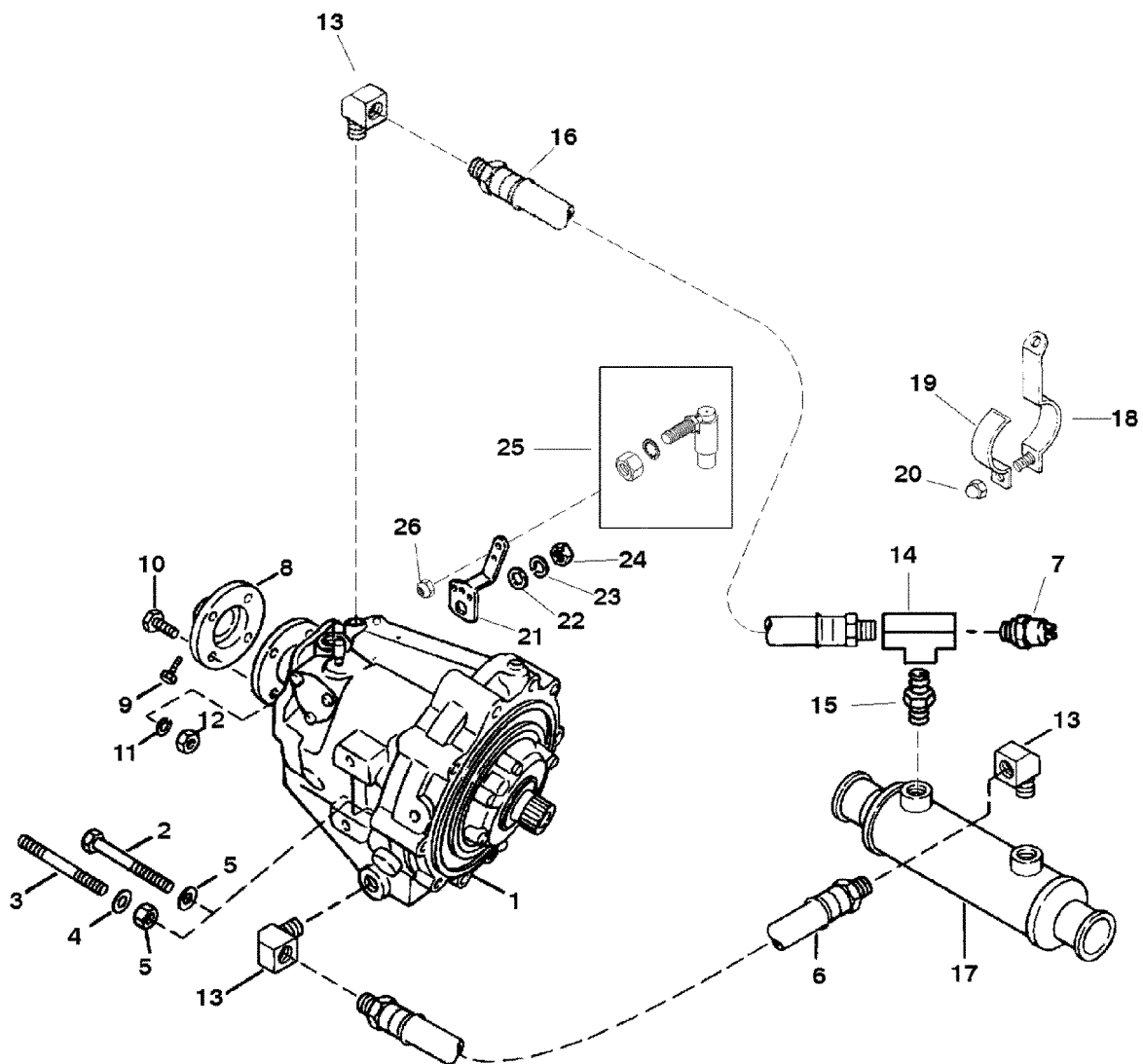
46680

# OIL PAN AND OIL PUMP

REF. NO.	PART NO.	SYM.	QTY.	DESCRIPTION
1	809907		1	PUMP ASSEMBLY, Oil
2	10-17346		1	SCREW
3	809909		1	SCREEN, Oil Pump Pick Up
4	36184		1	SHAFT
5	23-36183		1	RETAINER
6	98602		1	BAFFLE
7	16-850090		5	STUD, (.437-14/.375-16 x 3.360)
8	11-850091		5	NUT, (.375-16)
9	809910		1	PAN, Oil
10	27-13865 1	●	1	GASKET, Oil Pan
11	10-14070		14	SCREW, (.250-20 x .625)
12	16-11989		4	STUD, (.312-18 x 1.6718)
13	14257		1	REINFORCEMENT (PORT)
14	14256		1	REINFORCEMENT (STARBOARD)
15	11-11971		4	NUT, (.312-18)
16	15296A 2		1	TUBE
17	16482		1	DIPSTICK, Oil Level
18	54-805625		1	CLIP, Dipstick Tube
19	10-35366		1	SCREW, (.250-20 x .563)
20	32-805505A 1		1	HOSE ASSEMBLY
21	10-807497		1	BOLT, Banjo (M12)
22	27-49955	●	2	GASKET, Drain
23	54-805524		1	CLIP
-	27-807670A96		1	GASKET/SEAL SET, Engine Overhaul

● = COMPONENT OF OVERHAUL GASKET SET

# TRANSMISSION AND RELATED PARTS

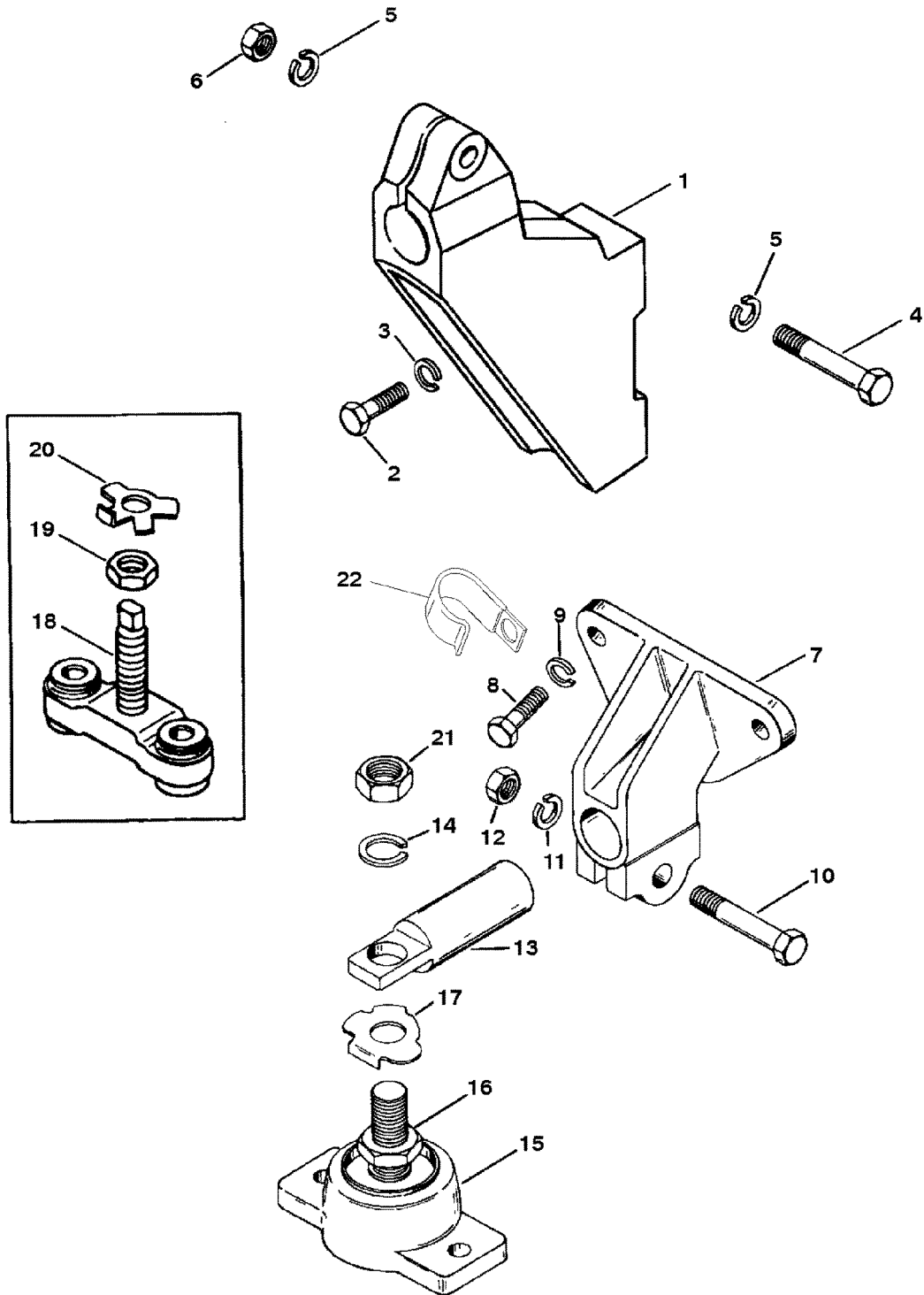


46681

# TRANSMISSION AND RELATED PARTS

REF. NO.	PART NO.	SYM.	QTY.	DESCRIPTION
1	47805A 7		1	TRANSMISSION ASSEMBLY, (DIRECT DRIVE)
2	10-60179		4	SCREW, (.437-14 x 3.500), (3-1/2")
3	16-57921		2	STUD, (.437-14/.437-20 x 4.00), (4")
4	13-32993		6	LOCKWASHER, (.437)
5	11-22024		2	NUT, (.437-14)
6	32-47516 13		1	HOSE, (49.00 Inches), (49")
7	87-88031		1	SWITCH ASSEMBLY
8	87917A 1		1	FLANGE ASSEMBLY, (4.00 x 1.00)
9	10-60171		2	SCREW, (.375-16 x 1.250), (1-1/4")
10	10-68101		4	SCREW, (.375-16 x 1.375), (1-3/8")
11	13-35048		4	LOCKWASHER, (.375)
12	11-32219		4	NUT, (.375-16)
13	22-47629		3	ELBOW, 90 Degree, (90 DEG.)
14	22-806282		1	TEE
15	22-806286		1	CONNECTOR
16	32-812699 39		1	HOSE, (39.00 Inches Bulk), (35")
17	63832A 1		1	COOLER
18	807402T		1	BRACKET
19	807445T		1	CLAMP
20	11-72008		1	NUT, (.250-20)
21	43325		1	LEVER
22	12-20722		1	WASHER, (.328 x .625 x .060)
23	13-26993		1	LOCKWASHER, (.312)
24	11-22053		1	NUT, (.312-24)
25	807484		1	BALL JOINT ASSEMBLY, Quick Release
26	11-20361		1	NUT, (.250-28)

# TRANSMISSION AND ENGINE MOUNTING

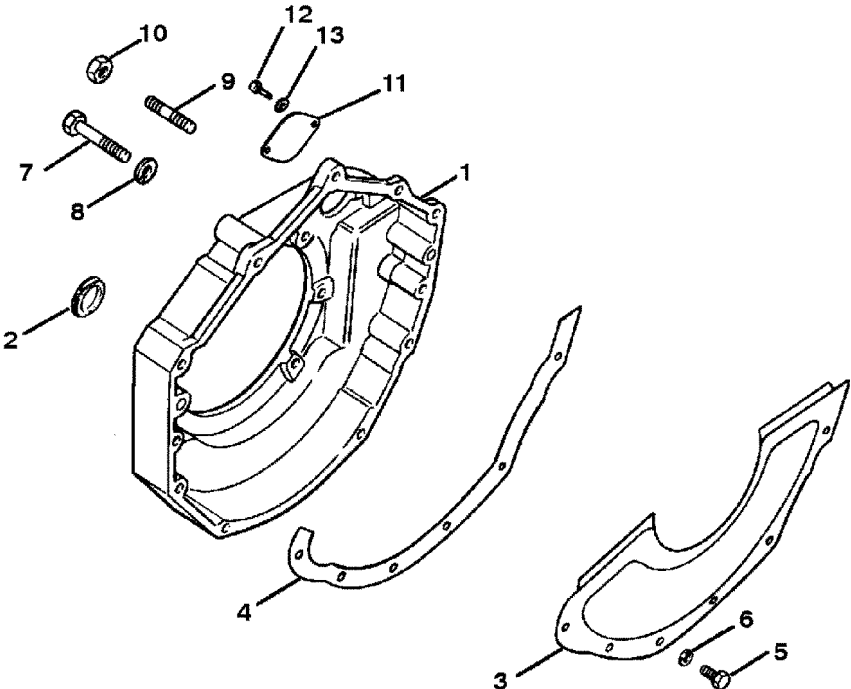


46682

# TRANSMISSION AND ENGINE MOUNTING

REF. NO.	PART NO.	SYM.	QTY.	DESCRIPTION
1	805597A 1		2	BRACKET ASSEMBLY, (TRANSMISSION)
2	10-37269		4	SCREW, (.437-14 x 2.00), (2")
3	13-32993		4	LOCKWASHER, (.437)
4	10-57357		2	SCREW, (.437-13 x 2.250), (2-1/4")
5	13-32993		2	LOCKWASHER, (.437)
6	11-29553		2	NUT, (.437-14)
7	71128A 2		2	BRACKET, (ENGINE)
8	10-68101		6	SCREW, (.375-16 x 1.375), (1-3/8")
9	13-35048		6	LOCKWASHER, (.375)
10	10-37269		2	SCREW, (.437-14 x 2.00), (2")
11	13-32993		2	LOCKWASHER, (.437)
12	11-29553		2	NUT, (.437-14)
13	66166A 4		4	TRUNNION
14	13-68102		4	LOCKWASHER, (.750)
15	66284A 2		2	BASE ASSEMBLY <b>ENGINE</b>
16	11-20739		2	NUT, (.750-16) <b>ENGINE</b>
17	14-66658		2	TAB WASHER <b>ENGINE</b>
18	816326A 2		2	BASE ASSEMBLY <b>TRANSMISSION</b>
19	11-816331		2	NUT, (.750-16) <b>TRANSMISSION</b>
20	14-66658		2	TAB WASHER <b>TRANSMISSION</b>
21	11-20739		4	NUT, (.750-16)
22	54-78945		1	J CLAMP, Harness Support

# FLYWHEEL HOUSING



46683



# FLYWHEEL HOUSING

REF. NO.	PART NO.	SYM.	QTY.	DESCRIPTION
1	814309A 1		1	HOUSING ASSEMBLY
2	19-12304		1	PLUG
3	818718A 3		1	COVER KIT
4	27-86015		1	GASKET
5	10-98253		5	SCREW, (.250-20 x .500), (1/2")
6	13-26992		5	LOCKWASHER, (.250) Stainless Steel
7	10-34353		1	SCREW, (.375-16 x 1.00), (1") <b>3/8-16 THREADS</b>
	10-47688		2	SCREW, (.375-16 x 2.750), (2-3/4") <b>3/8-16 THREADS</b>
	10-37612		3	SCREW, (.375-16 x 1.250), (1-1/4") <b>3/8-16 THREADS</b>
8	13-35048		8	LOCKWASHER, (.375) <b>3/8-16 THREADS</b>
7	10-47277		1	SCREW, (.312-24 x .750), (3/4") <b>5/16-24 THREADS</b>
8	13-39107		1	LOCKWASHER, (.312-24) <b>5/16-24 THREADS</b>
9	16-805357		2	STUD, (.375-16 x 2.130)
10	11-32219		2	NUT, (.375-16)
11	93920 1		1	PLATE
12	10-92913		2	SCREW, (.437-14 x .750)
13	13-32993		2	LOCKWASHER, (.437)

THIS PAGE INTENTIONALLY LEFT BLANK

# Gasket Set Components (27-807670A96)

Engine Overhaul

REF. NO.	PART NO.	SYM.	QTY.	DESCRIPTION
-	27-807670A96		1	GASKET/SEAL SET, Engine Overhaul
-	27-13865 1		1	GASKET, Oil Pan
-	27-75611 1		2	GASKET, Cylinder Head
-	27-33395		2	GASKET
-	27-17467		2	GASKET, Rocker Cover
-	27-807672		1	GASKET, TBU Relocator Tube
-	27-34897		2	GASKET, Water Pump
-	27-34898		1	GASKET
-	27-807670		1	GASKET, Air Plenum
-	27-881715		1	GASKET, Crankshaft Oil Seal Housnig
-	27-53045 1		1	GASKET, Lower Thermostat Housing
-	27-806871		1	GASKET, Thermostat Housing
-	27-34486 3		1	GASKET, Distributor
-	27-49955		2	GASKET, Drain
-	26-97664 1		16	SEAL, Intake
-	25-805531		1	O-RING, (.476 x .075), Regulator
-	25-32509		5	O-RING, (.489 x .070), Plug
-	26-852941		1	SEAL, Crankshaft Oil
-	25-805062		1	O-RING, (.530 x .082)
-	25-805063		6	O-RING, (.301 x .070)
-	27-807473A 1		1	GASKET SET, Intake Manifold
-	25-805511A 1		8	SEALING KIT, Fuel Injector

# PARTS INDEX

Part Number	Description	Pg.	Ref. No.	Part Number	Description	Pg.	Ref. No.
14239	RETAINER.....	39	15	807696T 2	ECM.....	19	16
14256	REINFORCEMENT.....	41	14	807719T	BRACKET ASSEMBLY.....	19	26
14257	REINFORCEMENT.....	41	13	807720T	BRACKET.....	23	11
14957	FILTER.....	39	25	807782A 3	PUMP ASSEMBLY.....	21	1
15296A 2	TUBE.....	41	16	807895	EMBLEM.....	23	2
16482	DIPSTICK.....	41	17	807914A 1	ELBOW ASSEMBLY.....	27	9
17161	CHAIN.....	35	12	807938A 1	BASE KIT.....	19	1
17339 1	PUSH ROD.....	33	13	807985T	FUEL RAIL.....	25	11
17340 1	LIFTER.....	35	10	808020T	COOLER.....	21	22
17341	GUIDE.....	35	18	808021A 1	BRACKET.....	21	13
19692T	PULLEY.....	39	4	808062A 1	REGULATOR ASSEMBLY.....	21	24
19750T	DRIVEPLATE ASSEMBLY.....	37	8	808062A 1	REGULATOR ASSEMBLY.....	25	14
32783	RETAINER.....	11	23	808483	CAP.....	11	2
32784	RETAINER.....	11	24	808484	ROTOR.....	11	4
33291	COLLAR.....	7	11	808485	SHAFT ASSEMBLY.....	11	5
35329	ARM KIT.....	33	20	808486	SHIELD.....	11	7
35331	BALL.....	33	21	808487	RETAINER.....	11	6
36184	SHAFT.....	41	4	809133	STATOR.....	9	12
37293	SENDER ASSEMBLY.....	13	2	809134	PULLEY.....	9	3
43325	LEVER.....	43	21	809139	FAN ASSEMBLY.....	9	5
47530	HUB.....	31	19	809142	TERMINAL.....	9	28
47805A 7	TRANSMISSION ASSEMBLY.....	43	1	809144	COVER.....	9	30
48348 1	CAP.....	33	18	809146	MOLD.....	9	16
49734A 1	SENDER ASSEMBLY.....	13	1	809149	CAP.....	9	29
52185	CLAMP.....	11	26	809150	ROTOR.....	9	11
52822T	PULLEY.....	31	20	809151	BRACKET ASSEMBLY.....	9	7
53338	VALVE ASSEMBLY.....	39	23	809152	RETAINER.....	9	10
54676	RETAINER.....	11	22	809155	BRACKET ASSEMBLY.....	9	13
57908 11	SLEEVE.....	5	19	809158	MOLD.....	9	19
59501A 1	SHAFT.....	31	16	809161	CONDENSER.....	9	18
63832A 1	COOLER.....	43	17	809162	RECTIFIER.....	9	14
66166A 4	TRUNNION.....	45	13	809163	REGULATOR ASSEMBLY.....	9	24
66284A 2	BASE ASSEMBLY.....	45	15	809164	BRUSH.....	9	25
71128A 2	BRACKET.....	45	7	809459	HOUSING.....	7	14
77223 3	PAD.....	21	14	809463A 1	SOLENOID KIT.....	7	17
805030T	BRACKET.....	21	2	809892	BALANCER.....	39	6
805217A 1	SENSOR ASSEMBLY.....	23	20	809907	PUMP ASSEMBLY.....	41	1
805218T	SENSOR.....	13	8	809909	SCREEN.....	41	3
805222A 1	DISTRIBUTOR ASSEMBLY.....	11	1	809910	PAN.....	41	9
805597A 1	BRACKET ASSEMBLY.....	45	1	809992	VALVE.....	33	15
805616A 1	FILTER KIT.....	21	-	809995	COVER.....	33	1
805703	FUSE.....	19	31	809996	COVER.....	33	1
805704	FUSE.....	19	31	811637	MODULE.....	11	9
805884T	ALTERNATOR.....	5	6	811639	COIL.....	11	8
805884T	ALTERNATOR.....	9	-	811641	POLE PIECE.....	11	11
806611T	MODULE.....	19	3	811662	RETAINER.....	35	19
806612T	SENSOR.....	13	7	811663	RETAINER.....	35	22
806762A 1	VELCRO KIT.....	19	2	811841	PUMP ASSEMBLY.....	39	1
806805T	FUEL RAIL.....	25	26	814309A 1	HOUSING ASSEMBLY.....	47	1
806807A 1	INJECTOR ASSEMBLY.....	25	1	815425	SENDER ASSEMBLY.....	13	2
806815T	BRACKET.....	33	5	816326A 2	BASE ASSEMBLY.....	45	18
806947T	PCV VALVE.....	33	9	816492A 6	ALARM KIT.....	13	12
807057	RELAY.....	19	32	817378T	COIL.....	11	18
807057	RELAY.....	19	32	818718A 3	COVER KIT.....	47	3
807252 2	THERMOSTAT.....	29	5	824317 1	VALVE.....	33	14
807352A 2	MANIFOLD ASSEMBLY.....	25	4	824318 1	VALVE.....	33	14
807402T	BRACKET.....	43	18	835005	COVER ASSEMBLY.....	39	14
807445T	CLAMP.....	43	19	85013T	BRACE.....	5	20
807449A 1	MARINE LONG BLOCK ENGINE.....	35	-	853677	VALVE.....	23	NS
807484	BALL JOINT ASSEMBLY.....	23	17	853678	SENSOR.....	23	NS
807484	BALL JOINT ASSEMBLY.....	43	25	860256A 2	HOUSING ASSEMBLY.....	29	1
807485T	BRACKET ASSEMBLY.....	19	28	87114A19	MANIFOLD ASSEMBLY.....	27	1
807611T	PIPE.....	27	12	87631A 4	COVER KIT.....	31	3
807669A 1	PLENUM ASSEMBLY.....	23	1	87917A 1	FLANGE ASSEMBLY.....	43	8
807671A 1	THROTTLE BODY ASSEMBLY.....	23	7	88641	INSULATOR.....	21	18
807673T	BRACKET.....	11	31	89535T 1	BRACKET.....	31	24
807674T	FLAME ARRESTOR.....	23	10	89609 1	BRACE.....	31	28
807678A 2	COVER ASSEMBLY.....	19	20	89876A 3	BASE ASSEMBLY.....	21	15
807688T	TUBE.....	33	12	90081A 1	PULLEY.....	39	7
807695T	PLATE.....	35	24	93175T	BRACKET.....	5	21

# PARTS INDEX

Part Number	Description	Pg.	Ref. No.	Part Number	Description	Pg.	Ref. No.
93320A 6	ELBOW KIT.....	27	-	10-68101	SCREW.....	45	8
93322A 6	RISER KIT.....	27	-	10-68513	SCREW.....	19	14
93920 1	PLATE.....	47	11	10-69022	SCREW.....	21	28
94576	WEAR PLATE.....	31	11	10-69022	SCREW.....	25	16
94916	WEAR PLATE.....	31	7	10-73275	SCREW.....	31	4
97257A 1	SENDER ASSEMBLY.....	13	1	10-74824	SCREW.....	5	15
97850	ELBOW.....	33	7	10-75206	SCREW.....	25	20
98602	BAFFLE.....	41	6	10-76596	SCREW.....	19	17
F11100096	PIN.....	37	5	10-805189	SCREW.....	11	19
NSS	NOT SOLD SEPARATE.....	7	2	10-805189	SCREW.....	11	32
NSS	NOT SOLD SEPARATE.....	7	3	10-805343 2	SCREW.....	5	2
NSS	NOT SOLD SEPARATE.....	7	4	10-805559	SCREW.....	11	27
NSS	NOT SOLD SEPARATE.....	7	5	10-806943	SHOULDER SCREW.....	25	27
NSS	NOT SOLD SEPARATE.....	7	6	10-806953	SCREW.....	23	6
NSS	NOT SOLD SEPARATE.....	7	7	10-807054	SCREW.....	23	9
NSS	NOT SOLD SEPARATE.....	7	8	10-807120	SCREW.....	23	21
NSS	NOT SOLD SEPARATE.....	7	9	10-807497	BOLT.....	41	21
NSS	NOT SOLD SEPARATE.....	7	10	10-807675	SCREW.....	25	18
NSS	NOT SOLD SEPARATE.....	7	13	10-808491	SCREW.....	11	3
NSS	NOT SOLD SEPARATE.....	7	16	10-809138	BOLT.....	9	23
NSS	NOT SOLD SEPARATE.....	7	18	10-809141	SCREW.....	9	27
NSS	NOT SOLD SEPARATE.....	7	19	10-809145	SET SCREW.....	9	31
NSS	NOT SOLD SEPARATE.....	35	1	10-809154	SCREW.....	9	8
10-11966	SCREW.....	33	28	10-809159	BOLT.....	9	22
10-11967 1	SCREW.....	33	27	10-809160	SET SCREW.....	9	15
10-11968	SCREW.....	33	26	10-811638	SCREW.....	11	10
10-14070	SCREW.....	41	11	10-853680	SCREW KIT.....	23	NS
10-14242	BOLT.....	39	19	10-85802	SCREW.....	37	12
10-14243	BOLT.....	39	18	10-860137	SCREW.....	19	21
10-17343	SCREW.....	35	23	10-89766	SCREW.....	19	29
10-17344	SCREW.....	33	3	10-92913	SCREW.....	47	12
10-17346	SCREW.....	41	2	10-98253	SCREW.....	47	5
10-22476	SCREW.....	23	12	10-98260	SCREW.....	11	34
10-26487	SCREW.....	5	12	10-98261	SCREW.....	33	29
10-26487	SCREW.....	31	29	10-98261	SCREW.....	35	27
10-32132	SCREW.....	39	3	10-98508	SCREW.....	29	7
10-32515	SCREW.....	39	9	10-99347	SCREW.....	31	4
10-34353	SCREW.....	31	25	11-11971	NUT.....	41	15
10-34353	SCREW.....	47	7	11-20361	NUT.....	23	14
10-34500	SCREW.....	35	20	11-20361	NUT.....	23	18
10-35091	SCREW.....	37	9	11-20361	NUT.....	43	26
10-35339	SCREW.....	35	15	11-20739	NUT.....	45	16
10-35366	SCREW.....	35	26	11-20739	NUT.....	45	21
10-35366	SCREW.....	41	19	11-21825	NUT.....	5	29
10-35786	SCREW.....	31	32	11-21908	NUT.....	31	23
10-37269	SCREW.....	45	2	11-22024	NUT.....	43	5
10-37269	SCREW.....	45	10	11-22053	NUT.....	43	24
10-37612	SCREW.....	5	22	11-23161	NUT.....	5	27
10-37612	SCREW.....	47	7	11-26419	NUT.....	19	6
10-43749	SCREW.....	27	11	11-29250	NUT.....	29	16
10-47277	SCREW.....	21	3	11-29488	NUT.....	19	30
10-47277	SCREW.....	31	21	11-29553	NUT.....	45	6
10-47277	SCREW.....	39	5	11-29553	NUT.....	45	12
10-47277	SCREW.....	47	7	11-32219	NUT.....	43	12
10-47688	SCREW.....	39	3	11-32219	NUT.....	47	10
10-47688	SCREW.....	47	7	11-34516	NUT.....	33	22
10-48308	SCREW.....	5	24	11-35814	NUT.....	21	12
10-49845	SCREW.....	37	7	11-35814	NUT.....	23	16
10-52200	SCREW.....	39	3	11-35814	NUT.....	25	25
10-53728	SCREW.....	27	4	11-37493	NUT.....	37	13
10-53833	BOLT.....	39	12	11-40021 1	NUT.....	5	4
10-54615	SCREW.....	19	24	11-46335	NUT.....	31	34
10-54630	SCREW.....	23	15	11-64015	NUT.....	19	10
10-54786	SCREW.....	39	24	11-64015	NUT.....	21	32
10-57357	SCREW.....	45	4	11-67980	NUT.....	21	19
10-57583	SCREW.....	19	13	11-68219	NUT.....	13	4
10-60171	SCREW.....	43	9	11-72008	NUT.....	43	20
10-60179	SCREW.....	43	2	11-79989	NUT.....	5	9
10-65746	SCREW.....	19	27	11-805562	NUT.....	19	19
10-68101	SCREW.....	43	10	11-806949	NUT.....	5	3

# PARTS INDEX

Part Number	Description	Pg.	Ref. No.	Part Number	Description	Pg.	Ref. No.
11-807082	NUT.....	23	5	16-57921	STUD.....	43	3
11-809136	NUT.....	9	1	16-70237	STUD.....	25	21
11-809143	NUT.....	9	17	16-72809	STUD.....	23	4
11-809157	NUT.....	9	20	16-73563	STUD.....	25	22
11-816331	NUT.....	45	19	16-805357	STUD.....	47	9
11-816730	NUT.....	39	21	16-850090	STUD.....	41	7
11-850091	NUT.....	41	8	16-90096A 1	STUD ASSEMBLY.....	11	20
11-94330	NUT.....	5	11	17-14263	PIN.....	39	20
11-94330	NUT.....	19	8	17-34109	PIN.....	11	16
12-20084	WASHER.....	25	24	17-35312	PIN.....	35	17
12-20084	WASHER.....	31	5	17-35465	PIN.....	35	7
12-20533	WASHER.....	19	18	17-808488	PIN.....	11	12
12-20533	WASHER.....	19	25	19-12304	PLUG.....	47	2
12-20553	WASHER.....	5	25	19-34270	EXPANSION PLUG.....	35	6
12-20553	WASHER.....	11	35	19-59504	PLUG.....	31	9
12-20722	WASHER.....	43	22	19-816565	PLUG.....	35	3
12-22937	WASHER.....	23	19	22-32561	PLUG.....	21	17
12-26168	WASHER.....	5	17	22-32802 1	PLUG.....	35	5
12-26825	WASHER.....	21	11	22-32803	PLUG.....	29	2
12-34714	WASHER.....	5	14	22-33198A 1	PLUG.....	27	2
12-34714	WASHER.....	31	27	22-33198A 1	PLUG.....	27	10
12-34714	WASHER.....	31	31	22-33821	CONNECTOR.....	21	21
12-34714	WASHER.....	39	13	22-33821	CONNECTOR.....	25	30
12-35332	WASHER.....	39	11	22-36382	FITTING.....	13	9
12-35462	WASHER.....	19	9	22-38407 1	FITTING.....	25	6
12-36533	WASHER.....	21	27	22-47629	ELBOW.....	43	13
12-36533	WASHER.....	25	19	22-48340	PLUG.....	35	2
12-46350	WASHER.....	11	13	22-48556	BUSHING.....	35	4
12-808489	WASHER.....	11	14	22-65060	FITTING.....	25	32
12-811664	WASHER.....	35	21	22-68727	FITTING.....	25	8
12-848136	WASHER.....	35	16	22-72640	PLUG.....	35	8
12-89302	WASHER.....	21	29	22-805026A 1	FITTING.....	21	8
12-89302	WASHER.....	25	17	22-805027A 1	FITTING ASSEMBLY.....	21	5
12-96457	WASHER.....	5	7	22-805059	FITTING.....	13	5
13-26992	LOCKWASHER.....	5	10	22-805328 1	FITTING.....	13	11
13-26992	LOCKWASHER.....	19	7	22-805408	VALVE.....	25	12
13-26992	LOCKWASHER.....	47	6	22-805515	CAP.....	25	13
13-26993	LOCKWASHER.....	43	23	22-805598	FITTING.....	25	9
13-26995	LOCKWASHER.....	19	5	22-805691	FITTING.....	25	7
13-26996	LOCKWASHER.....	5	8	22-806282	TEE.....	43	14
13-26996	LOCKWASHER.....	5	30	22-806286	CONNECTOR.....	43	15
13-26996	LOCKWASHER.....	13	3	22-806608A 1	PLUG KIT.....	27	6
13-26996	LOCKWASHER.....	19	15	22-806689	FITTING.....	25	33
13-32993	LOCKWASHER.....	43	4	22-806705	Y-FITTING.....	13	6
13-32993	LOCKWASHER.....	45	3	22-806926A 1	ELBOW KIT.....	27	5
13-32993	LOCKWASHER.....	45	5	22-808002A 1	FITTING KIT.....	21	26
13-32993	LOCKWASHER.....	45	11	22-816133 1	FITTING.....	21	16
13-32993	LOCKWASHER.....	47	13	22-93385	FITTING.....	21	10
13-35048	LOCKWASHER.....	5	13	22-93385	FITTING.....	25	29
13-35048	LOCKWASHER.....	5	23	23-12706	SPACER.....	23	13
13-35048	LOCKWASHER.....	31	26	23-33186	BUSHING.....	5	26
13-35048	LOCKWASHER.....	31	30	23-36183	RETAINER.....	41	5
13-35048	LOCKWASHER.....	31	33	23-48475	BUSHING.....	19	22
13-35048	LOCKWASHER.....	35	28	23-52095	SPACER.....	5	18
13-35048	LOCKWASHER.....	37	10	23-52095	SPACER.....	25	23
13-35048	LOCKWASHER.....	43	11	23-806922	SLEEVE.....	29	6
13-35048	LOCKWASHER.....	45	9	23-809135	SPACER.....	9	4
13-35048	LOCKWASHER.....	47	8	23-809140	SPACER.....	9	6
13-39107	LOCKWASHER.....	5	16	23-814476	BUSHING.....	7	15
13-39107	LOCKWASHER.....	31	22	23-818465	BEARING SET.....	37	3/4
13-39107	LOCKWASHER.....	47	8	23-818466	BEARING SET.....	37	3/4
13-39131	LOCKWASHER.....	39	10	23-818467	BEARING SET.....	37	3/4
13-68102	LOCKWASHER.....	45	14	23-818468	BEARING SET.....	37	3/4
13-809137	LOCKWASHER.....	9	2	23-85674	BEARING SET.....	35	9
14-66658	TAB WASHER.....	45	17	23-85701	BEARING.....	37	14
14-66658	TAB WASHER.....	45	20	23-85702	BEARING.....	37	14
16-11989	STUD.....	41	12	23-85703	BEARING.....	37	14
16-14827	STUD.....	39	22	23-85704	BEARING.....	37	14
16-34521	STUD.....	33	24	23-85705	BEARING.....	37	14
16-34522	STUD.....	33	24	24-48347 1	SPRING.....	33	17

# PARTS INDEX

Part Number	Description	Pg.	Ref. No.	Part Number	Description	Pg.	Ref. No.
24-809165	SPRING .....	9	26	32-19409 71	HOSE .....	23	22
25-13467	GROMMET .....	21	7	32-44348T	TUBE .....	27	13
25-32509	O-RING .....	49	-	32-47516 13	HOSE .....	43	6
25-52188	GROMMET .....	33	6	32-805505A 1	HOSE ASSEMBLY .....	41	20
25-805062	O-RING .....	21	9	32-806173 70	HOSE .....	25	10
25-805062	O-RING .....	49	-	32-806174 50	HOSE .....	33	10
25-805063	O-RING .....	21	6	32-806635 1	HOSE .....	29	13
25-805063	O-RING .....	49	-	32-806636 1	HOSE .....	29	14
25-805511A 1	SEALING KIT .....	25	3	32-806825	HOSE .....	29	11
25-805511A 1	SEALING KIT .....	49	-	32-806856	HOSE .....	29	10
25-805531	O-RING .....	21	25	32-807679T	LINE .....	21	35
25-805531	O-RING .....	25	15	32-807680T	LINE .....	21	34
25-805531	O-RING .....	49	-	32-807681T	LINE .....	21	33
25-806609	QUAD RING .....	27	7	32-807683T	LINE .....	21	37
25-809156	O-RING .....	9	21	32-807684T	LINE .....	25	31
25-817491	GROMMET .....	21	4	32-807690T	LINE .....	25	28
25-94288	QUAD RING .....	31	12	32-807694 25	HOSE .....	29	17
26-14240	SEAL .....	39	16	32-807786	HOSE .....	33	8
26-72785	SEAL .....	31	18	32-812699 39	HOSE .....	43	16
26-85294 1	SEAL .....	49	-	32-860062A 1	LINE KIT .....	21	24
26-90562	SEAL .....	31	14	32-860062A 1	LINE KIT .....	21	36
26-97664 1	SEAL .....	33	16	32-860062T	LINE .....	21	36
26-97664 1	SEAL .....	49	-	32-88795	HOSE .....	29	9
27-13865 1	GASKET .....	41	10	33-816336	SPARK PLUG .....	11	29
27-13865 1	GASKET .....	49	-	35-807172	FILTER .....	21	20
27-14241	GASKET .....	39	17	35-807174T	FILTER .....	21	30
27-17467	GASKET .....	33	4	35-807288	FILTER .....	25	2
27-17467	GASKET .....	49	-	36-18710 1	CAP .....	33	2
27-33395	GASKET .....	27	3	37-805364A 1	DECAL SET .....	3	-
27-33395	GASKET .....	49	-	39-801861 1	RING SET .....	37	2
27-34486 3	GASKET .....	11	28	39-835000	RING SET .....	37	2
27-34486 3	GASKET .....	49	-	43-17160	SPROCKET .....	35	14
27-34897	GASKET .....	39	2	43-808490	GEAR .....	11	15
27-34897	GASKET .....	49	-	43-811659 1	SPROCKET .....	35	13
27-34898	GASKET .....	35	25	46-72774A40	BODY ASSEMBLY .....	31	2
27-34898	GASKET .....	49	-	46-72774A50	PUMP ASSEMBLY .....	31	1
27-41813	GASKET .....	27	8	46-94913A 2	HOUSING ASSEMBLY .....	31	13
27-49955	GASKET .....	41	22	47-59362 1	IMPELLER .....	31	10
27-49955	GASKET .....	49	-	50-806964A 3	STARTER MOTOR ASSEMBLY .....	5	1
27-53045 1	GASKET .....	29	4	50-806964A 3	STARTER MOTOR ASSEMBLY .....	7	1
27-53045 1	GASKET .....	49	-	53-23720	RING .....	31	17
27-75611	GASKET .....	33	25	53-33290	RING .....	7	12
27-75611 1	GASKET .....	49	-	54-18904	CLIP .....	21	31
27-805215 1	GASKET .....	31	6	54-47715	CLIP .....	29	15
27-806871	GASKET .....	29	3	54-72821	RETAINER .....	11	21
27-806871	GASKET .....	49	-	54-78945	J CLAMP .....	45	22
27-807473A 1	GASKET SET .....	25	5	54-805524	CLIP .....	41	23
27-807473A 1	GASKET SET .....	49	-	54-805625	CLIP .....	41	18
27-807670	GASKET .....	23	3	54-807966	STRAP .....	19	23
27-807670	GASKET .....	49	-	54-815504105	CLAMP .....	33	11
27-807670A96	GASKET/SEAL SET .....	11	-	54-815504220	CLAMP .....	29	8
27-807670A96	GASKET/SEAL SET .....	23	-	54-815504232	CLAMP .....	21	23
27-807670A96	GASKET/SEAL SET .....	25	-	54-815504232	CLAMP .....	29	12
27-807670A96	GASKET/SEAL SET .....	27	-	54-815504256	CLAMP .....	23	23
27-807670A96	GASKET/SEAL SET .....	29	-	54-815504372	CLAMP .....	27	14
27-807670A96	GASKET/SEAL SET .....	33	-	54-97521	CLAMP .....	11	33
27-807670A96	GASKET/SEAL SET .....	35	-	57-13457T	BELT .....	31	35
27-807670A96	GASKET/SEAL SET .....	39	-	57-48120A 1	V BELT .....	39	8
27-807670A96	GASKET/SEAL SET .....	41	-	84-807677A 2	HARNES ASSEMBLY .....	15	1
27-807670A96	GASKET/SEAL SET .....	49	-	84-807977A 2	HARNES ASSEMBLY .....	17	1
27-807672	GASKET .....	23	8	84-809147	LEAD WIRE .....	9	33
27-807672	GASKET .....	49	-	84-809148	LEAD WIRE .....	9	32
27-86015	GASKET .....	47	4	84-816608A78	CABLE KIT .....	11	25
27-881715	GASKET .....	49	-	84-817376T	HARNES ASSEMBLY .....	11	17
27-94914	GASKET .....	31	8	85-79695	BOOT .....	5	5
28-34466	KEY .....	37	16	85-97861	INSULATOR .....	19	11
28-54797 1	KEY .....	33	19	87-805605A 1	SWITCH ASSEMBLY .....	13	10
30-72961	BEARING .....	31	15	87-88031	SWITCH ASSEMBLY .....	43	7
30-809153	BEARING .....	9	9	88-79023A91	FUSE ASSEMBLY .....	5	28
32-15894 18	HOSE .....	11	30	88-806950	BREAKER .....	19	12

# PARTS INDEX

Part Number	Description	Pg.	Ref. No.
89-96054	SOLENOID ASSEMBLY .....	19	4
90-807784961	OWNERS GUIDE.....	3	-
90-835003695	PARTS LIST .....	3	-
92-34227 1	SEALING COMPOUND .....	35	-
92-809825	RTV SILICONE .....	35	-
222-9520	FLYWHEEL.....	37	6
429-9521 1	CRANKSHAFT.....	37	15
431-811658	CAMSHAFT .....	35	11
614-8164	CONNECTING ROD.....	37	11
735-835001	PISTON ASSEMBLY .....	37	1
735-835002	PISTON ASSEMBLY .....	37	1
938-9718 1	CYLINDER HEAD ASSEMBLY .....	33	23