



# PARTS CATALOG

## 80 HORSEPOWER

SERIAL NUMBER

80 ..... USA 4842729 THRU 5763340

# TABLE OF CONTENTS:

BOTTOM COWL AND SHIFT LINKAGE	26
CARBURETOR ASSEMBLY	16
CARBURETOR LINKAGE	14
CLAMP BRACKET AND REVERSE LOCK	32
COWLING AND FRONT COVER	4
CRANKSHAFT, PISTON AND CONNECTING ROD	24
CYLINDER BLOCK AND CRANKCASE ASSEMBLY	20
DRIVE SHAFT HOUSING ASSEMBLY	36
END CAPS, MANIFOLD AND EXHAUST COVER	22
EXHAUST EXTENSION PLATE	28
FLYWHEEL, STATOR AND IGNITION COIL	6
FUEL LINE ASSEMBLY (8' AND 12')	54
FUEL PUMP AND FUEL LINES	18
FUEL TANK ASSEMBLY (6 GALLON)	52
GEAR HOUSING ASSEMBLY, COMPLETE (PAGE 1)	40
GEAR HOUSING ASSEMBLY, COMPLETE (PAGE 2)	44
MISCELLANEOUS PARTS/ACCESSORIES	1
PARTS INDEX	56
REMOTE CONTROL ASSEMBLY (ELECTRIC)	48
STARTER MOTOR AND WIRING HARNESS	12
STARTER MOTOR ASSEMBLY, COMPLETE	46
SWIVEL BRACKET ASSEMBLY	30
THROTTLE LEVER AND SPARK ADVANCE LEVER	10
TOP COWL AND SUPPORT BRACKETS	2

**NOTE:** Indented description indicate that these parts are included in preceding assembly.

**AR** = As Required

**NSS** = Not Sold Separate

**OPT** = Optional

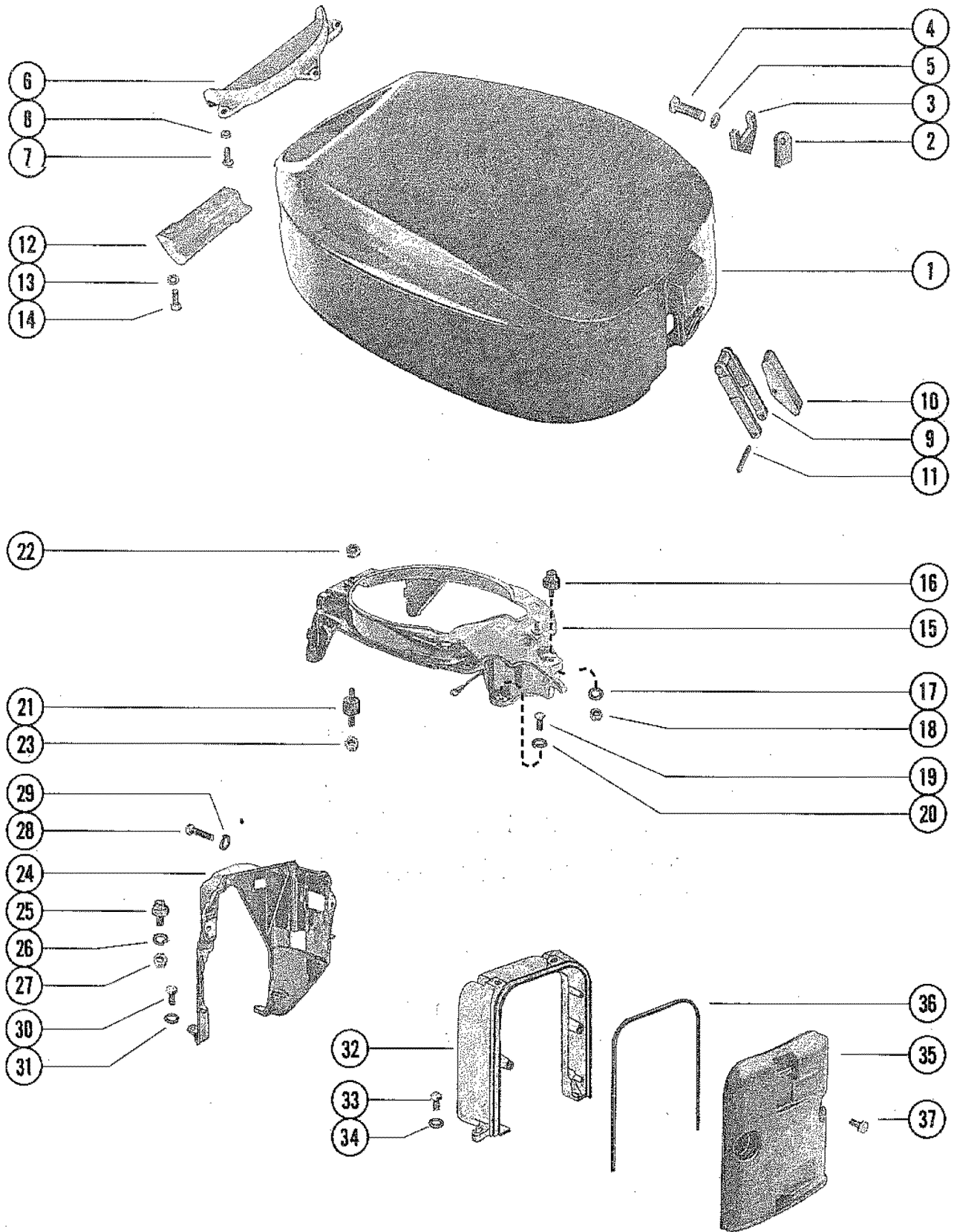
**NS** = Not Shown

**THESE PARTS BOOKS/FICHE CARD ARE COPYRIGHTED AND MAY NOT BE DISTRIBUTED OR REPRODUCED IN ANY OTHER FORMAT BY ANYONE OTHER THAN MERCURY MARINE WITHOUT THE PRIOR WRITTEN CONSENT OF MERCURY MARINE.**

## MISCELLANEOUS PARTS/ACCESSORIES

REF. NO.	PART NO.	SYM.	QTY.	DESCRIPTION
-	90-83767		0	MARINER 80 PARTS MANUAL
-	27-73645A76		0	GASKET SET
-	37-79427A78		0	DECA L SET
-	1225-1529A16		0	FUEL TANK
-	45194A27		0	POWER TRIM KIT(OPTIONAL)
-	76714A10		0	REMOTE CONTROL

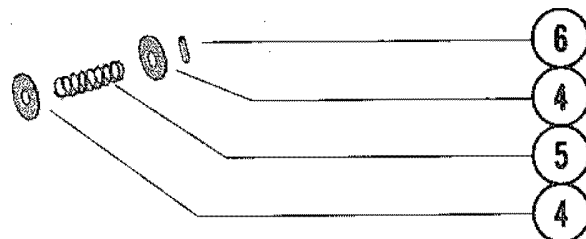
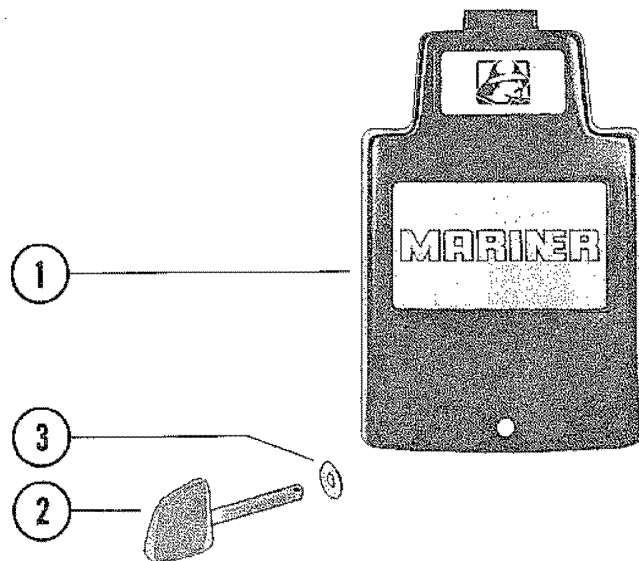
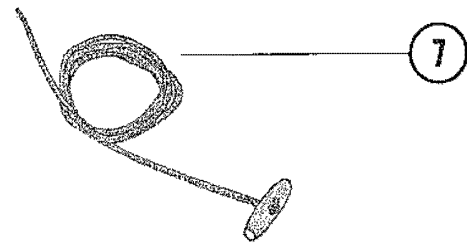
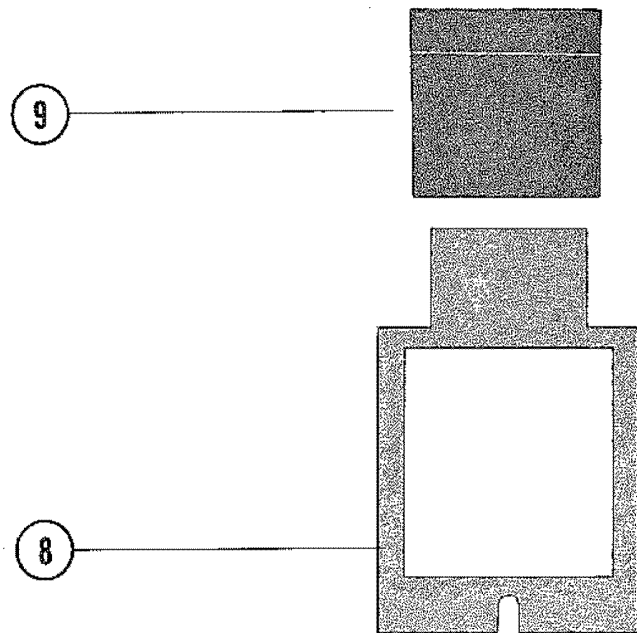
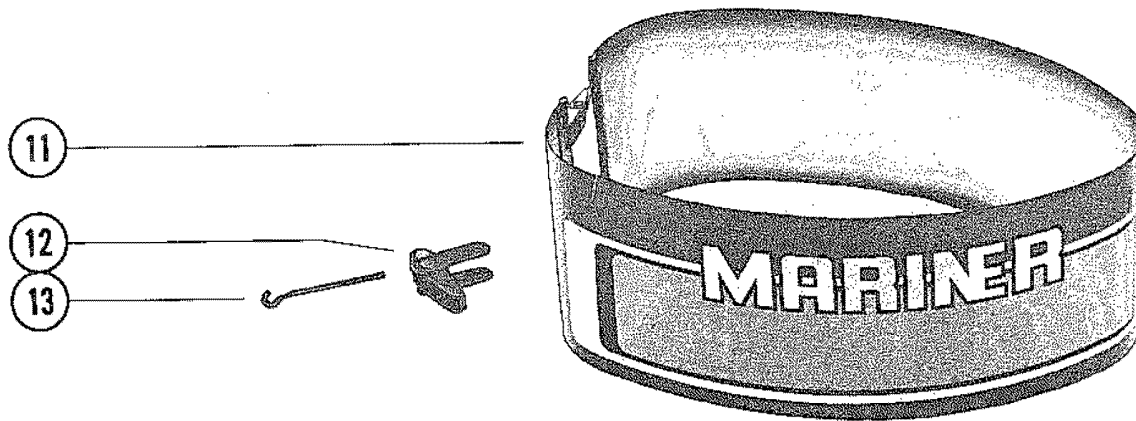
# TOP COWL AND SUPPORT BRACKETS



# TOP COWL AND SUPPORT BRACKETS

REF. NO.	PART NO.	SYM.	QTY.	DESCRIPTION
1	2162-6392		1	COWL, TOP (WITHOUT DECALS)
2	76440		1	RETAINER ASSEMBLY, TOP COWL
3	76505		1	PAD, BUMPER - TOP COWL RETAINER
4	10-25299		1	SCREW, RETAINER TO TOP COWL (3/4")
5	13-39107		1	LOCKWASHER, RETAINER FASTENING SCREW
6	76433		1	SHIELD, TOP COWL - REAR
7	10-37370		3	SCREW, SHIELD TO TOP COWL (5/8")
8	13-37371		3	LOCKWASHER, SHIELD SCREW
9	52739		1	HINGE, COWL LATCH - TOP COWL
10	76581		1	LEVER, COWL LATCH HINGE
11	17-58998		1	PIN, COWL LATCH LEVER TO HINGE
12	55455		1	HOOK, TOP COWL LATCH - REAR
13	13-26992		2	LOCKWASHER, REAR HOOK MOUNTING SCREW
14	10-22956		2	SCREW, REAR HOOK TO TOP COWL (7/8")
15	73401		1	FRAME, SUPPORT - TOP COWL
16	37640		1	MOUNT, RUBBER - SUPPORT FRAME
17	13-26993		1	LOCKWASHER, RUBBER MOUNT
18	11-28770		1	NUT, RUBBER MOUNT
19	10-37562		2	SCREW, SUPPORT FRAME TO FRONT FRAME (1")
20	13-26993		2	LOCKWASHER, SUPPORT FRAME SCREW
21	37639		3	MOUNT, RUBBER - TOP COWL FRAME
22	11-35888		3	NUT, RUBBER MOUNT (UPPER)
23	11-46887		3	NUT, RUBBER MOUNT (LOWER)
24	52468		1	BRACKET, TOP COWL SUPPORT - REAR
25	31014		2	MOUNT, RUBBER - REAR SUPPORT BRACKET
26	13-26992		2	LOCKWASHER, RUBBER MOUNT TO REAR SUPPORT BRACKET
27	11-29598		2	NUT, RUBBER MOUNT TO REAR SUPPORT BRACKET
28	10-37562		4	SCREW, REAR BRACKET TO FRAME (1")
29	13-26993		4	LOCKWASHER, REAR BRACKET SCREW
30	10-37562		4	SCREW, REAR SUPPORT BRACKET TO BOTTOM COWL (1")
31	13-26993		4	LOCKWASHER, REAR SUPPORT BRACKET SCREW
32	73396		1	FRAME, FRONT SUPPORT
33	10-37562		2	SCREW, SILENCER COVER
34	13-26993		2	LOCKWASHER, FRAME SCREW
35	76226A1		1	COVER ASSEMBLY, SILENCER
36	27-76168A1		1	GASKET, SILENCER COVER
37	10-28638		2	SCREW, COVER TO FRONT SUPPORT FRAME (3/4")

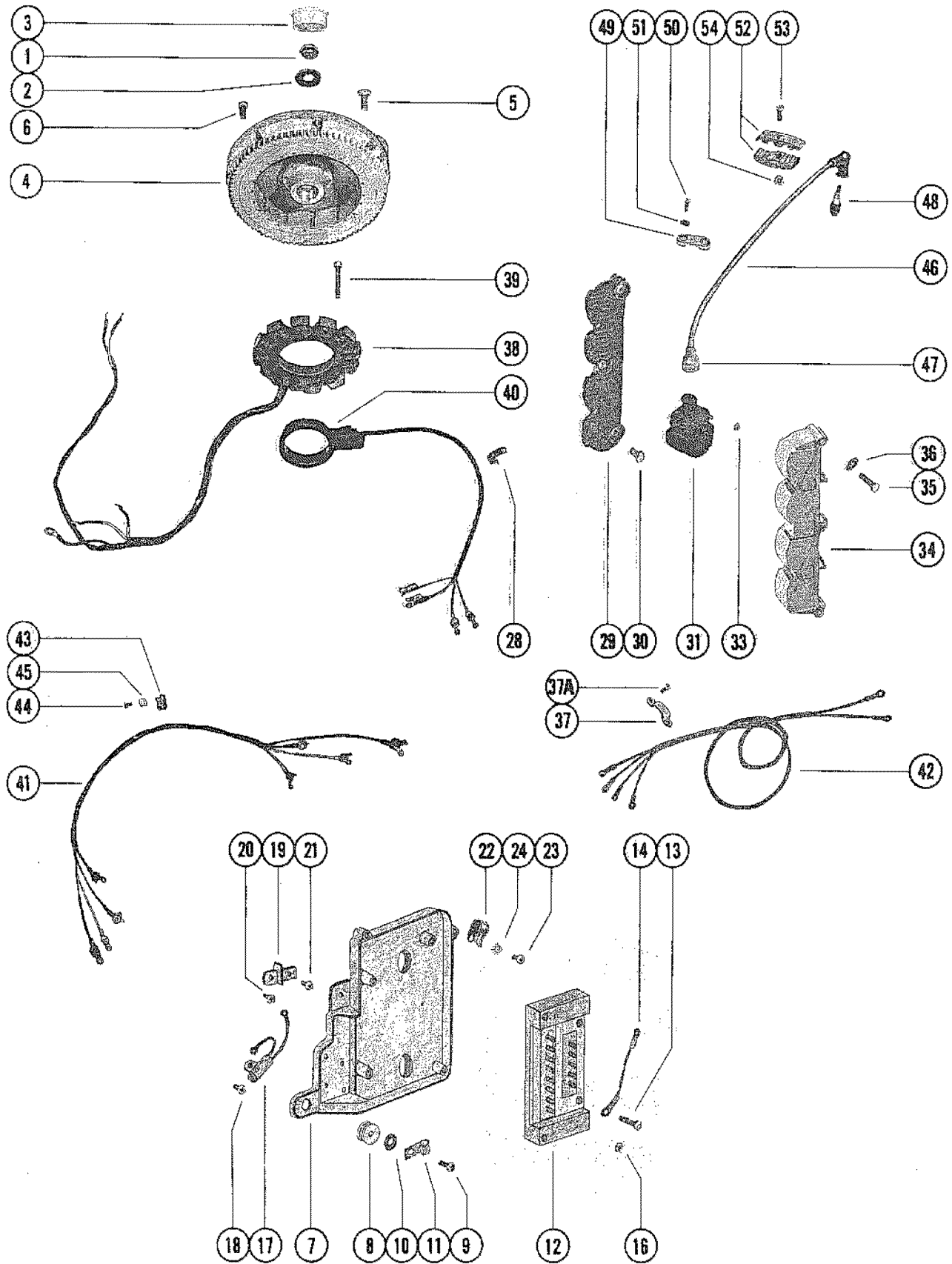
# COWLING AND FRONT COVER



## COWLING AND FRONT COVER

REF. NO.	PART NO.	SYM.	QTY.	DESCRIPTION
1	2163-6393A2		1	COWL FRONT COVER ASSEMBLY (WITHOUT DECALS)
2	73786		1	KNOB, COWL FRONT COVER FASTENING
3	12-30771		1	WASHER, COVER FASTENING KNOB (RUBBER)
4	12-75246		2	WASHER, COVER FASTENING KNOB (STEEL)
5	24-32271		1	SPRING, TENSION - COVER FASTENING KNOB
6	17-29077		1	ROLL PIN, TENSION SPRING TO KNOB
7	47341A1		1	ROPE, STARTER (FOR MANUAL STARTING ONLY)
8	76434		1	SEAL, SOUND ABSORBING
9	38674		1	BLANKET, SOUND ABSORBING
11	2164-6394A2		1	WRAP AROUND COWL ASSEMBY (WITHOUT DECALS)
12	46785A1		2	COWL LATCH ASSEMBLY
13	30413		2	HOOK, COWL LATCH FASTENING
-	92-25234--1		1	<b>GLUE, ADHESIVE - SOUND BLANKET FASTENING</b>

# FLYWHEEL, STATOR AND IGNITION COIL



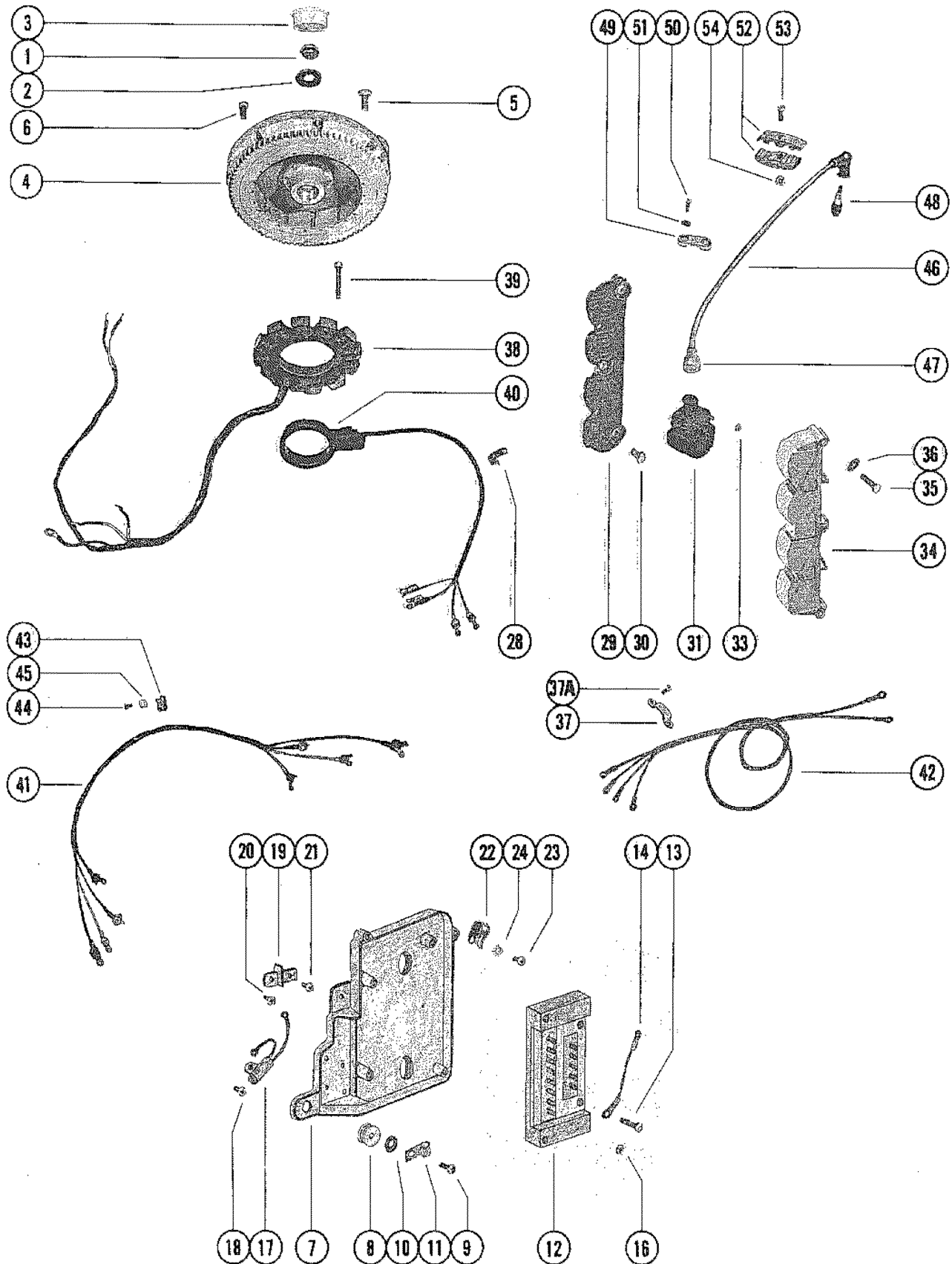


# FLYWHEEL, STATOR AND IGNITION COIL

REF. NO.	PART NO.	SYM.	QTY.	DESCRIPTION
1	11-52901		1	NUT, FLYWHEEL
2	12-68229		1	WASHER, FLYWHEEL NUT
3	19-45907		1	PLUG, FLYWHEEL PULLER THREADS
4	248-5977A9		1	FLYWHEEL ASSEMBLY <b>UNITED STATES 5144546 AND BELOW</b>
	248-5977A24		1	FLYWHEEL ASSEMBLY <b>UNITED STATES 5144547 AND UP</b>
5	10-68997		8	SCREW, PLATE/HUB TO FLEXIBLE PLATE (3/4")
6	10-32417		8	SCREW, FLEXIBLE PLATE TO FLYWHEEL (5/8")
7	73189		1	PLATE, SWITCH BOX
8	25-57009		3	GROMMET, SWITCH BOX PLATE
9	10-59645		3	SCREW, SWITCH BOX PLATE TO CYLINDER BLOCK (3/4")
10	12-56720		3	WASHER, SWITCH BOX PLATE SCREW
11	54-47483		1	"J" CLIP, SWITCH BOX WIRES AND FUEL LINE
12	332-5772A1		1	SWITCH BOX ASSEMBLY
13	10-20619		4	SCREW, SWITCH BOX TO PLATE (1 3/8")
14	84-65999A5		2	WIRE ASSEMBLY
16	11-45076		13	NUT, SWITCH BOX TERMINAL
17	58124A19		1	MERCURY SWITCH ASSEMBLY
18	10-37571		1	SCREW, MERCURY SWITCH TO PLATE (1/2")
19	86-66986		1	TERMINAL BLOCK
20	10-20646		1	SCREW, TERMINAL BLOCK TO PLATE (5/8")
21	10-37655		1	SCREW, WIRE TO TERMINAL BLOCK (1/2")
22	54-23567		2	CLIP, WIRES AND HARNESS
23	10-48408		2	SCREW, CLIP TO PLATE (3/8")
24	69205		2	"D" WASHER, CLIP SCREW
28	54-47483		1	"J" CLAMP, TRIGGER PLATE HARNESS
29	73395		1	PLATE, MOUNTING - IGNITION COIL
30	10-28668		3	SCREW, MOUNTING PLATE TO CRANKCASE (7/8")
31	339-5748A2		4	IGNITION COIL ASSEMBLY <b>UNITED STATES 5144546 AND BELOW</b>
	338-4995A2		4	IGNITION COIL ASSEMBLY <b>UNITED STATES 5144547 AND UP</b>
33	11-45076		8	NUT, IGNITION COIL TERMINAL
34	73192		1	COVER, IGNITION COIL
35	10-69046		5	SCREW, COVER TO MOUNTING PLATE (2")
36	12-30164		5	WASHER, COVER SCREW
37	77672		1	STRAP, PRIMARY HARNESS
37A	10-48408		2	SCREW, STRAP ATTACHING
38	398-5919A3		1	STATOR ASSEMBLY
39	10-75840		4	SCREW, STATOR TO UPPER END CAP (7/8")
40	77000A2		1	TRIGGER PLATE ASSEMBLY
41	84-77617		1	HARNESS, PRIMARY (CYLINDERS 1 AND 2)
42	84-77618		1	HARNESS, PRIMARY (CYLINDERS 3 AND 4)
43	54-39844		1	CLAMP, HARNESS ATTACHING
44	10-48408		1	SCREW, CLAMP TO CRANKCASE (1/2")

CONTINUED ON NEXT PAGE ➡

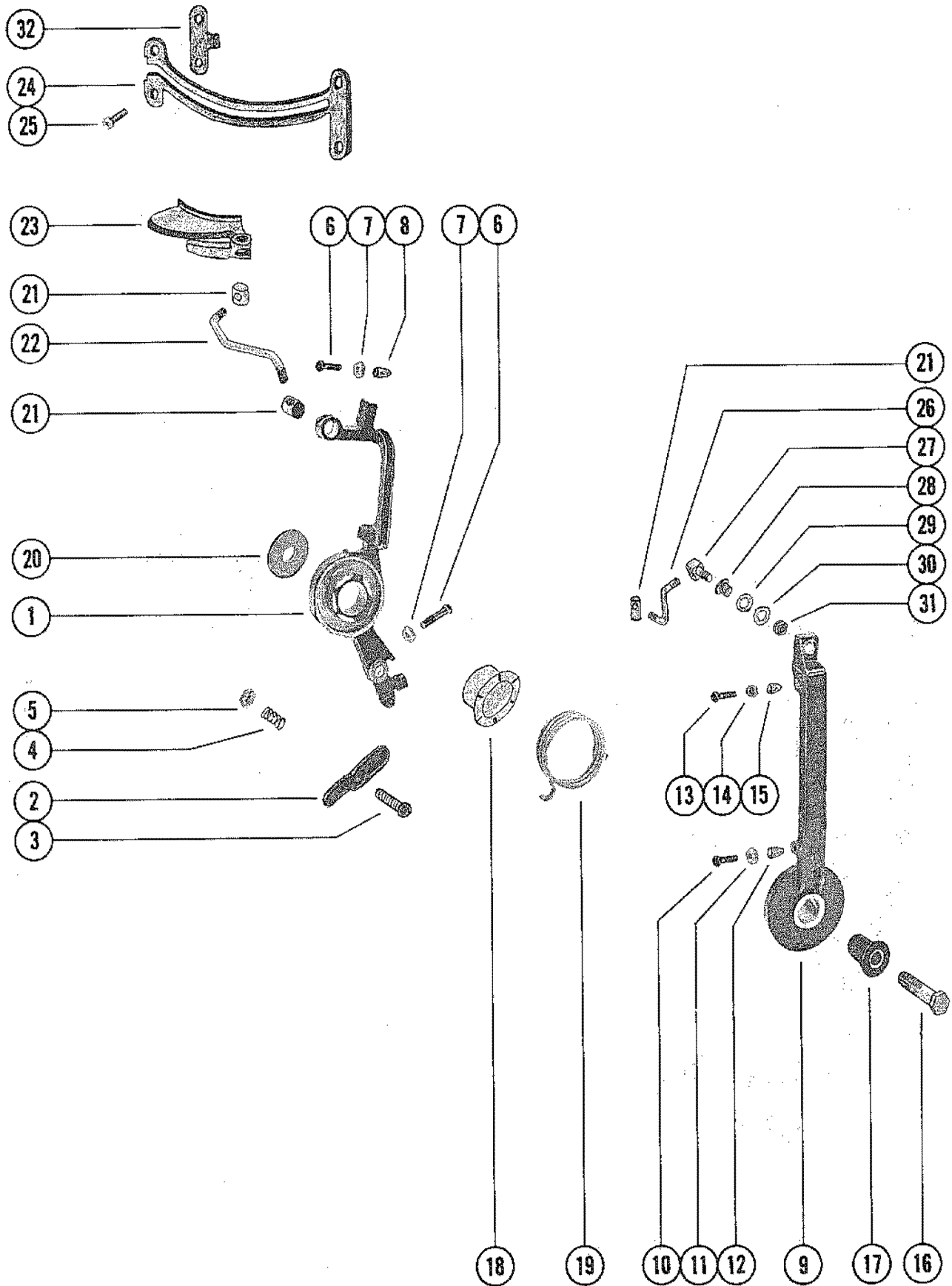
# FLYWHEEL, STATOR AND IGNITION COIL



## FLYWHEEL, STATOR AND IGNITION COIL

REF. NO.	PART NO.	SYM.	QTY.	DESCRIPTION
45	69205		1	"D" WASHER, HARNESS CLAMP SCREW
46	84-73451A8		4	WIRE ASSEMBLY, SPARK PLUG
47	332-2854		4	BOOT, IGNITION COIL END
48	33-58194		4	SPARK PLUG (AC#V40FFK) <b>FOR CANADA AND BELGIUM, USE C-33-68098 (CHAMPION #QL-76V)</b>
49	78278		2	RETAINER, WIRE
50	10-48408		2	SCREW, WIRE RETAINER
51	12-21273		2	WASHER, WIRE RETAINER SCREW
52	63319		2	RETAINER, SPARK PLUG WIRE
53	10-46378		1	SCREW, RETAINER TO CYLINDER BLOCK COVER (1")
54	11-20013		1	NUT, RETAINER SCREW

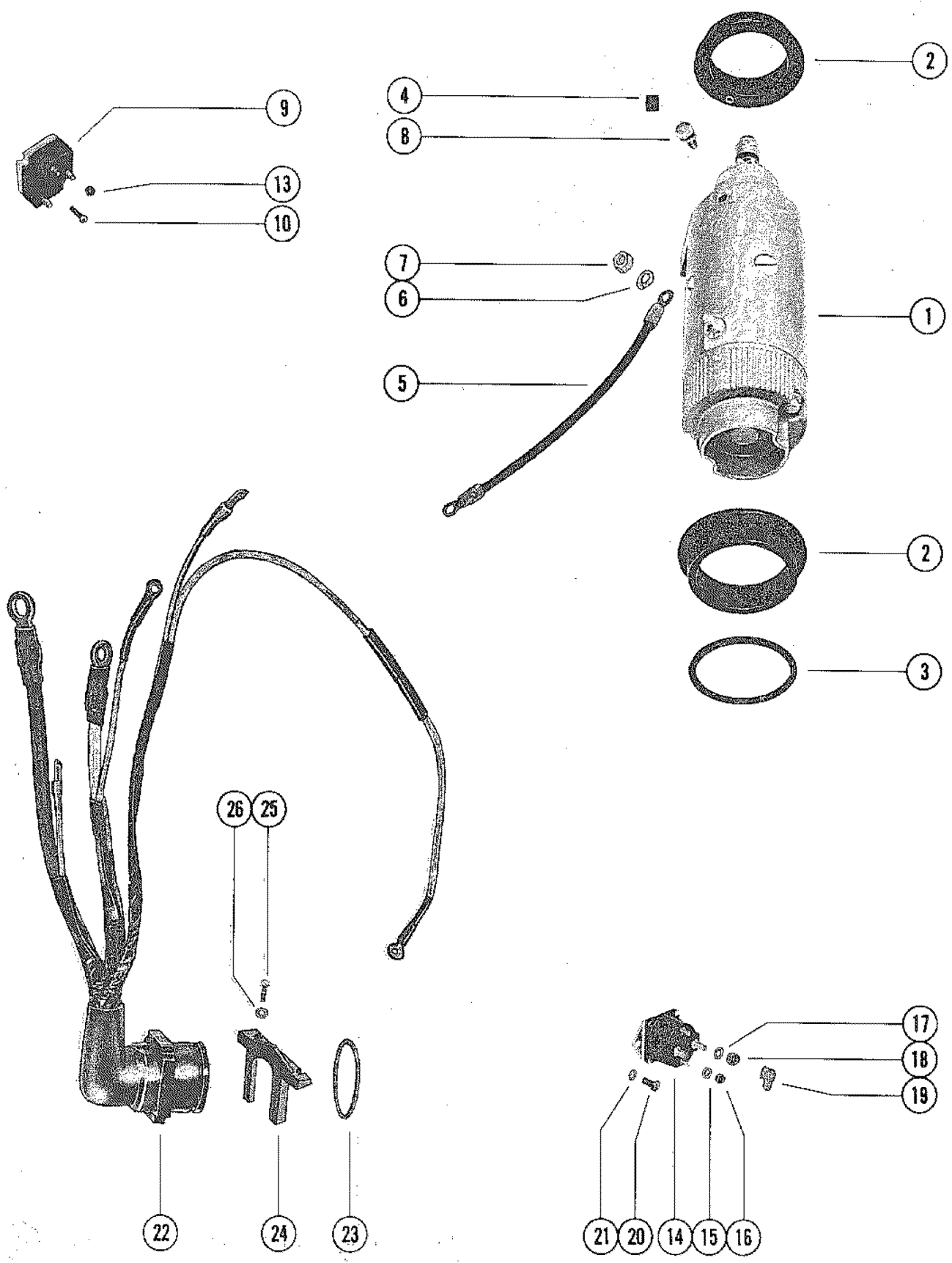
# THROTTLE LEVER AND SPARK ADVANCE LEVER



## THROTTLE LEVER AND SPARK ADVANCE LEVER

REF. NO.	PART NO.	SYM.	QTY.	DESCRIPTION
1	73416		1	LEVER, THROTTLE
2	73404		1	LATCH, THROTTLE LEVER (THROTTLE CABLE)
3	10-59702		1	SCREW, LATCH TO THROTTLE LEVER (7/8")
4	24-20099		1	SPRING, LATCH SCREW
5	11-36069		1	NUT, LATCH SCREW
6	10-73654		2	SCREW, ADJUSTING - THROTTLE LEVER (1 3/4")
7	11-64484		2	NUT, JAM - ADJUSTING SCREW
8	52023		1	CAP, NYLON - ADJUSTING SCREW
9	73414		1	ARM, SPARK ADVANCE
10	10-73656		1	SCREW, ADJUSTING - SPARK ADVANCE ARM (1 3/8")
11	11-68219		1	NUT, JAM - ADJUSTING SCREW
12	48039		1	CAP, NYLON - ADJUSTING SCREW
13	10-73655		1	SCREW, ADJUSTING - SPARK ADVANCE ARM (2")
14	11-64484		1	NUT, JAM - ADJUSTING SCREW
15	52023		1	CAP, NYLON - ADJUSTING SCREW
16	10-55337		1	SCREW, LEVER AND ARM TO CYLINDER BLOCK (1 3/4")
17	23-55164		1	BUSHING, LEVER AND ARM SCREW
18	23-55171		1	BUSHING, FLANGE - LEVER AND ARM SCREW
19	24-86310		1	SPRING, RETURN - LEVER AND ARM SCREW
20	12-46765		1	WASHER, LEVER AND ARM SCREW
21	60572		3	BARREL, NYLON - LEVER AND ARM
22	73374		1	LINK ROD, THROTTLE
23	73432		1	CAM, THROTTLE
24	77001		1	HOUSING, THROTTLE CAM
25	10-60605		4	SCREW, HOUSING TO CRANKCASE (3/4")
26	77010		1	LINK ROD, SPARK ADVANCE
27	76158A1		1	SWIVEL ASSEMBLY, LINK ROD TO ARM
28	23-26856		1	BUSHING, NYLON - LINK ROD SWIVEL
29	13-29402		1	WAVE WASHER, LINK ROD SWIVEL
30	12-33786		1	WASHER, LINK ROD SWIVEL
31	11-20110		1	NUT, LINK ROD SWIVEL
32	77158		1	SPACER, THROTTLE CAM HOUSING

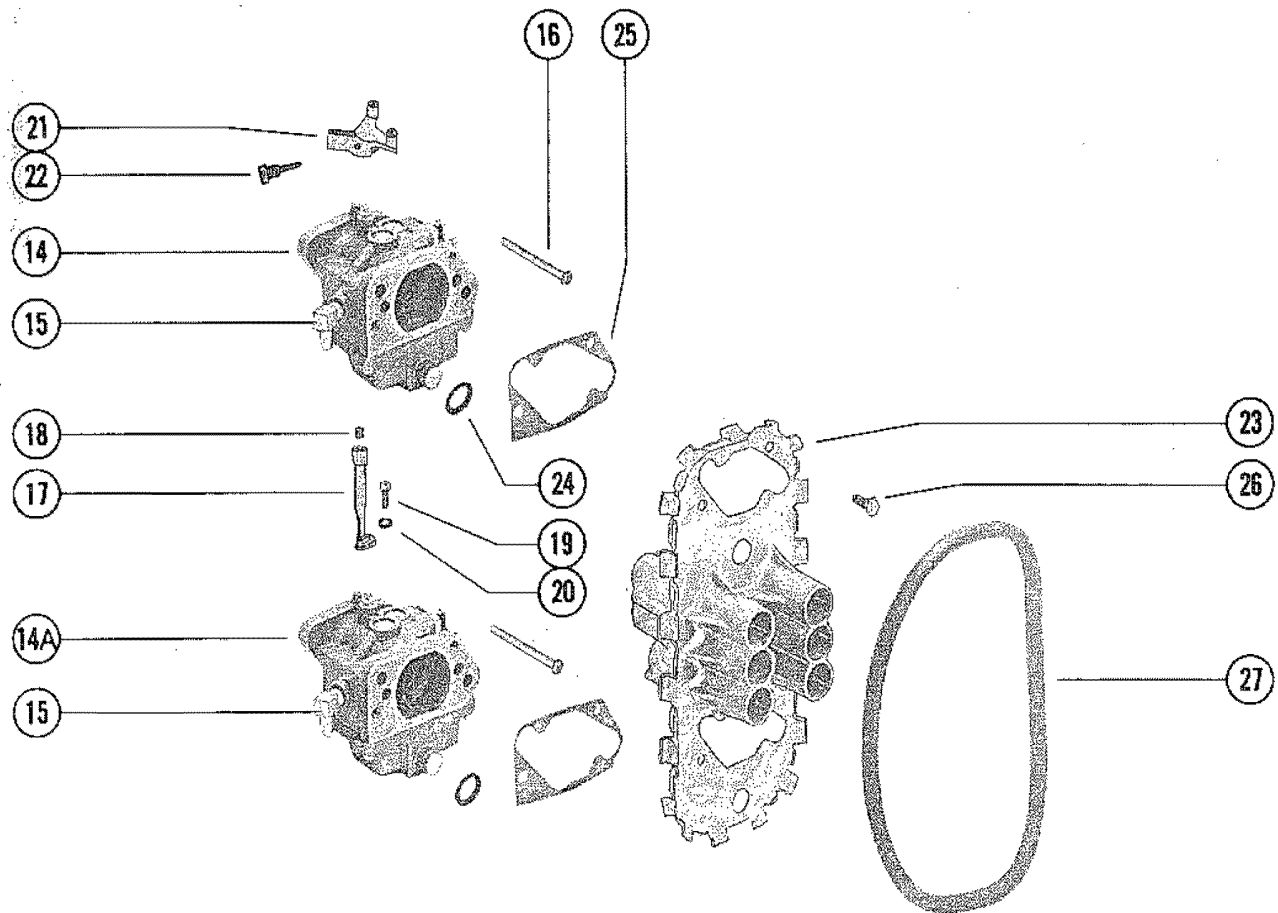
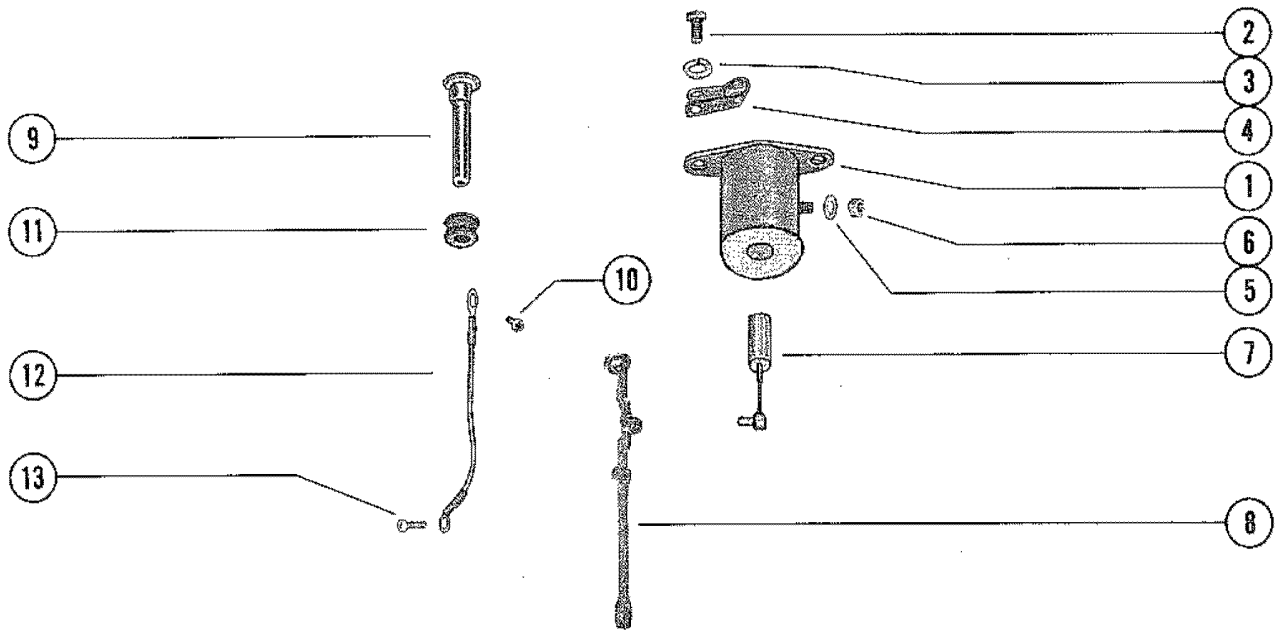
# STARTER MOTOR AND WIRING HARNESS



# STARTER MOTOR AND WIRING HARNESS

REF. NO.	PART NO.	SYM.	QTY.	DESCRIPTION
1	50-33015		1	STARTER MOTOR (SEE PAGE 38 FOR BREAKDOWN)
2	56703		2	COLLAR, RUBBER - STARTER MOTOR
3	23-56774		1	SPACER, COLLAR TO BRACKET
4	57247		2	STOP, RUBBER - STARTER MOTOR
5	84-66053A1		1	WIRE ASS'Y, STARTER MOTOR/STARTER SOLENOID (YELLOW)
6	13-26992		1	LOCKWASHER, STARTER MOTOR TERMINAL
7	11-64015		1	NUT, STARTER MOTOR TERMINAL
8	10-69035		1	SCREW, WIRING HARNESS TO STARTER MOTOR (5/8")
9	62351A1		1	RECTIFIER ASSEMBLY
10	10-37656		2	SCREW, RECTIFIER TO PLATE (5/8")
13	11-45076		3	NUT, RECTIFIER TERMINAL
14	89-68258		1	STARTER SOLENOID
15	13-26996		2	LOCKWASHER, SOLENOID TERMINAL (#10)
16	11-68219		2	NUT, SOLENOID TERMINAL (#10)
17	13-26993		2	LOCKWASHER, SOLENOID TERMINAL (5/16")
18	11-68292		2	NUT, SOLENOID TERMINAL (5/16")
19	46265		1	BOOT, TERMINAL - STARTER SOLENOID
20	10-38601		2	SCREW, SOLENOID TO BOTTOM COWL (5/8")
21	13-26992		2	WASHER, SOLENOID SCREW
22	84-73369		1	WIRING HARNESS (INTERNAL)
23	24-28975		1	SPRING, GARTER - INTERNAL WIRING HARNESS
24	54-76368		1	CLAMP, WIRING HARNESS
25	10-69020		2	SCREW, WIRING HARNESS CLAMP TO BOTTOM COWL (7/8")
26	12-30164		2	WASHER, WIRING HARNESS CLAMP SCREW

# CARBURETOR LINKAGE

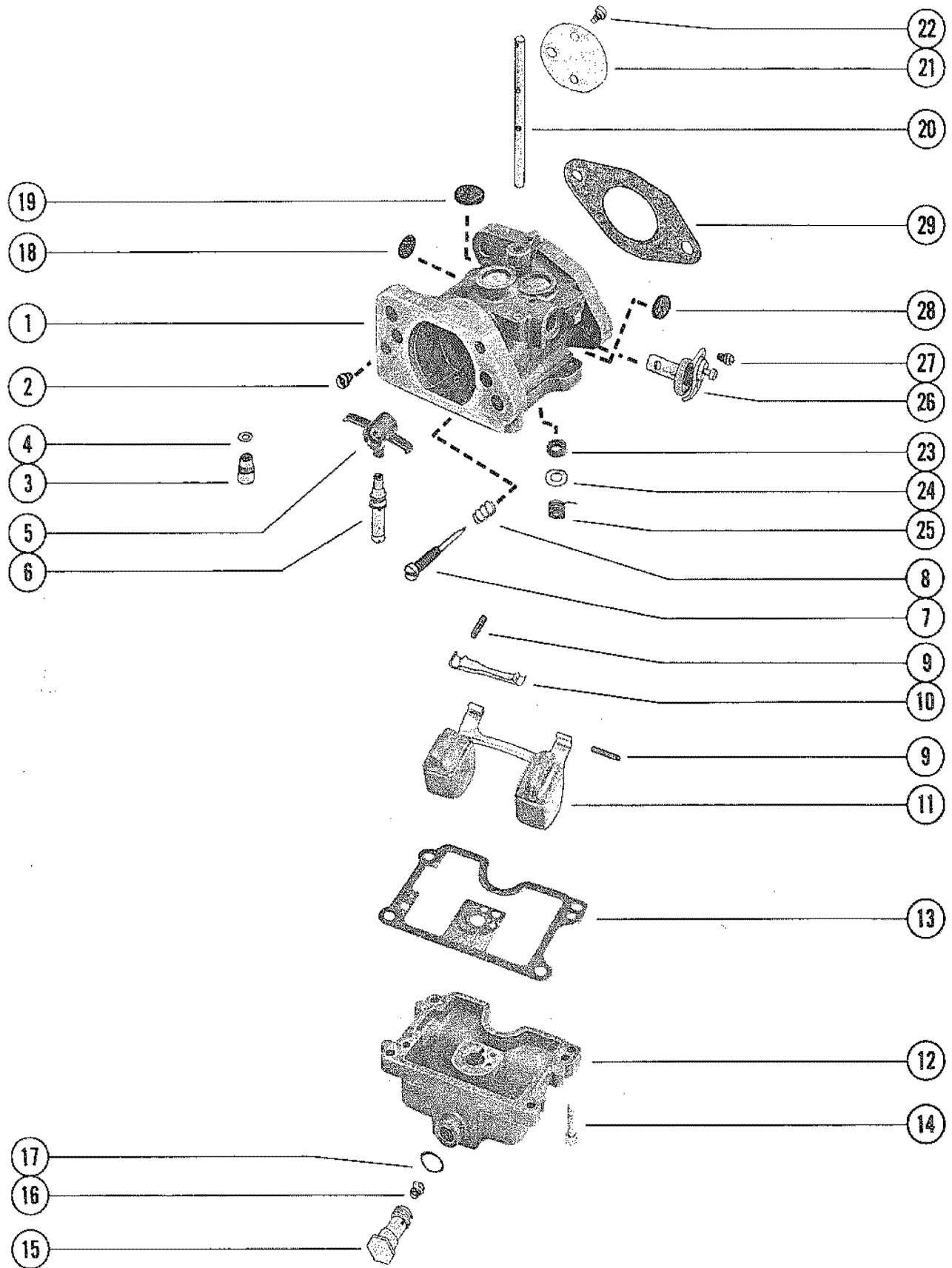




## CARBURETOR LINKAGE

REF. NO.	PART NO.	SYM.	QTY.	DESCRIPTION
1	54293A4		1	CHOKE SOLENOID ASSEMBLY
2	10-59645		2	SCREW, CHOKE SOLENOID TO FRONT BRACKET (3/4")
3	13-26993		2	LOCKWASHER, CHOKE SOLENOID SCREW
4	54-52905		1	CLAMP, HARNESS - CHOKE SOLENOID SCREW
5	13-26996		1	LOCKWASHER, CHOKE SOLENOID TERMINAL
6	11-68219		1	NUT, CHOKE SOLENOID TERMINAL
7	56074A9		1	PLUNGER AND LINK ASSEMBLY
8	73400		1	CHOKE ROD
9	73755A1		1	CHOKE KNOB ASSEMBLY
10	10-76196		1	SCREW, WIRE TO CHOKE KNOB
11	25-20116		1	GROMMET, CHOKE KNOB
12	84-74263		1	WIRE, CHOKE KNOB TO CHOKE ROD (BLACK)
13	10-62568		1	SCREW, WIRE TO CHOKE ROD
14	1379-6071A10		1	CARBURETOR ASSEMBLY (TOP)
14A	1379-6071A11		1	CARBURETOR ASSEMBLY (BOTTOM)
15	22-64704		2	ELBOW, CARBURETOR
16	10-52743		4	SCREW, CARBURETOR TO CRANKCASE (3 3/4")
17	53720A2		1	COUPLING ASSEMBLY (LOWER CARBURETOR)
18	53665		1	INSERT, COUPLING
19	10-66104		1	SCREW, COUPLING TO CARBURETOR (3/4")
20	12-74726		1	WASHER, COUPLING SCREW
21	73847		1	ACTUATOR, THROTTLE (UPPER CARBURETOR)
22	10-60293		1	SCREW, ACTUATOR TO UPPER CARBUERTOR (1/2")
23	73408		1	PLATE, CARBURETOR
24	27-73398		2	GASKET, CARBURETOR PLATE
25	27-76952		2	GASKET, CARBURETOR PLATE TO CARBURETOR
26	10-28635		4	SCREW, PLATE TO CARBURETOR (5/8")
27	73647		1	SEAL, CARBURETOR PLATE

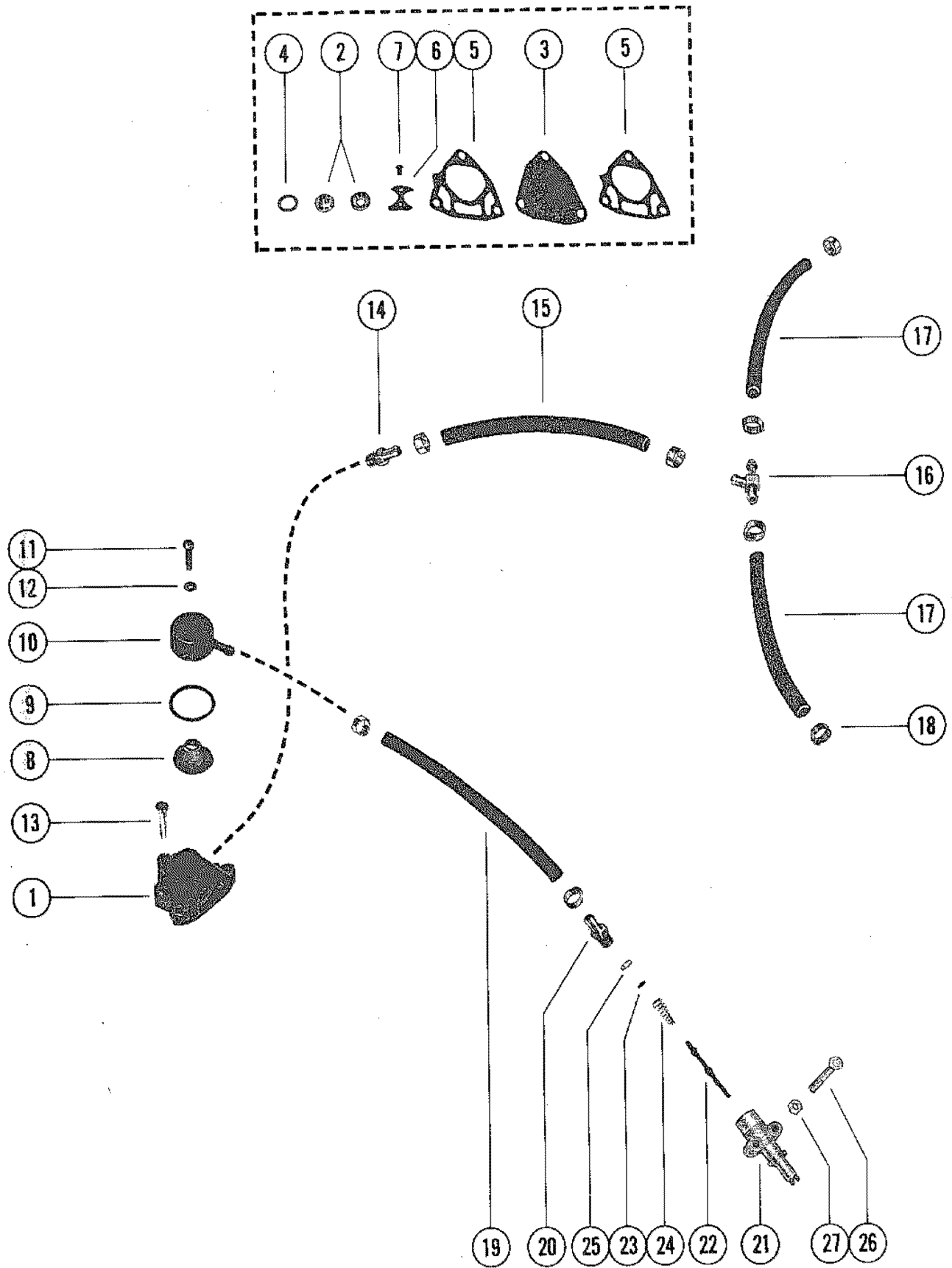
# CARBURETOR ASSEMBLY



# CARBURETOR ASSEMBLY

REF. NO.	PART NO.	SYM.	QTY.	DESCRIPTION
1	1379-6071A10		1	CARBURETOR ASSEMBLY, COMPLETE (TOP)
	1379-6071A11		1	CARBURETOR ASSEMBLY, COMPLETE (BOTTOM)
2	1399-3795		2	JET, VENT BOWL (.072)
3	1395-4555		2	INLET NEEDLE AND SEAT
4			2	GASKET, INLET NEEDLE AND SEAT
5	1395-6685		2	VENTURI
6			2	NOZZLE
7			2	IDLE NEEDLE
8			2	SPRING, IDLE MIXTURE
9			6	PIN, FLOAT
10			2	LEVER, FLOAT
11	1395-6197		2	FLOAT
12	1395-6488		2	FUEL BOWL
13			2	GASKET, FUEL BOWL
14			8	SCREW, FUEL BOWL
15	1395-6199		2	PLUG, MAIN JET
16	1395-6247		2	JET, MAIN (.090)
17			2	GASKET, MAIN JET PLUG
18			2	SCREEN, FUEL INLET
19			4	WELCH PLUG (9/16")
20	1395-4807		2	SHAFT, THROTTLE
21	1395-6196		2	VALVE, THROTTLE
22			4	SCREW, VALVE TO THROTTLE SHAFT
23	1395-6204		2	SEAL, THROTTLE SHAFT
24	1395-6203		2	WASHER, THROTTLE SHAFT
25			2	SPRING, THROTTLE RETURN
26	1395-6198		2	VALVE ASSEMBLY, ENRICHMENT
27			2	SCREW, ENRICHMENT BRACKET
28			2	WELCH PLUG (7/16")
29	27-73377		2	GASKET, CARBURETOR
-	<b>1395-6200</b>		<b>2</b>	<b>GASKET KIT</b>
-	<b>1395-6360</b>		<b>2</b>	<b>REPAIR PARTS KIT</b>

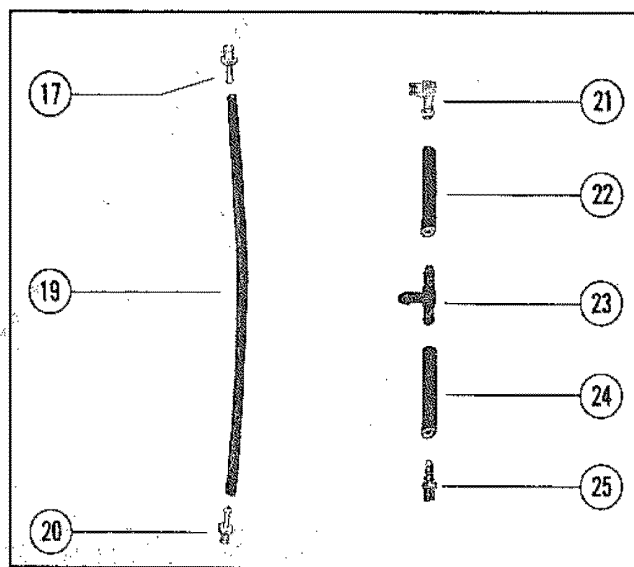
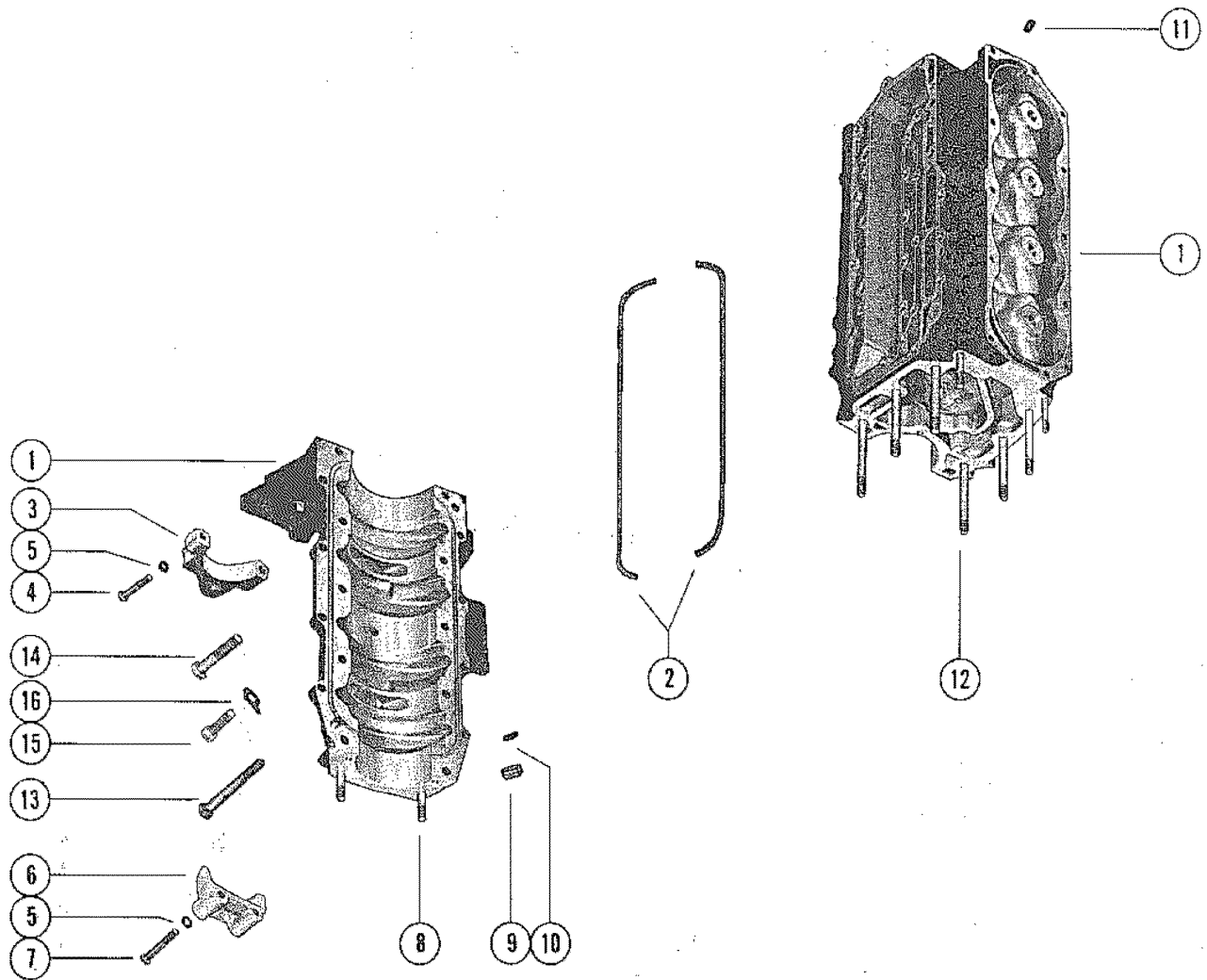
# FUEL PUMP AND FUEL LINES



## FUEL PUMP AND FUEL LINES

REF. NO.	PART NO.	SYM.	QTY.	DESCRIPTION
1	73434A1		1	FUEL PUMP ASSEMBLY
2	21-30430A5		1	CHECK VALVE ASSEMBLY
3	55278A2		1	DIAPHRAGM ASSEMBLY
4			2	GASKET, CHECK VALVE
5			2	GASKET, FUEL PUMP
6	23004		1	RETAINER, CHECK VALVE
7	10-20037		2	SCREW, CHECK VALVE TO FUEL PUMP (1/4")
8	35-73532		1	FUEL FILTER
9	25-47386		1	"O" RING, COVER TO FUEL PUMP
10	77885		1	COVER, FUEL PUMP
11	10-37370		1	SCREW, COVER TO FUEL PUMP (5/8")
12	27-25848		1	GASKET, COVER SCREW
13	10-70939		1	SCREW, FUEL PUMP TO UPPER TRANSFER COVER (1 7/8")
	10-27281		2	SCREW, FUEL PUMP TO UPPER TRANSFER COVER (1 3/8")
14	22-64705		1	FITTING, FUEL PUMP (OUTLET)
15	32-63146		1	FUEL LINE, TEE TO FUEL PUMP (11")
16	22-73318		1	TEE, FUEL LINE
17	32-63146		2	FUEL LINE, CARBURETOR TO TEE TO CARBURETOR (3")
18	54-68424		8	CLAMP, FUEL LINE ATTACHIGN
19	32-70432		1	FUEL LINE, ADAPTOR TO FUEL PUMP (15")
20	22-63187		1	FITTING, FUEL LINE TO ADAPTOR
21	22833		1	ADAPTOR, CHECK UNIT (FUEL LINE)
22	23069		1	STEM, CHECK UNIT ADAPTOR
23	25-20415		1	"O" RING, ADAPTOR STEM
24	24-23067		1	SPRING, ADAPTOR STEM
25	30188		1	CUP WASHER, ADAPTOR
26	10-69029		2	SCREW, ADAPTOR TO BOTTOM COWL (1 3/4")
27	11-36069		2	NUT, ADAPTOR SCREW

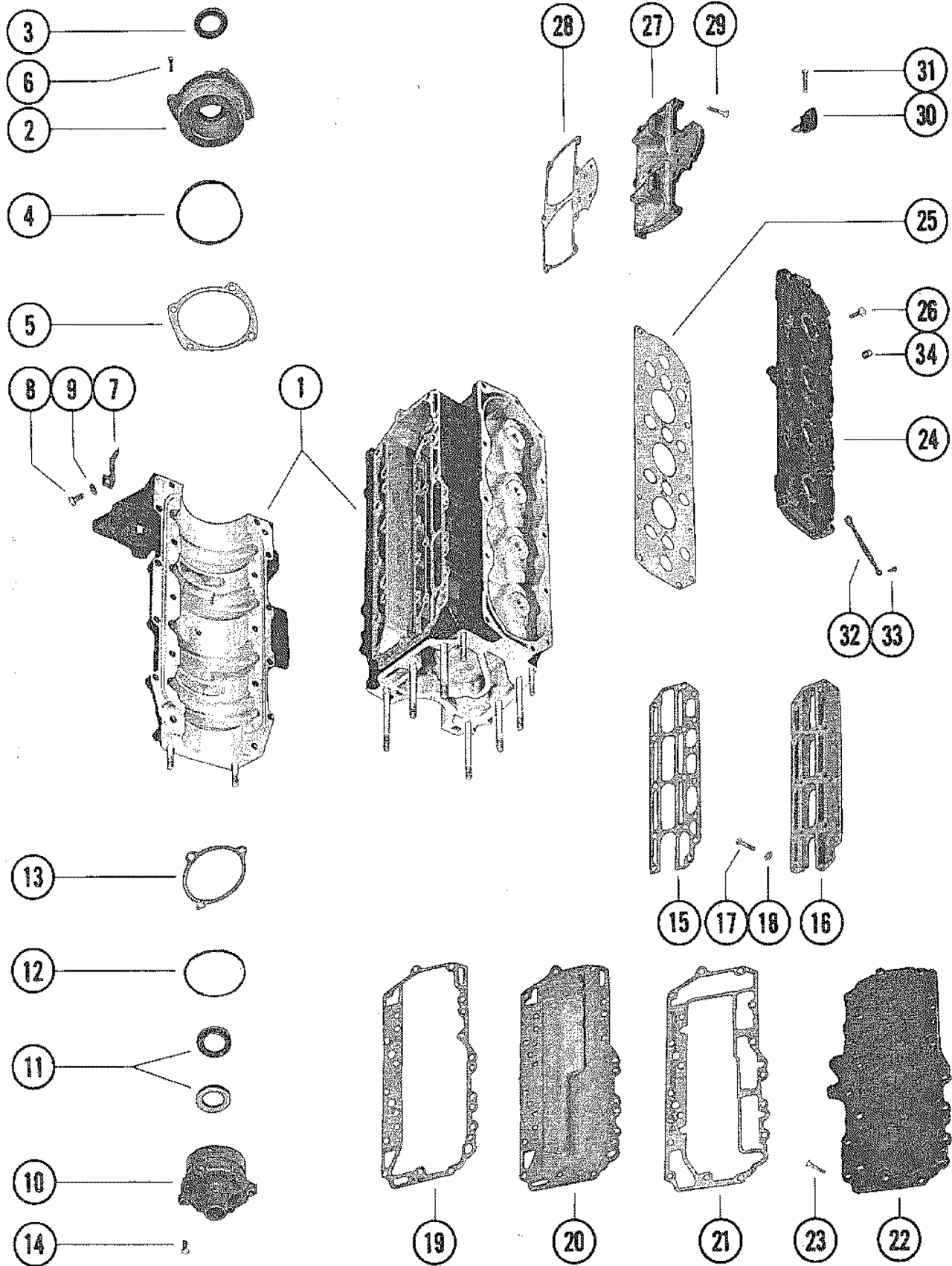
# CYLINDER BLOCK AND CRANKCASE ASSEMBLY



# CYLINDER BLOCK AND CRANKCASE ASSEMBLY

REF. NO.	PART NO.	SYM.	QTY.	DESCRIPTION
1	871-6591A3		1	CYLINDER BLOCK AND CRANKCASE ASSEMBLY
2	27-53650		2	GASKET, CRANKCASE TO CYLINDER BLOCK
3	56029		1	COVER, STARTER MOTOR (UPPER)
4	10-31984		1	SCREW, COVER TO CRANKCASE (1 3/8")
	10-35385		1	SCREW, COVER TO CRANKCASE (1 3/4")
5	13-26993		4	LOCKWASHER, COVER SCREW
6	76867		1	COVER, STARTER MOTOR (LOWER)
7	10-39767		1	SCREW, COVER TO CRANKCASE (1 7/8")
	10-73658		1	SCREW, COVER TO CRANKCASE (5 1/2")
8	16-64281		2	STUD, CRANKCASE TO DRIVE SHAFT HOUSING (1 7/8")
9	17-20033		2	PIN, DOWEL - CRANKCASE TO CYLINDER BLOCK
10	17-63779		2	PIN, DOWEL - CYLINDER BLOCK TO MAIN BEARING
11	66517		3	RESTRICTOR, CRANKCASE BLEED
12	16-64282		6	STUD, CYLINDER BLOCK TO EXHAUST EXTENSION PLATE (4")
13	10-57841		2	SCREW, CRANKCASE TO CYLINDER BLOCK (2 3/4")
	10-53016		2	SCREW, CRANKCASE TO CYLINDER BLOCK (1 1/4")
14	10-73657		15	SCREW, CRANKCASE TO CYLINDER BLOCK (1 1/2")
15	10-20359		1	SCREW, CENTER MAIN BEARING LOCKING (1")
16	14-20091		1	TAB WASHER, BEARING LOCKING SCREW
17	21-77560		1	CHECK VALVE, BLEED HOSE - TOP
19	32-54936		1	HOSE, CYLINDER BLEED (15 1/2")
20	21-77561		1	CHECK VALVE, BLEED HOSE - BOTTOM
21	22-25885		1	ELBOW, BALANCE HOSE TO CYLINDER BLOCK - UPPER
22	32-34395A1		1	HOSE ASSEMBLY, BALANCE (6 1/4")
23	22-65348		1	TEE, BALANCE HOSE TO CYLINDER BLOCK - LOWER
24	32-54936		1	HOSE, BALANCE (5")
25	22-65857		1	FITTING, AIR INLET COVER

# END CAPS, MANIFOLD AND EXHAUST COVER





## END CAPS, MANIFOLD AND EXHAUST COVER

REF. NO.	PART NO.	SYM.	QTY.	DESCRIPTION
1	871-6591A3		1	CYLINDER BLOCK AND CRANKCASE ASSEMBLY
2	1161-5940A2		1	END CAP ASSEMBLY, UPPER
3	26-29476		1	OIL SEAL
4	25-47254		1	"O" RING
5	15-73644A1		AR	SHIM ASSEMBLY, END CAP TO CRANKCASE (.006-8-10)
6	10-73169		4	SCREW, END CAP MOUNTING (1")
7	76367		1	POINTER, TIMING
8	10-35585		1	SCREW, TIMING POINTER ATTACHING (3/4")
9	12-20533		1	WASHER, TIMING POINTER SCREW
10	1148-5410A1		1	END CAP ASSEMBLY, LOWER
11	26-29476		2	OIL SEAL
12	25-32546		1	"O" RING
13	15-20085A1		AR	SHIM, END CAP TO CRANKCASE (.002-3-5-10)
14	10-30225		3	SCREW, END CAP MOUNTING (1")
15	27-73665		1	GASKET, WATER JACKET COVER
16	76198		1	COVER, WATER JACKET - CYLINDER BLOCK
17	10-53167		16	SCREW, WATER JACKET COVER TO CYLINDER BLOCK (7/8")
18	12-70132		16	WASHER, WATER JACKET COVER FASTENING SCREW
19	27-72510		1	GASKET, CYLINDER BLOCK TO BAFFLE PLATE
20	73436		1	PLATE, BAFFLE - EXHAUST MANIFOLD
21	27-72508		1	GASKET, BAFFLE PLATE TO EXHAUST MANIFOLD COVER
22	78277A1		1	COVER, EXHAUST MANIFOLD
23	10-53576		18	SCREW, MANIFOLD COVER MOUNTING (1 1/8")
24	1021-3514		1	COVER, CYLINDER BLOCK
25	27-72505		1	GASKET, CYLINDER BLOCK COVER
26	10-69100		12	SCREW, CYLINDER BLOCK COVER MOUNTING (1")
27	73320		1	COVER, TRANSFER PORT - TOP
	73321		1	COVER, TRANSFER PORT - BOTTOM
28	27-73645		1	GASKET, TRANSFER PORT COVER
29	10-49668		14	SCREW, TRANSFER PORT COVER MOUNTING (3/4")
30	37440		1	BRACKET, MOUNT SUPPORT - CYLINDER BLOCK
31	10-24234		1	SCREW, BRACKET TO CYLINDER BLOCK (1")
32	46933A3		2	GROUND STRAP ASSEMBLY, EXHAUST COVER SCREW
33	10-62568		2	SCREW, GROUND STRAP ATTACHING (3/8")
34	22-68307		1	PLUG, PIPE - CYLINDER BLOCK COVER

# CRANKSHAFT, PISTON AND CONNECTING ROD

\* \* \* \* MISSING ILLUSTRATION \* \* \* \*

## CRANKSHAFT, PISTON AND CONNECTING ROD

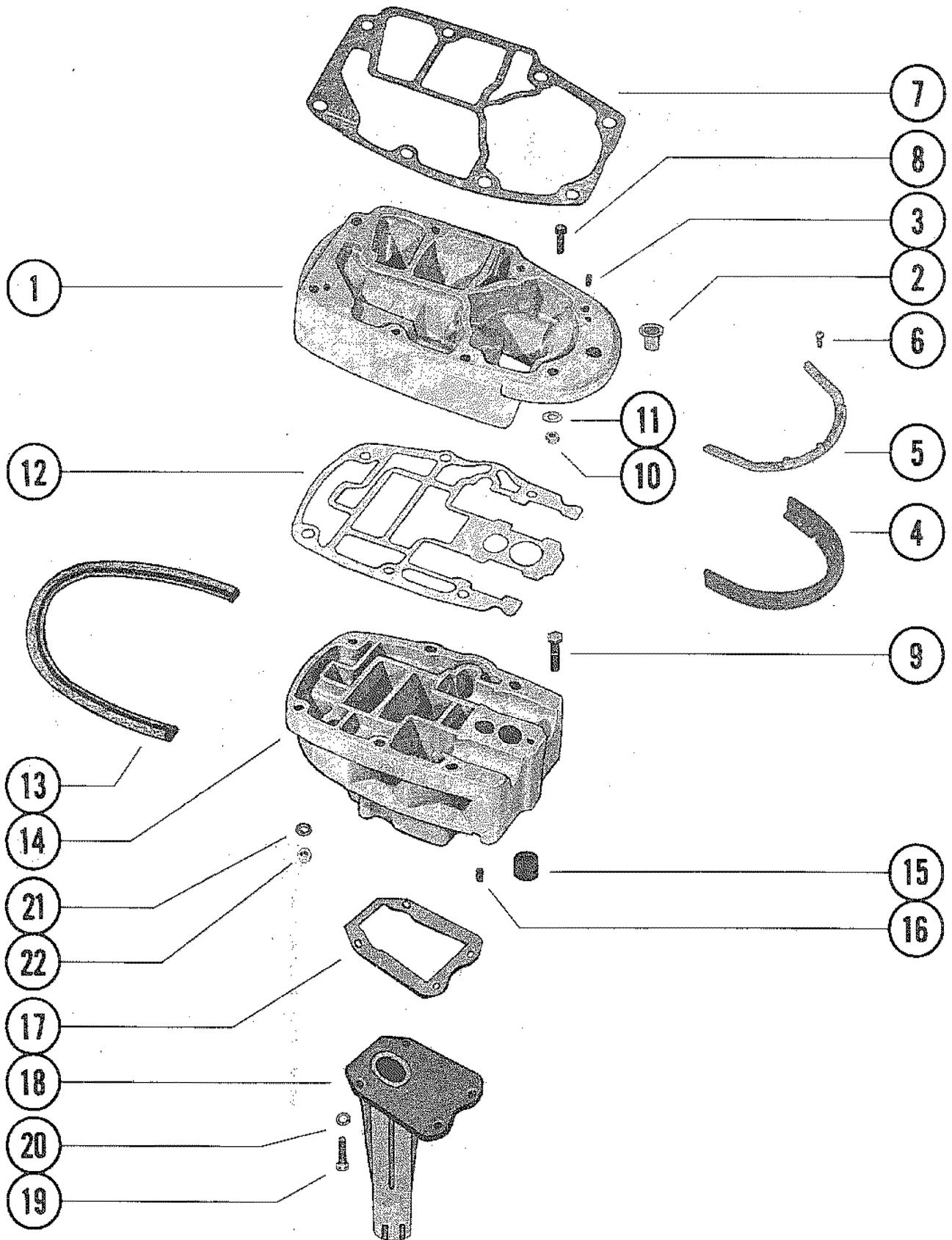
REF. NO.	PART NO.	SYM.	QTY.	DESCRIPTION
1	440-6647A2		1	CRANKSHAFT ASSEMBLY
2	30-32117		1	BEARING, BALL - UPPER
3	30-63742		1	BEARING, BALL - LOWER
4	54196A6		1	CARRIER ASSEMBLY
5	65800		1	PACKING, CARRIER
6	540-5266A5		2	MAIN BEARING ASSEMBLY (VALVE TYPE)
7	17-20032		4	DOWEL PIN, MAIN BEARING
8	10-45775		4	SCREW, MAIN BEARING CLAMPING
9	11-45774		4	NUT, MAIN BEARING CLAMPING SCREW
10	34-56007A1		2	REED SET, MATCHED - MAIN BEARING
11	34-56008		8	REED STOP, MAIN BEARING REED VALVES
12	10-62204		20	SCREW, REED STOP MOUNTING
13	11-53153		20	NUT, REED STOP MOUNTING SCREW
14	535-5397A4		1	CENTER MAIN BEARING ASSEMBLY
15	17-20032		2	DOWEL PIN, CENTER MAIN BEARING
16	29-52168		56	BEARING, NEEDLE
17	26113		1	RACE, OUTER (PAIR)
18	53-26933		1	RING, SNAP - OUTER RACE CLAMPING
19	10-22968		2	SCREW, CENTER MAIN BEARING CLAMPING
20	11-46887		2	NUT, MAIN BEARING CLAMPING SCREW
21	17-47246		1	DOWEL PIN,(STEPPED)
22	745-6664A3		4	PISTON AND PISTON PIN ASSEMBLY
23	40-52035		8	LOCK RING, PISTON PIN
24	39-78816A12		1	RING, PISTON
25	622-4850A3		4	CONNECTING ROD AND CAP ASSEMBLY
26	10-54803		8	SCREW, CAP TO CONNECTING ROD
27	11-49091		8	NUT, CONNECTING ROD SCREW
28	31-62596A1		4	BEARING ASSEMBLY, CRANKPIN
29	29-47270		116	BEARING, NEEDLE - PISTON PIN
30	12-47247		8	WASHER, NEEDLE LOCATING
-	<b>745-6695A2</b>		<b>4</b>	<b>PISTON AND PISTON PIN ASSEMBLY (.015) OVERSIZED</b>
-	<b>39-78811A12</b>		<b>1</b>	<b>RING, PISTON (.015) OVERSIZED</b>



## BOTTOM COWL AND SHIFT LINKAGE

REF. NO.	PART NO.	SYM.	QTY.	DESCRIPTION
1	2158-5938M		1	COWL,BOTTOM
2	74303		1	COVER, AIR INLET
3	10-62568		4	SCREW, COVER TO BOTTOM COWL (3/8")
3A	12-30164		4	WASHER, COVER SCREW
4	27-73646		1	GASKET, BOTTOM COWL
5	39616		1	BOOT, CONTROL CABLES - BOTTOM COWL
6	37637		1	BOOT, FUEL CONNECTOR - BOTTOM COWL
7	37445		1	SUPPORT, WIRING HARNESS - BOTTOM COWL
8	10-69029		2	SCREW, SUPPORT TO COWL (1 3/4")
9	11-36069		2	NUT, WIRING HARNESS SUPPORT SCREW
10	32-34395A1		1	HOSE, TELL TALE - EXH. COVER TO BOTTOM COWL (14 3/4")
11	52889		1	NOZZLE, TELL TALE HOSE TO BOTTOM COWL
12	10-48408		1	SCREW, TELL TALE NOZZLE TO BOTTOM COWL (1/2")
13	22-78279		1	ELBOW, TELL TALE HOSE TO CYLINDER BLOCK
14	60304A55		1	SHIFT SHAFT ASSEMBLY, UPPER (SHORT SHAFT)
	60304A54		1	SHIFT SHAFT ASSEMBLY, UPPER (LONG SHAFT)
16	23-26856		1	BUSHING, SHIFT SHAFT
17	73402		1	SHIFT LINK
18	12-35462		2	WASHER, LINK ROD (SHIFT LEVER END)
19	11-36069		2	NUT, LINK ROD
20	13-29720		1	WASHER, WAVE-LINK ROD
21	24-20099		1	SPRING, LINK ROD TO GUIDE BLOCK
22	37896		1	GUIDE BLOCK, LINK ROD
23	52732		1	BRACKET, ANCHOR-CONTROL CABLES
24	39519		1	CAP, BARREL RETAINER-ANCHOR
25	39618		1	LEVER, NYLON-SHIFT CABLE LOCKING
26	17-47175		3	PIN, LOCKING LEVER AND COVER FASTENING
27	39667		1	COVER, NYLON-SHIFT CABLE
28	65799		1	LINK, LOCKING LEVER TO COVER
29	10-24234		3	SCREW, ANCHOR BRACKET TO CYLINDER BLOCK(1")
30	52100		1	WEAR PLATE, LINK ROD
31	38279		1	LATCH, CONTROL CABLE FASTENING-ANCHOR BRACKET

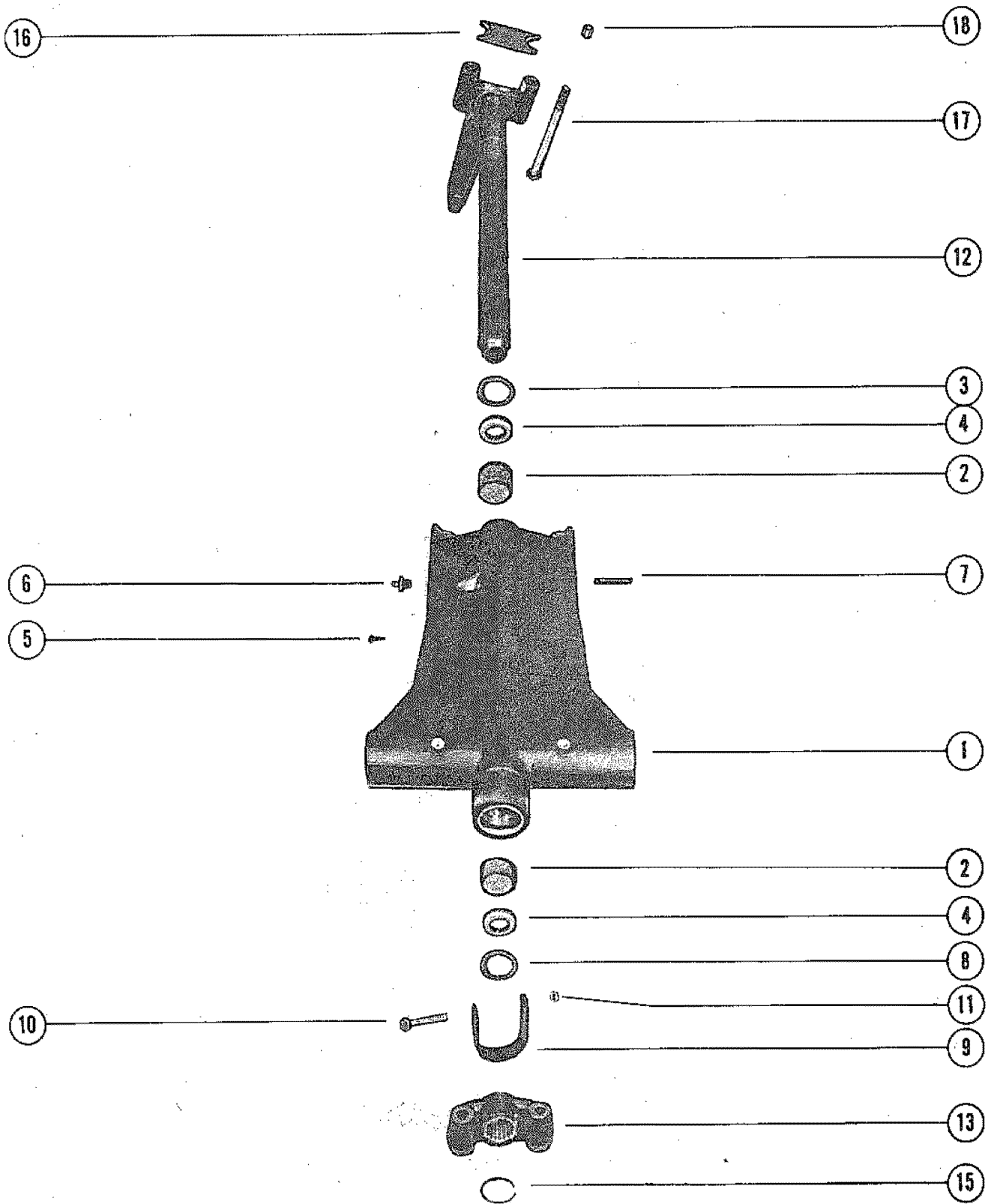
# EXHAUST EXTENSION PLATE



## EXHAUST EXTENSION PLATE

REF. NO.	PART NO.	SYM.	QTY.	DESCRIPTION
1	66096A1		1	PLATE ASSEMBLY, EXHAUST EXTENSION
2	23-27132		1	BUSHING,NYLON-EXHAUST EXTENSION PLATE
3	17-23784		2	DOWEL PIN,EXHAUST PLATE
4	37918		1	SEAL,EXHAUST EXTENSION PLATE
5	38032		1	STRIP, RETAINING -EXHAUST EXTENSION PLATE
6	10-37571		5	SCRWE, SEAL AND RETAINING STRIP TO EXH. PLATE (1/2")
7	27-69238		1	GASKET,POWERHEAD TO EXHAUST EXTENSION PLATE
8	10-66023		2	SCREW, ADAPTOR PLATE TO HOUSING PLATE (2")
9	10-66023		7	SCREW, HOUSING PLATE TO DRIVE SHAFT HOUSING (2")
10	11-69254		2	NUT, CRANKCASE STUDS TO EXHAUST EXTENSION PLATE
11	12-25970		2	WASHER, CRANKCASE STUDS TO EXHAUST EXTENSION PLATE
12	27-66102		1	GASKET, PLATE TO DRIVE SHAFT HSG. PLATE
13	26-60898		1	SEAL, DRIVE SHAFT HOUSING PLATE
14	74257A3		1	PLATE ASSEMBLY, DRIVE SHAFT HOUSING
15	26-38970		1	SEAL,RUBBER-WATER INLET TUBE(DRIVE SHAFT HSG. PLATE)
16	17-23784		2	DOWEL PIN, DRIVE SHAFT HOUSING PLATE
17	27-69860		1	GASKET, DRIVE SHAFT HOUSING PLATE TO EXHAUST TUBE
18	74199		1	EXHAUST TUBE
19	10-61010		4	SCREW, EXHAUST TUBE TO DRIVE SHAFT HOUSING PLATE (3/4")
20	13-26992		4	LOCKWASHER, EXHAUST TUBE SCREW
21	12-25970		6	WASHER, POWERHEAD STUDS
22	11-34932		6	NUT, POWERHEAD STUDS

# SWIVEL BRACKET ASSEMBLY

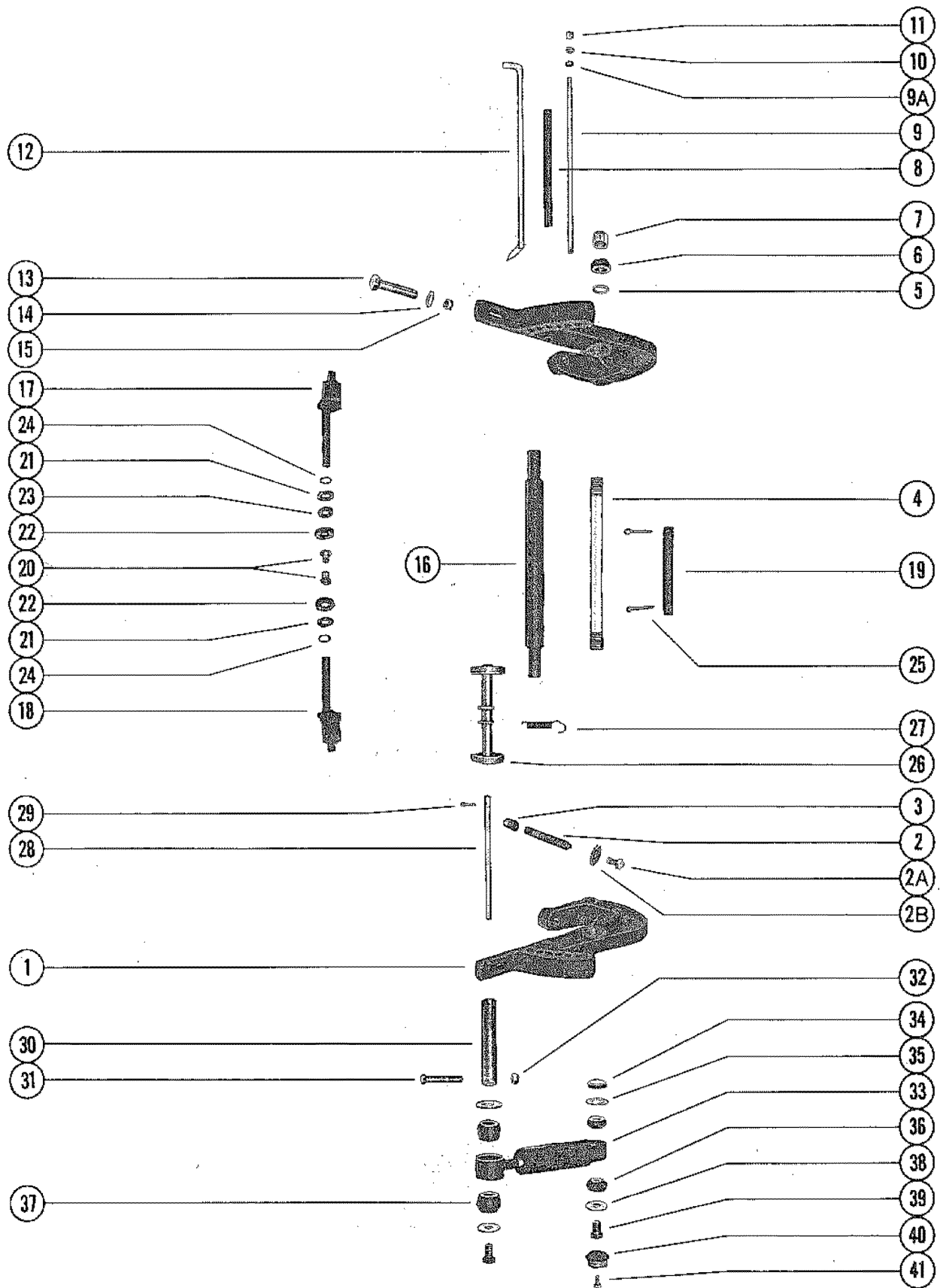




# SWIVEL BRACKET ASSEMBLY

REF. NO.	PART NO.	SYM.	QTY.	DESCRIPTION
1	1453-6019M2		1	SWIVEL BRACKET ASS'Y(SHORT SHAFT)
	1482-6386M4		1	SWIVEL BRACKET ASS'Y(LONG SHAFT)
2	23-69341		2	BUSHING, SWIVEL BRACKET
3	12-69342		1	WASHER, SWIVEL PIN-UPPER
4	26-37448		2	OIL SEAL, SWIVEL BRACKET
5	10-47828		1	SCREW, DRIVE-SWIVEL BRACKET
6	22-74036		3	FITTING,GREASE
7	17-25598		1	PIN, REVERSE LOCK SPRING ATACHING
8	12-69380		1	WASHER, SWIVEL PIN-LOWER
9	28205		1	STRAP STOP, DRIVE SHAFT HOUSING TO SWIVEL BRACKET
10	10-56743		1	SCREW, STRAP STOP TO HOUSING (3 1/8")-SHORT SHAFT
	10-28200		1	SCREW, STRAP STOP TO HOUSING(3 7/8")-LONG SHAFT
11	11-25269		1	NUT, STRAP STOP FASTENING SCREW
12	27-73594M1		1	SWIVEL PIN ASS'Y(SHORT SHAFT)
	17-73593M1		1	SWIVEL PIN ASS'Y(LONG SHAFT)
13	73984M		1	YOKE, BOTTOM
15	53-73591		1	SNAP RING, YOKE ATTACHING
16	28203		1	BUMPER, STEERING ARM
17	10-49554		2	BOLT, STEERING ARM TO UPPER MOUNT(5 7/8")
18	11-34933		2	NUT, STEERING ARM BOLT FASTENING

# CLAMP BRACKET AND REVERSE LOCK

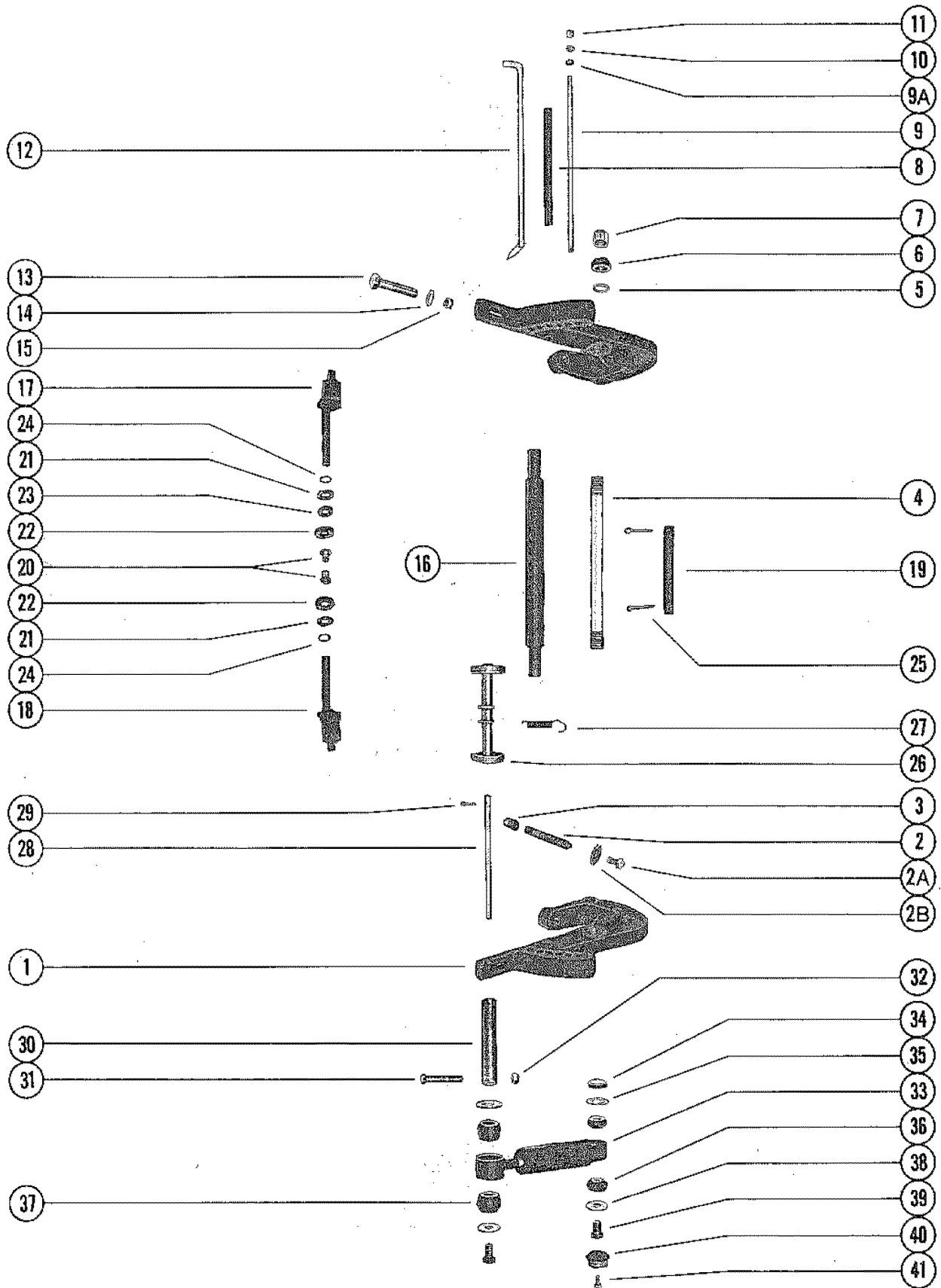


# CLAMP BRACKET AND REVERSE LOCK

REF. NO.	PART NO.	SYM.	QTY.	DESCRIPTION
1	1440-6625A3		2	CLAMP BRACKET ASSEMBLY
2	10-78492A1		2	THUMB SCREW ASSEMBLY
2A	10-78495		2	SCREW, THUMB SCREW
2B	12-78493		2	WASHER, THUMB SCREW
3	75043		1	COVER, THUMB SCREW
4	74528		1	TUBE, TILT-CLAMP BRACKET TO SWIVEL BRACKET
5	12-52864		2	WASHER, CLAMP BRACKET TILT TUBE
6	11-56041		2	NUT, TILT TUBE FASTENING
7	53078		2	CAP, PLASTIC-TILT TUBE
8	23-59624		1	SPACER, CLAMP BRACKET STUD
9	16-59625		1	STUD, CLAMP BRACKET
9A	12-36001		1	WASHER, CLAMP BRACKET STUD
10	13-26993		2	LOCKWASHER, CLAMP BRACKET STUD
11	11-28770		2	NUT, CLAMP BRACKET STUD
12	17-49930A1		1	TILT LOCK PIN ASSEMBLY
13	10-68298		2	BOLT, CLAMP BRACKET TO BOAT TRANSOM(3 1/4")
14	12-68410		2	WASHER, CLAMP BRACKET BOLT
13	10-68299		2	BOLT, CLAMP BRACKET TO TRANSOM (3")
14	12-68300		2	WASHER, CLAMP BRACKET BOLT
15	11-68411		4	NUT, CLAMP BRACKET BOLT
16	55-28416		1	PIN, UPPER SHOCK MOUNTING
19	47802		1	TUBE, TILT LOCK-SHORT SHAFT
20	23-47803		2	BUSHING, TULT LOCK TUBE -SHORT SHAFT
21	13-69150		2	WASHER,WAVE-TILT LOCK TUBE -SHORT SHAFT
17	76386		1	TILT LOCK ASSEMBLY,STARBOARD
18	76385		1	TILT LOCK ASSEMBLY,PORT
19	76387		1	TUBE, TILT LOCK-LONG SHAFT
21	13-69150		1	WASHER,WAVE-TILT LOCK(STARBOARD SIDE ONLY) -LONG SHAFT
22	26-22734		2	OIL SEAL,SWIVEL BRACKET(TILT LOCK) -LONG SHAFT
23	12-76388		3	WASHER, TILT LOCK(STARBOARD SIDE ONLY) -LONG SHAFT
24	25-62702		2	"O" RING, TILT LOCK -LONG SHAFT
25	18-47959		2	COTTER PIN, TILT LOCK
26	70692		2	REVERSE LOCK ASSEMBLY
27	24-29821		1	SPRING, REVERSE LOCK(SHORT SHAFT)
	24-78203A1		1	SPRING ASSEMBLY, REVERSE LOCK(LONG SHAFT)
28	56349		1	SHAFT, REVERSE LOCK PIVOT
29	18-45882		1	COTTER PIN, REVERSE LOCK TO SHAFT
30	55-65447		2	PIN, LOWER SHOCK MOUNTING(SHORT SHAFT)
	55-28414		2	PIN, LOWER SHOCK MOUNTING-LONG SHAFT
31	10-21937		2	SCREW,LOWER SHOCK PIN,(2") -LONG SHAFT
32	11-46887		2	NUT, LOWER SHOCK PIN SCREW -LONG SHAFT
33	55-58780M2		2	SHOCK ABSORBER

CONTINUED ON NEXT PAGE ➡

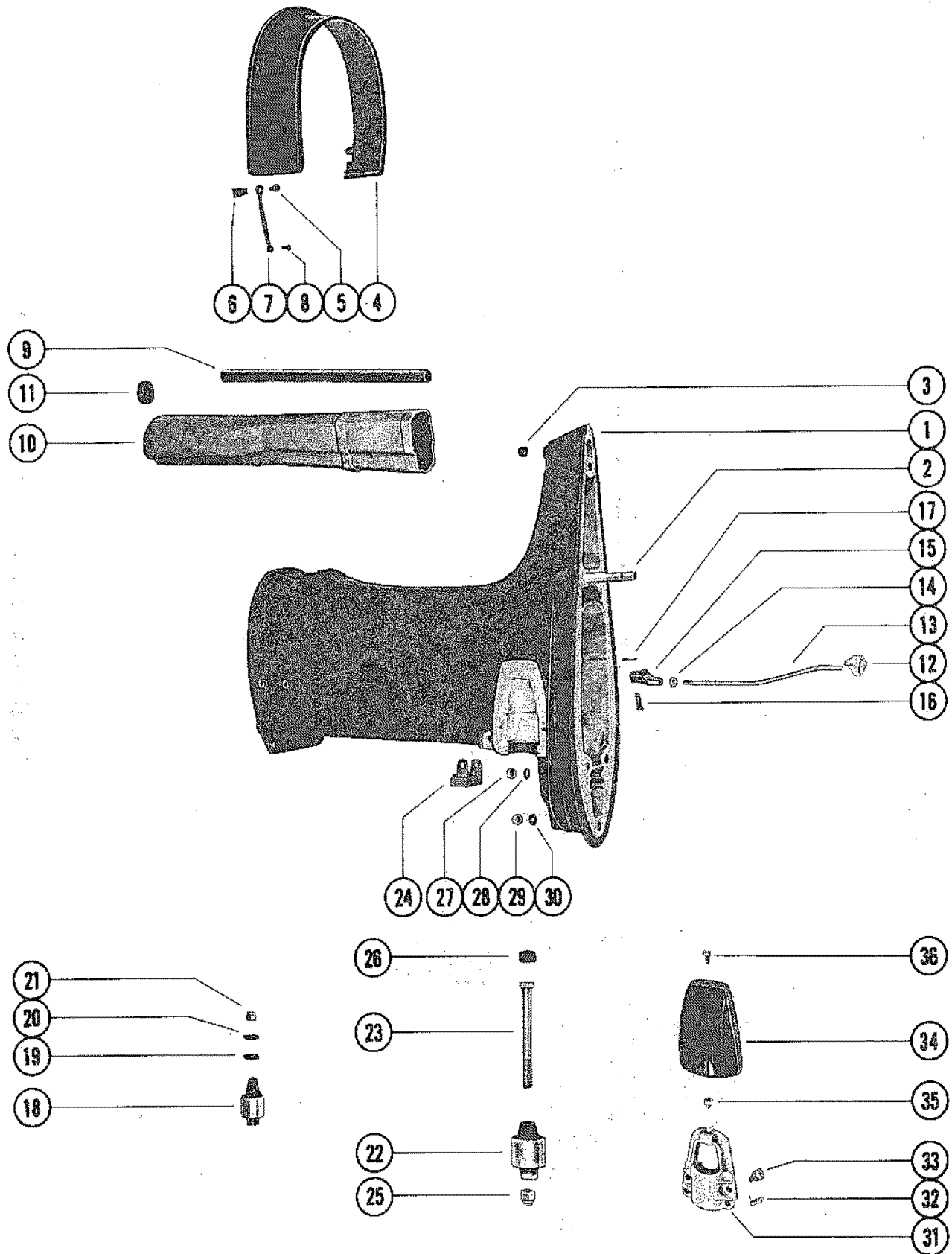
# CLAMP BRACKET AND REVERSE LOCK



## CLAMP BRACKET AND REVERSE LOCK

REF. NO.	PART NO.	SYM.	QTY.	DESCRIPTION
34	23-73203		2	SPACER,UPPER SHOCK BUSHING TO CLAMP BRACKET
35	12-28196		2	WASHER, UPPER BUSHING REAINER(INNER)
36	23-32171		4	BUSHING,RUBBER-SHOCK ABSORBER(UPPER)
37	23-28198		4	BUSHING,RUBBER-SHOCK ABSORBER(LOWER)
38	12-69374		4	WASHER,UPPER/LOWER SHOCK MOUNTING PIN(LOWER)
39	10-69375		4	SCREW, UPPER AND LOWER SHOCK MOUNTING PIN
40	23-69132		2	BUSHING,PIVOT SHAFT

# DRIVE SHAFT HOUSING ASSEMBLY

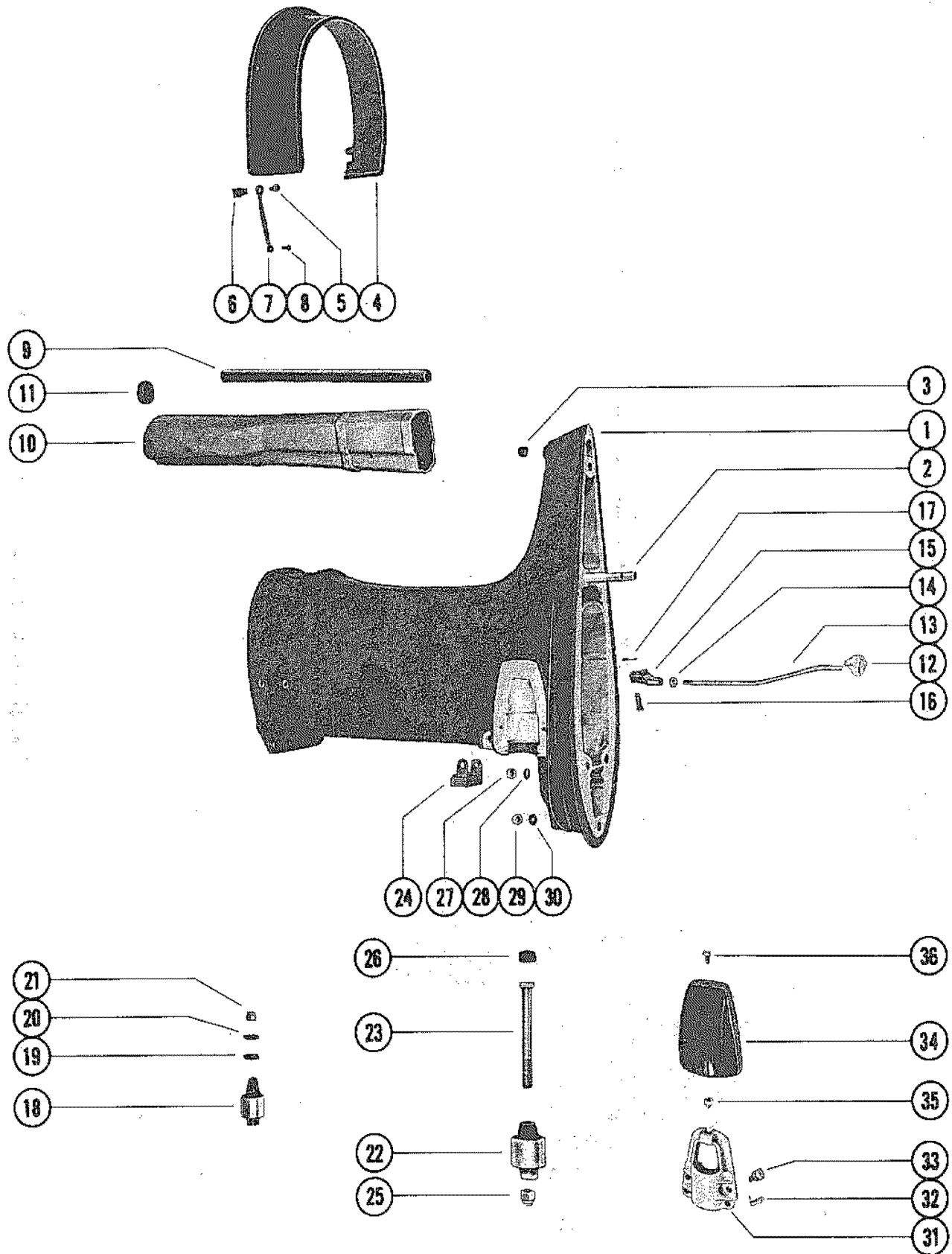


# DRIVE SHAFT HOUSING ASSEMBLY

REF. NO.	PART NO.	SYM.	QTY.	DESCRIPTION
1	1575-5240M4		1	DRIVE SHAFT HOUSING ASSEMBLY(SHORT SHAFT)
	1573-5239M4		1	DRIVE SHAFT HOUSING ASSEMBLY(LONG SHAFT)
2	16-56295		2	STUD, DRIVE SHAFT HOUSING TO GEAR HOUSING(2 11/16")
3	19-64649		1	PLUG,PLASTIC-TRIM TAB SCREW HOLE
4	37417M		1	COVER, TRIM-DRIVE SHAFT HOUSING
5	10-57807		4	SCREW, TRIM COVER TO BOTTOM COWL(3/4")
6	25-57806		4	GROMMET, TRIM COVER SCREW
7	46933A2		2	GROUND STRAP ASSEMBLY,TRIM COVER SCREW
8	10-62568		2	SCREW, GROUND STRAP ATTACHING
9	32-62864		1	TUBE, WATER INLET(SHORT SHAFT)
	32-60897		1	TUBE, WATER NLET(LONG SHAFT)
10	65370		1	TUBE, EXHAUST(SHORT SHAFT)
	78184		1	TUBE, EXHAUST(LONG SHAFT)
11	65638		2	BOOT, EXHAUST TUBE
12	52887		1	GUIDE, PUSH ROD-REVERSE LOCKING
13	47591		1	ROD, PUSH-REVERSE LOCK(SHORT SHAFT)
	47558		1	ROD, PUSH-REVERSE LOCK(LONG SHAFT)
14	11-47661		1	NUT, JAM-PUSH ROD
15	47559		1	YOKE, PUSH ROD
16	17-39023		1	PIN, PUSH ROD TO REVERSE LOCK
17	18-25191		1	COTTER PIN, PUSH ROD PIN
18	75297		2	MOUNT, RUBBER-UPPER(SHORT SHAFT)
	75296		1	MOUNT, RUBBER-UPPER(LONG SHAFT)
19	12-47840		2	WASHER, RUBBER-UPPER MOUNT BOLT
20	12-31263		2	WASHER,UPPER MOUNT BOLT
21	11-34933		2	NUT, UPPER MOUNT BOLT
22	75300		2	MOUNT, RUBBER-LOWER(SHORT SHAFT)
	75298		2	MOUNT, RUBBER-LOWER(LONG SHAFT)
23	10-49318		2	SCREW, UPPER MOUNT(5 1/2")
24	66336		1	MOUNT, RUBBER-LOWER(SHORT SHAFT)
25	11-25096		2	NUT, MOUNT SCREW
26	25067		2	BUMPER, RUBBER-MOUNTING SCREW
27	11-34933		2	NUT, GEAR HOUSING AND DRIVE SHAFT HOUSING STUDS
28	12-45176		2	WASHER, GEAR HOUSING TO DRIVE SHAFT HOUSING STUDS
29	11-29489		1	NUT, GEAR HOUSING AND DRIVE SHAFT HOUSING STUDS
30	12-45176		1	WASHER, GEAR HOUSING TO DRIVE SHAFT HOUSING STUDS
31	35608		2	CLAMP, LOWER MOUNT TO DRIVE SHAFT HOUSING

CONTINUED ON NEXT PAGE ➡

# DRIVE SHAFT HOUSING ASSEMBLY

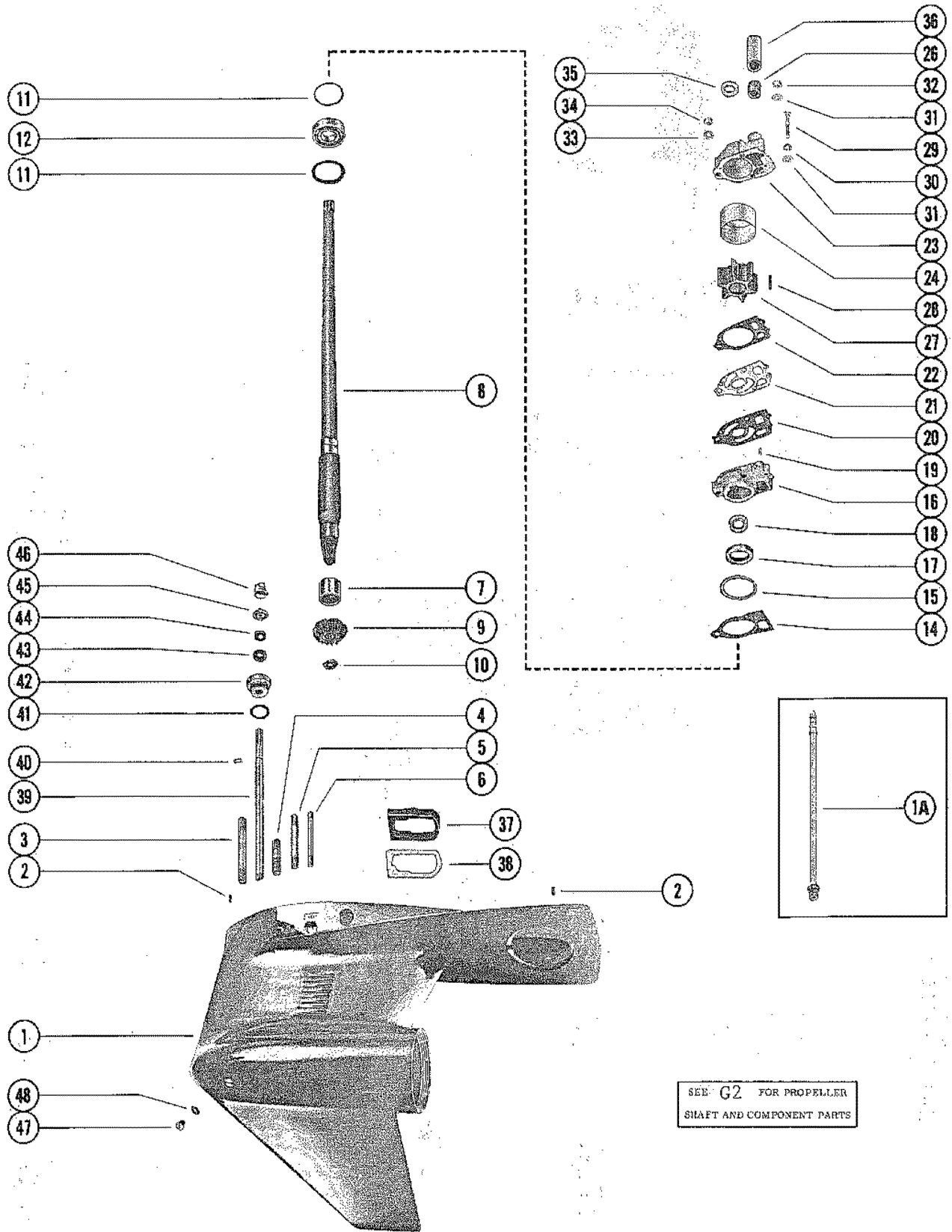




## DRIVE SHAFT HOUSING ASSEMBLY

REF. NO.	PART NO.	SYM.	QTY.	DESCRIPTION
32	24-35522		4	SPRING, TENSION-LOWER MOUNT CLAMP
33	10-29256		4	SCREW, LOWER MOUNT CLAMP TO DRIVE SHAFT HOUSING (7/8")
34	35474M		2	COVER, LOWER MOUNT CLAMP
35	11-35521		2	NUT, LOWER MOUNT CLAMP COVER
36	10-29722		2	SCREW, COVER TO LOWER CLAMP MOUNT (5/8")

# GEAR HOUSING ASSEMBLY, COMPLETE (PAGE 1)

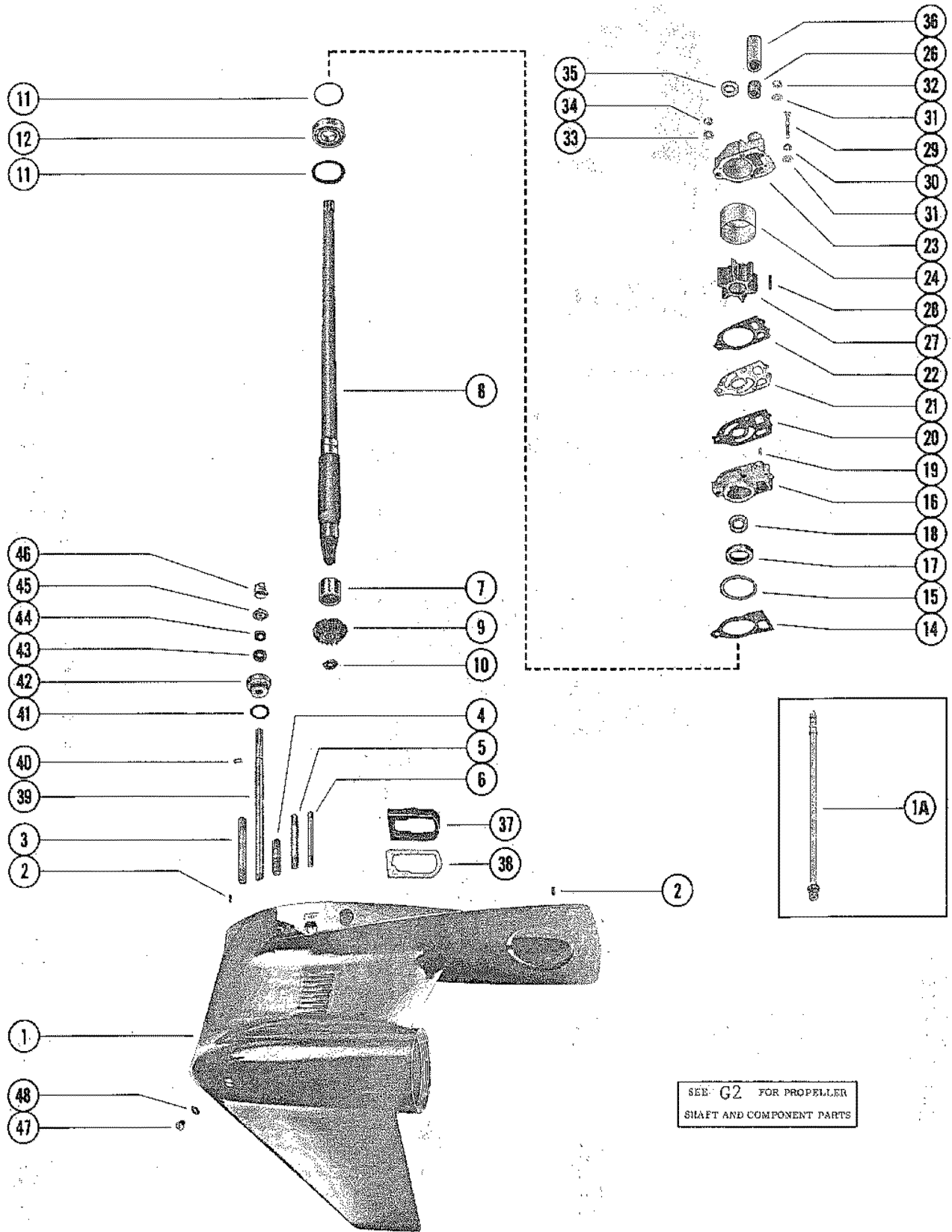


# GEAR HOUSING ASSEMBLY, COMPLETE (PAGE 1)

REF. NO.	PART NO.	SYM.	QTY.	DESCRIPTION
-	1623-6053A37		1	GEAR HOUSING ASSEMBLY, COMPLETE (SHORT SHAFT) -SEE NOTE BELOW UNITED STATES 5144546 AND BELOW
-	1623-6053A23		1	GEAR HOUSING ASSEMBLY, COMPLETE (LONG SHAFT) -SEE NOTE BELOW UNITED STATES 5144546 AND BELOW
-	1655-7333A27		1	GEAR HOUSING ASSEMBLY, COMPLETE (SHORT SHAFT) -SEE NOTE BELOW UNITED STATES 5144547 AND UP
-	1655-7333A25		1	GEAR HOUSING ASSEMBLY, COMPLETE (LONG SHAFT) -SEE NOTE BELOW UNITED STATES 5144547 AND UP
1	1623-6053A5		1	GEAR HOUSING ASSEMBLY UNITED STATES 5144546 AND BELOW
	1655-7333A23		1	GEAR HOUSING ASSEMBLY UNITED STATES 5144547 AND UP
1A	22-85822A1		1	CONNECTOR ASSEMBLY, SPEEDOMETER UNITED STATES 5144547 AND UP
2	17-46912		2	DOWEL PIN, GEAR HOUSING LOCATING
3	16-57921		1	STUD, GEAR HOUSING TO DRIVE SHAFT HOUSING (4")
4	16-57920		2	STUD, GEAR HOUSING TO DRIVE SHAFT HOUSING (2 1/16")
5	16-56297		1	STUD, WATER PUMP BASE AND BODY TO GEAR HOUSING (3 3/8")
6	16-30667		2	STUD, WATER PUMP BASE AND BODY TO GEAR HOUSING (3 1/8")
7	31-32898		1	BEARING, ROLLER- DRIVE SHAFT
8	45-69250		1	DRIVE SHAFT (SHORT SHAFT)
	45-69251		1	DRIVE SHAFT (LONG SHAFT)
9	43-75316		1	GEAR, PINION-DRIVE SHAFT
10	11-35921		1	NUT, PINION GEAR TO DRIVE SHAFT
11	23-70412		1	SPACER, ROLLER BEARING TO WATER PUMP BASE
	15-57007A1		AR	SHIM, ROLLER BEARING TO WATER PUMP BASE
12	31-69220		1	ROLLER BEARING, DRIVE SHAFT
14	27-33146		1	GASKET, WATER PUMP BASE TO GEAR HOUSING
15	25-33145		1	"O" RING, WATER PUMP BASE
16	46-73804A1		1	WATER PUMP BASE ASSEMBLY
17	26-31489		1	OIL SEAL, WATER PUMP BASE
18	26-79884		1	OIL SEAL, WATER PUMP BASE
19	17-35973		2	DOWEL PIN, WATER PUMP BASE TO WATER PUMP BODY
20	27-32433		1	GASKET, LOWER-WATER PUMP BASE TO FACE PLATE
21	32435		1	PLATE, FACE-WATER PUMP BASE TO WATER PUMP BODY
22	27-32434		1	GASKET, UPPER-FACE PLATE TO WATER PUMP BODY
23	46-64141A1		1	WATER PUMP BODY ASSEMBLY
24	48752		1	INSERT, WATER PUMP BODY
26	26-38970		1	SEAL, RUBBER-WATER INLET TUBE
27	47-65960		1	IMPELLER, WATER PUMP
28	28-56654		1	KEY IMPELLER DRIVE
29	10-30720		1	SCREW, WATER PUMP BODY TO GEAR HOUSING (2 1/4")

CONTINUED ON NEXT PAGE ➡

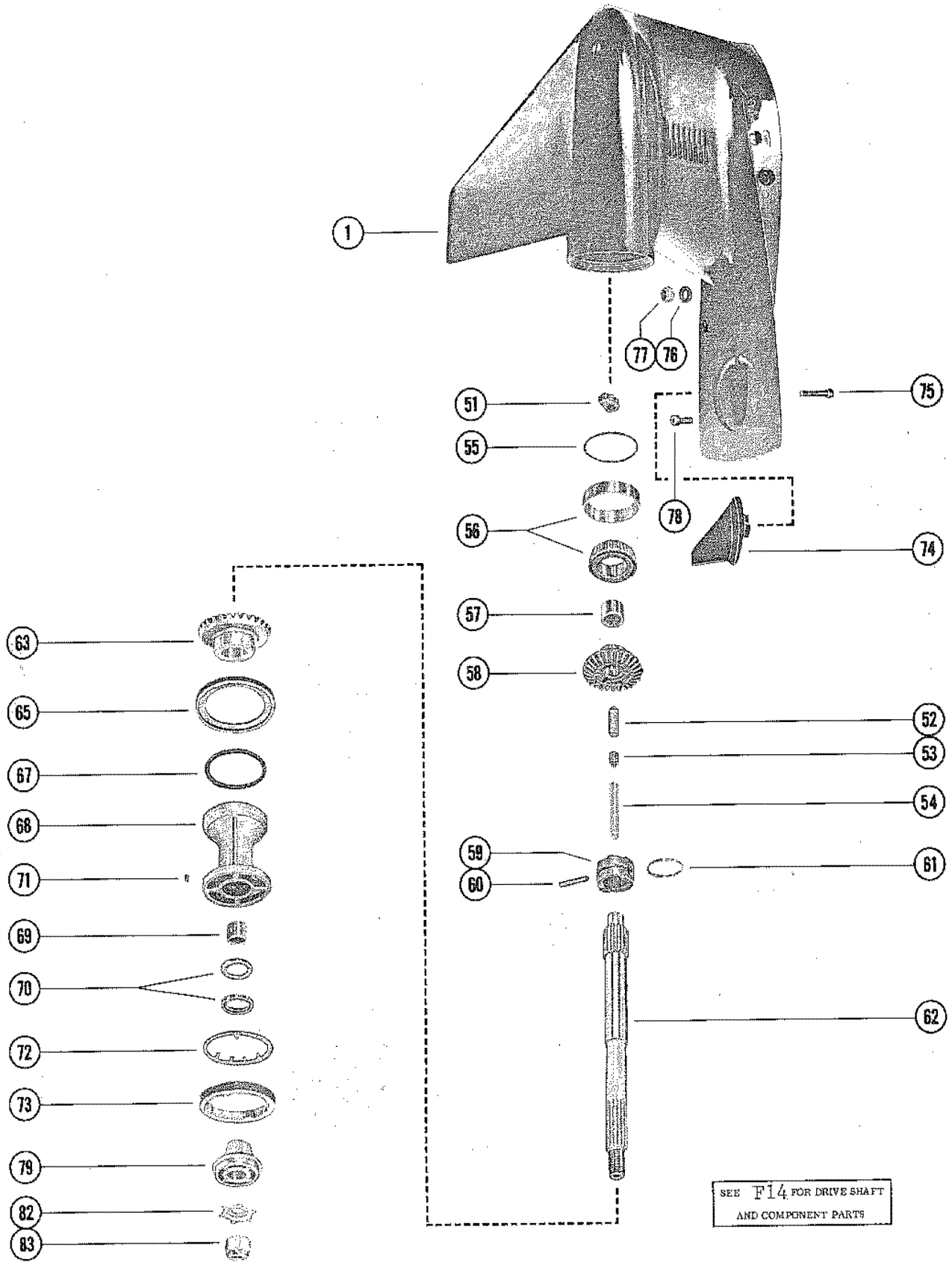
# GEAR HOUSING ASSEMBLY, COMPLETE (PAGE 1)



## GEAR HOUSING ASSEMBLY, COMPLETE (PAGE 1)

REF. NO.	PART NO.	SYM.	QTY.	DESCRIPTION
30	13-26992		1	LOCKWASHER, WATER PUMP BODY SCREW
31	12-29245		3	WASHER, WATER PUMP BODY FASTENING SCREW AND STUD
32	11-35888		2	NUT, WATER PUMP FASTENING SCREW
33	12-36001		1	WASHER, WATER PUMP BODY FASTENING STUD
34	11-35814		1	NUT, WATER PUMP BODY FASTENING STUD
35	25-30271		1	RING, RUBBER-CENTRIFUGAL SLINGER(DRIVE SHAFT)
36	23-29804		1	SLEEVE, GUIDE-WATER INLET TUBE
37	37641		1	SEAL, EXHAUST TUBE
38	38051		1	PLATE, SUPPORT-EXHAUST TUBE SEAL
39	76062A1		1	SHAFT ASSEMBLY, SHIFT
40	53-29641		1	"E" RING, RETAINING-SHIFT SHAFT
41	25-25439		1	"O" RING, SHIFT SHAFT BUSHING
42	23-77631A2		1	BUSHING ASSEMBLY, SHIFT SHAFT
43	26-76384		1	OIL SEAL, SHIFT SHAFT HOUSING
44	12-77674		1	WASHER, RUBBER-SHIFT SHAFT BUSHING
45	39019		1	SPACER, LOWER-REVERSE LOCKING
46	39021		1	CAM, REVERSE LOCKING
47	10-79953		1	SCREW, GREASE FILLER AND VENT HOLE
	22-67892		1	SCREW, DRAIN(MAGNETIC)
48	12-20260		2	WASHER, GREASE FILLER AND VENT HOLE SCREW

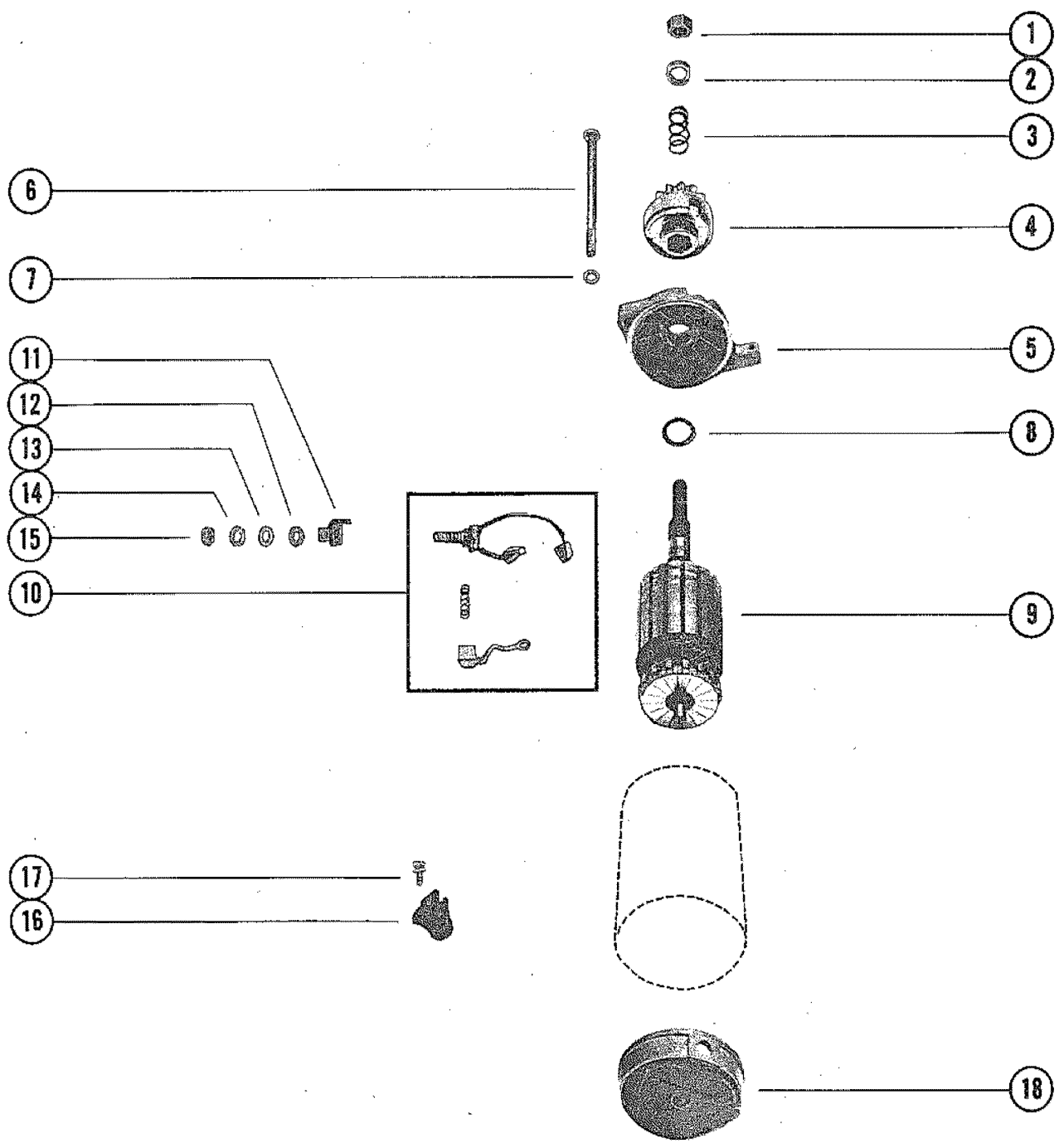
# GEAR HOUSING ASSEMBLY, COMPLETE (PAGE 2)



## GEAR HOUSING ASSEMBLY, COMPLETE (PAGE 2)

REF. NO.	PART NO.	SYM.	QTY.	DESCRIPTION
-	1623-6053A37		1	GEAR HOUSING ASS'Y, COMP.(SHORT SHAFT) SEE NOTE BELOW UNITED STATES 5144546 AND BELOW
-	1623-6053A23		1	GEAR HOUSING ASS'Y, COMP.(LONG SHAFT) SEE NOTE BELOW UNITED STATES 5144546 AND BELOW
-	1655-7333A27		1	GEAR HOUSING ASS'Y, COMP.(SHORT SHAFT) SEE NOTE BELOW UNITED STATES 5144547 AND UP
-	1655-7333A25		1	GEAR HOUSING ASS'Y, COMP.(LONG SHAFT) SEE NOTE BELOW UNITED STATES 5144547 AND UP
1	1623-6053A5		1	GEAR HOUSING ASS'Y -SEE PAGE34 FOR BREAKDOWN UNITED STATES 5144546 AND BELOW
	1655-7333A23		1	GEAR HOUSING ASS'Y -SEE PAGE34 FOR BREAKDOWN UNITED STATES 5144547 AND UP
51	54346		1	CAM, SHIFT
52	30625		1	FOLLOWER, CAM
53	30624		1	SLIDE, CROSS PIN
54	24-30622		1	SPRING, COMPRESSION-CAM FOLLOWER
55	15-30923A1		AR	SHIM, BEARING OUTER RACE TO GEAR HSG. (.002-3-5-10)
56	31-30894A1		1	TAPERED ROLLER BEARING ASSEMBLY
57	31-30895		1	BEARING, ROLLER-FORWARD GEAR
58	43-75314		1	FORWARD GEAR ASSEMBLY
59	52-34239		1	RATCHET, SLIDING CLUTCH
60	17-30632		1	PIN, CROSS-RATCHET TO PROPELLER SHAFT
61	24-30893		1	SPRING, RETAINING- CROSS PIN
62	44-52542		1	SHAFT, PROPELLER
63	43-77562		1	REVERSE GEAR ASSEMBLY
65	12-76805		1	WASHER, THRUST-BEARING CARRIER TO GEAR HOUSING
67	25-29976		1	"O" RING, BEARING CARRIER
68	77520A1		1	BEARING CARRIER ASSEMBLY
69	31-30956		1	BEARING, ROLLER-BEARING CARRIER
70	26-76868		2	OIL SEAL, BEARING CARRIER
71	28-30281		1	KEY, LOCATING-BEARING CARRIER
72	14-52700		1	TAB WASHER, GEAR HOUSING COVER
73	52699		1	COVER, GEAR HOUSING
74	31640A1		1	TRIM TAB, GEAR HOUSING
75	10-66024		1	SCREW, TRIM TAB TO GEAR HOUSING (1 3/4")
76	12-45176		2	WASHER, GEAR HOUSING TO DRIVE SHAFT HOUSING STUDS
77	11-34933		2	NUT, GEAR HOUSING TO DRIVE SHAFT HOUSING STUDS
78	10-65210		1	SCREW, GEAR HOUSING TO DRIVE SHAFT HOUSING(1")
79	75282		1	THRUST HUB
82	14-31210		1	TAB WASHER, PROPELLER NUT
83	11-52707		1	NUT, PROPELLER

# STARTER MOTOR ASSEMBLY, COMPLETE

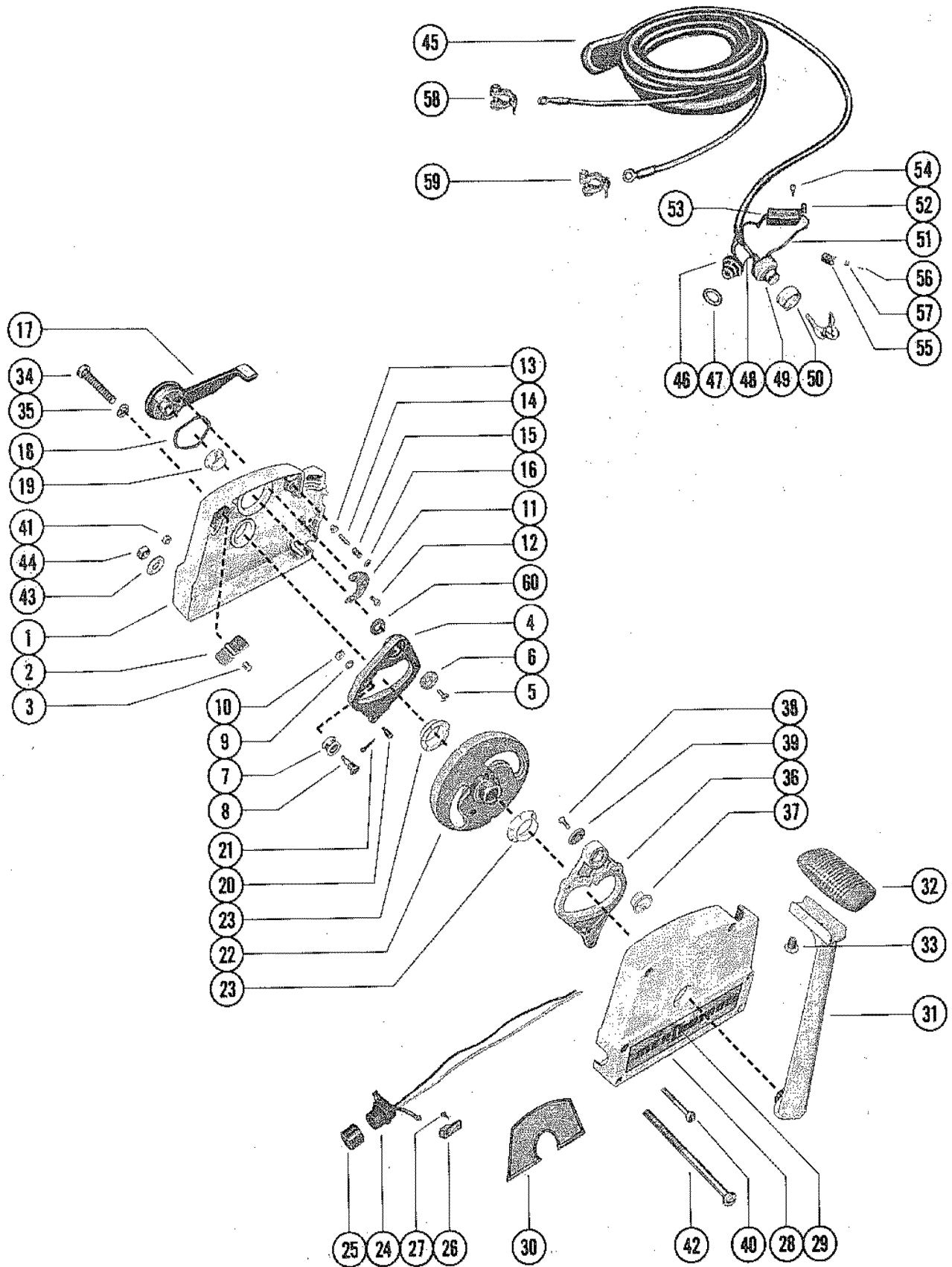




## STARTER MOTOR ASSEMBLY, COMPLETE

REF. NO.	PART NO.	SYM.	QTY.	DESCRIPTION
-	50-66015		1	STARTER MOTOR ASSEMBLY, COMPLETE
1	11-68580		1	NUT, RETAINING-DRIVE ASSEMBLY
2	23-61788		1	SPACER, DRIVE ASSEMBLY
3	24-75378		1	SPRING, ANTI DRIFT
4	68575		1	DRIVE ASSEMBLY
5	75381		1	PLATE ASSEMBLY, DRIVE END
6	10-75385		2	BOLT, THRU-PLATE TO END CAP
7	13-61789		2	LOCKWASHER, THRU BOLT
8	12-57383		1	WASHER, THRUST-ARMATURE
9	75386		1	ARMATURE
10	75384		1	BRUSH SET
11	23-57387		1	BUSHING, INSULATING-INPUT STUD
12	12-57388		1	WASHER, INSULATING-INPUT STUD
13	12-38013		1	WASHER, INPUT STUD
14	13-38019		1	LOCKWASHER, INPUT STUD
15	11-20890		1	NUT, INPUT STUD
16	61787		2	HOLDER, BRUSH
17	10-68586		2	SCREW, BRUSH AND HOLDER TO CAP
18	75387		1	END CAP ASSEMBLY, COMMUTATOR

# REMOTE CONTROL ASSEMBLY (ELECTRIC)

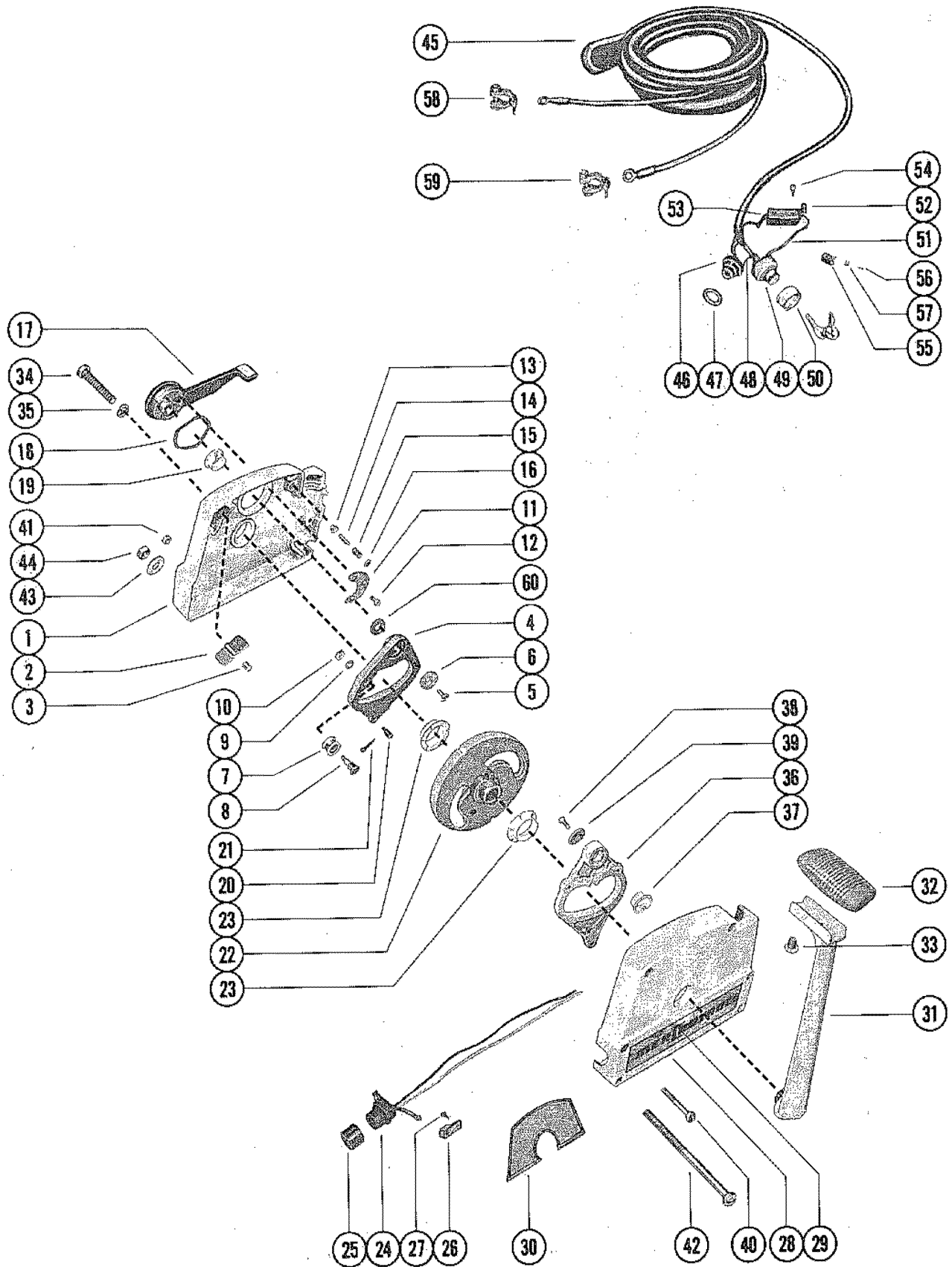


## REMOTE CONTROL ASSEMBLY (ELECTRIC)

REF. NO.	PART NO.	SYM.	QTY.	DESCRIPTION
-	76714A		1	<b>ELECTRIC REMOTE ASSEMBLY, COMPLETE</b>
1	45880--2		1	HOUSING, REMOTE CONTROL(STARBOARD)
2	24-34683		2	SPRING, DETENT- CONTROL HOUSING
3	34992		1	ROLLER, DETENT SPRING
4	34671		1	LEVER, THROTTLE-CONTROL HOUSING
5	10-34676		1	SCREW, THROTTLE LEVER TO NEUTRAL WARM-UP LEVER
6	12-34675		1	WASHER, THROTTLE LEVER SCREW
7	34672		1	CAM ROLLER, THROTLE LEVER
8	17-34673		1	PIN, CAM ROLLER TO THROTTLE LEVER
9	12-34680		1	WASHER, CAM ROLLER PIN
10	11-24656		1	NUT, CAM ROLLER TO THROTTLE LEVER PIN
11	34679		1	PLATE, THRUST- CONTROL HOUSING
12	10-47220		3	SCREW, THRUST PLATE TO NEUTRAL WARM-UP LEVER
13	17-20009		1	PIN, DETENT-CONTROL HOUSING NEUTRAL WARM-UP LEVER
14	24-35210		1	SPRING, DETENT PIN
15	24-35227		1	SPRING, DETENT PIN TENSION
16	19-20011		1	WELCH PLUG, DETENT PIN AND SPRING RETAINING
17	34670--2		1	LEVER, NEUTRAL WARM-UP
18	13-34678		1	WASHER, WAVE-NEUTRAL WARM-UP LEVER
19	23-33589		1	BUSHING, NYLON-NEUTRAL WARM-UP LEVER (5/8" I.D.)
20	17-34692		2	PIN, SHIFT AND THROTTLE LEVERS
21	18-29623		2	COTTER PIN, SHIFT AND THROTTLE LEVER PINS
22	59369		1	FACE CAM
23	23-34677		2	BUSHING, NYLON- FACE CAM (1" I.D.)
24	45887		1	CONNECTOR, TACHOMETER LEAD TO REMOTE CONTROL
25	45940		1	CAP, TACHOMETER LEAD CONNECTOR
26	86-63577		1	TERMINAL BLOCK, CONNECTOR LEADS
27	10-37260		2	SCREW, TERMINAL BLOCK TO CONTROL HOUSING(7/16")
28	45939--2		1	HOUSING, REMOTE CONTROL(PORT)
29	37-76703		1	DECAL, CONTROL HOUSING(MARINER)-NOT AS SHOWN
30	37-64043		1	DECAL, CONTROL HOUSING (MERCOTROL)
31	34689--2		1	LEVER,CONTROL
32	36005		1	GRIP, CONTROL LEVER
33	10-37342		2	SCREW, GRIP TO CONTROL LEVER (7/16")
34	10-68909		1	SCREW, CONTROL LEVER TO FACE CAM (1 1/2")
35	13-26992		1	LOCKWASHER, CONTROL LEVER SCREW
36	34682		1	LEVER, SHIFT-CONTROL HOUSING
37	23-33589		1	BUSHING, NYLON - SHIFT LEVER (5/8" I.D.)
38	10-34676		1	SCREW, SHIFT LEVER TO CONTROL HOUSING
39	12-34675		1	WASHER, SHIFT LEVER SCREW
40	10-37941		4	SCREW, REMOTE CONTROL HOUSING CLAMPING
41	11-34688		4	NUT, REMOTE CONTROL HOUSING CLAMPING SCREW

CONTINUED ON NEXT PAGE ➡

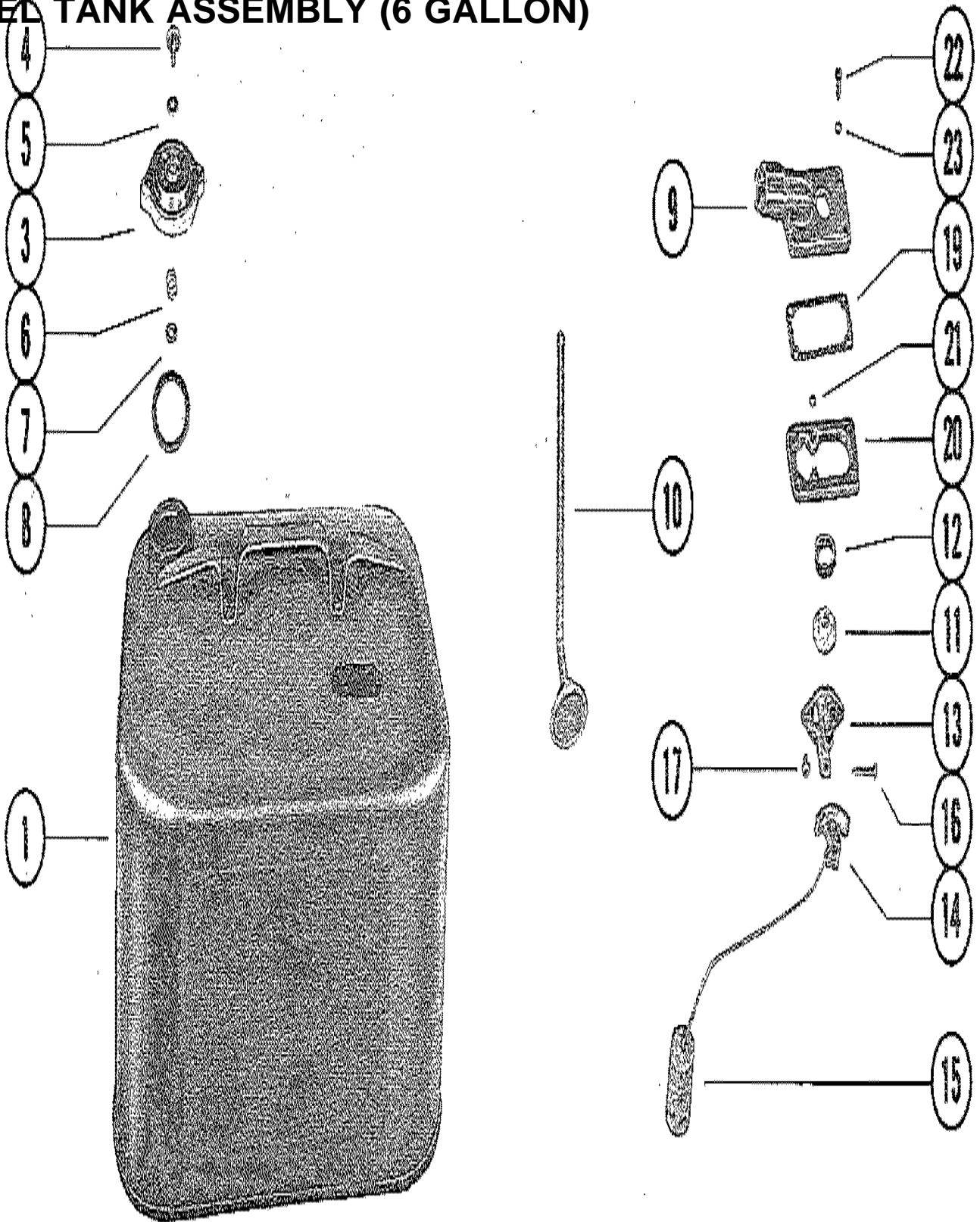
# REMOTE CONTROL ASSEMBLY (ELECTRIC)



## REMOTE CONTROL ASSEMBLY (ELECTRIC)

REF. NO.	PART NO.	SYM.	QTY.	DESCRIPTION
42	10-34900		2	SCREW, REMOTE CONTROL TO BOAT (4 1/4")
43	12-20346		2	WASHER, REMOTE CONTROL SCREW
44	11-24652		2	NUT, REMOTE CONTROL TO BOAT TRANSOM
45	45876		1	WIRING HARNESS, EXTERNAL
46	29759		1	SWITCH, CHOKE
47	30053		1	COLLAR, CHOKE SWITCH TO CONTROL HOUSING
48	39180		1	JUMPER WIRE, CHOKE SWITCH TO IGNITION SWITCH
49	54211		1	SWITCH, IGNITION (WITH KEYS) KEY PART #C-30431 <b>WHEN ORDERING REPLACEMENT KEYS ALSO LIST NUMBER STAMPED ON KEY.</b>
50	22628		1	BEZEL, IGNITION SWITCH TO CONTROL HOUSING
51	30795		1	JUMPER WIRE, SAFETY SWITCH TO IGNITION SWITCH
52	34621		1	SWITCH, SAFETY
53	23-37961--2		2	SLEEVE, SAFETY SWITCH LEADS
54	10-30902		2	SCREW, SAFETY SWITCH TO CONTROL HOUSING
55	54-22627		1	CLIP, INNER-WIRING HARNESS TO CONTROL HOUSING
56	10-37260		1	SCREW, WIRING HARNESS CLIP TO CONTROL HOUSING (7/16")
57	22789		1	"D" WASHER, WIRING HARNESS CLIP SCREW
58	27913		1	BATTERY TERMINAL, NEGATIVE (WITH BOLT AND NUT)
59	27912		1	BATTERY TERMINAL POSITIVE (WITH BOLT AND NUT)
60	13-60861		1	WASHER, WAVE-THROTTLE LEVER

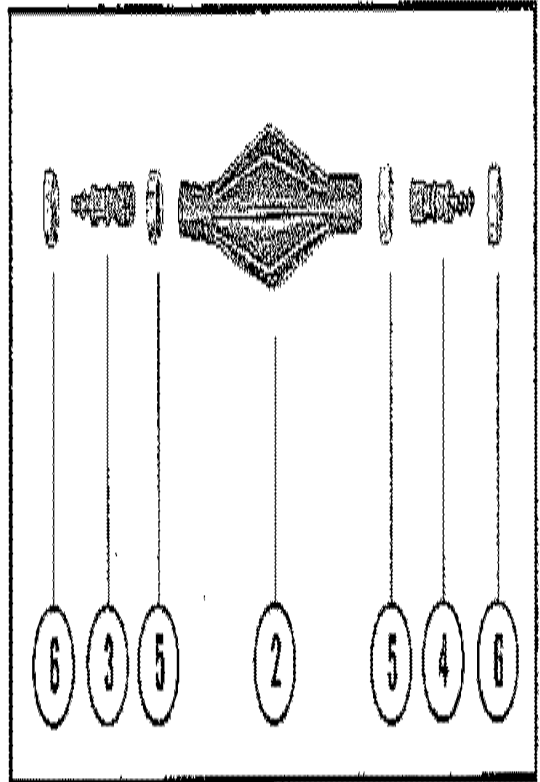
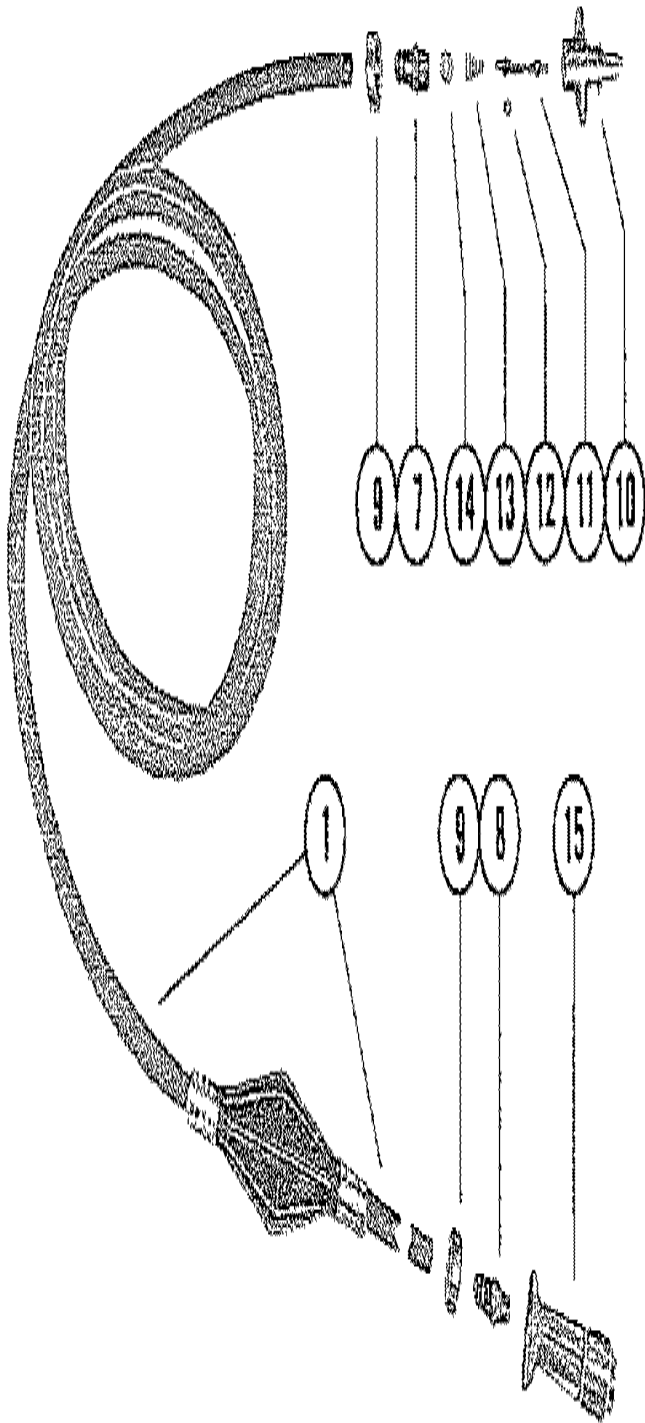
# FUEL TANK ASSEMBLY (6 GALLON)



## FUEL TANK ASSEMBLY (6 GALLON)

REF. NO.	PART NO.	SYM.	QTY.	DESCRIPTION
-	<b>1225-1529A16</b>		<b>1</b>	<b>FUEL TANK ASSEMBLY, COMPLETE (6 GALLON)</b>
1	1225-1529		1	FUEL TANK (6 GALLON)
-	<b>37-75881</b>		<b>1</b>	<b>DECAL, FUEL TANK</b>
3	36-25392A2		1	FILLER CAP ASSEMBLY
4	10-25575		1	SCREW, VENT-FILLER CAP
5	12-49221		1	WASHER, VENT SCREW
6	24-22227		1	SPRING, TENSION - VENT SCREW
7	11-28587		1	NUT, SPEED- SPRING RETAINER
8	27-25568		1	GASKET, FILLER CAP TO FUEL TANK
-	<b>64841A1</b>		<b>1</b>	<b>COVER ASSEMBLY, COMPLETE- FUEL TANK</b>
9	64841A3		1	COVER ASS'Y, FUEL TANK (1/4-18 TAPPED HOLE)
10	32-33909A3		1	TUBE ASS'Y (1/4-18 CONNECTOR AND 1/2" TUBE)
11	54920A1		1	LENS ASSEMBLY, FUEL GAUGE
12	27-54921		1	GASKET, FUEL GAUGE LENS
-	<b>28897A2</b>		<b>1</b>	<b>FUEL GAUGE ASSEMBLY, COMPLETE</b>
13	20430		1	RETAINER, FUEL GAUGE
14	28897A1		1	INDICATOR AND FLOAT ASSEMBLY
15	20427		1	FLOAT, FUEL GAUGE
16	17-20426		1	RIVET, INDICATOR TO RETAINER
17	10-62568		2	SCREW, RETAINER TO FUEL TANK COVER (5/16")
19	27-28862		1	GASKET, COVER ASSEMBLY TO FRAME
20	28860		1	FRAME, RETAINING-FUEL TANK COVER
21	53-28903		2	FASTENER, RETAINING FRAME TO FUEL TANK
22	10-20411		4	SCREW, FUEL TANK COVER TO FUEL TANK
23	12-74711		4	WASHER, FUEL TANK COVER FASTENING SCREW

# FUEL LINE ASSEMBLY (8' AND 12')





## FUEL LINE ASSEMBLY (8' AND 12')

REF. NO.	PART NO.	SYM.	QTY.	DESCRIPTION
1	29479A33		1	FUEL LINE ASSEMBLY (8')
	29479A32		1	FUEL LINE ASSEMBLY (12')
2	58805A1		1	PRIMER BULB ASSEMBLY
3	21-57306A1		1	CHECK VALVE ASSEMBLY
4	21-57306		1	FITTING, FUEL LINE TO PRIMER BULB
5	54-27764		2	CLAMP, PRIMER BULB TO CHECK VALVE (LARGE)
6	54-55206		2	CLAMP, FUEL LINE TO CHECK VALVE (SMALL)
7	22-63187		1	CONNECTOR, FUEL LINE (FUEL TANK END)
8	22-63186		1	CONNECTOR, FUEL LINE (ENGINE END)
9	54-55206		2	CLAMP, FUEL LINE TO CONNECTOR
10	30185A1		1	BAYONET BODY ASSEMBLY (FUEL TANK END) <b>THE ENCLOSED PARTS ARE INCLUDED WITH ENGINE.</b>
11	30187		1	STEM, BAYONET BODY <b>THE ENCLOSED PARTS ARE INCLUDED WITH ENGINE.</b>
12	25-20415		1	"O" RING, BAYONET BODY STEM <b>THE ENCLOSED PARTS ARE INCLUDED WITH ENGINE.</b>
13	24-30189		1	SPRING, BAYONET BODY STEM <b>THE ENCLOSED PARTS ARE INCLUDED WITH ENGINE.</b>
14	30188		1	WASHER, CUPPED-BAYONET BODY SPRING <b>THE ENCLOSED PARTS ARE INCLUDED WITH ENGINE.</b>
15	22831A1		1	CHECK UNIT ASSEMBLY (ENGINE END)

# PARTS INDEX

Part Number	Description	Pg.	Ref. No.	Part Number	Description	Pg.	Ref. No.
20427	FLOAT, FUEL GAUGE . . . . .	53	15	34672	CAM ROLLER, THROTTLE LEVER . . . . .	49	7
20430	RETAINER, FUEL GAUGE . .	53	13	34679	PLATE, THRUST- CONTROL HOUSING . . . . .	49	11
22628	BEZEL, IGNITION SWITCH TO CONTROL HOUSING .	51	50	34682	LEVER, SHIFT-CONTROL HOUSING . . . . .	49	36
22789	"D" WASHER, WIRING HARNESS CLIP SCREW .	51	57	34689--2	LEVER,CONTROL . . . . .	49	31
22831A1	CHECK UNIT ASSEMBLY (ENGINE END) . . . . .	55	15	34992	ROLLER, DETENT SPRING .	49	3
22833	ADAPTOR, CHECK UNIT (FUEL LINE) . . . . .	19	21	35474M	COVER, LOWER MOUNT CLAMP . . . . .	39	34
23004	RETAINER, CHECK VALVE .	19	6	35608	CLAMP, LOWER MOUNT TO DRIVE SHAFT HOUSING .	37	31
23069	STEM, CHECK UNIT ADAPTOR . . . . .	19	22	36005	GRIP, CONTROL LEVER . . .	49	32
25067	BUMPER, RUBBER-MOUNTING SCREW . . . . .	37	26	37417M	COVER, TRIM-DRIVE SHAFT HOUSING . . . . .	37	4
26113	RACE, OUTER (PAIR) . . . . .	25	17	37440	BRACKET, MOUNT SUPPORT - CYLINDER BLOCK . . . . .	23	30
27912	BATTERY TERMINAL POSITIVE (WITH BOLT AND NUT) . . . . .	51	59	37445	SUPPORT, WIRING HARNESS - BOTTOM COWL . . . . .	27	7
27913	BATTERY TERMINAL, NEGATIVE (WITH BOLT AND NUT) . . . . .	51	58	37637	BOOT, FUEL CONNECTOR - BOTTOM COWL . . . . .	27	6
28203	BUMPER, STEERING ARM .	31	16	37639	MOUNT, RUBBER - TOP COWL FRAME . . . . .	3	21
28205	STRAP STOP, DRIVE SHAFT HOUSING TO SWIVEL BRACKET . . . . .	31	9	37640	MOUNT, RUBBER - SUPPORT FRAME . . . . .	3	16
28860	FRAME, RETAINING-FUEL TANK COVER . . . . .	53	20	37641	SEAL, EXHAUST TUBE . . . . .	43	37
28897A1	INDICATOR AND FLOAT ASSEMBLY . . . . .	53	14	37896	GUIDE BLOCK, LINK ROD . .	27	22
28897A2	FUEL GAUGE ASSEMBLY, COMPLETE . . . . .	53	--	37918	SEAL, EXHAUST EXTENSION PLATE . . . . .	29	4
29479A32	FUEL LINE ASSEMBLY (12')	55	1	38032	STRIP, RETAINING -EXHAUST EXTENSION PLATE . . . . .	29	5
29479A33	FUEL LINE ASSEMBLY (8')	55	1	38051	PLATE, SUPPORT-EXHAUST TUBE SEAL . . . . .	43	38
29759	SWITCH, CHOKE . . . . .	51	46	38279	LATCH, CONTROL CABLE FASTENING-ANCHOR BRACKET . . . . .	27	31
30053	COLLAR, CHOKE SWITCH TO CONTROL HOUSING .	51	47	38674	BLANKET, SOUND ABSORBING . . . . .	5	9
30185A1	BAYONET BODY ASSEMBLY (FUEL TANK END) . . . . .	55	10	39019	SPACER, LOWER-REVERSE LOCKING . . . . .	43	45
30187	STEM, BAYONET BODY . . .	55	11	39021	CAM, REVERSE LOCKING . .	43	46
30188	CUP WASHER, ADAPTOR . .	19	25	39180	JUMPER WIRE, CHOKE SWITCH TO IGNITION SWITCH . . . . .	51	48
30188	WASHER, CUPPED-BAYONET BODY SPRING	55	14	39519	CAP, BARREL RETAINER-ANCHOR . . . . .	27	24
30413	HOOK, COWL LATCH FASTENING . . . . .	5	13	39616	BOOT, CONTROL CABLES - BOTTOM COWL . . . . .	27	5
30624	SLIDE, CROSS PIN . . . . .	45	53	39618	LEVER, NYLON-SHIFT CABLE LOCKING . . . . .	27	25
30625	FOLLOWER, CAM . . . . .	45	52	39667	COVER, NYLON-SHIFT CABLE . . . . .	27	27
30795	JUMPER WIRE, SAFETY SWITCH TO IGNITION SWITCH . . . . .	51	51	45194A27	POWER TRIM KIT( OPTIONAL) . . . . .	1	-
31014	MOUNT, RUBBER - REAR SUPPORT BRACKET . . . . .	3	25	45876	WIRING HARNESS, EXTERNAL . . . . .	51	45
31640A1	TRIM TAB, GEAR HOUSING	45	74				
32435	PLATE, FACE-WATER PUMP BASE TO WATER PUMP BODY . . . . .	41	21				
34621	SWITCH, SAFETY . . . . .	51	52				
34670--2	LEVER, NEUTRAL WARM-UP	49	17				
34671	LEVER, THROTTLE-CONTROL HOUSING . . . . .	49	4				

# PARTS INDEX

Part Number	Description	Pg.	Ref. No.	Part Number	Description	Pg.	Ref. No.
45887	CONNECTOR, TACHOMETER LEAD TO REMOTE CONTROL . . . .	49	24	55455	HOOK, TOP COWL LATCH - REAR . . . . .	3	12
45939--2	HOUSING, REMOTE CONTROL(PORT) . . . . .	49	28	56029	COVER, STARTER MOTOR (UPPER) . . . . .	21	3
45940	CAP, TACHOMETER LEAD CONNECTOR . . . . .	49	25	56074A9	PLUNGER AND LINK ASSEMBLY . . . . .	15	7
46265	BOOT, TERMINAL - STARTER SOLENOID . . .	13	19	56349	SHAFT, REVERSE LOCK PIVOT . . . . .	33	28
46785A1	COWL LATCH ASSEMBLY . .	5	12	56703	COLLAR, RUBBER - STARTER MOTOR . . . . .	13	2
46933A2	GROUND STRAP ASSEMBLY,TRIM COVER SCREW . . . . .	37	7	57247	STOP, RUBBER - STARTER MOTOR . . . . .	13	4
46933A3	GROUND STRAP ASSEMBLY, EXHAUST COVER SCREW . . . . .	23	32	58124A19	MERCURY SWITCH ASSEMBLY . . . . .	7	17
47341A1	ROPE, STARTER (FOR MANUAL STARTING ONLY) . . . . .	5	7	58805A1	PRIMER BULB ASSEMBLY .	55	2
47558	ROD, PUSH-REVERSE LOCK(LONG SHAFT) . . . .	37	13	59369	FACE CAM . . . . .	49	22
47559	YOKE, PUSH ROD . . . . .	37	15	60304A54	SHIFT SHAFT ASSEMBLY, UPPER (LONG SHAFT) . .	27	14
47591	ROD, PUSH-REVERSE LOCK(SHORT SHAFT) . . .	37	13	60304A55	SHIFT SHAFT ASSEMBLY, UPPER (SHORT SHAFT) .	27	14
47802	TUBE, TILT LOCK-SHORT SHAFT . . . . .	33	19	60572	BARREL, NYLON - LEVER AND ARM . . . . .	11	21
48039	CAP, NYLON - ADJUSTING SCREW . . . . .	11	12	61787	HOLDER, BRUSH . . . . .	47	16
48752	INSERT, WATER PUMP BODY . . . . .	41	24	62351A1	RECTIFIER ASSEMBLY . . . .	13	9
52023	CAP, NYLON - ADJUSTING SCREW . . . . .	11	15	63319	RETAINER, SPARK PLUG WIRE . . . . .	9	52
52023	CAP, NYLON - ADJUSTING SCREW . . . . .	11	8	64841A1	COVER ASSEMBLY, COMPLETE- FUEL TANK .	53	-
52100	WEAR PLATE, LINK ROD . .	27	30	64841A3	COVER ASS'Y, FUEL TANK (1/4-18 TAPPED HOLE) . .	53	9
52468	BRACKET, TOP COWL SUPPORT - REAR . . . . .	3	24	65370	TUBE, EXHAUST(SHORT SHAFT) . . . . .	37	10
52699	COVER, GEAR HOUSING . .	45	73	65638	BOOT, EXHAUST TUBE . . . .	37	11
52732	BRACKET,ANCHOR- CONTROL CABLES . . . . .	27	23	65799	LINK, LOCKING LEVER TO COVER . . . . .	27	28
52739	HINGE, COWL LATCH - TOP COWL . . . . .	3	9	65800	PACKING, CARRIER . . . . .	25	5
52887	GUIDE, PUSH ROD- REVERSE LOCKING . . . .	37	12	66096A1	PLATE ASSEMBLY, EXHAUST EXTENSION . .	29	1
52889	NOZZLE, TELL TALE HOSE TO BOTTOM COWL . . . . .	27	11	66336	MOUNT, RUBBER-LOWER( SHORT SHAFT) . . . . .	37	24
53078	CAP, PLASTIC-TILT TUBE . .	33	7	66517	RESTRICTOR, CRANKCASE BLEED . . . . .	21	11
53665	INSERT, COUPLING . . . . .	15	18	68575	DRIVE ASSEMBLY . . . . .	47	4
53720A2	COUPLING ASSEMBLY (LOWER CARBURETOR) .	15	17	69205	"D" WASHER, CLIP SCREW	7	24
54196A6	CARRIER ASSEMBLY . . . .	25	4	69205	"D" WASHER, HARNESS CLAMP SCREW . . . . .	9	45
54211	SWITCH, IGNITION (WITH KEYS) KEY PART #C- 30431 . . . . .	51	49	70692	REVERSE LOCK ASSEMBLY	33	26
54293A4	CHOKE SOLENOID ASSEMBLY . . . . .	15	1	73189	PLATE, SWITCH BOX . . . . .	7	7
54346	CAM, SHIFT . . . . .	45	51	73192	COVER, IGNITION COIL . . .	7	34
54920A1	LENS ASSEMBLY, FUEL GAUGE . . . . .	53	11	73320	COVER, TRANSFER PORT - TOP . . . . .	23	27
55278A2	DIAPHRAGM ASSEMBLY . .	19	3	73321	COVER, TRANSFER PORT - BOTTOM . . . . .	23	27
				73374	LINK ROD, THROTTLE . . . .	11	22
				73395	PLATE, MOUNTING - IGNITION COIL . . . . .	7	29
				73396	FRAME, FRONT SUPPORT .	3	32
				73400	CHOKE ROD . . . . .	15	8
				73401	FRAME, SUPPORT - TOP COWL . . . . .	3	15

# PARTS INDEX

Part Number	Description	Pg.	Ref. No.	Part Number	Description	Pg.	Ref. No.
73402	SHIFT LINK	27	17	76714A	ELECTRIC REMOTE ASSEMBLY, COMPLETE	49	-
73404	LATCH, THROTTLE LEVER (THROTTLE CABLE)	11	2	76714A10	REMOTE CONTROL	1	-
73408	PLATE, CARBURETOR	15	23	76867	COVER, STARTER MOTOR (LOWER)	21	6
73414	ARM, SPARK ADVANCE	11	9	77000A2	TRIGGER PLATE ASSEMBLY	7	40
73416	LEVER, THROTTLE	11	1	77001	HOUSING, THROTTLE CAM	11	24
73432	CAM, THROTTLE	11	23	77010	LINK ROD, SPARK ADVANCE	11	26
73434A1	FUEL PUMP ASSEMBLY	19	1	77158	SPACER, THROTTLE CAM HOUSING	11	32
73436	PLATE, BAFFLE - EXHAUST MANIFOLD	23	20	77520A1	BEARING CARRIER ASSEMBLY	45	68
73647	SEAL, CARBURETOR PLATE	15	27	77672	STRAP, PRIMARY HARNESS	7	37
73755A1	CHOKE KNOB ASSEMBLY	15	9	77885	COVER, FUEL PUMP	19	10
73786	KNOB, COWL FRONT COVER FASTENING	5	2	78184	TUBE, EXHAUST(LONG SHAFT)	37	10
73847	ACTUATOR, THROTTLE (UPPER CARBURETOR)	15	21	78277A1	COVER, EXHAUST MANIFOLD	23	22
73984M	YOKE, BOTTOM	31	13	78278	RETAINER, WIRE	9	49
74199	EXHAUST TUBE	29	18	10-20037	SCREW, CHECK VALVE TO FUEL PUMP (1/4")	19	7
74257A3	PLATE ASSEMBLY, DRIVE SHAFT HOUSING	29	14	10-20359	SCREW, CENTER MAIN BEARING LOCKING (1")	21	15
74303	COVER, AIR INLET	27	2	10-20411	SCREW, FUEL TANK COVER TO FUEL TANK	53	22
74528	TUBE, TILT-CLAMP BRACKET TO SWIVEL BRACKET	33	4	10-20619	SCREW, SWITCH BOX TO PLATE (1 3/8")	7	13
75043	COVER, THUMB SCREW	33	3	10-20646	SCREW, TERMINAL BLOCK TO PLATE (5/8")	7	20
75282	THRUST HUB	45	79	10-21937	SCREW, LOWER SHOCK PIN, (2") -LONG SHAFT	33	31
75296	MOUNT, RUBBER-UPPER( LONG SHAFT)	37	18	10-22956	SCREW, REAR HOOK TO TOP COWL (7/8")	3	14
75297	MOUNT, RUBBER-UPPER( SHORT SHAFT)	37	18	10-22968	SCREW, CENTER MAIN BEARING CLAMPING	25	19
75298	MOUNT, RUBBER-LOWER( LONG SHAFT)	37	22	10-24234	SCREW, ANCHOR BRACKET TO CYLINDER BLOCK(1")	27	29
75300	MOUNT, RUBBER-LOWER( SHORT SHAFT)	37	22	10-24234	SCREW, BRACKET TO CYLINDER BLOCK (1")	23	31
75381	PLATE ASSEMBLY, DRIVE END	47	5	10-25299	SCREW, RETAINER TO TOP COWL (3/4")	3	4
75384	BRUSH SET	47	10	10-25575	SCREW, VENT-FILLER CAP	53	4
75386	ARMATURE	47	9	10-27281	SCREW, FUEL PUMP TO UPPER TRANSFER COVER (1 3/8")	19	13
75387	END CAP ASSEMBLY, COMMUTATOR	47	18	10-28200	SCREW, STRAP STOP TO HOUSING(3 7/8")-LONG SHAFT	31	10
76062A1	SHAFT ASSEMBLY, SHIFT	43	39	10-28635	SCREW, PLATE TO CARBURETOR (5/8")	15	26
76158A1	SWIVEL ASSEMBLY, LINK ROD TO ARM	11	27	10-28638	SCREW, COVER TO FRONT SUPPORT FRAME (3/4")	3	37
76198	COVER, WATER JACKET - CYLINDER BLOCK	23	16	10-28668	SCREW, MOUNTING PLATE TO CRANKCASE (7/8")	7	30
76226A1	COVER ASSEMBLY, SILENCER	3	35	10-29256	SCREW, LOWER MOUNT CLAMP TO DRIVE SHAFT HOUSING (7/8")	39	33
76367	POINTER, TIMING	23	7	10-29722	SCREW, COVER TO LOWER CLAMP MOUNT (5/8")	39	36
76385	TILT LOCK ASSEMBLY, PORT	33	18				
76386	TILT LOCK ASSEMBLY, STARBOARD	33	17				
76387	TUBE, TILT LOCK-LONG SHAFT	33	19				
76433	SHIELD, TOP COWL - REAR	3	6				
76434	SEAL, SOUND ABSORBING	5	8				
76440	RETAINER ASSEMBLY, TOP COWL	3	2				
76505	PAD, BUMPER - TOP COWL RETAINER	3	3				

# PARTS INDEX

Part Number	Description	Pg.	Ref. No.	Part Number	Description	Pg.	Ref. No.
10-30225	SCREW, END CAP MOUNTING (1")	23	14	10-47220	SCREW, THRUST PLATE TO NEUTRAL WARM-UP LEVER	49	12
10-30720	SCREW, WATER PUMP BODY TO GEAR HOUSING (2 1/4")	41	29	10-47828	SCREW, DRIVE-SWIVEL BRACKET	31	5
10-30902	SCREW, SAFETY SWITCH TO CONTROL HOUSING	51	54	10-48408	SCREW, CLAMP TO CRANKCASE (1/2")	7	44
10-31984	SCREW, COVER TO CRANKCASE (1 3/8")	21	4	10-48408	SCREW, CLIP TO PLATE (3/8")	7	23
10-32417	SCREW, FLEXIBLE PLATE TO FLYWHEEL (5/8")	7	6	10-48408	SCREW, STRAP ATTACHING	7	37A
10-34676	SCREW, SHIFT LEVER TO CONTROL HOUSING	49	38	10-48408	SCREW, TELL TALE NOZZLE TO BOTTOM COWL (1/2")	27	12
10-34676	SCREW, THROTTLE LEVER TO NEUTRAL WARM-UP LEVER	49	5	10-48408	SCREW, WIRE RETAINER	9	50
10-34900	SCREW, REMOTE CONTROL TO BOAT (4 1/4")	51	42	10-49318	SCREW, UPPER MOUNT(5 1/2")	37	23
10-35385	SCREW, COVER TO CRANKCASE (1 3/4")	21	4	10-49554	BOLT, STEERING ARM TO UPPER MOUNT(5 7/8")	31	17
10-35585	SCREW, TIMING POINTER ATTACHING (3/4")	23	8	10-49668	SCREW, TRANSFER PORT COVER MOUNTING (3/4")	23	29
10-37260	SCREW, TERMINAL BLOCK TO CONTROL HOUSING( 7/16")	49	27	10-52743	SCREW, CARBURETOR TO CRANKCASE (3 3/4")	15	16
10-37260	SCREW, WIRING HARNESS CLIP TO CONTROL HOUSING (7/16")	51	56	10-53016	SCREW, CRANKCASE TO CYLINDER BLOCK (1 1/4")	21	13
10-37342	SCREW, GRIP TO CONTROL LEVER (7/16")	49	33	10-53167	SCREW, WATER JACKET COVER TO CYLINDER BLOCK (7/8")	23	17
10-37370	SCREW, COVER TO FUEL PUMP (5/8")	19	11	10-53576	SCREW, MANIFOLD COVER MOUNTING (1 1/8")	23	23
10-37370	SCREW, SHIELD TO TOP COWL (5/8")	3	7	10-54803	SCREW, CAP TO CONNECTING ROD	25	26
10-37562	SCREW, REAR BRACKET TO FRAME (1")	3	28	10-55337	SCREW, LEVER AND ARM TO CYLINDER BLOCK (1 3/4")	11	16
10-37562	SCREW, REAR SUPPORT BRACKET TO BOTTOM COWL (1")	3	30	10-56743	SCREW, STRAP STOP TO HOUSING (3 1/8")-SHORT SHAFT	31	10
10-37562	SCREW, SILENCER COVER	3	33	10-57807	SCREW, TRIM COVER TO BOTTOM COWL(3/4")	37	5
10-37562	SCREW, SUPPORT FRAME TO FRONT FRAME (1")	3	19	10-57841	SCREW, CRANKCASE TO CYLINDER BLOCK (2 3/4")	21	13
10-37571	SCREW, MERCURY SWITCH TO PLATE (1/2")	7	18	10-59645	SCREW, CHOKE SOLENOID TO FRONT BRACKET (3/4")	15	2
10-37571	SCRWE, SEAL AND RETAINING STRIP TO EXH. PLATE (1/2")	29	6	10-59645	SCREW, SWITCH BOX PLATE TO CYLINDER BLOCK (3/4")	7	9
10-37655	SCREW, WIRE TO TERMINAL BLOCK (1/2")	7	21	10-59702	SCREW, LATCH TO THROTTLE LEVER (7/8")	11	3
10-37656	SCREW, RECTIFIER TO PLATE (5/8")	13	10	10-60293	SCREW, ACTUATOR TO UPPER CARBUERTOR (1/2")	15	22
10-37941	SCREW, REMOTE CONTROL HOUSING CLAMPING	49	40	10-60605	SCREW, HOUSING TO CRANKCASE (3/4")	11	25
10-38601	SCREW, SOLENOID TO BOTTOM COWL (5/8")	13	20	10-61010	SCREW, EXHAUST TUBE TO DRIVE SHAFT HOUSING PLATE (3/4")	29	19
10-39767	SCREW, COVER TO CRANKCASE (1 7/8")	21	7	10-62204	SCREW, REED STOP MOUNTING	25	12
10-45775	SCREW, MAIN BEARING CLAMPING	25	8	10-62568	SCREW, COVER TO BOTTOM COWL (3/8")	27	3

# PARTS INDEX

Part Number	Description	Pg.	Ref. No.	Part Number	Description	Pg.	Ref. No.
10-62568	SCREW, GROUND STRAP ATTACHING	37	8	10-73657	SCREW, CRANKCASE TO CYLINDER BLOCK (1 1/2")	21	14
10-62568	SCREW, GROUND STRAP ATTACHING (3/8")	23	33	10-73658	SCREW, COVER TO CRANKCASE (5 1/2")	21	7
10-62568	SCREW, RETAINER TO FUEL TANK COVER (5/16")	53	17	10-75385	BOLT, THRU-PLATE TO END CAP	47	6
10-62568	SCREW, WIRE TO CHOKE ROD	15	13	10-75840	SCREW, STATOR TO UPPER END CAP (7/8")	7	39
10-65210	SCREW, GEAR HOUSING TO DRIVE SHAFT HOUSING(1")	45	78	10-76196	SCREW, WIRE TO CHOKE KNOB	15	10
10-66023	SCREW, ADAPTOR PLATE TO HOUSING PLATE (2")	29	8	10-78492A1	THUMB SCREW ASSEMBLY	33	2
10-66023	SCREW, HOUSING PLATE TO DRIVE SHAFT HOUSING (2")	29	9	10-78495	SCREW, THUMB SCREW	33	2A
10-66024	SCREW, TRIM TAB TO GEAR HOUSING (1 3/4")	45	75	10-79953	SCREW, GREASE FILLER AND VENT HOLE	43	47
10-66104	SCREW, COUPLING TO CARBURETOR (3/4")	15	19	11-20013	NUT, RETAINER SCREW	9	54
10-68298	BOLT, CLAMP BRACKET TO BOAT TRANSOM(3 1/4")	33	13	11-20110	NUT, LINK ROD SWIVEL	11	31
10-68299	BOLT, CLAMP BRACKET TO TRANSOM (3")	33	13	11-20890	NUT, INPUT STUD	47	15
10-68586	SCREW, BRUSH AND HOLDER TO CAP	47	17	11-24652	NUT, REMOTE CONTROL TO BOAT TRANSOM	51	44
10-68909	SCREW, CONTROL LEVER TO FACE CAM (1 1/2")	49	34	11-24656	NUT, CAM ROLLER TO THROTTLE LEVER PIN	49	10
10-68997	SCREW, PLATE/HUB TO FLEXIBLE PLATE (3/4")	7	5	11-25096	NUT, MOUNT SCREW	37	25
10-69020	SCREW, WIRING HARNESS CLAMP TO BOTTOM COWL (7/8")	13	25	11-25269	NUT, STRAP STOP FASTENING SCREW	31	11
10-69029	SCREW, ADAPTOR TO BOTTOM COWL (1 3/4")	19	26	11-28587	NUT, SPEED- SPRING RETAINER	53	7
10-69029	SCREW, SUPPORT TO COWL (1 3/4")	27	8	11-28770	NUT, CLAMP BRACKET STUD	33	11
10-69035	SCREW, WIRING HARNESS TO STARTER MOTOR (5/8")	13	8	11-28770	NUT, RUBBER MOUNT	3	18
10-69046	SCREW, COVER TO MOUNTING PLATE (2")	7	35	11-29489	NUT, GEAR HOUSING AND DRIVE SHAFT HOUSING STUDS	37	29
10-69100	SCREW, CYLINDER BLOCK COVER MOUNTING (1")	23	26	11-29598	NUT, RUBBER MOUNT TO REAR SUPPORT BRACKET	3	27
10-69375	SCREW, UPPER AND LOWER SHOCK MOUNTING PIN	35	39	11-34688	NUT, REMOTE CONTROL HOUSING CLAMPING SCREW	49	41
10-70939	SCREW, FUEL PUMP TO UPPER TRANSFER COVER (1 7/8")	19	13	11-34932	NUT, POWERHEAD STUDS	29	22
10-73169	SCREW, END CAP MOUNTING (1")	23	6	11-34933	NUT, GEAR HOUSING AND DRIVE SHAFT HOUSING STUDS	37	27
10-73654	SCREW, ADJUSTING - THROTTLE LEVER (1 3/4")	11	6	11-34933	NUT, GEAR HOUSING TO DRIVE SHAFT HOUSING STUDS	45	77
10-73655	SCREW, ADJUSTING - SPARK ADVANCE ARM (2")	11	13	11-34933	NUT, STEERING ARM BOLT FASTENING	31	18
10-73656	SCREW, ADJUSTING - SPARK ADVANCE ARM (1 3/8")	11	10	11-34933	NUT, UPPER MOUNT BOLT	37	21
				11-35521	NUT, LOWER MOUNT CLAMP COVER	39	35
				11-35814	NUT, WATER PUMP BODY FASTENING STUD	43	34
				11-35888	NUT, RUBBER MOUNT (UPPER)	3	22
				11-35888	NUT, WATER PUMP FASTENING SCREW	43	32
				11-35921	NUT, PINION GEAR TO DRIVE SHAFT	41	10
				11-36069	NUT, ADAPTOR SCREW	19	27
				11-36069	NUT, LATCH SCREW	11	5

# PARTS INDEX

Part Number	Description	Pg.	Ref. No.	Part Number	Description	Pg.	Ref. No.
11-36069	NUT, LINK ROD	27	19	12-29245	WASHER, WATER PUMP BODY FASTENING SCREW AND STUD	43	31
11-36069	NUT, WIRING HARNESS SUPPORT SCREW	27	9	12-30164	WASHER, COVER SCREW	7	36
11-45076	NUT, IGNITION COIL TERMINAL	7	33	12-30164	WASHER, COVER SCREW	27	3A
11-45076	NUT, RECTIFIER TERMINAL	13	13	12-30164	WASHER, WIRING HARNESS CLAMP SCREW	13	26
11-45076	NUT, SWITCH BOX TERMINAL	7	16	12-30771	WASHER, COVER FASTENING KNOB (RUBBER)	5	3
11-45774	NUT, MAIN BEARING CLAMPING SCREW	25	9	12-31263	WASHER, UPPER MOUNT BOLT	37	20
11-46887	NUT, LOWER SHOCK PIN SCREW -LONG SHAFT	33	32	12-33786	WASHER, LINK ROD SWIVEL	11	30
11-46887	NUT, MAIN BEARING CLAMPING SCREW	25	20	12-34675	WASHER, SHIFT LEVER SCREW	49	39
11-46887	NUT, RUBBER MOUNT (LOWER)	3	23	12-34675	WASHER, THROTTLE LEVER SCREW	49	6
11-47661	NUT, JAM-PUSH ROD	37	14	12-34680	WASHER, CAM ROLLER PIN	49	9
11-49091	NUT, CONNECTING ROD SCREW	25	27	12-35462	WASHER, LINK ROD (SHIFT LEVER END)	27	18
11-52707	NUT, PROPELLER	45	83	12-36001	WASHER, CLAMP BRACKET STUD	33	9A
11-52901	NUT, FLYWHEEL	7	1	12-36001	WASHER, WATER PUMP BODY FASTENING STUD	43	33
11-53153	NUT, REED STOP MOUNTING SCREW	25	13	12-38013	WASHER, INPUT STUD	47	13
11-56041	NUT, TILT TUBE FASTENING	33	6	12-45176	WASHER, GEAR HOUSING TO DRIVE SHAFT HOUSING STUDS	37	28
11-64015	NUT, STARTER MOTOR TERMINAL	13	7	12-45176	WASHER, GEAR HOUSING TO DRIVE SHAFT HOUSING STUDS	37	30
11-64484	NUT, JAM - ADJUSTING SCREW	11	14	12-45176	WASHER, GEAR HOUSING TO DRIVE SHAFT HOUSING STUDS	45	76
11-64484	NUT, JAM - ADJUSTING SCREW	11	7	12-46765	WASHER, LEVER AND ARM SCREW	11	20
11-68219	NUT, CHOKE SOLENOID TERMINAL	15	6	12-47247	WASHER, NEEDLE LOCATING	25	30
11-68219	NUT, JAM - ADJUSTING SCREW	11	11	12-47840	WASHER, RUBBER-UPPER MOUNT BOLT	37	19
11-68219	NUT, SOLENOID TERMINAL (#10)	13	16	12-49221	WASHER, VENT SCREW	53	5
11-68292	NUT, SOLENOID TERMINAL (5/16")	13	18	12-52864	WASHER, CLAMP BRACKET TILT TUBE	33	5
11-68411	NUT, CLAMP BRACKET BOLT	33	15	12-56720	WASHER, SWITCH BOX PLATE SCREW	7	10
11-68580	NUT, RETAINING-DRIVE ASSEMBLY	47	1	12-57383	WASHER, THRUST-ARMATURE	47	8
11-69254	NUT, CRANKCASE STUDS TO EXHAUST EXTENSION PLATE	29	10	12-57388	WASHER, INSULATING-INPUT STUD	47	12
12-20260	WASHER, GREASE FILLER AND VENT HOLE SCREW	43	48	12-68229	WASHER, FLYWHEEL NUT	7	2
12-20346	WASHER, REMOTE CONTROL SCREW	51	43	12-68300	WASHER, CLAMP BRACKET BOLT	33	14
12-20533	WASHER, TIMING POINTER SCREW	23	9	12-68410	WASHER, CLAMP BRACKET BOLT	33	14
12-21273	WASHER, WIRE RETAINER SCREW	9	51	12-69342	WASHER, SWIVEL PIN-UPPER	31	3
12-25970	WASHER, CRANKCASE STUDS TO EXHAUST EXTENSION PLATE	29	11	12-69374	WASHER, UPPER/LOWER SHOCK MOUNTING PIN(LOWER)	35	38
12-25970	WASHER, POWERHEAD STUDS	29	21				
12-28196	WASHER, UPPER BUSHING REAINER(INNER)	35	35				

# PARTS INDEX

Part Number	Description	Pg.	Ref. No.	Part Number	Description	Pg.	Ref. No.
12-70132	WASHER, WATER JACKET COVER FASTENING SCREW	23	18	13-29720	WASHER, WAVE-LINK ROD	27	20
12-74711	WASHER, FUEL TANK COVER FASTENING SCREW	53	23	13-34678	WASHER, WAVE-NEUTRAL WARM-UP LEVER	49	18
12-74726	WASHER, COUPLING SCREW	15	20	13-37371	LOCKWASHER, SHIELD SCREW	3	8
12-75246	WASHER, COVER FASTENING KNOB (STEEL)	5	4	13-38019	LOCKWASHER, INPUT STUD	47	14
12-76388	WASHER, TILT LOCK( STARBOARD SIDE ONLY) -LONG SHAFT	33	23	13-39107	LOCKWASHER, RETAINER FASTENING SCREW	3	5
12-76805	WASHER, THRUST-BEARING CARRIER TO GEAR HOUSING	45	65	13-60861	WASHER, WAVE-THROTTLE LEVER	51	60
12-77674	WASHER, RUBBER-SHIFT SHAFT BUSHING	43	44	13-61789	LOCKWASHER, THRU BOLT	47	7
12-78493	WASHER, THUMB SCREW	33	2B	13-69150	WASHER, WAVE-TILT LOCK TUBE -SHORT SHAFT	33	21
13-26992	LOCKWASHER, CONTROL LEVER SCREW	49	35	13-69150	WASHER, WAVE-TILT LOCK( STARBOARD SIDE ONLY) -LONG SHAFT	33	21
13-26992	LOCKWASHER, EXHAUST TUBE SCREW	29	20	14-20091	TAB WASHER, BEARING LOCKING SCREW	21	16
13-26992	LOCKWASHER, REAR HOOK MOUNTING SCREW	3	13	14-31210	TAB WASHER, PROPELLER NUT	45	82
13-26992	LOCKWASHER, RUBBER MOUNT TO REAR SUPPORT BRACKET	3	26	14-52700	TAB WASHER, GEAR HOUSING COVER	45	72
13-26992	LOCKWASHER, STARTER MOTOR TERMINAL	13	6	15-20085A1	SHIM, END CAP TO CRANKCASE (.002-3-5-10)	23	13
13-26992	LOCKWASHER, WATER PUMP BODY SCREW	43	30	15-30923A1	SHIM, BEARING OUTER RACE TO GEAR HSG. (.002-3-5-10)	45	55
13-26992	WASHER, SOLENOID SCREW	13	21	15-57007A1	SHIM, ROLLER BEARING TO WATER PUMP BASE	41	11
13-26993	LOCKWASHER, CHOKE SOLENOID SCREW	15	3	15-73644A1	SHIM ASSEMBLY, END CAP TO CRANKCASE (.006-8-10)	23	5
13-26993	LOCKWASHER, CLAMP BRACKET STUD	33	10	16-30667	STUD, WATER PUMP BASE AND BODY TO GEAR HOUSING (3 1/8")	41	6
13-26993	LOCKWASHER, COVER SCREW	21	5	16-56295	STUD, DRIVE SHAFT HOUSING TO GEAR HOUSING(2 11/16")	37	2
13-26993	LOCKWASHER, FRAME SCREW	3	34	16-56297	STUD, WATER PUMP BASE AND BODY TO GEAR HOUSING (3 3/8")	41	5
13-26993	LOCKWASHER, REAR BRACKET SCREW	3	29	16-57920	STUD, GEAR HOUSING TO DRIVE SHAFT HOUSING (2 1/16")	41	4
13-26993	LOCKWASHER, REAR SUPPORT BRACKET SCREW	3	31	16-57921	STUD, GEAR HOUSING TO DRIVE SHAFT HOUSING(4")	41	3
13-26993	LOCKWASHER, RUBBER MOUNT	3	17	16-59625	STUD, CLAMP BRACKET	33	9
13-26993	LOCKWASHER, SOLENOID TERMINAL (5/16")	13	17	16-64281	STUD, CRANKCASE TO DRIVE SHAFT HOUSING (1 7/8")	21	8
13-26993	LOCKWASHER, SUPPORT FRAME SCREW	3	20	16-64282	STUD, CYLINDER BLOCK TO EXHAUST EXTENSION PLATE (4")	21	12
13-26996	LOCKWASHER, CHOKE SOLENOID TERMINAL	15	5	17-20009	PIN, DETENT-CONTROL HOUSING NEUTRAL WARM-UP LEVER	49	13
13-26996	LOCKWASHER, SOLENOID TERMINAL (#10)	13	15	17-20032	DOWEL PIN, CENTER MAIN BEARING	25	15
13-29402	WAVE WASHER, LINK ROD SWIVEL	11	29	17-20032	DOWEL PIN, MAIN BEARING	25	7



# PARTS INDEX

Part Number	Description	Pg.	Ref. No.	Part Number	Description	Pg.	Ref. No.
17-20033	PIN, DOWEL - CRANKCASE TO CYLINDER BLOCK . . .	21	9	22-63187	CONNECTOR, FUEL LINE (FUEL TANK END) . . . . .	55	7
17-20426	RIVET, INDICATOR TO RETAINER . . . . .	53	16	22-63187	FITTING, FUEL LINE TO ADAPTOR . . . . .	19	20
17-23784	DOWEL PIN, DRIVE SHAFT HOUSING PLATE . . . . .	29	16	22-64704	ELBOW, CARBURETOR . . .	15	15
17-23784	DOWEL PIN, EXHAUST PLATE . . . . .	29	3	22-64705	FITTING, FUEL PUMP (OUTLET) . . . . .	19	14
17-25598	PIN, REVERSE LOCK SPRING ATACHING . . . . .	31	7	22-65348	TEE, BALANCE HOSE TO CYLINDER BLOCK - LOWER . . . . .	21	23
17-29077	ROLL PIN, TENSION SPRING TO KNOB . . . . .	5	6	22-65857	FITTING, AIR INLET COVER	21	25
17-30632	PIN, CROSS-RATCHET TO PROPELLER SHAFT . . . . .	45	60	22-67892	SCREW, DRAIN(MAGNETIC)	43	47
17-34673	PIN, CAM ROLLER TO THROTTLE LEVER . . . . .	49	8	22-68307	PLUG, PIPE - CYLINDER BLOCK COVER . . . . .	23	34
17-34692	PIN, SHIFT AND THROTTLE LEVERS . . . . .	49	20	22-73318	TEE, FUEL LINE . . . . .	19	16
17-35973	DOWEL PIN, WATER PUMP BASE TO WATER PUMP BODY . . . . .	41	19	22-74036	FITTING, GREASE . . . . .	31	6
17-39023	PIN, PUSH ROD TO REVERSE LOCK . . . . .	37	16	22-78279	ELBOW, TELL TALE HOSE TO CYLINDER BLOCK . . .	27	13
17-46912	DOWEL PIN, GEAR HOUSING LOCATING . . .	41	2	22-85822A1	CONNECTOR ASSEMBLY, SPEEDOMETER	41	1A
17-47175	PIN, LOCKING LEVER AND COVER FASTENING . . . . .	27	26	23-26856	BUSHING, NYLON - LINK ROD SWIVEL . . . . .	11	28
17-47246	DOWEL PIN, (STEPED) . . .	25	21	23-26856	BUSHING, SHIFT SHAFT . . .	27	16
17-49930A1	TILT LOCK PIN ASSEMBLY .	33	12	23-27132	BUSHING, NYLON-EXHAUST EXTENSION PLATE . . . . .	29	2
17-58998	PIN, COWL LATCH LEVER TO HINGE . . . . .	3	11	23-28198	BUSHING, RUBBER-SHOCK ABSORBER (LOWER) . . . . .	35	37
17-63779	PIN, DOWEL - CYLINDER BLOCK TO MAIN BEARING	21	10	23-29804	SLEEVE, GUIDE-WATER INLET TUBE . . . . .	43	36
17-73593M1	SWIVEL PIN ASS'Y (LONG SHAFT) . . . . .	31	12	23-32171	BUSHING, RUBBER-SHOCK ABSORBER (UPPER) . . . . .	35	36
18-25191	COTTER PIN, PUSH ROD PIN . . . . .	37	17	23-33589	BUSHING, NYLON - SHIFT LEVER (5/8" I.D.) . . . . .	49	37
18-29623	COTTER PIN, SHIFT AND THROTTLE LEVER PINS .	49	21	23-33589	BUSHING, NYLON-NEUTRAL WARM-UP LEVER (5/8" I.D.) . . . . .	49	19
18-45882	COTTER PIN, REVERSE LOCK TO SHAFT . . . . .	33	29	23-34677	BUSHING, NYLON- FACE CAM (1" I.D.) . . . . .	49	23
18-47959	COTTER PIN, TILT LOCK . .	33	25	23-37961--2	SLEEVE, SAFETY SWITCH LEADS . . . . .	51	53
19-20011	WELCH PLUG, DETENT PIN AND SPRING RETAINING	49	16	23-47803	BUSHING, TULT LOCK TUBE -SHORT SHAFT . . . . .	33	20
19-45907	PLUG, FLYWHEEL PULLER THREADS . . . . .	7	3	23-55164	BUSHING, LEVER AND ARM SCREW . . . . .	11	17
19-64649	PLUG, PLASTIC-TRIM TAB SCREW HOLE . . . . .	37	3	23-55171	BUSHING, FLANGE - LEVER AND ARM SCREW . . . . .	11	18
21-30430A5	CHECK VAVLE ASSEMBLY .	19	2	23-56774	SPACER, COLLAR TO BRACKET . . . . .	13	3
21-57306	FITTING, FUEL LINE TO PRIMER BULB . . . . .	55	4	23-57387	BUSHING, INSULATING- INPUT STUD . . . . .	47	11
21-57306A1	CHECK VALVE ASSEMBLY .	55	3	23-59624	SPACER, CLAMP BRACKET STUD . . . . .	33	8
21-77560	CHECK VALVE, BLEED HOSE - TOP . . . . .	21	17	23-61788	SPACER, DRIVE ASSEMBLY	47	2
21-77561	CHECK VALVE, BLEED HOSE - BOTTOM . . . . .	21	20	23-69132	BUSHING, PIVOT SHAFT . . .	35	40
22-25885	ELBOW, BALANCE HOSE TO CYLINDER BLOCK - UPPER . . . . .	21	21	23-69341	BUSHING, SWIVEL BRACKET . . . . .	31	2
				23-70412	SPACER, ROLLER BEARING TO WATER PUMP BASE .	41	11

# PARTS INDEX

Part Number	Description	Pg.	Ref. No.	Part Number	Description	Pg.	Ref. No.
23-77631A2	BUSHING ASSEMBLY,SHIFT SHAFT .....	43	42	26-29476	OIL SEAL .....	23	11
24-20099	SPRING, LATCH SCREW ...	11	4	26-29476	OIL SEAL .....	23	3
24-20099	SPRING, LINK ROD TO GUIDE BLOCK .....	27	21	26-31489	OIL SEAL, WATER PUMP BASE .....	41	17
24-22227	SPRING, TENSION - VENT SCREW .....	53	6	26-37448	OIL SEAL, SWIVEL BRACKET .....	31	4
24-23067	SPRING, ADAPTOR STEM .	19	24	26-38970	SEAL, RUBBER-WATER INLET TUBE .....	41	26
24-28975	SPRING, GARTER - INTERNAL WIRING HARNESS .....	13	23	26-38970	SEAL,RUBBER-WATER INLET TUBE(DRIVE SHAFT HSG. PLATE) ....	29	15
24-29821	SPRING, REVERSE LOCK( SHORT SHAFT) .....	33	27	26-60898	SEAL, DRIVE SHAFT HOUSING PLATE .....	29	13
24-30189	SPRING, BAYONET BODY STEM .....	55	13	26-76384	OIL SEAL,SHIFT SHAFT HOUSING .....	43	43
24-30622	SPRING, COMPRESSION- CAM FOLLOWER .....	45	54	26-76868	OIL SEAL, BEARING CARRIER .....	45	70
24-30893	SPRING, RETAINING- CROSS PIN .....	45	61	26-79884	OIL SEAL, WATER PUMP BASE .....	41	18
24-32271	SPRING, TENSION - COVER FASTENING KNOB .....	5	5	27-25568	GASKET, FILLER CAP TO FUEL TANK .....	53	8
24-34683	SPRING, DETENT- CONTROL HOUSING .....	49	2	27-25848	GASKET, COVER SCREW ..	19	12
24-35210	SPRING, DETENT PIN .....	49	14	27-28862	GASKET, COVER ASSEMBLY TO FRAME ..	53	19
24-35227	SPRING, DETENT PIN TENSION .....	49	15	27-32433	GASKET,LOWER-WATER PUMP BASE TO FACE PLATE .....	41	20
24-35522	SPRING, TENSION-LOWER MOUNT CLAMP .....	39	32	27-32434	GASKET, UPPER-FACE PLATE TO WATER PUMP BODY .....	41	22
24-75378	SPRING, ANTI DRIFT .....	47	3	27-33146	GASKET, WATER PUMP BASE TO GEAR HOUSING	41	14
24-78203A1	SPRING ASSEMBLY, REVERSE LOCK(LONG SHAFT) .....	33	27	27-53650	GASKET, CRANKASE TO CYLINDER BLOCK .....	21	2
24-86310	SPRING, RETURN - LEVER AND ARM SCREW .....	11	19	27-54921	GASKET, FUEL GAUGE LENS .....	53	12
25-20116	GROMMET, CHOKE KNOB .	15	11	27-66102	GASKET, PLATE TO DRIVE SHAFT HSG. PLATE ....	29	12
25-20415	"O" RING, ADAPTOR STEM .	19	23	27-69238	GASKET,POWERHEAD TO EXHAUST EXTENSION PLATE .....	29	7
25-20415	"O" RING, BAYONET BODY STEM .....	55	12	27-69860	GASKET, DRIVE SHAFT HOUSING PLATE TO EXHAUST TUBE .....	29	17
25-25439	"O" RING,SHIFT SHAFT BUSHING .....	43	41	27-72505	GASKET, CYLINDER BLOCK COVER .....	23	25
25-29976	"O" RING, BEARING CARRIER .....	45	67	27-72508	GASKET, BAFFLE PLATE TO EXHAUST MANIFOLD COVER .....	23	21
25-30271	RING, RUBBER- CENTRIFUGAL SLINGER( DRIVE SHAFT) .....	43	35	27-72510	GASKET, CYLINDER BLOCK TO BAFFLE PLATE .....	23	19
25-32546	"O" RING .....	23	12	27-73377	GASKET, CARBURETOR ...	17	29
25-33145	"O" RING, WATER PUMP BASE .....	41	15	27-73398	GASKET, CARBURETOR PLATE .....	15	24
25-47254	"O" RING .....	23	4	27-73594M1	SWIVEL PIN ASS'Y(SHORT SHAFT) .....	31	12
25-47386	"O" RING, COVER TO FUEL PUMP .....	19	9	27-73645	GASKET, TRANSFER PORT COVER .....	23	28
25-57009	GROMMET, SWITCH BOX PLATE .....	7	8	27-73645A76	GASKET SET .....	1	-
25-57806	GROMMET, TRIM COVER SCREW .....	37	6	27-73646	GASKET, BOTTOM COWL ..	27	4
25-62702	"O" RING, TILT LOCK -LONG SHAFT .....	33	24				
26-22734	OIL SEAL,SWIVEL BRACKET(TILT LOCK) -LONG SHAFT .....	33	22				

# PARTS INDEX

Part Number	Description	Pg.	Ref. No.	Part Number	Description	Pg.	Ref. No.
27-73665	GASKET, WATER JACKET COVER .....	23	15	37-79427A78	DECA L SET .....	1	-
27-76168A1	GASKET, SILENCER COVER	3	36	39-78811A12	RING, PISTON (.015) OVERSIZED .....	25	--
27-76952	GASKET, CARBURETOR PLATE TO CARBURETOR	15	25	39-78816A12	RING, PISTON .....	25	24
28-30281	KEY, LOCATING-BEARING CARRIER .....	45	71	40-52035	LOCK RING, PISTON PIN ..	25	23
28-56654	KEY IMPELLER DRIVE .....	41	28	43-75314	FORWARD GEAR ASSEMBLY .....	45	58
29-47270	BEARING, NEEDLE - PISTON PIN .....	25	29	43-75316	GEAR, PINION-DRIVE SHAFT	41	9
29-52168	BEARING, NEEDLE .....	25	16	43-77562	REVERSE GEAR ASSEMBLY	45	63
30-32117	BEARING, BALL - UPPER ..	25	2	44-52542	SHAFT, PROPELLER .....	45	62
30-63742	BEARING, BALL - LOWER ..	25	3	45-69250	DRIVE SHAFT (SHORT SHAFT) .....	41	8
31-30894A1	TAPERED ROLLER BEARING ASSEMBLY .....	45	56	45-69251	DRIVE SHAFT(LONG SHAFT)	41	8
31-30895	BEARING, ROLLER-FORWARD GEAR .....	45	57	46-64141A1	WATER PUMP BODY ASSEMBLY .....	41	23
31-30956	BEARING, ROLLER-BEARING CARRIER .....	45	69	46-73804A1	WATER PUMP BASE ASSEMBLY .....	41	16
31-32898	BEARING, ROLLER- DRIVE SHAFT .....	41	7	47-65960	IMPELLER, WATER PUMP ..	41	27
31-62596A1	BEARING ASSEMBLY, CRANKPIN .....	25	28	50-33015	STARTER MOTOR (SEE PAGE 38 FOR BREAKDOWN) .....	13	1
31-69220	ROLLER BEARING, DRIVE SHAFT .....	41	12	50-66015	STARTER MOTOR ASSEMBLY, COMPLETE ..	47	-
32-33909A3	TUBE ASS'Y (1/4-18 CONNECTOR AND 1/2" TUBE) .....	53	10	52-34239	RATCHET, SLIDING CLUTCH	45	59
32-34395A1	HOSE ASSEMBLY, BALANCE (6 1/4") .....	21	22	53-26933	RING, SNAP - OUTER RACE CLAMPING .....	25	18
32-34395A1	HOSE, TELL TALE - EXH. COVER TO BOTTOM COWL (14 3/4") .....	27	10	53-28903	FASTENER, RETAINING FRAME TO FUEL TANK ..	53	21
32-54936	HOSE, BALANCE (5") .....	21	24	53-29641	"E" RING, RETAINING-SHIFT SHAFT .....	43	40
32-54936	HOSE, CYLINDER BLEED (15 1/2") .....	21	19	53-73591	SNAP RING, YOKE ATTACHING .....	31	15
32-60897	TUBE, WATER NLET(LONG SHAFT) .....	37	9	54-22627	CLIP, INNER-WIRING HARNESS TO CONTROL HOUSING .....	51	55
32-62864	TUBE, WATER INLET(SHORT SHAFT) .....	37	9	54-23567	CLIP, WIRES AND HARNESS	7	22
32-63146	FUEL LINE, CARBURETOR TO TEE TO CARBURETOR (3") .....	19	17	54-27764	CLAMP, PRIMER BULB TO CHECK VALVE (LARGE) ..	55	5
32-63146	FUEL LINE, TEE TO FUEL PUMP (11") .....	19	15	54-39844	CLAMP, HARNESS ATTACHING .....	7	43
32-70432	FUEL LINE, ADAPTOR TO FUEL PUMP (15") .....	19	19	54-47483	"J" CLAMP, TRIGGER PLATE HARNESS .....	7	28
33-58194	SPARK PLUG (AC#V40FFK)	9	48	54-47483	"J" CLIP, SWITCH BOX WIRES AND FUEL LINE ..	7	11
34-56007A1	REED SET, MATCHED - MAIN BEARING .....	25	10	54-52905	CLAMP, HARNESS - CHOKE SOLENOID SCREW .....	15	4
34-56008	REED STOP, MAIN BEARING REED VALVES .....	25	11	54-55206	CLAMP, FUEL LINE TO CHECK VALVE (SMALL) ..	55	6
35-73532	FUEL FILTER .....	19	8	54-55206	CLAMP, FUEL LINE TO CONNECTOR .....	55	9
36-25392A2	FILLER CAP ASSEMBLY ..	53	3	54-68424	CLAMP, FUEL LINE ATTACHIGN .....	19	18
37-64043	DECAL, CONTROL HOUSING (MERCNTROL) .....	49	30	54-76368	CLAMP, WIRING HARNESS ..	13	24
37-75881	DECAL, FUEL TANK .....	53	-	55-28414	PIN, LOWER SHOCK MOUNTING-LONG SHAFT	33	30
37-76703	DECAL, CONTROL HOUSING(MARINER)-NOT AS SHOWN .....	49	29	55-28416	PIN, UPPER SHOCK MOUNTING .....	33	16
				55-58780M2	SHOCK ABSORBER .....	33	33

# PARTS INDEX

Part Number	Description	Pg.	Ref. No.	Part Number	Description	Pg.	Ref. No.
84-65999A5	WIRE ASSEMBLY . . . . .	7	14	1379-6071A11	CARBURETOR ASSEMBLY, COMPLETE (BOTTOM) . .	17	1
84-66053A1	WIRE ASS'Y, STARTER MOTOR/STARTER SOLENOID (YELLOW) . . .	13	5	1395-4555	INLET NEEDLE AND SEAT .	17	3
84-73369	WIRING HARNESS (INTERNAL) . . . . .	13	22	1395-4807	SHAFT, THROTTLE . . . . .	17	20
84-73451A8	WIRE ASSEMBLY, SPARK PLUG . . . . .	9	46	1395-6196	VALVE, THROTTLE . . . . .	17	21
84-74263	WIRE, CHOKE KNOB TO CHOKE ROD (BLACK) . . .	15	12	1395-6197	FLOAT . . . . .	17	11
84-77617	HARNESS, PRIMARY (CYLINDERS 1 AND 2) . . .	7	41	1395-6198	VALVE ASSEMBLY, ENRICHMENT . . . . .	17	26
84-77618	HARNESS, PRIMARY (CYLINDERS 3 AND 4) . . .	7	42	1395-6199	PLUG, MAIN JET . . . . .	17	15
86-63577	TERMINAL BLOCK, CONNECTOR LEADS . . . . .	49	26	1395-6200	GASKET KIT . . . . .	17	--
86-66986	TERMINAL BLOCK . . . . .	7	19	1395-6203	WASHER, THROTTLE SHAFT	17	24
89-68258	STARTER SOLENOID . . . . .	13	14	1395-6204	SEAL, THROTTLE SHAFT . .	17	23
90-83767	MARINER 80 PARTS MANUAL . . . . .	1	-	1395-6247	JET, MIAN (.090) . . . . .	17	16
92-25234--1	GLUE, ADHESIVE - SOUND BLANKET FASTENING . . .	5	--	1395-6360	REPAIR PARTS KIT . . . . .	17	--
248-5977A24	FLYWHEEL ASSEMBLY . . . . .	7	4	1395-6488	FUEL BOWL . . . . .	17	12
248-5977A9	FLYWHEEL ASSEMBLY . . . . .	7	4	1395-6685	VENTURI . . . . .	17	5
332-2854	BOOT, IGNITION COIL END	9	47	1399-3795	JET, VENT BOWL (.072) . . .	17	2
332-5772A1	SWITCH BOX ASSEMBLY . .	7	12	1440-6625A3	CLAMP BRACKET ASSEMBLY . . . . .	33	1
338-4995A2	IGNITION COIL ASSEMBLY .	7	31	1453-6019M2	SWIVEL BRACKET ASS'Y(SHORT SHAFT) . . . . .	31	1
339-5748A2	IGNITION COIL ASSEMBLY .	7	31	1482-6386M4	SWIVEL BRACKET ASS'Y(LONG SHAFT) . . . . .	31	1
398-5919A3	STATOR ASSEMBLY . . . . .	7	38	1573-5239M4	DRIVE SHAFT HOUSING ASSEMBLY(LONG SHAFT)	37	1
440-6647A2	CRANKSHAFT ASSEMBLY . .	25	1	1575-5240M4	DRIVE SHAFT HOUSING ASSEMBLY(SHORT SHAFT) . . . . .	37	1
535-5397A4	CENTER MAIN BEARING ASSEMBLY . . . . .	25	14	1623-6053A23	GEAR HOUSING ASS'Y, COMP.(LONG SHAFT) . . .	45	-
540-5266A5	MAIN BEARING ASSEMBLY (VALVE TYPE) . . . . .	25	6	1623-6053A23	GEAR HOUSING ASSEMBLY, COMPLETE(LONG SHAFT)	41	-
622-4850A3	CONNECTING ROD AND CAP ASSEMBLY . . . . .	25	25	1623-6053A37	GEAR HOUSING ASS'Y, COMP.(SHORT SHAFT) . .	45	-
745-6664A3	PISTON AND PISTON PIN ASSEMBLY . . . . .	25	22	1623-6053A37	GEAR HOUSING ASSEMBLY, COMPLETE(	41	-
745-6695A2	PISTON AND PISTON PIN ASSEMBLY (.015) OVERSIZED . . . . .	25	--	1623-6053A5	GEAR HOUSING ASS'Y . . . . .	45	1
871-6591A3	CYLINDER BLOCK AND CRANKCASE ASSEMBLY	21	1	1623-6053A5	GEAR HOUSING ASSEMBLY	41	1
871-6591A3	CYLINDER BLOCK AND CRANKCASE ASSEMBLY	23	1	1655-7333A23	GEAR HOUSING ASS'Y . . . . .	45	1
1021-3514	COVER, CYLINDER BLOCK .	23	24	1655-7333A23	GEAR HOUSING ASSEMBLY	41	1
1148-5410A1	END CAP ASSEMBLY, LOWER . . . . .	23	10	1655-7333A25	GEAR HOUSING ASS'Y, COMP.(LONG SHAFT) . . .	45	-
1161-5940A2	END CAP ASSEMBLY, UPPER . . . . .	23	2	1655-7333A25	GEAR HOUSING ASSEMBLY, COMPLETE(LONG SHAFT)	41	-
1225-1529	FUEL TANK (6 GALLON) . . .	53	1	1655-7333A27	GEAR HOUSING ASS'Y, COMP.(SHORT SHAFT) . .	45	-
1225-1529A16	FUEL TANK . . . . .	1	-	1655-7333A27	GEAR HOUSING ASSEMBLY, COMPLETE(	41	-
1225-1529A16	FUEL TANK ASSEMBLY, COMPLETE (6 GALLON) . .	53	-	2158-5938M	SHORT SHAFT) . . . . .	41	-
1379-6071A10	CARBURETOR ASSEMBLY (TOP) . . . . .	15	14	2162-6392	COWL,BOTTOM . . . . .	27	1
1379-6071A10	CARBURETOR ASSEMBLY, COMPLETE (TOP) . . . . .	17	1	2163-6393A2	COWL, TOP (WITHOUT DECALS) . . . . .	3	1
1379-6071A11	CARBURETOR ASSEMBLY (BOTTOM) . . . . .	15	14A	2163-6393A2	COWL FRONT COVER ASSEMBLY (WITHOUT DECALS) . . . . .	5	1
				2164-6394A2	WRAP AROUND COWL ASSEMBY (WITHOUT DECALS) . . . . .	5	11