



PARTS CATALOG

225 (EFI) PRO-MAX/SUPER MAGNUM

SERIAL NUMBER

225 EFI PRO MAX/SUPER MAG0D935638 THRU 0G610103

TABLE OF CONTENTS:

BLEED SYSTEM	42
COWLING	2
CRANKSHAFT, PISTONS AND CONNECTING RODS	44
CYLINDER BLOCK AND END CAPS	32
DRIVE SHAFT HOUSING AND EXHAUST TUBE	48
E.C.U. ASSEMBLY	16
EXHAUST DIVIDER AND EXHAUST PLATE	36
FLYWHEEL, STARTER MOTOR AND IGNITION COILS	4
FUEL MANAGEMENT SYSTEM (S/N-0G366999 & BELOW)	22
FUEL MANAGEMENT SYSTEM (S/N-0G366999 & BELOW)	26
FUEL MANAGEMENT SYSTEM (S/N-0G367000 & UP)	18
FUEL MANAGEMENT SYSTEM (S/N-0G367000 & UP)	20
FUEL PUMP AND FUEL FILTER	28
GEAR HOUSING (DRIVE SHAFT)(CLE)	74
GEAR HOUSING (DRIVE SHAFT)(TORQUE MASTER)	82
GEAR HOUSING (DRIVESHAFT)(COUNTER ROTATION) (SPORTMASTER)	66
GEAR HOUSING (DRIVESHAFT)(COUNTER ROTATION) (SPORTMASTER)	68
GEAR HOUSING (DRIVESHAFT)(STANDARD ROTATION) (SPORTMASTER)	56
GEAR HOUSING (DRIVESHAFT)(STANDARD ROTATION) (SPORTMASTER)	60
GEAR HOUSING (PROP SHAFT)(COUNTER ROTATION) (SPORTMASTER)	70
GEAR HOUSING (PROP SHAFT)(COUNTER ROTATION) (SPORTMASTER)	72
GEAR HOUSING (PROP SHAFT)(STANDARD ROTATION) (SPORTMASTER)	62
GEAR HOUSING (PROPELLER SHAFT)(CLE)	78
GEAR HOUSING (PROPELLER SHAFT)(TORQUE MASTER)	86
GEAR HOUSING CHART (SPORTMASTER)	54
INSTRUMENTATION	96
KEY SWITCH ASSEMBLY	98
MISCELLANEOUS INFORMATION	1
OIL INJECTION COMPONENTS	94
PARTS INDEX	106
POWER TRIM COMPONENTS	90
POWER TRIM MOTOR	102
REED BLOCK AND CYLINDER HEAD	40
STARTER MOTOR	104
STEERING ATTACHING KIT	100
SWIVEL BRACKET AND STEERING ARM	50
TEMPERATURE SENSOR	52
THROTTLE LEVER AND SHIFT SHAFT	12
TRANSOM BRACKETS	46
TRIM SOLENOID PLATE (S/N-0G205073 & BELOW)	8
TRIM SOLENOID PLATE (S/N-0G205074 & UP)	10
WIRING HARNESS/STARTER SOLENOID	6

NOTE: Indented description indicate that these parts are included in preceeding assembly.

AR = As Required

NSS = Not Sold Separate

OPT = Optional

NS = Not Shown

NOTE: Following symbols are located in **SYM** column.

● = COMPONENT OF POWERHEAD

▲ = COMPONENT OF G/H SEAL KIT

■ = PART IS NEW AND LISTED FOR THE FIRST TIME

⊕ = SUPERSESSEDS ANOTHER PART

■ = COMPONENT OF ENGINE GASKET SET

○ = COMPONENT OF G/H WATER PUMP REBUILD KIT

◇ = COMPONENT OF FUEL PUMP DIAPHRAGM KIT

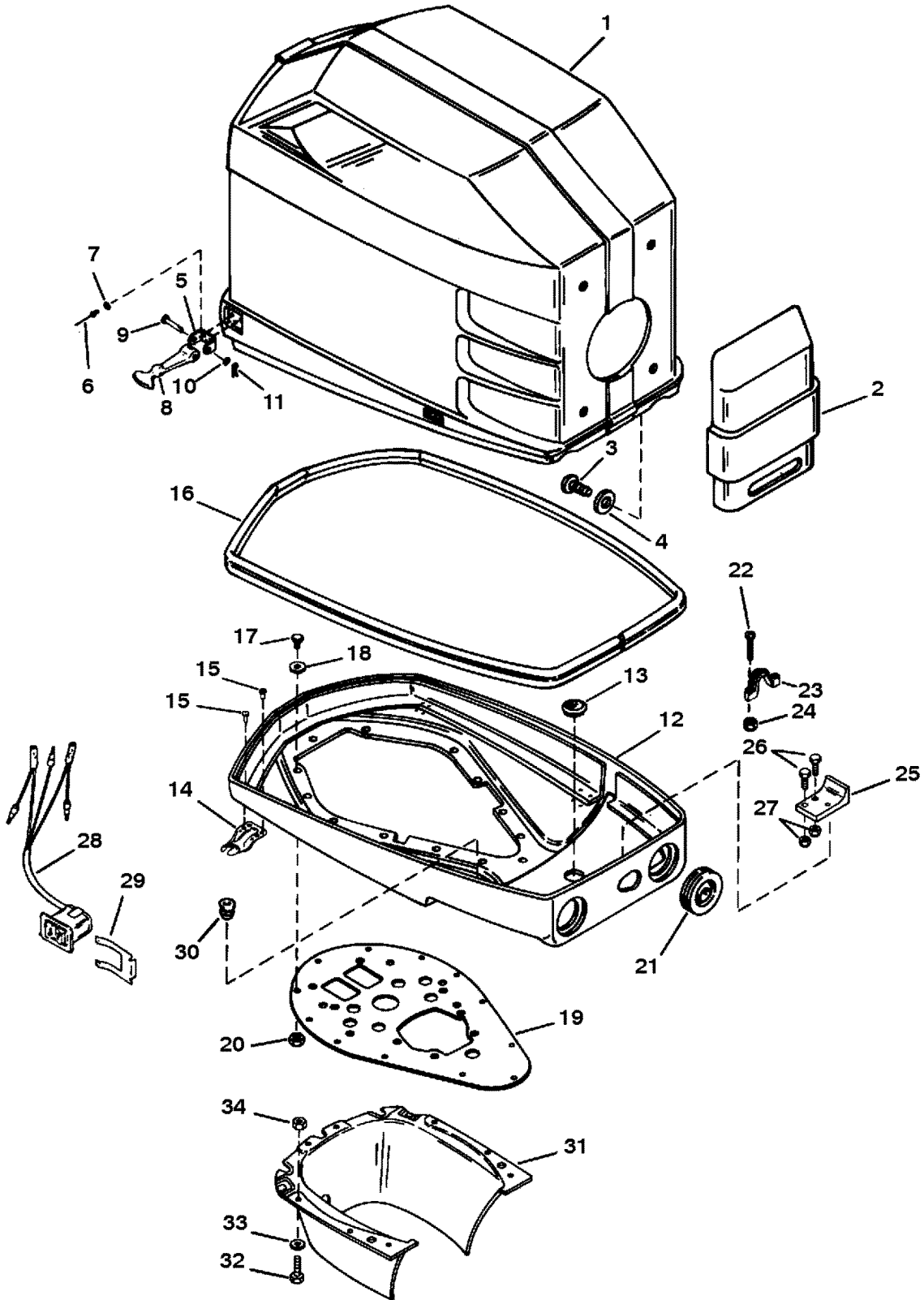
THESE PARTS BOOKS/FICHE CARD ARE COPYRIGHTED AND MAY NOT BE DISTRIBUTED OR REPRODUCED IN ANY OTHER FORMAT BY ANYONE OTHER THAN MERCURY MARINE WITHOUT THE PRIOR WRITTEN CONSENT OF MERCURY MARINE.

MISCELLANEOUS INFORMATION

REF. NO.	PART NO.	SYM.	QTY.	DESCRIPTION
0	90-809184-95		1	PARTS MANUAL
	37-847983A95		1	DECAL SET (BLACK)
	37-818266A95		1	DECAL SET (GRAY)
	90-848714	■	1	OWNERS MANUAL (BLACK)
	90-848716	■	1	OWNERS MANUAL (GRAY)

■ = PART IS NEW AND LISTED FOR THE FIRST TIME

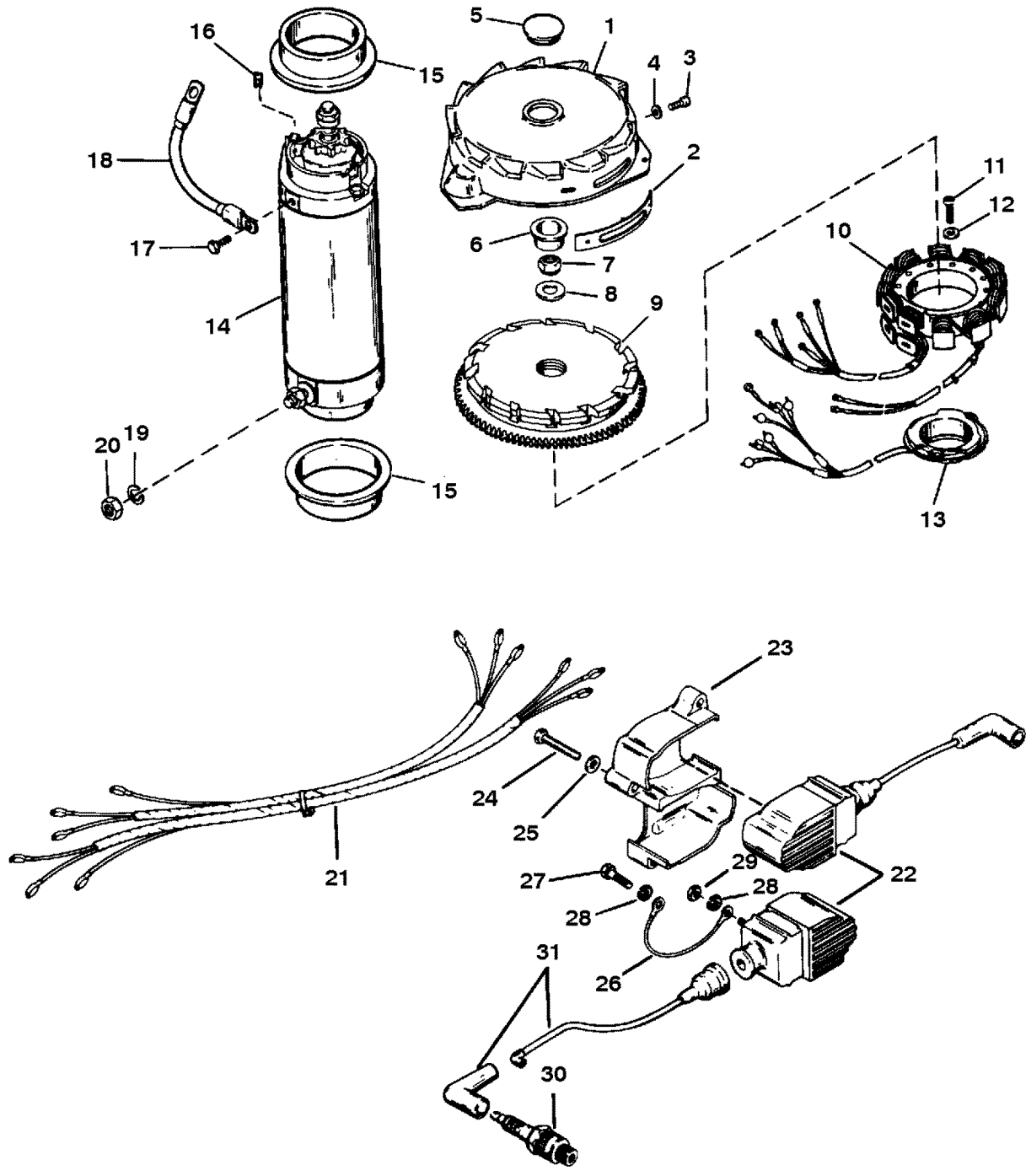
COWLING



COWLING

REF. NO.	PART NO.	SYM.	QTY.	DESCRIPTION
1	4006-817704A22		1	TOP COWL (BLACK)
	4006-817704A23		1	TOP COWL (SILVER)
2	817706A3		1	FRONT COVER (BLACK)
	817706A4		1	FRONT COVER (SILVER)
3	10-69570		4	SCREW
4	12-22887		4	WASHER
5	71602		4	YOKE (BLACK)
	71602--1		4	YOKE (GRAY)
6	17-816771		12	RIVET
7	12-847883		12	WASHER
8	817708		4	HOLD DOWN
9	17-58712		4	CLEVIS PIN
10	12-847883		4	WASHER
11	18-21071		4	COTTER PIN
12	4007-848164A11		1	BOTTOM PAN (BLACK)
	4007-848164A12		1	BOTTOM PAN (GRAY)
13	19-815784		2	CAP PLUG
14	13734		4	RETAINER (BLACK)
	13734--1		4	RETAINER (GRAY)
15	17-848172		16	RIVET
16	817712--1		1	SEAL
17	10-38601		11	SCREW
18	12-29245		11	WASHER
19	822188--3		1	PLATE
20	11-35045		11	NUT
21	25-817713--3		2	GROMMET
22	10-69020		2	SCREW
23	88621		1	RETAINER
24	11-29488		2	NUT
25	847897		1	FUEL CONNECTOR BRACKET
26	10-28668		2	SCREW (1/4-20 X 7/8 IN.)
27	11-814101		2	NUT
28	87-18286A40		1	SWITCH ASSEMBLY
29	812443--1		1	RETAINER
30	25-12602--1		1	GROMMET
31	4016-847894A1		1	SKIRT (BLACK)
	4016-847894A2		1	SKIRT (GRAY)
32	10-69028		8	SCREW (1/4-28 X 3/4 IN.)
33	12-35462		16	WASHER
34	11-35045		8	NUT

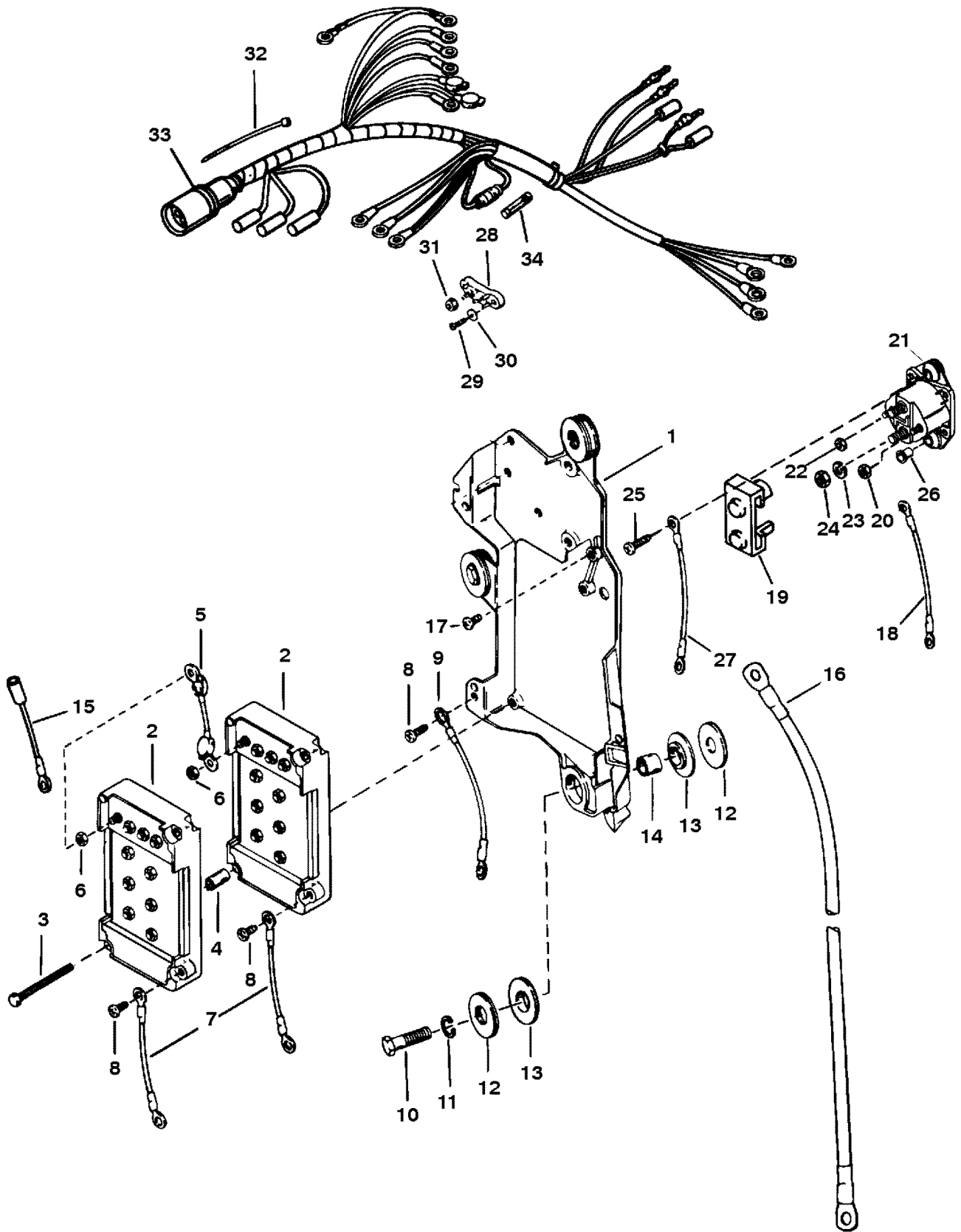
FLYWHEEL, STARTER MOTOR AND IGNITION COILS



FLYWHEEL, STARTER MOTOR AND IGNITION COILS

REF. NO.	PART NO.	SYM.	QTY.	DESCRIPTION
1	18896A1		1	FLYWHEEL COVER ASSEMBLY
2	79022		1	MARKER
3	10-37572		2	SCREW
4	12-72761		2	WASHER
5	19-89219		1	PLUG (USE WHERE APPLICABLE)
6	19-45907		1	PLUG
7	11-52901		1	NUT
8	12-68229		1	WASHER
9	271-817632A12		1	FLYWHEEL
10	398-9610A27		1	STATOR
11	10-90045		4	SCREW
12	13-26996		4	WASHER
13	96455A9		1	TRIGGER PLATE ASSEMBLY
14	50-79472		1	STARTER MOTOR
15	56703		2	COLLAR
16	68042		2	RUBBER STOP
17	10-69035		1	SCREW
18	84-93388A1		1	WIRE ASSEMBLY (BLACK)
19	13-26992		1	LOCKWASHER
20	11-20890		1	NUT
21	84-69739A7		1	HARNESS ASSEMBLY
22	339-7370A19		6	IGNITION COIL
23	79743		3	COVER
24	10-88447		12	SCREW (1-5/8 IN.)
25	12-30164		12	WASHER
26	84-88807A6		6	GROUND STRAP (BLACK)
27	10-68513		6	SCREW
28	13-26996		18	LOCKWASHER
29	11-45076		12	NUT
30	33-14103550		6	SPARK PLUG
31	84-815358A1		1	HIGH TENSION CABLE

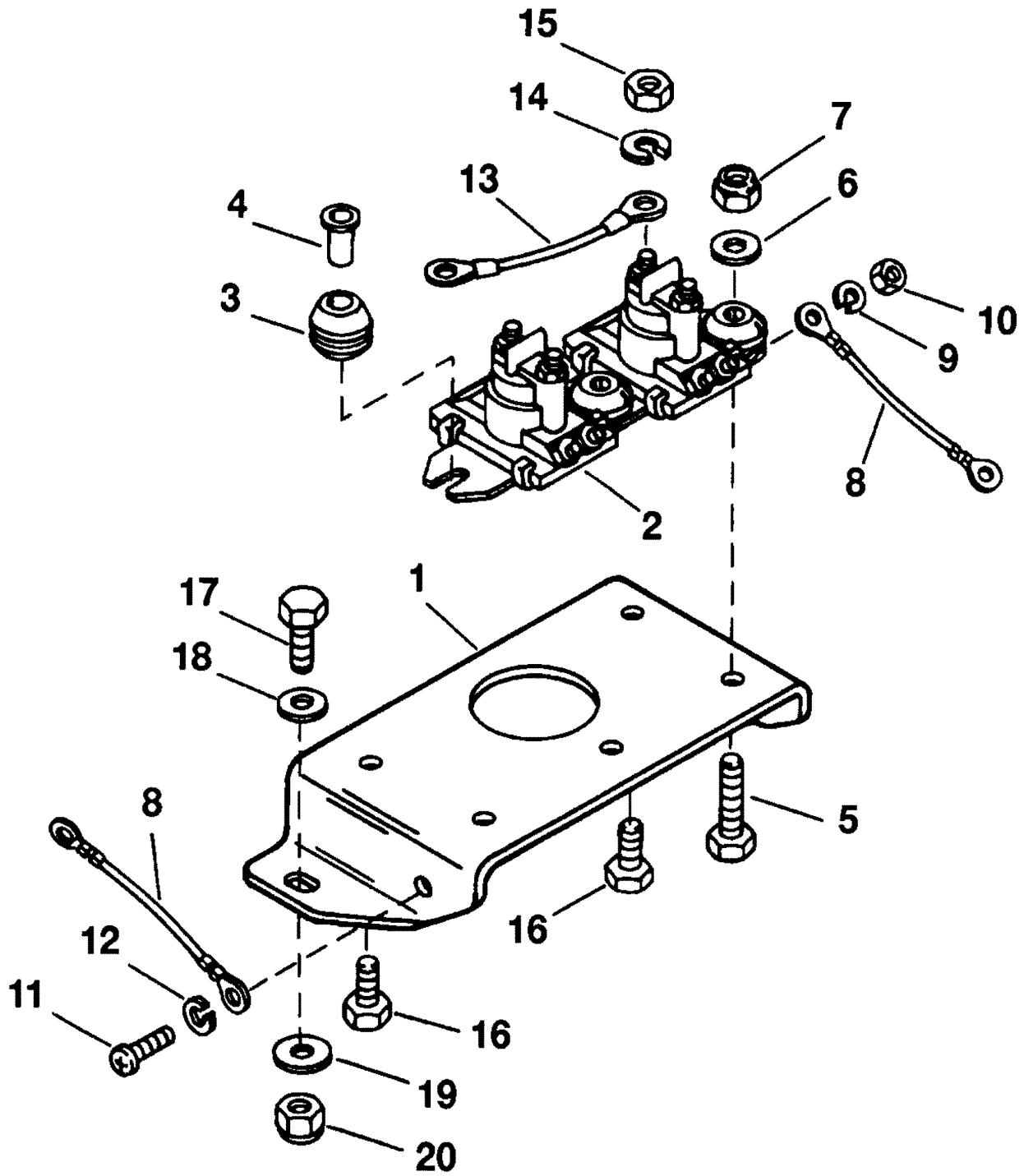
WIRING HARNESS/STARTER SOLENOID



WIRING HARNESS/STARTER SOLENOID

REF. NO.	PART NO.	SYM.	QTY.	DESCRIPTION
1	43429--2		1	IGNITION PLATE
2	332-7778A12		2	SWITCH BOX
3	10-13669		2	SCREW (2-1/2 IN.)
4	23-94453		2	BUSHING
5	84-62310A2		1	CABLE ASSEMBLY
6	11-45076		20	NUT
7	84-60871A10		2	WIRE
8	10-817626		3	SCREW
9	84-65999A3		1	CABLE ASSEMBLY (BLACK)
10	10-60411		3	SCREW (1-1/4 IN.)
11	13-26993		3	LOCKWASHER
12	12-36042		6	WASHER
13	12-67264		6	WASHER (RUBBER)
14	23-67268		3	BUSHING
15	84-91865A1		1	CABLE ASSEMBLY (3 IN. - WHITE/BLACK)
	84-88528A2		1	CABLE ASSEMBLY (6 IN. - RED/WHITE)
16	84-88439A3		1	BATTERY CABLE (POSITIVE)
	84-88439A4		1	BATTERY CABLE (NEGATIVE)
17	10-87926		1	SCREW (1/2 IN.)
18	84-93388A7		1	CABLE
19	85-97861		1	INSULATOR
20	11-45076		4	NUT
21	89-817109A2		1	STARTER SOLENOID
22	11-45076		2	NUT (10-32)
23	13-53166		2	LOCKWASHER (5/16 IN.)
24	11-68292		2	NUT (5/16-18)
25	10-45561		2	SCREW (1-1/8 IN.)
26	23-818968		2	BUSHING
27	84-65999A2		1	CABLE ASSEMBLY (BLACK)
28	86-19437--2		1	TERMINAL BLOCK
29	10-38055		2	SCREW
30	12-89302		2	WASHER
31	11-45076		2	NUT
32	54-816311		AR	STA-STRAP
33	84-848464A2		1	ENGINE WIRING HARNESS (S/#-0G205074 & UP)
	84-96220A16		1	ENGINE WIRING HARNESS S/#-0G205073 & BELOW
34	88-79091		1	FUSE S/#-0G205073 & BELOW

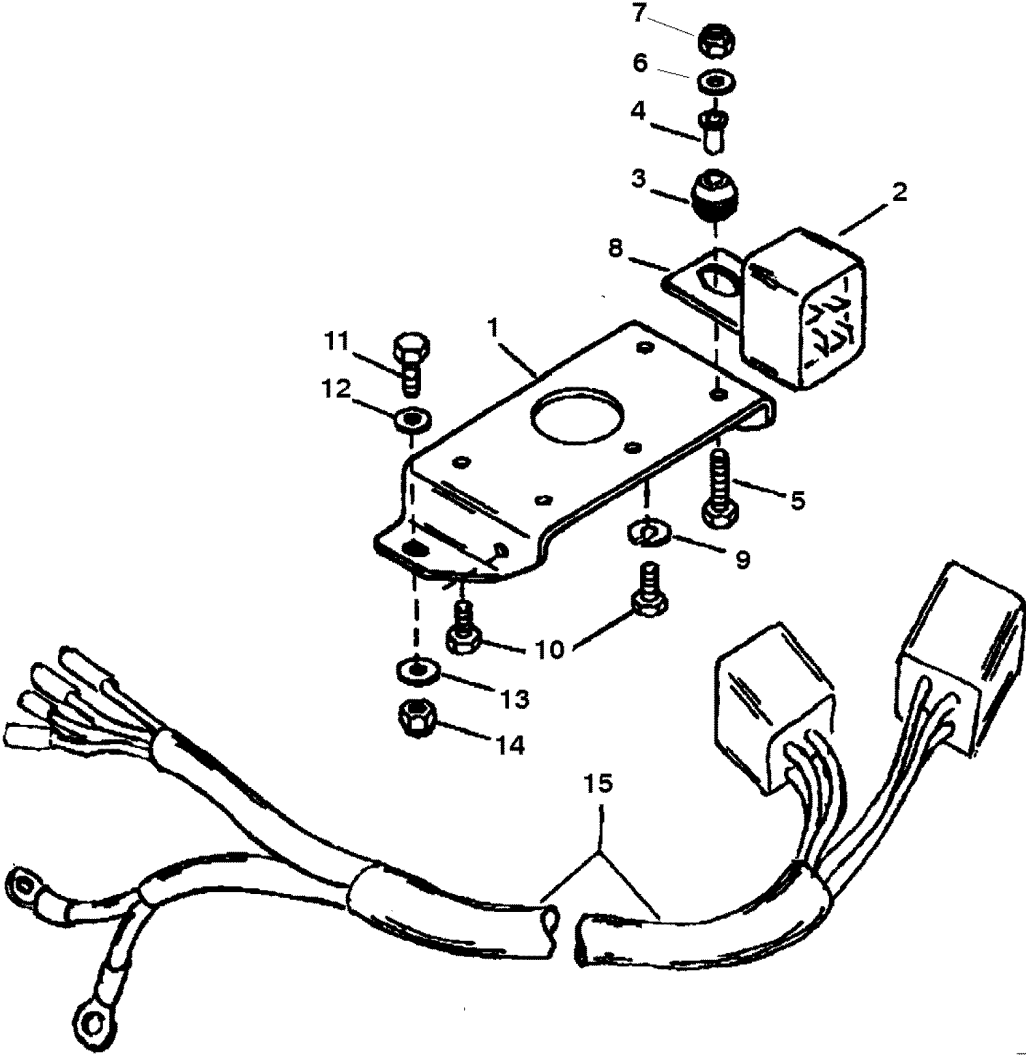
TRIM SOLENOID PLATE (S/N-0G205073 & BELOW)



TRIM SOLENOID PLATE (S/N-0G205073 & BELOW)

REF. NO.	PART NO.	SYM.	QTY.	DESCRIPTION
1	847896		1	PLATE
2	89-818997A1		2	TRIM SOLENOID
3	25-818967		4	GROMMET
4	23-818968		4	BUSHING
5	10-45561		3	SCREW
6	12-35950		3	WASHER
7	11-814101		3	NUT
8	84-88807A6		2	CABLE
9	13-26995		4	LOCKWASHER
10	11-26419		4	NUT
11	10-42813		2	SCREW (10-32 X .3/8 IN.)
12	13-26996		2	LOCKWASHER
13	84-87379A14		1	CABLE (RED)
14	13-26992		4	LOCKWASHER
15	11-94330		2	NUT (BRASS)
16	10-73286		2	SCREW (1/4-20 X 1/2 IN.)
17	10-69028		2	SCREW (1/4-28 X 3/4 IN.)
18	12-35462		2	WASHER
19	12-35280		2	WASHER
20	11-35045		2	NUT

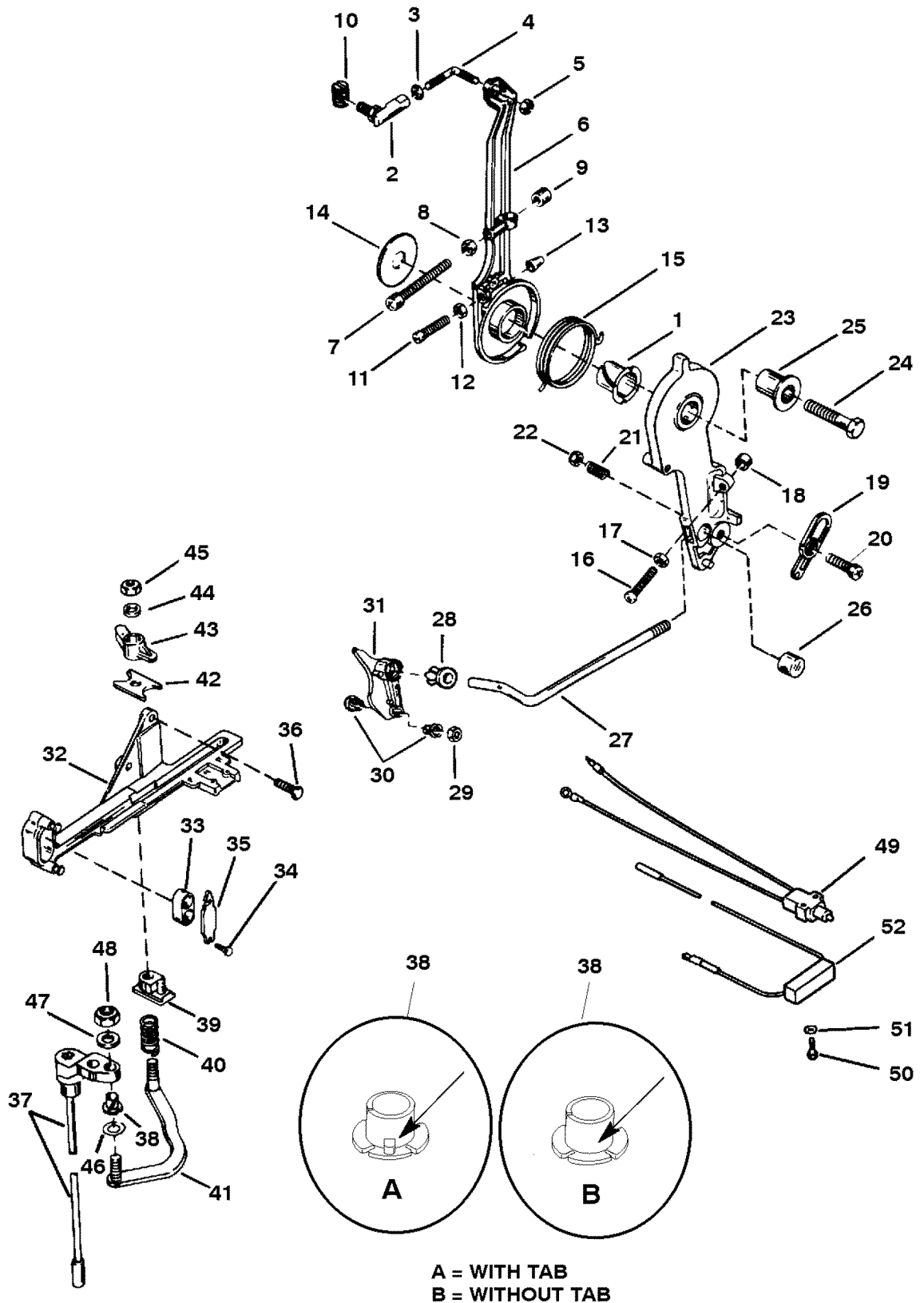
TRIM SOLENOID PLATE (S/N-0G205074 & UP)



TRIM SOLENOID PLATE (S/N-0G205074 & UP)

REF. NO.	PART NO.	SYM.	QTY.	DESCRIPTION
1	847896		1	PLATE
2	828151		2	RELAY
3	25-818967		2	GROMMET
4	23-818968		2	BUSHING
5	10-45561		2	SCREW
6	12-35950		2	WASHER
7	11-814101		2	NUT
8	828102		2	BRACKET
9	13-26992		2	LOCKWASHER
10	10-73286		2	SCREW (1/4-20 X 1/2 IN.)
11	10-69028		2	SCREW (1/4-28 X 3/4 IN.)
12	12-35462		2	WASHER
13	12-35280		2	WASHER
14	11-35045		2	NUT
15	84-826802A4		1	HARNESS-TRIM

THROTTLE LEVER AND SHIFT SHAFT

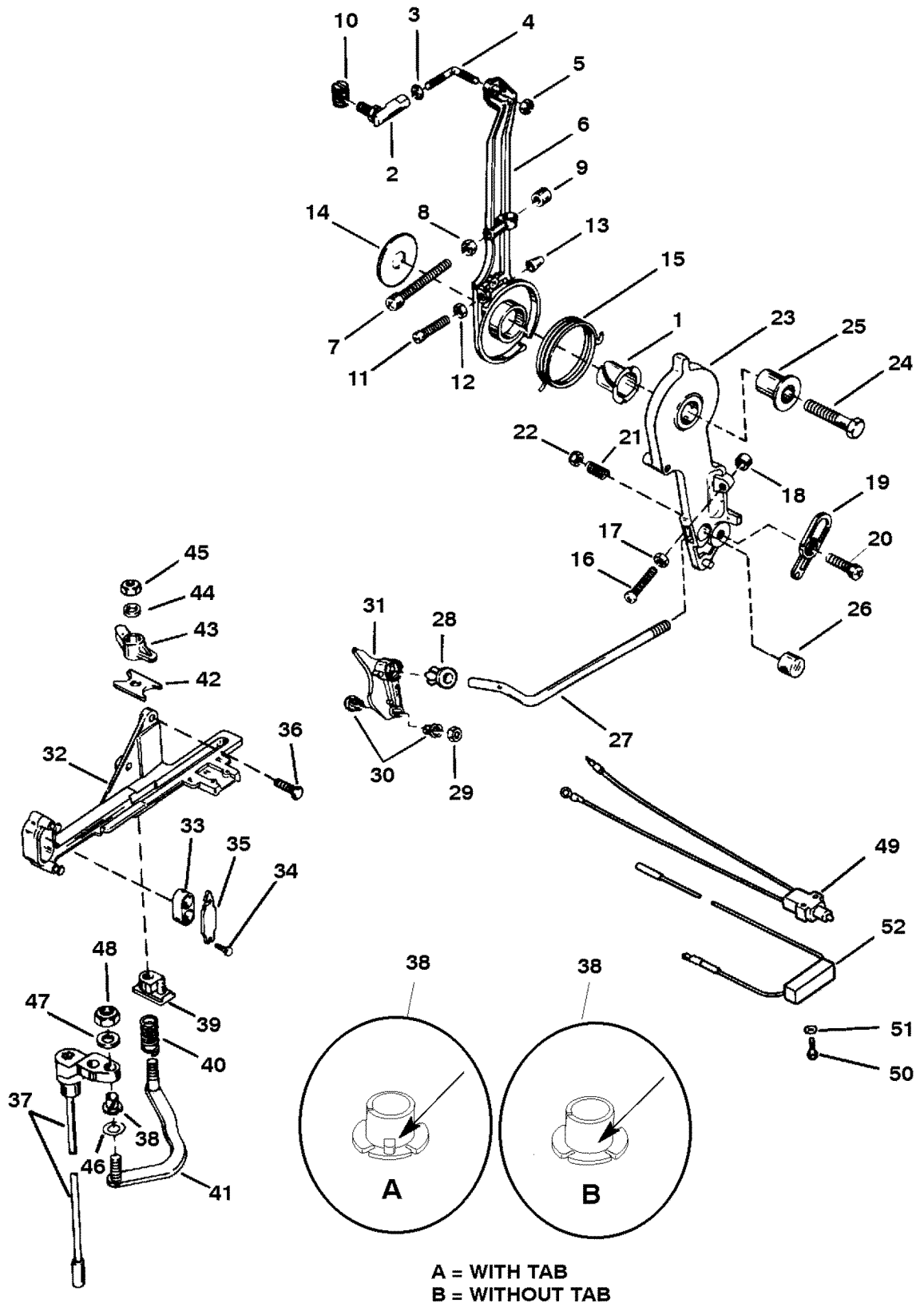


THROTTLE LEVER AND SHIFT SHAFT

REF. NO.	PART NO.	SYM.	QTY.	DESCRIPTION
1	23-55171		1	BUSHING
2	62459		1	BALL JOINT
3	11-45076		1	NUT
4	76035		1	LINK ROD
5	11-46438		1	NUT
6	41094A3		1	SPARK ADVANCE LEVER
7	10-64022		1	SCREW
8	11-64015		1	NUT
9	26852		1	CAP
10	74897		1	PIVOT
11	10-13627		1	SCREW (1-1/4 IN.)
12	11-68219		1	NUT
13	48039		1	CAP
14	12-46765		1	WASHER
15	24-823235		1	SPRING
16	10-64022		1	SCREW (2-1/8 IN.)
17	11-64015		1	NUT (1/4-20)
18	26852		1	CAP
19	39483		1	LATCH
20	10-69026		1	SCREW
21	24-20099		1	SPRING
22	11-35045		1	NUT
23	41095		1	THROTTLE CONTROL LEVER
24	10-818165		1	SCREW (1-3/4 IN.)
25	23-55164		1	BUSHING
26	14638		1	BARREL
27	14634		1	THROTTLE CONTROL ROD
28	23-93248--1		1	SWIVEL BUSHING
29	11-35045		1	NUT
30	23-26856		2	BUSHING
31	815539T		1	THROTTLE CAM
32	814283A2		1	ANCHOR BRACKET
33	39519		1	CAP
34	10-42975		2	SCREW
35	98889		1	LATCH
36	10-53167		3	SCREW
37	79932A11		1	SHIFT SHAFT ASSEMBLY USE WITH REF #38
38	23-26600		1	BUSHING WITH TAB (SEE BUBBLE A) USE WITH REF #38
37	79932A16		1	SHIFT SHAFT ASSEMBLY USE WITH REF #38
38	23-26856		1	BUSHING WITHOUT TAB (SEE BUBBLE B) USE WITH REF #38
39	814284		1	GUIDE BLOCK
40	24-20099		1	SPRING
41	67073A1		1	LINK ROD ASSEMBLY

CONTINUED ON NEXT PAGE ➡

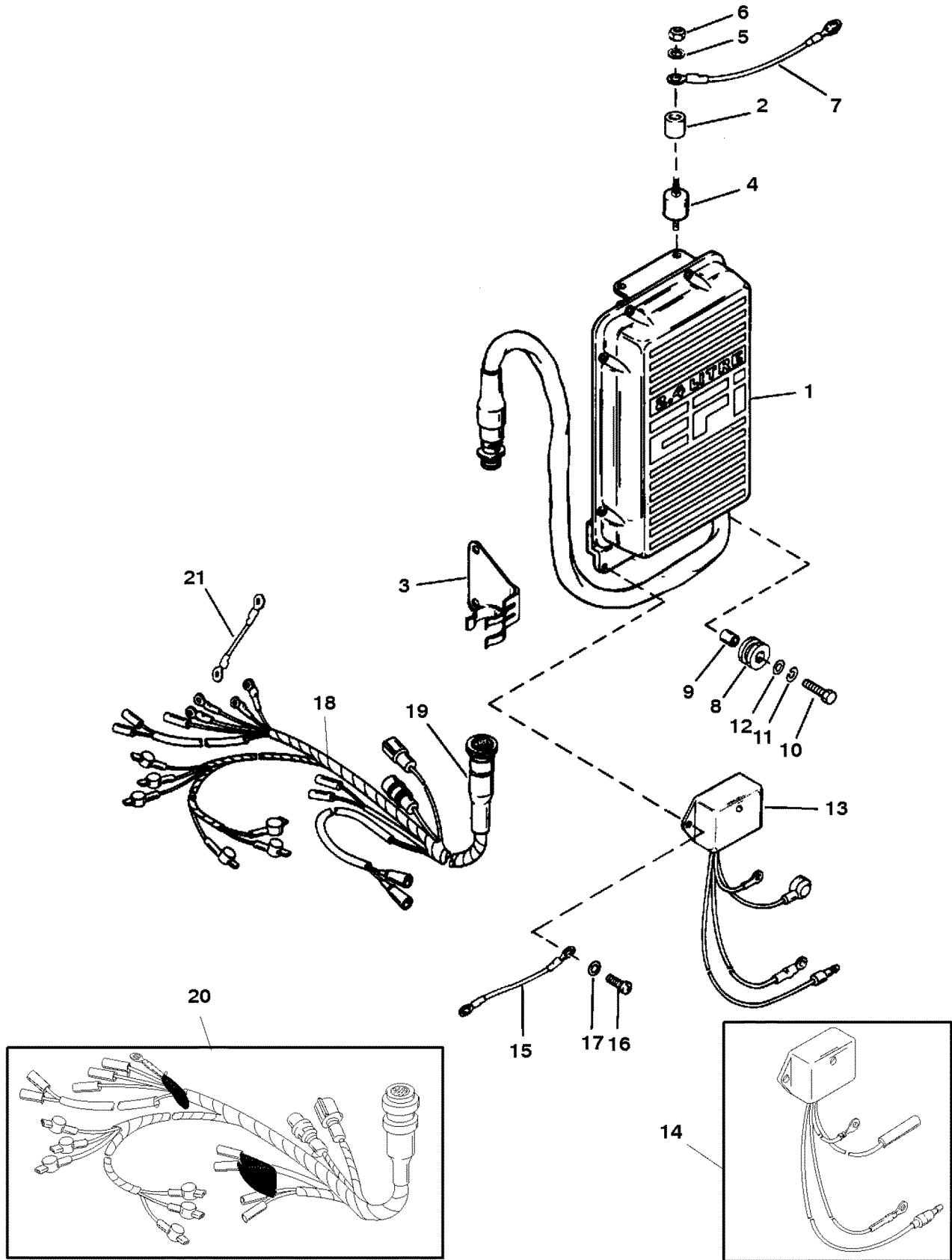
THROTTLE LEVER AND SHIFT SHAFT



THROTTLE LEVER AND SHIFT SHAFT

REF. NO.	PART NO.	SYM.	QTY.	DESCRIPTION
42	52100		1	WEAR PLATE
43	38279		1	LATCH
44	12-69056		1	WASHER
45	11-35045		1	NUT
46	13-29720		1	WAVE WASHER
47	12-35462		1	WASHER
48	11-35045		1	NUT
49	87-814281A1		1	IDLE STABILIZING SHIFT KIT USE WHERE APPLICABLE
50	10-77478		2	SCREW USE WHERE APPLICABLE
51	12-27882		2	WASHER USE WHERE APPLICABLE
52	17461A3		1	RESISTOR MODULE USE WHERE APPLICABLE

E.C.U. ASSEMBLY

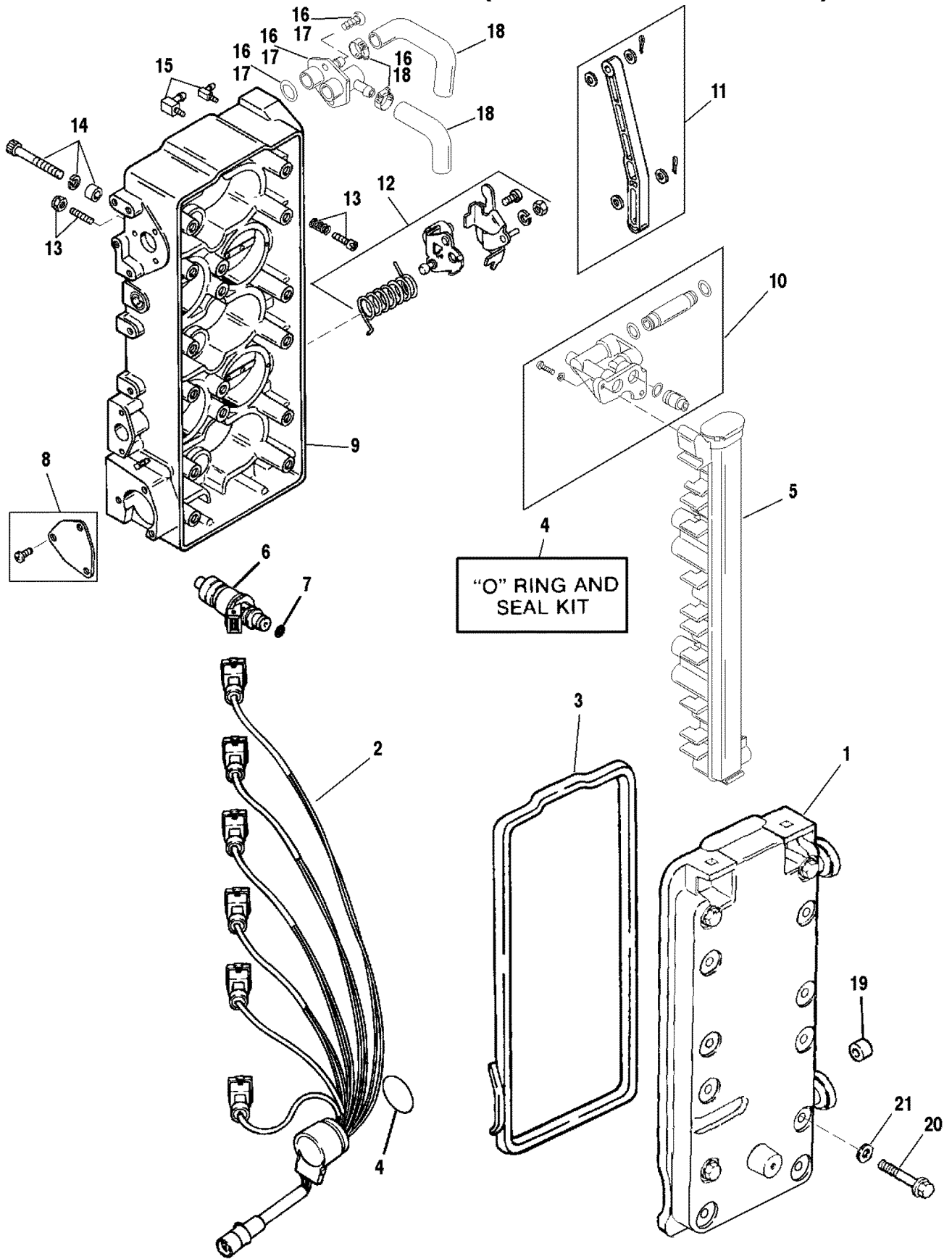


E.C.U. ASSEMBLY

REF. NO.	PART NO.	SYM.	QTY.	DESCRIPTION
1	824003--6		1	E.C.U. ASSEMBLY (S/N-0D936219 & BELOW)
	824003A12	■	1	E.C.U. ASSEMBLY (S/N-0D936220 & UP)
2	23-34948		2	SPACER
3	54-14695--1		1	CLIP
4	90435		2	MOUNT-COWL MOUNTING BRACKET
5	12-21249		4	WASHER-MOUNT ATTACHING
6	11-20361		4	NUT-MOUNT ATTACHING
7	84-88807A19		1	CABLE ASSEMBLY
8	14637		1	GROMMET
9	23-14636		1	BUSHING
10	10-28667		1	SCREW
11	13-26992		1	LOCKWASHER
12	12-65567		1	WASHER
13	13202A2		1	WATER SENSOR MODULE (S/N-0D936219 & BELOW)
14	13202A4		1	WATER SENSOR MODULE (S/N-0D936220 & UP)
15	84-88807A18		1	WIRE ASSEMBLY (BLACK)
16	10-37571		2	SCREW-WATER SENSOR MODULE
17	12-89302		2	WASHER-WATER SENSOR MODULE SCREW
18	84-98866A14		1	WIRING HARNESS-E.C.U. AND INJECTORS S/N-0D936219 & BELOW
19	19049--1		1	COUPLER RING S/N-0D936219 & BELOW
20	84-98866A25		1	WIRING HARNESS-E.C.U. AND INJECTORS (S/N-0D936220 & UP)
21	84-87895A4		1	CABLE

■ = PART IS NEW AND LISTED FOR THE FIRST TIME

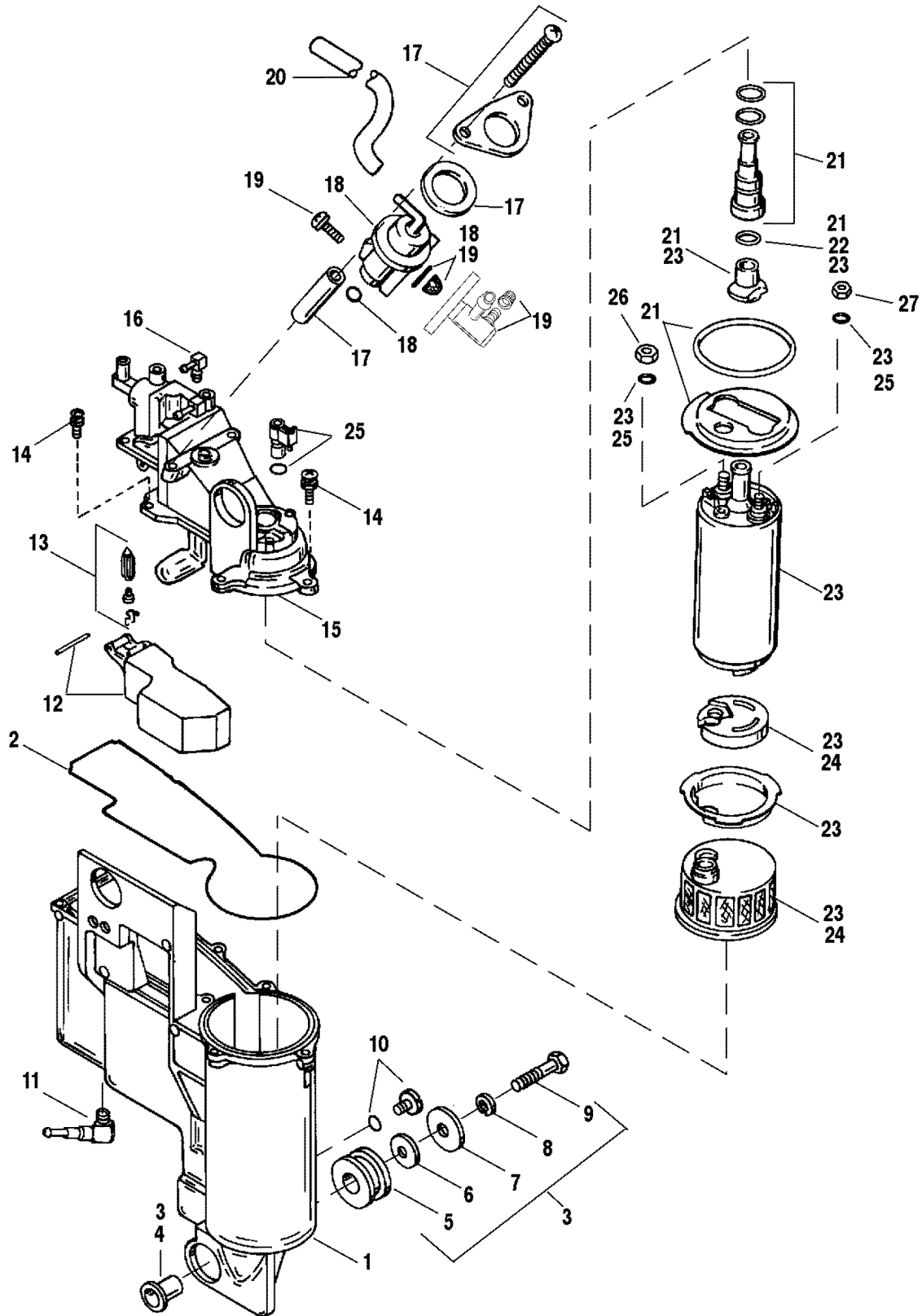
FUEL MANAGEMENT SYSTEM (S/N-0G367000 & UP)



FUEL MANAGEMENT SYSTEM (S/N-0G367000 & UP)

REF. NO.	PART NO.	SYM.	QTY.	DESCRIPTION
-	14817A23		1	FUEL MANAGEMENT ASSEMBLY
1	827692--2		1	COVER
2	84-15443		1	HARNESS KIT
3	26-18792		1	SEAL
4	15029		1	O RING/SEAL KIT
5	827699--2		1	FUEL RAIL
6	18715		1	FUEL INJECTOR
7	35-17422		1	FILTER
8	827696		1	RETAINING KIT
9	827693--3		1	THROTTLE BODY
10	809057--2		1	JOINT KIT
11	827689--1		1	LINK
12	827697		1	LINK LEVER KIT
13	10-827698		1	STOP SCREW KIT
14	10-827698--1		1	SCREW KIT
15	22-809085--1		1	ELBOW KIT (SAME AS REF. #16 ON PAGE 17)
16	814233A1		1	SCHRADER VALVE KIT
17	814233--2		1	FMA JOINT KIT
18	32-827694--2		1	HOSE KIT
19	67748		1	ROLLER
20	10-90088		10	SCREW (1/4-20 X 4 IN.)
21	12-29245		12	WASHER

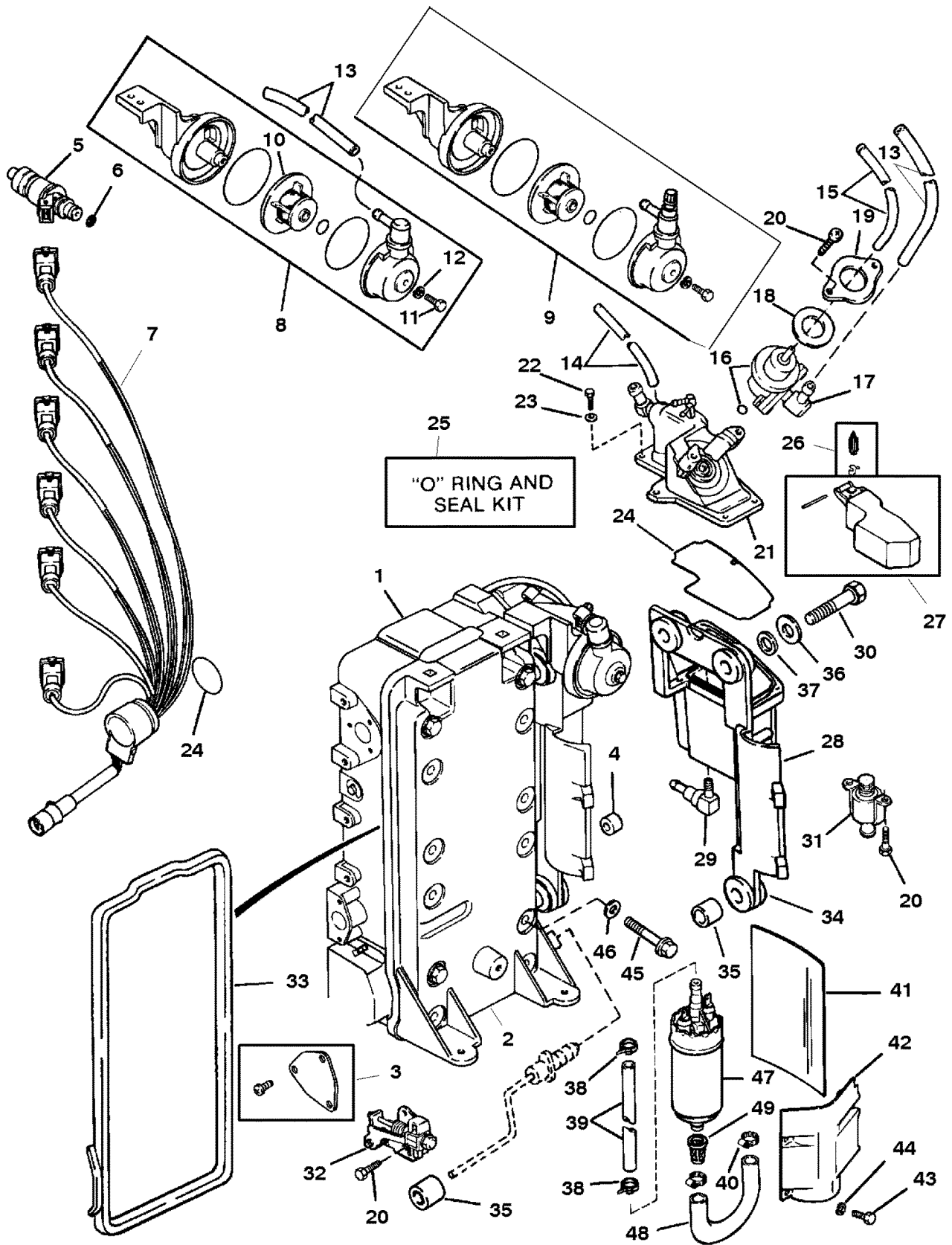
FUEL MANAGEMENT SYSTEM (S/N-0G367000 & UP)



FUEL MANAGEMENT SYSTEM (S/N-0G367000 & UP)

REF. NO.	PART NO.	SYM.	QTY.	DESCRIPTION
-	14817A23		1	FUEL MANAGEMENT ASSEMBLY
1	814011--1		1	VAPOR SEPARATOR BODY KIT
2	25-809086		1	O RING
3	809092A1		1	MOUNTING SCREW KIT
4	23-809078		1	COLLAR
5	25-809079		3	GROMMET
6	12-809062--2		3	WASHER
7	12-809062--1		3	WASHER
8	13-809080		3	LOCKWASHER
9	10-809061--1		3	SCREW
10	10-809091		1	DRAIN SCREW KIT
11	21-42481		1	CHECK VALVE
12	15445		1	FLOAT KIT
13	15446		1	FLOAT VALVE KIT
14	10-814076--2		1	SCREW KIT
15	814010--2		1	COVER KIT
16	22-809085--1		1	ELBOW KIT (SAME AS REF. #15 ON PAGE 15)
17	809087		1	ATTACHING KIT
18	814012--2		1	PRESSURE REGULATOR KIT
19	814233A1		1	SCHRADER VALVE KIT
20	32-827694--3		1	TUBING KIT
21	809089		1	FUEL PUMP FITTING KIT
22	15029		1	O RING/SEAL KIT
23	809088--1		1	FUEL PUMP KIT
24	808504--1		1	FUEL STRAINER KIT
25	809090--1		1	ELECTRICAL CONNECTION KIT
26	11-823751--5		1	NUT (M4 X .7)
27	11-40021--1		1	NUT (M5 X .8)

FUEL MANAGEMENT SYSTEM (S/N-0G366999 & BELOW)



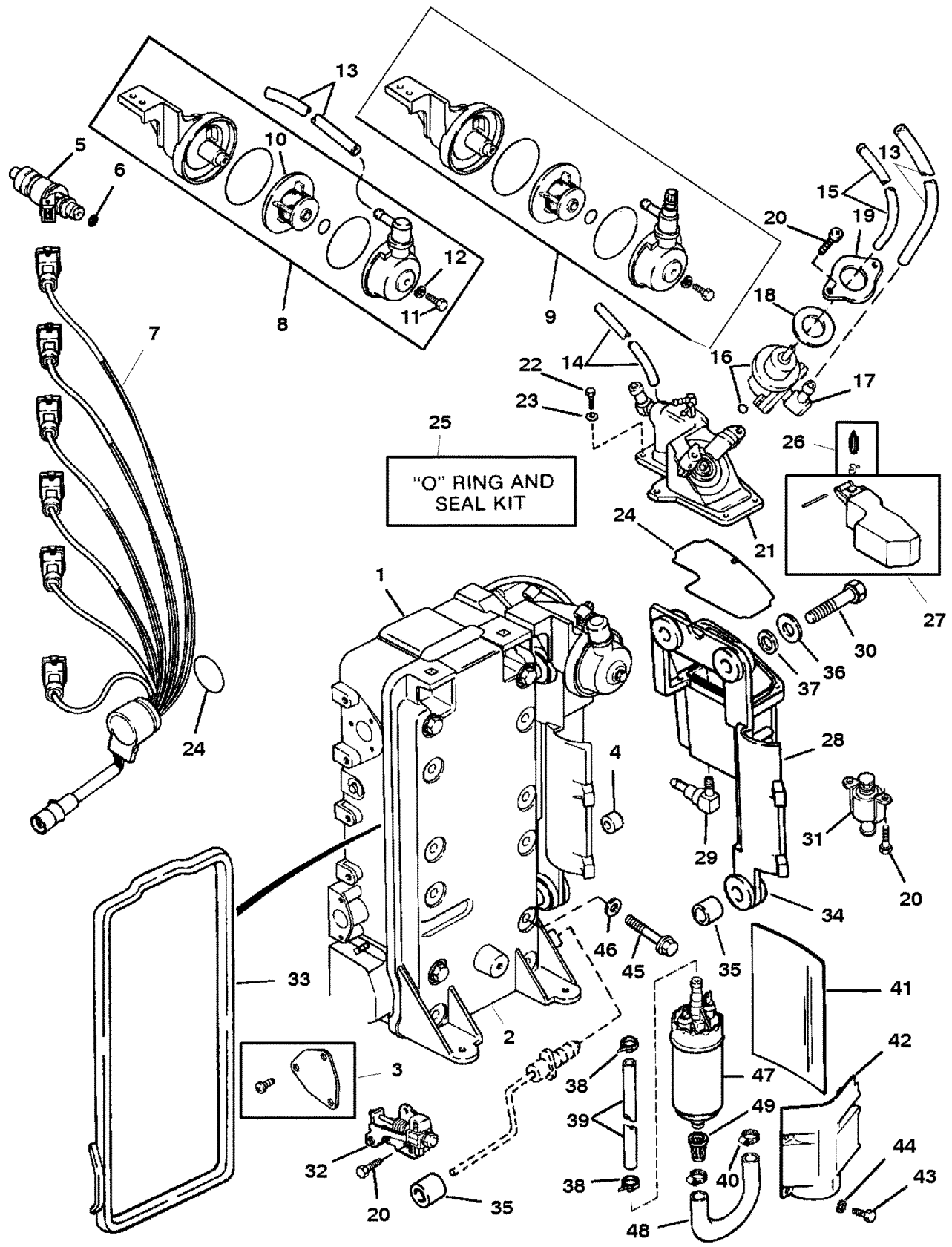
FUEL MANAGEMENT SYSTEM (S/N-0G366999 & BELOW)

REF. NO.	PART NO.	SYM.	QTY.	DESCRIPTION
-	14817A19		1	FUEL MANAGEMENT ASSEMBLY
1	827693		1	THROTTLE BODY
2	827692		1	COVER
3	827696		1	RETAINING KIT SEE PAGE 20 FOR MORE COMPONENT BREAKDOWN OF FUEL MANAGEMENT
4	67748		1	ROLLER-CAM SEE PAGE 20 FOR MORE COMPONENT BREAKDOWN OF FUEL MANAGEMENT
5	18715		6	FUEL INJECTOR SEE PAGE 20 FOR MORE COMPONENT BREAKDOWN OF FUEL MANAGEMENT
6	35-17422		1	FILTER-INJECTOR SEE PAGE 20 FOR MORE COMPONENT BREAKDOWN OF FUEL MANAGEMENT
7	84-15443		1	HARNESS KIT
8	35-15442		1	FUEL FILTER KIT (DESIGN I)
9	35-15442--2	+	1	FUEL FILTER KIT (DESIGN II)
10	35-15028--2		1	FUEL FILTER
11	10-40003--4		1	SCREW-FILTER COVER
12	13-40025--5		1	LOCKWASHER-COVER SCREW
13	32-13503-82		1	HOSE (1/2 IN. O.D.)
14	32-99126-88		1	HOSE (1/8 IN. I.D.)
15	32-99130122		1	HOSE (3/32 IN. I.D.)
16	15027		1	REGULATOR-PRESSURE
17	814233		1	ELBOW KIT
18	27-18791		1	GASKET-PRESSURE REGULATOR
19	814012		1	PLATE-PRESSURE REGULATOR
20	10-814076		AR	SCREW
21	814010		1	COVER KIT
22	10-40019-87		6	SCREW-COVER TO SEPARATOR
23	13-26995		6	LOCKWASHER-COVER SCREW
24	26-18790		1	SEAL-VAPOR SEPARATOR
25	15029		1	O RING AND SEAL KIT
26	15446		1	FLOAT VALVE KIT
27	15445		1	FLOAT KIT
28	814011		1	BODY KIT
29	21-42481		1	CHECK VALVE
30	10-40003-32		3	SCREW-SEPARATOR
31	21-18241		1	CHECK VALVE
32	814077		1	SHUT-OFF VALVE
33	26-18792		1	SEAL-INJECTOR MANIFOLD
34	23-19275		3	GROMMET
35	23-814913		3	SPACER
36	12-35280		3	WASHER (LARGE)
37	12-69057		3	WASHER (SMALL)
38	54-13791		2	CLAMP-HOSE

⊕ = SUPERSEDES ANOTHER PART

CONTINUED ON NEXT PAGE ➡

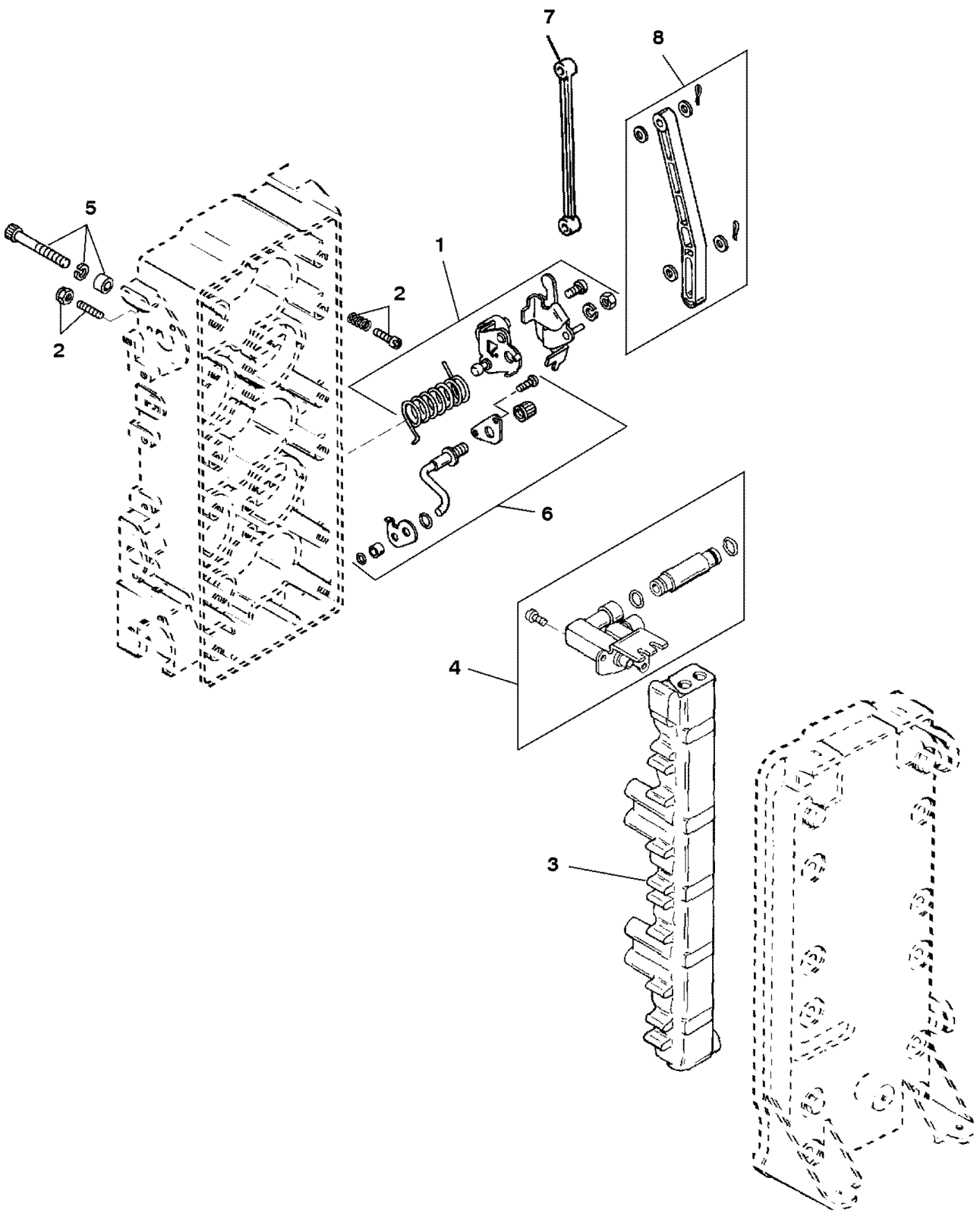
FUEL MANAGEMENT SYSTEM (S/N-0G366999 & BELOW)



FUEL MANAGEMENT SYSTEM (S/N-0G366999 & BELOW)

REF. NO.	PART NO.	SYM.	QTY.	DESCRIPTION
39	32-13503-82		1	TUBING (1-3/4 IN.)
40	54-F698772		2	STA-STRAP
41	14639		1	BLANKET-FUEL PUMP
42	14640T		1	COVER-FUEL PUMP
43	10-32228		4	SCREW
44	13-26996		4	LOCKWASHER
45	10-90088		12	SCREW
46	12-29245		10	WASHER
47	14307A1		1	FUEL PUMP
48	32-14633--2		1	HOSE
49	35-823501		1	FUEL FILTER

FUEL MANAGEMENT SYSTEM (S/N-0G366999 & BELOW)

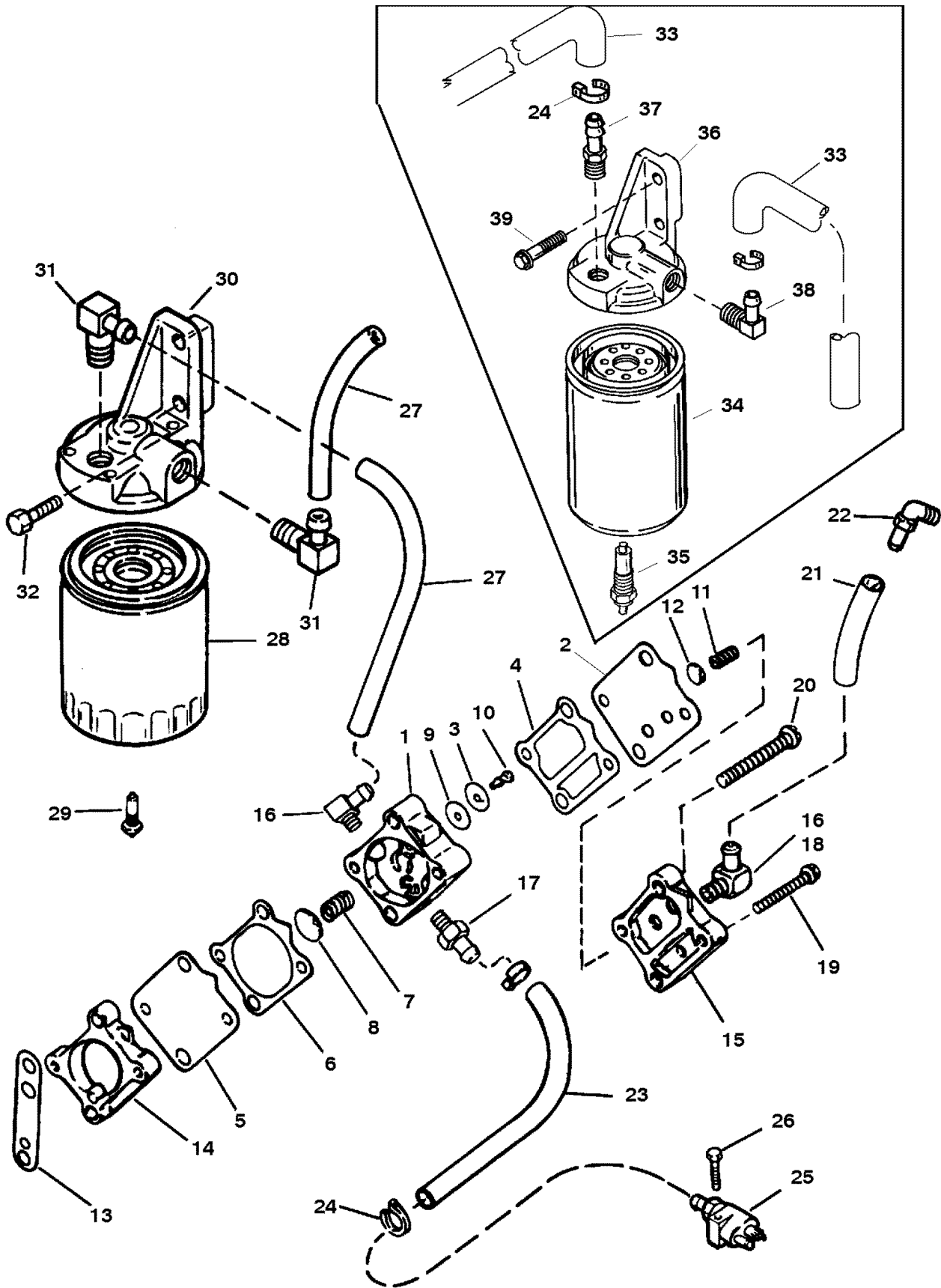


FUEL MANAGEMENT SYSTEM (S/N-0G366999 & BELOW)

REF. NO.	PART NO.	SYM.	QTY.	DESCRIPTION
1	827697		1	LINK LEVER KIT
2	10-827698		1	STOP SCREW KIT
3	827699		1	FUEL RAIL (METAL)
	827699--2		1	FUEL RAIL (PLASTIC)
4	809057		1	FUEL PIPE JOINT KIT
5	10-827698--1		1	SCREW KIT-FUEL RAIL
6	809059		1	SCHRADER VALVE KIT
7	15444		1	LINK (DESIGN I)
8	827689--1	+	1	LINK (DESIGN II)

+ = SUPERSESSEEDS ANOTHER PART

FUEL PUMP AND FUEL FILTER



FUEL PUMP AND FUEL FILTER

REF. NO.	PART NO.	SYM.	QTY.	DESCRIPTION
1	14360A53		1	FUEL PUMP ASSEMBLY
2	21-42990A10	■	1	DIAPHRAGM KIT
3		◇	2	CHECK VALVE-RUBBER
4		◇	1	GASKET-BOOST
5		◇	2	DIAPHRAGM
6		◇	1	GASKET-PULSE
7		◇	1	SPRING
8		◇	1	CAP
9		◇	2	CHECK VALVE
10		◇	2	RETAINER
11		◇	1	SPRING
12		◇	1	CAP
13	27-98769--1	■●	1	GASKET-BASE
14	14430--3		1	BASE-FUEL PUMP
15	98775--2		1	PLATE-FUEL PUMP
16	22-99664		1/2	ELBOW (1/4 IN. DIA. HOLE)
17	22-29111		1	FITTING
18	22-43335		1	CONNECTOR (90 DEGREES)(1/8 IN. DIA. HOLE)
19	10-821045-40		2	SCREW-FUEL PUMP
20	10-16452		2	SCREW-FUEL PUMP TO CRANKCASE
21	32-99128-78		1	TUBING (8 IN.) (USE WITH REF. #18 - 1/8 IN. DIA. HOLE)
	32-830757-80		1	TUBING (USE WITH REF. #16 - 1/4 IN. DIA. HOLE)
22	22-99751		1	ELBOW
23	32-830757-80		1	TUBING
24	54-816311		AR	STA-STRAP-FUEL TUBING
25	22-816856A3		1	FUEL CONNECTOR
26	10-69067		1	SCREW
27	32-13503-82		2	TUBING (15-1/2 IN.)(19 IN.) DESIGN I
28	35-18458A3		1	FUEL FILTER ASSEMBLY DESIGN I
29	14570		1	PROBE-WATER SENSING DESIGN I
30	13170A3		1	FUEL FILTER BASE DESIGN I
31	22-13607		2	FITTING DESIGN I
32	10-45561		2	SCREW (1/4-20 X 1-1/8 IN.) DESIGN I
33	32-13503-82		2	TUBING (15-1/2 IN.)(19 IN.) DESIGN II
34	35-18458A4		1	FUEL FILTER ASSEMBLY DESIGN II
35	828586		1	PROBE DESIGN II
36	13170A3		1	FUEL FILTER BASE DESIGN II

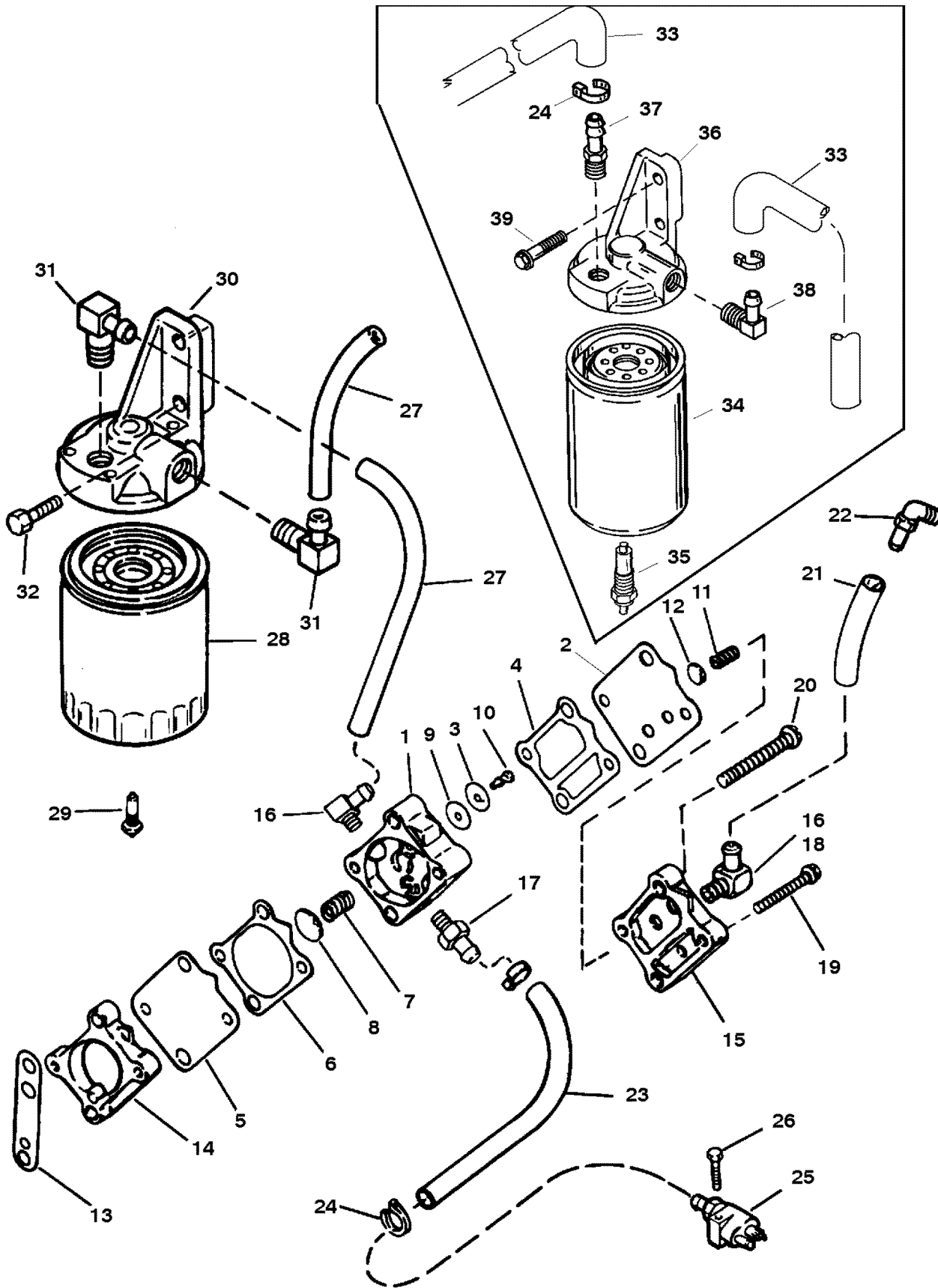
● = COMPONENT OF POWERHEAD

■ = COMPONENT OF ENGINE GASKET SET

◇ = COMPONENT OF FUEL PUMP DIAPHRAGM KIT

CONTINUED ON NEXT PAGE ➡

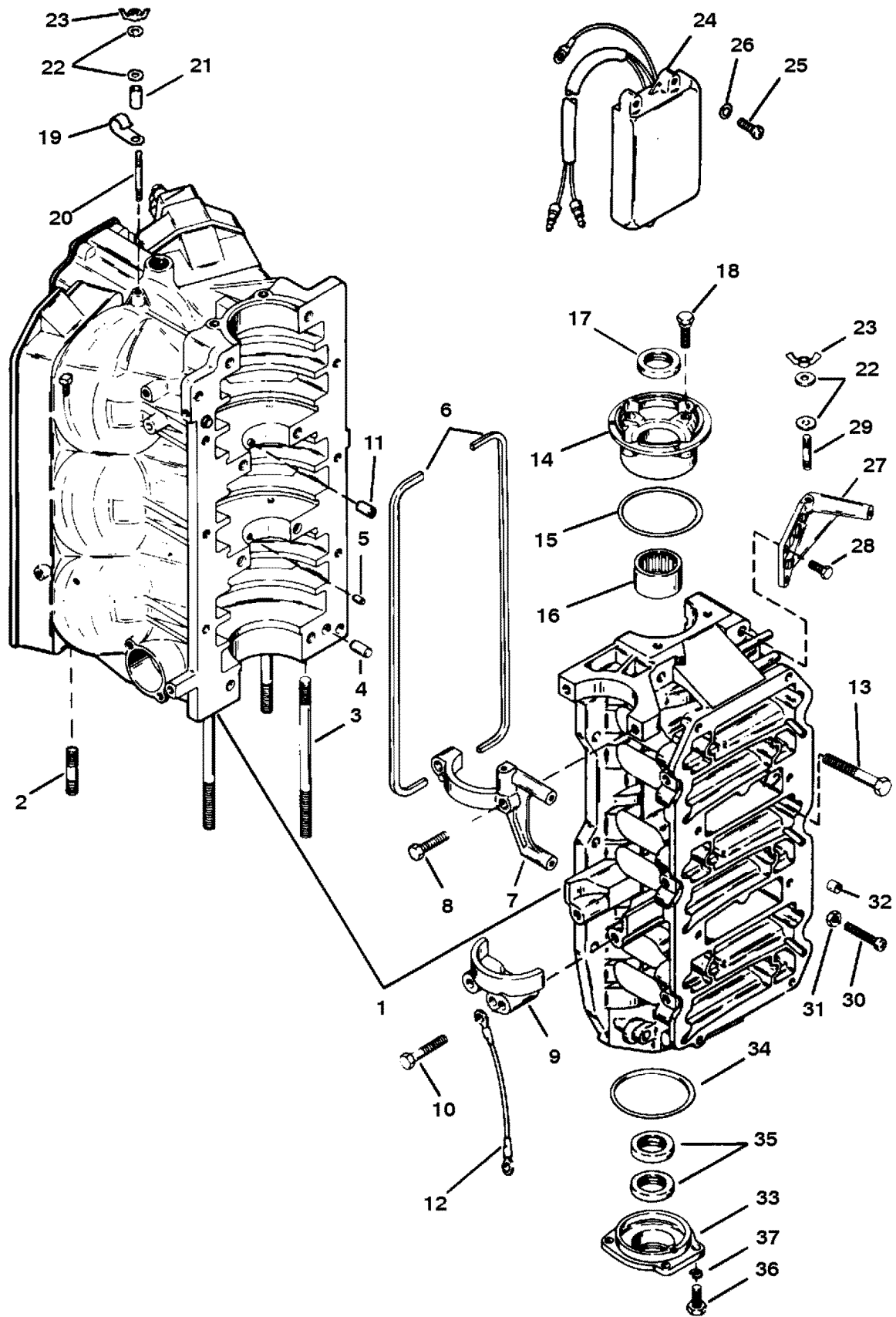
FUEL PUMP AND FUEL FILTER



FUEL PUMP AND FUEL FILTER

REF. NO.	PART NO.	SYM.	QTY.	DESCRIPTION
37	22-89771		1	CONNECTOR (STRAIGHT) DESIGN II
38	22-13607		1	ELBOW DESIGN II
39	10-45561		2	SCREW (1/4-20 X 1-1/8 IN.) DESIGN II
-	27-813859A95		1	GASKET SET
-	809430A95		1	POWERHEAD

CYLINDER BLOCK AND END CAPS



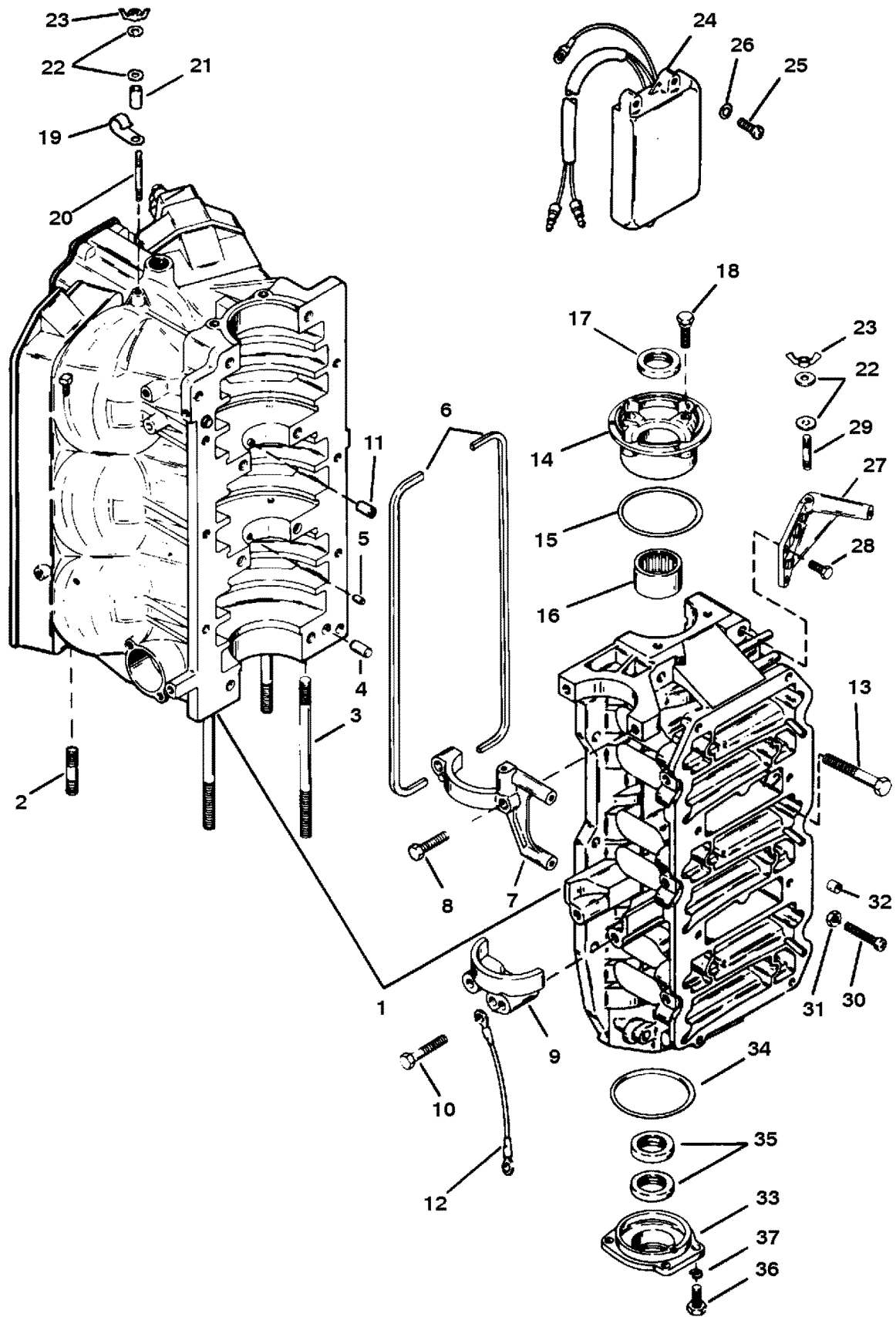
CYLINDER BLOCK AND END CAPS

REF. NO.	PART NO.	SYM.	QTY.	DESCRIPTION
1	884-9763A62	●■	1	CYLINDER BLOCK
2	16-847530	●	6	STUD (1-3/4 IN.)
3	16-67065	●	2	STUD (5-1/2 IN.)
	16-78438	●	2	STUD (6-3/4 IN.)
4	17-43044	●	2	DOWEL PIN
5	17-67296	●	2	DOWEL PIN (BEARING RACE)
6	27-11338	■●	2	GASKET
7	42249	●	1	COVER (UPPER)
8	10-828213	●	2	SCREW
9	76867	●	1	COVER (LOWER)
10	10-828214	●	2	SCREW (2 IN.)
11	23-99448	●	1	BUSHING
12	84-88807A20		1	CABLE ASSEMBLY
13	10-66717	●	8	SCREW (3-1/4 IN.)
	10-74824	●	6	SCREW (1-1/4 IN.)
14	1159-9642A1	●	1	UPPER END CAP ASSEMBLY
15	25-54029	■●	1	O-RING
16	31-16756A4	●	1	ROLLER BEARING
17	26-41953	●	1	OIL SEAL
18	10-69034	●	4	SCREW (1 IN.)
19	54-814634		1	J-CLIP
20	16-15094		1	STUD (1-7/8 IN.)
21	23-67269		1	SPACER
22	12-49221		3	WASHER
23	11-816874		3	NUT
24	87076A10		1	IDLE SPEED CONTROL
25	10-69020		3	SCREW
26	12-38833		3	WASHER
27	42248	●	1	BRACKET
28	10-49668	●	2	SCREW (3/4 IN.)
29	16-15093		2	STUD (1 IN.)
30	10-64022	●	1	ADJUSTING SCREW
31	11-64015	●	1	JAM NUT
32	26852	●	1	CAP
33	1156-7809A1	●	1	LOWER END CAP ASSEMBLY
34	25-62700	■●	1	O-RING (3-1/4 IN. I.D.)

- = COMPONENT OF POWERHEAD
- = PART IS NEW AND LISTED FOR THE FIRST TIME
- = COMPONENT OF ENGINE GASKET SET

CONTINUED ON NEXT PAGE ➡

CYLINDER BLOCK AND END CAPS

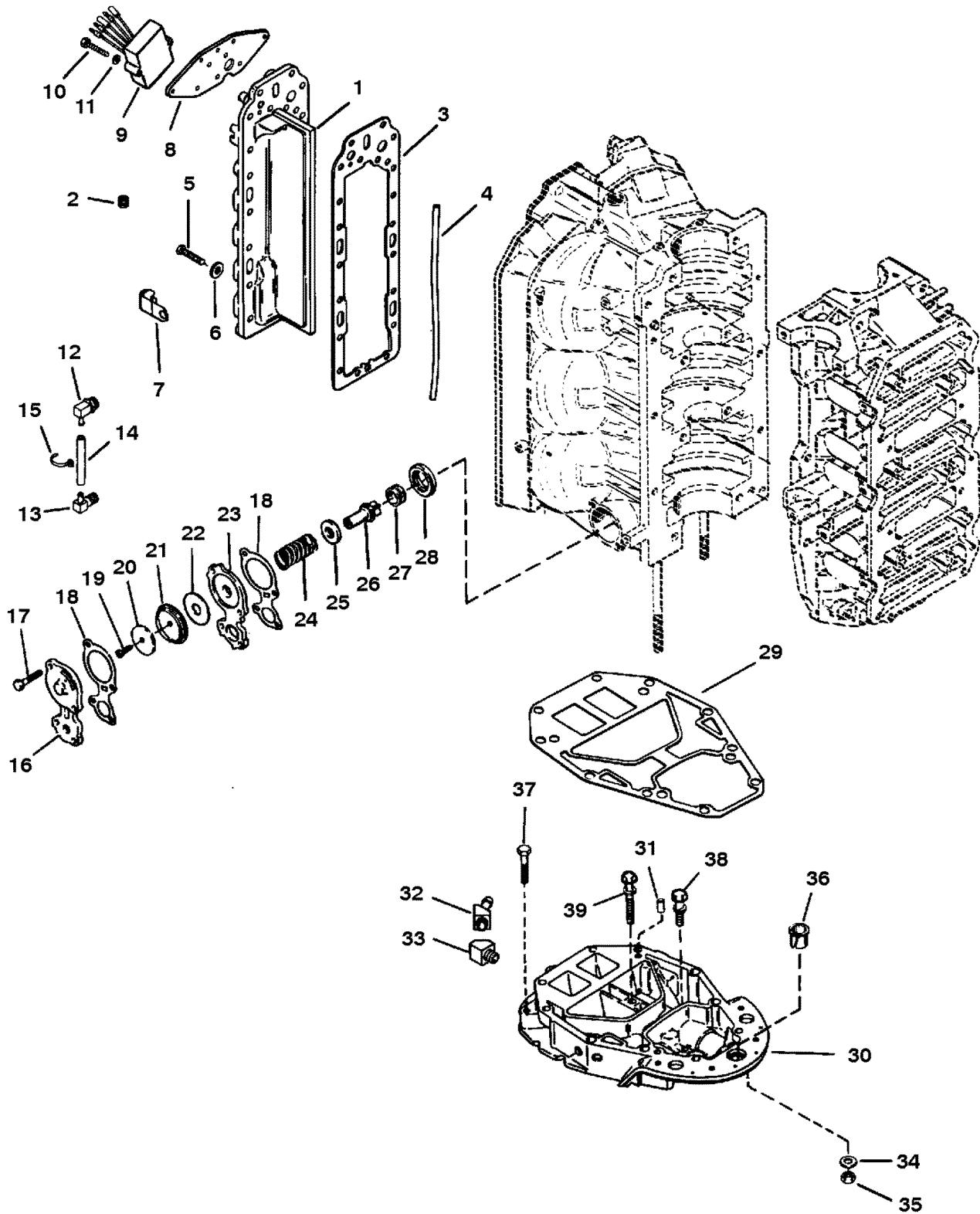


CYLINDER BLOCK AND END CAPS

REF. NO.	PART NO.	SYM.	QTY.	DESCRIPTION
35	26-41953	●	2	OIL SEAL
36	10-28636	●	4	SCREW (3/4 IN.)
37	13-26992	●	4	LOCKWASHER
-	27-813859A95		1	GASKET SET
-	809430A95		1	POWERHEAD

● = COMPONENT OF POWERHEAD

EXHAUST DIVIDER AND EXHAUST PLATE



EXHAUST DIVIDER AND EXHAUST PLATE

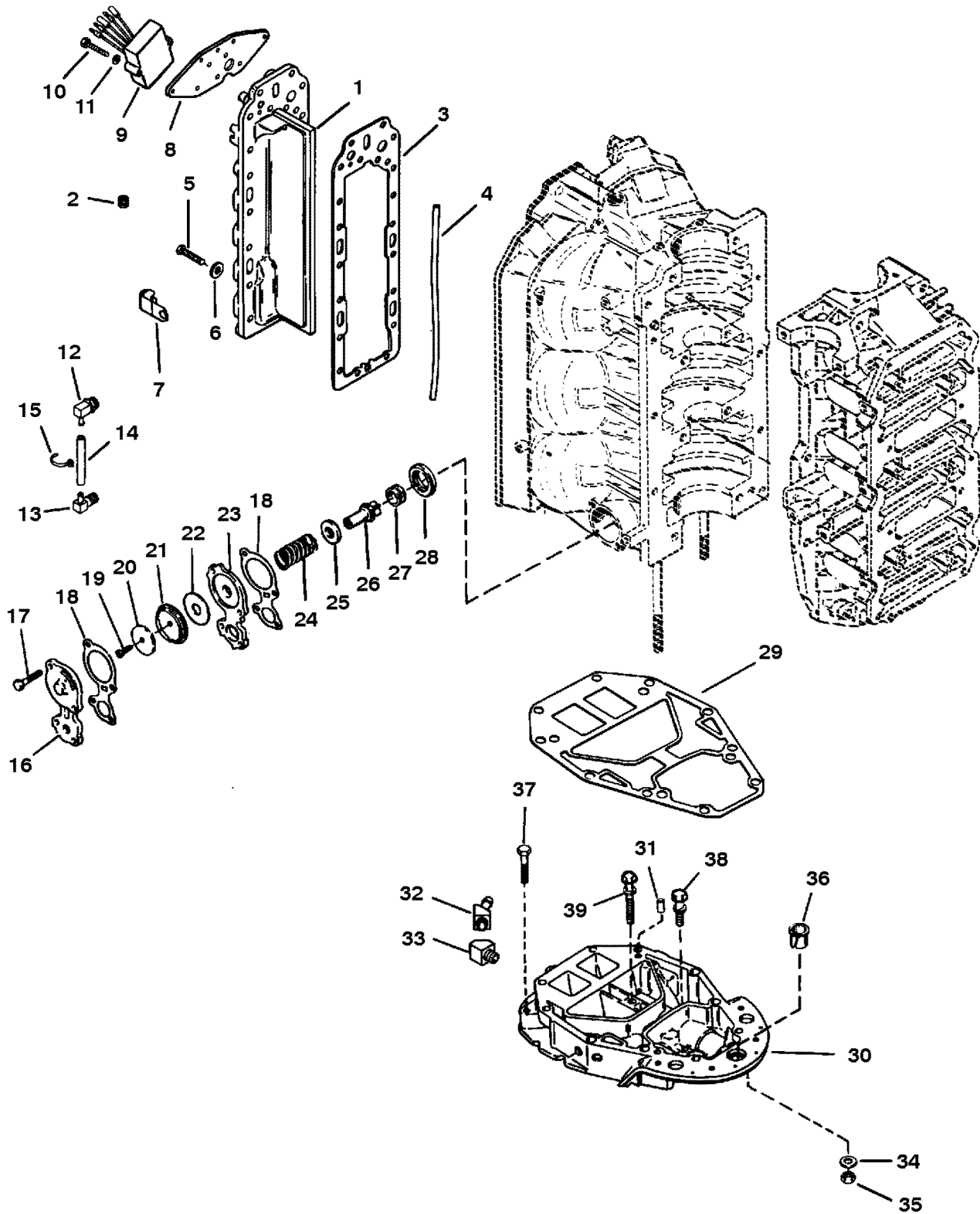
REF. NO.	PART NO.	SYM.	QTY.	DESCRIPTION
1	815552A1	●	1	EXHAUST DIVIDER PLATE
2	22-32802--1	●	1	PIPE PLUG
3	27-847525--1	■●	1	GASKET
4	26-814754	■●	1	SEAL
5	10-847538	●	18	SCREW (1-1/2 IN.)
	10-848497	●	2	SCREW (1 IN.)
6	12-847526	●	20	WASHER (USE WHERE APPLICABLE)
7	54-814634	●	AR	J-CLAMP (LARGE)
	54-64235--2	●	1	J-CLAMP (SMALL)
8	847895--1	●	1	REGULATOR PLATE
9	815279T		1	VOLTAGE REGULATOR
10	10-69697		4	SCREW
11	11-35045		4	NUT
12	22-814430	●	1	FITTING
13	22-92007	●	1	FITTING (90 DEGREES)
14	32-830756109	●	1	HOSE (23-1/2 IN.)
15	54-816311	●	2	STA-STRAP
16	68729	●	1	COVER-RELIEF VALVE
17	10-74824	●	4	SCREW (1-1/4 IN.)
18	27-78690	■●	2	GASKET
19	10-69570	●	1	SCREW (3/4 IN.)
20	12-76451	●●	1	WASHER
21	14479	●	1	DIAPHRAGM
22	16496	●	1	WATER DEFLECTOR
23	16497A1	●	1	PLATE
24	24-64878	●	1	SPRING
25	12-85303	●	1	WASHER
26	14480	●	1	POPPET
27	25-64872	●	1	GROMMET
28	65848	●	1	CARRIER
29	27-823142--2	■●	2	GASKET
30	18260A5		1	EXHAUST PLATE
31	17-823106		2	DOWEL PIN
32	22-14867		1	ELBOW (45 DEGREES)
33	22-29085		1	ELBOW (45 DEGREES)
34	12-822838		6	WASHER
35	11-46335		6	NUT
36	23-27132		1	BUSHING

● = COMPONENT OF POWERHEAD

■ = COMPONENT OF ENGINE GASKET SET

CONTINUED ON NEXT PAGE ➡

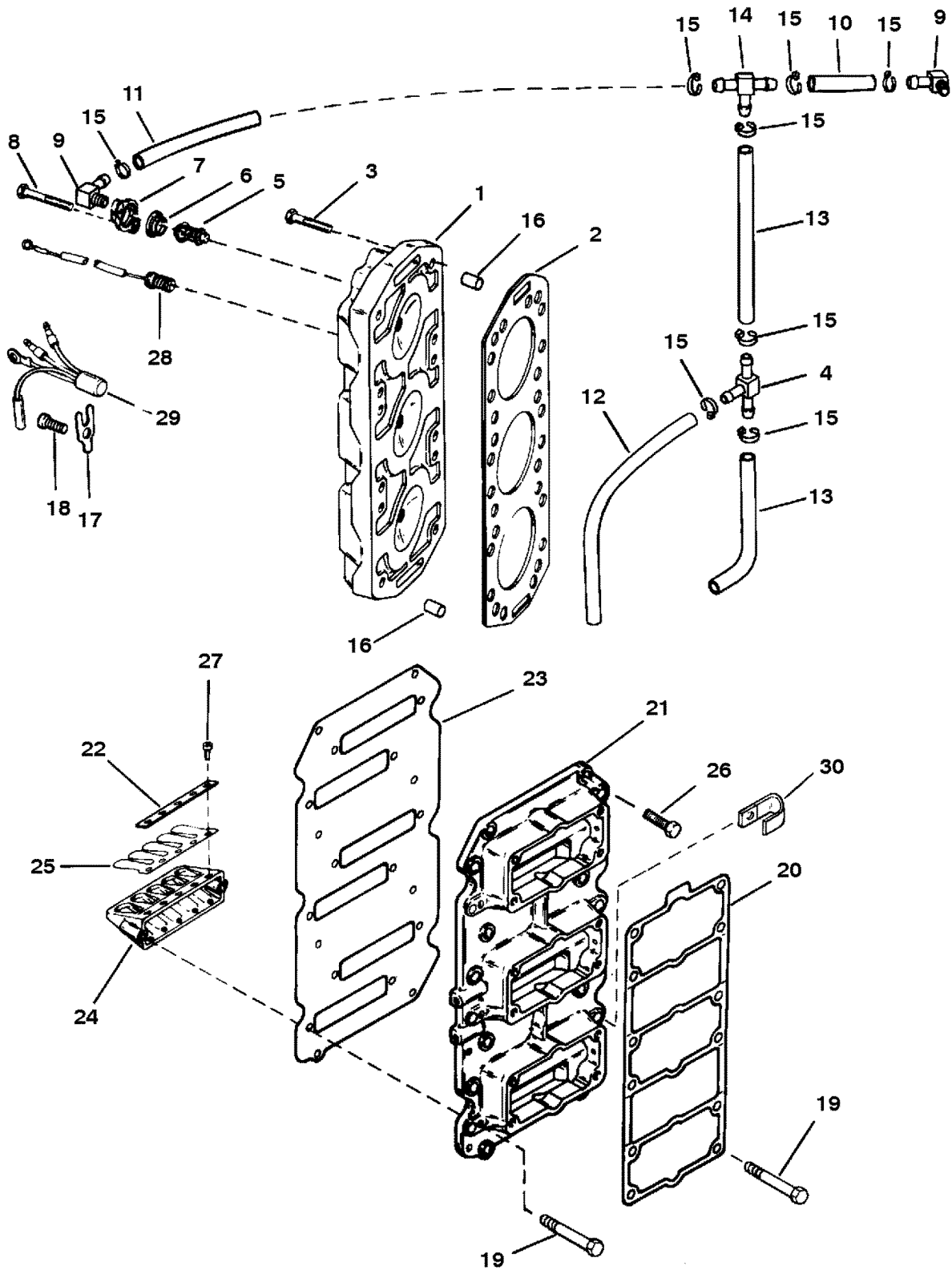
EXHAUST DIVIDER AND EXHAUST PLATE



EXHAUST DIVIDER AND EXHAUST PLATE

REF. NO.	PART NO.	SYM.	QTY.	DESCRIPTION
37	10-66725		3	SCREW (3-1/2 IN.)
38	10-66727		1	SCREW (1-1/4 IN.)
39	10-68783		1	SCREW (2-1/2 IN.)
-	27-813859A95		1	GASKET SET
-	809430A95		1	POWERHEAD

REED BLOCK AND CYLINDER HEAD



REED BLOCK AND CYLINDER HEAD

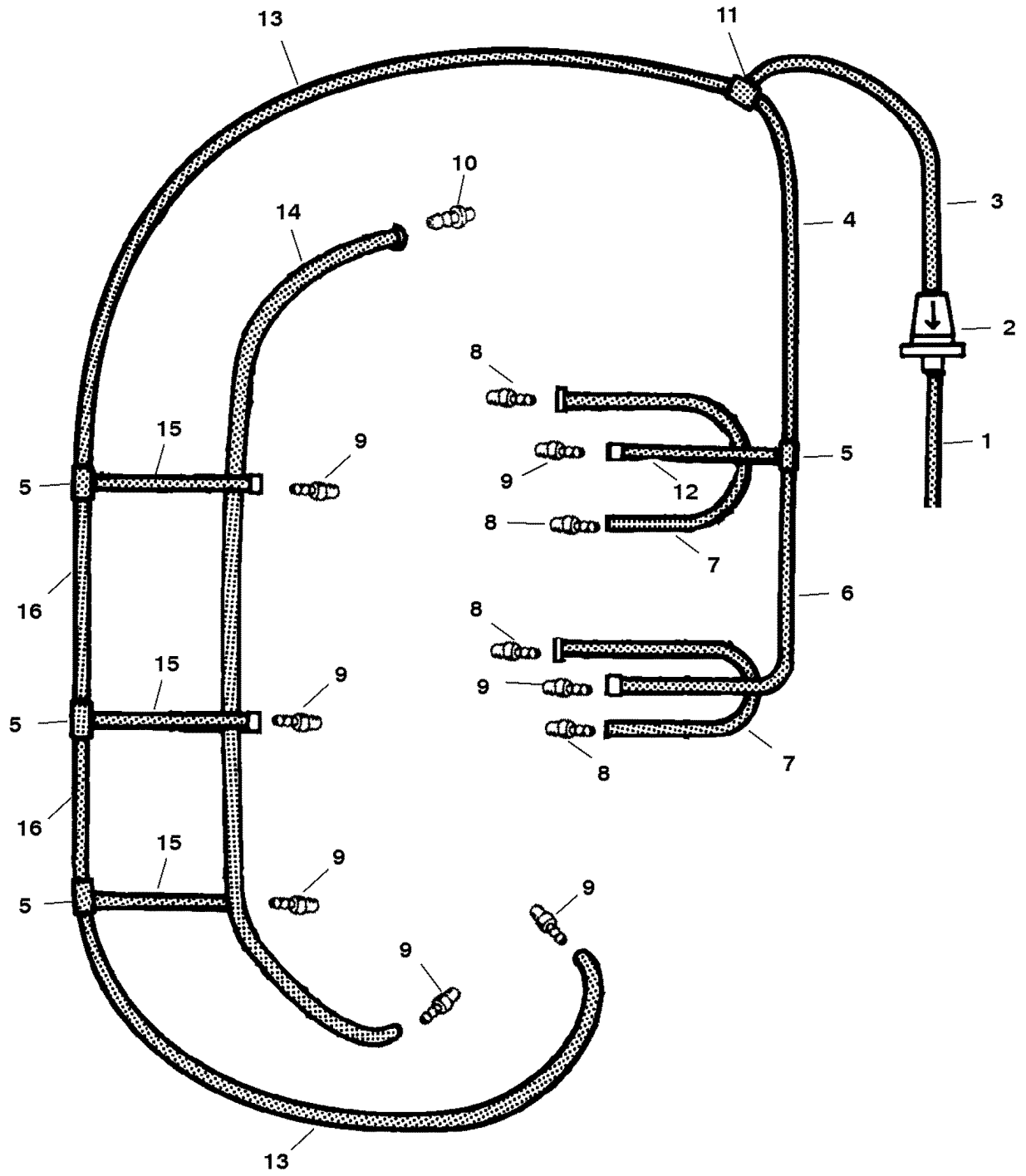
REF. NO.	PART NO.	SYM.	QTY.	DESCRIPTION
1	18789F1	●	2	CYLINDER HEAD
2	27-814658--1	●	2	GASKET
3	10-98534	●	24	SCREW-CYLINDER HEAD (2 IN.)
4	22-815914	●	1	T-FITTING
5	75692	●	2	THERMOSTAT
6	27-62386	■●	2	GASKET-THERMOSTAT
7	90390A1	●	2	COVER-THERMOSTAT
8	10-35386	●	4	SCREW-THERMOSTAT COVER (1 IN.)
9	22-13607	●	2	FITTING-ELBOW - WATER HOSES
10	32-830757-80		1	HOSE (2-1/2 IN.)
11	32-77653-77		1	HOSE (10-1/2 IN.)
12	32-77653-77		1	HOSE (14-1/2 IN.)
13	32-830757-80		2	HOSE (7-1/2 IN.)
14	22-90824	●	1	TEE FITTING
15	54-816311	●	AR	STA-STRAP-WATER HOSES
16	17-63779	●	4	DOWEL PIN
17	13715--1	●	2	RETAINER-SENSOR AND SENDER
18	10-98257	●	2	SCREW-RETAINER
19	10-28668		12	SCREW (7/8 IN.)
20	27-16737--1	■■	1	GASKET-ADAPTOR PLATE
21	12124A3		1	ADAPTOR PLATE
22	90391--1		12	REED CLAMP
23	27-813859	■●	1	GASKET
24	87692--2		6	REED BLOCK
25	34-815242A3		6	REED ASSEMBLY
26	10-28668		8	SCREW-ADAPTOR PLATE
27	10-823588		84	SCREW-REEDS TO REED BLOCK
28	97465	●	1	TEMPERATURE SENDER (STARBOARD)
29	13536A6		1	TEMPERATURE SENSOR (PORT)
30	54-55098		1	J-CLAMP
-	27-813859A95		1	GASKET SET
-	809430A95		1	POWERHEAD

● = COMPONENT OF POWERHEAD

■ = PART IS NEW AND LISTED FOR THE FIRST TIME

■ = COMPONENT OF ENGINE GASKET SET

BLEED SYSTEM



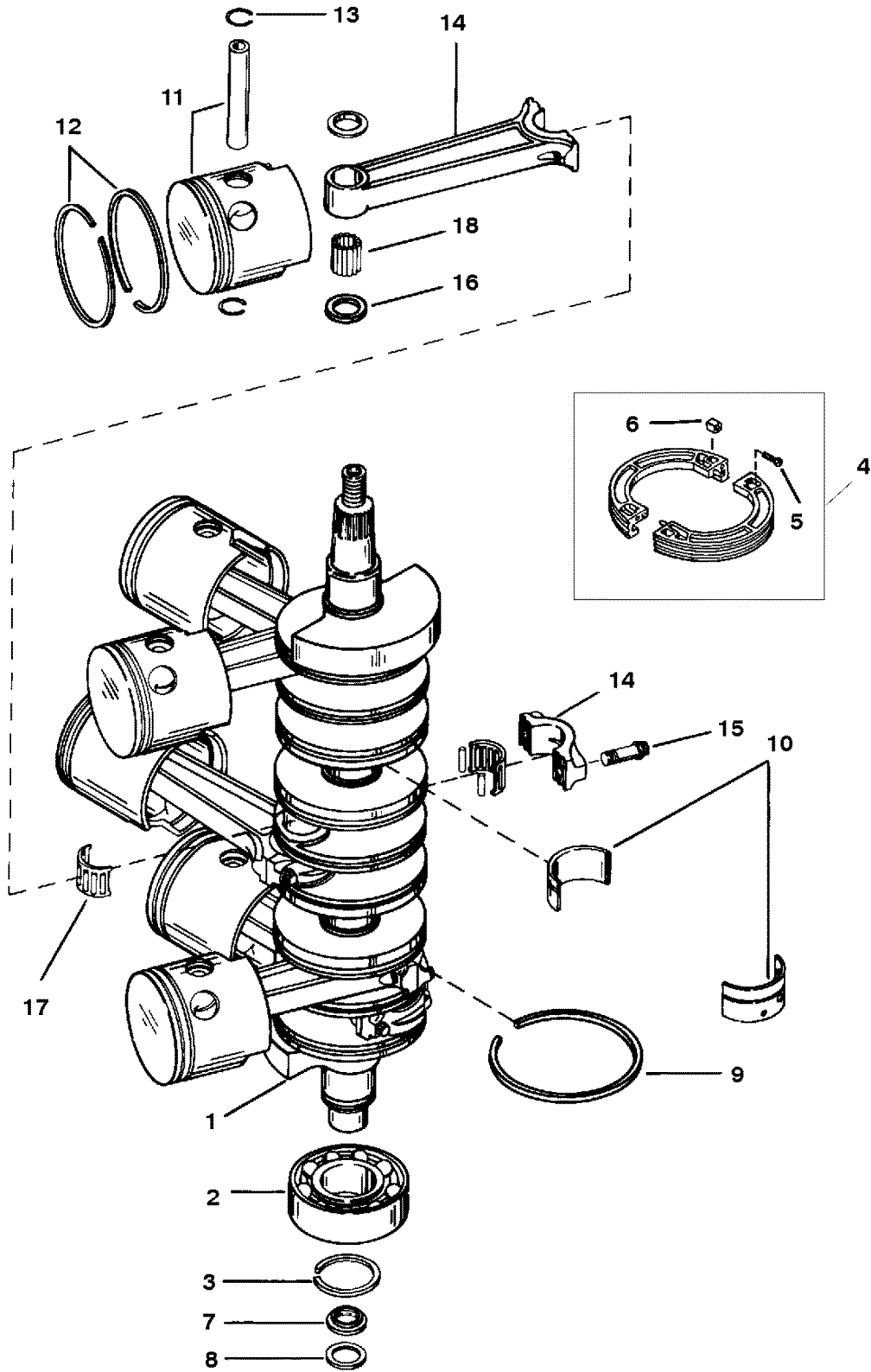
BLEED SYSTEM

REF. NO.	PART NO.	SYM.	QTY.	DESCRIPTION
1	32-99126-88	●	1	TUBING (3-1/4 IN.)
2	35-18206		1	FUEL FILTER
3	32-99126-88	●	1	TUBING (3-1/4 IN.)
4	32-99130122	●	1	TUBING (3-1/2 IN.)
5	22-59169	●●	4	TEE
6	32-99130122	●	1	TUBING (5-1/2 IN.)
7	32-99130122	●	2	TUBING (9 IN.)
8	22-56759	●	4	FITTING (PRESS-IN)
9	21-42698--1	+●	7	CHECK VALVE (PRESS-IN - 13/16 LONG)
10	21-42623	●	1	CHECK VALVE (PRESS-IN - 11/16 LONG)
11	22-18205	●	1	TEE
12	32-99130122	●	1	TUBING (1-1/4 IN.)
13	32-99130122	●	2	TUBING (9 IN.)
14	32-99130122	●	1	TUBING (19 IN.)
15	32-99130122	●	3	TUBING (1 IN.)
16	32-99130122	●	2	TUBING (4-1/2 IN.)
-	809430A95		1	POWERHEAD

● = COMPONENT OF POWERHEAD

+ = SUPERSESSEEDS ANOTHER PART

CRANKSHAFT, PISTONS AND CONNECTING RODS



CRANKSHAFT, PISTONS AND CONNECTING RODS

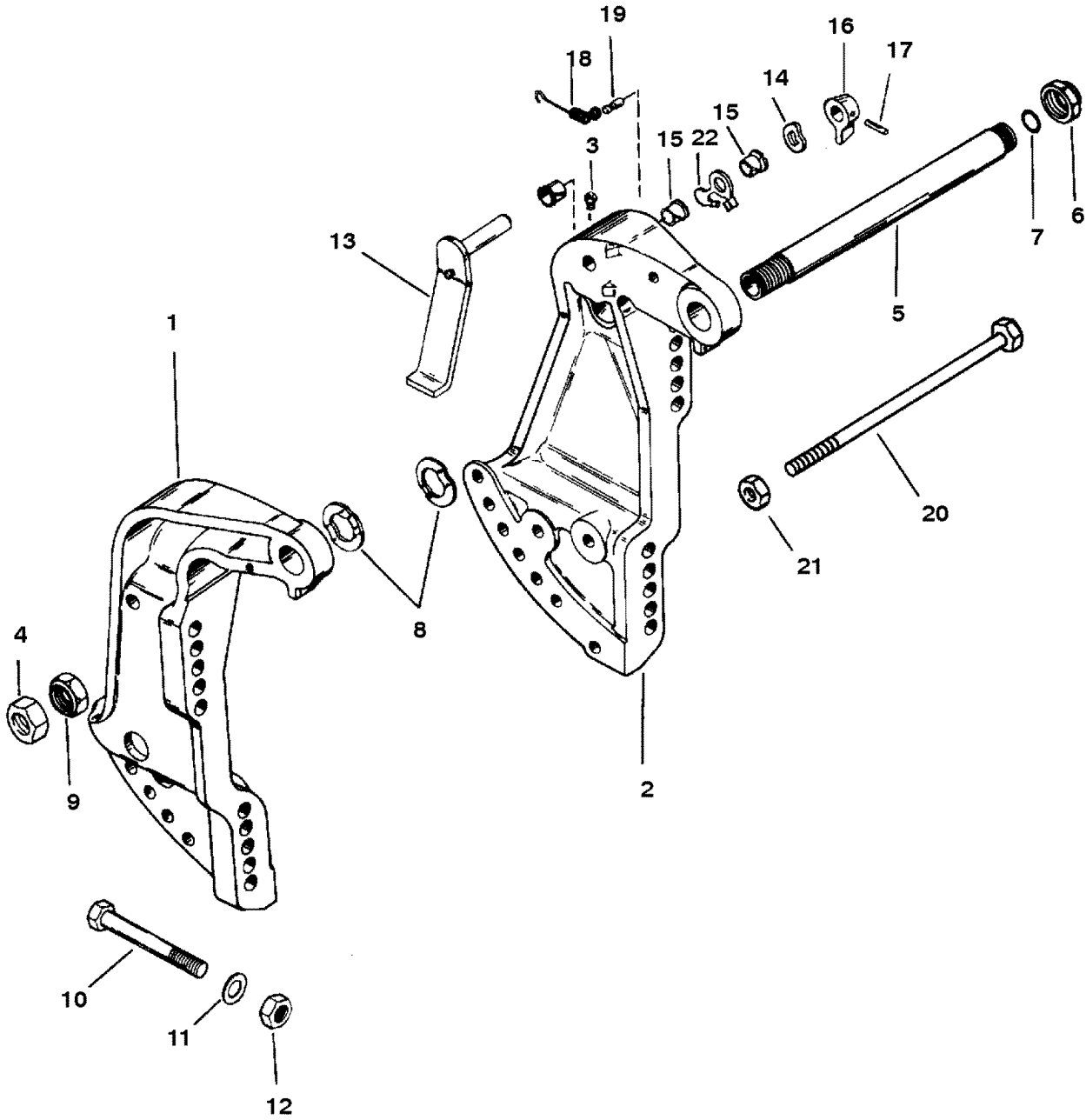
REF. NO.	PART NO.	SYM.	QTY.	DESCRIPTION
1	455-9536T4	●	1	CRANKSHAFT ASSEMBLY (S/N-0G502499 & BELOW)
	455-850690T1	●	1	CRANKSHAFT ASSEMBLY (S/N-0G502500 & UP)
2	30-67923T	●	1	BALL BEARING (LOWER)
3	53-67446	●	1	RETAINING RING
4	43-14513A2	●	1	DRIVE GEAR
5	10-813073	●	2	SCREW
6	11-813134	●	2	NUT
7	54196A6	●	1	CARRIER ASSEMBLY
8	65800	●■	1	SEAL
9	39-67377	●	7	RING-SEALING
10	31-16756A6	●	2	ROLLER BEARING
11	785-841089T1	●■	3	PISTON (STARBOARD)
	785-841088T1	●■	3	PISTON (PORT)
12	39-840684A12	●■	1	PISTON RING
13	53-857196	●	12	LOCK RING
14	644-818141A2	●	6	CONNECTING ROD ASSEMBLY
15	10-76349--1	●	12	SCREW
16	12-812876	●	12	WASHER
17	31-17514A2	●	6	ROLLER BEARING ASSEMBLY
18	29-822553	●	174	NEEDLE BEARING-PISTON END
-	27-813859A95		1	GASKET SET
-	809430T95		1	POWERHEAD

● = COMPONENT OF POWERHEAD

■ = PART IS NEW AND LISTED FOR THE FIRST TIME

■ = COMPONENT OF ENGINE GASKET SET

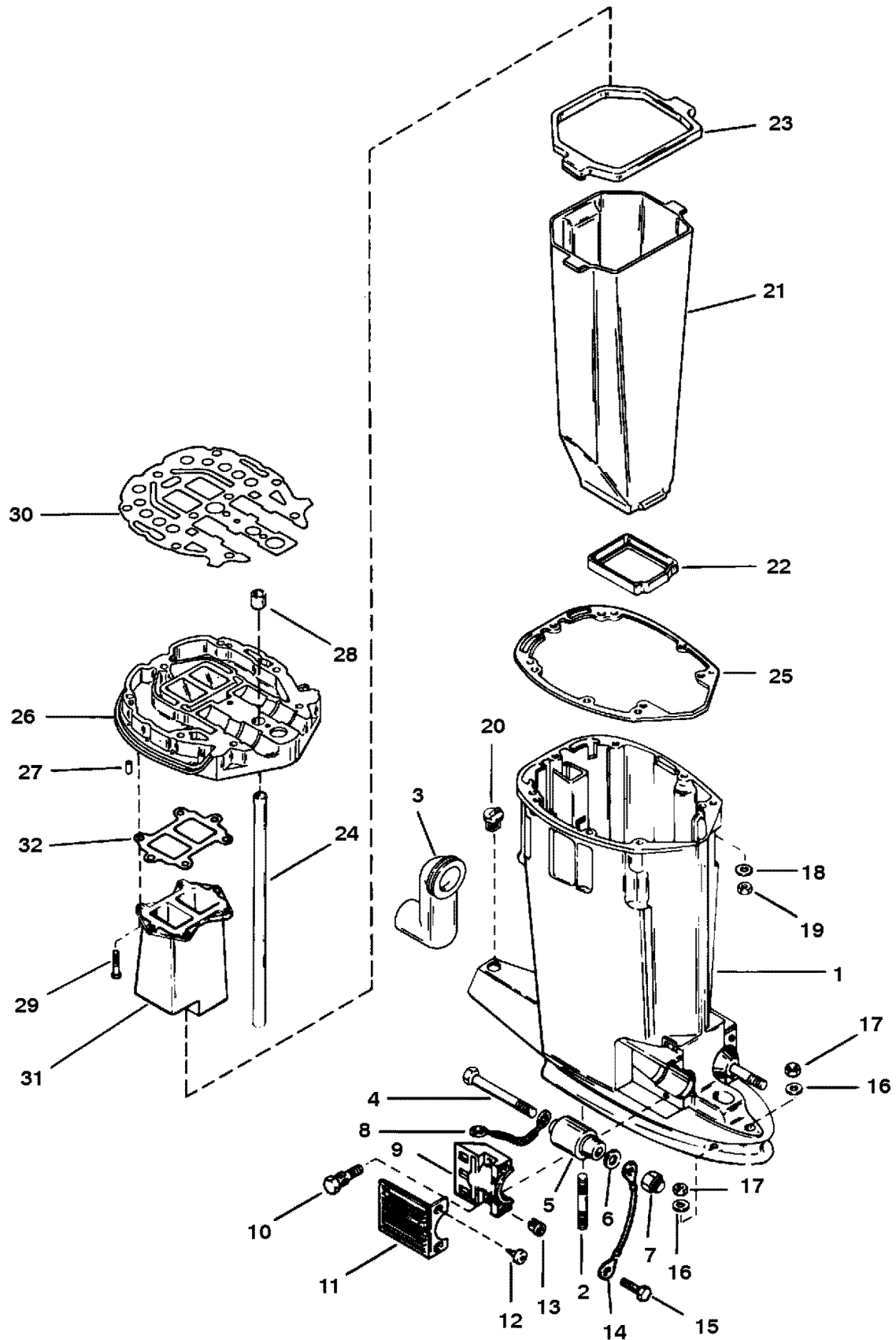
TRANSOM BRACKETS



TRANSOM BRACKETS

REF. NO.	PART NO.	SYM.	QTY.	DESCRIPTION
1	3401-8718F7		1	TRANSOM BRACKET (STARBOARD) BLACK
2	3400-8716A8		1	TRANSOM BRACKET (PORT) BLACK
1	3401-8718F8		1	TRANSOM BRACKET (STARBOARD) GRAY
2	3400-8716A9		1	TRANSOM BRACKET (PORT) GRAY
3	22-98727		1	GREASE FITTING (PORT)
4	11-37984		1	JAM NUT
5	99170A2		1	TILT TUBE
6	11-826135		1	NUT (1 IN.-14)
7	25-45711		1	O-RING
8	13-88750		2	WAVE WASHER
9	11-826164		1	NUT (7/8-14)
10	10-67755--1		4	BOLT (4-1/2 IN.)
	10-67755--2		4	BOLT (6-1/2 IN.)
11	12-28421		4	WASHER
12	11-91962		4	NUT
13	99629A2		1	TILT LOCK LEVER ASSEMBLY
14	13-99611		1	WAVE WASHER
15	23-65830		2	BUSHING
16	99633		1	KNOB
17	17-99615		1	GROOVE PIN
18	24-99622		1	SPRING
19	17-99604		1	GROOVE PIN
20	10-96930A1		1	BOLT ASSEMBLY
21	11-23161		1	NUT
22	814207		1	STOP

DRIVE SHAFT HOUSING AND EXHAUST TUBE

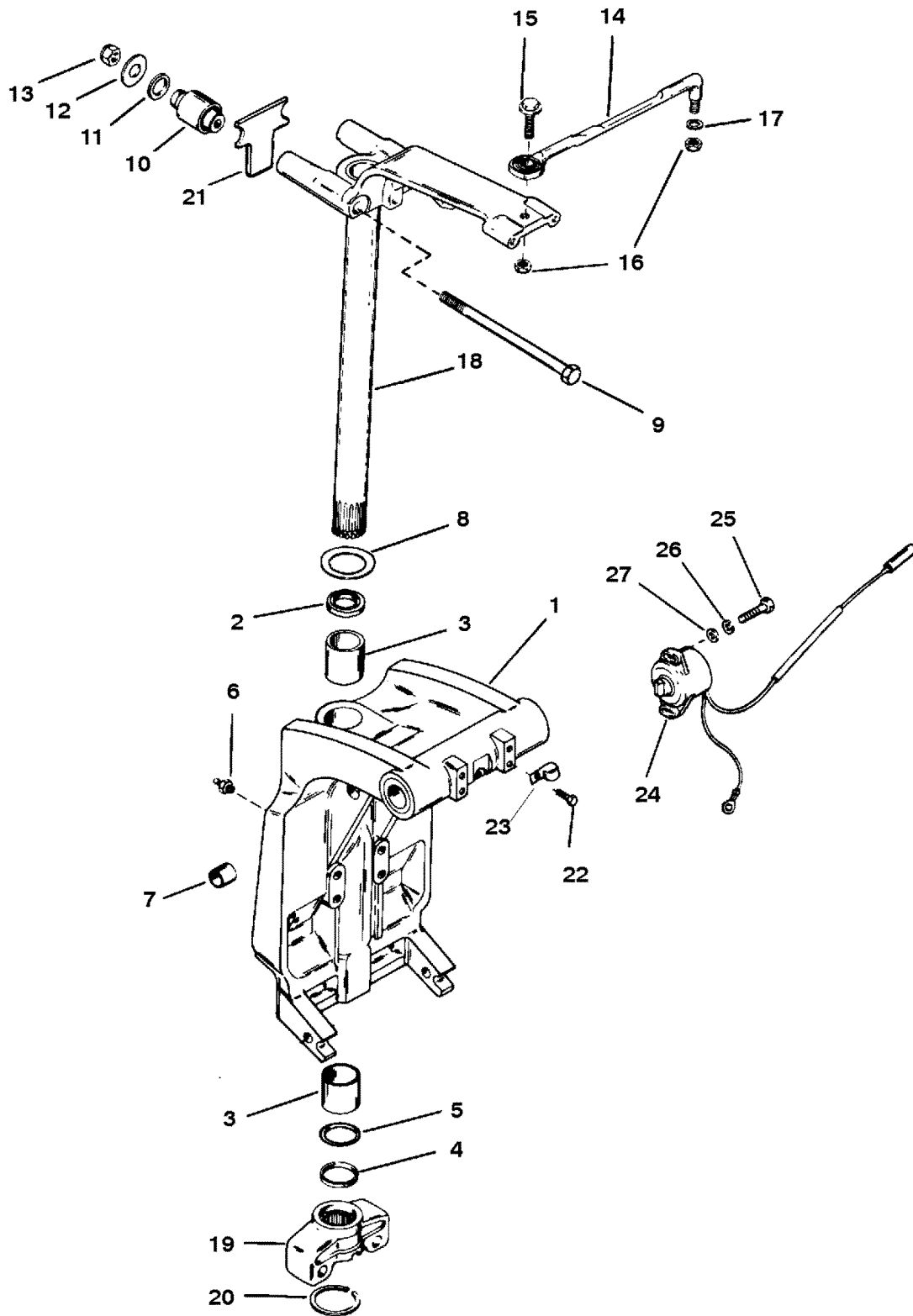


DRIVE SHAFT HOUSING AND EXHAUST TUBE

REF. NO.	PART NO.	SYM.	QTY.	DESCRIPTION
1	1590-8343A15		1	DRIVE SHAFT HOUSING (BLACK)
	1590-8343A16		1	DRIVE SHAFT HOUSING (GRAY)
2	16-57920--1		2	STUD
3	814618--1		1	IDLE EXHAUST BOOT
4	10-63474		2	SCREW
5	816054		2	LOWER MOUNT
6	12-816056		4	WASHER
7	11-28040		2	NUT
8	88238A10		1	GROUND WIRE
9	54-67076		2	CLAMP
10	10-66727		4	SCREW (1-1/4 IN.)
11	67077T		2	COVER (BLACK)
	67077F1		2	COVER (GRAY)
12	10-88417		4	SCREW (5/8 IN.)
13	11-35521		4	NUT
14	88238A10		1	GROUND WIRE
15	10-41508		1	SCREW
16	12-822836		3	WASHER
17	11-13439--1		3	NUT
18	12-822838		4	WASHER
19	11-46335		4	NUT
20	19-64649		1	PLUG
21	18276		1	EXHAUST TUBE
22	66350		1	SEAL (LOWER)
23	17726--1		1	SEAL (UPPER)
24	32-67295		1	WATER TUBE (LONG)
	32-74729		1	WATER TUBE (X-LONG)
25	27-99173--2	■	1	GASKET
26	18233A5		1	PLATE ASSEMBLY
27	17-43044		2	DOWEL PIN
28	26-38970	■	1	SEAL
29	10-90192		6	SCREW
30	27-18307--3	■	1	GASKET
31	41942F3		1	EXHAUST EXTENSION (7-1/2 IN.)
32	27-78246	■	1	GASKET
-	27-813859A95		1	GASKET SET

■ = COMPONENT OF ENGINE GASKET SET

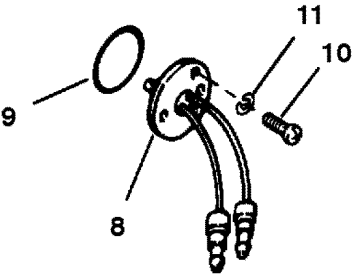
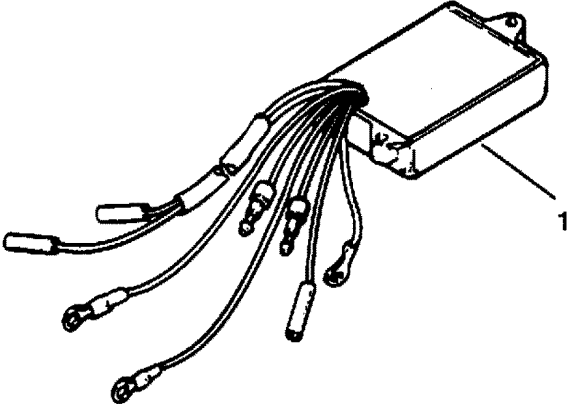
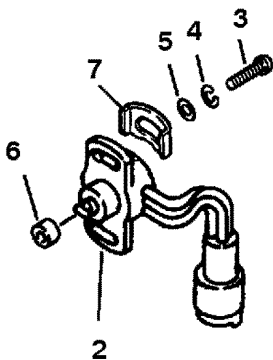
SWIVEL BRACKET AND STEERING ARM



SWIVEL BRACKET AND STEERING ARM

REF. NO.	PART NO.	SYM.	QTY.	DESCRIPTION
1	1499-8710A20		1	SWIVEL BRACKET ASSEMBLY (BLACK)
	1499-8710A21		1	SWIVEL BRACKET ASSEMBLY (GRAY)
2	26-87735		1	OIL SEAL (LOWER)
3	23-818764		2	BUSHING
4	23-816039		1	SPACER
5	25-33504		1	O-RING
6	22-74036		2	GREASE FITTING
7	23-821207		2	BUSHING
8	12-816432		1	THRUST WASHER
9	10-78689		2	SCREW
10	77698--1		2	MOUNT
11	12-66921		2	WASHER
12	12-814432		2	WASHER
13	11-34933		2	NUT
14	92876A1		1	STEERING LINK ASSEMBLY
15	10-14000		1	SCREW
16	11-34863		2	NUT
17	12-34931		2	WASHER
18	17-67706A55		1	SWIVEL PIN AND STEERING ARM (BLACK)
	17-67706A56		1	SWIVEL PIN AND STEERING ARM (GRAY)
19	86580A1		1	BOTTOM YOKE (BLACK)
	86580A2		1	BOTTOM YOKE (GRAY)
20	53-67684		1	RETAINING RING
21	88882--1		1	BUMPER (USE WHERE APPLICABLE)
22	10-64014		2	SCREW
23	54-54457		1	J CLAMP
24	821180A6		1	TRIM SENDER ASSEMBLY
25	10-56682		2	SCREW
26	13-26996		2	LOCKWASHER
27	12-89302		2	WASHER

TEMPERATURE SENSOR



TEMPERATURE SENSOR

REF. NO.	PART NO.	SYM.	QTY.	DESCRIPTION
1	41470A25		1	OIL INJECTION WARNING MODULE
2	14851		1	INDICATOR-THROTTLE POSITION
3	10-15150		2	SCREW
4	13-26995		2	LOCKWASHER
5	12-30164		2	WASHER
6	23-15885		1	SLEEVE
7	813501		2	PLATE
8	13221A1		1	TEMPERATURE SENSOR ASSEMBLY
9	25-45711	■	1	O-RING
10	10-57583		3	SCREW
11	13-26995		3	LOCKWASHER
-	27-813859A95		1	GASKET SET

■ = COMPONENT OF ENGINE GASKET SET

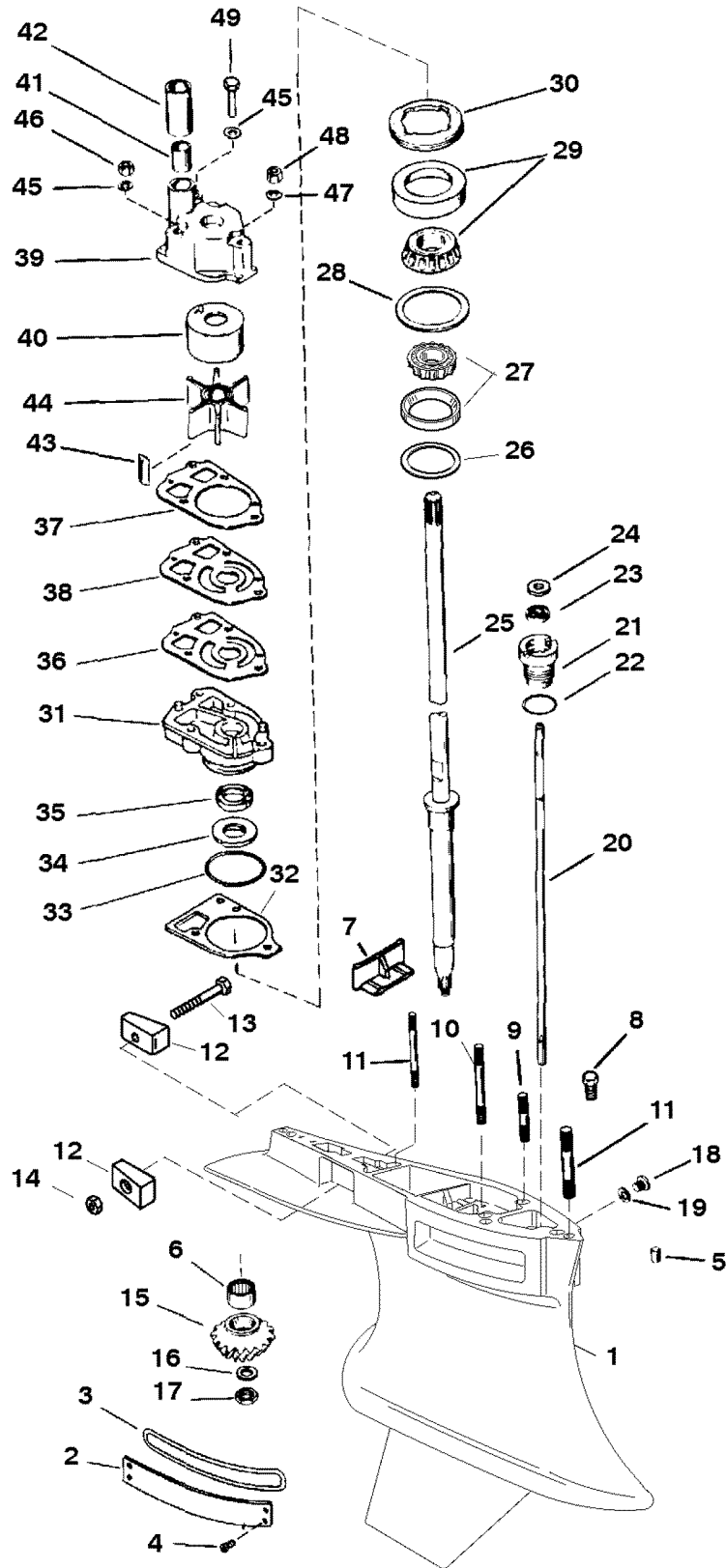
GEAR HOUSING CHART (SPORTMASTER)

REF. NO.	PART NO.	SYM.	QTY.	DESCRIPTION
-	1687-848450A15	■	1	GEAR HOUSING (SHORT) 1.87:1 GEAR RATIO WITH TORQUE TAB
-	1687-848450A16	■	1	GEAR HOUSING (LONG) 1.87:1 GEAR RATIO WITH TORQUE TAB
-	1687-848450A17	■	1	GEAR HOUSING (X-LONG) 1.87:1 GEAR RATIO WITH TORQUE TAB
-	1687-848450A18	■	1	GEAR HOUSING (SHORT) 2:1 GEAR RATIO WITH TORQUE TAB
-	1687-848450A19	■	1	GEAR HOUSING (LONG) 2:1 GEAR RATIO WITH TORQUE TAB
-	1687-848474A21	■	1	GEAR HOUSING (SHORT) 1.87:1 GEAR RATIO WITHOUT TORQUE TAB
-	1687-848474A22	■	1	GEAR HOUSING (LONG) 1.87:1 GEAR RATIO WITHOUT TORQUE TAB
-	1687-848474A23	■	1	GEAR HOUSING (X-LONG) 1.87:1 GEAR RATIO WITHOUT TORQUE TAB
-	1687-848474A27	■	1	GEAR HOUSING (SHORT) 2:1 GEAR RATIO WITHOUT TORQUE TAB
-	1687-848474A28	■	1	GEAR HOUSING (LONG) 2:1 GEAR RATIO WITHOUT TORQUE TAB
-	1687-848474A29	■	1	GEAR HOUSING (X-LONG) 2:1 GEAR RATIO WITHOUT TORQUE TAB
-	1687-848474A24	■	1	GEAR HOUSING (SHORT) 1.87:1 GEAR RATIO COUNTER ROTATION WITHOUT TORQUE TAB
-	1687-848474A25	■	1	GEAR HOUSING (LONG) 1.87:1 GEAR RATIO COUNTER ROTATION WITHOUT TORQUE TAB
-	1687-848474A26	■ ■	1	GEAR HOUSING (X-LONG) 1.87:1 GEAR RATIO COUNTER ROTATION WITHOUT TORQUE TAB
-	1687-848474A30	■	1	GEAR HOUSING (SHORT) 2:1 GEAR RATIO COUNTER ROTATION WITHOUT TORQUE TAB
-	1687-848474A31	■	1	GEAR HOUSING (LONG) 2:1 GEAR RATIO COUNTER ROTATION WITHOUT TORQUE TAB
-	1687-848474A32	■	1	GEAR HOUSING (X-LONG) 2:1 GEAR RATIO COUNTER ROTATION WITHOUT TORQUE TAB
-	1687-848450A31		1	GEAR HOUSING (SHORT) 1.62:1 GEAR RATIO
-	1687-848450A29		1	GEAR HOUSING (LONG) 1.62:1 GEAR RATIO
-	1687-848450A32		1	GEAR HOUSING (SHORT) 1.75:1 GEAR RATIO
-	1687-848450A30		1	GEAR HOUSING (LONG) 1.75:1 GEAR RATIO

■ = PART IS NEW AND LISTED FOR THE FIRST TIME

THIS PAGE INTENTIONALLY LEFT BLANK

GEAR HOUSING (DRIVESHAFT)(STANDARD ROTATION) (SPORTMASTER)



GEAR HOUSING (DRIVESHAFT)(STANDARD ROTATION) (SPORTMASTER)

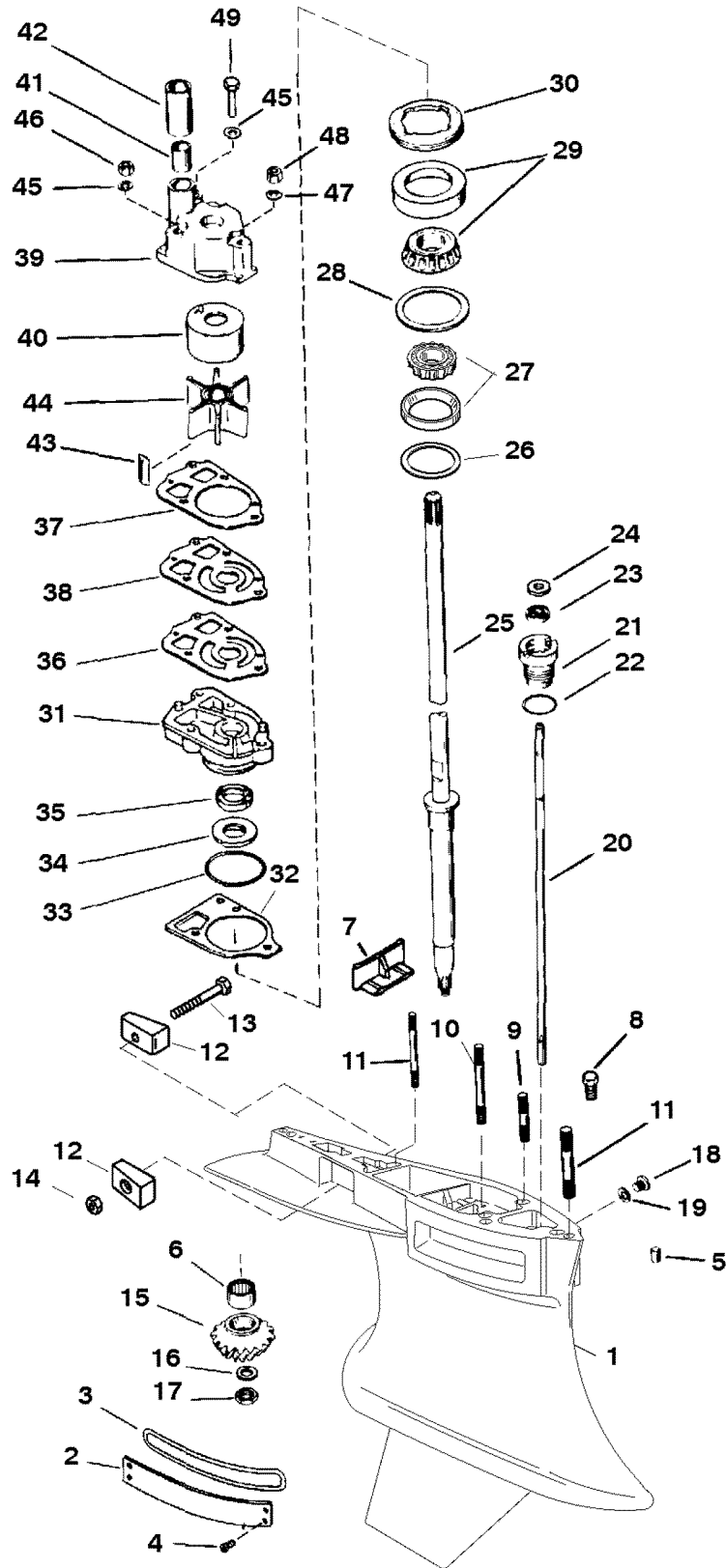
REF. NO.	PART NO.	SYM.	QTY.	DESCRIPTION
1	1687-848450A25	■	1	GEAR HOUSING (WITH TORQUE TAB) BASIC - SEE NOTE
	1687-848474A39	■	1	GEAR HOUSING (WITHOUT TORQUE TAB) BASIC - SEE NOTE
2	847950--3	■	2	COVER
3	25-34776	▲	2	O RING
4	10-815904		12	SCREW
5	17-43044		2	DOWEL PIN
6	31-42647A1		1	ROLLER BEARING
7	67891		1	FILLER BLOCK
8	22-847949		1	PIPE PLUG
9	16-56297		1	STUD (5/16 X 3-3/8 IN.)
10	16-69501		1	STUD (5/16 X 3-1/4 IN.)
11	16-59579		3	STUD (7/16 X 2-11/16 IN.)(SHORT/LONG)
	16-78638		1	STUD (7/16 X 3-1/8 IN.) LONG
	16-57920--1		2	STUD (7/16 X 2-1/16 IN.) LONG
	16-74730		2	STUD (7/16 X 7.06 IN.) X-LONG
	16-74732		3	STUD (7/16 X 7.69 IN.) X-LONG
	16-78639		1	STUD (7/16 X 8-1/8 IN.) X-LONG
12	826134		2	ANODE
13	10-40003-33		1	SCREW
14	11-826833--6		1	NUT
15	N.S.S.		1	PINION GEAR (PART OF 43-44104A7 OR 43-44102A5 OR 43-848855A2 OR 43-849189A2)
16	12-92721		1	WASHER
17	11-35921		1	NUT
18	10-79953A2		1	SCREW PLUG
19	12-19183	▲	1	SEALING WASHER
20	78902--2		1	SHIFT SHAFT (LOWER)
21	23-77631A2		1	BUSHING ASSEMBLY
22	25-25439		1	O RING
23	26-816464--1	▲	1	OIL SEAL
24	12-77674	▲	1	RUBBER WASHER
25	45-848449A4		1	DRIVE SHAFT (SHORT)
	45-848449A5		1	DRIVE SHAFT (LONG)
	45-848449A6		1	DRIVE SHAFT (X-LONG)
26	15-38657A1	■	1	SHIM SET
27	31-48939A2	■	1	ROLLER BEARING
28	15-42637A1		AR	SHIM SET
29	31-36387A1		1	ROLLER BEARING

■ = PART IS NEW AND LISTED FOR THE FIRST TIME

▲ = COMPONENT OF G/H SEAL KIT

CONTINUED ON NEXT PAGE ➡

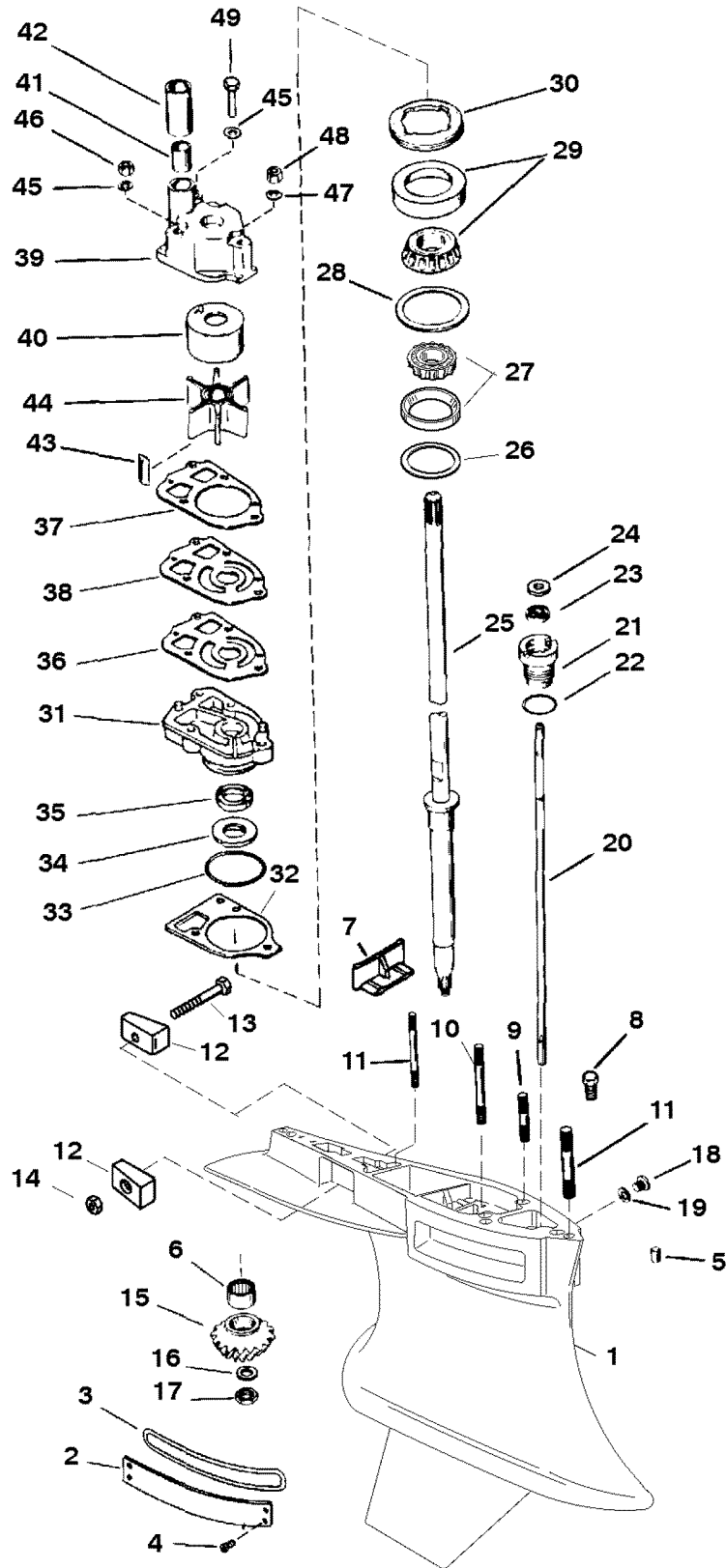
GEAR HOUSING (DRIVESHAFT)(STANDARD ROTATION) (SPORTMASTER)



GEAR HOUSING (DRIVESHAFT)(STANDARD ROTATION) (SPORTMASTER)

REF. NO.	PART NO.	SYM.	QTY.	DESCRIPTION
30	824519		1	RETAINER
-	26-89238A3		1	SEAL KIT
-	27-813859A95		1	GASKET SET
-	56-90415A24		1	STUD KIT (LONG)
-	56-90415A25		1	STUD KIT (X-LONG)

GEAR HOUSING (DRIVESHAFT)(STANDARD ROTATION) (SPORTMASTER)



GEAR HOUSING (DRIVESHAFT)(STANDARD ROTATION) (SPORTMASTER)

REF. NO.	PART NO.	SYM.	QTY.	DESCRIPTION
1	1687-848450A25		1	GEAR HOUSING (WITH TORQUE TAB) BASIC - SEE NOTE
	1687-848474A39		1	GEAR HOUSING (WITHOUT TORQUE TAB) BASIC - SEE NOTE
31	46-44292A3		1	WATER PUMP BASE ASSEMBLY
32	27-42631--1	■▲	1	GASKET
33	25-90011	■▲	1	O RING
34	26-89238	▲	1	OIL SEAL
35	26-16977	▲	1	OIL SEAL
36	27-18051	■▲	1	GASKET (LOWER)
37	27-85609--1	■▲	1	GASKET (UPPER)
38	32435	○	1	FACE PLATE
39	46-847710A1		1	WATER PUMP BODY ASSEMBLY USE WITH 3/4 IN. DIA. WATER TUBE
40	48752		1	INSERT USE WITH 3/4 IN. DIA. WATER TUBE
41	26-88397		1	SEAL USE WITH 3/4 IN. DIA. WATER TUBE
42	23-847685		1	SLEEVE USE WITH 3/4 IN. DIA. WATER TUBE
39	46-96148A1		1	WATER PUMP BODY ASSEMBLY USE WITH 1/2 IN. DIA. WATER TUBE
40	48752		1	INSERT USE WITH 1/2 IN. DIA. WATER TUBE
41	26-38970	■▲	1	SEAL USE WITH 1/2 IN. DIA. WATER TUBE
42	23-29804		1	SLEEVE USE WITH 1/2 IN. DIA. WATER TUBE
43	28-56654		1	KEY
44	47-89984--2		1	IMPELLER
45	12-29245		2	WASHER
46	11-13438		2	NUT
47	12-36001		1	WASHER
48	11-13436		1	NUT
49	10-96411		1	SCREW (2-1/4 IN.)
-	26-89238A3		1	SEAL KIT
-	27-813859A95		1	GASKET SET
-	56-90415A24		1	STUD KIT (LONG)
-	56-90415A25		1	STUD KIT (X-LONG)

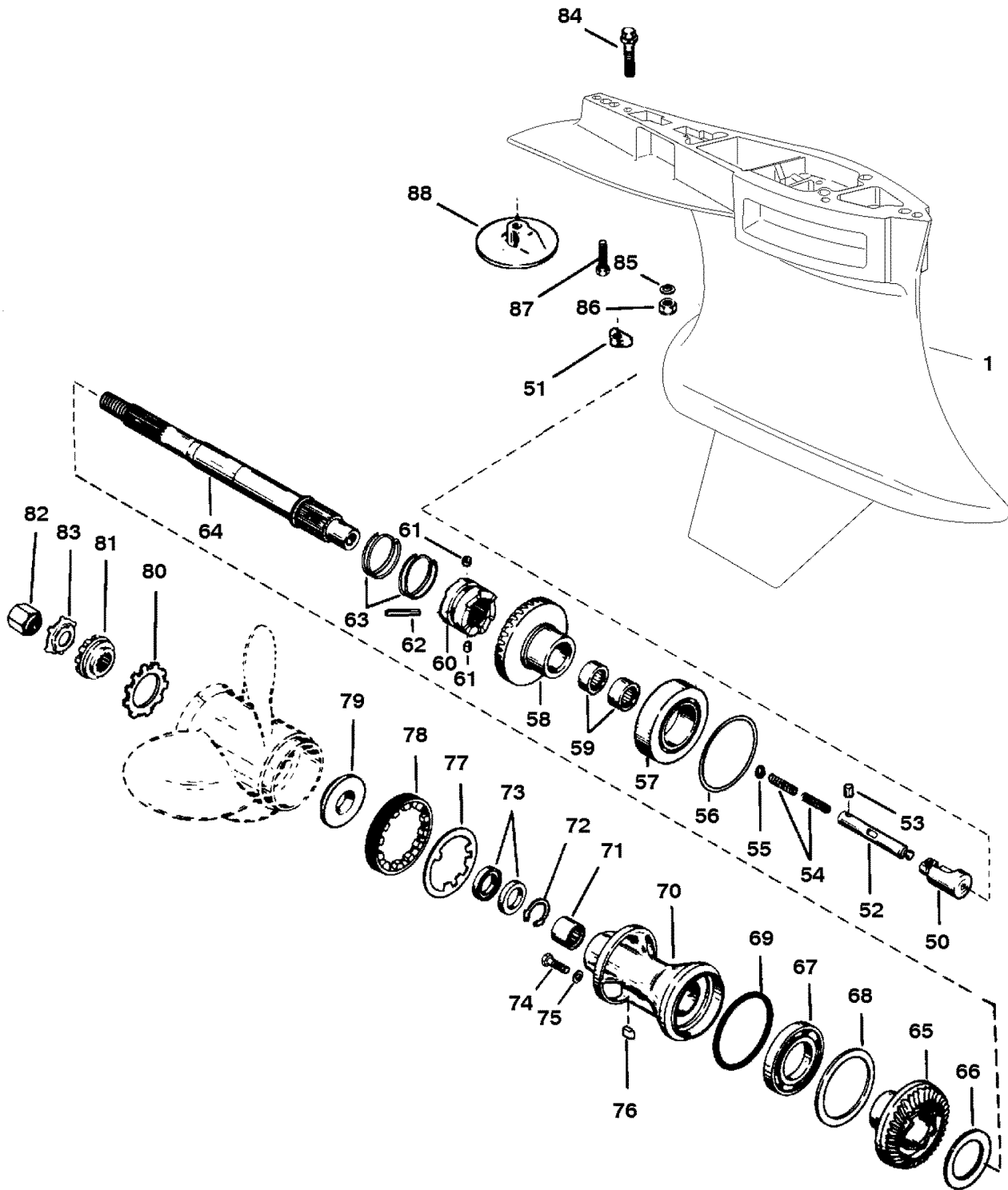
NOTE: THE BASIC GEAR HOUSINGS LISTED ARE GENERIC. THEY DO NOT INCLUDE STUDS. ORDER THE STUD KIT LISTED ABOVE TO FIT YOUR APPLICATION.

■ = COMPONENT OF ENGINE GASKET SET

▲ = COMPONENT OF G/H SEAL KIT

○ = COMPONENT OF G/H WATER PUMP REBUILD KIT

GEAR HOUSING (PROP SHAFT)(STANDARD ROTATION) (SPORTMASTER)



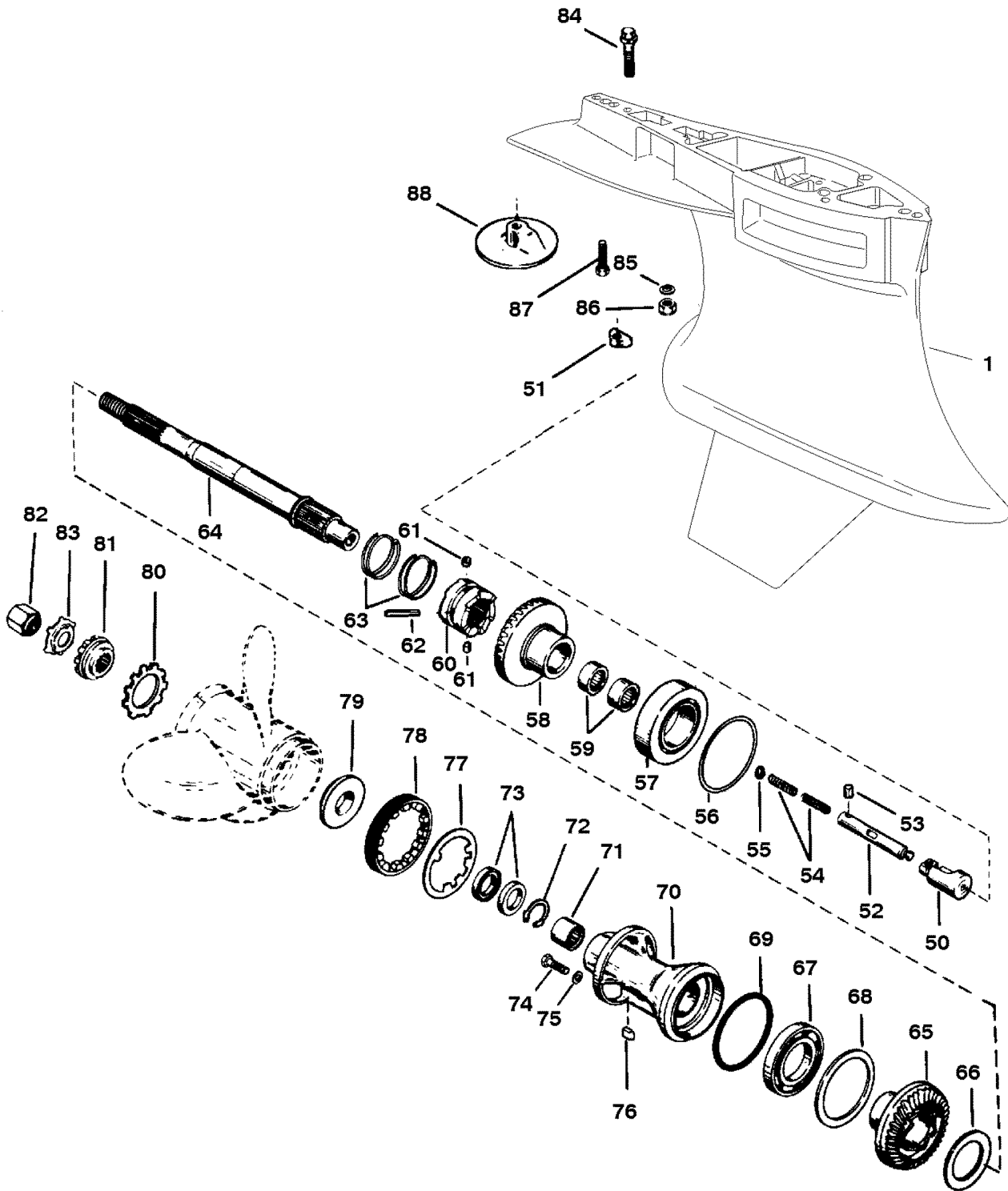
GEAR HOUSING (PROP SHAFT)(STANDARD ROTATION) (SPORTMASTER)

REF. NO.	PART NO.	SYM.	QTY.	DESCRIPTION
1	1687-848450A25		1	GEAR HOUSING (WITH TORQUE TAB) BASIC - SEE NOTE
	1687-848474A39		1	GEAR HOUSING (WITHOUT TORQUE TAB) BASIC - SEE NOTE
50	89594A1		1	CAM FOLLOWER
51	78956--2		1	SHIFT CAM
52	79911A1		1	ROD
53	17-78906		1	PIN
54	24-79910		2	SPRING
55	12-78910		2	WASHER
56	15-47397A1		AR	SHIM SET
57	31-78172A1		1	TAPERED ROLLER BEARING
58	43-44104A7		1	FORWARD GEAR SET (INCLUDES PINION) (1.87:1 GEAR RATIO)
	43-44102A5		1	FORWARD GEAR SET (INCLUDES PINION) (2:1 GEAR RATIO)
	43-848855A2		1	GEAR SET (1.62 GEAR RATIO)
	43-849189A2		1	GEAR SET (1.75 GEAR RATIO)
59	31-54928--1		1	ROLLER BEARING
60	52-42672		1	RATCHET
61	17-78909		2	DETENT PIN
62	17-42671		1	CROSS PIN
63	24-78962		2	SPRING
64	44-822820F1		1	PROPELLER SHAFT
65	43-822824A1		1	REVERSE GEAR (1.87:1 GEAR RATIO)
	43-847632A1		1	REVERSE GEAR (2:1 GEAR RATIO)
	N.S.S.		1	REVERSE GEAR (1.62 GEAR RATIO PART OF 43-848855A2)
	N.S.S.		1	REVERSE GEAR (1.75 GEAR RATIO PART OF 43-849189A2)
66	23-822823		1	THRUST RING
67	30-88957		1	BALL BEARING
68	68100--1		1	THRUST RING
69	25-31534	▲	1	O RING
70	847610A1		1	BEARING CARRIER
71	31-817072		1	ROLLER BEARING
72	53-817071		1	SNAP RING
73	26-815565	▲	2	OIL SEAL
74	22-67892A1		1	MAGNETIC DRAIN SCREW
75	12-19183		1	SEALING WASHER
76	28-30281		1	KEY
77	14-79447		1	TAB WASHER
78	15840--1		1	COVER
79	13171--1		1	THRUST HUB
80	13-42351--1		1	LOCKWASHER
81	12-31211A2		1	WASHER
82	11-52707A1		1	PROPELLER NUT
83	14-816629		1	TAB WASHER

▲ = COMPONENT OF G/H SEAL KIT

CONTINUED ON NEXT PAGE ➡

GEAR HOUSING (PROP SHAFT)(STANDARD ROTATION) (SPORTMASTER)

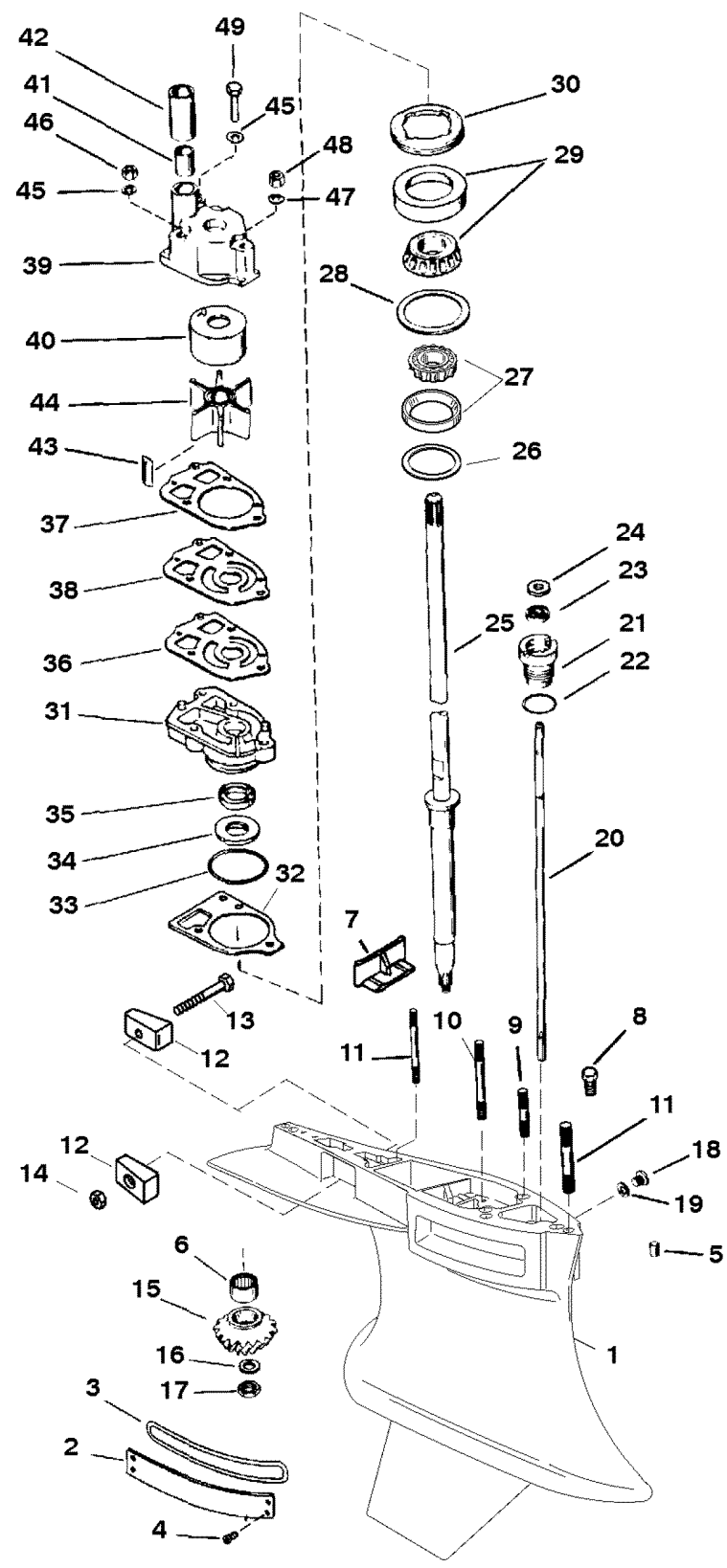


GEAR HOUSING (PROP SHAFT)(STANDARD ROTATION) (SPORTMASTER)

REF. NO.	PART NO.	SYM.	QTY.	DESCRIPTION
84	10-41350		1	SCREW (SHORT)
	10-66024		1	SCREW (LONG/X-LONG)
85	12-822836		2	WASHER
86	11-13439--1		2	NUT
87	10-30206		1	SCREW (SHORT/LONG)
	10-15929		1	SCREW (X-LONG)
88	76214--3		1	ANODIC PLATE (SHORT)
	76214A5		1	ANODIC PLATE (LONG)
	76214--1		1	ANODIC PLATE (X-LONG)
-	26-89238A3		1	SEAL KIT
-	56-90415A24		1	STUD KIT (LONG)
-	56-90415A25		1	STUD KIT (X-LONG)

NOTE: THE BASIC GEAR HOUSINGS LISTED ARE GENERIC. THEY DO NOT INCLUDE STUDS. ORDER THE STUD KIT LISTED ABOVE TO FIT YOUR APPLICATION.

GEAR HOUSING (DRIVESHAFT)(COUNTER ROTATION) (SPORTMASTER)



GEAR HOUSING (DRIVESHAFT)(COUNTER ROTATION) (SPORTMASTER)

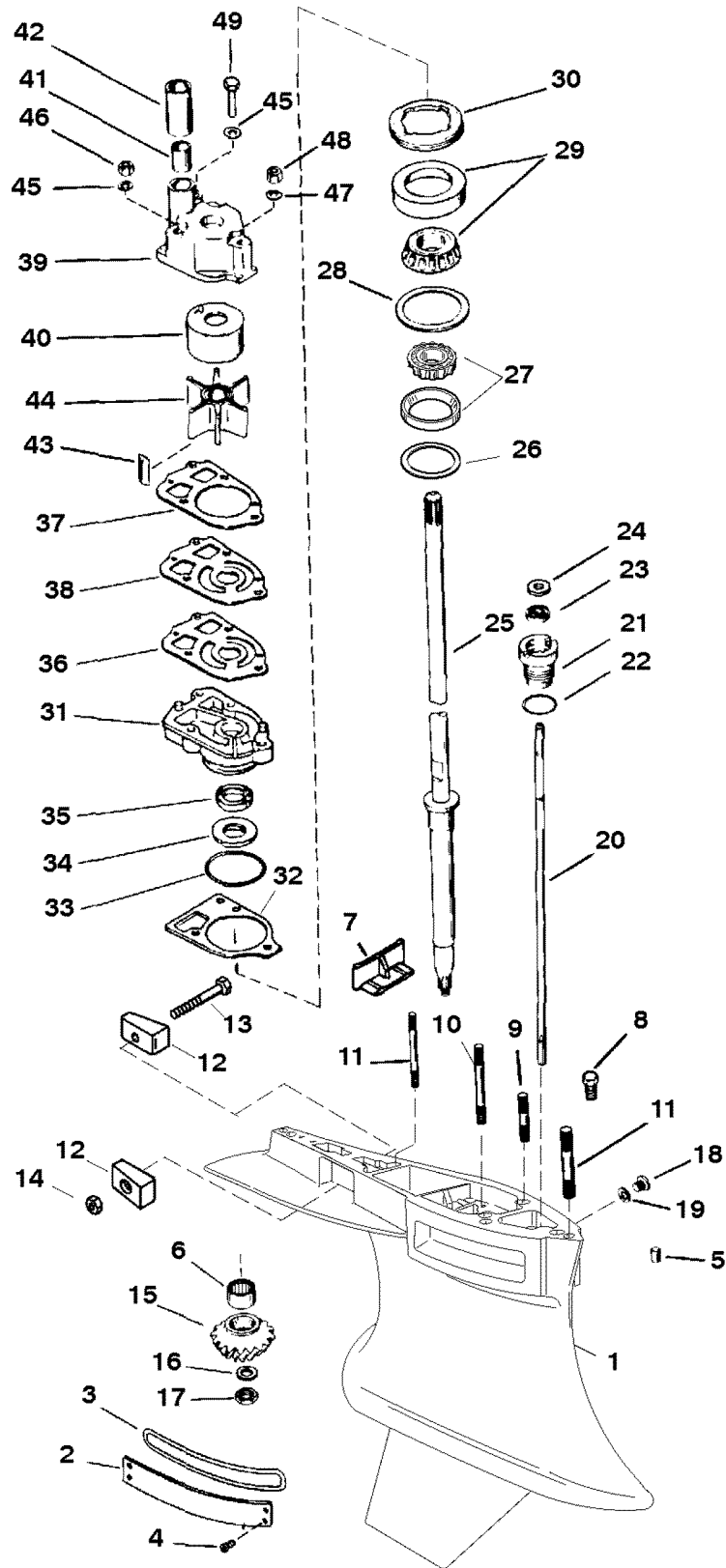
REF. NO.	PART NO.	SYM.	QTY.	DESCRIPTION
1	1687-848474A39	■	1	GEAR HOUSING (BASIC) (SEE NOTE)
2	847950--3	■	2	COVER
3	25-34776	▲	2	O RING
4	10-815904		12	SCREW
5	17-43044		2	DOWEL PIN
6	31-42647A1		1	ROLLER BEARING
7	67891		1	FILLER BLOCK
8	22-847949		1	PIPE PLUG
9	16-56297		1	STUD (5/16 X 3-3/8 IN.)
10	16-69501		1	STUD (5/16 X 3-1/4 IN.)
11	16-59579		3	STUD (7/16 X 2-11/16 IN.)(SHORT/LONG)
	16-78638		1	STUD (7/16 X 3-1/8 IN.) LONG
	16-57920--1		2	STUD (7/16 X 2-1/16 IN.) LONG
	16-74730		2	STUD (7/16 X 7.06 IN.) X-LONG
	16-74732		3	STUD (7/16 X 7.69 IN.) X-LONG
	16-78639		1	STUD (7/16 X 8-1/8 IN.) X-LONG
12	826134		2	ANODE
13	10-40003-33		1	SCREW
14	11-826833--6		1	NUT
15	NSS		1	PINION GEAR (PART OF 43-15845A2 OR 43-817515A2)
16	12-92721		1	WASHER
17	11-35921		1	NUT
18	10-79953A2		1	SCREW PLUG
19	12-19183	▲	1	SEALING WASHER
20	78902--2		1	SHIFT SHAFT (LOWER)
21	23-77631A2		1	BUSHING ASSEMBLY
22	25-25439	▲	1	O RING
23	26-816464--1	▲	1	OIL SEAL
24	12-77674	▲	1	RUBBER WASHER
25	45-848449A4		1	DRIVE SHAFT (SHORT)
	45-848449A5		1	DRIVE SHAFT (LONG)
	45-848449A6		1	DRIVE SHAFT (X-LONG)
26	15-38657A1	■	1	SHIM SET
27	31-48939A2	■	1	ROLLER BEARING
28	15-42637A1		AR	SHIM SET
29	31-36387A1		1	ROLLER BEARING
30	824519		1	RETAINER
-	26-89238A3		1	SEAL KIT
-	56-90415A24		1	STUD KIT (LONG)
-	56-90415A25		1	STUD KIT (X-LONG)

NOTE: THE BASIC GEAR HOUSING LISTED IS GENERIC. IT DOES NOT INCLUDE STUDS. ORDER THE STUD KIT LISTED ABOVE TO FIT YOUR APPLICATION.

■ = PART IS NEW AND LISTED FOR THE FIRST TIME

▲ = COMPONENT OF G/H SEAL KIT

GEAR HOUSING (DRIVESHAFT)(COUNTER ROTATION) (SPORTMASTER)



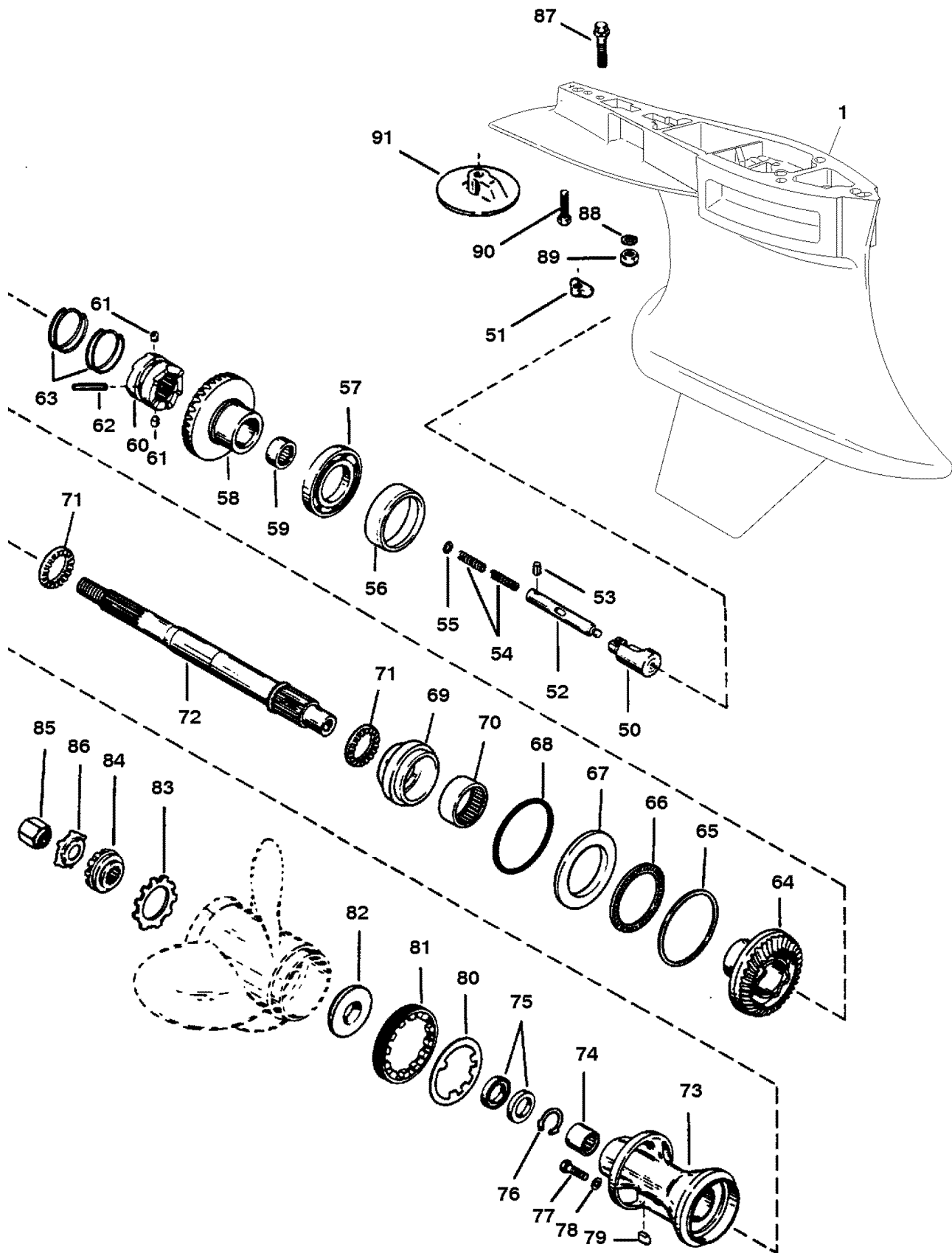
GEAR HOUSING (DRIVESHAFT)(COUNTER ROTATION) (SPORTMASTER)

REF. NO.	PART NO.	SYM.	QTY.	DESCRIPTION
1	1687-848474A39		1	GEAR HOUSING (BASIC) (SEE NOTE)
31	46-44292A3		1	WATER PUMP BASE ASSEMBLY
32	27-42631--1	▲	1	GASKET
33	25-90011	▲	1	O RING
34	26-89238	▲	1	OIL SEAL
35	26-16977	▲	1	OIL SEAL
36	27-18051	▲	1	GASKET (LOWER)
37	27-85609--1	▲	1	GASKET (UPPER)
38	32435		1	FACE PLATE
39	46-847710A1		1	WATER PUMP BODY ASSEMBLY USE WITH 3/4 IN. DIA. WATER TUBE
40	48752		1	INSERT USE WITH 3/4 IN. DIA. WATER TUBE
41	26-88397	▲	1	SEAL USE WITH 3/4 IN. DIA. WATER TUBE
42	23-847685		1	SLEEVE USE WITH 3/4 IN. DIA. WATER TUBE
39	46-96148A1		1	WATER PUMP BODY ASSEMBLY USE WITH 1/2 IN. DIA. WATER TUBE
40	48752		1	INSERT USE WITH 1/2 IN. DIA. WATER TUBE
41	26-38970	▲	1	SEAL USE WITH 1/2 IN. DIA. WATER TUBE
42	23-29804		1	SLEEVE USE WITH 1/2 IN. DIA. WATER TUBE
43	28-56654		1	KEY
44	47-89984--2		1	IMPELLER
45	12-29245		2	WASHER
46	11-13438		2	NUT
47	12-36001		1	WASHER
48	11-13436		1	NUT
49	10-96411		1	SCREW (2-1/4 IN.)
-	26-89238A3		1	SEAL KIT
-	56-90415A24		1	STUD KIT (LONG)
-	56-90415A25		1	STUD KIT (X-LONG)

NOTE: THE BASIC GEAR HOUSING LISTED IS GENERIC. IT DOES NOT INCLUDE STUDS. ORDER THE STUD KIT LISTED ABOVE TO FIT YOUR APPLICATION.

▲ = COMPONENT OF G/H SEAL KIT

GEAR HOUSING (PROP SHAFT)(COUNTER ROTATION) (SPORTMASTER)

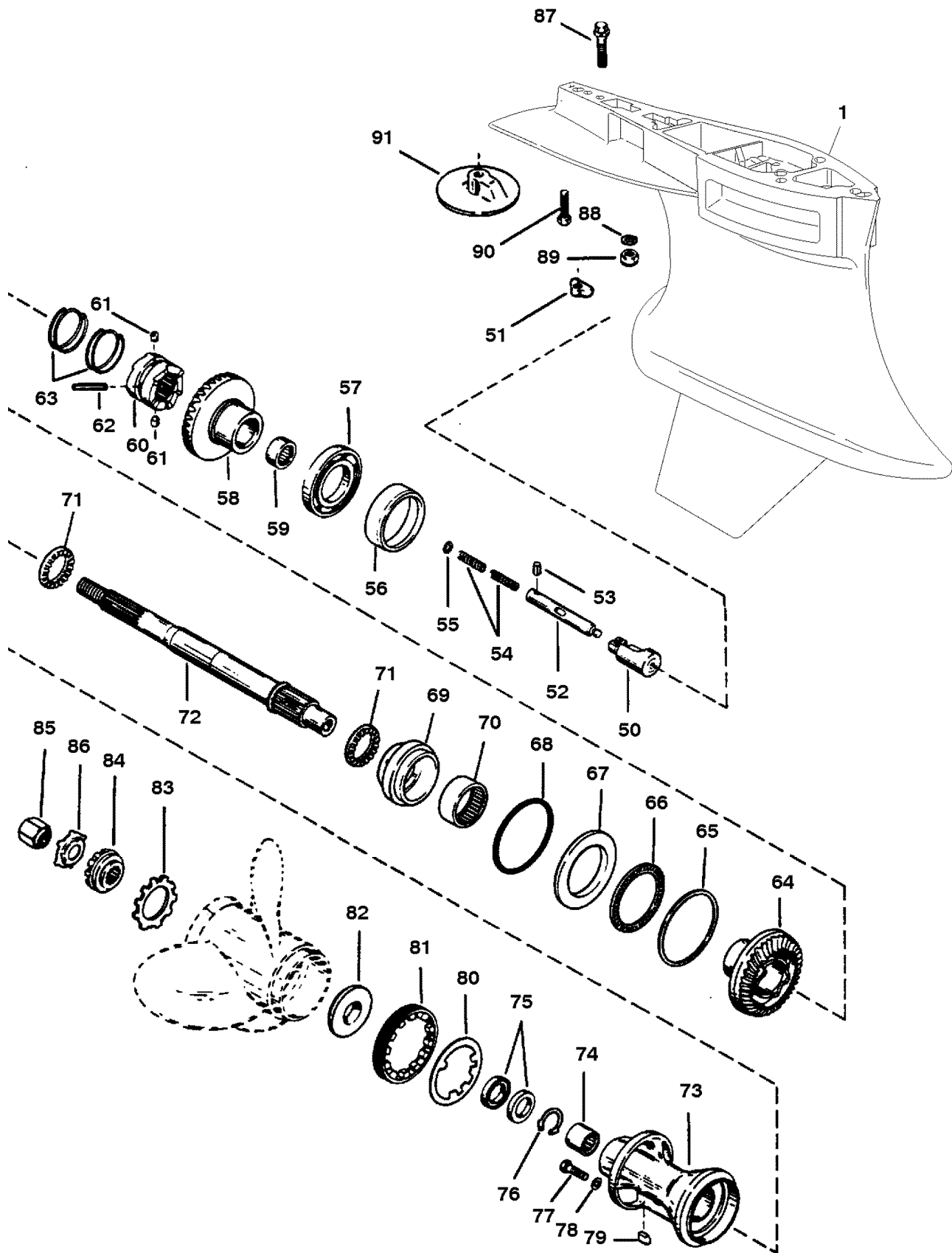


GEAR HOUSING (PROP SHAFT)(COUNTER ROTATION) (SPORTMASTER)

REF. NO.	PART NO.	SYM.	QTY.	DESCRIPTION
1	1687-848474A39		1	GEAR HOUSING (BASIC) (SEE NOTE)
50	89594A1		1	CAM FOLLOWER
51	78956--2		1	SHIFT CAM
52	79911A1		1	ROD
53	17-78906		1	PIN
54	24-79910		2	SPRING
55	12-78910		AR	WASHER
56	14469		1	BEARING CUP
57	30-88957		1	BALL BEARING
58	NSS		1	REVERSE GEAR (PART OF 43-15845A2) (1.87:1 GEAR RATIO)
	43-817516A1		1	REVERSE GEAR (2:1 GEAR RATIO)
59	31-15844		1	ROLLER BEARING
60	52-42672		1	RATCHET
61	17-78909		2	DETENT PIN
62	17-42671		1	CROSS PIN
63	24-78962		2	SPRING
64	43-15845A2		1	FORWARD GEAR SET (1.87:1 GEAR RATIO)
	43-817515A2		1	FORWARD GEAR SET (2:1 GEAR RATIO)
65	23-17615--1		AR	SPACER SHIM (.125 IN.)
	23-17615--2		AR	SPACER SHIM (.127 IN.)
	23-17615--3		AR	SPACER SHIM (.129 IN.)
	23-17615--4		AR	SPACER SHIM (.131 IN.)
	23-17615--5		AR	SPACER SHIM (.133 IN.)
	23-17615--6		AR	SPACER SHIM (.135 IN.)
	23-17615--7		AR	SPACER SHIM (.137 IN.)
	23-17615--8		AR	SPACER SHIM (.139 IN.)
	23-17615--9		AR	SPACER SHIM (.141 IN.)
	23-17615-10		AR	SPACER SHIM (.143 IN.)
	23-17615-11		AR	SPACER SHIM (.145 IN.)
	23-17615-12		AR	SPACER SHIM (.147 IN.)
	23-17615-13		AR	SPACER SHIM (.149 IN.)
-	56-90415A24		1	STUD KIT (LONG)
-	56-90415A25		1	STUD KIT (X-LONG)

NOTE: THE BASIC GEAR HOUSING LISTED IS GENERIC. IT DOES NOT INCLUDE STUDS. ORDER THE STUD KIT LISTED ABOVE TO FIT YOUR APPLICATION.

GEAR HOUSING (PROP SHAFT)(COUNTER ROTATION) (SPORTMASTER)



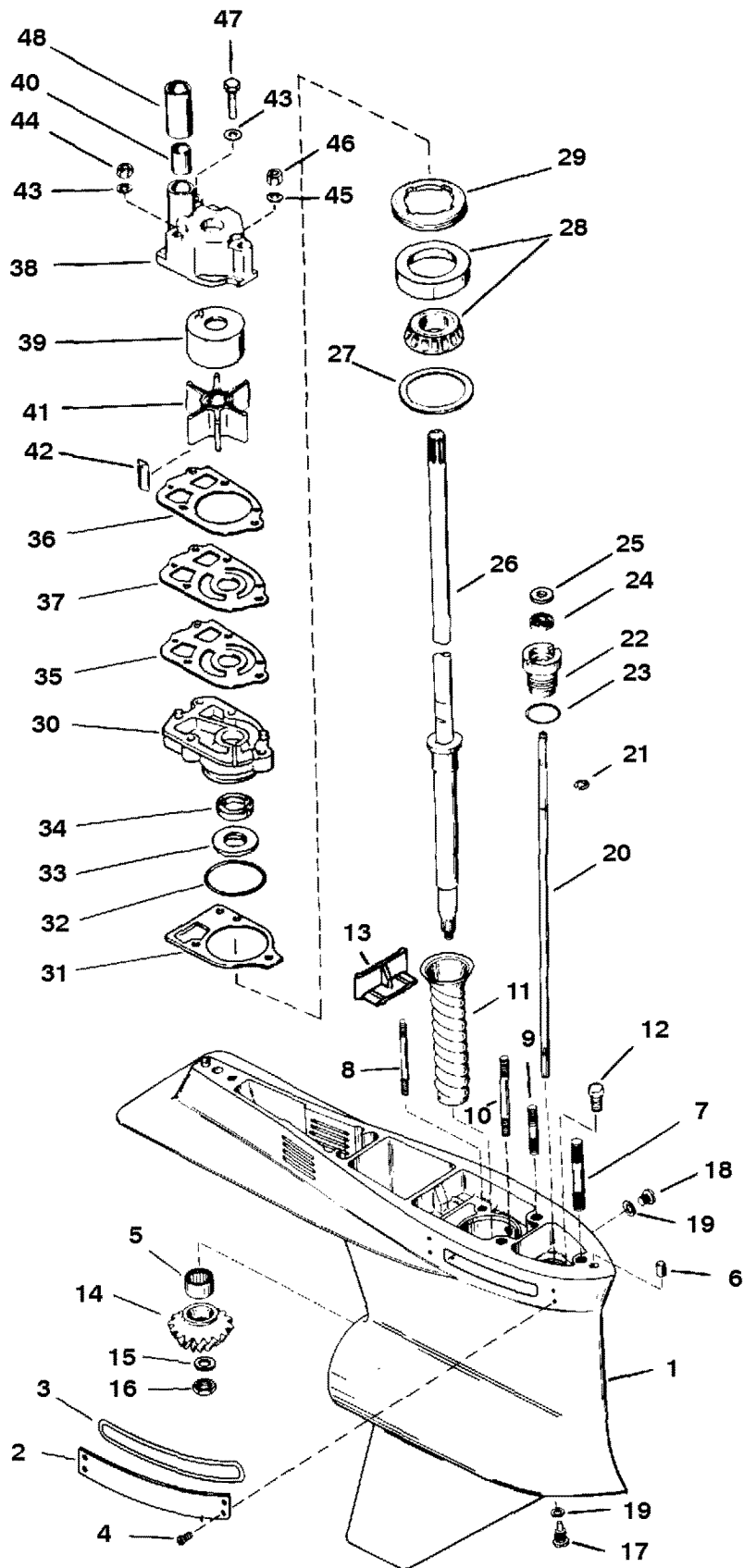
GEAR HOUSING (PROP SHAFT)(COUNTER ROTATION) (SPORTMASTER)

REF. NO.	PART NO.	SYM.	QTY.	DESCRIPTION
1	1687-848474A39		1	GEAR HOUSING (BASIC) (SEE NOTE)
66	31-15841		1	ROLLER BEARING
67	12-17616		1	THRUST RING
68	25-31534	▲	1	O RING
69	15838A2		1	BEARING ADAPTOR
70	31-15843		1	ROLLER BEARING
71	31-15834		2	THRUST BEARING
72	44-815495T		1	PROPELLER SHAFT
73	847616A1		1	BEARING CARRIER
74	31-817072		1	ROLLER BEARING
75	26-815565	▲	2	OIL SEAL
76	53-817071		1	SNAP RING
77	22-67892A1		1	MAGNETIC DRAIN SCREW
78	12-19183	▲	1	SEALING WASHER
79	28-30281		1	KEY
80	14-79447		1	TAB WASHER
81	15840--1		1	COVER
82	13171--1		1	THRUST HUB
83	13-42351--1		1	LOCKWASHER
84	12-31211A2		1	WASHER
85	11-52707A1		1	PROPELLER NUT
86	14-816629		1	TAB WASHER
87	10-41350		1	SCREW (SHORT)
	10-66024		1	SCREW (LONG/X-LONG)
88	12-822836		2	WASHER
89	11-13439--1		2	NUT
90	10-30206		1	SCREW (SHORT/LONG)
	10-15929		1	SCREW (X-LONG)
91	76214--3		1	ANODIC PLATE (SHORT)
	76214A5		1	ANODIC PLATE (LONG)
	76214--1		1	ANODIC PLATE (X-LONG)
-	26-89238A3		1	SEAL KIT
-	56-90415A24		1	STUD KIT (LONG)
-	56-90415A25		1	STUD KIT (X-LONG)

NOTE: THE BASIC GEAR HOUSING LISTED IS GENERIC. IT DOES NOT INCLUDE STUDS. ORDER THE STUD KIT LISTED ABOVE TO FIT YOUR APPLICATION.

▲ = COMPONENT OF G/H SEAL KIT

GEAR HOUSING (DRIVE SHAFT)(CLE)



GEAR HOUSING (DRIVE SHAFT)(CLE)

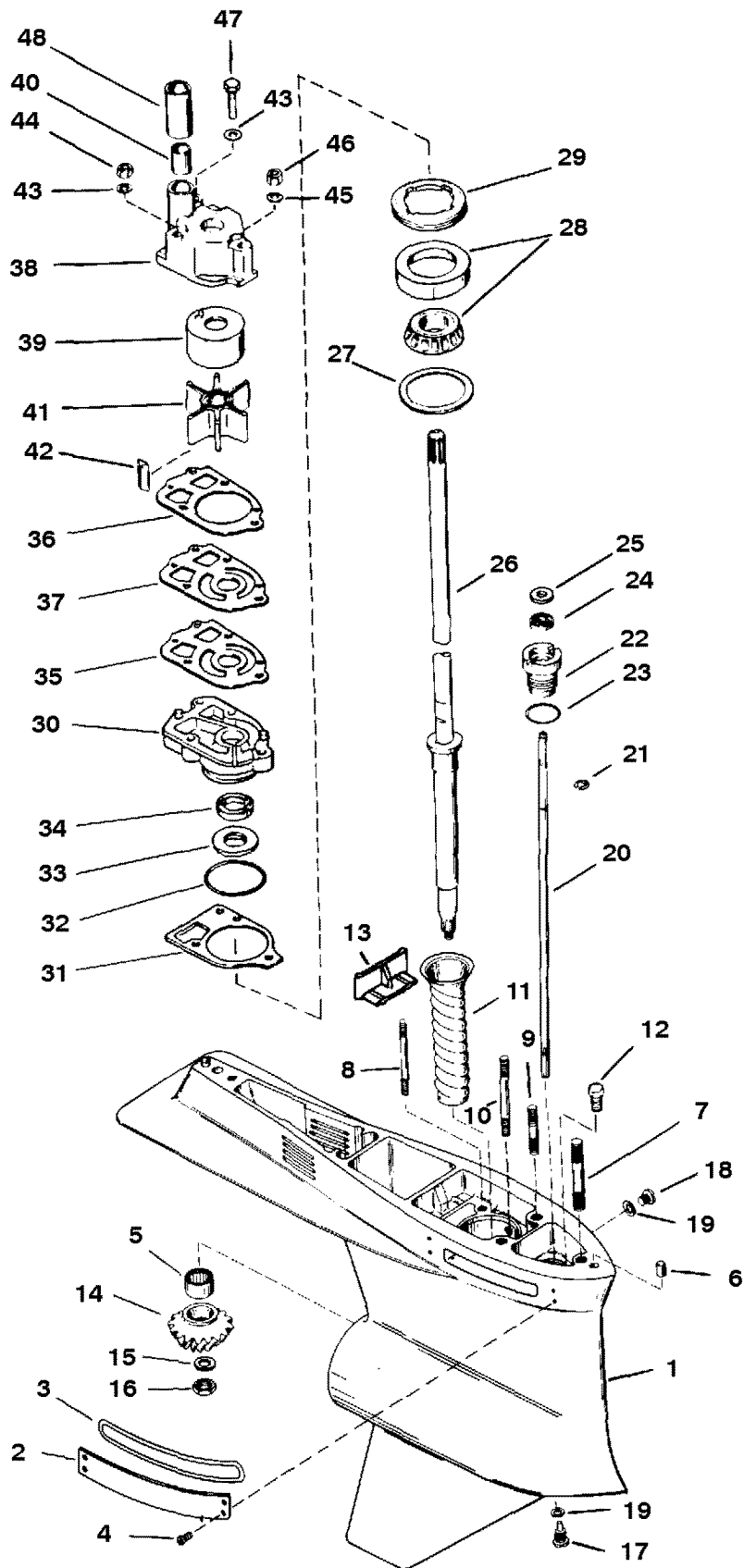
REF. NO.	PART NO.	SYM.	QTY.	DESCRIPTION
-	1685-847902A82		1	GEAR HOUSING (BLACK)
-	1685-847902A83		1	GEAR HOUSING (GRAY)
1	1685-847902A15		1	GEAR HOUSING (BASIC - BLACK)
	1685-847902A16		1	GEAR HOUSING (BASIC - GRAY)
2	847950--1		2	COVER (BLACK)
	847950--2		2	COVER (GRAY)
3	25-34776	▲	2	O-RING
4	10-815904		12	SCREW
5	31-42647A1		1	ROLLER BEARING
6	17-43044		2	DOWEL PIN
7	16-78638		1	STUD (3-1/8 IN.)
8	16-57920--1		2	STUD (2-1/16 IN.)
9	16-56297		1	STUD (3-3/8 IN.)
10	16-69501		2	STUD (3-1/4 IN.)
11	23-43998		1	SLEEVE
12	22-847949		1	PIPE PLUG
13	67891		1	FILLER BLOCK
14	NSS		1	PINION GEAR (PART OF 43-44104A7)
15	12-92721		1	WASHER
16	11-35921		1	NUT
17	22-67892A1		1	DRAIN SCREW (MAGNETIC)
18	10-79953A2		1	SCREW
19	12-19183	▲	2	SEALING WASHER
20	78902--2		1	SHIFT SHAFT (LOWER)
21	53-29641		1	E-RING (USE WHERE APPLICABLE)
22	23-77631A2		1	BUSHING ASSEMBLY
23	25-25439	■▲	1	O-RING
24	26-816464--1	▲	1	OIL SEAL
25	12-77674	▲	1	RUBBER WASHER
26	45-848449A5		1	DRIVE SHAFT
27	15-42637A1		AR	SHIM ASSEMBLY
28	31-36387A1		1	ROLLER BEARING
29	824519		1	RETAINER
30	46-44292A3		1	WATER PUMP BASE ASSEMBLY
31	27-42631--1	■▲	1	GASKET
32	25-90011	■▲	1	O-RING
33	26-89238	▲	1	OIL SEAL
34	26-16977	▲	1	OIL SEAL
35	27-18051	■▲	1	GASKET (LOWER)
36	27-85609--1	■▲	1	GASKET (UPPER)
37	32435		1	FACE PLATE
38	46-96148A1		1	WATER PUMP BODY ASSEMBLY

■ = COMPONENT OF ENGINE GASKET SET

▲ = COMPONENT OF G/H SEAL KIT

CONTINUED ON NEXT PAGE ➡

GEAR HOUSING (DRIVE SHAFT)(CLE)



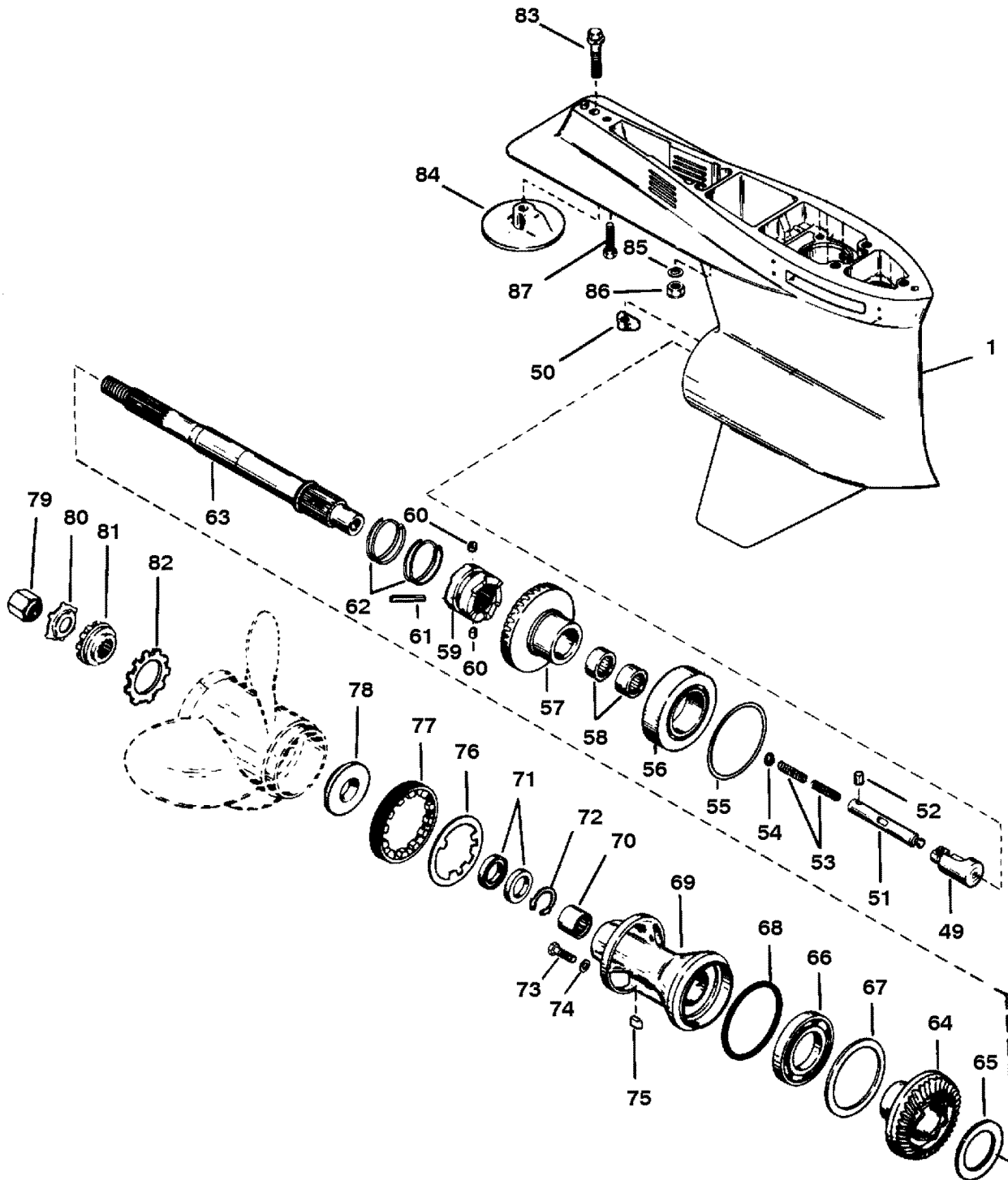
GEAR HOUSING (DRIVE SHAFT)(CLE)

REF. NO.	PART NO.	SYM.	QTY.	DESCRIPTION
39	48752		1	INSERT
40	26-38970	■▲	1	SEAL
41	47-89984--2		1	IMPELLER
42	28-56654		1	KEY
43	12-29245		2	WASHER
44	11-13438		2	NUT
45	12-36001		1	WASHER
46	11-13436		1	NUT
47	10-96411		1	SCREW (2-1/4 IN.)
48	23-29804		1	SLEEVE
-	27-813859A95		1	GASKET SET
-	26-89238A3		1	SEAL KIT

■ = COMPONENT OF ENGINE GASKET SET

▲ = COMPONENT OF G/H SEAL KIT

GEAR HOUSING (PROPELLER SHAFT)(CLE)



GEAR HOUSING (PROPELLER SHAFT)(CLE)

REF. NO.	PART NO.	SYM.	QTY.	DESCRIPTION
-	1685-847902A82		1	GEAR HOUSING (BLACK)
-	1685-847902A83		1	GEAR HOUSING (GRAY)
1	1685-847902A15		1	GEAR HOUSING (BASIC - BLACK)
	1685-847902A16		1	GEAR HOUSING (BASIC - GRAY)
49	89594A1		1	CAM FOLLOWER
50	78956		1	SHIFT CAM
51	79911A1		1	ROD
52	17-78906		1	PIN
53	24-79910		2	SPRING
54	12-78910		2	WASHER
55	15-47397A1		AR	SHIM
56	31-78172A1		1	TAPERED ROLLER BEARING
57	43-44104A7		1	FORWARD GEAR SET (INCLS. REVERSE GEAR)
58	31-54928--1		1	ROLLER BEARING
59	52-42672		1	RATCHET
60	17-78909		2	DETENT PIN
61	17-42671		1	CROSS PIN
62	24-78962		2	SPRING
63	44-822820F1		1	PROPELLER SHAFT
64	43-822824A1		1	REVERSE GEAR
65	23-822823		1	THRUST RING
66	30-88957	+	1	BALL BEARING
67	68100--1		1	THRUST RING
68	25-31534	■▲	1	O-RING
69	847610A1		1	BEARING CARRIER
70	31-817072		1	ROLLER BEARING
71	26-815565	▲	2	OIL SEAL
72	53-817071		1	SNAP RING
73	22-67892A1		1	DRAIN SCREW (MAGNETIC)
74	12-19183		1	SEALING WASHER
75	28-30281		1	KEY
76	14-79447		1	TAB WASHER
77	15840--1		1	COVER
78	13171--1		1	THRUST HUB
79	11-52707A1		1	PROPELLER NUT
80	14-816629		1	TAB WASHER
81	12-31211A2		1	WASHER
82	13-42351--1		1	LOCKWASHER
83	10-66024		1	SCREW
84	76214A5		1	ANODIC PLATE

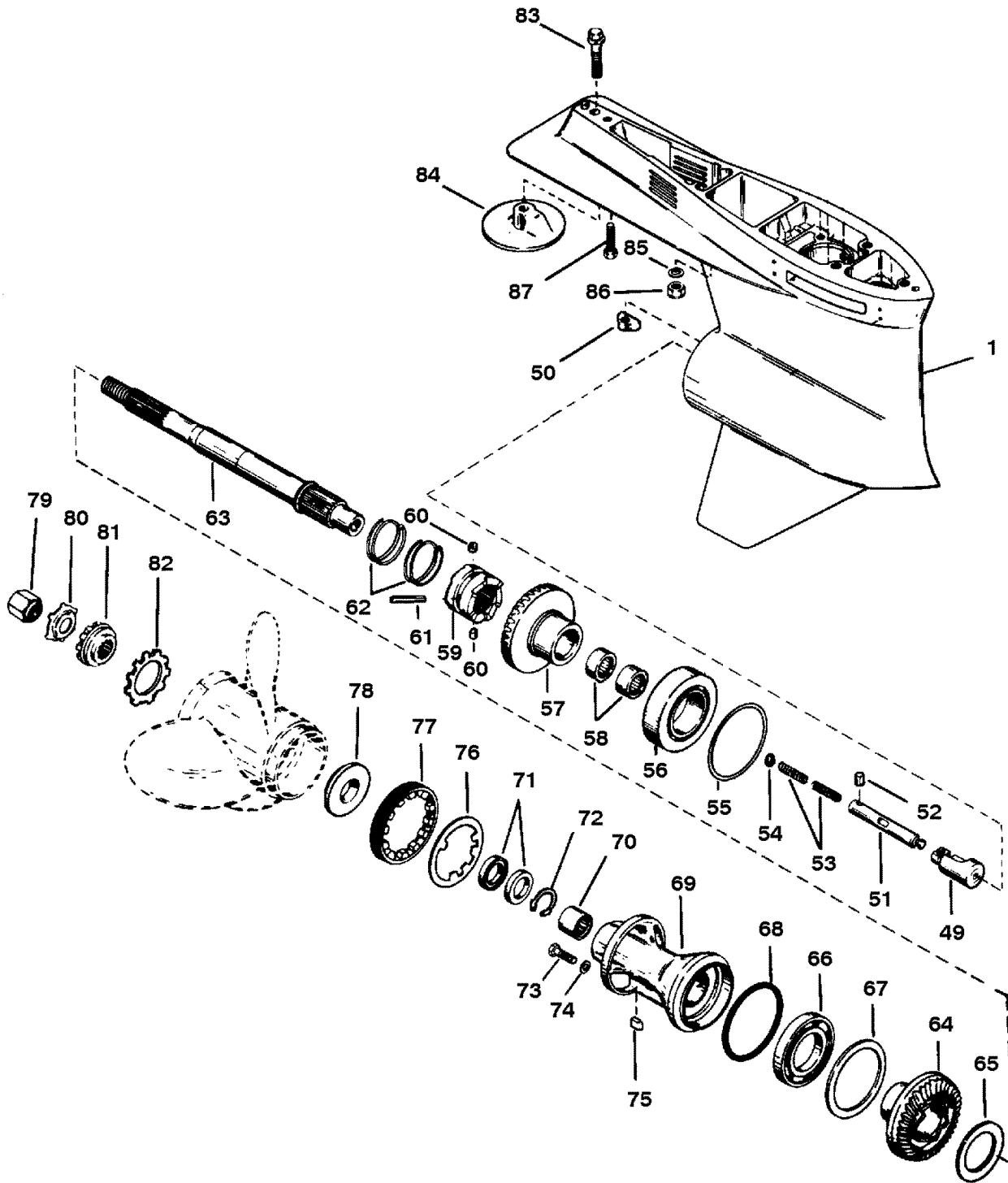
■ = COMPONENT OF ENGINE GASKET SET

▲ = COMPONENT OF G/H SEAL KIT

+ = SUPERSEDES ANOTHER PART

CONTINUED ON NEXT PAGE ➡

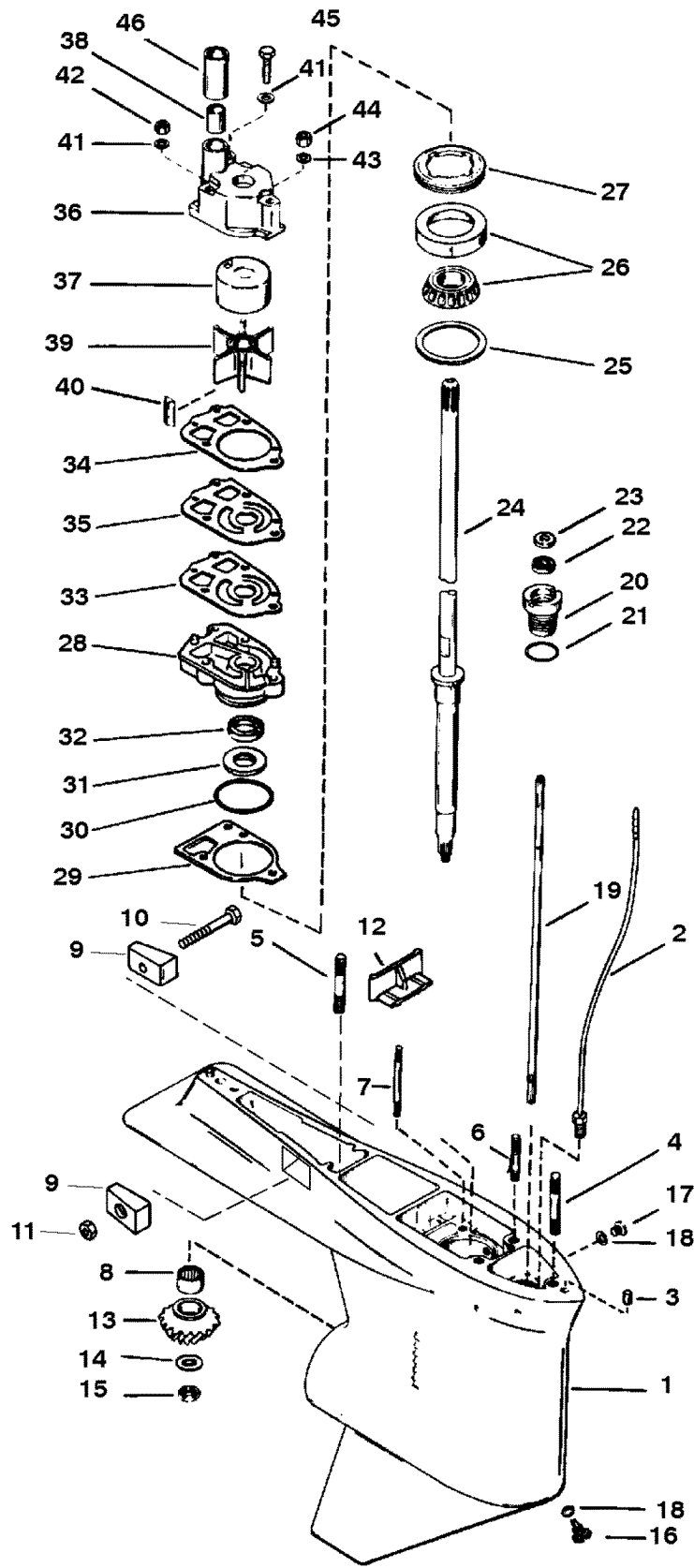
GEAR HOUSING (PROPELLER SHAFT)(CLE)



GEAR HOUSING (PROPELLER SHAFT)(CLE)

REF. NO.	PART NO.	SYM.	QTY.	DESCRIPTION
85	12-822836		2	WASHER
86	11-13439--1		2	NUT
87	10-30206		1	SCREW
-	27-813859A95		1	GASKET SET
-	26-89238A3		1	SEAL KIT

GEAR HOUSING (DRIVE SHAFT)(TORQUE MASTER)



GEAR HOUSING (DRIVE SHAFT)(TORQUE MASTER)

REF. NO.	PART NO.	SYM.	QTY.	DESCRIPTION
-	1686-827214A3		1	GEAR HOUSING (BLACK)
-	1686-827214A4		1	GEAR HOUSING (GRAY)
-	1686-827214A10		1	GEAR HOUSING (POLISHED ALUMINUM)
1	1686-827214A7		1	GEAR HOUSING (BLACK)(BASIC)
	1686-827214A8		1	GEAR HOUSING (GRAY)(BASIC)
	1686-827214A12		1	GEAR HOUSING (POLISHED ALUMINUM)(BASIC)
2	22-85822A10		1	CONNECTOR
3	17-43044		2	DOWEL PIN
4	16-78638		1	STUD (3-1/8 IN.)
5	16-57920--1		2	STUD (2-1/16 IN.)
6	16-56297		1	STUD (3-3/8 IN.)
7	16-69501		2	STUD
8	31-42647A1		1	ROLLER BEARING
9	826134		2	ANODE
10	10-40003-33		1	SCREW
11	11-826833--6		1	NUT
12	67891		1	FILLER BLOCK
13	NSS		1	PINION GEAR (PART OF 43-13742A2)
14	12-92721		1	WASHER
15	11-35921		1	NUT
16	22-67892A1		1	SCREW-DRAIN (MAGNETIC)
17	10-79953A2		1	SCREW-GREASE FILLER
18	12-19183	○▲	2	WASHER
19	78902--2		1	SHIFT SHAFT
20	23-77631A2		1	BUSHING ASSEMBLY
21	25-25439	■▲	1	O-RING
22	26-816464--1	▲	1	OIL SEAL
23	12-77674	▲	1	WASHER
24	45-848449A5		1	DRIVE SHAFT
25	15-42637A1		AR	SHIM ASSEMBLY
26	31-36387A1		1	ROLLER BEARING
27	824519		1	RETAINER
28	46-44292A3		1	WATER PUMP BASE
29	27-42631--1	■○▲	1	GASKET
30	25-90011	■○▲	1	O RING
31	26-89238	▲	1	OIL SEAL
32	26-16977	▲	1	OIL SEAL
33	27-18051	○▲	1	GASKET-LOWER
34	27-85609--1	■○▲	1	GASKET-UPPER
35	32435	○	1	FACE PLATE
36	46-96148A1	○	1	WATER PUMP BODY

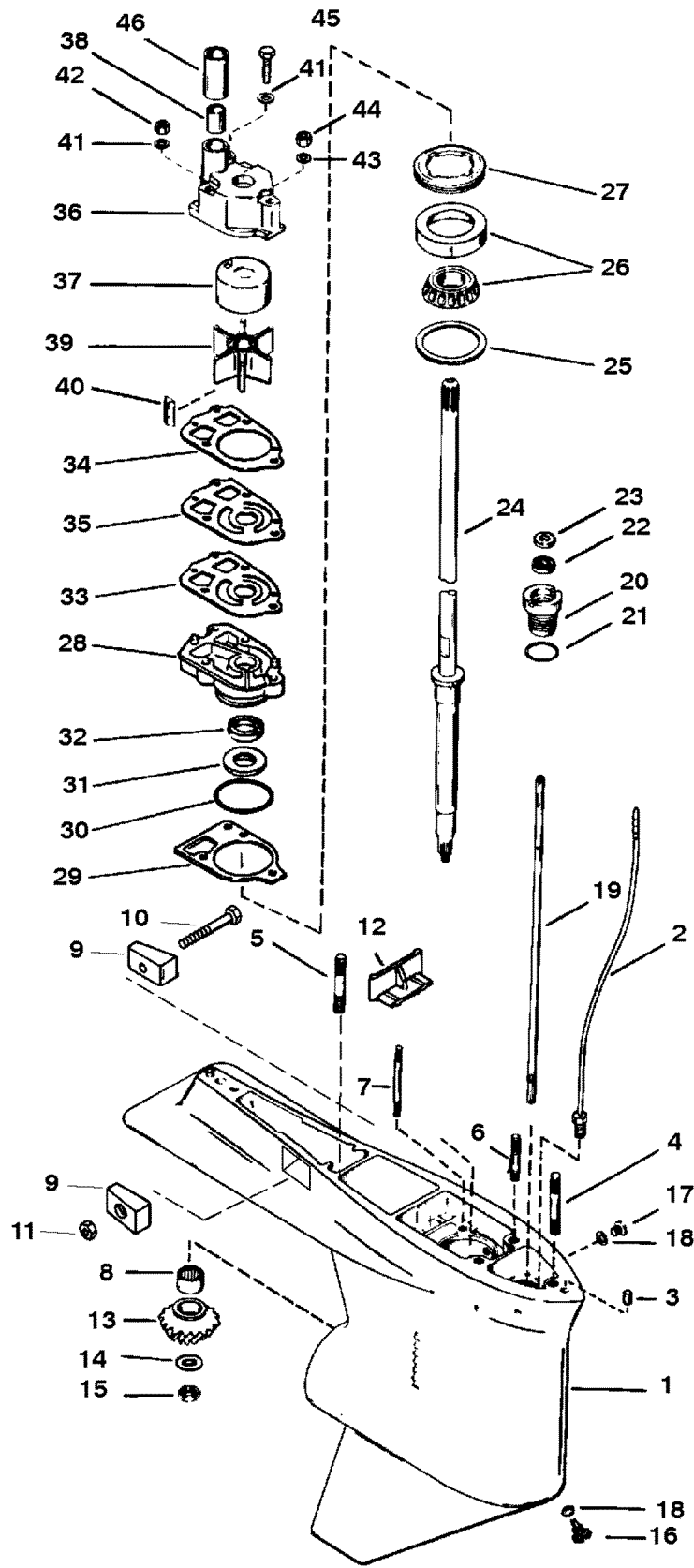
■ = COMPONENT OF ENGINE GASKET SET

▲ = COMPONENT OF G/H SEAL KIT

○ = COMPONENT OF G/H WATER PUMP REBUILD KIT

CONTINUED ON NEXT PAGE ➡

GEAR HOUSING (DRIVE SHAFT)(TORQUE MASTER)



GEAR HOUSING (DRIVE SHAFT)(TORQUE MASTER)

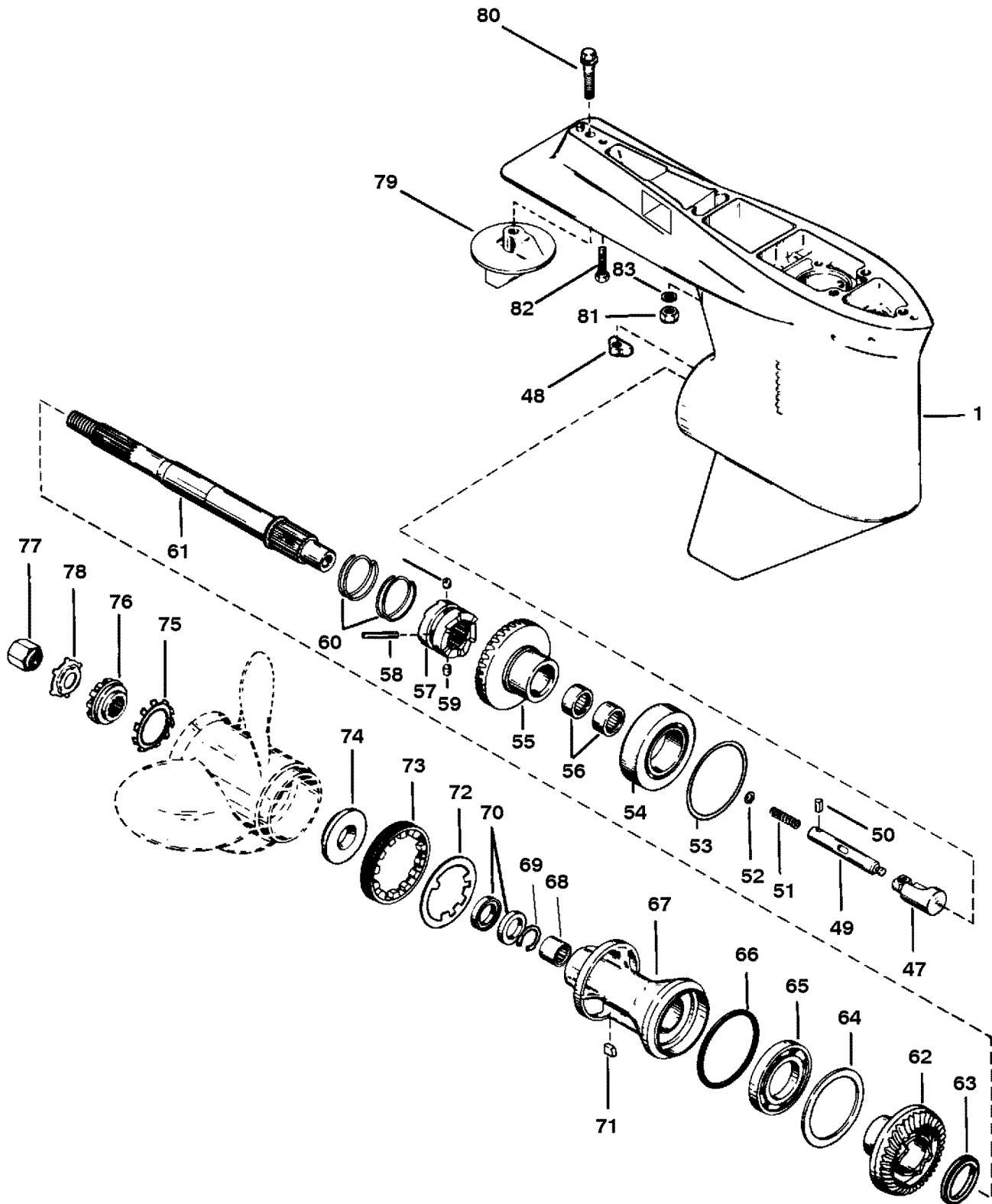
REF. NO.	PART NO.	SYM.	QTY.	DESCRIPTION
37	48752	○	1	INSERT
38	26-38970	■○▲	1	RUBBER SEAL
39	47-89984--2	○	1	IMPELLER
40	28-56654	○	1	KEY
41	12-29245		2	WASHER
42	11-13438		2	NUT
43	12-36001		1	WASHER
44	11-13436		1	NUT
45	10-96411	○	1	SCREW (2-1/4 IN.)
46	23-29804	○	1	SLEEVE
-	46-96148A5		1	WATER PUMP REBUILD KIT
-	26-89238A3		1	SEAL KIT
-	27-813859A95		1	GASKET SET

■ = COMPONENT OF ENGINE GASKET SET

▲ = COMPONENT OF G/H SEAL KIT

○ = COMPONENT OF G/H WATER PUMP REBUILD KIT

GEAR HOUSING (PROPELLER SHAFT)(TORQUE MASTER)



GEAR HOUSING (PROPELLER SHAFT)(TORQUE MASTER)

REF. NO.	PART NO.	SYM.	QTY.	DESCRIPTION
-	1686-827214A3		1	GEAR HOUSING (BLACK)
-	1686-827214A4		1	GEAR HOUSING (GRAY)
-	1686-827214A10		1	GEAR HOUSING (POLISHED ALUMINUM)
1	1686-827214A7		1	GEAR HOUSING (BLACK)(BASIC)
	1686-827214A8		1	GEAR HOUSING (GRAY)(BASIC)
	1686-827214A12		1	GEAR HOUSING (POLISHED ALUMINUM)(BASIC)
47	89594A1		1	FOLLOWER
48	78956		1	SHIFT CAM
49	79911A1		1	ROD
50	17-78906		1	PIN
51	24-79910		1	SPRING
52	12-78910		AR	WASHER
53	15-47397A1		AR	SHIM SET
54	31-78172A1		1	TAPERED ROLLER BEARING
55	43-44104A7		1	FORWARD GEAR
56	31-54928--1		1	ROLLER BEARING
57	52-42672		1	CLUTCH
58	17-42671		1	CROSS PIN
59	17-78909		2	DETENT PIN
60	24-78962		2	SPRING
61	44-822820F1		1	PROPELLER SHAFT
62	43-822824A1		1	REVERSE GEAR
63	23-824108		1	THRUST SPACER
64	68100--1		1	THRUST RING
65	30-88957	+	1	BALL BEARING
66	25-31534	■▲	1	O-RING
67	847610A1		1	BEARING CARRIER
68	31-817072		1	ROLLER BEARING
69	53-817071		1	RETAINING RING
70	26-815565	▲▲	2	OIL SEAL
71	28-30281		1	KEY
72	14-79447		1	TAB WASHER
73	15840--1		1	RETAINER
74	13171--1		1	THRUST HUB
75	13-42351--1		1	LOCKWASHER
76	12-31211A2		1	SPLINED WASHER
77	11-52707A1		1	PROPELLER NUT
78	14-816629		1	TAB WASHER
79	76214A5		1	ANODIC PLATE
80	10-66024		1	SCREW

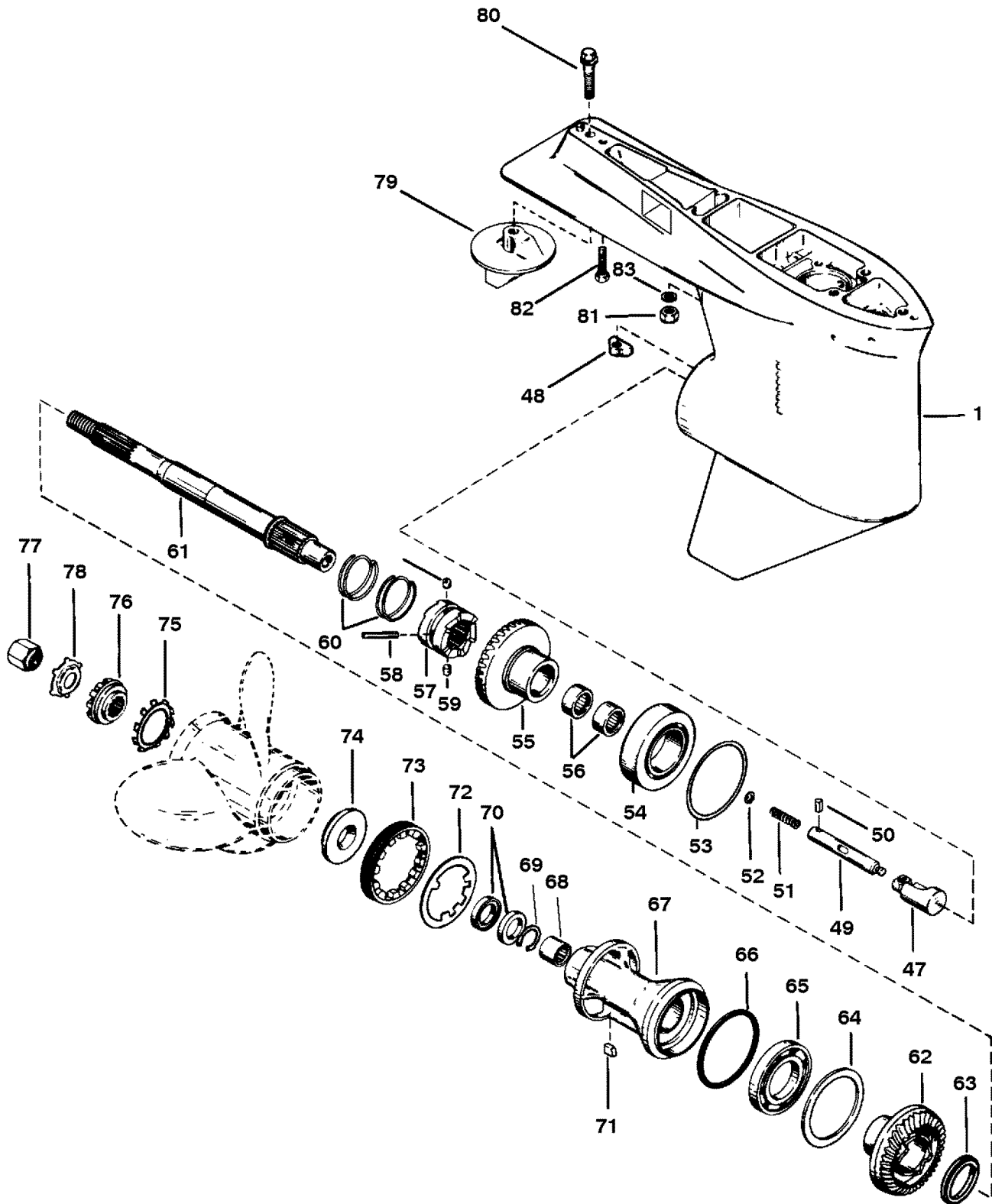
■ = COMPONENT OF ENGINE GASKET SET

▲ = COMPONENT OF G/H SEAL KIT

+ = SUPERSEDES ANOTHER PART

CONTINUED ON NEXT PAGE ➡

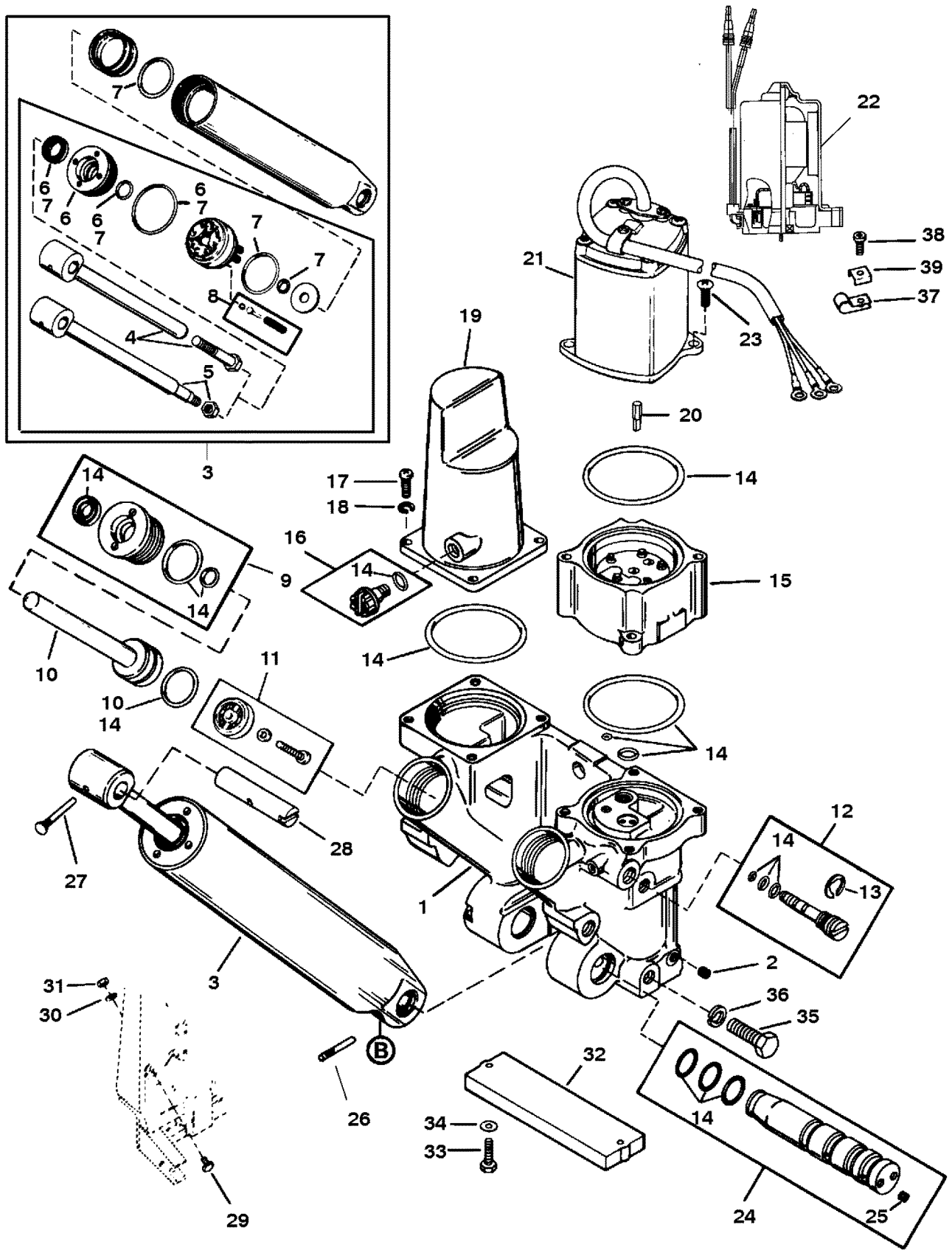
GEAR HOUSING (PROPELLER SHAFT)(TORQUE MASTER)



GEAR HOUSING (PROPELLER SHAFT)(TORQUE MASTER)

REF. NO.	PART NO.	SYM.	QTY.	DESCRIPTION
81	11-13439--1		2	NUT
82	10-30206		1	SCREW
83	12-822836		2	WASHER
-	26-89238A3		1	SEAL KIT
-	27-813859A95		1	GASKET SET

POWER TRIM COMPONENTS



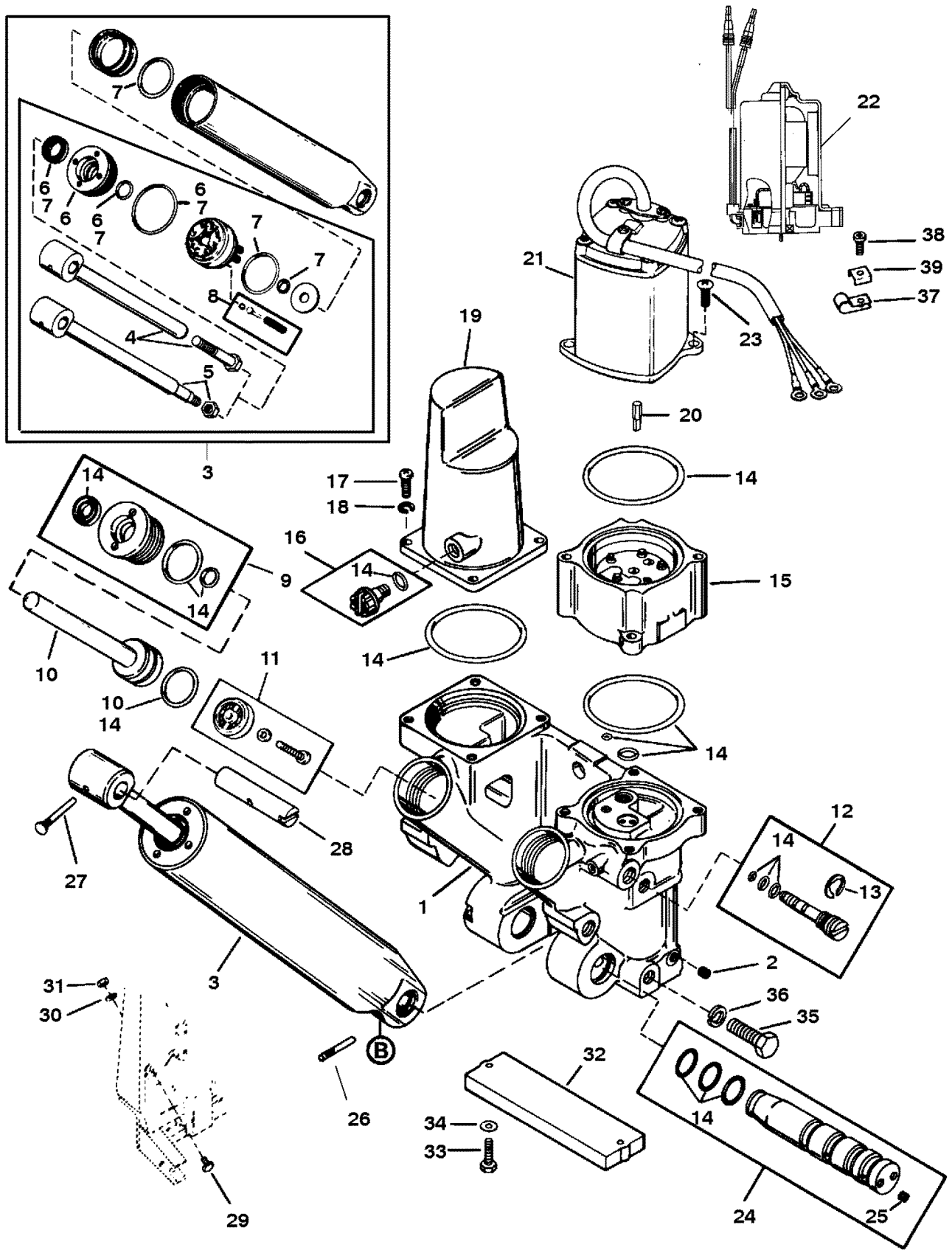
POWER TRIM COMPONENTS

REF. NO.	PART NO.	SYM.	QTY.	DESCRIPTION
-	818186A6		1	POWER TRIM ASSEMBLY (S/N-0G205073 & BELOW)
-	826729A2		1	POWER TRIM ASSEMBLY (S/N-0G205074 & UP)
1	811604F		1	MANIFOLD ASSEMBLY
2	22-56800		9	PIPE PLUG
3	823552F	+	1	TILT CYLINDER ASSEMBLY
4	811608		1	PISTON ROD (BOLT TYPE- SEE NOTE)
5	823553		1	PISTON ROD (NUT TYPE)
6	811606		1	GUIDE KIT
7	811607A1		1	REPAIR KIT
8	811610A1		1	CHECK VALVE KIT
9	99638A1		2	GUIDE ASSEMBLY
10	43397A6		1	PISTON AND ROD ASSEMBLY (PORT)
	43398A3		1	PISTON AND ROD ASSEMBLY (STARBOARD)
11	35-12184A1		1	TRIM FILTER ASSEMBLY
12	813442A2		1	VALVE ASSEMBLY
13	53-812844		1	E-RING
14	811612A2		1	O-RING KIT
15	811617F		1	PUMP
16	19-811613		1	PLUG ASSEMBLY
17	10-40003-27		4	SCREW
18	12-43450		4	WASHER
19	811611		1	COVER
20	811619		1	DRIVE SHAFT S/N-0G205073 & BELOW
21	811628		1	TRIM MOTOR (SEE B/D ON PAGE 72) S/N-0G205073 & BELOW
20	828710		1	DRIVE SHAFT S/N-0G205074 & UP
22	828708		1	TRIM MOTOR (SEE B/D ON PAGE 72) S/N-0G205074 & UP
23	10-811615		2	SCREW (LONG) (S/N-0G205073 & BELOW)
	10-828709		2	SCREW (LONG) (S/N-0G205074 & UP)
	10-811616		2	SCREW (SHORT)
24	811614		1	SHAFT ASSEMBLY
25	22-56800		2	PLUG PIPE
26	17-44431		1	GROOVE PIN
27	17-821539		1	GROOVE PIN
28	99625--1		1	SHAFT
29	99630--1		2	STRIKER PLATE
30	13-58643		2	LOCKWASHER
31	11-46335		2	NUT
32	818298A1		1	ANODE ASSEMBLY
33	10-40003-30		2	SCREW
34	12-29245		2	WASHER
35	10-40003-77		6	SCREW-MANIFOLD

+ = SUPERSESSEDS ANOTHER PART

CONTINUED ON NEXT PAGE ➡

POWER TRIM COMPONENTS

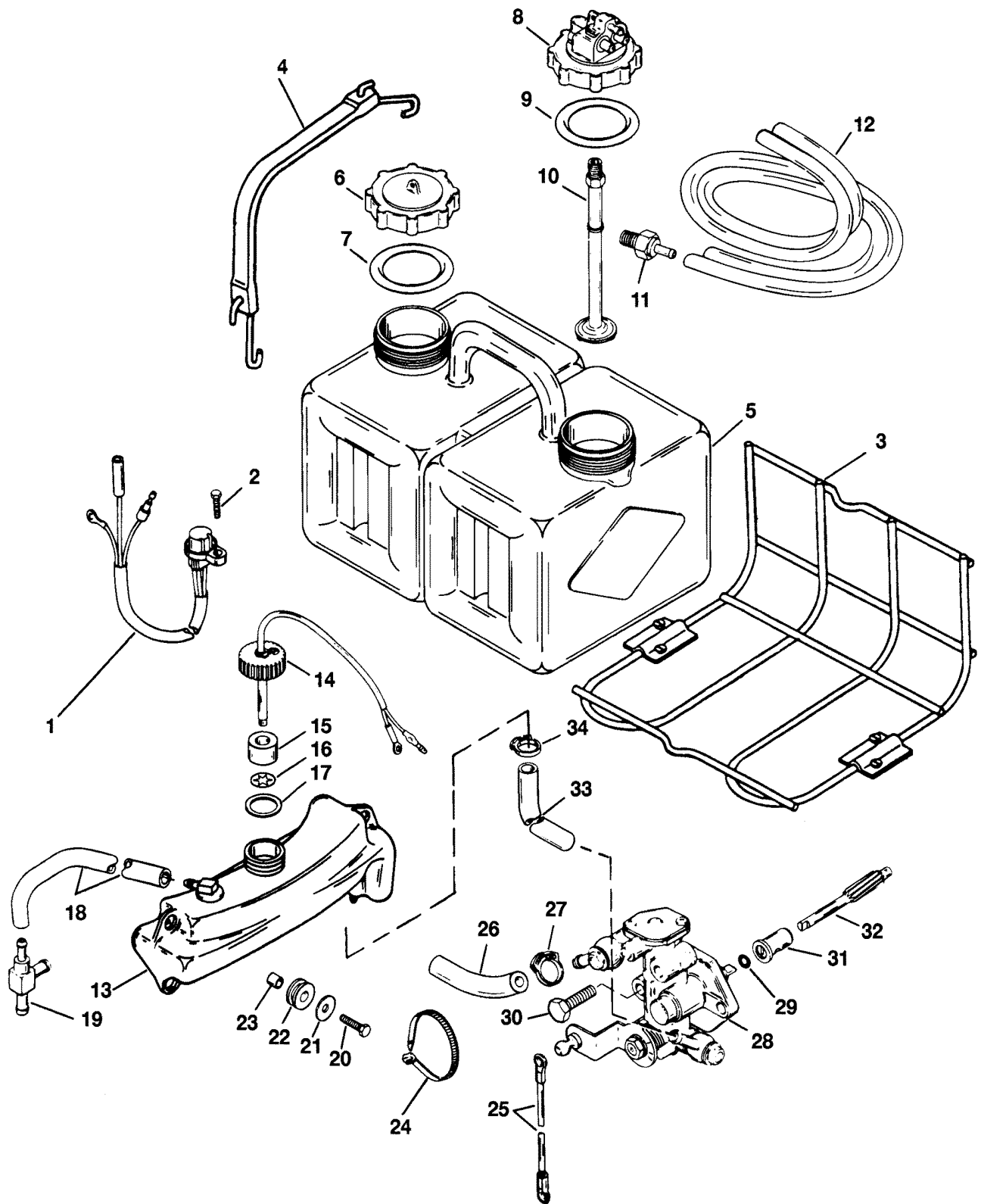


POWER TRIM COMPONENTS

REF. NO.	PART NO.	SYM.	QTY.	DESCRIPTION
36	12-40023-19		6	WASHER-MANIFOLD SCREW
37	54-22875		2	CLIP-PUMP WIRE (S/N-0G205073 & BELOW)
	54-26550		2	CLIP-PUMP WIRE (S/N-0G205074 & UP)
38	10-817626		2	SCREW
39	69205		2	C-WASHER

NOTE: BOLT TYPE PISTON ROD IS STAMPED WITH A "B" AS SHOWN ON ILLUSTRATION

OIL INJECTION COMPONENTS

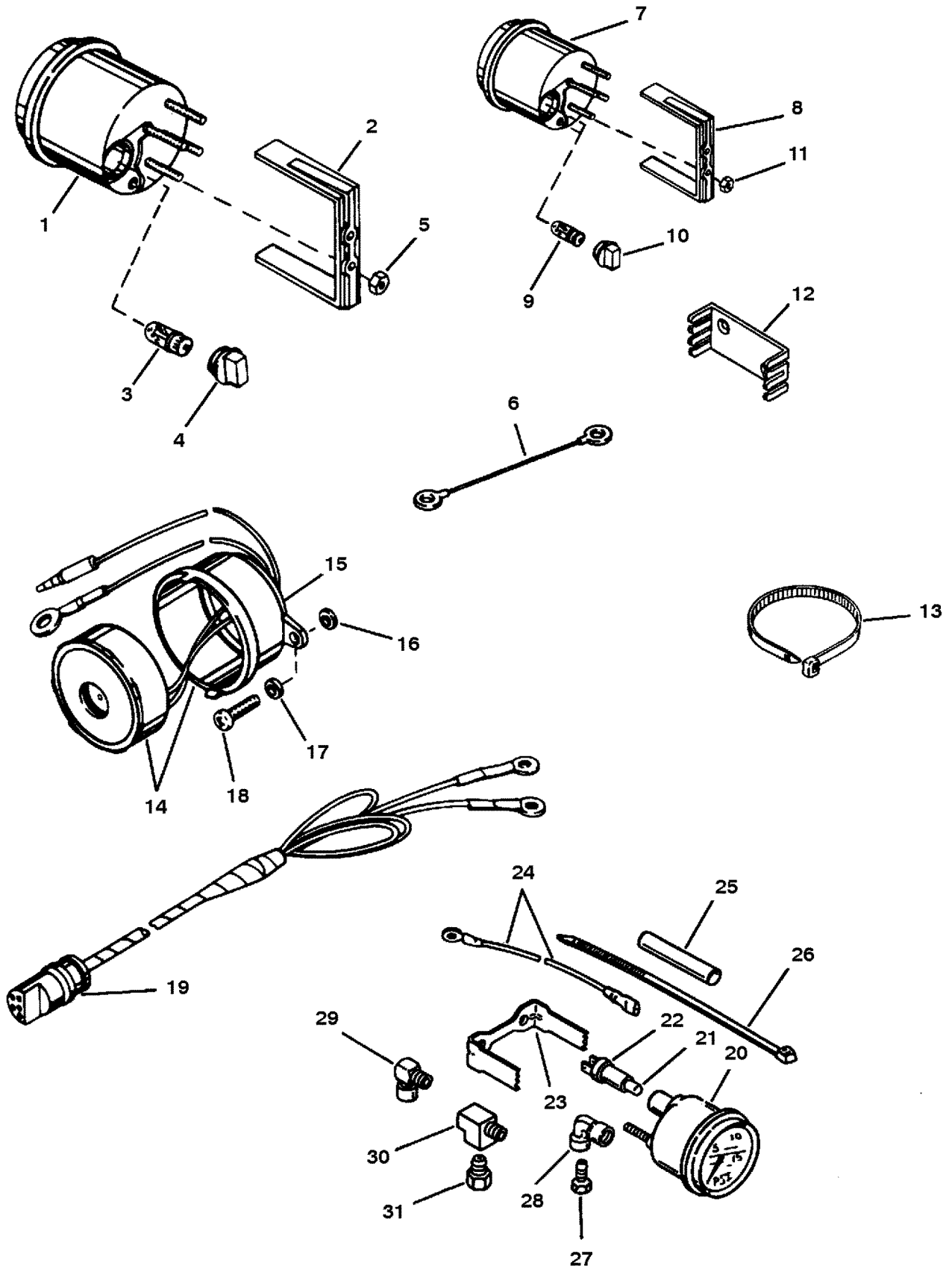


OIL INJECTION COMPONENTS

REF. NO.	PART NO.	SYM.	QTY.	DESCRIPTION
1	12430A4		1	SENSOR ASSEMBLY
2	10-812832--1		1	SCREW-SENSOR ATTACHING
3	824954A1		1	REMOTE OIL TANK HOLD-DOWN KIT
4	12323A1		1	BUNGY CORD ASSEMBLY
5	15943A2		1	OIL TANK
6	36-43298A2		1	CAP ASSEMBLY
7	25-11332		1	O-RING
8	816190A3		1	ADAPTOR HOUSING
9	25-11332		1	O-RING
10	32-99802		1	TUBE-OIL PICK-UP
11	21-43278	●	1	FITTING-CHECK VALVE (CRANKCASE)
12	32-99439		1	HOSE
13	99443--3		1	OIL RESERVOIR
14	36-43300A9		1	CAP ASSEMBLY-OIL RESERVOIR
15	99022A1		1	FLOAT ASSEMBLY
16	11-99265		1	PUSHNUT
17	27-43307		1	GASKET
18	32-830756109		1	TUBING-OIL (6 IN.) S/N-0G502500 & UP
19	22-42425--4		1	FITTING S/N-0G502500 & UP
18	32-830756109		1	TUBING-OIL (5-1/4 IN.) S/N-0G502499 & BELOW
19	22-42425		1	FITTING S/N-0G502499 & BELOW
20	10-69020		3	SCREW (7/8 IN.)
21	12-42118		6	WASHER
22	25-42117		3	GROMMET
23	23-42116		3	BUSHING
24	54-816311		AR	STA-STRAP
25	19385-12		1	LINK
26	32-823813-25		1	TUBING (7 IN.)
27	54-816311		2	STA-STRAP
28	815699		1	OIL PUMP
29	25-11379		1	O-RING
30	10-32228		1	SCREW (5/8 IN.)
	10-41507		1	SCREW (1-1/8 IN.)
31	23-41429A2		1	BEARING ASSEMBLY
32	43-14563		1	DRIVEN GEAR
33	32-823814-36		1	TUBING-OIL RESERVOIR TO OIL PUMP (4-3/4 IN.)
34	54-816311		2	STA-STRAP
-	809430A95		1	POWERHEAD

● = COMPONENT OF POWERHEAD

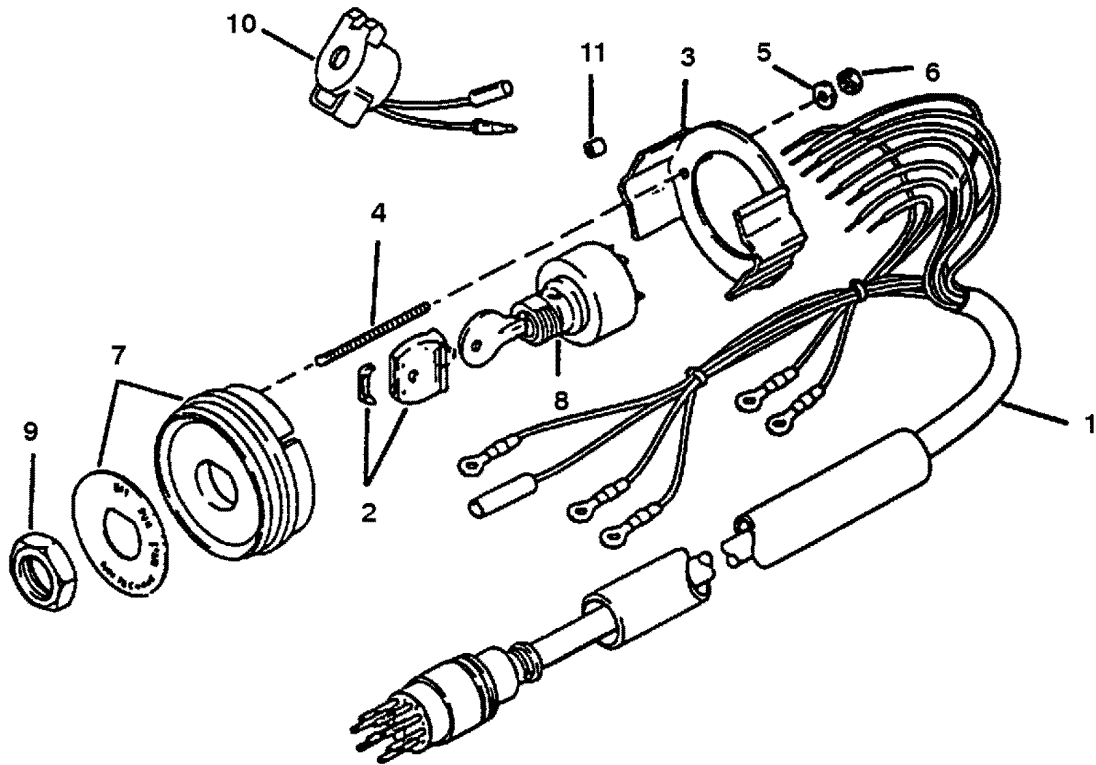
INSTRUMENTATION



INSTRUMENTATION

REF. NO.	PART NO.	SYM.	QTY.	DESCRIPTION
1	79-93953A1		1	TACHOMETER
2	79101T		1	BRACKET
3	88-72729		1	LIGHT BULB
4	88-79888		1	SOCKET
5	11-26419		5	NUT
6	84-86322A7		1	WIRE (BLACK - 1-1/2 IN.)
	84-86323A5		1	WIRE (PURPLE - 1-1/2 IN.)
7	79-825338A3		1	TRIM GAUGE
8	79480		1	BRACKET
9	88-72729		1	LIGHT BULB
10	88-79888		1	SOCKET
11	11-26419		5	NUT
12	79146		AR	RETAINER
13	54-816311		AR	STA-STRAP
14	68878A6		1	ALARM HORN AND WIRE ASSEMBLY
15	68879		1	COVER
16	23-79697		2	SPACER
17	12-26427		2	WASHER
18	10-35401		2	SCREW
19	84-86396A8		1	HARNESS
20	79-825331A1		1	30 PSI GAUGE KIT
21	88-95691		1	BULB WHITE CASING
22	13631		1	SOCKET WHITE CASING
23	17654		1	BRACKET WHITE CASING
21	88-72729		1	BULB AQUA CASING
22	88-825362		1	SOCKET AQUA CASING
23	825363		1	BRACKET AQUA CASING
24	84-88532A1		1	CABLE ASSEMBLY (DARK BLUE)
	84-86322A16		1	CABLE ASSEMBLY (BLACK)
25	32-64088--6		1	TUBING
26	54-816311		5	STA-STRAP
27	22-63670		2	FITTING
28	22-63651		2	ELBOW (90 DEGREES)
29	22-77863		1	FITTING
30	22-64706		1	TEE FITTING
31	22-36492		1	BUSHING

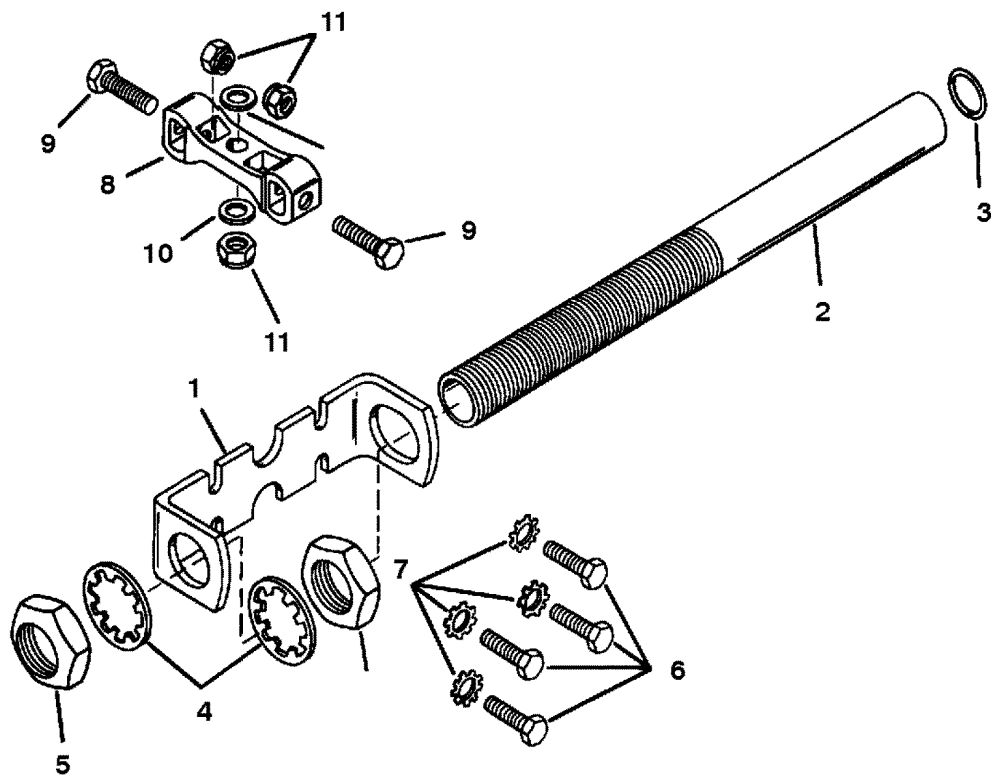
KEY SWITCH ASSEMBLY



KEY SWITCH ASSEMBLY

REF. NO.	PART NO.	SYM.	QTY.	DESCRIPTION
1	84-816626A15		1	KEY SWITCH ASSEMBLY (15 FT.)
2	90468A1		2	COVER
3	76424		1	BRACKET
4	16-55422		2	STUD
5	12-24676		2	WASHER
6	11-68219		2	NUT
7	816479A3		2	PLATE
8	87-88107		1	IGNITION SWITCH (SEE CHART BELOW FOR KEY)
9	11-93543		1	NUT
10	816492A1		1	ALARM
11	23-812711--1		2	SPACER (3/8 IN.)
	23-812711		2	SPACER (1/4 IN.)
-	89491--1		1	KEY 1A
-	89491--2		1	KEY 1B
-	89491--3		1	KEY 1C
-	89491--4		1	KEY 1D
-	89491--5		1	KEY 1E
-	89491--6		1	KEY 1F
-	89491--7		1	KEY 2A
-	89491--8		1	KEY 2B
-	89491--9		1	KEY 2C
-	89491-10		1	KEY 2D
-	89491-11		1	KEY 2E
-	89491-12		1	KEY 2F

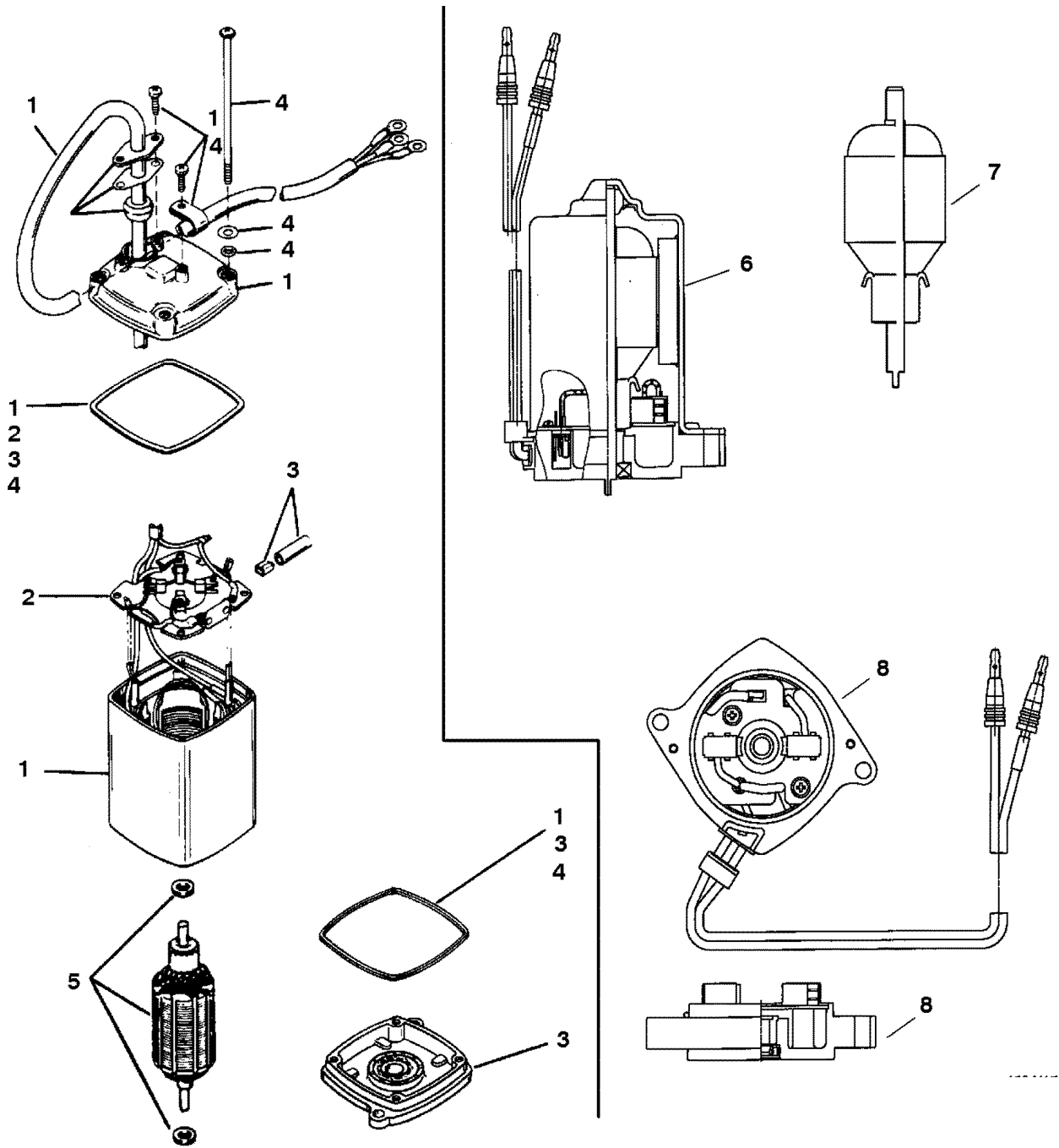
STEERING ATTACHING KIT



STEERING ATTACHING KIT

REF. NO.	PART NO.	SYM.	QTY.	DESCRIPTION
-	92876A8		1	STEERING ATTACHING KIT (SINGLE)
1	41055A1		1	MOUNT BRACKET
2	71565--1		1	STEERING CABLE TUBE
3	25-48462		1	O-RING
4	13-821203		2	LOCKWASHER
5	11-37984		2	ADJUSTING NUT
6	10-38601		4	BOLT
7	13-78968		4	STAR WASHER
8	88319		1	COUPLER
9	10-73732		2	BOLT
10	12-34931		2	WASHER
11	11-34863		3	LOCKNUT

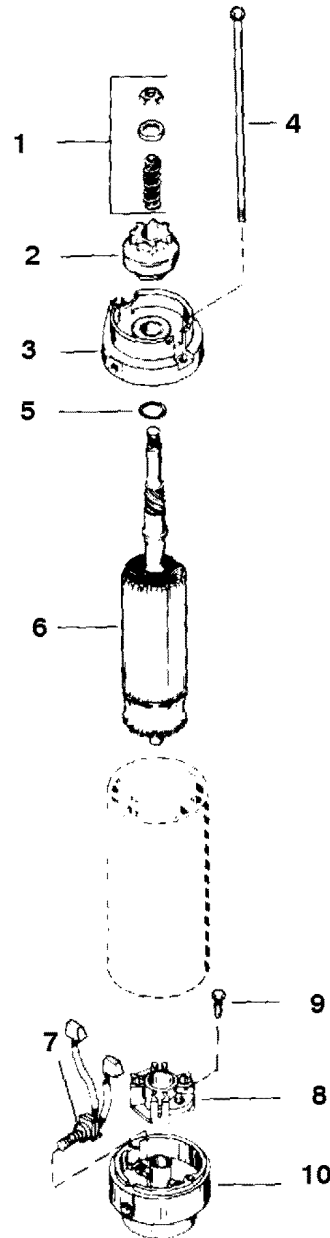
POWER TRIM MOTOR



POWER TRIM MOTOR

REF. NO.	PART NO.	SYM.	QTY.	DESCRIPTION
-	811628		1	POWER TRIM MOTOR S/N-0G205073 & BELOW
1	811624		1	FRAME AND FIELD KIT S/N-0G205073 & BELOW
2	811625		1	BRUSH CARD KIT S/N-0G205073 & BELOW
3	811623		1	END FRAME KIT S/N-0G205073 & BELOW
4	811626		1	SEAL KIT S/N-0G205073 & BELOW
5	811627		1	ARMATURE KIT S/N-0G205073 & BELOW
-	828708		1	POWER TRIM MOTOR S/N-0G205074 & UP
6	828714A1		1	BRUSH AND SEAL KIT S/N-0G205074 & UP
7	828713A1		1	ARMATURE KIT S/N-0G205074 & UP
8	828715A1		1	END FRAME(COMPLETE) S/N-0G205074 & UP

STARTER MOTOR



STARTER MOTOR

REF. NO.	PART NO.	SYM.	QTY.	DESCRIPTION
-	50-79472		1	STARTER MOTOR
1	90645		1	DRIVE KIT
2	75661		1	DRIVE
3	75660		1	DRIVE END PLATE
4	10-74968		2	THRU BOLT
5	NSS		1	WASHER (AMERICAN BOSCH #WA3122)
6	79216		1	ARMATURE
7	75384		1	BRUSH SET
8	61787		2	BRUSH HOLDER
9	NSS		2	SCREW (AMERICAN BOSCH #02441-22-SC-30SM)
10	15386		1	END CAP

PARTS INDEX

Part Number	Description	Pg.	Ref. No.	Part Number	Description	Pg.	Ref. No.
12124A3	ADAPTOR PLATE	41	21	18233A5	PLATE ASSEMBLY	49	26
12323A1	BUNGY CORD ASSEMBLY	95	4	18260A5	EXHAUST PLATE	37	30
12430A4	SENSOR ASSEMBLY	95	1	18276	EXHAUST TUBE	49	21
13170A3	FUEL FILTER BASE	29	30	18715	FUEL INJECTOR	19	6
13170A3	FUEL FILTER BASE	29	36	18715	FUEL INJECTOR	23	5
13171--1	THRUST HUB	63	79	18789F1	CYLINDER HEAD	41	1
13171--1	THRUST HUB	73	82	18896A1	FLYWHEEL COVER		
13171--1	THRUST HUB	79	78		ASSEMBLY	5	1
13171--1	THRUST HUB	87	74	19049--1	COUPLER RING	17	19
13202A2	WATER SENSOR MODULE	17	13	19385-12	LINK	95	25
13202A4	WATER SENSOR MODULE	17	14	26852	CAP	13	18
13221A1	TEMPERATURE SENSOR			26852	CAP	13	9
	ASSEMBLY	53	8	26852	CAP	33	32
13536A6	TEMPERATURE SENSOR	41	29	32435	FACE PLATE	61	38
13631	SOCKET	97	22	32435	FACE PLATE	69	38
13715--1	RETAINER-SENSOR AND			32435	FACE PLATE	75	37
	SENDER	41	17	32435	FACE PLATE	83	35
13734	RETAINER	3	14	38279	LATCH	15	43
13734--1	RETAINER	3	14	39483	LATCH	13	19
14307A1	FUEL PUMP	25	47	39519	CAP	13	33
14360A53	FUEL PUMP ASSEMBLY	29	1	41055A1	MOUNT BRACKET	101	1
14430--3	BASE-FUEL PUMP	29	14	41094A3	SPARK ADVANCE LEVER	13	6
14469	BEARING CUP	71	56	41095	THROTTLE CONTROL		
14479	DIAPHRAGM	37	21		LEVER	13	23
14480	POPPET	37	26	41470A25	OIL INJECTION WARNING		
14570	PROBE-WATER SENSING	29	29		MODULE	53	1
14634	THROTTLE CONTROL ROD	13	27	41942F3	EXHAUST EXTENSION (7-1/2		
14637	GROMMET	17	8		IN.)	49	31
14638	BARREL	13	26	42248	BRACKET	33	27
14639	BLANKET-FUEL PUMP	25	41	42249	COVER (UPPER)	33	7
14640T	COVER-FUEL PUMP	25	42	43397A6	PISTON AND ROD		
14817A19	FUEL MANAGEMENT				ASSEMBLY (PORT)	91	10
	ASSEMBLY	23	-	43398A3	PISTON AND ROD		
14817A23	FUEL MANAGEMENT				ASSEMBLY (STARBOARD)	91	10
	ASSEMBLY	19	-	43429--2	IGNITION PLATE	7	1
14817A23	FUEL MANAGEMENT			48039	CAP	13	13
	ASSEMBLY	21	-	48752	INSERT	61	40
14851	INDICATOR-THROTTLE			48752	INSERT	61	40
	POSITION	53	2	48752	INSERT	69	40
15027	REGULATOR-PRESSURE	23	16	48752	INSERT	69	40
15029	O RING AND SEAL KIT	23	25	48752	INSERT	77	39
15029	O RING/SEAL KIT	19	4	48752	INSERT	85	37
15029	O RING/SEAL KIT	21	22	52100	WEAR PLATE	15	42
15386	END CAP	105	10	54196A6	CARRIER ASSEMBLY	45	7
15444	LINK	27	7	56703	COLLAR	5	15
15445	FLOAT KIT	21	12	61787	BRUSH HOLDER	105	8
15445	FLOAT KIT	23	27	62459	BALL JOINT	13	2
15446	FLOAT VALVE KIT	21	13	65800	SEAL	45	8
15446	FLOAT VALVE KIT	23	26	65848	CARRIER	37	28
15838A2	BEARING ADAPTOR	73	69	66350	SEAL (LOWER)	49	22
15840--1	COVER	63	78	67073A1	LINK ROD ASSEMBLY	13	41
15840--1	COVER	73	81	67077F1	COVER	49	11
15840--1	COVER	79	77	67077T	COVER	49	11
15840--1	RETAINER	87	73	67748	ROLLER	19	19
15943A2	OIL TANK	95	5	67748	ROLLER-CAM	23	4
16496	WATER DEFLECTOR	37	22	67891	FILLER BLOCK	57	7
16497A1	PLATE	37	23	67891	FILLER BLOCK	67	7
17461A3	RESISTOR MODULE	15	52	67891	FILLER BLOCK	75	13
17654	BRACKET	97	23	67891	FILLER BLOCK	83	12
17726--1	SEAL (UPPER)	49	23	68042	RUBBER STOP	5	16

PARTS INDEX

Part Number	Description	Pg.	Ref. No.	Part Number	Description	Pg.	Ref. No.
68100--1	THRUST RING	63	68	809430A95	POWERHEAD	39	-
68100--1	THRUST RING	79	67	809430A95	POWERHEAD	41	-
68100--1	THRUST RING	87	64	809430A95	POWERHEAD	43	-
68729	COVER-RELIEF VALVE	37	16	809430A95	POWERHEAD	95	-
68878A6	ALARM HORN AND WIRE ASSEMBLY	97	14	809430T95	POWERHEAD	45	-
68879	COVER	97	15	811604F	MANIFOLD ASSEMBLY	91	1
69205	C-WASHER	93	39	811606	GUIDE KIT	91	6
71565--1	STEERING CABLE TUBE	101	2	811607A1	REPAIR KIT	91	7
71602	YOKE (BLACK)	3	5	811608	PISTON ROD	91	4
71602--1	YOKE (GRAY)	3	5	811610A1	CHECK VALVE KIT	91	8
74897	PIVOT	13	10	811611	COVER	91	19
75384	BRUSH SET	105	7	811612A2	O-RING KIT	91	14
75660	DRIVE END PLATE	105	3	811614	SHAFT ASSEMBLY	91	24
75661	DRIVE	105	2	811617F	PUMP	91	15
75692	THERMOSTAT	41	5	811619	DRIVE SHAFT	91	20
76035	LINK ROD	13	4	811623	END FRAME KIT	103	3
76214--1	ANODIC PLATE (X-LONG)	65	88	811624	FRAME AND FIELD KIT	103	1
76214--1	ANODIC PLATE (X-LONG)	73	91	811625	BRUSH CARD KIT	103	2
76214--3	ANODIC PLATE (SHORT)	65	88	811626	SEAL KIT	103	4
76214--3	ANODIC PLATE (SHORT)	73	91	811627	ARMATURE KIT	103	5
76214A5	ANODIC PLATE	79	84	811628	POWER TRIM MOTOR	103	-
76214A5	ANODIC PLATE	87	79	811628	TRIM MOTOR (SEE B/D ON PAGE 72)	91	21
76214A5	ANODIC PLATE (LONG)	65	88	812443--1	RETAINER	3	29
76214A5	ANODIC PLATE (LONG)	73	91	813442A2	VALVE ASSEMBLY	91	12
76424	BRACKET	99	3	813501	PLATE	53	7
76867	COVER (LOWER)	33	9	814010	COVER KIT	23	21
77698--1	MOUNT	51	10	814010--2	COVER KIT	21	15
78902--2	SHIFT SHAFT	83	19	814011	BODY KIT	23	28
78902--2	SHIFT SHAFT (LOWER)	57	20	814011--1	VAPOR SEPARATOR BODY KIT	21	1
78902--2	SHIFT SHAFT (LOWER)	67	20	814012	PLATE-PRESSURE REGULATOR	23	19
78902--2	SHIFT SHAFT (LOWER)	75	20	814012--2	PRESSURE REGULATOR KIT	21	18
78956	SHIFT CAM	79	50	814077	SHUT-OFF VALVE	23	32
78956	SHIFT CAM	87	48	814207	STOP	47	22
78956--2	SHIFT CAM	63	51	814233	ELBOW KIT	23	17
78956--2	SHIFT CAM	71	51	814233--2	FMA JOINT KIT	19	17
79022	MARKER	5	2	814233A1	SCHRADER VALVE KIT	19	16
79101T	BRACKET	97	2	814233A1	SCHRADER VALVE KIT	21	19
79146	RETAINER	97	12	814283A2	ANCHOR BRACKET	13	32
79216	ARMATURE	105	6	814284	GUIDE BLOCK	13	39
79480	BRACKET	97	8	814618--1	IDLE EXHAUST BOOT	49	3
79743	COVER	5	23	815279T	VOLTAGE REGULATOR	37	9
79911A1	ROD	63	52	815539T	THROTTLE CAM	13	31
79911A1	ROD	71	52	815552A1	EXHAUST DIVIDER PLATE	37	1
79911A1	ROD	79	51	815699	OIL PUMP	95	28
79911A1	ROD	87	49	816054	LOWER MOUNT	49	5
79932A11	SHIFT SHAFT ASSEMBLY	13	37	816190A3	ADAPTOR HOUSING	95	8
79932A16	SHIFT SHAFT ASSEMBLY	13	37	816479A3	PLATE	99	7
808504--1	FUEL STRAINER KIT	21	24	816492A1	ALARM	99	10
809057	FUEL PIPE JOINT KIT	27	4	817706A3	FRONT COVER	3	2
809057--2	JOINT KIT	19	10	817706A4	FRONT COVER	3	2
809059	SCHRADER VALVE KIT	27	6	817708	HOLD DOWN	3	8
809087	ATTACHING KIT	21	17	817712--1	SEAL	3	16
809088--1	FUEL PUMP KIT	21	23	818186A6	POWER TRIM ASSEMBLY	91	-
809089	FUEL PUMP FITTING KIT	21	21	818298A1	ANODE ASSEMBLY	91	32
809090--1	ELECTRICAL CONNECTION KIT	21	25	821180A6	TRIM SENDER ASSEMBLY	51	24
809092A1	MOUNTING SCREW KIT	21	3	822188--3	PLATE	3	19
809430A95	POWERHEAD	31	-				
809430A95	POWERHEAD	35	-				

PARTS INDEX

Part Number	Description	Pg.	Ref. No.	Part Number	Description	Pg.	Ref. No.
823552F	TILT CYLINDER ASSEMBLY	91	3	89491--1	KEY 1A	99	-
823553	PISTON ROD (NUT TYPE) ..	91	5	89491--2	KEY 1B	99	-
824003--6	E.C.U. ASSEMBLY	17	1	89491--3	KEY 1C	99	-
824003A12	E.C.U. ASSEMBLY	17	1	89491--4	KEY 1D	99	-
824519	RETAINER	59	30	89491--5	KEY 1E	99	-
824519	RETAINER	67	30	89491--6	KEY 1F	99	-
824519	RETAINER	75	29	89491--7	KEY 2A	99	-
824519	RETAINER	83	27	89491--8	KEY 2B	99	-
824954A1	REMOTE OIL TANK HOLD- DOWN KIT	95	3	89491--9	KEY 2C	99	-
825363	BRACKET	97	23	89491-10	KEY 2D	99	-
826134	ANODE	57	12	89491-11	KEY 2E	99	-
826134	ANODE	67	12	89491-12	KEY 2F	99	-
826134	ANODE	83	9	89594A1	CAM FOLLOWER	63	50
826729A2	POWER TRIM ASSEMBLY ..	91	-	89594A1	CAM FOLLOWER	71	50
827689--1	LINK	19	11	89594A1	CAM FOLLOWER	79	49
827689--1	LINK	27	8	89594A1	FOLLOWER	87	47
827692	COVER	23	2	90390A1	COVER-THERMOSTAT	41	7
827692--2	COVER	19	1	90391--1	REED CLAMP	41	22
827693	THROTTLE BODY	23	1	90435	MOUNT-COWL MOUNTING BRACKET	17	4
827693--3	THROTTLE BODY	19	9	90468A1	COVER	99	2
827696	RETAINING KIT	19	8	90645	DRIVE KIT	105	1
827696	RETAINING KIT	23	3	92876A1	STEERING LINK ASSEMBLY	51	14
827697	LINK LEVER KIT	19	12	92876A8	STEERING ATTACHING KIT	101	-
827697	LINK LEVER KIT	27	1	96455A9	TRIGGER PLATE ASSEMBLY	5	13
827699	FUEL RAIL (METAL)	27	3	97465	TEMPERATURE SENDER ..	41	28
827699--2	FUEL RAIL	19	5	98775--2	PLATE-FUEL PUMP	29	15
827699--2	FUEL RAIL (PLASTIC)	27	3	98889	LATCH	13	35
828102	BRACKET	11	8	99022A1	FLOAT ASSEMBLY	95	15
828151	RELAY	11	2	99170A2	TILT TUBE	47	5
828586	PROBE	29	35	99443--3	OIL RESERVOIR	95	13
828708	POWER TRIM MOTOR	103	-	99625--1	SHAFT	91	28
828708	TRIM MOTOR (SEE B/D ON PAGE 72)	91	22	99629A2	TILT LOCK LEVER ASSEMBLY	47	13
828710	DRIVE SHAFT	91	20	99630--1	STRIKER PLATE	91	29
828713A1	ARMATURE KIT	103	7	99633	KNOB	47	16
828714A1	BRUSH AND SEAL KIT	103	6	99638A1	GUIDE ASSEMBLY	91	9
828715A1	END FRAME(COMPLETE) ..	103	8	N.S.S.	PINION GEAR (PART OF 43- 44104A7 OR 43-44102A5 OR 43-848855A2 OR 43- 849189A2)	57	15
847610A1	BEARING CARRIER	63	70	N.S.S.	REVERSE GEAR	63	65
847610A1	BEARING CARRIER	79	69	N.S.S.	REVERSE GEAR	63	65
847610A1	BEARING CARRIER	87	67	10-13627	SCREW (1-1/4 IN.)	13	11
847616A1	BEARING CARRIER	73	73	10-13669	SCREW (2-1/2 IN.)	7	3
847895--1	REGULATOR PLATE	37	8	10-14000	SCREW	51	15
847896	PLATE	9	1	10-15150	SCREW	53	3
847896	PLATE	11	1	10-15929	SCREW (X-LONG)	65	87
847897	FUEL CONNECTOR BRACKET	3	25	10-15929	SCREW (X-LONG)	73	90
847950--1	COVER	75	2	10-16452	SCREW-FUEL PUMP TO CRANKCASE	29	20
847950--2	COVER	75	2	10-28636	SCREW (3/4 IN.)	35	36
847950--3	COVER	57	2	10-28667	SCREW	17	10
847950--3	COVER	67	2	10-28668	SCREW (1/4-20 X 7/8 IN.) ..	3	26
86580A1	BOTTOM YOKE	51	19	10-28668	SCREW (7/8 IN.)	41	19
86580A2	BOTTOM YOKE	51	19	10-28668	SCREW-ADAPTOR PLATE ..	41	26
87076A10	IDLE SPEED CONTROL	33	24	10-30206	SCREW	81	87
87692--2	REED BLOCK	41	24	10-30206	SCREW	89	82
88238A10	GROUND WIRE	49	14	10-30206	SCREW (SHORT/LONG) ...	65	87
88238A10	GROUND WIRE	49	8	10-30206	SCREW (SHORT/LONG) ...	73	90
88319	COUPLER	101	8				
88621	RETAINER	3	23				

PARTS INDEX

Part Number	Description	Pg.	Ref. No.	Part Number	Description	Pg.	Ref. No.
10-32228	SCREW	25	43	10-69028	SCREW (1/4-28 X 3/4 IN.)	11	11
10-32228	SCREW (5/8 IN.)	95	30	10-69034	SCREW (1 IN.)	33	18
10-35386	SCREW-THERMOSTAT COVER (1 IN.)	41	8	10-69035	SCREW	5	17
10-35401	SCREW	97	18	10-69067	SCREW	29	26
10-37571	SCREW-WATER SENSOR MODULE	17	16	10-69570	SCREW	3	3
10-37572	SCREW	5	3	10-69570	SCREW (3/4 IN.)	37	19
10-38055	SCREW	7	29	10-69697	SCREW	37	10
10-38601	BOLT	101	6	10-73286	SCREW (1/4-20 X 1/2 IN.)	9	16
10-38601	SCREW	3	17	10-73286	SCREW (1/4-20 X 1/2 IN.)	11	10
10-40003--4	SCREW-FILTER COVER	23	11	10-73732	BOLT	101	9
10-40003-27	SCREW	91	17	10-74824	SCREW (1-1/4 IN.)	33	13
10-40003-30	SCREW	91	33	10-74824	SCREW (1-1/4 IN.)	37	17
10-40003-32	SCREW-SEPARATOR	23	30	10-74968	THRU BOLT	105	4
10-40003-33	SCREW	57	13	10-76349--1	SCREW	45	15
10-40003-33	SCREW	67	13	10-77478	SCREW	15	50
10-40003-33	SCREW	83	10	10-78689	SCREW	51	9
10-40003-77	SCREW-MANIFOLD	91	35	10-79953A2	SCREW	75	18
10-40019-87	SCREW-COVER TO SEPARATOR	23	22	10-79953A2	SCREW PLUG	57	18
10-41350	SCREW (SHORT)	65	84	10-79953A2	SCREW PLUG	67	18
10-41350	SCREW (SHORT)	73	87	10-79953A2	SCREW-GREASE FILLER	83	17
10-41507	SCREW (1-1/8 IN.)	95	30	10-809061--1	SCREW	21	9
10-41508	SCREW	49	15	10-809091	DRAIN SCREW KIT	21	10
10-42813	SCREW (10-32 X .3/8 IN.)	9	11	10-811615	SCREW (LONG)	91	23
10-42975	SCREW	13	34	10-811616	SCREW (SHORT)	91	23
10-45561	SCREW	9	5	10-812832--1	SCREW-SENSOR ATTACHING	95	2
10-45561	SCREW	11	5	10-813073	SCREW	45	5
10-45561	SCREW (1-1/8 IN.)	7	25	10-814076	SCREW	23	20
10-45561	SCREW (1/4-20 X 1-1/8 IN.)	29	32	10-814076--2	SCREW KIT	21	14
10-45561	SCREW (1/4-20 X 1-1/8 IN.)	31	39	10-815904	SCREW	57	4
10-49668	SCREW (3/4 IN.)	33	28	10-815904	SCREW	67	4
10-53167	SCREW	13	36	10-815904	SCREW	75	4
10-56682	SCREW	51	25	10-817626	SCREW	7	8
10-57583	SCREW	53	10	10-817626	SCREW	93	38
10-60411	SCREW (1-1/4 IN.)	7	10	10-818165	SCREW (1-3/4 IN.)	13	24
10-63474	SCREW	49	4	10-821045-40	SCREW-FUEL PUMP	29	19
10-64014	SCREW	51	22	10-823588	SCREW-REEDS TO REED BLOCK	41	27
10-64022	ADJUSTING SCREW	33	30	10-827698	STOP SCREW KIT	19	13
10-64022	SCREW	13	7	10-827698	STOP SCREW KIT	27	2
10-64022	SCREW (2-1/8 IN.)	13	16	10-827698--1	SCREW KIT	19	14
10-66024	SCREW	79	83	10-827698--1	SCREW KIT-FUEL RAIL	27	5
10-66024	SCREW	87	80	10-828213	SCREW	33	8
10-66024	SCREW (LONG/X-LONG)	65	84	10-828214	SCREW (2 IN.)	33	10
10-66024	SCREW (LONG/X-LONG)	73	87	10-828709	SCREW (LONG)	91	23
10-66717	SCREW (3-1/4 IN.)	33	13	10-847538	SCREW (1-1/2 IN.)	37	5
10-66725	SCREW (3-1/2 IN.)	39	37	10-848497	SCREW (1 IN.)	37	5
10-66727	SCREW (1-1/4 IN.)	39	38	10-87926	SCREW (1/2 IN.)	7	17
10-66727	SCREW (1-1/4 IN.)	49	10	10-88417	SCREW (5/8 IN.)	49	12
10-67755--1	BOLT (4-1/2 IN.)	47	10	10-88447	SCREW (1-5/8 IN.)	5	24
10-67755--2	BOLT (6-1/2 IN.)	47	10	10-90045	SCREW	5	11
10-68513	SCREW	5	27	10-90088	SCREW	25	45
10-68783	SCREW (2-1/2 IN.)	39	39	10-90088	SCREW (1/4-20 X 4 IN.)	19	20
10-69020	SCREW	3	22	10-90192	SCREW	49	29
10-69020	SCREW	33	25	10-96411	SCREW (2-1/4 IN.)	61	49
10-69020	SCREW (7/8 IN.)	95	20	10-96411	SCREW (2-1/4 IN.)	69	49
10-69026	SCREW	13	20	10-96411	SCREW (2-1/4 IN.)	77	47
10-69028	SCREW (1/4-28 X 3/4 IN.)	3	32	10-96411	SCREW (2-1/4 IN.)	85	45
10-69028	SCREW (1/4-28 X 3/4 IN.)	9	17	10-96930A1	BOLT ASSEMBLY	47	20
				10-98257	SCREW-RETAINER	41	18

PARTS INDEX

Part Number	Description	Pg.	Ref. No.	Part Number	Description	Pg.	Ref. No.
10-98534	SCREW-CYLINDER HEAD (2 IN.)	41	3	11-64015	NUT (1/4-20)	13	17
11-13436	NUT	61	48	11-68219	NUT	13	12
11-13436	NUT	69	48	11-68219	NUT	99	6
11-13436	NUT	77	46	11-68292	NUT (5/16-18)	7	24
11-13436	NUT	85	44	11-813134	NUT	45	6
11-13438	NUT	61	46	11-814101	NUT	3	27
11-13438	NUT	69	46	11-814101	NUT	9	7
11-13438	NUT	77	44	11-814101	NUT	11	7
11-13438	NUT	85	42	11-816874	NUT	33	23
11-13439--1	NUT	49	17	11-823751--5	NUT (M4 X .7)	21	26
11-13439--1	NUT	65	86	11-826135	NUT (1 IN.-14)	47	6
11-13439--1	NUT	73	89	11-826164	NUT (7/8-14)	47	9
11-13439--1	NUT	81	86	11-826833--6	NUT	57	14
11-13439--1	NUT	87	81	11-826833--6	NUT	67	14
11-20361	NUT-MOUNT ATTACHING	17	6	11-826833--6	NUT	83	11
11-20890	NUT	5	20	11-91962	NUT	47	12
11-23161	NUT	47	21	11-93543	NUT	99	9
11-26419	NUT	9	10	11-94330	NUT (BRASS)	9	15
11-26419	NUT	97	11	11-99265	PUSHNUT	95	16
11-26419	NUT	97	5	12-17616	THRUST RING	73	67
11-28040	NUT	49	7	12-19183	SEALING WASHER	57	19
11-29488	NUT	3	24	12-19183	SEALING WASHER	63	75
11-34863	LOCKNUT	101	11	12-19183	SEALING WASHER	67	19
11-34863	NUT	51	16	12-19183	SEALING WASHER	73	78
11-34933	NUT	51	13	12-19183	SEALING WASHER	75	19
11-35045	NUT	3	20	12-19183	SEALING WASHER	79	74
11-35045	NUT	3	34	12-19183	WASHER	83	18
11-35045	NUT	9	20	12-21249	WASHER-MOUNT ATTACHING	17	5
11-35045	NUT	11	14	12-22887	WASHER	3	4
11-35045	NUT	13	22	12-24676	WASHER	99	5
11-35045	NUT	13	29	12-26427	WASHER	97	17
11-35045	NUT	15	45	12-27882	WASHER	15	51
11-35045	NUT	15	48	12-28421	WASHER	47	11
11-35045	NUT	37	11	12-29245	WASHER	3	18
11-35521	NUT	49	13	12-29245	WASHER	19	21
11-35921	NUT	57	17	12-29245	WASHER	25	46
11-35921	NUT	67	17	12-29245	WASHER	61	45
11-35921	NUT	75	16	12-29245	WASHER	69	45
11-35921	NUT	83	15	12-29245	WASHER	77	43
11-37984	ADJUSTING NUT	101	5	12-29245	WASHER	85	41
11-37984	JAM NUT	47	4	12-29245	WASHER	91	34
11-40021--1	NUT (M5 X .8)	21	27	12-30164	WASHER	5	25
11-45076	NUT	5	29	12-30164	WASHER	53	5
11-45076	NUT	7	20	12-31211A2	SPLINED WASHER	87	76
11-45076	NUT	7	31	12-31211A2	WASHER	63	81
11-45076	NUT	7	6	12-31211A2	WASHER	73	84
11-45076	NUT	13	3	12-31211A2	WASHER	79	81
11-45076	NUT (10-32)	7	22	12-34931	WASHER	51	17
11-46335	NUT	37	35	12-34931	WASHER	101	10
11-46335	NUT	49	19	12-35280	WASHER	9	19
11-46335	NUT	91	31	12-35280	WASHER	11	13
11-46438	NUT	13	5	12-35280	WASHER (LARGE)	23	36
11-52707A1	PROPELLER NUT	63	82	12-35462	WASHER	3	33
11-52707A1	PROPELLER NUT	73	85	12-35462	WASHER	9	18
11-52707A1	PROPELLER NUT	79	79	12-35462	WASHER	11	12
11-52707A1	PROPELLER NUT	87	77	12-35462	WASHER	15	47
11-52901	NUT	5	7	12-35950	WASHER	9	6
11-64015	JAM NUT	33	31	12-35950	WASHER	11	6
11-64015	NUT	13	8	12-36001	WASHER	61	47

PARTS INDEX

Part Number	Description	Pg.	Ref. No.	Part Number	Description	Pg.	Ref. No.
12-36001	WASHER	69	47	13-26995	LOCKWASHER	53	11
12-36001	WASHER	77	45	13-26995	LOCKWASHER	53	4
12-36001	WASHER	85	43	13-26995	LOCKWASHER-COVER		
12-36042	WASHER	7	12		SCREW	23	23
12-38833	WASHER	33	26	13-26996	LOCKWASHER	5	28
12-40023-19	WASHER-MANIFOLD			13-26996	LOCKWASHER	9	12
	SCREW	91	36	13-26996	LOCKWASHER	25	44
12-42118	WASHER	95	21	13-26996	LOCKWASHER	51	26
12-43450	WASHER	91	18	13-26996	WASHER	5	12
12-46765	WASHER	13	14	13-29720	WAVE WASHER	15	46
12-49221	WASHER	33	22	13-40025--5	LOCKWASHER-COVER		
12-65567	WASHER	17	12		SCREW	23	12
12-66921	WASHER	51	11	13-42351--1	LOCKWASHER	63	80
12-67264	WASHER (RUBBER)	7	13	13-42351--1	LOCKWASHER	73	83
12-68229	WASHER	5	8	13-42351--1	LOCKWASHER	79	82
12-69056	WASHER	15	44	13-42351--1	LOCKWASHER	87	75
12-69057	WASHER (SMALL)	23	37	13-53166	LOCKWASHER (5/16 IN.)	7	23
12-72761	WASHER	5	4	13-58643	LOCKWASHER	91	30
12-76451	WASHER	37	20	13-78968	STAR WASHER	101	7
12-77674	RUBBER WASHER	57	24	13-809080	LOCKWASHER	21	8
12-77674	RUBBER WASHER	67	24	13-821203	LOCKWASHER	101	4
12-77674	RUBBER WASHER	75	25	13-88750	WAVE WASHER	47	8
12-77674	WASHER	83	23	13-99611	WAVE WASHER	47	14
12-78910	WASHER	63	55	14-79447	TAB WASHER	63	77
12-78910	WASHER	71	55	14-79447	TAB WASHER	73	80
12-78910	WASHER	79	54	14-79447	TAB WASHER	79	76
12-78910	WASHER	87	52	14-79447	TAB WASHER	87	72
12-809062--1	WASHER	21	7	14-816629	TAB WASHER	63	83
12-809062--2	WASHER	21	6	14-816629	TAB WASHER	73	86
12-812876	WASHER	45	16	14-816629	TAB WASHER	79	80
12-814432	WASHER	51	12	14-816629	TAB WASHER	87	78
12-816056	WASHER	49	6	15-38657A1	SHIM SET	57	26
12-816432	THRUST WASHER	51	8	15-38657A1	SHIM SET	67	26
12-822836	WASHER	49	16	15-42637A1	SHIM ASSEMBLY	75	27
12-822836	WASHER	65	85	15-42637A1	SHIM ASSEMBLY	83	25
12-822836	WASHER	73	88	15-42637A1	SHIM SET	57	28
12-822836	WASHER	79	85	15-42637A1	SHIM SET	67	28
12-822836	WASHER	89	83	15-47397A1	SHIM	79	55
12-822838	WASHER	37	34	15-47397A1	SHIM SET	63	56
12-822838	WASHER	49	18	15-47397A1	SHIM SET	87	53
12-847526	WASHER (USE WHERE APPLICABLE)	37	6	16-15093	STUD (1 IN.)	33	29
				16-15094	STUD (1-7/8 IN.)	33	20
12-847883	WASHER	3	10	16-55422	STUD	99	4
12-847883	WASHER	3	7	16-56297	STUD (3-3/8 IN.)	75	9
12-85303	WASHER	37	25	16-56297	STUD (3-3/8 IN.)	83	6
12-89302	WASHER	7	30	16-56297	STUD (5/16 X 3-3/8 IN.)	57	9
12-89302	WASHER	51	27	16-56297	STUD (5/16 X 3-3/8 IN.)	67	9
12-89302	WASHER-WATER SENSOR			16-57920--1	STUD	49	2
	MODULE SCREW	17	17	16-57920--1	STUD (2-1/16 IN.)	75	8
12-92721	WASHER	57	16	16-57920--1	STUD (2-1/16 IN.)	83	5
12-92721	WASHER	67	16	16-57920--1	STUD (7/16 X 2-1/16 IN.)	57	11
12-92721	WASHER	75	15	16-57920--1	STUD (7/16 X 2-1/16 IN.)	67	11
12-92721	WASHER	83	14	16-59579	STUD (7/16 X 2-11/16 IN.)(
13-26992	LOCKWASHER	5	19		SHORT/LONG)	57	11
13-26992	LOCKWASHER	9	14	16-59579	STUD (7/16 X 2-11/16 IN.)(
13-26992	LOCKWASHER	11	9		SHORT/LONG)	67	11
13-26992	LOCKWASHER	17	11	16-67065	STUD (5-1/2 IN.)	33	3
13-26992	LOCKWASHER	35	37	16-69501	STUD	83	7
13-26993	LOCKWASHER	7	11	16-69501	STUD (3-1/4 IN.)	75	10
13-26995	LOCKWASHER	9	9	16-69501	STUD (5/16 X 3-1/4 IN.)	57	10

PARTS INDEX

Part Number	Description	Pg.	Ref. No.	Part Number	Description	Pg.	Ref. No.
16-69501	STUD (5/16 X 3-1/4 IN.)	67	10	21-42990A10	DIAPHRAGM KIT	29	2
16-74730	STUD (7/16 X 7.06 IN.)	57	11	21-43278	FITTING-CHECK VALVE (CRANKCASE)	95	11
16-74730	STUD (7/16 X 7.06 IN.)	67	11	22-13607	ELBOW	31	38
16-74732	STUD (7/16 X 7.69 IN.)	57	11	22-13607	FITTING	29	31
16-74732	STUD (7/16 X 7.69 IN.)	67	11	22-13607	FITTING-ELBOW - WATER HOSES	41	9
16-78438	STUD (6-3/4 IN.)	33	3	22-14867	ELBOW (45 DEGREES)	37	32
16-78638	STUD (3-1/8 IN.)	75	7	22-18205	TEE	43	11
16-78638	STUD (3-1/8 IN.)	83	4	22-29085	ELBOW (45 DEGREES)	37	33
16-78638	STUD (7/16 X 3-1/8 IN.)	57	11	22-29111	FITTING	29	17
16-78638	STUD (7/16 X 3-1/8 IN.)	67	11	22-32802--1	PIPE PLUG	37	2
16-78639	STUD (7/16 X 8-1/8 IN.)	57	11	22-36492	BUSHING	97	31
16-78639	STUD (7/16 X 8-1/8 IN.)	67	11	22-42425	FITTING	95	19
16-847530	STUD (1-3/4 IN.)	33	2	22-42425--4	FITTING	95	19
17-42671	CROSS PIN	63	62	22-43335	CONNECTOR (90 DEGREES)(1/8 IN. DIA. HOLE)	29	18
17-42671	CROSS PIN	71	62	22-56759	FITTING (PRESS-IN)	43	8
17-42671	CROSS PIN	79	61	22-56800	PIPE PLUG	91	2
17-42671	CROSS PIN	87	58	22-56800	PLUG PIPE	91	25
17-43044	DOWEL PIN	33	4	22-59169	TEE	43	5
17-43044	DOWEL PIN	49	27	22-63651	ELBOW (90 DEGREES)	97	28
17-43044	DOWEL PIN	57	5	22-63670	FITTING	97	27
17-43044	DOWEL PIN	67	5	22-64706	TEE FITTING	97	30
17-43044	DOWEL PIN	75	6	22-67892A1	DRAIN SCREW (MAGNETIC)	75	17
17-43044	DOWEL PIN	83	3	22-67892A1	DRAIN SCREW (MAGNETIC)	79	73
17-44431	GROOVE PIN	91	26	22-67892A1	MAGNETIC DRAIN SCREW	63	74
17-58712	CLEVIS PIN	3	9	22-67892A1	MAGNETIC DRAIN SCREW	73	77
17-63779	DOWEL PIN	41	16	22-67892A1	SCREW-DRAIN (MAGNETIC)	83	16
17-67296	DOWEL PIN (BEARING RACE)	33	5	22-74036	GREASE FITTING	51	6
17-67706A55	SWIVEL PIN AND STEERING ARM	51	18	22-77863	FITTING	97	29
17-67706A56	SWIVEL PIN AND STEERING ARM	51	18	22-809085--1	ELBOW KIT	19	15
17-78906	PIN	63	53	22-809085--1	ELBOW KIT	21	16
17-78906	PIN	71	53	22-814430	FITTING	37	12
17-78906	PIN	79	52	22-815914	T-FITTING	41	4
17-78906	PIN	87	50	22-816856A3	FUEL CONNECTOR	29	25
17-78909	DETENT PIN	63	61	22-847949	PIPE PLUG	57	8
17-78909	DETENT PIN	71	61	22-847949	PIPE PLUG	67	8
17-78909	DETENT PIN	79	60	22-847949	PIPE PLUG	75	12
17-78909	DETENT PIN	87	59	22-85822A10	CONNECTOR	83	2
17-816771	RIVET	3	6	22-89771	CONNECTOR (STRAIGHT)	31	37
17-821539	GROOVE PIN	91	27	22-90824	TEE FITTING	41	14
17-823106	DOWEL PIN	37	31	22-92007	FITTING (90 DEGREES)	37	13
17-848172	RIVET	3	15	22-98727	GREASE FITTING (PORT)	47	3
17-99604	GROOVE PIN	47	19	22-99664	ELBOW (1/4 IN. DIA. HOLE)	29	16
17-99615	GROOVE PIN	47	17	22-99751	ELBOW	29	22
18-21071	COTTER PIN	3	11	23-14636	BUSHING	17	9
19-45907	PLUG	5	6	23-15885	SLEEVE	53	6
19-64649	PLUG	49	20	23-17615--1	SPACER SHIM (.125 IN.)	71	65
19-811613	PLUG ASSEMBLY	91	16	23-17615--2	SPACER SHIM (.127 IN.)	71	65
19-815784	CAP PLUG	3	13	23-17615--3	SPACER SHIM (.129 IN.)	71	65
19-89219	PLUG (USE WHERE APPLICABLE)	5	5	23-17615--4	SPACER SHIM (.131 IN.)	71	65
21-18241	CHECK VALVE	23	31	23-17615--5	SPACER SHIM (.133 IN.)	71	65
21-42481	CHECK VALVE	21	11	23-17615--6	SPACER SHIM (.135 IN.)	71	65
21-42481	CHECK VALVE	23	29	23-17615--7	SPACER SHIM (.137 IN.)	71	65
21-42623	CHECK VALVE (PRESS-IN - 11/16 LONG)	43	10	23-17615--8	SPACER SHIM (.139 IN.)	71	65
21-42698--1	CHECK VALVE (PRESS-IN - 13/16 LONG)	43	9	23-17615--9	SPACER SHIM (.141 IN.)	71	65
				23-17615-10	SPACER SHIM (.143 IN.)	71	65
				23-17615-11	SPACER SHIM (.145 IN.)	71	65

PARTS INDEX

Part Number	Description	Pg.	Ref. No.	Part Number	Description	Pg.	Ref. No.
23-17615-12	SPACER SHIM (.147 IN.)	71	65	25-25439	O RING	57	22
23-17615-13	SPACER SHIM (.149 IN.)	71	65	25-25439	O RING	67	22
23-19275	GROMMET	23	34	25-25439	O-RING	75	23
23-26600	BUSHING	13	38	25-25439	O-RING	83	21
23-26856	BUSHING	13	30	25-31534	O RING	63	69
23-26856	BUSHING	13	38	25-31534	O RING	73	68
23-27132	BUSHING	37	36	25-31534	O-RING	79	68
23-29804	SLEEVE	61	42	25-31534	O-RING	87	66
23-29804	SLEEVE	69	42	25-33504	O-RING	51	5
23-29804	SLEEVE	77	48	25-34776	O RING	57	3
23-29804	SLEEVE	85	46	25-34776	O RING	67	3
23-34948	SPACER	17	2	25-34776	O-RING	75	3
23-41429A2	BEARING ASSEMBLY	95	31	25-42117	GROMMET	95	22
23-42116	BUSHING	95	23	25-45711	O-RING	47	7
23-43998	SLEEVE	75	11	25-45711	O-RING	53	9
23-55164	BUSHING	13	25	25-48462	O-RING	101	3
23-55171	BUSHING	13	1	25-54029	O-RING	33	15
23-65830	BUSHING	47	15	25-62700	O-RING (3-1/4 IN. I.D.)	33	34
23-67268	BUSHING	7	14	25-64872	GROMMET	37	27
23-67269	SPACER	33	21	25-809079	GROMMET	21	5
23-77631A2	BUSHING ASSEMBLY	57	21	25-809086	O RING	21	2
23-77631A2	BUSHING ASSEMBLY	67	21	25-817713--3	GROMMET	3	21
23-77631A2	BUSHING ASSEMBLY	75	22	25-818967	GROMMET	9	3
23-77631A2	BUSHING ASSEMBLY	83	20	25-818967	GROMMET	11	3
23-79697	SPACER	97	16	25-90011	O RING	61	33
23-809078	COLLAR	21	4	25-90011	O RING	69	33
23-812711	SPACER (1/4 IN.)	99	11	25-90011	O RING	83	30
23-812711--1	SPACER (3/8 IN.)	99	11	25-90011	O-RING	75	32
23-814913	SPACER	23	35	26-16977	OIL SEAL	61	35
23-816039	SPACER	51	4	26-16977	OIL SEAL	69	35
23-818764	BUSHING	51	3	26-16977	OIL SEAL	75	34
23-818968	BUSHING	7	26	26-16977	OIL SEAL	83	32
23-818968	BUSHING	9	4	26-18790	SEAL-VAPOR SEPARATOR	23	24
23-818968	BUSHING	11	4	26-18792	SEAL	19	3
23-821207	BUSHING	51	7	26-18792	SEAL-INJECTOR MANIFOLD	23	33
23-822823	THRUST RING	63	66	26-38970	RUBBER SEAL	85	38
23-822823	THRUST RING	79	65	26-38970	SEAL	49	28
23-824108	THRUST SPACER	87	63	26-38970	SEAL	61	41
23-847685	SLEEVE	61	42	26-38970	SEAL	69	41
23-847685	SLEEVE	69	42	26-38970	SEAL	77	40
23-93248--1	SWIVEL BUSHING	13	28	26-41953	OIL SEAL	33	17
23-94453	BUSHING	7	4	26-41953	OIL SEAL	35	35
23-99448	BUSHING	33	11	26-814754	SEAL	37	4
24-20099	SPRING	13	21	26-815565	OIL SEAL	63	73
24-20099	SPRING	13	40	26-815565	OIL SEAL	73	75
24-64878	SPRING	37	24	26-815565	OIL SEAL	79	71
24-78962	SPRING	63	63	26-815565	OIL SEAL	87	70
24-78962	SPRING	71	63	26-816464--1	OIL SEAL	57	23
24-78962	SPRING	79	62	26-816464--1	OIL SEAL	67	23
24-78962	SPRING	87	60	26-816464--1	OIL SEAL	75	24
24-79910	SPRING	63	54	26-816464--1	OIL SEAL	83	22
24-79910	SPRING	71	54	26-87735	OIL SEAL (LOWER)	51	2
24-79910	SPRING	79	53	26-88397	SEAL	61	41
24-79910	SPRING	87	51	26-88397	SEAL	69	41
24-823235	SPRING	13	15	26-89238	OIL SEAL	61	34
24-99622	SPRING	47	18	26-89238	OIL SEAL	69	34
25-11332	O-RING	95	7	26-89238	OIL SEAL	75	33
25-11332	O-RING	95	9	26-89238	OIL SEAL	83	31
25-11379	O-RING	95	29	26-89238A3	SEAL KIT	59	-
25-12602--1	GROMMET	3	30	26-89238A3	SEAL KIT	61	-

PARTS INDEX

Part Number	Description	Pg.	Ref. No.	Part Number	Description	Pg.	Ref. No.
26-89238A3	SEAL KIT	65	-	30-88957	BALL BEARING	71	57
26-89238A3	SEAL KIT	67	-	30-88957	BALL BEARING	79	66
26-89238A3	SEAL KIT	69	-	30-88957	BALL BEARING	87	65
26-89238A3	SEAL KIT	73	-	31-15834	THRUST BEARING	73	71
26-89238A3	SEAL KIT	77	-	31-15841	ROLLER BEARING	73	66
26-89238A3	SEAL KIT	81	-	31-15843	ROLLER BEARING	73	70
26-89238A3	SEAL KIT	85	-	31-15844	ROLLER BEARING	71	59
26-89238A3	SEAL KIT	89	-	31-16756A4	ROLLER BEARING	33	16
27-11338	GASKET	33	6	31-16756A6	ROLLER BEARING	45	10
27-16737--1	GASKET-ADAPTOR PLATE	41	20	31-17514A2	ROLLER BEARING ASSEMBLY	45	17
27-18051	GASKET (LOWER)	61	36	31-36387A1	ROLLER BEARING	57	29
27-18051	GASKET (LOWER)	69	36	31-36387A1	ROLLER BEARING	67	29
27-18051	GASKET (LOWER)	75	35	31-36387A1	ROLLER BEARING	75	28
27-18051	GASKET-LOWER	83	33	31-36387A1	ROLLER BEARING	83	26
27-18307--3	GASKET	49	30	31-36387A1	ROLLER BEARING	83	26
27-18791	GASKET-PRESSURE REGULATOR	23	18	31-42647A1	ROLLER BEARING	57	6
27-42631--1	GASKET	61	32	31-42647A1	ROLLER BEARING	67	6
27-42631--1	GASKET	69	32	31-42647A1	ROLLER BEARING	75	5
27-42631--1	GASKET	75	31	31-42647A1	ROLLER BEARING	83	8
27-42631--1	GASKET	83	29	31-48939A2	ROLLER BEARING	57	27
27-43307	GASKET	95	17	31-48939A2	ROLLER BEARING	67	27
27-62386	GASKET-THERMOSTAT	41	6	31-54928--1	ROLLER BEARING	63	59
27-78246	GASKET	49	32	31-54928--1	ROLLER BEARING	79	58
27-78690	GASKET	37	18	31-54928--1	ROLLER BEARING	87	56
27-813859	GASKET	41	23	31-78172A1	TAPERED ROLLER BEARING	63	57
27-813859A95	GASKET SET	31	-	31-78172A1	TAPERED ROLLER BEARING	79	56
27-813859A95	GASKET SET	35	-	31-78172A1	TAPERED ROLLER BEARING	87	54
27-813859A95	GASKET SET	39	-	31-817072	ROLLER BEARING	63	71
27-813859A95	GASKET SET	41	-	31-817072	ROLLER BEARING	73	74
27-813859A95	GASKET SET	45	-	31-817072	ROLLER BEARING	79	70
27-813859A95	GASKET SET	49	-	31-817072	ROLLER BEARING	87	68
27-813859A95	GASKET SET	53	-	32-13503-82	HOSE (1/2 IN. O.D.)	23	13
27-813859A95	GASKET SET	59	-	32-13503-82	TUBING (1-3/4 IN.)	25	39
27-813859A95	GASKET SET	61	-	32-13503-82	TUBING (15-1/2 IN.)(19 IN.)	29	27
27-813859A95	GASKET SET	61	-	32-13503-82	TUBING (15-1/2 IN.)(19 IN.)	29	33
27-813859A95	GASKET SET	77	-	32-14633--2	HOSE	25	48
27-813859A95	GASKET SET	81	-	32-64088--6	TUBING	97	25
27-813859A95	GASKET SET	85	-	32-67295	WATER TUBE (LONG)	49	24
27-813859A95	GASKET SET	89	-	32-74729	WATER TUBE (X-LONG)	49	24
27-814658--1	GASKET	41	2	32-77653-77	HOSE (10-1/2 IN.)	41	11
27-823142--2	GASKET	37	29	32-77653-77	HOSE (14-1/2 IN.)	41	12
27-847525--1	GASKET	37	3	32-823813-25	TUBING (7 IN.)	95	26
27-85609--1	GASKET (UPPER)	61	37	32-823814-36	TUBING-OIL RESERVOIR TO OIL PUMP (4-3/4 IN.)	95	33
27-85609--1	GASKET (UPPER)	69	37	32-827694--2	HOSE KIT	19	18
27-85609--1	GASKET (UPPER)	75	36	32-827694--3	TUBING KIT	21	20
27-85609--1	GASKET-UPPER	83	34	32-830756109	HOSE (23-1/2 IN.)	37	14
27-98769--1	GASKET-BASE	29	13	32-830756109	TUBING-OIL (5-1/4 IN.)	95	18
27-99173--2	GASKET	49	25	32-830756109	TUBING-OIL (6 IN.)	95	18
28-30281	KEY	63	76	32-830757-80	HOSE (2-1/2 IN.)	41	10
28-30281	KEY	73	79	32-830757-80	HOSE (7-1/2 IN.)	41	13
28-30281	KEY	79	75	32-830757-80	TUBING	29	21
28-30281	KEY	87	71	32-830757-80	TUBING	29	21
28-56654	KEY	61	43	32-830757-80	TUBING	29	23
28-56654	KEY	69	43	32-99126-88	HOSE (1/8 IN. I.D.)	23	14
28-56654	KEY	77	42	32-99126-88	TUBING (3-1/4 IN.)	43	1
28-56654	KEY	85	40	32-99126-88	TUBING (3-1/4 IN.)	43	3
29-822553	NEEDLE BEARING-PISTON END	45	18	32-99128-78	TUBING (8 IN.)	29	21
30-67923T	BALL BEARING (LOWER)	45	2	32-99130122	HOSE (3/32 IN. I.D.)	23	15
30-88957	BALL BEARING	63	67	32-99130122	TUBING (1 IN.)	43	15
				32-99130122	TUBING (1-1/4 IN.)	43	12

PARTS INDEX

Part Number	Description	Pg.	Ref. No.	Part Number	Description	Pg.	Ref. No.
32-99130122	TUBING (19 IN.)	43	14	46-44292A3	WATER PUMP BASE		
32-99130122	TUBING (3-1/2 IN.)	43	4		ASSEMBLY	61	31
32-99130122	TUBING (4-1/2 IN.)	43	16	46-44292A3	WATER PUMP BASE		
32-99130122	TUBING (5-1/2 IN.)	43	6		ASSEMBLY	69	31
32-99130122	TUBING (9 IN.)	43	13	46-44292A3	WATER PUMP BASE		
32-99130122	TUBING (9 IN.)	43	7		ASSEMBLY	75	30
32-99439	HOSE	95	12	46-847710A1	WATER PUMP BODY		
32-99802	TUBE-OIL PICK-UP	95	10		ASSEMBLY	61	39
33-14103550	SPARK PLUG	5	30	46-847710A1	WATER PUMP BODY		
34-815242A3	REED ASSEMBLY	41	25		ASSEMBLY	69	39
35-12184A1	TRIM FILTER ASSEMBLY	91	11	46-96148A1	WATER PUMP BODY	83	36
35-15028--2	FUEL FILTER	23	10	46-96148A1	WATER PUMP BODY		
35-15442	FUEL FILTER KIT (DESIGN I)	23	8		ASSEMBLY	61	39
35-15442--2	FUEL FILTER KIT (DESIGN II)	23	9	46-96148A1	WATER PUMP BODY		
					ASSEMBLY	69	39
35-17422	FILTER	19	7	46-96148A1	WATER PUMP BODY		
35-17422	FILTER-INJECTOR	23	6		ASSEMBLY	75	38
35-18206	FUEL FILTER	43	2	46-96148A5	WATER PUMP REBUILD KIT	85	-
35-18458A3	FUEL FILTER ASSEMBLY	29	28	47-89984--2	IMPELLER	61	44
35-18458A4	FUEL FILTER ASSEMBLY	29	34	47-89984--2	IMPELLER	69	44
35-823501	FUEL FILTER	25	49	47-89984--2	IMPELLER	77	41
36-43298A2	CAP ASSEMBLY	95	6	47-89984--2	IMPELLER	85	39
36-43300A9	CAP ASSEMBLY-OIL RESERVOIR	95	14	50-79472	STARTER MOTOR	5	14
				50-79472	STARTER MOTOR	105	-
37-818266A95	DECAL SET	1	0	52-42672	CLUTCH	87	57
37-847983A95	DECAL SET	1	0	52-42672	RATCHET	63	60
39-67377	RING-SEALING	45	9	52-42672	RATCHET	71	60
39-840684A12	PISTON RING	45	12	52-42672	RATCHET	79	59
43-14513A2	DRIVE GEAR	45	4	53-29641	E-RING (USE WHERE APPLICABLE)	75	21
43-14563	DRIVEN GEAR	95	32				
43-15845A2	FORWARD GEAR SET	71	64	53-67446	RETAINING RING	45	3
43-44102A5	FORWARD GEAR SET (INCLUDES PINION)	63	58	53-67684	RETAINING RING	51	20
				53-812844	E-RING	91	13
43-44104A7	FORWARD GEAR	87	55	53-817071	RETAINING RING	87	69
43-44104A7	FORWARD GEAR SET (INCL. REVERSE GEAR)	79	57	53-817071	SNAP RING	63	72
				53-817071	SNAP RING	73	76
43-44104A7	FORWARD GEAR SET (INCLUDES PINION)	63	58	53-817071	SNAP RING	79	72
				53-857196	LOCK RING	45	13
43-817515A2	FORWARD GEAR SET	71	64	54-13791	CLAMP-HOSE	23	38
43-817516A1	REVERSE GEAR	71	58	54-14695--1	CLIP	17	3
43-822824A1	REVERSE GEAR	79	64	54-22875	CLIP-PUMP WIRE	93	37
43-822824A1	REVERSE GEAR	87	62	54-26550	CLIP-PUMP WIRE	93	37
43-822824A1	REVERSE GEAR (1.87:1 GEAR RATIO)	63	65	54-54457	J CLAMP	51	23
				54-55098	J-CLAMP	41	30
43-847632A1	REVERSE GEAR	63	65	54-64235--2	J-CLAMP (SMALL)	37	7
43-848855A2	GEAR SET	63	58	54-67076	CLAMP	49	9
43-849189A2	GEAR SET	63	58	54-814634	J-CLAMP (LARGE)	37	7
44-815495T	PROPELLER SHAFT	73	72	54-814634	J-CLIP	33	19
44-822820F1	PROPELLER SHAFT	63	64	54-816311	STA-STRAP	7	32
44-822820F1	PROPELLER SHAFT	79	63	54-816311	STA-STRAP	37	15
44-822820F1	PROPELLER SHAFT	87	61	54-816311	STA-STRAP	95	24
45-848449A4	DRIVE SHAFT (SHORT)	57	25	54-816311	STA-STRAP	95	27
45-848449A4	DRIVE SHAFT (SHORT)	67	25	54-816311	STA-STRAP	95	34
45-848449A5	DRIVE SHAFT	75	26	54-816311	STA-STRAP	97	13
45-848449A5	DRIVE SHAFT	83	24	54-816311	STA-STRAP	97	26
45-848449A5	DRIVE SHAFT (LONG)	57	25	54-816311	STA-STRAP-FUEL TUBING	29	24
45-848449A5	DRIVE SHAFT (LONG)	67	25	54-816311	STA-STRAP-WATER HOSES	41	15
45-848449A6	DRIVE SHAFT (X-LONG)	57	25	54-F698772	STA-STRAP	25	40
45-848449A6	DRIVE SHAFT (X-LONG)	67	25	56-90415A24	STUD KIT (LONG)	59	-
46-44292A3	WATER PUMP BASE	83	28	56-90415A24	STUD KIT (LONG)	61	-

PARTS INDEX

Part Number	Description	Pg.	Ref. No.	Part Number	Description	Pg.	Ref. No.
56-90415A24	STUD KIT (LONG)	65	-	88-72729	LIGHT BULB	97	3
56-90415A24	STUD KIT (LONG)	67	-	88-72729	LIGHT BULB	97	9
56-90415A24	STUD KIT (LONG)	69	-	88-79091	FUSE	7	34
56-90415A24	STUD KIT (LONG)	71	-	88-79888	SOCKET	97	10
56-90415A24	STUD KIT (LONG)	73	-	88-79888	SOCKET	97	4
56-90415A25	STUD KIT (X-LONG)	59	-	88-825362	SOCKET	97	22
56-90415A25	STUD KIT (X-LONG)	61	-	88-95691	BULB	97	21
56-90415A25	STUD KIT (X-LONG)	65	-	89-817109A2	STARTER SOLENOID	7	21
56-90415A25	STUD KIT (X-LONG)	67	-	89-818997A1	TRIM SOLENOID	9	2
56-90415A25	STUD KIT (X-LONG)	69	-	90-809184-95	PARTS MANUAL	1	0
56-90415A25	STUD KIT (X-LONG)	71	-	90-848714	OWNERS MANUAL	1	0
56-90415A25	STUD KIT (X-LONG)	73	-	90-848716	OWNERS MANUAL	1	0
79-825331A1	30 PSI GAUGE KIT	97	20	271-817632A12	FLYWHEEL	5	9
79-825338A3	TRIM GAUGE	97	7	332-7778A12	SWITCH BOX	7	2
79-93953A1	TACHOMETER	97	1	339-7370A19	IGNITION COIL	5	22
84-15443	HARNESS KIT	19	2	398-9610A27	STATOR	5	10
84-15443	HARNESS KIT	23	7	455-850690T1	CRANKSHAFT ASSEMBLY	45	1
84-60871A10	WIRE	7	7	455-9536T4	CRANKSHAFT ASSEMBLY	45	1
84-62310A2	CABLE ASSEMBLY	7	5	644-818141A2	CONNECTING ROD ASSEMBLY	45	14
84-65999A2	CABLE ASSEMBLY (BLACK)	7	27	785-841088T1	PISTON	45	11
84-65999A3	CABLE ASSEMBLY (BLACK)	7	9	785-841089T1	PISTON	45	11
84-69739A7	HARNESS ASSEMBLY	5	21	884-9763A62	CYLINDER BLOCK	33	1
84-815358A1	HIGH TENSION CABLE	5	31	1156-7809A1	LOWER END CAP ASSEMBLY	33	33
84-816626A15	KEY SWITCH ASSEMBLY (15 FT.)	99	1	1159-9642A1	UPPER END CAP ASSEMBLY	33	14
84-826802A4	HARNESS-TRIM	11	15	1499-8710A20	SWIVEL BRACKET ASSEMBLY	51	1
84-848464A2	ENGINE WIRING HARNESS	7	33	1499-8710A21	SWIVEL BRACKET ASSEMBLY	51	1
84-86322A16	CABLE ASSEMBLY	97	24	1590-8343A15	DRIVE SHAFT HOUSING	49	1
84-86322A7	WIRE (BLACK - 1-1/2 IN.)	97	6	1590-8343A16	DRIVE SHAFT HOUSING	49	1
84-86323A5	WIRE (PURPLE - 1-1/2 IN.)	97	6	1685-847902A15	GEAR HOUSING	75	1
84-86396A8	HARNESS	97	19	1685-847902A15	GEAR HOUSING	79	1
84-87379A14	CABLE (RED)	9	13	1685-847902A16	GEAR HOUSING	75	1
84-87895A4	CABLE	17	21	1685-847902A16	GEAR HOUSING	79	1
84-88439A3	BATTERY CABLE (POSITIVE)	7	16	1685-847902A82	GEAR HOUSING	75	-
84-88439A4	BATTERY CABLE (NEGATIVE)	7	16	1685-847902A82	GEAR HOUSING	79	-
84-88528A2	CABLE ASSEMBLY (6 IN. - RED/WHITE)	7	15	1685-847902A83	GEAR HOUSING	75	-
84-88532A1	CABLE ASSEMBLY	97	24	1685-847902A83	GEAR HOUSING	79	-
84-88807A18	WIRE ASSEMBLY (BLACK)	17	15	1685-847902A83	GEAR HOUSING	79	-
84-88807A19	CABLE ASSEMBLY	17	7	1686-827214A10	GEAR HOUSING	83	-
84-88807A20	CABLE ASSEMBLY	33	12	1686-827214A10	GEAR HOUSING	87	-
84-88807A6	CABLE	9	8	1686-827214A10	GEAR HOUSING	83	1
84-88807A6	GROUND STRAP (BLACK)	5	26	1686-827214A12	GEAR HOUSING	87	1
84-91865A1	CABLE ASSEMBLY (3 IN. - WHITE/BLACK)	7	15	1686-827214A12	GEAR HOUSING	83	-
84-93388A1	WIRE ASSEMBLY (BLACK)	5	18	1686-827214A3	GEAR HOUSING	87	-
84-93388A7	CABLE	7	18	1686-827214A3	GEAR HOUSING	87	-
84-96220A16	ENGINE WIRING HARNESS	7	33	1686-827214A4	GEAR HOUSING	83	-
84-98866A14	WIRING HARNESS-E.C.U. AND INJECTORS	17	18	1686-827214A4	GEAR HOUSING	87	-
84-98866A25	WIRING HARNESS-E.C.U. AND INJECTORS	17	20	1686-827214A7	GEAR HOUSING	83	1
85-97861	INSULATOR	7	19	1686-827214A7	GEAR HOUSING	87	1
86-19437--2	TERMINAL BLOCK	7	28	1686-827214A8	GEAR HOUSING	87	1
87-18286A40	SWITCH ASSEMBLY	3	28	1687-848450A15	GEAR HOUSING (SHORT)	54	-
87-814281A1	IDLE STABILIZING SHIFT KIT	15	49	1687-848450A16	GEAR HOUSING (LONG)	54	-
87-88107	IGNITION SWITCH (SEE CHART BELOW FOR KEY)	99	8	1687-848450A17	GEAR HOUSING (X-LONG)	54	-
88-72729	BULB	97	21	1687-848450A18	GEAR HOUSING (SHORT)	54	-
				1687-848450A19	GEAR HOUSING (LONG)	54	-
				1687-848450A25	GEAR HOUSING	57	1

PARTS INDEX

Part Number	Description	Pg.	Ref. No.	Part Number	Description	Pg.	Ref. No.
1687-848450A25	GEAR HOUSING (WITH TORQUE TAB)	63	1				
1687-848450A29	GEAR HOUSING	54	-				
1687-848450A30	GEAR HOUSING	54	-				
1687-848450A31	GEAR HOUSING	54	-				
1687-848450A32	GEAR HOUSING	54	-				
1687-848474A21	GEAR HOUSING (SHORT) . .	54	-				
1687-848474A22	GEAR HOUSING (LONG) . . .	54	-				
1687-848474A23	GEAR HOUSING (X-LONG) .	54	-				
1687-848474A24	GEAR HOUSING (SHORT) . .	54	-				
1687-848474A25	GEAR HOUSING (LONG) . . .	54	-				
1687-848474A26	GEAR HOUSING (X-LONG) .	54	-				
1687-848474A27	GEAR HOUSING (SHORT) . .	54	-				
1687-848474A28	GEAR HOUSING (LONG) . . .	54	-				
1687-848474A29	GEAR HOUSING (X-LONG) .	54	-				
1687-848474A30	GEAR HOUSING (SHORT) . .	54	-				
1687-848474A31	GEAR HOUSING (LONG) . . .	54	-				
1687-848474A32	GEAR HOUSING (X-LONG) .	54	-				
1687-848474A39	GEAR HOUSING	57	1				
1687-848474A39	GEAR HOUSING (BASIC) . .	67	1				
1687-848474A39	GEAR HOUSING (BASIC) . .	69	1				
1687-848474A39	GEAR HOUSING (BASIC) . .	71	1				
1687-848474A39	GEAR HOUSING (BASIC) . .	73	1				
1687-848474A39	GEAR HOUSING (WITHOUT TORQUE TAB)	61	1				
1687-848474A39	GEAR HOUSING (WITHOUT TORQUE TAB)	63	1				
3400-8716A8	TRANSOM BRACKET (PORT)	47	2				
3400-8716A9	TRANSOM BRACKET (PORT)	47	2				
3401-8718F7	TRANSOM BRACKET (STARBOARD)	47	1				
3401-8718F8	TRANSOM BRACKET (STARBOARD)	47	1				
4006-817704A22	TOP COWL	3	1				
4006-817704A23	TOP COWL	3	1				
4007-848164A11	BOTTOM PAN	3	12				
4007-848164A12	BOTTOM PAN	3	12				
4016-847894A1	SKIRT	3	31				
4016-847894A2	SKIRT	3	31				