



# PARTS CATALOG

## 40/50 H.P.

### SERIAL NUMBER

40 H.P. (1996)	.....	E138600 THRU E202999
40 H.P. (1997)	.....	E203000 THRU E287999
50 H.P. (1996)	.....	E138600 THRU E202999
50 H.P. (1997)	.....	E203000 THRU E287999

# TABLE OF CONTENTS:

ADAPTOR PLATE - UPPER	28
CARBURETOR - 40 H.P.	16
CARBURETOR - 50 H.P.	18
CLAMP BRACKET	38
COWL ASSEMBLY-BOTTOM	4
COWL ASSEMBLY-TOP	2
CRANKSHAFT AND PISTON	26
CYLINDER BLOCK ASSEMBLY	24
DRIVESHAFT HOUSING	40
FUEL LINE ASSEMBLY	54
FUEL PUMP ASSEMBLY AND COMPONENTS	20
GEAR HOUSING ASSEMBLY (DRIVESHAFT)	44
GEAR HOUSING ASSEMBLY (PROPELLER SHAFT)	48
IGNITION AND ELECTRICAL COMPONENTS	8
LITERATURE & PAINT	60
PARTS INDEX	61
POWER TRIM ASSEMBLY	52
POWER TRIM MOUNTING	50
RECIRCULATION AND PRIME SYSTEM	14
REED PLATE AND ADAPTER FLANGE	30
SHIFT AND THROTTLE LINKAGE	22
STARTER ASSEMBLY	12
SWIVEL BRACKET	34
SWIVEL TUBE	32
TOOLS - SPECIAL	58
TOOLS - SPECIAL	59

**NOTE:** Indented description indicate that these parts are included in preceding assembly.

**AR** = As Required

**NSS** = Not Sold Separate

**OPT** = Optional

**NS** = Not Shown

**NOTE:** Following symbols are located in **SYM** column.

● = SUPERSEDES TO ANOTHER PART NUMBER

■ = COMPONENT OF POWERHEAD ASSEMBLY [800-818152A26]

▣ = COMPONENT OF POWER TRIM ASSEMBLY [822344A7]

▲ = COMPONENT OF CARBURETOR REPAIR KIT [827688A1].

⊕ = COMPONENT OF POWERHEAD GASKET SET [27-820751A2]

♣ = COMPONENT OF CARBURETOR GASKET SET [FK10023].

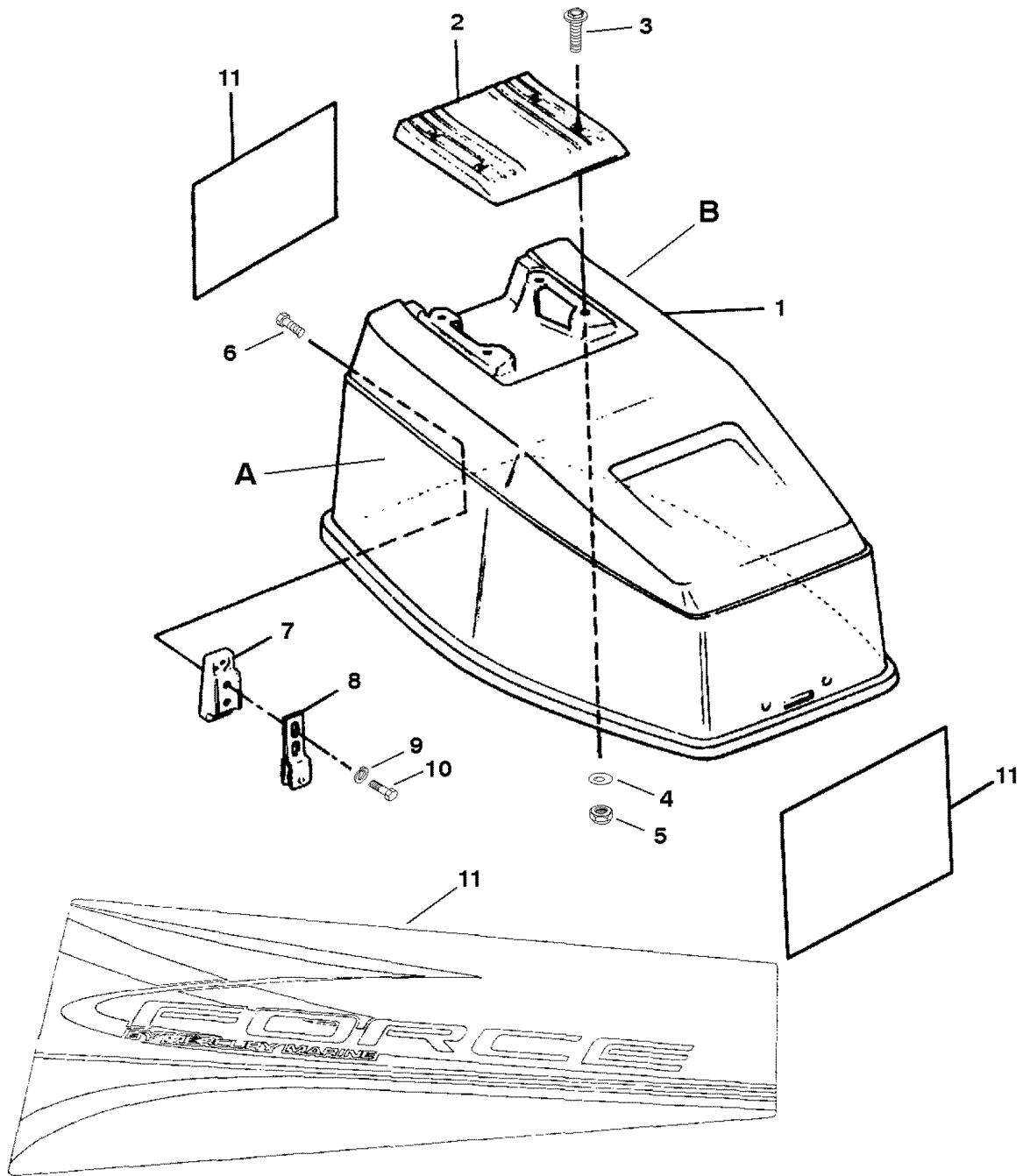
❖ = COMPONENT OF GEAR HOUSING SEAL KIT [823547A1]

♥ = COMPONENT OF WATER PUMP REPAIR KIT [821354A1]

**THESE PARTS BOOKS/FICHE CARD ARE COPYRIGHTED AND MAY NOT BE DISTRIBUTED OR REPRODUCED IN ANY OTHER FORMAT BY ANYONE OTHER THAN MERCURY MARINE WITHOUT THE PRIOR WRITTEN CONSENT OF MERCURY MARINE.**

THIS PAGE INTENTIONALLY LEFT BLANK

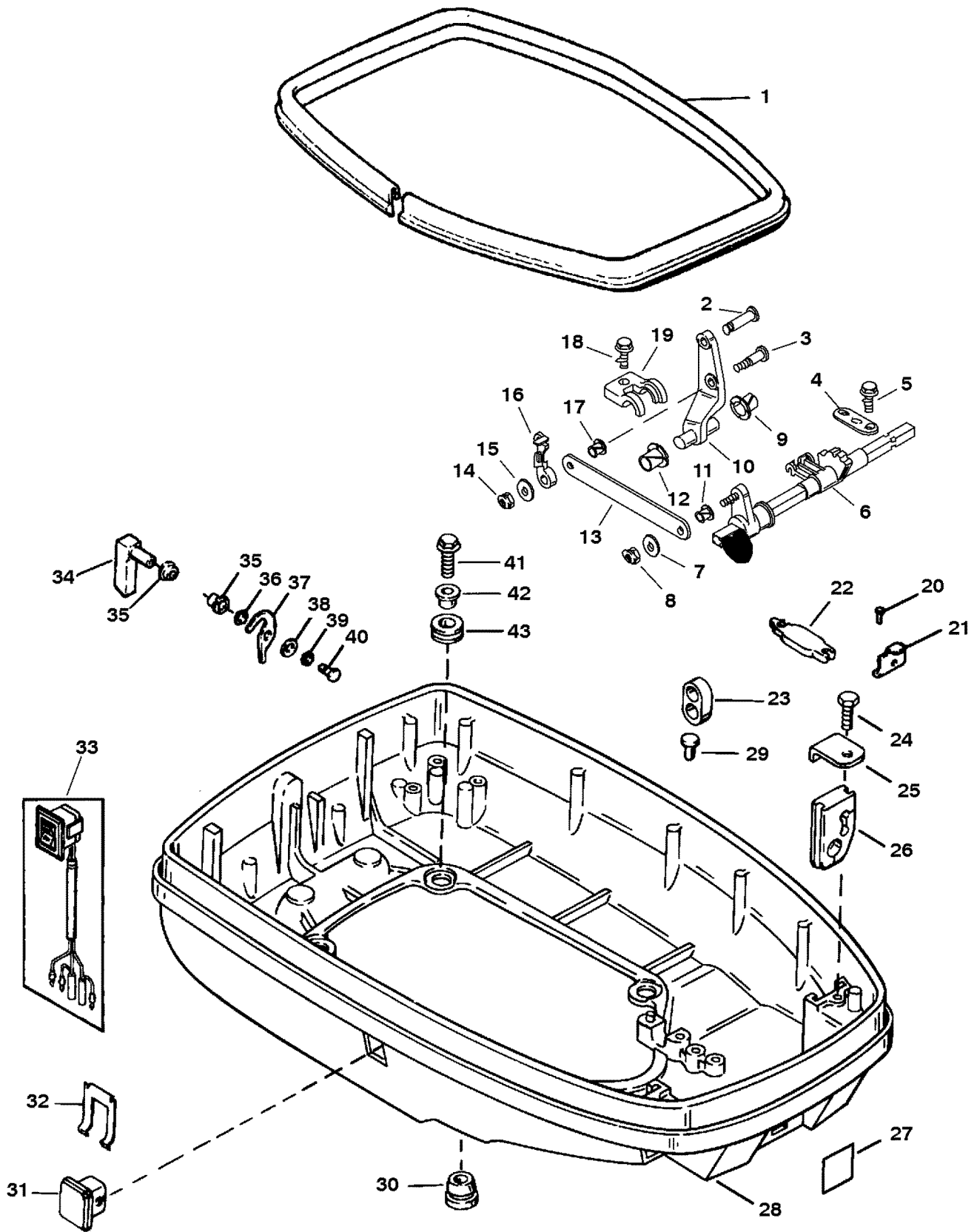
# COWL ASSEMBLY-TOP



## COWL ASSEMBLY-TOP

REF. NO.	PART NO.	SYM.	QTY.	DESCRIPTION
1	100-819748A4		1	COWL ASSEMBLY-TOP (PAINTED) (WITHOUT DECALS)
NS	F684984		1	BLANKET-SOUND (TOP)
	F684985-1		2	BLANKET-SOUND (SIDE)
2	828477		1	HANDLE-TILT
3	10-828478		4	SCREW (.250-20 X 1.00)
4	12-29245		4	WASHER
5	11-56374		4	NUT (.250-20)
6	10-28639		2	SCREW (.250-20 X .625)
7	F684774		1	BRACKET-COWL-LATCH REAR
8	18173		1	BRACKET ASSEMBLY-ROLLER LATCH
9	13-53166		2	LOCKWASHER (.312)
10	10-90285		2	SCREW (.312-18 X .625)
11	37-820734A95		1	DECAL SET (FORCE-40 HP) (INCLUDES FRONT-REAR-PORT-STARBOARD)
	37-820735A95		1	DECAL SET (FORCE-50 HP) (INCLUDES FRONT-REAR-PORT-STARBOARD)
NS	37-835012A96		1	DECAL SET (NORTHWOOD-40 HP) (INCLUDES FRONT-REAR-PORT-STARBOARD)
	37-809858A96		1	DECAL SET (TRACKER-40 HP) (SER. # 0E138600 THRU 0E252999) (INCLUDES FRONT-PORT & STARBOARD WRAPAROUND STYLE)
	37-852950A97		1	DECAL SET (TRACKER-40 HP) (SER. # 0E253000 THRU 0E287999) (INCLUDES FRONT-PORT & STARBOARD WRAPAROUND STYLE)
	37-809859A96		1	DECAL SET (TRACKER-50 HP) (SER. # 0E138600 THRU 0E252999) (INCLUDES FRONT-PORT & STARBOARD WRAPAROUND STYLE)
	37-852951A97		1	DECAL SET (TRACKER-50 HP) (SER. # 0E253000 THRU 0E287999) (INCLUDES FRONT-PORT & STARBOARD WRAPAROUND STYLE)

# COWL ASSEMBLY-BOTTOM



# COWL ASSEMBLY-BOTTOM

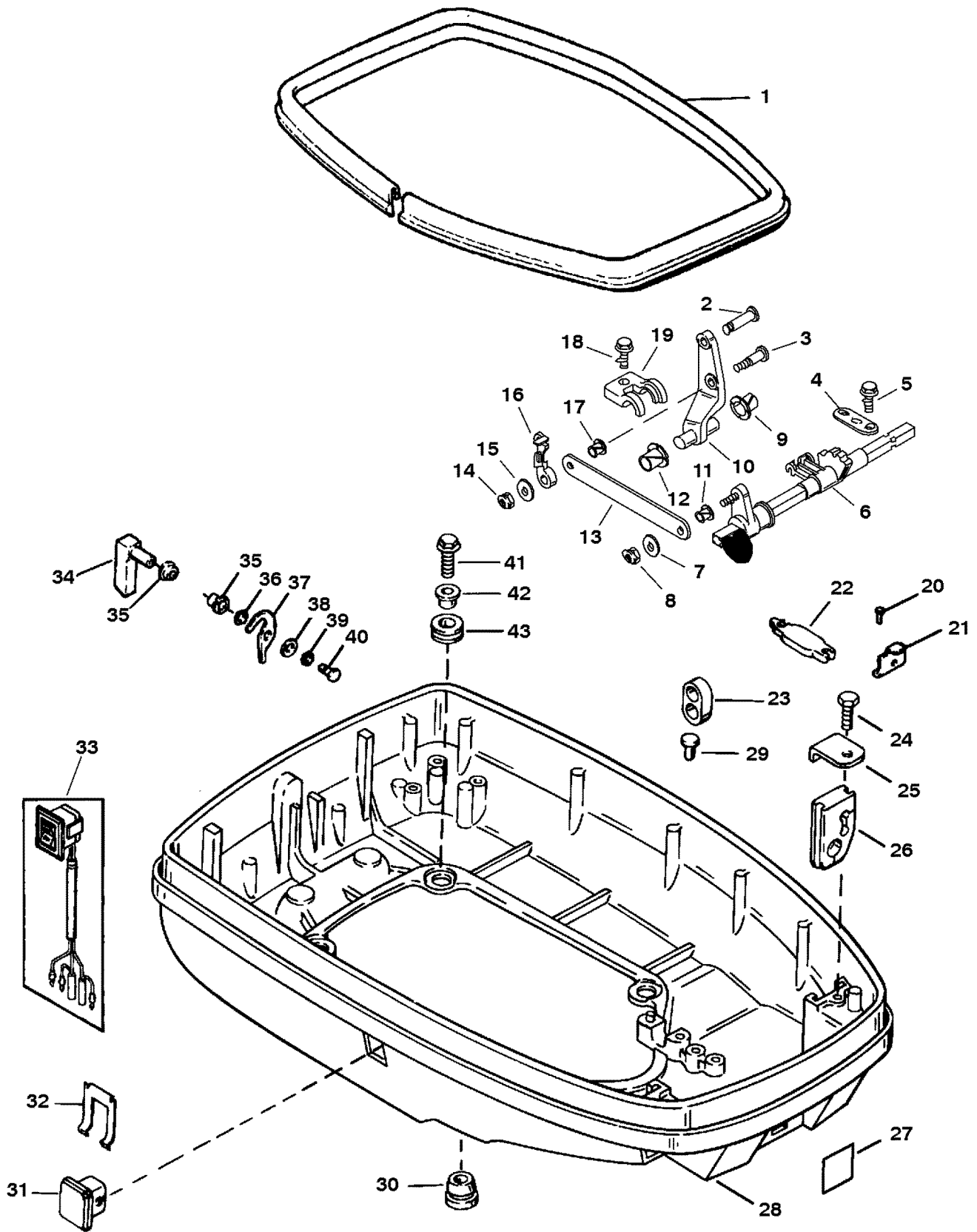
REF. NO.	PART NO.	SYM.	QTY.	DESCRIPTION
1	F663756-1		1	PACKING (81.00 IN. BULK) (CUT 70.00 IN.)
2	42927		1	INSERT
3	17-822456	●	1	PIN-CABLE RETAINER
4	822541--1	●	2	STRAP-HORIZONTAL SHIFT SHAFT
5	10-40011127		2	SCREW (M6 X 16)
6	821483A5		1	SHIFT SHAFT ASSEMBLY-HORIZONTAL
7	12-69056		1	WASHER
8	11-826833--6		1	NUT (M6)
9	23-26954		1	BUSHING
10	822467--1		1	LEVER-INTERMEDIATE
11	23-48475		1	BUSHING
12	23-26954		1	BUSHING
13	822470		1	LINK-SHIFT
14	11-826833--6		1	NUT (M6)
15	12-69056		1	WASHER
16	822459		1	RETAINER-REMOTE CABLE
17	23-48475		1	BUSHING
18	10-40011127		1	SCREW (M6 X 16)
19	822469		1	CAP-INTERMEDIATE LEVER
20	10-40011127		2	SCREW (M6 X 16)
21	F663480-1		1	RETAINER-COWL-FRONT
22	98889		1	LATCH-CONTROL CABLE
23	39519		1	CUP-CONTROL CABLE RETAINER
24	10-40019104		2	SCREW (M5 X 8)
25	826742		2	RETAINER-CABLE ENTRY SEAL
26	26-820355		2	SEAL-CABLE ENTRY
27	37-818029	●	1	DECAL-FUEL MIX
28	100-820186F1		1	COWL ASSEMBLY-BOTTOM (PAINTED)
29	10-42975		2	SCREW-DRIVE
30	25-19564		1	GROMMET (WITHOUT HOLE) (NON POWER TRIM)
	25-19565	■	OPT	GROMMET (WITH HOLE) (POWER TRIM)
31	812830--1		1	PLUG
32	812443--1		1	RETAINER
33	87-18286A40	■●	OPT	SWITCH ASSEMBLY (POWER TRIM)
34	820000A4		1	HANDLE ASSEMBLY-COWL LATCH (PAINTED)
35	23-812707		2	BUSHING
36	13-F2047		1	WASHER-WAVE
37	F481777		1	CAM-LATCH SHAFT
38	12-40023-16		1	WASHER
39	13-26992		1	LOCKWASHER (.250)

● = SUPERSEDES TO ANOTHER PART NUMBER

■ = COMPONENT OF POWER TRIM ASSEMBLY [822344A7]

CONTINUED ON NEXT PAGE ➡

# COWL ASSEMBLY-BOTTOM

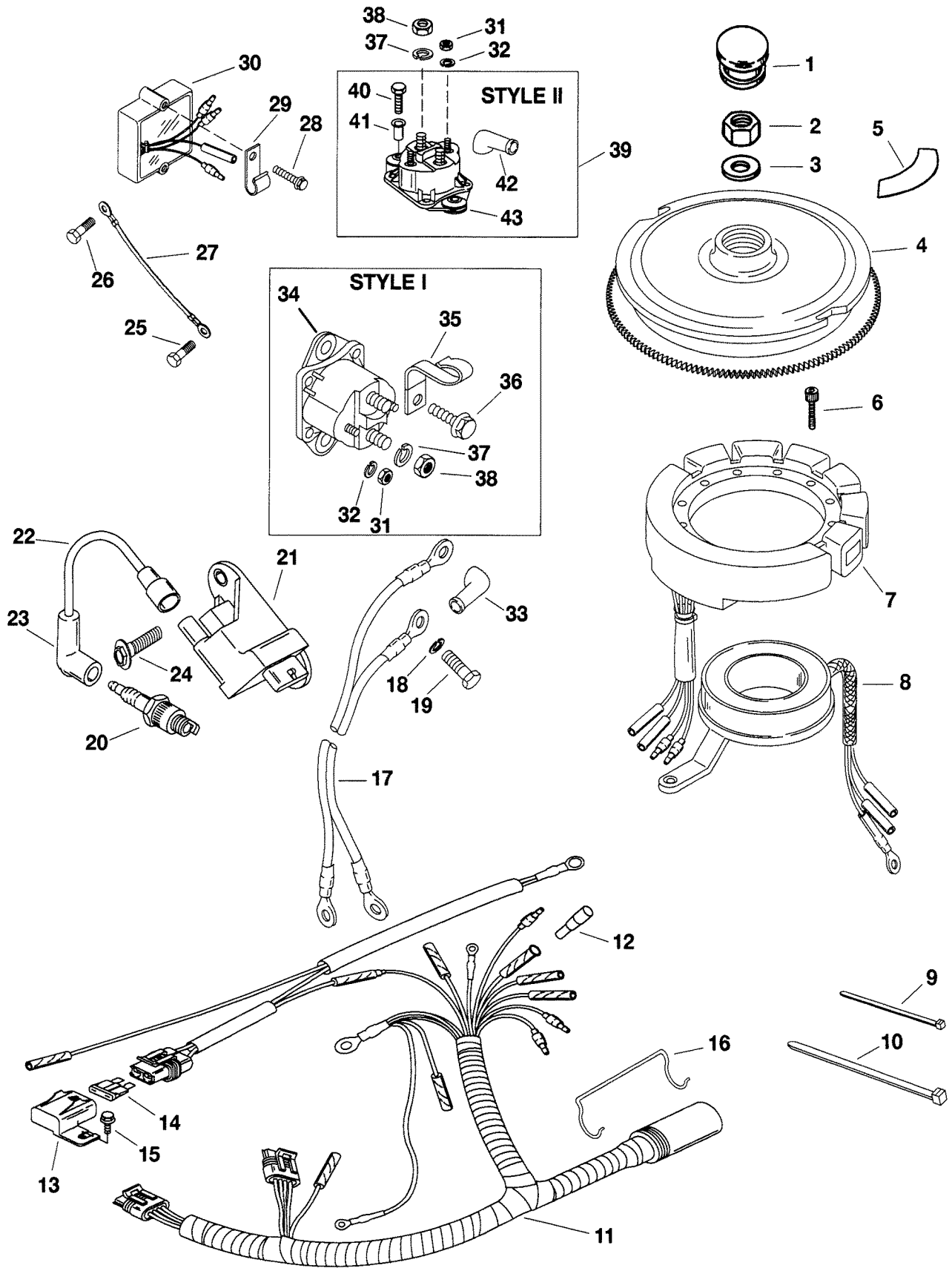




# COWL ASSEMBLY-BOTTOM

REF. NO.	PART NO.	SYM.	QTY.	DESCRIPTION
40	10-19923062		1	SCREW (.250-20 X .625) WITH DRI LOK
41	10-40011129		4	SCREW (M6 X 25)
42	23-822003		4	BUSHING
43	25-822002		4	GROMMET
-	<b>822344A7</b>		<b>0</b>	<b>POWER TRIM ASSEMBLY</b>

# IGNITION AND ELECTRICAL COMPONENTS



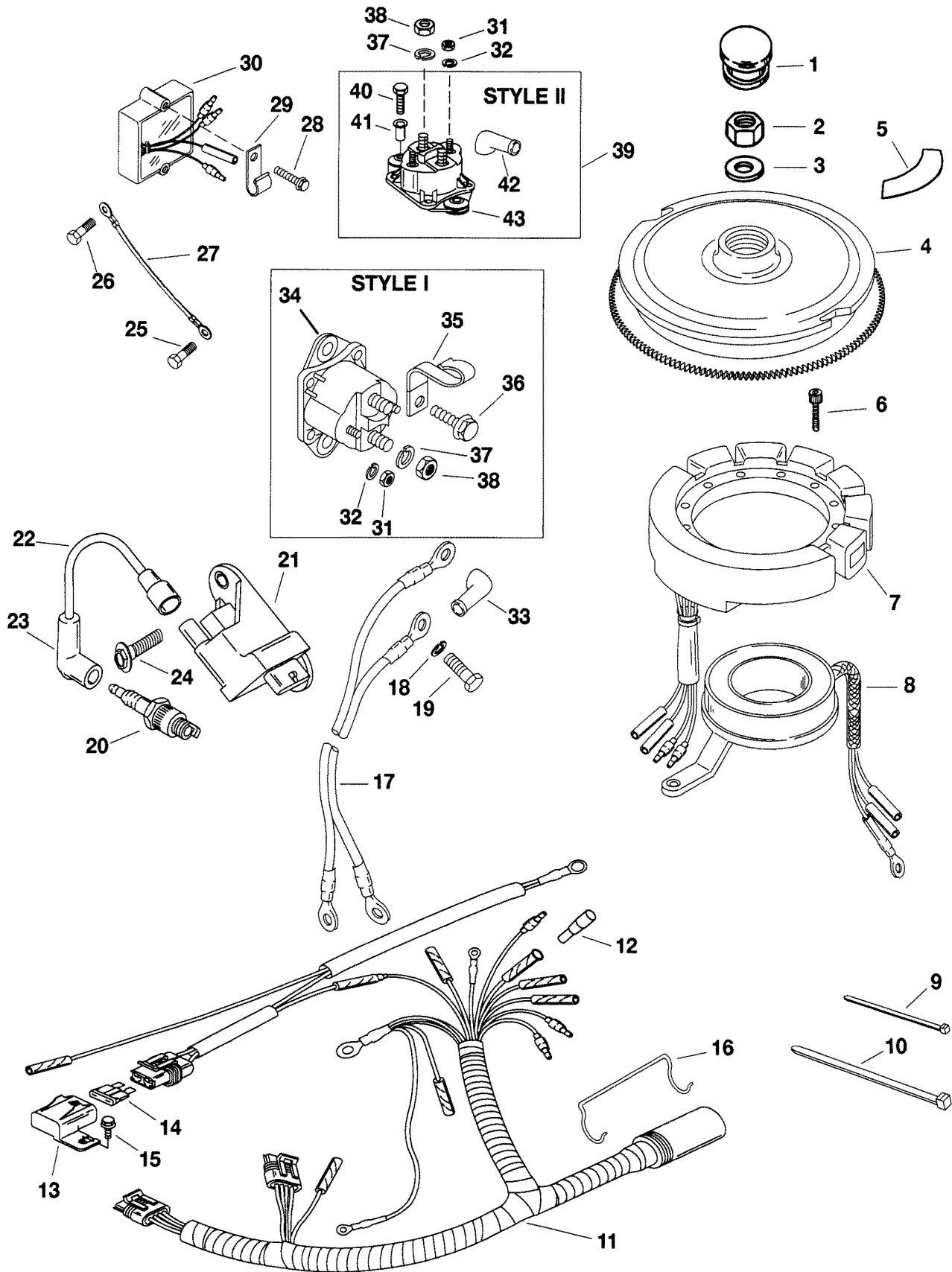
# IGNITION AND ELECTRICAL COMPONENTS

REF. NO.	PART NO.	SYM.	QTY.	DESCRIPTION
1	19-45907		1	PLUG (YELLOW)-CRANKSHAFT/FLYWHEEL
2	11-42979		1	NUT (M16) <b>TORQUE 125 LB FT. 170 N-M</b>
3	12-68229		1	WASHER
4	261-9008A34		1	FLYWHEEL ASSEMBLY
5	FA609853	●	1	DECAL KIT-SHIFT TO NEUTRAL
6	10-19926100		6	SCREW (#10-24 X 1.00) WITH DRI LOK <b>TORQUE 180 LB IN. 9 N-M</b>
7	398-9873A28	●	1	STATOR ASSEMBLY <b>(BLACK)</b>
	398-832075A4		1	STATOR ASSEMBLY <b>(RED)</b>
8	828301		1	TRIGGER ASSEMBLY
9	56762		AR	CABLE TIE (4.00 IN.)
10	54-816311		AR	CABLE TIE (8.00 IN.)
11	84-828296A1		1	HARNESS ASSEMBLY-WIRING
12	13541		1	PLUG-MALE
13	828054		1	COVER-FUSE
14	88-812619		1	FUSE (20 AMP)
15	10-812832		1	SCREW (#10-16 X .500)
16	92753		1	RETAINER-HARNESS CONNECTOR
17	84-F381896-4		1	CABLE-BATTERY
18	13-53166		1	LOCKWASHER (.312)-GROUND
19	10-39349		1	SCREW (.312-18 X .750)-GROUND
20	33-827C		2	SPARK PLUG (CHAMPION # L76V)
	33-898		2	SPARK PLUG (RFI) (CHAMPION # QL76V)
21	827509A4	●	2	CDM MODULE ASSEMBLY-IGNITION
22	84-821945A61		2	CABLE ASY-HIGH TENSION (CUT AS REQ'D)
23	85-63709A1		2	BOOT/TERMINAL KIT-IGNITION CABLE
24	10-90192		4	SCREW (.250-20 X .750)
25	10-40056105		1	SCREW (M5 X 10)-GROUND CABLE
26	10-817626		1	SCREW (#10-16 X .375)
27	84-88807A36		1	CABLE ASSEMBLY-GROUND-EXHAUST COVER
28	10-86885		2	SCREW (.250-20 X 1.500)
29	54-55098		1	J CLIP-VOLTAGE REGULATOR
30	815279T5	●	1	VOLTAGE REGULATOR
31	11-68219		2	NUT (#10-32)
32	13-26996		2	LOCKWASHER (#10)
33	85-830233		1	BOOT (RED)-STARTER RELAY INSULATOR
34	89-F460917-1	●	1	RELAY-STARTER <b>(STYLE I)</b>
35	54-65292		1	J CLIP-STARTER RELAY
36	10-90192		2	SCREW (.250-20 X .750) <b>(STYLE I)</b>
37	13-53166		2	LOCKWASHER (.312)
38	11-68292		2	NUT (.312-18)

● = SUPERSEDES TO ANOTHER PART NUMBER

CONTINUED ON NEXT PAGE ➡

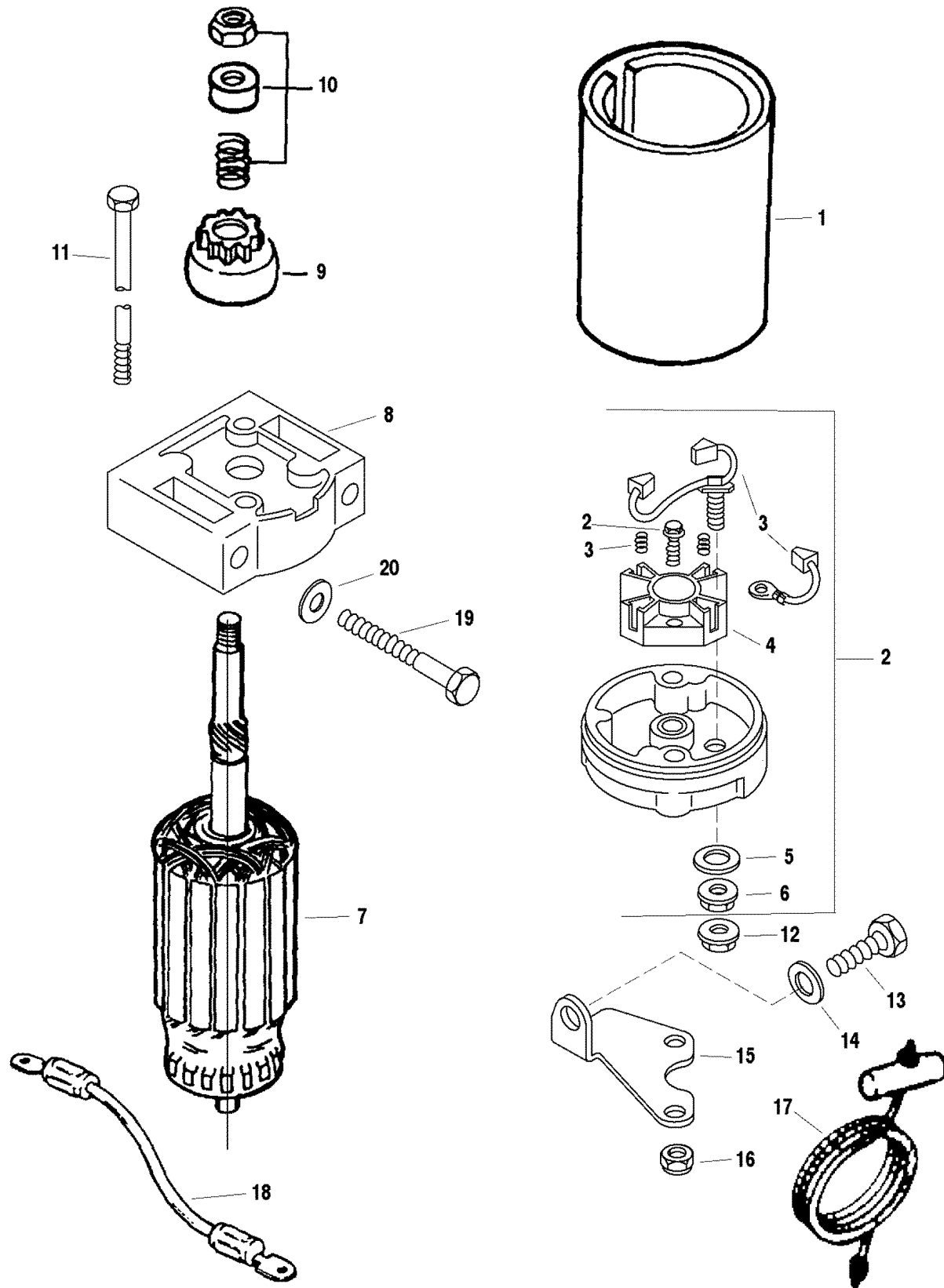
# IGNITION AND ELECTRICAL COMPONENTS



## IGNITION AND ELECTRICAL COMPONENTS

<b>REF. NO.</b>	<b>PART NO.</b>	<b>SYM.</b>	<b>QTY.</b>	<b>DESCRIPTION</b>
39	89-817109A3		1	SOLENOID KIT-STARTER (STYLE II)
40	10-853652		2	SCREW (.250-20 X 1.125) (STYLE II)
41	23-818968		2	BUSHING (STYLE II)
42	85-830233		1	BOOT (STYLE II)
43	25-822179		2	GROMMET (STYLE II)

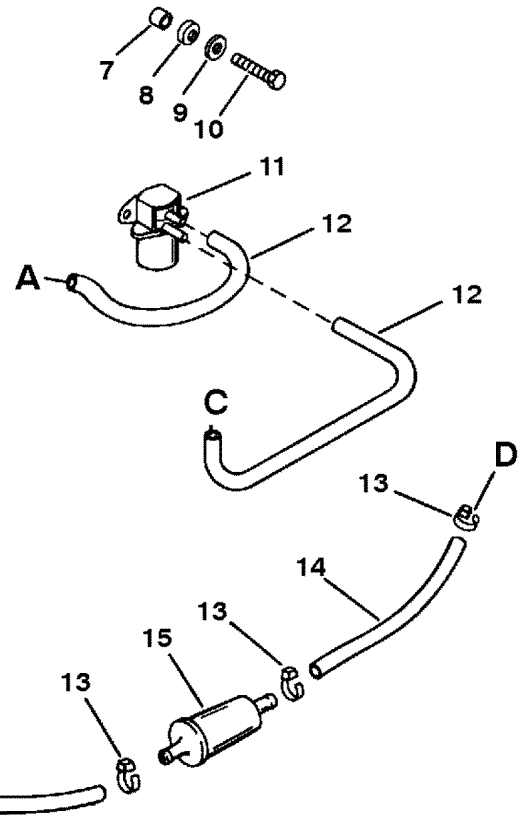
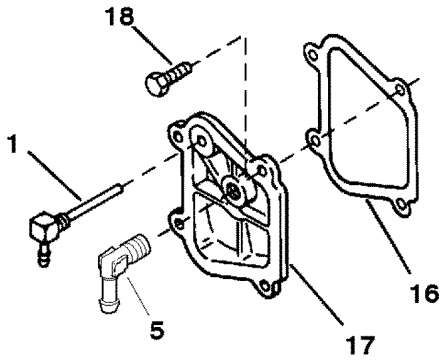
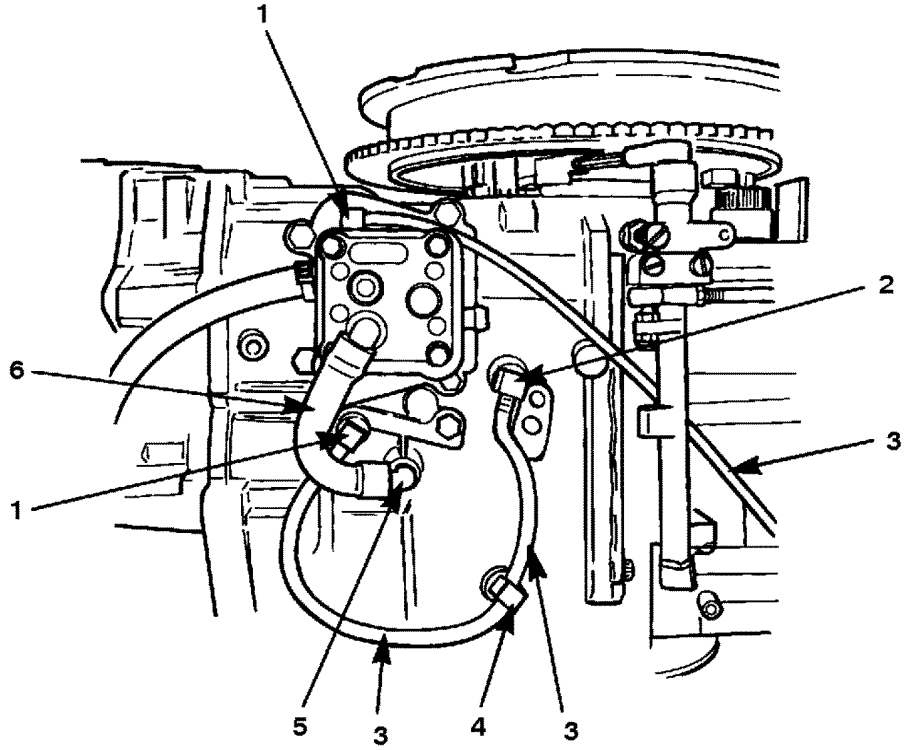
# STARTER ASSEMBLY



# STARTER ASSEMBLY

REF. NO.	PART NO.	SYM.	QTY.	DESCRIPTION
1	50-820193		1	STARTER ASSEMBLY
2	820595		1	CAP ASSEMBLY-COMM END
3	F15190		1	BRUSH & SPRING KIT
4	61787		1	HOLDER-BRUSH
5	F15160		1	WASHER-INSULATOR
6	F15162		1	NUT (.250-20)
7	F15183		1	ARMATURE
8	820594		1	CAP-DRIVE END
9	811902		1	PINION-DRIVE
10	90643		1	DRIVE KIT
11	811903		2	THRU BOLT
12	F15162		1	NUT (.250-20)
13	10-F1822		1	SCREW (.312-18 X .875)
14	13-53166		1	LOCKWASHER (.312)
15	819272--2		1	BRACKET-STARTER SUPPORT
16	11-20361		2	NUT (.250-28)-THRU BOLT
17	47341A1		1	ROPE AND HANDLE-EMERGENCY START
18	84-93388A8		1	CABLE ASSEMBLY (12.500 IN.)-STARTER LEAD
19	10-F2185		2	SCREW (.375-16 X 3.500)
20	12-45175		2	WASHER
NS	37-825066		1	DECAL-WARNING-HI VOLTAGE
	37-825064		1	DECAL-CAUTION-START IN GEAR

# RECIRCULATION AND PRIME SYSTEM





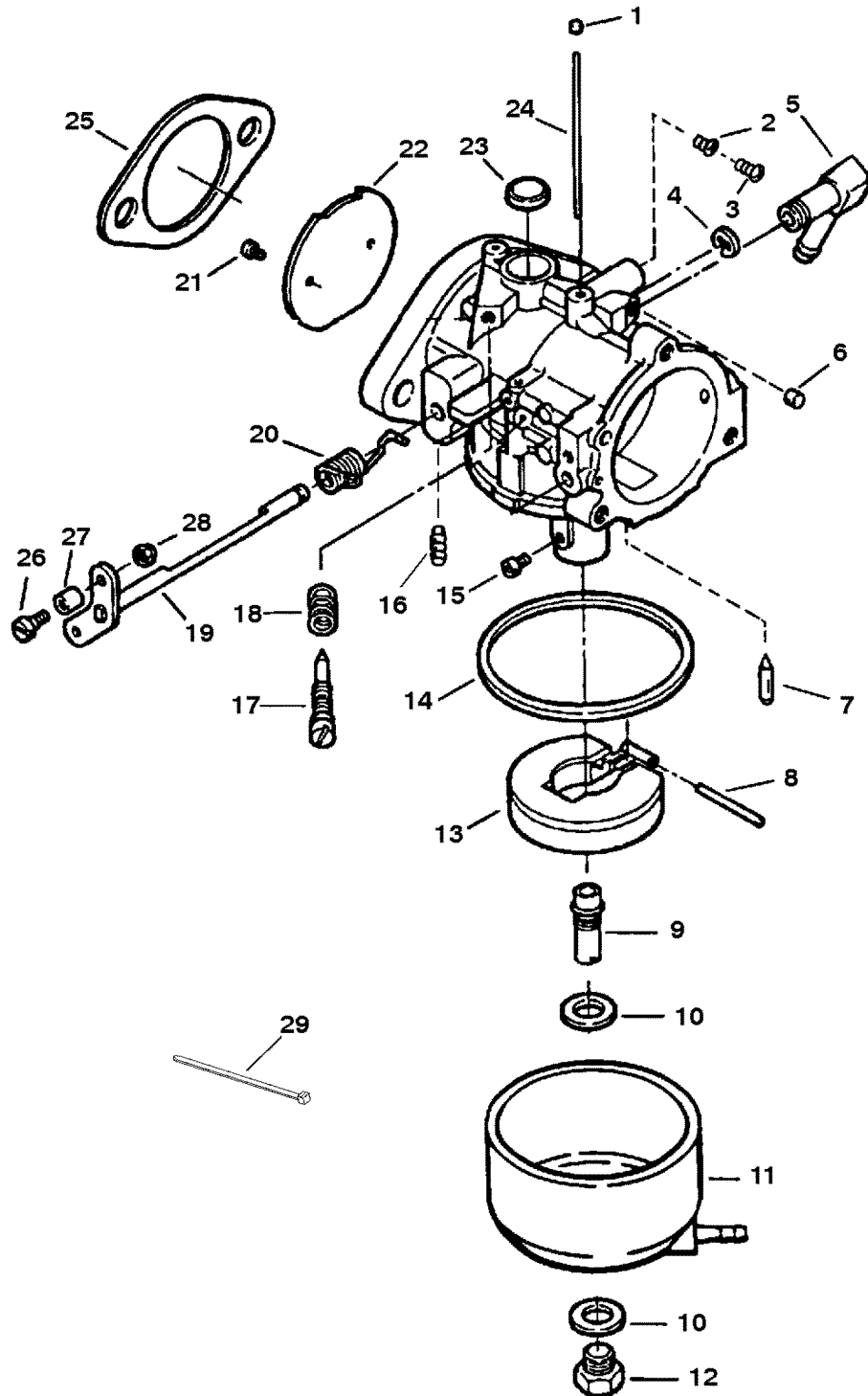
## RECIRCULATION AND PRIME SYSTEM

REF. NO.	PART NO.	SYM.	QTY.	DESCRIPTION
1	22-F743314	■	1	ELBOW-RECIRCULATING
2	21-42864	■	1	FITTING (90 DEGREES)
3	32-99130122	■	1	TUBING (20.00 FT. BULK) (CUT 18.500 IN.) (CUT 7.500 IN.) (CUT 3.750 IN.)
4	21-820706	■	1	FITTING (T)
5	22-99664	■	1	ELBOW
6	32-830756109		1	HOSE (57.00 IN. BULK) (CUT 6.00 IN.)
7	23-F694359		1	SPACER
8	25-F694504		1	GROMMET
9	12-35044		1	WASHER
10	10-45561		1	SCREW (.250-20 X 1.125)
11	89-819503		1	SOLENOID-PRIMER
12	32-99126-88		1	TUBING (36.00 IN. BULK) (CUT 4.500 IN.) (CUT 5.250 IN.)
13	54-816311		4	CABLE TIE (8.00 IN.)
14	32-830756109		1	HOSE (57.00 IN. BULK) (CUT 4.250 IN.) (CUT 19.00 IN.)
15	35-816296		1	FILTER-FUEL
16	27-820500--2	+ ■	1	GASKET-TRANSFER PORT
17	817790A1	■	1	COVER KIT-TRANSFER PORT
18	10-819110062	■	4	SCREW (.250-20 X .625) <b>TORQUE 100 LB IN. 11.3 N-M</b>
-	<b>27-820751A2</b>		1	<b>GASKET SET-POWERHEAD</b>
-	<b>800-818152A26</b>		1	<b>POWERHEAD ASSEMBLY</b>

■ = COMPONENT OF POWERHEAD ASSEMBLY [800-818152A26]

+ = COMPONENT OF POWERHEAD GASKET SET [27-820751A2]

# CARBURETOR - 40 H.P.

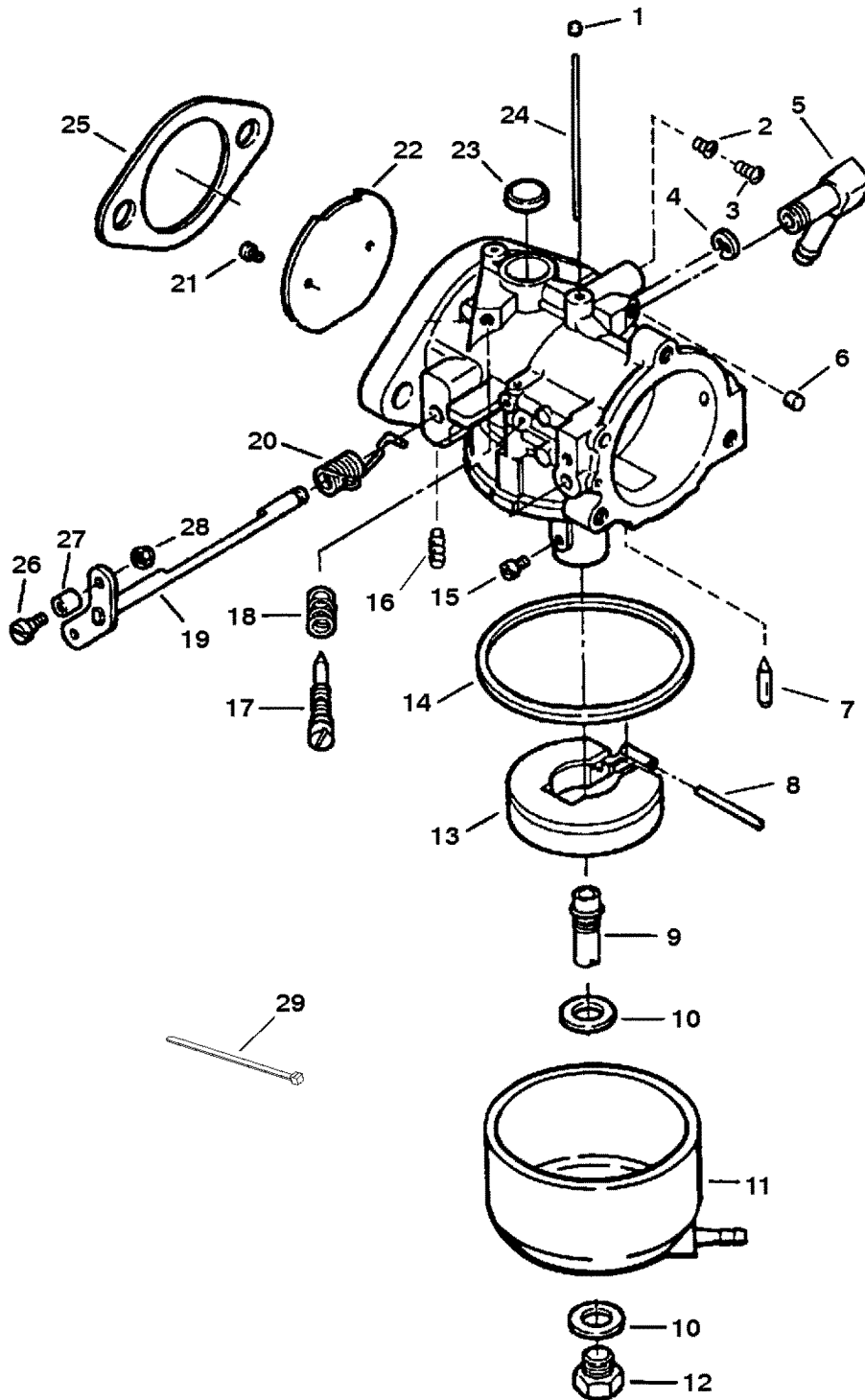


# CARBURETOR - 40 H.P.

REF. NO.	PART NO.	SYM.	QTY.	DESCRIPTION
-	<b>1300-828469</b>		1	<b>CARBURETOR (TC-131A)</b>
1	19-FO10588	▲	6	PLUG-CUP
2	809731		1	JET (.050)-PART THROTTLE
3	F10275		1	SCREW-SEALING
4	FO16620		1	E RING-THROTTLE SHAFT
5	22-F84314-2		1	ELBOW-FUEL
6	F10316		1	CUP-METERING
7	F10265	▲	1	NEEDLE-INLET ( <b>NOTE: DO NOT REMOVE INLET SEAT</b> )
8	17-FO13944	▲	1	PIN-FLOAT
9	FO16133		1	NOZZLE-MAIN
10	27-FO5323	▲♣	2	GASKET-FUEL BOWL
11	820492		1	BOWL-FUEL
12	FO16132		1	SCREW-FUEL BOWL
13	F10346		1	FLOAT-FUEL BOWL
14	27-FO15623	▲♣	1	GASKET-FUEL BOWL
15	1399-4217		1	JET-MAIN FUEL (.062) (0 - 1500 FT.)
	1395-6487		OPT	JET-MAIN FUEL (.060) (1500 - 3000 FT.)
	809448		OPT	JET-MAIN FUEL (.058) (3000 - 4500 FT.)
	1399-5213		OPT	JET-MAIN FUEL (.056) (4500 - 6000 FT.)
	1399-5225		OPT	JET-MAIN FUEL (.054) (6000 - 10000 FT.)
16	F10274		1	NOZZLE-PRIMER
17	F10268		1	SCREW-IDLE MIXTURE
18	24-27160	▲	1	SPRING-IDLE MIXTURE SCREW
19	FO17884		1	SHAFT AND LEVER-THROTTLE
20	FO16143	▲	1	SPRING-THROTTLE SHAFT
21	10-F10328	▲	2	SCREW-SHUTTER
22	FO16142		1	SHUTTER-THROTTLE
23	19-FO16128	▲	1	PLUG-WELCH
24	FO16993		1	TUBE-BY PASS
25	27-F440906	+■▲♣	1	GASKET-CARBURETOR FLANGE
26	830110		1	SHAFT-ROLLER
27	819225		1	ROLLER-THROTTLE CAM
28	11-F1997		1	NUT (#8-32)
29	56762		2	CABLE TIE (4.00 IN.)
-	<b>FK10023</b>		1	<b>GASKET SET-CARBURETOR</b>
-	<b>827688A1</b>		1	<b>REPAIR KIT-CARBURETOR</b>
-	<b>27-820751A2</b>		1	<b>GASKET SET-POWERHEAD</b>
-	<b>800-818152A26</b>		1	<b>POWERHEAD ASSEMBLY</b>

- = COMPONENT OF POWERHEAD ASSEMBLY [800-818152A26]
- ▲ = COMPONENT OF CARBURETOR REPAIR KIT [827688A1].
- + = COMPONENT OF POWERHEAD GASKET SET [27-820751A2]
- ♣ = COMPONENT OF CARBURETOR GASKET SET [FK10023].

# CARBURETOR - 50 H.P.

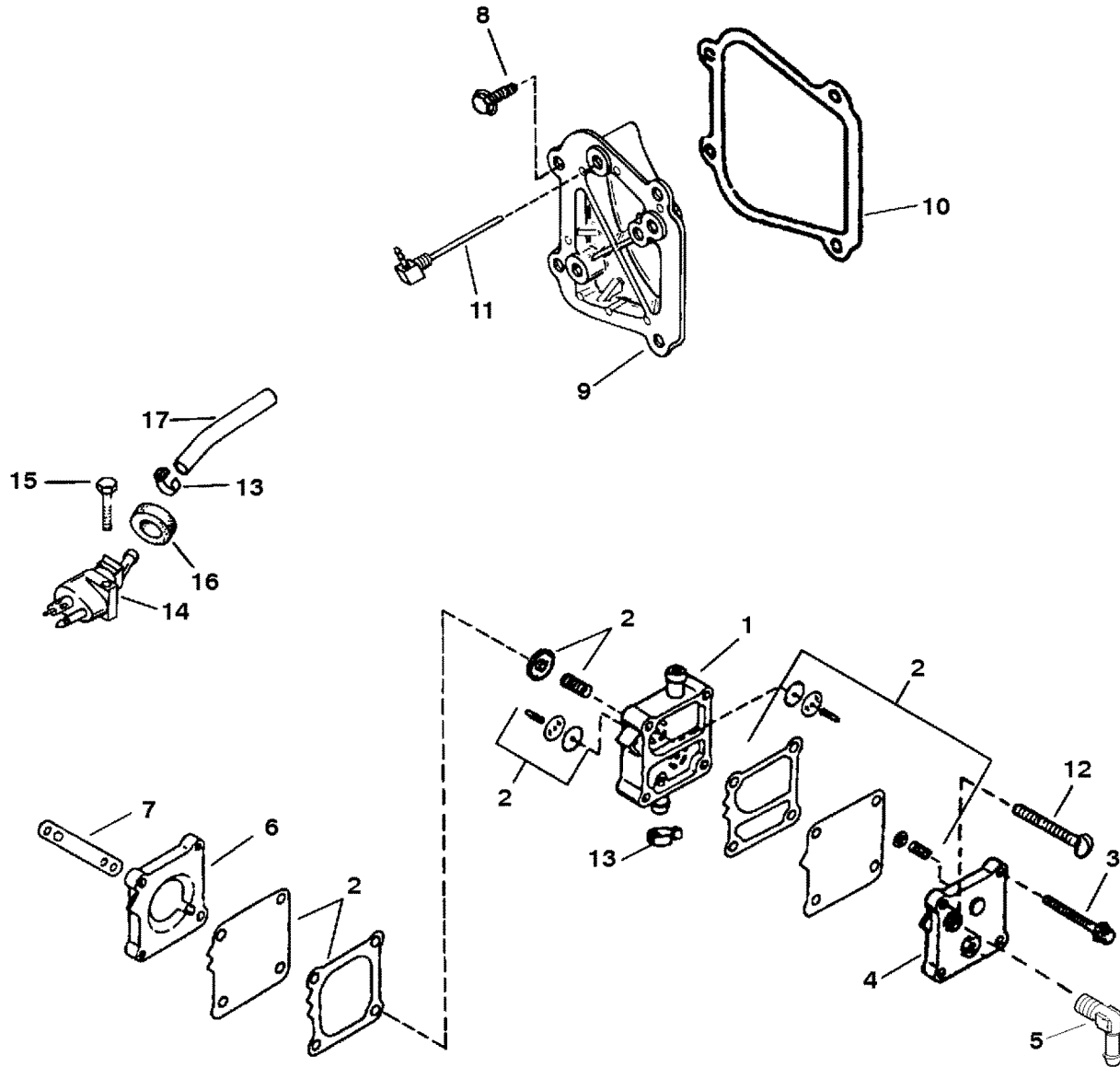


# CARBURETOR - 50 H.P.

REF. NO.	PART NO.	SYM.	QTY.	DESCRIPTION
-	<b>1300-830131</b>		1	<b>CARBURETOR (TC-134A)</b>
1	19-FO10588	▲	6	PLUG-CUP
2	F10273		1	JET (.047)-PART THROTTLE
3	F10275		1	SCREW-SEALING
4	FO16620		1	E RING-THROTTLE SHAFT
5	22-F84314-2		1	ELBOW-FUEL
6	F10263		1	CUP-METERING
7	F10265	▲	1	NEEDLE-INLET ( <b>NOTE: DO NOT REMOVE INLET SEAT</b> )
8	17-FO13944	▲	1	PIN-FLOAT
9	FO16133		1	NOZZLE-MAIN
10	27-FO5323	▲♣	2	GASKET-FUEL BOWL
11	820492		1	BOWL-FUEL
12	FO16132		1	SCREW-FUEL BOWL
13	F10346		1	FLOAT-FUEL BOWL
14	27-FO15623	▲♣	1	GASKET-FUEL BOWL
15	1399-6249		1	JET-MAIN FUEL (.096) (0 - 1500 FT.)
	FO14191		OPT	JET-MAIN FUEL (.094) (1500 - 3000 FT.)
	1395-5733		OPT	JET-MAIN FUEL (.092) (3000 - 4500 FT.)
	1395-6247		OPT	JET-MAIN FUEL (.090) (4500 - 6000 FT.)
	FO13193		OPT	JET-MAIN FUEL (.088) (6000 - 10000 FT.)
16	F10274		1	NOZZLE-PRIMER
17	F10268		1	SCREW-IDLE MIXTURE
18	24-27160	▲	1	SPRING-IDLE MIXTURE SCREW
19	FO17884		1	SHAFT AND LEVER-THROTTLE
20	FO16143	▲	1	SPRING-THROTTLE SHAFT
21	10-F10328	▲	2	SCREW-SHUTTER
22	FO16142		1	SHUTTER-THROTTLE
23	19-FO16128	▲	1	PLUG-WELCH
24	FO16993		1	TUBE-BY PASS
25	27-F440906	+■▲♣	1	GASKET-CARBURETOR FLANGE
26	830110		1	SHAFT-ROLLER
27	819225		1	ROLLER-THROTTLE CAM
28	11-F1997		1	NUT (#8-32)
29	56762		2	CABLE TIE (4.00 IN.)
-	<b>FK10023</b>		1	<b>GASKET SET-CARBURETOR</b>
-	<b>827688A1</b>		1	<b>REPAIR KIT-CARBURETOR</b>
-	<b>27-820751A2</b>		1	<b>GASKET SET-POWERHEAD</b>
-	<b>800-818152A26</b>		1	<b>POWERHEAD ASSEMBLY</b>

- = COMPONENT OF POWERHEAD ASSEMBLY [800-818152A26]
- ▲ = COMPONENT OF CARBURETOR REPAIR KIT [827688A1].
- + = COMPONENT OF POWERHEAD GASKET SET [27-820751A2]
- ♣ = COMPONENT OF CARBURETOR GASKET SET [FK10023].

# FUEL PUMP ASSEMBLY AND COMPONENTS



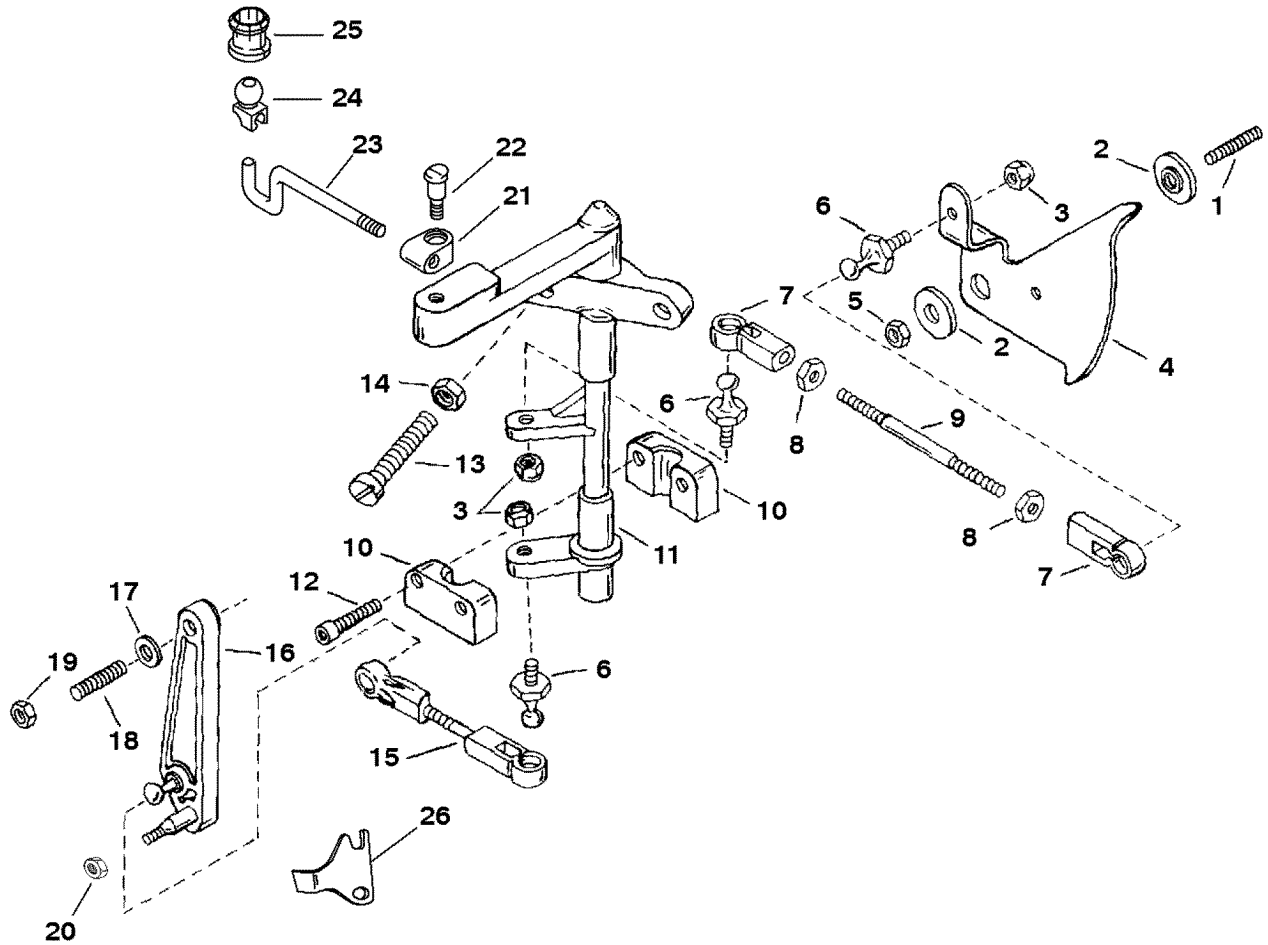
# FUEL PUMP ASSEMBLY AND COMPONENTS

REF. NO.	PART NO.	SYM.	QTY.	DESCRIPTION
1	14360A49		1	PUMP KIT-FUEL
2	21-42990A10		1	DIAPHRAGM KIT
3	10-821045-40		2	SCREW (M5 X 40)-FUEL PUMP TORQUE 155 LB IN. 6.2 N-M
4	98775--2		1	PLATE-FUEL PUMP
5	22-99664		1	ELBOW
6	14430--3		1	BASE-FUEL PUMP
7	27-98769--1	+■	1	GASKET-FUEL PUMP BASE
8	10-819110062	■	4	SCREW (.250-20 X .625) TORQUE 100 LB IN 11.3 N-M
9	817870--2	■	1	COVER-FUEL PUMP
10	27-820500--2	+■	1	GASKET-FUEL PUMP COVER
11	22-F743314	■	1	ELBOW-RECIRCULATING
12	10-827357		2	SCREW (#12-24 X 2.00) WITH DRI LOK TORQUE 55 LB IN 6.2 N-M
13	54-816311		2	CABLE TIE (8.00 IN.)
14	22-816856A1		1	CONNECTOR-FUEL
15	10-40003-32		1	SCREW (M6 X 35)
16	25-18202		1	GROMMET-FUEL CONNECTOR
17	32-830757-80		1	TUBING (28.00 IN. BULK) (CUT 16.00 IN.)
-	<b>27-820751A2</b>		<b>1</b>	<b>GASKET SET-POWERHEAD</b>
-	<b>800-818152A26</b>		<b>1</b>	<b>POWERHEAD ASSEMBLY</b>

■ = COMPONENT OF POWERHEAD ASSEMBLY [800-818152A26]

+ = COMPONENT OF POWERHEAD GASKET SET [27-820751A2]

# SHIFT AND THROTTLE LINKAGE





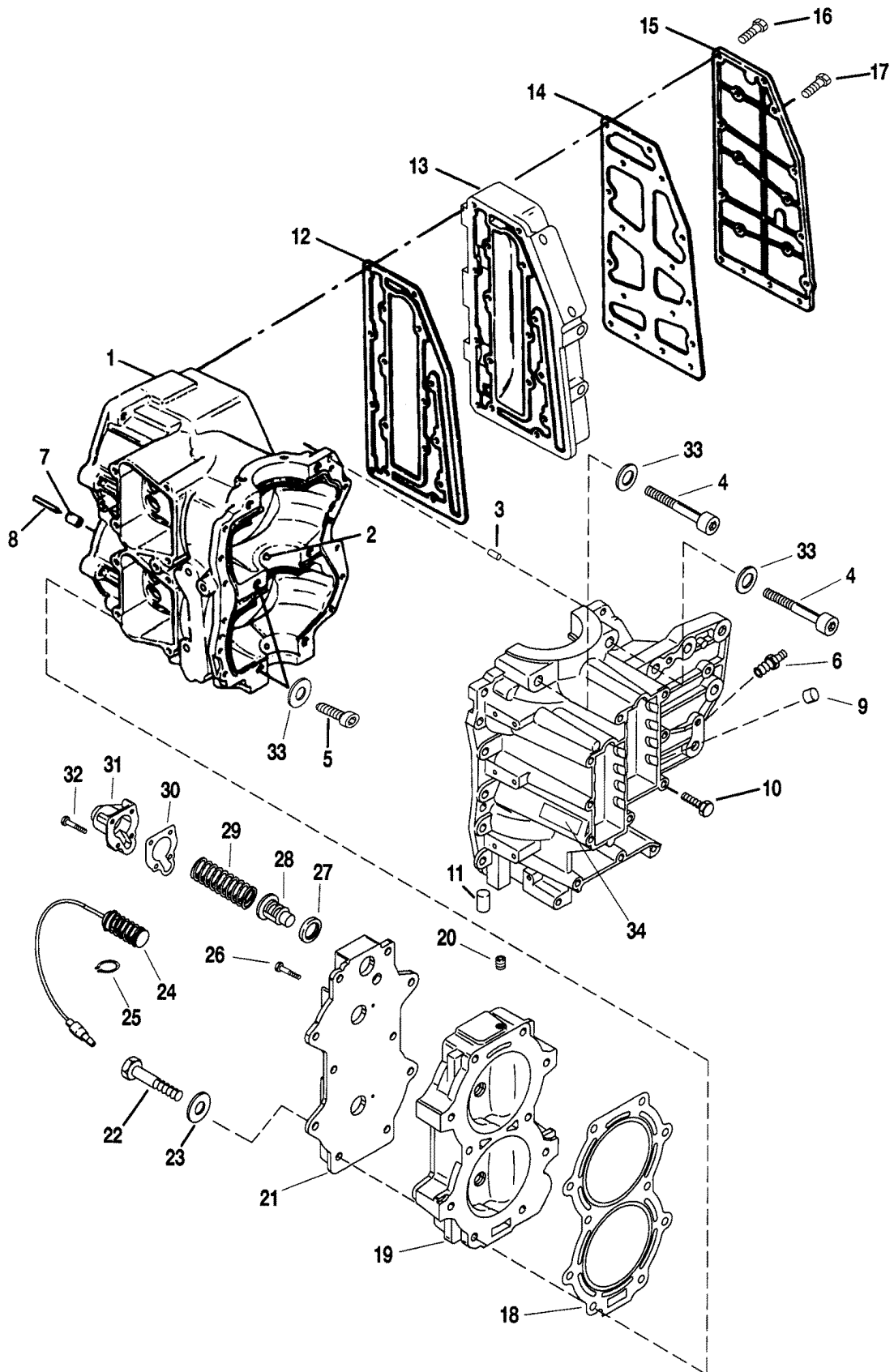
## SHIFT AND THROTTLE LINKAGE

REF. NO.	PART NO.	SYM.	QTY.	DESCRIPTION
1	16-F433209-1	■	1	STUD (.250-20 X 1.250)-THROTTLE CAM
2	23-F269319		2	BEARING-THROTTLE CAM
3	11-40063--3		3	NUT (M5) (USE WITH REF #6 PART NO. 823569 ONLY)
	11-20110		3	NUT (#10-32) (USE WITH REF #6 PART NO. 828514 ONLY)
4	819549		1	CAM-THROTTLE
5	11-72008		1	NUT (.250-20)
6	823569		3	BALL-THREADED (M5) (USE WITH REF #3 PART NO. 11-40063-3 ONLY)
	828514		3	BALL-THREADED (#10-32) (USE WITH REF #6 PART NO. 11-20110 ONLY)
7	817428		2	SOCKET-BALL
8	11-68219		2	NUT (#10-32)
9	16-F718502		1	LINK-THROTTLE
10	816957		4	BEARING-TOWERSHAFT
11	826284		1	TOWERSHAFT
12	10-19926100		4	SCREW (#10-24 X 1.00) WITH DRI LOK
13	10-F1504		1	SCREW (.250-20 X 1.00)
14	11-64015		1	NUT (.250-20)
15	19385-29		1	LINK ASSEMBLY-TOWERSHAFT LEVER
16	826286	●	1	LEVER ASSEMBLY-TOWERSHAFT
17	12-34437		1	WASHER
18	16-827425	■	1	STUD (.312-18 X 1.500) WITH DRI LOK
19	11-45592		1	NUT (.312-24)
20	11-826833--6		1	NUT (M6)
21	828471		1	END-CONTROL ROD
22	F499026		1	SWIVEL-CONTROL ROD END
23	828470		1	LINK-THROTTLE
24	93421		1	BALL-SWIVEL
25	93254		1	BASE-SWIVEL-TRIGGER HANDLE
26	830121A1	■	1	STOP KIT-THROTTLE LEVER
-	<b>800-818152A26</b>		<b>1</b>	<b>POWERHEAD ASSEMBLY</b>

● = SUPERSEDES TO ANOTHER PART NUMBER

■ = COMPONENT OF POWERHEAD ASSEMBLY [800-818152A26]

# CYLINDER BLOCK ASSEMBLY



# CYLINDER BLOCK ASSEMBLY

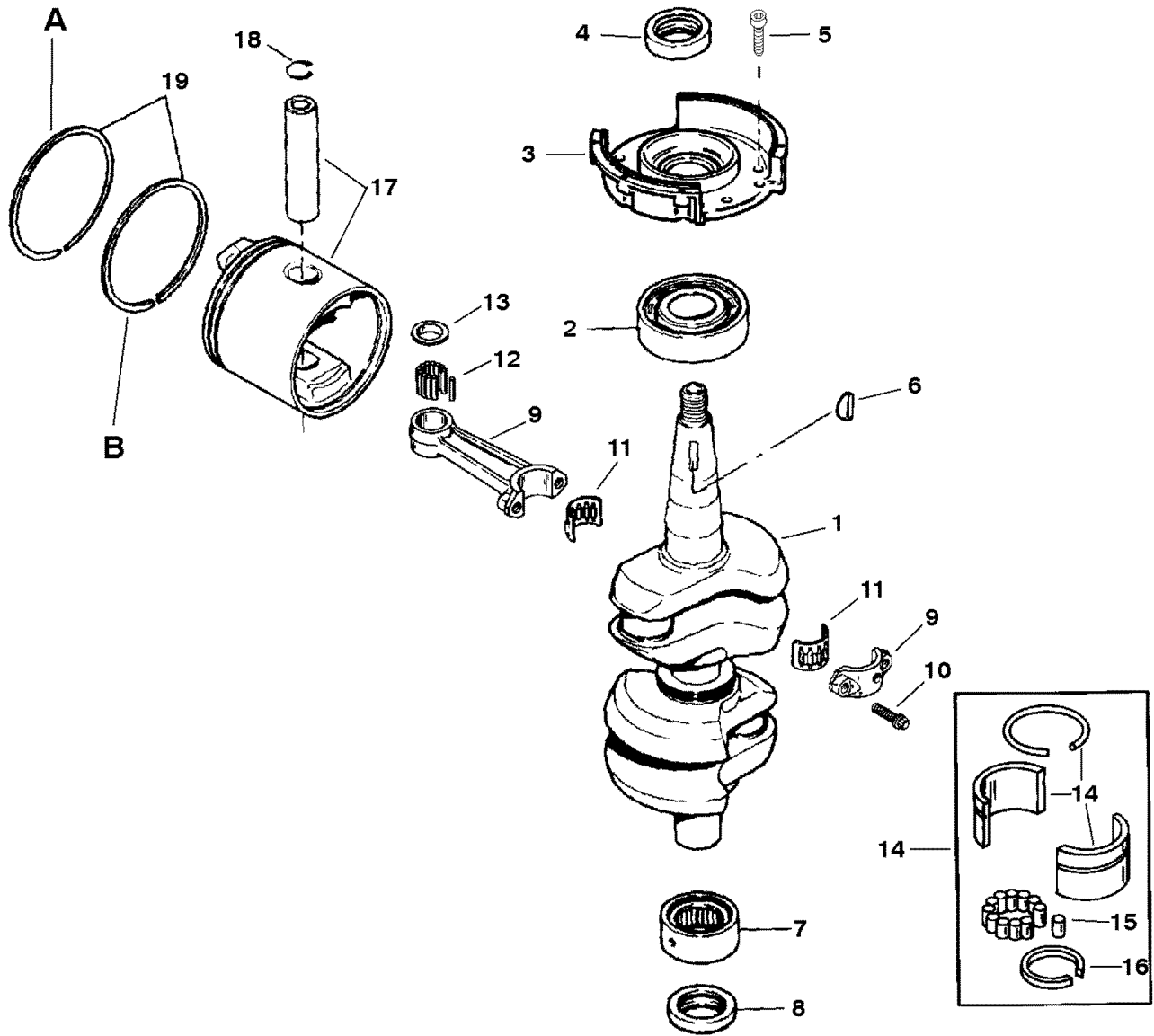
REF. NO.	PART NO.	SYM.	QTY.	DESCRIPTION
1	800-818152A26		1	POWERHEAD KIT (PAINTED) (40 & 50 HP)
	800-818152A24	■	1	CYLINDER KIT (40 & 50 HP)
2	17-812870		2	PIN-CENTER MAIN LOCATING
3	17-F8559		2	PIN-DOWEL
4	10-F2228	●	2	SCREW (.375-16 X 3.00)
5	10-812567		4	SCREW (.375-16 X 1.625)
6	21-42658	●	1	VALVE-CHECK
7	32-F691943	●	1	TUBE-WATER JACKET
8	17-F691372		1	PIN-WATER JACKET TUBE
9	F433473		1	CUP-METERING
NS	27-820751A2		1	GASKET SET-POWERHEAD
10	10-819110075	■	12	SCREW (.250-20 X .750)
11	17-23784		2	PIN-DOWEL
12	27-F691154	+■	1	GASKET-EXHAUST PORT PLATE
13	819913--3	■	1	PLATE-EXHAUST PORT
14	27-F691153	+■	1	GASKET-EXHAUST PORT COVER
15	1000-819269--1	■	1	COVER-EXHAUST PORT <b>TORQUE 270 LB IN. 30.5 N-M</b>
16	10-819110250	■	15	SCREW (.250-20 X 2.500) <b>TORQUE 270 LB IN. 30.5 N-M</b>
17	10-819110075	■	2	SCREW (.250-20 X .750)
18	27-F691529-1	+■	1	GASKET-CYLINDER HEAD
19	900-819850--1	■	1	HEAD-CYLINDER
20	22-F722109-1	●	1	PLUG (NYLON)-CYLINDER HEAD
21	1000-819376	■	1	COVER-CYLINDER HEAD <b>TORQUE 100 LB IN. 11.3 N-M</b>
22	10-F2254	■	10	SCREW (.312-18 X 2.500) <b>TORQUE 100 LB IN. 11.3 N-M</b>
23	12-34437	■	10	WASHER
24	87-819502		1	THERMOSWITCH
25	53-F717096		1	RING-RETAINING
26	10-819110062	■	2	SCREW (.250-20 X .625)
27	12-F658504	■	1	WASHER-THERMOSTAT
28	F97068-2	■	1	THERMOSTAT (130 DEGREES)
29	24-64878	■	1	SPRING-THERMOSTAT
30	27-819377	+■	1	GASKET-THERMOSTAT COVER
31	819375--1	■	1	COVER-THERMOSTAT
32	10-19926100	■	4	SCREW (#10-24 X 1.00) WITH DRI LOK <b>TORQUE 60 LB IN 6.8 N-M</b>
33	12-828271	■	6	WASHER
34	37-819526	■	1	DECAL-THROTTLE CABLE ADJUSTMENT
-	<b>27-820751A2</b>		1	<b>GASKET SET-POWERHEAD</b>
-	<b>800-818152A26</b>		1	<b>POWERHEAD ASSEMBLY</b>

● = SUPERSEDES TO ANOTHER PART NUMBER

■ = COMPONENT OF POWERHEAD ASSEMBLY [800-818152A26]

+ = COMPONENT OF POWERHEAD GASKET SET [27-820751A2]

# CRANKSHAFT AND PISTON



# CRANKSHAFT AND PISTON

REF. NO.	PART NO.	SYM.	QTY.	DESCRIPTION
1	489-817398A4	■	1	CRANKSHAFT ASSEMBLY
2	30-F284659-2		1	BEARING-UPPER
3	1100-819312A3	■	1	CAGE ASSEMBLY-BEARING
4	26-828626	+	1	SEAL-CRANKSHAFT UPPER
5	10-92160	■	4	SCREW (.250-20 X .750) <b>TORQUE 90 LB IN. 10 N-M</b>
6	28-91800		1	KEY-CRANKSHAFT/FLYWHEEL
7	31-812873A2	■	1	BEARING/SEAL KIT-ROLLER
8	26-819394	+	1	SEAL-CRANKSHAFT LOWER
9	640-9612A2	■	2	CONNECTING ROD ASSEMBLY
10	10-91012		4	SCREW-CONNECTING ROD
11	31-17514A2		2	BEARING ASSEMBLY-ROLLER
12	29-47270		58	ROLLER-NEEDLE
13	12-812876		4	WASHER-THRUST
14	827955A1	■	1	RACE/ROLLER KIT-CENTER MAIN
15	NSS		14	ROLLER
16	NSS		1	RING-SEAL
17	700-828304A2	■	2	PISTON KIT (STANDARD)
	700-828304A3		OPT	PISTON KIT (.015 O.S.)
	700-828304A4		OPT	PISTON KIT (.030 O.S.)
18	40-52035		4	RING-LOCK
19	39-828565A1		2	RING SET (2 RINGS) (STANDARD) SEE
	39-828565A2		OPT	RING SET (2 RINGS) (.015 O.S.) NOTE
	39-828565A3		OPT	RING SET (2 RINGS) (.030 O.S.) BELOW
-	<b>27-820751A2</b>		<b>1</b>	<b>GASKET SET-POWERHEAD</b>
-	<b>800-818152A26</b>		<b>1</b>	<b>POWERHEAD ASSEMBLY</b>

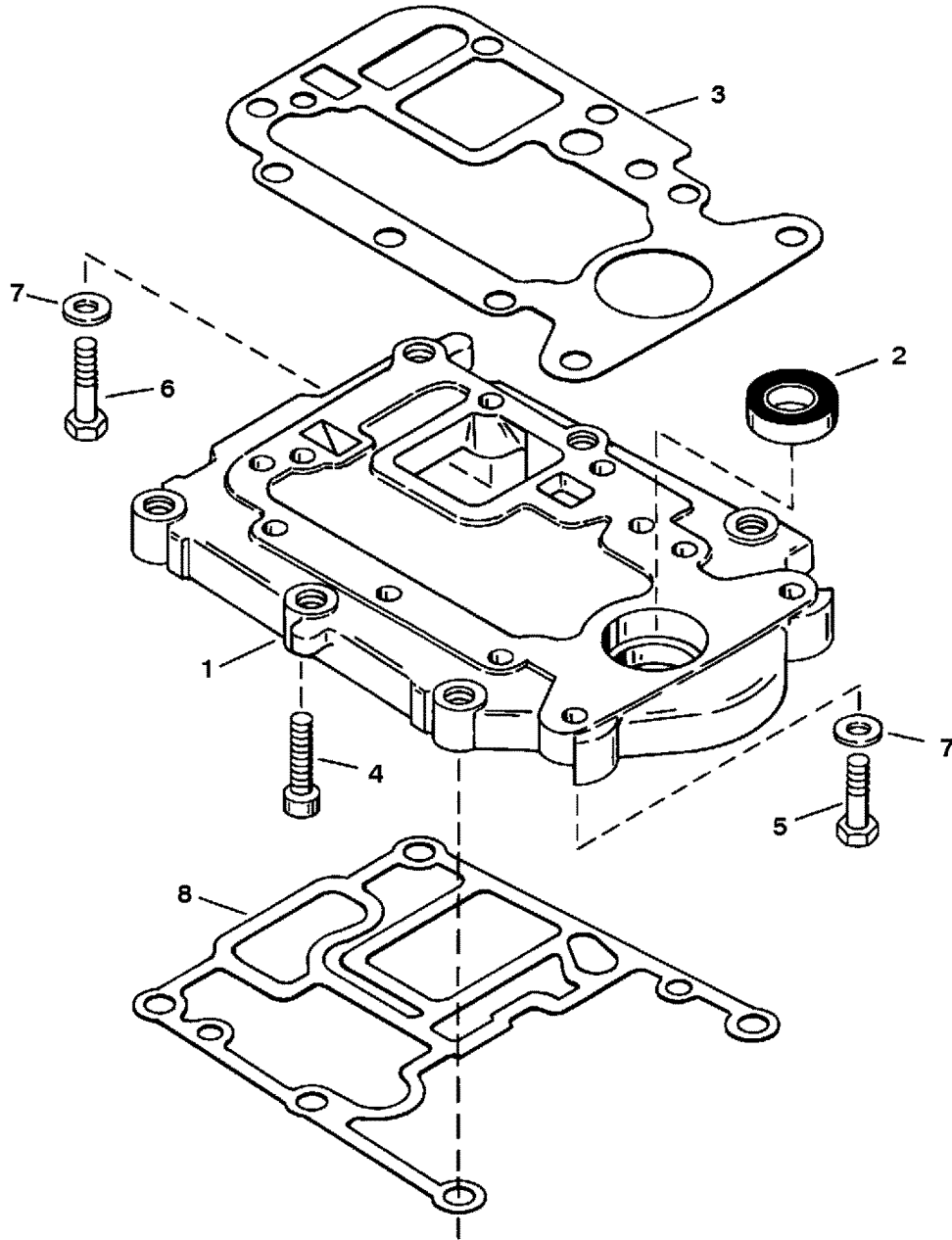
PISTON RING SET - TOP RING MARKED WITH ONE CIRCLE. BOTTOM RING MARKED WITH TWO CIRCLES AND WHITE STRIPE.

NOTE: APPLY LIGHT COAT OF 2-CYCLE OIL. ALWAYS USE NEW SCREWS. 120 LB. IN. (13.5 N.M) THEN TURN AN ADDITIONAL 90 DEGREES.

■ = COMPONENT OF POWERHEAD ASSEMBLY [800-818152A26]

+ = COMPONENT OF POWERHEAD GASKET SET [27-820751A2]

# ADAPTOR PLATE - UPPER



## ADAPTOR PLATE - UPPER

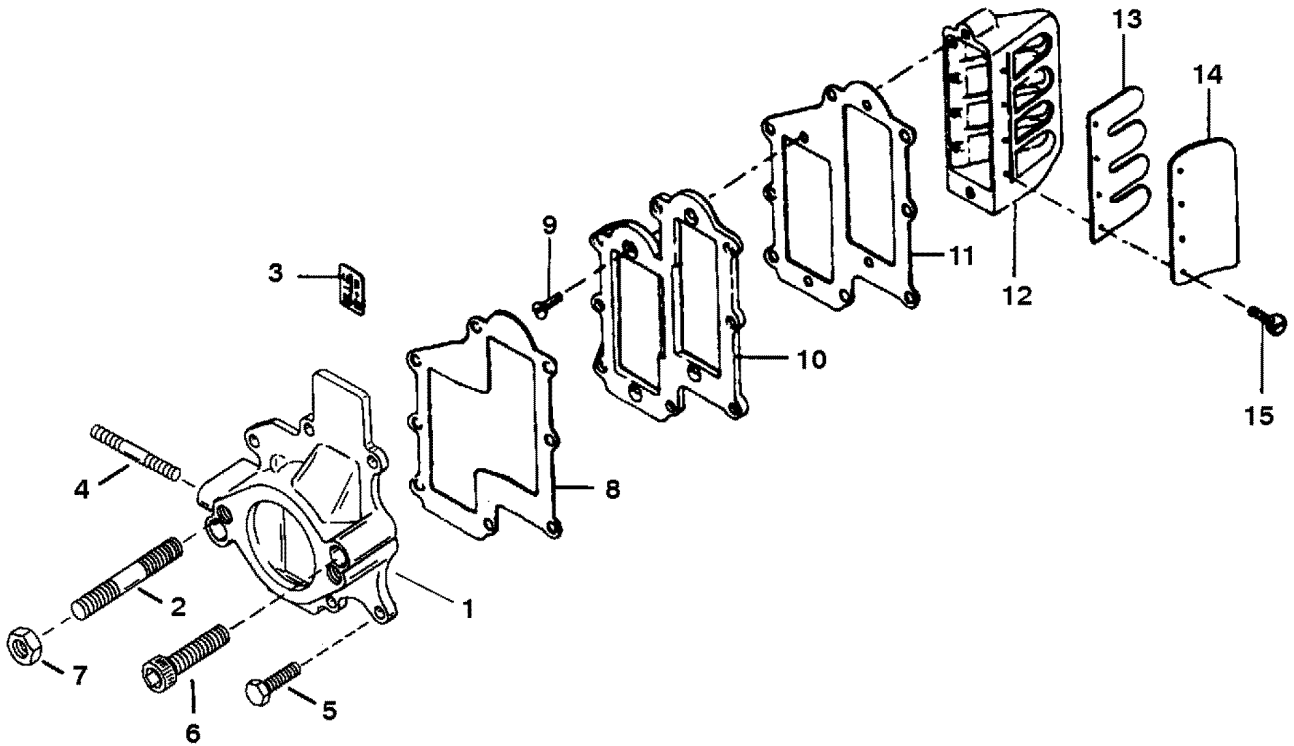
REF. NO.	PART NO.	SYM.	QTY.	DESCRIPTION
1	820228A1	●	1	PLATE ASSEMBLY-ADAPTOR-UPPER
2	26-828932	■	1	SEAL-DRIVESHAFT
3	27-826871--1	+■	1	GASKET-ADAPTOR PLATE
4	10-19949088		1	SCREW (.250-20 X .875) WITH DRI LOK TORQUE 275 LB IN. <b>8.5 N-M</b>
5	10-19921125		6	SCREW (.312-18 X 1.250) WITH DRI LOK TORQUE 225 LB IN. <b>25.4 N-M</b>
6	10-19921138		2	SCREW (.312-18 X 1.375) WITH DRI LOK TORQUE 225 LB IN. <b>25.4 N-M</b>
7	12-34437		8	WASHER
8	27-826738	+■	1	GASKET-ADAPTOR PLATE
-	<b>27-820751A2</b>		1	<b>GASKET SET-POWERHEAD</b>
-	<b>800-818152A26</b>		1	<b>POWERHEAD ASSEMBLY</b>

● = SUPERSEDES TO ANOTHER PART NUMBER

■ = COMPONENT OF POWERHEAD ASSEMBLY [800-818152A26]

+ = COMPONENT OF POWERHEAD GASKET SET [27-820751A2]

# REED PLATE AND ADAPTER FLANGE





## REED PLATE AND ADAPTER FLANGE

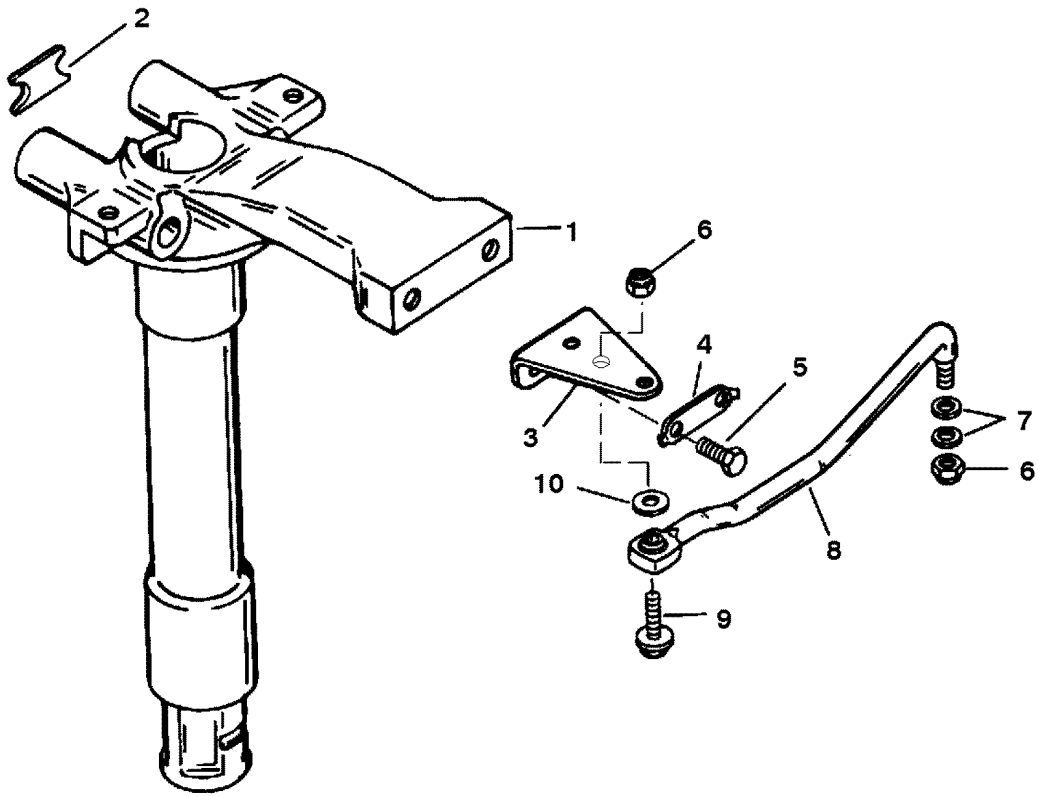
REF. NO.	PART NO.	SYM.	QTY.	DESCRIPTION
1	FA691167	●■	1	ADAPTER KIT-CARBURETOR FLANGE
2	16-826387--1		2	STUD (.375-16 X 1.625)
3	37-817792A1	■	1	DECAL-TIMING (IF APPLICABLE)
4	16-F433209-1		1	STUD (.250-20 X 1.250)-THROTTLE CAM
5	10-819110088	■	6	SCREW (.250-20 X .875)
6	10-F2192	■	2	SCREW (.250-20 X 1.750)
7	11-86226		2	NUT (.375-16)
8	27-F433168	+■	1	GASKET-CARBURETOR ADAPTER
9	10-826379	■	4	SCREW (#10-24 X .500) WITH DRI LOK
10	819807--1	■	1	PLATE-DEFLECTOR
11	27-F433406	+■	1	GASKET-DEFLECTOR PLATE
12	FA658158	■	2	PLATE ASSEMBLY-REED
13	34-F316160		4	REED (4 PETAL)
14	34-F88161-4		4	STOP-REED
15	10-819074		16	SCREW (#6-32 X .312)
-	<b>27-820751A2</b>		<b>1</b>	<b>GASKET SET-POWERHEAD</b>
-	<b>800-818152A26</b>		<b>1</b>	<b>POWERHEAD ASSEMBLY</b>

● = SUPERSEDES TO ANOTHER PART NUMBER

■ = COMPONENT OF POWERHEAD ASSEMBLY [800-818152A26]

+ = COMPONENT OF POWERHEAD GASKET SET [27-820751A2]

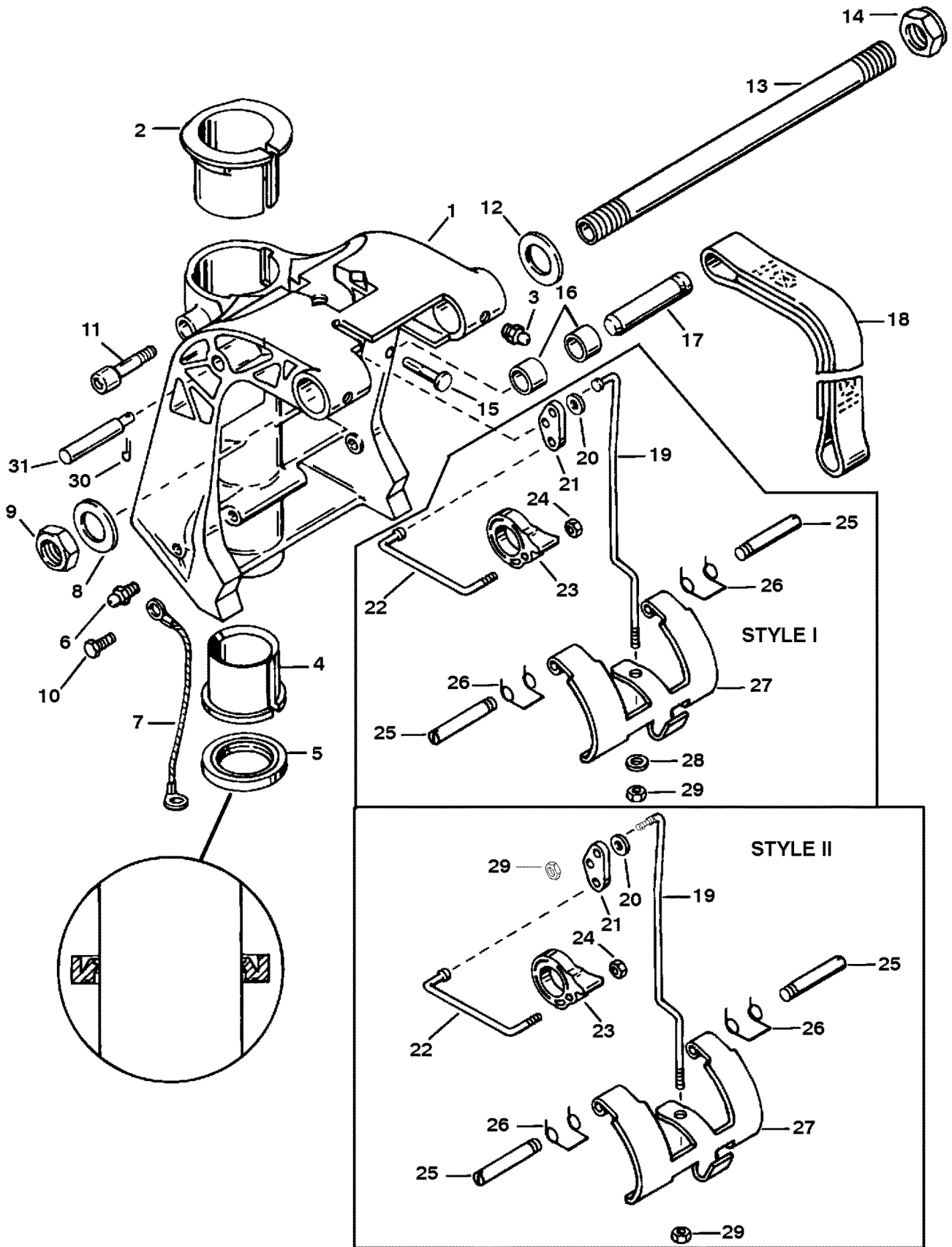
# SWIVEL TUBE



# SWIVEL TUBE

REF. NO.	PART NO.	SYM.	QTY.	DESCRIPTION
1	821769F3		1	SWIVEL HEAD (PAINTED)
2	826658		1	BUMPER
3	816667F3		1	BRACKET (PAINTED)
4	14-816669F1		1	WASHER-TAB (PAINTED)
5	10-40003-77		2	SCREW (M10 X 30)
6	11-34863		2	NUT (.375-24)
7	12-37828		2	WASHER
8	19608--1		1	LINK ROD (STARBOARD)
	19609--1		OPT	LINK ROD (PORT)
9	10-14000		1	SCREW (.375-24 X 1.250)
10	12-71970		1	WASHER

# SWIVEL BRACKET



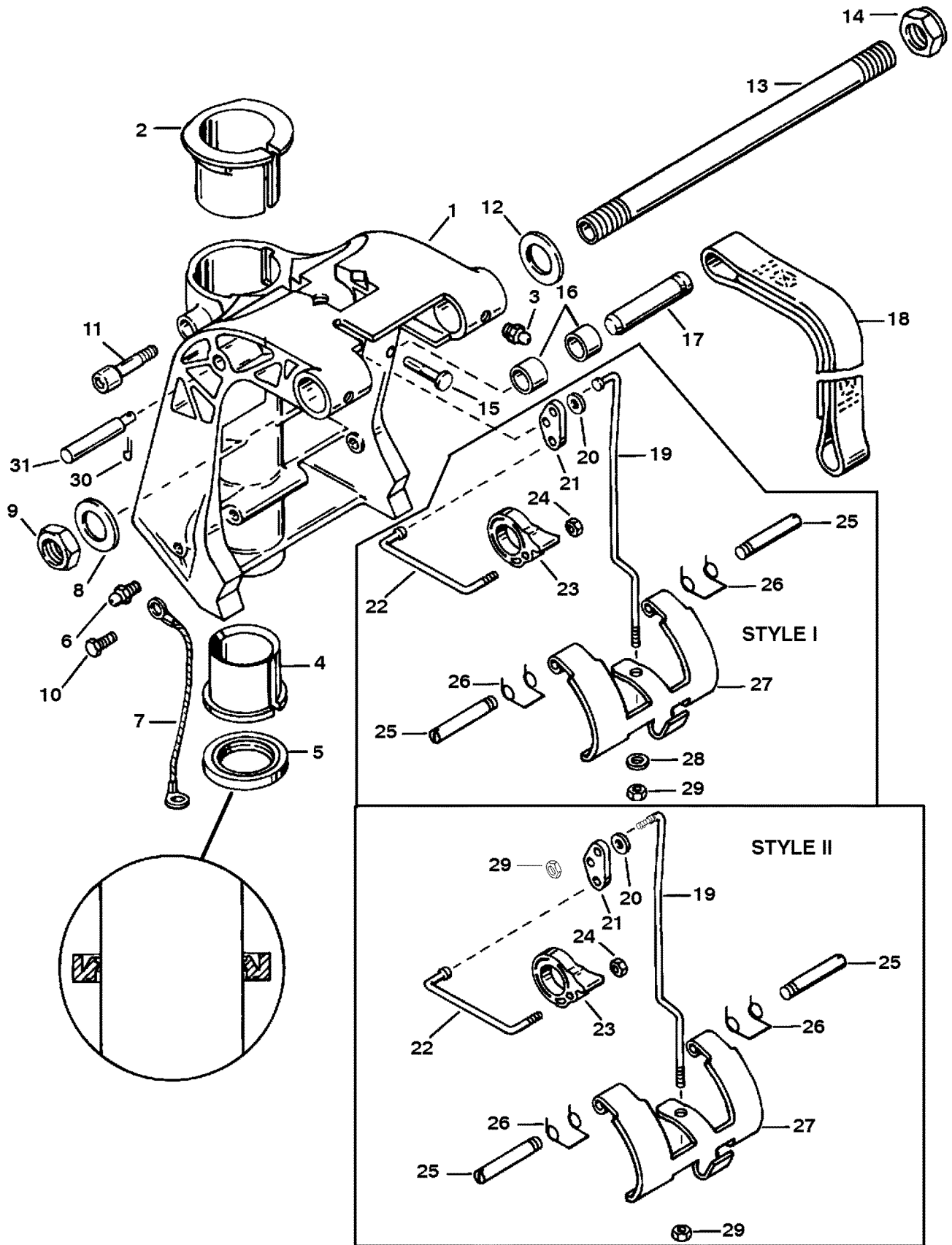
# SWIVEL BRACKET

REF. NO.	PART NO.	SYM.	QTY.	DESCRIPTION
1	3410-821772A5		1	BRACKET ASSEMBLY-SWIVEL (PAINTED)
2	23-821771--1		1	BUSHING (UPPER)
3	22-74036		2	FITTING-GREASE
4	23-821777		1	BUSHING (LOWER)
5	26-822404		1	SEAL
6	22-74036		1	FITTING-GREASE
7	88238A11		1	CABLE ASSEMBLY
8	12-19619		1	WASHER
9	11-826164		1	NUT (.875-14) <b>TORQUE 32 LB FT. 43.4 N-M</b>
10	10-817626		1	SCREW (#10-16 X .375)-GROUND STRAP
11	10-40089-10		1	SCREW (M8 X 10)-SOCKET HEAD
12	12-19619		1	WASHER
13	19614		1	TILT TUBE
14	11-826164		1	NUT (.875-14)
15	17-821539		1	PIN (TRILOBE) <b>TORQUE 32 LB FT. 43.4 N-M</b>
16	23-823507		2	BUSHING
17	17-822480		1	PIVOT PIN (UPPER)
18	821775--1		1	STRAP-TILT STOP
19	821805--1	●	1	LINK-REVERSE LOCK (.125 DIA.) <b>MANUAL TILT MODELS STYLE I</b>
20	12-71055		1	WASHER <b>MANUAL TILT MODELS STYLE I</b>
21	825181	●	1	ARM-REVERSE LOCK <b>MANUAL TILT MODELS STYLE I</b>
22	821800		1	LINK-REVERSE LOCK (UPPER) <b>MANUAL TILT MODELS STYLE I</b>
23	821798--1		1	LEVER-REVERSE LOCK (RED) <b>MANUAL TILT MODELS STYLE I</b>
24	11-F1669		1	NUT (#6-32) <b>MANUAL TILT MODELS STYLE I</b>
25	826578		2	PIN-REVERSE LOCK <b>MANUAL TILT MODELS STYLE I</b>
26	24-F366300		2	SPRING-REVERSE LOCK <b>MANUAL TILT MODELS STYLE I</b>
27	828986		1	LOCK-REVERSE <b>MANUAL TILT MODELS STYLE I</b>
28	12-27882		1	WASHER <b>MANUAL TILT MODELS STYLE I</b>
29	11-F1669		1	NUT (#6-32) <b>MANUAL TILT MODELS STYLE I</b>
30	18-27769		1	PIN-COTTER <b>MANUAL TILT MODELS STYLE I</b>
31	821799		1	PIVOT PIN-REVERSE LOCK <b>MANUAL TILT MODELS STYLE I</b>
19	821805--2		1	LINK-REVERSE LOCK (.187 DIA.) <b>MANUAL TILT MODELS STYLE II</b>
20	12-71055		1	WASHER <b>MANUAL TILT MODELS STYLE II</b>
21	825181--1		1	ARM-REVERSE LOCK <b>MANUAL TILT MODELS STYLE II</b>
22	821800		1	LINK-REVERSE LOCK (UPPER) <b>MANUAL TILT MODELS STYLE II</b>
23	821798--1		1	LEVER-REVERSE LOCK (RED) <b>MANUAL TILT MODELS STYLE II</b>
24	11-F1669		1	NUT (#6-32) <b>MANUAL TILT MODELS STYLE II</b>
25	826578		2	PIN-REVERSE LOCK <b>MANUAL TILT MODELS STYLE II</b>

● = SUPERSEDES TO ANOTHER PART NUMBER

CONTINUED ON NEXT PAGE ➡

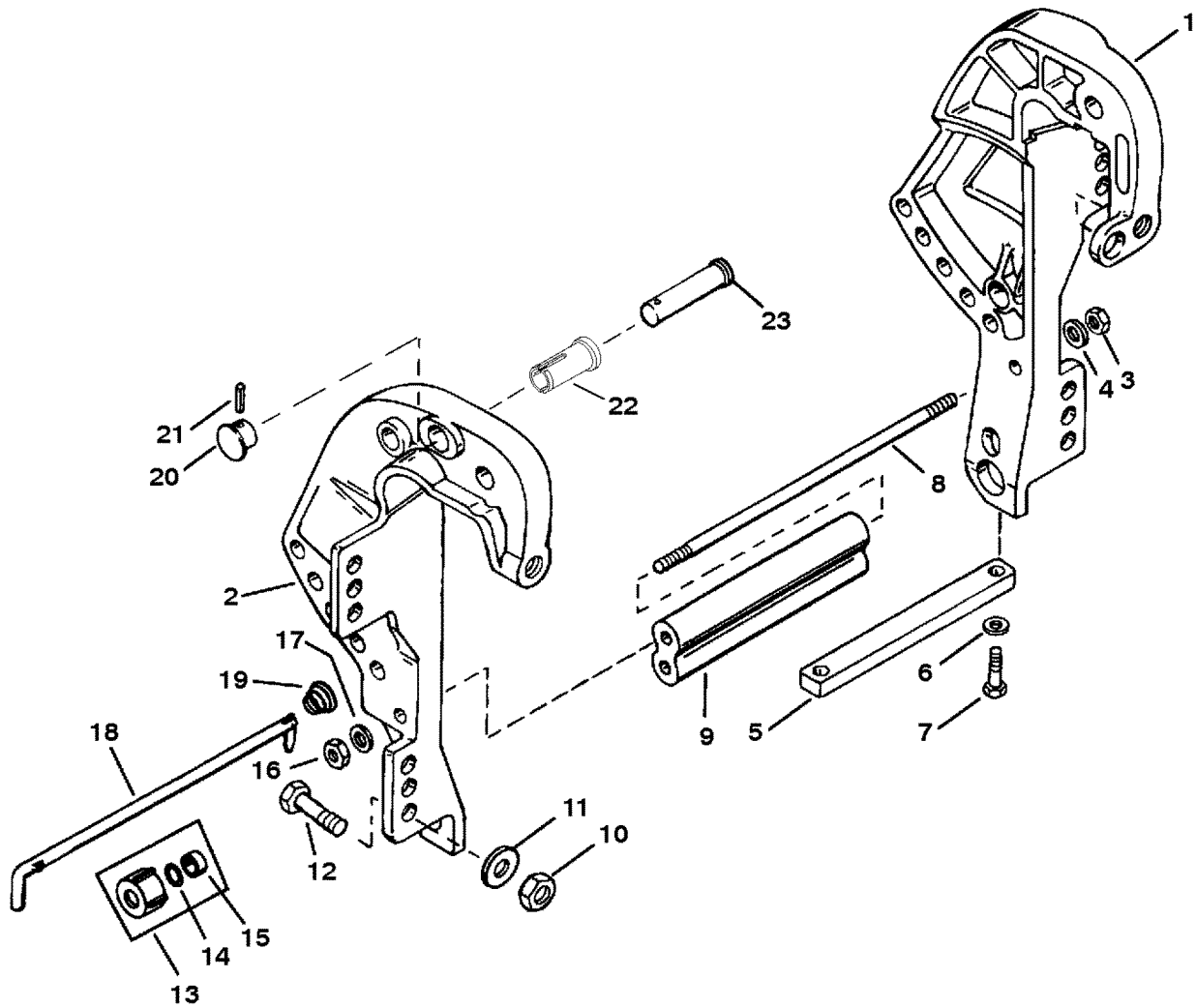
# SWIVEL BRACKET



# SWIVEL BRACKET

REF. NO.	PART NO.	SYM.	QTY.	DESCRIPTION
26	24-F366300		2	SPRING-REVERSE LOCK MANUAL TILT MODELS STYLE II
27	828986--1		1	LOCK-REVERSE MANUAL TILT MODELS STYLE II
28	12-27882		1	WASHER MANUAL TILT MODELS STYLE II
29	11-29488		2	NUT (#10-32) MANUAL TILT MODELS STYLE II
30	18-27769		1	PIN-COTTER MANUAL TILT MODELS STYLE II
31	821799		1	PIVOT PIN-REVERSE LOCK MANUAL TILT MODELS STYLE II
NS	37-830253		1	DECAL-TILT LOCK (MANUAL TILT MODELS)

# CLAMP BRACKET

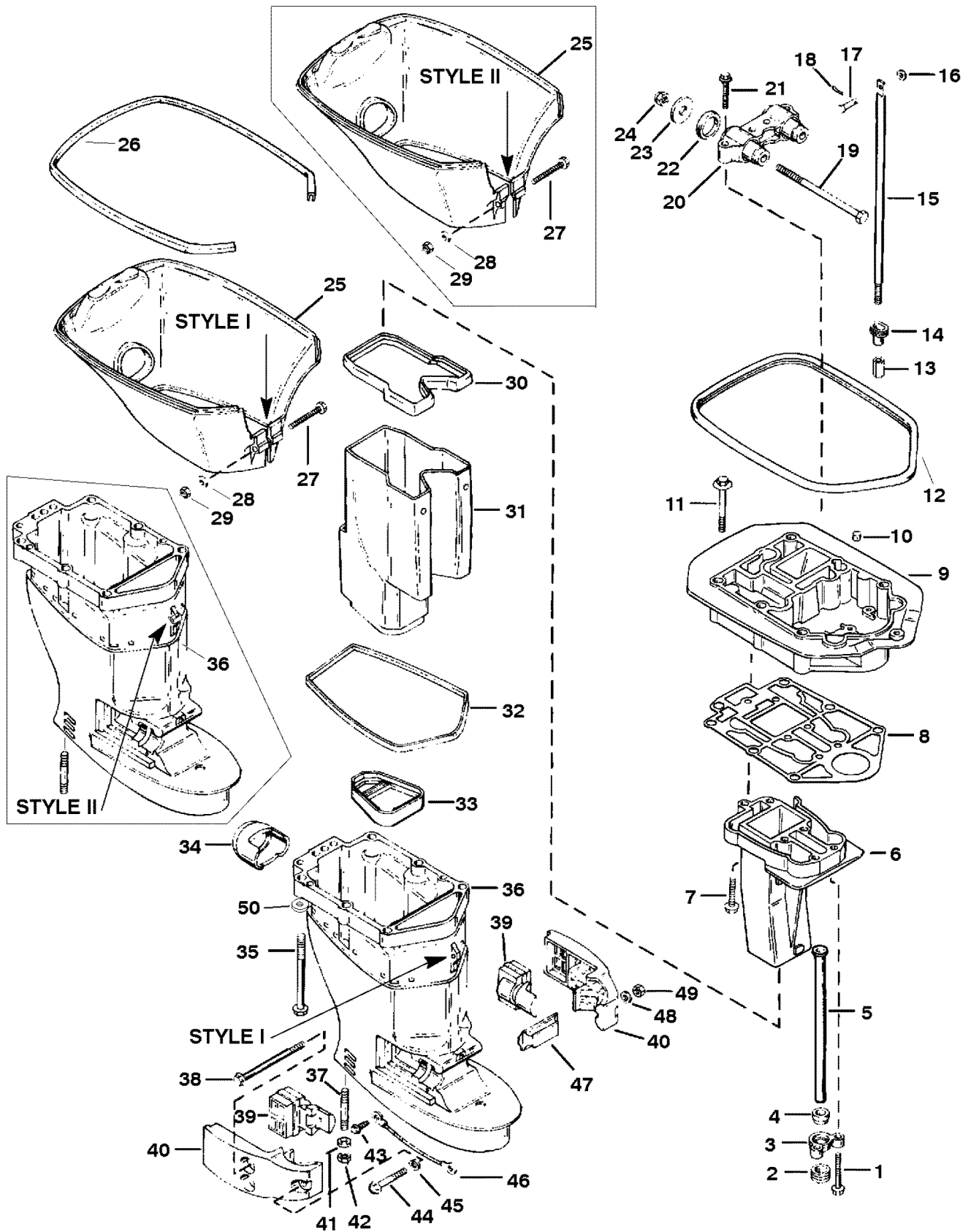




# CLAMP BRACKET

REF. NO.	PART NO.	SYM.	QTY.	DESCRIPTION
1	3411-821773F5		1	BRACKET-CLAMP (PORT) (PAINTED)
2	3411-821774F5		1	BRACKET-CLAMP (STARBOARD) (PAINTED)
3	11-13914		1	NUT (M10) (MANUAL TILT MODELS) TORQUE 28 LB FT 37.9 N-M
4	12-40023-19		1	WASHER (MANUAL TILT MODELS)
5	825271		1	ANODE
6	12-29245		2	WASHER
7	10-40003-30		2	SCREW (M6 X 25) TORQUE 60 LB IN. 6.8 N-M
8	16-823656		1	STUD (M10 X 277) (MANUAL TILT MODELS)
9	23-824952		1	SPACER (MANUAL TILT MODELS)
10	11-91962		2	NUT (.500-20)
11	12-28421		2	WASHER
12	10-814259		2	SCREW (.500-20 X 4.00)
13	19624A1		1	SEAL KIT
14	25-29619		1	O RING
15	23-78861		1	SPACER
16	11-13914		1	NUT (M10) (MANUAL TILT MODELS) TORQUE 28 LB FT. 37.9 N-M
17	12-40023-19		1	WASHER (MANUAL TILT MODELS)
18	17-821457A1		1	PIN ASSEMBLY-TILT LOCK
19	24-821461		1	SPRING-TILT LOCK PIN (MANUAL TILT MODELS)
20	822401		1	CAP-TILT STOP PIN
21	17-25319		1	PIN-ROLL
22	23-823589		1	BUSHING
23	17-822400--1		1	PIN-TILT STOP

# DRIVESHAFT HOUSING



# DRIVESHAFT HOUSING

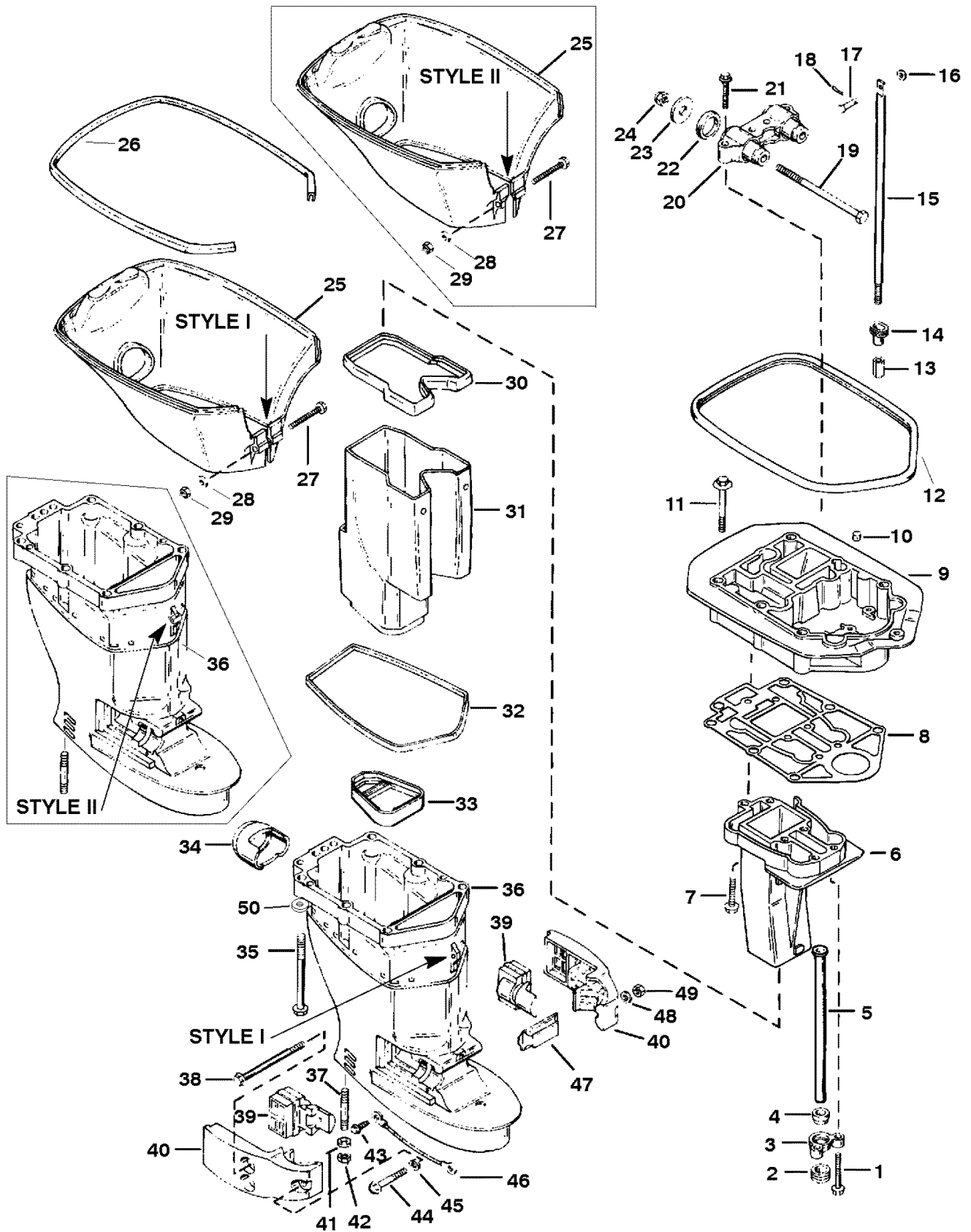
REF. NO.	PART NO.	SYM.	QTY.	DESCRIPTION
1	10-40011155		2	SCREW (M8 X 55)
2	25-93221		1	GROMMET-WATER TUBE
3	99019		1	CLAMP-WATER TUBE
4	42941	+	1	SEAL-WATER TUBE
5	32-43014--3		1	TUBE-WATER
6	820069--1		1	TUBE-EXHAUST <b>TORQUE 220 LB IN. 25 N-M</b>
7	10-40011153		3	SCREW (M8 X 45) <b>TORQUE 220 LB IN. 25 N-M</b>
8	27-826739	+	1	GASKET-EXHAUST TUBE/ADAPTOR PLATE <b>TORQUE 220 LB IN. 25 N-M</b>
9	820268A1		1	PLATE ASSEMBLY-ADAPTOR-LOWER <b>TORQUE 220 LB IN. 25 N-M</b>
10	17-23784		4	PIN-DOWEL <b>TORQUE 220 LB IN. 25 N-M</b>
11	10-40108-75		1	SCREW (M10 X 75) <b>TORQUE 220 LB IN. 25 N-M</b>
12	821510		1	SEAL-BOTTOM COWL
13	822419		1	COUPLER
14	25-822408		1	GROMMET-SHIFT SHAFT
15	822418		1	SHAFT-SHIFT UPPER
16	12-89302		1	WASHER
17	17-822417		1	PIN-SHIFT LINK
18	18-26953--1		1	PIN-COTTER
19	10-822396		2	SCREW (M12 X 162)
20	812893		1	MOUNT
21	10-40011153		4	SCREW (M8 X 45) <b>TORQUE 220 LB IN. 25 N-M</b>
22	12-93416	●	2	WASHER
23	12-28421		2	WASHER
24	11-90099		2	NUT (M12) <b>TORQUE 50 LB FT. 67.8 N-M</b>
25	821512A3	●	1	TRIM COVER ASSY (PAINTED) (STYLE I)
	821512A6		1	TRIM COVER ASSY (PAINTED) (STYLE II)
26	822421		1	BUMPER-TRIM COVER
27	10-826173		1	SCREW (M5 X 60)
28	12-73288		1	WASHER
29	11-40026--3		1	NUT (M5)
30	824942--3		1	SEAL-EXHAUST BUCKET
31	824795		1	BUCKET-EXHAUST
32	827023--1		1	BUMPER-TRIM COVER
33	822395		1	SEAL-EXHAUST TUBE
34	822422		1	SEAL-IDLE RELIEF
35	10-40003-86		6	SCREW (M10 X 100) <b>TORQUE 55 LB FT. 75 N-M</b>
36	3531-821447A3	●	1	DRIVESHAFT HOUSING ASSY (PAINTED) (STYLE I)
	3531-821447A6		1	DRIVESHAFT HOUSING ASSY (PAINTED) (STYLE II)
37	16-823984		1	STUD (M10 X 50)
38	10-824459120		2	SCREW (M8 X 120)

● = SUPERSEDES TO ANOTHER PART NUMBER

+ = COMPONENT OF POWERHEAD GASKET SET [27-820751A2]

CONTINUED ON NEXT PAGE ➡

# DRIVESHAFT HOUSING

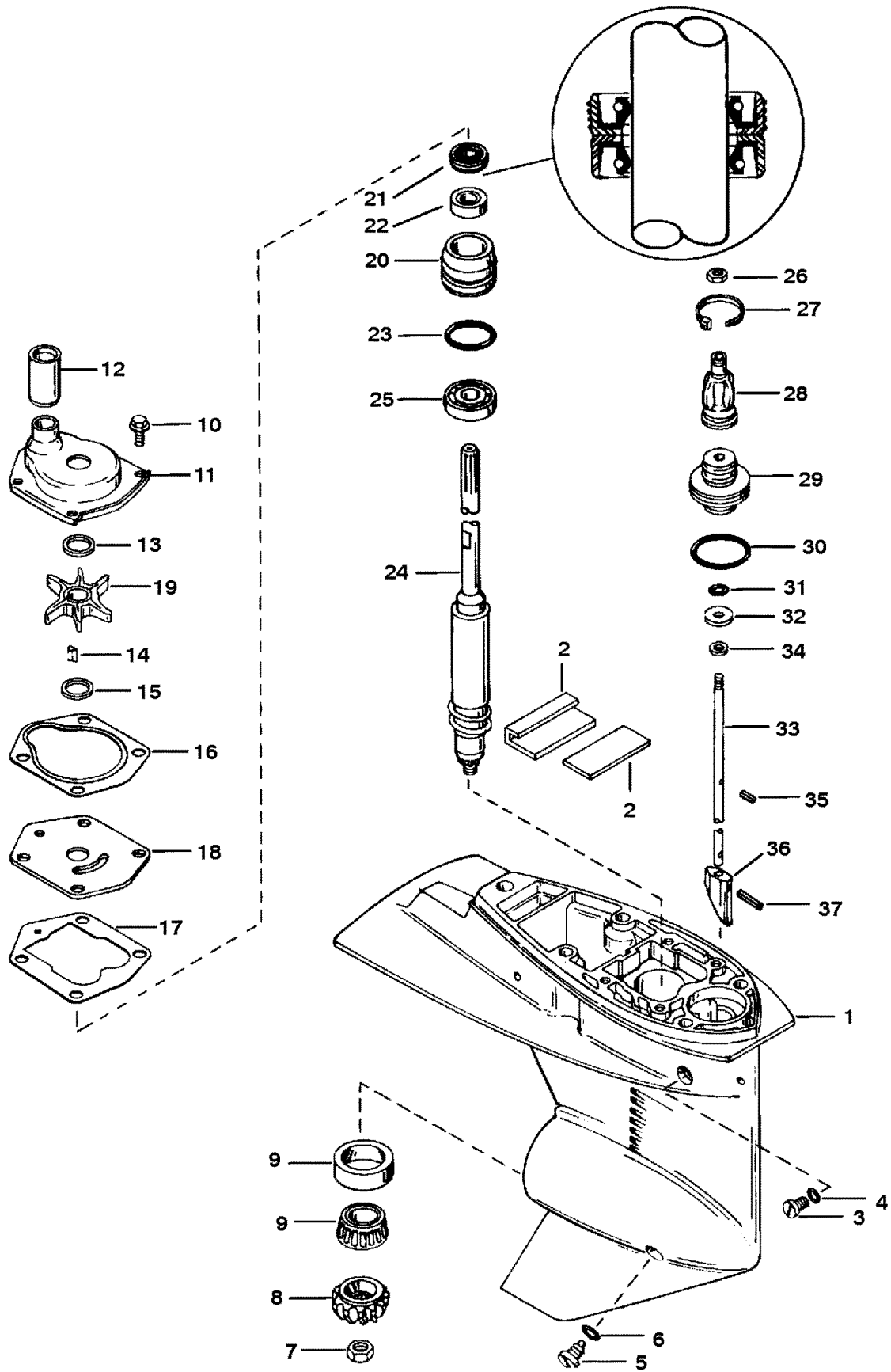


# DRIVESHAFT HOUSING

REF. NO.	PART NO.	SYM.	QTY.	DESCRIPTION
39	821781--2		2	MOUNT (LOWER)
40	821780F3	●	2	COVER-MOUNT (PAINTED)
41	12-45175		1	WASHER
42	11-13914		1	NUT (M10)
43	10-817626		1	SCREW (#10-16 X .375)
44	10-824459-65		1	SCREW (M8 X 65)
45	13-72521		1	LOCKWASHER (.312 INTERNAL)
46	88238A11		1	CABLE ASSEMBLY
47	821782--1		1	BUMPER (FRONT)
48	12-36001		3	WASHER
49	11-40119--8		3	NUT (M8 X 1.25) <b>TORQUE 20 LB FT. 27.1 N-M</b>
50	12-45175		6	WASHER
-	<b>27-820751A2</b>		<b>1</b>	<b>GASKET SET-POWERHEAD</b>

● = SUPERSEDES TO ANOTHER PART NUMBER

# GEAR HOUSING ASSEMBLY (DRIVESHAFT)



## GEAR HOUSING ASSEMBLY (DRIVESHAFT)

REF. NO.	PART NO.	SYM.	QTY.	DESCRIPTION
1	1682-821306A16		1	GEAR HOUSING ASSEMBLY (COMPLETE) (PAINTED)
	1682-821306A15		1	GEAR HOUSING ASSEMBLY (BASIC) (PAINTED)
2	818226A1		1	SEAL/PLATE KIT
3	10-79953A2		1	SCREW KIT-DRAIN (.375-16 X .250) <b>TORQUE 60 LB IN. 6.8 N-M</b>
4	12-19183		1	WASHER-SEALING
5	22-67892A1		1	PLUG KIT-DRAIN (MAGNETIC) <b>TORQUE 60 LB IN. 6.8 N-M</b>
6	12-19183		1	WASHER-SEALING
7	11-55910		1	NUT-SPECIAL (.437-20) <b>TORQUE 50 LB FT. 68.7 N-M</b>
8	43-821326	●	1	GEAR-PINION
9	31-821321A2		1	BEARING ASSEMBLY (CONE & CUP)
10	10-824832--4		4	SCREW (M6 X 16)
11	46-821351A2		1	PUMP KIT-WATER
12	823547--1	❖♥	1	SEAL-WATER TUBE
13	12-86645--1	❖♥	1	WASHER
14	28-85119	❖	1	KEY
15	12-86645--1	❖♥	1	WASHER
16	27-822189	❖♥	1	GASKET
17	27-822217	❖♥	1	GASKET (LOWER)
18	821354--1	♥●	1	FACEPLATE-WATER PUMP
19	47-85089--3	♥	1	IMPELLER
20	46-821307A2		1	BASE ASSEMBLY-WATER PUMP
21	26-821309	❖	1	SEAL-OIL
22	26-821310	❖	1	SEAL-OIL
23	25-821308	❖	1	O RING
24	45-822159A1		1	DRIVESHAFT ASSEMBLY
25	30-821311		1	BEARING-BALL
26	11-40021--2		1	NUT (M6) (INCLUDED WITH REF # 33)
27	823548	❖	1	CABLE TIE
28	822158	❖	1	BOOT-SHIFT SHAFT
29	821827		1	RETAINER-SHIFT SHAFT
30	25-26855	❖	1	O RING
31	25-85594	❖	1	O RING
32	12-814803		1	WASHER
33	821319A1		1	SHAFT ASSEMBLY-SHIFT
34	12-29245		1	WASHER

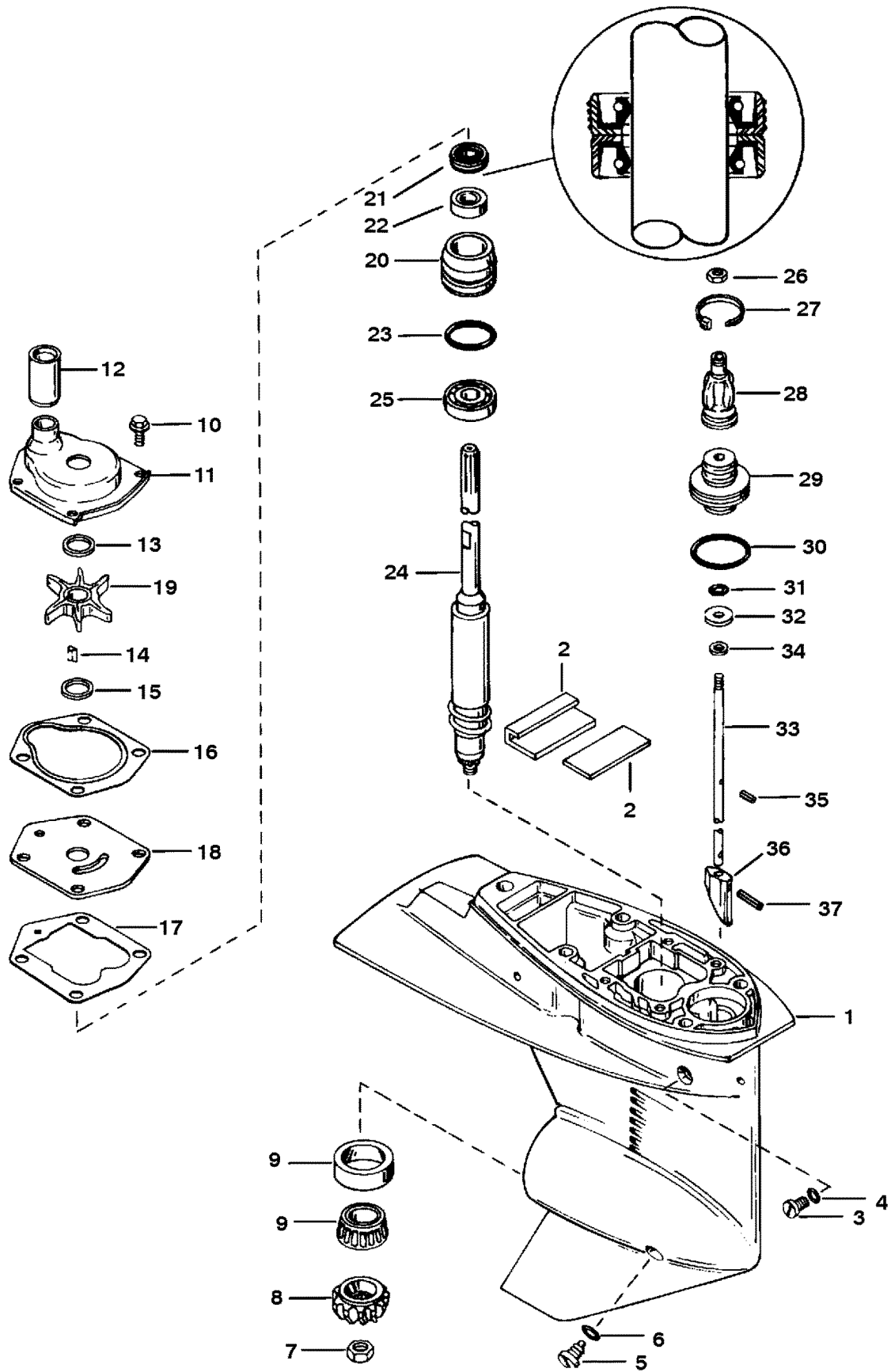
● = SUPERSEDES TO ANOTHER PART NUMBER

❖ = COMPONENT OF GEAR HOUSING SEAL KIT [823547A1]

♥ = COMPONENT OF WATER PUMP REPAIR KIT [821354A1]

CONTINUED ON NEXT PAGE ➡

# GEAR HOUSING ASSEMBLY (DRIVESHAFT)

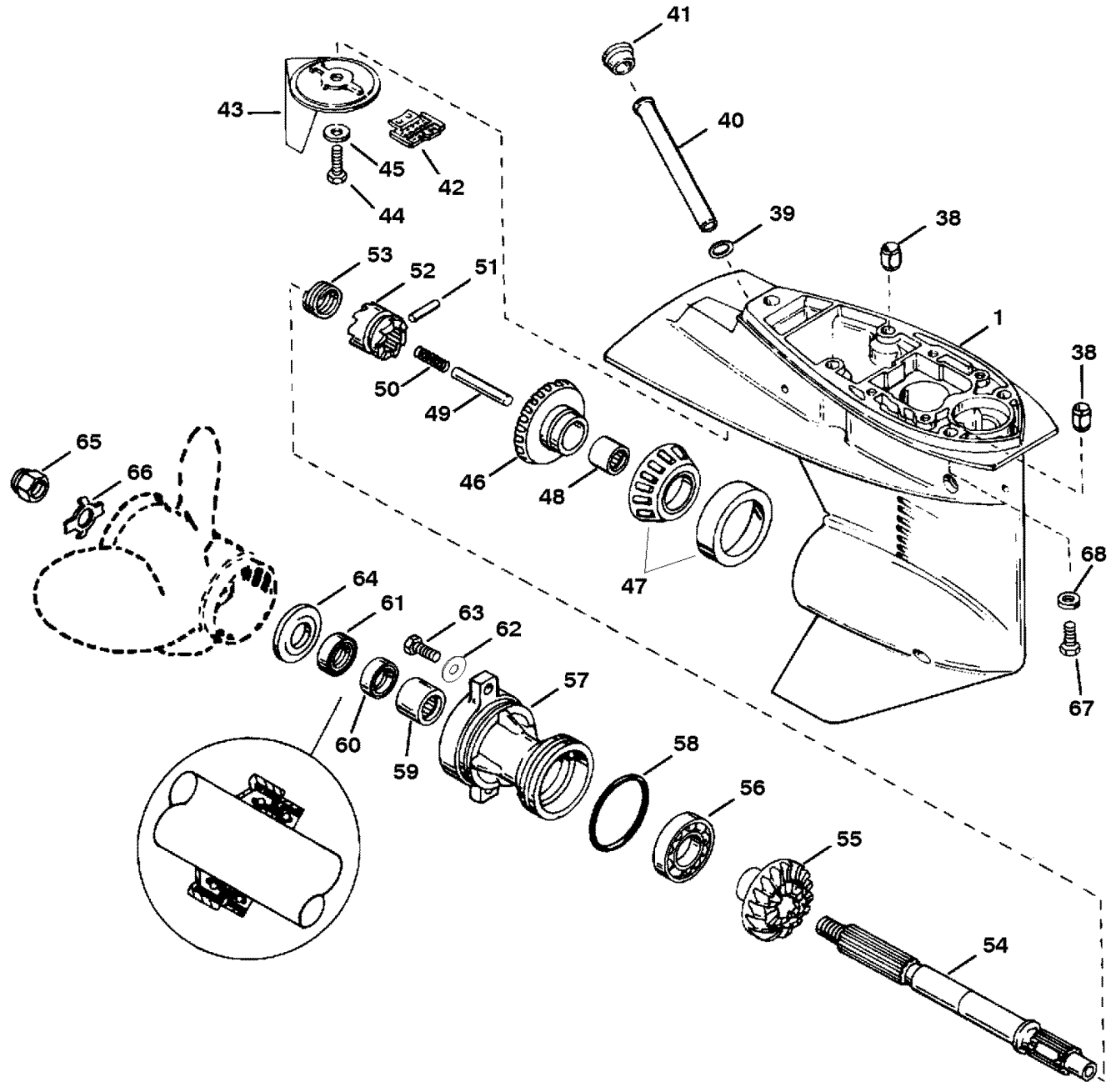




## GEAR HOUSING ASSEMBLY (DRIVESHAFT)

REF. NO.	PART NO.	SYM.	QTY.	DESCRIPTION
35	17-85593		1	PIN-ROLL
36	821316--1		1	CAM-SHIFT
37	17-822369		1	PIN
-	<b>823547A1</b>		<b>1</b>	<b>SEAL KIT-GEAR HOUSING</b>
-	<b>821354A1</b>		<b>1</b>	<b>REPAIR KIT-WATER PUMP</b>

# GEAR HOUSING ASSEMBLY (PROPELLER SHAFT)



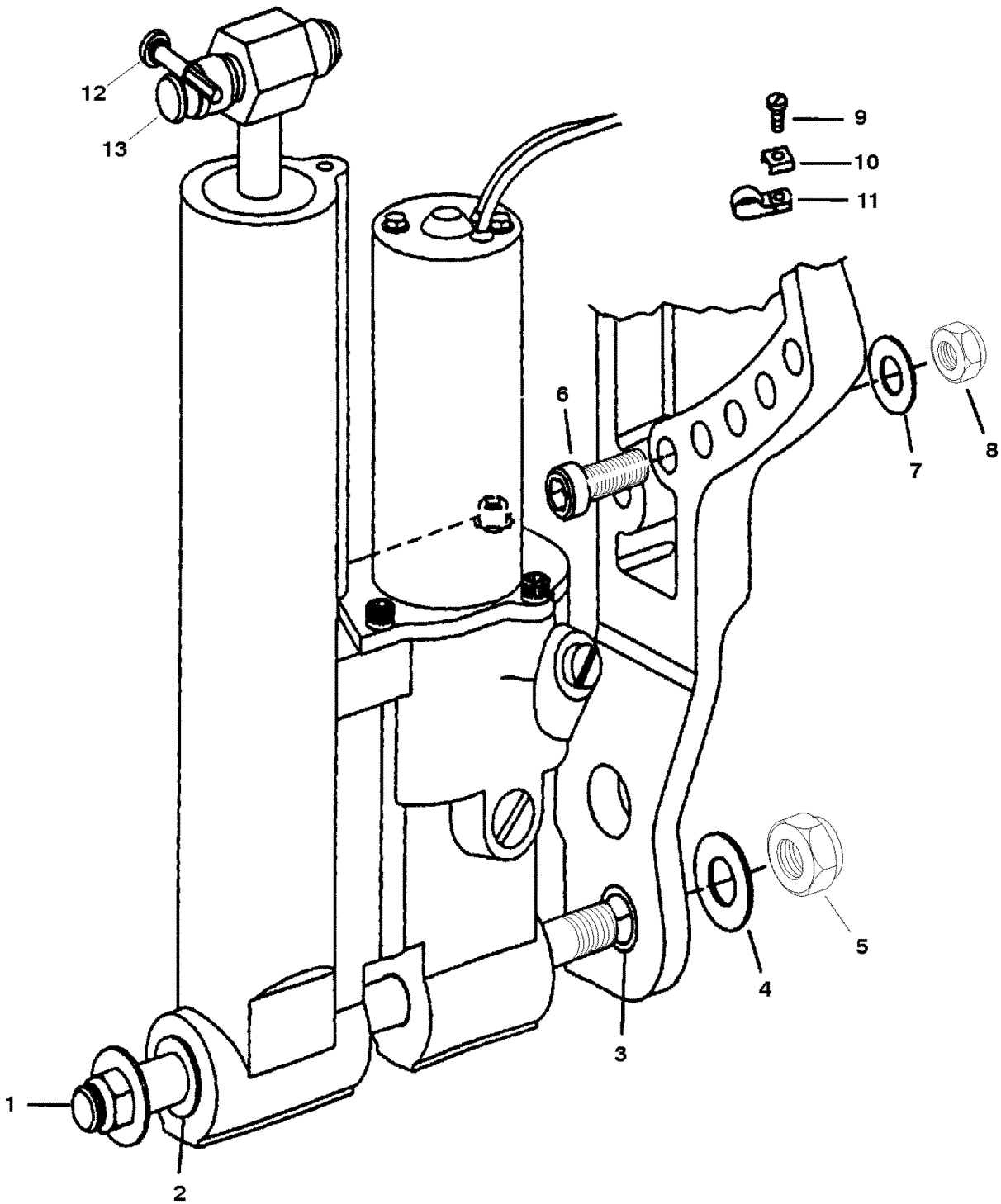
## GEAR HOUSING ASSEMBLY (PROPELLER SHAFT)

REF. NO.	PART NO.	SYM.	QTY.	DESCRIPTION
1	1682-821306A16		1	GEAR HOUSING ASSEMBLY (COMPLETE) (PAINTED)
	1682-821306A15		1	GEAR HOUSING ASSEMBLY (BASIC) (PAINTED)
38	17-821327		2	PIN-DOWEL
39	27-823942		1	GASKET-WATER TUBE
40	32-821828		1	TUBE-WATER
41	19-824928		1	PLUG-RUBBER
42	821829		1	SCREEN-WATER INLET
43	822157C2		1	TRIM TAB
44	10-824970-20		1	SCREW (M8 X 20) <b>TORQUE 109 LB IN. 12.3 N-M</b>
45	12-72397		1	WASHER
46	43-821315A1		1	GEAR ASSEMBLY-FORWARD
47	31-99328A1		1	BEARING ASSEMBLY (CONE & CUP)
48	31-41326		1	BEARING-ROLLER
49	821578		1	FOLLOWER-CAM
50	24-826199--1		1	SPRING
51	17-85093		1	PIN-CROSS
52	52-821314		1	CLUTCH
53	24-38114		1	SPRING-CLUTCH
54	44-821577--1	●	1	SHAFT-PROPELLER
55	43-821312	●	1	GEAR-REVERSE
56	30-20839		1	BEARING-BALL
57	19291A3		1	CARRIER ASSEMBLY-BEARING
58	25-815460	❖	1	O RING
59	31-21700		1	BEARING-NEEDLE
60	26-69188	❖	1	SEAL-OIL
61	26-69189	❖	1	SEAL-OIL
62	12-70132		2	WASHER
63	10-40003-53		2	SCREW (M8 X 25)
64	73345A1		1	HUB-THRUST <b>TORQUE 200 LB IN. 22.6 N-M</b>
65	11-69578A1		1	NUT KIT-PROPELLER
66	14-76281		1	TAB WASHER <b>TORQUE 55 LB FT. 74.6 N-M</b>
67	10-40003-80		4	SCREW (M10 X 45)
68	12-45176		4	WASHER
-	<b>823547A1</b>		<b>1</b>	<b>SEAL KIT-GEAR HOUSING</b>

● = SUPERSEDES TO ANOTHER PART NUMBER

❖ = COMPONENT OF GEAR HOUSING SEAL KIT [823547A1]

# POWER TRIM MOUNTING

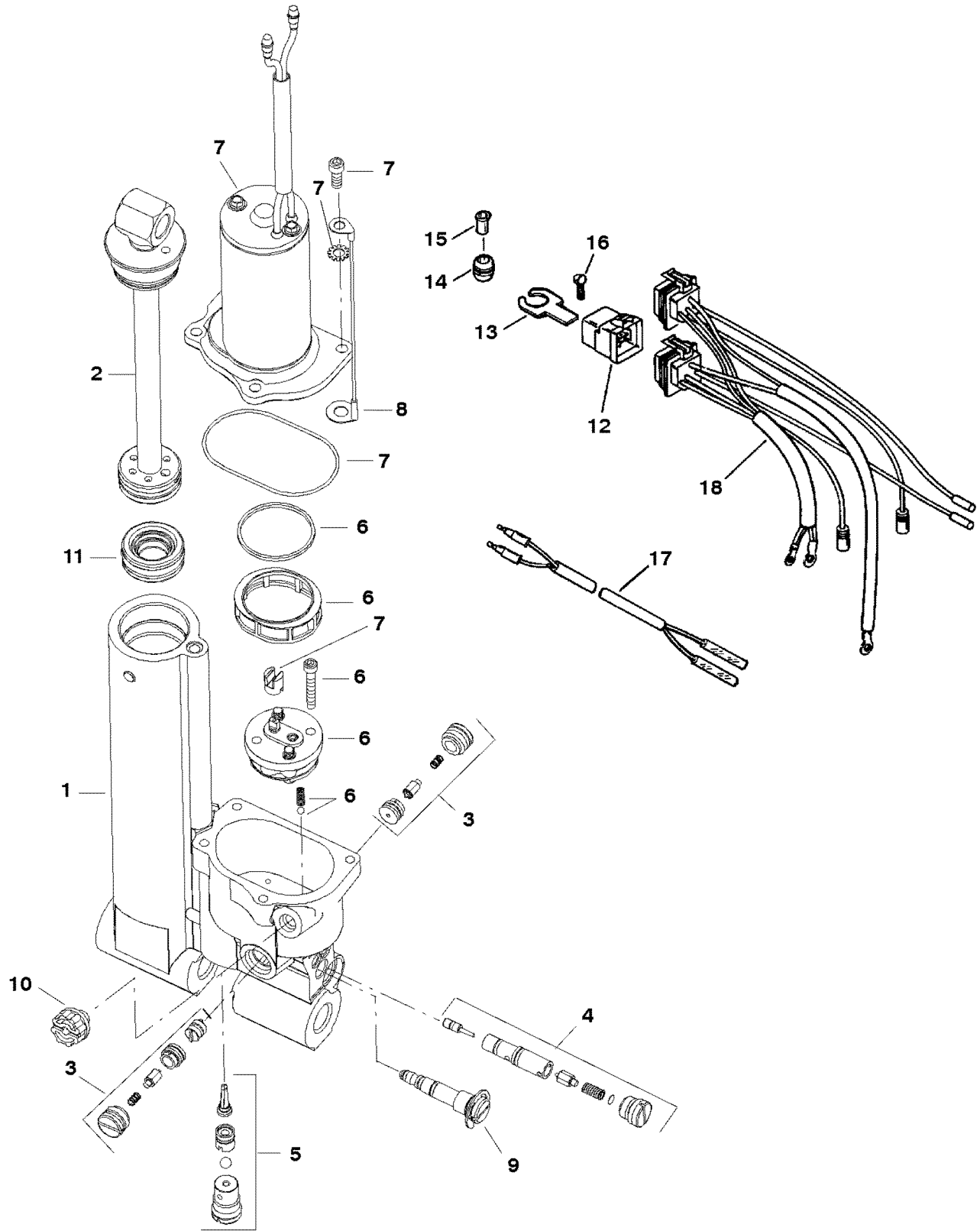


# POWER TRIM MOUNTING

REF. NO.	PART NO.	SYM.	QTY.	DESCRIPTION
1	17-822481	■	1	PIN-ANCHOR-LOWER PIVOT (14MM)
2	23-822482	■	2	BUSHING
3	23-822484	■	2	BUSHING
4	12-825190	■	2	WASHER
5	11-40134-14	■	2	NUT (M14)
6	10-40090-40	■	2	SCREW (M10 X 40)
7	12-40023-19	■	2	WASHER
8	11-40119-10	■	2	NUT (M10)
9	10-812832--1	■	1	SCREW (#10-16 X .625)
10	69205	■	1	C WASHER
11	54-22740	■	2	CLIP-TRIM CABLE
12	17-821539	■	1	PIN-TRILOBE
13	17-822480		1	PIVOT PIN (UPPER)
-	<b>822344A7</b>		<b>1</b>	<b>POWER TRIM ASSEMBLY (COMPLETE)</b>

■ = COMPONENT OF POWER TRIM ASSEMBLY [822344A7]

# POWER TRIM ASSEMBLY



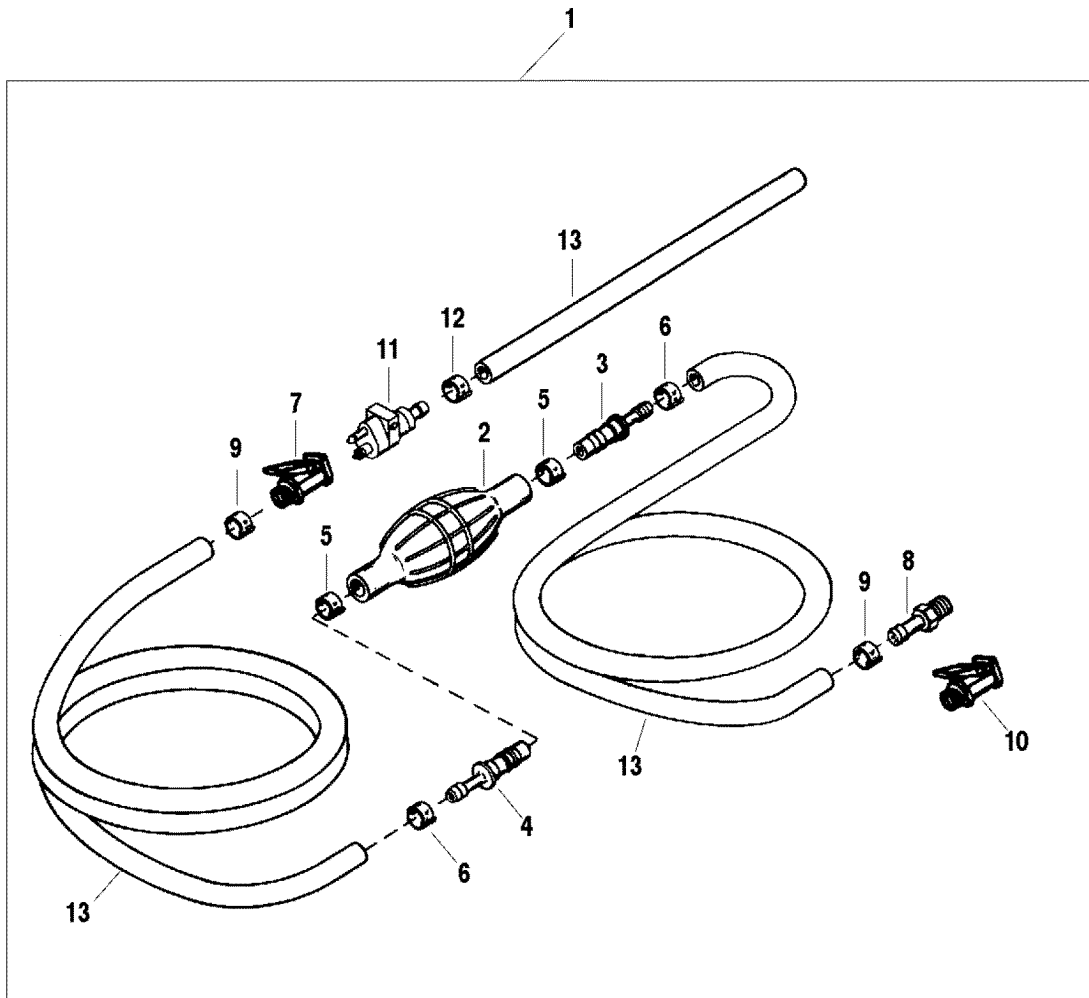
# POWER TRIM ASSEMBLY

REF. NO.	PART NO.	SYM.	QTY.	DESCRIPTION
1	822344A5	■	1	POWER TRIM ASSEMBLY
2	827670A1	●	1	SHOCK ROD ASSEMBLY
3	827671A1		1	PILOT CHECK ASSEMBLY
4	827672A1		1	VALVE ASSEMBLY-TILT RELIEF
5	827673A1		1	SEAT ASSEMBLY-SUCTION
6	827674A1		1	PUMP ASSEMBLY
7	827675A1		1	MOTOR ASSEMBLY
8	88238A15		1	CABLE ASSEMBLY-GROUND
9	813442A2		1	RELIEF VALVE ASSY-MANUAL RELEASE
10	19-811613		1	RESERVOIR PLUG
11	827676		1	MEMORY PISTON
NS	25-827668A1		1	O RING KIT
12	821509	●■	2	RELAY-TRIM
13	821382	■	2	BRACKET-RELAY
14	25-818967	■	2	GROMMET-RELAY BRACKET
15	23-818968	■	2	BUSHING-GROMMET
16	10-40011129	■	2	SCREW (M6 X 25)
17	84-17201A7	■	1	HARNESS ASSEMBLY-TRIM
18	84-819514A10	■	1	HARNESS ASSEMBLY-TRIM
-	<b>822344A7</b>		<b>1</b>	<b>POWER TRIM ASSEMBLY (COMPLETE)</b>

● = SUPERSEDES TO ANOTHER PART NUMBER

■ = COMPONENT OF POWER TRIM ASSEMBLY [822344A7]

# FUEL LINE ASSEMBLY



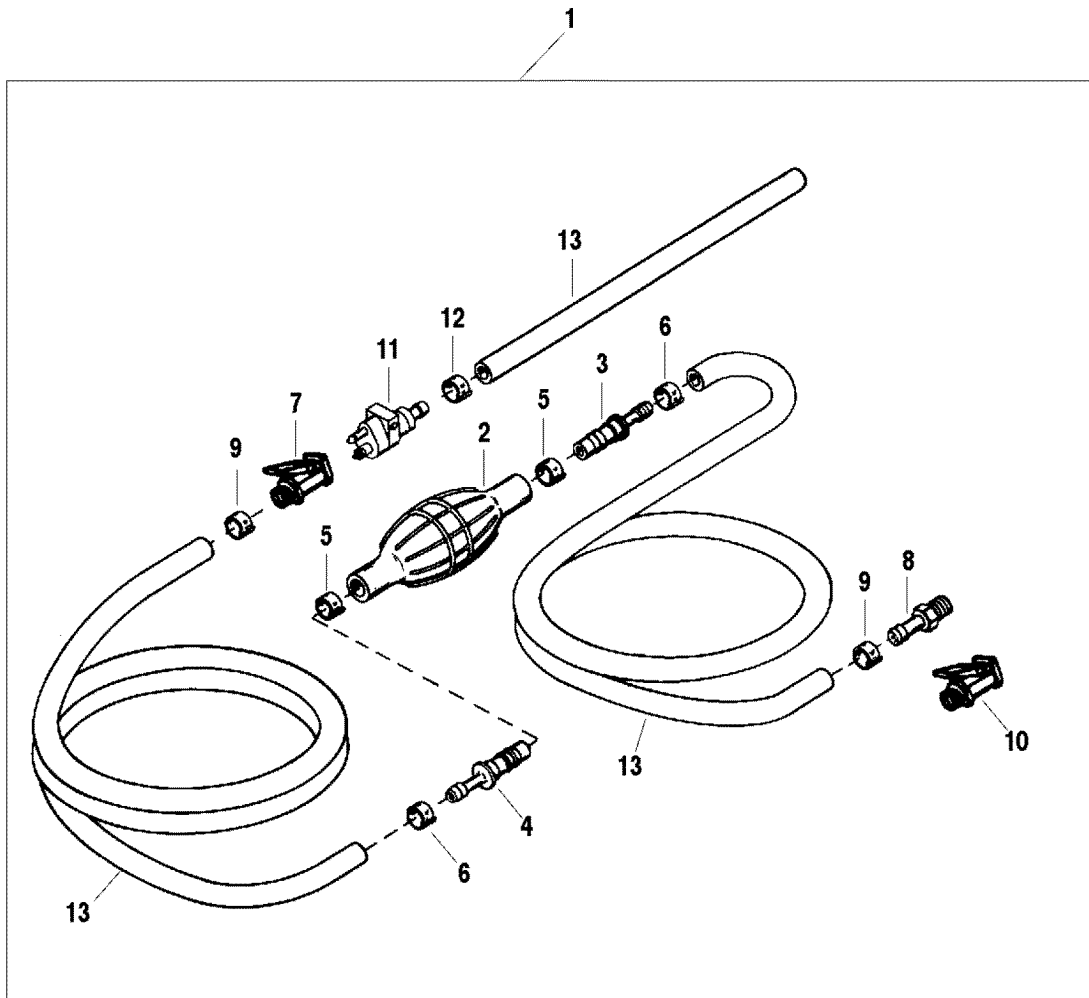


# FUEL LINE ASSEMBLY

REF. NO.	PART NO.	SYM.	QTY.	DESCRIPTION
1	32-17146A8		1	LINE ASSEMBLY-FUEL (8.00 FT.) (30.00 IN. & 60.00 IN.)
	32-17146A12		1	LINE ASSEMBLY-FUEL (12.00 FT.) (30.00 IN. & 108.00 IN.)
2	13330A3		1	BULB ASSEMBLY-PRIMER
3	21-13331A1		1	VALVE-CHECK (INLET)
4	21-13331A2		1	VALVE-CHECK (OUTLET)
5	54-41582-10		2	CLAMP-NYLON (LARGE)
6	54-41582--7		2	CLAMP-NYLON (SMALL)
7	22-13563A3		1	CONNECTOR-ENGINE
8	22-89771--1		1	CONNECTOR (BRASS)-FUEL TANK
9	54-41582--7		OPT	CLAMP (NYLON)
	54-F698772		OPT	CLAMP (SS)
1	32-827927A8		1	LINE ASSEMBLY-FUEL (8.00 FT.) (30.00 IN. & 60.00 IN.)
	32-827927A12		1	LINE ASSEMBLY-FUEL (12.00 FT.) (30.00 IN. & 108.00 IN.)
2	13330A3		1	BULB ASSEMBLY-PRIMER
3	21-13331A1		1	VALVE-CHECK (INLET)
4	21-13331A2		1	VALVE-CHECK (OUTLET)
5	54-41582-10		2	CLAMP-NYLON (LARGE)
6	54-41582--7		2	CLAMP-NYLON (SMALL)
7	22-13563A3		1	CONNECTOR-ENGINE
9	54-41582--7		OPT	CLAMP (NYLON)
	54-F698772		OPT	CLAMP (SS)
10	22-13563A7		1	CONNECTOR-FUEL TANK
1	32-822379A12		1	LINE ASSEMBLY-FUEL (12.00 FT.) (30.00 IN. & 108.00 IN.)
2	13330A3		1	BULB ASSEMBLY-PRIMER
3	21-13331A1		1	VALVE-CHECK (INLET)
4	21-13331A2		1	VALVE-CHECK (OUTLET)
5	54-41582-10		2	CLAMP-NYLON (LARGE)
6	54-41582--7		2	CLAMP-NYLON (SMALL)
9	54-41582--7		OPT	CLAMP (NYLON)
	54-F698772		OPT	CLAMP (SS)
1	32-16789A26		1	LINE ASSEMBLY-FUEL (8.00 FT.) (18.00 IN. & 72.00 IN.)
2	13330A3		1	BULB ASSEMBLY-PRIMER
3	21-13331A1		1	VALVE-CHECK (INLET)
4	21-13331A2		1	VALVE-CHECK (OUTLET)
5	54-41582-10		2	CLAMP-NYLON (LARGE)
6	54-41582--7		2	CLAMP-NYLON (SMALL)
7	22-13563A3		1	CONNECTOR-ENGINE
9	54-F698772		OPT	CLAMP

CONTINUED ON NEXT PAGE ➡

# FUEL LINE ASSEMBLY



# FUEL LINE ASSEMBLY

REF. NO.	PART NO.	SYM.	QTY.	DESCRIPTION
11	22-816856A3		1	CONNECTOR ASSEMBLY-FUEL
12	54-41582--7		OPT	CLAMP (NYLON)
	54-F698772		OPT	CLAMP (SS)
13	32-16789-78		AR	LINE-FUEL-BULK (9.00 FT.) CUT AS REQ'D
	32-16789100		AR	LINE-FUEL-BULK (100.00 FT.) CUT AS REQ'D

# TOOLS - SPECIAL

REF. NO.	PART NO.	SYM.	QTY.	DESCRIPTION
-	91-73687A2		1	PULLER KIT-FLYWHEEL
-	91-24161		1	CAP-FLYWHEEL PULLER
-	10-818494		1	SCREW-SPECIAL
-	91-52344		1	HOLDER TOOL-FLYWHEEL
-	91-77109A2		1	INSTALLER KIT-PISTON PIN LOCK RING
-	25-69756		1	O RING
-	98530		1	KNOB-HANDLE
-	91-79250A2		1	GAUGE KIT-WATER PRESSURE
-	91-52952A1		1	REMOVAL TOOL-PISTON PIN LOCK RING
-	FT2991		1	BRUSH-WIRE-CARBON REMOVER
-	FT2953		1	SOCKET-CONNECTING ROD SCREWS
-	FT8925		1	INSTALLER TOOL-LOWER MAIN SEAL
-	FT2990-1		1	INSTALLER KIT-PISTON PIN
-	91-74607A3		1	INSTALLER KIT-PISTON PIN
-	FT2996		1	COMPRESSOR-PISTON RINGS
-	FT8926	●	1	EXPANDER-PISTON RINGS
-	91-90455		1	EYE-LIFTING-CRANKSHAFT END
-	91-74951		1	WRENCH-SPANNER-TRIM/TILT CYLINDER
-	91-36571		1	WRENCH-DRIVESHAFT BEARING
-	91-826872		1	INSTALLER-FORWARD GEAR BEARING
-	31-85560		1	BEARING
-	91-14308A1		1	RACE TOOL-BEARING
-	91-37241		1	PLATE-BEARING PULLER
-	91-817007		1	INSTALLER-BEARING CARRIER SEALS
-	91-817011		1	INSTALLER-NEEDLE BEARING CARRIER
-	91-825196		1	HOLDING TOOL-DRIVESHAFT
-	91-825197		1	INSTALLER-OIL SEAL
-	91-825198		1	INSTALLER-PINION CUP
-	91-825199		1	INSTALLER-BEARING CUP
-	91-31229A7		1	PULLER KIT-BEARING
-	11-24156		2	WASHER (.656 X 1.312 X .095)
-	12-34961		1	NUT (.625-18)
-	91-29310		1	PLATE
-	91-31229		1	SHAFT
-	91-34569A1		1	PULLER ASSEMBLY-SLIDE HAMMER
-	91-825200A1		1	REMOVER ASSEMBLY-CUP
-	91-828200		1	INSTALLER-FORWARD CUP BEARING

● = SUPERSEDES TO ANOTHER PART NUMBER

## TOOLS - SPECIAL

REF. NO.	PART NO.	SYM.	QTY.	DESCRIPTION
-	91-99379		1	TIMING LIGHT-IGNITION
-	FT2951		1	CIRCUIT TRACER-ELECTRICAL SYSTEM
-	FT8950		1	LEAKAGE TESTER-LOWER UNIT
-	FT11295	●	1	SPARK TESTER-IGNITION SYSTEM
-	FT2938-1		1	CONTINUITY TESTER-ELECTRICAL CIRCUITS
-	84-825207A2		1	HARNESS ASSEMBLY-CDM TESTER
-	91-99750A1		1	MULTIMETER TESTER-ELECTRICAL COMPONENTS
-	91-59339		1	TACH/DWELL METER-ELECTRICAL COMPONENTS
-	91-58222A1		1	DIAL INDICATOR-TIMING
-	FT2969		1	HELI COIL KIT (#10-24)
-	FT2970		1	HELI COIL KIT (.250-20)
-	FT2971		1	HELI COIL KIT (.312-18)
-	FT2948		1	HELI COIL KIT (.375-16)
-	92-825265A1		1	COMPOUND-NEEDLE BEARINGS
-	92-FT2987-1		1	LUBRICANT-ANTI SEEZ
-	FT8969		1	LUBRICANT-LPS #1
-	92-823089--1	●	1	SEALANT-LOCTITE 8831
-	92-809833		1	SEALANT-LOCTITE RC 680
-	92-91601--1	●	1	SEALER-RTV (10 OZ.)
-	92-90113--2	●	1	SEALER-RTV 1473 (2.8 OZ.)
-	92-34227--1		1	SEALER-PINT
-	92-59327--1	●	1	PRIMER-LOCQUIC (4.5 OZ. CAN)
-	92-825407A12		1	MULTI LUBE (8 OZ.)-CASE OF 12
-	92-90100A12		1	FLUID-POWER TRIM & TILT-CASE OF 12
-	92-13872A1		1	LUBE-SPECIAL (8 OZ.)

● = SUPERSEDES TO ANOTHER PART NUMBER

# LITERATURE & PAINT

REF. NO.	PART NO.	SYM.	QTY.	DESCRIPTION
-	90-828992	●	1	OWNERS MANUAL (SERIAL # 0E138600 THRU 0E202999)
-	90-10154970		1	OWNERS MANUAL (SERIAL # 0E203000 THRU 0E287999)
-	90-831250	●	1	SERVICE MANUAL
-	92-818252-12		AR	PAINT-GRAPHITE GRAY ACRYLIC-12 OZ. (355 ML)-SPRAY CAN (CASE OF 12)
-	92-825321-12		AR	PAINT-GRAPHITE GRAY ACRYLIC-.5 OZ. (15ML)-BRUSH BOTTLE (BOX OF 12)
-	92-819107-12		AR	PAINT-CLEAR ACRYLIC-12 OZ. (355 ML)-SPRAY CAN (CASE OF 12) (FOR COWL ONLY)

● = SUPERSEDES TO ANOTHER PART NUMBER

# PARTS INDEX

Part Number	Description	Pg.	Ref. No.	Part Number	Description	Pg.	Ref. No.
13330A3	BULB ASSEMBLY-PRIMER	55	2	820268A1	PLATE ASSEMBLY- ADAPTOR-LOWER	41	9
13330A3	BULB ASSEMBLY-PRIMER	55	2	820492	BOWL-FUEL	17	11
13330A3	BULB ASSEMBLY-PRIMER	55	2	820492	BOWL-FUEL	19	11
13330A3	BULB ASSEMBLY-PRIMER	55	2	820594	CAP-DRIVE END	13	8
13541	PLUG-MALE	9	12	820595	CAP ASSEMBLY-COMM END	13	2
14360A49	PUMP KIT-FUEL	21	1	821316--1	CAM-SHIFT	47	36
14430--3	BASE-FUEL PUMP	21	6	821319A1	SHAFT ASSEMBLY-SHIFT	45	33
18173	BRACKET ASSEMBLY- ROLLER LATCH	3	8	821354--1	FACEPLATE-WATER PUMP	45	18
19291A3	CARRIER ASSEMBLY- BEARING	49	57	821354A1	REPAIR KIT-WATER PUMP	47	-
19385-29	LINK ASSEMBLY- TOWERSHAFT LEVER	23	15	821382	BRACKET-RELAY	53	13
19608--1	LINK ROD (STARBOARD)	33	8	821483A5	SHIFT SHAFT ASSEMBLY- HORIZONTAL	5	6
19609--1	LINK ROD (PORT)	33	8	821509	RELAY-TRIM	53	12
19614	TILT TUBE	35	13	821510	SEAL-BOTTOM COWL	41	12
19624A1	SEAL KIT	39	13	821512A3	TRIM COVER ASSY (PAINTED)	41	25
39519	CUP-CONTROL CABLE RETAINER	5	23	821512A6	TRIM COVER ASSY (PAINTED)	41	25
42927	INSERT	5	2	821578	FOLLOWER-CAM	49	49
42941	SEAL-WATER TUBE	41	4	821769F3	SWIVEL HEAD (PAINTED)	33	1
47341A1	ROPE AND HANDLE- EMERGENCY START	13	17	821775--1	STRAP-TILT STOP	35	18
56762	CABLE TIE (4.00 IN.)	9	9	821780F3	COVER-MOUNT (PAINTED)	43	40
56762	CABLE TIE (4.00 IN.)	17	29	821781--2	MOUNT (LOWER)	43	39
56762	CABLE TIE (4.00 IN.)	19	29	821782--1	BUMPER (FRONT)	43	47
61787	HOLDER-BRUSH	13	4	821798--1	LEVER-REVERSE LOCK (RED)	35	23
69205	C WASHER	51	10	821798--1	LEVER-REVERSE LOCK (RED)	35	23
73345A1	HUB-THRUST	49	64	821799	PIVOT PIN-REVERSE LOCK	35	31
809448	JET-MAIN FUEL (.058) (3000 - 4500 FT.)	17	15	821799	PIVOT PIN-REVERSE LOCK	37	31
809731	JET (.050)-PART THROTTLE	17	2	821800	LINK-REVERSE LOCK (UPPER)	35	22
811902	PINION-DRIVE	13	9	821800	LINK-REVERSE LOCK (UPPER)	35	22
811903	THRU BOLT	13	11	821805--1	LINK-REVERSE LOCK (.125 DIA.)	35	19
812443--1	RETAINER	5	32	821805--2	LINK-REVERSE LOCK (.187 DIA.)	35	19
812830--1	PLUG	5	31	821827	RETAINER-SHIFT SHAFT	45	29
812893	MOUNT	41	20	821829	SCREEN-WATER INLET	49	42
813442A2	RELIEF VALVE ASSY- MANUAL RELEASE	53	9	822157C2	TRIM TAB	49	43
815279T5	VOLTAGE REGULATOR	9	30	822158	BOOT-SHIFT SHAFT	45	28
816667F3	BRACKET (PAINTED)	33	3	822344A5	POWER TRIM ASSEMBLY	53	1
816957	BEARING-TOWERSHAFT	23	10	822344A7	POWER TRIM ASSEMBLY	7	-
817428	SOCKET-BALL	23	7	822344A7	POWER TRIM ASSEMBLY (COMPLETE)	51	-
817790A1	COVER KIT-TRANSFER PORT	15	17	822344A7	POWER TRIM ASSEMBLY (COMPLETE)	53	-
817870--2	COVER-FUEL PUMP	21	9	822395	SEAL-EXHAUST TUBE	41	33
818226A1	SEAL/PLATE KIT	45	2	822401	CAP-TILT STOP PIN	39	20
819225	ROLLER-THROTTLE CAM	17	27	822418	SHAFT-SHIFT UPPER	41	15
819225	ROLLER-THROTTLE CAM	19	27	822419	COUPLER	41	13
819272--2	BRACKET-STARTER SUPPORT	13	15	822421	BUMPER-TRIM COVER	41	26
819375--1	COVER-THERMOSTAT	25	31	822422	SEAL-IDLE RELIEF	41	34
819549	CAM-THROTTLE	23	4	822459	RETAINER-REMOTE CABLE	5	16
819807--1	PLATE-REFLECTOR	31	10	822467--1	LEVER-INTERMEDIATE	5	10
819913--3	PLATE-EXHAUST PORT	25	13	822469	CAP-INTERMEDIATE LEVER	5	19
820000A4	HANDLE ASSEMBLY-COWL LATCH (PAINTED)	5	34	822470	LINK-SHIFT	5	13
820069--1	TUBE-EXHAUST	41	6				
820228A1	PLATE ASSEMBLY- ADAPTOR-UPPER	29	1				

# PARTS INDEX

Part Number	Description	Pg.	Ref. No.	Part Number	Description	Pg.	Ref. No.
823547--1	SEAL-WATER TUBE . . . . .	45	12	F10268	SCREW-IDLE MIXTURE . . . .	17	17
823547A1	SEAL KIT-GEAR HOUSING . .	47	-	F10268	SCREW-IDLE MIXTURE . . . .	19	17
823547A1	SEAL KIT-GEAR HOUSING . .	49	-	F10273	JET (.047)-PART THROTTLE	19	2
823548	CABLE TIE . . . . .	45	27	F10274	NOZZLE-PRIMER . . . . .	17	16
823569	BALL-THREADED . . . . .	23	6	F10274	NOZZLE-PRIMER . . . . .	19	16
824795	BUCKET-EXHAUST . . . . .	41	31	F10275	SCREW-SEALING . . . . .	17	3
824942--3	SEAL-EXHAUST BUCKET . .	41	30	F10275	SCREW-SEALING . . . . .	19	3
825181	ARM-REVERSE LOCK . . . . .	35	21	F10316	CUP-METERING . . . . .	17	6
825181--1	ARM-REVERSE LOCK . . . . .	35	21	F10346	FLOAT-FUEL BOWL . . . . .	17	13
825271	ANODE . . . . .	39	5	F10346	FLOAT-FUEL BOWL . . . . .	19	13
826284	TOWERSHAFT . . . . .	23	11	F15160	WASHER-INSULATOR . . . .	13	5
826286	LEVER ASSEMBLY- TOWERSHAFT . . . . .	23	16	F15162	NUT (.250-20) . . . . .	13	12
826578	PIN-REVERSE LOCK . . . . .	35	25	F15162	NUT (.250-20) . . . . .	13	6
826578	PIN-REVERSE LOCK . . . . .	35	25	F15183	ARMATURE . . . . .	13	7
826658	BUMPER . . . . .	33	2	F15190	BRUSH & SPRING KIT . . . .	13	3
826742	RETAINER-CABLE ENTRY SEAL . . . . .	5	25	F433473	CUP-METERING . . . . .	25	9
827023--1	BUMPER-TRIM COVER . . . .	41	32	F481777	CAM-LATCH SHAFT . . . . .	5	37
827509A4	CDM MODULE ASSEMBLY- IGNITION . . . . .	9	21	F499026	SWIVEL-CONTROL ROD END . . . . .	23	22
827670A1	SHOCK ROD ASSEMBLY . .	53	2	F663480-1	RETAINER-COWL-FRONT . .	5	21
827671A1	PILOT CHECK ASSEMBLY . .	53	3	F663756-1	PACKING (81.00 IN. BULK) (CUT 70.00 IN.) . . . . .	5	1
827672A1	VALVE ASSEMBLY-TILT RELIEF . . . . .	53	4	F684774	BRACKET-COWL-LATCH REAR . . . . .	3	7
827673A1	SEAT ASSEMBLY-SUCTION	53	5	F684984	BLANKET-SOUND (TOP) . . .	3	NS
827674A1	PUMP ASSEMBLY . . . . .	53	6	F684985-1	BLANKET-SOUND (SIDE) . .	3	NS
827675A1	MOTOR ASSEMBLY . . . . .	53	7	F97068-2	THERMOSTAT (130 DEGREES) . . . . .	25	28
827676	MEMORY PISTON . . . . .	53	11	FA609853	DECAL KIT-SHIFT TO NEUTRAL . . . . .	9	5
827688A1	REPAIR KIT-CARBURETOR . .	17	-	FA658158	PLATE ASSEMBLY-REED . .	31	12
827688A1	REPAIR KIT-CARBURETOR . .	19	-	FA691167	ADAPTER KIT- CARBURETOR FLANGE . .	31	1
827955A1	RACE/ROLLER KIT-CENTER MAIN . . . . .	27	14	FK10023	GASKET SET-CARBURETOR	17	-
828054	COVER-FUSE . . . . .	9	13	FK10023	GASKET SET-CARBURETOR	19	-
828301	TRIGGER ASSEMBLY . . . . .	9	8	FO13193	JET-MAIN FUEL (.088) (6000 - 10000 FT.) . . . . .	19	15
828470	LINK-THROTTLE . . . . .	23	23	FO14191	JET-MAIN FUEL (.094) (1500 - 3000 FT.) . . . . .	19	15
828471	END-CONTROL ROD . . . . .	23	21	FO16132	SCREW-FUEL BOWL . . . . .	17	12
828477	HANDLE-TILT . . . . .	3	2	FO16132	SCREW-FUEL BOWL . . . . .	19	12
828514	BALL-THREADED . . . . .	23	6	FO16133	NOZZLE-MAIN . . . . .	17	9
828986	LOCK-REVERSE . . . . .	35	27	FO16133	NOZZLE-MAIN . . . . .	19	9
828986--1	LOCK-REVERSE . . . . .	37	27	FO16142	SHUTTER-THROTTLE . . . .	17	22
830110	SHAFT-ROLLER . . . . .	17	26	FO16142	SHUTTER-THROTTLE . . . .	19	22
830110	SHAFT-ROLLER . . . . .	19	26	FO16143	SPRING-THROTTLE SHAFT	17	20
830121A1	STOP KIT-THROTTLE LEVER	23	26	FO16143	SPRING-THROTTLE SHAFT	19	20
88238A11	CABLE ASSEMBLY . . . . .	35	7	FO16620	E RING-THROTTLE SHAFT . .	17	4
88238A11	CABLE ASSEMBLY . . . . .	43	46	FO16620	E RING-THROTTLE SHAFT . .	19	4
88238A15	CABLE ASSEMBLY-GROUND	53	8	FO16993	TUBE-BY PASS . . . . .	17	24
90643	DRIVE KIT . . . . .	13	10	FO16993	TUBE-BY PASS . . . . .	19	24
92753	RETAINER-HARNES CONNECTOR . . . . .	9	16	FO17884	SHAFT AND LEVER- THROTTLE . . . . .	17	19
93254	BASE-SWIVEL-TRIGGER HANDLE . . . . .	23	25	FO17884	SHAFT AND LEVER- THROTTLE . . . . .	19	19
93421	BALL-SWIVEL . . . . .	23	24	FT11295	SPARK TESTER-IGNITION SYSTEM . . . . .	59	-
98530	KNOB-HANDLE . . . . .	58	-	FT2938-1	CONTINUITY TESTER- ELECTRICAL CIRCUITS . .	59	-
98775--2	PLATE-FUEL PUMP . . . . .	21	4	FT2948	HELI COIL KIT (.375-16) . . .	59	-
98889	LATCH-CONTROL CABLE . .	5	22				
99019	CLAMP-WATER TUBE . . . . .	41	3				
F10263	CUP-METERING . . . . .	19	6				
F10265	NEEDLE-INLET . . . . .	17	7				
F10265	NEEDLE-INLET . . . . .	19	7				



# PARTS INDEX

Part Number	Description	Pg.	Ref. No.	Part Number	Description	Pg.	Ref. No.
FT2951	CIRCUIT TRACER- ELECTRICAL SYSTEM ...	59	-	10-812567	SCREW (.375-16 X 1.625) ..	25	5
FT2953	SOCKET-CONNECTING ROD SCREWS .....	58	-	10-812832	SCREW (#10-16 X .500) ....	9	15
FT2969	HELI COIL KIT (#10-24) ....	59	-	10-812832--1	SCREW (#10-16 X .625) ....	51	9
FT2970	HELI COIL KIT (.250-20) ....	59	-	10-814259	SCREW (.500-20 X 4.00) ...	39	12
FT2971	HELI COIL KIT (.312-18) ....	59	-	10-817626	SCREW (#10-16 X .375) ....	9	26
FT2990-1	INSTALLER KIT-PISTON PIN	58	-	10-817626	SCREW (#10-16 X .375)- GROUND STRAP .....	35	10
FT2991	BRUSH-WIRE-CARBON REMOVER .....	58	-	10-818494	SCREW-SPECIAL .....	58	-
FT2996	COMPRESSOR-PISTON RINGS .....	58	-	10-819074	SCREW (#6-32 X .312) .....	31	15
FT8925	INSTALLER TOOL-LOWER MAIN SEAL .....	58	-	10-819110062	SCREW (.250-20 X .625) ...	15	18
FT8926	EXPANDER-PISTON RINGS	58	-	10-819110062	SCREW (.250-20 X .625) ...	21	8
FT8950	LEAKAGE TESTER-LOWER UNIT .....	59	-	10-819110062	SCREW (.250-20 X .625) ...	25	26
FT8969	LUBRICANT-LPS #1 .....	59	-	10-819110075	SCREW (.250-20 X .750) ...	25	10
10-14000	SCREW (.375-24 X 1.250) ..	33	9	10-819110075	SCREW (.250-20 X .750) ...	25	17
10-19921125	SCREW (.312-18 X 1.250) WITH DRI LOK .....	29	5	10-819110088	SCREW (.250-20 X .875) ...	31	5
10-19921138	SCREW (.312-18 X 1.375) WITH DRI LOK .....	29	6	10-819110250	SCREW (.250-20 X 2.500) ..	25	16
10-19923062	SCREW (.250-20 X .625) WITH DRI LOK .....	7	40	10-821045-40	SCREW (M5 X 40)-FUEL PUMP .....	21	3
10-19926100	SCREW (#10-24 X 1.00) WITH DRI LOK .....	9	6	10-822396	SCREW (M12 X 162) .....	41	19
10-19926100	SCREW (#10-24 X 1.00) WITH DRI LOK .....	23	12	10-824459-65	SCREW (M8 X 65) .....	43	44
10-19926100	SCREW (#10-24 X 1.00) WITH DRI LOK .....	25	32	10-824459120	SCREW (M8 X 120) .....	41	38
10-19949088	SCREW (.250-20 X .875) WITH DRI LOK .....	29	4	10-824832--4	SCREW (M6 X 16) .....	45	10
10-28639	SCREW (.250-20 X .625) ...	3	6	10-824970-20	SCREW (M8 X 20) .....	49	44
10-39349	SCREW (.312-18 X .750)- GROUND .....	9	19	10-826173	SCREW (M5 X 60) .....	41	27
10-40003-30	SCREW (M6 X 25) .....	39	7	10-826379	SCREW (#10-24 X .500) WITH DRI LOK .....	31	9
10-40003-32	SCREW (M6 X 35) .....	21	15	10-827357	SCREW (#12-24 X 2.00) WITH DRI LOK .....	21	12
10-40003-53	SCREW (M8 X 25) .....	49	63	10-828478	SCREW (.250-20 X 1.00) ...	3	3
10-40003-77	SCREW (M10 X 30) .....	33	5	10-853652	SCREW (.250-20 X 1.125) ..	11	40
10-40003-80	SCREW (M10 X 45) .....	49	67	10-86885	SCREW (.250-20 X 1.500) ..	9	28
10-40003-86	SCREW (M10 X 100) .....	41	35	10-90192	SCREW (.250-20 X .750) ...	9	24
10-40011127	SCREW (M6 X 16) .....	5	18	10-90192	SCREW (.250-20 X .750) ...	9	36
10-40011127	SCREW (M6 X 16) .....	5	20	10-90285	SCREW (.312-18 X .625) ...	3	10
10-40011127	SCREW (M6 X 16) .....	5	5	10-91012	SCREW-CONNECTING ROD	27	10
10-40011129	SCREW (M6 X 25) .....	7	41	10-92160	SCREW (.250-20 X .750) ...	27	5
10-40011129	SCREW (M6 X 25) .....	53	16	10-F10328	SCREW-SHUTTER .....	17	21
10-40011153	SCREW (M8 X 45) .....	41	21	10-F10328	SCREW-SHUTTER .....	19	21
10-40011153	SCREW (M8 X 45) .....	41	7	10-F1504	SCREW (.250-20 X 1.00) ...	23	13
10-40011155	SCREW (M8 X 55) .....	41	1	10-F1822	SCREW (.312-18 X .875) ...	13	13
10-40019104	SCREW (M5 X 8) .....	5	24	10-F2185	SCREW (.375-16 X 3.500) ..	13	19
10-40056105	SCREW (M5 X 10)-GROUND CABLE .....	9	25	10-F2192	SCREW (.250-20 X 1.750) ..	31	6
10-40089-10	SCREW (M8 X 10)-SOCKET HEAD .....	35	11	10-F2228	SCREW (.375-16 X 3.00) ...	25	4
10-40090-40	SCREW (M10 X 40) .....	51	6	10-F2254	SCREW (.312-18 X 2.500) ..	25	22
10-40108-75	SCREW (M10 X 75) .....	41	11	11-13914	NUT (M10) .....	39	16
10-42975	SCREW-DRIVE .....	5	29	11-13914	NUT (M10) .....	39	3
10-45561	SCREW (.250-20 X 1.125) ..	15	10	11-13914	NUT (M10) .....	43	42
				11-20110	NUT .....	23	3
				11-20361	NUT (.250-28)-THRU BOLT .	13	16
				11-24156	WASHER (.656 X 1.312 X .095) .....	58	-
				11-29488	NUT (#10-32) .....	37	29
				11-34863	NUT (.375-24) .....	33	6
				11-40021--2	NUT (M6) (INCLUDED WITH REF # 33) .....	45	26
				11-40026--3	NUT (M5) .....	41	29
				11-40063--3	NUT .....	23	3
				11-40119--8	NUT (M8 X 1.25) .....	43	49
				11-40119-10	NUT (M10) .....	51	8

# PARTS INDEX

Part Number	Description	Pg.	Ref. No.	Part Number	Description	Pg.	Ref. No.
11-40134-14	NUT (M14)	51	5	12-814803	WASHER	45	32
11-42979	NUT (M16)	9	2	12-825190	WASHER	51	4
11-45592	NUT (.312-24)	23	19	12-828271	WASHER	25	33
11-55910	NUT-SPECIAL (.437-20)	45	7	12-86645--1	WASHER	45	13
11-56374	NUT (.250-20)	3	5	12-86645--1	WASHER	45	15
11-64015	NUT (.250-20)	23	14	12-89302	WASHER	41	16
11-68219	NUT (#10-32)	9	31	12-93416	WASHER	41	22
11-68219	NUT (#10-32)	23	8	12-F658504	WASHER-THERMOSTAT	25	27
11-68292	NUT (.312-18)	9	38	13-26992	LOCKWASHER (.250)	5	39
11-69578A1	NUT KIT-PROPELLER	49	65	13-26996	LOCKWASHER (#10)	9	32
11-72008	NUT (.250-20)	23	5	13-53166	LOCKWASHER (.312)	3	9
11-826164	NUT (.875-14)	35	14	13-53166	LOCKWASHER (.312)	9	37
11-826164	NUT (.875-14)	35	9	13-53166	LOCKWASHER (.312)	13	14
11-826833--6	NUT (M6)	5	14	13-53166	LOCKWASHER (.312)- GROUND	9	18
11-826833--6	NUT (M6)	5	8	13-72521	LOCKWASHER (.312 INTERNAL)	43	45
11-826833--6	NUT (M6)	23	20	13-F2047	WASHER-WAVE	5	36
11-86226	NUT (.375-16)	31	7	14-76281	TAB WASHER	49	66
11-90099	NUT (M12)	41	24	14-816669F1	WASHER-TAB (PAINTED)	33	4
11-91962	NUT (.500-20)	39	10	16-823656	STUD (M10 X 277)	39	8
11-F1669	NUT (#6-32)	35	24	16-823984	STUD (M10 X 50)	41	37
11-F1669	NUT (#6-32)	35	24	16-826387--1	STUD (.375-16 X 1.625)	31	2
11-F1669	NUT (#6-32)	35	29	16-827425	STUD (.312-18 X 1.500) WITH DRI LOK	23	18
11-F1997	NUT (#8-32)	17	28	16-F433209-1	STUD (.250-20 X 1.250)- THROTTLE CAM	23	1
11-F1997	NUT (#8-32)	19	28	16-F433209-1	STUD (.250-20 X 1.250)- THROTTLE CAM	31	4
12-19183	WASHER-SEALING	45	4	16-F718502	LINK-THROTTLE	23	9
12-19183	WASHER-SEALING	45	6	17-23784	PIN-DOWEL	25	11
12-19619	WASHER	35	12	17-23784	PIN-DOWEL	41	10
12-19619	WASHER	35	8	17-25319	PIN-ROLL	39	21
12-27882	WASHER	35	28	17-812870	PIN-CENTER MAIN LOCATING	25	2
12-27882	WASHER	37	28	17-821327	PIN-DOWEL	49	38
12-28421	WASHER	39	11	17-821457A1	PIN ASSEMBLY-TILT LOCK	39	18
12-28421	WASHER	41	23	17-821539	PIN (TRILOBE)	35	15
12-29245	WASHER	3	4	17-821539	PIN-TRILOBE	51	12
12-29245	WASHER	39	6	17-822369	PIN	47	37
12-29245	WASHER	45	34	17-822400--1	PIN-TILT STOP	39	23
12-34437	WASHER	23	17	17-822417	PIN-SHIFT LINK	41	17
12-34437	WASHER	25	23	17-822456	PIN-CABLE RETAINER	5	3
12-34437	WASHER	29	7	17-822480	PIVOT PIN (UPPER)	35	17
12-34961	NUT (.625-18)	58	-	17-822480	PIVOT PIN (UPPER)	51	13
12-35044	WASHER	15	9	17-822481	PIN-ANCHOR-LOWER PIVOT (14MM)	51	1
12-36001	WASHER	43	48	17-85093	PIN-CROSS	49	51
12-37828	WASHER	33	7	17-85593	PIN-ROLL	47	35
12-40023-16	WASHER	5	38	17-F691372	PIN-WATER JACKET TUBE	25	8
12-40023-19	WASHER	39	17	17-F8559	PIN-DOWEL	25	3
12-40023-19	WASHER	39	4	17-FO13944	PIN-FLOAT	17	8
12-40023-19	WASHER	39	4	17-FO13944	PIN-FLOAT	19	8
12-40023-19	WASHER	51	7	18-26953--1	PIN-COTTER	41	18
12-45175	WASHER	13	20	18-27769	PIN-COTTER	35	30
12-45175	WASHER	43	41	18-27769	PIN-COTTER	37	30
12-45175	WASHER	43	50	19-45907	PLUG (YELLOW)- CRANKSHAFT/FLYWHEEL	9	1
12-45175	WASHER	43	50	19-811613	RESERVOIR PLUG	53	10
12-45176	WASHER	49	68	19-824928	PLUG-RUBBER	49	41
12-45176	WASHER	49	68				
12-68229	WASHER	9	3				
12-69056	WASHER	5	15				
12-69056	WASHER	5	7				
12-70132	WASHER	49	62				
12-71055	WASHER	35	20				
12-71055	WASHER	35	20				
12-71970	WASHER	33	10				
12-72397	WASHER	49	45				
12-73288	WASHER	41	28				
12-812876	WASHER-THRUST	27	13				

# PARTS INDEX

Part Number	Description	Pg.	Ref. No.	Part Number	Description	Pg.	Ref. No.
19-FO10588	PLUG-CUP	17	1	24-64878	SPRING-THERMOSTAT	25	29
19-FO10588	PLUG-CUP	19	1	24-821461	SPRING-TILT LOCK PIN	39	19
19-FO16128	PLUG-WELCH	17	23	24-826199--1	SPRING	49	50
19-FO16128	PLUG-WELCH	19	23	24-F366300	SPRING-REVERSE LOCK	35	26
21-13331A1	VALVE-CHECK (INLET)	55	3	24-F366300	SPRING-REVERSE LOCK	37	26
21-13331A1	VALVE-CHECK (INLET)	55	3	25-18202	GROMMET-FUEL CONNECTOR	21	16
21-13331A1	VALVE-CHECK (INLET)	55	3	25-19564	GROMMET	5	30
21-13331A1	VALVE-CHECK (INLET)	55	3	25-19565	GROMMET	5	30
21-13331A2	VALVE-CHECK (OUTLET)	55	4	25-26855	O RING	45	30
21-13331A2	VALVE-CHECK (OUTLET)	55	4	25-29619	O RING	39	14
21-13331A2	VALVE-CHECK (OUTLET)	55	4	25-69756	O RING	58	-
21-13331A2	VALVE-CHECK (OUTLET)	55	4	25-815460	O RING	49	58
21-42658	VALVE-CHECK	25	6	25-818967	GROMMET-RELAY BRACKET	53	14
21-42864	FITTING (90 DEGREES)	15	2	25-821308	O RING	45	23
21-42990A10	DIAPHRAGM KIT	21	2	25-822002	GROMMET	7	43
21-820706	FITTING (T)	15	4	25-822179	GROMMET	11	43
22-13563A3	CONNECTOR-ENGINE	55	7	25-822408	GROMMET-SHIFT SHAFT	41	14
22-13563A3	CONNECTOR-ENGINE	55	7	25-827668A1	O RING KIT	53	NS
22-13563A3	CONNECTOR-ENGINE	55	7	25-85594	O RING	45	31
22-13563A7	CONNECTOR-FUEL TANK	55	10	25-93221	GROMMET-WATER TUBE	41	2
22-67892A1	PLUG KIT-DRAIN (MAGNETIC)	45	5	25-F694504	GROMMET	15	8
22-74036	FITTING-GREASE	35	3	26-69188	SEAL-OIL	49	60
22-74036	FITTING-GREASE	35	6	26-69189	SEAL-OIL	49	61
22-816856A1	CONNECTOR-FUEL	21	14	26-819394	SEAL-CRANKSHAFT LOWER	27	8
22-816856A3	CONNECTOR ASSEMBLY-FUEL	57	11	26-820355	SEAL-CABLE ENTRY	5	26
22-89771--1	CONNECTOR (BRASS)-FUEL TANK	55	8	26-821309	SEAL-OIL	45	21
22-99664	ELBOW	15	5	26-821310	SEAL-OIL	45	22
22-99664	ELBOW	21	5	26-822404	SEAL	35	5
22-F722109-1	PLUG (NYLON)-CYLINDER HEAD	25	20	26-828626	SEAL-CRANKSHAFT UPPER	27	4
22-F743314	ELBOW-RECIRCULATING	15	1	26-828932	SEAL-DRIVESHAFT	29	2
22-F743314	ELBOW-RECIRCULATING	21	11	27-819377	GASKET-THERMOSTAT COVER	25	30
22-F84314-2	ELBOW-FUEL	17	5	27-820500--2	GASKET-FUEL PUMP COVER	21	10
22-F84314-2	ELBOW-FUEL	19	5	27-820500--2	GASKET-TRANSFER PORT	15	16
23-26954	BUSHING	5	12	27-820751A2	GASKET SET-POWERHEAD	17	-
23-26954	BUSHING	5	9	27-820751A2	GASKET SET-POWERHEAD	19	-
23-48475	BUSHING	5	11	27-820751A2	GASKET SET-POWERHEAD	21	-
23-48475	BUSHING	5	17	27-820751A2	GASKET SET-POWERHEAD	25	-
23-78861	SPACER	39	15	27-820751A2	GASKET SET-POWERHEAD	25	NS
23-812707	BUSHING	5	35	27-820751A2	GASKET SET-POWERHEAD	27	-
23-818968	BUSHING	11	41	27-820751A2	GASKET SET-POWERHEAD	29	-
23-818968	BUSHING-GROMMET	53	15	27-820751A2	GASKET SET-POWERHEAD	31	-
23-821771--1	BUSHING (UPPER)	35	2	27-820751A2	GASKET SET-POWERHEAD	43	-
23-821777	BUSHING (LOWER)	35	4	27-822189	GASKET	45	16
23-822003	BUSHING	7	42	27-822217	GASKET (LOWER)	45	17
23-822482	BUSHING	51	2	27-823942	GASKET-WATER TUBE	49	39
23-822484	BUSHING	51	3	27-826738	GASKET-ADAPTOR PLATE	29	8
23-823507	BUSHING	35	16	27-826739	GASKET-EXHAUST TUBE/ADAPTOR PLATE	41	8
23-823589	BUSHING	39	22	27-826871--1	GASKET-ADAPTOR PLATE	29	3
23-824952	SPACER	39	9	27-98769--1	GASKET-FUEL PUMP BASE	21	7
23-F269319	BEARING-THROTTLE CAM	23	2	27-F433168	GASKET-CARBURETOR ADAPTER	31	8
23-F694359	SPACER	15	7	27-F433406	GASKET-DEFLECTOR PLATE	31	11
24-27160	SPRING-IDLE MIXTURE SCREW	17	18	27-F440906	GASKET-CARBURETOR FLANGE	17	25
24-27160	SPRING-IDLE MIXTURE SCREW	19	18				
24-38114	SPRING-CLUTCH	49	53				

# PARTS INDEX

Part Number	Description	Pg.	Ref. No.	Part Number	Description	Pg.	Ref. No.
27-F440906	GASKET-CARBURETOR FLANGE	19	25	37-809858A96	DECAL SET	3	NS
27-F691153	GASKET-EXHAUST PORT COVER	25	14	37-809859A96	DECAL SET	3	NS
27-F691154	GASKET-EXHAUST PORT PLATE	25	12	37-817792A1	DECAL-TIMING	31	3
27-F691529-1	GASKET-CYLINDER HEAD	25	18	37-818029	DECAL-FUEL MIX	5	27
27-FO15623	GASKET-FUEL BOWL	17	14	37-819526	DECAL-THROTTLE CABLE ADJUSTMENT	25	34
27-FO15623	GASKET-FUEL BOWL	19	14	37-820734A95	DECAL SET	3	11
27-FO5323	GASKET-FUEL BOWL	17	10	37-820735A95	DECAL SET	3	11
27-FO5323	GASKET-FUEL BOWL	19	10	37-825064	DECAL-CAUTION-START IN GEAR	13	NS
28-85119	KEY	45	14	37-825066	DECAL-WARNING-HI VOLTAGE	13	NS
28-91800	KEY- CRANKSHAFT/FLYWHEEL	27	6	37-830253	DECAL-TILT LOCK	37	NS
29-47270	ROLLER-NEEDLE	27	12	37-835012A96	DECAL SET	3	NS
30-20839	BEARING-BALL	49	56	37-852950A97	DECAL SET	3	NS
30-821311	BEARING-BALL	45	25	37-852951A97	DECAL SET	3	NS
30-F284659-2	BEARING-UPPER	27	2	39-828565A1	RING SET (2 RINGS) (STANDARD) SEE	27	19
31-17514A2	BEARING ASSEMBLY- ROLLER	27	11	39-828565A2	RING SET (2 RINGS) (.015 O.S.) NOTE	27	19
31-21700	BEARING-NEEDLE	49	59	39-828565A3	RING SET (2 RINGS) (.030 O.S.) BELOW	27	19
31-41326	BEARING-ROLLER	49	48	40-52035	RING-LOCK	27	18
31-812873A2	BEARING/SEAL KIT-ROLLER	27	7	43-821312	GEAR-REVERSE	49	55
31-821321A2	BEARING ASSEMBLY (CONE & CUP)	45	9	43-821315A1	GEAR ASSEMBLY- FORWARD	49	46
31-85560	BEARING	58	-	43-821326	GEAR-PINION	45	8
31-99328A1	BEARING ASSEMBLY (CONE & CUP)	49	47	44-821577--1	SHAFT-PROPELLER	49	54
32-16789-78	LINE-FUEL-BULK (9.00 FT.) CUT AS REQ'D	57	13	45-822159A1	DRIVESHAFT ASSEMBLY	45	24
32-16789100	LINE-FUEL-BULK (100.00 FT.) CUT AS REQ'D	57	13	46-821307A2	BASE ASSEMBLY-WATER PUMP	45	20
32-16789A26	LINE ASSEMBLY-FUEL	55	1	46-821351A2	PUMP KIT-WATER	45	11
32-17146A12	LINE ASSEMBLY-FUEL	55	1	47-85089--3	IMPELLER	45	19
32-17146A8	LINE ASSEMBLY-FUEL	55	1	50-820193	STARTER ASSEMBLY	13	1
32-43014--3	TUBE-WATER	41	5	52-821314	CLUTCH	49	52
32-821828	TUBE-WATER	49	40	53-F717096	RING-RETAINING	25	25
32-822379A12	LINE ASSEMBLY-FUEL	55	1	54-22740	CLIP-TRIM CABLE	51	11
32-827927A12	LINE ASSEMBLY-FUEL	55	1	54-41582--7	CLAMP (NYLON)	55	9
32-827927A8	LINE ASSEMBLY-FUEL	55	1	54-41582--7	CLAMP (NYLON)	55	9
32-830756109	HOSE (57.00 IN. BULK) (CUT 4.250 IN.) (CUT 19.00 IN.)	15	14	54-41582--7	CLAMP (NYLON)	57	12
32-830756109	HOSE (57.00 IN. BULK) (CUT 6.00 IN.)	15	6	54-41582--7	CLAMP-NYLON (SMALL)	55	6
32-830757-80	TUBING (28.00 IN. BULK) (CUT 16.00 IN.)	21	17	54-41582--7	CLAMP-NYLON (SMALL)	55	6
32-99126-88	TUBING (36.00 IN. BULK) (CUT 4.500 IN.) (CUT 5.250 IN.)	15	12	54-41582--7	CLAMP-NYLON (SMALL)	55	6
32-99130122	TUBING (20.00 FT. BULK) (CUT 18.500 IN.) (CUT 7.500 IN.) (CUT 3.750 IN.)	15	3	54-41582-10	CLAMP-NYLON (LARGE)	55	5
32-F691943	TUBE-WATER JACKET	25	7	54-41582-10	CLAMP-NYLON (LARGE)	55	5
33-827C	SPARK PLUG (CHAMPION # L76V)	9	20	54-41582-10	CLAMP-NYLON (LARGE)	55	5
33-898	SPARK PLUG (RFI) (CHAMPION # QL76V)	9	20	54-41582-10	CLAMP-NYLON (LARGE)	55	5
34-F316160	REED (4 PETAL)	31	13	54-55098	J CLIP-VOLTAGE REGULATOR	9	29
34-F88161-4	STOP-REED	31	14	54-65292	J CLIP-STARTER RELAY	9	35
35-816296	FILTER-FUEL	15	15	54-816311	CABLE TIE (8.00 IN.)	9	10
				54-816311	CABLE TIE (8.00 IN.)	15	13
				54-816311	CABLE TIE (8.00 IN.)	21	13
				54-F698772	CLAMP	55	9
				54-F698772	CLAMP (SS)	55	9
				54-F698772	CLAMP (SS)	55	9
				54-F698772	CLAMP (SS)	55	9
				54-F698772	CLAMP (SS)	55	9
				54-F698772	CLAMP (SS)	57	12

# PARTS INDEX

Part Number	Description	Pg.	Ref. No.	Part Number	Description	Pg.	Ref. No.
84-17201A7	HARNESS ASSEMBLY-TRIM	53	17	91-825198	INSTALLER-PINION CUP . . .	58	-
84-819514A10	HARNESS ASSEMBLY-TRIM	53	18	91-825199	INSTALLER-BEARING CUP .	58	-
84-821945A61	CABLE ASY-HIGH TENSION (CUT AS REQ'D) . . . . .	9	22	91-825200A1	REMOVER ASSEMBLY-CUP	58	-
84-825207A2	HARNESS ASSEMBLY-CDM TESTER . . . . .	59	-	91-826872	INSTALLER-FORWARD GEAR BEARING . . . . .	58	-
84-828296A1	HARNESS ASSEMBLY- WIRING . . . . .	9	11	91-828200	INSTALLER-FORWARD CUP BEARING . . . . .	58	-
84-88807A36	CABLE ASSEMBLY- GROUND-EXHAUST COVER . . . . .	9	27	91-90455	EYE-LIFTING-CRANKSHAFT END . . . . .	58	-
84-93388A8	CABLE ASSEMBLY (12.500 IN.)-STARTER LEAD . . . .	13	18	91-99379	TIMING LIGHT-IGNITION . . .	59	-
84-F381896-4	CABLE-BATTERY . . . . .	9	17	91-99750A1	MULTIMETER TESTER- ELECTRICAL COMPONENTS . . . . .	59	-
85-63709A1	BOOT/TERMINAL KIT- IGNITION CABLE . . . . .	9	23	92-13872A1	LUBE-SPECIAL (8 OZ.) . . . .	59	-
85-830233	BOOT . . . . .	11	42	92-34227--1	SEALER-PINT . . . . .	59	-
85-830233	BOOT (RED)-STARTER RELAY INSULATOR . . . . .	9	33	92-59327--1	PRIMER-LOCQUIC (4.5 OZ. CAN) . . . . .	59	-
87-18286A40	SWITCH ASSEMBLY . . . . .	5	33	92-809833	SEALANT-LOCTITE RC 680 .	59	-
87-819502	THERMOSWITCH . . . . .	25	24	92-818252-12	PAINT-GRAPHITE GRAY ACRYLIC-12 OZ. (355 ML)- SPRAY CAN (CASE OF 12)	60	-
88-812619	FUSE (20 AMP) . . . . .	9	14	92-819107-12	PAINT-CLEAR ACRYLIC-12 OZ. (355 ML)-SPRAY CAN (CASE OF 12) (FOR COWL ONLY) . . . . .	60	-
89-817109A3	SOLENOID KIT-STARTER . .	11	39	92-823089--1	SEALANT-LOCTITE 8831 . . .	59	-
89-819503	SOLENOID-PRIMER . . . . .	15	11	92-825265A1	COMPOUND-NEEDLE BEARINGS . . . . .	59	-
89-F460917-1	RELAY-STARTER . . . . .	9	34	92-825321-12	PAINT-GRAPHITE GRAY ACRYLIC-.5 OZ. (15ML)- BRUSH BOTTLE (BOX OF 12) . . . . .	60	-
90-10154970	OWNERS MANUAL . . . . .	60	-	92-825407A12	MULTI LUBE (8 OZ.)-CASE OF 12 . . . . .	59	-
90-828992	OWNERS MANUAL . . . . .	60	-	92-90100A12	FLUID-POWER TRIM & TILT- CASE OF 12 . . . . .	59	-
90-831250	SERVICE MANUAL . . . . .	60	-	92-90113--2	SEALER-RTV 1473 (2.8 OZ.)	59	-
91-14308A1	RACE TOOL-BEARING . . . .	58	-	92-91601--1	SEALER-RTV (10 OZ.) . . . .	59	-
91-24161	CAP-FLYWHEEL PULLER . .	58	-	92-FT2987-1	LUBRICANT-ANTI SEEZ . . .	59	-
91-29310	PLATE . . . . .	58	-	100-819748A4	COWL ASSEMBLY-TOP (PAINTED) . . . . .	3	1
91-31229	SHAFT . . . . .	58	-	100-820186F1	COWL ASSEMBLY-BOTTOM (PAINTED) . . . . .	5	28
91-31229A7	PULLER KIT-BEARING . . . .	58	-	261-9008A34	FLYWHEEL ASSEMBLY . . . .	9	4
91-34569A1	PULLER ASSEMBLY-SLIDE HAMMER . . . . .	58	-	398-832075A4	STATOR ASSEMBLY . . . . .	9	7
91-36571	WRENCH-DRIVESHAFT BEARING . . . . .	58	-	398-9873A28	STATOR ASSEMBLY . . . . .	9	7
91-37241	PLATE-BEARING PULLER . .	58	-	489-817398A4	CRANKSHAFT ASSEMBLY . .	27	1
91-52344	HOLDER TOOL-FLYWHEEL .	58	-	640-9612A2	CONNECTING ROD ASSEMBLY . . . . .	27	9
91-52952A1	REMOVAL TOOL-PISTON PIN LOCK RING . . . . .	58	-	700-828304A2	PISTON KIT (STANDARD) . .	27	17
91-58222A1	DIAL INDICATOR-TIMING . .	59	-	700-828304A3	PISTON KIT (.015 O.S.) . . . .	27	17
91-59339	TACH/DWELL METER- ELECTRICAL COMPONENTS . . . . .	59	-	700-828304A4	PISTON KIT (.030 O.S.) . . . .	27	17
91-73687A2	PULLER KIT-FLYWHEEL . . .	58	-	800-818152A24	CYLINDER KIT . . . . .	25	1
91-74607A3	INSTALLER KIT-PISTON PIN	58	-	800-818152A26	POWERHEAD ASSEMBLY . .	15	-
91-74951	WRENCH-SPANNER- TRIM/TILT CYLINDER . . .	58	-	800-818152A26	POWERHEAD ASSEMBLY . .	17	-
91-77109A2	INSTALLER KIT-PISTON PIN LOCK RING . . . . .	58	-	800-818152A26	POWERHEAD ASSEMBLY . .	19	-
91-79250A2	GAUGE KIT-WATER PRESSURE . . . . .	58	-	800-818152A26	POWERHEAD ASSEMBLY . .	21	-
91-817007	INSTALLER-BEARING CARRIER SEALS . . . . .	58	-	800-818152A26	POWERHEAD ASSEMBLY . .	23	-
91-817011	INSTALLER-NEEDLE BEARING CARRIER . . . . .	58	-	800-818152A26	POWERHEAD ASSEMBLY . .	25	-
91-825196	HOLDING TOOL- DRIVESHAFT . . . . .	58	-	800-818152A26	POWERHEAD ASSEMBLY . .	27	-
91-825197	INSTALLER-OIL SEAL . . . . .	58	-	800-818152A26	POWERHEAD ASSEMBLY . .	27	-

# PARTS INDEX

Part Number	Description	Pg.	Ref. No.	Part Number	Description	Pg.	Ref. No.
800-818152A26	POWERHEAD ASSEMBLY . .	29	-				
800-818152A26	POWERHEAD ASSEMBLY . .	31	-				
800-818152A26	POWERHEAD KIT (PAINTED)	25	1				
900-819850--1	HEAD-CYLINDER . . . . .	25	19				
1000-819269--1	COVER-EXHAUST PORT . . .	25	15				
1000-819376	COVER-CYLINDER HEAD . .	25	21				
1100-819312A3	CAGE ASSEMBLY-BEARING	27	3				
1300-828469	CARBURETOR (TC-131A) . .	17	-				
1300-830131	CARBURETOR (TC-134A) . .	19	-				
1395-5733	JET-MAIN FUEL (.092) (3000 - 4500 FT.) . . . . .	19	15				
1395-6247	JET-MAIN FUEL (.090) (4500 - 6000 FT.) . . . . .	19	15				
1395-6487	JET-MAIN FUEL (.060) (1500 - 3000 FT.) . . . . .	17	15				
1399-4217	JET-MAIN FUEL (.062) (0 - 1500 FT.) . . . . .	17	15				
1399-5213	JET-MAIN FUEL (.056) (4500 - 6000 FT.) . . . . .	17	15				
1399-5225	JET-MAIN FUEL (.054) (6000 - 10000 FT.) . . . . .	17	15				
1399-6249	JET-MAIN FUEL (.096) (0 - 1500 FT.) . . . . .	19	15				
1682-821306A15	GEAR HOUSING ASSEMBLY (BASIC) (PAINTED) . . . . .	45	1				
1682-821306A15	GEAR HOUSING ASSEMBLY (BASIC) (PAINTED) . . . . .	49	1				
1682-821306A16	GEAR HOUSING ASSEMBLY (COMPLETE) (PAINTED) . .	45	1				
1682-821306A16	GEAR HOUSING ASSEMBLY (COMPLETE) (PAINTED) . .	49	1				
3410-821772A5	BRACKET ASSEMBLY- SWIVEL (PAINTED) . . . . .	35	1				
3411-821773F5	BRACKET-CLAMP (PORT) (PAINTED) . . . . .	39	1				
3411-821774F5	BRACKET-CLAMP (STARBOARD) (PAINTED)	39	2				
3531-821447A3	DRIVESHAFT HOUSING ASSY (PAINTED) . . . . .	41	36				
3531-821447A6	DRIVESHAFT HOUSING ASSY (PAINTED) . . . . .	41	36				