



PARTS CATALOG

2.5L EFI 2.5L EFI OFFSHORE

SERIAL NUMBER

MERC/MAR 2.5L (EFI)0D935271 THRU 0G366999

TABLE OF CONTENTS:

AIR INLET/THROTTLE LINKAGE	30
COWLS	2
CRANKSHAFT, PISTONS, AND CONNECTING RODS	28
CYLINDER BLOCK AND END CAPS	22
DRIVESHAFT HOUSING (LONG/X - LONG)	36
DRIVESHAFT HOUSING (OFFSHORE)	40
DRIVESHAFT HOUSING (SHORT)	34
E.F.I. CONTROL BOX	32
EXHAUST PLATE	20
FLYWHEEL, STARTER MOTOR AND IGNITION COILS	6
FUEL INJECTORS	14
FUEL PUMP (DESIGN I)	16
FUEL PUMP(DESIGN II)	18
GEAR HOUSING (DRIVESHAFT) (COUNTER ROTATION)	56
GEAR HOUSING (DRIVESHAFT)(STANDARD ROTATION)	48
GEAR HOUSING (PROP SHAFT) (COUNTER ROTATION)	60
GEAR HOUSING (PROP SHAFT) (STANDARD ROTATION)	52
HYDRAULIC PUMP AND MOUNTING BRACKETS	64
HYDRAULIC PUMP ASSEMBLY	66
INSTRUMENTATION	68
KEY SWITCH	70
MISCELLANEOUS PARTS AND ACCESSORIES	1
PARTS INDEX	74
REED BLOCK AND CYLINDER HEAD	26
STARTER MOTOR ASSEMBLY	72
SWIVEL BRACKET AND STEERING ARM	42
THROTTLE LEVER AND SHIFT SHAFT	10
TRANSOM BRACKETS	44
WIRING HARNESS, STARTER SOLENOID & RECTIFIER	8

NOTE: Indented description indicate that these parts are included in preceeding assembly.

AR = As Required

NSS = Not Sold Separate

OPT = Optional

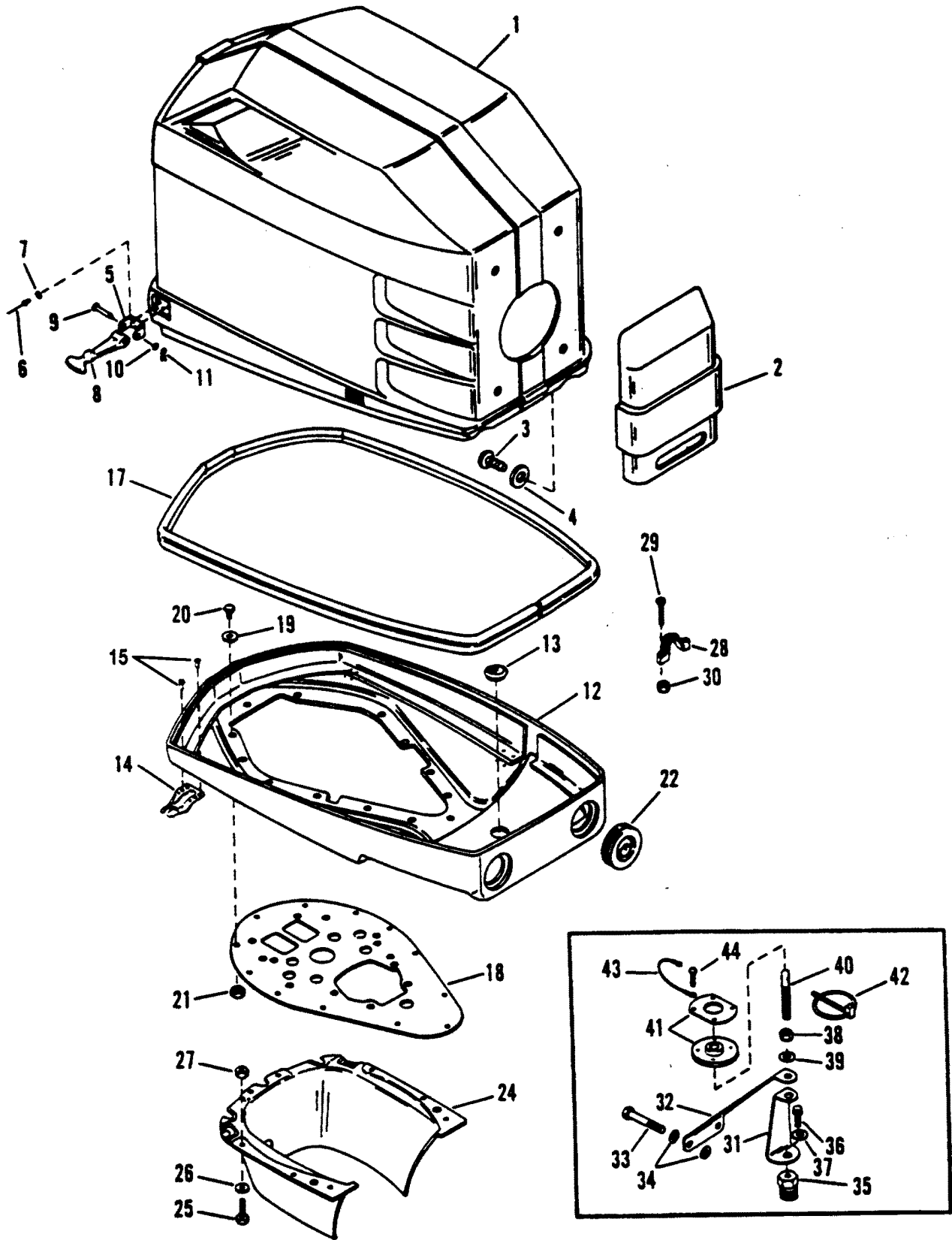
NS = Not Shown

THESE PARTS BOOKS/FICHE CARD ARE COPYRIGHTED AND MAY NOT BE DISTRIBUTED OR REPRODUCED IN ANY OTHER FORMAT BY ANYONE OTHER THAN MERCURY MARINE WITHOUT THE PRIOR WRITTEN CONSENT OF MERCURY MARINE.

MISCELLANEOUS PARTS AND ACCESSORIES

THIS PAGE INTENTIONALLY LEFT BLANK

COWLS

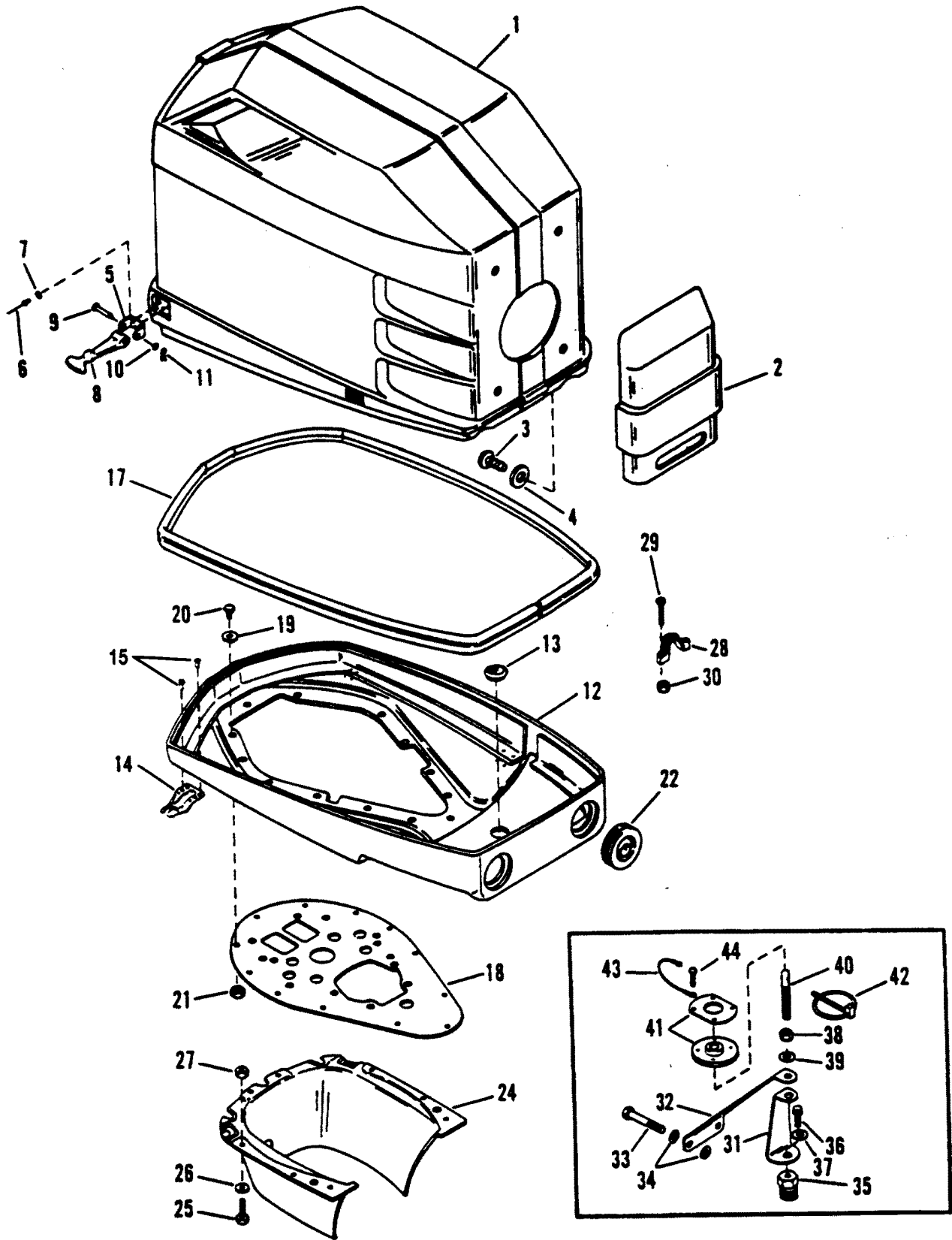


COWLS

REF. NO.	PART NO.	SYM.	QTY.	DESCRIPTION
1	4006-817704A24		1	TOP COWL BLACK
	4006-817704A25		1	TOP COWL GRAY
2	817706A3		1	FRONT COVER BLACK
	817706A4		1	FRONT COVER GRAY
3	10-69570		4	SCREW
4	12-22887		4	WASHER
5	71602		4	YOKE BLACK
	71602--1		4	YOKE GRAY
6	17-816771		12	RIVET
7	12-847883		12	WASHER
8	817708		4	HOLD DOWN
9	17-58712		4	CLEVIS PIN
10	12-847883		4	WASHER
11	18-21071		4	COTTER PIN
-	37-817660A91		1	DECAL SET BLACK
-	37-818263A91		1	DECAL SET GRAY
-	37-818956A1		1	DECAL SET, FRONT COVER BLACK
-	37-818267A1		1	DECAL SET, FRONT COVER GRAY
12	4007-848164A5		1	BOTTOM PAN BLACK
	4007-848164A6		1	BOTTOM PAN GRAY
13	19-815784		2	CAP PLUG
14	13734		4	RETAINER BLACK
	13734--1		4	RETAINER GRAY
15	17-848172		16	RIVET (POP OPEN)
17	817712--1		1	SEAL
18	822188--1		1	PLATE
19	12-29245		13	WASHER
20	10-38601		13	SCREW
21	11-35045		13	NUT
-	848165		2	BRACE
22	25-817713--1		2	GROMMET (CIRCULAR)
	25-817713--3		2	GROMMET (OVAL)
24	4016-847893A2		1	SKIRT BLACK SHORT
	4016-847893A3		1	SKIRT GRAY SHORT
	4016-847893A4		1	SKIRT BLACK LONG
	4016-847893A5		1	SKIRT GRAY LONG
25	10-69028		8	SCREW (1/4-28 X 3/4")
26	12-35462		16	WASHER
27	11-35045		8	NUT
28	88621		1	RETAINER
29	10-69020		2	SCREW
30	11-29488		2	NUT
-	821877A2		1	COWL SUPPORT KIT

CONTINUED ON NEXT PAGE ➡

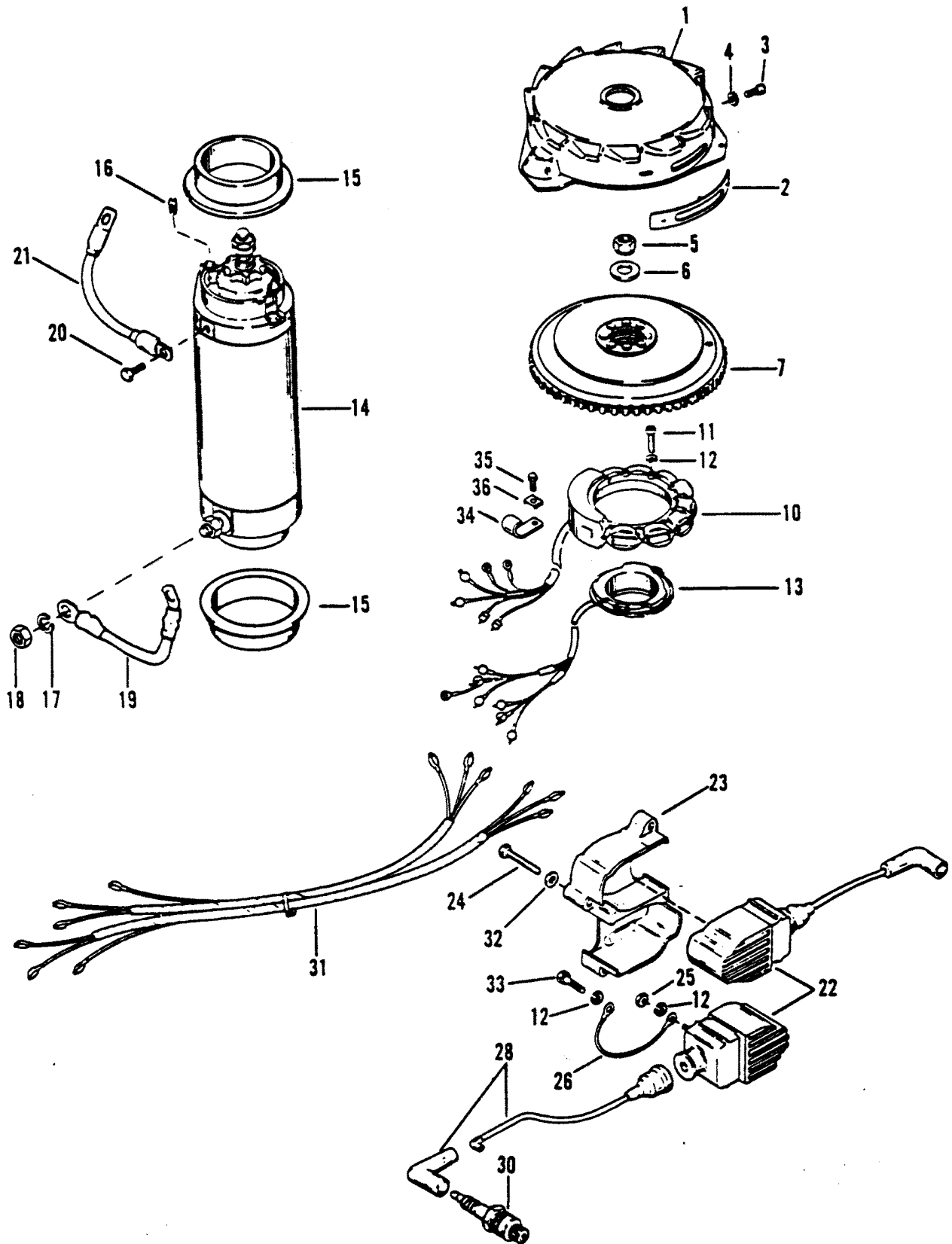
COWLS



COWLS

REF. NO.	PART NO.	SYM.	QTY.	DESCRIPTION
31	821877--1		1	BRACKET
32	821878		1	BRACKET
33	10-821933		2	SCREW
34	12-847539		4	WASHER
35	22-821881		1	PIPE PLUG
36	10-818146		1	SCREW
37	12-847541		1	WASHER
38	11-71852		1	NUT
39	12-74758		1	WASHER
40	821879--1		1	PIN
41	848015A1		1	COWL SUPPORT
42	848126A1		1	TORSION CLIP
43	88238A4		1	CABLE
44	10-821579		4	SCREW

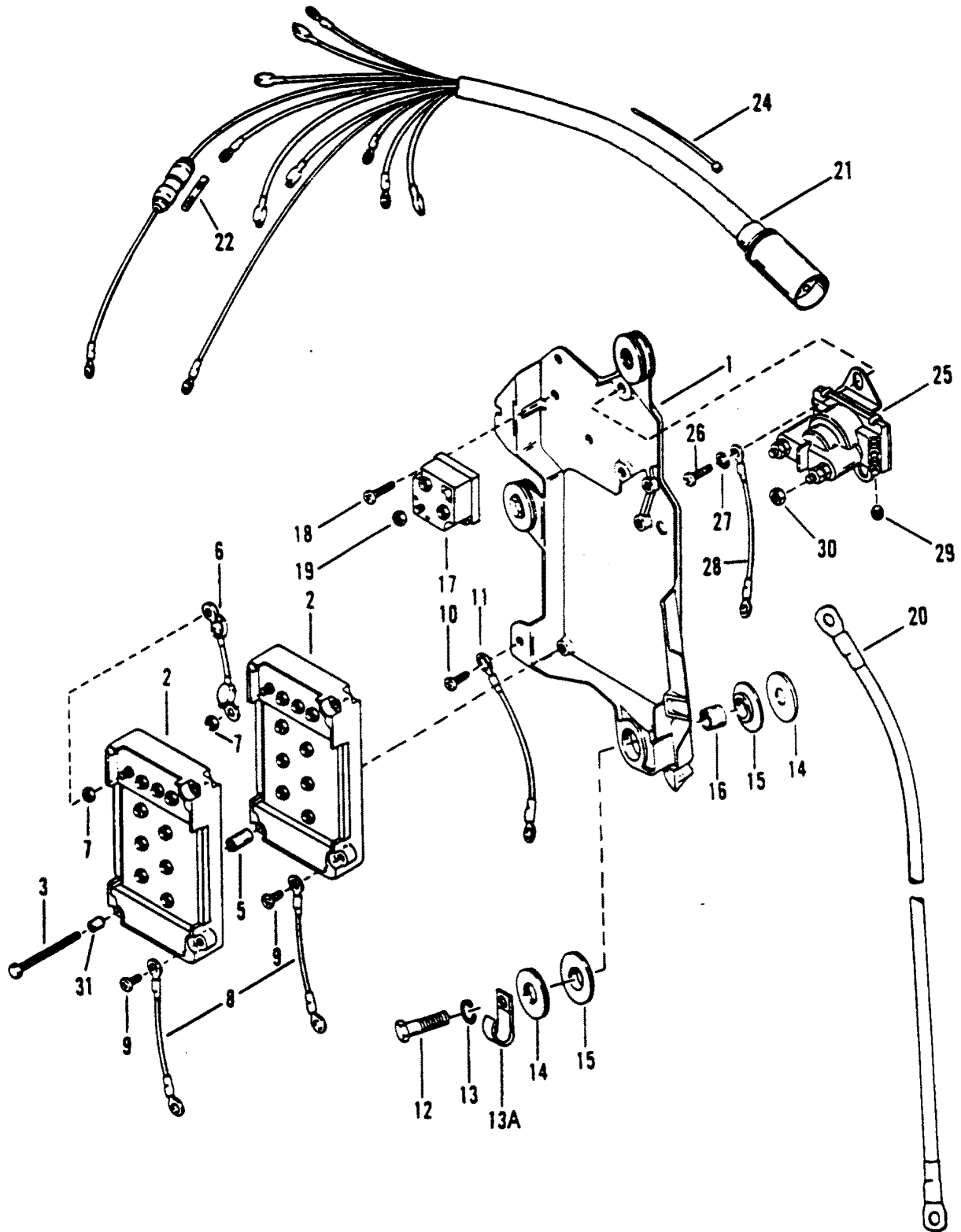
FLYWHEEL, STARTER MOTOR AND IGNITION COILS



FLYWHEEL, STARTER MOTOR AND IGNITION COILS

REF. NO.	PART NO.	SYM.	QTY.	DESCRIPTION
1	79918A1		1	FLYWHEEL COVER
2	79022		1	TIMING MARKER
3	10-37572		2	SCREW
4	12-72761		2	WASHER
5	11-52901		1	NUT
6	12-68229		1	WASHER
7	249-6080A42		1	FLYWHEEL
10	398-5454A36		1	STATOR
11	10-90028		6	SCREW
12	13-26996		24	LOCKWASHER
13	96455A11		1	TRIGGER PLATE
14	50-79472		1	STARTER MOTOR
15	56703		2	COLLAR
16	68042		2	RUBBER STOP
17	13-26992		1	LOCKWASHER
18	11-20890		1	NUT
19	84-93389A5		1	WIRE (YELLOW)
20	10-69035		1	SCREW
21	84-93388A1		1	WIRE (BLACK)
22	339-7370A19		6	IGNITION COIL
23	79743		3	COVER
24	10-88447		12	SCREW (1-5/8")
25	11-45076		12	NUT
26	84-88807A6		6	GROUND STRAP BLACK
28	84-815358A1		1	HIGH TENSION CABLE
30	33-14103550		6	SPARK PLUG (NGK -BUZHW)
31	84-69738A7		1	HARNESS ASSEMBLY (-2,4 & 6)
	84-69739A2		1	HARNESS ASSEMBLY (-1,3 & 5)
32	12-89302		12	WASHER
33	10-68513		6	SCREW
34	54-24836		1	J-CLAMP
35	10-62568		1	SCREW
36	69205		1	C-WASHER

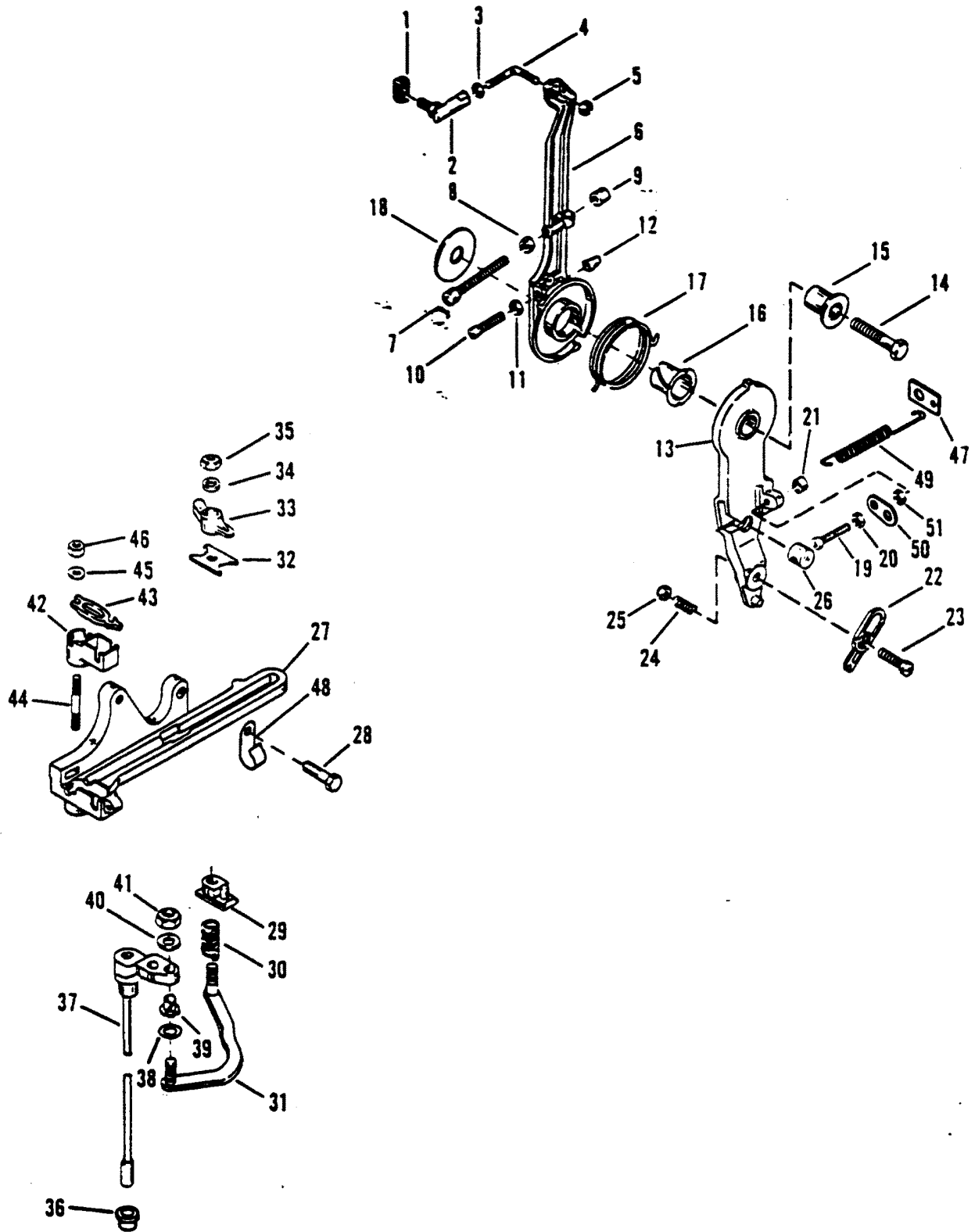
WIRING HARNESS, STARTER SOLENOID & RECTIFIER



WIRING HARNESS, STARTER SOLENOID & RECTIFIER

REF. NO.	PART NO.	SYM.	QTY.	DESCRIPTION
1	43429--2		1	IGNITION PLATE
2	332-7778A14		2	SWITCH BOX
3	10-90815		2	SCREW
5	23-94453		2	BUSHING
6	84-62310A2		1	CABLE
7	11-45076		20	NUT
8	84-60871A10		2	WIRE
9	10-62568		2	SCREW
10	10-38055		1	SCREW (5/8")
11	84-65999A3		1	CABLE (BLACK)
12	10-60411		3	SCREW (1-1/4")
13	13-26993		3	LOCKWASHER
13A	54-814634		2	J-CLAMP
14	12-36042		6	WASHER
15	12-67264		6	WASHER (RUBBER)
16	23-67268		3	BUSHING
17	816770		1	RECTIFIER
18	10-38055		2	SCREW (5/8")
19	11-45076		3	NUT
20	84-88439A14		1	BATTERY CABLE (POSITIVE)
	84-88439A2		1	BATTERY CABLE (NEGATIVE)
21	84-96220A4		1	ENGINE HARNESS
22	88-79091		1	FUSE
24	54-816311		AR	STA-STRAP
25	89-68258A4		1	STARTER SOLENOID
26	10-31716		2	SCREW (5/8")
27	13-26992		2	LOCKWASHER
28	84-65999A2		1	CABLE (BLACK)
29	11-45076		2	NUT
30	11-67980		2	NUT
31	23-94304		2	BUSHING

THROTTLE LEVER AND SHIFT SHAFT

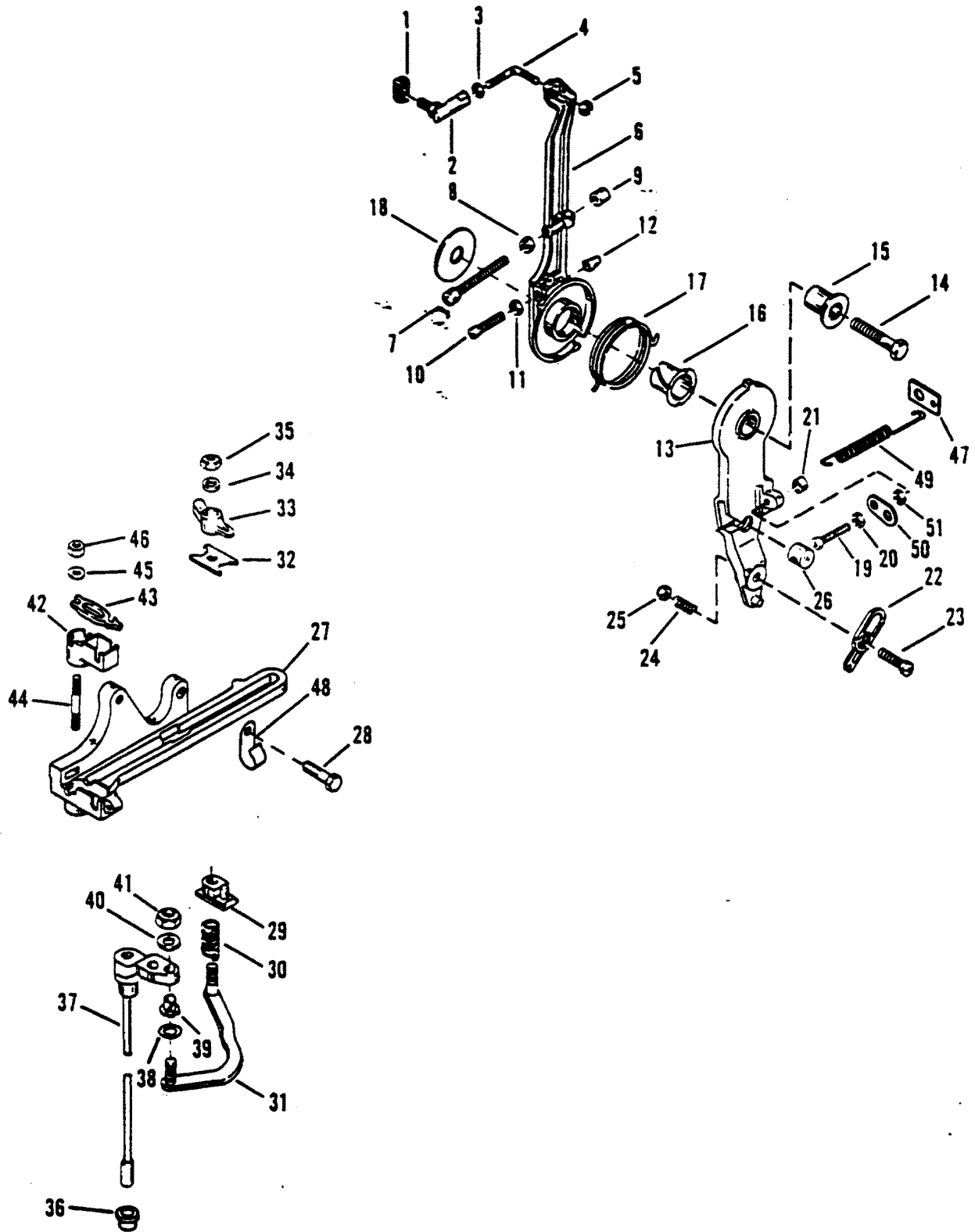


THROTTLE LEVER AND SHIFT SHAFT

REF. NO.	PART NO.	SYM.	QTY.	DESCRIPTION
1	74897		1	PIVOT
2	62459		1	BALL JOINT
3	11-68219		1	NUT
4	76035		1	LINK ROD
5	11-45812		1	NUT
6	41094A3		1	SPARK ADVANCE LEVER
7	10-64022		1	SCREW
8	11-64015		1	NUT
9	26852		1	CAP
10	10-13627		1	SCREW (1-1/4")
11	11-68219		1	NUT
12	48039		1	CAP
13	77837		1	THROTTLE CONTROL LEVER
14	10-818165		1	SCREW (1-3/4")
15	23-55164		1	BUSHING
16	23-55171		1	BUSHING
17	24-68784		1	SPRING
18	12-46765		1	WASHER
19	10-64022		1	SCREW (2-1/8")
20	11-64015		1	NUT
21	26852		1	CAP
22	39483		1	LATCH
23	10-69026		1	SCREW (1/4-28 X 7/8")
24	24-20099		1	SPRING
25	11-35045		1	NUT
-	61-847713A2		-	POWERHEAD
26	60572		1	BARREL
27	14669--1		1	ANCHOR BRACKET
28	10-62958		2	SCREW (1-1/8")
	10-28667		1	SCREW (1")
29	37896		1	GUIDE BLOCK
30	24-20099		1	SPRING
31	67073A1		1	LINK ROD
32	52100		1	WEAR PLATE
33	38279		1	LATCH
34	12-69056		1	WASHER
35	11-35045		1	NUT
36	23-27132		1	BUSHING
37	79932A15		1	SHIFT SHAFT (SHORT)
	79932A11		1	SHIFT SHAFT (LONG)
	79932A12		1	SHIFT SHAFT (EXTRA-LONG)
38	13-29720		1	WAVE WASHER
39	23-26600		1	BUSHING

CONTINUED ON NEXT PAGE ➡

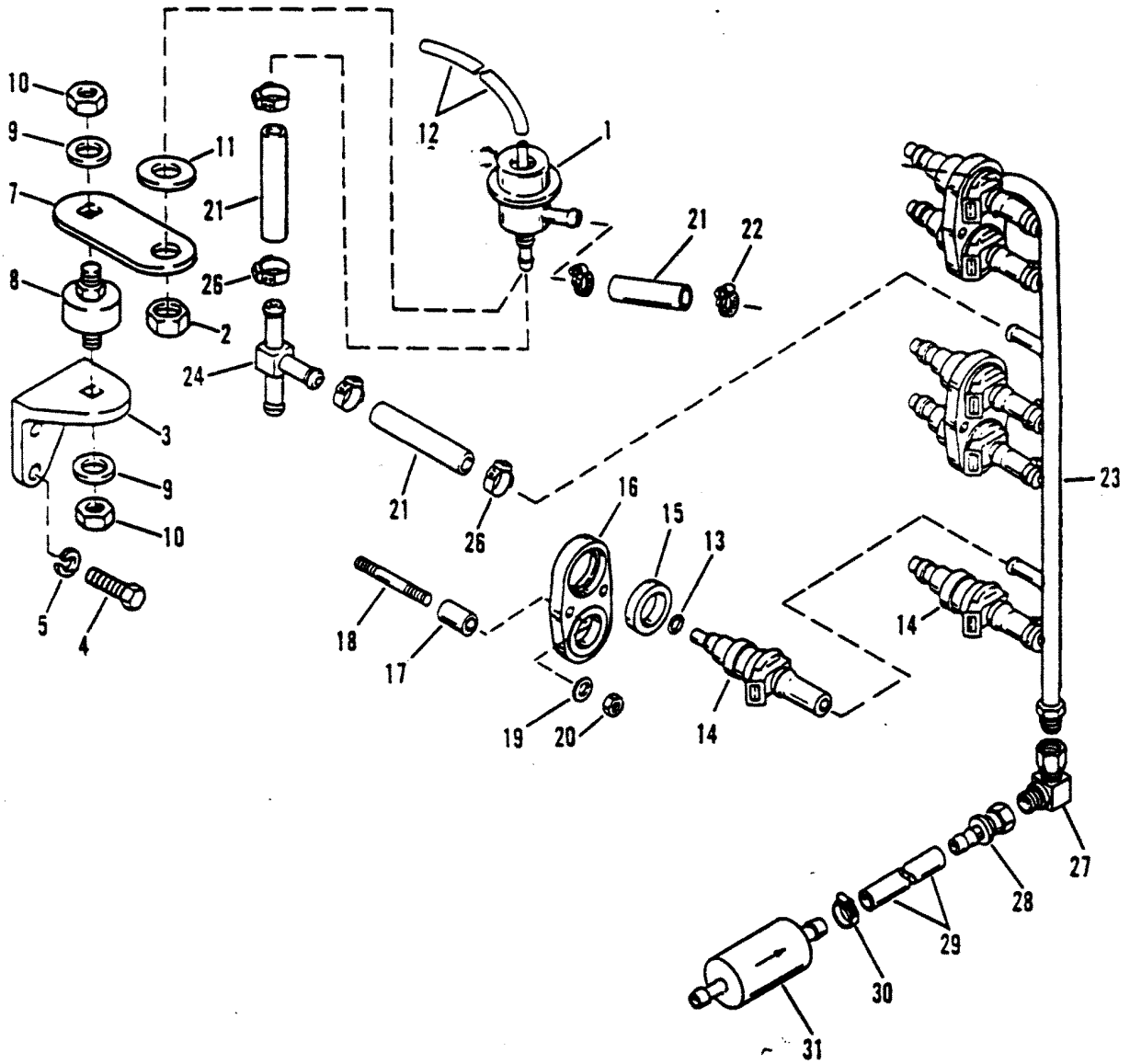
THROTTLE LEVER AND SHIFT SHAFT



THROTTLE LEVER AND SHIFT SHAFT

REF. NO.	PART NO.	SYM.	QTY.	DESCRIPTION
40	12-35462		1	WASHER
41	11-35045		1	NUT
42	16813		1	CUP
43	16814		1	LATCH
44	16-18101		2	STUD
45	12-73288		2	WASHER
46	11-18102		2	NUT
47	54-75275		1	CLAMP
48	54-54457		1	J-CLAMP
49	24-66306		1	SPRING
50	53-78201		1	CLIP
51	11-64015		1	NUT
-	61-847713A2		-	POWERHEAD

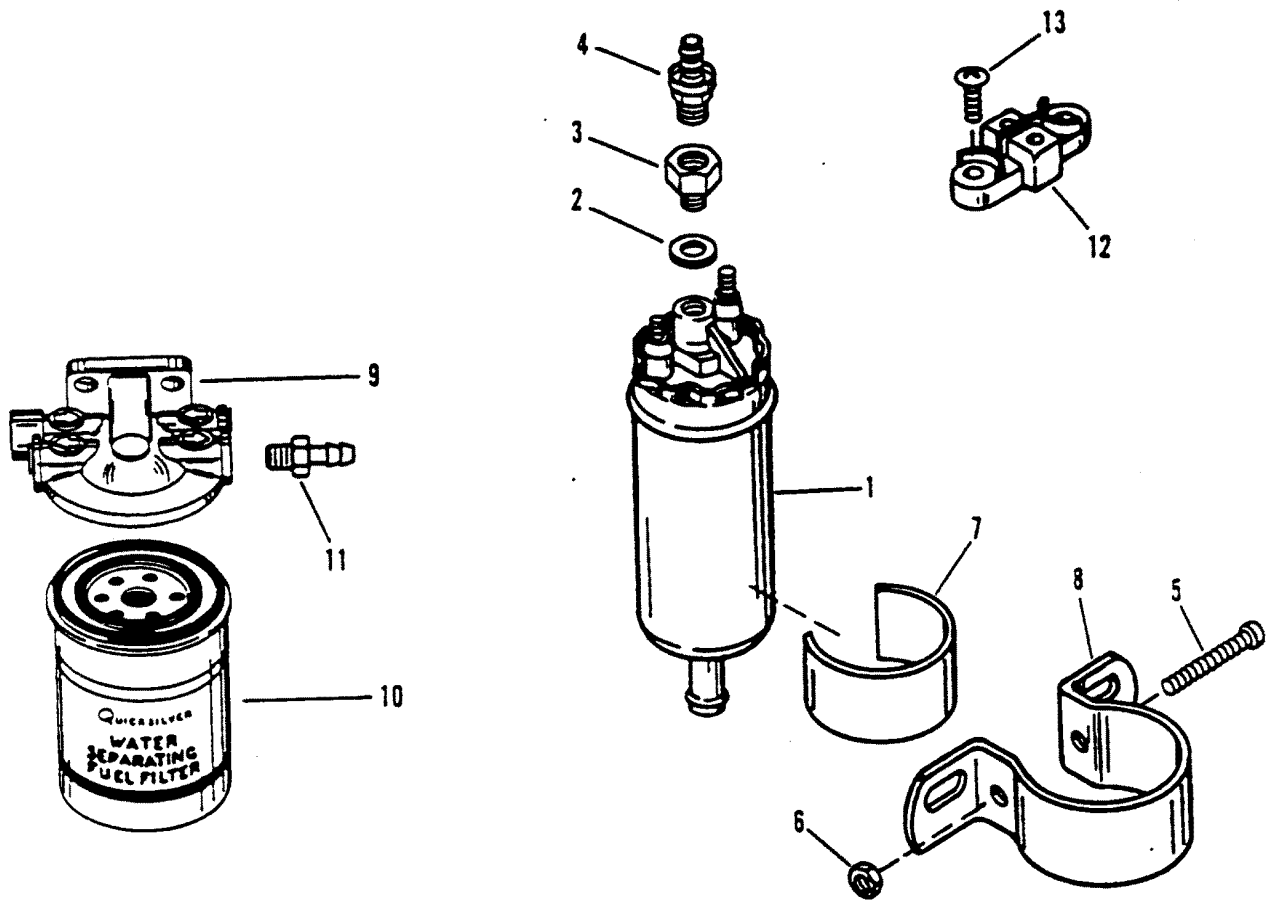
FUEL INJECTORS



FUEL INJECTORS

REF. NO.	PART NO.	SYM.	QTY.	DESCRIPTION
1	94820		1	FUEL REGULATOR
2	11-15018		1	NUT
3	99945		1	BRACKET
4	10-28636		2	SCREW
5	13-26992		2	LOCKWASHER
7	99944		1	SUPPORT
8	90435		1	RUBBER MOUNT
9	12-35462		2	WASHER
10	11-35888		2	NUT
11	12-26168		1	WASHER
12	32-66285-70		1	HOSE
13	26-94219		6	SEAL
14	98818		6	FUEL INJECTOR
15	25-99123		6	GROMMET
16	98716		3	HOLD DOWN
17	98717		6	SPACER
18	16-21184		6	STUD
19	12-29245		6	WASHER
20	11-35045		6	NUT
21	32-77457--2		1	HOSE
22	54-815504104		2	CLAMP
23	17206--3		1	FUEL RAIL
24	22-17207		1	FITTING
26	54-12999		4	CLAMP
27	22-818699		1	FITTING
28	22-69406		1	FITTING
29	32-817389-77		1	HOSE (84")
30	54-13791		1	CLAMP
31	35-818700		1	FILTER
-	27-814658A3		-	GASKET SET

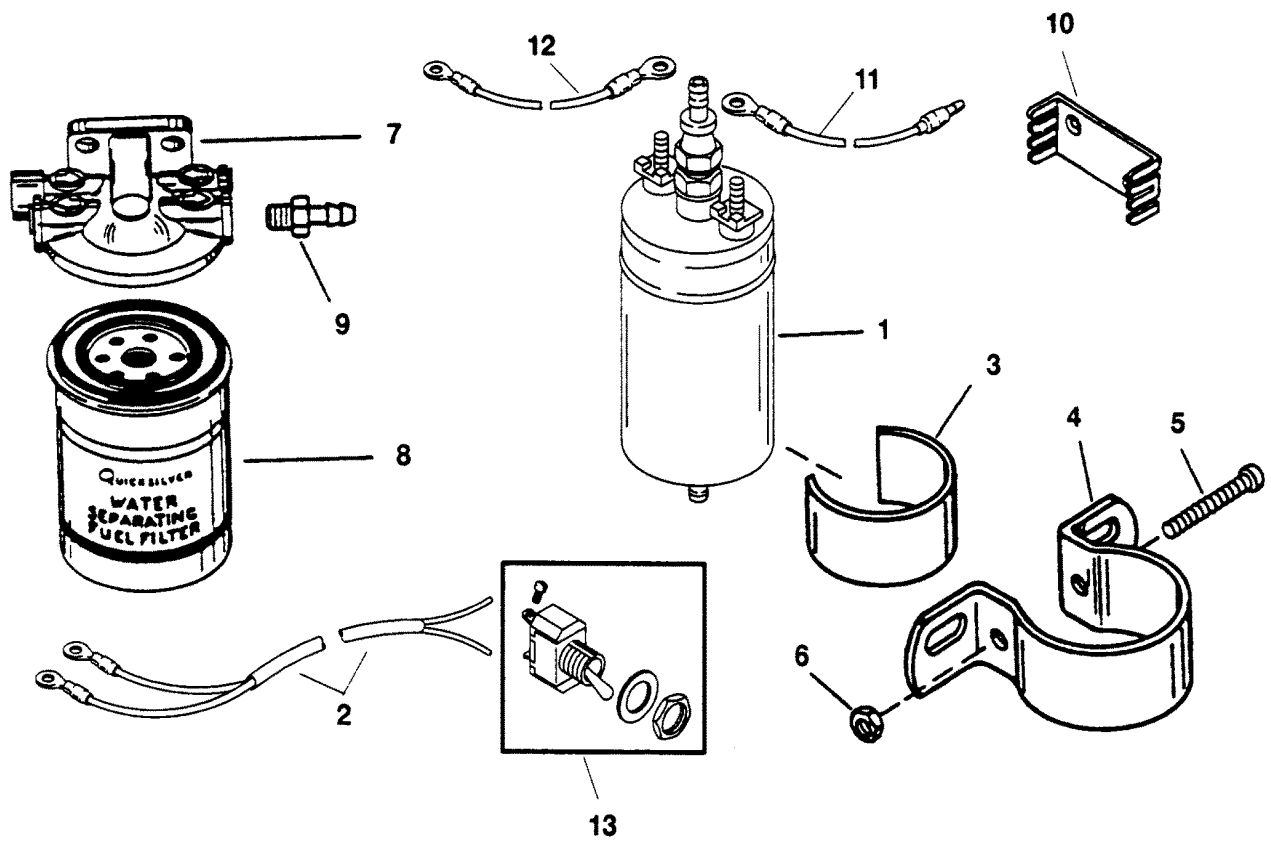
FUEL PUMP (DESIGN I)



FUEL PUMP (DESIGN I)

REF. NO.	PART NO.	SYM.	QTY.	DESCRIPTION
1	848045A2		1	FUEL PUMP ASSEMBLY
2	12-22886		1	WASHER
3	22-14383		1	CONNECTOR
4	22-15936		1	FITTING
5	10-25158		1	SCREW
6	11-20110		1	NUT
7	41038		1	SLEEVE
8	94451--1		1	BRACKET
9	35-807172A4		1	FUEL FILTER KIT
10	35-807172		1	FUEL FILTER
11	22-34982		1	CONNECTOR
12	45559		1	TERMINAL BLOCK
13	10-62568		2	SCREW

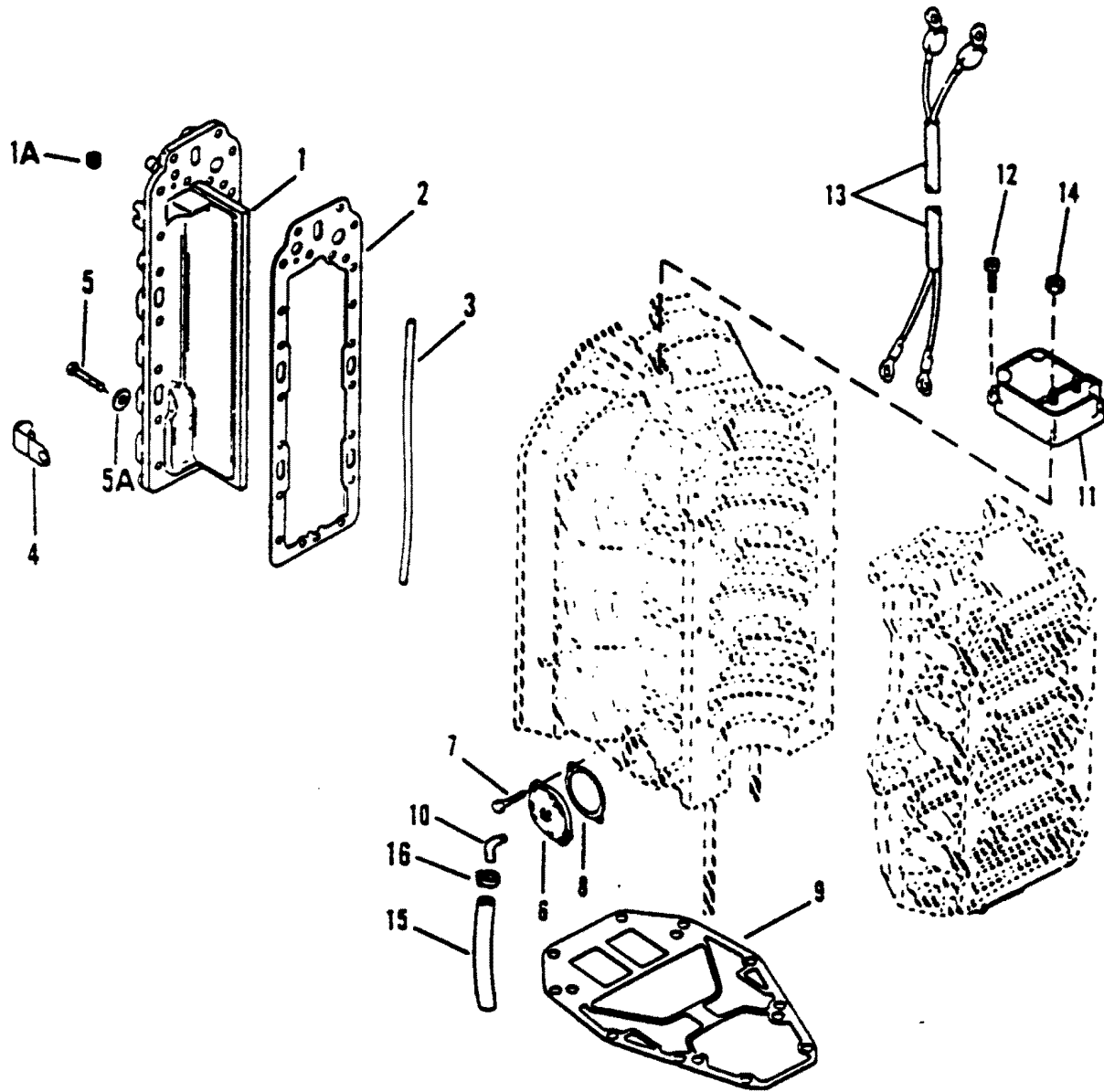
FUEL PUMP(DESIGN II)



FUEL PUMP(DESIGN II)

REF. NO.	PART NO.	SYM.	QTY.	DESCRIPTION
1	848045A5		1	FUEL PUMP ASSEMBLY
2	84-825201--1		1	CABLE
3	41038--1		1	SLEEVE
4	94451--2		1	BRACKET
5	10-25158		1	SCREW
6	11-20110		1	NUT
7	35-807172A4		1	FUEL FILTER KIT
8	35-807172		1	FUEL FILTER
9	22-34982		1	CONNECTOR
10	79146		1	RETAINER
11	84-848489A1		1	HARNESS
12	84-848490A1		1	HARNESS (RED)(12)
	84-848490A2		1	HARNESS (PURPLE)(2)
13	87-66581		1	SWITCH

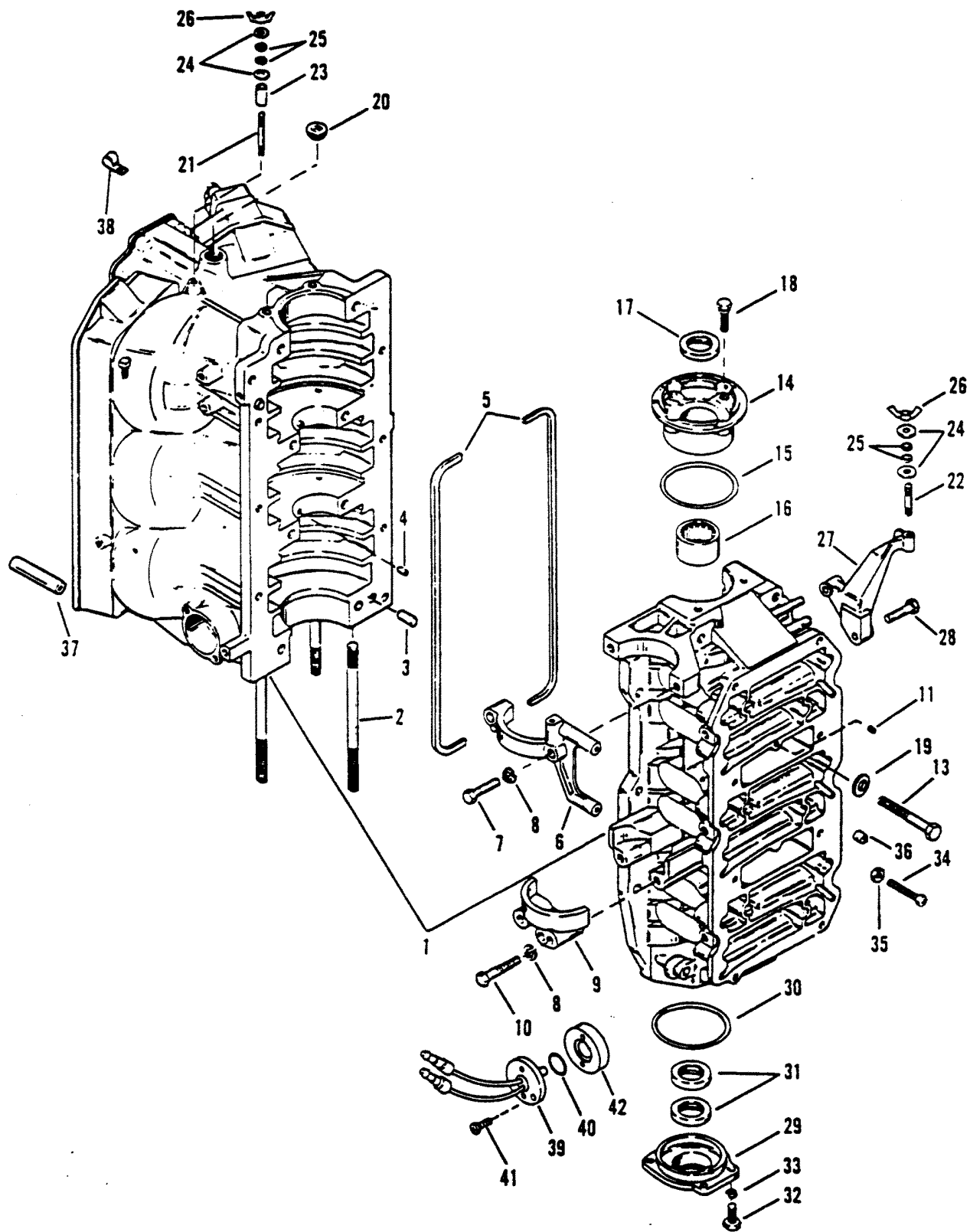
EXHAUST PLATE



EXHAUST PLATE

REF. NO.	PART NO.	SYM.	QTY.	DESCRIPTION
1	815552A1		1	DIVIDER PLATE
1A	22-32802		1	PIPE PLUG
2	27-847525--1		1	GASKET
3	26-814754		1	SEAL
4	54-814634		2	J-CLAMP (LARGE)
	54-64235--2		1	J-CLAMP (SMALL)
5	10-847538		18	SCREW (1-1/2")
	10-848497		2	SCREW (1")
5A	12-847526		20	WASHER
6	99193		1	COVER
7	10-28782		2	SCREW
8	27-88907--2		1	GASKET
9	27-823142		2	GASKET
10	22-68727		1	FITTING
11	88825A7		1	VOLTAGE REGULATOR
12	10-48409		2	SCREW
13	84-13397A1		1	HARNESS ASSEMBLY
14	11-45076		2	NUT
15	32-77457--2		1	HOSE
16	54-816311		1	STA-STRAP
-	27-814658A3		-	ENGINE GASKET SET
-	61-847713A2		-	POWERHEAD

CYLINDER BLOCK AND END CAPS

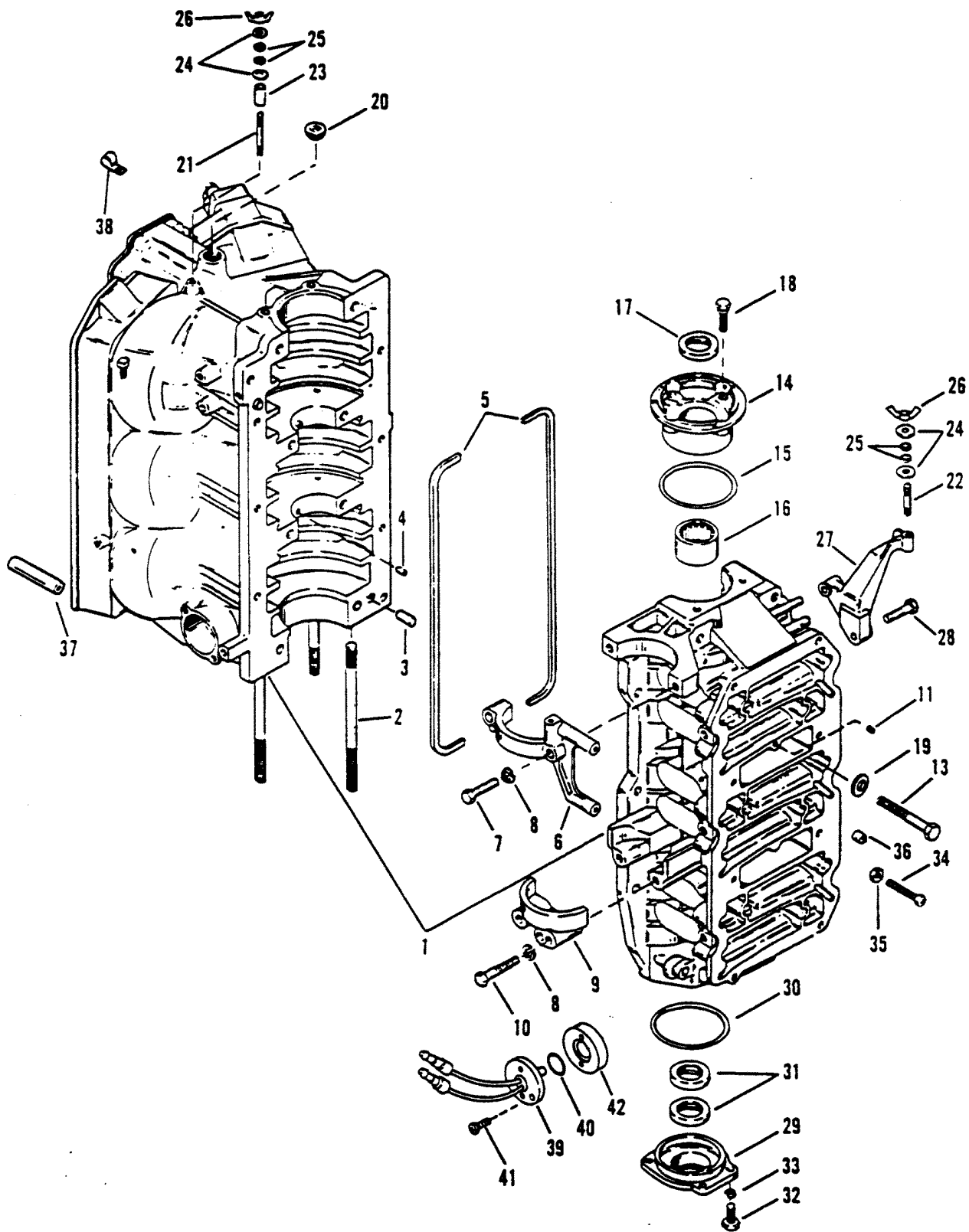


CYLINDER BLOCK AND END CAPS

REF. NO.	PART NO.	SYM.	QTY.	DESCRIPTION
1	884-822230A6		1	CYLINDER BLOCK
2	16-847530		AR	STUD (2")
	16-847529		AR	STUD (2-1/2")
	16-822358		AR	STUD (2-3/4")
	16-847532		AR	STUD (5-3/4")
	16-847533		AR	STUD (7")
3	17-43044		3	DOWEL PIN
4	17-67296		2	DOWEL PIN (BEARING RACE)
5	27-11338		2	GASKET
6	42249		1	COVER (UPPER)
7	10-90086		2	SCREW (1-1/2")
8	13-26993		4	LOCKWASHER
9	76867		1	COVER (LOWER)
10	10-815549		2	SCREW (2")
11	21-42657A1		3	CHECK VALVE
13	10-66717		8	SCREW (3/8-16 X 3-1/4")
	10-823188		2	SCREW (3/8-16 X 3-1/2")
	10-823199--1		10	SCREW (3/8-16 X 1-1/4")
14	1159-847523A2		1	UPPER END CAP
15	25-54029		1	O-RING
16	31-74248		1	BEARING
17	26-41953		1	OIL SEAL
18	10-69034		4	SCREW (1")
19	12-822838		20	WASHER
20	22-821881		1	PLUG (WATER JACKET)
21	16-15094		1	STUD (1-7/8")
22	16-15093		2	STUD (1")
23	23-67269		1	SPACER
24	12-49221		6	WASHER
25	12-72761		3	WASHER
26	11-816874		3	NUT
27	99294		1	BRACKET
28	10-28667		2	SCREW (1")
-	27-814658A3		-	ENGINE GASKET SET
-	61-847713A2		-	POWERHEAD(LISTED BELOW)
29	1156-7809A1		1	LOWER END CAP
30	25-62700		1	O-RING (3-1/4" I.D.)
31	26-41953		2	OIL SEAL
32	10-28636		4	SCREW (3/4")
33	13-26992		4	LOCKWASHER
34	10-64022		1	ADJUSTING SCREW
35	11-64015		1	JAM NUT
36	26852		1	CAP

CONTINUED ON NEXT PAGE ➡

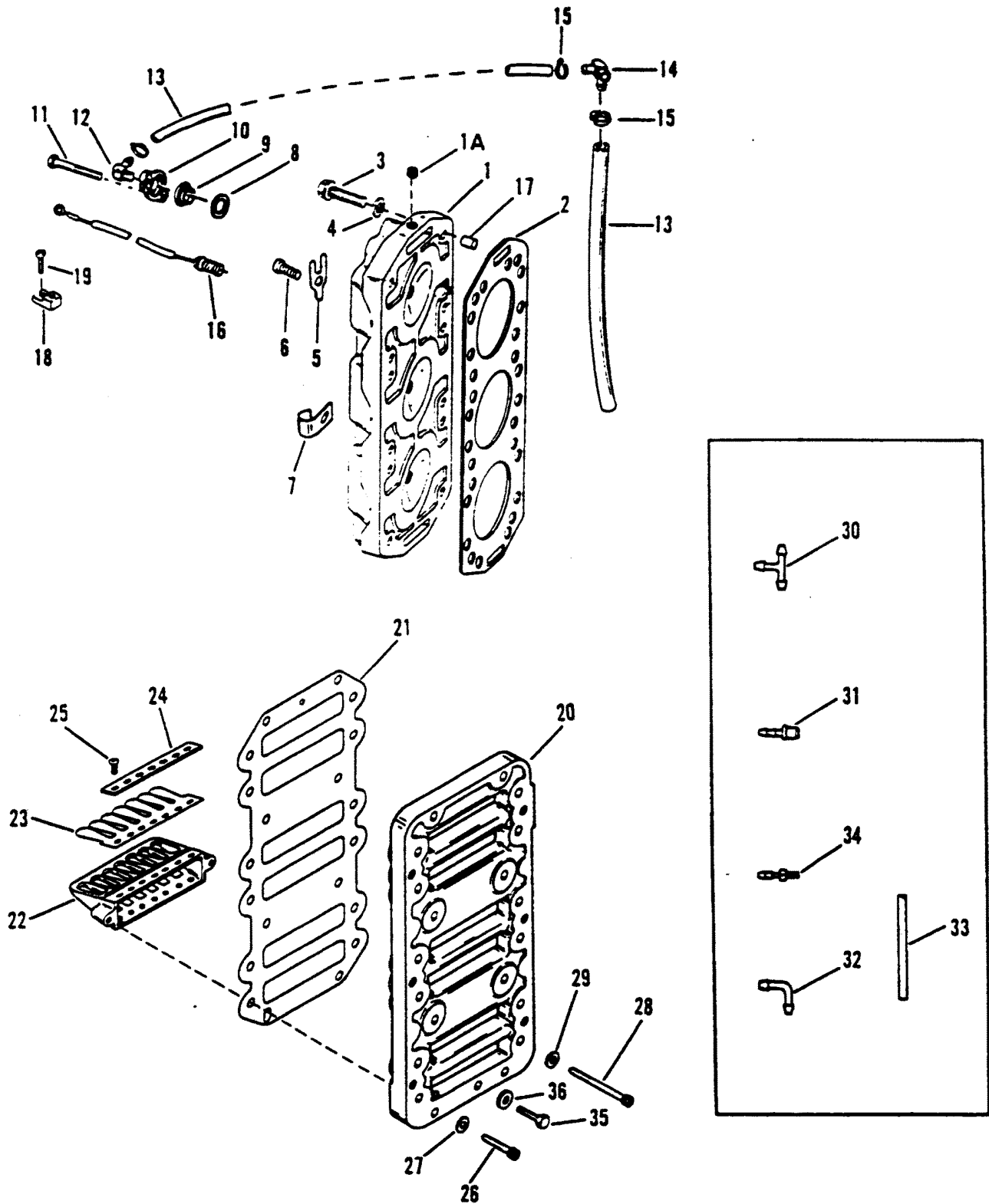
CYLINDER BLOCK AND END CAPS



CYLINDER BLOCK AND END CAPS

REF. NO.	PART NO.	SYM.	QTY.	DESCRIPTION
37	32-830756109		2	TUBING (1-3/4")
38	54-63153		2	J-CLAMP
39	13221A1		1	TEMPERATURE SENSOR
40	25-45711		2	O-RING
41	10-34696		2	SCREW (3/4")
42	816885		1	ADAPTOR

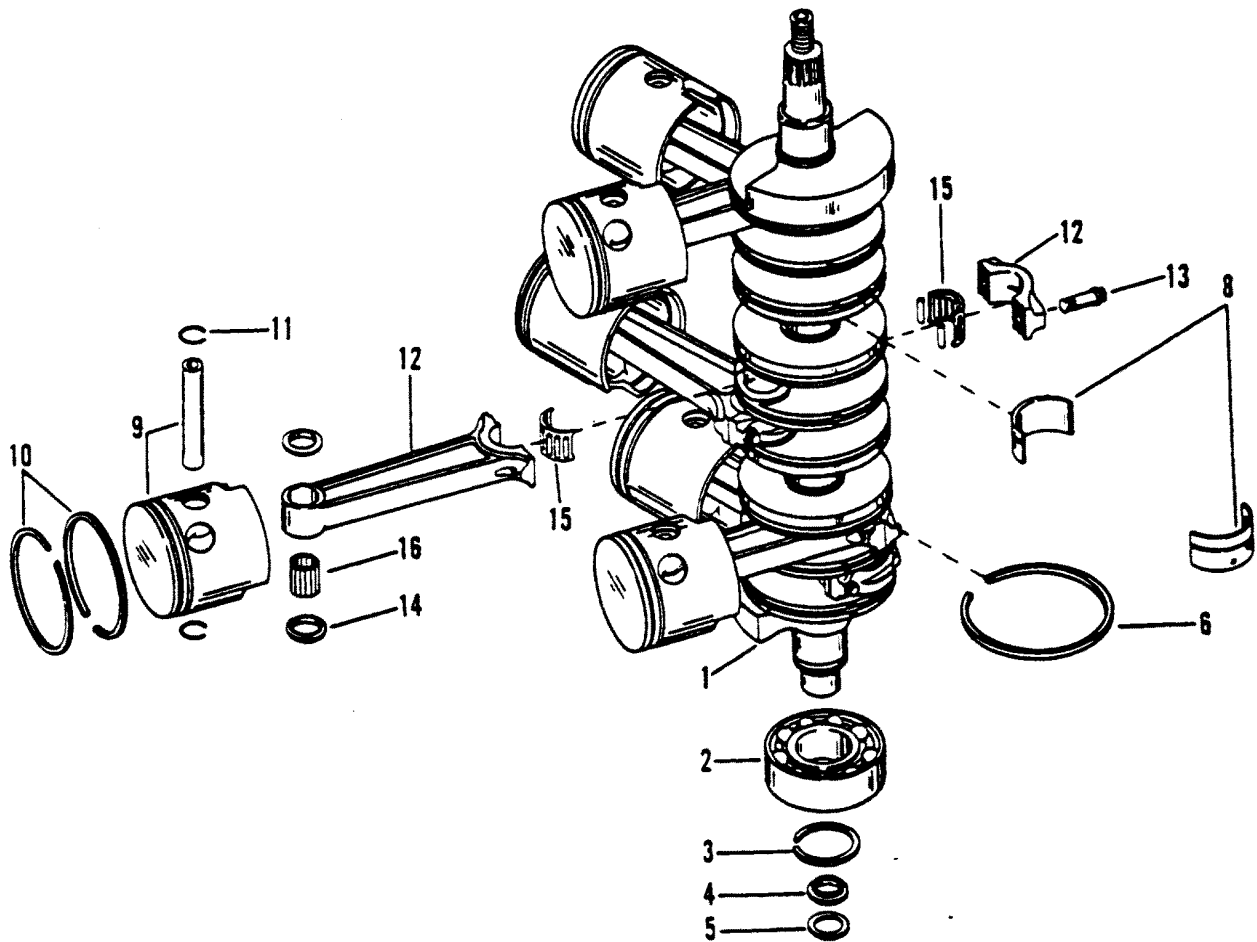
REED BLOCK AND CYLINDER HEAD



REED BLOCK AND CYLINDER HEAD

REF. NO.	PART NO.	SYM.	QTY.	DESCRIPTION
1	18789A3		2	CYLINDER HEAD
1A	22-32802		2	PIPE PLUG
2	27-814658--1		2	GASKET
3	10-98534		24	SCREW (2-1/3")
4	12-822838		24	WASHER
5	13715--1		1	RETAINER
6	10-88743		1	SCREW
7	54-78945--1		1	J-CLAMP
8	12-47533--1		2	WASHER, SUBSTITUTE FOR THERMOSTAT
9	27-62386		2	GASKET
10	90390A1		2	COVER
11	10-37562		4	SCREW (1")
12	22-68727		1	ELBOW (STARBOARD)
13	32-77457--2		1	HOSE
14	22-68728		1	FITTING (PORT)
15	54-816311		AR	STA-STRAP
16	97465		1	TEMPERATURE SENDER
17	17-63779		4	DOWEL PIN
18	45915		2	TERMINAL BLOCK
19	10-48409		2	SCREW (5/8")
	10-62568		2	SCREW (3/8")
20	98709--3		1	PLATE
21	27-12775--4		1	GASKET
22	87692--2		6	REED BLOCK
23	34-815242A3		6	REED ASSEMBLY
24	90391--1		12	REED CLAMP
25	10-823588		84	SCREW
26	10-60147		12	SCREW
27	12-822837		12	WASHER
28	10-60147		4	SCREW
29	12-39143		4	WASHER
31	22-56759		2	FITTING (PRESS IN)
32	22-94090		1	ELBOW
33	32-66285-70		AR	HOSE (YELLOW)
34	21-42623		1	CHECK VALVE (PRESS-IN - 11/16" LONG)
	21-818189A1		1	CHECK VALVE (45 DEGREES)
35	10-55715		2	SCREW
36	12-822837		2	WASHER
-	27-814658A3		-	ENGINE GASKET SET
-	61-847713A2		-	POWERHEAD

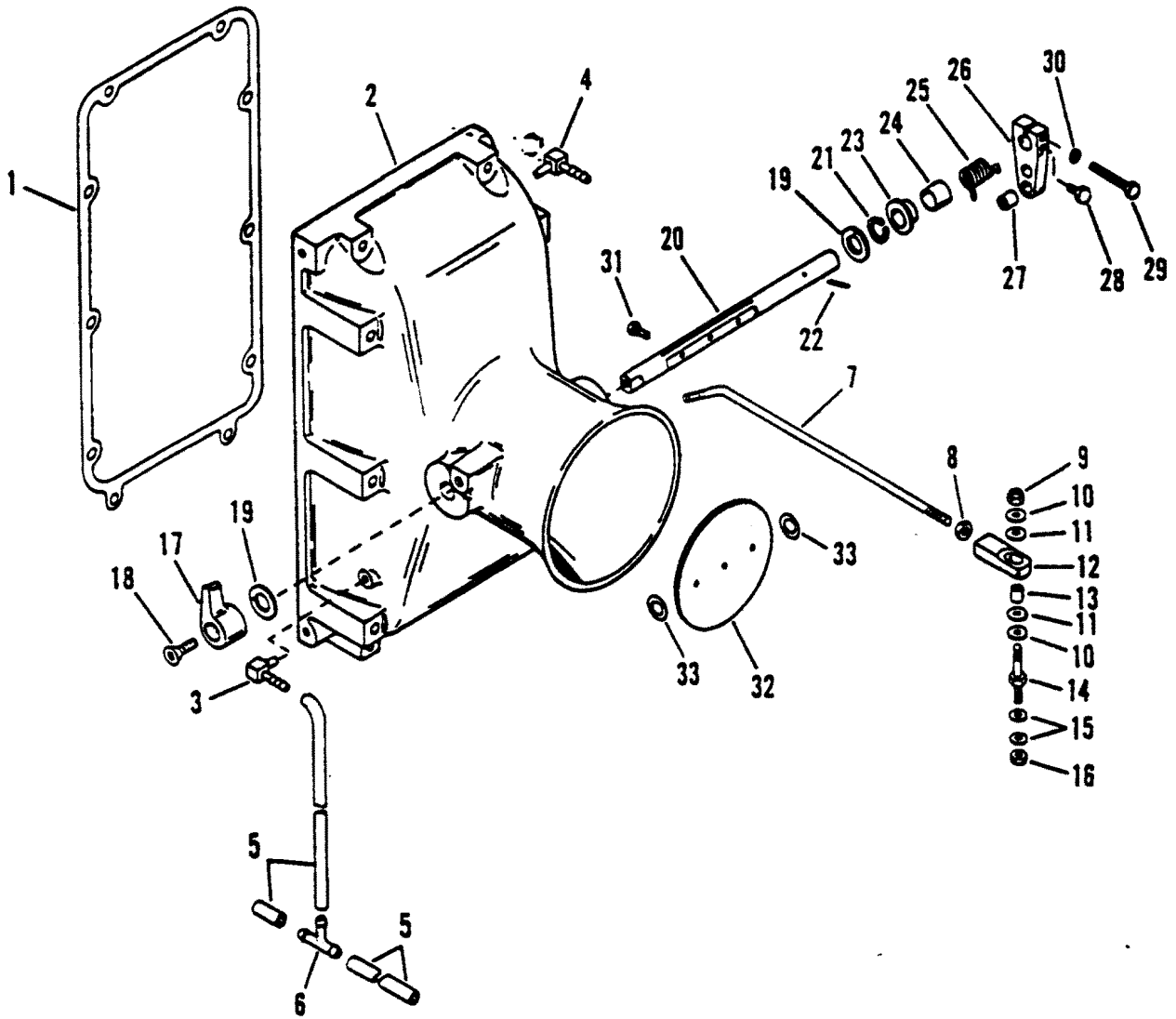
CRANKSHAFT, PISTONS, AND CONNECTING RODS



CRANKSHAFT, PISTONS, AND CONNECTING RODS

REF. NO.	PART NO.	SYM.	QTY.	DESCRIPTION
1	455-7251A7		1	CRANKSHAFT ASSEMBLY
2	30-67923		1	BALL BEARING (LOWER)
3	53-67446		1	RETAINING RING
4	54196A6		1	CARRIER ASSEMBLY
5	65800		1	SEAL
6	39-67377--2		7	RING
8	31-16756A8		2	ROLLER BEARING
9	766-847608A4		3	PISTON ASSEMBLY (STARBOARD)
	766-847607A4		3	PISTON ASSEMBLY (PORT)
10	39-848201A12		1	PISTON RING ASSEMBLY
11	53-821246		12	RETAINING RING
12	625-847522A2		6	CONNECTING ROD ASSEMBLY
13	10-91995		12	SCREW
14	12-847524		12	WASHER
15	31-821146A1		6	ROLLER BEARING
16	29-67483		174	NEEDLE BEARING
-	27-814658A3		-	ENGINE GASKET SET
-	61-847713A2		-	POWERHEAD

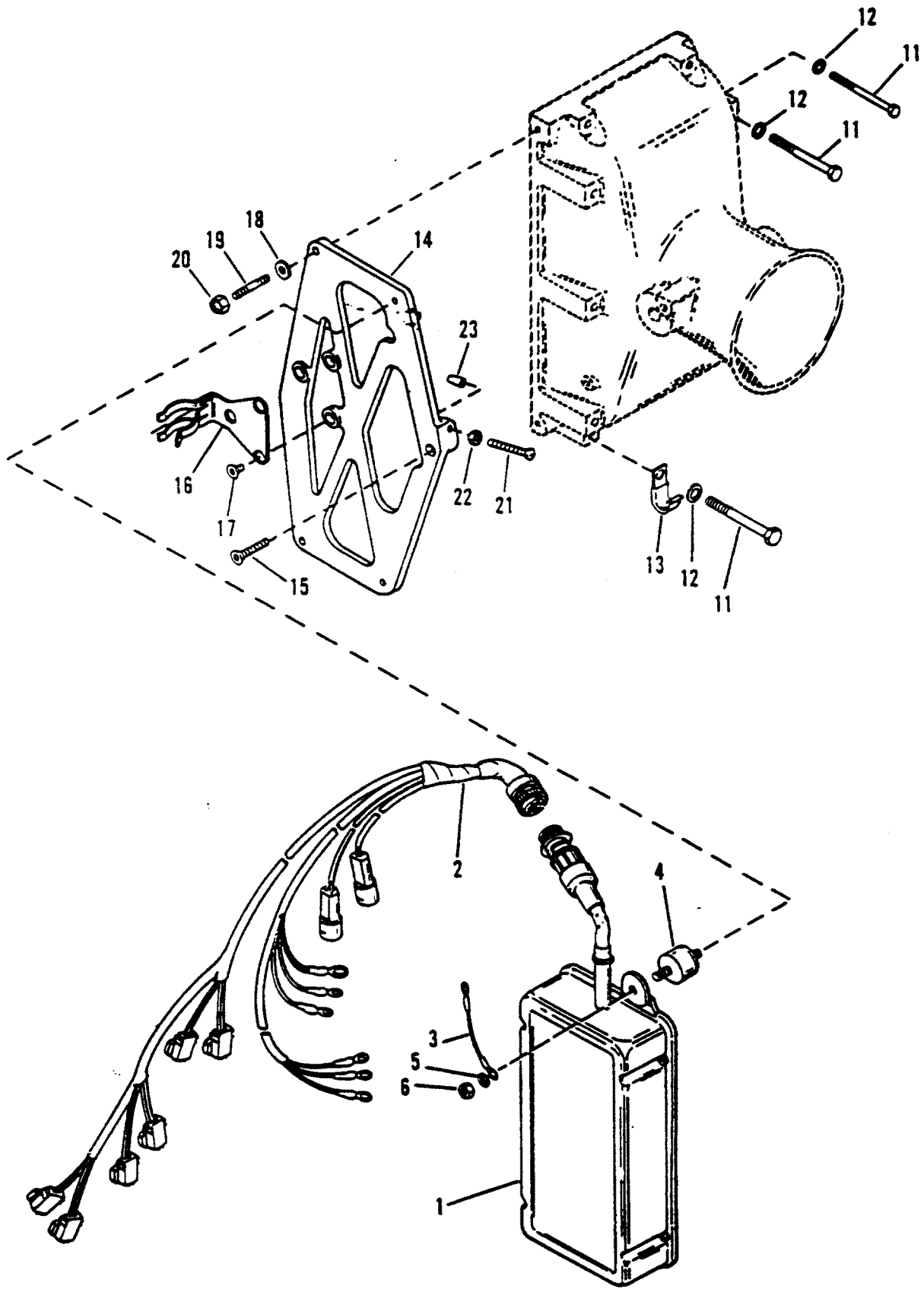
AIR INLET/THROTTLE LINKAGE



AIR INLET/THROTTLE LINKAGE

REF. NO.	PART NO.	SYM.	QTY.	DESCRIPTION
1	27-99316--3		1	GASKET
2	816058A6		1	AIR INLET
3	22-822715		1	ELBOW
4	22-15133		2	FITTING
5	32-66285-70		1	HOSE
6	22-59169		1	TEE FITTING
7	816250		1	THROTTLE LINK
8	11-20013		1	JAM NUT
9	11-20361		1	NUT
10	12-35462		2	WASHER
11	12-35459		2	WASHER
12	847602		1	SLIDER
13	23-12245		1	BUSHING
14	16-96112		1	STUD
15	12-29245		2	WASHER
16	11-35045		1	NUT
17	848026		1	ACTUATOR
18	10-848022		1	SCREW (3/4")
19	12-848023		2	THRUST WASHER
20	815490A3		1	THROTTLE SHAFT
21	53-847882		1	RING. RETAINING
22	17-24800		2	ROLL PIN
23	23-848024		1	BUSHING (W/LIP)
24	23-848025		1	BUSHING (W/O LIP)
25	24-98894--1		1	SPRING
26	D13726--1		1	THROTTLE LEVER ONE PIECE DESIGN
	13726		1	THROTTLE LEVER REPLACED WITH ONE PIECE DESIGN
27	23-12245		1	BUSHING REPLACED WITH ONE PIECE DESIGN
28	10-41355		1	SET SCREW
29	10-41089--1		1	SCREW
30	13-26995		1	LOCKWASHER
31	10-823200		3	SCREW
32	98715--9		1	THROTTLE SHUTTER
33	15-848046A1		1	SHIM SET
-	27-814658A3		-	ENGINE GASKET SET
-	61-847713A2		-	POWERHEAD

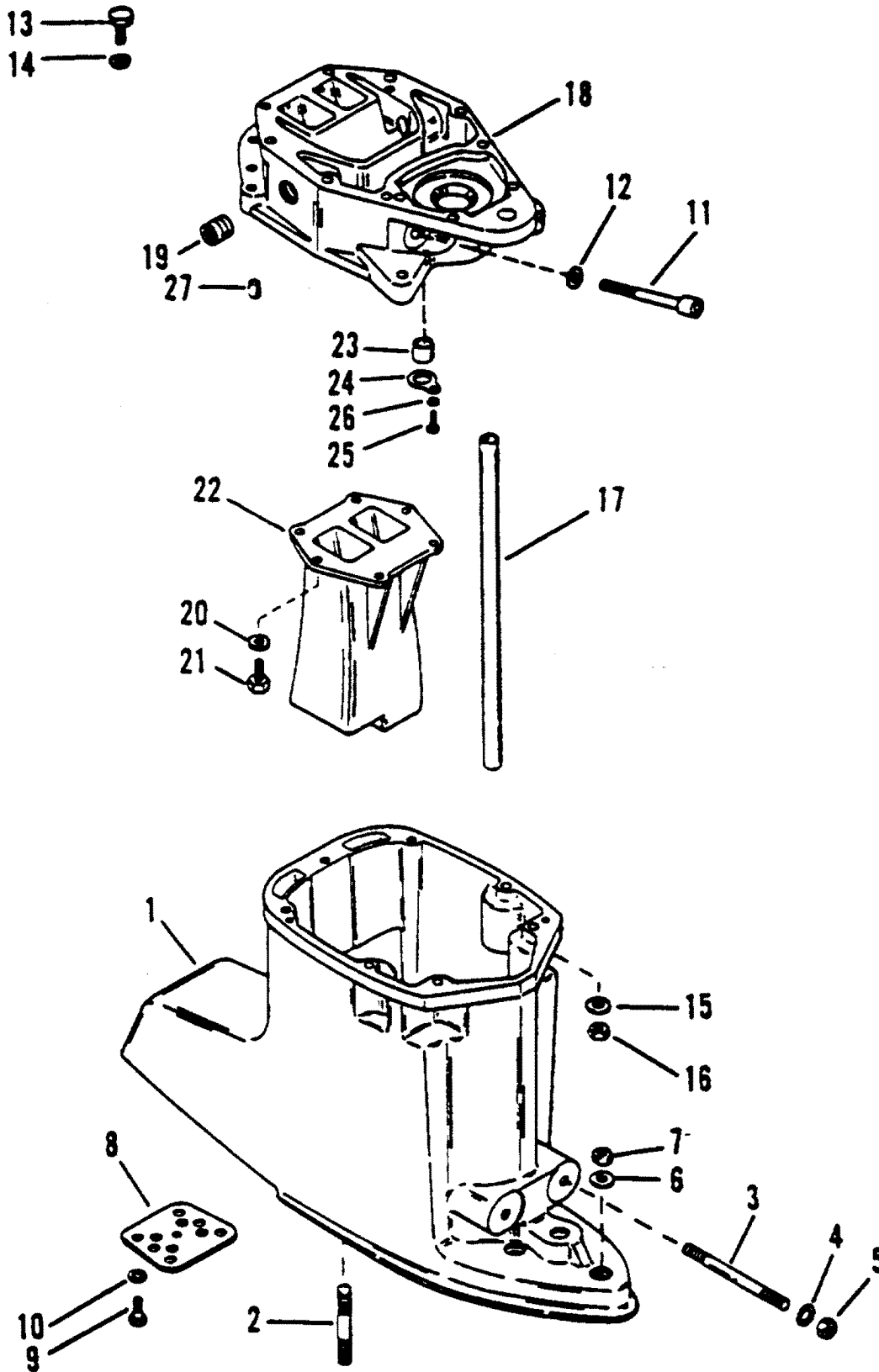
E.F.I. CONTROL BOX



E.F.I. CONTROL BOX

REF. NO.	PART NO.	SYM.	QTY.	DESCRIPTION
1	11350A49		1	I CONTROL BOX
2	84-98866A19		1	I HARNESS
3	84-65999A10		1	CABLE (BLACK)
4	12234--2		3	MOUNT
5	12-69056		2	WASHER
6	11-72008		3	NUT
11	10-53155		4	SCREW (1/4-20 X 2-1/2")
	10-63328		6	SCREW (5/16-18 X 3")
12	12-39143		4	WASHER (1/4" I.D.)
	12-34437		6	WASHER (5/16" I.D.)
13	54-54457		2	J-CLIP
14	816958--2		1	BRACKET
15	10-821035		1	SCREW (1-1/4")
16	54-821603		1	CLIP
17	10-821036		3	SCREW
18	12-39143		2	WASHER (5/8 X .253)
19	16-56766		2	STUD
20	11-35888		2	NUT
21	10-13627		1	SCREW
22	11-68219		1	NUT
23	48039		1	CAP
-	37-817679		1	DECAL (EFI) MERCURY
-	37-818351		1	DECAL (EFI) MARINER

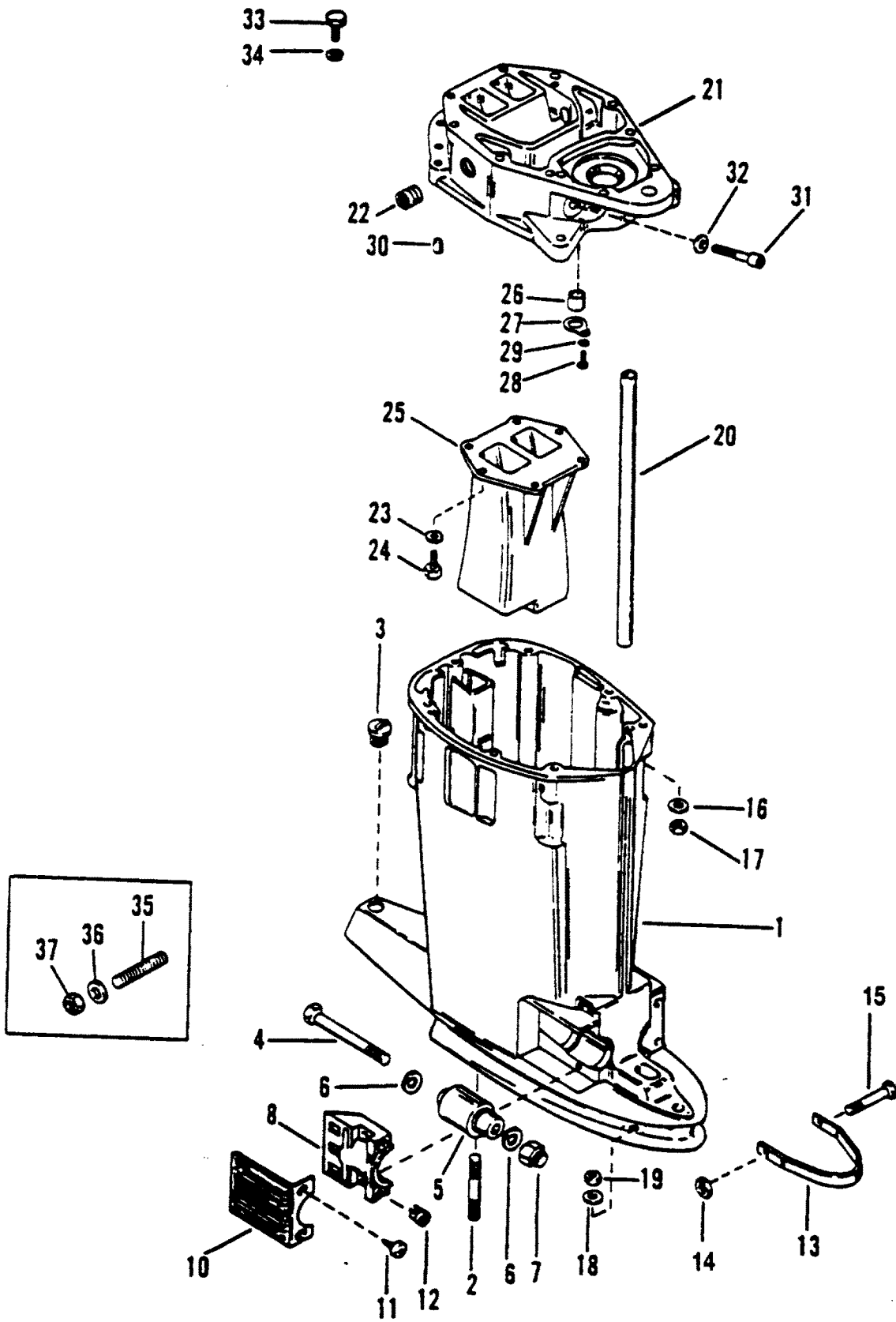
DRIVESHAFT HOUSING (SHORT)



DRIVESHAFT HOUSING (SHORT)

REF. NO.	PART NO.	SYM.	QTY.	DESCRIPTION
1	1581-818900A8		1	DRIVE SHAFT HOUSING ASSEMBLY BLACK
	1581-818900A9		1	DRIVE SHAFT HOUSING ASSEMBLY GRAY
2	16-56295		2	STUD
3	16-818908		2	STUD
4	12-816056		2	WASHER
5	11-28040		2	NUT
6	12-822836		3	WASHER
7	11-34933		3	NUT
8	818909		1	EXHAUST BLOCK-OFF PLATE
9	10-39349		1	SCREW
10	12-847539		1	WASHER
11	10-13212--1		2	SCREW
12	12-816056		2	WASHER
13	10-91903		3	SCREW (1-3/4")
	10-848081		2	SCREW (1/2")
14	12-822836		5	WASHER
15	12-822838		10	WASHER
16	11-34932		8	NUT (FULL)
	11-34863		2	NUT (THIN)
17	32-847650--3		1	WATER TUBE
18	821754A1		1	EXHAUST EXT. PLATE BLACK
	821754A2		1	EXHAUST EXT. PLATE GRAY
19	22-821937		2	PIPE PLUG
20	12-822714		6	WASHER
21	10-823258		6	SCREW (1-1/4")
22	821377--1		1	DIFFUSER
23	26-88397		1	SEAL
24	847658		1	RETAINER
25	10-28635		1	SCREW
26	13-26992		1	LOCKWASHER
27	17-43044		2	DOWEL PIN, PLATE TO DRIVE SHAFT HSG.
	17-823106		2	DOWEL PIN, PLATE TO POWERHEAD

DRIVESHAFT HOUSING (LONG/X - LONG)

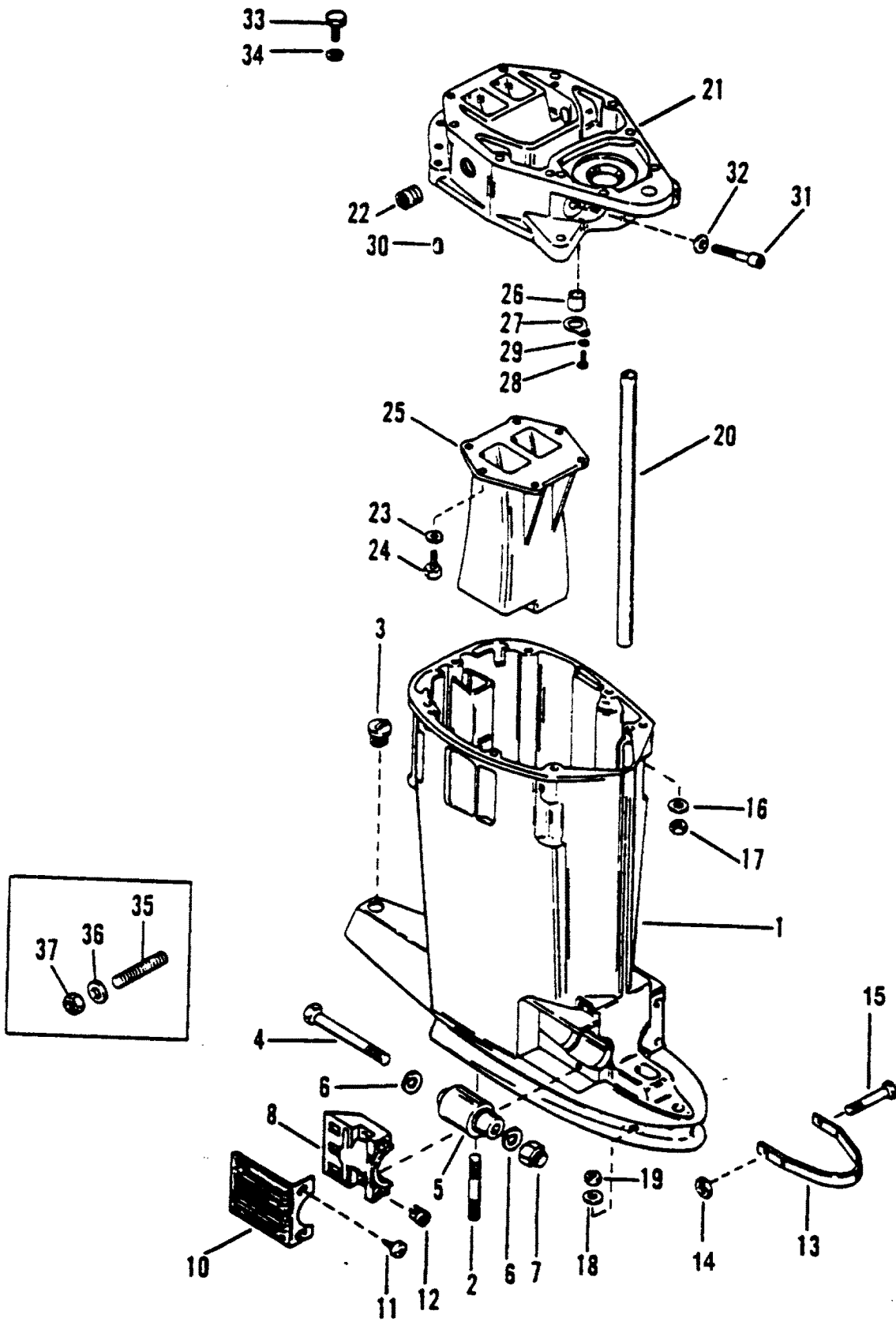


DRIVESHAFT HOUSING (LONG/X - LONG)

REF. NO.	PART NO.	SYM.	QTY.	DESCRIPTION
1	1590-8837A5		1	DRIVE SHAFT HOUSING ASSEMBLY BLACK
	1590-8837A10		1	DRIVE SHAFT HOUSING ASSEMBLY GRAY
2	16-56295		2	STUD (2-5/8" - LONG)
	16-74732		2	STUD (7-5/8" - X-LONG)
3	19-64649		1	PLUG
4	10-63474		2	SCREW
5	816054		2	MOUNT
6	12-816056		4	WASHER
7	11-28040		2	NUT
8	54-847737		2	CLAMP
10	67077T		2	COVER BLACK
	67077F1		2	COVER GRAY
11	10-88417		4	SCREW (5/8")
12	11-35521		4	NUT
13	67703		1	STRAP BLACK USE WHERE APPLICABLE
	67703--1		1	STRAP GRAY USE WHERE APPLICABLE
14	11-25269		1	NUT USE WHERE APPLICABLE
15	10-67769		1	SCREW (.375-24 X 4") USE WHERE APPLICABLE
	10-48308		1	SCREW (.375-24 X 3-3/4")
16	12-822838		10	WASHER
17	11-34932		8	NUT (FULL)
	11-34863		2	NUT (THIN)
18	12-822836		3	WASHER
19	11-34933		3	NUT
20	32-847650--2		1	WATER TUBE (LONG)
	32-847650--1		1	WATER TUBE (X-LONG)
21	821754A1		1	EXHAUST EXT. PLATE BLACK
	821754A2		1	EXHAUST EXT. PLATE GRAY
22	22-821937		2	PIPE PLUG
23	12-822714		6	WASHER
24	10-823258		6	SCREW (1-1/4")
25	821377--1		1	DIFFUSER
26	26-88397		1	SEAL
27	847658		1	RETAINER
28	10-28635		1	SCREW
29	13-26992		1	LOCKWASHER
30	17-43044		2	DOWEL PIN, PLATE TO DRIVESHAFT HOUSING
	17-823106		2	DOWEL PIN, PLATE TO POWERHEAD
31	10-13212--1		2	SCREW
32	12-816056		2	WASHER
33	10-91903		3	SCREW (1-3/4")

CONTINUED ON NEXT PAGE ➡

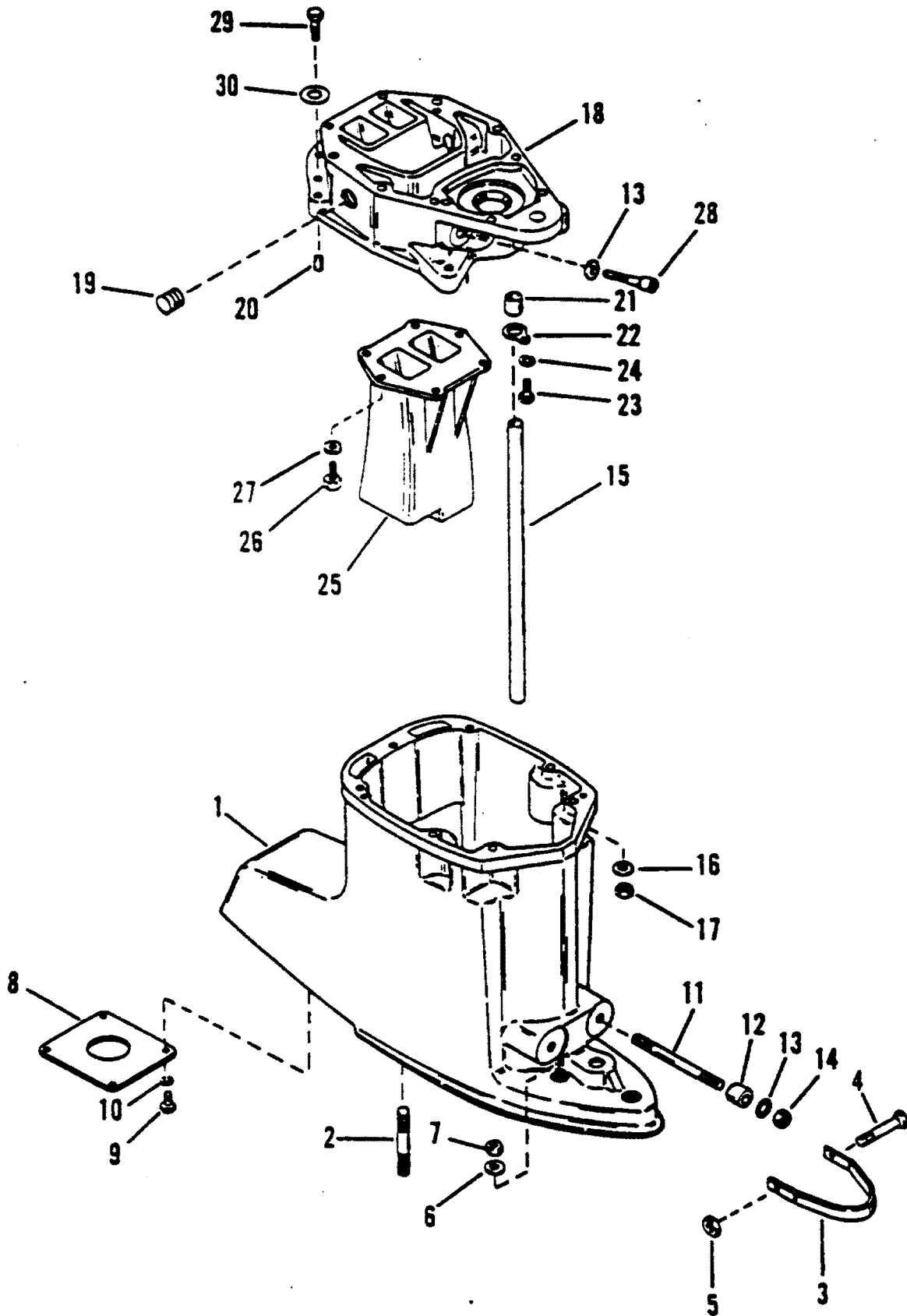
DRIVESHAFT HOUSING (LONG/X - LONG)



DRIVESHAFT HOUSING (LONG/X - LONG)

REF. NO.	PART NO.	SYM.	QTY.	DESCRIPTION
33	10-848081		2	SCREW (1/2")
34	12-822836		5	WASHER
35	16-69058		4	STUD
36	12-22753		4	WASHER
37	11-35814		4	NUT

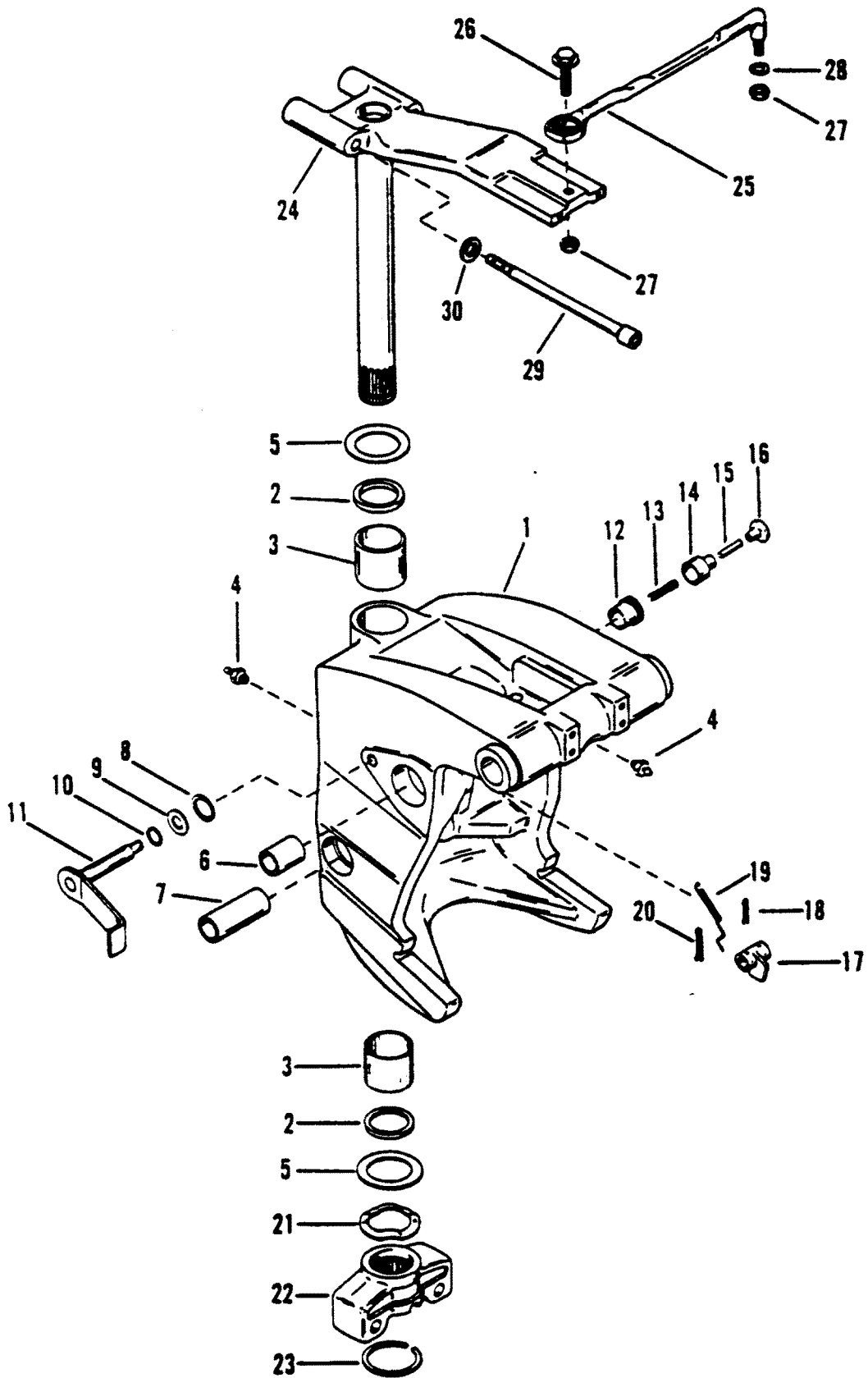
DRIVESHAFT HOUSING (OFFSHORE)



DRIVESHAFT HOUSING (OFFSHORE)

REF. NO.	PART NO.	SYM.	QTY.	DESCRIPTION
1	1581-8683A36		1	DRIVE SHAFT HOUSING ASSEMBLY BLACK
	1581-8683A24		1	DRIVE SHAFT HOUSING ASSEMBLY GRAY
2	16-56295		2	STUD (LONG)
	16-74732		2	STUD (X-LONG)
3	67703		1	STRAP BLACK
	67703--1		1	STRAP GRAY
4	10-67769		1	SCREW
5	11-25269		1	NUT
6	12-822836		3	WASHER
7	11-34933		3	NUT
8	818261		1	EXHAUST BLOCK-OFF PLATE
9	10-28635		4	SCREW
10	13-26992		4	LOCKWASHER
11	16-816055		2	STUD
12	23-816057		2	SPACER BLACK
	23-816057--1		2	SPACER GRAY
13	12-816056		4	WASHER
14	11-28040		2	NUT
15	32-847650--2		1	WATER TUBE (LONG)
	32-847650--1		1	WATER TUBE (X-LONG)
16	12-822838		10	WASHER
17	11-34932		8	NUT (FULL)
	11-34863		2	NUT (THIN)
18	821754A1		1	EXHAUST EXT. PLATE BLACK
	821754A2		1	EXHAUST EXT. PLATE GRAY
19	22-821937		2	PIPE PLUG
20	17-43044		2	DOWEL PIN (.625)
	17-823106		2	DOWEL PIN (.875)
21	26-88397		1	SEAL
22	847658		1	RETAINER
23	10-28635		1	SCREW
24	13-26992		1	LOCKWASHER
25	821377--1		1	DLFFUSER
26	10-823258		6	SCREW
27	12-822714		6	WASHER
28	10-13212--1		2	SCREW
29	10-91903		3	SCREW (1-3/4")
	10-848081		2	SCREW (1")
30	12-822836		5	WASHER
-	78148A1		1	SPACER ASSEMBLY BLACK X-LONG
-	17-43044		2	PIN X-LONG
-	10-66024		1	SCREW X-LONG

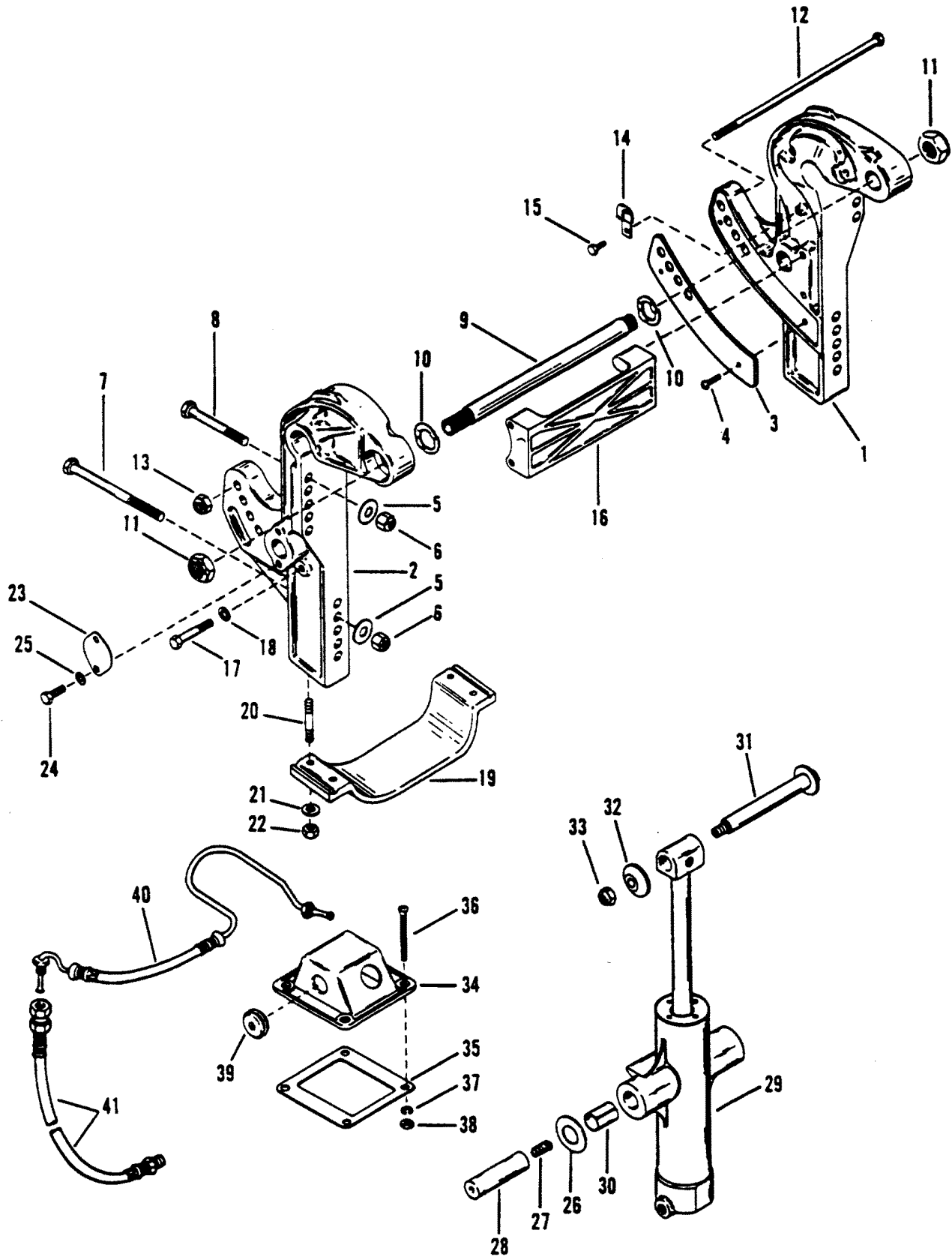
SWIVEL BRACKET AND STEERING ARM



SWIVEL BRACKET AND STEERING ARM

REF. NO.	PART NO.	SYM.	QTY.	DESCRIPTION
1	3521-818810A8		1	SWIVEL BRACKET ASSEMBLY BLACK SHORT
	3521-818810A7		1	SWIVEL BRACKET ASSEMBLY GRAY SHORT
	1491-847723A3		1	SWIVEL BRACKET ASSEMBLY BLACK LONG
	1491-847723A4		1	SWIVEL BRACKET ASSEMBLY GRAY LONG
2	26-847729		2	OIL SEAL
3	23-847726		2	BEARING
4	22-74036		4	GREASE FITTING
5	23-847728		2	BEARING
6	23-822035-24		2	BEARING (1-1/2")
7	23-822035-40		2	BEARING (2-1/2")(SHORT MODELS)
8	26-85023		2	OIL SEAL
9	12-87161		2	WASHER
10	25-48171		2	O-RING
11	85030A2		1	TILT LOCK LEVER (PORT)
	85028A2		1	TILT LOCK LEVER (STARBOARD)
12	23-86600		1	BUSHLNG
13	24-85367		1	SPRING
14	41052		1	PLUNGER
15	16-88876		1	STUD
16	86603		1	KNOB
17	86475--1		1	COUPLING
18	17-69745		2	PIN
19	24-88049		1	SPRING
20	18-93861		1	COTTER PIN
21	13-78854		1	WAVE WASHER
22	86580F4		1	BOTTOM YOKE BLACK SHORT
	86580F5		1	BOTTOM YOKE GRAY SHORT
23	53-848125		1	RETAINING RING SHORT
22	86580A1		1	BOTTOM YOKE BLACK LONG
	86580A2		1	BOTTOM YOKE GRAY LONG
23	53-67684		2	RETAINING RING LONG
24	17-67706A59		1	SWIVEL PIN AND STEERING ARM BLACK SHORT
	17-67706A60		1	SWIVEL PIN AND STEERING ARM GRAY SHORT
	17-67706A46		1	SWIVEL PIN AND STEERING ARM BLACK LONG
	17-67706A47		1	SWIVEL PIN AND STEERING ARM GRAY LONG
25	92876A1		1	STEERING LINK ASSEMBLY
26	10-14000		1	SCREW (1-1/4")
27	11-34863		2	NUT
28	12-37828		2	WASHER
29	10-13212--1		2	SCREW
30	12-816056		2	WASHER

TRANSOM BRACKETS

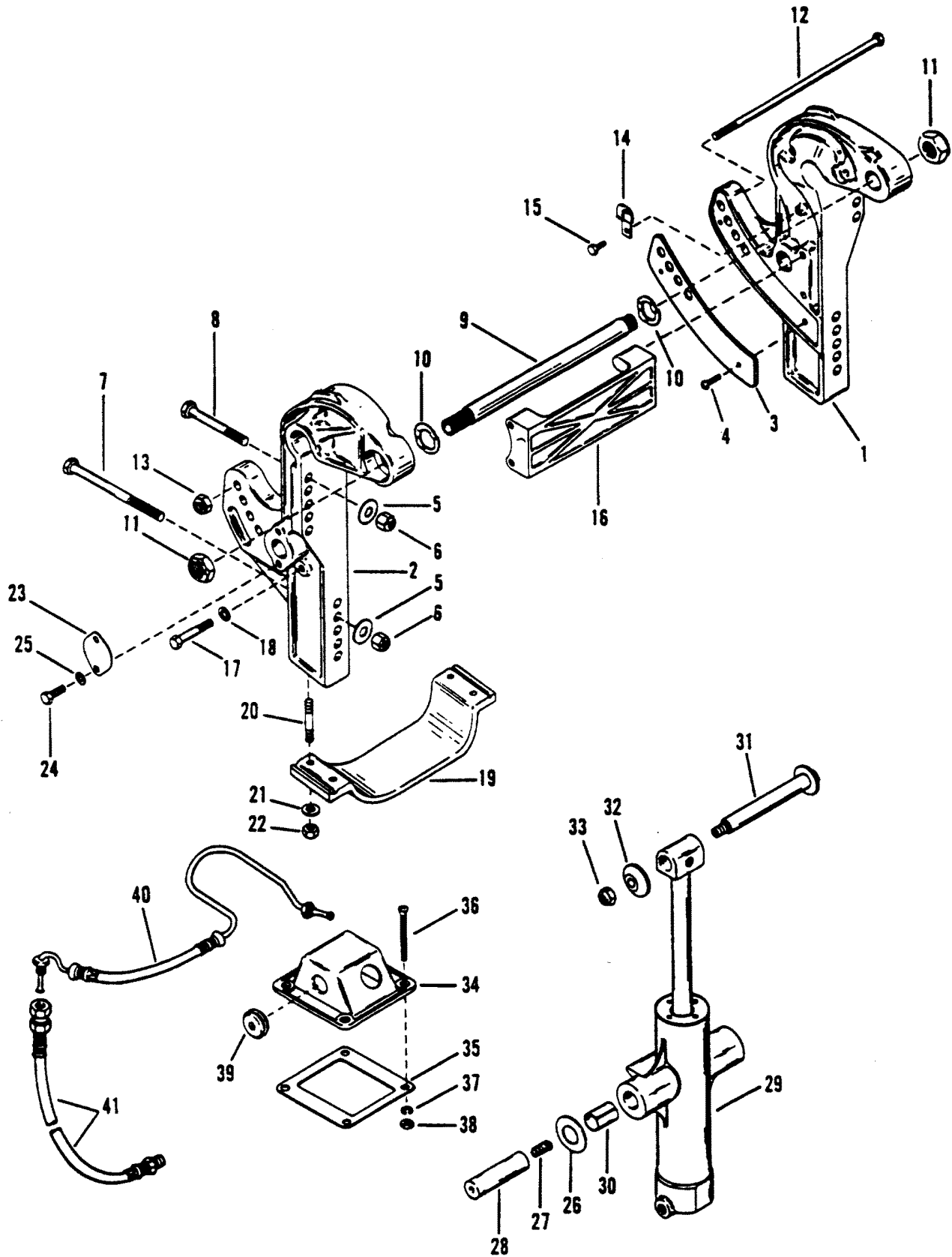


TRANSOM BRACKETS

REF. NO.	PART NO.	SYM.	QTY.	DESCRIPTION
1	1494-847800A1		1	TRANSOM BRACKET (PORT) BLACK
2	1495-847801A1		1	TRANSOM BRACKET (STARBOARD) BLACK
1	1494-847800A2		1	TRANSOM BRACKET (PORT) GRAY
2	1495-847801A2		1	TRANSOM BRACKET (STARBOARD) GRAY
3	847798A1		1	WEAR PAD KIT
4	10-86843		4	SCREW
5	12-28421		4	WASHER
6	11-91962		4	NUT
7	10-67755--2		2	SCREW (6-1/2")
8	10-67755--1		2	SCREW (4-1/2")
9	99170A2		1	TILT TUBE
10	13-88750		2	WAVE WASHER
11	11-826164		1	NUT (7/8-14)
	11-826135		1	NUT (1"-14)
12	10-87180		1	BOLT
13	11-20220		1	NUT
14	54-88512		4	J-CLAMP
	54-75275		2	CLAMP
15	10-88829		6	SCREW
16	85035T		1	SPACER BLACK
	85035T6		1	SPACER GRAY
17	10-70732		4	SCREW
18	12-29245		4	WASHER
19	89949A1		1	PLATE ASSEMBLY
20	16-54343		4	STUD
21	12-847539		4	WASHER
22	11-35814		4	NUT
23	85026T		2	PLATE
24	10-28636		4	SCREW
25	12-29245		4	WASHER
26	12-85022		2	WASHER
27	24-30316		2	SPRING
28	17-85020		2	PIVOT PIN
29	79610A21		1	TRIM CYLINDER BLACK SHORT
	79610A22		1	TRIM CYLINDER GRAY SHORT
	79610A17		1	TRIM CYLINDER BLACK LONG
	79610A18		1	TRIM CYLINDER GRAY LONG
30	23-847724		2	BUSHING
31	822075--2		1	TRIM PIN
32	822076		1	RETAINER, TRIM PIN
33	11-20220		1	NUT
34	87871		1	COVER
35	27-87775		1	GASKET

CONTINUED ON NEXT PAGE ➡

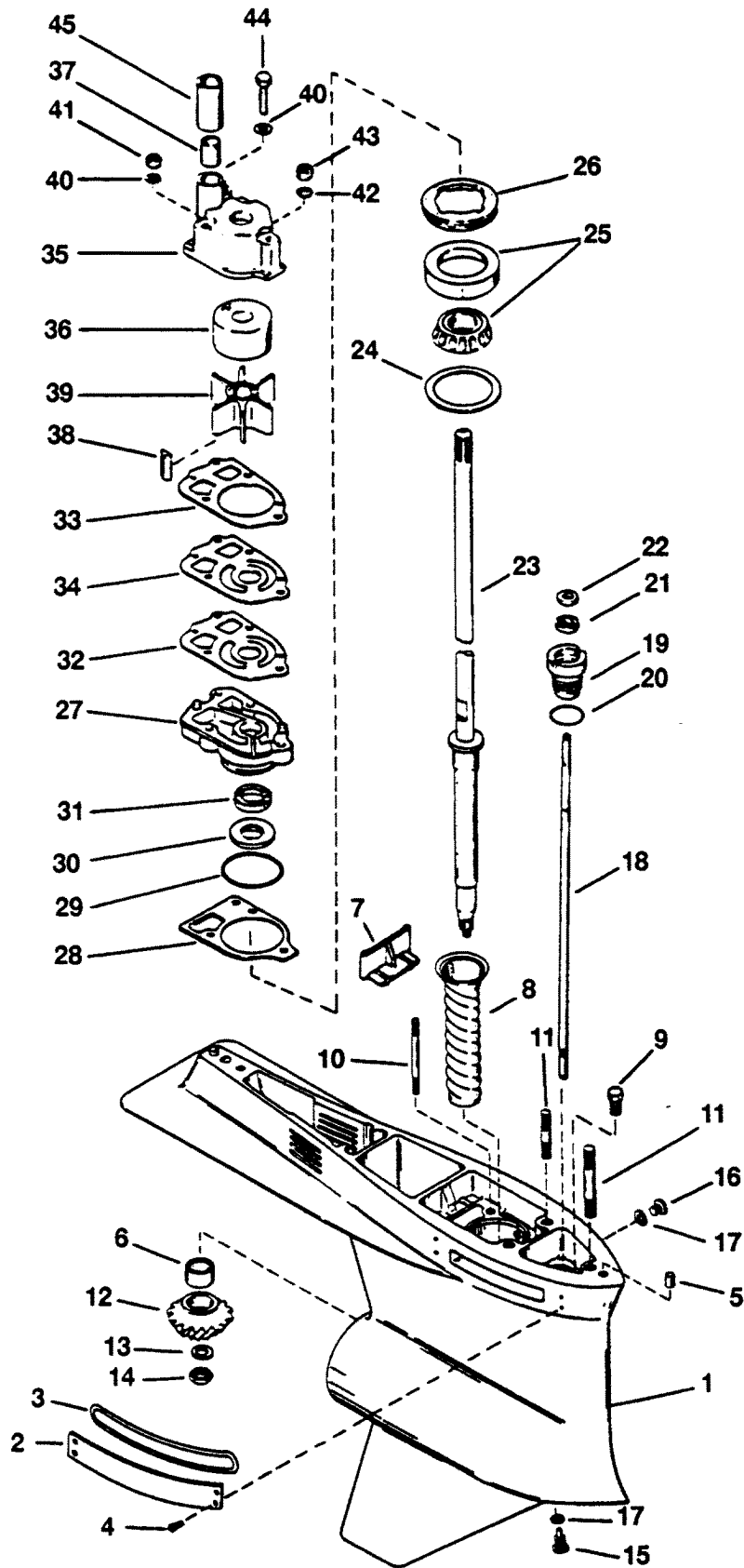
TRANSOM BRACKETS



TRANSOM BRACKETS

REF. NO.	PART NO.	SYM.	QTY.	DESCRIPTION
36	10-32866		4	SCREW
37	12-20878		4	WASHER
38	11-29488		4	NUT
39	25-45507		1	GROMMET
40	32-96993		1	HOSE, HYDRAULIC (PORT)
	32-96994		1	HOSE, HYDRAULIC (STARBOARD)
41	32-89024		1	HOSE, HYDRAULIC (PORT)
	32-89023		1	HOSE, HYDRAULIC (STARBOARD)
-	79879A1		1	REPAIR KIT FOR TRIM CYLINDERS

GEAR HOUSING (DRIVESHAFT)(STANDARD ROTATION)

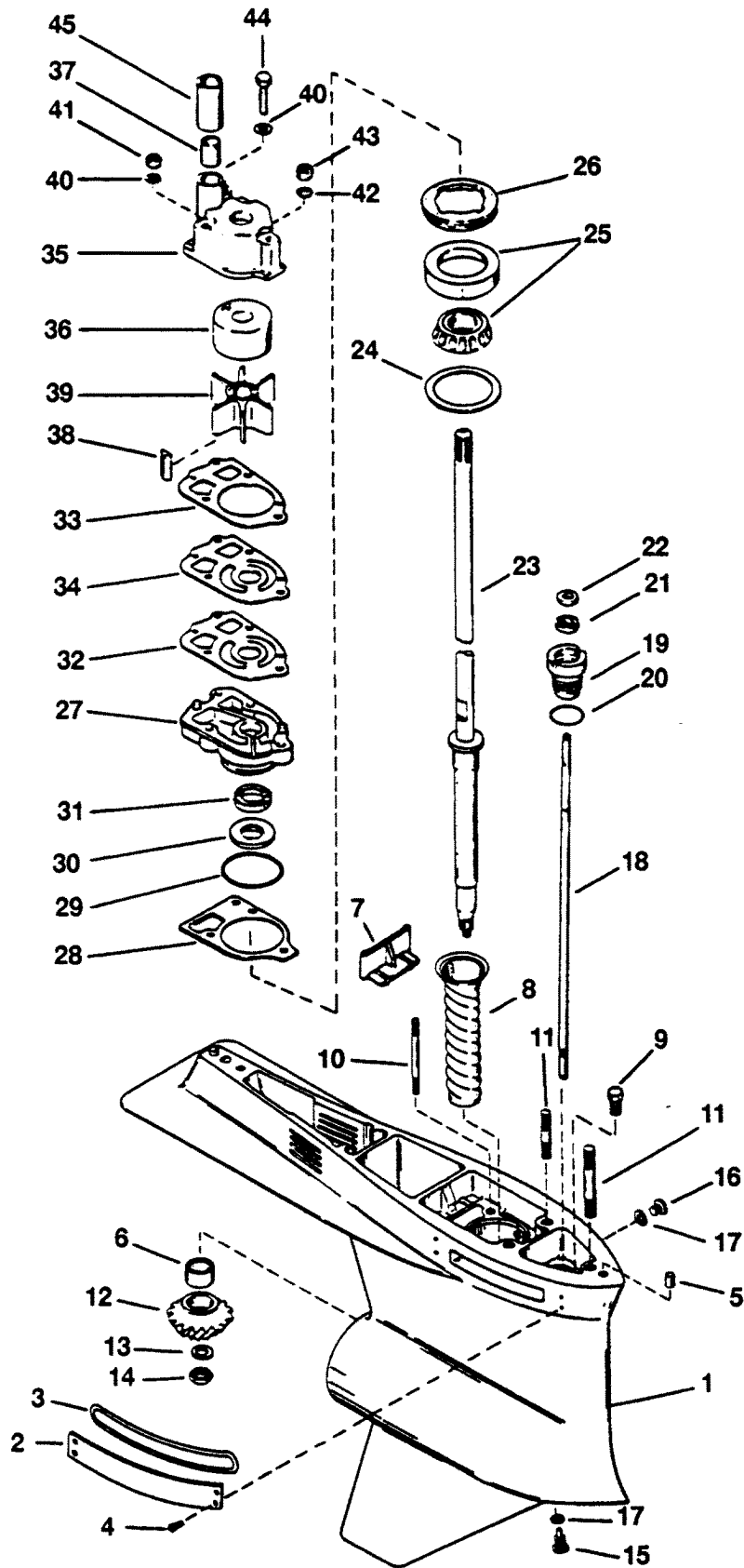


GEAR HOUSING (DRIVESHAFT)(STANDARD ROTATION)

REF. NO.	PART NO.	SYM.	QTY.	DESCRIPTION
-	1685-847902A3		1	GEAR HOUSING (SHORT) BLACK
-	1685-847902A5		1	GEAR HOUSING (LONG) BLACK
-	1685-847902A7		1	GEAR HOUSING (X-LONG) BLACK
-	1685-847902A9		1	GEAR HOUSING (SHORT) GRAY
-	1685-847902A11		1	GEAR HOUSING (LONG) GRAY
-	1685-847902A13		1	GEAR HOUSING (X-LONG) GRAY
1	1685-847902A15		1	GEAR HOUSING (BASIC) BLACK
	1685-847902A16		1	GEAR HOUSING (BASIC) GRAY
2	847950--1		2	COVER BLACK
	847950--2		2	COVER GRAY
3	25-34776		2	O-RING
4	10-815904		12	SCREW
5	17-43044		2	DOWEL PIN
6	31-42647A1		1	ROLLER BEARING
7	67891		1	FILLER BLOCK
8	23-43998		1	SLEEVE
9	22-847949		1	PIPE PLUG
10	16-56297		1	STUD-WATER PUMP HSG. (5/16 X 3-3/8")
	16-69501		2	STUD-WATER PUMP HSG. (5/16 X 3-1/4")
11	16-59579		3	STUD (7/16 X 2-11/16")(SHORT)(OFFSHORE)
	16-78638		1	STUD (7/16 X 3-1/8") LONG
	16-57920--1		2	STUD (7/16 X 2-1/16") LONG
	16-78639		1	STUD (7/16 X 8-1/8") X-LONG
	16-74730		2	STUD (7/16 X 7.06) X-LONG
12	N.S.S.		1	GEAR (PART OF 43-44104A7)
13	12-92721		1	WASHER
14	11-35921		1	NUT
15	22-67892A1		1	DRAIN SCREW (MAGNETIC)
16	10-79953A2		1	SCREW PLUG
17	12-19183		2	SEALING WASHER
18	78902--2		1	SHIFT SHAFT (LOWER)
19	23-77631A2		1	BUSHING ASSEMBLY
20	25-25439		1	O-RING
21	26-816464--1		1	OIL SEAL
22	12-77674		1	RUBBER WASHER
23	45-848449A4		1	DRIVE SHAFT (SHORT)
	45-848449A5		1	DRIVE SHAFT (LONG)
	45-848449A6		1	DRIVE SHAFT (X-LONG)
24	15-42637A1		AR	SHIM ASSEMBLY
25	31-36387A1		1	ROLLER BEARING
26	824519		1	RETAINER
27	46-44292A3		1	WATER PUMP BASE ASSEMBLY
28	27-42631--1		1	GASKET

CONTINUED ON NEXT PAGE ➡

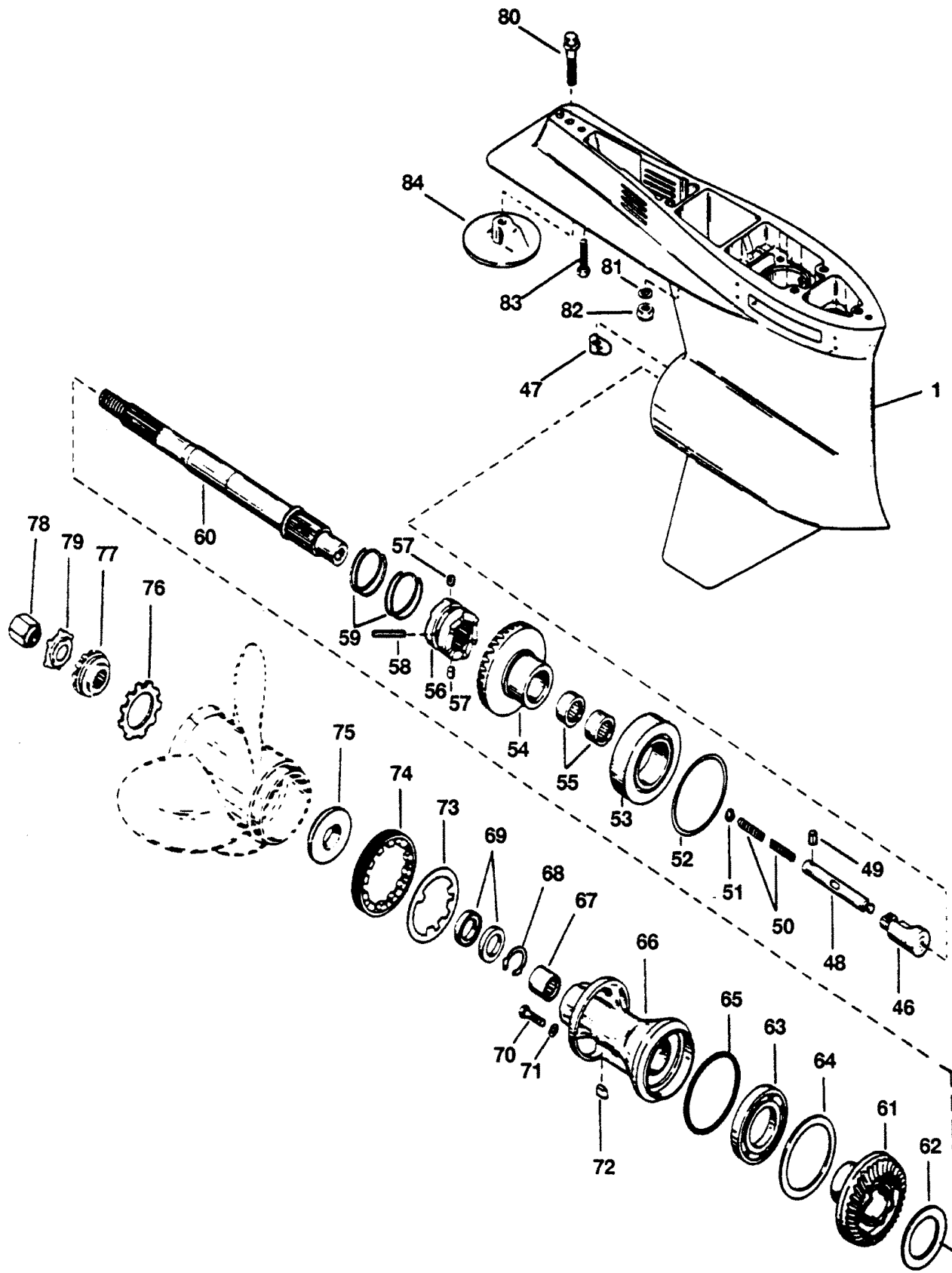
GEAR HOUSING (DRIVESHAFT)(STANDARD ROTATION)



GEAR HOUSING (DRIVESHAFT)(STANDARD ROTATION)

REF. NO.	PART NO.	SYM.	QTY.	DESCRIPTION
29	25-90011		1	O-RING
30	26-89238		1	OIL SEAL
31	26-16977		1	OIL SEAL
32	27-18051		1	GASKET (LOWER)
33	27-85609--1		1	GASKET (UPPER)
34	32435		1	FACE PLATE
35	46-847710A1		1	WATER PUMP BODY ASSEMBLY
36	48752		1	INSERT
37	26-88397		1	SEAL
38	28-56654		1	KEY
39	47-89984--2		1	IMPELLER
40	12-29245		2	WASHER
41	11-13438		2	NUT
42	12-36001		1	WASHER
43	11-13436		1	NUT
44	10-96411		1	SCREW (2-1/4")
45	23-847685		1	SLEEVE
-	26-89238A3		1	SEAL KIT

GEAR HOUSING (PROP SHAFT) (STANDARD ROTATION)

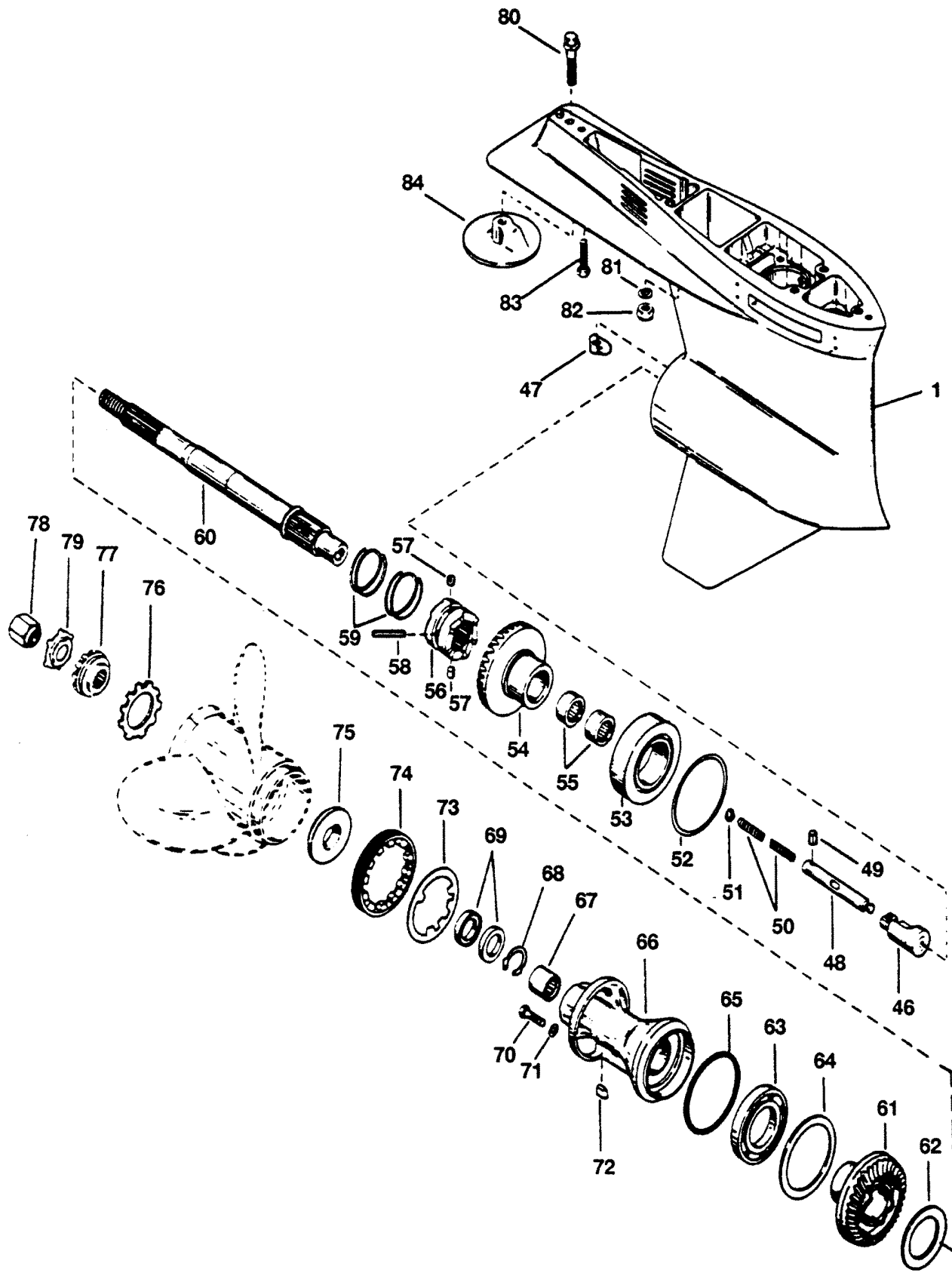


GEAR HOUSING (PROP SHAFT) (STANDARD ROTATION)

REF. NO.	PART NO.	SYM.	QTY.	DESCRIPTION
-	1685-847902A3		1	GEAR HOUSING (SHORT) BLACK
-	1685-847902A5		1	GEAR HOUSING (LONG) BLACK
-	1685-847902A7		1	GEAR HOUSING (X-LONG) BLACK
-	1685-847902A9		1	GEAR HOUSING (SHORT) GRAY
-	1685-847902A11		1	GEAR HOUSING (LONG) GRAY
-	1685-847902A13		1	GEAR HOUSING (X-LONG) GRAY
1	1685-847902A15		1	GEAR HOUSING (BASIC) BLACK
	1685-847902A16		1	GEAR HOUSING (BASIC) GRAY
46	89594A1		1	CAM FOLLOWER
47	78956		1	SHIFT CAM
48	79911--1		1	ROD
49	17-78906		1	PIN
50	24-79910		2	SPRING
51	12-78910		2	WASHER
52	15-47397A1		AR	SHIM
53	31-78172A1		1	TAPERED ROLLER BEARING
54	43-44104A7		1	FORWARD GEAR SET (INCLUDES ALL GEARS)
55	31-54928--1		1	ROLLER BEARING
56	52-42672		1	RATCHET
57	17-78909		2	DETENT PIN
58	17-42671		1	CROSS PIN
59	24-78962		2	SPRING
60	44-822820F1		1	PROPELLER SHAFT
61	43-822824A1		1	REVERSE GEAR (INCLUDED W/REF. -54)
62	23-822823		1	THRUST RING
63	30-88957A1		1	BALL BEARING
64	68100--1		1	THRUST RING
65	25-31534		1	O-RING
66	847610A1		1	BEARING CARRIER
67	31-817072		1	ROLLER BEARING
68	53-817071		1	SNAP RING
69	26-815565		2	OIL SEAL
70	22-67892A1		1	DRAIN SCREW (MAGNETIC)
71	12-19183		1	SEALING WASHER
72	28-30281		1	KEY
73	14-79447		1	TAB WASHER
74	15840--1		1	COVER
75	13171--1		1	THRUST HUB
76	13-42351--1		1	LOCKWASHER
77	12-31211A2		1	WASHER
78	11-52707A1		1	PROPELLER NUT
79	14-816629		1	TAB WASHER
80	10-41350		1	SCREW (SHORT)

CONTINUED ON NEXT PAGE ➡

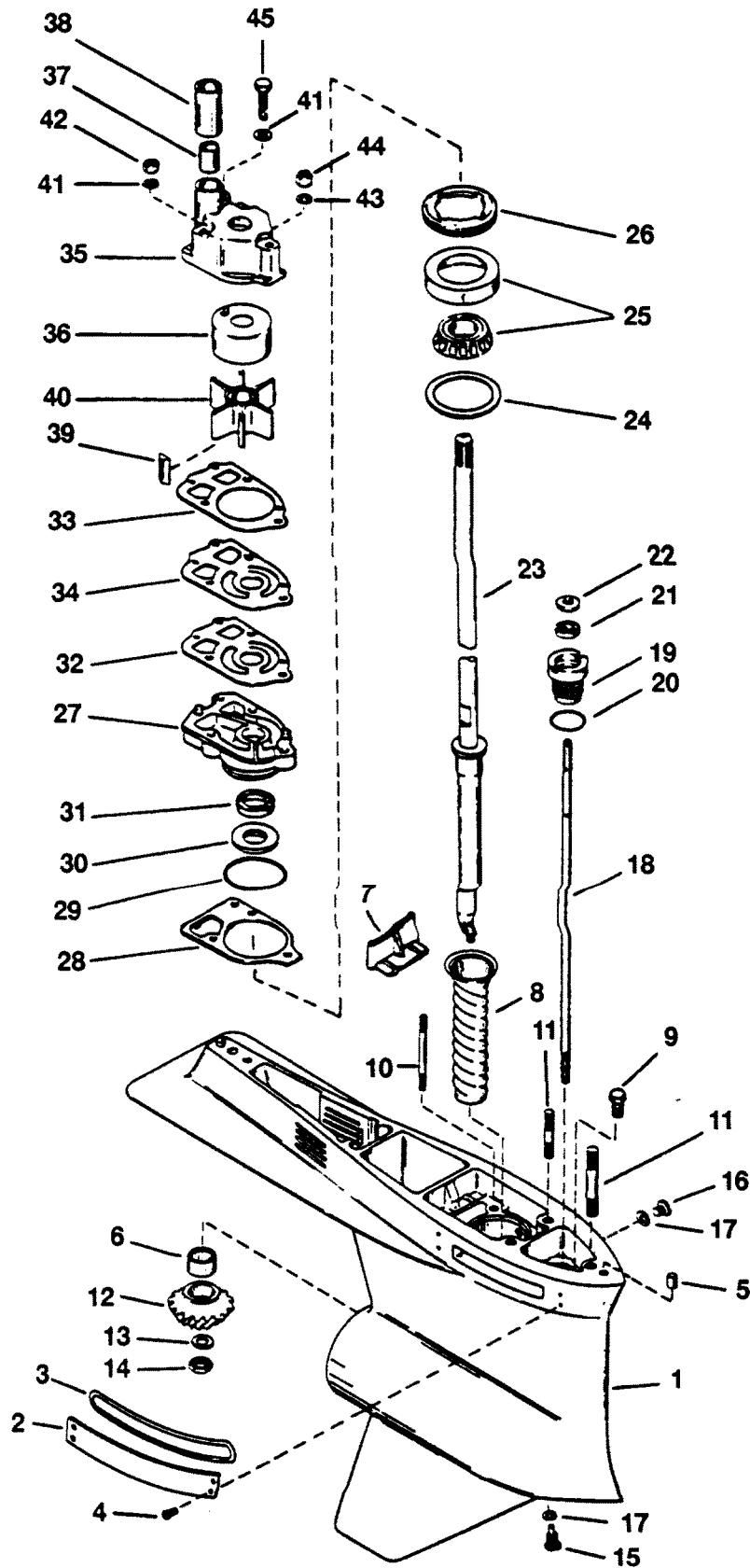
GEAR HOUSING (PROP SHAFT) (STANDARD ROTATION)



GEAR HOUSING (PROP SHAFT) (STANDARD ROTATION)

REF. NO.	PART NO.	SYM.	QTY.	DESCRIPTION
80	10-66024		1	SCREW (LONG/X-LONG)
81	12-822836		2	WASHER
82	11-13439--1		2	NUT
83	10-30206		1	SCREW (SHORT/LONG)
	10-15929		1	SCREW (X-LONG)
84	76214--3		1	ANODIC PLATE (SHORT)
	76214A5		1	ANODIC PLATE (LONG)
	76214--1		1	ANODIC PLATE (X-LONG)
-	26-89238A3		1	SEAL KIT

GEAR HOUSING (DRIVESHAFT) (COUNTER ROTATION)

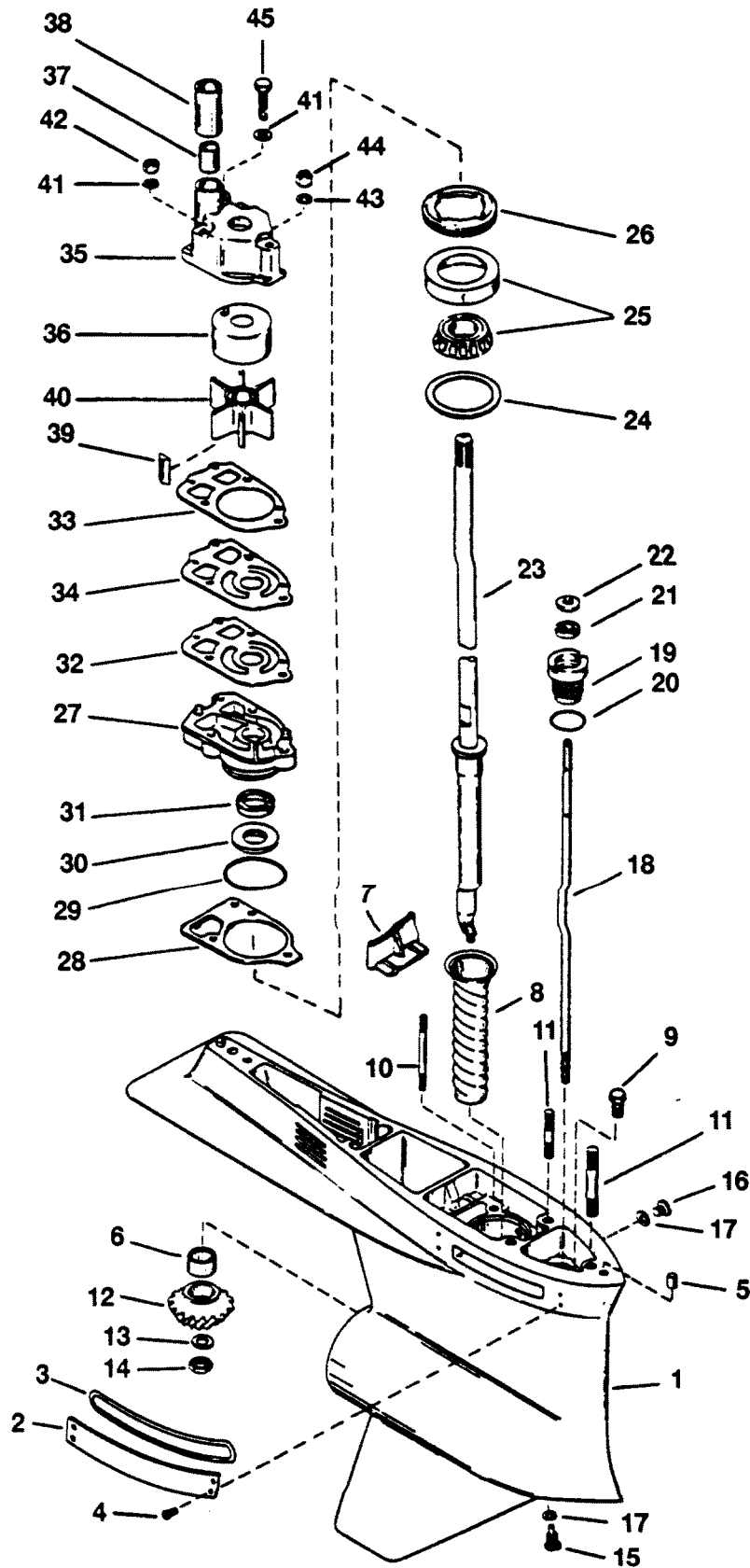


GEAR HOUSING (DRIVESHAFT) (COUNTER ROTATION)

REF. NO.	PART NO.	SYM.	QTY.	DESCRIPTION
-	1685-847903A15		1	GEAR HOUSING (SHORT) BLACK
-	1685-847903A17		1	GEAR HOUSING (LONG) BLACK
-	1685-847903A19		1	GEAR HOUSING (X-LONG) BLACK
-	1685-847903A21		1	GEAR HOUSING (SHORT) GRAY
-	1685-847903A23		1	GEAR HOUSING (LONG) GRAY
-	1685-847903A25		1	GEAR HOUSING (X-LONG) GRAY
1	1685-847903A27		1	GEAR HOUSING (BASIC -) BLACK
	1685-847903A28		1	GEAR HOUSING (BASIC -) GRAY
2	847950--1		2	COVER BLACK
	847950--2		2	COVER GRAY
3	25-34776		2	O-RING
4	10-815904		12	SCREW
5	17-43044		2	DOWEL PIN
6	31-42647A1		1	ROLLER BEARING
7	67891		1	FILLER BLOCK
8	23-43998		1	SLEEVE
9	22-847949		1	PIPE PLUG
10	16-56297		1	STUD-WATER PUMP HSG. (5/16 X 3-3/8")
	16-69501		2	STUD-WATER PUMP HSG. (5/16 X 3-1/4")
11	16-59579		3	STUD (7/16 X 2-11/16")(SHORT)
	16-78638		1	STUD (7/16 X 3-1/8") LONG
	16-57920--1		2	STUD (7/16 X 2-1/16") LONG
	16-78639		1	STUD (7/16 X 8-1/8") X-LONG
	16-74730		2	STUD (7/16 X 7") X-LONG
12	N.S.S.		1	PINION GEAR (PART OF 43-15845A2)
13	12-92721		1	WASHER
14	11-35921		1	NUT
15	22-67892A1		1	DRAIN SCREW (MAGNETIC)
16	10-79953A2		1	SCREW
17	12-19183		2	SEALING WASHER
18	78902--2		1	SHIFT SHAFT (LOWER)
19	23-77631A2		1	BUSHING ASSEMBLY
20	25-25439		1	O-RING
21	26-816464--1		1	OIL SEAL
22	12-77674		1	RUBBER WASHER
23	45-848449A4		1	DRIVE SHAFT (SHORT)
	45-848449A5		1	DRIVE SHAFT (LONG)
	45-848449A6		1	DRIVE SHAFT (X-LONG)
24	15-42637A1		AR	SHIM ASSEMBLY
25	31-36387A1		1	ROLLER BEARING
26	824519		1	RETAINER
27	46-44292A3		1	WATER PUMP BASE ASSEMBLY
28	27-42631--1		1	GASKET

CONTINUED ON NEXT PAGE ➡

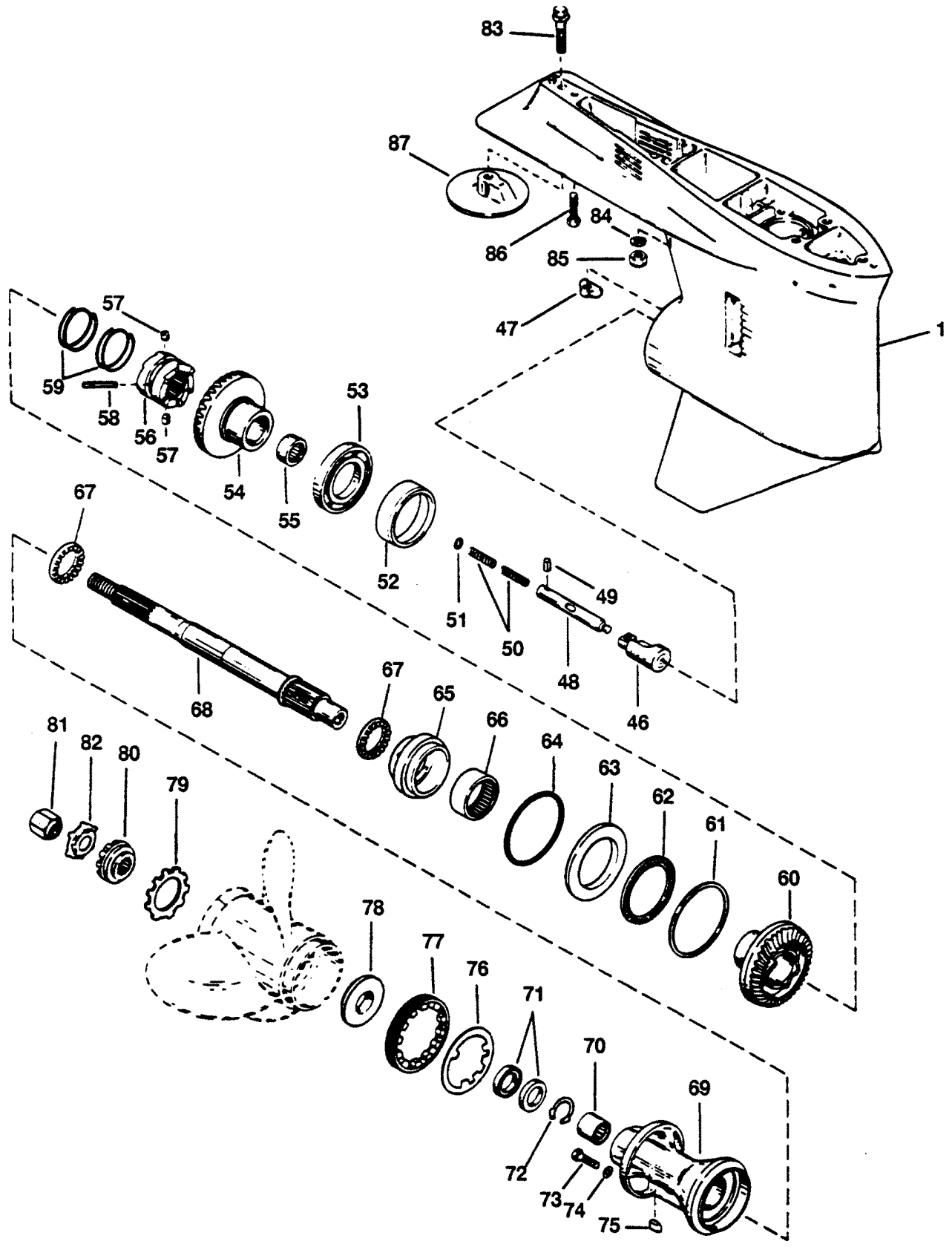
GEAR HOUSING (DRIVESHAFT) (COUNTER ROTATION)



GEAR HOUSING (DRIVESHAFT) (COUNTER ROTATION)

REF. NO.	PART NO.	SYM.	QTY.	DESCRIPTION
29	25-90011		1	O-RING
30	26-89238		1	OIL SEAL
31	26-16977		1	OIL SEAL
32	27-18051		1	GASKET (LOWER)
33	27-85609--1		1	GASKET (UPPER)
34	32435		1	FACE PLATE
35	46-847710A1		1	WATER PUMP BODY ASSEMBLY
36	48752		1	INSERT
37	26-88397		1	SEAL
38	23-847685		1	SLEEVE
39	28-56654		1	KEY
40	47-89984--2		1	IMPELLER
41	12-29245		2	WASHER
42	11-13438		2	NUT
43	12-36001		1	WASHER
44	11-13436		1	NUT
45	10-96411		1	SCREW (2-1/4")
-	26-89238A3		1	SEAL KIT

GEAR HOUSING (PROP SHAFT) (COUNTER ROTATION)

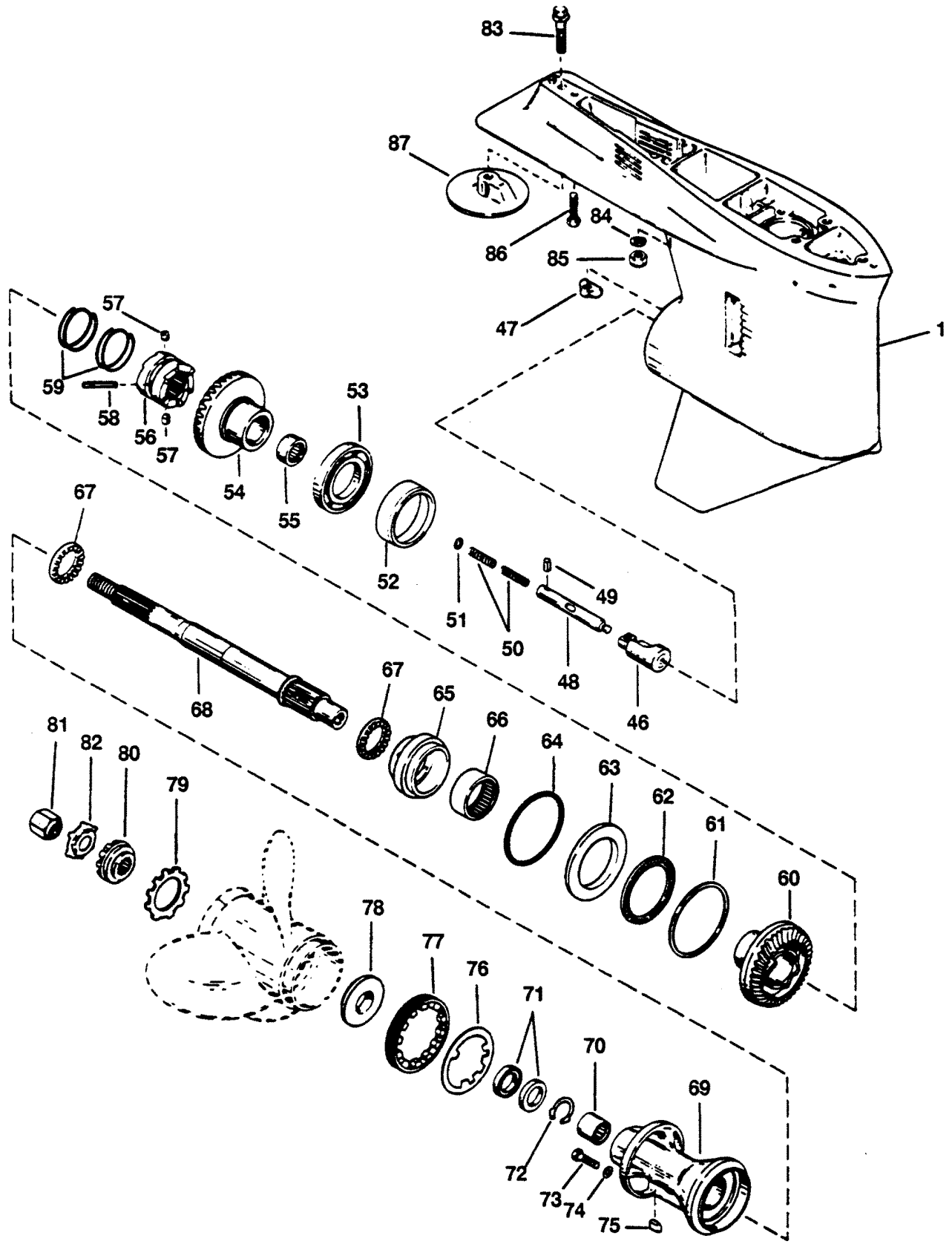


GEAR HOUSING (PROP SHAFT) (COUNTER ROTATION)

REF. NO.	PART NO.	SYM.	QTY.	DESCRIPTION
-	1685-847903A15		1	GEAR HOUSING (SHORT) BLACK
-	1685-847903A17		1	GEAR HOUSING (LONG) BLACK
-	1685-847903A19		1	GEAR HOUSING (X-LONG) BLACK
-	1685-847903A21		1	GEAR HOUSING (SHORT) GRAY
-	1685-847903A23		1	GEAR HOUSING (LONG) GRAY
-	1685-847903A25		1	GEAR HOUSING (X-LONG) GRAY
1	1685-847903A27		1	GEAR HOUSING (BASIC) BLACK
	1685-847903A28		1	GEAR HOUSING (BASIC) GRAY
46	89594A1		1	CAM FOLLOWER
47	78956		1	SHIFT CAM
48	79911--1		1	ROD
49	17-78906		1	PIN
50	24-79910		2	SPRING
51	12-78910		AR	WASHER
52	14469		1	BEARING CUP
53	30-88957A1		1	BALL BEARING
54	N.S.S.		1	REVERSE GEAR (PART OF 43-15845A2)
55	31-15844		1	ROLLER BEARING
56	52-42672		1	RATCHET
57	17-78909		2	DETENT PIN
58	17-42671		1	CROSS PIN
59	24-78962		2	SPRING
60	43-15845A2		1	FORWARD GEAR
61	23-17615--1		AR	SPACER SHIM (.125")
	23-17615--2		AR	SPACER SHIM (.127")
	23-17615--3		AR	SPACER SHIM (.129")
	23-17615--4		AR	SPACER SHIM (.131")
	23-17615--5		AR	SPACER SHIM (.133")
	23-17615--6		AR	SPACER SHIM (.135")
	23-17615--7		AR	SPACER SHIM (.137")
	23-17615--8		AR	SPACER SHIM (.139")
	23-17615--9		AR	SPACER SHIM (.141")
	23-17615-10		AR	SPACER SHIM (.143")
	23-17615-11		AR	SPACER SHIM (.145")
	23-17615-12		AR	SPACER SHIM (.147")
	23-17615-13		AR	SPACER SHIM (.149")
-	1685-847903A15		1	GEAR HOUSING (SHORT) BLACK
-	1685-847903A17		1	GEAR HOUSING (LONG) BLACK
-	1685-847903A19		1	GEAR HOUSING (X-LONG) BLACK
-	1685-847903A21		1	GEAR HOUSING (SHORT) GRAY
-	1685-847903A23		1	GEAR HOUSING (LONG) GRAY
-	1685-847903A25		1	GEAR HOUSING (X-LONG) GRAY
1	1685-847903A27		1	GEAR HOUSING (BASIC) BLACK

CONTINUED ON NEXT PAGE ➡

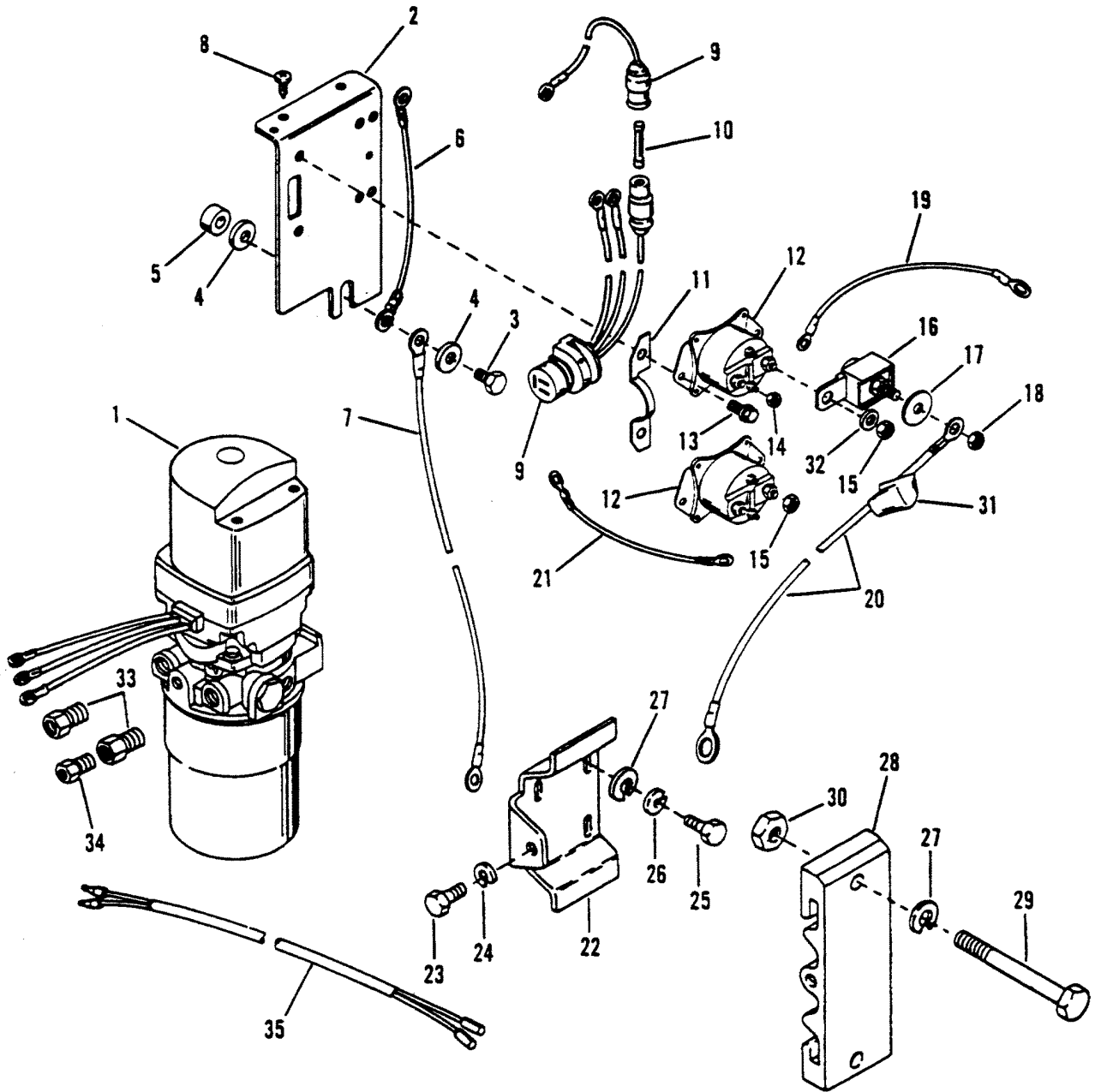
GEAR HOUSING (PROP SHAFT) (COUNTER ROTATION)



GEAR HOUSING (PROP SHAFT) (COUNTER ROTATION)

REF. NO.	PART NO.	SYM.	QTY.	DESCRIPTION
1	1685-847903A28		1	GEAR HOUSING (BASIC) GRAY
62	31-15841		1	ROLLER BEARING
63	12-17616		1	THRUST RING
64	25-31534		1	O-RING
65	15838A2		1	BEARING ADAPTOR
66	31-15843		1	ROLLER BEARING
67	31-15834		2	THRUST BEARING
68	44-815495T		1	PROPELLER SHAFT
69	847616A1		1	BEARING CARRIER
70	31-817072		1	ROLLER BEARING
71	26-815565		2	OIL SEAL
72	53-817071		1	SNAP RING
73	22-67892A1		1	DRAIN SCREW (MAGNETIC)
74	12-19183		1	SEALING WASHER
75	28-30281		1	KEY
76	14-79447		1	TAB WASHER
77	15840--1		1	COVER
78	13171--1		1	THRUST HUB
79	13-42351--1		1	LOCKWASHER
80	12-31211A2		1	WASHER
81	11-52707A1		1	PROPELLER NUT
82	14-816629		1	TAB WASHER
83	10-41350		1	SCREW (SHORT)
	10-66024		1	SCREW (LONG/X-LONG)
84	12-822836		2	WASHER
85	11-13439--1		2	NUT
86	10-30206		1	SCREW (SHORT/LONG)
	10-15929		1	SCREW (X-LONG)
87	76214--3		1	ANODIC PLATE (SHORT)
	76214A5		1	ANODIC PLATE (LONG)
	76214--1		1	ANODIC PLATE (X-LONG)
-	26-89238A3		1	SEAL KIT

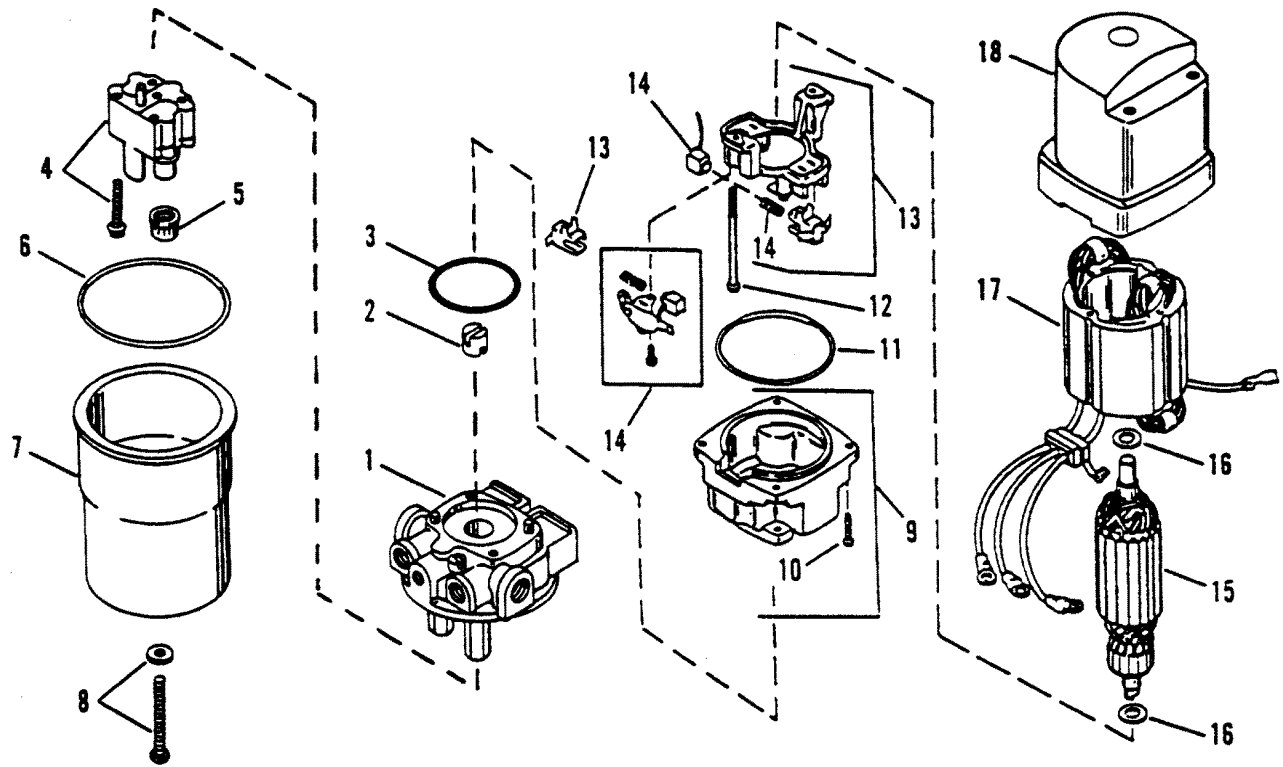
HYDRAULIC PUMP AND MOUNTING BRACKETS



HYDRAULIC PUMP AND MOUNTING BRACKETS

REF. NO.	PART NO.	SYM.	QTY.	DESCRIPTION
-	846859A4		1	HYDRAULIC PUMP (COMPLETE)
1	818161A4		1	HYDRAULIC PUMP ASSEMBLY
2	818567		1	BRACKET
3	10-38837		1	SCREW (1")
4	12-57792		2	WASHER
5	23-34948		1	SPACER
6	84-65999A12		1	CABLE
7	84-79138A9		1	BATTERY CABLE (NEGATIVE)
8	10-92051		2	SCREW
9	84-79147A5		1	HARNESS ASSEMBLY
10	88-79091		1	FUSE (20 AMP)
11	88075		1	RETAINER
12	89-68258A4		2	SOLENOID
13	10-41508		4	SCREW (3/8")
14	11-20110		4	NUT (-10-32)
15	11-26484		4	NUT (5/16-18)
16	88-79023A10		1	FUSE (110 AMP)
17	12-96457		1	WASHER
18	11-21825		1	NUT
19	84-65999A11		1	CABLE
20	84-79139A12		1	BATTERY CABLE (RED-POSITIVE)
21	84-79139A26		1	WIRE (RED)
22	87760		1	MOUNTING PLATE
23	10-39349		1	SCREW (3/4")
24	13-26993		1	LOCKWASHER
25	10-90271		2	SCREW (5/8")
26	13-58643		2	LOCKWASHER
27	12-45175		4	LOCKWASHER
28	87762		1	BRACKET
29	10-63826		2	BOLT (2-1/2")
30	11-68411		2	NUT
31	46265		4	BOOT
32	12-22753		4	WASHER
33	22-77366		2	CONNECTOR
34	22-818200		1	FITTING
35	84-65017A14		1	TILT HARNESS

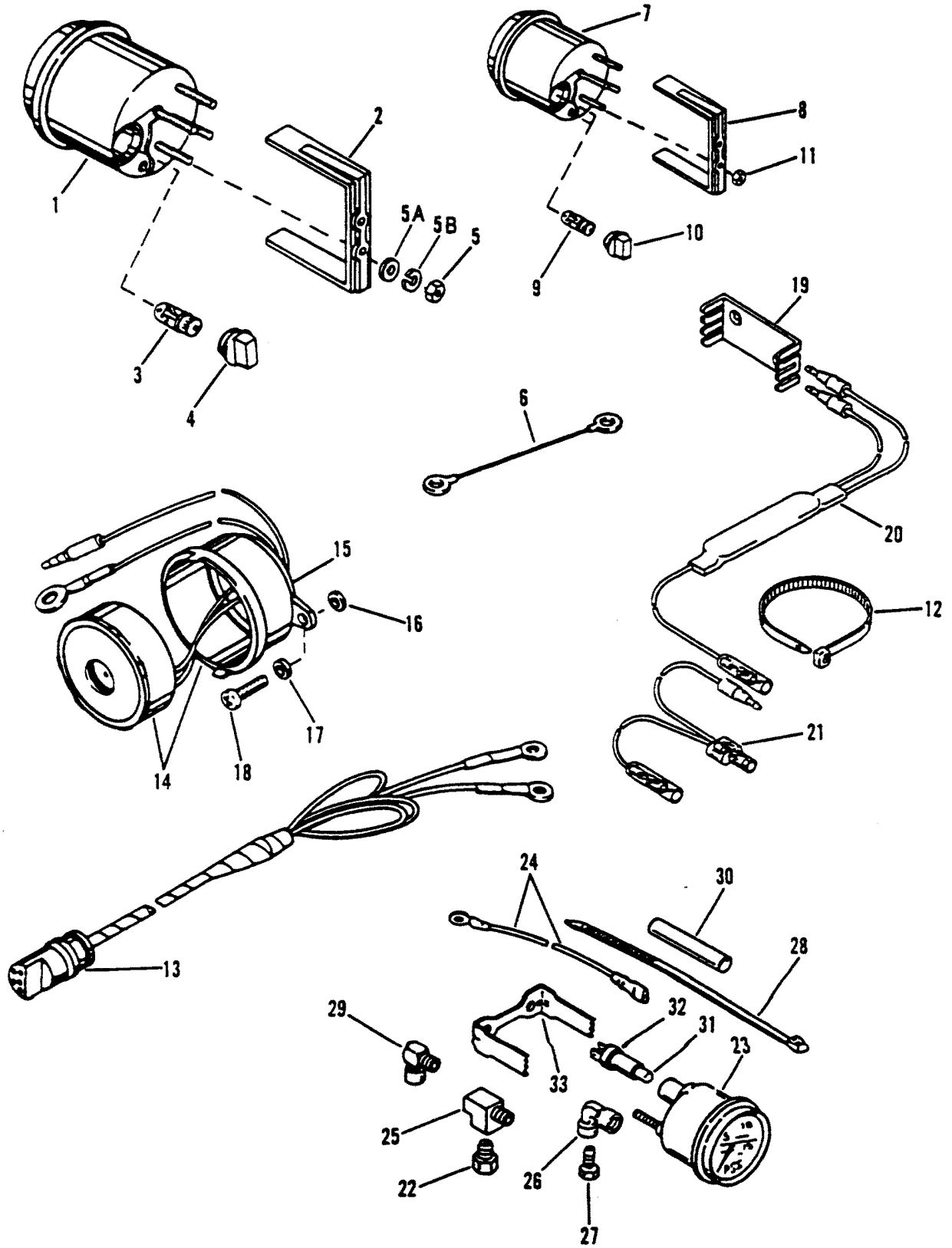
HYDRAULIC PUMP ASSEMBLY



HYDRAULIC PUMP ASSEMBLY

REF. NO.	PART NO.	SYM.	QTY.	DESCRIPTION
-	818161A4		1	HYDRAULIC PUMP ASSEMBLY
1	811491		1	ADAPTOR
2	89493		1	COUPLING
3	25-89498		1	O-RING, MOTOR END
4	811492		1	PUMP (INCLUDES SCREWS)
5	35-89496		2	FILTER
6	25-89497		1	O-RING, RESERVOIR END
7	41219		1	RESERVOIR
8	10-811493		1	SCREW KIT
-	17649		1	MOTOR
9	17632		1	END FRAME W/BEARING
10	10-17626		4	SCREW
11	25-17625		1	O-RING
12	10-17621		2	SCREW
13	17633		1	BRUSH HOLDER KIT
14	17631A1		1	BRUSH SET
15	17623		1	ARMATURE
16	12-17653		2	THRUST WASHER
17	17624		1	FIELD AND FRAME
18	17622		1	HOUSING W/BEARING

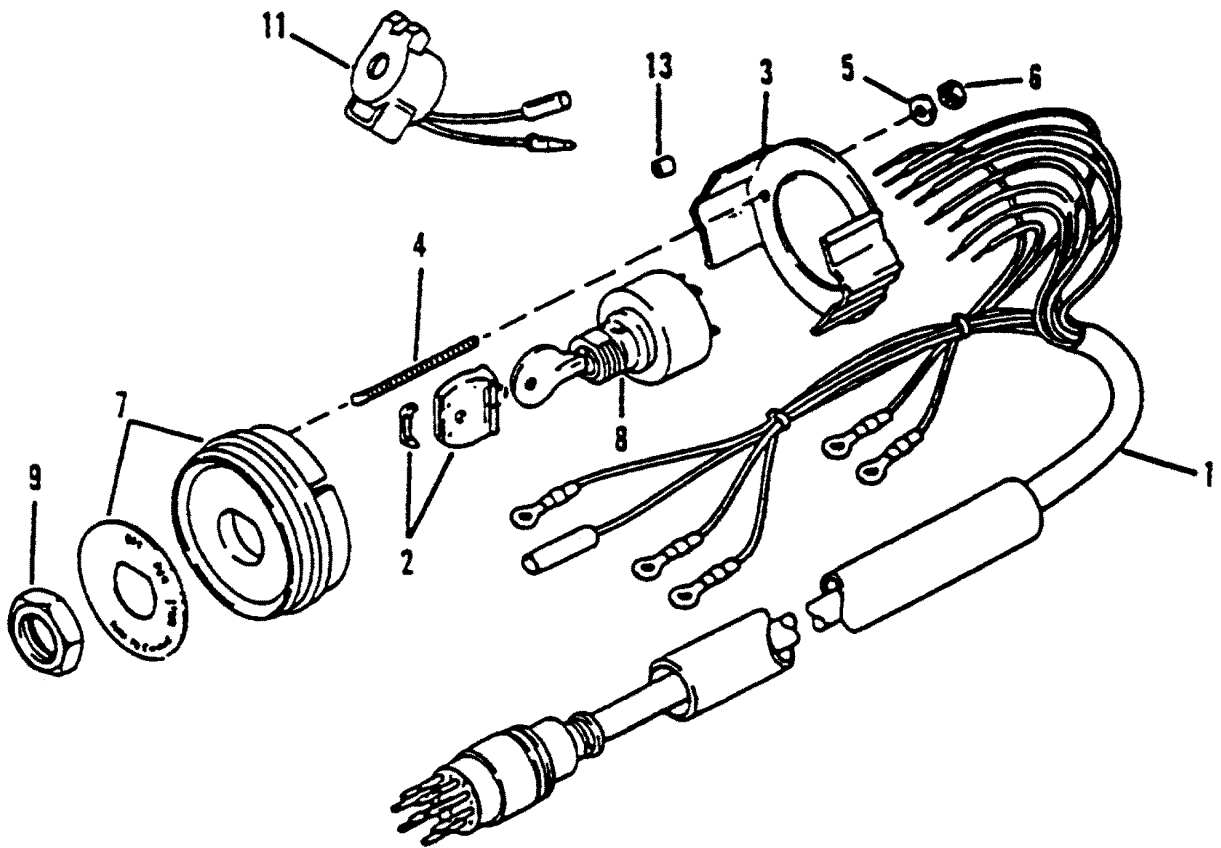
INSTRUMENTATION



INSTRUMENTATION

REF. NO.	PART NO.	SYM.	QTY.	DESCRIPTION
1	79-93953A1		1	TACHOMETER
2	79101T		1	BRACKET
3	88-72729		1	LIGHT BULB
4	88-79888		1	SOCKET
5	11-26419		5	NUT
5A	12-24676		AR	WASHER
5B	13-26995		AR	LOCKWASHER
6	84-86322A7		1	WIRE (BLACK - 1-1/2")
	84-86323A5		1	WIRE (PURPLE - 1-1/2")
7	79-825338A3		1	TRIM GAUGE
8	79480		1	BRACKET
9	88-72729		1	LIGHT BULB
10	88-79888		1	SOCKET
11	11-26419		5	NUT
12	54-816311		AR	STA-STRAP
13	84-86396A8		1	HARNESS
14	68878A6		1	ALARM HORN AND WIRE ASSEMBLY
15	68879		1	COVER
16	23-79697		2	SPACER
17	12-26427		2	WASHER
18	10-35401		2	SCREW
19	79146		2	RETAINER
20	812497A2		1	DIODE KIT
21	84-11149A2		1	CABLE ASSEMBLY
22	22-36492		1	BUSHING
23	79-825331A1		1	30 PSI GAUGE KIT
24	84-88532A1		1	CABLE (DARK BLUE)
	84-86322A16		1	CABLE (BLACK)
25	22-64706		1	TEE FITTING
26	22-63651		2	ELBOW (90 DEGREES)
27	22-63670		2	FITTING
28	54-816311		5	CABLE TIE
29	22-77863		1	FITTING
30	32-64088--6		1	TUBING
31	88-95691		1	BULB
32	13631		1	SOCKET
33	17654		1	BRACKET

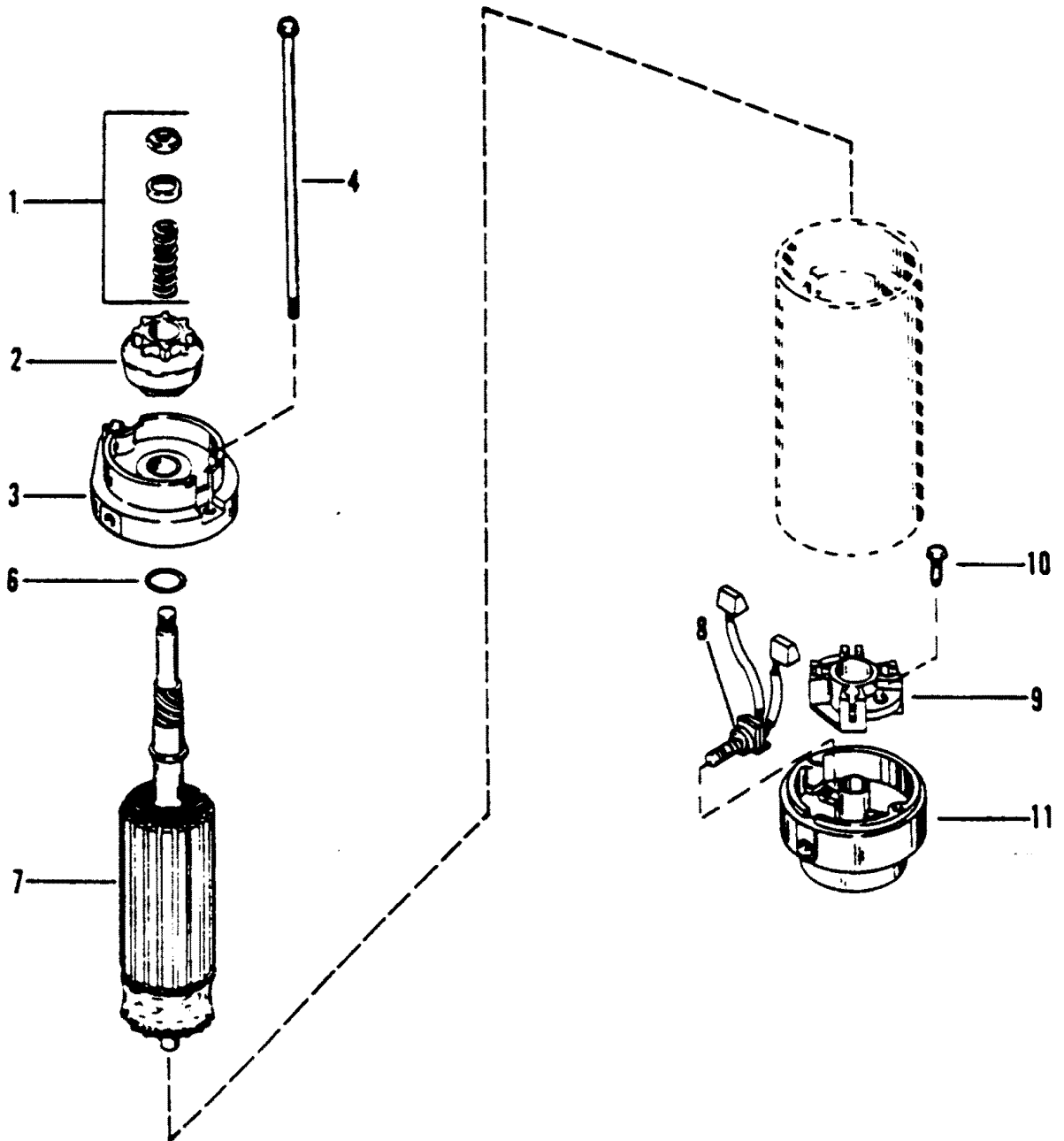
KEY SWITCH



KEY SWITCH

REF. NO.	PART NO.	SYM.	QTY.	DESCRIPTION
1	84-816626A15		1	KEY SWITCH ASSEMBLY (15)
	84-816626A20		1	KEY SWITCH ASSEMBLY (20)
2	90468A1		2	COVER
3	76424		1	BRACKET
4	16-55422		2	STUD
5	12-24676		2	WASHER
6	11-68219		2	NUT
7	816479A3		1	PLATE
8	87-88107		1	IGNITION SWITCH (See Below for Replacement Keys)
-	89491--1		AR	KEY-Ignition Switch (1A)
-	89491--2		AR	KEY-Ignition Switch (1B)
-	89491--3		AR	KEY-Ignition Switch (1C)
-	89491--4		AR	KEY-Ignition Switch (1D)
-	89491--5		AR	KEY-Ignition Switch (1E)
-	89491--6		AR	KEY-Ignition Switch (1F)
-	89491--7		AR	KEY-Ignition Switch (2A)
-	89491--8		AR	KEY-Ignition Switch (2B)
-	89491--9		AR	KEY-Ignition Switch (2C)
-	89491-10		AR	KEY-Ignition Switch (2D)
-	89491-11		AR	KEY-Ignition Switch (2E)
-	89491-12		AR	KEY-Ignition Switch (2F)
9	11-93543		1	NUT
11	816492A1		1	ALARM
13	23-812711--1		2	SPACER (3/8")
	23-812711		2	SPACER (1/4")

STARTER MOTOR ASSEMBLY



STARTER MOTOR ASSEMBLY

REF. NO.	PART NO.	SYM.	QTY.	DESCRIPTION
-	50-79472		1	STARTER MOTOR ASSEMBLY
1	90645		1	DRIVE KIT
2	75661		1	DRIVE
3	75660		1	DRIVE END PLATE
4	10-74968		2	THRU BOLT
6	N.S.S.		1	WASHER (AMERICAN BOSCH -WA3122)
7	79216		1	ARMATURE
8	75384		1	BRUSH SET
9	61787		2	BRUSH HOLDER
10	N.S.S.		2	SCREW(AMER. BOSCH -02441-22-SC-30SM)
11	15386		1	END CAP

PARTS INDEX

Part Number	Description	Pg.	Ref. No.	Part Number	Description	Pg.	Ref. No.
11350A49	I CONTROL BOX	33	1	67703	STRAP BLACK	37	13
12234--2	MOUNT	33	4	67703	STRAP BLACK	41	3
13171--1	THRUST HUB	53	75	67703--1	STRAP GRAY	37	13
13171--1	THRUST HUB	63	78	67703--1	STRAP GRAY	41	3
13221A1	TEMPERATURE SENSOR	25	39	67891	FILLER BLOCK	49	7
13631	SOCKET	69	32	67891	FILLER BLOCK	57	7
13715--1	RETAINER	27	5	68042	RUBBER STOP	7	16
13726	THROTTLE LEVER	31	26	68100--1	THRUST RING	53	64
13734	RETAINER BLACK	3	14	68878A6	ALARM HORN AND WIRE ASSEMBLY	69	14
13734--1	RETAINER GRAY	3	14	68879	COVER	69	15
14469	BEARING CUP	61	52	69205	C-WASHER	7	36
14669--1	ANCHOR BRACKET	11	27	71602	YOKE BLACK	3	5
15386	END CAP	73	11	71602--1	YOKE GRAY	3	5
15838A2	BEARING ADAPTOR	63	65	74897	PIVOT	11	1
15840--1	COVER	53	74	75384	BRUSH SET	73	8
15840--1	COVER	63	77	75660	DRIVE END PLATE	73	3
16813	CUP	13	42	75661	DRIVE	73	2
16814	LATCH	13	43	76035	LINK ROD	11	4
17206--3	FUEL RAIL	15	23	76214--1	ANODIC PLATE (X-LONG)	55	84
17622	HOUSING W/BEARING	67	18	76214--1	ANODIC PLATE (X-LONG)	63	87
17623	ARMATURE	67	15	76214--3	ANODIC PLATE (SHORT)	55	84
17624	FIELD AND FRAME	67	17	76214--3	ANODIC PLATE (SHORT)	63	87
17631A1	BRUSH SET	67	14	76214A5	ANODIC PLATE (LONG)	55	84
17632	END FRAME W/BEARING	67	9	76214A5	ANODIC PLATE (LONG)	63	87
17633	BRUSH HOLDER KIT	67	13	76424	BRACKET	71	3
17649	MOTOR	67	-	76867	COVER (LOWER)	23	9
17654	BRACKET	69	33	77837	THROTTLE CONTROL LEVER	11	13
18789A3	CYLINDER HEAD	27	1	78148A1	SPACER ASSEMBLY BLACK	41	-
26852	CAP	11	21	78902--2	SHIFT SHAFT (LOWER)	49	18
26852	CAP	11	9	78902--2	SHIFT SHAFT (LOWER)	57	18
26852	CAP	23	36	78956	SHIFT CAM	53	47
32435	FACE PLATE	51	34	78956	SHIFT CAM	61	47
32435	FACE PLATE	59	34	79022	TIMING MARKER	7	2
37896	GUIDE BLOCK	11	29	79101T	BRACKET	69	2
38279	LATCH	11	33	79146	RETAINER	19	10
39483	LATCH	11	22	79146	RETAINER	69	19
41038	SLEEVE	17	7	79216	ARMATURE	73	7
41038--1	SLEEVE	19	3	79480	BRACKET	69	8
41052	PLUNGER	43	14	79610A17	TRIM CYLINDER BLACK	45	29
41094A3	SPARK ADVANCE LEVER	11	6	79610A18	TRIM CYLINDER GRAY	45	29
41219	RESERVOIR	67	7	79610A21	TRIM CYLINDER BLACK	45	29
42249	COVER (UPPER)	23	6	79610A22	TRIM CYLINDER GRAY	45	29
43429--2	IGNITION PLATE	9	1	79743	COVER	7	23
45559	TERMINAL BLOCK	17	12	79879A1	REPAIR KIT FOR TRIM CYLINDERS	47	-
45915	TERMINAL BLOCK	27	18	79911--1	ROD	53	48
46265	BOOT	65	31	79911--1	ROD	61	48
48039	CAP	11	12	79918A1	FLYWHEEL COVER	7	1
48039	CAP	33	23	79932A11	SHIFT SHAFT (LONG)	11	37
48752	INSERT	51	36	79932A12	SHIFT SHAFT (EXTRA-LONG)	11	37
48752	INSERT	59	36	79932A15	SHIFT SHAFT (SHORT)	11	37
52100	WEAR PLATE	11	32	811491	ADAPTOR	67	1
54196A6	CARRIER ASSEMBLY	29	4	811492	PUMP (INCLUDES SCREWS)	67	4
56703	COLLAR	7	15	812497A2	DIODE KIT	69	20
60572	BARREL	11	26	815490A3	THROTTLE SHAFT	31	20
61787	BRUSH HOLDER	73	9	815552A1	DIVIDER PLATE	21	1
62459	BALL JOINT	11	2	816054	MOUNT	37	5
65800	SEAL	29	5				
67073A1	LINK ROD	11	31				
67077F1	COVER GRAY	37	10				
67077T	COVER BLACK	37	10				

PARTS INDEX

Part Number	Description	Pg.	Ref. No.	Part Number	Description	Pg.	Ref. No.
816058A6	AIR INLET	31	2	848045A5	FUEL PUMP ASSEMBLY	19	1
816250	THROTTLE LINK	31	7	848126A1	TORSION CLIP	5	42
816479A3	PLATE	71	7	848165	BRACE	3	-
816492A1	ALARM	71	11	85026T	PLATE	45	23
816770	RECTIFIER	9	17	85028A2	TILT LOCK LEVER (STARBOARD)	43	11
816885	ADAPTOR	25	42	85030A2	TILT LOCK LEVER (PORT)	43	11
816958--2	BRACKET	33	14	85035T	SPACER BLACK	45	16
817706A3	FRONT COVER BLACK	3	2	85035T6	SPACER GRAY	45	16
817706A4	FRONT COVER GRAY	3	2	86475--1	COUPLING	43	17
817708	HOLD DOWN	3	8	86580A1	BOTTOM YOKE BLACK	43	22
817712--1	SEAL	3	17	86580A2	BOTTOM YOKE GRAY	43	22
818161A4	HYDRAULIC PUMP ASSEMBLY	65	1	86580F4	BOTTOM YOKE BLACK	43	22
818161A4	HYDRAULIC PUMP ASSEMBLY	67	-	86580F5	BOTTOM YOKE GRAY	43	22
818261	EXHAUST BLOCK-OFF PLATE	41	8	86603	KNOB	43	16
818567	BRACKET	65	2	87692--2	REED BLOCK	27	22
818909	EXHAUST BLOCK-OFF PLATE	35	8	87760	MOUNTING PLATE	65	22
821377--1	DIFFUSER	35	22	87762	BRACKET	65	28
821377--1	DIFFUSER	37	25	87871	COVER	45	34
821377--1	DIFFUSER	41	25	88075	RETAINER	65	11
821754A1	EXHAUST EXT. PLATE BLACK	41	18	88238A4	CABLE	5	43
821754A1	EXHAUST EXT. PLATE BLACK	35	18	88621	RETAINER	3	28
821754A1	EXHAUST EXT. PLATE BLACK	37	21	88825A7	VOLTAGE REGULATOR	21	11
821754A2	EXHAUST EXT. PLATE GRAY	35	18	89491--1	KEY-Ignition Switch (1A)	71	-
821754A2	EXHAUST EXT. PLATE GRAY	37	21	89491--2	KEY-Ignition Switch (1B)	71	-
821754A2	EXHAUST EXT. PLATE GRAY	41	18	89491--3	KEY-Ignition Switch (1C)	71	-
821877--1	BRACKET	5	31	89491--4	KEY-Ignition Switch (1D)	71	-
821877A2	COWL SUPPORT KIT	3	-	89491--5	KEY-Ignition Switch (1E)	71	-
821878	BRACKET	5	32	89491--6	KEY-Ignition Switch (1F)	71	-
821879--1	PIN	5	40	89491--7	KEY-Ignition Switch (2A)	71	-
822075--2	TRIM PIN	45	31	89491--8	KEY-Ignition Switch (2B)	71	-
822076	RETAINER, TRIM PIN	45	32	89491--9	KEY-Ignition Switch (2C)	71	-
822188--1	PLATE	3	18	89491-10	KEY-Ignition Switch (2D)	71	-
824519	RETAINER	49	26	89491-11	KEY-Ignition Switch (2E)	71	-
824519	RETAINER	57	26	89491-12	KEY-Ignition Switch (2F)	71	-
846859A4	HYDRAULIC PUMP (COMPLETE)	65	-	89493	COUPLING	67	2
847602	SLIDER	31	12	89594A1	CAM FOLLOWER	53	46
847610A1	BEARING CARRIER	53	66	89594A1	CAM FOLLOWER	61	46
847616A1	BEARING CARRIER	63	69	89949A1	PLATE ASSEMBLY	45	19
847658	RETAINER	35	24	90390A1	COVER	27	10
847658	RETAINER	37	27	90391--1	REED CLAMP	27	24
847658	RETAINER	41	22	90435	RUBBER MOUNT	15	8
847798A1	WEAR PAD KIT	45	3	90468A1	COVER	71	2
847950--1	COVER BLACK	49	2	90645	DRIVE KIT	73	1
847950--1	COVER BLACK	57	2	92876A1	STEERING LINK ASSEMBLY	43	25
847950--2	COVER GRAY	49	2	94451--1	BRACKET	17	8
847950--2	COVER GRAY	57	2	94451--2	BRACKET	19	4
848015A1	COWL SUPPORT	5	41	94820	FUEL REGULATOR	15	1
848026	ACTUATOR	31	17	96455A11	TRIGGER PLATE	7	13
848045A2	FUEL PUMP ASSEMBLY	17	1	97465	TEMPERATURE SENDER	27	16
				98709--3	PLATE	27	20
				98715--9	THROTTLE SHUTTER	31	32
				98716	HOLD DOWN	15	16
				98717	SPACER	15	17
				98818	FUEL INJECTOR	15	14
				99170A2	TILT TUBE	45	9
				99193	COVER	21	6
				99294	BRACKET	23	27
				99944	SUPPORT	15	7
				99945	BRACKET	15	3

PARTS INDEX

Part Number	Description	Pg.	Ref. No.	Part Number	Description	Pg.	Ref. No.
D13726--1	THROTTLE LEVER	31	26	10-60411	SCREW (1-1/4")	9	12
N.S.S.	GEAR (PART OF 43-44104A7)	49	12	10-62568	SCREW	7	35
N.S.S.	PINION GEAR (PART OF 43-15845A2)	57	12	10-62568	SCREW	9	9
N.S.S.	REVERSE GEAR (PART OF 43-15845A2)	61	54	10-62568	SCREW (3/8")	17	13
N.S.S.	SCREW(AMER. BOSCH -02441-22-SC-30SM)	73	10	10-62958	SCREW (1-1/8")	27	19
N.S.S.	WASHER (AMERICAN BOSCH -WA3122)	73	6	10-63328	SCREW (5/16-18 X 3")	11	28
10-13212--1	SCREW	35	11	10-63474	SCREW (5/16-18 X 3")	33	11
10-13212--1	SCREW	37	31	10-63474	SCREW	37	4
10-13212--1	SCREW	41	28	10-63826	BOLT (2-1/2")	65	29
10-13212--1	SCREW	43	29	10-64022	ADJUSTING SCREW	23	34
10-13627	SCREW	33	21	10-64022	SCREW	11	7
10-13627	SCREW (1-1/4")	11	10	10-64022	SCREW (2-1/8")	11	19
10-14000	SCREW (1-1/4")	43	26	10-66024	SCREW	41	-
10-15929	SCREW (X-LONG)	55	83	10-66024	SCREW (LONG/X-LONG)	55	80
10-15929	SCREW (X-LONG)	63	86	10-66024	SCREW (LONG/X-LONG)	63	83
10-17621	SCREW	67	12	10-66717	SCREW (3/8-16 X 3-1/4")	23	13
10-17626	SCREW	67	10	10-67755--1	SCREW (4-1/2")	45	8
10-25158	SCREW	17	5	10-67755--2	SCREW (6-1/2")	45	7
10-25158	SCREW	19	5	10-67769	SCREW	41	4
10-28635	SCREW	35	25	10-67769	SCREW (.375-24 X 4")	37	15
10-28635	SCREW	37	28	10-68513	SCREW	7	33
10-28635	SCREW	41	23	10-69020	SCREW	3	29
10-28635	SCREW	41	9	10-69026	SCREW (1/4-28 X 7/8")	11	23
10-28636	SCREW	15	4	10-69028	SCREW (1/4-28 X 3/4")	3	25
10-28636	SCREW	45	24	10-69034	SCREW (1")	23	18
10-28636	SCREW (3/4")	23	32	10-69035	SCREW	7	20
10-28667	SCREW (1")	11	28	10-69570	SCREW	3	3
10-28667	SCREW (1")	23	28	10-70732	SCREW	45	17
10-28782	SCREW	21	7	10-74968	THRU BOLT	73	4
10-30206	SCREW (SHORT/LONG)	55	83	10-79953A2	SCREW	57	16
10-30206	SCREW (SHORT/LONG)	63	86	10-79953A2	SCREW PLUG	49	16
10-31716	SCREW (5/8")	9	26	10-811493	SCREW KIT	67	8
10-32866	SCREW	47	36	10-815549	SCREW (2")	23	10
10-34696	SCREW (3/4")	25	41	10-815904	SCREW	49	4
10-35401	SCREW	69	18	10-815904	SCREW	57	4
10-37562	SCREW (1")	27	11	10-818146	SCREW	5	36
10-37572	SCREW	7	3	10-818165	SCREW (1-3/4")	11	14
10-38055	SCREW (5/8")	9	10	10-821035	SCREW (1-1/4")	33	15
10-38055	SCREW (5/8")	9	18	10-821036	SCREW	33	17
10-38601	SCREW	3	20	10-821579	SCREW	5	44
10-38837	SCREW (1")	65	3	10-821933	SCREW	5	33
10-39349	SCREW	35	9	10-823188	SCREW (3/8-16 X 3-1/2")	23	13
10-39349	SCREW (3/4")	65	23	10-823199--1	SCREW (3/8-16 X 1-1/4")	23	13
10-41089--1	SCREW	31	29	10-823200	SCREW	31	31
10-41350	SCREW (SHORT)	53	80	10-823258	SCREW	41	26
10-41350	SCREW (SHORT)	63	83	10-823258	SCREW (1-1/4")	35	21
10-41355	SET SCREW	31	28	10-823258	SCREW (1-1/4")	37	24
10-41508	SCREW (3/8")	65	13	10-823588	SCREW	27	25
10-48308	SCREW (.375-24 X 3-3/4")	37	15	10-847538	SCREW (1-1/2")	21	5
10-48409	SCREW	21	12	10-848022	SCREW (3/4")	31	18
10-48409	SCREW (5/8")	27	19	10-848081	SCREW (1")	41	29
10-53155	SCREW (1/4-20 X 2-1/2")	33	11	10-848081	SCREW (1/2")	35	13
10-55715	SCREW	27	35	10-848081	SCREW (1/2")	39	33
10-60147	SCREW	27	26	10-848497	SCREW (1")	21	5
10-60147	SCREW	27	28	10-86843	SCREW	45	4
				10-87180	BOLT	45	12
				10-88417	SCREW (5/8")	37	11
				10-88447	SCREW (1-5/8")	7	24
				10-88743	SCREW	27	6
				10-88829	SCREW	45	15

PARTS INDEX

Part Number	Description	Pg.	Ref. No.	Part Number	Description	Pg.	Ref. No.
10-90028	SCREW	7	11	11-35888	NUT	33	20
10-90086	SCREW (1-1/2")	23	7	11-35921	NUT	49	14
10-90271	SCREW (5/8")	65	25	11-35921	NUT	57	14
10-90815	SCREW	9	3	11-45076	NUT	7	25
10-91903	SCREW (1-3/4")	35	13	11-45076	NUT	9	19
10-91903	SCREW (1-3/4")	37	33	11-45076	NUT	9	29
10-91903	SCREW (1-3/4")	41	29	11-45076	NUT	9	7
10-91995	SCREW	29	13	11-45076	NUT	21	14
10-92051	SCREW	65	8	11-45812	NUT	11	5
10-96411	SCREW (2-1/4")	51	44	11-52707A1	PROPELLER NUT	53	78
10-96411	SCREW (2-1/4")	59	45	11-52707A1	PROPELLER NUT	63	81
10-98534	SCREW (2-1/3")	27	3	11-52901	NUT	7	5
11-13436	NUT	51	43	11-64015	JAM NUT	23	35
11-13436	NUT	59	44	11-64015	NUT	11	20
11-13438	NUT	51	41	11-64015	NUT	11	8
11-13438	NUT	59	42	11-64015	NUT	13	51
11-13439--1	NUT	55	82	11-67980	NUT	9	30
11-13439--1	NUT	63	85	11-68219	NUT	11	11
11-15018	NUT	15	2	11-68219	NUT	11	3
11-18102	NUT	13	46	11-68219	NUT	33	22
11-20013	JAM NUT	31	8	11-68219	NUT	71	6
11-20110	NUT	17	6	11-68411	NUT	65	30
11-20110	NUT	19	6	11-71852	NUT	5	38
11-20110	NUT (-10-32)	65	14	11-72008	NUT	33	6
11-20220	NUT	45	13	11-816874	NUT	23	26
11-20220	NUT	45	33	11-826135	NUT (1"-14)	45	11
11-20361	NUT	31	9	11-826164	NUT (7/8-14)	45	11
11-20890	NUT	7	18	11-91962	NUT	45	6
11-21825	NUT	65	18	11-93543	NUT	71	9
11-25269	NUT	37	14	12-17616	THRUST RING	63	63
11-25269	NUT	41	5	12-17653	THRUST WASHER	67	16
11-26419	NUT	69	11	12-19183	SEALING WASHER	49	17
11-26419	NUT	69	5	12-19183	SEALING WASHER	53	71
11-26484	NUT (5/16-18)	65	15	12-19183	SEALING WASHER	57	17
11-28040	NUT	35	5	12-19183	SEALING WASHER	63	74
11-28040	NUT	37	7	12-20878	WASHER	47	37
11-28040	NUT	41	14	12-22753	WASHER	39	36
11-29488	NUT	3	30	12-22753	WASHER	65	32
11-29488	NUT	47	38	12-22886	WASHER	17	2
11-34863	NUT	43	27	12-22887	WASHER	3	4
11-34863	NUT (THIN)	35	16	12-24676	WASHER	69	5A
11-34863	NUT (THIN)	37	17	12-24676	WASHER	71	5
11-34863	NUT (THIN)	41	17	12-26168	WASHER	15	11
11-34932	NUT (FULL)	35	16	12-26427	WASHER	69	17
11-34932	NUT (FULL)	37	17	12-28421	WASHER	45	5
11-34932	NUT (FULL)	41	17	12-29245	WASHER	3	19
11-34933	NUT	35	7	12-29245	WASHER	15	19
11-34933	NUT	37	19	12-29245	WASHER	31	15
11-34933	NUT	41	7	12-29245	WASHER	45	18
11-35045	NUT	3	21	12-29245	WASHER	45	25
11-35045	NUT	3	27	12-29245	WASHER	51	40
11-35045	NUT	11	25	12-29245	WASHER	59	41
11-35045	NUT	11	35	12-31211A2	WASHER	53	77
11-35045	NUT	13	41	12-31211A2	WASHER	63	80
11-35045	NUT	15	20	12-34437	WASHER (5/16" I.D.)	33	12
11-35045	NUT	31	16	12-35459	WASHER	31	11
11-35521	NUT	37	12	12-35462	WASHER	3	26
11-35814	NUT	39	37	12-35462	WASHER	13	40
11-35814	NUT	45	22	12-35462	WASHER	15	9
11-35888	NUT	15	10	12-35462	WASHER	31	10

PARTS INDEX

Part Number	Description	Pg.	Ref. No.	Part Number	Description	Pg.	Ref. No.
12-36001	WASHER	51	42	12-89302	WASHER	7	32
12-36001	WASHER	59	43	12-92721	WASHER	49	13
12-36042	WASHER	9	14	12-92721	WASHER	57	13
12-37828	WASHER	43	28	12-96457	WASHER	65	17
12-39143	WASHER	27	29	13-26992	LOCKWASHER	7	17
12-39143	WASHER (1/4" I.D.)	33	12	13-26992	LOCKWASHER	9	27
12-39143	WASHER (5/8 X .253)	33	18	13-26992	LOCKWASHER	15	5
12-45175	LOCKWASHER	65	27	13-26992	LOCKWASHER	23	33
12-46765	WASHER	11	18	13-26992	LOCKWASHER	35	26
12-47533--1	WASHER, SUBSTITUTE FOR THERMOSTAT	27	8	13-26992	LOCKWASHER	37	29
12-49221	WASHER	23	24	13-26992	LOCKWASHER	41	10
12-57792	WASHER	65	4	13-26992	LOCKWASHER	41	24
12-67264	WASHER (RUBBER)	9	15	13-26993	LOCKWASHER	9	13
12-68229	WASHER	7	6	13-26993	LOCKWASHER	23	8
12-69056	WASHER	11	34	13-26993	LOCKWASHER	65	24
12-69056	WASHER	33	5	13-26995	LOCKWASHER	31	30
12-72761	WASHER	7	4	13-26995	LOCKWASHER	69	5B
12-72761	WASHER	23	25	13-26996	LOCKWASHER	7	12
12-73288	WASHER	13	45	13-29720	WAVE WASHER	11	38
12-74758	WASHER	5	39	13-42351--1	LOCKWASHER	53	76
12-77674	RUBBER WASHER	49	22	13-42351--1	LOCKWASHER	63	79
12-77674	RUBBER WASHER	57	22	13-58643	LOCKWASHER	65	26
12-78910	WASHER	53	51	13-78854	WAVE WASHER	43	21
12-78910	WASHER	61	51	13-88750	WAVE WASHER	45	10
12-816056	WASHER	35	12	14-79447	TAB WASHER	53	73
12-816056	WASHER	35	4	14-79447	TAB WASHER	63	76
12-816056	WASHER	37	32	14-816629	TAB WASHER	53	79
12-816056	WASHER	37	6	14-816629	TAB WASHER	63	82
12-816056	WASHER	41	13	15-42637A1	SHIM ASSEMBLY	49	24
12-816056	WASHER	43	30	15-42637A1	SHIM ASSEMBLY	57	24
12-822714	WASHER	35	20	15-47397A1	SHIM	53	52
12-822714	WASHER	37	23	15-848046A1	SHIM SET	31	33
12-822714	WASHER	41	27	16-15093	STUD (1")	23	22
12-822836	WASHER	35	14	16-15094	STUD (1-7/8")	23	21
12-822836	WASHER	35	6	16-18101	STUD	13	44
12-822836	WASHER	37	18	16-21184	STUD	15	18
12-822836	WASHER	39	34	16-54343	STUD	45	20
12-822836	WASHER	41	30	16-55422	STUD	71	4
12-822836	WASHER	41	6	16-56295	STUD	35	2
12-822836	WASHER	55	81	16-56295	STUD (2-5/8" - LONG)	37	2
12-822836	WASHER	63	84	16-56295	STUD (LONG)	41	2
12-822837	WASHER	27	27	16-56297	STUD-WATER PUMP HSG. (5/16 X 3-3/8")	49	10
12-822837	WASHER	27	36	16-56297	STUD-WATER PUMP HSG. (5/16 X 3-3/8")	57	10
12-822838	WASHER	23	19	16-56766	STUD	33	19
12-822838	WASHER	27	4	16-57920--1	STUD (7/16 X 2-1/16")	49	11
12-822838	WASHER	35	15	16-57920--1	STUD (7/16 X 2-1/16")	57	11
12-822838	WASHER	37	16	16-59579	STUD (7/16 X 2-11/16")(SHORT)	57	11
12-822838	WASHER	41	16	16-59579	STUD (7/16 X 2-11/16")(SHORT)(OFFSHORE) ...	49	11
12-847524	WASHER	29	14	16-69058	STUD	39	35
12-847526	WASHER	21	5A	16-69501	STUD-WATER PUMP HSG. (5/16 X 3-1/4")	49	10
12-847539	WASHER	5	34	16-69501	STUD-WATER PUMP HSG. (5/16 X 3-1/4")	57	10
12-847539	WASHER	35	10	16-74730	STUD (7/16 X 7")	57	11
12-847539	WASHER	45	21	16-74730	STUD (7/16 X 7.06)	49	11
12-847541	WASHER	5	37	16-74732	STUD (7-5/8" - X-LONG)	37	2
12-847883	WASHER	3	10				
12-847883	WASHER	3	7				
12-848023	THRUST WASHER	31	19				
12-85022	WASHER	45	26				
12-87161	WASHER	43	9				

PARTS INDEX

Part Number	Description	Pg.	Ref. No.	Part Number	Description	Pg.	Ref. No.
16-74732	STUD (X-LONG)	41	2	22-14383	CONNECTOR	17	3
16-78638	STUD (7/16 X 3-1/8")	49	11	22-15133	FITTING	31	4
16-78638	STUD (7/16 X 3-1/8")	57	11	22-15936	FITTING	17	4
16-78639	STUD (7/16 X 8-1/8")	49	11	22-17207	FITTING	15	24
16-78639	STUD (7/16 X 8-1/8")	57	11	22-32802	PIPE PLUG	21	1A
16-816055	STUD	41	11	22-32802	PIPE PLUG	27	1A
16-818908	STUD	35	3	22-34982	CONNECTOR	17	11
16-822358	STUD (2-3/4")	23	2	22-34982	CONNECTOR	19	9
16-847529	STUD (2-1/2")	23	2	22-36492	BUSHING	69	22
16-847530	STUD (2")	23	2	22-56759	FITTING (PRESS IN)	27	31
16-847532	STUD (5-3/4")	23	2	22-59169	TEE FITTING	31	6
16-847533	STUD (7")	23	2	22-63651	ELBOW (90 DEGREES)	69	26
16-88876	STUD	43	15	22-63670	FITTING	69	27
16-96112	STUD	31	14	22-64706	TEE FITTING	69	25
17-24800	ROLL PIN	31	22	22-67892A1	DRAIN SCREW (MAGNETIC)	49	15
17-42671	CROSS PIN	53	58	22-67892A1	DRAIN SCREW (MAGNETIC)	53	70
17-42671	CROSS PIN	61	58	22-67892A1	DRAIN SCREW (MAGNETIC)	57	15
17-43044	DOWEL PIN	23	3	22-67892A1	DRAIN SCREW (MAGNETIC)	63	73
17-43044	DOWEL PIN	49	5	22-68727	ELBOW (STARBOARD)	27	12
17-43044	DOWEL PIN	57	5	22-68727	FITTING	21	10
17-43044	DOWEL PIN (.625)	41	20	22-68728	FITTING (PORT)	27	14
17-43044	DOWEL PIN, PLATE TO			22-69406	FITTING	15	28
	DRIVE SHAFT HSG.	35	27	22-74036	GREASE FITTING	43	4
17-43044	DOWEL PIN, PLATE TO			22-77366	CONNECTOR	65	33
	DRIVESHAFT HOUSING	37	30	22-77863	FITTING	69	29
17-43044	PIN	41	-	22-818200	FITTING	65	34
17-58712	CLEVIS PIN	3	9	22-818699	FITTING	15	27
17-63779	DOWEL PIN	27	17	22-821881	PIPE PLUG	5	35
17-67296	DOWEL PIN (BEARING			22-821881	PLUG (WATER JACKET)	23	20
	RACE)	23	4	22-821937	PIPE PLUG	35	19
17-67706A46	SWIVEL PIN AND STEERING			22-821937	PIPE PLUG	37	22
	ARM BLACK	43	24	22-821937	PIPE PLUG	41	19
17-67706A47	SWIVEL PIN AND STEERING			22-822715	ELBOW	31	3
	ARM GRAY	43	24	22-847949	PIPE PLUG	49	9
17-67706A59	SWIVEL PIN AND STEERING			22-847949	PIPE PLUG	57	9
	ARM BLACK	43	24	22-94090	ELBOW	27	32
17-67706A60	SWIVEL PIN AND STEERING			23-12245	BUSHING	31	13
	ARM GRAY	43	24	23-12245	BUSHING	31	27
17-69745	PIN	43	18	23-17615--1	SPACER SHIM (.125")	61	61
17-78906	PIN	53	49	23-17615--2	SPACER SHIM (.127")	61	61
17-78906	PIN	61	49	23-17615--3	SPACER SHIM (.129")	61	61
17-78909	DETENT PIN	53	57	23-17615--4	SPACER SHIM (.131")	61	61
17-78909	DETENT PIN	61	57	23-17615--5	SPACER SHIM (.133")	61	61
17-816771	RIVET	3	6	23-17615--6	SPACER SHIM (.135")	61	61
17-823106	DOWEL PIN (.875)	41	20	23-17615--7	SPACER SHIM (.137")	61	61
17-823106	DOWEL PIN, PLATE TO			23-17615--8	SPACER SHIM (.139")	61	61
	POWERHEAD	35	27	23-17615--9	SPACER SHIM (.141")	61	61
17-823106	DOWEL PIN, PLATE TO			23-17615-10	SPACER SHIM (.143")	61	61
	POWERHEAD	37	30	23-17615-11	SPACER SHIM (.145")	61	61
17-848172	RIVET (POP OPEN)	3	15	23-17615-12	SPACER SHIM (.147")	61	61
17-85020	PIVOT PIN	45	28	23-17615-13	SPACER SHIM (.149")	61	61
18-21071	COTTER PIN	3	11	23-26600	BUSHING	11	39
18-93861	COTTER PIN	43	20	23-27132	BUSHING	11	36
19-64649	PLUG	37	3	23-34948	SPACER	65	5
19-815784	CAP PLUG	3	13	23-43998	SLEEVE	49	8
21-42623	CHECK VALVE (PRESS-IN -			23-43998	SLEEVE	57	8
	11/16" LONG)	27	34	23-55164	BUSHING	11	15
21-42657A1	CHECK VALVE	23	11	23-55171	BUSHING	11	16
21-818189A1	CHECK VALVE (45			23-67268	BUSHING	9	16
	DEGREES)	27	34	23-67269	SPACER	23	23

PARTS INDEX

Part Number	Description	Pg.	Ref. No.	Part Number	Description	Pg.	Ref. No.
23-77631A2	BUSHING ASSEMBLY	49	19	26-816464--1	OIL SEAL	57	21
23-77631A2	BUSHING ASSEMBLY	57	19	26-847729	OIL SEAL	43	2
23-79697	SPACER	69	16	26-85023	OIL SEAL	43	8
23-812711	SPACER (1/4")	71	13	26-88397	SEAL	35	23
23-812711--1	SPACER (3/8")	71	13	26-88397	SEAL	37	26
23-816057	SPACER BLACK	41	12	26-88397	SEAL	41	21
23-816057--1	SPACER GRAY	41	12	26-88397	SEAL	51	37
23-822035-24	BEARING (1-1/2")	43	6	26-88397	SEAL	59	37
23-822035-40	BEARING (2-1/2")(SHORT MODELS)	43	7	26-89238	OIL SEAL	51	30
23-822823	THRUST RING	53	62	26-89238	OIL SEAL	59	30
23-847685	SLEEVE	51	45	26-89238A3	SEAL KIT	51	-
23-847685	SLEEVE	59	38	26-89238A3	SEAL KIT	55	-
23-847724	BUSHING	45	30	26-89238A3	SEAL KIT	59	-
23-847726	BEARING	43	3	26-89238A3	SEAL KIT	63	-
23-847728	BEARING	43	5	26-94219	SEAL	15	13
23-848024	BUSHING (W/LIP)	31	23	27-11338	GASKET	23	5
23-848025	BUSHING (W/O LIP)	31	24	27-12775--4	GASKET	27	21
23-86600	BUSHING	43	12	27-18051	GASKET (LOWER)	51	32
23-94304	BUSHING	9	31	27-18051	GASKET (LOWER)	59	32
23-94453	BUSHING	9	5	27-42631--1	GASKET	49	28
24-20099	SPRING	11	24	27-42631--1	GASKET	57	28
24-20099	SPRING	11	30	27-62386	GASKET	27	9
24-30316	SPRING	45	27	27-814658--1	GASKET	27	2
24-66306	SPRING	13	49	27-814658A3	ENGINE GASKET SET	21	-
24-68784	SPRING	11	17	27-814658A3	ENGINE GASKET SET	23	-
24-78962	SPRING	53	59	27-814658A3	ENGINE GASKET SET	27	-
24-78962	SPRING	61	59	27-814658A3	ENGINE GASKET SET	29	-
24-79910	SPRING	53	50	27-814658A3	ENGINE GASKET SET	31	-
24-79910	SPRING	61	50	27-814658A3	ENGINE GASKET SET	31	-
24-85367	SPRING	43	13	27-823142	GASKET SET	15	-
24-88049	SPRING	43	19	27-823142	GASKET	21	9
24-98894--1	SPRING	31	25	27-847525--1	GASKET	21	2
25-17625	O-RING	67	11	27-85609--1	GASKET (UPPER)	51	33
25-25439	O-RING	49	20	27-85609--1	GASKET (UPPER)	59	33
25-25439	O-RING	57	20	27-87775	GASKET	45	35
25-31534	O-RING	53	65	27-88907--2	GASKET	21	8
25-31534	O-RING	63	64	27-99316--3	GASKET	31	1
25-34776	O-RING	49	3	28-30281	KEY	53	72
25-34776	O-RING	57	3	28-30281	KEY	63	75
25-45507	GROMMET	47	39	28-56654	KEY	51	38
25-45711	O-RING	25	40	28-56654	KEY	59	39
25-48171	O-RING	43	10	29-67483	NEEDLE BEARING	29	16
25-54029	O-RING	23	15	30-67923	BALL BEARING (LOWER)	29	2
25-62700	O-RING (3-1/4" I.D.)	23	30	30-88957A1	BALL BEARING	53	63
25-817713--1	GROMMET (CIRCULAR)	3	22	30-88957A1	BALL BEARING	61	53
25-817713--3	GROMMET (OVAL)	3	22	31-15834	THRUST BEARING	63	67
25-89497	O-RING, RESERVOIR END	67	6	31-15841	ROLLER BEARING	63	62
25-89498	O-RING, MOTOR END	67	3	31-15843	ROLLER BEARING	63	66
25-90011	O-RING	51	29	31-15844	ROLLER BEARING	61	55
25-90011	O-RING	59	29	31-16756A8	ROLLER BEARING	29	8
25-99123	GROMMET	15	15	31-36387A1	ROLLER BEARING	49	25
26-16977	OIL SEAL	51	31	31-36387A1	ROLLER BEARING	57	25
26-16977	OIL SEAL	59	31	31-42647A1	ROLLER BEARING	49	6
26-41953	OIL SEAL	23	17	31-42647A1	ROLLER BEARING	57	6
26-41953	OIL SEAL	23	31	31-54928--1	ROLLER BEARING	53	55
26-814754	SEAL	21	3	31-74248	BEARING	23	16
26-815565	OIL SEAL	53	69	31-78172A1	TAPERED ROLLER BEARING	53	53
26-815565	OIL SEAL	63	71	31-817072	ROLLER BEARING	53	67
26-816464--1	OIL SEAL	49	21	31-817072	ROLLER BEARING	63	70
				31-821146A1	ROLLER BEARING	29	15
				32-64088--6	TUBING	69	30

PARTS INDEX

Part Number	Description	Pg.	Ref. No.	Part Number	Description	Pg.	Ref. No.
32-66285-70	HOSE	15	12	47-89984--2	IMPELLER	59	40
32-66285-70	HOSE	31	5	50-79472	STARTER MOTOR	7	14
32-66285-70	HOSE (YELLOW)	27	33	50-79472	STARTER MOTOR		
32-77457--2	HOSE	15	21		ASSEMBLY	73	-
32-77457--2	HOSE	21	15	52-42672	RATCHET	53	56
32-77457--2	HOSE	27	13	52-42672	RATCHET	61	56
32-817389-77	HOSE (84")	15	29	53-67446	RETAINING RING	29	3
32-830756109	TUBING (1-3/4")	25	37	53-67684	RETAINING RING	43	23
32-847650--1	WATER TUBE (X-LONG)	37	20	53-78201	CLIP	13	50
32-847650--1	WATER TUBE (X-LONG)	41	15	53-817071	SNAP RING	53	68
32-847650--2	WATER TUBE (LONG)	37	20	53-817071	SNAP RING	63	72
32-847650--2	WATER TUBE (LONG)	41	15	53-821246	RETAINING RING	29	11
32-847650--3	WATER TUBE	35	17	53-847882	RING, RETAINING	31	21
32-89023	HOSE, HYDRAULIC (STARBOARD)	47	41	53-848125	RETAINING RING	43	23
32-89024	HOSE, HYDRAULIC (PORT)	47	41	54-12999	CLAMP	15	26
32-96993	HOSE, HYDRAULIC (PORT)	47	40	54-13791	CLAMP	15	30
32-96994	HOSE, HYDRAULIC (STARBOARD)	47	40	54-24836	J-CLAMP	7	34
33-14103550	SPARK PLUG (NGK -BUZHW)	7	30	54-54457	J-CLAMP	13	48
34-815242A3	REED ASSEMBLY	27	23	54-54457	J-CLIP	33	13
35-807172	FUEL FILTER	17	10	54-63153	J-CLAMP	25	38
35-807172	FUEL FILTER	19	8	54-64235--2	J-CLAMP (SMALL)	21	4
35-807172A4	FUEL FILTER KIT	17	9	54-75275	CLAMP	13	47
35-807172A4	FUEL FILTER KIT	19	7	54-75275	CLAMP	45	14
35-818700	FILTER	15	31	54-78945--1	J-CLAMP	27	7
35-89496	FILTER	67	5	54-814634	J-CLAMP	9	13A
37-817660A91	DECAL SET BLACK	3	-	54-814634	J-CLAMP (LARGE)	21	4
37-817679	DECAL (EFI) MERCURY	33	-	54-815504104	CLAMP	15	22
37-818263A91	DECAL SET GRAY	3	-	54-816311	CABLE TIE	69	28
37-818267A1	DECAL SET, FRONT COVER GRAY	3	-	54-816311	STA-STRAP	9	24
37-818351	DECAL (EFI) MARINER	33	-	54-816311	STA-STRAP	21	16
37-818956A1	DECAL SET, FRONT COVER BLACK	3	-	54-816311	STA-STRAP	27	15
39-67377--2	RING	29	6	54-816311	STA-STRAP	69	12
39-848201A12	PISTON RING ASSEMBLY	29	10	54-821603	CLIP	33	16
43-15845A2	FORWARD GEAR	61	60	54-847737	CLAMP	37	8
43-44104A7	FORWARD GEAR SET (INCLUDES ALL GEARS)	53	54	54-88512	J-CLAMP	45	14
43-822824A1	REVERSE GEAR (INCLUDED W/REF. -54)	53	61	61-847713A2	POWERHEAD	11	-
44-815495T	PROPELLER SHAFT	63	68	61-847713A2	POWERHEAD	13	-
44-822820F1	PROPELLER SHAFT	53	60	61-847713A2	POWERHEAD	21	-
45-848449A4	DRIVE SHAFT (SHORT)	49	23	61-847713A2	POWERHEAD	27	-
45-848449A4	DRIVE SHAFT (SHORT)	57	23	61-847713A2	POWERHEAD	29	-
45-848449A5	DRIVE SHAFT (LONG)	49	23	61-847713A2	POWERHEAD	31	-
45-848449A5	DRIVE SHAFT (LONG)	57	23	61-847713A2	POWERHEAD (LISTED BELOW)	23	-
45-848449A6	DRIVE SHAFT (X-LONG)	49	23	79-825331A1	30 PSI GAUGE KIT	69	23
45-848449A6	DRIVE SHAFT (X-LONG)	57	23	79-825338A3	TRIM GAUGE	69	7
46-44292A3	WATER PUMP BASE ASSEMBLY	49	27	79-93953A1	TACHOMETER	69	1
46-44292A3	WATER PUMP BASE ASSEMBLY	57	27	84-11149A2	CABLE ASSEMBLY	69	21
46-847710A1	WATER PUMP BODY ASSEMBLY	51	35	84-13397A1	HARNESS ASSEMBLY	21	13
46-847710A1	WATER PUMP BODY ASSEMBLY	59	35	84-60871A10	WIRE	9	8
47-89984--2	IMPELLER	51	39	84-62310A2	CABLE	9	6
				84-65017A14	TILT HARNESS	65	35
				84-65999A10	CABLE (BLACK)	33	3
				84-65999A11	CABLE	65	19
				84-65999A12	CABLE	65	6
				84-65999A2	CABLE (BLACK)	9	28
				84-65999A3	CABLE (BLACK)	9	11
				84-69738A7	HARNESS ASSEMBLY (-2,4 & 6)	7	31
				84-69739A2	HARNESS ASSEMBLY (-1,3 & 5)	7	31

PARTS INDEX

Part Number	Description	Pg.	Ref. No.	Part Number	Description	Pg.	Ref. No.
84-79138A9	BATTERY CABLE (NEGATIVE)	65	7	1494-847800A2	TRANSOM BRACKET (PORT) GRAY	45	1
84-79139A12	BATTERY CABLE (RED- POSITIVE)	65	20	1495-847801A1	TRANSOM BRACKET (STARBOARD) BLACK . . .	45	2
84-79139A26	WIRE (RED)	65	21	1495-847801A2	TRANSOM BRACKET (STARBOARD) GRAY	45	2
84-79147A5	HARNESS ASSEMBLY	65	9	1581-818900A8	DRIVE SHAFT HOUSING ASSEMBLY BLACK	35	1
84-815358A1	HIGH TENSION CABLE	7	28	1581-818900A9	DRIVE SHAFT HOUSING ASSEMBLY GRAY	35	1
84-816626A15	KEY SWITCH ASSEMBLY (15)	71	1	1581-8683A24	DRIVE SHAFT HOUSING ASSEMBLY GRAY	41	1
84-816626A20	KEY SWITCH ASSEMBLY (20)	71	1	1581-8683A36	DRIVE SHAFT HOUSING ASSEMBLY BLACK	41	1
84-825201--1	CABLE	19	2	1590-8837A10	DRIVE SHAFT HOUSING ASSEMBLY GRAY	37	1
84-848489A1	HARNESS	19	11	1590-8837A5	DRIVE SHAFT HOUSING ASSEMBLY BLACK	37	1
84-848490A1	HARNESS (RED)(12)	19	12	1685-847902A11	GEAR HOUSING (LONG) GRAY	49	-
84-848490A2	HARNESS (PURPLE)(2) . . .	19	12	1685-847902A11	GEAR HOUSING (LONG) GRAY	53	-
84-86322A16	CABLE (BLACK)	69	24	1685-847902A13	GEAR HOUSING (X-LONG) GRAY	49	-
84-86322A7	WIRE (BLACK - 1-1/2")	69	6	1685-847902A13	GEAR HOUSING (X-LONG) GRAY	53	-
84-86323A5	WIRE (PURPLE - 1-1/2") . . .	69	6	1685-847902A15	GEAR HOUSING (BASIC) BLACK	49	1
84-86396A8	HARNESS	69	13	1685-847902A15	GEAR HOUSING (BASIC) BLACK	53	1
84-88439A14	BATTERY CABLE (POSITIVE)	9	20	1685-847902A16	GEAR HOUSING (BASIC) GRAY	49	1
84-88439A2	BATTERY CABLE (NEGATIVE)	9	20	1685-847902A16	GEAR HOUSING (BASIC) GRAY	53	1
84-88532A1	CABLE (DARK BLUE)	69	24	1685-847902A3	GEAR HOUSING (SHORT) BLACK	49	-
84-88807A6	GROUND STRAP BLACK	7	26	1685-847902A3	GEAR HOUSING (SHORT) BLACK	53	-
84-93388A1	WIRE (BLACK)	7	21	1685-847902A5	GEAR HOUSING (LONG) BLACK	49	-
84-93389A5	WIRE (YELLOW)	7	19	1685-847902A5	GEAR HOUSING (LONG) BLACK	53	-
84-96220A4	ENGINE HARNESS	9	21	1685-847902A7	GEAR HOUSING (X-LONG) BLACK	49	-
84-98866A19	I HARNESS	33	2	1685-847902A7	GEAR HOUSING (X-LONG) BLACK	53	-
87-66581	SWITCH	19	13	1685-847902A9	GEAR HOUSING (SHORT) GRAY	49	-
87-88107	IGNITION SWITCH (See Below for Replacement Keys)	71	8	1685-847902A9	GEAR HOUSING (SHORT) GRAY	53	-
88-72729	LIGHT BULB	69	3	1685-847903A15	GEAR HOUSING (SHORT) BLACK	57	-
88-72729	LIGHT BULB	69	9	1685-847903A15	GEAR HOUSING (SHORT) BLACK	61	-
88-79023A10	FUSE (110 AMP)	65	16	1685-847903A17	GEAR HOUSING (LONG) BLACK	57	-
88-79091	FUSE	9	22	1685-847903A17	GEAR HOUSING (LONG) BLACK	61	-
88-79091	FUSE (20 AMP)	65	10	1685-847903A17	GEAR HOUSING (LONG) BLACK	61	-
88-79888	SOCKET	69	10				
88-79888	SOCKET	69	4				
88-95691	BULB	69	31				
89-68258A4	SOLENOID	65	12				
89-68258A4	STARTER SOLENOID	9	25				
249-6080A42	FLYWHEEL	7	7				
332-7778A14	SWITCH BOX	9	2				
339-7370A19	IGNITION COIL	7	22				
398-5454A36	STATOR	7	10				
455-7251A7	CRANKSHAFT ASSEMBLY . . .	29	1				
625-847522A2	CONNECTING ROD ASSEMBLY	29	12				
766-847607A4	PISTON ASSEMBLY (PORT)	29	9				
766-847608A4	PISTON ASSEMBLY (STARBOARD)	29	9				
884-822230A6	CYLINDER BLOCK	23	1				
1156-7809A1	LOWER END CAP	23	29				
1159-847523A2	UPPER END CAP	23	14				
1491-847723A3	SWIVEL BRACKET ASSEMBLY BLACK	43	1				
1491-847723A4	SWIVEL BRACKET ASSEMBLY GRAY	43	1				

PARTS INDEX

Part Number	Description	Pg.	Ref. No.	Part Number	Description	Pg.	Ref. No.
1685-847903A17	GEAR HOUSING (LONG)						
	BLACK	61	-				
1685-847903A19	GEAR HOUSING (X-LONG)						
	BLACK	57	-				
1685-847903A19	GEAR HOUSING (X-LONG)						
	BLACK	61	-				
1685-847903A19	GEAR HOUSING (X-LONG)						
	BLACK	61	-				
1685-847903A21	GEAR HOUSING (SHORT)						
	GRAY	57	-				
1685-847903A21	GEAR HOUSING (SHORT)						
	GRAY	61	-				
1685-847903A21	GEAR HOUSING (SHORT)						
	GRAY	61	-				
1685-847903A23	GEAR HOUSING (LONG)						
	GRAY	57	-				
1685-847903A23	GEAR HOUSING (LONG)						
	GRAY	61	-				
1685-847903A23	GEAR HOUSING (LONG)						
	GRAY	61	-				
1685-847903A25	GEAR HOUSING (X-LONG)						
	GRAY	57	-				
1685-847903A25	GEAR HOUSING (X-LONG)						
	GRAY	61	-				
1685-847903A25	GEAR HOUSING (X-LONG)						
	GRAY	61	-				
1685-847903A27	GEAR HOUSING (BASIC -)						
	BLACK	57	1				
1685-847903A27	GEAR HOUSING (BASIC)						
	BLACK	61	1				
1685-847903A27	GEAR HOUSING (BASIC)						
	BLACK	61	1				
1685-847903A28	GEAR HOUSING (BASIC -)						
	GRAY	57	1				
1685-847903A28	GEAR HOUSING (BASIC)						
	GRAY	61	1				
1685-847903A28	GEAR HOUSING (BASIC)						
	GRAY	63	1				
3521-818810A7	SWIVEL BRACKET						
	ASSEMBLY GRAY	43	1				
3521-818810A8	SWIVEL BRACKET						
	ASSEMBLY BLACK	43	1				
4006-817704A24	TOP COWL BLACK	3	1				
4006-817704A25	TOP COWL GRAY	3	1				
4007-848164A5	BOTTOM PAN BLACK	3	12				
4007-848164A6	BOTTOM PAN GRAY	3	12				
4016-847893A2	SKIRT BLACK	3	24				
4016-847893A3	SKIRT GRAY	3	24				
4016-847893A4	SKIRT BLACK	3	24				
4016-847893A5	SKIRT GRAY	3	24				