



PARTS CATALOG

175 SKI (EFI)

SERIAL NUMBER

V-175 (SKI)USA 0C239553 THRU 0D081999

TABLE OF CONTENTS:

BLEED SYSTEM	40
BOTTOM COWL	4
CRANKSHAFT, PISTONS AND CONNECTING RODS	42
CYLINDER BLOCK AND END CAPS	28
DRIVE SHAFT HOUSING AND EXHAUST TUBE	46
E.C.U. ASSEMBLY	20
EXHAUST MANIFOLD AND EXHAUST PLATE	32
FLYWHEEL/STARTER MOTOR	6
FUEL MANAGEMENT SYSTEM	22
FUEL PUMP AND FUEL FILTER	26
GEAR HOUSING (DRIVE SHAFT)	50
GEAR HOUSING (PROPELLER SHAFT)	54
IGNITION COIL/VOLTAGE REGULATOR	10
INSTRUMENTATION	60
KEY SWITCH ASSEMBLY	64
MISCELLANEOUS PARTS/ACCESSORIES	1
OIL INJECTION COMPONENTS	58
PARTS INDEX	66
POWER TRIM COMPONENTS	56
POWER TRIM PUMP	62
REED BLOCK AND CYLINDER HEAD	36
STARTER MOTOR ASSEMBLY	8
SWIVEL BRACKET AND STEERING ARM	48
TEMPERATURE SENSOR	38
THROTTLE LEVER AND SHIFT SHAFT	16
TOP COWL AND FRONT SHIELD	2
TRANSOM BRACKETS	44
WIRING HARNESS/STARTER SOLENOID	12

NOTE: Indented description indicate that these parts are included in preceeding assembly.

AR = As Required

NSS = Not Sold Seperate

OPT = Optional

NS = Not Shown

NOTE: Following symbols are located in **SYM** column.

● = WITHOUT DECALS

⊕ = CONTENTS OF WATER PUMP REBUILD
KIT [46-42579A4]

■ = CONTENTS OF GASKET SET [27-
815809A90]

† = CONTENTS OF SEAL KIT [26-89238A2]

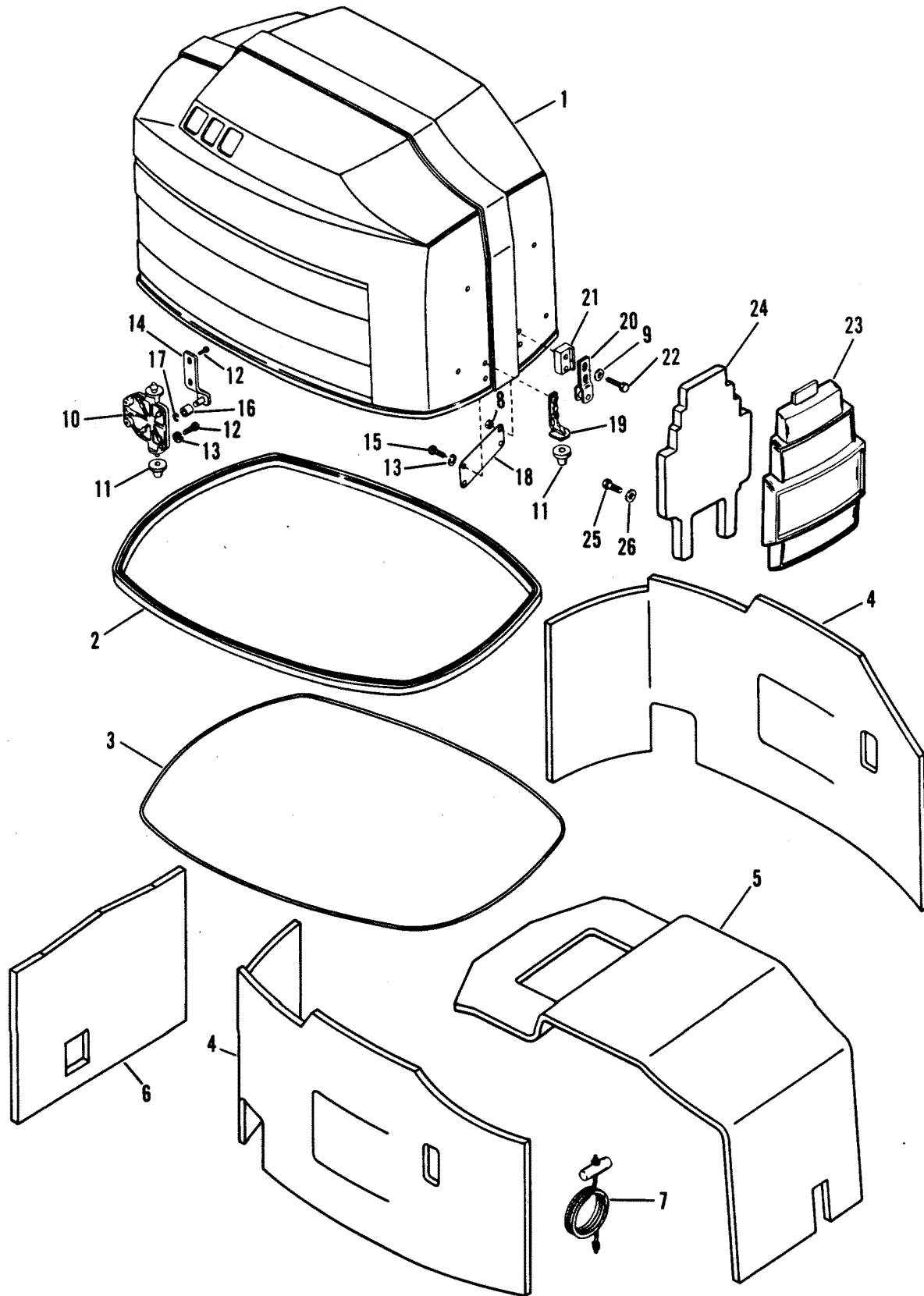
■ = CONTENTS OF DIAPHRAGM KIT [22-
42990A6]

THESE PARTS BOOKS/FICHE CARD ARE COPYRIGHTED AND MAY NOT BE DISTRIBUTED OR REPRODUCED IN ANY OTHER FORMAT BY ANYONE OTHER THAN MERCURY MARINE WITHOUT THE PRIOR WRITTEN CONSENT OF MERCURY MARINE.

MISCELLANEOUS PARTS/ACCESSORIES

REF. NO.	PART NO.	SYM.	QTY.	DESCRIPTION
-	90-816150-90		1	175SKI PARTS MANUAL
-	27-815809A90		1	GASKET SET
-	37-813033A89		1	DECAL SET
-	90-19592900		1	OWNER'S GUIDE

TOP COWL AND FRONT SHIELD

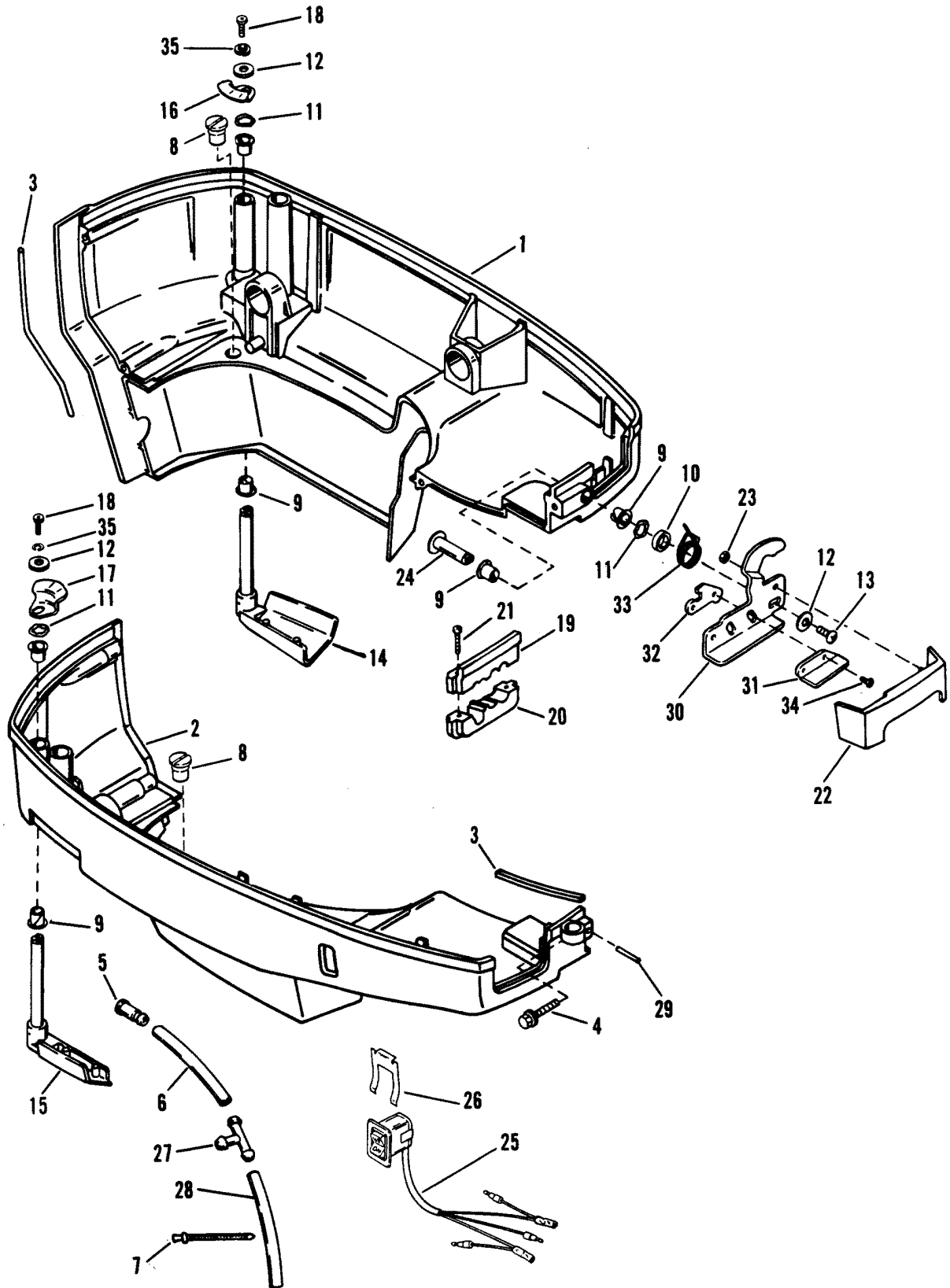


TOP COWL AND FRONT SHIELD

REF. NO.	PART NO.	SYM.	QTY.	DESCRIPTION
1	2196-9742A62	●	1	TOP COWL ASSEMBLY
2	812784		1	SEAL
3	815478		1	SEAL
4	815225		2	SOUND BLANKET (SIDE)
5	815226		1	SOUND BLANKET (TOP)
6	815227		1	SOUND BLANKET (FRONT)
7	47341A1		1	STARTER ROPE (FOR MANUAL STARTING)
8	11-815848		2	NUT
9	12-70132		2	WASHER
10	18474--1		2	BRACKET (REAR)
11	25-18506		3	GROMMET
12	10-28636		12	SCREW, REAR BRACKET
13	13-26992		10	LOCKWASHER, REAR BRACKET SCREW
14	813096		2	HOOK
15	10-73286		2	SCREW
16	813074		2	ROLLER
17	53-13194		2	SNAP RING
18	813553		1	PLATE
19	18702--1		1	LOCATOR
20	18173		1	BRACKET
21	813552		1	SPACER
22	10-31984		2	SCREW
23	18755A2	●	1	FRONT SHIELD ASSEMBLY
24	813562		1	SEAL
25	10-48409		4	SCREW
26	12-56681		4	WASHER

● = WITHOUT DECALS

BOTTOM COWL

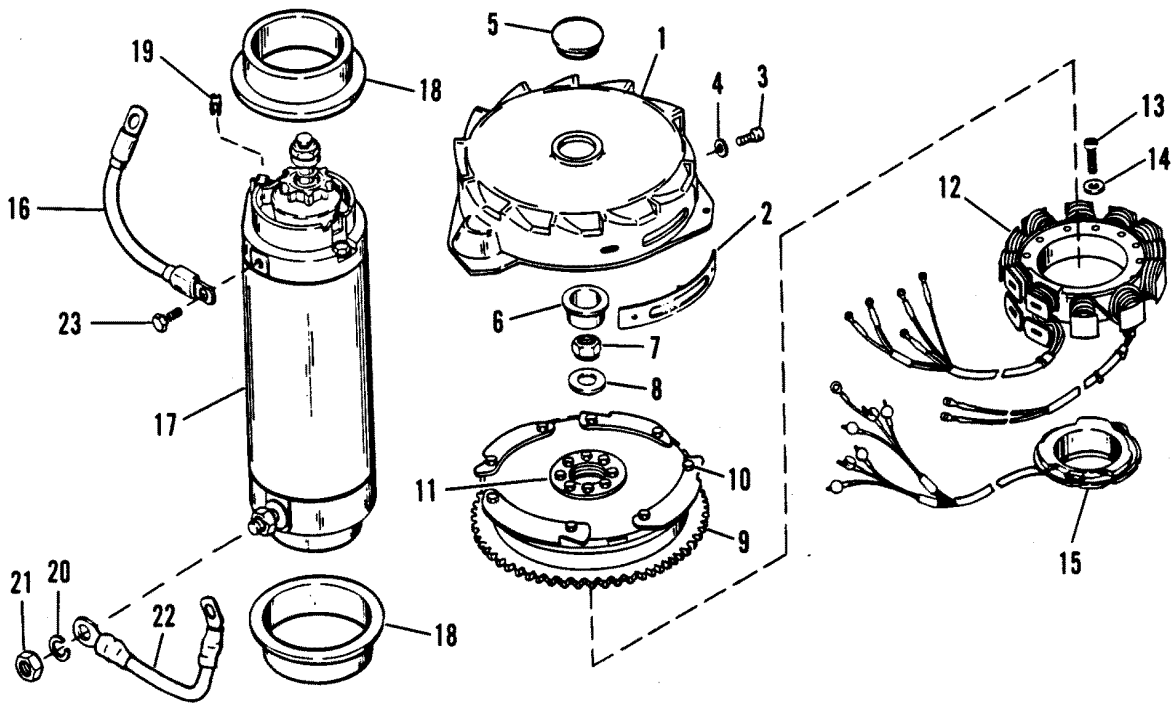


BOTTOM COWL

REF. NO.	PART NO.	SYM.	QTY.	DESCRIPTION
1	2197-9744A17	●	1	BOTTOM COWL ASSEMBLY (PORT)
2	2197-9745A6	●	1	BOTTOM COWL ASSEMBLY (STARBOARD)
3	18701A1		1	SEAL KIT , BOTTOM COWLS
4	10-18699		4	SCREW, COWL (STARBOARD)
5	22-813613		1	FITTING, TELLTALE
6	32-99127109		1	HOSE, TELLTALE
7	54-90077		AR	STA-STRAP
8	21-812821A1		2	CHECK VALVE
9	23-65830		6	BUSHING, NYLINER
10	23-19666		1	BUSHING
11	13-99611		3	WAVE WASHER
12	12-69057		3	WASHER
13	10-18192		1	SCREW
14	19648A4		1	HANDLE ASSEMBLY (PORT)
15	19647A4		1	HANDLE ASSEMBLY (STARBOARD)
16	19370		1	PAWL (PORT)
17	19369		1	PAWL (STARBOARD)
18	10-73286		2	SCREW
19	54-19749		1	CLAMP (UPPER)
20	54-19748--1		1	CLAMP (LOWER)
21	10-92799		2	SCREW
22	18872A2		1	COVER ASSEMBLY
23	11-813692		2	LOCK NUT
24	18727		1	ROD
25	87-18286A27		1	SWITCH ASSEMBLY
26	812443--1		1	RETAINER
27	22-815914		1	TEE, TELLTALE
28	32-77653-77		1	HOSE
29	17-815296		1	LOCK PIN
30	813076--2		1	FRONT HANDLE ASSEMBLY
31	813925		1	HANDLE LOCK
32	813926		1	HANDLE
33	24-813929--1		1	SPRING
34	10-69079		2	SCREW
35	13-26992		2	LOCKWASHER

● = WITHOUT DECALS

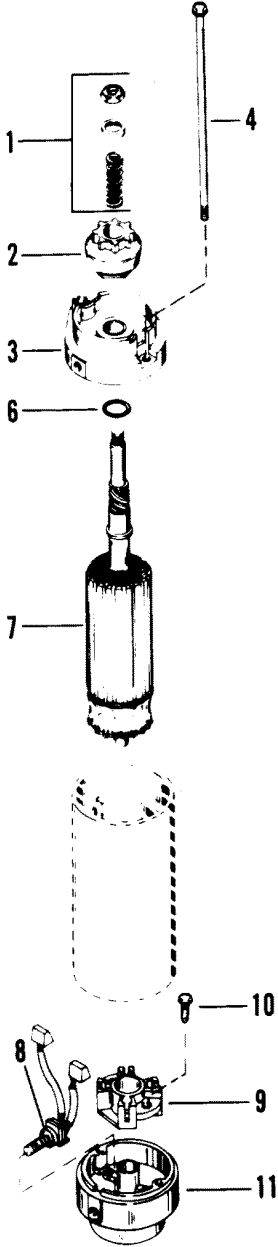
FLYWHEEL/STARTER MOTOR



FLYWHEEL/STARTER MOTOR

REF. NO.	PART NO.	SYM.	QTY.	DESCRIPTION
1	18896A1		1	COVER ASSEMBLY, FLYWHEEL
2	79022		1	MARKER, TIMING
3	10-37572		2	SCREW, TIMING MARKER
4	12-72761		2	WASHER, TIMING MARKER SCREW
5	19-89219		1	PLUB, FLYWHEEL COVER
6	19-45907		1	PLUB, FLYWHEEL
7	11-52901		1	NUT, FLYWHEEL
8	12-68229		1	WASHER, FLYWHEEL
9	266-9841A7		1	FLYWHEEL
10	10-32417		8	SCREW, FLYWHEEL PLATE
11	10-68997		8	SCREW, FLYWHEEL HUB
12	398-9610A5		1	STATOR
13	10-90045		4	SCREW, STATOR
14	13-26996		4	WASHER, STATOR SCREW
15	96455A9		1	TRIGGER PLATE ASSEMBLY
16	84-93388A1		1	WIRE ASSEMBLY, PLATE TO STARTER MOTOR (BLACK)
17	50-79472		1	STARTER MOTOR
18	56703		2	COLLAR, STARTER MOTOR
19	68042		2	STOP, RUBBER-STARTER MOTOR
20	13-26992		1	LOCKWASHER, STARTER MOTOR TERMINAL
21	11-20890		1	NUT, STARTER MOTOR TERMINAL
22	84-93388A2		1	WIRE ASSEMBLY, SOLENOID TO STARTER MOTOT (BLACK)
23	10-69035		1	SCREW, CABLE TO STARTER MOTOR

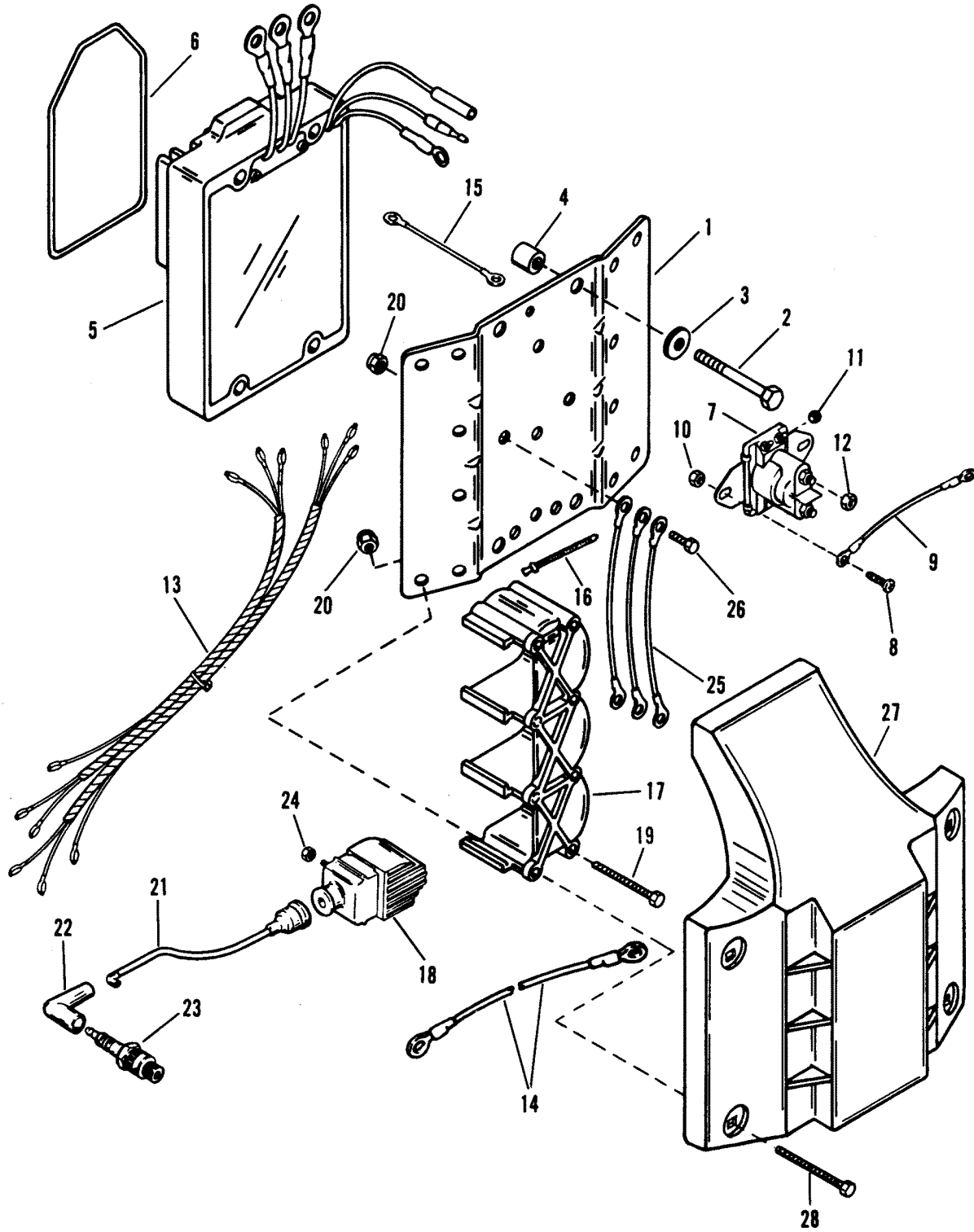
STARTER MOTOR ASSEMBLY



STARTER MOTOR ASSEMBLY

REF. NO.	PART NO.	SYM.	QTY.	DESCRIPTION
-	50-79472		1	STARTER MOTOR ASSEMBLY
1	90645		1	DRIVE KIT
2	75661		1	DRIVE
3	75660		1	PLATE, DRIVE END
4	10-74968		2	BOLT, THRU
6	N.S.S.		1	WASHER, THRU BOLT (AMERICAN BOSCH #WA3122)
7	79216		1	ARMATURE
8	75384		1	BRUSH SET
9	61787		2	HOLDER, BRUSH
10	10-68586		2	SCREW, BRUSH AND HOLDER
11	15386		1	END CAP

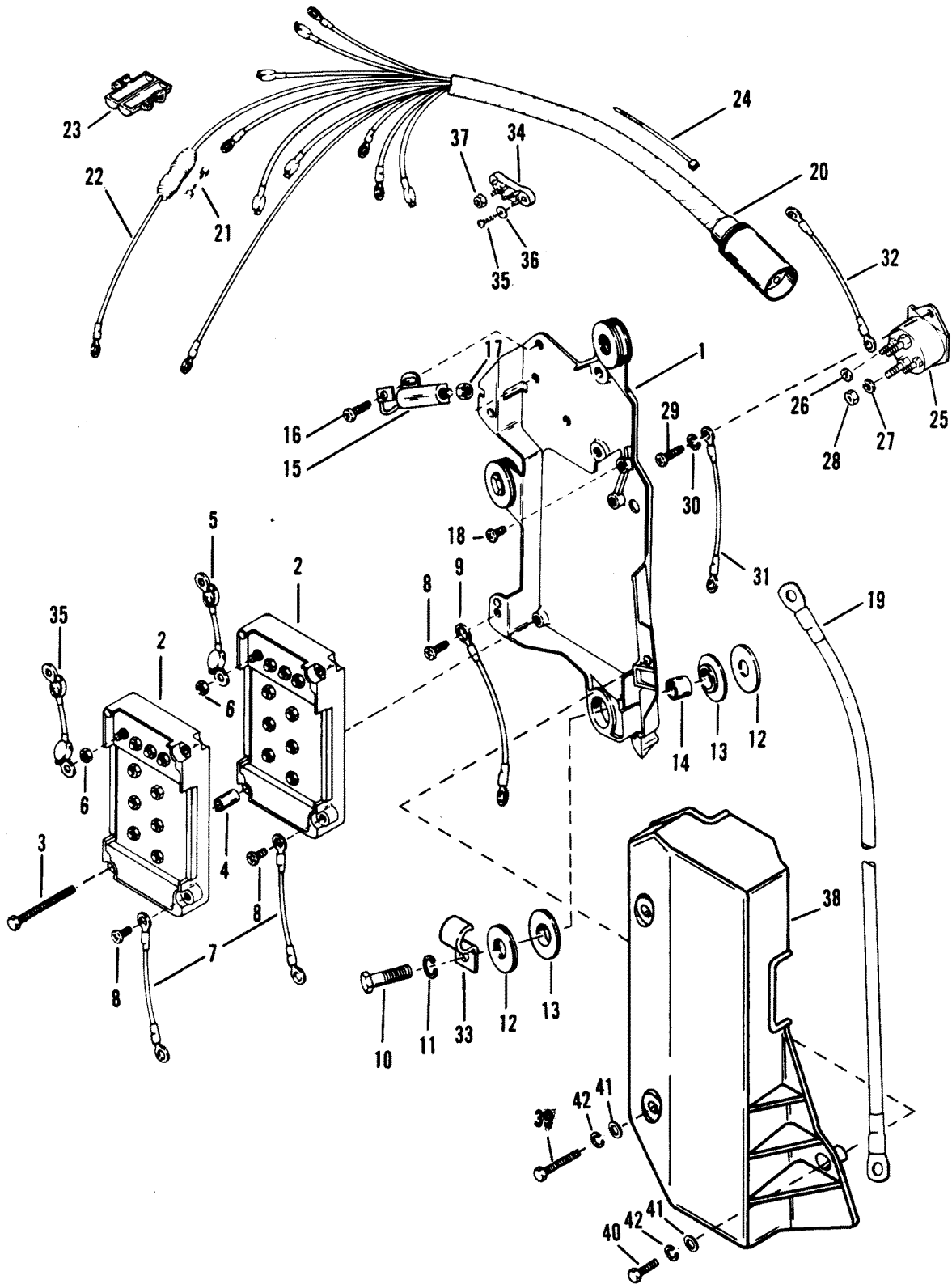
IGNITION COIL/VOLTAGE REGULATOR



IGNITION COIL/VOLTAGE REGULATOR

REF. NO.	PART NO.	SYM.	QTY.	DESCRIPTION
1	19587--1		1	PLATE MOUNTING
2	10-30720		4	SCREW, VOLTAGE REGULATOR
3	13-26992		4	LOCKWASHER
4	23-19661		4	SPACER
5	18736A15		1	VOLTAGE REGULATOR
6	18717		1	SEAL
7	89-96158		2	STARTER SOLENOID
8	10-90192		3	SCREW, STARTER SOLENOID
9	84-88807A6		1	WIRE ASSEMBLY (3-1/2" - BLACK)
10	11-56374		3	NUT, SOLENOID SCREW
11	11-26419		4	NUT, SOLENOID TERMINAL (8-32)
12	11-94330		4	NUT, SOLENOID TERMINAL (1/4-20)
13	84-69739A7		1	HARNESS ASSEMBLY, COIL TO SWITCH BOX (#2, 4 AND 6)
14	84-87379A14		1	WIRE ASSEMBLY (2-3/4" - RED)
	84-88807A8		2	WIRE ASSEMBLY (3-1/2" - BLACK)
15	84-88807A29		1	CABLE (9 - BLACK)
16	54-90077		AR	STA-STRAP
17	43542		2	COVER, IGNITION COIL
18	339-7370A13		6	IGNITION COIL
19	10-90048		8	SCREW, IGNITION COIL COVER
20	11-90078		14	NUT, COVER SCREW/GROUND WIRE
21	84-813715A9		1	CABLE, HIGH TENSION
22	85-63709A1		6	PROTECTOR, HIGH TENSION CABLE
23	33-13686--2		6	SPARK PLUG
	33-14103568		6	SPARK PLUG (CANADA/BELGIUM)
24	11-45076		12	NUT, IGNITION COIL TERMINAL
25	84-88807A13		6	GROUND WIRE (5-1/2" - BLACK)
26	10-69022		2	SCREW, GROUNDING WIRE
27	814423T		1	COVER, COIL PLATE
28	10-814343		4	SCREW, COVER

WIRING HARNESS/STARTER SOLENOID

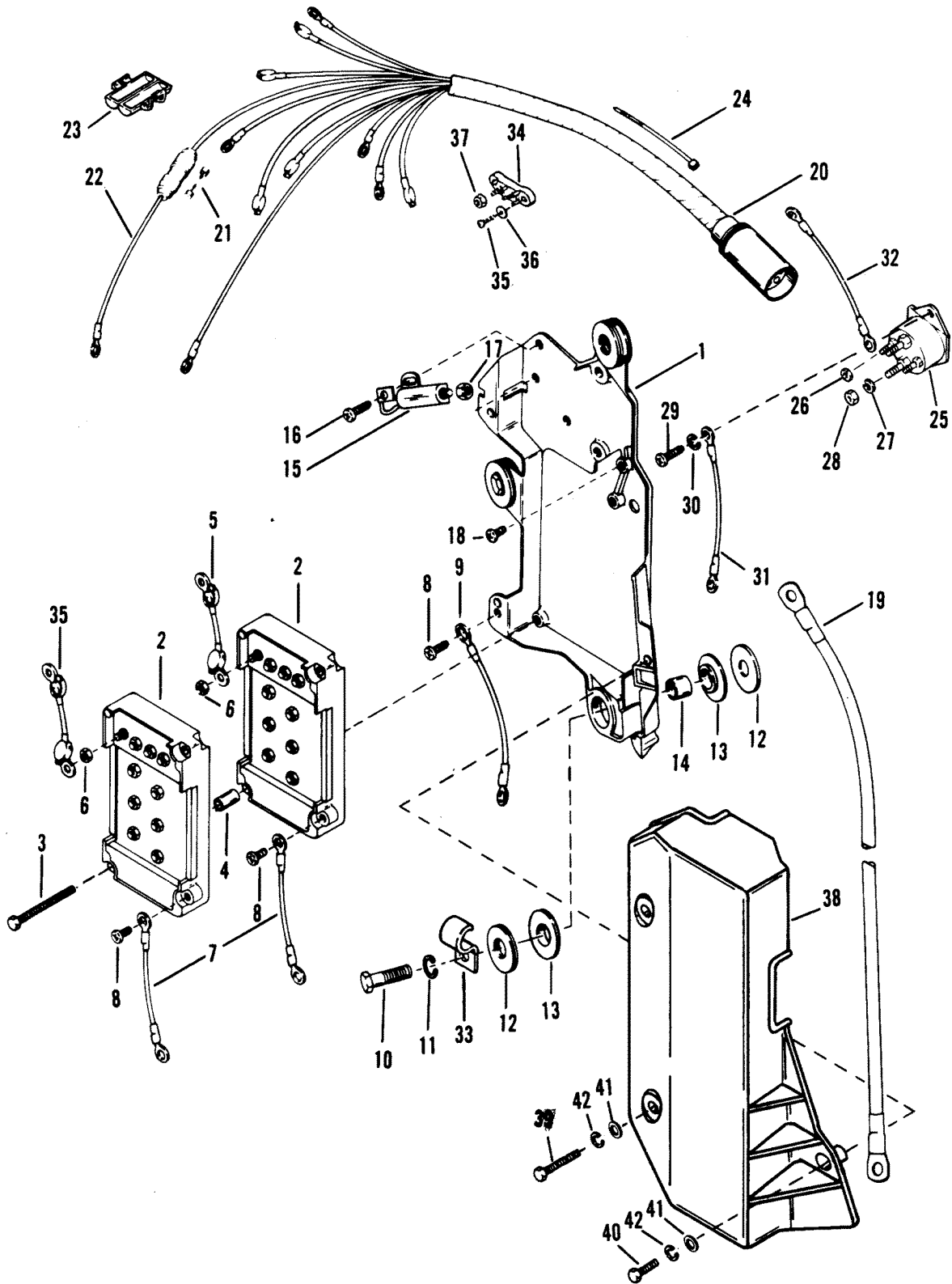


WIRING HARNESS/STARTER SOLENOID

REF. NO.	PART NO.	SYM.	QTY.	DESCRIPTION
1	43429--1		1	PLATE, IGNITION
2	332-7778A9		2	SWITCH BOX
3	10-13669		2	SCREW, SWITCH BOX TO IGNITION PLATE (2-1/2")
4	23-94453		2	BUSHING, SWITCH BOX SCREW
5	84-62310A2		1	CABLE ASSEMBLY, SWITCH BOX TO SWITCH BOX
6	11-45076		20	NUT, SWITCH BOX TERMINAL
7	84-60871A10		2	WIRE, SWITCH BOX
8	10-62568		3	SCREW, WIRE ATTACHING
9	84-65999A3		1	CABLE ASSEMBLY (BLACK)
10	10-69092		3	SCREW, IGNITION PLTE (1-1/4")
11	13-26993		3	LOCKWASHER, IGNITION PLATE SCREW
12	12-36042		6	WASHER, IGNITION PLATE SCREW
13	12-67264		6	WASHER, IGNITION PLATE SCREW (RUBBER)
14	23-67268		3	BUSHING, IGNITION PLATE SCREW
15	87-33386A3		1	MERCURY SWITCH
16	10-38055		1	SCREW, MERCURY SWITCH TO IGNITION PLATE (5/8")
17	11-45076		1	NUT, MERCURY SWITCH TERMINAL
18	10-87926		1	SCREW, LEAD ATTACHING (1/2")
19	84-88439A3		1	BATTERY CABLE, POSITIVE
	84-88439A2		1	BATTERY CABLE, NEGATIVE
20	84-96220A12		1	HARNESS, ENGINE
21	88-79091		1	FUSE
22	84-95084A2		1	WIRE ASSEMBLY, FUSE
23	13473--1		1	FUSE HOLDER
24	54-90077		AR	STA-STRAP, HARNESS AND CABLES
25	89-15857		1	STARTER SOLENOID
26	11-45076		2	NUT, SOLENOID TERMINALS (10-32)
27	13-53166		2	LOCKWASHER, SOLENOID TERMINALS (5/16")
28	11-68292		2	NUT, SOLENOID TERMINALS (5/16-18)
29	10-90192		2	SCREW, SOLENOID TO IGNITION PLATE (5/8")
30	13-26992		2	LOCKWASHER, SOLENOID TO IGNITION PLATE SCREW
31	84-65999A2		1	CABLE ASSEMBLY, UPPER MOUNT (BLACK)
32	84-88528A2		1	CABLE ASSEMBLY (6" - RED/WHITE)
	84-91865A1		1	CABLE ASSEMBLY (3" - WHITE/BLACK)
33	54-47483		2	"J" CLIP
34	86-19437--2		1	TERMINAL BLOCK
35	10-38055		2	SCREW
36	12-89302		2	LOCKWASHER
37	11-45076		2	NUT

CONTINUED ON NEXT PAGE ➡

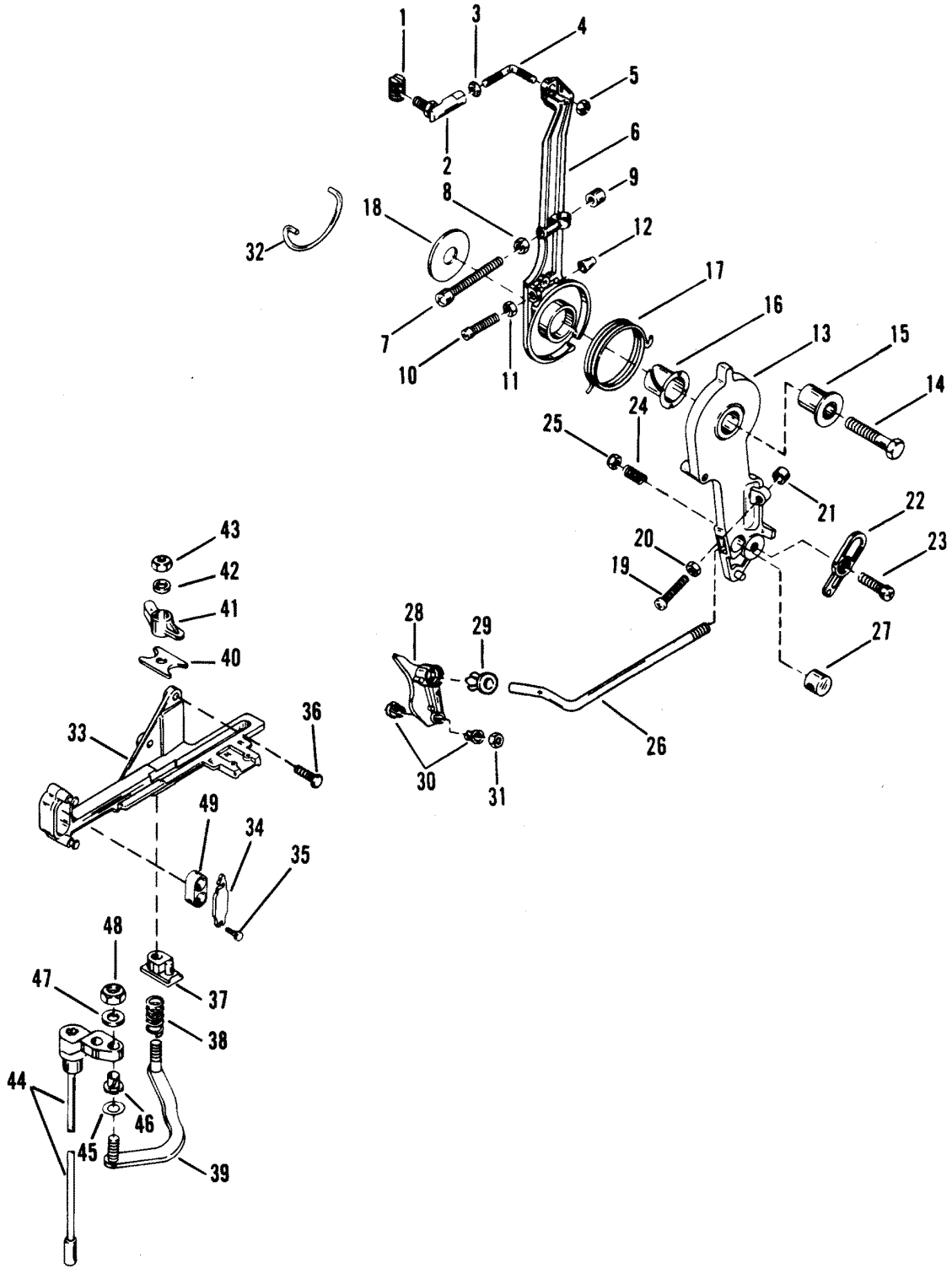
WIRING HARNESS/STARTER SOLENOID



WIRING HARNESS/STARTER SOLENOID

REF. NO.	PART NO.	SYM.	QTY.	DESCRIPTION
38	814422T		1	COVER, IGNITION PLATE
39	10-88447		2	SCREW
40	10-69020		1	SCREW
41	12-89302		3	WASHER
42	13-26996		3	LOCKWASHER

THROTTLE LEVER AND SHIFT SHAFT

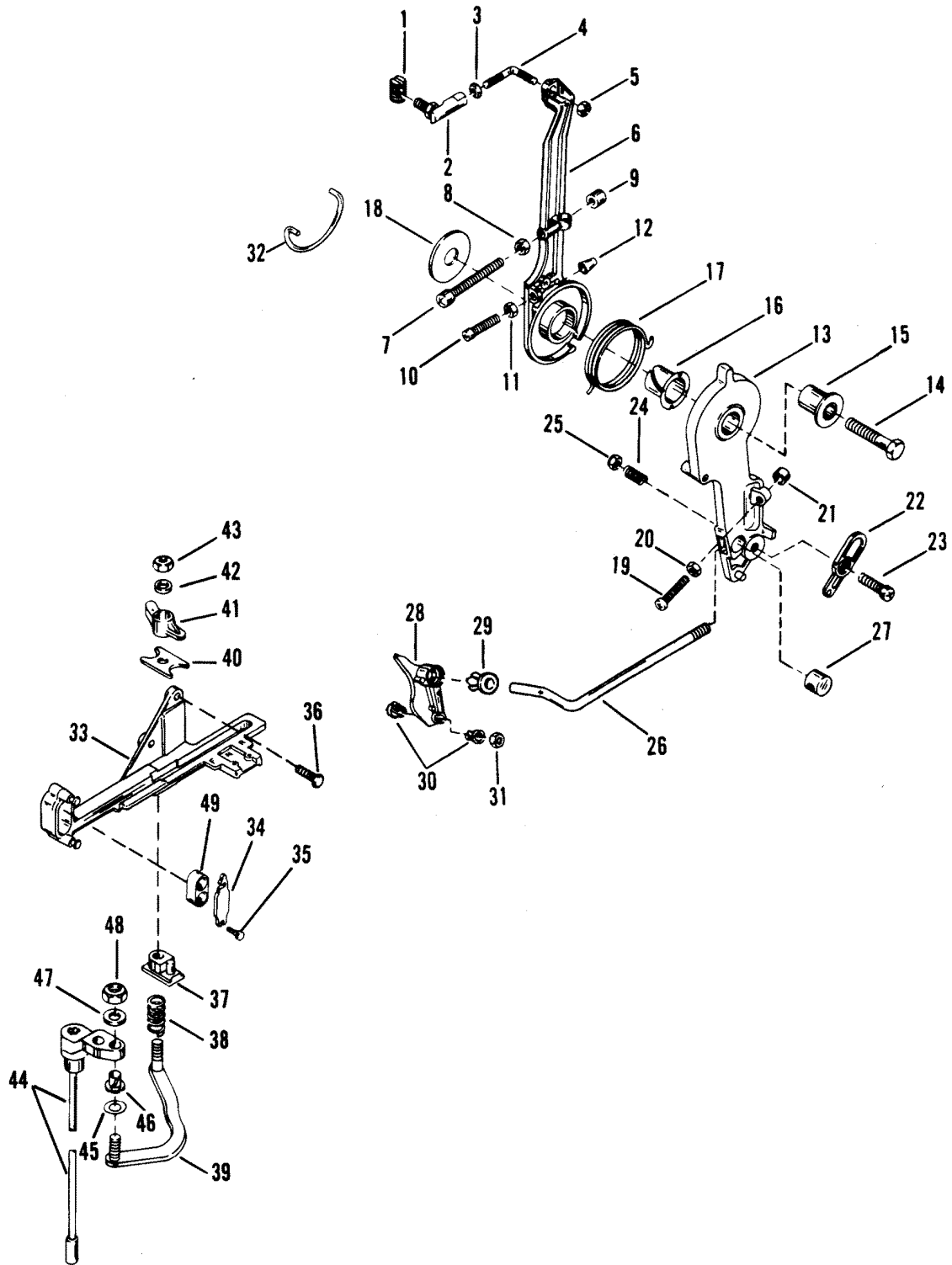


THROTTLE LEVER AND SHIFT SHAFT

REF. NO.	PART NO.	SYM.	QTY.	DESCRIPTION
1	74897		1	PIVOT, TRIGGER PLATE
2	62459		1	BALL JOINT, TRIGGER PLATE
3	11-45076		1	NUT, LINK ROD
4	76035		1	LINK ROD, TRIGGER PLATE
5	11-46438		1	NUT, BALL JOINT
6	41094A3		1	LEVER, SPARK ADVANCE
7	10-64022		1	SCREW, SPARK ADVANCE LEVER-STOP
8	11-64015		1	NUT, SPARK ADVANCE STOP SCREW
9	26852		1	CAP, SPARK ADVANCE LEVER STOP SCREW
10	10-13627		1	SCREW, SPARK ADVANCE LEVER-STOP (1-1/4")
11	11-68219		1	NUT, SPARK ADVANCE LEVER STOP SCREW
12	48039		1	CAP, SPARK ADVANCE LEVER STOP SCREW
13	41095T		1	LEVER, THROTTLE CONTROL
14	10-55337		1	SCREW, THROTTLE LEVER/ADVANCE LEVER (1-3/4")
15	23-55164		1	BUSHING, THROTTLE LEVER
16	23-55171		1	BUSHING, SPARK ADVANCE LEVER
17	24-68784		1	SPRING, THROTTLE AND SPARK ADVANCE LEVER
18	12-68410		1	WASHER, SPARK ADVANCE LEVER
19	10-64022		1	SCREW, THROTTLE LEVER-STOP (2-1/8")
20	11-64015		1	NUT, THROTTLE LEVER STOP SCREW
21	26852		1	CAP, THROTTLE LEVER STOP SCREW
22	39483		1	LATCH, CABLE
23	10-22486		1	SCREW, CABLE LATCH TO THROTTLE LEVER
24	24-20099		1	SPRING, CABLE LATCH TO THROTTLE LEVER
25	11-35045		1	NUT, CABLE LATCH SCREW
26	14634		1	ROD, THROTTLE CONTROL
27	14638		1	BARREL, THROTTLE CONTROL ROD
28	814239--1		1	THROTTLE CAM
29	23-93248		1	SWIVEL BUSHING
30	23-26856		2	BUSHING, THROTTLE CAM
31	11-35045		1	NUT, THROTTLE CAM STUD
32	24-41050		1	SPRING, THROTTLE RETURN
33	814283A1		1	BRACKET, ANCHOR-CONTROL CABLES
34	98889		1	LATCH, CONTROL CABLE
35	10-42975		2	SCREW, LATCH
36	10-53167		3	SCREW, ANCHOR BRACKET ATTACHING
37	814284		1	GUIDE BLOCK, LINK ROD
38	24-20099		1	SPRING, LINK ROD TO GUIDE BLOCK
39	67073A1		1	LINK ROD ASSEMBLY
40	52100		1	WEAR PLATE, LINK ROD
41	38279		1	LATCH, CONTROL CABLE FASTENING ANCHOR BRACKET
42	12-35462		1	WASHER, LATCH
43	11-35045		1	NUT, LINK ROD

CONTINUED ON NEXT PAGE ➡

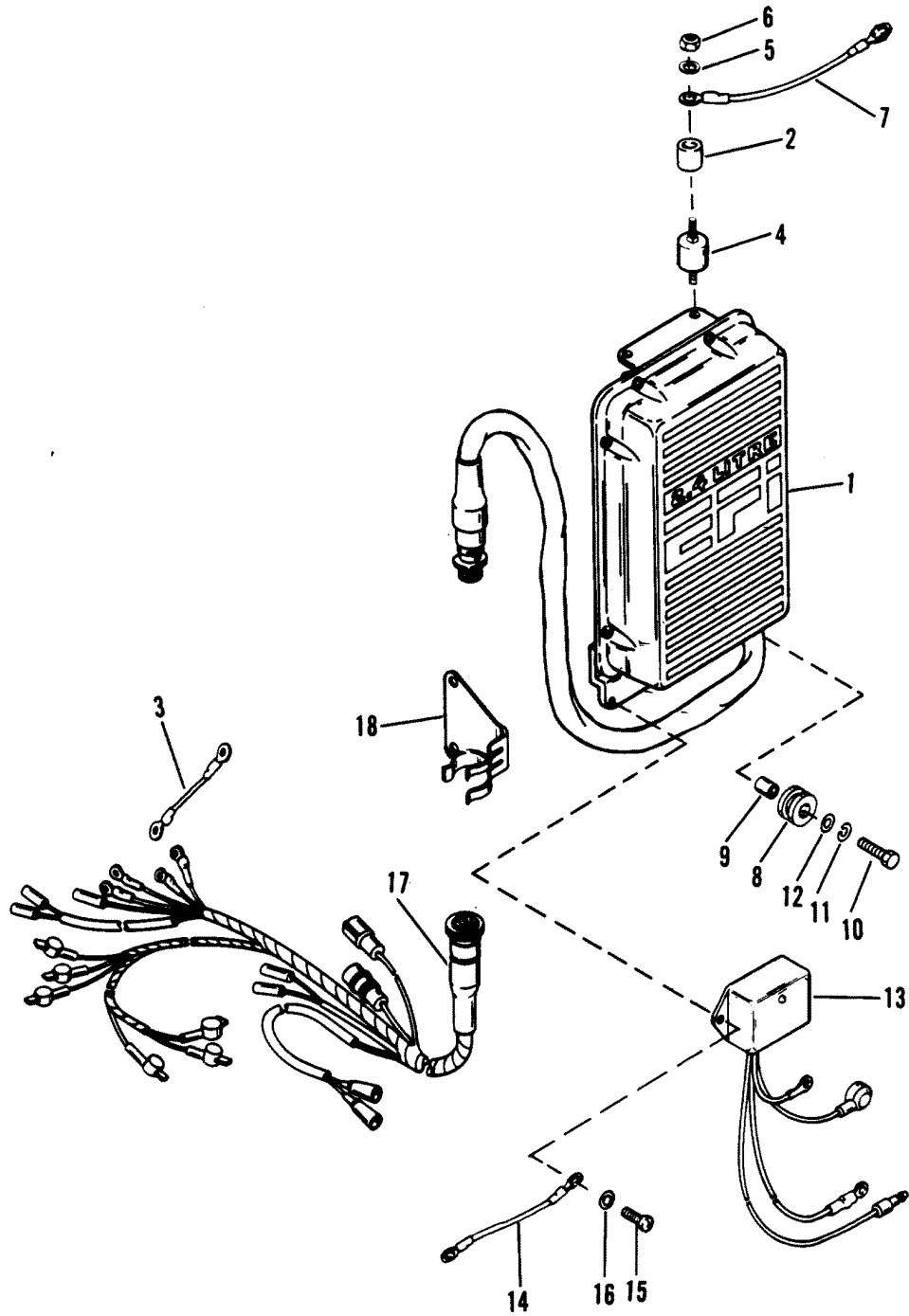
THROTTLE LEVER AND SHIFT SHAFT



THROTTLE LEVER AND SHIFT SHAFT

REF. NO.	PART NO.	SYM.	QTY.	DESCRIPTION
44	79932A11		1	SHIFT SHAFT ASSEMBLY
45	13-29720		1	WAVE WASHER, LINK ROD
46	23-26600		1	BUSHING, NYLON-LINK ROD
47	12-35462		1	WASHER, LINK ROD
48	11-35045		1	NUT, LINK ROD TO SHIFT SHAFT
49	39519		1	CAP, BARREL RETAINER-ANCHOR BAR

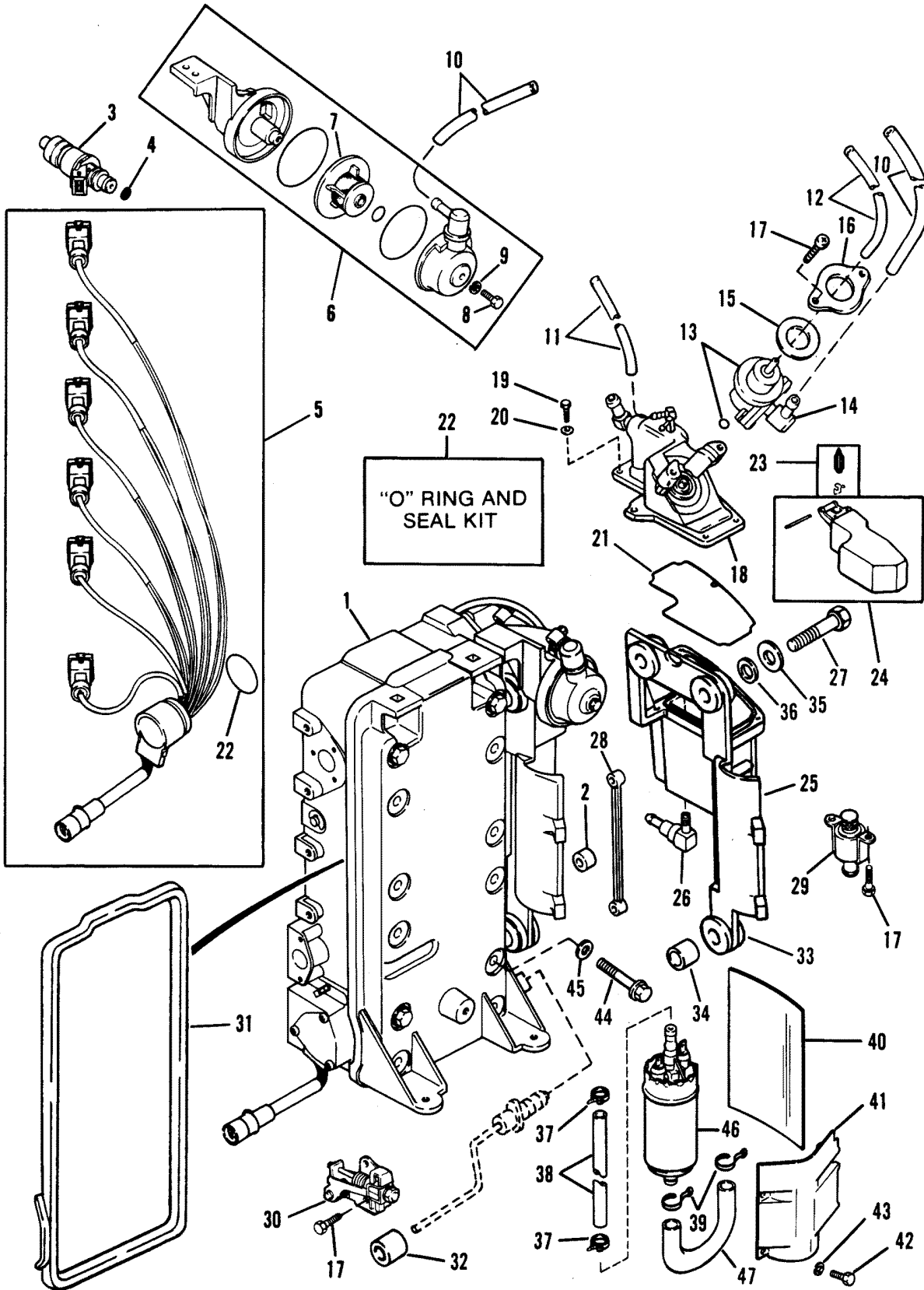
E.C.U. ASSEMBLY



E.C.U. ASSEMBLY

REF. NO.	PART NO.	SYM.	QTY.	DESCRIPTION
1	14632A12		1	E.C.U. ASSEMBLY
2	23-34948		2	SPACER
3	84-87895A4		1	CABLE
4	90435		2	MOUNT, COWL MOUNTING BRACKET
5	12-21249		4	WASHER, MOUNT ATTACHING
6	11-20361		4	NUT, MOUNT ATTACHING
7	84-88807A19		1	CABLE ASSEMBLY
8	14637		1	GROMMET
9	23-14636		1	BUSHING
10	10-28667		1	SCREW
11	13-26992		1	LOCKWASHER
12	12-65567		1	WASHER
13	13202A2		1	WATER SENSOR MODULE ASSEMBLY
14	84-88807A18		1	WIRE ASSEMBLY (BLACK)
15	10-37571		2	SCREW, WATER SENSOR MODULE
16	12-89302		2	WASHER, WATER SENSOR MODULE SCREW
17	84-98866A14		1	WIRING HARNESS, E.C.U. AND INJECTORS
18	84-14695--1		1	CLIP

FUEL MANAGEMENT SYSTEM

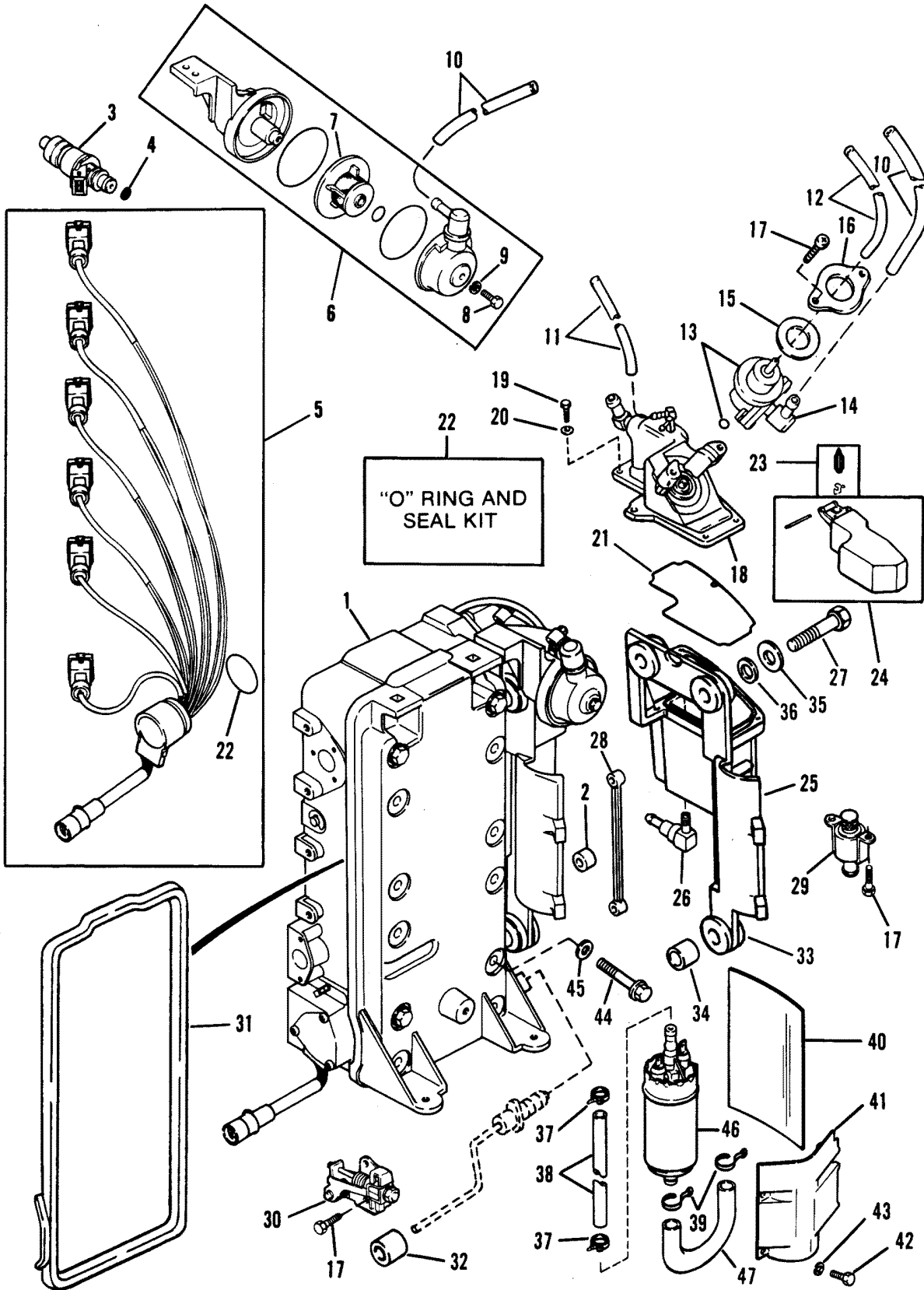


FUEL MANAGEMENT SYSTEM

REF. NO.	PART NO.	SYM.	QTY.	DESCRIPTION
1	14817A11		1	FUEL MANAGEMENT ASSEMBLY
2	67748		1	ROLLER, CAM
3	18715		6	FUEL INJECTOR
4	35-17422		1	FILTER INJECTOR
5	84-15443		1	HARNESS KIT
6	35-15442		1	FUEL FILTER KIT
7	35-15028--1		1	FUEL FILTER
8	10-40003--4		1	SCREW, FILTER COVER
9	13-40025--5		1	LOCKWASHER, COVER SCREW
10	32-13503-77		1	HOSE (1/2" O.D.)
11	32-99126-88		1	HOSE (1/8" I.D.)
12	32-99130122		1	HOSE (3/32" I.D.)
13	15027		1	REGULATOR, PRESSURE
14	814233		1	ELBOW KIT
15	27-18791		1	GASKET, PRESSURE REGULATOR
16	814012		1	PLATE, PRESSURE REGULATOR
17	10-814076		AR	SCREW
18	814010		1	COVER KIT
19	10-40019-87		6	SCREW, COVER TO SEPARATOR
20	13-26995		6	LOCKWASHER, COVER SCREW
21	26-18790		1	SEAL, VAPOR SEPARATOR
22	15029		1	"O" RING AND SEAL KIT
23	15446		1	FLOAT VALVE KIT
24	15445		1	FLOAT KIT
25	814011		1	BODY KIT
26	21-42481		1	CHECK VALVE
27	10-40003-32		3	SCREW, SEPARATOR TO FUEL MANAGEMENT
28	15444		1	LINK
29	21-18241		1	CHECK VALVE
30	814077		1	SHUT-OFF VALVE
31	26-18792		1	SEAL, INJECTOR MANIFOLD
32	23-19275		1	SPACER
33	25-88033		3	GROMMET
34	23-814913		3	SPACER
35	12-35280		3	WASHER (LARGE)
36	12-20346		3	WASHER (SMALL)
37	54-13791		1	CLAMP, HOSE
38	32-13503-77		1	TUBING
39	54-90077		AR	STA-STRAP
40	14639		1	BLANKET, FUEL PUMP
41	14640T		1	COVER, FUEL PUMP
42	10-32228		4	SCREW

CONTINUED ON NEXT PAGE ➡

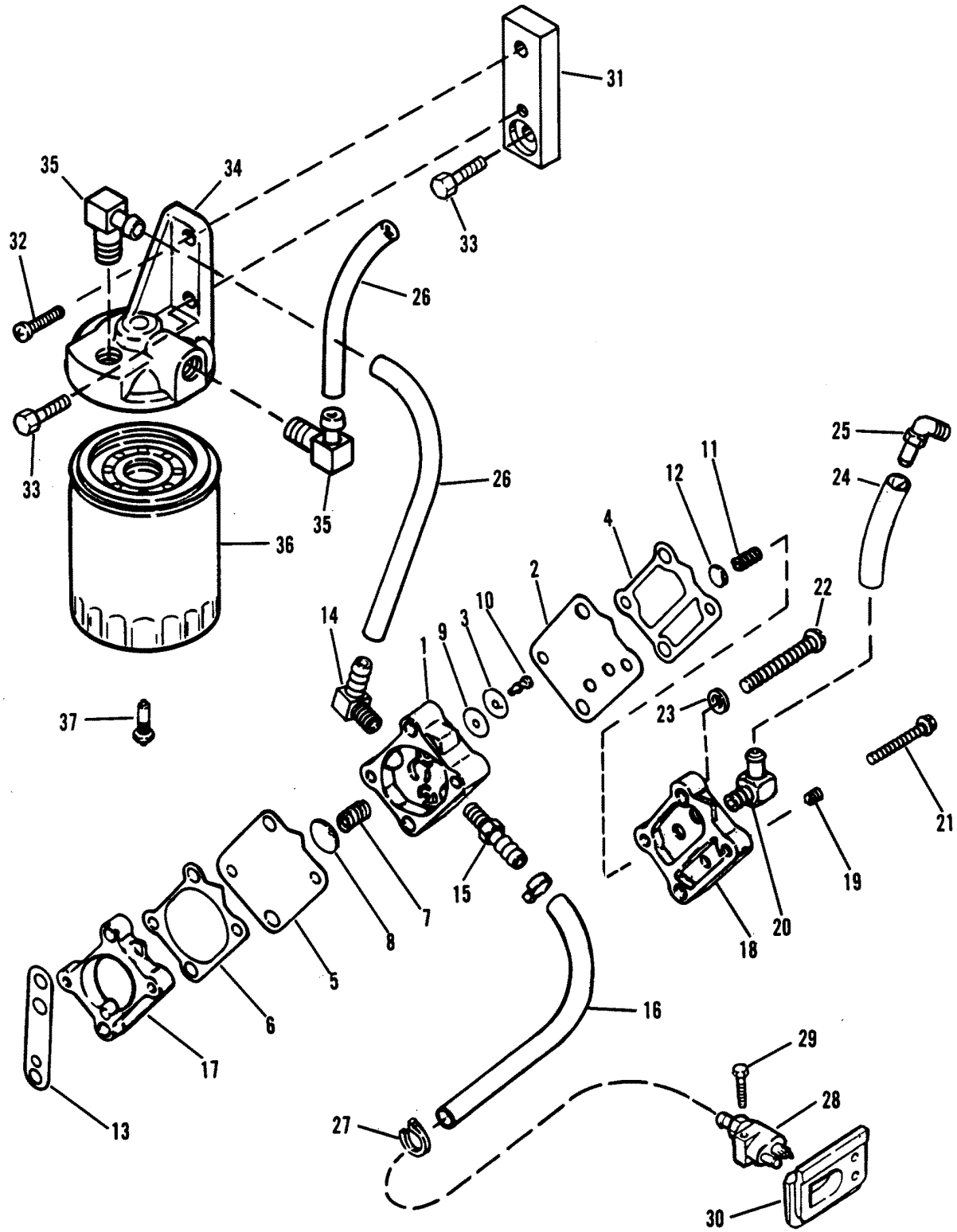
FUEL MANAGEMENT SYSTEM



FUEL MANAGEMENT SYSTEM

REF. NO.	PART NO.	SYM.	QTY.	DESCRIPTION
43	13-26996		4	LOCKWASHER
44	10-90088		12	SCREW
45	12-29245		12	WASHER
46	14307T		1	FUEL PUMP
47	32-14633		1	HOSE

FUEL PUMP AND FUEL FILTER



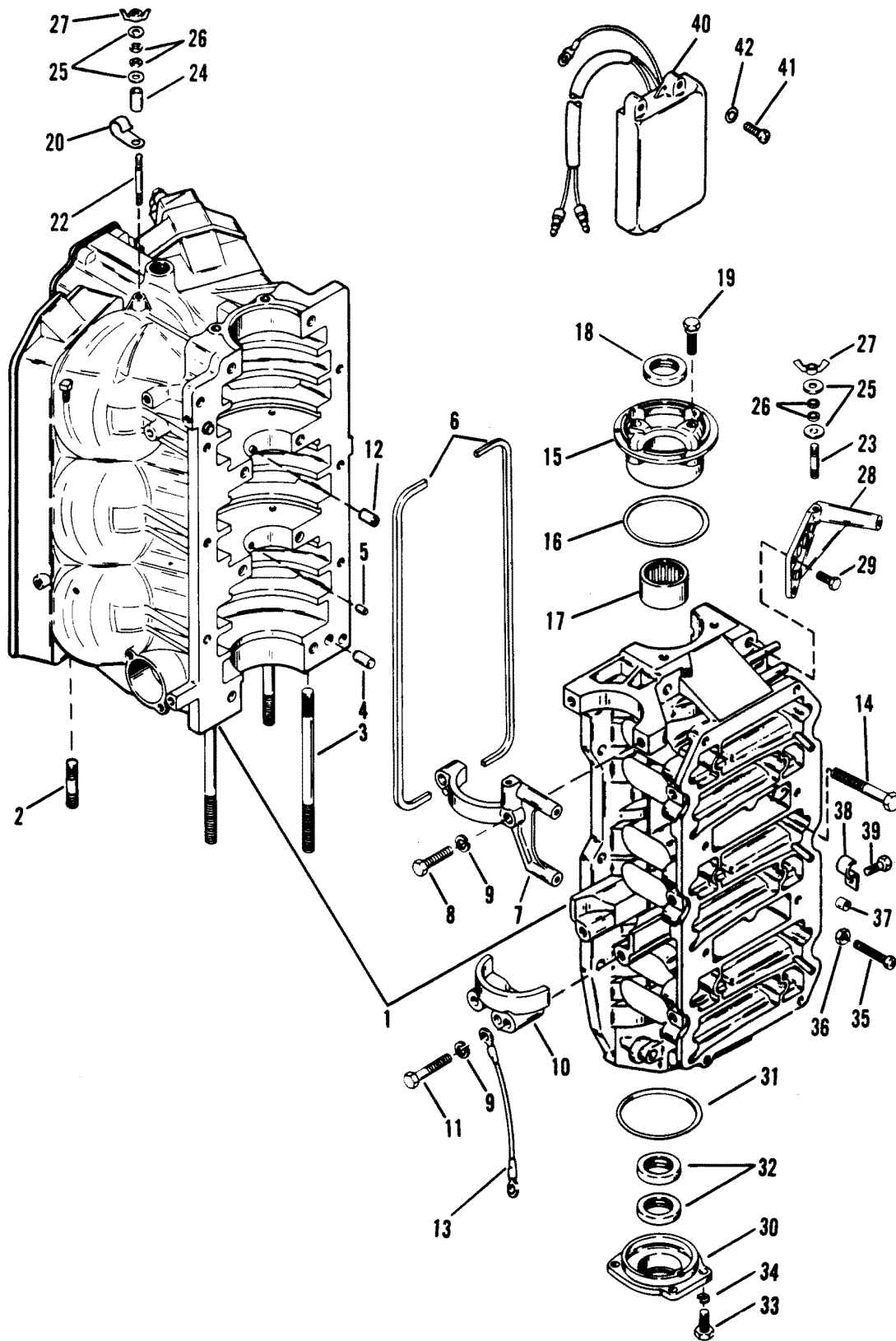
FUEL PUMP AND FUEL FILTER

REF. NO.	PART NO.	SYM.	QTY.	DESCRIPTION
1	15930A15		1	FUEL PUMP ASSEMBLY
2	21-42990A6	■	1	DIAPHRAGM KIT .
3		■	2	CHECK VALVE, RUBBER
4		■	1	GASKET, BOOST
5		■	2	DIAPHRAGM
6		■	1	GASKET, PULSE
7		■	1	SPRING
8		■	1	CAP
9		■	2	CHECK VALVE
10		■	2	RETAINER
11		■	1	SPRING
12		■	1	CAP
13	27-98769--1	■	1	GASKET, BASE
14	22-14868		1	FITTING, FUEL PUMP (ELBOW)
15	22-16604		1	FITTING, FUEL PUMP (STRAIGHT)
16	32-99129-76		1	TUBING
17	14430--3		1	BASE, FUEL PUMP
18	98775A3		1	PLATE, FUEL PUMP
19	22-56800		1	PIPE PLUG
20	22-15979		1	FITTING
21	10-16452		2	SCREW, FUEL PUMP
22	10-40003-10		2	SCREW, FUEL PUMP TO CRANKCASE
23	12-40023-14		2	WASHER, FUEL PUMP SCREW
24	32-90729-25		1	HOSE, PULSE
25	22-99751		1	FITTING, PULSE HOSE (90°)
26	32-13503-77		2	TUBING
27	54-90077		AR	STA-STRAP, FUEL TUBING
28	22-15781A1		1	FUEL CONNECTOR
29	10-69067		1	SCREW
30	812782		1	SEAL
31	813657		1	BRACKET
32	10-69067		1	SCREW
33	10-28668		2	SCREW, FUEL FILTER BASE
34	13170A1		1	BASE, FUEL FILTER
35	22-13607		2	FITTING, BASE
	22-13607		2	FITTING, BASE
36	35-18458A1		1	FUEL FILTER ASSEMBLY
37	14570		1	PROBE, WATER SENSING
-	21-42990A6			DIAPHRAGM KIT

■ = CONTENTS OF GASKET SET [27-815809A90]

■ = CONTENTS OF DIAPHRAGM KIT [22-42990A6]

CYLINDER BLOCK AND END CAPS



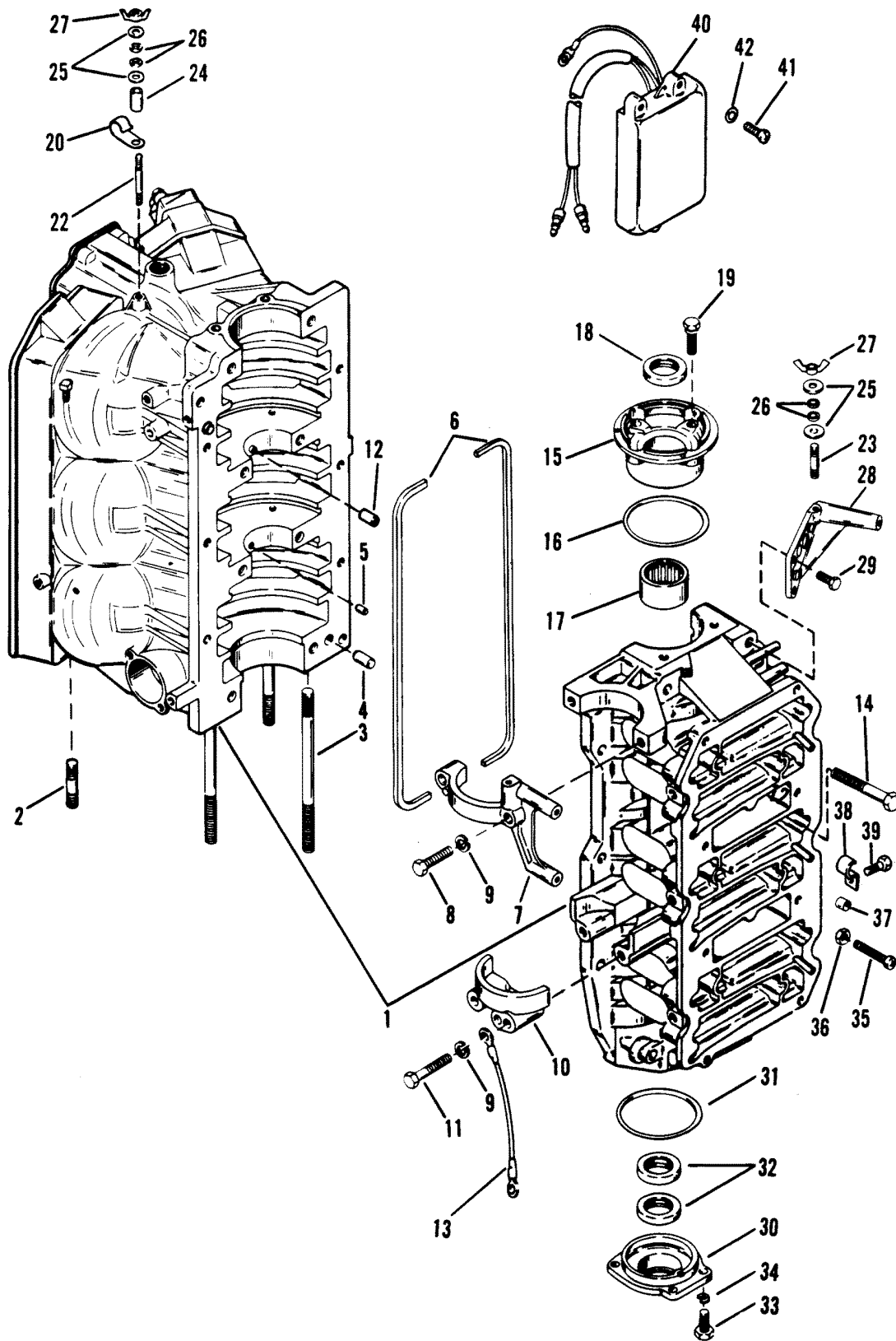
CYLINDER BLOCK AND END CAPS

REF. NO.	PART NO.	SYM.	QTY.	DESCRIPTION
1	884-9764A12		1	CYLINDER BLOCK
2	16-76175		6	STUD, POWERHEAD (1-7/8")
3	16-67065		2	STUD, POWERHEAD (5-1/2")
	16-78438		2	STUD, POWERHEAD (6-3/4")
4	17-20033		3	DOWEL PIN, LOCATING
5	17-67296		2	DOWEL PIN, CYLINDER BLOCK (BEARING RACE)
6	27-11338	■	2	GASKET, SEALING
7	42249		1	COVER, STARTER MOTOR (UPPER)
8	10-73657		2	SCREW, COVER TO CRANKCASE (1-1/2")
9	13-26993		4	LOCKWASHER, STARTER MOTOR COVER SCREW
10	76867		1	COVER, STARTER MOTOR (LOWER)
11	10-77065		2	SCREW, COVER TO CRANKCASE (2")
12	23-99448		1	BUSHING
13	84-88807A20		1	CABLE ASSEMBLY, COVER
14	10-66717		8	SCREW, CRANKCASE TO CYLINDER BLOCK (3-1/4")
	10-74824		6	SCREW, CRANKCASE TO CYLINDER BLOCK (1-1/4")
15	1159-9642A1		1	END CAP ASSEMBLY, UPPER
16	25-54029	■	1	"O" RING, END CAP
17	31-16756A2		1	ROLLER BEARING, END CAP
18	26-41953		1	OIL SEAL, END CAP
19	10-69034		4	SCREW, UPPER END CAP TO CYLINDER BLOCK (1")
20	54-63153		1	'J' CLIP
22	16-15094		1	STUD, FLYWHEEL COVER TO CYLINDER BLOCK (1-7/8")
23	16-15093		2	STUD, FLYWHEEL COVER TO BRACKET (1")
24	23-67269		1	SPACER, FLYWHEEL COVER STUD
25	12-49221--1		6	WASHER, FLYWHEEL COVER STUD
26	12-72761		3	WASHER, FLYWHEEL COVER STUD
27	11-73651		3	NUT, FLYWHEEL COVER STUD
28	42248		1	BRACKET, FLYWHEEL COVER
29	10-49668		2	SCREW, BRACKET TO CRANKCASE (3/4")
30	1156-7809A1		1	END CAP ASSEMBLY, LOWER
31	25-62700	■	1	"O" RING, END CAP (3-1/4" I.D.)
32	26-41953		2	OIL SEAL, END CAP
33	10-28636		4	SCREW, LOWER END CAP TO CYLINDER BLOCK (3/4")
34	13-26992		4	LOCKWASHER, LOWER END CAP SCREW
35	10-64022		1	SCREW, ADJUSTING-CYLINDER BLOCK
36	11-64015		1	NUT, JAM-ADJUSTING SCREW
37	26852		1	CAP, NYLON-ADJUSTING SCREW
38	54-16793		1	CLAMP

■ = CONTENTS OF GASKET SET [27-815809A90]

CONTINUED ON NEXT PAGE ➡

CYLINDER BLOCK AND END CAPS

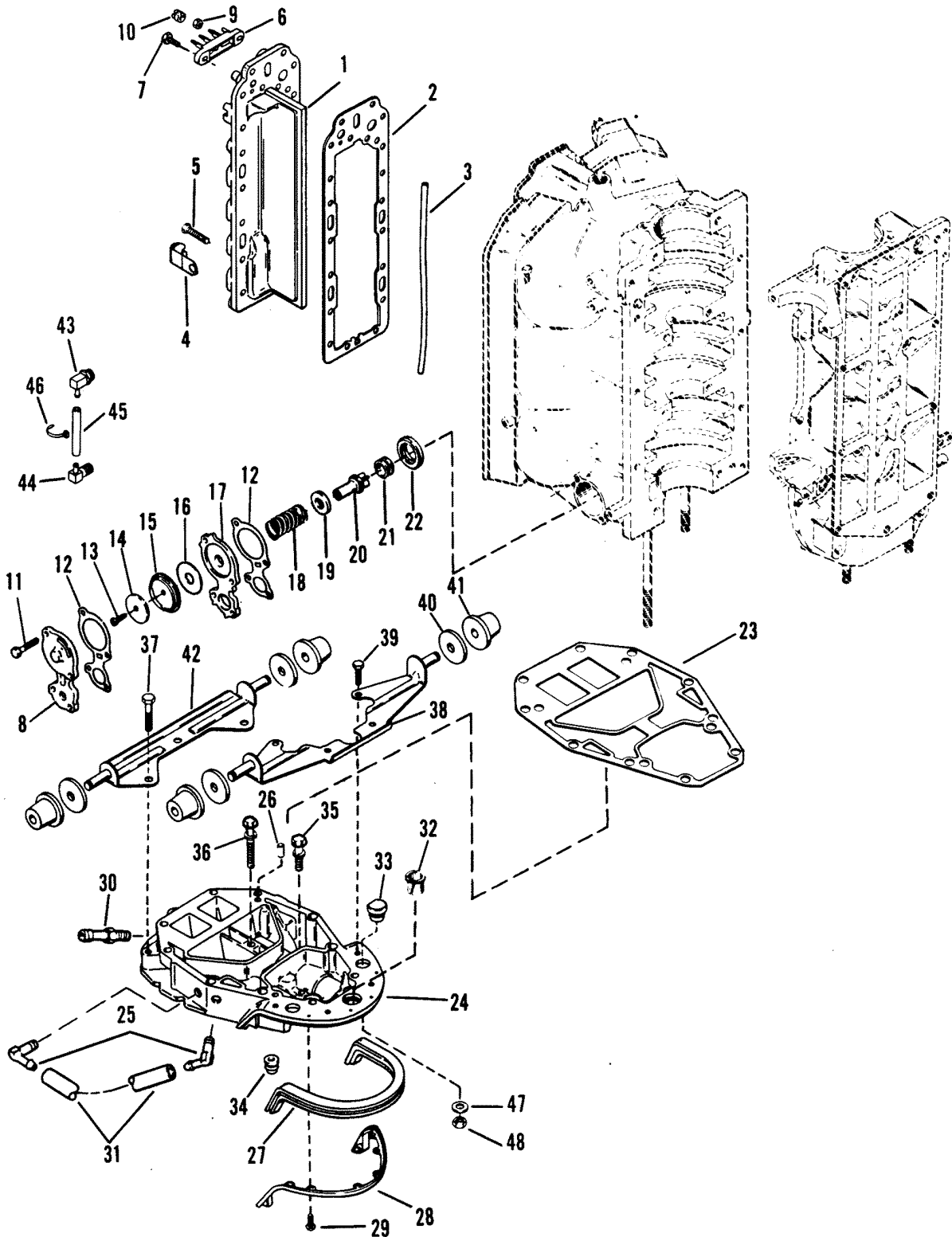


CYLINDER BLOCK AND END CAPS

REF. NO.	PART NO.	SYM.	QTY.	DESCRIPTION
39	10-73286		1	SCREW
40	87076A6		1	IDLE SPEED CONTROL ASSEMBLY
41	10-69020		3	SCREW, IDLE SPEED CONTROL
42	12-38833		3	WASHER, IDLE SPEED CONTROL SCREW
-	812817A90		1	POWERHEAD ASSEMBLY - COMPLETE INCLUDES CYLINDER BLOCK AND CRANKCASE, PISTONS, CONNECTING RODS AND BEARINGS, ETC.

FOR REPLACEMENT OF POWERHEAD ASSEMBLY, COMPLETE, WHICH INCLUDES CYLINDER BLOCK AND CRANKCASE, PISTONS, CONNECTING RODS, AND BEARINGS, ETC. ORDER POWERHEAD ASSEMBLY [812817A90]

EXHAUST MANIFOLD AND EXHAUST PLATE



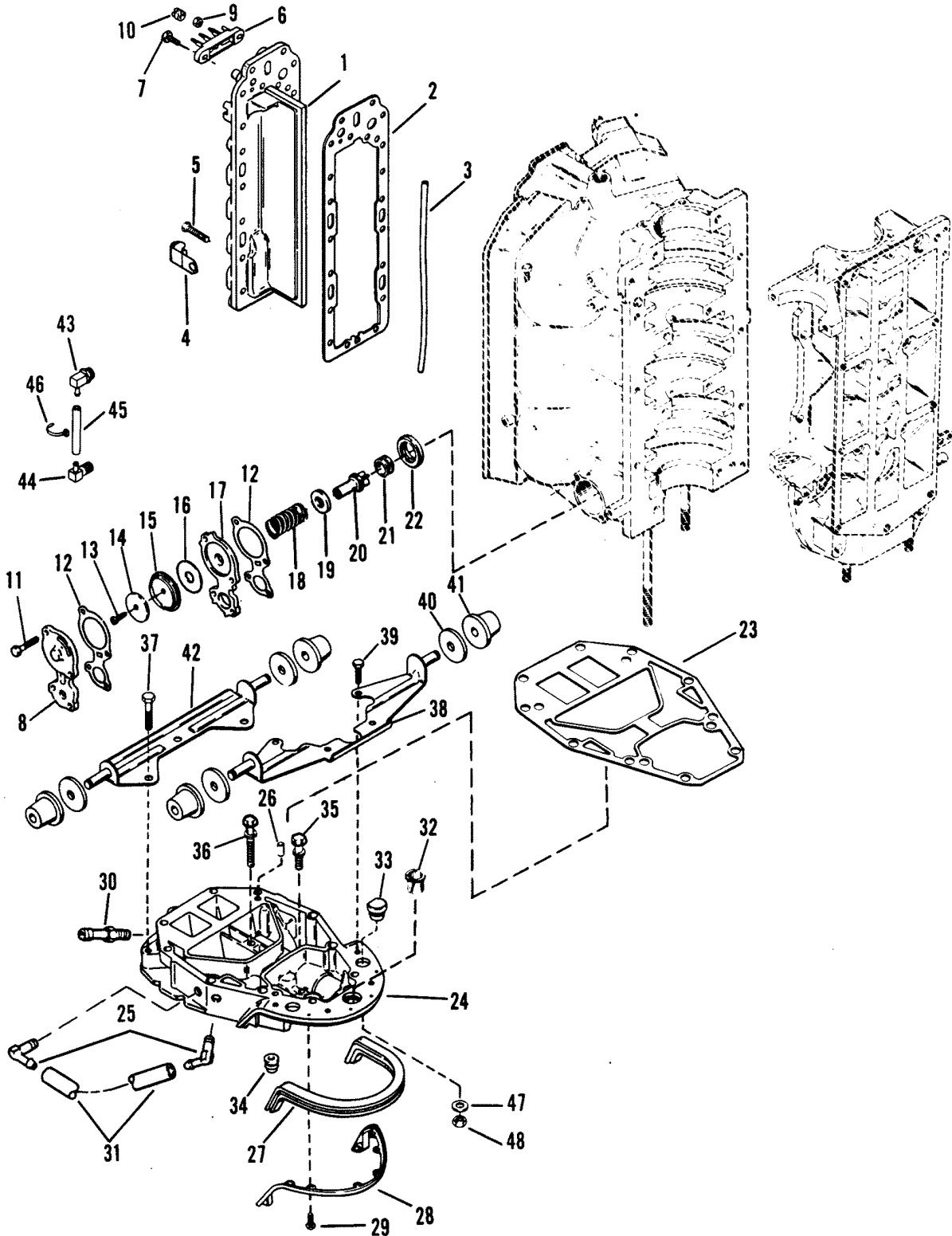
EXHAUST MANIFOLD AND EXHAUST PLATE

REF. NO.	PART NO.	SYM.	QTY.	DESCRIPTION
1	19036--1		1	PLATE, DIVIDER
2	27-19050	■	1	GASKET, DIVIDER PLATE
3	26-814754	■	1	SEAL, DIVIDER PLATE
4	54-814634		4	CLAMP
5	10-31984		3	SCREW, DIVIDER PLATE (1-3/8")
	10-53167		17	SCREW, DIVIDER PLATE (9/10" 0
6	86-19437--3		1	TERMINAL BLOCK
7	10-90192		2	SCREW, TERMINAL BLOCK
8	68729		1	COVER, RELIEF VALVE
9	11-45076		3	NUT, TERMINAL BLOCK
10	11-813938		3	NUT, TERMINAL BLOCK
11	10-74824		4	SCREW, COVER TO CYLINDER BLOCK (1-1/4")
12	27-78690	■	2	GASKET, RELIEF VALVE PLATE
13	10-69570		1	SCREW, DIAPHRAGM TO PLATE (3/4")
14	12-76451		1	WASHER, DIAPHRAGM SCREW
15	14479		1	DIAPHRAGM
16	16496		1	WATER DEFLECTOR
17	16497A1		1	PLATE, RELIEF VALVE
18	24-64878		1	SPRING, COMPRESSION POPPET VALVE
19	12-85303		1	WASHER, POPPET SPRING
20	14480		1	POPPET, VALVE
21	25-64872		1	GROMMET, POPPET VALVE
22	65848		1	CARRIER, POPPET VALVE
23	27-99176--3	■	1	GASKET, EXHAUST PLATE
24	18260A1		1	PLATE ASSEMBLY, EXHAUST
25	22-68727		2	ELBOW, EXHAUST PLATE
26	17-20033		2	DOWEL PIN, LOCATING, EXHAUST PLATE
27	814701--1		1	SEAL, EXHAUST PLATE
28	68010--1		1	BRACKET
29	10-812832		6	SCREW, BRACKET TO EXHAUST PLATE (1/2")
30	22-89772		1	CONNECTOR (STRAIGHT)
31	32-77653-77		1	HOSE
32	23-27132		1	BUSHING, EXHAUST PLATE
33	25-19564		1	GROMMET
34	25-12602		1	GROMMET, EXHAUST PLATE
35	10-66727		1	SCREW, EXHAUST PLATE ATTACHING (1-1/4")
36	10-68783		1	SCREW, EXHAUST PLATE ATTACHING (2-1/2")
37	10-66725		3	SCREW, EXHAUST PLATE ATTACHING (3-1/2")
38	812905A2		1	BRACKET ASSEMBLY, FRONT
39	10-90285		4	SCREW, FRONT BRACKET
40	12-18703--1		4	WASHER
41	25-18778		4	GROMMET

■ = CONTENTS OF GASKET SET [27-815809A90]

CONTINUED ON NEXT PAGE ➡

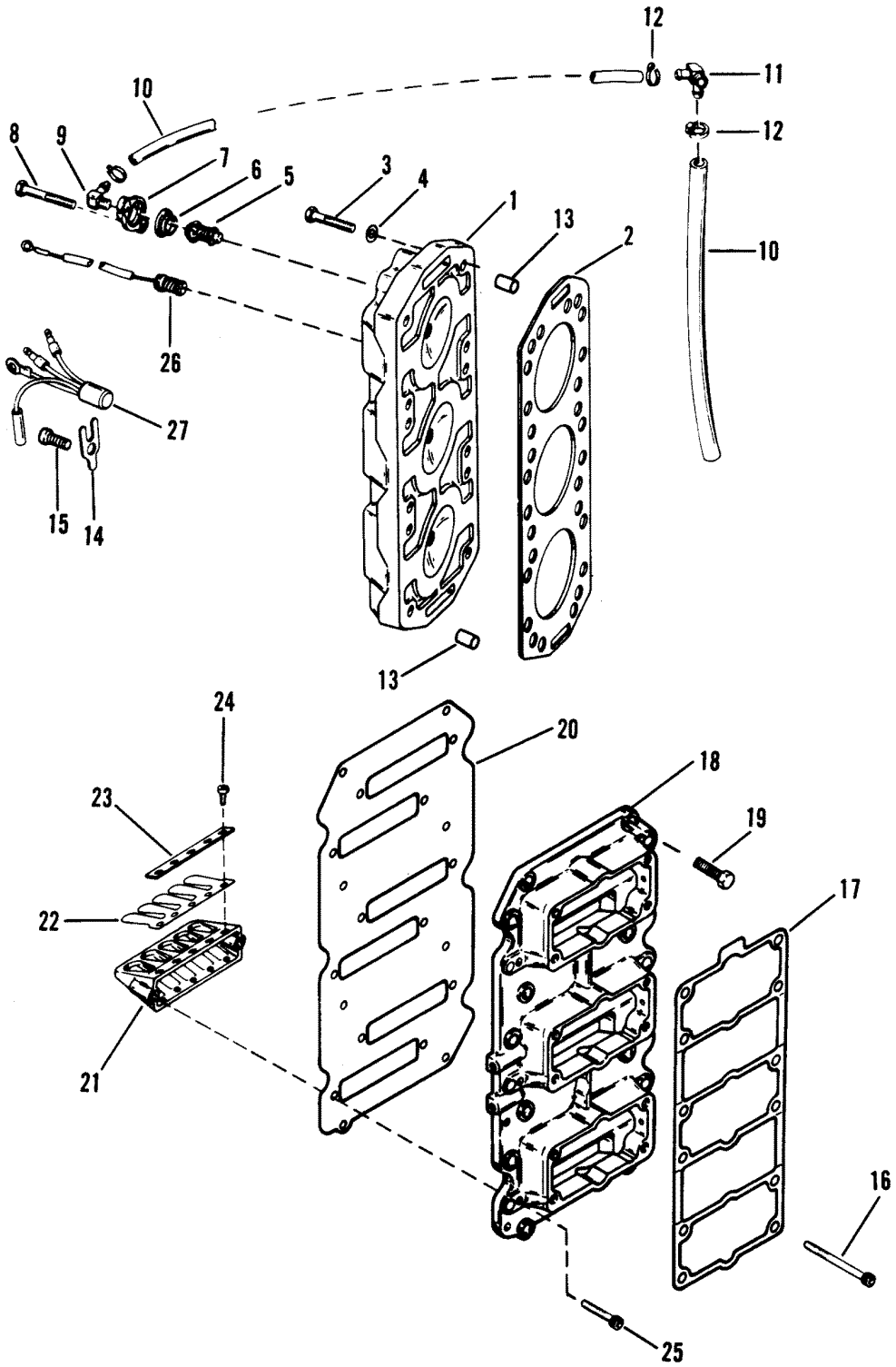
EXHAUST MANIFOLD AND EXHAUST PLATE



EXHAUST MANIFOLD AND EXHAUST PLATE

REF. NO.	PART NO.	SYM.	QTY.	DESCRIPTION
42	18578A3		1	BRACKET ASSEMBLY, REAR
43	22-814430		1	FITTING
44	22-92007		1	FITTING (90°)
45	32-99127109		1	HOSE
46	54-90077		2	STA-STRAP
47	12-25970		6	WASHER, POWERHEAD STUD
48	11-69254		6	NUT, POWERHEAD STUD

REED BLOCK AND CYLINDER HEAD

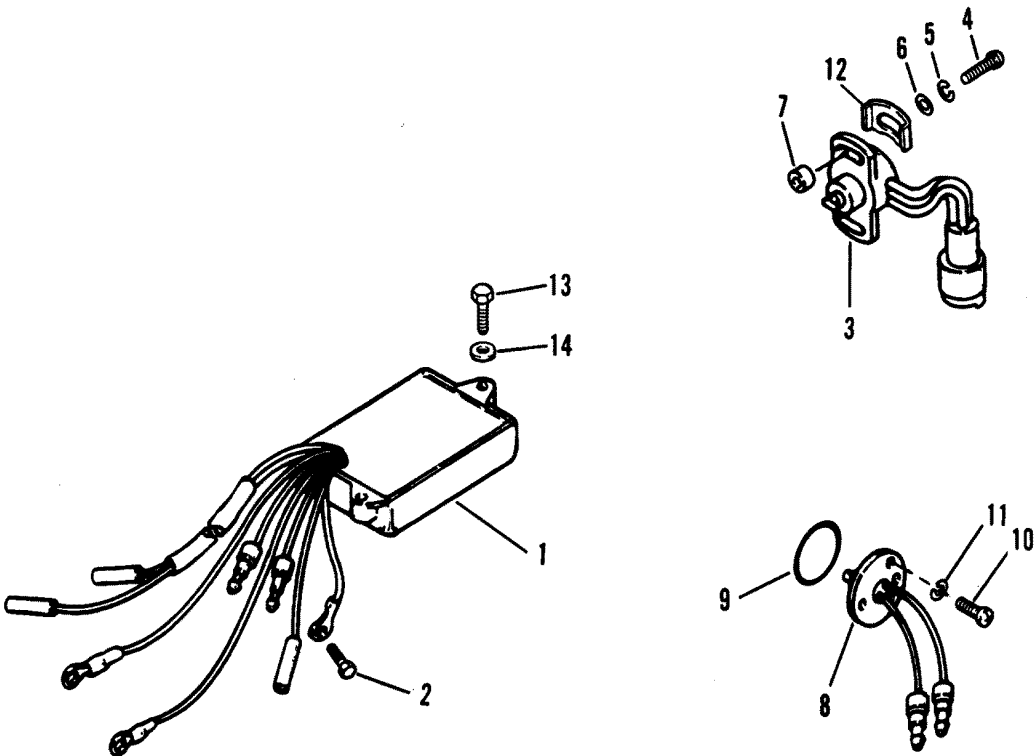


REED BLOCK AND CYLINDER HEAD

REF. NO.	PART NO.	SYM.	QTY.	DESCRIPTION
1	18789--3		2	CYLINDER HEAD
2	27-18786--1	■	2	GASKET, CYLINDER HEAD
3	10-98534		24	SCREW, CYLINDER HEAD (2")
4	12-25909		24	WASHER, CYLINDER HEAD SCREW
5	75692		2	THERMOSTAT
6	27-62386	■	2	GASKET, THERMOSTAT
7	90390A1		2	COVER, THERMOSTAT
8	10-35386		4	SCREW, THERMOSTAT COVER (1")
9	22-68727		1	FITTING, ELBOW-WATER HOSES
10	32-77653-77		2	HOSE, WATER DISTRIBUTION
11	22-68728		1	FITTING, THERMOSTAT COVER TO WATER HOSES
12	54-90077		4	STA-STRAP, WATER HOSES
13	17-16483		4	DOWEL PIN
14	13715		2	RETAINER, SENSOR AND SENDER
15	10-98257		2	SCREW, RETAINER
16	10-90197		6	SCREW, REED BLOCK ATTACHING (2")
17	27-16737--1	■	1	GASKET, ADAPTOR PLATE
18	17735A2		1	ADAPTOR PLATE
19	10-28668		8	SCREW, ADAPTOR PLATE
20	27-14697--2	■	1	GASKET, ADAPTOR PLATE
21	75953		6	REED BLOCK
22	34-75362A1		6	REED ASSEMBLY
23	96183		12	REED CLAMP
24	10-14783		60	SCREW, REEDS TO REED BLOCK
25	10-21558		6	SCREW, REED BLOCK ATTACHING (3/4")
26	97465		1	TEMPERATURE SENDER (STARBOARD)
27	13536A6		1	TEMPERATURE SENSOR (PORT)

■ = CONTENTS OF GASKET SET [27-815809A90]

TEMPERATURE SENSOR

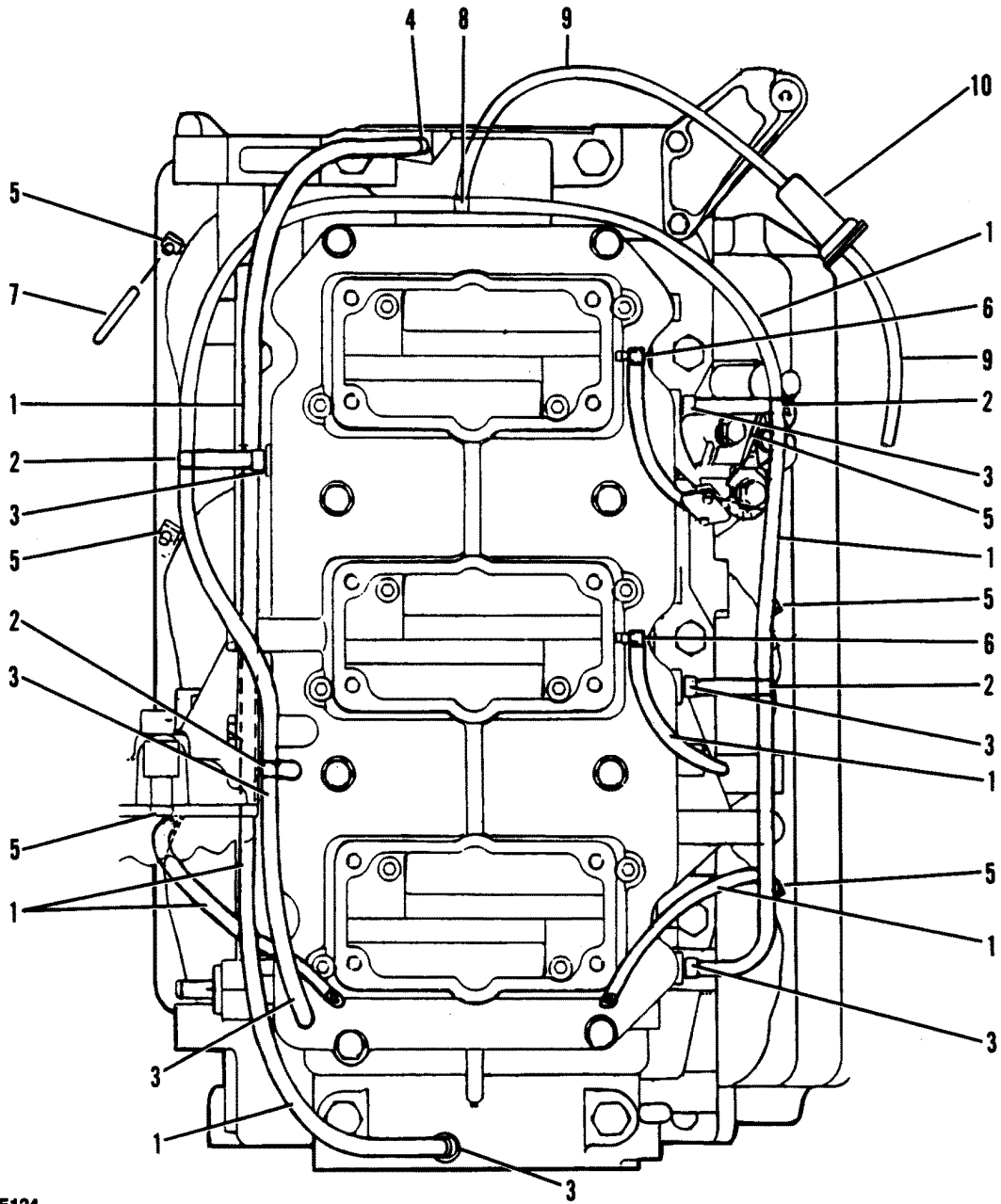


TEMPERATURE SENSOR

REF. NO.	PART NO.	SYM.	QTY.	DESCRIPTION
1	41470A12		1	OIL INJECTION WARNING MODULE ASSEMBLY
2	10-42813		1	SCREW
3	14851T		1	INDICATOR, THROTTLE POSITION
4	10-15150		2	SCREW, INDICATOR
5	13-26995		2	LOCKWASHER, INDICATOR SCREW
6	12-46101		1	WASHER, INDICATOR SCREW (5/16")
	12-30164		1	WASHER, INDICATOR SCREW (3/8")
7	23-15885		1	SLEEVE
8	13221A1		1	TEMPERATURE SENSOR ASSEMBLY
9	25-45711	■	1	"O" RING
10	10-57583		3	SCREW, TEMPERATURE SENSOR
11	13-26995		3	LOCKWASHER, TEMPERATURE SENSOR SCREW
12	813501		2	PLATE
13	10-69020		3	SCREW
14	12-38833		3	WASHER

■ = CONTENTS OF GASKET SET [27-815809A90]

BLEED SYSTEM

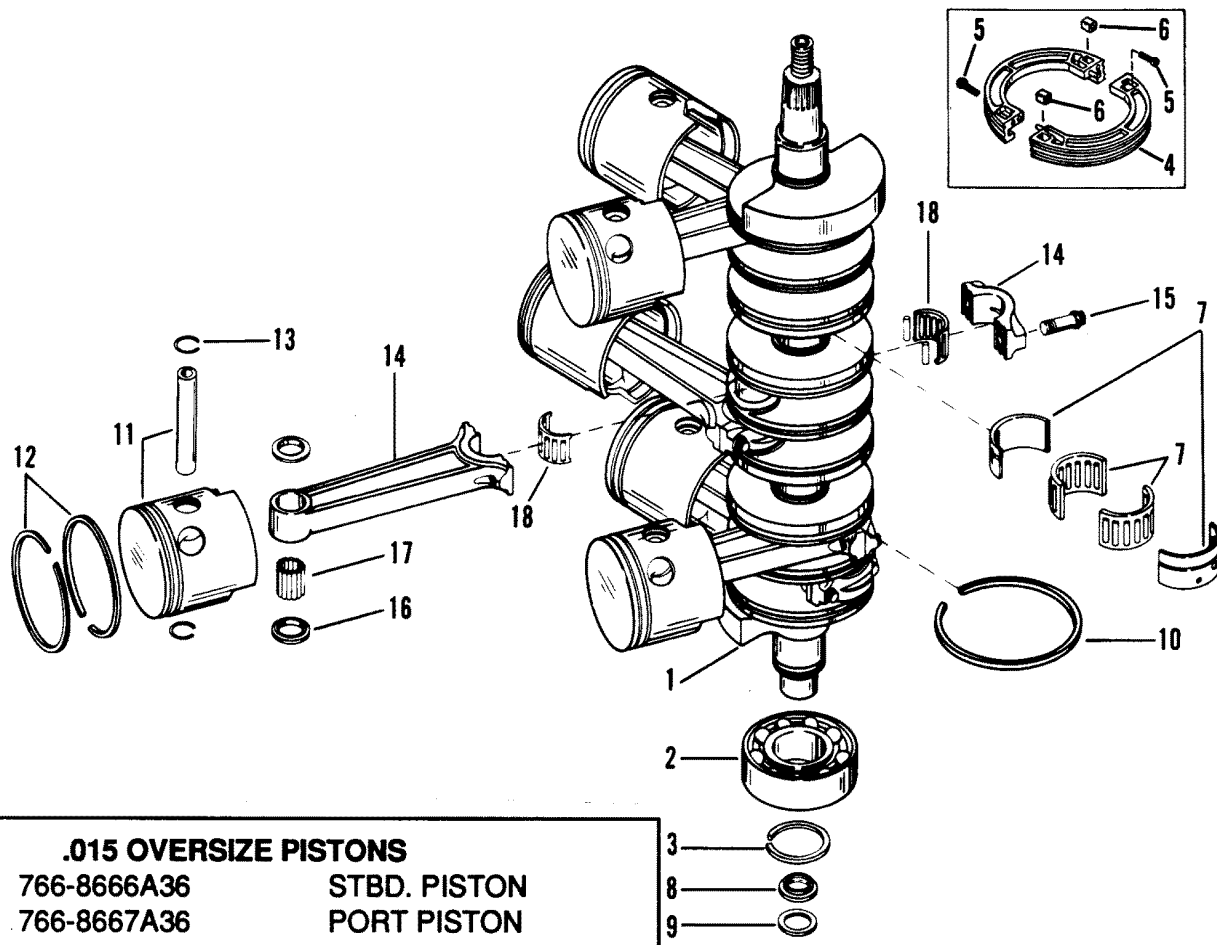


M0027-E124

BLEED SYSTEM

REF. NO.	PART NO.	SYM.	QTY.	DESCRIPTION
1	32-99130122		1	TUBING, BLEED
2	22-59169		4	TEE
3	21-42698		7	CHECK VALVE (PRESS-IN - 13/16" LONG)
4	21-42623		1	CHECK VALVE (PRESS-IN - 11/16" LONG)
5	22-15133		6	ELBOW (PRESS-IN)
6	22-56759		4	FITTING (PRESS-IN)
7	22-15026		4	CAP, ELBOW (YELLOW)
8	22-18205		1	TEE
9	32-99126-88		1	TUBING
10	35-18206		1	FUEL FILTER

CRANKSHAFT, PISTONS AND CONNECTING RODS

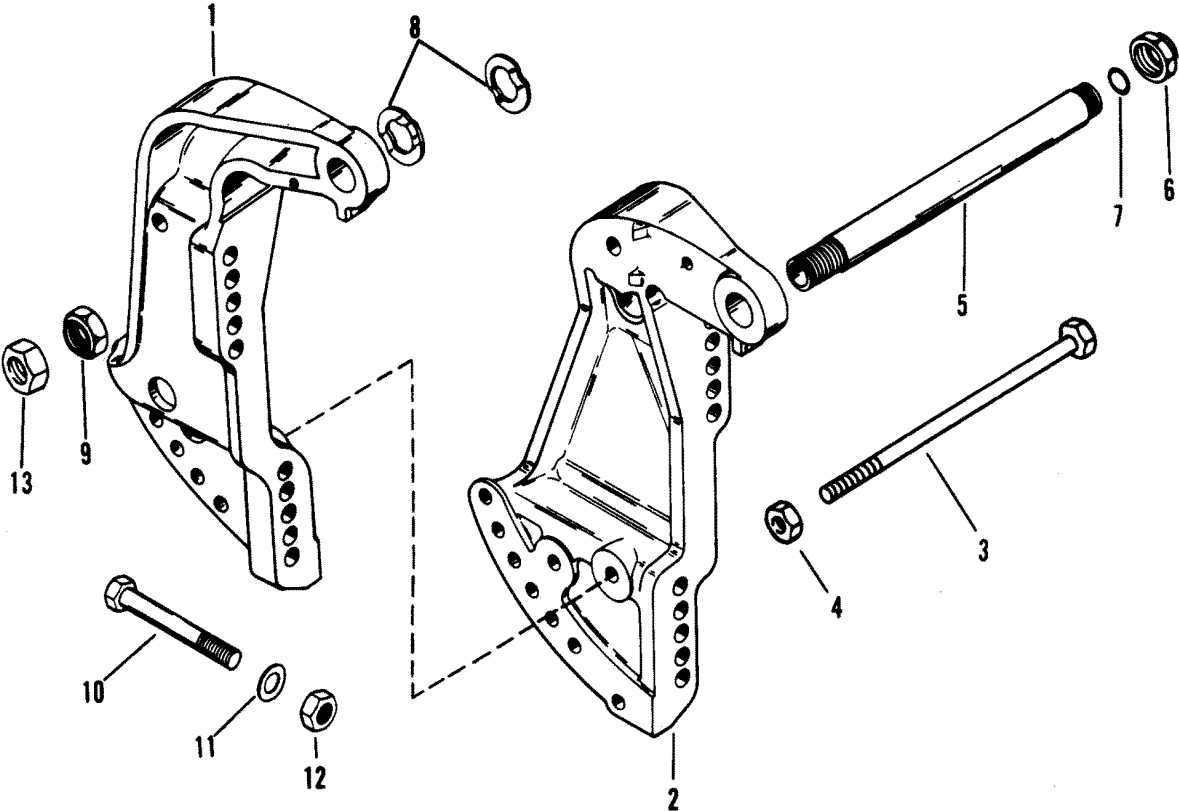


CRANKSHAFT, PISTONS AND CONNECTING RODS

REF. NO.	PART NO.	SYM.	QTY.	DESCRIPTION
1	455-9536A4		1	CRANKSHAFT ASSEMBLY
2	30-67923		1	BALL BEARING, CRANKSHAFT (LOWER)
3	53-67446		1	RETAINING RING, BALL BEARING
4	43-14513A2		1	DRIVE GEAR
5	10-813073		2	SCREW
6	11-813134		2	NUT
7	31-16756A1		2	ROLLER BEARING, CRANKSHAFT
8	54196A6		1	CARRIER ASSEMBLY, SEAL
9	65800	■	1	SEAL, CARRIER
10	39-67377		8	RING, SEALING - CRANKSHAFT (.124 THICK)
11	766-8666A22		3	PISTON ASSEMBLY (STARBOARD)
	766-8667A22		3	PISTON ASSEMBLY (PORT)
12	39-18487A12		1	PISTON RING ASSEMBLY
13	40-52035		12	LOCK RING, PISTON
14	636-8119A5		6	CONNECTING ROD ASSEMBLY
15	10-93886		12	SCREW, CONNECTING ROD
16	12-47247		12	WASHER, NEEDLE LOCATING
17	29-67483		174	NEEDLE BEARING, PISTON END
18	31-17514A1		6	ROLLER BEARING ASSEMBLY, CRANKSHAFT END

■ = CONTENTS OF GASKET SET [27-815809A90]

TRANSOM BRACKETS

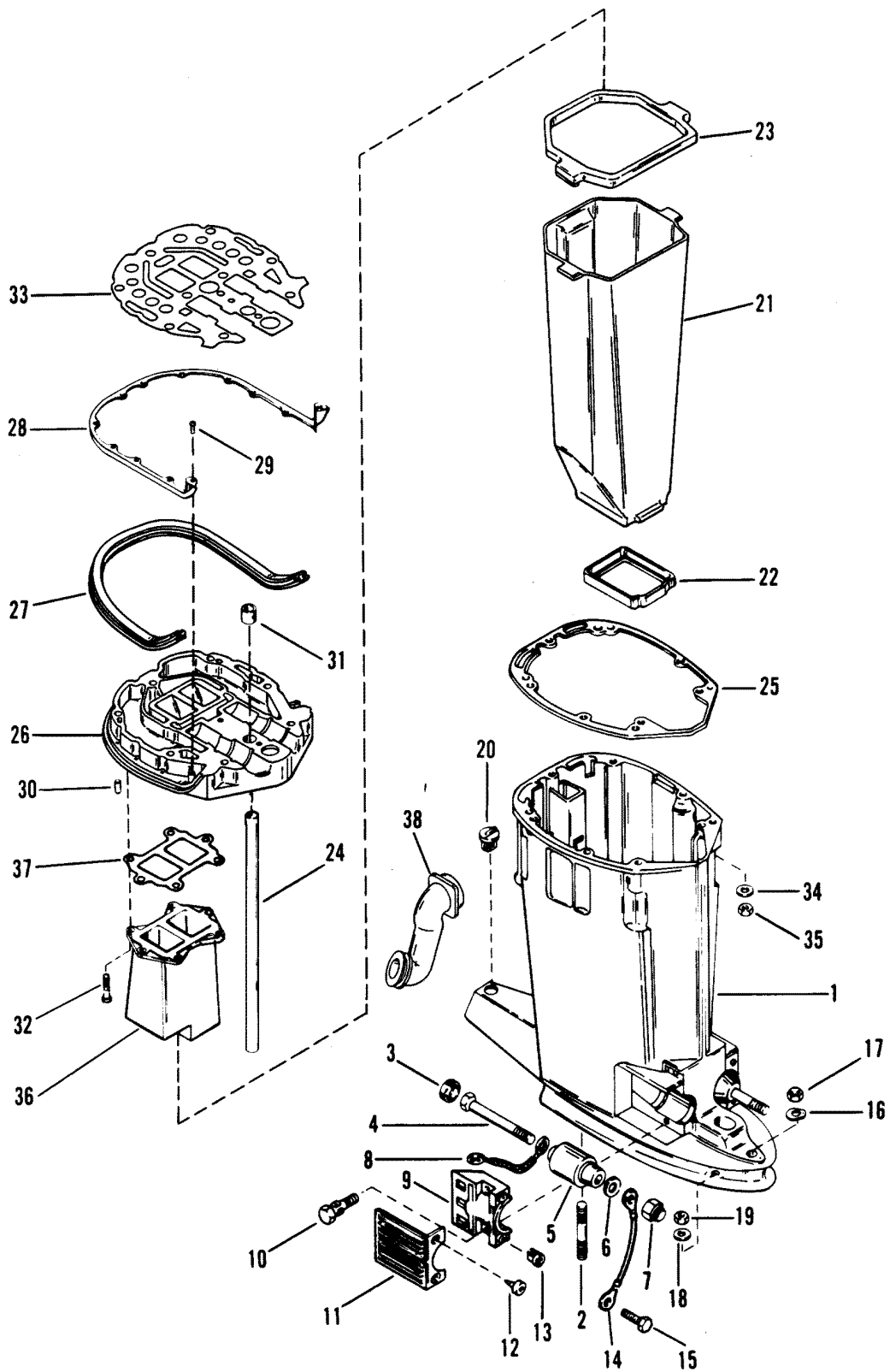


TRANSOM BRACKETS

REF. NO.	PART NO.	SYM.	QTY.	DESCRIPTION
1	3401-8718A2		1	TRANSOM BRACKET (STARBOARD)
2	3400-8716A6		1	TRANSOM BARCKET (PORT)
3	10-96930A1		1	BOLT ASSEMBLY, TILT LOCK
4	11-23161		1	NUT, BOLT
5	99170A1		1	TILT TUBE
6	11-90068T6		1	NUT, TILT TUBE (1"-14)
7	25-45711	■	1	"O" RING, TILT TUBE
8	13-88750		2	WAVE WASHER, TILT TUBE
9	11-56041		1	NUT, TILT TUBE (7/8"-14)
10	10-67755--1		4	BOLT, TRANSOM BRACKET TO TRANSOM
11	12-28421		4	WASHER, TRANSOM BRACKET BOLT
12	11-35000		4	NUT, TRANSOM BRACKET BOLT
13	11-37984		1	JAM NUT

■ = CONTENTS OF GASKET SET [27-815809A90]

DRIVE SHAFT HOUSING AND EXHAUST TUBE

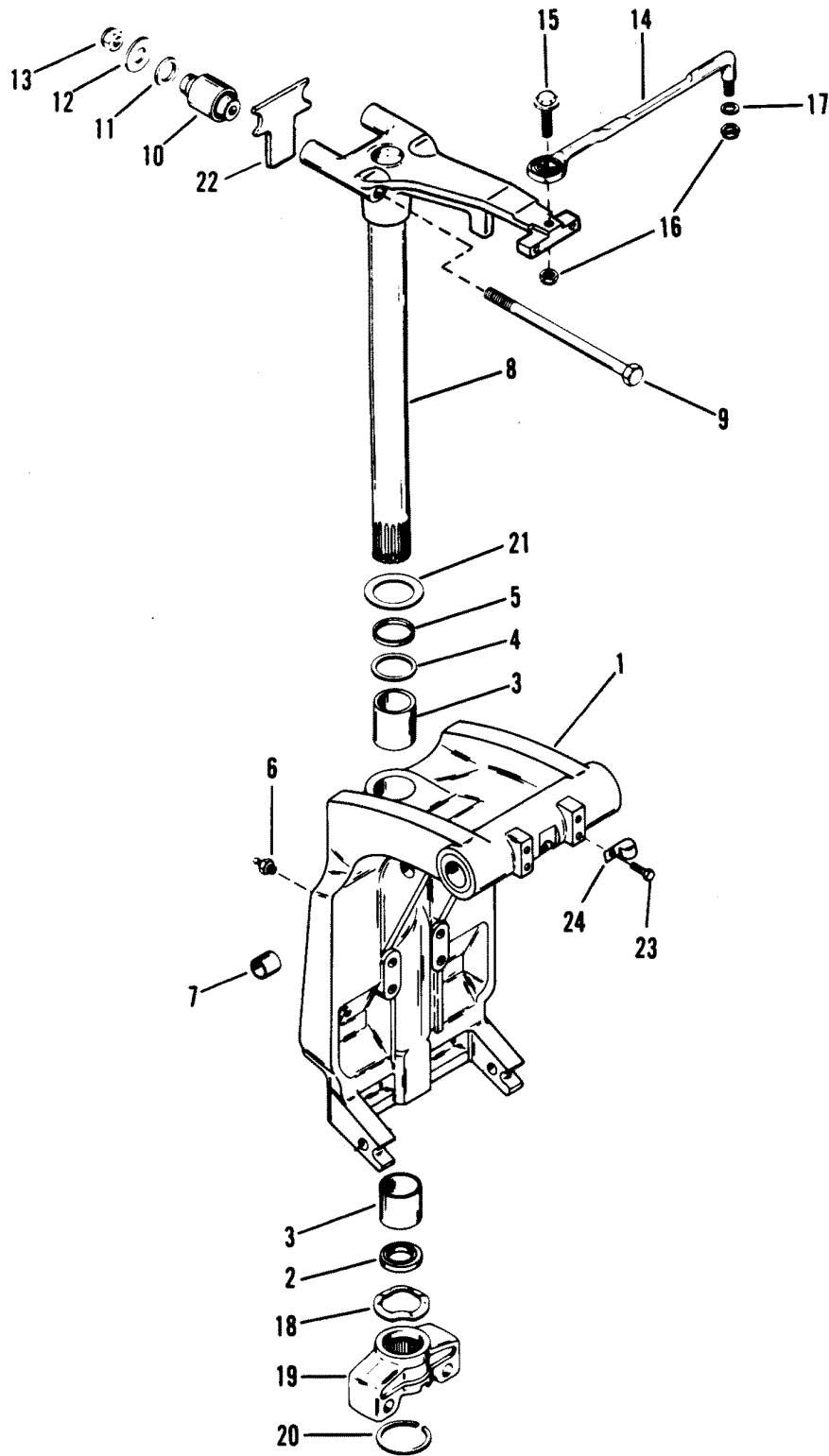


DRIVE SHAFT HOUSING AND EXHAUST TUBE

REF. NO.	PART NO.	SYM.	QTY.	DESCRIPTION
1	1590-8343A11		1	DRIVE SHAFT HOUSING
2	16-56295		2	STUD, DRIVE SHAFT HSG./GEAR HSG.
3	25067		2	BUMPER, LOWER MOUNT SCREW
4	10-63474		2	SCREW, LOWER MOUNT
5	78249		2	MOUNT, LOWER
6	12-49339		2	WASHER, LOWER MOUNT SCREW
7	11-25096		2	NUT, LOWER MOUNT SCREW
8	88238A1		1	GROUND WIRE ASSEMBLY
9	54-67076		2	CLAMP, LOWER MOUNT
10	10-66727		4	SCREW, LOWER MOUNT CLAMP ATTACHING (1-1/4")
11	67077T6		2	COVER, LOWER MOUNT CLAMP
12	10-88417		4	SCREW, COVER ATTACHING (5/8")
13	11-35521		4	NUT, NYLON - COVER TO CLAMP SCREW
14	88238A2		1	GROUND WIRE ASSEMBLY
15	10-41508		1	SCREW, GROUND WIRE
16	12-48926		1	WASHER, GEAR HOUSING STUD
17	11-29489		1	NUT, GEAR HOUSING STUD (CAP)
18	12-45176		2	WASHER, GEAR HOUSING STUD
19	11-34933		2	NUT, GEAR HOUSING STUD
20	19-64649		1	PLUG, DRIVE SHAFT HOUSING
21	18276		1	EXHAUST TUBE
22	66350		1	SEAL, EXHAUST TUBE - LOWER
23	17726--1		1	SEAL, EXHAUST TUBE - UPPER
24	32-67295		1	TUBE, WATER
25	27-99173--2	■	1	GASKET, DRIVE SHAFT HOUSING TO PLATE
26	18233A1		1	PLATE ASSEMBLY, DRIVE SHAFT HOUSING
27	814701--2		1	SEAL, BRACKET
28	68011		1	BRACKET, SEAL RETAINING
29	10-812832		12	SCREW, BRACKET TO PLATE (1/2")
30	17-20033		2	DOWEL PIN, LOCATING
31	26-38970	■	1	SEAL, WATER TUBE
32	10-90192		6	SCREW, EXTENSION TO PLATE
33	27-18307--1	■	1	GASKET, DRIVE SHAFT HOUSING PLATE TO EXHAUST PLATE
34	12-25970		4	WASHER, POWER HEAD STUD
35	11-69254		4	NUT, POWER HEAD STUD
36	17303		1	EXTENSION, EXHUAST
37	27-78246	■	1	GASKET, EXHAUST EXTENSION
38	814618		1	BOOT, IDLE EXHAUST

■ = CONTENTS OF GASKET SET [27-815809A90]

SWIVEL BRACKET AND STEERING ARM

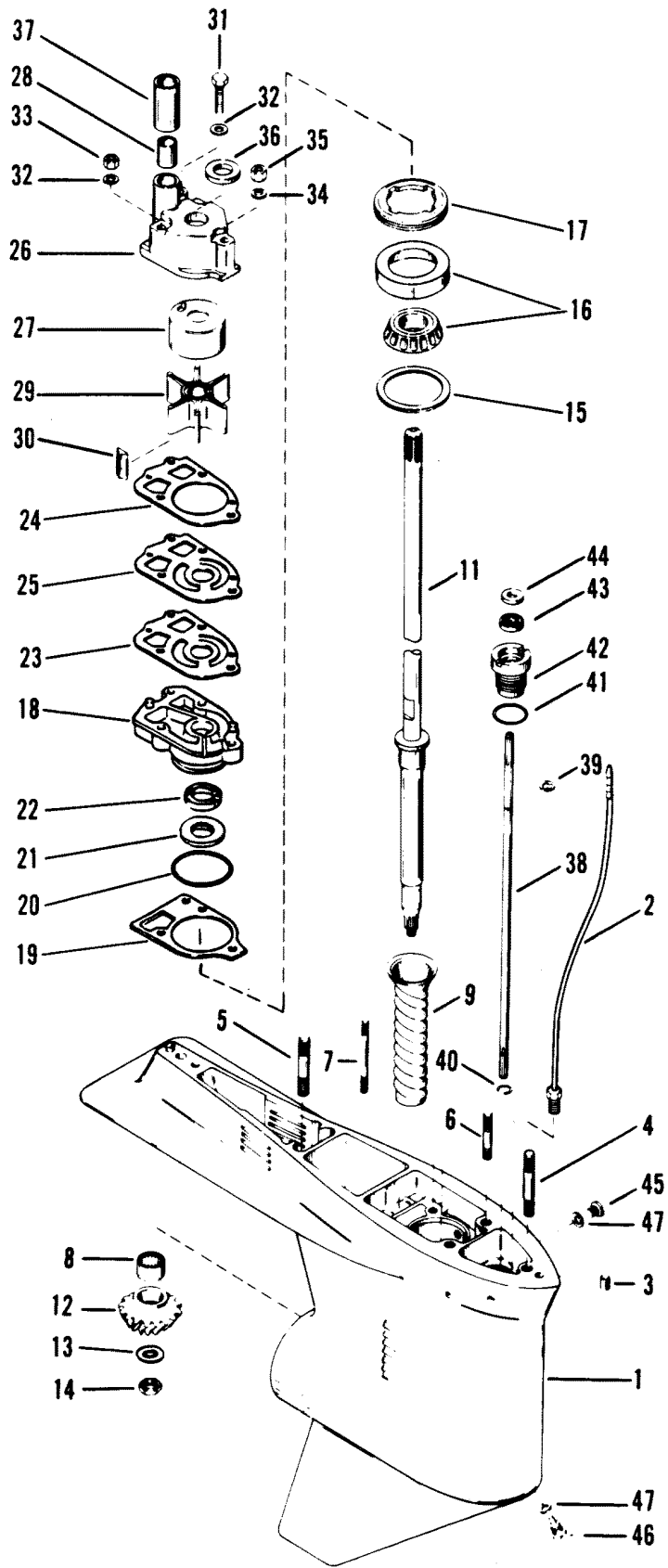


SWIVEL BRACKET AND STEERING ARM

REF. NO.	PART NO.	SYM.	QTY.	DESCRIPTION
1	1499-8710A18		1	SWIVEL BRACKET ASSEMBLY
2	26-87735		1	OIL SEAL, SWIVEL BRACKET (LOWER)
3	23-67669		2	BUSHING, SWIVEL BRACKET (LOWER AND UPPER)
4	25-33466	■	1	"O" RING, SWIVEL BRACKET (UPPER)
5	23-67668		1	SPACER, SWIVEL BRACKET (UPPER)
6	22-74036		2	FITTING, GREASE
7	23-99608		2	BUSHING, SWIVEL BRACKET
8	17-67706A36		1	SWIVEL PIN AND STEERING ARM
9	10-78689		2	SCREW, STEERING ARM TO UPPER MOUNT
10	78687		2	MOUNT, RUBBER (UPPER)
11	12-66921		2	WASHER, UPPER MOUNT BOLT
12	12-814432		2	WASHER, UPPER MOUNT BOLT
13	11-34933		2	NUT, UPPER MOUNT BOLT
14	92876A1		1	STEERING LINK ASSEMBLY
15	10-14000		1	SCREW, STEERING LINK TO STEERING ARM
16	11-34863		2	NUT, STEERING LINK SCREW
17	12-34931		2	WASHER, STEERING LINK TO STEERING ARM
18	13-78854		1	WAVE WASHER, BOTTOM YOKE
19	86580A2		1	BOTTOM YOKE
20	53-67684		1	RETAINING RING, BOTTOM YOKE
21	12-67670		1	WASHER, THRUST - SWIVEL BRACKET
22	88882		1	BUMPER, TOP YOKE
23	10-64014		2	SCREW, SWIVEL BRACKET
24	54-54457		1	"J" CLAMP

■ = CONTENTS OF GASKET SET [27-815809A90]

GEAR HOUSING (DRIVE SHAFT)



GEAR HOUSING (DRIVE SHAFT)

REF. NO.	PART NO.	SYM.	QTY.	DESCRIPTION
-	1647-9148A20		1	GEAR HOUSING
1	1647-9148A12		1	GEAR HOUSING ASSEMBLY
2	22-85822A1		1	CONNECTOR ASSEMBLY, SPEEDOMETER
3	17-20033		2	DOWEL PIN, GEAR HOUSING LOCATING
4	16-78638		1	STUD, GEAR HOUSING (3-1/8")
5	16-57920		2	STUD, GEAR HOUSING (2-1/16")
6	16-56297		1	STUD, WATER PUMP (3-3/8")
7	16-30667		2	STUD, WATER PUMP (3-1/8")
8	31-42647A1		1	ROLLER BEARING, DRIVE SHAFT
9	23-43998		1	SLEEVE, LUBRICATION
11	45-44000		1	DRIVE SHAFT
12	N.S.S.		1	PINION GEAR (PART OF 43-44102A2)
13	12-92721		1	WASHER, PINION GEAR
14	11-35921		1	NUT, PINION GEAR TO DRIVE SHAFT
15	15-42637A1		AR	SHIM ASSEMBLY ROLLER BEARING TO GEAR HOUSING
16	31-36387A1		1	ROLLER BEARING, DRIVE SHAFT
17	11-42633		1	NUT, DRIVE SHAFT BEARING
18	46-42579A3	+	1	WATER PUMP BASE ASSEMBLY
19	27-42631--1	■ + †	1	GASKET, WATER PUMP TO GEAR HSG
20	25-90011	■ + †	1	"O" RING, WATER PUMP
21	26-89238	■ †	1	OIL SEAL, WATER PUMP
22	26-16977	■ †	1	OIL SEAL, WATER PUMP
23	27-85608--1	■ + †	1	GASKET, LOWER - WATER PUMP
24	27-85609--1	■ + †	1	GASKET, UPPER - WATER PUMP
25	32435	+	1	PLATE, FACE - WATER PUMP
26	46-96148A1	+	1	WATER PUMP BODY ASSEMBLY
27	48752	+	1	INSERT, WATER PUMP BODY
28	26-38970	■ + †	1	SEAL, RUBBER - WATER INLET TUBE
29	47-89984	+	1	IMPELLER, WATER PUMP
30	28-56654	+	1	KEY, IMPELLER DRIVE
31	10-96411		1	SCREW, WATER PUMP (2-1/4")
32	12-29245		2	WASHER, WATER PUMP SCREW AND STUD
33	11-13438		2	NUT, WATER PUMP STUD
34	12-36001		1	WASHER, WATER PUMP STUD
35	11-13436		1	NUT, WATER PUMP STUD
36	25-30271	■ + †	1	RING, RUBBER (DRIVE SHAFT)
37	23-29804	+	1	SLEEVE, GUIDE - WATER INLET TUBE
38	78902		1	SHAFT, SHIFT - LOWER
39	53-29641		1	"E" RING, RETAINING - SHIFT SHAFT
40	53-78907		1	RETAINER RING
41	25-25439	■ †	1	"O" RING, SHIFT SHAFT BUSHING

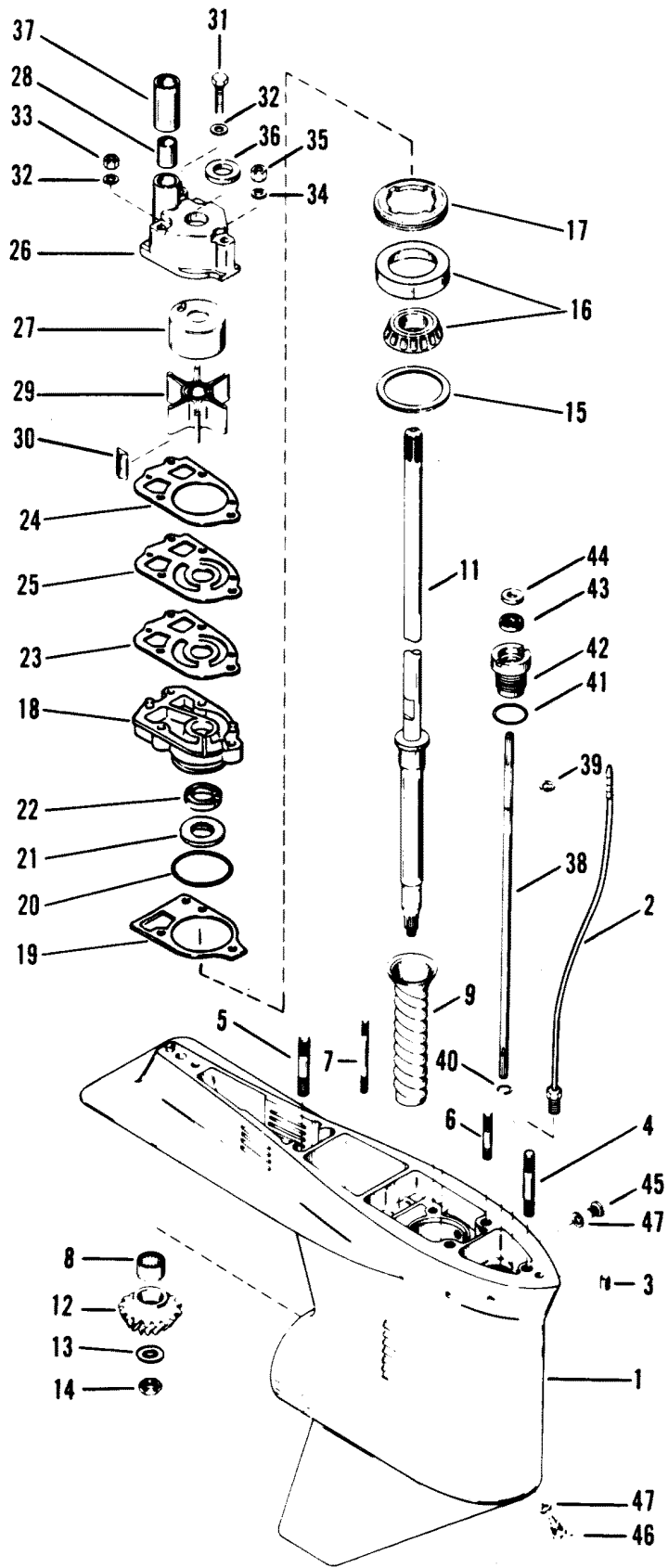
■ = CONTENTS OF GASKET SET [27-815809A90]

⊕ = CONTENTS OF WATER PUMP REBUILD KIT [46-42579A4]

† = CONTENTS OF SEAL KIT [26-89238A2]

CONTINUED ON NEXT PAGE ➡

GEAR HOUSING (DRIVE SHAFT)



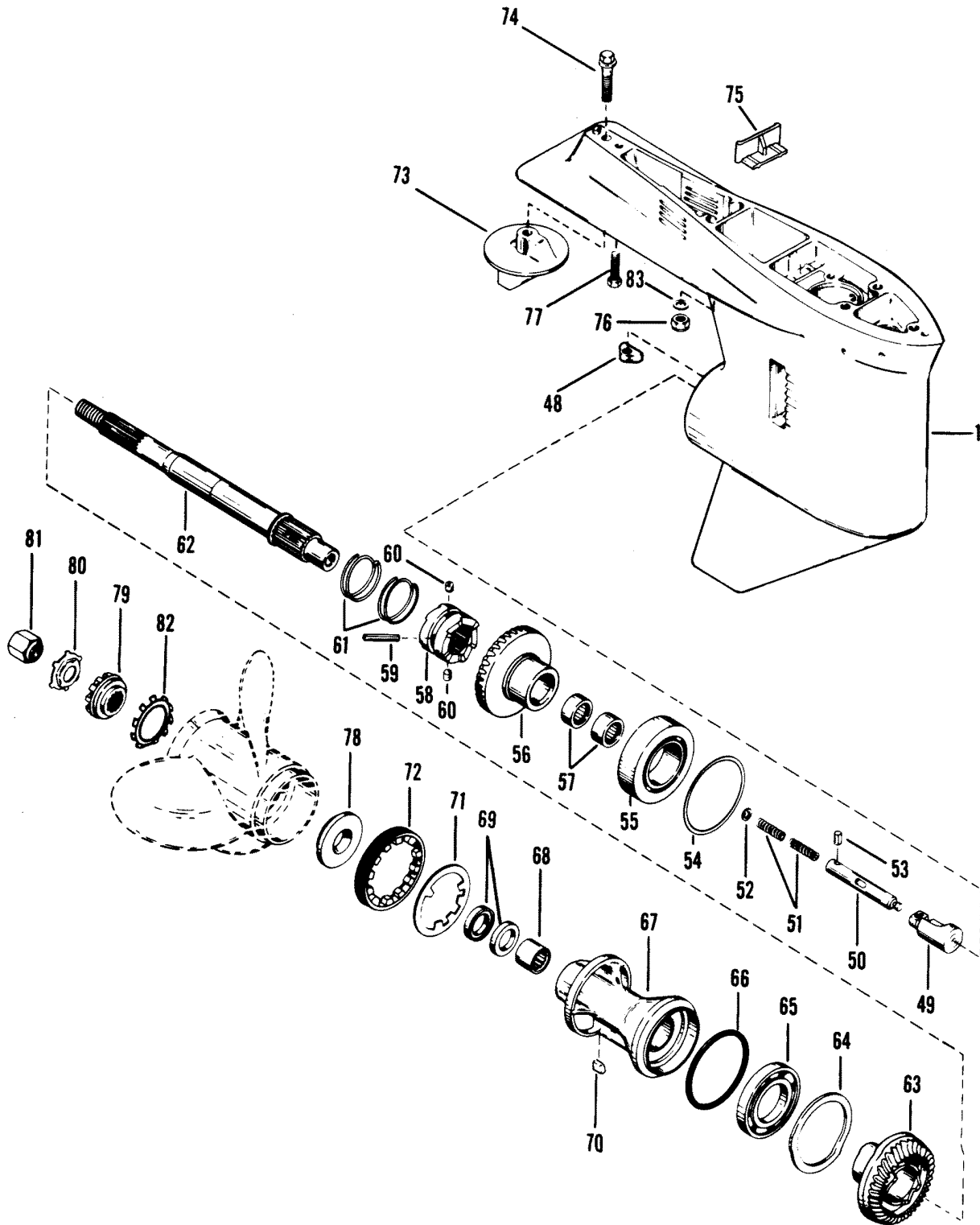
GEAR HOUSING (DRIVE SHAFT)

REF. NO.	PART NO.	SYM.	QTY.	DESCRIPTION
42	23-77631A2	†	1	BUSHING ASSEMBLY, SHIFT SHAFT
43	26-76384	†	1	OIL SEAL, SHIFT SHAFT BUSHING
44	12-77674	†	1	WASHER, RUBBER - SHIFT SHAFT BUSHING
45	10-79953		1	SCREW, GREASE FILLER
46	22-67892		1	SCREW, DRAIN (MAGNETIC)
47	12-19183	‡†	2	WASHER, GREASE FILLER AND DRAIN SCREW
-	46-42579A4		1	WATER PUMP REBUILD KIT CONTENTS INDICATED BY FOOTNOTE 3
-	26-89238A2		1	SEAL KIT CONTENTS INDICATED BY FOOTNOTE 4

‡ = CONTENTS OF WATER PUMP REBUILD KIT [46-42579A4]

† = CONTENTS OF SEAL KIT [26-89238A2]

GEAR HOUSING (PROPELLER SHAFT)



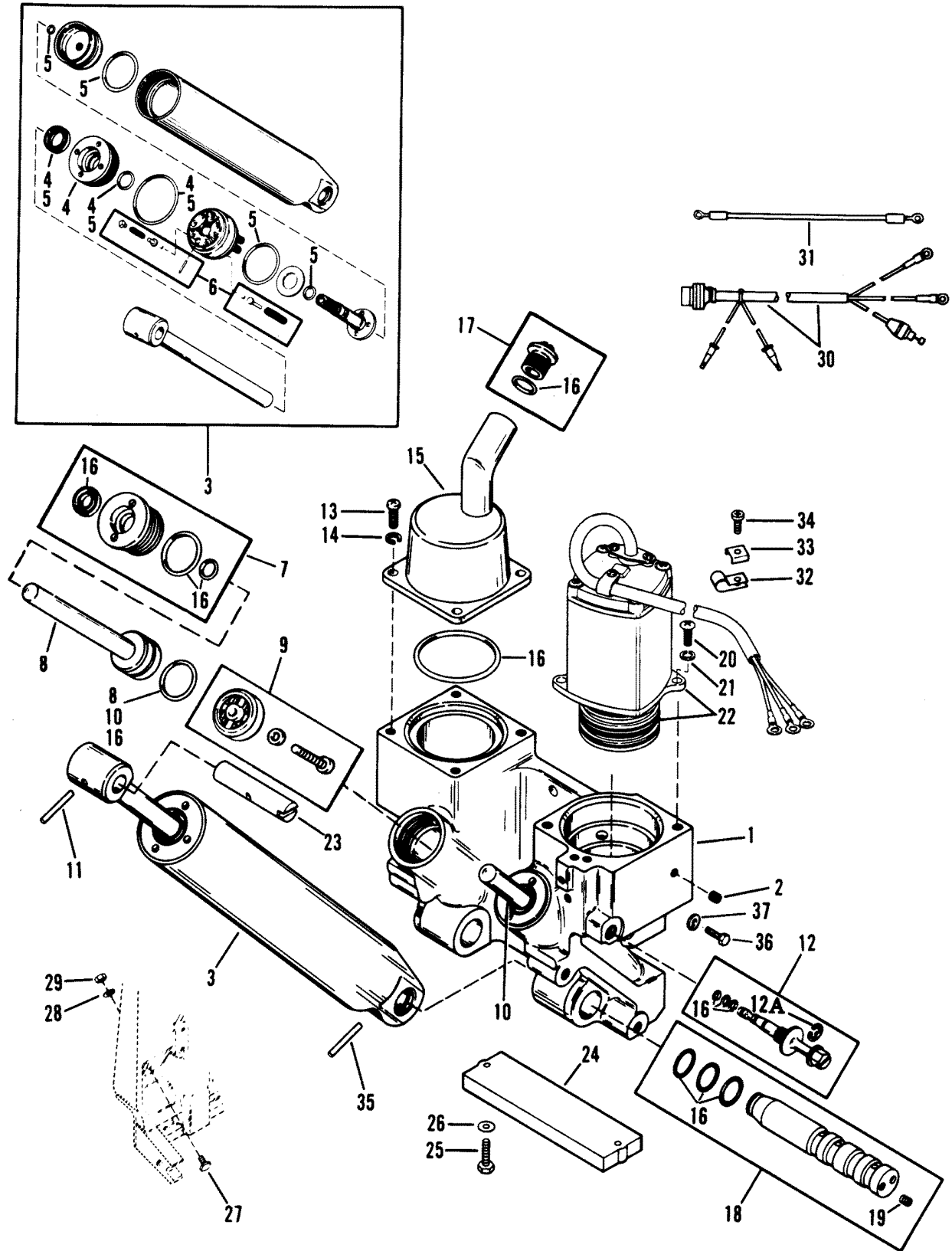
GEAR HOUSING (PROPELLER SHAFT)

REF. NO.	PART NO.	SYM.	QTY.	DESCRIPTION
-	1647-9148A20		1	GEAR HOUSING
1	1647-9148A12		1	GEAR HOUSING ASSEMBLY (BASIC)
48	78956		1	SHIFT CAM
49	89594A1		1	FOLLOWER, CAM
50	79911		1	ROD, CLUTCH ACTUATOR
51	24-79910		2	SPRING, COMPRESSION
52	12-78910		AR	WASHER, COMPRESSION SPRING
53	17-78906		1	PIN, SPRING LOCATOR
54	15-47397A1		AR	SHIM, BEARING OUTER RACE (.002-3-5-10)
55	31-78172A1		1	TAPERED ROLLER BEARING ASSEMBLY
56	43-44102A2		1	FORWARD GEAR ASSEMBLY
57	31-73363		2	ROLLER BEARING, FORWARD GEAR
58	52-78959		1	RATCHET, SLIDING CLUTCH
59	17-78905		1	CROSS PIN, RATCHET TO PROPELLER SHAFT
60	17-78909		2	DETENT PIN, RATCHET
61	24-78962		2	SPRING, RETAINING - CROSS PIN
62	44-94148		1	PROPELLER SHAFT
63	N.S.S.		1	REVERSE GEAR (PART OF 43-44102A2)
64	68100		1	RING, THRUST BEARING CARRIER TO GEAR HOUSING
65	30-88957A1		1	BEARING, BALL - REVERSE GEAR
66	25-31534	■ †	1	"O" RING, BEARING CARRIER
67	43567A1		1	BEARING CARRIER ASSEMBLY
68	31-30956		1	ROLLER BEARING, BEARING CARRIER
69	26-76868	†	2	OIL SEAL, BEARING CARRIER
70	28-30281		1	KEY, LOCATING - BEARING CARRIER
71	14-79447		1	TAB WASHER, GEAR HOUSING COVER
72	79448		1	COVER, GEAR HOUSING
73	31640A1		1	TRIM TAB, GEAR HOUSING
74	10-66024		1	SCREW, TRIM TAB TO GEAR HOUSING (1-3/4")
75	67891		1	FILLER BLOCK
76	11-34933		2	NUT, DRIVE SHAFT HOUSING STUDS
77	10-65210		1	SCREW, GEAR HOUSING
78	13171		1	THRUST HUB
79	12-31211A2		1	WASHER, SPLINED - PROPELLER NUT
80	14-31210		1	TAB WASHER, PROPELLER NUT
81	11-52707A1		1	PROPELLER NUT
82	13-42351--1		1	LOCKWASHER, PROPELLER SHAFT
83	12-45176		2	WASHER, DRIVE SHAFT HOUSING STUDS
-	26-89238A2		1	SEAL KIT CONTENTS INDICATED BY FOOTNOTE 4

■ = CONTENTS OF GASKET SET [27-815809A90]

† = CONTENTS OF SEAL KIT [26-89238A2]

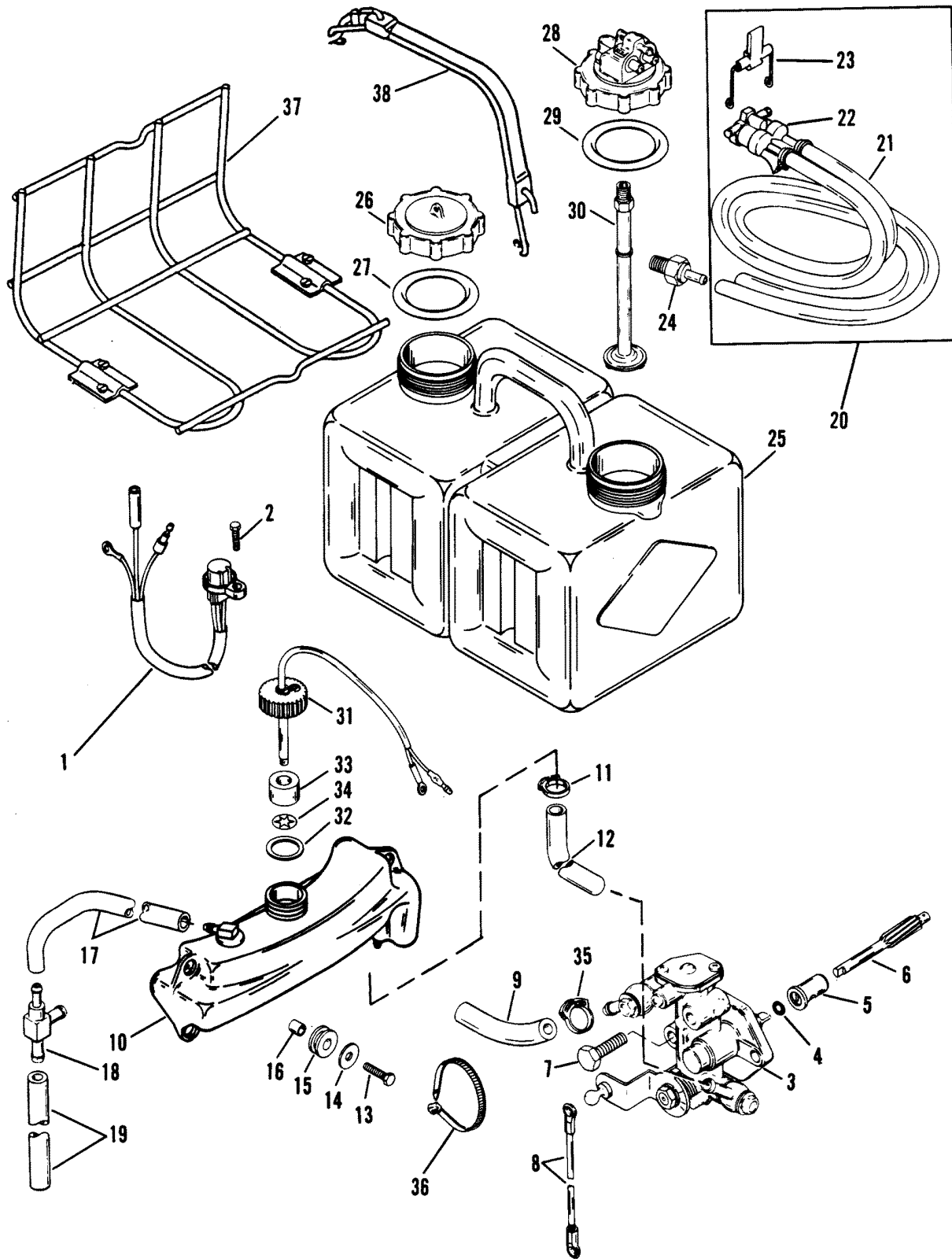
POWER TRIM COMPONENTS



POWER TRIM COMPONENTS

REF. NO.	PART NO.	SYM.	QTY.	DESCRIPTION
1	99659A22		1	MANIFOLD ASSEMBLY
2	22-99616		11	PIPE PLUG, MANIFOLD
3	41493A4		1	TRIM CYLINDER ASSEMBLY
4	41492A1		1	GUIDE ASSEMBLY
5	25-41478A1		1	REPAIR KIT
6	41482A2		1	CHECK VALVE KIT
7	99638A1		2	GUIDE ASSEMBLY, TRIM ROD
8	43397A6		1	PISTON AND ROD ASSEMBLY (PORT)
9	35-12184A1		1	TRIM FILTER ASSEMBLY
10	43398A3		1	PISTON AND ROD ASSEMBLY (STARBOARD)
11	17-13794		1	GROOVE PIN, TRIM CYLINDER (UPPER)
12	812843A1		1	VALVE ASSEMBLY
12A	53-812844		1	"E" RING
13	10-40003-27		4	SCREW, COVER
14	12-4350		4	WASHER, COVER SCREW
15	99642		1	COVER, MANIFOLD
16	25-48462A2		1	"O" RING KIT
17	19-99609A1		1	PLUG ASSEMBLY
18	99641A1		1	SHAFT ASSEMBLY
19	22-99616		2	PLUG PIPE, SHAFT
20	10-40088-20		2	SCREW, PUMP AND MOTOR
21	13-40025--6		2	LOCKWASHER
22	99186T		1	PUMP AND MOTOR
23	99625		1	SHAFT (UPPER)
24	43396A2		1	ANODE ASSEMBLY
25	10-40003-32		2	SCREW, ANODE
26	12-29245		2	WASHER, ANODE SCREW
27	99630--1		2	STRIKER PLATE, TRIM SHAFT
28	13-58643		2	LOCKWASHER
29	11-46335		2	NUT
30	84-814609A1		1	CONTROL HARNESS, POWER TRIM
31	84-88808A22		1	CABLE (6-7/8"-RED)
32	54-22875		2	CLIP, PUMP WIRE
33	69205		2	"D" WASHER, CLIP SCREW
34	10-69079		2	SCREW, CLIP TO TRANSOM BRACKET
35	17-44431		1	GROOVE PIN, TRIM CYLINDER (LOWER)
36	10-40003-77		6	SCREW, MANIFOLD
37	13-40025--8		6	LOCKWASHER, MANIFOLD SCREW

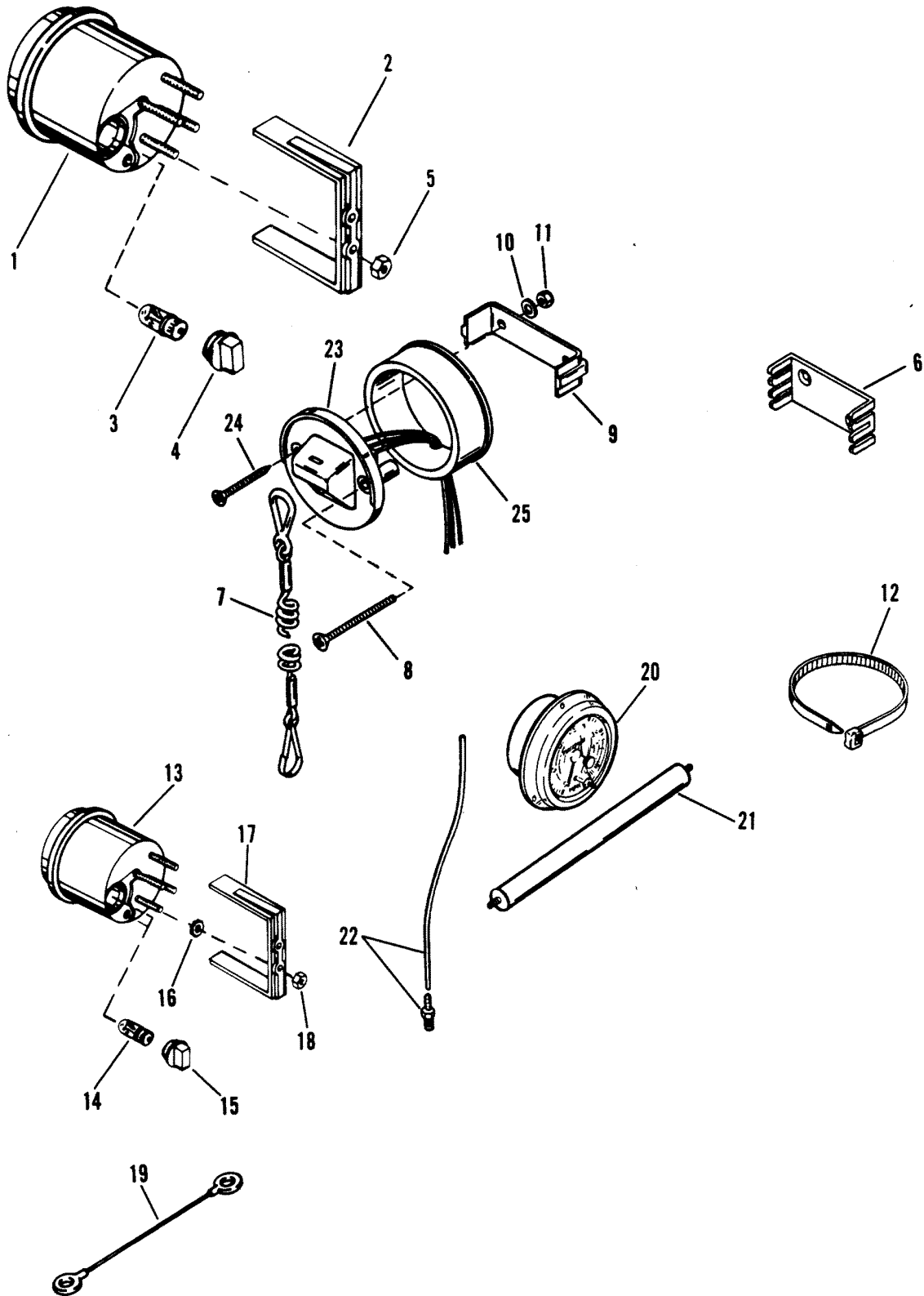
OIL INJECTION COMPONENTS



OIL INJECTION COMPONENTS

REF. NO.	PART NO.	SYM.	QTY.	DESCRIPTION
1	12430A4		1	SENSOR ASSEMBLY
2	10-48409		1	SCREW, SENSOR ATTACHING (5/8")
3	815698		1	OIL PUMP
4	25-11379		1	"O" RING, OIL PUMP
5	23-41429A2		1	BEARING ASSEMBLY, DRIVE GEAR
6	43-14563		1	DRIVEN GEAR
7	10-32228		1	SCREW, OIL PUMP TO CRANKCASE (5/8")
	10-41507		1	SCREW, OIL PUMP TO CRANKCASE (1-1/8")
8	19385-12		1	LINK, THROTTLE LEVER TO OIL PUMP
9	32-43016-22		1	TUBING, OIL PUMP
10	99443T		1	OIL RESERVOIR
11	54-41582--3		2	CLAMP, OIL HOSE
12	32-43017-36		1	TUBING, OIL RESERVOIR TO OIL PUMP
13	10-69020		3	SCREW, OIL RESERVOIR ATTACHING (7/8")
14	12-42118		6	WASHER, OIL RESERVOIR SCREW
15	25-42117		3	GROMMET, OIL RESERVOIR SCREW
16	23-42116		3	BUSHING, OIL RESERVOIR SCREW
17	32-99127109		1	TUBING, OIL
18	22-42425		1	FITTING, OIL TUBING
19	32-90729-25		1	HOSE, OIL (6-3/4")
20	12540A2		1	HOUSING ASSEMBLY, QUICK DISCONNECT
21	32-99439		1	HOSE, OIL
22	12540A3		1	HOUSING
23	12242A1		1	LATCH
24	21-43278		1	FITTING, CHECK VALVE (CRANKCASE)
25	1257-8742--1		1	OIL TANK
26	36-43298A2		1	CAP ASSEMBLY, OIL TANK
27	25-11332		1	"O" RING, CAP
28	43295A5		1	ADAPTOR HOUSING ASSEMBLY
29	25-11332		1	"O" RING, ADAPTOR HOUSING
30	32-99802		1	TUBE, OIL PIC-UP
31	36-43300A9		1	CAP ASSEMBLY, OIL RESERVOIR
32	27-43307		1	GASKET, RESERVOIR CAP
33	99022A1		1	FLOAT ASSEMBLY
34	11-99265		1	PUSHNUT
35	54-41582--4		2	CLAMP, OIL HOSE
36	54-90077		AR	STA-STRAP
37	12335A1		1	HOLD DOWN KIT
38	12323A1		1	CORD ASSEMBLY

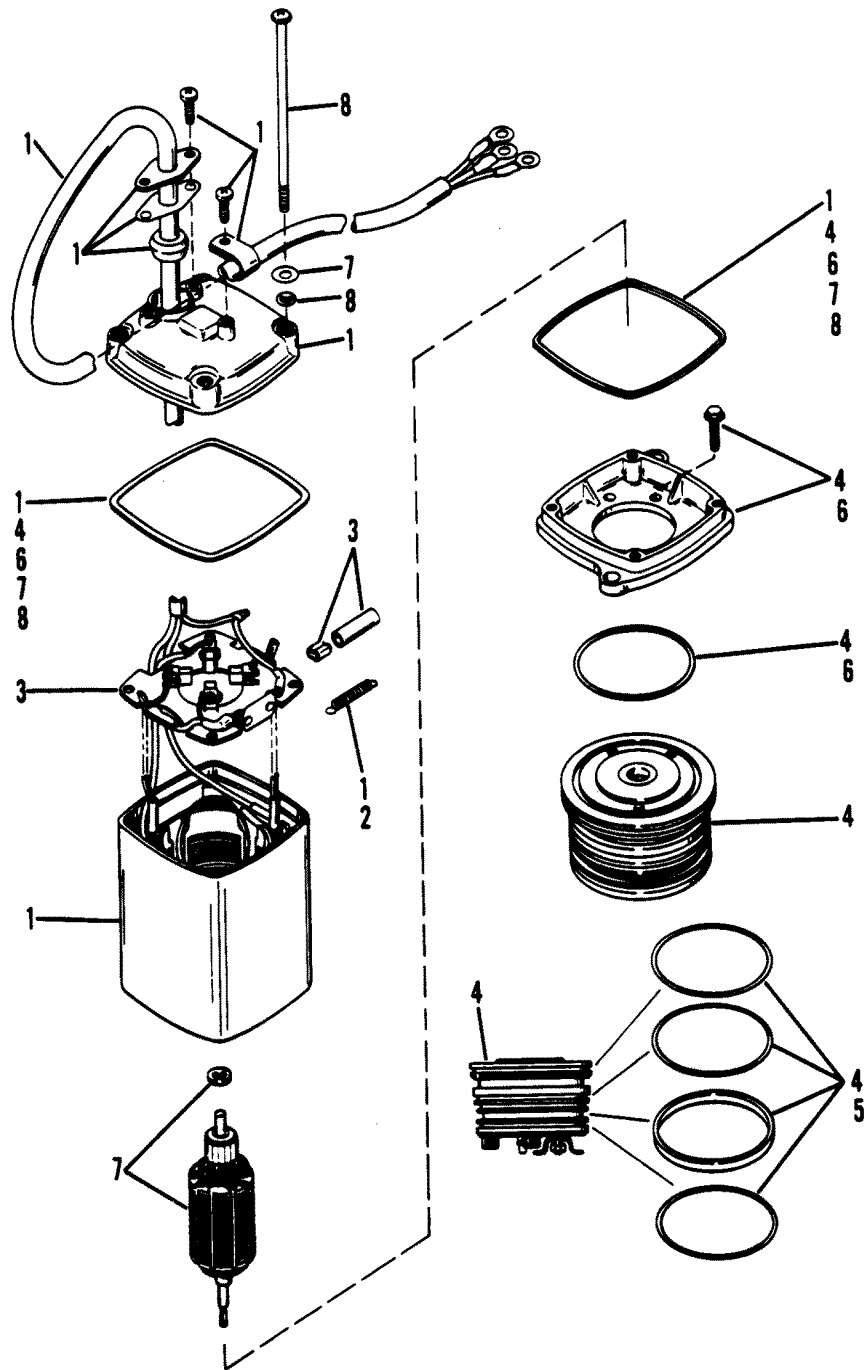
INSTRUMENTATION



INSTRUMENTATION

REF. NO.	PART NO.	SYM.	QTY.	DESCRIPTION
1	79-15110A1		1	TACHOMETER
2	79101T		1	BRACKET, MOUNTING
3	88-72729		1	LIGHT BULB
4	88-79888		1	SOCKET
5	11-26419		5	NUT (8-32)
6	79146		1	RETAINER
7	15920A54		1	LANYARD
8	10-32866		2	SCREW
9	18321		1	CLAMP
10	12-24676		2	WASHER
11	11-68219		4	NUT
12	54-90077		7	STA-STRAP
13	79-15166A1		1	TEMPERATURE GAUGE
14	88-72729		1	LIGHT BULB
15	88-79888		1	SOCKET
16	12-26427		2	WASHER
17	79480		1	BRACKET
18	11-26419		5	NUT
19	84-86323A2		1	WIRE (PURPLE)
	84-61600A16		1	WIRE (BLACK)
	84-88824A4		1	WIRE (TAN/BLUE) - 23'
20	79-813923		1	WATERSPEED GAUGE
21	79-813923--1		1	STABILIZER
22	22-85822A1		1	CONNECTOR ASSEMBLY
23	87-19674A1		1	LANYARD SWITCH/DIODE KIT
24	10-18303		2	SCREW
25	813679		1	ADAPTOR

POWER TRIM PUMP

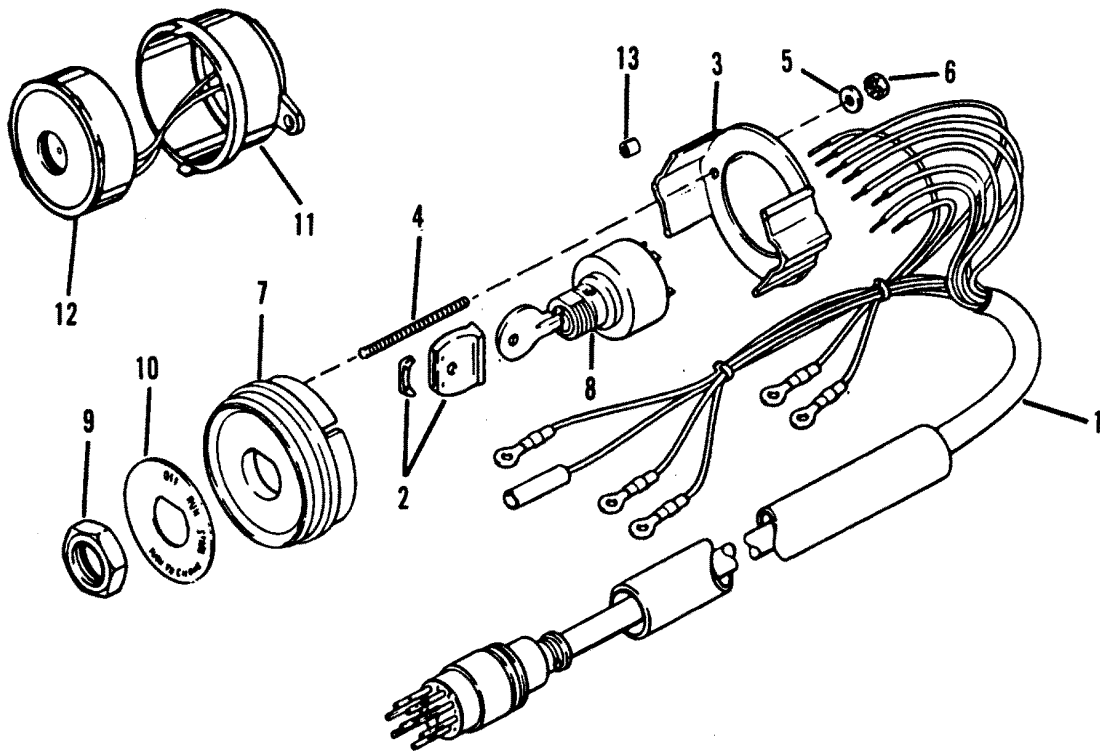


M0044-E141

POWER TRIM PUMP

REF. NO.	PART NO.	SYM.	QTY.	DESCRIPTION
-	99186T		1	POWER TRIM PUMP
1	12659		1	FRAME AND FIELD KIT
2	12665		1	BRUSH SPRING KIT
3	13506		1	BRUSH CARD KIT
4	12662		1	PUMP AND END FRAME KIT
5	12663		1	PUMP SEAL KIT
6	12660		1	END FRAME KIT
7	12661		1	ARMATURE KIT
8	12664		1	THRU BOLT KIT

KEY SWITCH ASSEMBLY



KEY SWITCH ASSEMBLY

REF. NO.	PART NO.	SYM.	QTY.	DESCRIPTION
1	84-17925A15		1	KEY SWITCH ASSEMBLY
2	90468A1		2	COVER, IGNITION SWITCH KEYS
3	76424		1	BRACKET, IGNITION SWITCH
4	16-55422		2	STUD, SWITCH ATTACHING
5	12-24676		2	WASHER, SWITCH ATTACHING STUD
6	11-68219		2	NUT, SWITCH ATTACHING STUD
7	89976		1	PLATE, SWITCH MOUNT
8	87-88107		1	SWITCH, IGNITION (SEE BELOW FOR KEY)
9	11-93543		1	NUT, IGNITION SWITCH
10	38-90311		1	INSERT, SWITCH PLATE
11	68878A6		1	ALARM HORN ASSEMBLY
12	68879		1	COVER, ALARM HORN
13	23-812711--1		2	SPACER (3/8")
	23-812711		2	SPACER (1/4")
-	89491-1		1	KEY 1A
-	89491-2		1	KEY 1B
-	89491-3		1	KEY 1C
-	89491-4		1	KEY 1D
-	89491-5		1	KEY 1E
-	89491-6		1	KEY 1F
-	89491-7		1	KEY 2A
-	89491-8		1	KEY 2B
-	89491-9		1	KEY 2C
-	89491-10		1	KEY 2D
-	89491-11		1	KEY 2E
-	89491-12		1	KEY 2F

PARTS INDEX

Part Number	Description	Pg.	Ref. No.	Part Number	Description	Pg.	Ref. No.
12242A1	LATCH	59	23	18276	EXHAUST TUBE	47	21
12323A1	CORD ASSEMBLY	59	38	18321	CLAMP	61	9
12335A1	HOLD DOWN KIT	59	37	18474--1	BRACKET (REAR)	3	10
12430A4	SENSOR ASSEMBLY	59	1	18578A3	BRACKET ASSEMBLY, REAR	35	42
12540A2	HOUSING ASSEMBLY, QUICK DISCONNECT	59	20	18701A1	SEAL KIT , BOTTOM COWLS	5	3
12540A3	HOUSING	59	22	18702--1	LOCATOR	3	19
12659	FRAME AND FIELD KIT	63	1	18715	FUEL INJECTOR	23	3
12660	END FRAME KIT	63	6	18717	SEAL	11	6
12661	ARMATURE KIT	63	7	18727	ROD	5	24
12662	PUMP AND END FRAME KIT	63	4	18736A15	VOLTAGE REGULATOR	11	5
12663	PUMP SEAL KIT	63	5	18755A2	FRONT SHIELD ASSEMBLY	3	23
12664	THRU BOLT KIT	63	8	18789--3	CYLINDER HEAD	37	1
12665	BRUSH SPRING KIT	63	2	18872A2	COVER ASSEMBLY	5	22
13170A1	BASE, FUEL FILTER	27	34	18896A1	COVER ASSEMBLY, FLYWHEEL	7	1
13171	THRUST HUB	55	78	19036--1	PLATE, DIVIDER	33	1
13202A2	WATER SENSOR MODULE ASSEMBLY	21	13	19369	PAWL (STARBOARD)	5	17
13221A1	TEMPERATURE SENSOR ASSEMBLY	39	8	19370	PAWL (PORT)	5	16
13473--1	FUSE HOLDER	13	23	19385-12	LINK, THROTTLE LEVER TO OIL PUMP	59	8
13506	BRUSH CARD KIT	63	3	19587--1	PLATE MOUNTING	11	1
13536A6	TEMPERATURE SENSOR (PORT)	37	27	19647A4	HANDLE ASSEMBLY (STARBOARD)	5	15
13715	RETAINER, SENSOR AND SENDER	37	14	19648A4	HANDLE ASSEMBLY (PORT)	5	14
14307T	FUEL PUMP	25	46	25067	BUMPER, LOWER MOUNT SCREW	47	3
14430--3	BASE, FUEL PUMP	27	17	26852	CAP, NYLON-ADJUSTING SCREW	29	37
14479	DIAPHRAGM	33	15	26852	CAP, SPARK ADVANCE LEVER STOP SCREW	17	9
14480	POPPET, VALVE	33	20	26852	CAP, THROTTLE LEVER STOP SCREW	17	21
14570	PROBE, WATER SENSING	27	37	31640A1	TRIM TAB, GEAR HOUSING	55	73
14632A12	E.C.U. ASSEMBLY	21	1	32435	PLATE, FACE - WATER PUMP	51	25
14634	ROD, THROTTLE CONTROL	17	26	38279	LATCH, CONTROL CABLE FASTENING	17	41
14637	GROMMET	21	8	39483	LATCH, CABLE	17	22
14638	BARREL, THROTTLE CONTROL ROD	17	27	39519	CAP, BARREL RETAINER- ANCHOR BAR	19	49
14639	BLANKET, FUEL PUMP	23	40	41094A3	LEVER, SPARK ADVANCE	17	6
14640T	COVER, FUEL PUMP	23	41	41095T	LEVER, THROTTLE CONTROL	17	13
14817A11	FUEL MANAGEMENT ASSEMBLY	23	1	41470A12	OIL INJECTION WARNING MODULE ASSEMBLY	39	1
14851T	INDICATOR, THROTTLE POSITION	39	3	41482A2	CHECK VALVE KIT	57	6
15027	REGULATOR, PRESSURE	23	13	41492A1	GUIDE ASSEMBLY	57	4
15029	"O" RING AND SEAL KIT	23	22	41493A4	TRIM CYLINDER ASSEMBLY	57	3
15386	END CAP	9	11	42248	BRACKET, FLYWHEEL COVER	29	28
15444	LINK	23	28	42249	COVER, STARTER MOTOR (UPPER)	29	7
15445	FLOAT KIT	23	24	43295A5	ADAPTOR HOUSING ASSEMBLY	59	28
15446	FLOAT VALVE KIT	23	23	43396A2	ANODE ASSEMBLY	57	24
15920A54	LANYARD	61	7	43397A6	PISTON AND ROD ASSEMBLY (PORT)	57	8
15930A15	FUEL PUMP ASSEMBLY	27	1	43398A3	PISTON AND ROD ASSEMBLY (STARBOARD)	57	10
16496	WATER DEFLECTOR	33	16	43429--1	PLATE, IGNITION	13	1
16497A1	PLATE, RELIEF VALVE	33	17				
17303	EXTENSION, EXHUAST	47	36				
17726--1	SEAL, EXHAUST TUBE - UPPER	47	23				
17735A2	ADAPTOR PLATE	37	18				
18173	BRACKET	3	20				
18233A1	PLATE ASSEMBLY, DRIVE SHAFT HOUSING	47	26				

PARTS INDEX

Part Number	Description	Pg.	Ref. No.	Part Number	Description	Pg.	Ref. No.
43542	COVER, IGNITION COIL	11	17	812843A1	VALVE ASSEMBLY	57	12
43567A1	BEARING CARRIER ASSEMBLY	55	67	812905A2	BRACKET ASSEMBLY, FRONT	33	38
47341A1	STARTER ROPE (FOR MANUAL STARTING)	3	7	813074	ROLLER	3	16
48039	CAP, SPARK ADVANCE			813076--2	FRONT HANDLE ASSEMBLY	5	30
	LEVER STOP SCREW	17	12	813096	HOOK	3	14
48752	INSERT, WATER PUMP BODY	51	27	813501	PLATE	39	12
52100	WEAR PLATE, LINK ROD	17	40	813552	SPACER	3	21
54196A6	CARRIER ASSEMBLY, SEAL	43	8	813553	PLATE	3	18
56703	COLLAR, STARTER MOTOR	7	18	813562	SEAL	3	24
61787	HOLDER, BRUSH	9	9	813657	BRACKET	27	31
62459	BALL JOINT, TRIGGER PLATE	17	2	813679	ADAPTOR	61	25
65800	SEAL, CARRIER	43	9	813925	HANDLE LOCK	5	31
65848	CARRIER, POPPET VALVE	33	22	813926	HANDLE	5	32
66350	SEAL, EXHAUST TUBE - LOWER	47	22	814010	COVER KIT	23	18
67073A1	LINK ROD ASSEMBLY	17	39	814011	BODY KIT	23	25
67077T6	COVER, LOWER MOUNT CLAMP	47	11	814012	PLATE, PRESSURE REGULATOR	23	16
67748	ROLLER, CAM	23	2	814077	SHUT-OFF VALVE	23	30
67891	FILLER BLOCK	55	75	814233	ELBOW KIT	23	14
68010--1	BRACKET	33	28	814239--1	THROTTLE CAM	17	28
68011	BRACKET, SEAL RETAINING	47	28	814283A1	BRACKET, ANCHOR-CONTROL CABLES	17	33
68042	STOP, RUBBER-STARTER MOTOR	7	19	814284	GUIDE BLOCK, LINK ROD	17	37
68100	RING, THRUST	55	64	814422T	COVER, IGNITION PLATE	15	38
68729	COVER, RELIEF VALVE	33	8	814423T	COVER, COIL PLATE	11	27
68878A6	ALARM HORN ASSEMBLY	65	11	814618	BOOT, IDLE EXHAUST	47	38
68879	COVER, ALARM HORN	65	12	814701--1	SEAL, EXHAUST PLATE	33	27
69205	"D" WASHER, CLIP SCREW	57	33	814701--2	SEAL, BRACKET	47	27
74897	PIVOT, TRIGGER PLATE	17	1	815225	SOUND BLANKET (SIDE)	3	4
75384	BRUSH SET	9	8	815226	SOUND BLANKET (TOP)	3	5
75660	PLATE, DRIVE END	9	3	815227	SOUND BLANKET (FRONT)	3	6
75661	DRIVE	9	2	815478	SEAL	3	3
75692	THERMOSTAT	37	5	815698	OIL PUMP	59	3
75953	REED BLOCK	37	21	86580A2	BOTTOM YOKE	49	19
76035	LINK ROD, TRIGGER PLATE	17	4	87076A6	IDLE SPEED CONTROL ASSEMBLY	31	40
76424	BRACKET, IGNITION SWITCH	65	3	88238A1	GROUND WIRE ASSEMBLY	47	8
76867	COVER, STARTER MOTOR (LOWER)	29	10	88238A2	GROUND WIRE ASSEMBLY	47	14
78249	MOUNT, LOWER	47	5	88882	BUMPER, TOP YOKE	49	22
78687	MOUNT, RUBBER (UPPER)	49	10	89491-1	KEY 1A	65	-
78902	SHAFT, SHIFT - LOWER	51	38	89491-10	KEY 2D	65	-
78956	SHIFT CAM	55	48	89491-11	KEY 2E	65	-
79022	MARKER, TIMING	7	2	89491-12	KEY 2F	65	-
79101T	BRACKET, MOUNTING	61	2	89491-2	KEY 1B	65	-
79146	RETAINER	61	6	89491-3	KEY 1C	65	-
79216	ARMATURE	9	7	89491-4	KEY 1D	65	-
79448	COVER, GEAR HOUSING	55	72	89491-5	KEY 1E	65	-
79480	BRACKET	61	17	89491-6	KEY 1F	65	-
79911	ROD, CLUTCH ACTUATOR	55	50	89491-7	KEY 2A	65	-
79932A11	SHIFT SHAFT ASSEMBLY	19	44	89491-8	KEY 2B	65	-
812443--1	RETAINER	5	26	89491-9	KEY 2C	65	-
812782	SEAL	27	30	89594A1	FOLLOWER, CAM	55	49
812784	SEAL	3	2	89976	PLATE, SWITCH MOUNT	65	7
				90390A1	COVER, THERMOSTAT	37	7
				90435	MOUNT, COWL MOUNTING BRACKET	21	4
				90468A1	COVER, IGNITION SWITCH KEYS	65	2
				90645	DRIVE KIT	9	1

PARTS INDEX

Part Number	Description	Pg.	Ref. No.	Part Number	Description	Pg.	Ref. No.
92876A1	STEERING LINK ASSEMBLY	49	14	10-37571	SCREW, WATER SENSOR		
96183	REED CLAMP	37	23		MODULE	21	15
96455A9	TRIGGER PLATE ASSEMBLY	7	15	10-37572	SCREW, TIMING MARKER	7	3
97465	TEMPERATURE SENDER			10-38055	SCREW	13	35
	(STARBOARD)	37	26	10-38055	SCREW, MERCURY SWITCH		
98775A3	PLATE, FUEL PUMP	27	18		TO IGNITION PLATE	13	16
98889	LATCH, CONTROL CABLE	17	34	10-40003--4	SCREW, FILTER COVER	23	8
99022A1	FLOAT ASSEMBLY	59	33	10-40003-10	SCREW, FUEL PUMP TO		
99170A1	TILT TUBE	45	5		CRANKCASE	27	22
99186T	POWER TRIM PUMP	63	-	10-40003-27	SCREW, COVER	57	13
99186T	PUMP AND MOTOR	57	22	10-40003-32	SCREW, ANODE	57	25
99443T	OIL RESERVOIR	59	10	10-40003-32	SCREW, SEPARATOR TO		
99625	SHAFT (UPPER)	57	23		FUEL MANAGEMENT	23	27
99630--1	STRIKER PLATE, TRIM			10-40003-77	SCREW, MANIFOLD	57	36
	SHAFT	57	27	10-40019-87	SCREW, COVER TO		
99638A1	GUIDE ASSEMBLY, TRIM				SEPARATOR	23	19
	ROD	57	7	10-40088-20	SCREW, PUMP AND MOTOR	57	20
99641A1	SHAFT ASSEMBLY	57	18	10-41507	SCREW, OIL PUMP TO		
99642	COVER, MANIFOLD	57	15		CRANKCASE (1-1/8")	59	7
99659A22	MANIFOLD ASSEMBLY	57	1	10-41508	SCREW, GROUND WIRE	47	15
N.S.S.	PINION GEAR (PART OF 43-	51	12	10-42813	SCREW	39	2
	44102A2)			10-42975	SCREW, LATCH	17	35
N.S.S.	REVERSE GEAR (PART OF	55	63	10-48409	SCREW	3	25
	43-44102A2)	9	6	10-48409	SCREW, SENSOR		
N.S.S.	WASHER, THRU BOLT	9	6		ATTACHING (5/8")	59	2
10-13627	SCREW, SPARK ADVANCE			10-49668	SCREW, BRACKET TO		
	LEVER-STOP (1-1/4")	17	10		CRANKCASE	29	29
10-13669	SCREW, SWITCH BOX TO			10-53167	SCREW, ANCHOR BRACKET		
	IGNITION PLATE	13	3		ATTACHING	17	36
10-14000	SCREW, STEERING LINK TO			10-53167	SCREW, DIVIDER PLATE		
	STEERING ARM	49	15		(9/10" 0	33	5
10-14783	SCREW, REEDS TO REED			10-55337	SCREW, THROTTLE		
	BLOCK	37	24		LEVER/ADVANCE LEVER		
10-15150	SCREW, INDICATOR	39	4		(1-3/4")	17	14
10-16452	SCREW, FUEL PUMP	27	21	10-57583	SCREW, TEMPERATURE		
10-18192	SCREW	5	13		SENSOR	39	10
10-18303	SCREW	61	24	10-62568	SCREW, WIRE ATTACHING	13	8
10-18699	SCREW, COWL			10-63474	SCREW, LOWER MOUNT	47	4
	(STARBOARD)	5	4	10-64014	SCREW, SWIVEL BRACKET	49	23
10-21558	SCREW, REED BLOCK			10-64022	SCREW, ADJUSTING-		
	ATTACHING (3/4")	37	25		CYLINDER BLOCK	29	35
10-22486	SCREW, CABLE LATCH TO			10-64022	SCREW, SPARK ADVANCE		
	THROTTLE LEVER	17	23		LEVER-STOP	17	7
10-28636	SCREW, LOWER END CAP			10-64022	SCREW, THROTTLE LEVER-		
	TO CYLINDER BLOCK	29	33		STOP (2-1/8")	17	19
10-28636	SCREW, REAR BRACKET	3	12	10-65210	SCREW, GEAR HOUSING	55	77
10-28667	SCREW	21	10	10-66024	SCREW, TRIM TAB TO		
10-28668	SCREW, ADAPTOR PLATE	37	19		GEAR HOUSING (1-3/4")	55	74
10-28668	SCREW, FUEL FILTER BASE	27	33	10-66717	SCREW, CRANKCASE TO		
10-30720	SCREW, VOLTAGE				CYLINDER BLOCK	29	14
	REGULATOR	11	2	10-66725	SCREW, EXHAUST PLATE		
10-31984	SCREW	3	22		ATTACHING (3-1/2")	33	37
10-31984	SCREW, DIVIDER PLATE (1-			10-66727	SCREW, EXHAUST PLATE		
	3/8")	33	5		ATTACHING (1-1/4")	33	35
10-32228	SCREW	23	42	10-66727	SCREW, LOWER MOUNT		
10-32228	SCREW, OIL PUMP TO				CLAMP ATTACHING (1-		
	CRANKCASE (5/8")	59	7		1/4")	47	10
10-32417	SCREW, FLYWHEEL PLATE	7	10	10-67755--1	BOLT, TRANSOM BRACKET		
10-32866	SCREW	61	8		TO TRANSOM	45	10

PARTS INDEX

Part Number	Description	Pg.	Ref. No.	Part Number	Description	Pg.	Ref. No.
10-68783	SCREW, EXHAUST PLATE ATTACHING (2-1/2")	33	36	10-90285	SCREW, FRONT BRACKET	33	39
10-68997	SCREW, FLYWHEEL HUB	7	11	10-92799	SCREW	5	21
10-69020	SCREW	15	40	10-93886	SCREW, CONNECTING ROD	43	15
10-69020	SCREW	39	13	10-96411	SCREW, WATER PUMP (2-1/4")	51	31
10-69020	SCREW, IDLE SPEED CONTROL	31	41	10-96930A1	BOLT ASSEMBLY, TILT LOCK	45	3
10-69020	SCREW, OIL RESERVOIR ATTACHING (7/8")	59	13	10-98257	SCREW, RETAINER	37	15
10-69022	SCREW, GROUNDING WIRE	11	26	10-98534	SCREW, CYLINDER HEAD (2")	37	3
10-69034	SCREW, UPPER END CAP TO CYLINDER BLOCK	29	19	11-13436	NUT, WATER PUMP STUD	51	35
10-69035	SCREW, CABLE TO STARTER MOTOR	7	23	11-13438	NUT, WATER PUMP STUD	51	33
10-69067	SCREW	27	29	11-20361	NUT, MOUNT ATTACHING	21	6
10-69067	SCREW	27	32	11-20890	NUT, STARTER MOTOR TERMINAL	7	21
10-69079	SCREW	5	34	11-23161	NUT, BOLT	45	4
10-69079	SCREW, CLIP TO TRANSOM BRACKET	57	34	11-25096	NUT, LOWER MOUNT SCREW	47	7
10-69092	SCREW, IGNITION PLATE	13	10	11-26419	NUT	61	18
10-69570	SCREW, DIAPHRAGM TO PLATE (3/4")	33	13	11-26419	NUT (8-32)	61	5
10-73286	SCREW	3	15	11-26419	NUT, SOLENOID TERMINAL (8-32)	11	11
10-73286	SCREW	5	18	11-29489	NUT, GEAR HOUSING STUD (CAP)	47	17
10-73286	SCREW	31	39	11-34863	NUT, STEERING LINK SCREW	49	16
10-73657	SCREW, COVER TO CRANKCASE	29	8	11-34933	NUT, DRIVE SHAFT HOUSING STUDS	55	76
10-74824	SCREW, COVER TO CYLINDER BLOCK (1-1/4")	33	11	11-34933	NUT, GEAR HOUSING STUD	47	19
10-74824	SCREW, CRANKCASE TO CYLINDER BLOCK	29	14	11-34933	NUT, UPPER MOUNT BOLT	49	13
10-74968	BOLT, THRU	9	4	11-35000	NUT, TRANSOM BRACKET BOLT	45	12
10-77065	SCREW, COVER TO CRANKCASE	29	11	11-35045	NUT, CABLE LATCH SCREW	17	25
10-78689	SCREW, STEERING ARM TO UPPER MOUNT	49	9	11-35045	NUT, LINK ROD	17	43
10-79953	SCREW, GREASE FILLER	53	45	11-35045	NUT, LINK ROD TO SHIFT SHAFT	19	48
10-812832	SCREW, BRACKET TO EXHAUST PLATE (1/2")	33	29	11-35045	NUT, THROTTLE CAM STUD	17	31
10-812832	SCREW, BRACKET TO PLATE (1/2")	47	29	11-35521	NUT, NYLON - COVER TO CLAMP SCREW	47	13
10-813073	SCREW	43	5	11-35921	NUT, PINION GEAR TO DRIVE SHAFT	51	14
10-814076	SCREW	23	17	11-37984	JAM NUT	45	13
10-814343	SCREW, COVER	11	28	11-42633	NUT, DRIVE SHAFT BEARING	51	17
10-87926	SCREW, LEAD ATTACHING	13	18	11-45076	NUT	13	37
10-88417	SCREW, COVER ATTACHING (5/8")	47	12	11-45076	NUT, IGNITION COIL TERMINAL	11	24
10-88447	SCREW	15	39	11-45076	NUT, LINK ROD	17	3
10-90045	SCREW, STATOR	7	13	11-45076	NUT, MERCURY SWITCH TERMINAL	13	17
10-90048	SCREW, IGNITION COIL COVER	11	19	11-45076	NUT, SOLENOID TERMINALS (10-32)	13	26
10-90088	SCREW	25	44	11-45076	NUT, SWITCH BOX TERMINAL	13	6
10-90192	SCREW, EXTENSION TO PLATE	47	32	11-45076	NUT, TERMINAL BLOCK	33	9
10-90192	SCREW, SOLENOID TO IGNITION PLATE (5/8")	13	29	11-46335	NUT	57	29
10-90192	SCREW, STARTER SOLENOID	11	8	11-46438	NUT, BALL JOINT	17	5
10-90192	SCREW, TERMINAL BLOCK	33	7	11-52707A1	PROPELLER NUT	55	81
				11-52901	NUT, FLYWHEEL	7	7
				11-56041	NUT, TILT TUBE (7/8"-14)	45	9

PARTS INDEX

Part Number	Description	Pg.	Ref. No.	Part Number	Description	Pg.	Ref. No.
11-56374	NUT, SOLENOID SCREW . . .	11	10	12-36001	WASHER, WATER PUMP		
11-64015	NUT, JAM-ADJUSTING				STUD	51	34
	SCREW	29	36	12-36042	WASHER, IGNITION PLATE		
11-64015	NUT, SPARK ADVANCE				SCREW	13	12
	STOP SCREW	17	8	12-38833	WASHER	39	14
11-64015	NUT, THROTTLE LEVER			12-38833	WASHER, IDLE SPEED		
	STOP SCREW	17	20		CONTROL SCREW	31	42
11-68219	NUT	61	11	12-40023-14	WASHER, FUEL PUMP		
11-68219	NUT, SPARK ADVANCE				SCREW	27	23
	LEVER STOP SCREW . . .	17	11	12-42118	WASHER, OIL RESERVOIR		
11-68219	NUT, SWITCH ATTACHING				SCREW	59	14
	STUD	65	6	12-4350	WASHER, COVER SCREW .	57	14
11-68292	NUT, SOLENOID TERMINALS			12-45176	WASHER, DRIVE SHAFT		
	(5/16-18)	13	28		HOUSING STUDS	55	83
11-69254	NUT, POWER HEAD STUD .	47	35	12-45176	WASHER, GEAR HOUSING		
11-69254	NUT, POWERHEAD STUD . .	35	48		STUD	47	18
11-73651	NUT, FLYWHEEL COVER			12-46101	WASHER, INDICATOR		
	STUD	29	27		SCREW (5/16")	39	6
11-813134	NUT	43	6	12-47247	WASHER, NEEDLE		
11-813692	LOCK NUT	5	23		LOCATING	43	16
11-813938	NUT, TERMINAL BLOCK . . .	33	10	12-48926	WASHER, GEAR HOUSING		
11-815848	NUT	3	8		STUD	47	16
11-90068T6	NUT, TILT TUBE (1"-14)	45	6	12-49221--1	WASHER, FLYWHEEL		
11-90078	NUT, COVER				COVER STUD	29	25
	SCREW/GROUND WIRE . .	11	20	12-49339	WASHER, LOWER MOUNT		
11-93543	NUT, IGNITION SWITCH . . .	65	9		SCREW	47	6
11-94330	NUT, SOLENOID TERMINAL			12-56681	WASHER	3	26
	(1/4-20)	11	12	12-65567	WASHER	21	12
11-99265	PUSHNUT	59	34	12-66921	WASHER, UPPER MOUNT		
12-18703--1	WASHER	33	40		BOLT	49	11
12-19183	WASHER, GREASE FILLER			12-67264	WASHER, IGNITION PLATE		
	AND DRAIN SCREW	53	47		SCREW (RUBBER)	13	13
12-20346	WASHER (SMALL)	23	36	12-67670	WASHER, THRUST - SWIVEL		
12-21249	WASHER, MOUNT				BRACKET	49	21
	ATTACHING	21	5	12-68229	WASHER, FLYWHEEL	7	8
12-24676	WASHER	61	10	12-68410	WASHER, SPARK ADVANCE		
12-24676	WASHER, SWITCH				LEVER	17	18
	ATTACHING STUD	65	5	12-69057	WASHER	5	12
12-25909	WASHER, CYLINDER HEAD			12-70132	WASHER	3	9
	SCREW	37	4	12-72761	WASHER, FLYWHEEL		
12-25970	WASHER, POWER HEAD				COVER STUD	29	26
	STUD	47	34	12-72761	WASHER, TIMING MARKER		
12-25970	WASHER, POWERHEAD				SCREW	7	4
	STUD	35	47	12-76451	WASHER, DIAPHRAGM		
12-26427	WASHER	61	16		SCREW	33	14
12-28421	WASHER, TRANSOM			12-77674	WASHER, RUBBER - SHIFT		
	BRACKET BOLT	45	11		SHAFT BUSHING	53	44
12-29245	WASHER	25	45	12-78910	WASHER, COMPRESSION		
12-29245	WASHER, ANODE SCREW .	57	26		SPRING	55	52
12-29245	WASHER, WATER PUMP			12-814432	WASHER, UPPER MOUNT		
	SCREW AND STUD	51	32		BOLT	49	12
12-30164	WASHER, INDICATOR			12-85303	WASHER, POPPET SPRING		
	SCREW (3/8")	39	6	12-89302	LOCKWASHER	13	36
12-31211A2	WASHER, SPLINED -			12-89302	WASHER	15	41
	PROPELLER NUT	55	79	12-89302	WASHER, WATER SENSOR		
12-34931	WASHER, STEERING LINK				MODULE SCREW	21	16
	TO STEERING ARM	49	17	12-92721	WASHER, PINION GEAR . . .	51	13
12-35280	WASHER (LARGE)	23	35	13-26992	LOCKWASHER	5	35
12-35462	WASHER, LATCH	17	42	13-26992	LOCKWASHER	11	3
12-35462	WASHER, LINK ROD	19	47	13-26992	LOCKWASHER	21	11

PARTS INDEX

Part Number	Description	Pg.	Ref. No.	Part Number	Description	Pg.	Ref. No.
13-26992	LOCKWASHER, LOWER END			17-13794	GROOVE PIN, TRIM		
	CAP SCREW	29	34		CYLINDER (UPPER)	57	11
13-26992	LOCKWASHER, REAR			17-16483	DOWEL PIN	37	13
	BRACKET SCREW	3	13	17-20033	DOWEL PIN, GEAR		
13-26992	LOCKWASHER, SOLENOID				HOUSING LOCATING . . .	51	3
	TO IGNITION PLATE			17-20033	DOWEL PIN, LOCATING . . .	29	4
	SCREW	13	30	17-20033	DOWEL PIN, LOCATING . . .	47	30
13-26992	LOCKWASHER, STARTER			17-20033	DOWEL PIN, LOCATING,		
	MOTOR TERMINAL	7	20		EXHAUST PLATE	33	26
13-26993	LOCKWASHER, IGNITION			17-44431	GROOVE PIN, TRIM		
	PLATE SCREW	13	11		CYLINDER (LOWER)	57	35
13-26993	LOCKWASHER, STARTER			17-67296	DOWEL PIN, CYLINDER		
	MOTOR COVER SCREW . . .	29	9		BLOCK (BEARING RACE)	29	5
13-26995	LOCKWASHER, COVER			17-67706A36	SWIVEL PIN AND STEERING		
	SCREW	23	20		ARM	49	8
13-26995	LOCKWASHER, INDICATOR			17-78905	CROSS PIN, RATCHET TO		
	SCREW	39	5		PROPELLER SHAFT	55	59
13-26995	LOCKWASHER,			17-78906	PIN, SPRING LOCATOR . . .	55	53
	TEMPERATURE SENSOR			17-78909	DETENT PIN, RATCHET . . .	55	60
	SCREW	39	11	17-815296	LOCK PIN	5	29
13-26996	LOCKWASHER	15	42	19-45907	PLUB, FLYWHEEL	7	6
13-26996	LOCKWASHER	23	43	19-64649	PLUG, DRIVE SHAFT		
13-26996	WASHER, STATOR SCREW	7	14		HOUSING	47	20
13-29720	WAVE WASHER, LINK ROD	19	45	19-89219	PLUB, FLYWHEEL COVER . .	7	5
13-40025--5	LOCKWASHER, COVER			19-99609A1	PLUG ASSEMBLY	57	17
	SCREW	23	9	21-18241	CHECK VALVE	23	29
13-40025--6	LOCKWASHER	57	21	21-42481	CHECK VALVE	23	26
13-40025--8	LOCKWASHER, MANIFOLD			21-42623	CHECK VALVE (PRESS-IN -		
	SCREW	57	37		11/16" LONG)	41	4
13-42351--1	LOCKWASHER, PROPELLER			21-42698	CHECK VALVE (PRESS-IN -		
	SHAFT	55	82		13/16" LONG)	41	3
13-53166	LOCKWASHER, SOLENOID			21-42990A6	DIAPHRAGM KIT	27	-
	TERMINALS (5/16")	13	27	21-42990A6	DIAPHRAGM KIT	27	2
13-58643	LOCKWASHER	57	28	21-43278	FITTING, CHECK VALVE		
13-78854	WAVE WASHER, BOTTOM				(CRANKCASE)	59	24
	YOKE	49	18	21-812821A1	CHECK VALVE	5	8
13-88750	WAVE WASHER, TILT TUBE	45	8	22-13607	FITTING, BASE	27	35
13-99611	WAVE WASHER	5	11	22-13607	FITTING, BASE	27	35
14-31210	TAB WASHER, PORPELLER			22-14868	FITTING, FUEL PUMP		
	NUT	55	80		(ELBOW)	27	14
14-79447	TAB WASHER, GEAR			22-15026	CAP, ELBOW (YELLOW) . . .	41	7
	HOUSING COVER	55	71	22-15133	ELBOW (PRESS-IN)	41	5
15-42637A1	SHIM ASSEMBLY	51	15	22-15781A1	FUEL CONNECTOR	27	28
15-47397A1	SHIM, BEARING OUTER			22-15979	FITTING	27	20
	RACE (.002-3-5-10)	55	54	22-16604	FITTING, FUEL PUMP		
16-15093	STUD, FLYWHEEL COVER				(STRAIGHT)	27	15
	TO BRACKET	29	23	22-18205	TEE	41	8
16-15094	STUD, FLYWHEEL COVER			22-42425	FITTING, OIL TUBING	59	18
	TO CYLINDER BLOCK . . .	29	22	22-56759	FITTING (PRESS-IN)	41	6
16-30667	STUD, WATER PUMP (3-1/8")	51	7	22-56800	PIPE PLUG	27	19
16-55422	STUD, SWITCH ATTACHING	65	4	22-59169	TEE	41	2
16-56295	STUD, DRIVE SHAFT			22-67892	SCREW, DRAIN (MAGNETIC)	53	46
	HSG./GEAR HSG.	47	2	22-68727	ELBOW, EXHAUST PLATE . .	33	25
16-56297	STUD, WATER PUMP (3-3/8")	51	6	22-68727	FITTING, ELBOW-WATER		
16-57920	STUD, GEAR HOUSING (2-				HOSES	37	9
	1/16")	51	5	22-68728	FITTING, THERMOSTAT		
16-67065	STUD, POWERHEAD	29	3		COVER TO WATER		
16-76175	STUD, POWERHEAD	29	2	22-74036	HOSES	37	11
16-78438	STUD, POWERHEAD	29	3	22-813613	FITTING, GREASE	49	6
					FITTING, TELLTALE	5	5

PARTS INDEX

Part Number	Description	Pg.	Ref. No.	Part Number	Description	Pg.	Ref. No.
22-814430	FITTING	35	43	24-78962	SPRING, RETAINING - CROSS PIN	55	61
22-815914	TEE, TELLTALE	5	27	24-79910	SPRING, COMPRESSION	55	51
22-85822A1	CONNECTOR ASSEMBLY	61	22	24-813929--1	SPRING	5	33
22-85822A1	CONNECTOR ASSEMBLY, SPEEDOMETER	51	2	25-11332	"O" RING, ADAPTOR HOUSING	59	29
22-89772	CONNECTOR (STRAIGHT)	33	30	25-11332	"O" RING, CAP	59	27
22-92007	FITTING (90°)	35	44	25-11379	"O" RING, OIL PUMP	59	4
22-99616	PIPE PLUG, MANIFOLD	57	2	25-12602	GROMMET, EXHAUST PLATE	33	34
22-99616	PLUG PIPE, SHAFT	57	19	25-18506	GROMMET	3	11
22-99751	FITTING, PULSE HOSE (90°)	27	25	25-18778	GROMMET	33	41
23-14636	BUSHING	21	9	25-19564	GROMMET	33	33
23-15885	SLEEVE	39	7	25-25439	"O" RING, SHIFT SHAFT BUSHING	51	41
23-19275	SPACER	23	32	25-30271	RING, RUBBER (DRIVE SHAFT)	51	36
23-19661	SPACER	11	4	25-31534	"O" RING, BEARING CARRIER	55	66
23-19666	BUSHING	5	10	25-33466	"O" RING, SWIVEL BRACKET (UPPER)	49	4
23-26600	BUSHING, NYLON-LINK ROD	19	46	25-41478A1	REPAIR KIT	57	5
23-26856	BUSHING, THROTTLE CAM	17	30	25-42117	GROMMET, OIL RESERVOIR SCREW	59	15
23-27132	BUSHING, EXHAUST PLATE	33	32	25-45711	"O" RING	39	9
23-29804	SLEEVE, GUIDE - WATER INLET TUBE	51	37	25-45711	"O" RING, TILT TUBE	45	7
23-34948	SPACER	21	2	25-48462A2	"O" RING KIT	57	16
23-41429A2	BEARING ASSEMBLY, DRIVE GEAR	59	5	25-54029	"O" RING, END CAP	29	16
23-42116	BUSHING, OIL RESERVOIR SCREW	59	16	25-62700	"O" RING, END CAP (3-1/4" I.D.)	29	31
23-43998	SLEEVE, LUBRICATION	51	9	25-64872	GROMMET, POPPET VALVE	33	21
23-55164	BUSHING, THROTTLE LEVER	17	15	25-88033	GROMMET	23	33
23-55171	BUSHING, SPARK ADVANCE LEVER	17	16	25-90011	"O" RING, WATER PUMP	51	20
23-65830	BUSHING, NYLINER	5	9	26-16977	OIL SEAL, WATER PUMP	51	22
23-67268	BUSHING, IGNITION PLATE SCREW	13	14	26-18790	SEAL, VAPOR SEPARATOR	23	21
23-67269	SPACER, FLYWHEEL COVER STUD	29	24	26-18792	SEAL, INJECTOR MANIFOLD	23	31
23-67668	SPACER, SWIVEL BRACKET (UPPER)	49	5	26-38970	SEAL, RUBBER - WATER INLET TUBE	51	28
23-67669	BUSHING, SWIVEL BRACKET (LOWER AND UPPER)	49	3	26-38970	SEAL, WATER TUBE	47	31
23-77631A2	BUSHING ASSEMBLY, SHIFT SHAFT	53	42	26-41953	OIL SEAL, END CAP	29	18
23-812711	SPACER (1/4")	65	13	26-41953	OIL SEAL, END CAP	29	32
23-812711--1	SPACER (3/8")	65	13	26-76384	OIL SEAL, SHIFT SHAFT BUSHING	53	43
23-814913	SPACER	23	34	26-76868	OIL SEAL, BEARING CARRIER	55	69
23-93248	SWIVEL BUSHING	17	29	26-814754	SEAL, DIVIDER PLATE	33	3
23-94453	BUSHING, SWITCH BOX SCREW	13	4	26-87735	OIL SEAL, SWIVEL BRACKET (LOWER)	49	2
23-99448	BUSHING	29	12	26-89238	OIL SEAL, WATER PUMP	51	21
23-99608	BUSHING, SWIVEL BRACKET	49	7	26-89238A2	SEAL KIT	53	-
24-20099	SPRING, CABLE LATCH TO THROTTLE LEVER	17	24	26-89238A2	SEAL KIT	55	-
24-20099	SPRING, LINK ROD TO GUIDE BLOCK	17	38	27-11338	GASKET, SEALING	29	6
24-41050	SPRING, THROTTLE RETURN	17	32	27-14697--2	GASKET, ADAPTOR PLATE	37	20
24-64878	SPRING, COMPRESSION POPPET VALVE	33	18	27-16737--1	GASKET, ADAPTOR PLATE	37	17
				27-18307--1	GASKET, DRIVE SHAFT HOUSING PLATE TO EXHAUST PLATE	47	33
				27-18786--1	GASKET, CYLINDER HEAD	37	2
				27-18791	GASKET, PRESSURE REGULATOR	23	15

PARTS INDEX

Part Number	Description	Pg.	Ref. No.	Part Number	Description	Pg.	Ref. No.
27-19050	GASKET, DIVIDER PLATE . . .	33	2	32-99127109	HOSE	35	45
27-42631--1	GASKET, WATER PUMP TO GEAR HSG	51	19	32-99127109	HOSE, TELLTALE	5	6
27-43307	GASKET, RESERVOIR CAP . . .	59	32	32-99127109	TUBING, OIL	59	17
27-62386	GASKET, THERMOSTAT . . .	37	6	32-99129-76	TUBING	27	16
27-78246	GASKET, EXHAUST EXTENSION	47	37	32-99130122	HOSE (3/32" I.D.)	23	12
27-78690	GASKET, RELIEF VALVE PLATE	33	12	32-99130122	TUBING, BLEED	41	1
27-815809A90	GASKET SET	1	-	32-99439	HOSE, OIL	59	21
27-85608--1	GASKET, LOWER - WATER PUMP	51	23	32-99802	TUBE, OIL PIC-UP	59	30
27-85609--1	GASKET, UPPER - WATER PUMP	51	24	33-13686--2	SPARK PLUG	11	23
27-98769--1	GASKET, BASE	27	13	33-14103568	SPARK PLUG (CANADA/BELGIUM)	11	23
27-99173--2	GASKET, DRIVE SHAFT HOUSING TO PLATE	47	25	34-75362A1	REED ASSEMBLY	37	22
27-99176--3	GASKET, EXHAUST PLATE . . .	33	23	35-12184A1	TRIM FILTER ASSEMBLY . . .	57	9
28-30281	KEY, LOCATING - BEARING CARRIER	55	70	35-15028--1	FUEL FILTER	23	7
28-56654	KEY, IMPELLER DRIVE	51	30	35-15442	FUEL FILTER KIT	23	6
29-67483	NEEDLE BEARING, PISTON END	43	17	35-17422	FILTER INJECTOR	23	4
30-67923	BALL BEARING, CRANKSHAFT (LOWER)	43	2	35-18206	FUEL FILTER	41	10
30-88957A1	BEARING, BALL - REVERSE GEAR	55	65	35-18458A1	FUEL FILTER ASSEMBLY . . .	27	36
31-16756A1	ROLLER BEARING, CRANKSHAFT	43	7	36-43298A2	CAP ASSEMBLY, OIL TANK . .	59	26
31-16756A2	ROLLER BEARING, END CAP	29	17	36-43300A9	CAP ASSEMBLY, OIL RESERVOIR	59	31
31-17514A1	ROLLER BEARING ASSEMBLY, CRANKSHAFT END	43	18	37-813033A89	DECAL SET	1	-
31-30956	ROLLER BEARING, BEARING CARRIER	55	68	38-90311	INSERT, SWITCH PLATE . . .	65	10
31-36387A1	ROLLER BEARING, DRIVE SHAFT	51	16	39-18487A12	PISTON RING ASSEMBLY . . .	43	12
31-42647A1	ROLLER BEARING, DRIVE SHAFT	51	8	39-67377	RING, SEALING - CRANKSHAFT (.124 THICK)	43	10
31-73363	ROLLER BEARING, FORWARD GEAR	55	57	40-52035	LOCK RING, PISTON	43	13
31-78172A1	TAPERED ROLLER BEARING ASSEMBLY	55	55	43-14513A2	DRIVE GEAR	43	4
32-13503-77	HOSE (1/2" O.D.)	23	10	43-14563	DRIVEN GEAR	59	6
32-13503-77	TUBING	23	38	43-44102A2	FORWARD GEAR ASSEMBLY	55	56
32-13503-77	TUBING	27	26	44-94148	PROPELLER SHAFT	55	62
32-14633	HOSE	25	47	45-44000	DRIVE SHAFT	51	11
32-43016-22	TUBING, OIL PUMP	59	9	46-42579A3	WATER PUMP BASE ASSEMBLY	51	18
32-43017-36	TUBING, OIL RESERVOIR TO OIL PUMP	59	12	46-42579A4	WATER PUMP REBUILD KIT . .	53	-
32-67295	TUBE, WATER	47	24	46-96148A1	WATER PUMP BODY ASSEMBLY	51	26
32-77653-77	HOSE	5	28	47-89984	IMPELLER, WATER PUMP . . .	51	29
32-77653-77	HOSE	33	31	50-79472	STARTER MOTOR	7	17
32-77653-77	HOSE, WATER DISTRIBUTION	37	10	50-79472	STARTER MOTOR ASSEMBLY	9	-
32-90729-25	HOSE, OIL (6-3/4")	59	19	52-78959	RATCHET, SLIDING CLUTCH . .	55	58
32-90729-25	HOSE, PULSE	27	24	53-13194	SNAP RING	3	17
32-99126-88	HOSE (1/8" I.D.)	23	11	53-29641	"E" RING, RETAINING - SHIFT SHAFT	51	39
32-99126-88	TUBING	41	9	53-67446	RETAINING RING, BALL BEARING	43	3
				53-67684	RETAINING RING, BOTTOM YOKE	49	20
				53-78907	RETAINER RING	51	40
				53-812844	"E" RING	57	12A
				54-13791	CLAMP, HOSE	23	37
				54-16793	CLAMP	29	38
				54-19748--1	CLAMP (LOWER)	5	20
				54-19749	CLAMP (UPPER)	5	19
				54-22875	CLIP, PUMP WIRE	57	32
				54-41582--3	CLAMP, OIL HOSE	59	11
				54-41582--4	CLAMP, OIL HOSE	59	35

PARTS INDEX

Part Number	Description	Pg.	Ref. No.	Part Number	Description	Pg.	Ref. No.
54-47483	"J" CLIP	13	33	84-95084A2	WIRE ASSEMBLY, FUSE	13	22
54-54457	"J" CLAMP	49	24	84-96220A12	HARNESS, ENGINE	13	20
54-63153	'J' CLIP	29	20	84-98866A14	WIRING HARNESS, E.C.U. AND INJECTORS	21	17
54-67076	CLAMP, LOWER MOUNT	47	9	85-63709A1	PROTECTOR, HIGH TENSION CABLE	11	22
54-814634	CLAMP	33	4	86-19437--2	TERMINAL BLOCK	13	34
54-90077	STA-STRAP	5	7	86-19437--3	TERMINAL BLOCK	33	6
54-90077	STA-STRAP	11	16	87-18286A27	SWITCH ASSEMBLY	5	25
54-90077	STA-STRAP	23	39	87-19674A1	LANYARD SWITCH/DIODE KIT	61	23
54-90077	STA-STRAP	35	46	87-33386A3	MERCURY SWITCH	13	15
54-90077	STA-STRAP	59	36	87-88107	SWITCH, IGNITION (SEE BELOW FOR KEY)	65	8
54-90077	STA-STRAP, FUEL TUBING	27	27	88-72729	LIGHT BULB	61	14
54-90077	STA-STRAP, HARNESS AND CABLES	13	24	88-72729	LIGHT BULB	61	3
54-90077	STA-STRAP, WATER HOSES	37	12	88-79091	FUSE	13	21
79-15110A1	TACHOMETER	61	1	88-79888	SOCKET	61	15
79-15166A1	TEMPERATURE GAUGE	61	13	88-79888	SOCKET	61	4
79-813923	WATERSPEED GAUGE	61	20	89-15857	STARTER SOLENOID	13	25
79-813923--1	STABILIZER	61	21	89-96158	STARTER SOLENOID	11	7
84-14695--1	CLIP	21	18	90-19592900	OWNER'S GUIDE	1	-
84-15443	HARNESS KIT	23	5	90-816150-90	175SKI PARTS MANUAL	1	-
84-17925A15	KEY SWITCH ASSEMBLY	65	1	266-9841A7	FLYWHEEL	7	9
84-60871A10	WIRE, SWITCH BOX	13	7	332-7778A9	SWITCH BOX	13	2
84-61600A16	WIRE (BLACK)	61	19	339-7370A13	IGNITION COIL	11	18
84-62310A2	CABLE ASSEMBLY, SWITCH BOX TO SWITCH BOX	13	5	398-9610A5	STATOR	7	12
84-65999A2	CABLE ASSEMBLY, UPPER MOUNT (BLACK)	13	31	455-9536A4	CRANKSHAFT ASSEMBLY	43	1
84-65999A3	CABLE ASSEMBLY (BLACK)	13	9	636-8119A5	CONNECTING ROD ASSEMBLY	43	14
84-69739A7	HARNESS ASSEMBLY, COIL TO SWITCH BOX	11	13	766-8666A22	PISTON ASSEMBLY (STARBOARD)	43	11
84-813715A9	CABLE, HIGH TENSION	11	21	766-8667A22	PISTON ASSEMBLY (PORT)	43	11
84-814609A1	CONTROL HARNESS, POWER TRIM	57	30	884-9764A12	CYLINDER BLOCK	29	1
84-86323A2	WIRE (PURPLE)	61	19	1156-7809A1	END CAP ASSEMBLY, LOWER	29	30
84-87379A14	WIRE ASSEMBLY (2-3/4" - RED)	11	14	1159-9642A1	END CAP ASSEMBLY, UPPER	29	15
84-87895A4	CABLE	21	3	1257-8742--1	OIL TANK	59	25
84-88439A2	BATTERY CABLE, NEGATIVE	13	19	1499-8710A18	SWIVEL BRACKET ASSEMBLY	49	1
84-88439A3	BATTERY CABLE, POSITIVE	13	19	1590-8343A11	DRIVE SHAFT HOUSING	47	1
84-88528A2	CABLE ASSEMBLY (6" - RED/WHITE)	13	32	1647-9148A12	GEAR HOUSING ASSEMBLY	51	1
84-88807A13	GROUND WIRE (5-1/2" - BLACK)	11	25	1647-9148A12	GEAR HOUSING ASSEMBLY (BASIC)	55	1
84-88807A18	WIRE ASSEMBLY (BLACK)	21	14	1647-9148A20	GEAR HOUSING	51	-
84-88807A19	CABLE ASSEMBLY	21	7	1647-9148A20	GEAR HOUSING	55	-
84-88807A20	CABLE ASSEMBLY, COVER	29	13	2196-9742A62	TOP COWL ASSEMBLY	3	1
84-88807A29	CABLE (9 - BLACK)	11	15	2197-9744A17	BOTTOM COWL ASSEMBLY (PORT)	5	1
84-88807A6	WIRE ASSEMBLY (3-1/2" - BLACK)	11	9	2197-9745A6	BOTTOM COWL ASSEMBLY (STARBOARD)	5	2
84-88807A8	WIRE ASSEMBLY (3-1/2" - BLACK)	11	14	3400-8716A6	TRANSOM BARCKET (PORT)	45	2
84-88808A22	CABLE (6-7/8"-RED)	57	31	3401-8718A2	TRANSOM BRACKET (STARBOARD)	45	1
84-88824A4	WIRE (TAN/BLUE) - 23'	61	19				
84-91865A1	CABLE ASSEMBLY (3" - WHITE/BLACK)	13	32				
84-93388A1	WIRE ASSEMBLY, PLATE TO STARTER MOTOR	7	16				