



PARTS CATALOG

MOD - VP (EFI)

SERIAL NUMBER

MERC MOD-VP (EFI) C276380 AND UP

TABLE OF CONTENTS:

AIR INLET/THROTTLE LINKAGE	22
COWLS	2
CRANKSHAFT, PISTONS AND CONNECTING RODS	20
CYLINDER BLOCK AND END CAPS	12
DRIVE SHAFT HOUSING	26
E.F.I. CONTROL BOX	24
EXHAUST MANIFOLD	18
FLYWHEEL, STARTER MOTOR AND IGNITION COILS	4
FUEL INJECTORS	44
FUEL PUMP	46
GEAR HOUSING (DRIVE SHAFT)	34
GEAR HOUSING (PROPELLER SHAFT)	38
HYDRAULIC PUMP AND MOUNTING BRACKET	40
HYDRAULIC PUMP ASSEMBLY	42
KEY SWITCH ASSEMBLY	48
MISCELLANEOUS PARTS/ACCESSORIES	1
PARTS INDEX	54
REED BLOCK AND CYLINDER HEAD	16
STARTER MOTOR ASSEMBLY	52
SWIVEL BRACET AND STEERING ARM	28
TACHOMETER, TRIM GAUGE AND ALARM HORN	50
THROTTLE LEVER AND SHIFT SHAFT	8
TRANSOM BRACKETS AND TRIM CYLINDER	30
WIRING HARNESS, STARTER SOLENOID & RECTIFIER	6

NOTE: *Indented description indicate that these parts are included in preceeding assembly.*

AR = As Required

NSS = Not Sold Separate

OPT = Optional

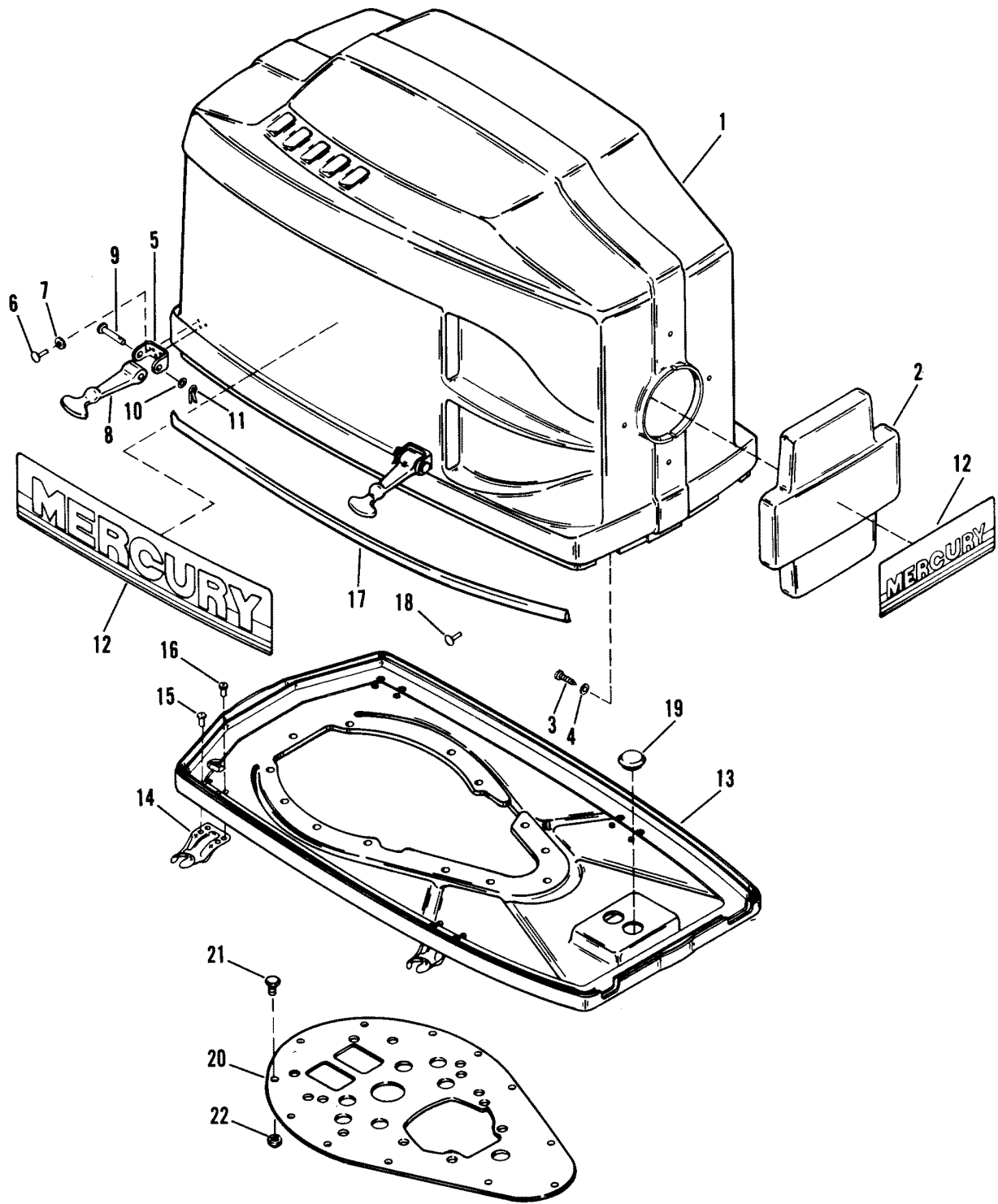
NS = Not Shown

THESE PARTS BOOKS/FICHE CARD ARE COPYRIGHTED AND MAY NOT BE DISTRIBUTED OR REPRODUCED IN ANY OTHER FORMAT BY ANYONE OTHER THAN MERCURY MARINE WITHOUT THE PRIOR WRITTEN CONSENT OF MERCURY MARINE.

MISCELLANEOUS PARTS/ACCESSORIES

REF. NO.	PART NO.	SYM.	QTY.	DESCRIPTION
-	90-817121-90		0	PARTS MANUAL
-	27-41247A1		0	GASKET SET
-	90-15805900		0	OWNER'S GUIDE

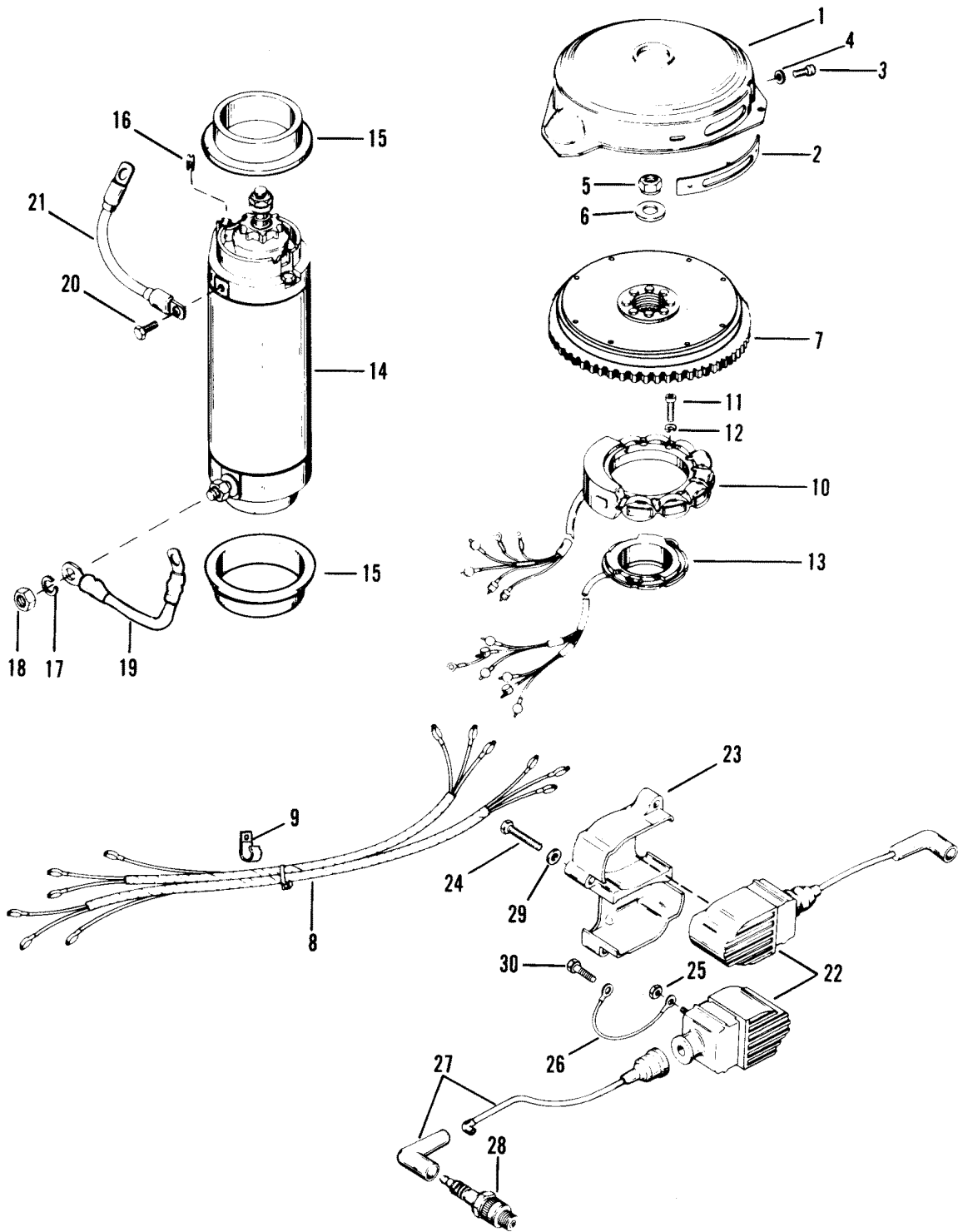
COWLS



COWLS

REF. NO.	PART NO.	SYM.	QTY.	DESCRIPTION
1	2167-9442A5		1	TOP COWL
2	14410A1		1	FRONT COVER
3	10-69570		4	SCREW
4	12-22887		4	WASHER
5	71602		4	YOKE
6	17-816771		12	RIVET
7	12-20128		12	WASHER
8	58707		4	HOLD DOWN (BUNGY CORD)
9	17-58712		4	CLEVIS PIN
10	12-20128		4	WASHER
11	18-21071		4	COTTER PIN
12	37-13813A4		1	DECAL SET
13	12955A3		1	BOTTOM COWL
14	13734		4	RETAINER
15	17-12148		8	POP RIVET
16	17-14908		8	RIVET
17	19368--2		1	TRIM MOLDING
18	17-12147		13	POP RIVET
19	22-14685		2	PLUG
20	99264--1		1	PLATE
21	10-38601		13	SCREW
22	35045		13	NUT

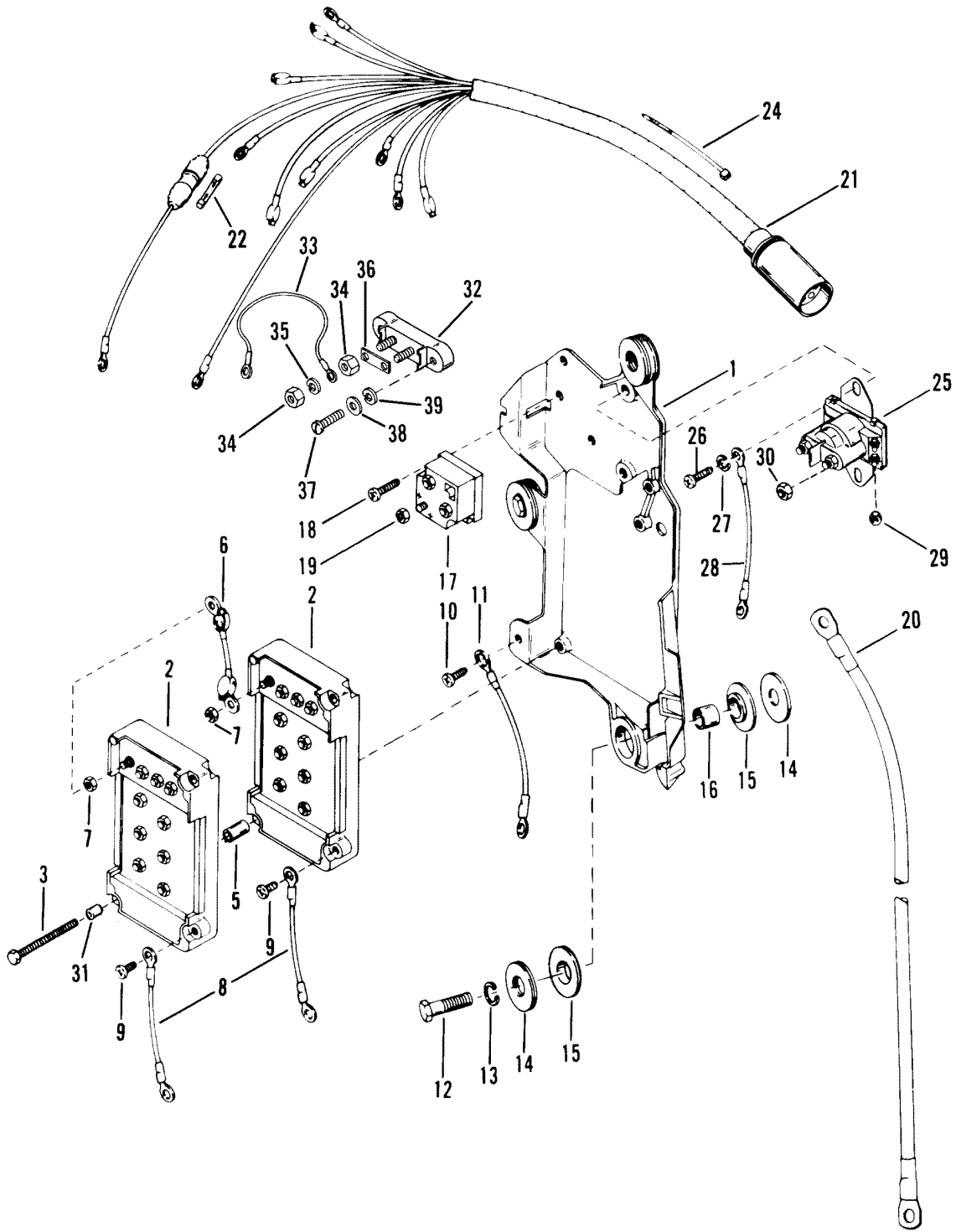
FLYWHEEL, STARTER MOTOR AND IGNITION COILS



FLYWHEEL, STARTER MOTOR AND IGNITION COILS

REF. NO.	PART NO.	SYM.	QTY.	DESCRIPTION
1	79918A1		1	COVER ASSEMBLY
2	79022		1	TIMING MARKER
3	10-37572		2	SCREW
4	12-72761		2	WASHER
5	11-52901		1	NUT
6	12-68229		1	WASHER
7	249-6080A5		1	FLYWHEEL ASSEMBLY
8	84-69738A7		1	HARNESS (#2,4 & 6)
	84-69739A2		1	HARNESS (#1,3 & 5)
9	54-814634		2	J-CLAMP
10	398-5454A35		1	STATOR ASSEMBLY
11	10-99452		4	SCREW
12	13-26996		4	LOCKWASHER
13	96455A11		1	TRIGGER PLATE
14	50-79472		1	STARTER MOTOR
15	56703		2	COLLAR
16	68042		2	RUBBER STOP
17	13-26992		1	LOCKWASHER
18	11-20890		1	NUT
19	84-93389A5		1	WIRE (YELLOW)
20	10-69035		1	SCREW
21	84-93388A1		1	WIRE (BLACK)
22	339-7370A13		6	IGNITION COIL
23	67614		3	COVER
24	10-88447		12	SCREW (1-5/8")
25	11-45076		12	NUT
26	84-88807A6		6	GROUND STRAP (BLACK)
27	84-815358A1		1	H IGH TENSION CABLE
28	33-97180		6	SPARK PLUG
29	12-30164		12	WASHER
30	10-68513		6	SCREW

WIRING HARNESS, STARTER SOLENOID & RECTIFIER



WIRING HARNESS, STARTER SOLENOID & RECTIFIER

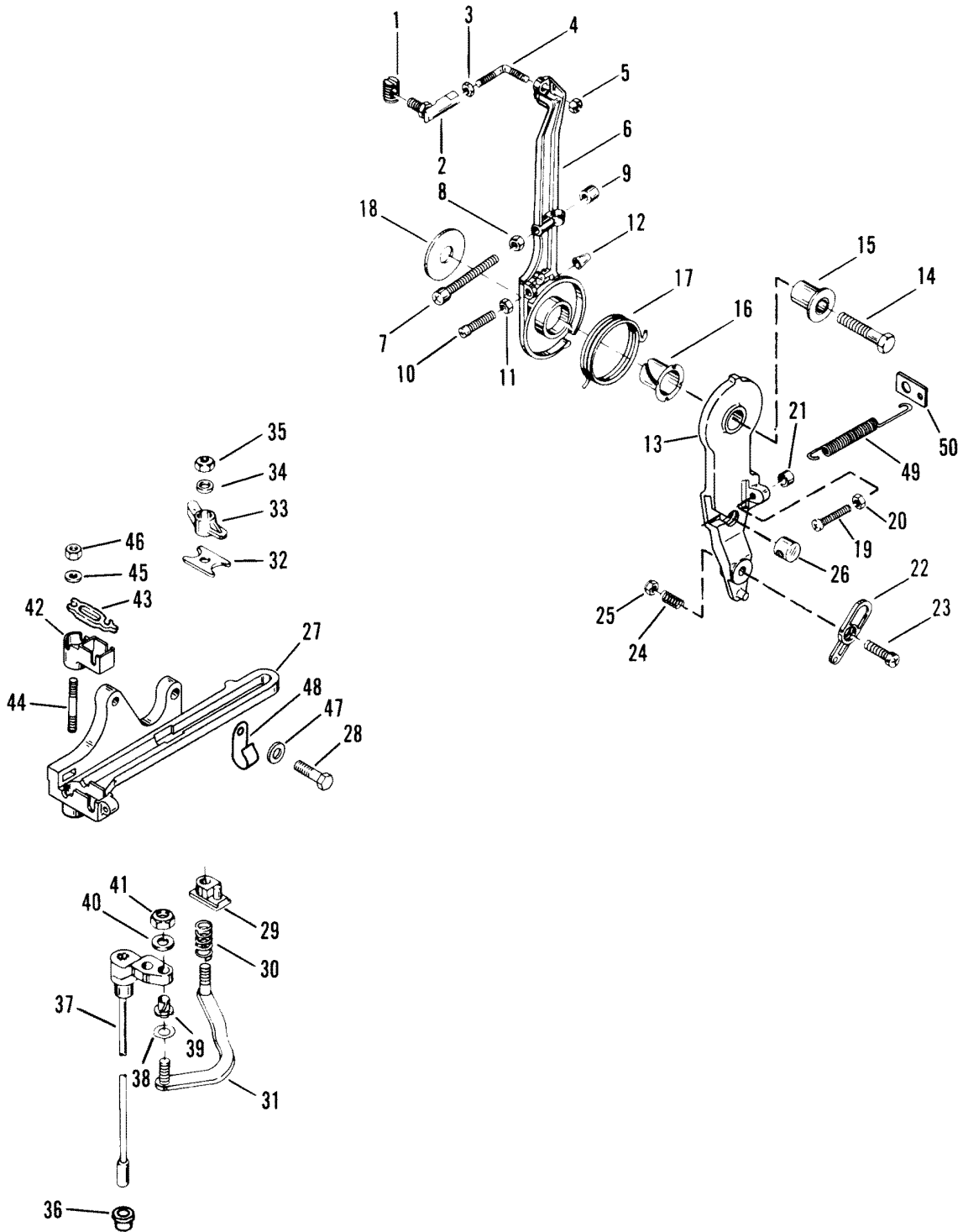
REF. NO.	PART NO.	SYM.	QTY.	DESCRIPTION
1	43429--1		1	IGNITION PLATE
2	332-7778A4		2	SWITCH BOX
3	10-90815		2	SCREW
5	23-94453		2	BUSHING
6	84-62310A2		1	CABLE
7	11-45076		20	NUT
8	84-60871A10		2	WIRE
9	10-62568		2	SCREW
10	10-38055		1	SCREW (5/8")
11	84-65999A3		1	CABLE (BLACK)
12	10-69092		3	SCREW (1-1/4")
13	13-26993		3	LOCKWASHER
14	12-36042		6	WASHER
15	12-67264		6	WASHER (RUBBER)
16	23-67268		3	BUSHING
17	816770		1	RECTIFIER
18	10-38055		2	SCREW (5/8")
19	11-45076		3	NUT
20	84-88439A14		1	BATTERY CABLE (POSITIVE)
	84-88439A2		1	BATTERY CABLE (NEGATIVE)
21	84-96220A4		1	ENGINEER HARNESS
22	88-79091		1	FUSE
24	54-816311		AR	STA-STRAP
25	89-76528A1		1	STARTTER SOLENOID
26	10-31716		2	SCREW (5/8")
27	13-26992		2	LOCKWASHER
28	84-65999A2		1	CABLE (BLACK)
29	11-45076		2	NUT
30	11-67980		2	NUT
31	23-94304		2	BUSHING
32	86-19437--2		1	TERMINAL BLOCK
33	84-88672A3		1	CABLE
34	11-45076		4	NUT
35	13-26996		2	LOCKWASHER
36	815571		1	JUMPER
37	10-12463		2	SCREW
38	13-69432		2	LOCKWASHER
39	12-35462		2	WASHER

THROTTLE LEVER AND SHIFT SHAFT

REF. NO.	PART NO.	SYM.	QTY.	DESCRIPTION
1	74897		1	PIVOT
2	62459		1	BALL JOINT
3	11-68219		1	NUT
4	76035		1	LINK ROD
5	11-45812		1	HUT
6	41094A3		1	SPARK ADVANCE LEVER
7	10-64022		1	SCREW
8	11-64015		1	NUT
9	26852		1	CAP
10	10-69560		1	SCREW (1-1/4")
11	11-68219		1	NUT
12	48039		1	CAP
13	77837		1	THROTTLE CONTROL LEVER
14	10-55337		1	SCREW (1-3/4")
15	23-55164		1	BUSHING
16	23-55171		1	BUSHING
17	24-68784		1	SPRING
18	12-68410		1	WASHER
19	10-64022		1	SCREW (2-1/8")
20	11-64015		1	NUT
21	26852		1	CAP
22	39483		1	LATCH
23	10-22486		1	SCREW
24	24-20099		1	SPRING
25	11-35045		1	NUT
26	60572		1	BARREL
27	14669--1		1	ANCHOR BRACKET
28	10-62958		2	SCREW (1-1/8")
	10-28667		1	SCREW (1")
29	37896		1	GUIDE BLOCK
30	24-20099		1	SPRING
31	67073A1		1	LINK ROD ASSEMBLY
32	52100		1	WEAR PLATE
33	38279		1	LATCH
34	12-69056		1	WASHER
35	11-35045		1	NUT
36	23-27132		1	BUSHING
37	79932A11		1	SHIFT SHAFT ASSEMBLY
38	13-29720		1	WAVE WASHER
39	23-26600		1	BUSHING
40	12-35462		1	WASHER
41	11-35045		1	NUT
42	16813		1	CUP

CONTINUED ON NEXT PAGE ➡

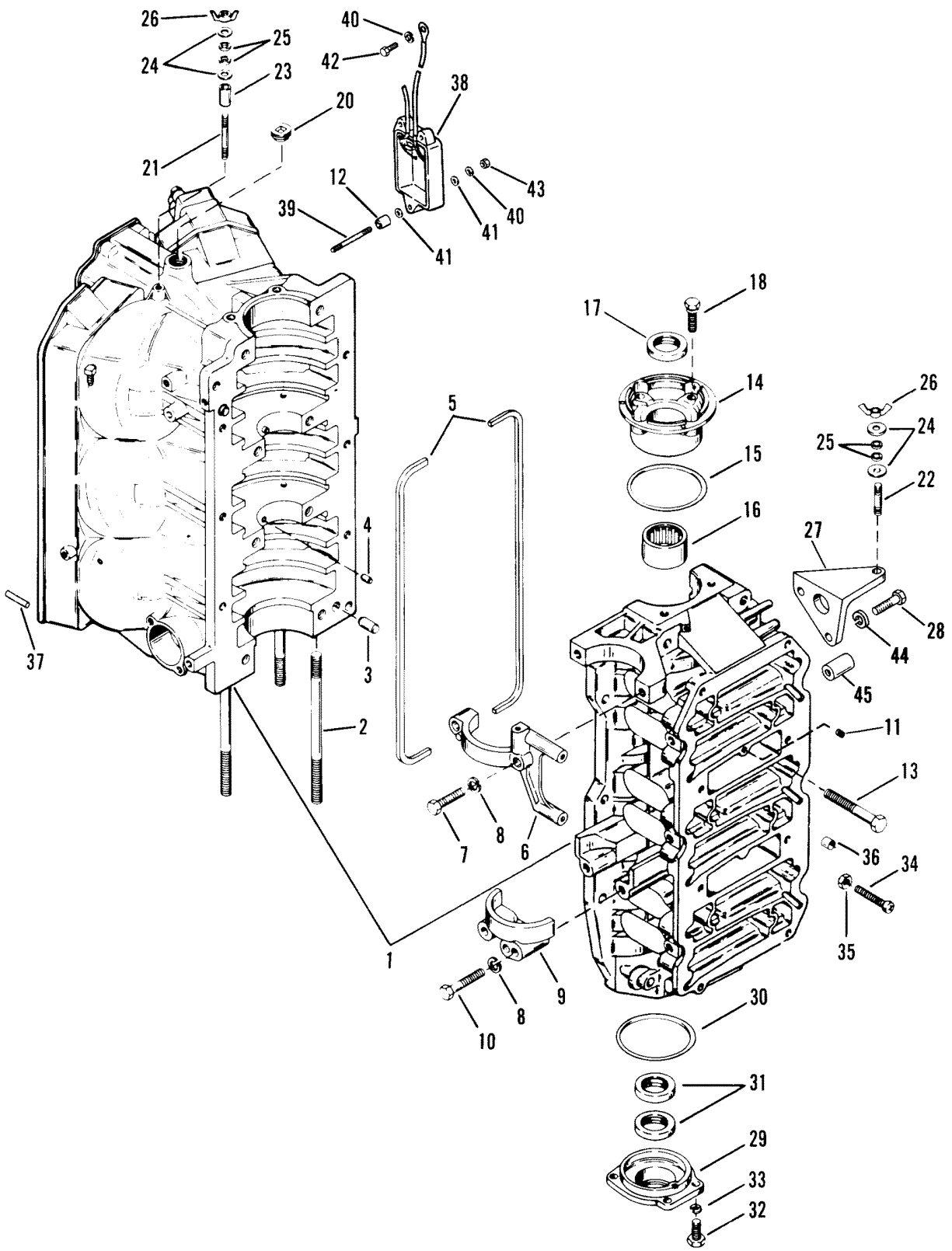
THROTTLE LEVER AND SHIFT SHAFT



THROTTLE LEVER AND SHIFT SHAFT

REF. NO.	PART NO.	SYM.	QTY.	DESCRIPTION
43	16814		1	LATCH
44	16-18101		2	STUD
45	12-33786		2	WASHER
46	11-18102		2	NUT
47	12-29245		1	WASHER
48	54-814634		1	J-CLIP
49	24-91821		1	SPRING
50	54-75275		1	CLAMP

CYLINDER BLOCK AND END CAPS

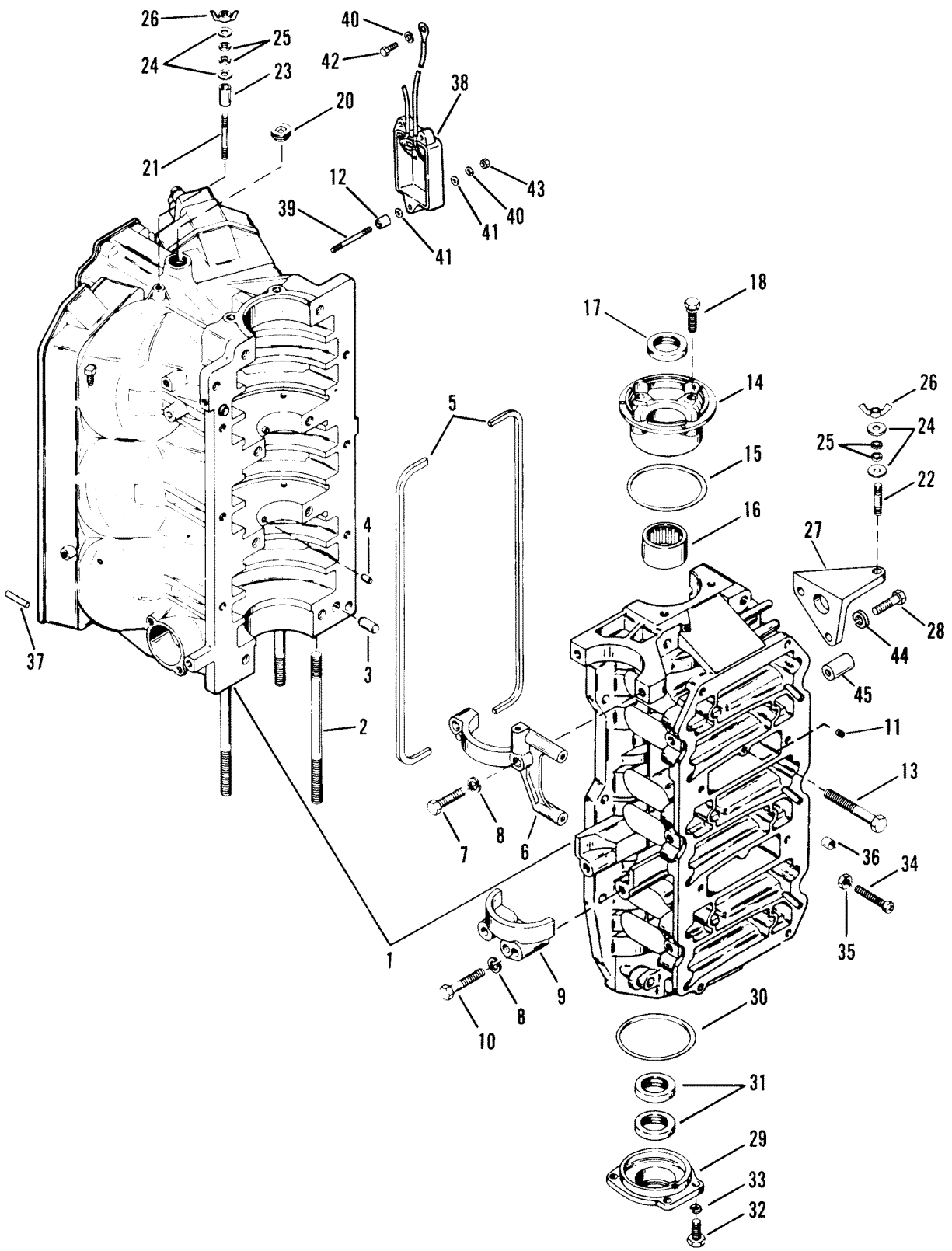


CYLINDER BLOCK AND END CAPS

REF. NO.	PART NO.	SYM.	QTY.	DESCRIPTION
1	858-812357A3		1	CYLINDER BLOCK
2	16-97008		2	STUD (2")
	16-96908		4	STUD (2-1/8")
	16-96910		2	STUD (5-3/4")
	16-96909		2	STUD (7")
3	17-20033		2	DOWEL PIN
4	17-67296		2	DOWEL PIN (BEARING RACE)
5	27-11338		2	GASKET
6	42249		1	COVER (UPPER)
7	10-73657		2	SCREW (1-1/2")
8	13-26993		4	LOCKWASHER
9	76867		1	COVER (LOWER)
10	10-77065		2	SCREW (2")
11	21-42657A1		3	CHECK VALVE ASSEMBLY
12	23-94304		3	BUSHING
13	10-66717		8	SCREW (3-1/4")
	10-74824		3	SCREW (1-1/4")
	10-53576		3	SCREW (1-1/8")
14	1159-816777A1		1	UPPER END CAP ASSEMBLY
15	25-54029		1	O-RING
16	31-74248		1	ROLLER BEARING
17	26-41953		1	OIL SEAL
18	10-69034		4	SCREW (1')
20	22-38407		1	PLUG (WATER JACKET)
21	16-15094		1	STUD (1-7/8")
22	16-15093		2	STUD (1")
23	23-67269		1	SPACER
24	12-49221--1		6	WASHER
25	12-72761		3	WASHER
26	11-816874		3	NUT
27	815500		1	BRACKET
28	10-28635		1	SCREW
29	1156-7809A1		1	LOWER END CAP ASSEMBLY
30	25-62700		1	O-RING
31	26-41953		2	OIL SEAL
32	10-28636		4	SCREW (3/4")
33	13-26992		4	LOCKWASHER
34	10-64022		1	ADJUSTING SCREW
35	11-64015		1	JAM NUT
36	26852		1	CAP
37	32-11635		2	TUBE
38	17814A7		1	THROTTLE POSITION INDICATOR
39	16-69016		3	STUD

CONTINUED ON NEXT PAGE ➡

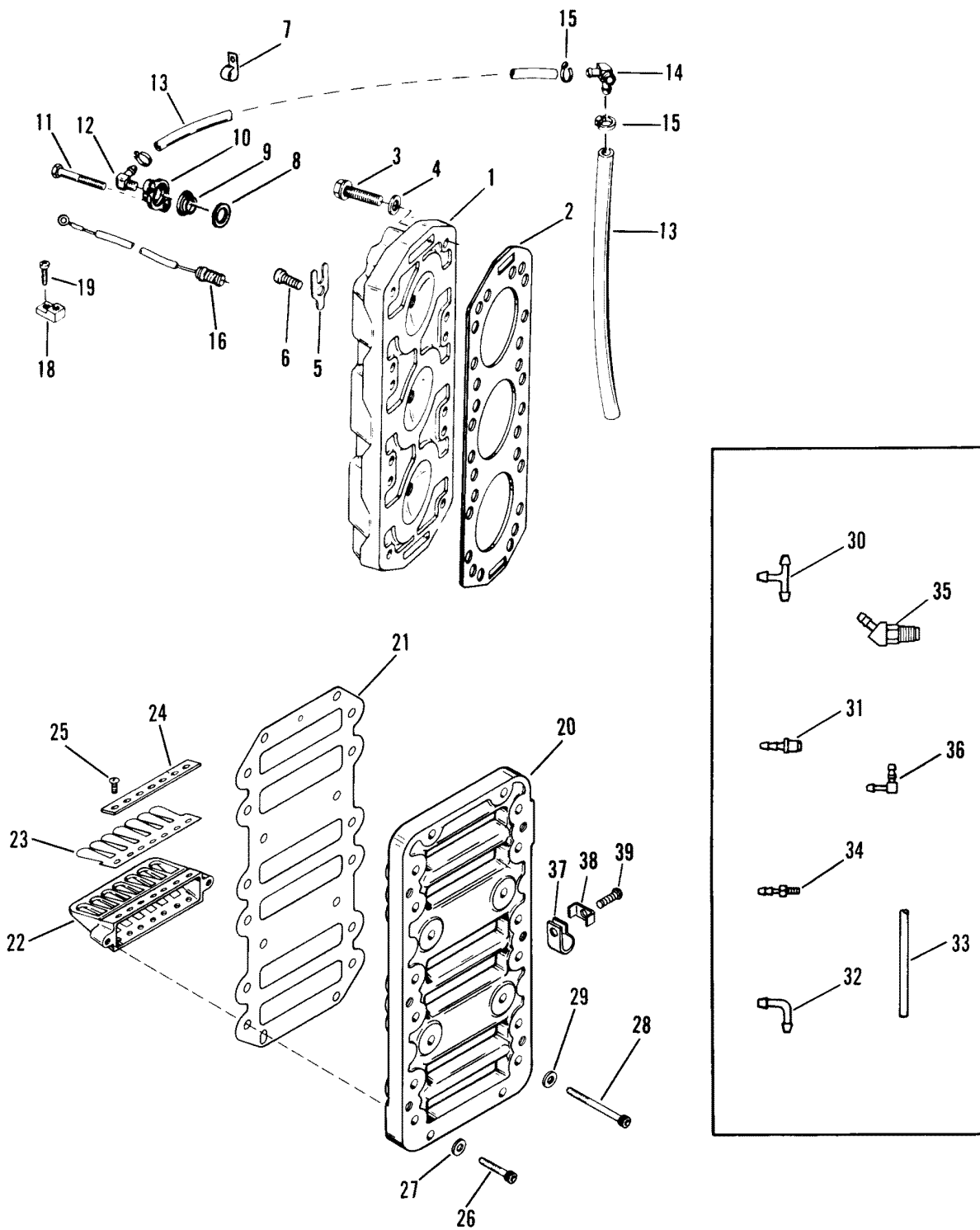
CYLINDER BLOCK AND END CAPS



CYLINDER BLOCK AND END CAPS

REF. NO.	PART NO.	SYM.	QTY.	DESCRIPTION
40	13-26996		6	LOCKWASHER
41	12-30164		6	WASHER
42	10-42813		1	SCREW
43	11-45812		3	NUT
44	13-26992		1	LOCKWASHER
45	23-815508		1	SPACER

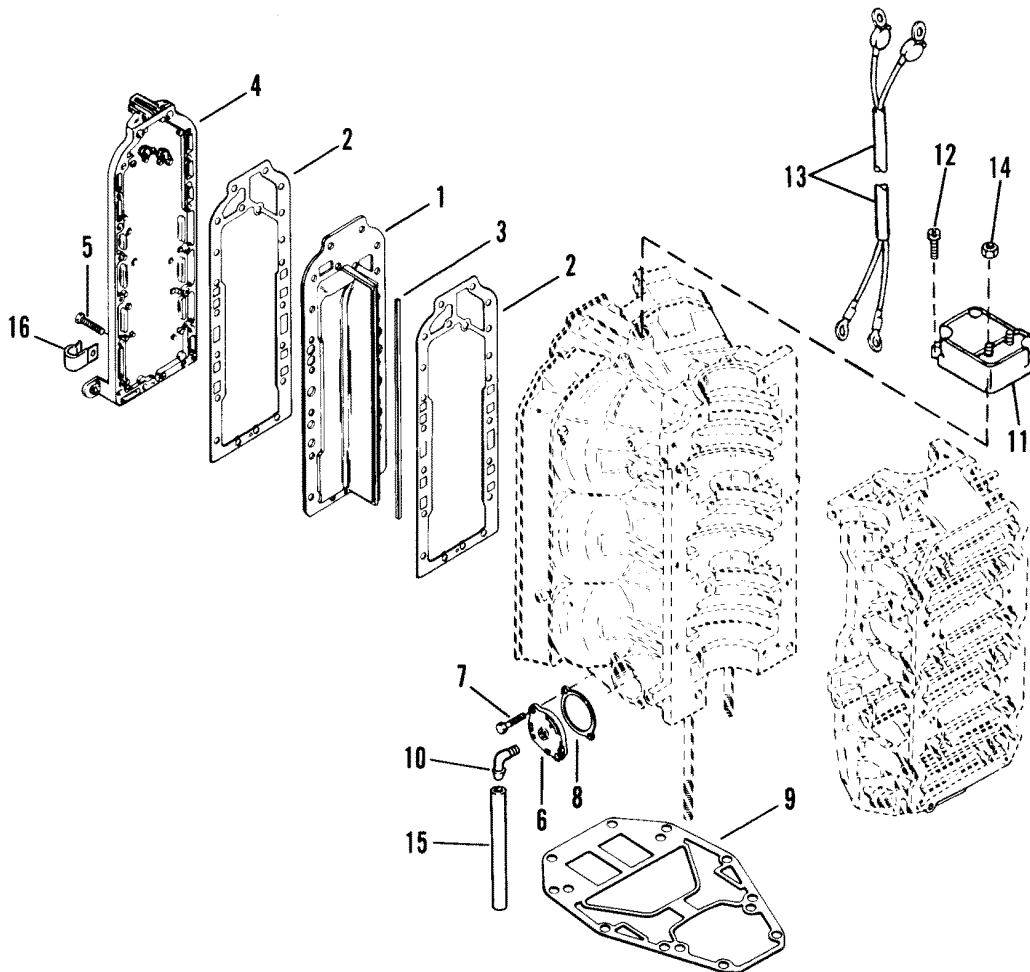
REED BLOCK AND CYLINDER HEAD



REED BLOCK AND CYLINDER HEAD

REF. NO.	PART NO.	SYM.	QTY.	DESCRIPTION
1	18419--3		2	CYLINDER HEAD
2	27-18350		2	GASKET
3	10-94929		24	SCREW (2")
4	12-25909		24	WASHER
5	13715		1	RETAINER
6	10-98257		1	SCREW
7	54-814634		1	J-CLAMP
8	12-47533		2	WASHER, SUBSTITUTE FOR THERMOSTAT
9	27-62386		2	GASKET
10	90390A1		2	COVER
11	10-35386		2	SCREW (1")
	10-38837		2	SCREW (1-1/8")
12	22-68727		1	ELBOW
13	32-77457--2		2	HOSE
14	22-68728		1	FITTING
15	54-816311		AR	STA-STRAP
16	97465		1	TEMPERATURE SENDER
18	45915		1	TERMINAL BLOCK
19	10-69079		1	SCREW (7/16")
	10-62568		1	SCREW (3/8")
20	98709--3		1	MOUNTING PLATE
21	27-12775--2		1	GASKET
22	98711--1		6	REED BLOCK
23	34-14622A1		6	REED ASSEMBLY
24	90391--1		12	REED CLAMP
25	10-18308		84	SCREW
26	10-60147		12	SCREW
27	12-20028		12	WASHER
28	10-60147		4	SCREW
29	12-20028		4	WASHER
30	22-59169		2	TEE FITTING
31	22-56759		2	FITTING (PRESS IN-CRANKCASE SIDE)
32	22-94090		1	ELBOW (CRANKCASE TOP)
33	32-66285--4		AR	HOSE
34	21-42623		1	CHECK VALVE (PRESS IN-TOP)
35	21-817031		1	CHECK VALVVE (BOTTOM-40)
36	22-15133		2	ELBOW (PRESS IN)
37	54-23567		1	CLIP
38	69205		1	C-WASHER
39	10-69079		1	SCREW

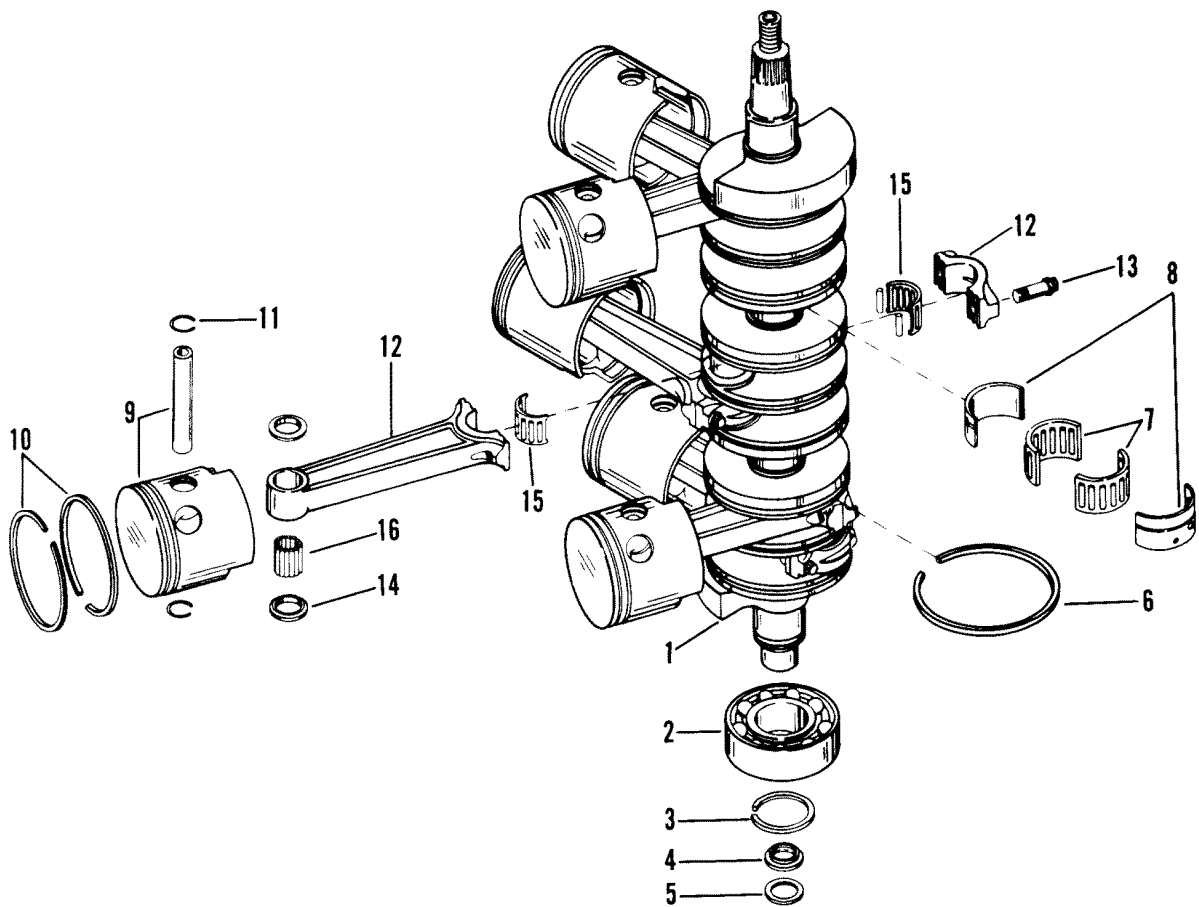
EXHAUST MANIFOLD



EXHAUST MANIFOLD

REF. NO.	PART NO.	SYM.	QTY.	DESCRIPTION
1	99169A2		1	DIVIDER PLATE
2	27-90484--1		2	GASKET
3	26-814754		1	SEAL
4	14913A1		1	COVER
5	10-74824		21	SCREW (1-1/4")
6	99193		1	COVER
7	10-53167		2	SCREW
8	27-88907		1	GASKET
9	27-78069		2	GASKET
10	22-68727		1	FITTING
11	88825A7		1	VOLTAGE REGULATOR
12	10-48409		2	SCREW
13	84-13397A1		1	HARNESS ASSEMBLY
14	11-45076		2	NUT
15	32-77457--2		1	HOSE
16	54-814634		1	J-CLAMP

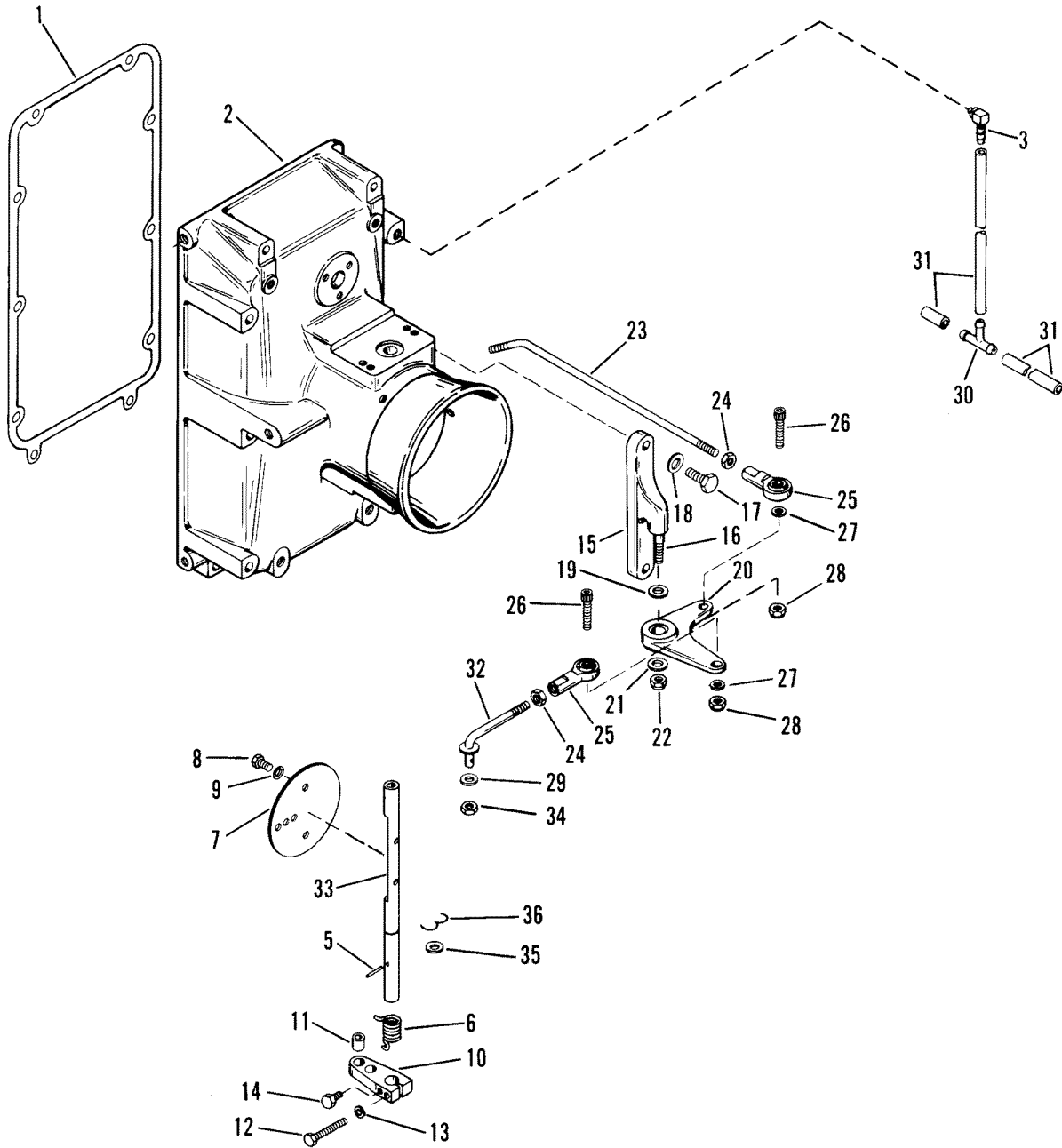
CRANKSHAFT, PISTONS AND CONNECTING RODS



CRANKSHAFT, PISTONS AND CONNECTING RODS

REF. NO.	PART NO.	SYM.	QTY.	DESCRIPTION
1	455-7251A7		1	CRANKSHAFT ASSEMBLY
2	30-41421		1	BALL BEARING (LOWER)
3	53-67446		1	RETAINING RING
4	54196A6		1	CARIER ASSEMBLY
5	65800		1	SEAL
6	39-67377		9	RING
7	31-67445		2	ROLLER BEARING
8	31-88903		2	ROLLER BEARING
9	766-815404A3		3	PISTON ASSEMBLY (STARBOARD)
	766-815403A3		3	PISTON ASSEMBLY (PORT)
10	39-816802A12		1	PISTON RING ASSEMBLY
11	40-17977		12	LOCK RING
12	625-813865A2		6	CONNECTING ROD ASSEMBLY
13	10-91995		12	SCREW
14	12-47247		12	WASHER
15	31-17514A1		6	ROLLER BEARING
16	29-67483		174	NEEDLE BEARING

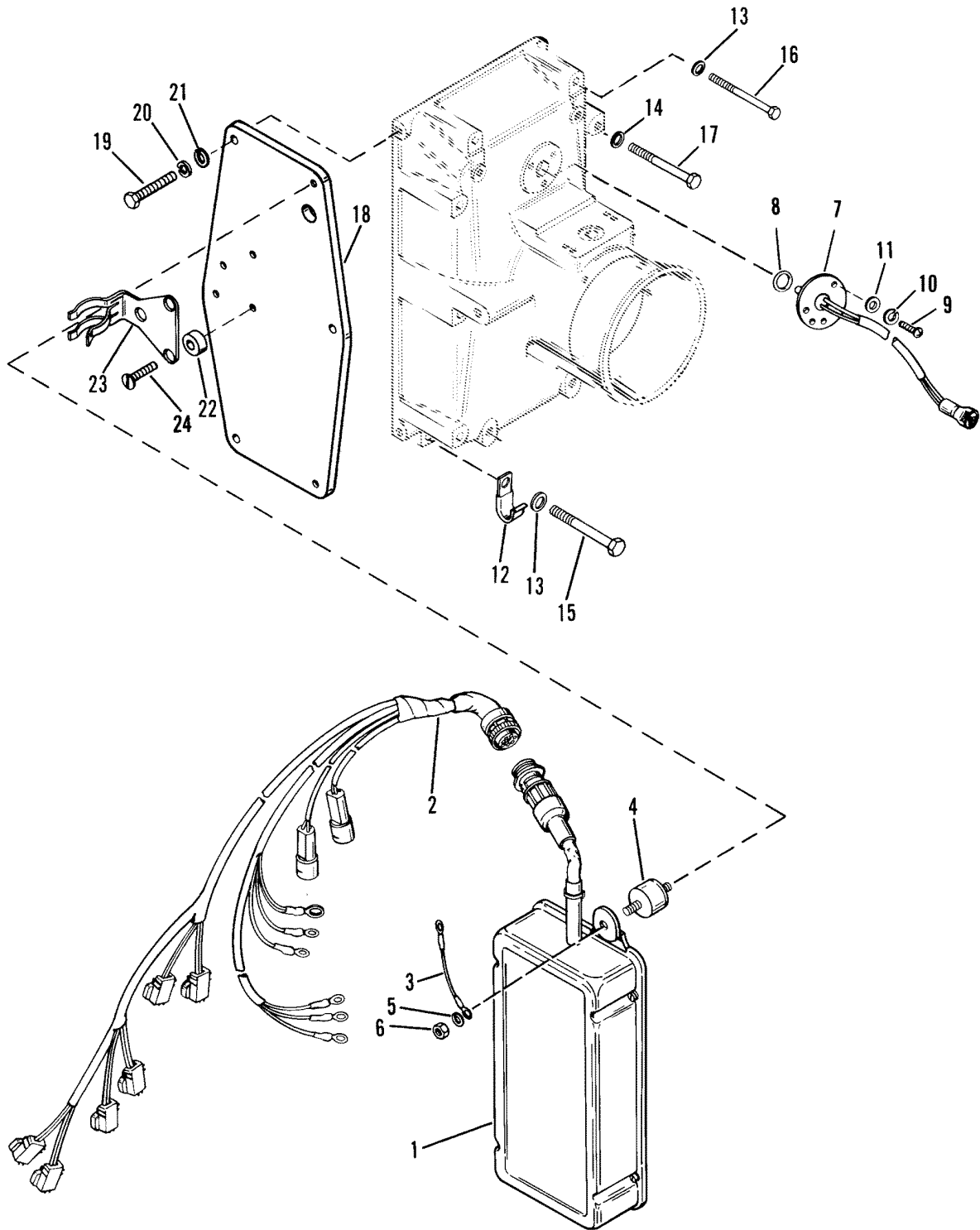
AIR INLET/THROTTLE LINKAGE



AIR INLET/THROTTLE LINKAGE

REF. NO.	PART NO.	SYM.	QTY.	DESCRIPTION
1	27-99316--1		1	GASKET
2	13256A2		1	AIR INLET ASSEMBLY
3	22-15133		3	ELBOW
	17-99317		1	RIVET
5	17-24800		9	ROLL PIN
6	24-13554		1	SPRING
7	98715--4		1	THROTTEL SHUTTER
8	10-68513		2	SCREW
9	13-26996		2	LOCKWASHER
10	13726		1	THROTTLE LEVER
11	23-12245		1	BUSHING
12	10-41089		1	SCREW
13	13-26995		1	LOCKWASHER
14	10-41355		1	SET SCREW
15	13874--1		1	MOUNT
16	16-14689		1	STUD
17	10-74822		2	SCREW
18	12-22753		2	WASHER
19	12-35462		1	WASHER
20	13873--1		1	BELLCRANK
21	12-29245		1	WASHER
22	11-35045		1	NUT
23	13925		1	THROTTLE LINK(LONG)
24	11-20013		2	JAM NUT
25	13923		2	ROD END
26	10-92702		2	SCREW
27	12-29245		2	WASHER
28	11-35045		2	NUT
29	12-29245		1	WASHER
30	22-59169		1	TEE FITTING
31	32-66285--4		1	HOSE
32	13926--1		1	THROTTLE LINK(SHORT)
33	815490--1		1	THROTTLE SHAFT
34	11-35045		1	NUT
35	12-49339		2	WASHER
36	53-87843		2	E-RING

E.F.I. CONTROL BOX



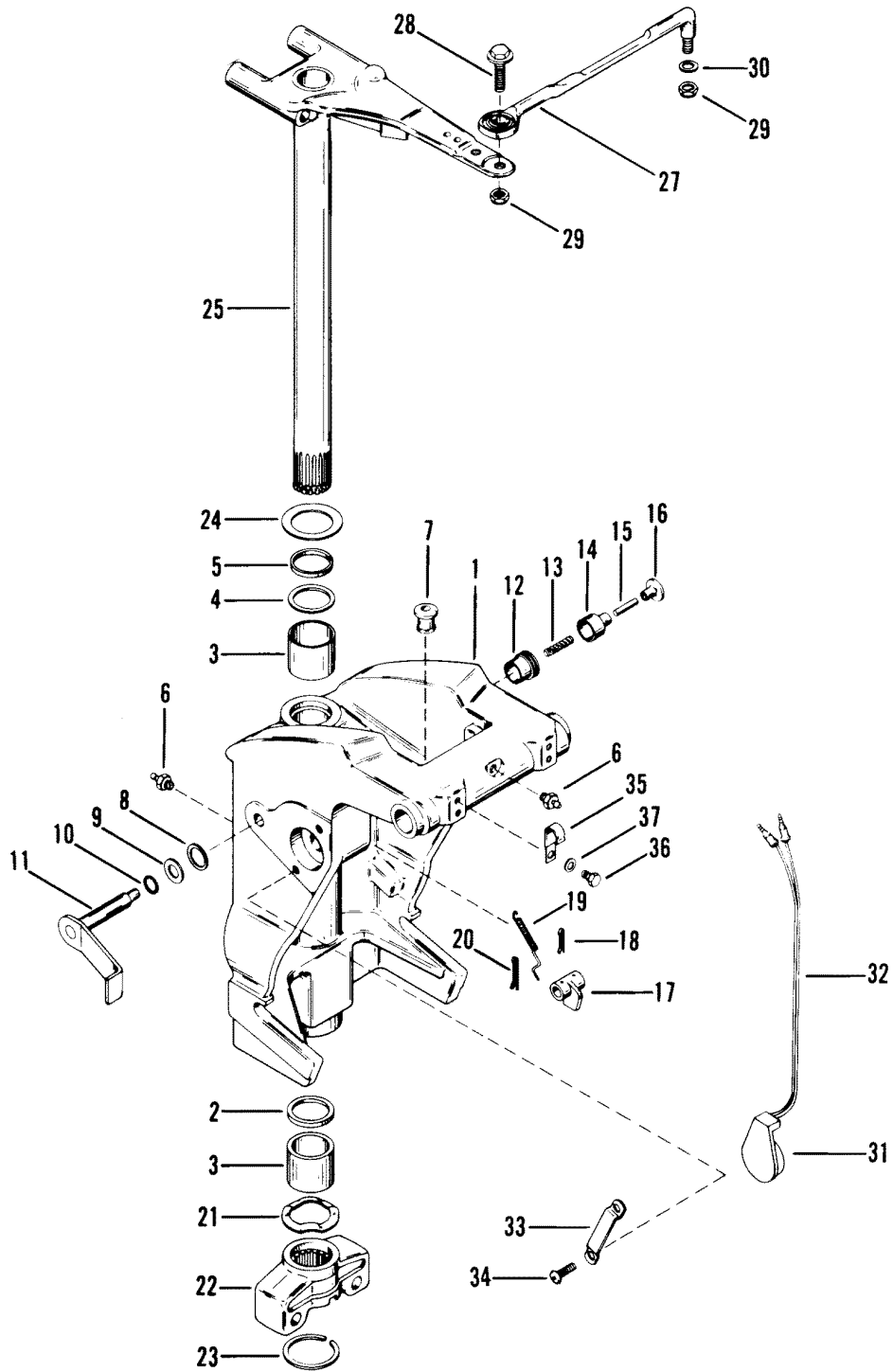
E.F.I. CONTROL BOX

REF. NO.	PART NO.	SYM.	QTY.	DESCRIPTION
1	11350A13		1	I. CONTROL BOX
2	84-98866A17		1	I. HARNESS ASSEMBLY
3	84-65999A10		1	CABLE(BLACK)
4	12234--2		3	MOUNT
5	12-69056		2	WASHER
6	11-56374		3	NUT
7	96718A1		1	TEMPERATURE SENSOR
8	25-45711		1	O-RING
9	10-57583		3	SCREW
10	13-26995		3	LOCKWASHER
11	12-20670		3	WASHER
12	54-54457		2	J-CLIP
13	12-29245		4	WASHER
14	12-22753		4	WASHER
15	10-70732		2	SCREW(2"-BOTTOM)
16	10-99305		2	SCREW(3-1/2"-TOP)
17	10-74191		4	SCREW(5/16"X3-1/4")
18	815278		1	PLATE
19	10-76630		3	SCREW
20	13-26992		3	LOCKWASHER
21	12-35462		3	WASHER
22	23-53811--1		3	SPACER
23	54-815342		1	CLIP
24	10-14862		3	SCREW

DRIVE SHAFT HOUSING

REF. NO.	PART NO.	SYM.	QTY.	DESCRIPTION
1	1590-8837A5		1	DRIVE SHAFT HOUSING ASSEMBLY
2	16-56295		2	STUD
3	10-63474		2	SCREW
4	816054		2	LOWER MOUNT
5	12-816056		4	WASHER
6	11-25096		2	NUT
7	54-67076		2	CLAMP
9	67077T		2	COVER
10	10-88417		4	SCREW (5/8")
11	11-35521		4	NUT
12	67703		1	STRAP
13	10-67769		1	SCREW
14	11-25269		1	NUT
15	12-45176		3	WASHER
16	11-34933		3	NUT
17	19-64649		1	PLUG
18	32-67295		1	WATER TUBE
19	42732A2		1	PLATE ASSEMBLY
20	17-20033		4	DOWEL PIN
21	26-38970		1	SEAL
22	44260		1	RETAINER
23	10-28636		1	SCREW
24	13-26992		1	LOCKWASHER
25	10-13212--1		2	SCREW
26	12-816056		2	WASHER
27	12-45175		10	WASHER
28	11-34932		8	NUT(FULL)
	11-34863		2	NUT(THIN)
29	41941		1	EXHAUST DIFFUSER
30	10-91903		3	SCREW(1-3/4")
	10-92913		2	SCREW(3/4")
31	12-45176		5	WASHER
32	16-66021		6	STUD
33	12-20533		6	WASHER
34	11-30506		6	NUT
35	16-69058		4	STUD
36	12-22753		4	WASHER
37	11-35814		4	NUT

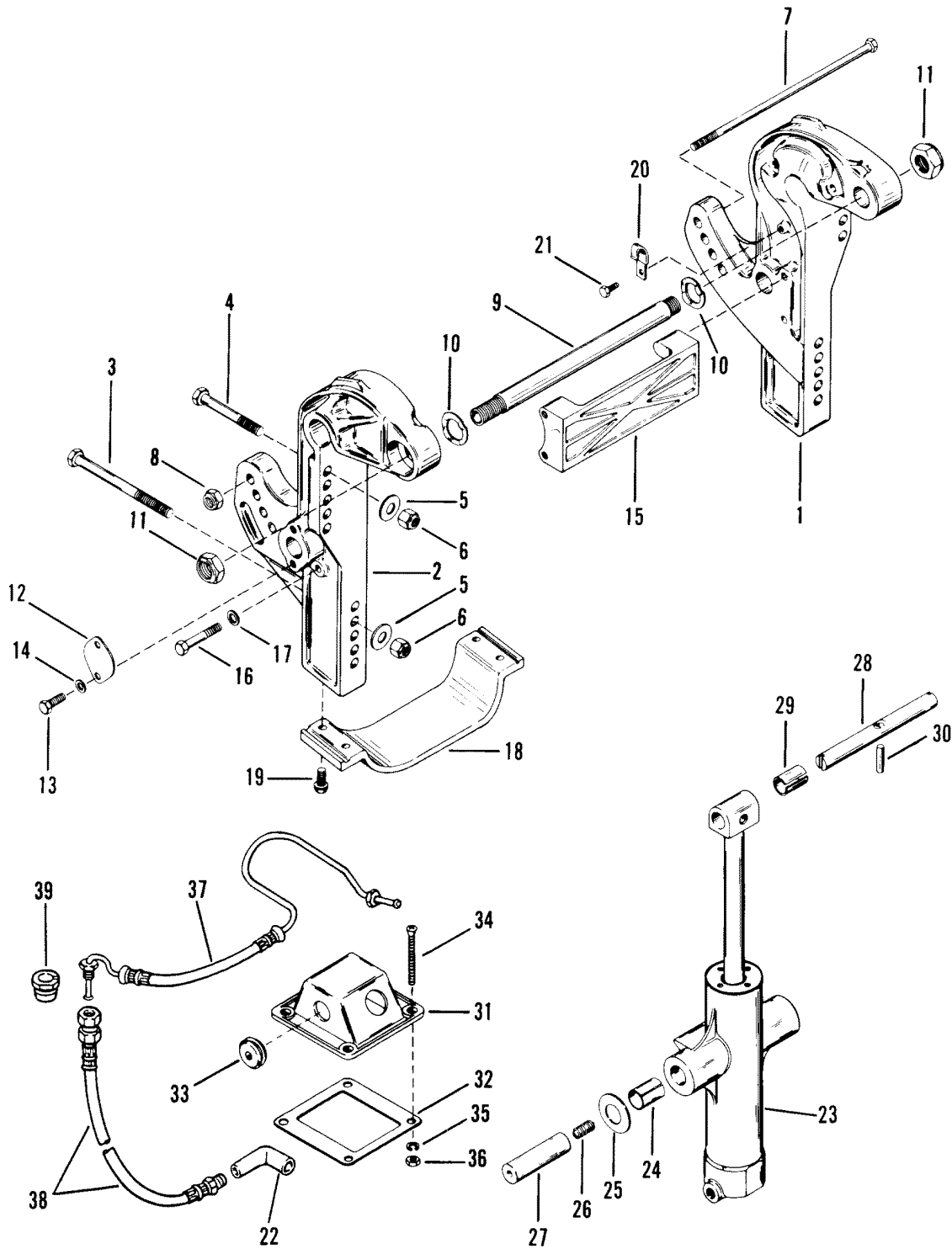
SWIVEL BRACET AND STEERING ARM



SWIVEL BRACET AND STEERING ARM

REF. NO.	PART NO.	SYM.	QTY.	DESCRIPTION
1	1491-9225A3		1	SWIVEL BRACKET ASSEMBLY
2	26-87735		1	OIL SEAL (LOWER)
3	23-67669		2	BUSHING
4	25-33466		1	O-RING
5	23-67668		1	SPACER
6	22-74036		4	GREASE FITTING
7	25-88341		2	GROMMET
8	26-85023		2	OIL SEAL
9	12-87161		2	WASHER
10	25-48171		2	O-RINGS
11	85030A2		1	TILT LOCK LEVER (PORT)
	85028A2		1	TILT LOCK LEVER (STARBOARD)
12	23-86600		1	BUSHING
13	24-85367		1	SPRING
14	41052		1	PLUNGER
15	16-88876		1	STUD
16	86603		1	KNOB
17	86475--1		1	COUPLING
18	17-69745		2	PIN
19	24-88049		1	SPRING
20	18-93861		1	COTTER PIN
21	13-78854		1	WAVE WASHER
22	86580A1		1	BOTTOM YOKE
23	53-67684		1	RETAINING RING
24	12-67670		1	THRUST WASHER
25	17-67706A46		1	SWIVEL PIN AND STEERING ARM
27	92876A1		1	STEERING LINK
28	10-14000		1	SCREW (1-1/4")
29	11-34863		2	NUT
30	12-34931		2	WASHER
31	86485A5		1	TRIM SENDER ASSEMBLY
32	84-65017A15		1	HARNESS
31	86485A6		1	TILT SWITCH ASSEMBLY
32	84-65017A14		1	HARNESS
33	88342		2	STRAP
34	10-87926		4	SCREW
35	54-54457		1	CLAMP
36	10-98256		1	SCREW
37	12-29245		1	WASHER

TRANSOM BRACKETS AND TRIM CYLINDER

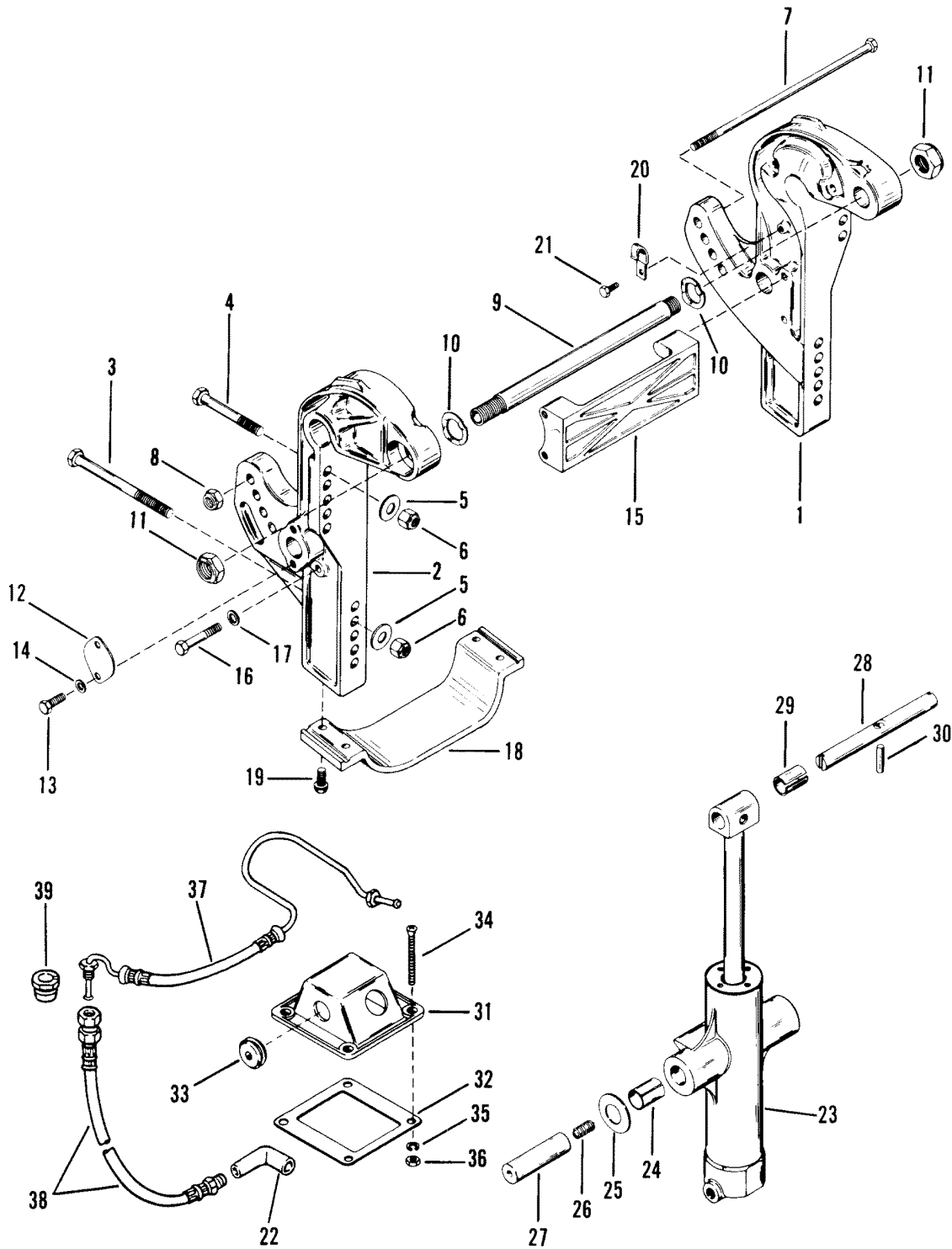


TRANSOM BRACKETS AND TRIM CYLINDER

REF. NO.	PART NO.	SYM.	QTY.	DESCRIPTION
1	1494-7476T1		1	TRANSOM BRACKET (PORT)
2	1495-7478T1		1	TRANSOM BRACKET (STARBOARD)
3	10-67755--2		2	SCREW(6-1/2")
4	10-67755--1		2	SCREW (4-1/2")
5	12-28421		4	WASHER
6	11-816670		4	NUT
7	10-87180		1	BOLT
8	11-20220		1	NUT
9	99170A1		1	TILT TUBE
10	13-88750		2	WAVE WASHER
11	11-56041		1	NUT (7/8-14)
	11-90068T		1	NUT (1"-14)
12	85026		2	PLATE
13	10-28636		4	SCREW
14	12-29245		4	WASHER
15	85035T		1	SPACER
16	10-70732		4	SCREW
17	12-29245		4	WASHER
18	89949A1		1	PLATE ASSEMBLY
19	10-89996		4	SCREW
20	54-88512		4	CLAMP
	54-75275		2	CLAMP
21	10-88829		6	SCREW
22	22-87207		1	CONNECTOR
23	79610A6		1	TRIM CYOLINDER(79879A1 REPAIR KIT)
24	23-86489		2	BUSHING KIT
25	12-85022		2	WASHER
26	24-30316		2	SPRING
27	17-85020		2	PIVOT PIN
28	85024		1	SHAFT
29	23-86637		2	BEARING
30	17-91862		1	PIN
31	87871		2	COVER
32	27-87775		1	GASKET
33	25-45507		1	GROMMET
34	10-36070		4	SCREW
35	13-26996		4	LOCKWASHER
36	11-68219		4	NUT

CONTINUED ON NEXT PAGE ➡

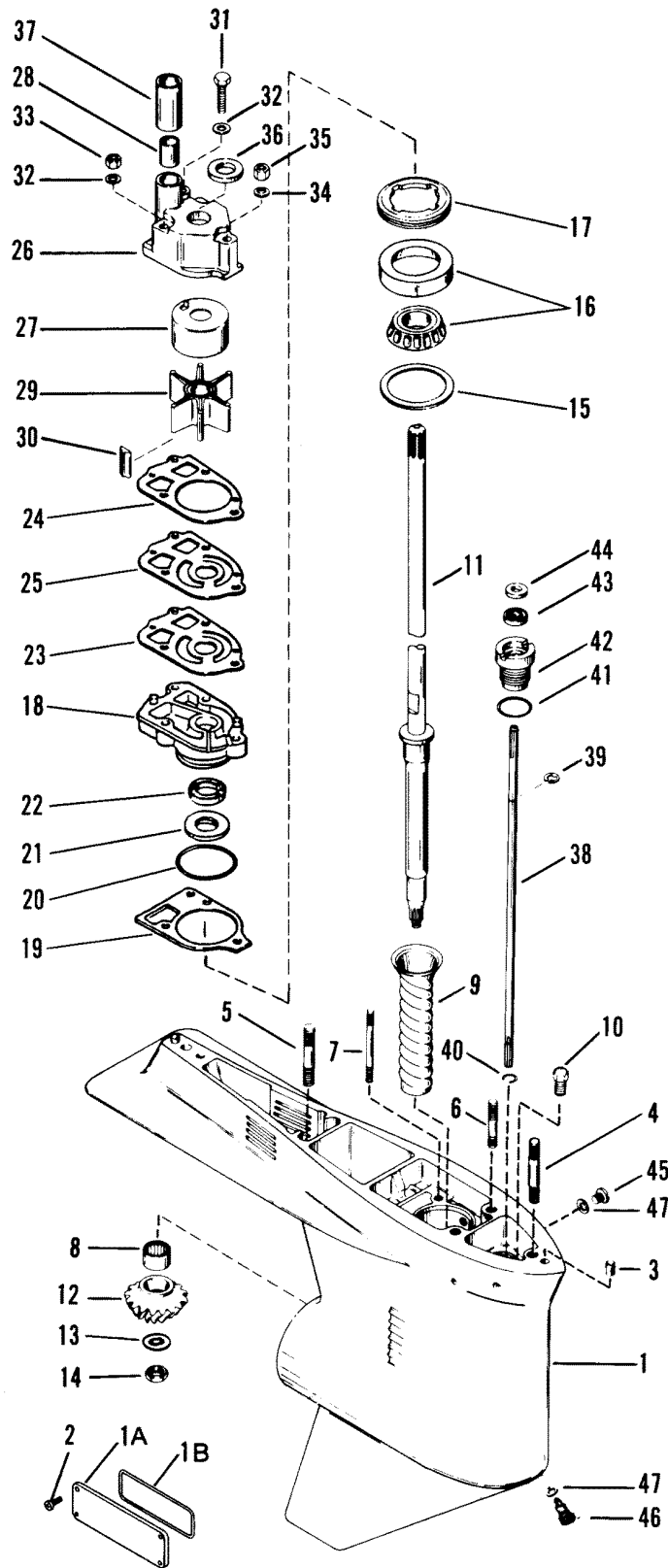
TRANSOM BRACKETS AND TRIM CYLINDER



TRANSOM BRACKETS AND TRIM CYLINDER

REF. NO.	PART NO.	SYM.	QTY.	DESCRIPTION
37	32-96993		1	HYDRAULIC HOSE (PORT)
	32-96994		1	HYDRAULIC HOSE (STARBOARD)
38	32-89024		1	HYDRAULIC HOSE (PORT)
	32-89023		1	HYDRAULIC HOSE (STARBOARD)
39	25-12602		2	GROMMET

GEAR HOUSING (DRIVE SHAFT)

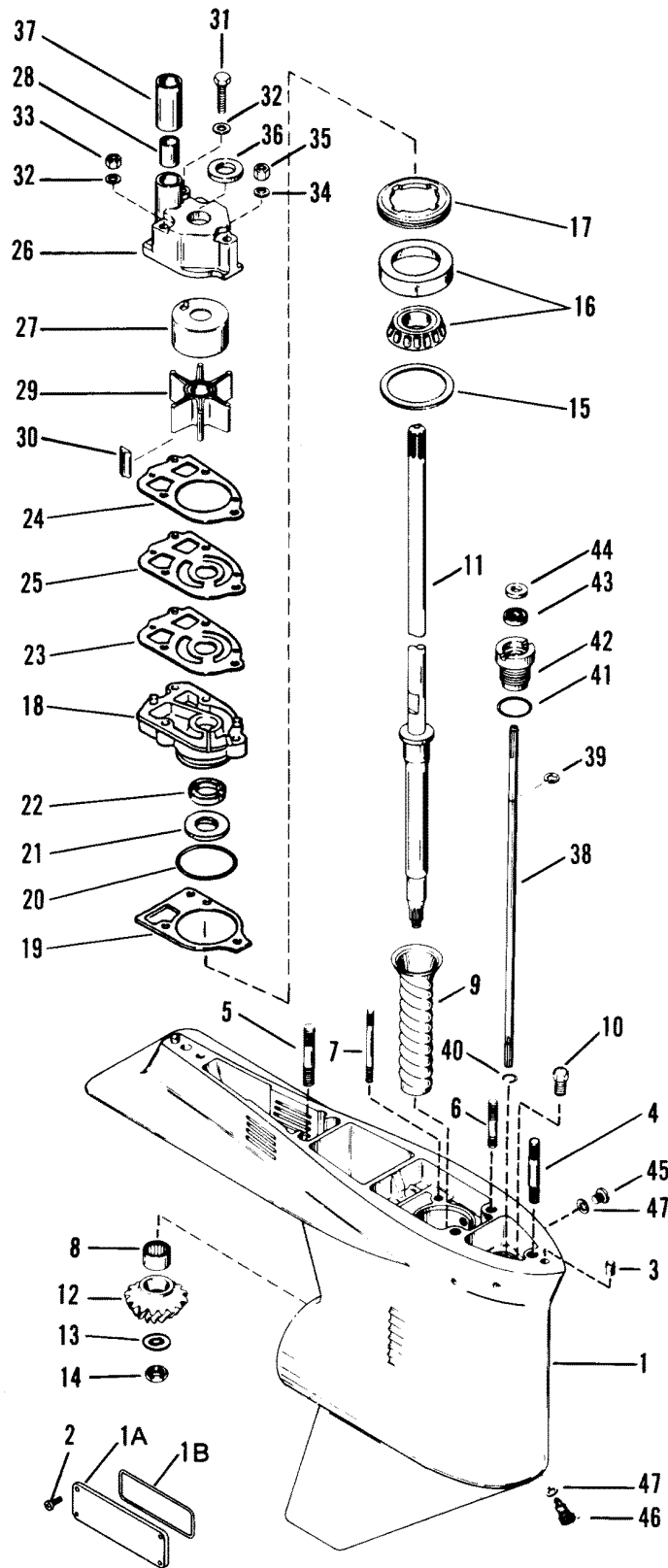


GEAR HOUSING (DRIVE SHAFT)

REF. NO.	PART NO.	SYM.	QTY.	DESCRIPTION
-	1647-9561A50		1	GEAR HOUSING (COMPLETE)
1	1647-9561A21		1	GEAR HOUSING (BASIC)
1A	12144		2	COVER
1B	25-39695		2	O-RING
2	10-815904		8	SCREW
3	17-20033		2	DOWEL PIN
4	16-78638		1	STUD (3-1/8")
5	16-57920		2	STUD (2-1/16")
6	16-56297		1	STUD (3-3/8")
7	16-30667		2	STUD (3-1/4")
8	31-42647A1		1	ROLLER BEARING
9	23-43998		1	SLEEVE
10	22-13820		1	PIPE PLUG
11	45-44000		1	DRIVE SHAFT
12	N.S.S.		1	PINION GEAR (PART OF 43-44104A5)
13	12-92721		1	WASHER
14	11-35921		1	NUT
15	15-42637A1		AR	SHIM ASSEMBLY
16	31-36387A1		1	ROLLER BEARING
17	11-42633		1	NUT
18	46-44292A3		1	WATER PUMP BASE ASSEMBLY
19	27-42631--1		1	GASKET
20	25-90011		1	O-RING
21	26-89238		1	OIL SEAL
22	26-16977		1	OIL SEAL
23	27-18051		1	GASKET (LOWER)
24	27-85609--1		1	GASKET (UPPER)
25	32435		1	FACE PLATE
26	46-96148A1		1	WATER PUMP BODY ASSEMBLY
27	48752		1	INSERT
28	26-38970		1	RUBBER SEAL
29	47-89984		1	IMPELLER
30	28-56654		1	KEY
31	10-96411		1	SCREW (2-1/4")
32	12-29245		2	WASHER
33	11-13438		2	NUT
34	12-36001		1	WASHER
35	11-13436		1	NUT
36	25-30271		1	RUBBER RING (DRIVE SHAFT)
37	23-29804		1	SLEEVE
38	78902		1	SHIFT SHAFT (LOWER)
39	53-29641		1	E-RING
40	53-78907		1	RETAINING RING

CONTINUED ON NEXT PAGE ➡

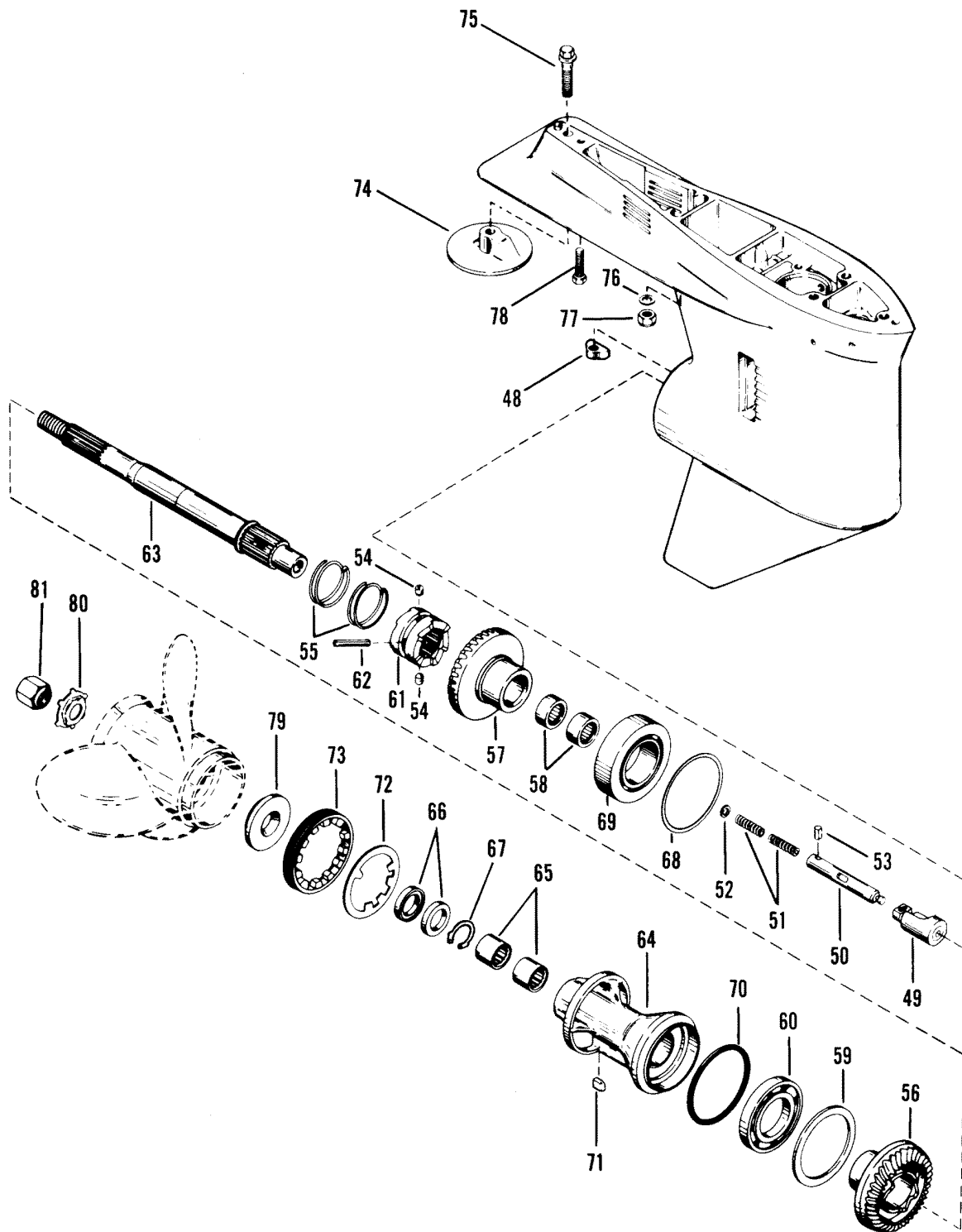
GEAR HOUSING (DRIVE SHAFT)



GEAR HOUSING (DRIVE SHAFT)

REF. NO.	PART NO.	SYM.	QTY.	DESCRIPTION
41	25-25439		1	O-RING
42	23-77631A2		1	BUSHING ASSEMBLY
43	26-76384		1	OIL SEAL
44	12-77674		1	RUBBER WASHER
45	10-79953		1	SCREW
46	10-14834		1	DRAIN SCREW (MAGNETIC
47	12-19183		2	WASHER

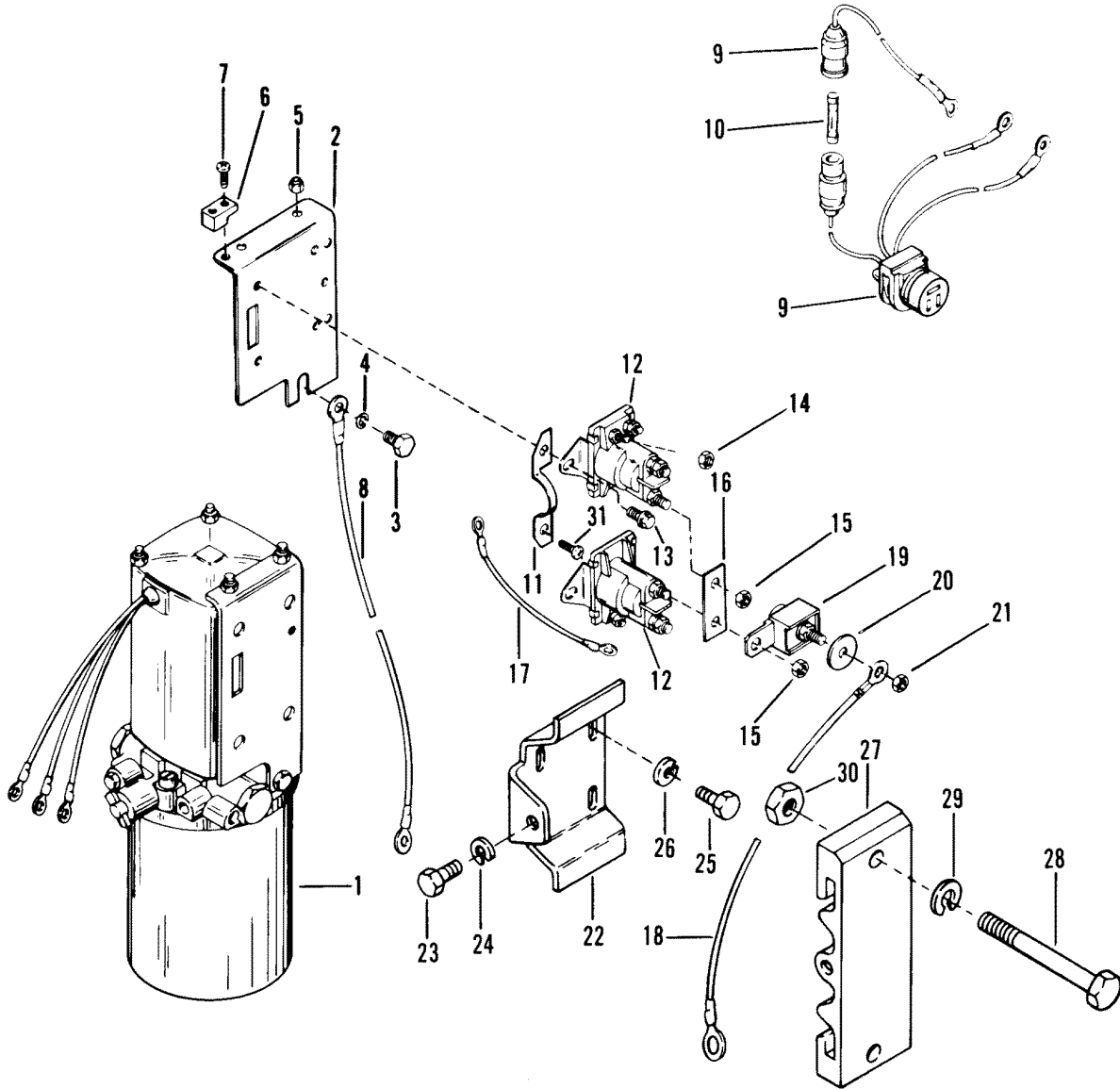
GEAR HOUSING (PROPELLER SHAFT)



GEAR HOUSING (PROPELLER SHAFT)

REF. NO.	PART NO.	SYM.	QTY.	DESCRIPTION
-	1647-9561A50		1	GEAR HOUSING (COMPLETE)
48	78956		1	SHIFT CAM
49	89594A1		1	CAM FOLLOWER
50	79911		1	ROD
51	24-79910		2	SPRING
52	12-78910		AR	WASHER
53	17-78906		1	PIN
54	17-78909		2	DETENT PIN
55	24-78962		2	SPRING
56	43-816419A1		1	REVERSE GEAR
57	43-44104A5		1	FORWARD GEAR ASSEMBLY
58	31-73363		2	ROLLER BEARING
59	68100--1		1	THRUST RING
60	30-88957A1		1	BALL BEARING
61	52-42672		1	RATCHET
62	17-42671		1	CROSS PIN
63	44-816418T		1	PROPELLER SHAFT
64	815563A2		1	BEARING CARRIER
65	31-817072		2	ROLLER BEARING
66	26-815565		2	OIL SEAL
67	53-817071		1	SNAP RING
68	15-47397A1		AR	SHIM SET
69	31-78172A1		1	TAPERED ROLLER BEARING
70	25-31534		1	O-RING
71	28-30281		1	KEY
72	14-79447		1	TAB WASHER
73	15840--1		1	COVER
74	76214		1	ANODIC PLATE
75	10-66024		1	SCREW
76	12-45176		2	WASHER
77	11-34933		2	NUT
78	10-30206		1	SCREW
79	13171--1		1	THRUST HUB
80	14-31210		1	TAB WASHER
81	11-52707A1		1	PROPELLER NUT

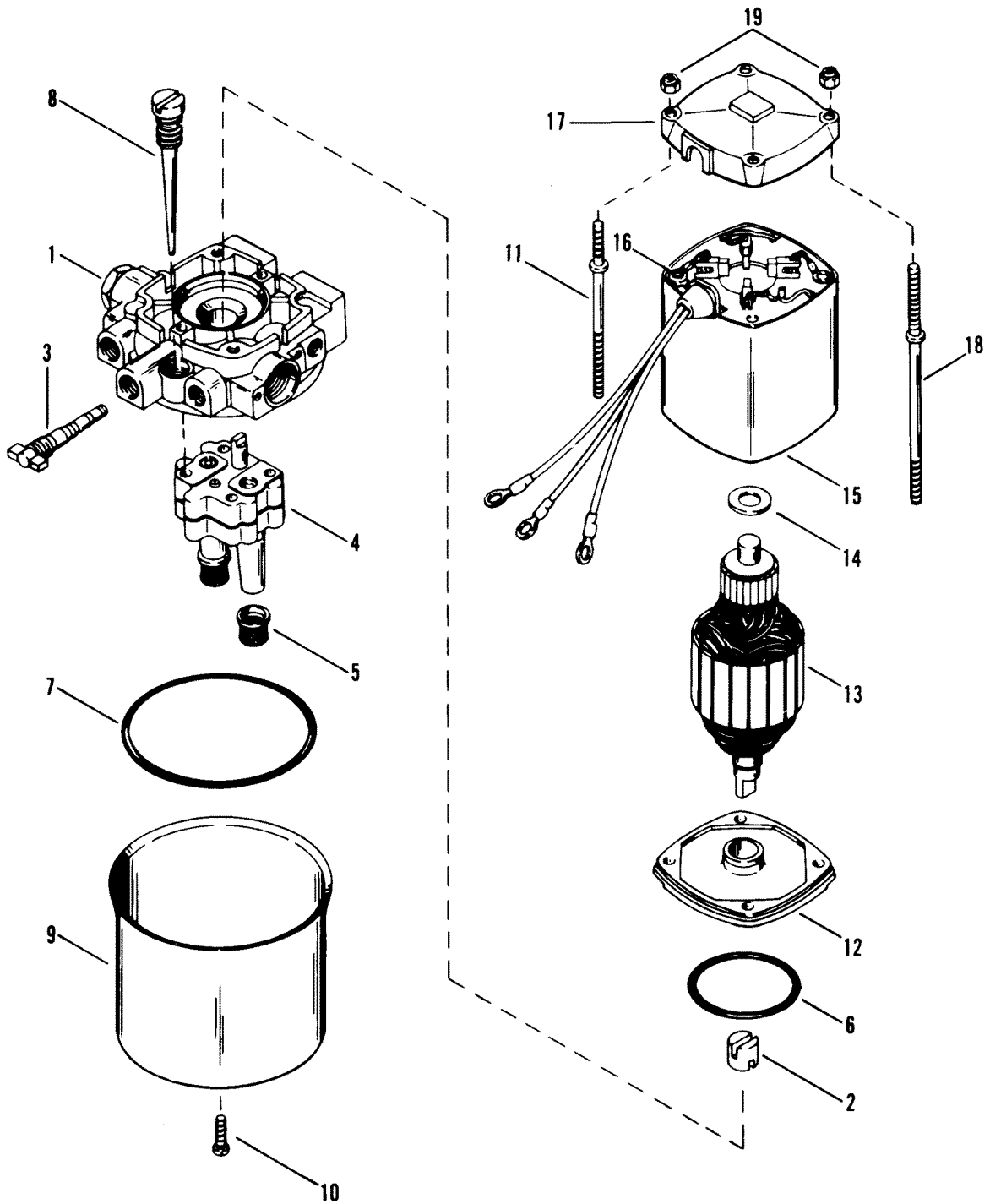
HYDRAULIC PUMP AND MOUNTING BRACKET



HYDRAULIC PUMP AND MOUNTING BRACKET

REF. NO.	PART NO.	SYM.	QTY.	DESCRIPTION
1	92459A4		1	HYDRAULIC PUMP ASSEMBLY
2	90318		1	BRACKET
3	10-90285		1	SCREW (5/8")
4	12-56720		1	WASHER
5	11-34059		2	NUT
6	45915		1	TERMINAL BLOCK
7	10-69079		2	SCREW
8	84-79138A9		1	BATTERY CABLE (NEGATIVE)
9	84-79147A3		1	HARNESS ASSEMBLY
10	88-79091		1	FUSE (20 AMP)
11	88075		1	RETAINER
12	89-96158		2	SOLENOID
13	10-41508		4	SCREW (3/8")
14	11-26419		4	NUT (#8-32)
15	11-94330		4	NUT (1/4-20)
16	94275		1	CONNECTOR
17	84-86322A15		1	WIRE (BLACK)
18	84-79139A12		1	BATTERY CABLE (RED-POSITIVE)
19	88-79023A10		1	FUSE (110 AMP)
20	12-96457		1	WASHER
21	11-21825		1	NUT
22	87760		1	MOUNTING PLATE
23	10-39349		1	SCREW (3/4")
24	13-26993		1	LOCKWASHER
25	10-90271		2	SCREW (5/8")
26	13-58643		2	LOCKWASHER
27	87762		1	BRACKET
28	10-31830		2	BOLT (3-1/2")
29	13-58643		2	LOCKWASHER
30	11-46335		2	NUT
31	10-48409		1	SCREW

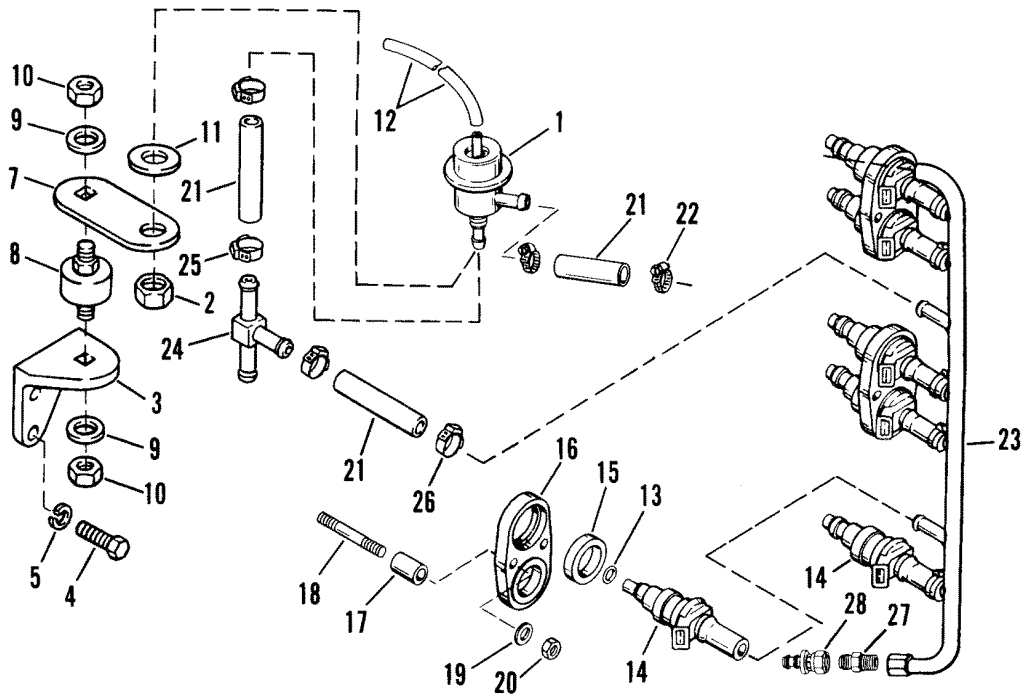
HYDRAULIC PUMP ASSEMBLY



HYDRAULIC PUMP ASSEMBLY

REF. NO.	PART NO.	SYM.	QTY.	DESCRIPTION
-	92459A4		1	HYDRAULIC PUMP ASSEMBLY
1	89492		1	ADAPTOR
2	89493		1	COUPLING
3	89494		AR	MANUAL RELEASE (INCLUDES 2 O-RINGS)
	96598		AR	MANUAL RELEASE (INCLUDES 3 O-RINGS)
4	89495		1	PUMP (INCLUDES SCREWS)
5	35-89496		2	FILTER
6	25-89498		1	O-RING, MOTOR END
7	25-89497		1	O-RING, RESERVOIR END
8	89499		1	DIPSTICK
9	90587		1	RESERVOIR
10	10-90588		1	INCLUDES O-RING)
11	16-90589		1	THRU STUD (SHORT)
	16-90590		1	THRU STUD (LONG)
-	87828		1	MOTOR, POWER TRIM
12	89484		1	ENDFRAME, DRIVE END
13	89485		1	ARMATURE
14	12-89482		1	THRUST WASHER
15	89486		1	FIELD AND FRAME
16	89487		1	BRUSH CARD
17	89488		1	END FRAME, COMMUTATOR END
18	10-89483		1	THRU BOLT (4-1/4")
	10-89489		1	THRU BOLT (4-9/16")
19	11-89481		6	NUT

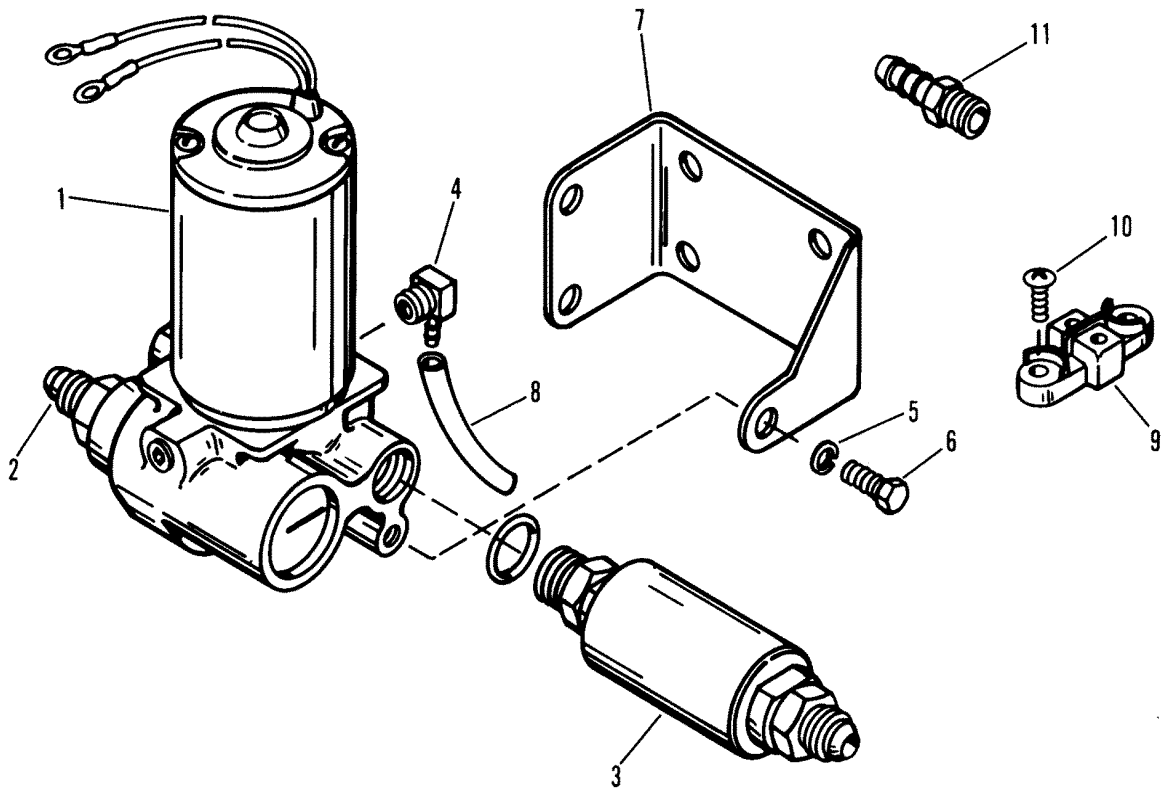
FUEL INJECTORS



FUEL INJECTORS

REF. NO.	PART NO.	SYM.	QTY.	DESCRIPTION
1	94820		1	FUEL REGULATOR
2	11-15018		1	NUT
3	99944		1	MOUNTING BRACKET
4	10-28636		2	SCREW
5	13-26992		2	LOCKWASHER
7	99945		1	SUPPORT
8	90435		1	RUBBER MOUNT
9	12-35462		2	WASHER 2
10	11-35888		2	NUT
11	12-26168		1	WASHER
12	32-66285--4		1	HOSE
13	26-94219		6	SEAL
14	98818		6	FUEL INJECTOR
15	25-99123		6	GROMMET
16	98716		3	HOLD DOWN
17	98717		6	SPACER
18	16-21184		6	STUD
19	12-29245		6	WASHER
20	11-35045		6	NUT
21	32-77457--2		1	HOSE
22	54-815504104		2	CLAMP
23	17206		1	FUEL RAIL
24	22-17207		1	FITTING
25	54-13791		2	CLAMP
26	54-12999		2	CLAMP
27	22-49393		1	FITTING
28	22-69406		1	FITTING

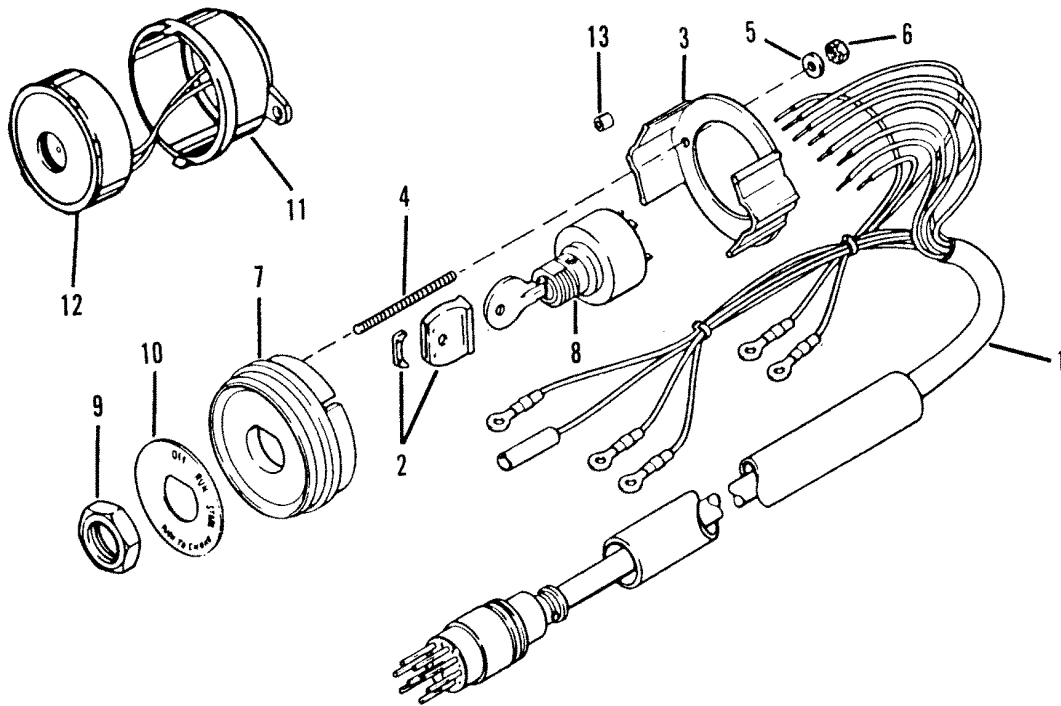
FUEL PUMP



FUEL PUMP

REF. NO.	PART NO.	SYM.	QTY.	DESCRIPTION
1	93860A6		1	I. FUEL PUMP ASSEMBLY
2	22-94273		1	FITTING
3	35-94865		1	FUEL FILTER
4	22-62006		1	ELBOW
5	13-26992		3	LOCKWASHER
6	10-28635		3	SCREW
7	96030		1	BRACKET
8	32-99387-79		1	HOSE
9	45559		1	TERMINAL BLOCK
10	10-62568		2	SCREW
11	22-32820		1	CONNESCTOR

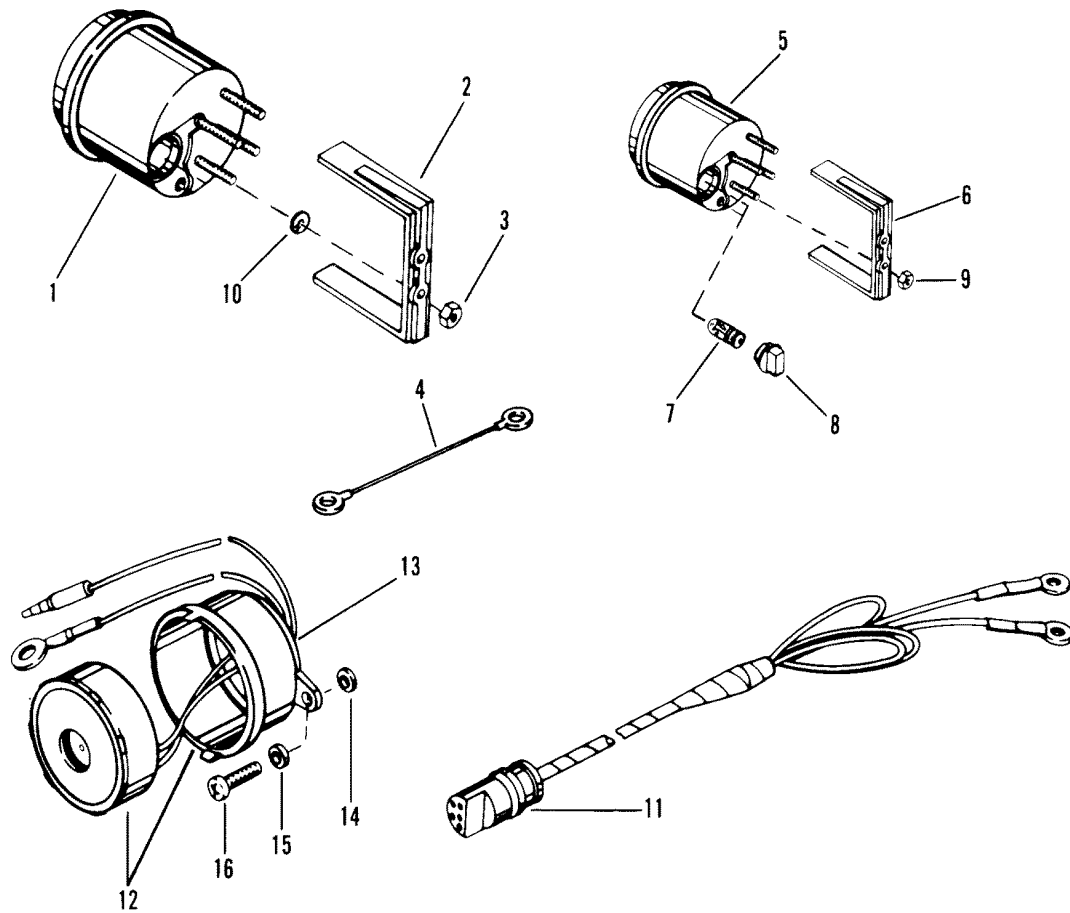
KEY SWITCH ASSEMBLY



KEY SWITCH ASSEMBLY

REF. NO.	PART NO.	SYM.	QTY.	DESCRIPTION
1	84-17925A15		1	KEY SWITCH ASSEMBLY
2	90468A1		2	COVER
3	76424		1	BRACKET
4	16-55422		2	STUD
5	12-24676		2	WASHER
6	11-68219		2	NUT
7	89976		1	PLATE
8	87-88107		1	IGNITION SWITCH
9	11-93543		1	NUT
10	38-90311		1	INSERT
11	68878A6		1	ALARM HORN ASSEMBLY
12	68879		1	COVER
13	23-812711--1		2	SPACER (3/8")
	23-812711		2	SPACER (1/4")
-	89491--1		0	KEY 1A
-	89491--2		0	KEY 1B
-	89491--3		0	KEY 1C
-	89491--4		0	KEY 1D
-	89491--5		0	KEY 1E
-	89491--6		0	KEY 1F
-	89491--7		0	KEY 2A
-	89491--8		0	KEY 2B
-	89491--9		0	KEY 2C
-	89491-10		0	KEY 2D
-	89491-11		0	KEY 2E
-	89491-12		0	KEY 2F

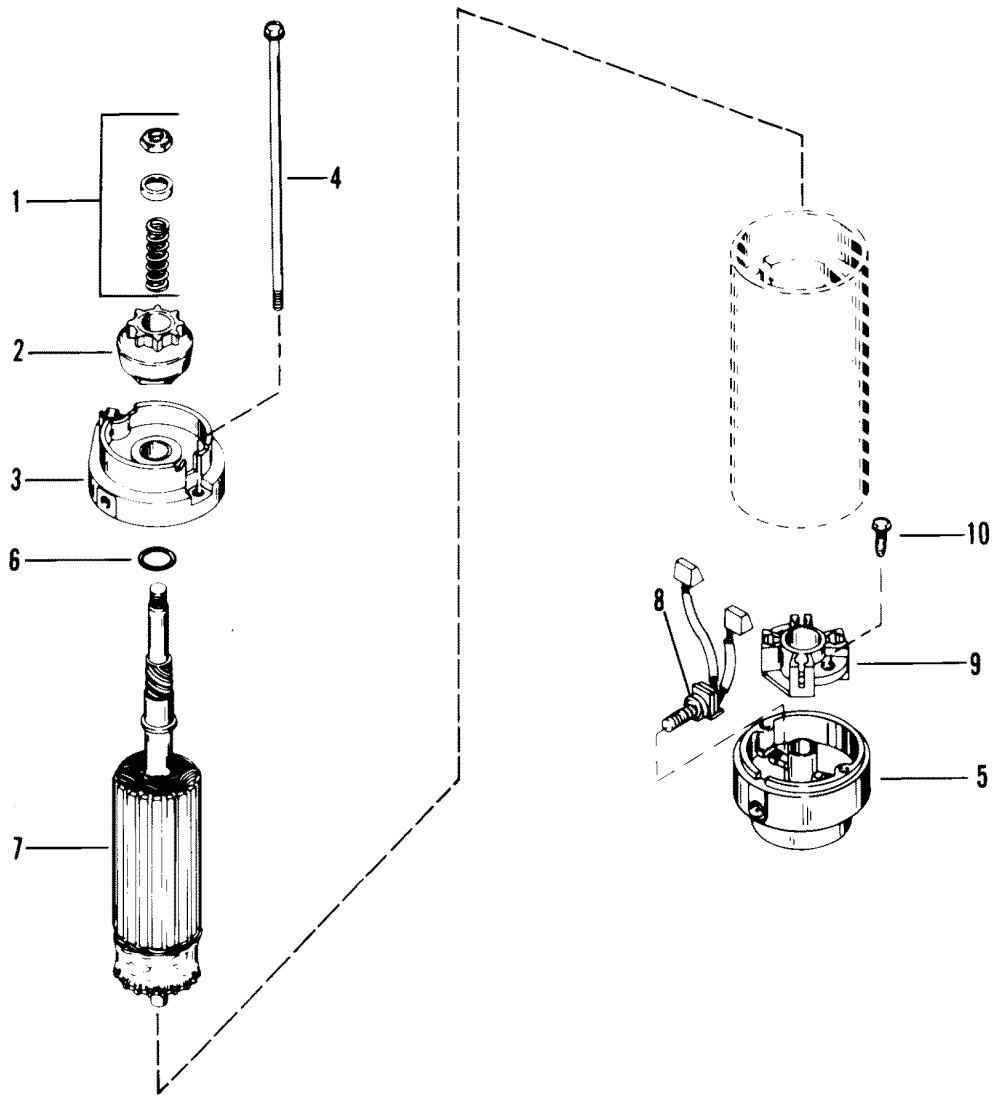
TACHOMETER, TRIM GAUGE AND ALARM HORN



TACHOMETER, TRIM GAUGE AND ALARM HORN

REF. NO.	PART NO.	SYM.	QTY.	DESCRIPTION
1	79-93953A1		1	TACHOMETER
2	79101T		1	BRACKET
3	11-26419		5	NUT
4	84-86322A7		1	WIRE (BLACK)
	84-86323A5		1	WIRE (PURPLE)
5	79-15113A4		1	TRIM GAUGE
6	79480		1	BRACKET
7	88-72729		1	LIGHT BULB
8	88-79888		1	SOCKET
9	11-26419		5	NUT
10	13-26995		5	LOCKWASHER
11	84-86396A8		1	HARNES
12	68878A6		1	ALARM HORN AND WIRE ASSEMBLY
13	68879		1	COVER
14	23-79697		2	SPACER
15	12-26427		4	WASHER
16	10-35401		2	SCREW

STARTER MOTOR ASSEMBLY



STARTER MOTOR ASSEMBLY

REF. NO.	PART NO.	SYM.	QTY.	DESCRIPTION
-	50-79472		1	STARTER MOTOR ASSEMBLY
1	90645		1	DRIVE KIT
2	75661		1	DRIVE
3	75660		1	PLATE
4	10-74968		2	THRU BOLT
5	15386		1	COMMUTATOR END CAP
6	N.S.S.		1	WASHER (AMERICAN BOSCH #WA3122)
7	79216		1	ARMATURE
8	75384		1	BRUSH SET
9	61787		2	BRUSH HOLDER
10	10-68586		2	SCREW

PARTS INDEX

Part Number	Description	Pg.	Ref. No.	Part Number	Description	Pg.	Ref. No.
11350A13	I. CONTROL BOX	25	1	68100--1	THRUST RING	39	59
12144	COVER	35	1A	68878A6	ALARM HORN AND WIRE ASSEMBLY	51	12
12234--2	MOUNT	25	4	68878A6	ALARM HORN ASSEMBLY	49	11
12955A3	BOTTOM COWL	3	13	68879	COVER	49	12
13171--1	THRUST HUB	39	79	68879	COVER	51	13
13256A2	AIR INLET ASSEMBLY	23	2	69205	C-WASHER	17	38
13715	RETAINER	17	5	71602	YOKE	3	5
13726	THROTTLE LEVER	23	10	74897	PIVOT	9	1
13734	RETAINER	3	14	75384	BRUSH SET	53	8
13873--1	BELLCRANK	23	20	75660	PLATE	53	3
13874--1	MOUNT	23	15	75661	DRIVE	53	2
13923	ROD END	23	25	76035	LINK ROD	9	4
13925	THROTTLE LINK(LONG)	23	23	76214	ANODIC PLATE	39	74
13926--1	THROTTLE LINK(SHORT)	23	32	76424	BRACKET	49	3
14410A1	FRONT COVER	3	2	76867	COVER (LOWER)	13	9
14669--1	ANCHOR BRACKET	9	27	77837	THROTTLE CONTROL LEVER	9	13
14913A1	COVER	19	4	78902	SHIFT SHAFT (LOWER)	35	38
15386	COMMUTATOR END CAP	53	5	78956	SHIFT CAM	39	48
15840--1	COVER	39	73	79022	TIMING MARKER	5	2
16813	CUP	9	42	79101T	BRACKET	51	2
16814	LATCH	11	43	79216	ARMATURE	53	7
17206	FUEL RAIL	45	23	79480	BRACKET	51	6
17814A7	THROTTLE POSITION INDICATOR	13	38	79610A6	TRIM CYOLINDER(79879A1 REPAIR KIT)	31	23
18419--3	CYLINDER HEAD	17	1	79911	ROD	39	50
19368--2	TRIM MOLDING	3	17	79918A1	COVER ASSEMBLY	5	1
26852	CAP	9	21	79932A11	SHIFT SHAFT ASSEMBLY	9	37
26852	CAP	9	9	815278	PLATE	25	18
26852	CAP	13	36	815490--1	THROTTLE SHAFT	23	33
32435	FACE PLATE	35	25	815500	BRACKET	13	27
35045	NUT	3	22	815563A2	BEARING CARRIER	39	64
37896	GUIDE BLOCK	9	29	815571	JUMPER	7	36
38279	LATCH	9	33	816054	LOWER MOUNT	27	4
39483	LATCH	9	22	816770	RECTIFIER	7	17
41052	PLUNGER	29	14	85024	SHAFT	31	28
41094A3	SPARK ADVANCE LEVER	9	6	85026	PLATE	31	12
41941	EXHAUST DIFFUSER	27	29	85028A2	TILT LOCK LEVER (STARBOARD)	29	11
42249	COVER (UPPER)	13	6	85030A2	TILT LOCK LEVER (PORT)	29	11
42732A2	PLATE ASSEMBLY	27	19	85035T	SPACER	31	15
43429--1	IGNITION PLATE	7	1	86475--1	COUPLING	29	17
44260	RETAINER	27	22	86485A5	TRIM SENDER ASSEMBLY	29	31
45559	TERMINAL BLOCK	47	9	86485A6	TILT SWITCH ASSEMBLY	29	31
45915	TERMINAL BLOCK	17	18	86580A1	BOTTOM YOKE	29	22
45915	TERMINAL BLOCK	41	6	86603	KNOB	29	16
48039	CAP	9	12	87760	MOUNTING PLATE	41	22
48752	INSERT	35	27	87762	BRACKET	41	27
52100	WEAR PLATE	9	32	87828	MOTOR, POWER TRIM	43	-
54196A6	CARIER ASSEMBLY	21	4	87871	COVER	31	31
56703	COLLAR	5	15	88075	RETAINER	41	11
58707	HOLD DOWN (BUNGY CORD)	3	8	88342	STRAP	29	33
60572	BARREL	9	26	88825A7	VOLTAGE REGULATOR	19	11
61787	BRUSH HOLDER	53	9	89484	ENDFRAME, DRIVE END	43	12
62459	BALL JOINT	9	2	89485	ARMATURE	43	13
65800	SEAL	21	5	89486	FIELD AND FRAME	43	15
67073A1	LINK ROD ASSEMBLY	9	31	89487	BRUSH CARD	43	16
67077T	COVER	27	9	89488	END FRAME, COMMUTATOR END	43	17
67614	COVER	5	23				
67703	STRAP	27	12				
68042	RUBBER STOP	5	16				

PARTS INDEX

Part Number	Description	Pg.	Ref. No.	Part Number	Description	Pg.	Ref. No.
89491--1	KEY 1A	49	-	10-14000	SCREW (1-1/4")	29	28
89491--2	KEY 1B	49	-	10-14834	DRAIN SCREW (MAGNETIC	37	46
89491--3	KEY 1C	49	-	10-14862	SCREW	25	24
89491--4	KEY 1D	49	-	10-18308	SCREW	17	25
89491--5	KEY 1E	49	-	10-22486	SCREW	9	23
89491--6	KEY 1F	49	-	10-28635	SCREW	13	28
89491--7	KEY 2A	49	-	10-28635	SCREW	47	6
89491--8	KEY 2B	49	-	10-28636	SCREW	27	23
89491--9	KEY 2C	49	-	10-28636	SCREW	31	13
89491-10	KEY 2D	49	-	10-28636	SCREW	45	4
89491-11	KEY 2E	49	-	10-28636	SCREW (3/4")	13	32
89491-12	KEY 2F	49	-	10-28667	SCREW (1")	9	28
89492	ADAPTOR	43	1	10-30206	SCREW	39	78
89493	COUPLING	43	2	10-31716	SCREW (5/8")	7	26
89494	MANUAL RELEASE (INCLUDES 2 O-RINGS)	43	3	10-31830	BOLT (3-1/2")	41	28
89495	PUMP (INCLUDES SCREWS)	43	4	10-35386	SCREW (1")	17	11
89499	DIPSTICK	43	8	10-35401	SCREW	51	16
89594A1	CAM FOLLOWER	39	49	10-36070	SCREW	31	34
89949A1	PLATE ASSEMBLY	31	18	10-37572	SCREW	5	3
89976	PLATE	49	7	10-38055	SCREW (5/8")	7	10
90318	BRACKET	41	2	10-38055	SCREW (5/8")	7	18
90390A1	COVER	17	10	10-38601	SCREW	3	21
90391--1	REED CLAMP	17	24	10-38837	SCREW (1-1/8")	17	11
90435	RUBBER MOUNT	45	8	10-39349	SCREW (3/4")	41	23
90468A1	COVER	49	2	10-41089	SCREW	23	12
90587	RESERVOIR	43	9	10-41355	SET SCREW	23	14
90645	DRIVE KIT	53	1	10-41508	SCREW (3/8")	41	13
92459A4	HYDRAULIC PUMP ASSEMBLY	41	1	10-42813	SCREW	15	42
92459A4	HYDRAULIC PUMP ASSEMBLY	43	-	10-48409	SCREW	19	12
92876A1	STEERING LINK	29	27	10-48409	SCREW	41	31
93860A6	I. FUEL PUMP ASSEMBLY	47	1	10-53167	SCREW	19	7
94275	CONNECTOR	41	16	10-53576	SCREW (1-1/8")	13	13
94820	FUEL REGULATOR	45	1	10-55337	SCREW (1-3/4")	9	14
96030	BRACKET	47	7	10-57583	SCREW	25	9
96455A11	TRIGGER PLATE	5	13	10-60147	SCREW	17	26
96598	MANUAL RELEASE (INCLUDES 3 O-RINGS)	43	3	10-60147	SCREW	17	28
96718A1	TEMPERATURE SENSOR	25	7	10-62568	SCREW	7	9
97465	TEMPERATURE SENDER	17	16	10-62568	SCREW	47	10
98709--3	MOUNTING PLATE	17	20	10-62568	SCREW (3/8")	17	19
98711--1	REED BLOCK	17	22	10-62958	SCREW (1-1/8")	9	28
98715--4	THROTTLE SHUTTER	23	7	10-63474	SCREW	27	3
98716	HOLD DOWN	45	16	10-64022	ADJUSTING SCREW	13	34
98717	SPACER	45	17	10-64022	SCREW	9	7
98818	FUEL INJECTOR	45	14	10-64022	SCREW (2-1/8")	9	19
99169A2	DIVIDER PLATE	19	1	10-66024	SCREW	39	75
99170A1	TILT TUBE	31	9	10-66717	SCREW (3-1/4")	13	13
99193	COVER	19	6	10-67755--1	SCREW (4-1/2")	31	4
99264--1	PLATE	3	20	10-67755--2	SCREW(6-1/2")	31	3
99944	MOUNTING BRACKET	45	3	10-67769	SCREW	27	13
99945	SUPPORT	45	7	10-68513	SCREW	5	30
N.S.S.	PINION GEAR (PART OF 43- 44104A5)	35	12	10-68513	SCREW	23	8
N.S.S.	WASHER (AMERICAN BOSCH #WA3122)	53	6	10-68586	SCREW	53	10
10-12463	SCREW	7	37	10-69034	SCREW (1')	13	18
10-13212--1	SCREW	27	25	10-69035	SCREW	5	20
				10-69079	SCREW	17	39
				10-69079	SCREW	41	7
				10-69079	SCREW (7/16")	17	19
				10-69092	SCREW (1-1/4")	7	12
				10-69560	SCREW (1-1/4")	9	10
				10-69570	SCREW	3	3

PARTS INDEX

Part Number	Description	Pg.	Ref. No.	Part Number	Description	Pg.	Ref. No.
10-70732	SCREW	31	16	11-35045	NUT	45	20
10-70732	SCREW(2"-BOTTOM)	25	15	11-35521	NUT	27	11
10-73657	SCREW (1-1/2")	13	7	11-35814	NUT	27	37
10-74191	SCREW(5/16"X3-1/4")	25	17	11-35888	NUT	45	10
10-74822	SCREW	23	17	11-35921	NUT	35	14
10-74824	SCREW (1-1/4")	13	13	11-42633	NUT	35	17
10-74824	SCREW (1-1/4")	19	5	11-45076	NUT	5	25
10-74968	THRU BOLT	53	4	11-45076	NUT	7	19
10-76630	SCREW	25	19	11-45076	NUT	7	29
10-77065	SCREW (2")	13	10	11-45076	NUT	7	34
10-79953	SCREW	37	45	11-45076	NUT	7	7
10-815904	SCREW	35	2	11-45076	NUT	19	14
10-87180	BOLT	31	7	11-45812	HUT	9	5
10-87926	SCREW	29	34	11-45812	NUT	15	43
10-88417	SCREW (5/8")	27	10	11-46335	NUT	41	30
10-88447	SCREW (1-5/8")	5	24	11-52707A1	PROPELLER NUT	39	81
10-88829	SCREW	31	21	11-52901	NUT	5	5
10-89483	THRU BOLT (4-1/4")	43	18	11-56041	NUT (7/8-14)	31	11
10-89489	THRU BOLT (4-9/16")	43	18	11-56374	NUT	25	6
10-89996	SCREW	31	19	11-64015	JAM NUT	13	35
10-90271	SCREW (5/8")	41	25	11-64015	NUT	9	20
10-90285	SCREW (5/8")	41	3	11-64015	NUT	9	8
10-90588	INCLUDES O-RING)	43	10	11-67980	NUT	7	30
10-90815	SCREW	7	3	11-68219	NUT	9	11
10-91903	SCREW(1-3/4")	27	30	11-68219	NUT	9	3
10-91995	SCREW	21	13	11-68219	NUT	31	36
10-92702	SCREW	23	26	11-68219	NUT	49	6
10-92913	SCREW(3/4")	27	30	11-816670	NUT	31	6
10-94929	SCREW (2")	17	3	11-816874	NUT	13	26
10-96411	SCREW (2-1/4")	35	31	11-89481	NUT	43	19
10-98256	SCREW	29	36	11-90068T	NUT (1"-14)	31	11
10-98257	SCREW	17	6	11-93543	NUT	49	9
10-99305	SCREW(3-1/2"-TOP)	25	16	11-94330	NUT (1/4-20)	41	15
10-99452	SCREW	5	11	12-19183	WASHER	37	47
11-13436	NUT	35	35	12-20028	WASHER	17	27
11-13438	NUT	35	33	12-20028	WASHER	17	29
11-15018	NUT	45	2	12-20128	WASHER	3	10
11-18102	NUT	11	46	12-20128	WASHER	3	7
11-20013	JAM NUT	23	24	12-20533	WASHER	27	33
11-20220	NUT	31	8	12-20670	WASHER	25	11
11-20890	NUT	5	18	12-22753	WASHER	23	18
11-21825	NUT	41	21	12-22753	WASHER	25	14
11-25096	NUT	27	6	12-22753	WASHER	27	36
11-25269	NUT	27	14	12-22887	WASHER	3	4
11-26419	NUT	51	3	12-24676	WASHER	49	5
11-26419	NUT	51	9	12-25909	WASHER	17	4
11-26419	NUT (#8-32)	41	14	12-26168	WASHER	45	11
11-30506	NUT	27	34	12-26427	WASHER	51	15
11-34059	NUT	41	5	12-28421	WASHER	31	5
11-34863	NUT	29	29	12-29245	WASHER	11	47
11-34863	NUT(THIN)	27	28	12-29245	WASHER	23	21
11-34932	NUT(FULL)	27	28	12-29245	WASHER	23	27
11-34933	NUT	27	16	12-29245	WASHER	23	29
11-34933	NUT	39	77	12-29245	WASHER	25	13
11-35045	NUT	9	25	12-29245	WASHER	29	37
11-35045	NUT	9	35	12-29245	WASHER	31	14
11-35045	NUT	9	41	12-29245	WASHER	31	17
11-35045	NUT	23	22	12-29245	WASHER	35	32
11-35045	NUT	23	28	12-29245	WASHER	45	19
11-35045	NUT	23	34	12-30164	WASHER	5	29

PARTS INDEX

Part Number	Description	Pg.	Ref. No.	Part Number	Description	Pg.	Ref. No.
12-30164	WASHER	15	41	13-78854	WAVE WASHER	29	21
12-33786	WASHER	11	45	13-88750	WAVE WASHER	31	10
12-34931	WASHER	29	30	14-31210	TAB WASHER	39	80
12-35462	WASHER	7	39	14-79447	TAB WASHER	39	72
12-35462	WASHER	9	40	15-42637A1	SHIM ASSEMBLY	35	15
12-35462	WASHER	23	19	15-47397A1	SHIM SET	39	68
12-35462	WASHER	25	21	16-14689	STUD	23	16
12-35462	WASHER 2	45	9	16-15093	STUD (1")	13	22
12-36001	WASHER	35	34	16-15094	STUD (1-7/8")	13	21
12-36042	WASHER	7	14	16-18101	STUD	11	44
12-45175	WASHER	27	27	16-21184	STUD	45	18
12-45176	WASHER	27	15	16-30667	STUD (3-1/4")	35	7
12-45176	WASHER	27	31	16-55422	STUD	49	4
12-45176	WASHER	39	76	16-56295	STUD	27	2
12-47247	WASHER	21	14	16-56297	STUD (3-3/8")	35	6
12-47533	WASHER, SUBSTITUTE FOR THERMOSTAT	17	8	16-57920	STUD (2-1/16")	35	5
12-49221--1	WASHER	13	24	16-66021	STUD	27	32
12-49339	WASHER	23	35	16-69016	STUD	13	39
12-56720	WASHER	41	4	16-69058	STUD	27	35
12-67264	WASHER (RUBBER)	7	15	16-78638	STUD (3-1/8")	35	4
12-67670	THRUST WASHER	29	24	16-88876	STUD	29	15
12-68229	WASHER	5	6	16-90589	THRU STUD (SHORT)	43	11
12-68410	WASHER	9	18	16-90590	THRU STUD (LONG)	43	11
12-69056	WASHER	9	34	16-96908	STUD (2-1/8")	13	2
12-69056	WASHER	25	5	16-96909	STUD (7")	13	2
12-72761	WASHER	5	4	16-96910	STUD (5-3/4")	13	2
12-72761	WASHER	13	25	16-97008	STUD (2")	13	2
12-77674	RUBBER WASHER	37	44	17-12147	POP RIVET	3	18
12-78910	WASHER	39	52	17-12148	POP RIVET	3	15
12-816056	WASHER	27	26	17-14908	RIVET	3	16
12-816056	WASHER	27	5	17-20033	DOWEL PIN	13	3
12-85022	WASHER	31	25	17-20033	DOWEL PIN	27	20
12-87161	WASHER	29	9	17-20033	DOWEL PIN	35	3
12-89482	THRUST WASHER	43	14	17-24800	ROLL PIN	23	5
12-92721	WASHER	35	13	17-42671	CROSS PIN	39	62
12-96457	WASHER	41	20	17-58712	CLEVIS PIN	3	9
13-26992	LOCKWASHER	5	17	17-67296	DOWEL PIN (BEARING RACE)	13	4
13-26992	LOCKWASHER	7	27	17-67706A46	SWIVEL PIN AND STEERING ARM	29	25
13-26992	LOCKWASHER	13	33	17-69745	PIN	29	18
13-26992	LOCKWASHER	15	44	17-78906	PIN	39	53
13-26992	LOCKWASHER	25	20	17-78909	DETENT PIN	39	54
13-26992	LOCKWASHER	27	24	17-816771	RIVET	3	6
13-26992	LOCKWASHER	45	5	17-85020	PIVOT PIN	31	27
13-26992	LOCKWASHER	47	5	17-91862	PIN	31	30
13-26993	LOCKWASHER	7	13	17-99317	RIVET	23	3
13-26993	LOCKWASHER	13	8	18-21071	COTTER PIN	3	11
13-26993	LOCKWASHER	41	24	18-93861	COTTER PIN	29	20
13-26995	LOCKWASHER	23	13	19-64649	PLUG	27	17
13-26995	LOCKWASHER	25	10	21-42623	CHECK VALVE (PRESS IN- TOP)	17	34
13-26995	LOCKWASHER	51	10	21-42657A1	CHECK VALVE ASSEMBLY ..	13	11
13-26996	LOCKWASHER	5	12	21-817031	CHECK VALVE (BOTTOM- 40)	17	35
13-26996	LOCKWASHER	7	35	22-13820	PIPE PLUG	35	10
13-26996	LOCKWASHER	15	40	22-14685	PLUG	3	19
13-26996	LOCKWASHER	23	9	22-15133	ELBOW	23	3
13-26996	LOCKWASHER	31	35	22-15133	ELBOW (PRESS IN)	17	36
13-29720	WAVE WASHER	9	38	22-17207	FITTING	45	24
13-58643	LOCKWASHER	41	26				
13-58643	LOCKWASHER	41	29				
13-69432	LOCKWASHER	7	38				

PARTS INDEX

Part Number	Description	Pg.	Ref. No.	Part Number	Description	Pg.	Ref. No.
22-32820	CONNECTOR	47	11	25-62700	O-RING	13	30
22-38407	PLUG (WATER JACKET)	13	20	25-88341	GROMMET	29	7
22-49393	FITTING	45	27	25-89497	O-RING, RESERVOIR END	43	7
22-56759	FITTING (PRESS IN-CRANKCASE SIDE)	17	31	25-89498	O-RING, MOTOR END	43	6
22-59169	TEE FITTING	17	30	25-90011	O-RING	35	20
22-59169	TEE FITTING	23	30	25-99123	GROMMET	45	15
22-62006	ELBOW	47	4	26-16977	OIL SEAL	35	22
22-68727	ELBOW	17	12	26-38970	RUBBER SEAL	35	28
22-68727	FITTING	19	10	26-38970	SEAL	27	21
22-68728	FITTING	17	14	26-41953	OIL SEAL	13	17
22-69406	FITTING	45	28	26-41953	OIL SEAL	13	31
22-74036	GREASE FITTING	29	6	26-76384	OIL SEAL	37	43
22-87207	CONNECTOR	31	22	26-814754	SEAL	19	3
22-94090	ELBOW (CRANKCASE TOP)	17	32	26-815565	OIL SEAL	39	66
22-94273	FITTING	47	2	26-85023	OIL SEAL	29	8
23-12245	BUSHING	23	11	26-87735	OIL SEAL (LOWER)	29	2
23-26600	BUSHING	9	39	26-89238	OIL SEAL	35	21
23-27132	BUSHING	9	36	26-94219	SEAL	45	13
23-29804	SLEEVE	35	37	27-11338	GASKET	13	5
23-43998	SLEEVE	35	9	27-12775--2	GASKET	17	21
23-53811--1	SPACER	25	22	27-18051	GASKET (LOWER)	35	23
23-55164	BUSHING	9	15	27-18350	GASKET	17	2
23-55171	BUSHING	9	16	27-41247A1	GASKET SET	1	-
23-67268	BUSHING	7	16	27-42631--1	GASKET	35	19
23-67269	SPACER	13	23	27-62386	GASKET	17	9
23-67668	SPACER	29	5	27-78069	GASKET	19	9
23-67669	BUSHING	29	3	27-85609--1	GASKET (UPPER)	35	24
23-77631A2	BUSHING ASSEMBLY	37	42	27-87775	GASKET	31	32
23-79697	SPACER	51	14	27-88907	GASKET	19	8
23-812711	SPACER (1/4")	49	13	27-90484--1	GASKET	19	2
23-812711--1	SPACER (3/8")	49	13	27-99316--1	GASKET	23	1
23-815508	SPACER	15	45	28-30281	KEY	39	71
23-86489	BUSHING KIT	31	24	28-56654	KEY	35	30
23-86600	BUSHING	29	12	29-67483	NEEDLE BEARING	21	16
23-86637	BEARING	31	29	30-41421	BALL BEARING (LOWER)	21	2
23-94304	BUSHING	7	31	30-88957A1	BALL BEARING	39	60
23-94304	BUSHING	13	12	31-17514A1	ROLLER BEARING	21	15
23-94453	BUSHING	7	5	31-36387A1	ROLLER BEARING	35	16
24-13554	SPRING	23	6	31-42647A1	ROLLER BEARING	35	8
24-20099	SPRING	9	24	31-67445	ROLLER BEARING	21	7
24-20099	SPRING	9	30	31-73363	ROLLER BEARING	39	58
24-30316	SPRING	31	26	31-74248	ROLLER BEARING	13	16
24-68784	SPRING	9	17	31-78172A1	TAPERED ROLLER BEARING	39	69
24-78962	SPRING	39	55	31-817072	ROLLER BEARING	39	65
24-79910	SPRING	39	51	31-88903	ROLLER BEARING	21	8
24-85367	SPRING	29	13	32-11635	TUBE	13	37
24-88049	SPRING	29	19	32-66285--4	HOSE	17	33
24-91821	SPRING	11	49	32-66285--4	HOSE	23	31
25-12602	GROMMET	33	39	32-66285--4	HOSE	45	12
25-25439	O-RING	37	41	32-67295	WATER TUBE	27	18
25-30271	RUBBER RING (DRIVE SHAFT)	35	36	32-77457--2	HOSE	17	13
25-31534	O-RING	39	70	32-77457--2	HOSE	19	15
25-33466	O-RING	29	4	32-77457--2	HOSE	45	21
25-39695	O-RING	35	1B	32-89023	HYDRAULIC HOSE (STARBOARD)	33	38
25-45507	GROMMET	31	33	32-89024	HYDRAULIC HOSE (PORT)	33	38
25-45711	O-RING	25	8	32-96993	HYDRAULIC HOSE (PORT)	33	37
25-48171	O-RINGS	29	10	32-96994	HYDRAULIC HOSE (STARBOARD)	33	37
25-54029	O-RING	13	15	32-99387-79	HOSE	47	8

PARTS INDEX

Part Number	Description	Pg.	Ref. No.	Part Number	Description	Pg.	Ref. No.
33-97180	SPARK PLUG	5	28	84-79139A12	BATTERY CABLE (RED-POSITIVE)	41	18
34-14622A1	REED ASSEMBLY	17	23	84-79147A3	HARNESS ASSEMBLY	41	9
35-89496	FILTER	43	5	84-815358A1	HIGH TENSION CABLE	5	27
35-94865	FUEL FILTER	47	3	84-86322A15	WIRE (BLACK)	41	17
37-13813A4	DECAL SET	3	12	84-86322A7	WIRE (BLACK)	51	4
38-90311	INSERT	49	10	84-86323A5	WIRE (PURPLE)	51	4
39-67377	RING	21	6	84-86396A8	HARNESS	51	11
39-816802A12	PISTON RING ASSEMBLY	21	10	84-88439A14	BATTERY CABLE (POSITIVE)	7	20
40-17977	LOCK RING	21	11	84-88439A2	BATTERY CABLE (NEGATIVE)	7	20
43-44104A5	FORWARD GEAR ASSEMBLY	39	57	84-88672A3	CABLE	7	33
43-816419A1	REVERSE GEAR	39	56	84-88807A6	GROUND STRAP (BLACK)	5	26
44-816418T	PROPELLER SHAFT	39	63	84-93388A1	WIRE (BLACK)	5	21
45-44000	DRIVE SHAFT	35	11	84-93389A5	WIRE (YELLOW)	5	19
46-44292A3	WATER PUMP BASE ASSEMBLY	35	18	84-96220A4	ENGINEER HARNESS	7	21
46-96148A1	WATER PUMP BODY ASSEMBLY	35	26	84-98866A17	I. HARNESS ASSEMBLY	25	2
47-89984	IMPELLER	35	29	86-19437--2	TERMINAL BLOCK	7	32
50-79472	STARTER MOTOR	5	14	87-88107	IGNITION SWITCH	49	8
50-79472	STARTER MOTOR ASSEMBLY	53	-	88-72729	LIGHT BULB	51	7
52-42672	RATCHET	39	61	88-79023A10	FUSE (110 AMP)	41	19
53-29641	E-RING	35	39	88-79091	FUSE	7	22
53-67446	RETAINING RING	21	3	88-79091	FUSE (20 AMP)	41	10
53-67684	RETAINING RING	29	23	88-79888	SOCKET	51	8
53-78907	RETAINING RING	35	40	89-76528A1	STARTTER SOLENOID	7	25
53-817071	SNAP RING	39	67	89-96158	SOLENOID	41	12
53-87843	E-RING	23	36	90-15805900	OWNER'S GUIDE	1	-
54-12999	CLAMP	45	26	90-817121-90	PARTS MANUAL	1	-
54-13791	CLAMP	45	25	249-6080A5	FLYWHEEL ASSEMBLY	5	7
54-23567	CLIP	17	37	332-7778A4	SWITCH BOX	7	2
54-54457	CLAMP	29	35	339-7370A13	IGNITION COIL	5	22
54-54457	J-CLIP	25	12	398-5454A35	STATOR ASSEMBLY	5	10
54-67076	CLAMP	27	7	455-7251A7	CRANKSHAFT ASSEMBLY	21	1
54-75275	CLAMP	11	50	625-813865A2	CONNECTING ROD ASSEMBLY	21	12
54-75275	CLAMP	31	20	766-815403A3	PISTON ASSEMBLY (PORT)	21	9
54-814634	J-CLAMP	5	9	766-815404A3	PISTON ASSEMBLY (STARBOARD)	21	9
54-814634	J-CLAMP	17	7	858-812357A3	CYLINDER BLOCK	13	1
54-814634	J-CLAMP	19	16	1156-7809A1	LOWER END CAP ASSEMBLY	13	29
54-814634	J-CLIP	11	48	1159-816777A1	UPPER END CAP ASSEMBLY	13	14
54-815342	CLIP	25	23	1491-9225A3	SWIVEL BRACKET ASSEMBLY	29	1
54-815504104	CLAMP	45	22	1494-7476T1	TRANSOM BRACKET (PORT)	31	1
54-816311	STA-STRAP	7	24	1495-7478T1	TRANSOM BRACKET (STARBOARD)	31	2
54-816311	STA-STRAP	17	15	1590-8837A5	DRIVE SHAFT HOUSING ASSEMBLY	27	1
54-88512	CLAMP	31	20	1647-9561A21	GEAR HOUSING (BASIC)	35	1
79-15113A4	TRIM GAUGE	51	5	1647-9561A50	GEAR HOUSING (COMPLETE)	35	-
79-93953A1	TACHOMETER	51	1	1647-9561A50	GEAR HOUSING (COMPLETE)	39	-
84-13397A1	HARNESS ASSEMBLY	19	13	2167-9442A5	TOP COWL	3	1
84-17925A15	KEY SWITCH ASSEMBLY	49	1				
84-60871A10	WIRE	7	8				
84-62310A2	CABLE	7	6				
84-65017A14	HARNESS	29	32				
84-65017A15	HARNESS	29	32				
84-65999A10	CABLE(BLACK)	25	3				
84-65999A2	CABLE (BLACK)	7	28				
84-65999A3	CABLE (BLACK)	7	11				
84-69738A7	HARNESS (#2,4 & 6)	5	8				
84-69739A2	HARNESS (#1,3 & 5)	5	8				