



PARTS CATALOG

55 HP

SERIAL NUMBER

55 E 663-004041 AND UP
55 EL 663-315379 AND UP

TABLE OF CONTENTS:

BOTTOM COWLING	6
C.D.I. IGNITION COMPONENTS	12
C.D.I. MAGNETO	10
CARBURETOR	22
CLAMP AND SWIVEL BRACKET	40
CRANKCASE AND CYLINDER HEAD	14
CRANKSHAFT AND PISTON	18
DRIVESHAFT HOUSING	44
ELECTRIC START COMPONENTS	32
ELECTRIC STARTER MOTOR	8
FUEL LINE AND FILTER	30
FUEL PUMP	26
FUEL PUMP	28
FUEL TANK (NOT ORIG. EQUIPMENT TANK)	58
FUEL TANK AND FUEL LINE ASSEMBLY (NOT ORIG. EQUIP. TANK)	62
FUEL TANK AND FUEL LINE ASSEMBLY (ORIG. EQUIPMENT)	54
GEAR HOUSING ASSEMBLY	46
GEAR SHIFT LINKAGE	36
INTAKE MANIFOLD	20
MOUNTING SYSTEM	42
OPTIONAL PARTS	60
PARTS INDEX	64
PROP CHART	2
REVERSE LOCK	38
THROTTLE CONTROL	34
TOP COWLING	4

NOTE: Indented description indicate that these parts are included in preceding assembly.

AR = As Required

NSS = Not Sold Separate

OPT = Optional

NS = Not Shown

NOTE: Following symbols are located in **SYM** column.

● = CONTENTS OF CARBURETOR REPAIR
KIT [84419M] OR [19141M]

■ = CONTENTS OF POWERHEAD GASKET
SET [27-84168M]

■ = NO LONGER AVAILABLE

▲ = CONTENTS OF LOWER UNIT GASKET
SET [27-92648M]

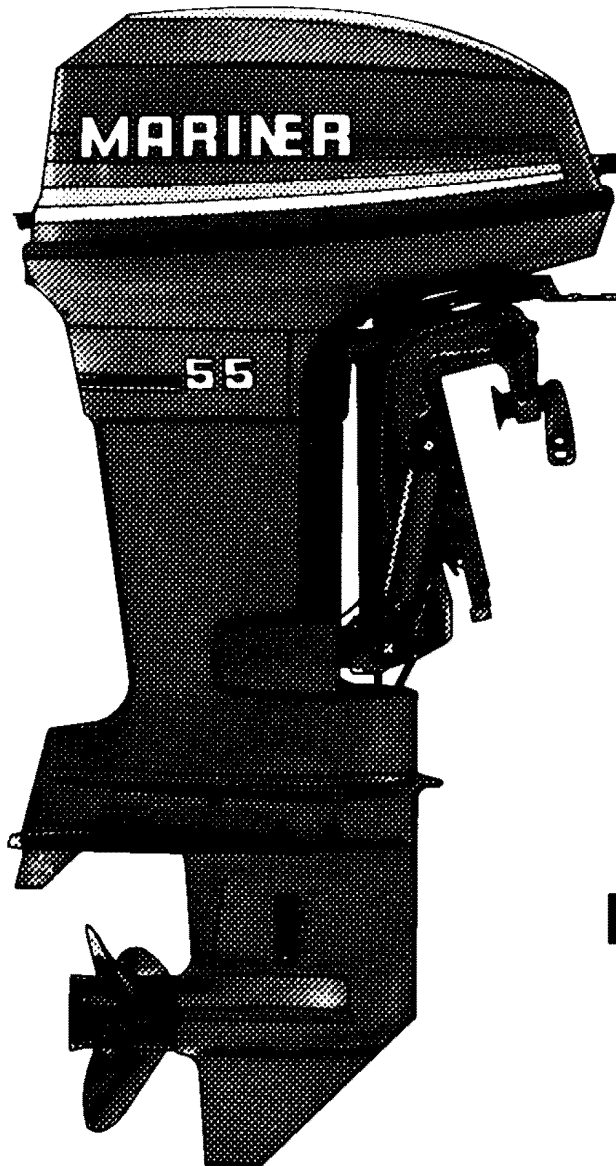
† = CONTENTS OF WATER PUMP REPAIR
KIT [84188M]

○ = CONTENTS OF OPTIONAL CHROME
WATER PUMP KIT [84187M] OR [19168M]

THESE PARTS BOOKS/FICHE CARD ARE COPYRIGHTED AND MAY NOT BE DISTRIBUTED OR REPRODUCED IN ANY OTHER FORMAT BY ANYONE OTHER THAN MERCURY MARINE WITHOUT THE PRIOR WRITTEN CONSENT OF MERCURY MARINE.

THIS PAGE INTENTIONALLY LEFT BLANK

PROP CHART



MARINER 55 H.P.

Full Throttle RPM:
4500-5500

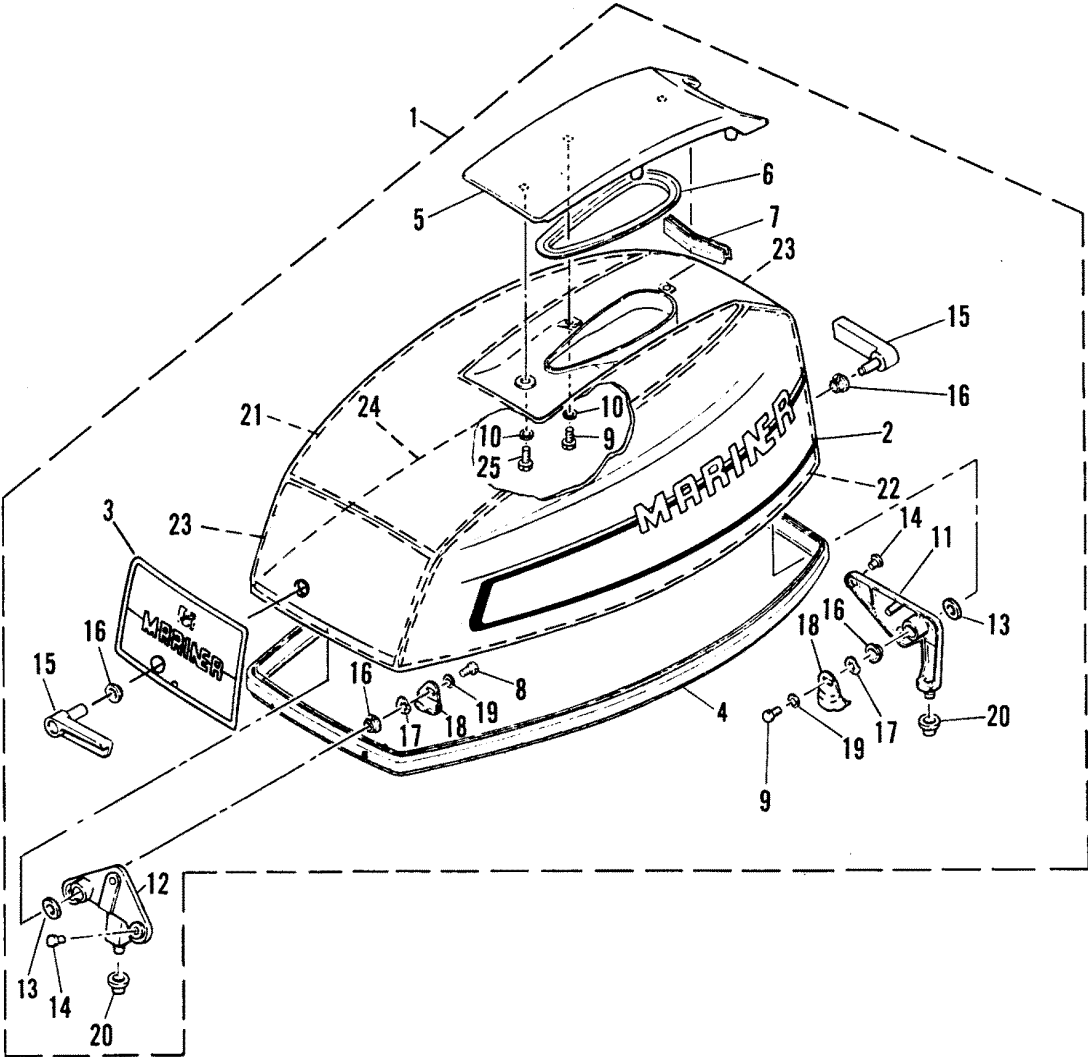
Gear Ratio:
1.72:1

PROP CHART

REF. NO.	PART NO.	SYM.	QTY.	DESCRIPTION
-	48-73146A40		1	PROPELLER (PITCH 19") (ALUMINUM) (3 BLADES)
-	48-73144A40		1	PROPELLER (PITCH 17") (ALUMINUM) (3 BLADES)
-	48-73142A40		1	PROPELLER (PITCH 16") (ALUMINUM) (3 BLADES)
-	48-91818A5		1	PROPELLER (PITCH 16") (S. STEEL) (3 BLADES)
-	48-73140A40		1	PROPELLER (PITCH 15") (ALUMINUM) (3 BLADES)
-	48-76232A5		1	PROPELLER (PITCH 15") (STEEL) (3 BLADES)
-	48-73138A40		1	PROPELLER (PITCH 14") (ALUMINUM) (3 BLADES)
-	48-76230A5		1	PROPELLER (PITCH 14") (STEEL) (3 BLADES)
-	48-73136A40		1	PROPELLER (PITCH 13") (ALUMINUM) (3 BLADES)
-	48-76228A5		1	PROPELLER (PITCH 13") (STEEL) (3 BLADES)
-	48-73134A40		1	PROPELLER (PITCH 12") (ALUMINUM) (3 BLADES)
-	48-79792A5		1	PROPELLER (PITCH 12") (STEEL) (3 BLADES)
-	48-85632A40		1	PROPELLER (PITCH 11") (ALUMINUM) (3 BLADES)
-	48-73132A40		1	PROPELLER (PITCH 10") (ALUMINUM) (3 BLADES)
-	48-87818A10		1	PROPELLER (PITCH 9") (ALUMINUM) (3 BLADES)
-	48-97868A5		1	PROPELLER (PITCH 9") (STEEL) (3 BLADES)

SUFFIX A4 INDICATES CUPPED PROPELLER. RECOMMENDED TRANSOM HEIGHT: LONG SHAFT 20".

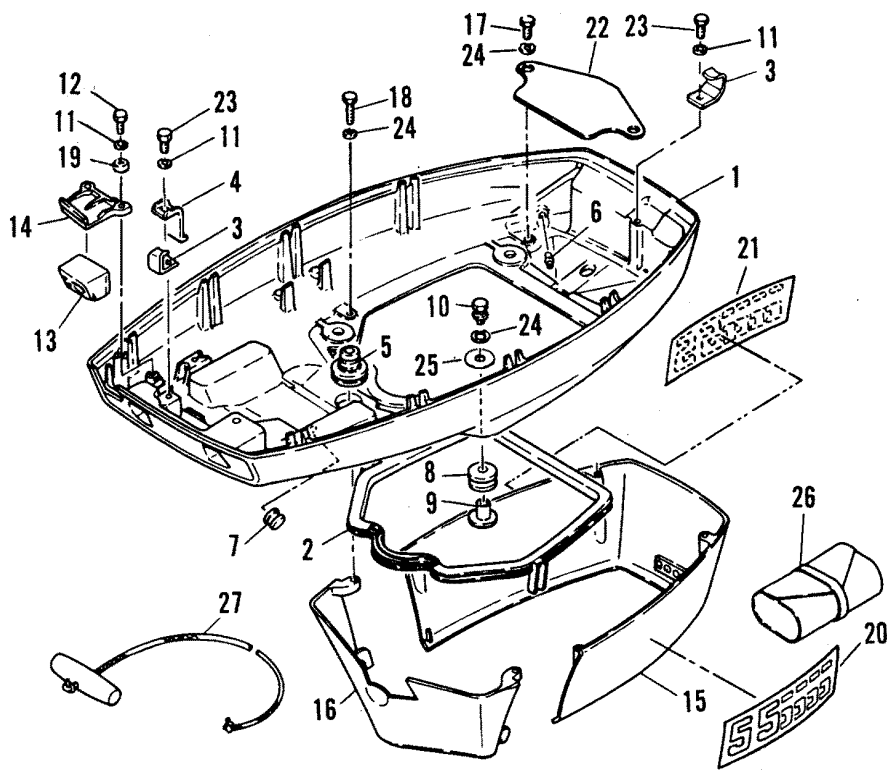
TOP COWLING



TOP COWLING

REF. NO.	PART NO.	SYM.	QTY.	DESCRIPTION
1	2168-810943M		1	TOP COWL ASSEMBLY SEE NOTE #1
2	37-810936A90		1	DECAL SET SEE NOTE #1
3	N.S.S.		1	DECAL, FRONT (PART OF 37-810936A90) SEE NOTE #1
1	2168-9366M		1	TOP COWL ASSEMBLY SEE NOTE #2
2	37-95662M		1	DECAL, SIDE AND REAR SET SEE NOTE #2
3	37-95663M		1	DECAL, FRONT SERIAL (E-004021, EL-316399) AND ABOVE
	97797M		1	DECAL, FRONT SERIAL (E-004020, EL-316338) AND BELOW
4	83043M		1	SEAL, TOP COWL
5	83024M		1	COVER, AIR DUCT
6	83025M		1	AIR SHROUD
7	83039M		1	SEAL, RUBBER
8	10-84303M		4	BOLT SERIAL (E-004476, EL-319171) AND ABOVE
	10-84247M		4	BOLT SERIAL (E-004475, EL-319170) AND BELOW
9	10-813477M		4	BOLT
10	12-82214M		5	WASHER
11	83040M		1	HOLDER
12	83041M		1	HOLDER
13	12-97098M		2	WASHER
14	17-82982M		6	RIVET
15	83026M		2	LEVER, COWL CLAMP
16	23-41823M		4	BUSHING
17	13-81871M		2	WAVE WASHER
18	83027M		2	CLAMP, COWL
19	12-81794M		2	WASHER
20	83042M		2	DAMPER
21	83232M		1	SOUND BLANKET, TOP
22	83233M		1	SOUND BLANKET, PORT
23	84323M		2	SOUND BLANKET, FRONT AND REAR
24	95619M		1	SOUND BLANKET, STARBOARD
25	10-91725M		1	BOLT (E-004476 EL-319171) AND ABOVE

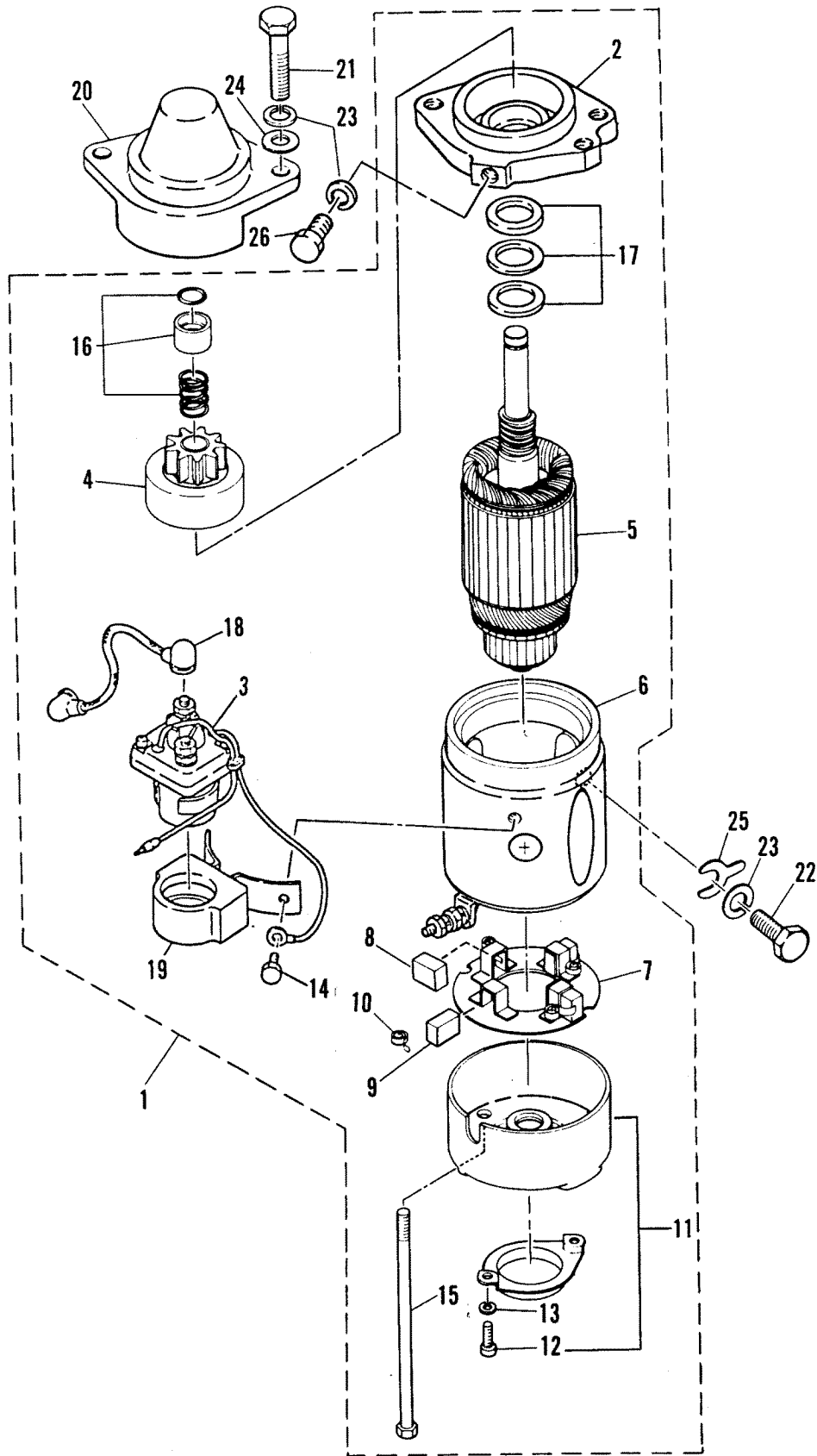
BOTTOM COWLING



BOTTOM COWLING

REF. NO.	PART NO.	SYM.	QTY.	DESCRIPTION
1	2168-9367M		1	BOTTOM COWL
2	27-83044M		1	SEAL, BOTTOM COWL TO APRON
3	83045M		2	HOOK, COWL CLAMP
4	82996M		1	CLAMP
5	25-81369M		1	GROMMET
6	22-81326M		1	FITTING, LOWER COWL
7	25-82061M		1	GROMMET
8	25-93101M		4	GROMMET
9	23-83610M		4	COLLAR
10	10-83285M		4	BOLT
11	13-82212M		4	LOCKWASHER
12	10-84247M		2	BOLT
13	81370M		1	BUMPER, COWL
14	83153M		1	RETAINER, COWL BUMPER
15	95664M		1	COVER, COWL (REAR)
16	95665M		1	COVER, COWL (FRONT)
17	10-84058M		2	BOLT
18	10-82405M		2	BOLT
19	12-82214M		2	WASHER
20/21	N.S.S.		1	DECAL (PART OF 37-810936A90)
20/21	37-95666M		2	DECAL (HP)(PORT AND STARBOARD) SERIAL (E-004121, EL-316399) AND ABOVE
22	83047M		1	COVER, BOTTOM
23	10-84211M		2	BOLT
24	13-82212M		6	LOCKWASHER
25	12-81796M		4	WASHER
26	91-81669M		1	TOOL KIT
27	47341A1		1	ROPE, EMERGENCY START
28	37-95621M		1	DECAL (HP)(PORT) SERIAL (E-004020 EL-316338) AND BELOW
29	37-95622M		1	DECAL (HP)(STARBOARD) SERIAL (E-004020 EL-316338) AND BELOW

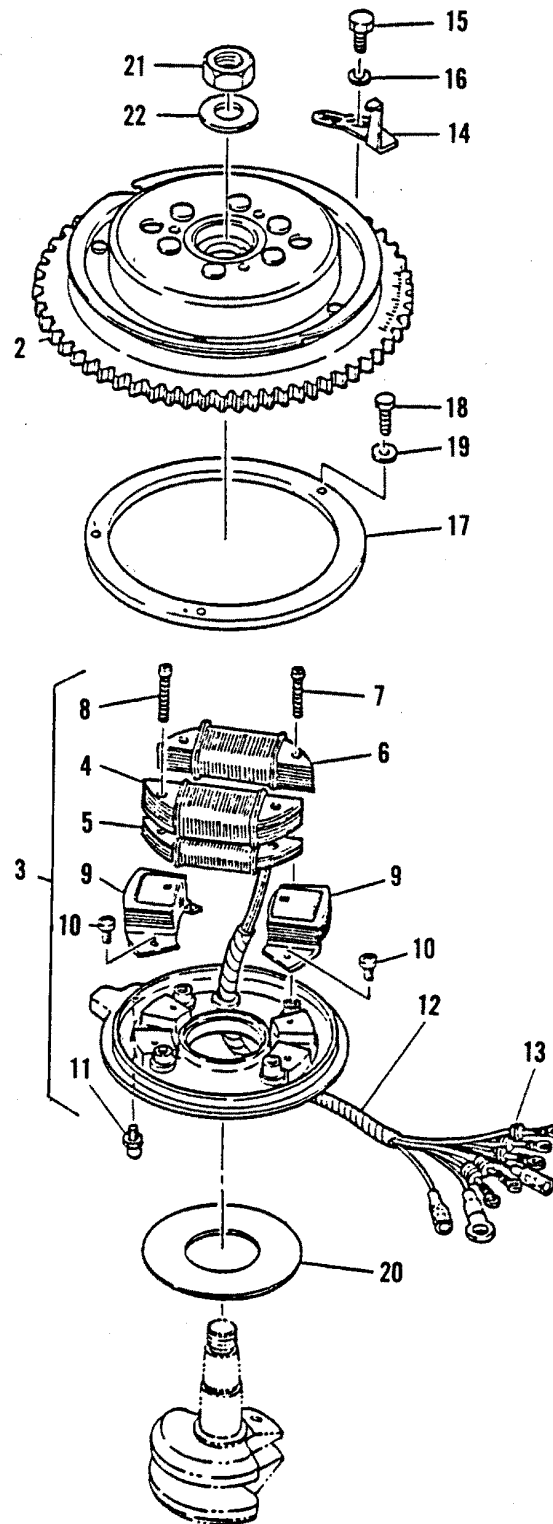
ELECTRIC STARTER MOTOR



ELECTRIC STARTER MOTOR

REF. NO.	PART NO.	SYM.	QTY.	DESCRIPTION
1	50-97072M		1	ELECTRIC MOTOR ASSEMBLY
2	83654M		1	FRONT BRACKET
3	89-96357M		1	SWITCH
4	81504M		1	GEAR
5	83651M		1	ARMATURE
6	81493M		1	STATOR
7	81507M		1	BRUSH HOLDER
8	94475M		2	BRUSH (+)
9	94478M		2	BRUSH (-)
10	24-81496M		4	SPRING
11	81499M		1	REAR COVER ASSEMBLY
12	10-82515M		2	SCREW
13	13-82184M		2	LOCKWASHER
14	10-84315M		2	BOLT
15	10-81500M		2	BOLT
16	92671M		1	STOP RING
17	12-95683M		1	WASHER KIT
18	92672M		1	LEAD WIRE
19	95684M		1	MOUNT
20	81508M		1	COVER
21	10-84236M		2	BOLT
22	10-84342M		1	BOLT
23	13-82215M		4	LOCKWASHER
24	12-82217M		2	WASHER
25	81485M		AR	WASHER
26	10-82437M		1	BOLT

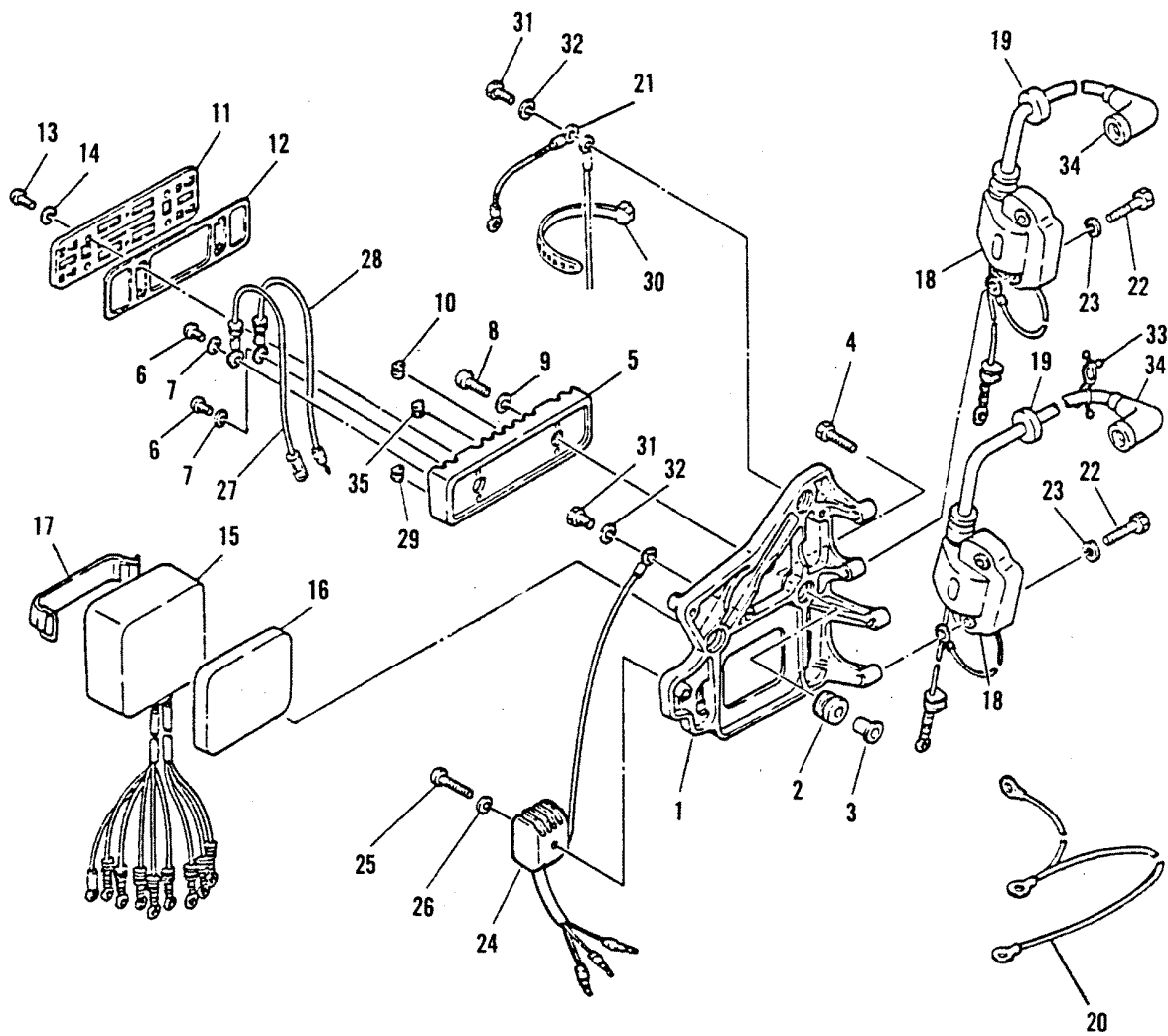
C.D.I. MAGNETO



C.D.I. MAGNETO

REF. NO.	PART NO.	SYM.	QTY.	DESCRIPTION
2	25-9283M		1	ROTOR ASSEMBLY
3	97100M		1	BASE ASSEMBLY
4	83036M		1	COIL, CHARGE
5	83037M		1	COIL, BLANKING (MASKING)
6	83038M		1	COIL, LIGHTING (80W)
7	10-82503M		2	SCREW
8	10-82504M		2	SCREW
9	84212M		2	COIL, TRIGGER
10	10-83509M		4	SCREW
11	84305M		1	JOINT, BALL
12	84-95685M		1	LEAD WIRE
13	25-82059M		5	GROMMET
14	97074M		1	PLATE, TIMING
15	10-91725M		1	BOLT
16	12-82214M		1	WASHER
17	82678M		1	RETAINER, MAGNETO BASE
18	10-83539M		3	BOLT
19	12-82214M		3	WASHER
20	12-81343M		1	PLATE, BASE
21	11-81773M		1	NUT
22	12-84436M		1	WASHER

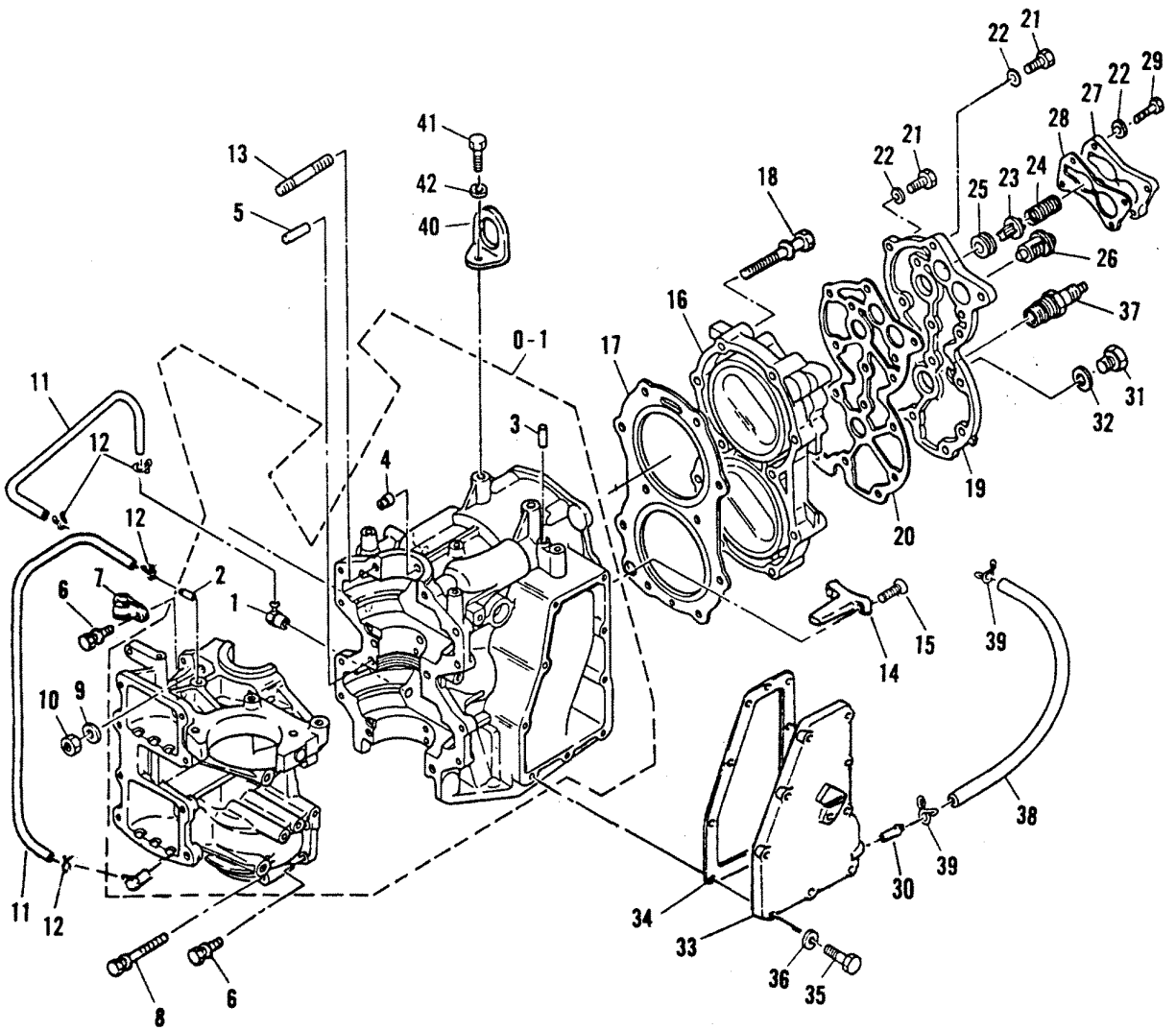
C.D.I. IGNITION COMPONENTS



C.D.I. IGNITION COMPONENTS

REF. NO.	PART NO.	SYM.	QTY.	DESCRIPTION
1	81543M		1	BRACKET
2	25-93114M		3	GROMMET SERIAL (E-004424 EL-318399) AND ABOVE
	81523M		3	GROMMET SERIAL (E-004423 EL-318398) AND BELOW
3	23-82851M		3	COLLAR
4	10-95629M		3	BOLT
5	81518M		1	TERMINAL
6	10-82798M		10	SCREW
7	12-82847M		10	WASHER
8	10-82980M		2	SCREW
9	12-82214M		2	WASHER
10	25-82057M		1	GROMMET
11	97076M		1	COVER
12	27-81516M		1	GASKET
13	10-80738M		4	SCREW
14	13-82184M		4	LOCKWASHER
15	83030M		1	C.D.I. UNIT ASSEMBLY
16	81544M		1	GROMMET
17	81520M		1	CLAMP
18	97077M		2	IGNITION COIL ASSEMBLY
19	25-82069M		2	GROMMET
20	84-97078M		1	GROUND WIRE
21	84-81250M		1	GROUND WIRE
22	10-83285M		4	BOLT
23	12-82214M		4	WASHER
24	810937M		1	RECTIFIER SERIAL (00004516) AND ABOVE
	81652M		1	RECTIFIER SERIAL (004515) AND BELOW
25	10-82522M		1	SCREW
26	13-82208M		1	LOCKWASHER
27	84-82998M		1	LEAD WIRE
28	84-82997M		1	LEAD WIRE
29	25-81517M		1	GROMMET
30	81541M		1	STRAP
31	10-91772M		2	BOLT
32	13-82212M		2	LOCKWASHER
33	54-97079M		1	CLAMP
34	82788M		2	PLUG CAP ASSEMBLY (NOISE SUPPRESSOR) SERIAL (E-004476 EL-319171) AND ABOVE
	80935M		OPT	PLUG CAP ASSEMBLY (NOISE SUPPRESSOR) SERIAL (E-004475 EL-319170) AND BELOW
35	25-82057M		1	GROMMET (E-004515 EL-320614 AND BELOW)

CRANKCASE AND CYLINDER HEAD



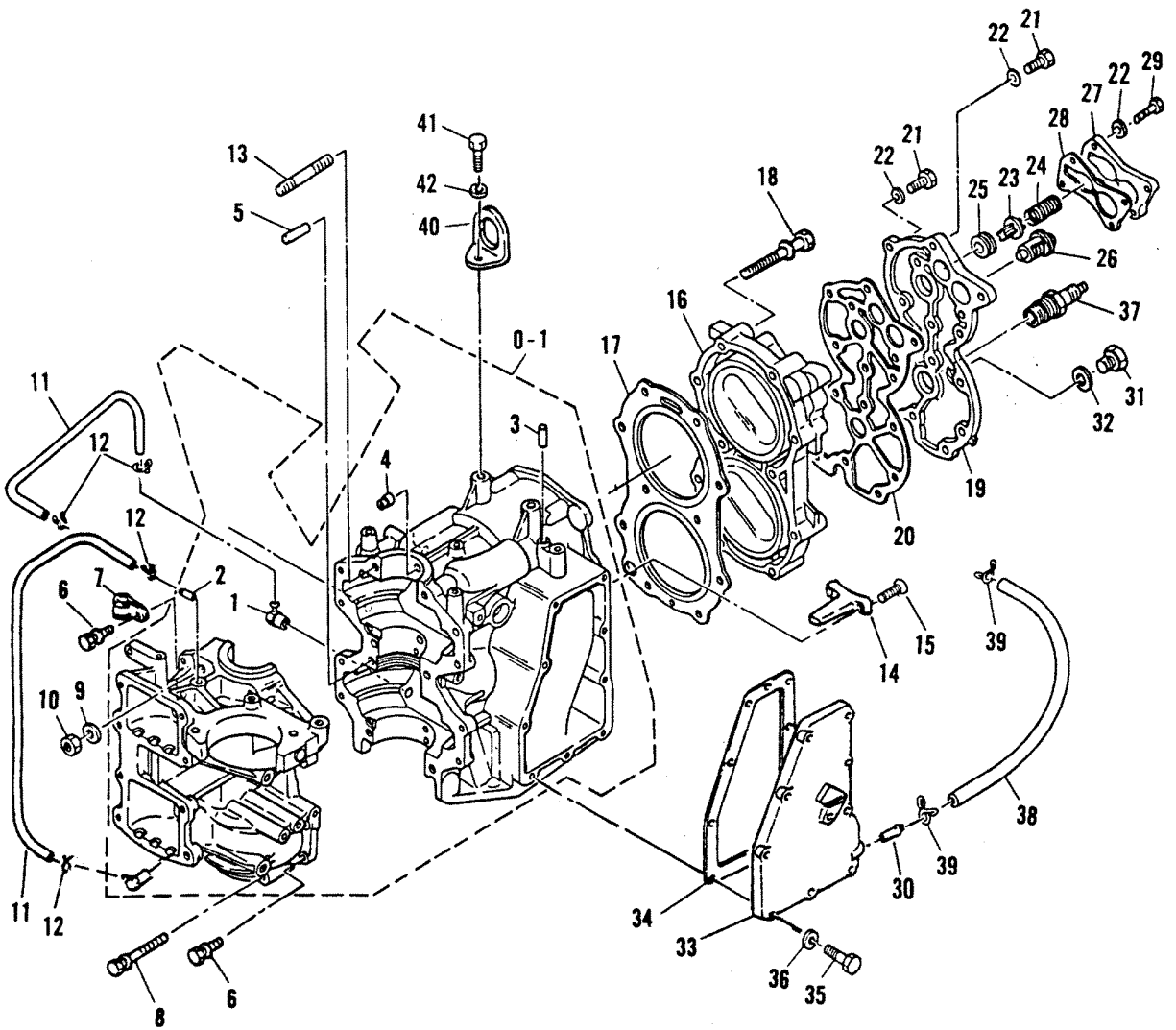
CRANKCASE AND CYLINDER HEAD

REF. NO.	PART NO.	SYM.	QTY.	DESCRIPTION
0-1	870-9274M		1	CRANKCASE ASSEMBLY
1	21-80727M		2	CHECK VALVE
2	22-80122M		1	FITTING
3	17-82354M		1	DOWEL PIN
4	17-81258M		2	LOCK, BEARING
5	17-82368M		1	DOWEL PIN
6	10-41837M		8	BOLT
7	54-82033M		1	CLAMP
8	10-41838M		4	BOLT
9	12-81807M		2	WASHER
10	11-82387M		2	NUT
11	32-81995M		2	HOSE
12	54-82046M		4	CLIP
13	16-81743M		2	STUD
14	81255M		1	ANODE
15	10-82532M		2	SCREW
16	968-7974M		1	CYLINDER HEAD
17	27-19140M	■	1	GASKET
18	10-41839M		10	BOLT
19	81253M		1	COVER, CYLINDER HEAD
20	27-81254M	■	1	GASKET, HEAD COVER
21	10-83539M		12	BOLT
22	12-82214M		16	WASHER
23	81267M		1	PRESSURE CONTROL VALVE
24	24-82086M		1	SPRING
25	25-82067M		1	GROMMET
26	814554M		1	THERMOSTAT SERIAL (E-004121 EL-316399) AND ABOVE
	81098M		1	THERMOSTAT SERIAL(E-004020 EL-316338) AND BELOW
27	81265M		1	COVER, THERMOSTAT
28	27-81266M	■	1	GASKET
29	10-83285M		4	BOLT
30	22-80756M		1	FITTING
31	22-81926M		1	PLUG
32	27-81990M		1	GASKET
33	81330M		1	OUTER COVER, EXHAUST
34	27-81331M	■	1	GASKET
35	10-83539M		9	BOLT
36	12-82214M		9	WASHER
37	33-84409M		2	SPARK PLUG
38	32-81324M		1	HOSE
39	54-82047M		2	CLIP

■ = CONTENTS OF POWERHEAD GASKET SET [27-84168M]

CONTINUED ON NEXT PAGE ➡

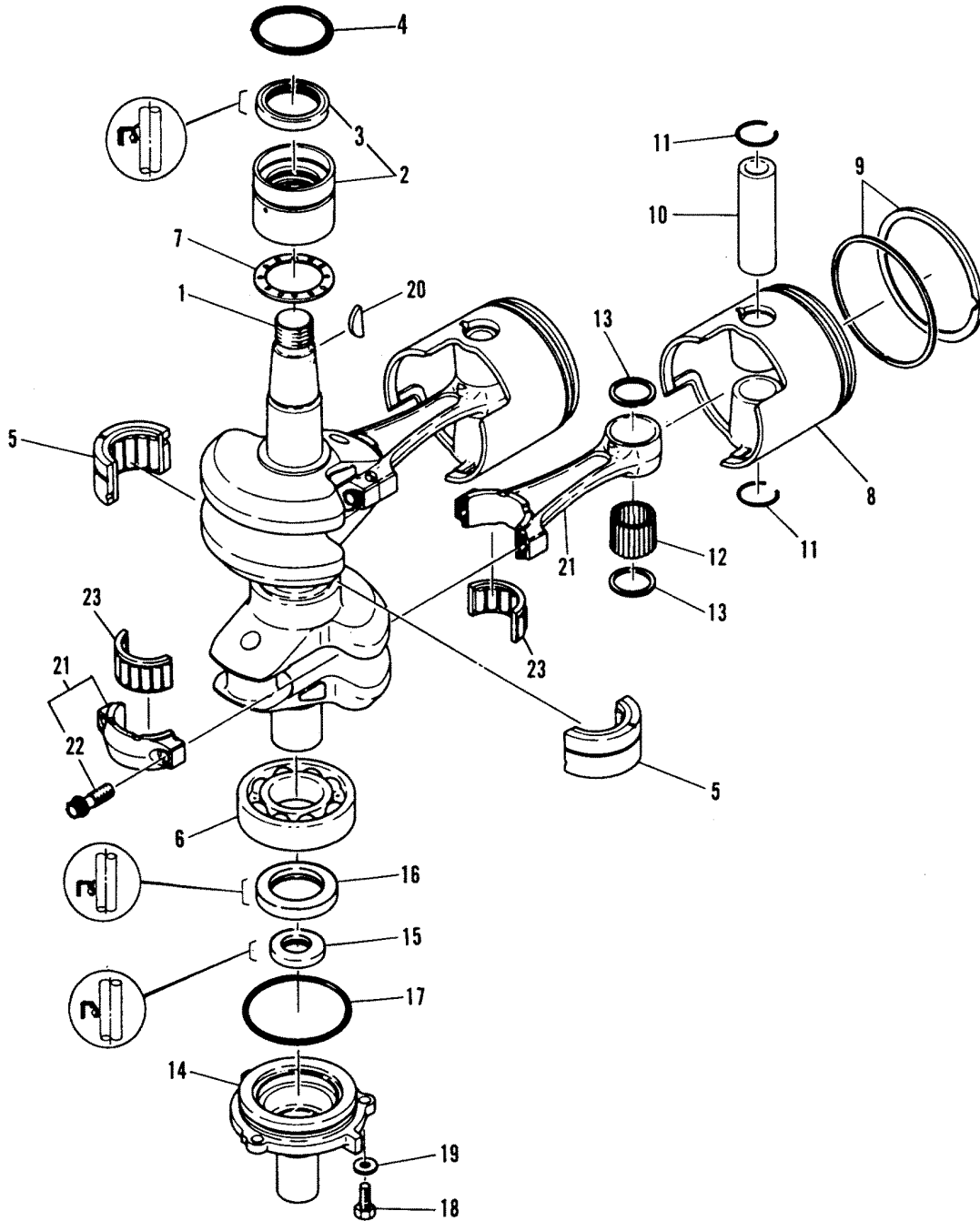
CRANKCASE AND CYLINDER HEAD



CRANKCASE AND CYLINDER HEAD

REF. NO.	PART NO.	SYM.	QTY.	DESCRIPTION
40	41827M		1	HANGER, ENGINE
41	10-84342M		1	BOLT
42	13-82215M		1	LOCKWASHER
-	95667M		1	POWERHEAD ASSEMBLY, COMPLETE INCLUDES CRANKCASE ASSEMBLY, CYLINDER PISTONS, CONNECTING RODS, CRANKSHAFT, BEARINGS, ETC.
-	27-84168M		1	GASKET SET, POWERHEAD CONTENTS INDICATED BY FOOTNOTE 12.

CRANKSHAFT AND PISTON



CRANKSHAFT AND PISTON

REF. NO.	PART NO.	SYM.	QTY.	DESCRIPTION
1	463-6825M		1	CRANKSHAFT ASSEMBLY
2	31-82312M		1	NEEDLE BEARING
3	26-82249M	■	1	OIL SEAL (UPPER)
4	25-82276M	■	1	"O" RING (UPPER)
5	31-97837M		1	CENTER MAIN BEARING
6	41296M		1	BEARING (LOWER)
7	15-81259M		1	SHIM
8	761-9276M		2	PISTON (STANDARD)
	761-9277M		AR	PISTON (1ST. O.S. - 82.25MM)
	761-9278M		AR	PISTON (2ND O.S. - 82.50MM)
9	39-92625M		2	PISTON RING SET (STANDARD)
	39-92626M		AR	PISTON RING SET (1ST O.S. - 82.25MM)
	39-92627M		AR	PISTON RING SET (2ND O.S. - 82.50MM)
10	41-81263M		2	PISTON PIN
11	53-81264M		4	SNAP RING
12	29-82353M		56	BEARING, CONNECTING ROD (PISTON END)
13	12-81831M		4	RETAINER
14	41828M		1	HOUSING, OIL SEAL
15	26-82255M	■	1	OIL SEAL (LOWER)
16	26-82248M	■	1	OIL SEAL (LOWER)
17	25-82286M	■	1	"O" RING
18	10-91725M		3	BOLT
19	12-82214M		3	WASHER
20	28-81915M		1	KEY
21	629-8813M		2	CONNECTING ROD ASSEMBLY
22	10-81715M		2	BOLT
23	31-41298M		2	BEARING, CONNECTING ROD (CRANKSHAFT END)
-	27-84168M		1	POWERHEAD GASKET SET CONTENTS INDICATED BY FOOTNOTE 12.

■ = CONTENTS OF POWERHEAD GASKET SET [27-84168M]

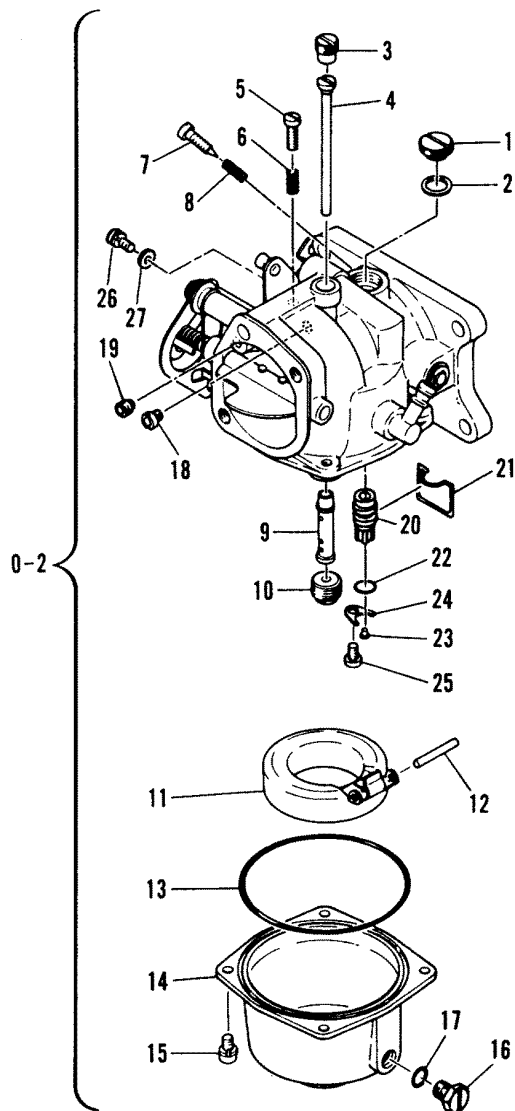
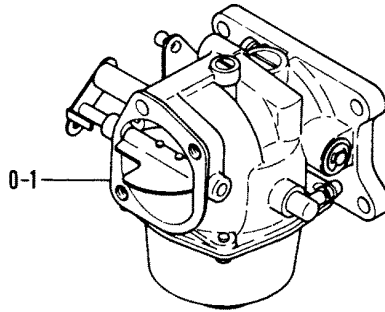
INTAKE MANIFOLD

REF. NO.	PART NO.	SYM.	QTY.	DESCRIPTION
1	92629M		1	AIR INTAKE BASE
2	27-81276M	●■	1	GASKET
3	10-82405M		4	BOLT
4	13-82212M		10	LOCKWASHER
5	92630M		1	AIR INTAKE COVER
6	27-92631M		1	GASKET
7	10-84657M		2	BOLT
8	12-82214M		2	WASHER
9	89-84410M		1	SOLENOID
10	17-82145M		1	ROLL PIN
11	84411M		1	HOOK
12	84412M		1	WIRE
13	25-82258M		1	"O" RING
14	81551M		1	COVER, SOLENOID
15	10-82522M		2	SCREW
16	27-81272M	●■	2	GASKET
17	92632M		2	INTAKE MANIFOLD
18	22-80122M		2	PIPE, OVER FLOW
19	80454M		1	CAP
20	27-81269M	■	2	GASKET, MANIFOLD (UPPER)
21	27-81270M	■	2	GASKET, MANIFOLD (LOWER)
22	34-95630M		2	REED VALVE
23	34-92676M		1	REED SET (REED STOPS NOT INCLUDED)
24	11-82389M		8	NUT
25	81337M		1	CHOKE ROD
26	81191M		3	CONNECTOR
27	810938M		1	ROD, CHOKE LINK SERIAL 00004516-09999999
28	810939M		1	ROD, THROTTLE ADJUSTMENT SERIAL 00004516-09999999
27	82988M		1	ROD, CHOKE LINK AND BELOW SERIAL 00000000-00004515
28	97844M		1	ROD, THROTTLE ADJUSTMENT SERIAL 00000000-00004515
29	81554M		1	DAMPER
30	32-84415M		1	HOSE
31	54-82047M		2	CLAMP
32	37-84416M		1	DECAL SERIAL 00000000-00004423
33	16-81735M		8	STUD
-	27-84168M		1	POWERHEAD GASKET SET CONTENTS INDICATED BY FOOTNOTE 12.
-	84419M		1	CARBURETOR REPAIR KIT CONTENTS INDICATED BY FOOTNOTE 11.
-	19141M		1	CARBURETOR REPAIR KIT CONTENTS INDICATED BY FOOTNOTE 11.

● = CONTENTS OF CARBURETOR REPAIR KIT [84419M] OR [19141M]

■ = CONTENTS OF POWERHEAD GASKET SET [27-84168M]

CARBURETOR



CARBURETOR

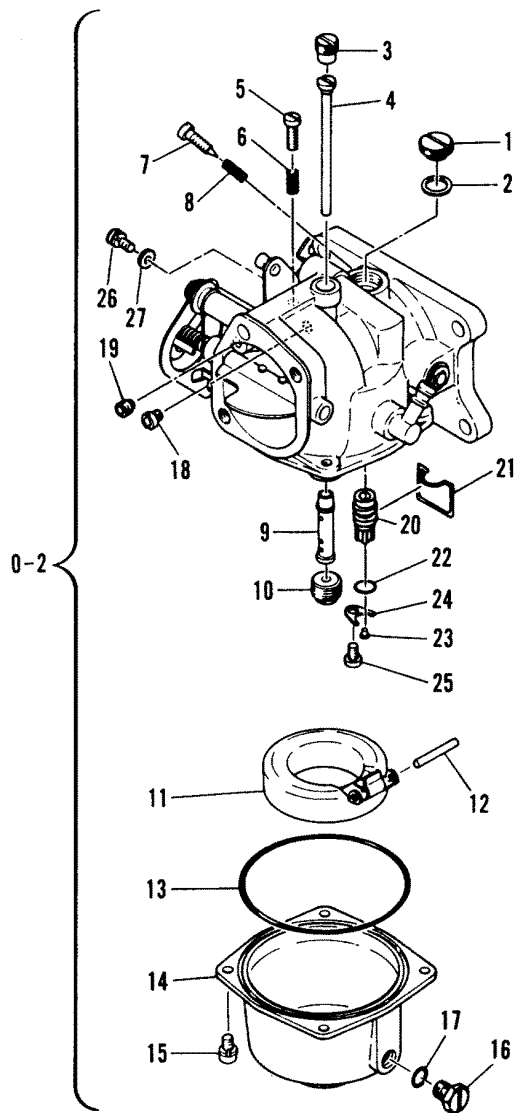
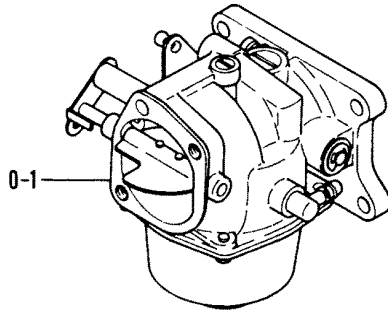
REF. NO.	PART NO.	SYM.	QTY.	DESCRIPTION
0-1	1383-9819M		1	CARBURETOR ASSEMBLY (UPPER) SERIAL (E-004424 EL-318399) AND ABOVE
	1383-9820M		1	CARBURETOR (LOWER) SERIAL (E-004424 EL-318399) AND ABOVE
	1383-9279M		1	CARBURETOR (UPPER) SERIAL (E-004423 EL-318398) AND ABOVE
	1383-9280M		1	CARBURETOR (LOWER) SERIAL (E-004423EL-318398) AND BELOW
1	10-81292M		2	PLUG SCREW
2	12-92636M	●	2	WASHER
3	10-81279M		2	PLUG SCREW
4	84441M		2	JET, PILOT (#80) SERIAL (E-004424 EL-318399) AND ABOVE
	97081M		2	JET, PILOT (#82) SERIAL (E-004423 EL-318398) AND BELOW
5	10-81277M		1	SCREW, THROTTLE (LOWER)
6	24-82080M		1	SPRING (LOWER)
7	10-81281M		2	SCREW, IDLE SPEED
8	24-82073M		2	SPRING
9	81287M		2	MAIN NOZZLE
10	92638M		2	MAIN JET (#160)
11	97848M	●	2	FLOAT (E-004424 EL-318399 AND ABOVE)
	81291M	●	2	FLOAT (E-004423 EL-318398 AND BELOW)
12	17-81278M	●	2	FLOAT PIN
13	25-82288M	●■	2	"O" RING
14	81290M		2	FLOAT BOWL
15	10-81758M	●	8	SCREW
16	10-81293M		2	SCREW
17	25-94498M	●	2	"O" RING
18	81288M		2	PILOT, AIR JET (#100)
19	95626M		2	JET (#125)
20	41841M	●	2	VALVE SEAT SERIAL (E-004424 EL-318399) AND ABOVE
	82780M	●	2	VALVE SEAT SERIAL (E-004423 EL-318398) AND BELOW
21	54-82781M		2	CLIP .
22	25-82261M	●	2	"O" RING
23	17-92639M	●	2	VALVE PIN
24	80026M		2	PLATE

● = CONTENTS OF CARBURETOR REPAIR KIT [84419M] OR [19141M]

■ = CONTENTS OF POWERHEAD GASKET SET [27-84168M]

CONTINUED ON NEXT PAGE ➡

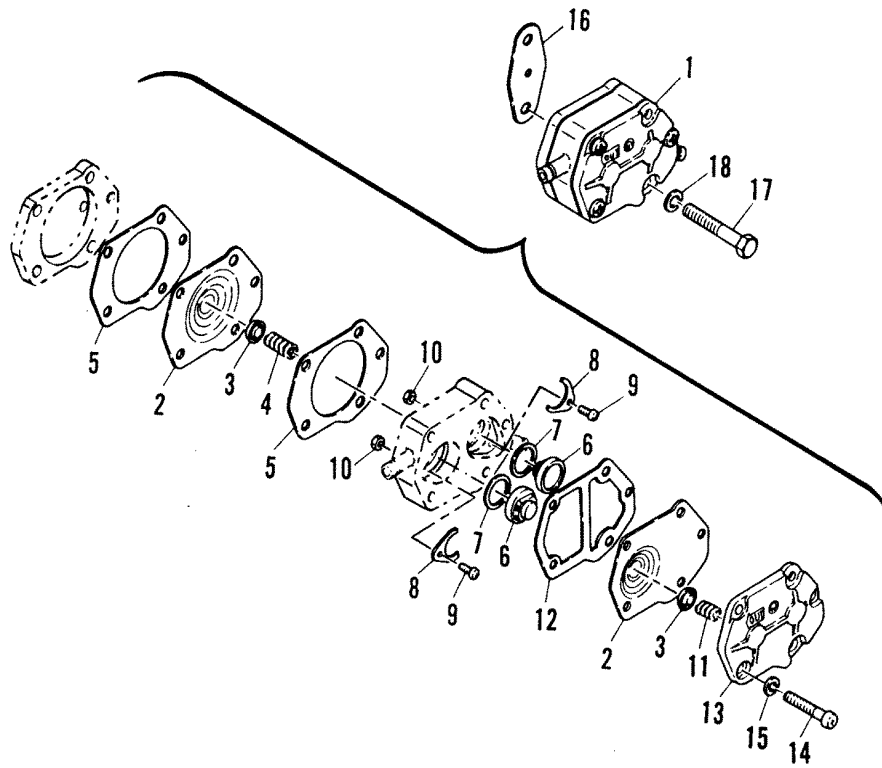
CARBURETOR



CARBURETOR

REF. NO.	PART NO.	SYM.	QTY.	DESCRIPTION
25	10-82512M		2	SCREW
26	10-97082M		1	SCREW (UPPER)
27	12-83372M		1	WASHER (UPPER)
	19141M		1	CARB REPAIR KIT SERIAL (E-004424 EL-318399) AND ABOVE. CONTENTS INDICATED BY FOOTNOTE 11.
	84419M		1	CARB REPAIR KIT SERIAL (E-004423 EL-318398) AND BELOW. CONTENTS INDICATED BY FOOTNOTE 11.

FUEL PUMP

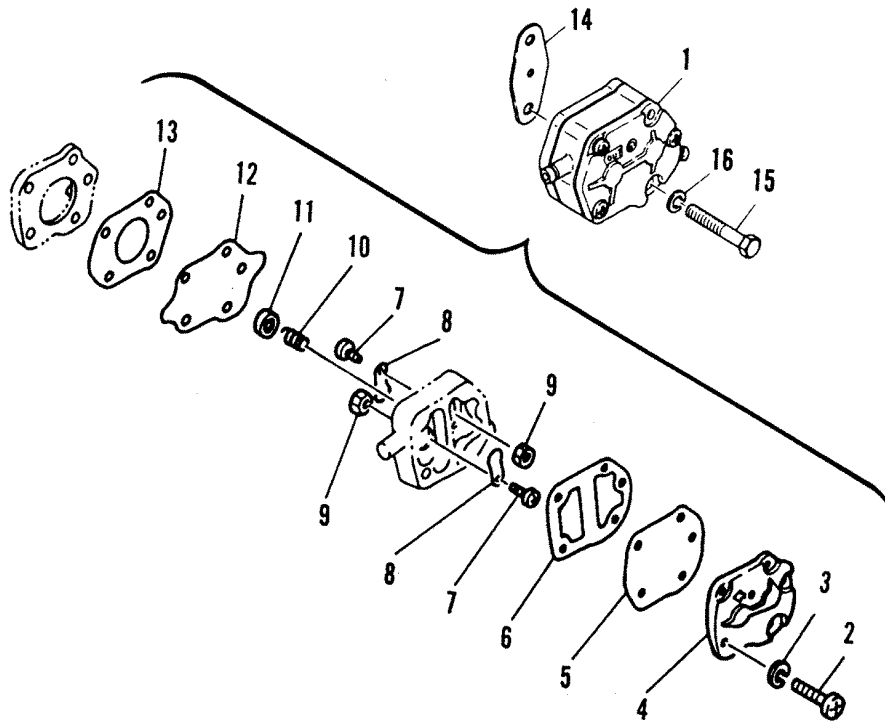


FUEL PUMP

REF. NO.	PART NO.	SYM.	QTY.	DESCRIPTION
1	43113M		1	FUEL PUMP ASSEMBLY
2	80606M		2	DIAPHRAGM
3	80611M		2	PLATE, SPRING GUIDE
4	24-80610M		1	SPRING
5	27-80613M		2	GASKET
6	21-80608M		2	CHECK VALVE
7	27-80612M		2	GASKET
8	80609M		2	RETAINER
9	10-82511M		2	SCREW
10	11-84515M		2	NUT
11	24-80615M		1	SPRING
12	27-80614M		1	GASKET
13	80607M		1	COVER
14	10-82522M		3	SCREW
15	13-82208M		3	OOCKWASHER
16	27-80757M	■	1	GASKET
17	10-82428M		2	BOLT
18	12-82213M		2	WASHER
-	27-84168M		1	POWERHEAD GASKET SET CONTENTS INDICATED BY FOOTNOTE 12.

■ = CONTENTS OF POWERHEAD GASKET SET [27-84168M]

FUEL PUMP

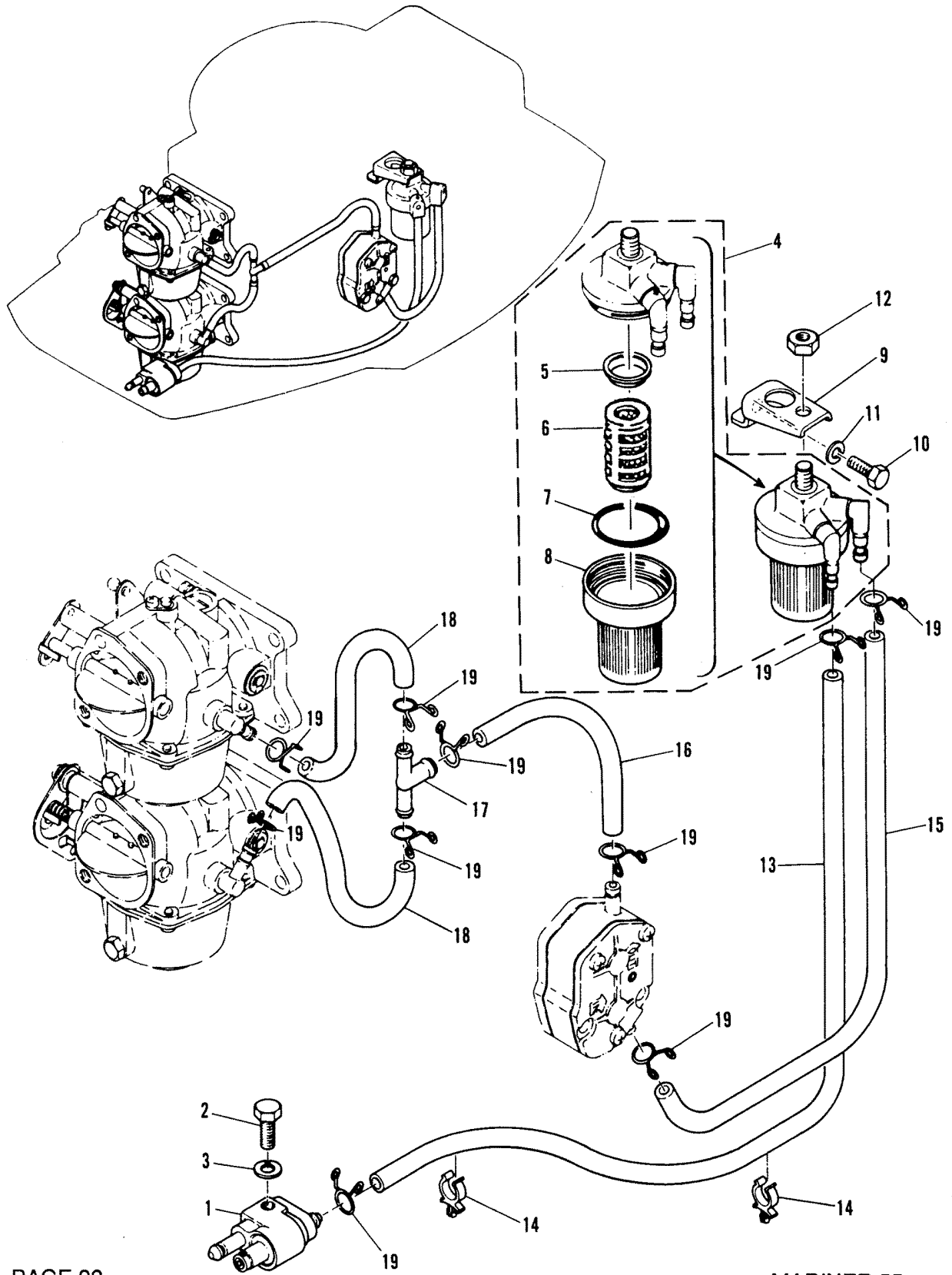


FUEL PUMP

REF. NO.	PART NO.	SYM.	QTY.	DESCRIPTION
1	43113M		1	FUEL PUMP ASSEMBLY
2	10-82522M		3	SCREW
3	13-82208M		3	LOCKWASHER
4	43096M		1	COVER
5	84141M		1	DIAPHRAGM
6	27-80614M		1	GASKET
7	10-41889M		2	SCREW
8	21-41888M		2	CHECK VALVE
9	11-82537M		2	NUT
10	24-80610M		1	SPRING
11	80611M		1	PLATE
12	80606M		1	DIAPHRAGM
13	27-80613M		1	GASKET
14	27-80757M	■	1	GASKET
15	10-82428M		2	BOLT
16	12-82213M		2	WASHER
-	27-84168M		1	POWERHEAD GASKET SET CONTENTS INDICATED BY FOOTNOTE 12.

■ = CONTENTS OF POWERHEAD GASKET SET [27-84168M]

FUEL LINE AND FILTER



PAGE 22

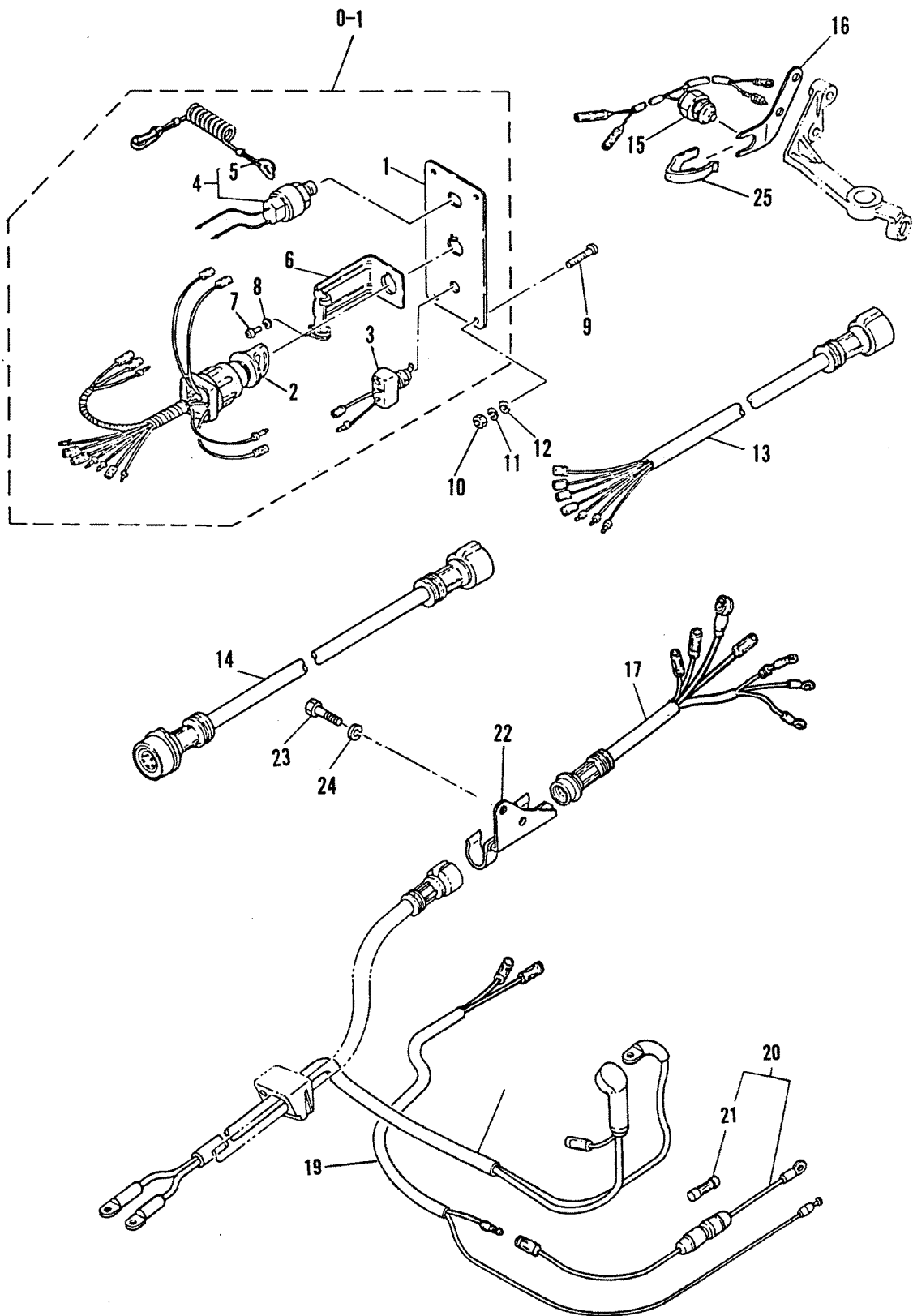
MARINER 55

FUEL LINE AND FILTER

REF. NO.	PART NO.	SYM.	QTY.	DESCRIPTION
1	14187M		1	CONNECTOR, FUEL LINE
2	10-84058M		1	BOLT
3	13-82212M		1	LOCKWASHER
4	35-11931M		1	FILTER ASSEMBLY
5	27-82790M	■	1	GASKET, FUEL BOWL SERIAL (E-004020 EL-316338) AND BELOW
6	35-11934M		1	ELEMENT
7	25-84957M	■	1	"O" RING
8	11935M		1	FUEL BOWL
9	80620M		1	BRACKET, FUEL FILTER
10	10-84211M		1	BOLT
11	13-82212M		1	LOCKWASHER
12	11-82392M		1	NUT
13	32-84956M		1	FUEL LINE, CONNECTOR TO PUMP
14	54-82037M		1	CLAMP
15	32-82010M		1	FUEL LINE, FILTER TO PUMP
16	32-82020M		1	FUEL LINE, PUMP TO TEE
17	22-97083M		1	TEE FITTING
18	32-82004M		2	FUEL LINE, TEE TO CARBURETOR
19	54-82047M		10	CLAMP
-	27-84168M		1	POWERHEAD GASKET SET CONTENTS INDICATED BY FOOTNOTE 12.

■ = CONTENTS OF POWERHEAD GASKET SET [27-84168M]

ELECTRIC START COMPONENTS

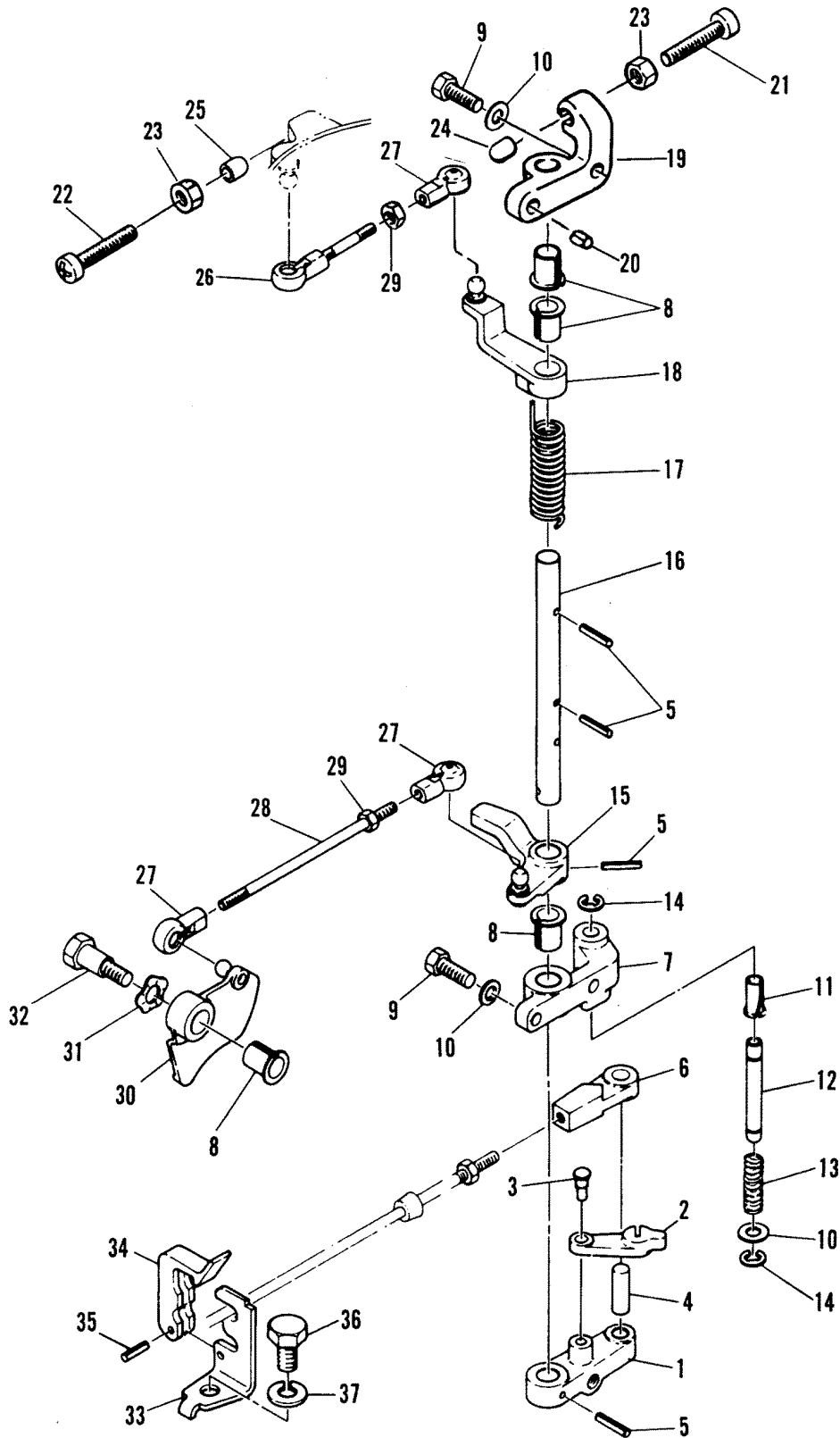


ELECTRIC START COMPONENTS

REF. NO.	PART NO.	SYM.	QTY.	DESCRIPTION
0-1	18975M		1	SWITCH PANEL ASSEMBLY
1	16711M		1	SWITCH PANEL SERIAL (E-004318 EL-317711) AND ABOVE
	N.L.A.	■	1	SWITCH PANEL SERIAL (E-004317 EL-317710) AND BELOW
2	87-95645M		1	MAIN SWITCH
3	87-84944M		1	CHOKE SWITCH
4	87-16710M		1	KILL SWITCH SERIAL (E-004318 EL-317711) AND ABOVE
	87-97682M		1	KILL SWITCH SERIAL (E-004317 EL-317710) AND BELOW
5	97756M		1	STOPPER
6	16712M		1	BRACKET SERIAL (E-004318 EL-317711) AND ABOVE
	81537M		1	BRACKET SERIAL (E-004317 EL-317710) AND BELOW
7	10-82487M		1	SCREW SERIAL (E-004475 EL-319170) AND BELOW
8	13-82184M		1	LOCKWASHER SERIAL (E-004475 EL-319170) AND BELOW
9	10-16713M		4	SCREW SERIAL (E-004318 EL-317711) AND ABOVE
	10-84946M		4	SCREW SERIAL (E-004317 EL-317710) AND BELOW
10	11-82388M		4	NUT SERIAL (E-004318 EL-317711) AND ABOVE
	11-82378M		4	NUT SERIAL (E-004317 EL-317710) AND BELOW
11	13-82208M		4	LOCKWASHER
12	12-82211M		4	WASHER
13	84-84711M		1	EXTENSION (5M)
14	84960M		1	EXTENSION (2M)
15	87-95631M		1	NEUTRAL SWITCH
16	81529M		1	BRACKET
17	84-95668M		1	WIRE HARNESS
18	84-98912M		1	LEAD WIRE
19	84-97086M		1	LEAD WIRE
20	84937M		1	FUSE HOLDER ASSEMBLY
21	88-81522M		1	FUSE (12V-20A)
22	54-92668M		1	BRACKET
23	10-82437M		1	BOLT
24	12-82217M		1	WASHER
25	81530M		1	PLATE SERIAL (E-004424 EL-318399) AND ABOVE

■ = NO LONGER AVAILABLE

THROTTLE CONTROL

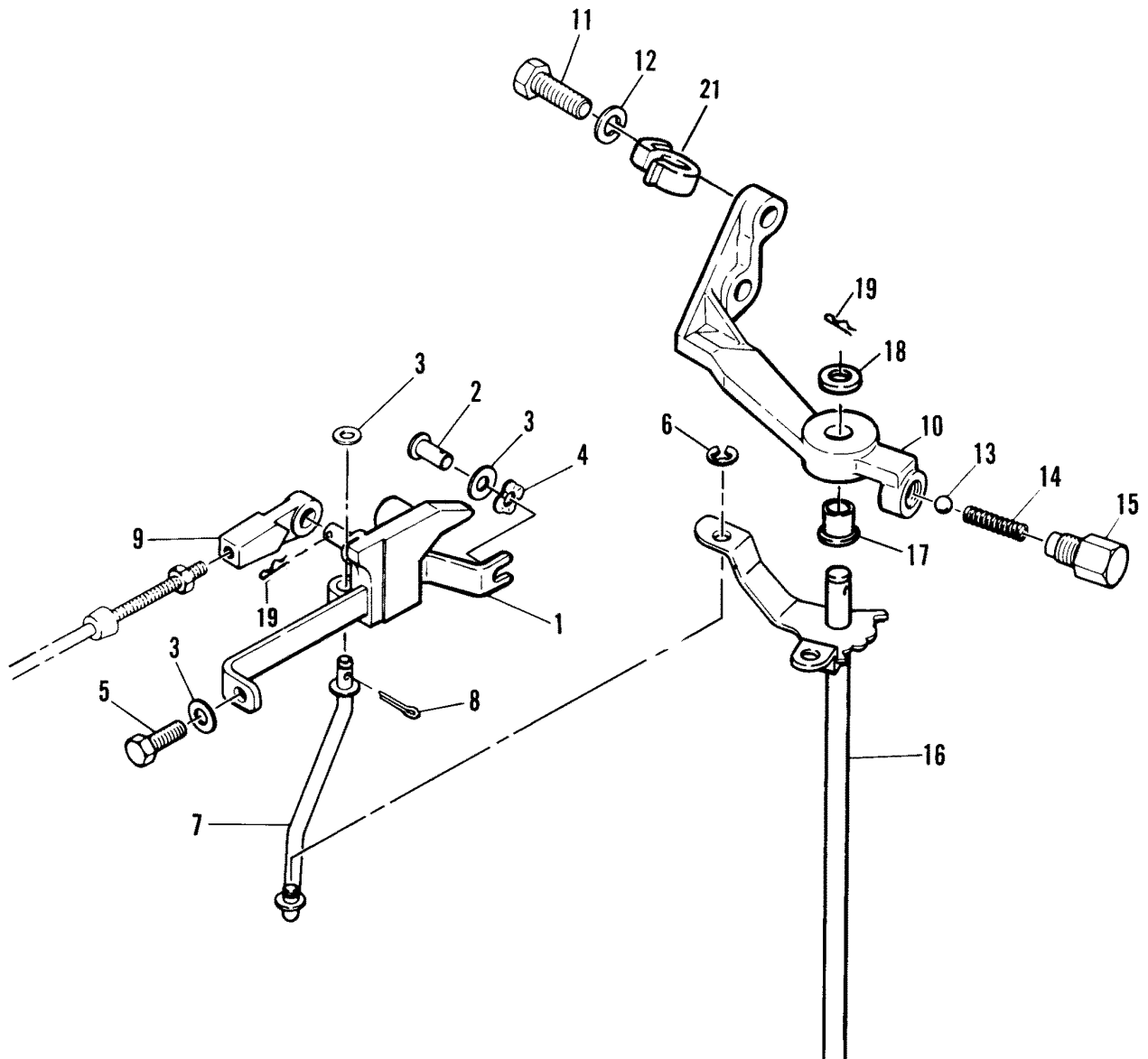


THROTTLE CONTROL

REF. NO.	PART NO.	SYM.	QTY.	DESCRIPTION
1	81345M		1	C.D.I. CONTROL LEVER
2	81341M		1	CAP, CLEVIS LOCK
3	17-82976M		1	PIN
4	17-82367M		1	DOWEL PIN
5	17-82149M		4	ROLL PIN
6	81480M		1	CLEVIS, THROTTLE CABLE
7	81350M		1	BRACKET
8	23-81946M		4	BUSHING
9	10-82423M		3	BOLT
10	12-82214M		4	LOCKWASHER
11	23-41311M		1	BUSHING
12	81403M		1	STOP, SHAFT BRACKET
13	24-82074M		1	SPRING, COMPRESSION
14	53-82330M		2	SNAP RING
15	81346M		1	C.D.I. CONTROL LEVER
16	81347M		1	SHAFT, LINK CONNECTING
17	24-82113M		1	SPRING, TORSION
18	81344M		1	I. CONTROL LEVER
19	81349M		1	BRACKET (UPPER)
20	17-82154M		1	ROLL PIN
21	10-82977M		1	SCREW
22	10-83050M		1	SCREW
23	11-82381M		2	NUT
24	97087M		1	CAP
25	81415M		1	CAP
26	98943M		1	CONTROL ROD
27	16715M		3	CLEVIS
28	92655M		1	LINK ROD
29	11-82388M		2	NUT
30	81334M		1	CAM
31	13-81868M		1	WAVE WASHER
32	10-81713M		1	BOLT
33	81483M		1	BRACKET, REMOTE CONTROL
34	81484M		1	CLAMP, CABLE
35	17-82146M		1	ROLL PIN
36	10-82437M		1	BOLT
37	13-82215M		1	LOCKWASHER

GEAR SHIFT LINKAGE

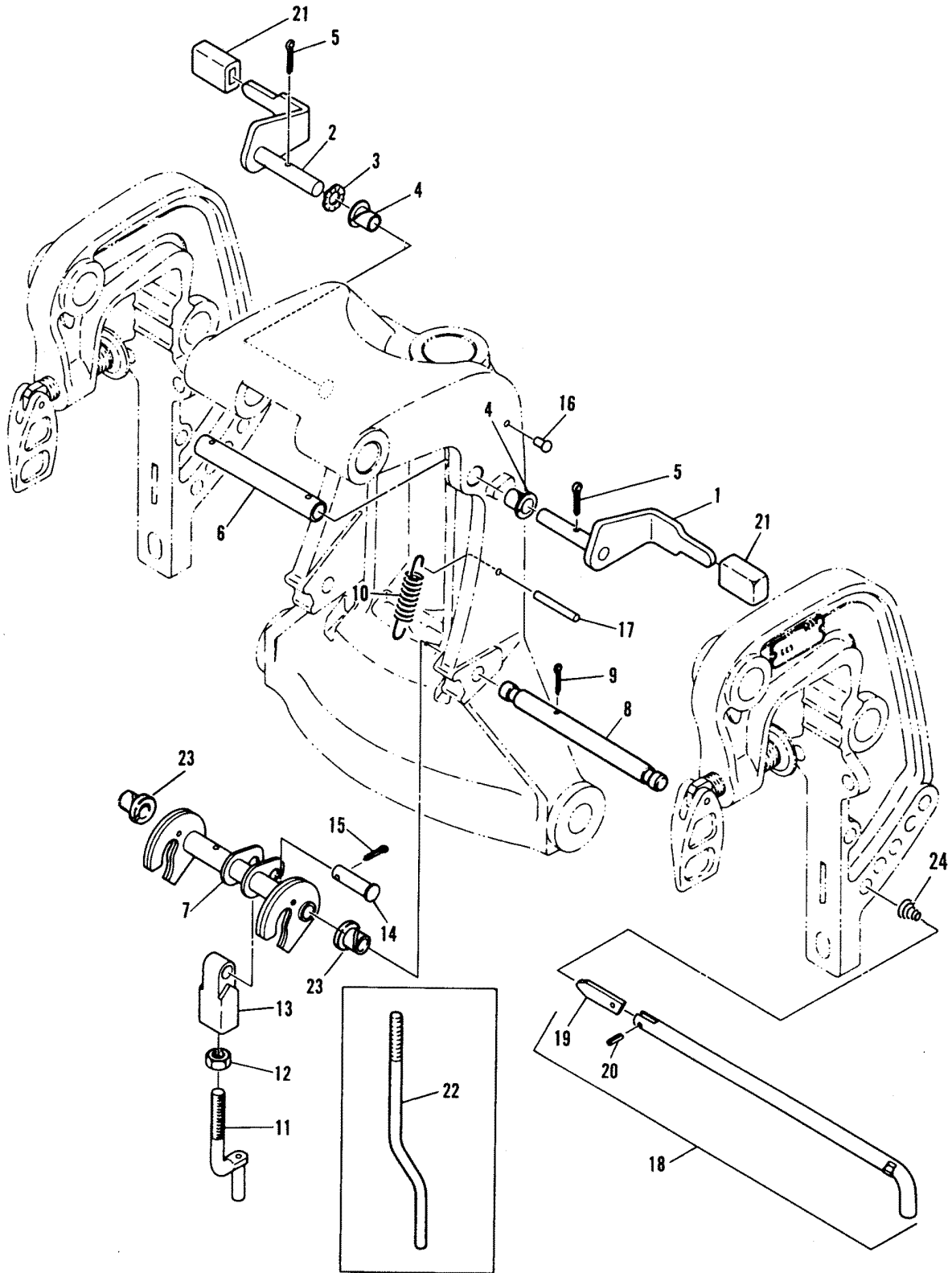
GEAR SHIFT LINKAGE



GEAR SHIFT LINKAGE

REF. NO.	PART NO.	SYM.	QTY.	DESCRIPTION
1	98919M		1	SHIFT BRACKET
2	17-82137M		1	CLEVIS PIN
3	12-82214M		3	WASHER
4	13-81866M		1	WAVE WASHER
5	10-82423M		1	BOLT
6	53-82330M		1	SNAP RING
7	84209M		1	SHIFT ROD LEVER
8	18-82126M		1	COTTER PIN
9	81480M		1	CLEVIS
10	98920M		1	BRACKET
11	10-82441M		2	BOLT
12	13-82215M		2	LOCKWASHER
13	92659M		1	BALL
14	24-82081M		1	SPRING
15	23-80635M		1	RETAINER
16	19142M		1	SHIFT ROD (E) SERIAL (E-004424 EL-318399) AND ABOVE
	19143M		1	SHIFT ROD (EL) SERIAL (E-004424 EL-318399) AND ABOVE
	98921M		1	SHIFT ROD (E) SERIAL (E-004423 EL-318398) AND BELOW
	98922M		1	SHIFT ROD (EL) SERIAL (E-004423 EL-318398) AND BELOW
17	23-98923M		1	BUSHING
18	12-82216M		1	WASHER
19	18-82053M		2	COTTER PIN
20	98924M		1	BOOT
21	54-92664M		1	CLAMP

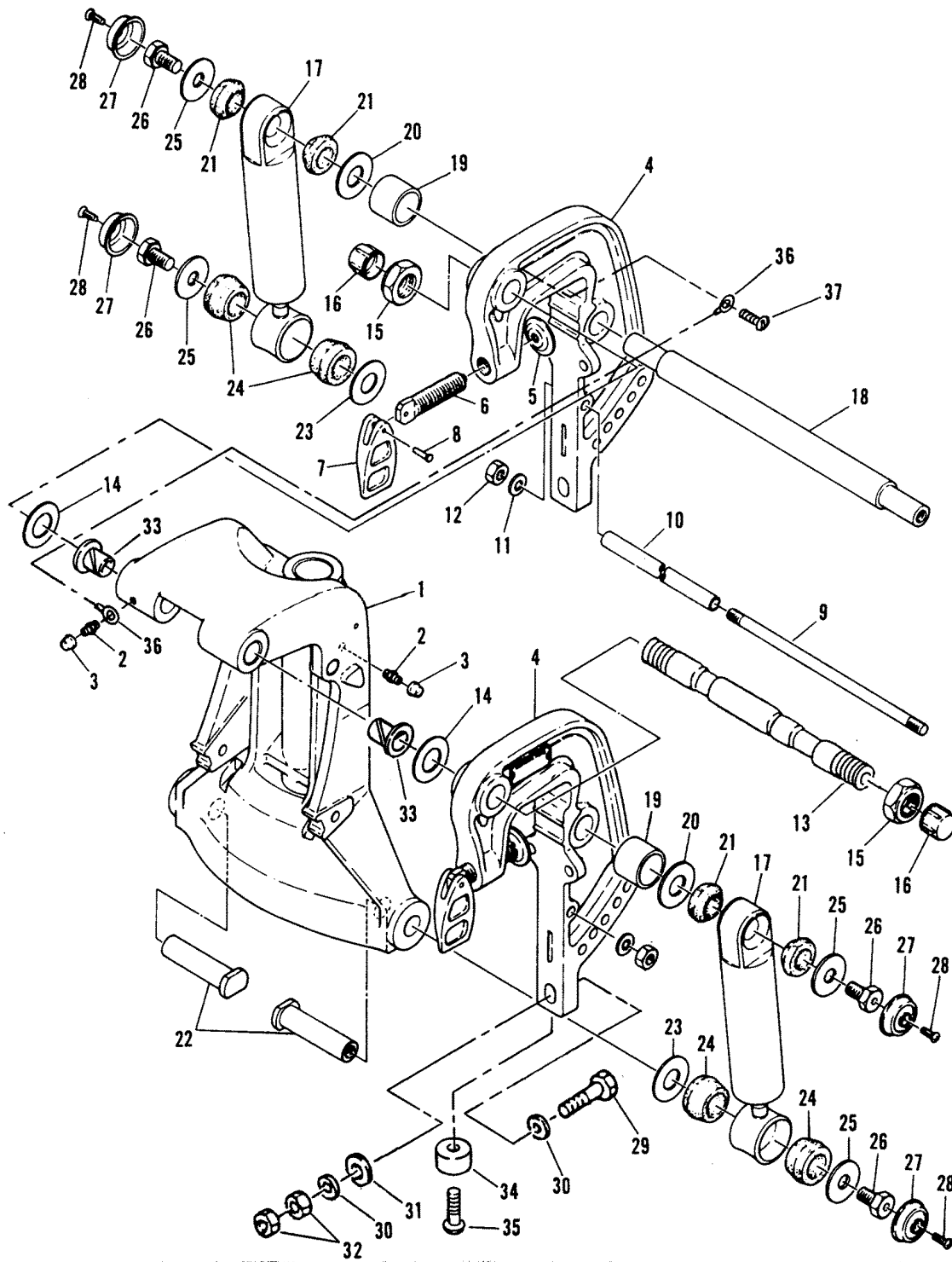
REVERSE LOCK



REVERSE LOCK

REF. NO.	PART NO.	SYM.	QTY.	DESCRIPTION
1	81393M		1	TILT STOP LEVER (PORT)
2	81394M		1	TILT STOP LEVER (STARBOARD)
3	13-92652M		1	WAVE WASHER
4	23-81947M		2	BUSHING
5	18-82132M		2	COTTER PIN
6	23-81980M		1	COLLAR
7	41315M		1	REVERSE LOCK
8	17-41314M		1	ROD REVERSE LOCK
9	18-82130M		1	COTTER PIN
10	24-82103M		1	SPRING
11	92653M		1	ROD, REVERSE LOCK (E)
12	11-82392M		1	NUT
13	81400M		1	NUT, ADJUSTING
14	17-82138M		1	CLEVIS PIN
15	18-82128M		1	COTTER PIN
16	17-81909M		1	RIVET
17	17-82159M		1	ROLL PIN
18	17-814972M		1	TILT LOCK PIN ASSEMBLY
19	84044M		1	STOPPER PLATE
20	17-82146M		1	ROLL PIN
21	81395M		2	COVER
22	81399M		1	ROD, REVERSE LOCK (EL)
23	23-81947M		2	BUSHING
24	24-814973M		1	SPRINT, CONICAL SERIAL (E-004476 EL-319171) AND ABOVE

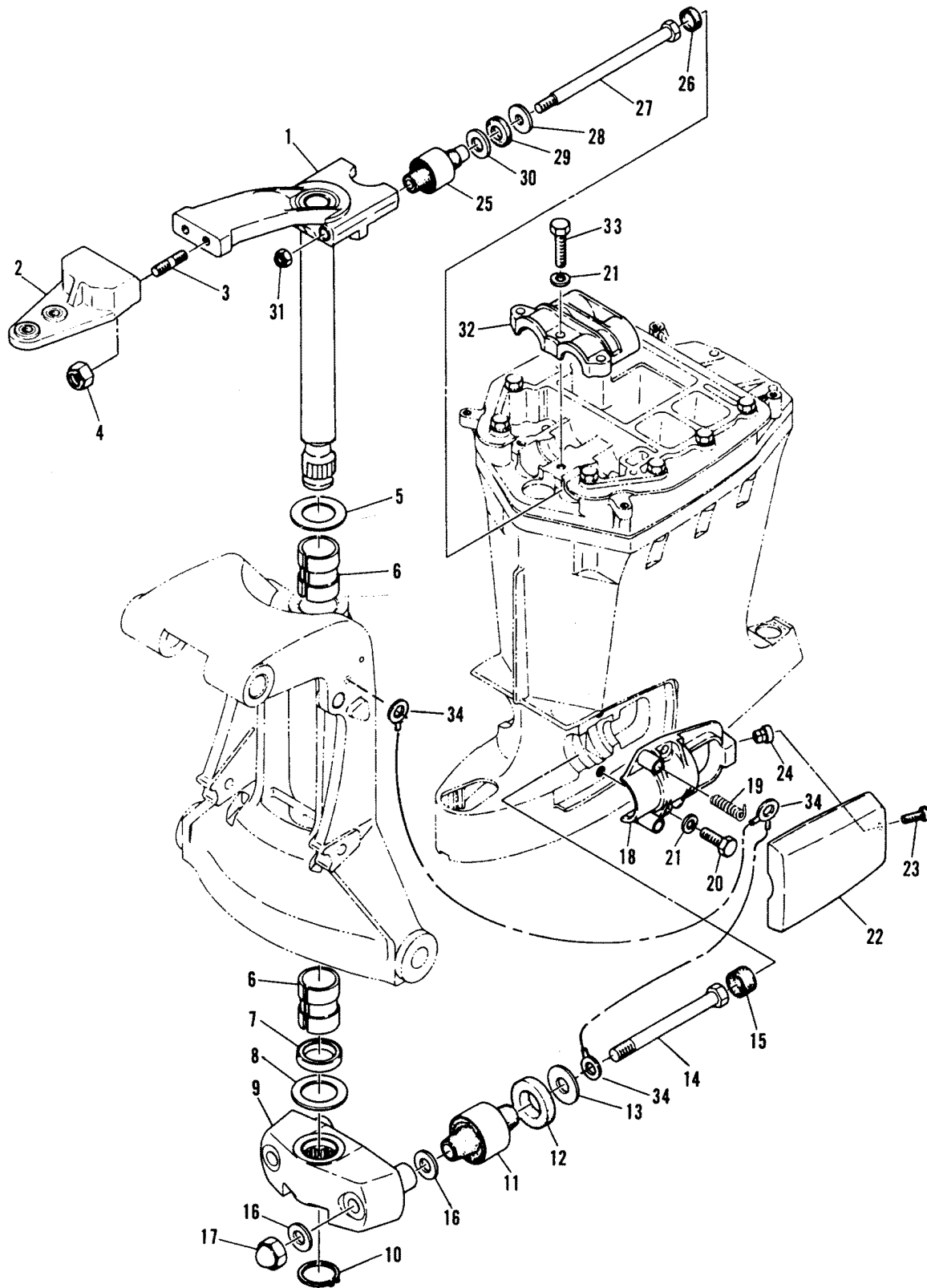
CLAMP AND SWIVEL BRACKET



CLAMP AND SWIVEL BRACKET

REF. NO.	PART NO.	SYM.	QTY.	DESCRIPTION
1	1485-8818M		1	SWIVEL BRACKET (E)
	1485-8819M		1	SWIVEL BRACKET (EL)
2	22-82369M		3	GREASE FITTING
3	81439M		3	CAP
4	1484-8933M		2	CLAMP BRACKET
5	12-80638M		2	PAD, TRANSOM CLAMP SCREW
6	10-81381M		2	SCREW, TRANSOM CLAMP
7	11868M		2	HANDLE, TRANSOM CLAMP SCREW
8	17-81889M		2	PIN
9	16-81383M		1	STUD, CLAMP BRACKET
10	23-81981M		1	SPACER, CLAMP BRACKET STUD
11	12-82220M		2	WASHER
12	11-82395M		2	NUT
13	10-41312M		1	BOLT, CLAMP BRACKET
14	12-81836M		2	WASHER
15	11-81787M		2	NUT
16	81388M		2	CAP
17	55-92650M		2	SHOCK ABSORBER
18	17-81386M		1	SHAFT, UPPER SHOCK MOUNT
19	23-82120M		2	SPACER, SHOCK MOUNT
20	12-81830M		2	WASHER
21	23-81939M		4	BUSHING
22	17-81384M		2	PIN, LOWER SHOCK MOUNT
23	12-81859M		2	WASHER
24	23-81938M		4	BUSHING
25	12-81812M		4	WASHER
26	10-81718M		4	BOLT
27	92651M		4	COVER, SHOCK MOUNT
28	10-95467M		4	SCREW
29	10-84970M		4	BOLT
30	12-814576M		8	WASHER SERIAL (E-004476 EL-319171) AND ABOVE
31	12-81812M		4	WASHER SERIAL (E-004475 EL-319170) AND BELOW
32	11-82395M		8	NUT
33	23-41313M		2	BUSHING
34	84422M		1	ANODE SERIAL (E-004476 EL-319171) AND ABOVE
	41843M		1	ANODE SERIAL (E-004475 EL-319170) AND BELOW
35	10-92679M		1	SCREW
36	84-16716M		1	GROUND WIRE SERIAL (E-004318 EL-317711) AND ABOVE
	41846M		1	GROUND WIRE SERIAL (E-004317 EL-317710) AND BELOW
37	10-11832M		1	SCREW

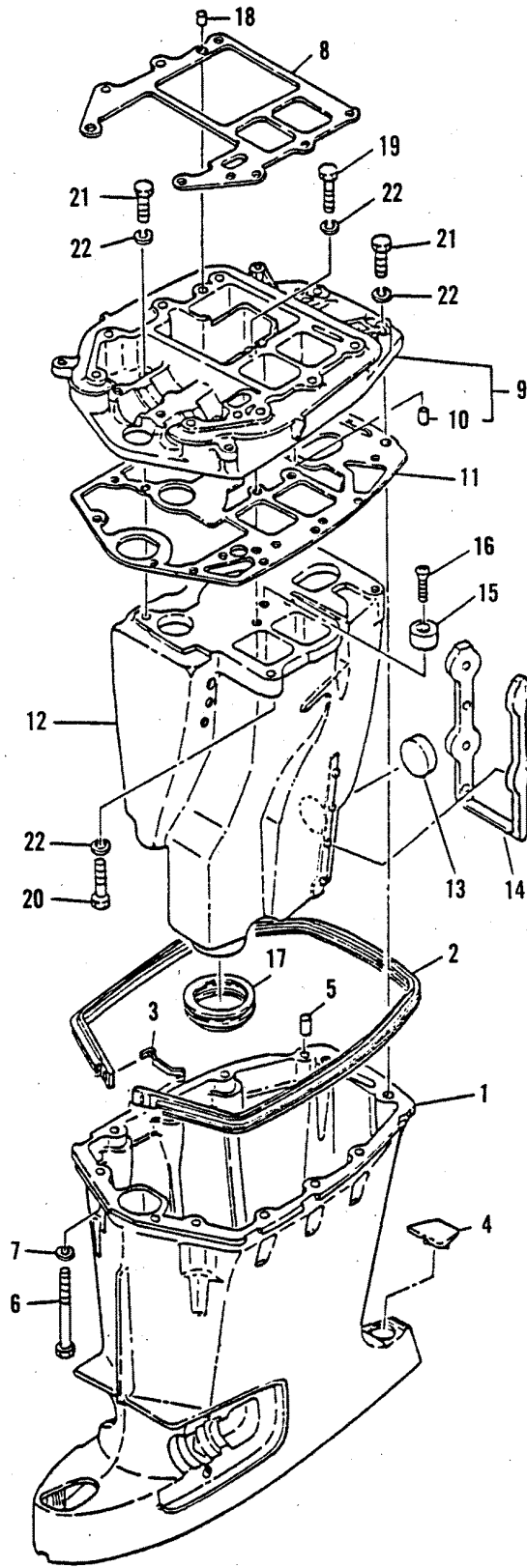
MOUNTING SYSTEM



MOUNTING SYSTEM

REF. NO.	PART NO.	SYM.	QTY.	DESCRIPTION
1	19144M		1	ARM & SHAFT (E)
	19145M		1	ARM & SHAFT (EL)
2	81482M		1	PLATE, STEERING (RIDE GUIDE)
3	16-81742M		2	STUD, STEERING PLATE
4	11-81785M		2	NUT
5	12-19146M		1	WASHER
6	23-81955M		2	BUSHING
7	26-98950M		1	OIL SEAL, STEERING SHAFT
8	12-81839M		1	WASHER
9	81432M		1	HOUSING, LOWER MOUNT
10	53-42446M		1	SNAP RING
11	84430M		2	LOWER MOUNT
12	12-84431M		2	WASHER
13	12-84432M		2	WASHER
14	10-81717M		2	BOLT
15	81436M		2	BUMPER
16	12-84429M		4	WASHER
17	11-82397M		2	NUT
18	84433M		2	RETAINER, LOWER MOUNT
19	24-82087M		4	SPRING, COMPRESSION
20	10-43106M		4	BOLT
21	13-82215M		7	LOCKWASHER
22	81434M		2	COVER, LOWER MOUNT
23	10-82172M		2	SCREW
24	11-81779M		2	NUT
25	81676M		2	UPPER MOUNT
26	81431M		2	BUMPER
27	10-81714M		2	BOLT
28	12-81825M		2	WASHER
29	12-83702M		2	WASHER
30	12-81803M		2	WASHER
31	11-81783M		2	NUT
32	81429M		1	RETAINER, UPPER MOUNT
33	10-814575M		3	BOLT
34	41844M		1	GROUND WIRE (E)
	41845M		1	GROUND WIRE (EL)

DRIVESHAFT HOUSING



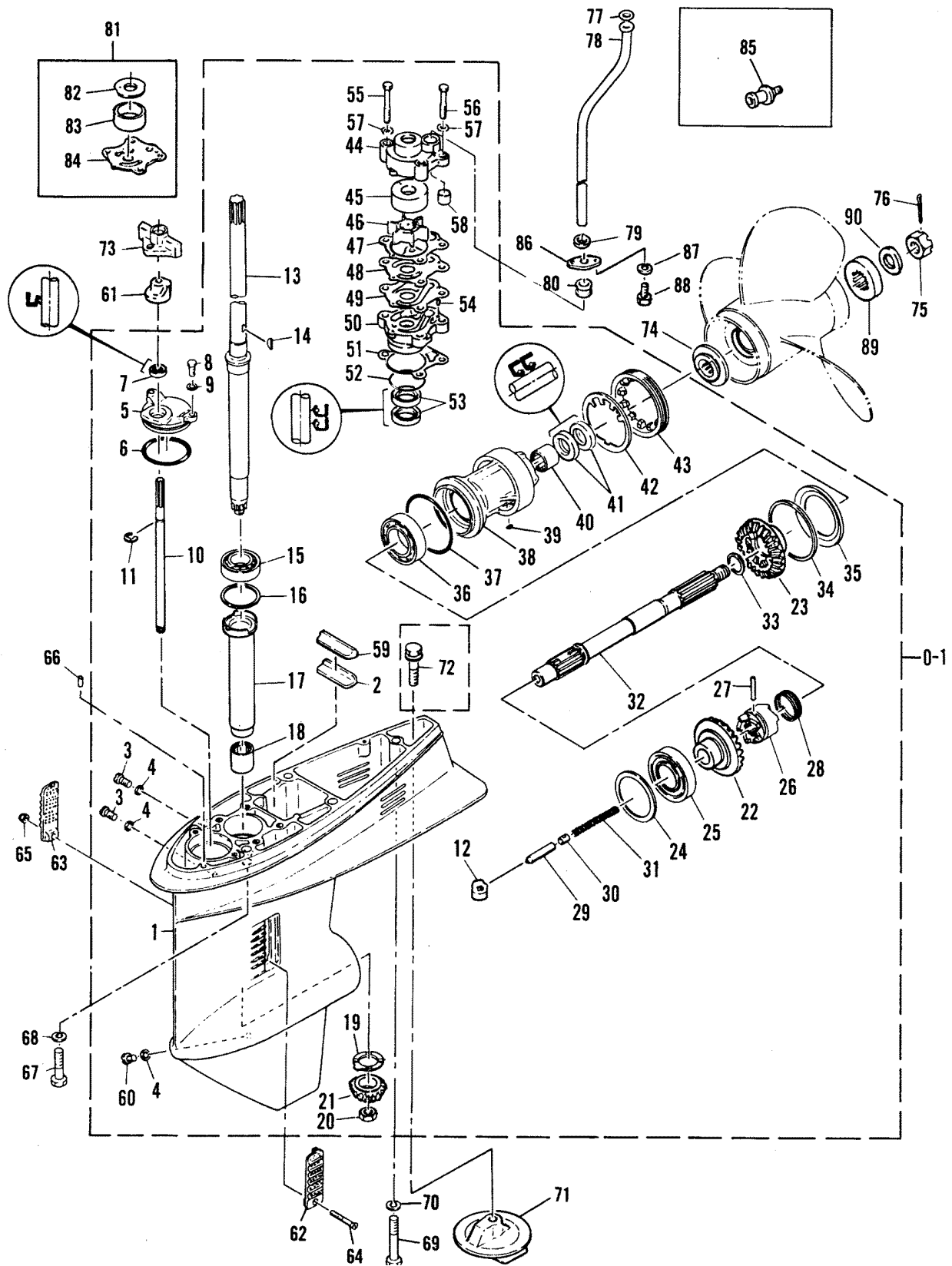
DRIVESHAFT HOUSING

REF. NO.	PART NO.	SYM.	QTY.	DESCRIPTION
1	1587-9284M		1	DRIVESHAFT HOUSING (E)
	1587-9285M		1	DRIVESHAFT HOUSING (EL)
2	27-83033M		1	SEAL
3	83034M		1	HOOK
4	81442M		1	CAP
5	17-82364M		2	DOWEL PIN
6	10-84427M		8	BOLT
7	13-82215M		8	LOCKWASHER
8	27-16717M	■	1	GASKET
9	41849M		1	EXHAUST GUIDE
10	23-84426M		1	BUSHING
11	27-98952M	▲	1	GASKET
12	1587-8911M		1	MUFFLER (E)
	1587-8912M		1	MUFFLER (EL)
13	19-81922M		1	PLUG
14	84424M		1	DAMPER (E)
	84425M		1	DAMPER (EL)
15	84422M		1	ANODE
16	10-92679M		1	SCREW
17	27-81440M	▲	1	GASKET, MUFFLER
18	17-82364M		2	DOWEL PIN
19	10-97749M		1	BOLT
20	10-82466M		1	BOLT
21	10-95416M		6	BOLT
22	13-82215M		8	LOCKWASHER
-	27-84168M		1	POWERHEAD GASKET SET CONTENTS INDICATED BY FOOTNOTE 12.
-	27-92648M		1	LOWER UNIT GASKET SET CONTENTS INDICATED BY FOOTNOTE 13.

■ = CONTENTS OF POWERHEAD GASKET SET [27-84168M]

▲ = CONTENTS OF LOWER UNIT GASKET SET [27-92648M]

GEAR HOUSING ASSEMBLY



GEAR HOUSING ASSEMBLY

REF. NO.	PART NO.	SYM.	QTY.	DESCRIPTION
0-1	1651-9286M		1	GEAR HOUSING ASSEMBLY (E)
	1651-9287M		1	GEAR HOUSING ASSEMBLY (EL)
1	1651-7971M		1	GEAR HOUSING (BASIC)
2	81449M		1	GUIDE, SEAL
3	22-81924M		2	PLUG
4	27-81987M	▲	3	GASKET
5	81445M		1	COVER, GEAR HOUSING
6	25-82281M	▲	1	"O" RING, COVER TO GEAR HOUSING
7	26-82257M		1	OIL SEAL, GEAR HOUSING COVER
8	10-91725M		2	BOLT
9	12-82214M		2	WASHER
10	81408M		1	SHIFT ROD (LOWER)
11	53-82334M		1	SNAP RING
12	81409M		1	SHIFT CAM
13	45-81451M		1	DRIVESHAFT (E)
	45-81452M		1	DRIVESHAFT (EL)
14	28-97089M	†○	1	KEY
15	31-98933M		1	BEARING
16	15-81467M		AR	SHIM, DRIVESHAFT BEARING (0.05MM) SERIAL (E-004423 EL-318398) AND BELOW
	15-81468M		AR	SHIM, DRIVESHAFT BEARING (0.08MM) SERIAL (E-004423 EL-318398) AND BELOW
	15-19148M		AR	SHIM, DRIVESHAFT BEARING (0.10MM) SERIAL (E-004424 EL-318399) AND ABOVE
	15-81469M		AR	SHIM, DRIVESHAFT BEARING (0.12MM)
	15-19149M		AR	SHIM, DRIVESHAFT BEARING (0.15MM) SERIAL (E-004424 EL-318399) AND ABOVE
	15-19150M		AR	SHIM, DRIVESHAFT BEARING (0.18MM) SERIAL (E-004424 EL-318399) AND ABOVE
	15-19151M		AR	SHIM, DRIVESHAFT BEARING (0.30MM)
	15-19152M		AR	SHIM, DRIVESHAFT BEARING (0.40MM) SERIAL (E-004424 EL-318399) AND ABOVE
	15-19153M		AR	SHIM, DRIVESHAFT BEARING (0.50MM)
17	23-81453M		1	SLEEVE
18	31-82316M		1	NEEDLE BEARING
19	12-81455M		1	THRUST WASHER
20	11-81772M		1	NUT
21	43-84442M		1	PINION GEAR
22	43-84443M		1	FORWARD GEAR
23	43-8444M		1	REVERSE GEAR
0-1	1651-9286M		1	GEAR HOUSING ASSEMBLY (E)
	1651-9287M		1	GEAR HOUSING ASSEMBLY (EL)

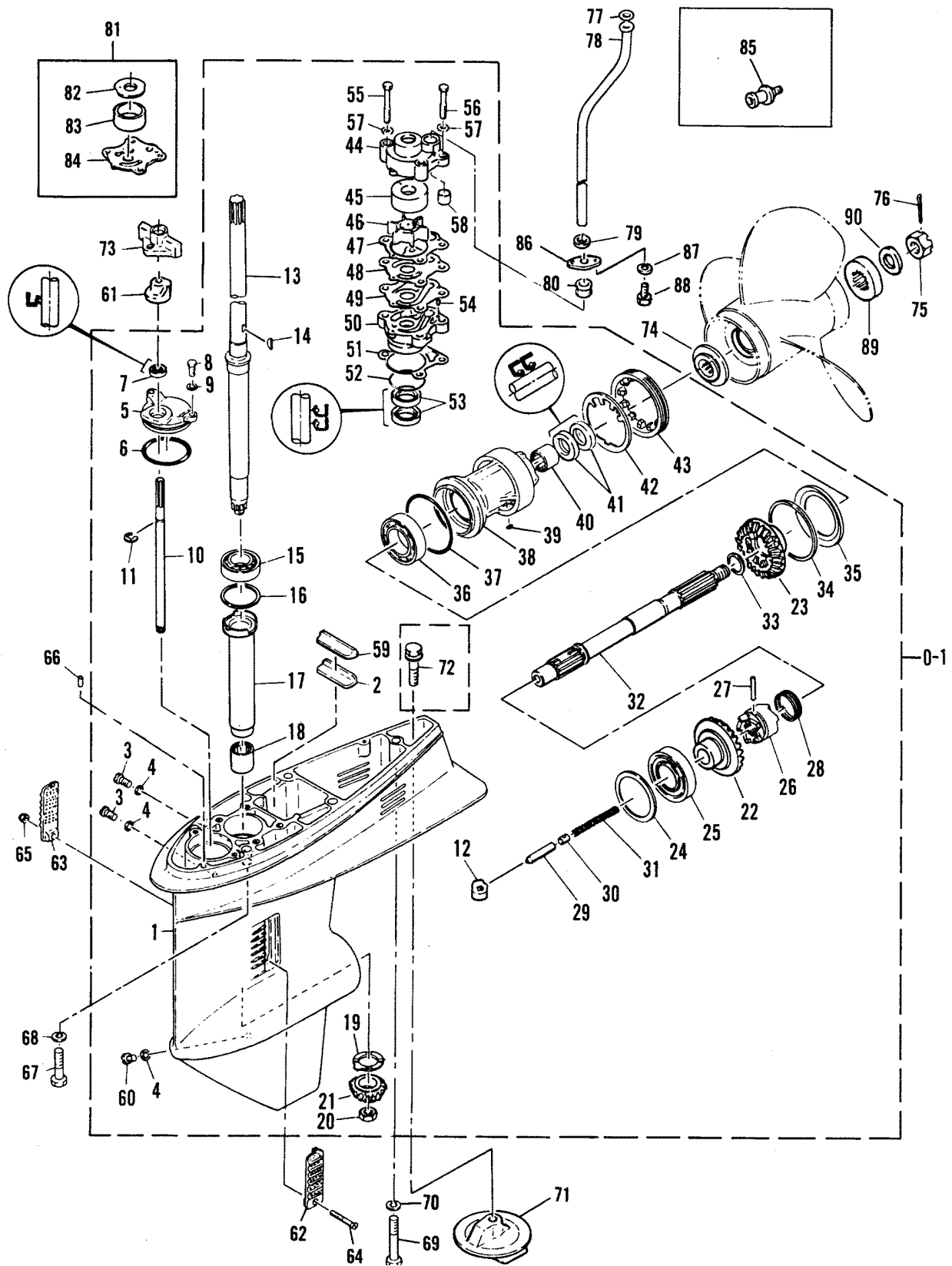
▲ = CONTENTS OF LOWER UNIT GASKET SET [27-92648M]

† = CONTENTS OF WATER PUMP REPAIR KIT [84188M]

○ = CONTENTS OF OPTIONAL CHROME WATER PUMP KIT [84187M] OR [19168M]

CONTINUED ON NEXT PAGE ➡

GEAR HOUSING ASSEMBLY



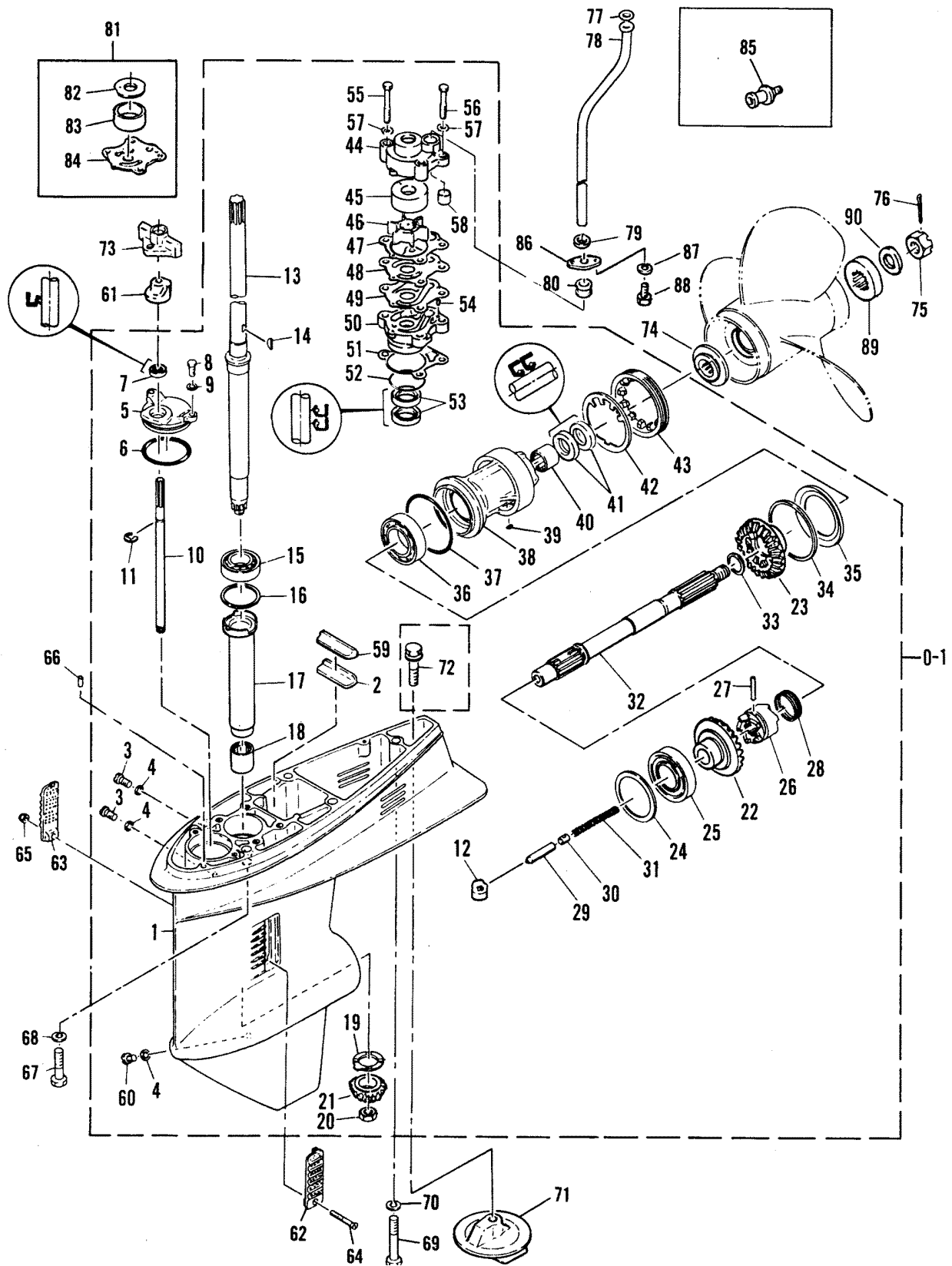
GEAR HOUSING ASSEMBLY

REF. NO.	PART NO.	SYM.	QTY.	DESCRIPTION
24	15-81456M		AR	SHIM, FORWARD GEAR ADJUST (0.05MM) SERIAL (E-004423 EL-318398) AND BELOW
	15-81457M		AR	SHIM, FORWARD GEAR ADJUST (0.08MM) SERIAL (E-004423 EL-318398) AND BELOW
	15-19154M		AR	SHIM, FORWARD GEAR ADJUST (0.10MM) SERIAL (E-004424 EL-318399) AND ABOVE
	15-19155M		AR	SHIM, FORWARD GEAR ADJUST (0.12MM) SERIAL (E-004423 EL-318398) AND BELOW
	15-19156M		AR	SHIM, FORWARD GEAR ADJUST (0.15MM) SERIAL (E-004424 EL-318399) AND ABOVE
	15-19157M		AR	SHIM, FORWARD GEAR ADJUST (0.18MM) SERIAL (E-004424 EL-318399) AND ABOVE
	15-19158M		AR	SHIM, FORWARD GEAR ADJUST (0.30MM) SERIAL (E-004423 EL-318398) AND BELOW
	15-19159M		AR	SHIM, FORWARD GEAR ADJUST (0.40MM) SERIAL (E-004424 EL-318399) AND ABOVE
	15-81460M		AR	SHIM, FORWARD GEAR ADJUST (0.50MM)
25	31-82320M		1	BEARING
26	52-81473M		1	CLUTCH
27	17-81903M		1	CROSS PIN
28	81474M		1	RING
29	92643M		1	PLUNGER
30	81475M		1	SLIDE
31	24-82091M		1	SPRING
32	44-92644M		1	PROPELLER SHAFT
33	12-81837M		1	THRUST WASHER
34	15-81462M		AR	SHIM, REVERSE GEAR ADJUST (0.05MM) SERIAL (E-004423 EL-318398) AND BELOW
	15-81463M		AR	SHIM, REVERSE GEAR ADJUST (0.08MM) SERIAL (E-004423 EL-318398) AND BELOW
	15-19160M		AR	SHIM, REVERSE GEAR ADJUST (0.10MM) SERIAL (E-004424 EL-318399) AND ABOVE
	15-81464M		AR	SHIM, REVERSE GEAR ADJUST (0.12MM)
	15-19161M		AR	SHIM, REVERSE GEAR ADJUST (0.15MM) SERIAL (E-004424 EL-318399) AND ABOVE
	15-19162M		AR	SHIM, REVERSE GEAR ADJUST (0.18MM) SERIAL (E-004424 EL-318399) AND ABOVE
	15-19163M		AR	SHIM, REVERSE GEAR ADJUST (0.30MM) SERIAL (E-004424 EL-318399) AND ABOVE
	15-19164M		AR	SHIM, REVERSE GEAR ADJUST (0.40MM) SERIAL (E-004424 EL-318399) AND ABOVE
	15-19165M		AR	SHIM, REVERSE GEAR ADJUST (0.50MM)
0-1	1651-9286M		1	GEAR HOUSING ASSEMBLY (E)
	1651-9287M		1	GEAR HOUSING ASSEMBLY (EL)
35	12-81461M		1	THRUST WASHER, REVERSE GEAR
36	30-82296M		1	BEARING, REVERSE GEAR
37	25-82289M	▲	1	"O" RING

▲ = CONTENTS OF LOWER UNIT GASKET SET [27-92648M]

CONTINUED ON NEXT PAGE ➡

GEAR HOUSING ASSEMBLY



GEAR HOUSING ASSEMBLY

REF. NO.	PART NO.	SYM.	QTY.	DESCRIPTION
38	81446M		1	HOUSING, BEARING
39	28-81916M		1	KEY
40	31-82317M		1	NEEDLE BEARING (PROP SHAFT)
41	26-82233M	▲	2	OIL SEAL, PROPELLER SHAFT
42	14-81877M		1	CLAW, WASHER
43	11-81450M		1	NUT
44	46-81416M		1	WATER PUMP BODY
45	81419M	†	1	INSERT, CARTRIDGE
46	47-97108M	†○	1	IMPELLER, WATER PUMP
47	27-81417M	▲†○	1	GASKET, WATER PUMP
48	81420M	†	1	OUTER PLATE, CARTRIDGE
49	27-81421M	▲†○	1	GASKET, CARTRIDGE OUTER PLATE
50	46-81422M		1	WATER PUMP BASE
51	27-81418M	▲	1	GASKET, WATER PUMP BASE
52	25-82275M	▲	1	"O" RING, WATER PUMP BASE
53	26-82234M	▲	2	OIL SEAL, WATER PUMP
54	17-82354M		2	DOWEL PIN
55	10-84057M	†○	2	BOLT
56	10-82468M	†○	2	BOLT
57	12-82217M		4	WASHER
58	26-81426M	†○	1	SEAL, WATER TUBE (UPPER)
59	81448M		1	SEAL (RUBBER)
60	22-95632M		1	DRAIN PLUG
61	81410M		1	CAM
62	19166M		1	COVER, WATER INLET (PORT) SERIAL (E-004424 EL-318399) AND ABOVE
63	19167M		1	COVER, WATER INLET (STARBOARD) SERIAL (E-E-004424 EL-318399) AND ABOVE
64	10-82484M		1	SCREW
65	11-81781M		1	NUT
66	17-82364M		2	DOWEL PIN
67	10-91636M		4	BOLT
68	13-82218M		4	LOCKWASHER
69	10-43103M		1	BOLT
70	13-82215M		1	LOCKWASHER
71	83859M		1	TRIM TAB
0-1	1651-9286M		1	GEAR HOUSING ASSEMBLY (E)
	1651-9287M		1	GEAR HOUSING ASSEMBLY (EL)
72	10-82801M		1	BOLT
73	98937M		1	GUIDE, REVERSE ROD
74	12-81477M		1	THRUST WASHER SERIAL (E-004246 EL-317280 AND ABOVE)

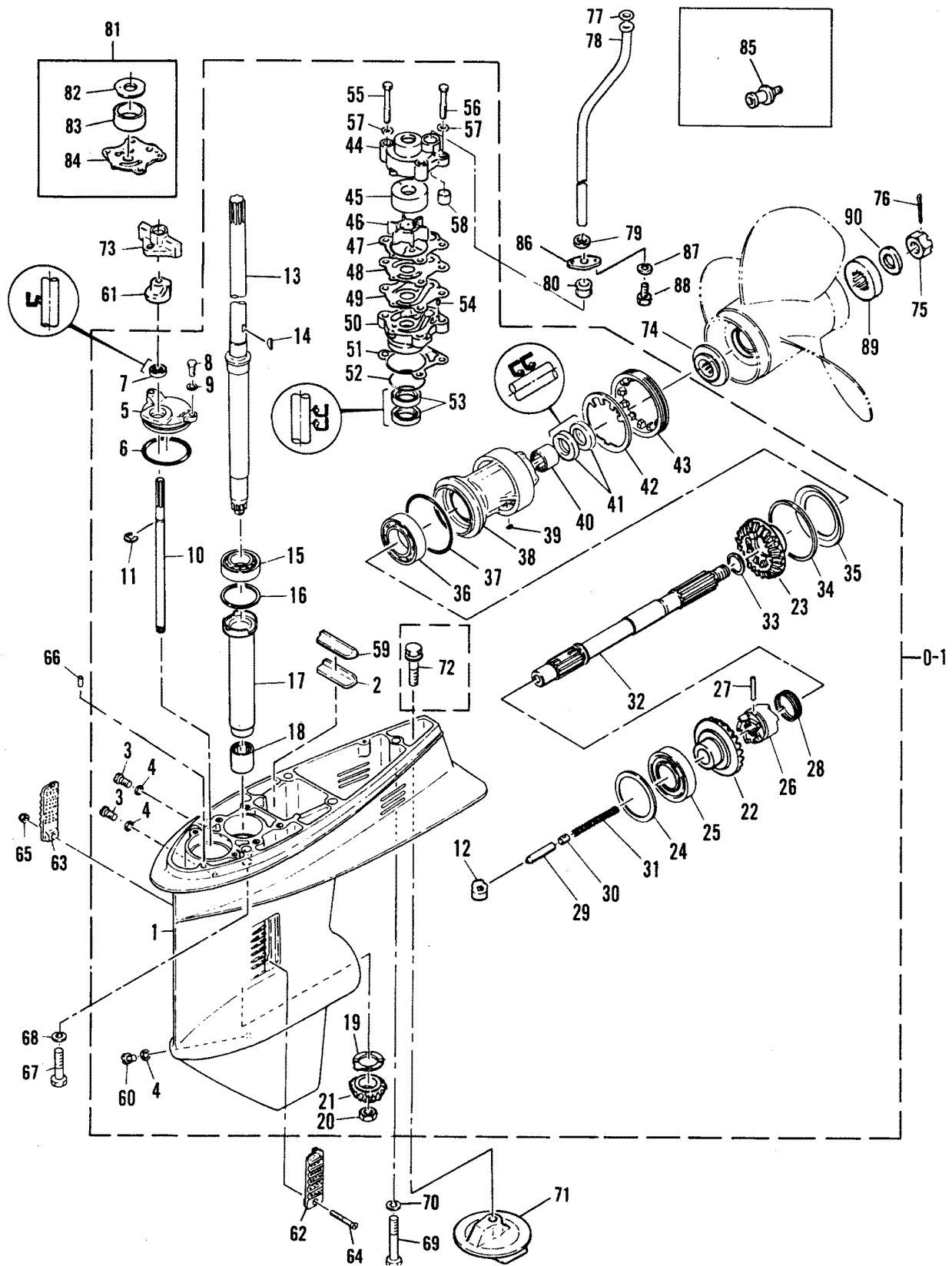
▲ = CONTENTS OF LOWER UNIT GASKET SET [27-92648M]

† = CONTENTS OF WATER PUMP REPAIR KIT [84188M]

○ = CONTENTS OF OPTIONAL CHROME WATER PUMP KIT [84187M] OR [19168M]

CONTINUED ON NEXT PAGE ➡

GEAR HOUSING ASSEMBLY

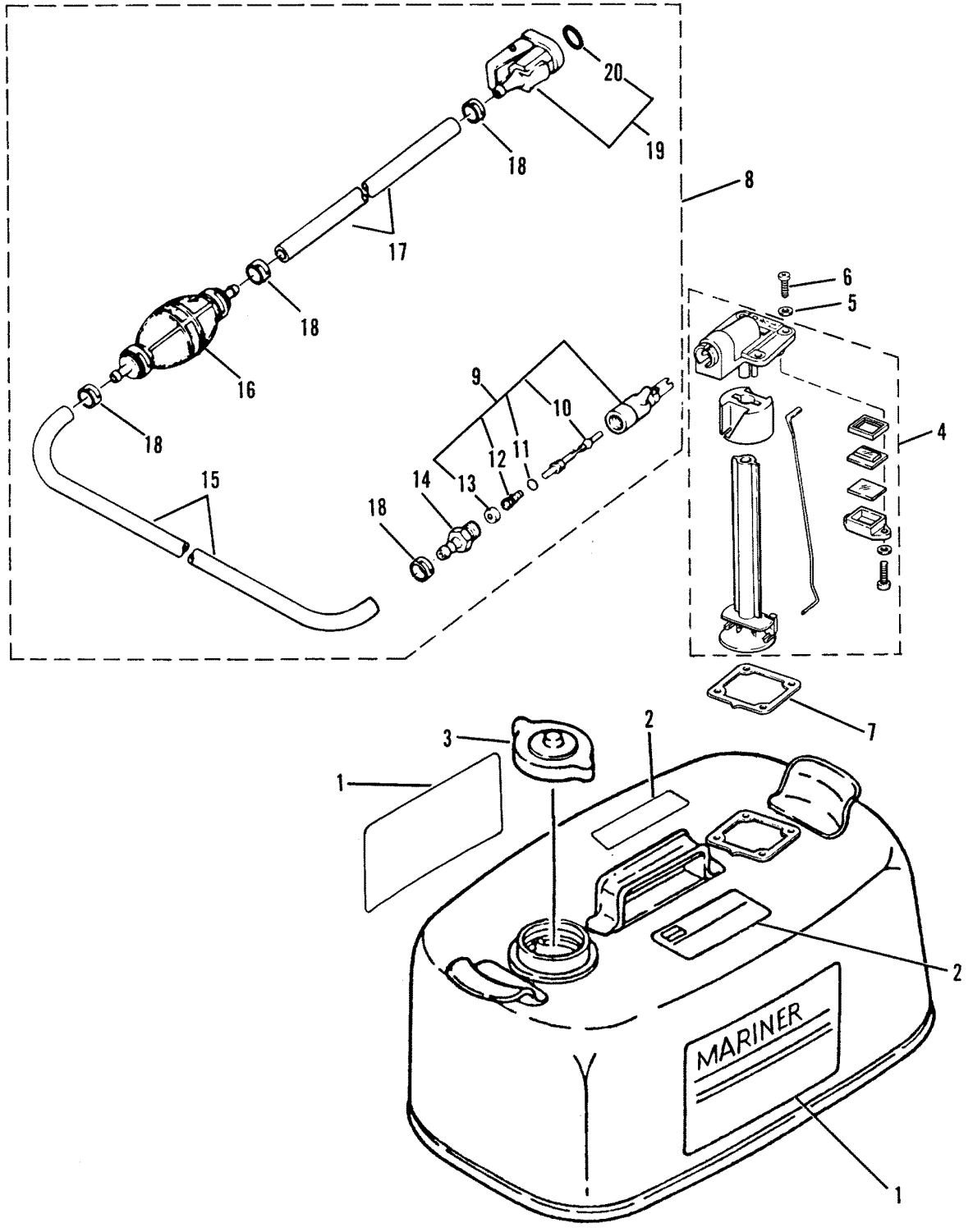


GEAR HOUSING ASSEMBLY

REF. NO.	PART NO.	SYM.	QTY.	DESCRIPTION
74	73345A1		1	THRUST WASHER SERIAL (E-004245 EL-317279 AND BELOW)
75	11-81775M		1	PROPELLER NUT
76	18-95295		1	COTTER PIN
77	12-81852M		1	WASHER
78	32-81424M		1	WATER TUBE (E)
	32-81425M		1	WATER TUBE (EL)
79	25-81989M		1	GASKET
80	26-81427M		1	SEAL (LOWER)
81	19168M	○	1	CHROME W/PUMP KIT (OPT) SERIAL (E-004424 EL-318399) AND ABOVE
	84187M	○	1	CHROME W/PUMP KIT (OPT) SERIAL (E-004423 EL-318398) AND BELOW
82	83131M	○	1	INNER PLATE
83	81672M	○	1	INSERT
84	81673M	○	1	FACE PLATE
85	22-95633M		1	FLUSH PLUG (OPT.)
86	81428M		1	PLATE
87	13-82212M		2	LOCKWASHER
88	10-91772M		2	BOLT
89	23-84445M		1	SPACER SERIAL (E-004246EL-317280) AND ABOVE
90	12-83700M		1	WASHER SERIAL (E-004246 EL-317280) AND ABOVE
62	97091M		1	COVER, WATER INLET (PORT) SERIAL (E-004423 EL-318398) AND BELOW
63	97092M		1	COVER, WATER INLET (STARBOARD) SERIAL (E-004423 EL-318398) AND BELOW
-	27-92648M		1	GASKET SET, LOWER UNIT CONTENTS INDICATED BY FOOTNOTE 13.
-	84188M		1	REPAIR KIT, WATER PUMP CONTENTS INDICATED BY FOOTNOTE 14.
-	19168M		1	REPAIR KIT, CHROME WATER PUMP (OPT) SERIAL (E-004424 EL-318399) AND ABOVE. CONTENTS INDICATED BY FOOTNOTE 15.
-	84187M		1	REPAIR KIT, CHROME WATER PUMP (OPT) SERIAL (E-004423 EL-318398) AND BELOW. CONTENTS INDICATED BY FOOTNOTE 15.

○ = CONTENTS OF OPTIONAL CHROME WATER PUMP KIT [84187M] OR [19168M]

FUEL TANK AND FUEL LINE ASSEMBLY (ORIG. EQUIPMENT)

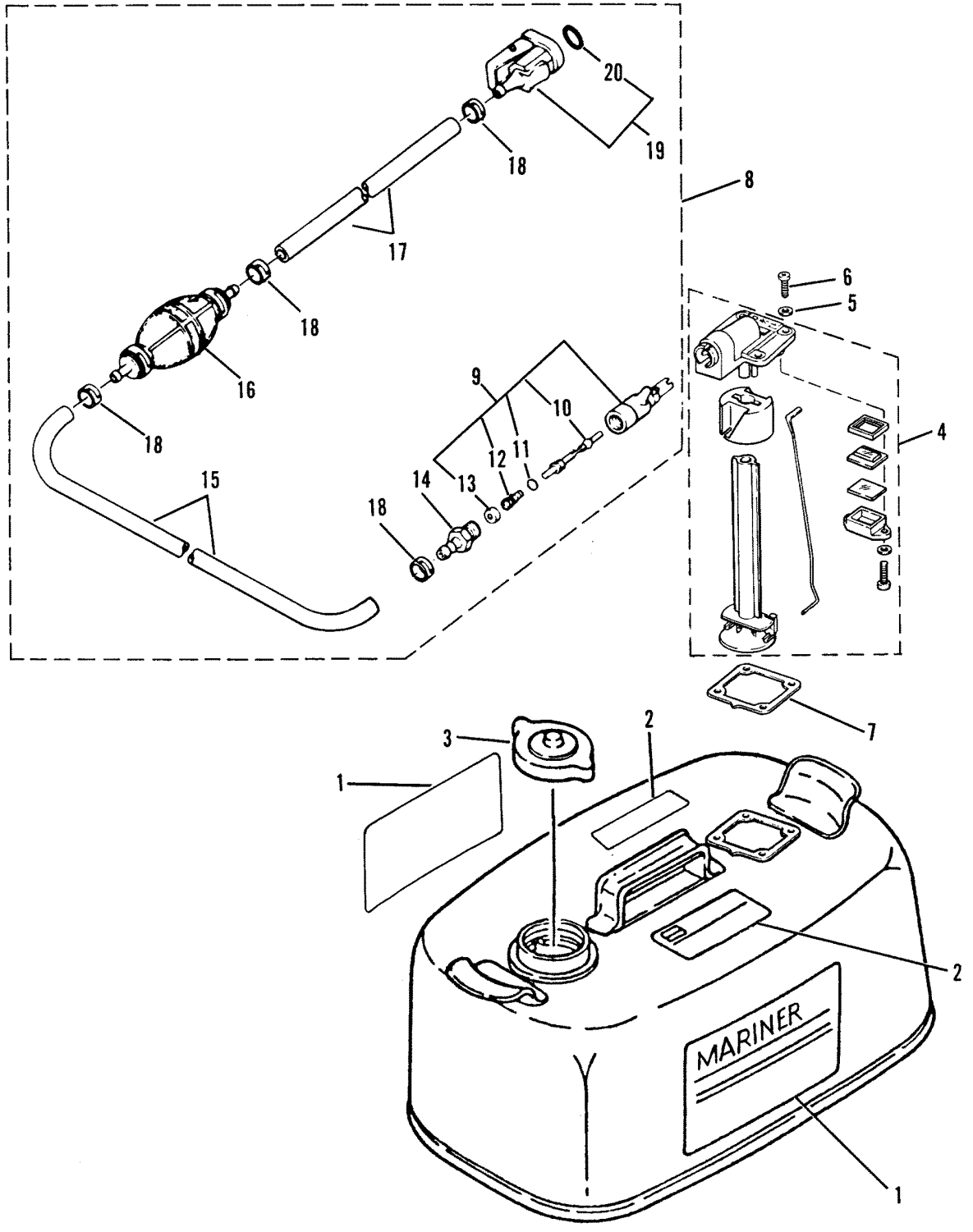


FUEL TANK AND FUEL LINE ASSEMBLY (ORIG. EQUIPMENT)

REF. NO.	PART NO.	SYM.	QTY.	DESCRIPTION
1	37-14617M		1	DECAL, SIDE (ENGLISH)
	37-95504M		1	DECAL, SIDE (FRENCH)
2	37-95489M		1	DECAL, TOP (ENGLISH)
	37-95503M		1	DECAL, TOP (FRENCH)
3	36-18962M		1	FUEL TANK CAP SERIAL (E-004424 EL-318399) AND ABOVE
4	95499M		1	FUEL METER ASSEMBLY
5	12-95501M		4	SEAL
6	10-95502M		4	SCREW
7	27-95500M		1	GASKET
8	32-18925M		1	FUEL LINE ASSY. (5/16" - 8MM - I.D. HOSE)
	32-16570M		1	FUEL LINE ASSY. (1/4" - 6MM - I.D. HOSE) SERIAL (E-004318 EL-317711) AND ABOVE
9	30185A3		1	BAYONET BODY ASSEMBLY
10	30187		1	STEM
11	25-20415		1	"O" RING
12	24-30189		1	SPRING
13	30188		1	CAP WASHER
14	22-89771--1		1	FITTING (5/16" - 8MM - I.D. HOSE)
	22-63187		1	FITTING (1/4" - 6MM - I.D. HOSE)
15	32-16571M		1	HOSE (5/16" - 8MM - I.D. HOSE) CONNECTOR HOUSING TO BULB SERIAL (E-004318 EL-317711) AND ABOVE
	32-14210M		1	HOSE (1/4" - 6MM - I.D. HOSE) CONNECTOR HOUSING TO BULB SERIAL (E-004246 THRU 004317 EL-317280 THRU 317710)
16	17149M		1	PRIMER BULB (5/16" - 8MM - I.D. HOSE)
	16572M		1	PRIMER BULB (1/4" - 6MM - I.D. HOSE)
17	32-16573M		1	HOSE (5/16" - 8MM - I.D. HOSE) BULB TO ENGINE CONNECTOR SERIAL (E-004318 EL-317711) AND ABOVE
	32-14212M		1	HOSE (1/4" - 6MM - I.D. HOSE) BULB TO ENGINE CONNECTOR SERIAL (E-004246 THRU 004317 EL-317280 THRU 317710)
18	54-16574M		4	CLAMP (5/16" - 8MM - I.D. HOSE) SERIAL (E-004318 EL-317711) AND ABOVE
	54-80752M		4	CLAMP (1/4" - 6MM - I.D. HOSE)
19	22-13563A3		1	FUEL CONNECTOR (5/16" - 8MM - I.D. HOSE) SERIAL (E-004318 THRU 004457 EL-317711 THRU 31970)
	22-14213M		1	FUEL CONNECTOR (1/4" - 6MM - I.D. HOSE) SERIAL (E-004317 EL-317710) AND BELOW
20	25-82789M		1	"O" RING (1/4" - 6MM - I.D. HOSE)
3	36-14223M		1	FUEL TANK CAP SERIAL (E-004423 EL-318398) AND BELOW
8	36-95216M		1	FUEL LINE ASSEMBLY SERIAL (E-004317 EL-317710) AND BELOW

CONTINUED ON NEXT PAGE ➡

FUEL TANK AND FUEL LINE ASSEMBLY (ORIG. EQUIPMENT)



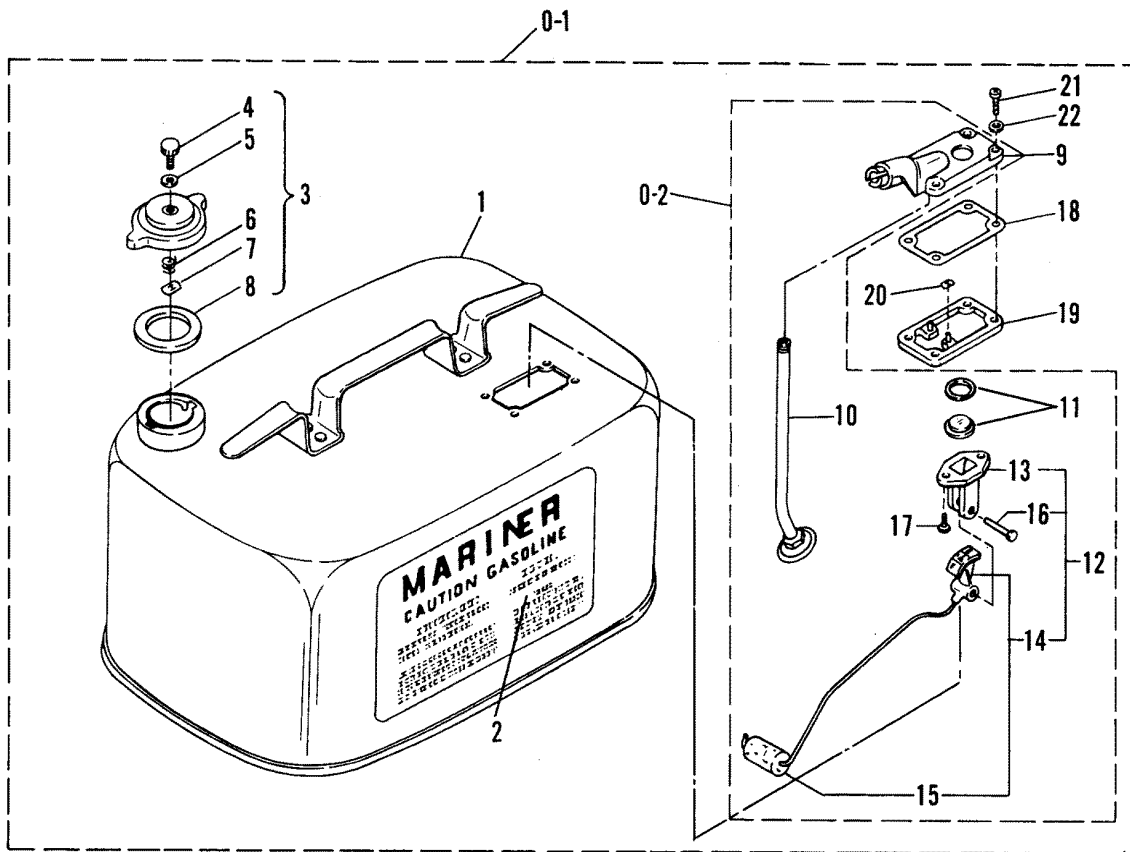
FUEL TANK AND FUEL LINE ASSEMBLY (ORIG. EQUIPMENT)

REF. NO.	PART NO.	SYM.	QTY.	DESCRIPTION
15	32-84955M		1	HOSE, CONNECTOR HOUSING TO BULB SERIAL (E-004245 EL-317279) AND BELOW
16	17149M		1	BULB, PRIMER SERIAL (E-004424 EL-318399) AND ABOVE
	1657M		1	BULB, PRIMER SERIAL (E-004318 THRU 004423 EL-317711 THRU 318398)
	14211M		1	BULB, PRIMER SERIAL (E-004317 EL-317710) AND BELOW
19	22-16609M		1	FUEL CONNECTOR, ENGINE END SERIAL (E-004476 EL-319171) AND ABOVE

24 LITRE (6.3 GALLONS).

TO ORDER REPLACEMENT OR ADDITIONAL FUEL TANK ASSEMBLY, ORDER FUEL TANK ASSEMBLY [1259-9728]. SEE "FUEL TANK (NOT ORIGINAL EQUIPMENT TANK)" OR "FUEL TANK AND FUEL LINE ASSEMBLY (NOT ORIGINAL EQUIPMENT TANK)" FOR PARTS BREAKDOWN.

FUEL TANK (NOT ORIG. EQUIPMENT TANK)

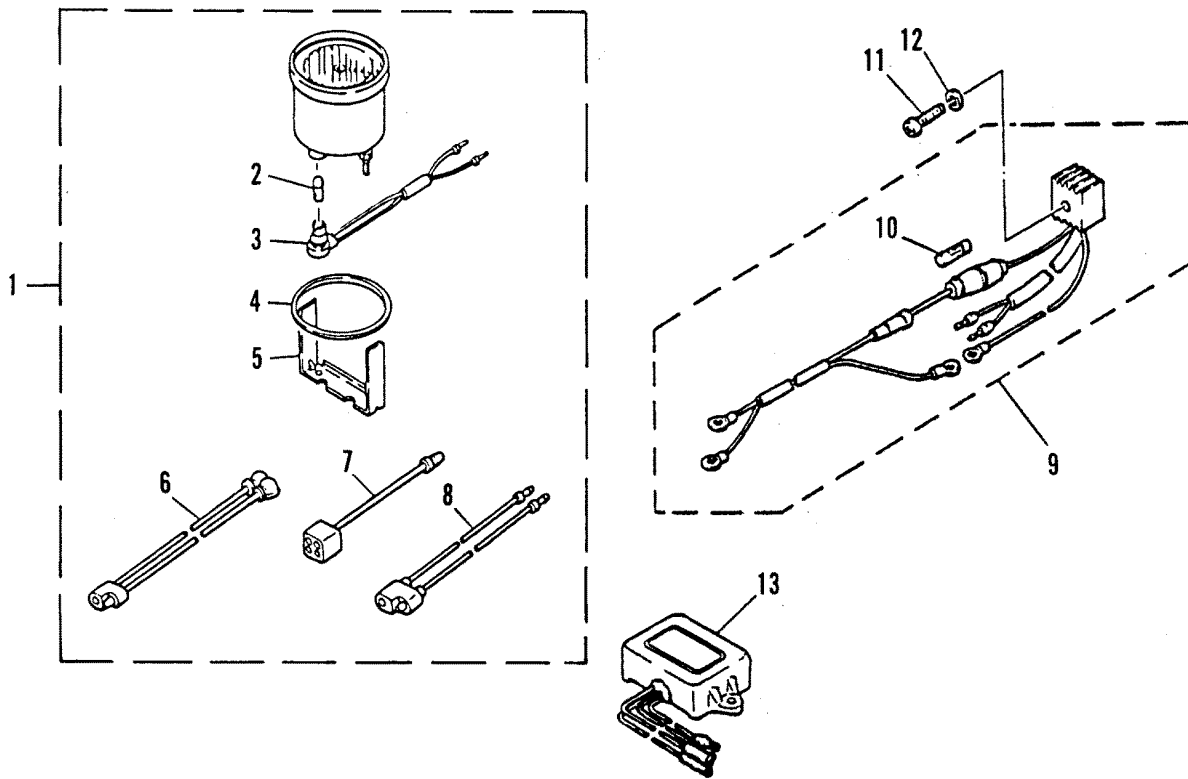


FUEL TANK (NOT ORIG. EQUIPMENT TANK)

REF. NO.	PART NO.	SYM.	QTY.	DESCRIPTION
1	1225-1529A26		1	FUEL TANK ASSY., COMPLETE (6 GALLON)
2	37-13921		1	DECAL
3	36-14223M		1	FILLER CAP ASSEMBLY
4	10-25575		1	SCREW, VENT-FILLER CAP
5	12-49221--1		1	WASHER, VENT SCREW
6	24-22227		1	SPRING, TENSION (VENT SCREW)
7	11-28587		1	SPEED NUT, SPRING RETAINER
8	27-41065		1	GASKET, FILLER CAP TO FUEL TANK
0-2	64841A1		1	COVER ASSEMBLY, COMPLETE
9	64841A3		1	COVER ASSEMBLY, FUEL TANK
10	32-75239		1	TUBE
11	98542A1		1	LENS ASSEMBLY, FUEL GAUGE
12	28897A2		1	FUEL GAUGE ASSEMBLY, COMPLETE
13	20430		1	RETAINER
14	28897A1		1	INDICATOR & FLAOT ASSEMBLY
15	99274		1	FLOAT, FUEL GAUGE
16	17-20426		1	RIVET, INDICATOR TO RETAINER
17	10-62568		2	SCREW, RETAINER TO FUEL TANK COVER
18	27-28862		1	GASKET, COVER ASSEMBLY TO FRAME
19	28860		1	FRAME, RETAINING (FUEL TANK COVER)
20	11-28903		2	FASTENER, RETAINING FRAME TO FUEL TANK
21	10-20411		4	SCREW, FUEL TANK COVER TO FUEL TANK
22	12-29070		4	WASHER, FUEL TNAK COVER FASTENING SCREW

TO ORDER REPLACEMENT PARTS FOR THE ORIGINAL FUEL TANK OR FUEL LINE ASSEMBLY, SEE "FUEL TANK AND FUEL LINE ASSEMBLY (ORIGINAL EQUIPMENT)".

OPTIONAL PARTS

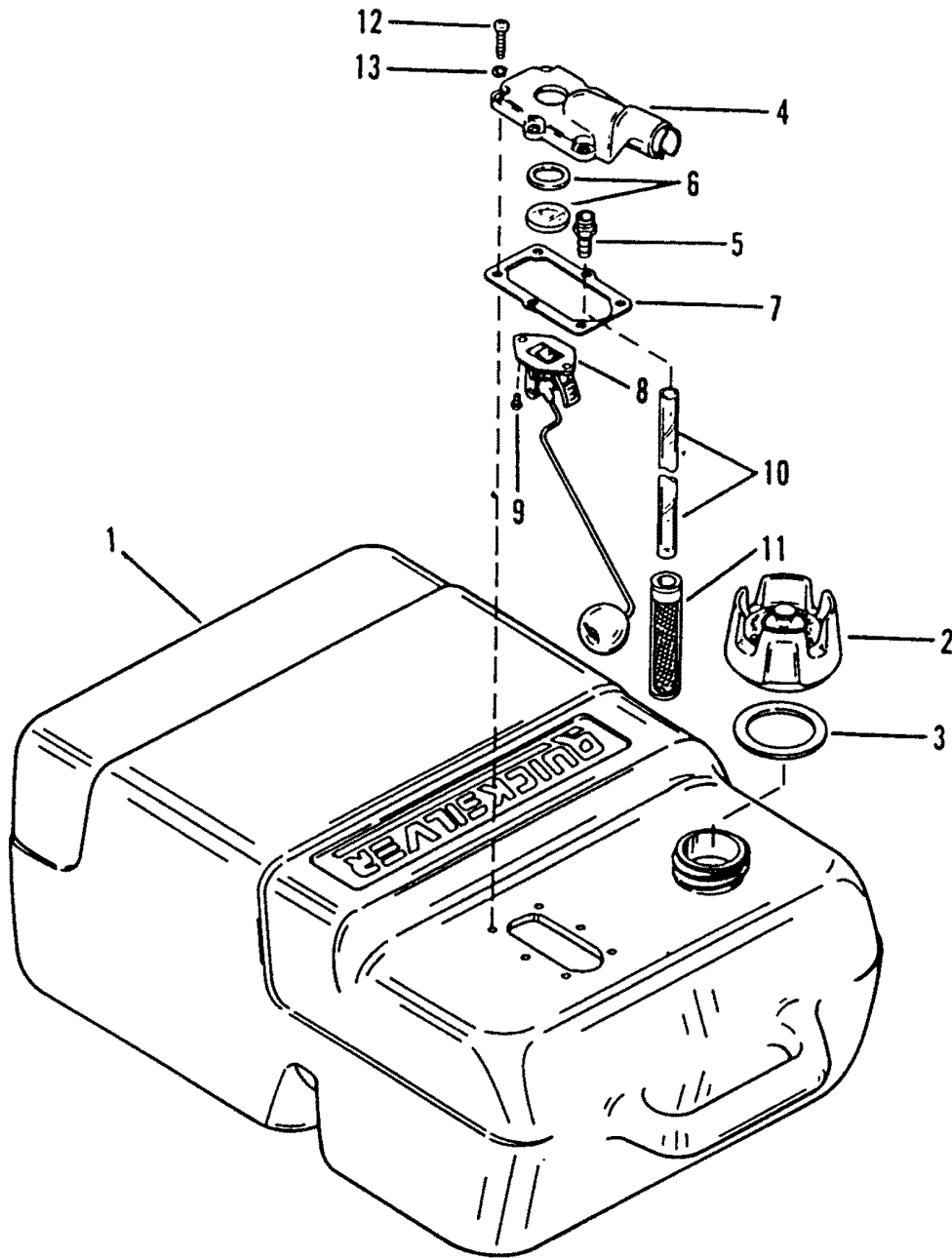


OPTIONAL PARTS

REF. NO.	PART NO.	SYM.	QTY.	DESCRIPTION
1	79-43984A1		1	TACHOMETER KIT
2	88-99055M		1	BULB
3	99056M		1	SOCKET
4	99057M		1	DAMPER
5	99058M		1	PLATE
6	84-99059M		1	WIRE
7	84-84353M		1	CONNECTOR
8	84-84352M		1	LEAD EXTENSION
9	84329M		1	RECTIFIER ASSEMBLY
10	88-81522M		1	FUSE (12V-20A)
11	10-82522M		1	SCREW
12	13-82208M		1	LOCKWASHER
13	84125M		1	VOLTAGE REGULATOR

FUEL TANK AND FUEL LINE ASSEMBLY (NOT ORIG. EQUIP. TANK)

FUEL TANK AND FUEL LINE ASSEMBLY (NOT ORIGINAL EQUIPMENT TANK)



FUEL TANK AND FUEL LINE ASSEMBLY (NOT ORIG. EQUIP. TANK)

REF. NO.	PART NO.	SYM.	QTY.	DESCRIPTION
1	1259-9728		1	FUEL TANK ASSEMBLY (PLASTIC-6.6 GAL.)
2	36-18031A1		1	FILLER CAP
3	27-18032		1	GASKET FILLER CAP
4	17792A1		1	PICK-UP BODY ASSEMBLY
5	18030		1	ADAPTOR
6	98542A1		1	WINDOW ASSEMBLY
7	27-18026		1	GASKET, PICK UP BODY
8	17971A2		1	FUEL GAUGE ASSEMBLY
9	10-62568		2	SCREW, FUEL GAUGE
10	32-18028		1	HOSE
11	35-18029		1	FILTER
12	10-18027		6	SCREW, PICK-UP BODY
13	12-29070		6	WASHER, PICK-UP BODY SCREW

TO ORDER REPLACEMENT PARTS FOR THE ORIGINAL FUEL TANK OR FUEL LINE ASSEMBLY SEE "FUEL TANK AND FUEL LINE ASSEMBLY (ORIGINAL EQUIPMENT)".

PARTS INDEX

Part Number	Description	Pg.	Ref. No.	Part Number	Description	Pg.	Ref. No.
11868M	HANDLE, TRANSOM CLAMP			80026M	PLATE	23	24
	SCREW	41	7	80454M	CAP	21	19
11935M	FUEL BOWL	31	8	80606M	DIAPHRAGM	27	2
14187M	CONNECTOR, FUEL LINE	31	1	80606M	DIAPHRAGM	29	12
14211M	BULB, PRIMER	57	16	80607M	COVER	27	13
16572M	PRIMER BULB (1/4" - 6MM - I.D. HOSE)	55	16	80609M	RETAINER	27	8
1657M	BULB, PRIMER	57	16	80611M	PLATE	29	11
16711M	SWITCH PANEL	33	1	80611M	PLATE, SPRING GUIDE	27	3
16712M	BRACKET	33	6	80620M	BRACKET, FUEL FILTER	31	9
16715M	CLEVIS	35	27	80935M	PLUG CAP ASSEMBLY	13	34
17149M	BULB, PRIMER	57	16	810937M	RECTIFIER	13	24
17149M	PRIMER BULB (5/16" - 8MM - I.D. HOSE)	55	16	810938M	ROD, CHOKE LINK	21	27
17792A1	PICK-UP BODY ASSEMBLY	63	4	810939M	ROD, THROTTLE ADJUSTMENT	21	28
17971A2	FUEL GAUGE ASSEMBLY	63	8	81098M	THERMOSTAT	15	26
18030	ADAPTOR	63	5	81191M	CONNECTOR	21	26
18975M	SWITCH PANEL ASSEMBLY	33	0-1	81253M	COVER, CYLINDER HEAD	15	19
19141M	CARB REPAIR KIT	25	27	81255M	ANODE	15	14
19141M	CARBURETOR REPAIR KIT	21	--	81265M	COVER, THERMOSTAT	15	27
19142M	SHIFT ROD (E)	37	16	81267M	PRESSURE CONTROL VALVE	15	23
19143M	SHIFT ROD (EL)	37	16	81287M	MAIN NOZZLE	23	9
19144M	ARM & SHAFT (E)	43	1	81288M	PILOT, AIR JET (#100)	23	18
19145M	ARM & SHAFT (EL)	43	1	81290M	FLOAT BOWL	23	14
19166M	COVER, WATER INLET (PORT)	51	62	81291M	FLOAT (E-004423 EL-318398 AND BELOW)	23	11
19167M	COVER, WATER INLET (STARBOARD)	51	63	81330M	OUTER COVER, EXHAUST	15	33
19168M	CHROME W/PUMP KIT (OPT)	53	81	81334M	CAM	35	30
19168M	REPAIR KIT, CHROME WATER PUMP (OPT)	53	-	81337M	CHOKE ROD	21	25
20430	RETAINER	59	13	81341M	CAP, CLEVIS LOCK	35	2
28860	FRAME, RETAINING (FUEL TANK COVER)	59	19	81344M	I. CONTROL LEVER	35	18
28897A1	INDICATOR & FLAOT ASSEMBLY	59	14	81345M	C.D.I. CONTROL LEVER	35	1
28897A2	FUEL GAUGE ASSEMBLY, COMPLETE	59	12	81346M	C.D.I. CONTROL LEVER	35	15
30185A3	BAYONET BODY ASSEMBLY	55	9	81347M	SHAFT, LINK CONNECTING	35	16
30187	STEM	55	10	81349M	BRACKET (UPPER)	35	19
30188	CAP WASHER	55	13	81350M	BRACKET	35	7
41296M	BEARING (LOWER)	19	6	81370M	BUMPER, COWL	7	13
41315M	REVERSE LOCK	39	7	81388M	CAP	41	16
41827M	HANGER, ENGINE	15	40	81393M	TILT STOP LEVER (PORT)	39	1
41828M	HOUSING, OIL SEAL	19	14	81394M	TILT STOP LEVER (STARBOARD)	39	2
41841M	VALVE SEAT	23	20	81395M	COVER	39	21
41843M	ANODE	41	34	81399M	ROD, REVERSE LOCK (EL)	39	22
41844M	GROUND WIRE (E)	43	34	81400M	NUT, ADJUSTING	39	13
41845M	GROUND WIRE (EL)	43	34	81403M	STOP, SHAFT BRACKET	35	12
41846M	GROUND WIRE	41	36	81408M	SHIFT ROD (LOWER)	47	10
41849M	EXHAUST GUIDE	45	9	81409M	SHIFT CAM	47	12
43096M	COVER	29	4	81410M	CAM	51	61
43113M	FUEL PUMP ASSEMBLY	27	1	81415M	CAP	35	25
43113M	FUEL PUMP ASSEMBLY	29	1	81419M	INSERT, CARTRIDGE	51	45
47341A1	ROPE, EMERGENCY START	7	27	81420M	OUTER PLATE, CARTRIDGE	51	48
64841A1	COVER ASSEMBLY, COMPLETE	59	0-2	81428M	PLATE	53	86
64841A3	COVER ASSEMBLY, FUEL TANK	59	9	81429M	RETAINER, UPPER MOUNT	43	32
73345A1	THRUST WASHER	53	74	81431M	BUMPER	43	26
				81432M	HOUSING, LOWER MOUNT	43	9
				81434M	COVER, LOWER MOUNT	43	22
				81436M	BUMPER	43	15
				81439M	CAP	41	3
				81442M	CAP	45	4
				81445M	COVER, GEAR HOUSING	47	5

PARTS INDEX

Part Number	Description	Pg.	Ref. No.	Part Number	Description	Pg.	Ref. No.
81446M	HOUSING, BEARING	51	38	83651M	ARMATURE	9	5
81448M	SEAL (RUBBER)	51	59	83654M	FRONT BRACKET	9	2
81449M	GUIDE, SEAL	47	2	83859M	TRIM TAB	51	71
814554M	THERMOSTAT	15	26	84044M	STOPPER PLATE	39	19
81474M	RING	49	28	84125M	VOLTAGE REGULATOR	61	13
81475M	SLIDE	49	30	84141M	DIAPHRAGM	29	5
81480M	CLEVIS	37	9	84187M	CHROME W/PUMP KIT (OPT)	53	81
81480M	CLEVIS, THROTTLE CABLE	35	6	84187M	REPAIR KIT, CHROME		
81482M	PLATE, STEERING (RIDE				WATER PUMP (OPT)	53	-
	GUIDE)	43	2	84188M	REPAIR KIT, WATER PUMP	53	-
81483M	BRACKET, REMOTE			84209M	SHIFT ROD LEVER	37	7
	CONTROL	35	33	84212M	COIL, TRIGGER	11	9
81484M	CLAMP, CABLE	35	34	84305M	JOINT, BALL	11	11
81485M	WASHER	9	25	84323M	SOUND BLANKET, FRONT		
81493M	STATOR	9	6		AND REAR	5	23
81499M	REAR COVER ASSEMBLY	9	11	84329M	RECTIFIER ASSEMBLY	61	9
81504M	GEAR	9	4	84411M	HOOK	21	11
81507M	BRUSH HOLDER	9	7	84412M	WIRE	21	12
81508M	COVER	9	20	84419M	CARB REPAIR KIT	25	27
81518M	TERMINAL	13	5	84419M	CARBURETOR REPAIR KIT	21	--
81520M	CLAMP	13	17	84422M	ANODE	41	34
81523M	GROMMET	13	2	84422M	ANODE	45	15
81529M	BRACKET	33	16	84424M	DAMPER (E)	45	14
81530M	PLATE	33	25	84425M	DAMPER (EL)	45	14
81537M	BRACKET	33	6	84430M	LOWER MOUNT	43	11
81541M	STRAP	13	30	84433M	RETAINER, LOWER MOUNT	43	18
81543M	BRACKET	13	1	84441M	JET, PILOT (#80)	23	4
81544M	GROMMET	13	16	84937M	FUSE HOLDER ASSEMBLY	33	20
81551M	COVER, SOLENOID	21	14	84960M	EXTENSION (2M)	33	14
81554M	DAMPER	21	29	92629M	AIR INTAKE BASE	21	1
81652M	RECTIFIER	13	24	92630M	AIR INTAKE COVER	21	5
81672M	INSERT	53	83	92632M	INTAKE MANIFOLD	21	17
81673M	FACE PLATE	53	84	92638M	MAIN JET (#160)	23	10
81676M	UPPER MOUNT	43	25	92643M	PLUNGER	49	29
82678M	RETAINER, MAGNETO BASE	11	17	92651M	COVER, SHOCK MOUNT	41	27
82780M	VALVE SEAT	23	20	92653M	ROD, REVERSE LOCK (E)	39	11
82788M	PLUG CAP ASSEMBLY	13	34	92655M	LINK ROD	35	28
82988M	ROD, CHOKE LINK AND			92659M	BALL	37	13
	BELOW	21	27	92671M	STOP RING	9	16
82996M	CLAMP	7	4	92672M	LEAD WIRE	9	18
83024M	COVER, AIR DUCT	5	5	94475M	BRUSH (+)	9	8
83025M	AIR SHROUD	5	6	94478M	BRUSH (-)	9	9
83026M	LEVER, COWL CLAMP	5	15	95499M	FUEL METER ASSEMBLY	55	4
83027M	CLAMP, COWL	5	18	95619M	SOUND BLANKET,		
83030M	C.D.I. UNIT ASSEMBLY	13	15		STARBOARD	5	24
83034M	HOOK	45	3	95626M	JET (#125)	23	19
83036M	COIL, CHARGE	11	4	95664M	COVER, COWL (REAR)	7	15
83037M	COIL, BLANKING (MASKING)	11	5	95665M	COVER, COWL (FRONT)	7	16
83038M	COIL, LIGHTING (80W)	11	6	95667M	POWERHEAD ASSEMBLY,		
83039M	SEAL, RUBBER	5	7		COMPLETE	17	-
83040M	HOLDER	5	11	95684M	MOUNT	9	19
83041M	HOLDER	5	12	97074M	PLATE, TIMING	11	14
83042M	DAMPER	5	20	97076M	COVER	13	11
83043M	SEAL, TOP COWL	5	4	97077M	IGNITION COIL ASSEMBLY	13	18
83045M	HOOK, COWL CLAMP	7	3	97081M	JET, PILOT (#82)	23	4
83047M	COVER, BOTTOM	7	22	97087M	CAP	35	24
83131M	INNER PLATE	53	82	97091M	COVER, WATER INLET		
83153M	RETAINER, COWL BUMPER	7	14		(PORT)	53	62
83232M	SOUND BLANKET, TOP	5	21	97092M	COVER, WATER INLET		
83233M	SOUND BLANKET, PORT	5	22		(STARBOARD)	53	63

PARTS INDEX

Part Number	Description	Pg.	Ref. No.	Part Number	Description	Pg.	Ref. No.
97100M	BASE ASSEMBLY	11	3	10-82172M	SCREW	43	23
97756M	STOPPER	33	5	10-82405M	BOLT	7	18
97797M	DECAL, FRONT	5	3	10-82405M	BOLT	21	3
97844M	ROD, THROTTLE ADJUSTMENT	21	28	10-82423M	BOLT	35	9
97848M	FLOAT (E-004424 EL-318399 AND ABOVE)	23	11	10-82423M	BOLT	37	5
98542A1	LENS ASSEMBLY, FUEL GAUGE	59	11	10-82428M	BOLT	27	17
98542A1	WINDOW ASSEMBLY	63	6	10-82428M	BOLT	29	15
98919M	SHIFT BRACKET	37	1	10-82437M	BOLT	9	26
98920M	BRACKET	37	10	10-82437M	BOLT	33	23
98921M	SHIFT ROD (E)	37	16	10-82437M	BOLT	35	36
98922M	SHIFT ROD (EL)	37	16	10-82441M	BOLT	37	11
98924M	BOOT	37	20	10-82466M	BOLT	45	20
98937M	GUIDE, REVERSE ROD	51	73	10-82468M	BOLT	51	56
98943M	CONTROL ROD	35	26	10-82484M	SCREW	51	64
99056M	SOCKET	61	3	10-82487M	SCREW	33	7
99057M	DAMPER	61	4	10-82503M	SCREW	11	7
99058M	PLATE	61	5	10-82504M	SCREW	11	8
99274	FLOAT, FUEL GAUGE	59	15	10-82511M	SCREW	27	9
N.L.A.	SWITCH PANEL	33	1	10-82512M	SCREW	25	25
N.S.S.	DECAL (PART OF 37- 810936A90)	7	20/21	10-82515M	SCREW	9	12
N.S.S.	DECAL, FRONT (PART OF 37-810936A90) SEE NOTE #1	5	3	10-82522M	SCREW	13	25
10-11832M	SCREW	41	37	10-82522M	SCREW	21	15
10-16713M	SCREW	33	9	10-82522M	SCREW	27	14
10-18027	SCREW, PICK-UP BODY	63	12	10-82522M	SCREW	29	2
10-20411	SCREW, FUEL TANK COVER TO FUEL TANK	59	21	10-82522M	SCREW	61	11
10-25575	SCREW, VENT-FILLER CAP	59	4	10-82532M	SCREW	15	15
10-41312M	BOLT, CLAMP BRACKET	41	13	10-82798M	SCREW	13	6
10-41837M	BOLT	15	6	10-82801M	BOLT	51	72
10-41838M	BOLT	15	8	10-82977M	SCREW	35	21
10-41839M	BOLT	15	18	10-82980M	SCREW	13	8
10-41889M	SCREW	29	7	10-83050M	SCREW	35	22
10-43103M	BOLT	51	69	10-83285M	BOLT	7	10
10-43106M	BOLT	43	20	10-83285M	BOLT	13	22
10-62568	SCREW, FUEL GAUGE	63	9	10-83285M	BOLT	15	29
10-62568	SCREW, RETAINER TO FUEL TANK COVER	59	17	10-83509M	SCREW	11	10
10-80738M	SCREW	13	13	10-83539M	BOLT	11	18
10-81277M	SCREW, THROTTLE (LOWER)	23	5	10-83539M	BOLT	15	21
10-81279M	PLUG SCREW	23	3	10-83539M	BOLT	15	35
10-81281M	SCREW, IDLE SPEED	23	7	10-84057M	BOLT	51	55
10-81292M	PLUG SCREW	23	1	10-84058M	BOLT	7	17
10-81293M	SCREW	23	16	10-84058M	BOLT	31	2
10-813477M	BOLT	5	9	10-84211M	BOLT	7	23
10-81381M	SCREW, TRANSOM CLAMP	41	6	10-84211M	BOLT	31	10
10-814575M	BOLT	43	33	10-84236M	BOLT	9	21
10-81500M	BOLT	9	15	10-84247M	BOLT	5	8
10-81713M	BOLT	35	32	10-84247M	BOLT	7	12
10-81714M	BOLT	43	27	10-84303M	BOLT	5	8
10-81715M	BOLT	19	22	10-84315M	BOLT	9	14
10-81717M	BOLT	43	14	10-84342M	BOLT	9	22
10-81718M	BOLT	41	26	10-84342M	BOLT	17	41
10-81758M	SCREW	23	15	10-84427M	BOLT	45	6
				10-84657M	BOLT	21	7
				10-84946M	SCREW	33	9
				10-84970M	BOLT	41	29
				10-91636M	BOLT	51	67
				10-91725M	BOLT	5	25
				10-91725M	BOLT	11	15
				10-91725M	BOLT	19	18
				10-91725M	BOLT	47	8
				10-91772M	BOLT	13	31

PARTS INDEX

Part Number	Description	Pg.	Ref. No.	Part Number	Description	Pg.	Ref. No.
10-91772M	BOLT	53	88	12-81837M	THRUST WASHER	49	33
10-92679M	SCREW	41	35	12-81839M	WASHER	43	8
10-92679M	SCREW	45	16	12-81852M	WASHER	53	77
10-95416M	BOLT	45	21	12-81859M	WASHER	41	23
10-95467M	SCREW	41	28	12-82211M	WASHER	33	12
10-95502M	SCREW	55	6	12-82213M	WASHER	27	18
10-95629M	BOLT	13	4	12-82213M	WASHER	29	16
10-97082M	SCREW (UPPER)	25	26	12-82214M	LOCKWASHER	35	10
10-97749M	BOLT	45	19	12-82214M	WASHER	5	10
11-28587	SPEED NUT, SPRING RETAINER	59	7	12-82214M	WASHER	7	19
11-28903	FASTENER, RETAINING FRAME TO FUEL TANK	59	20	12-82214M	WASHER	11	16
11-81450M	NUT	51	43	12-82214M	WASHER	11	19
11-81772M	NUT	47	20	12-82214M	WASHER	13	23
11-81773M	NUT	11	21	12-82214M	WASHER	13	9
11-81775M	PROPELLER NUT	53	75	12-82214M	WASHER	15	22
11-81779M	NUT	43	24	12-82214M	WASHER	15	36
11-81781M	NUT	51	65	12-82214M	WASHER	19	19
11-81783M	NUT	43	31	12-82214M	WASHER	21	8
11-81785M	NUT	43	4	12-82214M	WASHER	37	3
11-81787M	NUT	41	15	12-82214M	WASHER	47	9
11-82378M	NUT	33	10	12-82216M	WASHER	37	18
11-82381M	NUT	35	23	12-82217M	WASHER	9	24
11-82387M	NUT	15	10	12-82217M	WASHER	33	24
11-82388M	NUT	33	10	12-82217M	WASHER	51	57
11-82388M	NUT	35	29	12-82220M	WASHER	41	11
11-82389M	NUT	21	24	12-82847M	WASHER	13	7
11-82392M	NUT	31	12	12-83372M	WASHER (UPPER)	25	27
11-82392M	NUT	39	12	12-83700M	WASHER	53	90
11-82395M	NUT	41	12	12-83702M	WASHER	43	29
11-82395M	NUT	41	32	12-84429M	WASHER	43	16
11-82397M	NUT	43	17	12-84431M	WASHER	43	12
11-82537M	NUT	29	9	12-84432M	WASHER	43	13
11-84515M	NUT	27	10	12-84436M	WASHER	11	22
12-19146M	WASHER	43	5	12-92636M	WASHER	23	2
12-29070	WASHER, FUEL TNAK COVER FASTENING SCREW	59	22	12-95501M	SEAL	55	5
12-29070	WASHER, PICK-UP BODY SCREW	63	13	12-95683M	WASHER KIT	9	17
12-49221--1	WASHER, VENT SCREW	59	5	12-97098M	WASHER	5	13
12-80638M	PAD, TRANSOM CLAMP SCREW	41	5	13-81866M	WAVE WASHER	37	4
12-81343M	PLATE, BASE	11	20	13-81868M	WAVE WASHER	35	31
12-81455M	THRUST WASHER	47	19	13-81871M	WAVE WASHER	5	17
12-814576M	WASHER	41	30	13-82184M	LOCKWASHER	9	13
12-81461M	THRUST WASHER, REVERSE GEAR	49	35	13-82184M	LOCKWASHER	13	14
12-81477M	THRUST WASHER	51	74	13-82208M	LOCKWASHER	33	8
12-81794M	WASHER	5	19	13-82208M	LOCKWASHER	13	26
12-81796M	WASHER	7	25	13-82208M	LOCKWASHER	29	3
12-81803M	WASHER	43	30	13-82208M	LOCKWASHER	33	11
12-81807M	WASHER	15	9	13-82208M	LOCKWASHER	61	12
12-81812M	WASHER	41	25	13-82208M	OCKWASHER	27	15
12-81812M	WASHER	41	31	13-82212M	LOCKWASHER	7	11
12-81825M	WASHER	43	28	13-82212M	LOCKWASHER	7	24
12-81830M	WASHER	41	20	13-82212M	LOCKWASHER	13	32
12-81831M	RETAINER	19	13	13-82212M	LOCKWASHER	21	4
12-81836M	WASHER	41	14	13-82212M	LOCKWASHER	31	11
				13-82212M	LOCKWASHER	31	3
				13-82212M	LOCKWASHER	53	87
				13-82215M	LOCKWASHER	9	23
				13-82215M	LOCKWASHER	17	42
				13-82215M	LOCKWASHER	35	37
				13-82215M	LOCKWASHER	37	12
				13-82215M	LOCKWASHER	43	21

PARTS INDEX

Part Number	Description	Pg.	Ref. No.	Part Number	Description	Pg.	Ref. No.
13-82215M	LOCKWASHER	45	22	16-81383M	STUD, CLAMP BRACKET	41	9
13-82215M	LOCKWASHER	45	7	16-81735M	STUD	21	33
13-82215M	LOCKWASHER	51	70	16-81742M	STUD, STEERING PLATE	43	3
13-82218M	LOCKWASHER	51	68	16-81743M	STUD	15	13
13-92652M	WAVE WASHER	39	3	17-20426	RIVET, INDICATOR TO RETAINER	59	16
14-81877M	CLAW, WASHER	51	42	17-41314M	ROD REVERSE LOCK	39	8
15-19148M	SHIM, DRIVESHAFT BEARING (0.10MM)	47	16	17-81258M	LOCK, BEARING	15	4
15-19149M	SHIM, DRIVESHAFT BEARING (0.15MM)	47	16	17-81278M	FLOAT PIN	23	12
15-19150M	SHIM, DRIVESHAFT BEARING (0.18MM)	47	16	17-81384M	PIN, LOWER SHOCK MOUNT	41	22
15-19151M	SHIM, DRIVESHAFT BEARING (0.30MM)	47	16	17-81386M	SHAFT, UPPER SHOCK MOUNT	41	18
15-19152M	SHIM, DRIVESHAFT BEARING (0.40MM)	47	16	17-814972M	TILT LOCK PIN ASSEMBLY	39	18
15-19153M	SHIM, DRIVESHAFT BEARING (0.50MM)	47	16	17-81889M	PIN	41	8
15-19154M	SHIM, FORWARD GEAR ADJUST (0.10MM)	49	24	17-81903M	CROSS PIN	49	27
15-19155M	SHIM, FORWARD GEAR ADJUST (0.12MM)	49	24	17-81909M	RIVET	39	16
15-19156M	SHIM, FORWARD GEAR ADJUST (0.15MM)	49	24	17-82137M	CLEVIS PIN	37	2
15-19157M	SHIM, FORWARD GEAR ADJUST (0.18MM)	49	24	17-82138M	CLEVIS PIN	39	14
15-19158M	SHIM, FORWARD GEAR ADJUST (0.30MM)	49	24	17-82145M	ROLL PIN	21	10
15-19159M	SHIM, FORWARD GEAR ADJUST (0.40MM)	49	24	17-82146M	ROLL PIN	35	35
15-19160M	SHIM, REVERSE GEAR ADJUST (0.10MM)	49	34	17-82146M	ROLL PIN	39	20
15-19161M	SHIM, REVERSE GEAR ADJUST (0.15MM)	49	34	17-82149M	ROLL PIN	35	5
15-19162M	SHIM, REVERSE GEAR ADJUST (0.18MM)	49	34	17-82154M	ROLL PIN	35	20
15-19163M	SHIM, REVERSE GEAR ADJUST (0.30MM)	49	34	17-82159M	ROLL PIN	39	17
15-19164M	SHIM, REVERSE GEAR ADJUST (0.40MM)	49	34	17-82354M	DOWEL PIN	15	3
15-19165M	SHIM, REVERSE GEAR ADJUST (0.50MM)	49	34	17-82354M	DOWEL PIN	51	54
15-81259M	SHIM	19	7	17-82364M	DOWEL PIN	45	18
15-81456M	SHIM, FORWARD GEAR ADJUST (0.05MM)	49	24	17-82364M	DOWEL PIN	45	5
15-81457M	SHIM, FORWARD GEAR ADJUST (0.08MM)	49	24	17-82364M	DOWEL PIN	51	66
15-81460M	SHIM, FORWARD GEAR ADJUST (0.50MM)	49	24	17-82367M	DOWEL PIN	35	4
15-81462M	SHIM, REVERSE GEAR ADJUST (0.05MM)	49	34	17-82368M	DOWEL PIN	15	5
15-81463M	SHIM, REVERSE GEAR ADJUST (0.08MM)	49	34	17-82976M	PIN	35	3
15-81464M	SHIM, REVERSE GEAR ADJUST (0.12MM)	49	34	17-82982M	RIVET	5	14
15-81467M	SHIM, DRIVESHAFT BEARING (0.05MM)	47	16	17-92639M	VALVE PIN	23	23
15-81468M	SHIM, DRIVESHAFT BEARING (0.08MM)	47	16	18-82053M	COTTER PIN	37	19
				18-82126M	COTTER PIN	37	8
				18-82128M	COTTER PIN	39	15
				18-82130M	COTTER PIN	39	9
				18-82132M	COTTER PIN	39	5
				18-95295	COTTER PIN	53	76
				19-81922M	PLUG	45	13
				21-41888M	CHECK VALVE	29	8
				21-80608M	CHECK VALVE	27	6
				21-80727M	CHECK VALVE	15	1
				22-13563A3	FUEL CONNECTOR (5/16" - 8MM - I.D. HOSE)	55	19
				22-14213M	FUEL CONNECTOR (1/4" - 6MM - I.D. HOSE)	55	19
				22-16609M	FUEL CONNECTOR, ENGINE END	57	19
				22-63187	FITTING (1/4" - 6MM - I.D. HOSE)	55	14
				22-80122M	FITTING	15	2
				22-80122M	PIPE, OVER FLOW	21	18
				22-80756M	FITTING	15	30
				22-81326M	FITTING, LOWER COWL	7	6
				22-81924M	PLUG	47	3
				22-81926M	PLUG	15	31
				22-82369M	GREASE FITTING	41	2

PARTS INDEX

Part Number	Description	Pg.	Ref. No.	Part Number	Description	Pg.	Ref. No.
22-95632M	DRAIN PLUG	51	60	25-82289M	"O" RING	49	37
22-95633M	FLUSH PLUG (OPT.)	53	85	25-82789M	"O" RING (1/4" - 6MM - I.D. HOSE)	55	20
22-97083M	TEE FITTING	31	17	25-84957M	"O" RING	31	7
23-41311M	BUSHING	35	11	25-9283M	ROTOR ASSEMBLY	11	2
23-41313M	BUSHING	41	33	25-93101M	GROMMET	7	8
23-41823M	BUSHING	5	16	25-93114M	GROMMET	13	2
23-80635M	RETAINER	37	15	25-94498M	"O" RING	23	17
23-81453M	SLEEVE	47	17	26-81426M	SEAL, WATER TUBE (UPPER)	51	58
23-81938M	BUSHING	41	24	26-81427M	SEAL (LOWER)	53	80
23-81939M	BUSHING	41	21	26-82233M	OIL SEAL, PROPELLER SHAFT	51	41
23-81946M	BUSHING	35	8	26-82234M	OIL SEAL, WATER PUMP	51	53
23-81947M	BUSHING	39	23	26-82248M	OIL SEAL (LOWER)	19	16
23-81947M	BUSHING	39	4	26-82249M	OIL SEAL (UPPER)	19	3
23-81955M	BUSHING	43	6	26-82255M	OIL SEAL (LOWER)	19	15
23-81980M	COLLAR	39	6	26-82257M	OIL SEAL, GEAR HOUSING COVER	47	7
23-81981M	SPACER, CLAMP BRACKET STUD	41	10	26-98950M	OIL SEAL, STEERING SHAFT	43	7
23-82120M	SPACER, SHOCK MOUNT	41	19	27-16717M	GASKET	45	8
23-82851M	COLLAR	13	3	27-18026	GASKET, PICK UP BODY	63	7
23-83610M	COLLAR	7	9	27-18032	GASKET FILLER CAP	63	3
23-84426M	BUSHING	45	10	27-19140M	GASKET	15	17
23-84445M	SPACER	53	89	27-28862	GASKET, COVER ASSEMBLY TO FRAME	59	18
23-98923M	BUSHING	37	17	27-41065	GASKET, FILLER CAP TO FUEL TANK	59	8
24-22227	SPRING, TENSION (VENT SCREW)	59	6	27-80612M	GASKET	27	7
24-30189	SPRING	55	12	27-80613M	GASKET	27	5
24-80610M	SPRING	27	4	27-80613M	GASKET	29	13
24-80610M	SPRING	29	10	27-80614M	GASKET	27	12
24-80615M	SPRING	27	11	27-80614M	GASKET	29	6
24-81496M	SPRING	9	10	27-80757M	GASKET	27	16
24-814973M	SPRINT, CONICAL	39	24	27-80757M	GASKET	29	14
24-82073M	SPRING	23	8	27-81254M	GASKET, HEAD COVER	15	20
24-82074M	SPRING, COMPRESSION	35	13	27-81266M	GASKET	15	28
24-82080M	SPRING (LOWER)	23	6	27-81269M	GASKET, MANIFOLD (UPPER)	21	20
24-82081M	SPRING	37	14	27-81270M	GASKET, MANIFOLD (LOWER)	21	21
24-82086M	SPRING	15	24	27-81272M	GASKET	21	16
24-82087M	SPRING, COMPRESSION	43	19	27-81276M	GASKET	21	2
24-82091M	SPRING	49	31	27-81331M	GASKET	15	34
24-82103M	SPRING	39	10	27-81417M	GASKET, WATER PUMP	51	47
24-82113M	SPRING, TORSION	35	17	27-81418M	GASKET, WATER PUMP BASE	51	51
25-20415	"O" RING	55	11	27-81421M	GASKET, CARTRIDGE OUTER PLATE	51	49
25-81369M	GROMMET	7	5	27-81440M	GASKET, MUFFLER	45	17
25-81517M	GROMMET	13	29	27-81516M	GASKET	13	12
25-81989M	GASKET	53	79	27-81987M	GASKET	47	4
25-82057M	GROMMET	13	10	27-81990M	GASKET	15	32
25-82057M	GROMMET (E-004515 EL-320614 AND BELOW)	13	35	27-82790M	GASKET, FUEL BOWL	31	5
25-82059M	GROMMET	11	13	27-83033M	SEAL	45	2
25-82061M	GROMMET	7	7	27-83044M	SEAL, BOTTOM COWL TO APRON	7	2
25-82067M	GROMMET	15	25	27-84168M	GASKET SET, POWERHEAD	17	-
25-82069M	GROMMET	13	19	27-84168M	POWERHEAD GASKET SET	19	--
25-82258M	"O" RING	21	13	27-84168M	POWERHEAD GASKET SET	21	--
25-82261M	"O" RING	23	22				
25-82275M	"O" RING, WATER PUMP BASE	51	52				
25-82276M	"O" RING (UPPER)	19	4				
25-82281M	"O" RING, COVER TO GEAR HOUSING	47	6				
25-82286M	"O" RING	19	17				
25-82288M	"O" RING	23	13				

PARTS INDEX

Part Number	Description	Pg.	Ref. No.	Part Number	Description	Pg.	Ref. No.
27-84168M	POWERHEAD GASKET SET	27	--	36-14223M	FUEL TANK CAP	55	3
27-84168M	POWERHEAD GASKET SET	29	--	36-18031A1	FILLER CAP	63	2
27-84168M	POWERHEAD GASKET SET	31	--	36-18962M	FUEL TANK CAP	55	3
27-84168M	POWERHEAD GASKET SET	45	--	36-95216M	FUEL LINE ASSEMBLY	55	8
27-92631M	GASKET	21	6	37-13921	DECAL	59	2
27-92648M	GASKET SET, LOWER UNIT	53	-	37-14617M	DECAL, SIDE (ENGLISH)	55	1
27-92648M	LOWER UNIT GASKET SET	45	--	37-810936A90	DECAL SET SEE NOTE #1	5	2
27-95500M	GASKET	55	7	37-84416M	DECAL	21	32
27-98952M	GASKET	45	11	37-95489M	DECAL, TOP (ENGLISH)	55	2
28-81915M	KEY	19	20	37-95503M	DECAL, TOP (FRENCH)	55	2
28-81916M	KEY	51	39	37-95504M	DECAL, SIDE (FRENCH)	55	1
28-97089M	KEY	47	14	37-95621M	DECAL (HP)(PORT)	7	28
29-82353M	BEARING, CONNECTING ROD (PISTON END)	19	12	37-95622M	DECAL (HP)(STARBOARD)	7	29
30-82296M	BEARING, REVERSE GEAR	49	36	37-95662M	DECAL, SIDE AND REAR SET SEE NOTE #2	5	2
31-41298M	BEARING, CONNECTING ROD (CRANKSHAFT END)	19	23	37-95663M	DECAL, FRONT	5	3
31-82312M	NEEDLE BEARING	19	2	37-95666M	DECAL (HP)(PORT AND STARBOARD)	7	20/21
31-82316M	NEEDLE BEARING	47	18	39-92625M	PISTON RING SET (STANDARD)	19	9
31-82317M	NEEDLE BEARING (PROP SHAFT)	51	40	39-92626M	PISTON RING SET (1ST O.S. - 82.25MM)	19	9
31-82320M	BEARING	49	25	39-92627M	PISTON RING SET (2ND O.S. - 82.50MM)	19	9
31-97837M	CENTER MAIN BEARING	19	5	41-81263M	PISTON PIN	19	10
31-98933M	BEARING	47	15	43-84442M	PINION GEAR	47	21
32-14210M	HOSE (1/4" - 6MM - I.D. HOSE)	55	15	43-84443M	FORWARD GEAR	47	22
32-14212M	HOSE (1/4" - 6MM - I.D. HOSE)	55	17	43-84444M	REVERSE GEAR	47	23
32-16570M	FUEL LINE ASSY. (1/4" - 6MM - I.D. HOSE)	55	8	44-92644M	PROPELLER SHAFT	49	32
32-16571M	HOSE (5/16" - 8MM - I.D. HOSE)	55	15	45-81451M	DRIVESHAFT (E)	47	13
32-16573M	HOSE (5/16" - 8MM - I.D. HOSE)	55	17	45-81452M	DRIVESHAFT (EL)	47	13
32-18028	HOSE	63	10	46-81416M	WATER PUMP BODY	51	44
32-18925M	FUEL LINE ASSY. (5/16" - 8MM - I.D. HOSE)	55	8	46-81422M	WATER PUMP BASE	51	50
32-75239	TUBE	59	10	47-97108M	IMPELLER, WATER PUMP	51	46
32-81324M	HOSE	15	38	48-73132A40	PROPELLER (PITCH 10") (ALUMINUM)	3	--
32-81424M	WATER TUBE (E)	53	78	48-73134A40	PROPELLER (PITCH 12") (ALUMINUM)	3	--
32-81425M	WATER TUBE (EL)	53	78	48-73136A40	PROPELLER (PITCH 13") (ALUMINUM)	3	--
32-81995M	HOSE	15	11	48-73138A40	PROPELLER (PITCH 14") (ALUMINUM)	3	--
32-82004M	FUEL LINE, TEE TO CARBURETOR	31	18	48-73140A40	PROPELLER (PITCH 15") (ALUMINUM)	3	--
32-82010M	FUEL LINE, FILTER TO PUMP	31	15	48-73142A40	PROPELLER (PITCH 16") (ALUMINUM)	3	--
32-82020M	FUEL LINE, PUMP TO TEE	31	16	48-73144A40	PROPELLER (PITCH 17") (ALUMINUM)	3	--
32-84415M	HOSE	21	30	48-73146A40	PROPELLER (PITCH 19") (ALUMINUM)	3	--
32-84955M	HOSE, CONNECTOR HOUSING TO BULB	57	15	48-76228A5	PROPELLER (PITCH 13") (STEEL)	3	--
32-84956M	FUEL LINE, CONNECTOR TO PUMP	31	13	48-76230A5	PROPELLER (PITCH 14") (STEEL)	3	--
33-84409M	SPARK PLUG	15	37	48-76232A5	PROPELLER (PITCH 15") (STEEL)	3	--
34-92676M	REED SET (REED STOPS NOT INCLUDED)	21	23	48-79792A5	PROPELLER (PITCH 12") (STEEL)	3	--
34-95630M	REED VALVE	21	22	48-85632A40	PROPELLER (PITCH 11") (ALUMINUM)	3	--
35-11931M	FILTER ASSEMBLY	31	4				
35-11934M	ELEMENT	31	6				
35-18029	FILTER	63	11				
36-14223M	FILLER CAP ASSEMBLY	59	3				

PARTS INDEX

Part Number	Description	Pg.	Ref. No.	Part Number	Description	Pg.	Ref. No.
48-87818A10	PROPELLER (PITCH 9") (ALUMINUM)	3	--	761-9278M	PISTON (2ND O.S. - 82.50MM)	19	8
48-91818A5	PROPELLER (PITCH 16") (S. STEEL)	3	--	870-9274M	CRANKCASE ASSEMBLY ..	15	0-1
48-97868A5	PROPELLER (PITCH 9") (STEEL)	3	--	968-7974M	CYLINDER HEAD	15	16
50-97072M	ELECTRIC MOTOR ASSEMBLY	9	1	1225-1529A26	FUEL TANK ASSY., COMPLETE (6 GALLON) .	59	1
52-81473M	CLUTCH	49	26	1259-9728	FUEL TANK ASSEMBLY (PLASTIC-6.6 GAL.)	63	1
53-42446M	SNAP RING	43	10	1383-9279M	CARBURETOR (UPPER) ...	23	0-1
53-81264M	SNAP RING	19	11	1383-9280M	CARBURETOR (LOWER) ...	23	0-1
53-82330M	SNAP RING	35	14	1383-9819M	CARBURETOR ASSEMBLY (UPPER)	23	0-1
53-82330M	SNAP RING	37	6	1383-9820M	CARBURETOR (LOWER) ...	23	0-1
53-82334M	SNAP RING	47	11	1484-8933M	CLAMP BRACKET	41	4
54-16574M	CLAMP (5/16" - 8MM - I.D. HOSE)	55	18	1485-8818M	SWIVEL BRACKET (E)	41	1
54-80752M	CLAMP (1/4" - 6MM - I.D. HOSE)	55	18	1485-8819M	SWIVEL BRACKET (EL) ...	41	1
54-82033M	CLAMP	15	7	1587-8911M	MUFFLER (E)	45	12
54-82037M	CLAMP	31	14	1587-8912M	MUFFLER (EL)	45	12
54-82046M	CLIP	15	12	1587-9284M	DRIVESHAFT HOUSING (E)	45	1
54-82047M	CLAMP	21	31	1587-9285M	DRIVESHAFT HOUSING (EL)	45	1
54-82047M	CLAMP	31	19	1651-7971M	GEAR HOUSING (BASIC) ..	47	1
54-82047M	CLIP	15	39	1651-9286M	GEAR HOUSING ASSEMBLY (E)	47	0-1
54-82781M	CLIP	23	21	1651-9286M	GEAR HOUSING ASSEMBLY (E)	47	0-1
54-92664M	CLAMP	37	21	1651-9286M	GEAR HOUSING ASSEMBLY (E)	49	0-1
54-92668M	BRACKET	33	22	1651-9286M	GEAR HOUSING ASSEMBLY (E)	51	0-1
54-97079M	CLAMP	13	33	1651-9287M	GEAR HOUSING ASSEMBLY (EL)	47	0-1
55-92650M	SHOCK ABSORBER	41	17	1651-9287M	GEAR HOUSING ASSEMBLY (EL)	47	0-1
79-43984A1	TACHOMETER KIT	61	1	1651-9287M	GEAR HOUSING ASSEMBLY (EL)	49	0-1
84-16716M	GROUND WIRE	41	36	1651-9287M	GEAR HOUSING ASSEMBLY (EL)	51	0-1
84-81250M	GROUND WIRE	13	21	2168-810943M	TOP COWL ASSEMBLY SEE NOTE #1	5	1
84-82997M	LEAD WIRE	13	28	2168-9366M	TOP COWL ASSEMBLY SEE NOTE #2	5	1
84-82998M	LEAD WIRE	13	27	2168-9367M	BOTTOM COWL	7	1
84-84352M	LEAD EXTENSION	61	8				
84-84353M	CONNECTOR	61	7				
84-84711M	EXTENSION (5M)	33	13				
84-95668M	WIRE HARNESS	33	17				
84-95685M	LEAD WIRE	11	12				
84-97078M	GROUND WIRE	13	20				
84-97086M	LEAD WIRE	33	19				
84-98912M	LEAD WIRE	33	18				
84-99059M	WIRE	61	6				
87-16710M	KILL SWITCH	33	4				
87-84944M	CHOKE SWITCH	33	3				
87-95631M	NEUTRAL SWITCH	33	15				
87-95645M	MAIN SWITCH	33	2				
87-97682M	KILL SWITCH	33	4				
88-81522M	FUSE (12V-20A)	33	21				
88-81522M	FUSE (12V-20A)	61	10				
88-99055M	BULB	61	2				
89-84410M	SOLENOID	21	9				
89-96357M	SWITCH	9	3				
91-81669M	TOOL KIT	7	26				
463-6825M	CRANKSHAFT ASSEMBLY ..	19	1				
629-8813M	CONNECTING ROD ASSEMBLY	19	21				
761-9276M	PISTON (STANDARD)	19	8				
761-9277M	PISTON (1ST. O.S. - 82.25MM)	19	8				