



# PARTS CATALOG

## 75 AND 90 H.P.

### SERIAL NUMBER

75 (1975)	.....	756BA
75 (1975)	.....	756BB
75 (1975)	.....	756HB
75 (1975)	.....	757BA
75 (1975)	.....	757BB
75 (1975)	.....	757HA
75 (1975)	.....	757HB
75 (1976)	.....	756BB
75 (1976)	.....	756HB
75 (1976)	.....	757BB
75 (1976)	.....	757HB
90 (1975)	.....	906BA
90 (1975)	.....	906BB
90 (1975)	.....	906HA
90 (1975)	.....	906HB
90 (1975)	.....	907BA
90 (1975)	.....	907BB
90 (1975)	.....	907HA
90 (1975)	.....	907HB
90 (1976)	.....	906BB
90 (1976)	.....	906HB
90 (1976)	.....	907BA
90 (1976)	.....	907BB
90 (1976)	.....	907HA
90 (1976)	.....	907HB

# TABLE OF CONTENTS:

ACCESSORIES .....	48
CARBURETOR .....	16
CRANKSHAFT AND PISTON GROUP .....	28
DISTRIBUTOR .....	12
ELECTRICAL COMPONENTS .....	6
ENGINE COVER AND SUPPORT PLATE .....	2
FUEL TANK AND LINE .....	38
GEAR HOUSING .....	34
LUBRICATION CHART .....	52
MOTOR LEG .....	30
PARTS INDEX .....	54
POWER HEAD .....	22
REMOTE CONTROL .....	40
SPECIAL ADJUSTMENTS .....	53
SPECIAL TOOLS - GEAR HOUSING .....	46
SPECIAL TOOLS - POWER HEAD .....	45
SPECIAL TOOLS - TEST EQUIPMENT .....	47
SPECIAL TOOLS - TUNE-UP .....	44
SPECIFICATIONS .....	51
STARTER .....	10

**NOTE:** Indented description indicate that these parts are included in preceeding assembly.

**AR** = As Required

**NSS** = Not Sold Separate

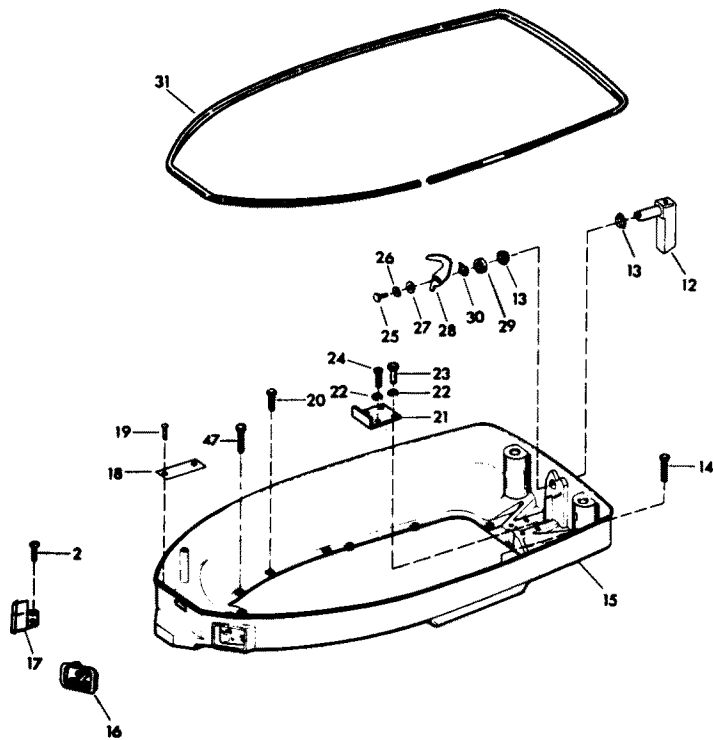
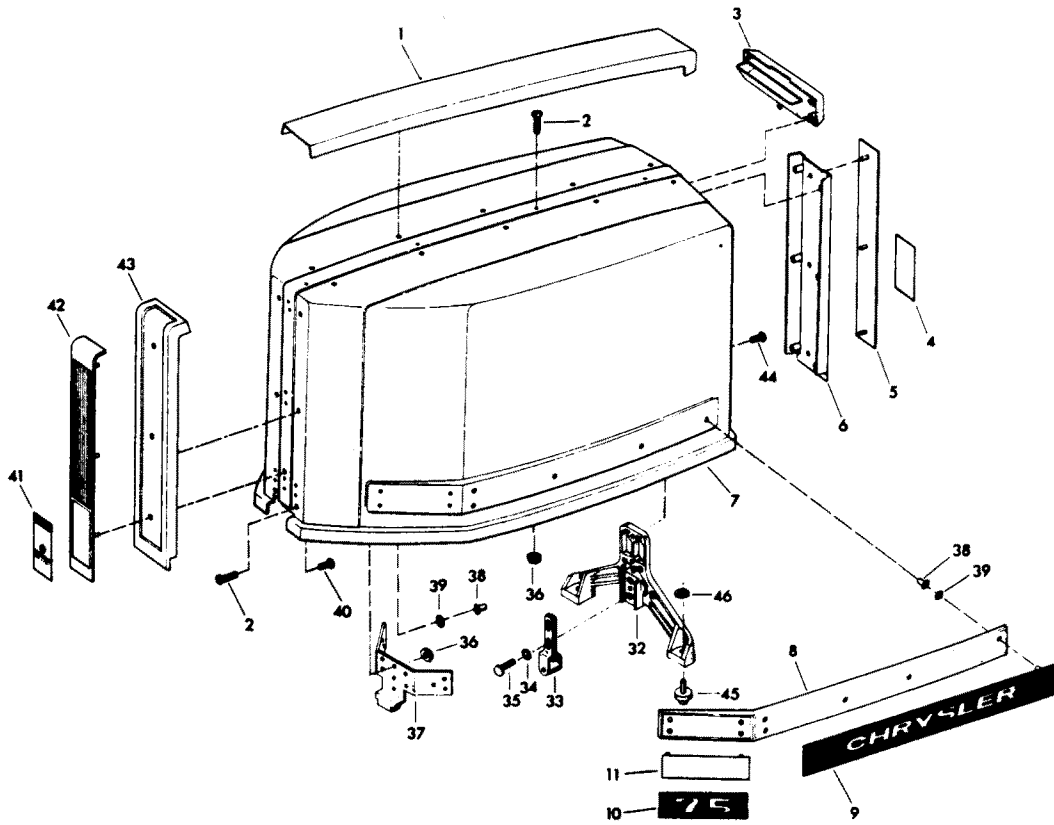
**OPT** = Optional

**NS** = Not Shown

**THESE PARTS BOOKS/FICHE CARD ARE COPYRIGHTED AND MAY NOT BE DISTRIBUTED OR REPRODUCED IN ANY OTHER FORMAT BY ANYONE OTHER THAN MERCURY MARINE WITHOUT THE PRIOR WRITTEN CONSENT OF MERCURY MARINE.**

THIS PAGE INTENTIONALLY LEFT BLANK

# ENGINE COVER AND SUPPORT PLATE

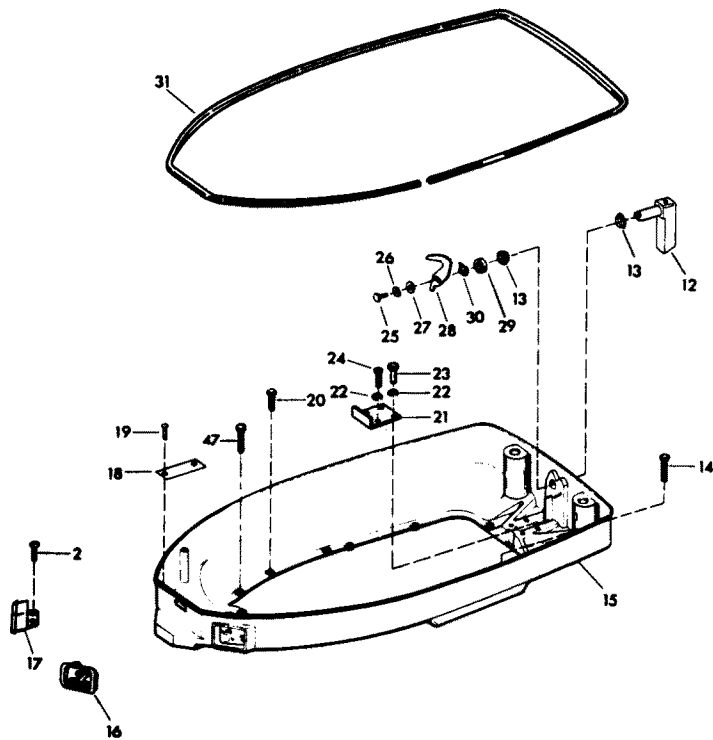
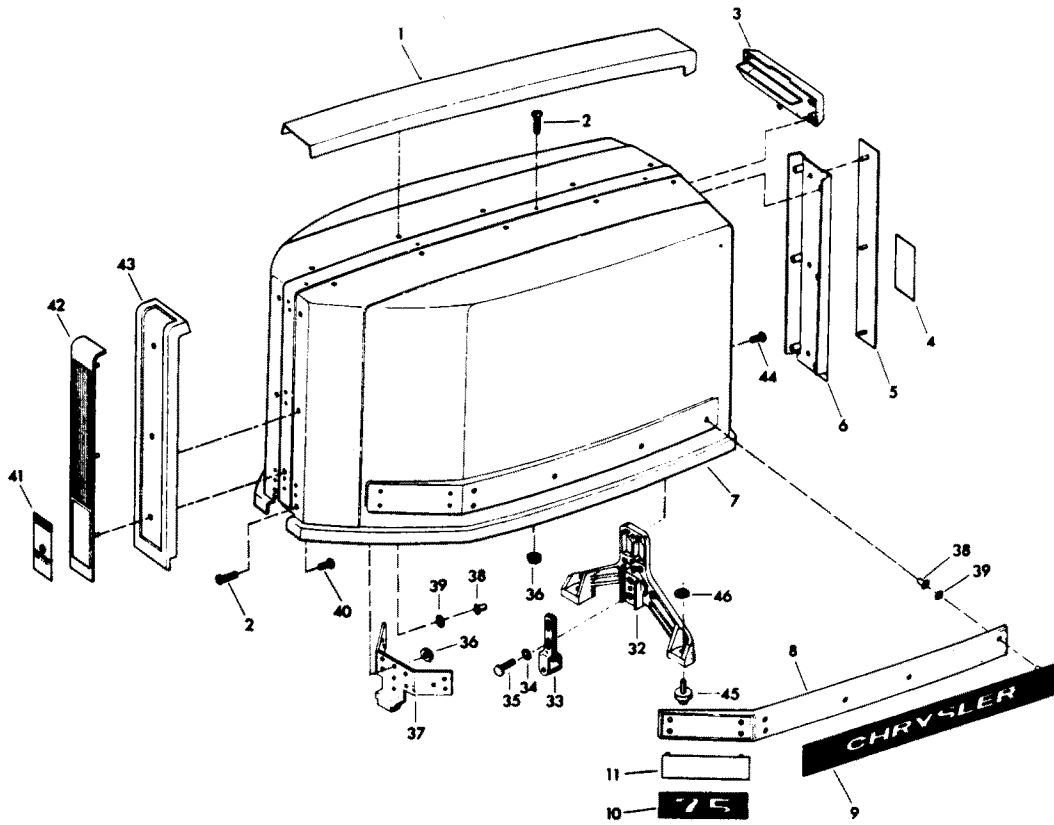


# ENGINE COVER AND SUPPORT PLATE

REF. NO.	PART NO.	SYM.	QTY.	DESCRIPTION
1	FS480179		1	TRIM, TOP
2	F1733		10	PAN HD SCREW, 10 - 24 X 9/16
3	FS480269		1	TILT HANDLE
5	F480386		1	PLATE, REAR
6	FS480180		1	TRIM, REAR
7	A480944		1	ENGINE COVER W/RETAINER, SCREWS AND NUTS
8	F333392		2	PLATE, SIDE
9	F463366		2	NAME "CHRYSLER"
11	F373512		2	PLATE, INSERT
12	FA481469		1	ENGINE COVER LATCH HANDLE W/SHAFT
13	F480818		2	BEARING, LATCH SHAFT
14	F1238		6	HEX CAP SCREW, 1/4 - 20 X 3/4
15	F480038-2		1	SUPPORT PLATE
16	F310189		1	BUSHING, ELECTRIC CABLE
17	F311189-1		1	BUSHING, CABLE ENTRY
18	FA77395-5		1	IDENTIFICATION PLATE W/SCREWS FOR U.S.A. MODELS
-	<b>AC16395-7</b>		<b>1</b>	<b>IDENTIFICATION PLATE W/SCREWS FOR CANADA MODELS</b>
19	F1293		2	ROUND HD SCREW, 2 X 3/16
20	F1502		5	HEX SLOT HD SCREW, 1/4 - 20 X 5/8
21	F335654-1		1	DEFLECTION STOP
22	F8096		4	SPRING LOCKWASHER
23	F1857		2	HEX CAP SCREW, 5/16 - 18 X 5/8
24	F1858		2	HEX CAP SCREW, 5/16 - 18 X 1
25	F1854		1	HEX CAP SCREW, 1/4 - 20 X 5/8
26	F8083		1	SPRING LOCKWASHER
27	F8094		1	PLAIN WASHER
28	F481777		1	CAM, LATCH SHAFT
29	F481382-1		1	SPACER, LATCH SHAFT
30	F2047		1	WAVE SPRING WASHER
31	F321756		1	PACKING
32	F481774		1	BRACKET, ENGINE COVER LATCH
33	FA481743		1	LATCH, ROLLER BRACKET
34	F8096		2	SPRING LOCKWASHER
35	F1857		2	HEX CAP SCREW, 5/16 - 18 X 5/8
36	F1473		7	HEX NUT, 10 - 24
37	F373778-1		1	RETAINER, ENGINE COVER
38	F1753		24	FASTENER
39	F85731-1		24	SEAL
40	F2066		26	PAN HD TAPPING SCREW, 10 X 7/16
41	FA467892		1	INSERT, PLATE FRONT - U.S.A.
-	<b>FA467893</b>		<b>1</b>	<b>INSERT, PLATE FRONT - CANADA</b>
42	F480711		1	PLATE, ENGINE COVER FRONT
43	FS480888		1	TRIM, FRONT

CONTINUED ON NEXT PAGE ➡

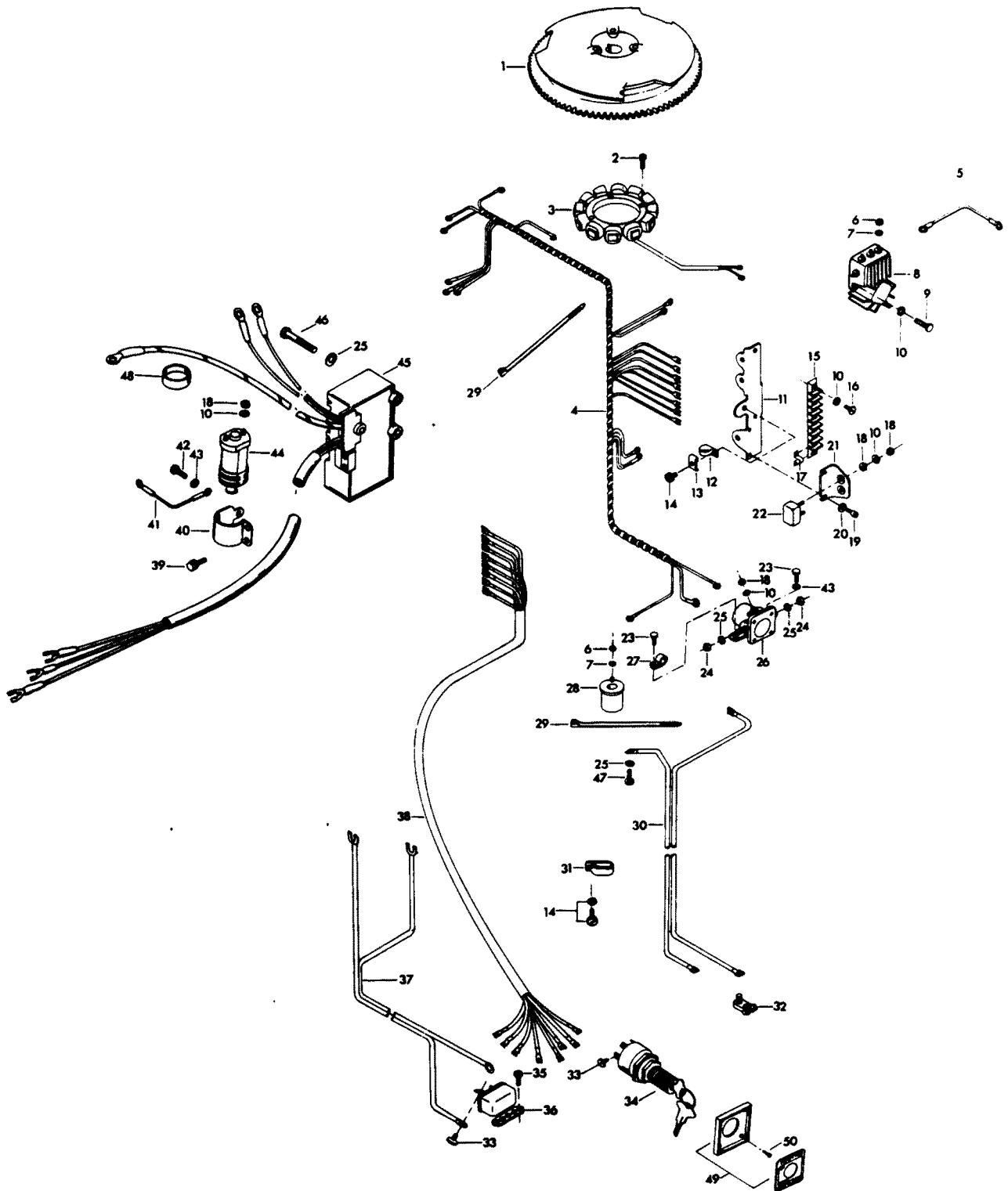
# ENGINE COVER AND SUPPORT PLATE



## ENGINE COVER AND SUPPORT PLATE

REF. NO.	PART NO.	SYM.	QTY.	DESCRIPTION
44	F1730		4	PAN HD SCREW W/SPRING LOCKWASHER, 1/4 - 20 X 5/8
-	<b>F438984-1</b>		<b>1</b>	<b>BLANKET, SILENCER TOP (NOT SHOWN)</b>
-	<b>F480985</b>		<b>2</b>	<b>BLANKET, SILENCER SIDE (NOT SHOWN)</b>
45	F481434		2	GUIDE, ENGINE COVER
46	F2088		2	FASTENER
47	F1849		2	HEX HD CAP SCREW, 1/4 - 20 X 1 3/8
4	FA480528		1	INSERT, REAR PLATE
10	FA480385		2	INSERT, SIDE PLATE
4	FA481528		1	INSERT, REAR PLATE
10	FA481385		2	INSERT, SIDE PLATE

# ELECTRICAL COMPONENTS



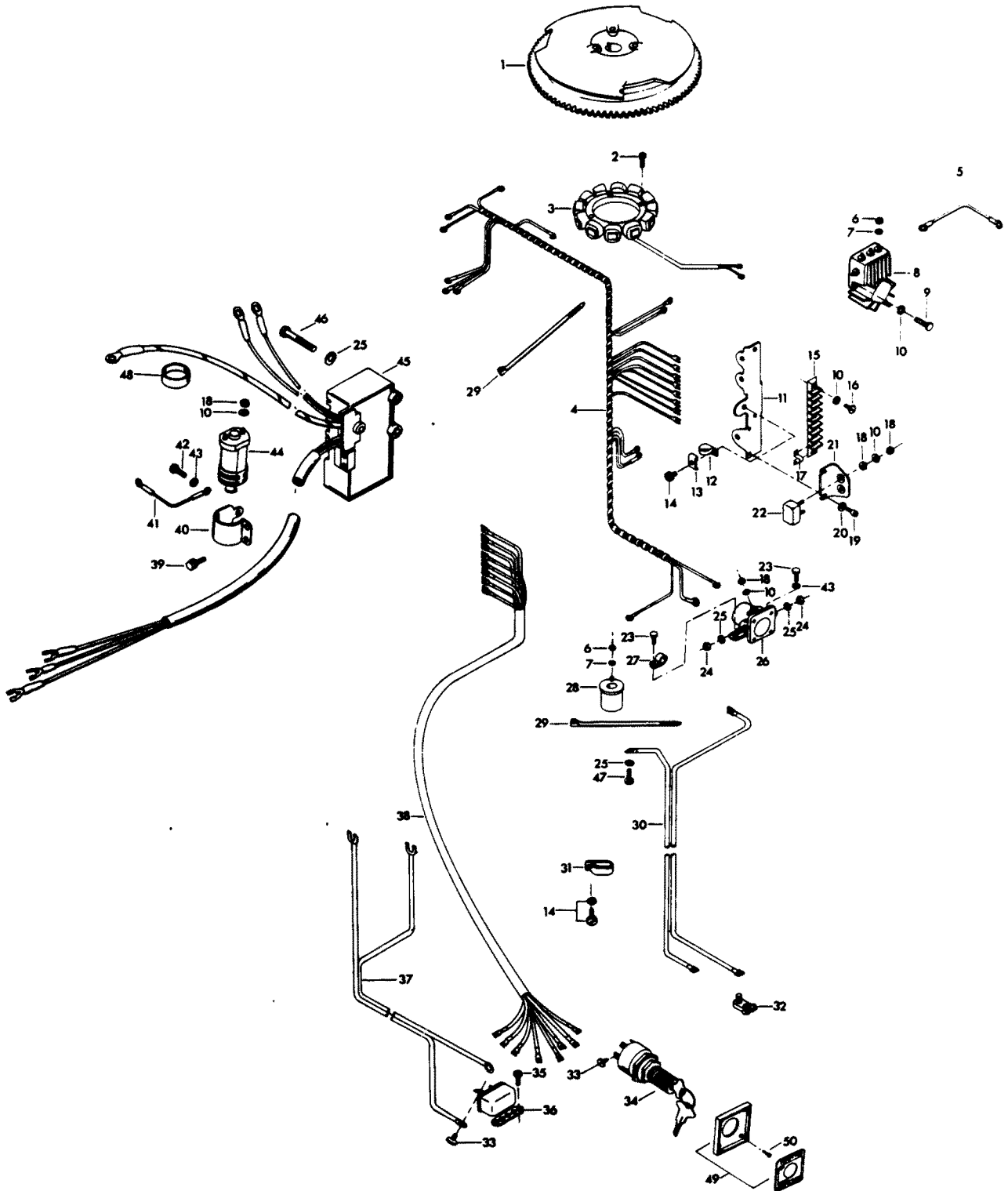


# ELECTRICAL COMPONENTS

REF. NO.	PART NO.	SYM.	QTY.	DESCRIPTION
1	F404097		1	FLYWHEEL
2	F1678		6	FILL HD SCREW, 10 - 24 X 13/16
3	F85095-2		1	STATOR
4	F438744-1		1	WIRING HARNESS
5	F345683		1	WIRE, REGULATOR-RECTIFIER GROUND
6	F1647		5	HEX NUT, 8 - 32
7	F8056		5	SPRING LOCKWASHER
8	F404470-1		1	REGULATOR-RECTIFIER
9	F2001		3	FILL HD SCREW, 10 - 24 X 5/8
10	F1975		7	SPRING LOCKWASHER
11	FA438493		1	TERMINAL BLOCK BRACKET
12	F289446-1		1	CLAMP
13	F438668		1	RETAINER, CABLE CLAMP
14	F1734		2	FILL HD SCREW W/LOCKWASHER, 1/4 - 20 X 1/2
15	FA510497		1	TERMINAL BLOCK
16	F1648		2	PAN HD SCREW, 10 - 24 X 3/4
17	F307317		1	CLIP, TERMINAL BLOCK
18	F1513		6	HEX NUT
19	F1760		2	PAN HD SCREW, 10 - 24 X 3/8
20	F8011		2	PLAIN WASHER
21	F91446-1		1	CIRCUIT BREAKER BRACKET
22	F91460-2		1	CIRCUIT BREAKER
23	F1854		2	HEX CAP SCREW, 1/4 - 20 X 5/8
24	F1615		2	HEX NUT
25	F8096		6	SPRING LOCKWASHER
26	F460917		1	STARTER RELAY
27	F404446		1	CLAMP
28	F85924		2	CHOKE SOLENOID
29	F1877		2	TY-RAP
30	F381896-4		1	BATTERY CABLE
31	F407446		1	CLAMP
32	F71H26		1	BATTERY CABLE CLAMP KIT, (ACCESSORY ITEM)
33	F1280		5	PAN HD SCREW, 8 - 32 X 1/4
34	F74H20		1	IGNITION SWITCH (LONG BARREL) W/KEYS AND SCREWS <b>(ACCESSORY ITEM)</b>
35	F1741		2	PAN HD SCREW, 8 X 3/4
36	F71H30		1	OVERHEAT BUZZER (ACCESSORY ITEM)
37	F404841		1	CABLE, HEAT INDICATOR
38	F85843-1		1	REMOTE ELECTRIC CABLE, 18 FEET
39	F1851		2	FILL HD SCREW W/LOCKWASHER, 10 - 24 X 1/2
40	F12355		1	COIL CLAMP
41	F404908		1	COIL GROUND WIRE
42	F1689		1	HEX HD CAP SCREW, 1/4 - 20 X 1/2

CONTINUED ON NEXT PAGE ➡

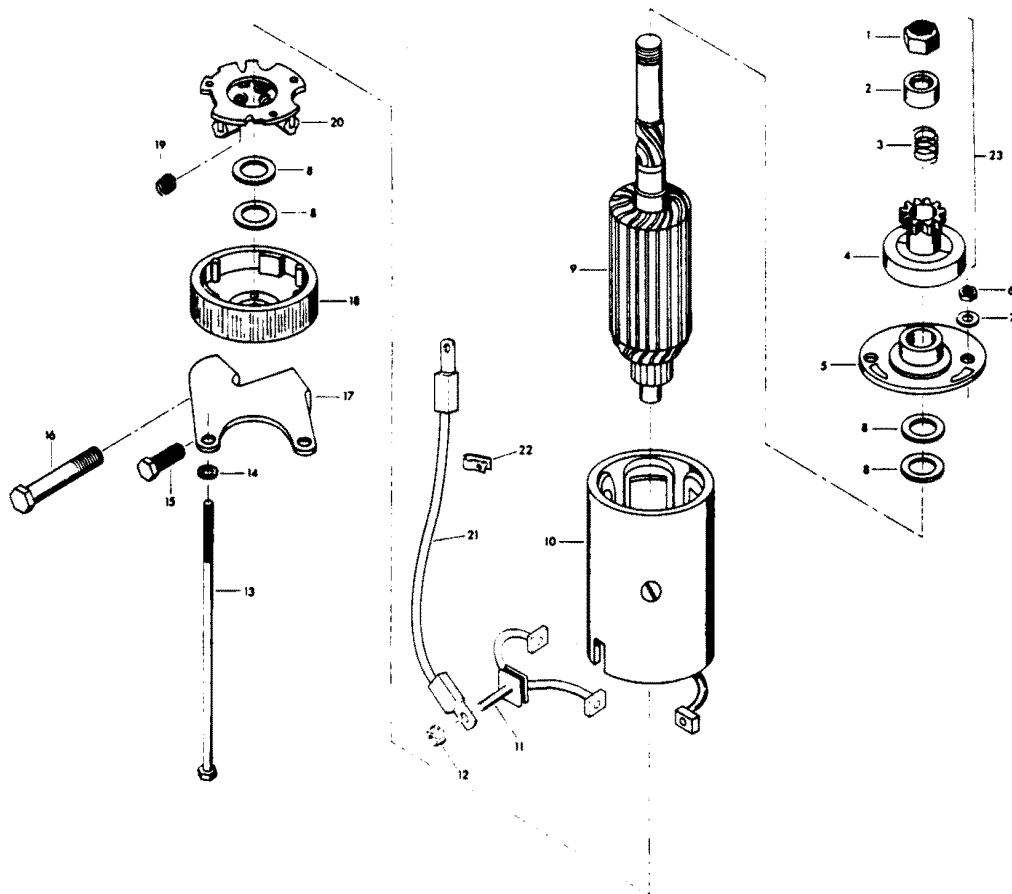
# ELECTRICAL COMPONENTS



# ELECTRICAL COMPONENTS

REF. NO.	PART NO.	SYM.	QTY.	DESCRIPTION
43	F8083		1	SPRING LOCKWASHER
44	F345475-1		1	COIL
45	300-817855A1		1	UNIT (ORIGINAL FORCE P/N A 523301-1)(Does not include <b>Coil &amp; Clamp</b> )
46	F2027		3	HEX CAP SCREW, 5/16 - 18 X 3
47	F2000		1	HEX CAP SCREW, 5/16 - 18 X 3/4
48	F391983		2	BAND, RETAINING
49	F71H21		1	IGNITION SWITCH MOUNTING KIT (ACCESSORY ITEM)
50	F1934		4	FLAT HD SLOTTED SCREW, 6 X 1/2
-	<b>480373</b>		<b>1</b>	<b>DECAL, MAGNAPOWER IGNITION (NOT SHOWN)</b>
-	<b>F474387</b>		<b>1</b>	<b>TIMING DECAL (NOT SHOWN)</b>

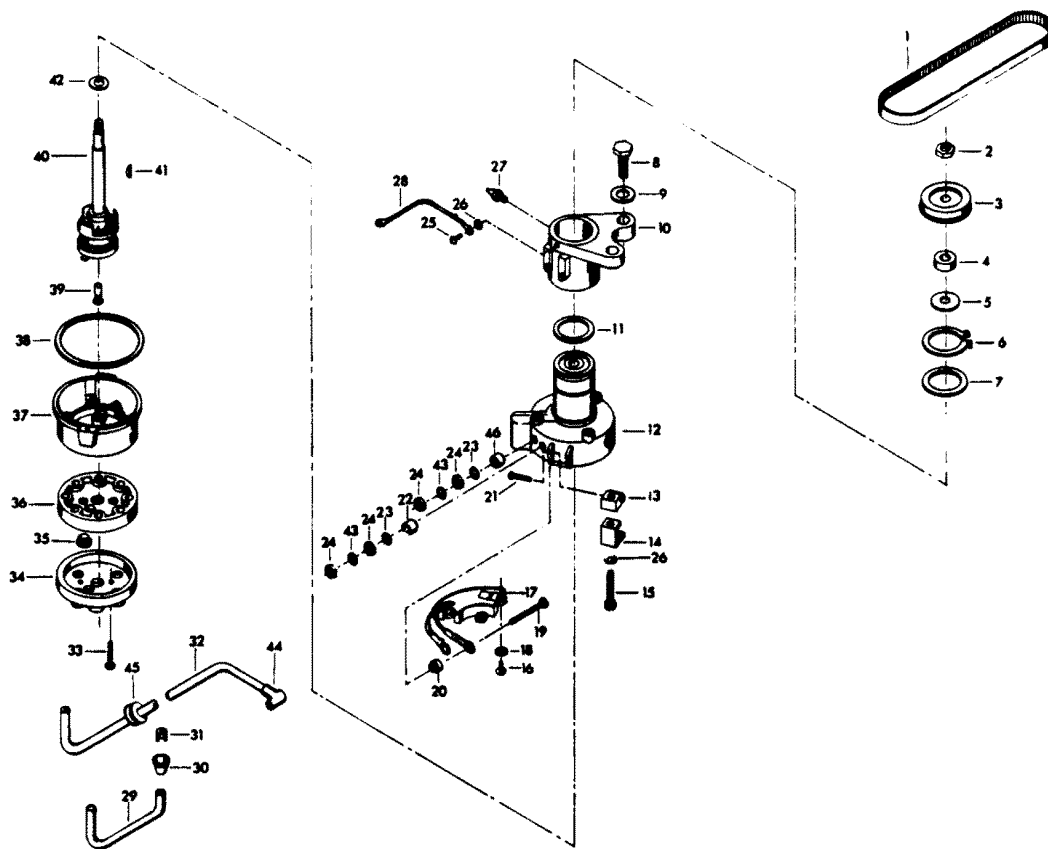
# STARTER



# STARTER

REF. NO.	PART NO.	SYM.	QTY.	DESCRIPTION
1	F15111		1	NUT, STOP RETAINING
2	F15112		1	STOP, PINION
3	F15080		1	SPRING
4	F15110		1	CLUTCH ASSEMBLY
5	F15021-1		1	HEAD ASSEMBLY DRIVE END
6	F1514		2	HEX NUT, 1/4 - 20
7	F8028		2	PLAIN WASHER
8	F15073		1	THRUST WASHER PACKAGE
9	F15099		1	ARMATURE
10	F15101		1	FRAME AND FIELD ASSEMBLY
11	F15042		1	BRUSH TERMINAL SET
12	FA15072		1	HEX LOCK NUT, 1/4 - 20
13	F15035		1	THRU BOLT PACKAGE
14	F8060		2	LOCKWASHER
15	F1502		1	HEX HD SCREW, 1/4 - 20 X 5/8
16	F1868		1	HEX CAP SCREW, 3/8 - 16 X 3 1/4
17	F373675-1		1	STARTER BRACKET, LOWER
18	15037		1	HEAD ASSEMBLY, COMMUTATOR END
19	F15034		1	SPRING SET
20	F15038-1		1	BRUSH PLATE AND HOLDER
21	F85908		1	STARTER LEAD WIRE
22	F404446		1	CLAMP
23	F15100		1	BENDIX
-	<b>FS438955</b>		<b>1</b>	<b>STARTER COMPLETE</b>

# DISTRIBUTOR

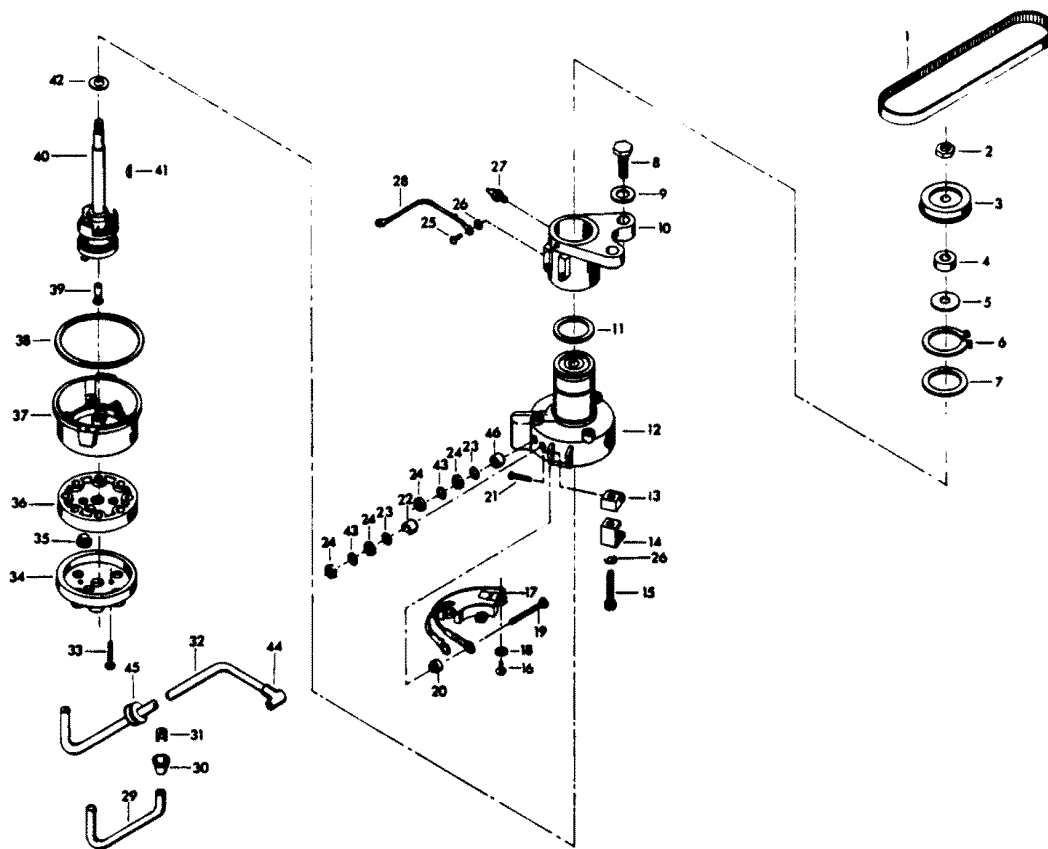


# DISTRIBUTOR

REF. NO.	PART NO.	SYM.	QTY.	DESCRIPTION
1	F85311		1	DISTRIBUTOR BELT
2	F2002		1	STOP NUT
3	817786A1		1	DISTRIBUTOR PULLEY
4	F14025		1	SPACER
5	F14028		1	THRUST WASHER
6	F85173		1	RETAINING RING
7	F14029		1	THRUST WASHER
8	F1612		2	HEX CAP SCREW, 3/8 - 16 X 1 1/4
9	F2014		2	PLAIN WASHER
10	FA321574		1	DISTRIBUTOR BRACKET
11	F1759		2	SHIM, DISTRIBUTOR (QTY. AS REQUIRED)
12	F14042		1	DISTRIBUTOR HOUSING W/BEARINGS
13	F14036		2	SWIVEL
14	F14037		2	CAP CLIPS
15	F14038		2	CAP CLIP SCREWS
16	F14045		2	SCREW
17	F14048		1	PREAMPLIFIER
18	F8056		2	LOCKWASHER
19	F14046		2	TERMINAL SCREW
20	F14047		2	TERMINAL INSULATOR (INSIDE)
21	F14015		2	CAP CLIP RIVET
22	F14049		1	TERMINAL INSULATOR (OUTSIDE)
23	F14041		2	EXTERNAL TOOTH LOCKWASHER
24	F1647		4	HEX NUT, 8 - 32
25	F1760		2	PAN HD SCREW, 10 - 24 X 3/8
26	F1975		4	SPRING LOCKWASHER
27	F213274		1	GREASE FITTING
28	F85664		1	DISTRIBUTOR GROUND
29	84-817775A1		1	COIL WIRE W/TERMINAL CLIP
30	F203276		1	BOOT
31	F203673		1	TERMINAL CLIP
32	F321841-2		3	LEAD WIRE W/GROMMET
33	F14007		2	CAP SCREW
34	F14011-1		1	CAP COVER
35	F14040		2	VENT
36	F14020-1		1	CAP SEAL
37	F14006-2		1	CAP BASE
38	F14030		1	CAP GASKET
39	F14012-1		1	BRUSH
40	F14043		1	DISTRIBUTOR SHAFT
41	F1692		1	WOODRUFF KEY
42	F14024		1	SPACER
43	F8056		2	LOCKWASHER

CONTINUED ON NEXT PAGE ➡

# DISTRIBUTOR

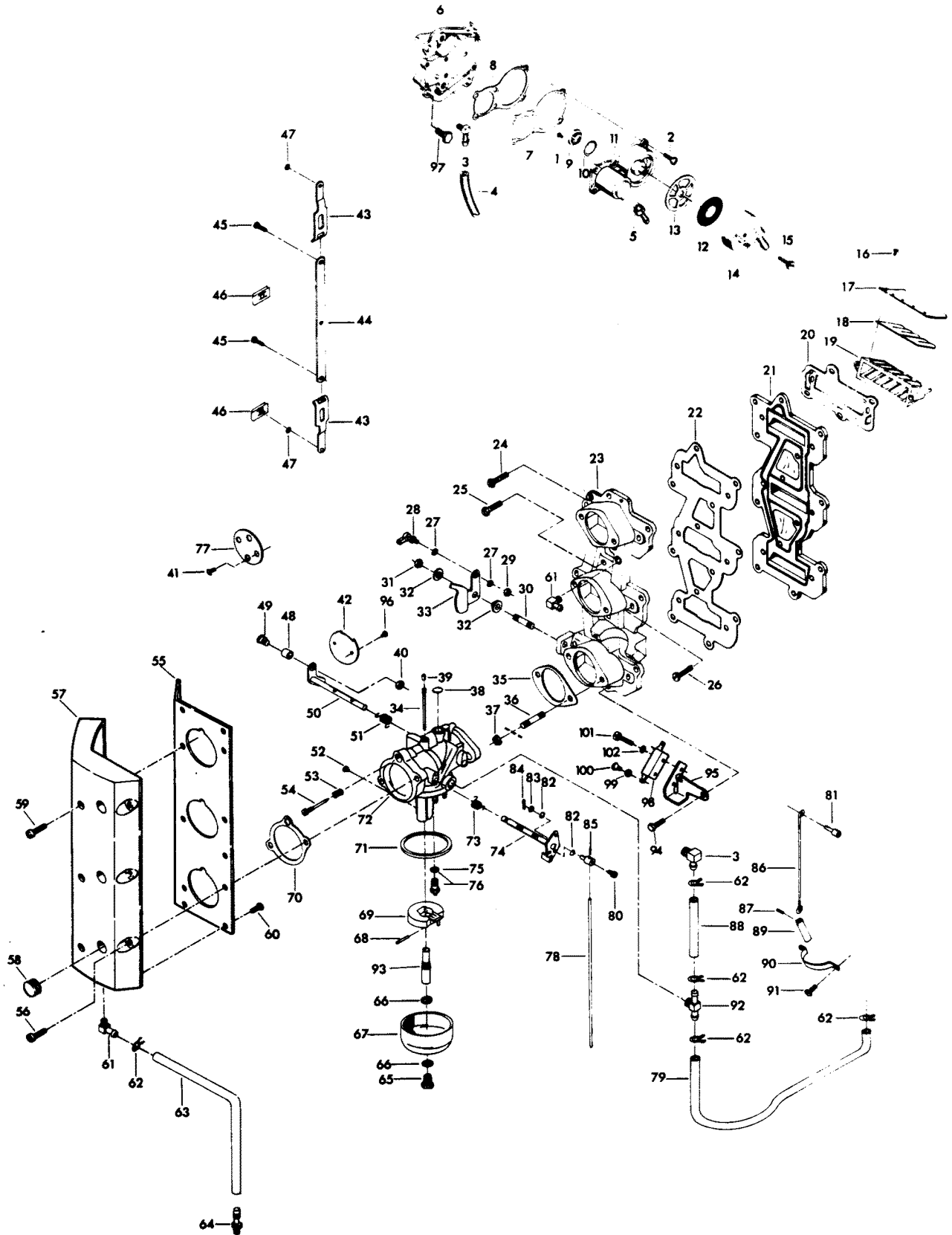




# DISTRIBUTOR

REF. NO.	PART NO.	SYM.	QTY.	DESCRIPTION
44	FK750-1		3	SPARKIE W/SPRING
45	F84991-1		3	GROMMET
46	F14017		1	TERMINAL INSULATOR (OUTSIDE)
-	<b>F480309</b>		<b>1</b>	<b>DISTRIBUTOR</b>
-	<b>481373</b>		<b>1</b>	<b>DECAL, "ELECTRONIC" (NOT SHOWN)</b>

# CARBURETOR

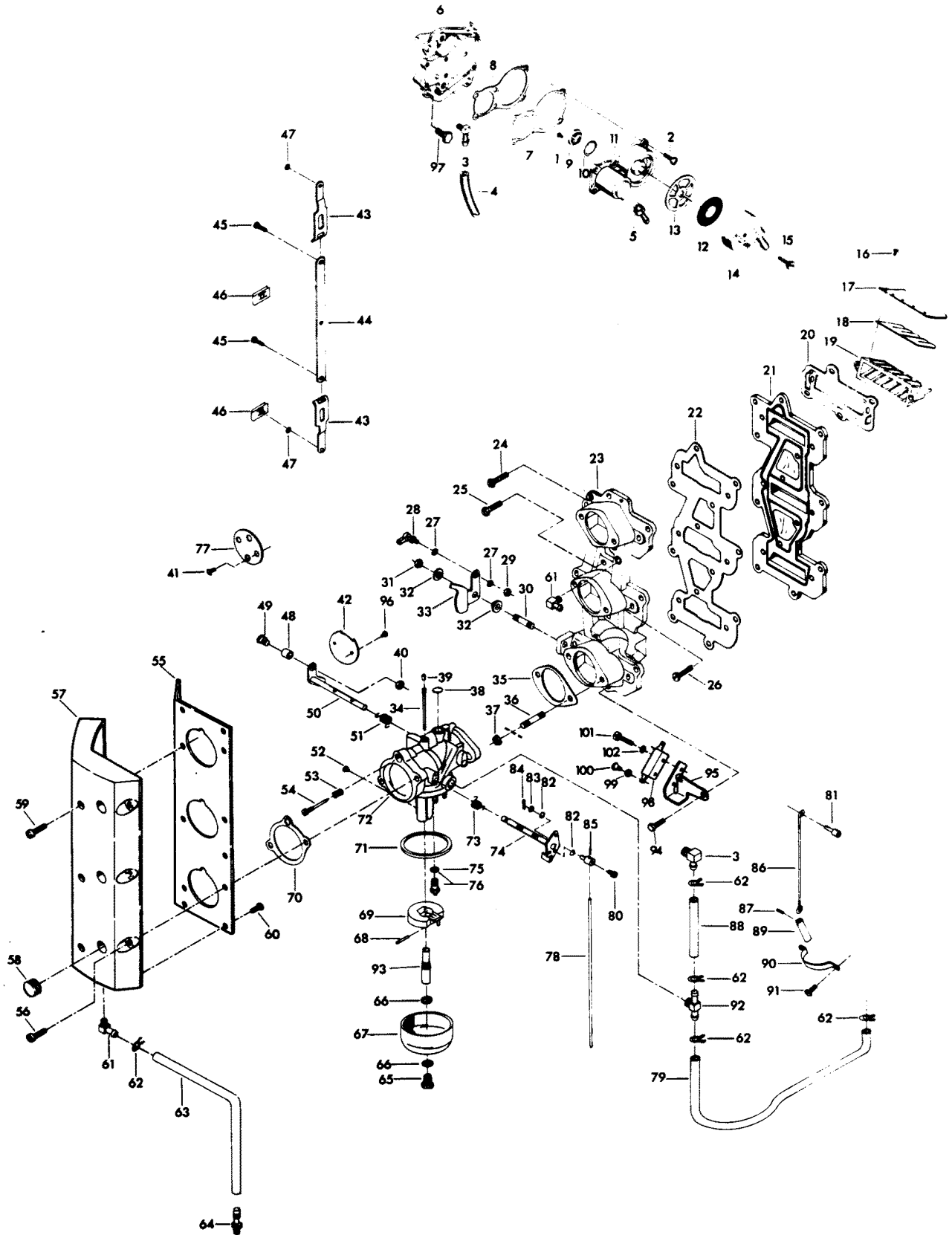


# CARBURETOR

REF. NO.	PART NO.	SYM.	QTY.	DESCRIPTION
1	F1860		2	SLOTTED BINDING HD SCREW, 6 - 32 X 1/4
2	F1108		6	FILL HD SCREW W/ LOCKWASHER, 1/4 - 20 X 3/4
3	F84314-2		2	ELBOW
4	F89758		1	FUEL PUMP AIR HOSE, TOP
5	F438801		1	FITTING
6	FA439746		1	FUEL PUMP COVER
7	F438747		1	FUEL PUMP DIAPHRAGM
8	F438760		1	FUEL PUMP GASKET
9	F177330		3	FUEL PUMP VALVE
10	F84792		1	GASKET, FUEL PUMP VALVE
11	FA438431		1	FUEL PUMP BODY W/VALVES
12	F438653		1	FUEL SEDIMENT BOWL SCREEN
13	F438617		1	FUEL SEDIMENT BOWL GASKET
14	F438500		1	FUEL SEDIMENT BOWL
15	F438165		1	SCREW, FUEL PUMP BOWL
16	F1298		30	RD HD SCREW W/LOCKWASHER, 6 - 32 X 1/4
17	F85161-1		6	REED STOP
18	F316160		6	REED (4 PETAL)
-	<b>F316164</b>		<b>6</b>	<b>REED (1 PETAL)</b>
19	F2A321158		3	REED PLATE W/REEDS, REED STOP AND SCREW
20	F85168		3	GASKET REED PLATE ADAPTER
21	F85162		1	REED PLATE ADAPTER
22	F85159		1	GASKET, INTAKE MANIFOLD
23	817959A3		1	INTAKE MANIFOLD
24	F1915		8	HEX HD SCREW, 1/4 - 20 X 7/8
25	F1916		2	HEX HD SCREW, 1/4 - 20 X 1 1/8
26	F1773		6	HEX HD SCREW, 1/4 - 20 X 1 1/2
27	F8058		2	INTERNAL TOOTH LOCKWASHER
28	817747--1		1	BALL JOINT W/STUD
29	F1513		1	HEX NUT, 10 - 32
30	F433209		1	STUD
31	F1910		1	STOP NUT, 1/4 - 20
32	F269319		2	BEARING
33	F85192-1		1	THROTTLE CAM
34	FO13966		1	IDLE TUBE, FOR 75 H.P. ENGINE CARBURETORS ONLY
35	F85906		3	CARBURETOR GASKET
36	F40209		6	CARBURETOR STUD
37	F1515		6	HEX NUT, 5/16 - 18
38	FO4326		1	BODY CHANNEL WELCH PLUG
39	FO10588		1	BODY CHANNEL CUP PLUG
40	F1997		1	STOP NUT, 8 - 32
41	FO8942		2	SHUTTER SCREW W/LOCKWASHER
43	FA85193		2	TIE BAR END W/SWIVEL

CONTINUED ON NEXT PAGE ➡

# CARBURETOR

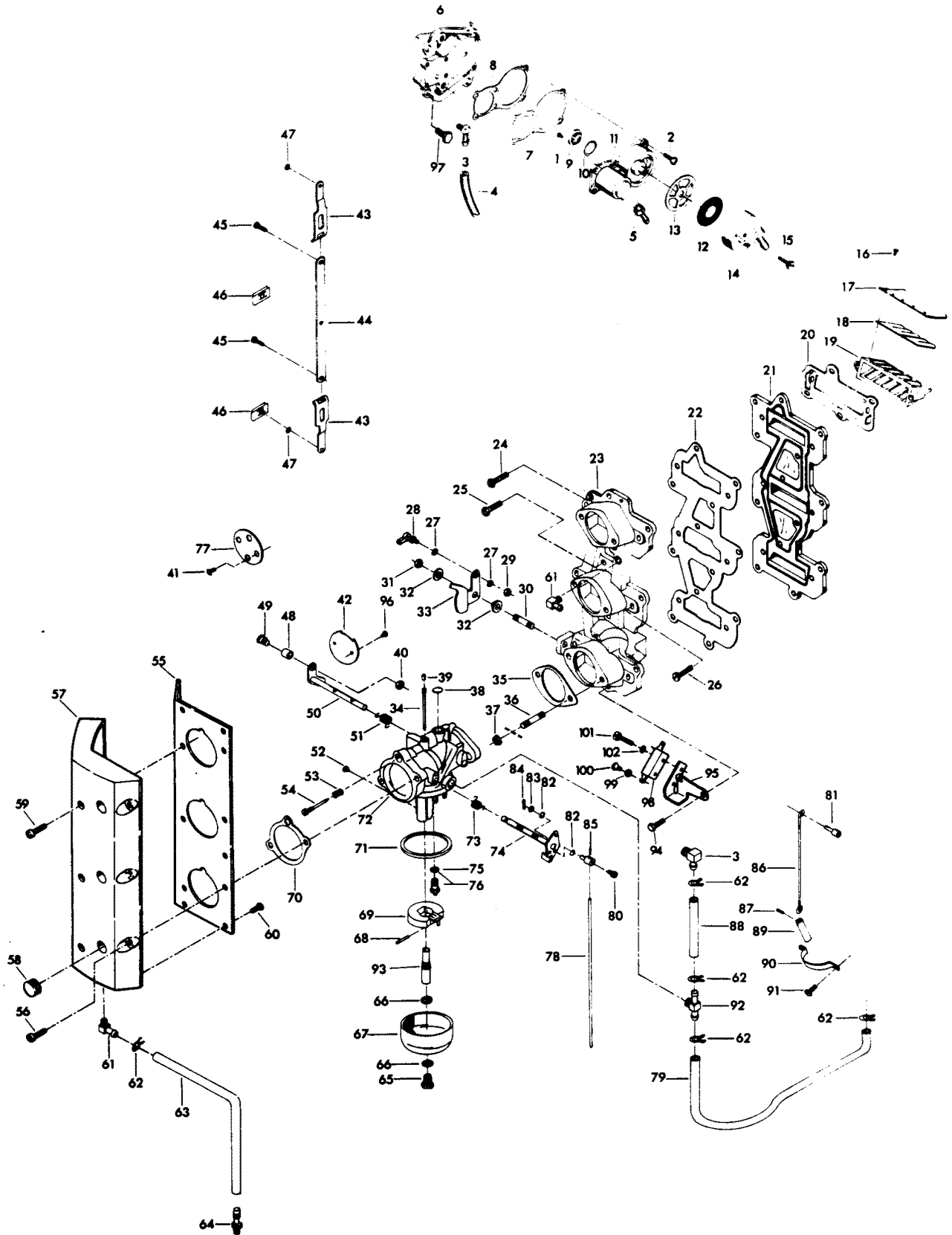


# CARBURETOR

REF. NO.	PART NO.	SYM.	QTY.	DESCRIPTION
44	FA85511		1	THROTTLE TIE BAR W/SWIVEL
45	F1064		2	FILL HD SCREW, S.S., 8 - 32 X 3/8
46	F1693		2	TIE BAR RETAINER
47	F90807		3	RETAINING RING
48	F92759		1	THROTTLE ROLLER
49	F333316		1	THROTTLE ROLLER SHAFT
50	FO15230		1	THROTTLE SHAFT AND LEVER
51	FO16008		1	THROTTLE SHAFT RETURN SPRING
53	FO11103		1	IDLE SCREW SPRING
55	F481567		1	CARBURETOR INTAKE ADAPTER
56	F1504		3	FILL HD SCREW, 1/4 - 20 X 1 1/4
57	F481860-1		1	CARBURETOR, INTAKE
58	F53504		3	GROMMET
59	F1072		3	FILL HD SCREW, 1/4 - 20 X 1 3/4
60	F1760		6	PAN HD SCREW, 10 - 24 X 3/8
61	22-818103--1		2	ELBOW
62	F97772		6	HOSE CLAMP
63	F63754		1	HOSE INTAKE DRAIN
64	22-817789A1		1	DRAIN FITTING
65	FO13945		1	FUEL BOWL RETAINING SCREW
66	FO2510		2	GASKET, FUEL BOWL RETAINING SCREW
67	FO13552		1	FUEL BOWL
68	FO13944		1	FLOAT LEVER PIN
69	FO13554		1	FLOAT
70	F481836		3	INTAKE GASKET
71	FO15623		1	FUEL BOWL GASKET
74	FO16850		1	CHOKE SHAFT AND LEVER
75	FO10165		1	INLET SEAT GASKET
76	FO10790		1	INLET NEEDLE, SEAT AND GASKET
78	F85509-1		1	CHOKE LINK
79	F438754		1	FUEL LINE W/CLAMPS
80	F1059		3	FILL HD SCREW, S.S., 6 - 32 X 1/4
81	F85033		1	CHOKE ROD SWIVEL
82	F184579		6	SEAL, CHOKE ARM SWIVEL
83	F8088		3	PLAIN WASHER
84	F1014		3	COTTER PIN
85	F184033-1		2	CHOKE ARM SWIVEL
86	F85925		1	CHOKE ROD
87	F2033		1	GROOVE PIN
88	F85253-1		2	FUEL LINE W/CLAMPS
89	F391926-1		1	CHOKE SOLENOID PLUNGER
90	F85317-1		1	CLAMP
91	F1236		2	HEX HD SCREW, 1/4 - 20 X 1/2

CONTINUED ON NEXT PAGE ➡

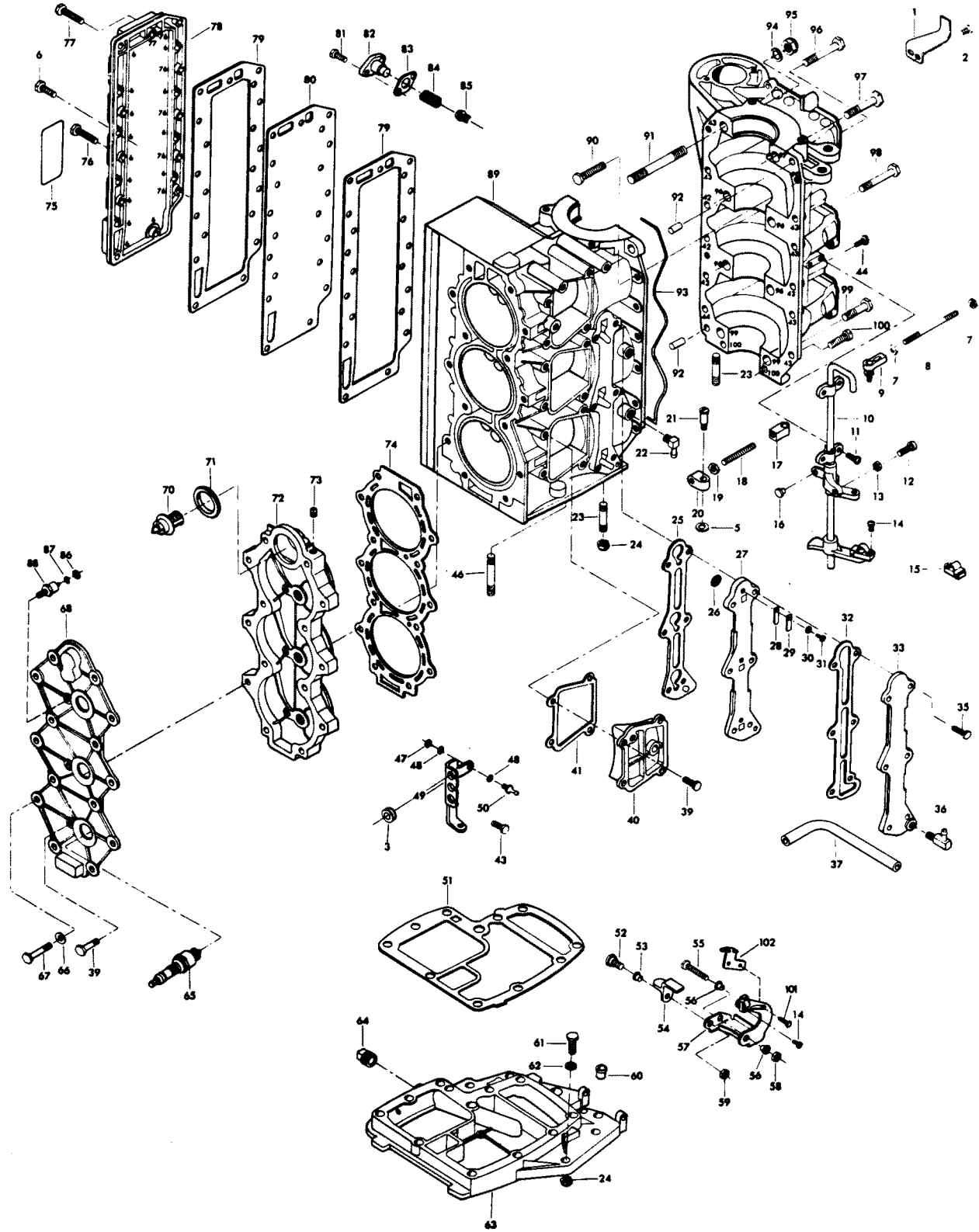
# CARBURETOR



# CARBURETOR

REF. NO.	PART NO.	SYM.	QTY.	DESCRIPTION
92	F85314-1		2	FUEL FITTING
94	F1187		2	HEX FLANGE SCREW, 1/4 - 20 X 1
95	F480551-1		1	BRACKET INTERLOCK SWITCH
96	FO8942		2	THROTTLE SHUTTER SCREW AND LOCKWASHER
97	F1502		4	HEX CAP SCREW, 1/4 - 20 X 5/8
98	F84449		1	INTERLOCK SWITCH
99	F1704		2	INTERNAL TOOTH LOCKWASHER
100	F1645		2	RD HD SCREW, 6 - 32 X 1/4
101	F2016		2	FILL HD SCREW, 6 - 32 X 7/8
102	F8088		2	PLAIN WASHER
-	<b>F10000</b>		<b>1</b>	<b>GASKET SET (NOT SHOWN)</b>
42	FO14167		1	THROTTLE SHUTTER
52	FO14188		1	MAIN FUEL JET (.066)
54	FO14166		1	IDLE SCREW
72	F498061-1		1	CARBURETOR COMPLETE (WB26B)
73	FO16397		1	CHOKE SHAFT RETURN SPRING
77	FO14471		1	CHOKE SHUTTER
93	FO15209		1	MAIN NOZZLE
-	<b>F10026</b>		<b>1</b>	<b>REPAIR PARTS KIT</b>
42	FO16851		1	THROTTLE SHUTTER
52	FO14303		1	MAIN FUEL JET (.074)
54	FO13946		1	IDLE SCREW
72	F481061-1		1	CARBURETOR COMPLETE (WB21B)
73	FO13947		1	CHOKE SHAFT RETURN SPRING
77	FO13555		1	CHOKE SHUTTER
93	FO15217		1	MAIN NOZZLE
-	<b>F10053</b>		<b>1</b>	<b>REPAIR PARTS KIT</b>

# POWER HEAD



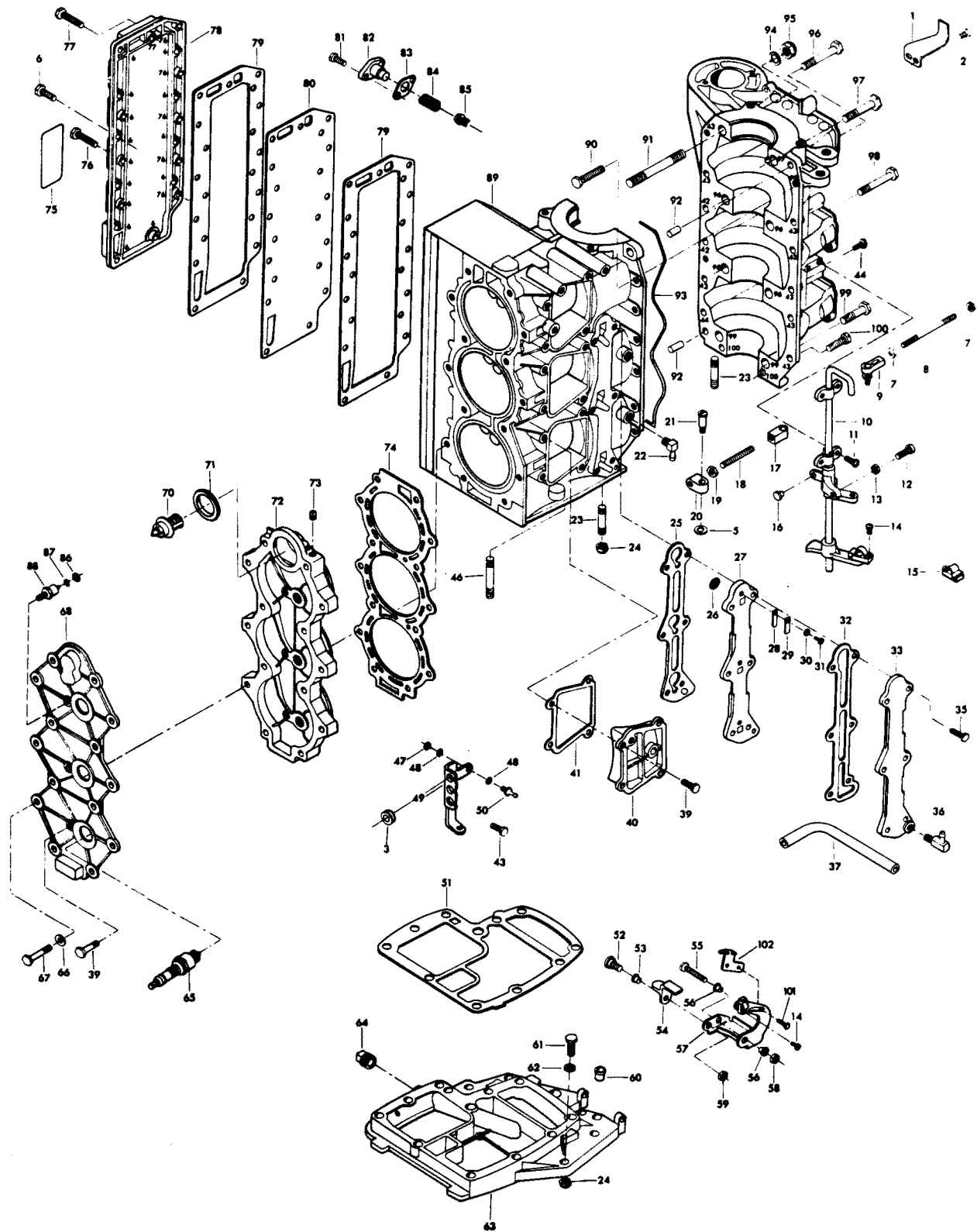


# POWER HEAD

REF. NO.	PART NO.	SYM.	QTY.	DESCRIPTION
1	FA480894		1	TIMING POINTER
2	F1760		2	PAN HD SCREW, 10 - 24 X 3/8
3	F84991-1		3	GROMMET
5	F2042		1	PLAIN WASHER
6	F1203		14	HEX BOLT, 1/4 - 20 X 7/8
7	F1513		2	HEX NUT, 10 - 32
8	F85502		1	THROTTLE LINK
9	817747--1		1	BALL JOINT W/STUD
10	FA85838-5		1	TOWERSHAFT W/BEARINGS, SWIVEL, ARMS AND SCREW
11	F1475		4	FILL HD SCREW, 10 - 24 X 1/2
12	F1504		1	FILL HD SCREW, 1/4 - 20 X 1 1/4
13	F1341		1	HEX NUT, 1/4 - 20
14	F1556		2	FILL HD SCREW W/LOCKWASHER, 10 - 24 X 3/8
15	FK405020		2	SWIVEL W/PIVOT SCREW AND NUT
16	F1727		1	PLASTIC RIVET
17	F85036		1	TOWERSHAFT CONTROL ROD END
18	F85445		1	DISTRIBUTOR CONTROL ROD
19	F2015		1	HEX NUT, 1/4 - 28
20	F85035		1	DISTRIBUTOR CONTROL ROD END
21	F85026		1	SWIVEL
22	F84314-2		1	ELBOW
23	F85859		4	STUD, FORWARD
24	F7004		10	STOP NUT, 3/18 - 16
25	F85748-2		1	GASKET, CYLINDER DRAIN REED PLATE
26	F93811		3	SCREEN
27	F2A404757		1	<b>CYLINDER DRAIN REED PLATE W/REEDS, STOPS, METERING CUP AND SCEWS ORIGINAL FORCE P/N A404757-1</b>
28	F18160-1		3	REED
29	F93920		3	REED STOP
30	F8003		3	PLAIN WASHER
31	F1286		3	PAN HD SCREW, 4 - 40 X 3/16
32	F85472-2		1	GASKET, CYLINDER DRAIN COVER
33	817787A1		1	CYLINDER DRAIN COVER
35	F1953		6	HEX HD SCREW, 1/4 - 20 X 1
36	F404801		1	FITTING
37	F433253		1	HOSE
39	F1502		8	HEX HD SCREW, 1/4 - 20 X 5/8
40	FA411222		2	TRANSFER PORT COVER W/PLUG
41	F40223		3	GASKET, TRANSFER PORT COVER
42	F1999		2	HEX CAP SCREW, 1/4 - 20 X 7/8
43	F1238		10	HEX HD SCREW, 1/4 - 20 X 3/4
44	F1199		1	HEX CAP SCREW, 1/4 - 20 X 1
46	F85211		6	STUD, REAR

CONTINUED ON NEXT PAGE ➡

# POWER HEAD

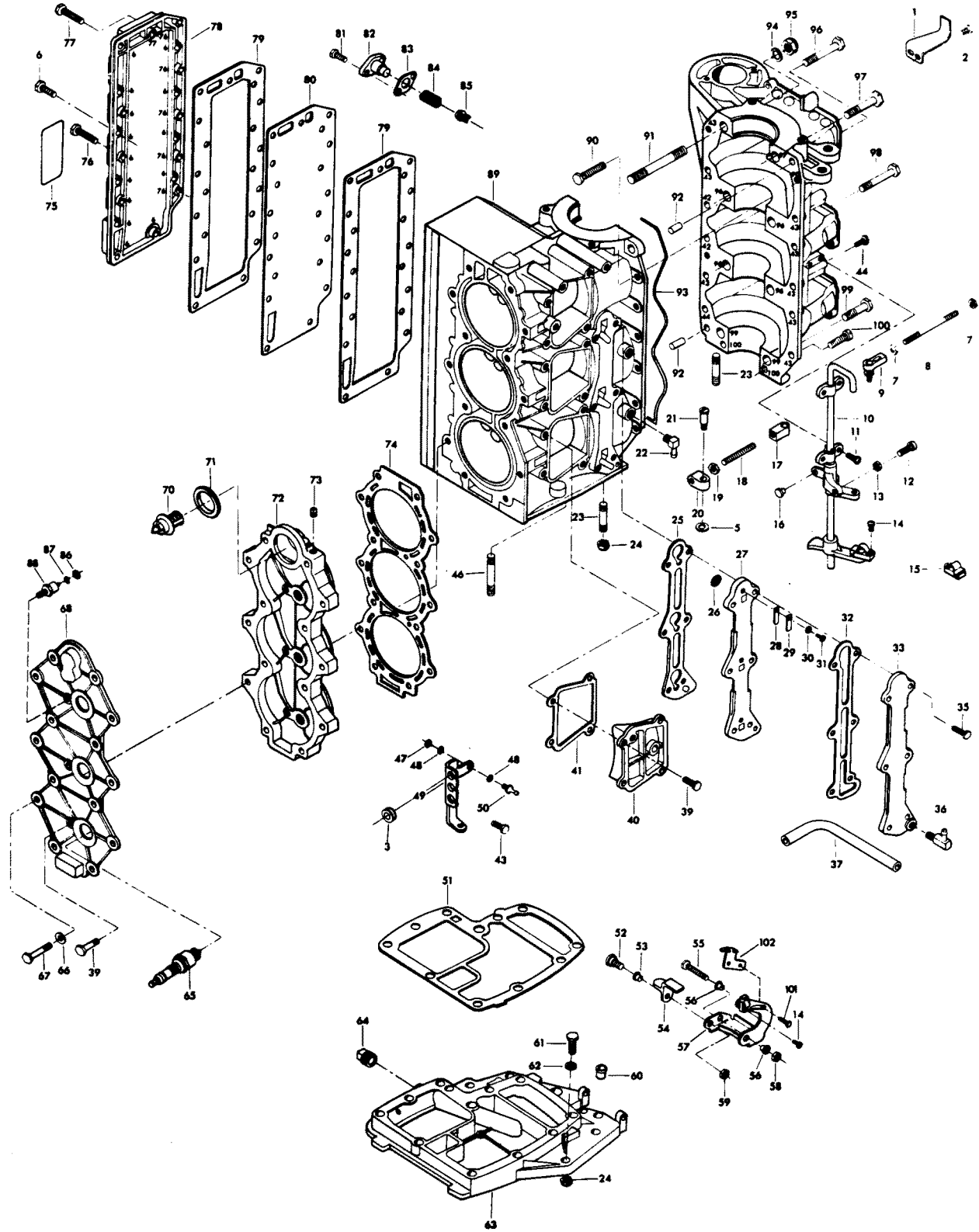


# POWER HEAD

REF. NO.	PART NO.	SYM.	QTY.	DESCRIPTION
47	F1513		2	HEX NUT, 10 - 32
48	F8058		4	INTERNAL TOOTH LOCKWASHER
49	F321872		1	BRACKET
50	F98273		2	ROD END CONNECTOR STUD
51	F85279-2		1	CYLINDER EXHAUST GASKET, UPPER
52	F369887		1	SHOULDER SCREW
53	F369610		1	BEARING
54	F369977-1		1	INTERLOCK ARM
55	F1885		1	HEX BOLT, 5/16 - 18 X 4 1/4
56	F85610		2	BEARING
57	FA480876		1	GEAR SHIFT ARM W/SWIVEL, INTERLOCK ARM AND BEARINGS
58	F2108		1	STOP NUT, 5/16 - 18
59	F1832		1	STOP NUT, 1/4 - 20
60	FA98689		1	BEARING, TOWERSHAFT
61	F1869		6	HEX BOLT, 3/8 - 16 X 1 1/4
62	F1703		6	SPRING LOCKWASHER
63	FA404680		1	SPACER PLATE W/PLUGS
64	F2090		1	PLUG
65	33-97180		3	SPARK PLUG (CHAMPION L-20-V)
66	F1987		14	PLAIN WASHER
67	F1883		14	HEX BOLT, 5/16 - 18 X 2 3/8
68	F370995		1	CYLINDER HEAD COVER
70	F335068		1	THERMOSTAT
71	F84504		1	GROMMET
72	F370518-2		1	CYLINDER HEAD
73	F19109		1	PLUG
74	F369529		1	CYLINDER HEAD GASKET
75	F438398		1	DECAL, WIRING
76	F1709		5	HEX HD SCREW, 1/4 - 20 X 1 1/8
77	F1849		1	HEX HD SCREW, 1/4 - 20 X 1 3/8
78	F85152-4		1	EXHAUST PORT COVER
79	F85154-1		2	GASKET, EXHAUST PORT PLATE
80	F85151-1		1	EXHAUST PORT PLATE
81	F1950		2	HEX HD SCREW, 10 - 24 X 5/8
82	F438066		1	BY-PASS VALVE COVER
83	F85762		1	GASKET, BY-PASS VALVE
84	F404268		1	SPRING, BY-PASS VALVE
85	F85916-1		1	BY-PASS VALVE
86	F1647		1	HEX NUT, 10 - 32
87	F8056		1	SPRING LOCKWASHER
88	F404449		1	THERMOSWITCH
90	F1864		1	HEX HD SCREW, 1/4 - 20 X 3/4

CONTINUED ON NEXT PAGE ➡

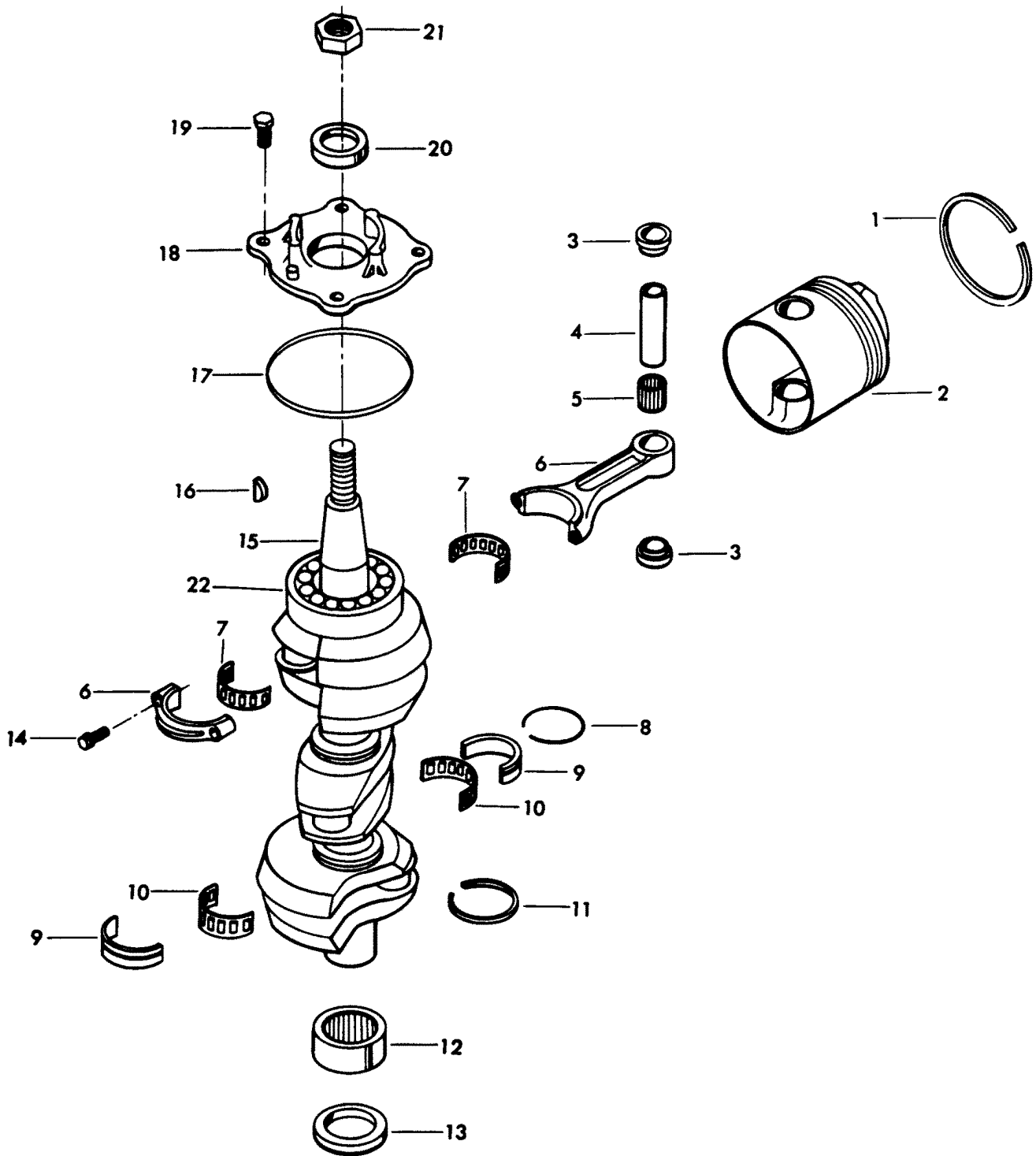
# POWER HEAD



# POWER HEAD

REF. NO.	PART NO.	SYM.	QTY.	DESCRIPTION
91	F85210		1	STUD
92	F8563		2	DOWEL PIN
93	F85122		1	PARTING LINE SEAL
94	F1703		1	SPRING LOCKWASHER
95	F1346		1	HEX NUT, 3/8 - 16
96	F1873		3	HEX BOLT, 3/8 - 16 X 3
97	F1009		1	HEX BOLT, 3/8 - 16 X 2 3/4
98	F1868		1	HEX BOLT, 3/8 - 16 X 3 1/4
99	F1872		2	HEX BOLT, 3/8 - 16 X 1 3/4
100	F1099		2	FILL HD SCREW, 1/4 - 20 X 1 1/4
101	F2089		2	SLOTTED PAN HD MACHINE SCREW, 10 - 24 X 5/16
102	F480107-1		1	CAM, STARTER INTERLOCK
-	<b>FG460</b>		<b>1</b>	<b>GASKET SET (NOT SHOWN)</b>
89	A404010-3		1	CYLNDR ASS'Y W/PARTING LINE SEAL AND LWR MAIN BEARING ASS'Y
-	<b>C438010-1</b>		<b>1</b>	<b>SHORT BLOCK INCLUDES ALL ITEMS MARKED WITH AN ASTERISK (*). ALSO REFER TO CRANKSHAFT PAGE.</b>
	FA481010		1	CYLNDR ASS'Y W/PARTING LINE SEAL AND LWR MAIN BEARING ASS'Y
-	<b>800-817901A9</b>		<b>1</b>	<b>SHORT BLOCK INCLUDES ALL ITEMS MARKED WITH AN ASTERISK (*). ALSO REFER TO CRANKSHAFT PAGE. ORIGINAL FORCE P/N C481010-1</b>

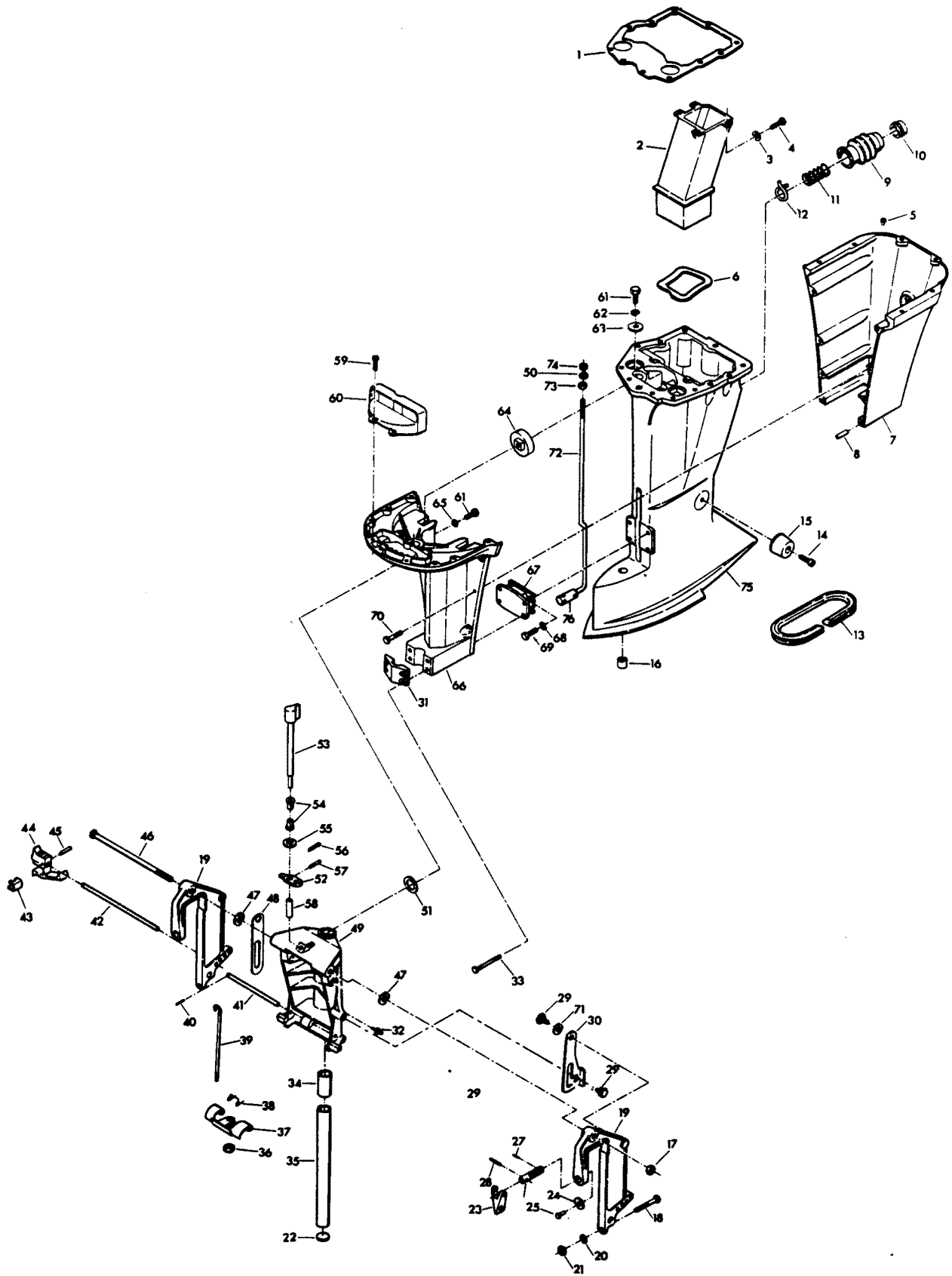
# CRANKSHAFT AND PISTON GROUP



# CRANKSHAFT AND PISTON GROUP

REF. NO.	PART NO.	SYM.	QTY.	DESCRIPTION
3	F335215		6	SPACER, PISTON PIN (2 PER PISTON)
4	F85017		3	PISTON PIN
5	F335217-1		3	BEARING PISTON PIN (26 PER SET)
6	818052A3		3	CONNECTING ROD W/CAP AND SCREWS
7	FK85228		3	BEARING CAGE W/ROLLER
8	F85410		2	SNAP RING
9	FA85655-1		2	CRANKSHAFT MAIN BEARING RACE W/SNAP RING
10	F85571		2	BEARING CAGE W/ROLLER
11	F316579		2	SEAL, CRANKCASE
12	FA373014		1	CRANKSHAFT LOWER MAIN BEARING W/SEAL
13	F84146-1		1	SEAL
14	F85634-1		6	CONNECTING ROD SCREW
15	FA85018-2		1	CRANKSHAFT W/BEARING
16	F85498		1	FLYWHEEL KEY
17	F84278		1	SEAL, CRANKSHAFT BEARING CAGE
18	31-817785A2		1	CRANKSHAFT BEARING CAGE W/SEAL
19	F1867		4	HEX CAP SCREW, 3/8 - 16 X 1
20	F84146-1		1	SEAL
21	F1968		1	FLYWHEEL NUT
22	30-F284659-2		1	CRANKSHAFT THRUST BEARING UPPER
-	<b>F2067</b>		<b>1</b>	<b>PLASTISOL CAP (NOT SHOWN)</b>
1	FA335260		3	PISTON RING SET (3 PER SET)
2	700-F372015-3		3	PISTON
-	<b>FA335260</b>		<b>3</b>	<b>PISTON RINGS SET (3 PER SET) .010 OVERSIZE (NOT SHOWN)</b>
-	<b>39-818110A1</b>		<b>3</b>	<b>PISTON RINGS (3 PER SET) .030 OVERSIZE (NOT SHOWN)</b>
-	<b>SA372015</b>		<b>3</b>	<b>PISTON .010 OVERSIZE (NOT SHOWN)</b>
-	<b>700-818111A2</b>		<b>3</b>	<b>PISTON .030 OVERSIZE (NOT SHOWN)</b>
1	FA440260		2	PISTON RING SET (4 PER SET)
2	F440015-1		3	PISTON
-	<b>FS440260</b>		<b>2</b>	<b>PISTON RINGS SET (4 PER SET) .010 OVERSIZE (NOT SHOWN)</b>
-	<b>39-818117A1</b>		<b>2</b>	<b>PISTON RING (4 PER SET) .030 OVERSIZE (NOT SHOWN)</b>
-	<b>FSA440015</b>		<b>3</b>	<b>PISTON .010 OVERSIZE (NOT SHOWN)</b>
-	<b>700-818116A2</b>		<b>3</b>	<b>PISTON .030 OVERSIZE (NOT SHOWN)</b>

# MOTOR LEG



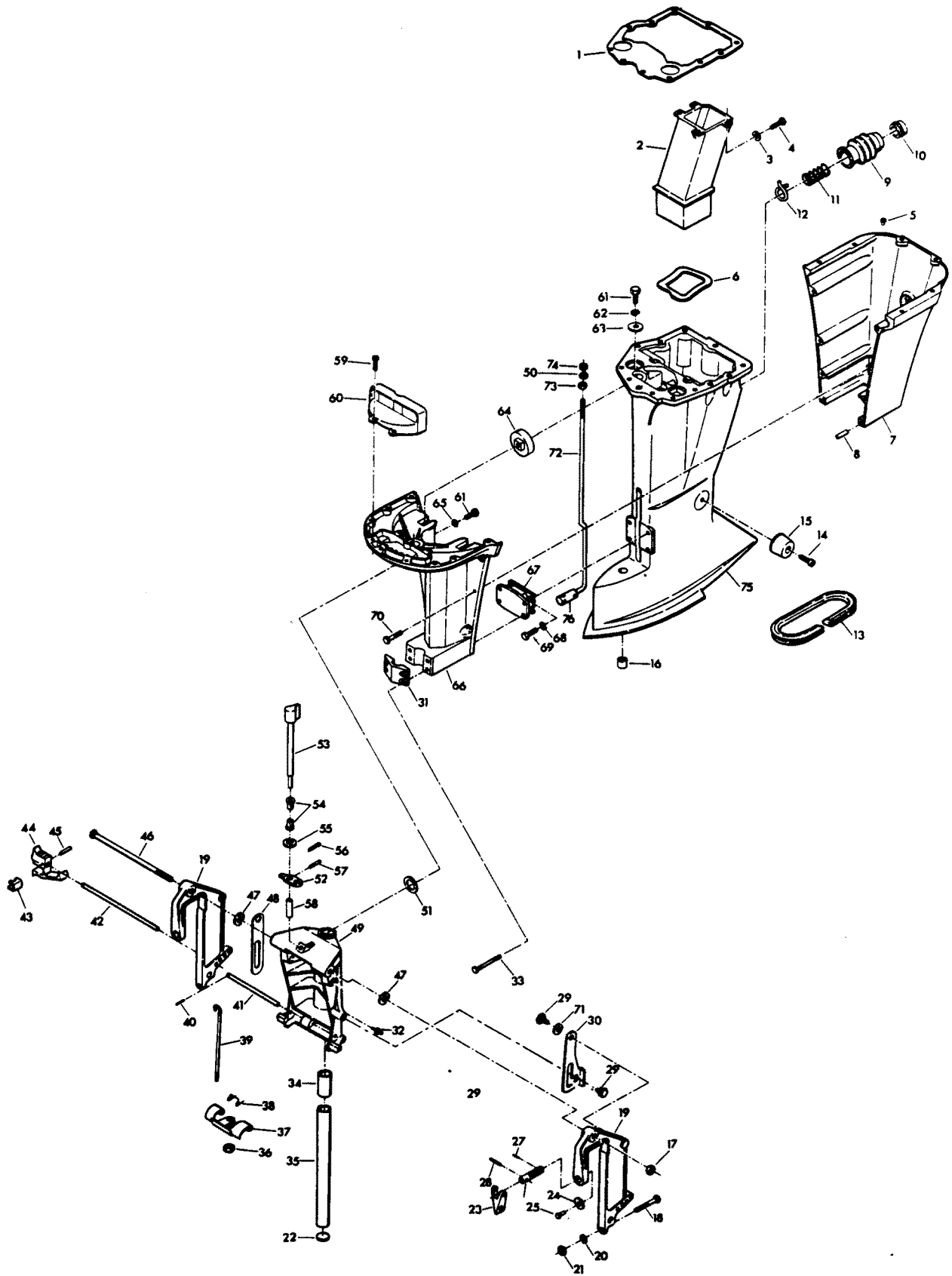


# MOTOR LEG

REF. NO.	PART NO.	SYM.	QTY.	DESCRIPTION
1	F85453-1		1	GASKET, EXHAUST LOWER
2	F85660		1	EXHAUST TUBE
3	F8083		4	SPRING LOCKWASHER
4	F1864		4	HEX SLOT HD SCREW 1/4 - 20 X 3/4
5	F1729		2	PLUG
6	F439736		1	SEAL EXHAUST TUBE
8	F1664		2	SPRING PIN
9	F85130		1	BOOT, IDLE EXHAUST
10	F85258		1	INSERT
11	F85380		1	SPRING
12	F85772		1	CLAMP
13	F178323		1	SEAL, MOTOR LEG
14	F1263		2	HEX SOCKET HD CAP SCREW 5/16 - 18 9/16
15	F438962		2	SHOCK MOUNT SIDE
16	F338618-1		1	SEAL, GEAR SHIFT ROD
17	F7012		1	LOCK NUT, 1/2 - 20
18	F1593		2	HEX HD SCREW 3/8 - 16 X 3
19	1400-817958A6		2	STERN BRACKET
20	F1904		2	PLAIN WASHER
21	F1346		2	HEX NUT 3/8 - 16
22	F1528		1	WELCH PLUG
23	F288075		2	CLAMP SCREW HANDLE
24	F84074		2	CLAMP SCREW FOOT
25	F66480		2	STUD
26	F85073		2	CLAMP SCREW
27	F8537		2	SPRING PIN
28	F1638		2	SPRING PIN
29	F85350-1		4	TILT STOP PIVOT
30	F85541-1		1	TILT LOCK
31	F85606		1	KINGPIN CAP
32	F213274		3	GREASE FITTING
33	F1696		4	HEX BOLT 5/16 - 18 X 1 3/4
34	F438169		2	BEARING
35	FA85019		1	KINGPIN W/PLUG
36	F1669		1	LOCK NUT
37	F369349		1	REVERSE LOCK
38	F85300		1	REVERSE LOCK SPRING
39	F369510		1	LINK
40	F8547		1	SPRING PIN
41	F177350		1	REVERSE LOCK PIN
42	FA438113		1	STERN BRACKET LOCK BAR W/HANDLE
43	F286461		1	SPRING LOCK BAR HANDLE
44	F433114		1	HANDLE, LOCK BAR

CONTINUED ON NEXT PAGE ➡

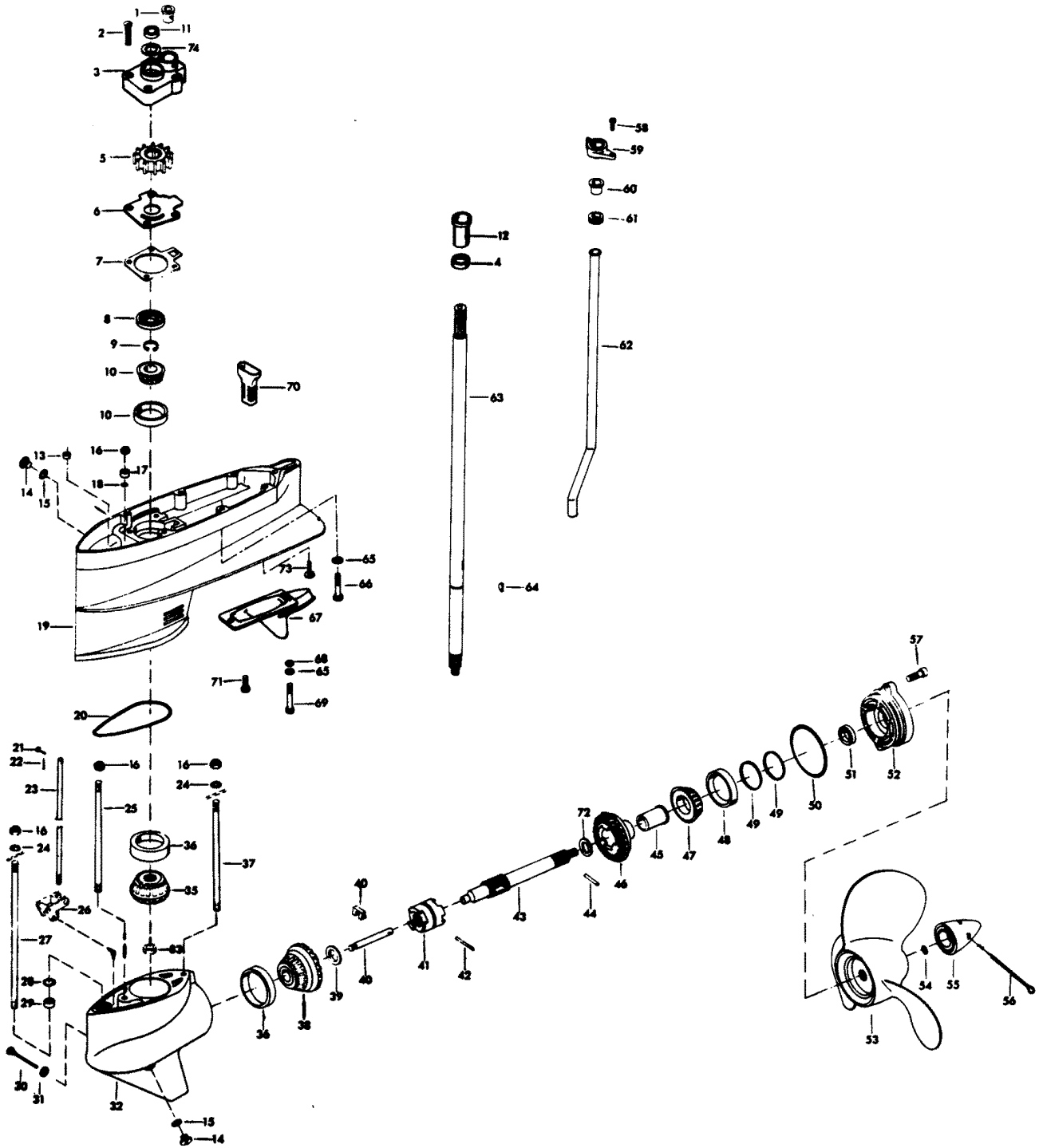
# MOTOR LEG



# MOTOR LEG

REF. NO.	PART NO.	SYM.	QTY.	DESCRIPTION
45	F1744		1	SPRING PIN
46	F85037-1		1	STERN BRACKET PIVOT BOLT
47	F84286-1		4	FRICTION WASHER
48	F85426		1	TILT STOP
49	817783A5		1	SWIVEL BRACKET W/BEARING AND GREASE FITTINGS
50	F1987		1	PLAIN WASHER
51	F84011		1	WASHER
52	F369364		1	REVERSE LOCK ARM
53	F369827		1	HANDLE AND SHAFT
54	F197813		2	BEARING
55	F8094		1	PLAIN WASHER
56	F1014		1	COTTER PIN
57	F1836		1	SPRING PIN
58	F369884		1	BEARING
59	F1912		4	HEX HD SCREW 10 - 24 X 1/2
60	F85779-1		1	BAFFLE, AIR INTAKE
61	F1871		4	HEX HD SCREW 3/8 - 16 X 3/4
62	F2014		2	PLAIN WASHER
63	FA85355-1		2	WASHER SHOCK MOUNT UPPER
64	F85965		2	SHOCK MOUNT, UPPER
65	F1703		2	SPRING LOCKWASHER
66	A85135-3		1	LEG COVER, FRONT
67	F438346		1	SHOCK MOUNT, LOWER
68	F8096		4	SPRING LOCKWASHER
69	F1822		4	HEX BOLT 5/16 - 18 X 7/8
70	F2030		6	HEX HD SCREW 1/4 - 20 X 1 1/4
71	F1666		2	BOWED SPRING WASHER
72	F85615		1	GEAR SHIFT ROD UPPER
73	F2108		1	LOCK NUT 5/16 - 18
74	F2108		1	LOCK NUT, 5/16 - 18
76	F85704		1	COUPLER, GEARSHIFT ROD UPPER
-	<b>F369390-1</b>		<b>1</b>	<b>DECAL, REVERSE LOCK (NOT SHOWN)</b>
75	A438133-1		0	MOTOR LEG
7	817931A7		0	MOTOR LEG COVER, REAR
75	A383133-3		0	MOTOR LEG
7	F304145-4		0	MOTOR LEG COVER, REAR

# GEAR HOUSING

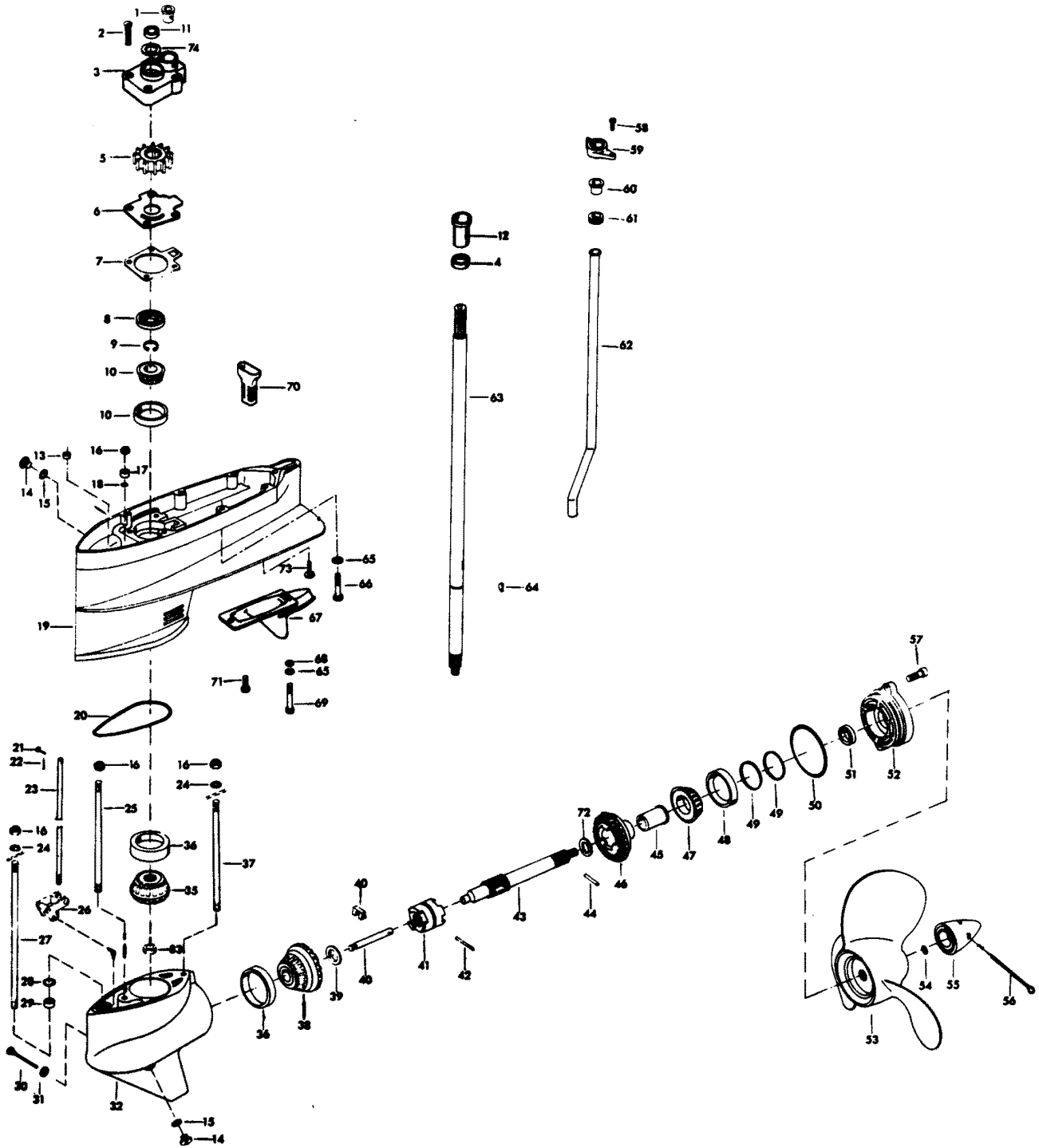


# GEAR HOUSING

REF. NO.	PART NO.	SYM.	QTY.	DESCRIPTION
1	F84735		1	SEAL, INLET WATER LINE, LOWER
2	F1584		4	FLAT HD SCREW, S.S., 1/4 - 20 X 1 3/8
3	FK500060		1	WATER PUMP BODY <b>W/ITEMS 1 AND 11 ORIGINAL FORCE P/N A369060-1</b>
4	F438271		1	RETAINER, CRANKSHAFT SPLINE SEAL
5	F438065		1	WATER PUMP IMPELLER
6	F369562		1	WATER PUMP BACK PLATE
7	F84031		1	GASKET, WATER PUMP
8	F84307-1		1	SEAL, DRIVESHAFT
9	F84173		1	RETAINING RING
10	FA40901		1	BEARING, DRIVESHAFT W/CUP
11	F351307		1	SEAL, WATER PUMP
12	F438129		1	SEAL, DRIVESHAFT SPLINE
13	F338618-1		1	SEAL, GEAR SHIFT ROD
14	F50109		2	PLUG, GEAR HOUSING
15	F8077		2	WASHER, GEAR HOUSING PLUG
16	F7025		3	LOCK NUT, 3/8 - 16
17	F84215		1	SPACER
18	F19342		1	SEAL
19	A316554-2		1	GEAR HOUSING UPPER W/PLUG AND WASHER
20	F316555		1	SEAL
21	F85372		1	PIN, GEAR SHIFT ROD LOWER
22	F1015		1	COTTER PIN, S.S.
24	F1778		2	PLAIN WASHER
25	F316165		1	STUD, GEAR HOUSING CENTER
26	FA84621-1		1	COUPLING, GEAR SHIFT ARM W/BUSHING
27	F85006-1		1	STUD, GEAR HOUSING, FRONT
28	F316599		1	SEAL, GEAR HOUSING STUD, FRONT
29	F85012		1	PILOT, GEAR HOUSING
30	F90891		1	PIN, GEAR SHIFT ARM
31	F8001		1	WASHER
32	1600-817767A2		1	GEAR HOUSING LOWER W/PLUG AND WASHER
33	FA480188		1	NUT, BEVEL PINION RETAINING
35	FA481266		1	BEVEL PINION GEAR W/BEARING
36	84903		2	BEARING CUP
37	F84008-3		1	STUD, GEAR HOUSING, REAR
38	F2A481023		1	BEVEL GEAR FRONT W/BEARINGS
40	FA84871		1	PIN, GEAR SHIFT W/YOKE
41	F84521-1		1	CLUTCH
42	F1713		1	SPRING PIN
43	A85098-2		1	PROPELLER SHAFT
44	FK280		1	PROPELLER PIN
45	F384143		1	BEARING, BEVEL GEAR REAR

CONTINUED ON NEXT PAGE ➡

# GEAR HOUSING



# GEAR HOUSING

REF. NO.	PART NO.	SYM.	QTY.	DESCRIPTION
46	F481662		1	BEVEL GEAR, REAR
47	FA84225		1	BEARING W/CUP
48	84250		1	BEARING CUP
50	F84305		1	SEAL, PROPELLER SHAFT BEARING CAGE
51	F84118		1	SEAL, PROPELLER SHAFT
52	FA84298-3		1	PROPELLER SHAFT BEARING CAGE <b>W/ITEM 51</b>
53	FP372		1	PROPELLER (ACCESSORY ITEM) FOR 75 H.P. ENGINES
-	<b>FP383</b>		<b>1</b>	<b>PROPELLER (ACCESSORY ITEM) FOR 90 H.P. ENGINES</b>
54	F40342		1	SEAL, PROPELLER NUT
55	11-817784A1		1	PROPELLER NUT W/COTTER PIN AND SEAL
56	F1028		1	COTTER PIN, S.S.
57	F1252		2	HEX SOCKET HD CAP SCREW, S.S., 3/8 - 16 X 1
58	F1705		2	HEX CAP SCREW, S.S., 1/4 - 20 X 3/4
59	F85117		1	BRACKET, WATER LINE
60	F84342		1	SEAL, INLET WATER LINE, UPPER
61	F381899		1	GROMMET, WATER LINE
64	F9038		1	DRIVE KEY, WATER PUMP
65	F8096		7	SPRING LOCKWASHER, S.S.
66	F1696		6	HEX BOLT, S.S., 5/16 - 18 X 1 3/4
67	F438116-1		1	EXHAUST OUTLET, GEAR HOUSING UPPER W/SCREW
68	F1907		1	PLAIN WASHER
69	F1994		1	HEX SOCKET HD CAP SCREW, 5/16 - 18 X 1
70	F438077		1	SCREEN, WATER INLET
71	F438930		1	RETAINER, SNOUT
72	F84717		1	THRUST WASHER, BEVEL GEAR, REAR
73	F1213		1	HEX CAP SCREW, 5/16 - 18 X 1 1/8
74	F480388		1	DISC, WATER PUMP LOCATING
-	<b>FC481054</b>		<b>0</b>	<b>GEAR HOUSING COMPLETE. INCLUDES ALL ITEMS MARKED WITH AN ASTERISK (*).</b>
23	F85705-1		0	GEAR SHIFT ROD LOWER
62	F85244		0	INLET WATER LINE
63	FK85128-1		0	DRIVESHAFT <b>W/ITEMS 4, 12 &amp; 33</b>
23	F304705-1		0	GEAR SHIFT ROD LOWER
62	F304244		0	INLET WATER LINE
63	K304128-1		0	DRIVESHAFT <b>W/ITEMS 4, 12 &amp; 33</b>

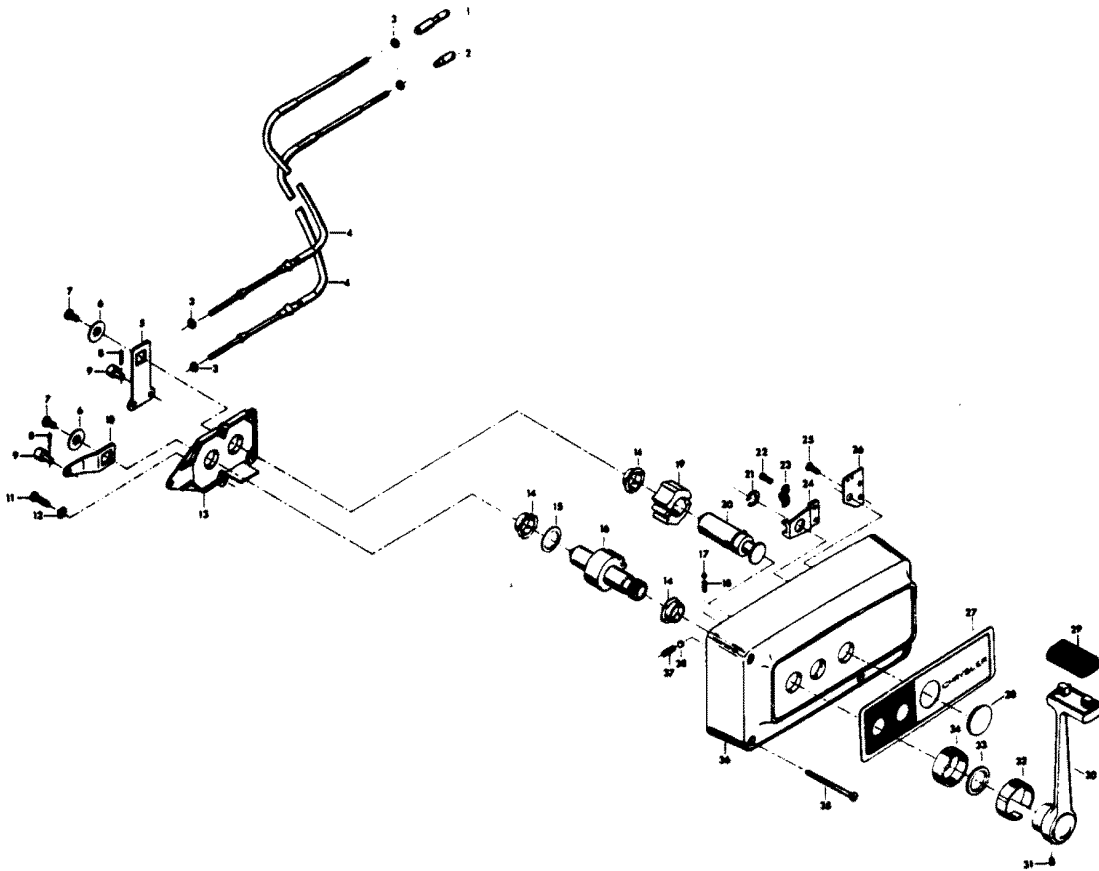




## FUEL TANK AND LINE

REF. NO.	PART NO.	SYM.	QTY.	DESCRIPTION
1	F409251-1		1	GAUGE CAP
2	F71H08		1	FUEL TANK (ACCESSORY ITEM)
3	F485755		1	FUEL TANK ADAPTER
4	F213342		1	SEAL, FUEL LINE COUPLER (LARGE)
5	F213735		1	SEAL, FUEL LINE COUPLER (SMALL)
6	F197787-2		1	FUEL LINE COUPLER
7	F298788		3	FERRULE
8	FA84754-1		1	FUEL LINE SHORT W/FERRULES
9	89396A38		1	PRIME BULB
10	32-817738A1		1	FUEL LINE LONG W/CLAMP AND FERRULE
11	F97772		1	FUEL LINE CLAMP
12	F17932		1	SEAL, FUEL TANK ADAPTER
-	<b>FS409752</b>		<b>1</b>	<b>FUEL LINE COMPLETE (NOT SHOWN)</b>

# REMOTE CONTROL

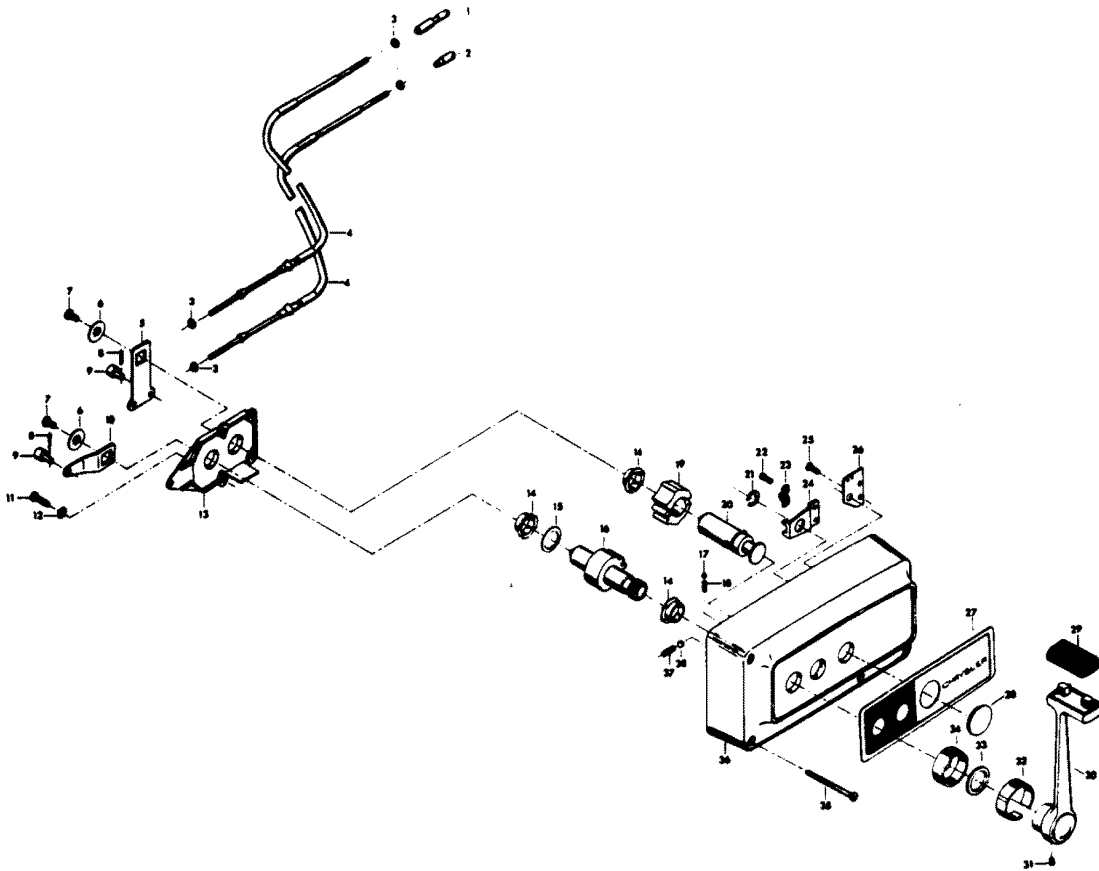


# REMOTE CONTROL

REF. NO.	PART NO.	SYM.	QTY.	DESCRIPTION
1	FA58976-1		1	CONNECTOR, THROTTLE CABLE
2	F58685-2		1	CONNECTOR, SHIFT CABLE
3	F1513		4	HEX NUT
4	ÄF58356//		2	REMOTE CONTROL CABLE (SPECIFY LENGTH)
5	F17019		1	CLUTCH ARM
6	F17036		2	INTERNAL TOOTH LOCKWASHER
7	F1715		2	HEX BOLT, 1/4 - 28 X 9/16
8	F17015		2	COTTER PIN
9	F17016		2	CABLE TERMINAL
10	F17014		1	THROTTLE ARM
11	F17013		2	FILL HD SCREW, 1/4 - 20 X 1/2
12	F17020		2	INTERNAL TOOTH LOCKWASHER
13	F17012		1	RETAINING PLATE
14	F17009		3	BEARING
15	F17011		1	BOWED WASHER
16	F17010-1		1	THROTTLE GEAR
17	F17111		1	DETENT BALL
18	F17006		1	DETENT SPRING
19	F17021		1	CLUTCH GEAR
20	F17100		1	CLUTCH SHAFT
21	F17092		1	SNAP RING
22	F17107		2	FILL HD SCREW, 10 - 24 X 5/16
23	F154317		1	CABLE CLAMP
24	F17026		1	SWIVEL
25	F1557		2	FLAT HD SCREW, 10 - 24 X 3/8
26	F17112		1	JUNCTION BOARD, STARBOARD
-	<b>F17113</b>		<b>1</b>	<b>JUNCTION BOARD, PORT</b>
27	F17101		1	DECAL, STARBOARD
-	<b>17102</b>		<b>1</b>	<b>DECAL, PORT</b>
28	F17031		1	SNAP CAP
29	F17116		1	KNOB
30	F17115		1	HANDLE
31	F17030-1		1	SET SCREW
32	F17114		1	INDICATOR
33	F17105		1	FELT WASHER
34	F17106		1	COLLAR
35	17108		3	WOOD SCREW

CONTINUED ON NEXT PAGE ➡

# REMOTE CONTROL



# REMOTE CONTROL

REF. NO.	PART NO.	SYM.	QTY.	DESCRIPTION
36	F17099		1	HOUSING
37	F17068		1	DETENT SPRING
38	F17082-1		1	DETENT BALL
39	F72H36		1	REMOTE CONTROL UNIT COMPLETE (SINGLE LEVER STARBOARD)
-	<b>F1280</b>		<b>2</b>	<b>PAN HD SCREW, 8 - 32 X 1/4 (TERMINAL BOARD) (NOT SHOWN)</b>

## SPECIAL TOOLS - TUNE-UP

REF. NO.	PART NO.	SYM.	QTY.	DESCRIPTION
-	FT8948-1		0	FLYWHEEL PULLER TO REMOVE FLYWHEEL.
-	FTA2937-1		0	TIMING TOOL TO ADJUST SPARK ADVANCE.

## SPECIAL TOOLS - POWER HEAD

REF. NO.	PART NO.	SYM.	QTY.	DESCRIPTION
-	FT8914		0	SEAL REMOVER TO REMOVE UPPER CRANKSHAFT BEARING CAGE SEAL.
-	FT8903		0	SEAL INSTALLER TO INSTALL UPPER CRANKSHAFT BEARING CAGE SEAL.
-	FT8927		0	SEAL PROTECTOR TO INSTALL UPPER CRANKSHAFT BEARING CAGE SEAL.
-	FT8907		0	DRIVE HANDLE USED WITH T8910, T8909, T8908 AND T8903.
-	FT8922		0	SLIDE HAMMER TO REMOVE UPPER CRANKSHAFT BEARING CAGE SEAL. ALSO USED TO REMOVE BEARING CUPS FROM PROPELLER SHAFT BEARING CAGE.
-	FT2953		0	SOCKET TO TORQUE CONNECTING ROD SCREWS.
-	FT2990		0	PISTON PIN TOOL TO REMOVE AND INSTALL PISTON PINS.
-	FT2996		0	RING COMPRESSOR TO INSTALL PISTON RINGS.
-	FT8926		0	RING EXPANDER TO INSTALL PISTON RINGS.

# SPECIAL TOOLS - GEAR HOUSING

REF. NO.	PART NO.	SYM.	QTY.	DESCRIPTION
-	FT2993		0	PROPELLER SHAFT BEARING CAGE PULLER TO REMOVE PROPELLER SHAFT BEARING CAGE FROM GEAR HOUSING.
-	FT8918		0	BEARING GUIDE SET TO REMOVE AND INSTALL BEARING CUP IN LOWER GEAR HOUSING.
-	FT2995		0	FORWARD BEARING CUP REMOVER TO REMOVE FORWARD BEARING CUP IN LOWER GEAR HOUSING.
-	FT8909		0	FORWARD BEARING CUP INSTALLER TO INSTALL FORWARD BEARING CUP IN LOWER GEAR HOUSING.
-	FT8917		0	REAR BEARING CUP REMOVER TO REMOVE REAR BEARING CUP FROM PROPELLER SHAFT BEARING CAGE.
-	FT8910		0	REAR BEARING CUP INSTALLER TO INSTALL REAR BEARING CUP IN PROPELLER SHAFT BEARING CAGE.
-	FT8957		0	SEAL INSTALLER TO INSTALL SHIFT ROD SEAL.
-	FT8908		0	PROPELLER SHAFT SEAL INSTALLER TO INSTALL PROPELLER SHAFT SEAL IN PROPELLER SHAFT BEARING CAGE.
-	FT8915		0	PROPELLER SHAFT SEAL PROTECTOR TO INSTALL PROPELLER SHAFT SEAL IN PROPELLER SHAFT BEARING CAGE.
-	FT8916		0	PROPELLER SHAFT BEARING INSTALLER TO INSTALL REVERSE GEAR AND BEARING ON PROPELLER SHAFT.
-	FT8906		0	PROPELLER SHAFT BEARING SUPPORT TO INSTALL REVERSE GEAR AND BEARING ON PROPELLER SHAFT.
-	FT8911		0	DRIVESHAFT KNOCK-OFF NUT TO REMOVE DRIVESHAFT FROM UPPER GEAR HOUSING.
-	FT8905		0	DRIVESHAFT BEARING REMOVER TO REMOVE BEARING FROM DRIVESHAFT.
-	FT8920		0	DRIVESHAFT BEARING INSTALLER TO INSTALL BEARING ON DRIVESHAFT.
-	FT8925		0	DRIVESHAFT SEAL INSTALLER TO INSTALL DRIVESHAFT SEAL IN UPPER HOUSING.
-	FT8924-1		0	CHECKING GAUGE TO MEASURE PROPELLER SHAFT END PLAY AND END FLOAT.
-	FT8907		0	DRIVER HANDLE TO INSTALL BEARING CUPS AND SEALS.
-	FT8901		0	INDICATOR HOLDER USED IN CONJUNCTION WITH T8924.
-	FT8902		0	DIAL INDICATOR USED IN CONJUNCTION WITH T8924.
-	FT2992		0	GAUGE TO CENTER WATER PUMP BODY.
-	FT8919		0	SPRING PIN PUNCH TO REMOVE CLUTCH SPRING PIN.



## SPECIAL TOOLS - TEST EQUIPMENT

REF. NO.	PART NO.	SYM.	QTY.	DESCRIPTION
-	FT2982A		0	TEST WHEEL TO TEST MOTOR IN TEST TANK.
-	FT8933		0	LIFTING HOOK TO LIFT ENGINE.
-	FT8950		0	LEAKAGE TESTER TO TEST LOWER UNIT SEALS FOR LEAKAGE.
-	T8974		0	BREAKER POINT TENSION GAUGE FOR CHECKING BREAKER POINT SPRING TENSION.

# ACCESSORIES

REF. NO.	PART NO.	SYM.	QTY.	DESCRIPTION
-	F861		0	FLUSHING ADAPTER PERMITS FRESH WATER FLUSHING OF WATER PASSAGES WITH STANDARD GARDEN HOSE.
-	F72H36		0	SYNCHRO-DRIVE CONTROL BOX (SINGLE LEVER) PERMITS REMOTE CONTROL OF THROTTLE AND GEAR SHIFT FROM STARBOARD SIDE OF BOAT.
-	73H08		0	PORT SIDE DECAL KIT CONVERTS 72H36 CONTROL BOX TO PORT SIDE MOUNTING.
-	F590		0	SYNCHRO-DRIVE CONTROL HEAD (SINGLE LEVER) FLUSH MOUNT CONTROL UNIT PERMITS REMOTE CONTROL OF THROTTLE AND GEAR SHIFT. MAY BE MOUNTED ON PORT OR STARBOARD SIDE OF BOAT.
-	865		0	TWIN SYNCHRO-DRIVE CONTROL BOX PERMITS REMOTE CONTROL OF THROTTLE AND GEAR SHIFT ON TWIN ENGINE INSTALLATIONS. MAY BE MOUNTED ON PORT OR STARBOARD SIDE OF BOAT.
-	F195/___		0	REMOTE CONTROL CABLES CONNECTS REMOTE CONTROL BOX TO THROTTLE AND GEAR SHIFT ON ENGINE. AVAILABLE IN 6 THROUGH 20 FOOT LENGTHS.
-	F165		0	REMOTE STEERING BRACKET ADAPTS ENGINE TO CABLE TYPE REMOTE STEERING.
-	F166		0	DUAL ENGINE TIE BAR PERMITS DUAL ENGINE INSTALLATIONS.
-	F862		0	STEEL, 6 GALLON FUEL ADDITIONAL TANK TO CARRY FUEL RESERVE.
-	F71H08		0	STEEL, 6 GALLON FUEL TANK (LOW PROFILE)
-	F71H12		0	TANK ANCHOR SECURES 71H08 TO BOAT.
-	F71H23		0	STEEL, 12 GALLON FUEL TANK
-	175		0	AMMETER SURFACE MOUNT MONITORS OUTPUT OF ALTERNATOR.
-	71H06		0	AMMETER FLUSH MOUNT MONITORS OUTPUT OF ALTERNATOR.
-	F70H01		0	ANTI-CORROSION KIT ELECTRICAL KIT FOR MOUNTING ON BOAT (12V) TO REDUCE CORROSION.
-	F71H02		0	ANTI-CORROSION SACRIFICIAL ANODE KIT USED TO REDUCE CORROSION.
-	F71H30		0	OVERHEAT BUZZER SOUNDS WARNING BUZZER IF ENGINE OVERHEATS.
-	F72H22		0	POWER TRIM INDICATOR INDICATES ENGINE TRIM ANGLE. (FLUSH MOUNT)
-	73H06		0	POWER TRIM INDICATOR INDICATES ENGINE TRIM ANGLE. (SURFACE MOUNT)
-	72H31		0	FROST WHITE LACQUER ENGINE TOUCH-UP PAINT IN 16 OZ. SPRAY BOMBS (12 CANS PER CASE)
-	72H32		0	GOLD LACQUER ENGINE TOUCH-UP PAINT IN 6 OZ. SPRAY BOMBS (12 CANS PER CASE)
-	F71H32		0	TILT STOP KIT LIMITS TILTING ANGLE
-	F73H09		0	RFI SUPPRESSION KIT PROVIDES RADIO NOISE SUPPRESSION.
-	F461		0	SHOCK ABSORBER KIT
-	F72H66		0	EXHAUST SNOOT

CONTINUED ON NEXT PAGE ➡

# ACCESSORIES

REF. NO.	PART NO.	SYM.	QTY.	DESCRIPTION
-	F75H09		0	BATTERY CABLE LONGER LENGTH - 15 FEET.
-	F74H01		0	VOLTMETER - FLUSH MOUNT INDICATES BATTERY CONDITION.
-	74H02		0	VOLTMETER - SURFACE MOUNT INDICATES BATTERY CONDITION.
-	72H06		0	CANVAS HOOD PROTECTION FOR ENGINE COVER.
-	72H13		0	BATTERY, 74 AMP 12 VOLT HEAVY DUTY BATTERY.
-	172		0	BATTERY CASE HEAVY PLASTIC CASE WITH TIE DOWN STRAPS. PROTECTS BATTERY FROM DAMAGE.
-	F70H05		0	EXTENSION CABLE FOR LENGTHENING BATTERY CABLE 6 1/2 FEET.
-	F71H26		0	BATTERY TERMINAL KIT ADAPTS MODEL 72H13 BATTERY TERMINALS FOR CONNECTIONS TO BATTERY CABLE ON ENGINE.
-	71H25		0	CHARGE INDICATOR LAMP GLOWS GREEN WHEN ALTERNATOR IS RECHARGING BATTERY. DO NOT USE INDICATOR LAMP AND AMMETER IN SAME INSTALLATION.
-	F71H20		0	CIGAR LIGHTER FOR USE AS CONVENIENCE OUTLET.
-	168		0	CONTROL PANEL FOR MOUNTING LAMPS, SWITCHES, ETC.
-	877		0	DECAL SET FOR RACING ENGINE IDENTIFICATION.
-	71H24		0	FUEL GAUGE SURFACE MOUNT MONITORS FUEL SUPPLY.
-	71H07		0	FUEL GAUGE FLUSH MOUNT MONITORS FUEL SUPPLY.
-	F72H08		0	HYDRAULIC TILT HYDRAULIC UNIT TO RAISE AND LOWER THE LOWER UNIT WHEN BEACHING OR TRAILERING BOAT.
-	479		0	HEAT LAMP KIT GLOWS RED IF ENGINE OVERHEATS. DO NOT USE HEAT LAMP AND TEMPERATURE GAUGE IN SAME INSTALLATION.
-	478		0	IGNITION LAMP KIT GLOWS ORANGE WHEN IGNITION SWITCH IS IN "ON" POSITION.
-	F74H19		0	IGNITION KEY SWITCH SHORT BARREL WITH KEYS.
-	F74H20		0	IGNITION KEY SWITCH LONG BARREL WITH KEYS.
-	71H11		0	RACING LOWER UNIT (15") FOR RACING APPLICATIONS.
-	72H19		0	RACING LOWER UNIT (17 1/4") FOR RACING APPLICATIONS.
-	70H24		0	RACING STRIPE KIT ORANGE STRIPING FOR ENGINE COVER.
-	70H25		0	RACING STRIPE KIT BLUE STRIPING FOR ENGINE COVER.
-	F762		0	REMOTE ELECTRIC CABLE 25 FOOT CABLE FOR LARGE BOATS.
-	F73H11		0	REMOTE ELECTRIC CABLE 21 FOOT CABLE FOR LARGE BOATS.
-	F71H10		0	SENDING UNIT FOR USE WITH 71H07 FUEL GAUGE.
-	F71H05		0	TEMPERATURE GAUGE FLUSH MOUNT MONITORS ENGINE TEMPERATURE. DO NOT USE TEMPERATURE GAUGE AND HEAT LAMP IN SAME INSTALLATION.
-	177		0	TEMPERATURE GAUGE SURFACE MOUNT MONITORS ENGINE TEMPERATURE. DO NOT USE TEMPERATURE GAUGE AND HEAT LAMP IN SAME INSTALLATION.

CONTINUED ON NEXT PAGE ➡

## ACCESSORIES

REF. NO.	PART NO.	SYM.	QTY.	DESCRIPTION
-	74H13		0	TACHOMETER SURFACE MOUNT MONITORS ENGINE R.P.M. TO PROVIDE CHECK OF ENGINE PERFORMANCE.
-	F74H09		0	TACHOMETER FLUSH MOUNT MONITORS ENGINE R.P.M. TO PROVIDE CHECK OF ENGINE PERFORMANCE.
-	F794		0	WATER PUMP KIT HEAVY DUTY WATER PUMP KIT.
-	F71H34		0	POWER TRIM ADJUSTS ENGINE TRIM AND TILTS ENGINE.
-	176		0	SPEEDOMETER SURFACE MOUNT MONITORS BOAT SPEED (0 - 50 M.P.H.)
-	F71H04		0	SPEEDOMETER FLUSH MOUNT MONITORS BOAT SPEED (0 - 50 M.P.H.)

# SPECIFICATIONS

REF. NO.	PART NO.	SYM.	QTY.	DESCRIPTION
-			0	HORSEPOWER 75 B.I.A. CERTIFIED BRAKE H.P. AT 4750 R.P.M. 90 B.I.A. CERTIFIED BRAKE H.P. AT 5000 R.P.M.
-			0	MOTOR TWO-CYCLE, THREE CYLINDER, ALTERNATE FIRING.
-			0	BORE AND STROKE 3 - 5/16" BORE X 2.8" -- STROKE.
-			0	DISPLACEMENT 72.39 CUBIC INCHES.
-			0	CONNECTING RODS NICKEL STEEL. CAGED NEEDLE BEARINGS AT CRANKSHAFT. FULL COMPLIMENT NEEDLE BEARINGS AT PISTON PIN.
-			0	CRANKSHAFT NICKEL STEEL. BALL BEARINGS AT UPPER MAIN. CAGED NEEDLE BEARINGS AT CENTER MAIN AND CASED NEEDLE BEARINGS AT LOWER MAIN.
-			0	CORROSION PROTECTION ALODINE TREATED CASTINGS, STAINLESS STEEL DRIVE SHAFT, PROPELLER SHAFT, GEAR SHIFT ROD AND UNDERWATER FASTENERS.
-			0	FUEL TANK SEPARATE STEEL 6 U.S. GALLON, 5 IMPERIAL GALLON CAPACITY.
-			0	FUEL SYSTEM VACUUM TYPE FUEL PUMP. FLOAT FEED CARBURETOR WITH FIXED HIGH SPEED JET AND ADJUSTABLE LOW SPEED JET.
-			0	FUEL FILTERS FILTER SCREENS IN FUEL TANK AND FUEL PUMP.
-			0	STARTER ELECTRIC.
-			0	COOLING WATER COOLED, THERMOSTATICALLY CONTROLLED, POSITIVE DISPLACEMENT TYPE WATER PUMP.
-			0	TRANSOM HEIGHT 15" OR 20", DEPENDING ON MODEL.
-			0	WEIGHT 221 LBS. FOR SHORT SHAFT MODELS.
-			0	TILT LOCK POSITIVE TILT LOCK PERMITS ENGINE TO REMAIN IN TILTED POSITION WHEN NOT IN USE.
-			0	RECOMMENDED OPERATING RANGE 75 H.P. - 4400-5100 R.P.M. 90 H.P. - 4500-5500 R.P.M.

# LUBRICATION CHART

REF. NO.	PART NO.	SYM.	QTY.	DESCRIPTION
-			0	UPPER AND LOWER GEAR HOUSINGS SEE BLOCK COMMENT 1
-			0	CONTROL LINKAGE LUBRICATE ALL MOVING PARTS AND CONTROL LINKAGE WITH RYKON #2EP, PART NO. T2961 EACH SEASON OR OFTENER IF REQUIRED.
-			0	STERN BRACKET LUBRICATE STERN BRACKET AND ASSOCIATED PARTS WITH RYKON #2EP. PART NO. T2961 TWICE EACH SEASON OR OFTENER IF REQUIRED.
-			0	GREASE FITTINGS GREASE FITTINGS ARE PROVIDED AT CRITICAL POINTS WHERE BEARING SURFACES ARE NOT EXPOSED EXTERNALLY. USING AN AUTOMOTIVE-TYPE GREASE GUN AND LUBRICANT, GREASE TWICE EACH SEASON OR OFTENER IF REQUIRED.
-			0	STARTER PINION GEAR LUBRICATE WITH RYKON #2EP, PART NO. T-2961, TWICE EACH SEASON OR OFTENER IF REQUIRED.

## SPECIAL ADJUSTMENTS

REF. NO.	PART NO.	SYM.	QTY.	DESCRIPTION
-			0	BREAKER POINT GAP .013" - .015".
-			0	FLYWHEEL NUT TORQUE TO 90 FOOT POUNDS.
-			0	CYLINDER HEAD BOLT TORQUE TO 270 INCH POUNDS.
-			0	SPARK PLUG

# PARTS INDEX

Part Number	Description	Pg.	Ref. No.	Part Number	Description	Pg.	Ref. No.
ÄF58356//	REMOTE CONTROL CABLE (SPECIFY LENGTH) . . . . .	41	4	A404010-3	CYLNR ASS'Y W/PARTING LINE SEAL AND LWR		
15037	HEAD ASSEMBLY, COMMUTATOR END . . . . .	11	18	A438133-1	MOTOR LEG . . . . .	27	89
168	CONTROL PANEL . . . . .	49	-	A480944	ENGINE COVER W/RETAINER, SCREWS	33	75
17102	DECAL, PORT . . . . .	41	-		AND NUTS . . . . .	3	7
17108	WOOD SCREW . . . . .	41	35	A85098-2	PROPELLER SHAFT . . . . .	35	43
172	BATTERY CASE . . . . .	49	-	A85135-3	LEG COVER, FRONT . . . . .	33	66
175	AMMETER SURFACE MOUNT . . . . .	48	-	AC16395-7	IDENTIFICATION PLATE W/SCREWS FOR CANADA		
176	SPEEDOMETER SURFACE MOUNT . . . . .	50	-		MODELS . . . . .	3	-
177	TEMPERATURE GAUGE SURFACE MOUNT . . . . .	49	-	C438010-1	SHORT BLOCK . . . . .	27	-
478	IGNITION LAMP KIT . . . . .	49	-	F10000	GASKET SET (NOT SHOWN)	21	-
479	HEAT LAMP KIT . . . . .	49	-	F10026	REPAIR PARTS KIT . . . . .	21	-
480373	DECAL, MAGNAPOWER IGNITION (NOT SHOWN) .	9	-	F10053	REPAIR PARTS KIT . . . . .	21	-
481373	DECAL, "ELECTRONIC" (NOT SHOWN) . . . . .	15	-	F1009	HEX BOLT, 3/8 - 16 X 2 3/4 .	27	97
70H24	RACING STRIPE KIT . . . . .	49	-	F1014	COTTER PIN . . . . .	19	84
70H25	RACING STRIPE KIT . . . . .	49	-	F1014	COTTER PIN . . . . .	33	56
71H06	AMMETER FLUSH MOUNT .	48	-	F1015	COTTER PIN, S.S. . . . . .	35	22
71H07	FUEL GAUGE FLUSH MOUNT . . . . .	49	-	F1028	COTTER PIN, S.S. . . . . .	37	56
71H11	RACING LOWER UNIT . . . . .	49	-	F1059	FILL HD SCREW, S.S., 6 - 32 X 1/4 . . . . .	19	80
71H24	FUEL GAUGE SURFACE MOUNT . . . . .	49	-	F1064	FILL HD SCREW, S.S., 8 - 32 X 3/8 . . . . .	19	45
71H25	CHARGE INDICATOR LAMP	49	-	F1072	FILL HD SCREW, 1/4 - 20 X 1 3/4 . . . . .	19	59
72H06	CANVAS HOOD . . . . .	49	-	F1099	FILL HD SCREW, 1/4 - 20 X 1 1/4 . . . . .	27	100
72H13	BATTERY, 74 AMP . . . . .	49	-	F1108	FILL HD SCREW W/ LOCKWASHER, 1/4 - 20 X		
72H19	RACING LOWER UNIT . . . . .	49	-		3/4 . . . . .	17	2
72H31	FROST WHITE LACQUER . .	48	-	F1187	HEX FLANGE SCREW, 1/4 - 20 X 1 . . . . .	21	94
72H32	GOLD LACQUER . . . . .	48	-	F1199	HEX CAP SCREW, 1/4 - 20 X 1 . . . . .	23	44
73H06	POWER TRIM INDICATOR .	48	-	F1203	HEX BOLT, 1/4 - 20 X 7/8 . .	23	6
73H08	PORT SIDE DECAL KIT . . . .	48	-	F1213	HEX CAP SCREW, 5/16 - 18 X 1 1/8 . . . . .	37	73
74H02	VOLTMETER - SURFACE MOUNT . . . . .	49	-	F12355	COIL CLAMP . . . . .	7	40
74H13	TACHOMETER SURFACE MOUNT . . . . .	50	-	F1236	HEX HD SCREW, 1/4 - 20 X 1/2 . . . . .	19	91
817747--1	BALL JOINT W/STUD . . . . .	17	28	F1238	HEX CAP SCREW, 1/4 - 20 X 3/4 . . . . .	3	14
817747--1	BALL JOINT W/STUD . . . . .	23	9	F1238	HEX HD SCREW, 1/4 - 20 X 3/4 . . . . .	23	43
817783A5	SWIVEL BRACKET W/BEARING AND GREASE FITTINGS . . . . .	33	49	F1252	HEX SOCKET HD CAP SCREW, S.S., 3/8 - 16 X 1	37	57
817786A1	DISTRIBUTOR PULLEY . . . . .	13	3	F1263	HEX SOCKET HD CAP SCREW 5/16 - 18 9/16 . . . .	31	14
817787A1	CYLINDER DRAIN COVER . .	23	33	F1280	PAN HD SCREW, 8 - 32 X 1/4	7	33
817931A7	MOTOR LEG COVER, REAR	33	7	F1280	PAN HD SCREW, 8 - 32 X 1/4 (TERMINAL BOARD) (NOT SHOWN) . . . . .	43	-
817959A3	INTAKE MANIFOLD . . . . .	17	23	F1286	PAN HD SCREW, 4 - 40 X 3/16 . . . . .	23	31
818052A3	CONNECTING ROD W/CAP AND SCREWS . . . . .	29	6	F1293	ROUND HD SCREW, 2 X 3/16 . . . . .	3	19
84250	BEARING CUP . . . . .	37	48				
84903	BEARING CUP . . . . .	35	36				
865	TWIN SYNCHRO-DRIVE CONTROL BOX . . . . .	48	-				
877	DECAL SET . . . . .	49	-				
89396A38	PRIME BULB . . . . .	39	9				
A316554-2	GEAR HOUSING UPPER W/PLUG AND WASHER . .	35	19				
A383133-3	MOTOR LEG . . . . .	33	75				



# PARTS INDEX

Part Number	Description	Pg.	Ref. No.	Part Number	Description	Pg.	Ref. No.
F1341	HEX NUT, 1/4 - 20	23	13	F15110	CLUTCH ASSEMBLY	11	4
F1346	HEX NUT 3/8 - 16	31	21	F15111	NUT, STOP RETAINING	11	1
F1346	HEX NUT, 3/8 - 16	27	95	F15112	STOP, PINION	11	2
F14006-2	CAP BASE	13	37	F1513	HEX NUT	7	18
F14007	CAP SCREW	13	33	F1513	HEX NUT	41	3
F14011-1	CAP COVER	13	34	F1513	HEX NUT, 10 - 32	17	29
F14012-1	BRUSH	13	39	F1513	HEX NUT, 10 - 32	23	7
F14015	CAP CLIP RIVET	13	21	F1513	HEX NUT, 10 - 32	25	47
F14017	TERMINAL INSULATOR (OUTSIDE)	15	46	F1514	HEX NUT, 1/4 - 20	11	6
F14020-1	CAP SEAL	13	36	F1515	HEX NUT, 5/16 - 18	17	37
F14024	SPACER	13	42	F1528	WELCH PLUG	31	22
F14025	SPACER	13	4	F154317	CABLE CLAMP	41	23
F14028	THRUST WASHER	13	5	F1556	FILL HD SCREW W/LOCKWASHER, 10 - 24 X 3/8	23	14
F14029	THRUST WASHER	13	7	F1557	FLAT HD SCREW, 10 - 24 X 3/8	41	25
F14030	CAP GASKET	13	38	F1584	FLAT HD SCREW, S.S., 1/4 - 20 X 1 3/8	35	2
F14036	SWIVEL	13	13	F1593	HEX HD SCREW 3/8 - 16 X 3	31	18
F14037	CAP CLIPS	13	14	F1612	HEX CAP SCREW, 3/8 - 16 X 1 1/4	13	8
F14038	CAP CLIP SCREWS	13	15	F1615	HEX NUT	7	24
F14040	VENT	13	35	F1638	SPRING PIN	31	28
F14041	EXTERNAL TOOTH LOCKWASHER	13	23	F1645	RD HD SCREW, 6 - 32 X 1/4	21	100
F14042	DISTRIBUTOR HOUSING W/BEARINGS	13	12	F1647	HEX NUT, 10 - 32	25	86
F14043	DISTRIBUTOR SHAFT	13	40	F1647	HEX NUT, 8 - 32	7	6
F14045	SCREW	13	16	F1647	HEX NUT, 8 - 32	13	24
F14046	TERMINAL SCREW	13	19	F1648	PAN HD SCREW, 10 - 24 X 3/4	7	16
F14047	TERMINAL INSULATOR (INSIDE)	13	20	F165	REMOTE STEERING BRACKET	48	-
F14048	PREAMPLIFIER	13	17	F166	DUAL ENGINE TIE BAR	48	-
F14049	TERMINAL INSULATOR (OUTSIDE)	13	22	F1664	SPRING PIN	31	8
F1473	HEX NUT, 10 - 24	3	36	F1666	BOWED SPRING WASHER	33	71
F1475	FILL HD SCREW, 10 - 24 X 1/2	23	11	F1669	LOCK NUT	31	36
F1502	HEX CAP SCREW, 1/4 - 20 X 5/8	21	97	F1678	FILL HD SCREW, 10 - 24 X 13/16	7	2
F1502	HEX HD SCREW, 1/4 - 20 X 5/8	11	15	F1689	HEX HD CAP SCREW, 1/4 - 20 X 1/2	7	42
F1502	HEX HD SCREW, 1/4 - 20 X 5/8	23	39	F1692	WOODRUFF KEY	13	41
F1502	HEX SLOT HD SCREW, 1/4 - 20 X 5/8	3	20	F1693	TIE BAR RETAINER	19	46
F15021-1	HEAD ASSEMBLY DRIVE END	11	5	F1696	HEX BOLT 5/16 - 18 X 1 3/4	31	33
F15034	SPRING SET	11	19	F1696	HEX BOLT, S.S., 5/16 - 18 X 1 3/4	37	66
F15035	THRU BOLT PACKAGE	11	13	F17006	DETENT SPRING	41	18
F15038-1	BRUSH PLATE AND HOLDER	11	20	F17009	BEARING	41	14
F1504	FILL HD SCREW, 1/4 - 20 X 1 1/4	19	56	F17010-1	THROTTLE GEAR	41	16
F1504	FILL HD SCREW, 1/4 - 20 X 1 1/4	23	12	F17011	BOWED WASHER	41	15
F15042	BRUSH TERMINAL SET	11	11	F17012	RETAINING PLATE	41	13
F15073	THRUST WASHER PACKAGE	11	8	F17013	FILL HD SCREW, 1/4 - 20 X 1/2	41	11
F15080	SPRING	11	3	F17014	THROTTLE ARM	41	10
F15099	ARMATURE	11	9	F17015	COTTER PIN	41	8
F15100	BENDIX	11	23	F17016	CABLE TERMINAL	41	9
				F17019	CLUTCH ARM	41	5
				F17020	INTERNAL TOOTH LOCKWASHER	41	12
				F17021	CLUTCH GEAR	41	19
				F17026	SWIVEL	41	24

# PARTS INDEX

Part Number	Description	Pg.	Ref. No.	Part Number	Description	Pg.	Ref. No.
F1703	SPRING LOCKWASHER ...	25	62	F178323	SEAL, MOTOR LEG .....	31	13
F1703	SPRING LOCKWASHER ...	27	94	F17932	SEAL, FUEL TANK ADAPTER	39	12
F1703	SPRING LOCKWASHER ...	33	65	F18160-1	REED .....	23	28
F17030-1	SET SCREW .....	41	31	F1822	HEX BOLT 5/16 - 18 X 7/8 ..	33	69
F17031	SNAP CAP .....	41	28	F1832	STOP NUT, 1/4 - 20 .....	25	59
F17036	INTERNAL TOOTH LOCKWASHER .....	41	6	F1836	SPRING PIN .....	33	57
F1704	INTERNAL TOOTH LOCKWASHER .....	21	99	F184033-1	CHOKE ARM SWIVEL .....	19	85
F1705	HEX CAP SCREW, S.S., 1/4 - 20 X 3/4 .....	37	58	F184579	SEAL, CHOKE ARM SWIVEL	19	82
F17068	DETENT SPRING .....	43	37	F1849	HEX HD CAP SCREW, 1/4 - 20 X 1 3/8 .....	5	47
F17082-1	DETENT BALL .....	43	38	F1849	HEX HD SCREW, 1/4 - 20 X 1 3/8 .....	25	77
F1709	HEX HD SCREW, 1/4 - 20 X 1 1/8 .....	25	76	F1851	FILL HD SCREW W/LOCKWASHER, 10 - 24 X 1/2 .....	7	39
F17092	SNAP RING .....	41	21	F1854	HEX CAP SCREW, 1/4 - 20 X 5/8 .....	3	25
F17099	HOUSING .....	43	36	F1854	HEX CAP SCREW, 1/4 - 20 X 5/8 .....	7	23
F17100	CLUTCH SHAFT .....	41	20	F1857	HEX CAP SCREW, 5/16 - 18 X 5/8 .....	3	23
F17101	DECAL, STARBOARD .....	41	27	F1857	HEX CAP SCREW, 5/16 - 18 X 5/8 .....	3	35
F17105	FELT WASHER .....	41	33	F1858	HEX CAP SCREW, 5/16 - 18 X 1 .....	3	24
F17106	COLLAR .....	41	34	F1860	SLOTTED BINDING HD SCREW, 6 - 32 X 1/4 ....	17	1
F17107	FILL HD SCREW, 10 - 24 X 5/16 .....	41	22	F1864	HEX HD SCREW, 1/4 - 20 X 3/4 .....	25	90
F17111	DETENT BALL .....	41	17	F1864	HEX SLOT HD SCREW 1/4 - 20 X 3/4 .....	31	4
F17112	JUNCTION BOARD, STARBOARD .....	41	26	F1867	HEX CAP SCREW, 3/8 - 16 X 1 .....	29	19
F17113	JUNCTION BOARD, PORT ..	41	-	F1868	HEX BOLT, 3/8 - 16 X 3 1/4 .	27	98
F17114	INDICATOR .....	41	32	F1868	HEX CAP SCREW, 3/8 - 16 X 3 1/4 .....	11	16
F17115	HANDLE .....	41	30	F1869	HEX BOLT, 3/8 - 16 X 1 1/4 .	25	61
F17116	KNOB .....	41	29	F1871	HEX HD SCREW 3/8 - 16 X 3/4 .....	33	61
F1713	SPRING PIN .....	35	42	F1872	HEX BOLT, 3/8 - 16 X 1 3/4 .	27	99
F1715	HEX BOLT, 1/4 - 28 X 9/16 ..	41	7	F1873	HEX BOLT, 3/8 - 16 X 3 ....	27	96
F1727	PLASTIC RIVET .....	23	16	F1877	TY-RAP .....	7	29
F1729	PLUG .....	31	5	F1883	HEX BOLT, 5/16 - 18 X 2 3/8	25	67
F1730	PAN HD SCREW W/SPRING LOCKWASHER, 1/4 - 20 X 5/8 .....	5	44	F1885	HEX BOLT, 5/16 - 18 X 4 1/4	25	55
F1733	PAN HD SCREW, 10 - 24 X 9/16 .....	3	2	F1904	PLAIN WASHER .....	31	20
F1734	FILL HD SCREW W/LOCKWASHER, 1/4 - 20 X 1/2 .....	7	14	F1907	PLAIN WASHER .....	37	68
F1741	PAN HD SCREW, 8 X 3/4 ...	7	35	F1910	STOP NUT, 1/4 - 20 .....	17	31
F1744	SPRING PIN .....	33	45	F19109	PLUG .....	25	73
F1753	FASTENER .....	3	38	F1912	HEX HD SCREW 10 - 24 X 1/2 .....	33	59
F1759	SHIM, DISTRIBUTOR (QTY. AS REQUIRED) .....	13	11	F1915	HEX HD SCREW, 1/4 - 20 X 7/8 .....	17	24
F1760	PAN HD SCREW, 10 - 24 X 3/8 .....	7	19	F1916	HEX HD SCREW, 1/4 - 20 X 1 1/8 .....	17	25
F1760	PAN HD SCREW, 10 - 24 X 3/8 .....	13	25	F1934	FLAT HD SLOTTED SCREW, 6 X 1/2 .....	9	50
F1760	PAN HD SCREW, 10 - 24 X 3/8 .....	19	60	F19342	SEAL .....	35	18
F1760	PAN HD SCREW, 10 - 24 X 3/8 .....	23	2	F195/_	REMOTE CONTROL CABLES	48	-
F1773	HEX HD SCREW, 1/4 - 20 X 1 1/2 .....	17	26	F1950	HEX HD SCREW, 10 - 24 X 5/8 .....	25	81
F177330	FUEL PUMP VALVE .....	17	9				
F177350	REVERSE LOCK PIN .....	31	41				
F1778	PLAIN WASHER .....	35	24				

# PARTS INDEX

Part Number	Description	Pg.	Ref. No.	Part Number	Description	Pg.	Ref. No.
F1953	HEX HD SCREW, 1/4 - 20 X 1	23	35	F304244	INLET WATER LINE . . . . .	37	62
F1968	FLYWHEEL NUT . . . . .	29	21	F304705-1	GEAR SHIFT ROD LOWER . .	37	23
F1975	SPRING LOCKWASHER . . .	7	10	F307317	CLIP, TERMINAL BLOCK . . .	7	17
F1975	SPRING LOCKWASHER . . .	13	26	F310189	BUSHING, ELECTRIC CABLE	3	16
F197787-2	FUEL LINE COUPLER . . . .	39	6	F311189-1	BUSHING, CABLE ENTRY . .	3	17
F197813	BEARING . . . . .	33	54	F316160	REED (4 PETAL) . . . . .	17	18
F1987	PLAIN WASHER . . . . .	25	66	F316164	REED (1 PETAL) . . . . .	17	-
F1987	PLAIN WASHER . . . . .	33	50	F316165	STUD, GEAR HOUSING		
F1994	HEX SOCKET HD CAP				CENTER . . . . .	35	25
	SCREW, 5/16 - 18 X 1 . . .	37	69	F316555	SEAL . . . . .	35	20
F1997	STOP NUT, 8 - 32 . . . . .	17	40	F316579	SEAL, CRANKCASE . . . . .	29	11
F1999	HEX CAP SCREW, 1/4 - 20 X			F316599	SEAL, GEAR HOUSING		
	7/8 . . . . .	23	42		STUD, FRONT . . . . .	35	28
F2000	HEX CAP SCREW, 5/16 - 18			F321756	PACKING . . . . .	3	31
	X 3/4 . . . . .	9	47	F321841-2	LEAD WIRE W/GROMMET . .	13	32
F2001	FILL HD SCREW, 10 - 24 X			F321872	BRACKET . . . . .	25	49
	5/8 . . . . .	7	9	F333316	THROTTLE ROLLER SHAFT	19	49
F2002	STOP NUT . . . . .	13	2	F333392	PLATE, SIDE . . . . .	3	8
F2014	PLAIN WASHER . . . . .	13	9	F335068	THERMOSTAT . . . . .	25	70
F2014	PLAIN WASHER . . . . .	33	62	F335215	SPACER, PISTON PIN (2		
F2015	HEX NUT, 1/4 - 28 . . . . .	23	19		PER PISTON) . . . . .	29	3
F2016	FILL HD SCREW, 6 - 32 X 7/8	21	101	F335217-1	BEARING PISTON PIN (26		
F2027	HEX CAP SCREW, 5/16 - 18				PER SET) . . . . .	29	5
	X 3 . . . . .	9	46	F335654-1	DEFLECTION STOP . . . . .	3	21
F2030	HEX HD SCREW 1/4 - 20 X 1			F338618-1	SEAL, GEAR SHIFT ROD . .	31	16
	1/4 . . . . .	33	70	F338618-1	SEAL, GEAR SHIFT ROD . .	35	13
F203276	BOOT . . . . .	13	30	F345475-1	COIL . . . . .	9	44
F2033	GROOVE PIN . . . . .	19	87	F345683	WIRE, REGULATOR-		
F203673	TERMINAL CLIP . . . . .	13	31		RECTIFIER GROUND . . . .	7	5
F2042	PLAIN WASHER . . . . .	23	5	F351307	SEAL, WATER PUMP . . . . .	35	11
F2047	WAVE SPRING WASHER . . .	3	30	F369349	REVERSE LOCK . . . . .	31	37
F2066	PAN HD TAPPING SCREW,			F369364	REVERSE LOCK ARM . . . . .	33	52
	10 X 7/16 . . . . .	3	40	F369390-1	DECAL, REVERSE LOCK		
F2067	PLASTISOL CAP (NOT				(NOT SHOWN) . . . . .	33	-
	SHOWN) . . . . .	29	-	F369510	LINK . . . . .	31	39
F2088	FASTENER . . . . .	5	46	F369529	CYLINDER HEAD GASKET . .	25	74
F2089	SLOTTED PAN HD MACHINE			F369562	WATER PUMP BACK PLATE	35	6
	SCREW, 10 - 24 X 5/16 . .	27	101	F369610	BEARING . . . . .	25	53
F2090	PLUG . . . . .	25	64	F369827	HANDLE AND SHAFT . . . . .	33	53
F2108	LOCK NUT 5/16 - 18 . . . . .	33	73	F369884	BEARING . . . . .	33	58
F2108	LOCK NUT, 5/16 - 18 . . . . .	33	74	F369887	SHOULDER SCREW . . . . .	25	52
F2108	STOP NUT, 5/16 - 18 . . . . .	25	58	F369977-1	INTERLOCK ARM . . . . .	25	54
F213274	GREASE FITTING . . . . .	13	27	F370518-2	CYLINDER HEAD . . . . .	25	72
F213274	GREASE FITTING . . . . .	31	32	F370995	CYLINDER HEAD COVER . .	25	68
F213342	SEAL, FUEL LINE COUPLER			F373512	PLATE, INSERT . . . . .	3	11
	(LARGE) . . . . .	39	4	F373675-1	STARTER BRACKET,		
F213735	SEAL, FUEL LINE COUPLER				LOWER . . . . .	11	17
	(SMALL) . . . . .	39	5	F373778-1	RETAINER, ENGINE COVER	3	37
F269319	BEARING . . . . .	17	32	F381896-4	BATTERY CABLE . . . . .	7	30
F286461	SPRING LOCK BAR HANDLE	31	43	F381899	GROMMET, WATER LINE . .	37	61
F288075	CLAMP SCREW HANDLE . .	31	23	F384143	BEARING, BEVEL GEAR		
F289446-1	CLAMP . . . . .	7	12		REAR . . . . .	35	45
F298788	FERRULE . . . . .	39	7	F391926-1	CHOKE SOLENOID		
F2A321158	REED PLATE W/REEDS,				PLUNGER . . . . .	19	89
	REED STOP AND SCREW	17	19	F391983	BAND, RETAINING . . . . .	9	48
F2A404757	CYLINDER DRAIN REED			F40209	CARBURETOR STUD . . . . .	17	36
	PLATE . . . . .	23	27	F40223	GASKET, TRANSFER PORT		
F2A481023	BEVEL GEAR FRONT				COVER . . . . .	23	41
	W/BEARINGS . . . . .	35	38	F40342	SEAL, PROPELLER NUT . . .	37	54
F304145-4	MOTOR LEG COVER, REAR	33	7	F404097	FLYWHEEL . . . . .	7	1

# PARTS INDEX

Part Number	Description	Pg.	Ref. No.	Part Number	Description	Pg.	Ref. No.
F404268	SPRING, BY-PASS VALVE ..	25	84	F481061-1	CARBURETOR COMPLETE (WB21B) .....	21	72
F404446	CLAMP .....	7	27	F481382-1	SPACER, LATCH SHAFT ...	3	29
F404446	CLAMP .....	11	22	F481434	GUIDE, ENGINE COVER ...	5	45
F404449	THERMOSWITCH .....	25	88	F481567	CARBURETOR INTAKE ADAPTER .....	19	55
F404470-1	REGULATOR-RECTIFIER ..	7	8	F481662	BEVEL GEAR, REAR .....	37	46
F404801	FITTING .....	23	36	F481774	BRACKET, ENGINE COVER LATCH .....	3	32
F404841	CABLE, HEAT INDICATOR ..	7	37	F481777	CAM, LATCH SHAFT .....	3	28
F404908	COIL GROUND WIRE .....	7	41	F481836	INTAKE GASKET .....	19	70
F407446	CLAMP .....	7	31	F481860-1	CARBURETOR, INTAKE ...	19	57
F409251-1	GAUGE CAP .....	39	1	F485755	FUEL TANK ADAPTER ...	39	3
F433114	HANDLE, LOCK BAR .....	31	44	F498061-1	CARBURETOR COMPLETE (WB26B) .....	21	72
F433209	STUD .....	17	30	F50109	PLUG, GEAR HOUSING ...	35	14
F433253	HOSE .....	23	37	F53504	GROMMET .....	19	58
F438065	WATER PUMP IMPELLER ..	35	5	F58685-2	CONNECTOR, SHIFT CABLE	41	2
F438066	BY-PASS VALVE COVER ...	25	82	F590	SYNCHRO-DRIVE CONTROL HEAD (SINGLE LEVER) ..	48	-
F438077	SCREEN, WATER INLET ...	37	70	F63754	HOSE INTAKE DRAIN .....	19	63
F438116-1	EXHAUST OUTLET, GEAR HOUSING UPPER W/SCREW .....	37	67	F66480	STUD .....	31	25
F438129	SEAL, DRIVESHAFT SPLINE	35	12	F7004	STOP NUT, 3/18 - 16 .....	23	24
F438165	SCREW, FUEL PUMP BOWL	17	15	F7012	LOCK NUT, 1/2 - 20 .....	31	17
F438169	BEARING .....	31	34	F7025	LOCK NUT, 3/8 - 16 .....	35	16
F438271	RETAINER, CRANKSHAFT SPLINE SEAL .....	35	4	F70H01	ANTI-CORROSION KIT ...	48	-
F438346	SHOCK MOUNT, LOWER ..	33	67	F70H05	EXTENSION CABLE .....	49	-
F438398	DECAL, WIRING .....	25	75	F71H02	ANTI-CORROSION SACRIFICIAL ANODE .....	48	-
F438500	FUEL SEDIMENT BOWL ...	17	14	F71H04	SPEEDOMETER FLUSH MOUNT .....	50	-
F438617	FUEL SEDIMENT BOWL GASKET .....	17	13	F71H05	TEMPERATURE GAUGE FLUSH MOUNT .....	49	-
F438653	FUEL SEDIMENT BOWL SCREEN .....	17	12	F71H08	FUEL TANK (ACCESSORY ITEM) .....	39	2
F438668	RETAINER, CABLE CLAMP ..	7	13	F71H08	STEEL, 6 GALLON FUEL TANK (LOW PROFILE) ...	48	-
F438744-1	WIRING HARNESS .....	7	4	F71H10	SENDING UNIT .....	49	-
F438747	FUEL PUMP DIAPHRAGM ..	17	7	F71H12	TANK ANCHOR .....	48	-
F438754	FUEL LINE W/CLAMPS .....	19	79	F71H20	CIGAR LIGHTER .....	49	-
F438760	FUEL PUMP GASKET .....	17	8	F71H21	IGNITION SWITCH MOUNTING KIT (ACCESSORY ITEM) .....	9	49
F438801	FITTING .....	17	5	F71H23	STEEL, 12 GALLON FUEL TANK .....	48	-
F438930	RETAINER, SNOUT .....	37	71	F71H26	BATTERY CABLE CLAMP KIT, (ACCESSORY ITEM) ..	7	32
F438962	SHOCK MOUNT SIDE .....	31	15	F71H26	BATTERY TERMINAL KIT ..	49	-
F438984-1	BLANKET, SILENCER TOP (NOT SHOWN) .....	5	-	F71H30	OVERHEAT BUZZER .....	48	-
F439736	SEAL EXHAUST TUBE .....	31	6	F71H30	OVERHEAT BUZZER (ACCESSORY ITEM) .....	7	36
F440015-1	PISTON .....	29	2	F71H32	TILT STOP KIT .....	48	-
F460917	STARTER RELAY .....	7	26	F71H34	POWER TRIM .....	50	-
F461	SHOCK ABSORBER KIT ...	48	-	F72H08	HYDRAULIC TILT .....	49	-
F463366	NAME "CHRYSLER" .....	3	9	F72H22	POWER TRIM INDICATOR ..	48	-
F474387	TIMING DECAL (NOT SHOWN) .....	9	-	F72H36	REMOTE CONTROL UNIT COMPLETE (SINGLE LEVER STARBOARD) ...	43	39
F480038-2	SUPPORT PLATE .....	3	15	F72H36	SYNCHRO-DRIVE CONTROL BOX (SINGLE LEVER) ...	48	-
F480107-1	CAM, STARTER INTERLOCK	27	102				
F480309	DISTRIBUTOR .....	15	-				
F480386	PLATE, REAR .....	3	5				
F480388	DISC, WATER PUMP LOCATING .....	37	74				
F480551-1	BRACKET INTERLOCK SWITCH .....	21	95				
F480711	PLATE, ENGINE COVER FRONT .....	3	42				
F480818	BEARING, LATCH SHAFT ..	3	13				

# PARTS INDEX

Part Number	Description	Pg.	Ref. No.	Part Number	Description	Pg.	Ref. No.
F72H66	EXHAUST SNOOT	48	-	F84342	SEAL, INLET WATER LINE, UPPER	37	60
F73H09	RFI SUPPRESSION KIT	48	-	F84449	INTERLOCK SWITCH	21	98
F73H11	REMOTE ELECTRIC CABLE	49	-	F84504	GROMMET	25	71
F74H01	VOLTMETER - FLUSH MOUNT	49	-	F84521-1	CLUTCH	35	41
F74H09	TACHOMETER FLUSH MOUNT	50	-	F84717	THRUST WASHER, BEVEL GEAR, REAR	37	72
F74H19	IGNITION KEY SWITCH	49	-	F84735	SEAL, INLET WATER LINE, LOWER	35	1
F74H20	IGNITION KEY SWITCH	49	-	F84792	GASKET, FUEL PUMP VALVE	17	10
F74H20	IGNITION SWITCH (LONG BARREL) W/KEYS AND SCREWS	7	34	F84991-1	GROMMET	15	45
F75H09	BATTERY CABLE	49	-	F84991-1	GROMMET	23	3
F762	REMOTE ELECTRIC CABLE	49	-	F85006-1	STUD, GEAR HOUSING, FRONT	35	27
F794	WATER PUMP KIT	50	-	F85012	PILOT, GEAR HOUSING	35	29
F8001	WASHER	35	31	F85017	PISTON PIN	29	4
F8003	PLAIN WASHER	23	30	F85026	SWIVEL	23	21
F8011	PLAIN WASHER	7	20	F85033	CHOKE ROD SWIVEL	19	81
F8028	PLAIN WASHER	11	7	F85035	DISTRIBUTOR CONTROL ROD END	23	20
F8056	LOCKWASHER	13	18	F85036	TOWERSHAFT CONTROL ROD END	23	17
F8056	LOCKWASHER	13	43	F85037-1	STERN BRACKET PIVOT BOLT	33	46
F8056	SPRING LOCKWASHER	7	7	F85073	CLAMP SCREW	31	26
F8056	SPRING LOCKWASHER	25	87	F85095-2	STATOR	7	3
F8058	INTERNAL TOOTH LOCKWASHER	17	27	F85117	BRACKET, WATER LINE	37	59
F8058	INTERNAL TOOTH LOCKWASHER	25	48	F85122	PARTING LINE SEAL	27	93
F8060	LOCKWASHER	11	14	F85130	BOOT, IDLE EXHAUST	31	9
F8077	WASHER, GEAR HOUSING PLUG	35	15	F85151-1	EXHAUST PORT PLATE	25	80
F8083	SPRING LOCKWASHER	3	26	F85152-4	EXHAUST PORT COVER	25	78
F8083	SPRING LOCKWASHER	9	43	F85154-1	GASKET, EXHAUST PORT PLATE	25	79
F8083	SPRING LOCKWASHER	31	3	F85159	GASKET, INTAKE MANIFOLD	17	22
F8088	PLAIN WASHER	19	83	F85161-1	REED STOP	17	17
F8088	PLAIN WASHER	21	102	F85162	REED PLATE ADAPTER	17	21
F8094	PLAIN WASHER	3	27	F85168	GASKET REED PLATE ADAPTER	17	20
F8094	PLAIN WASHER	33	55	F85173	RETAINING RING	13	6
F8096	SPRING LOCKWASHER	3	22	F85192-1	THROTTLE CAM	17	33
F8096	SPRING LOCKWASHER	3	34	F85210	STUD	27	91
F8096	SPRING LOCKWASHER	7	25	F85211	STUD, REAR	23	46
F8096	SPRING LOCKWASHER	33	68	F85244	INLET WATER LINE	37	62
F8096	SPRING LOCKWASHER, S.S.	37	65	F85253-1	FUEL LINE W/CLAMPS	19	88
F84008-3	STUD, GEAR HOUSING, REAR	35	37	F85258	INSERT	31	10
F84011	WASHER	33	51	F85279-2	CYLINDER EXHAUST GASKET, UPPER	25	51
F84031	GASKET, WATER PUMP	35	7	F85300	REVERSE LOCK SPRING	31	38
F84074	CLAMP SCREW FOOT	31	24	F85311	DISTRIBUTOR BELT	13	1
F84118	SEAL, PROPELLER SHAFT	37	51	F85314-1	FUEL FITTING	21	92
F84146-1	SEAL	29	13	F85317-1	CLAMP	19	90
F84146-1	SEAL	29	20	F85350-1	TILT STOP PIVOT	31	29
F84173	RETAINING RING	35	9	F8537	SPRING PIN	31	27
F84215	SPACER	35	17	F85372	PIN, GEAR SHIFT ROD LOWER	35	21
F84278	SEAL, CRANKSHAFT BEARING CAGE	29	17	F85380	SPRING	31	11
F84286-1	FRICTION WASHER	33	47	F85410	SNAP RING	29	8
F84305	SEAL, PROPELLER SHAFT BEARING CAGE	37	50	F85426	TILT STOP	33	48
F84307-1	SEAL, DRIVESHAFT	35	8				
F84314-2	ELBOW	17	3				
F84314-2	ELBOW	23	22				

# PARTS INDEX

Part Number	Description	Pg.	Ref. No.	Part Number	Description	Pg.	Ref. No.
F85453-1	GASKET, EXHAUST LOWER	31	1	FA40901	BEARING, DRIVESHAFT		
F8547	SPRING PIN	31	40		W/CUP	35	10
F85472-2	GASKET, CYLINDER DRAIN			FA411222	TRANSFER PORT COVER		
	COVER	23	32		W/PLUG	23	40
F85498	FLYWHEEL KEY	29	16	FA438113	STERN BRACKET LOCK BAR		
F85502	THROTTLE LINK	23	8		W/HANDLE	31	42
F85509-1	CHOKE LINK	19	78	FA438431	FUEL PUMP BODY		
F85541-1	TILT LOCK	31	30		W/VALVES	17	11
F85571	BEARING CAGE W/ROLLER	29	10	FA438493	TERMINAL BLOCK BRACKET	7	11
F85606	KINGPIN CAP	31	31	FA439746	FUEL PUMP COVER	17	6
F85610	BEARING	25	56	FA440260	PISTON RING SET (4 PER		
F85615	GEAR SHIFT ROD UPPER	33	72		SET)	29	1
F8563	DOWEL PIN	27	92	FA467892	INSERT, PLATE FRONT -		
F85634-1	CONNECTING ROD SCREW	29	14		U.S.A.	3	41
F85660	EXHAUST TUBE	31	2	FA467893	INSERT, PLATE FRONT -		
F85664	DISTRIBUTOR GROUND	13	28		CANADA	3	-
F85704	COUPLER, GEARSHIFT ROD			FA480188	NUT, BEVEL PINION		
	UPPER	33	76		RETAINING	35	33
F85705-1	GEAR SHIFT ROD LOWER	37	23	FA480385	INSERT, SIDE PLATE	5	10
F85731-1	SEAL	3	39	FA480528	INSERT, REAR PLATE	5	4
F85748-2	GASKET, CYLINDER DRAIN			FA480876	GEAR SHIFT ARM		
	REED PLATE	23	25		W/SWIVEL, INTERLOCK		
F85762	GASKET, BY-PASS VALVE	25	83		ARM AND BEARINGS	25	57
F85772	CLAMP	31	12	FA480894	TIMING POINTER	23	1
F85779-1	BAFFLE, AIR INTAKE	33	60	FA481010	CYLINDR ASS'Y W/PARTING		
F85843-1	REMOTE ELECTRIC CABLE,				LINE SEAL AND LWR		
	18 FEET	7	38		MAIN BEARING ASS'Y	27	89
F85859	STUD, FORWARD	23	23	FA481266	BEVEL PINION GEAR		
F85906	CARBURETOR GASKET	17	35		W/BEARING	35	35
F85908	STARTER LEAD WIRE	11	21	FA481385	INSERT, SIDE PLATE	5	10
F85916-1	BY-PASS VALVE	25	85	FA481469	ENGINE COVER LATCH		
F85924	CHOKE SOLENOID	7	28		HANDLE W/SHAFT	3	12
F85925	CHOKE ROD	19	86	FA481528	INSERT, REAR PLATE	5	4
F85965	SHOCK MOUNT, UPPER	33	64	FA481743	LATCH, ROLLER BRACKET	3	33
F861	FLUSHING ADAPTER	48	-	FA510497	TERMINAL BLOCK	7	15
F862	STEEL, 6 GALLON FUEL	48	-	FA58976-1	CONNECTOR, THROTTLE		
F89758	FUEL PUMP AIR HOSE, TOP	17	4		CABLE	41	1
F9038	DRIVE KEY, WATER PUMP	37	64	FA77395-5	IDENTIFICATION PLATE		
F90807	RETAINING RING	19	47		W/SCREWS FOR U.S.A.		
F90891	PIN, GEAR SHIFT ARM	35	30		MODELS	3	18
F91446-1	CIRCUIT BREAKER			FA84225	BEARING W/CUP	37	47
	BRACKET	7	21	FA84298-3	PROPELLER SHAFT		
F91460-2	CIRCUIT BREAKER	7	22		BEARING CAGE	37	52
F92759	THROTTLE ROLLER	19	48	FA84621-1	COUPLING, GEAR SHIFT		
F93811	SCREEN	23	26		ARM W/BUSHING	35	26
F93920	REED STOP	23	29	FA84754-1	FUEL LINE SHORT		
F97772	FUEL LINE CLAMP	39	11		W/FERRULES	39	8
F97772	HOSE CLAMP	19	62	FA84871	PIN, GEAR SHIFT W/YOKE	35	40
F98273	ROD END CONNECTOR			FA85018-2	CRANKSHAFT W/BEARING	29	15
	STUD	25	50	FA85019	KINGPIN W/PLUG	31	35
FA15072	HEX LOCK NUT, 1/4 - 20	11	12	FA85193	TIE BAR END W/SWIVEL	17	43
FA321574	DISTRIBUTOR BRACKET	13	10	FA85355-1	WASHER SHOCK MOUNT		
FA335260	PISTON RING SET (3 PER				UPPER	33	63
	SET)	29	1	FA85511	THROTTLE TIE BAR		
FA335260	PISTON RINGS SET (3 PER				W/SWIVEL	19	44
	SET) .010 OVERSIZE (NOT	29	-	FA85655-1	CRANKSHAFT MAIN		
	SHOWN)				BEARING RACE W/SNAP		
FA373014	CRANKSHAFT LOWER MAIN				RING	29	9
	BEARING W/SEAL	29	12				
FA404680	SPACER PLATE W/PLUGS	25	63				

# PARTS INDEX

Part Number	Description	Pg.	Ref. No.	Part Number	Description	Pg.	Ref. No.
FA98689	BEARING, TOWERSHAFT ..	25	60	FS438955	STARTER COMPLETE .....	11	-
FC481054	GEAR HOUSING COMPLETE. ....	37	-	FS440260	PISTON RINGS SET (4 PER SET) .010 OVERSIZE (NOT SHOWN) .....	29	-
FG460	GASKET SET (NOT SHOWN)	27	-	FS480179	TRIM, TOP .....	3	1
FK280	PROPELLER PIN .....	35	44	FS480180	TRIM, REAR .....	3	6
FK405020	SWIVEL W/PIVOT SCREW AND NUT .....	23	15	FS480269	TILT HANDLE .....	3	3
FK500060	WATER PUMP BODY .....	35	3	FS480888	TRIM, FRONT .....	3	43
FK750-1	SPARKIE W/SPRING .....	15	44	FSA440015	PISTON .010 OVERSIZE (NOT SHOWN) .....	29	-
FK85128-1	DRIVESHAFT .....	37	63	FT2953	SOCKET .....	45	-
FK85228	BEARING CAGE W/ROLLER	29	7	FT2982A	TEST WHEEL .....	47	-
FO10165	INLET SEAT GASKET .....	19	75	FT2990	PISTON PIN TOOL .....	45	-
FO10588	BODY CHANNEL CUP PLUG	17	39	FT2992	GAUGE .....	46	-
FO10790	INLET NEEDLE, SEAT AND GASKET .....	19	76	FT2993	PROPELLER SHAFT BEARING CAGE PULLER	46	-
FO11103	IDLE SCREW SPRING .....	19	53	FT2995	FORWARD BEARING CUP REMOVER .....	46	-
FO13552	FUEL BOWL .....	19	67	FT2996	RING COMPRESSOR .....	45	-
FO13554	FLOAT .....	19	69	FT8901	INDICATOR HOLDER .....	46	-
FO13555	CHOKE SHUTTER .....	21	77	FT8902	DIAL INDICATOR .....	46	-
FO13944	FLOAT LEVER PIN .....	19	68	FT8903	SEAL INSTALLER .....	45	-
FO13945	FUEL BOWL RETAINING SCREW .....	19	65	FT8905	DRIVESHAFT BEARING REMOVER .....	46	-
FO13946	IDLE SCREW .....	21	54	FT8906	PROPELLER SHAFT BEARING SUPPORT .....	46	-
FO13947	CHOKE SHAFT RETURN SPRING .....	21	73	FT8907	DRIVE HANDLE .....	45	-
FO13966	IDLE TUBE, FOR 75 H.P. ENGINE CARBURETORS ONLY .....	17	34	FT8907	DRIVER HANDLE .....	46	-
FO14166	IDLE SCREW .....	21	54	FT8908	PROPELLER SHAFT SEAL INSTALLER .....	46	-
FO14167	THROTTLE SHUTTER .....	21	42	FT8909	FORWARD BEARING CUP INSTALLER .....	46	-
FO14188	MAIN FUEL JET (.066) .....	21	52	FT8910	REAR BEARING CUP INSTALLER .....	46	-
FO14303	MAIN FUEL JET (.074) .....	21	52	FT8911	DRIVESHAFT KNOCK-OFF NUT .....	46	-
FO14471	CHOKE SHUTTER .....	21	77	FT8914	SEAL REMOVER .....	45	-
FO15209	MAIN NOZZLE .....	21	93	FT8915	PROPELLER SHAFT SEAL PROTECTOR .....	46	-
FO15217	MAIN NOZZLE .....	21	93	FT8916	PROPELLER SHAFT BEARING INSTALLER .....	46	-
FO15230	THROTTLE SHAFT AND LEVER .....	19	50	FT8917	REAR BEARING CUP REMOVER .....	46	-
FO15623	FUEL BOWL GASKET .....	19	71	FT8918	BEARING GUIDE SET .....	46	-
FO16008	THROTTLE SHAFT RETURN SPRING .....	19	51	FT8919	SPRING PIN PUNCH .....	46	-
FO16397	CHOKE SHAFT RETURN SPRING .....	21	73	FT8920	DRIVESHAFT BEARING INSTALLER .....	46	-
FO16850	CHOKE SHAFT AND LEVER	19	74	FT8922	SLIDE HAMMER .....	45	-
FO16851	THROTTLE SHUTTER .....	21	42	FT8924-1	CHECKING GAUGE .....	46	-
FO2510	GASKET, FUEL BOWL RETAINING SCREW .....	19	66	FT8925	DRIVESHAFT SEAL INSTALLER .....	46	-
FO4326	BODY CHANNEL WELCH PLUG .....	17	38	FT8926	RING EXPANDER .....	45	-
FO8942	SHUTTER SCREW W/LOCKWASHER .....	17	41	FT8927	SEAL PROTECTOR .....	45	-
FO8942	THROTTLE SHUTTER SCREW AND LOCKWASHER .....	21	96	FT8933	LIFTING HOOK .....	47	-
FP372	PROPELLER (ACCESSORY ITEM) FOR 75 H.P. ENGINES .....	37	53	FT8948-1	FLYWHEEL PULLER .....	44	-
FP383	PROPELLER (ACCESSORY ITEM) FOR 90 H.P. ENGINES .....	37	-	FT8950	LEAKAGE TESTER .....	47	-
				FT8957	SEAL INSTALLER .....	46	-
				FTA2937-1	TIMING TOOL .....	44	-
				K304128-1	DRIVESHAFT .....	37	63

# PARTS INDEX

Part Number	Description	Pg.	Ref. No.	Part Number	Description	Pg.	Ref. No.
T8974	BREAKER POINT TENSION GAUGE	47	-				
11-817784A1	PROPELLER NUT W/COTTER PIN AND SEAL	37	55				
22-817789A1	DRAIN FITTING	19	64				
22-818103--1	ELBOW	19	61				
30-F284659-2	CRANKSHAFT THRUST BEARING UPPER	29	22				
31-817785A2	CRANKSHAFT BEARING CAGE W/SEAL	29	18				
32-817738A1	FUEL LINE LONG W/CLAMP AND FERRULE	39	10				
33-97180	SPARK PLUG (CHAMPION L-20-V)	25	65				
39-818110A1	PISTON RINGS (3 PER SET) .030 OVERSIZE (NOT SHOWN)	29	-				
39-818117A1	PISTON RING (4 PER SET) .030 OVERSIZE (NOT SHOWN)	29	-				
84-817775A1	COIL WIRE W/TERMINAL CLIP	13	29				
300-817855A1	UNIT	9	45				
700-818111A2	PISTON .030 OVERSIZE (NOT SHOWN)	29	-				
700-818116A2	PISTON .030 OVERSIZE (NOT SHOWN)	29	-				
700-F372015-3	PISTON	29	2				
800-817901A9	SHORT BLOCK	27	-				
1400-817958A6	STERN BRACKET	31	19				
1600-817767A2	GEAR HOUSING LOWER W/PLUG AND WASHER	35	32				