



# PARTS CATALOG

## 3.6 H.P.

### SERIAL NUMBER

3.6 (1974) .....	32BC
3.6 (1974) .....	32HC
3.6 (1974) .....	33BC
3.6 (1974) .....	33HC
3.6 (1975) .....	32BC
3.6 (1975) .....	32HC
3.6 (1975) .....	33BC
3.6 (1975) .....	33HC
3.6 (1976) .....	32BC
3.6 (1976) .....	32HC
3.6 (1976) .....	33BC
3.6 (1976) .....	33HC
3.6 (1977) .....	32BC
3.6 (1977) .....	32HC
3.6 (1977) .....	33BC
3.6 (1977) .....	33HC

# TABLE OF CONTENTS:

ACCESSORIES .....	21
CARBURETOR .....	10
ENGINE COVER AND SUPPORT PLATE .....	2
LUBRICATION CHART .....	23
MAGNETO .....	8
MOTOR LEG AND GEAR HOUSING .....	14
PARTS INDEX .....	25
POWER HEAD .....	12
SPECIAL ADJUSTMENTS .....	24
SPECIAL TOOLS - GEAR HOUSING .....	20
SPECIAL TOOLS - POWERHEAD .....	19
SPECIAL TOOLS - TUNE-UP .....	18
SPECIFICATIONS .....	22
STARTER .....	6

**NOTE:** *Indented description indicate that these parts are included in preceeding assembly.*

**AR** = As Required

**NSS** = Not Sold Seperate

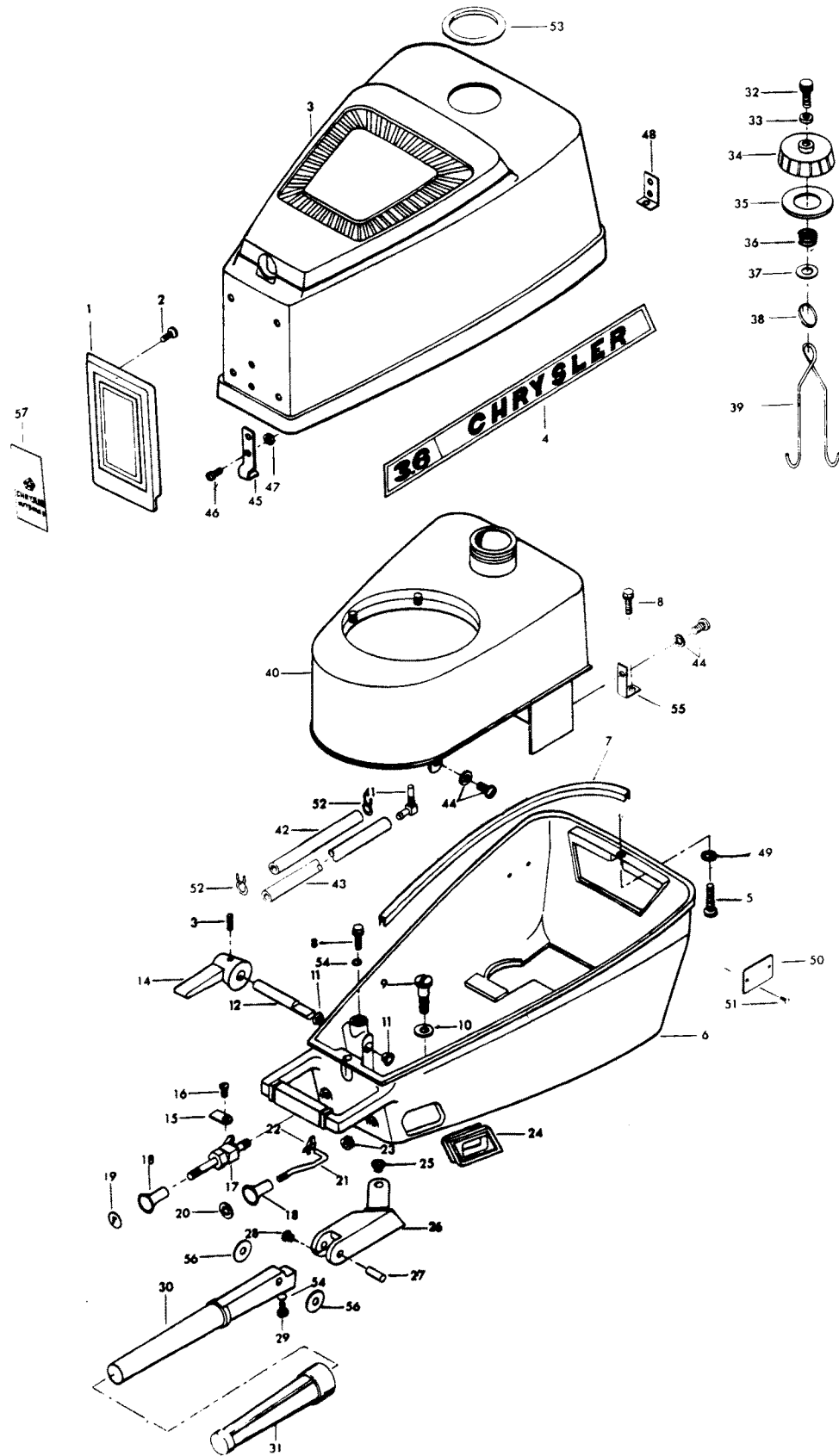
**OPT** = Optional

**NS** = Not Shown

**THESE PARTS BOOKS/FICHE CARD ARE COPYRIGHTED AND MAY NOT BE DISTRIBUTED OR REPRODUCED IN ANY OTHER FORMAT BY ANYONE OTHER THAN MERCURY MARINE WITHOUT THE PRIOR WRITTEN CONSENT OF MERCURY MARINE.**

THIS PAGE INTENTIONALLY LEFT BLANK

# ENGINE COVER AND SUPPORT PLATE

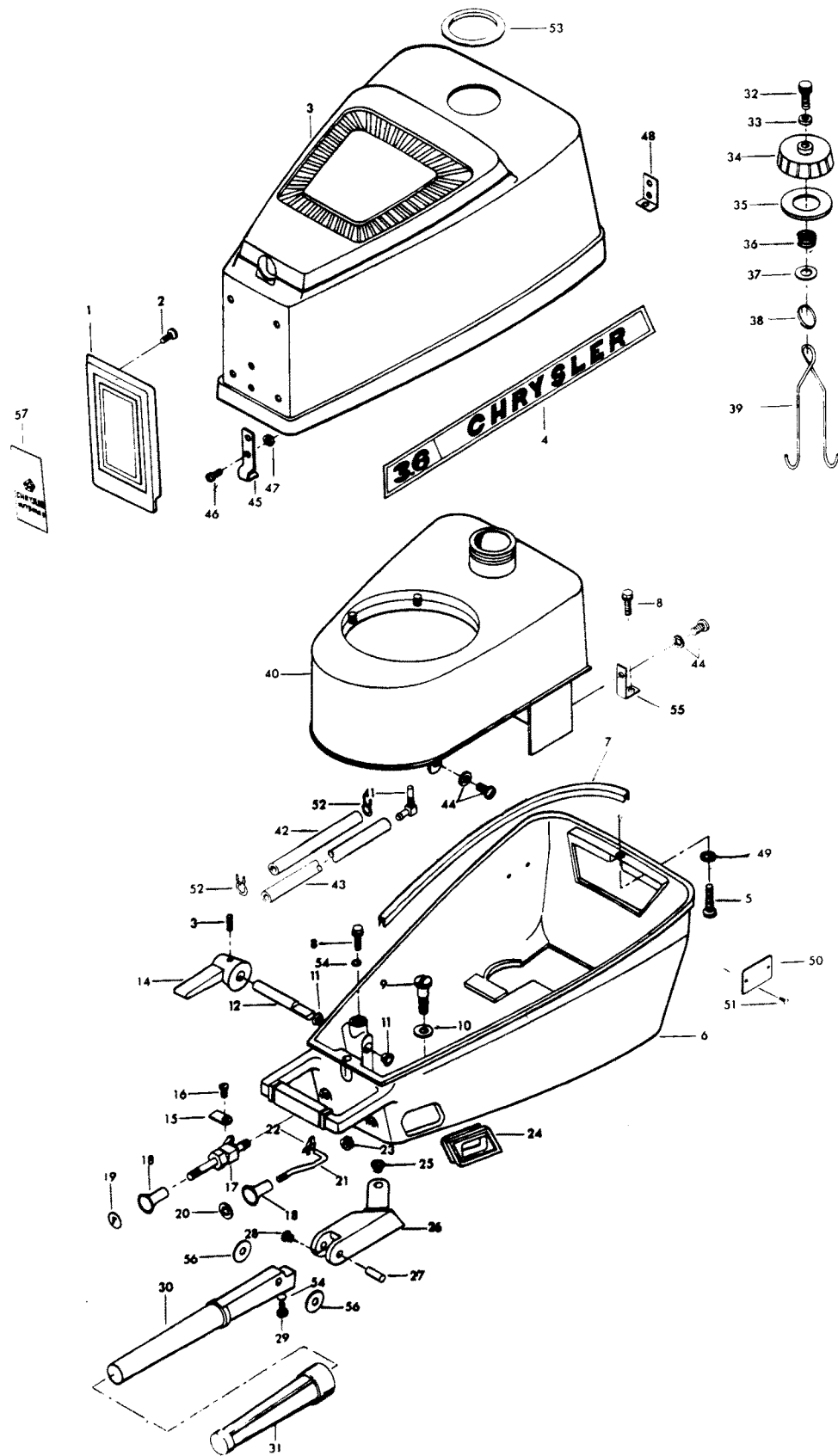


# ENGINE COVER AND SUPPORT PLATE

REF. NO.	PART NO.	SYM.	QTY.	DESCRIPTION
1	F390711-2		1	PLATE, ENGINE COVER
2	F1728		4	PAN HD TAPPING SCREW, 10 X 3/8
3	S390712-1		1	ENGINE COVER W/RETAINERS
4	482392		1	DECAL, "3.6 CHRYSLER" - PORT
-	<b>482396</b>		<b>1</b>	<b>DECAL, "3.6 CHRYSLER" - STARBOARD</b>
5	F1923		1	PAN HD THD FORMING SCREW, 14 - 10 X 1 1/2
6	FA390038		1	SUPPORT PLATE
7	F390756		1	PACKING, SUPPORT PLATE
8	F1890		2	INDENTED HEX WASHER HD TAPTITE SCREW, 1/4 - 20 X 5/8
9	F390552		1	SCREW
10	F390175		1	WASHER
11	F307818		1	BEARING, THROTTLE LEVER SHAFT
12	F390191		1	SHAFT, THROTTLE LEVER
13	F8542		1	SPRING PIN
14	F390081		1	HANDLE, THROTTLE CONTROL
15	F390178		1	RETAINER, FUEL VALVE
16	F1766		1	TAPTITE SCREW, 10 - 24 X 5/8
17	F390489		1	VALVE, FUEL
18	F286547		2	KNOB
19	390390-1		1	INSERT, SHUT-OFF VALVE KNOB
20	F458677		1	INSERT, CHOKE KNOB
21	F390503		1	ROD, CHOKE
22	F341384		1	RETAINER, CHOKE ROD
23	F318504		1	GROMMET, CHOKE ROD
24	F390840		1	GROMMET, STEERING ARM BRACKET
25	F390689		1	BEARING
26	F390078		1	BRACKET, STEERING HANDLE
27	F390558		1	PIN, STEERING HANDLE PIVOT
28	F390818		2	BEARING, STEERING HANDLE PIVOT
29	F1927		1	PAN HD TAPTITE SCREW, S.S., 10-32 X 3/8
30	S390079-1		1	HANDLE, STEERING
31	F390137		1	GRIP, STEERING HANDLE
32	F2256		1	SCREW, FUEL TANK VENT
33	F257		1	GASKET, VENT SCREW
34	FA427251		1	CAP, FUEL TANK COMPLETE
35	F390252		1	GASKET, FUEL TANK CAP
36	F2389		1	SPRING, FUEL TANK VENT SCREW
37	F2388		1	DISC, FUEL TANK CAP
38	F427249		1	RING, FUEL TANK CAP
39	F427491		1	ANCHOR, FUEL TANK CAP
40	F390034		1	TANK, FUEL
41	2752314-1		1	ELBOW, FUEL LINE
42	F390254		1	HOSE, FUEL TANK

CONTINUED ON NEXT PAGE ➡

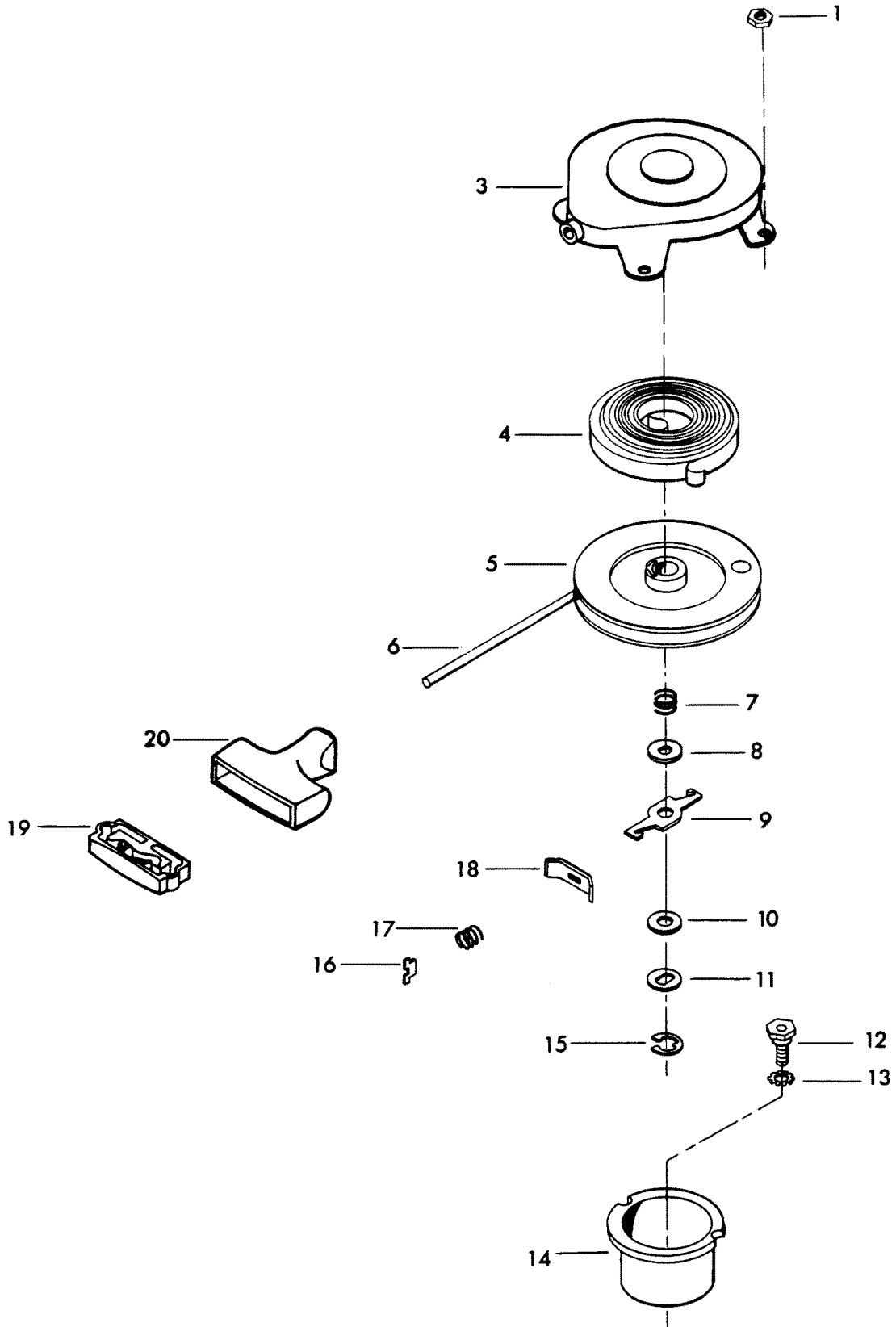
# ENGINE COVER AND SUPPORT PLATE



## ENGINE COVER AND SUPPORT PLATE

REF. NO.	PART NO.	SYM.	QTY.	DESCRIPTION
43	F390754		1	HOSE, FUEL CARBURETOR
44	F1282		4	PAN HD MACHINE SCREW & SPRING LOCKWASHER, 1/4 - 20 X 5/8
45	A390778-1		1	RETAINER, ENGINE COVER FRONT W/SCREWS AND NUTS
46	F1475		4	FILLISTER HD SCREW, 10 - 24 X 1/2
47	F7011		4	ELASTIC STOP NUT, 10 - 24
48	FA390480		1	RETAINER, ENGINE COVER REAR W/SCREWS AND NUTS
49	F8060		1	LOCKWASHER
50	FA77395-5		1	IDENTIFICATION PLATE <b>FOR U.S.A. MODELS</b>
-	<b>AC16395-7</b>		<b>1</b>	<b>IDENTIFICATION PLATE FOR CANADA MODELS</b>
51	F1293		2	DRIVE SCREW, 2 X 3/16
52	F2706772		4	CLAMP, HOSE
53	F390186		1	COLLAR, FUEL TANK FILLER NECK
54	F390388		2	DISC
55	F390951		1	BRACKET
56	F390220		2	WASHER, STEERING HANDLE PIVOT
57	A482892		1	INSERT, PLATE FRONT - U.S.A.
-	<b>A482893</b>		<b>1</b>	<b>INSERT, PLATE FRONT - CANADA</b>
-	<b>F390391</b>		<b>1</b>	<b>DECAL, SPEED RANGE (NOT SHOWN)</b>
-	<b>F53991-2</b>		<b>1</b>	<b>GROMMET, SHEAR PIN (NOT SHOWN)</b>

# STARTER

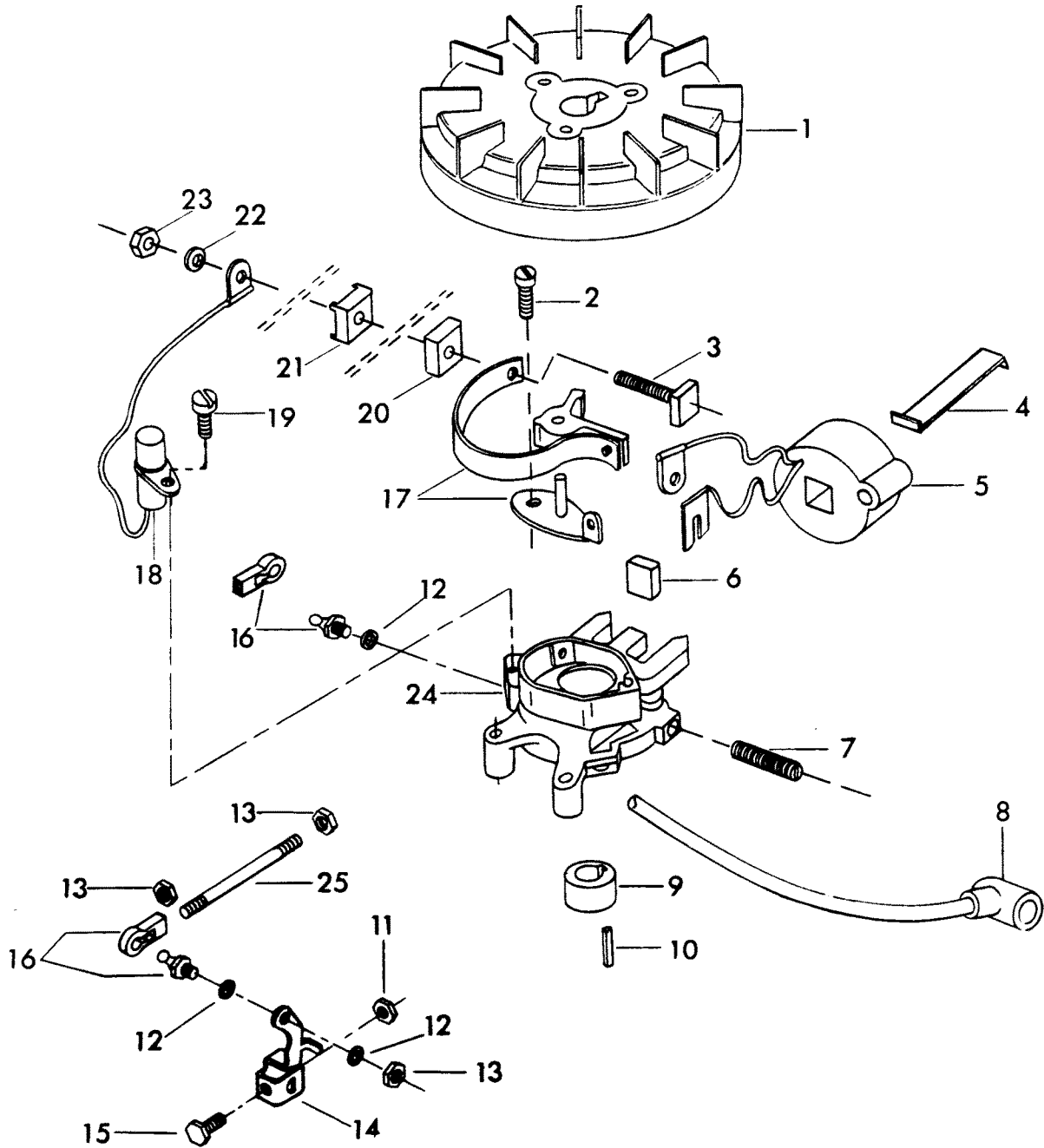




# STARTER

REF. NO.	PART NO.	SYM.	QTY.	DESCRIPTION
1	F1896		4	HEX NUT, 1/4-20
3	F15569		1	COVER
4	F15570		1	REWIND SPRING
5	F15571		1	ROTOR
6	F15572		1	CORD AND CLIP
7	F15576		1	BRAKE SPRING
8	F15573		1	FIBER WASHER
9	F15501		1	BRAKE LEVER
10	F15573		1	FIBER WASHER
11	F15510		1	STEEL WASHER
12	F2723552		1	MAGNETO FLYWHEEL SCREW
13	F8066		1	EXTERNAL TOOTH LOCKWASHER
14	F390456		1	CUP
15	F15577		1	SNAP RING
16	F15518		2	SPRING RETAINER
17	F15503		2	FRICTION SHOE SPRING
18	F15519		2	FRICTION SHOE PLATE
19	817938A1		1	RETAINER, STARTER ROPE
20	F286132		1	HANDLE, STARTER ROPE
-	<b>F15575</b>		<b>1</b>	<b>FRICTION SHOE ASSEMBLY INCLUDES ITEMS 9, 16, 17 AND 18</b>
-	<b>F390063-1</b>		<b>1</b>	<b>REWIND STARTER COMPLETE INCLUDES ALL ITEMS MARKED WITH AN ASTERISK (*)</b>

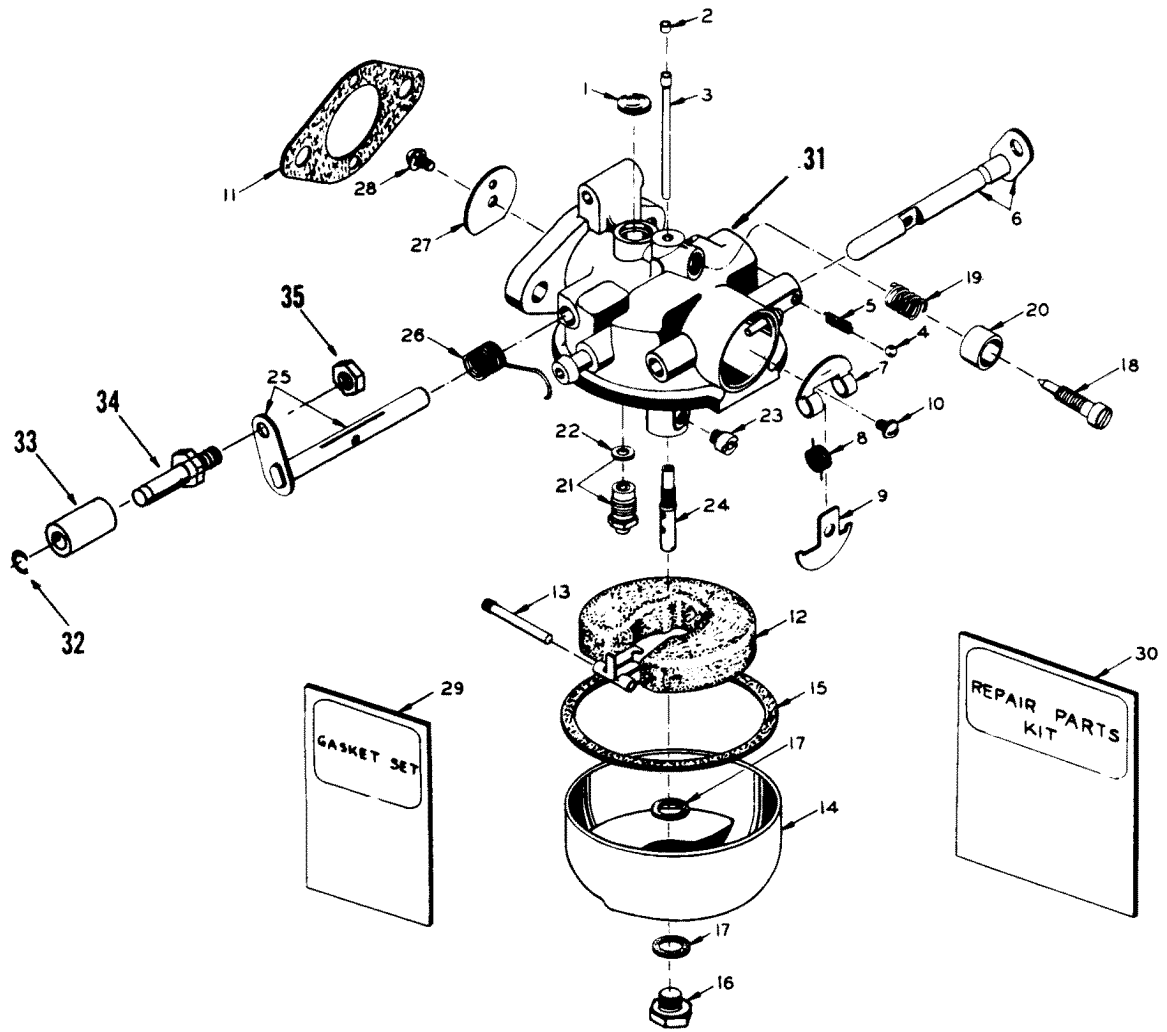
# MAGNETO



# MAGNETO

REF. NO.	PART NO.	SYM.	QTY.	DESCRIPTION
1	F390097		1	FLYWHEEL
2	F12090		1	FIXED CONTACT CLAMP SCREW
3	F12125		1	CONNECTION STUD
4	F12130		1	COIL WEDGE SPRING
5	F12211		1	COIL
6	F12227		1	CAM WIPER FELT
7	F12202		1	FRICITION SCREW GROUP
8	F12203		1	LEAD WIRE GROUP
9	F12149		1	BREAKER CAM
10	F390498		1	SHAFT KEY
11	F1608		1	NUT, S.S., 1/4 - 20
12	F8058		3	INTERNAL TOOTH LOCKWASHER
13	F1513		3	NUT, 10 - 32
14	F390192		1	THROTTLE CAM
15	F1689		1	HEX CAP SCREW, 1/4 - 20 X 1/2
16	817747--1		2	BALL - END CONNECTOR
17	F12131		1	BREAKER CONTACT SET
18	12178		1	CONDENSER
19	F12083		1	CONDENSER CLAMP SCREW
20	F12129		1	CONNECTION STUD INSULATOR (INSIDE)
21	F12128		1	CONNECTION STUD INSULATOR (OUTSIDE)
22	F8055		1	LOCKWASHER
23	F12127		1	CONNECTION STUD NUT
24	A390095		1	STATOR PLATE W/COIL, POINTS, CONDENSER AND LEAD WIRE <b>W/SPARKIE</b>
25	F85502		1	THROTTLE LINK
-	<b>FK750-1</b>		<b>1</b>	<b>SPARKIE KIT (NOT SHOWN)</b>
-	<b>F175899</b>		<b>1</b>	<b>GROMMET, SPARK PLUG WIRE (NOT SHOWN)</b>

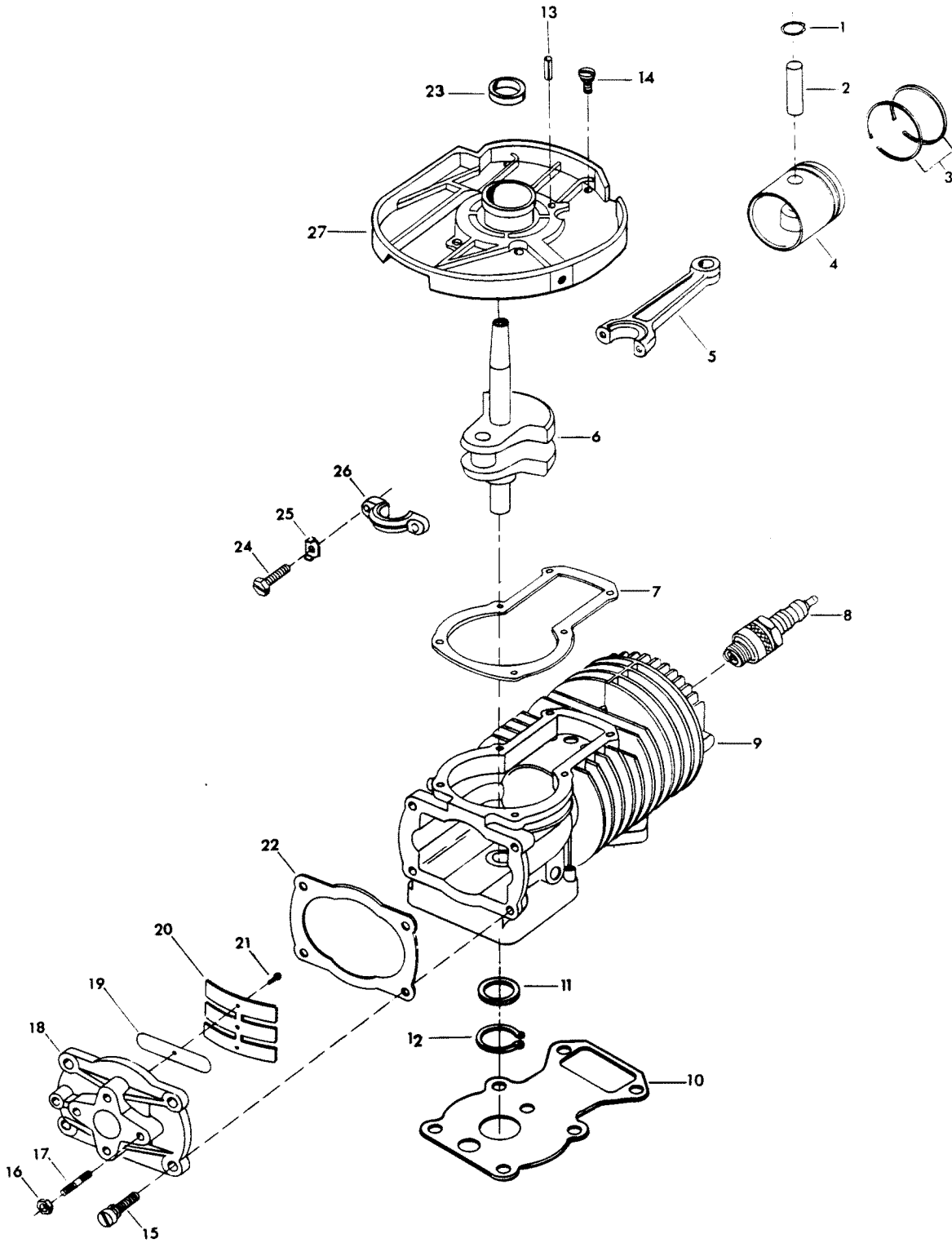
# CARBURETOR



# CARBURETOR

REF. NO.	PART NO.	SYM.	QTY.	DESCRIPTION
1	FO2531		1	BODY CHANNEL WELCH PLUG
2	FO10588		1	BODY CHANNEL CUP PLUG
3	FO15522		1	BYPASS TUBE
4	FO4784		1	CHOKE FRICTION BALL
5	FO8805		1	CHOKE FRICTION SPRING
6	FO15521		1	CHOKE SHAFT & LEVER
7	FO15368		1	CHOKE RELIEF VALVE
8	FO15783		1	CHOKE RELIEF VALVE SPRING
9	FO15367		1	CHOKE SHUTTER
10	FO10280		1	CHOKE SHUTTER RETAINING SCREW & LOCKWASHER
11	F390906		1	CARBURETOR GASKET
12	FO13554		1	FLOAT
13	FO13944		1	FLOAT LEVER PIN
14	FO15366		1	FUEL BOWL
15	FO15623		1	FUEL BOWL GASKET
16	FO13945		1	FUEL BOWL RETAINING SCREW
17	FO2510		2	FUEL BOWL RETAINING SCREW GASKET
18	FO15627		1	IDLE MIXTURE SCREW
19	FO11103		1	IDLE MIXTURE SCREW SPRING
20	FO15527		1	IDLE MIXTURE SCREW CUP
21	FO10790		1	INLET NEEDLE, SEAT & GASKET
22	FO10165		1	INLET SEAT GASKET
23	FO14540		1	MAIN FUEL JET (.037)
24	FO15525		1	MAIN NOZZLE
25	FO15524		1	THROTTLE SHAFT & LEVER
26	FO15526		1	THROTTLE SHAFT RETURN SPRING
27	FO9528		1	THROTTLE SHUTTER
28	FO8942		1	THROTTLE SHUTTER RETAINING SCREW & LOCKWASHER
29	F10006		1	GASKET SET
30	F10007		1	REPAIR PARTS KIT <b>INCLUDES ALL ITEMS MARKED WITH AN ASTERISK (*)</b> .
32	F78410		1	RETAINING RING
33	F78318		1	ROLLER
34	F197316		1	FOLLOWER, THROTTLE CAM
35	F1804		1	STOP NUT, 10 - 32
-	<b>F390061</b>		<b>1</b>	<b>CARBURETOR COMPLETE (CO-1A)</b>

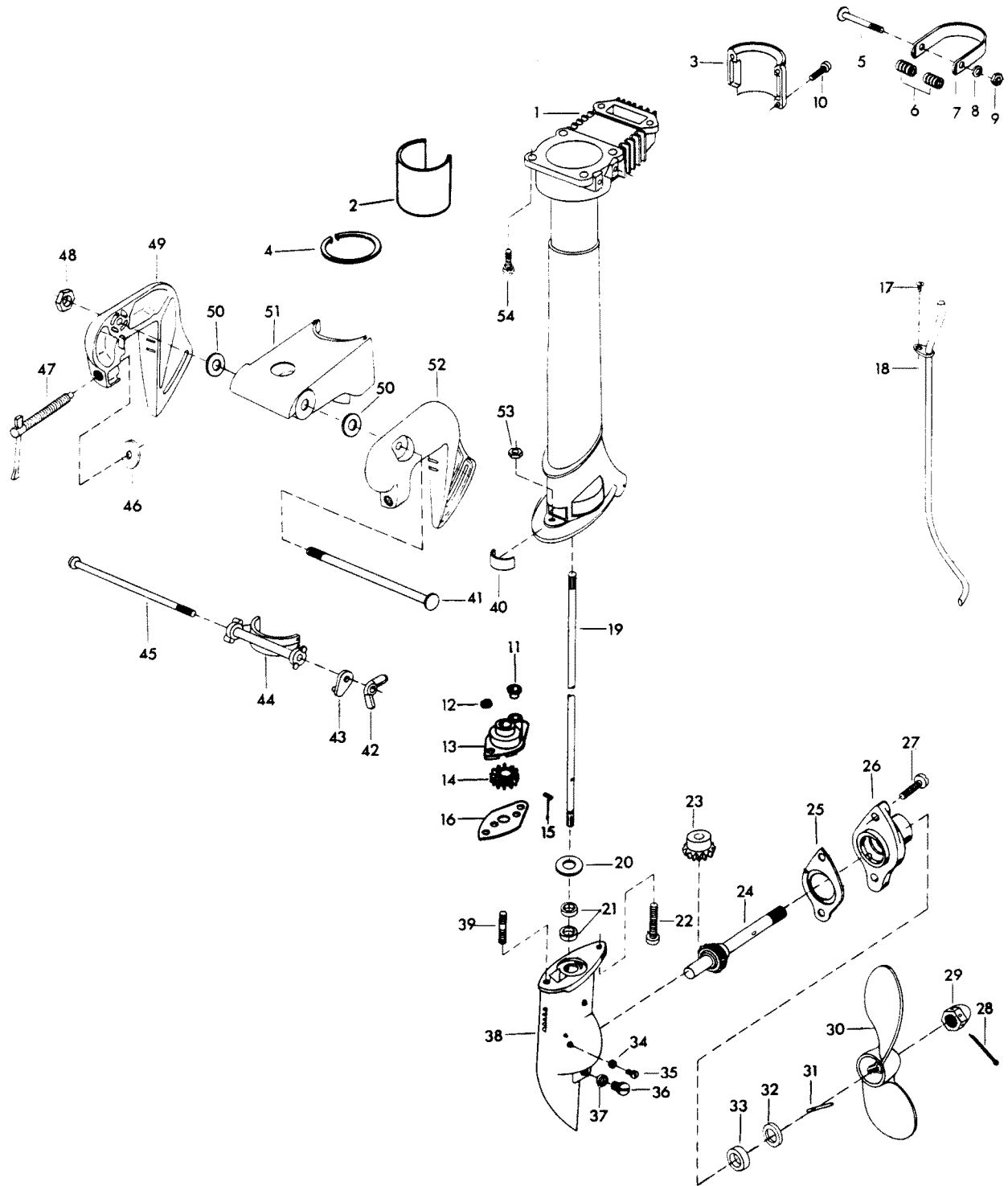
# POWER HEAD



# POWER HEAD

REF. NO.	PART NO.	SYM.	QTY.	DESCRIPTION
1	F31410		2	LOCK RING
2	F7017		1	PISTON PIN
3	FA30260		1	PISTON RING SET (2 PER SET)
4	F127015		1	PISTON
5	F2A31016		1	CONNECTING ROD W/CAP, SCREWS AND TAB LOCK
6	390018		1	CRANKSHAFT
7	F27277		1	BEARING CAGE UPPER GASKET
8	FS64227		1	SPARK PLUG
9	2A128010		1	CYLINDER W/BEARINGS
10	F390009		2	CYLINDER EXHAUST GASKET
11	F28402		1	CRANKSHAFT THRUST WASHER
12	F28410		1	RETAINING RING
13	1897		1	SPRING PIN
14	1918		6	FILL HD MACHINE SCREW, 10 - 24 X 5/8
15	F1108		4	FILL HD SCREW W/SPRING LOCKWASHER, 1/4 - 20 X 3/4
16	F1490		2	HEX NUT, 1/4 - 20
17	F2788004		2	CARBURETOR STUD
18	A128158-1		1	REED PLATE W/REEDS, REED STOPS, SCREWS AND STUDS
19	F26160-2		3	REED
20	F26161		1	REED STOP
21	F1295		2	RD HD SCREW, 4 - 40 X 1/4
22	2770159-2		1	REED PLATE GASKET
23	F30146		1	SEAL, CRANKSHAFT UPPER
24	F31634		2	CONNECTING ROD SCREW
25	F31457-1		2	TAB LOCK
27	F2A390144		1	BEARING CAGE W/BEARING, SEAL AND SPRING PIN
-	<b>FG463</b>		<b>1</b>	<b>GASKET SET</b>

# MOTOR LEG AND GEAR HOUSING



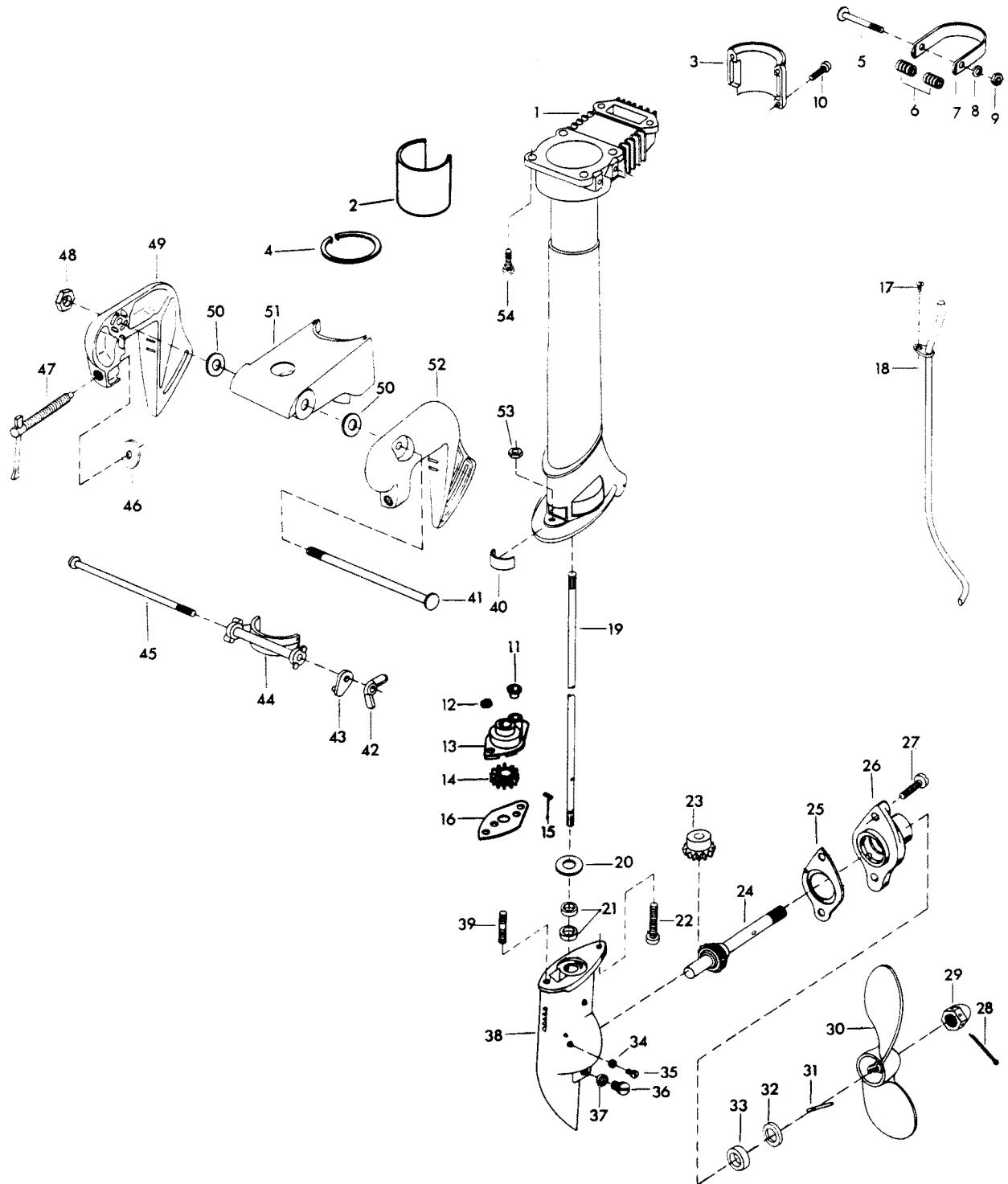


# MOTOR LEG AND GEAR HOUSING

REF. NO.	PART NO.	SYM.	QTY.	DESCRIPTION
1	A390133-1		1	MOTOR LEG W/COOLING TUBE FOR STANDARD SHAFT MODELS
-	<b>A393133-1</b>		<b>1</b>	<b>MOTOR LEG W/COOLING TUBE FOR LONG SHAFT MODELS</b>
2	FA28169-1		1	BEARING
3	FA390572		1	SWIVEL BRACKET CAP W/WASHER
4	FA28011-1		1	THRUST WASHER
5	F28632		1	FRICTION CLAMP BOLT
6	F28300		2	SPRING STEERING FRICTION
7	F28573		1	FRICTION CLAMP
8	F8062		1	LOCKWASHER
9	F1490		1	HEX NUT, 1/4 - 20
10	F1054		4	FILL HD SCREW W/LOCKWASHER, 1/4 - 20 X 1
11	F390914-1		1	SEAL, WATERLINE
12	F1896		1	HEX NUT, S.S., 1/4 - 20
13	FA390060		1	WATER PUMP BODY W/SEAL
14	F390065		1	IMPELLER
15	F390563		1	PIN, IMPELLER DRIVE
16	F390562		1	PLATE, WATER PUMP BACK
17	F1307		1	RD HD SCREW, S.S., W/SPRING LOCKWASHER, 10 - 24 X 5/16
18	A390244-1		1	COOLING TUBE W/ANCHOR FOR STANDARD SHAFT MODELS
-	<b>A393244-1</b>		<b>1</b>	<b>COOLING TUBE W/ANCHOR FOR LONG SHAFT MODELS</b>
19	F390128		1	DRIVESHAFT FOR STANDARD SHAFT MODELS
-	<b>FA393128</b>		<b>1</b>	<b>DRIVESHAFT FOR LONG SHAFT MODELS</b>
20	F28296		1	SEAL RETAINER
21	F18118-2		2	DRIVESHAFT SEAL
22	F1699		1	HEX HD SCREW, S.S., 1/4 - 20 X 1 1/8
23	F390266		1	BEVEL PINION
24	FA28098-2		1	PROPELLER SHAFT W/BEVEL GEAR AND GROOVE PIN
25	F19123		1	GEAR HOUSING CAP GASKET
26	F19055-2		1	GEAR HOUSING CAP
27	F1045		2	FILL HD CAP SCREW, S.S., 1/4 - 20 X 5/8
28	F1022		1	COTTER PIN, 3/32 X 1
29	F165094		1	PROPELLER NUT
30	FP19		1	PROPELLER (ACCESSORY ITEM)
31	K-243		1	SHEAR PIN, PACK OF 3 W/COTTER PIN
32	F28296		1	SEAL RETAINER
33	F19118-1		1	PROPELLER SHAFT SEAL
34	F8074		1	VENT SCREW WASHER
35	F1077		1	FILL HD SCREW, S.S., 10 - 24 X 1/4
36	F50109		1	GEAR HOUSING PLUG
37	F8077		1	PLUG WASHER
38	FA28054-3		1	GEAR HOUSING W/VENT SCREW, GREASE PLUG, SEAL, SEAL RETAINER <b>AND VENT SCREW WASHER</b>
39	F390008		1	GEAR HOUSING STUD

CONTINUED ON NEXT PAGE ➡

# MOTOR LEG AND GEAR HOUSING



## MOTOR LEG AND GEAR HOUSING

REF. NO.	PART NO.	SYM.	QTY.	DESCRIPTION
40	F125536-1		1	MOTOR LEG CLIP
41	F28037		1	STERN BRACKET PIVOT BOLT
42	F1617		1	WING NUT, 1/4 - 20
43	F28654		1	ANGLE ADJUSTING STOP
44	A28630-3		1	ANGLE ADJUSTING SUPPORT W/FRICTION SHOE
45	F1616		1	CARRIAGE BOLT, 1/4 - 20 X 4 1/2
46	F24074		2	CLAMP SCREW FOOT
47	FA28073		2	CLAMP SCREW W/HANDLE AND COTTER PIN
48	F7005		1	ELASTIC STOP NUT
49	FA28032-2		1	STERN BRACKET STARBOARD W/CLAMP SCREW AND FOOT
50	F28286		2	FRICTION WASHER
51	FA390072		1	SWIVEL BRACKET WWASHER
52	A28532-2		1	STERN BRACKET PORT <b>W/CLAMP SCREW AND FOOT</b>
53	F1341		1	HEX NUT, S.S., 1/4 - 20
54	F1925		6	FILL HD SCREW W/LOCKWASHER, 1/4 - 20 X 1 1/2

## SPECIAL TOOLS - TUNE-UP

REF. NO.	PART NO.	SYM.	QTY.	DESCRIPTION
-	FT2919			KNOCK-OFF SCREW TO REMOVE FLYWHEEL

## SPECIAL TOOLS - POWERHEAD

REF. NO.	PART NO.	SYM.	QTY.	DESCRIPTION
-	FT8926			RING EXPANDER TO INSTALL RINGS ON PISTON

## SPECIAL TOOLS - GEAR HOUSING

REF. NO.	PART NO.	SYM.	QTY.	DESCRIPTION
-	FT903			SEAL PROTECTOR TO INSTALL PROPELLER SHAFT SEAL IN PROPELLER SHAFT BEARING CAGE
-	FT904			SEAL INSTALLER TO INSTALL PROPELLER SHAFT SEAL IN PROPELLER SHAFT BEARING CAGE

# ACCESSORIES

REF. NO.	PART NO.	SYM.	QTY.	DESCRIPTION
-				CHRYSLER OUTBOARD OIL
-				CHRYSLER OUTBOARD GEAR LUBE SEE BLOCK COMMENT 1.
-	70H06			FUEL PUMP KIT ADAPTS ENGINE TO USE WITH REMOTE FUEL TANK.
-	760			STEEL 4 1/4 GALLON FUEL USED IN CONJUNCTION WITH MODEL 70H06 FUEL PUMP KIT TO PERMIT EXTENDED CRUISING RANGE.
-	72H31			FROST WHITE LACQUER ENGINE TOUCH-UP PAINT IN 16 OZ. SPRAY BOMBS (12 CANS PER CASE).
-	72H32			GOLD LACQUER ENGINE TOUCH-UP PAINT IN 16 OZ. SPRAY BOMBS (12 CANS PER CASE).

# SPECIFICATIONS

REF. NO.	PART NO.	SYM.	QTY.	DESCRIPTION
-				HORSEPOWER 3.6 B.I.A. CERTIFIED BRAKE H.P. AT 4500 R.P.M.
-				ENGINE TWO-CYCLE, SINGLE CYLINDER.
-				BORE AND STROKE 2 - 1/16" BORE X 1 - 9/16" STROKE.
-				PISTON DISPLACEMENT 5.18 CUBIC INCHES.
-				FUEL SYSTEM FLOAT FEED CARBURETOR.
-				CONNECTING ROD SPECIAL ALUMINUM DIE CAST WITH CAST-IN BRONZE BEARINGS.
-				CRANKSHAFT MOLDED NODULAR IRON, GROUND FINISH.
-				FUEL TANK PRESSED ALUMINUM TANK, CAPACITY 7 U.S. PINTS.
-				PROPELLER SHAFT AND DRIVESHAFT STAINLESS STEEL, HARDENED GROUND AND POLISHED.
-				PROPELLER ALUMINUM, DIAMETER 7 - 1/2", PITCH 4 - 1/2" LEFT HAND ROTATION.
-				COOLING SYSTEM AIR COOLED POWERHEAD. WATER COOLED MOTOR LEG.
-				TRANSOM HEIGHT 15" OR 20", DEPENDING ON MODEL.
-				WEIGHT 33 POUNDS FOR SHORT SHAFT MODEL.



# LUBRICATION CHART

REF. NO.	PART NO.	SYM.	QTY.	DESCRIPTION
-				THROTTLE SHAFT SAE 30 MOTOR OIL, TWICE EACH SEASON
-				CLAMP SCREWS SAE 30 MOTOR OIL, TWICE EACH SEASON
-				JOINT IN STEERING HANDLE SAE 30 MOTOR OIL, TWICE EACH SEASON
-				SWIVEL BRACKET BEARING GRAPHITE GREASE, TWICE EACH SEASON
-				CONTACT SURFACE BETWEEN MAGNETO STATOR PLATE & UPR BEARING CAGE EP - ALL PURPOSE CHASSIS LUBRICANT, IF MAGNETO CONTROL EVER BECOMES HARD TO MOVE
-				GEAR HOUSING CHRYSLER OUTBOARD GEAR LUBE, EVERY 30 HOURS, OFTENER IF REQUIRED

## SPECIAL ADJUSTMENTS

REF. NO.	PART NO.	SYM.	QTY.	DESCRIPTION
-				STEERING TENSION IF MOTOR STEERS TOO HARD, LOOSEN THE 1/4 - 20 NUT ON THE FRICTION CLAMP BOLT, ILLUSTRATION 9, PAGE 13. IF MOTOR TURNS TOO EASILY, TIGHTEN THE NUT.
-				MAGNETO BREAKER POINT GAP SPACING .20".
-				SPARK PLUG

# PARTS INDEX

Part Number	Description	Pg.	Ref. No.	Part Number	Description	Pg.	Ref. No.
12178	CONDENSER	9	18	F1108	FILL HD SCREW W/SPRING		
1897	SPRING PIN	13	13		LOCKWASHER, 1/4 - 20 X		
1918	FILL HD MACHINE SCREW,				3/4	13	15
	10 - 24 X 5/8	13	14	F12083	CONDENSER CLAMP		
2752314-1	ELBOW, FUEL LINE	3	41		SCREW	9	19
2770159-2	REED PLATE GASKET	13	22	F12090	FIXED CONTACT CLAMP		
2A128010	CYLINDER W/BEARINGS	13	9		SCREW	9	2
390018	CRANKSHAFT	13	6	F12125	CONNECTION STUD	9	3
390390-1	INSERT, SHUT-OFF VALVE			F12127	CONNECTION STUD NUT	9	23
	KNOB	3	19	F12128	CONNECTION STUD		
482392	DECAL, "3.6 CHRYSLER" -				INSULATOR (OUTSIDE)	9	21
	PORT	3	4	F12129	CONNECTION STUD		
482396	DECAL, "3.6 CHRYSLER" -				INSULATOR (INSIDE)	9	20
	STARBOARD	3	-	F12130	COIL WEDGE SPRING	9	4
70H06	FUEL PUMP KIT	21	-	F12131	BREAKER CONTACT SET	9	17
72H31	FROST WHITE LACQUER	21	-	F12149	BREAKER CAM	9	9
72H32	GOLD LACQUER	21	-	F12202	FRICTION SCREW GROUP	9	7
760	STEEL 4 1/4 GALLON FUEL	21	-	F12203	LEAD WIRE GROUP	9	8
817747--1	BALL - END CONNECTOR	9	16	F12211	COIL	9	5
817938A1	RETAINER, STARTER ROPE	7	19	F12227	CAM WIPER FELT	9	6
A128158-1	REED PLATE W/REEDS,			F125536-1	MOTOR LEG CLIP	17	40
	REED STOPS, SCREWS			F127015	PISTON	13	4
	AND STUDS	13	18	F1282	PAN HD MACHINE SCREW &		
A28532-2	STERN BRACKET PORT	17	52		SPRING LOCKWASHER,		
A28630-3	ANGLE ADJUSTING				1/4 - 20 X 5/8	5	44
	SUPPORT W/FRICTION			F1293	DRIVE SCREW, 2 X 3/16	5	51
	SHOE	17	44	F1295	RD HD SCREW, 4 - 40 X 1/4	13	21
A390095	STATOR PLATE W/COIL,			F1307	RD HD SCREW, S.S.,		
	POINTS, CONDENSER				W/SPRING LOCKWASHER,		
	AND LEAD WIRE	9	24		10 - 24 X 5/16	15	17
A390133-1	MOTOR LEG W/COOLING			F1341	HEX NUT, S.S., 1/4 - 20	17	53
	TUBE FOR STANDARD			F1475	FILLISTER HD SCREW, 10 -		
	SHAFT MODELS	15	1		24 X 1/2	5	46
A390244-1	COOLING TUBE W/ANCHOR			F1490	HEX NUT, 1/4 - 20	13	16
	FOR STANDARD SHAFT			F1490	HEX NUT, 1/4 - 20	15	9
	MODELS	15	18	F1513	NUT, 10 - 32	9	13
A390778-1	RETAINER, ENGINE COVER			F15501	BRAKE LEVER	7	9
	FRONT W/SCREWS AND			F15503	FRICTION SHOE SPRING	7	17
	NUTS	5	45	F15510	STEEL WASHER	7	11
A393133-1	MOTOR LEG W/COOLING			F15518	SPRING RETAINER	7	16
	TUBE FOR LONG SHAFT			F15519	FRICTION SHOE PLATE	7	18
	MODELS	15	-	F15569	COVER	7	3
A393244-1	COOLING TUBE W/ANCHOR			F15570	REWIND SPRING	7	4
	FOR LONG SHAFT			F15571	ROTOR	7	5
	MODELS	15	-	F15572	CORD AND CLIP	7	6
A482892	INSERT, PLATE FRONT -			F15573	FIBER WASHER	7	10
	U.S.A.	5	57	F15573	FIBER WASHER	7	8
A482893	INSERT, PLATE FRONT -			F15575	FRICTION SHOE ASSEMBLY	7	-
	CANADA	5	-	F15576	BRAKE SPRING	7	7
AC16395-7	IDENTIFICATION PLATE	5	-	F15577	SNAP RING	7	15
F10006	GASKET SET	11	29	F1608	NUT, S.S., 1/4 - 20	9	11
F10007	REPAIR PARTS KIT	11	30	F1616	CARRIAGE BOLT, 1/4 - 20 X		
F1022	COTTER PIN, 3/32 X 1	15	28		4 1/2	17	45
F1045	FILL HD CAP SCREW, S.S.,			F1617	WING NUT, 1/4 - 20	17	42
	1/4 - 20 X 5/8	15	27	F165094	PROPELLER NUT	15	29
F1054	FILL HD SCREW			F1689	HEX CAP SCREW, 1/4 - 20 X		
	W/LOCKWASHER, 1/4 - 20				1/2	9	15
	X 1	15	10	F1699	HEX HD SCREW, S.S., 1/4 -		
F1077	FILL HD SCREW, S.S., 10 -				20 X 1 1/8	15	22
	24 X 1/4	15	35				

# PARTS INDEX

Part Number	Description	Pg.	Ref. No.	Part Number	Description	Pg.	Ref. No.
F175899	GROMMET, SPARK PLUG WIRE (NOT SHOWN) . . . .	9	-	F31410	LOCK RING . . . . .	13	1
F1766	TAPTITE SCREW, 10 - 24 X 5/8 . . . . .	3	16	F31457-1	TAB LOCK . . . . .	13	25
F1804	STOP NUT, 10 - 32 . . . . .	11	35	F31634	CONNECTING ROD SCREW . . . . .	13	24
F18118-2	DRIVESHAFT SEAL . . . . .	15	21	F318504	GROMMET, CHOKE ROD . . . . .	3	23
F1890	INDENTED HEX WASHER HD TAPTITE SCREW, 1/4 - 20 X 5/8 . . . . .	3	8	F341384	RETAINER, CHOKE ROD . . . . .	3	22
F1896	HEX NUT, 1/4-20 . . . . .	7	1	F390008	GEAR HOUSING STUD . . . . .	15	39
F1896	HEX NUT, S.S., 1/4 - 20 . . . . .	15	12	F390009	CYLINDER EXHAUST GASKET . . . . .	13	10
F19055-2	GEAR HOUSING CAP . . . . .	15	26	F390034	TANK, FUEL . . . . .	3	40
F19118-1	PROPELLER SHAFT SEAL . . . . .	15	33	F390061	CARBURETOR COMPLETE (CO-1A) . . . . .	11	-
F19123	GEAR HOUSING CAP GASKET . . . . .	15	25	F390063-1	REWIND STARTER COMPLETE . . . . .	7	-
F1923	PAN HD THD FORMING SCREW, 14 - 10 X 1 1/2 . . . . .	3	5	F390065	IMPELLER . . . . .	15	14
F1925	FILL HD SCREW W/LOCKWASHER, 1/4 - 20 X 1 1/2 . . . . .	17	54	F390078	BRACKET, STEERING HANDLE . . . . .	3	26
F1927	PAN HD TAPTITE SCREW, S.S., 10-32 X 3/8 . . . . .	3	29	F390081	HANDLE, THROTTLE CONTROL . . . . .	3	14
F197316	FOLLOWER, THROTTLE CAM . . . . .	11	34	F390097	FLYWHEEL . . . . .	9	1
F2256	SCREW, FUEL TANK VENT . . . . .	3	32	F390128	DRIVESHAFT FOR STANDARD SHAFT MODELS . . . . .	15	19
F2388	DISC, FUEL TANK CAP . . . . .	3	37	F390137	GRIP, STEERING HANDLE . . . . .	3	31
F2389	SPRING, FUEL TANK VENT SCREW . . . . .	3	36	F390175	WASHER . . . . .	3	10
F24074	CLAMP SCREW FOOT . . . . .	17	46	F390178	RETAINER, FUEL VALVE . . . . .	3	15
F257	GASKET, VENT SCREW . . . . .	3	33	F390186	COLLAR, FUEL TANK FILLER NECK . . . . .	5	53
F26160-2	REED . . . . .	13	19	F390191	SHAFT, THROTTLE LEVER . . . . .	3	12
F26161	REED STOP . . . . .	13	20	F390192	THROTTLE CAM . . . . .	9	14
F2706772	CLAMP, HOSE . . . . .	5	52	F390220	WASHER, STEERING HANDLE PIVOT . . . . .	5	56
F2723552	MAGNETO FLYWHEEL SCREW . . . . .	7	12	F390252	GASKET, FUEL TANK CAP . . . . .	3	35
F27277	BEARING CAGE UPPER GASKET . . . . .	13	7	F390254	HOSE, FUEL TANK . . . . .	3	42
F2788004	CARBURETOR STUD . . . . .	13	17	F390266	BEVEL PINION . . . . .	15	23
F28037	STERN BRACKET PIVOT BOLT . . . . .	17	41	F390388	DISC . . . . .	5	54
F28286	FRICITION WASHER . . . . .	17	50	F390391	DECAL, SPEED RANGE (NOT SHOWN) . . . . .	5	-
F28296	SEAL RETAINER . . . . .	15	20	F390456	CUP . . . . .	7	14
F28296	SEAL RETAINER . . . . .	15	32	F390489	VALVE, FUEL . . . . .	3	17
F28300	SPRING STEERING FRICTION . . . . .	15	6	F390498	SHAFT KEY . . . . .	9	10
F28402	CRANKSHAFT THRUST WASHER . . . . .	13	11	F390503	ROD, CHOKE . . . . .	3	21
F28410	RETAINING RING . . . . .	13	12	F390552	SCREW . . . . .	3	9
F28573	FRICITION CLAMP . . . . .	15	7	F390558	PIN, STEERING HANDLE PIVOT . . . . .	3	27
F286132	HANDLE, STARTER ROPE . . . . .	7	20	F390562	PLATE, WATER PUMP BACK . . . . .	15	16
F28632	FRICITION CLAMP BOLT . . . . .	15	5	F390563	PIN, IMPELLER DRIVE . . . . .	15	15
F28654	ANGLE ADJUSTING STOP . . . . .	17	43	F390689	BEARING . . . . .	3	25
F286547	KNOB . . . . .	3	18	F390711-2	PLATE, ENGINE COVER . . . . .	3	1
F2A31016	CONNECTING ROD W/CAP, SCREWS AND TAB LOCK . . . . .	13	5	F390754	HOSE, FUEL CARBURETOR . . . . .	5	43
F2A390144	BEARING CAGE W/BEARING, SEAL AND SPRING PIN . . . . .	13	27	F390756	PACKING, SUPPORT PLATE . . . . .	3	7
F30146	SEAL, CRANKSHAFT UPPER . . . . .	13	23	F390818	BEARING, STEERING HANDLE PIVOT . . . . .	3	28
				F390840	GROMMET, STEERING ARM BRACKET . . . . .	3	24
				F390906	CARBURETOR GASKET . . . . .	11	11
				F390914-1	SEAL, WATERLINE . . . . .	15	11
				F390951	BRACKET . . . . .	5	55
				F427249	RING, FUEL TANK CAP . . . . .	3	38
				F427491	ANCHOR, FUEL TANK CAP . . . . .	3	39
				F458677	INSERT, CHOKE KNOB . . . . .	3	20

# PARTS INDEX

Part Number	Description	Pg.	Ref. No.	Part Number	Description	Pg.	Ref. No.
F50109	GEAR HOUSING PLUG	15	36	FO13554	FLOAT	11	12
F53991-2	GROMMET, SHEAR PIN (NOT SHOWN)	5	-	FO13944	FLOAT LEVER PIN	11	13
F7005	ELASTIC STOP NUT	17	48	FO13945	FUEL BOWL RETAINING SCREW	11	16
F7011	ELASTIC STOP NUT, 10 - 24	5	47	FO14540	MAIN FUEL JET (.037)	11	23
F7017	PISTON PIN	13	2	FO15366	FUEL BOWL	11	14
F78318	ROLLER	11	33	FO15367	CHOKE SHUTTER	11	9
F78410	RETAINING RING	11	32	FO15368	CHOKE RELIEF VALVE	11	7
F8055	LOCKWASHER	9	22	FO15521	CHOKE SHAFT & LEVER	11	6
F8058	INTERNAL TOOTH LOCKWASHER	9	12	FO15522	BYPASS TUBE	11	3
F8060	LOCKWASHER	5	49	FO15524	THROTTLE SHAFT & LEVER	11	25
F8062	LOCKWASHER	15	8	FO15525	MAIN NOZZLE	11	24
F8066	EXTERNAL TOOTH LOCKWASHER	7	13	FO15526	THROTTLE SHAFT RETURN SPRING	11	26
F8074	VENT SCREW WASHER	15	34	FO15527	IDLE MIXTURE SCREW CUP	11	20
F8077	PLUG WASHER	15	37	FO15623	FUEL BOWL GASKET	11	15
F8542	SPRING PIN	3	13	FO15627	IDLE MIXTURE SCREW	11	18
F85502	THROTTLE LINK	9	25	FO15783	CHOKE RELIEF VALVE SPRING	11	8
FA28011-1	THRUST WASHER	15	4	FO2510	FUEL BOWL RETAINING SCREW GASKET	11	17
FA28032-2	STERN BRACKET STARBOARD W/CLAMP SCREW AND FOOT	17	49	FO2531	BODY CHANNEL WELCH PLUG	11	1
FA28054-3	GEAR HOUSING W/VENT SCREW, GREASE PLUG, SEAL, SEAL RETAINER	15	38	FO4784	CHOKE FRICTION BALL	11	4
FA28073	CLAMP SCREW W/HANDLE AND COTTER PIN	17	47	FO8805	CHOKE FRICTION SPRING	11	5
FA28098-2	PROPELLER SHAFT W/BEVEL GEAR AND GROOVE PIN	15	24	FO8942	THROTTLE SHUTTER RETAINING SCREW & LOCKWASHER	11	28
FA28169-1	BEARING	15	2	FO9528	THROTTLE SHUTTER	11	27
FA30260	PISTON RING SET (2 PER SET)	13	3	FP19	PROPELLER (ACCESSORY ITEM)	15	30
FA390038	SUPPORT PLATE	3	6	FS64227	SPARK PLUG	13	8
FA390060	WATER PUMP BODY W/SEAL	15	13	FT2919	KNOCK-OFF SCREW	18	-
FA390072	SWIVEL BRACKET W/WASHER	17	51	FT8926	RING EXPANDER	19	-
FA390480	RETAINER, ENGINE COVER REAR W/SCREWS AND NUTS	5	48	FT903	SEAL PROTECTOR	20	-
FA390572	SWIVEL BRACKET CAP W/WASHER	15	3	FT904	SEAL INSTALLER	20	-
FA393128	DRIVESHAFT FOR LONG SHAFT MODELS	15	-	S390079-1	HANDLE, STEERING	3	30
FA427251	CAP, FUEL TANK COMPLETE	3	34	S390712-1	ENGINE COVER W/RETAINERS	3	3
FA77395-5	IDENTIFICATION PLATE	5	50	K-243	SHEAR PIN, PACK OF 3 W/COTTER PIN	15	31
FG463	GASKET SET	13	-				
FK750-1	SPARKIE KIT (NOT SHOWN)	9	-				
FO10165	INLET SEAT GASKET	11	22				
FO10280	CHOKE SHUTTER RETAINING SCREW & LOCKWASHER	11	10				
FO10588	BODY CHANNEL CUP PLUG	11	2				
FO10790	INLET NEEDLE, SEAT & GASKET	11	21				
FO11103	IDLE MIXTURE SCREW SPRING	11	19				