



PARTS CATALOG

4 H.P.

SERIAL NUMBER

4 (1976)	42BB
4 (1976)	42HB

TABLE OF CONTENTS:

CARBURETOR AND REED PLATE	8
ENGINE COVER AND FUEL TANK	2
GEAR HOUSING	18
LUBRICATION CHART	21
MAGNETO	6
MOTOR LEG	14
PARTS INDEX	23
POWER HEAD AND SUPPORT PLATE	10
SPECIAL ADJUSTMENTS	22
SPECIFICATIONS	20
STARTER	4

NOTE: *Indented description indicate that these parts are included in preceding assembly.*

AR = As Required

NSS = Not Sold Separate

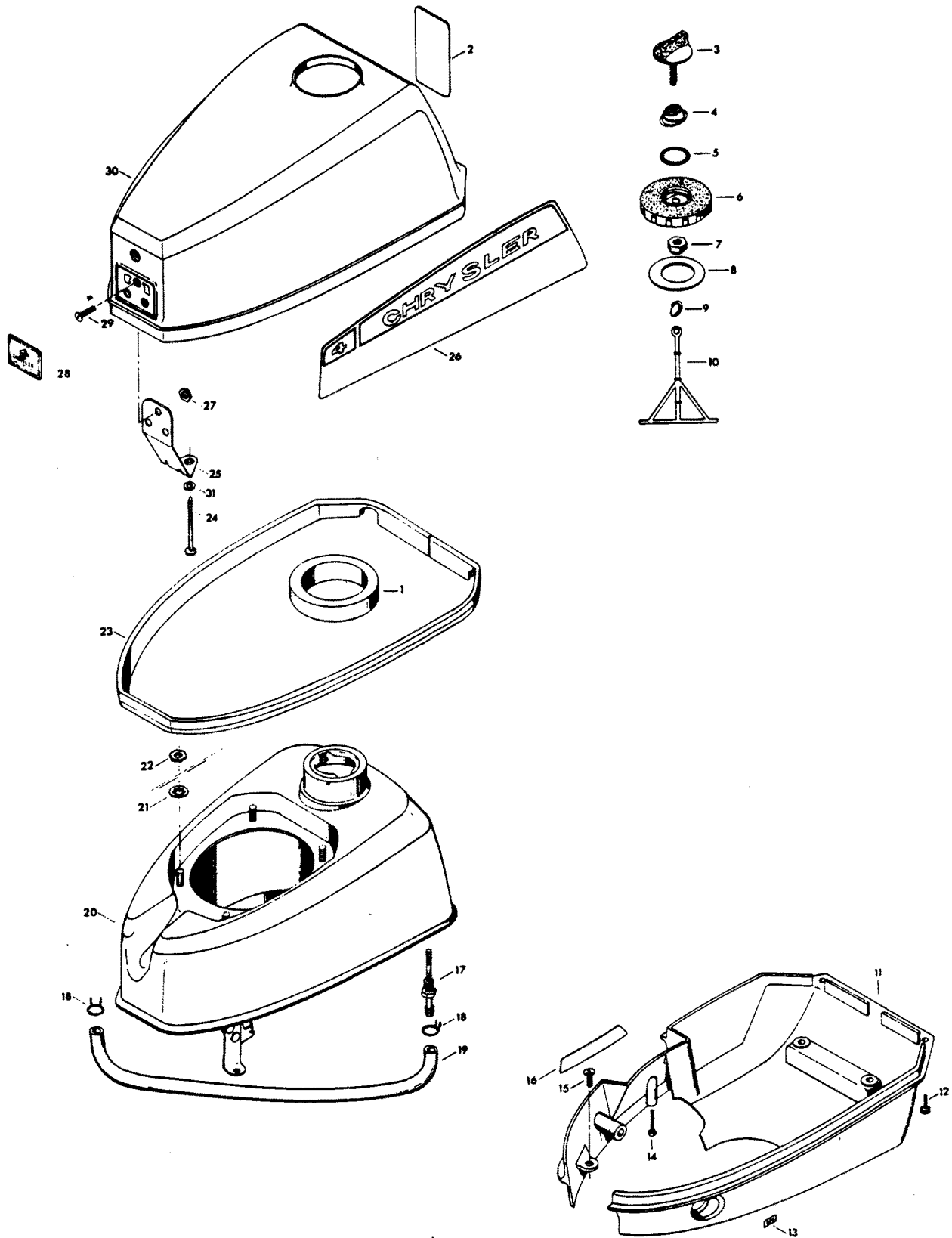
OPT = Optional

NS = Not Shown

THESE PARTS BOOKS/FICHE CARD ARE COPYRIGHTED AND MAY NOT BE DISTRIBUTED OR REPRODUCED IN ANY OTHER FORMAT BY ANYONE OTHER THAN MERCURY MARINE WITHOUT THE PRIOR WRITTEN CONSENT OF MERCURY MARINE.

THIS PAGE INTENTIONALLY LEFT BLANK

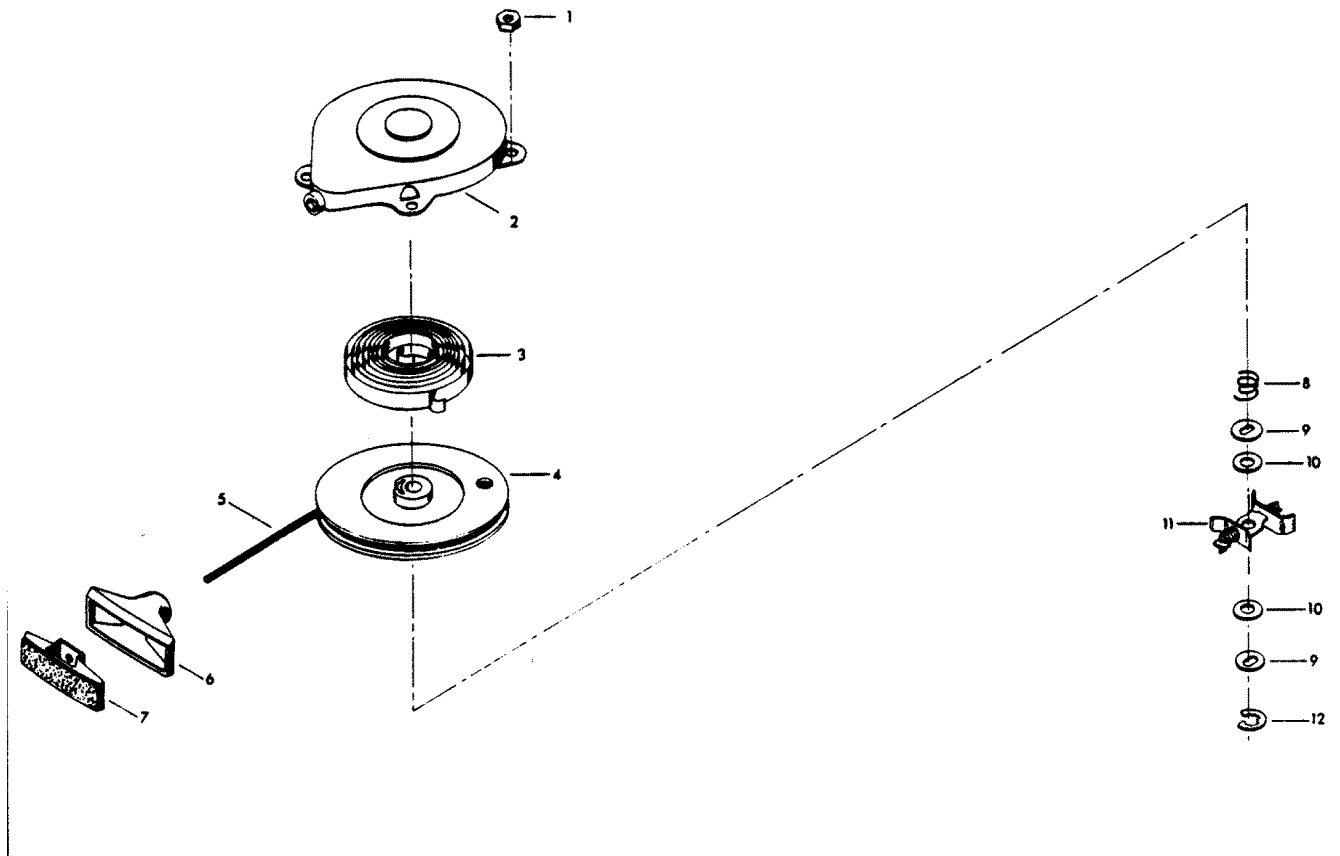
ENGINE COVER AND FUEL TANK



ENGINE COVER AND FUEL TANK

REF. NO.	PART NO.	SYM.	QTY.	DESCRIPTION
1	F459186		1	COLLAR, FUEL TANK
2	F521528		1	DECAL, TRIM REAR
3	F17934		1	VENT CAP
4	F2389		1	CAP TENSION SPRING
5	F17935		1	GASKET, "O" RING
6	F17936		1	FUEL CAP
7	F17937		1	NUT, VENT SCREW
8	F17939		1	FUEL CAP GASKET
9	F427249		1	RETAINING RING
10	F17938		1	ANCHOR
11	F521944		1	ENGINE COVER, BOTTOM
12	F1371		2	PAN HD SCREW W/EXTERNAL TOOTH LOCKWASHER, 10 - 24 X 5/8
13	F521894		1	DECAL, "OFF"
14	F1829		1	FILL HD M. SCREW, 10 - 24 X 7/8
15	F1493		3	SLOTTED PAN HD SCREW, 1/4 - 20 X 5/8
16	F521391		1	DECAL, SPEED RANGE
17	F901811		1	FITTING, GAS TANK
18	F97772		2	HOSE CLAMP
19	F521754		1	HOSE
20	F521034		1	FUEL TANK
21	F8061		4	INTERNAL TOOTH LOCKWASHER
22	F1896		4	HEX NUT
23	FK521713		1	PACKING, TOP COVER TRIM
24	F1752		1	SLOTTED PAN HD THREAD FORMING SCREW, #10 X 2
25	FA521778		1	RETAINER, ENGINE COVER FRONT W/SCREWS & NUTS
26	F521392		1	DECAL, CHRYSLER - PORT
-	F521396		1	DECAL, CHRYSLER - STARBOARD
27	F7009		3	HEX NUT
28	FA521892		1	INSERT, PLATE FRONT - U. S. A.
-	FA521893		1	INSERT, PLATE FRONT - CANADA
29	F1979		3	PAN HD SCREW, 10 - 24 X 1/2
30	FS521712		1	ENGINE COVER TOP W/RETAINER AND PACKING
31	F2042		1	PLAIN WASHER

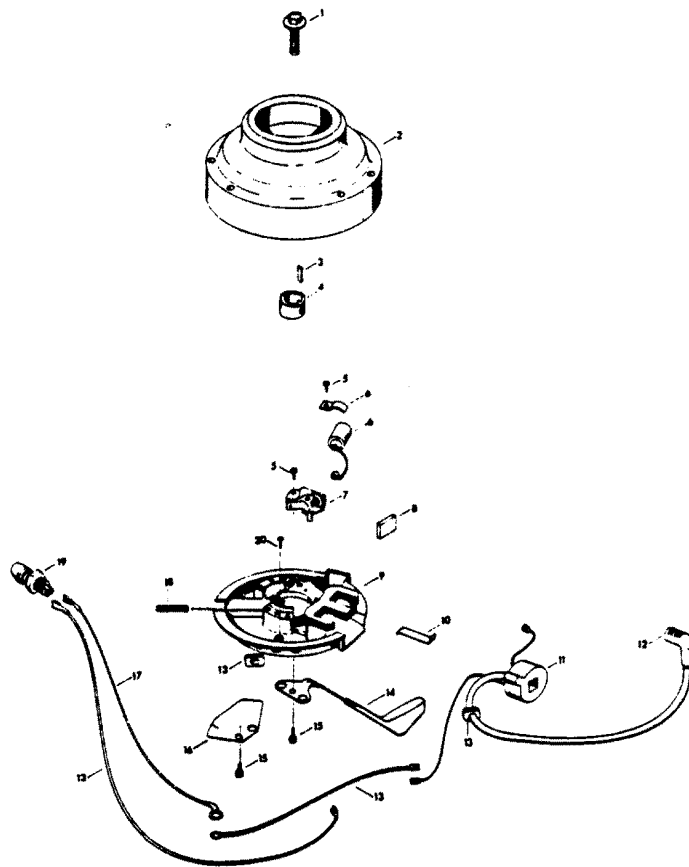
STARTER



STARTER

REF. NO.	PART NO.	SYM.	QTY.	DESCRIPTION
1	F1896		4	HEX NUT
2	F15592		1	COVER
3	F15570		1	SPRING
4	F15591		1	ROTOR
5	F15582		1	STARTER ROPE
6	F521132		1	HANDLE, STARTER ROPE
7	521817		1	RETAINER, STARTER ROPE HANDLE
8	F15576		1	SPRING
9	F15510		2	WASHER
10	F15574		2	FIBER WASHER
11	F15535		1	FRICITION SHOE ASSEMBLY
12	F15577		1	RETAINING RING
-	F521063		1	STARTER COMPLETE

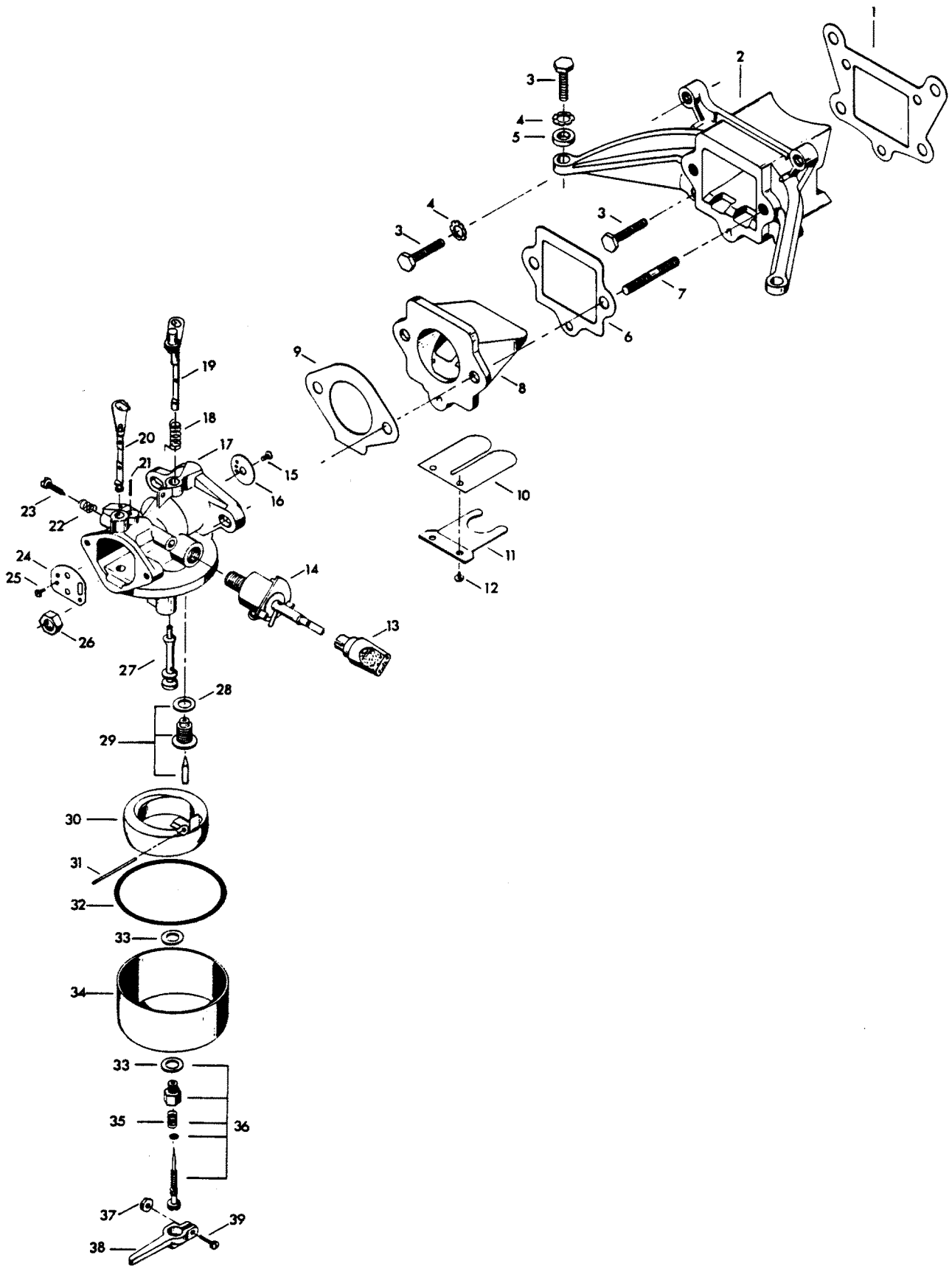
MAGNETO



MAGNETO

REF. NO.	PART NO.	SYM.	QTY.	DESCRIPTION
1	F521552		1	SCREW, FLYWHEEL
2	521097		1	FLYWHEEL
3	F521498		1	KEY, FLYWHEEL
4	F521002		1	CAM
5	F12090		2	MOUNTING SCREW
6	F12357		1	CONDENSER W/CLAMP
7	F12359		1	CONTACT SET
8	F12360		1	FELT CAM
9	F12362		1	STATOR PLATE W/CORE
10	F12363		1	WEDGE SPRING
11	F12358		1	COIL W/LEAD WIRE AND WEDGE SPRING
12	FK750-1		1	SPARKIE KIT
13	F12361		1	LEAD WIRE AND GROMMET PACKAGE
14	F521549		1	THROTTLE LEVER
15	F1655		2	HEX HD SCREW W/SPRING LOCKWASHER, 1/4 - 20 X 3/8
16	F521192		1	THROTTLE CAM
17	F521908		1	GROUND WIRE
18	F12066		1	FRICTION SCREW
19	F436449		1	SHORTING SWITCH
20	F1298		1	ROUND HD SCREW W/LOCKWASHER, 6 - 32 X 1/4

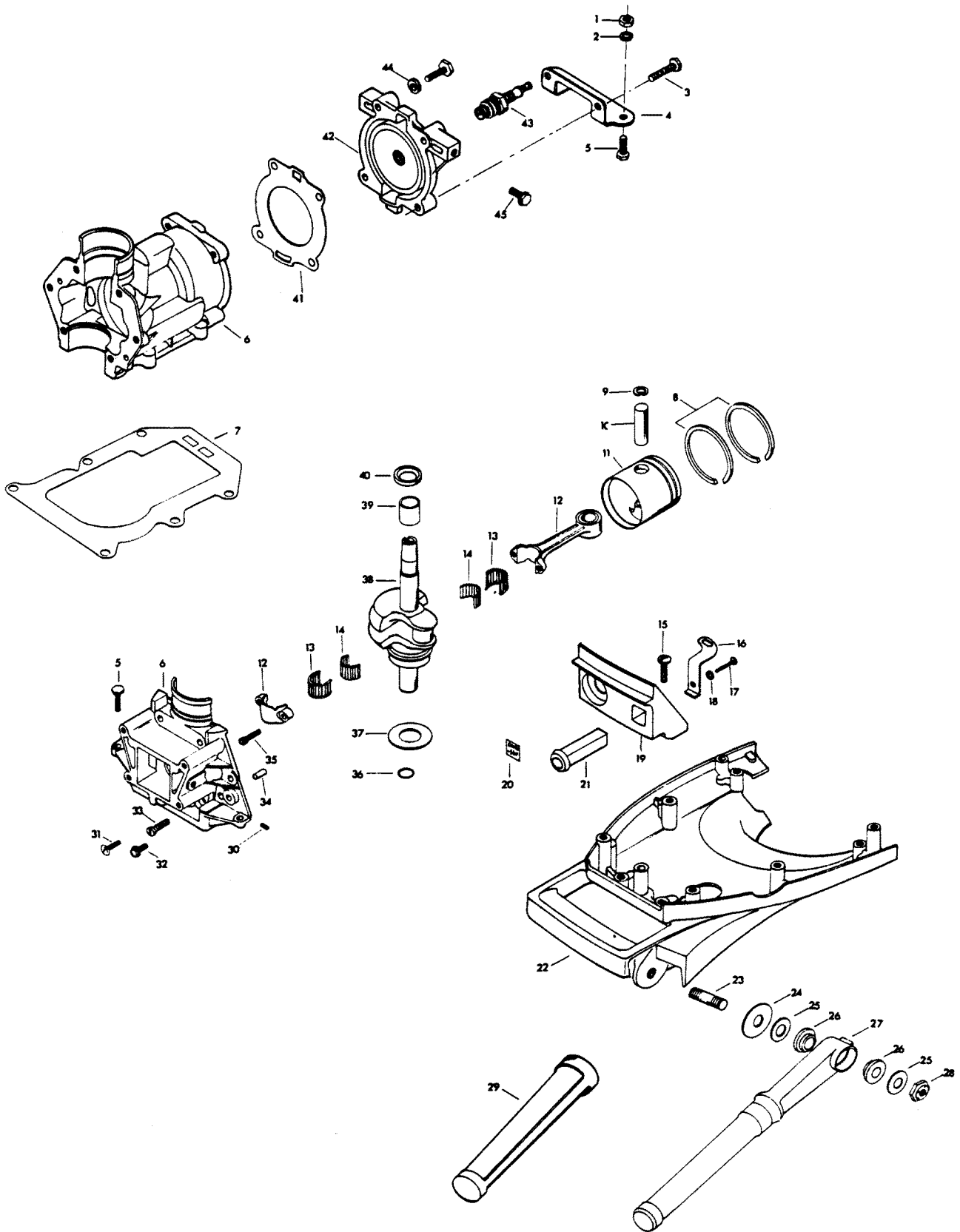
CARBURETOR AND REED PLATE



CARBURETOR AND REED PLATE

REF. NO.	PART NO.	SYM.	QTY.	DESCRIPTION
1	F521168		1	GASKET CARBURETOR ADAPTER
2	2A521167		1	CARBURETOR ADAPTER W/STUDS
3	F1833		6	HEX CAP SCREW, 1/4 - 20 X 1
4	F8060		4	INTERNAL TOOTH LOCKWASHER
5	F8026		2	PLAIN WASHER
6	F521159		1	GASKET, REED PLATE
7	F27209-1		1	STUD, CARBURETOR
8	F2A521158		1	REED PLATE W/REED, STOP & SCREWS
9	F521906		1	GASKET, CARBURETOR
10	F31160-1		1	REED
11	F424161		1	REED STOP
12	F1298		2	ROUND HD SCREW W/LOCKWASHER, 6 - 32 X 1/4
13	F521550		1	KNOB, FUEL SHUT-OFF
14	F521489		1	VALVE, FUEL SHUT-OFF
15	F10071		1	SCREW
16	F10060		1	THROTTLE VALVE
17	F521061		1	CARBURETOR COMPLETE
18	F10075		1	SPRING, THROTTLE RETURN
19	F10059		1	THROTTLE SHAFT
20	F10061		1	CHOKE SHAFT
21	F10072		1	SPRING, CHOKE STOP
22	F10073		1	SPRING, IDLE ADJUSTMENT NEEDLE
23	F10077		1	NEEDLE, IDLE
24	F10062		1	CHOKE VALVE
25	F10070		2	SCREW, CHOKE VALVE
26	F1490		2	HEX NUT, 1/4 - 20
27	F10065		1	NOZZLE
28	F10066		1	GASKET, VALVE SEAT
29	F10078		1	VALVE, SEAT AND GASKET ASSEMBLY
30	F10063		1	FLOAT
31	F10064		1	FLOAT PIN
32	F10068		1	GASKET, FUEL BOWL
33	F10067		1	GASKET, BOWL RETAINER
34	F10058		1	FUEL BOWL
35	F10074		1	SPRING, POWER NEEDLE
36	F10076		1	NEEDLE ASSEMBLY
37	F1473		1	HEX NUT
38	F521548		1	LEVER, HI-SPEED ADJUSTING
39	F1475		1	FILL HD SCREW, 10 - 24 X 1/2
-	F10079		1	REPAIR KIT INCLUDES ALL ITEMS MARKED WITH AN ASTERISK (*).
-	F10069		1	GASKET SET INCLUDES ALL ITEMS MARKED WITH A DOUBLE ASTERISK (**).

POWER HEAD AND SUPPORT PLATE

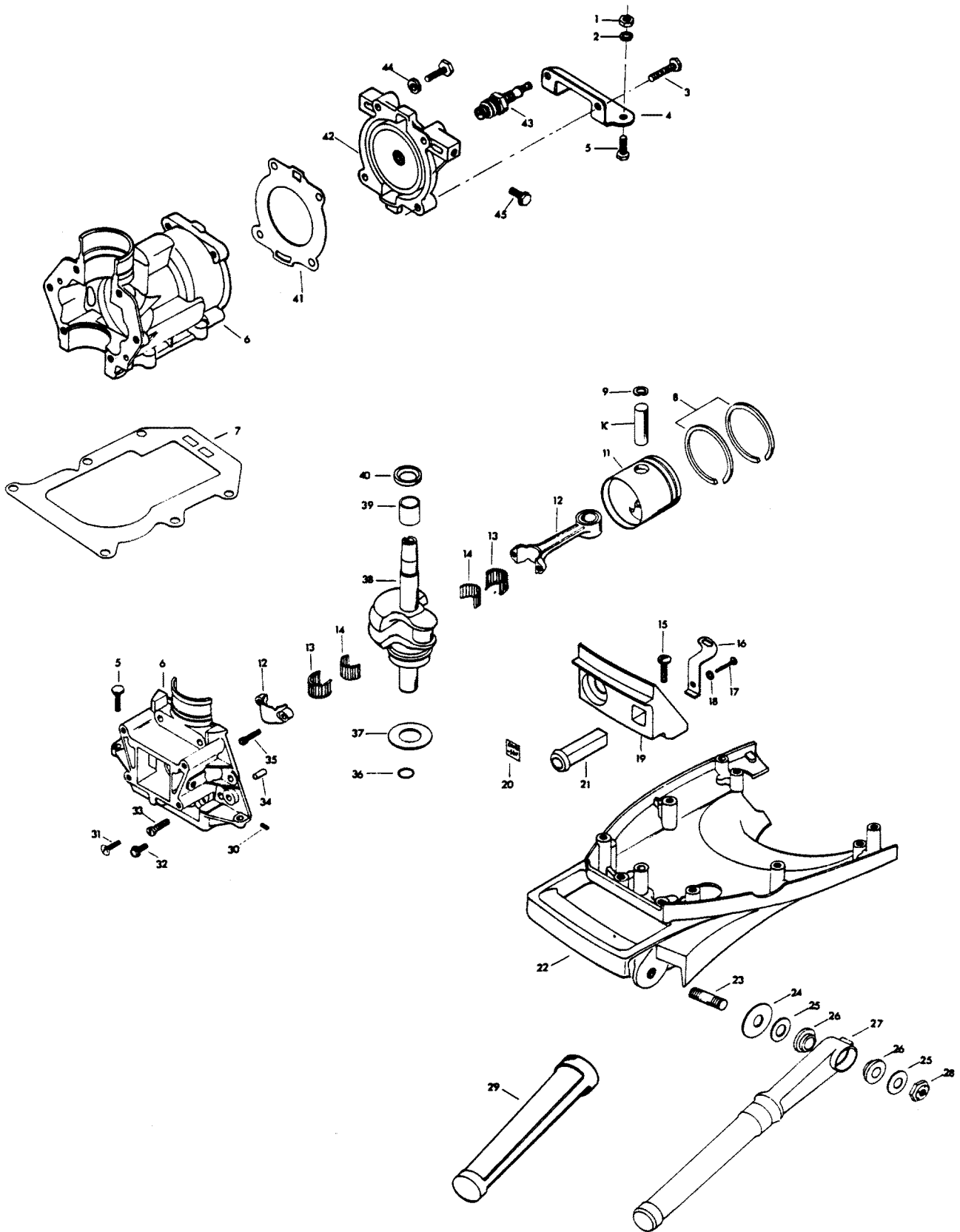


POWER HEAD AND SUPPORT PLATE

REF. NO.	PART NO.	SYM.	QTY.	DESCRIPTION
1	F1341		2	HEX NUT
2	F8083		2	SPRING LOCKWASHER
3	F901938-1		4	SCREW, CYLINDER HEAD
4	F521774		1	BRACKET, ENGINE COVER LOWER MOUNTING
5	F1705		2	HEX HD CAP SCREW, 1/4 - 20 X 3/4
6	F2A521010		1	CYLINDER W/CRANKCASE COVER, DOWEL PINS AND SCREWS
7	F521279		1	GASKET, CYLINDER EXHAUST
8	39-818038A1		2	PISTON RING SET
9	F250410		2	PISTON PIN RETAINING RING
10	F250017		1	PISTON PIN
11	F521015		1	PISTON
12	F2A521016		1	CONNECTING ROD W/SCREWS AND BEARING
13	F237241		2	CAGE, CRANKPIN ROLLER
14	FA237228		1	CRANKPIN ROLLER SET
15	F1493		2	PAN HD SCREW, 1/4 - 20 X 5/8
16	F521925		1	LINK, CHOKE KNOB
17	F1950		1	HEX HD M. SCREW, 10 - 24 X 5/8
18	F1975		1	SPRING LOCKWASHER
19	F521163		1	COVER, SUPPORT PLATE
20	F521248		1	DECAL
21	F521547		1	CHOKE KNOB
22	F521038		1	SUPPORT PLATE
23	F521004		1	STUD
24	F521415		1	WASHER, NYLON
25	F8015		2	PLAIN WASHER
26	F521319		2	BUSHING, STEERING HANDLE
27	F521079		1	STEERING HANDLE
28	F1756		1	STOP NUT
29	F390137		1	GRIP, STEERING HANDLE
30	1421		1	PIPE PLUG
31	F1107		2	FILL HD M. SCREW, 1/4 - 20 X 3/4
32	F1890		1	HEX WASHER HD TAPTITE SCREW, 1/4 - 20 X 5/8
33	F1099		4	SLOTTED FILL HD SCREW, 1/4 - 20 X 1 1/4
34	F8559		2	DOWEL PIN
35	F36634		2	SCREW, CONNECTING ROD
36	F468342		1	SEAL, CRANKSHAFT SPLINE
37	F521118		1	SEAL, CRANKSHAFT LOWER
38	F2A521018		1	CRANKSHAFT W/SLINGER AND LOWER BEARING
39	F521013		1	BEARING, CRANKSHAFT UPPER
40	F521146		1	SEAL, CRANKSHAFT UPPER
41	F521529		1	GASKET, CYLINDER HEAD
42	F521518		1	CYLINDER HEAD

CONTINUED ON NEXT PAGE ➡

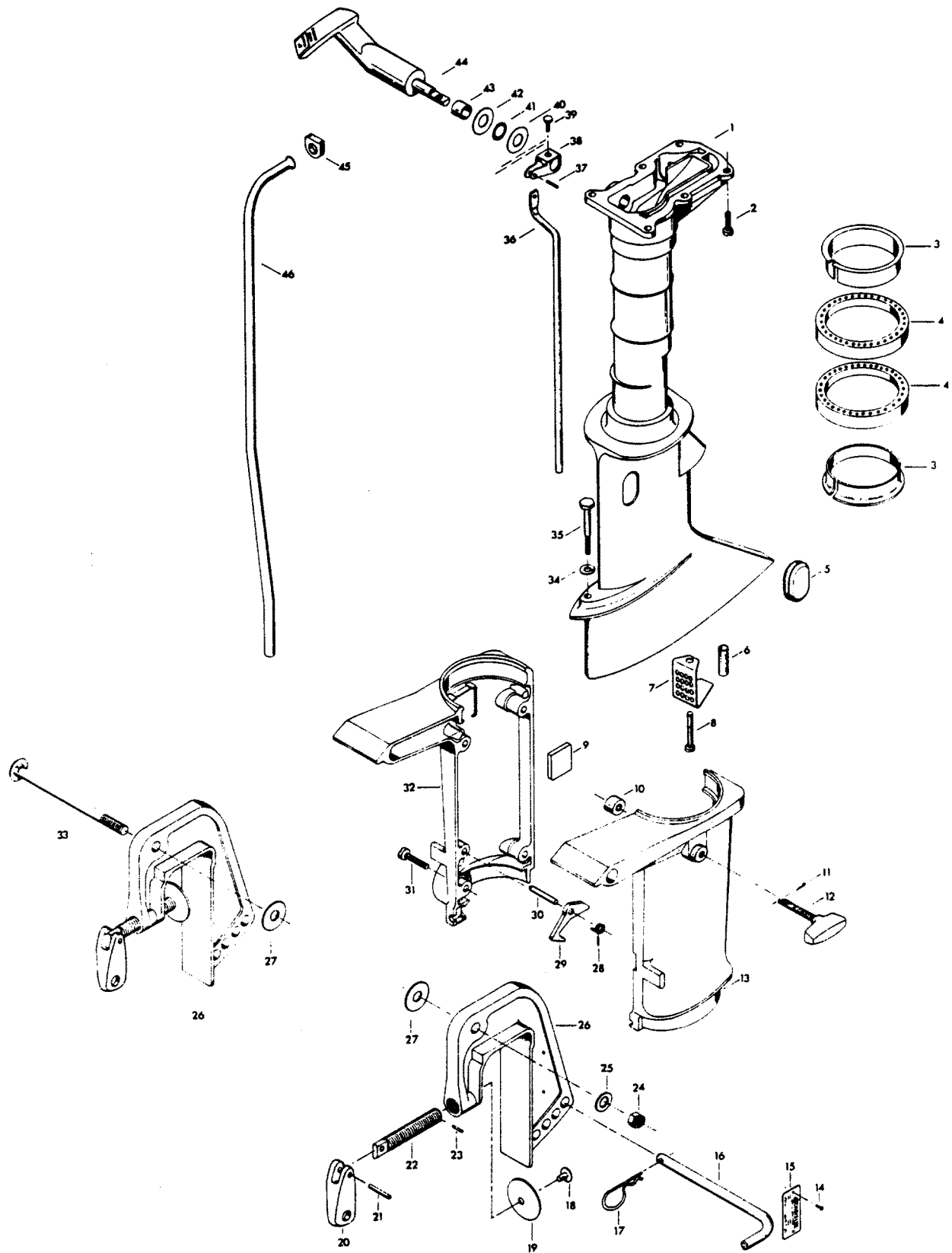
POWER HEAD AND SUPPORT PLATE



POWER HEAD AND SUPPORT PLATE

REF. NO.	PART NO.	SYM.	QTY.	DESCRIPTION
43	FS521227		1	SPARK PLUG (L-7-J)
44	F8028		2	PLAIN WASHER
45	F1426		2	HEX HD SCREW W/LOCKWASHER, 1/4 - 20 X 7/16
-	FC521010		1	SHORT BLOCK (NOT SHOWN) INCLUDES ALL ITEMS MARKED WITH AN ASTERISK (*).
-	FG1015		1	GASKET SET (NOT SHOWN)

MOTOR LEG

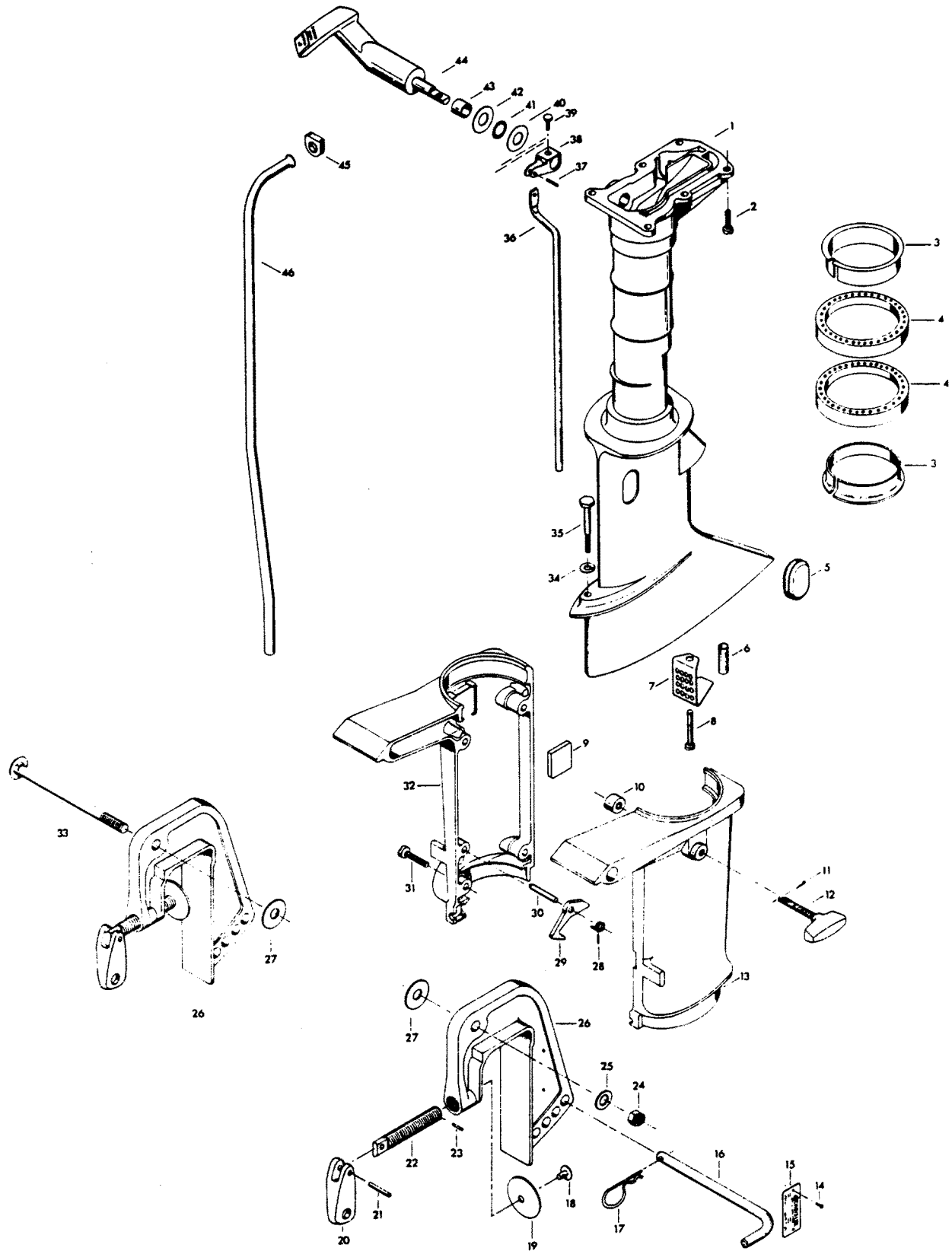


MOTOR LEG

REF. NO.	PART NO.	SYM.	QTY.	DESCRIPTION
1	F521133		1	MOTOR LEG
2	F1922		6	HEX HD SCREW, 1/4 - 20 X 5/8
3	F468169		2	BEARING, SWIVEL BRACKET
4	F468346		2	SHOCK MOUNT
5	F46899-1		1	COVER, SHIFT COUPLING
6	F521727		1	SLEEVE, IDLE BAFFLE
7	F521779		1	BAFFLE, IDLE RELIEF
8	F1747		1	FILL HD SCREW, 10 - 24 X 1 11/16
9	F521661		1	PAD, SWIVEL FRICTION
10	F521631		1	SHOE, SWIVEL FRICTION
11	F1014		1	COTTER PIN
12	F521514		1	KNOB, STEERING FRICTION W/SCREW
13	F521072		1	SWIVEL BRACKET - PORT
14	F1293		2	DRIVE SCREW, 2 X 3/16
15	FA468395		0	PLATE, IDENTIFICATION W/SCREWS
16	F459113		1	LOCK BAR
17	F1985		1	HAIR PIN, COTTER
18	F66480		2	STUD
19	F24074		2	CLAMP SCREW FOOT
20	F424075		2	HANDLE, CLAMP SCREW
21	F8554		2	SPRING PIN
22	817761A2		2	CLAMP SCREW W/FOOT AND STUD
23	F8537		2	SPRING PIN
24	F7005		1	STOP NUT
25	F8039		1	PLAIN WASHER
26	FA521532		2	STERN BRACKET W/CLAMP SCREW AND FOOT
27	F2037		2	PLAIN WASHER
28	F468300		1	SPRING, REVERSE LOCK
29	F468349		1	REVERSE LOCK
30	F468350		1	PIN, REVERSE LOCK
31	F2035		4	PHILLIPS FILL HD SCREW, 1/4 - 20 X 1
32	F468572-1		1	SWIVEL BRACKET - STARBOARD
33	F468037-1		1	PIVOT BOLT
34	F8083		1	SPRING LOCKWASHER
35	F1175		1	HEX CAP SCREW, 1/4 - 20 X 1 7/8
36	F521615		1	ROD, GEAR SHIFT UPPER
37	F1978		1	SPRING PIN
38	F521621		1	LEVER, GEAR SHIFT
39	F2074		1	HEX M. SCREW, 10 - 24 X 9/16
40	F2014		1	PLAIN WASHER
41	F19342		1	SEAL, SHIFT LEVER SHAFT

CONTINUED ON NEXT PAGE ➡

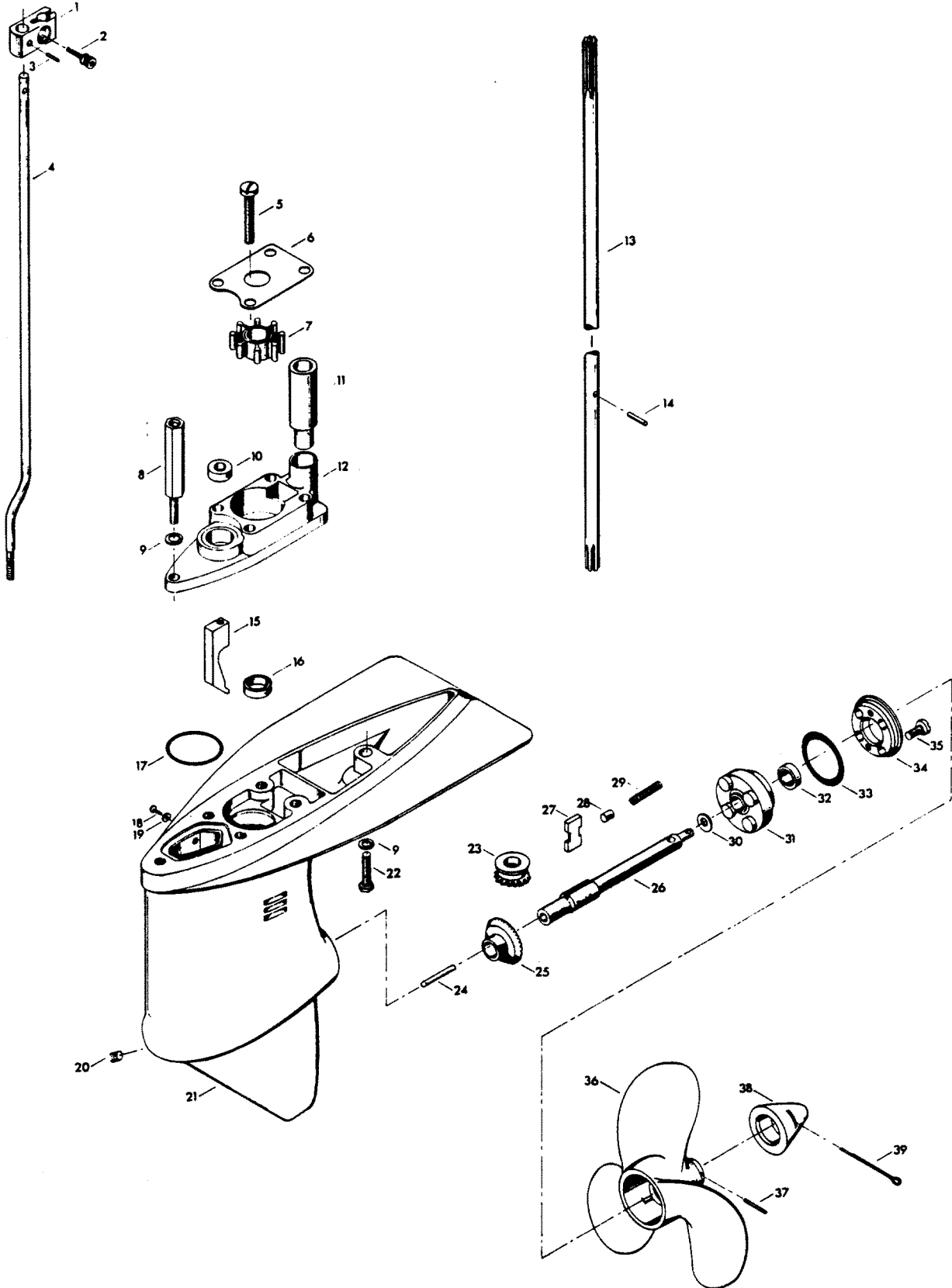
MOTOR LEG



MOTOR LEG

REF. NO.	PART NO.	SYM.	QTY.	DESCRIPTION
42	F521415		1	WASHER, GEAR SHIFT HANDLE
43	F521610		1	BEARING, GEAR SHIFT SHAFT
44	F521614		1	HANDLE, GEAR SHIFT W/SHAFT
45	F521342		1	SEAL, WATER LINE
46	F521244		1	WATER LINE

GEAR HOUSING



GEAR HOUSING

REF. NO.	PART NO.	SYM.	QTY.	DESCRIPTION
1	F521704		1	COUPLING, GEAR SHIFT ROD
2	F1976		1	SOCKET HD SCREW W/LOCKWASHER, 10 - 24 X 1/2
3	F8538		1	SPRING PIN
4	F521705		1	ROD, GEAR SHIFT LOWER
5	F1504		4	FILL HD SCREW, 1/4 - 20 X 1 1/4
6	F521537		1	PLATE, WATER PUMP
7	F521065		1	IMPELLER
8	F521006		1	STUD
9	F8083		2	SPRING LOCKWASHER
10	F338618-1		1	SEAL, SHIFT ROD
11	FA521735		1	SEAL, WATERLINE
12	FA735060		1	WATER PUMP BODY
13	F521128		1	DRIVESHAFT
14	F390563		1	PIN, WATER PUMP IMPELLER DRIVE
15	F521721		1	CAM, CLUTCH SHIFT
16	F318307		1	SEAL, DRIVESHAFT
17	F521783		1	SEAL
18	F1077		1	FILL HD SCREW, 10 - 24 X 1/4
19	F8074		1	WASHER
20	F19109		1	PLUG, GEAR HOUSING
21	F2A521054		1	GEAR HOUSING W/PLUG VENT SCRW, WASHER, DRIVESHAFT BEARING & SEAL
22	F1199		1	HEX CAP SCREW, 1/4 - 20 X 1
23	F521266		1	BEVEL PINION GEAR
24	F521728		1	CLUTCH SHIFT PIN
25	FA521023		1	BEVEL GEAR W/BEARING
26	F459098		1	PROPELLER SHAFT
27	F409521		1	CLUTCH
28	F318372		1	PIN, CLUTCH GUIDE
29	F409719		1	CLUTCH SPRING
30	F521099		1	SPACER
31	FA521298		1	BEARING CAGE W/BEARING AND SEAL
32	F901307-2		1	SEAL, PROPELLER SHAFT
33	F521305		1	SEAL, "O" RING
34	F521296		1	RETAINER, PROPELLER SHAFT BEARING CAGE
35	F1035		4	FILL HD SCREW, 1/4 - 20 X 5/8
36	FP521		1	PROPELLER
37	FA459101		1	PROPELLER PIN, PACK OF 3
38	FA286094		1	PROPELLER NUT W/COTTER PIN
39	F1846		1	COTTER PIN
-	FC521054		1	GEAR HOUSING COMPLETE (NOT SHOWN) (INCLUDES ALL ITEMS MARKED WITH AN ASTERISK *).

SPECIFICATIONS

REF. NO.	PART NO.	SYM.	QTY.	DESCRIPTION
-			0	HORSEPOWER 4 B.I.A. CERTIFIED BRAKE H.P. AT 5500 R. P. M.
-			0	ENGINE TWO-CYCLE, SINGLE CYLINDER.
-			0	BORE AND STROKE 2.0" BORE X 1 9/16" STROKE.
-			0	PISTON DISPLACEMENT 5.00 CUBIC INCHES.
-			0	FUEL SYSTEM FLOAT FEED CARBURETOR.
-			0	CONNECTING ROD ALLOY STEEL FORGING.
-			0	CRANKSHAFT STEEL FORGING - MOLDED NODULAR IRON, GROUND FINISH.
-			0	FUEL TANK STEEL TANK, CAPACITY 4 U.S. PINTS OR 2 LITERS.
-			0	PROPELLER SHAFT AND DRIVESHAFT STAINLESS STEEL, HARDENED GROUND AND POLISHED.
-			0	PROPELLER ALUMINUM, DIAMETER 7 1/4", PITCH 5 1/2" LEFT HAND ROTATION.
-			0	COOLING SYSTEM WATER COOLED - POSITIVE DISPLACEMENT TYPE WATER PUMP.
-			0	TRANSOM HEIGHT 15"
-			0	WEIGHT 38 POUNDS

LUBRICATION CHART

REF. NO.	PART NO.	SYM.	QTY.	DESCRIPTION
-			0	CLAMP SCREWS SAE 30 MOTOR OIL, TWICE EACH SEASON
-			0	SWIVEL BRACKET BEARING GRAPHITE GREASE, TWICE EACH SEASON
-			0	CONTACT SURFACE BETWEEN MAGNETO STATOR PLATE & UPR BEARING CAGE EP - ALL PURPOSE CHASSIS LUBRICANT, IF MAGNETO CONTROL LEVER BECOMES HARD TO MOVE
-			0	GEAR HOUSING CHRYSLER OUTBOARD GEAR, LUBE EVERY 30 HOURS, OFTENER IF REQUIRED
-			0	PROPELLER SHAFT ANTI-SEIZE (SPECIAL TOOL T2987-1), TWICE EACH SEASON

SPECIAL ADJUSTMENTS

REF. NO.	PART NO.	SYM.	QTY.	DESCRIPTION
-			0	STEERING TENSION IF MOTOR STEERS TOO HARD, LOOSEN THE STEERING FRICTION SCREW, ILLUSTRATION 12, PAGE 11. IF MOTOR TURNS TOO EASILY, TIGHTEN THE SCREW.
-			0	MAGNETO BREAKER POINT GAP SPACING 020".
-			0	SPARK PLUG

PARTS INDEX

Part Number	Description	Pg.	Ref. No.	Part Number	Description	Pg.	Ref. No.
1421	PIPE PLUG	11	30	F1298	ROUND HD SCREW		
2A521167	CARBURETOR ADAPTER				W/LOCKWASHER, 6 - 32 X		
	W/STUDS	9	2		1/4	9	12
521097	FLYWHEEL	7	2	F1341	HEX NUT	11	1
521817	RETAINER, STARTER ROPE			F1371	PAN HD SCREW		
	HANDLE	5	7		W/EXTERNAL TOOTH		
817761A2	CLAMP SCREW W/FOOT				LOCKWASHER, 10 - 24 X		
	AND STUD	15	22		5/8	3	12
F10058	FUEL BOWL	9	34	F1426	HEX HD SCREW		
F10059	THROTTLE SHAFT	9	19		W/LOCKWASHER, 1/4 - 20		
F10060	THROTTLE VALVE	9	16		X 7/16	13	45
F10061	CHOKE SHAFT	9	20	F1473	HEX NUT	9	37
F10062	CHOKE VALVE	9	24	F1475	FILL HD SCREW, 10 - 24 X		
F10063	FLOAT	9	30		1/2	9	39
F10064	FLOAT PIN	9	31	F1490	HEX NUT, 1/4 - 20	9	26
F10065	NOZZLE	9	27	F1493	PAN HD SCREW, 1/4 - 20 X		
F10066	GASKET, VALVE SEAT	9	28		5/8	11	15
F10067	GASKET, BOWL RETAINER	9	33	F1493	SLOTTED PAN HD SCREW,		
F10068	GASKET, FUEL BOWL	9	32		1/4 - 20 X 5/8	3	15
F10069	GASKET SET	9	-	F1504	FILL HD SCREW, 1/4 - 20 X 1		
F10070	SCREW, CHOKE VALVE	9	25		1/4	19	5
F10071	SCREW	9	15	F15510	WASHER	5	9
F10072	SPRING, CHOKE STOP	9	21	F15535	FRICTION SHOE ASSEMBLY	5	11
F10073	SPRING, IDLE ADJUSTMENT			F15570	SPRING	5	3
	NEEDLE	9	22	F15574	FIBER WASHER	5	10
F10074	SPRING, POWER NEEDLE	9	35	F15576	SPRING	5	8
F10075	SPRING, THROTTLE			F15577	RETAINING RING	5	12
	RETURN	9	18	F15582	STARTER ROPE	5	5
F10076	NEEDLE ASSEMBLY	9	36	F15591	ROTOR	5	4
F10077	NEEDLE, IDLE	9	23	F15592	COVER	5	2
F10078	VALVE, SEAT AND GASKET			F1655	HEX HD SCREW W/SPRING		
	ASSEMBLY	9	29		LOCKWASHER, 1/4 - 20 X		
F10079	REPAIR KIT	9	-		3/8	7	15
F1014	COTTER PIN	15	11	F1705	HEX HD CAP SCREW, 1/4 -		
F1035	FILL HD SCREW, 1/4 - 20 X				20 X 3/4	11	5
	5/8	19	35	F1747	FILL HD SCREW, 10 - 24 X 1		
F1077	FILL HD SCREW, 10 - 24 X				11/16	15	8
	1/4	19	18	F1752	SLOTTED PAN HD THREAD		
F1099	SLOTTED FILL HD SCREW,				FORMING SCREW, #10 X		
	1/4 - 20 X 1 1/4	11	33		2	3	24
F1107	FILL HD M. SCREW, 1/4 - 20			F1756	STOP NUT	11	28
	X 3/4	11	31	F17934	VENT CAP	3	3
F1175	HEX CAP SCREW, 1/4 - 20 X			F17935	GASKET, "O" RING	3	5
	1 7/8	15	35	F17936	FUEL CAP	3	6
F1199	HEX CAP SCREW, 1/4 - 20 X			F17937	NUT, VENT SCREW	3	7
	1	19	22	F17938	ANCHOR	3	10
F12066	FRICTION SCREW	7	18	F17939	FUEL CAP GASKET	3	8
F12090	MOUNTING SCREW	7	5	F1829	FILL HD M. SCREW, 10 - 24		
F12357	CONDENSER W/CLAMP	7	6		X 7/8	3	14
F12358	COIL W/LEAD WIRE AND			F1833	HEX CAP SCREW, 1/4 - 20 X		
	WEDGE SPRING	7	11		1	9	3
F12359	CONTACT SET	7	7	F1846	COTTER PIN	19	39
F12360	FELT CAM	7	8	F1890	HEX WASHER HD TAPTITE		
F12361	LEAD WIRE AND GROMMET				SCREW, 1/4 - 20 X 5/8	11	32
	PACKAGE	7	13	F1896	HEX NUT	3	22
F12362	STATOR PLATE W/CORE	7	9	F1896	HEX NUT	5	1
F12363	WEDGE SPRING	7	10	F19109	PLUG, GEAR HOUSING	19	20
F1293	DRIVE SCREW, 2 X 3/16	15	14	F1922	HEX HD SCREW, 1/4 - 20 X		
					5/8	15	2
				F19342	SEAL, SHIFT LEVER SHAFT	15	41

PARTS INDEX

Part Number	Description	Pg.	Ref. No.	Part Number	Description	Pg.	Ref. No.
F1950	HEX HD M. SCREW, 10 - 24 X 5/8	11	17	F468572-1	SWIVEL BRACKET - STARBOARD	15	32
F1975	SPRING LOCKWASHER	11	18	F46899-1	COVER, SHIFT COUPLING	15	5
F1976	SOCKET HD SCREW W/LOCKWASHER, 10 - 24 X 1/2	19	2	F521002	CAM	7	4
F1978	SPRING PIN	15	37	F521004	STUD	11	23
F1979	PAN HD SCREW, 10 - 24 X 1/2	3	29	F521006	STUD	19	8
F1985	HAIR PIN, COTTER	15	17	F521013	BEARING, CRANKSHAFT UPPER	11	39
F2014	PLAIN WASHER	15	40	F521015	PISTON	11	11
F2035	PHILLIPS FILL HD SCREW, 1/4 - 20 X 1	15	31	F521034	FUEL TANK	3	20
F2037	PLAIN WASHER	15	27	F521038	SUPPORT PLATE	11	22
F2042	PLAIN WASHER	3	31	F521061	CARBURETOR COMPLETE	9	17
F2074	HEX M. SCREW, 10 - 24 X 9/16	15	39	F521063	STARTER COMPLETE	5	-
F237241	CAGE, CRANKPIN ROLLER	11	13	F521065	IMPELLER	19	7
F2389	CAP TENSION SPRING	3	4	F521072	SWIVEL BRACKET - PORT	15	13
F24074	CLAMP SCREW FOOT	15	19	F521079	STEERING HANDLE	11	27
F250017	PISTON PIN	11	10	F521099	SPACER	19	30
F250410	PISTON PIN RETAINING RING	11	9	F521118	SEAL, CRANKSHAFT LOWER	11	37
F27209-1	STUD, CARBURETOR	9	7	F521128	DRIVESHAFT	19	13
F2A521010	CYLINDER W/CRANKCASE COVER, DOWEL PINS AND SCREWS	11	6	F521132	HANDLE, STARTER ROPE	5	6
F2A521016	CONNECTING ROD W/SCREWS AND BEARING	11	12	F521133	MOTOR LEG	15	1
F2A521018	CRANKSHAFT W/SLINGER AND LOWER BEARING	11	38	F521146	SEAL, CRANKSHAFT UPPER	11	40
F2A521054	GEAR HOUSING	19	21	F521159	GASKET, REED PLATE	9	6
F2A521158	REED PLATE W/REED, STOP & SCREWS	9	8	F521163	COVER, SUPPORT PLATE	11	19
F31160-1	REED	9	10	F521168	GASKET CARBURETOR ADAPTER	9	1
F318307	SEAL, DRIVESHAFT	19	16	F521192	THROTTLE CAM	7	16
F318372	PIN, CLUTCH GUIDE	19	28	F521244	WATER LINE	17	46
F338618-1	SEAL, SHIFT ROD	19	10	F521248	DECAL	11	20
F36634	SCREW, CONNECTING ROD	11	35	F521266	BEVEL PINION GEAR	19	23
F390137	GRIP, STEERING HANDLE	11	29	F521279	GASKET, CYLINDER EXHAUST	11	7
F390563	PIN, WATER PUMP IMPELLER DRIVE	19	14	F521296	RETAINER, PROPELLER SHAFT BEARING CAGE	19	34
F409521	CLUTCH	19	27	F521305	SEAL, "O" RING	19	33
F409719	CLUTCH SPRING	19	29	F521319	BUSHING, STEERING HANDLE	11	26
F424075	HANDLE, CLAMP SCREW	15	20	F521342	SEAL, WATER LINE	17	45
F424161	REED STOP	9	11	F521391	DECAL, SPEED RANGE	3	16
F427249	RETAINING RING	3	9	F521392	DECAL, CHRYSLER - PORT	3	26
F436449	SHORTING SWITCH	7	19	F521396	DECAL, CHRYSLER - STARBOARD	3	-
F459098	PROPELLER SHAFT	19	26	F521415	WASHER, GEAR SHIFT HANDLE	17	42
F459113	LOCK BAR	15	16	F521415	WASHER, NYLON	11	24
F459186	COLLAR, FUEL TANK	3	1	F521489	VALVE, FUEL SHUT-OFF	9	14
F468037-1	PIVOT BOLT	15	33	F521498	KEY, FLYWHEEL	7	3
F468169	BEARING, SWIVEL BRACKET	15	3	F521514	KNOB, STEERING FRICTION W/SCREW	15	12
F468300	SPRING, REVERSE LOCK	15	28	F521518	CYLINDER HEAD	11	42
F468342	SEAL, CRANKSHAFT SPLINE	11	36	F521528	DECAL, TRIM REAR	3	2
F468346	SHOCK MOUNT	15	4	F521529	GASKET, CYLINDER HEAD	11	41
F468349	REVERSE LOCK	15	29	F521537	PLATE, WATER PUMP	19	6
F468350	PIN, REVERSE LOCK	15	30	F521547	CHOKE KNOB	11	21
				F521548	LEVER, HI-SPEED ADJUSTING	9	38
				F521549	THROTTLE LEVER	7	14
				F521550	KNOB, FUEL SHUT-OFF	9	13
				F521552	SCREW, FLYWHEEL	7	1

PARTS INDEX

Part Number	Description	Pg.	Ref. No.	Part Number	Description	Pg.	Ref. No.
F521610	BEARING, GEAR SHIFT SHAFT	17	43	FA521778	RETAINER, ENGINE COVER FRONT W/SCREWS & NUTS	3	25
F521614	HANDLE, GEAR SHIFT W/SHAFT	17	44	FA521892	INSERT, PLATE FRONT - U. S. A.	3	28
F521615	ROD, GEAR SHIFT UPPER .	15	36	FA521893	INSERT, PLATE FRONT - CANADA	3	-
F521621	LEVER, GEAR SHIFT	15	38	FA735060	WATER PUMP BODY	19	12
F521631	SHOE, SWIVEL FRICTION ..	15	10	FC521010	SHORT BLOCK (NOT SHOWN)	13	-
F521661	PAD, SWIVEL FRICTION ...	15	9	FC521054	GEAR HOUSING COMPLETE (NOT SHOWN)	19	-
F521704	COUPLING, GEAR SHIFT ROD	19	1	FG1015	GASKET SET (NOT SHOWN)	13	-
F521705	ROD, GEAR SHIFT LOWER .	19	4	FK521713	PACKING, TOP COVER TRIM	3	23
F521721	CAM, CLUTCH SHIFT	19	15	FK750-1	SPARKIE KIT	7	12
F521727	SLEEVE, IDLE BAFFLE	15	6	FP521	PROPELLER	19	36
F521728	CLUTCH SHIFT PIN	19	24	FS521227	SPARK PLUG (L-7-J)	13	43
F521754	HOSE	3	19	FS521712	ENGINE COVER TOP W/RETAINER AND PACKING	3	30
F521774	BRACKET, ENGINE COVER LOWER MOUNTING	11	4	39-818038A1	PISTON RING SET	11	8
F521779	BAFFLE, IDLE RELIEF	15	7				
F521783	SEAL	19	17				
F521894	DECAL, "OFF"	3	13				
F521906	GASKET, CARBURETOR ...	9	9				
F521908	GROUND WIRE	7	17				
F521925	LINK, CHOKE KNOB	11	16				
F521944	ENGINE COVER, BOTTOM .	3	11				
F66480	STUD	15	18				
F7005	STOP NUT	15	24				
F7009	HEX NUT	3	27				
F8015	PLAIN WASHER	11	25				
F8026	PLAIN WASHER	9	5				
F8028	PLAIN WASHER	13	44				
F8039	PLAIN WASHER	15	25				
F8060	INTERNAL TOOTH LOCKWASHER	9	4				
F8061	INTERNAL TOOTH LOCKWASHER	3	21				
F8074	WASHER	19	19				
F8083	SPRING LOCKWASHER ...	11	2				
F8083	SPRING LOCKWASHER ...	15	34				
F8083	SPRING LOCKWASHER ...	19	9				
F8537	SPRING PIN	15	23				
F8538	SPRING PIN	19	3				
F8554	SPRING PIN	15	21				
F8559	DOWEL PIN	11	34				
F901307-2	SEAL, PROPELLER SHAFT .	19	32				
F901811	FITTING, GAS TANK	3	17				
F901938-1	SCREW, CYLINDER HEAD .	11	3				
F97772	HOSE CLAMP	3	18				
FA237228	CRANKPIN ROLLER SET ...	11	14				
FA286094	PROPELLER NUT W/COTTER PIN	19	38				
FA459101	PROPELLER PIN, PACK OF 3	19	37				
FA468395	PLATE, IDENTIFICATION W/SCREWS	15	15				
FA521023	BEVEL GEAR W/BEARING .	19	25				
FA521298	BEARING CAGE W/BEARING AND SEAL	19	31				
FA521532	STERN BRACKET W/CLAMP SCREW AND FOOT	15	26				
FA521735	SEAL, WATERLINE	19	11				